

Use & Care Guide
Manual de Uso y Cuidado

English / Español



For best results, a low-sudsing, HE High Efficiency Detergent made for high efficiency washers must be used.



Para obtener los mejores resultados, deberá utilizarse un detergente HE para lavadoras de alta eficacia y baja espuma.



Model/Modelo: 796.3143*

Kenmore Elite[®]

Top-Loading

Automatic Washer

Lavadora automática de carga superior

* = color number, número de color



* M F L 6 8 2 6 7 0 3 7 *

Sears Brands Management Corporation
Hoffman Estates, IL 60179 U.S.A.

www.kenmore.com
www.sears.com



TABLE OF CONTENTS

IMPORTANT SAFETY INSTRUCTIONS	3-5
GROUNDING REQUIREMENTS	5
FEATURES AND BENEFITS	
Key Parts and Components	6
Optional Accessories	6
Included Accessories	6
INSTALLATION REQUIREMENTS	
Key Dimensions and Specifications	7
Choose the Proper Location	7
Flooring	7
Clearances.....	7
INSTALLATION INSTRUCTIONS	
Unpacking and Removing Shipping Material.....	8
Connecting the Water Lines.....	9
Connecting the Drain Hose	10
Connect to the Power Supply.....	10
Leveling the Washer	11
HOW TO USE	
Control Panel Features.....	12
Operating the Washer	13
Cycle Guide.....	14-15
Sorting Wash Loads.....	16-17
About the Dispensers	18
Detergent and Dispenser Use	19
Time and Status Display	20
Cycle Modifier Buttons	21
Option Buttons	22-24
Accela Wash	22
Stain Boost.....	22
Extra Rinse	22
Deep Fill.....	22
Add a Garment.....	22
Chime.....	22
Fabric Softener	23
Soak.....	23
Delay Wash	23
Rinse & Spin	23
Control Lock.....	23
Smart Features.....	23
Special Drain Feature.....	23
My Cycle	24
CARE AND CLEANING	
Regular Cleaning	25
Maintenance	26
Cleaning the Washer.....	27
KENMORE CONNECT™ SYSTEM	28
Using the Kenmore Connect™ System.....	28
TROUBLESHOOTING GUIDE	
Normal Sounds You May Hear.....	29
Before Calling for Service.....	29-34
Error Codes	33-34
WARRANTY	35
SERVICE	Back Cover

PRODUCT RECORD

In the space below, record the date of purchase, model, and serial number of your product. You will find the model and serial number printed on an identification plate located inside the washer lid. Have these items of information available whenever you contact Sears concerning your product.

Model No. _____

Date of Purchase _____

Serial No. _____

Save these instructions and your sales receipt for future reference.

PROTECTION AGREEMENTS

Master Protection Agreements

Congratulations on making a smart purchase. Your new Kenmore® product is designed and manufactured for years of dependable operation. But like all products, it may require preventive maintenance or repair from time to time. That's when having a Master Protection Agreement can save you money and aggravation.

The Master Protection Agreement also helps extend the life of your new product. Here's what the Agreement* includes:

- **Parts and labor** not just for repairing defects, but to help keep products operating properly **under normal use**. Coverage goes **well beyond the product warranty**. No deductibles, no functional failure excluded from coverage – **real protection**.
- **Expert service** by experienced service technicians trusted in millions of homes every year.
- **Unlimited service calls and nationwide service**, as often as you want us, whenever you want us.
- **“No-lemon” guarantee** – replacement of your covered product after three separate product failures occur within twelve months and a fourth repair is required. Includes free delivery and installation, if necessary, of replacement product.
- **Product replacement** if your covered product can't be fixed.
- **Annual Preventive Maintenance Check** at your request – no extra charge.
- **Fast help by phone** – phone support from a service agent on all products to help troubleshoot problems. Think of us as a “talking owner's manual.”
- **Power surge protection** against electric damage due to power fluctuations.
- **\$300 Food Loss Protection** for any food spoilage that is the result of mechanical failure of any covered refrigerator or freezer.
- **Service Promise: \$50** if first attempt repair of your covered product can't be accomplished and product is not usable while awaiting further repair service.
- **25% discount** off the regular price of any non-covered repair service and related installed parts.

Once you purchase the Agreement, a simple phone call is all that it takes for you to schedule service. You can call anytime day or night.

The Master Protection Agreement is a risk-free purchase. If you cancel for any reason during the product warranty period, we will provide a full refund, or a prorated refund any time after the product warranty period expires. Purchase your Master Protection Agreement today!

Some limitations and exclusions apply.
For prices and additional information in the U.S.A.
call 1-800-827-6655.

***Coverage in Canada varies on some items.**
For full details call Sears Canada at 1-800-361-6665.

Sears Installation Service

For Sears professional installation of home appliances, garage door openers, water heaters, and other major home items, in the U.S.A. call **1-844-553-6667**, and in Canada call **1-800-469-4663**.

SAFETY MESSAGES

There are many important safety messages in this manual and on your appliance. Always read and obey all safety messages.



This is the safety alert symbol. This symbol alerts you to potential hazards that can result in property damage and/or serious bodily harm or death.

All safety messages will follow the safety alert symbol and either the word DANGER, WARNING or CAUTION. These words mean:

DANGER

Indicates a hazardous situation which, if not avoided, will result in death or serious injury.

WARNING

Indicates a hazardous situation which, if not avoided, could result in death or serious injury.

CAUTION

Indicates a hazardous situation which, if not avoided, could result in minor or moderate injury.

All safety messages will tell you what the potential hazard is, tell you how to reduce the chance of injury, and tell you what can happen if the instructions are not followed.

IMPORTANT SAFETY INSTRUCTIONS

WARNING

To reduce the risk of fire, electric shock, or injury to persons when using this appliance, follow basic precautions, including the following.

- Use this appliance only for its intended purpose as described in this Use & Care Guide.
- Before use, the washer must be properly installed as described in this manual.
- Do not wash articles that have been previously cleaned in, washed in, soaked in, or spotted with gasoline, dry cleaning solvents, or other flammable or explosive substances, as they give off vapors that could ignite or explode.
- Do not add gasoline, dry cleaning solvents, or other flammable or explosive substances to the wash water. These substances give off vapors that could ignite or explode.
- Under certain conditions, hydrogen gas may be produced in a hot water system that has not been used for two weeks or more. **HYDROGEN GAS IS EXPLOSIVE.** If the hot water system has not been used for such a period, before using the washer, turn ON all hot water faucets and let the water flow from each for several minutes. This will release any accumulated hydrogen gas. As the gas is flammable, do not smoke or use an open flame during this time.
- Do not allow children to play on or in the washer. Close supervision of children is necessary when the washer is used near children.
- Before your washer is removed from service or discarded, remove the lid to the washing compartment to avoid the danger of children or small animals getting trapped inside. Failure to do so can result in serious personal injury or death.
- Do not install or store the washer where it will be exposed to the weather or freezing temperatures.
- Do not tamper with controls.
- Keep the area underneath and around your appliance free of combustible materials (lint, paper, rags, etc.), gasoline, chemicals and other flammable vapors and liquids.
- Do not repair or replace any part of the washer or attempt any servicing other than as described in this manual. We strongly recommend that any service be performed by a qualified technician.
- See Installation Instructions for grounding requirements.
- ALWAYS follow the fabric care instructions supplied by the garment manufacturer.
- Do not place items exposed to cooking oil in your washer. Items contaminated with cooking oils may contribute to a chemical reaction that could cause a load to catch fire.
- Use fabric softeners or products to eliminate static only as recommended by the manufacturer.
- This washer is not designed for maritime use or for mobile installations such as in RVs, aircraft, etc.
- Turn OFF the water faucets and unplug the washer if the machine is to be left for an extended period of time, such as during vacations.
- Packaging material can be dangerous for children. **There is a risk of suffocation.** Keep all packaging from children.
- Always check the inside of the washer for foreign objects before loading laundry. Keep the lid closed when not in use.

WARNING: This product contains chemicals known to the State of California to cause cancer and birth defects or other reproductive harm. **Wash hands after handling.**

WARNING

To reduce the risk of fire, electric shock, or injury to persons when using this appliance, follow basic precautions, including the following.

- **Unplug the washer before cleaning** to avoid the risk of electric shock.
- **Never use harsh chemicals, abrasive cleaners, or solvents to clean the washer.** They will damage the finish.
- **Do not put oily or greasy rags or clothing on top of the washer.** These substances give off vapors that could ignite the materials.
- **Do not wash items that are soiled with vegetable or cooking oil.** These items may contain some oil after laundering and may catch fire.
- **Disconnect this appliance from the power supply before attempting any user maintenance.** Turning the controls to the OFF position does not disconnect this appliance from the power supply. Failure to follow this warning can cause serious injury, fire, electric shock, or death.
- **Do not combine detergents, fabric softeners, and/or other laundry products from different manufacturers for use in a load, unless specified on the label.**
- **Do not mix chlorine bleach with ammonia or acids such as vinegar.** Follow package directions when using laundry products. Incorrect usage can produce poisonous gas, resulting in serious injury or death.
- **Do not reach into the washer while parts are moving.** Before loading, unloading, or adding items, push in the cycle selector knob and allow the tub to coast to a complete stop before reaching inside. Failure to follow this warning can cause serious injury, fire, electric shock or death.
- **Refer to INSTALLATION INSTRUCTIONS for detailed grounding procedures.** Installation instructions are packed in the washer for the installer's reference. If the washer is moved to a new location, have it checked and reinstalled by a qualified service technician. Failure to follow this warning can cause serious injury, fire, electric shock, or death.
- **Do not, under any circumstances, cut or remove the third (ground) prong from the power cord.** Failure to follow this warning can cause serious injury, fire, electric shock, or death.
- **For personal safety, this appliance must be properly grounded.** Failure to follow this warning can cause serious injury, fire, electric shock, or death.
- **The power cord of this appliance is equipped with a 3-prong (grounding) plug which mates with a standard 3-prong (grounding) wall outlet** to minimize the possibility of electric shock hazard from this appliance.
- **This washer must be plugged into a 120VAC, 60Hz grounded outlet.** Failure to follow this warning can cause serious injury, fire, electric shock, or death.
- **Have the wall outlet and circuit checked by a qualified electrician to make sure the outlet is properly grounded.** Failure to follow this warning can cause serious injury, fire, electric shock, or death.
- **Where a standard 2-prong wall outlet is encountered, it is your personal responsibility and obligation to have it replaced with a properly grounded 3-prong wall outlet.** Failure to follow this warning can cause serious injury, fire, electric shock, or death.
- **Do not install on carpet.** Install the washer on a solid floor. Failure to follow this warning can cause serious leak damage.
- **Do not remove grounding prong. Do not use an adapter or extension cord. Plug into a grounded 3-prong outlet.** Failure to follow these warnings can cause serious injury, fire, electric shock, or death.
- **Do not, under any circumstances, cut or remove the third (ground) prong from the power cord.** Failure to follow this warning can cause serious injury, fire, electric shock, or death.
- **The washer should always be plugged into its own individual electrical outlet which has a voltage rating that matches the rating plate.** This provides the best performance and also prevents overloading house wiring circuits which could cause a fire hazard from overheated wires.
- **Never unplug your washer by pulling on the power cord.** Always grip plug firmly and pull straight out from the outlet. Failure to follow this warning can cause serious injury, fire, electric shock, or death.
- **Immediately repair or replace all power cords that have become frayed or otherwise damaged.** Do not use a cord that shows cracks or abrasion damage along its length or at either end. Consult with a qualified service technician. Failure to follow this warning can cause serious injury, fire, electric shock, or death.
- **When installing or moving the washer, be careful not to pinch, crush, or damage the power cord.** Failure to follow this warning can cause serious injury, fire, electric shock, or death.
- **The washer must be installed and electrically grounded by a qualified service technician in accordance with local codes to prevent shock hazard and assure stability during operation.**
- **The washer is heavy. Two or more people will be needed to install and move the appliance.** Failure to do so can result in damage to property or serious bodily injury.
- **Store and install the washer where it will not be exposed to temperatures below freezing or exposed to outdoor weather conditions.** Failure to follow this warning can cause serious leak damage.
- **To reduce the risk of electric shock, do not install the washer in humid spaces.** Failure to follow this warning can cause serious injury, fire, electric shock, or death.
- **To reduce the risk of personal injury, adhere to all industry recommended safety procedures including the use of long sleeved gloves and safety glasses.** Failure to follow all of the safety warnings in this manual could result in property damage, personal injury or death.
- **Never attempt to operate this appliance if it is damaged, malfunctioning, partially disassembled or has missing or broken parts, including a damaged cord or plug.**
- **To minimize the possibility of electric shock, unplug this appliance from the power supply or disconnect the washer at the household distribution panel by removing the fuse or switching off the circuit breaker before attempting any maintenance or cleaning.**
- **To reduce the risk of electric shock, do not touch the power plug with wet hands.**

⚠ WARNING: RISK TO CHILDREN

- Do not allow children to play on or in the washer. Close supervision of children is necessary when the washer is used near children. As children grow, teach them the proper, safe use of all appliances. Failure to comply with these warnings could result in serious personal injury.
- Destroy the carton, plastic bag, and other packing materials after the washer is unpacked. Children might use them for play. Cartons covered with rugs, bedspreads, or plastic sheets can become airtight chambers. Failure to comply with these warnings could result in serious personal injury.
- Keep laundry products out of children's reach. To prevent personal injury, observe all warnings on product labels. Failure to comply with these warnings could result in serious personal injury.
- Before your washer is removed from service or discarded, remove the lid to the washing compartment to avoid the danger of children or small animals getting trapped inside. Failure to do so can result in serious personal injury or death.

GROUNDING REQUIREMENTS

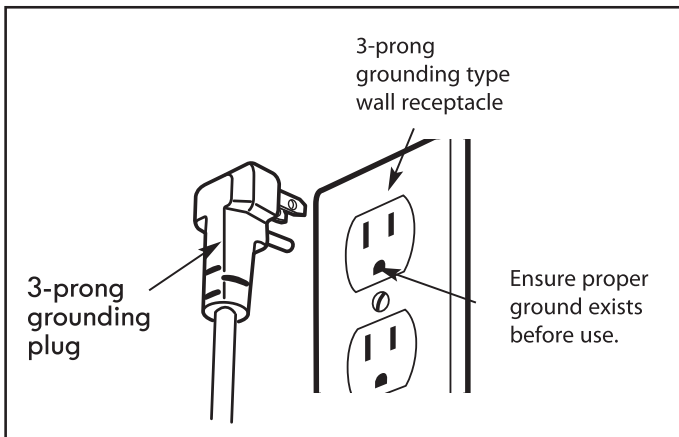
IMPORTANT: Please read carefully. TO CONNECT ELECTRICITY

⚠ WARNING

Improper connection of the equipment-grounding conductor can result in risk of electric shock. Check with a qualified electrician or service technician if you are in doubt as to whether the appliance is properly grounded. Do not modify the plug provided with the appliance. If it does not fit the outlet, have a proper outlet installed by a qualified electrician. Failure to follow these warnings can cause serious injury, fire, electric shock, or death.

GROUNDING INSTRUCTIONS

This appliance must be grounded. In the event of malfunction or breakdown, grounding will reduce the risk of electric shock by providing a path of least resistance for electric current. This appliance is equipped with a cord having an equipment-grounding conductor and grounding plug. The plug must be plugged into an appropriate outlet that is properly installed and grounded in accordance with all local codes and ordinances.



KEY PARTS AND COMPONENTS

A LID LOCK

The washer lid is locked during operation. The lid can be unlocked by pressing the START/PAUSE button to stop the washer.

B ULTRA-CAPACITY STAINLESS STEEL TUB

The ultra-large stainless steel tub offers extreme durability.

C SOFT CLOSE, TEMPERED GLASS LID

The soft close hinges allow the lid to close gently and quietly. The tempered glass is durable and makes it easy to observe the washer.

D FRONT TOUCH PANEL

The front touch panel is specially designed to be water resistant and provides easy access to controls, eliminating the need to reach for rear controls. The soft-surface touch buttons add a premium touch.

E SMARTRINSE

This washer is designed to save rinse water by using a jet spray rinse system in NORMAL and HEAVY DUTY cycles.

F KENMORE CONNECT™

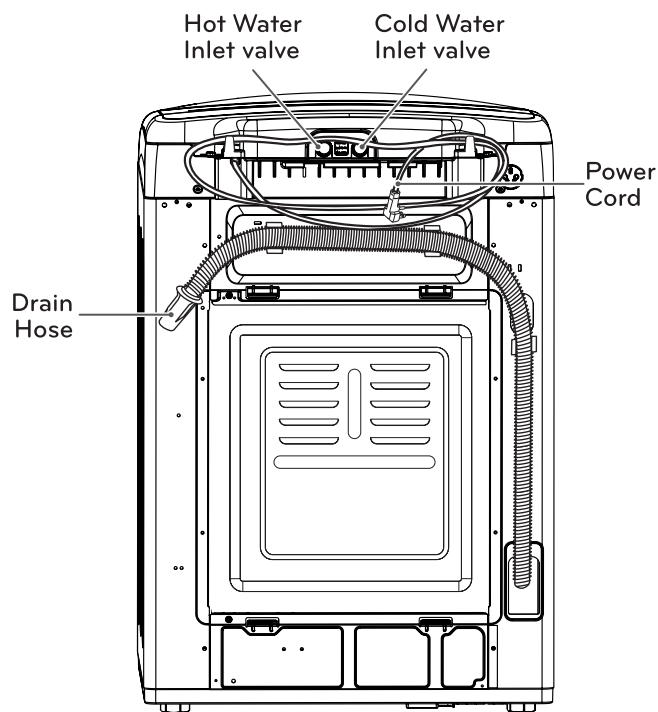
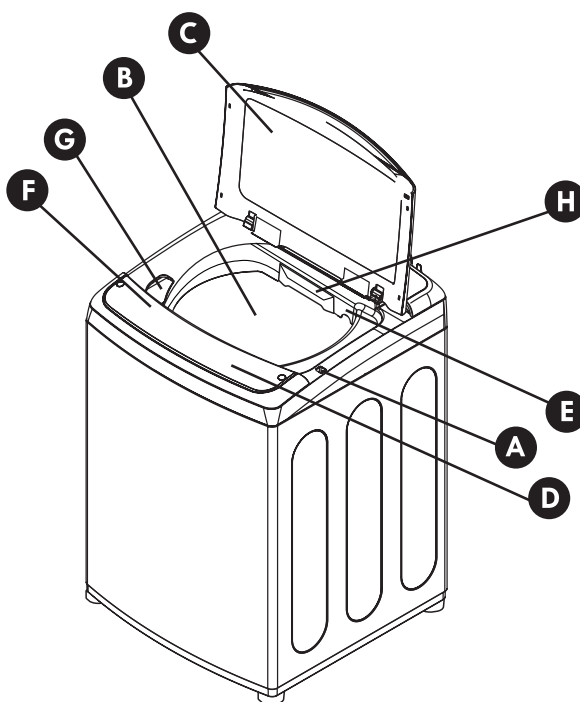
Should you experience any problems with your washing machine, it has the capability of transmitting data via your telephone to the Kenmore Connect Team. This gives you the capability of speaking directly to our specially trained technicians. The technician records the data transmitted from your machine and uses it to analyze the issue, providing a fast and effective diagnosis.

G BLEACH DISPENSER

The Bleach Dispenser compartment holds liquid bleach, that is dispensed automatically at the proper time during the wash cycle.

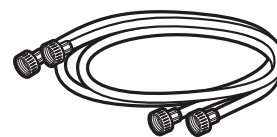
H DISPENSER DRAWER

Add detergent or softener to the main wash compartment of the dispenser drawer. Cleaning products are dispensed automatically at the proper time during the wash cycle.



Optional Accessory

Hot and cold water hoses (with 2 seals per hose, 1 at each end)



Included Accessory

Cable tie (for securing drain hose)



INSTALLATION REQUIREMENTS

KEY DIMENSIONS AND SPECIFICATIONS

Description	Top-Loading Washer
Rated Voltage/Frequency	120VAC, 60Hz
Dimensions	27"(W) X 28 3/8"(D) X 41 3/10"(H), 55 3/8"(H with lid open) 68.6 cm (W) X 72.1 cm (D) X 105.0 cm (H), 140.6 cm (H with lid open)
Net Weight	137.8 lbs. (62.5kg)

CHOOSE THE PROPER LOCATION

⚠ WARNING

- **Washer is heavy. Two or more people are required when moving and unpacking the washer.** Failure to do so may result in damage to property or serious bodily harm.
- **Store and install the washer where it will not be exposed to temperatures below freezing or exposed to outdoor weather conditions.** Failure to follow this warning can cause serious injury, fire, electric shock, or death.
- **Properly ground washer to conform with all electric governing codes and ordinances.** Failure to follow this warning can cause serious injury, fire, electric shock, or death.
- **To reduce the risk of electric shock, do not install the washer in humid spaces.** Failure to follow this warning can cause serious injury, fire, electric shock, or death.
- **To ensure proper air flow, do not block the large opening on the bottom of the washer with carpeting or other materials.**
- **Do not remove ground prong. Do not use an adapter or extension cord. Plug into a grounded 3-prong outlet.** Failure to follow this warning can cause serious injury, fire, electric shock, or death.

NOTE: Installing the washer in a humid space, or installing or storing the washer where it will be exposed to the weather or freezing temperatures, may result in rust or other damage that is not covered by the product warranty.

Power Outlet

- The power outlet must be within 60 in. (1.5 m) of either side of the washer.
- The appliance and outlet must be positioned so that the plug is easily accessible.
- Do not overload the outlet with more than one appliance.
- The outlet must be grounded in accordance with current wiring electric codes and regulations.
- Time-delay fuse or circuit breaker is recommended.

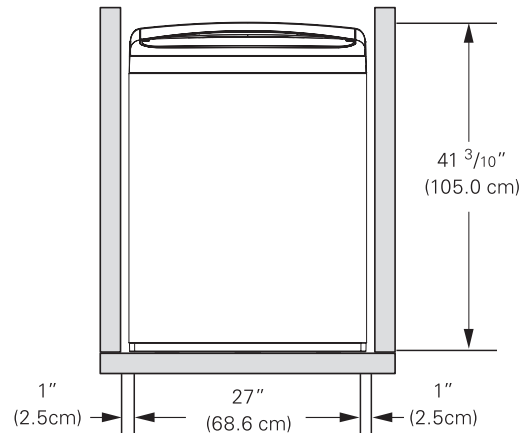
NOTE: It is the personal responsibility and obligation of the product owner to have a proper outlet installed by a qualified service technician.

FLOORING

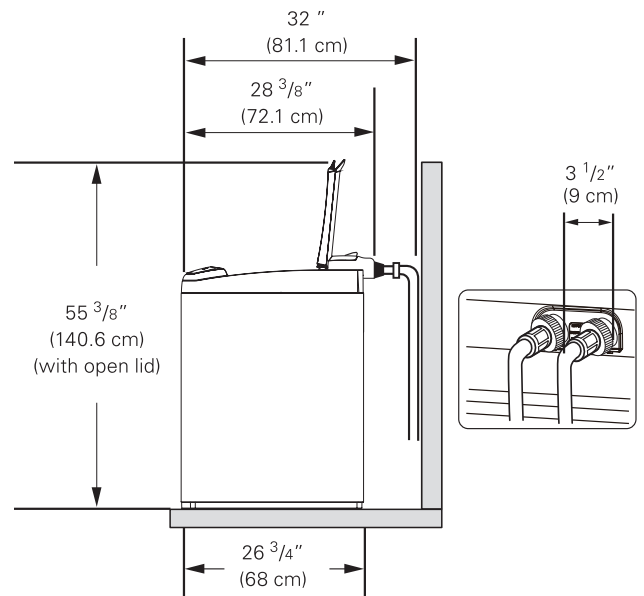
- To minimize noise and vibration, the washer **MUST** be installed on a solidly constructed floor. See the NOTE to your right.
- Allowable slope under the entire washer is a maximum 1 in. difference from side to side or from front to back.

- Installing on carpeting and soft tile surfaces is not recommended.
- Never install the washer on a platform or weakly supported structure.

CLEARANCES



To ensure sufficient clearance for water lines and airflow, allow minimum clearances of at least 1 in. (2.5 cm) at the sides and 4 in. (10 cm) behind the unit. Be sure to allow for wall, door, or floor moldings that may increase the required clearances.



Minimum vertical space from floor to overhead shelves, cabinets, ceilings, etc., is 56 in.

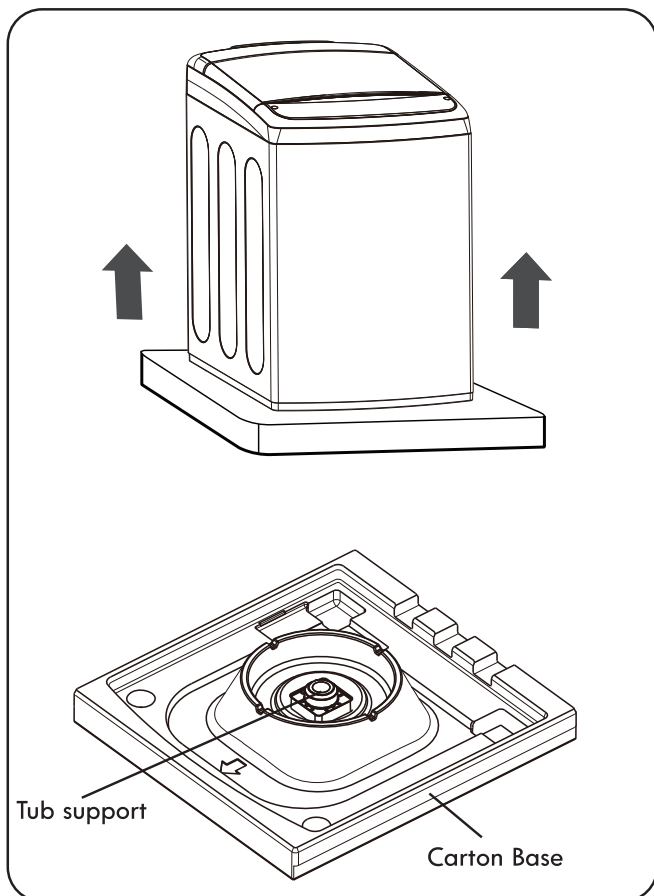
NOTE: The washer must be installed on firm flooring to minimize vibration during the spin cycle. Concrete flooring is best, but a wood floor is sufficient, provided it is built to FHA standards. The washer should not be installed on rugs or exposed to weather.

INSTALLATION INSTRUCTIONS

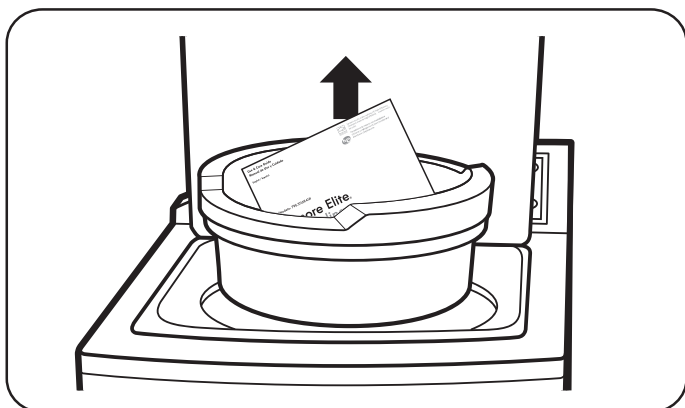
UNPACKING AND REMOVING SHIPPING MATERIAL

When removing the washer from the carton base, be sure the plastic tub support comes off with the base.

If you must lay the washer down to remove the base packaging materials, always protect the side of the washer and lay it carefully on its side. **DO NOT** lay the washer on its front or back.

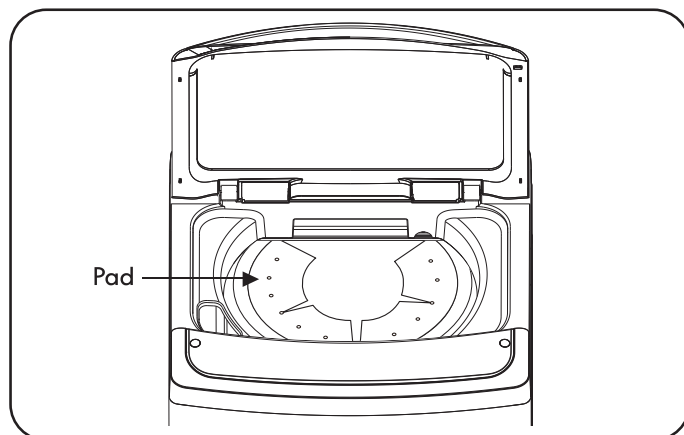


1. After removing the carton and shipping material, lift the washer off the foam base. Make sure the plastic tub support comes off with the base and is not stuck to the bottom of the washer.

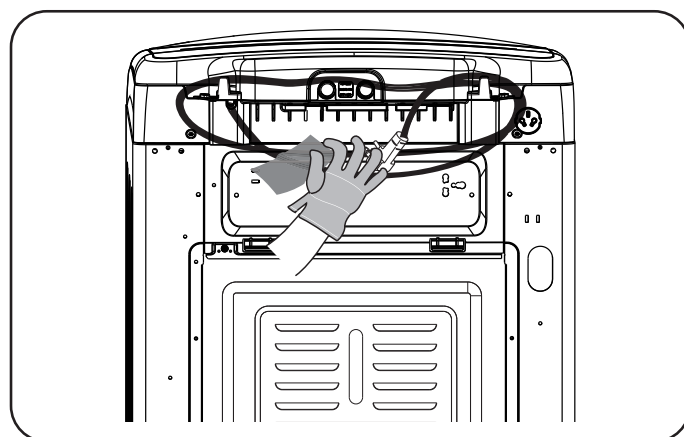


2. Save the foam block for future use. If the washer must be moved in the future, this will help prevent damage to the washer during transportation.

NOTE: To prevent damage, do not remove the foam block until the washer is at the final location.



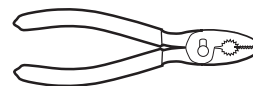
3. Carefully remove the two foam pads which cover the top sides of the tub guide, making sure not to leave behind any pieces of the foam.



4. Unfasten the power cord from the back of the washer.

TOOLS YOU WILL NEED

- Adjustable Pliers

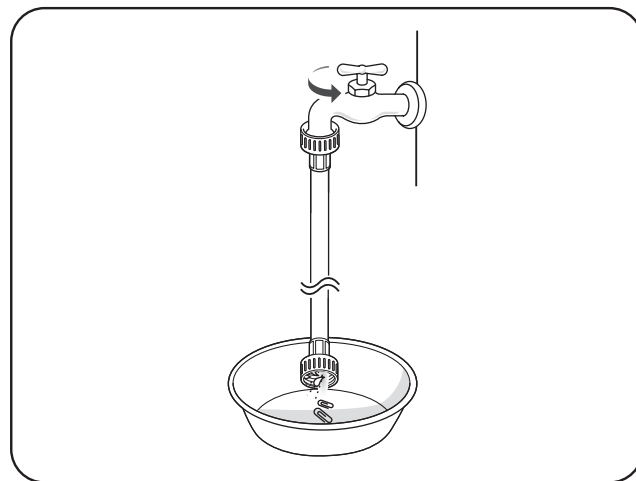


- Carpenter's Level

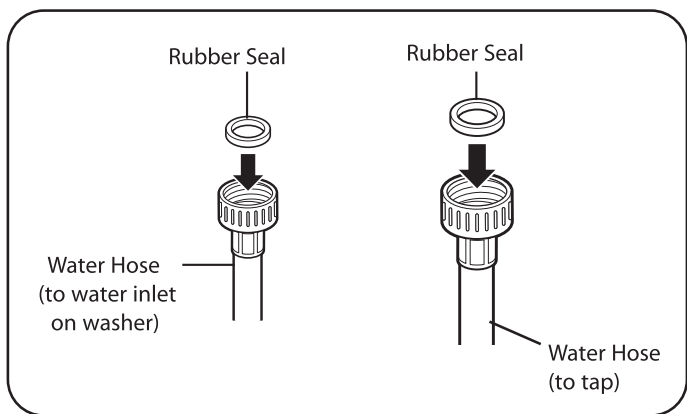


CONNECTING THE WATER LINES

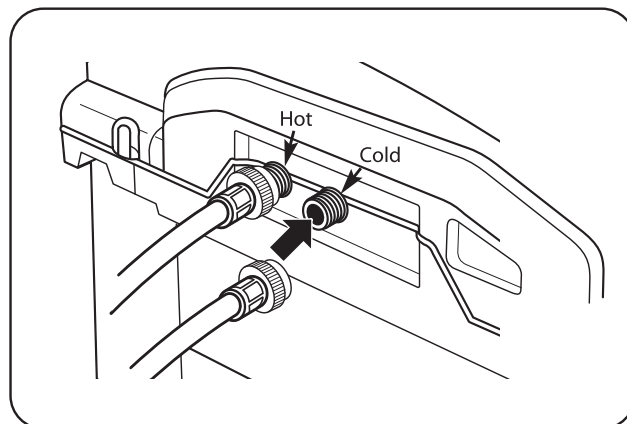
- **IMPORTANT:** Use new hoses when installing the washer. Do NOT reuse old hoses.
- **IMPORTANT:** Use ONLY the inlet hoses provided by Kenmore. Aftermarket hoses are not guaranteed to fit or function correctly. Other hoses may not tighten correctly and could cause leaks. Subsequent damage to product or property will not be covered under the terms of the product warranty.
- Water supply pressure must be between 14.5 psi and 116 psi (100~800 kPa). If the water supply pressure is more than 116 psi, a pressure reducing valve must be installed.
- Periodically check the hose for cracks, leaks, and wear, and replace the hose if necessary.
- Make sure that the water lines are not stretched, pinched, crushed, or kinked.
- The washer should never be installed or stored in a location subject to freezing temperatures. Damage to the water lines and internal mechanisms of the washer can result. If the washer was exposed to freezing temperatures prior to installation, allow it to stand at room temperature for several hours before use and check for leaks prior to operation.



3. Always run a gallon or two of water through each inlet hose to flush dirt, scale and other debris out of the water lines. Doing so will help prevent future problems with clogged filter screens, and will also allow you to verify which hose is hot and which is cold.

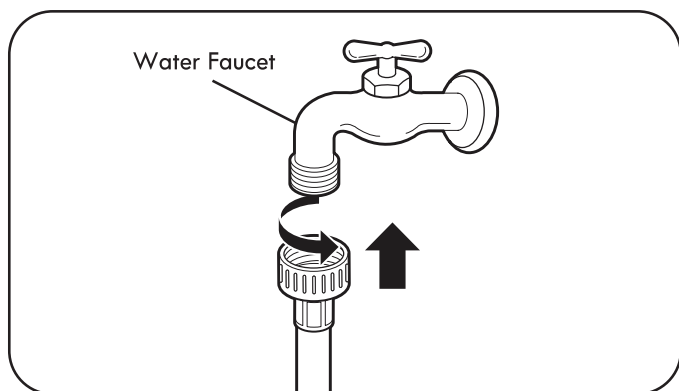


1. Inspect the threaded fitting on each hose and make sure there is a rubber seal in place in both ends.



4. Attach the (red) hot water line to the hot water inlet on the back of the washer. Attach the (blue) cold water line to the cold water inlet on the back of the washer. Tighten the fittings securely. Turn ON both faucets all the way and check for leaks at both ends of the hoses.

NOTE: Be careful not to cross-thread the hose fittings. This will damage the valve and could result in property damage from leaks.

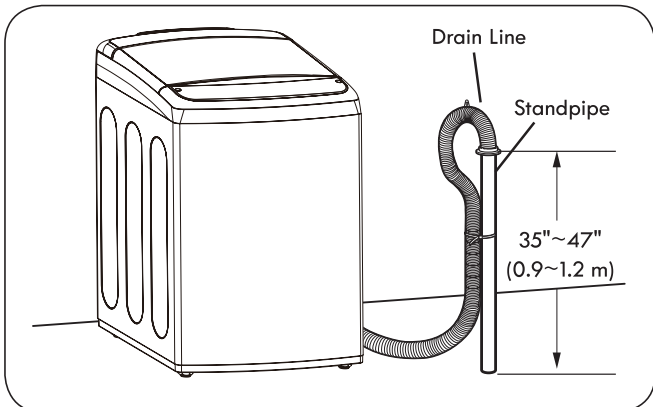


2. Connect the water supply hoses to the HOT and COLD water faucets tightly by hand and then tighten another $\frac{2}{3}$ turn with pliers.

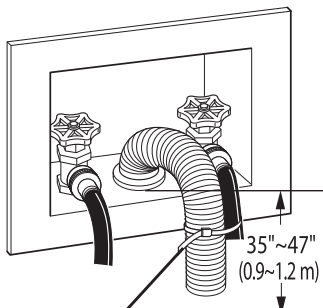
CONNECTING THE DRAIN HOSE

- The drain hose should always be properly secured. Failure to properly secure the drain hose can result in flooding and property damage.
- The drain must be installed in accordance with any applicable local codes and regulations.
- Make sure that the drain hose is not stretched, pinched, crushed, or kinked.

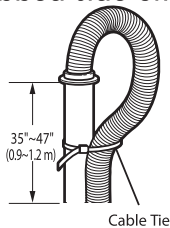
Option 1: Standpipe



Bend the outlet end of the drain hose to form a U shape. Insert the end of the drain hose into the drain. If the drain is large enough for the flange on the hose to fit inside, then do not insert the flange more than 1-2 inches into the drain. Use the tie strap included with the installation materials in the foam block in the tub to secure the drain hose to the drain.



If the water valves and drain are built into the wall, fasten the drain hose to one of the water hoses with the cable tie (ribbed side on inside).



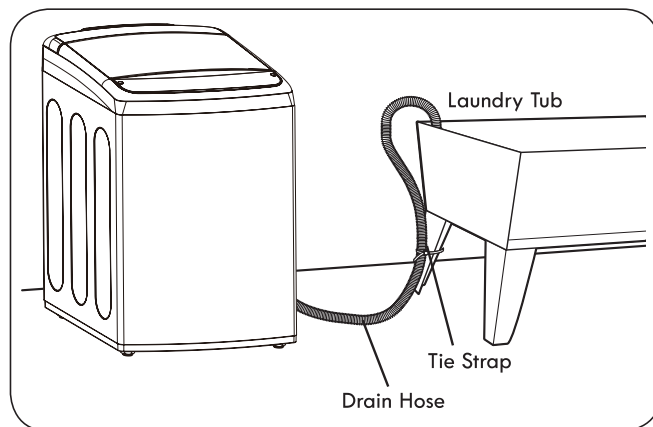
Cable Tie

If your drain is a standpipe, fasten the drain hose to the standpipe with the cable tie provided.

NOTE:

- Normal height of the end of the hose should be approximately 35"~47" (0.9~1.2 m) from the floor.
- Do not install the end of the drain hose lower than 29 in. (0.7 m) or higher than 96 in. (243.8 cm) above the bottom of the washer or more than 60 in. (152.4 cm) away from the washer.
- Never seal the drain hose to the drain. If no air gap is present, water can be siphoned out of the tub resulting in poor wash/rinse performance or clothing damage.

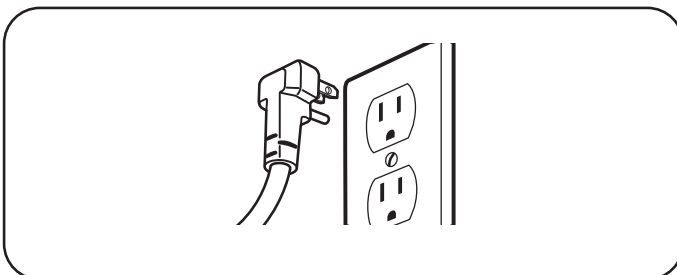
Option 2: Laundry Tub



Bend the end of the drain hose to the desired shape and support it on the edge of the laundry tub. Use a tie strap to secure the drain hose in place.

CONNECT TO THE POWER SUPPLY

Washer should be plugged into a 120-VAC, 60-Hz grounded 3-prong outlet. Plug in the washer.



WARNING

Improper connection of the equipment-grounding conductor can result in risk of electric shock. Check with a qualified electrician or service technician if you are in doubt as to whether the appliance is properly grounded. Do not modify the plug provided with the appliance. If it does not fit the outlet, have a proper outlet installed by a qualified electrician. Failure to follow these warnings can cause serious injury, fire, electrical shock, or death.

LEVELING THE WASHER

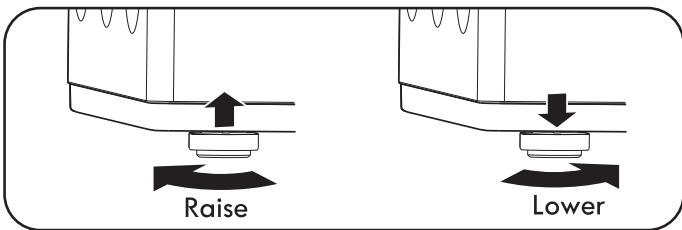
The tub of your new washer spins at very high speeds. To minimize vibration, noise, and unwanted movement, the floor must be a level, solid surface.

NOTE: Adjust the leveling feet only as far as necessary to level the washer. Extending the leveling feet more than necessary can cause the washer to vibrate.

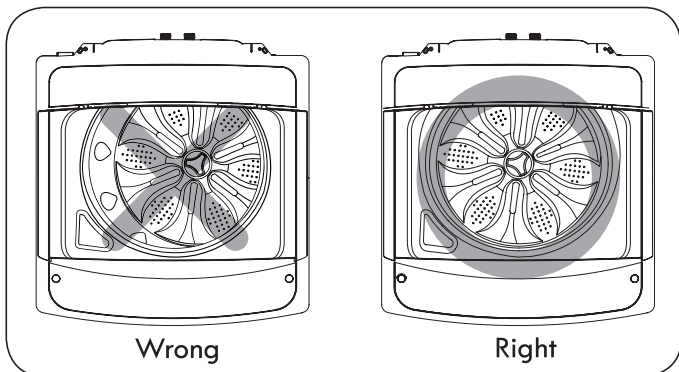
NOTE: Before installing the washer, make sure that the floor is clean, dry and free of dust, dirt, water and oil so the washer feet cannot slide easily. Leveling feet that move or slide on the floor can contribute to excess vibration and noise due to poor contact with the floor.

All four leveling feet must rest solidly on the floor. Attempt to rock the washer from corner to corner to make sure that all four leveling feet are in firm contact with the floor.

1. Position the washer in its final location, taking special care not to pinch, strain, or crush the water and drain lines. Place a level across the top of the washer.

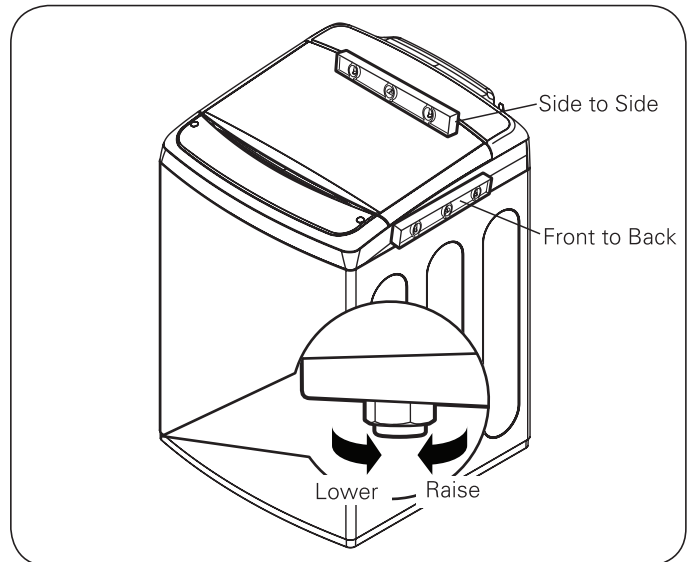


2. Adjust the leveling feet. Turn clockwise to raise the washer or counterclockwise to lower it.



3. To make sure that the washer is properly level, open the lid and look from above to see if the tub is centered. If the tub is NOT centered (as shown in the drawing on the left), readjust the feet. If you have a level, check your washer with the level.

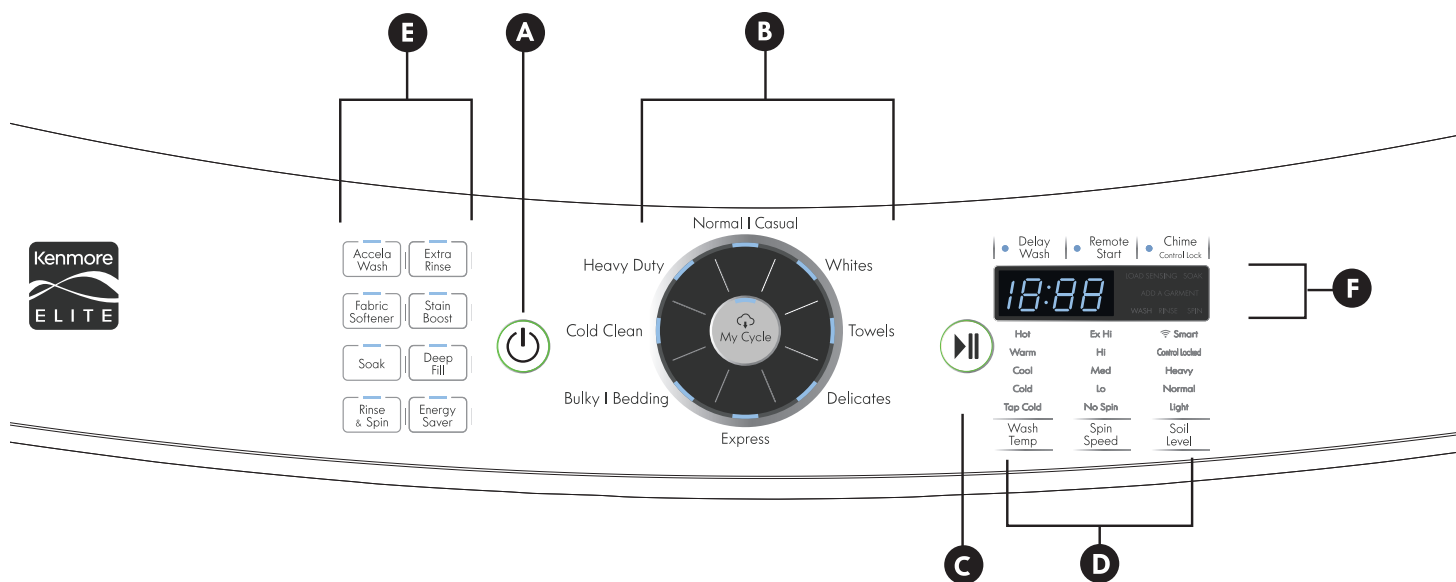
- To check if the washer is level from side to side, place a level on the back edge of the lid.
- To check if the washer is level front to back, place a level at the side of the washer on the edge where the cabinet side meets the top cover. Do not place the level on the top or the lid. Using these surfaces will result in the washer being unlevel.



HOW TO USE

WARNING: To reduce the risk of fire, electric shock, or injury to persons, read and follow this entire Use & Care Guide, including the Important Safety Instructions, before operating this washer.

CONTROL PANEL FEATURES



A POWER (ON/OFF) BUTTON

Press to turn the washer ON. Press again to turn the washer OFF. Pressing the POWER button during a cycle will cancel that cycle and any load settings will be lost. The lid will unlock after a brief pause.

NOTE: If the washer remains idle for four minutes after turning the washer off, any water left in the tub will automatically be drained. An alarm will sound one minute prior to draining, and 'dr' will appear on the display. You may restart the washer at this time. However, once the washer initiates draining, all functions will be suspended and cycle settings lost, and 'dr' will be displayed until draining is complete.

B CYCLE SELECTOR BUTTON

Press the cycle button to select the desired cycle. Press the Specialties button repeatedly to cycle through the specialty cycles. Once the desired cycle has been selected, the standard presets will appear in the display. These settings can be adjusted using the cycle setting buttons any time before starting the cycle.

C START/PAUSE BUTTON

Press this button to start the selected cycle. If the washer is running, use this button to pause the cycle without losing the current settings.

NOTE: If you do not press the START/PAUSE button within 60 minutes of selecting a cycle, the washer automatically turns OFF. If the washer is paused during a cycle for more than 60 minutes, the cycle will be cancelled and any water remaining in the tub will be drained. An alarm will sound at three minutes to warn you that the tub is about to drain.

D CYCLE MODIFIER BUTTONS

Use these buttons to adjust the settings for the selected cycle. The settings light up above the buttons to show the current selection.

E SPECIAL CYCLE AND OPTION BUTTONS

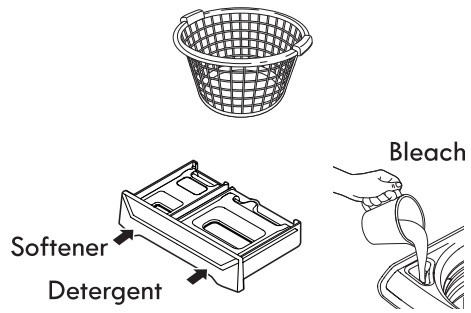
These buttons allow you to select special cycles or options.

F TIME AND STATUS DISPLAY

The display shows the cycle status and estimated time remaining.

NOTE: To protect your clothing, not all settings are available on all cycle selections.

OPERATING THE WASHER



OPTIONS				
Accela Wash	Extra Rinse	Hot	Ex Hi	Smart
Fabric Softener	Stain Boost	Warm	Hi	Control Locked
Soak	Deep Fill	Cool	Med	Heavy
Rinse & Spin	Energy Saver	Cold	Lo	Normal
		Tap Cold	No Spin	Light
		Wash Temp	Spin Speed	Soil Level



1 SORT LAUNDRY AND LOAD WASHER

Sort laundry by fabric type, soil level, color and load size, as needed. Open the door and load the items into the washer.

2 ADD CLEANING PRODUCT

Add High-Efficiency (HE) detergent to the detergent dispenser drawer. For proper wash performance, always measure the detergent using the measuring device provided by the detergent manufacturer.

3 TURN ON THE WASHER

Press the POWER button to turn ON the washer. The lights above the cycle buttons will illuminate and a chime will sound.

4 SELECT A CYCLE

Press the cycle button directly or the Specialties button repeatedly to select the desired cycle. The preset Wash Temp, Spin Speed, Soil Level, and Option settings for that cycle will be shown.

5 SELECT CYCLE MODIFIERS & OPTIONS (optional)

Default settings for the selected cycle can now be changed if desired. Use the cycle modifier buttons.

NOTE: To protect your fabrics, not all modifiers are available on all cycles. A different chime will sound and the LED will not come on if the selection is not allowed. Cycle options can also be added by using the option buttons.

6 BEGIN CYCLE

Press the START/PAUSE button to begin the cycle. The door will lock, and the washer will briefly tumble the load without water to measure its weight. Once the weight of the load is measured, the washer will begin the selected wash cycle.

7 ADD A GARMENT LIGHT

The ADD A GARMENT light will illuminate near the beginning of the wash cycle to indicate when it is safe to add items to the load. Press the START/PAUSE button to pause the cycle and add any additional items to the load.

NOTE: It is not recommended to add items unless the ADD A GARMENT light is illuminated, as this could result in poor performance.

8 RESUME CYCLE

Press the START/PAUSE button to resume the wash cycle.

CAUTION

Do not stand on top of the appliance or place objects (such as laundry, lighted candles, lighted cigarettes, dishes, chemicals, metal objects, etc.) on the appliance. Failure to follow these cautions can cause fire, electric shock, problems with the product, or injury.

HOW TO USE

CYCLE GUIDE

The cycle guide below shows the default settings, available options and recommended fabric types for each cycle. Allowable modifier adjustments are shown below the default setting for each cycle.

● = Available Option
 ■ = Default Setting

Cycle	Wash Temperature	Spin Speed	Soil Level	Accela Wash	Stain Boost	Extra Rinse	Soak	Fabric Softener	Deep Fill	Energy Saver
Normal/ Casual	Warm	Hi	Normal							
	Hot Cool Cold Tap Cold	Ex Hi Med No Spin	Heavy Light	●	●	●	●	●	●	●
Whites	Hot	Med	Heavy							
	Warm Cool	Ex Hi Hi Lo No Spin	Normal Light	●		●	●	●	●	
Heavy Duty	Warm	Hi	Heavy							
	Hot Cool Cold Tap Cold	Ex Hi Med Lo No Spin	Normal Light	●	●	●	●	●	●	
Bulky/ Bedding	Warm	Lo	Normal							
	Hot Cool Cold Tap Cold	Med No Spin	Heavy Light			●	●	●		●

NOTE:

To protect your garments, not every wash temperature, spin speed, soil level, or option is available with every cycle. A chime will sound and the LED will not light if the selection is not allowed.

*When a cycle is selected, the default time for that cycle is displayed. This time will change as modifiers or options are selected. Once the START/PAUSE button is pressed, the washer will measure the size of the load. The estimated time may change once the load size has been measured. The washer automatically adjusts the wash time for the amount of laundry, water pressure, water and other operating conditions.

These cycles use various wash motions to enhance cleaning and/or fabric care performance. The wash motions may sound different at different stages of the wash cycle. This is normal.

CYCLE GUIDE

The cycle guide below shows the default settings, available options and recommended fabric types for each cycle. Allowable modifier adjustments are shown below the default setting for each cycle.

● = Available Option
 ■ = Default Setting

Cycle	Wash Temperature	Spin Speed	Soil Level	Accela Wash	Stain Boost	Extra Rinse	Soak	Fabric Softener	Deep Fill	Energy Saver
Express	Warm	Hi	Light							
	Cool Cold Tap Cold	Ex Hi Med Lo No Spin	Heavy Normal	●		●	●		●	
Cold Clean	Tap Cold	Hi	Normal							
		Ex Hi Med Lo No Spin	Heavy Light			●	●	●	●	
Towel	Warm	Hi	Normal							
	Hot Cool Cold Tap Cold	Ex Hi Med Lo No Spin	Heavy Light	●	●	●	●	●	●	●
Delicates	Tap Cold	Lo	Light							
	Warm Cool Cold	No Spin	Heavy Normal			●	●	●	●	

NOTE:

To protect your garments, not every wash temperature, spin speed, soil level, or option is available with every cycle. A chime will sound and the LED will not light if the selection is not allowed.

*When a cycle is selected, the default time for that cycle is displayed. This time will change as modifiers or options are selected. Once the START/PAUSE button is pressed, the washer will measure the size of the load. The estimated time may change once the load size has been measured. The washer automatically adjusts the wash time for the amount of laundry, water pressure, water and other operating conditions.

**The Deep Wash cycle adds water to the wash cycle and raises the water temperature for efficient wash performance.

These cycles use various wash motions to enhance cleaning and/or fabric care performance. The wash motions may sound different at different stages of the wash cycle. This is normal.

SORTING WASH LOADS

⚠ CAUTION

- Do not load items higher than the top edge of the tub. Failure to follow this caution can result in leakage or damage to fabrics.
- Use the BULKY/BEDDING cycle for buoyant or nonabsorbent items such as pillows or comforters. Failure to follow this caution can result in leakage.
- If possible, do not wash any water-resistant items. If you must, please select the Bulky/Bedding cycle.
 - Examples of water-proof or water-resistant items include certain mattress pads, mattress covers, rain gear, camping gear, skiing apparel, outdoor gear and similar items.

Grouping Similar Items

For the best washing results, and to reduce the possibility of damage to clothing, care should be taken to sort the clothing into loads that are made up of similar items. Mixing different fabric types and/or soil levels can result in poor wash performance, color transfer or discoloration, fabric damage or linting. Fabrics should be sorted into groups as described below.

Colors

Sort articles by color. Wash dark clothes together in a separate load from light colors or whites. Mixing dark clothes with light clothes can result in dye transfer or discoloration of the lighter clothes.

Soil Level

Wash heavily soiled clothing together. Washing lightly soiled clothing in the same load with heavily soiled clothing could result in poor wash performance for the lightly soiled clothing.

Fabric Type

Delicate articles should not be mixed with heavier or sturdier fabric types. Washing delicates in a load with heavy fabrics can result in damage to the more delicate fabrics. Washing heavier fabrics in a delicate load can result in poor wash performance for the heavier fabrics and possible damage to the delicates.

Lint Type

Some fabrics attract and bind lint to them while others give off lint in the laundry process. Avoid mixing these lint collectors and lint producers in the same load. Mixing these fabrics will result in pilling and linting on the lint collectors. (For example, lint collector – knit sweater; lint producer – terrycloth towels.)

Fabric Care Labels

Many articles of clothing include a fabric care label. Using the chart below, adjust the cycle and option selections to care for your clothing according to the manufacturer's recommendations.

Fabric Care Labels

The chart is enclosed in a rounded rectangle and contains the following information:

- Machine wash cycle:** Three cup-shaped symbols. The first is labeled 'Normal'. The second is labeled 'Permanent press/wrinkle resistant'. The third is labeled 'Gentle/delicate'.
- Water temperature:** Three sets of dots. The first set (three dots) is labeled 'Hot'. The second set (two dots) is labeled 'Warm'. The third set (one dot) is labeled 'Cold/cool'.
- Bleach symbols:** Three triangular symbols. The first is labeled 'Any bleach (when needed)'. The second is labeled 'Only non-chlorine bleach (when needed)'. The third is a triangle with a diagonal line through it, labeled 'Do not bleach'.
- Other symbols include a hand in a cup labeled 'Hand wash', a cup with a crossed-out top labeled 'Do not wash', and a cup with a crossed-out side labeled 'Do not wring'.

Sort Laundry...

by Colors	by Soil	by Fabric	by Lint
Whites	Heavy	Delicates	Lint Producer
Lights	Normal	Easy Care	Lint Collector
Darks	Light	Sturdy	

SORTING WASH LOADS

Loading the Washer

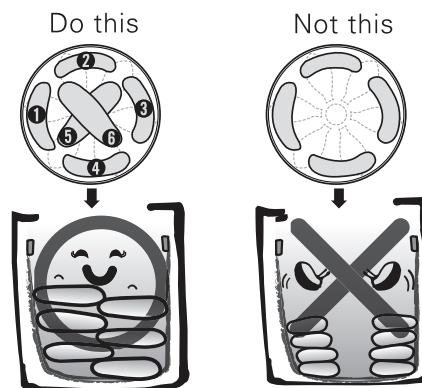


- Check all pockets to make sure that they are empty. Items such as clips, matches, pens, coins, and keys can damage both your washer and your clothes.
- Close zippers, hooks, and drawstrings to prevent these items from snagging or tangling on other clothes.
- Pretreat heavily stained areas for best results.
- Combine large and small items in a load. Load large items first.
- Large items should not be more than half of the total wash load.
- The washer can be fully loaded, but the tub should not be tightly packed with items. The lid of the washer should close easily.
- To prevent an out-of-balance load, do not wash single items. Add one or two similar items to the load. Large, bulky items, such as a blanket, comforter, or bedspread, should be washed individually.
- Waterproof items do wash or spin Waterproof cycle. (i.e. Water resistant clothing, mattress covers, outdoor clothes, plastic mats etc.)
- The washer will not fill or operate with the lid open.

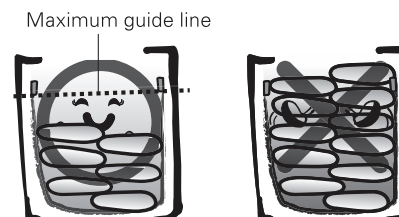
NOTE: Use the Bedding cycle for large or bulky items such as poly-filled jackets, comforters, pillows, etc. These items may not be as absorbent as other laundry items and should be sorted into a separate wash load for optimal results.

Bulky items should be placed as far down in the tub as possible for optimal results. Always place buoyant items at the bottom of the tub. The washer will automatically detect the load size. Because of the high efficiency wash system, the water level may not completely cover the load.

1. For best performance, load clothes as shown.



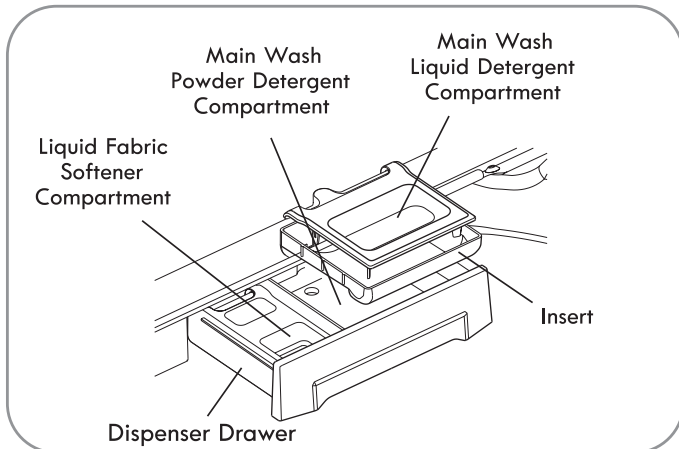
2. Load clothes loosely, and do not load clothes over the maximum guideline on the tub. Clothes need room to circulate in order to get clean.



ABOUT THE DISPENSERS

The automatic dispenser consists of two compartments which hold:

- Liquid fabric softener.
- Liquid or powdered detergent for main wash.



Main Wash Detergent Compartment

This compartment holds laundry detergent for the main wash cycle. The detergent is added to the load at the beginning of the cycle. Always use High-Efficiency (HE) detergent with your washing machine. Either powdered or liquid detergent may be used.

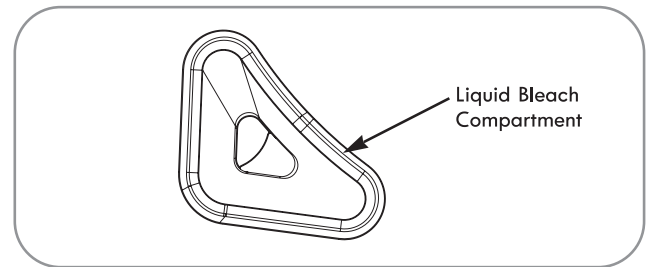
Never exceed the manufacturer's recommendations when adding detergent. Using too much detergent can result in detergent buildup in clothing and the washer. When using liquid detergent, make sure the liquid detergent cup and insert are in place. Do not exceed the maximum fill line.

When using powdered detergent, remove the liquid detergent cup from the compartment. Powdered detergent will not dispense with the liquid detergent cup in place.

Fabric Softener Compartment

This compartment holds liquid fabric softener, which is automatically dispensed during the final rinse cycle. Never exceed the manufacturer's recommendations when adding softener. Using too much fabric softener can result in buildup in clothing and the washer.

- Always follow the manufacturer's recommendations when adding fabric softener. Do not exceed the maximum fill line. Using too much fabric softener may stain clothes.
- Dilute concentrated fabric softeners with warm water. Do not exceed the maximum fill line.
- Never pour fabric softener directly onto the load or into the tub.



Liquid Bleach Compartment

The bleach dispenser is a separate compartment at the left front of the tub opening. This compartment holds liquid bleach, which is dispensed automatically at the proper time during the wash cycle. Any liquid remaining in the dispenser at the end of the cycle is water, not bleach.

- Do not add powdered bleach to this compartment. The bleach compartment is designed to dispense liquid bleach only. Powdered or liquid color-safe bleach will not dispense properly.
- Always follow the manufacturer's recommendations when adding bleach. Never add more than one cup and do not exceed the maximum fill line since this can cause the bleach to be dispensed immediately, resulting in damage to fabrics. Using too much bleach can damage fabrics.
- Never pour undiluted liquid chlorine bleach directly onto the load or into the tub. Fabric damage can occur.
- Do not use color-safe bleach or Oxi products in the same cycle with liquid chlorine bleach.

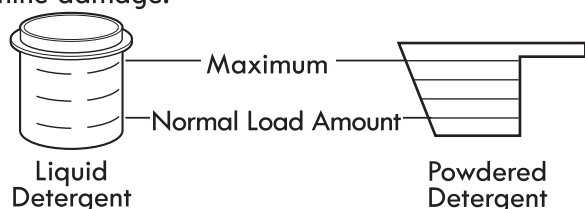
! DANGER

Do NOT mix chlorine bleach with ammonia or acids, such as vinegar or rust/scale remover. Mixing chemicals like these can produce a lethal gas, resulting in severe injury or death.

DETERGENT AND DISPENSER USE

A Word About Detergents

High-Efficiency (HE) detergents produce fewer suds, dissolve more efficiently to improve washing and rinsing performance, and help to keep the interior of your washer clean. Using detergent that is not HE may cause oversudsing and unsatisfactory performance which could result in error codes, cycle failure, and machine damage.



For proper wash performance, always measure the detergent using the measurements provided by the detergent manufacturer.

The normal amount of HE detergent needed, for average loads, is less than $\frac{1}{2}$ of the recommended maximum. **Use less detergent** for soft water, light soil or smaller loads. **Never** use more than the maximum amount recommended by the detergent manufacturer.



Designed to use only High-Efficiency (HE) detergent

IMPORTANT: Your washing machine is designed for use with only High-Efficiency (HE) detergents. HE detergents are formulated specifically for High-Efficiency washers and contain suds-reducing agents. Always look for the HE symbol when purchasing detergent.

IMPORTANT: Not all detergents are the same. Pay careful attention to the amount of detergent used to avoid overusing, poor rinsing and detergent buildup in clothing, and residue buildup that can contribute to odors in the machine. **NEVER** use a cup or scoop other than the one supplied by the manufacturer of the detergent you are using. Never use more than the maximum amount of detergent recommended by the manufacturer.

Always measure the detergent amount. While HE detergents are designed for this type of washing machine, be careful when measuring the detergent. For most normal loads, no more than $\frac{1}{4}$ to $\frac{1}{2}$ of cap or scoop of HE detergent should be used.

NOTE: Extra care must be exercised when using **2X** and **3X** concentrated detergents because even a little bit extra can contribute to the problems mentioned above.

NOTE: Detergents designated as HE compatible may not provide optimal results.

Using the Softener and Detergent Dispenser

To add detergent, bleach, and fabric softener to the automatic dispenser:

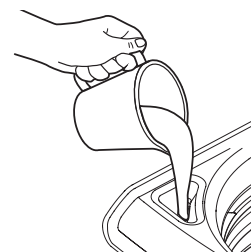
- 1 Open the dispenser drawer.
- 2 Load the laundry products into the appropriate compartments.
- 3 Close the drawer before starting the cycle.

NOTE: It is normal for a small amount of water to remain in the bleach and softener compartments at the end of the cycle.

IMPORTANT: Do not place or store laundry products, such as detergent, bleach, or liquid fabric softener, on top of your washer or dryer. Wipe up any spills immediately. These products can damage the finish and controls.

Using the Liquid Bleach Dispenser

The bleach dispenser automatically dilutes and dispenses liquid bleach at the proper time in the wash cycle.



- 1 Check clothing care labels for special instructions.
 - 2 Measure liquid bleach carefully, following instructions on the bottle. High-efficiency washers use less water, so less bleach is needed. One half cup is enough for most loads.
 - 3 Carefully pour the pre-measured amount of bleach directly into the bleach dispenser. If you are using powdered bleach of any kind, pour it directly into the tub before adding the laundry. Never add powdered bleach to the liquid bleach dispenser.
- Never pour undiluted liquid chlorine bleach directly onto clothes or into the tub.
 - Do not pour powdered bleach into bleach dispenser.
 - Do not place laundry items on top of the bleach dispenser when loading and unloading the washer.
 - Always measure and pour bleach carefully. Avoid overfilling or splashing when adding bleach to the dispenser. The maximum capacity of the bleach dispenser is one cup of bleach per wash cycle. Overfilling could result in bleach being dispensed immediately.

TIME AND STATUS DISPLAY

The time and status display shows the estimated time remaining and cycle progress.



A CYCLE STATUS INDICATOR

These LEDs will illuminate when a cycle is selected to indicate which stages will run. When a cycle is running, the LED will blink for the active stage. Once a stage is complete, the LED will turn off. If a cycle is paused, the active LED will stop blinking.

B ESTIMATED TIME REMAINING

When a cycle is selected, the default time for that cycle is displayed. This time will change as modifiers or options are selected. Once the START/PAUSE button is pressed, the washer will measure the size of the load. The estimated time may change once the load size has been measured.

NOTE: The time shown is only an estimate. This time is based on normal operating conditions. Several external factors (load size, room temperature, incoming water temperature, etc.) can affect the actual time.

CYCLE MODIFIER BUTTONS

Each cycle has default settings that are selected automatically. You may also customize these settings using the cycle modifier buttons. Press the button for the desired modifier until the indicator light for the desired setting is lit. The washer automatically adjusts the water level for the type and size of wash load for best results and maximum efficiency.

Due to the high-efficiency nature of this product, water levels may be much lower than expected. This is normal and cleaning/rinsing performance will not be compromised.

NOTE: To protect your garments, not every wash/rinse temperature, spin speed, soil level, or option is available with every cycle. A chime will sound and the LED will not light if a selection is not allowed.

Hot	Ex Hi	📶 Smart
Warm	Hi	Control Locked
Cool	Med	Heavy
Cold	Lo	Normal
Tap Cold	No Spin	Light
<hr/>		
Wash Temp	Spin Speed	Soil Level
<hr/>		
A	B	C

A WASH TEMP

WASH TEMP selects the wash and rinse temperature combination for the selected cycle. Press the WASH TEMP button until the indicator light for the desired setting is lit.

- Select the wash temperature suitable for the type of load you are washing. Follow the garment fabric care labels for best results.
- Cold rinses use less energy. The actual cold rinse temperature depends on the temperature of the cold water at the faucet.

B SPIN SPEED

Higher spin speeds extract more water from clothes, reducing drying time and saving energy.

Press the SPIN SPEED button until the desired speed is selected. Some fabrics, such as delicates, require a slower spin speed. To protect your clothing, not all spin speeds are available for all cycles.

C SOIL LEVEL

Adjusting the soil level setting will modify the cycle times and/or wash actions. Press the SOIL LEVEL button until the desired soil level is selected.

OPTION BUTTONS

Your washing machine features several additional cycle options that customize cycles to meet your individual needs.

- 1 Turn ON the washer and press the cycle button to select the desired cycle. If the cycle selection is changed after the options have been selected, all settings will be changed to the default settings for the new cycle.
- 2 Use the cycle modifier buttons to adjust the settings for that cycle.
- 3 Press the cycle option button(s) for the option(s) you would like to add. The button will light when that option is selected. If the selected option is not allowed for the selected cycle, the chime will sound twice to alert you and the LED will not illuminate.
- 4 Press the START/PAUSE button to start the cycle. After a brief delay, the lid will lock and the cycle will begin.

NOTE:

- To protect your garments, not every option is available with every cycle.
- If the START/PAUSE button is not pressed within four minutes to start the cycle, the control will shut off and all settings will be lost.

ACCELA WASH



Adding this option reduces the cycle time while maintaining wash performance similar to the same cycle without ACCELA WASH.

STAIN BOOST



Use this option for heavily soiled loads that need improved stain treatment.

When Stain Boost is selected, the wash cycle will begin with warm water to help prevent the setting of certain types of stains. Then, as the cycle progresses, hot water will be added to gradually increase the water temperature to help remove stains that require treatment at higher temperatures

NOTE:

- Best results are obtained with smaller loads (less than 6 lb).
- If you select Stain Boost, the Save Energy Saver option is not available.

EXTRA RINSE



This option will add an extra rinse to the selected cycle. Use this option to help ensure the removal of detergent or bleach residue from fabrics. Liquid fabric softener, if used, is always dispensed in the final rinse.

NOTE: You cannot select the EXTRA RINSE option with the RINSE & SPIN cycle.

DEEP FILL



Use this option to add extra water to the wash cycle better wash performance and stain treatment of large or bulky items.

NOTE:

- If the washing machine reach it maximum water level, the DEEP FILL button will have no effect.
- The Deep Fill option can only be selected or deselected while the cycle is running. Once the Deep Fill option has been added to a cycle, it is saved as a default option on that cycle until you deselect it.
- To deselect the option, press Deep Fill after strating the cycle.

ADD A GARMENT

ADD A GARMENT

The ADD A GARMENT light will illuminate during the early stage of the wash cycle to indicate that it is safe to pause the cycle to add more items.

Once the ADD A GARMENT light goes out, additional laundry should not be added to the load. Doing so may result in unsatisfactory performance because the washer will not compensate for the additional garments.

- 1 Press the START/PAUSE button to pause the washer.
- 2 Open the lid after it unlocks.
- 3 Add your additional items.
- 4 Close the lid.
- 5 Press the START/PAUSE button. The cycle will resume after the lid locks.

CHIME



Press repeatedly to adjust the volume of the chime. The chime will sound at the new volume with each press of the button. When no chime is heard, the chime is off. The volume settings are LOW – HIGH – OFF.

The chime volume can be adjusted at any time as long as the washer is turned ON.

OPTION BUTTONS

FABRIC SOFTENER



Fabric softener is dispensed in the final rinse. This washer is designed to save rinse water by using a jet spray rinse system (SMARTRINSE) in NORMAL and HEAVY DUTY cycles. Press the FABRIC SOFTENER button to change the final rinse from spray rinse to regular rinse so that the fabric softener is most effective.

NOTE: Select the FABRIC SOFTENER option or EXTRA RINSE option if liquid fabric softener is used in NORMAL and HEAVY DUTY cycles. Failure to select one of these options will greatly reduce the effectiveness of the softener.

SOAK



This option provides a maximum 180-minute presoak prior to the start of the selected cycle. Use the SOAK option to presoak garments to help remove difficult spots or stains on fabrics. At the end of the presoak time, the selected cycle will begin with the same water used for the soak.

DELAY WASH



Once you have selected the cycle and other settings, press this button to delay the start of the wash cycle. Each press of the button increases the delay time by one hour, for up to 19 hours. Once the desired delay time is set, press the START/PAUSE button to start the delay time.

NOTE: If the START/PAUSE button is not pressed to begin the delay time, the washer will automatically shut off after four minutes.

RINSE & SPIN



Select this option to rinse and spin a load separately from a regular cycle. This can be helpful in preventing fresh stains from setting in fabrics. You can change the spin speed by pressing the SPIN SPEED button

- 1 Press the START/PAUSE button to turn on the washer.
- 2 Press the RINSE & SPIN button.
- 3 Press the SPIN SPEED button to select the desired spin speed. Selecting NO SPIN is not allowed.
- 4 Press the START/PAUSE button.

CONTROL LOCK



Use this option to disable the controls. This feature can prevent children from changing cycles or operating the machine. Once the control lock is set, it must be deactivated before any controls, except the POWER button, can be used. Once the washer has shut off, the POWER button will allow the machine to be turned ON, but the controls will still be locked. When the controls are locked, CL will display alternately with the estimated time remaining. Press and hold the CONTROL LOCK button for three seconds to activate or deactivate Control Lock.

SMART FEATURES

GETTING CONNECTED

You need the following devices and applications to use the smart features of your appliance.

Required Devices: A wireless connection and a mobile device.

Required Application: Kenmore Smart app.

IMPORTANT: You must download the Kenmore Smart app to your mobile device, connect your Kenmore Elite Smart appliance to the internet, and register the appliance to your account by following the prompts.

Connecting the Washer

Refer to the Quick Start Guide that came with your smart appliance for detailed instructions on creating a Kenmore account and setting up the appliance for connected operation from your mobile device. For additional assistance, visit <http://www.kenmore.com/smart>

NOTE: When successfully connected to the internet, the SMART icon LED on the control panel will turn on.

REMOTE START



Use a smart phone to control your appliance remotely.

NOTE: You must first close the door and connect to the internet to use this function. The SMART icon LED should be illuminated.

Using Remote Start

- 1 Select a cycle and options.
- 2 Press REMOTE START. The Remote Start LED will turn on.
- 3 Start the washer from the application on your smart phone. (For more information, see the booklet shipped with your washer.) If you do not start the washer remotely, the washer will wait to start the cycle until the START button is pressed.


SPECIAL DRAIN FEATURE

This washer is equipped with a special feature that is designed to make your washer as safe as possible. If the washer is paused or shut off while there is still water in the tub, the water will drain after several minutes. This helps keep children safe by reducing the possibility of water remaining in the tub. The washer can be restarted any time before the drain begins.

If no action is taken, the *dr* error code will display and the water will drain from the tub. Once the washer begins draining the water, the controls are disabled and the drain process cannot be interrupted. Once the water is completely drained, the washer will shut off.

NOTE: In the unlikely event that the washer experiences a problem that causes an error code to be displayed, the washer will still drain after several minutes. However, only the original error code will be displayed.

MY CYCLE

 Use the My Cycle feature in the Kenmore Smart app to select and download an additional cycle to your washing machine. The default MY CYCLE on the washer is SMALL LOAD.

FCC NOTICE

(for transmitter module contained in this product)

This equipment has been tested and found to comply with the limits for a Class B digital device, pursuant to Part 15 of the FCC Rules. These limits are designed to provide reasonable protection against harmful interference in a residential installation. This equipment generates, uses, and can radiate radio frequency energy and, if not installed and used in accordance with the instructions, may cause harmful interference to radio communications. However, there is no guarantee that interference will not occur in a particular installation. If this equipment does cause harmful interference to radio or television reception, which can be determined by turning the equipment off and on, the user is encouraged to try to correct the interference by one or more of the following measures:

- Reorient or relocate the receiving antenna.
- Increase the separation between the equipment and receiver.
- Connect the equipment to an outlet on a circuit different from that to which the receiver is connected.
- Consult the dealer or an experienced radio/TV technician for help.

This device complies with part 15 of the FCC rules. Operation is subject to the following two conditions:

- (1) this device may not cause harmful interference, and
- (2) this device must accept any interference received, including interference that may cause undesired operation of the device.

Any changes or modifications in construction of this device which are not expressly approved by the party responsible for compliance could void the user's authority to operate the equipment.

FCC RF Radiation Exposure Statement

This equipment complies with FCC radiation exposure limits set forth for an uncontrolled environment. This transmitter must not be co-located or operating in conjunction with any other antenna or transmitter.

This equipment should be installed and operated with a minimum distance of 20 cm (7.8 inches) between the antenna and your body. Users must follow the specific operating instructions for satisfying RF exposure compliance.

Labeling

This device includes the following module.

Contains FCC ID: BEJ-LGHALCW1404

INDUSTRY CANADA STATEMENT

(for transmitter module contained in this product)

This device complies with Industry Canada's licence-exempt RSS standard(s).

Operation is subject to the following two conditions:

- (1) this device may not cause interference, and
- (2) this device must accept any interference, including interference that may cause undesired operation of the device.

This Class B digital apparatus complies with Canadian ICES-003.

IC Radiation Exposure Statement

This equipment complies with IC radiation exposure limits set forth for an uncontrolled environment. This equipment should be installed and operated with a minimum distance of 20 cm (7.8 inches) between the antenna and your body.

NOTE: The manufacturer is not responsible for any radio or TV interference caused by unauthorized modifications to this equipment. Such modifications could void the user's authority to operate the equipment.

OPEN SOURCE SOFTWARE NOTICE

To obtain the source code that is contained in this product under GPL and other open source licenses, visit <http://kenmore.com/opensource>. In addition to the source code, all referred license terms, warranty disclaimers, and copyright notices are available for download.

LG Electronics will also provide open source code on CD-ROM for a charge covering the cost of performing such distribution (such as the cost of media, shipping, and handling) upon email request to opensource@lge.com. This offer is valid for three (3) years from the date on which you purchased the product.

CARE AND CLEANING



WARNING: To reduce the risk of fire, electric shock, or injury to persons, read and follow this entire Use & Care Guide, including the Important Safety Instructions, before operating this washer.

- **Unplug the washer before cleaning to avoid the risk of electric shock.** Failure to follow this warning can cause serious injury, fire, electric shock, or death.
- **Never use harsh chemicals, abrasive cleaners, or solvents to clean the washer.** They will damage the finish.

REGULAR CLEANING

Cleaning the Exterior

Proper care of your washer can extend its life. The outside of the machine can be cleaned with warm water and a mild, nonabrasive household detergent. Immediately wipe off any spills with a soft, damp cloth.

IMPORTANT: Do not use solvents, cleaning alcohols, or similar products. Never use steel wool or abrasive cleaners because they can damage the surface.

Care and Cleaning of the Interior

Use a towel or soft cloth to wipe around the washer lid opening and lid glass. Always remove items from the washer as soon as the cycle is complete. Leaving damp items in the washer can cause wrinkling, color transfer, and odor.

Storing the Washer

If the washer will not be used for an extended period of time and is in an area that could be exposed to freezing temperatures, perform the following steps to protect the washer from damage.

- 1 Turn OFF the water supply.
- 2 Disconnect hoses from water supply and drain water from hoses.
- 3 Plug the power cord into a properly grounded electrical outlet.
- 4 Add 1 gallon of nontoxic recreational vehicle (RV) antifreeze to the empty tub and close the lid. **NEVER** use automotive antifreeze.
- 5 Press the POWER button, then press the RINSE & SPIN button. Press the START/PAUSE button to activate the drain pump. Allow the drain pump to run for one minute, then press the POWER button to shut off the washer. This will expel some of the antifreeze, leaving enough to protect the washer from damage.
- 6 Unplug the power cord, dry the tub interior with a soft cloth, and close the lid.
- 7 Remove the inserts from the dispenser. Drain any water in the compartments and let them dry.
- 8 Store the washer in an upright position.
- 9 To remove the antifreeze from the washer after storage, run a complete EXPRESS WASH cycle using detergent. Do not add laundry to this cycle.

Removing Mineral Buildup

If you live in an area with hard water, mineral scale can form on internal components of the washer. Use of a water softener is recommended in areas with hard water.

Use a descaler, such as Washer Magic[®], to remove visible mineral buildup. After descaling, always run an Express Wash cycle with detergent before washing clothing.

Mineral scale and other spots may be removed from the stainless steel tub using a stainless steel cleaner. Do NOT use steel wool or abrasive cleaners.

Leave the Lid Open

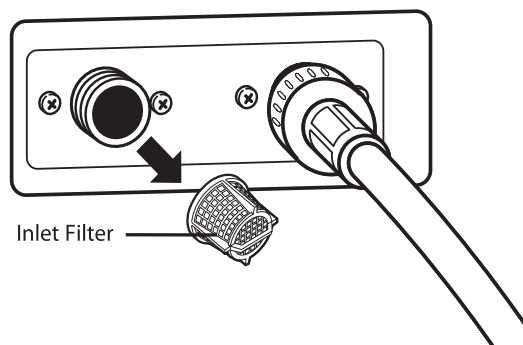
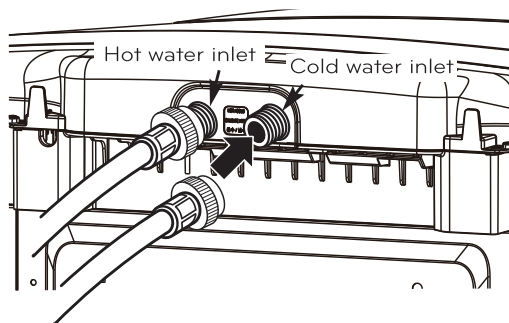
If the washer will not be used for several days, leave the lid open overnight to allow the tub to dry.

MAINTENANCE

Cleaning the Water Inlet Filters

If the washer does not fill properly, an error message will show on the display. The inlet valve filter screens could be plugged by hard water scale, sediment in the water supply, or other debris.

NOTE: The inlet screens protect the delicate parts of the inlet valve from being damaged by particles that could enter the valves with the water supply. Operating the washer with these filters removed could cause a valve to stick open resulting in flooding and/or property damage.



- 1 Turn OFF both water faucets completely. Unscrew the hot and cold water lines from the back of the washer.

IMPORTANT: Only use inlet hoses provided by KENMORE. Aftermarket hoses are not guaranteed to fit or function correctly. Other hoses may not tighten correctly and could cause leaks. Subsequent damage to product or property will not be covered under the terms of the product warranty. Hoses can be ordered by calling 1-800-4-MY-HOME®.

- 2 Carefully remove the filters from the water valves and soak them in white vinegar or a lime scale remover, following the manufacturer's instructions. Be careful not to damage the filters while cleaning.
- 3 Rinse thoroughly before reinstalling. Press the filters back into place.
- 4 Before reattaching the hoses, flush the hoses and water lines by running several gallons of water into a bucket or drain.

CLEANING THE WASHER

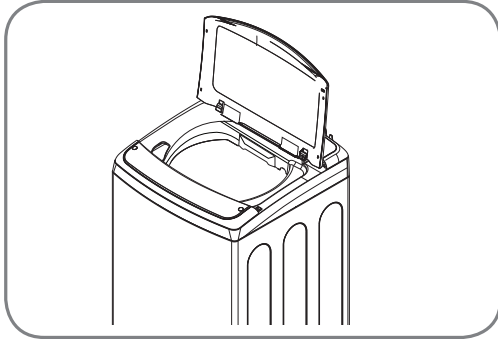
Proper Use of Detergent

Using too much detergent is a common cause of laundry problems. Today's detergents are formulated to be effective without visible sudsing. Be sure to carefully read and follow manufacturer's recommendations for how much detergent to use in your wash. You can use less detergent if you have soft water, a smaller load, or a lightly soiled load.

NOTE: Use only low-sudsing, high-efficiency detergent. These detergents can be identified by the HE logo.



Care and Cleaning of the Washer



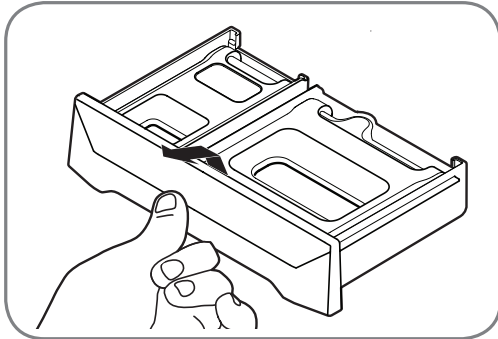
Lid: Wash with a damp cloth on the outside and inside and then dry with a soft cloth.

Exterior: Immediately wipe off any spills. Wipe with damp cloth. Do not touch the surface or the display with sharp objects.

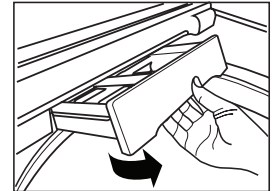
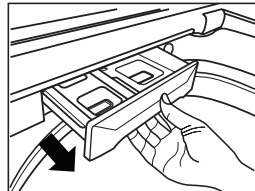
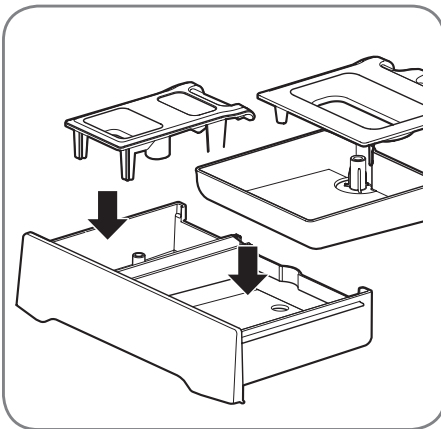
Moving and Storage: Contact a service technician to remove water from the drain pump and hoses. Reinstall the foam tub block to protect the washer from damage while moving. Do not store the washer where it will be exposed to outdoor weather conditions.

Long Vacations: Be sure water supply is shut off at the faucets. Follow the instructions if the washer will be exposed to freezing temperatures.

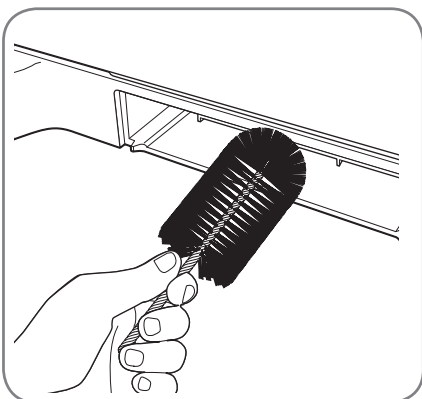
Dispenser Drawer: Detergent and fabric softener may build up in the dispenser drawer. Remove the drawer and inserts and check for buildup once or twice a month.



- 1 Remove the drawer by pulling it straight out until it stops. Lift up on the front of the drawer and pull it completely out.



- 2 Remove the inserts from the two compartments. Rinse the inserts and the drawer with warm water to remove buildup from laundry products.
- 3 To clean the drawer opening, use a small, non-metal brush to clean the recess. Remove all residue from the upper and lower parts of the recess.
- 4 Return the inserts to the proper compartments and replace the drawer. Set the drawer into the opening at an angle as shown above, then lower it and slide it into place.



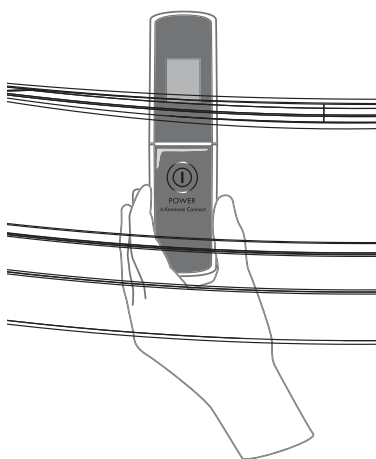
Should you experience any problems with your washing machine, it has the capability of transmitting data via your telephone to the Kenmore Connect Team. This gives you the capability of speaking directly to our specially trained technicians. The technician records the data transmitted from your machine and uses it to analyze the issue, providing a fast and effective diagnosis.

If you experience problems with your washer, call 1-800-4-MY-HOME®. Only use the Kenmore Connect System feature when instructed to do so by the Kenmore Connect Team. The transmission sounds that you will hear are normal and sound similar to a fax machine.

Kenmore Connect cannot be activated unless your washing machine is turned on by pressing the POWER button. If your washing machine is unable to turn on, then troubleshooting must be done without using Kenmore Connect.

Using the Kenmore Connect™ System

First, call 1-800-4-MY-HOME® (1-800-469-4663). If the number of the phone you are using is on file and is associated with your washer, you will be quickly relayed to a Kenmore Connect team agent. Follow the technician's instructions and perform the following steps only when requested to by the Kenmore Connect Team agent.



HOLD the mouthpiece of your phone over the POWER button, when instructed to do so by the call center, no more than one inch from (but not touching) the machine.

NOTE: Do not press any other buttons or turn the cycle selector knob.



PUSH and hold the WASH TEMP button while continuing to hold your phone to the POWER button.



LISTEN for three beeps. After you hear the three beeps, release the WASH TEMP button. Keep the phone in place until the tone transmission has finished. This takes about 6 seconds, and the display will count down the time. Once the countdown is over and the tones have stopped, resume your conversation with the technician, who will then be able to assist you in using the information transmitted for analysis.

NOTE:

- For best results, do not move the phone while the tones are being transmitted.
- If the call center agent is not able to get an accurate recording of the data, you may be asked to try again.

NORMAL SOUNDS YOU MAY HEAR

The following sounds may be heard while the washer is operating. They are normal.

Clicking:

Lid lock relay when the lid locks and unlocks.

Spraying or hissing:

Water spraying or circulating during the cycle.

Humming or gurgling:

Drain pump is pumping water from the washer at times during a cycle.

BEFORE CALLING FOR SERVICE

Your washing machine is equipped with an automatic error-monitoring system to detect and diagnose problems at an early stage. If your washer does not function properly or does not function at all, check the following before you call for service:

Problem	Possible Cause	Solutions
Rattling and clanking noise	Foreign objects, such as keys, coins, or safety pins, may be in tub or pump.	Stop washer, check tub and drain filter for foreign objects. If noise continues after washer is restarted, call for service.
Thumping sound	Heavy wash loads may produce a thumping sound. Washer load may be out of balance.	This is normal. If sound continues, washer is probably out of balance. Stop and redistribute wash load. Pause the cycle and redistribute the load after the lid unlocks.
Vibrating noise	Packaging materials were not removed. Wash load may be unevenly distributed in the tub. Not all leveling feet are resting firmly and evenly on the floor. Floor not rigid enough.	See the UNPACKING AND REMOVING SHIPPING MATERIAL section in the installation requirements. Pause the cycle and redistribute the load after the lid unlocks. See Leveling the Washer in the Installation Instructions. Make sure that the floor is solid and does not flex. See Flooring in the Installation Requirements.
Water leaking	Inlet hose connection is loose at faucet or washer. House drain pipes are clogged. Drain hose has come out of drain or is not inserted far enough. A large item such as a pillow or blanket is above the top of the tub.	Check hoses for leaks, cracks and splits. Check and tighten hose connections. The washer pumps out water very rapidly. Check for water backing up out of the drain pipe during drain. If water is seen coming out of the drain, check for proper drain hose installation and check for restrictions in the drain. Contact a plumber to repair drain pipe. Tie drain hose to inlet hose or standpipe to prevent it from coming out during drain. For smaller drain pipes, insert the drain hose into the pipe as far as the drain hose flange. For larger drain pipes, insert the drain hose into the pipe 1-2 inches past the flange. Use the BULKY/BEDDING cycle for large or bulky items Use extra care and never wash more than half a load of items that float such as pillows. Stop the washer and check the load. Make sure the load does not crest above the top edge of the tub.
Wrinkling	Washer not unloaded promptly. Washer overloaded. Hot and cold water inlet hoses are reversed.	Always remove items from the washer as soon as the cycle is complete. The washer can be fully loaded, but the tub should not be tightly packed with items. The lid of the washer should close easily. Hot water rinse can set wrinkles in garments. Check the inlet hose connections

BEFORE CALLING FOR SERVICE (continued)

Problem	Possible Cause	Solutions
Excessive sudsing	Too much detergent or incorrect detergent.	HE detergents are formulated specifically for High-Efficiency washers and contain suds-reducing agents. Only use detergent with the High-Efficiency (HE) logo. For detergent quantities refer to the How to Use section.
Staining	Bleach or softener dispensed too soon. Bleach or softener was added directly to the wash load in the tub. Washer was not unloaded promptly. Clothes were not properly sorted.	Dispenser compartment is overfilled causing bleach or softener to dispense immediately. ALWAYS measure bleach to prevent overfilling - one cup maximum. Dispenser drawer closed too quickly causing softener to dispense immediately. Always use the dispensers to ensure that laundry products are properly dispensed at the right time in the cycle. Always remove items from the washer as soon as possible after the cycle is complete. Always wash dark colors separately from light colors and whites to prevent discoloration. Never wash heavily soiled items washed with lightly soiled items.
Washer will not turn ON NOTE: If the washer stopped during a cycle due to a loss of power, the washer will resume the cycle where it stopped when the power is restored.	Power cord is not properly plugged in. House fuse is blown, circuit breaker has tripped, or power outage has occurred. House fuse is blown, circuit breaker has tripped, due to multiple appliances on one outlet.	Make sure that the plug is plugged securely into a grounded, 3-prong, 120-VAC, 60-Hz outlet. Reset circuit breaker or replace fuse. Do not increase fuse capacity. If the problem is a circuit overload, have it corrected by a qualified electrician. Reset circuit breaker or replace fuse. If more than one appliance is connected to the outlet, call an electrician to have an additional circuit installed.
Wash cycle time is longer than usual	The washer automatically adjusts the wash time for the amount of laundry, water pressure and other operating conditions.	This is normal. The washer adjusts cycle time automatically to provide optimal results for the selected cycle. The time remaining shown in the display is only an estimate. Actual time may vary.
Musty or mildewy odor in washer	Incorrect or too much detergent has been used. Inside of tub was not cleaned properly.	Use only High-Efficiency (HE) detergent in accordance with the manufacturer's instructions. Run the CLEAN WASHER cycle regularly.
Water leaks	Oversudsing of detergent.	Oversudsing may create leaks, and may be caused by the type and amount of detergent used. High-Efficiency detergent is the only detergent recommended. Make sure that detergent and any additives are put into the correct dispenser compartments. The normal amount of detergent to use is ¼ to ½ of the maximum amount recommended by the detergent manufacturer. Always reduce the amount of detergent if the load is small or lightly soiled, or if your water is very soft. Never use more than the maximum amount recommended by the detergent manufacturer.

BEFORE CALLING FOR SERVICE (continued)



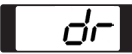
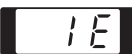
Problem	Possible Causes	Solutions
Washer will not operate	<p>Control panel has powered off due to inactivity.</p> <p>Washer is unplugged.</p> <p>Water supply is turned off.</p> <p>Controls are not set properly.</p> <p>Lid is open</p> <p>Circuit breaker/fuse is tripped/blown.</p> <p>Control needs to be reset.</p> <p>START/PAUSE was not pressed after a cycle was set.</p> <p>Extremely low water pressure.</p> <p>Washer is too cold.</p>	<p>This is normal. Press the POWER button to turn the washer on.</p> <p>Make sure cord is plugged securely into a working outlet.</p> <p>Turn both hot and cold faucets fully on.</p> <p>Make sure the cycle was set correctly, close the lid and press the START/PAUSE button.</p> <p>The washer will not operate if the lid is open. Close the lid and make sure that nothing is caught under the lid preventing it from closing completely.</p> <p>Check house circuit breakers/fuses. Replace fuses or reset breaker. The washer should be on a dedicated branch circuit. The washer will resume the cycle where it stopped once power is restored.</p> <p>Press the POWER button, then re-select the desired cycle and press the START/PAUSE button.</p> <p>Press the POWER button then re-select the desired cycle and press the START/PAUSE button. The washer will shut off if the START/PAUSE button is not pressed within four minutes.</p> <p>Check another faucet in the house to make sure that household water pressure is adequate.</p> <p>If the washer has been exposed to temperatures below freezing for an extended period of time, allow it to warm up before pressing the POWER button. Otherwise, the display will not come on.</p>
Washer not filling properly	<p>Filter clogged.</p> <p>Inlet hoses may be kinked</p> <p>Energy efficiency.</p> <p>Insufficient water supply.</p> <p>The washer lid is open.</p> <p>Hot and cold inlet hoses are reversed.</p> <p>Water level is too low.</p>	<p>Make sure the inlet filters on the fill valves are not clogged. Refer to the filter cleaning instructions.</p> <p>Check that inlet hoses are not kinked or clogged.</p> <p>This is an energy-efficient washer. As a result, the temperature settings for this washer may be different than non-energy-efficient washers.</p> <p>Make sure that both hot and cold water faucets are turned on all the way.</p> <p>The washer will not operate if the lid is open. Close the lid and make sure that nothing is caught under the lid preventing it from closing completely.</p> <p>Check inlet hose connections. Make sure the hot water supply is connected to the hot inlet valve, and the cold water supply is connected to the cold inlet valve.</p> <p>This is a high efficiency washer. The water will not normally cover the clothes. The fill level is optimized for the wash motion to achieve the best wash performance.</p>

BEFORE CALLING FOR SERVICE (continued)

Problem	Possible Causes	Solutions
Washer will not drain water	Kinked drain hose. Drain located higher than 96 in. above the floor.	Ensure that the drain hose is not kinked. Make sure that the drain hose is no higher than 8 ft. above the bottom of the washer and is no more than 5 ft. away from the washer.
Poor stain removal	Proper options not selected. Previously set stains.	Heavier soils and tougher stains may require extra cleaning power. Select SOAK to boost the cleaning power of the selected cycle. Articles that have previously been washed may have stains that have been set. These stains may be difficult to remove and may require hand washing or pre-treating to aid in stain removal.
Bleach does not dispense	Bleach dispenser cover is not properly installed. Bleach dispenser is dirty or clogged.	Make sure that the bleach cover is properly installed and snapped into place before the beginning of the cycle. Lift out the bleach dispenser cover and clean out the reservoir. Lint and other foreign debris that collects in the inside the dispenser may prevent proper dispensing of the bleach.
Premature dispensing of bleach	Bleach dispenser filled for future load. Overfilling the bleach dispenser.	You cannot store bleach in the dispenser for future use. The bleach will be dispensed every load. Overfilling the bleach dispenser will cause the bleach to dispense immediately, which will damage items in the tub. ALWAYS measure bleach, but never fill above the MAX line on the dispenser. One cup of bleach is normal, but never add more than one cup.
Incomplete or no dispensing of detergent	Detergent compartments clogged from incorrect filling. Too much detergent used. Insufficient water supply. Normal residue.	Make sure that detergent and additives are put into the correct dispenser compartments. If liquid detergent is used, make sure that the liquid detergent cup and insert are in the detergent compartment. If powdered detergent is used, make sure that the liquid detergent cup and insert are not used. For all detergent types, always make sure that the dispenser drawer is fully closed before the start of the cycle. Make sure that the suggested amount of detergent is used per the manufacturer's recommendations. You may also dilute the detergent with water to the maximum fill line on the compartment to avoid clogging. Use only HE (High-Efficiency) detergent. NOTE: Always use as little detergent as possible. High-Efficiency washers need very little detergent to achieve optimum results. Using too much detergent will cause poor wash and rinse performance and may contribute to odors in washer. Make sure that both hot and cold water faucets are turned on all the way. It is normal for a small amount of detergent to remain in the dispenser. If this residue builds up it can interfere with normal dispensing of products. Refer to the cleaning instructions.
Water leaks every load	Hoses not installed correctly.	Check all fill and drain hose connections to ensure that they are tight and secure.




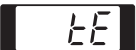


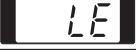
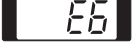
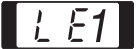
BEFORE CALLING FOR SERVICE (continued)

Error Codes

Problem	Possible Cause	Solutions
The display shows: 	The lid is not closed properly.	<p>Make sure that the lid is closed properly and press the START/PAUSE button. After starting a cycle, it may take a few moments before the tub begins to turn or spin. The washer will not spin unless the lid is locked.</p> <p>If the lid is closed and the lid lock error message is displayed, call for service.</p>
The display shows: 	Lid lock switch error.	<p>Make sure that the lid is closed properly and press the START/PAUSE button. The washer will not operate unless the lid is locked.</p> <p>Make sure that nothing is caught under the lid, including shipping material or clothing.</p> <p>Make sure that the latch mechanism is fully retracted.</p> <p>If the lid is closed and the lid lock error message is displayed, call for service.</p>
The display shows: 	Special Drain Feature.	If the washer is paused during a cycle for more than 5 minutes, the cycle will be cancelled and any water remaining in the tub will be drained. An alarm will sound at three minutes to warn you that the tub is about to drain.
Washer fills with water slowly or not at all, or the display shows: 	<p>Water supply faucets are not fully open.</p> <p>Water line hoses are kinked, pinched, or crushed.</p> <p>Water inlet filters are clogged.</p> <p>Water supply pressure to faucet or house is too low.</p> <p>Water supply connected with leak-limiting hoses.</p>	<p>Make sure that the water faucets are fully open.</p> <p>Make sure the hoses are not kinked or pinched. Be careful when moving the washer during cleaning and maintenance.</p> <p>Clean the inlet filters. See Maintenance in the Care and Cleaning section.</p> <p>Check another faucet in the house to make sure that household water pressure is adequate and flow is not restricted. Disconnect the inlet hose from the washer and run a few gallons of water through the hose to flush the water supply lines. If flow is too low, contact a plumber to have the water lines repaired.</p> <p>Hoses designed to limit leaks can trip falsely and prevent the washer from filling. The use of leak limiting hoses is not recommended.</p>

NOTE: If an error message is displayed for four minutes, the water in the tub will automatically drain. An alarm will sound one minute prior to draining and the original error code will continue to be displayed.

BEFORE CALLING FOR SERVICE (continued)

Problem	Possible Cause	Solutions
<p>Water in the washer drains slowly or not at all, or the display shows:</p> <p></p>	<p>Drain hose is kinked, pinched, or clogged.</p> <p>Drain discharge is more than 96 inches above bottom of washer.</p>	<p>Make sure the drain hose is free of clogs, kinks, etc., and is not pinched behind or under the washer.</p> <p>Adjust or repair drain. Maximum drain height is 96 inches (8 ft.)</p>
<p>The display shows:</p> <p></p>	<p>The washer has detected an out of balance load.</p>	<p>If the washer detects a load that is too far out of balance to spin, it will display this code while it is attempting to rebalance the load. The washer will add water and try to redistribute the load automatically. This display is for your information only, and no action is required.</p>
<p>The display shows:</p> <p></p>	<p>If the ub rebalance (see above) is not successful, this error will be displayed.</p> <p>The load is too small.</p> <p>Heavy articles are mixed with lighter items.</p> <p>The load is out of balance.</p>	<p>The automatic attempt to rebalance the load was not successful. The cycle has been paused to allow the load to be manually adjusted.</p> <p>Small loads may need additional items to be added to allow the washer to balance the loads.</p> <p>The load may have heavy items loaded with lighter items. Always try to wash articles of somewhat similar weight to allow the washer to evenly distribute the weight of the load for spinning.</p> <p>Manually redistribute the load if articles have become tangled preventing the automatic distribution from working properly.</p>
<p>The display shows:</p> <p></p>	<p>Control error.</p>	<p>Unplug the washer and wait 60 seconds. Reconnect power and try again. If the error reappears, call for service.</p>
<p>The display shows:</p> <p></p>	<p>Water level is too high due to a faulty water valve.</p>	<p>Close the water faucets, unplug the washer, and call for service.</p>
<p>The display shows:</p> <p></p>	<p>The water level sensor is not working correctly.</p>	<p>Close the water faucets, unplug the washer, and call for service.</p>
<p>The display shows:</p> <p></p>	<p>A motor error has occurred.</p>	<p>Allow the washer to stand for 30 minutes and then restart the cycle. If the LE error code persists, call for service.</p>
<p>The display shows:</p> <p></p>	<p>Clutch error.</p>	<p>Mechanical failure.</p> <p>Unplug the washer and call for service.</p>
<p>The display shows:</p> <p></p>	<p>Foreign objects, such as coins, pins, clips, etc., caught between the wash plate and the inner basket.</p>	<p>Turn off the washer and then press the Power button. Press the spin speed button without selecting a cycle to drain and spin the load.</p> <p>When the spin is complete, remove the clothes and then find and remove any objects caught in the wash plate.</p> <p>Always check pockets, etc., before washing to prevent error codes or damage to the washer or clothing.</p>

KENMORE ELITE LIMITED WARRANTY

FOR ONE YEAR from the date of sale this appliance is warranted against defects in material or workmanship when it is correctly installed, operated and maintained according to all supplied instructions. WITH PROOF OF SALE, a defective appliance will receive free repair or replacement at option of seller.

For warranty coverage details to obtain free repair or replacement, visit the web page: www.kenmore.com/warranty.

This warranty applies for only 90 DAYS from the sale date in the United States, and is void in Canada, if this appliance is ever used for other than private household purposes.

This warranty covers ONLY defects in material and workmanship, and will NOT pay for:

1. Expendable items that can wear out from normal use, including but not limited to filters, belts, bags or screw-in base light bulbs.
2. A service technician to clean or maintain this appliance, or to instruct the user in correct appliance installation, operation and maintenance.
3. Service calls to correct appliance installation not performed by Sears authorized service agents, or to repair problems with house fuses, circuit breakers, house wiring, and plumbing or gas supply systems resulting from such installation.
4. Damage to or failure of this appliance resulting from installation not performed by Sears authorized service agents, including installation that was not in accord with electrical, gas or plumbing codes.
5. Damage to or failure of this appliance, including discoloration or surface rust, if it is not correctly operated and maintained according to all supplied instructions.
6. Damage to or failure of this appliance, including discoloration or surface rust, resulting from accident, alteration, abuse, misuse or use for other than its intended purpose.
7. Damage to or failure of this appliance, including discoloration or surface rust, caused by the use of detergents, cleaners, chemicals or utensils other than those recommended in all instructions supplied with the product.
8. Damage to or failure of parts or systems resulting from unauthorized modifications made to this appliance.
9. Service to an appliance if the model and serial plate is missing, altered, or cannot easily be determined to have the appropriate certification logo.

Disclaimer of implied warranties; limitation of remedies

Customer's sole and exclusive remedy under this limited warranty shall be product repair or replacement as provided herein. Implied warranties, including warranties of merchantability or fitness for a particular purpose, are limited to one year or the shortest period allowed by law. Seller shall not be liable for incidental or consequential damages. Some states and provinces do not allow the exclusion or limitation of incidental or consequential damages, or limitation on the duration of implied warranties of merchantability or fitness, so these exclusions or limitations may not apply to you.

This warranty applies only while this appliance is used in the United States or Canada*.

This warranty gives you specific legal rights, and you may also have other rights which vary from state to state.

* In-home repair service is not available in all Canadian geographical areas, nor will this warranty cover user or servicer travel and transportation expenses if this product is located in a remote area (as defined by Sears Canada Inc.) where an authorized servicer is not available.

**Sears Brands Management Corporation, Hoffman Estates, IL 60179
Sears Canada Inc., Toronto, Ontario, Canada M5B 2C3**

INSTRUCCIONES IMPORTANTES	
SOBRE SEGURIDAD	37-39
REQUISITOS DE CONEXIÓN A TIERRA	39
FUNCIONES Y VENTAJAS	
Piezas y componentes clave	40
Accesorio Opcional.....	40
Accesorios incluidos.....	40
REQUISITOS DE INSTALACIÓN	
Dimensiones y especificaciones clave	41
Escoja el lugar adecuado.....	41
Tipo de piso.....	41
Espacios de instalación.....	41
INSTRUCCIONES PARA LA INSTALACIÓN	
Desempaquetado y desembalaje del material	
de transporte	42
Conexión de las tuberías de agua	43
Conexión de la manguera de drenaje	44
Conexión del suministro eléctrico.....	44
Nivelación de la lavadora	45
INSTRUCCIONES DE USO	
Funciones del panel de control	46
Manejo de la lavadora.....	47
Guía de ciclos	48-49
Clasificación de las cargas de lavado.....	50-51
Acerca de los dispensadores.....	52
Uso del detergente y del dispensador	53
Pantalla de tiempo y estado	54
Botones modificadores de ciclo	55
Botones de opción.....	56-58
Lavado accelera	56
Tratamiento con vapor	56
Enjuague extra.....	56
Agregue el agua.....	56
Agregar una prenda	56
Aviso sonoro.....	56
Suavizante	57
Remojo.....	57
Lavado demorado	57
Aclarado y centrifugado	57
Bloqueo de los controles	57
Función de drenaje especial.....	57
Mi Ciclo.....	58
Aviso de la FCC.....	58
Declaración de industry Canada	58
CUIDADO Y LIMPIEZA	
Limpieza regular.....	59
Mantenimiento.....	60
Limpieza de la lavadora	60
SISTEMA KENMORE CONNECT™	62
Uso del sistema Kenmore Connect™	62
GUÍA DE SOLUCIÓN DE PROBLEMAS	
Sonidos normales que se pueden escuchar	63
Antes de solicitar asistencia técnica.....	63-65
Códigos de error.....	67-68
GARANTÍA	67
SERVICIO TÉCNICO	Contraportada

Acuerdos maestros de protección

Felicidades por haber realizado una compra inteligente.

Su nuevo producto Kenmore® está diseñado y fabricado para brindar años de funcionamiento fiable. No obstante, al igual que cualquier otro producto, es posible que requiera un mantenimiento preventivo o alguna reparación cada cierto tiempo. Ahí es cuando contar con un Acuerdo maestro de protección puede ayudarle a ahorrar tiempo y dinero.

El acuerdo maestro de protección también lo ayuda a extender la vida útil de su nuevo producto. El Acuerdo* incluye los siguientes puntos:

- **Piezas y mano de obra necesarias para mantener los productos en buen funcionamiento bajo un uso normal, no únicamente los defectos de fabricación. Nuestra cobertura va mucho más allá de la garantía del producto. No hay ninguna falla funcional deducible que se excluya de la cobertura: se trata de una protección real.**
- **Servicio experto mediante un grupo de más de 10.000 técnicos autorizados de Sears, lo que significa que alguien en quien puede confiar va a trabajar en su producto.**
- **Visitas a su domicilio ilimitadas y servicio en todo el país todas las veces que nos necesite, cuando nos necesite.**
- **Garantía por defectos de fabricación:** reemplazo de su producto si se producen cuatro o más fallas dentro de los doce meses.
- **Reemplazo del producto:** si éste no puede repararse.
- **Control de mantenimiento preventivo anual a pedido, sin cargos extra.**
- **Ayuda rápida por teléfono: lo llamamos resolución rápida. Soporte telefónico de un representante de Sears sobre todos los productos. Piense en nosotros como un "manual de usuario que habla".**
- **Protección de picos de tensión contra daños eléctricos debidos a fluctuaciones de la energía.**
- **Protección anual de \$250 por pérdida de comida que se haya producido como resultado una falla mecánica cualquier refrigerador o congelador cubierto.**
- **Reintegro por alquiler si la reparación de su producto tarda más de lo prometido.**
- **25% de descuento del precio normal de cualquier servicio de reparación no cubierto y de piezas relacionadas instaladas.**

Una vez que adquiera el Acuerdo, sólo tiene que hacer un llamado telefónico para programar el servicio. Puede llamar en cualquier momento de día o de noche, o coordinar un servicio técnico online.

El Acuerdo maestro de protección es una compra sin riesgos. Si usted lo cancela por cualquier razón durante el período de garantía del producto, le devolveremos la totalidad del dinero, o una devolución prorrateada en cualquier momento después de que expire el período de garantía. Adquiera hoy mismo su Acuerdo maestro de protección.

Se aplican algunas limitaciones y exclusiones.

Para consultar precios y e información adicional en los EE. UU. llame al 1-800-827-6655.

*** La cobertura en Canadá varía en algunos aspectos.**

Para más detalles, llame a Sears Canadá a 1-800-361-6665.

Servicio de instalación de Sears

Para solicitar la instalación profesional de Sears de electrodomésticos, dispositivos para apertura de puertas de garaje, calentadores de agua y otros electrodomésticos, llame en los EE. UU. o Canadá a: 1-800-4-MY-HOME®.

REGISTRO DEL PRODUCTO

En el espacio de abajo, registre la fecha de la compra, el modelo y número de serie del producto. Usted encontrará el número de modelo y de serie impreso en una placa de identificación ubicada dentro de la tapa de la lavadora. Tenga esta información disponible cuando se comunique con Sears con relación a su producto.

N.º de modelo _____

Fecha de compra _____

N.º de serie _____

Guarde estas instrucciones y su recibo de venta para referencia futura.

MENSAJES DE SEGURIDAD

En este manual y en su electrodoméstico figuran muchos mensajes importantes de seguridad. Lea y cumpla siempre con todos los mensajes de seguridad.



Éste es el símbolo de alerta de seguridad. Este símbolo lo alerta sobre posibles riesgos que pueden resultar en daños sobre la propiedad y/o lesiones físicas graves o la muerte.

Todos los mensajes de seguridad estarán a continuación del símbolo de alerta de seguridad y de las palabras de señal de PELIGRO, ADVERTENCIA o PRECAUCIÓN. Estas palabras significan:

⚠ PELIGRO

Indica una situación peligrosa que, si no se evita, puede producir lesiones graves o la muerte.

⚠ ADVERTENCIA

Indica una situación peligrosa que, si no se evita, podría provocar lesiones graves o la muerte.

⚠ PRECAUCIÓN

Indica una situación peligrosa que, si no se evita, puede producir una lesión menor o moderada.

Todos los mensajes de seguridad le indicarán cuál es el posible peligro, lo que debe hacer para reducir la probabilidad de lesiones y lo que puede ocurrirle si no se siguen las instrucciones.

INSTRUCCIONES IMPORTANTES SOBRE SEGURIDAD

⚠ ADVERTENCIA

Para reducir el riesgo de incendio, descarga eléctrica o lesiones personales al utilizar este electrodoméstico, siga estas precauciones básicas, entre las que se incluyen las siguientes:

- Utilice este electrodoméstico solo para los fines para los que fue diseñado, según lo descrito en este manual del usuario. N'utilisez votre laveuse qu/aux fins prévues décrites dans ce manuel du propriétaire.
- Antes de utilizar la lavadora, es necesario instalarla correctamente, según se describe en este manual.
- No lave artículos que previamente hayan sido limpiados, lavados, sumergidos o salpicados con gasolina, disolventes de limpieza en seco o cualquier otra sustancia inflamable o explosiva, ya que pueden desprender vapores que podrían incendiarse o explotar.
- No agregue gasolina, disolventes de limpieza en seco u otras sustancias explosivas al agua de lavado. Estas sustancias emanan vapores que podrían encenderse o explotar.
- Bajo ciertas condiciones, se puede producir gas hidrógeno en un sistema de agua caliente que no se haya usado por un plazo de 2 semanas o más. **EL GAS HIDRÓGENO ES EXPLOSIVO.** Si no se ha usado el sistema de agua caliente durante tal período, antes de utilizar la lavadora, abra todas las llaves de agua caliente y deje que el agua fluya durante algunos minutos. Esto liberará cualquier gas hidrógeno acumulado. Ya que el gas es inflamable, no fume ni use ninguna llama abierta durante este período.
- No deje que los niños jueguen en la lavadora o dentro de ella. Cuando se usa la lavadora cerca de los niños se necesita supervisión minuciosa.
- Antes de poner la lavadora fuera de servicio o de tirarla, quite la tapa del compartimiento de lavado para evitar el peligro que niños o pequeños animales se queden atrapados en el interior. Si no se respeta esta advertencia, pueden producirse lesiones graves e incluso la muerte.
- No instale ni guarde la lavadora cuando esté expuesta a la intemperie o temperaturas de congelamiento.
- Mantenga el área alrededor y bajo el dispositivo libre de materiales combustibles, como pelusa, papel, trapos, productos químicos, etc.
- No toque los controles.
- No repare ni cambie ninguna pieza de la lavadora ni intente dar un mantenimiento diferente al descrito en este manual. Recomendamos enfáticamente que el mantenimiento lo brinde una persona calificada.
- Vea las Instrucciones para la instalación para referirse a los requisitos de conexión a tierra.
- Siga SIEMPRE las instrucciones de cuidado de la prenda provistas por el fabricante de las prendas.
- No coloque prendas expuestas a aceite comestible en su lavadora. Las prendas contaminadas con aceites comestibles podrían contribuir a la formación de una reacción química que cause que una carga de lavado se incendie.
- Use suavizantes o productos para eliminar estática únicamente del modo recomendado por el fabricante.
- Esta lavadora no está diseñada para uso marino o instalaciones móviles tales como vehículos recreativos, aeronaves, etc.
- Cierre las llaves de agua y desenchufe la lavadora si va a dejar la lavadora sin funcionar por un período prolongado de tiempo, como durante las vacaciones.
- El material de embalaje podría resultar peligroso para los niños. **Existe riesgo de asfixia.** Mantenga todos los elementos de embalaje fuera del alcance de los niños.
- Antes de cargar la lavadora, siempre revise que no haya objetos extraños en su interior. Mantenga la puerta cerrada cuando no se use.

ADVERTENCIA: Este producto contiene químicos conocidos por el Estado de California de causar cáncer. **Lávese las manos después de manipular.**

⚠ ADVERTENCIA

Para reducir el riesgo de incendio, descarga eléctrica o lesiones personales al utilizar este electrodoméstico, siga estas precauciones básicas, entre las que se incluyen las siguientes:

- Desenchufe la lavadora antes de proceder a su limpieza para evitar posibles descargas eléctricas.
- No utilice nunca productos químicos fuertes, limpiadores abrasivos o disolventes para limpiar la lavadora. Dañarán el acabado.
- No coloque trapos grasos o aceitosos sobre la lavadora. Estas sustancias despiden vapores que podrían prender fuego a los materiales.
- No lave prendas que estén sucias con aceite vegetal o de cocina. Las mismas pueden quedar con algo de aceite luego del lavado y prenderse fuego.
- Desconecte este electrodoméstico de la toma de corriente antes de realizar cualquier función de mantenimiento. Colocar los controles en la posición OFF (apagado) no desconecta el electrodoméstico de la toma de corriente. Si no se cumple con esta advertencia se podrán producir lesiones graves, incendios, descargas eléctricas o muerte.
- No combine detergentes, suavizantes y otros productos de lavandería de diferentes fabricantes en una misma carga, a menos que así se especifique en la etiqueta.
- No mezcle blanqueador con cloro con amoníaco o ácidos, como vinagre. Siga las direcciones del paquete al usar productos de lavandería. Un uso indebido puede producir gases venenosos, lo que puede resultar en heridas graves o la muerte.
- No coloque las manos dentro de la lavadora cuando sus partes estén en movimiento. Antes de cargar, descargar o agregar prendas, presione la perilla selectora de ciclos y espere hasta que la tina se detenga totalmente antes de meter las manos dentro. Si no se cumple con esta advertencia se podrán producir lesiones graves, incendios, descargas eléctricas o muerte.
- Consulte las **INSTRUCCIONES DE INSTALACIÓN** para obtener información detallada de los procedimientos de conexión a tierra. Junto con la lavadora se encuentran las instrucciones de instalación como referencia. Si cambiara de lugar la lavadora, contrate a una persona del servicio calificada para que la controle y reinstale. Si no se cumple con esta advertencia se podrán producir lesiones graves, incendios, descargas eléctricas o muerte.
- Bajo ninguna circunstancia, corte o quite la tercera clavija (de conexión a tierra) del cable eléctrico. Si no se cumple con esta advertencia se podrán producir lesiones graves, incendios, descargas eléctricas o muerte.
- Por motivos de seguridad personal, este electrodoméstico debe estar conectado a tierra adecuadamente. Si no se cumple con esta advertencia se podrán producir lesiones graves, incendios, descargas eléctricas o muerte.
- El cable de alimentación de este electrodoméstico está equipado con un enchufe de tres clavijas (de conexión a tierra) que coincide con una toma de corriente para tres clavijas (de conexión a tierra) para así minimizar la posibilidad de descarga eléctrica de este electrodoméstico.
- Esta lavadora debe estar enchufada a una toma de corriente de 120 V de CA, 60 Hz y con conexión a tierra. Si no se cumple con esta advertencia se podrán producir lesiones graves, incendios, descargas eléctricas o muerte.
- Solicite a un electricista calificado que controle la toma de corriente y el circuito eléctrico para asegurarse de que la toma de corriente está correctamente conectada a tierra. Si no se cumple con esta advertencia se podrán producir lesiones graves, incendios, descargas eléctricas o muerte.
- No combine detergentes, suavizantes para ropa y otros productos de lavandería de diferentes fabricantes en una misma colada, a menos que así lo especifique la etiqueta.
- No mezcle blanqueador con cloro con amoníaco o ácidos, como vinagre. Para usar productos de lavandería, siga las instrucciones del paquete. Un uso indebido puede producir gases venenosos, lo que puede resultar en heridas graves o la muerte.
- No coloque las manos dentro de la lavadora cuando ésta esté en funcionamiento. Antes de cargar, descargar o agregar prendas, espere a que la tina se detenga totalmente antes de meter las manos dentro. Si no sigue esta advertencia se podrían producir lesiones graves, incendio, electrocución o la muerte.
- La lavadora debería estar siempre conectada a un toma de corriente individual que tenga un voltaje nominal que corresponda a las especificaciones de voltaje nominal de la placa. De este modo obtendrá un rendimiento óptimo y también evitará que se produzca sobrevoltaje en el cableado de la casa que pudiese favorecer el riesgo de incendio por sobrecalentamiento de los cables.
- Nunca desenchufe su lavadora tirando del cable de alimentación. Coja el enchufe firmemente y tire del mismo hacia fuera para sacarlo de la toma de corriente. Si no sigue esta advertencia se podrían producir lesiones graves, incendio, electrocución o la muerte.
- Repare o reemplace de inmediato todos los cables de alimentación que estén pelados o dañados de algún modo. No use un cable con cortaduras o abrasión en alguna parte del mismo o en sus extremos. Consulte un profesional calificado del servicio técnico. Si no sigue esta advertencia se podrían producir lesiones graves, incendio, electrocución o la muerte.
- Al instalar o cambiar de lugar la lavadora, evite pinzar, aplastar o dañar el cable de alimentación. Si no sigue esta advertencia se podrían producir lesiones graves, incendio, electrocución o la muerte.
- La lavadora debe ser instalada con una toma a tierra apropiada por un técnico calificado que cumpla con los códigos locales, para evitar riesgos de electrocución y garantizar la estabilidad del aparato durante su funcionamiento.
- La lavadora es pesada. Se necesitan dos o más personas para instalar y mover el electrodoméstico. Si no se cumple esta advertencia, se podrían producir daños en la propiedad y daños corporales graves.
- No almacene ni instale la lavadora en lugares expuestos a temperaturas bajo cero ni a inclemencias meteorológicas. Si no sigue advertencia, se podrían producir daños por filtraciones.
- Con el fin de reducir el riesgo de electrocución no instale la lavadora en espacios húmedos. Si no sigue esta advertencia se podrían producir lesiones graves, incendio, electrocución o la muerte.
- A fin de reducir el riesgo de lesión personal, debe adherirse a todos los procedimientos de seguridad recomendados por la industria, incluso el uso de guantes de manga larga y gafas de seguridad. El incumplimiento de estas advertencias de seguridad en este manual podrían ocasionar daño a la propiedad, lesión personal o muerte.
- Nunca intente utilizar este electrodoméstico si está dañado, tiene una falla, está parcialmente desarmado, tiene partes dañadas o le faltan partes, incluido un cable o un enchufe dañado.
- Para minimizar la posibilidad de que ocurra una descarga eléctrica, antes de realizar cualquier tarea de mantenimiento o limpieza desconecte este electrodoméstico del suministro eléctrico o desconecte la lavadora del panel de distribución de la casa quitando el fusible o desconectando el disyuntor.

! ADVERTENCIA: RIESGO PARA LOS NIÑOS

- No deje que los niños jueguen en la lavadora o dentro de ella. Cuando se usa la lavadora cerca de los niños se necesita supervisión minuciosa. A medida que los niños crecen, enséñeles el uso apropiado y seguro de todos los electrodomésticos. No cumplir con estas advertencias puede provocar lesiones físicas graves.
- Destruya el cartón, la bolsa de plástico y otros materiales de embalaje después de desempaquetar la lavadora. Los niños podrían utilizarlos para jugar. Los cartones cubiertos con las mantas, las colchas, o las hojas plásticas pueden convertirse en compartimientos herméticos. No cumplir con estas advertencias puede provocar lesiones físicas graves.
- Guarde los productos de lavandería fuera del alcance de los niños. Para evitar lesiones personales, observe todas las advertencias de las etiquetas del producto. No cumplir con estas advertencias puede provocar lesiones físicas graves.
- Antes de poner la lavadora fuera de servicio o de tirarla, quite la tapa del compartimiento de lavado para evitar el peligro que niños o pequeños animales se queden atrapados en el interior. Si no se respeta esta advertencia, pueden producirse lesiones graves e incluso la muerte.

REQUISITOS DE CONEXIÓN A TIERRA

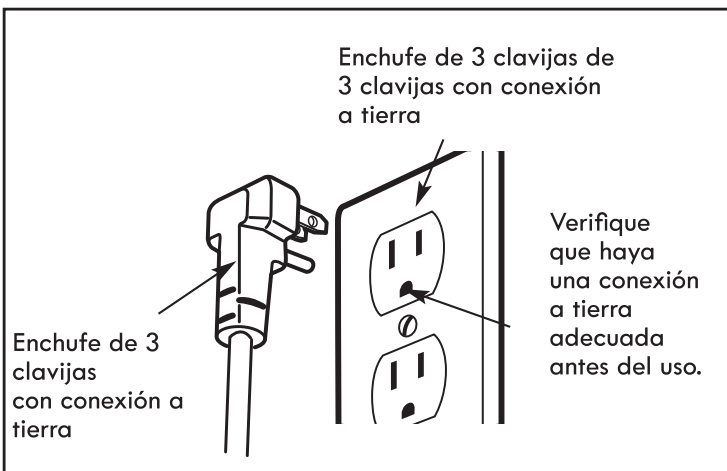
IMPORTANTE: Lea atentamente la siguiente información. PARA CONECTAR LA ELECTRICIDAD

! ADVERTENCIA

Una conexión inadecuada del conductor de conexión a tierra del equipo puede ocasionar un riesgo de descarga eléctrica. Consulte a un eléctrico o técnico calificado si tiene dudas sobre si el electrodoméstico está correctamente conectado a tierra. No modifique el enchufe que se entrega con el electrodoméstico. Si no encaja en la toma de corriente, solicite a un electricista adecuadamente formado que le instale una toma de corriente apropiada. Si no se cumple con estas advertencias se podrán producir lesiones graves, incendios, descargas eléctricas o muerte.

INSTRUCCIONES DE CONEXIÓN A TIERRA

Este electrodoméstico debe estar conectado a tierra. En caso de falla o mal funcionamiento, la conexión a tierra reduce el riesgo de descarga eléctrica, al brindar a la corriente eléctrica una trayectoria de una menor resistencia. Este electrodoméstico está equipado con un cable que dispone de un conductor de conexión a tierra del equipo y un enchufe con conexión a tierra. El enchufe debe conectarse a una toma de corriente adecuada que esté correctamente instalada y con conexión a tierra según los códigos y ordenanzas locales.



PIEZAS Y COMPONENTES CLAVE

A BLOQUEO DE LA TAPA

La tapa de la lavadora está bloqueada durante el funcionamiento. La tapa se puede destrabar presionando el botón START/PAUSE para detener la lavadora.

B TINA DE ACERO INOXIDABLE DE ULTRA-CAPACIDAD

La tina de acero inoxidable de capacidad ultra grande brinda una durabilidad superior.

C TAPA DE CIERRE SUAVE

La tapa de cierre suave es un dispositivo de seguridad que cierra la tapa con suavidad. Las bisagras de cierre suave permiten que la tapa se cierre suave y silenciosamente.

D PANEL DE CONTROL TRASERO CON PANTALLA LED

La pantalla LED de fácil lectura muestra las opciones del ciclo, los ajustes, el estado del ciclo y el tiempo restante estimado.

E SMARTRINSE

Esta lavadora está diseñada para ahorrar agua en el enjuague mediante el uso de un sistema de enjuague con rociado a chorro en los ciclos NORMAL/CASUAL y HEAVY DUTY.

F KENMORE CONNECT™

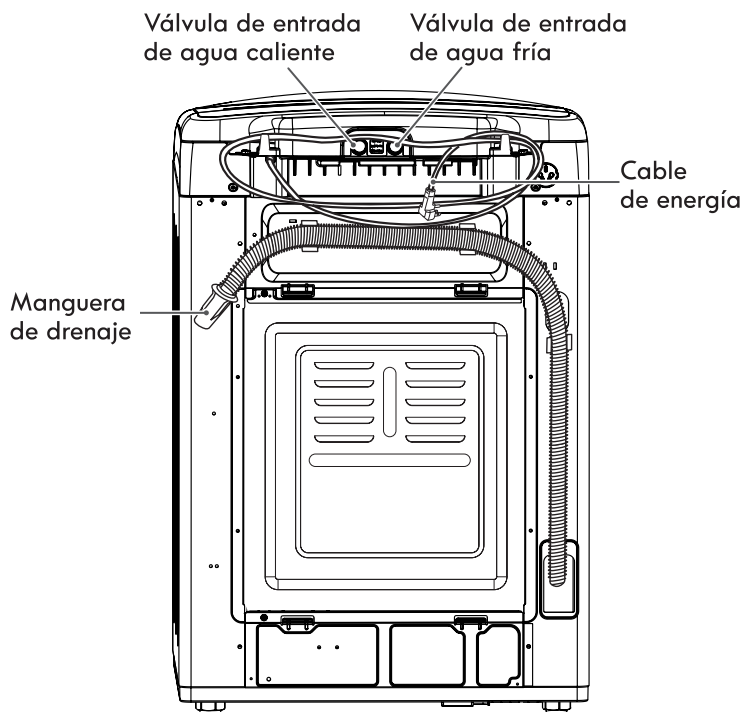
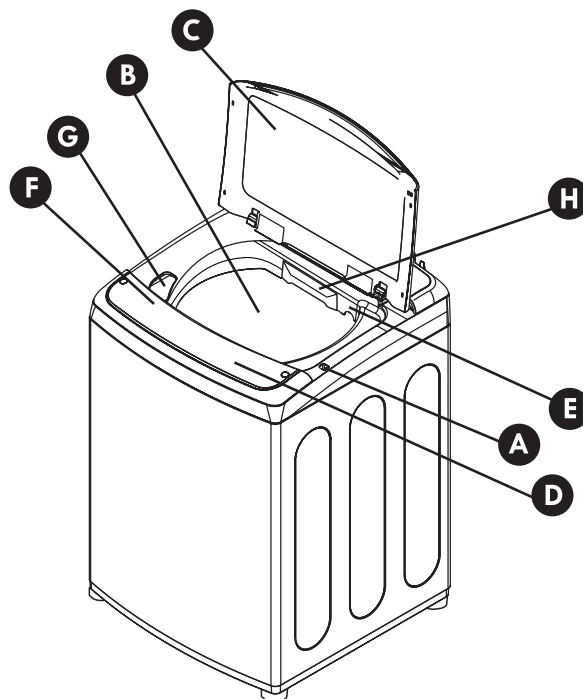
Si experimenta algún problema con la lavadora, podrá transmitir datos a través del teléfono con el equipo Kenmore Connect. Así podrá hablar directamente con nuestros técnicos especializados. El técnico graba los datos transmitidos desde la máquina y los utiliza para analizar el problema, ofreciendo un diagnóstico rápido y eficaz.

G DISPENSADOR DE BLANQUEADOR

Este compartimiento contiene el blanqueador con cloro líquido, que se dispensará de forma automática en el momento adecuado durante el ciclo de lavado.

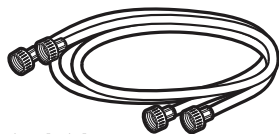
H GAVETA DEL DISPENSADOR

Agregue detergente o suavizante al compartimiento de lavado principal de la gaveta del dispensador. Los productos de limpieza se distribuyen de forma automática en el momento adecuado del ciclo de lavado.



Accesorio Opcional

- Mangueras de agua caliente y agua fría (con dos sellos por manguera, 1 en cada extremo)



Accesorios incluidos

- Sujetador de cable (para asegurar la manguera de drenaje)



REQUISITOS DE INSTALACIÓN

DIMENSIONES Y ESPECIFICACIONES CLAVE

Descripción	Lavadora de carga superior
Tensión nominal y frecuencia	120 V de CA, 60 Hz
Dimensiones	27" (anchura) X 28 3/8" (profundidad) X 41 3/10" (altura), 55 3/8" (altura con la tapa abierta) 68,6 cm (anchura) X 72,1 cm (profundidad) X 105.0 cm (altura), 140,6 cm (altura con la tapa abierta)
Peso neto	137.8 kg (62,5 libras)

ESCOJA EL LUGAR ADECUADO

⚠️ ADVERTENCIA

- La lavadora es pesada. Se necesitan dos o más personas para trasladar y desempaquetar la lavadora. Si no se cumple esta advertencia, se podrán producir daños en la propiedad y graves daños personales.
 - No almacene ni instale la lavadora en lugares expuestos a temperaturas de congelación ni a inclemencias meteorológicas. Si no se cumple con esta advertencia se podrán producir lesiones graves, incendios, descargas eléctricas o muerte.
 - Conecte la lavadora adecuadamente a tierra según los códigos y las ordenanzas vigentes. Si no se cumple con esta advertencia, se podrán producir lesiones graves, incendios, descargas eléctricas o muerte.
 - Con el fin de reducir el riesgo de descargas eléctricas no instale la lavadora en espacios húmedos. Si no se cumple con esta advertencia, se podrán producir lesiones graves, incendios, descargas eléctricas o muerte.
 - Para asegurar un adecuado flujo del aire, no bloquee la gran abertura situada en la parte inferior de la lavadora con una alfombra u otros materiales.
 - No elimine el cable de conexión a tierra. No use un adaptador o prolongador. Enchufe en una toma de corriente con conexión a tierra de 3 clavijas. Si no se cumple con esta advertencia se podrán producir lesiones graves, incendios, descargas eléctricas o muerte.
- NOTA:** La instalación de la lavadora en un lugar húmedo, ni instalar o almacenar la lavadora donde esté expuesta a la intemperie o a temperaturas bajo cero, puede dar lugar a oxidaciones y otros daños que no están cubiertos por la garantía del producto.

Toma de corriente

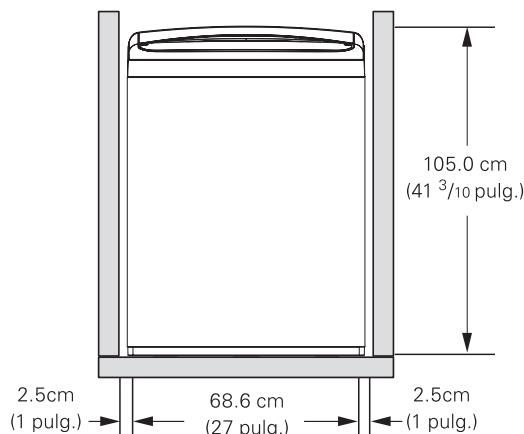
- La toma de corriente debe estar dentro de un área mínima de 1,5 m (60 pulgadas) a cualquiera de los lados de la lavadora.
- El electrodoméstico y la toma de corriente deben estar colocados de forma tal que se pueda acceder al enchufe fácilmente.
- No sobrecargar la toma de corriente con más de un electrodoméstico.
- La toma de corriente deberá estar conectada a tierra de acuerdo con los códigos y las regulaciones de cableado actuales.
- Se recomienda utilizar un fusible de demora de tiempo o disyuntor.

NOTA: Es responsabilidad y obligación personal del dueño del producto pedir a una persona del servicio técnico calificado que instale la toma de corriente adecuada.

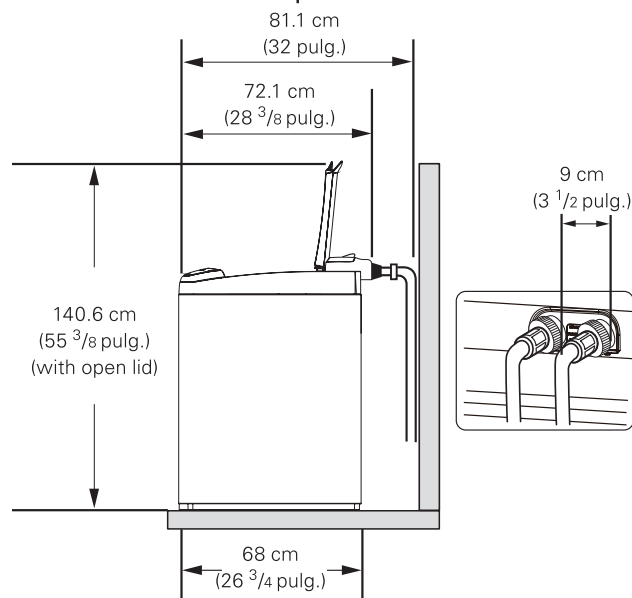
TIPO DE PISO

- Para minimizar el ruido y vibración, se DEBE instalar la lavadora en un piso sólidamente construido. Ver la NOTA a la derecha.
- La cuesta permisible debajo de toda la lavadora es una diferencia máxima de 2,5 cm. (1 pulgada) de lado a lado o entre la parte delantera y la trasera.

ESPACIOS DE INSTALACIÓN



Para asegurar que se haya dotado de suficiente espacio para las tuberías de agua y flujo de aire, deje espacios mínimos de por lo menos 2,5 cm (1 pulgada) en los lados y de 10 cm (4 pulgadas) detrás de la unidad. No olvide tener en cuenta las molduras de paredes, puertas o piso, que podrían aumentar la distancia de separación necesaria.



El espacio vertical mínimo desde el piso a los estantes superiores, muebles, techo, etc., es de 1,40 metros (56 pulgadas).

NOTA: Se debe instalar la lavadora en un piso firme para minimizar la vibración durante el centrifugado. El piso de concreto es el mejor, pero un piso de madera es suficiente, siempre que se haya construido respetando los estándares FHA. No se debe instalar la lavadora sobre alfombras o expuesta a la intemperie.

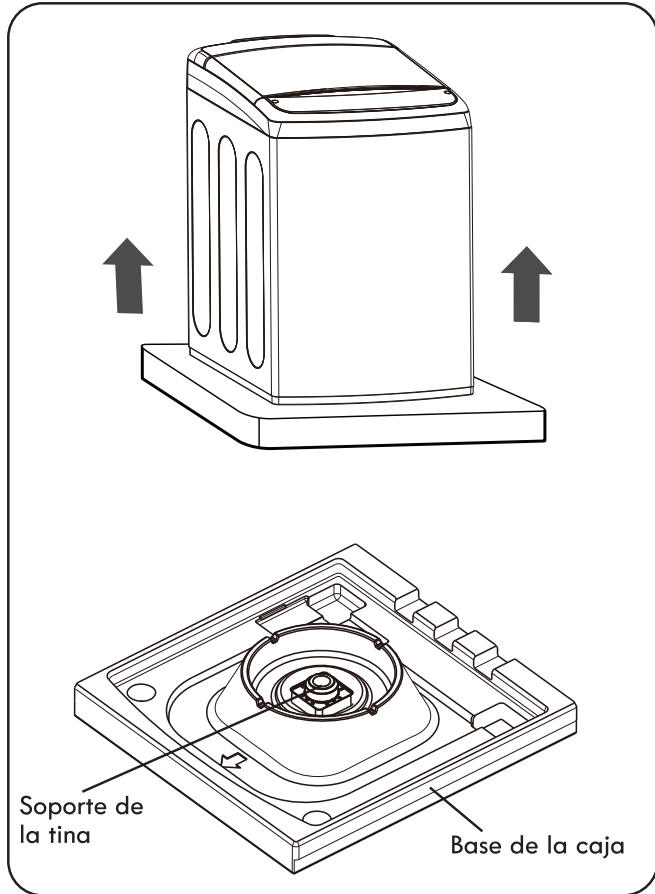
- No se recomiendan las superficies alfombradas o de baldosas blandas.
- Nunca instale la lavadora en una plataforma o estructura soportada con poca solidez.

INSTRUCCIONES PARA LA INSTALACIÓN

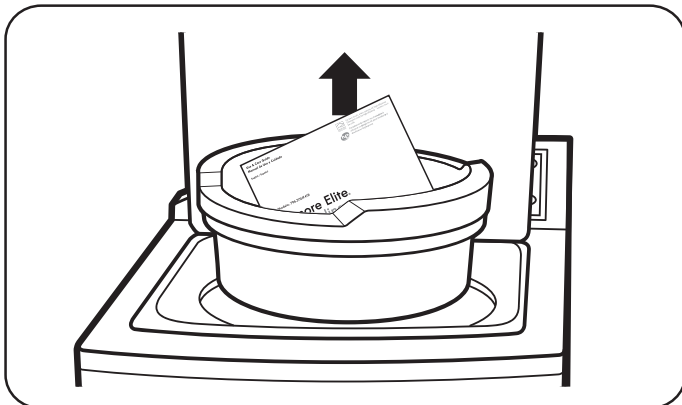
DESEMPAQUETADO Y DESEMBALAJE DEL MATERIAL DE TRANSPORTE

Al retirar la lavadora de la base de cartón, asegúrese de que el soporte de plástico de la tina sale junto con la base de cartón.

Si debe asentar la lavadora hacia abajo para quitar los materiales de embalaje de la base, siempre proteja el lado de la lavadora y dépositela con cuidado sobre su lado. **NUNCA** asiente la lavadora sobre su parte frontal o posterior.

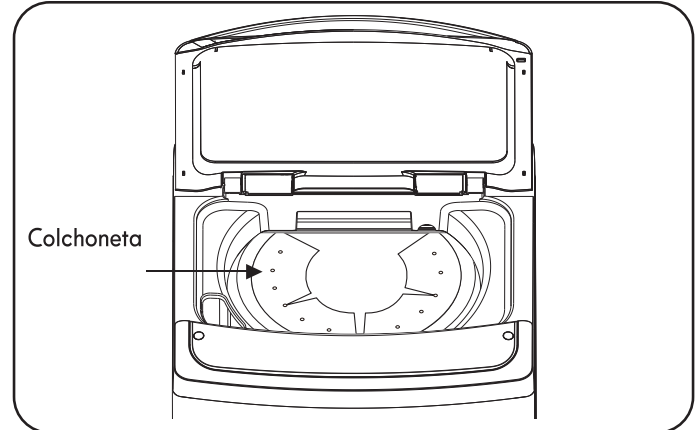


1. Después de quitar el cartón y el material de embalaje, levante y saque la lavadora de la base de espuma. Asegúrese de que el soporte de plástico de la tina sale con la base y no se queda atascado en la parte inferior de la lavadora.

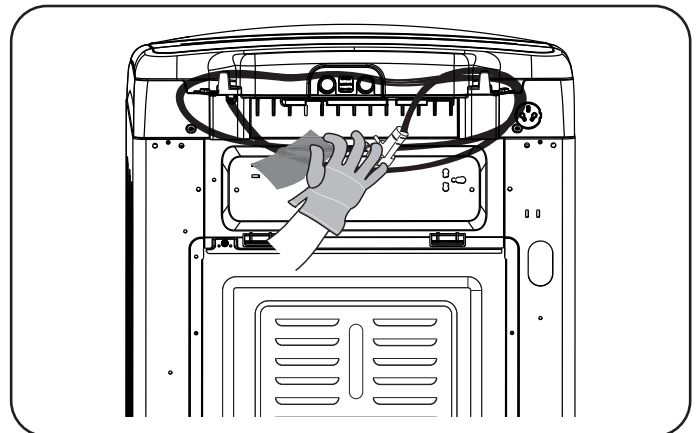


2. Retire el bloque de espuma que contiene el manual del propietario, las piezas, de agua y las muestras de producto de lavandería. Guarde el bloque de espuma para un uso futuro. Si en el futuro debe trasladar en una mudanza la lavadora, este bloque ayudará a impedir daños a la lavadora durante el transporte.

NOTA: Para evitar cualquier daño, no retire el bloque de espuma hasta que la lavadora no esté en su ubicación final.



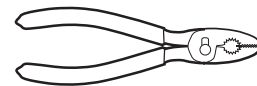
3. Retire cuidadosamente las dos protecciones de espuma que cubren los lados superiores de la guía de la cuba, asegurándose de no dejar ningún resto de espuma.



4. Libere el cable de alimentación de la parte posterior de la lavadora.

HERRAMIENTAS QUE NECSITARÁ

- Pinzas ajustables

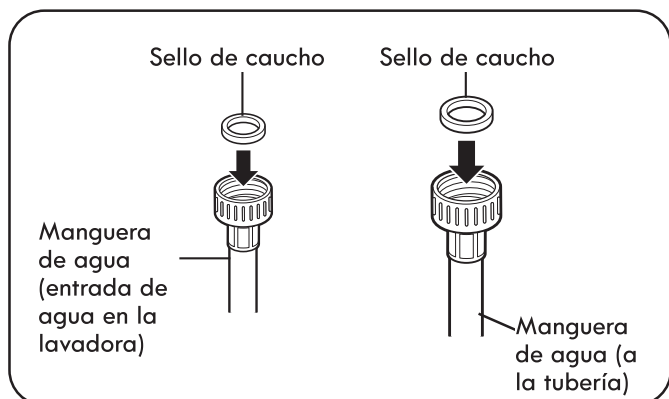


- Nivel de carpintero

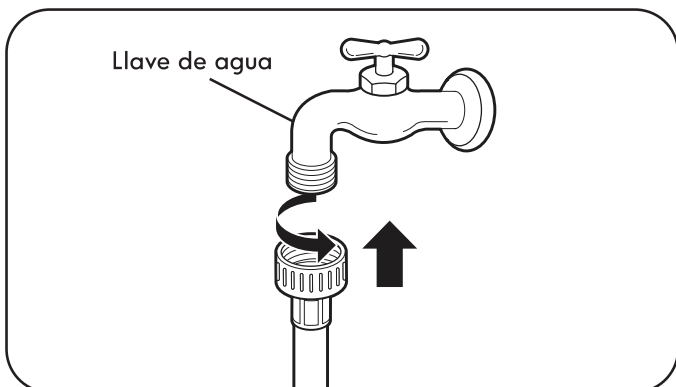


CONEXIÓN DE LAS TUBERÍAS DE AGUA

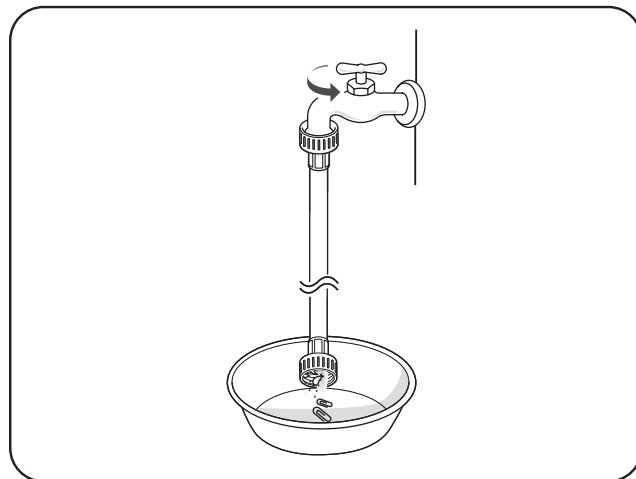
- **IMPORTANTE:** Use mangueras nuevas cuando instale la lavadora. NO reutilice las antiguas mangueras.
- **IMPORTANTE:** SÓLO use las mangueras de entrada suministradas con KENMORE. Las mangueras comerciales no tienen garantía de que se ajusten o funcionen correctamente. Otras mangueras puede que no se aprieten correctamente y ocasionen fugas. Los daños subsiguientes a los productos o la propiedad no quedarán cubiertos de acuerdo con los términos de la garantía del producto.
- La presión del suministro de agua debe estar entre 14,5 psi y 116 psi (100~800 kPa). Si la presión del suministro de agua es superior a 116 psi, se deberá instalar una válvula de reducción de la presión del agua.
- Periódicamente, compruebe las mangueras en busca de grietas, fugas y desgastes, y reemplace la manguera si es necesario.
- Asegúrese de que las mangueras no estén estiradas, pinzadas, aplastadas o retorcidas.
- La lavadora no se debería instalar ni almacenar en un lugar sometido a temperaturas de congelación. Pueden dañarse las tuberías de agua y mecanismos internos de la lavadora. Si la lavadora estuvo expuesta a temperaturas de congelación antes de la instalación, permita que permanezca a temperatura ambiente por varias horas antes de usarla y verifique la presencia de pérdidas antes del funcionamiento.



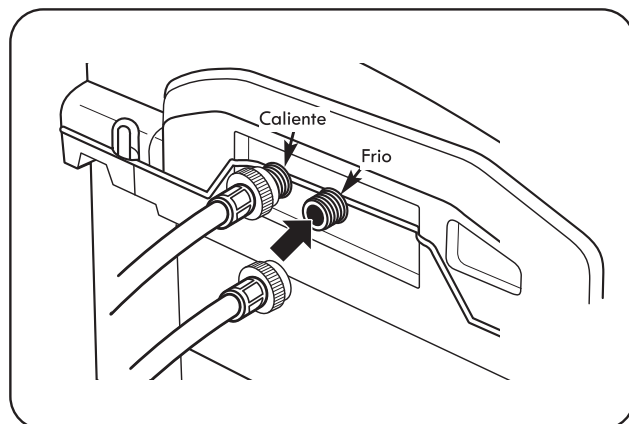
1. Inspeccione el accesorio roscado de cada manguera y verifique que haya un sello de goma en ambos extremos.



2. Conecte las mangueras de suministro de agua a las llaves de paso de agua caliente y fría y apriete las conexiones con la mano. A continuación, utilice unos alicates para apretarlas otros $\frac{2}{3}$ de vuelta.



3. Siempre deje fluir uno o dos litros de agua a través de cada manguera de entrada para ayudar a evitar futuros problemas con pantallas de filtro obstruidas al vaciar la suciedad, depósitos de minerales y otros residuos de las tuberías de agua. De paso, al hacerlo comprobará cuál es la manguera de agua caliente y cuál la de agua fría.



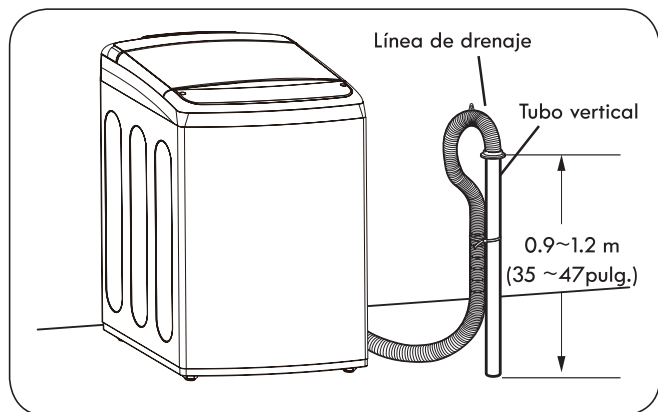
4. Conecte la tubería de agua caliente (roja) a la entrada de agua caliente ubicada en la parte trasera de la lavadora. Conecte la tubería de agua fría (azul) a la entrada de agua fría situada en la parte posterior de la lavadora. Ajuste las uniones con firmeza. Abra las llaves de paso del agua y revise si hay fugas.

NOTA: Asegúrese de no enroscar mal los accesorios de la manguera. Ya que ello dañaría la válvula y podría provocar daños a la propiedad debido a las fugas.

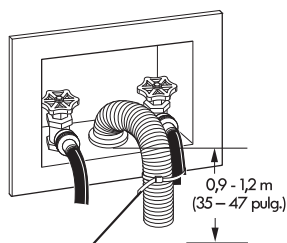
CONEXIÓN DE LA MANGUERA DE DRENAJE

- La manguera de drenaje siempre debe estar asegurada adecuadamente. No asegurar adecuadamente la manguera de drenaje puede resultar en inundación o daños a la propiedad.
- El drenaje debe instalarse según todos los códigos y regulaciones locales vigentes.
- Asegúrese de que la manguera de drenaje no está estirada, pinzada, aplastada o retorcida.

Opción 1: Tubo vertical

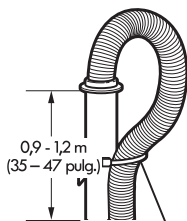


Doble el extremo de salida de la manguera de drenaje hasta formar una U. Ingrese el extremo de la manguera de drenaje en el desagüe. Si el desagüe es lo suficientemente ancho como para que el reborde de la manguera encaje dentro, entonces, no inserte el reborde más de 2-5 cm (1-2 pulgadas) en el desagüe. Use la correa, incluida con los materiales de instalación que había en el bloque de espuma de la tina, para asegurar la manguera de drenaje al desagüe.



Sujetador de cable

Si las válvulas de agua y el desagüe están instaladas en la pared, sujete la manguera de drenaje a una de las mangueras de agua con la correa (el lado estriado hacia el interior).



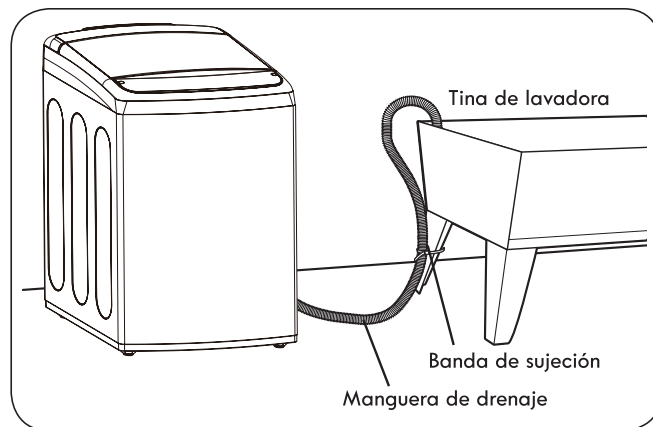
Sujetador de cable

Si el desagüe es una tubería vertical, sujete la manguera de drenaje a la tubería vertical con la correa suministrada.

NOTA:

- La altura total del extremo de la manguera debería estar aproximadamente a 0,9~1,2 metros (35"~47") del piso.
- No instalar el extremo de la manguera a una altura de más de 243,8 cm (96 pulgadas) sobre la parte inferior de la lavadora.
- Nunca selle la manguera de drenaje al desagüe. Si no hay ninguna ranura de aire, puede crearse un efecto sifón y el agua verse impelida fuera de la tina lo que ocasionaría una reducción del rendimiento del lavado/enjuague o daños en las prendas.

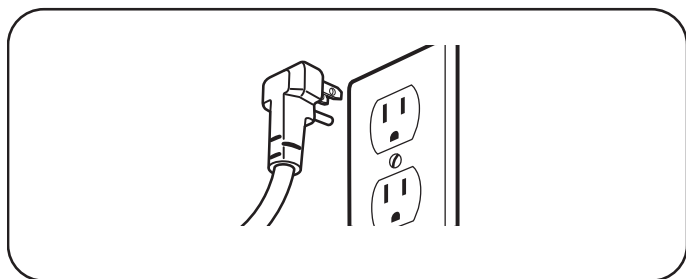
Opción 2: Lavadero



Doble el extremo de la manguera de drenaje hasta que tenga la forma deseada y engánchelo al borde del lavadero. Use una correa para asegurar la manguera de drenaje en su lugar.

CONEXIÓN DEL SUMINISTRO ELÉCTRICO

La lavadora requiere una toma de corriente de 120 V de CA, 60 Hz y tres clavijas con conexión a tierra. Enchufe la lavadora.



⚠ ADVERTENCIA

Una conexión inadecuada del conductor de conexión a tierra del equipo puede ocasionar un riesgo de descarga eléctrica. Consulte a un eléctrico o técnico calificado si tiene dudas sobre si el electrodoméstico está correctamente conectado a tierra. No modifique el enchufe que se entrega con el electrodoméstico. Si no encaja en la toma de corriente, solicite a un electricista adecuadamente formado que le instale una toma de corriente apropiada. Si no se cumple con estas advertencias se podrán producir lesiones graves, incendios, descargas eléctricas o muerte.

NIVELACIÓN DE LA LAVADORA

La tina de su nueva lavadora gira a velocidades muy elevadas. Para minimizar la vibración, los ruidos y los movimientos no deseados, el piso deberá ser una superficie perfectamente nivelada y sólida.

NOTA: Ajuste las patas niveladoras solo en la medida necesaria para nivelar la lavadora.

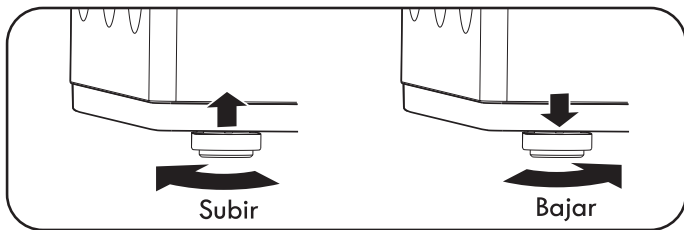
La extensión de las patas niveladoras más de lo necesario puede causar vibración de la lavadora.

NOTA: Antes de instalar la lavadora, asegúrese de que el piso esté limpio, seco y libre de polvo, suciedad, agua y aceites, de forma que las patas de apoyo del electrodoméstico no puedan deslizarse con facilidad.

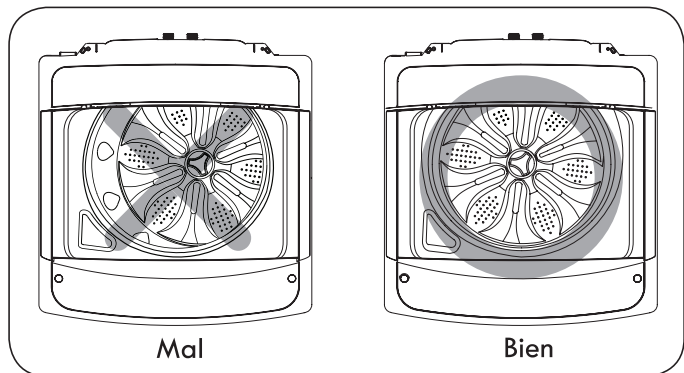
Las patas de apoyo podrían moverse o deslizarse, conllevando una vibración y ruido excesivos derivados de un contacto deficiente con el piso.

Las cuatro patas niveladoras deben apoyarse firmemente en el piso. Intente mover la lavadora de una esquina hacia otra para asegurar que las cuatro patas niveladoras tengan un contacto firme sobre el piso.

1. Coloque la lavadora en el lugar final, tomando la precaución especial de no apretar, forzar ni aplastar las tuberías de drenaje y agua. Coloque un nivel sobre la parte superior de la lavadora.

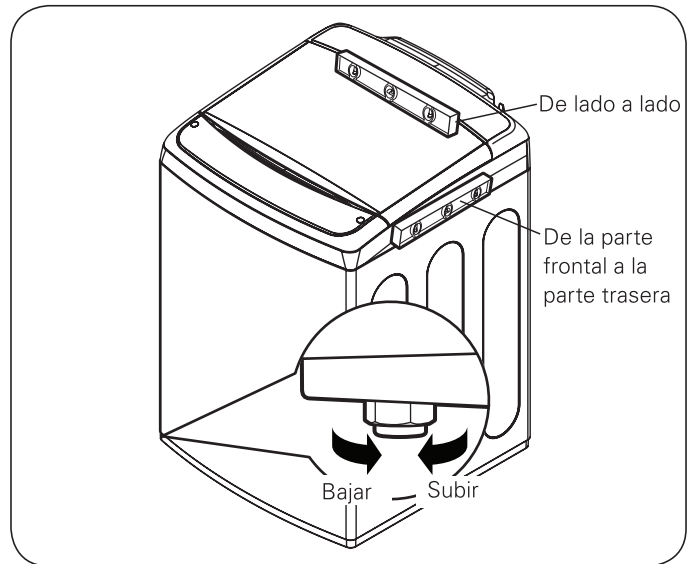


2. Ajuste la pata niveladora. Gire en sentido horario para levantar la lavadora y en sentido antihorario para bajarla.



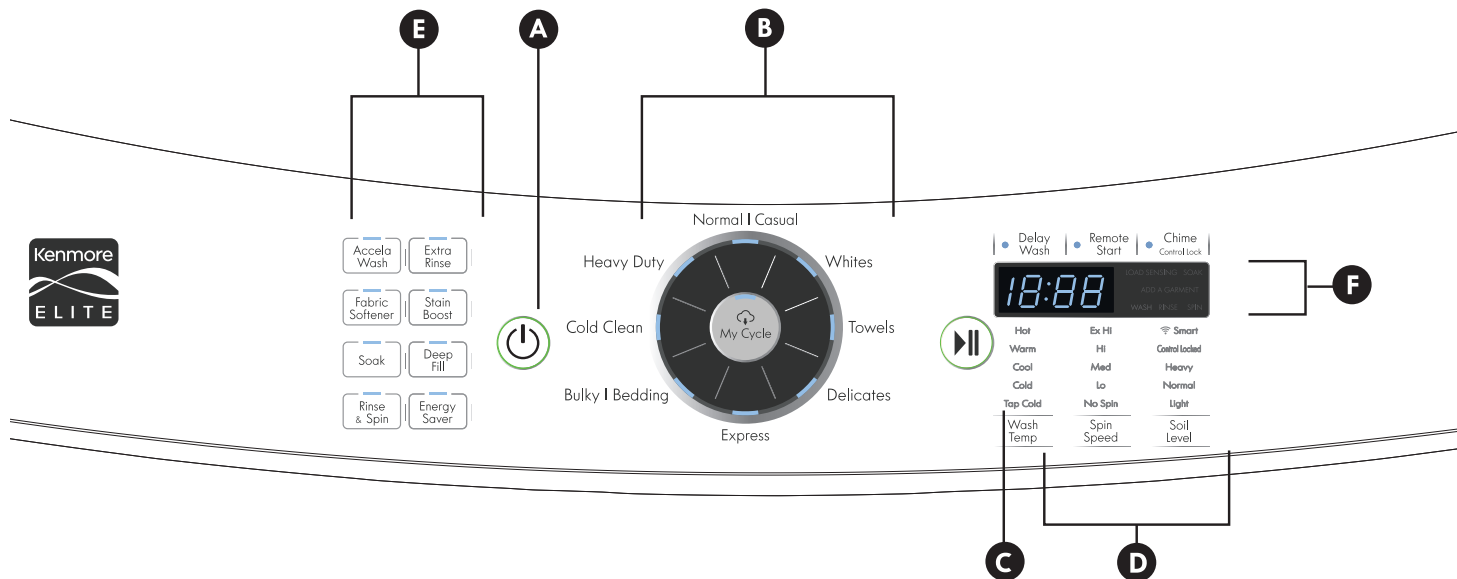
3. Para asegurarse de que la lavadora está correctamente nivelada, abra la tapa y mire desde arriba para ver si la tina está centrada. Si la tina NO está centrada como muestra el dibujo a la izquierda, vuelva a ajustar la pata. Si tiene un nivel, compruebe la lavadora con el nivel.

- Para comprobar si la lavadora está nivelada de lado a lado, coloque un nivel en el filo posterior de la tapa.
- Para comprobar si la tapa está nivelada de adelante hacia atrás, coloque un nivel en el lateral de la lavadora en el borde donde se unen el lateral del mueble y la tapa superior. No coloque el nivel en la parte superior ni en la tapa. Si utiliza esas referencias, el resultado será una lavadora desnivelada.



ADVERTENCIA: Para reducir el riesgo de incendio, descarga eléctrica o lesiones personales, lea y cumpla completamente este manual de uso y cuidado, incluyendo las instrucciones importantes sobre seguridad, antes de poner en funcionamiento la lavadora.

FUNCIONES DEL PANEL DE CONTROL



A BOTÓN POWER (ENCENDER/APAGAR)

Presione este botón para prender la lavadora. Presiónelo de nuevo para apagarla. Al presionar el botón POWER durante un ciclo, se cancelará el ciclo y todos los ajustes de carga se perderán. La tapa se destrabará tras una breve pausa.

NOTA: Si la lavadora permanece inactiva durante cuatro minutos tras apagarla, se drenará automáticamente toda el agua que permanezca en la tina. Una alarma sonará un minuto antes del drenaje y el código de “dr” aparecerá en pantalla. En ese momento puede reiniciar la lavadora. Sin embargo, en cuanto se inicie el drenaje, se suspenderán todas las funciones y el mensaje “dr” se mostrará hasta que se complete el drenaje y todos los ajustes del ciclo se perderán.

B PERILLA DEL SELECTOR DE CICLO

Gire esta perilla para seleccionar el ciclo que desee. Una vez seleccionado el ciclo deseado, se mostrarán en pantalla los ajustes estándar para dicho ciclo. Estos ajustes pueden cambiarse utilizando los botones de ajuste del ciclo en cualquier momento antes de que el ciclo comience.

C BOTÓN START/PAUSE

Presione este botón para iniciar el ciclo seleccionado. Si la lavadora está funcionando, use este botón para poner en pausa el ciclo sin perder los ajustes actuales.

NOTA: Si no presiona el botón START/PAUSE antes de que transcurran 60 minutos tras seleccionar un ciclo, la lavadora se apagará automáticamente. Si la lavadora está en pausa durante un ciclo por más de 60 minutos, se cancelará el ciclo y se drenará el agua que permanezca en la tina. Una alarma sonará a los tres minutos para advertirle de que la tina está a punto de drenarse.

D BOTONES MODIFICADORES DE CICLO

Utilice estos botones para definir los ajustes del ciclo seleccionado. Los indicadores luminosos ubicados sobre los botones muestran la selección actual.

E CICLO ESPECIAL Y BOTONES DE OPCIÓN

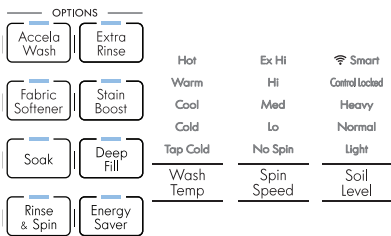
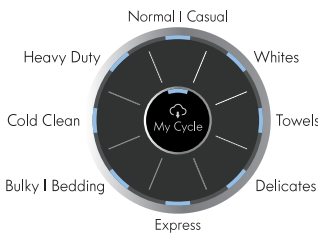
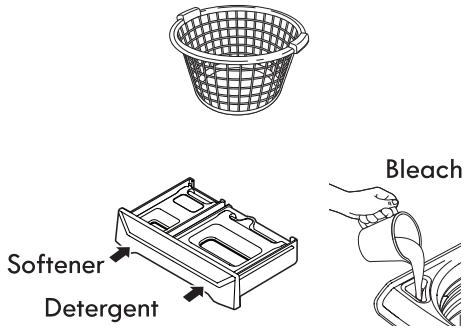
Estos botones le permiten seleccionar ciclos u opciones especiales.

F PANTALLA DE TIEMPO Y ESTADO

La pantalla muestra el estado del ciclo y el tiempo restante estimado.

NOTA: Para proteger sus prendas, no todos los ajustes están disponibles para todas las selecciones de ciclos.

MANEJO DE LA LAVADORA



1 CLASIFICACIÓN DE LAS PRENDAS Y CARGA DE LA LAVADORA
 Clasifique las prendas por tipo de tela, nivel de suciedad, color y tamaño de la carga, según sea necesario. Abra la tapa y cargue las prendas seleccionadas en la lavadora.

2 PRODUCTO DE LIMPIEZA
 Agregue detergente de alta eficiencia (HE) al dispensador de detergente.

3 PRENDER LA LAVADORA
 Presione el botón POWER para prender la lavadora. Las luces alrededor de la perilla del selector se iluminarán y se emitirá un aviso sonoro.

4 SELECCIONAR UN CICLO
 Gire la perilla del selector de ciclo en cualquier dirección para seleccionar el ciclo que desee. MY CYCLE, DRAIN & SPIN y CLEAN WASHER se seleccionan presionando los botones de opción. Se mostrarán los valores predefinidos de temperatura de lavado y enjuague, velocidad de centrifugado, nivel de suciedad y los ajustes de opción para dicho ciclo.

5 SELECCIONAR LOS MODIFICADORES DE CICLO Y LAS OPCIONES
 Si lo desea, ahora puede cambiar los ajustes predeterminados del ciclo seleccionado. Use los botones modificadores de ciclo WASH TEMP, SPIN SPEED, SOIL LEVEL.

NOTA: No todas las opciones están disponibles para todos los ciclos. Sonará un aviso sonoro diferente y el LED no se encenderá si no se permite una determinada selección.

6 INICIAR EL CICLO
 Presione el botón START/PAUSE para que comience el ciclo. La tapa se bloqueará y la lavadora se agitará brevemente sin agua para medir el peso de la carga.

7 LUZ PARA AGREGAR UNA PRENDA
 La luz ADD A GARMENT se prenderá al principio del ciclo de lavado para indicar que es seguro agregar más prendas a la carga. Presione el botón START/PAUSE para pausar el ciclo y agregar prendas a la carga.

NOTA: No se recomienda agregar prendas a menos que la luz ADD A GARMENT esté encendida, ya que podría reducir el rendimiento del lavado.

8 FIN DEL CICLO
 Al finalizar el ciclo, sonará un aviso sonoro. Retire inmediatamente la ropa de la lavadora para reducir las arrugas.

GUÍA DE CICLOS

La siguiente guía de ciclos muestra los ajustes predeterminados, así como las opciones disponibles y los tipos de tejidos recomendados para cada ciclo. Debajo del ajuste predeterminado para cada ciclo, se muestran los ajustes modificadores permitidos.

● = Opción disponible
 ■ = Ajuste predeterminado

Ciclo	Temperatura lavado	Velocidad de centrifugado	Nivel de suciedad	Accela Wash	Stain Boost	Enjuague extra	Remojo	Suavizante	Lavado profundo	Energy Saver
Normal (normal)	Tibia	Rápido	Normal							
	Fría Media Caliente Fria del grifo	Extra Rápido Media Sin centrifugado	Muy sucio Ligero	●	●	●	●	●	●	●
Whites (blancas)	Fría	Media	Muy sucio							
	Tibia Media	Extra Rápido Rápido Lento Sin centrifugado	Normal Ligero	●		●	●	●	●	
Heavy Duty (muchasuciedad)	Tibia	Rápido	Muy sucio							
	Fría Media Caliente Fria del grifo	Extra Rápido Media Lento Sin centrifugado	Normal Ligero	●	●	●	●	●	●	
Bulky/ Bedding (prendas voluminosas y de cama)	Tibia	Lento	Normal							
	Fría Media Caliente Fria del grifo	Media Sin centrifugado	Muy sucio Ligero			●	●	●		●

NOTA: Para proteger sus prendas, no todas las temperaturas de lavado, velocidades de centrifugado, niveles de suciedad y opciones están disponibles para todos los ciclos. Sonará un aviso sonoro y el LED no se iluminará si no se permite una determinada selección.

*La lavadora ajustará de forma automática el tiempo de lavado para la cantidad de colada, presión del agua, agua y demás condiciones de funcionamiento.

Estos ciclos usan diferentes movimientos de lavado para optimizar el rendimiento de la limpieza o el cuidado de las prendas. Los movimientos de lavado pueden sonar de forma distinta en las diferentes fases del ciclo de lavado. Esto es normal.

GUÍA DE CICLOS

La siguiente guía de ciclos muestra los ajustes predeterminados, así como las opciones disponibles y los tipos de tejidos recomendados para cada ciclo. Debajo del ajuste predeterminado para cada ciclo, se muestran los ajustes modificadores permitidos.

● = Opción disponible
 ■ = Ajuste predeterminado

Ciclo	Temperatura lavado	Velocidad de centrifugado	Nivel de suciedad	Accela Wash	Stain Boost	Enjuague extra	Remojo	Suavizante	Lavado profundo	Energy Saver
Express (Lavado exprés)	Tibia	Rápido	Ligero							
	Media Caliente Fria del grifo	Extra Rápido Media Lento Sin centrifugado	Muy sucio Normal	●		●	●		●	
Cold Clean (Lavage à froid)	Fria del grifo	Rápido	Normal							
		Extra Rápido Media Lento Sin centrifugado	Muy sucio Ligero			●	●	●	●	
Towels (Serviettes)	Tibia	Rápido	Normal							
	Fria Media Caliente Fria del grifo	Extra Rápido Media Lento Sin centrifugado	Muy sucio Ligero	●	●	●	●	●	●	●
Delicates (Prendas delicadas)	Fria del grifo	Lento	Ligero							
	Tibia Media Caliente	Sin centrifugado	Muy sucio Normal			●	●	●	●	

NOTA: Para proteger sus prendas, no todas las temperaturas de lavado, velocidades de centrifugado, niveles de suciedad y opciones están disponibles para todos los ciclos. Sonará un aviso sonoro y el LED no se iluminará si no se permite una determinada selección.

*La lavadora ajustará de forma automática el tiempo de lavado para la cantidad de colada, presión del agua, agua y demás condiciones de funcionamiento.

Estos ciclos usan diferentes movimientos de lavado para optimizar el rendimiento de la limpieza o el cuidado de las prendas. Los movimientos de lavado pueden sonar de forma distinta en las diferentes fases del ciclo de lavado. Esto es normal.

CLASIFICACIÓN DE LAS CARGAS DE LAVADO

⚠️ PRECAUCIÓN

- No cargue prendas a través de la tina. Si no se sigue esta advertencia, podrían producirse fugas o daños en los tejidos.
- Use el ciclo BULKY/BEDDING (prendas voluminosas y de cama) para las prendas flotantes o no absorbentes, como almohadas o edredones. Si no se sigue esta advertencia, se pueden producir fugas.
- Si es posible, no lave la ropa resistente al agua. Si debe hacerlo, seleccione el ciclo de ropa voluminosa/ropa de cama.

- Ejemplos de artículos a prueba de agua o resistente al agua incluyen ciertos tapetes para colchón, fundas para colchones, equipo para la lluvia, equipo para acampar, ropa para esquiar, equipo para exteriores y artículos similares.

Agrupación de prendas similares

Para obtener los mejores resultados al lavar y reducir las posibilidades de dañar las prendas, es necesario tener cuidado a la hora de clasificar la ropa en coladas formadas por prendas similares. Si se mezclan diferentes tipos de tejidos o niveles de suciedad, el rendimiento del lavado se verá degradado, y podrían producirse transferencias de color o decoloraciones, daños en los tejidos o formación de pelusas en las prendas. Los tejidos se deben clasificar en grupos tal como se describe a continuación.

Colores

Clasifique las prendas por color. Las prendas oscuras juntas en una carga separada de las prendas blancas o de colores claros. Mezclar prendas oscuras con prendas claras puede dar como resultado el tinte o la decoloración de las prendas más claras.

Nivel de suciedad

Lave la ropa muy sucia junta. Si se lava ropa que no está muy sucia en la misma colada que la ropa muy sucia, es muy posible que la ropa con poca suciedad no se lave bien.

Tipo de tejido

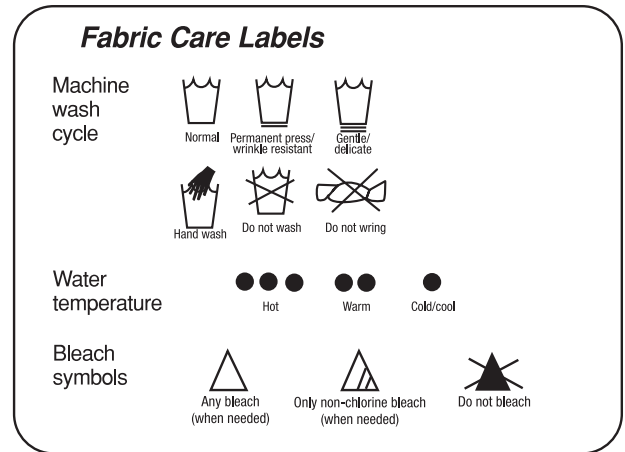
Las prendas delicadas no se deben mezclar con prendas más pesadas y resistentes. Lavar prendas delicadas junto con tejidos pesados puede causar daños en las prendas más delicadas. Si se lavan prendas pesadas en una carga de ropa delicada, puede resultar que la ropa pesada no se lave correctamente y que se produzcan daños en las prendas delicadas.

Tipo de pelusas

Algunos tejidos atraen las pelusas mientras que otros sueltan pelusas en el proceso de lavado. Evite mezclar prendas recolectoras de pelusas con prendas generadoras de pelusas en la misma colada. Si mezcla estos dos tipos de tejidos, se formarán bolas y pelusas en las prendas recolectoras de pelusas. (Por ejemplo, recolector de pelusas: buzo de tejido o punto; productor de pelusas: toalla de felpa).

Etiquetas de cuidado de las prendas

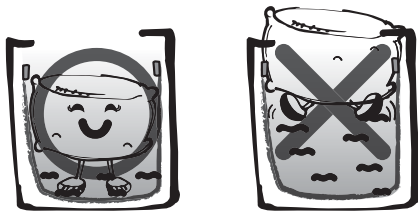
Muchas prendas de vestir incluyen una etiqueta de cuidado de la prenda. Utilice el siguiente diagrama para ajustar el ciclo y las opciones para cuidar la prenda de acuerdo con las recomendaciones del fabricante.



Sort Laundry...			
by Colors	by Soil	by Fabric	by Lint
Whites	Heavy	Delicates	Lint Producer
Lights	Normal	Easy Care	Lint Collector
Darks	Light	Sturdy	

CLASIFICACIÓN DE LAS CARGAS DE LAVADO

CARGA DE LA LAVADORA

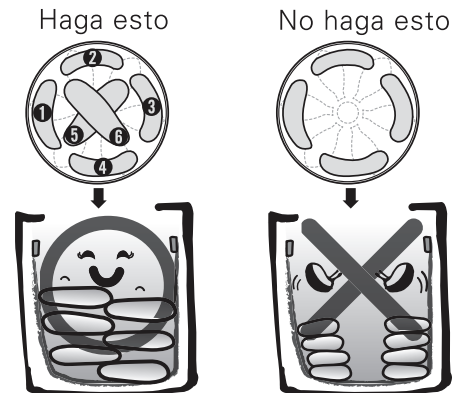


- Revise todos los bolsillos para asegurarse de que estén vacíos. Artículos como clips, cerillas, plumas, monedas y llaves pueden dañar su lavadora o sus prendas.
- Cierre las cremalleras, ganchos y cordones para prevenir que estos artículos se enganchen o enreden en otras prendas.
- Realice un pretratamiento de las áreas más sucias antes del lavado.
- Combine prendas grandes y pequeñas en una carga. Cargue las prendas grandes primero.
- Las prendas grandes no deberán suponer más de la mitad de la carga de lavado total.
- Se puede cargar la lavadora completamente, pero el tambor no puede quedar colmado de prendas. La puerta de la lavadora deberá cerrar con facilidad.
- Para evitar un desequilibrio en el tambor, no lave prendas sueltas. Asegúrese de lavar la ropa en tipos similares de cargas. Lavar individualmente
- las prendas grandes y voluminosas, como mantas, edredones o colchas.
- Lave o centrifugue las prendas impermeables en ciclo Impermeables.
- (es decir, ropa resistente al agua, fundas de colchón, ropa para exterior, alfombrillas de plástico, etc.)
- La lavadora no se llena funciona con la puerta abierta.

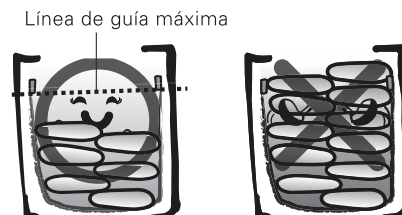
NOTA: Utilice el ciclo de Bedding para prendas grandes o voluminosas, como chaquetas de poliéster, edredones, almohadas, etc. Estas prendas pueden no ser tan absorbentes como otras y deben lavarse por separado para obtener mejores resultados.

Colocar en la parte baja del tambor las prendas voluminosas para obtener mejores resultados. Coloque los elementos flotantes en la parte inferior del tambor. La lavadora detectará automáticamente el tamaño de la carga. Debido al sistema de lavado de alta eficiencia, el nivel del agua no puede sobrepasar la carga.

1. Para un mejor rendimiento, cargue la ropa como se muestra.



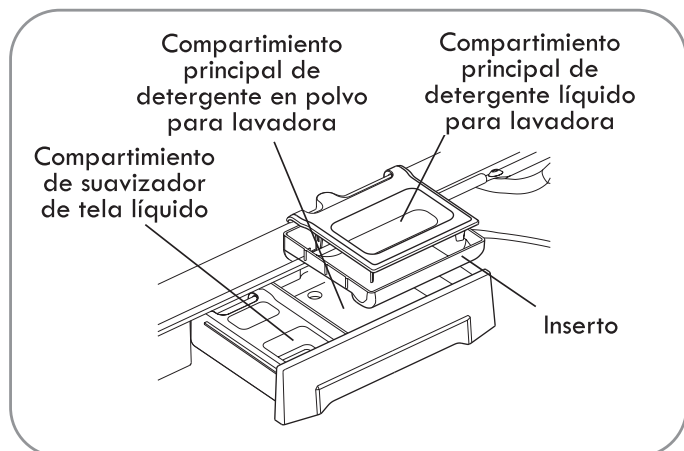
2. Cargue la ropa sin apretarla, y no cargue ropa por encima de la línea de guía de la tina. La ropa debe circular para su limpieza.



ACERCA DE LOS DISPENSADORES

El dispensador automático está compuesto de dos compartimientos que contienen:

- Suavizante líquido.
- Detergente en polvo o líquido para el lavado principal.



Compartimiento del detergente del lavado principal

Este compartimiento contiene el detergente para el ciclo principal del lavado. El detergente se agrega a la carga al principio del ciclo. Utilice siempre detergente de alta eficiencia (HE) con su lavadora. Se puede usar tanto detergente líquido como en polvo.

Al agregar el detergente, **nunca exceda las recomendaciones del fabricante. Si usa demasiado detergente, puede suceder que en lugar de diluirse se acumule en la ropa y en la lavadora.**

Cuando use detergente líquido, asegúrese de que el recipiente para el detergente líquido y el inserto están en su sitio. No exceda la línea de llenado máximo.

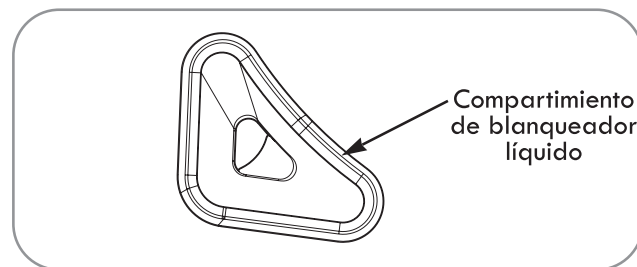
Cuando use detergente en polvo, retire el recipiente del detergente líquido del compartimiento. El detergente en polvo no se dispensará si el recipiente de detergente líquido está en el compartimiento.

Compartimiento del suavizante

Este compartimiento contiene el suavizante líquido, que se dispensará de forma automática durante el ciclo de enjuague final.

Al agregar el suavizante, nunca exceda las recomendaciones del fabricante. Si usa demasiado suavizante, puede suceder que en lugar de diluirse se acumule en la ropa y en la lavadora.

- Al agregar el suavizante, respete siempre las recomendaciones del fabricante. No exceda la línea de llenado máximo. El uso de demasiado suavizante puede manchar las prendas.
- Diluya el suavizante concentrado con agua templada. No exceda la línea de llenado máximo.
- Nunca vierta el suavizante directamente en la carga o dentro de la tina.



Compartimiento del blanqueador líquido

El dispensador del blanqueador es un compartimiento independiente situado en la parte delantera izquierda de la abertura de la tina. Este compartimiento contiene el blanqueador de cloro líquido, que se dispensará de forma automática en el momento adecuado durante el ciclo de lavado. Cualquier líquido que haya en el dispensador al final del ciclo será agua, no blanqueador.

- No agregue blanqueador con protector de color líquido o en polvo a este compartimiento. El compartimiento del blanqueador está diseñado para dispensar únicamente blanqueador de cloro líquido. El blanqueador con protector de color líquido o en polvo no se dispensará correctamente.
- Al agregar el blanqueador, respete siempre las recomendaciones del fabricante. Nunca agregue más de un vasito y no exceda la línea de llenado máximo ya que eso podría provocar que el blanqueador se dispense inmediatamente y dañe los tejidos. Usar demasiado blanqueador puede dañar los tejidos.
- Nunca vierta el blanqueador de cloro líquido sin diluir directamente en la carga o dentro de la tina. Se pueden producir daños en el tejido.
- No utilice cloro decolorante ni productos de Oxi en el mismo ciclo con el blanqueador líquido de cloro.

⚠ PELIGRO

NO mezcle blanqueador con cloro con amoníaco o ácidos, como vinagre o productos antióxido o antiherrumbre. La mezcla de productos químicos de este tipo puede generar gases letales, que pueden ocasionar lesiones graves e incluso la muerte.

USO DEL DETERGENTE Y DEL DISPENSADOR

Unas palabras sobre los detergentes

Los detergentes de alta eficiencia (HE) generan menos espuma y se disuelven más eficazmente para mejorar el rendimiento del lavado y del enjuague, además de ayudar a mantener limpio el interior de la lavadora. Usar un detergente que no es de alta eficiencia puede provocar un exceso de espuma y un rendimiento poco satisfactorio que podrían dar como resultado códigos erróneos, errores de ciclo y daños a la máquina.



Para un rendimiento adecuado del lavado, mida siempre el detergente usando las medidas que proporciona el fabricante del detergente.

La cantidad normal de detergente necesaria, para las cargas habituales, es menos de la $\frac{1}{2}$ del máximo recomendado. **Use menos detergente** si el agua es blanda, la ropa tiene poca suciedad o las cargas son pequeñas. **Nunca** use más de la cantidad máxima recomendada por el fabricante del detergente.



Diseñado para usar sólo detergente de alta eficiencia (HE)

IMPORTANTE: Su lavadora está diseñada para su uso exclusivo con detergentes de alta eficiencia (HE). Los detergentes HE están formulados específicamente para lavadoras de alta eficiencia y contienen agentes reductores de espuma. Cuando compre detergente, busque siempre el símbolo HE, de alta eficiencia.

IMPORTANTE: No todos los detergentes son iguales. Tenga cuidado con la cantidad de detergente que use para evitar un uso excesivo, un mal enjuague y la acumulación de detergente en la ropa, además, la acumulación de residuos puede contribuir a la aparición de olores en la máquina. **NUNCA** use un recipiente o una bola distinta de la suministrada por el fabricante del detergente que está usando. Nunca use más de la cantidad máxima de detergente recomendada por el fabricante.

Recuerde medir siempre la cantidad de detergente, como los detergentes de alta eficiencia están diseñados para este tipo de lavadoras, es necesario tener cuidado al medir el detergente. Para la mayoría de coladas normales, se debe usar entre $\frac{1}{4}$ y la $\frac{1}{2}$ del recipiente o bola del detergente de alta eficiencia.

NOTA: Debe tener un extremo cuidado cuando use detergentes concentrados 2X y 3X, ya que incluso muy poca cantidad más puede contribuir a la aparición de los problemas antes mencionados.

NOTA: Es posible que los detergentes denominados como compatibles con alta eficiencia no proporcionen resultados óptimos.

Uso de suavizante y de dispensador de detergente

Para agregar detergente, blanqueador y suavizante al dispensador automático:

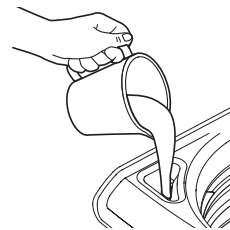
- 1 Abra la gaveta del dispensador.
- 2 Cargue los productos de lavado en el compartimiento adecuado.
- 3 Cierre la gaveta antes de comenzar el ciclo.

NOTA: Es normal que al finalizar el ciclo haya una pequeña cantidad de agua en los compartimientos del blanqueador y del suavizante.

IMPORTANTE: No coloque ni almacene productos de lavado, como detergente, blanqueador o suavizante líquido, encima de la lavadora o la secadora. Seque los derrames inmediatamente. Estos productos pueden dañar la pintura y los controles.

Uso del dispensador de blanqueador líquido

El dispensador de blanqueador, de forma automática, diluye y dispensa blanqueador con cloro líquido en el momento adecuado del ciclo de lavado.



- 1 Compruebe las etiquetas de cuidado de las prendas en busca de instrucciones especiales.
- 2 Mida cuidadosamente el blanqueador líquido respetando las instrucciones de la botella. Las lavadoras de alta eficiencia usan menos agua, así que se necesita menos blanqueador. Media taza es suficiente para la mayoría de las cargas.
- 3 Con cuidado, vierta la cantidad de blanqueador medida previamente directamente en el dispensador de blanqueador. Si usa blanqueador en polvo de algún tipo, viértalo directamente en la tina antes de agregar la carga. Nunca agregue blanqueador en polvo al dispensador de blanqueador líquido.
 - Nunca vierta el blanqueador con cloro líquido sin diluir directamente en la ropa o dentro de la tina.
 - No vierta blanqueador en polvo en el dispensador de blanqueador.
 - No coloque prendas encima del dispensador de blanqueador al llenar o vaciar la lavadora.
 - Siempre mida y vierta el blanqueador con mucho cuidado. Cuando agregue el blanqueador al dispensador, evite el sobrellenado y las salpicaduras. La capacidad máxima del dispensador de blanqueador es una taza de blanqueador por ciclo de lavado. El sobrellenado podría dar como resultado que el blanqueador se dispense de forma automática.

PANTALLA DE TIEMPO Y ESTADO

La pantalla de tiempo y estado muestra el tiempo estimado restante y el progreso del ciclo.



A INDICADOR DE ESTADO DEL CICLO

Estos LED se iluminan cuando se selecciona un ciclo para indicar las fases que se van a realizar. Cuando un ciclo está en marcha, el LED parpadeará para la fase activa. Una vez completada la fase, el LED se apagará. Si un ciclo está en pausa, el LED activo dejará de parpadear.

B TIEMPO ESTIMADO RESTANTE

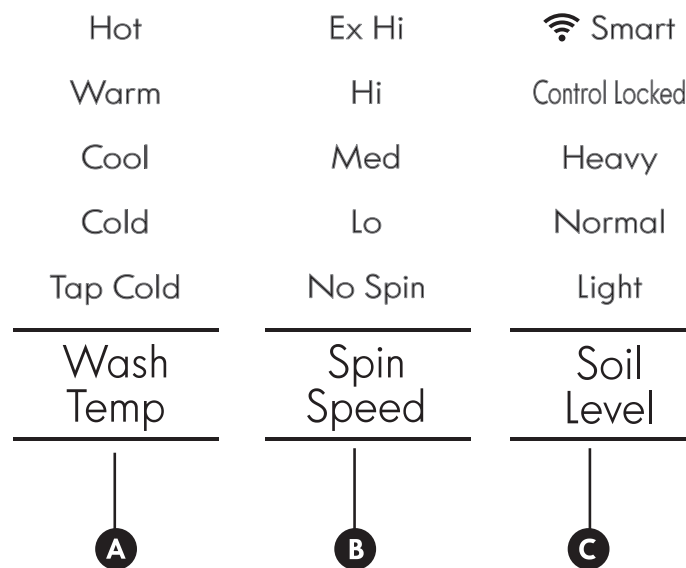
Cuando se selecciona un ciclo, se muestra el tiempo estimado para dicho ciclo. Ese tiempo puede cambiar a medida que se agregan opciones o si se modifican los ajustes. Una vez se pulsa el botón START/PAUSE, la lavadora medirá el tamaño de la carga. El tiempo estimado que se muestra puede cambiar si el control modifica el ciclo debido al tamaño de la carga.

NOTA: El tiempo que se muestra es sólo una estimación. Este tiempo está calculado en base a condiciones normales de funcionamiento. Algunos factores externos (tamaño de la carga, temperatura de la habitación, temperatura del agua entrante, etc.) pueden afectar al tiempo real.

BOTONES MODIFICADORES DE CICLO

Cada ciclo dispone de ajustes predeterminados que se seleccionan automáticamente. También puede personalizar estos ajustes utilizando los botones modificadores de ciclo. Presione el botón del modificador deseado hasta que se prenda la luz indicadora del ajuste deseado. La lavadora ajustará de forma automática el nivel de agua para el tipo y tamaño de la carga que lavar para obtener los mejores resultados y la máxima eficiencia. Debido a la naturaleza de alta eficiencia de este producto, los niveles de agua pueden ser mucho menores de lo esperado. Esto es normal y el rendimiento de la limpieza y el enjuague no se verá afectado.

NOTA: Para proteger sus prendas, no todas las temperaturas de lavado/enjuague, velocidades de centrifugado, niveles de suciedad y opciones están disponibles para todos los ciclos. Sonará un aviso sonoro y el LED no se iluminará si no se permite una determinada selección.



A WASH TEMP (temperatura del agua)

WASH TEMP selecciona la combinación de temperaturas de lavado y enjuague para el ciclo seleccionado. Presione el botón WASH TEMP hasta que se prenda la luz del indicador para el ajuste deseado.

- Seleccione la temperatura del agua deseable para el tipo de carga que va a lavar. Para obtener los mejores resultados, siga las instrucciones de las etiquetas de cuidado de las prendas.
- Los enjuagues fríos usan menos energía. La temperatura real del enjuague frío depende de la temperatura del agua fría de la llave.

B SPIN SPEED (velocidad de centrifugado)

Las velocidades de centrifugado más altas extraen más agua de la ropa, lo que reduce el tiempo de secado y ahorran energía.

Presione el botón SPIN SPEED hasta que seleccione la velocidad deseada. Algunas telas, como las prendas delicadas, requieren una velocidad de centrifugado más lenta. Para proteger su ropa, no todas las velocidades de centrifugado están disponibles para todos los ciclos.

C SOIL LEVEL (nivel de suciedad)

Cuando se ajusta el nivel de suciedad, se modifica el tiempo del ciclo y/o las acciones de lavado. Presione el botón SOIL LEVEL hasta que seleccione el nivel de suciedad deseado.

BOTONES DE OPCIÓN

La lavadora incluye varias opciones adicionales para daptar los ciclos a sus necesidades particulares.

- 1 Prenda la lavadora (posición ON) y gire la perilla del selector para seleccionar el ciclo deseado. Si después de seleccionar las opciones se modifica la selección del ciclo, todos los ajustes cambiarán a los ajustes predeterminados del nuevo ciclo.
- 2 Use los botones modificadores de ciclo para configurar los ajustes para ese ciclo.
- 3 Presione los botones de opción de ciclo para las opciones que desee agregar. El botón se prenderá cuando seleccione la opción. Si la opción seleccionada no se permite para el ciclo seleccionado, el aviso sonoro sonará dos veces para alertarle y el LED no se iluminará.
- 4 Presione el botón START/PAUSE para iniciar el ciclo. Tras una breve demora, la tapa se trabará y comenzará el ciclo.

NOTA:

- Para proteger sus prendas, no todas las opciones están disponibles para todos los ciclos.
- Si no se presiona el botón START/PAUSE en cuatro minutos para iniciar el ciclo, el control se apagará y se perderán todos los ajustes.

ACCELA WASH (LAVADO ACCELA)



Al añadirse la opción ACCELA WASH se reduce el tiempo del ciclo, pero se logran resultados similares al mismo ciclo sin ACCELA WASH.

STAIN BOOST (TRATAMIENTO CON VAPOR)



Use esta opción para ropa muy sucia que necesita un tratamiento especial para las manchas. Cuando se selecciona Stain Boost, el ciclo de lavado comienza con agua templada para ayudar a evitar que no se desprendan ciertos tipos de manchas. De este modo, según avance el ciclo, se aumentará gradualmente la temperatura del agua para eliminar las manchas que requieren tratamientos con temperaturas más altas.

NOTA:

- Los mejores resultados se obtienen con cargas más pequeñas (menos de tres kg.)
- Si selecciona Stain Boost la opción Save Energy+ no está disponible.

EXTRA RINSE (ENJUAGUE EXTRA)



Esta opción agregará un enjuague extra al ciclo seleccionado. Use esta opción para asegurarse de la total eliminación de los residuos de detergente o blanqueador de las telas. El suavizante líquido, si se usa, siempre se dispensa en el enjuague final.

NOTA: No se puede seleccionar la opción EXTRA RINSE con el ciclo RINSE & SPIN.

DEEP FILL (AGREGUE EL AGUA)



Utilice esta opción para agregar agua adicional al ciclo de lavado para un mejor rendimiento del lavado y del tratamiento para manchas de prendas voluminosas o grandes.

NOTA:

- Si la lavadora alcanza su nivel máximo de agua, el botón DEEP FILL (RELLENO PROFUNDO) no tendrá efecto.
- La opción Deep Fill (Relleno Profundo) solo puede seleccionarse o anularse mientras el ciclo está en funcionamiento.
- Una vez que se ha añadido la opción Deep Fill (Relleno Profundo) a un ciclo, se guarda como opción predeterminada hasta que la anule.
- Para anular la opción, presione DEEP FILL (AGUA EXTRA) después de iniciar el ciclo.

ADD A GARMENT (AGREGAR UNA PRENDA)



La luz ADD A GARMENT se prenderá durante la primera fase del ciclo de lavado para indicar que es seguro pausar el ciclo para agregar más prendas. Cuando se apague la luz ADD A GARMENT, no se deberá agregar más ropa a la carga. Si lo hace, es posible que el rendimiento no sea satisfactorio ya que la lavadora no realizará las compensaciones necesarias para las prendas adicionales.

- 1 Presione el botón START/PAUSE para poner la lavadora en pausa.
- 2 Abra la tapa cuando se destrabe.
- 3 Agregue las prendas adicionales.
- 4 Cierre la tapa.
- 5 Presione el botón START/PAUSE. El ciclo continuará luego de que se trabe la tapa.

CHIME (AVISO SONORO)



Presiónelo repetidas veces para ajustar el volumen del aviso sonoro. El aviso sonará con el nuevo volumen con cada presión del botón. Cuando no se oiga ningún aviso sonoro, se debe a que está desactivado. Los ajustes de volumen son LOW (bajo) – HIGH (alto) – OFF (desactivado).

BOTONES DE OPCIÓN

FABRIC SOFTENER (SUAVIZANTE)



El suavizante se distribuye en el enjuague final. Esta lavadora está diseñada para ahorrar agua en el enjuague mediante el uso de un sistema de enjuague con rociado a chorro en los ciclos NORMAL/CASUAL y HEAVY DUTY. Presione el botón FABRIC SOFTENER para cambiar el enjuague final de enjuague con rociado al enjuague normal para que el suavizante sea más eficaz.

NOTA: Seleccione la opción FABRIC SOFTENER o EXTRA RINSE si se usa suavizante en los ciclos NORMAL/CASUAL y HEAVY DUTY. Si no selecciona una de estas opciones, se reducirá enormemente la efectividad del suavizante.

SOAK (REMOJO)



Esta opción proporciona un remojo previo max 180 minutos antes de que comience el ciclo seleccionado. Use la opción SOAK para remojar previamente las prendas con el fin de eliminar las manchas difíciles de las prendas. Al final del tiempo de remojo, el ciclo seleccionado comenzará con la misma agua usada para el remojo.

DELAY WASH (LAVADO DEMORADO)



Después de seleccionar el ciclo y los demás ajustes, presione este botón para demorar el inicio del ciclo de lavado. Cada presión del botón aumenta una hora al tiempo de demora, así hasta 19 horas. Una vez establecido el tiempo de demora, presione el botón START/PAUSE para que comience a correr el tiempo de demora.

NOTA: Si no se presiona el botón START/PAUSE para que comience a correr el tiempo de retraso, la lavadora se apagará de forma automática al cabo de cuatro minutos.

RINSE & SPIN (ACLARADO Y CENTRIFUGADO)



Utilice este ciclo para obtener un enjuague intenso seguido de un centrifugado a alta velocidad. Puede cambiar la velocidad del centrifugado pulsando los botones SPIN SPEED.

- 1 Presione el botón START/PAUSE para prender la lavadora.
- 2 Presione el botón RINSE & SPIN.
- 3 Presione el botón SPIN SPEED para seleccionar la velocidad de centrifugado deseada. No se permite seleccionar la opción NO SPIN.
- 4 Presione el botón START/PAUSE.

CONTROL LOCK (BLOQUEO DE LOS CONTROLES)



Utilice esta opción para deshabilitar los controles. Esta función impide que los niños cambien los ciclos o manejen la máquina. Una vez activado el bloqueo de los controles, es necesario desactivarlo antes de que se pueda usar cualquiera de los controles, excepto el botón de alimentación. Una vez apagada la lavadora, el botón de alimentación permitirá prender la máquina, pero los controles continuarán bloqueados. Cuando los controles están bloqueados, el mensaje CL aparecerá alternativamente junto con el tiempo estimado restante. Mantenga presionado el botón RINSE & SPIN durante cinco segundos para activar o desactivar el bloqueo de los controles.

FUNCIONES INTELIGENTES

CONECTÁNDOSE

Necesita los siguientes dispositivos y aplicaciones para utilizar las funciones inteligentes de su electrodoméstico.

Dispositivos Requeridos: Una conexión inalámbrica y un dispositivo móvil.

Aplicación Requerida: Aplicación Kenmore Smart.

IMPORTANTE: Debe descargar la aplicación Kenmore Smart a su dispositivo móvil, conectar su electrodoméstico Kenmore Elite Smart al internet, y registrarlo a su cuenta siguiendo las instrucciones.

Conectando la Lavadora

Consulte la Guía de Inicio Rápido incluida con su electrodoméstico inteligente para obtener instrucciones detalladas acerca de la creación de una cuenta Kenmore y de la configuración del electrodoméstico para la operación desde su dispositivo móvil. Para asistencia adicional, visite <http://www.kenmore.com/smart>

NOTA: Al haberse conectado exitosamente al internet, se encenderá el icono SMART LED del panel de control.

REMOTE START (INICIO REMOTO)



Controle su electrodoméstico remotamente desde su teléfono inteligente.

NOTA: Primero debe cerrar la puerta y conectar al internet para utilizar esta función.

Uso de la función Remote Start:

- 1 Seleccione un ciclo y las opciones.
- 2 Presione el botón REMOTE START. La luz LED de Remote Start LED se encenderá.
- 3 Utilice la aplicación de teléfono inteligente para iniciar la lavadora. (Para más información, consulte el folleto suministrado con la lavadora.) Si no se empieza la lavadora de forma remota, la lavadora espera para comenzar el ciclo hasta que se pulsa el botón START.

FUNCIÓN DE DRENAJE ESPECIAL


Esta lavadora está equipada con una función especial diseñada para que su lavadora sea lo más segura posible.

Si la lavadora entra en pausa o se apaga mientras aún hay agua en la tina, el agua se drenará transcurridos varios minutos. Esto ayuda a proteger a los niños ya que reduce la posibilidad de que quede agua en la tina. La lavadora se puede reiniciar en cualquier momento antes de que comience el drenaje.

Si no se realiza ninguna acción, aparecerá el código de error *dr* y se drenará el agua de la tina. En cuanto la lavadora comience el proceso de drenaje, se deshabilitarán los controles y no se podrá interrumpir el proceso de drenaje. Cuando se haya drenado completamente el agua, la lavadora se apagará.

NOTA: En el poco probable supuesto de que la lavadora presente un problema que cause que se muestre un código de error en pantalla, la lavadora aún así drenará transcurridos varios minutos. Sin embargo, sólo se mostrará el código de error original.

MY CYCLE (MI CICLO)

 **My Cycle** Utilice la función Mi Ciclo en la aplicación de Kenmore Smart para seleccionar y descargar un ciclo adicional a la lavadora. El ciclo predeterminado en la posición de MY CYCLE en la lavadora es el ciclo SMALL LOAD (carga pequeña).

AVISO DE LA FCC

(para el módulo transmisor contenido en este producto)

Este equipo fue probado y se determinó que cumple con los límites para los dispositivos digitales de Clase B, en conformidad con la parte 15 de las normas de la FCC. Estos límites están diseñados para ofrecer una protección razonable contra interferencias dañinas en una instalación residencial. Este equipo genera, usa y puede emitir energía de radiofrecuencia y, si no se instala y utiliza de acuerdo con las instrucciones, podría causar interferencias dañinas a las comunicaciones por radio. Sin embargo, no se garantiza que dicha interferencia no pueda ocurrir en instalaciones particulares. Si este equipo causa interferencia dañina a la recepción de radio o televisión, que se puede determinar encendiendo y apagando el equipo, se aconseja al usuario intentar corregir la interferencia realizando alguna de las siguientes acciones:

- Reoriente o reubique la antena receptora.
- Aumente la separación entre el equipo y el receptor.
- Conecte el equipo a una toma de corriente en un circuito diferente del utilizado por el receptor.
- Solicite ayuda a su vendedor o a un técnico especialista en radio o TV.

Este dispositivo cumple con la parte 15 de las normas de la FCC. La operación está sujeta a las dos siguientes condiciones:

- (1) este dispositivo no debe causar interferencia dañina, y
- (2) este dispositivo debe aceptar cualquier interferencia recibida, incluso aquellas que pudieran causar un funcionamiento no deseado del dispositivo.

Cualquier cambio o modificación en la construcción de este dispositivo que no cuente con la aprobación expresa de la parte responsable del cumplimiento puede anular la autorización del usuario para operar este equipo.

Declaración sobre exposición a la radiación de RF de la FCC

Este equipo cumple con los límites de exposición a la radiación de la FCC establecidos para entornos no controlados. Este transmisor no se debe ubicar ni operar junto con ninguna otra antena ni transmisor.

El equipo se debe instalar y operar con una distancia mínima de 20 cm (7.8 pulg.) entre la antena y su cuerpo. Los usuarios deben seguir las instrucciones de operación específicas de manera tal de cumplir con las normas de exposición a la RF.

Etiquetado

Este dispositivo incluye el módulo siguiente:

Contiene FCC ID: BEJ-LGHALCW1404

DECLARACIÓN DE INDUSTRY CANADA

(para el módulo transmisor contenido en este producto)

Este dispositivo cumple con los RSS para dispositivos exentos de licencia de Industry Canada.

La operación está sujeta a las dos siguientes condiciones:

- (1) este dispositivo no debe causar interferencia, y
- (2) este dispositivo debe aceptar cualquier interferencia, incluso aquellas que pudieran causar un funcionamiento no deseado del dispositivo.

Este aparato digital de clase B cumple con la norma ICES-003 canadiense.

Declaración sobre exposición a la radiación de la IC

Este equipo cumple con los límites de exposición a la radiación de la IC establecidos para entornos no controlados. El equipo se debe instalar y operar con una distancia mínima de 20 cm (7,8 pulg.) entre la antena y su cuerpo.

NOTA: El fabricante no se hace responsable por interferencias de radio o TV provocadas por modificaciones no autorizadas a este equipo. Tales modificaciones podrían anular la autorización del usuario para operar el equipo.

Aviso de Software de Fuente Abierta

Para obtener el código fuente contenido en este producto bajo LGPL y otras licencias de fuente abierta, visite <http://kenmore.com/opensource>. Adicional al código fuente, todos los términos referidos de licencia, exenciones de garantía, y avisos de derechos de autor están disponibles para descarga.



ADVERTENCIA: Para reducir el riesgo de incendio, descarga eléctrica o lesiones personales, lea y cumpla completamente este manual de uso y cuidado, incluyendo las instrucciones importantes sobre seguridad, antes de poner en funcionamiento la lavadora.

- **Desenchufe la lavadora antes de proceder a su limpieza para evitar posibles descargas eléctricas. Si no se sigue esta advertencia, podrían ocasionarse riesgos de lesiones graves, incendio, descarga eléctrica o, incluso, muerte.**
- **No utilice nunca productos químicos fuertes, limpiadores abrasivos o disolventes para limpiar la lavadora. Dañarán el acabado.**

LIMPIEZA REGULAR

Limpieza del exterior

Unos cuidados adecuados prolongarán la vida útil de la lavadora. Puede limpiar el exterior de la máquina con agua caliente y un detergente doméstico suave y no abrasivo. Limpie inmediatamente cualquier derrame con un paño suave y húmedo.

IMPORTANTE: No utilice alcoholes de limpieza, disolventes ni productos similares. No utilice nunca lana metálica ni limpiadores abrasivos; pueden dañar la superficie.

Cuidado y limpieza del interior

Use una toalla o un trapo suave para limpiar alrededor de la abertura y del cristal de la tapa de la lavadora. Siempre saque las prendas de la lavadora en cuanto se complete el ciclo. Dejar prendas húmedas en la lavadora puede ocasionar la aparición de arrugas, transferencias de color y olores. Utilice el ciclo CLEAN WASHER una vez al mes, o más a menudo si es necesario, para eliminar la acumulación de detergente y demás residuos.

Almacenamiento de la lavadora

Si no se va a usar la lavadora durante un período prolongado y se encuentra en una zona de inviernos rigurosos, realice los siguientes pasos para proteger la lavadora de cualquier daño.

- 1 Cierre el suministro de agua.
- 2 Desconecte las mangueras del suministro de agua y drene el agua contenida en las mangueras.
- 3 Enchufe el cable de alimentación a una toma de corriente conectada a tierra adecuadamente.
- 4 Agregue 3,5 litros de anticongelante no tóxico de tipo RV en la tina vacía y cierre la tapa.
- 5 Presione el botón POWER y luego pulse el botón DRAIN & SPIN. Presione el botón START/PAUSE para activar la bomba de desagüe. Deje que la bomba de drenaje funcione durante un minuto y luego presione el botón POWER para apagar la lavadora. Esto expulsará parte del anticongelante, dejando el suficiente para proteger la lavadora.
- 6 Desenchufe el cable de alimentación, seque el interior de la tina con un trapo suave y cierre la tapa.
- 7 Retire los insertos del dispensador. Drene el agua de los compartimientos y déjelos secar.
- 8 Almacene la lavadora en posición vertical.
- 9 Para extraer el anticongelante de la lavadora tras el almacenamiento, ejecute un ciclo DE LAVADO EXPRES completo usando detergente. No agregue ropa a este ciclo.

Eliminación de la acumulación de minerales

Si vive en una zona donde el agua es dura, se pueden formar depósitos de minerales en los componentes internos de la lavadora. Se recomienda usar un descalcificador en zonas con agua dura.

Use un desincrustante, como Washer Magic[®], para eliminar la acumulación visible de minerales. Después de desincrustar, ejecute siempre un ciclo CLEAN WASHER antes de proceder a lavar ropa.

Los depósitos minerales y demás manchas se pueden eliminar de la tina de acero inoxidable usando un limpiador para acero inoxidable. NO utilice nunca lana metálica ni limpiadores abrasivos.

Deje la tapa abierta

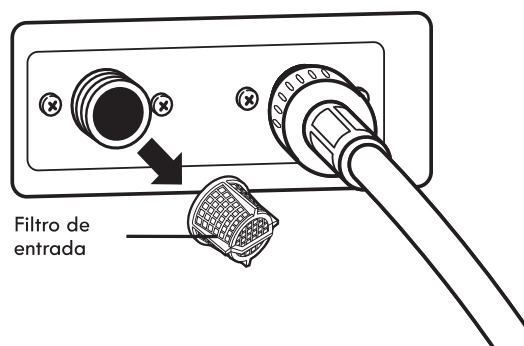
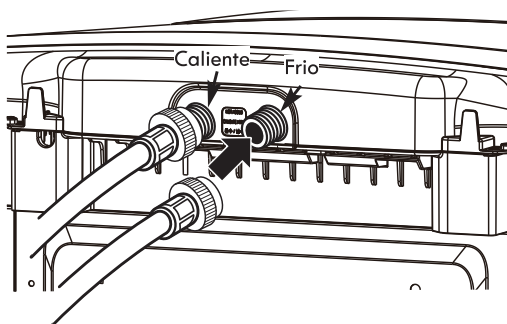
Si no va a usar la lavadora en varios días, deje la tapa abierta durante la noche para permitir que se seque la tina.

MANTENIMIENTO

Limpieza de los filtros de entrada de agua

Si la lavadora no se llena correctamente, en la pantalla aparecerá un mensaje de error. Las pantallas del filtro de la válvula de entrada podrían estar taponadas por depósitos de agua dura, sedimentos en el suministro de agua u otros residuos.

NOTA: Las pantallas de entrada protegen las partes delicadas de la válvula de entrada para que no vean dañadas por partículas que podrían ingresar en las válvulas con el suministro de agua. Si se quitan estos filtros y se utiliza la lavadora, la válvula podría quedarse atascada abierta lo que ocasionaría una inundación y/o daños en la propiedad.



- 1 Cierre las dos llaves de agua completamente. Desatornille las tuberías de agua caliente y fría de la parte posterior de la lavadora.


IMPORTANTE: SÓLO use las mangueras de entrada suministradas con KENMORE. Las mangueras comerciales no tienen garantía de que se ajusten o funcionen correctamente. Otras mangueras puede que no se aprieten correctamente y ocasionen fugas. Los daños subsiguientes a los productos o la propiedad no quedarán cubiertos de acuerdo con los términos de la garantía del producto.

- 2 Con cuidado retire los filtros de las válvulas de agua y póngalos a remojo con vinagre o con un removedor de sarro, siguiendo las instrucciones del fabricante. Tenga cuidado de no dañar los filtros durante la limpieza.
- 3 Enjuague abundantemente antes de volver a instalarlos. Presione sobre los filtros para colocarlos en su sitio.
- 4 Antes de volver a conectar las mangueras, deje correr varios litros de agua por las mangueras y tuberías de agua en un cubo o un desagüe.

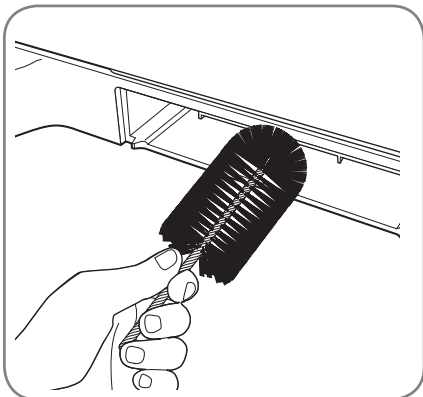
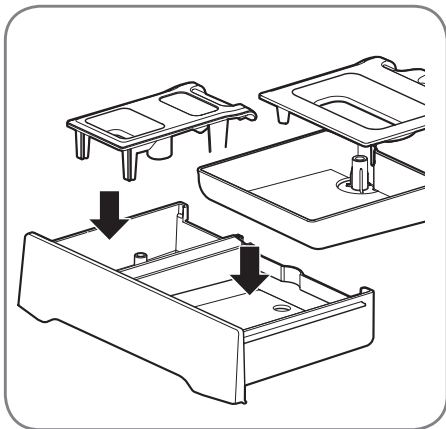
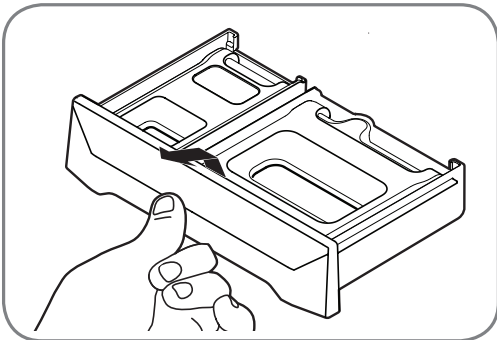
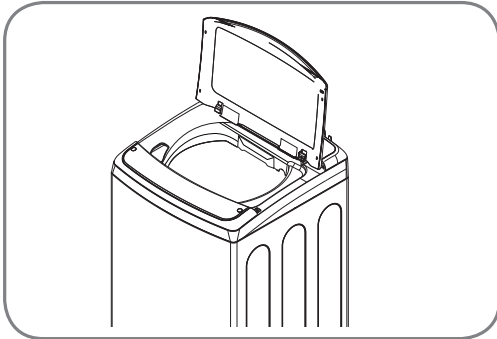
LIMPIEZA DE LA LAVADORA

Uso adecuado del detergente

Usar demasiado detergente es una de las causas habituales de los problemas de lavandería. Los detergentes actuales están formulados para ser eficaces sin espuma visible. Asegúrese de leer y cumplir las recomendaciones del fabricante acerca de cuánto detergente usar en el lavado. Se puede usar menos detergente si el agua es blanda, la carga de ropa es pequeña o tiene poca suciedad.

NOTA: Use sólo detergentes de alta eficiencia y poca espuma. Podrá identificar estos detergentes por el logotipo HE. 

Cuidado y limpieza de la lavadora



Tapa: Limpie con un trapo húmedo el exterior y el interior y, a continuación, seque con un trapo suave.

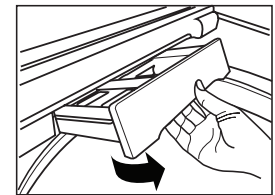
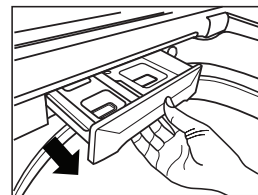
Exterior: Seque los derrames inmediatamente. Limpie con un trapo húmedo. No toque la superficie de la pantalla con objetos punzantes.

Mudanza y almacenamiento: Solicite a un técnico de mantenimiento que saque el agua de las mangueras y de la bomba de drenaje. Vuelva a colocar el bloque de espuma de la tina para proteger la lavadora durante la mudanza. No almacene la lavadora donde pueda estar expuesta a la intemperie.

Vacaciones largas: Asegúrese de que el suministro de agua está cortado en las llaves. Siga las instrucciones si la lavadora va a estar expuesta a temperaturas de congelación.

Gaveta del dispensador: El detergente y el suavizante pueden haberse acumulado en la gaveta del dispensador. Extraiga la gaveta y los insertos y compruebe si hay acumulaciones una o dos veces por mes.

- 1 Saque la gaveta tirando de ella hasta que se detenga. Levante la parte delantera de la gaveta y sáquela completamente.



- 2 Retire los insertos de los dos compartimientos. Enjuague los insertos y la gaveta con agua templada para diluir las acumulaciones de productos de lavandería.
- 3 Para limpiar la abertura de la gaveta, use un cepillo pequeño que no sea metálico para limpiar el hueco. Elimine todos los residuos de la parte superior e inferior del hueco.
- 4 Vuelva a instalar los insertos en los compartimientos correspondientes y vuelva a colocar la gaveta. Coloque la gaveta en la abertura en ángulo como se muestra en la siguiente imagen y luego bájela y deslícela en su sitio.

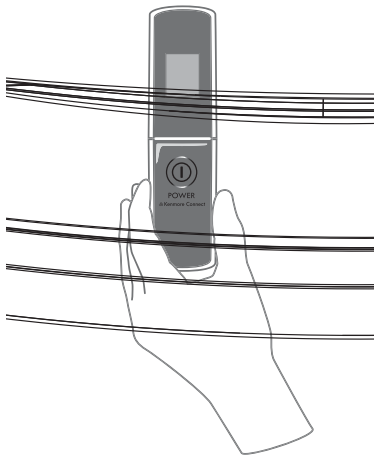
Si experimenta algún problema con la lavadora, podrá transmitir datos a través del teléfono con el equipo Kenmore Connect. Así podrá hablar directamente con nuestros técnicos especializados. El técnico graba los datos transmitidos desde la máquina y los utiliza para analizar el problema, ofreciendo un diagnóstico rápido y eficaz.

Si experimenta problemas con la lavadora, llame al 1-800-4-MY-HOME®. Sólo utilice el sistema Kenmore Connect cuando se lo pida el equipo de Kenmore Connect. Los sonidos de transmisión que oírán son normales y suenan de forma parecida a un equipo de fax.

Kenmore Connect no se puede activar a menos que la lavadora se encienda pulsando el botón POWER. Si la lavadora no se puede encender, la solución de problemas deberá llevarse a cabo sin utilizar Kenmore Connect.

Uso del sistema Kenmore Connect™

Primero, comuníquese al 1-800-4-MY-HOME® (1-800-469-4663). Si el número del teléfono que está utilizando está en el archivo, y se asocia con la lavadora, usted será retransmitido rápidamente a un agente del equipo Kenmore Connect. Siga las instrucciones del técnico y siga estos pasos cuando se le solicite.



MANTENGA el micrófono del teléfono sobre el botón de ENCENDIDO, cuando el centro de llamadas se lo solicite, a no más de 2,5 cm (pero sin tocar) la máquina.

NOTA: No pulse ningún otro botón ni gire el mando del selector de ciclo.



MANTENGA PULSADO el botón de WASH TEMP mientras sigue sujetando el teléfono sobre el botón POWER.



ESPERE A ESCUCHAR tres pitidos. Tras escuchar los tres pitidos, suelte el botón de WASH TEMP. Mantenga el teléfono en su sitio hasta que haya terminado la transmisión de tonos. Esto tarda unos 6 segundos y en la pantalla aparecerá el recuento de tiempo. Una vez finalizada la cuenta atrás y cuando los tonos se hayan detenido, reanude su conversación con el técnico que le podrá ayudar a utilizar la información transmitida para el análisis.

NOTA:

- Para obtener mejores resultados, no mueva el teléfono mientras se estén transmitiendo los tonos.
- Si el agente del centro de llamadas no puede grabar con precisión los datos, quizá le pida que lo intente de nuevo.

SONIDOS NORMALES QUE SE PUEDEN ESCUCHAR

Los siguientes sonidos se pueden oír mientras la lavadora está en funcionamiento. Son ruidos normales.

Clics:

Relé del bloqueo de la tapa cuando la tapa se traba y destraba.

Rociado o sibilante:

Agua rociándose o circulando durante el ciclo.

Zumbido o borboteo:

La bomba de drenaje bombeando agua desde la lavadora durante un ciclo.

ANTES DE SOLICITAR ASISTENCIA TÉCNICA

Su lavadora está equipada con un sistema automático de monitorización de errores para detectar y diagnosticar problemas en una fase temprana. Si tu lavadora no funciona correctamente o no funciona en absoluto, compruebe lo siguiente antes de llamar al servicio técnico:

Problema	Causa posible	Soluciones
Ruido metálico y de traqueteo	Objetos extraños, como llaves, monedas, o imperdibles, pueden estar en la tina o en la bomba.	Detenga la lavadora, compruebe la tina y el filtro de drenaje en busca de objetos extraños. Si después de reiniciar la lavadora el ruido continúa, llame al servicio.
Sonido de golpes	Las cargas de prendas pesadas pueden producir un sonido de golpes. Es posible que la carga de la lavadora esté desbalanceada.	Esto es normal. Si el sonido continúa, es posible que la lavadora está desbalanceada. Deténgala y redistribuya la carga de lavado. Pause el ciclo y redistribuya la carga después de que la tapa se destrabe.
Ruido de vibración	No se han retirado todos los materiales del embalaje. Es posible que la carga de lavado no esté uniformemente distribuida en la tina. No todas las patas niveladoras se encuentran apoyadas firmemente en el piso. El piso no es lo suficientemente rígido.	Consulte la sección DESEMPAQUETADO Y DESEMBALAJE DEL MATERIAL DE TRANSPORTE en los requisitos de instalación. Pause el ciclo y redistribuya la carga después de que la tapa se destrabe. Consulte la sección Nivelación de la lavadora en las Instrucciones. Asegúrese de que el piso sea sólido y no ceda. Consulte la sección Tipo de piso en Requisitos de instalación.
Fuga de agua	La conexión de las mangueras de agua no está bien encajada en la llave o en la lavadora. Las tuberías de drenaje de la casa están taponadas. La manguera de drenaje se ha salido del drenaje o no está insertada lo suficiente. Una prenda grande, como una almohada o un cobertor, están sobre la parte superior de la tina.	Compruebe las mangueras en busca de fugas, grietas y rupturas. Compruebe y apriete las conexiones de las mangueras. La lavadora bombea agua muy rápidamente. Compruebe si durante el drenaje, el agua vuelve hacia atrás y se sale de la tubería de drenaje. Si ve agua saliendo del desagüe, compruebe que la instalación de la manguera de drenaje es correcta y busque si hay algún taponamiento en el desagüe. Póngase en contacto con un plomero para reparar la tubería de drenaje. Amarre la manguera de drenaje a la manguera de entrada o a una tubería fija para impedir que se pueda salir durante el drenaje. Debería estar insertada al reborde en las tuberías de drenaje más pequeñas o el reborde debería estar insertado entre 3 y 5 centímetros en la tubería de drenaje. Use el ciclo BULKY/BEDDING para las prendas grandes o voluminosas. Tenga mucho cuidado y nunca lave más de la mitad de la carga con prendas que flotan, como las almohadas. Pare la lavadora y compruebe la carga. Asegúrese de que la carga no sobrepasa la parte superior de la tina.
Arrugas	La lavadora no se ha descargado inmediatamente. La lavadora está sobrecargada. Las mangueras de entrada de agua fría y caliente están invertidas.	Siempre saque las prendas de la lavadora en cuanto se complete el ciclo. La lavadora se puede cargar completamente, pero la tina no debe estar abarrotada con prendas. La tapa de la lavadora se debería cerrar con facilidad. El enjuague con agua caliente puede hacer aparecer arrugas en las prendas. Compruebe las conexiones de las mangueras de entrada.

ANTES DE SOLICITAR ASISTENCIA TÉCNICA (continuación)

Problema	Causa posible	Soluciones
Exceso de espuma	Demasiado detergente o detergente inadecuado.	Los detergentes HE están formulados específicamente para lavadoras de alta eficiencia y contienen agentes reductores de espuma. Utilice sólo detergentes con el logotipo de alta eficiencia (HE). Para información sobre las cantidades de detergente, consulte la sección Instrucciones.
Manchas	El blanqueador o el suavizante se han distribuido demasiado pronto. El blanqueador o el suavizante se han agregado directamente a la carga de lavado en la tina. La lavadora no se descargó inmediatamente. La ropa no se agrupó correctamente.	El compartimiento del dispensador se ha sobrellenado lo que ha ocasionado que el blanqueador o el suavizante se distribuyan inmediatamente. SIEMPRE mida el blanqueador para evitar el sobrellenado - una taza al máximo. La gaveta del dispensador se cerró demasiado rápido provocando que el suavizante se distribuyera inmediatamente. Use siempre los dispensadores para asegurarse de que los productos de lavandería se distribuyen correctamente en el momento adecuado del ciclo. Siempre saque las prendas de la lavadora lo antes posible en cuanto se complete el ciclo. Siempre lave los colores oscuros separados de los colores claros y los blancos para evitar la decoloración. Nunca lave prendas con mucha suciedad junto con otras con poca suciedad.
La lavadora no se prende. NOTA: Si la lavadora se detiene durante un ciclo debido a una interrupción en el suministro eléctrico, la lavadora continuará el ciclo en el punto donde se detuvo cuando se restaure el suministro.	El cable de alimentación no se ha enchufado de forma adecuada. Se ha fundido el fusible, ha saltado el disyuntor o se ha producido un corte de suministro eléctrico en la vivienda. Se ha fundido el fusible, ha saltado el disyuntor, debido a la conexión de varios electrodomésticos en una misma toma de corriente.	Asegúrese de que el enchufe está correctamente enchufado a una toma de corriente de 120 V de CA, 60 Hz y tres clavijas con toma de tierra. Reinicie el disyuntor o sustituya el fusible. No aumente la capacidad del fusible. Si el problema es una sobrecarga del circuito, haga que lo solucione un electricista cualificado. Reinicie el disyuntor o sustituya el fusible. Si hay más de un electrodoméstico conectado a la toma de corriente, llame a un electricista para que le instale un circuito adicional.
El ciclo de lavado tarda más de lo normal	La lavadora ajusta de forma automática el tiempo de lavado en función de la cantidad de ropa para lavar, la presión del agua y demás condiciones de funcionamiento.	Esto es normal. La lavadora ajusta el tiempo de ciclo de forma automática para brindar los resultados óptimos para el ciclo seleccionado. El tiempo restante que se muestra en la pantalla es sólo una estimación. El tiempo real puede variar.
Olor a humedad o moho en la lavadora	Se ha estado usando demasiado detergente o un detergente inadecuado. El interior de la tina no se lavó correctamente.	Use sólo detergente de alta eficiencia (HE) de acuerdo con las instrucciones del fabricante. Ejecute el ciclo de limpieza, CLEAN WASHER, con regularidad.
Fugas de agua	Exceso de espuma de detergente.	El exceso de espuma puede provocar fugas, y puede estar ocasionado por el tipo y la cantidad de detergente usado. Sólo se recomienda el uso de detergente de alta eficiencia. Asegúrese de que el detergente y cualquier aditivo se agregan a los compartimientos adecuados del dispensador. La cantidad de detergente normal que se debe usar está entre una 1/4 parte y la 1/2 de la cantidad máxima recomendada por el fabricante del detergente. Siempre reduzca la cantidad de detergente si la carga es pequeña o tiene poca suciedad, o si el agua es muy blanda. Nunca use más de la cantidad máxima recomendada por el fabricante del detergente.

ANTES DE SOLICITAR ASISTENCIA TÉCNICA (continuación)



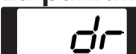
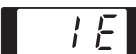
Problema	Causas posibles	Soluciones
<p>La lavadora no funciona</p>	<p>El panel de control se ha apagado debido a la inactividad.</p> <p>La lavadora está desenchufada.</p> <p>El suministro de agua está cerrado.</p> <p>Los controles no están ajustados correctamente.</p> <p>La tapa está abierta</p> <p>El disyuntor ha saltado o el fusible se ha fundido.</p> <p>Se debe reiniciar el control.</p> <p>No se presionó START/PAUSE después de ajustar un ciclo.</p> <p>La presión del agua es extremadamente baja.</p> <p>La lavadora está demasiado fría.</p>	<p>Esto es normal. Presione el botón POWER para prender la lavadora.</p> <p>Asegúrese de que el cable está correctamente enchufado en una toma de corriente que funcione.</p> <p>Abra completamente las dos llaves de agua fría y caliente.</p> <p>Asegúrese de que el ciclo se ajustó correctamente, cierre la tapa y presione el botón START/PAUSE.</p> <p>La lavadora no funcionará si la tapa está abierta. Cierre la tapa y asegúrese de que no hay nada atascado bajo la tapa que impida que se cierre completamente.</p> <p>Compruebe los disyuntores y fusibles de la casa. Sustituya los fusibles o reinicie el disyuntor. La lavadora debería estar en un ramal de circuito dedicado. La lavadora continuará el ciclo en el lugar en que se detuvo una vez restaurada la alimentación.</p> <p>Presione el botón POWER, luego vuelva a seleccionar el ciclo deseado y presione el botón START/PAUSE.</p> <p>Presione el botón POWER, luego vuelva a seleccionar el ciclo deseado y presione el botón START/PAUSE. La lavadora se apagará si no se presiona el botón START/PAUSE después de cuatro minutos.</p> <p>Compruebe otra llave de la casa para asegurarse de que la presión del agua es la adecuada.</p> <p>Si la lavadora ha estado expuesta a temperaturas por debajo del punto de congelación durante un período prolongado de tiempo, permita que se caliente antes de presionar el botón POWER. En otro caso, la pantalla no se prenderá.</p>
<p>La lavadora no se llena de agua correctamente</p>	<p>El filtro está taponado.</p> <p>Las mangueras de entrada pueden estar retorcidas</p> <p>Eficiencia energética.</p> <p>Insuficiente suministro de agua.</p> <p>La tapa de la lavadora está abierta.</p> <p>Las mangueras de entrada de agua fría y caliente están invertidas.</p> <p>El nivel de agua está demasiado bajo.</p>	<p>Asegúrese de que los filtros de entrada de las válvulas de llenado no están taponados. Consulte las instrucciones de limpieza de filtros.</p> <p>Compruebe que las mangueras de entrada no están retorcidas ni atascadas.</p> <p>Esta es una lavadora energéticamente eficiente. Por lo tanto, los ajustes de temperatura para esta lavadora pueden ser distintos de las lavadoras que no son eficientes energéticamente.</p> <p>Asegúrese de que las llaves de agua fría y caliente estén completamente abiertas.</p> <p>La lavadora no funcionará si la tapa está abierta. Cierre la tapa y asegúrese de que no hay nada atascado bajo la tapa que impida que se cierre completamente.</p> <p>Compruebe las conexiones de las mangueras de entrada. Asegúrese de que el suministro de agua caliente está conectado a la válvula de entrada de agua caliente y de que el suministro de agua fría está conectado a la válvula de entrada de agua fría.</p> <p>Esta lavadora es de alta eficiencia. Normalmente el agua no cubrirá las prendas. El nivel de llenado está optimizado para el movimiento de lavado y, de esta manera, lograr el mejor rendimiento de lavado.</p>

ANTES DE SOLICITAR ASISTENCIA TÉCNICA (continuación)

Problema	Causa posible	Soluciones
La lavadora no drena	La manguera del drenaje está retorcida. El desagüe está ubicado a una altura superior a los 243,8 cm (8 pies) por encima del piso.	Asegúrese de que la manguera de drenaje no está retorcida. Asegúrese de que la manguera de drenaje no esté a una altura superior a los 243,8 cm (8 pies) por encima de la parte inferior de la lavadora y que no esté a una distancia superior a los 1,5 metros (5 pies) de la lavadora.
Mala eliminación de las manchas	No se seleccionaron las opciones adecuadas. Manchas asentadas previamente.	Las prendas muy sucias o con manchas resistentes pueden requerir un poder limpiador adicional. Seleccione SOAK para mejorar el poder de limpieza del ciclo seleccionado. Las prendas que se han lavado anteriormente pueden tener manchas que ya se hayan asentado. Esas manchas pueden ser muy difíciles de eliminar y pueden requerir ser lavadas a mano o la aplicación de un tratamiento previo que ayude a eliminar las manchas.
El blanqueador no se distribuye	La tapa del dispensador del blanqueador no está instalada correctamente. El dispensador del blanqueador está sucio u taponado.	Asegúrese de que la tapa del dispensador del blanqueador está correctamente instalada y bien cerrada en su sitio antes de comenzar el ciclo. Levante la tapa del dispensador del blanqueador y limpie el dispensador. Las pelusas y otros residuos extraños que se acumulan dentro del dispensador pueden impedir la correcta distribución del blanqueador.
Prematura distribución del blanqueador	El dispensador del blanqueador está relleno para una carga futura. Sobrellenado del dispensador del blanqueador.	No puede almacenar el blanqueador en el dispensador para un futuro uso. El blanqueador se distribuirá en cada carga. El sobrellenado del dispensador de blanqueador ocasionará que el blanqueador se distribuya inmediatamente, lo que dañará las prendas en la tina. SIEMPRE mida el blanqueador, pero nunca rellene por encima de la línea MAX del dispensador. Una taza de blanqueador es normal, pero nunca agregue más de una taza.
Incompleta o ninguna distribución de detergente	Compartimientos de detergente taponados debido a un relleno incorrecto. Se usó demasiado detergente. Insuficiente suministro de agua. Residuo normal.	Asegúrese de que el detergente y los aditivos se agregan a los compartimientos adecuados del dispensador. Si usa detergente líquido, asegúrese de que la taza para el detergente líquido y el inserto estén en el compartimiento de detergente. Si usa detergente en polvo, asegúrese de que no se usen la taza para el detergente líquido ni el inserto. Para todos los tipos de detergente, asegúrese siempre de que la gaveta del dispensador esté totalmente cerrada antes del inicio del ciclo. Asegúrese de usar la cantidad de detergente sugerida en las recomendaciones del fabricante. Para evitar taponamientos, puede diluir el detergente con agua hasta la línea de llenado máximo en el compartimiento. Use sólo detergentes HE (alta eficiencia). NOTA: Siempre use la menor cantidad posible de detergente. Las lavadoras de alta eficiencia requieren muy poca cantidad de detergente para lograr resultados óptimos. La utilización de demasiado detergente reduce el rendimiento del lavado y el enjuague, y puede contribuir a la aparición de olores en la lavadora. Asegúrese de que las llaves de agua fría y caliente estén completamente abiertas. Es normal que una pequeña cantidad de detergente permanezca en el dispensador. Si este residuo se acumula, puede interferir en la distribución normal de los productos. Consulte las instrucciones de limpieza.
Fugas de agua en todas las cargas	Las mangueras no están instaladas correctamente.	Compruebe todas las conexiones de las mangueras de entrada y drenaje para asegurarse de que están ajustadas y seguras.



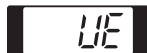
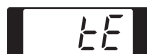
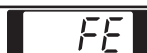

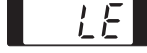
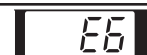
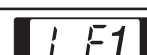
ANTES DE SOLICITAR ASISTENCIA TÉCNICA (continuación)

Códigos de error

Problema	Causa posible	Soluciones
<p>La pantalla muestra:</p> 	<p>La tapa no se cierra correctamente.</p>	<p>Asegúrese de que la tapa está correctamente cerrada y presione el botón START/PAUSE. Después de iniciar un ciclo, tomará unos momentos antes de que la tina comience a girar o centrifugar. La lavadora no comenzará a centrifugar hasta que la tapa no esté trabada.</p> <p>Si la tapa está cerrada y se muestra el mensaje de error de bloqueo de la tapa, llame al servicio técnico.</p>
<p>La pantalla muestra:</p> 	<p>Error del interruptor de bloqueo de la tapa.</p>	<p>Asegúrese de que la tapa está correctamente cerrada y presione el botón START/PAUSE. La lavadora no funcionará a menos que la tapa esté trabada.</p> <p>Asegúrese de que no hay nada atascado bajo la tapa, como material de embalaje o ropa.</p> <p>Asegúrese de que el mecanismo del pestillo esté completamente retraído.</p> <p>Si la tapa está cerrada y se muestra el mensaje de error de bloqueo de la tapa, llame al servicio técnico.</p>
<p>La pantalla muestra:</p> 	<p>Función de drenaje especial.</p>	<p>Si la lavadora está en pausa durante un ciclo por más de 5 o minutos, se cancelará el ciclo y se drenará el agua que permanezca en la tina. Una alarma sonará a los tres minutos para advertirle de que la tina está a punto de drenarse.</p>
<p>La lavadora se rellena con agua lentamente o no se llena en absoluto, o la pantalla muestra:</p> 	<p>Las llaves de suministro del agua no están completamente abiertas.</p> <p>Las mangueras de las tuberías de agua están retorcidas, pinzadas u taponadas.</p> <p>Los filtros de entrada de agua están taponados.</p> <p>La presión del suministro de agua a la llave o a la casa es demasiado baja.</p> <p>Suministro de agua conectado a mangueras con limitación de fugas.</p>	<p>Asegúrese de que las llaves de agua están totalmente abiertas.</p> <p>Asegúrese de que las mangueras no estén retorcidas ni pinzadas. Tenga cuidado al desplazar la lavadora durante las tareas de limpieza o mantenimiento.</p> <p>Limpie los filtros de entrada. Consulte el apartado Mantenimiento en la sección Cuidado y limpieza.</p> <p>Compruebe otra llave de la casa para asegurarse de que la presión de agua es la adecuada y que el flujo no está restringido. Desconecte la manguera de entrada de la lavadora y deje que corran algunos litros de agua a través de la manguera para purgar las tuberías de suministro de agua. Si el flujo es demasiado débil, contacte con un plomero para que repare las tuberías de agua.</p> <p>Las mangueras diseñadas para limitar las fugas pueden activarse erróneamente y evitar que la lavadora se llene. No se recomienda el uso de mangueras con limitación de fugas.</p>

NOTA: Si se muestra un mensaje de error durante cuatro minutos, el agua de la tina se drenará automáticamente. Una alarma sonará un minuto antes del drenaje y el código de error original continuará mostrándose en pantalla.

ANTES DE SOLICITAR ASISTENCIA TÉCNICA (continuación)

Problema	Causa posible	Soluciones
<p>El agua en la lavadora drena demasiado lento o no drena, o la pantalla muestra: </p>	<p>La manguera de drenaje está retorcida, apretada o taponada.</p> <p>La descarga del desagüe está a más de 243,8 cm (96 pulgadas) por encima de la parte inferior de la lavadora.</p>	<p>Asegúrese de que la manguera de drenaje esté libre de taponamientos, dobladuras, etc., y no esté apretada debajo de la lavadora.</p> <p>Ajuste o repare el drenaje. La altura máxima del drenaje es de 243,8 cm (96 pulgadas).</p>
<p>La pantalla muestra: </p>	<p>La lavadora ha detectado una carga desbalanceada.</p>	<p>Si la lavadora detecta una carga demasiado desbalanceada como para poder girar, mostrará este código mientras intenta rebalancear la carga. La lavadora agregará agua e intentará redistribuir la carga automáticamente. Esta pantalla es únicamente para su información y no requiere ninguna acción.</p>
<p>La pantalla muestra: </p>	<p>Si el rebalanceo uE (ver arriba) no tiene éxito, mostrará este error.</p> <p>La carga es demasiado pequeña.</p> <p>Hay artículos pesados mezclados con artículos más ligeros.</p> <p>La carga está desbalanceada.</p>	<p>El intento automático para rebalancear la carga no tuvo éxito. El ciclo se puso en pausa para permitir que la carga se ajuste manualmente.</p> <p>Puede ser que necesite agregar artículos adicionales a las cargas pequeñas para que la lavadora pueda balancear las cargas.</p> <p>Puede ser que la carga contenga artículos pesados y otros más ligeros. Siempre trate de lavar artículos que de alguna manera sean de pesos similares para ayudar a la lavadora a distribuir el peso de la carga para una buena rotación.</p> <p>Redistribuya manualmente la carga si los artículos se han enredado y no permiten que la distribución automática funcione apropiadamente.</p>
<p>La pantalla muestra: </p>	<p>Error de control.</p>	<p>Desenchufe la lavadora y espere 60 segundos. Vuelva a conectarla y pruebe de nuevo. Si el error se vuelve a producir, llame al servicio técnico.</p>
<p>La pantalla muestra: </p>	<p>El nivel de agua es demasiado alto debido a una válvula de agua con falla.</p>	<p>Cierre las llaves de agua, desenchufe la lavadora y llame al servicio técnico.</p>
<p>La pantalla muestra: </p>	<p>El sensor de nivel de agua no funciona correctamente.</p>	<p>Cierre las llaves de agua, desenchufe la lavadora y llame al servicio técnico.</p>
<p>La pantalla muestra: </p>	<p>Se ha producido un error del motor.</p>	<p>Deje que la lavadora descanse durante 30 minutos y, a continuación, reinicie el ciclo. Si el código de error LE persiste, llame al servicio técnico.</p>
<p>La pantalla muestra: </p>	<p>Error de embrague.</p>	<p>Falla mecánica.</p> <p>Desenchufe la lavadora y llame al servicio técnico.</p>
<p>La pantalla muestra: </p>	<p>Los objetos extraños como monedas, pasadores, clips, etc., atrapados entre la chapa de lavado y el cesto interior.</p>	<p>Apague la lavadora y pulse el botón de Encendido/ Apagado. Pulse el botón de velocidad de centrifugado sin seleccionar un ciclo para vaciado y centrifugado de la carga. Cuando haya finalizado el centrifugado, saque la ropa y encuentre y retire los objetos atrapados en la chapa de lavado. Compruebe siempre los bolsillos, etc., antes del lavado para evitar códigos de error o daños en la lavadora o la ropa.</p>

GARANTÍA LIMITADA DE KENMORE ELITE

POR UN AÑO a partir de la fecha de venta, este electrodoméstico está cubierto por la garantía contra defectos de material o mano de obra cuando la instalación, operación y mantenimiento del electrodoméstico son correctos y siguen todas las instrucciones suministradas.

JUNTO CON LA PRUEBA DE VENTA, el electrodoméstico defectuoso recibirá sin cargo su reparación o reemplazo, a opción del vendedor.

Para conocer los detalles de la cobertura de garantía para obtener la reparación o el reemplazo gratis del producto, visite la página Web: www.kenmore.com/warranty

Esta cobertura de garantía aplica sólo por 90 DÍAS a partir de la fecha de venta en los Estados Unidos, y no será válida en Canadá, si el electrodoméstico es utilizado para otro fin que no sea de uso doméstico.

Esta garantía cubre ÚNICAMENTE los defectos de material y mano de obra, y NO pagará:

1. Elementos consumibles que puedan desgastarse debido al uso normal, incluyendo entre otros, los filtros, correas, bolsas o bombillas extraíbles.
2. Un técnico de servicio para realizar labores de limpieza o mantenimiento del electrodoméstico, o para enseñar al usuario la instalación, funcionamiento o mantenimiento correctos del producto.
3. Llamadas al servicio técnico para corregir la instalación del electrodoméstico no realizada por agentes de servicio autorizados de Sears, o bien para solucionar problemas relacionados con fusibles domésticos, disyuntores, cableado, sistemas de plomería o de suministro de gas, que resulten de tal instalación.
4. Daños o averías resultantes de la instalación no realizada por agentes de servicio autorizados de Sears, incluida la instalación que no fue realizada de acuerdo con los códigos eléctricos, de gas o de fontanería.
5. Daños o averías, incluyendo la decoloración u óxido de la superficie, si el funcionamiento y mantenimiento del electrodoméstico no son correctos de acuerdo a las instrucciones suministradas.
6. Daños o averías, incluyendo la decoloración u óxido de la superficie, que resulten de cualquier accidente, alteración, abuso, uso incorrecto o uso con propósitos distintos a los fines para los que el producto fue diseñado.
7. Daños o averías, incluyendo la decoloración u óxido de la superficie, causados por el uso de detergentes, limpiadores, sustancias químicas o utensilios distintos a los recomendados en todas las instrucciones suministradas con el producto.
8. Daños o fallas de los componentes o sistemas como resultado de modificaciones hechas sin autorización a este producto.
9. Servicio técnico al electrodoméstico si el modelo y placa de serie han sido removidos, alterados, o cuando no pueda determinarse fácilmente que tenga el logo de certificación apropiado.

Descargo de responsabilidad de garantías implícitas; limitación de acciones legales

El único y exclusivo recurso del cliente bajo esta garantía limitada será la reparación del producto como se indica en la presente. Las garantías implícitas, incluyendo garantías de comerciabilidad y aptitud para un objetivo particular, se encuentran limitadas a un año o al período más corto permitido por la ley. Sears no será responsable de los daños incidentales o derivados. Algunos estados y provincias no permiten la exclusión o limitación de daños o limitaciones incidentales o resultantes, o limitaciones sobre la duración de garantías implícitas o de comerciabilidad o aptitud, por lo tanto las limitaciones o exclusiones anteriores pueden no aplicarse en su caso.

Esta garantía podrá aplicarse sólo si este electrodoméstico se utiliza en los Estados Unidos o Canadá*.

Esta garantía le otorga derechos legales específicos, y usted también puede contar con otros derechos, que pueden variar de estado a estado.

*El servicio de reparación a domicilio no está disponible en todas las áreas geográficas de Canadá. Tampoco esta garantía cubrirá los gastos de traslado o transporte del usuario o del técnico de reparación si el producto está ubicado en un área remota (tal como la define Sears Canada Inc.) donde no haya ningún técnico de servicio disponible.

**Sears Brands Management Corporation, Hoffman Estates, IL 60179
Sears Canada Inc., Toronto, Ontario, Canadá M5B 2C3**

Kenmore®

Customer Care Hotline

To schedule in-home repair service
or order replacement parts

Para pedir servicio de reparación
a domicilio, y ordenar piezas

1-844-553-6667

www.kenmore.com

