

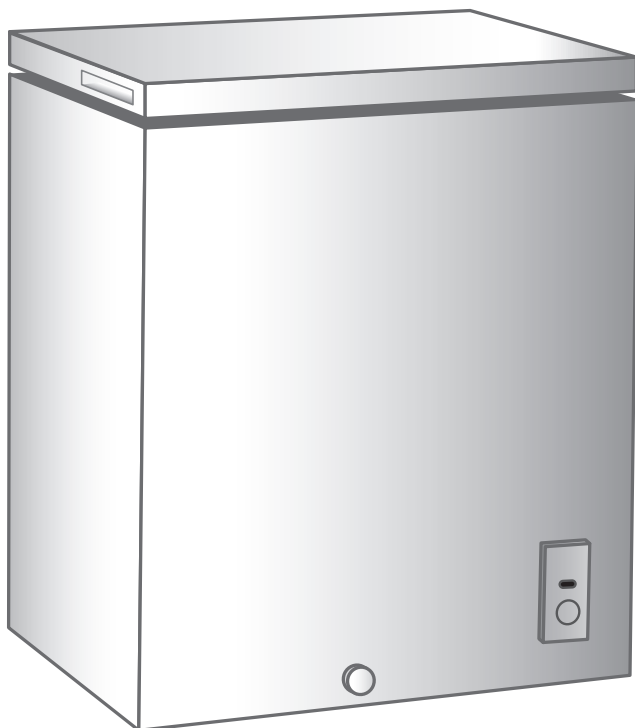
# Haier

Installation and User Manual  
Manuel d'installation et d'utilisation  
Manual de instalación y del usuario  
**HFC3501ACW, HF50CW20W**  
**HF50CM23NW, HF71CW20W**  
**HF71CM33NW, HF71CL53NW**

## Manual Defrost Chest Freezer

## Congélateur bahut à dégivrage manuel

## Congelador horizontal de descongelación manual



Part # 0570000226 REV A



# TABLE OF CONTENTS

<b>FREEZER SAFETY</b> .....	<b>2</b>
<b>PARTS AND FEATURES</b> .....	<b>5</b>
<b>INSTALLATION REQUIREMENTS</b> .....	<b>6</b>
Location Requirements .....	6
Electrical Requirements .....	7
<b>FREEZER INSTALLATION</b> .....	<b>8</b>
Step 1 - Unpack Freezer .....	8
Step 2 - Complete the Installation .....	9
<b>FREEZER USE</b> .....	<b>9</b>
Control .....	9
Freezer Lock and Key .....	10
Freezer Baskets .....	10
<b>FREEZER CARE</b> .....	<b>11</b>
Cleaning .....	11
Defrosting and Draining .....	12
Vacation and Moving .....	13
Reinstalling/Using Freezer Again .....	13
<b>TROUBLESHOOTING</b> .....	<b>14</b>
<b>LIMITED WARRANTY</b> .....	<b>16</b>

## RECORD KEEPING

Thank you for purchasing this Haier product. This user manual will help you get the best performance from your new freezer.

For future reference, record the model number, serial number, and the date of purchase. The model/serial number plate is located on a label inside the freezer.

Staple your proof of purchase to this manual to aid in obtaining warranty service if needed.

---

Model number

---

Serial number

---

Date of purchase

## FREEZER SAFETY

### **Your safety and the safety of others are very important.**

We have provided many important safety messages in this manual and on your appliance. Always read and obey all safety messages.



This is the safety alert symbol.

This symbol alerts you to potential hazards that can kill or hurt you and others. All safety messages will follow the safety alert symbol and either the word "DANGER," "WARNING" or "CAUTION."

These words mean:



An imminently hazardous situation. You could be killed or seriously injured if you don't immediately follow instructions.



A potentially hazardous situation which, if not avoided, could result in death or serious bodily injury.



A potentially hazardous situation which, if not avoided, may result in moderate or minor injury.

All safety messages will tell you what the potential hazard is, tell you how to reduce the chance of injury, and tell you what can happen if the instructions are not followed.

# IMPORTANT SAFETY INSTRUCTIONS

**WARNING:** To reduce the risk of fire, electrical shock, injury to persons, or damage when using the freezer, follow basic precautions, including the following:

- Use this appliance only for its intended purpose as described in this user manual.
- This freezer must be properly installed in accordance with the installation instructions before it is used. See grounding instructions in the installation section.
- Flammable refrigerant used. Do not use mechanical devices to defrost freezer. Do not puncture refrigerant tubing.
- Flammable refrigerant used. To be repaired only by trained service personnel. Do not puncture refrigerant tubing.
- Flammable refrigerant used. Dispose of properly in accordance with federal or local regulations.
- Flammable refrigerant used. Follow handling instructions carefully. Risk of fire or explosion due to puncture of refrigerant tubing.
- Plug into a grounded 3 prong outlet.
- Do not remove ground prong.
- Do not use an adapter.
- Do not use an extension cord.
- Do not repair or replace any part of the appliance unless specifically recommended in the manual. All other servicing should be referred to a qualified technician.
- Disconnect power before servicing.
- Replace all parts and panels before operating.
- Use nonflammable cleaner.
- Keep flammable materials and vapors, such as gasoline, away from freezer.
- Cabinet edges along stamp/cutout areas may be sharp. Avoid placing hands, fingers or other appendages near these areas.
- This freezer should not be recessed or built-in an enclosed cabinet. It is designed for freestanding installation only.
- Before discarding or removing from service, remove the door. This will reduce the possibility of danger to children.

## READ AND SAVE THESE INSTRUCTIONS

State of California Proposition 65 Warnings:

**WARNING:** This product contains one or more chemicals known to the State of California to cause cancer.

**WARNING:** This product contains one or more chemicals known to the State of California to cause birth defects or other reproductive harm.

## PROPER DISPOSAL OF YOUR OLD REFRIGERATED APPLIANCE

### **WARNING**

#### **Suffocation Hazard**

Remove doors or lid from your old freezer or refrigerator.

Failure to do so can result in death or brain damage.

**IMPORTANT:** Child entrapment and suffocation are not problems of the past. A junked or abandoned freezers or refrigerators are still dangerous – even if it will sit for “just a few days.” If you are getting rid of your old refrigerator or freezer, please follow these instructions to help prevent accidents.

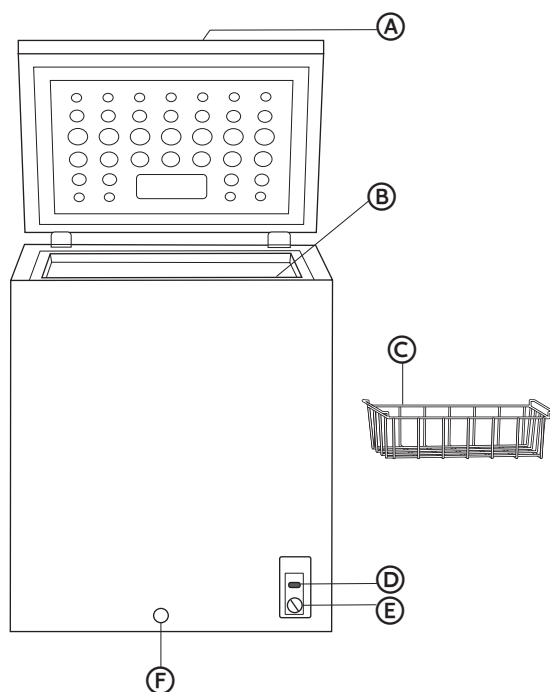
#### **Before You Throw Away Your Old Freezer or Refrigerator:**

- Remove the doors or lid.
- Leave any shelves in place so that children may not easily climb inside.

#### **Important information to know about disposal of refrigerants:**

Dispose of freezer in accordance with Federal and Local regulations. Refrigerants must be evacuated by a licensed, EPA certified refrigerant technician in accordance with established procedures.

## PARTS AND FEATURES



- Ⓐ Lock with Key  
(model HF71CL53NW only)
- Ⓑ Interior Drain Plug  
(not shown - see insert)
- Ⓒ Vinyl Coated Wire Basket
- Ⓓ Power Indicator - green light  
(on some models)
- Ⓔ Temperature Control Adjustment
- Ⓕ Exterior Drain Plug

# INSTALLATION REQUIREMENTS

## LOCATION REQUIREMENTS

### ! WARNING



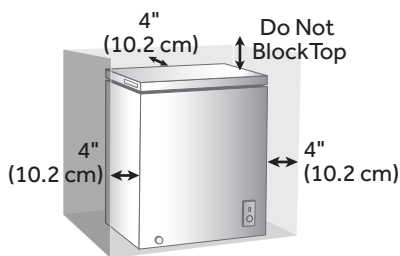
#### Explosion and Fire Hazard

Keep flammable materials and vapors, such as gasoline, away from appliance.

Failure to do so can result in death, explosion or fire.

**IMPORTANT:** This freezer is designed for freestanding installation only. It should not be recessed or built-in an enclosed cabinet. To ensure your freezer works at optimum efficiency, you should install it in a location where there is proper air circulation, and electrical connections.

#### Recommended Clearances:



- Do not install your freezer in any location not properly insulated or heated such as a garage. Your freezer was not designed to operate in temperature settings below 55°F (13°C).
- Select a suitable location for the freezer on a hard even surface away from direct sunlight or heat source e.g. radiators, baseboard heaters, cooking appliances etc. Any floor unevenness should be corrected.
- Place the freezer on a floor strong enough to support it fully loaded.



## ELECTRICAL REQUIREMENTS

### **⚠ WARNING**



#### **Electrical Shock Hazard**

Plug into a grounded 3 prong outlet.

Do not remove the ground prong from the power cord plug.

Do not use an adapter.

Do not use an extension cord.

Failure to do so can result in death, fire or electrical shock.

Before you move your freezer to a location, it is important to make sure you have the proper electrical connection.

#### **Recommended Grounding Method**

A 115 Volt, 60 Hz., AC only, 15-amp fused, grounded electrical supply is required. It is recommended that a separate circuit serving only your freezer be provided. Use an outlet that cannot be turned off by a switch. Do not use an extension cord.

## FREEZER INSTALLATION

### STEP 1 - UNPACK FREEZER

#### **WARNING**



#### **Fire or Explosion Hazard**

Do not puncture refrigerant tubing.

Follow handling instructions carefully.

Flammable refrigerant used.

Failure to do so can result in death, explosion or fire.

**IMPORTANT:** Handle with care when moving freezer to avoid either damaging the refrigerant tubing or increasing the risk of a leak.

**IMPORTANT:** When moving the freezer, never tilt it more than a 45° angle. This could damage the compressor and the sealed system. If the freezer has been placed in a horizontal position for any period of time, wait 24 hours before plugging in the freezer to allow the refrigerant to settle.

1. Remove and dispose of/recycle all packing materials. This includes the foam base and all adhesive tape. Remove all protective packaging covering the freezer.
2. Remove user manual and other printed material before turning on the freezer.
3. Clean the exterior surface with a soft cloth.

## STEP 2 - COMPLETE THE INSTALLATION

### ⚠ WARNING



#### Electrical Shock Hazard

Plug into a grounded 3 prong outlet.

Do not remove the ground prong from the power cord plug.

Do not use an adapter.

Do not use an extension cord.

Failure to do so can result in death, fire or electrical shock.

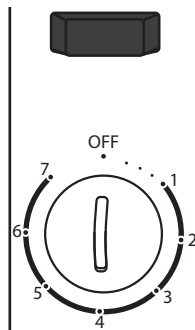
1. Plug into a grounded 3 prong outlet.
2. Using a carpenter's level, make sure the freezer is level from front to back, and from side to side. Shim if necessary.

## FREEZER USE

### CONTROL

The control, located on the front of the freezer cabinet, is an adjustable dial with Temperature settings ranging from 1 (Least Cold) to 7 (Coldest), and Off.

1. Turn the temperature control dial to 4 (Recommended Setting).
2. Allow the freezer to cool for several hours before adding food.



### ADJUSTING THE TEMPERATURE

The recommended setting (4) is designed to maintain the temperature at or near 0°F (-17.8°C) under normal operating conditions.

**To Adjust the Freezer Temperature:**

1. Adjust the control dial to one of the adjacent settings 3 (less cold) or 5 (colder).

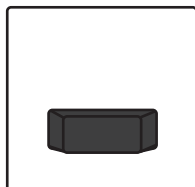
**NOTE:** Except when starting the freezer, do not adjust the control more than one setting at a time.

2. Wait 24 hours between adjustments for the freezer temperature to stabilize.

**POWER ON INDICATOR - (ON SOME MODELS)**

The Power On indicator illuminates when the freezer is properly connected to electrical power.

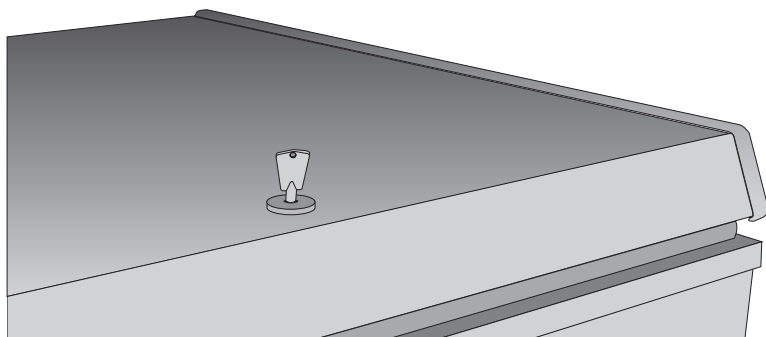
**IMPORTANT:** Turning the control dial to OFF does not disconnect the freezer from the power supply. Even when Cooling is turned Off, the Power On indicator will remain illuminated as long as the freezer is plugged into an outlet.

**FREEZER LOCK AND KEY****IMPORTANT:**

- Store the freezer key in a location away from the freezer and not easily accessible to children.
- The key slot is spring loaded or equivalent so that the key must be manually held in the lock in any position of the lock.

**To Lock/Unlock the Freezer:**

Close the freezer lid, insert the key, push in and turn the key to lock. To unlock, insert the key, push in and turn the key in the opposite direction.

**FREEZER BASKETS**

For storage flexibility, your freezer comes with two removable wire baskets. The removable freezer baskets allow easier access to foods used frequently.

### CLEANING

#### **WARNING**



##### **Explosion Hazard**

Use nonflammable cleaner.

Failure to do so can result in death, explosion or fire.

**IMPORTANT:** Do not use harsh chemicals, ammonia, chlorine bleach, concentrated detergent, solvents, abrasives or metal scouring pads to clean your freezer inside or out. They can damage and/or discolor the freezer finish.

#### **WARNING**



##### **Electrical Shock Hazard**

Unplug your appliance or disconnect power before cleaning.

Failure to do so can result in death, electric shock or personal injury.

1. Unplug freezer or disconnect power.
2. Before using cleaning products, always read and follow manufacturer's instructions and warnings to avoid personal injury or product damage.
3. Wash interior surfaces, accessories, and outer frame with cold water and a little baking soda.
4. Dry thoroughly with a soft cloth.
5. Plug in or reconnect power.

## DOOR GASKETS

Gaskets must be kept clean and pliable to assure a proper seal.

- Clean door gaskets every 3 months with solution of baking soda and warm water.
- Petroleum jelly applied lightly on the hinge side of gaskets will keep the gasket pliable and assure a good seal.

## DEFROSTING AND DRAINING

### DANGER



#### Fire or Explosion Hazard

Flammable refrigerant used.

Do not use mechanical devices to defrost freezer.

Do not puncture refrigerant tubing.

Failure to do so can result in death, explosion or fire.

For most efficient operation and minimum energy consumption, defrost whenever the frost becomes ¼" (6 mm) thick.

#### IMPORTANT:

- Do not use metal instruments to defrost freezer.
  - Do not use boiling water as it may damage the freezer.
1. Turn the temperature control to OFF and unplug the freezer.

**NOTE:** Defrosting usually takes a few hours. To defrost faster keep the freezer door open.

2. Place a tray (not included) in front of the freezer, beneath the exterior drain plug to collect the water. Remove the interior drain plug, and then remove (unscrew) the exterior drain plug to allow the water to flow out into the tray.

**NOTE:** Water that has accumulated at the bottom of the freezer during defrosting will drain into the tray. Monitor the tray under the drain to avoid overflow.

3. When defrosting is complete, wipe the interior of the freezer with a soft cloth, and replace the drain plug.

**! WARNING****Electrical Shock Hazard**

- Plug into a grounded 3 prong outlet.
- Do not remove the ground prong from the power cord plug.
- Do not use an adapter.
- Do not use an extension cord.
- Failure to do so can result in death, fire or electrical shock.

4. Plug into a grounded 3 prong outlet.
5. Reset the temperature control to your preferred setting.
6. Return the food into the freezer.

**VACATION AND MOVING****! WARNING****Fire or Explosion Hazard**

- Do not puncture refrigerant tubing.
- Follow handling instructions carefully.
- Flammable refrigerant used.
- Failure to do so can result in death, explosion or fire.

**IMPORTANT:** When moving freezer, handle with care to avoid either damaging the refrigerant tubing or increasing the risk of a leak.

**IMPORTANT:** When moving the freezer, never tilt it more than a 45° angle. This could damage the compressor and the sealed system.

**For long vacations or absences:**

- Remove food from freezer.
- Turn the temperature control to OFF.
- Unplug or disconnect power.

- Clean the door gaskets. See "Cleaning."
- Prop open the doors to allow air to circulate inside.

## REINSTALLING/USING FREEZER AGAIN

If the freezer has been placed in a horizontal or tilted position for any period of time wait 24 hours before plugging in the freezer to allow the refrigerant to settle.

1. Clean Freezer. See "Cleaning."
2. Move freezer to desired location. Check that it is level and shim, if necessary.

### **WARNING**



#### **Electrical Shock Hazard**

Plug into a grounded 3 prong outlet.

Do not remove the ground prong from the power cord plug.

Do not use an adapter.

Do not use an extension cord.

Failure to do so can result in death, fire or electrical shock.

3. Plug into grounded 3 prong outlet.

## TROUBLESHOOTING

**First try the solutions suggested here to possibly avoid the cost of a service call.**

PROBLEM	POSSIBLE CAUSE(S)	SOLUTION
<b>Freezer does not run</b>	The freezer is unplugged.	Plug freezer into a grounded 3 prong outlet.
	The circuit breaker is tripped or turned off / Fuse is blown.	Reset / Turn on circuit breaker or replace fuse
	The temperature control is turned to OFF.	Turn the temperature control to a setting between 1 and 7.
	The compressor cycle is not complete.	Wait 30 to 40 minutes to see whether the freezer will start.



PROBLEM	POSSIBLE CAUSE(S)	SOLUTION
<b>Compressor runs too frequently</b>	The temperature is hot and/or humid.	This may be normal to maintain constant temperature during high temperature and humid days.
	The freezer door is ajar.	Completely close the freezer door.
	The door gasket is not sealing properly.	Clean the door gasket. See "Cleaning."
	Frequent or prolonged door openings.	Limit door openings to maintain the internal temperature of the freezer.
	The freezer door is blocked open.	Rearrange or remove items from blocking open the freezer door.
<b>Food temperature is too warm</b>	The door is opened frequently.	Limit door openings.
	A large load of food was recently added.	Allow time for recently added warm food to cool to freezer temperature.
	The freezer door is not sealing properly.	Clean door gasket. See "Cleaning."
	The control is not set to a cold enough temperature.	Adjust the temperature control to a colder setting.
<b>Food temperature is too cold.</b>	The control is set to a too cold setting.	Adjust the temperature control to a less cold setting.
<b>Freezer has an odor</b>	The freezer needs cleaning.	Clean the freezer. See "Cleaning."
	Food is improperly wrapped or sealed and is giving off odor.	Wrap and seal food tightly before storing in the freezer.
<b>Gurgling sound</b>	Refrigerant circulating through the cooling coils.	This sound is normal.
<b>Clicking</b>	The temperature control cycling on and off.	This sound is normal.

**FOR MORE HELP, VISIT [HAIER.COM](http://HAIER.COM) OR CALL THE CONSUMER HELP LINE AT 1-877-337-3639.**

# LIMITED WARRANTY

## CARRY-IN SERVICE

### FULL ONE YEAR WARRANTY

**12 Months on Parts and Labor  
(Carry-In only)**

**5 Years on Sealed System  
(Carry-In only)**

For 12 months from the date of original retail purchase, Haier will repair or replace any part free of charge including labor that fails due to a defect in materials or workmanship.

Haier may replace or repair at their sole discretion any part, sub system including the entire product.

### LIMITED WARRANTY

**NOTE:** This warranty commences on the date the item was purchased, and the original purchase receipt must be presented to the authorized service representative before warranty repairs are rendered.

**Exceptions:** Commercial Use Warranty

**90 days labor from date of original purchase**

**90 days parts from date of original purchase**

**No other warranty applies.**

### FOR CARRY-IN WARRANTY SERVICE

All service must be performed by a Haier authorized service center. For the name and telephone number of the nearest authorized service center, please call 1-877-337-3639.

Before calling please have available the following information:

Model number and serial number of your appliance. The name and address of the dealer you purchased the unit from and the date of purchase.

A clear description of the problem.

A proof of purchase (sales receipt).

**This warranty covers carry-in appliance services within the contiguous United States and Canada and where available in Alaska, Hawaii and Puerto Rico.**

### What is not covered by this warranty:

Replacement or repair of household fuses, circuit breakers, wiring or plumbing.

A product whose original serial number has been removed or altered.

Any service charges not specifically identified as normal such as normal service area or hours.

Damage incurred in shipping.

Damage caused by improper installation or maintenance.

Damage from misuse, abuse accident, fire, flood, or acts of nature.

Damage from service other than an authorized Haier dealer or service center.

Damage from incorrect electrical current, voltage or supply.

Damage resulting from any product modification, alteration or adjustment not authorized by Haier.

Adjustment of consumer operated controls as identified in the owner's manual.

All attachments, accessories and disposable parts.

Labor, service transportation, and shipping charges for the removal and replacement of defective parts beyond the initial 12-month period.

Damage from other than normal household use.

Any transportation and shipping charges.

**THIS LIMITED WARRANTY IS GIVEN IN LIEU OF ALL OTHER WARRANTIES, EXPRESS OR IMPLIED, INCLUDING BUT NOT LIMITED TO, THE WARRANTIES OF MERCHANTABILITY AND FITNESS FOR A PARTICULAR PURPOSE**

The remedy provided in this warranty is exclusive and is granted in lieu of all other remedies.

This warranty does not cover incidental or consequential damages, so the above limitations may not apply to you. Some states do not allow limitations on how long an implied warranty lasts, so the above limitations may not apply to you.

This warranty gives you specific legal rights, and you may have other rights, which vary from state to state.

Haier America  
Wayne, NJ 07470

# TABLE DES MATIÈRES

<b>SÉCURITÉ DU CONGÉLATEUR .....</b>	<b>18</b>
<b>PIÈCES ET CARACTÉRISTIQUES .....</b>	<b>21</b>
<b>EXIGENCES D'INSTALLATION.....</b>	<b>22</b>
Exigences d'emplacement.....	22
Spécifications électriques.....	23
<b>INSTALLATION DU CONGÉLATEUR .....</b>	<b>24</b>
Étape 1 - Déballage du congélateur.....	24
Étape 2 - Fin de l'installation .....	25
<b>UTILISATION DU CONGÉLATEUR.....</b>	<b>25</b>
Commande .....	25
Verrou et clé du congélateur.....	26
Paniers de congélateur .....	27
<b>ENTRETIEN DU CONGÉLATEUR .....</b>	<b>27</b>
Nettoyage .....	27
Dégivrage et vidange.....	29
Vacances et déménagement.....	30
Réinstallation/réutilisation du congélateur.....	31
<b>DÉPANNAGE.....</b>	<b>32</b>
<b>GARANTIE LIMITÉE.....</b>	<b>34</b>

## DOCUMENTS À CONSERVER

Merci d'avoir acheté ce produit Haier.  
Ce manuel d'utilisation vous aidera  
à obtenir la meilleure performance  
possible de votre nouveau congélateur.

Pour référence ultérieure, inscrire le  
numéro de plaque signalétique et la  
date d'achat. La plaque signalétique est  
située sur une étiquette à l'intérieur du  
congélateur.

Pour faciliter l'obtention d'un service  
sous garantie,agrafer la preuve de la  
date d'achat à ce manuel.

---

Numéro de modèle

---

Numéro de série

---

Date d'achat

## SÉCURITÉ DU CONGÉLATEUR

### **Votre sécurité et celle des autres est très importante.**

Nous donnons de nombreux messages de sécurité importants dans ce manuel et sur votre appareil ménager. Assurez-vous de toujours lire tous les messages de sécurité et de vous y conformer.



Voici le symbole d'alerte de sécurité.

Ce symbole d'alerte de sécurité vous signale les dangers potentiels de décès et de blessures graves à vous et à d'autres. Tous les messages de sécurité suivront le symbole d'alerte de sécurité et le mot "DANGER", "AVERTISSEMENT" ou "ATTENTION".

Ces mots signifient :

**! DANGER**

Une situation de danger imminent. Vous courez le risque d'un décès ou de blessures graves si vous ne suivez pas immédiatement les instructions.

**! AVERTISSEMENT**

Une situation potentiellement dangereuse qui, si vous ne l'évitez pas, peut provoquer la mort ou des blessures graves.

**! ATTENTION**

Une situation potentiellement dangereuse qui, si vous ne l'évitez pas, peut entraîner des blessures légères à modérées.

Tous les messages de sécurité vous diront quel est le danger potentiel et comment réduire le risque de blessure et ce qui peut se produire en cas de non-respect des instructions.

# IMPORTANTES INSTRUCTIONS DE SÉCURITÉ

**AVERTISSEMENT :** Afin de réduire le risque d'incendie, de choc électrique, de blessures corporelles ou de dommage lors de l'utilisation du congélateur, il convient d'observer certaines précautions fondamentales, notamment :

- Utiliser cet appareil uniquement dans le but auquel il est destiné et tel que décrit dans le présent manuel d'utilisation.
- Avant utilisation, ce congélateur doit être correctement installé conformément aux instructions d'installation. Voir les instructions de mise à la terre incluses dans les instructions d'installation.
- Utilisation d'un liquide frigorigène inflammable. Ne pas dégivrer le congélateur par des moyens mécaniques. Ne pas perforer le circuit frigorigène.
- Utilisation d'un liquide frigorigène inflammable. Toute réparation doit être effectuée par un technicien de service qualifié. Ne pas perforer le circuit frigorigène.
- Utilisation d'un liquide frigorigène inflammable. Mettre au rebut d'une manière appropriée en conformité avec la législation fédérale ou locale.
- Utilisation d'un liquide frigorigène inflammable. Suivre attentivement les instructions de manipulation. Risque d'incendie ou d'explosion dû à la perforation du circuit frigorigène.
- Brancher sur une prise de courant à 3 alvéoles, reliée à la terre.
- Ne pas enlever la prise de liaison à la terre.
- Ne pas utiliser d'adaptateur.
- Ne pas utiliser de rallonge.
- Ne réparer ni remplacer aucune pièce de l'appareil sans recommandation spécifique du manuel. Toutes les autres tâches d'entretien doivent être effectuées par un technicien qualifié.
- Déconnecter la source de courant électrique avant l'intervention.
- Replacer pièces et panneaux avant de faire la mise en marche.
- Utiliser un produit de nettoyage ininflammable.
- Tenir les matières et les vapeurs inflammables, telles que l'essence, à l'écart du congélateur.
- Les bords de la caisse, les zones de découpe et les zones comportant un code d'identification ou des découpes peuvent être tranchantes. Tenir les mains, les doigts ou autres appendices éloignés de ces zones.

# IMPORTANTES INSTRUCTIONS DE SÉCURITÉ

- Le congélateur ne doit pas être encastré ni installé dans un placard fermé. Il est conçu uniquement pour être utilisé d'une manière autoportante.
- Avant de jeter l'appareil ou de le rendre inutilisable, retirer la porte. Cela réduira la possibilité de danger pour les enfants.

## LIRE ET CONSERVER CES INSTRUCTIONS

### MISE AU REBUT DE VOTRE VIEIL APPAREIL RÉFRIGÉRÉ

## AVERTISSEMENT

### Risque de suffoquer

Enlever les portes ou le couvercle de votre vieux congélateur ou réfrigérateur.

Le non-respect de cette instruction peut causer un décès ou des lésions cérébrales.

**IMPORTANT :** Le problème des enfants pouvant se retrouver coincés et suffoquer n'est pas un problème du passé. Un appareil réfrigéré jeté ou abandonné est encore dangereux, même s'il est laissé abandonné pendant "quelques jours seulement". Si vous vous débarrassez de votre vieil appareil réfrigéré, veuillez suivre les instructions suivantes pour aider à éviter les accidents.

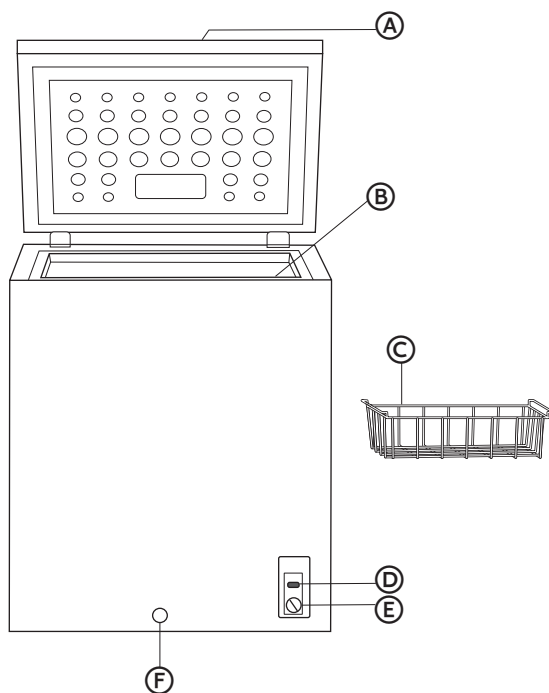
#### Avant de jeter votre vieil appareil réfrigéré :

- Ôter les portes ou le couvercle.
- Laisser les tablettes en place de sorte que les enfants ne puissent pas y pénétrer facilement.

#### Informations importantes à propos de la mise au rebut de réfrigérants :

Mettre le congélateur au rebut en conformité avec la législation fédérale ou locale. Les réfrigérants doivent être évacués par un technicien en réfrigération agréé et certifié EPA en conformité avec les procédures établies.

## PIÈCES ET CARACTÉRISTIQUES



- (A)** Verrou avec clé (modèle HF71CL53NW uniquement)
- (B)** Bonde de vidange intérieure (non illustrée - voir encart)
- (C)** Panier métallique enduit de vinyle
- (D)** Témoin lumineux d'alimentation - lumière verte (sur certains modèles)
- (E)** Réglage de la commande de température
- (F)** Bonde de vidange extérieure

## EXIGENCES D'INSTALLATION

### EXIGENCES D'EMPLACEMENT

# ! AVERTISSEMENT



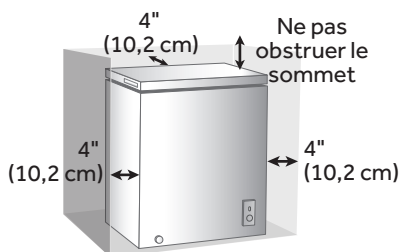
### Risque d'explosion

Garder les matériaux et les vapeurs inflammables, telles que l'essence, loin de l'appareil.

Le non-respect de cette instruction peut causer un décès, une explosion ou un incendie.

**IMPORTANT :** Ce congélateur est conçu uniquement pour être utilisé d'une manière autoportante. Il ne doit pas être encastré ni installé dans un placard fermé. Pour vous assurer que le congélateur fonctionne à son efficacité optimale, il doit être installé dans un endroit où la circulation d'air et les raccordements électriques sont appropriés.

### Distances de dégagement recommandées :



- Ne pas installer le congélateur dans un endroit incorrectement isolé ou chauffé comme par exemple un garage. Le congélateur n'a pas été conçu pour fonctionner à des températures inférieures à 55 °F (13 °C).
- Choisir un emplacement approprié pour le congélateur, sur une surface dure et homogène, à l'abri de la lumière directe du soleil ou d'une source de chaleur (p. ex. radiateurs, plinthes chauffantes, appareils de cuisson, etc.) Toute irrégularité du plancher doit être corrigée.
- Placer le congélateur sur un plancher suffisamment robuste pour supporter son poids lorsqu'il est entièrement chargé.



## SPÉCIFICATIONS ÉLECTRIQUES

# ⚠ AVERTISSEMENT



### Risque de choc électrique

Brancher sur une prise à 3 alvéoles reliée à la terre.

Ne pas enlever la broche de liaison à la terre du cordon d'alimentation.

Ne pas utiliser un adaptateur.

Ne pas utiliser un câble de rallonge.

Le non-respect de cette instruction pourrait causer un décès, un incendie ou un choc électrique.

Avant de déplacer le congélateur à son emplacement final, il est important de s'assurer que le raccordement électrique est approprié.

### Méthode recommandée de liaison à la terre

Chaque appareil doit être alimenté par un circuit 115 volts (CA seulement, 60 Hz) relié à la terre et protégé par un fusible de capacité 15 A. Il est recommandé d'utiliser un circuit distinct pour alimenter le congélateur uniquement. Utiliser une prise de courant dont l'alimentation ne peut pas être interrompue par un interrupteur. Ne pas utiliser de rallonge.

# INSTALLATION DU CONGÉLATEUR

## ÉTAPE 1 - DÉBALLAGE DU CONGÉLATEUR

### ! AVERTISSEMENT



#### Incendie ou Risque d'explosion

Ne pas perforer le circuit frigorigène.

Suivre attentivement les instructions de manipulation.

Utilisation d'un liquide frigorigène inflammable.

Le non-respect de cette instruction peut causer un décès, une explosion ou un incendie.

**IMPORTANT :** Manipuler le congélateur avec précautions lorsqu'il est déplacé soit pour éviter d'endommager le circuit frigorigène, soit pour diminuer le risque de fuites.

**IMPORTANT :** Lorsque le congélateur est déplacé, ne jamais l'incliner à plus de 45°. Cela pourrait endommager le compresseur et le système scellé. Si le congélateur a été placé en position horizontale pendant un moment, attendre 24 heures avant de brancher le congélateur pour que le réfrigérant se remette en place.

1. Ôter et jeter/recycler tous les matériaux d'emballage. Ceci inclut le socle en polystyrène et tout le ruban adhésif. Ôter tout l'emballage protecteur recouvrant le congélateur.
2. Ôter le manuel d'utilisation et tout autre imprimé avant de mettre en marche le congélateur.
3. Nettoyer la surface extérieure avec un chiffon doux.

## ÉTAPE 2 - FIN DE L'INSTALLATION

# ⚠ AVERTISSEMENT



### Risque de choc électrique

Brancher sur une prise à 3 alvéoles reliée à la terre.

Ne pas enlever la broche de liaison à la terre du cordon d'alimentation.

Ne pas utiliser un adaptateur.

Ne pas utiliser un câble de rallonge.

Le non-respect de cette instruction pourrait causer un décès, un incendie ou un choc électrique.

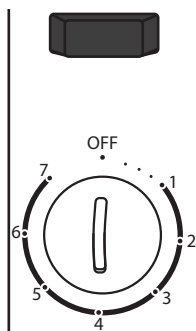
1. Brancher sur une prise de courant à 3 alvéoles, reliée à la terre.
2. Avec un niveau, vérifier que le congélateur est d'aplomb transversalement et d'avant en arrière. Corriger l'aplomb à l'aide d'une cale si nécessaire.

## UTILISATION DU CONGÉLATEUR

### COMMANDE

La commande, située à l'avant de la caisse du congélateur, est un bouton rotatif réglable du niveau 1 (le moins froid) au niveau 7 (le plus froid), et la position d'arrêt.

1. Tourner le bouton rotatif de commande de température sur la position 4 (réglage recommandé).
2. Laisser le congélateur refroidir pendant plusieurs heures avant d'y ajouter des aliments.



## RÉGLAGE DE LA TEMPÉRATURE

Le réglage recommandé (4) est conçu pour maintenir la température à environ 0 °F (-17,8 °C) dans des conditions de fonctionnement normales.

### Pour régler la température du congélateur :

1. Régler le bouton rotatif de commande sur l'une des positions adjacentes 3 (moins froid) ou 5 (plus froid).

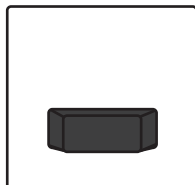
**REMARQUE :** Ne pas régler la commande de plus d'un réglage à la fois, sauf lors de la mise en marche du congélateur.

2. Attendre 24 heures entre chaque réglage pour que la température du congélateur puisse se stabiliser.

## TÉMOIN D'ALIMENTATION - (SUR CERTAINS MODÈLES)

Le témoin d'alimentation s'allume lorsque le congélateur est convenablement raccordé à l'alimentation électrique.

**IMPORTANT:** Tourner le bouton rotatif de commande en position OFF (arrêt) ne débranche pas le congélateur de l'alimentation électrique. Même lorsque le refroidissement est désactivé, le témoin d'alimentation reste allumé aussi longtemps que le congélateur est raccordé à une prise électrique.



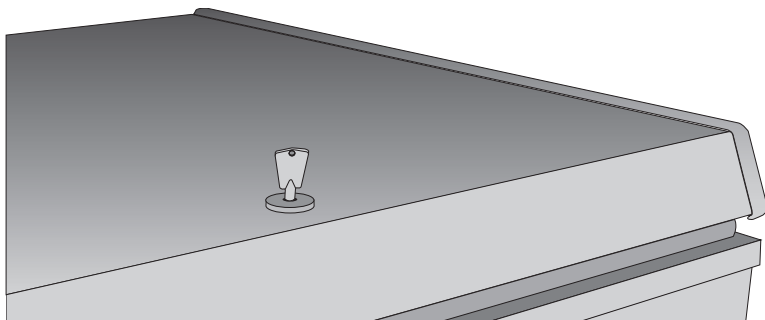
## VERROU ET CLÉ DU CONGÉLATEUR

### IMPORTANT :

- Ranger la clé du congélateur à l'écart du congélateur dans un endroit hors de portée des enfants.
- Le trou de serrure est équipé d'un ressort ou d'un mécanisme équivalent; ainsi la clé doit être maintenue manuellement dans le verrou quelle que soit sa position.

### Pour verrouiller/déverrouiller le congélateur :

Fermer le couvercle du congélateur, insérer la clé, l'enfoncer et verrouiller en tournant la clé. Pour déverrouiller, insérer la clé, l'enfoncer et tourner la clé dans le sens opposé.



## PANIER S DE CONGÉLATEUR

Pour une plus grande souplesse de rangement, le congélateur est équipé de deux paniers métalliques amovibles. Les paniers métalliques amovibles permettent d'atteindre plus facilement les aliments consommés fréquemment.

## ENTRETIEN DU CONGÉLATEUR

### NETTOYAGE

## ⚠ AVERTISSEMENT



### Risque d'explosion

Utiliser un produit de nettoyage ininflammable.

Le non-respect de cette instruction peut causer un décès, une explosion ou un incendie.

**IMPORTANT :** Ne pas utiliser de produits chimiques corrosifs, d'ammoniaque, d'agent de blanchiment, de détergents concentrés, de solvant ou de tampons à récureur métalliques ou abrasifs pour nettoyer l'intérieur ou l'extérieur du congélateur. Ceux-ci peuvent endommager et/ou décolorer le fini du congélateur.

# ⚠ AVERTISSEMENT



## Risque de choc électrique

Débrancher votre appareil ou déconnecter la source de courant électrique avant de le nettoyer.

Le non-respect de cette instruction peut causer un décès, un choc électrique ou blessures.

1. Débrancher le congélateur ou déconnecter la source de courant électrique.
2. Avant d'utiliser des produits de nettoyage, toujours lire et suivre les instructions et avertissements du fabricant afin d'éviter toute blessure ou dommage au produit.
3. Laver les surfaces intérieures, les accessoires et le cadre extérieur à l'eau froide avec un peu de bicarbonate de soude.
4. Sécher soigneusement avec un chiffon doux.
5. Brancher l'appareil ou reconnecter la source de courant électrique.

## JOINTS D'ÉTANCHÉITÉ DE LA PORTE

Les joints doivent être maintenus propres et souples pour assurer une étanchéité convenable.

- Nettoyer les joints d'étanchéité de la porte tous les 3 mois avec une solution de bicarbonate de soude et d'eau chaude.
- Un peu de vaseline appliquée sur les joints côté charnière maintiendra la souplesse du joint et garantira une bonne étanchéité.

## DÉGIVRAGE ET VIDANGE

**! DANGER**



### **Incendie ou Risque d'explosion**

Utilisation d'un liquide frigorigène inflammable.

Ne pas dégivrer le congélateur au moyen d'un quelconque dispositif mécanique.

Ne pas perforer le circuit frigorigène.

Le non-respect de cette instruction peut causer un décès, une explosion ou un incendie.

Pour un fonctionnement optimal et une consommation énergétique minimale, effectuer un dégivrage lorsque la glace forme une couche de ¼" (6 mm) d'épaisseur.

#### **IMPORTANT :**

- Ne pas dégivrer le congélateur à l'aide d'un instrument métallique.
- Ne pas utiliser d'eau bouillante, car cela pourrait endommager le congélateur.

1. Tourner et placer la commande de température à OFF et débrancher le congélateur.

**REMARQUE :** Le dégivrage prend généralement quelques heures. Pour accélérer le dégivrage, garder la porte du congélateur ouverte.

2. Placer un plateau (non inclus) devant le congélateur, en-dessous de la bonde de vidange extérieure pour récupérer l'eau. Retirer la bonde de vidange intérieure, puis retirer la bonde de vidange extérieure en la dévissant pour laisser l'eau s'écouler dans le récipient.

**REMARQUE :** L'eau qui s'est accumulée au fond du congélateur durant le dégivrage va se vidanger dans le récipient. Surveiller le récipient durant la vidange pour éviter tout débordement.

3. Lorsque le dégivrage est terminé, essuyer l'intérieur du congélateur avec un chiffon doux et réinstaller la bonde de vidange.

## ⚠ AVERTISSEMENT



### Risque de choc électrique

Brancher sur une prise à 3 alvéoles reliée à la terre.

Ne pas enlever la broche de liaison à la terre du cordon d'alimentation.

Ne pas utiliser un adaptateur.

Ne pas utiliser un câble de rallonge.

Le non-respect de cette instruction pourrait causer un décès, un incendie ou un choc électrique.

4. Brancher sur une prise de courant à 3 alvéoles, reliée à la terre.
5. Réinitialiser la commande de température au réglage souhaité.
6. Remettre les aliments en place dans le congélateur.

## VACANCES ET DÉMÉNAGEMENT

## ⚠ AVERTISSEMENT



### Incendie ou Risque d'explosion

Ne pas perforer le circuit frigorigène.

Suivre attentivement les instructions de manipulation.

Utilisation d'un liquide frigorigène inflammable.

Le non-respect de cette instruction peut causer un décès, une explosion ou un incendie.

**IMPORTANT :** Le congélateur doit être manipulé avec précautions lorsqu'il est déplacé soit pour éviter d'endommager le circuit frigorigène, soit pour diminuer le risque de fuites.

**IMPORTANT :** Lorsque le congélateur est déplacé, ne jamais l'incliner à plus de 45°. Cela pourrait endommager le compresseur et le système scellé.



### Lors de vacances ou d'une absence prolongée :

- Retirer les aliments du congélateur.
- Placer la commande de température à la position d'arrêt.
- Débrancher ou déconnecter la source de courant électrique.
- Nettoyer les joints de la porte. Voir "Nettoyage".
- Bloquer la porte en position ouverte pour permettre à l'air de circuler à l'intérieur.

## RÉINSTALLATION/RÉUTILISATION DU CONGÉLATEUR

Si le congélateur a été placé en position horizontale ou inclinée pendant un moment, attendre 24 heures avant de brancher le congélateur pour que le réfrigérant se remette en place.

1. Nettoyer le congélateur. Voir "Nettoyage".
2. Déplacer le congélateur à l'emplacement désiré. Vérifier son aplomb et le corriger à l'aide d'une cale si nécessaire.

## **⚠ AVERTISSEMENT**



### **Risque de choc électrique**

Brancher sur une prise à 3 alvéoles reliée à la terre.

Ne pas enlever la broche de liaison à la terre du cordon d'alimentation.

Ne pas utiliser un adaptateur.

Ne pas utiliser un câble de rallonge.

Le non-respect de cette instruction pourrait causer un décès, un incendie ou un choc électrique.

3. Brancher à une prise à trois alvéoles reliée à la terre.

## DÉPANNAGE

Essayer d'abord les solutions suggérées ici pour éviter le coût d'un appel de service.

PROBLÈME	CAUSE(S) POSSIBLE(S)	SOLUTION
<b>Le congélateur ne fonctionne pas</b>	Le congélateur est débranché.	Brancher le congélateur sur une prise à 3 alvéoles reliée à la terre.
	Le disjoncteur est ouvert ou déclenché/un fusible est grillé	Réenclencher le disjoncteur ou remplacer le fusible.
	La commande de température est réglée sur la position d'arrêt.	Régler la commande de température sur une position comprise entre 1 et 7.
	Le cycle du compresseur n'est pas terminé.	Attendre 30 à 40 minutes pour voir si le congélateur démarre.
<b>Le compresseur se met en marche trop fréquemment</b>	La température est élevée et/ou humide.	Ceci peut être normal pour maintenir une température constante lorsqu'il fait chaud et humide
	La porte du congélateur est entrebâillée.	Fermer complètement la porte du congélateur.
	Le joint de la porte ne se ferme pas hermétiquement	Nettoyer le joint de la porte. Voir "Nettoyage".
	Ouvertures fréquentes ou prolongées de la porte.	Limiter les ouvertures de la porte pour maintenir la température interne du congélateur.
	La porte du congélateur est bloquée en position ouverte.	Repositionner ou retirer des articles pouvant bloquer la porte du congélateur en position ouverte.
<b>La température des aliments est trop chaude</b>	La porte est ouverte fréquemment.	Limiter les ouvertures de la porte.
	Une grande quantité d'aliments a été récemment ajoutée.	Attendre que des aliments tièdes qui viennent juste d'être ajoutés refroidissent à la température du congélateur.
	La porte du congélateur ne se ferme pas hermétiquement.	Nettoyer le joint de la porte. Voir "Nettoyage".
	La commande de température n'a pas été réglée à une température suffisamment froide.	Régler la commande de température à un réglage plus froid.

<b>PROBLÈME</b>	<b>CAUSE(S) POSSIBLE(S)</b>	<b>SOLUTION</b>
<b>La température des aliments est trop froide</b>	La commande est placée à un réglage trop froid.	Régler la commande de température à un réglage moins froid.
<b>Le congélateur a une odeur</b>	Le congélateur doit être nettoyé.	Nettoyer le congélateur. Voir "Nettoyage".
	Les aliments n'ont pas été correctement emballés ou placés dans des contenants hermétiques et libèrent des odeurs.	Emballer et placer correctement les aliments dans des contenants hermétiques avant de les entreposer dans le congélateur.
<b>Gargouillement</b>	Le réfrigérant circule dans les serpentins de refroidissement.	Ceci est normal.
<b>Clics</b>	La commande de température fonctionne par intermittence.	Ceci est normal.

**POUR OBTENIR DE L'AIDE SUPPLÉMENTAIRE, VISITER HAIER.COM OU CONTACTER LA LIGNE D'ASSISTANCE À LA CLIENTÈLE AU 1-877-337-3639.**

# GARANTIE LIMITÉE

## SERVICE APRÈS-VENTE EN MAGASIN

### **GARANTIE COMPLÈTE D'UN AN 12 mois sur les pièces et la main d'œuvre**

**(service après-vente en magasin  
uniquement)**

### **5 ans sur le système scellé (service après-vente en magasin uniquement)**

Pendant 12 mois à compter de la date d'achat d'origine, Haier réparera ou remplacera gratuitement n'importe quelle pièce (main-d'œuvre comprise) comportant un défaut de matériau ou de fabrication. Haier peut choisir à sa seule discrétion de remplacer ou réparer des pièces, des sous-systèmes ou le produit tout entier.

## **GARANTIE LIMITÉE**

**REMARQUE :** Cette garantie prend effet à la date à laquelle l'article a été acheté et le reçu de l'achat d'origine doit être présenté au représentant de dépannage autorisé avant qu'une quelconque réparation sous garantie ne soit effectuée.

**Exceptions :** Garantie à usage commercial  
**90 jours sur la main-d'œuvre à compter de la date d'achat d'origine**  
**90 jours sur les pièces à compter de la date d'achat d'origine**

**Aucune autre garantie ne s'applique.**

## **POUR LE SERVICE APRÈS-VENTE EN MAGASIN SOUS GARANTIE**

Tout dépannage doit être effectué par un centre de dépannage autorisé Haier. Pour le nom et le numéro de téléphone du centre de dépannage autorisé le plus proche de votre domicile, composer le 1-877-337-3639.

Avant d'appeler le centre, veuillez garder à disposition les renseignements suivants : Numéros de plaque signalétique de l'appareil. Le nom et l'adresse du revendeur auprès duquel vous avez acheté l'appareil, ainsi que la date d'achat.

Une description claire du problème rencontré.

Une preuve d'achat (reçu de vente).

**Cette garantie est valable pour le service des appareils domestiques aux États-Unis contigus et au Canada et lorsque le service est disponible, en Alaska, à Hawaï et Porto Rico.**

**Cette garantie ne couvre pas :**

Le remplacement ou la réparation des fusibles, disjoncteurs, du câblage ou du circuit de plomberie du domicile.

Un produit dont le numéro de série d'origine a été enlevé ou modifié.

Tous les frais de dépannage non identifiés comme étant normaux tel un dépannage dans une zone ou une tranche horaire normale.

Les dommages liés à l'expédition.

Les dommages liés à une installation ou un entretien inadapté.

Les dommages causés par l'un des éléments suivants : mauvaise utilisation, utilisation abusive, accident, incendie, inondation ou catastrophe naturelle.

Les dommages résultant d'un dépannage fourni par une entité autre qu'un revendeur ou centre de dépannage autorisé Haier.

Les dommages causés par un courant, une tension ou une alimentation électrique incorrects.

Les dommages résultant d'une quelconque modification ou altération du produit ou d'un ajustement non autorisé par Haier.

Un ajustement des commandes utilisées par le consommateur tel qu'identifié dans le manuel de l'utilisateur.

Tout accessoire ou pièce jetable.

Les frais de main-d'œuvre, de transport pour dépannage et d'expédition pour le retrait et le remplacement de pièces défectueuses au-delà de la période de 12 mois.

Les dommages liés à une utilisation autre qu'une utilisation domestique normale.

Tout frais de transport et d'expédition.

**CETTE GARANTIE LIMITÉE REMPLACE TOUTE AUTRE GARANTIE EXPRESSE OU IMPLICITE, Y COMPRIS, MAIS PAS SEULEMENT, LES GARANTIES DE QUALITÉ MARCHANDE OU D'APTITUDE À UN USAGE PARTICULIER.**

Le recours offert dans cette garantie est exclusif et se substitue à toute autre garantie.

Cette garantie ne couvre pas les dommages fortuits ou indirects; aussi les limitations décrites ci-dessus peuvent ne pas s'appliquer à votre cas. Certains États ne permettent pas de limitation sur la durée d'une garantie implicite, aussi les limitations décrites ci-dessus peuvent ne pas s'appliquer à votre cas.

Cette garantie vous confère des droits juridiques spécifiques. Vous pouvez également jouir d'autres droits qui peuvent varier d'un État à l'autre.

Haier America  
Wayne, NJ 07470

# ÍNDICE

<b>SEGURIDAD DEL CONGELADOR</b> .....	<b>36</b>
<b>PIEZAS Y CARACTERÍSTICAS</b> .....	<b>39</b>
<b>REQUISITOS DE INSTALACIÓN</b> .....	<b>40</b>
Requisitos de ubicación.....	40
Requisitos eléctricos .....	41
<b>INSTALACIÓN DEL CONGELADOR</b> .....	<b>42</b>
Paso 1 - Cómo desempacar el congelador.....	42
Paso 2 - Completar la instalación .....	43
<b>USO DEL CONGELADOR</b> .....	<b>43</b>
Control .....	43
Bloqueo y llave del congelador.....	44
Canastillas del congelador .....	45
<b>CUIDADO DEL CONGELADOR</b> .....	<b>45</b>
Limpieza .....	45
Descongelamiento y desagüe.....	47
Vacaciones y mudanza .....	48
Cómo volver a instalar o usar el congelador nuevamente .....	49
<b>SOLUCIÓN DE PROBLEMAS</b> .....	<b>50</b>
<b>GARANTÍA LIMITADA</b> .....	<b>52</b>

## INFORMACIÓN A TENER EN CUENTA

Le agradecemos la compra de este producto de marca Haier. Este manual para el usuario le ayudará a obtener el mejor funcionamiento de su nuevo congelador.

Para referencia futura, anote el número de modelo y de serie y la fecha de compra. La placa con el número de modelo o de serie está ubicada en una etiqueta dentro del congelador.

Engrape la prueba de compra de este manual para asistirle cuando necesite obtener servicio bajo la garantía.

\_\_\_\_\_  
Número de modelo

\_\_\_\_\_  
Número de serie

\_\_\_\_\_  
Fecha de compra

## SEGURIDAD DEL CONGELADOR

### **Su seguridad y la seguridad de los demás es muy importante.**

Hemos incluido muchos mensajes importantes de seguridad en este manual y en su electrodoméstico. Lea y obedezca siempre todos los mensajes de seguridad.



Este es el símbolo de advertencia de seguridad.

Este símbolo le llama la atención sobre peligros potenciales que pueden ocasionar la muerte o una lesión a usted y a los demás. Todos los mensajes de seguridad irán a continuación del símbolo de advertencia de seguridad y de la palabra "PELIGRO", "ADVERTENCIA" o "PRECAUCIÓN".

Estas palabras significan:

**! PELIGRO**

Se trata de una situación de peligro inminente. Si no sigue las instrucciones de inmediato, usted puede morir o sufrir una lesión grave.

**! ADVERTENCIA**

Se trata de una situación posiblemente peligrosa que, de no evitarse, podría causar la muerte o una lesión grave.

**! PRECAUCIÓN**

Se trata de una situación posiblemente peligrosa que, de no evitarse, podría causar lesiones moderadas o leves.

Todos los mensajes de seguridad le dirán el peligro potencial, le dirán cómo reducir las posibilidades de sufrir una lesión y lo que puede suceder si no se siguen las instrucciones.

# INSTRUCCIONES IMPORTANTES DE SEGURIDAD

**ADVERTENCIA:** Para reducir el riesgo de incendio, choque eléctrico, lesiones a personas o daños al utilizar el congelador, siga precauciones básicas, incluyendo las siguientes:

- Use este aparato solamente para el propósito que fue diseñado, como se describe en este manual para el usuario.
- Antes de usar este congelador, deberá ser debidamente instalado de acuerdo con las instrucciones de instalación. Consulte las instrucciones de puesta a tierra en la sección de instalación.
- El refrigerante usado es inflamable. No use dispositivos mecánicos para descongelar el congelador. No perforo el tubo refrigerante.
- El refrigerante usado es inflamable. Únicamente, personal de servicio capacitado deberá realizar las reparaciones necesarias. No perforo el tubo refrigerante.
- El refrigerante usado es inflamable. Deshágase del aparato de acuerdo con las normativas federales o locales.
- El refrigerante usado es inflamable. Siga con cuidado las instrucciones de manipulación. Existe riesgo de incendio o explosión por una perforación del tubo refrigerante.
- Enchufe en un contacto de conexión a tierra de 3 terminales.
- No quite el terminal de conexión a tierra.
- No utilice un adaptador.
- No utilice un cable eléctrico de extensión.
- No repare ni reemplace ningún componente del aparato a menos que se recomiende específicamente en el manual. Todas las demás tareas de mantenimiento deben ser realizadas por un técnico calificado.
- Desconecte el suministro de energía antes de realizar tareas de mantenimiento.
- Vuelva a colocar todas las piezas y paneles antes de poner en marcha.
- Utilice un limpiador no inflamable.
- Mantenga los materiales y vapores inflamables, tales como gasolina, alejados del congelador.
- Los bordes del gabinete a lo largo de las zonas de recorte pueden ser filosos. Evite colocar las manos, dedos u otras extremidades cerca de estas zonas.

# INSTRUCCIONES IMPORTANTES DE SEGURIDAD

- Este congelador no debe ser empotrado ni integrado a un armario cerrado. Se diseñó únicamente para instalarse de forma independiente.
- Antes de desechar o dejar de utilizar el aparato, quítele la puerta. Esto evitará que los niños se lastimen.

## LEA Y GUARDE ESTAS INSTRUCCIONES

### CÓMO DESHACERSE ADECUADAMENTE DE SU APARATO REFRIGERADOR VIEJO

## ADVERTENCIA

### Peligro de asfixia

Remueva las puertas o la tapa de tu viejo congelador o refrigerador.

No seguir esta instrucción puede ocasionar la muerte o daño al cerebro.

**IMPORTANTE:** El atrapamiento y asfixia de niños no es un problema del pasado. Un aparato refrigerador desechado y abandonado es un peligro, aun si va a quedar ahí “por unos pocos días”. Si usted está por deshacerse de su aparato refrigerador viejo, siga las instrucciones a continuación para evitar accidentes.

#### Antes de descartar su aparato refrigerador viejo:

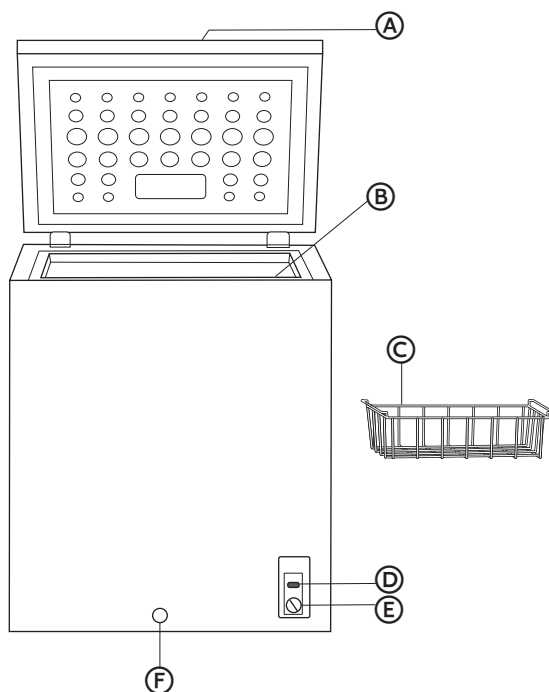
- Quite la puerta o la tapa.
- Deje los estantes en su lugar así los niños no pueden meterse adentro con facilidad.

#### Información importante para saber acerca del desecho de refrigerantes:

Deshágase del congelador siguiendo los reglamentos federales y locales. Los refrigerantes deberán ser evacuados por un técnico certificado en refrigeración por EPA (Agencia de protección del medioambiente) según los procedimientos establecidos.



## PIEZAS Y CARACTERÍSTICAS



- A** Bloqueo con llave (solo modelo HF71CL53NW)
- B** Tapón de desagüe interno (no se muestra - ver inserto)
- C** Canasta de alambre con revestimiento de vinilo
- D** Indicador de encendido -luz verde (en algunos modelos)
- E** Ajuste del control de temperatura
- F** Tapón de desagüe externo

## REQUISITOS DE INSTALACIÓN

### REQUISITOS DE UBICACIÓN

## ⚠ ADVERTENCIA



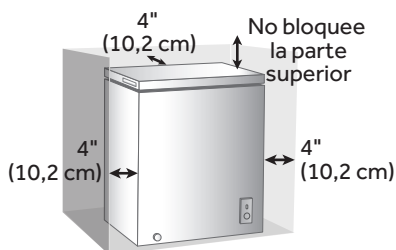
### Peligro de Explosión o Incendio

Mantenga los materiales y vapores inflamables, tales como gasolina, alejados del aparato.

No seguir esta instrucción puede ocasionar la muerte, explosión, o incendio.

**IMPORTANTE:** Este congelador se ha diseñado para instalarse de forma independiente únicamente. No debe estar empotrado ni integrado en un armario cerrado. Para asegurarse de que el congelador funciona con la máxima eficiencia, lo debe instalar en una ubicación donde haya circulación de aire y conexiones eléctricas adecuadas.

### Espacios libres recomendados:



- No instale el congelador en cualquier ubicación que no esté correctamente aislada o climatizada como un garage. El congelador no fue diseñado para funcionar en ajustes de temperatura por debajo de 55 °F (13 °C).
- Seleccione una ubicación adecuada para el congelador en una superficie sólida y nivelada alejada de la luz solar directa o una fuente de calor, por ej. radiadores, zócalos radiantes, aparatos de cocción, etc. Debe corregir cualquier desnivel en el piso.
- Coloque el congelador sobre un piso que sea lo suficientemente fuerte como para soportar el peso cuando esté completamente cargado.

## REQUISITOS ELÉCTRICOS

# ⚠ ADVERTENCIA



### **Peligro de Choque Eléctrico**

Conecte a un contacto de pared de conexión a tierra de 3 terminales.

No quite el terminal de conexión a tierra del cable de alimentación.

No use un adaptador.

No use un cable eléctrico de extensión.

No seguir estas instrucciones puede ocasionar la muerte, incendio o choque eléctrico.

Antes de mover el congelador a su ubicación, es importante asegurarse de que tiene la conexión eléctrica adecuada.

### **Método de conexión a tierra recomendado**

Se requiere una fuente de energía eléctrica de 115 Voltios, 60 Hz, CA solamente y con fusibles de 15 amperios, debidamente conectados a tierra. Se recomienda utilizar un circuito separado sólo para su congelador. Use un tomacorriente que no se pueda apagar con un interruptor. No use un cable eléctrico de extensión.

# INSTALACIÓN DEL CONGELADOR

## PASO 1 - CÓMO DESEMPACAR EL CONGELADOR

### ! ADVERTENCIA



#### Peligro de Explosión o Incendio

No perforo el tubo refrigerante.

Siga con cuidado las instrucciones de manipulación.

El refrigerante usado es inflamable.

No seguir esta instrucción puede ocasionar la muerte, explosión, o incendio.

**IMPORTANTE:** Tenga cuidado al mover el congelador para evitar dañar el tubo refrigerante o aumentar el riesgo de fuga.

**IMPORTANTE:** Cuando mueva el congelador, nunca lo incline a un ángulo superior a 45°. Podría dañar el compresor y el sistema sellado. Si ha colocado el congelador en posición horizontal sin importar el período de tiempo, espere 24 horas antes de enchufarlo para que se asiente el refrigerante.

1. Quite y deseche todos los materiales de embalaje o reciclelos. Esto incluye la base de espuma y toda la cinta adhesiva. Quite el embalaje protector que recubre el congelador.
2. Quite el manual para el usuario y cualquier otro material impreso antes de encender el congelador.
3. Limpie la superficie exterior con un paño suave.

## PASO 2 - COMPLETAR LA INSTALACIÓN

### ! ADVERTENCIA



#### Peligro de Choque Eléctrico

Conecte a un contacto de pared de conexión a tierra de 3 terminales.

No quite el terminal de conexión a tierra del cable de alimentación.

No use un adaptador.

No use un cable eléctrico de extensión.

No seguir estas instrucciones puede ocasionar la muerte, incendio o choque eléctrico.

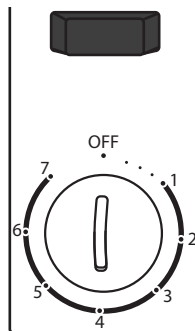
1. Enchufe el aparato a un tomacorriente de 3 terminales con conexión a tierra.
2. Con un nivel de carpintero, cerciórese de que el congelador esté nivelado de lado a lado y de frente hacia atrás. Coloque una cuña si es necesario.

## USO DEL CONGELADOR

### CONTROL

El control, ubicado en la frente del gabinete del congelador, es un cuadrante regulable con ajustes que oscilan desde 1 (menos frío) hasta 7 (más frío), y OFF.

1. Gire el cuadrante de control de temperatura a 4 (ajuste recomendado).
2. Deje que el congelador se enfríe durante algunas horas antes de agregar alimentos.



## CÓMO REGULAR LA TEMPERATURA

El ajuste recomendado (4) se diseñó para mantener la temperatura en 0 °F (-17,8 °C) o cercana a esta, bajo condiciones normales de funcionamiento.

### Para regular la temperatura del congelador:

1. Ajuste el cuadrante de control a uno de los ajustes adyacentes, 3 (menos frío) o 5 (más frío).

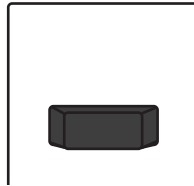
**NOTA:** No ajuste el control en más de un ajuste por vez, excepto cuando encienda el congelador.

2. Espere 24 horas entre los ajustes para que se establezca la temperatura del congelador.

## INDICADOR DE ENCENDIDO (EN ALGUNOS MODELOS)

El indicador de encendido se ilumina cuando el congelador está correctamente conectado al suministro eléctrico.

**IMPORTANTE:** Al girar el cuadrante de control hacia OFF (Apagado), el congelador no se desconecta del suministro de energía. Aun cuando Cooling (Enfriamiento) esté apagado, el indicador de encendido permanecerá iluminado mientras el congelador esté enchufado en el tomacorriente.



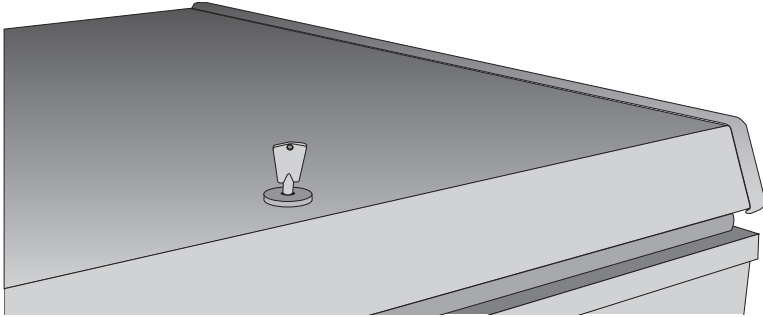
## BLOQUEO Y LLAVE DEL CONGELADOR

### IMPORTANTE:

- Guarde la llave del congelador en un lugar alejado de este y que no esté al alcance de los niños.
- La ranura de la llave tiene un mecanismo de resorte o equivalente para que la llave se pueda mantener manualmente en la cerradura en cualquier posición de esta.

### Para bloquear/desbloquear el congelador:

Cierre la tapa del congelador, inserte la llave, empuje hacia adentro y gire la llave para bloquear. Para desbloquear, inserte la llave, empuje hacia adentro y gire la llave en dirección opuesta.



## CANASTILLAS DEL CONGELADOR

Para una mayor flexibilidad en el almacenamiento, su congelador viene con dos canastillas de alambre removibles. Las canastillas del congelador removibles permiten un mejor acceso a los alimentos que se utilizan con frecuencia.

## CUIDADO DEL CONGELADOR

### LIMPIEZA

## ⚠ ADVERTENCIA



### Peligro de Explosión

Use un limpiador no inflamable.

No seguir esta instrucción puede ocasionar la muerte, explosión o incendio.

**IMPORTANTE:** No use productos químicos fuertes, amoníaco, blanqueador con cloro, detergente concentrado, solventes o estropajos de metal o abrasivos para limpiar su congelador por dentro o por fuera. Estos pueden dañar o decolorar el acabado del congelador.

# ⚠ ADVERTENCIA



## **Peligro de choque eléctrico**

Desenchufe el aparato o desconecte el suministro de energía antes de limpiarlo.

No seguir esta instrucción puede ocasionar la muerte, choque eléctrico o daños personales.

1. Desenchufe el congelador o desconecte el suministro de energía.
2. Antes de usar productos de limpieza, siempre lea y siga las instrucciones del fabricante y las advertencias para evitar lesiones físicas o daños al producto.
3. Lave las superficies interiores, los accesorios y el marco exterior con agua fría y un poco de bicarbonato de sodio.
4. Seque bien con un paño suave.
5. Enchufe o vuelva a conectar el suministro de energía.

## **JUNTAS DE LA PUERTA**

Las juntas deben mantenerse limpias y flexibles para asegurar un sellado adecuado.

- Limpie las juntas de la puerta cada 3 meses con una solución de bicarbonato de sodio y agua tibia.
- El petrolato ligeramente aplicado en el lado de las bisagras de las juntas mantendrá la junta flexible y asegurará un buen sellado.



## DESCONGELAMIENTO Y DESAGÜE

# ⚠ PELIGRO



### Peligro de Explosión o Incendio

El refrigerante usado es inflamable.

No utilice dispositivos mecánicos para descongelar el congelador.

No perfore el tubo refrigerante.

No seguir esta instrucción puede ocasionar la muerte, explosión, o incendio.

Para un funcionamiento más eficaz y menor consumo de energía, descongele el congelador cuando se acumule una cantidad aproximada de hielo de ¼" (6 mm) de espesor.

### IMPORTANTE:

- No utilice instrumentos metálicos para descongelar el congelador.
  - No utilice agua hirviendo ya que podría dañar el congelador.
1. Gire el control de la temperatura a OFF y desenchufe la congelador.

**NOTA:** En general, el descongelamiento puede tardar algunas horas. Para descongelar más rápido, mantenga la puerta del congelador abierta.

2. Coloque una bandeja (no incluida) frente al congelador, debajo del tapón de desagüe exterior para recolectar el agua. Retire el tapón de desagüe del interior y quite (desatornille) el exterior del tapón de desagüe para permitir que el agua fluya hacia la bandeja.

**NOTA:** El agua acumulada en la parte inferior del congelador durante el descongelamiento desaguará dentro de la bandeja. Controle el recipiente debajo del desagüe para evitar derrames.

3. Cuando la descongelación se haya completado, limpie el interior del congelador con un paño suave y reemplace el tapón de desagüe.

## ⚠ ADVERTENCIA



### Peligro de Choque Eléctrico

Conecte a un contacto de pared de conexión a tierra de 3 terminales.

No quite el terminal de conexión a tierra del cable de alimentación.

No use un adaptador.

No use un cable eléctrico de extensión.

No seguir estas instrucciones puede ocasionar la muerte, incendio o choque eléctrico.

4. Enchufe el aparato a un tomacorriente de 3 terminales con conexión a tierra.
5. Vuelva a fijar el control de temperatura en la posición que desee.
6. Vuelva a colocar los alimentos en el congelador.

## VACACIONES Y MUDANZA

## ⚠ ADVERTENCIA



### Peligro de Explosión o Incendio

No perfore el tubo refrigerante.

Siga con cuidado las instrucciones de manipulación.

El refrigerante usado es inflamable.

No seguir esta instrucción puede ocasionar la muerte, explosión, o incendio.

**IMPORTANTE:** Tenga cuidado al mover el congelador para evitar dañar el tubo refrigerante o aumentar el riesgo de fuga.

**IMPORTANTE:** Cuando mueva el congelador, nunca lo incline a un ángulo superior a 45°. Podría dañar el compresor y el sistema sellado.

### En el caso de ausencias o vacaciones prolongadas:

- Retire los alimentos del congelador.
- Gire el control hacia la OFF.
- Desenchufe o desconecte el suministro de energía.
- Limpie las juntas de la puerta. Vea "Limpieza".
- Abra las puertas para permitir la circulación del aire dentro del congelador.

## CÓMO VOLVER A INSTALAR O USAR EL CONGELADOR NUEVAMENTE

Si ha colocado el congelador en posición horizontal o inclinada sin importar el período de tiempo, espere 24 horas antes de enchufarlo para que se asiente el refrigerante.

1. Limpie el congelador. Vea "Limpieza".
2. Mueva el congelador a la ubicación deseada. Verifique el nivel y coloque una cuña, si es necesario.

## ADVERTENCIA



### Peligro de Choque Eléctrico

Conecte a un contacto de pared de conexión a tierra de 3 terminales.

No quite el terminal de conexión a tierra del cable de alimentación.

No use un adaptador.

No use un cable eléctrico de extensión.

No seguir estas instrucciones puede ocasionar la muerte, incendio o choque eléctrico.

3. Enchufe el aparato a un tomacorriente de 3 terminales con conexión a tierra.

## SOLUCIÓN DE PROBLEMAS

Pruebe las soluciones sugeridas aquí y posiblemente se evite el gasto de una visita de servicio técnico.

PROBLEMA	POSIBLE(S) CAUSA(S)	SOLUCIÓN
<b>El congelador no funciona</b>	El congelador está desenchufado.	Enchufe el congelador a un tomacorriente de 3 terminales con conexión a tierra.
	Se ha disparado o se ha apagado el cortacircuitos/Se ha quemado un fusible.	Reinicie/encienda el cortacircuitos o reemplace el fusible.
	El control de temperatura se encuentra en OFF.	Gire el control de temperatura a un ajuste entre 1 y 7.
	El ciclo del compresor no ha terminado.	Espere 30 a 40 minutos para verificar si el congelador funciona.
<b>El compresor funciona con demasiada frecuencia</b>	La temperatura es elevada o hay humedad.	Esto puede ser normal para mantener la temperatura constante en los días húmedos y de altas temperaturas.
	La puerta del congelador está entreabierta.	Cierre completamente la puerta del congelador.
	La junta de la puerta no sella correctamente.	Limpie la junta de la puerta. Vea "Limpieza".
	La puerta se abre con frecuencia o durante períodos prolongados.	Disminuya la cantidad de veces que abre la puerta para mantener la temperatura interna del congelador.
	La puerta del congelador queda abierta debido a un bloqueo.	Acomode o quite alimentos que bloquean la abertura de la puerta del congelador.
<b>La temperatura de los alimentos está demasiado elevada</b>	La puerta se abre con frecuencia.	Disminuya la cantidad de veces que abre la puerta.
	Se ha agregado recientemente una gran cantidad de alimentos.	Si agregó alimentos tibios recientemente, espere a que se enfríen a la temperatura del congelador.
	La puerta del congelador no sella correctamente.	Limpie la junta de la puerta. Vea "Limpieza".
	El control no se fijó en una temperatura lo suficientemente fría.	Regule el control de temperatura a un ajuste más frío.

<b>PROBLEMA</b>	<b>POSIBLE(S) CAUSA(S)</b>	<b>SOLUCIÓN</b>
<b>La temperatura de los alimentos está demasiado fría</b>	El control se ha fijado en un ajuste demasiado frío.	Regule el control de temperatura a un ajuste menos frío.
<b>El congelador tiene mal olor</b>	El congelador necesita limpieza.	Limpie el congelador. Vea "Limpieza".
	Los alimentos están envueltos o sellados de manera inadecuada y emanan olores.	Envuelva y selle bien los alimentos antes de guardarlos en el congelador.
<b>Sonido de gorgoteo</b>	Hay refrigerante circulando en el serpentín de enfriamiento.	Este sonido es normal.
<b>Chasquidos</b>	El control de temperatura se enciende y se apaga.	Este sonido es normal.

**SI NECESITA MÁS AYUDA, VISITE [HAIER.COM](http://HAIER.COM) O COMUNÍQUESE CON LA LÍNEA DE AYUDA AL CONSUMIDOR LLAMANDO AL 1-877-337-3639.**

# GARANTÍA LIMITADA

## SERVICIO PARA LLEVAR

### GARANTÍA COMPLETA POR UN AÑO

**12 meses en piezas y mano de obra  
(llevar sólo)**

**5 años en el sistema de sellado  
(llevar sólo)**

Durante 12 meses a partir de la fecha de compra original en la tienda, Haier reparará o reemplazará cualquier pieza del aparato sin costo, incluyendo la mano de obra, si la misma falla debido a defectos en los materiales o en la mano de obra.

Haier puede reemplazar o reparar, a su sola discreción, cualquier pieza, subsistema, incluso el producto entero.

### GARANTÍA LIMITADA

**NOTA:** Esta garantía comienza en la fecha de compra de este producto, y el recibo original deberá presentarse al representante autorizado de servicio antes de hacerse las reparaciones bajo la garantía.

**Excepciones:** Garantía bajo uso comercial

**90 días en la mano de obra a partir de la**

**fecha de compra original**

**90 días en las piezas a partir de la fecha de compra original**

**No es aplicable ninguna otra garantía.**

### PARA OBTENER SERVICIO PARA LLEVAR BAJO LA GARANTÍA

Todo servicio deberá ser realizado por un centro de servicio autorizado por Haier. Para obtener el nombre y el número de teléfono del centro de servicio autorizado más cercano, llame al 1-877-337-3639.

Antes de llamar, tenga a mano la siguiente información:

Número de modelo y de serie del aparato. El nombre y la dirección del distribuidor en donde compró la unidad y la fecha de compra.

Una descripción clara del problema.

Un comprobante de compra (recibo de compra).

**Esta garantía cubre servicios para llevar para electrodomésticos dentro de los Estados Unidos continental y Canadá y donde esté disponible en Alaska, Hawaii y Puerto Rico.**

**Lo que no está cubierto bajo esta garantía:**

Reemplazo o reparación de fusibles domésticos, cortacircuitos, cableado o plomería.

Un producto cuyo número de serie original haya sido removido o alterado.

Cualquier cargo por servicio que no haya sido identificado específicamente como servicio normal, como puede ser el área o las horas de servicio.

Daños ocurridos durante el transporte.

Daños ocasionados por la instalación o el mantenimiento inadecuados.

Daños por el uso incorrecto, abuso, accidente, incendio, inundación o fenómenos de la naturaleza.

Daños debidos al servicio efectuado por un distribuidor o centro de servicio que sea diferente del autorizado por Haier.

Daños ocasionados por la corriente, el voltaje o el suministro eléctrico incorrectos.

Daños que resulten de cualquier modificación hecha en el producto, alteración o ajustes no autorizados por Haier.

Ajuste de los controles manejados por el cliente según han sido identificados en el manual del propietario.

Todos los aditamentos, accesorios y piezas desechables.

Cargos por mano de obra, transporte para el servicio y envío para la remoción y el reemplazo de las piezas defectuosas que se efectúen después del período inicial de 12 meses.

Daños ocasionados por un uso diferente al doméstico normal.

Cualquier gasto de transporte y de envío.

**ESTA GARANTÍA LIMITADA REEMPLAZA TODAS LAS OTRAS GARANTÍAS, EXPRESAS O IMPLÍCITAS QUE INCLUYAN, ENTRE OTRAS, LAS GARANTÍAS DE COMERCIABILIDAD O DE CAPACIDAD PARA UN PROPÓSITO EN PARTICULAR**

El recurso provisto en esta garantía es exclusivo y está otorgado en lugar de cualquier otro recurso.

Esta garantía no cubre daños incidentales o consecuentes, de modo que las limitaciones indicadas anteriormente pueden no aplicarse en su caso. Algunos estados no permiten las limitaciones acerca de cuánto tiempo dura una garantía implícita, de modo que las limitaciones arriba indicadas quizás no le correspondan.

Esta garantía le otorga derechos legales específicos, y es posible que usted tenga otros derechos, los cuales varían de un estado a otro.

Haier America  
Wayne, NJ 07470



# IMPORTANT

Do Not Return This Product To The Store  
If you have a problem with this product, please contact the  
"Haier Customer Satisfaction Center" at  
1-877-337-3639.

DATED PROOF OF PURCHASE, MODEL #, AND SERIAL #  
REQUIRED FOR WARRANTY SERVICE

# IMPORTANT

Ne pas Réexpédier ce Produit au Magasin  
Pour tout problème concernant ce produit, veuillez contacter  
le service des consommateurs "Haier Customer Satisfaction Center" au  
1-877-337-3639.

PREUVE D'ACHAT DÁTÉE, NUMÉRO DE MODÈLE ET LE NUMÉRO DE SÉRIE  
REQUIS POUR LE SERVICE DE GARANTIE

# IMPORTANTE

No regrese este producto a la tienda  
Si tiene algún problema con este producto, por favor contacte el  
"Centro de Servicio al Consumidor de Haier" al  
1-877-337-3639 (Válido solo en E.U.A).

NECESITA UNA PRUEBA DE COMPRA FECHADA, NÚMERO DE MODELO  
Y DE SERIE PARA EL SERVICIO DE LA GARANTÍA

Made in China  
Fabriqué en Chine  
Hecho en China

# Haier

Haier America  
Wayne, NJ 07470

HFC3501ACW, HF50CW20W  
HF50CM23NW, HF71CW20W  
HF71CM33NW, HF71CL53NW  
Issued: November 2015

Printed in China

Part # 0570000226 REV A