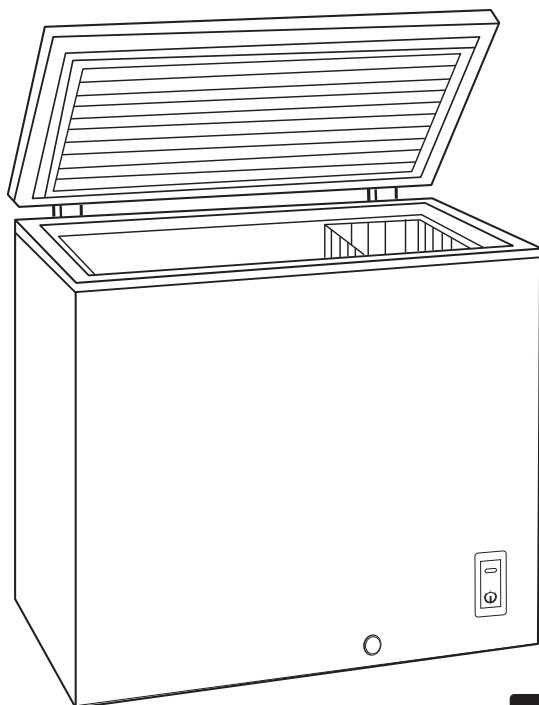


Haier

**Manual Defrost
Chest Freezer
Congélateur Bahut a
Dégivrage Manuel
Congelador de Cofre
de Descongelar
Manualmente**

User Manual
Guide de l'Utilisateur
Manual del Usuario

**HF50CW20W
HF71CW20W**




Inspired
Living

GENERAL SAFETY RULES



WARNING: Read all of the instructions before using this appliance. When using this appliance, always exercise basic safety precautions, including the following:

NOTE: If the freezer has been placed in a horizontal or tilted position for any period of time wait 24 hours before plugging the unit in.

1. Use this appliance only for its intended purpose as described in this use and care guide.
2. This freezer must be properly installed in accordance with the installation instructions before it is used. See grounding instructions in the installation section.
3. Never unplug your freezer by pulling on the power cord. Always grasp the plug firmly and pull straight out from the outlet.
4. Repair or replace immediately, all electric service cords that have become frayed or otherwise damaged. Do not use a cord that shows cracks or abrasion damage along its length, the plug or the connector end.
5. Unplug your freezer before cleaning or before making any repairs.
Note: *If for any reason this product requires service, we strongly recommend that a certified technician performs the service.*
- 6) **DANGER** - Risk of Fire or Explosion. Flammable refrigerant used. Do not use Mechanical devices to defrost freezer. Do not puncture refrigerant tubing.
7. If your old freezer is not being used, we recommend that you remove the doors. This will reduce the possibility of danger to children.
8.  **WARNING:** After your freezer is in operation, do not touch the cold surfaces in the freezer compartment, particularly when hands are damp or wet. Skin may adhere to these extremely cold surfaces.
9. Do not refreeze foods, which have been thawed completely. The United States Department of Agriculture in Home and Garden Bulletin No. 69 reads: "...You may safely refreeze frozen foods that have thawed if they still contain ice crystals or if they are still cold-below 40°F".

"...Thawed ground meats, poultry, or fish that have any off-odor or off-color should not be refrozen and should not be eaten. Thawed ice cream should be discarded. If the odor or color of any food is poor or questionable, discard it. The food may be dangerous to eat."

“...Even partial thawing and re-freezing reduce the eating quality of foods, particularly fruits, vegetables, and prepared foods. The eating quality of red meats is affected less than that of many other foods. Use refrozen foods as soon as possible, to save as much of its eating quality as you can.

10. This freezer should not be recessed or built-in an enclosed cabinet. It is designed for freestanding installation only.
11. Do not operate your freezer in the presence of explosive fumes.

SAVE THESE INSTRUCTIONS

CAUTION - Risk of Fire or Explosion

Dispose of property in accordance with Federal or Local Regulations. Flammable refrigerant used.



DANGER

Risk of child entrapment. Before you throw away your old refrigerator or freezer, take off the doors. Leave the shelves in place so that children may not easily climb inside.

Thank you for purchasing our Haier product. This easy-to-use manual will guide you in getting the best use of your Freezer.

Remember to record the model and serial numbers. They are on a label inside of the Freezer.

Model number

Serial number

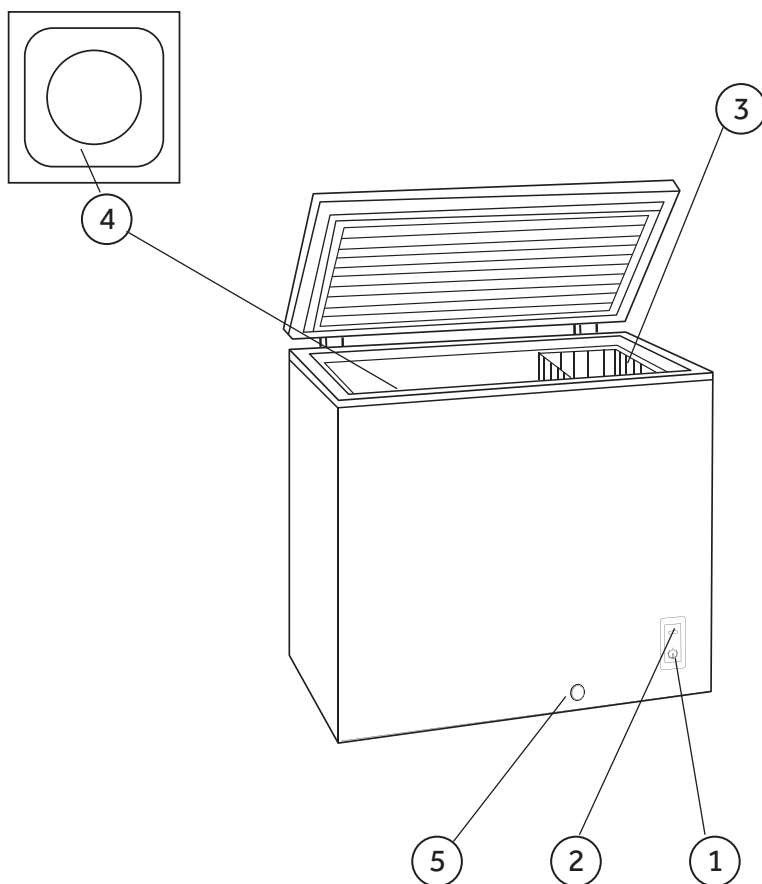
Date of purchase

Staple your receipt to your manual. You will need it to obtain warranty service.

Table of Contents

Safety Precautions	1
Parts And Features	4
Installing Your Freezer	5
Unpacking Your Freezer	5
Adjusting Your Freezer	5
Proper Air Circulation	5
Electrical Requirements	6
Use of Extension Cords	6
Install Limitations	6
Freezer Features And Use	7
Adjustable Temperature Dial	7
Food Storage Baskets	7
Operating Your Freezer	8
Defrosting And Draining	8
Normal Operating Sounds	8
Food Storage Information	9
Proper Freezer Care and Cleaning	10
Cleaning and Maintenance	10
Power Interruptions	10
Vacation and Moving Care	10
Troubleshooting	11
Warranty Information	12

Parts And Features



1. Temperature Control Adjustment
2. Power-On Indicator
(Green Light - HF71CW20W
Only)

3. Vinyl Coated Wire Basket
4. Interior Drain Plug (See Insert)
5. Exterior Drain Plug

Installing Your Freezer

Unpacking Your Freezer

1. Remove all packaging material. This includes the foam base and all adhesive tape holding the freezer accessories inside and outside.
2. Inspect and remove any remains of packing, tape or printed materials before powering on the freezer.



CAUTION

Risk of Fire or Explosion due to puncture of refrigerant tubing. Flammable refrigerant used. Handle with care when moving freezer to avoid either damaging the refrigerant tubing or increasing the risk of a leak.

Adjusting Your Freezer

- Your freezer is designed for freestanding installation only. It should not be recessed or built-in.
- Place the freezer on a floor strong enough to support it fully loaded.
- When moving the freezer, never tilt it more than a 45-degree angle. This could damage the compressor and the sealed system.
- If the freezer is tilted let it stand in an upright position for at least 24 hours prior to plugging. This is to allow the refrigerant to settle.

Proper Air Circulation

- To assure your freezer works at the maximum efficiency it was designed for, you should install it in a location where there is proper air circulation, plumbing and electrical connections.
- The following are recommended clearances around the freezer:

Sides.....	4" (102mm)
Back.....	4" (102mm)
Top.....	Do not block



WARNING: ELECTRICAL REQUIREMENT - SHOCK HAZARD

Electrical Requirement

- Make sure there is a suitable power Outlet (115 volts, 15 amps outlet) with proper grounding to power the freezer.
- Avoid the use of three plug adapters or cutting off the third grounding in order to accommodate a two plug outlet. This is a dangerous practice since it provides no effective grounding for the freezer and may result in shock hazard.



Use of Extension Cord

- Avoid the use of an extension cord because of potential safety hazards under certain conditions. If it is necessary to use an extension cord, use only a 3-wire extension cord that has a 3-blade grounding plug and a 3-slot outlet that will accept the plug. The marked rating of the extension cord must be equal to or greater than the electrical rating of the appliance. **DO NOT USE EXTENSION CORD LONGER THAN 12 FT.**

Install Limitations

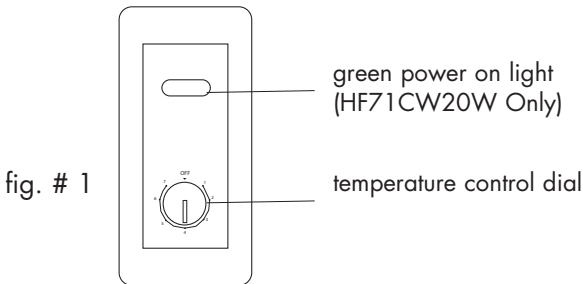
- Do not install your freezer in any location not properly insulated or heated e.g. garage etc. Your freezer was not designed to operate in temperature settings below 55° Fahrenheit.
- Select a suitable location for the freezer on a hard even surface away from direct sunlight or heat source e.g. radiators, baseboard heaters, cooking appliances etc. Any floor unevenness should be corrected.

Freezer Features and Use

Adjustable temperature dial: (see fig. # 1)

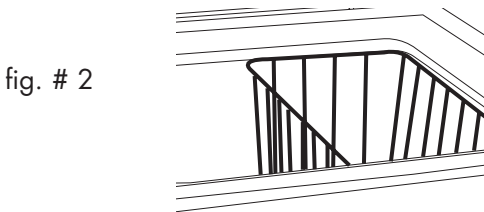
Your freezer will automatically maintain the temperature level you select. The temperature control dial has 7 settings plus OFF. "1" is the warmest, "7" is the coldest. Turning the dial to OFF stops cooling the freezer. Set the dial to "4" and allow 24 hours to pass before adjusting the temperature to your needs.

(Note: If the freezer has been placed in a horizontal or tilted position for any period of time wait 24 hours before plugging the unit in.)



Food Storage Basket (see fig. # 2)

- Your freezer has a basket. Removable basket allows you to store food more accessibly or you can remove it if not needed.



Operating Your Freezer

- Once the freezer is in its proper place, plug it in an electrical outlet having 115 volts and 15 amps.
- Set the temperature, on the temperature control knob. "1" being the warmest and "7" being the coldest. Initially set the temperature on "4". Place food inside the freezer. After using the freezer for 24 hours set the freezer to your desired setting.
- In case you unplug your freezer or experience an electrical outage, allow 5 minutes before plugging it back in.

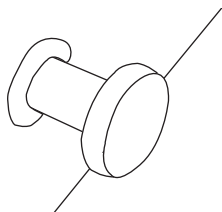
Defrosting and Draining

- For most efficient operation and minimum energy consumption, defrost whenever the frost becomes 1/4" thick. Use only provided plastic scraper. Do not use boiling water as it may damage the unit.

DANGER - Risk of Fire or Explosion due to puncture refrigerant tubing. Flammable refrigerant used. Do not use metal instruments to defrost freezer. Do not puncture refrigerant tubing.

- Turn the temperature control to OFF position and unplug the unit. Defrosting usually takes a few hours. To defrost faster keep the freezer door open.
- For draining, place a tray beneath the outer drain plug. Unscrew and remove drain plug. (See fig #3) This will let the water flow out in the tray. When done, screw on the drain plug in place.
Note: monitor the container under the drain to avoid overflow.
- When draining is complete, wipe the interior of the freezer with a soft cloth. Plug in power cord back into the electrical outlet.
- Reset the temperature control to the desired setting.
- Return the food into the freezer.

fig. # 3



Maintenance

Risk of Fire or Explosion. Flammable refrigerant used. Do not puncture of refrigerant tubing. To be repaired only by trained authorized service personnel. Consult Repair Manual before attempting to service this product. All Safety Precautions Must be followed. Component parts shall be replaced with like components to minimize the risk of possible ignition due to incorrect parts or improper service.

Normal Operating Sounds You May Hear

- Boiling water, gurgling sounds or slight vibrations that are the result of the refrigerant circulating through the cooling coils.
- The thermostat control will click when it cycles on and off.

Food Storage Information

Frozen Food:

- Wipe containers before storing to avoid needless spills.
- Hot food should be allowed to cool before storing in the freezer. This will prevent unnecessary energy use.
- When storing meats, keep in the original packaging or rewrap as necessary.
- Proper freezer storage requires correct packaging. All foods must be in packages, which do not allow the flow of air or moisture in, or out. Improper storage will result in odor and taste transfer and will result in the drying out of the improperly packaged food.
- Follow package or container instructions for proper storage.
- Packaging Recommendations:
 - Plastic containers with air tight lids
 - Heavy duty aluminum foil
 - Plastic wrap made from saran film
 - Self-sealing plastic bags
- Do not refreeze defrosted/thawed foods.
- It is recommended that the freezing date be marked on the packaging.


These are some suggestions for safe storage:


- | | |
|------------------------------------|---------------|
| • TV Dinners | 3 - 4 Months |
| • Fresh Shrimp, scallops, crawfish | 3 - 6 Months |
| • Hamburger & stew meats | 3 - 4 Months |
| • Ground Turkey, veal, pork | 3 - 4 Months |
| • Chops | 4 - 6 Months |
| • Steaks | 6 - 12 Months |
| • Chicken or turkey, whole | 1 year |

For detailed storage chart visit FDA website:
www.cfsan.fda.gov/~dms/fttstore.html

Proper Freezer Care and Cleaning

Cleaning and Maintenance

 **Warning:** To avoid electric shock always unplug your freezer before cleaning. Ignoring this warning may result in death or injury.

 **Caution:** Before using cleaning products, always read and follow manufacturer's instructions and warnings to avoid personal injury or product damage.

- General:**
- Prepare a cleaning solution of 3-4 tablespoons of baking soda mixed with warm water. Use sponge or soft cloth, dampened with the cleaning solution, to wipe down your freezer.
 - Rinse with clean warm water and dry with a soft cloth.
 - Do not use harsh chemicals, abrasives, ammonia, chlorine bleach, concentrated detergents, solvents or metal scouring pads. SOME of these chemicals may dissolve, damage and/or discolor your freezer.

- Door Gaskets:**
- Clean door gaskets every three months according to general instructions. Gaskets must be kept clean and pliable to assure a proper seal.
 - Petroleum jelly applied lightly on the hinge side of gaskets will keep the gasket pliable and assure a good seal.

Power Interruptions

- Occasionally there may be power interruptions due to thunderstorms or other causes. Remove the power cord from AC outlet when a power outage occurs. When power has been restored, replug power cord to AC outlet. If outage is for a prolonged period, inspect and discard spoiled or thawed food in freezer. Clean freezer before reusing.

Vacation and Moving Care

- For long vacations or absences, empty food from freezer, move the temperature DIAL to the OFF position and clean the door gaskets according to "General cleaning" section. Prop doors open, so air can circulate inside. When moving always move the freezer vertically. Do not move with the unit lying down. Possible damage to the sealed system could occur.

 **WARNING:** IF OUTAGE IS FOR A PROLONGED PERIOD, INSPECT AND DISCARD SPOILED OR THAWED FOOD IN FREEZER. CLEAN FREEZER BEFORE REUSING.

Troubleshooting

Freezer Does Not Operate:

- Check if thermostat control is not in the "OFF" position.
- Check if freezer is plugged in.
- Check if there is power at the ac outlet, by checking the circuit breaker.
- Wait for 30-40 minutes to see whether freezer will start. Compressor cycle must be complete to operate.

Food temperature appears too warm:

- Frequent door openings.
- Allow time for recently added warm food to reach freezer temperature.
- Check gaskets for proper seal.
- Adjust temperature control to colder setting.

Food temperature is too cold:

- If temperature control setting is too cold, adjust to a warmer setting and allow several hours for temperature to adjust.

Compressor runs too frequently:

- This may be normal to maintain constant temperature during high temperature and humid days.
- Doors may have been opened frequently or for an extended period of time.
- Check gasket for proper seal.
- Check to see if doors are completely closed.
- Check freezer compartment for blockage from frozen food packages, containers, etc.

Freezer has an odor:

- Interior needs cleaning.
- Foods improperly wrapped or sealed are giving off odors.

Limited Warranty

What is covered and for how long?

This warranty covers all defects in workmanship or materials for a period of:

- 12 Months for labor**
- 12 months for parts (Functional Parts Only)**
- 5 years for sealed system**

The warranty commences on the date the item was purchased and the original purchase receipt must be presented to the authorized service center before warranty repairs are rendered.

EXCEPTION: Commercial or Rental Use Warranty
90 days labor
90 days parts
No other warranty applies

What is covered.

1. The mechanical and electrical parts, which serve as a functional, purpose of this appliance for a period of 1 year. This includes all parts except finish, and trim.
2. The components of the sealed system e.g. hermetic compressor, condenser and evaporator from manufacturing defects for a period of 5 years from the date of purchase. Any damages to such components caused by mechanical abuse or improper handling or shipping will not be covered.

What will be done?

1. We will repair or replace, at our discretion any mechanical or electrical part which proves to be defective in normal usage during the warranty period so specified.
2. There will be no charge to the purchaser for parts and labor on any covered items during the initial 1 year period. Beyond this period only parts are covered in the remaining warranty. Labor is not provided and must be paid by the customer.

3. Contact customer service:
1-877-337-3639.

THIS WARRANTY COVERS APPLIANCES WITHIN THE CONTINENTAL UNITED STATES, PUERTO RICO AND CANADA. IT DOES NOT COVER THE FOLLOWING:

- Damages from improper installation.
- Damages in shipping.
- Defects other than manufacturing.
- Damage from misuse, abuse, accident, alteration, lack of proper care and maintenance or incorrect current or voltage.
- Damage from other than household use.
- Damage from service by other than an authorized dealer or service center.
- Decorative trims or replaceable light bulbs.

Transportation and shipping.

Labor (after the initial 1 year).

THIS LIMITED WARRANTY IS GIVEN IN LIEU OF ALL OTHER WARRANTIES, EXPRESSED OR, INCLUDING THE WARRANTIES OF MERCHANTABILITY AND FITNESS FOR A PARTICULAR PURPOSE. The remedy provided in this warranty is exclusive and is granted in lieu of all other remedies.

This warranty does not cover incidental or consequential damages, so the above limitations may not apply to you. Some States do not allow limitations on how long an implied warranty lasts, so the above limitations may not apply to you.

This warranty gives you specific legal rights, and you may have other rights, which vary, from state to state.


Haier America
Wayne, NJ 07470

CONSIGNES GÉNÉRALES DE SÉCURITÉ



ATTENTION: Lire l'ensemble des instructions avant d'utiliser l'appareil. Lors de l'utilisation de cet appareil, prendre toutes les mesures de sécurité de base, y compris les suivantes:

REMARQUE: Si le congelateur a été placé en position horizontale ou en position inclinée, que ce soit pour longtemps ou non, attendez 24 heures avant de brancher l'appareil.

1. Utilisez cet appareil uniquement pour l'usage auquel il est destiné comme indiqué dans ce manuel d'utilisation et d'entretien
2. Cet appareil doit être installé proprement et conformément aux instructions d'installation avant d'être utilisé. Consultez les instructions de mise à terre dans la section d'installation.
3. Ne débranchez jamais votre congelateur / réfrigérateur convertible en tirant sur le cordon d'alimentation. Saisissez la fiche fermement et tirez tout droit de la prise murale.
4. Réparez ou remplacez immédiatement, toutes les cordes électriques qui sont devenues frangées ou autrement endommagées. N'utilisez pas un câble représentant des craquelures ou des abrasions à la longueur du cordon, de la fiche ou de l'extrémité du connecteur.
5. Débranchez votre congelateur / réfrigérateur avant de le nettoyer ou avant de le réparer. **Remarque:** *Si pour une raison quelconque ce produit a besoin de maintenance, nous recommandons vivement qu'un technicien certifié assure le service.*
- 6) **DANGER:** Risque d'incendie ou d'explosion due à la tuyauterie de congélateur de piqûre. Réfrigérant inflammable utilisé. N'utilisez pas les instruments en métal pour dégivrer le congélateur. Ne percez pas la tuyauterie réfrigérante.
7. Si vous n'utilisez plus votre congelateur / réfrigérateur convertible, nous vous recommandons de retirer les portes. Cela réduira les risques d'accident aux enfants.
8.  **ATTENTION:** Après avoir mis en marche votre congelateur / réfrigérateur, ne touchez pas aux surfaces froides spécialement si vos mains sont mouillées ou humides. La peau peut adhérer aux surfaces extrêmement froides.
9. Ne congélez pas de nouveau la nourriture qui a été dégelée complètement. Le service des États Unis d'Agriculture dans le bulletin de Maison et Jardin N° 69 litent ".....Vous pouvez sans risque congeler de nouveau la nourriture dégelée si elle contient des cristaux de glace ou si la température est restée froide au dessous de 40 degrés F.

“La viande hachée, le volaille, ou le poisson dégelés, qui ont n’importe quelle odeur ou couleur ne doivent pas être congelés de nouveau ou mangés. La glace dégelée doit être jetée. Si l’odeur ou la couleur de n’importe quelle nourriture est incertaine, jetez-la. Il peut être dangereux de manger cette nourriture.

“Même une décongélation partielle et recongélation peuvent réduire la qualité de la nourriture, particulièrement, les fruits, les légumes et les plats préparés en avance. La qualité de la viande rouge est moins affectée que celle que d’autres nourritures. Utilisez la nourriture qui a été recongelée au plus tôt possible pour garder sa qualité.

10. Ce congélateur ne doit pas être encastré ou incorporé dans un placard encastré. Il est conçu pour une installation sans encastrement.
11. N’opérez pas votre unité en présence des fumées explosives.

VEUILLEZ CONSERVER CES INSTRUCTIONS

ATTENTION -

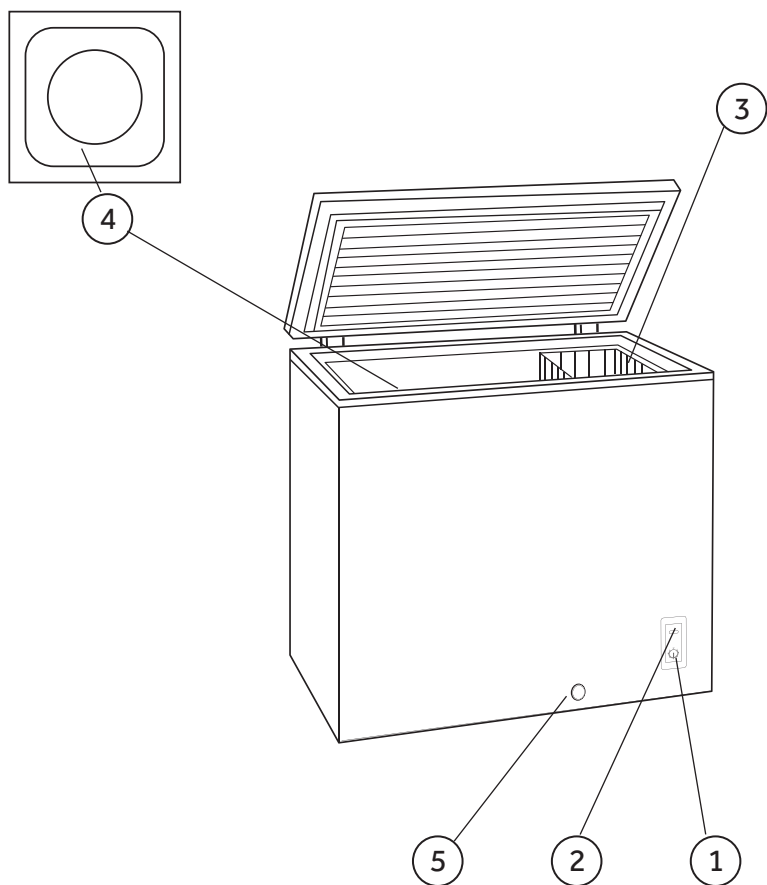
Risque d’incendie ou d’explosion

**Ayez la propriété selon des règlements fédéraux ou locaux.
Réfrigérant inflammable utilisé.**



Risque d’occlusion d’enfant. Avant que vous jetiez votre vieux réfrigérateur ou congélateur, enlevez les portes. Laissez les étagères en place de sorte que les enfants ne puissent pas facilement s’élever à l’intérieur.

Pièces et Caractéristiques



1. Ajustement de Régulation de la température
2. Indicateur de mise en marche (feu vert - HF71CW20W Seulement)

3. Le vinyle A Revêtu le Panier de Fil
4. Le Bouchon intérieur d'Egout
5. Le Bouchon extérieur d'Egout

Installer le Congélateur

Déballer le Congélateur

1. Retirez tout le matériel d'emballage y compris la base en mousse et le ruban adhésif retenant les accessoires du congélateur à l'intérieur et à l'extérieur.
2. Examinez et retirez tous les restes de l'emballage, de la bande ou des matériaux imprimés avant d'actionner sur le congélateur.



ATTENTION

Risque d'incendie ou d'explosion due à la tuyauterie de réfrigérant de piquûre. Réfrigérant inflammable utilisé. Manipulez avec soin quand congélateur mobile pour éviter d'endommager la tuyauterie réfrigérante ou d'augmenter le risque d'une fuite.

Régler le Congélateur

- Ce congélateur a été conçu en tant qu'appareil autostable. Il ne doit pas être encastré ni être placé en retrait dans une niche ou un renforcement.
- Placez le congélateur sur un sol suffisamment résistant et capable de le soutenir lorsque ce dernier est complètement rempli.
- Lorsque vous déplacez le congélateur, veillez à ne jamais le pencher plus de 45°. En effet, vous risquez d'endommager le compresseur et le dispositif scellé.
- Si le congélateur a été penché, laissez-le debout (en position verticale) pendant au moins 24 heures avant de le brancher afin qu'il revienne à son état de fonctionnement normal.

Assurer une bonne circulation de l'air

- Afin de vous assurer que le congélateur fonctionne à plein rendement, installez-le dans un endroit largement ventilé et où il existe des prises pour le raccordement électrique et la plomberie.
- Les dimensions suivantes sont les distances recommandées autour du congélateur.
 - Côtés.....4 po. (102 mm)
 - Derrière.....4 po. (102 mm)
 - Dessus.....Ne pas bloquer



ATTENTION: EXIGENCES ÉLECTRIQUES – RISQUE DE CHOC ÉLECTRIQUE

Installation Électrique

- Assurez-vous qu'il existe une prise murale adéquate (prise électrique 115 volts, 15 ampères) avec mise à la masse afin d'alimenter le congélateur.
- Ne pas utiliser de fiche à trois broches et ne pas couper la troisième broche (broche de mise à la masse) afin de brancher la fiche sur une prise à deux broches. Ceci est très dangereux car ce système n'offre aucune mise à la masse au congélateur et vous risquez de vous électrocuter.



ATTENTION: UTILISATION DE RALLONGES – RISQUE DE DANGER POTENTIEL

Restrictions pour l'installation

- Éviter l'usage d'une rallonge à cause des dangers de sûreté potentiels sous les certaines conditions. S'il est nécessaire utiliser une rallonge, utilisez seulement un à 3 fils qui a un 3-mettre à terre et un 3-slot qui acceptera le bouchon. L'évaluer marqué de la rallonge doit être égal à ou plus grand que l'évaluer électrique de l'appareil. **N'UTILISEZ PAS DE RALLONGES D'UNE LONGUEUR SUPÉRIEURE À 12 PIEDS/3,65 MÈTRES.**

L'usage de Rallonges

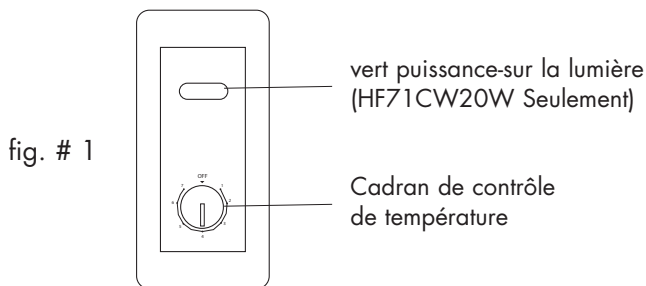
- Ne pas installer le congélateur dans un endroit non chauffé et ne présentant aucune isolation (par ex: garage, etc.). Ce congélateur n'a pas été conçu afin de fonctionner à une température inférieure à 55°F (12°C).
- Choisissez un endroit adéquat présentant une surface dure à l'écart des rayons du soleil et de toute source de température telles que radiateurs, radiateurs de plinthe, appareils de cuisson, etc. Corrigez toute inégalité du sol.

Caractéristiques du Congélateur et Utilisation

Bouton de réglage de température: (voir fig. # 1)

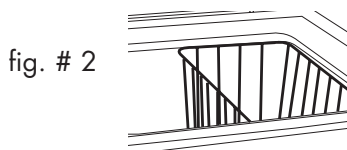
Le congélateur demeurera automatiquement à la température que vous avez sélectionnée. La commande de température comporte 7 positions de réglage ainsi que la position "OFF" (arrêt). "1" est le réglage le moins froid, "7" est le réglage le plus froid. Réglez le bouton sur "OFF" afin d'arrêter le processus de refroidissement. Réglez le bouton sur "4" et comptez 24 heures avant de régler le bouton sur la température désirée.

(Remarque: Si le congélateur a été placé à l'horizontale ou a été penché pour une durée quelconque, comptez 24 heures avant de rebrancher le congélateur).



Casiers de Rangement Pour Aliments

- Le nombre de paniers dans votre congélateur dépendant du modèle a acheté. Cette casier amovibles vous permettent de ranger des aliments et de les retirer facilement.



Utiliser le Congélateur

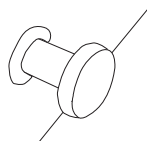
- Une fois que le congélateur est à sa place, le brancher dans une prise électrique ayant 115 volts et 15 ampères.
- Réglez la température grâce au bouton de réglage. "1" est le réglage le moins froid, et "7" est le réglage le plus froid. Pour commencer, réglez le congélateur sur "4". Placez les aliments à l'intérieur du congélateur. Après 24 heures d'utilisation, réglez le congélateur sur le réglage désiré.
- Si vous débranchez le congélateur ou en cas de coupure de courant, attendez 5 minutes avant de rebrancher le congélateur.

Dégivrage et Évacuation de L'eau

- Pour un fonctionnement des plus efficaces et pour une consommation d'énergie minimale décongelez quand le givre atteint une épaisseur de 1/4" soit 0,6 cm. Utilisez uniquement le grattoir en plastique fourni. N'utilisez pas d'eau bouillante car cela peut endommager l'appareil.

DANGER - Risque d'incendie ou d'explosion due à la tuyauterie de réfrigérant de piqûre. Réfrigérant inflammable utilisé. N'utilisez pas les instruments en métal pour dégivrer le congélateur. Ne perforez pas la tuyauterie réfrigérante.

- Retirez les aliments surgelés du congélateur et placez-les dans une glacière pour protéger les aliments.
- Tournez le bouton de la température et mettez-le sur la position OFF position et débranchez l'appareil. Retirez le bouchon de vidange à l'intérieur du congélateur. La décongélation dure habituellement plusieurs heures. Pour un dégivrage plus rapide laissez la porte du congélateur ouverte.
- Pour la vidange, placez un plateau sous le bouchon de vidange extérieur. Dévissez et retirez le bouchon de vidange. Cela permettra à l'eau de s'écouler dans le plateau. Quand cela est fait, revissez le bouchon de vidange en place.
Note: Contrôlez le conteneur afin qu'il n'y ait pas de débordements.
- Lorsque la vidange est terminée, essuyez l'intérieur du congélateur avec un chiffon doux. Remettez le cordon d'alimentation dans la prise électrique.
- Réglez de nouveau la température au réglage désiré.
- Remettez la nourriture dans le congélateur.



Maintenance

Risque d'incendie ou d'explosion. Réfrigérant inflammable utilisé. Ne perforez pas la tuyauterie réfrigérante. Pour être réparé seulement par le personnel autorisé qualifié de service. Consultez le manuel de réparation avant d'essayer d'entretenir ce produit. Toutes les mesures de sécurité doivent être suivies. Des éléments seront remplacés par les composants similaires pour réduire au minimum le risque d'allumage possible dû aux pièces incorrectes ou au service inexact.

Informations sur le Rangement des Aliments

Aliments congelés et surgelés:

- Essuyez tout contenant avant de le ranger afin d'éviter tout déversement accidentel.
- Attendez que les aliments chauds aient refroidis avant de les ranger dans le congélateur. Vous ferez ainsi des économies d'énergie.
- Lorsque vous placez de la viande dans le congélateur, conservez-la dans son emballage d'origine si possible, ou enveloppez-la à nouveau si nécessaire.
- Les aliments placés au congélateur doivent avoir été correctement emballés. Les aliments doivent être dans des emballages ne permettant pas le passage de l'air ni de l'humidité. Tout aliment mal emballé risque d'avoir une odeur et un goût pouvant entraîner son assèchement.
- Suivez les instructions de l'emballage ou du contenant avant de placer les aliments au congélateur.
- Recommandations pour l'emballage:
Contenants en plastique avec couvercle hermétique
Papier d'aluminium résistant
Film plastique
Sacs à fermeture hermétique
- Ne pas recongeler des aliments ayant été décongelés.
- Il est recommandé d'indiquer la date de congélation sur l'emballage.

Voici quelques suggestions pour un stockage en toute sécurité:

- | | |
|--|-------------|
| • Plats surgelés | 3 - 4 mois |
| • Crevettes fraîches, coquilles
Saint-Jacques, écrevisses | 3 - 6 mois |
| • Hamburger & viande à braiser | 3 - 4 mois |
| • Dinde hachée, veau, porc | 3 - 4 mois |
| • Côtes | 4 - 6 mois |
| • Steaks | 6 - 12 mois |
| • Poulet ou dinde, entier | 1 an |

Pour un tableau de stockage détaillé visitez le site internet de la FDA:
www.cfsan.fda.gov/~dms/tftstore.html

Bruits de Fonctionnement lors D'une Exploitation Normale

- Les éléments de refroidissement tubulaires (serpentins refroidisseurs) font des bruits d'ébullition, des gargouillements et provoquent de légères vibrations.
- La commande du thermostat émettra un déclic lorsque qu'elle s'allume et s'éteint.

Entretien et Nettoyage du Congélateur

Nettoyage et maintenance



AVERTISSEMENT: Pour éviter tout risque d'électrocution, veillez à toujours débrancher le congélateur avant de le nettoyer. Ne pas respecter cette mise en garde risque d'entraîner des blessures graves voir la mort.



ATTENTION: Avant d'utiliser des produits de nettoyage, veuillez toujours lire et suivre attentivement les instructions du fabricant ainsi que les avertissements afin d'éviter toute blessure et ne pas endommager le congélateur.

Nettoyage général:

- Préparez une solution de nettoyage à base de 3 ou 4 cuillères à soupe de bicarbonate de soude mélangées avec de l'eau tiède. Utilisez une éponge ou un chiffon trempé dans la solution afin d'essuyer le congélateur.

Rincez avec de l'eau propre et séchez

- avec un chiffon.

Ne pas utiliser de produits chimiques abrasifs puissants,

- de l'ammoniac, de l'eau de javel ou de la lessive au chlore, des détergents concentrés, des solvants et des tampons récurateurs. CERTAINS de ces produits chimiques risquent de dissoudre, d'endommager et de décolorer le congélateur.

Les joints de porte:

- Nettoyez les joints de porte tous les trois mois en suivant les instructions de nettoyage générales. Les joints doivent demeurer propres et souples afin qu'ils demeurent hermétiques.
- Appliquez une petite quantité de pétrolatum sur les joints côté charnière afin qu'ils demeurent souples et assurent l'étanchéité du congélateur.

Coupures de Courant

- En cas de coupure de courant suite à un orage ou toute autre raison, débranchez le cordon électrique de la prise CA. Une fois le courant revenu, rebranchez le cordon d'alimentation à la prise CA. Si la coupure de courant est sensée durer longtemps, inspectez puis jetez la nourriture avariée du congélateur. Nettoyez le congélateur avant de le réutiliser.

Entretien lors des Vacances ou d'un Déménagement

- Videz le congélateur avant de partir en vacances. Réglez le bouton de température sur "OFF" (arrêt) et nettoyez les joints de portes suivant les instructions de la section "Nettoyage général". Faites levier afin que les portes demeurent ouvertes et que l'air puissent circuler à l'intérieur. Si vous déménagez, transportez le congélateur verticalement. Ne pas transporter le congélateur à l'horizontale. En effet, vous risquez d'endommager le dispositif scellé.



ATTENTION: SI LA COUPURE DE COURANT DURE POUR UNE PÉRIODE PROLONGÉE, INSPECTEZ ET JETEZ LES ALIMENTS AVARIÉS OU DÉCONGELÉS QUI SONT DANS LE CONGÉLATEUR. NETTOYEZ LE CONGÉLATEUR AVANT DE LE RÉUTILISER.

Guide de Dépannage

Le Congélateur ne Fonctionne Pas:

- Vérifiez que la commande du thermostat n'est pas sur "OFF".
- Vérifiez que le cordon électrique du congélateur est branché.
- Assurez-vous que la prise murale CA est alimentée en vérifiant le disjoncteur.
- Patientez 30 à 40 minutes afin de vous assurer que le congélateur fonctionne. Le compresseur doit effectuer un cycle complet avant que le congélateur fonctionne à plein rendement.

La Température des Aliments n'est pas Assez Froide:

- La porte est ouverte trop souvent.
- Comptez suffisamment de temps afin que les aliments venant juste d'être placés au congélateur puissent atteindre la température de congélation.
- Vérifiez que les joints assurent l'étanchéité du congélateur.
- Réglez la commande de température sur un réglage plus froid.

La Température des Aliments est Trop Froide:

- Si la température est trop froide, placez la commande de température sur un réglage moins froid et patientez plusieurs heures avant que la température remonte.

Le compresseur se met en marche trop fréquemment:

- Ceci est probablement normal afin de maintenir une température constante lorsqu'il fait chaud et humide.
- La porte a sans doute été ouverte trop fréquemment ou trop longtemps.
- Vérifiez que le joint assure l'étanchéité du congélateur.
- Vérifiez que la porte est complètement fermée.
- Vérifiez l'intérieur du congélateur afin de vous assurer qu'il n'y a pas d'aliments ou de contenants gênant la fermeture du congélateur.

Le congélateur a une odeur:

- L'intérieur a besoin d'être nettoyé.
- Les aliments ayant été mal emballés laissent échapper une odeur.

Garantie Limitée

Que recouvre la garantie et pour combien de temps ?

Cette garantie recouvre tous les défauts de fabrication ou de matériaux pour une période de :

12 mois pour la main d'oeuvre
12 mois pour les pièces
5 ans pour le système d'étanchéité

La garantie prend effet à compter de la date d'achat de l'article et l'original de la facture doit être présenté au centre de services agréé avant d'effectuer toute réparation.

EXCEPTIONS: Garantie pour une utilisation commerciale ou en cas de location

90 jours pour la main d'oeuvre (service en atelier uniquement)
90 jours pour les pièces

Aucune autre garantie n'est applicable

Qu'est-ce qui est couvert ?

1. Les pièces mécaniques et électriques essentielles au bon fonctionnement de cet appareil sont garanties pendant 1 an. Cela comprend toutes les pièces sauf la finition et l'habillage.
2. Les composants du système frigorifique comme le compresseur, le condensateur et l'évaporateur sont couverts par la 5 ans garantie pour tout défaut de détérioration de ce type de composant provoquée par une mauvaise utilisation du matériel, une mauvaise manipulation ou lors du transport n'est pas couverte par cette garantie.

Quelles seront mesures prises

1. Nous nous réservons le droit de réparer et de remplacer toute pièce mécanique ou électrique défectueuse lors d'une utilisation normale pendant la période de garantie spécifiée.
2. Les pièces et la main d'oeuvre ne seront facturées à l'acheteur pour aucun article couvert par la garantie pendant la période initiale de 1 an.

3. Veuillez contacter votre centre de services: 1-877-337-3639.

CETTE GARANTIE COUVRE LES APPAREILS ÉLECTROMÉNAGERS SUR LE CONTINENT NORD-AMÉRICAIN (ÉTATS-UNIS ET CANADA) ET À PORTO RICO.

ELLE NE COUVRE PAS CE QUI SUIT :

Les dommages dus à une mauvaise installation.

Les dommages survenus pendant le transport.

Les vices autres que de fabrication.

Les dommages dus à une mauvaise utilisation, à une utilisation excessive, à une altération, au manque d'entretien et à une tension ou un voltage incorrects.

Les dommages imputables à une utilisation autre que domestique.

Les dommages dus à une réparation effectuée par un service autre que le revendeur agréé ou le centre de services.

L'habillage et les ampoules.

Le transport et l'expédition.

La main d'oeuvre (après les 1 an initiaux).

IL N'EXISTE AUCUNE AUTRE GARANTIE QUE CETTE GARANTIE LIMITÉE, EXPRIMÉE OU IMPLICITE, INCLUANT LES GARANTIES DE QUALITÉ MARCHANDE OU D'APTITUDE DANS UN BUT PARTICULIER.

Les réparations fournies par la présente garantie sont exclusives et remplacent toute autre réparation.

Cette garantie ne couvre pas les dommages indirects ou secondaires. Dans ce cas, les limitations ci-dessus peuvent ne pas être applicables. Certains états n'autorisent pas les limitations sur la durée d'une garantie implicite. Dans ce cas, les limitations ci-dessus peuvent ne pas être applicables. Cette garantie vous reconnaît certains droits juridiques ; Il est possible que vous disposiez d'autres droits, pouvant varier d'un état à l'autre.

Haier America
 Wayne, NJ 07470

REGLAS GENERALES DE SEGURIDAD



ADVERTENCIA: Lea todas las instrucciones antes de utilizar este aparato. Cuando utilice este aparato, siempre ejerza las precauciones de seguridad básicas, incluyendo las siguientes:

NOTA: Si el congelador se ha ubicado en una posición horizontal o inclinada durante cualquier lapso de tiempo, espere 24 horas antes de enchufar la unidad.

1. Utilice este aparato exclusivamente para su uso especificado, según se describe en esta guía de uso y cuidados.
2. Este congelador debe ser instalado adecuadamente siguiendo las instrucciones de instalación antes de utilizarse. Observe las instrucciones para conectarlo a tierra en la sección de instalación.
3. Nunca desconecte su congelador tirando del cordón eléctrico. Sujete siempre la clavija firmemente y retírela del contacto evitando torcerla.
4. Repare o reemplace inmediatamente cualquier cordón eléctrico que muestre raspaduras o daños. No utilice ningún cordón que muestre señales de abrasión o grietas en su extensión, clavija o terminal de conexión.
5. Desconecte su congelador antes de limpiarlo o antes de hacer cualquier reparación. **Nota:** *Si, por alguna razón este producto necesita reparación, recomendamos fuertemente que un técnico certificado lleva a cabo el servicio.*
6. **PELIGRO** - Riesgo de incendio o explosión. Se utiliza refrigerante inflamable. No utilice dispositivos mecánicos para descongelar el congelador. No perforo la tubería refrigerante.
7. Si su antiguo congelador no está siendo utilizado, recomendamos quitarle las puertas. Esto reducirá los riesgos de accidentes infantiles.
8. **ADVERTENCIA:** Una vez que su congelador se encuentre operando, no toque las superficies frías en el compartimento del congelador, especialmente si sus manos se encuentran húmedas o mojadas. Su piel puede adherirse a estas superficies extremadamente frías.



9. No congele alimentos que hayan sido previamente descongelados en su totalidad. El Departamento de Agricultura de los Estados Unidos, en su Boletín de Casa y Jardín No. 69 indica que: "...Usted puede volver a congelar, sin correr ningún riesgo, aquellos alimentos congelados que hayan sido descongelados y que aún contengan cristales de hielo o que aún se encuentren fríos con una temperatura por debajo de los 4,5°C (40°F)".

"...Carnes molidas, aves, o pescados descongelados que despidan olor extraño o muestren decoloración no deben volver a congelarse y no deben consumirse. El helado descongelado debe desecharse. Si el olor o color de cierto alimento es deficiente o cuestionable, deséchelo. Tal alimento podría resultar peligroso si lo ingiriese."

"...Incluso el descongelar parcialmente y volver a congelar los alimentos disminuye su calidad de consumo, especialmente si se trata de frutas, verduras y alimentos preparados. La calidad de consumo de las carnes rojas es menormente afectada en comparación a la de muchos otros alimentos. Utilice los alimentos que hayan vuelto a congelarse lo más pronto posible para evitar que sufran mayor deterioro en su calidad de consumo."

10. Este congelador no debe de ser empotrado o colocado dentro de un gabinete de cocina. Ha sido diseñado exclusivamente para ser instalado por separado.
11. No opere su congelador en la presencia de gases explosivos.

GUARDE ESTAS INSTRUCCIONES

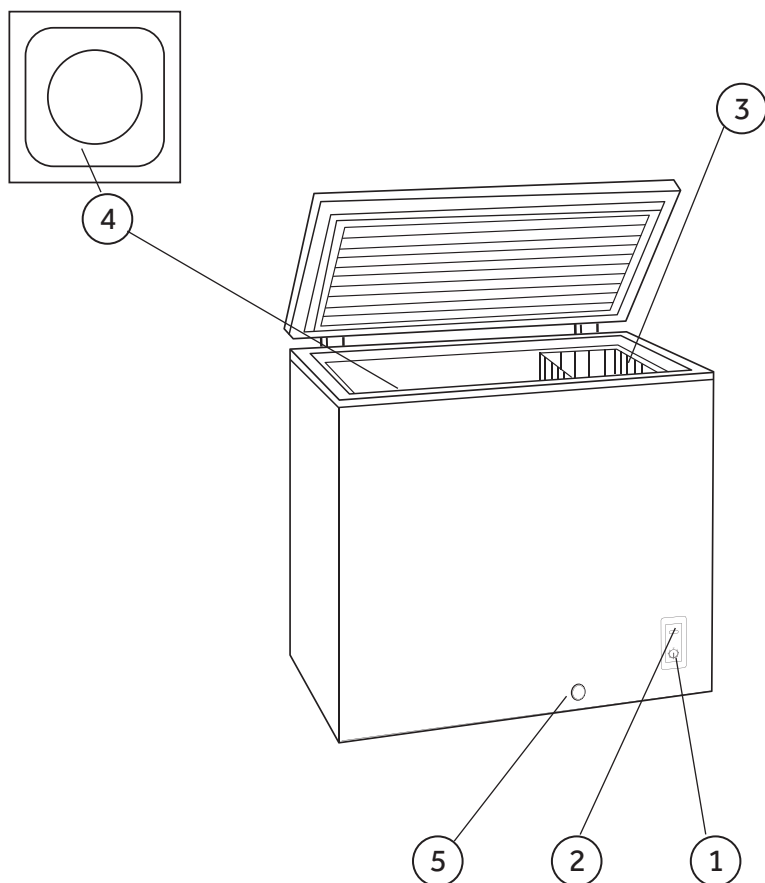
Riesgo de incendio o explosión.

Deseche el producto adecuadamente de conformidad con las reglamentaciones federales o locales. Se utiliza refrigerante inflamable.



Existe el riesgo de que los niños puedan quedar atrapados dentro. Antes de tirar su congelador, quite las puertas. Deje los anaqueles en su lugar para que los niños no puedan entrar fácilmente en el interior.

Piezas y Características



1. Ajuste de Control de temperatura
2. Potencia-En el indicador (luz verde - HF71CW20W Solamente)
3. El vinilo Revistió Cesta de Alambre
4. Tapón interior de Desaguadero (No en todo modelo)
5. Tapón exterior de Desaguadero

Instalación del Congelador

Desempaque del Congelador

1. Remueva todos los materiales de empaque. Estos incluyen la base de espuma y toda la cinta adhesiva que sujeta los accesorios del congelador, adentro y afuera.
2. Antes de encender el congelador, examínelo y remueva los materiales impresos, así como también cualquier residuo del empaque que haya quedado en el interior.



PRECAUCIÓN

Riesgo de incendio o explosión debido a perforación de la tubería refrigerante. Se utiliza refrigerante inflamable. Manipule con cuidado cuando mueva el congelador para evitar dañar la tubería del refrigerante o aumentar el riesgo de una filtración.

Ajuste del Congelador

- El congelador ha sido diseñado como una unidad autoestable, solamente. No debe instalarse en recesos o empotrado.
- Coloque el congelador sobre un piso suficientemente fuerte para sostenerlo cuando su interior está completamente lleno.
- Cuando mueva el congelador, nunca lo incline a un ángulo mayor de 45° para evitar daños al compresor o al sistema sellado.
- Si el congelador se ha inclinado, colóquelo en su posición vertical y déjelo en esta posición por lo menos por 24 horas antes de encenderlo, para permitir que el refrigerante vuelva a su condición normal.

Circulación Apropiable del Aire

- Para asegurar que el congelador funciona con la eficiencia máxima para la que fue diseñado, debe instalarlo en un lugar de circulación apropiada de aire y que cuente con conexiones eléctricas y de plomería.
- Alrededor del congelador se recomienda dejar los espacios libres que se listan a continuación:

En los costados....4" (102 mm)

Detrás.....4" (102 mm)

Arriba.....No obstruya



ADVERTENCIA: REQUISITOS ELÉCTRICOS – RIESGO DE DESCARGA ELÉCTRICA

Requisitos Eléctricos

- Asegúrese de que para enchufar el congelador cuenta con un receptáculo de corriente eléctrica apropiada (115 voltios, 15 amperios), con su debida conexión a tierra.
- Evite el uso de adaptadores de tres clavijas o el corte de la clavija a tierra, tratando de usar un receptáculo de dos clavijas. Esta es una práctica peligrosa que no permite la conexión efectiva a tierra del congelador, y que puede crear riesgos de choque eléctrico.



ADVERTENCIA: USO DE CABLES DE PROLONGACIÓN – PELIGRO POTENCIAL

El uso de Cuerdas de extensión

- Evite el uso de una cuerda de la extensión a causa de peligros potenciales de seguridad bajo ciertas condiciones. Si es necesario usar una cuerda de la extensión, use sólo una cuerda de 3 alambres de extensión que tiene un de 3 hojas molió tapón y una salida de 3-slot que aceptarán el tapón. La calificación marcada de la cuerda de la extensión debe ser igual a o más que la calificación eléctrica del aparato.

Limitantes de Instalación

- No instale el congelador en un lugar que no cuente con aislación y calefacción adecuadas, como, por ejemplo, en el garaje. El congelador no ha sido diseñado para operar en temperaturas por debajo de los 55° F (12° C).
- Escoja un lugar adecuado para el congelador, con piso firme y plano, y donde quede protegido de los rayos solares directos y de fuentes de calor tales como: radiadores, registros de calefacción, aparatos de cocción, etc. Corrija cualquier desnivel o irregularidad que tenga el piso.

Características y Uso del Congelador

Características Generales

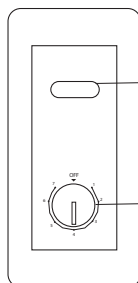
Dial de temperatura ajustable:

El congelador mantiene automáticamente el nivel de temperatura que usted ha escogido. El dial de control de temperatura tiene - además de la posición OFF, apagado - 7 graduaciones. "I" es el nivel de más alta temperatura y "VII" el de la más fría. Al girar el dial a la posición OFF se detiene la operación de enfriamiento del congelador.

Para reiniciar la operación de la unidad, ponga el dial en "4" y espere 24 horas antes de ajustar la temperatura al nivel que la desee.

(Nota: Si el congelador ha estado en posición inclinada, u horizontal, por cualquier período de tiempo, colóquelo en su posición normal y espere 24 horas antes de poner a funcionar la unidad.)

fig. # 1



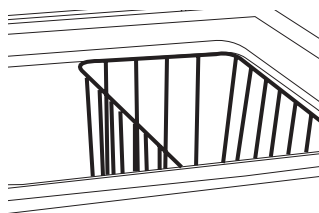
verde potencia-en luz (HF71CW20W Solamente)

dial del control de la temperatura

Canastas para Guardar Alimentos

- El congelador cuenta con a canasta. Las canastas removibles le permiten guardar los alimentos en forma más accesible o, si lo desea, puede removerlas cuando no las necesite.

fig. # 2



Operación del Congelador

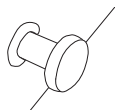
- Una vez que el congelador esté en su lugar, tiene que conectarlo en una toma de corriente con 115 voltios y 15 amperios.
- Fije la temperatura en la perilla del control de temperatura, siendo "1" la graduación de temperatura más alta y "7" la de temperatura más fría. Inicialmente, fije la temperatura en "4". Ponga, luego, los alimentos en el congelador. Después de que el congelador ha operado por 24 horas, puede cambiar la temperatura al nivel que la desee.
- En caso de que desconecte el congelador u ocurra una falla en la corriente eléctrica, espere por 5 minutos antes de volver a conectar el congelador.

Remoción de la Escharcha Desagüe

- Para que el funcionamiento sea más eficiente y el consumo de energía sea mínimo, descongele el artefacto cada vez que la escarcha llegue a un grosor de 1/4". Utilice únicamente el raspador plástico provisto. No utilice agua hirviendo, ya que puede dañar la unidad.

PELIGRO: Riesgo de incendio o explosión debido a perforación de la tubería refrigerante. se utiliza refrigerante inflamable. No utilice dispositivos metálicos para descongelar el congelador. No perfore la tubería refrigerante.

- Quite los alimentos congelados del congelador y ubíquelos en un refrigerador para protegerlos.
- Gire el control de temperatura a la posición OFF (APAGADO) y desenchufe la unidad. Quite el tapón de desagüe del interior del congelador. La descongelación por lo general lleva unas horas. Para descongelar más rápido, mantenga la puerta del congelador abierta.
- Para desagotar, coloque una bandeja debajo de la perilla de desagüe exterior. Desenchufe y quite el tapón de desagüe. De esta manera, el agua fluirá hacia la bandeja. Cuando esta operación finalice, vuelva a colocar el tapón de desagüe en su lugar.
Nota: Controle el recipiente que coloca debajo del desagüe para evitar que desborde.
- Cuando se haya finalizado con el desagüe, limpie el interior del congelador con un paño suave. Vuelva a enchufar el cable de energía en el tomacorriente eléctrico.
- Vuelva a configurar la perilla de la temperatura en el nivel deseado.
- Vuelva a colocar los alimentos en el congelador.



Mantenimiento

Riesgo de incendio o explosión. Se utiliza refrigerante inflamable. No perfora la tubería refrigerante. Debe ser reparado solo por personal de servicio autorizado. Consulte el manual de reparación antes de intentar reparar este producto. Deben seguirse todas las precauciones de seguridad. Las piezas del componente deben reemplazarse con componentes equivalentes para minimizar el riesgo de un posible incendio debido a piezas incorrectas o reparación inapropiada.

Ruido Normal de Operación

- Ruido como de agua hirviendo, sonidos como de gárgaras o pequeñas vibraciones se producen cuando el refrigerante circula por los serpentines de enfriamiento
- El termostato de control produce un "Click" cuando se cierra o se abre.

Información Sobre el Almacenamiento de Alimentos

Alimentos Congelados:

- Seque los envases para evitar derrames innecesarios.
- Deje enfriar los alimentos antes de ponerlos en el congelador para evitar el uso innecesario de energía.
- Cuando guarde carnes, manténgalas en su empaque original o envuélvalas de nuevo según sea necesario.
- El almacenamiento apropiado de los alimentos en el congelador, requiere que éstos estén adecuadamente empacados. Todos los alimentos deben estar en empaques que no permitan el acceso del aire o de la humedad. El almacenamiento inadecuado de los alimentos permite la transferencia de sabores y olores y produce el resecamiento de los alimentos que no han sido apropiadamente empacados.
- Observe las instrucciones de almacenamiento indicadas en el paquete o envase de los alimentos.
- Tipo de Empaques Recomendados:
 - Envases plásticos con tapa hermética
 - Empaques de hoja gruesa de aluminio para trabajo pesado
 - Membranas plásticas de envolver hechas de película de sarón
 - Bolsas de plástico con cierre incluido
- No congele alimentos que han sido descongelados
- Se recomienda que marque en el empaque la fecha en que congela el alimento

Éstas son algunas sugerencias para que el guardado sea seguro:

- | | |
|---|--------------|
| • Comidas preparadas | 3 - 4 meses |
| • Camarones, vieiras, cangrejos frescos | 3 - 6 meses |
| • Hamburguesas y carne estofada | 3 - 4 meses |
| • Carne de pavo, ternera o cerdo molida | 3 - 4 meses |
| • Chuletas | 4 - 6 meses |
| • Bistecs | 6 - 12 meses |
| • Pollo o pavo, entero | 1 año |

Para obtener un cuadro de almacenamiento detallado, consulte el sitio Web de la FDA (Administración de Medicamentos y Alimentos): www.cfsan.fda.gov/~dms/fttstore.html

Limpieza y Cuidado Apropriados del Congelador

Limpieza y Mantenimiento



Advertencia: Para evitar choques eléctricos, desenchufe siempre el congelador antes de limpiarlo. El ignorar esta advertencia puede ocasionarle lesiones y aún la muerte.



Precaución: Antes de usar productos de limpieza, lea y observe siempre las instrucciones y advertencias del fabricante, para evitar lesiones personales o daños a la unidad.

Generales:

- Prepare una solución para limpieza de 3 o 4 cucharadas de soda de hornear disueltas en agua tibia. Para limpiar el congelador, use una esponja o un paño suave humedecido en la solución de limpieza.
- Enjuague el congelador con agua limpia, tibia, y séquelo con un paño suave.
- No use sustancias químicas fuertes, abrasivos, amoníaco, clorina, detergentes concentrados, solventes o almohadillas metálicas para fregar. ALGUNAS de estas sustancias químicas pueden disolver, dañar o manchar el congelador.

Empaques

- de la Puerta:**
- Limpie los empaques de la puerta cada 3 meses, siguiendo las instrucciones generales de limpieza. Los empaques deben mantenerse limpios y flexibles para asegurar que sellan la unidad apropiadamente.
 - Vaselina de petróleo aplicada ligeramente en el empaque, en el lado del gozne, mantiene el empaque flexible y asegura un buen sellado.

Interrupciones de la Corriente Eléctrica

- Ocasionalmente puede haber interrupciones en la corriente eléctrica debido a tempestades u otras condiciones imprevistas. Desenchufe el cable de alimentación del receptáculo de CA cuando ocurra una interrupción. Una vez restablecida la corriente vuelva a enchufar el cable de alimentación en el receptáculo de CA. Si la interrupción continúa por un período prologado, examine los alimentos y deseche los que se hayan dañado o descongelado en el congelador. Limpie el congelador antes de volverlo a usar.

Cuidado en las Vacaciones o en la Mudanza

- Cuando se ausente por vacaciones largas o ausencias prolongadas, saque todos los alimentos del congelador y mueva el Dial de temperatura a la posición OFF, para luego limpiar los empaques de la puerta de acuerdo con las instrucciones de la sección "Instrucciones Generales de Limpieza". Mantenga las puertas abiertas, de manera que el aire circule en el interior. En una mudanza, siempre coloque el congelador en posición vertical. No lo transporte con la unidad en posición horizontal. Esto puede ocasionar daños al sistema sellado de la unidad.



ATTENTION: SI EL CORTE SE PRODUCE DURANTE UN PERÍODO PROLONGADO, INSPECCIONE Y DESCARTE LOS ALIMENTOS QUE SE ECHARON A PERDER O SE DESCONGELARON EN EL CONGELADOR. LIMPIE EL CONGELADOR ANTES DE USARLO NUEVAMENTE.

Resolución de Problemas

El Congelador no Funciona:

- Verifique que el termostato de control no esté en la posición "OFF".
- Verifique que el congelador esté enchufado.
- Verifique que llega corriente al receptáculo de CA, examinando el interruptor de circuito.
- Espere de 30 a 40 minutos para ver si el congelador comienza a funcionar. El ciclo del compresor debe completarse para que la unidad principie a operar.

La temperatura de los alimentos parece muy alta:

- Puede ser que abre la puerta muy frecuentemente.
- Espere algún tiempo para que alimentos que se ponen en el congelador a temperatura ambiente, alcancen la temperatura del congelador.
- Verifique que los empaques sellan adecuadamente.
- Ponga el control de temperatura en una graduación de temperatura más baja.

La temperatura de los alimentos parece demasiado fría:

- Si la graduación del control de temperatura está en un punto muy bajo, ajuste el control a una temperatura menos fría y espere algunas horas para que la temperatura se estabilice al nivel deseado.

El compresor opera con demasiada frecuencia:

- Esta puede ser la operación normal del congelador para mantener una temperatura constante en días calurosos y húmedos.
- Las puertas pueden haberse abierto muy frecuentemente o por períodos prolongados de tiempo.
- Verifique que el empaque sella apropiadamente.
- Verifique que las puertas están completamente cerradas.
- Verifique que el compartimiento del congelador no está obstruido con paquetes de alimentos congelados, envases, etc.

El congelador tiene mal olor:

- El interior de la unidad puede necesitar limpieza.
- Alimentos empacados o sellados defectuosamente pueden estar despidiendo olores.

Garantía Limitado

Qué cubre y por cuánto tiempo?

Esta garantía cubre todos los defectos en los materiales o los causados por el traslado durante un período de:

12 meses de mano de obra

12 meses en componentes

5 años en el sistema sellado

La garantía comienza el día en que el producto fue comprado. La factura original de compra debe ser presentada antes de hacer uso del servicio.

EXCEPCIONES: Garantía de uso comercial

90 días labor

90 días partes

No aplica ninguna otra garantía

Lo que cubre:

1. Las partes mecánicas y eléctricas que se utilizan para el funcionamiento, por un período de 1 años. Incluye todas las partes menos el acabado final.
2. Los componentes del sistema sellado, por ej. el compresor hermético, condensador, evaporador, de todo defecto de manufactura por un período de 5 años desde la fecha de compra. Cualquier daño a estos componentes causado por abuso mecánico o utilización inadecuada no serán cubiertos.

Que se hará?

1. Repararemos o reemplazaremos cualquier parte mecánica o eléctrica que se compruebe como defectuosa en el funcionamiento normal y durante el período de garantía.
2. No habrá cargos para el comprador por las partes y labor de acuerdo a los ítems anteriores y respetando el período de 1 años. Luego de ese período sólo los componentes estan cubiertos por la garantía. La labor deberá ser abonada por el cliente.

3. Contacte su service: 1-877-337-3639.

ESTA GARANTIA A CUBRE EN LOS EEUU, PUERTO RICO Y CANADA. NO CUBRE LO SIGUIENTE

Daños por instalación impropia

Daños en el embarque y traslado

Otros defectos que no sean de manufactura

Daños por desuso, abuso, accidente,

alteración o falta de cuidado y

mantenimiento adecuado.

Daños por otro uso que no sea el doméstico.

Daños ocasionados por reparaciones de personal no perteneciente a algún service autorizado.

Decoraciones o reemplazo de la bombita de luz.

Transporte y embarque

Labor (luego de los primeros 1 años)

ESTA GARANTIA LIMITADA ESTA DADA

EN LUGAR DE CUALQUIER OTRA

GARANTIA.

El remedio dado por esta garantía es exclusivo y es otorgado en lugar de cualquier otra solución. Esta garantía no cubre daños incidentales o secundarios, de modo que las limitaciones precedentes no lo alcanzan a usted. Algunos Estados no permiten las limitaciones de tiempo de una garantía implícita, de modo que las limitaciones anteriores pueden no aplicarse en su caso.

Esta garantía le da derechos legales específicos, y usted puede contar con otros derechos de acuerdo al Estado donde se encuentre.

Haier America
Wayne, NJ 07470

IMPORTANT

Do Not Return This Product To The Store

If you have a problem with this product, please contact the
"Haier Customer Satisfaction Center" at 1-877-337-3639.

DATED PROOF OF PURCHASE REQUIRED FOR WARRANTY SERVICE

IMPORTANT

Ne pas Réexpédier ce Produit au Magasin

Pour tout problème concernant ce produit, veuillez contacter le service des
consommateurs 'Haier Customer Satisfaction Center' au 1-877-337-3639.

UNE PREUVE D'ACHAT DATEE EST REQUISE POUR BENEFICIER DE LA GARANTIE.

IMPORTANTE

No regrese este producto a la tienda

Si tiene algún problema con este producto, por favor contacte el

"Centro de Servicio al Consumidor de Haier" al 1-877-337-3639 (Válido solo en E.U.A).

NECESITA UNA PRUEBA DE COMPRA FECHADA PARA EL SERVICIO DE LA GARANTIA

www.Haier.com

HF50CW20W HF71CW20W
Issued Date: August 2014

115 V, 60 Hz
Made in China
Fabriqué en Chine
Hecho en China

Printed in China
Haier America
Wayne, NJ 07470
©2014 Haier America Trading, LLC.