

Haier

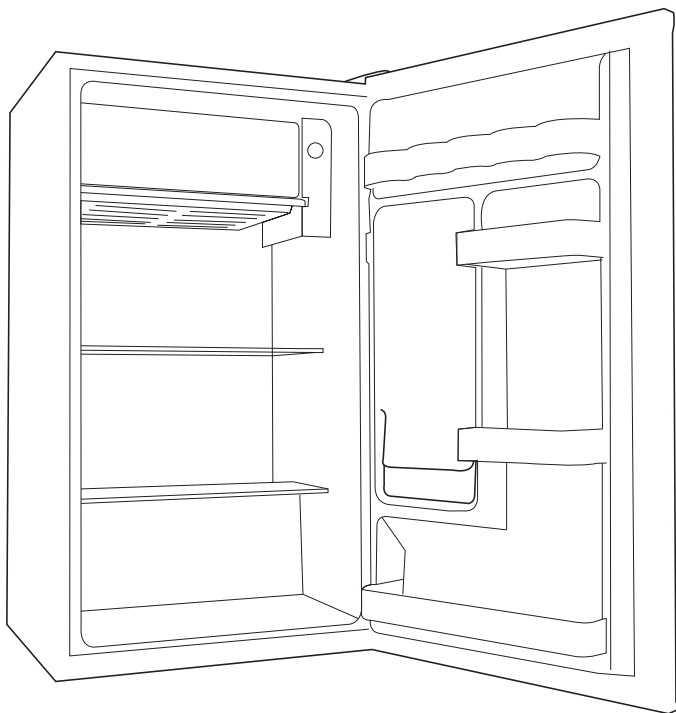
Refrigerator / Freezer

**Refrigerador /
Congelador**

User Manual

Manual del Usuario

HC33SW20RB



SAFETY PRECAUTIONS

Read all of the instructions before using this appliance. When using this appliance, always exercise basic safety precautions, including the following:

NOTE: If the refrigerator has been placed in a horizontal or tilted position for any period of time wait 24 hours before plugging the unit in.

- 1) Use this appliance only for its intended purpose as described in this use and care guide.
- 2) This refrigerator must be properly installed in accordance with the installation instructions before it is used. See grounding instructions in the installation section.
- 3) Never unplug your refrigerator by pulling on the power cord. Always grasp the plug firmly and pull straight out from the outlet.
- 4) Repair or replace immediately, all electric service cords that have become frayed or otherwise damaged. Do not use a cord that shows cracks or abrasion damage along its length, the plug or the connector end.
- 5) Unplug your refrigerator before cleaning or before making any repairs.
Note: *If for any reason this product requires service, we strongly recommend that a certified technician performs the service.*
- 6) **DANGER** - Risk of Fire or Explosion. Flammable refrigerant used. Do not use Mechanical devices to defrost refrigerator. Do not puncture refrigerant tubing.
- 7) If your old refrigerator is not being used, we recommend that you remove the doors and leave the shelves in place. This will reduce the possibility of danger to children.
- 8) After your refrigerator is in operation, do not touch the cold surfaces in the freezer compartment, particularly when hands are damp or wet. Skin may adhere to these extremely cold surfaces.
- 9) Do not refreeze foods that have been thawed completely. The United States Department of Agriculture in Home and Garden Bulletin No. 69 reads: "...You may safely refreeze frozen foods that have thawed if they still contain ice crystals or if they are still cold-below 40°F.

“...Thawed ground meats, poultry, or fish that have any off-odor or off-color should not be refrozen and should not be eaten. Thawed ice cream should be discarded. If the odor or color of any food is poor or questionable, discard it. The food may be dangerous to eat.

“...Even partial thawing and re-freezing reduce the eating quality of foods, particularly fruits, vegetables, and prepared foods. The eating quality of red meats is affected less than that of many other foods. Use refrozen foods as soon as possible, to save as much of its eating quality as you can.”

- 10) This refrigerator should not be recessed or built-in in an enclosed cabinet. It is designed for freestanding installation only.
- 11) Do not operate your refrigerator in the presence of explosive fumes.

SAVE THESE INSTRUCTIONS

CAUTION - Risk of Fire or Explosion

Dispose of property in accordance with Federal or Local Regulations. Flammable refrigerant used.

DANGER

Risk of child entrapment. Before you throw away your old refrigerator or freezer, take off the doors. Leave the shelves in place so that children may not easily climb inside.

PRODUCT REGISTRATION

Thank you for using our Haier product. This easy-to-use manual will guide you in getting the best use of your refrigerator.

Remember to record the model and serial number. They are on a label in the rear of the refrigerator.

Model number

Serial number

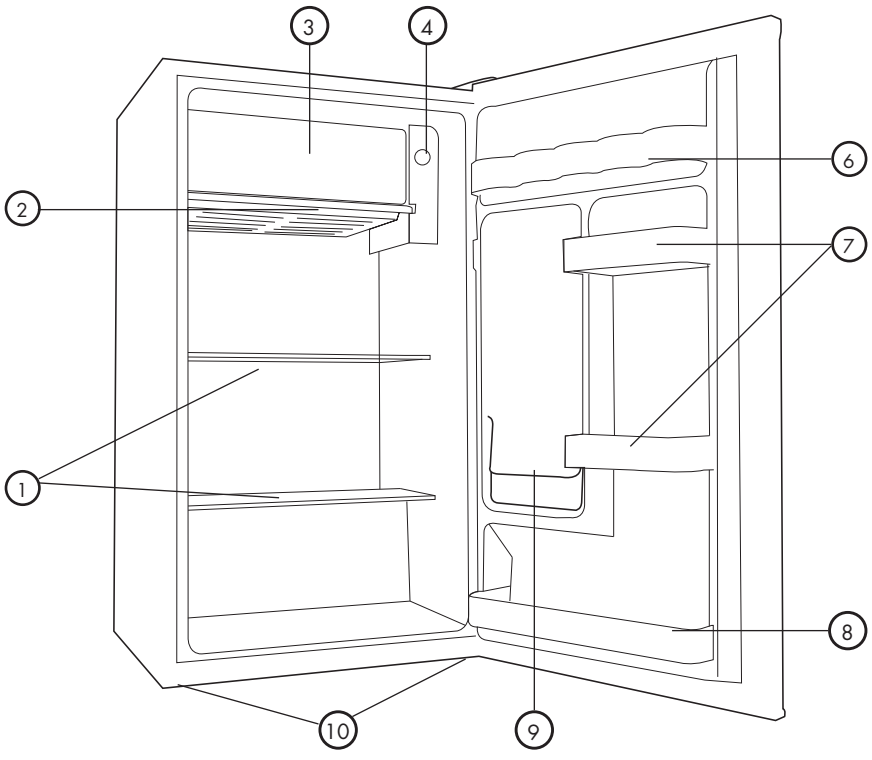
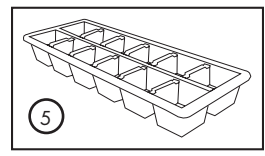
Date of purchase

Staple your receipt to your manual. You will need it to obtain warranty service.

TABLE OF CONTENTS

	PAGE
SAFETY PRECAUTIONS	1
PARTS AND FEATURES	4
INSTALLING YOUR REFRIGERATOR	5
Unpacking Your Refrigerator	5
Leveling Your Refrigerator	5
Proper Air Circulation	5
Reversing the Door	5
Door Alignment	6
Electrical Requirements	7
Use of Extension Cord	7
Installation Limitations	7
REFRIGERATOR FEATURES AND USE	8
General Features	8
Refrigerator Interior Shelves	8
Food Storage Information	9
Normal Operating Sounds	10
PROPER REFRIGERATOR CARE AND CLEANING	11
Cleaning and Maintenance	11
Defrost	11
Power Interruptions	12
Vacation and Moving Care	12
Energy Saving Tips	12
TROUBLESHOOTING	13
WARRANTY INFORMATION	14

PARTS AND FEATURES



- 1. 2 Full-Width Glass Shelves
- 2. Drip Tray
- 3. Freezer Compartment
- 4. Adjustable Temperature Control
- 5. Ice Cube Tray

- 6. 1 Full-width Can Storage Shelf
- 7. 2 Half-Width Door Bins
- 8. Full-Width Door Shelf
- 9. 2 Liter Bottle Door Storage
- 10. Leveling Legs

INSTALLING YOUR REFRIGERATOR

Unpacking Your Refrigerator

1. Remove all packaging material. This includes the foam base and all adhesive tape holding the refrigerator accessories inside and outside.
2. Inspect and remove any remains of packing, tape or printed materials before powering on the refrigerator.



CAUTION

Risk of Fire or Explosion due to puncture of refrigerant tubing. Flammable refrigerant used. Handle with care when moving refrigerator to avoid either damaging the refrigerant tubing or increasing the risk of a leak.

Leveling Your Refrigerator

- Your refrigerator has two leveling legs which are located in the front bottom corners of your refrigerator. After properly placing your refrigerator in its final position, you can level your refrigerator.
- Leveling legs can be adjusted by turning them counterclockwise to raise your refrigerator or by turning them clockwise to lower your refrigerator. The refrigerator door will close easier when the leveling legs are extended.

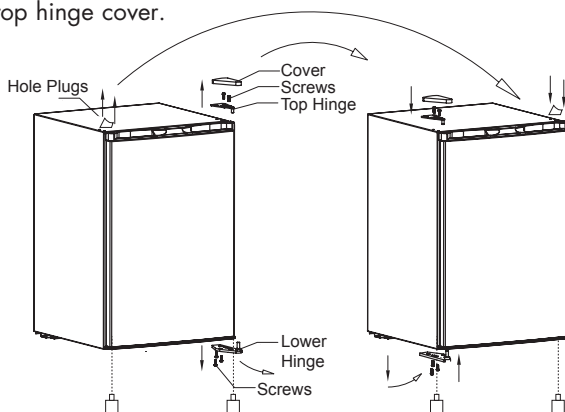
Proper Air Circulation

- To ensure your refrigerator works at the maximum efficiency it was designed for, you should install it in a location where there is proper air circulation, plumbing and electrical connections.
- The following are recommended clearances around the refrigerator:
Sides.....4"
Top.....4"
Back.....4"

Reversing the Door Hinge

1. Remove any loose items in the refrigerator and carefully turn refrigerator on its back.
2. Remove the top hinge cover using a flat head screw driver and gently push up.
3. Using a Phillips head screwdriver, loosen and remove the screws holding the top hinge in place.
4. Remove top hinge and carefully lift off the door.
5. Remove the screw hole plugs from the opposite side and insert the plugs in the screw hole openings of the just removed screws.
6. Remove both front leveling legs.
7. Loosen the screws holding the lower hinge bracket to the refrigerator and remove screws and bracket.

8. Align lower hinge bracket on opposite side and insert screws into the holes.
9. Align hole in the door with the door pin in lower hinge and gently push down until firm.
10. Re-install both leveling legs.
11. Align upper hinge bracket with screw holes, insert screws and partially secure, check that door and cabinet are properly aligned and then secure tightly.
12. Replace top hinge cover.



NOTE: As the door gets pressed in during shipping, after reversing the door, the gasket may have to be reset. This is done to prevent the cool refrigerated air from escaping. If there is a gap between the door gasket and the cabinet, set the gasket by gently pulling it out to seal the gap.

Door Alignment

1. Remove the top hinge cover by using a flathead screwdriver. Place the head under the front edge of the cap and gently lift.
2. Loosen the top hinge screws using a Phillips head screw driver.
3. Adjust the door or put a spacer in between and tighten the screws.
4. Replace the top hinge cover by aligning the rear of the cover with the rear of the hinge. Press firmly on the front of the cover until it snaps in place.

Electrical Requirement

- Make sure there is a suitable power outlet (115 volts, 15 amps outlet) with proper grounding to power the refrigerator.
- Avoid the use of three prong adapters or cutting off the third grounding prong in order to accommodate a two prong outlet. This is a dangerous practice since it provides no effective grounding for the refrigerator and may result in shock hazard.

Use of Extension Cords

- Avoid the use of an extension cord because of potential safety hazards under certain conditions. If it is necessary to use an extension cord, use only a 3-wire extension cord that has a 3-blade grounding plug and a 3-slot outlet that will accept the plug. The marked rating of the extension cord must be equal to or greater than the electrical rating of the appliance.

Installation Limitations

- Do not install your refrigerator in any location not properly insulated or heated, e.g. garage, etc. Your refrigerator was not designed to operate in temperature settings below 55° Fahrenheit.
- Select a suitable location for the refrigerator on a hard even surface away from direct sunlight or heat source, e.g. radiators, baseboard heaters, cooking appliances, etc. Any floor unevenness should be corrected with the leveling legs located on the front bottom corners of the refrigerator.

NOTE: As the door gets pressed in during shipping, after reversing the door, the gasket may have to be reset. This is done to prevent the cool refrigerated air from escaping. If there is a gap between the door gasket and the cabinet, set the gasket by gently pulling it out to seal the gap.

REFRIGERATOR FEATURES AND USE

General Features

Adjustable temperature dial:

Your refrigerator will automatically maintain the temperature level you select. The temperature control dial has 5 settings plus "0". 1 is the warmest. 5 is the coldest. At first, set the dial to 3 and allow 24 hours to pass before adjusting the temperature to your needs.

(Note: If the refrigerator has been placed in a horizontal or tilted position for any period of time wait 24 hours before plugging the unit in.)

Freezer Compartment / Use of the Ice Cube Trays

This compartment is designed for making ice cubes and for short-term food storage (a few days at most).

⚠ WARNING: This compartment is not cold enough to freeze foods safely for more than 5 days.

- If ice cube tray freezes to the bottom of the compartment, pour a little warm water around it to loosen it. Do not use boiling water, which can damage plastic parts, or sharp metal objects such as a knife or screwdriver, which can damage the cooling system tubing. Wash the ice cube tray in lukewarm water only. Do not wash in the dishwasher.

Refrigerator Interior Shelves

To remove or replace a full-width slide-out shelf:

(see fig. # 2)

1. Gently tilt the shelf up and slide forward until the shelf has been completely removed.
2. To replace the shelf, gently slide the shelf back.

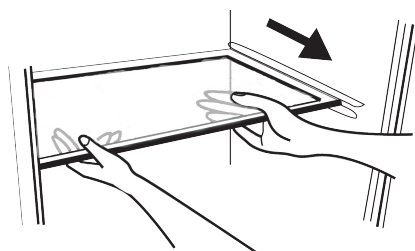


fig. # 2

Food Storage Information

Fresh Food

- When storing fresh food that is not prepackaged, be sure to wrap or store food in airtight and moisture proof material unless otherwise noted. This will ensure proper shelf life and prevent the transfer of odors and tastes.
- Wipe containers before storing to avoid needless spills.
- Eggs should be stored in an upright position in their original carton to maximize shelf life.
- Fruit should be washed and dried, then stored in sealed plastic bags before storing in the refrigerator.
- Vegetables with skins should be stored in plastic bags or containers.
- Leafy vegetables should be washed and drained and then stored in plastic bags or containers.
- Hot food should be allowed to cool before storing in the refrigerator. This will prevent unnecessary energy use.
- Fresh seafood should be used the same day as purchased.
- When storing meats in the fresh food section, keep in the original packaging or rewrap as necessary. Follow the suggestions below for safe storage:
 - Chicken 1-2 Days
 - Ground Beef 1-2 Days
 - Cold Cuts 3-5 Days
 - Steaks/Roasts 3-5 Days
 - Smoked/Cured Meats 7-10 Days
 - All others 1-2 Days

Normal Operating Sounds You May Hear

- Boiling water, gurgling sounds or slight vibrations that are the result of the refrigerant circulating through the cooling coils.
- The thermostat control will click when it cycles on and off.

PROPER REFRIGERATOR CARE AND CLEANING

Cleaning and Maintenance

- Warning:** To avoid electric shock, always unplug your refrigerator before cleaning. Ignoring this warning may result in death or injury.
- Caution:** Before using cleaning products, always read and follow manufacturer's instructions and warnings to avoid personal injury or product damage.
- General:** Prepare a cleaning solution of 3-4 tablespoons of baking soda mixed with warm water. Use sponge or soft cloth, dampened with the cleaning solution, to wipe down your refrigerator.
- Rinse with clean warm water and dry with a soft cloth.
 - Do not use harsh chemicals, abrasives, ammonia, chlorine bleach, concentrated detergents, solvents or metal scouring pads. Some of these chemicals may dissolve, damage and/or discolor your refrigerator.
- Door Gaskets:** Clean door gaskets every three months according to general instructions. Gaskets must be kept clean and pliable to assure a proper seal.
- Petroleum jelly applied lightly on the hinge side of gaskets will keep the gasket pliable and ensure a good seal.

Defrost

Defrost whenever frost on the wall of the freezer compartment becomes 1/8" thick.

DANGER - Risk of Fire or Explosion due to puncture of refrigerant tubing. Flammable refrigerant used. Do not use metal instruments to defrost refrigerator. Do not puncture refrigerant tubing.

To defrost, remove foods and ice cube tray from the freezer compartment. Make sure the drip tray is in place and unplug the unit. Defrosting usually takes a few hours. To defrost faster, keep the door open and place a bowl of warm water in the refrigerator. After defrosting, empty water from the drip tray and wash the drip tray in warm water.

Maintenance

Risk of Fire or Explosion. Flammable refrigerant used. Do not puncture refrigerant tubing. To be repaired only by trained authorized service personnel. Consult Repair Manual before attempting to service this product. All Safety Precautions Must be followed. Component parts shall be replaced with like components to minimize the risk of possible ignition due to incorrect parts or improper service.

Power Interruptions

- Occasionally there may be power interruptions due to thunderstorms or other causes. Remove the power cord from wall outlet when a power outage occurs. When power has been restored, replug power cord to wall outlet. If outage is for a prolonged period, inspect and discard spoiled or thawed food in freezer and refrigerator. Clean refrigerator before reusing.

Vacation and Moving Care

- For long vacations or absences, empty food from refrigerator and freezer, move the temperature dial to the "0" position and clean the refrigerator and door gaskets according to "General Cleaning" section. Prop doors open, so air can circulate inside. When moving, always move the refrigerator vertically. Do not move with the unit lying down. Possible damage to the sealed system could occur.

Energy Saving Tips

- The refrigerator should be located in the coolest area of the room, away from heat-producing appliances or heating ducts, and out of direct sunlight.
- Let hot foods cool to room temperature before placing in the refrigerator. Overloading the refrigerator forces the compressor to run longer and thus increases energy consumption. Foods that refrigerate too slowly may lose quality or spoil.
- Be sure to wrap foods properly, and wipe containers dry before placing in the refrigerator.
- The shelves should not be lined with aluminum foil, wax paper, or paper towels. Liners interfere with cold air circulation, making the refrigerator less efficient.
- Organize food to reduce door openings and extended searches. Remove as many items as needed at one time, and close the door as soon as possible.

TROUBLESHOOTING

Refrigerator does not operate:

- Check if thermostat control is not in the "0" position.
- Check if refrigerator is plugged in.
- Check if there is power at the wall outlet, by checking the circuit breaker.

Food temperature appears too warm:

- Frequent door openings.
- Allow time for recently added warm food to reach fresh food temperature.
- Check gaskets for proper seal.
- Adjust temperature control to colder setting.

Food temperature is too cold:

- If temperature control setting is too cold, adjust to a warmer setting and allow several hours for temperature to adjust.

Refrigerator runs too frequently:

- This may be normal to maintain constant temperature during high temperature and humid days.
- Doors may have been opened frequently or for an extended period of time.
- Check gasket for proper seal.
- Check to see if doors are completely closed.

Moisture build up on interior or exterior of the refrigerator:

- This is normal during high humidity periods.
- Prolonged or frequent door openings.
- Check door gaskets for proper seal.

Refrigerator has an odor:

- Interior needs cleaning.
- Foods improperly wrapped or sealed are giving off odors.

Refrigerator door does not shut properly:

- Level the refrigerator.
- Re-align refrigerator door.
- Check for blockages, e.g. food containers, crisper cover, shelves, bins, etc.

Popping or cracking sound when the compressor comes on:

- Check to ensure the refrigerator is level.
- The floor may be uneven or weak. The refrigerator rocks on the floor when it is moved slightly. Be sure the floor can adequately support the refrigerator. Level the refrigerator by putting wood or metal shims under part of the refrigerator.
- The refrigerator is touching the wall. re-level the refrigerator and move it from the wall. See the "Installing Your Refrigerator" section.

LIMITED WARRANTY

What is covered and for how long?

This warranty covers all defects in workmanship or materials for a period of:

12 months labor (carry in only)

12 months parts (carry in only)

**5 years sealed system
(carry in only)**

The warranty commences on the date the item was purchased and the original purchase receipt must be presented to the authorized service center before warranty repairs are rendered.

EXCEPTIONS: Commercial or Rental Use warranty

90 days labor (carry-in only)

90 days parts

No other warranty applies

What is covered.

1. The mechanical and electrical parts, which serve as a functional, purpose of this appliance for a period of 12 months. This includes all parts except finish, and trim.
2. The components of the sealed system e.g. hermetic compressor, condenser and evaporator from manufacturing defects for a period of 5 years from the date of purchase. Any damages to such components caused by mechanical abuse or improper handling or shipping will not be covered.

What will be done?

1. We will repair or replace, at our discretion any mechanical or electrical part which proves to be defective in normal usage during the warranty period so specified.
2. There will be no charge to the purchaser for parts and labor on any covered items during the initial 12-month period. Beyond this period only parts are covered in the remaining warranty. Labor is not provided and must be paid by the customer.

3. Contact your nearest authorized service center. For the name of the nearest service center please call 1-877-337-3639.

THIS WARRANTY COVERS APPLIANCES WITHIN THE CONTINENTAL UNITED STATES, PUERTO RICO AND CANADA. IT DOES NOT COVER THE FOLLOWING:

Damages from improper installation.

Damages in shipping.

Defects other than manufacturing.

Damage from misuse, abuse, accident, alteration, lack of proper care and maintenance or incorrect current or voltage.

Damage from other than household use.

Damage from service by other than an authorized dealer or service center.

Decorative trims or replaceable light bulbs.

Transportation and shipping.

Labor (after the initial 12 months).

THIS LIMITED WARRANTY IS GIVEN IN LIEU OF ALL OTHER WARRANTIES, EXPRESSED OR, INCLUDING THE WARRANTIES OF MERCHANTABILITY AND FITNESS FOR A PARTICULAR PURPOSE

The remedy provided in this warranty is exclusive and is granted in lieu of all other remedies.

This warranty does not cover incidental or consequential damages, so the above limitations may not apply to you. Some States do not allow limitations on how long an implied warranty lasts, so the above limitations may not apply to you.

This warranty gives you specific legal rights, and you may have other rights, which vary, from state to state.

Haier America
Wayne, NJ 07470

PRECAUCIONES DE SEGURIDAD

Lea todas las instrucciones antes de usar este aparato. Cuando lo utilice, siempre tome las precauciones básicas de seguridad, incluidas las siguientes:

NOTA: Si el refrigerador se coloca en posición horizontal o inclinada durante un lapso de tiempo, espere 24 horas antes de enchufar la unidad.

- 1) Utilice este aparato solamente para lo que fue diseñado, según se describe en esta guía de uso y cuidado.
- 2) Antes de utilizar este refrigerador debe instalarse adecuadamente de conformidad con las instrucciones de instalación. Consulte las instrucciones de conexión a tierra en la sección de instalación.
- 3) Nunca jale el cable de suministro eléctrico para desconectar el refrigerador. Siempre tome la clavija con firmeza y júlela en línea recta del tomacorriente.
- 4) Repare o sustituya de inmediato todos los cables de servicio eléctrico que estén desgastados o dañados de alguna otra manera. No utilice un cable que tenga fisuras o abrasiones a lo largo del cable mismo, en la clavija o en el extremo conector.
- 5) Desconecte el refrigerador antes de limpiarlo o hacer reparaciones.
Nota: Si por algún motivo este producto requiere servicio, recomendamos ampliamente que lo realice un técnico certificado en su reparación.
- 6) **PELIGRO** - Riesgo de incendio o explosión. Se utiliza refrigerante inflamable. No utilice dispositivos mecánicos para descongelar el refrigerador. No perforo la tubería refrigerante.
- 7) Si su antiguo refrigerador no está siendo utilizado, le recomendamos que quite las puertas y deje las repisas en su lugar. Esto reducirá la posibilidad de que represente un peligro para los niños.
- 8) Una vez que el refrigerador esté en funcionamiento, evite tocar las superficies frías dentro del compartimento del congelador, en especial si tiene las manos húmedas o mojadas. La piel puede adherirse a estas superficies extremadamente frías.
- 9) No vuelva a congelar alimentos que se han descongelado completamente. En el boletín Hogar y jardín (Home and Garden Bulletin) No. 69, el Departamento de Agricultura de los Estados Unidos afirma que: "...Puede volver a congelar sin peligro, alimentos que se han descongelado si aún contienen cristales de hielo o que aún tienen una temperatura por debajo de los 4.4 °C (40 °F).

"La carne molida, pollo o pescados descongelados que tengan mal olor o color extraño no deberán volver a congelarse y no deben comerse. El helado descongelado deberá desecharse. Si algún alimento tiene mal olor o color, o si tiene duda, deséchelo. Puede ser peligroso comer ese alimento".

"...Incluso el descongelar parcialmente los alimentos y volver a congelarlos se reduce su calidad, particularmente la de las frutas, las verduras y los alimentos preparados. La calidad alimenticia de las carnes rojas se ve menos afectada en comparación a la de muchos otros alimentos. Utilice los alimentos que hayan vuelto a congelarse tan pronto como le sea posible para aprovechar lo más que pueda su calidad alimenticia".

- 10) Este refrigerador no debe de ser empotrado o colocado dentro de un gabinete cerrado. Está diseñado sólo para que no sea empotrado.
- 11) No ponga en funcionamiento el refrigerador en presencia de vapores explosivos.

GUARDE ESTAS INSTRUCCIONES PRECAUCIÓN

Riesgo de incendio o explosión.

Deseche el producto adecuadamente de conformidad con las reglamentaciones federales o locales. Se utiliza refrigerante inflamable.

PELIGRO

Existe el riesgo de que los niños queden atrapados. Antes de desechar el refrigerador o congelador viejo, quite las puertas.

Mantenga las repisas colocadas de modo que los niños no puedan meterse fácilmente.

REGISTRO DEL PRODUCTO

Gracia por utilizar nuestro producto Haier. Este sencillo manual le orientará con respecto al mejor uso que puede darle al refrigerador.

Número de Modelo

Número de Serie

Recuerde tomar nota del modelo y número de serie. Ambos se encuentran impresos en una etiqueta en el interior del refrigerador.

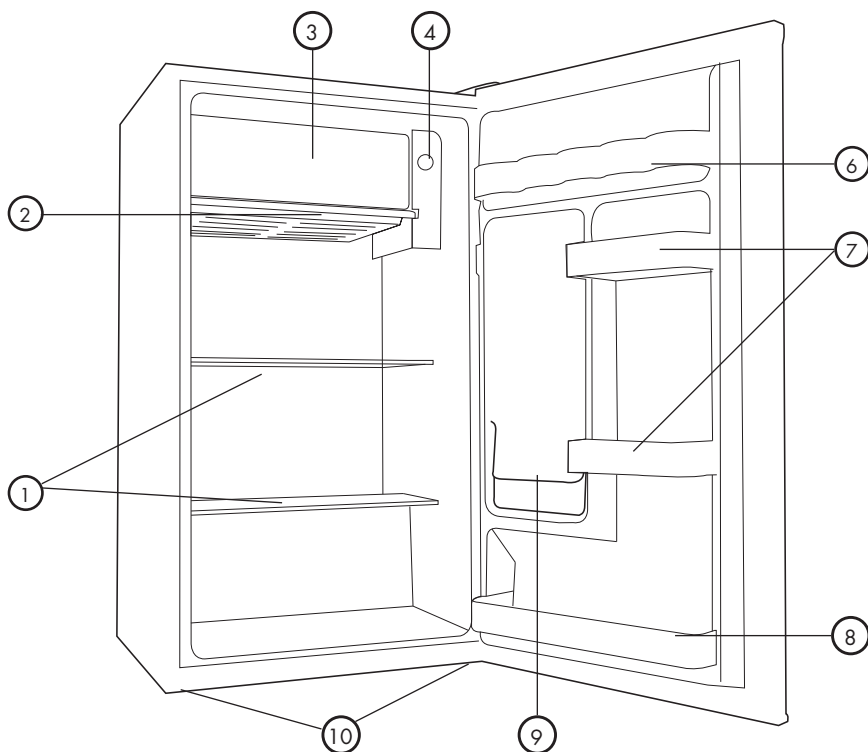
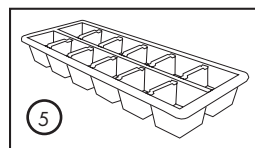
Fecha de Compra

Engrape el recibo al manual. Lo necesitará para recibir el servicio de garantía.

ÍNDICE

	PAGINA
PRECAUCIONES DE SEGURIDAD	1
PARTES Y CARACTERÍSTICAS	4
INSTALACIÓN DEL REFRIGERADOR	5
Cómo desempacar el refrigerador	5
Como nivelar el refrigerador	5
Circulación apropiada del aire	5
Colocación del Gozne de la Puerta en el Lado Opuesto	5
Alineación de la puerta	5
Requisitos eléctricos.....	6
Uso de cables de extensión	6
Limitaciones de instalación.....	6
CARACTERÍSTICAS Y USO DEL REFRIGERADOR	7
Funciones generales	7
Repisas interiores del refrigerador.....	7
Información sobre el almacenamiento de alimentos	8
Sonidos normales del funcionamiento que puede llegar a escuchar.....	8
CUIDADO Y LIMPIEZA ADECUADOS DEL REFRIGERADOR	9
Limpeza y mantenimiento.....	9
Descongelamiento.....	9
Interrupciones del suministro eléctrico.....	10
Cuidado durante las vacaciones y mudanzas	10
Recomendaciones para ahorrar energía.....	10
SOLUCIÓN DE PROBLEMAS	11
GARANTÍA LIMITADA	12

PARTES Y CARACTERÍSTICAS



1. 2 estantes de ancho completo de cristal
2. Charola de goteo
3. Compartimiento del congelador
4. Control de temperatura ajustable
5. Tiroir à glace
6. 1 de ancho completo Can Estante de almacenamiento

7. 2 La mitad de la anchura de la puerta Bins
8. Estante de ancho total de la puerta
9. 2 litros de almacenamiento Puerta Botella
10. Patas de nivelación

INSTALACIÓN DEL REFRIGERADOR

Cómo desempacar el refrigerador

1. Quite todos los materiales de empaque, esto incluye la base de espuma y toda la cinta adhesiva que sostiene los accesorios del refrigerador por dentro y por fuera.
2. Inspeccione y quite cualquier resto de empaque, cinta o material impreso antes de poner en funcionamiento el refrigerador.

PRECAUCIÓN

Riesgo de incendio o explosión debido a perforación de la tubería refrigerante. Se utiliza refrigerante inflamable. Manipule con cuidado cuando mueva el refrigerador para evitar dañar la tubería del refrigerante o aumentar el riesgo de una filtración.

Como nivelar el refrigerador

- El refrigerador tiene dos patas niveladoras que están ubicadas en las esquinas frontales inferiores del refrigerador. Después de colocar correctamente el refrigerador en la posición final, puede nivelarlo.
- Las patas niveladoras pueden ajustarse girándolas hacia la izquierda para elevar el refrigerador y hacia la derecha para bajarlo. La puerta del refrigerador se cerrará con mayor facilidad si las patas niveladoras quedan extendidas.

Circulación apropiada del aire

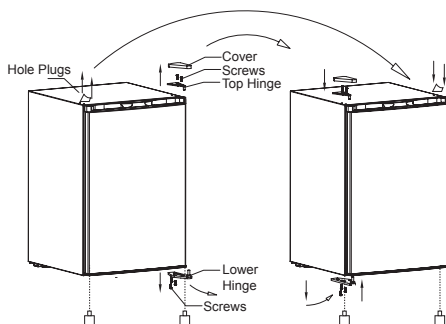
- Para asegurarse de que el refrigerador funcione al máximo rendimiento para el que fue diseñado, deberá instalarlo en un lugar donde haya circulación de aire, tubería y conexiones eléctricas adecuadas.
- A continuación se muestran los espacios recomendados que debe haber alrededor del refrigerador:

Lados.....	102 mm
Parte Superior.....	102 mm
Parte Posterior.....	102 mm

Colocación del Gozne de la Puerta en el Lado Opuesto

1. Quite cualquier objeto suelto del refrigerador y dé vuelta el refrigerador sobre su lado trasero.
2. Retire la cubierta de la bisagra superior con un destornillador de cabeza plana y empuje hacia arriba suavemente.
3. Con un destornillador Phillips, afloje y quite los tornillos que sostienen la bisagra superior en su lugar.

4. Quite la bisagra superior y quite la puerta cuidadosamente.
5. Quite los tarugos de tornillos del lado opuesto e inserte los tarugos en los orificios para tornillos de los tornillos que se han quitado.
6. Retire las dos patas niveladoras delanteras.
7. Afloje los tornillos sosteniendo el soporte de la bisagra inferior contra el refrigerador y quite la bisagra y los tornillos.
8. Alinee el soporte de la bisagra inferior en el lado opuesto e inserte el resto de los tornillos en los agujeros provistos.
9. Alinee el agujero de la puerta con el pasador de la puerta en la bisagra inferior y empuje suavemente hacia abajo hasta que esté firme.
10. Vuelva a insertar ambas patas de nivelación.
11. Alinee el soporte de la bisagra superior con los agujeros de los tornillos, inserte los tornillos y ajuste parcialmente, verifique que la puerta y el gabinete estén alineados adecuadamente y ajuste firmemente.
12. Vuelva a colocar la cubierta de la bisagra.



NOTA: Cuando la junta de culata de puerta obtiene apretado en durante el envío, después que invertir la puerta que la junta de culata tendrá que ser reponer. Esto se hace para prevenir el refresco aire refrigerado de escapar. Si hay un espacio entre la junta de culata de puerta y el gabinete, puso la junta de culata suavemente estirarlo fuera sellar el espacio.

Alineación de la puerta

1. Con un destornillador de punta plana, quite la cubierta de la bisagra superior. Coloque la punta debajo del borde delantero de la cubierta y levante suavemente.
2. Afloje los tornillos de la bisagra superior usando un destornillador de punta de cruz.
3. Ajuste la puerta o coloque un espaciador entremedio y apriete los tornillos.
4. Vuelva a colocar la cubierta de la bisagra superior, alineando la parte posterior de la cubierta con la parte posterior de la bisagra. Presione firmemente en la parte delantera de la cubierta hasta que quede asegurada en su lugar.

Requisitos eléctricos

- Asegúrese de tener un tomacorriente adecuado (tomacorriente de 115 voltios, 15 amperios) con conexión a tierra apropiada para poner en funcionamiento el refrigerador.
- Evite usar adaptadores de tres clavijas o cortar la tercera clavija de conexión a tierra para adaptarlo a un tomacorriente de dos clavijas. Hacer esto es peligroso, ya que el refrigerador no cuenta con una conexión a tierra eficaz y existe el riesgo de descarga.

Uso de cables de extensión

- Evite usar un cable de extensión debido a los posibles riesgos de seguridad que se producen en determinadas condiciones. Si necesita usar un cable de extensión, utilice sólo un cable de extensión de 3 hilos que tenga un enchufe de tres clavijas con conexión a tierra y un tomacorriente de tres clavijas que admita el enchufe. El valor nominal marcado en el cable de extensión debe ser igual o mayor al valor nominal eléctrico del aparato.

Limitaciones de instalación

- No instale el refrigerador en un lugar que no tenga el aislamiento o la calefacción apropiada; por ejemplo en una cochera, etc. El refrigerador no fue diseñado para funcionar en temperaturas abajo de los 12 Centígrados (55 Fahrenheit).
- Seleccione un lugar adecuado para el refrigerador, sobre una superficie sólida y nivelada, alejado de los rayos directos del sol o de una fuente de calor como radiadores, rejillas de calefacción, electrodomésticos para cocinar, entre otros. Si el piso está desnivelado, corrija el problema con las patas niveladoras ubicadas en las esquinas frontales inferiores del refrigerador.

NOTA: Debido a que la puerta queda apretada durante el envío, después de invertir la puerta es posible que se tenga que reajustar la junta. Esto es para evitar que escape el aire frío del refrigerador. Si hay un espacio entre la junta de la puerta y el gabinete, ajuste la junta estirándola suavemente para sellar el espacio.

CARACTERÍSTICAS Y USO DEL REFRIGERADOR

Funciones generales

Disco de control de temperatura ajustable:

El refrigerador mantendrá automáticamente el nivel de temperatura que seleccione. El disco de control de temperatura tiene 5 ajustes además del ajuste "0". El 1 es el más tibio. El 5 es el más frío. Al principio, ajuste el disco a 3 y deje que pasen 24 horas antes de ajustar la temperatura a sus necesidades.

(Nota: Si el refrigerador se coloca en posición horizontal o inclinada durante un lapso de tiempo, espere 24 horas antes de enchufar la unidad.)

Compartimiento del congelador/uso de las bandejas para cubos de hielo.

Este compartimiento está diseñado para hacer cubos de hielo y para el almacenamiento de alimentos a corto plazo (pocos días).

! ADVERTENCIA: Este compartimiento no es lo suficientemente frío como para congelar alimentos por más de 5 días.

- Si la bandeja de cubos de hielo se pega a la base del compartimiento, vierta un poco de agua tibia alrededor para liberarla. No utilice agua hirviendo, ya que puede dañar las piezas plásticas. Tampoco utilice objetos de metal filosos como un cuchillo o destornillador, ya que pueden dañar la tubería del sistema de enfriamiento. Lave la bandeja de cubos de hielo con agua tibia solamente, no la lave en el lavavajillas.

Repisas interiores del refrigerador

Cómo quitar y volver a colocar una repisa corrediza de ancho completo: (Vea fig. # 2)

1. Inclíne ligeramente la repisa y deslícela hacia el frente hasta sacarla por completo.
2. Para volver a colocar la repisa, deslícela cuidadosamente a su lugar.

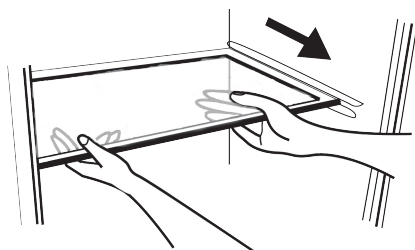


fig. # 2

Información sobre el almacenamiento de alimentos

Alimentos frescos

- Cuando almacene alimentos frescos que no vengan empacados, asegúrese de envolverlos o almacenarlos con material a prueba de humedad o hermético, a menos que se indique de otra manera. De esta forma no caducarán antes de lo previsto y evitará que se contaminen con olores y sabores.
- Limpie los recipientes antes de guardarlos para evitar derrames innecesarios.
- Los huevos deben almacenarse en posición vertical, en su caja de cartón original para incrementar al máximo su duración.
- Las frutas deben lavarse y secarse y después almacenarse en bolsas de plástico selladas antes de guardarse en el refrigerador.
- Las verduras con cáscara deben almacenarse en bolsas o recipientes de plástico.
- Los vegetales con hojas deberán lavarse y escurrirse, y después almacenarse en bolsas o recipientes de plástico.
- Los alimentos calientes deben dejarse enfriar antes de meterlos en el refrigerador. Esto evitará el consumo innecesario de energía.
- Los mariscos frescos deberán utilizarse el mismo día que se compren.
- Cuando almacene carnes en la sección de alimentos frescos, manténgala en el empaque original o si es necesario, envuélvala nuevamente. Siga estas sugerencias para un almacenamiento seguro:
 - Pollo 1 a 2 días
 - Carne molida de res 1 a 2 días
 - Carnes frías 3 a 5 días
 - Bistecs/alimentos asados 3 a 5 días
 - Carnes ahumadas/curadas 7 a 10 días
 - Todo lo demás 1 a 2 días

Sonidos normales del funcionamiento que puede llegar a escuchar

- Sonido de agua hirviendo, borbotos o vibraciones leves que se producen debido a la circulación del refrigerante a través de los serpentines de enfriamiento.

CUIDADO Y LIMPIEZA ADECUADOS DEL REFRIGERADOR

- El control del termostato producirá un chasquido cuando se encienda y se apague.

Limpieza y mantenimiento

Advertencia: Para evitar una descarga eléctrica, siempre desenchufe su refrigerador antes de limpiarlo. Ignorar esta advertencia puede producir lesiones o la muerte.

Precaución: Antes de usar productos de limpieza, lea y siga siempre las instrucciones y advertencias del fabricante, a fin de evitar lesiones personales o daños al producto.

En general:

- Prepare una solución limpiadora de 3 a 4 cucharadas de bicarbonato de sodio mezclado con agua tibia. Limpie el refrigerador con una esponja o un paño suave humedecido con la solución limpiadora.
- Enjuague con agua limpia tibia y seque con un paño suave.
- No utilice sustancias químicas fuertes, abrasivos, amoníaco, blanqueador a base de cloro, detergentes concentrados, solventes o fibras metálicas. Algunas de estas sustancias químicas pueden deshacer, dañar y/o cambiar el color del refrigerador.

Empaques de la puerta:

- Limpie los empaques de la puerta cada tres meses de acuerdo con las instrucciones generales. Los empaques deben mantenerse limpios y flexibles para asegurar que sellen correctamente.
- Aplique gel de petróleo ligeramente en el lado del empaque de las bisagras para que el empaque no pierda su flexibilidad y garantizar que selle correctamente.

Descongelamiento

Descongele cuando la escarcha en la pared del compartimiento del congelador sea de 1/8" de espesor.

PELIGRO: Riesgo de incendio o explosión debido a perforación de la tubería refrigerante. Se utiliza refrigerante inflamable. No utilice dispositivos metálicos para descongelar el refrigerador. No perforo la tubería refrigerante.

Para descongelar, quite los alimentos y la bandeja de los cubos de hielo del compartimiento del congelador. Asegúrese de que la bandeja de goteo esté en su lugar y desenchufe la unidad. La descongelación por lo general lleva unas horas. Para acelerar la descongelación, mantenga la puerta abierta y coloque un recipiente de agua tibia en el refrigerador. Luego de descongelar, vacíe el agua de la bandeja de goteo y lave la bandeja en agua tibia.

Mantenimiento

Riesgo de incendio o explosión. Se utiliza refrigerante inflamable. No perforo la tubería refrigerante. Debe ser reparado solo por personal de servicio autorizado. Consulte el manual de reparación antes de intentar reparar este producto. Deben seguirse todas las precauciones de seguridad. Las piezas del componente deben reemplazarse con componentes equivalentes para minimizar el riesgo de un posible incendio debido a piezas incorrectas o reparación inapropiada.

Interrupciones del suministro eléctrico

- En ocasiones, puede haber interrupciones del suministro eléctrico debido a tormentas u otros motivos. Desenchufe el cable eléctrico del tomacorriente de pared cuando ocurra un corte eléctrico. Cuando la electricidad haya regresado, vuelva a conectar el cable eléctrico al tomacorriente de pared. Si ocurre un corte eléctrico durante un periodo prolongado, inspeccione los alimentos descongelados que estaban en el refrigerador o congelador y deseche los que ya no sirvan. Limpie el refrigerador antes de volver a usarlo.

Cuidado durante las vacaciones y mudanzas

- Durante ausencias o vacaciones largas, no deje comida en el refrigerador ni congelador, coloque el disco de control de temperatura en la posición "0" y limpie el refrigerador y los empaques de la puerta de acuerdo con la sección "Limpieza general". Mantenga las puertas abiertas para que pueda circular aire adentro. Durante las mudanzas, traslade el refrigerador siempre en posición vertical, no traslade la unidad acostada, podría sufrir daños en el sistema de sellado.

Recomendaciones para ahorrar energía

- El refrigerador debe ubicarse en la zona más fresca del lugar, alejado de electrodomésticos que generen calor o de conductos de calefacción, y alejado de la luz directa del sol.
- Deje enfriar los alimentos calientes antes de guardarlos en el refrigerador. Cuando se satura el refrigerador de alimentos, el compresor funciona más tiempo y por lo tanto, el consumo de energía es mayor. Los alimentos que se refrigeran por mucho tiempo, lentamente pueden perder su calidad o descomponerse.
- Asegúrese de envolver correctamente los alimentos y de secar los recipientes antes de colocarlos en el refrigerador.
- Las repisas metálicas no deben revestirse con papel aluminio, papel encerado o toallas de papel. Esto interfiere con la circulación del aire frío y reduce la eficacia del refrigerador.
- Organice los alimentos de manera que se reduzca la cantidad de veces que se tenga que abrir la puerta y evite búsquedas prolongadas. Saque los elementos necesarios de una sola vez y cierre la puerta lo más rápido posible.

SOLUCIÓN DE PROBLEMAS

El refrigerador no funciona:

- Verifique que el control del termostato no esté en la posición "0".
- Verifique que el refrigerador esté conectado.
- Revise el interruptor de carga para verificar que haya energía en el tomacorriente de pared.

La temperatura de los alimentos parece estar demasiado tibia:

- La puerta se abre con frecuencia.
- Dé tiempo para que los alimentos tibios se enfríen.
- Verifique que los empaques sellen correctamente.
- Ajuste el control de temperatura a un valor más frío.

La temperatura de los alimentos es demasiado fría:

- Si el ajuste del control de temperatura está en un valor muy frío, ajústelo a una temperatura más cálida y deje pasar varias horas para que se ajuste la temperatura.

El refrigerador funciona con demasiada frecuencia:

- Esto puede ser normal para mantener la temperatura constante durante los días húmedos y de alta temperatura.
- Es posible que las puertas se hayan abierto con frecuencia o durante un período prolongado.
- Verifique que los empaques sellen correctamente.
- Verifique que las puertas estén completamente cerradas.

Se acumula humedad en el interior o exterior del refrigerador:

- Esto es normal durante períodos de mucha humedad.
- Las puertas se abren con frecuencia o durante períodos prolongados.
- Verifique que los empaques de las puertas sellen correctamente.

El refrigerador despidе olor:

- El interior necesita limpieza.
- Los alimentos mal envueltos o mal sellados despiden olores.

La puerta del refrigerador no cierra correctamente:

- Nivele el refrigerador.
- Vuelva a alinear la puerta del refrigerador.
- Revise que no haya obstrucciones, como contenedores de alimentos, cubierta del cajón para frutas y verduras, repisas recipientes, etc.

Sonido de estallido o fractura cuando se enciende el compresor:

- Revise que el refrigerador esté nivelado.
- Es posible que el piso esté irregular o sea inestable. El refrigerador se balancea sobre el piso cuando se mueve ligeramente. Asegúrese de que el piso soporte el refrigerador de manera adecuada. Coloque una cuña de madera o de metal para nivelarlo.
- El refrigerador hace contacto con la pared. Retírelo de la pared y vuelva a nivelarlo. Consulte la sección "Instalación del refrigerador".

GARANTÍA LIMITADA

¿Qué cubre y por cuánto tiempo?

Esta garantía cubre todos los defectos de fabricación o de materiales durante un período de:

12 meses en mano de obra (sólo reparación en el taller).

12 meses en partes (sólo reparación en el taller).

5 años en el sistema sellado (sólo reparación en el taller).

La garantía entra en vigor en la fecha en que se compró el producto y el recibo original de compra debe presentarse en el centro de servicio autorizado antes de que se lleven a cabo las reparaciones de garantía.

EXCEPCIONES: Garantía del producto para uso comercial o de renta 90 días en mano de obra (sólo reparación en el taller).

90 días en partes.

No aplica ninguna otra garantía.

¿Qué cubre?

- Partes mecánicas y eléctricas cuyo objetivo es poner en funcionamiento este aparato, por un período de 12 meses. Esto incluye todas las partes, excepto los acabados y adornos.
- Componentes sellados del sistema, por ejemplo, el compresor hermético, el condensador y el evaporador, por defectos de fabricación, por un período de 5 años a partir de la fecha de compra. No se cubrirá ningún daño a dichos componentes producidos por maltrato mecánico, manipulación o transporte inadecuados.

¿Que se hará?

- Repararemos o reemplazaremos, a nuestro criterio, cualquier parte mecánica o eléctrica que resulte estar defectuosa por uso normal durante el período de garantía especificado.
- No se cobrará al comprador las partes y la mano de obra de ningún artículo cubierto por el período de 12 meses. Después de dicho período, la garantía restante sólo cubre las partes. No incluye la mano de obra y el cliente deberá pagarla.

- Comuníquese con el centro de servicio autorizado más cercano. Para obtener el nombre del centro de servicio más cercano, llame al 1-877-337-3639.

ESTA GARANTÍA CUBRE ELECTRODOMÉSTICOS EN LOS ESTADOS UNIDOS, PUERTO RICO Y CANADÁ.

NO CUBRE LO SIGUIENTE

Daños por instalación inadecuada.

Daños producidos en el envío.

Defectos que no sean de fabricación.

Daño por uso incorrecto, maltrato, accidente, alteración, falta de cuidado y mantenimiento adecuados, o corriente o voltaje incorrectos.

Daños por uso distinto al doméstico.

Daño por un servicio brindado por alguien distinto a un distribuidor o centro de servicio autorizado.

Acabados decorativos o bombillas reemplazables.

Transporte y envío.

Mano de obra (después de los primeros 12 meses).

ESTA GARANTÍA LIMITADA SE OTORGA EN LUGAR DE CUALQUIER OTRA GARANTÍA, EXPRESA O, INCLUSO LAS GARANTÍAS DE COMERCIALIZACIÓN E IDONEIDAD PARA UN FIN PARTICULAR.

La solución ofrecida en esta garantía es exclusiva y se otorga en lugar de cualquier otra solución.

Esta garantía no cubre daños incidentales o derivados, de modo que es posible que las limitaciones anteriores no apliquen en su caso. Algunos estados no permiten limitaciones sobre la duración de una garantía implícita, de modo que es posible que las limitaciones anteriores no apliquen en su caso.

Esta garantía le otorga derechos legales específicos, y usted puede contar con otros derechos, que varían según cada estado.

Haier America
Wayne, NJ 07470

IMPORTANT

Do Not Return This Product To The Store

If you have a problem with this product, please contact the
"Haier Customer Satisfaction Center" at 1-877-337-3639.

DATED PROOF OF PURCHASE REQUIRED FOR WARRANTY SERVICE

IMPORTANTE

No regrese este producto a la tienda

Si tiene algún problema con este producto, por favor contacte el
"Centro de Servicio al Consumidor de Haier" al 1-877-337-3639 (Válido solo en E.U.A).
NECESITA UNA PRUEBA DE COMPRA FECHADA PARA EL SERVICIO DE LA GARANTIA

www.Haier.com

HC33SW20RB
Issued Date: December 2014

115 V, 60 Hz
Made in China
Hecho en China

Printed in China
Haier America
Wayne, NJ 07470
©2015 Haier America Trading, LLC.