

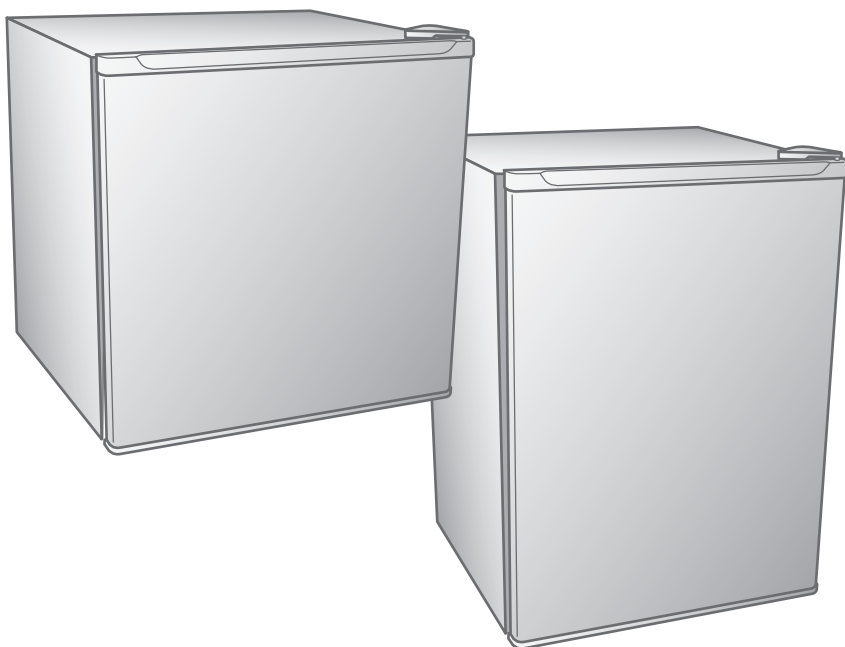
Haier

Installation and User Manual
Manuel d'installation et d'utilisation
Manual de instalación y del usuario
**HC17SF10R, HC17SF15R,
HC17SG42R, HC27SG42R,
HRC2721BC, HRC2725BL**

Compact Refrigerator

Réfrigérateur compact

Refrigerador compacto



Part # 0570000225 REV A

TABLE OF CONTENTS

| | |
|---|-----------|
| REFRIGERATOR SAFETY | 2 |
| PARTS AND FEATURES | 5 |
| INSTALLATION REQUIREMENTS | 6 |
| Location Requirements | 6 |
| Electrical Requirements | 7 |
| REFRIGERATOR INSTALLATION | 8 |
| Step 1 - Unpack Refrigerator | 8 |
| Step 2 - Level Refrigerator | 9 |
| Step 3 - Align Door (If Necessary)..... | 9 |
| Step 4 - Complete the Installation | 10 |
| REFRIGERATOR USE | 10 |
| Control | 10 |
| Refrigerator Compartment..... | 11 |
| Freezer Compartment..... | 11 |
| REFRIGERATOR CARE | 12 |
| Cleaning | 12 |
| Defrosting and Draining | 13 |
| Vacation and Moving | 14 |
| Reinstalling/Using Refrigerator Again | 15 |
| TROUBLESHOOTING | 16 |
| LIMITED WARRANTY | 18 |

RECORD KEEPING

Thank you for purchasing this Haier product. This user manual will help you get the best performance from your new refrigerator.

For future reference, record the model number, serial number, and the date of purchase. The model/serial number plate is located on a label inside the refrigerator.

Staple your proof of purchase to this manual to aid in obtaining warranty service if needed.

Model number

Serial number

Date of purchase

REFRIGERATOR SAFETY

Your safety and the safety of others are very important.

We have provided many important safety messages in this manual and on your appliance. Always read and obey all safety messages.



This is the safety alert symbol.

This symbol alerts you to potential hazards that can kill or hurt you and others. All safety messages will follow the safety alert symbol and either the word "DANGER," "WARNING" or "CAUTION."

These words mean:

⚠ DANGER

An imminently hazardous situation. You could be killed or seriously injured if you don't immediately follow instructions.

⚠ WARNING

A potentially hazardous situation which, if not avoided, could result in death or serious bodily injury.

⚠ CAUTION

A potentially hazardous situation which, if not avoided, may result in moderate or minor injury.

All safety messages will tell you what the potential hazard is, tell you how to reduce the chance of injury, and tell you what can happen if the instructions are not followed.

IMPORTANT SAFETY INSTRUCTIONS

WARNING: To reduce the risk of fire, electrical shock, injury to persons, or damage when using the refrigerator, follow basic precautions, including the following:

- Use this appliance only for its intended purpose as described in this user manual.
- This refrigerator must be properly installed in accordance with the installation instructions before it is used. See grounding instructions in the installation section.
- Flammable refrigerant used. Do not use mechanical devices to defrost freezer. Do not puncture refrigerant tubing.
- Flammable refrigerant used. To be repaired only by trained service personnel. Do not puncture refrigerant tubing.
- Flammable refrigerant used. Dispose of properly in accordance with federal or local regulations.
- Flammable refrigerant used. Follow handling instructions carefully. Risk of fire or explosion due to puncture of refrigerant tubing.
- Plug into a grounded 3 prong outlet.
- Do not remove ground prong.
- Do not use an adapter.
- Do not use an extension cord.
- Do not repair or replace any part of the appliance unless specifically recommended in the manual. All other servicing should be referred to a qualified technician.
- Disconnect power before servicing.
- Replace all parts and panels before operating.
- Use nonflammable cleaner.
- Keep flammable materials and vapors, such as gasoline, away from refrigerator.
- Cabinet edges along stamp/cutout areas may be sharp. Avoid placing hands, fingers or other appendages near these areas.
- This refrigerator should not be recessed or built-in an enclosed cabinet. It is designed for freestanding installation only.
- Before discarding or removing from service, remove the door. This will reduce the possibility of danger to children.

READ AND SAVE THESE INSTRUCTIONS

State of California Proposition 65 Warnings:

WARNING: This product contains one or more chemicals known to the State of California to cause cancer.

WARNING: This product contains one or more chemicals known to the State of California to cause birth defects or other reproductive harm.

PROPER DISPOSAL OF YOUR OLD REFRIGERATED APPLIANCE

WARNING

Suffocation Hazard

Remove doors or lid from your old freezer or refrigerator.

Failure to do so can result in death or brain damage.

IMPORTANT: Child entrapment and suffocation are not problems of the past. A junked or abandoned freezers or refrigerators are still dangerous – even if it will sit for “just a few days.” If you are getting rid of your old refrigerator or freezer, please follow these instructions to help prevent accidents.

Before You Throw Away Your Old Freezer or Refrigerator:

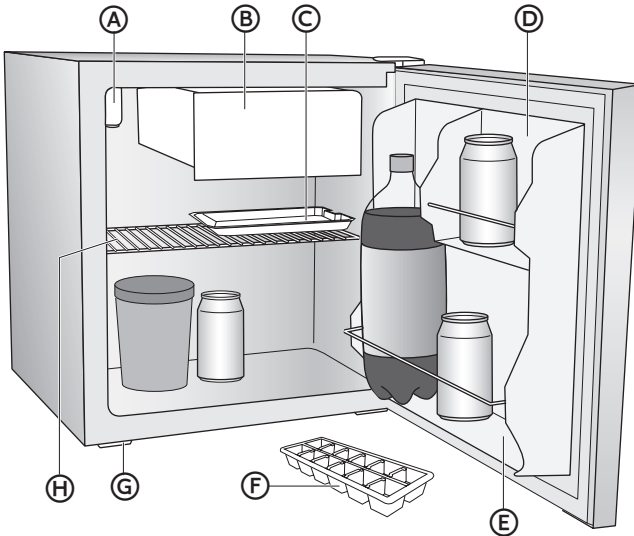
- Remove the doors or lid.
- Leave any shelves in place so that children may not easily climb inside.

Important information to know about disposal of refrigerants:

Dispose of freezer in accordance with Federal and Local regulations. Refrigerants must be evacuated by a licensed, EPA certified refrigerant technician in accordance with established procedures.

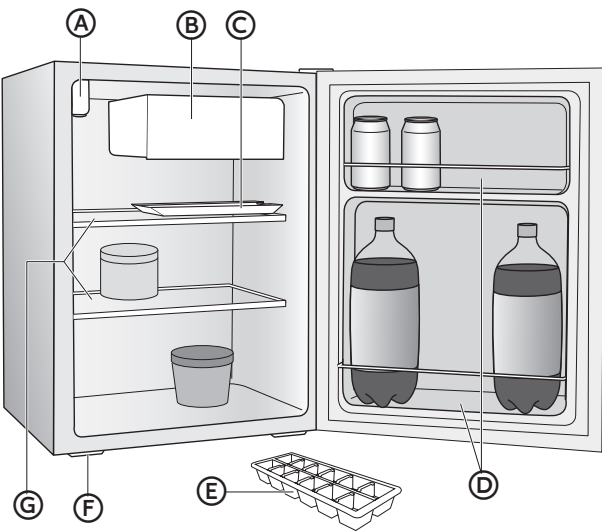
PARTS AND FEATURES

1.7 cu ft Models (1-shelf)



- (A) Adjustable Temperature Control
- (B) Freezer Compartment
- (C) Drip Tray
- (D) Half-width Door Shelf
- (E) Full-width Door Shelf
- (F) Ice Cube Tray
- (G) Leveling Legs
- (H) Full-width Shelf (Wire or Glass depending on model)

2.7 cu ft Models (2-glass shelves)



- (A) Adjustable Temperature Control
- (B) Freezer Compartment
- (C) Drip Tray
- (D) Full-width Door Shelves (2)
- (E) Ice Cube Tray
- (F) Leveling Legs (2)
- (G) Full-width Glass Shelves (2)

INSTALLATION REQUIREMENTS

LOCATION REQUIREMENTS

! WARNING



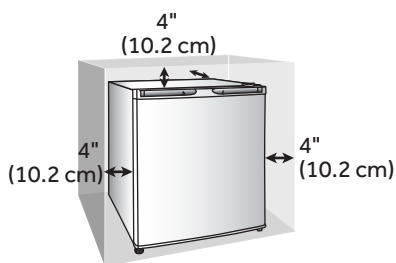
Explosion and Fire Hazard

Keep flammable materials and vapors, such as gasoline, away from appliance.

Failure to do so can result in death, explosion or fire.

IMPORTANT: This appliance is designed for freestanding installation only. It should not be recessed or built-in an enclosed cabinet. To ensure your refrigerator works at optimum efficiency, you should install it in a location where there is proper air circulation, and electrical connections.

Recommended Clearances:



- Your refrigerator is designed for use in a location where the temperature ranges from a minimum of 55°F (13°C) to a maximum of 110°F (43°C).
- It is recommended that you do not install the refrigerator in direct sunlight or near a heat source e.g. radiators, baseboard heaters, cooking appliances etc.
- Place the refrigerator on a floor strong enough to support it fully loaded.

ELECTRICAL REQUIREMENTS

⚠ WARNING



Electrical Shock Hazard

Plug into a grounded 3 prong outlet.

Do not remove the ground prong from the power cord plug.

Do not use an adapter.

Do not use an extension cord.

Failure to do so can result in death, fire or electrical shock.

Before you move your refrigerator to a location, it is important to make sure you have the proper electrical connection.

Recommended Grounding Method

A 115 Volt, 60 Hz., AC only, 15-amp fused, grounded electrical supply is required. It is recommended that a separate circuit serving only your refrigerator be provided. Use an outlet that cannot be turned off by a switch. Do not use an extension cord.

REFRIGERATOR INSTALLATION

STEP 1 - UNPACK REFRIGERATOR

WARNING



Fire or Explosion Hazard

Do not puncture refrigerant tubing.

Follow handling instructions carefully.

Flammable refrigerant used.

Failure to do so can result in death, explosion or fire.

IMPORTANT: Handle with care when moving to avoid either damaging the refrigerant tubing or increasing the risk of a leak.

IMPORTANT: When moving, never tilt the refrigerator more than a 45° angle. This could damage the compressor and the sealed system. If the refrigerator has been placed in a horizontal position for any period of time, wait 24 hours before plugging in the refrigerator to allow the refrigerant to settle.

1. Remove and dispose of/recycle all packing materials. This includes the foam base and all adhesive tape. Remove all protective packaging covering the product.
2. Remove user manual and other printed material before turning on the refrigerator.
3. Clean the exterior surface with a soft cloth.

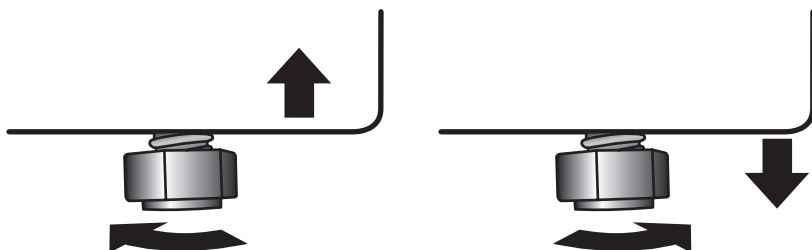
STEP 2 - LEVEL REFRIGERATOR

Your refrigerator has two leveling legs located in the front, bottom corners. After placing the refrigerator in its final position, level the refrigerator.

Adjust the Leveling Legs:

To Raise – Turn the leveling legs to the left.

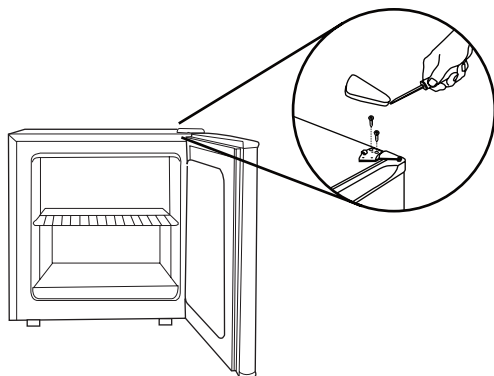
To Lower – Turn the leveling legs to the right.



NOTE: The refrigerator door will close easier when leveling legs are extended.

STEP 3 - ALIGN DOOR (IF NECESSARY)

1. Remove the top hinge cover. Using a flat-blade screwdriver, place the blade under the front edge of the cover and gently lift up.
2. Using a Phillips screwdriver, loosen the top hinge screws.



3. Adjust the door and then tighten the screws.
4. Replace the top hinge cover by aligning the rear of the cover with the rear of the hinge. Press firmly on the front of the cover until it snaps in place.

STEP 4 - COMPLETE THE INSTALLATION

⚠ WARNING



Electrical Shock Hazard

Plug into a grounded 3 prong outlet.

Do not remove the ground prong from the power cord plug.

Do not use an adapter.

Do not use an extension cord.

Failure to do so can result in death, fire or electrical shock.

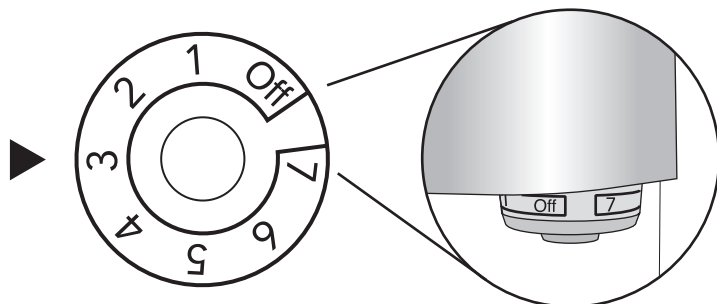
1. Plug into a grounded 3 prong outlet.

REFRIGERATOR USE

CONTROL

The control, located at the top left of the interior cabinet, is an adjustable dial with settings ranging from 1 (Least Cold) to 7 (Coldest), and OFF.

NOTE: Turning the control knob to off does not disconnect the refrigerator from the power supply.



1. Turn the temperature control dial to 3 (recommended setting).
2. Allow the refrigerator to cool for several hours before adding food.

ADJUSTING THE TEMPERATURE

The recommended setting (3) is designed to maintain the temperature under normal operating conditions.

If you need to adjust the temperature, adjust the control dial to one of the adjacent settings (2 or 4).

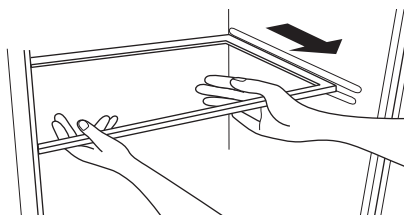
NOTE: Except when starting the refrigerator, do not adjust the control more than one setting at a time. Wait 24 hours between adjustments for the temperature to stabilize.

REFRIGERATOR COMPARTMENT

SHELVES

To Remove or Replace a Shelf:

- To Remove - Tilt the front of the shelf upward, and then slowly slide it forward.
- To Replace - Align the shelf with the supports and gently slide the shelf toward the rear.



FREEZER COMPARTMENT

The freezer compartment is designed for making ice cubes and for short-term food storage (a few days at most).

IMPORTANT: This compartment is not cold enough to store frozen foods safely for more than 5 days.

ICE CUBE TRAY

- If ice cube tray freezes to the bottom of the compartment, pour a little warm water around it to loosen it.

NOTE: Do not use boiling water, which can damage plastic parts, or sharp metal objects such as a knife or screwdriver, which can damage the cooling system tubing.

- Wash the ice cube tray in lukewarm water only. Do not wash in the dishwasher.

REFRIGERATOR CARE

CLEANING

WARNING



Explosion Hazard

Use nonflammable cleaner.

Failure to do so can result in death, explosion or fire.

IMPORTANT: Do not use harsh chemicals, ammonia, chlorine bleach, concentrated detergent, solvents, abrasives or metal scouring pads to clean your refrigerator inside or out. They can damage and/or discolor the refrigerator finish.

WARNING



Electrical Shock Hazard

Unplug your appliance or disconnect power before cleaning.

Failure to do so can result in death, electric shock or personal injury.

1. Unplug refrigerator or disconnect power.
2. Before using cleaning products, always read and follow manufacturer's instructions and warnings to avoid personal injury or product damage.
3. Wash interior surfaces, accessories, and outer frame with cold water and a little baking soda.
4. Dry thoroughly with a soft cloth.
5. Plug in or reconnect power.

DOOR GASKETS

Gaskets must be kept clean and pliable to assure a proper seal.

- Clean door gaskets every three months with solution of baking soda and warm water.
- Petroleum jelly applied lightly on the hinge side of gaskets will keep the gasket pliable and assure a good seal.

DEFROSTING AND DRAINING

DANGER



Fire or Explosion Hazard

Flammable refrigerant used.

Do not use mechanical devices to defrost freezer.

Do not puncture refrigerant tubing.

Failure to do so can result in death, explosion or fire.

For most efficient operation and minimum energy consumption, defrost whenever the frost becomes $\frac{1}{8}$ " (3.2 mm) thick.

IMPORTANT:

- Do not use mechanical devices to defrost freezer.
 - Do not use boiling water as it may damage the freezer.
1. Remove food and ice cube tray from the freezer, and place the drip tray under the compartment.
 2. Turn the temperature control to the "OFF" position and unplug the unit.

NOTE: Defrosting usually takes a few hours. To defrost faster keep the door open and place a bowl of warm water in the refrigerator.

3. When defrosting is complete, empty water from the drip tray, and then wash the drip tray in warm water and dry it thoroughly.
4. Wipe the interior of the freezer compartment with a soft cloth.

⚠ WARNING**Electrical Shock Hazard**

- Plug into a grounded 3 prong outlet.
- Do not remove the ground prong from the power cord plug.
- Do not use an adapter.
- Do not use an extension cord.
- Failure to do so can result in death, fire or electrical shock.

5. Plug into a grounded 3 prong outlet.
6. Reset the temperature control to your preferred setting.
7. Return the food into the refrigerator.

VACATION AND MOVING**⚠ WARNING****Fire or Explosion Hazard**

- Do not puncture refrigerant tubing.
- Follow handling instructions carefully.
- Flammable refrigerant used.
- Failure to do so can result in death, explosion or fire.

IMPORTANT:

- Handle with care when moving to avoid either damaging the refrigerant tubing or increasing the risk of a leak.
- When moving, never tilt the refrigerator more than a 45° angle. This could damage the compressor and the sealed system.

For long vacations or absences:

- Remove food from refrigerator.
- Turn the temperature control to the "OFF" position.
- Clean the door gaskets. See "Cleaning."
- Prop open the doors to allow air to circulate inside.

REINSTALLING/USING REFRIGERATOR AGAIN

If the refrigerator has been placed in a horizontal or tilted position for any period of time wait 24 hours before plugging it in to allow the refrigerant to settle.

1. Clean refrigerator. See "Cleaning."
2. Place refrigerator in desired location and level. See "Installation Instructions."

⚠ WARNING**Electrical Shock Hazard**

Plug into a grounded 3 prong outlet.

Do not remove the ground prong from the power cord plug.

Do not use an adapter.

Do not use an extension cord.

Failure to do so can result in death, fire or electrical shock.

3. Plug into grounded 3 prong outlet.

TROUBLESHOOTING

First try the solutions suggested here to possibly avoid the cost of a service call.

| PROBLEM | POSSIBLE CAUSE(S) | SOLUTION |
|---------------------------------------|---|---|
| Refrigerator does not run | The refrigerator is unplugged. | Plug refrigerator into a grounded 3 prong outlet. |
| | The circuit breaker is tripped or turned off / Fuse is blown. | Reset / Turn on circuit breaker or replace fuse |
| | The temperature control is in the "OFF" position. | Turn the temperature control to a setting between 1 and 7. |
| | The compressor has cycled off. | Wait 30 to 40 minutes to see whether the compressor will start. |
| Compressor runs too frequently | The temperature is hot and/or humid. | This may be normal to maintain constant temperature during high temperature and humid days. |
| | The door is ajar. | Completely close the door. |
| | The door gasket is not sealing properly. | Clean the door gasket. See "Cleaning." |
| | Frequent or prolonged door openings. | Limit door openings to maintain the internal temperature. |
| | The door is blocked open. | Rearrange or remove items that are blocking the door from closing completely. |
| Door does not close | Refrigerator is not level or door is not aligned. | Level refrigerator or align the door. |
| | The door is blocked open. | Rearrange or remove items that are blocking the door from closing completely. |
| Food temperature is too warm | The door is opened frequently. | Limit door openings. |
| | A large load of food was recently added. | Allow time for recently added warm food to cool. |
| | The door is not sealing properly. | Clean door gasket. See "Cleaning." |
| | The control is not set to a cold enough temperature. | Adjust the temperature control to a colder setting. |

| PROBLEM | POSSIBLE CAUSE(S) | SOLUTION |
|---|--|---|
| Food temperature is too cold. | The control is set to a too cold setting. | Adjust the temperature control to a less cold setting. |
| Refrigerator has an odor | The refrigerator needs cleaning. | Clean the refrigerator. See "Cleaning." |
| | Food is improperly wrapped or sealed and is giving off odor. | Wrap and seal food tightly before storing in the refrigerator. |
| Gurgling sound | Refrigerant circulating through the cooling coils. | This sound is normal. |
| Clicking | The temperature control cycling on and off. | This sound is normal. |
| Popping or Cracking sound when compressor comes on | The refrigerator is not level. | Level the refrigerator. See "Leveling." If the floor is uneven, you may need to place metal or wood shims under part of the refrigerator. |
| | The refrigerator is touching a wall. | Move the refrigerator away from the wall and re-level, if necessary. |

FOR MORE HELP, VISIT HAIER.COM OR CALL THE CONSUMER HELP LINE AT 1-877-337-3639.

LIMITED WARRANTY

CARRY-IN SERVICE

FULL ONE YEAR WARRANTY

**12 Months on Parts and Labor
(Carry-In only)**

**5 Years on Sealed System
(Carry-In only)**

For 12 months from the date of original retail purchase, Haier will repair or replace any part free of charge including labor that fails due to a defect in materials or workmanship.

Haier may replace or repair at their sole discretion any part, sub system including the entire product.

LIMITED WARRANTY

NOTE: This warranty commences on the date the item was purchased, and the original purchase receipt must be presented to the authorized service representative before warranty repairs are rendered.

Exceptions: Commercial Use Warranty

90 days labor from date of original purchase

90 days parts from date of original purchase

No other warranty applies.

FOR CARRY-IN WARRANTY SERVICE

All service must be performed by a Haier authorized service center. For the name and telephone number of the nearest authorized service center, please call 1-877-337-3639.

Before calling please have available the following information:

Model number and serial number of your appliance. The name and address of the dealer you purchased the unit from and the date of purchase.

A clear description of the problem.

A proof of purchase (sales receipt).

This warranty covers carry-in appliance services within the contiguous United States and Canada and where available in Alaska, Hawaii and Puerto Rico.

What is not covered by this warranty:

Replacement or repair of household fuses, circuit breakers, wiring or plumbing.

A product whose original serial number has been removed or altered.

Any service charges not specifically identified as normal such as normal service area or hours.

Damage incurred in shipping.

Damage caused by improper installation or maintenance.

Damage from misuse, abuse accident, fire, flood, or acts of nature.

Damage from service other than an authorized Haier dealer or service center.

Damage from incorrect electrical current, voltage or supply.

Damage resulting from any product modification, alteration or adjustment not authorized by Haier.

Adjustment of consumer operated controls as identified in the owner's manual.

All attachments, accessories and disposable parts.

Labor, service transportation, and shipping charges for the removal and replacement of defective parts beyond the initial 12-month period.

Damage from other than normal household use.

Any transportation and shipping charges.

THIS LIMITED WARRANTY IS GIVEN IN LIEU OF ALL OTHER WARRANTIES, EXPRESS OR IMPLIED, INCLUDING BUT NOT LIMITED TO, THE WARRANTIES OF MERCHANTABILITY AND FITNESS FOR A PARTICULAR PURPOSE

The remedy provided in this warranty is exclusive and is granted in lieu of all other remedies.

This warranty does not cover incidental or consequential damages, so the above limitations may not apply to you. Some states do not allow limitations on how long an implied warranty lasts, so the above limitations may not apply to you.

This warranty gives you specific legal rights, and you may have other rights, which vary from state to state.

Haier America
Wayne, NJ 07470

TABLE DES MATIÈRES

| | |
|--|-----------|
| SÉCURITÉ DU RÉFRIGÉRATEUR | 20 |
| PIÈCES ET CARACTÉRISTIQUES | 23 |
| EXIGENCES D'INSTALLATION | 24 |
| Critères d'emplacement | 24 |
| Spécifications électriques..... | 25 |
| INSTALLATION DU RÉFRIGÉRATEUR | 26 |
| Étape 1 - Déballage du réfrigérateur | 26 |
| Étape 2 - Réglage de l'aplomb du réfrigérateur..... | 27 |
| Étape 3 - Alignement des portes (si nécessaire)..... | 27 |
| Étape 4 - Fin de l'installation | 28 |
| UTILISATION DU RÉFRIGÉRATEUR | 28 |
| Commande | 28 |
| Compartiment de réfrigération | 29 |
| Compartiment de congélation..... | 29 |
| ENTRETIEN DU RÉFRIGÉRATEUR | 30 |
| Nettoyage | 30 |
| Dégivrage et vidange..... | 31 |
| Vacances et déménagement | 32 |
| Réinstallation/Réutilisation du réfrigérateur | 33 |
| DÉPANNAGE | 34 |
| GARANTIE LIMITÉE | 36 |

DOCUMENTS À CONSERVER

Merci d'avoir acheté ce produit Haier. Ce manuel d'utilisation vous aidera à obtenir la meilleure performance possible de votre nouveau réfrigérateur.

Pour référence ultérieure, inscrire le numéro de plaque signalétique et la date d'achat. La plaque signalétique est située sur une étiquette à l'intérieur du réfrigérateur.

Pour faciliter l'obtention d'un service sous garantie, agraffer la preuve de la date d'achat à ce manuel.

Numéro de modèle

Numéro de série

Date d'achat

SÉCURITÉ DU RÉFRIGÉRATEUR

Votre sécurité et celle des autres est très importante.

Nous donnons de nombreux messages de sécurité importants dans ce manuel et sur votre appareil ménager. Assurez-vous de toujours lire tous les messages de sécurité et de vous y conformer.



Voici le symbole d'alerte de sécurité.

Ce symbole d'alerte de sécurité vous signale les dangers potentiels de décès et de blessures graves à vous et à d'autres. Tous les messages de sécurité suivront le symbole d'alerte de sécurité et le mot "DANGER", "AVERTISSEMENT" ou "ATTENTION".

Ces mots signifient :

! DANGER

Une situation de danger imminent. Vous courez le risque d'un décès ou de blessures graves si vous ne suivez pas immédiatement les instructions.

! AVERTISSEMENT

Une situation potentiellement dangereuse qui, si vous ne l'évitez pas, peut provoquer la mort ou des blessures graves.

! ATTENTION

Une situation potentiellement dangereuse qui, si vous ne l'évitez pas, peut entraîner des blessures légères à modérées.

Tous les messages de sécurité vous diront quel est le danger potentiel et comment réduire le risque de blessure et ce qui peut se produire en cas de non-respect des instructions.

IMPORTANTES INSTRUCTIONS DE SÉCURITÉ

AVERTISSEMENT : Afin de réduire le risque d'incendie, de choc électrique, de blessures corporelles ou de dommage lors de l'utilisation du réfrigérateur, il convient d'observer certaines précautions fondamentales, notamment :

- Utiliser cet appareil uniquement dans le but auquel il est destiné et tel que décrit dans le présent manuel d'utilisation.
- Avant utilisation, ce réfrigérateur doit être correctement installé conformément aux instructions d'installation. Voir les instructions de mise à la terre incluses dans les instructions d'installation.
- Utilisation d'un liquide frigorigène inflammable. Ne pas dégivrer le réfrigérateur par des moyens mécaniques. Ne pas perforer le circuit frigorigène.
- Utilisation d'un liquide frigorigène inflammable. Toute réparation doit être effectuée par un technicien de service qualifié. Ne pas perforer le circuit frigorigène.
- Utilisation d'un liquide frigorigène inflammable. Mettre au rebut d'une manière appropriée en conformité avec la législation fédérale ou locale.
- Utilisation d'un liquide frigorigène inflammable. Suivre attentivement les instructions de manipulation. Risque d'incendie ou d'explosion dû à la perforation du circuit frigorigène.
- Brancher sur une prise de courant à 3 alvéoles, reliée à la terre.
- Ne pas enlever la prise de liaison à la terre.
- Ne pas utiliser d'adaptateur.
- Ne pas utiliser de rallonge.
- Ne réparer ni remplacer aucune pièce de l'appareil sans recommandation spécifique du manuel. Toutes les autres tâches d'entretien doivent être effectuées par un technicien qualifié.
- Déconnecter la source de courant électrique avant l'intervention.
- Replacer pièces et panneaux avant de faire la mise en marche.
- Utiliser un produit de nettoyage ininflammable.
- Tenir les matières et les vapeurs inflammables, telles que l'essence, à l'écart du réfrigérateur.
- Les bords de la caisse, les zones de découpe et les zones comportant un code d'identification ou des découpes peuvent être tranchantes. Tenir les mains, les doigts ou autres appendices éloignés de ces zones.

IMPORTANTES INSTRUCTIONS DE SÉCURITÉ

- Le réfrigérateur ne doit pas être encastré ni installé dans un placard fermé. Il est conçu uniquement pour être utilisé d'une manière autoportante.
- Avant de jeter l'appareil ou de le rendre inutilisable, retirer la porte. Cela réduira la possibilité de danger pour les enfants.

LIRE ET CONSERVER CES INSTRUCTIONS

MISE AU REBUT DE VOTRE VIEIL APPAREIL RÉFRIGÉRÉ

AVERTISSEMENT

Risque de suffoquer

Enlever les portes ou le couvercle de votre vieux congélateur ou réfrigérateur.

Le non-respect de cette instruction peut causer un décès ou des lésions cérébrales.

IMPORTANT : Le problème des enfants pouvant se retrouver coincés et suffoquer n'est pas un problème du passé. Un appareil réfrigéré jeté ou abandonné est encore dangereux, même s'il est laissé abandonné pendant "quelques jours seulement". Si vous vous débarrassez de votre vieil appareil réfrigéré, veuillez suivre les instructions suivantes pour aider à éviter les accidents.

Avant de jeter votre vieil appareil réfrigéré :

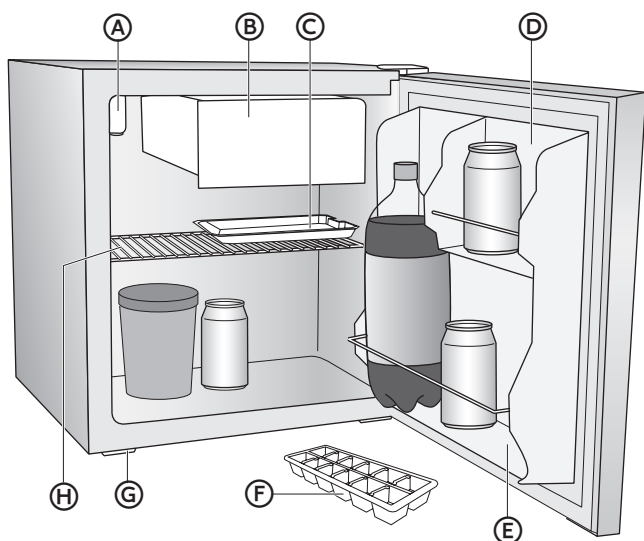
- Ôter les portes ou le couvercle.
- Laisser les tablettes en place de sorte que les enfants ne puissent pas y pénétrer facilement.

Informations importantes à propos de la mise au rebut de réfrigérants :

Mettre le réfrigérateur au rebut en conformité avec la législation fédérale ou locale. Les réfrigérants doivent être évacués par un technicien en réfrigération agréé et certifié EPA en conformité avec les procédures établies.

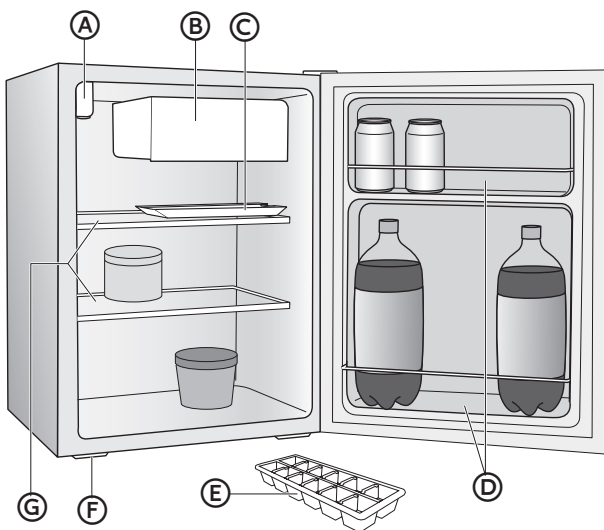
PIÈCES ET CARACTÉRISTIQUES

Modèles de 1,7 pi3 (à 1 tablette)



- (A) Commande de température réglable
- (B) Compartiment de congélation
- (C) Plateau d'égouttement
- (D) Balconnet demi-largeur
- (E) Balconnet pleine largeur
- (F) Bac à glaçons
- (G) Pieds de nivellement
- (H) Tablette pleine largeur (en fil métallique ou en verre selon le modèle)

Modèles de 2,7 pi3 (à 2 tablettes en verre)



- (A) Commande de température réglable
- (B) Compartiment de congélation
- (C) Plateau d'égouttement
- (D) Balconnets pleine largeur (2)
- (E) Bac à glaçons
- (F) Pieds de nivellement (2)
- (G) Tablettes en verre pleine largeur (2)

EXIGENCES D'INSTALLATION

EXIGENCES D'EMPLACEMENT

! AVERTISSEMENT



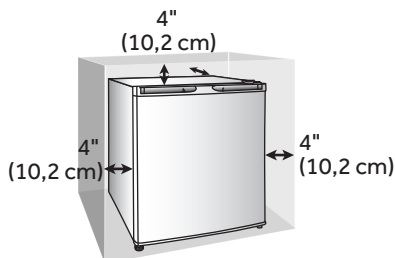
Risque d'explosion

Garder les matériaux et les vapeurs inflammables, telles que l'essence, loin de l'appareil.

Le non-respect de cette instruction peut causer un décès, une explosion ou un incendie.

IMPORTANT : Ce réfrigérateur est conçu uniquement pour être utilisé d'une manière autoportante. Il ne doit pas être encastré ni installé dans un placard fermé. Pour vous assurer que le réfrigérateur fonctionne à son efficacité optimale, il doit être installé dans un endroit où la circulation d'air et les raccordements électriques sont appropriés.

Distances de dégagement recommandées :



- Ce réfrigérateur est conçu pour être utilisé dans un endroit où la température est comprise entre un minimum de 55 °F (13 °C) et un maximum de 110 °F (43 °C).
- Il est conseillé d'installer le réfrigérateur à l'abri de la lumière directe du soleil ou d'une source de chaleur (p. ex. radiateurs, plinthes chauffantes, appareils de cuisson, etc.)
- Placer le réfrigérateur sur un plancher suffisamment robuste pour supporter son poids lorsqu'il est entièrement chargé.

SPÉCIFICATIONS ÉLECTRIQUES

⚠ AVERTISSEMENT



Risque de choc électrique

Brancher sur une prise à 3 alvéoles reliée à la terre.

Ne pas enlever la broche de liaison à la terre du cordon d'alimentation.

Ne pas utiliser un adaptateur.

Ne pas utiliser un câble de rallonge.

Le non-respect de cette instruction pourrait causer un décès, un incendie ou un choc électrique.

Avant de déplacer le réfrigérateur à son emplacement final, il est important de s'assurer que le raccordement électrique est approprié.

Méthode recommandée de liaison à la terre

Chaque appareil doit être alimenté par un circuit 115 volts (CA seulement, 60 Hz) relié à la terre et protégé par un fusible de capacité 15 A. Il est recommandé d'utiliser un circuit distinct pour alimenter le réfrigérateur uniquement. Utiliser une prise de courant dont l'alimentation ne peut pas être interrompue par un interrupteur. Ne pas utiliser de rallonge.

INSTALLATION DU RÉFRIGÉRATEUR

ÉTAPE 1 - DÉBALLAGE DU RÉFRIGÉRATEUR

! AVERTISSEMENT



Incendie ou Risque d'explosion

Ne pas perforer le circuit frigorigène.

Suivre attentivement les instructions de manipulation.

Utilisation d'un liquide frigorigène inflammable.

Le non-respect de cette instruction peut causer un décès, une explosion ou un incendie.

IMPORTANT : Manipuler le réfrigérateur avec précautions lorsqu'il est déplacé soit pour éviter d'endommager le circuit frigorigène, soit pour diminuer le risque de fuites.

IMPORTANT : Lorsque le réfrigérateur est déplacé, ne jamais l'incliner à plus de 45°. Cela pourrait endommager le compresseur et le système scellé. Si le réfrigérateur a été placé en position horizontale pendant un moment, attendre 24 heures avant de brancher le réfrigérateur pour que le réfrigérant se remette en place.

1. Ôter et jeter/recycler tous les matériaux d'emballage. Ceci inclut le socle en polystyrène et tout le ruban adhésif. Ôter tout l'emballage protecteur recouvrant le produit.
2. Ôter le manuel d'utilisation et tout autre imprimé avant de mettre en marche le réfrigérateur.
3. Nettoyer la surface extérieure avec un chiffon doux.

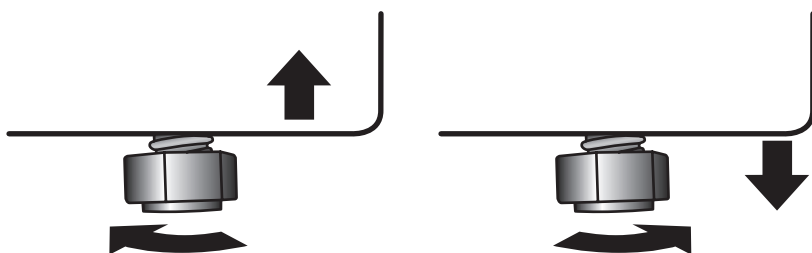
ÉTAPE 2 - RÉGLAGE DE L'APLOMB DU RÉFRIGÉRATEUR

Ce réfrigérateur est équipé de deux pieds de nivellement situés dans les coins avant et arrière. Après avoir installé le réfrigérateur à son emplacement final, régler son aplomb.

Réglage des pieds de nivellement :

Pour soulever – Tourner les pieds de nivellement vers la gauche.

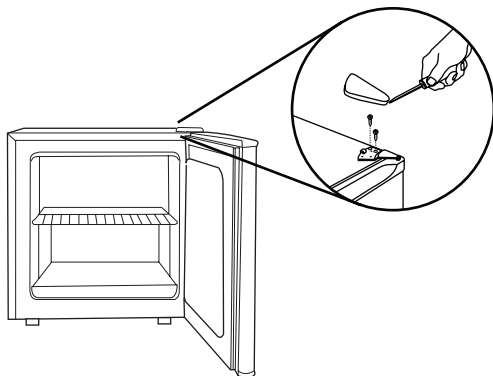
Pour abaisser – Tourner les pieds de nivellement vers la droite.



REMARQUE : La porte du réfrigérateur se ferme plus facilement lorsque les pieds de nivellement sont déployés.

ÉTAPE 3 - ALIGNEMENT DE LA PORTE (SI NÉCESSAIRE)

1. Ôter le couvre-charnière supérieur. Placer la lame d'un tournevis à lame plate sous le bord avant du couvre-charnière et soulever délicatement.
2. À l'aide d'un tournevis Phillips, desserrer les vis de la charnière supérieure.



3. Régler la porte puis serrer les vis.
4. Réinstaller le couvre-charnière supérieur en alignant l'arrière du couvre-charnière avec l'arrière de la charnière. Appuyer fermement sur l'avant du couvre-charnière jusqu'à ce qu'il s'emboîte en place.

ÉTAPE 4 - FIN DE L'INSTALLATION

⚠ AVERTISSEMENT



Risque de choc électrique

Brancher sur une prise à 3 alvéoles reliée à la terre.

Ne pas enlever la broche de liaison à la terre du cordon d'alimentation.

Ne pas utiliser un adaptateur.

Ne pas utiliser un câble de rallonge.

Le non-respect de cette instruction pourrait causer un décès, un incendie ou un choc électrique.

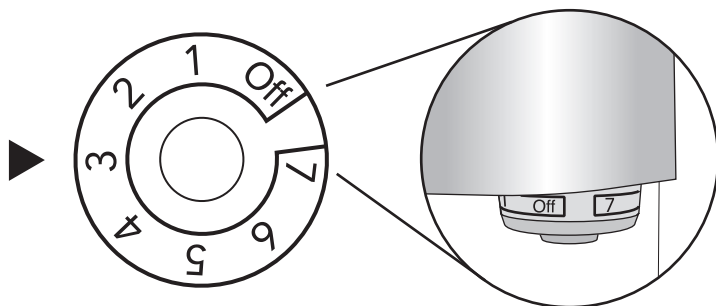
1. Brancher sur une prise de courant à 3 alvéoles, reliée à la terre.

UTILISATION DU RÉFRIGÉRATEUR

COMMANDE

La commande, située en haut à gauche de la caisse intérieure, est un bouton rotatif réglable du niveau 1 (le moins froid) au niveau 7 (le plus froid) et sur OFF (arrêt).

REMARQUE : Tourner le bouton rotatif de commande en position OFF (arrêt) ne débranche pas le réfrigérateur de l'alimentation électrique.



1. Tourner le bouton rotatif de commande de température sur la position 3 (réglage recommandé).
2. Laisser le réfrigérateur refroidir pendant plusieurs heures avant d'y ajouter des aliments.

RÉGLAGE DE LA TEMPÉRATURE

Le réglage recommandé (3) est conçu pour maintenir la température dans des conditions de fonctionnement normales.

S'il est nécessaire de régler la température, régler le bouton rotatif de commande à la position adjacente (2 ou 4).

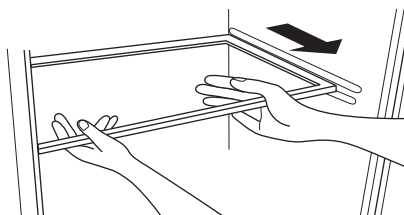
REMARQUE : Ne pas régler la commande de plus d'un réglage à la fois, sauf lors de la mise en marche du réfrigérateur. Attendre 24 heures entre chaque réglage pour que la température puisse se stabiliser.

COMPARTIMENT DE RÉFRIGÉRATION

TABLETTES

Pour retirer ou remettre en place une tablette :

- Pour retirer - Incliner l'avant de la tablette vers le haut, puis la faire doucement glisser vers l'avant.
- Pour remettre en place - Aligner la tablette sur les supports et la faire doucement glisser vers l'arrière.



COMPARTIMENT DE CONGÉLATION

Le compartiment de congélation est conçu pour produire des glaçons et conserver les aliments à court terme (quelques jours tout au plus).

IMPORTANT : Ce compartiment n'est pas suffisamment froid pour la conservation sécuritaire des aliments surgelés pendant plus de 5 jours.

BAC À GLAÇONS

- Si le bac à glaçons est gelé au fond du compartiment, verser un peu d'eau tiède autour pour le dégager.

REMARQUE : Ne pas verser d'eau bouillante, celle-ci pouvant endommager les pièces en plastique, ni utiliser d'objets métalliques pointus tels qu'un couteau ou un tournevis, ceux-ci pouvant endommager la tuyauterie du système de refroidissement.

- Laver le bac à glaçons à l'eau tiède uniquement. Ne pas laver au lave-vaisselle.

ENTRETIEN DU RÉFRIGÉRATEUR

NETTOYAGE

⚠ AVERTISSEMENT



Risque d'explosion

Utiliser un produit de nettoyage ininflammable.

Le non-respect de cette instruction peut causer un décès, une explosion ou un incendie.

IMPORTANT : Ne pas utiliser de produits chimiques corrosifs, d'ammoniaque, d'agent de blanchiment, de détergents concentrés, de solvant ou de tampons à récurer métalliques ou abrasifs pour nettoyer l'intérieur ou l'extérieur du réfrigérateur. Ceux-ci peuvent endommager et/ou décolorer le fini du réfrigérateur.

⚠ AVERTISSEMENT



Risque de choc électrique

Débrancher votre appareil ou déconnecter la source de courant électrique avant de le nettoyer.

Le non-respect de cette instruction peut causer un décès, un choc électrique ou blessures.

1. Débrancher le réfrigérateur ou déconnecter la source de courant électrique.
2. Avant d'utiliser des produits de nettoyage, toujours lire et suivre les instructions et avertissements du fabricant afin d'éviter toute blessure ou dommage au produit.
3. Laver les surfaces intérieures, les accessoires et le cadre extérieur à l'eau froide avec un peu de bicarbonate de soude.
4. Sécher soigneusement avec un chiffon doux.
5. Brancher l'appareil ou reconnecter la source de courant électrique.

JOINTS D'ÉTANCHÉITÉ DE LA PORTE

Les joints doivent être maintenus propres et souples pour assurer une étanchéité convenable.

- Nettoyer les joints d'étanchéité de la porte tous les trois mois avec une solution de bicarbonate de soude et d'eau chaude.
- Un peu de vaseline appliquée sur les joints côté charnière maintiendra la souplesse du joint et garantira une bonne étanchéité.

DÉGIVRAGE ET VIDANGE

! DANGER



Incendie ou Risque d'explosion

Utilisation d'un liquide frigorigène inflammable.

Ne pas dégivrer le congélateur au moyen d'un quelconque dispositif mécanique.

Ne pas perforer le circuit frigorigène.

Le non-respect de cette instruction peut causer un décès, une explosion ou un incendie.

Pour un fonctionnement optimal et une consommation énergétique minimale, effectuer un dégivrage lorsque la glace forme une couche de $\frac{1}{8}$ " (3.2 mm) d'épaisseur.

IMPORTANT :

- Ne pas dégivrer le congélateur par des moyens mécaniques.
 - Ne pas utiliser d'eau bouillante, car cela pourrait endommager le congélateur.
1. Retirer les aliments et le bac à glaçons du congélateur et placer le plateau d'égouttement sous le compartiment.
 2. Tourner la commande de température à la position "OFF" (arrêt) et débrancher l'appareil.

REMARQUE : Le dégivrage prend généralement quelques heures. Pour accélérer le dégivrage, laisser la porte ouverte et placer un bol d'eau tiède dans le réfrigérateur.

3. Lorsque le dégivrage est terminé, vider l'eau du plateau d'égouttement, puis laver le plateau d'égouttement à l'eau tiède et sécher soigneusement.
4. Essuyer l'intérieur du compartiment de congélation avec un chiffon doux.

⚠ AVERTISSEMENT



Risque de choc électrique

Brancher sur une prise à 3 alvéoles reliée à la terre.

Ne pas enlever la broche de liaison à la terre du cordon d'alimentation.

Ne pas utiliser un adaptateur.

Ne pas utiliser un câble de rallonge.

Le non-respect de cette instruction pourrait causer un décès, un incendie ou un choc électrique.

5. Brancher sur une prise de courant à 3 alvéoles, reliée à la terre.
6. Réinitialiser la commande de température au réglage souhaité.
7. Remettre les aliments en place dans le réfrigérateur.

VACANCES ET DÉMÉNAGEMENT

⚠ AVERTISSEMENT



Incendie ou Risque d'explosion

Ne pas perforer le circuit frigorigène.

Suivre attentivement les instructions de manipulation.

Utilisation d'un liquide frigorigène inflammable.

Le non-respect de cette instruction peut causer un décès, une explosion ou un incendie.

IMPORTANT :

- Déplacer le réfrigérateur avec précaution pour éviter soit d'endommager le circuit frigorigène, soit d'augmenter le risque de fuites.
- Lorsque le réfrigérateur est déplacé, ne jamais l'incliner à plus de 45°. Cela pourrait endommager le compresseur et le système scellé.

Lors de vacances ou d'une absence prolongée :

- Retirer les aliments du réfrigérateur.
- Placer la commande de température à la position d'arrêt "OFF".
- Nettoyer les joints de la porte. Voir "Nettoyage".
- Bloquer la porte en position ouverte pour permettre à l'air de circuler à l'intérieur.

RÉINSTALLATION/RÉUTILISATION DU RÉFRIGÉRATEUR

Si le réfrigérateur a été placé en position horizontale ou incliné pendant un moment, attendre 24 heures avant de le brancher pour que le réfrigérant se remette en place.

1. Nettoyer le réfrigérateur. Voir "Nettoyage".
2. Placer le réfrigérateur à l'emplacement souhaité et régler son aplomb. Voir "Instructions d'installation".

AVERTISSEMENT



Risque de choc électrique

Brancher sur une prise à 3 alvéoles reliée à la terre.

Ne pas enlever la broche de liaison à la terre du cordon d'alimentation.

Ne pas utiliser un adaptateur.

Ne pas utiliser un câble de rallonge.

Le non-respect de cette instruction pourrait causer un décès, un incendie ou un choc électrique.

3. Brancher à une prise à trois alvéoles reliée à la terre.

DÉPANNAGE

Essayer d'abord les solutions suggérées ici pour éviter le coût d'un appel de service.

| PROBLÈME | CAUSE(S) POSSIBLE(S) | SOLUTION |
|---|--|--|
| Le réfrigérateur ne fonctionne pas | Le réfrigérateur est débranché. | Brancher le réfrigérateur sur une prise à 3 alvéoles reliée à la terre. |
| | Le disjoncteur est ouvert ou déclenché/un fusible est grillé | Réenclencher le disjoncteur ou remplacer le fusible. |
| | La commande de température est réglée sur la position d'arrêt (OFF). | Régler la commande de température sur une position comprise entre 1 et 7. |
| | Le compresseur s'est éteint. | Attendre 30 à 40 minutes pour voir si le compresseur va démarrer. |
| Le compresseur se met en marche trop fréquemment | La température est élevée et/ou humide. | Ceci peut être normal pour maintenir une température constante lorsqu'il fait chaud et humide. |
| | La porte est entrebâillée. | Fermer complètement la porte. |
| | Le joint de la porte ne se ferme pas hermétiquement. | Nettoyer le joint de la porte. Voir "Nettoyage". |
| | Ouvertures fréquentes ou prolongées de la porte. | Limiter les ouvertures de la porte pour maintenir la température interne. |
| | La porte est bloquée en position ouverte. | Redisposer ou retirer les articles empêchant la fermeture complète de la porte. |
| La porte ne se ferme pas | Le réfrigérateur n'est pas d'aplomb ou la porte n'est pas alignée. | Régler l'aplomb du réfrigérateur ou aligner la porte. |
| | La porte est bloquée en position ouverte. | Redisposer ou retirer les articles empêchant la fermeture complète de la porte. |

| PROBLÈME | CAUSE(S) POSSIBLE(S) | SOLUTION |
|--|--|---|
| La température des aliments est trop chaude | La porte est ouverte fréquemment. | Limiter les ouvertures de la porte. |
| | Une grande quantité d'aliments a été récemment ajoutée. | Attendre que les aliments tièdes qui viennent juste d'être ajoutés refroidissent. |
| | La porte ne se ferme pas hermétiquement. | Nettoyer le joint de la porte. Voir "Nettoyage". |
| | La commande de température n'a pas été réglée à une température suffisamment froide. | Régler la commande de température à un réglage plus froid. |
| La température des aliments est trop froide | La commande est placée à un réglage trop froid. | Régler la commande de température à un réglage moins froid. |
| Le réfrigérateur a une odeur | Le réfrigérateur doit être nettoyé. | Nettoyer le réfrigérateur. Voir "Nettoyage". |
| | Les aliments n'ont pas été correctement emballés ou placés dans des contenants hermétiques et libèrent des odeurs. | Emballer et placer correctement les aliments dans des contenants hermétiques avant de les entreposer dans le réfrigérateur. |
| Gargouillement | Le réfrigérant circule dans les serpentins de refroidissement. | Ceci est normal. |
| Clics | La commande de température fonctionne par intermittence. | Ceci est normal. |
| Bruit d'éclatement ou de craquement lorsque le compresseur se met en marche | Le réfrigérateur n'est pas d'aplomb. | Régler l'aplomb du réfrigérateur. Voir "Réglage de l'aplomb". Si le plancher n'est pas d'aplomb, il peut être nécessaire de placer des cales en métal ou en bois sous un côté du réfrigérateur. |
| | Le réfrigérateur est en contact avec un mur. | Éloigner le réfrigérateur du mur et rétablir l'aplomb si nécessaire. |

POUR OBTENIR DE L'AIDE SUPPLÉMENTAIRE, VISITER HAIER.COM OU CONTACTER LA LIGNE D'ASSISTANCE À LA CLIENTÈLE AU 1-877-337-3639.

GARANTIE LIMITÉE

SERVICE APRÈS-VENTE EN MAGASIN

GARANTIE COMPLÈTE D'UN AN 12 mois sur les pièces et la main d'œuvre

**(service après-vente en magasin
uniquement)**

5 ans sur le système scellé (service après-vente en magasin uniquement)

Pendant 12 mois à compter de la date d'achat d'origine, Haier réparera ou remplacera gratuitement n'importe quelle pièce (main-d'œuvre comprise) comportant un défaut de matériau ou de fabrication.

Haier peut choisir à sa seule discrétion de remplacer ou réparer des pièces, des sous-systèmes ou le produit tout entier.

GARANTIE LIMITÉE

REMARQUE : Cette garantie prend effet à la date à laquelle l'article a été acheté et le reçu de l'achat d'origine doit être présenté au représentant de dépannage autorisé avant qu'une quelconque réparation sous garantie ne soit effectuée.

Exceptions : Garantie à usage commercial
90 jours sur la main-d'œuvre à compter de la date d'achat d'origine

90 jours sur les pièces à compter de la date d'achat d'origine

Aucune autre garantie ne s'applique.

POUR LE SERVICE APRÈS-VENTE EN MAGASIN SOUS GARANTIE

Tout dépannage doit être effectué par un centre de dépannage autorisé Haier. Pour le nom et le numéro de téléphone du centre de dépannage autorisé le plus proche de votre domicile, composer le 1-877-337-3639.

Avant d'appeler le centre, veuillez garder à disposition les renseignements suivants : Numéros de plaque signalétique de l'appareil. Le nom et l'adresse du revendeur auprès duquel vous avez acheté l'appareil, ainsi que la date d'achat.

Une description claire du problème rencontré.

Une preuve d'achat (reçu de vente).

Cette garantie est valable pour le service des appareils domestiques aux États-Unis contigus et au Canada et lorsque le service est disponible, en Alaska, à Hawaï et Porto Rico.

Cette garantie ne couvre pas :

Le remplacement ou la réparation des fusibles, disjoncteurs, du câblage ou du circuit de plomberie du domicile.

Un produit dont le numéro de série d'origine a été enlevé ou modifié.

Tous les frais de dépannage non identifiés comme étant normaux tel un dépannage dans une zone ou une tranche horaire normale.

Les dommages liés à l'expédition.

Les dommages liés à une installation ou un entretien inadapté.

Les dommages causés par l'un des éléments suivants : mauvaise utilisation, utilisation abusive, accident, incendie, inondation ou catastrophe naturelle.

Les dommages résultant d'un dépannage fourni par une entité autre qu'un revendeur ou centre de dépannage autorisé Haier.

Les dommages causés par un courant, une tension ou une alimentation électrique incorrects.

Les dommages résultant d'une quelconque modification ou altération du produit ou d'un ajustement non autorisé par Haier.

Un ajustement des commandes utilisées par le consommateur tel qu'identifié dans le manuel de l'utilisateur.

Tout accessoire ou pièce jetable.

Les frais de main-d'œuvre, de transport pour dépannage et d'expédition pour le retrait et le remplacement de pièces défectueuses au-delà de la période de 12 mois.

Les dommages liés à une utilisation autre qu'une utilisation domestique normale.

Tout frais de transport et d'expédition.

CETTE GARANTIE LIMITÉE REMPLACE TOUTE AUTRE GARANTIE EXPRESSE OU IMPLICITE, Y COMPRIS, MAIS PAS SEULEMENT, LES GARANTIES DE QUALITÉ MARCHANDE OU D'APTITUDE À UN USAGE PARTICULIER.

Le recours offert dans cette garantie est exclusif et se substitue à toute autre garantie.

Cette garantie ne couvre pas les dommages fortuits ou indirects; aussi les limitations décrites ci-dessus peuvent ne pas s'appliquer à votre cas. Certains États ne permettent pas de limitation sur la durée d'une garantie implicite, aussi les limitations décrites ci-dessus peuvent ne pas s'appliquer à votre cas.

Cette garantie vous confère des droits juridiques spécifiques. Vous pouvez également jouir d'autres droits qui peuvent varier d'un État à l'autre.

Haier America
Wayne, NJ 07470

ÍNDICE

| | |
|--|-----------|
| SEGURIDAD DEL REFRIGERADOR | 38 |
| PIEZAS Y CARACTERÍSTICAS | 41 |
| REQUISITOS DE INSTALACIÓN | 42 |
| Requisitos de ubicación..... | 42 |
| Requisitos eléctricos | 43 |
| INSTALACIÓN DEL REFRIGERADOR | 44 |
| Paso 1 - Cómo desempacar su refrigerador | 44 |
| Paso 2 - Cómo nivelar el refrigerador | 45 |
| Paso 3 - Cómo alinear la puerta (si es necesario)..... | 45 |
| Paso 4 - Completar la instalación..... | 46 |
| USO DEL REFRIGERADOR | 46 |
| Control | 46 |
| Compartimiento del refrigerador | 47 |
| Compartimiento del congelador..... | 47 |
| CUIDADO DEL REFRIGERADOR | 48 |
| Limpieza | 48 |
| Descongelamiento y desagüe..... | 49 |
| Vacaciones y mudanza | 50 |
| Cómo volver a instalar o usar el refrigerador nuevamente | 51 |
| SOLUCIÓN DE PROBLEMAS | 52 |
| GARANTÍA LIMITADA | 54 |

INFORMACIÓN A TENER EN CUENTA

Le agradecemos la compra de este producto de marca Haier. Este manual para el usuario le ayudará a obtener el mejor funcionamiento de su nuevo refrigerador.

Para referencia futura, anote el número de modelo y de serie y la fecha de compra. La placa con el número de modelo o de serie está ubicada en una etiqueta dentro del refrigerador.

Engrape la prueba de compra de este manual para asistirle cuando necesite obtener servicio bajo la garantía.

Número de modelo

Número de serie

Fecha de compra

SEGURIDAD DEL REFRIGERADOR

Su seguridad y la seguridad de los demás es muy importante.

Hemos incluido muchos mensajes importantes de seguridad en este manual y en su electrodoméstico. Lea y obedezca siempre todos los mensajes de seguridad.



Este es el símbolo de advertencia de seguridad.

Este símbolo le llama la atención sobre peligros potenciales que pueden ocasionar la muerte o una lesión a usted y a los demás. Todos los mensajes de seguridad irán a continuación del símbolo de advertencia de seguridad y de la palabra "PELIGRO", "ADVERTENCIA" o "PRECAUCIÓN".

Estas palabras significan:

! PELIGRO

Se trata de una situación de peligro inminente. Si no sigue las instrucciones de inmediato, usted puede morir o sufrir una lesión grave.

! ADVERTENCIA

Se trata de una situación posiblemente peligrosa que, de no evitarse, podría causar la muerte o una lesión grave.

! PRECAUCIÓN

Se trata de una situación posiblemente peligrosa que, de no evitarse, podría causar lesiones moderadas o leves.

Todos los mensajes de seguridad le dirán el peligro potencial, le dirán cómo reducir las posibilidades de sufrir una lesión y lo que puede suceder si no se siguen las instrucciones.

INSTRUCCIONES IMPORTANTES DE SEGURIDAD

ADVERTENCIA: Para reducir el riesgo de incendio, choque eléctrico, lesiones a personas o daños al utilizar el refrigerador, siga precauciones básicas, incluyendo las siguientes:

- Use este aparato solamente para el propósito que fue diseñado, como se describe en este manual para el usuario.
- Antes de usar este refrigerador, deberá ser debidamente instalado de acuerdo con las instrucciones de instalación. Consulte las instrucciones de puesta a tierra en la sección de instalación.
- El refrigerante usado es inflamable. No use dispositivos mecánicos para descongelar el refrigerador. No perforo el tubo refrigerante.
- El refrigerante usado es inflamable. Únicamente, personal de servicio capacitado deberá realizar las reparaciones necesarias. No perforo el tubo refrigerante.
- El refrigerante usado es inflamable. Deshágase del aparato de acuerdo con las normativas federales o locales.
- El refrigerante usado es inflamable. Siga con cuidado las instrucciones de manipulación. Existe riesgo de incendio o explosión por una perforación del tubo refrigerante.
- Enchufe en un contacto de conexión a tierra de 3 terminales.
- No quite el terminal de conexión a tierra.
- No utilice un adaptador.
- No utilice un cable eléctrico de extensión.
- No repare ni reemplace ningún componente del aparato a menos que se recomiende específicamente en el manual. Todas las demás tareas de mantenimiento deben ser realizadas por un técnico calificado.
- Desconecte el suministro de energía antes de realizar tareas de mantenimiento.
- Vuelva a colocar todas las piezas y paneles antes de poner en marcha.
- Utilice un limpiador no inflamable.
- Mantenga los materiales y vapores inflamables, tales como gasolina, alejados del refrigerador.
- Los bordes del gabinete a lo largo de las zonas de recorte pueden ser filosos. Evite colocar las manos, dedos u otras extremidades cerca de estas zonas.

INSTRUCCIONES IMPORTANTES DE SEGURIDAD

- Este refrigerador no debe ser empotrado ni integrado a un armario cerrado. Se diseñó únicamente para instalarse de forma independiente.
- Antes de desechar o dejar de utilizar el aparato, quítele la puerta. Esto evitará que los niños se lastimen.

LEA Y GUARDE ESTAS INSTRUCCIONES

CÓMO DESHACERSE ADECUADAMENTE DE SU APARATO REFRIGERADOR VIEJO

⚠ ADVERTENCIA

Peligro de asfixia

Remueva las puertas o la tapa de tu viejo congelador o refrigerador.

No seguir esta instrucción puede ocasionar la muerte o daño al cerebro.

IMPORTANTE: El atrapamiento y asfixia de niños no es un problema del pasado. Un aparato refrigerador desechado y abandonado es un peligro, aun si va a quedar ahí "por unos pocos días". Si usted está por deshacerse de su aparato refrigerador viejo, siga las instrucciones a continuación para evitar accidentes.

Antes de descartar su aparato refrigerador viejo:

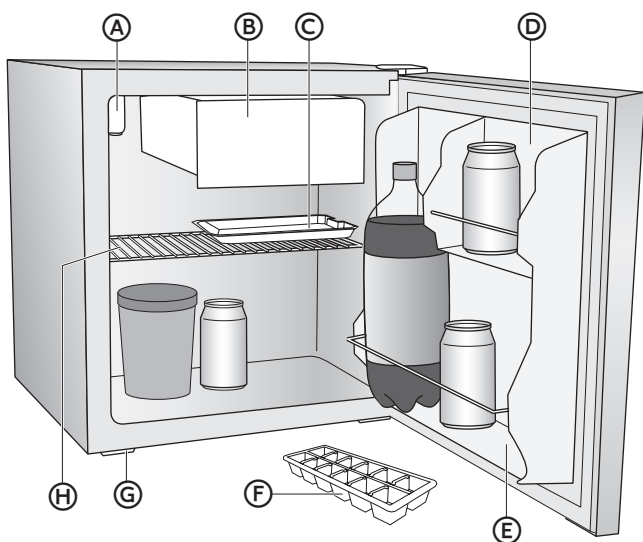
- Quite la puerta o la tapa.
- Deje los estantes en su lugar así los niños no pueden meterse adentro con facilidad.

Información importante para saber acerca del desecho de refrigerantes:

Deshágase del refrigerador siguiendo los reglamentos federales y locales. Los refrigerantes deberán ser evacuados por un técnico certificado en refrigeración por EPA (Agencia de protección del medioambiente) según los procedimientos establecidos.

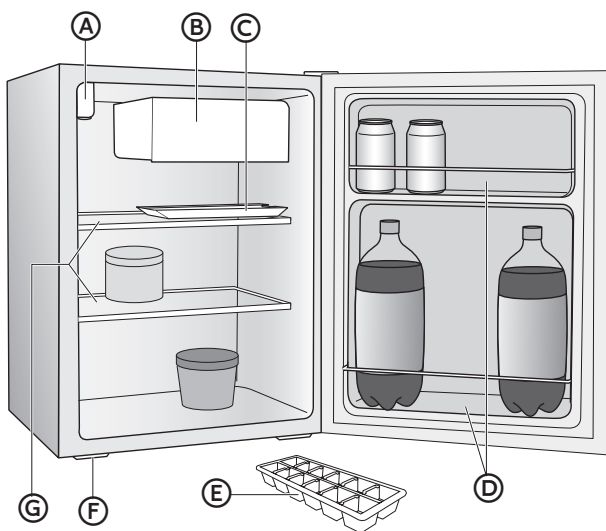
PIEZAS Y CARACTERÍSTICAS

Modelos de 1,7 pies³ (1 estante)



- (A) Control regulable de temperatura
- (B) Compartimiento del congelador
- (C) Bandeja de goteo
- (D) Estante de la puerta de ancho medio
- (E) Estante de la puerta de ancho completo
- (F) Bandeja para cubos de hielo
- (G) Patas niveladoras
- (H) Estante de ancho completo (alambre o vidrio, según el modelo)

Modelos de 2,7 pies³ (2 estantes de vidrio)



- (A) Control regulable de temperatura
- (B) Compartimiento del congelador
- (C) Bandeja de goteo
- (D) Estantes de la puerta de ancho completo (2)
- (E) Bandeja para cubos de hielo
- (F) Patas niveladoras (2)
- (G) Estantes de vidrio de ancho completo (2)

REQUISITOS DE INSTALACIÓN

REQUISITOS DE UBICACIÓN

⚠ ADVERTENCIA



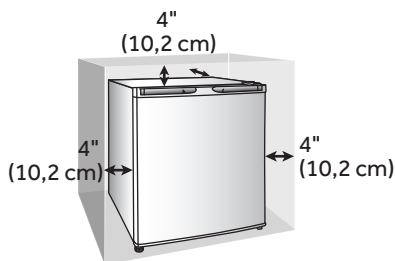
Peligro de Explosión o Incendio

Mantenga los materiales y vapores inflamables, tales como gasolina, alejados del aparato.

No seguir esta instrucción puede ocasionar la muerte, explosión, o incendio.

IMPORTANTE: Este refrigerador se ha diseñado para instalarse de forma independiente únicamente. No debe estar empotrado ni integrado en un armario cerrado. Para asegurarse de que el refrigerador funciona con la máxima eficiencia, lo debe instalar en una ubicación donde haya circulación de aire y conexiones eléctricas adecuadas.

Espacios libres recomendados:



- Este refrigerador ha sido diseñado para usarse en un lugar en donde los rangos de temperatura varíen entre un mínimo de 55 °F (13 °C) y un máximo de 110 °F (43 °C).
- Se recomienda no instalar el refrigerador en un lugar expuesto a la luz directa del sol o cerca de una fuente de calor, por ejemplo: radiadores, zócalos radiantes, aparatos de cocción, etc.
- Coloque el refrigerador sobre un piso que sea lo suficientemente fuerte como para soportar el peso cuando esté completamente cargado.

REQUISITOS ELÉCTRICOS

⚠ ADVERTENCIA



Peligro de Choque Eléctrico

Conecte a un contacto de pared de conexión a tierra de 3 terminales.

No quite el terminal de conexión a tierra del cable de alimentación.

No use un adaptador.

No use un cable eléctrico de extensión.

No seguir estas instrucciones puede ocasionar la muerte, incendio o choque eléctrico.

Antes de mover el refrigerador a su ubicación, es importante asegurarse de que tiene la conexión eléctrica adecuada.

Método de conexión a tierra recomendado

Se requiere una fuente de energía eléctrica de 115 Voltios, 60 Hz, CA solamente y con fusibles de 15 amperios, debidamente conectados a tierra. Se recomienda utilizar un circuito separado sólo para su refrigerador. Use un tomacorriente que no se pueda apagar con un interruptor. No use un cable eléctrico de extensión.

INSTALACIÓN DEL REFRIGERADOR

PASO 1 - CÓMO DESEMPACAR SU REFRIGERADOR

! ADVERTENCIA



Peligro de Explosión o Incendio

No perforo el tubo refrigerante.

Siga con cuidado las instrucciones de manipulación.

El refrigerante usado es inflamable.

No seguir esta instrucción puede ocasionar la muerte, explosión, o incendio.

IMPORTANTE: Tenga cuidado al mover el refrigerador para evitar dañar el tubo refrigerante o aumentar el riesgo de fuga.

IMPORTANTE: Cuando lo mueva, nunca incline el refrigerador en un ángulo superior a los 45°. Esto podría dañar el compresor y el sistema sellado. Si el refrigerador ha sido colocado en posición horizontal durante algún período de tiempo, espere 24 horas antes de enchufarlo para permitir que el refrigerante se asiente.

1. Quite y deseche todos los materiales de embalaje o reciclelos. Esto incluye la base de espuma y toda la cinta adhesiva. Quite el embalaje protector que recubre el producto.
2. Quite el manual para el usuario y cualquier otro material impreso antes de encender el refrigerador.
3. Limpie la superficie exterior con un paño suave.

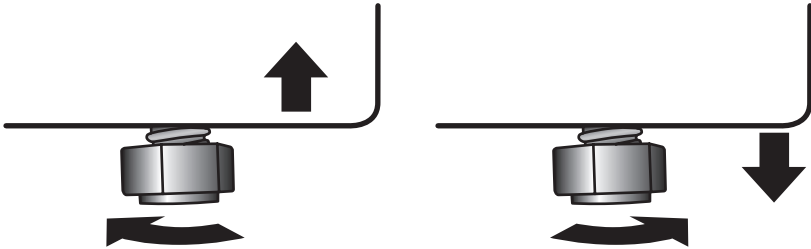
PASO 2 - CÓMO NIVELAR EL REFRIGERADOR

Su refrigerador tiene dos patas niveladoras ubicadas en las esquinas inferiores delanteras. Después de colocarlo en su posición final, nivele el refrigerador.

Cómo regular las patas niveladoras:

Para levantarlo - gire las patas niveladoras hacia la izquierda.

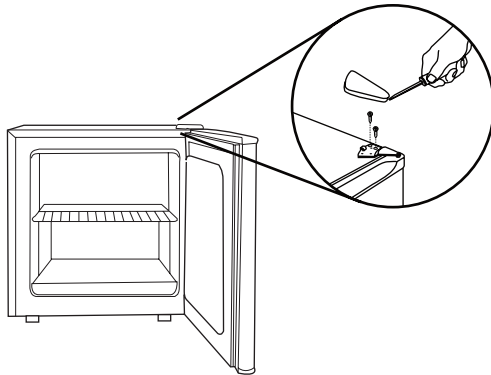
Para bajarlo - gire las patas niveladoras hacia la derecha.



NOTA: La puerta del refrigerador se cierra más fácilmente cuando las patas niveladoras están extendidas.

PASO 3 - CÓMO ALINEAR LA PUERTA (SI ES NECESARIO)

1. Quite la cubierta de la bisagra superior. Usando un destornillador de hoja plana, coloque la hoja debajo del borde frontal de la cubierta y levántela con cuidado.
2. Con un destornillador Phillips, afloje los tornillos de la bisagra superior.



3. Regule la puerta y luego apriete los tornillos.
4. Vuelva a colocar la cubierta de la bisagra superior alineando la parte posterior de la cubierta con la parte trasera de la bisagra. Presione con firmeza la parte delantera de la cubierta hasta que encaje en su lugar.

PASO 4 - COMPLETAR LA INSTALACIÓN

⚠ ADVERTENCIA



Peligro de Choque Eléctrico

Conecte a un contacto de pared de conexión a tierra de 3 terminales.

No quite el terminal de conexión a tierra del cable de alimentación.

No use un adaptador.

No use un cable eléctrico de extensión.

No seguir estas instrucciones puede ocasionar la muerte, incendio o choque eléctrico.

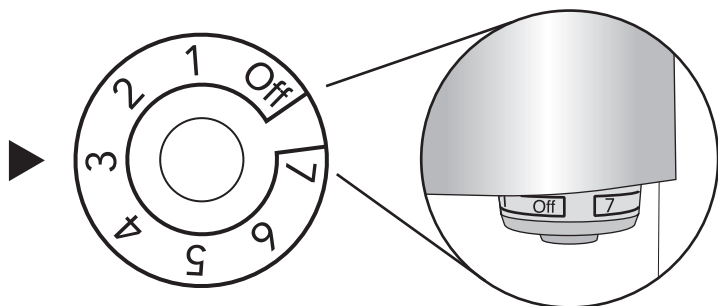
1. Enchufe el aparato a un tomacorriente de 3 terminales con conexión a tierra.

USO DEL REFRIGERADOR

CONTROL

El control, ubicado en la parte superior izquierda del interior del gabinete, es un cuadrante regulable con ajustes que van desde 1 (el menos frío) hasta 7 (el más frío), y OFF (Apagado).

NOTA: Al colocar la perilla de control en la posición OFF (Apagado), el refrigerador no se desconectará del suministro eléctrico.



1. Gire el cuadrante de control de temperatura a 3 (ajuste recomendado).
2. Deje que el refrigerador se enfríe durante algunas horas antes de agregar alimentos.

CÓMO REGULAR LA TEMPERATURA

El ajuste recomendado (3) se diseñó para mantener la temperatura bajo condiciones normales de funcionamiento.

Si necesita regular la temperatura, regule el cuadrante de control a uno de los ajustes adyacentes (2 o 4).

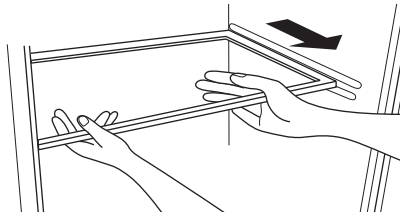
NOTA: No regule el control en más de un ajuste por vez, excepto cuando encienda el refrigerador. Espere 24 horas entre los ajustes para que se establezca la temperatura.

COMPARTIMIENTO DEL REFRIGERADOR

ESTANTES

Para quitar o volver a colocar un estante:

- Para quitar un estante - incline el frente del estante hacia arriba y, luego deslícelo hacia adelante.
- Para volverlo a colocar - alinee el estante con los soportes y deslícelo ligeramente hacia la parte posterior.



COMPARTIMIENTO DEL CONGELADOR

El compartimiento del congelador está diseñado para hacer cubos de hielo y almacenar alimentos a corto plazo (unos pocos días como máximo).

IMPORTANTE: Este compartimiento no es lo suficientemente frío para almacenar los alimentos congelados de manera segura durante más de 5 días.

BANDEJA PARA CUBOS DE HIELO

- Si la bandeja para cubos de hielo se pega a la base del compartimiento, vierta un poco de agua tibia alrededor de la bandeja para liberarla.

NOTA: No utilice agua hirviendo, ya que puede dañar las piezas de plástico. Tampoco utilice objetos de metal filosos como un cuchillo o destornillador, ya que pueden dañar la tubería del sistema de enfriamiento.

- Lave la bandeja para cubos de hielo con agua tibia solamente. No la lave en la lavavajillas.

CUIDADO DEL REFRIGERADOR

LIMPIEZA

⚠ ADVERTENCIA



Peligro de Explosión

Use un limpiador no inflamable.

No seguir esta instrucción puede ocasionar la muerte, explosión o incendio.

IMPORTANTE: No use productos químicos fuertes, amoníaco, blanqueador con cloro, detergente concentrado, solventes o estropajos de metal o abrasivos para limpiar su refrigerador por dentro o por fuera. Estos pueden dañar o decolorar el acabado del refrigerador.

⚠ ADVERTENCIA



Peligro de choque eléctrico

Desenchufe el aparato o desconecte el suministro de energía antes de limpiarlo.

No seguir esta instrucción puede ocasionar la muerte, choque eléctrico o daños personales.

1. Desenchufe el refrigerador o desconecte el suministro de energía.
2. Antes de usar productos de limpieza, siempre lea y siga las instrucciones del fabricante y las advertencias para evitar lesiones físicas o daños al producto.
3. Lave las superficies interiores, los accesorios y el marco exterior con agua fría y un poco de bicarbonato de sodio.
4. Seque bien con un paño suave.
5. Enchufe o vuelva a conectar el suministro de energía.

JUNTAS DE LA PUERTA

Las juntas deben mantenerse limpias y flexibles para asegurar un sellado adecuado.

- Limpie las juntas de la puerta cada tres meses con una solución de bicarbonato de sodio y agua tibia.
- El petrolato ligeramente aplicado en el lado de las bisagras de las juntas mantendrá la junta flexible y asegurará un buen sellado.

DESCONGELAMIENTO Y DESAGÜE

PELIGRO



Peligro de Explosión o Incendio

El refrigerante usado es inflamable.

No utilice dispositivos mecánicos para descongelar el congelador.

No perfore el tubo refrigerante.

No seguir esta instrucción puede ocasionar la muerte, explosión, o incendio.

Para un funcionamiento más eficaz y menor consumo de energía, descongele el refrigerador cuando se acumule una cantidad aproximada de hielo de $\frac{1}{8}$ " (3.2 mm) de espesor.

IMPORTANTE:

- No utilice dispositivos mecánicos para descongelar el congelador.
 - No utilice agua hirviendo, ya que puede dañar el congelador.
1. Quite los alimentos y la bandeja para cubos de hielo del congelador y coloque la bandeja de goteo debajo del compartimiento.
 2. Gire el control de temperatura a la posición "OFF" (Apagado) y desenchufe la unidad.

NOTA: Por lo general, la descongelación tarda unas horas. Para descongelar más rápido, mantenga la puerta abierta y coloque un recipiente con agua tibia en el refrigerador.

3. Cuando la descongelación se haya completado, vacíe el agua de la bandeja de goteo y, luego lávela con agua tibia y séquela bien.
4. Limpie el interior del compartimiento del congelador con un paño suave.

⚠ ADVERTENCIA



Peligro de Choque Eléctrico

Conecte a un contacto de pared de conexión a tierra de 3 terminales.

No quite el terminal de conexión a tierra del cable de alimentación.

No use un adaptador.

No use un cable eléctrico de extensión.

No seguir estas instrucciones puede ocasionar la muerte, incendio o choque eléctrico.

5. Enchufe el aparato a un tomacorriente de 3 terminales con conexión a tierra.
6. Vuelva a fijar el control de temperatura en la posición que desee.
7. Vuelva a colocar los alimentos en el refrigerador.

VACACIONES Y MUDANZA

⚠ ADVERTENCIA



Peligro de Explosión o Incendio

No perfore el tubo refrigerante.

Siga con cuidado las instrucciones de manipulación.

El refrigerante usado es inflamable.

No seguir esta instrucción puede ocasionar la muerte, explosión, o incendio.

IMPORTANTE:

- Al mover el refrigerador, manipúlelo con cuidado para evitar daños en el tubo refrigerante o incrementar los riesgos de fugas.
- Cuando lo mueva, nunca incline el refrigerador en un ángulo superior a los 45°. Esto podría dañar el compresor y el sistema sellado.

En el caso de ausencias o vacaciones prolongadas:

- Retire los alimentos del refrigerador.
- Gire el control hacia la posición "OFF" de apagado.
- Limpie las juntas de la puerta. Vea "Limpieza".
- Abra las puertas para permitir la circulación del aire dentro del refrigerador.

CÓMO VOLVER A INSTALAR O USAR EL REFRIGERADOR NUEVAMENTE

Si el refrigerador ha sido colocado en posición horizontal o se ha inclinado durante algún período de tiempo, espere 24 horas antes de enchufarlo para permitir que el refrigerante se asiente.

1. Limpie el refrigerador. Vea "Limpieza".
2. Coloque el refrigerador en la ubicación deseada y nivélelo. Vea "Instrucciones de instalación".

⚠ ADVERTENCIA



Peligro de Choque Eléctrico

Conecte a un contacto de pared de conexión a tierra de 3 terminales.

No quite el terminal de conexión a tierra del cable de alimentación.

No use un adaptador.

No use un cable eléctrico de extensión.

No seguir estas instrucciones puede ocasionar la muerte, incendio o choque eléctrico.

3. Enchufe el aparato a un tomacorriente de 3 terminales con conexión a tierra.

SOLUCIÓN DE PROBLEMAS

Pruebe las soluciones sugeridas aquí y posiblemente se evite el gasto de una visita de servicio técnico.

| PROBLEMA | POSIBLE(S) CAUSA(S) | SOLUCIÓN |
|---|---|---|
| El refrigerador no funciona | El refrigerador está desenchufado. | Enchufe el refrigerador a un tomacorriente de 3 terminales con conexión a tierra. |
| | Se ha disparado o se ha apagado el cortacircuitos/Se ha quemado un fusible. | Reinicie/encienda el cortacircuitos o reemplace el fusible. |
| | El control de temperatura se encuentra en posición de apagado (OFF). | Gire el control de temperatura a un ajuste entre 1 y 7. |
| | El compresor funciona en ciclos. | Espere de 30 a 40 minutos para comprobar si el compresor se inicia. |
| El compresor funciona con demasiada frecuencia | La temperatura es elevada o hay humedad. | Esto puede ser normal para mantener la temperatura constante en los días húmedos y de altas temperaturas. |
| | La puerta está entreabierta. | Cierre completamente la puerta. |
| | La junta de la puerta no sella correctamente. | Limpie la junta de la puerta. Vea "Limpieza". |
| | La puerta se abre con frecuencia o durante períodos prolongados. | Disminuya la cantidad de veces que abre la puerta para mantener la temperatura interna. |
| | La puerta queda abierta debido a un bloqueo. | Acomode o quite los artículos que impiden que la puerta se cierre por completo. |
| La puerta no se cierra | El refrigerador no está nivelado o la puerta no está alineada. | Nivele el refrigerador o alinee la puerta. |
| | La puerta queda abierta debido a un bloqueo. | Acomode o quite los artículos que impiden que la puerta se cierre por completo. |

| PROBLEMA | POSIBLE(S) CAUSA(S) | SOLUCIÓN |
|--|--|--|
| La temperatura de los alimentos está demasiado elevada | La puerta se abre con frecuencia. | Disminuya la cantidad de veces que abre la puerta. |
| | Se ha agregado recientemente una gran cantidad de alimentos. | Deje que pase algún tiempo para que se enfríen los alimentos tibios que agregó recientemente. |
| | La puerta no sella correctamente. | Limpe la junta de la puerta. Vea "Limpieza". |
| | El control no se fijó en una temperatura lo suficientemente fría. | Regule el control de temperatura a un ajuste más frío. |
| La temperatura de los alimentos está demasiado fría | El control se ha fijado en un ajuste demasiado frío. | Regule el control de temperatura a un ajuste menos frío. |
| El refrigerador tiene mal olor | El refrigerador necesita limpieza. | Limpe el refrigerador. Vea "Limpieza". |
| | Los alimentos están envueltos o sellados de manera inadecuada y emanan olores. | Envuelva y selle bien los alimentos antes de guardarlos en el refrigerador. |
| Sonido de gorgoteo | Hay refrigerante circulando en el serpentín de enfriamiento. | Este sonido es normal. |
| Chasquidos | El control de temperatura se enciende y se apaga. | Este sonido es normal. |
| Sonido de estallido o crujido cuando se enciende el compresor | El refrigerador no está nivelado. | Nivele el refrigerador. Vea "Nivelación". Si el piso está desnivelado, es posible que deba colocar cuñas de metal o madera debajo de una parte del refrigerador. |
| | El refrigerador toca la pared. | Aleje el refrigerador de la pared y vuelva a nivelar, si es necesario. |

SI NECESITA MÁS AYUDA, VISITE HAIER.COM O COMUNÍQUESE CON LA LÍNEA DE AYUDA AL CONSUMIDOR LLAMANDO AL 1-877-337-3639.

GARANTÍA LIMITADA

SERVICIO PARA LLEVAR

GARANTÍA COMPLETA POR UN AÑO

12 meses en piezas y mano de obra (llevar sólo)

5 años en el sistema de sellado (llevar sólo)

Durante 12 meses a partir de la fecha de compra original en la tienda, Haier reparará o reemplazará cualquier pieza del aparato sin costo, incluyendo la mano de obra, si la misma falla debido a defectos en los materiales o en la mano de obra.

Haier puede reemplazar o reparar, a su sola discreción, cualquier pieza, subsistema, incluso el producto entero.

GARANTÍA LIMITADA

NOTA: Esta garantía comienza en la fecha de compra de este producto, y el recibo original deberá presentarse al representante autorizado de servicio antes de hacerse las reparaciones bajo la garantía.

Excepciones: Garantía bajo uso comercial

90 días en la mano de obra a partir de la fecha de compra original

90 días en las piezas a partir de la fecha de compra original

No es aplicable ninguna otra garantía.

PARA OBTENER SERVICIO PARA LLEVAR BAJO LA GARANTÍA

Todo servicio deberá ser realizado por un centro de servicio autorizado por Haier. Para obtener el nombre y el número de teléfono del centro de servicio autorizado más cercano, llame al 1-877-337-3639.

Antes de llamar, tenga a mano la siguiente información:

Número de modelo y de serie del aparato. El nombre y la dirección del distribuidor en donde compró la unidad y la fecha de compra.

Una descripción clara del problema.

Un comprobante de compra (recibo de compra).

Esta garantía cubre servicios para llevar para electrodomésticos dentro de los Estados Unidos continental y Canadá y donde esté disponible en Alaska, Hawaii y Puerto Rico.

Lo que no está cubierto bajo esta garantía:

Reemplazo o reparación de fusibles domésticos, cortacircuitos, cableado o plomería.

Un producto cuyo número de serie original

haya sido removido o alterado.

Cualquier cargo por servicio que no haya sido identificado específicamente como servicio normal, como puede ser el área o las horas de servicio.

Daños ocurridos durante el transporte.

Daños ocasionados por la instalación o el mantenimiento inadecuados.

Daños por el uso incorrecto, abuso, accidente, incendio, inundación o fenómenos de la naturaleza.

Daños debidos al servicio efectuado por un distribuidor o centro de servicio que sea diferente del autorizado por Haier.

Daños ocasionados por la corriente, el voltaje o el suministro eléctrico incorrectos.

Daños que resulten de cualquier modificación hecha en el producto, alteración o ajustes no autorizados por Haier.

Ajuste de los controles manejados por el cliente según han sido identificados en el manual del propietario.

Todos los aditamentos, accesorios y piezas desechables.

Cargos por mano de obra, transporte para el servicio y envío para la remoción y el reemplazo de las piezas defectuosas que se efectúen después del período inicial de 12 meses.

Daños ocasionados por un uso diferente al doméstico normal.

Cualquier gasto de transporte y de envío.

ESTA GARANTÍA LIMITADA REEMPLAZA TODAS LAS OTRAS GARANTÍAS, EXPRESAS O IMPLÍCITAS QUE INCLUYAN, ENTRE OTRAS, LAS GARANTÍAS DE COMERCIABILIDAD O DE CAPACIDAD PARA UN PROPÓSITO EN PARTICULAR

El recurso provisto en esta garantía es exclusivo y está otorgado en lugar de cualquier otro recurso.

Esta garantía no cubre daños incidentales o consecuentes, de modo que las limitaciones indicadas anteriormente pueden no aplicarse en su caso. Algunos estados no permiten las limitaciones acerca de cuánto tiempo dura una garantía implícita, de modo que las limitaciones arriba indicadas quizás no le correspondan.

Esta garantía le otorga derechos legales específicos, y es posible que usted tenga otros derechos, los cuales varían de un estado a otro.

Haier America
Wayne, NJ 07470

IMPORTANT

Do Not Return This Product To The Store
If you have a problem with this product, please contact the
"Haier Customer Satisfaction Center" at
1-877-337-3639.

DATED PROOF OF PURCHASE, MODEL #, AND SERIAL #
REQUIRED FOR WARRANTY SERVICE

IMPORTANT

Ne pas Réexpédier ce Produit au Magasin
Pour tout problème concernant ce produit, veuillez contacter
le service des consommateurs "Haier Customer Satisfaction Center" au
1-877-337-3639.

PREUVE D'ACHAT DÁTÉE, NUMÉRO DE MODÈLE ET LE NUMÉRO DE SÉRIE
REQUIS POUR LE SERVICE DE GARANTIE

IMPORTANTE

No regrese este producto a la tienda
Si tiene algún problema con este producto, por favor contacte el
"Centro de Servicio al Consumidor de Haier" al
1-877-337-3639 (Válido solo en E.U.A).

NECESITA UNA PRUEBA DE COMPRA FECHADA, NÚMERO DE MODELO
Y DE SERIE PARA EL SERVICIO DE LA GARANTÍA

Made in China
Fabriqué en Chine
Hecho en China

Haier

Haier America
Wayne, NJ 07470

HC17SF10R, HC17SF15R,
HC17SG42R, HC27SG42R,
HRC2721BC, HRC2725BL
Issued: November 2015

Printed in China

Part # 0570000225 REV A