

Frost-Free Refrigerator/Freezer

Frost-Libérent

Réfrigérateur/Congélateur

Frost-Libera

Refrigerador/Congelador

User Manual

Guide de l'Utilisateur

Manual del Usuario

Models **HA10TG21SW**

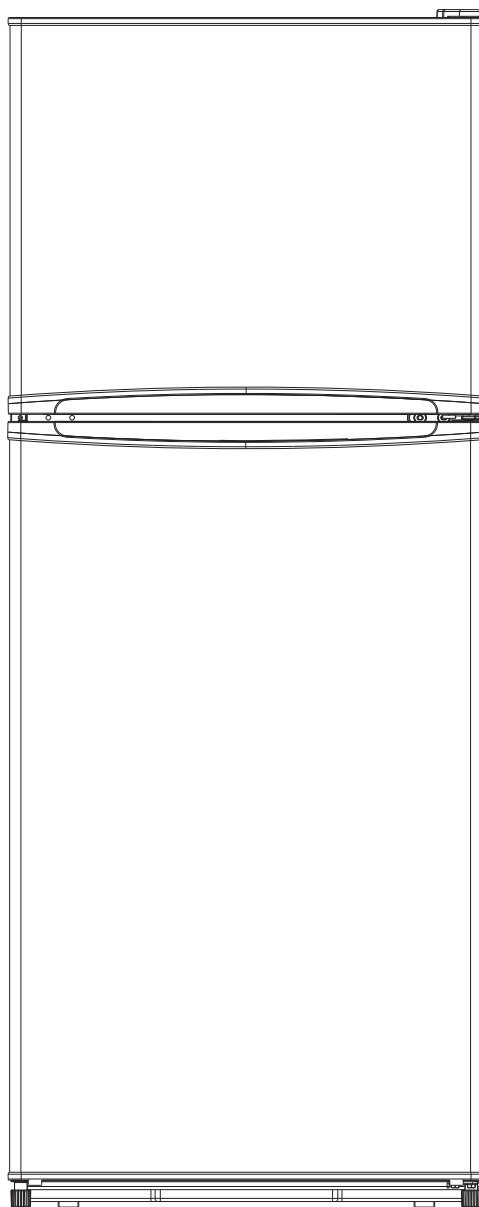
HA10TG21SB

HA10TG21SS

HA12TG21SW

HA12TG21SB

HA12TG21SS



Haier

TABLE OF CONTENTS

SAFETY INFORMATION

Important Safety Instructions2-3

SET UP & USE

Electrical Requirements4

Installation Guide4-5

Installing Your Refrigerator5

Accessories6

Parts & Features7

Reversing the Door Swing8-9

Features and Use10-11

Food Storage Information12

CLEANING AND CARE

Care and Maintenance13-14

TROUBLE SHOOTING & WARRANTY

Normal Operating Sounds15

Troubleshooting16-17

Customer Service18

Limited Warranty19

PRODUCT REGISTRATION

Thank you for purchasing our Haier product. This easy-to-use manual will guide you in getting the best use out of your product. Remember to record the model and serial numbers. They are on the backside or inside of the product.

Model number

Serial number

Date of purchase

Staple your receipt to your manual. You will need it to obtain warranty service.

IMPORTANT SAFETY INSTRUCTIONS

WARNING

**READ ALL INSTRUCTIONS BEFORE USING THIS APPLIANCE:
WHEN USING THIS APPLIANCE, ALWAYS EXERCISE BASIC SAFETY
PRECAUTIONS, INCLUDING THE FOLLOWING:**

NOTE: If the refrigerator has been placed in a horizontal or tilted position for any period of time, wait 24 hours before plugging the unit in.

- 1) Use this appliance only for its intended purpose as described in this use and care guide.
- 2) This refrigerator must be properly installed in accordance with the installation instructions before it is used. See Electrical Requirements in the Set Up & Use section.
- 3) This refrigerator should not be recessed or built into an enclosed cabinet. It is designed for freestanding installation only.
- 4) Never unplug your refrigerator by pulling on the power cord. Always grasp the plug firmly and pull straight out from the outlet.
- 5) Repair or replace immediately all electric service cords that have become frayed or otherwise damaged. Do not use a cord that shows cracks or abrasion damage along its length, the plug or the connector end.
- 6) If your old refrigerator is not being used, we recommend that you remove the doors. This will reduce the possibility of danger to children.

WARNING

AFTER YOUR REFRIGERATOR IS IN OPERATION, DO NOT TOUCH THE COLD SURFACES IN THE FREEZER COMPARTMENT, PARTICULARLY WHEN HANDS ARE DAMP OR WET. SKIN MAY ADHERE TO THESE EXTREMELY COLD SURFACES.

- 7) Do not refreeze foods that have been thawed completely. The United States Department of Agriculture in Home and Garden Bulletin No. 69 reads:
"...You may safely refreeze frozen foods that have thawed if they still contain ice crystals or if they are still cold, below 40°F."
"...Thawed ground meats, poultry, or fish that have any off-odor or off-color should not be refrozen and should not be eaten. Thawed ice cream should be discarded. If the odor or color of any food is poor or questionable, discard it. The food may be dangerous to eat."
"...Even partial thawing and re-freezing can reduce the eating quality of foods, particularly fruits, vegetables, and prepared foods. The eating quality of red meats is affected less than that of many other foods. Use refrozen foods as soon as possible to save as much of their eating quality as you can."

IMPORTANT SAFETY INSTRUCTIONS CONT.

8) Do not use any electrical device or any sharp instrument in defrosting your refrigerator.

⚠ DANGER: Risk of Fire or Explosion. Flammable Refrigerant Used. Do Not Use Mechanical Devices to Defrost Refrigerator or Freezer. Do Not Puncture Refrigerant Tubing.

9) Unplug your refrigerator before cleaning or before making any repairs.

NOTE: If for any reason this product requires service, the component parts shall be replaced with like components and servicing shall be done by factory authorized service personnel, so as to minimize the risk of possible ignition due to incorrect parts or improper service.

10) Do not operate your refrigerator in the presence of explosive fumes.

SAVE THESE INSTRUCTIONS

CAUTION -Risk of Fire or Explosion

Dispose of properly in accordance with Federal or Local Regulations. Flammable refrigerant used.



DANGER

RISK OF CHILD ENTRAPMENT. BEFORE YOU THROW AWAY YOUR OLD REFRIGERATOR OR FREEZER, TAKE OFF THE DOORS. LEAVE THE SHELVES IN PLACE SO THAT CHILDREN MAY NOT EASILY CLIMB INSIDE.

ELECTRICAL REQUIREMENTS

GROUNDING INSTRUCTIONS

WARNING

ELECTRICAL REQUIREMENT - SHOCK HAZARD

- Make sure there is a suitable power outlet. 115 Volts, 15 Amps, 3 Prong (Grounded) power outlet with proper grounding to power the refrigerator.
- Avoid the use of three prong adapters or cutting off the third grounding prong in order to accommodate a two prong outlet. This is a dangerous practice since it provides no effective grounding for the refrigerator and may result in shock hazard.

USE OF EXTENSION CORDS

WARNING

USE OF EXTENSION CORDS- POTENTIAL SAFETY HAZARD

- Avoid the use of an extension cord because of potential safety hazards under certain conditions. If it is necessary to use an extension cord, use only a 3-wire extension cord that has a 3-blade grounding plug and a 3-slot outlet that will accept the plug. The marked rating of the extension cord must be equal to or greater than the electrical rating of the appliance. **DO NOT USE EXTENSION CORD LONGER THAN 12 FT.**

INSTALLATION GUIDE

INSTALLATION LIMITATIONS

- Select a suitable location for the refrigerator on a hard even surface away from direct sunlight or heat source, e.g. radiators, baseboard heaters, cooking appliances, etc. Any floor unevenness should be corrected with the leveling legs located on the front bottom corners of the refrigerator.

UNPACKING YOUR REFRIGERATOR

1. Remove all packaging material. This includes the corrugated base and all adhesive tape holding the refrigerator accessories inside and outside.
2. Inspect and remove any remains of packing, tape or printed materials before powering on the refrigerator.
3. If your refrigerator comes with smooth or stainless steel doors, please remove the clear film before turning it on for the first time. When removing the film, do not pull the film straight down as this could result in misaligned doors.
4. It is normal for the freezer door to be positioned slightly higher than the top of the cabinet when the refrigerator is first installed. This positioning is done at the factory to ensure a proper gasket seal once the door is weighted with food items.

INSTALLATION GUIDE CONT.

⚠ CAUTION

Risk of Fire or Explosion due to puncture of refrigerant tubing. Flammable refrigerant used. Handle with care when moving refrigerator to avoid either damaging the refrigerant tubing or increasing the risk of a leak.

LEVELING YOUR REFRIGERATOR

- Your refrigerator has two leveling legs that are located in the front bottom corners of your refrigerator. After properly placing your refrigerator under its final position, you can level your refrigerator.
- Leveling legs can be adjusted by turning them counterclockwise to raise your refrigerator or by turning them clockwise to lower your refrigerator. The refrigerator door will close easier when the leveling legs are extended.



PROPER AIR CIRCULATION

- To ensure your refrigerator works at the maximum efficiency it was designed for, you should install it in a location where there is proper air circulation, plumbing and electrical connections. Your refrigerator is not designed to operate in temperatures below 55°F (12°C) or above 95°F (35°C).
- Do not install your refrigerator in any location not properly insulated or heated, e.g. garage, etc. Keep out of direct sunlight and away from heating sources such as radiators, heaters, and cooking appliances.
- The following are recommended clearances around the refrigerator:

Sides.....1" (25 mm) Top.....1" (25 mm) Back.....2" (50mm)

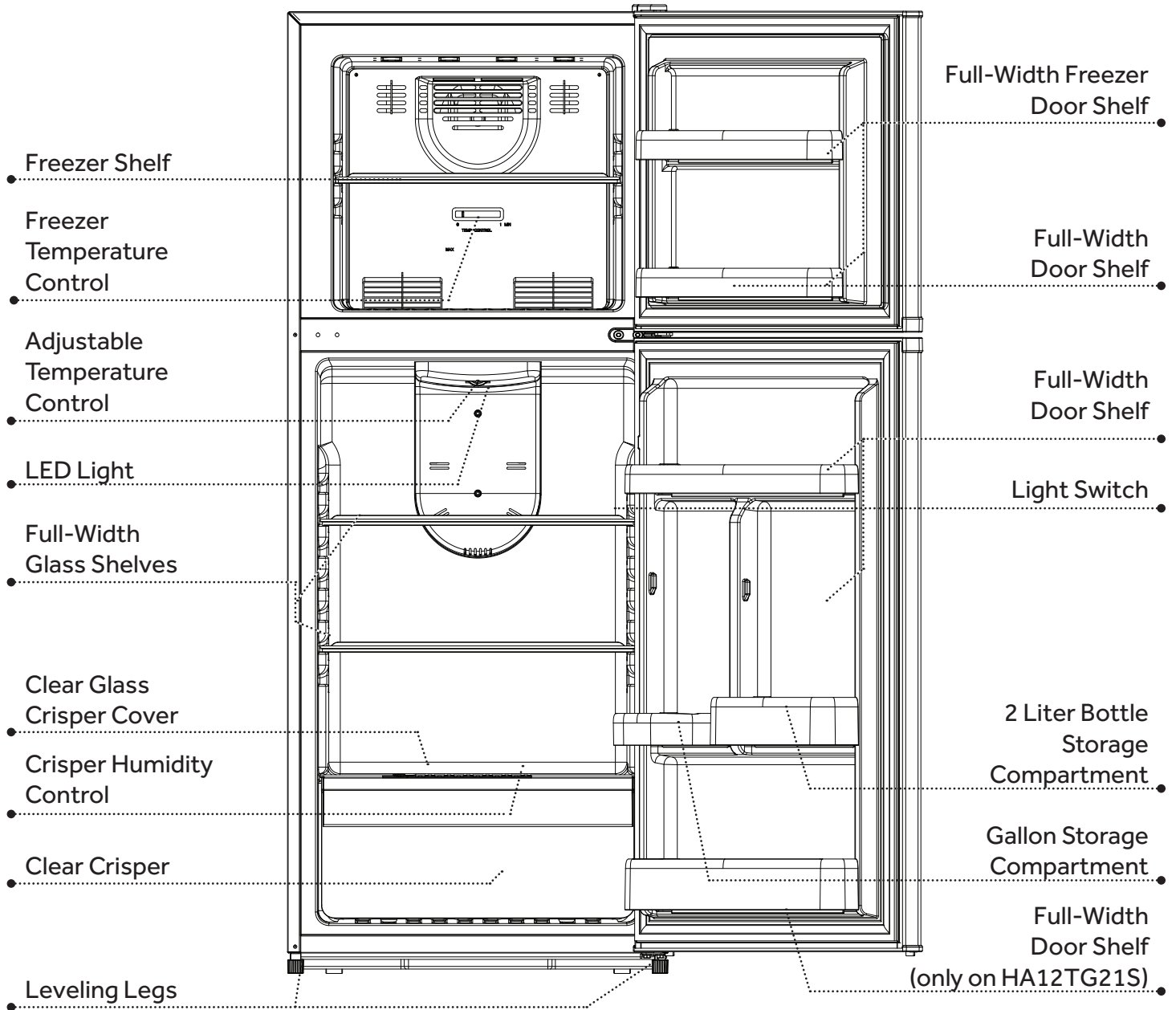
ACCESSORIES

The following accessories are included:

- Glass Shelf for the Fresh Food Section
- Glass Shelf for Freezer Compartment

To order accessories, call 1-877-337-3639 or visit us at www.haieramerica.com/support

PARTS & FEATURES



REVERSING THE DOOR SWING

LEFT/RIGHT DOOR OPENING METHOD

This product allows you to reverse the door opening from left to right and back. You can select your preference of door opening by following the procedure to make the change.

TOOLS REQUIRED

Phillips and Flat Head Screwdrivers, Ratchet Wrench with 8 mm and 10 mm sockets.

DISMANTLING

(Fig. 1 and Fig. 2)

1. Affix refrigerator and freezer door by sticking adhesive tape on both sides to hold doors in place.

Fig. 1

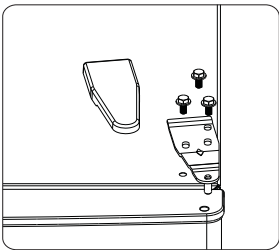
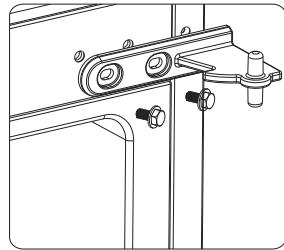


Fig. 2



2. As shown in Fig. 1, remove the upper hinge cover by using flat head screwdriver. Then remove three screws using ratchet wrench with 10 mm head. Take out hinge by pulling it vertically and keep it in safe place.

3. Remove the adhesive tape on freezer door, lift it and take off the door and carefully put it aside.

4. Remove two screws of central hinge using ratchet wrench with 8 mm socket, and keep them in a safe place (Fig. 2)

5. Remove the adhesive tape on refrigerator door, lift it and take refrigerator door, and carefully put it aside.

6. Remove the doorstoppers from the refrigerator and freezer doors. (Fig. 3)

7. Insert left side doorstoppers (provided in your packing) on the left side bottom hole of the refrigerator door and on the left side bottom hole of the freezer door. Fasten with screws provided. (Fig. 4)

Fig. 3

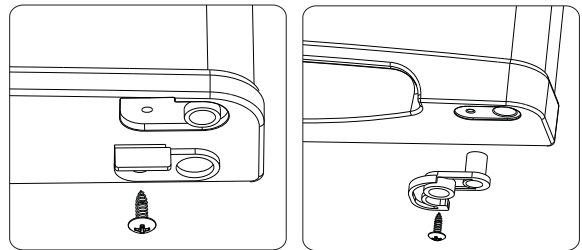
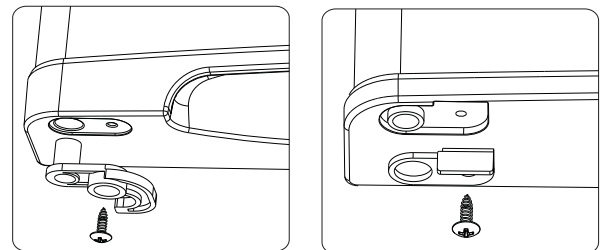


Fig. 4



REVERSING THE DOOR SWING CONT.

REINSTALLATION

1. Remove the lower pivot pin from the lower hinge by turning counter clockwise. Move the pin to the opposite hole and tighten. Make sure that washer on the pin stays in place (Fig. 5)

Fig. 5

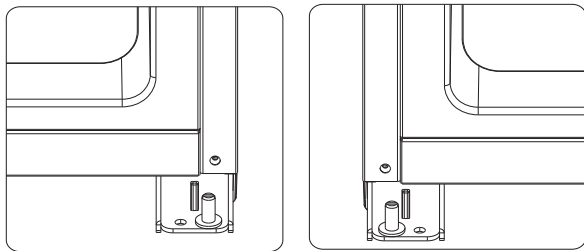
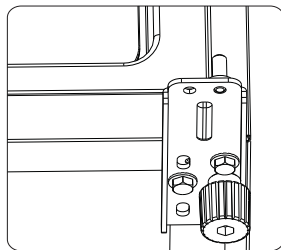


Fig. 6



2. Tilt refrigerator on a 45-degree angle to have access to the bottom front.



CAUTION

Two People Required.

3. Remove both left and right front feet from bottom. (Fig. 6)
4. Loosen the screws holding the bottom hinge and remove it using ratchet wrench with 10 mm socket. Remove one Phillips Head screw on other side.

5. Align the holes in the bottom hinge to the corresponding holes on the opposite side of the cabinet. Insert and tighten the screws. Reinstall both front feet and reinstall Phillips Head screw on opposite side.

Fig. 7

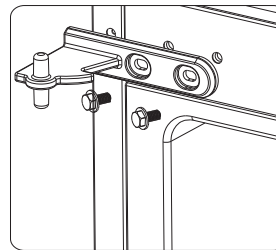
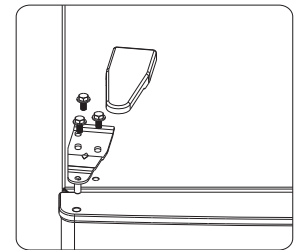


Fig. 8



6. To install refrigerator door: Line up the left bottom hole of the refrigerator compartment door over the bottom hinge pin. Move door forward to make it straight and align with central hinge. Install the central hinge again, and turn the hinge axle until it completely enters the door body. Secure it with the screws provided. (see Fig. 7)

NOTE: Prior to this, remove plugs from door frame and install on opposite side.

7. To install freezer door: Line up left bottom hole of the door over the central hinge middle pin. Move door forward to make it straight and align with freezer compartment. Place over left side the top hinge, align holes with hole on the refrigerator top and tighten with the screws provided. (see Fig. 8)
8. Reinstall hinge cover as shown in Fig. 8

FEATURES AND USE

ADJUSTABLE TEMPERATURE DIAL

Your refrigerator will automatically maintain the temperature level you select. The temperature control dial has 7 settings. 1 is the warmest. 7 is the coldest. At first, set the dial to 4 and allow 24 hours to pass before adjusting the temperature to your needs.

To adjust the temperature range in the cold setting, turn the temperature dial in a clockwise direction. For normal operating conditions, keep the dial halfway between cold and coldest. For your convenience, the factory presets the control at normal operating conditions.

NOTE: If the refrigerator has been placed in a horizontal or tilted position for any period of time wait 24 hours before plugging the unit in.

FREEZER SECTION

Your freezer compartment is equipped with adjustable temperature control. For your convenience, temperature is preset by the factory to the colder setting. There is also an option to adjust the settings, either to cold or to coldest.

REFRIGERATOR SECTION INTERIOR LIGHT

Your refrigerator is equipped with an interior light in the fresh food section for you to easily locate your food.

FROST- FREE REFRIGERATOR-FREEZER

You should never need to defrost your freezer, as it automatically defrosts any ice build-up that may occur.

⚠ DANGER: Risk of Fire or Explosion.
Flammable Refrigerant Used. Do Not Use Mechanical Devices to Defrost Refrigerator or Freezer. Do Not Puncture Refrigerant Tubing.

REFRIGERATOR INTERIOR SHELVES

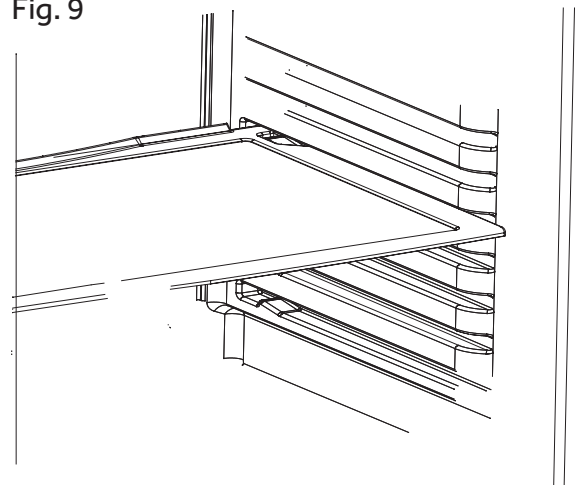
(Shelves may vary by model)

The shelves of your refrigerator were designed with you in mind. Their varied adjustability allows you to satisfy your personal storage needs.

To remove or adjust a full-width slide-out shelf:
(see Fig. 9)

1. Gently tilt the shelf up and slide forward until the shelf has been completely removed.
2. To replace the shelf, select the desired setting and gently slide the shelf back until it rests in the locking position.

Fig. 9



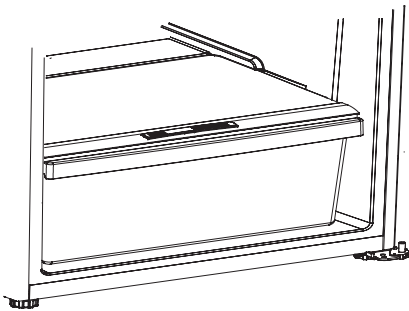
FEATURES AND USE CONT.

CRISPERS AND CRISPER COVER

To remove and install the crisper: (see Fig. # 10)

1. Grip the crisper firmly and slide out completely.
2. Replace the crisper by placing the crisper properly in position and gently sliding it back into place.

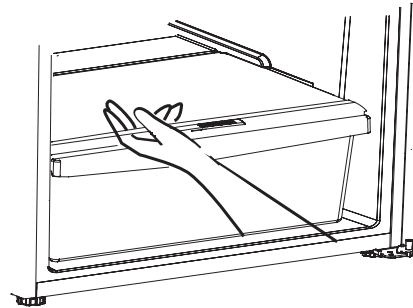
Fig. 10



REMOVING OR REPLACING THE CRISPER COVER

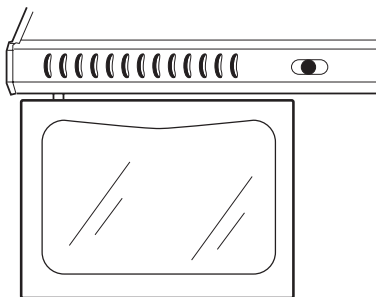
1. Carefully grasp the crisper cover and slide out to remove. (Fig. 11)

Fig. 11



2. To replace, slide the rear of the crisper cover into the right and left slots above the crisper area and gently slide back into place.

Your refrigerator is equipped with a slide control to raise or lower the humidity levels or your crispers. This feature will increase the storage life of your fruits and vegetables. Simply adjust the controls to the appropriate setting for items you are storing in the crispers. Low settings allow moist air to exit the crisper, for optimum storage of fruit and/or vegetables that have skins. High settings retains moist air in the crisper, for optimum storage of leafy fresh vegetables.



FOOD STORAGE INFORMATION

FRESH FOOD:

- When storing fresh food that is not prepackaged, be sure to wrap or store food in airtight and moisture proof material unless otherwise noted. This will ensure proper shelf life and prevent the transfer of odors and tastes.
- Wipe containers before storing to avoid needless spills.
- Eggs should be stored in an upright position in their original carton to maximize shelf life.
- Fruit should be washed and dried, then stored in sealed plastic bags before storing in the refrigerator.
- Vegetables with skins should be stored in plastic bags or containers.
- Leafy vegetables should be washed and drained and then stored in plastic bags or containers.
- Hot food should be allowed to cool before storing in the refrigeration. This will prevent unnecessary energy use.
- Fresh seafood should be used the same day as purchased.
- When storing meats in the fresh food section, keep in the original packaging or rewrap as necessary.

These are some suggestions for safe storage:

- Chicken 1-2 Days
- Ground Beef 1-2 Days
- Cold Cuts 3-5 Days
- Steaks/Roasts 3-5 Days
- Smoked/Cured Meats 7-10 Days

For detailed storage chart visit FDA website:
www.cfsan.fda.gov/~dms/fttstore.html

FROZEN FOOD

- Wipe containers before storing to avoid needless spills.
- Hot food should be allowed to cool before storing in the freezer. This will prevent unnecessary energy use.
- When storing meats, keep in the original packaging or rewrap as necessary.
- Proper freezer storage requires correct packaging. All foods must be in packages that do not allow the flow of air or moisture in or out. Improper storage will result in odor and taste transfer and will result in the drying out of the improperly packaged food.
- Follow package or container instructions for proper storage.
- Packaging Recommendations:
 - Plastic containers with air tight lids
 - Heavy duty aluminum foil
 - Plastic wrap made from saran film
 - Self-sealing plastic bags
- Do not refreeze defrosted/thawed foods.
- It is recommended that the freezing date be marked on the packaging.

These are some suggestions for safe storage:

- TV Dinners 3 - 4 Months
- Fresh Shrimp, scallops, crawfish 3 - 6 Months
- Hamburger & stew meats 3 - 4 Months
- Ground Turkey, veal, pork 3 - 4 Months
- Chops 4 - 6 Months
- Steaks 6 - 12 Months
- Chicken or Turkey 6 - 8 Months

For detailed storage chart visit FDA website:
www.cfsan.fda.gov/~dms/fttstore.html

CARE AND MAINTENANCE

WARNING

Before cleaning your refrigerator, **ALWAYS** unplug it from the power source. Failure to heed this warning could result in injury or death from electric shock.

DANGER

Risk of Fire or Explosion due to puncture of refrigerant tubing. Flammable refrigerant used. Do not use metal instruments during cleaning process. Do not puncture refrigerant tubing.

NOTE: Before using any cleaning products, be sure to read the manufacturer's instructions and warnings. This will help avoid personal injury or damage to property.

INTERIOR CLEANING:

Prepare a cleaning solution of 3-4 tablespoons of baking soda mixed with warm water. Use a sponge or soft cloth, dampened with the cleaning solution, to wipe the inside of your refrigerator.

Avoid cleaning any cold glass (shelves, crisper cover glass, etc.) with hot water. The glass can break and cause personal injury. Handle all glass parts with care at all times.

Do not attempt to wash any parts in a dishwasher.

Do not use harsh chemicals, ammonia, chlorine bleach, concentrated detergent, solvents, abrasives or metal scouring pads to clean your refrigerator, inside or out. They can damage and/or discolor the refrigerator finish.

EXTERIOR CLEANING:

Use a clean, soft, lightly dampened cloth with kitchen appliance wax or a mild detergent to clean the exterior of the refrigerator.

Use a clean, soft, lightly dampened cloth with warm soapy water to clean the handles and trim. Use a clean, soft towel to dry.

For stainless steel models, use a dry cloth and stainless steel polish.

Door gaskets should be cleaned every three months following the instructions for interior cleaning. Clean gaskets will maintain a better seal than dirty gaskets. Lightly apply petroleum jelly to the hinge side of the gaskets to keep the gasket pliable and assure a good seal.

Never use a dirty cloth to clean the exterior of the refrigerator. Dirty cloths may leave residue on the refrigerator that can damage the finish. Also, avoid the use of harsh chemicals, ammonia, chlorine bleach, concentrated detergent, solvents, abrasives or metal scouring pads to clean the outside of the refrigerator.

LED LIGHTING SERVICE

WARNING

DO NOT change the LED light by yourself, please contact the after-sale service for your replacement. Failure to heed this warning could result in injury or death from electric shock.

CARE AND MAINTENANCE

MAINTENANCE



DANGER

Risk of Fire or Explosion. Flammable refrigerant used. Do not puncture refrigerant tubing. To be repaired only by trained authorized service personnel. Consult Repair Manual before attempting to service this product. All Safety Precautions Must be followed. Component parts shall be replaced with like components to minimize the risk of possible ignition due to incorrect parts or improper service.

POWER INTERRUPTIONS

In the event of a power interruption, unplug your refrigerator from the power source. Avoid opening the doors until after power has been restored.

Your refrigerator will maintain a cold temperature for longer if door opening is avoided or kept to a minimum.

Once power has been restored, plug your refrigerator back into the power source and inspect food in the refrigerator for spoilage or thawing. Cleaning your refrigerator after a prolonged power outage is strongly recommended to avoid odors and potential health hazards due to thawing.

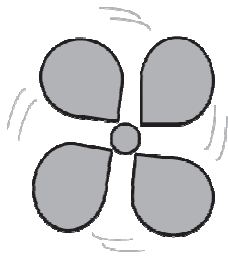
VACATION

For long vacations or absences, unplug your refrigerator and remove all food from it. Turn the temperature control knob in the refrigerator section to the OFF position and clean the refrigerator, including the gaskets, according to the Proper Care and Maintenance section. Leave the doors propped open to allow air to circulate inside the refrigerator.

MOVING

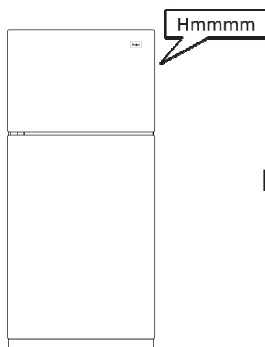
Before moving your refrigerator, empty the food from it and use adhesive tape to secure all loose items such as shelves, door bins and racks, crispers and pans, etc. and unplug it. Always move the refrigerator in an upright position in order to avoid damaging the sealed refrigerant system.

NORMAL OPERATING SOUNDS



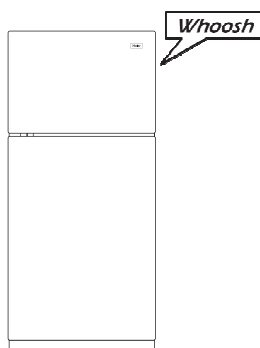
Whirring

There is a fan inside your refrigerator which helps to maintain the temperature you have selected. Whirring is common when the refrigerator is first plugged in, when the doors have been opened often or for an extended period of time and when a large amount of food has been added.



Humming

This is a common noise that comes from the compressor and is a part of making your refrigerator run efficiently.



Whooshing

It is possible that you may hear a whooshing noise when closing the doors. This is no cause for concern. It is simply the pressure in the refrigerator equalizing.



Cracking

Sizzling

- There are a lot of things going on in your refrigerator at any given time. Additional noises you may hear, and possible causes include:
- Gurgling is most likely due to the circulation of refrigerant through the cooling coils.
- Sizzling or popping sounds can be frost melting and falling onto the defrost heater during the defrost cycle.
- Clicking or chirping may be heard as the compressor attempts to re-start.
- Cracking or popping noises may be from the expansion and contraction of cooling coils during and after the defrost cycle.
- Also, when your refrigerator is first plugged in, the foam insulation in the walls will cool and contract, which can result in cracking or popping noises.
- The defrost timer and thermostat control will click as each cycles on and off.

If the refrigerator has been placed in a horizontal position for any period of time, wait 24 hours after returning it to the upright position before plugging it in.

➔ IMPORTANT

During the automatic defrost cycle, you may notice a red glow in the vents on the back wall of your freezer compartment. This is normal during the defrost cycle.

TROUBLESHOOTING

PROBLEM	POSSIBLE CAUSE(S)	SOLUTION
Refrigerator does not run	Refrigerator is unplugged	Plug power cord into power source
	Breaker is tripped or turned off / Fuse is blown	Reset / Turn on breaker or replace fuse
	Refrigerator is in defrost mode	Wait about 40 minutes for defrost cycle to end and cooling system to restart
Refrigerator or freezer is too warm	Temperature control is not set low enough	Turn temperature knob clockwise to adjust to a lower temperature; allow 24 hours to adjust
	Doors opened frequently or left open	Keep door closed / Check that a package isn't preventing door from closing
	Warm food added recently	Allow time for food and refrigerator to cool
	Items against back of compartments are blocking proper airflow	Store items only inside the trim of the glass shelves; don't place items against sides of the compartments or directly in front of any vents
Refrigerator or freezer is too cold	Temperature control is set too low	Turn knob counter-clockwise to change to a warmer setting; allow 24 hours to adjust
Refrigerator compressor runs frequently or for long periods of time	Normal when first plugged in	Allow 24 hours for the refrigerator to cool down
	Warm or large amounts of food added	This is normal
	Door is left open	Ensure that door is not being held open by an item
	Hot weather or frequent openings	This is normal
	Temperature control set to coldest setting	Adjust knob to a warmer setting
Moisture on exterior/interior of refrigerator	High humidity	This is normal; Dry surface and adjust temperature knob to slightly colder setting
	Doors opened frequently or left open	Keep door closed / Check that a package isn't preventing door from closing
	Open container of water in refrigerator	Cover or seal container
Refrigerator has an odor	Food is not sealed or packaged properly	Re-seal packaging / Place an opened box of baking soda in the refrigerator, replace every three months
	Interior needs to be cleaned	Follow cleaning instructions in Proper Care and Maintenance section
Light does not come on	Refrigerator is unplugged	Plug refrigerator in to power source
	LED light is burned out	Follow instructions in LED Light Replacement section
	Not all models come with a freezer light	

TROUBLESHOOTING CONT.

PROBLEM	POSSIBLE CAUSE(S)	SOLUTION
Frost or ice crystals on frozen food	Freezer door left open or opened frequently	Turn knob counter-clockwise to change to a warmer setting; allow 24 hours to adjust
	Items blocking freezer air vents and preventing proper air flow	Move items away from rear wall
Food freezing in refrigerator	Food placed too close to the air vent	Move items away from back and top of the refrigerator
	Temperature control knob set too low	Adjust the knob counter-clockwise to a warmer setting
Freezer door pops open when closing the refrigerator door	Normal if freezer door closes afterwards on its own	This indicates a good seal if freezer door closes on its own
	If freezer doesn't close on its own after popping open, adjust leveling legs	See leveling leg feature instructions in Installing Your Refrigerator section
Door does not close properly	Refrigerator isn't level	See leveling leg feature instructions in Installing Your Refrigerator section
	Something is obstructing door closure	Check for and remove obstructions
Vibration or rattling	Refrigerator is not resting firmly on floor	See leveling leg feature instructions in Installing Your Refrigerator section

CUSTOMER SERVICE

IMPORTANT

DO NOT RETURN THIS PRODUCT TO THE STORE

If you have a problem with this product, please contact the Haier Customer Satisfaction Center at 1-877-337-3639.

DATED PROOF OF PURCHASE, MODEL # AND SERIAL #
REQUIRED FOR WARRANTY SERVICE



LIMITED WARRANTY

What is covered and for how long?

This warranty covers all defects in workmanship or material for a period of:

12 Months on Parts and Labor

5 Years on Sealed System

This warranty commences on the date the item was purchased and the original purchase receipt must be presented to the authorized service center before any warranty service is rendered.

Exceptions: Commercial or Rental Use

90 Days on Labor (Carry-In Only)

90 Days on Parts

No Other Warranty Applies

What is Covered:

The mechanical and electrical parts, which serve a functional purpose of this appliance for a period of 12 months from the date of purchase. This includes all parts except finish and trim.

The components of the sealed system (e.g. hermetic compressor, condenser and evaporator) from manufacturing defects for a period of 5 years from the date of purchase. Any damage to such components caused by mechanical abuse or improper shipping and handling will not be covered.

What will be done?

We will repair or replace, at our discretion, any mechanical or electrical part which proves to be defective in normal usage during the warranty period as specified.

There will be no charge to the purchaser for parts and labor on any covered items during the initial 12 month period. Beyond this period, only parts are covered in the remaining warranty. Labor is not provided and must be paid by the consumer.

What to do if you need service:

Contact your nearest authorized service center. For the name of the nearest service center, please call 1-877-337-3639.

THIS WARRANTY COVERS APPLIANCES WITHIN THE CONTINENTAL UNITED STATES AND CANADA. THIS WARRANTY DOES NOT COVER THE FOLLOWING:

- Service calls to correct the installation on your refrigerator
- Service calls to instruct you on proper use of your refrigerator
- Service calls to replace or correct house wiring or plumbing
- Service calls to replace light bulbs
- Damages from improper installation
- Damages from shipping
- Defects other than manufacturing
- Damage from misuse, abuse, accident, alteration, lack of proper care and maintenance or incorrect current or voltage
- Damage from use other than household use
- Damage from service performed by a non-authorized dealer or service center
- Decorative trim
- Transportation and shipping
- Labor (after the initial 12 month warranty period)

THIS LIMITED WARRANTY IS GIVEN IN LIEU OF ALL OTHER WARRANTIES, EXPRESSED OR IMPLIED, INCLUDING THE WARRANTIES OF MERCHANTABILITY AND FITNESS FOR A PARTICULAR PURPOSE

The remedy provided in this warranty is exclusive and is granted in lieu of all other remedies. The warranty does not cover incidental or consequential damages, so the above limitations may not apply to you. Some states do not allow limitations on how long an implied warranty lasts, so the above limitations may not apply to you. This warranty gives you specific legal rights and you may have other rights which vary from state to state.

Haier America
Wayne, NJ 07470

TABLE DES MATIÈRES

RENSEIGNEMENTS SUR LA SÉCURITÉ

Consignes de sécurité importantes	2
---	---

RÉGLAGES ET UTILISATION

Exigences en matière d'électricité.....	4
Guide d'installation	4-5
Installation de votre réfrigérateur	5
Accessoires	6
Pièces et caractéristiques	7
Inversion des portes	8-9
Caractéristiques et utilisation	10-11
Renseignements sur le stockage de nourriture	12

NETTOYAGE ET ENTRETIEN

Entretien approprié	13-14
---------------------------	-------

DÉPANNAGE ET GARANTIE

Bruits normaux pendant le fonctionnement.....	15
Dépannage	16-17
Service à la clientèle	18
Garantie limitée.....	19

ENREGISTREMENT DU PRODUIT

Merci d'avoir acheté un produit Haier. Ce guide convivial vous aidera à utiliser votre réfrigérateur de façon optimale. Rappelez-vous de prendre en note les numéros de modèle et de série.

Ils sont indiqués sur une étiquette apposée à l'intérieur du produit.

Numéro de modèle

Numéro de série

Date d'achat

Brochez votre reçu de caisse à votre guide. Vous en aurez besoin pour obtenir du service en vertu de la garantie..

TABLE DES MATIÈRES

AVERTISSEMENT

LISEZ TOUTES LES INSTRUCTIONS AVANT D'UTILISER CET APPAREIL ÉLECTROMÉNAGER. LORS DE L'UTILISATION DE CET APPAREIL, IL EST IMPORTANT DE RESPECTER CERTAINES PRÉCAUTIONS D'USAGE, Y COMPRIS LES INSTRUCTIONS SUIVANTES :

REMARQUE: Si le réfrigérateur a été entreposé en position horizontale ou inclinée pour une certaine période de temps, attendez 24 heures avant de le rebrancher.

- 1) N'utilisez cet appareil qu'aux fins prévues, tel que décrit dans ce guide d'utilisation et d'entretien.
- 2) Ce réfrigérateur doit être installé conformément aux instructions d'installation avant d'être utilisé. Consultez les Exigences en matière d'électricité de la partie Réglage et l'utilisation.
- 3) Ce réfrigérateur ne doit être ni encastré, ni incorporé dans une armoire. Il est conçu pour une installation amovible seulement.
- 4) Ne débranchez jamais votre réfrigérateur en tirant sur le cordon d'alimentation. Agrippez toujours la fiche fermement et tirez-la en ligne droite pour la sortir de la prise de courant.
- 5) Réparez ou remplacez immédiatement tous les cordons d'alimentation électrique qui s'effilochent ou autrement endommagés. N'utilisez pas de cordon si celui-ci, la fiche ou l'embout du connecteur présente des fissures ou d'autres dommages causés par l'abrasion.
- 6) Si votre ancien réfrigérateur n'est pas actuellement utilisé, nous recommandons d'en retirer les portes. Cela réduira les risques pour les enfants.

AVERTISSEMENT

LORSQUE VOTRE RÉFRIGÉRATEUR EST EN MARCHE, NE TOUCHEZ PAS AUX SURFACES FROIDES DU CONGÉLATEUR, PARTICULIÈREMENT SI VOS MAINS SONT HUMIDES. LA PEAU POURRAIT RESTER COLLÉE À CES SURFACES TRÈS FROIDES

- 7) Ne recongelez pas les aliments qui ont complètement décongelé. Dans le numéro 69 de son Bulletin « Home and Garden », le Département de l'Agriculture des États-Unis déclare :
«...Vous pouvez recongeler en toute sécurité des aliments congelés ayant décongelé, pourvu qu'ils contiennent encore des cristaux de glace ou que leur température soit encore inférieure à 4 °C (40 °F) ».
«...Les viandes hachées, les volailles ou les poissons présentant une odeur ou une couleur atypique ne devraient être ni recongelés, ni consommés ». Les crèmes glacées fondues devraient être mises au rebut. Lorsqu'un aliment présente une odeur ou une couleur douteuse, jetez-le. Le consommer pourrait être dangereux ».
«...Même partielle, la décongélation et la recongélation réduisent la qualité gustative des aliments, particulièrement s'il s'agit de fruits, de légumes et d'aliments préparés. Dans un tel contexte, la qualité gustative des viandes rouges est moins compromise que bon nombre d'autres aliments. Consommez les aliments recongelés le plus tôt possible afin de sauvegarder le maximum de leur qualité gustative. »

CONSIGNES DE SÉCURITÉ IMPORTANTES

8 N'utilisez aucun appareil électrique ou instrument coupant pour dégivrer votre réfrigérateur.

9 Débranchez votre réfrigérateur avant de le nettoyer ou de procéder à des réparations.

REMARQUE : Si pour une raison ou une autre, ce produit nécessite un entretien, nous vous recommandons fortement de faire appel aux services d'un technicien agréé.

10) Ne faites pas fonctionner votre réfrigérateur en présence de fumées explosives.

CONSERVEZ CES INSTRUCTIONS

DANGER

RISQUE QU'UN ENFANT RESTE PRIS AU PIÈGE. ENLEVEZ LES PORTES DE VOTRE ANCIEN RÉFRIGÉRATEUR OU CONGÉLATEUR AVANT DE LE METTRE AU REBUT. LAISSEZ LES ÉTAGÈRES EN PLACE POUR RENDRE L'ACCÈS PLUS DIFFICILE AUX ENFANTS.

EXIGENCES CONCERNANT L'ALIM. ÉLECTRIQUE

DIRECTIVES DE MISE À LA TERRE

AVERTISSEMENT

EXIGENCE ÉLECTRIQUE - RISQUE D'ÉLECTROCUTION

- Assurez-vous de la proximité d'une prise de courant adéquate pour alimenter le réfrigérateur : une prise de 115 volts, 15 ampères tripolaire (mise à la terre) avec mise à la masse appropriée.
- Évitez d'utiliser les adaptateurs tripolaires ou de couper la broche de mise à la terre pour brancher l'appareil à une prise bipolaire. Cette pratique est dangereuse puisqu'elle ne fournit aucune mise à la terre au réfrigérateur et peut entraîner un risque d'électrocution.

EXIGENCES CONCERNANT L'ALIM. ÉLECTRIQUE

UTILISATION DE RALLONGES

- Évitez d'utiliser une rallonge électrique en raison des risques pour la sécurité dans certaines conditions. En cas de nécessité absolue, n'utilisez qu'une rallonge tripolaire munie d'une fiche à trois broches, dont une de mise à la terre, et une prise tripolaire pouvant loger la fiche. La capacité nominale indiquée sur la rallonge doit être égale ou supérieure à la capacité nominale de l'appareil. **N'UTILISEZ AUCUNE RALLONGE DE PLUS DE 3,6 M (12 PI).**

AVERTISSEMENT

UTILISATION DE RALLONGES ÉLECTRIQUES – RISQUE POUR LA SÉCURITÉ

GUIDE D'INSTALLATION

LIMITES D'INSTALLATION

- Choisissez un emplacement convenant à l'appareil, sur une surface plane et dure, à l'abri des rayons directs du soleil et des sources de chaleur (p. ex., les radiateurs, plinthes chauffantes, appareils de cuisson, etc.). Toute inégalité du plancher devrait être compensée au moyen des pattes de nivellement installées sous l'appareil.

DÉSEMBALLAGE DE VOTRE RÉFRIGÉRATEUR

1. Retirez tous les matériaux d'emballage. Cela inclut la base en carton ondulé ainsi que tous les rubans adhésifs retenant des accessoires à l'intérieur et à l'extérieur du réfrigérateur.
2. Inspectez le réfrigérateur et enlevez tout résidu d'emballage, de ruban adhésif ou de matériel imprimé avant de le mettre en marche.
3. Si votre réfrigérateur a un fini doux ou en inox, veuillez enlever la pellicule transparente avant de le mettre en marche pour la première fois. Lorsque vous l'enlever, ne pas tirer la pellicule vers le bas, ce qui pourrait causer un désalignement des portes.
4. C'est normal que la porte du congélateur soit positionnée un peu plus haut que le haut de l'appareil lorsque le réfrigérateur est nouvellement installé. Ce positionnement est établi en usine pour assurer un bon joint d'étanchéité une fois que la porte sera alourdie de produits alimentaires.

GUIDE D'INSTALLATION

NIVELAGE DE VOTRE RÉFRIGÉRATEUR

- Votre réfrigérateur est muni de deux pattes de nivellement, situées aux coins avant de l'appareil. Après avoir correctement positionné votre réfrigérateur dans sa position finale, vous pouvez procéder au nivelage.
- Pour ajuster la hauteur des pattes de nivellement, tournez-les dans le sens inverse des aiguilles d'une montre pour relever l'appareil, ou dans le sens des aiguilles d'une montre pour l'abaisser. La porte du réfrigérateur est plus facile à fermer lorsque les pattes de nivellement sont prolongées.



CIRCULATION APPROPRIÉE DE L'AIR

- Afin d'assurer l'efficacité maximale de votre réfrigérateur, vous devez l'installer dans un emplacement où il y a une bonne circulation d'air ainsi qu'une tuyauterie et des connexions électriques appropriées. Votre réfrigérateur n'est pas conçu pour fonctionner sous les 12 °C (55 °F) ou à une température excédant les 35 °C (95 °F).
- N'installez pas votre réfrigérateur dans un emplacement qui n'est pas correctement isolé ou chauffé (p. ex. dans un garage). Gardez votre appareil loin des sources de chauffage comme les radiateurs, chaufferettes et appareils de cuisson.
- Voici les dégagements recommandés autour du réfrigérateur :

Côtés.....25 mm (1 po) Dessus.....25 mm (1 po) Back.....2" (50mm)

ACCESSOIRES

Les accessoires suivants sont offerts en option:

- Étagère en verre pour la section de nourriture fraîche
- Étagère en verre pour compartiment congélateur

Pour commander des accessoires, composez le 1-877-337-3639 ou visitez notre site, au www.haieramerica.com/support

ALIGNEMENT DE LA PORTE

MÉTHODE D'OUVERTURE DE LA PORTE GAUCHE/DROITE

Ce produit permet l'ouverture de la porte de gauche à droite et vis-et-versa. Vous pouvez choisir selon votre préférence en suivant la procédure suivante pour effectuer le changement.

OUTILS NÉCESSAIRES

Un tournevis cruciforme et un à tête plate, une clé à cliquet avec des douilles de 8mm et 10mm.

DÉMONTAGE

(Fig. 1 et Fig. 2)

1. Fixer la porte de réfrigérateur et celle du congélateur à l'aide de reban adhésif sur les deux côtés pour garder les portes en place.

Fig. 1

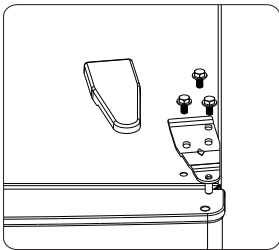
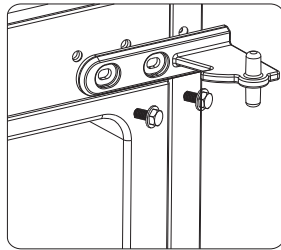


Fig. 2



2. Tel qu'indiqué dans la Fig. 1, ôter le couvercle de la charnière du haut à l'aide d'un tournevis à tête plate. Puis ôter les 3 vis à l'aide de la clé à cliquet avec une douille de 10mm. Retirer la charnière en tirant à la verticale et la garder en lieu sur.

3. Ôter le ruban adhésif sur la porte du congélateur, retirer la porte en la levant, et la déposer délicatement.

4. Retirer les deux vis de la charnière centrale à l'aide de la clé à cliquet avec une douille de 8mm. Ôter le ruban adhésif sur la porte du réfrigérateur, retirer la porte en la levant, ôter la charnière, et les déposer délicatement en lieu sur (Fig. 2)

5. Ôter le ruban adhésif sur la porte du réfrigérateur, retirer la porte en la levant, et la déposer délicatement

6. Ôter les arrêts sur la porte du réfrigérateur et du congélateur. (Fig. 3)

7. Insérer les arrêts de porte de gauche (fournis dans l'emballage) dans le trou en bas à gauche de la porte du réfrigérateur et le trou en bas à gauche du congélateur. Fixer à l'aide des vis fournies. (Fig. 4)

Fig. 3

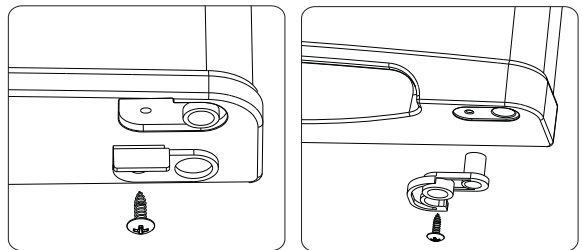
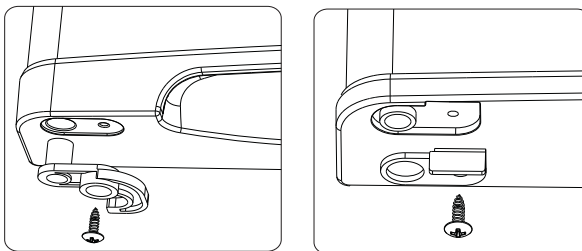


Fig. 4



ALIGNEMENT DE LA PORTE CONT.

RÉINSTALLATION

1. Ôter l'axe de pivot de la charnière du bas en tournant dans le sens antihoraire. Déplacer l'axe au trou opposé et visser. Assurez-vous que la rondelle sur l'axe reste bien en place. (Fig. 5)

Fig. 5

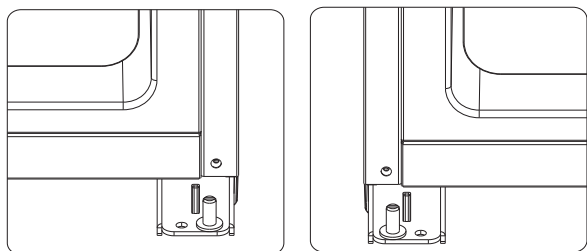
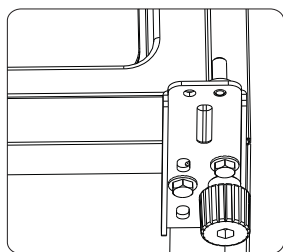


Fig. 6



2. Faire basculer le réfrigérateur à un angle de 45 degrés afin d'avoir accès au dessous à l'avant.



CAUTION

Deux personnes requises.

3. Ôter les deux pattes avant. (Fig. 6)
4. Desserrer les vis fixant la charnière du bas et l'enlever à l'aide de la clé à cliquet et une douille de 10mm. Ôter la vis cruciforme de l'autre côté.

5. Aligner les trous de la charnière du bas aux trous correspondants sur le côté opposé du réfrigérateur. Insérer et visser les vis. Réinstaller les pattes avant, ainsi que la vis cruciforme de l'autre côté.

Fig. 7

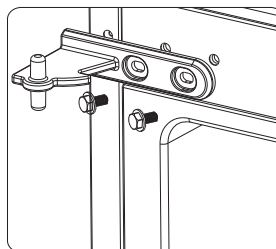
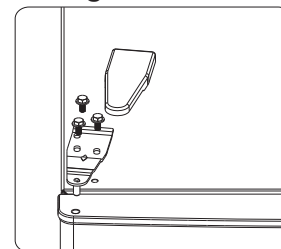


Fig. 8



6. Pour installer la porte du réfrigérateur: Aligner le trou en bas à gauche de la porte du réfrigérateur sur l'axe de pivot. Basculer la porte pour la rendre droite et l'aligner avec la charnière centrale. Réinstaller la charnière centrale, et tourner l'axe de la charnière jusqu'à ce qu'il entre entièrement dans la porte. Fixer à l'aide des vis fournies. (voir Fig. 7)

NOTE: Il faut enlever les bouchons du cadre de la porte et les installer sur l'autre côté.

7. Pour installer la porte du congélateur: Aligner le trou en bas à gauche de la porte avec l'axe de la charnière centrale. Basculer la porte pour la rendre droite et l'aligner avec le compartiment du congélateur. Placer au-dessus de la charnière en haut à gauche, aligner avec le trou du haut du réfrigérateur et serrer avec les vis fournies. (voir Fig. 8)
8. Réinstaller le couvercle de la charnière tel qu'indiqué dans la Fig. 8

CARACTÉRISTIQUES ET UTILISATION

COMMANDE DE TEMPERATURE REGLABLE

Votre réfrigérateur maintient automatiquement le niveau de température programme. Le cadran de contrôle de température comporte 7 positions, plus une position d'arrêt. La position "1" est la plus chaude et "7" la plus froide. Quand vous tournez la position sur "OFF" arrêt, le réfrigérateur et le congélateur cessent de refroidir. Au début, mettez le cadran sur la position "4", attendez 24 heures avant de régler la température sur la position désirée.

Si vous désirez une température froide, tournez le cadran dans le sens des aiguilles d'une montre. Pour une opération normale, gardez le cadran entre "froid" et "plus froid". Pour votre commodité, la fabrique règle en avance le contrôle de température sur une condition d'opération normale.

NOTE: Si le réfrigérateur a été placé horizontalement ou a été incliné, attendez 24 heures avant de le brancher.

SECTION DE CONGÉLATEUR

Votre compartiment de congélateur est équipé du contrôle réglable de flux d'air. Pour votre commodité, le flux d'air est pré-établi par l'usine à la configuration plus froide. Il y a également une option pour ajuster les configurations, sur le froid.

LUMIÈRE INTÉRIÈRE DE LA SECTION RÉFRIGÉRANTE

Votre réfrigérateur est équipé d'une lumière intérieure automatique située dans le section des aliments frais pour repérer facilement votre nourriture.

RÉFRIGÉRATEUR-CONGÉLATEUR À DÉGIVRAGE AUTOMATIQUE

Comme le dégivrage automatique élimine l'accumulation éventuelle de glace, votre congélateur n'a jamais besoin de dégivrage manuel.

! DANGER: Risque d'incendie ou d'explosion. Utilisation d'un liquide frigorigène inflammable. Ne pas dégivrer le réfrigérateur ou le congélateur par des moyens mécaniques. Ne pas perforer le circuit frigorigène.

TABLETTES DU RÉFRIGÉRATEUR

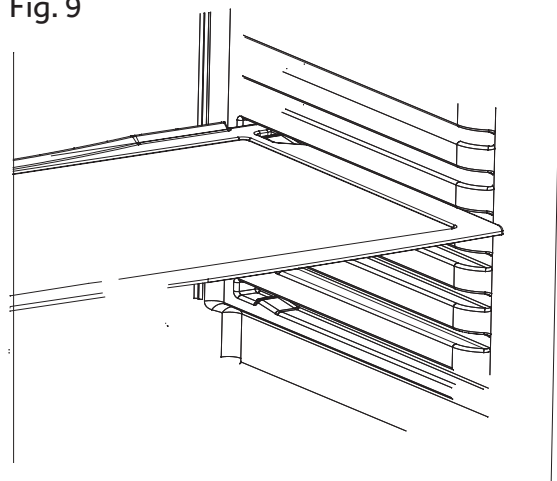
(Leur type peut varier en fonction du modèle)

Les tablettes du réfrigérateur ont été pensées autour de l'utilisateur. Les réglages possibles permettent de satisfaire toutes les préférences personnelles de rangement.

Pour retirer ou régler une tablette pleine largeur, la glisser vers l'extérieur : (voir Fig. 9)

1. Lever doucement le rebord de la tablette et la glisser vers l'extérieur pour l'enlever complètement.
2. Pour remettre la tablette en place, choisir la hauteur souhaitée et la glisser doucement vers l'intérieur jusqu'à ce qu'elle repose dans sa position bloquée.

Fig. 9



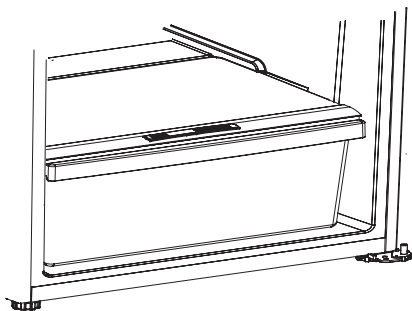
CARACTÉRISTIQUES ET UTILISATION CONT.

BACS À LÉGUMES ET COUVERCLES

Pour retirer et installer un bac à légumes: (voir Fig. #10)

1. Tenir le bac fermement et faire glisser pour le sortir complètement.
2. Replacer le bac à légumes en le plaçant en position et le refaire glisser doucement en place.

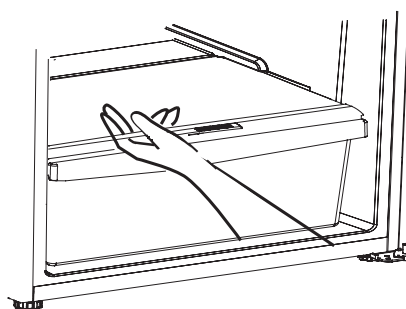
Fig. 10



POUR RETIRER ET INSTALLER LE BAC À LÉGUMES

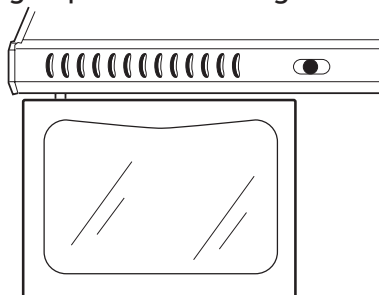
1. Agripper fermement le bac puis le retirer complètement en le faisant glisser. (Fig. 11)

Fig. 11



2. Replacer le bac comme il convient, puis le faire glisser vers l'arrière avec précaution.

Le compartiment de votre congélateur est équipé d'un contrôle réglable du courant d'air. Pour votre commodité, l'air courant est réglé en avance par la fabrique sur un arrangement normal. Il y a aussi un choix pour ajuster les arrangements, sur une basse congélation, ou une haute congélation. Votre réfrigérateur est équipé d'un contrôle pour rehausser ou abaisser les niveaux d'humidité de votre bac à légumes. Cette caractéristique augmentera la durée d'emmagasinement de vos fruits et légumes. Simplement ajustez le contrôle sur l'arrangement approprié pour les produits que vous emmagasinez dans le bac à légumes. L'arrangement bas, permettra l'air humide de sortir du bac à légumes pour l'emmagasinement optimum des fruits et légumes qui ont une épluchure. Un arrangement haut retient l'air humide dans le bac à légumes pour un emmagasinement optimum des légumes frais.



RENSEIGNEMENTS SUR LE STOCKAGE DE NOURRITURE

ALIMENTS FRAIS:

- Sauf avis contraire, lorsque vous stockez des aliments frais n'ayant pas été préemballés, assurez-vous de bien emballer ou stocker ces aliments dans des matières hermétiques et à l'épreuve de l'humidité. Vous en préserverez ainsi la durée de conservation et empêcherez le transfert d'odeurs et de goûts.
- Essuyez les contenants avant de les ranger pour éviter tout déversement inutile.
- Les œufs devraient être rangés à la verticale dans leur carton d'origine pour en maximiser la durée de conservation.
- Les fruits devraient être lavés et séchés, puis insérés dans des sacs de plastique avant d'être rangés au réfrigérateur.
- Les légumes à pelure devraient être rangés dans des sacs ou des contenants de plastique.
- Les légumes-feuilles devraient être lavés et séchés, puis rangés dans des sacs ou des contenants de plastique.
- Les aliments chauds devraient être laissés à refroidir avant d'être stockés au réfrigérateur. Ceci évitera toute utilisation d'électricité inutile.
- Les fruits de mer frais devraient être consommés le jour de leur achat.
- Lorsque vous stockez des viandes dans la section des aliments frais, gardez-les dans leur emballage d'origine ou réemballez-les au besoin.

Voici quelques conseils de conservation d'aliments:

- Poulet – 1 à 2 jours
 - Bœuf haché – 1 à 2 jours
 - Viandes froides – 3 à 5 jours
 - Steaks/rôtis – 3 à 5 jours
 - Viandes fumées/salaisonées – 7 à 10 jours
- Pour consulter un tableau de conservation détaillé, visitez le site de la FDA, à l'adresse www.cfsan.fda.gov/~dms/fttstore.html

ALIMENTS SURGELÉS

- Essuyez les contenants avant de les ranger pour éviter tout déversement inutile.
- Les aliments chauds devraient être laissés à refroidir avant d'être stockés au congélateur. Ceci évitera toute dépense superflue d'électricité.
- Lorsque vous stockez des viandes, gardez-les dans leur emballage d'origine ou réemballez-les au besoin.
- Les aliments stockés au congélateur doivent être emballés de façon appropriée. Tous les aliments doivent être emballés de manière à empêcher l'infiltration ou l'évacuation d'air ou d'humidité. Le stockage inapproprié des aliments entraînera le transfert d'odeurs et de saveurs, et fait sécher les aliments mal emballés.
- Conformez-vous aux directives de bonne utilisation figurant sur les emballages ou les contenants.
- Recommandations sur l'emballage :
 - Contenants en plastique avec couvercles hermétiques
 - Papier d'aluminium ultra résistant
 - Pellicule rétractable faite de fibre de saran
 - Sacs de plastique auto-scellant
- Ne pas recongeler les aliments dégelés / décongelés.
- Il est recommandé d'inscrire la date de mise au congélateur sur l'emballage.

Voici quelques conseils de conservation d'aliments :

- Repas congelés – 3 à 4 mois
- Crevettes, langoustines, écrevisses frais – 3 à 6 mois
- Bœuf haché et viandes à ragoût – 3 à 4 mois
- Dinde, veau ou porc haché – 3 à 4 mois
- Côtelettes – 4 à 6 mois
- Steaks – 6 à 12 mois
- Poulet ou dinde – 6 à 8 mois

Pour consulter un tableau de conservation détaillé, visitez le site de la FDA, à l'adresse www.cfsan.fda.gov/~dms/fttstore.html

ENTRETIEN APPROPRIÉ

⚠️ AVERTISSEMENT

Débranchez TOUJOURS le réfrigérateur de la prise de courant avant de le nettoyer. Le non-respect de cette directive pourrait entraîner une électrocution grave ou mortelle

⚠️ DANGER

Risque d'incendie ou d'explosion dû à la perforation des tubulures du circuit frigorigène. Utilisation d'un liquide frigorigène inflammable. Ne pas employer d'instruments métalliques pour le nettoyage. Ne pas perforer le circuit frigorigène.

REMARQUE: Avant d'utiliser quelque produit nettoyant que ce soit, assurez-vous de consulter les instructions et avertissements du fabricant. Vous éviterez ainsi toute blessure éventuelle et risque de dégât matériel.

NETTOYAGE DE L'INTÉRIEUR:

Préparez une solution nettoyante avec 3 ou 4 cuillérées à table de bicarbonate de soude dissoutes dans de l'eau chaude. Servez-vous d'une éponge ou d'un linge doux, humidifié avec la solution nettoyante pour nettoyer l'intérieur de votre réfrigérateur.

Évitez de nettoyer le verre froid (tablettes, verre du couvercle du bac à légumes, etc.) avec de l'eau chaude. Le verre pourrait se briser et vous blesser. Manipulez toutes les pièces de verre avec soin en tout temps.

Ne mettez aucune pièce du réfrigérateur au lave-vaisselle. N'utilisez pas de substances chimiques rudes, d'abrasifs, d'ammoniaque, d'agent chloré de blanchiment, de détergents concentrés, de solvants ou de tampons à récurer métalliques. Ces éléments pourraient abîmer et (ou) altérer la couleur du fini de surface du réfrigérateur.

NETTOYAGE DE L'EXTÉRIEUR:

Utilisez un linge propre, doux et légèrement humidifié avec une cire pour appareils de cuisine ou un détergent doux pour nettoyer l'extérieur du réfrigérateur.

Utilisez un linge propre, doux et légèrement humecté dans l'eau chaude savonneuse pour nettoyer les poignées et les bordures décoratives. Séchez au moyen d'une serviette propre et sèche.

Dans le cas des modèles en acier inoxydable, utilisez un linge sec et un produit à polir pour l'acier inoxydable.

Les joints de porte devraient être nettoyés tous les trois mois en suivant les directives de nettoyage de l'intérieur. La propreté des joints assurera une plus grande étanchéité. La gelée de pétrole appliquée en petite quantité sur le côté des charnières des joints d'étanchéité préservera la flexibilité du joint et assurera une bonne étanchéité.

N'utilisez jamais un chiffon sale pour nettoyer l'extérieur du réfrigérateur. Les linges sales peuvent laisser des résidus qui abîmeront le fini de surface de l'appareil. En outre, évitez l'utilisation de produits chimiques rudes, d'ammoniaque, d'agent chloré de blanchiment, de détergents concentrés, de solvants, d'abrasifs ou de tampons à récurer métalliques pour nettoyer l'extérieur du réfrigérateur.

SERVICE D'ÉCLAIRAGE LED

⚠️ AVERTISSEMENT

NE PAS changer soi-même la lampe à DEL, mais contacter le service après-vente pour la remplacer. Le non-respect de cet avertissement peut provoquer des blessures ou la mort par choc électrique.

SOIN APPROPRIÉ

ENTRETIEN



DANGER

Risque d'incendie ou d'explosion. Utilisation d'un liquide frigorigène inflammable. Ne pas perforer le circuit frigorigène. Toute réparation doit être effectuée par un technicien de service agréé et qualifié. Consulter le Manuel de réparation avant de tenter d'intervenir sur ce produit. Toutes les précautions de sécurité doivent être respectées. Les pièces doivent être remplacées par des pièces identiques pour minimiser le risque de départ de feu provoqué par des pièces incorrectes ou une intervention mal réalisée

PANNES DE COURANT

En cas de panne de courant, débranchez votre réfrigérateur de sa source d'alimentation. Évitez d'ouvrir les portes avant le rétablissement de l'électricité. Votre réfrigérateur gardera sa température froide plus longtemps si l'on évite ou réduit au minimum l'ouverture des portes.

Une fois le courant rétabli, branchez votre réfrigérateur dans sa source d'alimentation et inspectez les aliments à l'intérieur pour vérifier s'ils sont décongelés ou s'ils se sont détériorés. Il est fortement recommandé de nettoyer votre réfrigérateur après une panne de courant pour éviter la formation d'odeurs et d'éventuels risques pour la santé en raison de la décongélation des aliments.

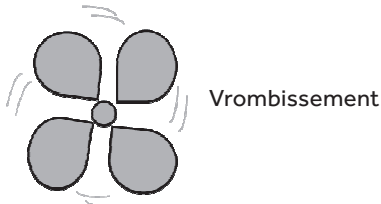
VACANCES

Si vous prévoyez vous absenter pour une longue période, débranchez votre réfrigérateur et videz-le complètement. Mettez le bouton de réglage de température à la position OFF et nettoyez le réfrigérateur et ses joints d'étanchéité, conformément aux directives de la partie Entretien approprié. Laissez les portes légèrement ouvertes pour permettre à l'air de circuler à l'intérieur du réfrigérateur.

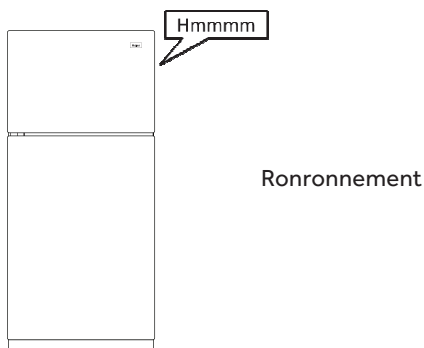
DÉMÉNAGEMENT

Avant de déplacer votre réfrigérateur, videz-le complètement et utilisez du ruban adhésif pour bien retenir tous les articles lâches (clayettes, casiers, balconnets, bacs, etc.), puis débranchez-le. Déplacez toujours le réfrigérateur en position verticale afin d'éviter d'endommager le système réfrigérant hermétique

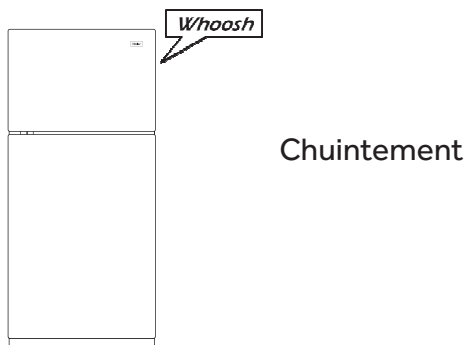
BRUITS NORMAUX PENDANT LE FONCTIONNEMENT



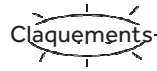
Votre réfrigérateur comporte de multiples ventilateurs à débit élevé qui contribuent au maintien de la température sélectionnée. Les vrombissements sont courants lorsque vous branchez votre réfrigérateur pour la première fois, lorsque les portes sont ouvertes fréquemment ou pendant de longues périodes et lorsque de grandes quantités d'aliments viennent d'être stockés.



Ce bruit courant provient du compresseur et fait partie des processus permettant à votre réfrigérateur de fonctionner efficacement.



Vous pourriez entendre une sorte de chuintement en refermant les portes. Il n'y a pas lieu de s'alarmer. Ce bruit est simplement le produit de l'égalisation de la pression à l'intérieur du réfrigérateur.



Craquements



Grésillements



- Plusieurs choses se passent dans votre réfrigérateur à tout moment. Voici quelques bruits que vous pourriez également entendre ainsi que les causes possibles :
- Les gargouillements sont probablement le fait de la circulation du fluide frigorigène dans les serpentins de refroidissement.
- Les grésillements ou claquements peuvent être liés au dégivrage et à la chute de gouttes d'eau sur l'élément chauffant pendant le cycle de dégivrage.
- Des cliquetis ou des bruits stridents peuvent être émis lors de la tentative de redémarrage du compresseur.
- Les craquements ou claquements peuvent être dus à l'expansion et à la contraction des serpentins de refroidissement pendant et après le cycle de dégivrage.
- De plus, la première fois que vous brancherez votre réfrigérateur, la mousse isolante des parois se refroidira et se contractera, ce qui pourrait être à l'origine de craquements ou de claquements.
- La minuterie de dégivrage et la commande thermostatique émettront des cliquetis au début et au terme de chaque cycle.

Si le réfrigérateur a été entreposé en position horizontale ou inclinée pendant une certaine période de temps, attendez 24 heures avant de le rebrancher.

➔ IMPORTANTE

Pendant l'automatique dégivrez le cycle, vous peut noter une lueur rouge dans les événements sur le mur arrière de votre compartiment de congélateur. C'est normal pendant le cycle de dégivrage.

DÉPANNAGE

PROBLÈME	CAUSE(S) POSSIBLE(S)	SOLUTION
Le réfrigérateur ne fonctionne pas.	Le bouton de réglage de température est en position OFF (Arrêt).	Tournez le bouton de réglage de température vers la droite pour actionner le système de refroidissement.
	Le réfrigérateur est débranché.	Branchez la fiche dans une prise de courant.
	Le disjoncteur est déclenché ou fermé / un fusible est grillé.	Réinitialisez / réenclenchez le disjoncteur ou remplacez le fusible.
	Le réfrigérateur est en mode dégivrage.	Attendez la fin du cycle de dégivrage (environ 40 minutes) et le redémarrage du système de refroidissement.
Il fait trop chaud dans le réfrigérateur ou le congélateur.	La commande de température n'est pas assez basse.	Tournez le bouton de réglage de température dans le sens des aiguilles d'une montre pour abaisser la température; allouez 24 heures pour l'ajustement.
	Les portes sont ouvertes trop fréquemment, ou laissées ouvertes.	Gardez les portes fermées / vérifiez si un article empêche la bonne fermeture de la porte.
	Des aliments chauds ont été récemment ajoutés.	Laissez la nourriture et le réfrigérateur se refroidir.
	Des articles appuyés sur la paroi arrière des compartiments empêchent la bonne circulation de l'air.	Ne rangez les articles qu'à l'intérieur des limites de la bordure des étagères en verre; n'appuyez aucun article sur les côtés des compartiments ou contre les orifices d'aération.
Il fait trop froid dans le réfrigérateur ou le congélateur.	Le bouton de commande est réglé à une température trop froide.	Tournez le bouton de réglage de température dans le sens inverse des aiguilles d'une montre pour augmenter la température; allouez 24 heures pour l'ajustement.
Le réfrigérateur fonctionne fréquemment ou pendant de longues périodes.	Ceci est normal lors du premier branchement.	Allouez 24 heures pour que le réfrigérateur se refroidisse.
	De la nourriture chaude ou en grande quantité vient d'être rangée.	C'est normal.
	La porte est ouverte.	Assurez-vous que rien ne retient la porte en position ouverte.
	Chaleur ambiante ou ouvertures fréquentes.	C'est normal.
	La température est réglée à son plus bas degré.	Ajustez le bouton à une température plus chaude.
Humidité se formant à l'extérieur/ intérieur du réfrigérateur	Taux d'humidité ambiante élevé	C'est normal; séchez la surface et réglez la température à un niveau un peu plus froid.
	Les portes sont ouvertes trop fréquemment, ou laissées ouvertes.	Gardez les portes fermées / vérifiez si un article empêche l'enclenchement de la porte.
	Contenant d'eau non recouvert dans le réfrigérateur	Recouvrez ou étanchéifiez le contenant.
Une odeur se dégage du réfrigérateur	Aliment non scellé ou emballé inadéquatement	Scellez l'emballage/placez une boîte ouverte de bicarbonate de soude dans le réfrigérateur, que vous remplacerez aux trois mois.
	L'intérieur a besoin d'être nettoyé.	Conformez-vous aux directives de nettoyage de la partie Entretien approprié

DÉPANNAGE

PROBLÈME	CAUSE(S) POSSIBLE(S)	SOLUTION
La lumière ne s'allume pas.	Le réfrigérateur est débranché.	Branchez le réfrigérateur à une source d'alimentation.
	L'ampoule est mal vissée.	Resserrez l'ampoule en la tournant dans le sens des aiguilles d'une montre.
	L'ampoule est grillée.	Suivez les instructions de la partie Remplacement des ampoules.
	Les modèles ne sont pas tous munis d'une ampoule de congélateur ou de niveau moyen.	
Du givre ou des cristaux de glace se forment sur les aliments congelés.	La porte du congélateur est ouverte, ou s'ouvre trop fréquemment.	Tournez le bouton de réglage de température dans le sens inverse des aiguilles d'une montre pour augmenter la température; allouez 24 heures pour l'ajustement.
	Des articles obstruent les événements d'air du congélateur et empêchent la bonne circulation de l'air.	Éloignez les articles de la paroi arrière.
De l'air chaud se dégage du bas du réfrigérateur.	Flux d'air se dégageant du compresseur durant le processus de réfrigération.	C'est normal.
Les aliments gèlent dans le réfrigérateur.	Les aliments sont trop près de l'évent d'aération.	Éloignez les articles du fond et du haut du réfrigérateur.
	Le bouton de commande est réglé à une température trop froide.	Tournez le bouton de réglage de température dans le sens des aiguilles d'une montre, vers une température plus chaude.
La porte du congélateur s'ouvre d'elle-même lors de la fermeture de la porte du frigo.	Si la porte du congélateur se referme d'elle-même ensuite, c'est normal.	Si elle se referme d'elle-même, c'est le signe qu'il est étanche.
	Si la porte du congélateur ne se referme pas d'elle-même ensuite, ajustez les pattes de nivellement.	Consultez les directives de réglage des pattes de nivelage à la partie Installation de votre réfrigérateur.
La porte ne se referme pas correctement.	Le réfrigérateur n'est pas de niveau.	Consultez les directives de réglage des pattes de nivelage à la partie Installation de votre réfrigérateur.
	Quelque chose obstrue la fermeture de la porte.	Vérifiez s'il y a des obstructions et enlevez-les.
Vibrations, cliquetis	Le réfrigérateur ne repose pas complètement sur le sol.	Consultez les directives de réglage des pattes de nivelage à la partie Installation de votre réfrigérateur.

IMPORTANT

NE RETOURNEZ PAS CE PRODUIT CHEZ LE DÉTAILLANT

En cas de problème avec ce produit, veuillez contacter le service des consommateurs « Haier Customer Satisfaction Center » au 1-877-337-3639.

UNE PREUVE D'ACHAT DATÉE, LE NUMÉRO DE MODÈLE ET LE NUMÉRO DE SÉRIE SONT REQUIS POUR OBTENIR DU SERVICE EN VERTU DE LA GARANTIE.



GARANTIE LIMITÉE

Couverture et durée de la garantie

Cette garantie couvre tous les vices de fabrication ou de matériaux pour une période de :
12 mois sur les pièces et la main-d'œuvre
5 ans sur le système hermétique

La garantie prend effet à la date originale d'achat et le reçu d'achat original doit être présenté au dépositaire autorisé pour que des réparations soient effectuées en vertu de la garantie.

Exceptions : Usage commercial ou locatif
90 jours sur la main-d'œuvre (en atelier seulement)
90 jours sur les pièces
Aucune autre garantie ne s'applique.

Éléments couverts:

Les pièces mécaniques et électriques, qui agissent comme élément fonctionnel de cet ensemble, sont garantis pour une durée de douze mois à partir de la date d'achat. Cela englobe toutes les pièces, à l'exception de la finition extérieure du caisson et des joints d'étanchéité.

Les organes du système hermétique (p. ex. le motocompresseur hermétique, le condensateur et l'évaporateur) sont garantis contre tous les vices de fabrication pour une durée de cinq (5) ans suivant la date d'achat. Tout dommage à ces organes causé par un abus mécanique ou une manipulation inadéquate n'est pas couvert par cette garantie.

Services couverts

Nous réparerons ou remplacerons, à notre discrétion, tout organe mécanique ou électrique qui s'avère défectueux dans le cadre d'un usage normale durant la période de garantie précisée dans ce guide.

Les pièces et la main-d'œuvre seront fournies sans frais à l'acheteur au cours de la période initiale de douze (12) mois. Au-delà de cette période, seules les pièces sont couvertes pour le reste de la période de garantie. La main-d'œuvre ne sera plus fournie et doit être défrayée par le client.

Quoi faire en cas de besoin de service:

Communiquez avec le dépositaire autorisé le plus près de chez vous. Pour connaître le nom du dépositaire autorisé le plus près de chez vous, veuillez composer le 1-877-337-3639

CETTE GARANTIE COUVRE LES APPAREILS DANS LES LIMITES DES ÉTATS CONTINENTAUX DES ÉTATS-UNIS ET DU CANADA. ELLE NE COUVRE PAS LES ÉLÉMENTS SUIVANTS:

- Les appels de service pour corriger les problèmes d'installation de votre réfrigérateur.
- Les demandes d'information téléphoniques sur l'emploi approprié de votre réfrigérateur.
- Les appels de service pour remplacer ou corriger le câblage ou la tuyauterie domestique.
- Les appels de service pour le remplacement des ampoules.
- Les dommages imputables à une installation inadéquate.
- Les dommages subis par l'appareil pendant l'expédition.
- Les défauts autres que de fabrication.
- Les dommages causés par l'emploi incorrect ou abusif, les accidents, les modifications, l'entretien et le soin inadéquat de l'appareil, ou encore un voltage incorrect.
- Les dommages subis autres que dans le cadre d'une utilisation domestique.
- Les dommages découlant d'un entretien effectué ailleurs que chez un détaillant ou un dépositaire autorisé.
- Les garnitures décoratives
- Le transport et l'expédition.
- La main-d'œuvre (après la période initiale de douze mois)

CETTE GARANTIE LIMITÉE EST DONNÉE EN GUISE ET LIEU DE TOUTE AUTRE GARANTIE, EXPRESSE OU TACITE COMPRENANT LES GARANTIES DE VALEUR MARCHANDE ET DE CONVENANCE PRÉCISE.

Le recours fourni par cette garantie est exclusif et accordé en remplacement de tout autre recours. La garantie ne couvre pas les dommages accessoires ou indirects. Par conséquent, les limitations précédentes peuvent ne pas s'appliquer à vous. Certains États ne permettent pas de limites concernant la durée d'une garantie implicite, alors les limites susmentionnées ne s'appliquent peut-être pas à vous. Cette garantie vous confère des droits particuliers reconnus par la Loi, et vous pourriez avoir d'autres droits pouvant varier d'un état ou d'une province à l'autre.

Haier America
Wayne, NJ 07470

ÍNDICE

INFORMACIÓN DE SEGURIDAD

Instrucciones importantes de seguridad2

INSTALACIÓN Y USO

Requisitos eléctricos.....4

Guía de instalación.....4-5

Instalación del refrigerador5

Accesorios.....6

Partes y características7

Instalación de la manija de la puerta8-9

Para cambiar la dirección de apertura de la puerta8-9

Características y uso 10-11

Información para almacenar los alimentos..... 12

LIMPIEZA Y CUIDADO

Cuidado y mantenimiento adecuados..... 13-14

SOLUCIÓN DE PROBLEMAS Y GARANTÍA

Sonidos normales de funcionamiento 15

Solución de problemas 16-17

Servicio al cliente 18

Garantía limitada 19

REGISTRO DEL PRODUCTO

Gracias por adquirir nuestro producto Haier. Este manual de fácil uso lo guiará para que aproveche al máximo su producto.

Recuerde registrar el modelo y números de serie que se encuentran en una etiqueta dentro del producto.

Número de modelo

Número de serie

Fecha de compra

Engrape el recibo al manual. Lo necesitará para recibir el servicio de garantía.

INSTRUCCIONES IMPORTANTES DE SEGURIDAD

⚠️ ADVERTENCIA

LEA TODAS LAS INSTRUCCIONES ANTES DE USAR ESTE APARATO: CUANDO UTILICE ESTE APARATO, SIEMPRE TOMA LAS PRECAUCIONES BÁSICAS DE SEGURIDAD, INCLUIDAS LAS SIGUIENTES:

NOTA: Si el refrigerador se coloca en posición horizontal o inclinada durante un lapso de tiempo, espere 24 horas antes de enchufar la unidad..

- 1) Utilice este aparato solamente para lo que fue diseñado, según se describe en esta guía de uso y cuidado.
- 2) Antes de utilizar este refrigerador debe instalarse adecuadamente de conformidad con las instrucciones de instalación. Consulte Requisitos eléctricos en la sección Instalación y uso.
- 3) Este refrigerador no debe colocarse en un lugar ahuecado ni empotrarse en un gabinete cerrado. Está diseñado sólo para instalarse no empotrado.
- 4) Nunca jale el cable de suministro eléctrico para desconectar el refrigerador. Siempre tome la clavija con firmeza y júlela en línea recta del tomacorriente.
- 5) Repare o sustituya de inmediato todos los cables del servicio eléctrico que estén desgastados o dañados de alguna otra manera. No utilice un cable que tenga fisuras o abrasiones a lo largo del cable mismo, en la clavija o en el extremo conector.
- 6) Si su refrigerador antiguo ya no está en uso, le recomendamos quitarle las puertas. Esto reducirá la posibilidad de que represente un peligro para los niños.

⚠️ ADVERTENCIA

UNA VEZ QUE EL REFRIGERADOR ESTÉ EN FUNCIONAMIENTO, EVITE TOCAR LAS SUPERFICIES FRÍAS DENTRO DEL COMPARTIMIENTO DEL CONGELADOR, EN ESPECIAL SI TIENE LAS MANOS MOJADAS O HÚMEDAS. LA PIEL PUEDE ADHERIRSE A ESTAS SUPERFICIES EXTREMADAMENTE FRÍAS.

- 7) No vuelva a congelar alimentos que se han descongelado completamente. En el boletín Hogar y jardín (Home and Garden Bulletin) No. 69, el Departamento de Agricultura de los Estados Unidos afirma que:

“...Puede volver a congelar sin peligro alimentos que se han descongelado si aún contienen cristales de hielo o si aún tienen una temperatura por debajo de los 40 °F (4.4 °C)”.

“...La carne molida, pollo o pescado descongelados que tengan mal olor o color extraño no deberán volver a congelarse y no deben comerse. El helado descongelado deberá desecharse. Si algún alimento tiene mal o dudoso olor o color, deséchelo. Puede ser peligroso comer ese alimento”.

“...Incluso al descongelar parcialmente los alimentos y volver a congelarlos se reduce su calidad, particularmente la de las frutas, las verduras y los alimentos preparados. La calidad alimenticia de las carnes rojas se ve menos afectada que la de muchos otros alimentos. Utilice los alimentos vueltos a congelar tan pronto como le sea posible para aprovechar lo más que pueda su calidad alimenticia”.

IMPORTANT SAFETY INSTRUCTIONS CONT.

8) No utilice ningún dispositivo eléctrico o instrumento filoso para quitar el hielo del refrigerador.

9) Desconecte el refrigerador antes de limpiarlo o hacer cualquier reparación.

NOTA: Si por algún motivo este producto requiere servicio, le recomendamos ampliamente que un técnico certificado lo realice.

10) No ponga en funcionamiento el refrigerador en presencia de vapores explosivos.

GUARDE ESTAS INSTRUCCIONES

PELIGRO

**EXISTE EL RIESGO DE QUE LOS NIÑOS QUEDEN ATRAPADOS.
ANTES DE DESECHAR SU REFRIGERADOR O CONGELADOR VIEJO, QUÍTELE
LAS PUERTAS. MANTENGA LAS REPISAS COLOCADAS DE MODO QUE LOS NIÑOS
NO PUEDAN METERSE FÁCILMENTE.**

REQUISITOS ELÉCTRICOS

INSTRUCCIONES DE CONEXIÓN A TIERRA

ADVERTENCIA

REQUISITOS ELÉCTRICOS - RIESGO DE DESCARGA

- Asegúrese de que haya un tomacorriente adecuado: 115 voltios, 15 amperios, 3 clavijas (con conexión a tierra) con conexión a tierra apropiada para suministrar energía al refrigerador.
- Evite usar adaptadores de tres clavijas o cortar la tercera clavija de conexión a tierra para adaptarlo a un tomacorriente de dos clavijas. Hacer esto es peligroso, ya que el refrigerador no cuenta con una conexión a tierra eficaz y puede producirse un riesgo de descarga.

REQUISITOS ELÉCTRICOS

USO DE CABLES DE EXTENSIÓN

- Evite usar un cable de extensión debido a los posibles riesgos de seguridad que se producen en determinadas condiciones. Si necesita usar un cable de extensión, utilice sólo un cable de extensión de 3 hilos que tenga un enchufe de tres clavijas con conexión a tierra y un tomacorriente de tres clavijas que admita el enchufe. El valor nominal marcado en el cable de extensión debe ser igual o mayor al valor nominal eléctrico del aparato. **NO UTILICE UN CABLE DE EXTENSIÓN DE MÁS DE 12 PIES (3.65 M).**

⚠ ADVERTENCIA

USO DE CABLES DE EXTENSIÓN - POSIBLE RIESGO DE SEGURIDAD

GUÍA DE INSTALACIÓN

LIMITACIONES PARA LA INSTALACIÓN

- Seleccione un lugar adecuado para el refrigerador en una superficie firme y nivelada lejos de la luz directa del sol o una fuente de calor, por ejemplo, radiadores, calentadores de zoclo, electrodomésticos para cocinar, entre otros. Si el piso está desnivelado, corrija el problema con las patas niveladoras que se localizan en las esquinas frontales inferiores del refrigerador.

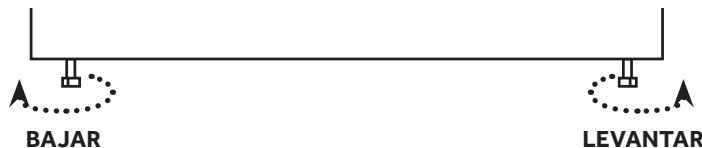
CÓMO DESEMPACAR EL REFRIGERADOR

1. Quite todos los materiales de empaque, esto incluye la base corrugada y toda la cinta adhesiva que sostiene los accesorios del refrigerador por dentro y por fuera.
2. Inspeccione y quite cualquier resto de empaque, cinta o material impreso antes de poner en funcionamiento el refrigerador.
3. Si su refrigerador viene con puertas de acero inoxidable o lisas, por favor quite la película transparente antes de encenderlo por primera vez. Cuando quite la película, no tire de la película directamente hacia abajo ya que esto podría resultar en puertas desalineadas.
4. Es normal que la puerta del congelador esté posicionada un poco más alta que la parte superior del gabinete cuando se instale el refrigerador por primera vez. El posicionamiento se hace en fábrica para garantizar un sellado de juntas adecuado una vez que la puerta está cargada con los alimentos.

GUÍA DE INSTALACIÓN

CÓMO NIVELAR EL REFRIGERADOR

- El refrigerador tiene dos patas niveladoras ubicadas en las esquinas frontales inferiores del refrigerador. Después de colocar correctamente el refrigerador en la posición final, puede nivelarlo.
- Las patas niveladoras pueden ajustarse girándolas hacia la izquierda para elevar el refrigerador o hacia la derecha para bajarlo. La puerta del refrigerador se cerrará con mayor facilidad si las patas niveladoras quedan extendidas.



CIRCULACIÓN DE AIRE ADECUADA

- Para asegurarse de que el refrigerador funcione al máximo rendimiento para el que fue diseñado, deberá instalarlo en un lugar donde haya circulación de aire, tubería y conexiones eléctricas adecuadas. El refrigerador no está diseñado para funcionar a temperaturas por debajo de los 55 °F (12 °C) o por arriba de los 95 °F (35 °C).
- No instale el refrigerador en un lugar que no esté correctamente aislado o que tenga calefacción, por ejemplo, en la cochera, entre otros lugares. Manténgalo lejos de la luz directa del sol y lejos de fuentes de calor como radiadores, calentadores y electrodomésticos.
- A continuación se muestran los espacios recomendados que debe haber alrededor del refrigerador:
Lados1 pulg. (25 mm) Parte superior1 pulg. (25 mm) Parte posterior 2 pulg. (50 mm)

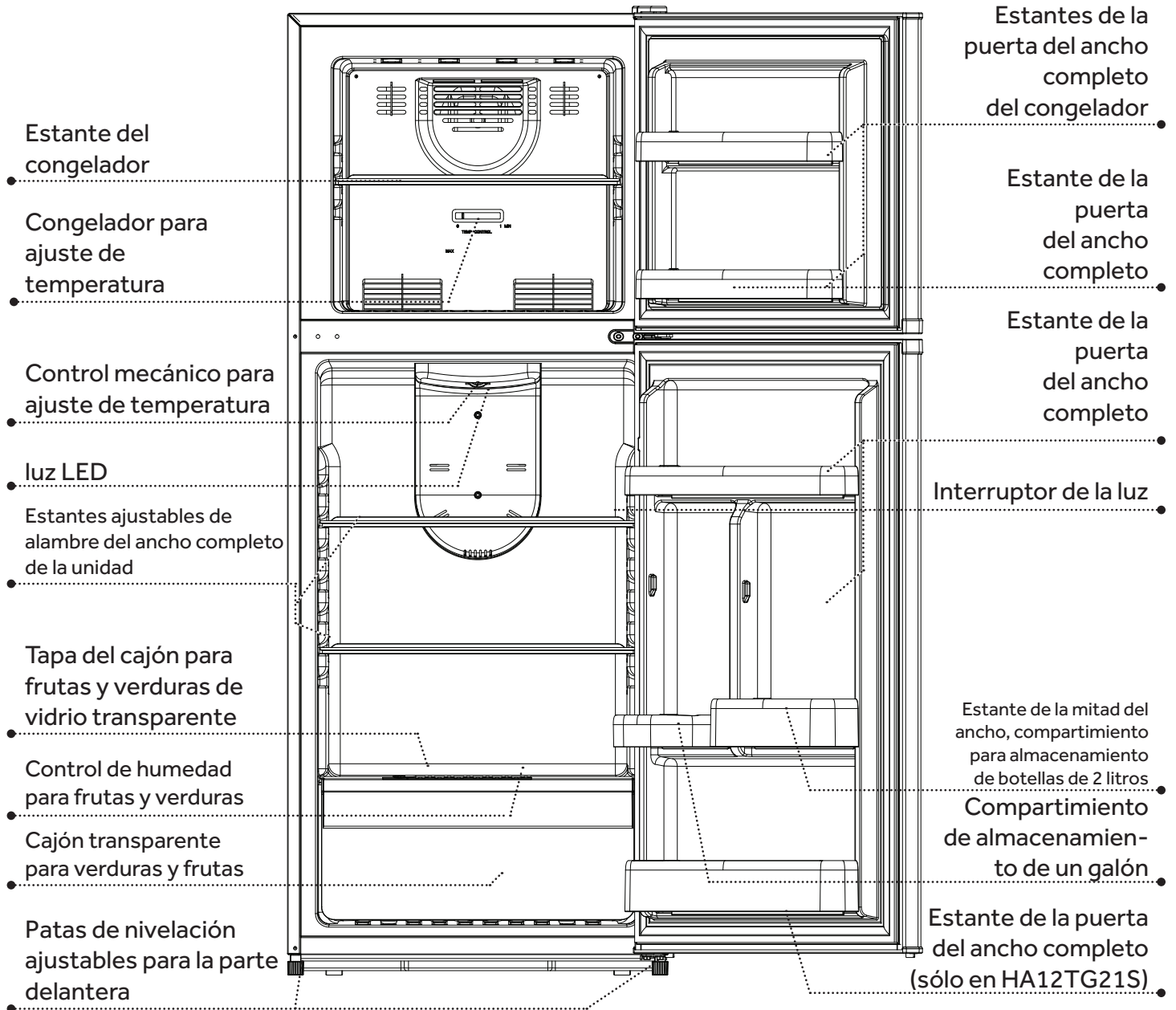
ACCESORIOS

Los siguientes accesorios están disponibles:

- Estante de cristal para la sección de la comida fresca
- Estante de vidrio para el compartimiento del congelador

Para solicitar accesorios, llame al 1-877-337-3639 o visítenos en www.haieramerica.com/support

PARTES Y CARACTERÍSTICAS



INSTALACIÓN DE LA MANIJA DE LA PUERTA

MÉTODO DE APERTURA DE LA PUERTA HACIA IZQUIERDA/DERECHA

Este producto le permite dar vuelta la apertura de la puerta de la izquierda hacia la derecha y al revés. Puede seleccionar su preferencia de apertura de la puerta siguiendo el procedimiento para realizar el cambio.

HERRAMIENTAS NECESARIAS

Destornilladores con punta Phillips y plana, llave de trinquete con encastres de 8mm y 10mm.

DESARMADO

(Fig. 1 et Fig. 2)

1. Pegue la puerta del refrigerador y la del congelador con cinta adhesiva en ambos lados para sostenerlas en su lugar.

Fig. 1

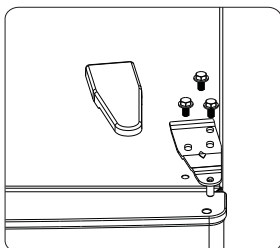
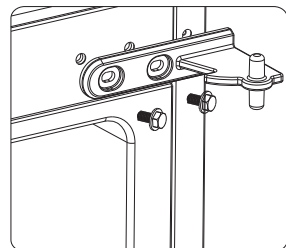


Fig. 2



2. Como se muestra en la Fig. 1, quite la cubierta de la bisagra superior usando el destornillador de punta plana. Luego quite tres tornillos usando la llave de trinquete con cabezal de 10mm. Quite la bisagra jalándola verticalmente, y guárdela en un lugar seguro.

3. Retire la cinta adhesiva de la puerta del congelador, levante la puerta y sáquela. Con cuidado, póngala a un lado.

4. Quite los dos tornillos de la bisagra central utilizando una llave de trinquete con un encastre de 8mm. Retire la cinta adhesiva de la puerta del refrigerador, levante la puerta y quite la bisagra

superior, consérvelas en un lugar seguro (Fig. 2).

5. Retire la cinta adhesiva de la puerta del refrigerador, levante la puerta y sáquela. Con cuidado, póngala a un lado.

6. Quite los topes de la puerta del refrigerador y puertas del congelador. (Fig. 3)

7. Inserte los topes de puerta del lado izquierdo (provistos en su embalaje) en el agujero inferior del lado izquierdo de la puerta del refrigerador y en el agujero inferior del lado izquierdo de la puerta del congelador. Ajústelos con los tornillos provistos. (Fig. 4)

Fig. 3

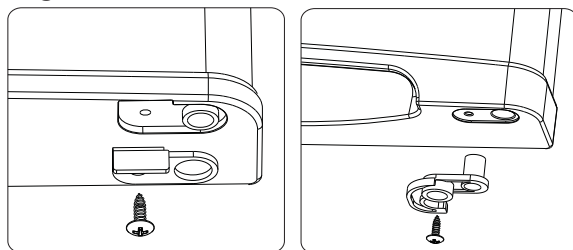
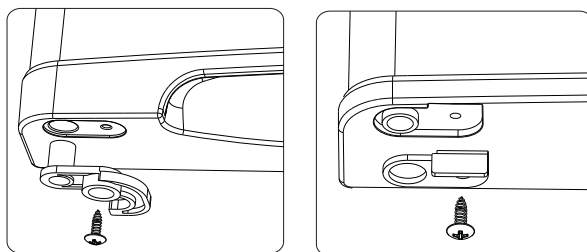


Fig. 4



INSTALACIÓN DE LA MANIJA DE LA PUERTA

NUEVA INSTALACIÓN

1. Quite el pasador de pivote inferior de la bisagra inferior girándolo hacia la izquierda. Cambie el pasador al agujero opuesto y ajuste. Asegúrese de que la arandela en el pasador se quede en su lugar (Fig. 5).

Fig. 5

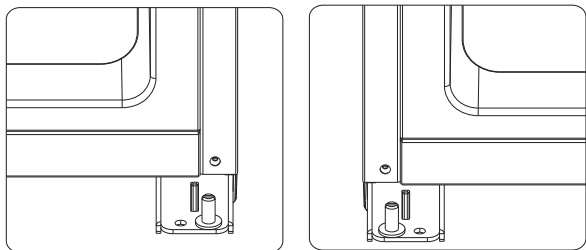
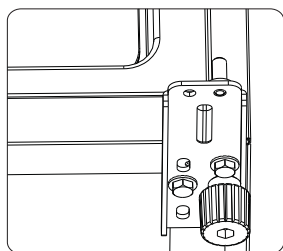


Fig. 6



2. Incline el refrigerador en un ángulo de 45 grados para tener acceso al frente inferior.



CAUTION

Dos personas requeridas.

3. Quite las patas frontales de la izquierda y derecha de la parte inferior. (Fig. 6)

4. Quite los tornillos sosteniendo la bisagra inferior y quítela usando una llave de trinquete con encastre de 10mm. Quite un tornillo de cabeza Phillips en el otro lado.

5. Alinee los agujeros de la parte inferior de la bisagra con los agujeros correspondientes en el lado opuesto del gabinete. Inserte los tornillos y ajústelos. Reinstale ambas patas frontales y reinstale los tornillos de cabeza Phillips en el lado opuesto.

Fig. 7

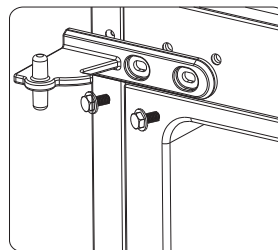
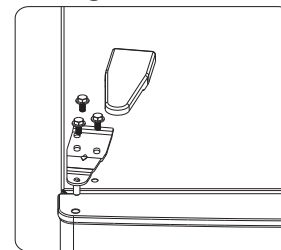


Fig. 8



6. Para instalar la puerta del refrigerador: Alinee el agujero inferior izquierdo del compartimento del refrigerador con el pasador de la bisagra inferior. Mueva la puerta hacia delante para enderezarla y alinee con la bisagra central. Vuelva a instalar la bisagra central, gire el eje de la bisagra hasta que entre completamente en el cuerpo de la puerta. Fijela con los tornillos provistos. (Observe la Fig. 7)

NOTA: Antes que esto, quite los tapones del marco de la puerta e instálelos en la lado opuesto.

7. Para instalar la puerta del congelador: Alinee el agujero inferior izquierdo de la puerta con el pasador del medio de la bisagra central. Mueva la puerta hacia delante para enderezarla y alinee con el compartimento del congelador. Coloque en el lado izquierdo la bisagra superior, alinee los agujeros con los agujeros en la parte superior del refrigerador y ajuste con los tornillos provistos. (Observe la Fig. 8)

8. Vuelva a colocar la cubierta de la bisagra como se muestra en la Fig 8.

CARACTERÍSTICAS Y USO

DIAL PARA EL AJUSTE DE LA TEMPERATURA

El refrigerador mantendrá automáticamente el nivel de temperatura que seleccione. El dial de control de temperatura tiene 7 configuraciones además del apagado. 1 es la más cálida. 7 es la más fría. Si se gira el dial a la posición OFF (APAGADO), se detiene el enfriamiento tanto en la sección de refrigerador como de congelador. En un primer momento, configure el dial en 4 y deje pasar 24 horas antes de ajustar la temperatura como lo desee. Para ajustar el rango de temperatura en la configuración fría, gire el dial de la temperatura hacia la derecha. En condiciones de funcionamiento normales, mantenga el dial en el medio entre la configuración fría y la más fría. Para su comodidad, en fábrica se pre-configura el control según las condiciones funcionamiento normales.

NOTA: Si el refrigerador se ha ubicado en una posición horizontal o inclinada durante cualquier lapso de tiempo, espere 24 horas antes de enchufar la unidad.

SECCIÓN DEL CONGELADOR

Su compartimiento del congelador se equipa de control ajustable de la circulación de aire. Para su conveniencia, la circulación de aire es preestablecida por la fábrica a la configuración más fría. Hay también una opción para ajustar las configuraciones, al frío o a la más frío.

LUZ INTERIOR DE LA SECCIÓN DEL REFRIGERADOR

Su refrigerador está equipado con una luz interior automática en la sección de alimentos frescos para que ubique los alimentos con facilidad.

REFRIGERADOR-CONGELADOR SIN ESCARCHA

Nunca necesite descongelar su congelador, como descongela automáticamente cualquier aumento de hielo pueda ocurrir.

! PELIGRO: Riesgo de incendio o explosión. El refrigerante usado es inflamable. No utilice dispositivos mecánicos para descongelar el refrigerador o el congelador. No perforo el tubo refrigerante.

ENTREPAÑOS INTERIORES DEL REFRIGERADOR

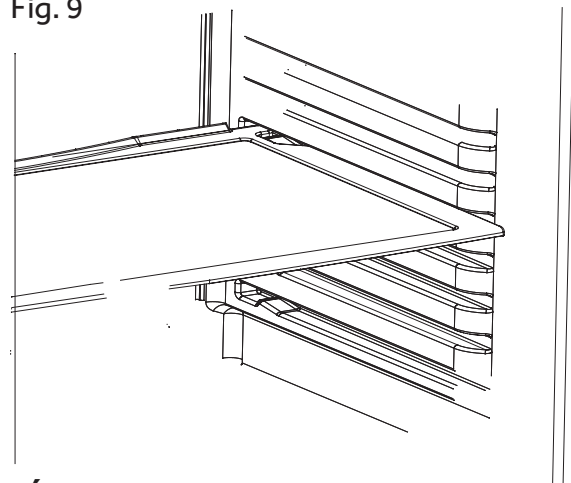
(Los estantes pueden variar por el Modelo)

Los entrepaños del refrigerador fueron diseñados pensando en usted. Su variada ajustabilidad le permite satisfacer sus necesidades personales de almacenaje. Su modelo puede incluir entrepaños de alambre, vidrio o vidrio antiderrames. Su modelo puede incluir entrepaños de ancho completo o ancho medio. Solo el tipo de modelo y su imaginación limitan las posibilidades.

Para sacar o ajustar un entrepaño deslizable no voladizo de ancho completo: (fig. 5)

1. Levante ligeramente el entrepaño y deslícelo hacia el frente hasta sacarlo completamente.
2. Para volver a colocar el entrepaño, seleccione la ubicación deseada y deslice cuidadosamente el entrepaño hasta que quede.

Fig. 9



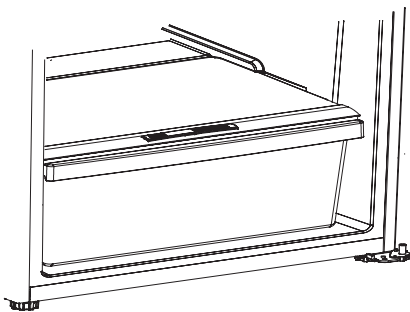
CARACTERÍSTICAS Y USO CONT.

RECIPIENTES PARA FRUTAS Y VERDURAS Y TAPA

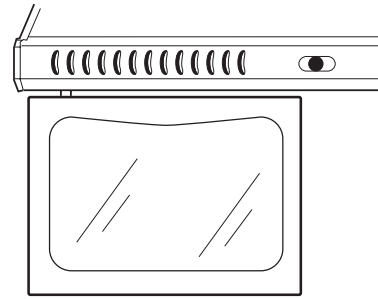
Para quitar e instalar el recipiente: (observe la Fig. 10)

1. Tome el recipiente firmemente y deslícelo hacia fuera completamente.
2. Reemplace el recipiente colocándolo adecuadamente en posición y deslizándolo suavemente a su lugar.

Fig. 10



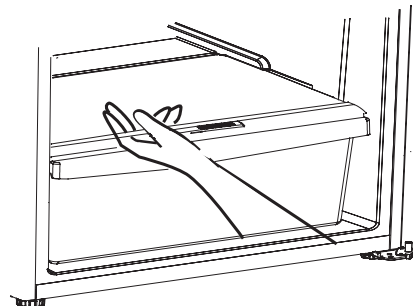
El compartimiento del congelador está equipado con un control ajustable del flujo de aire. Para su comodidad, el flujo de aire se pre-configura de fábrica en la configuración normal. También está la opción de regular las configuraciones, ya sea congelamiento bajo o congelamiento alto. Su refrigerador puede estar equipado con un control deslizable para subir o bajar los niveles de humedad de sus cajones para frutas y verduras. Esta función aumenta la vida de almacenamiento de frutas y vegetales. Simplemente ajuste los controles en la configuración adecuada para los elementos que está almacenando en los cajones para frutas y verduras. Las configuraciones bajas permiten que el aire húmedo salga del cajón, son óptimas para el almacenamiento de frutas o vegetales que tienen cáscara. Las configuraciones altas retienen el aire húmedo en el cajón, son óptimas para el almacenamiento de vegetales frescos.



PARA SACAR E VOLVER EL CAJÓN PARA FRUTAS Y VERDURAS

1. Sujete cuidadosamente la cubierta del cajón y deslícela hacia afuera para sacarla. (Fig. 7)ment en le faisant glisser. (Fig. 11)

Fig. 11



2. Vuelva a colocar los cajones para frutas y verduras como se indica anteriormente.

INFORMACIÓN PARA ALMACENAR LOS ALIMENTOS

ALIMENTOS FRESCOS:

- Cuando almacene alimentos frescos que no vengan empacados, asegúrese de envolverlos o almacenarlos con material a prueba de humedad o hermético, a menos que se indique otra cosa. De esta forma no caducarán antes de lo previsto y evitará que se contaminen con olores y sabores.
- Limpie los recipientes antes de guardarlos para evitar derrames innecesarios.
- Los huevos deben almacenarse en posición vertical, en su caja de cartón original para maximizar su caducidad.
- La fruta debe lavarse y secarse, y después almacenarse en bolsas de plástico selladas antes de guardarse en el refrigerador.
- Las verduras con cáscara deben almacenarse en bolsas o recipientes de plástico.
- Los vegetales con hojas deberán lavarse y escurrirse, y después almacenarse en bolsas o recipientes de plástico.
- Los alimentos calientes deben dejarse enfriar antes de meterlos al refrigerador. Esto evitará el uso innecesario de energía.
- Los mariscos frescos deberán utilizarse el mismo día en que se compran.
- Cuando almacene carnes en la sección de alimentos frescos, manténgalas en el empaque original o vuelva a envolverlas si es necesario.

Estas son algunas sugerencias para un almacenamiento seguro:

- Pollo, de 1 a 2 días.
- Carne de res molida, de 1 a 2 días.
- Carnes frías, de 3 a 5 días.
- Bisteces/cortes para asar, de 3 a 5 días.
- Carnes ahumadas/curadas, de 7 a 10 días.

Consulte la tabla detallada de almacenamiento en el sitio web de la FDA www.cfsan.fda.gov/~dms/fttstore.html

ALIMENTOS CONGELADOS

- Limpie los recipientes antes de guardarlos para evitar derrames innecesarios.
- Los alimentos calientes deben dejarse enfriar antes de meterlos al congelador. Esto evitará el uso innecesario de energía.
- Cuando almacene carnes, manténgalas en el empaque original o vuelva a envolverlas si es necesario.
- Para almacenar alimentos en el congelador es necesario empacarlos correctamente. Todos los alimentos deben estar en empaques que impidan el flujo de aire o humedad hacia adentro o hacia afuera. Un almacenamiento inadecuado provocará que se transmitan olores y sabores, los alimentos mal empacados se resecarán.
- Siga las indicaciones de almacenamiento adecuado del empaque o del recipiente.
- Recomendaciones de empackado:
Recipientes de plástico con tapas herméticas.
Papel aluminio de alta resistencia.
Película transparente para envolver alimentos.
Bolsas de plástico de autosellado.
- No vuelva a congelar los alimentos descongelados.
- Se recomienda que marque la fecha de congelamiento en el empaque.

Estas son algunas sugerencias para un almacenamiento seguro:

- Comidas preparadas, de 3 a 4 meses.
- Camarones, vieiras, langostinos frescos, de 3 a 6 meses.
- Hamburguesas y carne guisada, de 3 a 4 meses.
- Carne molida de pavo, ternera y cerdo, de 3 a 4 meses.
- Chuletas, de 4 a 6 meses.
- Bisteces, de 6 a 12 meses.
- Pollo o pavo, de 6 a 8 meses.

Consulte la tabla detallada de almacenamiento en el sitio web de la FDA www.cfsan.fda.gov/~dms/fttstore.html

CUIDADO Y MANTENIMIENTO ADECUADOS

ADVERTENCIA

Antes de limpiar el refrigerador, desconéctelo SIEMPRE de la fuente de energía. Si se hace caso omiso de esta advertencia podría producir una lesión o muerte por descarga eléctrica.

PELIGRO

Riesgo de incendio o explosión debido a una perforación en el tubo refrigerante. El refrigerante usado es inflamable. No use instrumentos metálicos durante el proceso de limpieza. No perfora el tubo refrigerante.

NOTA: Antes de utilizar cualquier producto de limpieza, asegúrese de leer las instrucciones y advertencias del fabricante. Esto ayudará a evitar una lesión personal o daño material.

LIMPIEZA DEL INTERIOR:

Prepare una solución limpiadora de 3 a 4 cucharadas de bicarbonato de sodio mezclado con agua tibia. Limpie el interior del refrigerador con una esponja o un paño suave humedecido con la solución limpiadora.

Evite limpiar cualquier vidrio frío (repisas, vidrio de la cubierta del cajón para verduras, entre otros) con agua caliente, ya que el vidrio puede romperse y provocar una lesión. Manipule siempre todas las partes de vidrio con cuidado.

No intente lavar ninguna de las partes en el lavavajillas.

No utilice sustancias químicas fuertes, amoníaco, blanqueador a base de cloro, detergente concentrado, solventes, abrasivos o fibras metálicas para limpiar por dentro el refrigerador, ya que pueden dañar y/o decolorar el acabado del refrigerador.

LIMPIEZA DEL EXTERIOR:

Utilice un paño limpio, suave, ligeramente humedecido con cera para aparatos de cocina o un detergente suave para limpiar el exterior del refrigerador.

Utilice un paño limpio, suave, ligeramente humedecido con agua jabonosa tibia para limpiar las manijas y molduras. Utilice una toalla limpia y suave para secar.

Para los modelos de acero inoxidable, utilice un paño seco y pulimento para acero inoxidable.

Debe limpiar los empaques de la puerta cada tres meses siguiendo las instrucciones para la limpieza del interior. Con empaques limpios las puertas sellarán mejor que con empaques sucios.

Aplique un poco de gel de petróleo en el lado de las bisagras del empaque para mantenerlo flexible y asegurar que selle correctamente.

No utilice nunca un paño sucio para limpiar el exterior del refrigerador. Los paños sucios pueden dejar residuos en el refrigerador y pueden dañar el acabado. También evite utilizar sustancias químicas fuertes, amoníaco, blanqueador a base de cloro, detergente concentrado, solventes, abrasivos o fibras metálicas para limpiar por fuera el refrigerador.

SERVICIO DE ILUMINACIÓN LED

ADVERTENCIA

NO cambie usted mismo la luz LED; póngase en contacto con el servicio posventa para el reemplazo. No prestar atención a esta advertencia podría resultar en lesiones o la muerte a causa de un choque eléctrico.

CUIDADO Y MANTENIMIENTO ADECUADOS

MANTENIMIENTO



DANGER

Riesgo de incendio o explosión. El refrigerante usado es inflamable. No perfora el tubo refrigerante. La reparación debe ser efectuada solamente por personal autorizado para dar servicio. Consulte el Manual de reparación antes de intentar darle servicio a este producto. Se deben seguir todas las precauciones de seguridad. Las piezas componentes deben reemplazarse con componentes similares para minimizar el riesgo de posible ignición debido a piezas incorrectas o servicio técnico inadecuado.

INTERRUPCIONES DE ENERGÍA

En caso de una interrupción de energía, desconecte el refrigerador de la fuente de energía. Evite abrir las puertas y hágalo hasta que se haya restablecido la energía. El refrigerador mantendrá una temperatura fría durante más tiempo si se evita abrir la puerta o si se abre lo mínimo.

Una vez que se haya restablecido la energía, vuelva a conectar el refrigerador a la fuente de energía y revise los alimentos para ver si hay alguno en descomposición o que se haya descongelado. Se recomienda ampliamente limpiar el refrigerador después de una falla de energía prolongada para evitar olores y peligros potenciales contra la salud a causa de alimentos descongelados.

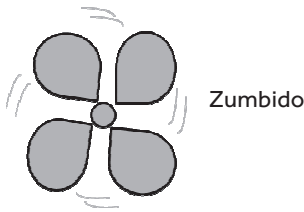
VACACIONES

Si va a salir de vacaciones o se va a ausentar por mucho tiempo, desconecte el refrigerador y saque todos los alimentos que tenga guardados. Gire la perilla de control de temperatura en la sección del refrigerador a la posición OFF (apagado) y limpie el refrigerador, incluidos los empaques, según se explica en la sección Cuidado y mantenimiento adecuados. Deje las puertas abiertas y aseguradas para permitir que el aire circule dentro del refrigerador.

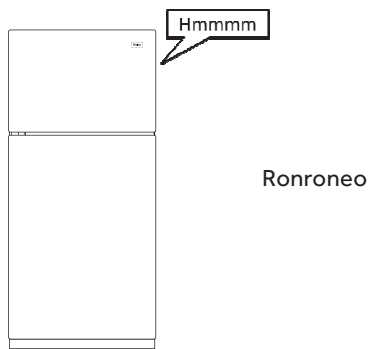
CÓMO MOVER EL REFRIGERADOR

Antes de mover el refrigerador, saque todos los alimentos que tenga guardados en él y utilice cinta adhesiva para asegurar todos los artículos sueltos como repisas, compartimientos de la puerta y rejillas, cajones para verduras y demás compartimientos, y desconéctelo. Mueva siempre el refrigerador en posición vertical para evitar dañar el sistema de refrigerante sellado.

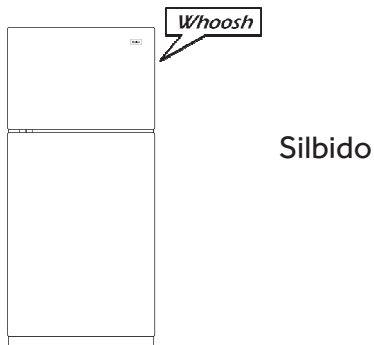
SONIDOS NORMALES DE FUNCIONAMIENTO



Hay muchos ventiladores de alta velocidad dentro del refrigerador que lo ayudan a mantener la temperatura que ha seleccionado. El zumbido es común cuando el refrigerador se conecta por primera vez, cuando se han abierto las puertas en varias ocasiones o por un periodo amplio y cuando se guarda una cantidad grande de alimentos.



Este es un sonido común que proviene del compresor y forma parte de lo que hace que el refrigerador funcione de manera eficaz.



Es posible que llegue a escuchar un silbido cuando cierre las puertas. Esto no es motivo de preocupación. Es simplemente que se nivela la presión en el refrigerador.



Crujido



Crepitación



- Suceden muchas cosas en el refrigerador a la vez. Otros sonidos que puede escuchar y sus posibles causas son los siguientes:
- El gorgoteo se debe muy probablemente a la circulación del refrigerante por el serpentín de enfriamiento.
- La crepitación o estallidos se pueden deber al derretimiento de la escarcha que cae en el calentador de descongelamiento durante el ciclo de descongelamiento.
- Se puede escuchar un chasquido o chirrido cuando el compresor intenta volver a arrancar.
- Los crujidos o estallidos pueden deberse a la expansión y contracción del serpentín de enfriamiento durante y después del ciclo de descongelamiento.
- Además, cuando se conecta por primera vez el refrigerador, el aislamiento de espuma de las paredes se enfriará y contraerá, lo que puede provocar crujidos o estallidos.
- El temporizador de descongelamiento y el control del termostato emitirán un chasquido cada vez que un ciclo se activa y desactiva.

Si el refrigerador se coloca en posición horizontal durante un lapso de tiempo, espere 24 horas después de regresarlo a la posición vertical antes de enchufar la unidad.

➔ IMPORTANTE

Durante el automático descongele el ciclo, usted puede notar un resplandor rojo en los respiraderos en la pared posterior de su compartimiento del congelador. Esto es normal durante el ciclo de la descongelación.

SOLUCIÓN DE PROBLEMAS

PROBLEMA	CAUSAS POSIBLES	SOLUCIÓN
El refrigerador no funciona.	La perilla de control de temperatura está en OFF (apagado).	Gire la perilla de temperatura hacia la derecha para encender el sistema de enfriamiento.
	El refrigerador está desconectado.	Conecte el cable de suministro eléctrico a la fuente de energía.
	El interruptor de carga se disparó o apagó/ el fusible se fundió.	Restablezca/encienda el interruptor de carga o cambie el fusible.
	El refrigerador está en modo de descongelamiento.	Espere aproximadamente 40 minutos para que termine el ciclo de descongelamiento y para que se restablezca el sistema de enfriamiento.
El refrigerador o el congelador están demasiado calientes.	El control de temperatura no está configurado lo suficientemente bajo.	Gire la perilla de temperatura hacia la derecha para ajustar a una temperatura más baja; deje transcurrir 24 horas para que se ajuste.
	Las puertas se abren con frecuencia o se quedan abiertas.	Mantenga cerradas las puertas/verifique que no haya un empaque que esté impidiendo que se cierre la puerta.
	Se guardaron alimentos calientes recientemente.	Deje pasar un tiempo para que el alimento y el refrigerador se enfrien.
	Los objetos que están en la parte trasera de los compartimientos están bloqueando el flujo de aire adecuado.	Coloque los objetos sólo dentro de la moldura de las repisas de vidrio, no en los costados de los compartimientos ni directamente enfrente de los orificios de ventilación.
El refrigerador o el congelador está demasiado frío.	El control de temperatura está ajustado muy bajo.	Gire la perilla hacia la izquierda para cambiar a un ajuste más caliente; deje transcurrir 24 horas para que se ajuste.
El refrigerador entra en funcionamiento con demasiada frecuencia o por periodos largos.	Es normal cuando se conecta por primera vez.	Deje transcurrir 24 horas para que el refrigerador se enfrie.
	Se han guardado alimentos calientes o grandes cantidades de comida.	Esto es normal.
	La puerta se dejó abierta.	Asegúrese de que la puerta no quede abierta por algún objeto.
	Clima caliente o se abre con frecuencia.	Esto es normal.
	El control de temperatura está ajustado en lo más frío.	Ajuste la perilla a una configuración más caliente.
Humedad en el exterior/interior del refrigerador	Nivel alto de humedad.	Esto es normal; seque la superficie y ajuste la perilla de la temperatura a una configuración ligeramente más fría.
	Las puertas se abren con frecuencia o se quedan abiertas.	Mantenga cerradas las puertas/verifique que no haya un empaque que esté impidiendo que se cierre la puerta.
	Recipiente de agua abierto en el refrigerador.	Tape o selle el recipiente.
El refrigerador desprende un olor.	Los alimentos no están sellados o empacados de manera adecuada.	Vuelva a sellar el empaque/coloque una caja abierta de bicarbonato de sodio en el refrigerador y replácela cada tres meses.
	El interior necesita limpieza.	Siga las instrucciones de limpieza en la sección Cuidado y mantenimiento adecuados.

SOLUCIÓN DE PROBLEMAS

PROBLEMA	CAUSAS POSIBLES	SOLUCIÓN
La luz no enciende. Escarcha o cristales de hielo en los alimentos congelados.	El refrigerador está desconectado.	Conecte el refrigerador a la fuente de energía.
	El foco está flojo.	Apriete el foco girándolo hacia la derecha.
	El foco está fundido.	Siga las instrucciones de la sección Reemplazo de las bombillas.
	No todos los modelos vienen con una luz para el congelador o luz de nivel medio.	
	La puerta del congelador se dejó abierta o se estuvo abriendo con frecuencia.	Gire la perilla hacia la izquierda para cambiar a un ajuste más caliente; deje transcurrir 24 horas para que se ajuste.
	Hay objetos que bloquean los orificios de ventilación del congelador e impiden el flujo de aire adecuado.	Aleje los objetos de la pared posterior.
Aire caliente o tibio de la parte inferior del refrigerador.	Flujo de aire procedente del compresor durante el proceso de refrigeración.	Esto es normal.
Los alimentos se congelan en el refrigerador.	Hay alimentos colocados cerca de los orificios de ventilación.	Aleje los alimentos de la parte trasera y superior del refrigerador.
	La perilla de control de temperatura está configurada en demasiado frío.	Ajuste la perilla hacia la izquierda a una configuración más caliente.
La puerta del congelador se abre por sí sola cuando se cierra la puerta del refrigerador.	Es normal si la puerta del congelador se cierra por sí sola después.	Si la puerta del congelador se cierra por sí sola, es indicativo de que sella bien.
	Si la puerta del congelador no se cierra por sí sola después de abrirse, ajuste las patas niveladoras.	Consulte las instrucciones para nivelar las patas en la sección Instalación del refrigerador.
La puerta no se cierra de manera adecuada.	El refrigerador no está nivelado.	Consulte las instrucciones para nivelar las patas en la sección Instalación del refrigerador.
	Algo está obstruyendo el cierre de la puerta.	Verifique y retire los objetos que obstruyan.
Vibración o golpeteo.	El refrigerador no está firmemente apoyado en el piso.	Consulte las instrucciones para nivelar las patas en la sección Instalación del refrigerador.

IMPORTANTE

NO DEVUELVA ESTE PRODUCTO A LA TIENDA

Si tiene algún problema con este producto, comuníquese con el Centro de satisfacción del cliente al 1-877-337-3639.

ES NECESARIO TENER EL COMPROBANTE DE COMPRA FECHADO, EL NÚMERO DE MODELO Y EL NÚMERO DE SERIE PARA RECIBIR EL SERVICIO DE LA GARANTÍA.



GARANTÍA LIMITADA

¿Qué cubre y por cuánto tiempo?

Esta garantía cubre todos los defectos de fabricación o de material durante un período de:

12 meses en partes y mano de obra
5 años en sistema sellado

Esta garantía es válida a partir de la fecha de compra del producto. El recibo original de compra debe presentarse al centro de servicio autorizado antes de que se lleve a cabo cualquier servicio cubierto por la garantía.

Excepciones: Uso comercial o de renta.

90 días en mano de obra (únicamente en el taller).
90 días en partes.

No aplica ninguna otra garantía.

¿Qué cubre?

Las partes mecánicas y eléctricas cuyo objetivo es poner en funcionamiento este aparato, por un período de 12 meses a partir de la fecha de compra. Esto incluye todas las partes, excepto el acabado y las molduras.

Los componentes del sistema sellado (por ejemplo, el compresor hermético, el condensador y el evaporador) por defectos de fabricación, por un período de 5 años a partir de la fecha de compra. No se cubrirá ningún daño a dichos componentes producido por maltrato mecánico, transporte y manipulación inadecuados.

¿Qué se hará?

Repararemos o reemplazaremos, a nuestro criterio, cualquier parte mecánica o eléctrica que resulte estar defectuosa por uso normal durante el período de garantía especificado.

No se le cobrará al comprador las partes y la mano de obra de ningún artículo cubierto durante el período inicial de 12 meses. Después de dicho período, la garantía restante sólo cubre las partes. No incluye la mano de obra y el consumidor deberá pagarla.

¿Qué hacer en caso de que necesite servicio?

Comuníquese con el centro de servicio autorizado más cercano. Para obtener el nombre del centro de servicio más cercano, llame al 1-877-337-3639.

ESTA GARANTÍA CUBRE APARATOS DENTRO DE LOS ESTADOS UNIDOS CONTINENTAL Y CANADÁ. ESTA GARANTÍA NO CUBRE LO SIGUIENTE:

- Llamadas de servicio para realizar la instalación correcta del refrigerador.
- Llamadas de servicio para instruirle sobre el uso adecuado del refrigerador.
- Llamadas de servicio para reemplazar o corregir cableado o tubería domésticos.
- Llamadas de servicio para reemplazar bombillas.
- Daños por instalación inadecuada.
- Daños producidos en el envío.
- Defectos distintos a los de fabricación.
- Daño por uso incorrecto, maltrato, accidente, alteración, falta de cuidado y mantenimiento adecuados, o corriente o voltaje incorrectos.
- Daño por uso distinto al doméstico.
- Daño por un servicio brindado por un distribuidor o centro de servicio no autorizado.
- Adornos decorativos.
- Transporte y envío.
- Mano de obra (después de los primeros 12 meses del período de garantía).

ESTA GARANTÍA LIMITADA SE OTORGA EN LUGAR DE CUALQUIER OTRA GARANTÍA, EXPRESA O IMPLÍCITA, INCLUSO LAS GARANTÍAS DE COMERCIALIZACIÓN E IDONEIDAD PARA UN FIN EN PARTICULAR.

La solución ofrecida en esta garantía es exclusiva y se otorga en lugar de cualquier otra solución. La garantía no cubre daños incidentales o indirectos, de modo que es posible que las limitaciones anteriores no apliquen en su caso. Algunos estados no permiten limitaciones sobre la duración de una garantía implícita, de modo que es posible que las limitaciones anteriores no apliquen en su caso. Esta garantía le otorga derechos legales específicos, y usted puede tener otros derechos que varían en cada estado.

Haier America
Wayne, NJ 07470

www.Haier.com

Model # HA10TG21S | HA12TG21S
Issued: March 2015
115 V, 60 Hz

Made in China
Fabriqué en Chine
Hecho en China

Haier America
Wayne, NJ 07470
©2015 Haier America Trading, LLC.