



OWNER'S MANUAL

HOOD

**Read this owner's manual thoroughly before operating the appliance
and keep it handy for reference at all times.**

LSHD3689BD LSHD3089BD
LSHD3680ST LSHD3080ST



MFL70282902_00

www.lg.com

Copyright © 2017 LG Electronics Inc. All Rights Reserved.

TABLE OF CONTENTS

3 IMPORTANT SAFETY INSTRUCTIONS

6 PRODUCT OVERVIEW

- 6 Parts
- 6 Specifications

7 OPERATION

8 SMART FUNCTIONS

- 8 LG SmartThinQ Application
- 9 FCC Notice (For transmitter module contained in this product)
- 9 FCC RF Radiation Exposure Statement

10 MAINTENANCE

- 10 Surface Maintenance
- 10 Aluminum Mesh Filters
- 10 Removing Mesh Filters

11 TROUBLESHOOTING

- 11 Before Calling for Service

13 WARRANTY

IMPORTANT SAFETY INSTRUCTIONS

Read and follow all instructions when using the range to prevent the risk of fire, electric shock, personal injury, or damage. This guide does not cover all possible conditions that may occur. Always contact your service agent or manufacturer about problems that you do not understand.

Download this owner's manual at: <http://www.lg.com>



This is the safety alert symbol. This symbol alerts you to potential hazards that can result in property damage and/or serious bodily harm or death. All safety messages will follow the safety alert symbol and either the word **WARNING** or **CAUTION**. These words mean:



WARNING - Indicates a hazardous situation which, if not avoided, could result in death or serious injury.



CAUTION - Indicates a hazardous situation which, if not avoided, could result in minor or moderate injury.



WARNING

- To avoid the possibility of explosion or fire, do not store or use combustible, flammable or explosive vapors and liquids (such as gasoline) inside or in the vicinity of this or any other appliance. Also keep items that could explode, such as aerosol cans, away from cooktop burners, ovens and range hoods. Do not store flammable or explosive materials in adjacent cabinets or areas.
- **TO REDUCE THE RISK OF FIRE, ELECTRIC SHOCK, OR INJURY TO PERSONS, OBSERVE THE FOLLOWING:**
 - Use this unit only in the manner intended by the manufacturer. If you have questions, contact the manufacturer.
 - Before servicing or cleaning unit, switch power off at service panel and lock the service panel door to prevent power from being switched on accidentally. When the service panel door cannot be locked, securely fasten a prominent warning device, such as a tag, to the service panel.



CAUTION

- For general ventilating use only. **DO NOT** use to exhaust hazardous or explosive materials and vapors.

STATE OF CALIFORNIA PROPOSITION 65 WARNINGS



WARNING

- This product contains chemicals known to the State of California to cause cancer and birth defects or other reproductive harm. ***Wash hands after handling. (US only)***

GENERAL SAFETY PRECAUTIONS

To reduce the risk of fire, electric shock, serious injury or death when using the range hood, follow basic safety precautions, including the following:

WARNING

- If you receive a damaged product, immediately contact your dealer or builder. Do not install or use a damaged hood.
- Make sure that the range hood has been properly installed and grounded by a qualified installer according to the accompanying installation instructions. Have the installer show you the location of the fuse or junction box so that you know where and how to turn the power off.
- Do not install, repair or replace any part of the range hood unless specifically recommended in the literature accompanying it. A qualified service technician should perform all other service.
- To avoid the risk of electric shock, before servicing the range hood, switch power off at the fuse or junction box and lock the electrical panel door to prevent power from being switched on accidentally. When the electrical panel cannot be locked, securely fasten a prominent warning device, such as a tag, to the service panel.
- To avoid the risk of electric shock, before cleaning the range hood, turn off the main power switch.
- Use the range hood only for its intended purpose as outlined in this manual. **DO NOT** use this range hood to vent hazardous or explosive materials or vapors. If you have questions, contact the manufacturer.
- Do not tamper with the controls.
- Never allow the filters to become blocked or clogged. Do not allow foreign objects, such as cigarettes or napkins, to be sucked into the hood.
- If the cooktop and range hood are near a window, use an appropriate window treatment. Avoid long drapes or other window coverings that could blow over the cooktop and hood, resulting in a fire hazard.
- Always run the fan(s) whenever the cooktop is operating.
- Do not leave children alone or unattended in the area where the cooktop and range hood are in use. Never allow children to sit or stand on an appliance. Do not let children play with a range, cooktop or range hood. Do not store items of interest to children above or around the cooktop, range or range hood.
- The minimum vertical distance between the cooktop surface and the exterior part of the hood must be no less than 26" (66 cm). The required vertical distance may be longer for the range or cooktop being used. Consult the range or cooktop installation instructions for the minimum vertical distance from the appliance being used.
- To reduce the risk of a range-top grease fire:
 - Never leave surface units unattended at high settings. Boil-overs cause smoking and greasy spill-overs that may ignite. Heat oils slowly on low or medium settings.
 - Always turn hood ON when cooking at high heat or when flambéing food (i.e. Crepes Suzette, Cherries Jubilee, Peppercorn Beef Flambé).
 - Clean ventilating fans frequently. Grease should not be allowed to accumulate on fan or filter.
 - Use proper pan size. Always use cookware appropriate for the size of the surface element.

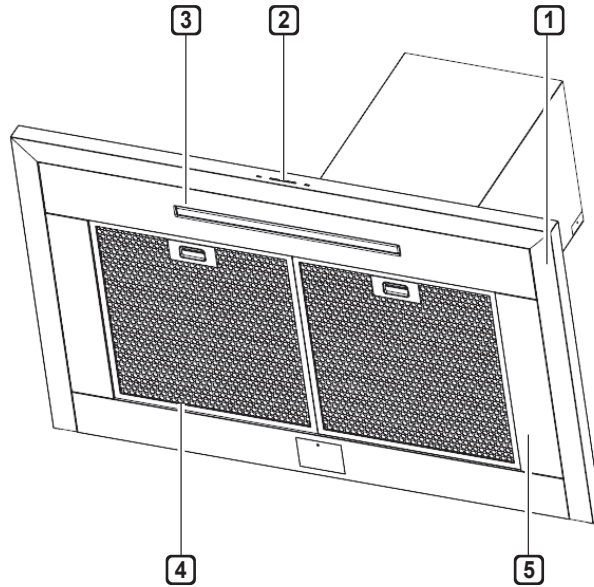
**WARNING**

- TO REDUCE THE RISK OF INJURY TO PERSONS IN THE EVENT OF A RANGE-TOP GREASE FIRE:
 - SMOTHER FLAMES with a close-fitting lid, cookie sheet or metal tray, then turn off the burner. BE CAREFUL TO PREVENT BURNS. If the flames do not go out immediately, EVACUATE AND CALL THE FIRE DEPARTMENT.
 - NEVER PICK UP A FLAMING PAN - you may be burned.
 - DO NOT USE WATER, including wet dish cloths or towels - a violent steam explosion may result.
 - Use a fire extinguisher ONLY if:
 - You have a Class ABC extinguisher, and you already know how to operate it.
 - The fire is small and contained in the area where it started.
 - The fire department is being called.
 - You can fight the fire with your back to an exit.

READ AND SAVE THESE INSTRUCTIONS

PRODUCT OVERVIEW

Parts

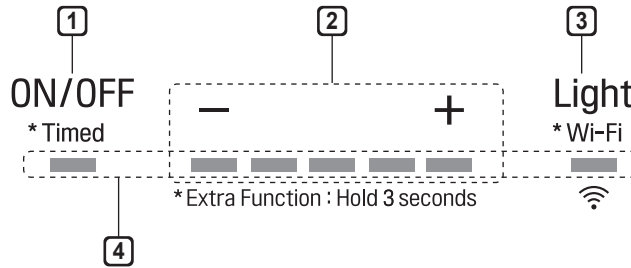


- ① HOOD
- ② ICON TOUCH CONTROL PANEL
- ③ LED STRIP LIGHT
- ④ MESH FILTER
- ⑤ SIDE PANEL (Only for LSHD3689BD, LSHD3680ST)

Specifications

Hood Models	LSHD3689BD, LSHD3680ST, LSHD3089BD, LSHD3080ST
Hood Width	LSHD3689BD, LSHD3680ST : 36 Inches LSHD3089BD, LSHD3080ST : 30 Inches
Filters	2 pcs
Lights	1(LED Strip type)

OPERATION



1 POWER / DELAY OFF BUTTON ON/OFF *Timed

Power Button Function

- ON/OFF *Timed Button will turn power on and off for entire hood (fan and lights).
- Hood will remember the last speed and light level it was turned off at.
(Example: Press the ON/OFF *Timed button to turn off the hood with fan speed at level 4 and lights on high. Press the ON/OFF *Timed again and the hood will turn on with the fan speed set to 4 and the lights on high.)

Delay Off Button Function

- With the fan on, press and hold the ON/OFF *Timed button for three seconds. The fan will change to speed 1 and the 5 minute delay off timer will start.
ON/OFF *Timed + — + LEDs will illuminate and slowly blink in accordance with the time remaining until the fan and lights automatically turn off.
- Pressing the ON/OFF *Timed button while the Delay Off Function is enabled will turn the hood off and cancel the Delay Off Function.

2 SPEED SELECTION BUTTON

Fan Speed Decrease Button —

- Press this button to decrease fan speed. 5, 4, 3, 2, 1.
- If fan is On at level 1 and this button is pressed, fan will power Off.

Fan Speed Increase Button +

- Press this button to increase fan speed. Fan On, 1, 2, 3, 4, 5.
- If hood is Off and this button is pressed, fan will turn On at level 1.

3 LIGHT BUTTON Light *Wi-Fi

- The light has two levels: High and Low.
- From off, press one time for High. Press again for Low. Press again to power lights off.
- Press and hold the Light button for 3 seconds to connect to a home Wi-Fi network. See page 8 for more information.

4 DISPLAY INDICATORS

Mesh Filter Clean Reminder (always enabled)

- After 30 hours of fan usage, the — button indicator will begin to slowly blink indicating it is time to clean the mesh filters.
- **To reset:** With hood off: hold the — button for three seconds. All LED indicators will blink two times confirming the 30 hour timer has been reset.

Charcoal Filter Replace Indicator (disabled by default, must be enabled if recirculating hood)



- To enable Charcoal Filter Replacement Reminder:
 - With hood off, hold + button and Light *Wi-Fi button simultaneously for three seconds. All LED indicators will illuminate for three seconds confirming the Charcoal Filter Replace Reminder is enabled.
- To disable Charcoal Filter Replacement Reminder:
 - With hood off, hold + button and Light *Wi-Fi button simultaneously for three seconds. All LED indicators will blink two times confirming the Charcoal Filter Replace Reminder is disabled.
- After 120 hours of fan usage the + button will slowly blink indicating the charcoal filters need replacement.
- **To reset:** With hood off, hold the + button for three seconds. All LED indicators will blink two times confirming the 120 hour timer has been reset.

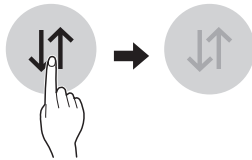
SMART FUNCTIONS

LG SmartThinQ Application

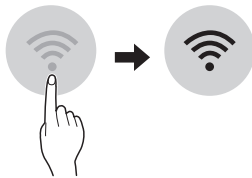
The LG SmartThinQ application allows you to communicate with the appliance using a smartphone.

Before Using LG SmartThinQ


- For appliances with the  or  logo
- 1 Use a smartphone to check the strength of the wireless router (Wi-Fi network) near the appliance.
 - If the distance between the appliance and the wireless router is too far, the signal strength becomes weak. It may take a long time to register or installation may fail.
 - 2 Turn off the **Mobile data** or **Cellular Data** on your smartphone.



- 3 Connect your smartphone to the wireless router.



NOTE

- To verify the Wi-Fi connection, check that **Wi-Fi**  icon on the control panel is lit.
- The appliance supports 2.4 GHz Wi-Fi networks only. To check your network frequency, contact your Internet service provider or refer to your wireless router manual.
- LG SmartThinQ is not responsible for any network connection problems or any faults, malfunctions, or errors caused by network connection.
- The surrounding wireless environment can make the wireless network service run slowly.
- If the appliance is having trouble connecting to the Wi-Fi network, it may be too far from the router. Purchase a Wi-Fi repeater (range extender) to improve the Wi-Fi signal strength.
- The network connection may not work properly depending on the Internet service provider.
- The Wi-Fi connection may not connect or may be interrupted because of the home network environment.
- If the appliance cannot be registered due to problems with the wireless signal transmission, unplug the appliance and wait about a minute before trying again.
- If the firewall on your wireless router is enabled, disable the firewall or add an exception to it.
- The wireless network name (SSID) should be a combination of English letters and numbers. (Do not use special characters.)
- Smartphone user interface (UI) may vary depending on the mobile operating system (OS) and the manufacturer.
- If the security protocol of the router is set to **WEP**, network setup may fail. Change the security protocol (**WPA2** is recommended), and register the product again.



Installing the LG SmartThinQ Application

Search for the LG SmartThinQ application from the Google Play Store or Apple App Store on a smart phone. Follow instructions to download and install the application.

NOTE

- If you choose the simple login to access the LG SmartThinQ application, you must go through the appliance registration process each time you change your smartphone or reinstall the application.

LG SmartThinQ Application Features

- For appliances with the  or  logo

Settings

Allows you to set various options on the hood and in the application.

Monitoring

Use this function to check the current status from one screen.

NOTE

- If you change your wireless router, your Internet service provider or your password after registering the appliance, delete it from the LG SmartThinQ **Settings** → **Edit Product** and register again.
- This information is current at the time of publication. The application is subject to change for product improvement purposes without notice to users.

Open Source Software Notice Information

To obtain the source code under GPL, LGPL, MPL, and other open source licenses, that is contained in this product, please visit <http://opensource.lge.com>. In addition to the source code, all referred license terms, warranty disclaimers and copyright notices are available for download.

LG Electronics will also provide open source code to you on CD-ROM for a charge covering the cost of performing such distribution (such as the cost of media, shipping, and handling) upon email request to opensource@lge.com. This offer is valid for a period of three years after our last shipment of this product. This offer is valid to anyone in receipt of this information.

Wireless module (LCW-003) Specifications

Frequency Range	2412~2462 MHz
Output Power (max.)	IEEE 802.11 b : 17.56 dBm
	IEEE 802.11 g : 25.53 dBm
	IEEE 802.11 n : 25.29 dBm

FCC Notice (For transmitter module contained in this product)

This equipment has been tested and found to comply with the limits for a Class B digital device, pursuant to Part 15 of the FCC Rules. These limits are designed to provide reasonable protection against harmful interference in a residential installation. This equipment generates, uses, and can radiate radio frequency energy and, if not installed and used in accordance with the instructions, may cause harmful interference to radio communications. However, there is no guarantee that interference will not occur in a particular installation. If this equipment does cause harmful interference to radio or television reception, which can be determined by turning the equipment off and on, the user is encouraged to try to correct the interference by one or more of the following measures:

- Reorient or relocate the receiving antenna.
- Increase the separation between the equipment and the receiver.
- Connect the equipment to an outlet on a circuit different from that to which the receiver is connected.
- Consult the dealer or an experienced radio/TV technician for help.

This device complies with part 15 of the FCC Rules. Operation is subject to the following two conditions:

- 1) this device may not cause harmful interference and
- 2) this device must accept any interference received, including interference that may cause undesired operation of the device.

Any changes or modifications in construction of this device which are not expressly approved by the party responsible for compliance could void the user's authority to operate the equipment.

FCC RF Radiation Exposure Statement

This equipment complies with FCC radiation exposure limits set forth for an uncontrolled environment. This transmitter must not be co-located or operating in conjunction with any other antenna or transmitter.

This equipment should be installed and operated with minimum distance 20 cm (7.8 inches) between the antenna and your body. Users must follow the specific operating instructions for satisfying RF exposure compliance.

MAINTENANCE

Surface Maintenance

Clean periodically with hot soapy water and a clean cotton cloth. Do not use corrosive or abrasive detergent, or steel wool/scouring pads which will scratch and damage surface. Do not use products containing chlorine bleach or citrus-based cleaners.

For heavier soil use liquid degreaser.

After cleaning, you may use non-abrasive stainless steel polish or cleaners to polish and buff out the stainless luster and grain. Using a clean microfiber or cotton cloth, scrub lightly and with the grain.

Aluminum Mesh Filters

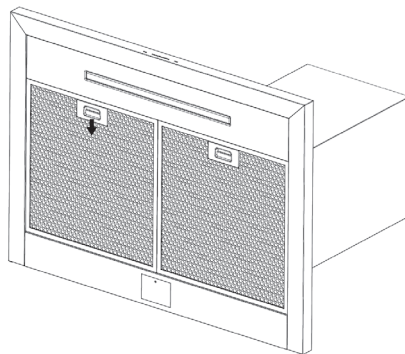
The aluminum mesh filters installed by the factory are intended to filter out residue and grease from cooking. They don't need to be replaced on a regular basis, as long as they are kept clean.

Remove and clean by hand or in dishwasher on low heat. Spray degreasing detergent and leave to soak if heavily soiled.

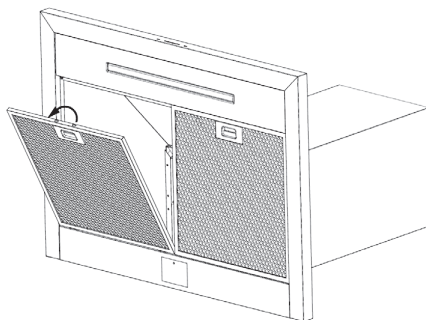
Dry filters and re-install before using hood.

Removing Mesh Filters

- 1 Push handle on filter toward back of range hood.



- 2 Pivot the front of the filter down and pull the filter forward to remove it.



- Follow these steps in reverse to reassemble the filter.

TROUBLESHOOTING

Before Calling for Service

Symptoms	Possible Causes / Solutions
After installation, the unit doesn't work.	<ul style="list-style-type: none"> • The power source is not turned ON. <ul style="list-style-type: none"> - Make sure the circuit breaker and the unit's power is ON. • The power cord and the cable locking connector are not connected properly. <ul style="list-style-type: none"> - Make sure the power cord is properly connected to the unit.
Lights work, but blower is not turning.	<ul style="list-style-type: none"> • The thermally protected system detects if the blower is too hot to operate and shuts the blower down. <ul style="list-style-type: none"> - The blower will function properly after the thermally protected system cools down.
The unit is vibrating.	<ul style="list-style-type: none"> • The blower is not securely in place. <ul style="list-style-type: none"> - Tighten the screws holding the blower in place. • Damaged blower wheel. <ul style="list-style-type: none"> - Call for service. • The hood is not secured in place. <ul style="list-style-type: none"> - Check the installation of the hood.
The blower is working, but the lights are not.	<ul style="list-style-type: none"> • Call for service.
The speed levels of the blower sound the same.	<ul style="list-style-type: none"> • Using the wrong size of ducting. <ul style="list-style-type: none"> - Change the ducting to at least 8" round or 3-1/4" x 10" rectangular for single blower or 10" round for dual blower.
The hood is not venting out properly.	<ul style="list-style-type: none"> • The hood might be hanging too far above the cook top. <ul style="list-style-type: none"> - Adjust the distance between the cook top and the bottom of the hood to within 26" to 36". • The wind from the opened windows or opened doors in the surrounding area are affecting the ventilation of the hood. <ul style="list-style-type: none"> - Close all windows and doors to eliminate the outside wind flow. • Blockage in the duct opening or duct work. <ul style="list-style-type: none"> - Clear any blockages from the duct work or duct opening. • The direction of duct opening is against the wind. <ul style="list-style-type: none"> - Adjust the duct opening direction. • Using the wrong size of ducting. <ul style="list-style-type: none"> - Change the ducting to correct size.
Mesh filter is vibrating.	<ul style="list-style-type: none"> • Mesh filter is loose. <ul style="list-style-type: none"> - Change the metal filter.
The unit turns on by itself.	<ul style="list-style-type: none"> • A spot light or kitchen lamp is shining directly onto the switch controls. <ul style="list-style-type: none"> - The switch controls are light sensitive. A light source aimed directly at the switch controls may disrupt switch functions.

Symptoms	Possible Causes / Solutions
Trouble connecting appliance and smartphone to Wi-Fi network	<ul style="list-style-type: none">• The password for the Wi-Fi network was entered incorrectly.<ul style="list-style-type: none">- Delete your home Wi-Fi network in the application and begin the registration process again.• Mobile data for your smartphone is turned on.<ul style="list-style-type: none">- Turn off the Mobile data on your smartphone before registering the appliance.• The wireless network name (SSID) is set incorrectly.<ul style="list-style-type: none">- The wireless network name (SSID) should be a combination of English letters and numbers. (Do not use special characters.)• The router frequency is not 2.4 GHz.<ul style="list-style-type: none">- Only a 2.4 GHz router frequency is supported. Set the wireless router to 2.4 GHz and connect the appliance to the wireless router. To check the router frequency, check with your Internet service provider or the router manufacturer.• The distance between the appliance and the router is too far.<ul style="list-style-type: none">- If the appliance is too far from the router, the signal may be weak and the connection may not be configured correctly. Move the router closer to the appliance or purchase and install a Wi-Fi repeater.

WARRANTY (USA)

Should your LG Electric Range fail due to a defect in materials or workmanship under normal home use, during the warranty period set forth below, LG will at its option repair or replace the product. This limited warranty is valid only to the original retail purchaser of the product and applies only when purchased and used within the United States including U.S. Territories. Proof of original retail purchase is required to obtain warranty service under this limited warranty.

Warranty Period	Scope of Warranty	HOW SERVICE IS HANDLED
Two (2) years from date of original retail purchase	Parts and Labor	LG will provide parts and labor to repair or replace defective parts.

- Replacement products and parts are warranted for the remaining portion of the original warranty period or ninety (90) days, whichever is greater.
- Replacement products and parts may be new or remanufactured.

THIS WARRANTY IS IN LIEU OF ANY OTHER WARRANTY, EXPRESS OR IMPLIED, INCLUDING WITHOUT LIMITATION, ANY WARRANTY OF MERCHANTABILITY OR FITNESS FOR A PARTICULAR PURPOSE. TO THE EXTENT ANY IMPLIED WARRANTY IS REQUIRED BY LAW, IT IS LIMITED IN DURATION TO THE EXPRESS WARRANTY PERIOD ABOVE. NEITHER THE MANUFACTURER NOR ITS U.S. DISTRIBUTOR SHALL BE LIABLE FOR ANY INCIDENTAL, CONSEQUENTIAL, INDIRECT, SPECIAL, OR PUNITIVE DAMAGES OF ANY NATURE, INCLUDING WITHOUT LIMITATION, LOST REVENUES OR PROFITS, OR ANY OTHER DAMAGE WHETHER BASED IN CONTRACT, TORT, OR OTHERWISE.

Some states do not allow the exclusion or limitation of incidental or consequential damages or limitations on how long an implied warranty lasts, so the above exclusion or limitation may not apply to you. This warranty gives you specific legal rights and you may also have other rights that vary from state to state.

THIS LIMITED WARRANTY DOES NOT COVER:

- Service trips to deliver, pick up, or install or repair the product; instruction to the customer on operation of the product; repair or replacement of fuses or correction of wiring or plumbing, or correction of unauthorized repairs/installation.
- Failure of the product to perform during power failures and interruptions or inadequate electrical service.
- Damage caused by leaky or broken water pipes, frozen water pipes, restricted drain lines, inadequate or interrupted water supply or inadequate supply of air.
- Damage resulting from operating the Product in a corrosive atmosphere or contrary to the instructions outlined in the Product's owner's manual.
- Damage to the Product caused by accidents, pests and vermin, lightning, wind, fire, floods, or acts of God.
- Damage or failure caused by unauthorized modification or alteration, or if it is used for other than the intended purpose, or any water leakage where the unit was not properly installed.
- Damage or failure caused by incorrect electrical current, voltage, or plumbing codes, commercial or industrial use, or use of accessories, components, or consumable cleaning products that are not approved by LG.
- Damage caused by transportation and handling, including scratches, dents, chips, and/or other damage to the finish of your product, unless such damage results from defects in materials or workmanship and is reported within one (1) week of delivery.
- Damage or missing items to any display, open box, discounted, or refurbished Product.
- Products with original serial numbers that have been removed, altered, or cannot be readily determined. Model and Serial numbers, along with original retail sales receipt, are required for warranty validation.
- Increases in utility costs and additional utility expenses.
- Repairs when your Product is used in other than normal and usual household use (e.g. commercial use, in offices and recreational facilities) or contrary to the instructions outlined in the Product's owner's manual.
- Costs associated with removal of your Product from your home for repairs.

14 WARRANTY

- The removal and reinstallation of the Product if it is installed in an inaccessible location or is not installed in accordance with published installation instructions, including LG's owner's and installation manuals.
- Damage resulting from misuse, abuse, improper installation, repair, or maintenance. Improper repair includes use of parts not approved or specified by LG.

OBTAIN WARRANTY SERVICE AND ADDITIONAL INFORMATION

If you do not have access to the internet and you need assistance using your product or you would like to schedule service, you may contact LG Electronics at the number below.

For assistance or service, call 1-800-243-0000.

If you need further assistance, you can write to LG with any questions or concerns at the address below:

LG Electronics, 201 James Record Road, Huntsville, Alabama 35813

For additional product information, visit our website at <http://www.lg.com>

MANUAL DEL PROPIETARIO

CAMPANA

Lea detenidamente el manual del propietario antes de poner el aparato en funcionamiento y consérvelo a mano en todo momento para su referencia.

LSHD3689BD LSHD3089BD
LSHD3680ST LSHD3080ST



MFL70282902_00

ÍNDICE

3 INSTRUCCIONES IMPORTANTES DE SEGURIDAD

6 DESCRIPCIÓN GENERAL DEL PRODUCTO

- 6 Piezas
- 6 Especificaciones

7 FUNCIONAMIENTO

8 FUNCIONES INTELIGENTES

- 8 Aplicación LG SmartThinQ
- 9 Aviso de la FCC (para el módulo transmisor contenido en este producto)
- 9 Declaración sobre exposición a la radiación de RF de la FCC

10 MANTENIMIENTO

- 10 Mantenimiento de la superficie
- 10 Filtros de malla de aluminio
- 10 Extraer los filtros de malla

11 SOLUCIÓN DE PROBLEMAS

- 11 Antes de llamar al servicio técnico

13 GARANTÍA

INSTRUCCIONES IMPORTANTES DE SEGURIDAD

Lea y siga todas las instrucciones cuando utilice la cocina para evitar riesgos de incendios, descargas eléctricas, lesiones personales o daños. Esta guía no incluye todas las situaciones posibles que podrían ocurrir. Siempre comuníquese con su agente de servicio técnico o con el fabricante cuando haya problemas que no comprenda.

Descargue este manual en: <http://www.lg.com>

Este es el símbolo de alerta de seguridad. Este símbolo le advierte sobre posibles riesgos que pueden ocasionar daños materiales, lesiones personales graves o la muerte.



El símbolo de alerta de seguridad siempre estará acompañado de las palabras "ADVERTENCIA" o "PRECAUCIÓN". Estos términos significan lo siguiente:



ADVERTENCIA - Indica una situación peligrosa que, de no evitarse, podría causar lesiones graves o la muerte.



PRECAUCIÓN - Indica una situación peligrosa que, de no evitarse, podría causar lesiones leves o moderadas.



ADVERTENCIA

- Para evitar que se produzcan explosiones o incendios, no almacene ni use líquidos o vapores combustibles, inflamables o explosivos (como por ejemplo, gasolina) dentro o cerca de este o cualquier otro artefacto. Además, mantenga cualquier artículo que pueda explotar, como, por ejemplo, latas de aerosol, alejado de los quemadores de la cocina, del horno y de la campana extractora. No almacene materiales explosivos o inflamables en áreas o alacenas cercanas.
- **PARA REDUCIR EL RIESGO DE INCENDIO, DESCARGAS ELÉCTRICAS O LESIONES PERSONALES, TENGA EN CUENTA LO SIGUIENTE:**
 - Use esta unidad solamente del modo previsto por el fabricante. Si tiene alguna pregunta, póngase en contacto con el fabricante.
 - Antes de limpiar o realizarle mantenimiento a la unidad, apáguela desde el panel de servicio y bloquee la puerta del panel de servicio para evitar que la unidad se encienda por accidente. En caso de que la puerta del panel de servicio no se pueda bloquear, coloque un dispositivo de advertencia bien visible y firmemente sujeto, como, por ejemplo, una etiqueta, en el panel de servicio.



PRECAUCIÓN

- Solo para uso de ventilación general. NO lo utilice para la extracción de materiales y vapores peligrosos o explosivos.

ADVERTENCIAS DE LA PROPUESTA 65 DEL ESTADO DE CALIFORNIA



ADVERTENCIA

- Este producto contiene químicos conocidos por el estado de California por causar cáncer, malformaciones de nacimiento u otros daños reproductivos. **Lávese bien las manos después de su manipulación.** (Solo EEUU)

PRECAUCIONES GENERALES DE SEGURIDAD

Para reducir el riesgo de incendio, descargas eléctricas, lesiones graves o muerte al usar esta campana extractora, siga las precauciones de seguridad básicas, incluidas las siguientes:



ADVERTENCIA

- Si recibe un producto dañado, póngase en contacto inmediatamente con el distribuidor o el constructor. No instale ni utilice una campana dañada.
- Asegúrese de que un instalador calificado instale y conecte a tierra su campana extractora de acuerdo con las instrucciones de instalación suministradas. Haga que el instalador le muestre la ubicación de la caja de empalmes o fusibles para que usted sepa dónde y cómo apagar el artefacto.
- No instale, repare o reemplace ninguna pieza de la campana extractora, salvo que esto se recomiende específicamente en la documentación suministrada. Toda otra tarea de mantenimiento debe ser realizada por un técnico calificado.
- Para evitar el riesgo de descargas eléctricas, antes de realizarle mantenimiento a la campana extractora, apáguela desde la caja de empalmes o fusibles y bloquee la puerta del panel eléctrico para evitar que la unidad se encienda por accidente. En caso de que el panel del panel eléctrico no se pueda bloquear, coloque un dispositivo de advertencia bien visible y firmemente sujeto, como, por ejemplo, una etiqueta, en el panel de servicio.
- Para evitar el riesgo de descarga eléctrica, antes de limpiar la campana extractora, apague el interruptor principal.
- Use la campana extractora solo para el propósito previsto, tal como se describe en este manual. NO utilice esta campana para la extracción de materiales y vapores peligrosos o explosivos. Si tiene alguna pregunta, póngase en contacto con el fabricante.
- No manipule indebidamente los controles.
- Nunca permita que los filtros se bloqueen u obstruyan. No permita que objetos extraños, tales como cigarrillos o servilletas, sean aspirados por la campana.
- Si la cocina y la campana extractora se encuentran cerca de una ventana, asegúrese de que la ventana cumpla con las condiciones adecuadas. Evite que la ventana tenga cortinas largas u otras cubiertas que podrían volar sobre la superficie de cocción y la campana, ya que esto puede significar un riesgo de incendio.
- Siempre ponga en funcionamiento el/los ventilador(es) cuando esté utilizando la superficie de cocción.
- No deje niños solos o sin vigilancia en el área donde se estén utilizando la superficie de cocción y la campana extractora. Nunca permita que los niños se sienten en un artefacto o se suban a él. No permita que los niños jueguen con una cocina, una superficie de cocción o una campana extractora. No almacene artículos de interés para los niños encima o alrededor de la superficie de cocción, la cocina o la campana extractora.
- La distancia vertical mínima entre la superficie de la cocina y la parte exterior de la campana no debe ser menor de 26" (66 cm). La distancia vertical puede tener que ser mayor según la cocina o la superficie de cocción que se esté utilizando. Consulte las instrucciones de instalación de la cocina o la superficie de cocción para conocer la distancia mínima vertical desde el artefacto que se utilice.

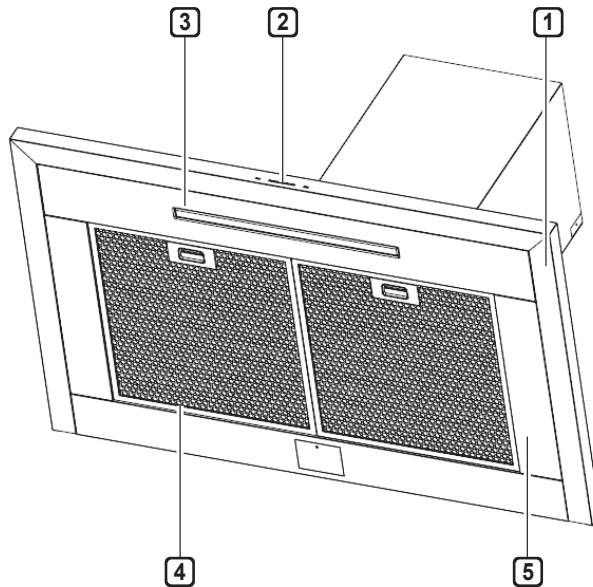
 **ADVERTENCIA**

- Para reducir el riesgo de incendio provocado por grasa en la superficie de la cocina:
 - Nunca deje las hornallas sin supervisión en configuraciones de altas temperaturas. Los derramamientos por ebullición producen humo y los derrames de grasa pueden arder. Caliente las grasas y los aceites lentamente y en configuraciones de temperatura bajas o medias.
 - Siempre encienda la campana cuando cocine a altas temperaturas o cuando realice flambeados (por ej., flambeado de carne a la pimienta, crepes Suzette, cerezas Jubilee).
 - Limpie los ventiladores regularmente. No debe dejar que se acumule grasa en el ventilador o el filtro.
 - Use el tamaño adecuado de sartén. Siempre utilice utensilios de cocina de dimensiones adecuadas para el tamaño de la hornalla.
- PARA REDUCIR EL RIESGO DE LESIONES PERSONALES EN CASO DE UN INCENDIO PROVOCADO POR GRASA EN LA SUPERFICIE DE LA COCINA:
 - SOFOQUE LAS LLAMAS con una tapa que ajuste bien, una asadera o una bandeja de metal y luego apague el quemador. SEA CUIDADOSO PARA EVITAR QUEMADURAS. Si las llamas no se apagan inmediatamente, EVACUE Y LLAME A LOS BOMBEROS.
 - NUNCA TOME UNA OLLA EN LLAMAS, puede quemarse.
 - NO USE AGUA, lo que incluye paños de cocina o toallas húmedas: puede producirse una violenta explosión de vapor.
 - Use un extintor SOLAMENTE si:
 - Tiene un extintor clase ABC y ya sabe cómo operarlo.
 - El fuego es pequeño y se halla contenido en el área donde comenzó.
 - Ya llamó a los bomberos.
 - Puede intentar apagar el fuego manteniendo su espalda hacia una salida.

LEA Y GUARDE ESTAS INSTRUCCIONES

DESCRIPCIÓN GENERAL DEL PRODUCTO

Piezas

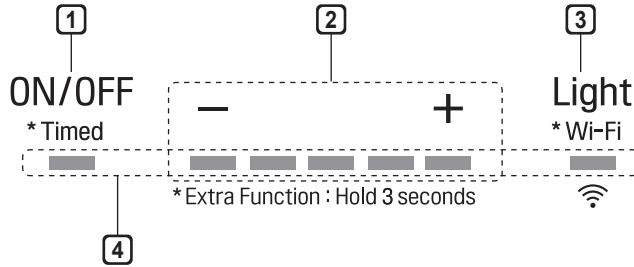


- 1 CAMPANA
- 2 PANEL DE CONTROL TÁCTIL CON ICONOS
- 3 LUZ LED
- 4 FILTROS DE MALLA
- 5 PANEL LATERAL (solo para LSHD3689BD, LSHD3680ST)

Especificaciones

Modelos de campana	LSHD3689BD, LSHD3680ST, LSHD3089BD, LSHD3080ST
Ancho de la campana	LSHD3689BD, LSHD3680ST : 36 pulgadas LSHD3089BD, LSHD3080ST : 30 pulgadas
Filtros	2 pzas.
Luces	1 (tipo tira LED)

FUNCIONAMIENTO



1 BOTÓN DE ENCENDIDO / APAGADO RETARDADO ON/OFF * Timed

Función del botón de encendido

- **ON/OFF * Timed** El botón ON/OFF *Timed enciende y apaga toda la campana (ventilador y luces)
- La campana recordará la última velocidad y el nivel de luz a los que se apagó.
(Ejemplo: Pulse el botón **ON/OFF * Timed** para apagar la campana con una velocidad de ventilador de nivel 4 y las luces en alta intensidad. Pulse el botón **ON/OFF * Timed** de nuevo y la campana se encenderá con la velocidad del ventilador en 4 y las luces encendidas en alta intensidad.)

Función del botón de apagado retardado

- Con el ventilador encendido, mantenga pulsado el botón **ON/OFF * Timed** durante 3 segundos. El ventilador cambiará la velocidad a 1 y el temporizador de apagado con retardo de 5 minutos se activará.
ON/OFF * Timed + **-** **+** Los LED se iluminarán y parpadearán lentamente según el tiempo restante hasta que el ventilador y las luces se apaguen automáticamente.
- Al pulsar el botón **ON/OFF * Timed** mientras la función de apagado retardado está activa se apagará la campana y se cancelará la función de apagado retardado.

2 BOTÓN DE SELECCIÓN DE VELOCIDAD

Botón de disminución de velocidad del ventilador **-**

- Pulse este botón para disminuir la velocidad del ventilador. 5, 4, 3, 2, 1.
- Si el ventilador está encendido en el nivel 1 y se pulsa este botón, el ventilador se apagará.

Botón de aumento de velocidad del ventilador **+**

- Pulse este botón para aumentar la velocidad del ventilador. Ventilador encendido, 1, 2, 3, 4, 5.
- Si la campana está apagada y se pulsa este botón, el ventilador se encenderá en el nivel 1.

3 BOTÓN DE LUZ Light * Wi-Fi

- La luz tiene dos niveles: Alto y Bajo.
- Desde apagado, pulse una vez para Alto. Pulse de nuevo para Bajo. Pulse de nuevo para apagar la luz
- Mantenga pulsado el botón Light durante 3 segundos para conectarse a una red Wi-Fi doméstica. Consulte la página 8 para obtener más información.

4 INDICADORES DE LA PANTALLA

Recordatorio de limpieza de filtro (siempre activado)

- Tras 30 horas de uso del ventilador, el indicador del botón **-** comenzará a parpadear lentamente indicando que ha llegado el momento de limpiar los filtros.
- **Para resetear:** Con la campana apagada: mantenga pulsado el botón **-** durante 3 segundos. Todos los indicadores LED parpadearán dos veces confirmando que el temporizador de 30 horas ha sido reseteado.

Indicador de sustitución del filtro de carbón (desactivado por defecto, debe activarse si se recircula la campana)

- Para activar el recordatorio de sustitución del filtro de carbón:
 - Con la campana apagada pulse el botón **+** y el botón **Light * Wi-Fi** durante tres segundos. Todos los indicadores LED se iluminarán durante tres segundos confirmando que el Recordatorio de sustitución de filtro de carbón está activado.
- Para desactivar el recordatorio de sustitución de filtro de carbón:
 - Con la campana apagada, pulse los botones **+** y **Light * Wi-Fi** simultáneamente durante tres segundos. Todos los indicadores LED parpadearán confirmando que el Recordatorio de sustitución del filtro de carbón está desactivado.
- Tras 120 horas de uso del ventilador, el botón **+** parpadeará lentamente indicando que los filtros de carbón deben sustituirse.
- **Para restablecer:** Con la campana apagada, pulse el botón **+** durante 3 segundos. Todos los indicadores LED parpadearán dos veces confirmando que el temporizador de 120 horas ha sido reseteado.

FUNCIONES INTELIGENTES

Aplicación LG SmartThinQ

La aplicación LG SmartThinQ le permite comunicarse con el electrodoméstico usando un teléfono inteligente.

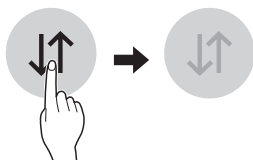
Previo a utilizar LG SmartThinQ

- Para electrodomésticos con el  o  logo

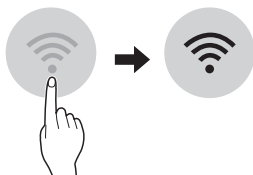
1 Utilice un teléfono inteligente para verificar la potencia del enrutador (Red Wi-Fi) cerca del electrodoméstico.

- Si la distancia entre el electrodoméstico y el enrutador inalámbrico es muy grande, la señal será débil. Puede que le tome más tiempo registrarse o que falle la instalación.


2 Desactive los **Datos Móviles** o **Datos Celulares** en su teléfono inteligente.



3 Conecte su teléfono inteligente al enrutador inalámbrico.



NOTA

- Para verificar la conexión Wi-Fi, revise que el ícono **Wi-Fi**  en el panel de control esté encendido.
- El electrodoméstico funciona únicamente con redes Wi-Fi de 2.4 GHz. Contacte a su proveedor de servicios de internet o verifique el manual del enrutador inalámbrico para revisar la frecuencia de su red.
- LG SmartThinQ no es responsable por ningún problema de conexión en red, falla, mal funcionamiento o error causado por la conexión de red.
- El entorno inalámbrico circundante puede hacer que el servicio de red inalámbrica funcione lentamente.
- Si el aparato tiene problemas para conectarse a la red Wi-Fi, es posible que se encuentre demasiado lejos del router. Adquiera un repetidor Wi-Fi (extensor de alcance) para mejorar la intensidad de la señal Wi-Fi.
- Es posible que la conexión de red no funcione bien por cuestiones relacionadas con su proveedor de servicios de Internet.
- Es posible que la conexión Wi-Fi no se conecte o se interrumpa debido al entorno de la red doméstica.
- Si el electrodoméstico no puede registrarse debido a problemas con la transmisión de la señal inalámbrica, desconéctelo y espere alrededor de un minuto previo a intentarlo de nuevo.
- Si el cortafuegos de su enrutador inalámbrico está activado, desactívelo o añada una excepción a éste.
- El nombre de la red inalámbrica (SSID) debe ser una combinación de letras y números. (No utilice caracteres especiales)
- La interfaz de usuario (IU) del teléfono inteligente puede variar dependiendo del sistema operativo (OS) del móvil y del fabricante.
- Puede que la configuración de red falle si el protocolo de seguridad del router está en **WEP**. Cambie el protocolo de seguridad por otro (es recomendado el **WPA2**) y registre el producto de nuevo.



Instalando la aplicación LG SmartThinQ

Busque la aplicación LG SmartThinQ desde la tienda Google Play o Apple App Store en un teléfono inteligente. Siga las instrucciones para descargar e instalar la aplicación.

NOTA

- Si elige el inicio de sesión simple para acceder a la aplicación LG SmartThinQ, deberá realizar el proceso de registro del electrodoméstico cada vez que cambie de teléfono o reinstale la aplicación.

Funciones de la aplicación LG SmartThinQ

- Para electrodomésticos con el  o  logo

Ajustes

Le permite configurar varias opciones en el campana y en la aplicación.

Monitoreo

Esta función le permite observar el estado actual finalización en la pantalla.

NOTA

- Si cambia su enrutador inalámbrico, proveedor de servicios de internet, o su contraseña, por favor borre el producto de LG SmartThinQ **Ajustes** → **Editar Producto** y regístrelo de nuevo.
- Esta información está actualizada en el momento de su publicación. La aplicación está sujeta a cambios con fines de mejorar el producto sin previo aviso a los usuarios.

Aviso de Información de Código Abierto del Software

Para obtener el código fuente correspondiente GPL, LGPL, MPL y otras licencias de código abierto que contiene este producto, visite <http://opensource.lge.com>. Además del código fuente, podrá descargar las condiciones de las licencias, exención de responsabilidad de la garantía y avisos de copyright.

LG Electronics también le proporcionará código abierto en CDROM por un importe que cubre los gastos de su distribución (como el soporte, el envío y la manipulación) previa solicitud por correo electrónico a opensource@lge.com. Esta oferta es válida durante un periodo de tres años a partir del último envío de este producto. Esta oferta es válida para cualquier persona que reciba esta información.

Especificaciones del módulo inalámbrico (LCW-003)

Rango de frecuencia	2412~2462 MHz
Potencia de salida (max.)	IEEE 802.11 b : 17.56 dBm IEEE 802.11 g : 25.53 dBm IEEE 802.11 n : 25.29 dBm

Aviso de la FCC (para el módulo transmisor contenido en este producto)

Este equipo fue probado y se determinó que cumple con los límites para los dispositivos digitales de Clase B, en conformidad con la parte 15 de las normas de la FCC. Estos límites están diseñados para ofrecer una protección razonable contra interferencias dañinas en una instalación residencial. Este equipo genera, usa y puede emitir energía de radiofrecuencia y, si no se instala y utiliza de acuerdo con las instrucciones, podría causar interferencias dañinas a las comunicaciones por radio. Sin embargo, no se garantiza que dicha interferencia no pueda ocurrir en instalaciones particulares. Si este equipo causa interferencia dañina a la recepción de radio o televisión, que se puede determinar encendiendo y apagando el equipo, se aconseja al usuario intentar corregir la interferencia realizando alguna de las siguientes acciones:

- Reoriente o reubique la antena receptora.
- Aumente la separación entre el equipo y el receptor.
- Conecte el equipo a una toma de corriente en un circuito diferente del utilizado por el receptor.
- Solicite ayuda a su vendedor o a un técnico especialista en radio o TV.

Este dispositivo cumple con la parte 15 de las normas de la FCC. La operación está sujeta a las dos siguientes condiciones:

- 1) este dispositivo no debe causar interferencia dañina, y
- 2) este dispositivo debe aceptar cualquier interferencia recibida, incluso aquellas que pudieran causar un funcionamiento no deseado del dispositivo.

Cualquier cambio o modificación en la construcción de este dispositivo que no cuente con la aprobación expresa de la parte responsable del cumplimiento puede anular la autorización del usuario para operar este equipo.

Declaración sobre exposición a la radiación de RF de la FCC

Este equipo cumple con los límites de exposición a la radiación de la FCC establecidos para entornos no controlados. Este transmisor no se debe ubicar ni operar junto con ninguna otra antena ni transmisor.

El equipo se debe instalar y operar con una distancia mínima de 20 cm (7.8 pulg.) entre la antena y su cuerpo. Los usuarios deben seguir las instrucciones de operación específicas de manera tal de cumplir con las normas de exposición a la RF.

MANTENIMIENTO

Mantenimiento de la superficie

Limpie periódicamente con agua caliente jabonosa y un paño de algodón limpio. No utilice detergentes corrosivos o abrasivos, o estropajos de aluminio o abrasivos que arañarían la superficie y la dañarían. No utilice productos que contengan lejía o limpiadores basados en cítricos.

Para la suciedad difícil, utilice desengrasante líquido.

Tras su limpieza, puede usar pulidores o limpiadores no abrasivos para acero inoxidable para pulir y devolver el lustre y brillo del acero inoxidable. Usando un paño limpio de microfibra o algodón, frote ligeramente.

Filtros de malla de aluminio

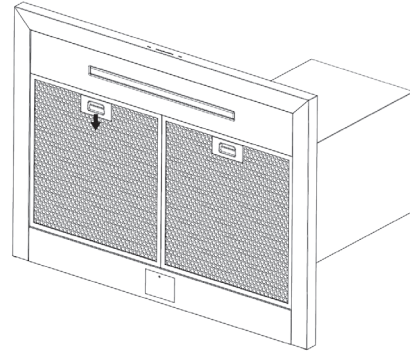
Los filtros de malla de aluminio instalados en fábrica están pensados para filtrar los residuos y las grasas durante la cocción. No necesitan ser sustituidos regularmente, siempre que se mantengan limpios.

Extraiga y límite a mano o en el lavavajillas a baja temperatura. Rocíe detergente desengrasante y deje en remojo si están muy sucias.

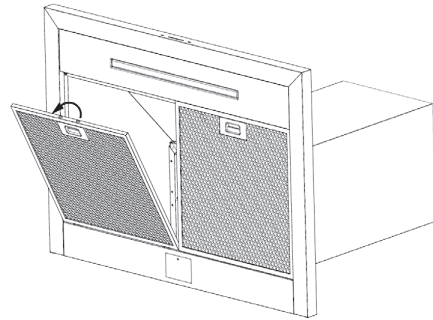
Seque los filtros y vuelva a instalarlos antes de usar la campana.

Extraer los filtros de malla

- 1 Empuje la manija sobre el filtro hacia la parte trasera de la campana.



- 2 Gire la parte delantera del filtro hacia abajo y tire del filtro hacia adelante para extraerlo.



- Siga estos pasos a la inversa para volver a montar el filtro.

SOLUCIÓN DE PROBLEMAS

Antes de llamar al servicio técnico

Síntomas	Causas/soluciones posibles
Tras su instalación, la unidad no funciona.	<ul style="list-style-type: none"> • La fuente de alimentación no está encendida <ul style="list-style-type: none"> – Asegúrese de que el interruptor y la alimentación de la unidad están encendidos. • El cable eléctrico y el conector de bloqueo de cable no están conectados correctamente. <ul style="list-style-type: none"> – Asegúrese de que el cable de alimentación está conectado correctamente a la unidad.
Las luces funcionan pero el ventilador no gira.	<ul style="list-style-type: none"> • El sistema protegido térmicamente detecta si el ventilador está demasiado caliente para funcionar y apaga el ventilador. <ul style="list-style-type: none"> – El ventilador funcionará correctamente una vez que el sistema protegido térmicamente se enfría.
La unidad vibra.	<ul style="list-style-type: none"> • El ventilador no está correctamente instalado en su sitio. <ul style="list-style-type: none"> – Apriete los tornillos que sujetan el ventilador. • Rueda del ventilador dañada. <ul style="list-style-type: none"> – Llame a asistencia. • La campana no está instalada firmemente en su sitio. <ul style="list-style-type: none"> – Compruebe la instalación de la campana.
El ventilador funciona pero las luces no.	<ul style="list-style-type: none"> • Llame a asistencia.
Los niveles de velocidad del ventilador parecen iguales.	<ul style="list-style-type: none"> • Se está usando un conducto de tamaño erróneo. <ul style="list-style-type: none"> – Cambie el conducto a al menos 8" Redondo o 3-1/4" rectangular para un único ventilador o 10" redondo para doble ventilador.
La campana no extrae correctamente.	<ul style="list-style-type: none"> • La campana puede estar demasiado lejos de la placa de cocina. <ul style="list-style-type: none"> – Ajuste la distancia entre la placa y la parte inferior de la campana en 26" a 36". • El viento que entra por ventanas o puertas abiertas en los alrededores afecta a la extracción de la campana. <ul style="list-style-type: none"> – Cierre todas las ventanas y puertas para eliminar la corriente de viento externa. • Bloqueo en la abertura del conducto o en el conducto. <ul style="list-style-type: none"> – Despeje cualquier bloqueo que exista en la abertura del conducto o en el conducto. • La dirección de la abertura del conducto está contra el viento. <ul style="list-style-type: none"> – Ajuste la dirección de la abertura el conducto. • Se está usando un conducto de un tamaño inadecuado. <ul style="list-style-type: none"> – Cambie el conducto para corregir el tamaño.
El filtros de malla vibra.	<ul style="list-style-type: none"> • El filtro de malla está suelto. <ul style="list-style-type: none"> – Cambie el filtro de metal.
La unidad se enciende sola.	<ul style="list-style-type: none"> • Foco o una lámpara en la cocina brilla directamente contra los controles del interruptor. <ul style="list-style-type: none"> – Los controles del interruptor son sensibles a la luz. Una fuente de luz dirigida directamente a los controles del interruptor puede afectar a las funciones del interruptor.

Síntomas	Causas/soluciones posibles
Problema al conectar el electrodoméstico y el teléfono inteligente a la red Wi-Fi.	<ul style="list-style-type: none">• La contraseña de la red Wi-Fi fue ingresada incorrectamente.<ul style="list-style-type: none">- Borre su red Wi-Fi doméstica e inicie el proceso de registro de nuevo.• Los Datos Móviles para su teléfono inteligente están activados.<ul style="list-style-type: none">- Desactive los Datos Móviles en su teléfono inteligente previo a registrar el electrodoméstico.• El nombre de la red inalámbrica (SSID) se ha configurado incorrectamente.<ul style="list-style-type: none">- El nombre de la red inalámbrica (SSID) debe ser una combinación de letras y números. (No utilice caracteres especiales)• La frecuencia del enrutador no es de 2.4 GHz.<ul style="list-style-type: none">- Sólo se admite una frecuencia de enrutador de 2.4 GHz. Configure el enrutador inalámbrico a 2.4 GHz y conecte el electrodoméstico a éste. Para verificar la frecuencia del enrutador, consulte con su proveedor de servicios de internet o con el fabricante del enrutador.• La distancia entre el enrutador y el electrodoméstico es muy grande.<ul style="list-style-type: none">- Si el electrodoméstico se encuentra muy lejos del enrutador, puede que la señal sea débil y que la conexión no sea configurada correctamente. Coloque el enrutador más cerca del electrodoméstico o compre e instale un repetidor Wi-Fi.

GARANTÍA (EE. UU.)

Si la cocina eléctrica LG fallara debido a defectos de materiales o de fabricación en el uso doméstico normal durante el período de garantía que se establece a continuación, LG tendrá la opción de reparar o reemplazar el producto. Esta garantía limitada solo es válida para el comprador minorista original del producto y será vigente solo cuando se compre y use dentro de los Estados Unidos y de los territorios estadounidenses. Se exige el comprobante de compra minorista original para solicitar servicio por garantía según esta garantía limitada.

Período de garantía	Alcance de la garantía	CÓMO SE MANEJA EL SERVICIO TÉCNICO
Dos (2) años a partir de la fecha de compra minorista original	Piezas y mano de obra	LG suministrará las piezas y la mano de obra para reparar o reemplazar las piezas defectuosas.

- Los productos y las piezas de repuesto están garantizados durante el tiempo restante del período original de garantía o noventa (90) días, lo que resulte mayor.
- Los productos y las piezas de repuesto pueden ser nuevos o reparados.

ESTA GARANTÍA REEMPLAZA CUALQUIER OTRA GARANTÍA, EXPRESA O IMPLÍCITA, LO QUE INCLUYE SIN LÍMITE, LAS GARANTÍAS DE APTITUD COMERCIAL O IDONEIDAD PARA UN FIN EN PARTICULAR. SALVO POR LAS GARANTÍAS IMPLÍCITAS EXIGIDAS POR LA LEY, ES DE DURACIÓN LIMITADA AL PERÍODO DE GARANTÍA EXPRESA MENCIONADO ANTERIORMENTE. NI EL FABRICANTE NI SU DISTRIBUIDOR EN LOS ESTADOS UNIDOS SERÁN RESPONSABLES DE NINGÚN DAÑO INCIDENTAL, EMERGENTE, INDIRECTO NI PUNITIVO DE NINGÚN TIPO, LO QUE INCLUYE SIN LÍMITE, INGRESOS O GANANCIAS PERDIDOS O CUALQUIER OTRO DAÑO CONTRACTUAL, EXTRA CONTRACTUAL O DE OTRO TIPO.

Algunos estados no permiten la exclusión o limitación de daños incidentales o emergentes, o limitaciones a la duración de la garantía implícita, por lo que la exclusión o limitación anteriormente mencionadas podrían no corresponder en su caso. Esta garantía le otorga derechos legales específicos y es posible que usted cuente con otros derechos que varían según el estado.

ESTA GARANTÍA LIMITADA NO CUBRE LO SIGUIENTE:

- Viajes del servicio técnico para entregar, buscar, o instalar o reparar el producto; instrucciones al cliente sobre la operación del producto; reparación o reemplazo de fusibles o corrección de cableado o fontanería, o corrección de reparaciones/ instalaciones no autorizadas.
- Incapacidad del producto para funcionar debido a fallas e interrupciones del suministro eléctrico, o a un servicio eléctrico inadecuado.
- Daños causados por tuberías de agua rotas o con fugas, tuberías de agua congeladas, líneas de desagüe restringidas, suministro de agua inadecuado o interrumpido o suministro de aire inadecuado.
- Daños resultantes de operar el producto en una atmósfera corrosiva o contraria a las instrucciones esbozadas en el manual del propietario del producto.
- Daños al producto causados por accidentes, pestes y alimañas, rayos, viento, incendio, inundaciones o hechos de fuerza mayor.
- Daños o fallas causados por modificaciones o alteraciones no autorizadas, o si se usa para otro fin que no sea el previsto, o por fugas de agua donde la unidad no se haya instalado correctamente.
- Daños o fallas causados por corriente o voltaje eléctricos incorrectos, o por códigos de fontanería, por uso comercial o industrial, o por uso de accesorios, componentes o productos de limpieza consumibles no aprobados por LG.
- Daños causados por el transporte y el manejo, incluye rayas, muescas, astillado y otros daños al acabado del producto, a menos que tales daños resulten de defectos de los materiales o de la fabricación y se informen dentro del plazo de una (1) semana de la entrega.
- Daños o artículos faltantes a productos reacondicionados, comprados con descuento, con la caja abierta o que hayan estado en exhibición.
- Productos cuyos números de serie originales hayan sido retirados, alterados o no se puedan determinar fácilmente. Los números de serie y de modelo, junto con el comprobante de venta minorista original, son necesarios para validar la garantía.
- Aumentos en los costos de los servicios públicos y otros gastos adicionales de dichos servicios.

14 GARANTÍA

- Reparaciones cuando el producto se use de otra forma que no sea uso doméstico usual y normal (p. ej., uso comercial, en oficinas e instalaciones recreativas) o contraria a las instrucciones esbozadas en el manual del propietario del producto.
- Costos asociados con el retiro del producto de su casa para realizar reparaciones.
- El retiro y la reinstalación del producto si está instalado en un lugar inaccesible o no está instalado de acuerdo con las instrucciones de instalación publicadas, lo que incluye los manuales de instalación y del propietario de LG.
- Daños resultantes de mal uso, abuso, instalación, reparación o mantenimiento incorrectos. Una reparación incorrecta incluye el uso de piezas no aprobadas o especificadas por LG.

CÓMO OBTENER SERVICIO EN GARANTÍA E INFORMACIÓN ADICIONAL

Si usted no tiene acceso a Internet y necesita asistencia para el uso de su producto o desea programar un servicio técnico, puede comunicarse con LG Electronics al número que aparece a continuación.

Para obtener asistencia o servicio técnico, llame al 1-800-243-0000.

Si necesita más ayuda, puede escribir a LG para dirigir sus preguntas o inquietudes a la dirección que aparece a continuación:

LG Electronics, 201 James Record Road, Huntsville, Alabama 35813

Para obtener más información sobre el producto, visite nuestro sitio web en <http://www.lg.com>

MEMO

MEMO

MEMO



LG Customer Information Center

1-800-243-0000 USA

Register your product Online!

www.lg.com