

# GAS FREE-STANDING CONVECTION RANGE

Use and Care Manual

For Use with Model(s): all gas models

# BOSCH

YOUR LIFE. OUR INSPIRATION.



# A Special Message to Our Customers

Dear Bosch Range Owner:

Thank you and congratulations on the purchase of your Bosch Convection Range. Whether you are an expert chef or an aspiring cook, we know that your new range will exceed your expectations. Decades of knowledge and experience are built into this range making it among the highest quality, most versatile and most efficient available.

We ask that you read this manual thoroughly before using your new range. Please pay particular attention to the safety precautions printed at the front of this book and the numerous safety hints and cautions placed throughout. Also, be sure to familiarize yourself with the proper operation of the range and its cleaning and maintenance procedures. Adherence to these instructions and procedures will ensure that you realize the full potential of your new Bosch range as well as maintain it for years of dependable use.

Thank you and good cooking,

Bosch Home Appliances

## **WARNING**

When used in accordance with its intended purposes and properly cared for, your new Bosch range has been designed to be a safe, reliable appliance. Read all instructions carefully before using this range. These precautions will reduce the risk of burns, electric shock, fire, and injury to persons. Do not operate the oven or cooktop controls if the glass is broken. Food splatter or cleaning solution may penetrate a broken control panel and create a risk of electric shock. Contact a qualified technician immediately should your glass control panel become broken. When using kitchen appliances, basic safety precautions must be followed, including those in the following pages.

## **IMPORTANT SAFETY NOTICE**

The California Safe Drinking and Toxic Enforcement Act requires the Governor of California to publish a list of substances known to the state to cause cancer, birth defects or other reproductive harm, and requires businesses to warn customers of potential exposure to such substances.

The burning of gas cooking fuel and the elimination of soil during self-cleaning can generate small amounts of Carbon Monoxide.

The fiberglass insulation in self-clean ovens gives off very small amounts of formaldehyde during the first several cleaning cycles.

California lists formaldehyde as a potential cause of cancer. Carbon Monoxide is a potential cause of reproductive toxicity.

Exposure to these substances can be minimized by:

1. Providing good ventilation when cooking with gas.
2. Providing good ventilation during and immediately after self cleaning the oven.
3. Operating the unit according to the instructions in this manual.

# Table of Contents

<b>Important Safety Instructions</b> .....	1
<b>Getting Familiar with Your Range</b> .....	3
<b>Setting Up Your Range</b>	
Setting and Changing the Clock .....	5
Setting the Functions .....	6
Accessing and Using the Select Functions Menu .....	6
Volume .....	7
Change Temperature .....	7
Temperature Format .....	7
Clock Display .....	7
Demo Mode .....	7
Language Option .....	7
Lock Keys .....	7
Oven Temperature Offset .....	7
Reset Defaults .....	7
Sabbath Feature .....	8
Time Format .....	8
<b>The Cooktop</b>	
Cooktop Features .....	9
Cooktop Operation .....	10
<b>The Oven</b>	
Oven Modes and Features .....	11
Oven Modes and Features - Bake and Convection Bake .....	13
Oven Modes and Features - Broil .....	14
Oven Modes and Features - Convection Roast .....	14
Oven Modes and Features - Dehydrate .....	15
Selecting the Oven Mode .....	16
Using the Timer (s) .....	17
Using Timed Cook .....	18
Using the Probe .....	19
<b>The Warming Drawer</b> .....	20
Using the Warming Drawer .....	21
<b>Care and Cleaning</b>	
Cooktop .....	22
Oven .....	23
<b>Self Help, Maintenance, Etc.</b>	
Cookware Selection Guide .....	26
Maintenance	
Removing the Oven Door .....	27
Replacing the Oven Light .....	27
Self Help	
Cooktop .....	28
Oven .....	29
Customer Service and Warranty .....	30





## Important Safety Instructions

Please read all instructions before using this appliance.

### Range Safety

- **Have the installer show you the locations of the circuit breaker or fuse and the gas shut off valve.** Mark them for easy reference.
- **This appliance must be properly installed and grounded by a qualified technician.** Connect only to properly grounded outlet. Refer to Installation Instructions for details.
- **Service should only be performed by an authorized service technician who has undergone training for this specific type of unit.** This is a high-tech appliance. Unauthorized service technicians may not be familiar with the sophisticated workings of this appliance and may, therefore, cause damage to the unit or create a hazard. Contact the nearest authorized service center for examination, repair or adjustment.
- **Do not repair or replace any part of the range** unless specifically recommended by an authorized service technician.
- **Do not operate this appliance if it is not working properly or if it has been damaged** until an authorized servicer has examined it.
- **Use this appliance only for its intended use** as described in this manual. If you have any questions, contact the manufacturer.
- **Do not use corrosive chemicals, vapors, flammables or nonfood products in this appliance.** This type of range is specifically designed to heat or cook food. It is not designed for industrial or laboratory use. The use of corrosive chemicals in heating or cleaning will damage the appliance and could result in injury.
- **Secure all loose garments, etc. before beginning.** Tie long hair so that it does not hang loose, and do not wear loose fitting clothing or hanging garments such as ties, scarves, jewelry, or dangling sleeves. Avoid reaching or leaning over the appliance. Be aware that certain clothing and hair sprays may contain flammable chemicals that could be ignited if brought in contact with hot surface units or heating elements and may cause severe burns.
- **In the event that personal clothing or hair catches fire, DROP AND ROLL IMMEDIATELY** to extinguish flames.
- **Do not touch the cooking area(s) or the immediate surrounding area(s)** while using the range or while it is cooling. Areas adjacent to the burners, oven and warming drawer may become hot enough to cause burns and may be hot even though they are off. Never let clothing, potholders, or other flammable materials come in contact with a cooking area until it has cooled.
- **Do not operate range during a power failure.** If the power fails, always turn off the range. If the range is not turned off and the power resumes, the range will begin to operate again. Once the power resumes, reset the clock and oven function.
- **Always turn hood ON when flambeing food** (i.e. Crepes Suzette, Cherries Jubilee, Peppercorn Beef Flambe).
- **Clean ventilating fans frequently.** Grease should not be allowed to accumulate on the blower or filter. Grease left on filters can remelt and move into the vent.



**WARNING: If the information in this manual is not followed exactly, a fire or explosion may result causing property damage, personal injury or death.**

**Do not store or use combustible materials, gasoline or other flammable vapors and liquids in the vicinity of this or any other appliance.**

### WHAT TO DO IF YOU SMELL GAS:

- **Do not try to light any appliance.**
- **Do not touch any electrical switch.**
- **Do not use any phone in your building.**
- **Immediately call your gas supplier from a neighbor's phone. Follow the gas supplier's instructions.**
- **If you cannot reach your gas supplier, call the fire department.**

**Installation and service must be performed by a qualified installer, authorized service agency or the gas supplier.**

- **DO NOT operate oven without oven bottom in place.**
- **Whenever possible, do not operate the blower during a cooktop fire. However, DO NOT REACH THROUGH FIRE TO TURN OFF BLOWER.**
- **Do not clean the range while it is still hot.** Some cleaners produce noxious fumes when applied to a hot surface.
- **Exercise caution when opening the oven or warming drawer.** Standing to the side, open the door slowly and slightly to let hot air and/ or steam escape. Keep your face clear of the opening and make sure there are no children or pets near the unit. After the release of hot air and/ or steam, proceed with your cooking. Keep doors shut unless necessary for cooking or cleaning purposes. Do not leave open doors unattended.
- **Do not heat or warm unopened food containers** either in the oven or the warming drawer. Build-up of pressure may cause the container to burst and cause injury.
- **Always place oven racks in desired location while oven is cool.** If a rack must be moved while oven is hot, do not let potholder contact the hot heating elements.
- **Always use dry potholders.** Moist or damp potholders on hot surfaces may result in burns from steam. Do not let potholder touch hot heating elements. Do not use a towel or other bulky cloth.
- **Do not use water or a wet rag or towel on a grease fire.** Smother fire with baking soda or use a dry chemical or foam-type (ABC) extinguisher.
- **Take care that drafts like those from fans or forced air vents do not blow flammable material toward the flames** or push the flames so that they extend beyond the edges of the pan.



## Important Safety Instructions

Please read all instructions before using this appliance.

- **Have an appropriate fire extinguisher available**, nearby, highly visible and easily accessible near the oven.
- **Keep the oven free from grease build up.**
- **Do not place food directly on oven bottom.**
- **Follow the manufacturer's directions when using cooking or roasting bags.**
- **Do not allow anyone to climb, stand, lean, or sit on any part of the oven**, nor to hang on the oven door, warming drawer, or storage drawer. This can damage the range, and the unit may tip over, potentially causing severe injury.




**WARNING**

- ALL RANGES CAN TIP.
- INJURY TO PERSONS COULD RESULT.
- INSTALL ANTI-TIP DEVICE PACKAGED WITH RANGE.

SEE INSTALLATION INSTRUCTIONS.




- **Do not allow children to use this appliance unless closely supervised by an adult.** Children and pets should not be left alone or unattended in the area where the appliance is in use. They should never be allowed to sit or stand on any part of the appliance or to play in its vicinity, whether or not the appliance is in use.



**CAUTION**

Items of interest to children should not be stored in the range, in cabinets above the range or on the backsplash of the range. Children climbing on the range to reach items could be seriously injured.

- **If materials inside the oven should ignite, keep oven door closed.** Turn off oven and disconnect the circuit at the circuit breaker box.
- **Use high heat settings on the cooktop only when necessary. Heat oil slowly** on no more than a low-medium setting, to avoid bubbling and splatter. Hot oil is capable of causing extreme burns and injury.
- **Never move a pan of hot oil**, especially a deep fat fryer. Wait until it is cool.
- **Never leave the cooktop unattended.** Boilovers can cause smoke and possibly damage the cooktop. More importantly, if the burner flames are smothered, unburned gas will escape into the room. See warning, page 1.
- **After a spill or boilover, turn off the burner and allow cooktop to cool.** Clean around the burner and burner ports. After cleaning, check for proper operation.
- **Hold the handle of the pan** to prevent movement of the utensil when stirring or turning food.

- **Use only utensils that are appropriate for cooktop use on the cooktop** (See "Cookware Selection Guide", pg. 26 for further details). Other types of utensils may break with sudden temperature changes. Use utensils according to the manufacturer's directions.
- **Use only low or medium heat settings when possible**, particularly with pans larger than the grate or that span more than one burner. Prolonged use of high heat settings with these types of utensils can cause poor combustion. Poor combustion results in harmful by-products.
- **Match pan size to size of burner.** Undersized pans expose element to direct contact which could result in burn or injury. Do not allow flames to spread around or over the rim of a pan that contains grease. A grease fire could be ignited. Proper pan size also improves efficiency.
- **Clean cooktop with caution.** Be sure all cooktop controls are turned off and the cooktop is cool before beginning. Some cleaners can produce noxious fumes when applied to a hot surface. Sprayed chemicals could ignite or cause hot metal parts to corrode.
- **Keep the ignitor ports clean for proper lighting performance of the burners.** It is necessary to clean these when there is a boilover or when the burner does not light even though the electronic ignitors click.
- **This range is intended for residential use only. It is not approved for outdoor use.**
- **Take care that drafts like those from fans or forced air vents do not blow flammable material toward the burners.**
- **Always position handles of utensils inward** so they do not extend over adjacent work areas, burners or the edge of the cooktop.
- **If you smell gas, your installer has not done a proper job of checking for leaks.** If the connections are not perfectly tight, you can have a small leak and, therefore, a faint smell. Finding a gas leak is not a "do-it-yourself" procedure. Some leaks can only be found with the burner control in the ON position and this must be done by a qualified service technician. See Warning, page. 1.
- **Open a window or door in the event that a burner goes out and gas escapes.** Do not attempt to use the cooktop until the gas has had time to dissipate. Wait at least five minutes before using the range.
- **Always place pan on burner before turning it on.** Be sure you know which knob controls which burner. When cooking is complete, turn the burner off before removing the pan.

### Self-Cleaning Safety

- **Confirm that the door locks** and will not open by pulling gently on it once the door lock icon appears. If the door does not lock, touch OFF and do not run Self-Clean. Phone Bosch at 800-944-2904 for service. **Note:** During a normal Self-Clean cycle, the door does not lock at the beginning of the cycle; However, it does lock prior to reaching the high self-clean temperatures. In a Delayed Self-Clean cycle, the door locks immediately. (Continued next page).

## Getting Familiar With Your Range

### Self-Cleaning Safety (Continued)

- **Do not clean the oven gasket.** It is essential for a good seal. Care should be taken not to rub, damage, move or remove the oven gasket.
- **Do not use commercial oven cleaners or oven liner protective coatings** of any kind in or around any part of the oven.
- **Clean only oven parts listed in this manual.**
- **Remove the broiler pan, oven racks, over probe and other utensils and wipe out excess soft spillage** before self-cleaning the oven.

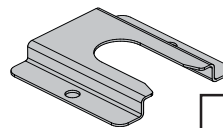
### Regarding Pet Birds:

Birds have very sensitive respiratory systems. Keep pet birds out of the kitchen or other rooms where kitchen fumes could reach them. During self-clean, fumes are released that may be harmful to birds. Other kitchen fumes such as overheating margarines and cooking oils may also be harmful.

### Parts Included with Your Range:

1. Anti-Tip Bracket
2. Broiler Pan and Grid (not shown)
3. Literature Kit:
  - Quick Reference Guide
  - Use & Care Manual
  - Installation Instructions
  - AHAM Anti-Tip Brochure
  - AHAM Safer Cooking Brochure
  - Wiring Diagram
  - Warranty/ Registration Card
  - Cookbook (Some Models)
4. Oven Racks, Flat (2 or 3; varies by model)
5. Oven Rack, Full Extension (Some Models)
6. Probe (Some Models)
7. Warming Drawer Rack (Some Models)

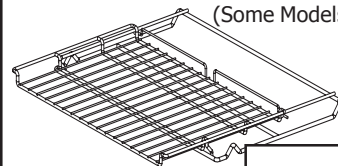
1. Anti-Tip Bracket



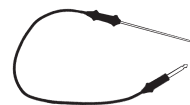
4. Oven Rack, Flat



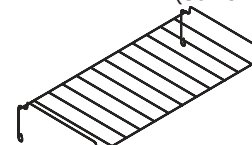
5. Oven Rack, Full Extension  
(Some Models)



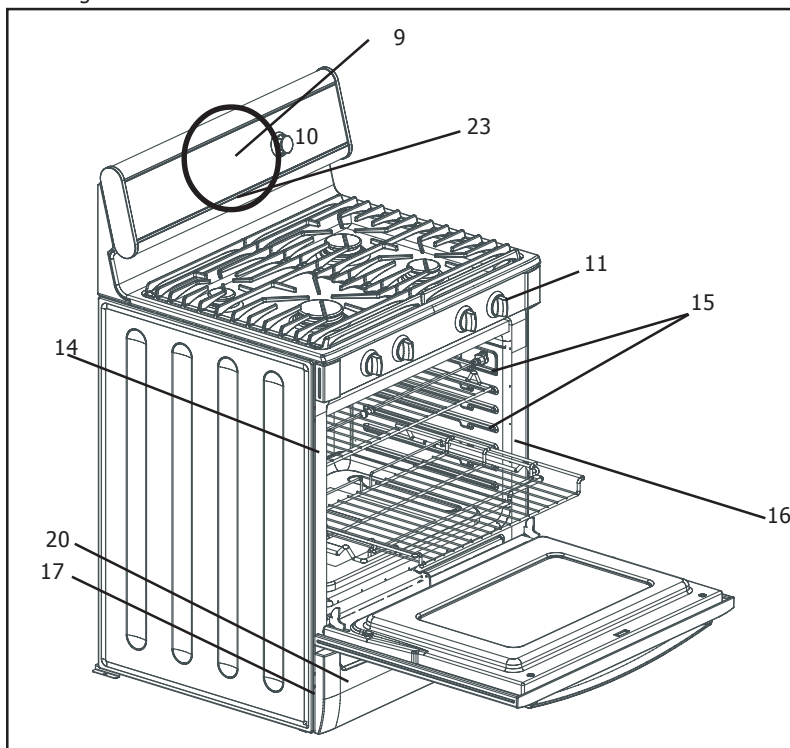
6. Probe  
(Some Models)



7. Warming Drawer Rack  
(Some Models)



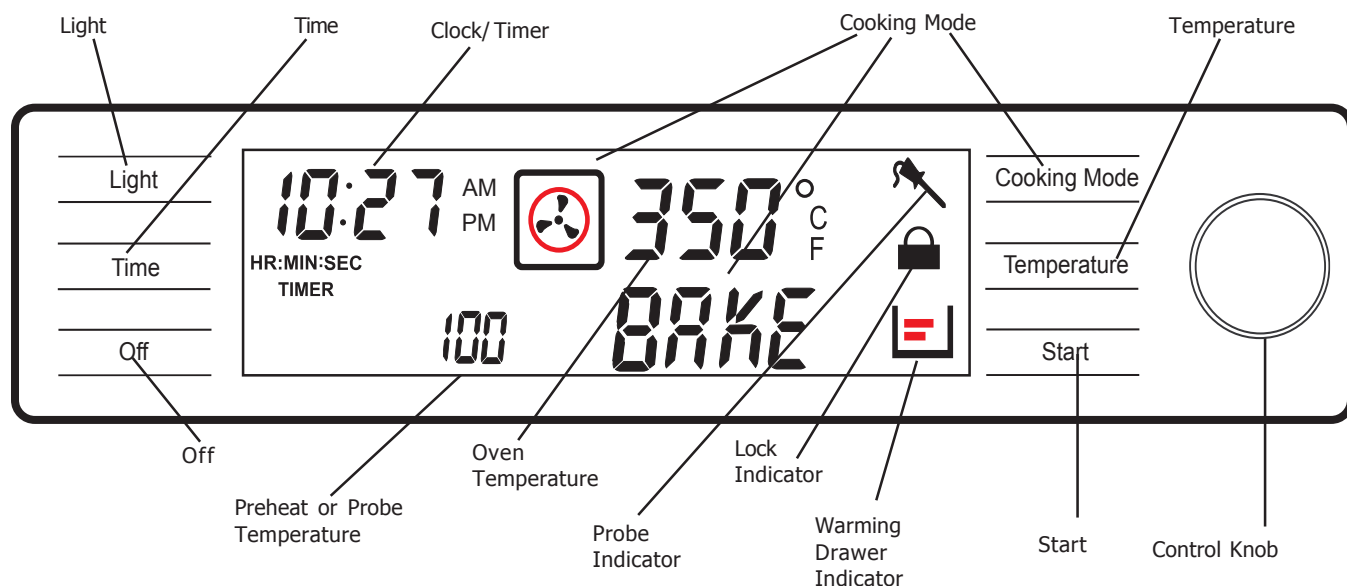
Drawings are not to scale.



#### Range Parts:

8. Incandescent Lights (back wall)
9. Oven Control Panel
10. Oven Control Knob
11. Cooktop Knobs
12. Broil Element
13. Convection Fan and Element
14. Probe Receptacle (Some Models)
15. Rack Guides
16. Door Gasket
17. Model & Serial # Plate
18. Bake Element
19. Oven Door Lock
20. Warming Drawer
21. Oven Vent

## Getting Familiar with Your Range The Oven Control Panel



### Display Window Features

**Clock**– Shows the time of day with a 12-hour or 24-hour clock option.

**Cooking Mode** - Touch pad to display cooking mode.

**Cooking or Timed Mode** – Shows the number of hours and minutes the oven will be on. Cooking mode icon is also displayed when cooking mode is selected.

**Control Knob** - Used to set the clock, timers, select cooking mode and temperature. Turn clockwise to increase and turn counterclockwise to decrease.

**Light** - Touch pad to turn oven light on or off.

**Door Lock Indicator** - Icon is displayed during the self-clean mode when the door is locked. DO NOT attempt to open the door until the lock symbol is no longer present.

**Off** - Touch pad to turn off oven and/or warming drawer.

**Oven Temperature** - Shows the oven temperature selected.

**Preheat** - Displays temperature of oven during preheat mode. Also displays internal temperature of food when probe is in use.

**Probe Indicator** - Indicates the probe is installed in oven. The internal temperature of the meat is displayed in place of the preheat temperature.

**Start** - Touch pad to complete an entry.

**Temperature** - Touch pad to select cooking temperature.

**Time** - Touch pad to set time of day and/ or timer.

**Warming Drawer Indicator** - Icon displays when warming drawer is in use. Indicates warming drawer setting.

### Other Indicators and Features

**Beep** - Signals that more information must be entered or confirms the receipt of an entry. A Beep also signals the end of a program or an error.

**Default Settings** - The cooking modes automatically select the default temperature. These can be changed when a different one is needed.

**Flashing Symbol or Number** - Signals an incomplete setting and calls for another step or START to be touched.

**F Number Codes** - These codes are displayed when there is a problem with the range. The display will also beep continuously (Refer to self help section, pg. 30).

**Convection Fan** - The convection fan operates during any convection mode and the self clean mode. When the oven is operating in the convection mode, the fan will turn off automatically when the door is opened except when in the dehydrate mode.

**Timer** – There are two timers - TIMER 1 and TIMER 2; Each counts down the time in hours and minutes. With less than 60 minutes remaining, the timer also displays seconds.



## Setting Up Your Range

### Setting the Clock (after power to the range has been off)

- Always set the clock after installation or after a power failure. Once power returns to the oven, the clock defaults to 12:00 am.
- The time of day is displayed in hours and minutes.
- The clock time will appear during all oven operations except when the timer operation is running. Turn knob to display clock when timer is running.
- The oven is preset to a 12-hour clock and indicates AM and PM.
- The clock display can also be turned off (See Clock Display, Page 7).

**Note:** To switch to a 24 hr. clock, see "Select Functions" section.

1. **CLOCK** will be displayed and the hour digits will flash.
2. **Turn knob** to select hour and AM or PM.
3. **Touch TIME.** **CLOCK** will still be displayed and the minute digits will flash.
4. **Turn knob.** Set minutes.
5. **Touch TIME** and the clock is now set.

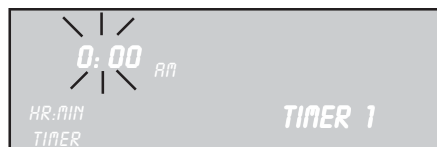


#### BEEP REMINDER

If operation is not completed, the oven will beep periodically as a reminder to set clock time. Push **OFF**.

### Changing the Clock Time

1. **Touch Time.** **TIMER 1** will flash in display.
2. **Turn knob** to select **CLOCK**.
3. **Touch TIME** again and hour digits will flash.
4. **Turn knob** to change hours.
5. **Touch TIME** again and minute digits will flash.
6. **Turn knob** to change minutes.
7. **Touch TIME** again and the clock is set.



#### Helpful Hint

To cancel the **TIME** selection when setting the clock, touch **OFF** at any time while in the clock mode.

## Setting Up Your Range

**SELECT FUNCTIONS** is the section of the menu where you can set or change the following features on your range:



**VOLUME** (decrease or increase loudness of control beeps)



**TEMPERATURE FORMAT** (switch temperature scale to Fahrenheit or Celsius)



**TIME FORMAT** (12 hr or 24 hr)



**LOCK KEYS** (oven control pad lockout)

ABC

**LANGUAGE OPTION** (for display; select English, Spanish, or French)



**CLOCK DISPLAY** (yes or no)



**OVEN TEMPERATURE OFFSET** (used to calibrate the oven temperature)

**DEMO DEMO MODE** (used by appliance stores)



**RESET DEFAULTS** (change *all* function settings back to original factory settings)



**SABBATH FEATURE** (for religious faiths with "no work" requirements on the Sabbath)

**NOTE:** In the event of a power failure, the functions return to the factory settings and will need to be reset.

### TIPS for Setting Functions

- There will be a slight delay before each message (or feature) can be seen in the display.
- Turn knob slowly, and wait approximately one second for display to show next feature.
- To move through the feature menu, slowly turn the knob clockwise one click after each feature appears.

### BEEPS

To indicate when a mode is finished, 3 consecutive beeps will sound.

## Accessing and Using the Select Functions Menu

To access the **SELECT FUNCTIONS** menu, **touch and hold COOKING MODE** touch pad for five (5) seconds. **SELECT FUNCTION** is displayed.

1. **Turn knob** to desired feature.
2. **Press START** to choose any function, and turn knob to choose any sub-functions.
3. After selecting feature, **touch OFF**.

See next page for further information.

### NOTE:

In the event of a power failure, the functions return to the factory settings and will need to be reset.

## Setting Up Your Range



### BEEP VOLUME

- The volume of the control beep can be changed from **LOW** (softest) to **HIGH** (loudest).
- The control default for beep volume is **MEDIUM**.

#### Changing the Beep Volume

1. **Access SELECT FUNCTION** Menu.
2. **Turn knob** clockwise until **VOLUME** is displayed.
3. **Touch START**.
4. **Turn knob** to select volume level Low, Medium or High.
5. **Touch START**.



### CHANGE TEMPERATURE

- The oven has been preset to the Fahrenheit temperature scale.
- The feature allows you to switch between Fahrenheit and Celsius temperature.

#### Changing the Temperature Scale

1. **Access SELECT FUNCTION** Menu.
2. **Turn knob** clockwise until **SELECT TEMP F-C** is displayed.
3. **Touch START**.
4. **Turn knob** to select Fahrenheit (F) or Celsius (C).
5. **Touch START** to accept new selection.



### CLOCK DISPLAY (ON or OFF)

- Clock time display can be turned off.
- The default display is on.

#### Turning the Clock Display ON or OFF

1. **Access SELECT FUNCTION** Menu.
2. **Turn knob** clockwise until **CLOCK DISPLAY** is displayed.
3. **Touch START**.
4. **Turn knob** once and **ON** or **OFF** will appear in display.
5. **Touch START** to accept new selection.



### LANGUAGE DISPLAY

- Language choices are English, Spanish, and French.
- English is the default language.

#### Changing the Language Display

1. **Access SELECT FUNCTION** Menu.
2. **Turn knob** clockwise until desired language is displayed.
3. **Touch START**.
4. **Turn knob** clockwise to select a different language.
5. **Touch START** to accept a language change.



### LOCK KEYS

- The oven keypad can be locked for safety purposes.
- This feature can be used to prevent changes to the oven function.

#### Locking or Unlocking the Oven Control Panel

1. **Access SELECT FUNCTION** Menu.
2. **Turn knob** clockwise until **LOCK KEYS** is flashing.
3. **Touch START. KEY PAD LOCKED** is displayed. The display will beep if a key is pressed to indicate that the keypad is locked.
4. **To unlock** keypads, touch **COOKING MODE** and hold for 5 seconds. Display will read **UNLOCKING KEYPAD**.
5. When unlocked, the clock will again appear in the display.

**Note:** This function **DOES NOT** lock oven door.



### OVEN TEMPERATURE OFFSET

- This feature allows the adjustment of the oven temperature if food is consistently too brown or too light.

#### Changing the Oven Temperature Offset

1. **Access SELECT FUNCTION** Menu.
2. **Turn knob** clockwise until **OVEN TEMPOFFSET** is displayed.
3. **Touch START**. 0°F is displayed.
4. **Turn the knob** to the right to increase temperature +25°F and to the left to decrease -25° temperature.
5. **Touch START** to accept a temperature change.

### DEMO DEMO MODE

The demo mode is for appliance store use only.



### RESET DEFAULTS

This feature is used to change all the "Select Functions" settings back to the original factory settings (or defaults).

#### Resetting the factory settings.

1. **Access SELECT FUNCTIONS** Menu.
2. **Turn knob** clockwise until **RESET DEFAULTS** is displayed.
3. **Touch START**. Display reads **SELECT FUNCTIONS**.

#### NOTE

The **SELECT FUNCTION** menu is displayed in English only, regardless of language selected.

## Setting Up Your Range



### SABBATH FEATURE

- The oven will bake for 73 hours before automatically turning off.
- Oven or warming drawer must be off to set the Sabbath Feature.

#### Setting the Sabbath Feature

1. Verify that both the oven and the warming drawer are off before beginning.
2. **Access SELECT FUNCTIONS** Menu.
3. **Turn knob** clockwise until **SABBATH OPTION** appears.
4. **Touch START. BAKE** will show in display and temperature will flash.
5. **Turn knob** to set oven temperature.
6. **Turn** oven light **on** if desired (touch **LIGHT**).

**Note:** The light cannot be changed after this point. It will stay on or off, as selected, during the entire Sabbath mode.

7. **Touch START.** Oven starts after 5 seconds.

**Note:** The probe **CANNOT** be used during the Sabbath mode.

While baking in Sabbath mode, the display will show SABBATH and the **BAKE** icon will be displayed. The clock will be off and no temperature will show in the display. During the Sabbath mode, only the **OFF** key will operate.

**Press Off at any time during the Sabbath mode to end the mode and turn off the oven.**

At the end of 73 hours, the oven will turn **OFF** automatically and the display will show **SABBATH END**. Touch **OFF** to return to time of day.



### TIME FORMAT

- The clock can be set to a 12-hr or 24-hr format.
- The oven default for clock format is 12-hr.

#### Changing the Time Format

1. **Access SELECT FUNCTION** Menu.
2. **Turn knob** clockwise until **TIME FORMAT** is displayed.
3. **Touch START.**
4. **Turn knob** to select 12 hr or 24 hr format.
5. **Touch START** to accept new selection.

## Cooktop Features

### Before Using the Cooktop

- Remove all packing materials and labels from the cooktop surface.
- While cool, wipe with a clean, damp sponge and dry.
- Optimum cooking results depend on the proper cookware being selected and used.
- Read and understand all safety precautions and Use and Care Manual information prior to operating.

### Sealed Gas Burners

Your new cooktop has sealed gas burners and removable burner caps. There are no burner parts under the cooktop to clean, disassemble or adjust. Your cooktop has four (4) different burner cap sizes. Match the pan size to the burner size.



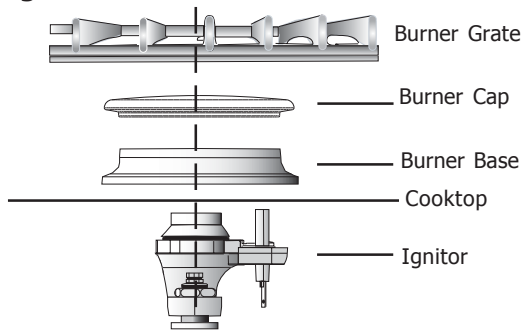
#### WARNING:

To prevent flare-ups do not use the cooktop without all burner caps and all burner grates properly positioned.

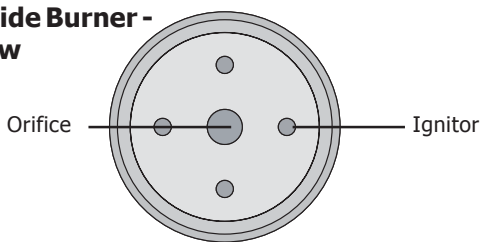
#### Burner Output by Fuel Type (BTU/hr)

	Left Front	Left Rear	Right Front	Right Rear
<b>Natural Gas</b>	9100	12500	15000	5500
<b>Propane</b>	7500	11000	15000	5000

#### Right Side Burner - Side View



#### Right Side Burner - Top View

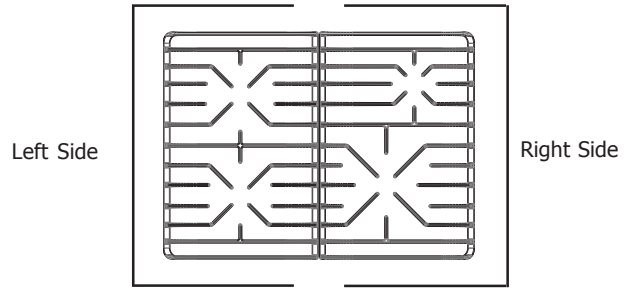


### Burner Caps

The burner cap is porcelainized steel. Make sure the burner cap is completely seated into the burner base before attempting to light the burner. If the burner cap is not placed correctly, the burner may not light or the flame may not burn completely or correctly.

### Burner Grates

Your cooktop has two grates: one for the left side of the cooktop and one for the right side of the cooktop. Position them as shown in the figure below. Do not operate the burner without a pan on the grate.



#### WARNING:

To prevent flare-ups all grates must be properly positioned on the cooktop whenever the cooktop is in use. Each of the feet must be placed into the corresponding dimples in the cooktop. Do not use a grate if the rubber feet are missing or damaged.

Use this chart as a guide for heat settings:

Uses	Heat Settings
Bringing water to a boil	High
Pan frying, sauteing, browning meat, deep fat frying	Medium High
Most frying, eggs, pancakes, slow boil	Medium
Finish cooking covered foods, steaming	Medium Low
Melting butter and chocolate	Low
Tomato sauces, soups, stews, keeping foods warm	Sim (Simmer)

A range of heat settings are listed because the actual setting depends on:

- 1) size, type and quality of pan (See "Cookware Selection Guide", page 26).
- 2) type, quantity and temperature of the food.
- 3) burner used.
- 4) the cook's preference.

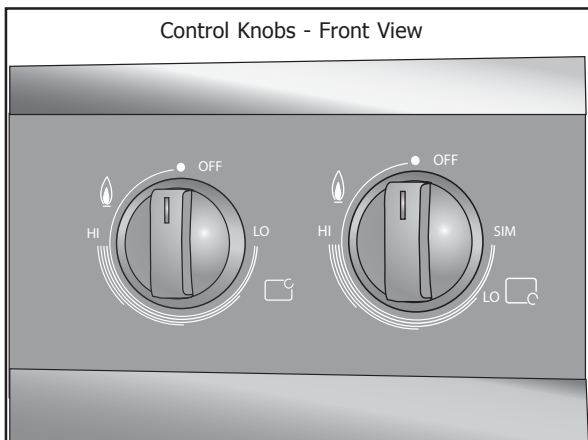


#### CAUTION:

To prevent possible burns or possible damage to the pan or range, the flame should not extend beyond the edge of the pan.

## Cooktop Operation

### Burner Control Knobs



The burner controls have an infinite number of heat settings with no fixed positions. A plastic bezel is located under each control knob.

**To LIGHT:** Select the appropriate control knob, push in and turn counterclockwise to the flame symbol. The ignitor will click.

**To SET FLAME SIZE:** After lighting, turn counterclockwise to the desired flame size.

Turn OFF by turning the control knob clockwise to OFF.

**To remove knob, spring and bezel:** Place knob in the OFF position. Pull straight out and off. Spring and bezel will be loose and can be pulled straight off after the knob is removed.

**To replace knob, spring and bezel:** Place spring and knob on top of bezel being careful to line up center holes. Push down on knob so that spring is tense. With knob in off position, place center hole around shaft on range and push bezel, spring and knob in toward range. Release knob.

### Electronic Ignition

The cooktop uses electronic igniters to light the burners. There is no pilot light. Each burner has its own igniter. For best results, center the pan over the burner before ignition.

The ignitor should be clean and dry for proper operation.

- Avoid getting water or food on the ignitor.
- If the ignitor is wet or soiled, it may spark without igniting the burner.

**Note:** If the burner does not light within 4 seconds, turn the burner off. Check to see that the cap is positioned correctly on the burner base and the igniter is clean and dry. If a burner still fails to ignite, see Self "Help - Cooktop", page 26.

### Typical Flame Characteristics

Foreign particles in the gas line may cause an orange flame during initial use. This should disappear with use. Check burner cap to make sure port holes are not obstructed. If the ports are clogged, see "Cleaning the Cooktop", page 22. For natural gas use, the burner flame should be blue in color and stable with no yellow tips, excessive noise or fluttering. It should burn completely around the burner cap. For Propane (LP) use, some yellow tips are normal.

**Note:** An audible "pop" may be heard when the burner is turned off manually. The "popping" may be louder with LP gas than with natural gas. This is normal. Refer to the Cooking Guide (previous page) for flame settings.

### Power Failure

In the event of a power failure, the cooktop burners can be ignited manually. Hold a match at the port and turn the control knob to the HI position. Wait until the flame is burning all the way around the burner before adjusting the flame to the desired height.



### CAUTION:

All igniters spark when any single burner is turned ON. Do not touch any of the burners when the cooktop is in use.

### Burner Performance

For best cooking results, observe the following burner characteristics:

**PowerSim™ Burner** (Some Models): The PowerSim™ is the largest, most versatile burner on the cooktop. The burner cap retains heat longer than normal burner caps and, at low settings, prohibits the flame from touching the cookware. This results in a gentle, more predictable heat. It can be set low enough to simmer sauces without scorching and high enough to stir-fry and boil quickly. The large burner cap also accommodates large pots, so it is also well suited for cooking large quantities of food.

**Right Rear:** The right rear burner is the smallest burner. It is well suited for delicate cooking such as melting chocolate and butter.

## Oven Modes and Features

### Oven Racks

Depending on the model, the range is equipped with either three flat racks or two flat racks and one full extension rack. The racks are designed with a stop so they will stop before coming completely out of the oven and not tilt.

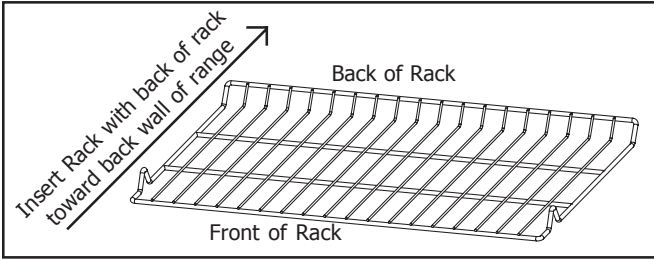


Figure 1 - The Flat Rack



#### CAUTION:

To avoid possible burns, place oven racks in desired positions before turning the oven on. Always use oven mitts when the oven is warm. If a rack must be moved while the oven is hot, do not let oven mitts contact hot heating elements.

**Removing from oven:** Grasp rack firmly on both sides and pull rack toward you. When the stop is reached, tilt rack up and pull the rest of the way out.

**Replacing in oven:** Grasp rack firmly on both sides. Tilt rack up to allow stop into rack holder. Bring rack to a horizontal position and push the rest of the way in. Rack should be straight and flat, not crooked.

**Note:** The full extension rack must be in the closed position when removing and replacing. Grasp the entire rack (both sections).

**The Full Extension Rack** (some models) allows for easier access to cooking foods. The bottom section extends as far as the standard flat rack. However, the top section extends beyond the bottom section bringing the food closer to the user. To order a full extension rack, contact Bosch Service: 800-944-2904 for a dealer near you.

**Use:** First, grasp the bottom section and pull straight out. Once the stop is reached, grasp the top section and pull straight out until the second stop is reached.

**Cleaning:** Clean rack with hot sudsy water. Dry thoroughly. For stubborn dirt, use a soap filled steel wool pad. **DO NOT clean the rack in the self-cleaning oven.**

**The two sections of the rack are designed to come apart for easier cleaning.** To do so, place rack on flat surface in the closed position top side up. Rotate one side of top rack towards you until it is past the stop (ball). Pull the rack up and out, rotated side first (See Figure 2).

**To reassemble rack,** hold top rack diagonally across bottom rack. Insert one side of top rack to closed position. Rotate the other side toward the back of the rack until it passes the stop (ball). Push top rack the rest of the way in (See Figure 3).

If the top rack will not extend fully, it is not installed correctly. Reinstall it so that the pan stop is in the back of the oven.

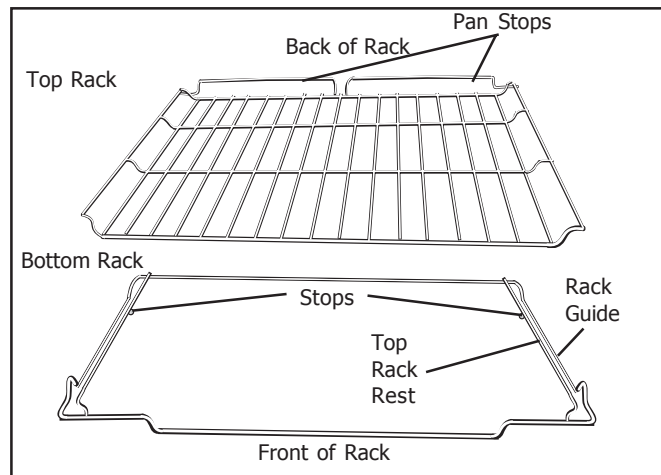


Figure 1 - The Full Extension Rack

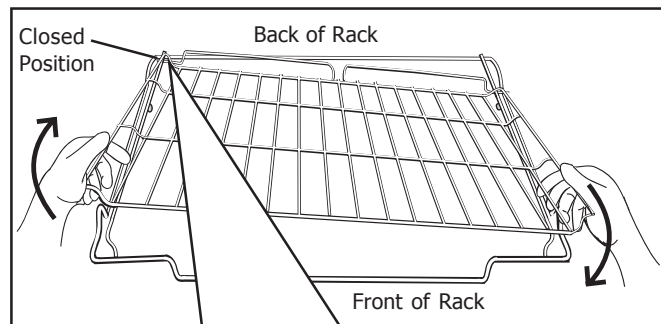


Figure 2 - Taking the Rack Apart

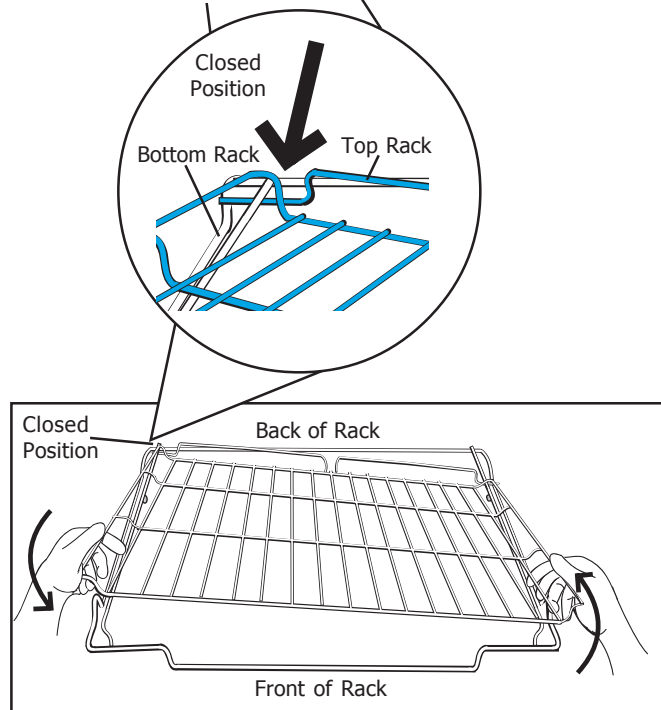


Figure 3 - Putting the Rack Together



#### CAUTION:

Always verify that top rack is installed correctly after reassembly. The back edges of the top rack must be under the rack guide on the bottom rack. **DO NOT** simply rest the top rack on top of the bottom one.

## Oven Modes and Features

### Rack Position

(see graphic at right for further details)

**RACK 6** (highest position) – Use for melting cheese and broiling thin foods.

**RACK 5** – Use for broiling most meats and toasting bread.

**RACK 4** – Use for broiling thicker meats.

**RACK 3** – Use for most baked goods when baking on one rack, such as on a cookie sheet or baking pan. Use for cakes, frozen convenience foods, biscuits, brownies, and muffins.

**RACK 2** – Use for pies, casseroles, breads, bundt or pound cakes, small roasts or poultry.

**RACK 1** (lowest position) – Use for angel food cake, large roasts, turkey.

### Multiple Rack Cooking:

When using multiple racks, follow the placement recommendations below.

Two rack: For cakes, use rack positions 2 and 5.

Three rack: (for convection bake): Use positions 1, 3 and 6.

### Pan Placement

Baking results are better if pans are placed in the center of the oven. If baking more than one pan on a rack, allow at least 1" to 1 1/2" of air space around the pan.

When baking four cake layers at the same time, stagger pans on two racks so that one pan is not directly above the other. To allow for best baking results, stagger pans as shown in graphic at right.

### Preheating

Preheat the oven if the recipe recommends it.

Preheating is necessary for good results when baking cakes, cookies, pastry and breads. When using the probe preheating is not recommended. Setting a higher temperature does not shorten preheat time. Place oven racks in proper position before preheating. A beep will confirm that the oven is preheated and the selected oven temperature will be displayed.

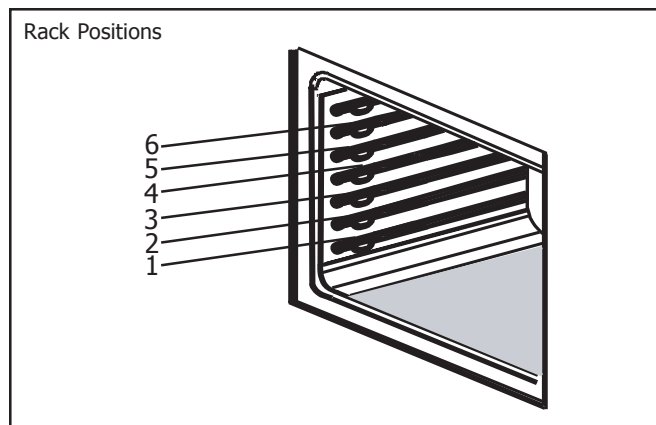
### Baking Pans

Glass baking dishes absorb heat, therefore, reduce oven temperature 25° F when baking in glass.

Shiny, smooth metal reflects heat resulting in lighter, more delicate browning.

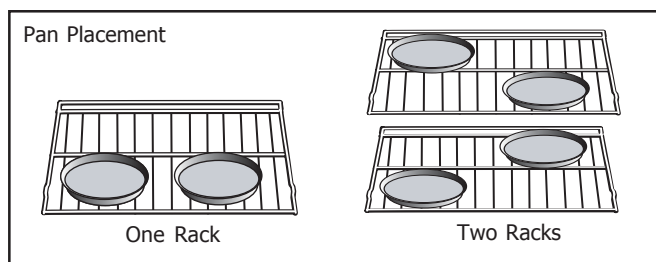
Dark, rough or dull pans will absorb heat resulting in browner, crisper crust. Some manufacturers recommended reducing temperature 25° F when using this type of pan. Follow manufacturer recommendations. Use dark pans for pies.

Insulated baking pans may increase the length of the recommended baking time.



### CAUTION:

Many factors affect cooking performance. Always check food for doneness before serving.



### Power Failure

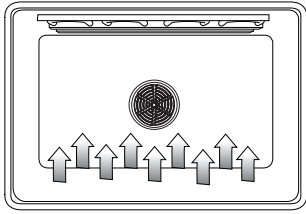
DO NOT attempt to light the broil burner or bake burner manually. Only the cooktop burners can be lit manually.



## Oven Modes - Bake and Convection Bake

### **BAKE, PROOF** (some models) and **WARM**

**Baking** is cooking with dry, heated air. Both the upper and lower element cycle to maintain the oven temperature:



The Bake mode can be used to prepare a variety of food items, from pastries to casseroles. It can also be used to roast meats.

In the **Warming** mode, the oven uses the upper and lower element to maintain a low temperature to keep food at serving temperature.

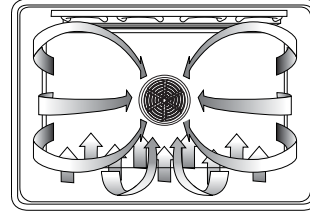
- Use the Warming setting on the oven to keep foods hot until ready to serve.
- The Warming mode temperatures are 140° - 220° F. The default temperature is 170° F.
- Foods that need to be kept moist should be covered with a lid or aluminum foil.

**Proofing** is the rising of a yeast dough. In the Proofing mode, the oven will use the upper and lower element to maintain a low temperature to proof bread.

- The Proofing mode temperatures are 85° to 110° F. The default temperature is 100° F.
- Loosely cover the bowl or pan and use any rack that accommodates the size of the container.
- **Keep the door closed** and use the oven light to check the rising of the dough.

### **CONVECTION BAKE**

**Convection Baking** is similar to Baking. In this case, heat comes from the lower heating element and a third element behind the backwall. The main difference in convection baking is that the heat is circulated throughout the oven by the convection fan:



The Convection Bake mode is well-suited for baking large quantities of food on multiple racks. It can be used to prepare cookies, pies, cupcakes, pastries, breads, snack foods and appetizers among other items.

The benefits of Convection Baking include:

- Slight decrease in cooking time
- Three rack cooking (more even browning)
- Higher Volume (yeast items rise higher)
- Cook more items at once

For Best Results:

- Reduce recipe temperature by 25° F. Refer to the Convection Baking chart for examples.
- Place food in low-sided, uncovered pans such as cookie sheets without sides.
- Center baking pans side to side on the oven rack.

Convection Bake Chart

Food Item	Rack Position	Temp.* (preheated oven) (F°)	Convection Bake Time ** (min)
<b>Cake</b>			
Cupcakes	3	325	18 - 21
Bundt Cake	2	325	37 - 43
Angel Food	1	325	39 - 43
<b>Pie</b>			
2 crust, fresh, 9"	2	350 - 400	45 - 55
2 crust, frozen fruit, 9"	2	350	68 - 78
<b>Cookies</b>			
Sugar	3	325 - 350	6 - 11
Chocolate Chip	3	325 - 350	10 - 15
Brownies	3	325	29 - 36
<b>Breads</b>			
Yeast bread, loaf, 9x5	2	350	20 - 24
Yeast rolls	3	350 - 375	14 - 18
Quick Bread, loaf, 8x4	2	325 - 350	45 - 55
Biscuits	3	350 - 375	11 - 15
Muffins	3	400	16 - 20
<b>Pizza</b>			
Frozen	3	375 - 425	23 - 26
Fresh	3	400 - 425	12 - 15

\*The convection bake temperature is 25°F less than recommended on packages or recipes. The temperature in this chart has been reduced 25°F.

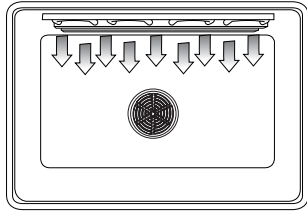
\*\*This chart is a guide. Actual times depend on the mixes or recipes baked. Follow recipe or package directions and reduce temperature appropriately.

## Oven Modes - Broil and Convection Roast



### BROIL

Broiling uses intense heat radiated from the upper element:



The Broil mode is best suited to cooking thin, tender cuts of meat (1" or less), poultry and fish. It can also be used to brown breads and casseroles.

The benefits of Broiling include:

- Fast and efficient cooking
- Cooking without the addition of fats or liquids
- Browning as the food cooks

For Best Results:

- Preheat oven 3-4 minutes.
- Steaks and Chops should be at least 3/4" thick.
- Brush fish and poultry with butter or oil to prevent sticking.
- Use the broil pan and grid included with your range.
- Do not cover the broiler grid with foil. It is designed to drain fats and oils away from the cooking surface to prevent smoking and spattering.
- Turn meats once halfway through the recommended cooking time (see Broil Chart for examples).
- When top browning casseroles, use only metal or glass ceramic dishes such as Corningware®.
- Never use heat-proof glass (Pyrex®); it cannot tolerate the high temperature.

**ALWAYS BROIL WITH THE DOOR CLOSED**

Broil Chart

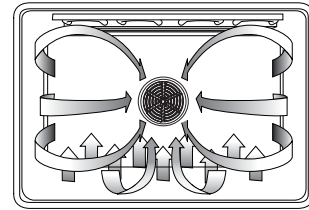
Food and Thickness	Rack Position	Broil Setting	Internal Temp. (°F)	Time Side 1 (min)*	Time Side 2 (min)*
<b>Beef</b>					
Steak (3/4" - 1")	5	High*	145	6-7	5-6
Medium Rare	5	High	160	7-8	6-7
Medium	5	High	170	8-9	7-9
Well					
Hamburgers (3/4"-1")	4	High	160	9-11	8-10
Well					
<b>Poultry</b>					
Breast (bone-in)	4	Low*	170	18-20	18-19
<b>Pork</b>					
Pork Chops (1")	4	High	160	8-9	7-8
Sausage - fresh	3	High	160	7-9	6-8
Ham Slice (1/2")	5	High	160	3-4	2-3
<b>Seafood</b>					
Fish Filets, 1" Buttered	4	Low	Cook until opaque & flakes easily with fork	6-7	Do not turn
<b>Bread</b>					
Garlic Bread, 1" slices	5	High		2-4	

\*Broiling times are approximate and may vary slightly. Times are based on cooking with a preheated broil element.



### CONVECTION ROAST

Convection Roast uses heat from the bottom burner as well as heat circulated by the convection fan:



The Convection Roast mode is well suited to preparing tender cuts of meat and poultry.

The benefits of Convection Roasting, include:

- As much as 25% faster cooking than standard Roasting/ Baking

- Rich, golden browning

For Best Results:

- Use the same temperature as indicated in the recipe.
- Check doneness early as roasting time may decrease by as much as 25%. Refer to Convection Roast Chart for examples.
- Do not cover meat or use cooking bags.
- Use the broil pan and grid provided with the range for roasting. A low-sided, uncovered pan can also be used.
- Use the probe or a meat thermometer to determine the internal temperature of the meat.
- If the meat is browned to your liking, but is not yet done, a small strip of foil can be placed over the browned area to prevent overbrowning.

Convection Roast Chart

Meats	Weight (lb)	Oven Temp. (°F)	Roasting Time* (min per lb)	Internal Temp. (°F)
<b>Beef</b>				
Rib Roast	4 - 6	325	25-32 28-32	145 (med/rare) 160 (medium)
Rib Eye Roast, (boneless)	4 - 6	325	24-32 27-32	145 (med/rare) 160 (medium)
Rump, Eye, Tip, sirloin (boneless)	3 - 6	325	25-30 28-32	145 (med/rare) 160 (medium)
Tenderloin Roast	2 - 3	425	15-25	145 (med/rare)
<b>Pork</b>				
Loin Roast (boneless or bone-in)	5 - 8	350	15-25	160
Shoulder	3 - 6	350	20-30	160
<b>Poultry</b>				
Chicken - whole	3 - 4	375	14-20	180
Turkey, unstuffed**	12-15	325	10-14	180
Turkey, unstuffed**	16-20	325	9-13	180
Turkey, unstuffed**	21-25	325	6-10	180
Turkey Breast	3 - 8	325	20-25	170
Cornish Hen	1 - 1 ½	350	45-75 (total time)	180

\*Roasting times are approximate and may vary depending on the shape of the meat.

\*\*Stuffed turkey requires additional roasting time. The minimum safe temperature for stuffing in poultry is 165°F.

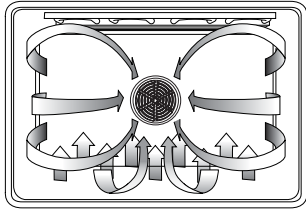
## Oven Modes - Dehydrate (some models)



### DEHYDRATE

#### Convection Roast Chart

Dehydrate dries with heat from a third element behind the back wall of the oven. The heat is circulated throughout the oven by the convection fan.



Dehydrating is used to dry and/or preserve foods such as fruits, vegetables and herbs. This mode holds an optimum low temperature (100° F - 160° F) while circulating the heated air to slowly remove moisture.

For Best Results:

- Dry most fruits and vegetables at 140° F. Dry herbs at 100° F. (Refer to the Dehydrate Chart for examples).
- Drying times vary depending on the moisture and sugar content of the food, the size of the pieces, the amount being dried and the humidity in the air. Check food at the minimum drying time.
- Multiple racks can be used simultaneously. Contact your Bosch dealer for drying racks.
- Treat fruits with antioxidants to avoid discoloration.
- Consult a food preservation book, county Cooperative Extension Office or library for additional information.

**The door must be open during the Dehydrate mode.** Prop the door open at least 1" by placing an object (i.e.; wooden spoon) in the upper corner between the door and the side panel. Be careful that the object does not touch the oven gasket.

Dehydrate Chart

Food	Preparation	Approximate Drying Time*(hrs)	Test for Doneness
<b>Fruit</b> Apples	Dipped in ¼ cup lemon juice and 2 cups water; ¼" slices	11-15	Slightly pliable
Bananas	Dipped in ¼ cup lemon juice and 2 cups water, ¼" slices	10-15	Soft, pliable
Cherries	Wash and towel dry. For fresh cherries, remove pits	10-15	Pliable, leathery, chewy
Orange Peels and slices	¼" slices of orange; orange part of skin thinly peeled from oranges	Peels: 2-4 Slices: 12-16	Orange peel: dry and brittle. Orange slices: skins are dry and brittle, fruit is slightly moist
Pineapple rings	Towel dried	Canned: 9-13 Fresh: 8-12	Soft and pliable
Strawberries	Wash and towel dry. Sliced ½ " thick, skin (outside) down on rack	12-17	Dry, brittle
<b>Vegetables</b> Peppers	Wash and towel dry. Remove membrane of peppers, coarsely chopped about 1" pieces	16-20	Leathery with no moisture inside
Mushrooms	Wash and towel dry. Cut off stem end. Cut into 1/8" slices	7-12	Tough and leathery, dry
Tomatoes	Wash and towel dry. Cut thin slices, 1/8" thick, drain well.	16-23	Dry, brick red color
<b>Herbs</b> Oregano, sage parsley and thyme, and fennel	Rinse and dry with paper towel	Dry at 100°F 3-5 hrs	Crisp and brittle
Basil	Use basil leaves 3 to 4 inches from top. Spray with water, shake off moisture and pat dry	Dry at 100°F 3-5 hrs	Crisp and brittle

\* Oven will stay on for 48 hours before shutting off automatically

## Selecting the Oven Mode

### Setting the Cooking Mode

1. **Touch COOKING MODE.**
2. **BAKE** will flash in the display.  
If no further setting is made within 5 seconds, control will beep and flash. If this occurs, **press START.**
3. To change the cooking mode, **turn knob.**
4. **Push START.**  
The selected mode will appear in the display, along with the default temperature for that mode, which will be blinking.
5. To select a different temperature, **turn knob** to desired temperature.
6. **Touch START.** If **START** is not touched, oven will automatically turn on in 5 seconds.
7. The display alternates between the cooking mode and preheat.  
The preheated temperature is also displayed, starting at 100°F. The actual temperature increases until set temperature is reached, at which point the **oven will beep.**
8. To change temperature during cooking, **touch TEMPERATURE. Turn the knob** to select new Temperature and **press START.**
9. Once cooking has been completed, **touch OFF** to turn off oven.



#### HELPFUL TIP

To back out of a current mode, push **OFF**.

Selecting **OFF** when not in a setting mode will stop oven function.

**Note:** After the oven has been turned off, **HOT** appears in the display where the cooking mode was. This is to indicate that the oven is off but still hot. When the oven temperature drops below 176° F, **HOT** is no longer seen in the display.

### Oven Operation Time

The oven will automatically shut off after 12 hours (24 hours if the time format is set for 24 hour in the **SELECT FUNCTION** section).

### Oven Vent

The oven vent is located above the cooktop directly below the display.



#### CAUTION:

This area may become hot when the oven is in use.

It is normal to see steam escaping from the vent and condensation may collect on the backguard and cooktop. This area may become hot when the oven is in use. Do not block the vent as it is important for air circulation.

## Using the Timer/s

### Setting the Timer/s

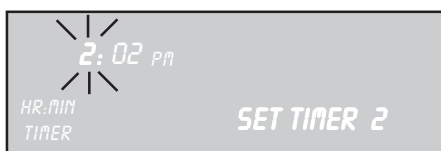
1. **Touch TIME** and **TIMER 1** will be displayed.



2. **Turn knob** to select **TIMER 1** or **2**, then **push TIME**. **SET TIMER 1 (2)** appears in display. Minutes flash.



3. **Turn knob** to set minutes. If setting only minutes, **press START**. Otherwise, continue to **step 4**.
4. **Touch TIME** again and the hours will flash.



5. **Turn knob** to set hours.
6. **Touch TIME** again. The **TIMER** is now set. If **TIME** or **START** is not touched, display will beep and timer will flash.

### Changing the Timer/s

1. **Touch Time**. **TIMER 1** will appear in display. Select either **TIMER 1** or **2**.



2. **Push TIME**. **RESET TIMER 1 (2)** appears in the display. Minute digits flash.
3. **Turn knob** to change minutes.
4. **Touch TIME** again and hour digits will flash.
5. **Turn knob** to change hours.
6. **Touch TIME** and new time is set.

### Clearing the Timer/s

1. **Touch TIME** once. **TIMER 1** flashes.
2. **Turn knob** to select **CLEAR TIMER 1(2)**.
3. **Touch TIME**.
4. If **TIME** pad is not touched, range will beep and display will continue flashing.



When the specified time has elapsed, the control beeps. **TIMER 1 (2) END** flashes in the display.

1. **Touch TIME** to return to main screen.

#### TIP

Turn the knob to display the time of day or further information about the oven mode when the timers are in use.

#### CANCELLING

If operation is not completed, the oven will beep periodically as a reminder to set time. Push **OFF** to exit the **TIMER** mode.

Selecting **OFF** when not in a setting mode will stop oven function.

## Using Timed Cook

The **TIMED COOK** feature sets the oven to a cooking mode for a set period of time and then turns it off. The **TIMED COOK** feature is available for Bake, Convection Bake and Convection Roast.

Be sure that the time-of-day clock displays the correct time before beginning. See "Changing the Clock Time" to adjust the time.

### Setting a Timed Mode

1. **Touch COOKING MODE.**
2. **BAKE** will be displayed. To select a different cooking mode, turn the knob.
3. **Touch START.**
4. **Turn knob** to select desired temperature.
5. **Touch TIME. TIMED BAKE** appears in the display.
6. **Touch TIME. SET BAKE TIME** appears in the display and minutes flash. **Set minutes. Touch TIME.**
7. Hours Flash. **Set hours. Touch START.**

**Note:** time required for the oven to reach temperature must be included in the set cooking time.

8. **TIMED BAKE** appears in display and the oven begins to preheat.

After cooking is complete, display flashes **TIME COOK END** and reminder beeps will sound.

### Delaying the Start of a Timed Mode

1. Follow steps **1** through **5** above.
2. **Turn knob** until **DELAYED BAKE** appears in display.
3. **Touch Time. SET BAKE TIME** appears in the display and minutes flash. **Set minutes. Touch TIME.**
4. Hours Flash. **Set hours. Touch TIME.**
5. **SET BAKE END** appears in the display. **Touch TIME.**
6. Use knob to **enter the time of day the oven will stop cooking or turn off:**  
**Set hours. Touch TIME.**  
**Set minutes. Touch TIME.**

The clock automatically calculates the time of day at which the cooking mode starts and stops. The displayed cooking time counts down by the minute.

7. At the end of the programmed cooking time, the oven will automatically turn off. Display will show **TIME COOK END** and the oven will beep.

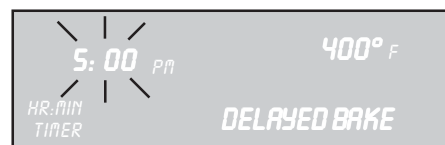
**Note: Remove food from oven immediately** after cycle has finished to prevent overcooking. Food left in the oven will continue to cook even after the cycle is complete.

To check the cooking time and stop time after a delay has been set, **touch TIME. Turn knob to BAKE END or BAKE TIME. Touch TIME.**



#### NOTE

At the end of the programmed cooking time, the oven will automatically turn off. The display will show the mode and **END**.



#### NOTE

Delayed cooking is **not recommended** for foods that need to rise (i.e.; cookies, cakes, breads, souffles, etc.)

## Using the Probe (some models)

### About the Probe

- The probe can be used to determine the internal doneness or the "END" temperature of many foods, especially meats and poultry.
- The temperature range for the probe is 135°F to 200°F.
- Preheating the oven is not recommended when using the probe. A hot oven will impair your ability to easily connect the probe to the receptacle and to insert it into the meat.
- Oven temperature can be set for 100°F up to 450°F.

### Inserting the Probe

Insert the probe tip into the food item.

- For meats, insert the probe tip into the thickest part and do not touch bone, fat, or gristle.
- For large poultry products and turkeys, insert the probe in the thickest part of the inner thigh.
- For other foods, such as a meatloaf, the probe tip should be located in the center of the thickest part of the food.

### Using the Probe

1. Prepare meat and place in roasting pan (or on rack in roasting pan as recipe specifies). Insert the probe into the meat (See "Inserting the Probe", above).
2. Make sure the probe is not touching gristle, fat, bone, the roasting rack or the pan.
3. Place roasting pan with meat in cold oven on recommended oven rack. **Plug probe into the probe receptacle.** The probe symbol will appear in display.

**Note: The probe temperature can only be set when the probe is installed in the oven.**

4. **Touch COOKING MODE** and **select BAKE, CONVECTION BAKE or CONVECTION ROAST.**
5. **Touch START.** The default oven temperature will appear.
6. **Turn knob** to change oven temperature if necessary.
7. **Touch START.**
8. **Turn knob** to set the probe temperature (desired end temperature of the food).
9. **Touch START.**
  - The chosen oven temperature is displayed in the upper right hand corner of the display.
  - The probe temperature is displayed in the center to the left of the cooking mode. It starts at 80° and increases in 5°F increments until the chosen probe temperature is reached.
  - The oven is preheated when the beep signals once.
  - When the set probe temperature is reached, END appears in display and oven turns off.

### Probe Use Tips

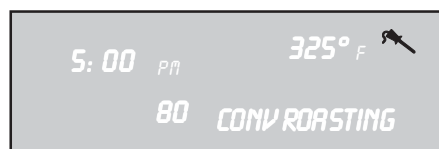
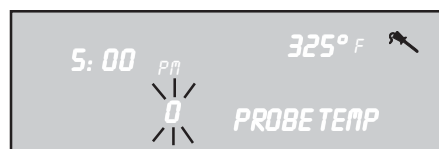
- The oven is well insulated and the retained heat will continue to cook the meat after the oven has shut off. For this reason, remove the meat from the oven as soon as the control beeps.
- Since meat continues to cook after being removed from the oven, set the internal (probe) temperature 5 - 10 degrees below the desired final internal temperature (exception: poultry). Allow "standing time" (10 -20 minutes) before carving the meat.
- Always use the handle of the probe for inserting and removing. Use a potholder to remove since the probe becomes hot.
- Remove the probe from the oven when it is not being used.
- The probe cannot be used with frozen meats. For best results, completely thaw meats before using the probe.

### Changing the Oven Temperature

1. **Touch TEMPERATURE. OVEN TEMP** will flash in the display.
2. **Turn the knob** to desired temperature and **press START** twice.

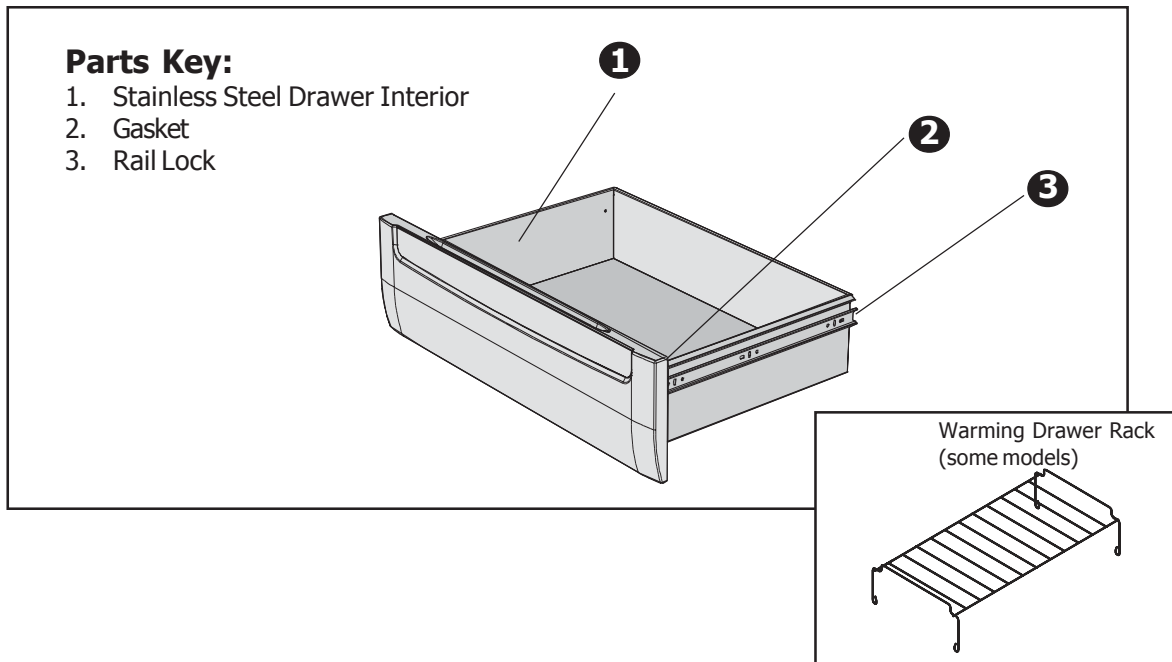
### Changing the Probe Temperature

1. **Touch TEMPERATURE.** The oven temperature will flash.
2. **Press START** and **PROBE TEMP** will appear. Temperature will flash.
3. **Turn the knob** to desired temperature and **press START** again.



**Note:** Always remove probe from oven when cooking is complete. The probe symbol will remain in the display until the probe is removed. Do not leave probe attachment in oven during self-clean. Oven will not self-clean with the probe installed in the oven.

## The Warming Drawer (some models)



Contact your dealer to order a warming drawer rack

### About the Warming Drawer

The warming drawer will keep hot, cooked foods at serving temperature.

Warming drawer settings are Low, Medium, and High.

Refer to the Warming Drawer Chart (next page) for recommended settings.

To keep several different foods hot, set the temperature to the food needing the highest setting.

Place item needing the highest setting toward the side of the drawer and item needing less heat on the rack or in the center of the drawer bottom.

Food should be at serving temperature (above 140° F) before being placed in the warming drawer. DO NOT use to heat cold food other than crisping crackers, chips, and dry cereal, or warming dishes or plates.

The warming drawer can be used with or without a rack. Preheat with rack in place if using this arrangement. It fits side to side.

Preheat empty serving dish while preheating drawer if desired.

Place cooked, hot food in warming drawer in its original cooking container or in a heat-safe serving dish.

Aluminum foil may be used to cover food; However DO NOT line the warming drawer with aluminum foil.

DO NOT use the warming drawer for storage.

### Usable Space and Dish Sizes

Drawer Interior:  
25"W x 17"D x 5" H

#### Dish sizes:

- 2 - 9 x 13" Pyrex 3-quart dishes, side by side.
- 2 - 9 1/2 x 15" Pyrex 4-quart dishes, side by side.
- 4 - 10 1/2" plates, single or stacked
- 3 - 11" plates, single or stacked

The warming drawer has three settings: Low, Medium and High. The icons below are seen in the display when the corresponding setting is selected:



See next page for detailed instructions.



## Using Your Warming Drawer (some models)

### Warming Empty Serving Bowls and Plates

- Use only heat-safe dishes.
- May use reversible rack, in low position to raise utensil from direct contact with bottom of drawer.
- Warm on setting appropriate for utensil.
- Check dish temperature during warming period.
- Place empty plates or dishes in a cold warming drawer. Do not preheat drawer prior to placing dishes.

### Crisping Stale Items

- Place food in low sided dishes or pans.
- Preheat on Low.
- Check crispness after 45 minutes. Add time as needed.

### Preheating

For best results, always preheat warming drawer when warming food.

#### Preheat times

**Low:** 10 minutes

**Medium:** 15 minutes

**High:** 20 minutes

### Setting the Warming Drawer

#### When Only Using the Warming Drawer:

1. **Touch COOKING MODE.**
2. **Turn knob** to select **WARMING DRAWER.**
3. **Touch START.**
4. **Turn knob** to select heat setting.
5. **Touch START.**

#### When Also Using The Oven:

1. **Touch COOKING MODE.**
2. **Touch START** to select **WARMING DRAWER**
3. **Turn knob** to select heat setting.
4. **Touch START.**

### Turning Off the Warming Drawer

#### When Only Using the Warming Drawer:

1. **Touch OFF.**

#### When Using the Warming Drawer and the Oven:

1. **Touch OFF.**
2. **Turn knob** to select **CANCEL DRWR, CANCEL OVEN, or CANCEL BOTH.**
3. **Touch OFF.**

Warming Drawer Guide

Food	Temperature	Covered/Uncovered
Bacon	Hi	Uncovered
Beef, medium and well done	Med	Covered
Beef, rare	Low	Covered
Bread, Hard Rolls	Med	Uncovered
Bread, Soft Rolls, Coffee Cakes	Med	Covered
Biscuits	Med	Covered
Casseroles	Med	Covered
Eggs	Med	Covered
Fish, Seafood	Med	Covered
Fried Foods	Hi	Uncovered
Gravy, Cream Sauces	Med	Covered
Ham	Med	Covered
Pancakes	Hi	Covered
Pies, One Crust	Med	Covered
Pies, Two Crusts	Med	Uncovered
Pizza	Hi	Covered
Pork	Med	Covered
Potatoes, Baked	Hi	Covered
Potatoes, Mashed	Med	Covered
Poultry, Roasted	Med	Covered
Vegetables	Med	Covered
Plates	Low	Uncovered
Plate of Food	Med	Covered



#### **CAUTION:**

Plastic containers or plastic wrap can melt if in direct contact with the drawer or a hot utensil. If it melts onto the drawer, it may not be removable.

## Cleaning the Cooktop

### Daily Cleaning Techniques

The entire range can be safely cleaned by wiping with a soapy sponge, then rinsing and drying.

**Note:** The cleaners recommended in this manual indicate cleaner types and do not constitute an endorsement of a particular brand. Use all products according to package directions.

### CAUTION:

- Before cleaning, be certain the burners are turned off and the grates are cool.
- Always use the mildest cleaner that will do the job. Use clean, soft cloths, sponges or paper towels.
- Rub stainless steel finishes in the direction of the grain. Wipe area dry to avoid water marks.
- Do not clean removable cooktop parts in any self-cleaning oven.
- After cleaning, place all parts in their proper positions before using cooktop.

### Cooktop Care Chart

Cooktop Part / Material	Suggested Cleaners	Important Reminders
<b>Burner Base</b> / Aluminum	<ul style="list-style-type: none"> <li>• <b>Detergent and hot water; rinse and dry.</b></li> <li>• Abrasive cleansers: Brillo® or S.O.S.® pads. Rinse and dry.</li> </ul>	<ul style="list-style-type: none"> <li>• <b>Clean ports with a stiff nylon bristle toothbrush to clean port openings.</b></li> <li>• Do not scratch or gouge the port openings.</li> <li>• Do not use a toothpick; it may break off.</li> </ul>
<b>Burner Cap and exterior finish</b> Porcelain Enamel	<ul style="list-style-type: none"> <li>• Hot sudsy water; rinse and dry thoroughly.</li> <li>• Nonabrasive cleansers: Fantastic®, Formula 409®.</li> <li>• Mild abrasive cleansers: Bon Ami®, Ajax®, Comet®.</li> <li>• Liquid cleaners: Soft Scrub®.</li> <li>• Reassemble. Make sure that the cap is seated on the base.</li> </ul>	<ul style="list-style-type: none"> <li>• Acidic and sugar-laden spills deteriorate the porcelain enamel. Remove soil immediately.</li> <li>• Do not use wet sponge or towel on hot porcelain.</li> <li>• Do not soak burner caps.</li> <li>• Always apply minimal pressure with abrasive cleaners.</li> <li>• Never use oven cleaners, caustic cleaning agents or abrasive cleaning agents on exterior of range.</li> </ul>
<b>Control Knobs and Bezels</b> / Plastic	<ul style="list-style-type: none"> <li>• Hot sudsy water; rinse and dry immediately.</li> <li>• To remove knobs, place in off position and pull straight out.</li> </ul>	<ul style="list-style-type: none"> <li>• Do not soak knobs.</li> <li>• Do not force knobs onto valve shaft.</li> <li>• Do not use abrasive scrubbers or cleansers, such as BonAmi®, Ajax®, or Comet®. They may permanently damage the finish.</li> </ul>
<b>Exterior Finish</b> / Stainless Steel	<ul style="list-style-type: none"> <li>• Nonabrasive cleaners: Hot water and detergent, Fantastic®, Formula 409®. Rinse and dry immediately.</li> <li>• Cleaner polish: Stainless Steel Magic® to protect the finish from staining and pitting; enhances appearance.</li> <li>• Hard water spots: Household white vinegar.</li> <li>• Mild Abrasive Cleaners: Kleen King® stainless steel liquid cleaner, Cameo® aluminum &amp; stainless steel cleaner, Bon Ami®.</li> <li>• Heat discoloration: Bar Keepers Friend®.</li> </ul>	<ul style="list-style-type: none"> <li>• Stainless steel resists most food stains and pit marks providing the surface is kept clean and protected.</li> <li>• Never allow food stains or salt to remain on stainless steel for any length of time.</li> <li>• Rub lightly in the direction of polish lines.</li> <li>• Chlorine or chlorine compounds in some cleaners are corrosive to stainless steel. Check ingredients on label before using.</li> </ul>
<b>Grates</b> / Porcelain Enamel on Cast Iron	<ul style="list-style-type: none"> <li>• Nonabrasive cleaners: Hot water and detergent, Fantastic, Formula 409. Rinse and dry immediately.</li> <li>• Mild abrasive cleaners: Bon Ami® and Soft Scrub®.</li> </ul>	<ul style="list-style-type: none"> <li>• The grates are heavy; use care when lifting. Place on a protected surface.</li> <li>• Blisters / crazing / chips are common due to the extreme temperatures on grate fingers and rapid temperature changes.</li> <li>• Acidic and sugar-laden spills deteriorate the enamel. Remove soil immediately.</li> <li>• Abrasive cleaners, used too vigorously or too often, can eventually mar the enamel.</li> </ul>
<b>Igniters</b> / Ceramic	<ul style="list-style-type: none"> <li>• Carefully wipe with a cotton swab dampened with water, ammonia or Formula 409®.</li> <li>• Gently scrape soil off with a toothpick.</li> </ul>	<ul style="list-style-type: none"> <li>• Avoid excess water on the igniter. A damp igniter will prevent burner from lighting.</li> <li>• Remove any lint that may remain after cleaning.</li> </ul>



### Self Cleaning the Oven

Bosch ovens feature a self-cleaning function that eliminates the manual labor involved with cleaning your oven. During self-cleaning, the oven uses a very high temperature to burn away food soil and grease.

- It is common to see smoke and/or an occasional flame-up during the Self-Clean cycle, depending on the content and amount of soil remaining in the oven. If a flame persists, turn off the oven and allow it to cool before opening the door to wipe up the excessive food soil.
- In a normal Self-Clean mode, the door does not lock at the beginning of the cycle; However, it does lock prior to reaching the high self clean temperatures. The door lock symbol will appear in the display at this point. **The door will not lock at the start of the cycle.**
- The oven light does not operate during this mode.
- During Self-Clean, the kitchen should be well ventilated to help eliminate odors associated with Self-Clean. Odors will lessen with use.
- The preset length of cleaning time is 4 hours. The range can also be set to clean for 3 or 5 hours.
- The mode automatically stops at the end of the clean hours.
- When the oven heat returns to a safe temperature after cleaning, the automatic door lock will release and the door can be opened.

### Preparing the Oven for Self Clean

1. Remove all utensils and bakeware.
2. Remove oven racks. If oven racks are left in the oven during the self-clean cycle, they will permanently lose the shiny finish and change to a dull dark finish. They will also not glide smoothly. See Oven Cleaning Chart for proper care.
3. Wipe up any soft soil spills and grease with paper towels. Excess grease will cause flames and smoke inside the oven during self-cleaning.
4. Review illustration below. Some areas of the oven must be cleaned by hand before the cycle begins. Use a soapy sponge or plastic scrubber or a detergent-filled S.O.S.® pad. Hand clean the oven door edge, oven front frame and up to 1-1/2 inches inside the frame with detergent and hot water. Do not clean or rub the gasket on the oven. Rinse all areas thoroughly then dry.
5. Be sure oven light is turned off and the light bulbs and lens covers are in place. **Do not operate oven without lightbulb and cover in place.**

Do not use commercial oven cleaners on the self-clean oven or any part; they will damage the finish or part.



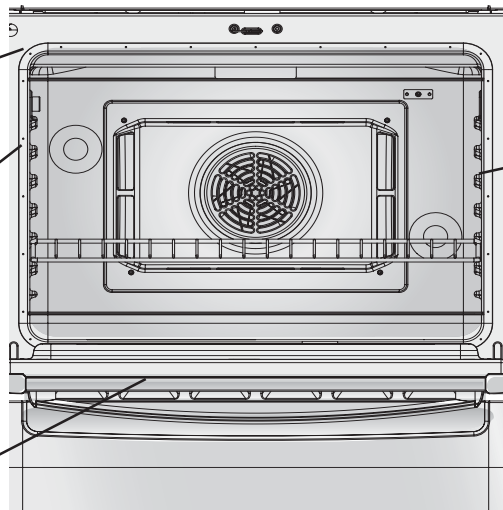
#### WARNING

A flexible door gasket is necessary for a good seal. Do not clean, rub, damage or move the gasket. Do not remove oven bottom.

**DO** hand clean frame area outside gasket

**DONOT** hand clean gasket

**DO** hand clean door area outside gasket



**DO** hand clean 1-1/2" from rack guides to front of oven cavity.

## Care and Cleaning - Oven

### Setting the Self-Clean Mode

1. **Touch COOKING MODE.**
2. **Turn knob** until **SELF CLEAN** mode appears. **Press START.**
3. The default cleaning time is 4 hours. To change cleaning time, **turn knob** to change number of hours. Otherwise, continue to **step 4** (See Fig. 1).
4. **Touch START. SELF CLEAN** flashes. **Press START.**
5. **REMOVE RACKS** appears in the display as a reminder to remove oven racks (See Figure 2).
6. **Touch START** again to begin the self clean.

**Note:** In a normal Self-Clean mode, the door does not lock at the beginning of the cycle; however, it does lock prior to reaching the high self clean temperatures. The door lock symbol will appear in the display at this point.

### Delaying the Start of the Self-Clean

**Note:** The time of day must be correctly set for this option to work properly. See section "Setting the Clock" in "Setting Up Your Range", Page 5.

1. **Touch COOKING MODE.**
2. **Turn knob** until **SELF CLEAN** mode appears. **Press START.**
3. The default cleaning time is 4 hours. To change cleaning time, **turn knob** to change number of hours. Otherwise, continue to **step 4** (See Figure 1).
4. **Touch START.**
5. **Turn knob** until **DELAYED CLEAN** mode appears. **Press START** (See Figure 3).
6. **SELF CLEAN END** appears in the display (See Fig. 4).
7. **Turn knob** to enter the time of day you want the self-clean to end: **Set hours, touch time, set minutes.**
8. **Touch START. REMOVE RACKS** appears in the display as a reminder to remove oven racks (See Figure 2).
9. **Touch START.** The display shows **DELAYED CLEAN**. The self-clean will automatically start at the appropriate time.

**Note:** In the **Delayed Self Clean** mode, the door latch is automatically activated at the **beginning of the cycle**. The door lock symbol will appear in the display at this point.

#### NOTE

The oven lights do not operate in the Self Clean mode.



Figure 1



Figure 2



Figure 3



Figure 4



### After Self-Cleaning:

1. At the end of the programmed cleaning time, the oven will automatically turn off. **SELF CLEAN END** appears in the display. **Press OFF** to clear.

**Note:** To cancel or stop while the mode is operating, **touch OFF**. The door will not unlock until the oven reaches a safe temperature.

2. The self-clean mode may produce ash which will settle in the oven. If this happens, remove ash with a damp cloth before using the oven.
3. Wipe rack edges with cooking oil to allow for proper glide. Wipe off excess.

## Care and Cleaning - Oven

After self-cleaning, the entire oven can be safely cleaned with a soapy sponge, rinsed and dried. If stubborn soil remains, follow the recommended cleaning methods below.

- Always use the mildest cleaner that will remove the soil.
- Rub metal finishes in the direction of the grain.
- Use clean, soft cloths, sponges or paper towels.
- Rinse thoroughly with a minimum of water so it does not drip into door slots.
- Dry to avoid water marks.

The cleaners listed in this manual indicate types of products to use and are not being endorsed. Use all products according to package directions.

PART	CLEANING METHOD
Racks (Oven, Warming Drawer)	Wash with hot sudsy water. Rinse thoroughly and dry. Or, gently rub with cleansing powder or soap filled pads as directed. If oven racks are cleaned in the oven during the self-clean mode, they will lose their shiny finish and may not glide smoothly. If this happens, wipe the rack edges with a small amount of vegetable oil, then wipe off excess.
Fiberglass Gasket	DO NOT HAND CLEAN GASKET.
Glass	Wash with soap and water or glass cleaner. Use Fantastik® or Formula 409® to remove grease splatters and stubborn stains.
Painted Surfaces	Clean with hot sudsy water or apply Fantastik® or Formula 409® to a clean sponge or paper towel and wipe clean. <u>Avoid using powdered cleansers, steel wool pads and oven cleaners.</u>
Porcelain Surfaces	Immediately wipe up acid spills like fruit juice, milk and tomatoes with a <u>dry</u> towel. Do not use a moistened sponge/towel on hot porcelain. When cool, clean with hot sudsy water or apply Bon-Ami® or Soft Scrub® to a damp sponge. Rinse and dry. For stubborn stains, gently use soap filled pads. It is normal for porcelain to craze (fine lines) with age due to exposure from heat and food soil.
Stainless Steel	Always wipe or rub with grain. Clean with a soapy sponge then rinse and dry. Or, wipe with Fantastik® or Formula 409® sprayed onto a paper towel. Protect and polish with Stainless Steel Magic® and a soft cloth. Remove water spots with a cloth dampened with white vinegar. Use Bar Keeper's Friend® to remove heat discoloration.
Probe (some models)	Clean probe by hand with detergent and hot water. Then rinse and dry. <b>Do not soak or clean in dishwasher.</b>
Plastic & Controls	When cool, clean with soapy water, rinse and dry.
Drawers (Warming & Storage)	When cool, wash with hot soapy water, rinse and dry.

## Cookware Selection Guide

For best results, choose cookware with the following characteristics:

- Aluminum or copper bottomed pans conduct heat evenly.
  - Steel pans, if not combined with other metals, may cook unevenly.
  - Cast-iron cookware absorbs heat slowly and cooks more evenly at low-to-medium settings.
  - Flat, heavy bottom pans provide even heat and stability.
- DO NOT USE pans that are thin, warped, dented or ridged as they heat unevenly.

### Match Pan Diameter to Flame Size

- The flame should be the same size as the bottom of the pan or smaller. Do not use small pans with high flame settings as the flames can lick up the sides of the pan.
- Oversize pans that span two burners are placed on the left side, front to rear (not side to side).



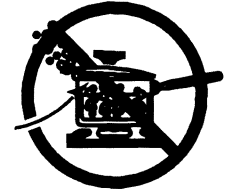
### Use Balanced Pans

- Pans must sit level on the cooktop grate without rocking.
- Center pan over burner.



### Use a Lid That Fits Properly

- A well-fitting lid helps shorten the cooking time.



- Use a **wok** with a flat bottom.
- For **simmering stews and soups**, use right front burner. For melting chocolate, use the burner in the right rear position.
- **Canners and pressure cookers** must meet the same requirements as described above. After bringing contents to a boil, use lowest heat setting possible to maintain a boil or pressure (for pressure canners/cookers).

### Removing the Door

#### **WARNING**

- Make sure oven is cool and power to the oven has been turned off before removing the door. Failure to do so could result in electrical shock or burns.
- The oven door is heavy and fragile. Use both hands to remove the oven door. The door front is glass. Handle carefully to avoid breakage.
- Grasp only the sides of the oven door. Do not grasp the handle as it may swing in your hand and cause damage or injury.
- Failure to grasp the oven door firmly and properly could result in personal injury or product damage.

1. Be sure to read the **WARNINGS** above and at right before attempting to remove oven door.
2. Open the door completely.
3. Flip lever on hinge toward you until it stops. (see Figure A).
4. Close the door to approximately halfway open.
5. Holding the door firmly on both sides using both hands, pull the door straight out of the hinge slots. Hold firmly, the door is heavy (See Figure B). The door should come out of the hinge slots smoothly. Do not force the door - the hinge could be damaged and injury could result.
6. Place the door in a convenient and stable location for cleaning.

### Replacing the Oven Door

1. Holding the door firmly in both hands, place hinges in hinge slots.
2. Open door all the way to expose hinges and slots. Push lever (on each hinge) away from you back toward range).
3. After moving the hinge brackets back down into position, be sure to close and open the door slowly to assure that it is correctly and securely in place.
4. Door should be straight, not crooked. It should close smoothly. Do not force door - the hinge could be damaged and injury could result.

### Replacing an Oven Light

1. Read **WARNING** at right.
2. Turn off power at the main power supply (fuse or breaker box).
3. Remove the lens by unscrewing it.
4. Remove the light bulb from its socket by unscrewing it.
5. Replace the bulb with a new one. Use a 40Watt approved appliance bulb. Avoid touching the bulb with fingers, as oils from hands can damage the bulb when it becomes hot.
6. Screw the lens back on.
7. Turn power back on at the main power supply (fuse or breaker box).

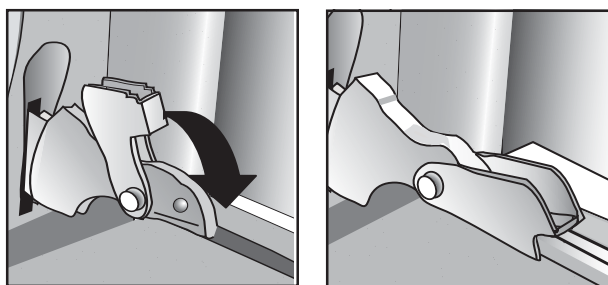


Figure A

#### **WARNING**

To avoid injury from hinge bracket snapping closed, be sure that both levers are securely in place before removing door. Also, do not force door open or closed - the hinge could be damaged and injury could result.

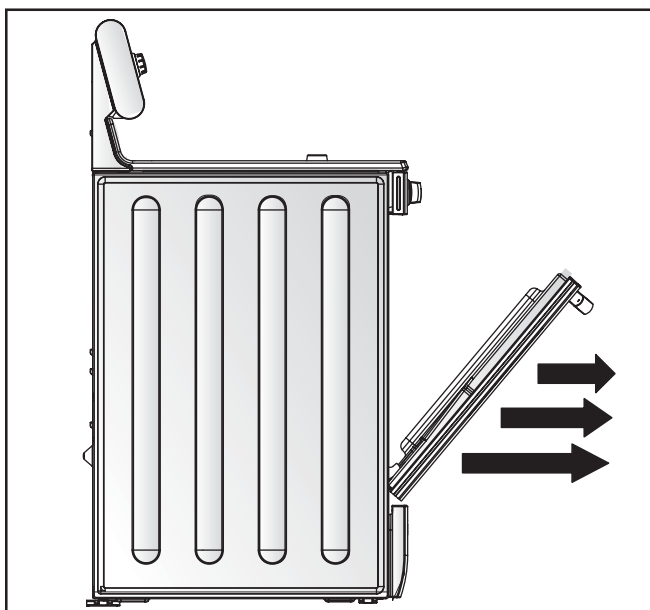


Figure B

#### **WARNING**

- Make sure the oven and lights are cool and power to the oven has been turned off before replacing the light bulb(s). Failure to do so could result in electrical shock or burns.
- The lenses must be in place when using the oven.
- The lenses serve to protect the light bulb from breaking.
- The lenses are made of glass. Handle carefully to avoid breakage. Broken glass could cause an injury.
- Light socket is live when door is open.

#### **WARNING**

To avoid injury due to range tipping, verify that the anti-tip bracket is re-engaged if it is pulled away from the wall for maintenance, etc.

## Self Help - Cooktop

<b>COOKTOP PROBLEM</b>	<b>POSSIBLE CAUSES &amp; SUGGESTED SOLUTIONS</b>
Burners click continuously.	Knob(s) are in the "light" position. Turn knob(s) to "OFF" position or to desired flame setting.
Surface burners do not light.	Gas is turned off. Make sure the gas shut-off valve is in the ON position and the gas supply to the house is not shut off.
	Unit is not hooked up to gas supply. Call gas company.
	Plug is not completely inserted into outlet. Incorrect house wiring. Check the power supply. Verify that the unit is grounded with the correct polarity. Make sure the unit is plugged in.
	Circuit breaker is tripped. Check circuit breaker and reset if necessary. Check and/or replace fuse.
	Burner ports are clogged. With the cooktop turned off and cool, remove burner caps. Use a stiff nylon bristle toothbrush to push debris through burner ports.
	Misaligned burner cap. Verify that burner caps are properly positioned over burners.
	Ignitor is wet, damaged or dirty. Check ignitor for moisture. If wet, allow to air dry before using. Check for burned-on food or grease. See cleaning recommendations, page 23. Burner will not light if ignitor is wet, damaged or dirty.
Uneven or too high flame, burner is hard to light.	Burner ports are clogged. With the cooktop turned off and cool, remove burner caps. Use a stiff nylon bristle toothbrush to dislodge debris.
	Misaligned burner cap. Verify that burner caps are properly positioned over burners.
	Burner cap is wet. Turn off burner, cool and dry burner cap and burner base thoroughly.
Uneven flame - LP/ bottled gas users.	Call service.



## Self Help - Oven

OVEN PROBLEM	POSSIBLE CAUSES & SUGGESTED SOLUTIONS
The oven mode or temperature selected or the numbers selected do not appear in the display	The knob was turned too rapidly. Turn knob slowly until correct wording or temperature appears. Review manual instructions when setting clock, timer, or self-clean.
Oven door is locked and will not release, even after cooling	Turn the oven off at the circuit breaker and wait 5 minutes. Turn breaker back on. The oven should reset itself and will be operable.
Oven is not heating	Check the circuit breaker or fuse box to your house. Make sure there is proper electrical power to the oven. Make sure the oven temperature has been selected.
Oven is not cooking evenly	Check oven calibration. Adjust calibration if necessary (see Oven Temperature Offset, Page 7). Refer to cooking charts for recommended rack position. Always reduce recipe temperature by 25°F when baking with Convection Bake mode.
Oven temperature is too hot or too cold	The oven thermostat needs adjustment. See Oven Temperature Offset, Page 7.
Oven light is not working properly	Replace or reinsert the light bulb if loose or defective. Touching the bulb with fingers may cause the bulb to burn out.
Oven light stays on	Check for obstruction in oven door. Check to see if hinge is bent.
Cannot remove lens cover on light	There may be soil build-up around the lens cover. Wipe lens cover area with a clean dry towel prior to attempting to remove the lens cover.
Oven will not Self-Clean properly	Allow the oven to cool before running Self-Clean. Always wipe out loose soils or heavy spillovers before running Self-Clean. If oven is badly soiled, set oven for a five-hour Self-Clean. See Preparing the Oven to Self-Clean, Page 24.
Clock and timer are not working properly	Make sure there is proper electrical power to the oven. See the Clock and Timer sections, Pages 5 and 18.
Porcelain in oven chips	When oven racks are removed and replaced, always tilt racks upward and do not force them to avoid chipping the porcelain.
"F" and a number appears in display and control beeps continuously	This is a fault code. If a "F" code flashes, press <b>OFF</b> to clear the display and stop beeping. Reset oven if necessary. If fault code remains and beep continues, record fault code number, cancel oven and call authorized service technician.
With a new range there is a strong odor when oven is turned on	This is normal with a new range and will disappear after a few uses. Operating the self-clean cycle will also "burn-off" the smell more quickly.

## Self Help - Range

### General Range Troubleshooting Tips:

1. Verify that gas shut-off valve is in the ON position and the gas supply to the house is not shut off.
2. Verify that the burner caps are positioned and the burner ports are not clogged. Clear ports with a stiff nylon bristle toothbrush if clogged.
3. Verify that the ignitors are clean and dry.
4. Verify that there is no draft in the room.
5. Check the power supply. It should be properly grounded with the correct polarity. Verify that the unit is plugged in and the circuit breaker is not tripped.

**Note:** When the electrical power connection has been activated at the first power up or after an outage, the ignitors may spark once or twice even though all burner knobs are in the off position.

If the cooktop is still not operating properly, please contact your dealer or call Bosch Customer Service at 800-944-2904.

### Replacement Parts

Replacement parts are available through your Bosch dealer. Contact Bosch Service for a dealer near you: 800-944-2904.

## Statement of Limited Warranty

The warranties provided by BSH Home Appliances Corp. in this Statement of Limited Warranty apply only to the BSH Gas Freestanding Range ("Range") sold to you, the first using purchaser, provided that the Range was purchased (1) for your use and not for resale and (2) in the United States or Canada and is located in the country of purchase. As used in this Statement of Limited Warranty, the term "Date of Installation" shall refer to the earlier of the date the Range is installed or ten (10) business days after the date the Range is sold to the first using purchaser, the warranties stated herein apply only to the first using purchaser and are not transferable.

### **Standard Limited Warranty**

BSH warrants that its Range is free from defects in materials and workmanship for a period of twelve (12) months from the date of installation. During the warranty period, BSH or its authorized service center will repair or replace, at its sole option, any Range that proves to have been defective under conditions of normal use without charge. All removed parts and components shall become the property of BSH, at BSH's option. All replaced and/or repaired parts shall assume the identity of the original part for purposes of this warranty and this warranty shall not be extended with respect to such parts.

### **Other Conditions of the Limited Warranties**

The warranties provided in this Statement of Limited Warranty exclude defects or damage resulting from (1) use of the Range in other than its normal and customary manner (commercial use of the Range shall not be deemed normal or customary), (2) misuse, abuse, accidents or neglect, (3) improper operation, maintenance, installation or unauthorized service, (4) adjustment or alteration or modification of any kind, (5) a failure to comply with applicable state, local, city, and county electrical and/or building codes, (6) spills of food or liquid, and (7) external forces such as floods, fires, acts of God or other circumstances beyond BSH's control. Also excluded from this warranty are scratches and damages on external surfaces and exposed parts of Range on which the serial numbers have been altered, defaced or removed.

To the extent allowed by law, this warranty sets out your exclusive remedies with respect to products covered by it, whether the claim arises in contract or tort (including strict liability and negligence) or otherwise. THE FOREGOING REPRESENTS THE TOTAL EXTENT OF BSH'S RESPONSIBILITY AND LIABILITY WITH REGARD TO THE PRODUCT. IN NO EVENT WHATSOEVER SHALL BSH BE LIABLE FOR ANY DAMAGES, INCLUDING WITHOUT LIMITATION CONSEQUENTIAL, PUNITIVE, INCIDENTAL, SPECIAL, INDIRECT, OR DIRECT DAMAGES, OR FOR ANY ACTS OR OMISSIONS OF THIRD PARTIES, INCLUDING WITHOUT LIMITATION THOSE OF A DEALER, TRANSPORTER, INSTALLER, OR SERVICER. BSH MAKES NO OTHER WARRANTY, AND SHALL NOT BE DEEMED TO HAVE MADE ANY OTHER WARRANTY, EXCEPT AS EXPRESSLY PROVIDED FOR HEREIN, WHETHER EXPRESS OR IMPLIED, INCLUDING WITHOUT LIMITATION ANY WARRANTY OF FITNESS FOR A PARTICULAR PURPOSE OR WARRANTY OF MERCHANTABILITY. IN ANY EVENT, ANY WARRANTY IMPOSED AT LAW SHALL NOT BE EFFECTIVE FOR ANY PERIOD OF TIME LONGER THAN THE APPLICABLE PERIOD EXPRESSED HEREIN. No attempt to alter, modify, or amend this warranty shall be effective unless authorized in writing by an officer of BSH.

### **How to Obtain Warranty Service**

To obtain warranty service for the Range, you should contact the nearest BSH authorized service center or the BSH Customer Support Call Center, 5551 McFadden Avenue, Huntington Beach, CA 92649, 800-944-2904.

### **NOTICETOCALIFORNIAOWNERS**

If your Range needs warranty service and there is no authorized BSH service center reasonably close to you, you may notify the BSH reseller from whom you purchased the Range. If the BSH reseller fails to repair or replace the defective parts, or partially refund your purchase price (where applicable), you may have the Range repaired at any large appliance repair shop or center and you will be reimbursed for all reasonable expenses provided the costs are substantiated in writing and the work performed is covered by this warranty. BSH shall not reimburse any repair costs hereunder which exceed the depreciated value of the Range.

# Un message spécial à nos clients

Au propriétaire de cuisinière Bosch,  
Merci et félicitations pour votre choix et votre achat d'une cuisinière Bosch. Que vous soyez un cuisinier professionnel ou un débutant, nous croyons que la cuisinière Bosch saura répondre à vos attentes. Des années de connaissance et d'expérience sont intégrées dans la fabrication de cet appareil, pour une qualité et une efficacité sans pareilles. Nous vous demandons également de lire entièrement ce guide avant d'utiliser cette nouvelle cuisinière. Portez une attention particulière aux instructions de sécurité situées à l'avant de ce guide ainsi qu'aux nombreux avertissements et conseils. De plus, assurez-vous de vous familiariser avec le fonctionnement approprié de la cuisinière ainsi qu'aux marches à suivre pour l'entretien et le nettoyage. Ces instructions et marches à suivre assureront l'utilisation maximale de cette nouvelle cuisinière Bosch et l'on pourra la conserver pendant des années.

Merci et bonne cuisson,

Bosch Home Appliances



## AVERTISSEMENT

Lorsqu'utilisée conformément selon l'usage auquel il est destiné, cette nouvelle cuisinière Bosch de façon sécuritaire et efficace. Lire toutes les instructions attentivement avant de l'utiliser. Ces précautions permettront de réduire le risque de brûlures, d'incendie, de choc électrique et de blessures. Ne pas faire fonctionner le four ou les contrôles de la surface de cuisson si le verre est brisé. Les éclaboussures ou les produits de nettoyage peuvent pénétrer un panneau de contrôle brisé et causer un risque de choc électrique. Communiquer avec un technicien qualifié immédiatement. Au moment d'utiliser un électroménager, les précautions de base doivent être observées, incluant ce qui suit aux pages suivantes.

## NOTICE DE SÉCURITÉ IMPORTANTE

Le règlement «California Safe Drinking and Toxic Enforcement Act» exige du gouverneur de la Californie de publier une liste des substances connues de l'état pouvant causer le cancer, des anomalies congénitales ou autres problèmes et exige que les commerces avisent les consommateurs de l'exposition potentielle à de telles substances.

Le brûlage de combustible de cuisson à gaz et l'élimination des saletés pendant l'autonettoyage peuvent générer de petites quantités de monoxyde de carbone.

L'isolant en fibre de verre des fours autonettoyants génère de petites quantités de formaldéhyde pendant les quelques premiers cycles de nettoyage.

La Californie indique que le formaldéhyde est une cause potentielle du cancer et le monoxyde de carbone une cause potentielle d'intoxication.

L'exposition peut en être minimisé en :

1. Assurant une bonne ventilation en cuisinant au gaz
2. Assurant une bonne ventilation pendant et immédiatement après un nettoyage du four autonettoyant.
3. Faisant fonctionner cet appareil conformément aux instructions de ce guide.

# Table des matières

<b>Instructions de sécurité importantes</b> .....	1
<b>Se familiariser avec la cuisinière</b> .....	3
<b>Réglage de la cuisinière</b>	
Réglage de la pendule .....	5
Réglage des fonctions .....	6
Accès et utilisation du menu sélection fonction .....	6
Volume .....	7
Changement de la température .....	7
Format température .....	7
Affichage pendule .....	7
Mode démo .....	7
Option langue .....	7
Touches de verrouillage .....	7
Déviation de la température du four .....	7
Remise par défaut .....	7
Caractéristique Sabbath .....	8
Format heure .....	8
<b>Surface de cuisson</b>	
Caractéristiques .....	9
Fonctionnement .....	10
<b>Four</b>	
Mode four et caractéristiques .....	11
Mode four et caractéristiques - Cuisson et cuisson par convection .....	13
Mode four et caractéristiques - Gril .....	14
Modes et caractéristiques - Rôtissage par convection .....	14
Mode four et caractéristiques - Déshydratation .....	15
Sélection du mode four .....	16
Utilisation de la(des) minuterie(s) .....	17
Utilisation de la cuisson minutée .....	18
Utilisation de la sonde .....	19
<b>Tiroir réchaud</b> .....	20
Utilisation du tiroir réchaud .....	21
<b>Entretien et nettoyage</b>	
Surface de cuisson .....	22
Four .....	23
<b>Aide, entretien, etc.</b>	
Guide de sélection de casseroles .....	26
Entretien	
Retrait de la porte du four .....	27
Remplacement de l'ampoule du four .....	27
Aide	
Surface de cuisson .....	28
Four .....	29
Service à la clientèle et garantie .....	30





## Instructions de sécurité importantes

Lire toutes les instructions avant d'utiliser l'appareil

### SÉCURITÉ DE L'APPAREIL

- **Demander à l'installateur de montrer où se situe le coupe-circuit ou fusible et la soupape d'arrêt de gaz.** Noter à des fins de référence.
- **Cet appareil doit être adéquatement installé et mis à la terre par un technicien qualifié.** Brancher sur une prise mise à la terre adéquate. Voir les instructions d'installation pour plus de détails.
- **Le service doit être assuré par un technicien qualifié ayant la formation pour ce type d'appareil.** Ceci est un appareil de haute technologie. Un technicien de service non autorisé peut ne pas être familier avec cet appareil sophistiqué. Par conséquent, il peut causer des dommages à l'appareil ou créer un risque. Communiquer avec le centre de service le plus près pour vérification, réparation ou réglage.
- **Ne pas réparer ni remplacer un pièce de la cuisinière** à moins d'indication spécifique par un centre de service autorisé.
- **Ne pas actionner l'appareil s'il ne fonctionne pas adéquatement ou s'il a été endommagé** tant qu'il n'a pas été vérifié par un centre de service autorisé.
- **Utiliser cet appareil seulement pour l'usage auquel il est destiné** décrit dans ce guide. Pour toute question, communiquer avec le fabricant.
- **Ne pas utiliser de produits chimiques corrosifs, vapeurs des produit non alimentaires inflammables dans cet appareil.** Ce type de cuisinière est spécifiquement conçues pour chauffer et cuire les aliments et non pour une utilisation en laboratoire ou industrielle. L'utilisation de produits chimiques corrosifs pour le chauffage ou le nettoyage endommageront l'appareil et peuvent causer des blessures.
- **Éloigner tout vêtement lâche, etc. avant de commencer.** Attacher les cheveux longs et ne pas porter des vêtements lâches ou pendants comme cravates, foulards, bijoux ou vêtements lâches. Ne pas passer par dessus la surface. Attention à certains vêtements ou laques contenant des produits chimiques inflammables; ils peuvent s'enflammer au contact de la surface chaude et causer des brûlures.
- **Dans le cas où les vêtements ou les cheveux d'une personne prennent feu, SE LAISSER TOMBER ET ROULER IMMÉDIATEMENT** pour éteindre les flammes.
- **Ne pas toucher aux zones de cuisson environnantes** pendant l'utilisation de la cuisinière ou lorsqu'elle refroidit. Les zones adjacentes aux brûleurs, four et tiroir réchaud peuvent devenir très chaudes et causer des brûlures, même si elles sont hors circuit. Ne jamais laisser de tire-plats, vêtements ou autres matériaux inflammables entrer en contact avec ces zones tant qu'elles ne sont pas froides.
- **Ne pas faire fonctionner l'appareil pendant une panne de courant.** Pendant une panne de courant, toujours mettre l'appareil hors circuit. Sinon, lorsque le courant est rétabli, l'appareil reprend son fonctionnement. Il faudra régler de nouveau la pendule et les fonctions du four.
- **Toujours mettre la hotte à ON au moment de flamber des aliments** (ex. : crêpes Suzette, cerises jubilé, etc.)
- **Nettoyer la ventilation fréquemment.** La graisse ne doit pas s'accumuler sur la soufflerie ou les filtres. Sinon elle peut fondre de nouveau et se déplacer dans l'évent.
- **NE PAS actionner le four sans le bas du four en place.**



**AVERTISSEMENT : si l'information de ce guide n'est pas observée, il peut en résulter un risque d'incendie ou d'explosion causant des dommages à la propriété, des blessures ou la mort.**

**Ne pas ranger ni utiliser des matériaux combustibles, essence ou autres liquides ou vapeurs inflammables près de cet appareil ou tout autre appareil.**

**S'IL Y A UNE ODEUR DE GAZ :**

- **Ne pas allumer un appareil.**
  - **Ne pas toucher aux interrupteur électriques.**
  - **Ne pas utiliser le téléphone de l'édifice.**
  - **Téléphoner immédiatement au fournisseur de gaz et suivre ses instructions.**
  - **Si le fournisseur de gaz ne peut être rejoint, communiquer avec le service des incendies.**
- L'installation et le service doivent être effectué par un installateur qualifié une agence de service autorisée ou le fournisseur de gaz.**

- **Lorsque possible ne pas actionner la soufflerie pendant un feu sur la surface de cuisson. Toutefois, NE PAS PASSER PAR DESSUS LE FEU POUR ÉTEINDRE LA HOTTE.**
- **Ne pas nettoyer l'appareil encore chaud.** Certains produits produisent des vapeurs nocives lorsqu'appliqués sur une surface chaude.
- **Faire attention en ouvrant le four ou le tiroir réchaud.** Se tenir debout, ouvrir la porte lentement et légèrement pour que l'air chaud et/ou la vapeur s'échappe. Éloigner le visage de l'ouverture et s'assurer qu'il n'y a pas d'enfants ni d'animaux près de l'appareil. Une fois l'air/vapeur échappé, ouvrir la porte. Laisser la porte fermer à moins que nécessaire pour la cuisson ou le nettoyage. Toujours laisser la porte fermer, s'il n'y a pas de surveillance.
- **Ne pas faire chauffer des contenants d'aliments non ouverts** dans le four ou le tiroir réchaud. Une accumulation de pression peut faire exploser le contenant et causer des blessures.
- **Toujours placer les grilles pendant que le four est froid.** S'il faut déplacer la grille pendant que le four est chaud, utiliser des mouffes qui ne doivent pas entrer en contact avec l'élément chaud.
- **Toujours utiliser des tire-plats secs.** Des tire-plats humides ou mouillés peuvent causer des brûlures par vapeur. Ne pas laisser entrer en contact avec les éléments chauffants chauds. Ne pas utiliser de serviette ou de chiffon.
- **Ne pas utiliser d'eau ou un chiffon ou serviette mouillé sur un feu de graisse.** Éteindre les flammes avec du bicarbonate de soude ou utiliser un extincteur (ABC) de type à mousse ou chimique.
- **Faire attention aux courants d'air des ventilateur ou de l'air forcé par évent afin que des matériaux ne soient pas soufflés vers les flammes** ou pour ne pas pousser les flammes plus loin que le bord de la casserole .



## Instructions de sécurité importantes

### Lire toutes les instructions avant d'utiliser cet appareil.

- **Avoir un extincteur approprié disponible**, à proximité et visible et facilement accessible près du four.
- **La graisse ne doit pas s'accumuler dans le four.**
- **Ne pas déposer des aliments directement dans le fond.**
- **Suivre les directives du fabricant au moment d'utiliser** des sacs à cuisson ou à rôtir.
- **Ne pas laisser personne grimper, s'appuyer, se tenir debout sur toute pièce de l'appareil**, ni se pendre sur la porte, tiroir réchaud ou de rangement. Ceci peut endommager l'appareil, le faire basculer et causer des blessures.



### AVERTISSEMENT

- TOUT APPAREIL PEUT BASCULER.
- IL PEUT EN RÉSULTER DES BLESSURES.
- INSTALLER UNE FIXATION ANTI BASCULE FOURNIE AVEC LA CUISINIÈRE.

VOIR LES INSTRUCTIONS D'INSTALLATION.




- **Ne pas laisser les enfants utiliser cet appareil sans surveillance d'un adulte.** Enfants et animaux ne doivent pas être laissés seuls ou sans surveillance là où l'appareil est utilisé. Ils ne doivent pas s'asseoir ni se tenir debout sur l'appareil ou jouer à proximité, que l'appareil soit utilisé ou non.



### ATTENTION

Ne pas ranger des objets d'intérêt pour les enfants dans la cuisinière, les armoires au-dessus ou sur le dossier. Les enfants peuvent grimper sur l'appareil pour atteindre ces objets et se blesser.

- **Si des matériaux à l'intérieur du four s'enflamment**, fermer le four et débrancher le circuit à la boîte de coupe-circuit.
- **Utiliser le réglage de chaleur élevé sur la cuisinière seulement lorsque nécessaire. Chauffer l'huile lentement** à un réglage faible/moyen. L'huile chaude peut causer des blessures et des brûlures.
- **Ne jamais déplacer une poêle d'huile chaude**, surtout une friteuse. Attendre que l'huile refroidisse.
- **Ne jamais laisser sans surveillance.** Les déversements peuvent causer de la fumée et endommager la surface. De plus, si les flammes du brûleur sont étouffées, du gaz non brûlé peut s'échapper. Voir avertissement à la page 1.
- **Après un déversement, fermer le brûleur et laisser refroidir.** Nettoyer autour du brûleur et des ports. Après le nettoyage, vérifier le fonctionnement.
- **Tenir la poignée de la poêle** pour empêcher le mouvement de l'ustensile pendant que l'on brasse les aliments.
- **Utiliser seulement les ustensiles appropriés pour la surface de cuisson** (Voir «Guide de cuisson», page 26 pour plus de détails). D'autres types d'ustensiles peuvent se briser avec les changements brusques de température. Utilisez selon les directives du fabricant.

- **Utiliser seulement un réglage faible ou moyen lorsque possible**, particulièrement avec les casseroles plus larges que la grille ou utilisant plus d'un brûleur. Une utilisation prolongée d'un réglage élevé peut causer une mauvaise combustion résultant en des sous produits nocifs.
- **Faire correspondre la dimension de la casserole avec le brûleur.** Les casseroles trop petites exposent l'élément au contact direct pouvant causer des blessures ou des brûlures. Ne pas laisser les flammes s'étendre autour ou par dessus le bord de la casserole contenant de la graisse. Une dimension appropriée améliore l'efficacité.
- **Nettoyer la surface avec précaution.** S'assurer que tous les contrôles de la surface de cuisson sont hors circuit et que la surface est froide avant de nettoyer. Certains produits produisent des vapeurs nocives lorsqu'appliqués sur une surface chaude. Un produit vaporisé peut s'enflammer et le métal chaud peut corroder.
- **Les ports d'allumage doivent être propres pour un bon rendement des brûleurs.** Il est nécessaire de les nettoyer lorsqu'il y a déversement ou que le brûleur ne s'allume pas même si l'allumeur électronique fait un clic.
- **Cet appareil est destiné à un usage résidentiel seulement. Non approuvé pour l'extérieur.**
- **Faire attention à ce que les courants d'air ne poussent pas de matériaux inflammables** vers les brûleurs.
- **Toujours placer les poignées vers l'intérieur** afin qu'elles ne dépassent pas la zone de travail, qu'elles soient au-dessus des brûleurs ou le bord de la surface de cuisson.
- **S'il y a une odeur de gaz, l'installateur a mal vérifié les fuites de gaz.** Si les connexions ne sont pas assez serrées, il peut y avoir une odeur de gaz. Cette marche à suivre doit être effectuée par un professionnel. Certaines fuites peuvent être trouvées avec le contrôle de brûleur en position ON seulement. Demander à un technicien qualifié. Voir «Avertissement», page 1.
- **Ouvrir une fenêtre ou une porte si le brûleur s'éteint et que du gaz s'échappe.** Ne pas tenter d'utiliser la surface de cuisson tant que le gaz n'est pas dissipé. Attendre au moins 5 minutes avant d'utiliser la cuisinière de nouveau.
- **Toujours placer la casserole sur le brûleur avant d'allumer.** S'assurer de savoir quel bouton contrôle le brûleur. Lorsque la cuisson est complétée, mettre le brûleur hors circuit avant de retirer la casserole.

### Sécurité - autonettoyage

- **S'assurer que la porte est verrouillée** et qu'elle ne s'ouvre pas en tirant délicatement une fois le voyant de verrouillage allumé. Sinon, presser OFF et ne pas autonettoyer. Téléphoner Bosch au 800/944-2904 pour le service.

**Remarque :** pendant le cycle autonettoyage, la porte ne se verrouille pas au début du cycle; toutefois, elle se verrouille avant d'atteindre les températures d'autonettoyage. En mode différé, la porte se verrouille immédiatement. Suite à la page suivante.



## Se familiariser avec la cuisinière

### Sécurité - autonettoyage (suite)

- **Ne pas nettoyer le joint de la porte.** Il est essentiel pour une bonne étanchéité. Ne pas frotter, endommager, déplacer ou enlever le joint de la porte.
- **NE pas utiliser de produits nettoyants commerciaux ni d'enduit protecteur** dans ou autour du four.
- **Nettoyer seulement les pièces indiquées dans le guide.**
- **Enlever la rôtissoire, les grilles, la sonde et tout autre objet et essuyer les déversements mous** avant d'autonettoyer le four.

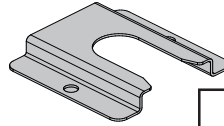
### Concernant les oiseaux :

Les oiseaux ont un système respiratoire fragile. Les éloigner de la cuisine ou autres pièces où les vapeurs peuvent aller. Pendant l'autonettoyage, les vapeurs peuvent être nocives pour les oiseaux. D'autres fumées comme celle provenant de la margarine ou des huiles de cuisson peuvent être dangereuses.

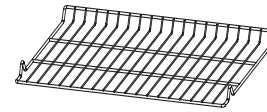
### Pièces comprises :

1. Fixation anti bascule
2. Rôtissoire et grille (non illustrée)
3. Documentation :
  - Guide de référence rapide
  - Guide d'utilisation et d'entretien
  - Instructions d'installation
  - Brochure anti bascule AHAM
  - Brochure cuisson sécuritaire
  - Diagramme de câblage
  - Carte de garantie/enregistrement
  - Livre de recettes Bosch é(Certains Modèles)
4. Grilles de four, plates Flat (2 ou 3 selon le modèle)
5. Grille de four plein longueur (Certains Modèles)
6. Sonde (Certains Modèles)
7. Grille de tiroir réchaud (Certains Modèles)

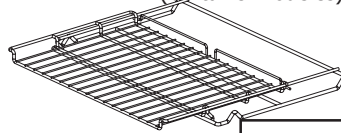
1. Fixation anti bascule



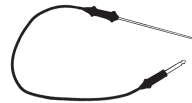
4. Grille plate



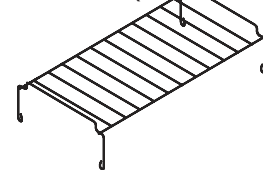
5. Grille pleine longueur  
(Certains Modèles)



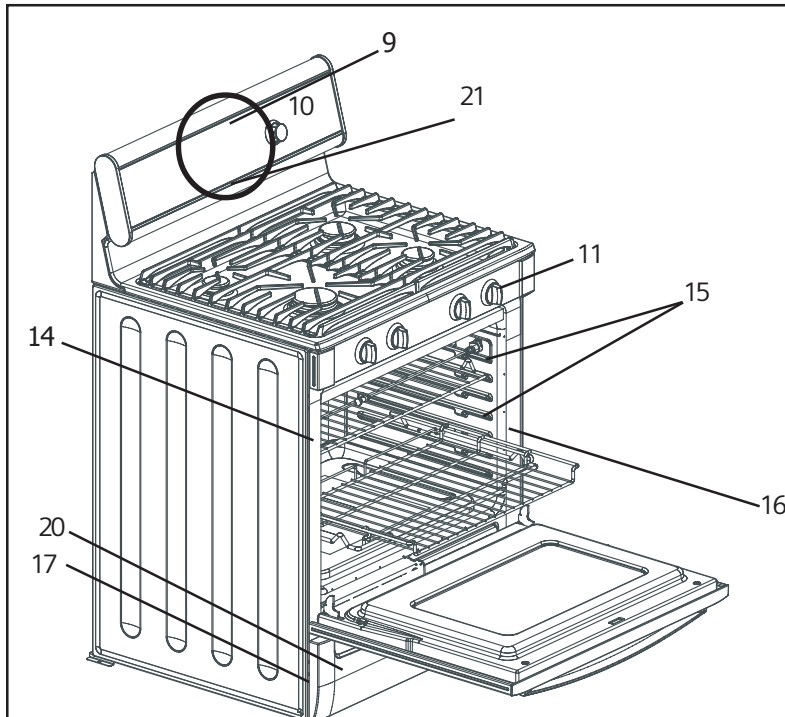
6. Sonde  
(Certains Modèles)



7. Grille tiroir réchaud  
(Certains Modèles)



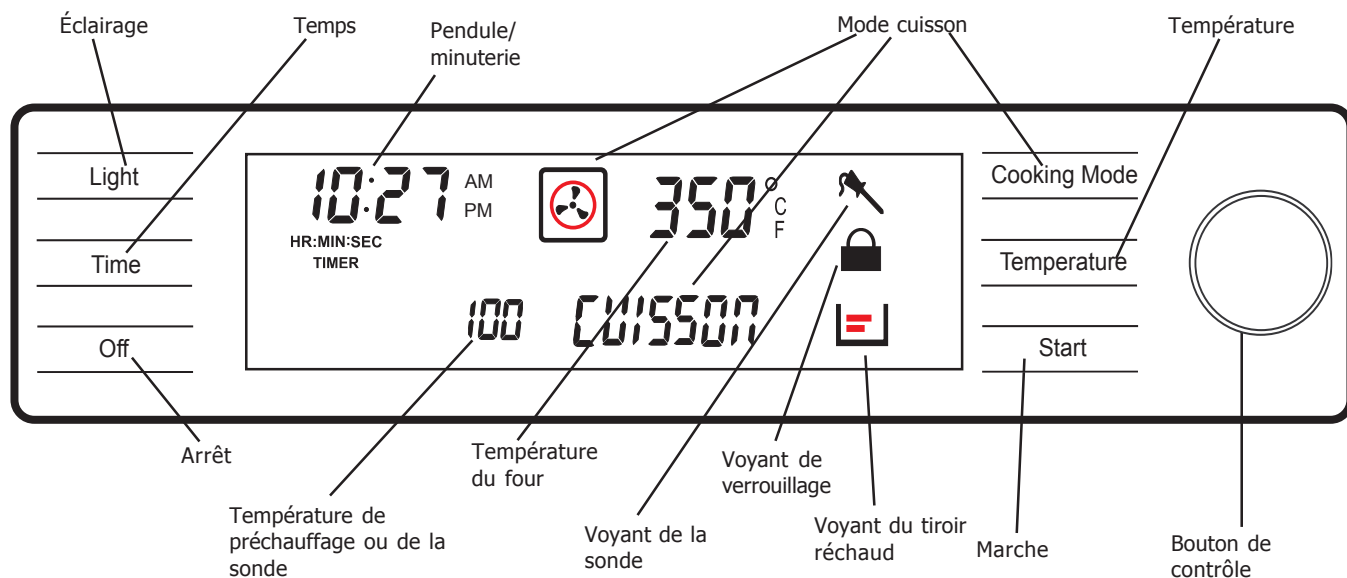
Dessins non à l'échelle



### Pièces de la cuisinière :

8. Ampoules incandescentes (paroi arrière)
9. Panneau de contrôle du four
10. Bouton de contrôle du four
11. Boutons de surface de cuisson
12. Élément grill
13. Élément et ventilateur à convection
14. Prise de la sonde (Certains Modèles)
15. Guides de grilles
16. Joint de porte
17. Plaque signalétique
18. Élément de cuisson
19. Verrouillage de porte du four
20. Tiroir réchaud
21. Évent du four

## Se familiariser avec la cuisinière Panneau de contrôle du four



### Caractéristiques de l'affichage

**Pendule** – Indique l'heure du jour ; format 12 ou 24 h.

**Mode cuisson** - Presser pour afficher le mode cuisson.

**Mode cuisson ou minuté** – Indique le nombre d'heure et de minutes de mise en circuit du four. L'icône mode cuisson figure aussi lorsqu'un mode est choisi.

**Bouton de contrôle** - Pour régler pendule, minute-ries, choisir mode de cuisson et température. Tourner : sens horaire pour augmenter et contre horaire pour diminuer.

**Éclairage** - Marche-arrêt de l'éclairage du four.

**Voyant verrouillage** - Figure pendant le mode autonettoyage lorsque la porte est verrouillée. NE PAS tenter d'ouvrir la porte tant que le voyant n'est pas éteint.

**Arrêt** - Marche-arrêt du four ou tiroir réchaud

**Température du four** - Indique la température choisie.

**Préchauffage** - Affiche la température du four pendant le préchauffage et la température interne des aliments lorsque la sonde est utilisée.

**Voyant sonde** - Indique si la sonde est branchée dans le four. La température interne des viandes figure au lieu de la température de préchauffage.

**Marche** - Presser pour compléter une entrée.

**Température** - Presser pour sélectionner une température de cuisson.

**Temps** - Presser la touché pour régler l'heure et/ou la minuterie

**Voyant tiroir réchaud** - Figure lorsque le tiroir réchaud est utilisé. Indique le réglage du tiroir réchaud.

### Autres voyants et caractéristiques

**Bip** - Indique qu'il faut entrer plus d'information ou confirmer une entrée. Indique aussi la fin d'un programme ou une erreur.

**Réglages par défaut** - Les modes cuisson sélectionnent automatiquement la température par défaut. Peuvent être modifiés.

**Numéro ou symbole clignotant** - Indique un réglage incomplet ou demande d'autres étapes ou de presser START (marche).

**Codes numéro F** - Ces codes figurent lorsqu'il y a un problème avec l'appareil. L'affichage émet un signal continu (voir la section aide à la page 30).

**Ventilateur à convection** - Fonctionne pendant tout mode à convection et le mode autonettoyage. Lorsque le four fonctionne en mode convection, le ventilateur se met automatiquement hors circuit lorsque la porte est ouverte sauf pendant le mode déshydratation.

**Minuterie** – il y a deux minuterie – MINUTERIE 1 et MINUTERIE 2, chacune comptant à rebours en heure et minutes. Avec moins de 60 minutes, les secondes figurent.

## Réglage de la cuisinière

### Réglage de la pendule (si alimentation hors circuit à la cuisinière)

- Toujours régler la pendule après l'installation ou une panne de courant. Lorsque le courant est rétabli, la pendule affiche par défaut 12:00 am.
- L'heure du jour figure en heure et en minutes.
- L'heure figure pendant toutes les fonctions du four sauf lorsque la minuterie ou qu'une fonction minutée est actionnée. Tourner le bouton pour afficher la pendule pendant le fonctionnement de la minuterie.
- Le four est pré-réglé à 12 h et indique AM ou PM.
- L'affichage pendule peut aussi être mis hors circuit (voir affichage de la pendule à la page 7).

**Remarque :** pour passer en mode 24 h, voir «**SELECT FUNCTIONS**» à la page 7.

1. **PENDULE** figure et les chiffres de l'heure clignotent.
2. **Tourner le bouton** pour sélectionner AM ou PM.
3. **Presser TIME. PENDULE** figure encore et les minutes clignotent.
4. **Tourner le bouton.** Régler les minutes.
5. **Presser TIME**, la pendule est maintenant réglée.



#### RAPPEL ALARME

Si la fonction n'est pas complétée, le four émet un bip périodiquement afin de régler l'heure. **Presser OFF.**



#### Conseil









Pour annuler la sélection **TIME** pendant le réglage de la pendule, presser **OFF** en tout temps pendant le mode pendule.

### Changer l'heure

1. **Presser TIME. MINUTERIE 1** clignote à l'affichage.
2. **Tourner le bouton** pour sélectionner **PENDULE**.
3. **Presser TIME** de nouveau. L'heure clignote.
4. **Tourner le bouton** pour changer l'heure.
5. **Presser TIME** encore, les minutes clignotent.
6. **Tourner le bouton** pour changer les minutes.
7. **Presser TIME** encore, la pendule est réglée.

## Réglage de la cuisinière

**SELECT FUNCTIONS (SÉLECTION DE FONCTIONS)** est la section du menu où l'on peut régler ou changer les caractéristiques suivantes :

-  **VOLUME** (augmente ou diminue le niveau sonore du bip)
-  **FORMAT TEMPÉRATURE** (pour passer de Fahrenheit à Celsius)
-  **FORMAT HEURE** (12 h ou 24 h)
-  **TOUCHES VERROUILLAGE** (verrouillage)
- ABC **OPTION LANGUE** (pour l'affichage ; anglais, espagnol ou français)
-  **AFFICHAGE PENDULE** (oui ou non)
-  **DÉVIATION TEMPÉRATURE DU FOUR** (utiliser pour calibrer la température du four)
- DEMO MODE DÉMO** (utilisé par les marchands)
-  **REMISE PAR DÉFAUT** (change *tous* les réglages de fonction aux réglages en usine)
-  **SABBAT** (pour les religions qui exigent le «sans travail»)

**REMARQUE :** dans le cas d'une panne de courant, les fonctions reviennent aux réglages en usine. Il faut les régler de nouveau.

### Accès et utilisation du menu de sélection de fonctions

Pour accéder au menu **SELECT FUNCTION**, presser et maintenir la touche **COOKING MODE (mode de cuisson)** pendant 5 secondes.

**SELECTFUNCTION** figure.

1. **Tourner le bouton** à la fonction désirée.
2. **Presser START** pour choisir une fonction et **tourner le bouton** pour choisir une fonction secondaire.
3. Après avoir choisi la(les) caractéristique(s), **presser OFF** pour sauvegarder les réglages.

Voir page suivante pour plus de détails.

### Conseils

- Il y a un léger délai avant que chaque message (ou caractéristique) ne figure à l'affichage.
- Tourner le bouton lentement et attendre environ une seconde pour que l'affichage montre la caractéristique suivante.
- Pour se déplacer dans le menu, tourner lentement le bouton dans le sens horaire un clic après que chaque caractéristique s'affiche.

### BIP

Indique quand un mode est terminé, il y a 3 bips consécutifs.

### REMARQUE :

Dans le cas d'une panne de courant, les fonctions reviennent à leur réglage en usine. Il faudra les régler de nouveau.

## Réglage de la cuisinière



### SONNERIE DU VOLUME

- Le volume de l'alarme peut être modifié de **FAIBLE** à **ÉLEVÉ**.
- Le contrôle par défaut est **MOYEN**.

#### Modifier le niveau sonore

- Accéder au menu **SELECT FUNCTIONS**.
- Tourner le bouton dans le sens horaire jusqu'à ce que **VOLUME** figure.
- Presser **START**.
- Tourner le bouton pour sélectionner le niveau bas, moyen ou élevé.
- Presser **START**.



### CHANGEMENT DE TEMPÉRATURE

- Le four a un échelle de température Fahrenheit préétablie.
- La caractéristique permet d'alterner entre la température en Fahrenheit et Celsius.

#### Changement de l'échelle de température

- Accéder au menu **SELECT FUNCTIONS**.
- Tourner le bouton dans le sens horaire jusqu'à ce que **SELECTION TEMP F-C** figure.
- Presser **START**.
- Tourner le bouton pour sélectionner Fahrenheit (F) ou Celsius (C).
- Presser **START** pour accepter la sélection.



### AFFICHAGE PENDULE

- La pendule peut être mise en circuit ou non.
- Le réglage par défaut est marche.

#### Changement AFFICHAGE PENDULE

- Accéder au menu **SELECT FUNCTIONS**.
- Tourner le bouton dans le sens horaire jusqu'à ce que **CLOCK DISPLAY** figure.
- Presser **START**.
- Tourner le bouton une fois et **START** ou **OFF** figure à l'affichage.
- Presser **START** pour accepter la sélection.

### DEMO

#### MODE DÉMO

Ce mode sert aux magasins d'électroménagers.

### ABC

#### AFFICHAGE DE LANGUE

- Les langues sont anglais, espagnol et français.
- La langue par défaut est l'anglais.

#### Changement de l'affichage de langue

- Accéder au menu **SELECT FUNCTIONS**.
- Tourner le bouton dans le sens horaire jusqu'à ce que **LANGUAGE OPTION** figure.
- Presser **START**.
- Tourner le bouton dans le sens horaire pour sélectionner la langue.
- Presser **START** pour accepter la sélection.



### TOUCHES VERROUILLAGE

- Le clavier peut être verrouillé à des fins de sécurité.
- Cette caractéristique peut être utilisée pour éviter le changement de fonction du four.

#### Verrouillage ou déverrouillage du panneau de contrôle du four

- Accéder au menu **SELECT FUNCTIONS**.
- Tourner le bouton dans le sens horaire jusqu'à ce que **LOCK KEYS** clignotent.
- Presser **START**. **KEYPAD LOCKED** figure. L'affichage fait un bip si une touche est pressée pour indiquer que le clavier est verrouillé.
- Pour déverrouiller, presser **COOKING MODE** et maintenir pendant 5 secondes. L'affichage indique **UNLOCKING KEYPAD**.
- Lorsque déverrouillé, la pendule figure de nouveau à l'affichage.

**Remarque :** Cette fonction **ne verrouille pas** la porte du four.



### DÉVIATION TEMPÉRATURE DU FOUR

- Permet le réglage de la température du four si les aliments sont trop brunis ou trop pâles.

#### Changement du décalage de température

- Accéder au menu **SELECT FUNCTIONS**.
- Tourner le bouton dans le sens horaire jusqu'à ce que **OVEN TEMP OFFSET** figure.
- Presser **START**. 0 °F figure.
- Tourner le bouton vers la droite pour augmenter de +25 °F et vers la gauche pour diminuer de -25 °F.
- Presser **START** pour accepter la sélection.



### REMISE PAR DÉFAUT

- Cette caractéristique est utilisée pour changer «toutes les fonctions» et les remettre à leurs réglages d'origine en usine.

#### Remise aux réglages en usine

- Accéder au menu **SELECT FUNCTIONS**.
- Tourner le bouton dans le sens horaire jusqu'à ce que **RESET DEFAULTS** figure.
- Presser **START**. L'affichage indique **SELECT FUNCTIONS**.

### REMARQUE

Le menu **SELECT FUNCTIONS** figure en anglais seulement quelle que soit la langue sélectionnée.

## Réglage de la cuisinière



### Caractéristique SABBAT

- Le four cuira pendant 73 h avant de se mettre automatiquement hors circuit.
- Le four ou le tiroir réchaud doivent être hors circuit afin de régler cette caractéristique de Sabbath.

#### Réglage de cette caractéristique

1. S'assurer que le four et le tiroir réchaud sont hors circuit avant de commencer.
2. **Accéder au menu SELECT FUNCTIONS.**
3. **Tourner le bouton** dans le sens horaire jusqu'à ce que **SABBATH OPTION** figure.
4. **Presser START. CUISSON** figure à l'affichage et la température clignote.
5. **Tourner le bouton** pour régler la température du four.
6. **Mettre l'éclairage du four en circuit**, si désiré (**presser LIGHT (ÉCLAIRAGE)**).

**Remarque :** l'éclairage ne peut être modifié à partir de maintenant. Il demeure en ou hors circuit pendant tout le Sabbath.

7. **Presser START.** Le four se met en circuit après 5 secondes.

**Remarque :** la sonde **NE PEUT PAS** être utilisée pendant ce mode.

Pendant la cuisson à ce mode, l'affichage indique **SABBATH** et l'icône **CUISSON** s'affiche. La pendule est hors circuit et il n'y a pas de température à l'affichage.

Pendant ce mode, seule la touche arrêt est fonctionnelle. **Presser OFF en tout temps pendant le mode SABBATH pour mettre fin au mode et mettre le four hors circuit.**

À la fin des 73 heures, le four se met automatiquement **hors circuit** et l'affichage indique **FIN SABBAT**. **Presser OFF** pour que l'heure en cours s'affiche.



### FORMAT HEURE

- La pendule peut être réglée au format 12 ou 24 h.
- Le réglage par défaut est 12 h.

#### Changement du FORMAT HEURE

1. **Accéder au menu SELECT FUNCTIONS.**
2. **Tourner le bouton** dans le sens horaire jusqu'à ce que **TIME FORMAT** figure.
3. **Presser START.**
4. **Tourner le bouton** pour sélectionner 12 ou 24 h.
5. **Presser START** pour accepter la sélection.

## Caractéristiques de la surface de cuisson

### Avant d'utiliser la surface de cuisson

- Retirer tout matériel d'emballage et étiquettes de la surface de cuisson.
- Pendant qu'elle est froide, l'essuyer avec une éponge humide et assécher.
- Pour de résultats de cuisson optimum, cela dépend des batterie appropriée choisie et utilisée.
- Lire et comprendre toutes les précautions de sécurité et le guide d'Utilisation et d'entretien avant d'utiliser.

### Brûleurs à gaz scellés

Ce nouvel appareil est doté de brûleurs à gaz scellés et de capuchons amovibles. Il n'y a pas de pièce de brûleur sous la surface de cuisson à nettoyer, démonter ou régler. Il y a quatre (4) capuchons de format différent. Faire correspondre la casserole à la dimension du brûleur.

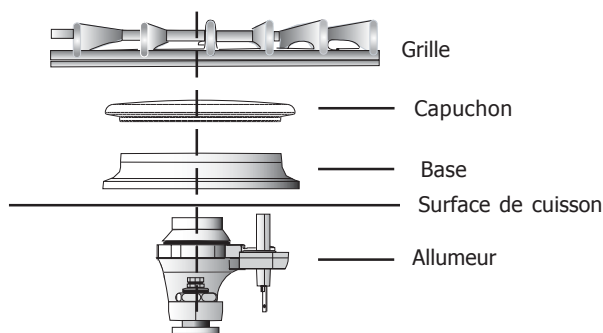


**AVERTISSEMENT :** pour éviter le flambage, ne pas utiliser la surface de cuisson sans ses capuchons de brûleur et les grilles bien en place.

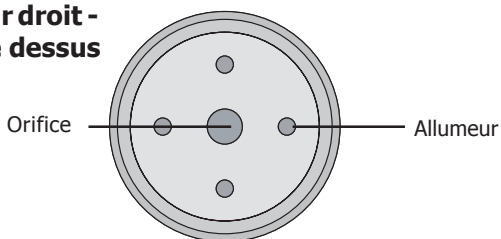
### Puissance par type de gaz (BTu/h)

	Avant gauche	Arr. gauche	Avant droit	Arr. droit
Gaz naturel	9 100	12 500	15 000	5 500
Propane	7 500	11 000	15 000	5 000

### Brûleur droit - vue latérale



### Brûleur droit - vue de dessus

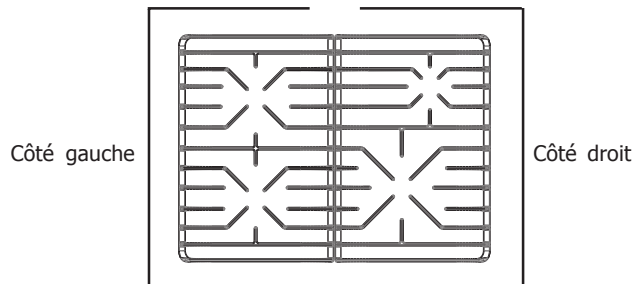


### Capuchons

Le capuchon est en acier porcelaine. S'assurer que le capuchon repose complètement sur la base du brûleur avant d'allumer le brûleur. Si le capuchon est mal installé, le brûleur peut ne pas s'allumer ou la flamme peut ne pas brûler entièrement ou incorrectement.

### Grilles

Cette cuisinière a deux grilles; une à gauche et l'autre à droite de la surface de cuisson. Les positionner comme illustré. Ne pas actionner le brûleur sans qu'une casserole soit sur la grille.



**AVERTISSEMENT :** Pour éviter le flambage, toutes les grilles doivent être adéquatement positionnées chaque fois que la surface de cuisson est utilisée. Chacun des pieds doit être placé dans l'encavure correspondante dans la surface de cuisson. Ne pas utiliser la grille si un pied en caoutchouc est manquant ou endommagé.

Utiliser ce tableau comme guide pour les réglages

Utilisation	Réglages
Eau à ébullition	Élevé
Friture, sauté, brunir la viande,	Moyen élevé
Friture, oeufs, crêpes, mijoter	Moyen
Terminer la cuisson d'aliments couverts, cuire à l'étuvée	Moyen bas
Faire fondre le chocolat et le beurre	Bas
Sauces tomates, soupes, ragoût, garder chaud	Mijoter

Une gamme de réglages est donnée car le réglage réel dépend de :

- 1) dimension, type et qualité de la casserole (voir «Guide de sélection de casseroles», page 26).
- 2) type, quantité et température des aliments
- 3) brûleur utilisé
- 4) goût du cuisinier.



**ATTENTION :** Pour éviter tout dommage possible à la casserole ou la cuisinière, la flamme ne doit pas dépasser le bord de la casserole.

## Fonctionnement de la surface de cuisson

### Boutons de contrôle du brûleur



Les contrôles de brûleur ont un nombre infini de réglages de chaleur sans position fixe. Une plaque indicatrice en plastique est située sous chaque bouton.

**Pour ALLUMER :** choisir le bouton approprié, pousser et tourner dans le sens contre horaire jusqu'au symbole de flamme. L'allumeur s'allume.

**Pour régler LA DIMENSION DE LA FLAMME :** Après avoir allumé, tourner dans le sens contre horaire pour la flamme désirée.

Fermer en tournant le bouton dans le sens horaire jusqu'à OFF.

**Pour enlever le bouton, ressort et plaque :** placer le bouton en position OFF. Tirer droit. Le ressort et la plaque se relâchent et peuvent être enlevés droit.

**Pour remettre le bouton, ressort et plaque :** placer le ressort et le bouton sur le dessus de la plaque en alignant les trous du centre. Pousser sur le bouton pour que le ressort se tende. Le bouton en position arrêt, placer le trou central sur la tige de la cuisinière et pousser la plaque, le ressort et le bouton vers l'appareil. Relâcher le bouton.

### Allumage électronique

La surface de cuisson utilise des allumeurs électroniques pour allumer les brûleurs. Il n'y a pas de veilleuse. Chaque brûleur est doté de son allumeur. Pour de meilleurs résultats, centrer la casserole sur le brûleur avant d'allumer.

L'allumeur doit être propre et sec avant de faire fonctionner.

- Éviter d'envoyer de l'eau ou des aliments sur l'allumeur.
- si l'allumeur est mouillé ou sale, il peut faire une étincelle sans allumer le brûleur.

**Remarque :** si le brûleur ne s'allume pas dans un délai de 4 secondes, mettre hors circuit. Vérifier si le capuchon est positionné correctement sur la base du brûleur et si l'allumeur est propre et sec. Voir « Aide surface de cuisson », page 28.

### Caractéristiques de flamme typique

Les particules étrangères dans la canalisation de gaz peut causer une flamme orangée à la première utilisation. Ceci devrait disparaître avec l'usage. Vérifier le capuchon de brûleur pour s'assurer que les orifices ne sont pas obstrués. Si tel est le cas, voir « Nettoyage de la surface de cuisson », page 22. Pour le gaz naturel, la flamme du brûleur devrait être bleue et stable sans pointe jaune, bruit excessif ou fluctuation. Elle doit brûler complètement autour du capuchon. Pour le gaz propane (LP), certaines pointes jaunes sont normales.

**Remarque :** un bruit audible peut être entendu lorsque le brûleur est mis hors circuit manuellement. Ce bruit peut être plus fort avec le gaz LP que le gaz naturel. Ceci est normal. Voir le guide de cuisson à la page précédente pour le réglage de la flamme.

### Panne de courant

Dans le cas d'une panne de courant, les brûleurs de la surface peuvent être allumés manuellement. Tenir une allumette près des orifices et tourner le bouton en position HI. Attendre que la flamme enveloppe le brûleur avant de la régler à la hauteur désirée.



### ATTENTION :

Tous les allumeurs font une étincelle lorsqu'un seul brûleur est mis en circuit. NE pas toucher aux brûleurs lorsque la surface est utilisée.

### Rendement du brûleur

Pour de meilleurs résultats, observer les caractéristiques de brûleur suivantes

**Brûleur PowerSim(MC)** (certains modèles) : est le plus grand et le plus pratique de la surface de cuisson. Le capuchon conserve la chaleur plus longtemps que le capuchon d'un brûleur ordinaire, à de faibles réglages, empêchant la flamme de toucher à la casserole. Résultat, une chaleur plus douce et plus prévisible. Il peut être réglé pour mijoter des sauces sans les faire coller et peut être réglé plus haut pour frire et faire bouillir rapidement. Le grand capuchon peut accommoder de grandes casseroles, idéales pour des quantités plus imposantes.

**Arrière gauche :** le brûleur arrière gauche est le plus petit et est idéal pour cuire délicatement comme faire fondre du chocolat ou du beurre.



## Modes four et caractéristiques

### Grilles du four

Selon le modèle, la cuisinière est dotée de trois grilles plates ou de deux grilles plates et une grille rallonge. Toutes les grilles sont conçues avec une butée afin qu'elles ne puissent complètement sortir du four et ne puissent pas basculer.

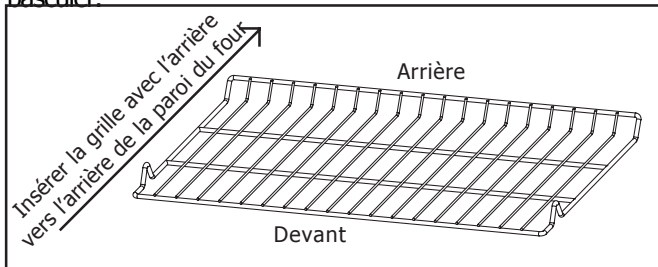


Figure 1 - Grille plate



#### ATTENTION :

Pour éviter les brûlures, placer la grille à la position désirée avant de mettre le four en circuit. Toujours utiliser des mouffles si le four est chaud. S'il faut enlever une grille pendant que le four est chaud, ne pas laisser les mouffles entrer en contact avec les éléments.

**Retrait du four :** saisir fermement les deux côtés et tirer. Lorsque la butée est atteinte, incliner vers le haut et tirer.

**Remise dans le four :** saisir fermement des deux côtés. Incliner vers le haut pour placer la butée dans le support. Remettre en position horizontale et pousser jusqu'au fond. La grille doit être droite et à plat, non croche.

**Remarque :** La grille à pleine rallonge doit être en position fermée pour mettre ou enlever. Saisir toute la grille (deux sections).

**La grille pleine rallonge** (Certains Modèles) offre un accès aisé aux aliments cuits. La section inférieure s'allonge aussi loin que la grille plate standard, la section supérieure s'étire encore plus. Pour commander cette grille, communiquer avec le marchand **Bosch** ou téléphoner au service **Bosch** : 800-944-2904 pour un marchand à proximité.

**Utilisation :** saisir d'abord la section inférieure et tirer. Une fois la butée atteinte, saisir la section supérieure et tirer jusqu'à ce que la deuxième butée soit atteinte.

**Nettoyage :** nettoyer la grille à l'eau chaude savonneuse, assécher complètement. **NE PAS nettoyer dans le four autonettoyant.**

**Les deux sections de la grille sont conçues pour se séparer et faciliter le nettoyage.** Placer la grille sur une surface plate en position fermée, l'endroit vers le haut. Tourner un côté de la grille supérieure vers soi jusqu'à ce que la butée (bille) soit passée. Tirer la grille vers le haut et sortir, tourner le côté d'abord (figure 2).

**Pour réassembler,** maintenir la grille supérieure diagonalement en travers de la grille inférieure. Insérer un côté de la grille supérieure en position fermée. Tourner l'autre côté vers l'arrière de la grille jusqu'à ce qu'elle passe la butée (bille). Pousser la grille supérieure jusqu'au fond (figure 3). Si la grille supérieure ne s'étire pas complètement, elle est mal installée. La réinstaller de façon à ce que la butée de casserole soit à l'arrière du four.

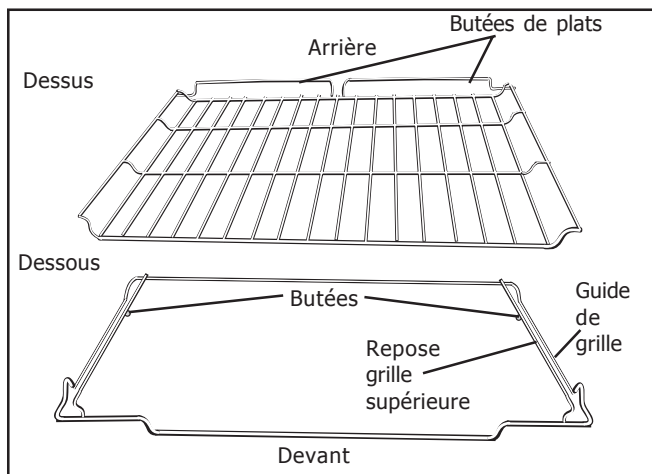


Figure 1 - Grille pleine rallonge

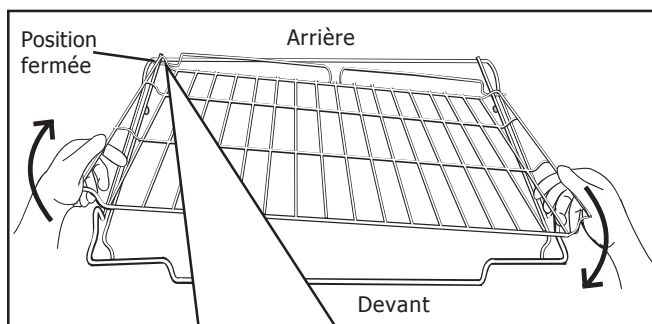


Figure 2 - Séparer la grille

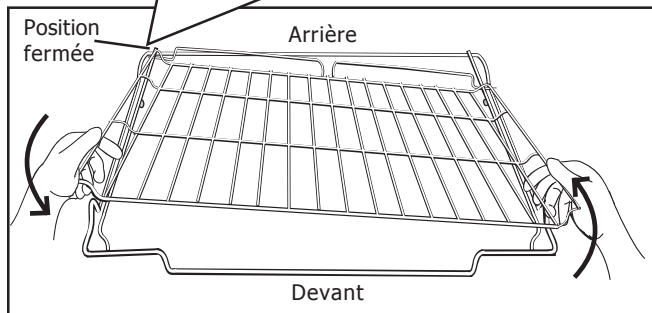
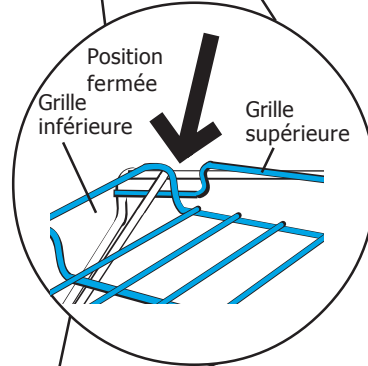


Figure 3 - Réassembler la grille



#### ATTENTION :

Toujours vérifier que la grille supérieure soit correctement réassemblée. Les bords arrière de la grille supérieure doivent être sous le guide de grille de la grille inférieure. **NE PAS** simplement reposer la grille supérieure sur la grille inférieure.

## Modes four et caractéristiques

### Position de la grille

(voir graphique à droite pour plus de détails)

**Grille 6** (plus haute position) – utiliser pour faire fondre le fromage et griller des aliments minces.

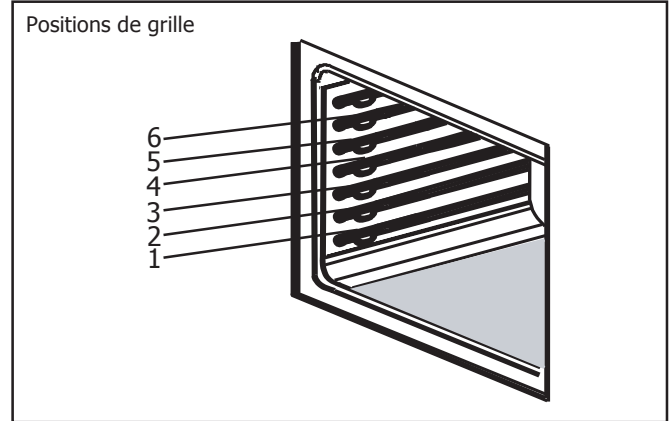
**Grille 5** – Griller de la viande, du pain.

**Grille 4** – Griller de la viande plus épaisse.

**Grille 3** – Utiliser pour la plupart des aliments cuits au moment de cuire sur la grille comme une tôle à biscuits ou un moule. Utiliser pour gâteaux, aliments surgelés préparés, biscuit, brownies et muffins.

**Grille 2** – Utiliser pour tartes, casseroles, pains, quatre-quarts, petits rôtis ou volaille.

**Grille 1** (plus basse position) – Utiliser pour gâteau des anges, gros rôtis, dinde



### Cuisson à plusieurs grilles

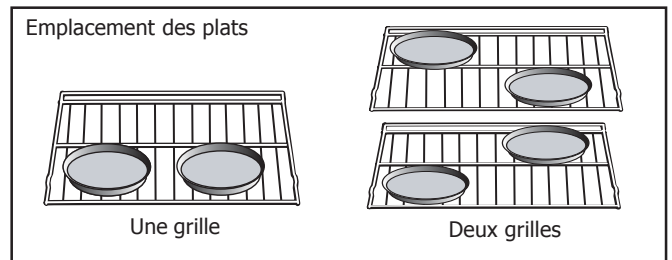
Avec plusieurs grilles, suivre les recommandations ci-dessous :

Deux grilles : pour gâteaux, position 2 et 5.

Trois grilles : (cuisson à convection) : utiliser les positions 1, 3 et 6.

### Emplacement des plats

Les résultats de cuisson sont mieux si les plats sont placés au centre du four. Si l'on cuit plus d'un plat, laisser au moins 1 à 1 1/2 po d'espace entre les plats. Pour la cuisson d'un gâteau à 4 étages en même temps, mettre les moules sur deux grilles, mais non les uns au-dessus des autres. Pour obtenir de meilleurs résultats de cuisson, placer les moules comme illustré à droite.



### Préchauffage

Préchauffer le four si la recette le recommande. Cela est nécessaire pour de bons résultats pour la cuisson de gâteaux, biscuits, pâtisseries et pains. Si la sonde est utilisée, le préchauffage n'est pas recommandé. Un réglage de température plus élevé ne réduit pas le temps de préchauffage. Un bip confirme que le four est préchauffé et la température choisie est affichée.

### Moules à cuisson

Les plats en verre absorbent la chaleur, réduire la température de 25 °F avec ce type de plats.

Le métal brillant et lisse réfléchit la chaleur résultant en un brunissage plus pâle.

Les plats foncés, rugueux ou mats absorbent la chaleur résultant en une croûte plus foncée. Certains fabricants recommandent d'abaisser la température de 25° F.

Suivre les instructions du fabricant.

Utiliser des moules foncés pour les tartes. Les moules isolés allongent le temps de cuisson recommandé.

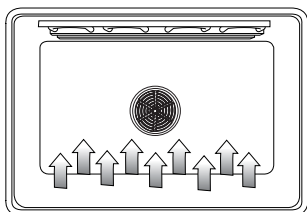
### Panne de courant

NE PAS tenter d'allumer le brûleur du gril ou le brûleur de cuisson manuellement. Seuls les brûleurs de la surface de cuisson peuvent être allumés manuellement.

## Mode four - Cuisson et cuisson à convection

### CUISSON, LEVAGE (Certains Modèles) ET RÉCHAUD

**Cuire**, c'est la cuisson avec de l'air chaud et sec. Les éléments supérieur et inférieur font des cycles pour maintenir la température du four.



Le mode cuisson peut être utilisé pour préparer une variété d'aliments; pâtisseries, casseroles, etc. ainsi que faire rôtir des viandes.

En mode **réchaud**, le four utilise les éléments supérieur et inférieur pour maintenir une basse température afin de garder les aliments à une température de service.

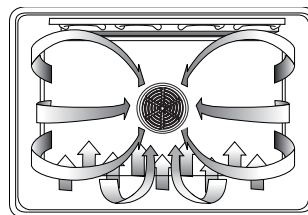
- Utiliser pour conserver les aliments chauds jusqu'au service.
- Les températures de réchaud sont 140 à 220 °F. La température par défaut est 170°.
- Les aliments qui doivent demeurer humides devraient être couverts avec un couvercle ou du papier aluminium.

Le levage est le fait que la pâte lève. En mode **levage**, le four utilise les éléments supérieur et inférieur pour maintenir une basse température pour faire lever le pain, la pâte.

- Les températures de levage sont 85 à 110 ° F. La température par défaut est 100°.
- De façon lâcher, couvrir le bol ou le moule et utiliser toute grille pour accommoder le format du contenant.
- **Garder la porte fermée** et utiliser l'éclairage du four pour vérifier la levée de la pâte.

### CUISSON À CONVECTION

**La cuisson à convection** est semblable à la cuisson. Dans ce cas, la chaleur provient de l'élément inférieur et d'un troisième élément derrière la paroi arrière. La principale différence est que la chaleur circule dans tout le four à l'aide d'un ventilateur à convection.



Le mode cuisson à convection est idéal pour cuire de grandes quantités d'aliments sur plusieurs grilles. Utiliser pour cuire biscuits, tartes, petits gâteaux, pâtisseries, pain, hors-d'oeuvre, etc.

Avantages :

- Légère diminution du temps de cuisson
- Cuisson à trois grilles (brunissage plus uniforme)
- Volume plus élevé (aliments à levure levant plus haut)
- Cuisson de plusieurs choses à la fois

Pour de meilleurs résultats :

- Réduire la température de la recette de 25 ° F. Voir le tableau de cuisson à convection.
- Mettre les aliments dans un plat profilé, non couvert, comme une tôle à biscuits sans côté.
- Centrer le moule côte à côte sur la grille du four.

Tableau de cuisson à convection

Aliments	Position Grille	Température* (four préchauffé) (F°)	Temps de convection** (min)
<b>Gâteau</b>			
Petits gâteaux	3	325	18 - 21
Gâteau Bundt	2	325	37 - 43
Gâteau des anges	1	325	39 - 43
Aliments			
<b>Tartes</b>			
2 croûtes fraîche, 9 po	2	350 - 400	45 - 55
2 croûtes, fruits surgelés, 9 po	2	350	68 - 78
<b>Biscuits</b>			
Sucrés	3	325 - 350	6 - 11
Brisures de chocolat	3	325 - 350	10 - 15
Brownies	3	325	29 - 36
<b>Pains</b>			
À la levure, miche, 9x5	2	350	20 - 24
	3	350 - 375	14 - 18
Petits à la levure	2	325 - 350	45 - 55
Miche rapide, 8x4	3	350 - 375	11 - 15
Biscuits	3	400	16 - 20
Muffins			
<b>Pizza</b>			
Surgelée	3	375 - 425	23 - 26
Fraîche	3	400 - 425	12 - 15

\*La température de la cuisson à convection est de 25 °F moindre que recommandée sur les emballages ou dans les recettes. La température du tableau a été réduite de 25 °F.

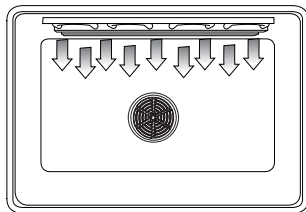
\*\*Ce tableau est un guide. Les temps réels dépendent des mélanges ou des recettes. Suivre la recette ou les directives sur l'emballage et réduire la température de façon appropriée.

## Mode four - gril et rôtissage à convection



### GRIL

Le gril utilise une chaleur intense radiée par l'élément supérieur.



Le mode gril est idéal pour cuire des aliments minces, tendres (1 po ou moins), volaille et poisson. Utiliser aussi pour brunir casseroles et pains.

Avantages :

- Cuisson rapide et efficace
- Cuisson sans ajout de liquide ou de gras additionnel
- Brunissage des aliments cuits

Pour de meilleurs résultats :

- Préchauffer le four de 3 à 4 minutes.
- Steaks et côtelettes doivent avoir 3/4 po d'épaisseur.
- Badigeonner poisson et volaille de beurre ou d'huile pour éviter de coller.
- Utiliser la rôtissoire et le plateau compris avec le four.
- Ne pas couvrir la rôtissoire avec du papier aluminium. Cela est conçu pour drainer le gras de la surface de cuisson et empêcher la fumée et les éclaboussures.
- Tourner la viande à mi-cuisson (voir le tableau de gril pour des exemples).
- Au moment de brunir des casserole, utiliser seulement des plats en métal ou en céramique vitrifiée comme Corningware®.
- Ne jamais utiliser des plats comme Pyrex® ; ils ne peuvent tolérer les températures élevées.

### TOUJOURS GRILLER LA PORTE FERMÉE

Tableau de gril

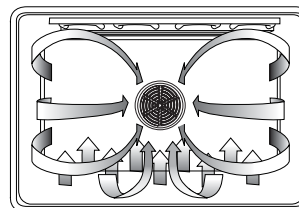
Aliment et épaisseur	Position gril	Réglage gril	Température interne (°F)	Temps côté 1 (min)*	Temps côté 2 (min)*
<b>Boeuf</b> Steak (3/4 à 1 po) Moyen saignant Moyen Bien cuit Hamburger (3/4 à 1 po) Bien cuit	5 5 5 4	High* High High High	145 160 170 160	6-7 7-8 8-9 9-11	5-6 6-7 7-9 8-10
<b>Volaille</b> Poitrine (avec os)	4	Low	170	18-20	18-19
<b>Porc</b> Côtelette (1 po) Saucisse - fraîche Tranche, jambon (1/2 po)	4 3 5	High High High	160 160 160	8-9 7-9 3-4	7-8 6-8 2-3
<b>Fruits de mer</b> Poisson, filet, 1 po Avec beurre	4	Low	Cuire jusqu'à opacité et se brisant à la fourchette	6-7	Pas le virage
<b>Pain</b> Pain à l'ail, tranche, 1 po	5	High		2-4	

\*Les temps de gril sont approximatifs et peuvent varier légèrement. Le temps est en fonction de la cuisson avec un élément **gril** préchauffé.



### RÔTISSAGE À CONVECTION

Le rôtissage à convection utilise la chaleur depuis le brûleur inférieur ainsi que la chaleur qui circule par le ventilateur à convection.



Ce mode est idéal pour préparer de tendres coupes de viande et de volaille.

Les avantages comprennent :

- Une cuisson de plus de 25 % plus rapide que le rôtissage/ cuisson standard
- Brunissage doré

Pour de meilleurs résultats :

- Utiliser la même température que celle indiquée dans la recette.
- Vérifier la cuisson plus tôt puisque le temps de cuisson peut être diminué d'environ 25 %. Voir le tableau de rôtissage à convection.
- Ne pas couvrir la viande ni utiliser de sac à cuisson.
- Utiliser la rôtissoire et la grille fournie avec la cuisinière pour le rôtissage ou un plat bas non couvert.
- Utiliser la sonde ou un thermomètre à viande pour déterminer la température interne de la viande.
- Si la viande est brunie à point, mais pas tout à fait cuite, une petite bande de papier aluminium peut être placée sur les zones brunies pour empêcher de trop brunir.
- Laisser la viande reposer dans le papier aluminium de 10 à 15 minutes après l'avoir retiré du four.

Viandes	Poids (lb)	Température four (°F)	Temps de rôtiss.* (min par lb)	Température interne (°F)
<b>Boeuf</b> Côte de boeuf	4 - 6	325	25-32 28-32	145 (méd/ saignant) 160 (médium)
Rôti sans os	4 - 6	325	24-32 27-32	145 (méd/ saignant) 160 (médium)
Surlonge sans os, oeil, pointe	3 - 6	325	25-30 28-32	145 (méd/ saignant) 160 (médium)
Rôti de filet	2 - 3	425	15-25	145 (méd./ saignant)
<b>Porc</b> Rôti (sans os ou avec os)	5 - 8	350	15-25	160
Épaule	3 - 6	350	20-30	160
<b>Volaille</b> Poulet - entier	3 - 4	375	14-20	180
Dinde non farcie**	12-15	325	10-14	180
Dinde non farcie**	16-20	325	9-13	180
Dinde non farcie**	21-25	325	6-10	180
Dinde, poitrine	3 - 8	325	20-25	170
Poulet de Cornouailles	1 - 1 ½	350	45-75 min. temp total	180
<b>Agneau</b> Demi-patte	3 - 4	325	30-35 25-30	160 (médium) 170 (bien)
Patte entière	6 - 8	325	25-30 30-35	160 (médium) 170 (bien)

\*Les temps de rôtissage sont approximatifs et peuvent varier selon la forme de la viande.

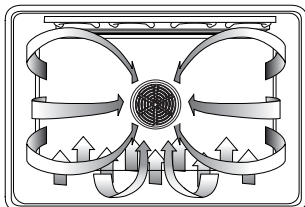
\*\*La dinde farcie requiert du temps de rôtissage additionnel. La température minimale sécuritaire pour la volaille farcie est de 165 °F.

## Modes four - déshydratation (Certains Modèles)



### DÉSHYDRATATION

La déshydratation assèche les aliments avec la chaleur du troisième élément derrière la paroi arrière du four. La chaleur circule dans le four par le ventilateur à convection.



La déshydratation est utilisée pour faire sécher et/ou préserver des aliments comme fruits, légumes et fines herbes. Ce mode maintient une basse température (100 °F à 160 °F) tout en faisant circuler l'air chaud pour enlever lentement l'humidité.

Pour de meilleurs résultats :

- Assécher la plupart des fruits et légumes à 140 °F, les fines herbes à 100 °F. (Voir le tableau de déshydratation pour des exemples).
- Les temps de séchages varient selon l'humidité et le sucre contenus dans l'aliment, le format et les pièces, la quantité à assécher et l'humidité dans l'air. Vérifier au temps minimum de séchage.
- Plusieurs grilles peuvent être utilisées. Communiquer avec le marchand Bosch concernant les grilles à séchage.
- Traiter les fruits avec un antioxydant pour éviter la décoloration.
- Consulter un livre sur la conservation ou autres pour plus d'information.

**La porte doit être ouverte pendant le mode déshydratation.** Laisser la porte entrouverte d'au moins 1 po en plaçant un objet (comme une cuillère en bois) dans le coin supérieur entre la porte et le panneau latéral. Faire attention à ce que l'objet ne touche pas au joint du four.

Tableau de déshydratation

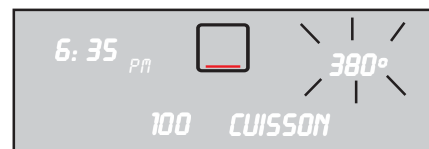
Aliment	Préparation	Temps de séchage approx. (h)	Vérifier la cuisson
<b>Fruit</b> Pommes	Tremper dans ¼ t. de jus de citron et 2 t. d'eau, tranches ¼ po	11-15	Légèrement pliables
<b>Banane</b>	déposée dans 1/4 t de jus de citron et 2 t d'eau, tranche 1/4 po	10-15	souple et pliable
Cerises	Laver, sécher à la serviette. Cerises fraîches, enlever noyau	10-15	Pliables, tannés, moelleux
Pelures et tranches d'orange	Tranches ¼ po ; partie de la pelure pelée mince	Pelures: 2-4 Tranches : 12-16	Pelure : séchée, effritable Tranches : peau sèche et effritables, fruit légèrement humide
Ananas en tranches	Sécher à la serviette	Conserve : 9-13 Frais : 8-12	Mous et pliables
Fraises	Laver, sécher à la serviette. Tranches ½ po extérieur sur grille	12-17	Séchées, effritables
<b>Légumes</b> Poivrons	Laver, sécher à la serviette. Retirer membrane couper grossièrement en morceaux 1 po	16-20	Tannés avec humidité à l'intérieur
Champignons	Laver, sécher à la serviette. Couper la queue, tranches 1/8 po	7-12	Durs, tannés et secs
Tomates	Laver, sécher à la serviette. Tranches minces 1/8 po, bien égoutter	16-23	Sèches, couleur rouge brique
<b>Herbes</b> Orégan, sauge, persil, thym et fenouil	Rincer et assécher avec essuie-tout	Sécher à 100 °F 3 à 5h	Croustillants et effritables
Basilic	Utiliser les feuilles de 3 à 4 po du haut. Vaporiser d'eau, secouer et assécher.	Sécher à 100 °F 3 à 5h	Croustillant et effritables

Le four demeure en circuit 48 heures avant de se mettre hors circuit automatiquement.

## Sélection mode four

### Réglage du mode cuisson

1. **Presser COOKING MODE.**
2. **CUISSON** figure à l'affichage.  
Si aucun autre réglage n'est effectué dans un délai de 5 secondes, le contrôle fait un bip et clignote, **presser START.**
3. Pour changer le mode de cuisson, **tourner le bouton.**
4. **Presser START.**  
Le mode sélectionné figure à l'affichage ainsi que la température par défaut pour ce mode, lequel clignote.
5. Pour sélectionner une température différente, tourner le bouton à la température désirée.
6. **Presser START** sinon, le four se met automatiquement en circuit dans un délai de 5 secondes.
7. L'affichage alterne entre le mode de cuisson et le préchauffage.  
La température de préchauffage est aussi affichée, commençant à 100 °F. La température réelle augmente jusqu'à ce que celle réglée soit atteinte, à ce moment, le **four fait un bip.**
8. Pour changer la température pendant la cuisson, **presser TEMPERATURE. Tourner le bouton** pour choisir une autre température et **presser START.**
9. Une fois la cuisson terminée, **presser OFF** pour mettre le four hors circuit.



#### CONSEIL

Pour sortir d'un mode en cours, **presser OFF.**

En sélectionnant **OFF** si non en mode réglage arrête la fonction four.

**Remarque :** une fois le four hors circuit, «HOT» (chaud) figure à l'affichage où le mode cuisson était. Ceci pour indiquer que le four est encore chaud ; lorsque la température descend en dessous de 176 °F, HOT disparaît.

### Temps de fonctionnement du four

Le four se met automatiquement hors circuit après 12 h (24 h si le format est réglé ainsi à **SELECT FUNCTION**).

### Évent du four

L'évent du four est situé au-dessus de la surface de cuisson directement en dessous de l'affichage.



Il est normal qu'il y ait de la vapeur qui s'échappe de l'évent et que de la condensation s'accumule sur le dossier et la surface de cuisson.  
Ne pas obstruer, ceci est important pour une bonne circulation d'air.

## Utilisation de la(des) minuterie(s)

### Réglage de la(des) minuterie(s)

1. **Presser TIME** et **MINUTERIE 1** figure.



2. Tourner le bouton pour **choisir MINUTERIE 1** ou **2**, puis **presser TIME. RÉGLER MINUTERIE 1 (2)** figure à l'affichage. Les minutes clignotent.



3. **Tourner le bouton** pour régler les minutes. Si seules les minutes sont réglées, **presser START**. Autrement, passer à **l'étape 4**.

4. **Presser TIME** de nouveau, les heures clignotent.



5. **Tourner le bouton** pour régler les heures.
6. **Presser TIME** de nouveau. La **MINUTERIE** est réglée. Si **TIME** ou **START** n'est pas pressée, l'affichage fait un bip et la minuterie clignote.

### Changer la(les) minuterie(s)

1. **Presser TIME. MINUTERIE 1** figure à l'affichage. Sélectionner **MINUTERIE 1** ou **2**.



2. **Presser TIME. REMISE MINUTERIE 1 (2)** figure. Les minutes clignotent.
3. **Tourner le bouton** pour changer les minutes.
4. **Presser TIME** de nouveau, les heures clignotent.
5. **Tourner le bouton** pour changer les heures.
6. **Presser TIME** et la nouvelle heure est réglée.

### Effacer la(les) minuterie(s)

1. **Presser TIME** une fois. **MINUTERIE 1** clignote.
2. **Tourner le bouton** pour choisir **EFFACER MINUTERIE 1(2)**.
3. **Presser TIME**.
4. Si la touche **TIME** n'est pas pressée, la cuisinière fait un bip et l'affichage clignote.



Lorsque le temps spécifié est écoulé, le contrôle fait un bip. **FIN MINUTERIE 1 (2)** clignote à l'affichage.

1. **Presser TIME** pour revenir à l'écran principal.

### CONSEIL

Tourner le bouton pour afficher l'heure du jour ou autre information concernant le mode four lorsque les minuteries sont utilisées.

### ANNULATION

Si la fonction n'est pas complétée, le four fait un bip périodique pour rappeler de régler l'heure. **Presser OFF** pour sortir du mode minuterie.

La sélection **OFF** si non en réglage de mode arrêtera la fonction du four.

## Utilisation de la cuisson minutée

La fonction **CUISSON MINUTÉE** permet de régler le four en mode cuisson pour une période, puis le met hors circuit. Cette fonction est disponible pour la cuisson, cuisson à convection et rôtissage à convection.

S'assurer que la pendule est réglée avant de commencer. Voir « Changer l'heure de la pendule » pour régler l'heure.

### Réglage du mode minuté

1. **Presser COOKING MODE.**
2. **CUISSON** figure. Pour sélectionner un mode de cuisson différent, tourner le bouton.
3. **Presser START.**
4. **Tourner le bouton** pour la température désirée.
5. **Presser TIME. CUISSON MINUTÉE** figure.
6. **Presser TIME. RÉGLAGE TEMPS CUISSON** figure et les minutes clignotent. **Régler les minutes. Presser TIME.**
7. Heure clignote. **Régler l'heure. Presser START.**  
*Remarque : le temps requis pour que le four atteigne la température doit être compris dans le temps de cuisson.*
8. **TEMPS CUISSON** figure et le four commence à préchauffer.

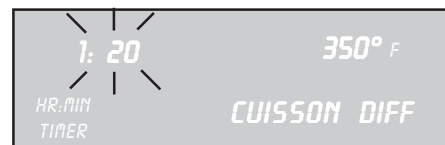
Une fois la cuisson complétée, **FIN CUISSON MINUTÉE** clignote à l'affichage et un bip retentit.

### Marche différée d'un mode minuté

1. Suivre les étapes **1 à 5** ci-dessus.
2. **Tourner le bouton** jusqu'à ce que **CUISSON DIFFÉRÉE** figure.
3. **Presser TIME. RÉGLAGE TEMPS CUISSON** figure et les minutes clignotent. **Régler les minutes. Presser TIME.**
4. Heure clignote. **Régler l'heure. Presser TIME.**
5. **FIN RÉGLAGE CUISSON** figure. **Presser TIME.**
6. Utiliser le bouton pour **entrer l'heure à laquelle le four arrête la cuisson ou se mettre hors circuit**  
Régler l'heure. **Presser TIME.**  
**Régler les minutes. Presser TIME.**  
La pendule calcule automatiquement l'heure à laquelle le mode cuisson commence et arrête. Le temps de cuisson affiché compte à rebours par minute.
7. À la fin du temps de cuisson programmé, le four se met automatiquement hors circuit. L'affichage indique **FIN TEMPS CUISSON** et un bip retentit.

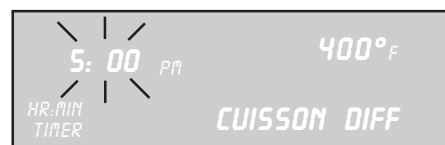
**Remarque : retirer les aliments du four immédiatement** une fois le cycle terminé pour éviter la surcuisson. Si les aliments sont laissés dans le four, ils continuent de cuire.

Pour vérifier le temps de cuisson et l'heure d'arrêt une fois un différé réglé, **presser TIME. Tourner le bouton à BAKE END ou BAKE TIME. Presser TIME.**



### REMARQUE

À la fin du temps de cuisson programmé, le four se met automatiquement hors circuit. L'affichage indique le mode et **FIN**.



### REMARQUE

La cuisson différée **n'est pas recommandée** pour les aliments qui lèvent (ex. : biscuits, gâteaux, pain, soufflés, etc.)



### Concernant la sonde

- La sonde peut être utilisée pour déterminer la cuisson interne ou la température arrêt de plusieurs aliments, surtout la viande et la volaille.
- La gamme de températures de la sonde est 135 à 200 °F (57 à 93 °C).
- Le préchauffage du four n'est pas recommandé avec la sonde. Un four chaud empêchera de bien brancher la sonde sur la prise et dans la viande.

### Insertion de la sonde

Insérer le bout de la sonde dans l'aliment.

- Pour la viande, insérer le bout de la sonde dans la partie la plus épaisse, sans toucher à un os ni un cartilage.
- Pour les grosses volailles et dindes, insérer la sonde dans la partie la plus épaisse de l'intérieur de la cuisse.
- Pour les autres aliments, comme un pain de viande, le bout de la sonde doit être placé au centre de la partie la plus épaisse.

### Utilisation de la sonde

1. Préparer la viande et la placer dans une rôtissoire (ou sur un support dans la rôtissoire). Insérer la sonde dans la viande (voir «Insertion de la sonde», ci-dessus.)
2. S'assurer que la sonde ne touche pas au cartilage, gras, os, support ou plat.
3. Placer la rôtissoire avec la viande dans le four froid sur la grille recommandée. **Brancher la sonde sur la prise.** Le symbole de la sonde figure à l'affichage.

**Remarque : la température de sonde peut seulement être réglée lorsque la sonde est insérée dans le four.**

4. **Presser COOKING MODE et sélectionner CUISSON, CUISSON PAR CONVECTION ou RÔTISSAGE PAR CONVECTION.**
5. **Presser START.** La température par défaut s'affiche.
6. **Tourner le bouton** pour changer la température au besoin.
7. **Presser START.**
8. **Tourner le bouton** pour régler la température de la sonde (température d'arrêt désirée de l'aliment).
9. **Presser START.**
  - La température de four choisie figure dans le coin supérieur droit de l'affichage.
  - La température de sonde figure dans le centre à gauche du mode de cuisson. Elle commence à 80° et augmente en tranches de 5° jusqu'à ce que la température choisie figure.
  - Le four est préchauffé lorsque le bip retentit.
  - Lorsque la température de sonde est atteinte, FIN figure à l'affichage et le four ne met hors circuit.

### CONSEILS D'UTILISATION DE LA SONDE

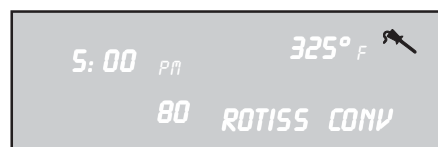
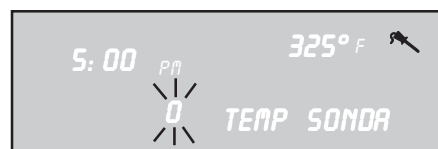
- Le four est bien isolé et la chaleur retenue continue de cuire les aliments une fois le four hors circuit. Pour cette raison, retirer la viande du four dès que le bip sonne.
- Puisque la viande continue de cuire après être retirée du four, régler la température interne (sonde) de 5 à 10 degrés en dessous de la température interne finale désirée (sauf la volaille). Laisser reposer (10 à 20 minutes) avant de dépecer la viande.
- Toujours utiliser la poignée de la sonde pour l'insérer et la retirer. Utiliser un tire-plat pour retirer puisque la sonde devient très chaude.
- Retirer la sonde du four lorsqu'elle n'est pas utilisée.
- La sonde ne peut pas être utilisée avec des viandes sur-gelées. Pour de meilleurs résultats, complètement décongeler la viande avant d'utiliser la sonde.

### Changer la température du four

1. **Presser TEMPERATURE. TEMPÉRATURE DU FOUR** figure à l'affichage.
2. **Tourner le bouton** à la température désirée et **presser START** deux fois.

### Changer la température de la sonde

1. Presser **TEMPERATURE.** La température du four clignote.
2. **Presser START** et **TEMP SONDE** clignote. La température clignote.
3. Tourner le bouton à la température désirée et **presser START** de nouveau.

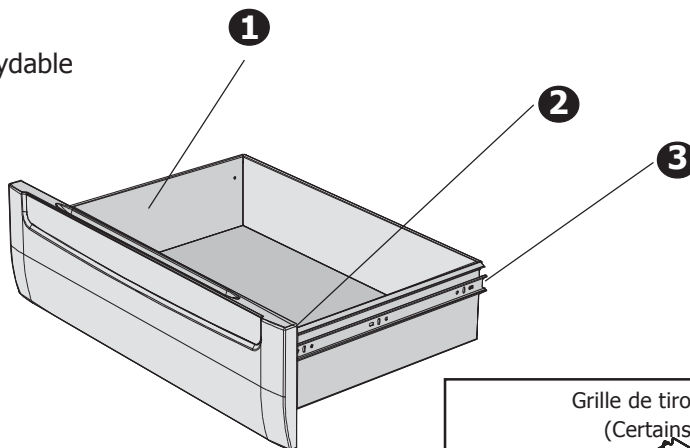


**Remarque :** toujours enlever la sonde du four lorsque la cuisson est terminée. Le symbole de la sonde demeure à l'affichage tant que la sonde n'est pas enlevée. Ne pas laisser la sonde en place pendant l'autonettoyage. Le four ne s'autonettoie pas si la sonde est en place.

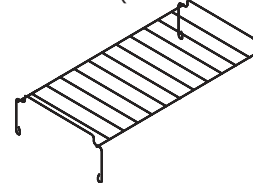
## Tiroir réchaud (Certains Modèles)

### Pièces clés :

1. Intérieur en acier inoxydable
2. Joint
3. Verrouillage de rail



Grille de tiroir réchaud  
(Certains Modèles)



Communiquer avec le marchand pour commander la grille de tiroir réchaud.

### Concernant le tiroir réchaud

Le tiroir réchaud garde chaud, les aliments cuits à une température de service.

Les réglages sont bas, moyen et élevé.

Voir le tableau de réglages du tiroir réchaud à la page suivante pour plus de détails.

Pour garder plusieurs aliments différents chauds, régler la température pour l'aliment qui requiert le plus haut réglage.

Placer l'article nécessitant le plus haut réglage vers le côté du tiroir et ceux nécessitant le moins haut réglage sur la grille ou au centre du fond du tiroir.

Les aliments doivent être à une température de service (supérieure à 140 °F) avant d'être placés dans le tiroir.

NE PAS utiliser pour réchauffer des aliments froids autres que des craquelins, croustilles et céréales sèches ou assiettes ou plats.

Le tiroir peut être utilisé avec ou sans grille. Préchauffer avec la grille en place au moment d'utiliser cet arrangement. Elle s'ajuste d'un côté à l'autre.

Préchauffer un plat de service vide pendant le préchauffage du tiroir, si désiré.

Placer les aliments chauds cuits dans le tiroir dans son contenant ou dans un plat de service résistant à la chaleur.

Du papier aluminium peut être utilisé pour couvrir les aliments. Toutefois, NE PAS doubler le fond du tiroir.

NE PAS utiliser le tiroir à des fins de rangement.

### Espace utilisable et formats d'ustensiles

#### Intérieur du tiroir :

25 x 17 x 5 po (L x P x H)

#### Formats d'ustensiles :

- 2 plats 3 pintes, 9 x 13 po en Pyrex, côte à côte.
- 2 plats 4 pintes, 9 1/2 x 1/2 x 15 po en Pyrex, côte à côte.
- 4 assiettes 10 1/2 po, simples ou empilées.
- 3 assiettes 11 po, simples ou empilées.

Le tiroir réchaud a trois réglages : bas, moyen et élevé.

Les icônes ci-dessous figurent à l'affichage lorsque le réglage correspondant est sélectionné :

Faible 

Moyen 

Élevé 

Voir page suivante pour plus de détails.

## Utilisation du tiroir réchaud (Certains Modèles)

### Réchauffer bols et assiettes vides

- Utiliser seulement de la vaisselle résistant à la chaleur.
- L'on peut utiliser la grille réversible, en position basse pour soulever le plat du fond du tiroir.
- Réchauffer au réglage approprié pour l'ustensile.
- Vérifier la température pendant le réchauffage.
- Placer les plats ou assiettes dans un tiroir froid. Ne pas préchauffer avant de placer les plats.

### Rendre croustillant

- Placer les aliments dans un plat peu profond.
- Préchauffer à bas.
- Vérifier après 45 minutes. Ajouter du temps au besoin.

### Préchauffage

Pour de meilleurs résultats, toujours préchauffer le tiroir-réchaud pour réchauffer les aliments.

#### Durée de préchauffage :

**Bas** : 10 minutes

**Moyen** : 15 minutes

**Haut** : 20 minutes

### Réglage du tiroir réchaud

#### Si l'on utilise seulement le tiroir:

1. **Presser COOKING MODE.**
2. **Tourner le bouton** pour choisir **TIROIR RÉCHAUD.**
3. **Presser START.**
4. **Tourner le bouton** pour choisir le réglage de chaleur.
5. **Presser START.**

#### En utilisant aussi le four (ou autre mode):

1. **Presser COOKING MODE.**
2. **Presser START pour choisir TIROIR RÉCHAUD.**
3. **Tourner le bouton** pour choisir le réglage de chaleur.
4. **Presser START.**

### Mettre le tiroir hors circuit

#### Si l'on utilise seulement le tiroir:

1. **Presser OFF.**

#### Si l'on utilise le tiroir et le four (ou autre mode):

1. **Presser OFF.**
2. **Tourner le bouton pour choisir ANNULATION TIROIR, ANNULATION FOUR ou ANNULATION LES DEUX.**
3. **Presser OFF.**

### Guide du tiroir réchaud

Aliment	Temp.	Couvert/ non couvert
Bacon	Hi	Non couvert
Boeuf, médium et bien cuit	Med	Couvert
Boeuf, saignant	Low	Couvert
Pain, croûte dur	Med	Non couvert
Pain croûté souple, petits gâteaux	Med	Couvert
Biscuits	Med	Couvert
Casseroles	Med	Couvert
Oeufs	Med	Couvert
Poisson, fruits de mer	Med	Couvert
Aliments frits	Hi	Non couvert
Sauces, crème	Med	Couvert
Jambon	Med	Couvert
Pancake	Hi	Couvert
Tartes, une croûte	Med	Couvert
Tartes, deux croûtes	Med	Non couvert
Pizza	Hi	Couvert
Porc	Med	Couvert
Pommes de terre, cuites	Hi	Couvert
Pommes de terre, purée	Med	Couvert
Volaille, rôtie	Med	Couvert
Légumes	Med	Couvert
Assiette	Low	Non couvert
Assiette avec aliments	Med	Couvert



#### **ATTENTION :**

Les contenants ou pellicule en plastique peuvent fondre au contact direct avec le tiroir ou un ustensile chaud. Si tel est le cas, il sera peut-être impossible de l'enlever.

## Nettoyage de la surface de cuisson

### Techniques de nettoyage quotidien

Toute la cuisinière peut être nettoyée de façon sécuritaire avec une éponge savonneuse. Rincer et assécher.

**Remarque :** les produits nettoyants recommandés dans ce guide ne sont que des types et ne constituent pas l'endossement d'une marque particulière. Utiliser tous les produits selon les directives figurant sur l'emballage.



### ATTENTION

- Avant de nettoyer, s'assurer que les brûleurs sont hors circuit et que les grilles sont refroidies.
- Toujours utiliser le détergent le plus doux pour le travail. Utiliser des éponges, chiffons ou essuie-tout propres et doux.
- Frotter l'acier inoxydable dans le sens du grain. Assécher pour éviter les taches d'eau.
- Ne pas nettoyer des pièces amovibles de la surface de cuisson dans le four autonettoyant.
- Après le nettoyage, placer toutes les pièces dans leur position appropriée avant d'utiliser la surface de cuisson.

### Tableau d'entretien de la surface de cuisson

Pièce et matériaux	Nettoyants suggérés	Rappels importants
<b>Base du brûleur</b> / Aluminium	<ul style="list-style-type: none"> <li>• Détergent et eau chaude, rincer et assécher.</li> <li>• Abrasifs : tampons Brillo® ou S.O.S.® Rincer et assécher.</li> </ul>	<ul style="list-style-type: none"> <li>• Nettoyer les orifices avec une brosse à dents de nylon raide.</li> <li>• Ne pas égratigner ni couteler les orifices.</li> <li>• Ne pas utiliser un cure-dent, il peut briser.</li> </ul>
<b>Capuchon et</b> fini extérieur en porcelaine émaillée.	<ul style="list-style-type: none"> <li>• Eau chaude savonneuse; rincer et assécher.</li> <li>• Non abrasifs : Fantastic®, Formula 409®.</li> <li>• Abrasifs doux : Bon Ami®, Ajax®, Comet®.</li> <li>• Liquides : Soft Scrub®.</li> <li>• Réassembler. S'assurer que le capuchon est bien installé sur la base.</li> </ul>	<ul style="list-style-type: none"> <li>• Les déversements sucrés et acides détériorent la porcelaine émaillée. Enlever immédiatement.</li> <li>• Ne pas utiliser d'éponge ou serviette mouillée sur la porcelaine chaude.</li> <li>• Ne pas faire tremper les capuchons.</li> <li>• Appliquer une pression minimale avec les abrasifs.</li> <li>• Ne jamais utiliser de nettoyants caustiques, abrasifs sur l'extérieur de l'appareil.</li> </ul>
<b>Boutons de contrôle et plaque d'identification</b> / Plastique	<ul style="list-style-type: none"> <li>• Eau chaude savonneuse; rincer et assécher immédiatement,</li> <li>• Pour enlever les boutons, régler en position OFF et tirer.</li> </ul>	<ul style="list-style-type: none"> <li>• Ne pas faire tremper les boutons.</li> <li>• Ne pas forcer les boutons sur la tige de la soupape.</li> <li>• Ne pas utiliser d'abrasifs ou nettoyants, comme BonAmi®, Ajax® ou Comet®. Ils peuvent endommager l'extérieur.</li> </ul>
<b>Fini extérieur</b> / Acier inoxydable	<ul style="list-style-type: none"> <li>• Non abrasifs : eau chaude et détergent, Fantastic®, Formula 409®. Rincer et assécher immédiatement.</li> <li>• Poli : Stainless Steel Magic® pour protéger le fini des taches et des piqûres. Rehausse l'apparence.</li> <li>• Taches calcaire : vinaigre blanc de maison.</li> <li>• Abrasifs doux : Kleen King® liquide pour acier inoxydable, Cameo® pour aluminium et acier inoxydable, BonAmi®.</li> <li>• Décoloration par chaleur: Bar Keepers Friend®.</li> </ul>	<ul style="list-style-type: none"> <li>• L'acier inoxydable résiste à la plupart des taches et marques en autant que la surface soit propre et protégée.</li> <li>• Ne jamais laisser les taches ou le sel sur l'acier inoxydable longtemps.</li> <li>• Frotter délicatement dans le sens du grain.</li> <li>• Le chlore et ses dérivés dans certains nettoyants sont corrosifs pour l'acier inoxydable. Vérifier les ingrédients sur l'étiquette avant d'utiliser.</li> </ul>
<b>Grilles</b> / Porcelaine émaillée sur fonte	<ul style="list-style-type: none"> <li>• Non abrasifs : eau chaude et détergent, Fantastic®, Formula 409®. Rincer et assécher immédiatement.</li> <li>• Abrasifs doux : Bon Ami® et Soft Scrub®.</li> </ul>	<ul style="list-style-type: none"> <li>• Les grilles sont lourdes, attention en soulevant. Placer sur une surface protégée.</li> <li>• Fendillement, craquellement, etc. sont causés par les changements rapides de température.</li> <li>• Déversements sucrés et acides détériorent l'émail. Enlever immédiatement.</li> <li>• Les abrasifs utilisés trop vigoureusement peuvent éventuellement marquer l'émail.</li> </ul>
<b>Allumeurs</b> / Céramique	<ul style="list-style-type: none"> <li>• Essuyer délicatement avec un cure-oreille humide d'eau, ammoniac ou Formula 409®.</li> <li>• Gratter doucement avec un cure-dent</li> </ul>	<ul style="list-style-type: none"> <li>• Éviter l'excès d'eau sur l'allumeur. Humide, il empêchera le brûleur de s'allumer</li> <li>• Enlever toute charpie résiduelle après le nettoyage.</li> </ul>



### Autonettoyage du four

Les cuisinières **Bosch** sont dotées de la fonction autonettoyante qui élimine le nettoyage manuel. Pendant l'autonettoyage, le four utilise une très haute température pour brûler toutes les taches d'aliments et de gras.

- Il est habituel de voir de la fumée et/ou des flammes pendant le cycle d'autonettoyage, selon le contenu et la quantité de saleté dans le four. Si les flammes persistent, fermer le four, laisser refroidir avant d'ouvrir pour essuyer les résidus d'aliments excessifs.
- En mode autonettoyage normal, la porte ne se verrouille pas au début du cycle ; toutefois, elle se verrouille avant d'atteindre la température d'autonettoyage. Le symbole de verrouillage de porte figure à l'affichage à ce moment. **La porte ne se verrouille pas au début du cycle.**
- L'éclairage du four ne fonctionne pas pendant ce mode.
- Pendant l'autonettoyage, la cuisine doit être bien aérée afin d'éliminer les odeurs associées à l'autonettoyage. Les odeurs diminuent avec l'usage.
- Quatre heures représentent la durée pré réglée du nettoyage. L'appareil peut être réglé pour nettoyer à 3 ou 5 heures.
- Le mode s'arrête automatiquement à la fin de la durée.
- Lorsque la chaleur du four descend à une température sécuritaire, le verrouillage de porte se déclenche automatiquement et la porte peut être ouverte.

### Préparation du four pour l'autonettoyage

1. Retirer tous les ustensiles et plats.
2. Retirer les grilles. Si elles demeurent dans le four pendant le cycle autonettoyage, elles perdront de façon permanente le fini brillant et deviendront foncées. Elles ne glisseront pas en douceur. Voir tableau de nettoyage du four.
3. Essuyer tout dégât mou et graisse avec des essuie-tout. L'excès de graisse causera des flammes et de la fumée à l'intérieur du four pendant le nettoyage.
4. Revoir l'illustration ci-dessous. Certaines zones du four doivent être nettoyées à la main avant le début du cycle. Utiliser une éponge savonneuse ou un tampon à récurer en plastique ou un tampon S.O.S.® avec détergent. Nettoyer à la main le bord de la porte du four, cadre avant du four et jusqu'à 1 1/2 po à l'intérieur du cadre avec du détergent et de l'eau chaude. Ne pas nettoyer ni frotter le joint du four. Le joint est conçu pour retenir la chaleur pendant l'autonettoyage. Bien rincer et assécher.
5. S'assurer que l'éclairage est hors circuit et que les ampoules et les couvercles sont en place. **Ne pas faire fonctionner le four sans ampoule(s) ni couvercle(s) en place.**

Les produits nettoyants commerciaux ne doivent pas être utilisés dans le four autonettoyant ou sur toute pièce car ils peuvent endommager le fini ou les pièces.



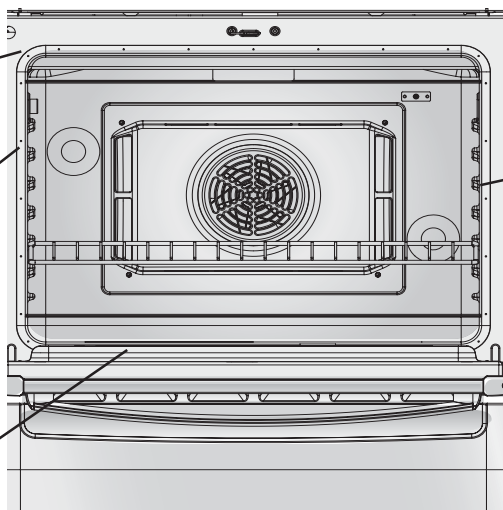
#### AVERTISSEMENT

Un joint de porte flexible est nécessaire pour une bonne étanchéité. Ne pas nettoyer, frotter, endommager ni enlever le joint.  
Ne pas enlever le bas du four.

**Nettoyer** à la main le cadre à l'extérieur du joint

**NE PAS** nettoyer le joint à la main

**Nettoyer** à la main la porte à l'extérieur du joint



**Nettoyer** 1 1/2 po depuis les guides de grille vers le devant du four

## Entretien et nettoyage - four

### Réglage du mode auto nettoyage

1. **Presser COOKING MODE.**
2. **Tourner le bouton** jusqu'à ce que le mode **AUTONETTOYAGE** s'affiche. **Presser START.**
3. La durée de nettoyage par défaut est 4 heures. Pour changer les heures, **tourner le bouton** pour changer le nombre d'heures, sinon, passer à **l'étape 4** (voir figure 1).
4. **Presser START. AUTONETTOYAGE** clignote. **Presser START.**
5. **ENLEVER GRILLE** figure à l'affichage pour rappeler d'enlever les grilles du four (voir figure 2).
6. **Presser START** de nouveau pour débiter l'autonettoyage.

**Remarque :** En mode autonettoyage normal, la porte ne se verrouille pas au début du cycle ; toutefois, elle se verrouille avant d'atteindre la température d'autonettoyage. Le symbole de verrouillage de porte figure à l'affichage à ce moment.

### Mise en marche différée de l'autonettoyage

**Remarque :** l'heure du jour doit être réglée pour cette option. Voir « Réglage de la cuisinière » à la page 5.

1. **Presser COOKING MODE.**
2. **Tourner le bouton** jusqu'à ce que **AUTONETTOYAGE** figure.
3. Le temps de nettoyage par défaut est 4 heures. Pour changer l'heure, tourner le bouton pour changer le nombre d'heures, sinon passer à **l'étape 4** (voir figure 1).
4. **Presser START.**
5. **Tourner le bouton** jusqu'à ce que **NETTOYAGE DIFFERE** s'affiche. **Presser START** (voir figure 3).
6. **FIN AUTONETTOYAGE** figure (voir figure 4).
7. **Tourner le bouton** pour entrer l'heure d'arrêt : régler heure, **presser TIME**, régler minutes.
8. **Presser START.** L'affichage rappelle d'enlever les grilles du four (voir figure 2).
9. **Presser START.** L'affichage indique **NETTOYAGE DIFFERE.** L'autonettoyage commence à l'heure appropriée.

**Remarque :** en mode autonettoyage différé, le verrouillage de porte est automatiquement activé au début du cycle. Le symbole de verrouillage figure à l'affichage à ce moment.

#### REMARQUE

L'éclairage du four ne fonctionne pas en mode autonettoyage.



Figure 1



Figure 2



Figure 3



Figure 4



### Après l'autonettoyage

1. À la fin du temps de nettoyage programmé, le four se met automatiquement hors circuit. **FIN AUTO-NETTOYAGE** figure à l'affichage. **Presser OFF** pour effacer.

**Remarque :** pour annuler ou arrêter pendant le mode, **presser OFF**. La porte ne se déverrouille pas tant que le four n'a pas atteint une température sécuritaire.

2. Le mode autonettoyage peut produire de la cendre qui se déposera dans le fond du four. Essuyer avec un chiffon humide avant d'utiliser le four.
3. Si les grilles sont laissées dans le four pendant l'autonettoyage, essuyer les bords avec de l'huile à cuisson pour assurer un bon glissement. Essuyer l'excès.

## Entretien et nettoyage - four

Tout le four peut être nettoyé de façon sécuritaire avec un éponge savonneuse. Rincer et assécher. Si de taches tenaces demeurent, suivre les méthodes recommandées sur cette page.

- Toujours utiliser le nettoyant le plus doux pour enlever les taches.
- Frotter les finis en métal dans le sens du grain.
- Utiliser éponges, chiffons ou essuie-tout doux et propres.
- Rincer entièrement avec un minimum d'eau pour ne pas qu'elle s'égoutte dans la fente de la porte.
- Essuyer pour éviter les taches d'eau.







Les nettoyants désignés ci-dessous indiquent des types de produits à utiliser et ne sont pas endossés. Utiliser tous les produits selon les directives indiquées sur l'emballage.

PIÈCE	MÉTHODE DE NETTOYAGE
Grilles (four, tiroir réchaud)	Laver avec de l'eau chaude savonneuse. Rincer et assécher. Ou frotter délicatement avec une poudre à récurer ou un tampon à récurer avec savon tel qu'il est indiqué. Si les grilles sont nettoyées dans le four, elles perdront leur fini brillant et peuvent ne pas glisser en douceur. Si cela se produit, essuyer les bords de la grille avec une petite quantité d'huile végétale, puis essuyer l'excès.
Joint en fibre de verre	NE PAS NETTOYER À LA MAIN LE JOINT.
Verre	Laver avec de l'eau et du savon ou un produit pour le verre. Utiliser Fantastik® ou Formula 409® pour enlever les éclaboussures ou les taches tenaces.
Surface peinte	Nettoyer avec de l'eau chaude ou un appliquer Fantastik® ou Formula 409® sur une éponge ou essuie-tout et essuyer. <u>Éviter d'utiliser des nettoyants en poudre, tampons à récurer en laine d'acier et nettoyants pour le four.</u>
Surface en porcelaine	Essuyer immédiatement les déversements acides comme jus de fruit, lait, tomate avec un chiffon sec. Ne pas utiliser d'éponge/chiffon humide sur la porcelaine chaude. Lorsque refroidie, nettoyer avec de l'eau chaude savonneuse ou appliquer Bon-Ami® ou Soft Scrub® sur une éponge humide. Rincer et assécher. Pour les taches tenaces, utiliser délicatement des tampons remplis de savon. Il est normal que la porcelaine ait de fines lignes avec l'âge à cause de l'exposition à la chaleur et aux taches d'aliments.
Acier inoxydable	Toujours essuyer et frotter dans le sens du grain. Nettoyer avec une éponge savonneuse, puis rincer et assécher. Ou essuyer avec du Fantastik® ou Formula 409® vaporisé sur un essuie-tout. Protéger et polir avec Sainless Steel Magic® et un chiffon doux. Enlever les taches d'eau avec un chiffon humidifié de vinaigre blanc. Utiliser Bar Keeper's Friend® pour enlever la décoloration par chaleur.
Sonde (Certains Modèles)	Nettoyer la sonde à la main avec détergent et eau chaude. Rincer et assécher. <b>Ne pas faire tremper ni mettre au lave-vaisselle.</b>
Plastique et contrôle	Lorsque refroidis, nettoyer avec de l'eau savonneuse, rincer et assécher.
Tiroir (réchaud et rangement)	Lorsque refroidis, nettoyer avec de l'eau chaude savonneuse, rincer et assécher.

## Guide de sélection de casseroles

Pour de meilleurs résultats, choisir une batterie de cuisine ayant les caractéristiques suivantes :

- Les casseroles dotées d'un fond en aluminium ou en cuivre conduisent la chaleur uniformément .
- Les casseroles en acier, si elles ne sont pas combinées à d'autres métaux, ne cuisent pas uniformément.
- Les casseroles en fontes absorbent la chaleur et cuisent plus uniformément à des réglages de chaleur bas à moyen.
- Des casseroles à fond épais offrent une chaleur uniforme et de la stabilité.  
NE PAS UTILISER des casseroles voilées, minces, bosselées, etc. car elles chauffent de façon non uniforme.

<p>Faire correspondre le diamètre de la casserole à la flamme</p> <ul style="list-style-type: none"><li>– La flamme devrait être de la même dimension que le fond de la casserole ou plus petite. Ne pas utiliser de petites casseroles avec un réglage de chaleur élevé, car la flamme peut lécher les bords.</li><li>– Les casseroles trop grandes qui prennent deux brûleurs sont placées sur le côté gauche, de l'avant à l'arrière (non d'un côté à l'autre)</li></ul>		
<p>Utiliser des casseroles équilibrées</p> <ul style="list-style-type: none"><li>– Les casseroles doivent être de niveau sur la surface de cuisson, sans basculer.</li><li>– Centrer sur le brûleur.</li></ul>		
<p>Utiliser un couvercle approprié</p> <ul style="list-style-type: none"><li>– Un couvercle hermétique réduit le temps de cuisson.</li></ul>		

- Utiliser un **wok** avec un fond plat.
- Pour **mijoter des ragoûts et des soupes**, utiliser le brûleur avant droit. Pour fondre le chocolat, utiliser le brûleur arrière droit.
- **Les appareils à conserves et les autocuiseurs** doivent avoir les mêmes caractéristiques susmentionnées. Après avoir amené à ébullition le contenu, utiliser le réglage le plus bas possible pour maintenir le bouillonnement ou la pression.



### Retrait de la porte

#### **AVERTISSEMENT**

- S'assurer que le four est froid et que l'alimentation est hors circuit avant de retirer la porte. Sinon il peut en résulter un choc électrique ou des brûlures.
- La porte du four est lourde et fragile. Utiliser les deux mains pour enlever la porte. Le devant de la porte est en verre. Manipuler avec soin pour ne pas briser.
- Saisir seulement les côtés de la porte du four. Ne pas saisir la poignée, elle peut tourner et causer des dommages ou des blessures.
- Si l'on ne saisit pas la porte fermement et adéquatement, il peut en résulter des dommages au produit ou des blessures.

1. S'assurer de lire l'AVERTISSEMENT au-dessus et à droite avant de tenter d'enlever la porte du four.
2. Ouvrir complètement la porte.
3. Baisser le levier sur la charnière vers soi (figure A).
4. Fermer la porte à environ mi-chemin.
5. En maintenant la porte fermement par les côtés avec les deux mains, tirer la porte droit hors des fentes de la charnière. Maintenir fermement, la porte est lourde (figure B). La porte devrait sortir des fentes de charnières en douceur. Ne pas forcer la porte – la charnière peut être endommagée et il peut en résulter des blessures.
6. Placer la porte dans un endroit pratique et stable pour la nettoyer.

#### Remise en place de la porte du four

1. Maintenir la porte fermement avec les deux mains, placer les charnières dans les fentes de charnière
2. Ouvrir la porte à mi-chemin pour exposer les charnières et les fentes. Pousser le levier (sur chaque charnière) loin de soi (vers la cuisinière).
3. After moving the hinge brackets back down into position, be sure to close and open the door slowly to assure that it is correctly and securely in place.
4. La porte devrait être droite, non croche, elle doit fermer en douceur. Ne pas forcer la porte – la charnière peut être endommagée et il peut en résulter des blessures.

#### Remplacement de l'ampoule du four

1. Lire l'AVERTISSEMENT à droite.
2. Mettre l'alimentation hors circuit à l'alimentation principale (fusible ou coupe-circuit).
3. Enlever le couvercle en le dévissant.
4. Retirer l'ampoule de sa douille en la dévissant.
5. Remplacer l'ampoule par une nouvelle. Utiliser une ampoule d'électroménagers 40 watts appropriée. Éviter de toucher l'ampoule avec les doigts, car le gras des mains peut endommager l'ampoule lorsqu'elle devient chaude.
6. Revisser le couvercle en place.
7. Remettre l'alimentation à l'alimentation principale (fusible ou coupe-circuit).

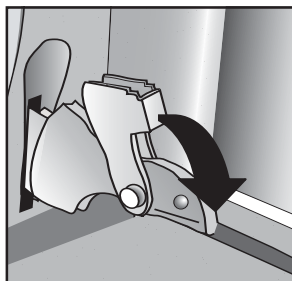
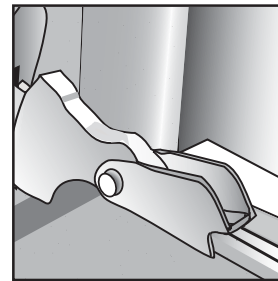


Figure A



#### **AVERTISSEMENT**

Pour éviter de se blesser au moment où la fixation de charnière se ferme, s'assurer que les deux leviers sont en place de façon sécuritaire avant d'enlever la porte. De plus, ne pas forcer la porte – la charnière peut être endommagée et il peut en résulter des blessures.

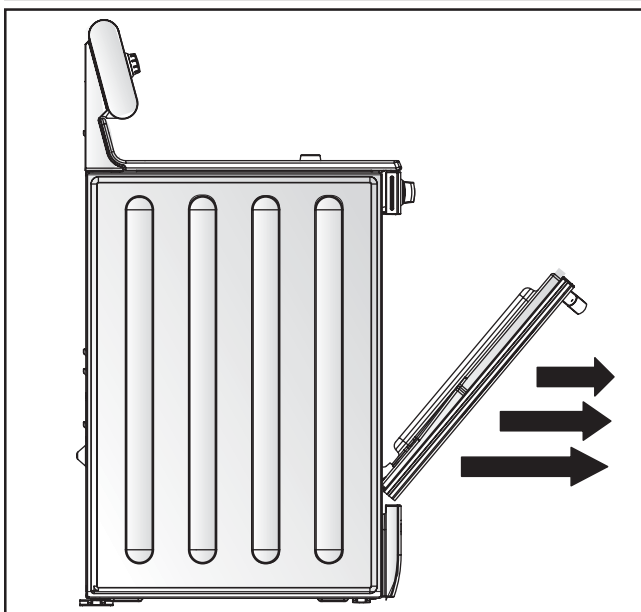


Figure B

#### **AVERTISSEMENT**

- S'assurer que le four et les ampoules sont froids et que l'alimentation est hors circuit avant de remplacer la (les) ampoule(s). Sinon, il peut en résulter un choc électrique ou des brûlures.
- Les couvercles doivent être en place au moment d'utiliser le four.
- Les couvercles servent à protéger l'ampoule contre la cuisson.
- Les couvercles sont fabriqués en verre. Manipuler avec soin pour éviter qu'ils ne se brisent. Le verre brisé peut blesser.
- La douille est sous tension lorsque la porte est ouverte.

#### **AVERTISSEMENT**

Pour éviter toute blessure à cause du basculement de la cuisinière, s'assurer que la fixation anti bascule est réenclenchée si l'appareil est tiré du mur pour l'entretien ou autre.

## Aide - surface de cuisson

PROBLÈME	CAUSE POSSIBLE ET SUGGESTION
Les brûleurs font un clic continu.	Le(s) bouton(s) est(ont) en position allumée. Tourner en position OFF ou au réglage désiré.
Les brûleurs de surface ne s'allument pas.	Le gaz est fermé. S'assurer que la soupape d'arrêt de gaz est en position ON et que l'alimentation en gaz à la résidence n'est pas fermée.
	L'appareil n'est pas branché sur l'alimentation en gaz. Téléphoner à la compagnie de gaz
	La fiche est mal insérée dans la prise. Câblage résidentiel incorrect. Vérifier la source d'alimentation. Vérifier si l'appareil est mis à la terre avec la bonne polarité. S'assurer que l'appareil est bien branché.
	Le coupe-circuit est déclenché. Le vérifier et le réenclencher au besoin. Vérifier et/ou remplacer le fusible.
	Les orifices de brûleurs sont obstrués. La surface de cuisson fermée et refroidie, retirer le capuchon de brûleur. Utiliser une brosse à dent en nylon rigide pour enlever les débris.
	Capuchon mal enligné. S'assurer que les capuchons sont adéquatement positionnés sur les brûleurs.
	Allumeur mouillé, endommagé ou sale. Vérifier si l'allumeur est humide, si oui, laisser sécher à l'air avant d'utiliser. Vérifier s'il y a de la graisse ou des aliments. Voir Nettoyage à la page 23. Le brûleur ne s'allume pas si l'allumeur est mouillé, endommagé ou sale.
Flamme inégale ou trop haute, brûleur difficile à allumer.	Les orifices de brûleurs sont obstrués. La surface de cuisson fermée et refroidie, retirer le capuchon de brûleur. Utiliser une brosse à dent en nylon rigide pour enlever les débris.
	Capuchon mal enligné. S'assurer que les capuchons sont adéquatement positionnés sur les brûleurs.
	Le capuchon est mouillé. Fermer le brûleur, laisser refroidir et assécher le capuchon et la bse complètement.
Flamme inégale - utilisateur de gaz LP en bouteille	Appeler le service.

## Aide - four

PROBLÈME	CAUSE POSSIBLE ET SUGGESTION
Le mode four ou la température choisi ou les numéros choisis ne figurent pas à l'affichage.	Le bouton a été tourné trop rapidement. Tourner plus lentement jusqu'à ce que les mots ou la température appropriés figurent. Revoir le guide d'instructions au moment de régler la pendule, la minuterie ou l'autonettoyage.
La porte du four est verrouillée et ne se déverrouille pas, même après le refroidissement.	Mettre le four hors circuit au coupe-circuit et attendre 5 minutes. Enclencher le coupe-circuit. Le four devrait se remettre et fonctionner.
Le four ne chauffe pas.	Vérifier le coupe-circuit ou le fusible. S'assurer que l'alimentation électrique est appropriée. S'assurer que la température du four a été sélectionnée.
Le four ne cuit pas uniformément.	Vérifier la calibration ; la régler au besoin (voir déviation de la température du four page 7). Consulter les tableaux de cuisson pour les positions de grille recommandées. Toujours réduire la température de 25 °F en mode cuisson par convection.
La température du four est trop chaude ou trop froide.	Ajuster le thermostat du four. Voir calibration de la température du four, page 7.
L'éclairage du four ne fonctionne pas adéquatement	Remplacer ou réinsérer l'ampoule si elle est lâche ou défectueuse. En touchant l'ampoule avec les doigts, cela peut faire griller l'ampoule.
L'éclairage du four reste allumé	Vérifier s'il y a une obstruction de la porte du four. Vérifier si la charnière est pliée.
L'on ne peut retirer le couvercle de l'ampoule	Il peut y avoir une accumulation de saleté autour du couvercle. Essuyer la zone à l'aide d'un chiffon sec et propre pour tenter d'enlever le couvercle.
Le four ne s'autonettoie pas correctement	Laisser le four refroidir avant l'autonettoyage. Toujours essuyer les taches et déversement avant de nettoyer. Si le four est très sale, régler l'autonettoyage pendant 5 h. Voir préparation du four pour l'autonettoyage, page 24.
La pendule et la minuterie ne fonctionnent pas correctement	S'assurer que l'alimentation électrique actionne le four. Voir les rubriques appropriées, pages 5 et 17.
Éclats de porcelaine	Au moment de retirer et replacer les grilles, toujours incliner vers le haut et ne pas les forcer pour éviter d'écailler la porcelaine.
« F » et un chiffre figure à l'affichage et sonnerie	Ceci est un code de problème. Si le code « F » clignote, presser <b>OFF</b> pour effacer l'affichage. Rétablir le four au besoin. Si le code persiste ainsi que la sonnerie, noter le code et arrêter le four et appeler un technicien de service autorisé.
Avec une nouvelle cuisinière, il y a une odeur forte lorsque le four est mis en circuit	Ceci est normal et disparaît après un certains temps. Actionner l'autonettoyage pour brûler l'odeur plus rapidement.

## Aide - four (suite)

### Conseils généraux pour le guide de dépannage :

1. S'assurer que la soupape d'arrêt de gaz est en position ON et que l'alimentation en gaz à la résidence est en circuit.
2. S'assurer que les capuchons de brûleur sont bien positionnés et que les orifices ne sont pas obstrués. Nettoyer les orifices avec une brosse à dents en nylon rigide au besoin.
3. S'assurer que les allumeurs sont propres et secs.
4. S'assurer qu'il n'y a pas de courant d'air dans la pièce.
5. Vérifier l'alimentation électrique. Elle doit être mise à la terre adéquatement avec la bonne polarité. S'assurer que l'appareil est bien branché et que le coupe-circuit n'est pas déclenché.

**Remarque :** lorsque la connexion électrique a été activée la première fois ou après une panne de courant, les allumeurs peuvent faire une étincelle une ou deux fois même si les boutons de brûleurs sont en position arrêt.

Si l'appareil ne fonctionne pas adéquatement, communiquer avec le marchand ou le service à la clientèle BSH au 800-944-2904

### Pièces de rechange

Les pièces de rechange sont disponibles chez le marchand Bosch. Communiquer avec le service à la clientèle Bosch pour un marchand dans la région : 800-944-2904.

## Énoncé de garantie limitée

Les garanties offertes par BSH Home Appliances Corp. dans cet énoncé de garantie limitée s'appliquent seulement à la cuisinière à gaz amovible BSH (« cuisinière ») vendue au client, premier acheteur, en autant que la cuisinière ait été achetée (1) pour l'usage du client et non la revente et (2) aux États-Unis ou au Canada et est située dans le pays où elle a été achetée. Comme utilisé dans l'énoncé de la garantie limitée, le terme « date d'installation » réfèrera à la date d'installation de la cuisinière ou dix (10) jours ouvrables, la plus tôt des deux, après la vente de la cuisinière au premier acheteur, les garanties énoncées ici s'appliquent seulement au premier acheteur et ne sont pas transférables.

### **Garantie limitée standard**

BHS garantit que cette cuisinière ne présente pas de défaut de matériaux et de main-d'œuvre pendant une période de douze (12) mois à partir de la date d'installation. Pendant la période de garantie, BHS ou son centre de service autorisé réparera ou remplacera, à son entière discrétion, toute cuisinière présentant un défaut dans des conditions d'utilisation normale sans frais. Toute pièce et composant enlevé demeure la propriété de BHS, à sa discrétion. Toute pièce de rechange et/ou réparée doit être semblable à la pièce d'origine relativement à cette garantie et cette garantie ne doit pas être prolongée relativement à ces pièces.

### **Autres conditions de garanties limitées**

Les garanties indiquées dans l'énoncé de garantie limitée excluent les défauts ou dommages résultants de (1) l'utilisation de la cuisinière autre qu'une utilisation normale et habituelle (l'utilisation commerciale de la cuisinière ne sera pas reconnue comme normale ou habituelle), (2) mauvaise utilisation, abus, accidents ou négligences, (3) fonctionnement, entretien, installation inadéquats ou service non autorisé, (4) ajustement ou réglage ou modification de toute sorte, (5) non-conformité aux codes provinciaux, locaux, municipaux d'électricité et/ou construction, (6) déversements d'aliments ou de liquide et (7) forces extérieures comme inondation, incendie, actes de Dieu ou autres circonstances hors du contrôle de BHS. Également exclus de cette garantie, les égratignures et dommages aux surfaces externes et pièces exposées de la cuisinière sur laquelle le numéro de série a été modifié, effacé ou enlevé.

Selon ce qui est permis par la loi, cette garantie établit des solutions exclusives en ce qui a trait aux produits couverts, que la réclamation survient par contrat ou tort (incluant stricte responsabilité et négligence) ou autres. CE QUI PRÉCÈDE REPRÉSENTE LA TOTALITÉ DE LA RESPONSABILITÉ DE BSH CONCERNANT CE PRODUIT. EN AUCUN CAS, BSH NE SERA TENU RESPONSABLE DE TOUT DOMMAGE, INCLUANT SANS LIMITATION INDIRECTE, PUNITIVE, ACCESSOIRE, SPÉCIAL OU DIRECT POUR TOUT ACTE OU OMISSION D'UN TIERS, INCLUANT SANS LIMITATION LE MARCHAND, LE TRANSPORTEUR, L'INSTALLATEUR OU LE TECHNICIEN. BSH N'ÉMET AUCUNE AUTRE GARANTIE ET NE SERA PAS TENU DE DONNER TOUTE AUTRE GARANTIE, SAUF TEL QU'IL EST EXPRESSÉMENT INDIQUÉ ICI, DE FAÇON EXPRESSE OU IMPLICITE, INCLUANT SANS LIMITATION TOUTE GARANTIE DE BON FONCTIONNEMENT À UN BUT PARTICULIER OR DE GARANTIE DE COMMERCIALISATION. DANS TOUS LES CAS, TOUTE GARANTIE IMPOSÉE PAR LOI NE SERA PAS EFFECTIVE POUR TOUTE PÉRIODE DE TEMPS PLUS LONGUE QUE LA PÉRIODE EXPRIMÉE DANS LA PRÉSENTE. Aucune tentative de modifier, changer ou amender cette garantie ne sera efficace à moins d'une autorisation écrite par un officier de BHS.

### **Comment obtenir un service sous garantie**

Pour obtenir un service sous garantie pour la cuisinière, il faut communiquer avec le centre autorisé BHS ou le support aux consommateurs BHS, 5551 McFadden Avenue, Huntington Beach, California 92649, tél. : 800-944-2904.

### **REMARQUE AUX PROPRIÉTAIRES EN CALIFORNIE**

Si la cuisinière nécessite un service sous garantie et qu'il n'y a pas de centre de service BSH autorisé assez proche, veuillez aviser le marchand BSH où vous avez acheté l'appareil. Si le marchand BSH ne répare ni ne remplace la pièce défectueuse ou rembourse partiellement le prix d'achat (si applicable), faites réparer la cuisinière dans tout centre de service d'électroménagers et vous serez remboursé pour des frais raisonnables en autant que les coûts soient indiqués par écrit et que le travail effectué est couvert par cette garantie. BSH ne remboursera pas les frais de réparation qui excèdent la valeur de dépréciation de la cuisinière.

# Un Mensaje Especial para Nuestros Clientes

Estimado Propietario de una Estufa Bosch:

Gracias y felicidades por la compra de una Estufa Bosch. No importa si usted es un chef experto o un principiante, sabemos que su estufa nueva excederá todas sus expectativas. Esta estufa se basa en décadas de conocimientos y experiencias, convirtiéndola en la estufa de mayor calidad, más versátil y eficiente disponible. Le queremos pedir que lea este manual cuidadosamente antes de usar su estufa nueva. Ponga mucha atención a las precauciones de seguridad que aparecen al principio de este libro y los numerosos consejos de seguridad que aparecen en todo momento. Además, asegúrese de familiarizarse con la operación correcta de la estufa y sus procedimientos de limpieza y mantenimiento. Cumpliendo con estas instrucciones y procedimientos, Ud. podrá sacar el máximo provecho de su nueva estufa de Bosch y mantenerla funcionando por muchos años más.

Gracias y mucho éxito con su estufa,

Bosch Home Appliances



## ADVERTENCIA

Cuidándola bien, su nueva estufa de **Bosch** fue diseñada para ser un aparato seguro y confiable. Lea todas las instrucciones cuidadosamente antes de usar la estufa. Estas precauciones reducen el riesgo de sufrir quemaduras, una descarga eléctrica, fuego o lesiones. No opere los controles del horno o la estufa cuando el vidrio está roto. Restos alimenticios o la solución de limpieza pueden penetrar un panel de control roto y crear un riesgo de una descarga eléctrica. Contacte a un técnico calificado de inmediato en caso que el vidrio de su panel de control se rompa. Cuando se usan aparatos electrodomésticos, se deben observar precauciones básicas, incluyendo las que aparecen en las siguientes páginas.

## AVISO IMPORTANTE DE SEGURIDAD

La Ley del Estado de California para Agua Potable y Tóxicos requiere que el Gobernador de California publique una lista de sustancias conocidas que causan cáncer, defectos de nacimiento u otros daños reproductivos, y requiere que las empresas adviertan a sus clientes de la exposición potencial ante tales sustancias.

La combustión de gas como combustible para cocinar y la eliminación de residuos durante la autolimpieza puede generar cantidades pequeñas de Monóxido de Carbono.

El aislamiento de fibra de vidrio en los hornos de autolimpieza despiden una pequeña cantidad de Formaldehído durante los primeros ciclos de limpieza.

California lista el Formaldehído como una causa potencial del cáncer. El Monóxido de Carbono es una causa potencial de la toxicidad reproductiva.

Se puede minimizar la exposición a estas sustancias al:

1. Proporcionar una buena ventilación al cocinar con gas.
2. Proporcionar una buena ventilación durante e inmediatamente después de autolimpieza el horno.
3. Operar la unidad de acuerdo a las instrucciones en este manual.

# Contenido

<b>Instrucciones Importantes de Seguridad</b> .....	1
<b>Familiarizarse con su Estufa</b> .....	3
<b>Preparar su Estufa</b>	
Poner y Cambiar el Reloj .....	5
Seleccionar las Funciones .....	6
Accesar y Usar el Menú de Seleccionar Funciones .....	6
Volumen .....	7
Cambiar la Temperatura .....	7
Formato de la Temperatura .....	7
Reloj .....	7
Modo de Demostración .....	7
Opción de Idiomas .....	7
Teclas de Bloqueo .....	7
Compensar la Temperatura del Horno .....	7
Restablecer Defaults .....	7
Opción Sabatina .....	8
Formato de la Hora .....	8
<b>La Estufa</b>	
Características de la Estufa .....	9
Operación de la Estufa .....	10
<b>El Horno</b>	
Modos y Características del Horno .....	11
Modos del Horno - Horneado y Horneado de Convección .....	13
Modos del Horno - Asado .....	14
Modos y Características del Horno - Tostado de Convección .....	14
Modos del Horno - Deshidratado .....	15
Seleccionar el Modo del Horno .....	16
Usando el Reloj(es) .....	17
Usando la Opción de Cocinar Cronometrado .....	18
Usando la Sonda .....	19
<b>El Cajón Calentador</b> .....	20
Usando el Cajón Calentador .....	21
<b>Cuidado y Limpieza</b>	
Estufa .....	22
Horno .....	23
<b>Self Help, Maintenance, Etc.</b>	
<b>Autoayuda, Mantenimiento, etc.</b>	
Guía para Seleccionar Ollas .....	26
Mantenimiento	
Quitar la Puerta del Horno .....	27
Reemplazar una Lámpara en el Horno .....	27
Autoayuda	
Estufa .....	28
Horno .....	29
Servicio al Cliente y Garantía .....	30







## Instrucciones Importantes de Seguridad

Por favor lea todas las instrucciones antes de usar este aparato.

### Seguridad de la Estufa

- **Que el instalador le muestre el lugar del fusible o cortacircuitos** y de la válvula de cierre del gas. Márquelos para el futuro.
- **Este aparato debe ser instalado y aterrizado correctamente por un técnico calificado.** Conecte sólo a una toma de corriente aterrizada. Consulte las instrucciones de instalación para detalles.
- **Sólo un técnico autorizado que fue entrenado para este tipo de unidad específica debe dar el servicio.** Este es un aparato de alta tecnología. Los técnicos no autorizados tal vez desconocen el funcionamiento sofisticado de este aparato y pueden, por lo tanto, causar daños y crear un riesgo. Contacte al centro de servicio autorizado más cercano para reparaciones o ajustes.
- **No repare o reemplace ninguna parte de la estufa** a menos que fue recomendado específicamente por un técnico de servicio autorizado.
- **No opere esta unidad si no funciona bien o si fue dañada** hasta que un técnico de servicio autorizado la haya revisado.
- **Use este aparato sólo para el uso intencionado** como se describe en este manual. Si tiene alguna pregunta, contacte al fabricante.
- **No use químicos corrosivos, vapores, inflamables o productos no alimenticios en este aparato.** Este tipo de estufa está diseñada específicamente para calentar o cocinar alimentos. No está diseñada para uso industrial o de laboratorio. El uso de químicos corrosivos cuando calienta o limpia el horno dañará el aparato y podría causar lesiones.
- **Antes de comenzar, sujete la ropa suelta.** Recoja el cabello largo y no use ropa holgada o prendas que cuelguen flojas como corbatas, bufandas, joyas o mangas. No trate de alcanzar cosas arriba o atrás de la estufa o recostarse sobre ésta. Sepa que cierta ropa y fijador de cabello pueden contener químicos inflamables que se pueden encender al tener contacto con superficies calientes o los elementos calentadores y pueden causar quemaduras severas.
- **En el caso de encenderse la ropa o el cabello, ÉCHESE AL PISO Y DÉSE VUELTAS DE INMEDIATO** para apagar las llamas.
- **No toque el área(s) de cocinar o el área(s) alrededor** mientras usa la estufa o mientras cocina. Se pueden calentar suficientemente las áreas cercanas a los quemadores, el horno y el cajón calentador causando quemaduras y pueden estar calientes aunque estén apagadas. Nunca permita que la ropa, agarraderas de ollas u otros materiales inflamables tengan contacto con un área de cocinar hasta que se haya enfriado.
- **No opere la estufa durante una falla de electricidad.** Siempre apague la estufa cuando no hay luz. Si no se apaga la estufa, comenzará a funcionar en cuando se restablezca la electricidad. Una vez que vuelva la luz, ajuste el reloj y las funciones del horno.
- **Siempre prenda la campana cuando flamee alimentos** (i.e. Crepas Suzette, Cherries Jubilee, Filete de Pimienta Flameado).
- **Limpie los ventiladores frecuentemente** No permita que se acumule grasa en el ventilador o filtro. La grasa en los filtros puede derretirse y llegar a la ventilación.
- **NO opere el horno sin poner el fondo del horno en su lugar.**



**ADVERTENCIA:** El no observar la información en este manual puede causar un fuego o una explosión, y como resultado daños a la propiedad, lesiones o la muerte.

**No guarde o use materiales combustibles, gasolina u otros vapores y líquidos inflamables cerca de este o cualquier otro aparato.**

### QUÉ HACER CUANDO HUELE A GAS:

- **No trate de encender ningún aparato.**
- **No toque ningún interruptor eléctrico.**
- **No use ningún teléfono en su edificio.**
- **Llame de inmediato a su proveedor de gas desde el teléfono de algún vecino. Siga las instrucciones de su proveedor de gas.**
- **Cuando no puede localizar a su proveedor de gas, llame a los bomberos.**

**Un instalador calificado, una agencia de servicio autorizada o el proveedor de gas debe realizar la instalación y el servicio.**

- **Cuando sea posible, no opere el ventilador durante un incendio de la estufa. Sin embargo, NO META LA MANO AL FUEGO PARA APAGAR EL VENTILADOR.**
- **No limpie la estufa cuando esté caliente.** Algunos detergentes producen vapores nocivos cuando son aplicados a una superficie caliente.
- **Tenga cuidado cuando abra la puerta del horno o cajón calentador.** Estando parado a un lado, abra la puerta lenta y ligeramente para dejar escapar el aire caliente y/o vapor. Aleje su cara de la apertura y asegúrese que no haya niños o mascotas cerca de la unidad. Después de sacar el aire caliente, siga cocinando. Mantenga las puertas cerradas a menos que sea necesario dejarlas abiertas para los propósitos de cocinar o limpiar. No deje las puertas abiertas sin atención.
- **No caliente o recaliente contenedores de alimentos cerrados** ya sea dentro del horno o el cajón calentador. La presión acumulada puede causar la ruptura del contenedor y causar lesiones.
- **Siempre coloque las rejillas del horno en el lugar deseado cuando el horno está frío.** Cuando deba mover una rejilla mientras que el horno esté caliente, evite el contacto de la agarradera de la olla con los elementos calientes.
- **Siempre use agarraderas secas para las ollas.** Las agarraderas mojadas o húmedas pueden causar quemaduras por el vapor. Evite el contacto de las agarraderas con los elementos de calentamiento. No use una toalla u otro trapo estorboso.
- **No use agua o un trapo o toalla húmeda con un incendio de grasa.** Sofoque las llamas con bicarbonato de sodio o use un extinguidor químico de polvo o tipo espuma (ABC).



## Instrucciones Importantes de Seguridad

Por favor lea todas las instrucciones antes de usar este aparato.

- **Tenga cuidado que las corrientes de ventiladores o ductos de aire forzado no soplen materiales inflamables hacia las llamas** o que provoquen que las llamas se salgan de los bordes de la olla.
- **Tenga disponible un extinguidor de fuego apropiado**, a la mano, altamente visible y con fácil acceso cerca del horno.
- **Evite la acumulación de grasa en el horno.**
- **No coloque los alimentos sobre el piso del horno.**
- **Siga las instrucciones del fabricante cuando use bolsas para cocinar u hornear.**
- **No permita que alguien se suba, que esté parado, recostado o sentado sobre ninguna parte del horno**, ni que esté colgado de la puerta del horno, del cajón calentador o del cajón de almacenamiento. Esto puede dañar la estufa, causar su volcadura y lesiones severas.




**ADVERTENCIA**

- SE PUEDEN VOLCAR TODAS LAS ESTUFAS.
- ESTO PUEDE CAUSAR LESIONES
- INSTALE EL DISPOSITIVO QUE SE INCLUYE CON LA ESTUFA QUE EVITA LA VOLCADURA

VEA LAS INSTRUCCIONES DE INSTALACIÓN.

- **No permita que niños utilicen este aparato a menos que estén supervisados por un adulto.** Nunca se deben dejar solos a los niños y mascotas en el área donde se usa el aparato. Nunca se les debe permitir sentarse o pararse sobre ninguna parte de la estufa o jugar cerca, sin importar si se usa el aparato o no.



**CUIDADO**

No almacene cosas de interés para los niños en la estufa, en los gabinetes arriba de la estufa o la parte trasera de ésta. Cuando los niños se suben a la estufa para alcanzar estas cosas, pueden sufrir heridas serias.

- **En caso que se enciendan materiales dentro del horno, mantenga cerrada la puerta del horno.** Apague el horno y desconecte el circuito en la caja del cortacircuito.
- **Cocine con calor alto sólo cuando sea necesario. Caliente aceite lentamente** con un calor bajo a mediano para evitar la formación de burbujas y salpicaduras. El aceite caliente puede causar quemaduras y lesiones severas.
- **Nunca mueva una olla con aceite caliente**, sobre todo un sartén profundo. Espere hasta que esté frío.
- **Nunca deje la estufa sin atención.** Los derrames pueden causar humo y posiblemente dañar la estufa. can cause smoke and possibly damage the cooktop. Más importante, al sofocar las llamas del quemador, se escapará el gas no quemado a la habitación. Vea la advertencia en la página 1.
- **Después de un derrame, apague el quemador y permita que se enfríe la estufa.** Limpie alrededor del quemador y de los puertos. Después de la limpieza, revise si los quemadores funcionan correctamente.
- **Agarre el mango de la olla** para no mover el utensilio cuando revuelva o voltee la comida.

- **Use sólo utensilios apropiados para el uso en una estufa** (Vea la "Guía para Seleccionar Ollas", pág. 26 para más detalles). Otros tipos de utensilios pueden romperse con cambios rápidos de la temperatura. Use los utensilios de acuerdo a las instrucciones del fabricante.
- **Use sólo calor bajo o mediano si es posible**, sobre todo con ollas más grandes que la rejilla o que abarcan más espacio que un quemador. El uso prolongado de alto calor con estos tipos de ollas puede causar una mala combustión y como resultado derivados nocivos.
- **Igualé el tamaño de la olla al quemador.** Ollas muy pequeñas exponen el elemento al contacto directo, que podría causar lesiones o quemaduras. No permita que se extiendan las llamas alrededor o encima del borde de la olla que contiene grasa. Se podría provocar un incendio de grasa. El tamaño correcto de la olla mejora también la eficiencia.
- **Limpie la estufa con cuidado.** Evite quemaduras de vapor cuando limpia una superficie caliente con una esponja húmeda. Algunos detergentes pueden producir vapores nocivos cuando son aplicados a una superficie caliente.
- **Para un desempeño correcto del encendido de los quemadores, mantenga limpios los puertos de ignición.** Es necesario limpiarlos cuando hay un derrame o cuando no se enciende el quemador aún cuando los encendidos electrónicos hacen clic.
- **Esta estufa está diseñada para uso residencial sólo. No está aprobada para el uso en exteriores.**
- **Tenga cuidado que las corrientes de aire (ventilador o ductos de aire forzado) soplen el material inflamable** hacia los quemadores.
- **Siempre posicione las agarraderas de ollas hacia dentro**, de modo que no se extiendan sobre las áreas de trabajo cercanas, quemadores o el borde de la estufa.
- **Si Ud. puede oler a gas, su instalador no revisó bien si hay fugas.** Cuando las conexiones no están perfectamente apretadas, Ud. puede tener una fuga pequeña, y por lo tanto un ligero olor. Encontrar una fuga de gas no es algo que debe hacer Ud. mismo. Algunas fugas se pueden localizar sólo con el control del quemador en la posición de ON, y esto debe hacer un técnico de servicio calificado. Vea la advertencia en la página 1.
- **En el caso que se apague un quemador y se escapa el gas, abra una ventana o puerta.** No trate de usar la estufa hasta que el gas haya tenido suficiente tiempo para disiparse. Espere al menos cinco minutos antes de usar la estufa.
- **Siempre coloque la olla sobre el quemador antes de prenderlo.** Asegúrese de saber cual perilla controla cual quemador. Cuando termina de cocinar, apague el quemador antes de quitar la olla.

### Seguridad de la Autolimpieza

- **Nunca Confirme que se cierra la puerta** y que no se abrirá una vez que aparezca el icono de la puerta cerrada. Si la puerta no se cierra, oprima OFF y no ejecute la autolimpieza. Llame al **Bosch 800/944-2904** para servicio.  
**Nota:** Durante un ciclo de autolimpieza normal, la puerta no se cierra al comienzo del ciclo; Sin embargo, se cierra antes de alcanzar las temperaturas altas del ciclo. En un ciclo de autolimpieza retardado, la puerta se cierra de inmediato. (Sigue en la página siguiente).

## ⚠ Seguridad de la Autolimpieza (continuación)

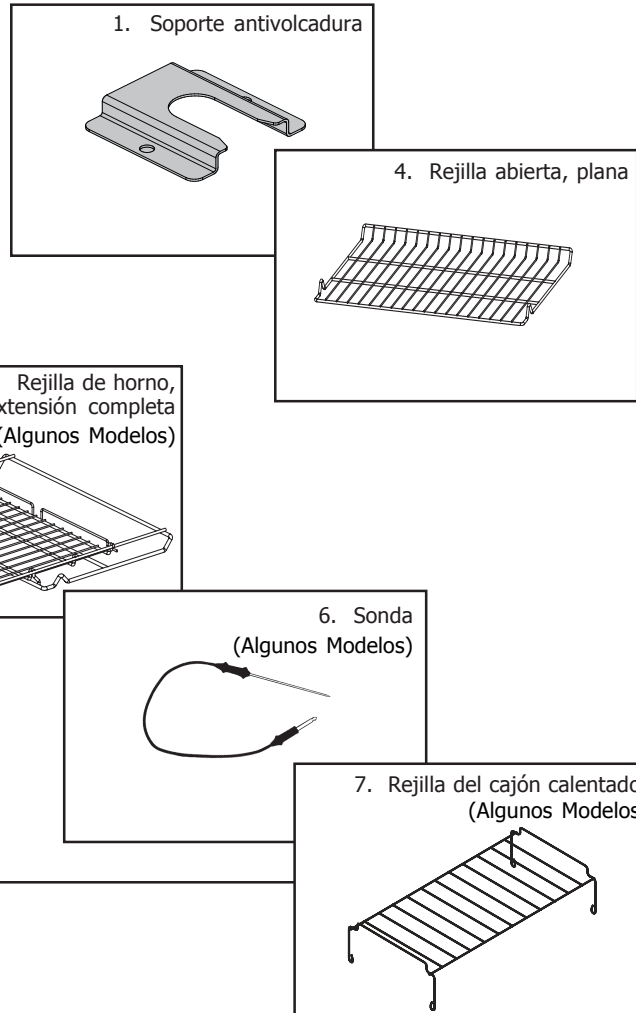
- **No limpie el empaque de la puerta.** Es esencial para un sellado bueno. Debe tener cuidado de no frotar, dañar, mover o quitar el empaque de la puerta.
- **No use detergentes comerciales para hornos o recubrimientos de protección** de ningún tipo en o alrededor de alguna parte del horno.
- **Limpié sólo las partes listadas en este manual.**
- **Quite la bandeja de asado, las rejillas del horno, otros utensilios y limpie derrames excesivos de alimentos** antes de autolimpiar el horno.

## Con respecto a pájaros en la casa:

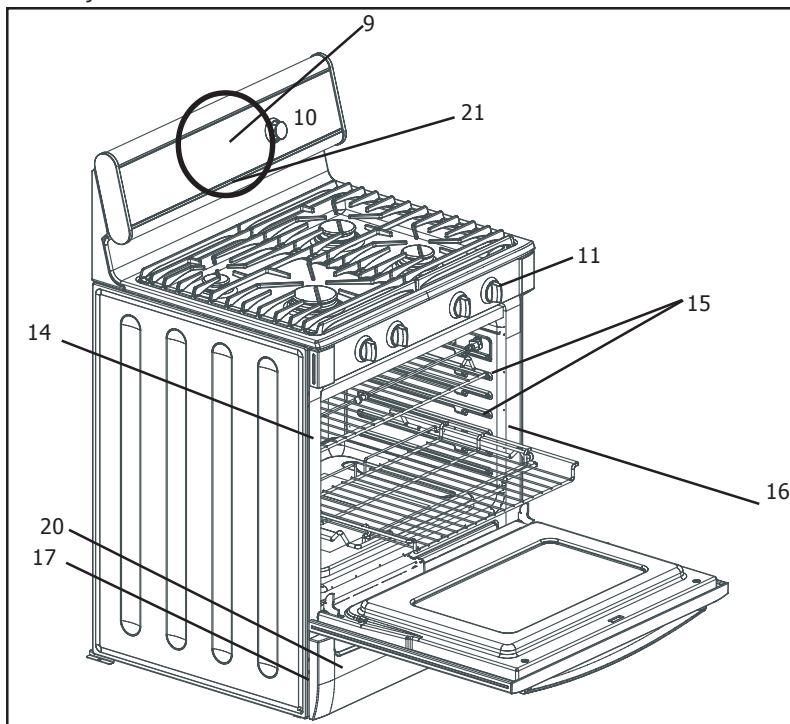
Pájaros tienen sistemas respiratorios muy sensibles. Mantenga los pájaros fuera de la cocina u otras habitaciones donde los puedan alcanzar los vapores de la cocina. Durante la auto-limpieza, se liberan humos que pueden ser nocivos para pájaros. Otros vapores de la cocina, como el sobrecalentar margarina y aceites para cocinar pueden ser nocivos también.

## Partes incluidas con su estufa:

1. Soporte Antivolcadura
2. Bandeja y Parrilla de Asado (no aparecen)
3. Juego de Literatura:
  - Guía de Referencia Rápida
  - Manual de Uso y Cuidado
  - Instrucciones de Instalación
  - Folleto Antivolcadura AHAM
  - Folleto para Cocinar Seguro AHAM
  - Diagrama de Cableado
  - Tarjeta de Registro/Garantía
  - Libro de Recetas Bosch (Algunos Modelos)
4. Rejillas del Horno, Planas (2 o 3; varía por modelo)
5. Rejilla del Horno, Extensión Completa (Algunos Modelos)
6. Sonda (Algunos Modelos)
7. Rejilla del cajón calentador (Algunos Modelos)



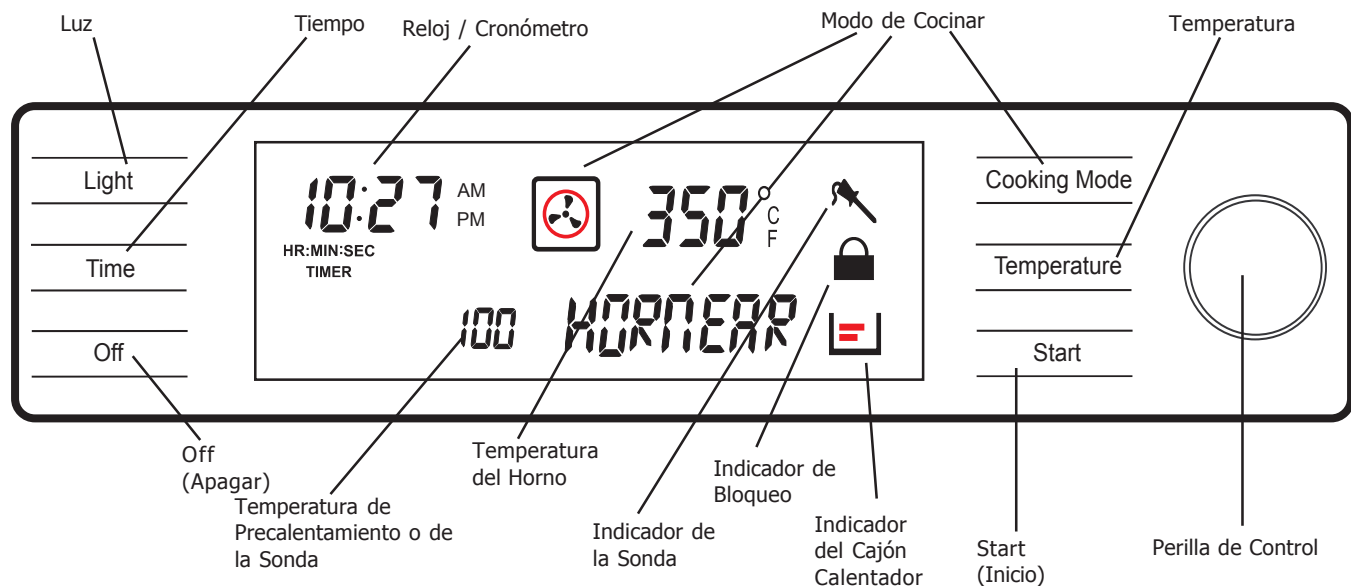
Los dibujos no están a escala.



## Partes de la Estufa:

8. Lámparas Incandescentes (pared trasera)
9. Panel de Control del Horno
10. Perilla de Control del Horno
11. Perillas de la Estufa
12. Elemento de Asado
13. Elementador y Elemento de Convección
14. Receptáculo de Sonda (Algunos Modelos)
15. Guías para las Rejillas
16. Empaque de la Puerta
17. Placa con # de Serie y Modelo
18. Elemento para Hornear
19. Bloqueo de la Puerta del Horno
20. Cajón Calentador
21. Ventilación del Horno

## Familiarizarse con su estufa El Panel de Control del Horno



### Opciones de Despliegue en la Ventana

**Reloj** – Muestra la hora del día con opción del reloj para 12 horas o para 24 horas.

**Modo de Cocinar** - Oprima la almohadilla para indicar el modo de cocinar.

**Modo Cronometrado de Cocinar** – Indica el número de horas y minutos que el horno quedará “encendido”. También se muestra el icono del modo de cocinar cuando selecciona el modo de cocinar.

**Perilla de Control** - Se usa para fijar el reloj y los cronómetros, seleccionar un modo de cocinar y la temperatura. Gire en sentido de las manecillas del reloj para aumentar y en sentido opuesto para disminuir.

**Luz** - Oprima la almohadilla para prender y apagar la luz del horno.

**Indicador de Bloqueo de la Puerta** - aparece el icono durante el modo de autolimpieza cuando la puerta está cerrada. NO trate de abrir la puerta hasta que desaparezca el símbolo de bloqueo.

**Off (Apagar)** - Oprima la almohadilla para apagar el horno y/o el cajón calentador.

**Temperatura del Horno** - Indica la temperatura seleccionada del horno.

**Pre calentamiento** - Indica la temperatura del horno durante el modo de pre calentamiento. También indica la temperatura de la carne cuando usa la sonda.

**Indicador de la Sonda** - Indica que la sonda está instalada en el horno. La temperatura interna de la carne aparece en lugar de la temperatura de pre calentamiento.

**Start (Inicio)** - Oprima la almohadilla para completar un comando.

**Temperatura** - Oprima la almohadilla para seleccionar la temperatura de cocinar.

**Hora** - Oprima la almohadilla para fijar la hora del día y/o el cronómetro.

**Indicador del Cajón Calentador** - El icono aparece cuando se usa el cajón calentador. Indica la temperatura de calentamiento.

### Otras Indicaciones y Opciones

**Pitido** - Señala que se debe ingresar más información o confirmar la recepción de un ingreso. Un pitido señala además el fin de una función o un error.

**Parámetros por Default** - Los modos de cocinar automáticamente seleccionan una temperatura adecuada. Cuando se necesita una temperatura diferente, se puede cambiar ésta.

**Símbolo o Número que Parpadea** - Señala una configuración incompleta y solicita otro paso o que se oprima START.

**Códigos de Números F** - Estos códigos aparecen cuando existe un problema con la estufa. Además, la pantalla emitirá un pitido continuo (Consulte la sección de autoayuda, pág. 30).

**Ventilador de Convección** - El ventilador de convección opera durante cualquier modo de convección. Cuando el horno opera en el modo de convección, el ventilador se apaga automáticamente al abrir la puerta, excepto cuando esté en el modo de deshidratado.

**Cronómetro** – Hay dos cronómetros - CRONÓMETRO 1 Y CRONÓMETRO 2; cada uno cuenta en forma regresiva las horas y minutos. Con menos de 60 minutos restantes, el cronómetro muestra también los segundos.

## Preparar su Estufa

### Poner el Reloj (después de haber apagado la corriente a la estufa)

- Siempre configura el reloj inmediatamente después de la instalación o una falla de electricidad. Una vez que regresa la corriente, el reloj marca 12:00 am.
- La hora del día aparece en horas y minutos.
- La hora del reloj aparecerá durante todas las operaciones del horno excepto cuando está funcionando el cronómetro. Gire la perilla para mostrar el reloj cuando funciona el cronómetro.
- El horno está preconfigurado para un reloj de 12 horas e indica AM y PM.
- También se puede apagar el despliegue del reloj (Vea Despliegue del Reloj, página 7).

**Nota:** Para cambiar al reloj a 24 horas, vea la sección "SELECTFUNCTIONS".

1. Aparecerá **RELOJ** y los dígitos de la hora parpadean.  
**Gire la perilla** para seleccionar la hora y am o pm.
2. **Oprima TIME.** Aún aparece **RELOJ** y los dígitos de minutos parpadearán.
3. **Gire la perilla** para ajustar los minutos.
4. **Oprima TIME** y el reloj queda configurado.



#### RECORDATORIO

Si no se termina la operación, el horno emitirá pitidos periódicos como recordatorio para poner la hora del reloj.  
**Oprima OFF.**

### Cambiar la Hora del Reloj

1. **Oprima Time.** **RELOJ MINUTOS 1** parpadeará en la pantalla.
2. **Gire la perilla** para seleccionar **RELOJ.**
3. **Oprima TIME** nuevamente y parpadearán los dígitos de la hora.
4. **Gire la perilla** para cambiar las horas.
5. **Oprima TIME** nuevamente y parpadearán los dígitos de minutos.
6. **Gire la perilla** para cambiar los minutos.
7. **Oprima TIME** nuevamente y el reloj quedará configurado.



#### Consejo Útil

Para cancelar la selección de **HORA** al fijar el reloj, oprima **OFF** en cualquier momento estando en el modo del reloj.

## Preparar su Estufa

**SELECT FUNCTION (Seleccionar Funciones)** es la sección del menú donde ud. puede configurar o cambiar las siguientes opciones de su estufa:



**VOLUMEN** (disminuye o aumenta el nivel de sonido de los pitidos de control)



**FORMATO DE TEMPERATURA** (cambia la escala a grados Fahrenheit o Celso)



**FORMATO DE TIEMPO** (12 horas o 24 horas)



**TECLAS DE BLOQUEO** (bloqueo del botón de control)

ABC

**OPCIÓN DE IDIOMA** (para indicaciones; seleccione Inglés, Español o Francés)



**RELOJ** (sí o no)



**COMPENSACIÓN TEMPERATURA DEL HORNO** (se usa para calibrar la temperatura del horno)

**DEMO**

**MODO DE DEMOSTRACIÓN** (usado por tiendas)



**RESTABLECER PARÁMETROS POR DEFAULT** (regresa todas las funciones a los parámetros originales de fábrica)



**OPCIÓN SABATINA** (para religiones que no permiten "trabajar" los Sábados)

**NOTA:** En el caso de una falla de electricidad, las funciones regresan a los parámetros de fábrica y se deben ajustar nuevamente.

### Accesar y Usar el Menú de Seleccionar Funciones

Para acceder al menú de **SELECT FUNCTION**, oprima y mantenga oprimido la almohadilla **COOKING MODE** por cinco (5) segundos.

**SELECT FUNCTION** aparece en la pantalla.

1. **Gire la perilla** a la opción deseada.
2. **Oprima START** para seleccionar alguna función, y **gire la perilla** para escoger sub-funciones.
3. Después de seleccionar una opción, **oprime OFF**.

Vea la página siguiente para más información.

### CONSEJOS para Usar Funciones

- Habrá un ligero retraso antes de poder ver cada mensaje (u opción) en la pantalla.
- Gire la perilla lentamente, y espere aproximadamente un segundo para que la pantalla muestre la siguiente opción.
- Para desplazarse a través del menú de opciones, lentamente gire la perilla en sentido del reloj un clic después de que aparezca cada opción.

### PITIDOS

3 pitidos consecutivos indicarán cuando termina algún modo.

### NOTA:

En el caso de una falla de electricidad, las funciones regresan a los parámetros de fábrica y se deben ajustar nuevamente.



## VOLUMEN DEL PITIDO

- Se puede cambiar el volumen del pitido de control de **BAJO** (suave) a **ALTO** (fuerte).
- El volumen por default es **MEDIANO**.

### Cambiar el volumen del pitido

1. **Accese al menú SELECT FUNCTION.**
2. **Gire la perilla** en sentido del reloj hasta que aparezca **VOLUME**.
3. **Oprima START.**
4. **Gire la perilla** para seleccionar el nivel de volumen, Bajo, Mediano o Alto.
5. **Oprima START.**



## CAMBIAR LA TEMPERATURA

- El horno ha sido preconfigurado a la escala de temperatura en grados Fahrenheit.
- La opción le permite cambiar entre grados Fahrenheit y grados Celso.

### Cambiar la Escala de Temperatura

1. **Accese al menú SELECT FUNCTION.**
2. **Gire la perilla** en sentido del reloj hasta que aparezca **SELECT TEMP F-C**.
3. **Oprima START.**
4. **Gire la perilla** para seleccionar Fahrenheit (F) o Celso (C).
5. **Oprima START** para aceptar la nueva selección.



## RELOJ (PRENDIDO o APAGADO)

- Se puede apagar el reloj en la pantalla.
- Por default el reloj aparece en la pantalla.

### Prender o Apagar el Reloj

1. **Accese al menú SELECT FUNCTION.**
2. **Gire la perilla** en sentido del reloj hasta que aparezca **CLOCK DISPLAY** (pantalla reloj).
3. **Oprima START.**
4. **Gire la perilla** una vez y **ON** (Prenda) o **OFF** (Apague) aparecerá en la pantalla.
5. **Oprima START** para aceptar la nueva selección.

## DEMO MODO DE DEMOSTRACIÓN

El modo de demostración es para uso exclusivo de tiendas que venden aparatos electrodomésticos.

## ABC DESPLIEGUE EN IDIOMAS

- Los idiomas posibles son Inglés, Español y Francés.
- El idioma por default es el Inglés.

### Cambiar el Idioma que aparece en la pantalla

1. **Accese al menú SELECT FUNCTION.**
2. **Gire la perilla** en sentido del reloj hasta que aparezca el idioma deseado.
3. **Oprima START.**
4. **Gire la perilla** en sentido del reloj para seleccionar un idioma diferente.
5. **Oprima START** para aceptar el idioma nuevo.



## TECLAS DE BLOQUEO

- Se puede bloquear el teclado por cuestión de seguridad.
- Se puede usar esta opción para prevenir cambios a las funciones del horno.

### Bloquear o Desbloquear el Panel de Control del Horno

1. **Accese al menú SELECT FUNCTION.**
2. **Gire la perilla** en sentido del reloj hasta que parpadee **LOCK KEYS**.
3. **Oprima START.** Aparece **KEYPAD LOCKED**. La pantalla emite un pitido cuando se oprime una tecla para indicar que el teclado queda bloqueado.
4. **Para desbloquear** los teclados, oprima **COOKING MODE** y mantenga oprimido por 5 segundos. La pantalla indicará **UNLOCKING KEYPAD**.
5. Cuando está desbloqueado, el reloj volverá a aparecer en la pantalla.

- Nota:** Esta función **NO** bloquea la puerta del horno. **COMPENSAR LA TEMPERATURA DEL HORNO**
- Permite ajustar la temperatura del horno cuando los alimentos salen consistentemente muy dorados o muy poco dorados.



## CAMBIAR LA COMPENSACIÓN DE TEMPERATURA DEL HORNO

1. **Accese al menú SELECT FUNCTION.**
2. **Gire la perilla** en sentido del reloj hasta que aparezca **OVEN TEMP OFFSET**.
3. **Oprima START.** Aparece 0° F.
4. **Gire la perilla** hacia la derecha para aumentar la temperatura +25°F y hacia la izquierda para disminuir la temperatura -25°.
5. **Oprima START** para aceptar la nueva temperatura.



## RESTABLECER DEFAULTS

- Se usa esta opción para regresar todas las opciones modificadas del menú "Select Functions" a los parámetros originales de fábrica (o de default).

### Restablecer los parámetros de fábrica.

1. **Accese al menú SELECT FUNCTIONS.**
2. **Gire la perilla** en sentido del reloj hasta que aparezca **RESET DEFAULTS**.
3. **Oprima START.** La pantalla muestra **SELECT FUNCTIONS**.

### NOTA

El menú **SELECT FUNCTION** aparece sólo en Inglés sin importar el idioma seleccionado.



### OPCIÓN SABATINA

- El horno horneará por 73 horas antes de apagarse automáticamente.
- El horno o el cajón calentador debe estar apagado para seleccionar la opción Sabbath.

#### Poner la Opción Sabatina

1. Verifique que el horno y el cajón calentador estén apagados antes de comenzar.
2. **Accese al menú SELECT FUNCTIONS.**
3. **Gire la perilla** en sentido del reloj hasta que aparezca **SABBATH OPTION.**
4. **Oprima START.** La pantalla indicará **HORNEAR** y la temperatura empieza a parpadear.
5. **Gire la perilla** para fijar la temperatura del horno.
6. **Prenda** la luz del horno si así lo desea (oprima **LIGHT(LUZ)**).

**Nota:** No se puede cambiar la luz después de este punto. Se quedará prendida o apagada durante todo el modo sabatino.

7. Oprima **START.** El horno comienza después de 5 segundos.

**Nota:** NO se puede usar la sonda durante el modo Sabatino.

Mientras hornea en el modo Sabatino, la pantalla indicará **SABBATH** y el icono de **HORNEAR**. El reloj estará apagado y no aparece ninguna temperatura en la pantalla.

Durante el modo Sabatino, sólo el botón para cancelar (Off) funcionará. **Oprima OFF en cualquier momento durante el modo Sabatino para terminar el modo y apagar el horno.**

Al final de las 73 horas, el horno se apagará automáticamente y la pantalla indicará **SABBATH END** (fin sabatino). Oprima **OFF** para regresar a la hora de día.



### FORMATO DE LA HORA

- Se puede configurar el reloj a un formato de 12 horas o de 24 horas.
- Por default el reloj del horno tiene el formato de 12 horas.

#### Cambiar el Formato de la Hora

1. **Accese al menú SELECT FUNCTION.**
2. **Gire la perilla** en sentido del reloj hasta que aparezca **TIME FORMAT.**
3. **Oprima START.**
4. **Gire la perilla** para seleccionar el formato de 12 horas o de 24 horas.
5. **Oprima START** para aceptar la selección nueva.



## Características de la Estufa

### Antes de Usar la Estufa

- Quite todos los materiales de empaque y la literatura de la superficie de la estufa.
- Estando fría, limpie con una esponja limpia, húmeda y seque.
- Los resultados óptimos de cocinar dependen de los utensilios apropiados para cocina que selecciona o usa.
- Lea todas las precauciones de seguridad y la información en el Manual de Uso y Cuidado antes de operar el equipo.

### Quemadores de Gas Sellados

Su estufa nueva viene con quemadores de gas sellados y con tapas removibles. No hay partes de quemadores que limpiar, desmontar o ajustar abajo de la estufa. Su estufa tiene cuatro (4) tamaños diferentes de las tapas de quemador. Trate de emparejar el tamaño de la olla con el tamaño del quemador.



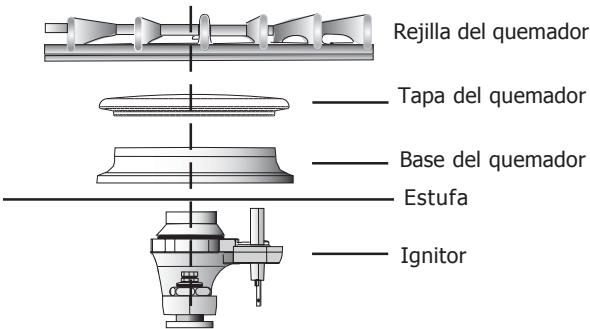
#### ADVERTENCIA:

Para evitar destellos, no use la estufa sin haber colocado correctamente todas las tapas y rejillas.

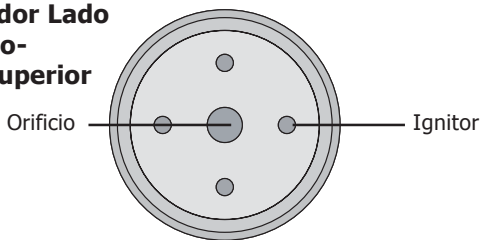
### Salida del Quemador por Tipo de Gas (BTU/hr)

	Izq. Delant.	Izq. Trasero	Der. Delant.	Der. Trasero
<b>Gas Natural</b>	9100	12500	15000	5500
<b>Propano</b>	7500	11000	15000	5000

### Quemador Lado Derecho - Vista Lateral



### Quemador Lado Derecho - Vista Superior

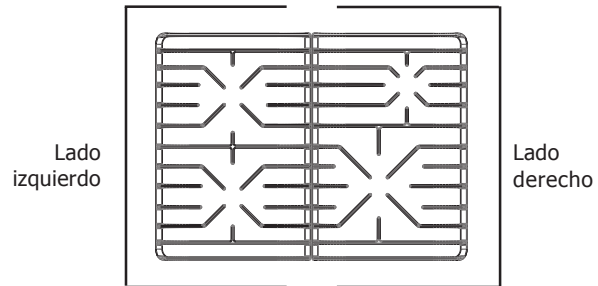


### Tapas del quemador

La tapa del quemador es de acero esmaltado. Asegúrese de asentar la tapa completamente en la base del quemador antes de tratar de encenderlo. Cuando no se posiciona bien la tapa del quemador, éste tal vez no se prende o la llama es incompleta.

### Rejillas de los quemadores

Su estufa tiene dos rejillas: una para el lado izquierdo y una para el lado derecho de la estufa. Colóquelas como se muestra en la figura abajo. No opere los quemadores sin tener una olla sobre las rejillas.



#### ADVERTENCIA:

Para evitar destellos, se deben posicionar correctamente todas las rejillas sobre la estufa cuando ésta se está usando. Cada una de las patas debe ser colocada en los hoyitos correspondientes en la estufa. No use una rejilla cuyas patas de hule faltan o que estén dañadas.

Use esta tabla como guía para seleccionar el calor:

Usos	Calor
Hervir agua	Alto
Freir con sartén, sofreír, dorar carne, freir con mucho aceite	Medio Alto
Freido general, huevos, panqués, hervido lento	Medio
Cocinar alimentos tapados, vaporizar	Medio Bajo
Derretir mantequilla y chocolate	Bajo
Salsa de tomate, caldos, guisados, calentar comida	Hervir a fuego lento

Aparece una gama de ajustes de calor porque el ajuste verdadero depende de:

- 1) tipo y calidad de la olla (Vea "Seleccionar Ollas", Página 26)
- 2) tipo, cantidad y temperatura de los alimentos
- 3) quemador que se está usando
- 4) las preferencias del cocinero.



#### CUIDADO:

Para evitar posibles quemaduras o daños a la olla o la estufa, la llama no debe salirse más allá del borde de la olla.

## Operación de la estufa

### Perillas de Control de la Estufa



Los controles de los quemadores tienen un número infinito de ajustes de calor sin posiciones prefijadas. Abajo de cada perilla de control se encuentra un anillo biselado de plástico.

**Para ENCENDER:** Seleccione la perilla de control, presione hacia dentro y gire en sentido opuesto a las manecillas del reloj hasta el símbolo de la llama. Se escuchará el clic del ignitor.

**Para AJUSTAR EL TAMAÑO DE LA LLAMA:** Después de encender la llama, gire en sentido opuesto a las manecillas del reloj hasta obtener el tamaño deseado de la llama.

APÁGUELO girando la perilla de control a la posición OFF.

**Para quitar la perilla, resorte y anillo:** Ponga la perilla en la posición de OFF. Sáquela jalándola. El resorte y el anillo están sueltos y se pueden quitar fácilmente una vez que se haya quitado la perilla.

**Para reemplazar la perilla, resorte y anillo:** Coloque el resorte y la perilla encima del anillo alineando los orificios centrales. Empuje sobre la perilla de modo que el resorte quede tenso. Con la perilla posicionada, coloque el orificio central alrededor del eje sobre la estufa y presione sobre el anillo, resorte y perilla. Suelte la perilla.

### Encendido Electrónico

La estufa usa encendedores electrónicos para prender los quemadores. No hay una flama piloto. Cada quemador tiene su propio ignitor. Para mejores resultados, centre la olla encima del quemador antes de encenderlo.

El ignitor debe estar limpio y seco para operar correctamente.

- Evite el contacto del ignitor con agua o alimentos.
- Cuando el ignitor queda húmedo o sucio, puede echar chispas sin encender el quemador.

**Nota:** Cuando el quemador no se prende dentro de 4 segundos, apague el quemador. Revise que la tapa esté colocada correctamente sobre la base y que el ignitor esté limpio y seco. Si aún no prende el quemador, vea *Autoayuda- Estufa, página 28*.

### Características Típicas de las Llamas

Partículas ajenas en la línea de gas pueden causar una llama de color naranja durante el uso inicial. Esto debe desaparecer con el uso. Revise la tapa del quemador para estar seguro que los orificios de los puertos no estén tapados. Cuando los puertos están tapados, vea *Limpiar la Estufa, página 22*. Con gas natural, la llama del quemador debe ser azul y estable sin puntas de color amarillo, ruido o flameado excesivo. Debe quemar completamente alrededor de la tapa del quemador. Con gas de propano (LP), es normal tener algunas puntas de color amarillo.

**Nota:** Se puede escuchar un sonido "pop" (estallido) cuando se apaga el quemador manualmente. Con gas LP este sonido puede ser más fuerte que con gas natural. Es algo normal.

Consulte la Guía para Cocinar (página anterior) para los ajustes de las llamas.

### Falla de Electricidad

En el caso de una falla de electricidad, se pueden encender los quemadores de la superficie de la estufa (no del horno) manualmente. Sostenga un cerillo cerca del puerto y gire la perilla de control a la posición HI (Alta). Espere hasta que la llama se extienda completamente alrededor del quemador antes de ajustar la llama a la altura deseada.



### CUIDADO:

Todos los encendedores echan chispas cuando algún quemador está PRENDIDO. No toque ninguno de estos quemadores cuando se usa la estufa.

### Rendimiento del Quemador

Para mejores resultados, observe las siguientes características de los quemadores:

#### Quemador PowerSim™ (algunos modelos):

El PowerSim™ es el quemador más grande y versátil en la estufa. La tapa del quemador retiene el calor más tiempo que las tapas de los quemadores normales y, a bajo calor, prohíbe que la llama tenga contacto físico con la olla. Esto resulta en un calor más suave y predecible. Se puede ajustar lo suficientemente bajo para hervir salsas a fuego lento sin quemarlas y lo suficientemente alto para freír y hervir rápidamente. La tapa del quemador más grande puede acomodar también ollas más grandes, de modo que sirve muy bien para cocer cantidades grandes de alimentos.

**Derecho Trasero:** El quemador derecho trasero es el quemador más pequeño. Sirve bien para cocinar alimentos delicados como derretir chocolate y mantequilla.

## Modos y Características del Horno

### Rejillas del Horno

Dependiendo del modelo, la estufa viene equipada ya sea con tres rejillas planas o dos rejillas planas y una rejilla de extensión comp. Todas las rejillas están diseñadas con un tope para detenerse antes de salirse completamente del horno y para no voltearse.

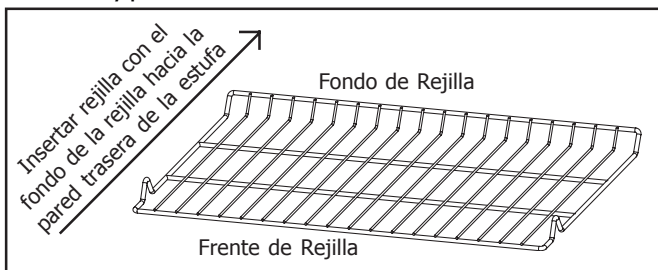


Figura 1 - La rejilla plana



### ¡CUIDADO!

Para evitar posibles quemaduras, coloque las rejillas del horno en las posiciones deseadas antes de prender el horno. Siempre use guantes cuando el horno está caliente. Si debe sacar la rejilla cuando el horno esté caliente, no toque el elemento calentador con los guantes.

**Sacar del horno:** Agarre la rejilla firmemente en ambos lados y júlela hacia Ud. Al llegar al tope, incline la rejilla hacia arriba y júlela completamente.

**Reemplazar en el horno:** Agarre la rejilla firmemente en ambos lados. Incline la rejilla hacia arriba para encajar el tope en el portarejilla. Cambie la rejilla a una posición horizontal y empújela completamente. La rejilla debe estar recta y plana, no torcida.

**Nota:** La rejilla de extensión completa debe estar en la posición cerrada cuando la quiere quitar o reemplazar. Agarre toda la rejilla (ambas secciones).

**La rejilla de extensión completa** (Algunos Modelos) permite un acceso más fácil para cocinar alimentos. La sección inferior se extiende igual que la rejilla plana estándar. Sin embargo, la sección superior se extiende más allá de la sección inferior, de este modo acercando los alimentos al usuario. Para pedir una rejilla de extensión completa, contacte al Servicio de **Bosch: 800-944-2904** para localizar un distribuidor cerca de su casa.

**Uso:** Primero, agarre la sección inferior y júlela hacia Ud. Una vez que llegue al tope, agarre la sección superior y júlela hacia Ud. hasta llegar al segundo tope.

**Limpiar:** Limpie la rejilla con agua jabonosa caliente. Seque bien. Para suciedad persistente, use esponjillas de fibra metálica con jabón. **NO limpie la rejilla en el horno de autolimpieza.**

**Las dos secciones de la rejilla se desarman para facilitar la limpieza.** Para hacerlo, coloque la rejilla sobre una superficie plana en la posición cerrada con el lado superior hacia arriba. Jale el frente de la rejilla hacia arriba y gire un lado hacia Ud. hasta que salga del tope (bola). Jale la rejilla y sáquela con el lado girado primero (Vea Figura 2).

**Para reensamblar la rejilla,** sostenga la rejilla superior diagonalmente sobre la rejilla inferior. Inserte un lado de la rejilla superior a la posición cerrada. Gire el otro lado hacia el fondo de la rejilla hasta que rebese el tope (bola). Empuje la rejilla completamente (Fig. 3)

Si la rejilla superior no se extiende completamente, no se instaló correctamente. Vuelva a instalarla de modo que el tope de ollas quede en el fondo del horno.

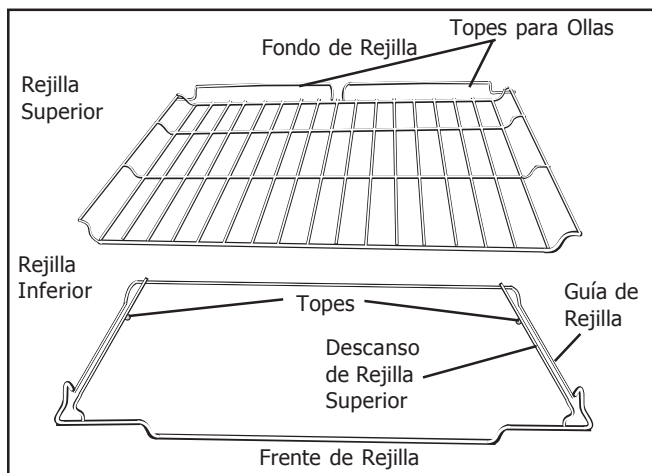


Figura 1 - La rejilla de extensión completa

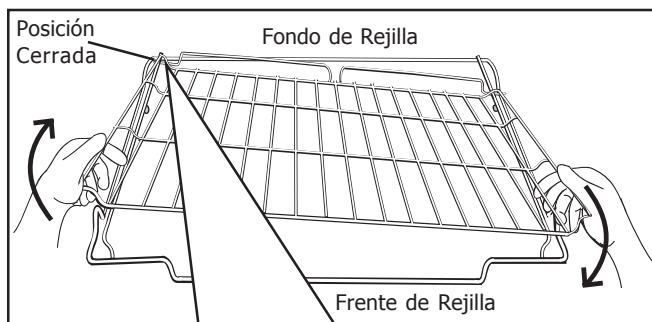


Figura 2 - Desarmar la rejilla

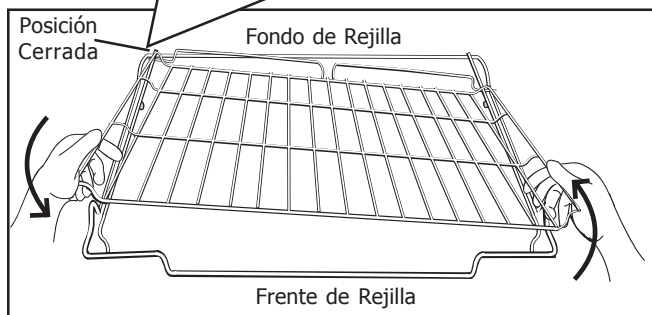
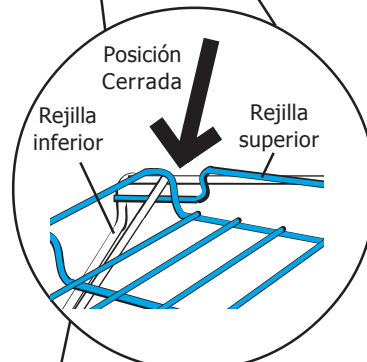


Figura 3 - Volver a armar la rejilla



**CAUTION:** Siempre verifique que se instale correctamente la rejilla superior después del reensamblado. Los bordes traseros de la rejilla superior deben quedar abajo de la guía en la rejilla inferior. **NO** descance simplemente la rejilla superior sobre la inferior.

## Modos y Características del Horno

### Posición de Rejillas

(vea los gráficos a la derecha para mayores detalles)

**REJILLA 6** (posición más alta) – Se usa para derretir queso, asar alimentos delgados.

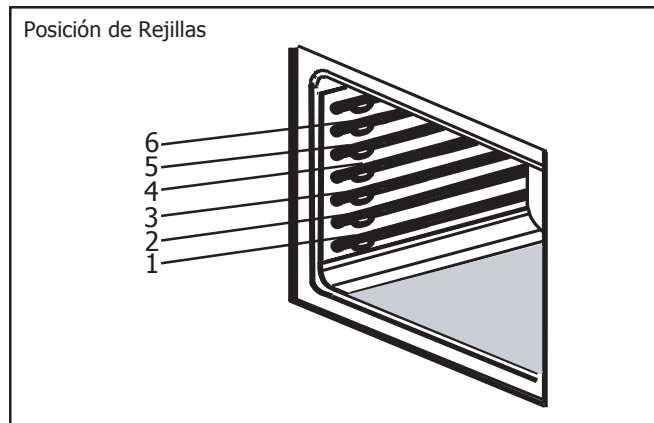
**REJILLA 5** – Se usa para asado de carnes, tostar pan.

**REJILLA 4** – Se usa para asar carnes más gruesas.

**REJILLA 3** – Se usa para horneado, cuando hornea en una sola rejilla, como una bandeja para galletas o moldes para hornear. Se usa para pasteles, alimentos congelados, bollos, brownies y molletes.

**REJILLA 2** – Se usa para hornear pays, caserolas, panes, pasteles tipo bundt o pound, ligeros tostados o aves.

**REJILLA 1** (posición más baja) – Se usa para pastel tipo bizcocho, tostados grandes, pavo.



### Cocinar con Múltiples Rejillas:

Cuando usa múltiples rejillas, siga las recomendaciones de abajo para su colocación.

Dos rejillas: Use las posiciones de rejilla 2 y 5.

Tres rejillas (para horneado de convección): Use las posiciones 1, 3 y 6.

### Colocación de Moldes

Los resultados de hornear son mejores cuando se colocan los moldes en el centro del horno. Cuando hornea más de un molde en una rejilla, permita al menos 1" a 1 1/2" de espacio libre alrededor del molde. Cuando hornea cuatro capas con pasteles al mismo tiempo, ponga los moldes sobre dos rejillas, de tal modo que ningún molde quede directamente encima de otro. Para lograr mejores resultados al hornear, coloque los moldes como se muestra en el dibujo a la derecha.

### Precalentar

Precaliente el horno si la receta lo recomienda. Es necesario precalentar el horno para lograr buenos resultados cuando quiere hornear pasteles, galletas, pastelitos y panes. No se recomienda el precalentamiento cuando usa la sonda. Fijar una temperatura más alta no reduce el tiempo del precalentado. Coloque las rejillas del horno en una posición adecuada antes de precalentar. Un pitido confirmará que el horno está precalentado y la pantalla indicará la temperatura seleccionada del horno.

### Moldes para Hornear

Los moldes de vidrio absorben el calor, por lo tanto debe reducir la temperatura del horno 25°F cuando hornea en moldes de vidrio.

Metal brillante, suave refleja el calor, resultando un dorado más ligero y más delicado.

Los moldes oscuros, ásperos o sin brillo absorben el calor, produciendo una costra más dorada y crujiente.

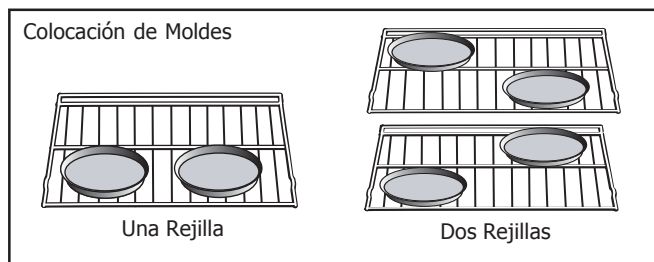
Algunos fabricantes recomiendan bajar la temperatura 25° cuando usa este tipo de molde. Siga las recomendaciones del fabricante. Use moldes oscuros para pays.

Los moldes aislados para hornear pueden aumentar la duración del tiempo recomendado de horneado.



### CUIDADO:

Muchos factores afectan el resultado de cocinar. Siempre revise el estado de cocido de los alimentos antes de servirlos.



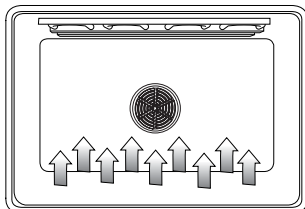
### Falla de electricidad

NO trate de encender el quemador de asado o el quemador de horneado manualmente. Sólo se pueden encender manualmente los quemadores de la estufa.

## Modos del Horno - Horneado y Horneado de Convección

### HORNEADO, FERMENTADO (Algunos Modelos) y CALENTADO

**Hornear** es cocinar con aire seco, caliente. Tanto el elemento superior como el inferior se prenden en ciclos para mantener la temperatura del horno:



Se puede usar el modo de Hornear para preparar una variedad de alimentos, desde pastelitos hasta guisados. También se puede usar para asar carnes.

En el modo de **Caleantar**, el horno utilizará el elemento inferior y superior para sostener una temperatura baja para mantener los alimentos a una temperatura de servir.

- Use el ajuste de caleantar en el horno para mantener calientes los alimentos hasta que sean servidos.
- Las temperaturas del modo de caleantar son 140° - 220°F. La temperatura por default es 170°.
- Alimentos que deben quedar húmedos, deben taparse con una tapa o papel aluminio.

El fermentado es la elevación de una masa de levadura. En el modo de **Fermentado**, el horno usa el elemento superior e inferior para mantener una temperatura baja para fermentar (elevar) pan. El fermentado es la segunda elevación de una masa de levadura.

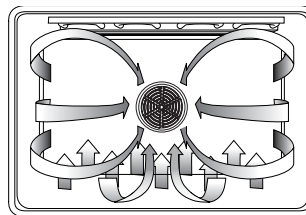
- Las temperaturas del modo de fermentado son 85° a 110°F. La temperatura por default es 100°.
- Tape la olla o el pan sin apretar y use cualquier rejilla que acomode el tamaño del contenedor.
- **Mantenga cerrada la puerta** y use la luz del horno para revisar la elevación de la masa.

\*La temperatura del horneado de convección es 25°F menos que recomendada en los paquetes o recetas. La temperatura en esta tabla ha sido reducida por 25°F.

\*\*Esta tabla es una guía. Los tiempos verdaderos dependen de las mezclas y recetas horneadas. Siga las direcciones de la receta o del paquete y reduzca la temperatura de modo apropiado.

### HORNEADO DE CONVECCIÓN

**El Horneado de Convección** es similar al horneado. En este caso, el calor viene del elemento de calentamiento inferior y un tercer elemento detrás de la pared trasera. La principal diferencia en el horneado de convección es que el calor recircula a través del horno por el ventilador de convección.



El modo de Horneado de Convección sirve muy bien para hornear cantidades grandes de alimentos sobre múltiples rejillas. Se puede usar para preparar galletas, pays, pastelitos, panes, y botanas entre otras cosas.

Los beneficios del horneado de convección incluyen:

- Ligera disminución del tiempo de hornear
- Hornear con 3 rejillas (dorado más uniforme)
- Mayor volumen (la levadura se eleva más)
- Hornear más alimentos a la vez

Para lograr mejores resultados:

- Reduzca la temperatura de la receta por 25° F. Consulte la tabla de Horneado de Convección para ejemplos.
- Ponga los alimentos en moldes planos, no tapados, como bandejas para galletas sin costados.
- Centre los moldes lado a lado sobre la rejilla del horno.

Tabla del Horneado de Convección

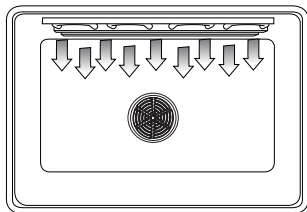
Alimento	Posición de Rejilla	Temperatura* (horno precalentado) (F°)	Tiempo del Horneado de Convección** (min.)
<b>Pastel</b>			
Glaseado	3	325	18 - 21
Pastel Bundt	2	325	37 - 43
Bizcochos	1	325	39 - 43
<b>Pay</b>			
2 cortezas, fresco, 9"	2	350- 400	45 - 55
2 cortezas, fruta congelada, 9"	2	350	68 - 78
<b>Galletas</b>			
Azúcar	3	325 - 350	6 - 11
Chocolate Chip	3	325 - 350	10 - 15
Brownies	3	325	29 - 36
<b>Panes</b>			
Pan de Levadura, 9x5	2	350	20 - 24
Rollos de Levadura	3	350 - 375	14 - 18
Pan Rápido, 8x4	2	325 - 350	45 - 55
Bollo, Panecillo	3	350 - 375	11 - 15
Molletes	3	400	16 - 20
<b>Pizza</b>			
Congelada	3	375 - 425	23 - 26
Fresca	3	400 - 425	12 - 15

## Modos del Horno - Asado y Tostado de Convección



### ASADO

El Asado usa el calor intenso radiado del elemento superior:



El modo de asado sirve mejor para cocinar cortes delgados, suaves de carne (1" o menos), pollo y pescado. Se puede usar también para dorar panes y guisados.

Los beneficios del Asado incluyen:

- Asado rápido y eficiente
- Cocinar sin agregar grasas o líquidos
- Los alimentos se doran mientras se cocinan

Para lograr mejores resultados:

- Precaliente el horno 3-4 minutos
- Los filetes y chuletas deben tener un grosor de al menos 3/4"
- Aplique mantequilla o aceite al pescado o pollo para evitar que se pegue
- Use la bandeja y rejilla de asar incluida con su estufa
- No forre la rejilla del asador con papel de aluminio. Está diseñada para drenar las grasas y los aceites de la superficie y evitar manchas y humos
- Voltee la carne una vez a mitad del tiempo recomendado para cocinar (vea la tabla de asado para ejemplos).
- Al dorar guisados, use sólo platos de metal o vidrio cerámico como Corningware®.
- Nunca use vidrio refractario (Pyrex®); no puede tolerar la temperatura alta.

**SIEMPRE ASE CON LA PUERTA CERRADA**

Tabla de Asado

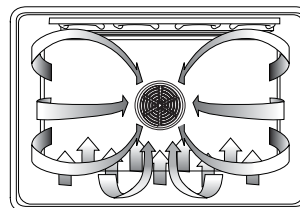
Alimento y Grosor	Posición de Rejilla	Posición de la Perilla	Temperatura Interna (°F)	Tiempo Lado 1 (min) *	Tiempo Lado 2 (min) *
<b>Res</b> Filete (3/4" - 1") Vuelta y Vuelta Medio Bien Cocido Hamburguesas (3/4" - 1") Bien Cocida	5 5 5 5	Alto* Alto Alto	145 160 170	6-7 7-8 8-9	5-6 6-7 7-9
<b>Pollo</b> Pechuga (con hueso)	4	Bajo*	170	18-20	18-19
<b>Puerco</b> Chuletas (1") Salchicha - fresca Rebanadas de Jamón (1/2")	4 3 5	Alto Alto Alto	160 160 160	8-9 7-9 3-4	7-8 6-8 2-3
<b>Mariscos</b> Filetes de Pescado, 1" Con Mantequilla	4	Bajo	Cocinar hasta que quede opaco y se desmenuza con facilidad	6-7	No Voltee
<b>Pan</b> Pan de Ajo, rebanadas de 1"	5	Alto		2-4	

\*Los tiempos del Asado son aproximados y pueden variar ligeramente. Los tiempos se basan en cocinar con un elemento de asado precalentado.



### TOSTADO DE CONVECCIÓN

El Tostado de Convección usa el calor del quemador inferior así como el calor circulado por el ventilador de convección:



El modo del Tostado de Convección sirve muy bien para preparar cortes suaves de carne y pollo.

Los beneficios del Tostado de Convección incluyen:

- Hasta un 25% más rápido para cocinar que el Tostado/Horneado normal
- Un dorado uniforme

Para lograr mejores resultados:

- Use la misma temperatura que se indica en la receta.
- Revise el término de la carne oportunamente, ya que se puede disminuir el tiempo de asado por un 25%. Consulte la tabla del asado de convección para ejemplos.
- No tape la carne o use bolsas
- Use la bandeja y rejilla de asado que viene incluida con la estufa. También se puede usar una olla no tapada y poco profunda.
- Use la sonda o termómetro para carne para determinar la temperatura interna de la carne.
- Cuando la carne ya se doró como le gusta, pero aún no se coció, puede colocar una pequeña tira de papel de aluminio encima del área dorada para evitar que se dore demasiado.
- Después de sacar la carne del horno, cúbrala con papel de aluminio 10 - 15 minutos.

Tabla de Tostado de Convección

Carnes	Peso (libras)	Temperatura del Horno (°F)	Tiempo de Asado* (min. por libra)	Temperatura Interna (°F)
<b>Res</b> Costillas	4 - 6	325	25-32 28-32	145 (vuelta y v) 160 (medio)
Rib Eye, sin hueso	4 - 6	325	24-32 27-32	145 (vuelta y v) 160 (medio)
Rump, Eye, Tip, Sirloin (sin hueso)	3 - 6	325	25-30 28-32	145 (vuelta y v) 160 (medio)
Lomo Suave	2 - 3	425	15-25	145 (vuelta y v)
<b>Puerco</b> Lomo (con o sin hueso) Hombro	5 - 8 3 - 6	350 350	15-25 20-30	160 160
<b>Pollo</b> Pollo - entero	3 - 4	375	14-20	180
Pavo, sin relleno**	12 - 15	325	10-14	180
Pavo, sin relleno**	16 - 20	325	9-13	180
Pavo, sin relleno**	21 - 25	325	6-10	180
Pavo/ Pecho	3 - 8	325	20-25	170
Cornish Hen	1 - 1½	350	45-75 min. tiempo total	180
<b>Cordero</b> Media Pierna Pierna entera	3 - 4 6 - 8	325 325	30-35 25-30 25-30 30-35	160 (medio) 170 (bien c) 160 (medio) 170 (bien c)

\*Los tiempos del tostado son aproximados y pueden variar dependiendo de la forma de la carne.

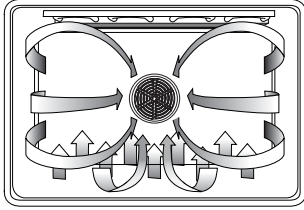
\*\*Pavo relleno requiere de un tiempo adicional de tostado. La mínima temperatura segura para el relleno en pavo es 165°F.

## Modos del Horno - Deshidratado (Algunos Modelos)



### DESHIDRATADO

El deshidratado seca con calor del quemador inferior. El calor circula a través del horno por el ventilador de convección.



Se usa el deshidratado para secar y/o conservar alimentos como frutas, verduras y especias. Este modo mantiene una temperatura baja óptima (100° F - 160° F) mientras circula el aire caliente para eliminar lentamente la humedad.

Para lograr mejores resultados:

- Seque la mayoría de frutas y verduras a 140° F. Seque especias a 100°F. (Consulte la tabla de deshidratado para ver ejemplos)
- Los tiempos de secado varían debido a la humedad y el contenido de azúcar en el alimento, el tamaño de las piezas alimenticias, la cantidad de alimentos que se están secando y la humedad en el aire. Revise los alimentos cuando llegue al tiempo mínimo de secado.
- Se pueden usar múltiples rejillas al mismo tiempo. Para obtener rejillas adicionales de secado, contacte a su distribuidor de **Bosch**.
- Trate frutas con antioxidantes para evitar la decoloración.
- Consulte un libro de conservación de alimentos, la Oficina Cooperativa del condado o una librería para obtener información adicional.

**La puerta debe estar abierta durante el modo de Deshidratado.** Mantenga la puerta abierta al menos 1" colocando un objeto (i.e., cuchara de madera) en la esquina superior entre la puerta y el panel lateral. Tenga cuidado que el objeto no toque el empaque del horno.

Tabla del Deshidratado

Alimento	Preparación	Tiempo de Secado Aproximado* (horas)	Prueba del Terminado
<b>Fruta</b> Manzanas	Sumergido en ¼ vaso con juego de limón y 2 vasos con agua, rebanadas de ¼"	11-15	Ligeramente flexible
Bananas	Sumergido en ¼ vaso con juego de limón y 2 vasos con agua, rebanadas de ¼"	10-15	Ligeramente flexible
Cerezas	Lavar y secar con toalla. Para cerezas frescas, sacar los huesos	10-15	Flexible, duro, masticable
Cáscara y trozos de Naranja	Trozos de naranja de ¼"; la parte de la cáscara está ligeramente pelada de la naranja	Cáscara: 2-4 Rebanadas: 12-16	Cáscara de Naranja: seca y frágil. Trozos de Naranja: las cáscaras están secas y frágiles, la fruta queda ligeramente húmeda
Anillos de Piña	Secado con toalla	Enlatado: 9-13 Fresco: 8-12	Suave y flexible
Fresas	Lavar y secar con toalla. Rebanadas de ½", la piel (exterior) sobre la rejilla	12-17	Seco, frágil
<b>Verduras</b> Chiles	Lavar y secar con toalla. Quitar la membrana del chile, cortados en rebanadas grandes de aproximadamente 1"	16-20	Duro sin tener humedad en el interior
Hongos	Lavar y secar con toalla. Cortar el tallo. Cortar en rebanadas de 1/8"	7-12	Duro y seco
Jitomates	Lavar y secar con toalla. Cortar en rebanadas delgadas, grosor de 1/8", drenar bien	16-23	Seco, color de ladrillo rojo
<b>Especias</b> Orégano, perejil verde, tomillo y hinojo	Enjuagar y secar con una toalla de papel	Secar a 100°F 3-5 horas	Crujiente y frágil
Albahaca	Usar las hojas de albahaca 3 a 4 pulgadas desde la punta. Rocíar con agua, sacudir de encima la humedad y secar a golpecitos	Secar a 100°F 3-5 horas	Crujiente y frágil

\* El horno se quedará prendido por 48 horas antes de apagarse en forma automática.

## Seleccionar el Modo del Horno

### Configurar el Modo de Cocinar

1. **Oprima COOKING MODE** (modo de cocinar).
2. **HORNEAR** parpadea en la pantalla.  
Cuando no se realiza otro ajuste dentro de 5 segundos, el control emitirá un pitido y parpadea.  
Cuando esto sucede, **oprime START**.
3. **Gire la perilla** para seleccionar el modo de cocinar.
4. **Oprima START**.  
El modo seleccionado aparecerá en la pantalla, junto con la temperatura de default para ese modo, la cual estará parpadeando.
5. Para seleccionar una temperatura diferente, **gire la perilla** hasta llegar a la temperatura deseada.
6. **Oprima START**. Si no oprime **START**, el horno se prenderá automáticamente en 5 segundos.
7. La pantalla alterna entre el modo de cocinar y precalentar.  
También aparece la temperatura precalentada, comenzando en 100°F. La temperatura verdadera se incrementa hasta alcanzar la temperatura preestablecida, en cuyo momento el **horno emitirá un pitido**.
8. Para cambiar la temperatura durante el proceso de cocinar, **oprime TEMPERATURE**. **Gire la perilla** para seleccionar una temperatura nueva y **oprime START**.
9. Una vez que haya terminado el horneado, **oprime OFF** para apagar el horno.



### CONSEJO ÚTIL

Para salirse de un modo actual, oprime **OFF** (apagar).

Seleccionar **OFF** (apagar) cuando no está en un modo de configuración, detendrá el funcionamiento del horno.

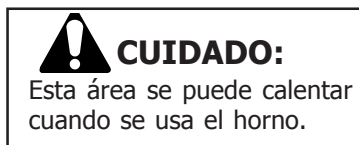
**Nota:** Después de apagar el horno, la pantalla muestra HOT en lugar del modo de cocinar. Se hace esto para indicar que el horno está apagado pero aún está caliente. Cuando la temperatura del horno cae abajo de 176°F (80°C), desaparece HOT de la pantalla.

### Tiempo de Operación del Horno

El horno se apagará automáticamente después de 12 horas (24 horas si el formato de tiempo está configurado para 24 horas en la sección de **SELECT FUNCTION**).

### Ventilación del Horno

El orificio de ventilación del horno se encuentra arriba de la estufa directamente abajo de la pantalla.



### CUIDADO:

Esta área se puede calentar cuando se usa el horno.

Es normal que salga vapor de la ventilación y que haya condensación en el panel trasero y en la estufa. Esta área se puede calentar cuando se usa el horno. No tape la ventilación ya que es importante para circular el aire.



## Usando el Reloj(es)

### Fijar el RELOJ(s)

1. Oprima **TIME** y **RELOJ 1** aparecerá.



2. Gire la perilla para seleccione **RELOJ 1** o **2**, luego oprima **TIME**. **FIJAR RELOJ 1** aparece en la pantalla. Los minutos parpadean.



3. **Gire la perilla** para seleccionar los minutos. Si ajusta sólo minutos, oprima **START**. De otro modo, siga con el paso 4.
4. Oprima **TIME** nuevamente y las horas parpadean.



5. **Gire la perilla** para fijar las horas.
6. Oprima **TIME** nuevamente. Ahora el **RELOJ** está configurado.  
Si no oprime **TIME** o **START**, el horno comenzará a emitir pitidos y la pantalla del reloj comienza a parpadear.

### Cambiar el Reloj(es)

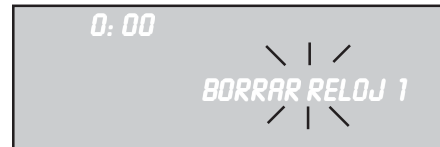
1. Oprima **TIME**. **RELOJ 1** aparecerá en la pantalla. Seleccione el **RELOJ 1** o **2**.



2. Oprima **TIME**. La pantalla muestra **RESET TIMER 1 (2)**. Los dígitos de minutos parpadean.
3. **Gire la perilla** para cambiar los minutos.
4. Oprima **TIME** nuevamente y parpadean los dígitos de las horas.
5. **Gire la perilla** para cambiar las horas.
6. Oprima **TIME** y el tiempo nuevo está configurado.

### Borrar el RELOJ

1. Oprima **TIME** una vez. **RELOJ 1** parpadea.
2. Gire la perilla para seleccionar **BORRAR RELOJ 1 (2)**.
3. Oprima **TIME**.
4. Si no oprime el botón **TIME**, el horno emitirá un pitido y la pantalla sigue parpadeando.



Al terminar el tiempo especificado, el control emite pitidos. **RELOJ 1 (2) END** parpadea en la pantalla.

1. **Oprima TIME** para regresar a la pantalla principal.

### CONSEJO

Gire la perilla para mostrar la hora del día o más información sobre el modo del horno cuando se usan los relojes.

### CANCELAR

Si no termina la operación, el horno emitirá pitidos periódicamente como recordatorio para ajustar el tiempo. Oprima **OFF** para salir del modo de **RELOJ**.

Seleccionar **OFF** cuando no está en un modo de configuración detendrá el funcionamiento del horno.

## Cocinar en Modo Cronometrado

La opción **COCINAR CRONOMETRADO** cambia el horno a un modo de cocinar para un período de tiempo determinado y luego lo apaga. La opción **COCINAR CRONOMETRADO** está disponible para uno de los siguientes modos del horno: Horneado, Horneado de Convección y Tostado de Convección.

Asegúrese que el reloj con la hora del día indica la hora correcta antes de comenzar. Vea "Cambiar la Hora del Reloj", para ajustar el tiempo.

### Configurar un Modo Cronometrado

1. Oprima **COOKING MODE**.
2. Aparecerá **HORNEAR**. Para seleccionar otro modo de cocinar, gire la perilla.
3. Oprima **START**.
4. **Gire la perilla** para seleccionar la temperatura deseada.
5. Oprima **TIME**. Aparecerá **HORNEADO CRON** en la pantalla.
6. Oprima **TIME**. Aparecerá **FIJAR TIEMPO DE HORNEAR** en la pantalla y los minutos parpadean. **Fije los minutos. Oprima TIME.**
7. Parpadean las horas. **Fije las horas. Oprima START.**

**Nota:** se debe incluir el tiempo que el horno requiere para alcanzar la temperatura en el tiempo configurado para cocinar.

8. Aparecerá **HORNEADO CRON** en la pantalla y el horno comienza a precalentar.

Después de terminar, parpadea **FIN HORNEADO CRON** y la estufa emite pitidos. **Oprima OFF** para borrarlo.

### Retrasar el Inicio de un Modo Cronometrado

1. Siga los pasos **1** hasta **5** de arriba.
2. **Gire la perilla** hasta que aparezca **HORNEADO RETRAS** en la pantalla.
3. Oprima **TIME**. Aparecerá **FIJAR TIEMPO DE HORNEAR** en la pantalla y los minutos parpadean. **Fije los minutos. Oprima TIME.**
4. Parpadean las horas. **Fije las horas. Oprima TIME.**
5. Aparece **FIJ FIN HORN** en la pantalla. **Oprima TIME.**
6. Use la perilla para **ingresar la hora del día cuando el horno deje de cocinar o cuando se apague.**

Fijar horas. Oprima TIME.

**Fijar minutos. Oprima TIME.**

El reloj calcula automáticamente la hora del día cuando el modo comienza y termina. El tiempo de cocinar que aparece cuenta regresivo por minuto.

7. Al final del tiempo programado de cocinar, el horno se apaga automáticamente. La pantalla indicará **FIN TIEMPO COCINAR** y el horno emitirá pitidos. **Oprima OFF** para borrarlo.

**Nota: Saque los alimentos del horno de inmediato** después del ciclo terminado para evitar que se cuezan demasiado. Los alimentos que se dejan en el horno seguirán cocinándose aún cuando el ciclo haya terminado.

Para revisar el tiempo de cocinar y el tiempo de detención después de haber fijado un retraso, **oprime TIME. Gire la perilla a FIN HORNEADO o TIEMPO DE HORNEAR. Oprime TIME.**



#### NOTA

Al final del tiempo programado de cocinar, el horno se apagará en forma automática. La pantalla indicará el modo y **END (FIN)**.



#### NOTA

**No se recomienda** cocinar en modo retrasado para alimentos que deben levantarse (ej., galletas, pasteles, panes, suflés, etc.)

### Acerca de la Sonda

- Se puede usar la sonda para determinar el terminado interno o la temperatura "FINAL" de muchos alimentos, especialmente carnes y aves.
- El rango de temperatura para la sonda es de 135°F a 200°F (57°C a 93°C).
- No se recomienda precalentar el horno cuando usa la sonda. Un horno caliente le impedirá conectar la sonda al receptáculo y de insertarla en la carne.
- Se puede ajustar la temperatura del horno desde 100°F hasta 450°F (38°C a 232°C).

### Insertar la Sonda

Inserte la punta de la sonda en el alimento.

- Para carnes, inserte la punta de la sonda en la parte más gruesa sin tocar huesos, grasa o cartílagos.
- Para pollos grandes y pavos, inserte la sonda en la parte más gruesa del muslo interno.
- Para otros alimentos, como asado de carne molida, la punta de la sonda debe quedar en el centro de la parte más gruesa del alimento.

### Usando la Sonda

1. Prepare la carne y póngala en la olla para asar (o sobre la rejilla como lo especifica la receta). Inserte la sonda en la carne. (Vea "Insertar la Sonda", arriba).
2. Asegúrese que la sonda no toca cartílagos, grasa, huesos, la rejilla o la olla.
3. Coloque la olla con la carne en el horno frío sobre la rejilla recomendada. **Ponga la sonda en el receptáculo.** El símbolo de la sonda aparecerá en la pantalla.

**Nota: Se puede fijar la temperatura de la sonda sólo cuando la sonda está instalada en el horno.**

4. **Oprima el COOKING MODE** (Modo de Cocinar) y **seleccione HORNEADO, HORNEADO DE CONVECCIÓN o ASADO DE CONVECCIÓN.**
5. Oprima **START**. Aparecerá temperatura del horno por default
6. **Gire la perilla** para cambiar la temperatura si es necesario.
7. Oprima **START**.
8. **Gire la perilla** para fijar la temperatura de la sonda (la temperatura final deseada del alimento).
9. Oprima **START**.
  - La temperatura del horno aparece en la esquina derecha superior de la pantalla.
  - La temperatura de la sonda aparece en el centro hacia la izquierda del modo de cocinar. Comienza en 80° y se incrementa en incrementos de 5°F hasta alcanzar la temperatura prefijada.
  - El horno queda precalentado cuando suena una vez.
  - Al alcanzar la temperatura fijada de la sonda, aparece **END** (Fin) en la pantalla y se apaga el horno.

**Nota:** Siempre debe quitar la sonda del horno cuando termina el proceso de cocinar. El símbolo de la sonda permanecerá en la pantalla hasta quitar la sonda. No deje la sonda en el horno durante la autolimpieza. El horno no se autolimpia con la sonda instalada en el horno.

### Consejos para Usar la Sonda

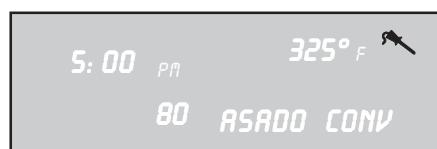
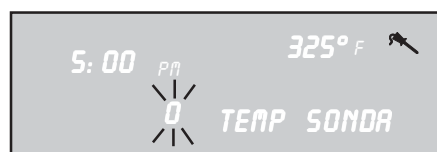
- El horno está bien aislado y el calor retenido seguirá cocinando la carne después de apagar el horno. Por este motivo, saque la carne del horno en cuanto el control pite.
- Puesto que la carne sigue cocinándose después de sacarla del horno, fije la temperatura interna (sonda) 5-10 grados abajo de la temperatura i interna final deseada (excepto: aves). Permita que la carne se enfríe (10 - 20 minutos) antes de cortarla.
- Siempre use el mango de la sonda para insertar y quitarla. Use una agarradera para quitarla puesto que la sonda se calienta.
- Quite la sonda del horno cuando no se está usando.
- No se puede usar la sonda con carnes congeladas. Para lograr mejores resultados, descongele las carnes completamente antes de usar la sonda.

### Cambiar la Temperatura del Horno

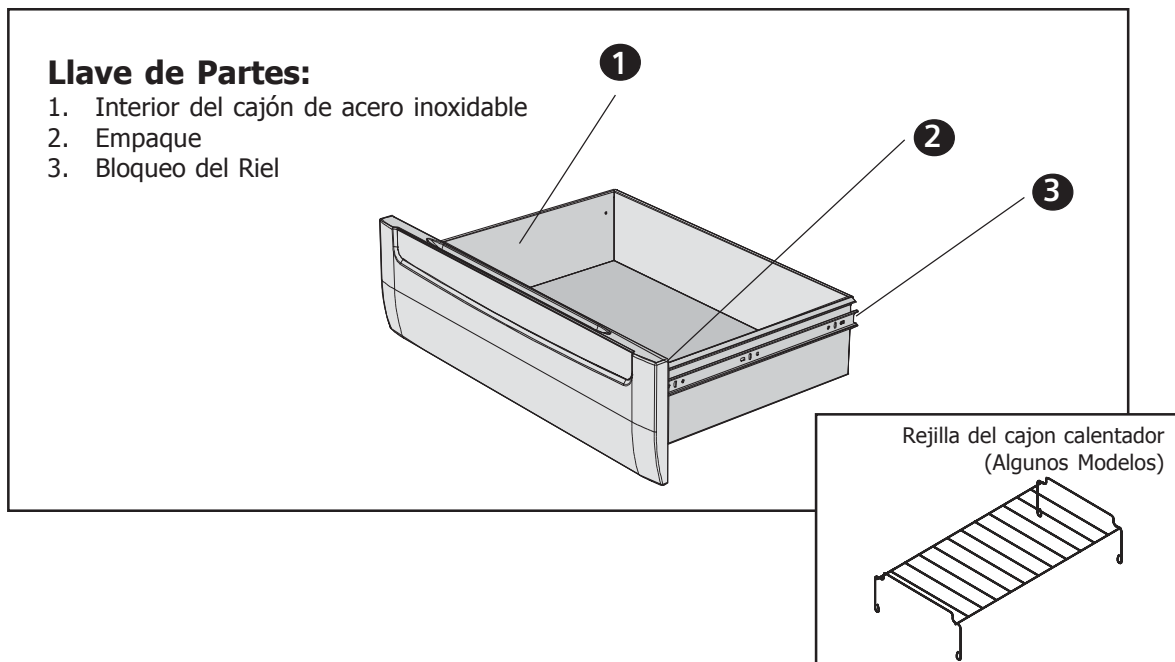
1. **Oprima TEMPERATURA. OVENTEMP** (TEMP del HORNO) parpadeará en la pantalla.
2. **Gire la perilla** a la temperatura deseada y **oprime START** dos veces.

### Cambiar la Temperatura de la Sonda

1. Oprima **TEMPERATURA**. La temperatura del horno parpadeará.
2. **Oprima START y PROBETEMP** (TEMP de SONDA) parpadeará. **TEMPERATURA** parpadeará.
3. **Gire la perilla** a la temperatura deseada y **oprime START** nuevamente.



## El Cajón Calentador (Algunos Modelos)



Contacte a su distribuidor para solicitar una rejilla del cajón calentador.

### Acerca del cajón calentador

El cajón calentador mantiene alimentos cocidos calientes a una temperatura para servir.

Los ajustes de calor del cajón calentador son Bajo, Mediano y Alto.

Consulte la Tabla del Cajón Calentador (siguiente página) para los ajustes de calor recomendados. Para mantener varios alimentos diferentes calientes, fije la temperatura de acuerdo al alimento que necesita el mayor calor.

Coloque el alimento que necesita el mayor calor en el costado del cajón y el alimento que necesita menos calor en la rejilla o en el centro del fondo del cajón. Los alimentos deben estar a la temperatura de servir (arriba de 140°F) antes de colocarlos en el cajón calentador. NO lo use para calentar alimentos fríos con excepción de tostar ligeramente galletas saladas, papas fritas y cereal seco o calentar platos o platillos.

Se puede usar el cajón calentador con o sin una rejilla. Precaliente con la rejilla en su lugar si la usa. Cabe de lado a lado.

Precaliente el plato vacío mientras precalienta el cajón. Coloque alimentos calientes, cocidos en el cajón calentador dentro de su contenedor original o en un plato de servir resistente al calor.

Se pueden tapar los alimentos con papel de aluminio; Sin embargo NO forre el cajón calentador con papel de aluminio.

NO use el cajón calentador para guardar cosas.

### Espacio útil y tamaños de utensilios

Interior del Cajón:  
25"W x 17"D x 5" H

#### Tamaños de utensilios:

- 2 - platos 9 x 13" Pyrex de 3 cuartos, lado a lado.
- 2 - platos 9 1/2 x 15" Pyrex de 4 cuartos, lado a lado.
- 4 - platos de 10 1/2", sencillo o apilados
- 3 - platos de 11", sencillo o apilados

El cajón calentador tiene tres ajustes: Bajo, Mediano y Alto. Los iconos abajo aparecen en la pantalla cuando se selecciona el ajuste correspondiente:



Vea la siguiente página para instrucciones detalladas.

## Usando el Cajón Calentador (Algunos Modelos)

### Calentar platos y tazones vacíos de servir

- Use sólo platos resistentes al calor.
- Se puede usar la rejilla reversible, en la parte inferior para levantar el plato y evitar el contacto con el fondo del cajón.
- Caliente con un ajuste de calor apropiado para el plato.
- Revise la temperatura del plato durante el período de calentamiento.
- Ponga los platos vacíos en un cajón calentador frío. No precaliente el cajón antes de poner los platos.

### Dorar alimentos no frescos

- Coloque el alimento en ollas o platos planos.
- Precaliente en Bajo.
- Revise lo crujiente después de 45 minutos. Agregue tiempo si se necesita.

### Precalentar

Para lograr mejores resultados, siempre precaliente el cajón calentador cuando quiera calentar alimentos.

#### Tiempos de precalentamiento

**Bajo:** 10 minutos

**Mediano:** 15 minutos

**Alto:** 20 minutos

### Configurar el Cajón Calentador

#### Cuando usa sólo el cajón calentador:

1. **Oprima COOKING MODE.**
2. **Gire la perilla** para seleccionar **WARMING DRAWER**(cajón calentador)
3. **Oprima START.**
4. **Gire la perilla** para seleccionar el calor deseado.
5. **Oprima START.**

#### Cuando se usa también el horno (u otro modo):

1. **Oprima COOKING MODE.**
2. **Oprima START** para seleccionar **WARMING DRAWER** (cajón calentador)
3. **Gire la perilla** para seleccionar el calor deseado.
4. **Oprima START.**

### Apagar el Cajón Calentador

#### Cuando usa sólo el cajón calentador:

1. **Oprima OFF.**

#### Cuando se usa el cajón calentador y el horno (u otro modo):

1. **Oprima OFF.**
2. **Gire la perilla** to select **CANCEL DRWR, CANCEL OVEN, o CANCEL BOTH.** (CANCELAR CAJÓN, CANCELAR HORNO O CANCELAR AMBOS)
3. **Oprima OFF.**

### Guía para el Cajón Calentador

Alimento	Temperatura	Tapado/Destapado
Tocino	Alto	Destapado
Res, medio y bien cocido	Med	Tapado
Res, vuelta y vuelta	Bajo	Tapado
Pan, Rollos duros	Med	Destapado
Pan, Rollos suaves, Pastelitos	Med	Tapado
Bollos	Med	Tapado
Cacerolas	Med	Tapado
Huevos	Med	Tapado
Pescado, Mariscos	Med	Tapado
Alimentos Fritos	Alto	Destapado
Salsa Gravy, Salsas Cremosas	Med	Tapado
Jamón	Med	Tapado
Panqués	Alto	Tapado
Pays, Una Corteza	Med	Tapado
Pays, Dos Cortezas	Med	Destapado
Pizza	Alto	Tapado
Puerco	Med	Tapado
Papas, Horneadas	Alto	Tapado
Papas, Puré	Med	Tapado
Pollo, Rostizado	Med	Tapado
Verduras	Med	Tapado
Platos	Bajo	Destapado
Plato de Alimento	Med	Tapado



#### **CUIDADO:**

Los contenedores o forros de plástico pueden derretirse cuando tienen contacto directo con el cajón o un utensilio caliente. Si se derrite sobre el cajón, tal vez no se pueda quitar.

## Limpiar la Estufa

### Técnicas de Limpieza Diaria

Se puede limpiar toda la estufa sin ningún problema con una esponja jabonosa, luego enjuagar y secarla.

**Nota:** Los detergentes recomendados en este manual indican tipos de limpiadores y no constituyen ninguna recomendación para alguna marca en particular. Use todos los productos de acuerdo a las direcciones en el empaque.



### **CUIDADO:**

- Antes de limpiar, asegúrese de apagar los quemadores y que las rejillas estén frías.
- Siempre use el detergente más suave para el trabajo. Use trapos, esponjas suaves, limpias o toallas de papel.
- Frote los acabados de acero inoxidable en la dirección del grano. Seque el área para evitar manchas de agua.
- No limpie las partes removibles limpias de la estufa en un horno con autolimpieza.
- Después de la limpieza, ponga todas las partes en sus posiciones apropiadas antes de usar la estufa.

### Tabla de Cuidado para la Estufa

Parte/Material de Estufa	Limpiadores Sugeridos	Recordatorios Importantes
<b>Base del Quemador / Aluminio</b>	<ul style="list-style-type: none"> <li>• <b>Detergente y agua caliente; enjuague y seque.</b></li> <li>• Limpiadores abrasivos: Brillo® o almohadillas S.O.S.®. Enjuague y seque.</li> </ul>	<ul style="list-style-type: none"> <li>• <b>Limpie los puertos con un cepillo de dientes con cerdas rígidas de nylon para limpiar las aperturas de los puertos.</b></li> <li>• No raspe las aperturas de los puertos.</li> <li>• No use un palillo que se pueda romper.</li> </ul>
Tapa del quemador y acabado exterior Esmalte de Porcelana	<ul style="list-style-type: none"> <li>• Agua jabonosa caliente; enjuague y seque bien.</li> <li>• Limpiadores no abrasivos: Fantastic®, Formula 409®.</li> <li>• Limpiadores poco abrasivos: Bon Ami®, Ajax®, Comet®.</li> <li>• Detergentes líquidos: Soft Scrub®.</li> <li>• Vuelva a ensamblar. Asegúrese de asentar la tapa sobre la base.</li> </ul>	<ul style="list-style-type: none"> <li>• Derrames ácidos y con azúcar deterioran el esmalte de porcelana. Quite la mugre de inmediato.</li> <li>• No use una esponja o toalla húmeda sobre porcelana caliente.</li> <li>• No remoje las tapas de los quemadores.</li> <li>• Siempre aplique mínima presión con limpiadores abrasivos.</li> <li>• Nunca use limpiadores para horno, agentes cáusticos o agentes abrasivos en el exterior de la estufa.</li> </ul>
<b>Perillas de Control y Anillos / Plástico</b>	<ul style="list-style-type: none"> <li>• Agua jabonosa caliente; enjuague y seque de inmediato.</li> <li>• Para sacar las perillas, colóquelas en la posición de OFF y jálelas hacia arriba.</li> </ul>	<ul style="list-style-type: none"> <li>• No remoje las perillas.</li> <li>• No force las perillas sobre el eje de la válvula.</li> <li>• No use detergentes abrasivos como BonAmi®, Ajax®, o Comet®. Pueden dañar el acabado permanentemente.</li> </ul>
<b>Acabado Exterior / Acero Inoxidable</b>	<ul style="list-style-type: none"> <li>• Limpiadores no abrasivos: Agua caliente y detergente, Fantastic®, Formula 409®. Enjuague y seque de inmediato.</li> <li>• Pulido: Stainless Steel Magic® para proteger el acabado de manchas y picaduras; mejora la apariencia.</li> <li>• Manchas de agua: Vinagre blanco casero.</li> <li>• Limpiadores poco abrasivos: Kleen King® limpiador líquido para acero inoxidable, Cameo® limpiador para aluminio y acero inoxidable, Bon Ami®.</li> <li>• Decoloración térmica: Bar Keepers Friend®.</li> </ul>	<ul style="list-style-type: none"> <li>• El acero inoxidable resiste la mayoría de manchas alimenticias y picaduras siempre y cuando se mantenga limpia y protegida la superficie.</li> <li>• Nunca permita que las manchas alimenticias o de sal permanezcan sobre el acero inoxidable durante un tiempo prolongado.</li> <li>• Frote ligeramente en la dirección de las líneas de pulido.</li> <li>• Cloro o compuestos de cloro en algunos detergentes son corrosivos al acero inoxidable. Revise los ingredientes en la etiqueta antes de usarlo.</li> </ul>
<b>Rejillas / Esmalte de Porcelana sobre Hierro Fundido</b>	<ul style="list-style-type: none"> <li>• Limpiadores no abrasivos: Agua caliente y detergente, Fantastic, Formula 409. Enjuague y seque de inmediato.</li> <li>• Limpiadores poco abrasivos: Bon Ami® y Soft Scrub®.</li> </ul>	<ul style="list-style-type: none"> <li>• Las rejillas son pesadas; tenga cuidado al levantarlas. Póngalas sobre una superficie protegida.</li> <li>• Ampollas/grietas/astillas son comunes debido a las temperaturas extremas en los dedos de las rejillas y los cambios rápidos de temperaturas.</li> <li>• Los derrames ácidos o de azúcar deterioran el esmalte. Quite la mugre de inmediato.</li> <li>• El uso excesivo de detergentes abrasivos puede, con el tiempo, manchar el esmalte.</li> </ul>
<b>Encendedores / Cerámica</b>	<ul style="list-style-type: none"> <li>• Limpie bien con un hisopo de algodón humedecido con agua, amoníaco o Formula 409®.</li> <li>• Quite la mugre cuidadosamente con un palillo.</li> </ul>	<ul style="list-style-type: none"> <li>• Evite el exceso de agua en el ignitor. Un ignitor húmedo prevendrá que el quemador se encienda.</li> <li>• Quite cualquier pelusa que quede después de la limpieza.</li> </ul>



### Autolimpieza del Horno

Los hornos de **Bosch** vienen con una función de autolimpieza que elimina el trabajo difícil y tardío de fregar el interior del horno. Durante la autolimpieza, el horno usa una temperatura muy alta para eliminar restos de comida y grasa.

- Es algo normal ver humo y/o una llama ocasional durante el ciclo de la autolimpieza, dependiendo del contenido y de la cantidad de suciedad que queda en el horno. Cuando persiste una llama, apague el horno y permita que se enfríe antes de abrir la puerta para limpiar los restos de comida con un trapo.
- En un modo normal de Autolimpieza, la puerta no se cierra al comienzo del ciclo; Sin embargo, se cierra antes de alcanzar las temperaturas altas de la autolimpieza. El símbolo de la puerta cerrada aparece en la pantalla en este momento. **La puerta no se bloqueará al comienzo del ciclo.**
- La lámpara del horno no funciona durante este modo.
- Durante la autolimpieza, la cocina debe estar bien ventilada para ayudar a eliminar los olores asociados con la autolimpieza. Con el tiempo disminuyen los olores.
- El tiempo prefijado de la limpieza son 4 horas. Se puede ajustar este tiempo de limpieza para 3 o 5 horas.
- El modo se detiene automáticamente al final de las horas de limpieza.
- Cuando el calor del horno baja a una temperatura segura, se desbloquea el cierre automático de la puerta y se puede abrir.

### Preparar el Horno para la Autolimpieza

1. Saque todos los utensilios y moldes.
2. Saque las rejillas del horno. Si se dejan las rejillas en el horno durante el ciclo de la autolimpieza, perderán su acabado brillante permanentemente y dejarán de deslizarse suavemente sobre las guías. Tampoco se deslizarán suavemente. Vea la Tabla de Limpieza del Horno para el cuidado correcto.
3. Limpie los restos de alimentos suaves y la grasa con toallas de papel. Un exceso de grasa causará llamas y humo dentro del horno durante la autolimpieza.
4. Revise la ilustración abajo. Algunas áreas del horno deben ser limpiadas a mano antes de iniciar el ciclo. Use una esponja jabonosa o un raspador de plástico o una esponjilla S.O.S.® llena de detergente. Debe limpiar a mano el borde del horno, el bastidor frontal y hasta 1-1/2 pulgadas dentro del bastidor con detergente y agua caliente. No frote ni limpie el empaque en el horno. Enjuague todas las áreas cuidadosamente, luego séquelas.
5. Asegúrese que las lámparas interiores del horno estén apagadas y que los focos y las cubiertas de lentes estén en sus lugares. **No debe operar el horno sin que los focos y las cubiertas estén en sus lugares.**

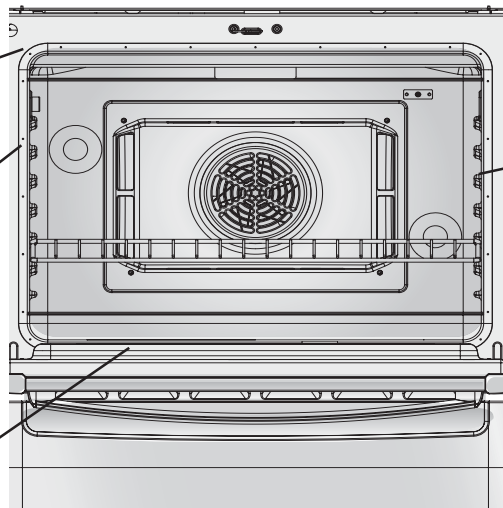
No se deben usar limpiadores comerciales para hornos en el horno de autolimpieza o en alguna otra parte, porque éstos dañarán el acabado o la parte.



**LIMPIE** el área del bastidor fuera del empaque a mano

**NO** limpie el empaque a mano

**LIMPIE** el área de la puerta fuera del empaque a mano



**LIMPIE** a mano a una distancia de 1-1/2" de las guías de rejillas hasta el frente de la cavidad del horno.

## Cuidado y Limpieza - Horno

### Configurar el Modo de Autolimpieza

1. **Oprima Modo de Cocinar.**
2. **Gire la perilla** hasta que aparezca el modo de **AUTOLIMPIEZA. Oprima START.**
3. El tiempo de limpieza por default es 4 horas. Para cambiar el tiempo de limpieza, **gire la perilla** para cambiar el número de horas. De otro modo, siga con el **paso 4** (Vea figura 1).
4. Toque **START. AUTOLIMPIEZA** parpadea. **Oprima START.**
5. **QUITAR REJILLAS** aparece en la pantalla como recordatorio para quitar las rejillas del horno (Vea figura 2).
6. **Oprima START** nuevamente para iniciar la autolimpieza.

**Nota:** En un modo normal de Autolimpieza, la puerta no se cierra al comienzo del ciclo; Sin embargo, se cierra antes de alcanzar las temperaturas altas de la autolimpieza. El símbolo de la puerta cerrada aparece en la pantalla en este momento.

### Retrasar el Inicio del Modo de Autolimpieza

**Nota:** Para que esta opción funcione bien, se debe configurar la hora del día correctamente.

Vea la sección "Poner el Reloj" en "Preparar su Estufa", Pág. 5.

1. **Oprima COOKING MODE.**
2. **Gire la perilla** hasta que aparezca el modo de **AUTOLIMPIEZA. Oprima START.**
3. El tiempo de limpieza por default es 4 horas. Para cambiar el tiempo de limpieza, **gire la perilla** para cambiar el número de horas. De otro modo, siga con el **paso 4** (Vea figura 1).
4. **Oprima START.**
5. **Gire la perilla** hasta que aparezca el modo de **LIMPIEZA RETRASADA. Oprima Start** (Vea fig. 3).
6. Aparece **FIN DE AUTOLIMPIEZA** en la pantalla (Vea figura 4).
7. **Gire la perilla** para ingresar la hora del día que quiere terminar la autolimpieza: **Fije las horas, oprima tiempo, fije los minutos.**
8. **Oprima START.** La pantalla le va a recordar de quitar las rejillas (Vea figura 2).
9. **Oprima START.** La pantalla indicará **LIMPIEZA RETRASADA.** La autolimpieza se iniciará automáticamente a la hora correcta.

**Nota:** En el Modo de Autolimpieza, se activa automáticamente el pestillo de la puerta al **comienzo del ciclo.** El símbolo de la puerta cerrada aparece en la pantalla en este momento.

#### NOTA

Las lámparas del horno no funcionan en el modo de Autolimpieza.



Figura 1



Figura 2



Figura 3



Figura 4

### Después de la Autolimpieza:

1. Al final del tiempo programado de limpieza, el horno se apagará automáticamente. Aparece **FIN DE AUTOLIMPIEZA** en la pantalla. **Oprima OFF** para borrarlo.

**Nota:** Para cancelar o detener el modo después de que aparezca el símbolo de bloqueo, **oprime OFF.** La puerta no se desbloqueará hasta que el horno alcance una temperatura segura.

2. El modo de autolimpieza puede producir cenizas que se asentarán dentro del horno. Cuando esto sucede, quite las cenizas con un trapo húmedo antes de usar el horno.
3. Limpie los bordes de las rejillas con aceite comestible para permitir un deslizamiento correcto. Limpie el exceso del aceite.



## Cuidado y Limpieza - Horno

Después de la autolimpieza se puede limpiar todo el horno con una esponja jabonosa, enjuagar y secar sin ningún problema. Cuando se queda alguna suciedad persistente, siga los métodos de limpieza que se recomiendan en esta página.

- Siempre use el detergente más suave para el trabajo.
- Talle los acabados de metal en la dirección del grano.
- Use trapos limpios, suaves, esponjas o toallas de papel.
- Enjuague cuidadosamente con un mínimo de agua para evitar gotas en las ranuras de las puertas.
- Seque bien para evitar manchas de agua.

Los detergentes listados abajo indican tipos de productos y no representan alguna promoción. Use todos los productos de acuerdo a las indicaciones en sus empaques.

PARTE	MÉTODO DE LIMPIEZA
Rejillas, (Horno, Cajón Calentador	Lave con agua jabonosa caliente. Enjuague cuidadosamente y seque o suavemente frote con esponjillas rellenas de jabón o polvo limpiador según instrucciones. Si se limpian las rejillas en el horno durante el modo de autolimpieza, perderán su acabado brillante y tal vez dejan de deslizarse suavemente. Si esto sucede, limpie los bordes de las rejillas con una cantidad pequeña de aceite vegetal, luego limpie el exceso.
Empaque de Fibra de Vidrio	NO SE DEBE LIMPIAR EL EMPAQUE.
Vidrio	Lave con jabón y agua o un limpiador para vidrio. Use Fantastik® o Formula 409® para quitar salpicaduras grasosas y manchas duras.
Superficies Pintadas	Limpie con agua jabonosa caliente o aplique Fantastik® o Formula 409® primero a una esponja limpia o una toalla de papel y limpie. <u>Evite el uso de limpiadores en polvo y esponjillas de fibra metálica y detergentes para hornos.</u>
Porcelana	Limpie de inmediato derrames ácidos como jugos de fruta, leche y jitomate con una toalla <u>seca</u> . No use una esponja/toalla húmeda sobre porcelana caliente. Cuando ya está frío, limpie con agua jabonosa caliente o aplique Bon-Ami® o Soft Scrub® a una esponja húmeda. Enjuague y seque. Para manchas resistentes, use suavemente esponjillas con jabón. Es normal que la porcelana se agriete (líneas finas) con el tiempo debido a la exposición al calor y residuos de comida.
Acero Inoxidable	Siempre limpie con el grano. Limpie con una esponja jabonosa luego enjuague y seque o limpie con Fantastik® o Formula 409® aplicado a una toalla de papel. Proteja y pula con Stainless Steel Magic® y un trapo suave. Quite las manchas de agua con un trapo humedecido con vinagre blanco. Use Bar Keeper's Friend® para quitar la decoloración térmica.
Sonda (Algunos Modelos)	Limpie la sonda a mano con detergente y agua caliente. Luego enjuague y seque la sonda. <b>No la remoje o lave en la lavavajillas.</b>
Plástico y Controles	Cuando están fríos, limpie con agua jabonosa, enjuague y seque.
Cajones (p/ Calentar - Almacenar)	Cuando están fríos, limpie con agua jabonosa caliente, enjuague y seque.

## Guía para Seleccionar Ollas

Para mejores resultados escoja ollas con las siguientes características:

- Ollas de aluminio o cobre conducen el calor uniformemente.
- Ollas de acero, si no se combinan con otros metales, pueden cocinar poco uniformemente.
- Ollas de hierro fundido absorben el calor lentamente y cocinan uniformemente con un calor bajo a mediano.
- Ollas planas, pesadas con fondo proporcionan un calor uniforme y estabilidad.  
NO USE ollas delgadas, torcidas, dentadas o estriadas ya que no cocinan uniformemente.

### Empareje el Diámetro de la Olla al Tamaño de la Llama

- La llama debe ser del mismo tamaño que el fondo de la olla omás pequeña. No use ollas pequeñas con llamas grandes ya que las llamas pueden subirse por los bordes de la olla.
- Las ollas extra grandes que abarcan dos quemadores, son colocadas en el lado izquierdo, de frente hacia atrás (no de lado a lado).



### Use Ollas Balanceadas

- Las ollas deben descansar completamente sobre la rejilla de la estufa sin mecerse.
- Centre la olla sobre el quemador.



### Use una Tapa que Ajuste Bien

- Una tapa bien ajustada ayuda a cortar el tiempo de cocinar.



- Use un **wok** con un fondo plano.
- Para **hervir guisados y caldos a fuego lento**, use el quemador delantero derecho. Para derretir chocolate, use el quemador en la posición trasera derecha.
- **Las ollas de presión y enlatadoras** deben cumplir con los mismos requerimientos que se describen arriba. Después de hervir los contenidos, use el ajuste de calor más bajo posible para mantener el hervido o la presión (para las ollas de presión/enlatadoras).

## Quitar la Puerta



### ADVERTENCIA

- Asegúrese que el horno esté frío y que se haya apagado la corriente antes de quitar la puerta. De otro modo puede causar una descarga eléctrica o quemaduras.
- La puerta del horno está pesada y frágil. Use ambas manos para quitar la puerta. El frente de la puerta está hecho de vidrio, Tenga cuidado de no romperla.
- Agarre sólo los costados de la puerta del horno. No use la agarradera ya que puede girar en su mano y causar daños o heridas.
- Si no agarra la puerta del horno firmemente y de modo correcto, puede causar lesiones personales o daños al producto.

1. Asegúrese de leer la **ADVERTENCIA** arriba y a la derecha antes de tratar de quitar la puerta.
2. Abra la puerta completamente.
3. Voltee la palanca en la bisagra hacia Ud. (Vea Fig. A).
4. Cierre la puerta dejándola mitad abierta.
5. Sosteniendo la puerta firmemente en ambos costados con ambas manos, jale la puerta y sáquela de las ranuras de las bisagras. Sostenga la puerta firmemente, ya que pesa mucho (Vea Figura B). La puerta debe salirse de las ranuras de las bisagras suavemente. No aplique fuerza a la puerta - se puede dañar la bisagra causando lesiones.
6. Coloque la puerta en un lugar conveniente y estable para su limpieza.

### Reemplazar la Puerta del Horno

1. Sosteniendo la puerta firmemente con ambas manos, coloque las bisagras en las ranuras correspondientes.
2. Abra la puerta completamente para exponer las bisagras y ranuras. Empuje la palanca (en cada bisagra) hacia el lado opuesto de Ud. (de vuelta hacia la estufa).
3. Después de regresar los soportes de las bisagras a su posición, asegúrese de cerrar y abrir la puerta lentamente para estar seguro que esté colocada bien y que funcione correctamente.
4. La puerta debe estar recta, no torcida. Debe cerrar suavemente. No aplique fuerza a la puerta - se puede dañar la bisagra y causar lesiones.

### Reemplazar una Lámpara en el Horno

1. Lea la **ADVERTENCIA** a la derecha.
2. Apague la corriente en la principal fuente de alimentación (caja de fusibles o interruptor).
3. Desatornille el lente y sáquelo.
4. Saque el foco de su casquillo, dándole vueltas.
5. Reemplace el foco por uno nuevo. Use un foco de 40 Watt aprobado para aparatos electrodomésticos. Evite tocar el foco con los dedos, ya que la grasa de las manos puede dañar el foco cuando éste se calienta.
6. Vuelva a atornillar el lente.
7. Prenda la corriente en la principal fuente de alimentación (caja de fusibles o interruptor).

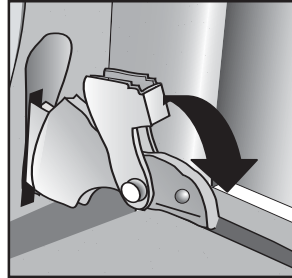
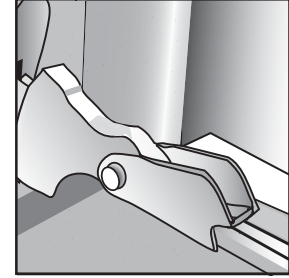


Figura A



### ADVERTENCIA

Para evitar lesiones debido al cierre rápido del soporte de las bisagras, asegúrese que ambas palancas estén bien fijadas antes de quitar la puerta. Además, no aplique fuerza a la puerta para abrir o cerrarla - se puede dañar la bisagra y causar lesiones.

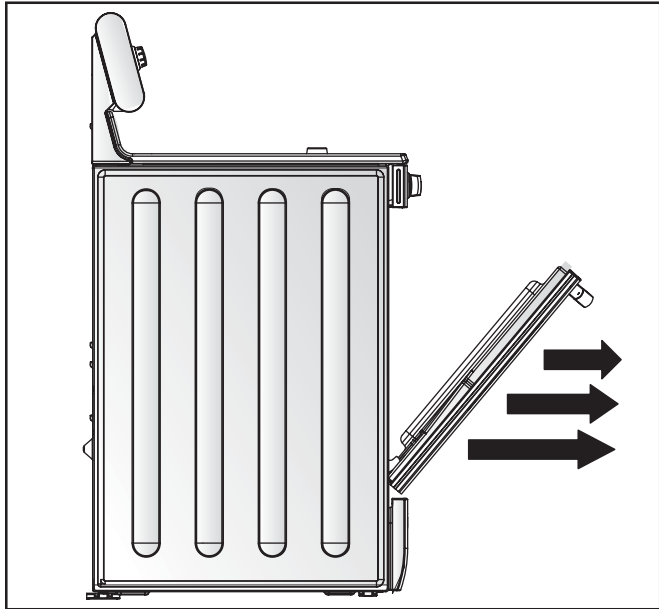


Figura B



### ADVERTENCIA

- Asegúrese que el horno y las lámparas estén fríos y de haber desconectado el horno antes de reemplazar los focos. En caso contrario puede sufrir una descarga eléctrica o quemaduras.
- Al usar el horno deben estar en su lugar los lentes.
- Los lentes sirven de protección para evitar que se rompan los focos.
- Los lentes son de vidrio. Manéjelos con cuidado para evitar que se rompan. Vidrio roto puede causar heridas.
- El casquillo tiene corriente cuando la puerta está abierta.



### ADVERTENCIA

Para evitar lesiones por la volcadura de la estufa, verifique que el soporte antivolcadura esté nuevamente enganchado cuando se jala de la pared por cuestión de mantenimiento, etc.

## Autoayuda - Estufa

PROBLEMA DE ESTUFA	POSIBLES CAUSAS Y SOLUCIONES SUGERIDAS
Los quemadores hacen clic continuamente.	La perilla(s) está en la posición "encender". Gire la perilla(s) a la posición "OFF" (apagado) o al ajuste de la llama deseado.
No se prenden los quemadores de la superficie.	El gas está apagado. Asegúrese que la válvula de cierre del gas esté en la posición ON y que el suministro de gas a la casa no esté cerrado.
	La unidad no está conectada al suministro de gas. Llame al proveedor de gas.
	El cable no está bien enchufado en la tomacorriente. Mal cableado en la casa. Revise la fuente de alimentación. Verifique que la unidad esté aterrizada con la polaridad correcta. Asegúrese de enchufar la unidad.
	Se bajó el cortacircuito. Revise el cortacircuito y súbalo si es necesario. Revise y/o reemplace el fusible.
	Los puertos de los quemadores están tapados. Con la estufa apagada y fría, quite las tapas de los quemadores. Use un cepillo de diente de nylon para sacar los residuos a través de los puertos de los quemadores.
	Tapa de quemador mal alineada. Verifique que las tapas de los quemadores estén colocadas correctamente sobre los quemadores.
Una llama poco uniforme o muy alta, es difícil encender el quemador.	Los puertos de los quemadores están tapados. Con la estufa apagada y fría, quite las tapas de los quemadores. Use un cepillo de dientes de nylon para sacar los residuos a través de los puertos de los quemadores.
	Tapa de quemador mal alineada. Verifique que las tapas de los quemadores estén colocadas correctamente sobre los quemadores.
	Se mojó el quemador. Apague el quemador, deje que se enfríe y seque la tapa y la base del quemador cuidadosamente.
Llama poco uniforme - usuarios de gas LP / embotellado.	Llame al servicio.

## Autoayuda - Horno

<b>PROBLEMA DEL HORNO</b>	<b>POSIBLES CAUSAS Y SOLUCIONES SUGERIDAS</b>
El modo o la temperatura del horno o los números seleccionados no aparecen en la pantalla	Se giró la perilla muy rápidamente. Gire la perilla más lento hasta que aparezca la temperatura o leyenda correcta. Revise el manual cuando configura el reloj, cronómetro o el modo de autolimpieza.
La puerta del horno está cerrada y no se abre, aún estando fría.	Apague el horno en el cortacircuito y espere 5 minutos. Vuelva a conectar el circuito. El horno debe reiniciarse y se podrá operar.
El horno no está calentando	Revise el cortacircuito o la caja de fusibles en su casa. Asegúrese que hay una alimentación eléctrica correcta para el horno. Asegúrese de haber seleccionado la temperatura del horno.
El horno no cocina de modo uniforme	Revise la calibración del horno. Ajuste la calibración si es necesario (vea Compensación de la Temperatura del Horno, Pág. 7). Consulte las tablas de cocinar para las posiciones recomendadas de rejillas. Siempre reduzca la temperatura de recetas por 25°F cuando hornea con el modo de Horneado de Convección.
La temperatura del horno está muy caliente o muy fría	Se debe ajustar el termostato del horno. Vea Compensación de la Temperatura del Horno, Pág. 7.
La lámpara del horno no funciona bien	Reemplace o reinserte el foco si está flojo o defectuoso. El foco se puede quemar si lo toca con los dedos.
La luz del horno se queda prendida	Revise si la puerta del horno está obstruida. Revise si las bisagras están dobladas.
No se puede quitar la cubierta del lente	Puede haber sólidos acumulados alrededor de la cubierta. Limpie el área del lente con una toalla seca y limp a antes de tratar de quitar la cubierta del lente.
El horno no se autolimpia bien	Permita que el horno se enfríe antes de ejecutar la autolimpieza. Siempre elimine suciedades sueltas o derrames pesados antes de la autolimpieza. Si el horno está muy sucio, configure una autolimpieza de cinco horas. Vea Preparar la Autolimpieza del Horno, Pág. 24.
El reloj y cronómetro no funcionan bien	Asegúrese que haya corriente eléctrica correcta para el horno. Vea las secciones sobre Reloj y Cronómetro, Páginas 5 y 17.
Astillas de porcelana	Al quitar y reemplazar las rejillas del horno, siempre debe inclinarlas hacia arriba y no forzarlas para evitar astillar la porcelana.
"La pantalla indica "F" y un número y el control emite pitidos	Esto es un código de error. Cuando parpadea una "F", oprima OFF para borrar la pantalla y detener el pitido. Reinicie el horno si es necesario. Si el código de error persiste y el pitido continúa, anote el código de error y llame a un servicio autorizado.
Con una estufa nueva hay un fuerte olor cuando se prende el horno	Esto es normal con una estufa nueva y desaparece con el tiempo. Operar el ciclo de la autolimpieza "quemará" también el olor más rápido.

## Autoayuda - Horno (continuación)

### Consejos Generales para Resolver Problemas con la Estufa:

1. Verifique que la válvula de cierre del gas esté en la posición ON (Abierta) y que no se cerró el suministro de gas a la casa.
2. Verifique que las tapas de quemadores están bien colocadas y que los puertos no estén tapados. Limpie los puertos con un cepillo de dientes rígido si están tapados.
3. Verifique que los encendedores estén limpios y secos.
4. Verifique que no haya ninguna corriente de aire en el cuarto.
5. Revise la fuente de alimentación. Debe estar puesto a tierra con la polaridad correcta. Verifique que la unidad esté enchufada y que no se haya bajado el cortacircuito.

**Nota:** Cuando se activa la conexión eléctrica por primera vez, o después de una falla de electricidad, es posible que los encendedores echen chispas una o dos veces a pesar de que todos los quemadores están en la posición de apagado.

Si la estufa aún no funciona correctamente, póngase en contacto por favor con su distribuidor o llame al centro de servicios de **Bosch**, al **800-944-2904**.

### Partes de Repuesto

Las partes de repuesto están disponibles a través de su distribuidor de **Bosch**. Contacte al Servicio de **Bosch** para localizar un distribuidor cerca de Ud.: **800-944-2904**.

# Garantía Limitada

Las garantías ofrecidas por BSH Home Appliances Corp. en esta Declaratoria de Garantía Limitada aplican sólo a las Estufas de Gas Autoestables ("Estufa") de BSH que usted compró, el primer usuario comprador, siempre y cuando la Estufa fue adquirida (1) para su uso y no para la reventa y (2) en los Estados Unidos o Canadá y que se encuentra en el país de la compra. El término "Fecha de Instalación" que se usa en esta Declaratoria de Garantía Limitada, se refiere a la fecha más temprana cuando se instala la Estufa o diez (10) días laborales después de la fecha de compra de la Estufa por el primer usuario comprador. Las garantías declaradas aquí aplican sólo al primer usuario comprador y no se pueden transferir.

## **Garantía Limitada Estándar**

BSH garantiza que su Estufa está libre de defectos en materiales y mano de obra por un período de doce (12) meses a partir de la Fecha de Instalación. Durante el período de garantía, BSH o su centro de servicio autorizado va a reparar o reemplazar, a su discreción, cualquier Estufa que resulte defectuosa bajo condiciones de uso normal sin costo alguno. Todas las partes y componentes removidos se volverán propiedad de BSH, a discreción de BSH. Todas las partes reemplazadas y/o reparadas asumirán la identidad de la parte original para los propósitos de esta garantía y esta garantía no se puede extender con respecto a tales partes.

## **Otras Condiciones de las Garantías Limitadas**

Las garantías otorgadas en esta Declaratoria de Garantía Limitada excluyen defectos o daños que resultan de (1) el uso de la Estufa en un modo diferente de su uso normal y usual (el uso comercial de la Estufa no se considera normal o usual), (2) mal uso, abuso, accidentes o negligencia, (3) operación, mantenimiento, instalación no apropiada o servicio no autorizado, (4) ajustes o alteraciones o modificaciones de cualquier tipo, (5) el hecho de no cumplir con los códigos eléctricos y/o de construcción que pueden aplicar, (6) derrames de alimentos o líquidos, y (7) fuerzas externas como inundaciones, fuegos, casos fortuitos u otras circunstancias más allá del control de BSH. También se excluyen raspaduras y daños en superficies externas y partes expuestas o Estufas donde se alteró o se quitó el número de serie.

Al grado permitido por la ley, esta garantía establece sus remedios exclusivos con respecto a los productos cubiertos por ésta, sin importar si la reclamación surge en contrato o agravio (incluyendo la responsabilidad estricta, y negligencia), etc. Al grado permitido por la ley, esta garantía establece sus remedios exclusivos con respecto a los productos cubiertos por ésta, sin importar si la reclamación surge en contrato o agravio (incluyendo la responsabilidad estricta, y negligencia), etc. **LO ANTES ESCRITO REPRESENTA EL GRADO TOTAL DE RESPONSABILIDAD DE BSH CON RESPECTO AL PRODUCTO. BSH NO SERÁ RESPONSABLE POR NINGÚN MOTIVO DE DAÑOS, INCLUYENDO SIN LIMITACIÓN CONSECUCIONAL, DAÑOS PUNITIVOS, INCIDENTALES, ESPECIALES, INDIRECTOS O DIRECTOS, O DE ACTOS U OMISIONES DE PARTES TERCERAS, INCLUYENDO SIN LIMITACIÓN, AQUELLAS DE UN DISTRIBUIDOR, TRANSPORTISTA, INSTALADOR O PRESTADOR DE SERVICIOS. BSH NO OTORGA NINGUNA OTRA GARANTÍA, Y NO SERÁ CONSIDERADA HABER OTORGADO ALGUNA OTRA GARANTÍA, EXCEPTO COMO SE ESTIPULA AQUÍ EXPRESAMENTE, YA SEA EXPRESA O IMPLICITAMENTE, INCLUYENDO SIN LIMITACIÓN CUALQUIER GARANTÍA DE APTITUD PARA ALGÚN PROPÓSITO PARTICULAR O GARANTÍA DE COMERCIALIZACIÓN. DE CUALQUIER MODO, NINGUNA GARANTÍA IMPUESTA POR LA LEY TENDRÁ VIGENCIA MÁS ALLÁ DEL PERÍODO DE TIEMPO APLICADO EXPRESADO EN LA PRESENTE.** Ningún intento de alterar, modificar o enmendar esta garantía será efectivo a menos que haya sido autorizado por escrito por un ejecutivo de BSH.

## **Cómo Obtener el Servicio de Garantía**

Para obtener el servicio de garantía para su Estufa, contacte al centro de servicio autorizado de BSH más cercano o el Centro de Servicio al Cliente de BSH, 5551 McFadden Avenue, Huntington Beach, CA 92649, **800-944-2904**.

## **AVISO PARA PROPIETARIOS EN CALIFORNIA**

Si su Estufa requiere de servicio de garantía y no existe un centro de servicio autorizado de BSH cerca de usted, puede notificar al revendedor de BSH con el cual usted compró la Estufa. Si el revendedor de BSH no repara o reemplaza las partes defectuosas, o no le devuelve parcialmente el precio de su compra (donde aplica), usted puede llevar la Estufa a cualquier taller grande o centro de reparación de aparatos electrodomésticos para su reparación y todos los gastos razonables serán reembolsados, siempre y cuando los costos están justificados por escrito y el trabajo realizado está cubierto por esta garantía. BSH no reembolsará ningún gasto de reparación bajo la presente que exceda el valor depreciado de la Estufa.

BSH reserves the right to change specifications or design without notice. Some models are certified for use in Canada. BSH is not responsible for products which are transported from the United States for use in Canada. Check with your local Canadian distributor or dealer. BSH Home Appliances, Corporation, 5551 McFadden Avenue, Huntington Beach, CA 92649.

For the most up to date critical installation dimensions by fax, use your fax handset and call 702/833-3600. Use code #8030.

# BOSCH

YOUR LIFE. OUR INSPIRATION.