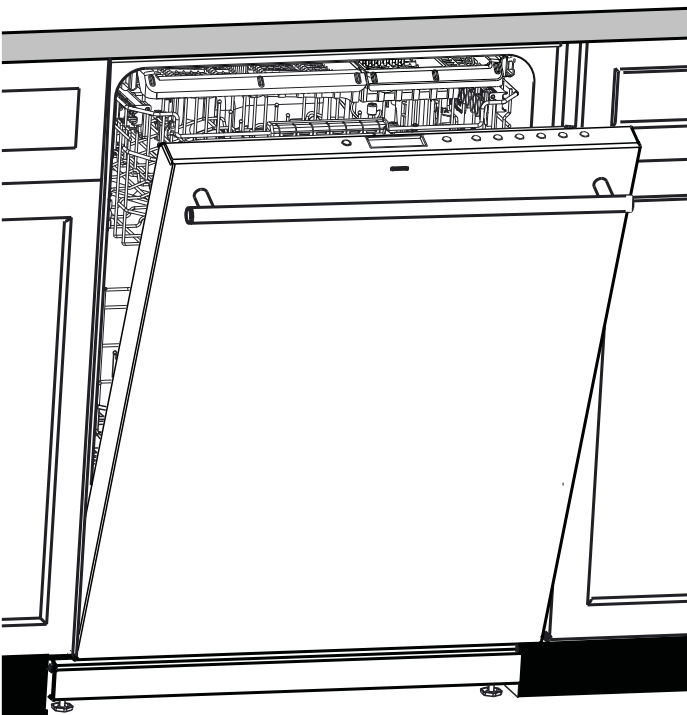


Installation Instructions

Built-In Dishwashers

Custom front panel models include a kit that contains a template, hardware and panel installation instructions. Refer to the kit instructions when installing the custom panel.

If a custom panel mounting hardware kit and template are needed, prior to delivery of the dishwasher, order: **WD35X20417**.



31-31561-2

07-17 GEA

MONOGRAM

Safety Information



BEFORE YOU BEGIN

Read these instructions completely and carefully.

▲ WARNING

- To reduce the risk of electric shock, fire, or injury to persons, the installer must ensure that the dishwasher is completely enclosed at the time of installation.
- **FOR PERSONAL SAFETY:** Remove house fuse or open circuit breaker before beginning installation. Do not use an extension cord or adapter plug with this appliance.
- The improper connection of the equipment grounding conductor can result in a risk of electric shock. Check with a qualified electrician or service representative if you are in doubt that the appliance is properly grounded.
- If house wiring is not 2-wire with ground, a ground must be provided by the installer. When house wiring is aluminum, be sure to use UL-Listed anti-oxidant compound and aluminum-to-copper connectors.

▲ CAUTION

Do not remove wood base until you are ready to install the dishwasher. The dishwasher will tip over when the door is opened if base is removed.

While performing installations described in this booklet, gloves, safety glasses or goggles should be worn.

FOR YOUR SAFETY

Read and observe all **WARNINGS** and **CAUTIONS** shown throughout these instructions.

IMPORTANT – Observe all governing codes and ordinances.

- **Note to Installer** – Be sure to leave these instructions for the consumer's and local inspector's use.
- **Note to Consumer** – Keep these instructions with your Owner's Manual for future reference.
- **Skill Level** – Installation of this dishwasher requires basic mechanical, electrical and plumbing skills. **Proper installation is the responsibility of the installer. Product failure due to improper installation is not covered under the GE Appliances Warranty. See Warranty information.**

- **Completion Time – 1 to 3 Hours.** New installations require more time than replacement installations.

IMPORTANT – The dishwasher **MUST** be installed to allow for future removal from the enclosure if service is required.

Care should be exercised when the appliance is installed or removed, to reduce the likelihood of damage to the power supply cord.

If you received a damaged dishwasher, you should immediately contact your dealer or builder.

Optional Accessories – See the Owner's Manual for available custom panel kits.

Your dishwasher is a water heating appliance.

For Monogram local service in your area, 1.800.444.1845.

For Monogram parts and accessories, call 1.800.626.2002.

For Monogram parts and accessories in Canada, call 1.800.561.3344.

CHECK THE FOLLOWING

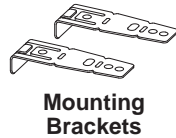
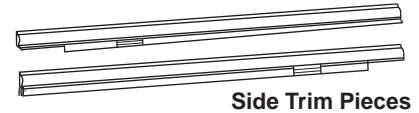
- Tub trim does not interfere with the door
- Dishwasher is square and level at both the top and bottom of the cabinet opening, with no twisting or distortion of the tub or door
- All 4 legs of the dishwasher are firmly in contact with the floor
- Drain hose is not pinched between the dishwasher and adjacent cabinets or walls
- Tub trim is fully seated on the tub flange

**READ CAREFULLY
KEEP THESE INSTRUCTIONS**

Installation Preparation

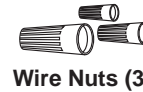
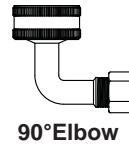
PARTS SUPPLIED IN INSTALLATION PACKAGE:

- Junction box cover and #10 hex-head screw
- Hose clamp
- Drain hose (approximately 58" long)
- Drain hose hanger
- 2 #8-18 hex head screws to secure brackets to washer tub frame
- 1 top trim piece
- 2 side trim pieces
- 2 mounting brackets for wood countertops or side cabinets
- 2 #8-18 x 5/8" Phillips special head screws, to secure dishwasher to underside of countertop or to side cabinets
- Plug buttons
- Literature, samples and/or coupons



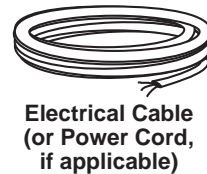
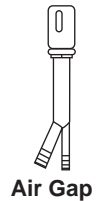
MATERIALS YOU WILL NEED:

- 90° elbow (3/4" hose internal thread on one end, opposite end sized to fit water supply)
- UL-listed wire nuts (3)
- Masking Tape



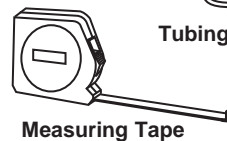
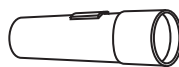
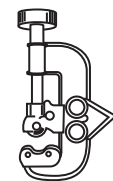
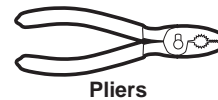
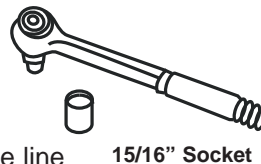
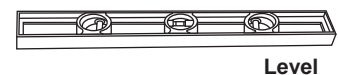
Materials For New Installations Only:

- Air gap for drain hose, if required
- Waste tee for house plumbing, if applicable
- Electrical cable or Power Cord Kit **WX09X70910** (5.4 Ft) or **WX09X70911** (7.9 ft) depending on your installation.
- Screw-type hose clamps
- Strain relief for electrical connection
- Hand shut-off valve (recommended)
- Hot Water Line—3/8" minimum, copper tubing (including ferrule, compression nut) or GE Appliances Part # **WX28X326**, flexible braided hose.
- **WD24X10065** drain hose (12' long), if needed.



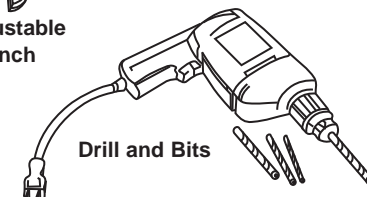
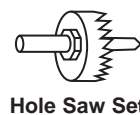
TOOLS YOU WILL NEED:

- Phillips-head screwdriver
- 1/4" and 5/16" nutdriver
- 6" Adjustable wrench
- Level
- Carpenter's square
- Measuring tape
- Safety glasses
- Flashlight
- Bucket to catch water when flushing the line
- 15/16" socket (optional for skid removal)
- Gloves
- Pliers



For New Installations Only:

- Tubing cutter
- Drill and appropriate bits
- Hole saw set



Installation Preparation

PREPARE DISHWASHER ENCLOSURE

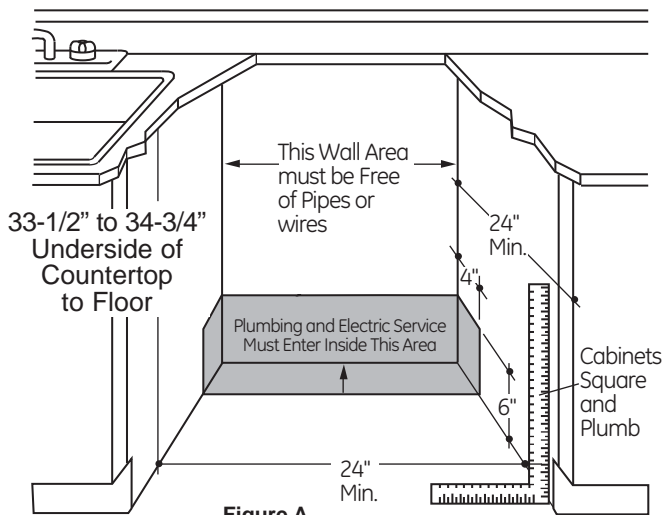


Figure A

- The rough cabinet opening must be at least 24" deep, 24" wide and approximately 34-1/2" high from floor to underside of the countertop.
- The dishwasher must be installed so that drain hose is no more than 12' in length for proper drainage.
- The dishwasher must be fully enclosed on the top, sides and back, and must not support any part of the enclosure.

⚠ WARNING

To reduce the risk of electric shock, fire, or injury to persons, the installer must ensure that the dishwasher is completely enclosed at the time of installation.

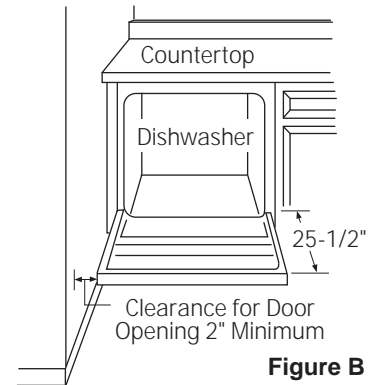


Figure B

CLEARANCES:

- When installed into a corner, allow 2" min. clearance between dishwasher and adjacent cabinet, wall or other appliances. Allow 25-1/2" min. clearance from the front of the dishwasher for door opening. Figure B.

DRAIN REQUIREMENTS

- Follow local codes and ordinances.
- Do not exceed 12' distance to drain.
- Drain connection height is not to exceed 72" above bottom of dishwasher.

NOTE : Air gap must be used if waste tee or disposer connection is less than 18" above floor to prevent siphoning.

DETERMINE DRAIN METHOD

The type of drain installation depends on the following questions.

- Do local codes or ordinances require an air gap?
- Is waste tee less than 18" above floor?

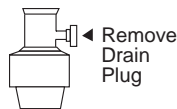
If the answer to either question is YES, Method 1 MUST be used.

- If the answers are NO, either method may be used.

CABINET PREPARATION

- Drill a 1-1/2" diameter hole in the cabinet wall within the shaded areas shown in Figure A for the drain hose connection. The hole should be smooth with no sharp edges.

IMPORTANT – When connecting drain line to disposer, check to be sure that drain plug has been removed. **DISHWASHER WILL NOT DRAIN IF PLUG IS LEFT IN PLACE.**



Method 1 – Air Gap with Waste Tee or Disposer

An air gap must be used when required by local codes and ordinances. The air gap must be installed according to manufacturer's instructions.

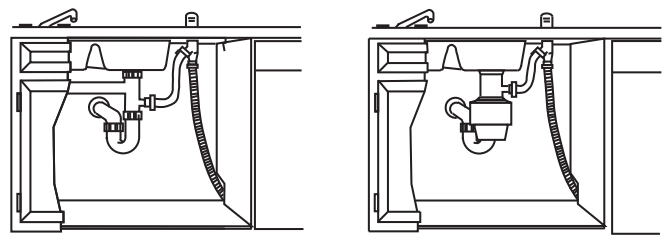


Figure C

Method 2 – "High Drain Loop" with Waste Tee or Disposer

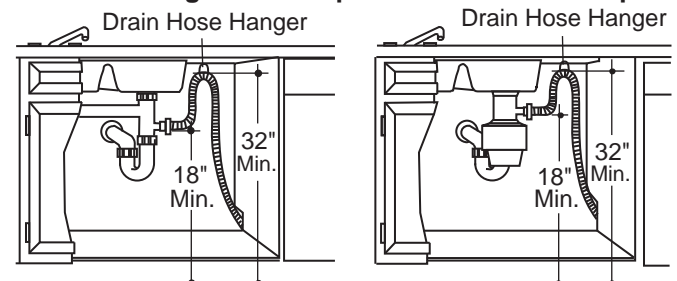


Figure D

Tip: Avoid unnecessary service call charges.

Always be sure disposer drain plug has been removed before attaching dishwasher drain hose to the disposer.

Installation Preparation

PREPARE ELECTRICAL WIRING

▲ WARNING

FOR PERSONAL SAFETY: Remove house fuse or open circuit breaker before beginning installation. Do not use an extension cord or adapter plug with this appliance.

Electrical Requirements

- This appliance must be supplied with 120V, 60 Hz., and connected to an individual properly grounded branch circuit, protected by a 15- or 20-ampere circuit breaker or time-delay fuse.
- Wiring must be 2 wire with ground and rated for 75°C (167°F).
- If the electrical supply does not meet the above requirements, call a licensed electrician before proceeding.

Grounding Instructions—Permanent Connection

This appliance must be connected to a grounded metal, permanent wiring system, or an equipment-grounding conductor must be run with the circuit conductors and be connected to the equipment-grounding terminal or lead on the appliance.

Grounding Instructions—Power Cord Models

This appliance must be grounded. In the event of a malfunction or breakdown, grounding will reduce the risk of electric shock by providing a path of least resistance for electric current. This appliance is equipped with a cord having an equipment-grounding conductor and a grounding plug. The plug must be plugged into an appropriate outlet that is installed and grounded in accordance with all local codes and ordinances.

▲ WARNING

The improper connection of the equipment grounding conductor can result in a risk of electric shock. Check with a qualified electrician or service representative if you are in doubt that the appliance is properly grounded.

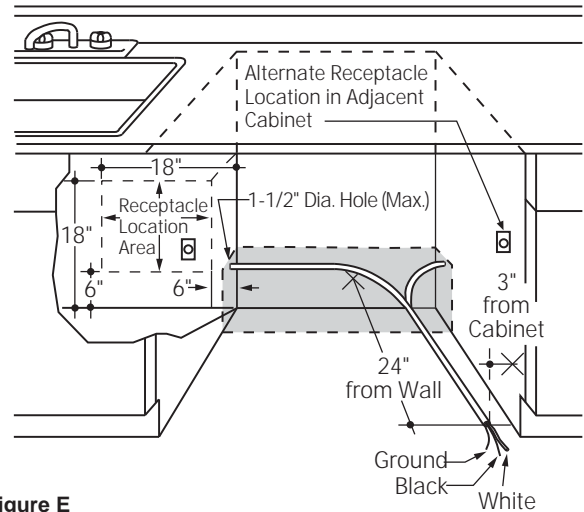


Figure E

For models equipped with power cord: Do not modify the plug provided with the appliance; if it will not fit the outlet, have a proper outlet installed by a qualified technician.

Cabinet Preparation & Wire Routing

- The wiring may enter the opening from either side, rear or the floor within the shaded area illustrated above in Figure E and defined in Figure A.
- Cut a 1-1/2" maximum diameter hole to admit the electrical cable. Edges of hole should be smooth and rounded. Permanent wiring connections may pass through the same hole as the drain hose and hot water line, if convenient. If cabinet wall is metal, the hole edge must be covered with a bushing.

NOTE: Power cords with plug must pass through a separate hole in the cabinet.

Electrical Connection to Dishwasher

Electrical connection is on the right front of dishwasher.

- For permanent connections the cable must be routed as shown in Figure E. Cable must extend a minimum of 24" from the rear wall.
- For power cord connections, install a 3-prong grounding type receptacle in the sink cabinet rear wall, 6" min. or 18" maximum from the opening, 6" to 18" above the floor.
- Use only **WX09X70910** or **WX09X70911** Dishwasher Power Cord Kit.

Installation Preparation

PREPARE HOT WATER LINE

NOTE: GE Appliances recommends copper tubing for the water line, but if you choose to use flexible hose, use GE Appliances **WX28X326**, flexible braided hose.

- The water supply line (3/8" copper tubing or flexible braided hose) may enter from either side, rear or floor within the shaded area shown in Figure F.
- The water supply line may pass through the same hole as the electrical cable and drain hose. Or, cut an additional 1-1/2" diameter hole to accommodate the water line. If power cord with plug is used, water line must not pass through power cord hole.

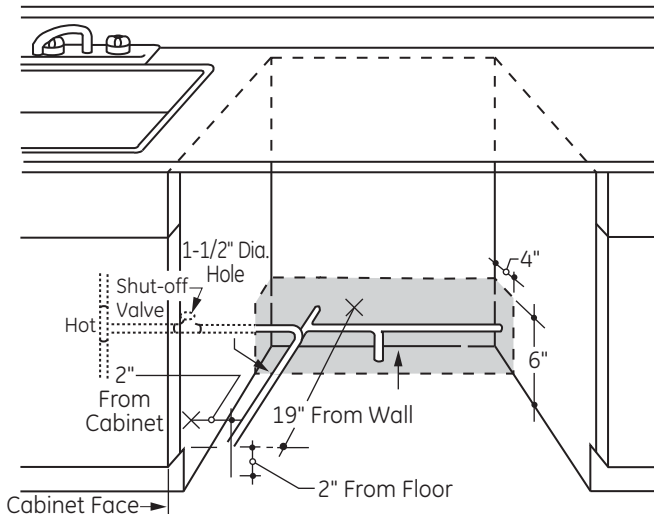


Figure F

Water Line Connection

- If using a flexible braided supply hose, label the hose with the installation date to use as reference. Flexible braided hoses, elbows and gaskets should be replaced in 5 years.
- Turn off the water supply.
- Install a hand shut-off valve in an accessible location, such as under the sink. (Optional, but strongly recommended and may be required by local codes.)
- Water connection is on the left side of the dishwasher. Install the hot water inlet line, using no less than 3/8" copper tubing or a flexible braided hose. Route the line as shown in Figure F and extend forward at least 19" from rear wall.
- Adjust water heater for 120°F to 140°F temperature.
- Flush water line to clean out debris.
- The hot water supply line pressure must be 20-120 PSI.

⚠ CAUTION

Do not remove wood base until you are ready to install the dishwasher. The dishwasher will tip over when the door is opened if base is removed.

Turn page to begin dishwasher installation.

Dishwasher Installation

STEP 1 PREPARATION

Locate the items in the installation package:

- Screws
- Junction box cover
- Drain hose and clamp
- Mounting brackets
- Trim pieces (on some models)
- Drain hose hanger
- Owner's Manual
- Product samples and/or coupons

STEP 2 CHECK DOOR BALANCE

NOTE: If installing a Custom Door Panel (available on some models), please follow the instructions found in the Custom Door Panel kit **WD35X20417**.

- With dishwasher on the wood base, check the door balance by opening and closing the door.
- Door is properly balanced if, when opened, it self closes within 20° from vertical, stays in position from 20° to 70° and falls fully open beyond 70°.
- If necessary increase or decrease tension as shown. Some models will have 2 springs on one side and 1 spring on the other side. Latch door and adjust springs to correct balance.

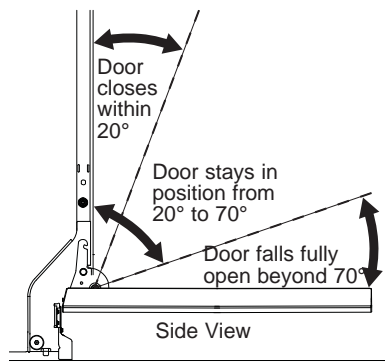


Figure G

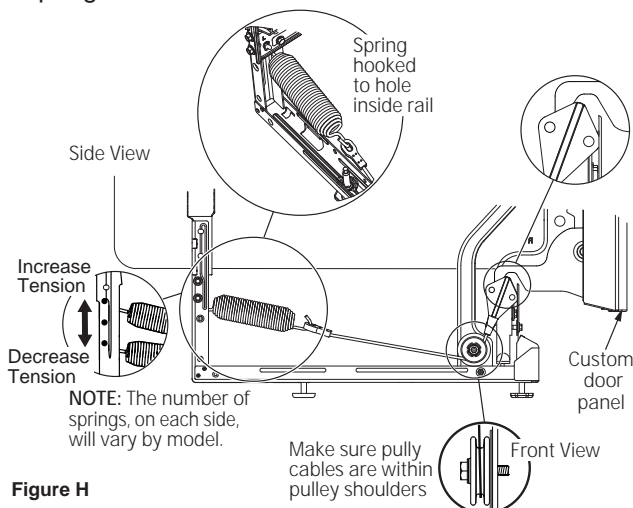


Figure H

Tip: Make sure door opens and closes smoothly.

Check door opening and closing. If door does not open easily or falls too quickly, check spring cable routing. The cable is held in place by "shoulders" on the pulley. Check to be sure cable has not slipped over the pulley shoulders and is routed as shown.

STEP 3 REMOVE WOOD BASE, INSTALL LEVELING LEGS

IMPORTANT – Do not kick off wood base! Damage will occur.

- Move the dishwasher close to the installation location and lay it on its back. **NOTE:** Do not place the dishwasher on its side.
- Remove the 4 leveling legs on the underside of the wood base with a 15/16" socket wrench.
- Discard base and 2 leveling legs.
- Screw front 2 leveling legs back into the dishwasher frame, approximately 1/2" from frame as shown.

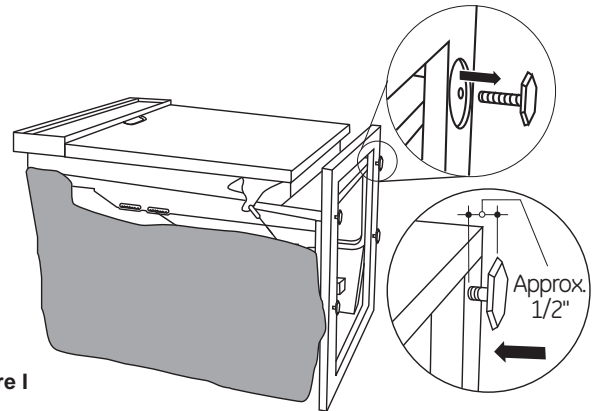


Figure I

NOTE: The dishwasher has rear adjustable leveling wheels, and will not require the 2 rear leveling legs.

STEP 4 REMOVE TOEKICK

- Remove the 2 toekick screws and toekick. Set aside for use in Step 23.

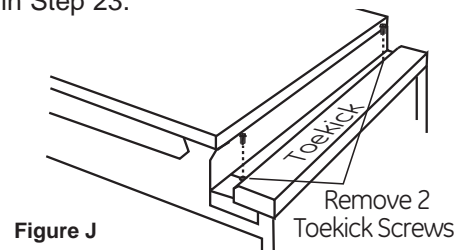


Figure J

Dishwasher Installation

STEP 5 IF NECESSARY, REMOVE FLOOR PROTECT PAN

- Disconnect leak sensor wire (on some models).
- Pull floor protect pan forward and slide it from under the dishwasher.
- Set aside for use in Step 21.

Squeeze connector at top to release snap feature

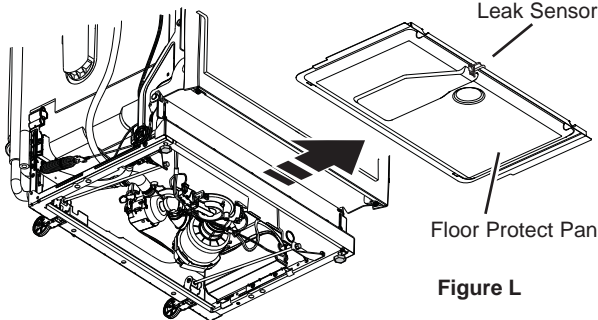
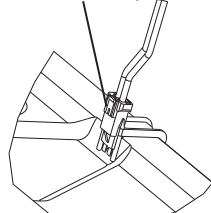


Figure L

STEP 8 POSITION WATER LINE AND HOUSE WIRING

- Position water supply line and house wiring on the floor of the opening to avoid interference with base of dishwasher and components under dishwasher.

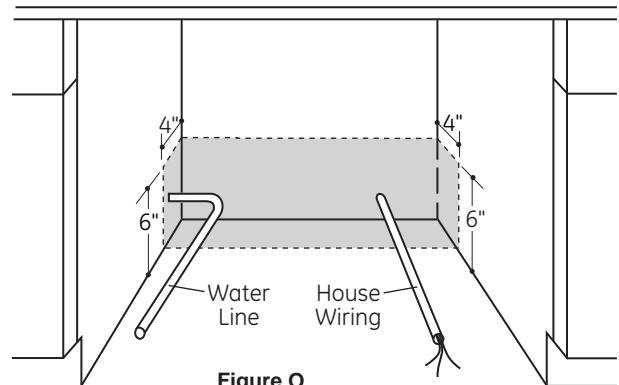


Figure O

STEP 6 INSTALL 90° ELBOW

- Thread 90° elbow onto the water valve. Ensure rubber gasket is located between valve and elbow.
- Do not overtighten elbow. Water valve bracket could bend or water valve fitting could break.
- Position the end of the elbow to face the rear of the dishwasher.

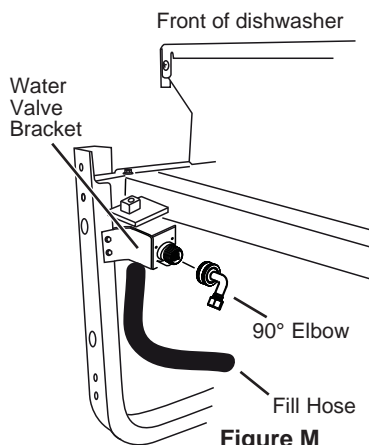


Figure M

STEP 7 INSTALL DRAIN HOSE TO DRAIN LOOP

Connect drain loop end to drain hose using the screw clamp as shown in the figure.

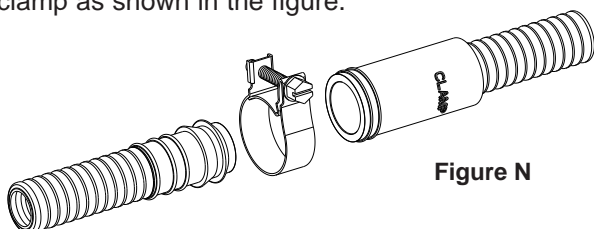


Figure N

NOTE: The high drain loop on the side of the tub is designed for better wash performance. Do not remove from the side of the tub.

STEP 9 INSTALL DRAIN HOSE, THROUGH CABINET

- Position dishwasher in front of cabinet opening, and if present, dislodge drain hose from drain hose clip. Insert drain hose into the hole in cabinet side. If a power cord is used, guide the end through a separate cabinet opening.

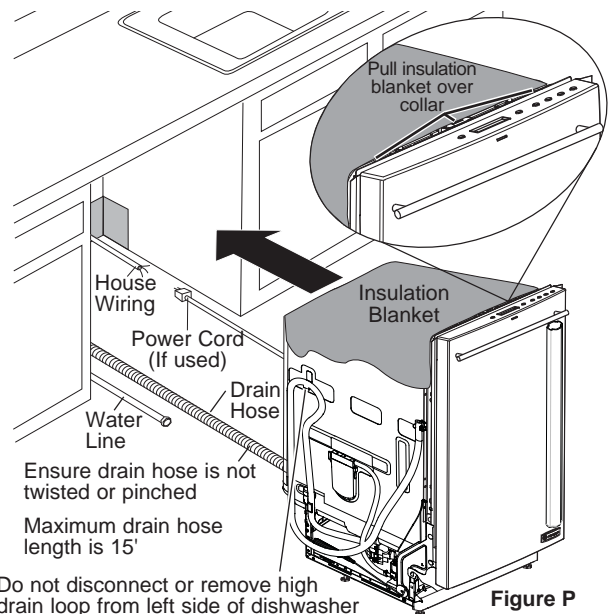


Figure P

Tip: Prevent unnecessary service call charges for fill, drain or noise concerns.

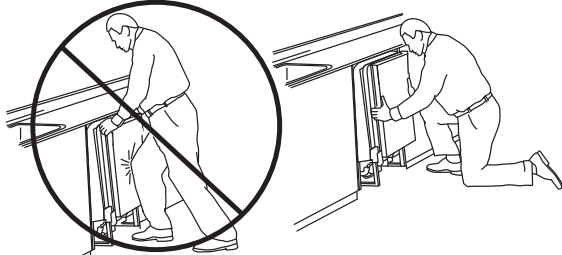
Position utility lines so they do not interfere with anything under or behind the dishwasher.

Dishwasher Installation

STEP 10 SLIDE DISHWASHER THREE-FOURTHS OF THE WAY INTO CABINET

IMPORTANT – Do not push against front panel with knees. Damage will occur.

- Grasp the sides of the front panel and slide dishwasher into the opening a few inches at a time.



Do not push against front door panel with knee. Damage to the door panel will occur.

Figure Q

- As you proceed, pull the drain hose through the opening under the sink. Stop pushing when the dishwasher extends about 6 inches forward of adjacent cabinets.
- Make sure drain hose is not kinked under or behind the dishwasher.
- Make certain the house wiring, drain line and water line do not interfere with components under dishwasher.

STEP 11 INSTALL TRIM PIECES

In this step you will need the trim pieces set aside in Step 1.

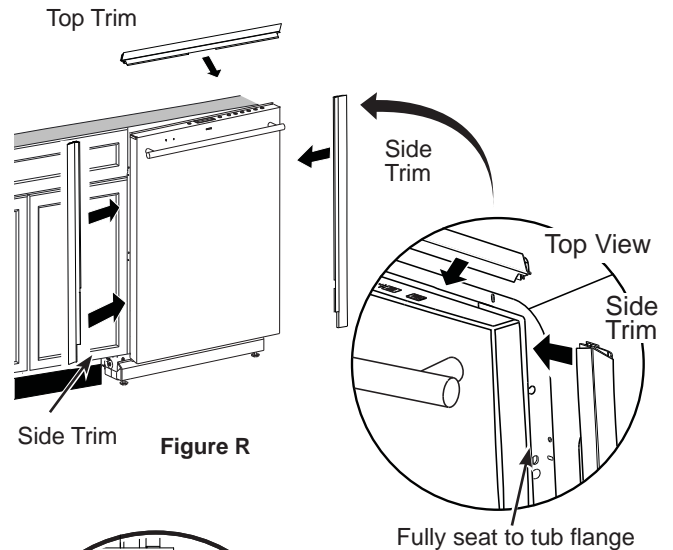
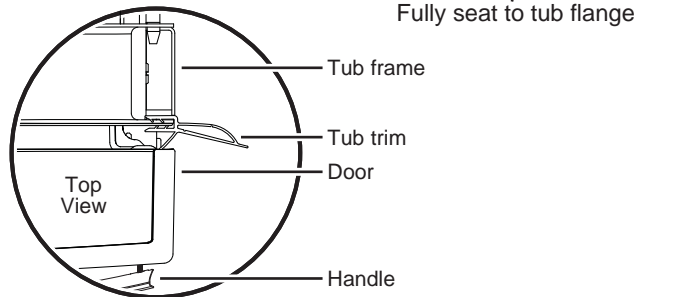


Figure R



- Select the top trim piece (See Figure R) and line up center to the top latch. Press the trim piece onto the tub flange moving from one side to the other.
- Select the left trim piece (see Figure R). Align top edge with the top trim and press it onto the left side of the tub flange moving from the top to the bottom. Repeat for the right side tub flange trim piece. (See Figure R for right side trim piece.)

Dishwasher Installation

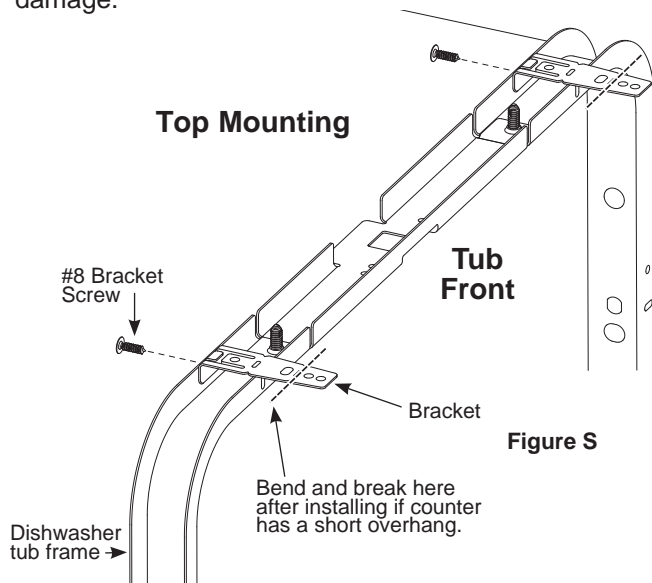
STEP 12 INSTALL MOUNTING BRACKETS

You will need the mounting brackets and 2 #8 hex-head screws set aside in Step 1.

You must install the mounting brackets onto the dishwasher tub frame top **or** sides prior to sliding the dishwasher into place under the countertop. This dishwasher is capable of a true-flush installation at a 24" deep opening. The mounting brackets have several available attachment positions to accommodate different cabinet constructions.

Install mounting brackets on top if the underside of countertop is wood or wood-like material that accepts screws:

IMPORTANT - After installing brackets and before closing the dishwasher door, adjust the brackets by bending them up as needed, so that they do not contact the top of the dishwasher door and cause damage.

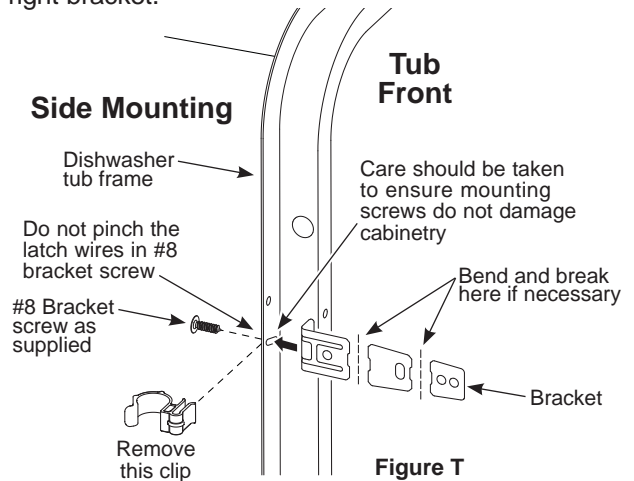


- If you are installing the dishwasher under a counter with a short overhang, the countertop brackets may extend beyond the edge of the counter. If this is the case, remove the excess length by repeatedly bending the brackets at the front notch only until they break.

STEP 12 INSTALL MOUNTING BRACKETS (CONT.)

Install mounting brackets on sides if the countertop is granite or similar material that will not accept wood screws:

- If present, remove drain hose clip from collar and dispose.
- Break off front portion of the tab with pliers at the location shown prior to attaching to dishwasher.
- Position the left-hand side bracket as shown. Attach the bracket to the tub frame with the #8 screw through the slotted hole below the round hole. Repeat with the right bracket.



STEP 13 PUSH DISHWASHER INTO FINAL POSITION

- Check the tub insulation blanket, if equipped, to be sure it is smoothly wrapped around the tub. It should not be "bunched up" and it must not interfere with the door springs. If the insulation is "bunched up" or interfering with the springs, straighten and re-center the blanket prior to sliding the dishwasher into its final position.
- Slide the dishwasher into the final position by pushing on the sides of the door panel. Do not push or pull the door in a partially open or closed position when moving the dishwasher. Do not use a knee or push on the center of the panel. If you do, damage to the panel will likely result. Check that the dishwasher is squarely positioned in the cabinet opening at both the top and the bottom of the appliance prior to mounting to the cabinet.

IMPORTANT – Before opening the dishwasher door, be certain the edges of the dishwasher door panel are behind the face of the adjacent cabinet and not up against the cabinet face. Refer to Figure U. If the dishwasher door is opened when the edge of the door is against the face of the cabinet, dishwasher door damage and cabinet damage will occur.

Dishwasher Installation

STEP 13 PUSH DISHWASHER INTO FINAL POSITION (CONT.)

- Open and close the dishwasher door to be sure it operates smoothly, and does not rub on the adjacent cabinet.

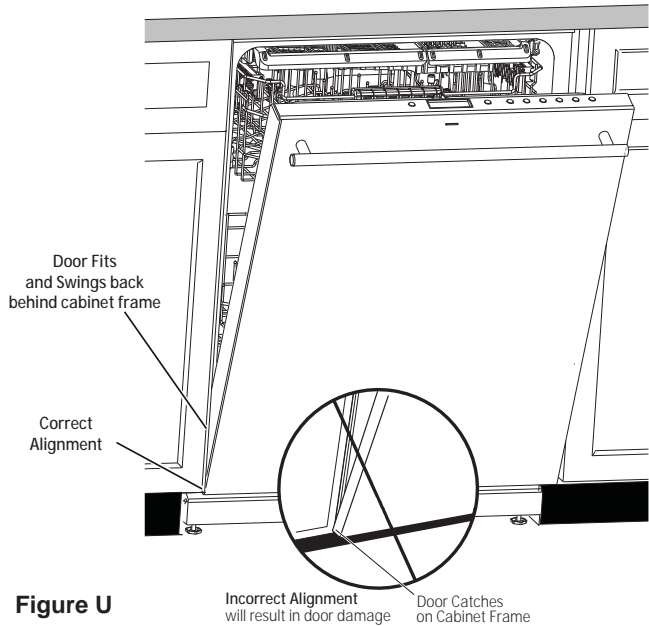


Figure U

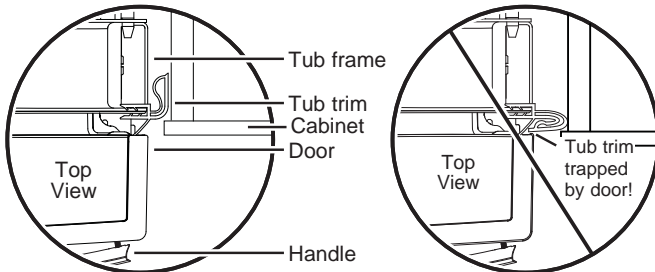
Tip: Prevent unnecessary service charges for panel damage or wash performance.

Check dishwasher alignment prior to opening dishwasher door to prevent panel damage.

Make sure utility lines are not trapped or crushed behind dishwasher. Crushed lines will restrict water flow.

Check that tub trim does not contact the door at all points

Do not allow tub trim to get trapped by or come into contact with the door



Tub trim may be trimmed if necessary to ensure proper door operation

STEP 14 LEVEL DISHWASHER

IMPORTANT – Dishwasher must be level for proper dish rack operation, wash performance and door operation. The dishwasher must be leveled left to right and front to back. This ensures the dish racks will not roll in or out on their own, circulation water will flow to the pump inlet, and the door will close without hitting the side of the tub.

- Remove the lower dish rack and place a level on the door and lower rack track as shown in Figure V.
- The height of the wheels are adjusted from the front of the dishwasher along with the 2 front legs on the bottom of the dishwasher. Begin the leveling process with the front legs by individually turning the front 2 legs.

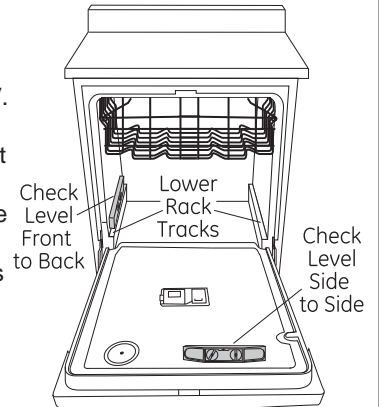


Figure V

By adjusting the front legs first, access to the rear leveling bolts is maximized easing rear wheel adjustment. When the front legs are adjusted to a height resulting in an appropriate gap to the upper cabinet, proceed to adjust the rear leveling wheels by adjusting the leveling bolts as illustrated in Figure W. Individually turn the 2 bolts to adjust the rear wheels. Slowly rotate the 2 bolts **counter clockwise to raise the back** of the dishwasher, and **clockwise to lower** it. Continue to adjust the feet and wheels until the dishwasher is level as illustrated in Figure W. Ensure all 4 legs/wheels are firmly in contact with the floor.

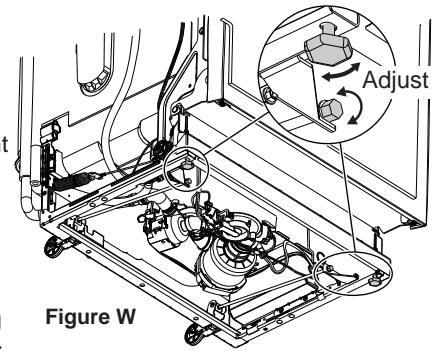


Figure W

- The dishwasher is properly leveled when the level indicator is centered left to right and front to back. Also, the dishwasher door should close without hitting the side of the tub.
- Replace the lower rack.
- Pull each rack out, about halfway. Check to be sure it does not roll back or forward on the door. If the rack moves, adjust leveling legs.

Tip: Prevent unnecessary service charges. Verify dishwasher is leveled.

Pull the dish racks half way out. They should stay put. Open and close the door. The door should fit in the tub opening without hitting the side of the tub. If the racks roll on their own, or the door hits the side of tub, re-level the dishwasher.

Dishwasher Installation

STEP 15 POSITION DISHWASHER, SECURE TO COUNTERTOP OR CABINET

In this step you will need the 2 Phillips special head screws from the screws set aside in Step 1.

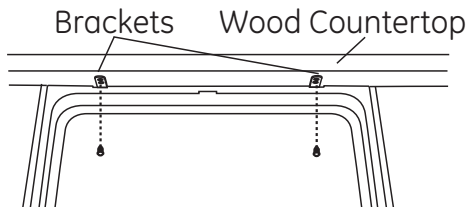
The dishwasher must be secured to the countertop or the cabinet sides. When the underside of the countertop is wood, use **Method 1**. Use **Method 2** when the underside of the countertop is made of a material, such as granite, that will not accept wood screws.

IMPORTANT – Prevent door panel and control panel damage. Dishwasher must be positioned so the front panel and control panel do not contact the adjacent cabinets or countertop. Mounting screws must be driven straight and flush. Protruding screw heads could scratch the door panel or control panel and interfere with door operation.

Method 1

Secure dishwasher to underside of wood countertop.

- Recheck alignment of the dishwasher in the cabinet. Refer to Steps 13 and 14. Door panel and/or control panel must not hit cabinets or countertop.
- Fasten the dishwasher to the underside of the countertop with the 2 Phillips special head screws. Refer to figure. Make certain screws are driven straight and flush to prevent panel damage.



Method 2

Secure dishwasher to cabinet sides.

- Recheck alignment of the dishwasher in the cabinet. Refer to Steps 13 and 14. Door panel and/or control panel must not hit cabinets or countertop.
- Remove plug buttons. Do not discard.
- Fasten the dishwasher to the adjacent cabinets with the 2 Phillips special head screws provided. Refer to Figure X. Make certain screws are driven straight and flush to prevent panel damage. Do not screw into the cabinet face frame.
- Install plug buttons to the side of the tub in the holes provided.

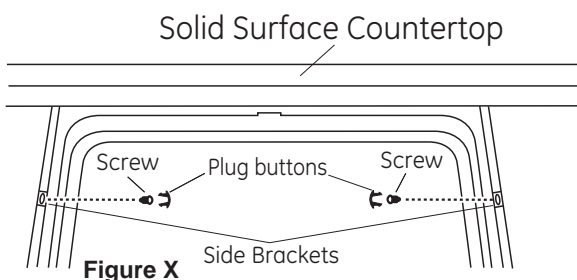


Figure X

STEP 15 POSITION DISHWASHER, SECURE TO COUNTERTOP OR CABINET (CONT.)

- Re-check that the dishwasher is square and level at both the top and bottom of the cabinet opening, with no twisting or distortion of the tub or door after mounting to the cabinets/countertop. Adjust if necessary.
- Confirm all leveling legs are in contact with the floor to prevent the dishwasher from rocking and ensure proper door and latch operation.

STEP 16 CONNECT WATER SUPPLY

Connect water supply line to 90° elbow.

If using a flexible braided hose connection:

- Attach nut to 90° elbow using an adjustable wrench.

If using a copper tubing connection:

- Slide compression nut, then ferrule over end of water line.
- Insert water line into 90° elbow.
- Slide ferrule against elbow and secure with compression nut.

IMPORTANT – Check to be sure that door spring and/or door spring cable do not rub or contact the fill hose or water supply line. Test by opening and closing the door. Re-route the water supply lines if a rubbing noise or interference occurs.

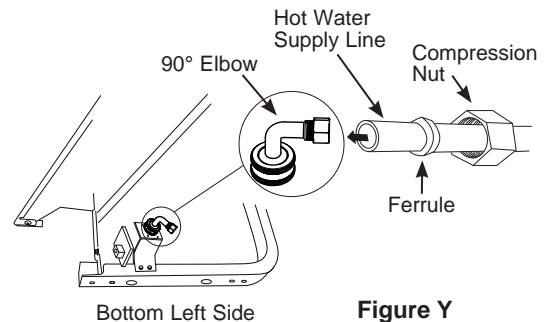


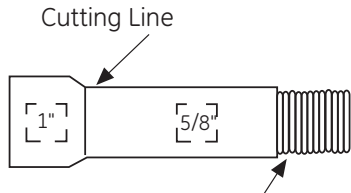
Figure Y

Dishwasher Installation

STEP 17 CONNECT DRAIN LINE

The molded end of the drain hose will fit 5/8" through 1" diameter inlet ports on the air gap, waste tee or disposer.

- Determine size of inlet port.
- Cut drain hose connector on the marked line, if required, to fit the inlet port.



IMPORTANT: Do not cut corrugated portion of hose

Figure Z

- If a longer drain hose is required, replace the provided user bag drain hose with GE Appliances service part **WD24X10065**, a 12' long hose which can be connected directly to the drain loop already attached to the unit (see Step 7). If service part hose is not available, an additional hose with coupler, ID of 5/8" or 7/8" and no longer than 66", may be attached to the provided user bag drain hose. Secure the connection with hose clamps to the provided user bag drain hose.

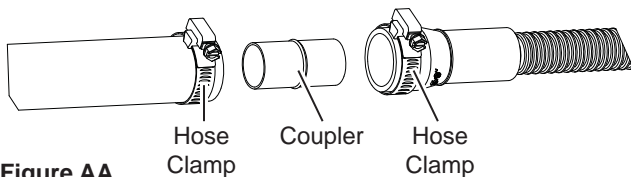


Figure AA

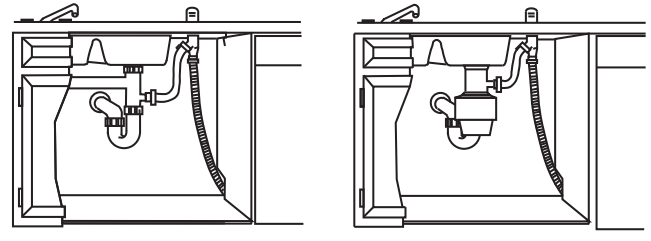
NOTES:

- **DRAIN CONNECTION HEIGHT IS NOT TO EXCEED 72" ABOVE BOTTOM OF DISHWASHER.**
- **TOTAL DRAIN HOSE LENGTH MUST NOT EXCEED 12 FEET FOR PROPER DRAIN OPERATION.**

STEP 17 CONNECT DRAIN LINE (CONT.)

- Connect drain line to air gap, waste tee or disposer using the previously determined method. Secure hose with a screw-type clamp.

Method 1 – Air gap with waste tee or disposer



Waste Tee Installation

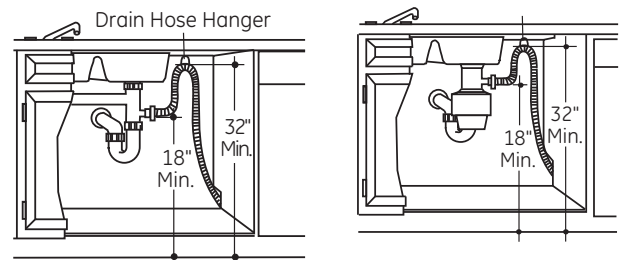
Disposer Installation

Figure AB

Method 2 – "High drain loop" with waste tee or disposer

With this method you will need the drain hose hanger set aside in Step 1.

Fasten drain hose to underside of countertop with the provided hanger.

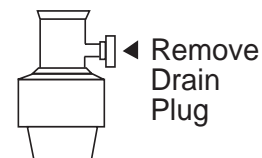


Waste Tee Installation

Disposer Installation

Figure AC

IMPORTANT – When connecting drain line to disposer, check to be sure that drain plug has been removed. **DISHWASHER WILL NOT DRAIN IF PLUG IS LEFT IN PLACE.**



Tip: Avoid unnecessary service call charges for a no drain complaint.

Make sure excess drain hose has been pulled through the cabinet opening. This will prevent excess hose in the dishwasher cavity from becoming kinked or crushed by the dishwasher.

Dishwasher Installation

STEP 18 CONNECT POWER SUPPLY

If a power cord with plug is already installed proceed to Step 19.

▲ WARNING

If house wiring is not 2-wire with ground, a ground must be provided by the installer. When house wiring is aluminum, be sure to use UL-Listed anti-oxidant compound and aluminum-to-copper connectors.

In this step you will need the junction box cover and the #10 Hex head screw from the screws set aside in Step 1.

- Secure house wiring to the back of the junction box with a strain relief.
- Locate the 3 dishwasher wires, (white, black and green) with the stripped ends coming out of the AC jumper. Use UL listed wire nuts of appropriate size to connect incoming ground to green, white to white and black to black.
- Install the junction box cover using #10 hex head screw. Check to be sure that wires are not pinched under the cover.
- Make sure that the junction box cover is resting on the mounting bracket.
- If using a Power Cord Kit, use GE Appliances part number **WX09X70910** or **WX09X70911** and refer to the included instructions.

NOTE: Do not remove the Junction Box Bracket.

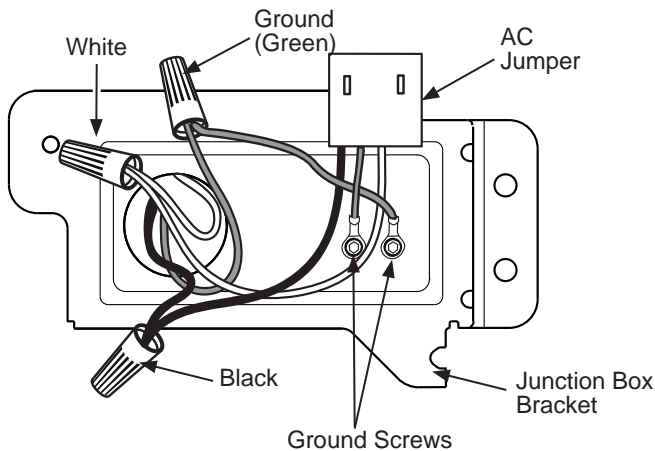


Figure AD

NOTE: All ground screws, brackets and wires must remain intact.

STEP 19 PRETEST CHECKLIST

Review this list after installing your dishwasher to avoid charges for a service call that is not covered by your warranty.

- Check to be sure power is OFF.
- Open door and remove all foam and paper packaging.
- Locate the Owner's Manual set aside in Step 1.
- Read the Owner's Manual for operating instructions.
- Check door opening and closing. If door does not open and close freely, check for proper routing of spring cable over pulley. If door drops or closes when released, adjust spring tension. See Step 2.
- Check to be sure that wiring is secure under the dishwasher, not pinched or in contact with door springs or other components. See Step 18.
- Check door alignment with tub. If door hits tub, level dishwasher. See Step 14.
- Check door alignment with cabinet. If door hits cabinet, reposition dishwasher. See Step 13.
- Check that door spring does not contact water line, fill hose, wiring or other components. See Step 13.
- Verify water supply and drain lines are not kinked or in contact with other components. Contact with motor or dishwasher frame could cause noise.
- Turn on the sink hot water faucet and verify water temperature. Incoming water temperature must be between 120°F and 140°F. A minimum of 120°F temperature is required for best wash performance. See "Prepare Hot Water Line," page 6.
- Add 1 quart of water to the bottom of the dishwasher to lubricate the pump seal.
- Turn on water supply. Check for leaks. Tighten connections if needed.
- Remove protective film if present from the control panel and door.
- Check that tub trim does not contact the door.

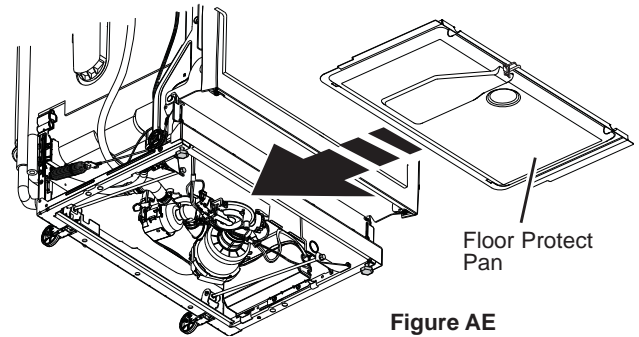
Dishwasher Installation

STEP 20 DISHWASHER WET TEST

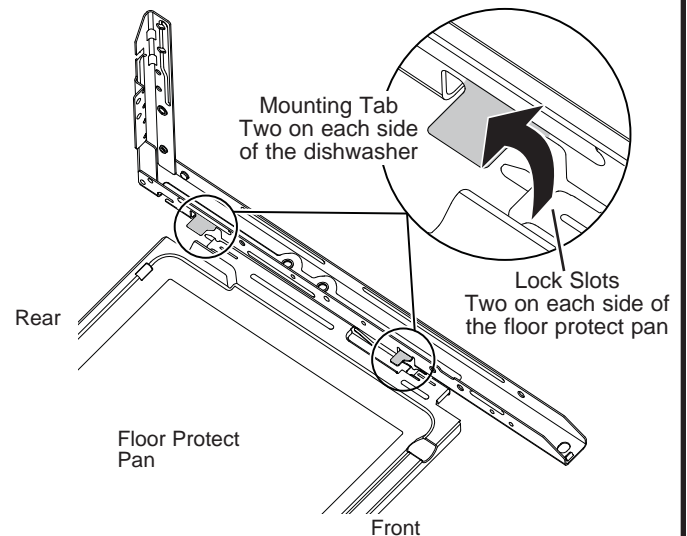
- Turn on power supply or plug power cord into outlet, if equipped.
- Select a cycle to run and push the **START** button.
- Ensure the door is latched. Dishwasher should start.
- Check to be sure that water enters the dishwasher. If water does not enter the dishwasher, check to be sure that water and power are turned on.
- Check for leaks under the dishwasher. If a leak is found, turn off power at the breaker, and then tighten water connections. Restore power after leak is corrected.
- Check for leaks around the door. A leak around the door could be caused by door rubbing or hitting against adjacent cabinets. Reposition the dishwasher if necessary. See Step 13.
- Press and hold the **START** button for 3 seconds to cancel the cycle. The unit will begin to drain. Check drain lines. If leaks are found, turn off power at the breaker and correct plumbing as necessary. Restore power after corrections are made. See Steps 7, 8, 9, 10 and 17.
- Open dishwasher door and make sure all of the water has drained. If not, check that disposer plug has been removed and/or air gap is not plugged. Also check drain hose to be sure it is not kinked underneath or behind dishwasher. See Step 17.
- Press **START** button once again and run dishwasher through another cycle. Check for leaks and correct if required.
- Repeat these steps as necessary.

STEP 21 REPLACE FLOOR PROTECT PAN

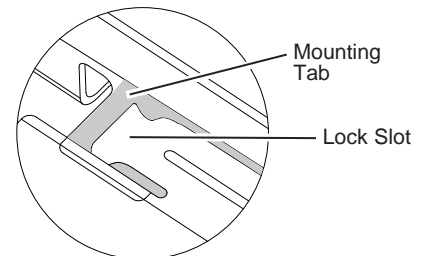
- Slide the floor protect pan under the dishwasher until its side lock slots are close to engaging the side mounting tabs on the dishwasher.



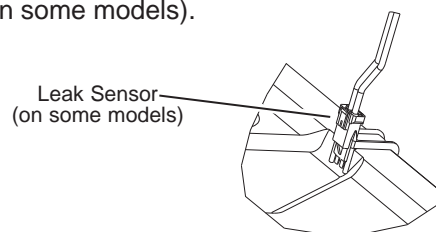
- Lift the pan until its lock slots contact the mounting tabs and push the pan back to engage them.



- When properly installed, the top of the lock slots will be over the mounting tabs.



- Connect the leak sensor connector to the leak sensor (on some models).



Dishwasher Installation

STEP 22 POSITION SOUND INSULATION PIECE (on some models)

- Locate the sound insulation package inside the dishwasher.
- Stand the parts upright as shown.

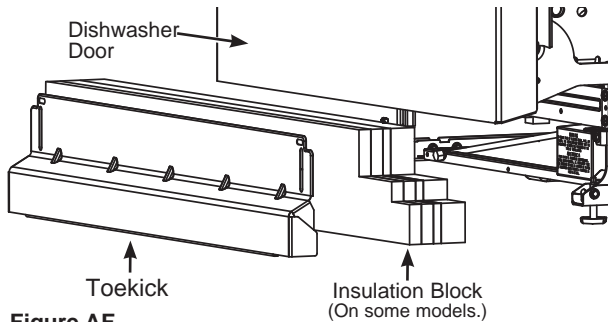


Figure AF

- Locate the control box.

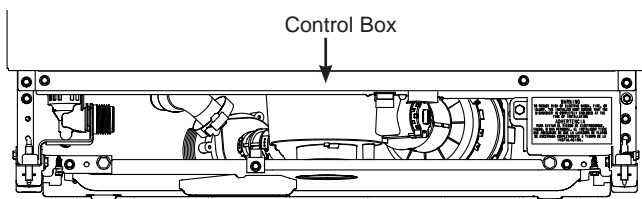


Figure AG

- Push insulation block portion under the dishwasher until it is beneath the control box.

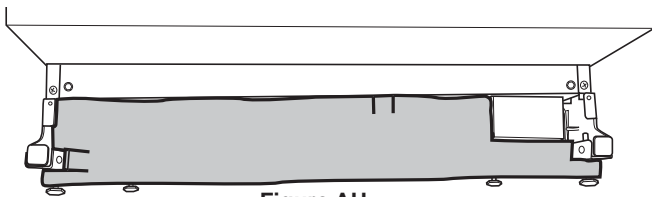


Figure AH

- Push the panel portion up to the front of the block.

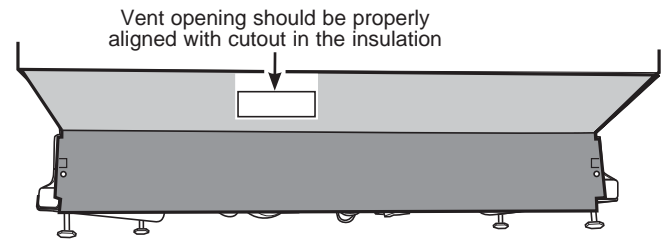


Push the sides of the insulation behind the toekick attachment screw holes

- Tuck the sides of the front panel behind the toekick attachment screw holes.

STEP 22 POSITION SOUND INSULATION PIECE (on some models) (CONT.)

- Open door all the way, if the door doesn't stay fully open, adjust the insulation panel.
- Align the screw holes with the screw holes on the legs of the dishwasher.
- Ensure vent opening is not blocked by insulation.



STEP 23 REPLACE TOEKICK

- Place toekick against the legs of the dishwasher.

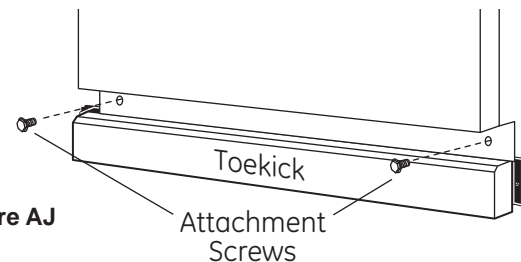


Figure AJ

- Align the toekick with the bottom edge and make sure it is against the floor.
- Insert and tighten the 2 toekick attachment screws. The toekick should stay in contact with the floor.

Tip: Reduce sound from under the dishwasher. Make sure toekick is against floor.

STEP 24 CHECK THE FOLLOWING

- Tub trim does not interfere with the door
- Dishwasher is square and level at both the top and bottom of the cabinet opening, with no twisting or distortion of the tub or door
- All 4 legs of the dishwasher are firmly in contact with the floor
- Drain hose is not pinched between the dishwasher and adjacent cabinets or walls
- Tub trim is fully seated on the tub flange

STEP 25 LITERATURE

- Be sure to leave complete literature package, these Installation Instructions and product samples and/or coupons with the consumer.

For Monogram® local service in your area, call **800.444.1845**.

NOTE: Product improvement is a continuing endeavor at GE Appliances. Therefore, materials, appearance and specifications are subject to change without notice.



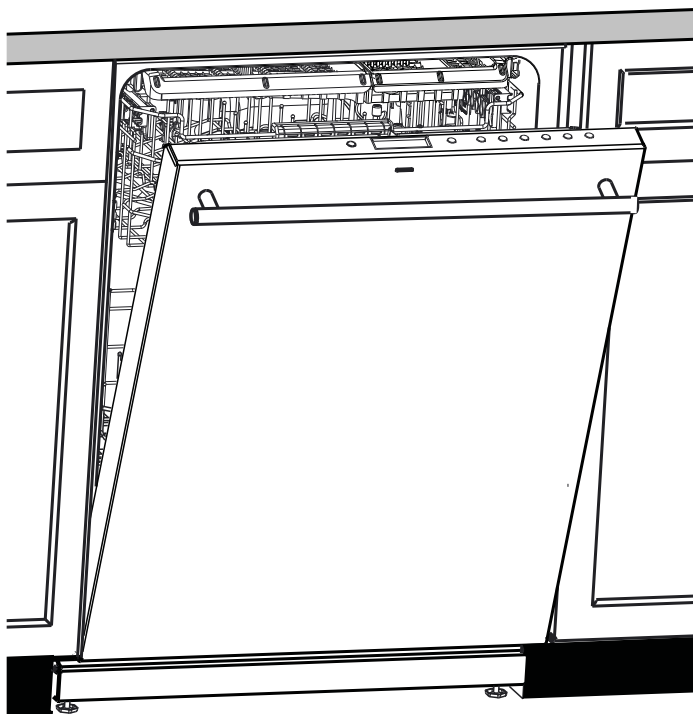
GE APPLIANCES

Instructions d'installation

Lave-vaisselle encastré

Les modèles avec panneau frontal sur commande viennent avec une trousse comprenant un gabarit, la quincaillerie et les instructions d'installation du panneau. Se reporter aux instructions de la trousse pour installer le panneau sur commande.

Commandez votre trousse de montage de panneau et un gabarit personnalisés **WD35X20417** avant d'installer le lave-vaisselle, le cas échéant.



MONOGRAM

Information de sécurité



AVANT DE COMMENCER

Veuillez lire attentivement toutes les directives qui suivent.

⚠ AVERTISSEMENT

- Pour réduire les risques de choc électrique, d'incendie ou de blessures, l'installateur doit s'assurer que le lave-vaisselle est complètement encastré au moment de l'installation.
- **POUR VOTRE SÉCURITÉ PERSONNELLE:** Enlevez le fusible ou déclenchez le disjoncteur au panneau de distribution principal avant de commencer l'installation. N'utilisez pas une rallonge électrique ou un adaptateur de fiche avec cet appareil.
- Un branchement inadéquat du conducteur de mise à la terre peut présenter des risques de choc électrique. Si vous n'êtes pas certain que l'appareil est correctement mis à la terre, consultez un réparateur ou un électricien qualifié.
- Si le câblage électrique de la résidence n'est pas constitué de deux fils plus un fil de mise à la terre, l'installateur doit installer un fil de mise à la terre. Si le câblage électrique de la résidence est en aluminium, utilisez un agent antioxydant et des connecteurs pour raccords «aluminium-cuivre» homologués UL.

⚠ ATTENTION

N'enlevez pas la base de bois avant d'être prêt à installer le lave-vaisselle. Si vous enlevez la base de bois, le lave-vaisselle pourrait basculer lorsque vous ouvrez la porte.

Pour effectuer l'installation décrite dans les présentes directives, il faut porter des gants et des lunettes de sécurité.

VÉRIFIEZ LES POINTS SUIVANTS

- La moulure de la cuve ne gêne pas la porte
- Le lave-vaisselle est d'équerre et de niveau par rapport au bas et au haut de l'ouverture de l'armoire, sans torsion ni déformation de la cuve ou de la porte
- Les quatre (4) pieds reposent fermement sur le plancher
- Le boyau de vidange n'est pas coincé entre le lave-vaisselle et les armoires ou les murs adjacents
- La moulure de cuve repose entièrement contre le bord de la cuve

POUR VOTRE SÉCURITÉ

Veuillez lire et observer toutes les mises en garde **AVERTISSEMENT** et **ATTENTION** données dans les présentes directives.

IMPORTANT – Observez tous les codes et ordonnances en vigueur.

- **Note à l'installateur** – Veuillez laisser les présentes directives au consommateur pour l'inspecteur local.
- **Note au consommateur** – Veuillez conserver les présentes directives avec votre Manuel d'utilisation pour consultation ultérieure.
- **Compétences requises** – L'installation de ce lave-vaisselle exige des compétences de base en mécanique, en électricité et en plomberie.
L'installateur est responsable de la qualité de l'installation. Toute défaillance du produit attribuable à une installation inadéquate n'est pas couverte par la Garantie de GE Appliances. Reportez-vous à la Garantie du produit.
- **Durée de l'installation – Entre 1 et 3 heures.**
L'installation d'un nouveau lave-vaisselle exige plus de temps que le remplacement d'un ancien modèle.

IMPORTANT – Le lave-vaisselle **DOIT** être installé de manière à ce qu'il puisse être sorti de son emplacement si des réparations sont nécessaires.

Il importe d'user de prudence lorsque l'appareil est installé ou déplacé afin de prévenir l'endommagement du cordon d'alimentation.

Si le lave-vaisselle que vous avez reçu est endommagé, communiquez immédiatement avec votre détaillant ou l'entrepreneur en construction.

Accessoires facultatifs – Reportez-vous au Manuel d'utilisation pour connaître les ensembles pour panneau décoratif personnalisé offerts.

Votre lave-vaisselle est un appareil qui chauffe l'eau.

Pour le service local Monogram dans votre région:
1.800.444.1845.

Pièces et accessoires Monogram, appeler le:
1.800.626.2002.

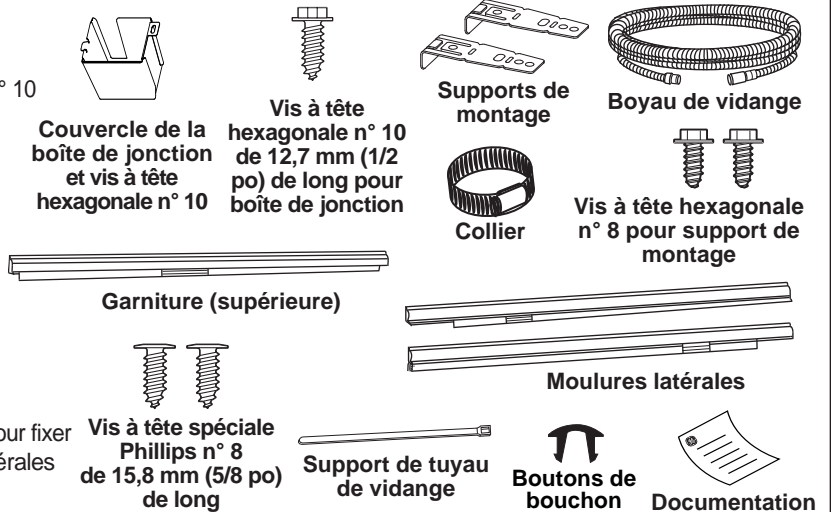
Pièces et accessoires Monogram au Canada, appeler le:
1.800.561.3344.

**VEUILLEZ LIRE ATTENTIVEMENT
CONSERVER CES DIRECTIVES**

Préparation pour l'installation

PIÈCES FOURNIES DANS L'EMBALLAGE:

- Couvercle de la boîte de jonction et vis à tête hexagonale n° 10
- Collier
- Boyau de vidange (147 cm/58 po de long)
- Support de tuyau de vidange
- 2 Vis à tête hexagonale n° 8-18 pour fixer les supports au cadre de la cuve du lave-vaisselle
- 2 Boutons de bouchon
- 2 Moulures latérales
- 1 Garniture supérieure
- 2 Supports de montage pour comptoirs ou armoires latérales en bois
- 2 Vis à tête spéciale Phillips n° 8-18 x 15,8 mm (5/8 po) pour fixer le lave-vaisselle au dessous du comptoir ou armoires latérales
- Boutons de bouchon
- Documentation, échantillons et(ou) bons

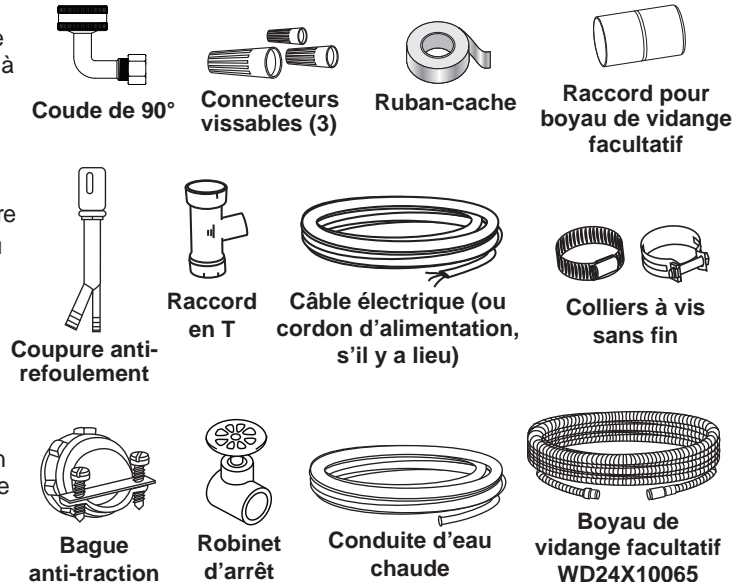


MATÉRIAUX NÉCESSAIRES:

- 90°, bague et écrou à compression (boyau avec filetage interne 19,1 mm [3/4 po] à une extrémité et de dimension adaptée à la conduite d'alimentation à l'autre extrémité)
- Connecteurs vissables homologués UL (3)
- Ruban-cache

Pour une nouvelle installation:

- Coupure anti-refoulement pour le boyau de vidange, si nécessaire
- Raccord en T pour la plomberie de la résidence, s'il y a lieu
- Câble électrique ou Trousse de cordon d'alimentation **WX09X70910** (5,4 pi) ou **WX09X70911** (7,9 pi) en fonction de votre installation.
- Colliers à vis sans fin
- Bague anti-traction pour le raccordement électrique
- Robinet d'arrêt (recommandé)
- Conduite d'eau chaude – 9,5 mm (3/8 po) minimum, tuyau en cuivre (incluant la bague et l'écrou à compression) ou la pièce **WX28X326** de GE Appliances, boyau métallique flexible.
- Boyau de vidange de 3,7 m (12 pi) de long **WD24X10065**, si nécessaire

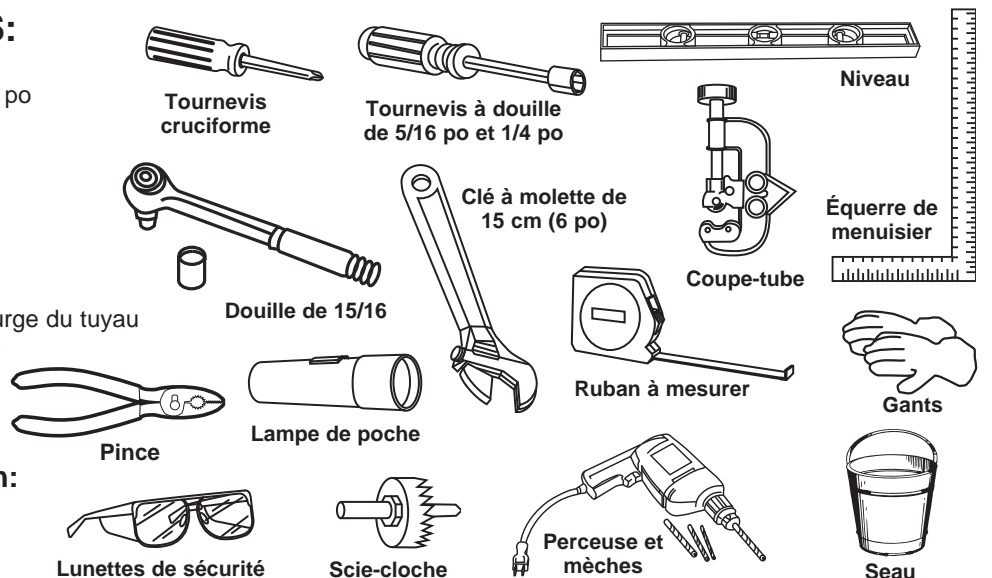


OUTILS NÉCESSAIRES:

- Tournevis cruciforme
- Tournevis à douille de 5/16 po et 1/4 po
- Clé à molette de 15 cm (6 po)
- Niveau
- Équerre de menuisier
- Ruban à mesurer
- Lunettes de sécurité
- Lampe de poche
- Seau pour attraper l'eau lors de la purge du tuyau
- Douille de 15/16 po (optionnelle pour la dépose de la palette)
- Gants
- Pince

Pour une nouvelle installation:

- Coupe-tube
- Perceuse et mèches appropriées
- Jeu de scie-cloche



Préparation pour l'installation

PRÉPARATION DE L'OUVERTURE DANS LES ARMOIRES

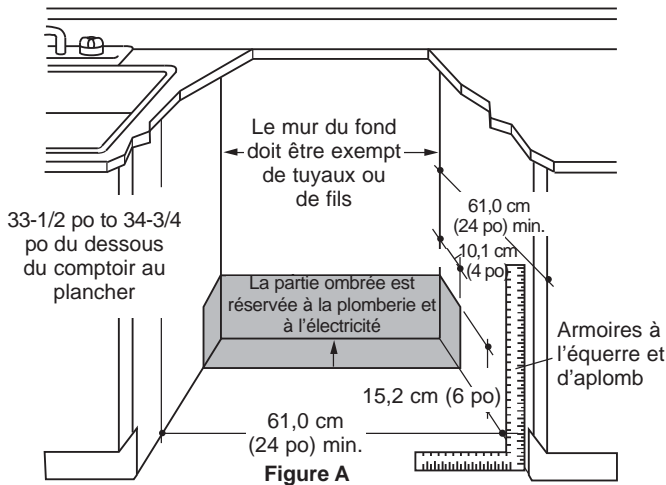


Figure A

- L'ouverture dans les armoires doit mesurer au moins 61,0 cm (24 po) de largeur et de profondeur, et environ 87,6 cm (34-1/2 po) de hauteur à partir du plancher jusqu'au-dessous du comptoir.
- Le lave-vaisselle doit être installé de façon à ce que le boyau de vidange mesure au maximum 3.66 mètres (12 pieds) pour assurer une vidange adéquate.
- Le dessus, les côtés et l'arrière du lave-vaisselle doivent être complètement dissimulés à l'intérieur de l'ouverture. Le lave-vaisselle ne doit soutenir aucune partie de la structure des armoires.

⚠ AVERTISSEMENT

Pour réduire les risques de choc électrique, d'incendie ou de blessures, l'installateur doit s'assurer que le lave-vaisselle est complètement encastré au moment de l'installation.

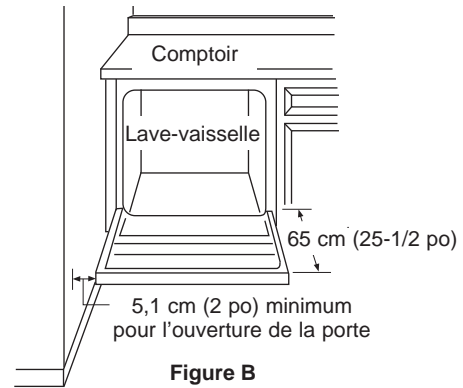


Figure B

DÉGAGEMENTS:

- Dans le cas d'une installation dans un coin, veuillez prévoir un dégagement d'au moins 5,1 cm (2 po) entre le lave-vaisselle et les armoires, le mur ou un électroménager adjacent. Veuillez prévoir un dégagement d'au moins 65 cm (25-1/2 po) à l'avant du lave-vaisselle pour l'ouverture de la porte. Reportez-vous à la Figure B.

EXIGENCES RELATIVES AU SYSTÈME DE VIDANGE

- Veuillez observer les ordonnances et les codes locaux en vigueur.
- Le boyau de vidange doit avoir une longueur maximale de 3.66 mètres (12 pieds).
- Le boyau de vidange ne doit pas être raccordé à une hauteur dépassant 1,8 m (72 po) au-dessus du bas du lave-vaisselle.

REMARQUE: Il faut installer une coupure anti-refoulement si le raccord au broyeur à déchets ou au raccord en T se trouve à moins de 46 cm (18 po) au-dessus du plancher afin d'éviter un siphonage.

CHOIX DE LA MÉTHODE DE VIDANGE

Le type d'installation de vidange dépend des conditions suivantes.

- Les ordonnances ou codes locaux en vigueur exigent-ils une coupure anti-refoulement?
- Le raccord T se trouve-t-il à moins de 46cm (18po) du plancher?

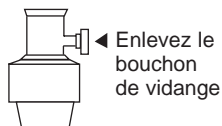
Si vous répondez OUI à l'une ou l'autre de ces questions, vous DEVEZ utiliser la méthode n° 1.

- Si vous répondez NON, vous pouvez employer l'une ou l'autre des méthodes.

PRÉPARATION DES ARMOIRES

- Percez un trou de 3,8 cm (1-1/2 po) de diamètre dans la paroi de l'armoire qui se trouve dans la partie ombrée de la Figure A pour le boyau de vidange. Assurez-vous que l'orifice ne présente pas d'arêtes vives.

IMPORTANT – Lorsque vous branchez le boyau de vidange à un broyeur à déchets, assurez-vous d'enlever le bouchon de vidange. LE LAVE-VAISSELLE NE POURRA PAS SE VIDER SI VOUS LAISSEZ LE BOUCHON EN PLACE.



Méthode n° 1 – Coupure anti-refoulement avec raccord en T ou broyeur à déchets

Il faut installer une coupure anti-refoulement lorsqu'elle est exigée par les ordonnances et les codes locaux en vigueur. Cette coupure anti-refoulement doit être installée conformément aux directives données par le fabricant.

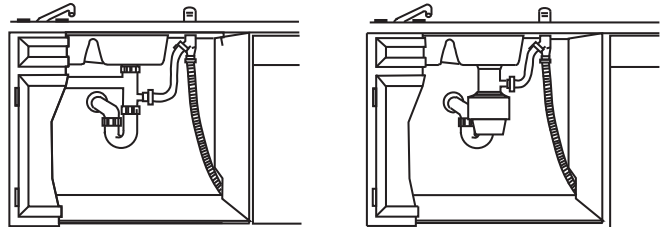


Figure C

Méthode n° 2 – Boucle de vidange élevée avec raccord en T ou broyeur à déchets

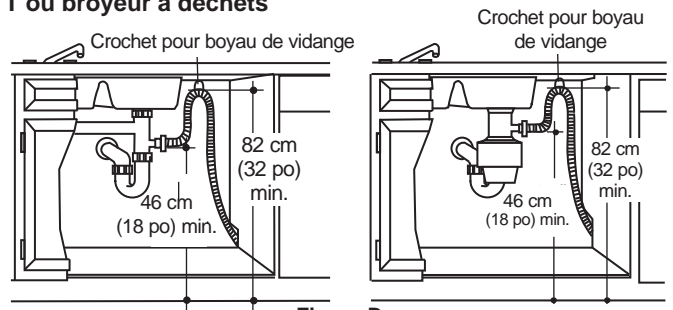


Figure D

Conseil: Pour éviter des frais de réparation inutiles.

Assurez-vous d'enlever le bouchon de vidange du broyeur à déchets avant d'y brancher le boyau de vidange du lave-vaisselle.

Préparation pour l'installation

PRÉPARATION DU CÂBLAGE ÉLECTRIQUE

⚠ AVERTISSEMENT

POUR VOTRE SÉCURITÉ PERSONNELLE: Enlevez le fusible ou déclenchez le disjoncteur au panneau de distribution principal avant de commencer l'installation. N'utilisez pas une rallonge électrique ou un adaptateur de fiche avec cet appareil.

Alimentation électrique

- Cet appareil doit être alimenté par un courant de 120 V et 60 Hz, et branché à un circuit individuel correctement mis à la terre et protégé par un disjoncteur de 15 ou 20 ampères ou un fusible temporisé.
- Le câble électrique doit posséder deux fils, plus un fil de mise à la terre, et résister à une température nominale de 75 °C (167 °F).
- Si votre alimentation électrique ne répond pas à ces exigences, appelez un électricien agréé avant de poursuivre l'installation.

Mise à la terre – Branchement permanent

Cet appareil doit être branché à un réseau électrique permanent mis à la terre. Sinon, il faut installer un conducteur de mise à la terre avec les conducteurs du circuit et le brancher à la borne de mise à la terre du réseau ou au fil de mise à la terre de l'appareil.

Mise à la terre – Modèles dotés d'un cordon d'alimentation

Cet appareil doit être mis à la terre. En cas de mauvais fonctionnement ou de défaillance, la mise à la terre réduira les risques de choc électrique en fournissant au courant électrique un circuit de moindre résistance. Cet appareil est doté d'un cordon d'alimentation possédant un conducteur de mise à la terre et une fiche de mise à la terre. La fiche doit être branchée dans une mise appropriée, installée et mise à la terre en conformité avec tous les codes locaux et ordonnances en vigueur.

⚠ AVERTISSEMENT

Un branchement inadéquat du conducteur de mise à la terre peut présenter des risques de choc électrique. Si vous n'êtes pas certain que l'appareil est correctement mis à la terre, consultez un réparateur ou un électricien qualifié.

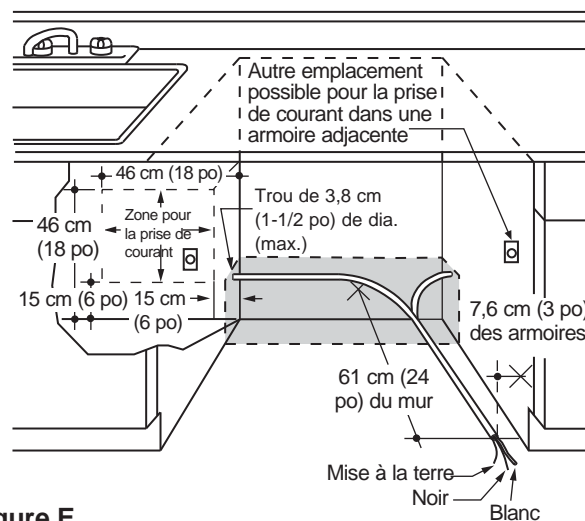


Figure E

Dans le cas des modèles dotés d'un cordon d'alimentation:

Ne modifiez pas la fiche fournie avec l'appareil; si vous ne pouvez pas la brancher dans la prise de courant, faites installer une prise de courant appropriée par un technicien qualifié.

Préparation des armoires et cheminement des fils

- Les fils peuvent entrer dans l'ouverture du côté droit, du côté gauche, de l'arrière ou du plancher dans la partie ombrée de la Figure E et de la Figure A.
- Percez un trou de 3,8 cm (1-1/2 po) de diamètre au maximum pour le passage du câble électrique. Le bord du trou doit être lisse et arrondi. Les fils électriques pour le branchement permanent peuvent passer par le même trou que le boyau de vidange et la conduite d'eau chaude, si c'est plus pratique. Si le trou est pratiqué dans une paroi en métal, les bords de l'orifice doivent être recouverts d'un passe-fils pour protéger les fils.

REMARQUE: Le cordon d'alimentation doté d'une fiche doit passer par un autre trou dans l'armoire.

Branchement électrique du lave-vaisselle

Le branchement électrique s'effectue du côté avant droit du lave-vaisselle.

- Dans le cas d'un branchement permanent, le câble doit être acheminé de la façon indiquée à la Figure E. Le câble doit avoir une longueur minimale de 61 cm (24 po) à partir du mur arrière.
- Dans le cas d'un branchement avec un cordon d'alimentation, installez une prise de courant mise à la terre à trois broches sur la paroi de l'armoire adjacente, entre 15 cm (6 po) et 46 cm (18 po) de l'ouverture, et entre 15 cm (6 po) et 46 cm (18 po) du plancher.
- Utilisez uniquement **WX09X70910** ou **WX09X70911** Trousse de cordon d'alimentation pour lave-vaisselle.

Préparation pour l'installation

PRÉPARATION DE L'ALIMENTATION EN EAU CHAUDE

REMARQUE: GE Appliances recommande l'utilisation d'un tuyau en cuivre pour la conduite d'alimentation en eau, mais vous pouvez choisir un boyau flexible tressé no **WX28X326** de GE Appliances.

- La conduite d'alimentation en eau (tuyau de cuivre de 9,5 mm [3/8 po] ou boyau flexible tressé) peut entrer du côté gauche, du côté droit, de l'arrière ou du plancher dans la partie ombrée indiquée dans la Figure F.
- La conduite d'alimentation en eau doit passer dans le même trou que le câble électrique et le boyau de vidange. Ou vous pouvez percer un trou supplémentaire de 3,8 cm (1-1/2 po) de diamètre pour le passage de la conduite d'eau. Si l'appareil est doté d'un cordon d'alimentation pourvu d'une fiche, la conduite d'eau chaude ne doit pas passer par le même trou que le cordon d'alimentation.

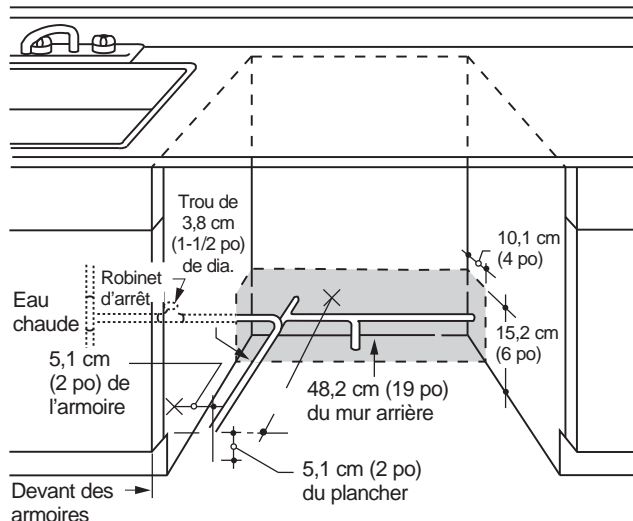


Figure F

Raccordement de la conduite d'eau chaude

- Si vous utilisez un boyau flexible tressé, étiquetez le boyau et indiquez la date d'installation à des fins de référence. Les boyaux flexibles, coudés et joints tressés doivent être remplacés dans 5 ans.
- Coupez l'alimentation en eau.
- Installez un robinet d'arrêt à un endroit accessible, par exemple sous l'évier. (Cette installation est facultative, mais fortement recommandée, et peut même être exigée par les codes locaux en vigueur.)
- Le raccordement de la conduite d'eau s'effectue du côté gauche du lave-vaisselle. Installez la conduite d'eau chaude en utilisant un tuyau en cuivre de 9,5 mm (3/8 po) ou plus ou boyau flexible tressé. Acheminez la conduite d'eau de la façon indiquée dans la Figure F et amenez-la vers l'avant à au moins 48,2 cm (19 po) du mur arrière.
- Réglez le chauffe-eau à une température variant entre 49 °C (120 °F) et 65 °C (140 °F).
- Rincez la conduite d'eau pour éliminer tous les débris. Recueillez l'eau et les débris à l'aide d'un seau.
- La pression de la conduite d'alimentation en eau chaude doit varier entre 1,4 bar (20 lb/po²) et 8,3 bars (120 lb/po²).

ATTENTION

N'enlevez pas la base de bois avant d'être prêt à installer le lave-vaisselle. Si vous enlevez la base de bois, le lave-vaisselle pourrait basculer lorsque vous ouvrez la porte.

Tournez la page pour commencer l'installation du lave-vaisselle.

Installation du lave-vaisselle

ÉTAPE 1 PRÉPARATION

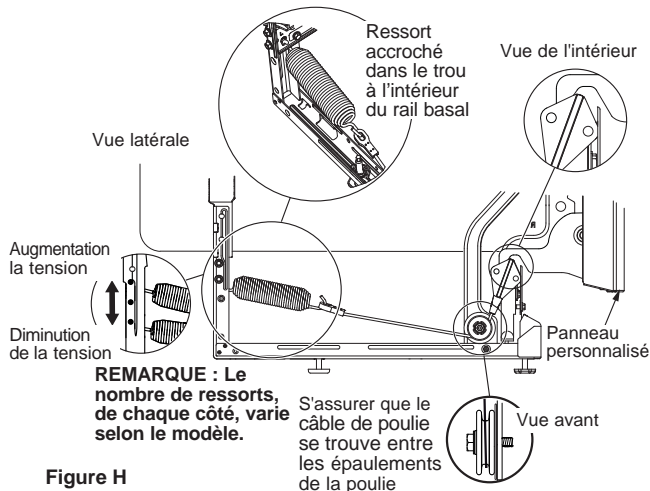
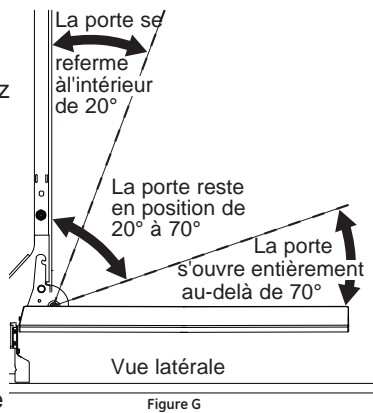
Prenez les pièces fournies dans l'emballage et mettez-les de côté:

- Ensemble de vis
- Couvercle de la boîte de jonction
- Boyau de vidange et collier
- Supports de montage
- Moulures (certains modèles)
- Crochet pour boyau de vidange
- Manuel d'utilisation
- Échantillons et(ou) bons

ÉTAPE 2 VÉRIFICATION DE L'ÉQUILIBRE DE LA PORTE

REMARQUE : Si vous installez un panneau personnalisé (offert sur certains modèles), veuillez suivre les instructions fournies avec la trousse du panneau personnalisé **WD35X20417**.

- Sans enlever la base de bois du lave-vaisselle, vérifiez l'équilibre de la porte en l'ouvrant et en la fermant.
- La porte est correctement équilibrée si, étant ouverte, elle se referme d'elle-même à l'intérieur de 20° de la verticale, reste en position de 20° à 70°, et s'ouvre entièrement au-delà de 70°.
- Si nécessaire, augmentez ou diminuez la tension, tel qu'illustré. Certains modèles sont munis de 2 ressorts d'un côté et d'un ressort de l'autre. Fermez la porte et ajustez les ressorts pour rétablir l'équilibre de la porte.

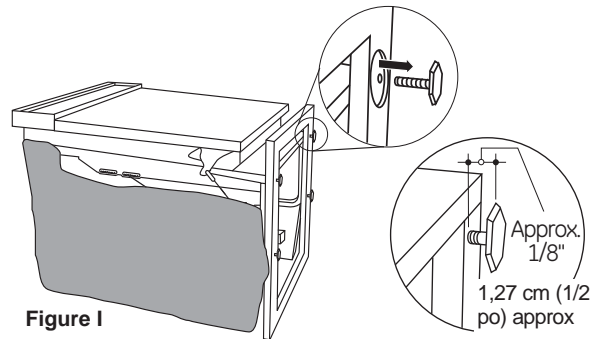


Conseil: Pour que la porte ouvre et se ferme facilement. Vérifiez la porte en l'ouvrant et en la fermant. Si elle n'ouvre pas facilement ou s'ouvre trop rapidement, vérifiez la disposition du câble du ressort. Le câble est retenu en place par des «épaulements» sur la poulie. Assurez-vous que le câble est bien installé sur les épaulements de la poulie comme indiqué.

ÉTAPE 3 ENLÈVEMENT DE LA BASE DE BOIS, INSTALLATION DES PIEDS DE NIVELLEMENT

IMPORTANT – Ne frappez pas sur la base de bois pour l'enlever! Vous endommagerez ainsi l'appareil.

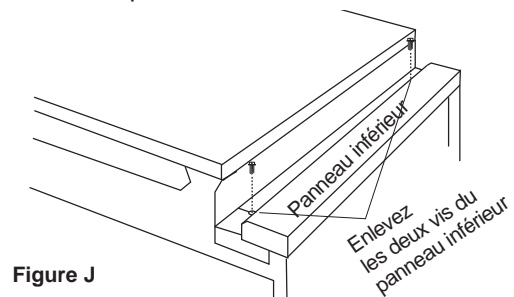
- Amenez le lave-vaisselle à proximité de son emplacement définitif et couchez-le sur le dos.
- **REMARQUE :** Ne placez pas le lave-vaisselle sur un de ses côtés.
- Enlevez les quatre pieds de nivellement sous la base de bois à l'aide d'une clé à douille de 23,8 cm (15/16 po).
- Retirez la base et les 2 pieds de nivellement.
- Revissez les 2 pieds de nivellement avant dans le cadre du lave-vaisselle, à 1,27 cm (1/2 po) environ du cadre, comme indiqué dans l'illustration.



REMARQUE : Le lave-vaisselle est doté de roulettes de nivellement ajustables à l'arrière. Il n'a donc pas besoin de pieds de nivellement à cet endroit.

ÉTAPE 4 ENLÈVEMENT DU PANNEAU INFÉRIEUR

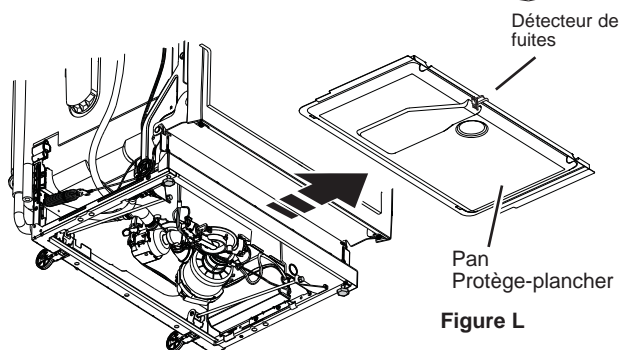
- Enlevez les deux vis du panneau inférieur, ainsi que le panneau inférieur. Mettez-les de côté pour les réutiliser à l'étape 23.



Installation du lave-vaisselle

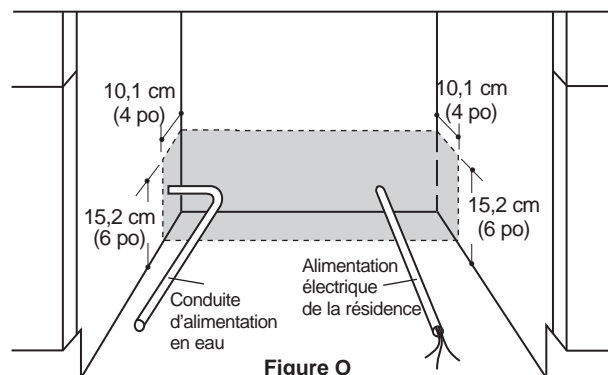
ÉTAPE 5 SI NÉCESSAIRE, RETRAIT DU PAN PROTÈGE-PLANCHER

- Débranchez les fils du détecteur de fuites. (sur certains modèles). Pincer le haut du connecteur pour libérer la pince à ressort.
- Tirez le pan protège-plancher vers l'avant et glissez-le depuis le dessous du lave-vaisselle.
- Mettez-le de côté pour le réutiliser à l'étape 21.



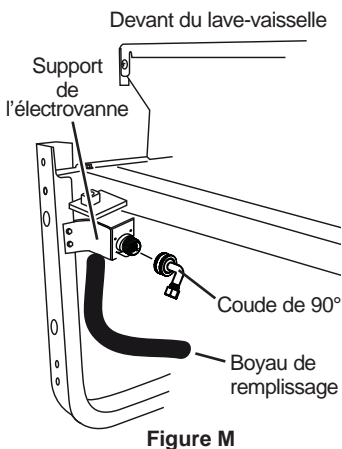
ÉTAPE 8 POSITIONNEMENT DE LA CONDUITE D'EAU ET DE L'ALIMENTATION ÉLECTRIQUE

- Positionnez la conduite d'alimentation en eau et le câblage de la résidence sur le plancher de l'ouverture afin qu'ils n'entrent pas en contact avec la base du lave-vaisselle et les pièces sous l'appareil.



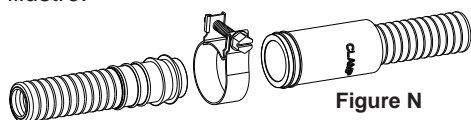
ÉTAPE 6 INSTALLATION DU COUDE DE 90°

- Vissez le coude de 90° dans l'électrovanne. Assurez-vous que le joint d'étanchéité en caoutchouc se situe entre l'électrovanne et le coude.
- Ne serrez pas le coude de façon excessive; le support de l'électrovanne pourrait se déformer ou le raccord de l'électrovanne pourrait se casser.
- Tournez l'extrémité du coude pour qu'il pointe vers l'arrière du lave-vaisselle.



ÉTAPE 7 RACCORDEMENT DU BOYAU DE VIDANGE À LA BOUCLE DE VIDANGE

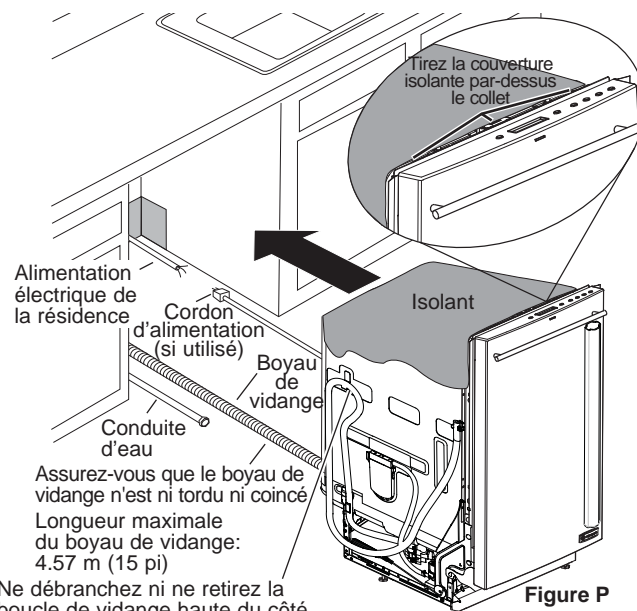
Raccordez l'extrémité de la boucle de vidange au boyau de vidange à l'aide du collier de serrage à vis sans fin, comme illustré.



REMARQUE: La boucle de vidange élevée sur le côté de la baignoire est conçue pour améliorer les performances de lavage. Ne retirez pas du côté de la baignoire.

ÉTAPE 9 INSERTION DU BOYAU DE VIDANGE DANS L'ORIFICE DE L'ARMOIRE

- Placez le lave-vaisselle devant l'ouverture de l'armoire, et si elle est présente, délogez le boyau de vidange de sa fixation à ressort. Insérez le boyau de vidange dans l'orifice que vous avez précédemment percé dans la paroi des armoires. Si l'appareil est doté d'un cordon d'alimentation, faites passer l'extrémité du cordon dans un l'ouverture dans les armoires distinct.



Ne débranchez ni ne retirez la boucle de vidange haute du côté gauche du lave-vaisselle

Conseil: Pour éviter des frais de réparation inutiles pour des problèmes de remplissage, de vidange ou de bruit.

Placez la conduite d'eau et le câble électrique de manière à ce qu'ils n'entrent pas en contact avec quoi que ce soit à l'arrière ou en dessous du lave-vaisselle.

Installation du lave-vaisselle

ÉTAPE 10 INSERTION AUX TROIS QUARTS DU LAVE-VAISSELLE DANS L'OUVERTURE

IMPORTANT – Ne poussez pas sur le panneau avant avec vos genoux. Vous pourriez endommager l'appareil.

- Saisissez le panneau avant de l'appareil par les côtés et faites glisser le lave-vaisselle dans l'ouverture de quelques centimètres ou pouces à la fois.

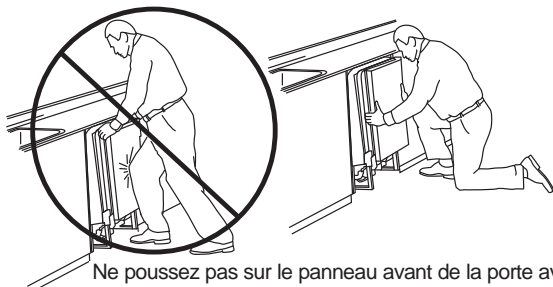


Figure Q

Ne poussez pas sur le panneau avant de la porte avec votre genou. Vous risquez d'endommager le panneau de porte.

- Tirez sur le boyau de vidange et le cordon d'alimentation, s'il y a lieu, par les trous des armoires adjacentes au fur et à mesure. Arrêtez lorsque le lave-vaisselle dépasse le devant des armoires adjacentes d'environ 15 cm (6 po).
- Assurez-vous que le boyau de vidange n'est pas plié à l'arrière ou en dessous du lave-vaisselle.
- Assurez-vous que le câble électrique de la résidence, le boyau de vidange et la conduite d'eau n'entrent pas en contact avec des pièces sous le lave-vaisselle.

ÉTAPE 11 INSTALLATION DES MOULURES

Au cours de cette étape, vous aurez besoin des moulures mises de côté à l'étape 1.

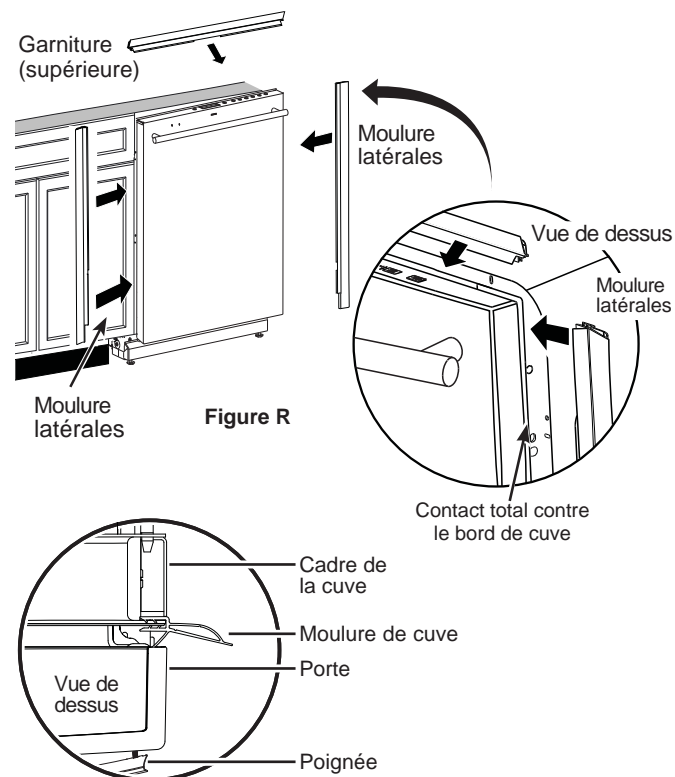


Figure R

- Prenez la garniture supérieure (voir la figure R) et centrez-la avec le loquet supérieur. Appuyez la garniture contre le support de gaine en la déplaçant de gauche à droite.
- Prenez la garniture gauche (voir la figure R). Alignez le bord supérieure de la garniture et appuyez-le contre le côté gauche du support de gaine en le déplaçant de haut en bas. Répétez cette étape pour le côté droit de la garniture. (Voir la figure R pour le côté droit de la garniture.)

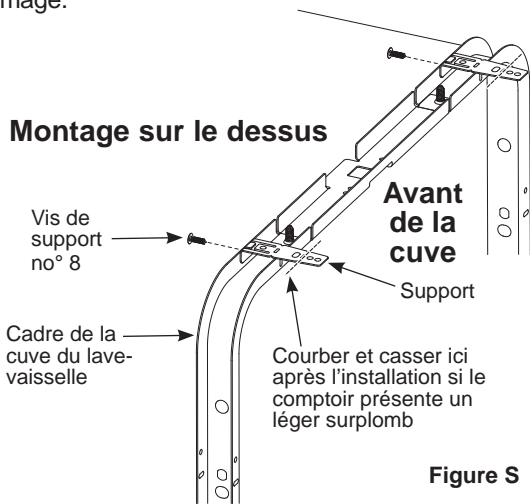
Installation du lave-vaisselle

ÉTAPE 12 INSTALLATION DES SUPPORTS DE MONTAGE

Vous aurez besoin des supports de montage et de deux (2) vis à tête hexagonale no 8 mises de côté à l'étape 1. Vous devez poser les supports de montage sur le dessus ou les côtés du cadre de la cuve du lave-vaisselle avant de glisser le lave-vaisselle en place sous le comptoir. Ce lave-vaisselle est adapté à une installation complètement encastrable dans une ouverture de 61 cm (24 po) de profondeur. Les supports de montage possèdent plusieurs options de fixation afin de répondre à plusieurs types de constructions d'armoires.

Posez les supports de montage sur le dessus si le dessous du comptoir est en bois ou un matériau similaire qui accepte les vis :

IMPORTANT - Après installation des supports et avant de fermer la porte du lave-vaisselle, ajustez les supports en les pliant de façon à ce qu'ils ne soient pas en contact avec le haut de la porte du lave-vaisselle et ne causent pas de dommage.

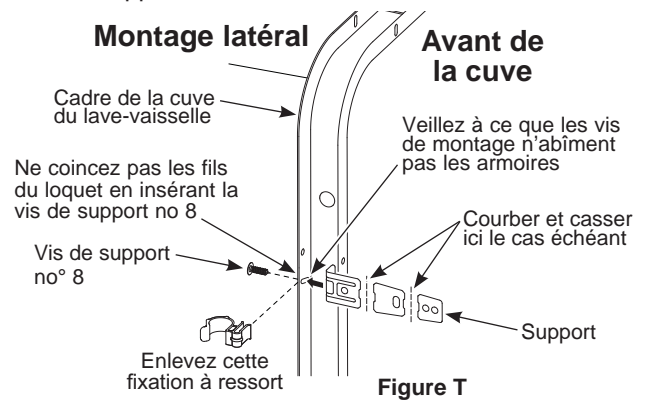


- Si vous installez le lave-vaisselle sous un comptoir dont la profondeur est plus courte, il est possible que les supports pour le comptoir dépassent à l'avant du comptoir. Si c'est le cas, supprimez la longueur excédentaire en courbant à répétition les supports vis-à-vis de l'encoche avant seulement, jusqu'à la cassure.

ÉTAPE 12 INSTALLATION DES SUPPORTS DE MONTAGE (SUITE)

Posez les supports de montage sur les côtés si le comptoir est en granite ou un matériau similaire qui n'accepte pas les vis à bois :

- Si elle est présente, enlevez la fixation à ressort de boyau de vidange du collet et mettez-la au rebut..
- Cassez la partie avant de la languette à l'aide de pince à l'endroit indiqué, avant la fixation sur le lave-vaisselle.
- Placez le support latéral gauche tel qu'indiqué. À l'aide d'une vis no 8, fixez le support sur le cadre de cuve à travers le trou oblong sous le trou rond. Faites de même avec le support droit.



ÉTAPE 13 INSTALLATION DU LAVE-VAISSELLE DANS SON EMPLACEMENT DÉFINITIF

- Vérifiez l'isolant de la cuve, s'il y a lieu, pour vous assurer qu'il enveloppe complètement la cuve. L'isolant ne doit pas «retrousser» ou entrer en contact avec les ressorts de la porte. Si l'isolant est «déplacé» ou entre en contact avec les ressorts, remplacez-le correctement avant de faire glisser l'appareil dans son emplacement définitif.
- Faites glisser le lave-vaisselle dans son emplacement définitif en poussant sur les côtés du panneau de la porte. Abstenez-vous de pousser ou tirer la porte en position fermée ou partiellement ouverte lors du déplacement du lave-vaisselle. Ne poussez pas sur le centre du panneau avec votre genou. Vous pourriez endommager le panneau. Avant de fixer le lave-vaisselle sur l'armoire, assurez-vous qu'il est placé d'équerre dans l'ouverture, aussi bien dans sa partie inférieure que supérieure.

IMPORTANT – Avant d'ouvrir la porte du lave-vaisselle, assurez-vous que les bords du panneau de porte du lave-vaisselle sont en retrait par rapport au devant des armoires adjacentes, et non pas appuyés contre le devant des armoires. Reportez-vous à la Figure U. Si vous ouvrez la porte du lave-vaisselle et que le bord de la porte est appuyé contre le devant des armoires, vous pourriez endommager la porte du lave-vaisselle et les armoires.

Installation du lave-vaisselle

ÉTAPE 13 INSTALLATION DU LAVE-VAISSELLE DANS SON EMPLACEMENT DÉFINITIF (SUITE)

- Ouvrez et fermez la porte du lave-vaisselle pour vous assurer qu'elle fonctionne correctement et qu'elle ne frotte pas contre les armoires adjacentes.

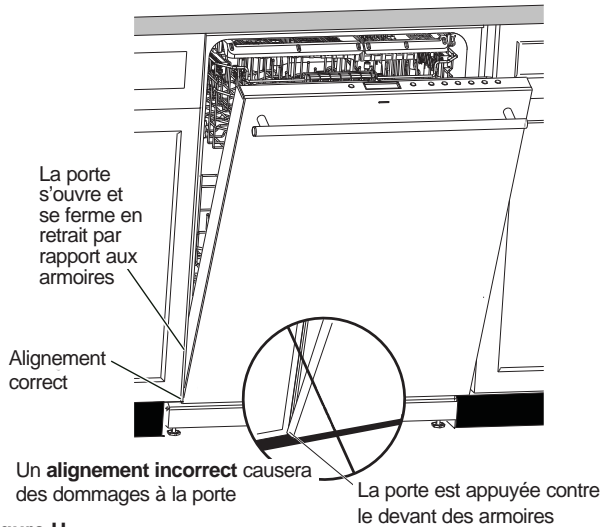


Figure U

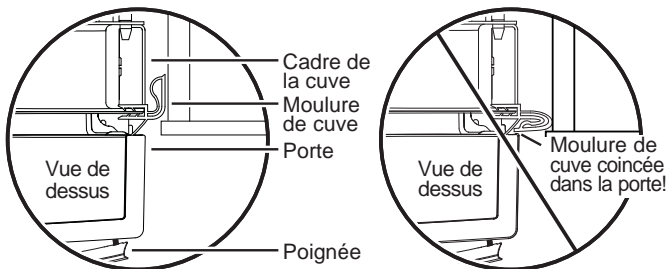
Conseil: Pour éviter des frais de réparation inutiles pour des dommages au panneau avant ou un problème d'efficacité de lavage.

Vérifiez l'alignement du lave-vaisselle avant d'ouvrir la porte afin de prévenir tout dommage au panneau de la porte.

Assurez-vous que la conduite d'eau et le câble électrique ne sont pas coincés ou écrasés à l'arrière du lave-vaisselle. Une conduite écrasée réduit le débit d'eau.

Assurez-vous que la moulure de cuve ne touche la porte en aucun point

Ne laissez pas la moulure de cuve se coincer dans la porte ou entrer en contact avec celle-ci



Si nécessaire, la moulure de cuve peut être rognée pour assurer le bon fonctionnement de la porte

ÉTAPE 14 MISE DE NIVEAU DU LAVE-VAISSELLE

IMPORTANT – Le lave-vaisselle doit être de niveau pour assurer le bon fonctionnement des paniers et de la porte du lave-vaisselle et obtenir une bonne efficacité de lavage. Le lave-vaisselle doit être mis de niveau de gauche à droite, et de l'avant vers l'arrière.

De cette façon, les paniers de l'appareil ne rentreront pas ou ne sortiront pas tout seuls, l'eau circulera correctement vers l'orifice d'entrée de la pompe et la porte se fermera sans frotter sur les côtés de la cuve.

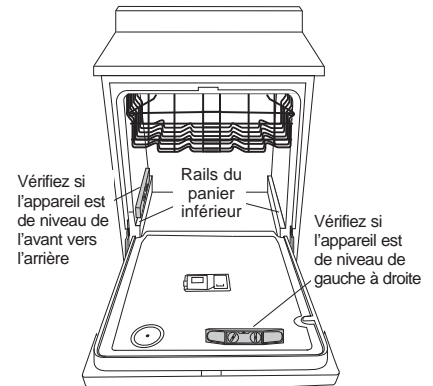


Figure V

- Enlevez le panier inférieur et placez un niveau sur la porte et sur le rail du panier inférieur, comme indiqué à la Figure V.

- La hauteur des roues est réglée depuis le devant du lave-vaisselle avec les deux pattes avant situées au bas du lave-vaisselle. Tournez individuellement les 2 pattes et les 2 boulons avant. Commencez la procédure de nivelage par les pattes avant en tournant chacune

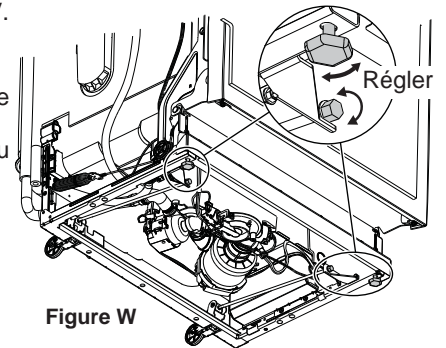


Figure W

- d'elle. En réglant d'abord les pattes avant, l'accès aux boulons de réglage arrière est plus facile afin de faciliter le réglage des roues arrières. Lorsque les pattes avant sont nivelées à la hauteur appropriée selon l'espace supérieur de l'armoire, réglez à leur tour les roues arrière au moyen de leurs boulons de nivellement comme illustré à la Figure W. Tournez individuellement les 2 boulons afin de régler les roues arrière. Tournez lentement les deux boulons **dans le sens inverse des aiguilles d'une montre pour remonter l'arrière** du lave-vaisselle, et **dans le sens des aiguilles d'une montre pour l'abaisser**. Continuez cette procédure jusqu'à ce que les pattes et les roues du lave-vaisselle soient à niveau, comme illustré à la Figure W. Assurez-vous que les quatre (4) pieds/roulettes reposent fermement sur le plancher.

- Le lave-vaisselle est correctement de niveau lorsque l'indicateur de niveau est centré de gauche à droite et de l'avant vers l'arrière. La porte du lave-vaisselle devrait se fermer sans frotter contre les côtés de la cuve.
- Remettez en place le panier inférieur.
- Tirez chaque panier hors du lave-vaisselle jusqu'à la i-course. Assurez-vous que le panier ne roulera pas vers l'arrière ou vers la porte. Si le panier se déplace, ajustez les pattes de réglages.

Conseil: Pour éviter des frais de réparation inutiles, vérifiez si le lave-vaisselle est de niveau.

Sortez les paniers à moitié. Ils doivent demeurer immobiles. Ouvrez et fermez la porte. La porte doit être bien ajustée à l'ouverture de la cuve sans frotter sur les côtés. Si les paniers rentrent ou sortent tout seuls ou si la porte frotte contre les côtés de la cuve, remettez le lave-vaisselle de niveau.

Installation du lave-vaisselle

ÉTAPE 15 FIXATION DU LAVE-VAISSELLE AU-DESSOUS DU COMPTOIR OU AUX CÔTÉS DES ARMOIRES

Au cours de cette étape, vous aurez besoin des deux vis à tête spéciale Phillips mises de côté à l'étape 1.

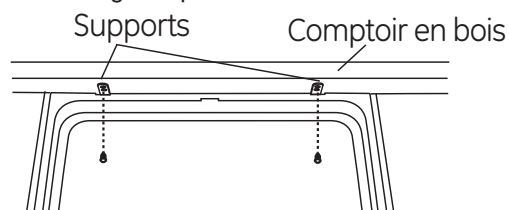
Le lave-vaisselle doit être fixé au dessous du comptoir ou aux côtés des armoires. Lorsque le dessous du comptoir est en bois, utilisez la méthode n° 1. Lorsque le dessous du comptoir est fabriqué à l'aide d'un matériau qui n'accepte pas les vis à bois, par exemple en granite, utilisez la méthode n° 2.

IMPORTANT – Pour éviter tout dommage au panneau de la porte et au tableau de commande, il faut que le lave-vaisselle soit installé de manière que le panneau avant et le tableau de commande n'entrent pas en contact avec les armoires adjacentes ou le comptoir. Vissez les vis complètement et bien droites. Les têtes de vis qui dépassent pourraient égratigner le panneau de porte ou le tableau de commande et créer de l'interférence lors de l'ouverture de la porte.

Méthode n° 1

Fixation du lave-vaisselle au dessous d'un comptoir en bois.

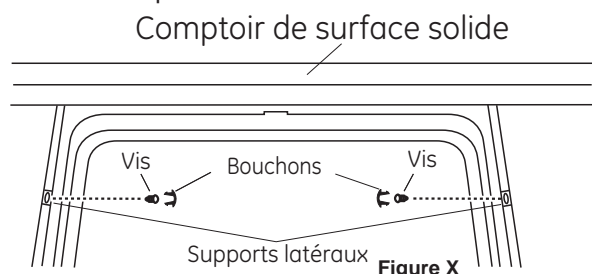
- Revérifiez l'alignement du lave-vaisselle dans l'ouverture des armoires. Reportez-vous aux étapes 13 et 14. Le panneau de porte et/ou le tableau de commande ne doivent pas entrer en contact avec les armoires ou le comptoir.
- Fixez le lave-vaisselle au dessous du comptoir à l'aide des deux vis à tête spéciale Phillips. Reportez-vous à la figure. Assurez-vous de visser complètement les vis bien droites afin que les têtes soient affleurantes pour ne pas endommager le panneau.



Méthode n° 2

Fixation du lave-vaisselle aux côtés des armoires.

- Revérifiez l'alignement du lave-vaisselle dans l'ouverture des armoires. Reportez-vous aux étapes 13 et 14. Le panneau de porte et/ou le tableau de commande ne doivent pas entrer en contact avec les armoires ou le comptoir.
- Retirez les bouchons. Conservez-les.
- Fixez le lave-vaisselle au dessous du comptoir à l'aide des deux vis à tête spéciale Phillips. Reportez-vous à la Figure X. Assurez-vous de visser complètement les vis bien droites afin que les têtes soient affleurantes pour ne pas endommager le panneau.
- Installez les boutons de bouchon sur le côté de la cuve dans les trous prévus à cet effet.



ÉTAPE 15 FIXATION DU LAVE-VAISSELLE AU-DESSOUS DU COMPTOIR OU AUX CÔTÉS DES ARMOIRES (SUITE)

- Vérifiez une nouvelle fois que le lave-vaisselle est d'équerre et de niveau aussi bien dans le haut que dans le bas de l'ouverture d'armoire, sans torsion ni déformation de la cuve ou de la porte après le montage des armoires ou du comptoir. Procédez à un ajustement si nécessaire.
- Assurez-vous que tous les pieds de nivellement reposent fermement sur le plancher afin de prévenir le balancement du lave-vaisselle et garantir le bon fonctionnement de la porte et du loquet.

ÉTAPE 16 RACCORDEMENT DE L'ALIMENTATION EN EAU

Raccordez la conduite d'alimentation en eau au coude de 90°.

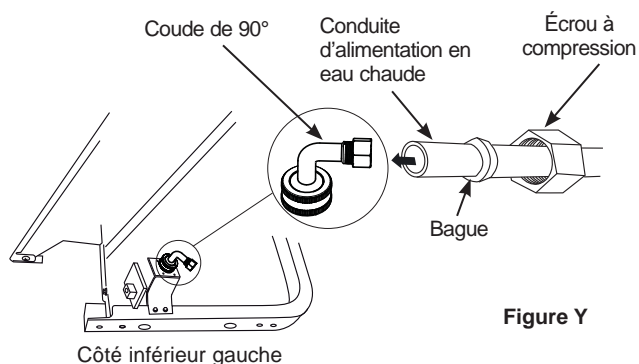
Si vous décidez de faire le raccordement avec un boyau flexible tressé :

- Fixez le coude de 90° avec une clé à molette

Si vous décidez de faire le raccordement avec un tuyau en cuivre :

- Glissez l'écrou à compression puis la bague d'extrémité à l'extrémité de la conduite d'alimentation en eau.
- Insérez la conduite d'alimentation en eau dans le coude de 90°.
- Glissez la bague d'extrémité contre le coude et fixez avec l'écrou à compression.

IMPORTANT – Assurez-vous que les ressorts et/ou les câbles des ressorts de la porte n'entrent pas en contact avec le boyau de remplissage ou la conduite d'alimentation en eau. Pour vérifier, ouvrez et refermez la porte. Déplacez la conduite d'alimentation en eau ou pliez légèrement le support de l'électrovanne si vous entendez un bruit de frottement ou s'il y a de l'interférence lors de l'ouverture de la porte.



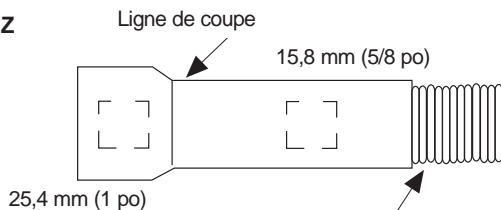
Installation du lave-vaisselle

ÉTAPE 17 RACCORDEMENT DU BOYAU DE VIDANGE

L'extrémité moulée du boyau de vidange est conçue pour s'installer sur l'orifice d'entrée d'un diamètre variant entre 15,8 mm (5/8 po) et 25,4 mm (1 po) de la coupure anti-refoulement, du raccord en T ou du broyeur à déchets.

- Mesurez le diamètre de l'orifice d'entrée.
- Coupez le raccord du boyau de vidange à l'endroit indiqué, au besoin, pour qu'il soit bien adapté à l'orifice d'entrée.

Figure Z



IMPORTANT: Ne coupez pas la partie ondulée du boyau

- Si un boyau de vidange plus long est nécessaire, remplacez celui fourni dans la trousse par la pièce de rechange GE Appliance **WD24X10065**, un boyau d'une longueur de 3,7 m (12 pi) pouvant se fixer directement à la boucle de vidange déjà attachée à l'appareil (voir l'étape 7). Si le boyau de rechange n'est pas disponible, un boyau additionnel avec raccord 5/8 ou 7/8 po (D.I.) et d'une longueur n'excédant pas 1,7 m (66 po), peut être raccordé au boyau de vidange fourni. Fixez le raccordement au boyau fourni à l'aide de colliers de serrage.

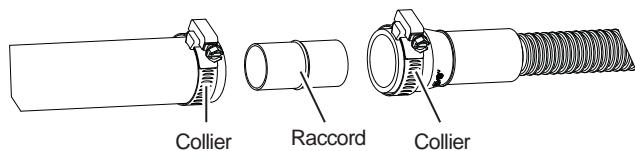


Figure AA

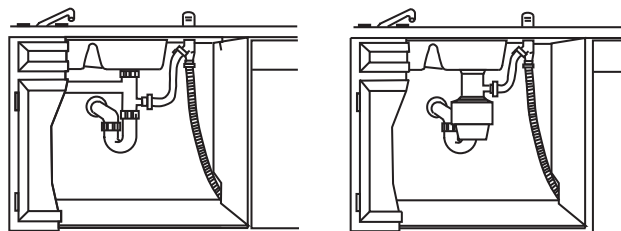
REMARQUES :

- **LE BOYAU DE VIDANGE NE DOIT PAS ÊTRE RACCORDE À UNE HAUTEUR DÉPASSANT 1,8 m (72 po) AU-DESSUS DU BAS DU LAVE-VAISSELLE.**
- **POUR UNE VIDANGE ADÉQUATE DE L'APPAREIL, LA LONGUEUR TOTALE DU BOYAU DE VIDANGE NE DOIT PAS DÉPASSER 4,57 MÈTRES (15 PIEDS).**

ÉTAPE 17 RACCORDEMENT DU BOYAU DE VIDANGE (SUITE)

- Branchez le boyau de vidange à la coupure anti-refoulement, au raccord en T ou au broyeur à déchets à l'aide de la méthode choisie précédemment. Fixez solidement le boyau à l'aide d'un collier à vis sans fin.

Méthode n° 1 – Coupure anti-refoulement avec raccord en T ou broyeur à déchets



Installation avec raccord en T

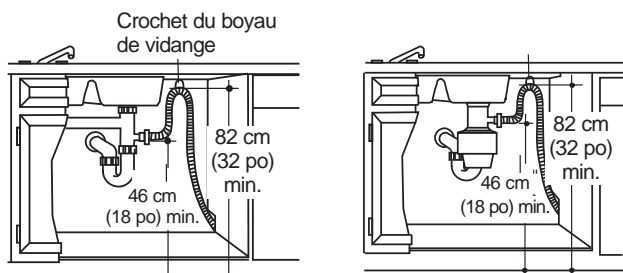
Installation avec broyeur à déchets

Figure AB

Méthode n° 2 – Boucle de vidange élevée avec raccord en T ou broyeur à déchets

Pour cette méthode, vous aurez besoin du crochet pour boyau de vidange mis de côté à l'étape 1.

Fixez le boyau de vidange au-dessous du comptoir à l'aide du crochet fourni.



Installation avec raccord en T

Installation avec broyeur à déchets

Figure AC

IMPORTANT – Lorsque vous raccordez le boyau de vidange à un broyeur à déchets, assurez-vous d'enlever le bouchon de vidange. **LE LAVE-VAISSELLE NE SE VIDERA PAS SI LE BOUCHON EST LAISSÉ EN PLACE.**



Conseil: Pour éviter les frais de réparation inutiles pour un problème de vidange.

Tirez sur le boyau de vidange par l'ouverture pratiquée dans les armoires afin d'empêcher le lave-vaisselle d'écraser ou de plier une longueur excessive de boyau.

Installation du lave-vaisselle

ÉTAPE 18 BRANCHEMENT DE L'ALIMENTATION ÉLECTRIQUE

Si un cordon d'alimentation pourvu d'une fiche est déjà installé sur l'appareil, passez à l'étape 19.

⚠ AVERTISSEMENT

Si le câblage électrique de la résidence n'est pas constitué de deux fils plus un fil de mise à la terre, l'installateur doit installer un fil de mise à la terre. Si le câblage électrique de la résidence est en aluminium, utilisez un agent antioxydant et des connecteurs pour raccords «aluminium-cuivre» homologués UL.

Au cours de cette étape, vous aurez besoin du couvercle de la boîte de jonction et de la vis à tête hexagonale n° 10, mis de côté à l'étape 1.

- Fixez le câblage de la résidence à l'arrière de la boîte de jonction à l'aide d'une bague anti-traction.
- Repérez les trois (3) fils du lave-vaisselle, (blanc, noir et vert) avec les bouts dénudés dépassant des cavaliers CA. Utilisez les capuchons de connexion homologués UL de taille appropriée pour connecter le fil de terre arrivant au fil vert, le blanc au blanc et le noir au noir.
- Installez le couvercle de la boîte de jonction à l'aide de la vis à tête hexagonale n° 10. Assurez-vous que les fils ne sont pas coincés sous le couvercle.
- Assurez-vous que le couvercle de la boîte de jonction repose sur le support de montage.
- Si vous utilisez une trousse pour cordon d'alimentation, utiliser le numéro de partie GE Appliances **WX09X70910** ou **WX09X70911** et veuillez consulter les instructions fournies avec la trousse.

REMARQUE : N'enlevez pas le support de la boîte de jonction.

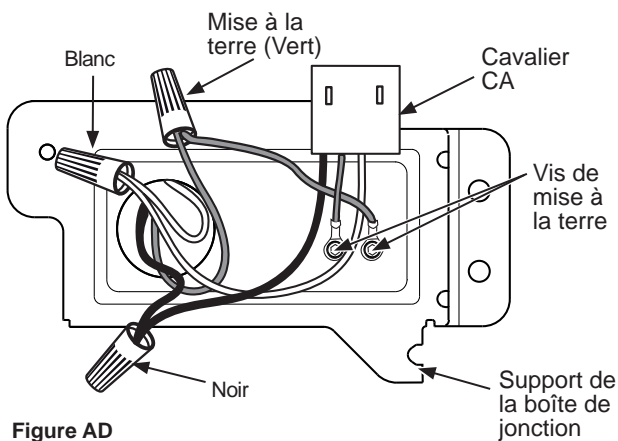


Figure AD

REMARQUE : Toutes les vis et tous les supports et les fils servant de mise à la terre doivent demeurer intacts.

ÉTAPE 19 LISTE DE CONTRÔLE PRÉLIMINAIRE

Passez en revue cette liste après l'installation de votre lave-vaisselle pour éviter des frais de réparation inutiles non couverts par votre garantie.

- Assurez-vous que le courant électrique est coupé à la source.
- Ouvrez la porte du lave-vaisselle et enlevez tout le matériel d'emballage en carton et en mousse.
- Prenez le Manuel d'utilisation mis de côté à l'étape 1.
- Veuillez lire le Manuel d'utilisation pour vous familiariser avec le fonctionnement de l'appareil.
- Vérifiez l'ouverture et la fermeture de la porte. Si la porte n'ouvre pas et ne se ferme pas librement, vérifiez si le câble du ressort est installé sur la poulie. Si la porte s'ouvre complètement ou se ferme lorsque vous la relâchez, réglez la tension du ressort. Reportez-vous à l'étape 2.
- Assurez-vous que le câblage électrique est bien placé sous le lave-vaisselle, qu'il n'est pas coincé ou qu'il n'entre pas en contact avec les ressorts de la porte ou d'autres pièces de l'appareil. Reportez-vous à l'étape 18.
- Vérifiez si la porte est bien parallèle par rapport à la cuve. Si la porte frotte sur la cuve, mettez le lave-vaisselle de niveau. Reportez-vous aux étapes 14.
- Vérifiez si la porte du lave-vaisselle est bien parallèle par rapport aux armoires. Si la porte frotte contre les armoires, repositionnez le lave-vaisselle. Reportez-vous à l'étape 13.
- Assurez-vous que les ressorts de la porte n'entrent pas en contact avec la conduite d'alimentation, le boyau de remplissage, le câblage électrique ou toute autre pièce de l'appareil. Reportez-vous à l'étape 13.
- Assurez-vous que la conduite d'alimentation en eau et le boyau de vidange ne sont pas pliés ou n'entrent pas en contact avec d'autres pièces. Tout contact avec le moteur ou le cadre du lave-vaisselle pourrait provoquer l'apparition de bruits.
- Ouvrez le robinet d'eau chaude de l'évier et vérifiez si la température de l'eau varie entre 49 °C (120 °F) et 60 °C (140 °F). La température de l'eau doit être d'au moins 49 °C (120 °F) pour assurer une efficacité de lavage optimale. Reportez-vous à la section «Préparation de l'alimentation en eau chaude» à la page 6.
- Versez 1 litre d'eau dans le fond du lave-vaisselle pour lubrifier le joint de la pompe.
- Ouvrez l'alimentation en eau chaude. Vérifiez s'il y a des fuites. Serrez les raccords au besoin.
- Enlevez la pellicule protectrice, s'il y a lieu, sur le tableau de commande et la porte.
- Assurez-vous que la moulure de cuve ne touche pas à la porte.

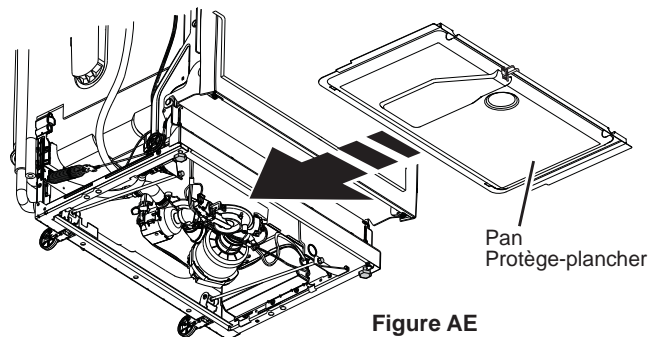
Installation du lave-vaisselle

ÉTAPE 20 ESSAI DU LAVE-VAISSELLE AVEC DE L'EAU

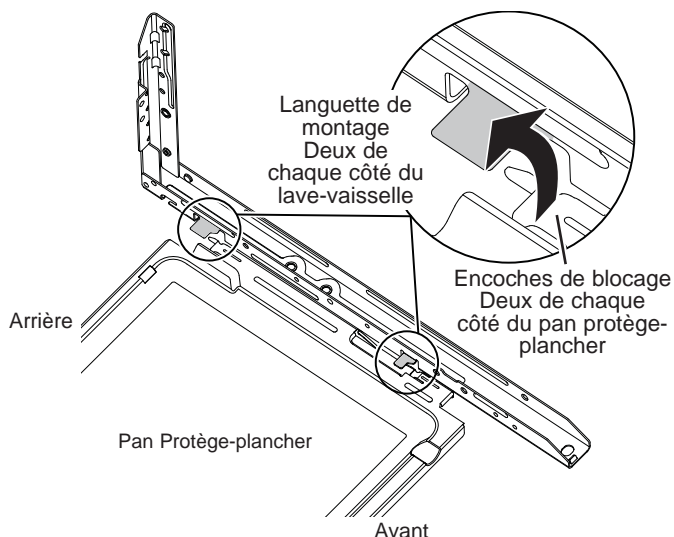
- Rétablissez l'alimentation électrique ou si l'appareil est doté d'un cordon d'alimentation, branchez-le dans la prise de courant murale.
- Sélectionnez un cycle à exécuter et pressez la touche **START** (Démarrer).
- Vérifiez que la porte est verrouillée. Le lave-vaisselle devrait démarrer.
- Assurez-vous que le lave-vaisselle se remplit. Si le lave-vaisselle ne se remplit pas d'eau, vérifiez si le robinet de la conduite est ouvert et si le lave-vaisselle est sous tension.
- Vérifiez s'il y a des fuites sous le lave-vaisselle. Si tel est le cas, coupez l'alimentation électrique en déclenchant le disjoncteur, serrez les raccords, puis rétablissez le courant.
- Vérifiez s'il y a des fuites autour de la porte. Ces fuites peuvent être causées par le frottement de la porte du lave-vaisselle contre les armoires adjacentes. Repositionnez le lave-vaisselle au besoin. Reportez-vous à l'étape 13.
- Maintenez enfoncée la touche **START** (Démarrer) . durant 3 secondes pour annuler le cycle. L'appareil commencera à se vidanger. Vérifiez le boyau de vidange. S'il présente des fuites, coupez l'alimentation électrique en déclenchant le disjoncteur et corrigez le problème de plomberie, au besoin. Rétablissez le courant après avoir colmaté la fuite. Reportez-vous aux étapes 7, 8, 9, 10 et 17.
- Ouvrez la porte du lave-vaisselle et assurez-vous que la majeure partie de l'eau a été vidangée. Si l'appareil ne s'est pas vidé, assurez-vous que le bouchon de vidange du broyeur à déchets a été enlevé et(ou) que la coupure anti-refoulement est exempte de débris. Vérifiez également le boyau de vidange pour vous assurer qu'il n'est pas coincé en dessous ou à l'arrière du lave-vaisselle. Reportez-vous à l'étape 17.
- Appuyez sur la touche **START** (Démarrer) une fois de plus et lancer le lave-vaisselle dans un autre cycle. Vérifiez l'absence de fuites et apportez des correctifs si nécessaire.
- Répétez ces étapes que nécessaire.

ÉTAPE 21 INSTALLATION DU PAN PROTÈGE-PLANCHER

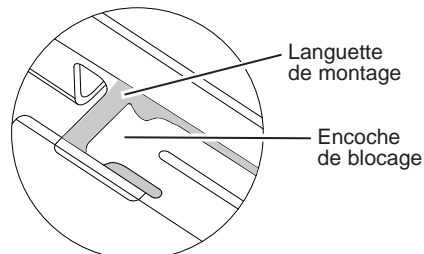
- Glissez le pan protège-plancher sous le lave-vaisselle jusqu'à ce que ses encoches de blocage latérales soient près de s'enclencher dans les languettes de montage latérales du lave-vaisselle.



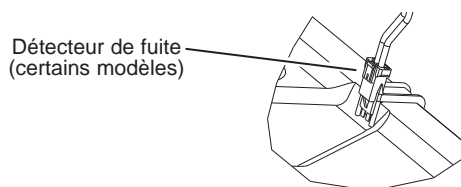
- Soulevez le pan jusqu'à ce que ses encoches de blocage touchent les languettes de montage et repoussez le pan pour les enclencher.



- Une fois l'enclenchement réussi, le dessus des encoches de blocage se trouvera au-dessus des languettes de montage.



- Branchez le connecteur du détecteur de fuite sur le détecteur de fuite (certains modèles).



Installation du lave-vaisselle

ÉTAPE 22 MISE EN PLACE DE L'ISOLANT ACOUSTIQUE (certains modèles)

- Situez l'ensemble d'insonorisation inférieur à l'intérieur du lave-vaisselle.
- Placer les pièces à la verticale comme illustré.

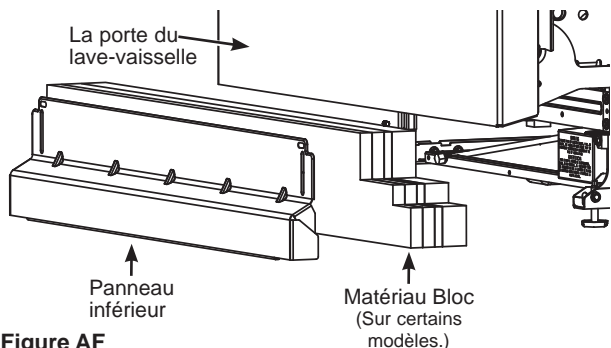


Figure AF

- Repérer la boîte de commande.

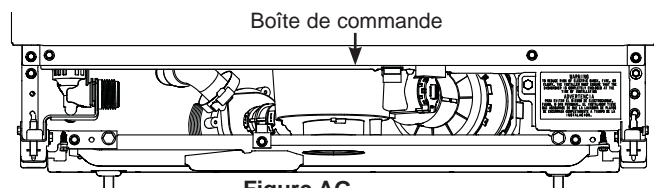


Figure AG

- Pousser le matériau la partie du bloc sous le lave-vaisselle jusqu'à ce se trouve sous la boîte de commande.

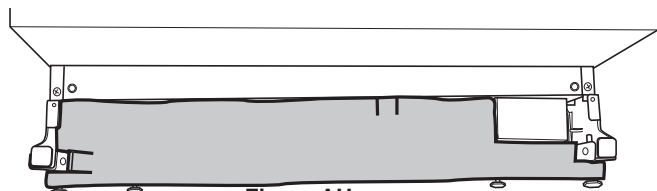


Figure AH

- Poussez la partie panneau sur le devant du bloc.

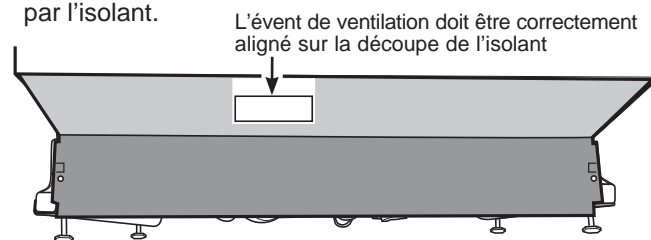


Pousser les côtés du matériau insonorisant derrière les trous de vis de fixation du coup-de-pied.

- Rentrer les côtés du panneau frontal derrière les trous de vis de fixation du coup-de-pied.

ÉTAPE 22 MISE EN PLACE DE L'ISOLANT ACOUSTIQUE (certains modèles) (SUITE)

- Ouvrir la porte complètement ; si elle ne reste pas totalement ouverte, ajuster le panneau d'isolant.
- Alignez les trous de vis avec les trous de vis situés sur les pieds de nivellement de l'appareil.
- Assurez-vous que l'évent de ventilation n'est pas obstrué par l'isolant.



ÉTAPE 23 RÉINSTALLATION DU PANNEAU INFÉRIEUR

- Appuyez le panneau inférieur contre les pieds de nivellement du lave-vaisselle.

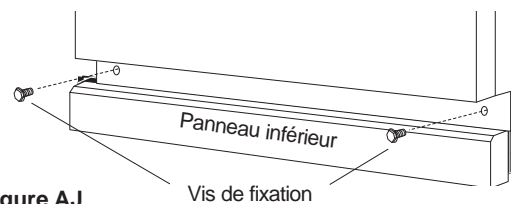


Figure AJ

- Alignez le panneau inférieur par rapport au bas de la porte et assurez-vous qu'il repose sur le plancher.
- Insérez et serrez les deux vis de fixation du panneau inférieur. Le panneau inférieur doit demeurer en contact avec le plancher.

Conseil: Pour atténuer le bruit provenant du dessous du lave-vaisselle. Assurez-vous que le panneau inférieur repose sur le plancher.

ÉTAPE 24 VÉRIFIEZ LES POINTS SUIVANTS

- La moulure de la cuve ne gêne pas la porte
- Le lave-vaisselle est d'équerre et de niveau par rapport au bas et au haut de l'ouverture de l'armoire, sans torsion ni déformation de la cuve ou de la porte
- Les quatre (4) pieds reposent fermement sur le plancher
- Le boyau de vidange n'est pas coincé entre le lave-vaisselle et les armoires ou les murs adjacents
- La moulure de cuve repose entièrement contre le bord de la cuve

ÉTAPE 25 DOCUMENTATION

- Laissez le Manuel d'utilisation, les directives d'installation, les échantillons et(ou) les bons au consommateur.

Pour un service local Monogram® dans votre région, appeler le **800.444.1845**.

NOTE: Chez GE Appliances, nous nous efforçons continuellement d'améliorer les produits. Par conséquent, les matériaux, l'aspect et les caractéristiques sont assujettis à des changements sans préavis.



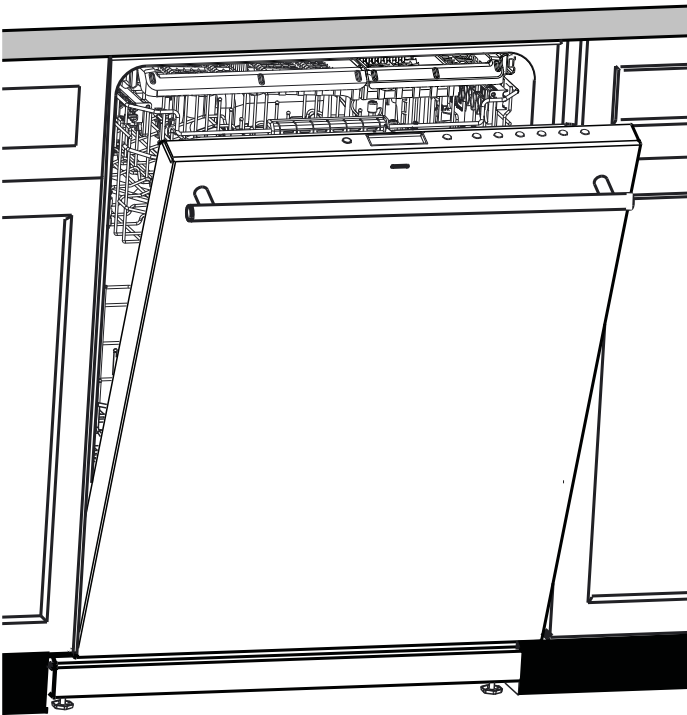
GE APPLIANCES

Instrucciones de Instalación

Lavavajillas Empotrable

Los modelos con panel frontal a medida incluyen un kit que contiene una plantilla, hardware e instrucciones de instalación del panel. Consulte las instrucciones del kit al instalar el panel a medida.

Si se necesitan un kit de hardware para el montaje del panel a medida y una plantilla, antes de la entrega del lavavajillas, solicite: **WD35X20417**.



MONOGRAM

Información sobre Seguridad



ANTES DE COMENZAR

Lea estas instrucciones en su totalidad y atentamente.

⚠ ADVERTENCIA

- Para reducir el riesgo de descarga eléctrica, incendio o lesiones a personas, el instalador debe asegurarse de que el lavaplatos esté completamente cerrado en el momento de la instalación.
- **PARA SEGURIDAD PERSONAL:** Quite el fusible o abra el interruptor de circuitos antes de comenzar la instalación. No utilice un cable de extensión o un enchufe adaptador con este artefacto.
- La conexión inadecuada del conductor de conexión a tierra del equipamiento puede provocar un riesgo de descarga eléctrica. Consulte a un electricista calificado o representante de servicio técnico si tiene dudas sobre la correcta conexión a tierra del aparato.
- Si el cableado doméstico no cuenta con un cable de 2 hilos con conexión a tierra, un instalador debe realizar una conexión a tierra. Cuando el cableado doméstico es de aluminio, asegúrese de usar un compuesto antioxidante y conectores de aluminio a cobre aprobados por UL.

⚠ PRECAUCIÓN

No quite la base de madera hasta que esté listo para instalar el lavaplatos. Si se quita la base, el lavaplatos se volcará cuando se abra la puerta.

Al realizar las instalaciones descriptas en este manual, se deberán usar guantes, anteojos o gafas de seguridad.

CONTROLE LO SIGUIENTE

- El borde de la tina no interfiere con la puerta
- El lavavajillas es cuadrado y está nivelado tanto en la parte superior como en la inferior de la abertura del gabinete, sin retorcimiento ni distorsión de la tina o de la puerta
- Las 4 patas del lavavajillas están apoyadas de manera firme contra el suelo
- La manguera de drenaje no tiene torceduras entre el lavavajillas y los gabinetes o paredes adyacentes
- El borde de la tina está completamente apoyado en el reborde de la tina

PARA SU SEGURIDAD

Lea y cumpla con todas las **ADVERTENCIAS** y **PRECAUCIONES** que figuran en estas instrucciones.

IMPORTANTE – Cumpla con todos los códigos y ordenanzas gubernamentales.

- **Nota para el Instalador** – Asegúrese de entregar estas instrucciones al consumidor y al inspector local.
- **Nota para el Consumidor** – Guarde estas instrucciones con su Manual del Propietario para referencia futura.
- **Nivel de habilidad** – La instalación de este lavavajillas requiere un nivel básico de habilidades mecánicas, eléctricas y de plomería. **La correcta instalación del producto es responsabilidad del instalador. Si se producen fallas en el producto debido a una instalación inadecuada, la Garantía del Producto de GE Appliances no cubrirá las mismas. Consulte la información de la Garantía.**
- **Tiempo de instalación – 1 y 3 horas.** Las instalaciones nuevas requieren más tiempo que las instalaciones de reemplazo.

IMPORTANTE – El lavavajillas DEBE ser instalado para permitir el retiro futuro de su ubicación, si se requiere realizar el servicio técnico.

Se deberá tener cuidado cuando el electrodoméstico sea instalado o retirado, a fin de reducir la posibilidad de daños sobre el cable de suministro eléctrico.

Si el lavavajillas que recibió está dañado, se debería comunicar de inmediato con su vendedor o fabricante.

Accesorios Opcionales – Para consultar sobre disponibilidad de kits de paneles personalizados, consulte el Manual del Propietario.

Su lavavajillas es un electrodoméstico donde se calienta agua. **Para acceder al servicio local de Monogram en su área, llame al 1.800.444.1845.**

Para acceder a piezas y accesorios de Monogram, llame al 1.800.626.2002.

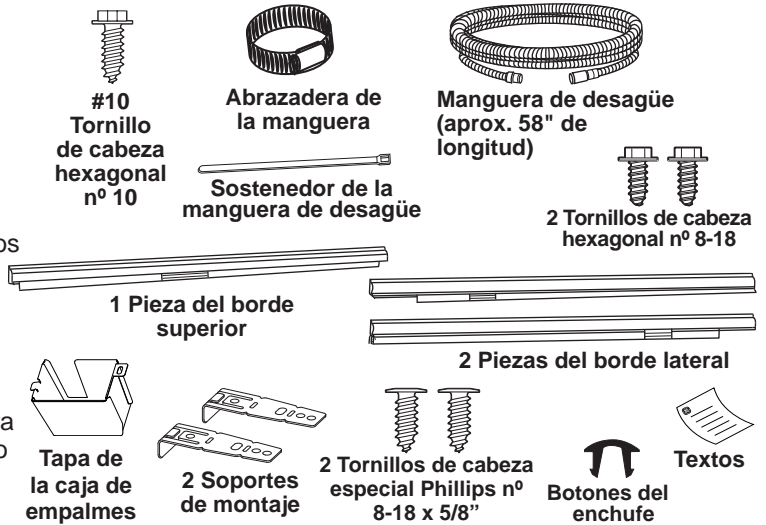
Para acceder a piezas y accesorios en Canadá, comuníquese al 1.800.561.3344.

**LEA DETENIDAMENTE
CONSERVE ESTAS INSTRUCCIONES**

Preparación de la Instalación

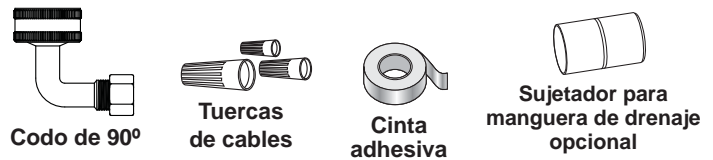
PIEZAS SUMINISTRADAS EN EL PAQUETE DE INSTALACIÓN:

- Tapa de la caja de empalmes y tornillo de cabeza hexagonal n° 10
- Abrazadera de la manguera
- Manguera de desagüe (aprox. 58" de longitud)
- Sostenedor de la manguera de desagüe
- 2 Tornillos de cabeza hexagonal n° 8-18 para asegurar los soportes de la estructura de la tubería de la lavadora
- 1 Pieza del borde superior
- 2 Piezas del borde lateral
- 2 Soportes de montaje para mesadas de madera o gabinetes laterales
- 2 Tornillos de cabeza especial Phillips n° 8-18 x 5/8", para asegurar el lavavajillas a la parte inferior de la mesada o a los gabinetes laterales
- Botones del enchufe
- Textos, muestras y/o cupones



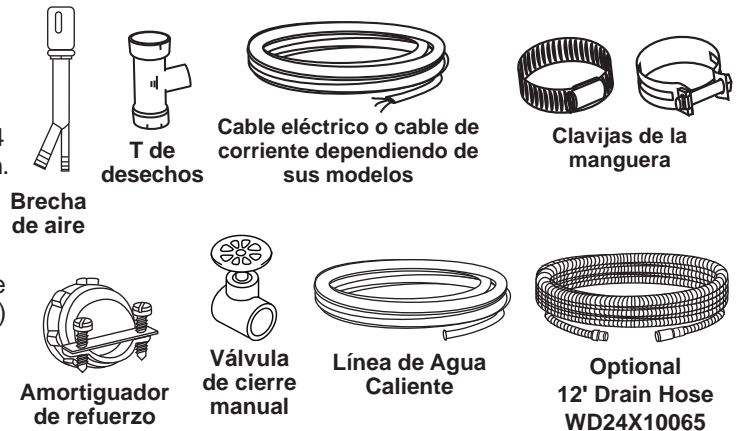
MATERIALES NECESARIAS:

- Codo de 90° (rosca interna de la manguera de 3/4" en un extremo, y el extremo opuesto coincide con el suministro de agua) to fit water supply)
- Tuercas de cables (3) de la lista de UL
- Cinta adhesiva (si es aplicable)



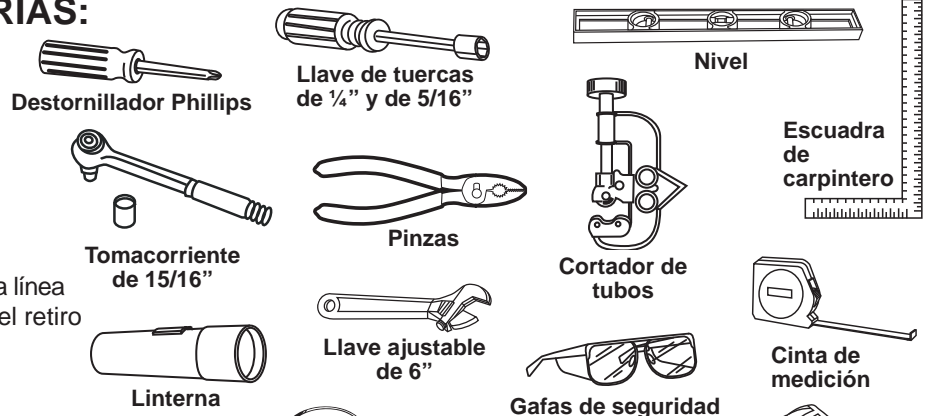
Materiales Necesarios para Instalaciones Nuevas:

- Brecha de aire para la manguera de desagüe, si se requiere
- T de desechos para plomería hogareña, si corresponde
- Cable eléctrico o Kit del cable de corriente **WX09X70910** (5,4 pies) o **WX09X70911** (7,9 pies) dependiendo de su instalación.
- Clavijas de la manguera de tipo de tornillo
- Amortiguador de refuerzo para la conexión eléctrica
- Válvula de cierre manual (recomendado)
- Línea de Agua Caliente— mínimo de 3/8", tubería de cobre (incluyendo abrazadera de refuerzo, tuerca de compresión) o Pieza de GE Appliances n° **WX28X326**, manguera trenzada flexible.
- Manguera de desagüe **WD24X10065** (12' de longitud), si se requiere



HERRAMIENTAS NECESARIAS:

- Destornillador Phillips
- Llave de tuercas de 1/4" y de 5/16"
- Llave ajustable de 6"
- Nivel
- Escuadra de carpintero
- Cinta de medición
- Gafas de seguridad
- Linterna
- Balde para contener el agua al desagotar la línea
- Tomacorriente de 15/16" (opcional para el retiro de la base)
- Guantes
- Pinzas



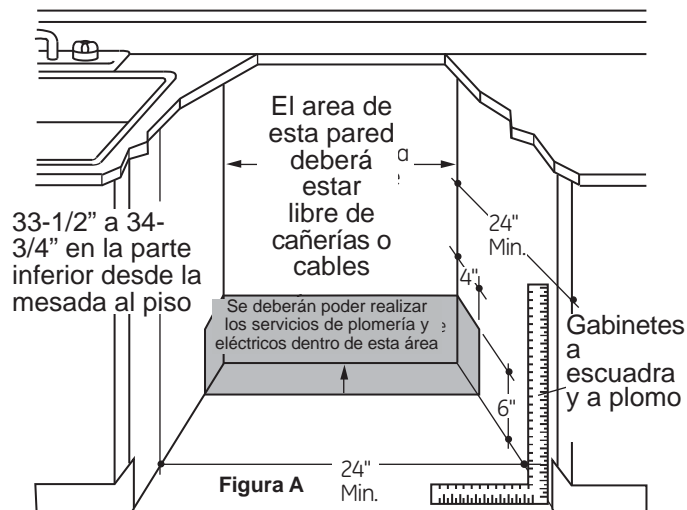
Sólo para Instalaciones Nuevas:

- Cortador de tubos
- Taladro y brocas apropiadas
- Equipo de caladora



Preparación de la Instalación

PREPARE EL AMURADO DEL LAVAVAJILLAS



- La abertura rústica del gabinete deberá tener por lo menos 24" de profundidad, 24" de ancho y aproximadamente 34 1/2" de alto desde el piso hasta el lateral de la mesada.
- El lavavajillas se deberá instalar de forma tal que la manguera de desagüe no tenga más de 12" de longitud para un desagüe adecuado.
- El lavavajillas deberá estar completamente amurado a la parte superior, costados y parte trasera, y no deberá tener apoyada ninguna parte del amurado.

⚠ ADVERTENCIA

Para reducir el riesgo de descarga eléctrica, incendio o lesiones a personas, el instalador debe asegurarse de que el lavavajillas esté completamente cerrado en el momento de la instalación.



ESPACIO NECESARIO:

- Cuando se instale en una esquina, deje un espacio mínimo de 2" entre el lavavajillas y el gabinete adyacente, la pared y otros electrodomésticos. Deje un espacio mínimo de 25-1/2" desde el frente del lavavajillas hasta la abertura de la puerta. Figura B.

REQUISITOS PARA EL DESAGÜE

- Cumpla con los códigos y ordenanzas locales.
- No supere una distancia de 12' hasta el desagüe.
- La altura de la conexión del drenaje no debe exceder las 72" sobre la parte inferior del lavavajillas.

NOTA: Se deberá usar una brecha de aire si la T de desechos o la conexión del eliminador de desechos está a menos de 18" sobre el piso para evitar el sifonaje.

DETERMINE EL MÉTODO DE DESAGÜE

El tipo de instalación del desagüe depende de las siguientes cuestiones.

- ¿Requieren los códigos u ordenanzas locales una brecha de aire?
- ¿Está la T de desechos a menos de 18" sobre el piso?

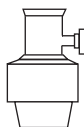
Si la respuesta a cualquiera de estas preguntas es Sí, se DEBERÁ usar el Método 1.

- Si las respuestas son NO, se podrá usar cualquier método.

PREPARACIÓN DEL GABINETE

- Perfore un agujero de 1 1/2" de diámetro en la pared del gabinete, dentro de las áreas sombreadas que se muestran en la Figura A, para la conexión de la manguera de desagüe. El agujero deberá ser realizado de forma pareja, sin extremos filosos.

IMPORTANTE – Al conectar la línea de desagüe al eliminador de residuos, asegúrese de que el enchufe del desagüe haya sido retirado. **EL LAVAVAJILLAS NO HARÁ EL DESAGOTE SI EL ENCHUFE ESTÁ COLOCADO.**



◀ Retire el enchufe del desagüe

Método 1 – Brecha de aire con T de desechos o eliminador de desechos

Se deberá usar una brecha de aire cuando los códigos y ordenanzas locales lo requieran. La brecha de aire deberá ser instalada de acuerdo con las instrucciones del fabricante.

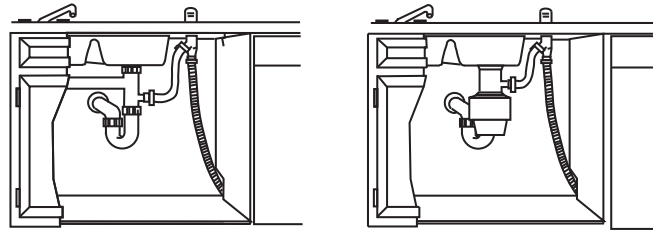


Figura C

Método 2 – "Bucle de Desagote Alto" con T de desechos o eliminador de desechos

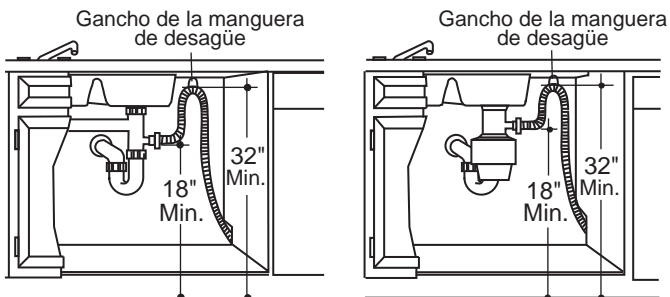


Figura D

Consejo: Evite costos innecesarios de llamadas al servicio técnico.

Siempre asegúrese de que el enchufe del desagüe de desechos haya sido retirado antes de adherir la manguera de desagüe del lavavajillas al eliminador de desechos.

Preparación de la Instalación

PREPARACIÓN DEL CABLEADO ELÉCTRICO

⚠ ADVERTENCIA

PARA SEGURIDAD PERSONAL: Quite el fusible o abra el interruptor de circuitos antes de comenzar la instalación. No utilice un cable de extensión o un enchufe adaptador con este artefacto.

Requisitos Eléctricos

- Este electrodoméstico deberá ser provisto con 120V, 60 Hz, y estar conectado a un circuito individual correctamente conectado a tierra, protegido por un disyuntor o fusible de retardo de 15 o 20 amp.
- El cableado deberá constar de 2 cables con tierra y resistente a 75°F (167°F).
- Si el suministro eléctrico provisto no cumple con los requisitos anteriores, llame a un electricista matriculado antes de proceder.

Instrucciones de Conexión a Tierra – Conexión Permanente

Este electrodoméstico debe estar conectado a un sistema de cableado de metal permanente con conexión a tierra, o se deberá tender un conducto para la conexión a tierra del equipo con los conductores del circuito y conectado al terminal de tierra del equipo o al conductor de suministro del electrodoméstico.

Instrucciones de Conexión a Tierra – Modelos con Cables de Corriente

Este electrodoméstico deberá estar conectado a tierra. En caso de mal funcionamiento o avería, la conexión a tierra reducirá el riesgo de descargas eléctricas al brindar un camino con una resistencia menor para la corriente eléctrica. Este electrodoméstico está equipado con un cable con un conductor para la conexión a tierra del equipo y un enchufe con conexión a tierra. El enchufe deberá estar conectado a un tomacorriente instalado en forma adecuada y con conexión a tierra de acuerdo con todos los códigos y ordenanzas locales.

⚠ ADVERTENCIA

La conexión inadecuada del conductor de conexión a tierra del equipamiento puede provocar un riesgo de descarga eléctrica. Consulte a un electricista calificado o representante de servicio técnico si tiene dudas sobre la correcta conexión a tierra del aparato.

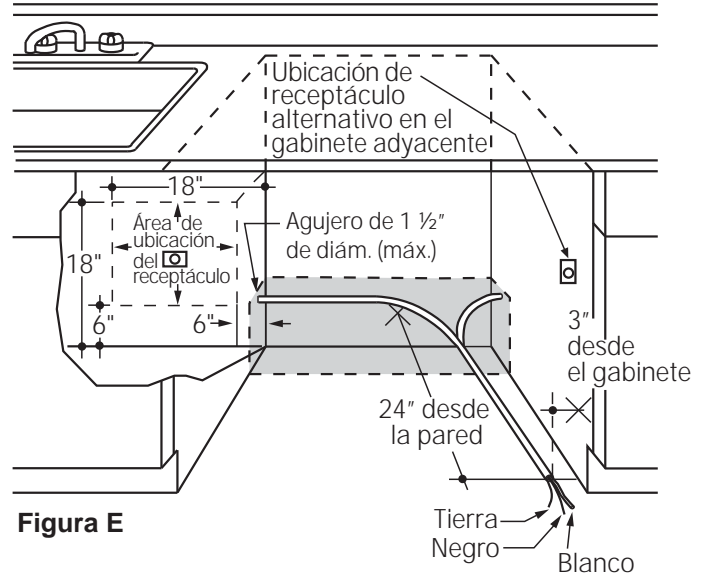


Figura E

Con los modelos equipados con cable de corriente: No modifique el enchufe provisto con el electrodoméstico; si no coincide con el tomacorriente, solicite la instalación de un tomacorriente apropiado a un electricista calificado.

Preparación del Gabinete y Enrutador del Cable

- El cableado podrá ingresar por la abertura de cualquiera de los lados, desde la parte trasera o desde el piso dentro del área sombreada que aparece ilustrada más arriba en la Figura E y definida en la Figura A.
- Corte un agujero de un máximo de 1 1/2 de diámetro para admitir el cable eléctrico. Los extremos del agujero deberían estar parejos y redondeados. De ser conveniente, las conexiones del cableado permanente podrán pasar a través del mismo agujero que la manguera de desagüe y la línea de agua caliente. Si la pared del gabinete es metálica, el extremo del agujero deberá estar cubierto con un aislante. NOTA: Los cables de corriente con enchufe deberán pasar a través de un agujero separado.

NOTA: Los cables de alimentación con enchufe tienen que pasar a través de un agujero separado en el gabinete.

Conexión Eléctrica al Lavavajillas

La conexión eléctrica se encuentra sobre el frente derecho del lavavajillas.

- Para realizar conexiones permanentes, el cable deberá hacer un recorrido como se muestra en la Figura E. El cable se deberá extender un mínimo de 24" desde la pared trasera.
- Para realizar conexiones de cables de corriente, instale un receptáculo con conexión a tierra de 3 clavijas en la pared trasera del gabinete del lavabo, a un mínimo de 6" o a un máximo de 18" desde la abertura, y de 6" a 18" sobre el piso.
- Use sólo el Kit del Cable de Corriente del Lavavajillas **WX09X70910** o **WX09X70911**.

Preparación de la Instalación

PREPARACIÓN DE LA LÍNEA DE AGUA CALIENTE

NOTA: GE Appliances recomienda el uso de tuberías de cobre para la línea de agua, pero si decide usar una manguera flexible, use la manguera trenzada flexible **WX28X326** de GE Appliances.

- La línea de suministro de agua (la tubería de cobre de 3/8" o la manguera trenzada flexible) podrá ingresar desde cualquiera de los laterales, desde la parte trasera o desde el piso dentro del área sombreada que se muestra en la Figura F.
- La línea de suministro de agua podrá pasar a través del mismo agujero que el cable eléctrico y la manguera de desagüe. O, corte un agujero de un diámetro adicional de 1 1/2" para ubicar la línea de agua. Si se utiliza el cable de corriente con enchufe, la línea de agua no deberá pasar a través del agujero del cable de corriente.

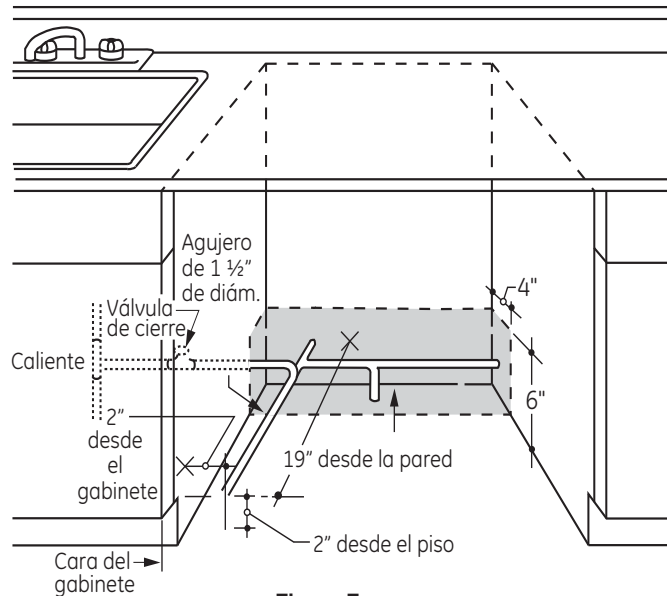


Figura F

Conexión de la Línea de Agua

- Si usará una manguera de suministro trenzada flexible, etiquete la manguera con la fecha de instalación para usar como referencia. Las mangueras trenzadas flexibles, codo y juntas deberán ser reemplazadas cada 5 años.
- Cierre el suministro de agua.
- Instale una válvula de cierre manual en una ubicación accesible, tal como debajo del lavabo. (Opcional, pero altamente recomendado y podrá ser requerido por los códigos locales)
- La conexión del agua se encuentra del lado izquierdo del lavavajillas. Instale la línea de entrada de agua caliente, usando una tubería de cobre o una manguera trenzada flexible de no menos de 3/8". Enrute la línea como se muestra en la Figura F y extienda la misma hacia adelante por lo menos 19" desde la pared trasera.
- Ajuste el calentador de agua a una temperatura de entre 120°F y 140°F.
- Despeje la línea de agua para retirar escombros.
- La presión de la línea de suministro de agua caliente deberá ser de entre 20 y 120 PSI.

⚠ PRECAUCIÓN

No quite la base de madera hasta que esté listo para instalar el lavaplatos. Si se quita la base, el lavaplatos se volcará cuando se abra la puerta.

Dé vuelta la página para iniciar la instalación del lavavajillas

Instalación del Lavavajillas

PASO 1 PREPARACIÓN

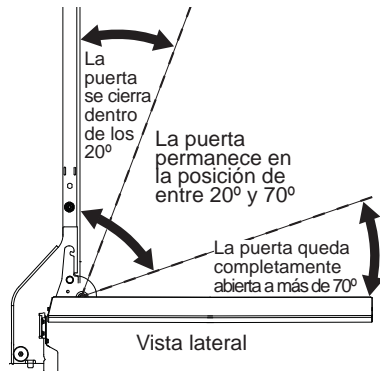
Ubique los ítems en el paquete de instalación:

- Tornillos
- Tapa de la caja de empalmes
- Manguera de desagüe y clavija
- Soportes de montaje
- Pieza de los bordes (en algunos modelos)
- Gancho de la manguera de desagüe
- Manual del propietario
- Textos, muestras y/o cupones

PASO 2 CONTROL DEL EQUILIBRIO DE LA PUERTA

NOTA: Si instalará un Panel Personalizado de la Puerta (disponible en algunos modelos), siga las instrucciones que se encuentran en el kit del Panel Personalizado de la Puerta **WD35X20417**.

- Con el lavavajillas en la base de madera, controle el equilibrio de la puerta abriendo y cerrando la misma.



- La puerta está correctamente equilibrada si, una vez abierta, se cierra sola dentro de los 20° desde el ángulo vertical, permanece en su posición desde un ángulo de entre 20° y 70° y se abre totalmente a más de 70°.
- De ser necesario incremente o reduzca la tensión, como se muestra. Algunos modelos cuentan con 2 resortes sobre un lado y 1 resorte del otro lado. Trabe la puerta y ajuste los resortes hasta lograr el equilibrio correcto.

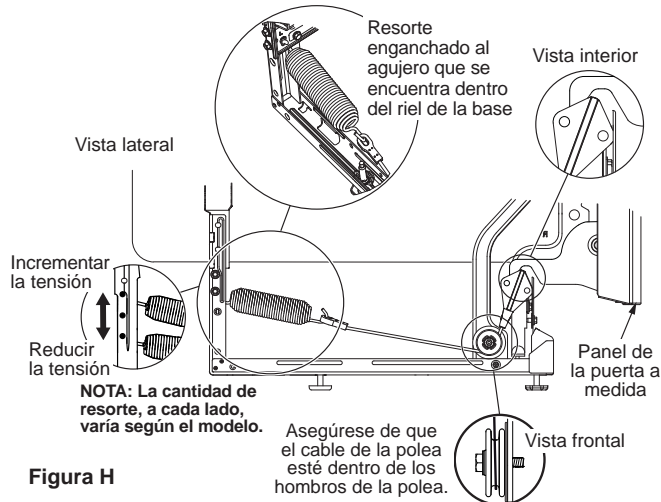


Figura H

Consejo: Asegúrese de que la puerta se abra y se cierre de forma pareja. Controle la apertura y cierre de la puerta. Si la puerta no se abre fácilmente o se cierra demasiado rápido, controle el recorrido del cable del resorte. El cable está sostenido por los "hombros" de la polea. Asegúrese de que el cable no se haya resbalado de los hombros de la polea y que esté colocado como se muestra.

PASO 3 RETIRE LA BASE DE MADERA, INSTALE LAS PATAS NIVELADORAS

IMPORTANTE – ¡No patee la base de madera! Se producirán daños.

- Mueva el lavavajillas cerca de la ubicación de la instalación y haga que se apoye sobre su parte trasera. **NOTA:** No coloque el lavavajillas en su lado.
- Retire las 4 patas niveladoras sobre la parte inferior de la base de madera con una llave de tomacorriente de 15/16".
- Descarte la base y las 2 patas niveladoras.
- Vuelva a atornillar las 2 patas niveladoras en la estructura del lavavajillas, a aproximadamente 1/2" desde la estructura, como se muestra.

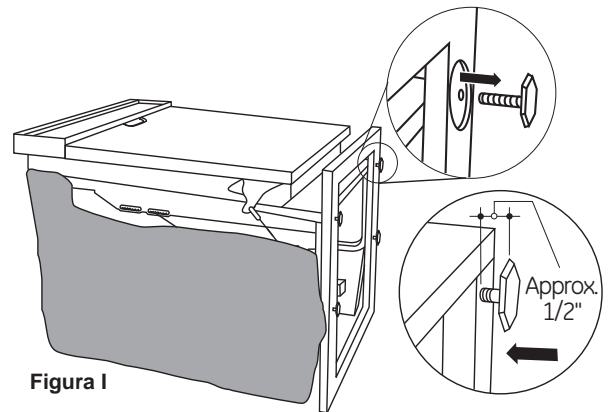


Figura I

NOTA: El lavavajillas cuenta con ruedas niveladoras ajustables traseras, y no requerirá las 2 patas niveladoras traseras.

PASO 4 RETIRE EL ZÓCALO

- Retire los 2 tornillos del zócalo y el zócalo. Deje a un costado para uso en el Paso 23.

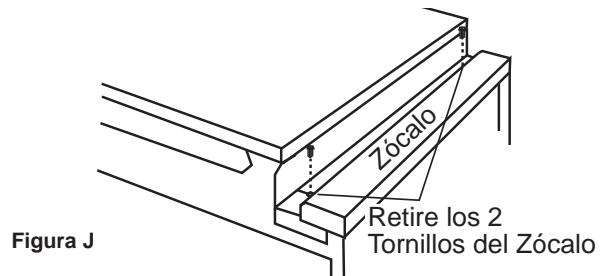


Figura J

Instalación del Lavavajillas

PASO 5 DE SER NECESARIO, RETIRE LA PAN PROTECCIÓN DEL PISO

- Desconecte el cable del sensor de goteo (en algunos modelos).
- Empuje la olla de protección del piso, deslizando la misma debajo del lavavajillas.
- Deje a un costado para uso en el Paso 21.

Apriete el conector en la parte superior para liberar la función de ajuste.

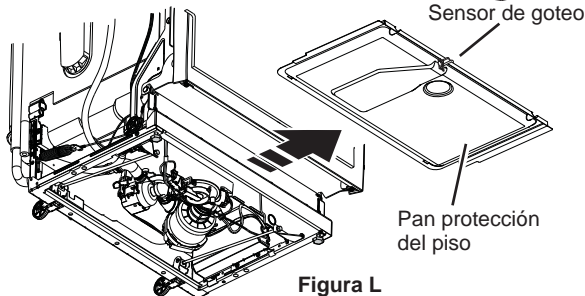
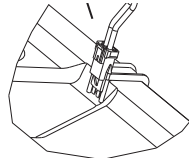


Figura L

PASO 8 POSICIONE LA LÍNEA DE AGUA Y EL CABLEADO DE LA CASA

- Posicione la línea de suministro de agua y el cableado de la casa sobre el piso de la abertura, a fin de evitar interferencias con la base del lavavajillas y los componentes debajo del mismo.

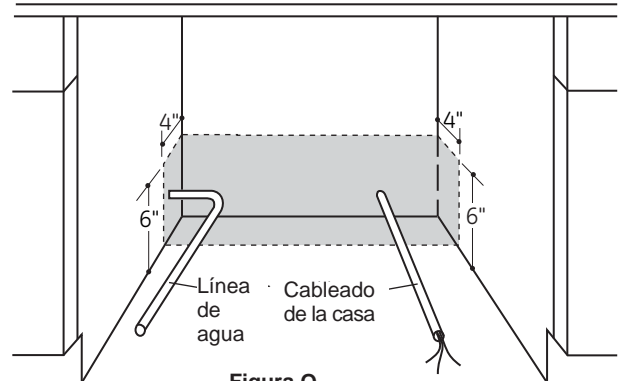


Figura O

PASO 6 INSTALE UN CODO DE 90°

- Enrosque un codo de 90° en la válvula de agua. Asegúrese de que la junta de goma esté ubicada entre la válvula y el codo.
- No ajuste el codo en exceso. El soporte de la válvula de agua se podría inclinar o el accesorio de la válvula de agua se podría romper.
- Posicione el extremo del codo de modo que mire hacia la parte trasera del lavavajillas.

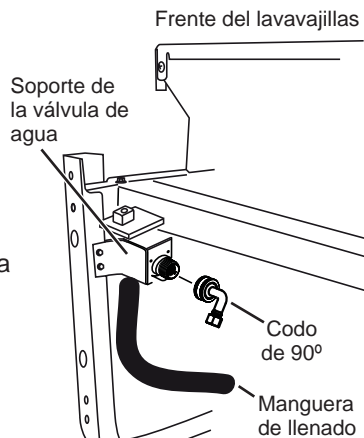


Figura M

PASO 7 INSTALE LA MANGUERA DE DESAGÜE AL BUCLE DE DESAGÜE

Conecte el extremo del bucle de desagüe a la manguera de desagüe usando una abrazadera de tornillo, como se muestra en la figura.

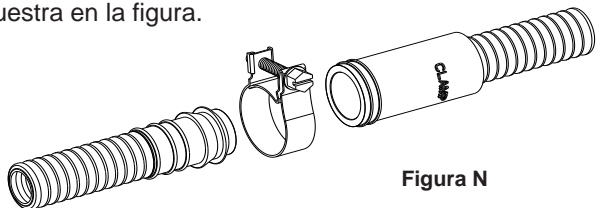
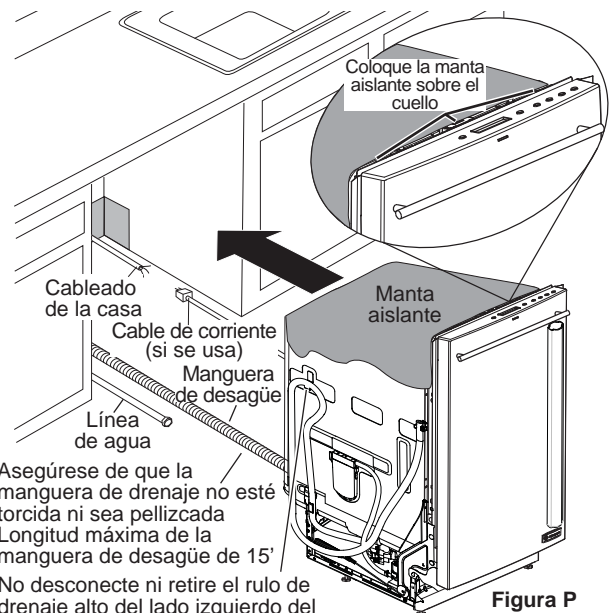


Figura N

NOTA: El bucle alto de desagüe sobre el costado de la cañería fue diseñado para un mejor rendimiento del lavado. No lo retire del lateral de la tubería.

PASO 9 INSTALE LA MANGUERA DE DESAGÜE A TRAVÉS DEL GABINETE

- Posicione el lavavajillas frente a la abertura del gabinete, y de estar presente, retire la manguera de desagüe de su respectiva clavija. Inserte la manguera de desagüe en el agujero lateral del gabinete. Si se usa un cable de corriente, guíe el extremo a través de un abertura del gabinete separado.



Asegúrese de que la manguera de drenaje no esté torcida ni sea pellizcada. Longitud máxima de la manguera de desagüe de 15'. No desconecte ni retire el rulo de drenaje alto del lado izquierdo del lavavajillas.

Figura P

Consejo: Evite llamadas innecesarias al servicio técnico con relación al llenado, desagüe o ruidos. Posicione las tuberías de los servicios de modo que no interfieran con nada debajo o detrás del lavavajillas.

Instalación del Lavavajillas

PASO 10 DESLICE EL LAVAVAJILLAS TRES CUARTOS DEL RECORRIDO DENTRO DEL GABINETE

IMPORTANTE – No lo empuje contra el panel frontal con las rodillas. Se producirán daños.

- Tome los laterales del panel frontal y deslice el lavavajillas en la abertura de a pocas pulgadas por vez.



No lo empuje contra el panel de la puerta frontal con la rodilla. Se producirán daños sobre el panel de la puerta.

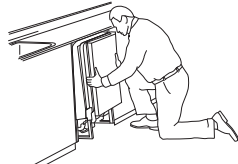


Figura Q

- Al proceder, empuje la manguera de desagüe a través de la abertura debajo del lavabo. Deje de empujar cuando el lavavajillas se extienda unas 6 pulgadas hacia adelante de los gabinetes adyacentes.
- Asegúrese de que la manguera de desagüe no esté retorcida debajo o detrás del lavavajillas.
- Asegúrese de que el cableado de la casa, la línea de desagüe y la línea de agua no interfieran con los componentes que se encuentran debajo del lavavajillas.

PASO 11 INSTALE LAS PIEZAS DE LOS BORDES

En este paso, necesitará las piezas de los bordes separadas en el Paso 1.

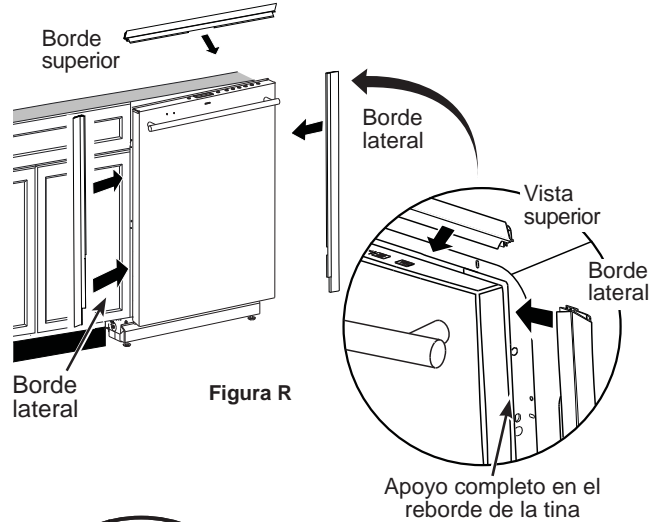
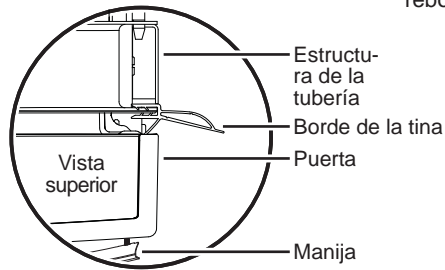


Figura R



- Seleccione la pieza del borde superior (Vea la Figura R) y alinee el centro con la traba superior. Presione la pieza del borde sobre la pestaña de la tubería, moviendo la misma de un lado a otro.
- Seleccione la pieza del borde izquierdo (vea la Figura R). Alinee el extremo superior con el borde superior y presione el mismo sobre el lateral izquierdo de la pestaña de la tubería, realizando el movimiento desde la parte superior a la parte inferior. Repita con la pieza del borde de la pestaña de la tubería lateral derecha. (Consulte la pieza del borde del lateral derecho en la Figura R.)

Instalación del Lavavajillas

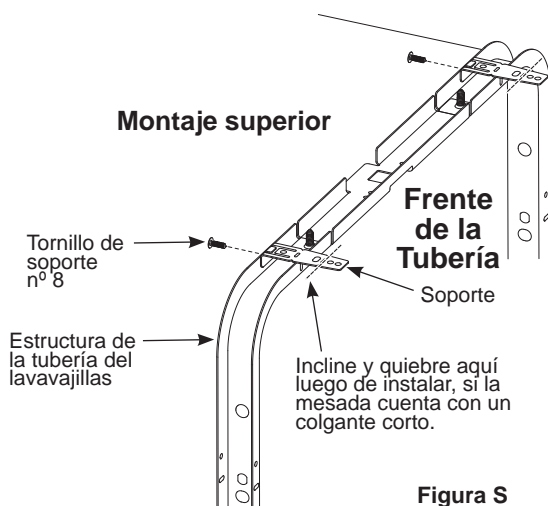
PASO 12 INSTALE LOS SOPORTES DE MONTAJE

Necesitará los soportes de montaje y los 2 tornillos hexagonales nº 8 que separó en el Paso 1.

Deberá instalar los soportes de montaje en la parte superior o lateral de la estructura de la tubería del lavavajillas, antes de deslizar el lavavajillas en su ubicación debajo de la mesada. Este lavavajillas puede realizar una instalación de descarga en una abertura de una profundidad de 24". Los soportes de montaje cuentan con varias posiciones de adherencia disponibles para ubicar diferentes construcciones de gabinetes.

Instale los soportes de montaje en la parte superior si el lado inferior de la mesada es de madera o de un material similar que acepte la colocación de tornillos:

IMPORTANTE - Luego de instalar los soportes y antes de cerrar la puerta del lavavajillas, ajuste los soportes inclinando los mismos según sea necesario, de modo que no tengan contacto con la parte superior de la puerta del lavavajillas ni ocasionen daños.

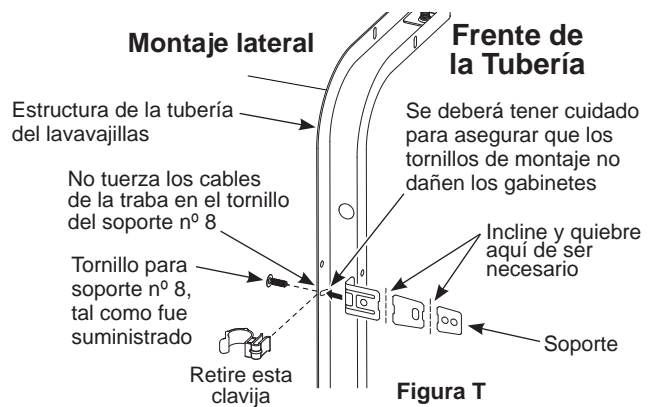


- Si instalará el lavavajillas debajo de una mesada con un colgante corto, los soportes de la mesada se podrán extender más allá del extremo de la mesada. Si éste es el caso, retire la longitud excesiva inclinando de forma repetida los soportes de la ranura frontal, sólo hasta que se quiebren.

PASO 12 INSTALE LOS SOPORTES DE MONTAJE (CONT.)

Instale los soportes de montaje a los costados si la mesada es de granito o de un material similar que no acepte tornillos de madera:

- De estar presente, retire la clavija de la manguera de desagüe del cuello y descarte la misma.
- Quiebren la parte frontal de la lengüeta con una tijera en la ubicación mostrada, antes de realizar la adhesión al lavavajillas.
- Posicione el soporte del lado izquierdo como se muestra. Adhiera el soporte a la estructura de la tubería con el tornillo nº 8, a través del agujero ranurado debajo del agujero redondeado. Repita este paso con el soporte derecho.



PASO 13 COLOQUE EL LAVAVAJILLAS EN SU POSICIÓN FINAL

- Controle que la manta aislante, si está presente, esté envuelta de forma pareja alrededor de la tubería. No debería estar "amontonada" y no debe interferir con los resortes de la puerta. Si el aislante está "amontonado" o interfiere con los resortes, alargue y vuelva a centrar la manta antes de deslizar el lavavajillas hasta su posición final.
- Deslice el lavavajillas hasta la posición final, empujando los costados del panel de la puerta. No empuje la puerta hacia adelante o atrás en una posición parcialmente abierta o cerrada al mover el lavavajillas. No use la rodilla ni empuje sobre el centro del panel. Si lo hace, es posible que se dañe el panel. Controle que el lavavajillas esté posicionado de forma frontal en la abertura del gabinete, tanto en la parte superior como inferior del electrodoméstico, antes de montar el mismo al gabinete.

IMPORTANTE – Antes de abrir la puerta del lavavajillas, asegúrese de que los extremos del panel de la puerta del lavavajillas estén detrás de la cara del gabinete adyacente y contra la cara del gabinete. Consulte la Figura U. Si la puerta del lavavajillas es abierta cuando el extremo de la puerta está contra la cara del gabinete, se producirán daños sobre la puerta del lavavajillas y el gabinete.

Instalación del Lavavajillas

PASO 13 COLOQUE EL LAVAVAJILLAS EN SU POSICIÓN FINAL (CONT.)

- Abra y cierre la puerta del lavavajillas para asegurar que funcione de forma pareja, y que no haya frotación contra el gabinete adyacente.

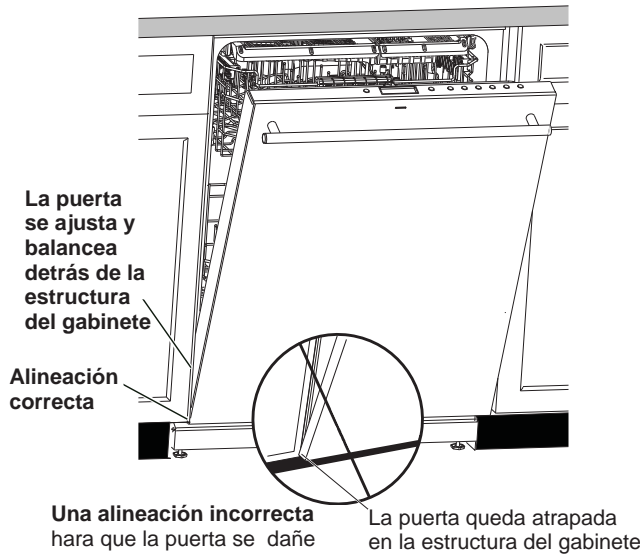


Figura U

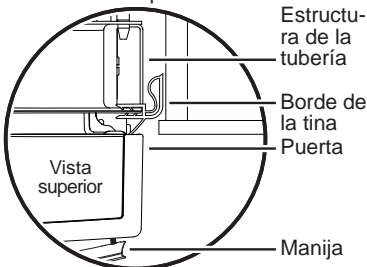
Consejo: Evite cargos innecesarios del servicio técnico por daños sobre el panel o el rendimiento de la lavadora.

Controle la alineación del lavavajillas antes de abrir la puerta del lavavajillas, a fin de evitar daños sobre el panel.

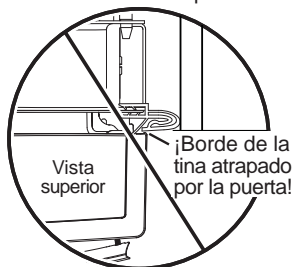
Asegúrese de que las líneas de los servicios no queden atrapadas o aplastadas detrás del lavavajillas. Las líneas aplastadas restringirán el flujo de agua.

Controle que el borde de la tina no tenga contacto con todos los puntos

No permita que el borde de la tina quede atrapado por ni entre en contacto con la puerta



El borde de la tina puede ser acortado, de ser necesario, para asegurar un funcionamiento adecuado de la puerta



PASO 14 NIVELE EL LAVAVAJILLAS

IMPORTANTE – El lavavajillas deberá estar nivelado para un funcionamiento apropiado del estante de los platos, el rendimiento del lavado y el funcionamiento de la puerta.

El lavavajillas deberá estar nivelado de izquierda a derecha y del frente a la parte trasera. Esto asegura que los estantes de los platos no giren hacia adentro o afuera por sí solos, que el agua circulante fluya hacia la entrada de la bomba, y que la puerta se cierre sin golpear el costado de la tubería.

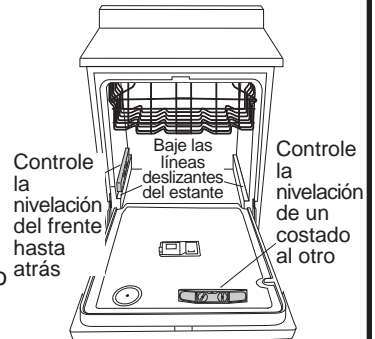


Figura V

- Retire el estante de platos inferior y coloque un nivel en la puerta y en la línea deslizante del estante inferior en la Figura V.

- La altura de las ruedas es ajustada desde el frente del lavavajillas, junto con las 2 patas frontales en la parte inferior del lavavajillas.

Comience el proceso de nivelación por las patas frontales, girando de forma individual las 2 patas frontales. Al

ajustar las patas frontales primero, el acceso a los tornillos niveladores traseros es maximizado facilitando el ajuste de la rueda trasera. Cuando las patas frontales son ajustadas a una altura que genere una brecha apropiada con el gabinete superior, proceda a ajustar las ruedas niveladoras traseras, ajustando los tornillos niveladores como se ilustra en la Figura W. De forma individual, gire los 2 tornillos para ajustar las ruedas traseras. Gire lentamente los 2 tornillos **en dirección contraria a las agujas del reloj para levantar** la parte trasera del lavavajillas, y **en dirección de las agujas del reloj para bajarlo**. Continúe ajustando los pies y las ruedas hasta que el lavavajillas esté nivelado, como se ilustra en la Figura W. Asegure de que las 4 patas/ruedas tengan un contacto firme con el piso.

- El lavavajillas está correctamente nivelado cuando el indicador de nivel está centrado de izquierda a derecha y del frente a la parte trasera. Además, la puerta del lavavajillas se debería cerrar sin golpear el costado de la tubería.
- Reemplace el estante inferior.
- Empuje cada estante hacia afuera, hasta la mitad del recorrido. Asegúrese de que no ruede hacia atrás ni adelante sobre la puerta. Si el estante se mueve, ajuste las patas niveladoras.

Consejo: Evite cargos innecesarios del servicio técnico. Verifique que el lavavajillas esté nivelado.

Empuje los estantes de los platos hacia afuera hasta la mitad de su recorrido. Deberían permanecer fijos. Abra y cierre la puerta. La puerta debería ajustarse en la abertura de la tubería, sin golpear el costado de esta última. Si los estantes giran por sí solos, o si la puerta golpea el costado de la tubería, vuelva a nivelar el lavavajillas.

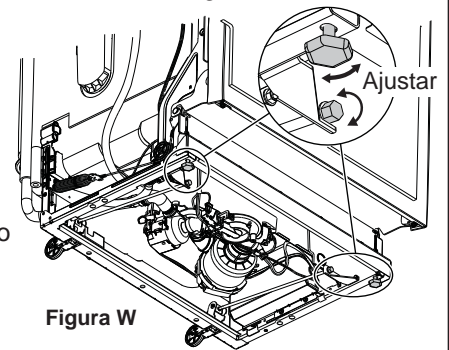


Figura W

Instalación del Lavavajillas

PASO 15 POSICIONE EL LAVAVAJILLAS, ASEGURE EL MISMO A LA MESADA O EL GABINETE

En este paso, necesitará los 2 tornillos con cabeza especial Phillips, de los tornillos que separó en el Paso 1.

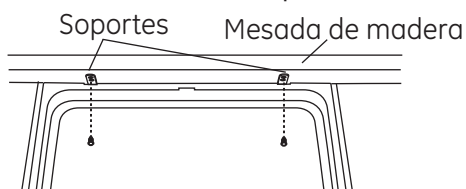
El lavavajillas deberá estar asegurado a la mesada o a los costados del gabinete. Cuando el lado inferior de la mesada sea de madera, use el **Método 1**. Use el **Método 2** cuando el lado inferior de la mesada esté hecho de un material que no acepte tornillos de madera, tal como el granito.

IMPORTANTE – Evite daños sobre el panel de la puerta y el panel de control. El lavavajillas deberá estar posicionado de modo que el panel frontal y el panel de control no tengan contacto con los gabinetes adyacentes o la mesada. Los tornillos de montaje deberán ser colocados de forma recta. Las cabezas salientes de los tornillos podrían rayar el panel de la puerta o el panel de control e interferir con el funcionamiento de la puerta.

Método 1

Asegure el lavavajillas sobre la parte inferior de la mesada de madera.

- Vuelva a controlar la alineación del lavavajillas en el gabinete. Consulte los Pasos 13 y 14. El panel de la puerta y/o el panel de control no deberán golpear los gabinetes ni la mesada.
- Ajuste el lavavajillas a la parte inferior de la mesada con 2 tornillos de cabeza especial Phillips. Consulte la figura. Asegúrese de que los tornillos estén colocados de forma recta para evitar daños sobre el pañel.



Método 2

Asegure el lavavajillas a los costados del gabinete.

- Vuelva a controlar la alineación del lavavajillas en el gabinete. Consulte los Pasos 13 y 14. El panel de la puerta y/o el panel de control no deberán golpear los gabinetes o la mesada.
- Retire los botones del enchufe. No los descarte.
- Ajuste el lavavajillas a los gabinetes adyacentes con los 2 tornillos de cabeza especial Phillips provistos. Consulte la Figura X. Asegúrese de que los tornillos estén colocados de forma recta para evitar daños sobre el pañel.
- Instale los botones del enchufe al costado de la tubería en los agujeros provistos.

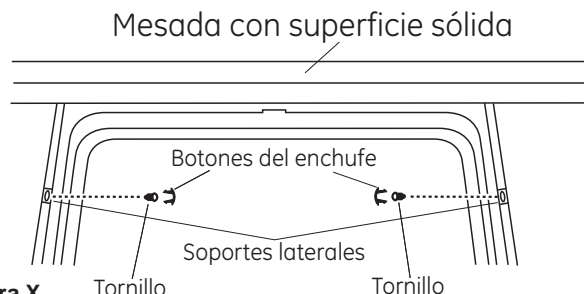


Figura X

PASO 15 POSICIONE EL LAVAVAJILLAS, ASEGURE EL MISMO A LA MESADA O EL GABINETE (CONT.)

- Vuelva a controlar que el lavavajillas esté en ángulo recto y nivelado tanto en la parte superior como en la parte inferior de la abertura del gabinete, sin torceduras ni distorsión de la tubería o de la puerta, luego de montar los gabinetes/mesada. Haga ajustes si es necesario.
- Confirme que todas las patas niveladoras tengan contacto con el piso, a fin de evitar que el lavavajillas se balancee y para asegurar un funcionamiento adecuado de la puerta y la traba and latch operation.

PASO 16 CONEXIÓN AL SUMINISTRO DE AGUA

Conecte la línea de suministro de agua al codo de 90°.

Si usará una conexión con una manguera trenzada flexible:

- Ajuste la tuerca al codo de 90° usando una llave ajustable.

Si usará una conexión a una tubería de cobre:

- Deslice la tuerca de compresión y luego una abrazadera de refuerzo sobre el extremo de la línea de agua.
- Inserte la línea de agua en el codo de 90°.
- Deslice la abrazadera de refuerzo contra el codo y asegure la misma con una tuerca de compresión.

IMPORTANTE – Asegúrese de que el resorte de la puerta y/o el cable del resorte de la puerta no tengan fricción ni contacto con la manguera de llenado o la línea de suministro de agua. Controle esto abriendo y cerrando la puerta. Si se produce un ruido de fricción o interferencia, redirija las líneas de suministro de agua.

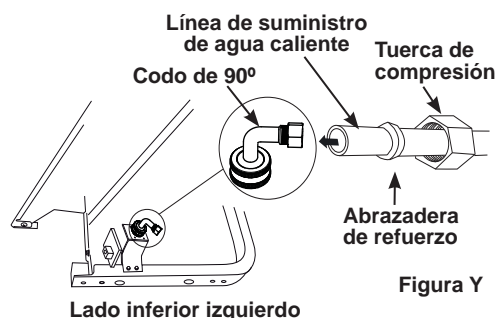


Figura Y

Instalación del Lavavajillas

PASO 17 CONECTE LA LÍNEA DE DESAGÜE

El extremo moldeado de la manguera de desagüe coincidirá con puertos de entrada de 5/8" a 1" de diámetro en la brecha de aire, la T de desechos o el eliminador de desechos.

- Determine el tamaño del puerto de entrada.
- Corte el conector de la manguera de desagüe en la línea marcada, si se requiere, para que coincida con el puerto de entrada.

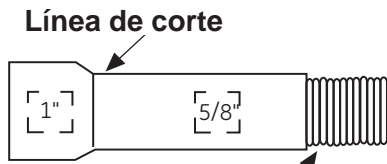
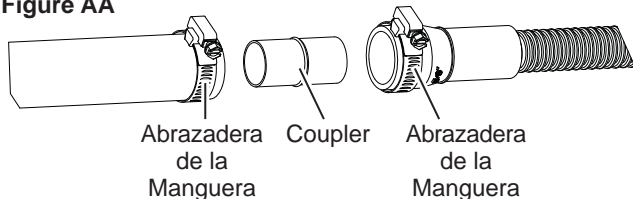


Figura Z **IMPORTANTE:** No corte la parte coarrugada de la manguera

- En caso de requerir una manguera más larga, reemplace la manguera de desagüe con bolso de usuario por la pieza del servicio técnico de GE Appliances **WD24X10065**, una manguera de una longitud de 12' que puede ser conectada directamente al bucle de desagüe ya adherida a la unidad (lea el Paso 7). Si la pieza de la manguera no está disponible en el servicio técnico, una manguera adicional con sujeción con un diámetro interno de 5/8" o 7/8" y con una longitud no superior a 66" podrá ser adherida a la manguera de desagüe con bolso de usuario provista. Asegure la conexión con las abrazaderas para manguera a la manguera de desagüe con bolso de usuario provista.

Figure AA



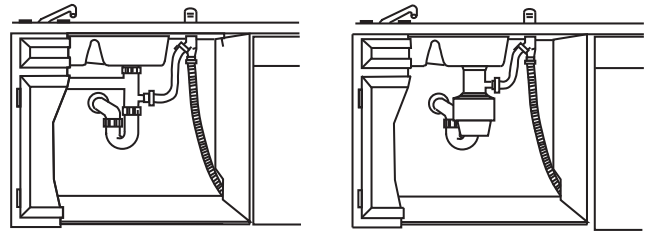
NOTAS:

- **LA ALTURA DE LA CONEXIÓN DEL DRENAJE NO DEBE EXCEDER LAS 72" SOBRE LA PARTE INFERIOR DEL LAVAVAJILLAS.**
- **LA LONGITUD TOTAL DE LA MANGUERA DE DESAGÜE NO DEBERÁ SUPERAR LOS 15 PIES PARA UN FUNCIONAMIENTO ADECUADO DEL DESAGÜE.**

PASO 17 CONECTE LA LÍNEA DE DESAGÜE (CONT.)

- Conecte la línea de desagüe a la brecha de aire, la T de desechos o el eliminador de desechos, usando el método determinado previamente. Asegure la manguera con una clavija tipo tornillo.

Método 1 – Brecha de aire con T de desechos o el eliminador de desechos



Instalación del eliminador de desechos

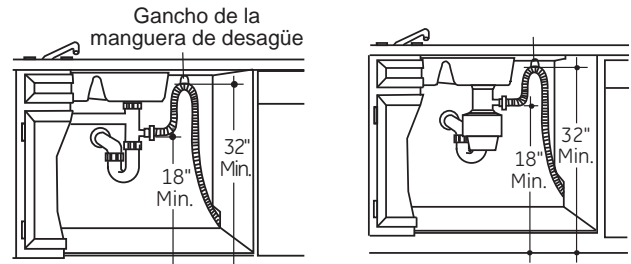
Instalación de la T de desechos

Figura AB

Método 2 – "Bucle de desagüe alto" con T de desechos o el eliminador de desechos

Con este método, necesitará el gancho de la manguera de desagüe que separó en el Paso 1.

Ajuste la manguera de desagüe a la parte inferior de la mesada con el gancho provisto.

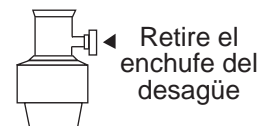


Instalación de la T de desechos

Instalación del eliminador de desechos

Figura AC

IMPORTANTE – Al conectar la línea de desagüe al eliminador de desechos, asegúrese de que el enchufe del desagüe haya sido retirado. **EL LAVAVAJILLAS NO HARÁ EL DESAGÜE SI EL ENCHUFE ESTÁ COLOCADO.**



Consejo: Evite cargos innecesarios del servicio técnico debido a reclamos por falta de desagüe.

Asegúrese de que la manguera de desagüe haya sido pasada por la abertura del gabinete. Esto evitará que el exceso de manguera en la cavidad del lavavajillas sea retorcido o aplastado por el lavavajillas.

Instalación del Lavavajillas

PASO 18 CONECTE EL SUMINISTRO DE CORRIENTE

Si un cable de corriente con un enchufe ya está instalado, proceda al Paso 19.

⚠ ADVERTENCIA

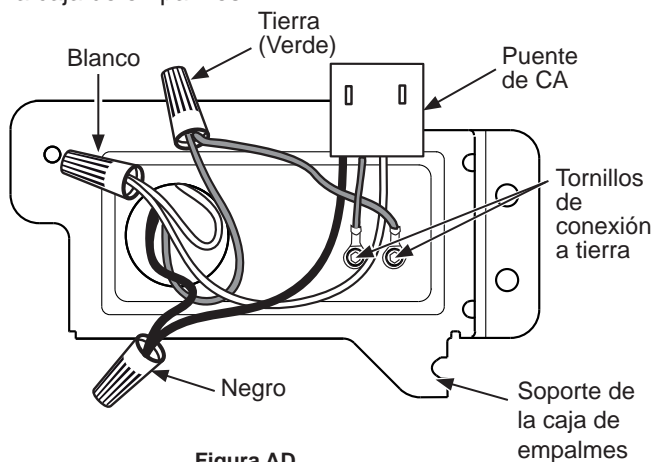
Si el cableado doméstico no cuenta con un cable de 2 hilos con conexión a tierra, un instalador debe realizar una conexión a tierra. Cuando el cableado doméstico es de aluminio, asegúrese de usar un compuesto antioxidante y conectores de aluminio a cobre aprobados or UL.

En este paso, necesitará la tapa de la caja de empalmes y el tornillo de cabeza hexagonal nº 10 para los tornillos separados en el Paso 1.

Asegure el cableado de la casa a la parte trasera de la caja de empalmes con un amortiguador de refuerzo.

- Ubique los 3 cables del lavavajillas (blanco, negro y verde) con los extremos con tiras que sobresalen del puente de CA. Use tuercas para cables aprobados por UL que sean del tamaño apropiado para conectar el cable de tierra entrante al verde, el blanco al blanco y el negro al negro.
- Instale la tapa de la caja de empalmes usando un tornillo de cabeza hexagonal nº 10. Asegúrese de que los cables no sufran cortes debajo de la tapa.
- Asegúrese de que la tapa de la caja de empalmes se apoye sobre el soporte de montaje.
- Si usará un Kit de Cables de Corriente, utilizar el número de pieza GE Appliances **WX09X70910** o **WX09X70911** y consulte las instrucciones incluidas.

NOTA: No retire el soporte de la caja de empalmes.



NOTA: Todos los tornillos, soportes y cables de conexión a tierra deben permanecer intactos.

PASO 19 LISTA DE CONTROL DE EVALUACIÓN PREVIA

Revise esta lista luego de instalar el lavavajillas, a fin de evitar cargos por llamadas al servicio técnico, las cuales no están cubiertas por su garantía.

- Asegúrese de que el encendido esté en **OFF** (Apagado).
- Abra la puerta y retire toda la gomaespuma y el papel de embalaje.
- Ubique el Manual del Propietario separado en el Paso 1.
- Para acceder a instrucciones de uso, consulte el Manual del Propietario.
- Controle la apertura y cierre de la puerta. Si la puerta no se abre y cierra libremente, controle la ubicación correcta del cable de resorte sobre la polea. Si la puerta se cae o cierra al ser liberada, ajuste la tensión del resorte. Consulte el Paso 2.
- Asegúrese de que el cableado esté asegurado debajo del lavavajillas, sin cortes ni en contacto con resortes de la puerta u otros compartimientos. Consulte el Paso 18.
- Controle la alineación de la puerta con la tubería. Si la puerta golpea la tubería, nivele el lavavajillas. Consulte el Paso 14.
- Controle la alineación de la puerta con el gabinete. Si la puerta golpea el gabinete, reposicione el lavavajillas. Consulte el Paso 13.
- Controle que el resorte de la puerta no tenga contacto con la línea de agua, la manguera de llenado, el cableado u otros componentes. Consulte el Paso 13.
- Verifique que el suministro de agua y las líneas de desagüe no estén retorcidas ni en contacto con otros componentes. El contacto con el motor o la estructura del lavavajillas podría generar ruidos.
- Abra el grifo de agua caliente del lavabo y verifique la temperatura del agua. La temperatura del agua entrante deberá ser de entre 120°F y 140°F. Se requiere una temperatura mínima de 120°F para un mejor rendimiento del lavado. Consulte la "Preparación de la Línea de Agua Caliente", en la página 6.
- Agregue 1 cuarto de agua a la parte inferior del lavavajillas, a fin de lubricar la junta de la bomba.
- Active el suministro de agua. Controle que no haya pérdidas. De ser necesario, ajuste las conexiones.
- Retire la película protectora si se encuentra presente en el panel de control y la puerta.
- Controle que el borde de la tina no entre en contacto con la puerta.

Instalación del Lavavajillas

PASO 20 PRUEBA DE MOJADO DEL LAVAVAJILLAS

- Active la corriente y enchufe el cable de corriente en el tomacorriente, si está equipado de este modo.
- Seleccione un ciclo y presione el botón **START** (Iniciar).
- Asegúrese de que la puerta esté trabada. El lavavajillas se debería iniciar.
- Asegúrese de que el agua entre al lavavajillas. Si no entra agua al lavavajillas, asegúrese de que el agua y la corriente estén activadas.
- Controle que no haya pérdidas debajo del lavavajillas. Si encuentra una gotera, apague la corriente desde el disyuntor, y luego ajuste las conexiones del agua. Reinicie la corriente una vez que la pérdida sea corregida.
- Controle que no haya goteras alrededor de la puerta. Una gotera alrededor de la puerta podría ser ocasionada por frotación con la puerta o golpes contra gabinetes adyacentes. De ser necesario, reposicione el lavavajillas. Consulte el Paso 13.
- Mantenga presionado el botón **START** (Iniciar) durante 3 segundos para cancelar el ciclo. La unidad comenzará a realizar el desagüe. Controle las líneas de desagüe. Si se encuentran pérdidas, corte la corriente desde el disyuntor y corrija los problemas de la plomería, según sea necesario. Reinicie la corriente una vez realizadas las correcciones. Consulte los Pasos 7, 8, 9, 10 y 17.
- Abra la puerta del lavavajillas y asegúrese de que toda el agua sea desagotada. De no ser así, controle que el cable del eliminador de desechos haya sido retirado y/o que la brecha de aire no esté enchufada. También controle la manguera de desagüe para asegurar que no esté retorcida debajo o detrás del lavavajillas. Consulte el Paso 17.
- Presione el botón **START** (Iniciar) una vez más y haga funcionar el lavavajillas en otro ciclo. Controle que no haya goteras y corrija las mismas de ser necesario.
- Repita estos pasos según sea necesario.

PASO 21 REEMPLACE LA PAN PROTECCIÓN PARA PISOS

- Deslice la olla de protección del piso debajo del lavavajillas, hasta que sus ranuras de bloqueo laterales estén próximas a adherir las lengüetas de montaje laterales del lavavajillas.

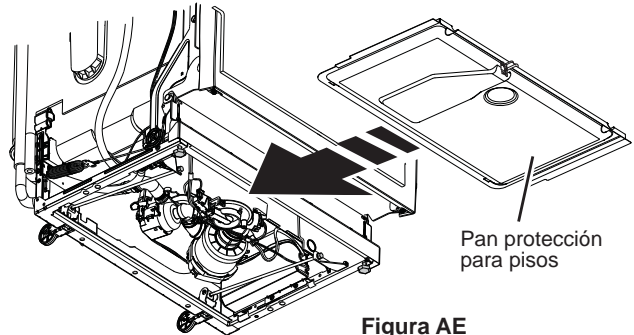
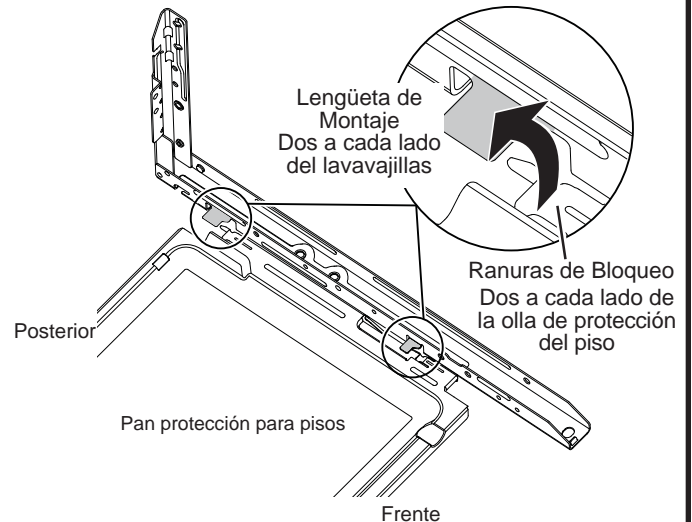
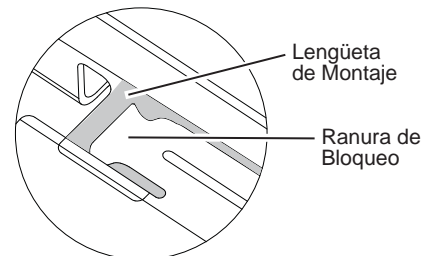


Figura AE

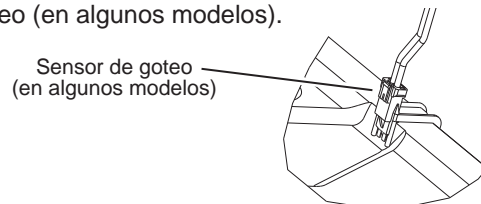
- Levante la olla hasta que sus ranuras de bloqueo hagan contacto con las lengüetas de montaje, y vuelva a empujar la olla para que se enganche con éstas.



- Cuando la instalación sea correcta, la parte superior de las ranuras de bloqueo estarán sobre las lengüetas de montaje.



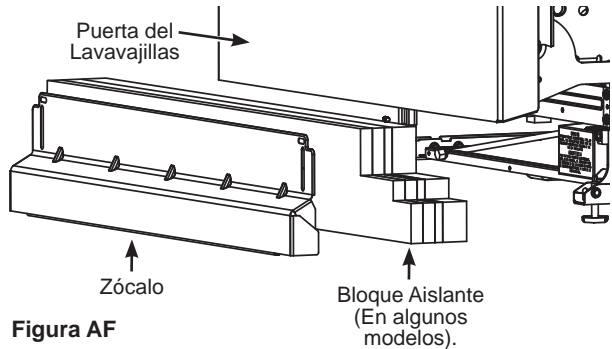
- Conecte el conector del sensor de goteo al sensor de goteo (en algunos modelos).



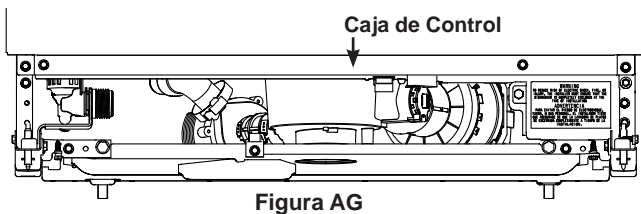
Instalación del Lavavajillas

PASO 22 POSICIONE LA PIEZA DE AISLACIÓN DE SONIDO (algunos modelos)

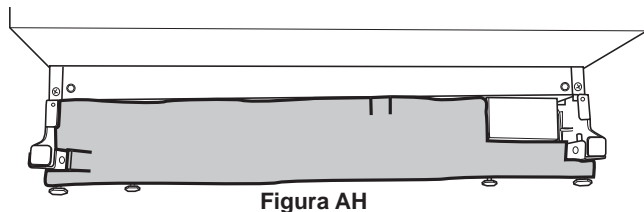
- Ubique el paquete del aislante de sonido dentro del lavavajillas.
- Posiciónelas piezas en forma vertical, como se muestra.



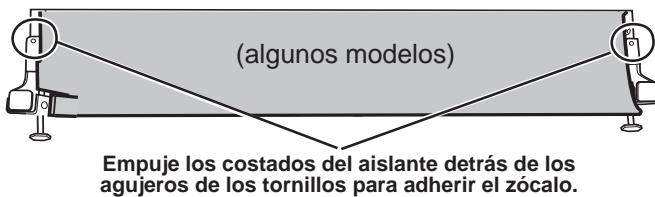
- Ubique la caja de control.



- Empuje la parte del bloque aislante debajo del lavavajillas, hasta que quede debajo de la caja de control.



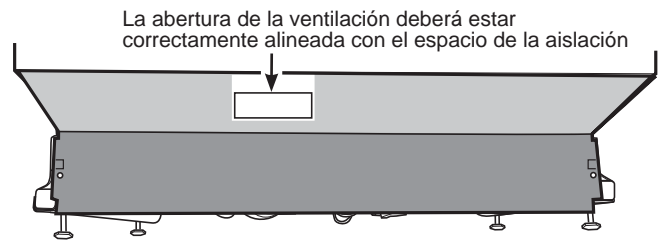
- Empuje la parte del panel hacia arriba, hasta el frente del bloque.



- Ajuste los costados del panel frontal detrás de los agujeros de los tornillos para adherir el zócalo.

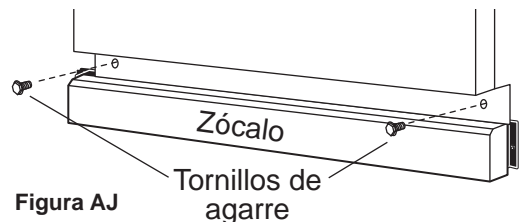
PASO 22 POSICIONE LA PIEZA DE AISLACIÓN DE SONIDO (algunos modelos) (CONT.)

- Abra la puerta completamente; si la misma no permanece completamente abierta, ajuste el panel aislante.
- Alinee los agujeros de los tornillos con los agujeros de los tornillos de las patas del lavavajillas.
- Verifique que la abertura de ventilación no esté bloqueada por el aislante.



PASO 23 REEMPLACE EL ZÓCALO

- Coloque el zócalo contra las patas del lavavajillas.



- Alinee el zócalo con el extremo inferior y asegúrese de que esté contra el piso.
- Inserte y ajuste los 2 tornillos de agarre al zócalo. El zócalo deberá permanecer en contacto con el piso.

Consejo: Reduzca el sonido debajo del lavavajillas. Asegúrese de que el zócalo esté contra la pared.

PASO 24 CONTROLE LO SIGUIENTE

- El borde de la tina no interfiere con la puerta
- El lavavajillas es cuadrado y está nivelado tanto en la parte superior como en la inferior de la abertura del gabinete, sin retorcimiento ni distorsión de la tina o de la puerta
- Las 4 patas del lavavajillas están apoyadas de manera firme contra el suelo
- La manguera de drenaje no tiene torceduras entre el lavavajillas y los gabinetes o paredes adyacentes
- El borde de la tina está completamente apoyado en el reborde de la tina

PASO 25 TEXTOS

- Asegúrese de entregar al consumidor el paquete completo de textos, estas Instrucciones de Instalación y muestras y/o cupones del producto.

Para servicio técnico local Monogram en su área, llame al **800.444.1845**.

NOTA: La mejora de los productos es un esfuerzo continuo para GE Appliances. Por lo tanto, los materiales, la apariencia y las especificaciones pueden sufrir cambios sin previo aviso.



GE APPLIANCES

Printed in the United States