



Electric Self-Cleaning Convection **TWIN FLEX**

SAFETY INFORMATION3

USING THE OVEN

Oven Controls.....6

Special Features.....8

Sabbath9

Lower Oven Racks10

Upper Oven Racks11

Aluminum Foil and Oven Liners.....11

Cookware.....11

Cooking Modes.....12

Timed Baking and Roasting13

Probe14

Cooking Guide15

CARE AND CLEANING

Oven.....18

Oven Racks19

Probe20

Oven Light.....20

Oven Door.....21

TROUBLESHOOTING TIPS.....22

WARRANTY.....26

ACCESSORIES27

CONSUMER SUPPORT28

OWNER'S MANUAL

PT9200

Write the model and serial numbers here:

Model # _____

Serial # _____

You can find them on a label on the front of the lower oven behind the oven door.

ESPAÑOL

Para consultar una version en español de este manual de instrucciones, visite nuestro sitio de internet GEAppliances.com.

THANK YOU FOR MAKING GE APPLIANCES A PART OF YOUR HOME.

Whether you grew up with GE Appliances, or this is your first, we're happy to have you in the family.

We take pride in the craftsmanship, innovation and design that goes into every GE Appliances product, and we think you will too. Among other things, registration of your appliance ensures that we can deliver important product information and warranty details when you need them.

Register your GE appliance now online. Helpful websites and phone numbers are available in the Consumer Support section of this Owner's Manual. You may also mail in the pre-printed registration card included in the packing material.



IMPORTANT SAFETY INFORMATION

READ ALL INSTRUCTIONS BEFORE USING THE APPLIANCE

▲WARNING Read all safety instructions before using the product. Failure to follow these instructions may result in fire, electrical shock, serious injury or death.

▲WARNING GENERAL SAFETY INSTRUCTIONS

- Use this appliance only for its intended purpose as described in this Owner's Manual.
- Be sure your appliance is properly installed and grounded by a qualified installer in accordance with the provided installation instructions.
- Do not attempt to repair or replace any part of your oven unless it is specifically recommended in this manual. All other servicing should be performed by a qualified technician.
- Before performing any service, disconnect the power supply at the household distribution panel by removing the fuse or switching off the circuit breaker.
- Do not leave children alone—children should not be left alone or unattended in an area where an appliance is in use. They should never be allowed to climb, sit or stand on any part of the appliance.
- **▲CAUTION** Do not store items of interest to children in cabinets above an oven - children climbing on the oven to reach items could be seriously injured.
- Use only dry pot holders—moist or damp pot holders on hot surfaces may result in burns from steam. Do not let pot holders touch hot heating elements. Do not use a towel or other bulky cloth in place of pot holders.
- Never use your appliance for warming or heating the room.
- Do not touch the heating elements or the interior surface of the oven. These surfaces may be hot enough to burn even though they are dark in color. During and after use, do not touch, or let clothing or other flammable materials contact any interior area of the oven; allow sufficient time for cooling first. Other surfaces of the appliance may become hot enough to cause burns. Potentially hot surfaces include the oven vent opening, surfaces near the opening and crevices around the oven door.
- Do not heat unopened food containers. Pressure could build up and the container could burst, causing an injury.
- Do not use any type of foil or liner to cover the oven bottom or anywhere in the oven, except as described in this manual. Oven liners can trap heat or melt, resulting in damage to the product and risk of shock, smoke or fire.
- Avoid scratching or impacting glass doors or control panels. Doing so may lead to glass breakage. Do not cook on a product with broken glass. Shock, fire or cuts may occur.
- Cook meat and poultry thoroughly—meat to at least an internal temperature of 160°F and poultry to at least an internal temperature of 180°F. Cooking to these temperatures usually protects against foodborne illness.

▲WARNING KEEP FLAMMABLE MATERIALS AWAY FROM THE OVEN

Failure to do so may result in fire or personal injury.

- Do not store or use flammable materials in or near an oven, including paper, plastic, pot holders, linens, wall coverings, curtains, drapes and gasoline or other flammable vapors and liquids.
- Never wear loose-fitting or hanging garments while using the appliance. These garments may ignite if they contact hot surfaces, causing severe burns.
- Do not let cooking grease or other flammable materials accumulate in or near the oven. Grease in the oven or near the oven may ignite.

READ AND SAVE THESE INSTRUCTIONS

IMPORTANT SAFETY INFORMATION

READ ALL INSTRUCTIONS BEFORE USING THE APPLIANCE

▲WARNING IN THE EVENT OF A FIRE, TAKE THE FOLLOWING STEPS TO PREVENT INJURY AND FIRE SPREADING

- Do not use water on grease fires. Never pick up a flaming pan.
- If there is a fire in the oven during baking, smother the fire by closing the oven door and turning the oven off or by using a multi-purpose dry chemical or foam-type fire extinguisher.
- If there is a fire in the oven during self-clean, turn the oven off and wait for the fire to go out. Do not force the door open. Introduction of fresh air at self-clean temperatures may lead to a burst of flame from the oven.

▲WARNING OVEN SAFETY INSTRUCTIONS

- Stand away from the oven when opening the oven door. Hot air or steam which escapes can cause burns to hands, face and/or eyes.
- Keep the oven vent unobstructed.
- Keep the oven free from grease buildup. Grease in the oven may ignite.
- Place oven racks in desired location while oven is cool. If rack must be moved while oven is hot, do not let pot holder contact hot heating element in oven.
- When using cooking or roasting bags in the oven, follow the manufacturer's directions.
- Pulling out the standard racks to their stop-locks or the extension rack to its fully open position is a convenience in lifting heavy foods. It is also a precaution against burns from touching hot surfaces of the door or oven walls.
- Do not leave items such as paper, cooking utensils or food in the oven when not in use. Items stored in an oven can ignite.
- Never place cooking utensils, pizza or baking stones, or any type of foil or liner on the oven floor. These items can trap heat or melt, resulting in damage to the product and risk of shock, smoke or fire.

▲WARNING SELF-CLEANING OVEN SAFETY INSTRUCTIONS

The self-cleaning feature operates the oven at temperatures high enough to burn away food soils in the oven. Follow these instructions for safe operation.

- Do not touch oven surfaces during self-clean operation. Keep children away from the oven during self-cleaning. Failure to follow these instructions may cause burns.
- Before self-cleaning the oven, remove shiny silver colored oven racks (on some models), the probe, any aluminum foil, and any broiler pan, grid, and other cookware. Only porcelain coated oven racks may be left in the oven.
- Before operating the self-clean cycle, wipe grease and food soils from the oven. Excessive amount of grease may ignite, leading to smoke damage to your home.

READ AND SAVE THESE INSTRUCTIONS

IMPORTANT SAFETY INFORMATION

READ ALL INSTRUCTIONS BEFORE USING THE APPLIANCE

▲WARNING SELF-CLEANING OVEN SAFETY INSTRUCTIONS (Cont.)

- If the self-cleaning mode malfunctions, turn the oven off and disconnect the power supply. Have it serviced by a qualified technician.
- Do not clean the door gasket. The door gasket is essential for a good seal. Care should be taken not to rub, damage or move the gasket.
- Do not use oven cleaners. No commercial oven cleaner or oven liner protective coating of any kind should be used in or around any part of the oven.

STATE OF CALIFORNIA PROPOSITION 65 WARNINGS

▲WARNING This product contains one or more chemicals known to the State of California to cause cancer, and birth defects or other reproductive harm.

Self-clean electric ovens: Self clean ovens can cause low level exposure to some of the Proposition 65 substances, including carbon monoxide, during the cleaning cycle. Exposure to these substances can be minimized by opening a window or using a ventilation fan or hood.

How to Remove Protective Shipping Film and Packaging Tape

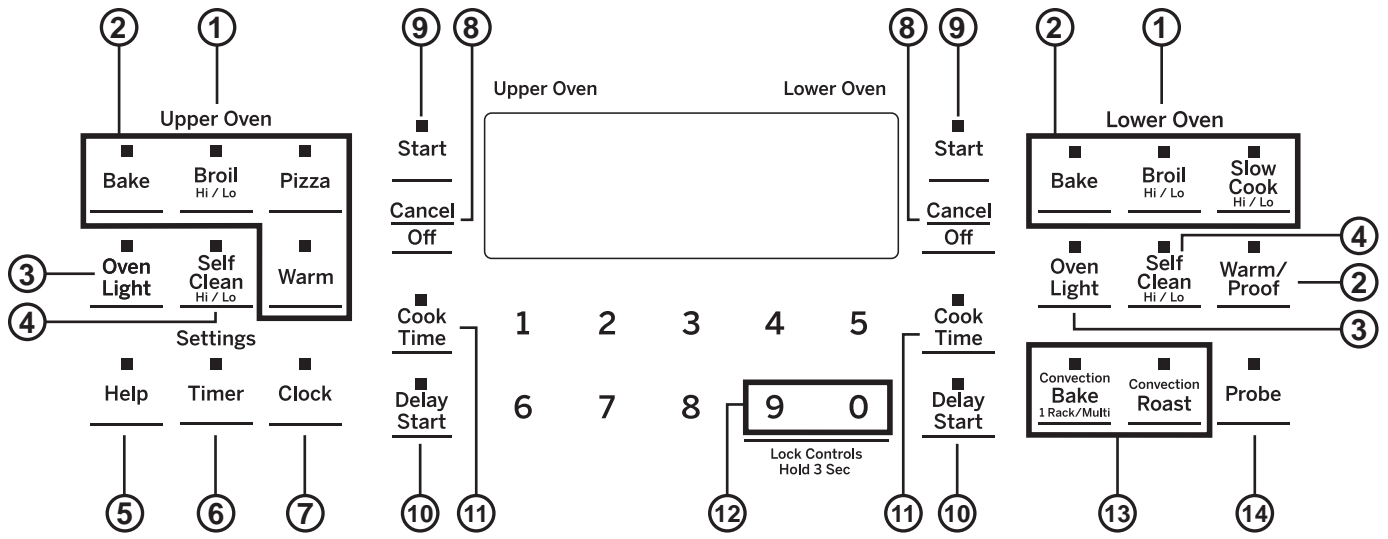
Carefully grasp a corner of the protective shipping film with your fingers and slowly peel it from the appliance surface. Do not use any sharp items to remove the film. Remove all of the film before using the appliance for the first time.

To assure no damage is done to the finish of the product, the safest way to remove the adhesive from packaging tape on new appliances is an application of a household liquid dishwashing detergent. Apply with a soft cloth and allow to soak.

NOTE: The adhesive must be removed from all parts. It cannot be removed if it is baked on.

READ AND SAVE THESE INSTRUCTIONS

Oven Controls



Oven Controls

1. **Upper Oven and Lower Oven:** Designates which oven the controls will operate.
2. **Traditional Cooking Modes:** Your oven has the following traditional cooking modes: Bake, Broil Hi/Lo, Pizza, Warm, Proof and Slow Cook Hi/Lo. See the Cooking Modes section for more information.
3. **Oven Light(s):** Turns the oven light(s) on or off.
4. **Self Clean:** See the Cleaning the Oven section for important information about using this mode.
5. **Help:** To get the help on a specific function or to change option.
6. **Timer:** Works as a countdown timer. Touch the **Timer** pad and the number pads to program the time in hours and minutes. Touch the **Start** pad. The oven will continue to operate when the timer countdown is complete. To turn the timer off touch the **Timer** pad and then touch the **Cancel/Off** pad.
7. **Clock:** Sets the oven clock time. Touch the **Clock** pad and the number pads to program the clock. Touch **Start** to save the time. Clock must be set to the correct time of day for the automatic oven timing functions to work properly. The time of day can not be changed during a timed baking or self cleaning cycle.
8. **Cancel/Off:** Cancels ALL oven operations except the clock and timer.
9. **Start:** Must be touched to start any cooking, cleaning, or timed function.
10. **Delay Start*:** Delays when the oven will turn on. Use this to set a time when you want the oven to start. Touch the **Delay Start** pad and use the number pads to program the time of day for the oven to turn on then touch **Start**. Touch the desired cooking mode and temperature then touch **Start**. This can only be used with Bake, Convection Bake (1 Rack/Multi), Convection Roast and Self-Clean.
NOTE: When using the delay start feature, foods that spoil easily—such as milk, eggs, fish, stuffings, poultry and pork—should not be allowed to sit for more than 1 hour before or after cooking. Room temperature promotes the growth of harmful bacteria. Be sure that the oven light is off because heat from the bulb will speed harmful bacteria growth.
11. **Cook Time*:** Counts down cooking time and turns off the oven when the cooking time is complete. Touch the **Cook Time** pad, use the number pads to **program a cooking time in hours and minutes**, then touch **Start**. This can only be used with Bake, Convection Bake (1 Rack/Multi), and Convection Roast. **NOTE:** If your recipe requires preheating you may need to add additional time to the length of the cooking time.
12. **Lock Controls:** Locks out the control so that touching the pads does not activate the controls. Touch and hold the **9** and **0** pad for three seconds to lock or unlock the control. **Cancel/Off** is always active, even when the control is locked. **NOTE:** All functions will be turn off when Lock Control is turn on.
13. **Convection Cooking Modes:** Convection cooking modes use increased air circulation to improve performance. The type of benefit depends on the mode. Your oven has the following convection cooking modes: Convection Bake (1 Rack/Multi) and Convection Roast. See the Cooking Modes section for more information.
14. **Probe:** Monitors internal food temperature and turns the oven off when the food reaches the programmed temperature. Insert the probe, program the cooking mode, and program the probe temperature. See the Cooking Modes section for more information. The probe can only be used with Traditional Bake, Convection Bake (1 Rack/Multi), and Convection Roast.

* Delay Start and Cook Time functions may be used individually or in combination with each other to control Bake and Convection modes.

Special Features

Your new touch pad control has additional features that you may choose to use. The following are the features and how you may activate them. The special feature modes can only be activated while the display is showing the time of day. They remain in the control's memory until the steps are repeated. To enter a special feature for either oven, you must first touch the **upper oven Broil Hi/Lo** and **Bake** pads at the same time. The **lower oven Broil Hi/Lo** and **Bake** pads will not activate special features. When the display shows your choice, touch the **Start** pad. The special features will remain in memory after a power failure, except for the Sabbath feature, which will have to be reset.

Help

Touch this pad to get additional information on the keypad of your choice. Touch the **Help** pad and the display will show "Press keypad for help on that feature or 1 for options." All special feature can be adjusted using the method described here or through help.

12-Hour Shutdown

With this feature, should you forget and leave the oven on, the control will automatically turn off the oven after 12 hours during baking functions or after 3 hours during a broil function. If you wish to turn off this feature, follow these steps. Touch the **Delay Start** pad until "no shdn" (no shut-off) appears in the display. Touch the **Start** pad to activate the no shut-off and leave the control set in this special features mode.

Fahrenheit or Celsius

Your oven control is set to use the Fahrenheit temperature selections, but you may change this to use the Celsius selections. Touch the **Cook Time** and **Broil Hi/Lo** pads at the same time. The display will show "F" (Fahrenheit). Touch the **Cook Time** and **Broil Hi/Lo** pads again at the same time. The display will show "C" (Celsius). Touch the **Start** pad.

Tones at the End of a Timed Cycle

At the end of a timed cycle, 3 short beeps will sound followed by one beep every 6 seconds until the **Clear/Off** pad is touched. This continual 6-second beep may be canceled. To cancel the 6-second beep, follow these steps. Touch the **Broil** pad. The display shows "CONTI BEEP" (continuous beep). Touch the **Broil** pad again. The display shows "SINGLE BEEP". (This cancels the one beep every 6 seconds.) Touch the **Start** pad.

Tone Volume

This feature allows you to adjust the tone volumes to a more acceptable volume. There are three possible volume levels. Touch the **Cook Time** pad. The display will show "2 beep". This is the middle volume level. Touch the **Cook Time** pad again. The display will show "3 beep". This is the loudest volume level. Touch the **Cook Time** pad again. The display will show "1 beep". This is the quietest volume level. For each time the level is changed, a tone will sound to provide an indication of the volume level. Choose the desired sound level (1 beep, 2 beep, 3 beep). Touch the **Start** pad to activate the level shown.

12-Hour, 24-Hour or Clock Blackout

Your control is set to use a 12-hour clock. If you would prefer to have a 24-hour military time clock or black out the clock display, follow these steps. Touch the **Clock** pad once. The display will show "12 hr". If this is the choice you want, touch the **Start** pad. Touch the **Clock** pad again to change to the 24 hour military time clock. The display will show "24 hr". If this is the choice you want, touch the **Start** pad. Touch the **Clock** pad again to black out the clock display. The display will show "OFF". If this is the choice you want, touch the **Start** pad. **NOTE:** If the clock is in the black-out mode you will not be able to use the Delay Start function.

Auto Recipe™ Conversion

When using convection bake, the Auto Recipe™ Conversion feature will automatically convert entered regular baking temperatures to convection baking temperatures. This feature is activated so that the display will show the actual converted (reduced) temperature. For example, if you enter a regular recipe temperature of 350°F and touch the **Start** pad, the display will show "CON" and the converted temperature of 325°F. To deactivate the feature, follow these steps. Touch the **Convection Bake** pad. The display will show "CON ON". Touch the **Convection Bake** pad again. The display will show "CON OFF". Touch the **Start** pad.

Adjust Thermostat

You may find that your new oven cooks differently than the one it replaced. Use your new oven for a few weeks to become more familiar with it. If you still think your new oven is too hot or too cold, you can adjust the thermostat yourself. Do not use thermometers, such as those found in grocery stores, to check the temperature setting of your oven. These thermometers may vary 20–40 degrees. **NOTE:** This adjustment will only affect baking and roasting temperatures; it will not affect broiling or self-cleaning temperatures. The adjustment will be retained in memory after a power failure. To Adjust the Thermostat, follow these steps. Touch the **Bake** pad. A two digit number shows in the display. Touch **Bake** again to alternate between increasing and decreasing the oven temperature. To adjust the upper oven thermostat, touch the **upper oven Bake** pad. To adjust the lower oven thermostat, touch the **lower oven Bake** pad. The oven temperature can be adjusted up to (+) 35°F hotter or (-) 35°F cooler. Touch the number pads the same way you read them. For example, to change the oven temperature 15°F, touch 1 and 5. When you have made the adjustment, touch the **Start** pad to go back to the time of day display. Use your oven as you would normally.

Sabbath (SAbbAtH) (lower oven only)

The Sabbath feature can be used for lower oven baking only. It cannot be used for convection, broiling, self-cleaning or Delay Start cooking. This feature conforms to the Star-K Jewish Sabbath requirements.

NOTE: If a power outage occurred while the oven was in Sabbath, the oven will automatically turn off and stay off even when the power returns. The oven control must be reset.

Set for Regular Baking

Make sure the clock shows the correct time of day and both ovens are off. On the upper oven, touch and hold both the **Broil Hi/Lo** and **Bake** pads, at the same time, until the display shows "SF". **NOTE:** If "Bake" or "Broil" appears in the display, the **Broil Hi/Lo** and **Bake** pads were not touched at the same time. Touch the **upper oven Cancel/Off** pad and begin again. Tap the **Delay Start** pad until "SAbbAtH" appears in the display. Touch the **Start** pad twice and "J" will appear in the display. Touch the **lower oven Bake** pad. No signal will be given. Using the number pads, enter the desired temperature between 170°F and 550°F. No signal or temperature will be given. Touch the **lower oven Start** pad. After a random delay period of approximately 30 seconds to 1 minute, "J[" will appear in the display indicating that the oven is baking. To adjust the oven temperature, touch the **lower oven Bake** pad, enter the new temperature using the number pads and touch the **Start** pad. **NOTE:** The **Cancel/Off** and **Cook Time** pads of the lower oven are active during the Sabbath feature.

Exit the Sabbath Feature

Touch the **lower oven Cancel/Off** pad. If the oven is cooking, wait for a random delay period of approximately 30 seconds to 1 minute, until only "J" is in the display. On the upper oven, touch and hold both the **Broil Hi/Lo** and **Bake** pads, at the same time, until the display shows "SF". Tap the **Delay Start** pad until "12 shdn" or "no shdn" appears in the display. Choose "12 shdn", indicating that the oven will automatically turn off after 12 hours or "no shdn", indicating that the oven will not automatically turn off after 12 hours. Press **Start** twice when the option that you want is in the display "12 shdn" or "no shdn".

Set for Timed Baking

Immediate Start and Automatic Stop

Make sure the clock shows the correct time of day and both ovens are off. On the upper oven, touch and hold both the **Broil Hi/Lo** and **Bake** pads, at the same time, until the display shows "SF". **NOTE:** If "Bake" or "Broil" appears in the display, the **Broil Hi/Lo** and **Bake** pads were not touched at the same time. Touch the **upper oven Cancel/Off** pad and begin again. Tap the **Delay Start** pad until "SAbbAtH" appears in the display. Touch the **Start** pad twice and "J" will appear in the display. Touch the **lower oven Cook Time** pad. Touch the number pads to set the desired length of cooking time between 1 minute and 9 hours and 59 minutes. The cooking time that you entered will be displayed. Touch the **lower oven Start** pad. Touch the **lower oven Bake** pad. No signal will be given. Using the number pads, enter the desired temperature. No signal or temperature will be given. Touch the **lower oven Start** pad. After a random delay period of approximately 30 seconds to 1 minute, "J[" will appear in the display indicating that the oven is baking. To adjust the oven temperature, touch the **lower oven Bake** pad, enter the new temperature using the number pads and touch the **Start** pad. When cooking is finished, the display will change from "J[" to "J" and "0:00" will appear, indicating that the oven has turned OFF but is still set in Sabbath. Remove the cooked food.

Lower Oven Racks

Your lower oven has three rack positions.

Recommended rack positions for various types of foods are provided in the Cooking Guide. Adjusting rack position is one way to impact cooking results. For example, if you would prefer darker tops on cakes, muffins, or cookies, try moving food one rack position higher. If you find foods are too brown on top try moving them down next time.

When baking with multiple pans and on multiple racks, ensure there is at least 1½" between pans to allow sufficient space for air to flow.

Oven Racks

The lower oven has Extension racks and offset racks. To avoid possible burns, place the racks in the desired position before you turn the oven on.

Extension Racks

Extension racks have an install feature that locks into the rack supports (guides) on both sides. Once the install feature is locked into place, always pull the rack out, by its upper front rail, to its full extension stop position, when placing or removing cookware.

If extension racks are difficult to extend, lubricate the racks with the graphite lubricant provided with your oven. Remove the rack from the oven, remove debris in the slide tracks with a paper towel, shake the graphite lubricant and place 4 small drops on the two bottom tracks of the left and right sides. Open and close the rack several times to distribute the lubricant.

To order additional graphite lubricant, read the Assistance and Accessories section at the beginning of this manual.

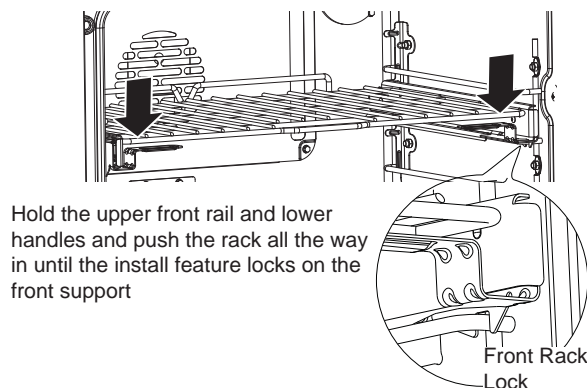
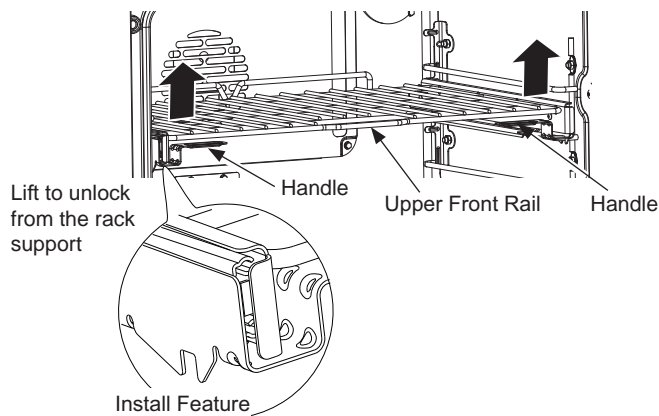
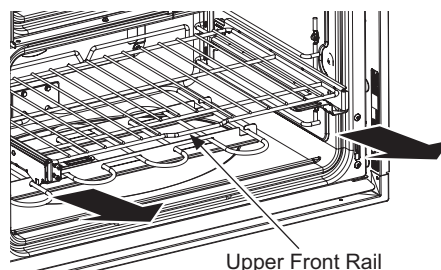
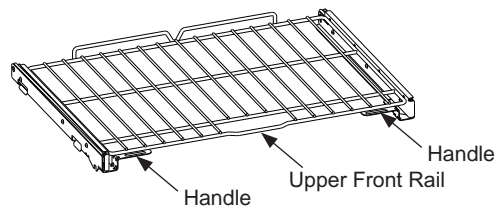
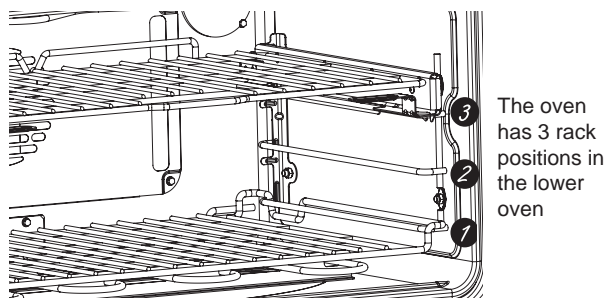
To Remove An Extension Rack:

1. Make sure the rack is pushed all the way into the oven.
2. Grasp the rack by both its upper front rail and its lower handles on two sides and lift straight up to unlock the rack from the rack supports.
3. Firmly holding onto both the upper front rail and lower handles on both sides, pull the rack forward. Grasp the rack on both sides if necessary. Then remove it from the oven.

To Replace An Extension Rack:

1. Place the rear portion of the rack onto the rack supports (guides) as shown in the picture.
2. Hold the upper front rail and lower handles and push the rack all the way in until the install feature locks into the front rack support.

If extension racks are difficult to replace or remove, wipe the oven rack supports with cooking oil. Do not wipe oil on the rack slides.



Lower Oven Racks (Cont.)

Offset Rack

The racks have stops so that when placed correctly on the supports they will stop before coming completely out and will not tilt. When placing and removing cookware, pull the rack out until it stops.

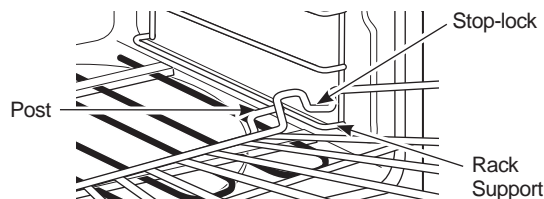
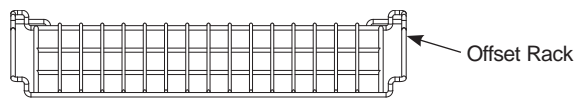
To Remove a Rack

Pull it toward you, tilt the front end up and pull it out.

To Replace a Rack

Tilt the front of the rack up, hook the rear locating posts under the rack supports, push the rack back (past the stoppers) and lower it into position. Push the rack all the way in.

If flat racks are difficult to slide and/or remove, place some cooking oil on a soft cloth or paper towel and rub onto the sides of the rack and each rack support.



Upper Oven Racks

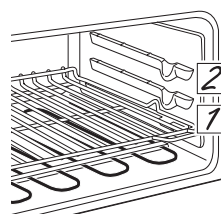
The upper oven uses flat racks. The upper rack, with two front handles, has stops, so that when placed correctly on the supports, it will stop before coming completely out, and will not tilt. **NOTE:** Use the rack with the two front handles in the upper oven. When placing and removing cookware, pull the rack out until it stops.

To Remove a Rack

Pull it toward you, tilt the front end up and pull it out.

To Replace a Rack

Place the end of the rack (stop-locks) on the support, tilt up the front and push the rack in.



The upper oven has 2 rack positions.

▲ CAUTION

Use caution when removing a rack from lowest position as door may be hot.

Aluminum Foil and Oven Liners

▲ CAUTION

Do not use any type of foil or oven liner to cover the oven bottom. These items can trap heat or melt, resulting in damage to the product and risk of shock, smoke or fire. Damage from improper use of these items is not covered by the product warranty.

Foil may be used to catch spills by placing a sheet on a lower rack, several inches below the food. Do not use more foil than necessary and never entirely cover an oven rack with aluminum foil. Keep foil at least 1-1/2" from oven walls to prevent poor heat circulation.

Cookware

Cookware Guidelines

The material, finish, and size of cookware affect baking performance.

Dark, coated and dull pans absorb heat more readily than light, shiny pans. Pans that absorb heat more readily can result in a browner, crisper, and thicker crust. If using dark and coated cookware check food earlier than minimum cook time. If undesirable results are obtained with this type of cookware consider reducing oven temperature by 25° F next time.

Shiny pans can produce more evenly cooked baked goods such as cakes and cookies.

Glass and ceramic pans heat slowly but retain heat well. These types of pans work well for dishes such as pies and custards.

Air insulated pans heat slowly and can reduce bottom browning.

Keep cookware clean to promote even heating.

Cooking Modes

Your new oven has a variety of cooking modes to help you get the best results. These modes are described below. Refer to the Cooking Guide section for recommendations for specific foods. Remember, your new oven may perform differently than the oven it is replacing.

Bake

The traditional bake mode is intended for single rack cooking. This mode uses heat primarily from the lower element but also from the upper element to cook food. To use this mode touch the **Bake** pad, enter a temperature, and then touch **Start**.

Broil Hi

The Traditional Broil Hi mode uses intense heat from the upper element to sear foods. Use Broil Hi for thinner cuts of meat and/or foods you prefer less done on the interior. To use this mode touch the **Broil Hi/Lo** pad once and then touch **Start**.

Broil Lo

The Traditional Broil Lo mode uses less intense heat from the upper element to cook food thoroughly while also producing surface browning. Use Broil Lo for thicker cuts of meat and/or foods that you would like cooked all the way through. To use this mode touch the **Broil Hi/Lo** pad **twice** and then touch **Start**.

Pizza

Touch the **Pizza** pad. Touch the number pads to select **1** for fresh or **2** for frozen pizza. Touch the number pads to set the baking temperature. Touch the **Start** pad.

Warm

The **Warm** feature keeps cooked foods hot. This feature is not designed to reheat cold food. To use the Warm feature, touch the **Warm** pad from upper oven or the **Warm/Proof** pad from lower oven once and then the **Start** pad. To use the Warm feature after Timed Baking or Roasting, follow these steps. Touch the mode of cooking that you want to use (**Bake, Convection Bake Multi, Convection Bake 1 Rack Or Convection Roast**). Touch the number pads to set the oven temperature. Touch the **Cook Time** pad. Touch the number pads to set the desired length of cooking time. Touch the **Warm** or the **Warm/Proof** pad once. Touch the **Start** pad. To crisp stale items place food in low-sided dishes or pans. For best results, place the food items in a single layer. Do not stack. Leave them uncovered. Check crispness after 20–30 minutes. Add time as needed.

Proof

Proof mode is designed for rising (fermenting and proofing) bread doughs. Cover dough well to prevent drying out. Bread will rise more rapidly than at room temperature. Touch the **Warm/Proof** pad twice. The display will read “PrF” (proof) and touch **Start** pad. You may set timer for minimum proof time, but it is not required. When proofing is finished, touch the **Cancel/Off** pad. The oven interior light turns on and remains on during proofing. **NOTE:** Proofing will not operate when oven is above 125°F. “HOT” will show in the display.

Convection Bake 1 Rack

The Convection Bake 1 Rack mode is intended for single rack cooking. This mode uses heat from the lower element and also the upper and rear elements, along with air movement from the convection fan to enhance evenness. Your oven is equipped with Auto Recipe Conversion feature, it automatically reduces the set regular baking temperature by the recommended 25°F. See Auto Recipe™ Conversion in the Special Features section. To use this mode touch the **Convection Bake (1 Rack/Multi)** and touch **1** for 1 Rack, enter a temperature, and then touch **Start**.

Convection Bake Multi Rack

The Convection Bake Multi Rack mode is intended for baking on multiple racks at the same time. This mode uses heat primarily from the rear element but also heat from the upper and lower elements, along with air movement from the convection fan to enhance cooking evenness. Your oven is equipped with Auto Recipe Conversion feature, it automatically reduces the set regular baking temperature by the recommended 25°F. See Auto Recipe™ Conversion in the Special Features section. Baking time might be slightly longer for multiple racks than what would be expected for a single rack. To use this mode touch the **Convection Bake (1 Rack/Multi)** and touch **2** for Multi Rack, enter a temperature, and then touch **Start**.

Cooking Modes (Cont.)

Convection Roast

The Convection Roast mode is intended for roasting whole cuts of meat on a single rack. This mode uses heat from the lower, upper, and rear elements along with air movement from the convection fan to improve browning and reduce cooking time. It is not necessary to convert temperature. Check food earlier than the recipe suggested time when using this mode or use a meat probe. To use this mode touch the **Convection Roast** pad, enter a temperature, and then touch **Start**.

Slow Cook Hi/Lo

Slow cook is designed for long hours of unattended cooking. Touch the **Slow Cook** pad once for Hi Slow Cook and twice for Lo Slow Cook. Touch the number pad to select the desired setting: **1** - for beef, **2** - for poultry, **3** - for pork, or **4** - for stews. Use **1** (beef) if you are unsure which setting to use. Touch the number pad to set the desired length of cooking time. For the Hi setting, the cook time must be between 3 and 8 hours. For Lo setting, the cook time must be between 3 and 12 hours. When the Slow Cook function has completed, the oven will go into the warm mode. Display will say "Cooking Complete Keeping Warm". **NOTE:** If a power outage occurs while the oven is in Slow Cook, the oven will shut off.

Timed Baking and Roasting

NOTE: Foods that spoil easily—such as milk, eggs, fish, stuffings, poultry and pork—should not be allowed to sit for more than 1 hour before or after cooking. Room temperature promotes the growth of harmful bacteria. Be sure that the oven light is off because heat from the bulb will speed harmful bacteria growth.

Set a Delayed Start and Automatic Stop

The oven will turn on at the time of day you set, cook for a specific length of time and then turn off automatically. Make sure the clock shows the correct time of day. Touch the **Bake** pad. Touch the number pads to set the desired oven temperature. Touch the **Cook Time** pad. **NOTE:** If your recipe requires preheating, you may need to add additional time to the length of the cooking time. Touch the number pads to set the desired length of cooking time. The minimum cooking time you can set is 1 minute. The oven temperature that you set and the cooking time that you entered will be in the display. Touch the **Delay Start** pad. Touch the number pads to set the time of day you want the oven to turn on and start cooking. Touch the **Start** pad. **NOTE:** An attention tone will sound if you are using timed baking and do not touch the **Start** pad. **NOTE:** If you would like to

check the times you have set, touch the **Delay Start** pad to check the start time you have set or touch the **Cook Time** pad to check the length of cooking time you have set. When the oven turns ON at the time of day you set, the display will show the cooking time countdown and the changing temperature starting at 100°F. (The temperature display will start to change once the oven temperature reaches 100°F.) When the oven reaches the temperature you set, beeps will sound. The oven will continue to cook for the set amount of time, then turn off automatically, unless the Warm feature was set. See the How to Set the Oven for Warming section. Touch the **Cancel/Off** pad to clear the display if necessary. Remove the food from the oven. Remember, even though the oven turns off automatically, food left in the oven will continue cooking after the oven turns off.

Probe

▲ WARNING Consuming undercooked food can result in foodborne illness. Use probe according to the following instructions to ensure all portions of the food reach minimum safe cooking temperatures. Recommendations for minimum safe food temperatures can be found at www.foodsafety.gov or www.IsItDoneYet.gov. Internal food temperature is frequently used as an indicator of doneness, especially for roasts and poultry. The Probe mode monitors the internal food temperature and turns the oven off when the internal food temperature reaches the programmed temperature. Always check the temperature at multiple locations in the food with a food thermometer after cooking to ensure that all portions of the food have reached the minimum safe internal temperature for that food.

Proper Probe Placement

After preparing the meat and placing it on the cooking pan follow these instructions for proper probe placement.

- Insert the probe into the food, so that the tip of the probe will rest in the center of the thickest part of the food. For best performance the probe should be fully inserted into the food. If the probe is not located properly, it may not accurately measure the temperature of the coolest portion of the food. Some foods, particularly small items, are not well suited for cooking with the probe due to their shape or size.
- The probe should not touch bone, fat or gristle.
- For whole poultry insert the probe into the thickest part of the breast.
- For boneless roasts, insert the probe into the center of the roast.
- For bone-in ham or lamb, insert the probe into the center of the lowest large muscle or joint.
- For casseroles or dishes such as meatloaf, insert the probe into the center of the dish.
- For fish, insert the probe from just above the gill into the meatiest area, parallel to the backbone.

Probe Care Guidelines

- Use of probes other than the one provided with this product may result in damage to the probe.
- Use the handles of the probe and plug when inserting and removing them from the meat and outlet
- To avoid damaging your probe, do not use tongs to pull on the cable when removing it.
- To avoid breaking the probe, make sure food is completely defrosted before inserting the probe.
- To prevent possible burns, do not unplug the probe from the outlet until the oven has cooled.
- Never leave the probe inside the oven during a self clean cycle.
- Do not store the probe in the oven.

Using the Probe – Lower Oven

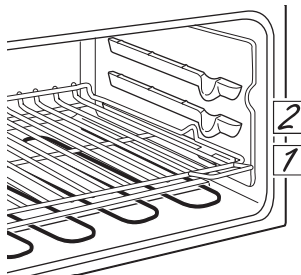
Plug the probe into the outlet in the lower oven. Make sure it's pushed all the way in. Insert the probe fully into the food. Close the oven door. **NOTE:** Make sure the probe cable is not touching the broil element. Touch the **Probe** pad. Display will show "Set Probe Temperature". Touch number pads to set the desired internal food or meat temperature. The maximum internal temperature for the food that you can set is 200°F. Select the cooking mode from the touch pad (Bake, Convection Bake, and Convection Roasting). Touch the number pads to set the desired oven temperature. Touch the **Start** pad. After the internal temperature of the food reaches 100°F, the changing internal temperature will be shown in the display.

When the internal temperature of the food reaches the number you have set, the probe and the oven turn off and the oven control signals. To stop the signal, touch the **Cancel/Off** pad. Use hot pads to remove the probe from the food. Do not use tongs to pull on it—they might damage it. If the probe is removed from the oven while probe cooking, the oven will not automatically turn off. To change the oven temperature during cooking, touch the selected cooking mode and then touch number pads to set the new temperature. You can use the kitchen timer even though you cannot use timed oven operations while using the probe.

Cooking Guide

Upper Oven

FOOD TYPE	RECOMMENDED MODE(S)	RECOMMENDED RACK POSITION(S)	ADDITIONAL SUGGESTIONS
Baked Goods			
Layer cakes, sheet cakes, muffins, baked on Single Rack	Bake	1 - Flat Rack	Use shiny cookware.
Cookies, biscuits, scones on a Single Rack	Bake	1 - Flat Rack	Use shiny cookware.
Beef & Pork			
Hamburgers	Broil Hi	1 - Flat Rack	Use a broil pan; move food down for more doneness/less searing. Watch food closely when broiling. For best performance center food below the broil heating element. Close the doors. Always broil with the doors closed.
Steaks & Chops	Broil Hi	1 - Flat Rack	Use a broil pan; move food down for more doneness/less searing. Watch food closely when broiling. For best performance center food below the broil heating element. Close the doors. Always broil with the doors closed.
Poultry			
Bone-in chicken breasts, legs, thighs	Broil Hi	1 - Flat Rack	Broil skin side down first. Watch food closely when broiling. For best performance when broiling, center food below the broil heating element. Close the doors. Always broil with the doors closed.
Boneless chicken breasts	Broil Hi	1 - Flat Rack	For best performance when broiling, center food below the broil heating element. Close the doors. Always broil with the doors closed.
Fish	Broil Lo	2 - Flat Rack	Watch food closely when broiling. For best performance center food below the broil heating element. Close the doors. Always broil with the doors closed.
Frozen Convenience Foods			
French fries, tator tots, chicken nuggets, appetizers on a Single Rack	Bake	1 - Flat Rack	Use shiny cookware.
Pizza			
Fresh	Bake	2 - Flat Rack	Use shiny cookware.
Frozen	Bake	1 - Flat Rack	Use shiny cookware.
Directly on Rack	Bake	2 - Flat Rack	



The upper oven has 2 rack positions.

NOTE: For improved broiling, the lower oven is recommended.

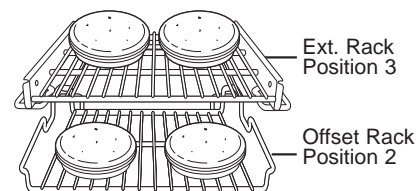
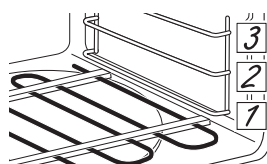
Cooking Guide (Cont.)

Lower Oven

FOOD TYPE	RECOMMENDED MODE(S)	RECOMMENDED RACK POSITION(S)	ADDITIONAL SUGGESTIONS
Baked Goods			
Layer cakes, sheet cakes, bundt cakes, muffins, quick breads on a Single Rack	Bake	2 - Ext. Rack	Use shiny cookware.
Layer cakes* on Multiple Racks	Bake Convection Bake	3 - Ext. Rack and 2 - Offset Rack	Ensure adequate airflow (see illustration below).
Chiffon cakes (angel food)	Bake	1 - Offset Rack	Use shiny cookware.
Cookies, biscuits, scones on a Single Rack	Bake Convection Bake	2	Use shiny cookware.
Cookies, biscuits, scones on Multiple Racks	Bake Convection Bake	3 - Ext. Rack and 2 - Offset Rack	Ensure adequate airflow.
Beef & Pork			
Hamburgers	Broil Hi	2 - Ext. Rack	Use a broil pan; move food down for more doneness/less searing. Watch food closely when broiling. For best performance center food below the broil heating element. Close the doors. Always broil with the doors closed.
Steaks & Chops	Broil Hi	2 - Ext. Rack	Use a broil pan; move food down for more doneness/less searing. Watch food closely when broiling. For best performance center food below the broil heating element. Close the doors. Always broil with the doors closed.
Roasts	Bake Convection Roast	2 - Offset Rack	Use a low sided pan such as a broil pan. Preheating is not necessary.
Poultry			
Whole chicken	Bake Convection Roast	2 - Offset Rack	Use a low sided pan such as a broil pan.
Bone-in chicken breasts, legs, thighs	Broil Hi	2 - Offset Rack	If breaded or coated in sauce avoid Broil Hi modes. Broil skin side down first. Watch food closely when broiling. For best performance when broiling, center food below the broil heating element. Close the doors. Always broil with the doors closed.
	Broil Lo Bake	2 - Offset Rack	
Boneless chicken breasts	Broil Lo Bake	2 - Offset Rack	Move food down for more doneness/less searing and up for greater searing/browning when broiling. For best performance when broiling, center food below the broil heating element. Close the doors. Always broil with the doors closed.
Whole turkey	Bake	1- Offset Rack	Use a low sided pan such as a broil pan.
Turkey Breast	Bake Convection Roast	2 - Offset Rack	Use a low sided pan such as a broil pan.
Fish	Broil Lo	3 (1/2 inch thick or less) 2 (>1/2 inch)	Watch food closely when broiling. For best performance center food below the broil heating element. Close the doors. Always broil with the doors closed.
Casseroles	Bake	2 - Ext. Rack	
Frozen Convenience Foods			
Pizza, french fries, tator tots, chicken nuggets, appetizers on a Single Rack	Bake	2 - Ext. Rack	Use shiny cookware.
Pizza, french fries, tator tots, chicken nuggets, appetizers on Multiple Racks	Convection Bake	3 - Ext. Rack and 2 - Offset Rack	Use shiny cookware.

*When baking four cake layers at the same time, place two layers on the ext. rack in position 3 and two layers on the offset rack in position 2. Place the pans as shown so that one pan is not directly above another.

Cook food thoroughly to help protect against food borne illness. Minimum safe food temperature recommendations for food safety can be found at www.IsItDoneYet.gov. Make sure to use a food thermometer to take food temperatures.



The oven has 3 rack positions and 2 rack styles, allowing for 6 rack setting combinations.

Cooking Guide (Cont.)

Slow Cook Guide - Lower Oven

FOOD TYPE	QUANTITY	RACK POSITION	FOOD SETTING	TIME (HOURS)	COMMENTS
Beef					
Chuck Roast	3 - 3 1/2 lbs.	1 - Offset Rack	1 - Beef	HI 5 - 6 hrs. LO 8 - 10 hrs.	Add 1/2 cup liquid.
Beef Ribs	3 1/2 - 4 lbs.	1 - Offset Rack	1 - Beef	HI 3 - 4 hrs. LO 6 - 8 hrs.	Place ribs in a single layer.
Poultry					
Whole Chicken	4 lbs.	1 - Offset Rack	2 - Poultry	HI 4 - 5 hrs. LO 7 - 9 hrs.	Add 1/2 cup liquid.
Chicken Pieces	8 pieces (approx. 3 lbs.)	2 - Ext. Rack	2 - Poultry	HI 3 - 4 hrs. LO 5 - 6 hrs.	Best submerged under a sauce to prevent surface drying.
Pork					
Boneless Blade Roast	3 - 4 lbs.	1 - Offset Rack	3 - Pork	HI 5 - 6 hrs. LO 8 - 10 hrs.	Add 1/2-1 cup liquid.
Country Style Pork Ribs	3 1/2 - 4 lbs.	1 - Offset Rack	3 - Pork	HI 3 - 4 hrs. LO 6 - 8 hrs.	Place ribs in a single layer.
Pork Chops	4 - 8 lbs.	1 - Offset Rack	3 - Pork	HI 3 - 4 hrs. LO 6 - 8 hrs.	Place chops in a single layer.
Soup					
Vegetable Beef Soup	4 quarts	1 - Offset Rack	4 - Stew	HI 4 - 5 hrs. LO 8 - 10 hrs.	Make sure beef chunks are submerged.
Chili	4 quarts	1 - Offset Rack	4 - Stew	HI 3 - 4 hrs. LO 6 - 8 hrs.	Submerge beans to prevent surface drying.

Slow Cook Tips

- The slow cook program uses a complex series of temperature cycling to obtain the best results. For this reason, it is recommended that the slow cook program be allowed to run without canceling or restarting. Restarting the slow cook feature while it is in progress may result in overcooked meat.
- For juicy and tender meat, choose cuts of meat such as chuck roast or a boneless blade roast. Leaner cuts of meat, such as top round, are drier and may need additional liquid.
- Use only glass and ceramic dishes. Metal pots and pans tend to transfer the heat into the foods too quickly.
- Match the quantity of food to the size pan. Fill the pan about 3/4 full for best results. Too large a pot allows the steam to escape, causing foods to dry out.
- Always cover the pot with a lid or aluminum foil.
- A wide range of recipes may be used in the slow cook feature. For best results some adjustments may need to be made. For smaller sized recipes, begin checking at minimum time. For large recipes or when doubling recipes, foods may be cooked for longer periods of time.
- When the slow cook feature completes, the oven will automatically switch to “warm” mode. If additional slow cook time is desired, this warm mode may be used to obtain the extra time.

Oven

Be sure electrical power is off and all surfaces are cool before cleaning any part of the oven.

Control Panel

If desired, the touch pads may be deactivated before cleaning. See the Lock Controls information in the Oven Controls section of this manual. Clean up splatters with a

damp cloth. You may also use a glass cleaner. Remove heavier soil with warm soapy water. Do not use abrasives of any kind. Reactivate the touch pads after cleaning.

Stainless Steel Surfaces

Do not use a steel wool pad; it will scratch the surface. To clean the stainless steel surface, use warm sudsy water or a stainless steel cleaner or polish. Always wipe

the surface in the direction of the grain. Follow the cleaner instructions for cleaning the stainless steel surface.

Oven Exterior

Use soap and water to thoroughly clean the top, sides and front of the oven door. Rinse well. You may also use a glass cleaner to clean the glass on the outside of the door. Do not let water drip into the vent openings. Spillage of marinades, fruit juices, tomato sauces

and basting materials containing acids may cause discoloration and should be wiped up immediately. When surface is cool, clean and rinse. Do not use oven cleaners, cleaning powders or harsh abrasives on the outside of the door.

Oven Interior

The interior of your new oven can be cleaned manually or by using the Self Clean mode. Spillage of marinades, fruit juices, tomato sauces and basting liquids containing acids may cause discoloration and should be wiped up immediately. Let hot surfaces cool, then clean and rinse.

Manual Cleaning

Do not use oven cleaners, abrasive cleaners, strong liquid cleansers, steel wool, scouring pads, or cleaning powders on the interior of the oven. Clean with a mild soap and water or vinegar and water solution. Rinse with clean water and dry with a soft cloth. When cleaning surfaces, make sure that they are at room temperature.

Self Clean Mode

Self clean uses very high temperatures to clean the oven interior. The oven door will lock when using this feature. Before operating the self-clean cycle, wipe up grease and soils from the oven. Remove all items from the oven other than enameled (dark color) racks. Shiny or silver racks and any cookware or other items should all be removed from the oven before initiating a self-clean cycle. Close the door. Touch the **Self Clean Hi/Lo** pad once for a 5-hour clean time or twice for a 3-hour clean

time. A 3-hour self-clean time is recommended for use when cleaning small, contained spills. A self clean time of 5 hours is recommended for a dirtier oven. If a time other than 5 hours or 3 hours is needed, use the number pads and enter the desired clean time. Touch the **Start** pad. The upper and lower oven doors lock automatically. The display will show the clean time remaining. It will not be possible to open the oven doors until the temperature drops below the lock temperature and "LOCKED" goes off in the control display. To stop a clean cycle, touch the **Cancel/Off** pad.

You can set a clean cycle in both ovens at the same time; however, they will not self-clean at the same time. The last oven set will automatically delay its start until the end of the first oven's clean cycle. When either oven is set to self-clean, both oven doors will lock. The ovens cannot be used when one of the ovens is set to self-clean.

IMPORTANT: The health of some birds is extremely sensitive to the fumes given off during the self-cleaning cycle of any range. Move birds to another well-ventilated room.

Delay the Start of Cleaning

Touch the **Self Clean Hi/Lo** pad once for a 5-hour clean time or twice for a 3-hour clean time. A 3-hour self-clean time is recommended for use when cleaning small, contained spills. A self-clean time of 5 hours is recommended for a dirtier oven. If a time other than 5 hours or 3 hours is needed, use the number pads and enter the desired clean time. You can change the clean time to any time between 3 hours and 5 hours, depending on how dirty your oven is. Touch the **Delay**

Start pad. Using the number pads, enter the time of day you want the clean cycle to start. Touch the **Start** pad. The upper and lower oven doors lock automatically. The display will show the start time. It will not be possible to open the oven doors until the temperature drops below the lock temperature and "Locked" goes off in the control display. When "Locked" goes off, you will be able to open the doors.

Oven Racks

Extension Racks

The racks that were provided with your oven (dark enameled racks, not shiny) may remain in the oven during the self-cleaning cycle without being damaged.

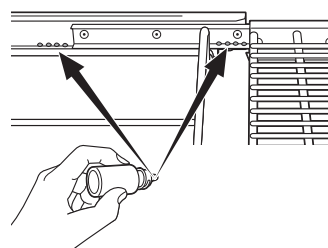
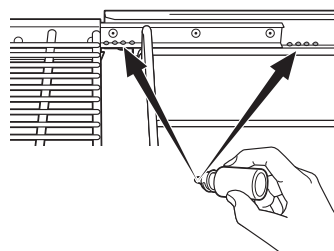
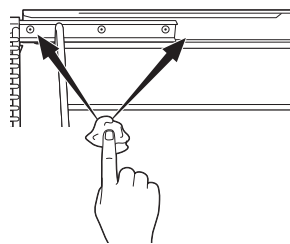
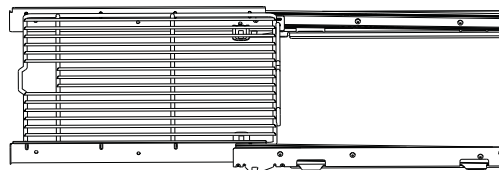
To manually clean racks, use warm, soapy water. Make sure not to wash the rack slides on an extension rack.

If racks become more difficult to remove from the oven, put some vegetable oil on a soft cloth or paper towel and rub onto the oven rack supports. Do not wipe the oil on an extension rack slide.

Periodically, after several self-clean cycles, the extension rack slides may need to be lubricated using the graphite lubricant shipped with your wall oven. To order additional graphite lubricant read the Assistance and Accessories sections at the beginning of this manual.

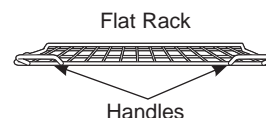
1. Remove extension rack from the oven. See the Extension Oven Racks section.
2. Fully extend the rack on a table or countertop. Newspaper may be placed underneath the rack for easy clean up.
3. If there is debris in the slide tracks, wipe it away using a paper towel. **NOTE:** Any graphite lubricant wiped away must be replaced.
4. Shake the graphite lubricant before opening it. Starting with left slide mechanism of the rack, place four (4) small drops of lubricant on the two (2) bottom tracks of the slide close to the bearing carriers.
5. Repeat for the right slide mechanism of the rack.
6. Open and close the rack several times to distribute the lubricant.
7. Replace the cap on the lubricant and shake it again. Turn the rack over and repeat steps 3, 4, 5 and 6.
8. Close the rack, turn rack right-side-up and place in the oven. See the Extension Oven Racks section.
9. Repeat above steps for each rack.

NOTE: Do not spray with cooking spray or other lubricant sprays.



Flat and Offset Racks

Racks may be cleaned by hand with an abrasive cleaner or steel wool. After cleaning, rinse the racks with clean water and dry with a clean cloth. Gray porcelain-coated oven racks may remain in the oven during the self-cleaning cycle without being damaged. It will be necessary to grease all oven rack side edges with a light coating of vegetable oil after cleaning them by hand or in the oven. This will help maintain the ease of sliding the racks in and out of the oven.



Use the rack with the two front handles in the upper oven.



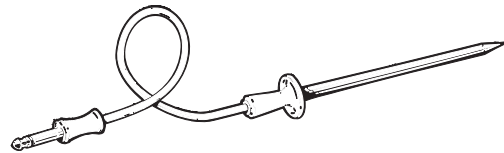
Use the rack without the two front handles in the lower oven.

Probe

The temperature probe may be cleaned with soap and water or a soap-filled scouring pad. Cool the temperature probe before cleaning. Scour stubborn spots with a soap-filled scouring pad, rinse and dry.

To order additional temperature probes read the Assistance and Accessories sections at the beginning of this manual.

- Do not immerse the temperature probe in water.
- Do not store the temperature probe in the oven.
- Do not leave the temperature probe inside the oven during a self clean cycle.



Oven Light

⚠ WARNING SHOCK OR BURN HAZARD: Before replacing oven light bulb, disconnect the electrical power to the oven at the main fuse or circuit breaker panel. Failure to do so may result in electric shock or burn.

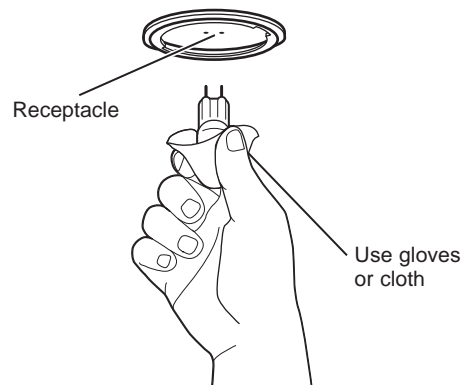
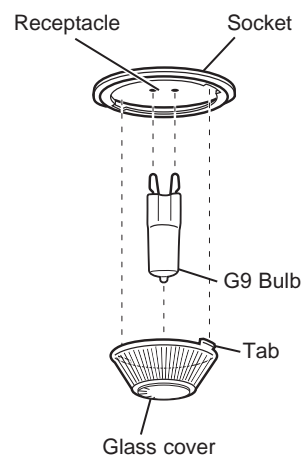
⚠ CAUTION BURN HAZARD: The glass cover and bulb should be removed when cool. Touching hot glass with bare hands or a damp cloth can cause burns.

To remove:

1. Turn the glass cover counterclockwise 1/4 turn until the tabs of the glass cover clear the grooves of the socket. Wearing latex gloves may offer a better grip.
2. Using gloves or a dry cloth, remove the bulb by pulling it straight out.

To replace:

1. Use a new 120/130-volt halogen bulb, not to exceed 50 watts. Replace the bulb with the same type of bulb that was removed. Be sure the replacement bulb is rated 120 volts or 130 volts (NOT 12 volts).
2. Using gloves or a dry cloth, remove the bulb from its packaging. Do not touch the bulb with bare fingers. Oil from skin will damage the bulb and shorten its life.
3. Push the bulb straight into the receptacle all the way.
4. Place the tabs of the glass cover into the grooves of the socket. Turn the glass cover clockwise 1/4 turn. For improved lighting inside the oven, clean the glass cover frequently using a wet cloth. This should be done when the oven is completely cool.
5. Reconnect electrical power to the oven.



Oven Door

Upper Oven Door

The upper door contains many of the electronics and controls for the oven. It is recommended that the upper door be removed only by a trained service technician.

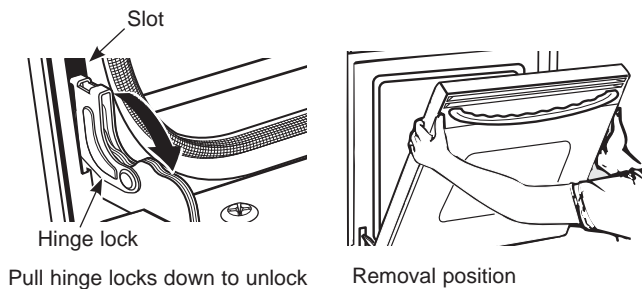
Lower Oven Door

The lower door is very heavy. Be careful when removing and lifting the door.

Do not lift the door by the handle.

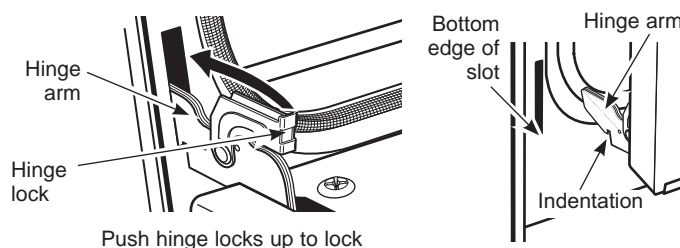
To remove the door:

1. Fully open the door.
2. Pull the hinge locks down toward the door frame, to the unlocked position. A tool, such as a small flat-blade screwdriver, may be required.
3. Firmly grasp both sides of the door at the top.
4. Close door to the door removal position. The door should be open approximately 3" with no obstruction above the door.
5. Lift door up and out until both hinge arms are clear of the slots.



To replace the door:

1. Firmly grasp both sides of the door at the top.
2. Starting on the left side, with the door at the same angle as the removal position, seat the indentation of the hinge arm into the bottom edge of the hinge slot. The notch in the hinge arm must be fully seated into the bottom of the slot. Repeat for right side.
3. Fully open the door. If the door will not fully open, the indentation is not seated correctly in the bottom edge of the slot.
4. Push the hinge locks up against the front frame of the oven cavity, to the locked position.
5. Close the oven door.



Troubleshooting tips ... Before you call for service

Save time and money! Review the charts on the following pages first and you may not need to call for service.

Problem	Possible Cause	What To Do
My new oven doesn't cook like my old one. Is something wrong with the temperature settings?	Your new oven has a different cooking system from your old oven and therefore may cook differently than your old oven.	For the first few uses, follow your recipe times and temperatures carefully. If you still think your new oven is too hot or too cold, you can adjust the temperature yourself to meet your specific cooking preference. See the Special Features Section to adjust the oven temperature. NOTE: This adjustment affects Traditional Bake, Convection Bake and Convection Bake Multi temperatures; it will not affect Convection Roast or Traditional Broil.
Food does not bake properly	Oven controls improperly set.	See the Cooking Modes section.
	Rack position is incorrect or rack is not level.	See the Cooking Modes section and Cooking Guide.
	Incorrect cookware or cookware of improper size being used.	See the Cookware section.
	Oven temperature needs adjustment.	See the Special Features section.
	Ingredient substitution	Substituting ingredients can change the recipe outcome.
Food does not broil properly	Ensure door is closed during broiling.	Always broil with the doors closed.
	Oven controls improperly set.	Make sure you select the appropriate broil mode.
	Improper rack position being used.	See the Cooking Guide for rack location suggestions.
	Food being cooked in a hot pan.	Make sure cookware is cool
	Cookware not suited for broiling.	Use a pan specifically designed for broiling
	Aluminum foil used on the broiling pan and grid has not been fitted properly and slit as recommended.	If using aluminum foil conform to pan slits.
	In some areas the power (voltage) may be low.	Preheat the broil element for 10 minutes.
Oven temperature too hot or too cold	Oven temperature needs adjustment.	See the Special Features section.
Oven does not work or appears not to work	A fuse in your home may be blown or the circuit breaker tripped.	Replace the fuse or reset the circuit breaker.
	Oven controls improperly set.	See the Using the Oven section.
	Oven is in Sabbath Mode	Verify, that the oven is not in Sabbath Mode. See the Special Features section.
"Crackling" or "popping" sound	This is the sound of the metal heating and cooling during both the cooking and cleaning functions.	This is normal.
Why is my range making a "clicking" noise when using my oven?	Your range has been designed to maintain a tighter control over your oven's temperature. You may hear your oven's heating elements "click" on and off more frequently than in older ovens to achieve better results during baking, broiling, convection, and self-clean cycles.	This is normal.
Clock and timer do not work	A fuse in your home may be blown or the circuit breaker tripped.	Replace the fuse or reset the circuit breaker.

Troubleshooting tips ... Before you call for service

Problem	Possible Cause	What To Do
Oven light does not work	Light bulb is loose or defective.	Tighten or replace bulb.
	Pad operating light is broken.	Call for service.
Oven will not self-clean	The temperature is too high to set a self-clean operation.	Allow the oven to cool and reset the controls.
	Oven controls improperly set.	See the Cleaning the Oven section.
Excessive smoking during clean cycle	Excessive soil or grease.	Touch the Cancel/Off pad. Open the windows to rid the room of smoke. Wait until the "LOCKED" goes off. Wipe up the excess soil and reset the clean cycle.
Excessive smoking during broiling	Food too close to burner element.	Lower the rack position of the food.
Oven door will not open after a clean cycle	Oven too hot.	Allow the oven to cool below locking temperature.
Oven not clean after a clean cycle	Oven controls improperly set.	See the Cleaning the Oven section.
	Oven was heavily soiled.	Clean up heavy spillovers before starting the clean cycle. Heavily soiled ovens may need to self-clean again or for a longer period of time.
"LOCKED" flashes in the display to cook	The self-clean cycle has been selected but the door is not closed.	Close the oven door. Wait for oven door to finish locking.
	"LOCKED" will flash while the oven door is locking to start self-clean.	This is normal.
"LOCKED" is on when you want to cook	The oven door is locked because the temperature inside the oven has not dropped below the locking temperature.	Touch the Cancel/Off pad. Allow the oven to cool.
"LOCKED" appears in the oven display	The controls have been locked.	See the Control Lock section to unlock
"F— and a number or letter" flash in the display	You have a function error code.	Touch the Cancel/Off pad. Allow the oven to cool for one hour. Put the oven back into operation.
	If the function code repeats.	Disconnect all power to the oven for at least 30 seconds and then reconnect power. If the function error code repeats, call for service.
Display goes blank	A fuse in your home may be blown or the circuit breaker tripped.	Replace the fuse or reset the circuit breaker.
	The clock is turned off.	See the Special Features section.
	Oven is in Sabbath Mode.	Verify that the oven is not in Sabbath Mode. See the Special Features section.
Power outage, clock flashes	Power outage or surge	Reset the clock. If the oven was in use, you must reset it by touching the Cancel/Off pad, setting the clock and resetting any cooking function.
"Burning" or "oily" odor emitting from the vent	This is normal in a new oven and will disappear in time.	To speed the process, set a self-clean cycle for a minimum of 3 hours. See the Cleaning the Oven section.
Strong odor	An odor from the insulation around the inside of the oven is normal for the first few times the oven is used.	This is temporary and will go away after several uses or a self-clean cycle.
Fan noise	A cooling fan may automatically turn on.	This is normal. The cooling fan will turn on to cool internal parts. It may run for up to 1-1/2 hours after the oven is turned off.
My oven door glass appears to be "tinted" or have a "rainbow" color. Is this defective?	No. The inner oven glass is coated with a heat barrier to reflect the heat back into the oven to prevent heat loss and keep the outer door cool while baking.	This is normal. Under certain light or angles, you may see this tint or rainbow color.

Troubleshooting tips ... Before you call for service

Problem	Possible Cause	What To Do
Sometimes the oven takes longer to preheat to the same temperature	Cookware or food in oven	The cookware or food in the oven will cause the oven to take longer to preheat. Remove items to reduce preheat time.
	Number of racks in oven	Adding more racks to the oven will cause the oven to take longer to preheat. Remove some racks.
	Different cooking modes	The different cooking modes use different preheat methods to heat the oven for the specific cooking mode. Some modes will take longer than others (i.e. convection bake multi).
Display flashes	Power failure.	Reset the clock.
“Probe” appears in the display	This is reminding you to enter a probe temperature after plugging in the probe.	Enter a probe temperature
Steam from the vent	When using the ovens, it is normal to see steam coming out of the oven vents. As the number of racks or amount of food being cooked increases, the amount of visible steam will increase.	This is normal.
Oven racks are difficult to slide	The racks were cleaned in a self-clean cycle.	Apply a small amount of vegetable oil to a paper towel and wipe the edges of the oven racks with the paper towel. Do not spray with Pam® or other lubricant sprays. NOTE: Do not use vegetable oil on extension rack. Lubricate extension rack with graphite lubricant according to the extension rack cleaning instructions.

Notes

GE Appliances Built-In Oven Warranty

GEAppliances.com

All warranty service is provided by our Factory Service Centers, or an authorized Customer Care® technician. To schedule service online, visit us at www.geappliances.com/service_and_support/, or call GE Appliances at 800.GE.CARES (800.432.2737). Please have your serial number and your model number available when calling for service.

Servicing your appliance may require the use of the onboard data port for diagnostics. This gives a GE Appliances factory service technician the ability to quickly diagnose any issues with your appliance and helps GE Appliances improve its products by providing GE Appliances with information on your appliance. If you do not want your appliance data to be sent to GE Appliances, please advise your technician not to submit the data to GE Appliances at the time of service.

For the period of	GE Appliances will replace
One year From the date of the original purchase	Any part of the range which fails due to a defect in materials or workmanship. During this limited one-year warranty , GE Appliances will provide, free of charge , all labor and in-home service to replace the defective part.

What GE Appliances will not cover:

- Service trips to your home to teach you how to use the product.
- Improper installation, delivery or maintenance.
- Failure of the product if it is abused, misused, modified or used for other than the intended purpose or used commercially.
- Replacement of house fuses or resetting of circuit breakers.
- Damage to the product caused by accident, fire, floods or acts of God.
- Incidental or consequential damage caused by possible defects with this appliance.
- Damage caused after delivery.
- Product not accessible to provide required service.
- Service to repair or replace light bulbs, except for LED lamps.

EXCLUSION OF IMPLIED WARRANTIES

Your sole and exclusive remedy is product repair as provided in this Limited Warranty. Any implied warranties, including the implied warranties of merchantability or fitness for a particular purpose, are limited to one year or the shortest period allowed by law.

This warranty is extended to the original purchaser and any succeeding owner for products purchased for home use within the USA. If the product is located in an area where service by a GE Appliances Authorized Servicer is not available, you may be responsible for a trip charge or you may be required to bring the product to an Authorized GE Appliances Service location for service. In Alaska, the warranty excludes the cost of shipping or service calls to your home. Some states do not allow the exclusion or limitation of incidental or consequential damages. This warranty gives you specific legal rights, and you may also have other rights which vary from state to state. To know what your legal rights are, consult your local or state consumer affairs office or your state's Attorney General.

Warrantor: GE Appliances

Extended Warranties: Purchase a GE Appliances extended warranty and learn about special discounts that are available while your warranty is still in effect. You can purchase it online anytime at

www.geappliances.com/service_and_support/shop-for-extended-service-plans.htm

or call 800.626.2224 during normal business hours. GE Appliances Service will still be there after your warranty expires.

Staple your receipt here. Proof of the original purchase date is needed to obtain service under the warranty.

Accessories

Looking For Something More?

GE Appliances offers a variety of accessories to improve your cooking and maintenance experiences!

Refer to the Consumer Support page for phone numbers and website information.

The following products and more are available:

Accessories

Small Broiler Pan (8 ¾" x 1 ¼" x 13 ½")

Large Broiler Pan (12 ¾" x 1 ¼" x 16 ½")

XL Broiler Pan (17" x 1 ¼" x 19 1/4")

Parts

Oven racks

Oven elements

Light bulbs

Probe

Cleaning Supplies

CitruShine™ Stainless Steel Wipes

CeramaBryte Stainless Steel Appliance Cleaner

Graphite Lubricant

Consumer Support

GE Appliances Website

Have a question or need assistance with your appliance? Try the GE Appliances Website 24 hours a day, any day of the year! You can also shop for more great GE Appliances products and take advantage of all our on-line support services designed for your convenience. In the US: GEAppliances.com

Register Your Appliance

Register your new appliance on-line at your convenience! Timely product registration will allow for enhanced communication and prompt service under the terms of your warranty, should the need arise. You may also mail in the pre-printed registration card included in the packing material. In the US: GEAppliances.com/register

Schedule Service

Expert GE Appliances repair service is only one step away from your door. Get on-line and schedule your service at your convenience any day of the year. In the US: GEAppliances.com/ge/service-and-support/service.htm or call 800.432.2737 during normal business hours.

Extended Warranties

Purchase a GE Appliances extended warranty and learn about special discounts that are available while your warranty is still in effect. You can purchase it on-line anytime. GE Appliances Services will still be there after your warranty expires. In the US: GEAppliances.com/ge/service-and-support/shop-for-extended-service-plans.htm or call 800.626.2224 during normal business hours.

Remote Connectivity

For assistance with wireless network connectivity (for models with remote enable), visit our website at GEAppliances.com/ge/connected-appliances/ or call 800.220.6899 in the US.

Parts and Accessories

Individuals qualified to service their own appliances can have parts or accessories sent directly to their homes (VISA, MasterCard and Discover cards are accepted). Order on-line today 24 hours every day. In the US: GEApplianceparts.com or by phone at 877.959.8688 during normal business hours.

Instructions contained in this manual cover procedures to be performed by any user. Other servicing generally should be referred to qualified service personnel. Caution must be exercised, since improper servicing may cause unsafe operation.

Contact Us

If you are not satisfied with the service you receive from GE Appliances, contact us on our Website with all the details including your phone number, or write to:

In the US: General Manager, Customer Relations | GE Appliances, Appliance Park | Louisville, KY 40225
GEAppliances.com/ge/service-and-support/contact.htm



DOBLE Y FLEXIBLE

a convección autolimpieza eléctrica

INFORMACIÓN DE SEGURIDAD ... 3

USO DEL HORNO

Controles del Horno..... 6

Funciones especiales..... 8

Modo Sabático 9

Estantes del Horno Inferior.....10

Estantes del Horno Superior 11

Papel de Aluminio y Cobertores del Horno.... 11

Utensilios..... 11

Modos de Cocción12

Hornear y Dorar por Tiempo13

Sonda.....14

Guía de Cocción.....15

CUIDADO Y LIMPIEZA

Horno.....18

Estantes del Horno.....19

Sonda..... 20

Luz del Horno 20

Puerta del Horno21

CONSEJOS PARA LA SOLUCIÓN DE PROBLEMAS 22

GARANTÍA..... 26

ACCESORIOS..... 27

SOPORTE PARA EL CONSUMIDOR 28

MANUAL DEL PROPIETARIO

PT9200

Escriba los números de modelo y serie aquí:

Nº de Modelo _____

Nº de Serie _____

Puede encontrar esta información en una etiqueta en la parte delantera del horno inferior, detrás de la puerta del horno.

GRACIAS POR HACER QUE GE APPLIANCES SEA PARTE DE SU HOGAR.

Ya sea que haya crecido usando GE Appliances, o que ésta es su primera vez, nos complace tenerlo en la familia.

Sentimos orgullo por el nivel de arte, innovación y diseño de cada uno de los electrodomésticos de GE Appliances, y creemos que usted también. Entre otras cosas, el registro de su electrodoméstico asegura que podamos entregarle información importante del producto y detalles de la garantía cuando los necesite.

Registre su electrodoméstico GE ahora a través de Internet. Sitios Web y números telefónicos útiles están disponibles en la sección de Soporte para el Consumidor de este Manual del Propietario.

También puede enviar una carta en la tarjeta de inscripción preimpresa que se incluye con el material embalado.



GE APPLIANCES

INFORMACIÓN IMPORTANTE DE SEGURIDAD

LEA TODAS LAS INSTRUCCIONES ANTES DE USAR ESTE ELECTRODOMÉSTICO

⚠ADVERTENCIA Lea todas las instrucciones de seguridad antes de utilizar este producto. No seguir estas instrucciones puede generar un incendio, una descarga eléctrica, lesiones corporales o la muerte.

⚠ADVERTENCIA INSTRUCCIONES GENERALES DE SEGURIDAD

- Use este electrodoméstico sólo para su propósito original, como se describe en el Manual del Propietario.
- Solicite que un instalador calificado instale su electrodoméstico y que esté adecuadamente conectado a tierra, de acuerdo con las instrucciones de instalación provistas.
- No intente reparar o reemplazar ninguna parte del horno, a menos que se recomiende específicamente en este manual. Cualquier otra reparación deberá ser realizada por un técnico calificado.
- Antes de realizar cualquier servicio técnico, desconecte el suministro de corriente desde el panel de distribución del hogar, retirando el fusible o desconectando el disyuntor.
- No deje a los niños solos – no se deberá dejar a los niños solos o fuera de su radio de atención en el área donde el electrodoméstico se encuentre en uso. Nunca se les deberá permitir trepar, sentarse o pararse sobre ninguna parte del electrodoméstico.
- **⚠PRECAUCIÓN** No coloque artículos de interés para los niños sobre los gabinetes que están sobre un horno – si los niños se trepan sobre el horno para llegar a estos artículos podrían sufrir lesiones graves.
- Use sólo mangos de ollas secas – los mangos húmedos sobre superficies calientes pueden producir quemaduras debido al vapor. No deje que los mangos de las ollas toquen los elementos que están calientes. No use una toalla u otra tela voluminosa para reemplazar el mango de las cacerolas.
- Nunca use el electrodoméstico para calentar o calefaccionar la habitación.
- No toque el elemento calentador ni la superficie interior del horno. Es posible que estas superficies estén demasiado calientes como para quemar, aunque su color sea oscuro. Durante y después del uso, no toque ni permita que telas u otros materiales inflamables toquen cualquier área interior del horno; espere a que haya pasado un tiempo suficiente para que se enfríen. Otras superficies del electrodoméstico se podrán calentar lo suficiente como para ocasionar lesiones. Las superficies potencialmente calientes incluyen la abertura de la ventilación del horno, superficies cercanas a la abertura y grietas alrededor de la puerta del horno.
- No caliente envases de comida que no hayan sido abiertos. Se podría acumular presión y el envase podría explotar, ocasionando una lesión.
- No use ningún tipo de aluminio o cobertor para cubrir el fondo del horno o cualquier parte del horno, excepto como se describe en este manual. Los cobertores de horno pueden atrapar el calor o derretirse, ocasionando daños sobre el producto y el riesgo de descargas, humo o incendios.
- Evite las ralladuras o impactos sobre las puertas de vidrio o los paneles de control. Hacer esto podrá producir la rotura de vidrios. No cocine un producto con un vidrio roto. Es posible que se produzcan descargas, incendios o cortes.
- Cocine carnes y carnes de ave en forma completa – la carne por lo menos a una temperatura interna de 160° F y la carne de ave por lo menos a una temperatura interna de 180° F. Normalmente la cocción a estas temperaturas es una protección contra las enfermedades transmitidas por la comida.

⚠ADVERTENCIA MANTENGA LOS MATERIALES INFLAMABLES ALEJADOS DE LA COCINA Si esto no se cumple, se podrán sufrir lesiones personales graves o incendios.

- No guarde ni use materiales inflamables en o cerca de un horno, incluyendo papel, plástico, mangos de ollas, trapos, cobertores de pared, cortinas, paños y gasolina u otros vapores y líquidos inflamables.
- Nunca use prendas holgadas o que cuelguen mientras usa el electrodoméstico. Estas prendas se podrán incendiar si entran en contacto con superficies calientes, ocasionando quemaduras graves.
- No permita que la grasa de la cocción u otros materiales inflamables se acumulen en o cerca del horno. La grasa que está en o cerca del horno se podrá incendiar.

LEA Y GUARDE ESTAS INSTRUCCIONES

INFORMACIÓN IMPORTANTE DE SEGURIDAD

LEA TODAS LAS INSTRUCCIONES ANTES DE USAR ESTE ELECTRODOMÉSTICO

▲ADVERTENCIA EN CASO DE INCENDIO, SIGA LOS SIGUIENTES PASOS PARA EVITAR LESIONES O LA PROPAGACIÓN DEL FUEGO

- No use agua sobre el fuego de la grasa. Nunca tome una olla que se esté incendiando.
- Si hay un incendio en el horno durante el horneado, ahogue el fuego cerrando la puerta del horno y apagando el mismo o usando un químico seco multipropósito o un extintor de incendio con espuma.
- En caso de que haya fuego en el horno durante el ciclo de limpieza automática, apague el horno y espere a que el fuego se extinga. No fuerce la puerta para abrirla. La entrada de aire fresco sobre las temperaturas de la limpieza automática podrá conducir a la producción de llamas en el horno.

▲ADVERTENCIA INSTRUCCIONES DE SEGURIDAD DEL HORNO

- Manténgase alejado del horno al abrir la puerta del mismo. El aire caliente o el vapor que sale puede causar quemaduras en las manos, rostro y/u ojos.
- Mantenga desobstruida la ventilación del horno.
- Mantenga el horno libre de acumulación de grasa. La grasa del horno se puede incendiar.
- Coloque los estantes del horno en la ubicación deseada mientras éste se encuentra frío. Si es necesario mover el estante mientras el horno está caliente, evite que el mango de la olla tenga contacto con el elemento calentador en el horno.
- Al usar las bolsas para cocinar o dorar en el horno, siga las instrucciones del fabricante.
- Es conveniente empujar hacia afuera los estantes estándares hasta el tope o empujar el estante extensible hasta la posición completamente abierta para levantar comidas pesadas. Esto también es una precaución contra quemaduras por tocar superficies calientes de la puerta o las paredes del horno.
- No deje productos tales como papel, utensilios de cocina ni comida en el horno cuando éste no se encuentre en uso. Los artículos guardados en el horno se pueden incendiar.
- Nunca coloque los utensilios de cocina, piedras para pizza u horneado o cualquier otro tipo de aluminio o cobertor en la base del horno. Estos ítems pueden atrapar el calor o derretirse, ocasionando daños sobre el producto y el riesgo de descargas, humo o incendios.

▲ADVERTENCIA INSTRUCCIONES DE SEGURIDAD DEL HORNO CON LIMPIEZA AUTOMÁTICA

La función de limpieza automática usa el horno en temperaturas lo suficientemente altas como para consumir la suciedad de comida que haya dentro del horno. Para un funcionamiento seguro, siga estas instrucciones.

- No toque las superficies del horno durante el ciclo de limpieza automática. Mantenga a los niños alejados del horno durante la limpieza automática. Si no se siguen estas instrucciones, se podrán producir quemaduras.
- Antes de usar el ciclo de limpieza automática del horno, retire los estantes de color gris brillante (en algunos modelos), la sonda, cualquier papel de aluminio, y cualquier bandeja para asar, rejilla, u otros utensilios. Sólo se pueden dejar dentro del horno los estantes para horno cubiertos de porcelana.
- Antes de utilizar el ciclo de limpieza automática, limpie la grasa y restos de comida que haya en el horno. Una cantidad excesiva de grasa se puede incendiar, lo cual puede producir daños con humo en su hogar.

LEA Y GUARDE ESTAS INSTRUCCIONES

INFORMACIÓN IMPORTANTE DE SEGURIDAD

LEA TODAS LAS INSTRUCCIONES ANTES DE USAR ESTE ELECTRODOMÉSTICO

▲ADVERTENCIA INSTRUCCIONES DE SEGURIDAD DEL HORNO CON LIMPIEZA AUTOMÁTICA (Cont.)

- Si el modo de limpieza automática funciona de forma incorrecta, apague el horno y desconecte el suministro de corriente. Solicite el servicio de un técnico calificado.
- No limpie la junta de la puerta. La junta de la puerta es esencial para un buen sellado. Se debe tener cuidado de no frotar, dañar ni mover la junta.
- No use limpiadores para horno. No se deberá usar limpiadores comerciales para horno ni revestimientos de protección para hornos de ningún tipo en o alrededor de cualquier parte del horno.

ADVERTENCIA DE LA PROPOSICIÓN 65 DEL ESTADO DE CALIFORNIA

▲ADVERTENCIA Este producto contiene uno o más químicos que el Estado de California entiende que producen cáncer, defectos en el nacimiento u otros daños reproductivos.

Los hornos con limpieza automática pueden ocasionar exposiciones de bajo nivel a algunas de las sustancias de la Proposición 65, incluyendo monóxido de carbono, durante el ciclo de limpieza. La exposición a sustancias puede ser minimizada abriendo una ventana o usando un extractor o campana.

Cómo Retirar la Película Protectora de Envío y la Cinta de Embalaje

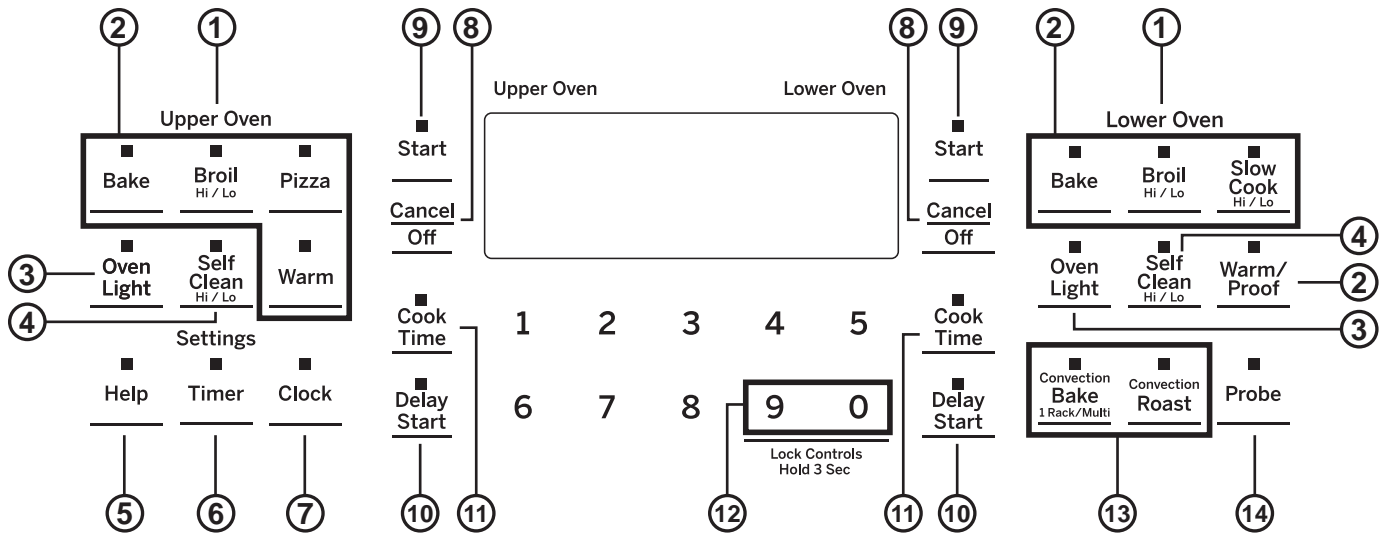
Con cuidado tome un extremo de la película protectora de envío con los dedos y lentamente retire la misma de la superficie del electrodoméstico. No utilice ningún producto filoso para retirar la película. Retire toda la película antes de usar el electrodoméstico por primera vez.

Para asegurar que no haya daños sobre el acabado del producto, la forma más segura de retirar el adhesivo de la cinta de embalaje en electrodomésticos nuevos es aplicando un detergente líquido hogareño para lavar platos. Aplique con una tela suave y deje que se seque.

NOTA: El adhesivo deberá ser eliminado de todas las partes. No se puede retirar si se hornea con éste dentro.

LEA Y GUARDE ESTAS INSTRUCCIONES

Controles del Horno



Controles del Horno

1. **Upper Oven and Lower Oven (Horno Superior y Horno Inferior):** Designa qué horno operarán los controles.
 2. **Traditional Cooking Modes (Modos de Cocción Tradicionales):** Su horno cuenta con los siguientes modos de cocción tradicionales: Bake (Hornear), Broil Hi/ Lo (Dorar Alto/ Bajo), Pizza, Warm (Calentar), Proof (Leudar), y Slow Cook Hi/Lo (Cocción Lenta Alta/ Baja). Para más información, consulte la sección de Modos de Cocción.
 3. **Oven Light(s) (Luz(es) del Horno):** Enciende o apaga la luz(es) del horno.
 4. **Self Clean (Limpieza Automática):** Para acceder a información importante sobre el uso de este modo, consulte la sección de Limpieza del Horno.
 5. **Help (Ayuda):** Para obtener ayuda sobre una función específica o para cambiar opciones.
 6. **Timer (Temporizador):** Funciona como un temporizador con cuenta regresiva: Presione la tecla **Timer (Temporizador)** y las teclas numéricas para programar el tiempo en horas y minutos. Presione la tecla **Start (Iniciar)** El horno continuará funcionando cuando la cuenta regresiva del temporizador se haya completado. Para apagar el temporizador, presione la tecla **Timer (Temporizador)** y luego presione la tecla **Cancel/Off (Cancelar/ Apagar)**.
 7. **Clock (Reloj):** Configure la hora del reloj del horno. Presione la tecla **Clock (Reloj)** y las teclas numéricas para programar el reloj. Presione **Start (Iniciar)** para guardar la configuración de la hora. El reloj se deberá configurar en la hora correcta del día para que las funciones automáticas del temporizador del horno funcionen de forma adecuada. La hora del día no puede ser modificada durante un horneado por tiempo o el ciclo de limpieza automática.
 8. **Cancel/Off (Cancelar/ Apagar):** Cancelar TODAS las operaciones del horno excepto el reloj y el temporizador.
 9. **Start (Iniciar):** Se deberá presionar para comenzar cualquier función de cocción, limpieza o por tiempo.
 10. **Delay Start (Inicio Retrasado)*:** Genera un retraso cuando el horno es encendido. Use esta tecla para configurar el momento en que desea que el horno se inicie. Presione la tecla **Delay Start (Inicio Retrasado)** y use las teclas numéricas para programar la hora del día en que desea que el horno se encienda y luego presione **Start (Iniciar)** Presione el modo de cocción deseado y la temperatura y luego presione **Start (Iniciar)**. Esto sólo puede ser usado con Bake (Hornear), Convection Bake (Hornear por Convección, 1 o Múltiples Estantes) Convection Roast (Dorar por Convección) y Self-Clean (Limpieza Automática).
- NOTA:** Al usar la función de inicio retrasado, las comidas que se echan a perder rápidamente, tales como leche, huevos, pescado, rellenos, ave y cerdo, no se deberán dejar reposar por más de 1 hora antes y después de la cocción. La temperatura ambiente estimula el desarrollo de bacterias nocivas. Asegúrese de que la luz del horno esté apagada, ya que el calor de la lámpara acelerará el crecimiento de bacterias nocivas.
11. **Cook Time* (Tiempo de Cocción):** Cuenta el tiempo de cocción y apaga el horno cuando el tiempo de cocción está completo. Presione la tecla **Cook Time (Tiempo de Cocción)**, use las teclas numéricas para programar un tiempo de cocción en horas y minutos, y luego presione **Start (Iniciar)**. Esto sólo puede ser usado con Bake (Hornear), Convection Bake (Hornear por Convección, 1 o múltiples estantes) y Convection Roast (Dorar por Convección). **NOTA:** Si su receta requiere calentar en forma previa, es posible que necesite tiempo adicional sobre la duración del tiempo de cocción.
 12. **Lock Controls (Controles de Bloqueo):** Bloquean el control de modo que al presionar las teclas no se activen los controles. Mantenga presionadas las teclas **9 y 0** durante tres segundos para bloquear o desbloquear el control. La función **Cancel/Off (Cancelar/ Apagar)** siempre está activa, incluso cuando el control está bloqueado. **NOTA:** Todas las funciones se apagarán cuando la función Lock Control (Control de Bloqueo) sea activada.
 13. **Convection Cooking Modes (Modos de Cocción por Convección):** Los modos de cocción por convección utilizan una circulación de aire incrementada para mejorar el rendimiento. El tipo de beneficio depende del modo. Su horno cuenta con los siguientes modos de cocción por convección: Convection Bake (1 Rack /Multi) (Horneado por Convección, 1 o Múltiples Estantes) y Convection Roast (Asar por Convección). Para más información, consulte la sección de Modos de Cocción.
 14. **Probe (Sonda):** Monitorea la temperatura interna de la comida y apaga el horno cuando la comida alcanza la temperatura programada. Inserte la sonda, programe el modo de cocción, y programe la temperatura de la sonda. Para más información, consulte la sección de Modos de Cocción. La sonda sólo puede ser usada con las funciones Traditional Bake (Horneado Tradicional), Convection Bake (1 Rack/Multi) (Hornear por Convección 1 o Múltiples Estantes) y Convection Roast (Dorar por Convección).

* Las funciones Delay Start (Inicio Retrasado) y Cook Time (Tiempo de Cocción) podrán ser usadas individualmente o en combinación una con otra para controlar los modos Bake (Hornear) y Convection (Convección).

Funciones especiales

Su nuevo control con botones sensibles tiene características adicionales que puede elegir utilizar. A continuación se describen las características y cómo puede activarlas. Los modos de característica especial sólo pueden activarse mientras la pantalla esté mostrando la hora del día. Dichos modos permanecen en la memoria del control hasta que los pasos sean repetidos. Para ingresar una característica especial en cualquier horno, usted debe primero presionar los botones **Broil Hi/Lo (asar alto/bajo)** y **Bake (hornear) del horno superior** al mismo tiempo. Los botones **Broil Hi/Lo (asar alto/bajo)** y **Bake (hornear) del horno inferior** no activan características especiales. Cuando la pantalla muestre su elección, presione el botón **Start**. Las características especiales permanecerán en la memoria después de una falla en el suministro de electricidad, excepto para el modo Sabbath, que deberá reestablecerse.

Ayuda

Presione este botón para obtener información adicional sobre el botón que elija. Presione el botón **Help** y en la pantalla aparecerá "Press keypad for help on that feature or 1 for options" ("Presione el botón numérico para solicitar ayuda sobre la función o 1 para opciones"). Todas las funciones especiales pueden ser ajustadas usando el método descripto aquí y a través de la ayuda.

Apagado después de 12 horas

Con esta característica, si se olvida y deja el horno encendido, el control apagará el horno después de 12 horas automáticamente durante las funciones de horneado o después de 3 horas durante una función de asado a la parrilla. Si desea apagar esta característica, siga estos pasos. Presione el botón **Delay Start** hasta que "no shdn" (no apagado) aparezca en la pantalla. Presione el botón **Start** para activar "no apagado" y dejar la configuración del control en este modo de característica especial.

Fahrenheit o Celsius

Su control del horno está configurado para utilizar las selecciones de temperatura en grados Fahrenheit, pero se puede cambiar utilizando las selecciones en grados Centígrados. Presione los botones **Cook Time** y **Broil Hi/Lo** al mismo tiempo. La pantalla mostrará "F" (Fahrenheit). Presione los botones **Cook Time** y **Broil Hi/Lo** nuevamente al mismo tiempo. La pantalla mostrará "C" (Centígrado). Presione el botón **Start**.

Tonos al final de un ciclo cronometrado

Al final de un ciclo cronometrado, sonarán 3 pitidos cortos seguidos por un pitido cada 6 segundos hasta que se presione el botón **Clear/Off**. Este pitido continuo cada 6 segundos puede cancelarse. Para cancelar el pitido cada 6 segundos, siga estos pasos. Presione el botón **Broil**. La pantalla muestra "CONTI BEEP" (PITIDO CONTINUO). Presione nuevamente el botón **Broil**. En la pantalla aparece "SINGLE BEEP" (UN SOLO PITIDO). (Esto cancela un pitido cada 6 segundos.) Presione el botón **Start**.

Volumen del Tono

Esta función le permite ajustar los volúmenes del tono en un volumen más aceptable. Hay tres niveles de volumen posibles. Presione el botón **Cook Time**. En la pantalla aparecerán "2 BEEP" (2 PITIDOS). Éste es el nivel de volumen intermedio. Presione nuevamente el botón **Cook Time**. En la pantalla aparecerán "3 BEEP" (3 PITIDOS). Éste es el nivel de volumen más alto. Presione nuevamente el botón **Cook Time**. En la pantalla aparecerá "1 BEEP" (1 PITIDO). Éste es el nivel de volumen más bajo. Cada vez que se cambie el nivel de volumen, sonará un tono que dará la indicación del nivel de volumen. Elija el nivel de sonido deseado (1 BEEP, 2 BEEP, 3 BEEP [1 PITIDO, 2 PITIDOS, 3 PITIDOS]). Presione el botón **Start** para activar el nivel mostrado.

Reloj de 12 horas, 24 horas o supresión del reloj

Su control está configurado para utilizar un reloj de 12 horas. Si usted preferiría tener un reloj de 24 horas o suprimir el reloj de la pantalla, siga estos pasos. Presione una vez el botón **Clock**. La pantalla mostrará "12 hr". Si ésta es la elección que desea, presione el botón **Start**. Presione nuevamente el botón **Clock** para cambiar al reloj de "24 horas". La pantalla mostrará "24 hr". Si ésta es la elección que desea, presione el botón **Start**. Presione nuevamente el botón **Clock** para suprimir el reloj de la pantalla. La pantalla mostrará "OFF". Si ésta es la elección que desea, presione el botón **Start**. **NOTA:** Si el reloj está en el modo suprimido, no podrá utilizar la función Delay Start.

Conversión Auto Recipe™ (Conversión automática de la recetas)

Cuando utilice el horneado por convección, la característica Conversión Auto Recipe™ convertirá automáticamente las temperaturas de horneado regular ingresadas en las temperaturas de horneado por convección. Esta función se activa de modo que la pantalla exhibe la conversión (reducida) de temperatura actual. Por ejemplo, si usted ingresa una temperatura de una receta normal de 350 °F y presiona el botón **Start**, la pantalla mostrará "CON" y la temperatura convertida de 325 °F. Para desactivar la función, siga estos pasos. Presione el botón **Convection Bake**. La pantalla mostrará "CON ON". Presione nuevamente el botón **Convection Bake**. La pantalla mostrará "CON OFF". Presione el botón **Start**.

Ajuste el Termostato

Usted se puede percatar que su horno nuevo cocina distinto al que reemplazó. Use su horno nuevo por varias semanas para familiarizarse con él. Si aún piensa que su horno nuevo es demasiado caliente o demasiado frío, usted puede ajustar el termostato usted mismo. No use termómetros, como los que se venden en tiendas de aprovisionamiento para inspeccionar la temperatura de su horno. Estos termómetros podrían variar de 20 a 40 grados. **NOTA:** Este ajuste sólo afectará la temperatura de horneado y asado; no afecta las temperaturas de asado a la parrilla o autolimpieza. El ajuste se almacenará en la memoria después de una falla eléctrica. Para Ajustar el Termostato, siga estos pasos. Presione el botón **Bake**. En la pantalla se muestra un número de dos dígitos. Presione **Bake** nuevamente para alternar entre el aumento y la disminución de la temperatura del horno. Para ajustar el termostato del horno superior, presione el botón **Bake del horno superior**. Para ajustar el termostato del horno inferior, presione el botón **Bake del horno inferior**. La temperatura del horno pueda ajustarse hasta (+) 35 °F más caliente o (-) 35 °F más fría. Presione los botones numéricos en el mismo sentido que aparecen. Por ejemplo, para cambiar la temperatura del horno a 15 °F, presione 1 y 5. Cuando haya realizado el ajuste, presione el botón **Start** para volver a la pantalla de la hora del día. Utilice su horno como lo haría normalmente.

Modo Sabático (SAbbAtH) (horno inferior solamente)

La característica Sabbath puede utilizarse únicamente para horneado. No puede utilizarse para convección, asado a la parrilla, autolimpieza o Delay Start. Esta función se activa conforme con los requisitos Sabáticos Judíos de la Estrella K.

NOTA: Si se presentó un corte en el suministro eléctrico mientras el horno estaba en Sabbath, el horno se apagará automáticamente y permanecerá apagado aunque el suministro eléctrico regrese. El control del horno debe ser reiniciado.

Configuración para Horneado Regular

Asegúrese de que el reloj muestre la hora correcta del día y que ambos hornos estén apagados. En el horno superior, presione y mantenga sostenidos los botones **Broil Hi/Lo** y **Bake**, al mismo tiempo, hasta que la pantalla muestre "SF". **NOTA:** Si en la pantalla aparece "Bake" o "Broil", los botones **Bake** y **Broil Hi/Lo** no fueron presionados al mismo tiempo. Presione el botón **Cancel/Off del horno superior** y comience de nuevo. Presione el botón **Delay Start** hasta que "SAbbAtH" aparezca en la pantalla. Presione dos veces el botón **Start** y "J" aparecerá en la pantalla. Presione el botón **Bake del horno inferior**. No se dará ninguna señal. Utilizando los botones numéricos, ingrese la temperatura deseada entre 170 °F y 550 °F. No se dará ninguna señal o temperatura. Presione el botón **Start del horno inferior**. Después de un periodo aleatorio de espera de aproximadamente 30 segundos a 1 minuto, aparecerá "J" en la pantalla indicando que el horno está horneando. Para ajustar la temperatura del horno, presione el botón **Bake del horno inferior**, ingrese la nueva temperatura utilizando los botones numéricos, y presione el botón **Start**. **NOTA:** Los botones **Cancel/Off** y **Cook Time** del horno inferior están activos durante la función Sabática.

Salida de la Función Sabática

Presione el botón **Cancel/Off del horno inferior**. Si el horno está cocinando, espere durante un periodo aleatorio de aproximadamente 30 segundos a 1 minuto, hasta que solo "J" esté en la pantalla. En el horno superior, presione y sostenga los botones **Broil Hi/Lo** y **Bake**, al mismo tiempo, hasta que la pantalla muestre "SF". Presione el botón **Delay Start** hasta que aparezca en la pantalla "12 shdn" o "no shdn". Seleccione "12 shdn", indicando que el horno se apagará de forma automática luego de 12 horas o "no shdn", indicando que el horno no se apagará de forma automática luego de 12 horas. Presione **Start** dos veces cuando la opción que desee aparezca en la pantalla "12 shdn" o "no shdn".

Configuración para Horneado por Tiempo Comienzo Inmediato y Detención Automática

Asegúrese que el reloj marque la hora correcta del día cuando ambos hornos estén apagados. En el horno superior, presione y mantenga sostenidos los botones **Broil Hi/Lo** y **Bake**, al mismo tiempo, hasta que la pantalla muestre "SF". **NOTA:** Si en la pantalla aparece "Bake" o "Broil", los botones **Broil Hi/Lo** y **Bake** no fueron presionados al mismo tiempo. Presione el botón **Cancel/Off del horno superior** y comience de nuevo. Presione el botón **Delay Start** hasta que "SAbbAtH" aparezca en la pantalla. Presione dos veces el botón **Start** y "J" aparecerá en la pantalla. Presione el botón **Cook Time del horno inferior**. Presione los botones numéricos para configurar el tiempo de cocción deseado entre 1 minuto y 9 horas y 59 minutos. El tiempo de cocción que ingresó aparecerá en la pantalla. Presione el botón **Start del horno inferior**. Presione el botón **Bake del horno inferior**. No se dará ninguna señal. Utilizando los botones numéricos, ingrese la temperatura deseada. No se dará ninguna señal o temperatura. Presione el botón **Start del horno inferior**. Después de un periodo aleatorio de espera de aproximadamente 30 segundos a 1 minuto, "J" aparecerá en la pantalla indicando que el horno está horneando. Para ajustar la temperatura del horno, presione el botón **Bake del horno inferior**, ingrese la nueva temperatura utilizando los botones numéricos, y presione el botón **Start**. Cuando la cocción esté terminada, la pantalla cambiará de "J" a "J" y aparecerá "0:00", indicando que el horno se ha apagado pero todavía está configurado en Sabbath. Remueva la comida cocinada.

Estantes del Horno Inferior

Su horno inferior cuenta con tres posiciones de estantes. En la Guía de Cocción, se brindan recomendaciones de posiciones de los estantes para diferentes tipos de comidas. Se ajusta un estante en una dirección para afectar los resultados de cocción. Por ejemplo, si se prefieren partes superiores más oscuras en tartas, panecillos o galletas, pruebe moviendo la comida a un estante que se encuentre una posición más arriba. Si encuentra que las comidas están demasiado doradas en la parte superior, pruebe moviendo las mismas más abajo la próxima vez.

Al hornear con múltiples ollas y en múltiples estantes, asegúrese de que haya por lo menos 11/2" entre las ollas, a fin de dejar suficiente espacio para que fluya el aire.

Estantes del Horno

El horno inferior cuenta con estantes Extensibles y estantes de desplazamiento lateral.

Para evitar posibles quemaduras, coloque los estantes en la posición deseada antes de encender el horno.

Estantes Extensibles

Los estantes extensibles cuentan con la función Install (Instalar), que se bloquea en los soportes de los estantes (guías) a ambos lados. Una vez que la función Install (Instalación) queda correctamente bloqueada, siempre empuje hacia afuera el estante desde el riel frontal superior hasta la posición de detención en su máxima extensión, al colocar o retirar utensilios.

Si resulta difícil extender estos estantes, lubrique los mismos con lubricante de grafito, provisto con el horno. Retire el estante del horno, retire cualquier obstrucción en el recorrido deslizable con una toalla de papel, agite el lubricante de grafito y coloque 4 gotitas en los dos recorridos inferiores de los lados izquierdo y derecho. Abra y cierre el estante varias veces para distribuir el lubricante.

Para ordenar más lubricante de grafito, lea la sección de Asistencia y Accesorios en el comienzo de este manual.

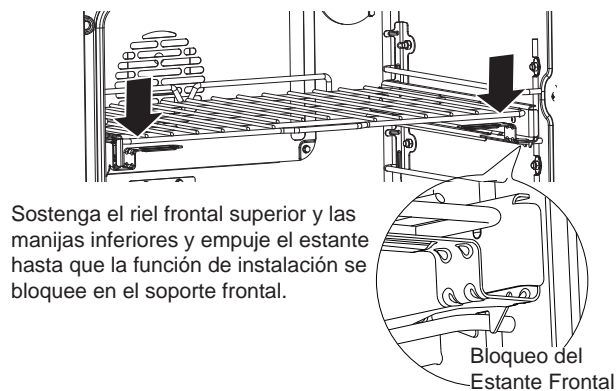
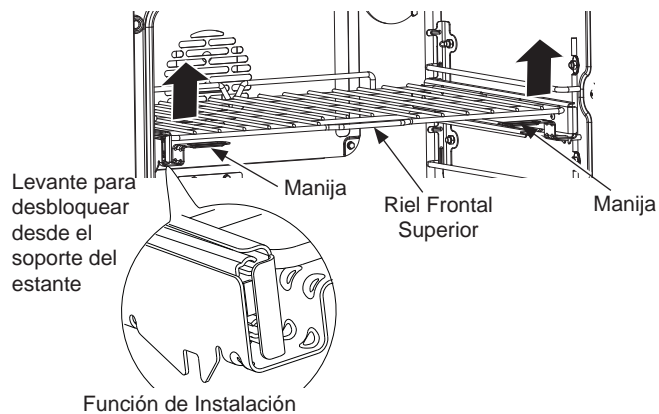
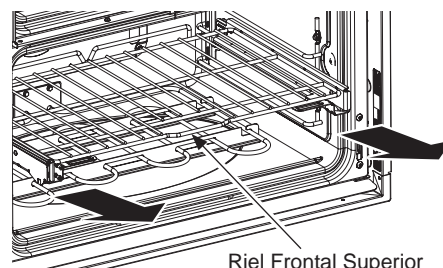
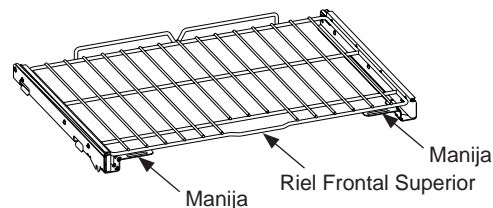
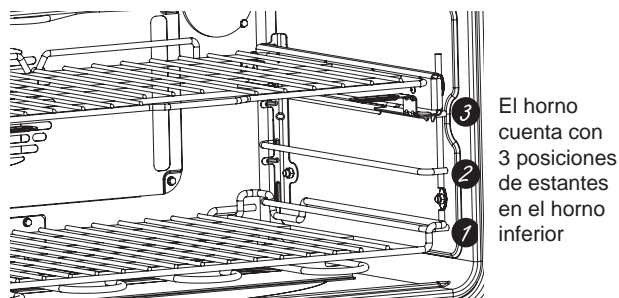
Para Retirar un Estante Extensible:

1. Asegúrese de que el estante sea empujado totalmente dentro del horno.
2. Tome el estante tanto desde su riel frontal superior como de sus manijas inferiores y levante directamente para desbloquear el estante de los soportes del estante.
3. De manera firme, mientras sostiene tanto el riel frontal superior como las manijas inferiores, empuje el estante hacia adelante. En caso de ser necesario, tome el estante sobre ambos lados. Luego retire el mismo del horno.

Para Reemplazar un Estante Extensible:

1. Coloque la posición trasera del estante sobre los soportes del estante (guías), como se muestra en la imagen.
2. Sostenga el riel frontal superior y las manijas inferiores y empuje el estante hasta que la función de instalación se bloquee en el soporte del estante frontal.

Si resulta difícil reemplazar o retirar los estantes extensibles, limpie los soportes de los estantes del horno con aceite de cocina. No quite el aceite de cocina del espacio de deslizamiento.



Estantes del Horno Inferior (Cont.)

Estante de desplazamiento lateral

Los estantes poseen bloqueadores, de modo que al colocarlos correctamente sobre los soportes se detendrán antes de salirse completamente y no se inclinarán. Al colocar y retirar utensilios de cocina, empuje la parrilla hasta que se detenga.

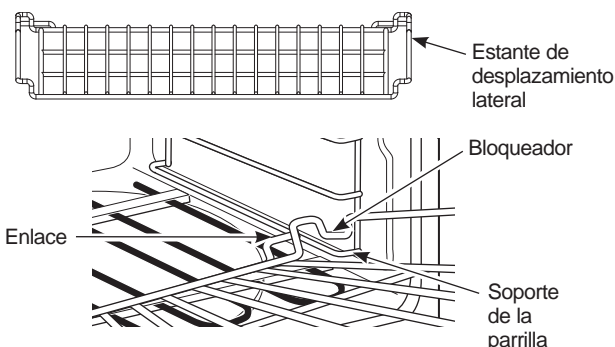
Para Retirar un Estante

Empuje el mismo hacia usted, incline el frente hacia arriba y empuje hacia afuera.

Para Reemplazar un Estante

Incline el frente del estante hacia arriba, cuelgue la parte trasera ubicando los enlaces debajo de los soportes de los estantes, empuje el estante hacia atrás (hasta trabarlo en los bloqueadores) y haga que descienda hasta su posición. Empuje el estante hasta que quede introducido completamente.

Si resulta difícil deslizar y/o retirar estantes planos, coloque un poco de aceite de cocina en una tela suave o en una toalla de papel y frote los costados del estante y cada soporte del mismo.



Estantes del Horno Superior

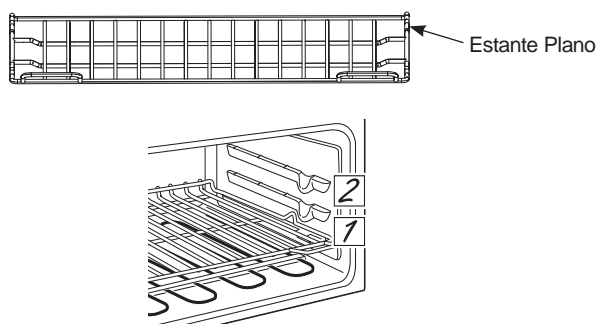
El horno superior utiliza estantes planos. La parrilla superior, con dos manijas frontales, posee bloqueadores, de modo que al colocarla de forma correcta sobre los soportes, se detendrá antes de salir completamente y no se inclinará. **NOTA:** Use la parrilla con las dos manijas frontales en el horno superior. Al colocar y retirar utensilios de cocina, empuje la parrilla hasta que se detenga.

Para Retirar un Estante

Tírelo hacia usted, incline el frente hacia arriba y tire de él hacia afuera.

Para Reemplazar un Estante

Coloque el extremo de la parrilla (topes de cierre) en el apoyo, incline el frente y empuje de la parrilla hacia adentro.



El horno tiene 2 parrillas en posición.

⚠ PRECAUCIÓN

Tenga cuidado al retirar un estante de la posición más baja, ya que la puerta podrá estar caliente.

Papel de Aluminio y Cobertores del Horno

⚠ PRECAUCIÓN

No use ningún tipo de aluminio o cobertor de horno para cubrir el fondo del horno. Estos ítems pueden atrapar el calor o derretirse, ocasionando daños sobre el producto y el riesgo de descargas, humo o incendios. Los daños por uso inadecuado de estos ítems no están cubiertos por la garantía del producto.

Se podrá usar aluminio para evitar derrames, colocando una hoja sobre un estante inferior varias pulgadas debajo de la comida. No use más aluminio que el necesario y nunca cubra totalmente el estante de un horno con papel de aluminio. Mantenga el aluminio a por lo menos 1 1/2" de las paredes del horno, para evitar una circulación deficiente del calor.

Utensilios

Pautas de Uso de Utensilios

El material, el acabado y el tamaño de los utensilios afectan el horneado.

Las ollas oscuras, revestidas y opacas absorben el calor más rápidamente que las ollas claras y brillantes. Al usar ollas que absorben el calor más rápidamente, las comidas podrán resultar más doradas, crocantes y con una capa más gruesa.

Si utiliza utensilios oscuros y revestidos, controle la comida antes del tiempo mínimo de cocción. Si se obtienen resultados no deseados con este tipo de utensilios, considere la posibilidad de reducir la temperatura del horno en 25° F la próxima vez.

Las ollas brillantes pueden producir resultados de horneado más parejos en tortas y galletas.

Las ollas de vidrio y cerámica calientan con lentitud, pero retienen bien el calor.

Estos tipos de ollas funcionan bien con platos tales como tartas y postres con natilla.

Las ollas con aislante de aire calientan lentamente y pueden producir fondos dorados.

Mantenga los utensilios limpios para una cocción más pareja.

Modos de Cocción

Su nuevo horno posee una variedad de modos de cocción para que pueda obtener los mejores resultados. Estos modos se describen a continuación. Para acceder a recomendaciones para comidas específicas, consulte la sección de la Guía de Cocción. Recuerde que es posible que su nuevo horno funcione de manera diferente que aquel que está reemplazando.

Horneado

El modo de horneado tradicional está pensado para la cocción en un solo estante. Este modo usa el calor principalmente desde el elemento inferior, pero también desde el elemento superior para cocinar la comida. Para usar este modo, presione la tecla **Bake (Hornear)**, ingrese una temperatura, y luego presione **Start (Iniciar)**.

Asar Alto

El modo Traditional Broil Hi (Asado Tradicional Alto) usa calor intenso del elemento superior para soasar las comidas. Use la función Broil Hi (Asado Alto) para cortes más delgados de carne y/o comidas que prefiera que queden menos cocinadas en su interior. Para usar este modo, presione la tecla **Broil Hi/Lo (asar alto/bajo)** una vez y luego presione **Start (Iniciar)**.

Asar Bajo

El modo Traditional Broil Lo (Asado Tradicional Bajo) usa menos calor intenso del elemento superior para cocinar la comida completamente mientras también se realiza el dorado superficial. Use la función Broil Lo (Asado Bajo) para cortes de carne más gruesos y/o comidas que desee que queden completamente cocinadas. Para usar este modo, presione la tecla **Broil Hi/Lo (asar alto/bajo)** dos veces y luego presione **Start (Iniciar)**.

Pizza

Presione la tecla **Pizza**. Presione las teclas numéricas de selección **1** para pizza a temperatura ambiente y **2** para pizza congelada. Toque las teclas numéricas para programar la temperatura del horneado. Presione la tecla **Start (Inicio)**.

Calentar

La función **Warm (Calentar)** mantiene calientes las comidas cocinadas. Esta función no fue diseñada para volver a calentar comida fría. Para usar la función Warm (Calentar), presione la tecla **Warm (Calentar)** para el horno superior y la tecla **Warm/Proof (Calentar/ Leudar)** del horno inferior una vez y luego la tecla **Start (Iniciar)**. Para usar la función Warm (Calentar) luego del Tiempo de Horneado o Dorado, siga los siguientes pasos. Presione el modo de cocción que desee usar (**Bake, Convection Bake Multi, Convection Bake 1 Rack O Convection Roast**). Presione los botones numéricos para programar la temperatura del horno. Presione el botón **Cook Time**. Presione los botones numéricos para configurar el tiempo de cocción deseado. Presione el botón **Warm** o el botón **Warm/Proof** una vez. Presione el botón **Start**.

Para dorar ítems no frescos, coloque la comida en platos o cacerolas en la parte inferior. Coloque los alimentos en fuentes o bandejas de lados bajos. Para obtener mejores resultados, coloque los alimentos en una única capa. No los apile. No los cubra. Verifique si están crocantes luego de 20 a 30 minutos. Agregue el tiempo que sea necesario.

Leudar

El modo Proof (Leudar) está diseñado para elevar (fermentar y leudar) masas de pan. Cubra bien la masa para evitar que se seque. El pan se elevará más rápidamente que a temperatura ambiente. Presione la tecla **Warm/Proof (Calentar/ Leudar)** dos veces. En la pantalla se visualizará "PrF" (leudar) y presione la tecla **Start (Iniciar)**. Podrá configurar el temporizador durante un tiempo mínimo de leudado, pero esto no es un requisito. Una vez finalizado el leudado, presione la tecla **Cancel/Off (Cancelar/ Apagar)**. La luz interna del horno se encenderá y permanecerá así durante el leudado. **NOTA:** El leudado no funcionará cuando la temperatura del horno sea superior a 125°F. "HOT" (Caliente) será visualizado en la pantalla.

Horneado por Convección en 1 Estante

El modo Convection Bake 1 Rack (Horneado por Convección en 1 Estante) está pensado para la cocción en un solo estante. Este modo utiliza el calor del elemento inferior y también de los elementos superior y trasero, junto con el movimiento del ventilador de la convección, para que la cocción sea más pareja. Su horno está equipado con la función Auto Recipe Conversión (Conversión a Receta Automática), la cual reduce de forma automática la temperatura de horneado regular en los 25°F recomendados. Consulte Auto Recipe™ Conversion (Conversión a Receta Automática) en la sección de Funciones Especiales. Para usar este modo, presione la tecla **Convection Bake (1 Rack/Multi) (Hornear por Convección en 1 o Múltiples Estantes)** and touch **1** for 1 Rack, ingrese una temperatura, y luego presione **Start (Iniciar)**.

Horneado por Convección en Estantes Múltiples

El modo Convection Bake Multi Rack (Horneado por Convección en Estantes Múltiples) está pensado para hornear en múltiples estantes al mismo tiempo. Este modo utiliza el calor principalmente desde el elemento trasero, pero también calienta desde los elementos superior e inferior, junto con el movimiento de aire desde el ventilador por convección para mejorar una cocción pareja. Su horno está equipado con la función Auto Recipe Conversión (Conversión a Receta Automática), la cual reduce de forma automática la temperatura de horneado regular en los 25°F recomendados. Consulte Auto Recipe™ Conversion (Conversión a Receta Automática) en la sección de Funciones Especiales. Es posible que el tiempo de horneado sea un poco más prolongado con estantes múltiples, en comparación con lo que se espera con un solo estante. Para usar este modo, presione la tecla **Convection Bake (1 Rack/Multi) (Hornear por Convección en 1 o Múltiples Estantes)**, y presione **2** para Estantes Múltiples, ingrese una temperatura, y luego presione **Start (Iniciar)**.

Modos de Cocción (Cont.)

Dorado por Convección con Aire Directo

El modo Convection Roast (Dorado por Convección) está pensado para dorar cortes enteros de carne en un solo estante. Este modo utiliza el calor de los elementos inferior, superior y trasero, junto con el movimiento del aire directamente desde la parte superior del horno, a fin de mejorar el dorado y reducir el tiempo de cocción. No es necesario convertir la temperatura. Cuando use este modo, o si usa la sonda, controle la comida antes que el tiempo sugerido en la receta. Para usar este modo, presione la tecla **Roast (Dorar) en Convection (Convección)**, ingrese una temperatura, y luego presione **Start (Iniciar)**.

Cocción Lenta en Configuración Alta/ Baja

La función de cocción lenta fue diseñada para cocinar durante largas horas sin que sea necesario prestar atención a la cocción. Presione la tecla **Slow Cook (Cocción Lenta)** para Hi Slow Cook (Cocción Lenta Alta) y dos veces para Lo Slow Cook (Cocción Lenta Baja). Use la tecla numérica para seleccionar la configuración deseada: **1** – para bife, **2** – para ave, **3** – para cerdo, o **4** – para guisados. Use **1** (bife) si no está seguro sobre qué configuración usar. Presione la tecla numérica para configurar la duración deseada del tiempo de cocción. Para la configuración Hi (Alta), el tiempo de cocción deberá ser de entre 3 y 8 horas. Para la configuración Lo (Baja), el tiempo de cocción deberá ser de entre 3 y 12 horas. Una vez completada la función Slow Cook (Cocción Lenta), el horno pasará al modo para calentar. En la pantalla se visualizará “Cocción Completa Manteniéndose Caliente”. **NOTA:** Si se produce un corte de suministro de electricidad mientras el horno se encuentra en la Cocción Lenta (Slow Cook), el horno se apagará.

Hornear y Dorar por Tiempo

NOTA: No debe permitirse que los alimentos que se echan a perder fácilmente—como leche, huevos, pescado, rellenos, aves y cerdo—repositen por más de 1 hora antes o después de la cocción. La temperatura ambiente promueve el crecimiento de bacterias peligrosas. Asegúrese de que la luz del horno esté apagada ya que el calor de la bombilla aceleraría el crecimiento de bacterias peligrosas.

Configure un Comienzo Demorado y Detención Automática

El horno se encenderá en el horario del día que configure, cocinará durante un período de tiempo específico y luego se apagará automáticamente. Asegúrese que el reloj marque la hora correcta del día. Presione el botón **Bake**. Presione los botones numéricos para programar la temperatura del horno deseada. Presione el botón **Cook Time**. **NOTA:** Si su receta requiere calentar en forma previa, es posible que necesite tiempo adicional sobre el tiempo de cocción. Presione los botones numéricos para configurar el tiempo de cocción deseado. El tiempo mínimo de cocción que puede configurar es de 1 minuto. La temperatura del horno que configure y el tiempo de cocción que ingresó aparecerán en la pantalla. Presione el botón **Delay Start**. Presione los botones numéricos para configurar la hora del día en que desea que el horno se encienda y comience a cocinar. Presione el botón **Start**. **NOTA:** Un tono de atención sonará si está usando el horneado por tiempo y no se debe presionar el botón **Start**. **NOTA:** Si desea controlar los horarios configurados, presione el botón

Delay Start para controlar la hora de inicio que configuró o presione el botón **Cook Time** para controlar el período de tiempo de cocción que programó. Cuando el horno esté en ON (ENCENDIDO) a la hora del día que configuró, en la pantalla aparecerá el conteo de la cocción y el cambio de temperatura a partir de los 100°F. (La pantalla de temperatura comenzará a cambiar una vez que la temperatura del horno alcance los 100°F). Cuando el horno alcance la temperatura que programó, sonarán varios pitidos. El horno continuará la cocción durante la cantidad de tiempo programada, luego se apagará automáticamente, a menos que la función Warm (Calentar) esté programada. Lea la sección Cómo configurar los hornos inferior y superior para calentar. Presione el botón **Cancel/Off** para apagar la pantalla si es necesario. Retire la comida del horno. Recuerde que aunque el horno se apague de forma automática, la comida que permanezca dentro de éste continuará cocinándose cuando el horno esté apagado.

Sonda

▲ ADVERTENCIA

El consumo de comida semicruda puede hacer que se contraigan enfermedades producidas por la comida. Use la sonda de acuerdo con las siguientes instrucciones, a fin de asegurar que todas las partes de la comida alcancen temperaturas de cocción mínimamente seguras. Puede encontrar recomendaciones de temperaturas de cocción mínimamente seguras en www.foodsafety.gov o en www.IsItDoneYet.gov. La temperatura interna de la comida con frecuencia se usa como indicador de que está lista, especialmente al dorar o preparar carne de ave. El modo Probe (Sonda) monitorea la temperatura interna de la comida y apaga el horno cuando esta última alcanza la temperatura programada. Controle siempre la temperatura en múltiples partes de la comida, utilizando un termómetro de comidas luego de realizar la cocción, a fin de asegurar que todas las partes de la misma hayan alcanzado una temperatura interna mínimamente segura en dicha comida.

Ubicación Correcta de la Sonda

Luego de preparar la comida y de colocarla en la olla, siga estas instrucciones para una ubicación correcta de la sonda.

- Inserte la sonda en la comida, de modo que la punta de la sonda se apoye en el centro de la parte más gruesa de la comida. Para un mejor rendimiento, la sonda debería ser completamente insertada en la comida. Si la sonda no es ubicada correctamente, es posible que no mida con precisión la temperatura de la parte más fría de la comida. Algunas comidas, particularmente las más pequeñas, no son adecuadas para la cocción con el uso de una sonda, debido a sus formas o tamaños.
- No debería tocar el hueso, la grasa ni el cartílago.
- Para cocinar un ave entera, inserte la sonda en la parte más gruesa de la pechuga.
- Para dorar sin huesos, inserte la sonda en el centro del dorado.
- Para cocinar jamón o cordero con huesos, inserte la sonda en el centro de la articulación o del músculo más bajo y largo.
- Para preparar cazuelas o platos tales como pastel de carne, inserte la sonda en el centro del plato.
- Para cocinar pescado, inserte la sonda justo arriba de la agalla en la zona más carnosa paralela a columna.

Pautas para el Cuidado de la Sonda

- Si se usa una sonda que no sea la provista con este producto, se podrán producir daños sobre la sonda.
- Use las manijas de la sonda al enchufar y desenchufar la misma, luego de insertar o de retirar la sonda de la carne o del tomacorriente.
- Para evitar daños sobre la sonda, no use agarraderas para empujar el cable al retirarlo.
- Para evitar romper la sonda, asegúrese de que la comida haya sido completamente descongelada antes de insertarla.
- Para evitar posibles quemaduras, no desenchufe la sonda del tomacorriente del horno hasta que este último se haya enfriado.
- Nunca deje la sonda dentro del horno durante un ciclo de limpieza automática.
- No guarde la sonda dentro del horno.

Usando la Sonda – Horno Inferior

Conecte la sonda en el enchufe del horno inferior. Asegúrese de que el enchufe se encuentre completamente insertado. Inserte la sonda completamente en la comida. Cierre la puerta del horno.

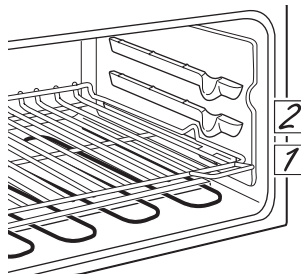
NOTA: Asegúrese que el cable de la sonda no esté tocando el elemento de asado. Presione la tecla **Probe (Sonda)**. La pantalla mostrará la "Configuración de la Temperatura de la Sonda". Presione las teclas numéricas para programar la temperatura interna deseada para la comida o carne. La temperatura interna máxima que se puede programar para la comida es de 200°F. Seleccione el modo de cocción en el teclado táctil (Hornear, Hornear por Convección, y Dorar por Convección). Presione las teclas numéricas para programar la temperatura del horno deseada. Presione la tecla **Start (Inicio)**. Una vez que la temperatura interna de la carne alcance los 100°F (37°C), los cambios de temperatura interna aparecerán en la pantalla.

Cuando la temperatura interna de la comida llegue al número que configuró, la sonda y el horno se apagarán y el control del horno dará una señal. Para detener la señal, presione la tecla **Cancel/ Off (Cancelar/ Apagar)**. Use guantes de cocina para retirar la sonda de la comida. No use agarraderas para empujarla; podrían dañar la sonda. Si la sonda es retirada del horno mientras se cocina con la misma, el horno no se apagará de forma automática. Para cambiar la temperatura del horno durante la cocción, presione el modo de cocción seleccionado y luego presione las teclas numéricas para configurar la nueva temperatura. Puede usar el temporizador de cocina, aunque no podrá usar operaciones del horno por tiempo al usar la sonda.

Guía de Cocción

Horno Superior

TIPO DE COMIDA	MODO(S) RECOMENDADO(S)	POSICIÓN(ES) DE ESTANTES RECOMENDADA	SUGERENCIAS ADICIONALES
Productos Horneados			
Tortas con capas, tortas rectangulares, panecillos, hornados en un Estante Simple	Hornear	1 - Estante Plano	Use utensilios brillantes.
Galletas, galletitas, bizcochitos en un Solo Estante	Hornear	1 - Estante Plano	Use utensilios brillantes.
Bife y Cerdo			
Hamburguesas	Asar Alto	1 - Estante Plano	Use la parte para asar; mueva la comida más abajo para que quede más preparada y menos soasada. Preste atención a la comida al asarla. Para un mejor rendimiento, centre la comida debajo del elemento que emite calor para asar. Cierre las puertas. Siempre ase con las puertas cerradas.
Bifes y Chuletas	Asar Alto	1 - Estante Plano	Use la parte para asar; mueva la comida más abajo para que quede más preparada y menos soasada. Preste atención a la comida al asarla. Para un mejor rendimiento, centre la comida debajo del elemento que emite calor para asar. Cierre las puertas. Siempre ase con las puertas cerradas.
Ave			
Pechugas, patas, muslos con huesos	Asar Alto	1 - Estante Plano	Ase del lado de la piel hacia abajo primero. Preste atención a la comida al asarla. Para un mejor rendimiento, centre la comida debajo del elemento calentador para asar. Cierre las puertas. Siempre ase con las puertas cerradas.
Pechugas de pollo deshuesadas	Asar Alto	1 - Estante Plano	Para un mejor rendimiento, centre la comida debajo del elemento calentador para asar. Cierre las puertas. Siempre ase con las puertas cerradas.
Pescado	Asado Bajo	2 - Estante Plano	Preste atención a la comida al asarla. Para un mejor rendimiento, centre la comida debajo del elemento calentador para asar. Cierre las puertas. Siempre ase con las puertas cerradas.
Comidas Congeladas a Conveniencia			
Papas fritas, tator tots, patitas de pollo fritas, aperitivos en un Solo Estante	Hornear	1 - Estante Plano	Use utensilios brillantes.
Pizza			
Fresca	Bake	2 - Estante Plano	Use utensilios brillantes.
Congelada	Broil Hi	1 - Estante Plano	Use utensilios brillantes.
Directamente en el Estante	Bake	2 - Estante Plano	



El horno superior tiene 2 posiciones de estantes.

NOTA: Para un mejor asado, se recomienda el horno inferior.

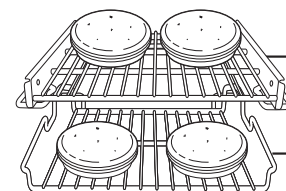
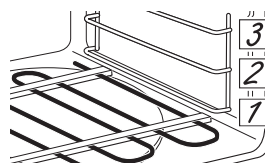
Guía de Cocción (Cont.)

Horno Inferior

TIPO DE COMIDA	MODO(S) RECOMENDADO(S)	POSICIÓN(ES) DE ESTANTES RECOMENDADA	SUGERENCIAS ADICIONALES
Productos Horneados			
Tortas con capas, tortas rectangulares, rosas, panecillos, pan rápido en un Solo Estante	Hornear	2 - Estante Ext.	Use utensilios brillantes.
Tortas con capas* en Múltiples Estantes	Hornear Horneado por Convección	3 - Estante Ext. y 2 - Estante de desplazamiento lateral	Asegúrese de que haya un flujo de aire adecuado (Vea la ilustración).
Tortas de grasa (pastel de ángel)	Hornear	1 - Estante de desplazamiento lateral	Use utensilios brillantes.
Galletas, galletitas, bizcochitos en un Solo Estante	Hornear Horneado por Convección	2	Use utensilios brillantes.
Galletas, galletitas, bizcochitos en Múltiples Estantes	Hornear Horneado por Convección	3 - Estante Ext. y 2 - Estante de desplazamiento lateral	Asegúrese de que haya un flujo de aire adecuado.
Bife y Cerdo			
Hamburguesas	Asar Alto	2 - Estante Ext.	Use la parte para asar; mueva la comida más abajo para que quede más preparada y menos soasada. Preste atención a la comida al asarla. Para un mejor rendimiento, centre la comida debajo del elemento que emite calor para asar. Cierre las puertas. Siempre ase con las puertas cerradas.
Bifes y Chuletas	Asar Alto	2 - Estante Ext.	Use la parte para asar; mueva la comida más abajo para que quede más preparada y menos soasada. Preste atención a la comida al asarla. Para un mejor rendimiento, centre la comida debajo del elemento que emite calor para asar. Cierre las puertas. Siempre ase con las puertas cerradas.
Dorados	Hornear Dorado por Convección	2 - Estante de desplazamiento lateral	Use una olla chata tal como una olla para asar. No se requiere precalentarla.
Ave			
Pollo entero	Hornear Dorado por Convección	2 - Estante de desplazamiento lateral	Use una olla chata tal como una olla para asar.
Pechugas, patas, muslos con huesos	Asar Alto	2 - Estante de desplazamiento lateral	Si se empanó o cubrió con salsa, evite los modos Broil Hi (Asar Alto). Ase del lado de la piel hacia abajo primero. Preste atención a la comida al asarla. Para un mejor rendimiento, centre la comida debajo del elemento calentador para asar. Cierre las puertas. Siempre ase con las puertas cerradas.
	Asado Bajo Hornear	2 - Estante de desplazamiento lateral	
Pechugas de pollo deshuesadas	Asado Bajo Hornear	2 - Estante de desplazamiento lateral	Mueva la comida más abajo para que quede más preparada y menos soasada y más arriba para que quede más soasada y dorada al asar. Para un mejor rendimiento, centre la comida debajo del elemento calentador para asar. Cierre las puertas. Siempre ase con las puertas cerradas.
Pavo entero	Hornear	1 - Estante de desplazamiento lateral	Usa una olla chata tal como una olla para asar.
Pechuga de Pavo	Hornear Dorado por Convección	2 - Estante de desplazamiento lateral	Usa una olla chata tal como una olla para asar.
Pescado	Asado Bajo	3 (mitad del grosor o menos) 2 (>1/2 pulgada)	Preste atención a la comida al asarla. Para un mejor rendimiento, centre la comida debajo del elemento calentador para asar. Cierre las puertas. Siempre ase con las puertas cerradas.
Cazuelas	Hornear	2 - Estante Ext.	
Comidas Congeladas a Conveniencia			
Pizza, papas fritas, tator tots, patitas de pollo fritas, aperitivos en un Solo Estante	Hornear	2 - Estante Ext.	Use utensilios brillantes.
Pizza, papas fritas, tator tots, patitas de pollo fritas, aperitivos en Múltiples Estantes	Horneado por Convección	3 - Estante Ext. y 2 - Estante de desplazamiento lateral	Use utensilios brillantes.

*Al hornear tortas de cuatro capas al mismo tiempo, coloque dos capas en el estante extensible en la posición 3 y dos capas en el estante con desplazamiento lateral en la posición 2. Coloque las ollas como se muestra, de modo que no quede una olla encima de la otra.

Cocine la comida completamente para evitar que se produzcan enfermedades a partir de la comida. Puede encontrar recomendaciones sobre temperatura mínima para cocinar de forma segura en www.IsItDoneYet.gov. Asegúrese de usar un termómetro de comidas para medir la temperatura de las mismas.



Estante Ext. en la Posición 3

Parrilla de desplazamiento lateral en la Posición 2

El horno cuenta con 3 posiciones de parrilla y 2 estilos de parrillas, permitiendo combinar las mismas de 6 maneras diferentes.

Guía de Cocción (Cont.)

Guía de cocción lenta - Horno Inferior

TIPO DE COMIDA	CANTIDAD	POSICIÓN DE LA PARRILLA	CONFIGURACIÓN DE LA COMIDA	TIEMPO (HORAS)	COMENTARIOS
Bife					
Corte de Aguja	3 a 3 1/2 lbs.	1 - Estante de desplazamiento lateral	1 - Beef (Bife)	ALTO 5 a 6 hrs. BAJO 8 a 10 hrs.	Agregue 1/2 taza de líquido.
Costillas de Cerdo	3 1/2 a 4 lbs.	1 - Estante de desplazamiento lateral	1 - Beef (Bife)	ALTO 3 a 4 hrs. BAJO 6 a 8 hrs.	Coloque las costillas en una sola capa.
Carne de ave					
Pollo Entero	4 lbs.	1 - Estante de desplazamiento lateral	2 - Poultry (Carne de ave)	ALTO 4 a 5 hrs. BAJO 7 a 9 hrs.	Agregue 1/2 taza de líquido.
Trozos de Pollo	8 trozos (approx. 3 lbs.)	2 - Estante Ext.	2 - Poultry (Carne de ave)	ALTO 3 a 4 hrs. BAJO 5 a 6 hrs.	Mejor sumergido bajo una salsa para evitar que se seque la superficie.
Cerdo					
Corte Deshuesado Dorado	3 a 4 lbs.	1 - Estante de desplazamiento lateral	3 - Pork (Cerdo)	ALTO 5 a 6 hrs. BAJO 8 a 10 hrs.	Agregue 1/2 taza de líquido.
Estilo Campo Costillas de cerdo	3 1/2 a 4 lbs.	1 - Estante de desplazamiento lateral	3 - Pork (Cerdo)	ALTO 3 a 4 hrs. BAJO 6 a 8 hrs.	Coloque las costillas en una sola capa.
Chuletas de Cerdo	4 a 8 lbs.	1 - Estante de desplazamiento lateral	3 - Pork (Cerdo)	ALTO 3 a 4 hrs. BAJO 6 a 8 hrs.	Coloque las costillas en una sola capa.
Sopa					
Bife de Verduras Sopa	4 cuartos	1 - Estante de desplazamiento lateral	4 - Stew (Cocido)	ALTO 4 a 5 hrs. BAJO 8 a 10 hrs.	Asegúrese que los trozos de bife se sumerjan.
Chili	4 cuartos	1 - Estante de desplazamiento lateral	4 - Stew (Cocido)	ALTO 3 a 4 hrs. BAJO 6 a 8 hrs.	Sumerja las habas para evitar que la superficie se seque.

Consejos para la Cocción Lenta

- El programa de cocción baja utiliza una serie compleja de ciclos de temperatura a fin de obtener los mejores resultados. Por esta razón, se recomienda el uso del programa de cocción lenta sin cancelaciones ni reinicios. Si se reinicia la función de cocción lenta mientras se encuentra en proceso, es posible que la carne se cocine en exceso.
- Para que luego de la cocción la carne quede jugosa y tierna, elija cortes de carne tales como corte aguja o corte deshuesado. Los cortes de carne magra, tales como tapa de nalga, son más secos y necesitan líquido adicional.
- Use sólo platos de vidrio y cerámica. Las ollas y cacerolas metálicas tienden a transferir el calor a la comida con demasiada rapidez.
- La cantidad de comida debe ser acorde al tamaño de la cacerola. Para obtener mejores resultados, llene la cacerola hasta los 3/4. Una olla demasiado grande permite que el vapor se escape, haciendo que las carnes se sequen.
- Siempre cubra la cacerola con una tapa u hoja de aluminio.
- Una amplia variedad de recetas se pueden usar en la función de cocción lenta. Para un mejor resultado, es posible que se necesite realizar algunos ajustes. Para recetas de tamaños reducidos, comience a controlar con el tiempo mínimo. Para las recetas grandes o al duplicar las recetas, es posible que deba realizar cocciones por períodos de tiempo más largos.
- Una vez completada la función de cocción, el horno cambiará automáticamente al modo "caliente". Si se desea un tiempo de cocción lenta, se podrá usar el modo de cocción caliente para contar con tiempo adicional.

Horno

Asegúrese de que la corriente eléctrica esté apagada y que todas las superficies estén frías antes de limpiar cualquier parte del horno.

Panel de Control

Si lo desea, las teclas táctiles se pueden desactivar antes de la limpieza. Consulte la información de los Controles de Bloqueo en la sección de Controles del Horno de este manual. Limpie cualquier sapicadura con una tela húmeda. También puede

usar un limpiador de vidrios. Retire la suciedad importante con agua caliente y jabón. No use ningún tipo de material abrasivo. Vuelva a activar las teclas táctiles luego de la limpieza.

Superficies de Acero Inoxidable

No use virutas de acero; éstas dañarán la superficie. Para limpiar la superficie de acero inoxidable, use agua tibia con jabón o un limpiador o pulidor para acero inoxidable. Siempre

limpie la superficie en la dirección del veteado. Siga las instrucciones del limpiador para limpiar la superficie de acero inoxidable.

Exterior del Horno

Use agua y jabón para limpiar bien la parte superior, los costados y la parte delantera de la puerta del horno. Enjuague bien. También puede usar un limpiavidrios para limpiar el vidrio en el exterior de la puerta. No permita que se derrame agua en los orificios de ventilación. El derrame de adobos,

jugos de frutas, salsas de tomate y materiales para rociar que contengan ácidos puede provocar decoloración y deberá limpiarse de inmediato. Cuando la superficie esté fría, límpiela y enjuáguela. No use limpiadores para hornos, polvos de limpieza ni abrasivos fuertes en el exterior de la puerta.

Interior del Horno

El interior de su nuevo horno puede ser limpiado de forma manual o Self Clean (Limpieza Automática).

El derrame de adobo, jugos de fruta, salsas de tomate y líquidos para humedecer que contengan ácidos pueden ocasionar decoloración y se deberán limpiar de inmediato. Espere a que las superficies calientes se enfríen, y luego limpie y enjuague.

Limpieza Manual

No use limpiadores de horno, limpiadores abrasivos, limpiadores líquidos fuertes, estropajos de acero, almohadillas para fregar, ni polvos limpiadores en el interior del horno. Limpie el mismo con agua y jabón o una solución de vinagre y agua. Enjuague con agua limpia y seque con una tela seca. Al limpiar superficies, asegúrese de que estén a temperatura ambiente y fuera del contacto con la luz solar.

Modo de Limpieza Automática

Este modo usa temperaturas muy altas para limpiar el interior del horno. Cuando use esta función, la puerta del horno se trabará. Antes de utilizar el ciclo de limpieza automática, limpie la grasa y restos de comida que haya en el horno. Retire todos los artículos del horno, excepto los estantes esmaltados (color oscuro). Los estantes brillantes o de plata y cualquier utensilio u otros artículos deberán ser retirados del horno antes de iniciar un ciclo de limpieza automática. Cierre la puerta. Presione la tecla **Self Clean Hi/ Lo (Limpieza Automática Alta/ Baja)** una vez para un tiempo de limpieza de 5 horas o dos veces para un tiempo

de limpieza de 3 horas. Se recomienda el uso de un tiempo de limpieza automática de 3 horas para derrames pequeños que estén contenidos. Un tiempo de limpieza automática de 5 horas es recomendado para un horno más sucio. Si es necesario un tiempo que no sea de 5 horas o de 3 horas, utilice las teclas numéricas e ingrese el tiempo de limpieza deseado. Presione la tecla **Start (Inicio)**. Las puertas del horno superior e inferior se cierran de forma automática. La pantalla mostrará el tiempo de limpieza restante. No será posible abrir las puertas del horno hasta que la temperatura sea inferior a la temperatura de bloqueo y que la función "LOCKED" (Bloqueado) se desactive en la pantalla de control. Para detener el ciclo de limpieza, presione la tecla **Cancel/ Off (Cancelar/ Apagar)**.

Puede configurar un ciclo de limpieza en ambos hornos al mismo tiempo; sin embargo, ambos no se realizarán al mismo tiempo. El último horno retrasará de forma automática su comienzo hasta el final del ciclo de limpieza del primer horno. Cuando cualquiera de los hornos se configure para su limpieza automática, ambas puertas se cerrarán. Los hornos no se podrán usar cuando uno de los mismos se haya configurado para su limpieza automática.

IMPORTANTE: Las emanaciones producidas por el ciclo de autolimpieza de cualquier horno afectan la salud de algunas aves de manera notoria. Procure llevar sus aves a otra habitación bien ventilada.

Retrase el Inicio de la Limpieza

Presione el botón **Self Clean Hi/Lo** una vez para un tiempo de limpieza de 5 horas o dos veces para un tiempo de limpieza de 3 horas. Se recomienda un tiempo de autolimpieza de 3 horas para limpiar pequeños derrames contenidos. Para un horno sucio se recomienda un tiempo de autolimpieza de 5 horas o más. Si se necesita un tiempo distinto a las 5 horas o a las 3 horas, utilice los botones numéricos e ingrese el tiempo de limpieza deseado. Usted puede cambiar el tiempo de limpieza en cualquier momento entre 3 y 5 horas, dependiendo de cuán

sucio esté su horno. Presione el botón **Delay Start**. Utilizando los botones numéricos, ingrese la hora del día a la cual desea que comience el ciclo de limpieza. Presione el botón **Start**. Las puertas del horno superior e inferior se cierran de forma automática. La pantalla mostrará la hora de inicio. No será posible abrir las puertas del horno hasta que la temperatura sea inferior a la temperatura de bloqueo y que el "Locked" (Bloqueado) se desactive en la pantalla de control. Cuando se apague la luz "Locked", podrá abrir las puertas del horno.

Estantes del Horno

Estantes Extensibles

Los estantes que fueron provistos con el horno (estantes oscuros esmaltados, no brillantes) pueden permanecer en el horno durante el ciclo de limpieza automática, ya que este ciclo no los dañará.

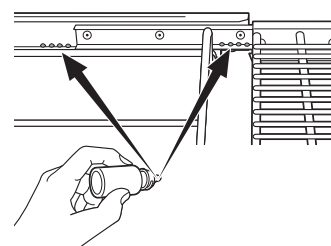
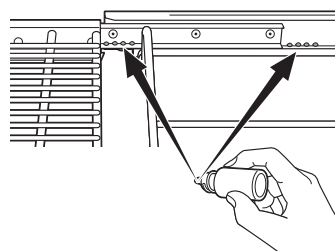
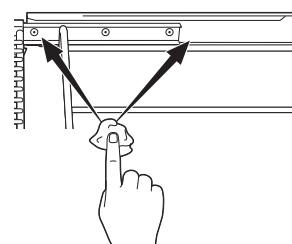
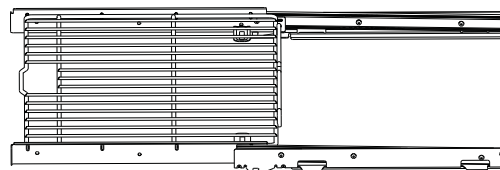
Para limpiar los estantes de forma manual, use agua caliente y jabón. Asegúrese de no lavar el espacio de deslizamiento de un estante extensible.

Si resulta difícil retirar los estantes del horno, coloque un poco de aceite vegetal en una tela seca o toalla de papel y frote sobre los soportes de los estantes del horno. No limpie el aceite en el espacio de deslizamiento del estante extensible.

De forma periódica, luego de varios ciclos de limpieza automática, los espacios de deslizamiento del estante extensible deberán ser lubricados utilizando lubricante de grafito, enviado junto con su horno de pared. Para ordenar más lubricante de grafito, lea la sección de Asistencia y Accesorios en el comienzo de este manual.

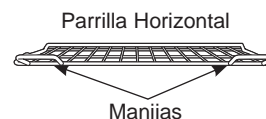
1. Retire el estante extensible del horno. Consulte la sección de Estantes Extensibles del Horno.
2. Extienda totalmente el estante sobre una mesa o mesada. Se podrá colocar papel de periódico debajo del estante para una limpieza fácil.
3. Si hay restos en las pistas de deslizamiento, limpie los mismos con una toalla de papel. **NOTA:** Cuando el lubricante de grafito se haya acabado, deberá ser reemplazado.
4. Agite el lubricante de grafito antes de abrir el mismo. Comenzando con el mecanismo de deslizamiento del lado izquierdo del estante, coloque cuatro (4) gotas pequeñas de lubricante en los dos (2) espacios inferiores de deslizamiento, cerca de los rulemanes de apoyo.
5. Repita esto sobre el mecanismo del lado derecho del estante.
6. Abra y cierre el estante varias veces para distribuir el lubricante.
7. Reemplace la tapa del lubricante y agite el mismo nuevamente. Dé vuelta el estante y repita los pasos 3, 4, 5 y 6.
8. Cierre el estante, gire el estante con el lado derecho hacia arriba y coloque el mismo en el horno. Consulte la sección de Estantes Extensibles del Horno..
9. Repita los pasos anteriores con cada estante.

NOTA: No rocíe con esprái de cocina o cualquier otro lubricante en esprái

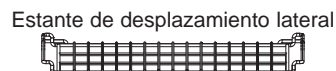


Estantes Planos y de Desplazamiento Lateral

Los estantes se podrán limpiar manualmente con un limpiador abrasivo o estropajo. Luego de la limpieza, enjuague las parrillas con agua limpia y seque con una tela limpia. Las parrillas del horno grises y cubiertas de porcelana podrán permanecer en el mismo durante el ciclo de auto limpieza sin sufrir ningún tipo de daños. Será necesario engrasar todos los costados de la parrilla del horno con una capa suave de aceite vegetal luego de limpiarlas a mano o en el horno. Esto ayudará a que las parrillas se puedan deslizar con facilidad fuera de horno.



Use la parilla con las dos manijas frontales en el horno superior.



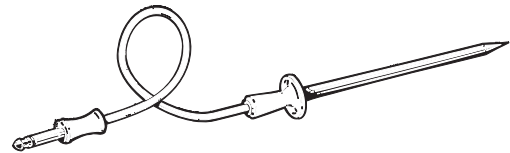
Use la parilla sin las dos manijas frontales en el horno inferior.

Sonda

La sonda de temperatura se puede limpiar con agua y jabón o con una almohadilla de estropajo llena de jabón. Enfríe la sonda de temperatura antes de su limpieza. Fregue las manchas difíciles con una almohadilla de estropajo llena de jabón, enjuague y seque.

Para ordenar más sondas de temperatura, lea la sección de Asistencia y Accesorios en el comienzo de este manual.

- No sumerja la sonda de temperatura en agua.
- No guarde la sonda de temperatura dentro del horno.
- Nunca deje la sonda de temperatura dentro del horno durante un ciclo de limpieza automática.



Luz del Horno

⚠ ADVERTENCIA PELIGRO DE DESCARGA O QUEMADURAS: Antes de reemplazar la lámpara de luz del horno, desconecte la conexión eléctrica del horno del fusible principal o del panel del disyuntor. Si esto no se cumple, se podrá producir una descarga eléctrica o un incendio.

⚠ PRECAUCIÓN RIESGO DE INCENDIO: La tapa de vidrio y la lámpara de luz se deberán retirar cuando estén frías. Tocar el vidrio caliente sin protección en las manos o con un trapo húmedo puede ocasionar quemaduras.

Para retirar:

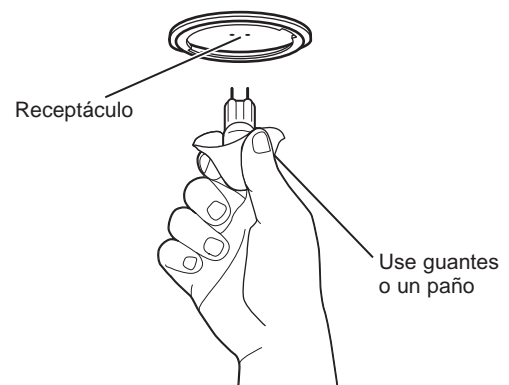
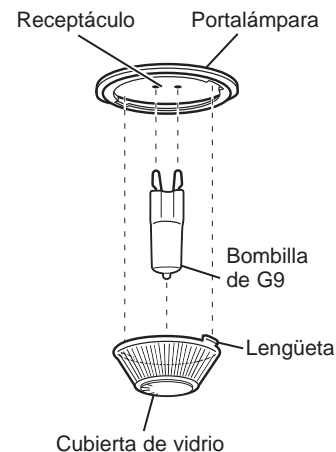
1. Gire la cubierta de vidrio en sentido contrario a las manecillas del reloj 1/4 de vuelta hasta que las lengüetas de la cubierta de vidrio liberen los surcos del portalámparas. El uso de guantes de látex puede ofrecer un mejor agarre.
2. Utilizando guantes o un paño seco, remueva la bombilla jalándola en línea recta.

Para reemplazar:

1. Utilice una nueva bombilla halógena de 120/130 voltios, no exceda 50 vatios. Reemplace la lámpara de luz con el mismo tipo de lámpara que se retiró. Asegúrese al reemplazar la lámpara que sea de 120 volts o 130 volts (NO de 12 volts).
2. Utilizando guantes o un paño seco, remueva la bombilla de su paquete. No toque la bombilla con los dedos desnudos. El aceite para piel dañará la lámpara y acortará su tiempo de duración.
3. Empuje la bombilla en línea recta dentro del receptáculo hasta el tope.
4. Coloque las lengüetas de la cubierta de vidrio dentro de los surcos del portalámparas. Gire la cubierta de vidrio en sentido de las manecillas del reloj 1/4 de vuelta.

Para una mejor iluminación dentro del horno, limpie frecuentemente la cubierta de vidrio utilizando un paño húmedo. Esto debería hacerse cuando el horno está completamente frío.

5. Conecte nuevamente el suministro eléctrico al horno.



Puerta del Horno

Puerta del Horno Superior

En la puerta superior se encuentran muchos de los componentes electrónicos y controles del horno. Se recomienda que la puerta superior sólo sea retirada por un empleado calificado del servicio técnico.

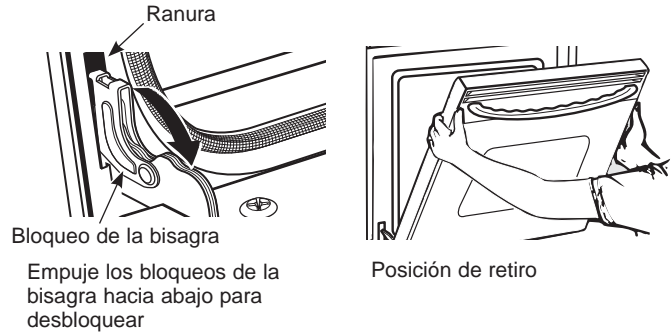
Puerta del Horno Inferior

La puerta inferior es muy pesada. Tenga cuidado al retirar y levantar la puerta.

No levante la puerta usando la manija.

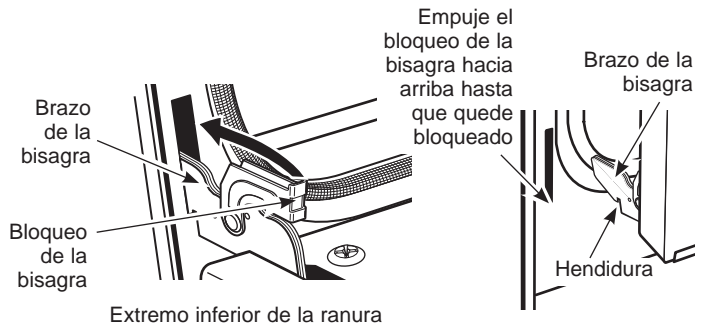
Para retirar la puerta:

1. Abra la puerta totalmente.
2. Empuje los bloqueos de la bisagra hacia abajo en dirección a la estructura de la puerta, hasta la posición desbloqueada. Es posible que necesite una herramienta tal como un destornillador pequeño de punta plana.
3. Firmemente tome ambos lados de la puerta por la parte superior.
4. Cierre la puerta hasta la posición de retiro de la misma. La puerta debería ser abierta aproximadamente a 3", sin obstrucción sobre la misma.
5. Levante la puerta hacia arriba y afuera, hasta que los brazos de las bisagras queden fuera de las ranuras.



Para reemplazar la puerta:

1. Firmemente tome ambos lados de la puerta por la parte superior.
2. Comenzando desde el lado izquierdo, con la puerta en el mismo ángulo de la posición de retiro, apoye la hendidura del brazo de la bisagra en el extremo inferior de la ranura de la bisagra. La abertura en el brazo de la bisagra deberá estar totalmente apoyada en la parte inferior de la ranura. Repita el procedimiento del lado derecho.
3. Abra la puerta totalmente. Si la puerta no se abre totalmente, la hendidura no está correctamente apoyada en el extremo inferior de la ranura.
4. Empuje los bloqueos de la bisagra contra la estructura frontal de la cavidad del horno, hasta la posición de bloqueo.
5. Cierre la puerta del horno.



Consejos para la Solución de Problemas... Antes de solicitar el servicio técnico

¡Ahorre tiempo y dinero! Primero revise los cuadros que aparecen en las siguientes páginas y es posible que no necesite solicitar reparaciones.

Problema	Causa Posible	Qué Hacer
Mi horno nuevo no cocina como el anterior. ¿Hay algún problema con las configuraciones de temperatura?	Su horno nuevo cuenta con un sistema de cocción diferente con relación al anterior y, por lo tanto, es posible que cocine de forma diferente.	En los primeros usos, use los tiempos y temperaturas de su receta con cuidado. Si aún piensa que su horno nuevo cocina con demasiado calor o demasiado frío, podrá ajustar el termostato usted mismo para aplicar su preferencia de cocción específica. Para ajustar la temperatura del horno, consulte la sección de Funciones Especiales. NOTA: Este ajuste afecta las temperaturas de los modos Traditional Bake (Horneado Tradicional), Convection Bake (Hornear por Convección) y Convection Bake Multi (Horneado por Convección Múltiple); éste no afectará los modos Convection Roast (Dorar por Convección) o Traditional Broil (Asado Tradicional).
La comida no se hornea de forma apropiada	Controles del horno configurados de forma incorrecta.	Consulte la sección Modos de Cocción.
	La posición del estante es incorrecta o el estante no está nivelado.	Consulte la sección Modos de Cocción y la Guía de Cocción.
	Uso de una cacerola incorrecta o de una cacerola de tamaño incorrecto.	Consulte la sección Utensilios.
	La temperatura del horno debe ser ajustada.	Consulte la sección Funciones Especiales.
	Sustitución de ingredientes	Sustituir ingredientes puede modificar el resultado de la receta.
La comida no asa de forma apropiada	Asegúrese de que la puerta esté cerrada durante el asado.	Siempre ase con las puertas cerradas.
	Controles del horno configurados de forma incorrecta.	Asegúrese de seleccionar el modo correcto para asar.
	Se usó una posición incorrecta del estante.	Para acceder a sugerencias de ubicación de estantes, consulte la Guía de Cocción.
	Se cocinó comida en una olla caliente.	Asegúrese de que el utensilio esté frío
	Utensilio de cocina inadecuado para asar.	Use una olla específicamente diseñada para asar
	El papel de aluminio usado para la olla y la rejilla para asar no se ajustó ni cortó de forma apropiada, según lo recomendado.	Si usará papel de aluminio, deberá usarse conforme con las aberturas de la olla.
	En algunas áreas, es posible que el nivel de corriente (voltaje) sea bajo.	Precalente el elemento para asar durante 10 minutos.
La temperatura del horno es demasiado caliente o demasiado fría	La temperatura del horno debe ser ajustada.	Consulte la sección Funciones Especiales.
El horno no funciona o parece no funcionar	Es posible que un fusible de su hogar se haya quemado o que el disyuntor se haya desconectado.	Reemplace el fusible o reinicie el disyuntor.
	Controles del horno configurados de forma incorrecta.	Consulte la sección Uso del Horno.
	El horno se encuentra en Sabbath Mode (Modo Sabático)	Verifique que el horno no esté en Sabbath Mode (Modo Sabático). Consulte la sección Funciones Especiales.
Sonido de “chisporroteo” o “traqueo”	Éste es el sonido de metal calentándose o enfriándose durante las funciones de cocción y limpieza..	Esto es normal.
¿Por qué la estufa hace un sonido de “clic” cuando uso el horno?	Su estufa fue diseñada para mantener un control más ajustado sobre la temperatura del horno. Es posible que escuche que los elementos de calentamiento del horno hagan sonidos de “clic” con mayor frecuencia que con hornos más antiguos para lograr mejores resultados durante los ciclos de horneado, asado, convección y limpieza automática.	Esto es normal.
El reloj y el temporizador no funcionan	Es posible que un fusible de su hogar se haya quemado o que el disyuntor se haya desconectado.	Reemplace el fusible o reinicie el disyuntor.

Consejos para la Solución de Problemas... Antes de solicitar el servicio técnico

Problema	Causa Posible	Qué Hacer
La luz del horno no funciona	La lámpara está floja o presenta defectos.	Ajuste o reemplace la lámpara.
	La luz de funcionamiento del interruptor está rota.	Llame al servicio técnico.
El modo de limpieza automática del horno no funciona	La temperatura del horno es demasiado caliente como para configurar la limpieza automática.	Espere a que el horno se enfríe y reinicie los controles.
	Los controles del horno están configurados de forma incorrecta.	Consulte la sección de Limpieza del Horno.
Exceso de humo durante un ciclo de limpieza	Suciedad o grasa excesiva.	Presione la tecla Cancel/Off (Cancelar/ Apagar) Abra las ventanas para liberar el humo en la habitación. Espere hasta que "LOCKED" (Bloqueado) desaparezca. Limpie el exceso de suciedad y reinicie el ciclo de limpieza.
Humo excesivo al asar	La comida está demasiado cerca del quemador.	Baje la posición del estante con comida.
La puerta del horno no se abrirá luego de un ciclo de limpieza	El horno está demasiado caliente.	Espere a que el horno se enfríe por debajo de la temperatura de bloqueo.
El horno no limpia luego de un ciclo de limpieza	Los controles del horno están configurados de forma incorrecta.	Consulte la sección de Limpieza del Horno.
	El horno estaba demasiado sucio.	Limpie derrames excesivos antes de iniciar el ciclo de limpieza. Es posible que, en hornos con mucha suciedad, sea necesario usar la limpieza automática nuevamente o usarla durante un período de tiempo más prolongado.
"LOCKED" parpadea en la pantalla	El ciclo de limpieza automática fue seleccionado pero la puerta no está cerrada.	Cierre la puerta del horno. Espere a que la puerta del horno finalice el bloqueo.
	"LOCKED" titilará mientras la puerta del horno está bloqueada para iniciar el ciclo de autolimpieza.	Esto es normal.
La luz "LOCKED" está encendida cuando desea cocinar	La puerta del horno está bloqueada debido a que la temperatura interior del horno no descendió por debajo de la temperatura de bloqueo.	Presione la tecla Cancel/Off (Cancelar/ Apagar) Deje que el horno se enfríe.
"LOCKED" ("BLOQUEADO") aparece en la pantalla del horno	Los controles fueron bloqueados.	Consulte la sección Bloqueo del control para desbloquear.
"F – y un número o letra" titila en la pantalla	Tiene un código de error de función.	Presione la tecla Cancel/Off (Cancelar/ Apagar) Permita que el horno se enfríe durante una hora. Vuelva a poner el horno en funcionamiento.
	Si el código de función se repite.	Desconecte totalmente la corriente de la cocina durante por lo menos 30 minutos y vuelva a conectar la misma. Si el código de error de función se repite, llame al servicio técnico.
La pantalla queda en blanco	Es posible que un fusible de su hogar se haya quemado o que el disyuntor se haya desconectado.	Reemplace el fusible o reinicie el disyuntor.
	El reloj está apagado.	Consulte la sección Funciones Especiales.
	El horno se encuentra en Sabbath Mode (Modo Sabático)..	Verifique que el horno no esté en Sabbath Mode (Modo Sabático). Consulte la sección Funciones Especiales.
Corte de corriente, el reloj titila	Corte o exceso de corriente	Reinicie el reloj. Si el horno estuvo en uso, deberá reiniciar el mismo presionando la tecla Cancel/ Off (Cancelar/ Apagar) configurando el reloj y reiniciando cualquier función de cocción.
Olor a "quemado" o "aceite" desde la ventilación	Esto es normal en un horno nuevo y desaparecerá con el tiempo.	Para acelerar el proceso, configure un ciclo de limpieza automática por un mínimo de 3 horas. Consulte la sección de Limpieza del Horno.
Olor fuerte	Un olor en la aislación alrededor del interior del horno es normal desde las primeras veces en que el horno es usado.	Esto es temporario y desaparecerá luego de varios usos o de un ciclo de limpieza automática.
Ruido del ventilador	Es posible que un ventilador de enfriamiento se active automáticamente.	Esto es normal. El ventilador de enfriamiento se encenderá para enfriar las partes internas. Es posible que funcione hasta durante una hora y media, una vez que el horno se haya apagado.
La puerta de vidrio del horno parece estar "teñida" o tener un color "arcoíris". ¿Es esto un defecto?	No. El vidrio del horno interno está cubierto con una barrera de calor que refleja este último nuevamente hacia el horno, a fin de evitar la pérdida de calor y de mantener fría la puerta externa mientras se hornea.	Esto es normal. Bajo ciertas luces y ángulos, es posible que visualice esta tinta o arcoíris.

Consejos para la Solución de Problemas... Antes de solicitar el servicio técnico

Problema	Causa Posible	Qué Hacer
A veces el horno tarda más en precalentarse a la misma temperatura	Utensilio o comida en el horno	El utensilio o la comida en el horno hará que éste tarde más en precalentarse. Retire estos artículos para reducir el tiempo de precalentamiento.
	Número de estantes en el horno	Agregar más estantes al horno hará que éste tarde más en precalentarse. Retire algunos estantes.
	Diferentes modos de cocción	Los diferentes modos de cocción utilizan diferentes métodos de precalentamiento para calentar el horno en un modo de cocción específico. Algunos modos tardarán más que otros (tales como: horneado por convección múltiple).
La pantalla parpadea	Falla en el suministro de electricidad.	Reinicie el reloj.
Aparece "Probe" en la pantalla	Esto le recuerda ingresar una temperatura de sonda después de enchufar la sonda.	Ingrese una temperatura de sonda.
Sale vapor del respiradero	Cuando se utiliza la característica por convección, es normal ver vapor saliendo del respiradero del horno. Conforme aumenta el número de parrillas o la cantidad de alimentos que están siendo cocinados, así mismo aumentará la cantidad de vapor visible.	Esto es normal
Las parrillas del horno son difíciles de deslizar	Las parrillas se limpiaron en un ciclo de auto limpieza.	Aplice una cantidad reducida de aceite vegetal a una toalla de papel y limpie los extremos de las parrillas del horno con dicha toalla de papel. No rocíe con Pam® o cualquier otro lubricante en spray. NOTA: No use aceite vegetal en el estante extensible. Lubrique el estante extensible con lubricante de grafito, de acuerdo con las instrucciones de limpieza para estantes extensibles.

Garantía del Horno Empotrable de GE Appliances

GEAppliances.com

Todo el servicio de garantía es provisto por nuestros Centros de Servicio de Fabricación, o un técnico autorizado de Customer Care®. Para programar una visita del servicio técnico a través de Internet, visítenos en www.geappliances.com/service_and_support/, o llame a GE Appliances al 800.GE.CARES. Cuando llame para solicitar el servicio, tenga los números de serie y modelo disponibles.

Para realizar el servicio técnico de su electrodoméstico, se podrá requerir el uso de datos del puerto de abordaje para su diagnóstico. Esto da al técnico del servicio de fábrica de GE Appliances la habilidad de diagnosticar de forma rápida cualquier problema con su electrodoméstico, y de ayudar a GE Appliances a mejorar sus productos al brindarle a GE Appliances la información sobre su electrodoméstico. Si no desea que los datos de su electrodoméstico sean enviados a GE Appliances, solicitamos que le indique a su técnico no entregar los datos a GE Appliances en el momento del servicio.

Por el Período de	GE Appliances reemplazará
Un Año Desde la fecha de la compra original	Cualquier parte de la cocina que falle debido a un defecto en los materiales o la fabricación. Durante esta garantía limitada de un año , GE Appliances también proveerá, sin costo , todo el trabajo y el servicio en el hogar para reemplazar la parte que presente defectos.

Qué no cubrirá GE Appliances:

- Viajes del técnico del servicio a su hogar para enseñarle sobre cómo usar el producto.
- Instalación, entrega o mantenimiento inadecuados.
- Fallas del producto en caso de abuso, mal uso, modificación o uso para propósitos diferentes al original o uso comercial.
- Reemplazo de fusibles de la casa o reinicio de disyuntores.
- Daños ocasionados sobre el producto por accidente, incendio, inundaciones o catástrofes naturales.
- Daños incidentales o consecuentes causados por posibles defectos sobre este producto.
- Daño causado después de la entrega.
- Producto no accesible para brindar el servicio requerido.
- Solicite el servicio técnico para reparar o reemplazar las lámparas, excepto las lámparas LED.

EXCLUSIÓN DE GARANTÍAS IMPLÍCITAS

Su única y exclusiva alternativa es la reparación del producto, como se indica en la Garantía Limitada. Las garantías implícitas, incluyendo garantías implícitas de comerciabilidad o conveniencia sobre un propósito particular, se limitan a un año o al período más corto permitido por la ley.

Esta garantía se extiende al comprador original y a cualquier dueño subsiguiente de productos comprados para uso hogareño dentro de EE.UU. Si el producto está en un área donde no se encuentra disponible un Proveedor Autorizado del Servicio Técnico de GE Appliances, usted será responsable por el costo de un viaje o se podrá requerir que traiga el producto a una ubicación del Servicio Técnico de GE Appliances autorizado para recibir el servicio. En Alaska, la garantía excluye el costo de envío o llamadas del servicio a su hogar. Algunos estados no permiten la exclusión o limitación de daños fortuitos o consecuentes. Esta garantía le da derechos legales específicos y es posible que tenga otros derechos legales que varían entre un estado y otro. Para conocer cuáles son sus derechos legales, consulte a la oficina de asuntos del consumidor local o estatal o al Fiscal de su estado.

Garante: GE Appliances

Garantías Extendidas: Adquiera una garantía extendida de GE Appliances y conozca los descuentos especiales que están disponibles mientras su garantía aún está vigente. Puede acceder a la misma a través de Internet en cualquier momento en

www.geappliances.com/service_and_support/shop-for-extended-service-plans.htm

o llamando al 800.626.2224 durante el horario comercial. Los Servicios para los GE Appliances aún estarán disponibles cuando su garantía caduque.

Abroche su recibo aquí. Para acceder al servicio técnico de acuerdo con la garantía deberá contar con la prueba de la fecha original de compra.

Accesorios

¿Busca Algo Más?

¡GE Appliances ofrece una variedad de accesorios para mejorar sus experiencias de cocción y mantenimiento!

Para acceder a números telefónicos e información de sitios Web, consulte la página de Soporte para el Consumidor.

Estos y otros productos están disponibles:

Accesorios

Olla para Asar Pequeña (8 ¾" x 1 ¼" x 13 ½")

Olla para Asar Grande (12 ¾" x 1 ¼" x 16 ½")

Olla para Asar Extra Grande (17 ¾" x 1 ¼" x 19 ½")

Piezas

Estantes del horno

Elementos del horno

Lámparas de luz

Sonda

Suministros de Limpieza

Limpiadores de Acero Inoxidable CitriShine™

Limpiador de Electrodomésticos de Acero Inoxidable
CeramaBryte

Lubricante de Grafito

Soporte para el Consumidor

Sitio Web de GE Appliances

¿Desea realizar una consulta o necesita ayuda con su electrodoméstico? ¡Intente a través del Sitio Web de GE Appliances las 24 horas del día, cualquier día del año! Usted también puede comprar más electrodomésticos maravillosos de GE Appliances y aprovechar todos nuestros servicios de soporte a través de Internet, diseñados para su conveniencia.

En EE.UU.: GEAppliances.com

Registre su Electrodoméstico

¡Registre su electrodoméstico nuevo a través de Internet, según su conveniencia! Un registro puntual de su producto permitirá una mejor comunicación y un servicio más puntual de acuerdo con los términos de su garantía, en caso de surgir la necesidad. También puede enviar una carta en la tarjeta de inscripción preimpresa que se incluye con el material embalado.

En EE.UU.: GEAppliances.com/register

Servicio Programado

El servicio de reparación de expertos de GE Appliances está a sólo un paso de su puerta. Conéctese a través de Internet y programe su servicio a su conveniencia cualquier día del año. En EE.UU.: GEAppliances.com/ge/service-and-support/service.htm o comuníquese al 800.432.2737 durante el horario de atención comercial.

Garantías Extendidas

Adquiera una garantía extendida de GE Appliances y conozca los descuentos especiales que están disponibles mientras su garantía aún está vigente. La puede adquirir en cualquier momento a través de Internet. Los servicios de GE Appliances aún estarán allí cuando su garantía caduque.

En EE.UU.: GEAppliances.com/ge/service-and-support/shop-for-extended-service-plans.htm

o comuníquese al 800.626.2224 durante el horario de atención comercial.

Conectividad Remota

Para solicitar asistencia para la conectividad de red inalámbrica (para modelos con acceso remoto), visite nuestro sitio web en GEAppliances.com/ge/connected-appliances/ o comuníquese al 800.220.6899 en EE.UU.

Piezas y Accesorios

Aquellos individuos calificados para realizar el servicio técnico de sus propios electrodomésticos podrán solicitar el envío de piezas o accesorios directamente a sus hogares (se aceptan las tarjetas VISA, MasterCard y Discover). Ordene hoy a través de Internet durante las 24 horas, todos los días. En EE.UU.: GEApplianceparts.com o de forma telefónica al 877.959.8688 durante el horario de atención comercial.

Las instrucciones que figuran en este manual cubren los procedimientos que serán realizados por cualquier usuario. Otros servicios técnicos generalmente deben ser derivados a personal calificado del servicio. Se deberá tener cuidado, ya que una reparación indebida podrá hacer que el funcionamiento no sea seguro.

Contáctenos

Si no se encuentra satisfecho con el servicio que recibió de GE Appliances, comuníquese con nosotros a través de nuestro sitio Web con todos los detalles, incluyendo su número telefónico, o escriba a:

En EE.UU.: General Manager, Customer Relations | GE Appliances, Appliance Park | Louisville, KY 40225

GEAppliances.com/ge/service-and-support/contact.htm