



FlexWash™

User manual

WV60M9900A*

SAMSUNG

Contents

Safety information	4
What you need to know about the safety instructions	4
Important safety symbols	4
Important safety precautions	5
Critical installation warnings	6
Installation cautions	8
Critical usage warnings	8
Usage cautions	10
Critical cleaning warnings	14
Regulatory notice	15
Installation	18
Unpacking your washer	18
What's included	19
Installation requirements	21
Step-by-step installation	25
Before you start	35
Initial settings	35
Laundry guidelines	35
Guide to cleaning agents	38
Operations	43
Upper washer	43
Lower washer	45
Simple steps to start	50
Samsung Smart Home	51
Special features	53
Maintenance	56
General considerations	56
Upper washer	59
Lower washer	61

Troubleshooting	67
Checkpoints	67
Samsung Smart Home	72
Information codes	73
Specifications	77
Fabric care chart	77
Protecting the environment	78
Declaration of conformity	78
Specification sheet	79
Cycle chart	80



Safety information

Congratulations on your new Samsung washer. This manual contains important information on the installation, use and care of your appliance. Please take some time to read this manual to take full advantage of your washer's many benefits and features.

What you need to know about the safety instructions

Please read this manual thoroughly to ensure that you know how to safely and efficiently operate the extensive features and functions of your new appliance. Please store the manual in a safe location close to the appliance for future reference. Use this appliance only for its intended purpose as described in this instruction manual.

Warnings and Important Safety Instructions in this manual do not cover all possible conditions and situations that may occur. It is your responsibility to use common sense, caution, and care when installing, maintaining and operating your washer.

Because the following operating instructions cover various models, the characteristics of your washer may differ slightly from those described in this manual and not all warning signs may be applicable. If you have any questions or concerns, contact your nearest service center or find help and information online at www.samsung.com.

Important safety symbols

What the icons and signs in this user manual mean:

 **WARNING**

Hazards or unsafe practices that may result in severe personal injury, death and/or property damage.

 **CAUTION**

Hazards or unsafe practices that may result in personal injury and/or property damage.

 **NOTE**

Indicates that a risk of personal injury or material damage exists.

These warning signs are here to prevent injury to yourself and others.

Please follow them explicitly.

After reading this manual, store it in a safe place for future reference.

Read all instructions before using the appliance.

As with any equipment that uses electricity and moving parts, potential hazards exist.

To safely operate this appliance, familiarize yourself with its operation and exercise care when using it.

SAVE THESE INSTRUCTIONS



Important safety precautions

WARNING

To reduce the risk of fire, electric shock, or injury to persons when using your appliance, follow basic precautions, including the following:

1. Read all instructions before using the appliance.
2. Do not wash or dry articles that have been previously cleaned in, washed in, soaked in, or spotted with gasoline, dry-cleaning solvents, other flammable or explosive substances as they give off vapors that could ignite or explode.
3. Do not allow children to play on or in the appliance. Close supervision of children is necessary when the appliance is used near children.
4. Before the appliance is removed from service or discarded, remove the door to the washing or drying compartment.
5. Do not reach into the appliance if the drum is moving.
6. Do not install or store this appliance where it will be exposed to the weather.
7. Do not tamper with controls.
8. Do not repair or replace any part of the appliance or attempt any servicing unless specifically recommended in the user-maintenance instructions or in published user repair instructions that you understand and have the skills to carry out.
9. Do not add gasoline, dry-cleaning solvents, or other flammable or explosive substances to the wash water. These substances give off vapors that could ignite or explode.
10. Under certain conditions, hydrogen gas may be produced in a hot water system that has not been used for 2 weeks or more. **HYDROGEN GAS IS EXPLOSIVE.** If the hot water system has not been used for such a period, before using a washer or combination washer-dryer, turn on all hot water faucets and let the water flow from each for several minutes. This will release any accumulated hydrogen gas. As the gas is flammable, do not smoke or use an open flame during this time.

SAVE THESE INSTRUCTIONS

Safety information

Critical installation warnings

State of California Proposition 65 Warning (US only)

This product contains chemicals known to the State of California to cause cancer and birth defects or other reproductive harm.

The installation of this appliance must be performed by a qualified technician or service company.

- Failure to do so may result in electric shock, fire, an explosion, problems with the product, or injury.

The appliance is heavy, therefore take care when lifting it.

Plug the power cord into a wall socket that meets local electrical specifications. Use the socket for this appliance only, and do not use an extension cord.

- Sharing a wall socket with other appliances, using a power strip, or extending the power cord may result in electric shock or fire.
- Ensure that the voltage, frequency, and current supplied to the washer matches those listed in the product specifications. Failure to do so may result in electric shock or fire. Plug the power plug into the wall socket firmly.

Have this appliance installed by a qualified technician or service company.

- Failing to do so may result in electric shock, fire, an explosion, problems with the product, or injury.

Remove all foreign substances such as dust or water from the power plug terminals and contact points using a dry cloth on a regular basis.

- Unplug the power plug and clean it with a dry cloth.
- Failure to do so may result in electric shock or fire.

Plug the power plug into the wall socket so that the cord is running towards the floor.

- If you plug the power plug into the socket in the opposite direction, the electric wires within the cable may be damaged and this may result in electric shock or fire.

Keep all packaging materials out of the reach of children as these may be dangerous.

- If a child places a plastic bag over his or her head, he or she can suffocate.

SAVE THESE INSTRUCTIONS

If the appliance, power plug, or power cord is damaged, contact your nearest Samsung service center for service.

This appliance must be properly grounded.

Do not ground the appliance to a gas pipe, plastic water pipe, or telephone line.

- This may result in electric shock, fire, an explosion, or problems with the product.
- Never plug the power cord into a socket that is not grounded correctly. Make sure that the socket is in accord with local and national regulations.

Do not install this appliance near a heater or any flammable material.

Do not install this appliance in a humid, oily or dusty location, or in a location exposed to direct sunlight or water (rain drops).

Do not install this appliance in a location exposed to low temperatures.

- Frost may cause the tubes to burst.

Do not install this appliance in a location where gas may leak.

- This may result in electric shock or fire.

Do not use an electric transformer to power the washer.

- This may result in electric shock or fire.

Do not use a damaged power plug, damaged power cord, or loose wall socket.

- This may result in electric shock or fire.

Do not pull or bend the power cord excessively.

Do not twist or tie the power cord.

Do not hook the power cord over a metal object, place a heavy object on the power cord, insert the power cord between objects, or push the power cord into the space behind the appliance.

- This may result in electric shock or fire.

Do not pull the power cord when unplugging the power plug.

- Unplug the power plug by pulling the plug.
- Failure to do so may result in electric shock or fire.

This appliance should be positioned so that the power plug, the water supply taps, and the drain pipes are accessible.

SAVE THESE INSTRUCTIONS

Safety information

Installation cautions

CAUTION

This appliance should be positioned in such a way that the power plug is easily accessible.

- Failure to do so may result in electric shock or fire due to electric leakage.

Install your appliance on a solid, level floor that can support its weight.

- Failure to do so may result in abnormal vibrations, movement, noise, or problems with the product.

Critical usage warnings

WARNING

If the appliance is flooded, turn off the water and power supplies immediately and contact your nearest Samsung service center.

- Do not touch the power plug with wet hands.
- Failure to do so may result in electric shock.

If the appliance generates a strange noise, a burning smell, or smoke, unplug the power plug immediately and contact your nearest Samsung service center.

- Failure to do so may result in electric shock or fire.

In the event of a gas leak (such as propane gas, LP gas, etc.), ventilate the room immediately without touching the power plug. Do not touch the appliance or power cord.

- Do not use a ventilating fan. Do not turn on a light.
- A spark may result in an explosion or fire.

Do not let children play in or on the washer. In addition, when disposing of the appliance, remove the washer door lever.

- Children can suffocate to death if trapped inside the product.

Make sure to remove the packaging (sponge, styrofoam) attached to the bottom of the washer before using it.

Do not wash items contaminated with gasoline, kerosene, benzene, paint thinner, alcohol or other flammable or explosive substances in the washer.

- This may result in electric shock, fire, or an explosion.

SAVE THESE INSTRUCTIONS

Do not open the washer door by force while it is operating (high-temperature washing/drying/spinning).

- Water flowing out of the washer may result in burns or cause the floor to be slippery. This may result in injury.
- Opening the door by force may result in damage to the product or injury.

Do not insert your hand under the washer while an operation is in progress.

- This may result in injury.

Do not touch the power plug with wet hands.

- This may result in electric shock.

Do not operate the appliance with wet hands.

- This may result in electric shock.

Do not turn the appliance off by unplugging the power plug while an operation is in progress.

- Plugging the power plug into the wall socket again may cause a spark and result in electric shock or fire.

Do not let children or the infirm use this washer without proper supervision. Do not let children climb in or onto the appliance.

- This may result in electric shock, burns, or injury.

Do not insert your hand or a metal object under the washer while it is operating.

- This may result in injury.

Do not unplug the appliance by pulling the power cord. Always grip the plug firmly and pull it straight out of the outlet.

- Damage to the power cord may cause a short-circuit, fire, and/or electric shock.

Do not attempt to repair, disassemble, or modify the appliance yourself.

- Do not use a fuse (such as copper, steel wire, etc.) other than a standard fuse.
- If the appliance needs to be repaired or reinstalled, contact your nearest Samsung service center.
- Failure to do so may result in electric shock, fire, problems with the product, or injury.

If the water supply hose comes loose from the faucet and floods the appliance, unplug the power plug.

- Failure to do so may result in electric shock or fire.

SAVE THESE INSTRUCTIONS

Safety information

Unplug the power plug when the appliance is not being used for long periods of time or during a thunder or lightning storm.

- Failure to do so may result in electric shock or fire.

If any foreign substance enters the appliance, unplug the power plug and contact your nearest Samsung service center.

- This may result in electric shock or fire.

Do not let children (or pets) play in or on your washer. The washer door does not open easily from the inside and children may be seriously injured if trapped inside.

Usage cautions

CAUTION

If the washer is contaminated by a foreign substance such as detergent, dirt, food waste, etc., unplug the power plug and clean the washer using a damp, soft cloth.

- Failure to do so may result in discoloration, deformation, damage, or rust.

The front glass (or lid) may be broken by a strong impact. Take care when using the washer.

- If the glass is broken, it may result in injury.

After a water supply failure or when reconnecting the water supply hose, open the faucet slowly.

Open the faucet slowly after a long period of non-use.

- The air pressure in the water supply hose or the water pipe may damage a product part or result in a water leak.

If a draining error occurs during an operation, check if there is a draining problem.

- If the washer is used when it is flooded because of a draining problem, it may result in electric shock or fire.

Insert the laundry into the washer completely so that the laundry does not get caught in the door.

- If laundry gets caught in the door, it may result in damage to the laundry or the washer, or result in a water leak.

Turn the water supply off when the washer is not being used.

- Ensure that the water supply hose connectors are properly tightened.

SAVE THESE INSTRUCTIONS

Ensure that the rubber seal and front door glass are not contaminated by a foreign substance (e.g. waste, thread, hair, etc.).

- If a foreign substance is caught in the door or the door is not completely closed, it may cause a water leak.

Open the faucet and check if the water supply hose connectors are firmly tightened and that there are no water leaks before using the product.

- If the connectors on the water supply hoses are loose, it may result in a water leak.

The product you have purchased is designed for domestic use only.

Using the product for business purposes qualifies as product misuse. If the product is used for business purposes, the product will not be covered by the standard warranty provided by Samsung and no responsibility can be attributed to Samsung for malfunctions or damages resulting from such misuse.

Do not stand on the appliance or place objects (such as laundry, lighted candles, lighted cigarettes, dishes, chemicals, metal objects, etc.) on the appliance.

- This may result in electric shock, fire, problems with the product, or injury.

Do not spray volatile material such as insecticide onto the surface of the appliance.

- As well as being harmful to humans, this may result in electric shock, fire, or problems with the product.

Do not place objects that generate electromagnetic fields near the washer.

- This may result in injury due to a malfunction.

Water drained during a high-temperature wash or drying cycle is hot. Do not touch the water.

- This may result in burns or injury.

Do not wash, spin, or dry water-proof seats, mats, or clothing (*) unless your appliance has a special cycle for washing these items.

For waterproof fabrics, only use the WATERPROOF cycle. Do not use other cycles for waterproof fabrics (WATERPROOF cycle-featured models only).

(*): Woollen bedding, rain covers, fishing vests, ski pants, sleeping bags, diaper covers, sweat suits, and bicycle, motor cycle and car covers, etc.

- Do not wash thick or hard mats even if the washer mark is on the care label. This may result in injury or damage to the washer, walls, floor, or clothing due to abnormal vibrations.

SAVE THESE INSTRUCTIONS

Safety information

- Do not wash throw rugs or doormats with rubber backing in the washer. The rubber backing may come off and stick to inside the drum, and this may result in a malfunction such as a drainage error.

Do not operate the washer when the detergent drawer is removed.

- This may result in electric shock or injury due to a water leak.

Do not touch the insides of the drum during or just after drying as it is hot.

- This may result in burns.

Do not insert your hand into the detergent drawer.

- This may result in injury as your hand may be caught by the detergent input device.
- Do not use the liquid detergent container (on applicable models only) for powdered detergent. Remove the container and put powdered detergent directly into the Main wash compartment.

Do not place any objects (such as shoes, food waste, animals) other than laundry into the washer.

- This may result in damage to the washer, or injury and death in the case of pets due to abnormal vibrations.

Do not press the buttons using sharp objects such as pins, knives, fingernails, etc.

- This may result in electric shock or injury.

Do not wash laundry contaminated by oils, creams, or lotions usually found in skincare shops or massage clinics.

- This may cause the rubber seal to become deformed and result in a water leak.

Do not leave metal objects such as safety pins or hair pins in the drum for long periods of time. Do not leave bleach in the drum for long periods of time.

- Doing either may cause the drum to rust.
- If rust starts appearing on the surface of the drum, apply a (neutral) cleansing agent to the surface and use a sponge to clean it. Never use a metal brush.

Do not use dry cleaning detergent in the washer and do not wash, rinse, or spin laundry contaminated by dry cleaning detergent.

- This may result in spontaneous combustion or ignition due to the heat from the oxidation of the oil.

Do not use water from water cooling/heating devices.

- This may result in problems with the washer.

SAVE THESE INSTRUCTIONS

Do not use natural hand-washing soap in the washer.

- If it hardens and accumulates inside the washer, it may result in problems with the product, discoloration, rust, or bad odors.

Place socks and brassieres in a washing net and wash them with the other laundry.

Do not wash large laundry items such as bedding in the washing net.

- Failure to do so may result in injury due to abnormal vibrations.
- Place smaller items, such as lace socks and lingerie in the washing net.

Do not use hardened detergent.

- If it accumulates inside the washer, it may result in a water leak.

Make sure that the pockets of all the clothing items to be washed are empty.

- Hard, sharp objects such as coins, safety pins, nails, screws, or stones can cause extensive damage to the washer.

Do not wash clothing with large buckles, buttons, or other heavy metal objects in the washer.

Sort the laundry by color on the basis of its colorfastness and select the recommended cycle, water temperature, and additional functions.

- Failure to do this may result in discoloration or fabric damage.

Take care that children's fingers are not caught in the door when you close it.

- Failure to do so may result in injury.

SAVE THESE INSTRUCTIONS

Safety information

Critical cleaning warnings

WARNING

Do not clean the appliance by spraying water directly onto it.

Do not use a strong acidic cleaning agent.

Do not use benzene, thinner, or alcohol to clean the appliance.

- This may result in discoloration, deformation, damage, electric shock, or fire.

Before cleaning the washer or performing maintenance, unplug it from the wall socket.

- Failure to do so may result in electric shock or fire.

SAVE THESE INSTRUCTIONS

Regulatory notice

FCC Notice

CAUTION

Any changes or modifications not expressly approved by the party responsible for compliance could void the user's authority to operate the equipment.

This device complies with Part 15 of FCC Rules. Operation is Subject to following two conditions:

1. This device may not cause harmful interference, and
2. This device must accept any interference received including interference that cause undesired operation.

For products sold in the US and Canadian markets, only channels 1-11 are available. You cannot select any other channels.

FCC STATEMENT:

This equipment has been tested and found to comply within the limits for a Class B digital device, pursuant to part 15 of the FCC Rules. These limits are designed to provide reasonable protection against harmful interference in a residential installation.

This equipment generates, uses, and can radiate radio frequency energy and, if not installed and used in accordance with the instructions, may cause harmful interference to radio communications. However, there is no guarantee that interference will not occur in a particular installation. If this equipment does cause harmful interference to radio or television reception, which can be determined by turning the equipment off and on, the user is encouraged to try to correct the interference by one or more of the following measures:

- Reorienting or relocating the receiving antenna
- Increasing the separation between the equipment and receiver
- Connecting the equipment to an outlet that is on a different circuit than the radio or TV.
- Consulting the dealer or an experienced radio/TV technician for help.

FCC RADIATION EXPOSURE STATEMENT:

This equipment complies with FCC radiation exposure limits set forth for an uncontrolled environment. This equipment should be installed and operated so there is at least 8 inches (20 cm) between the radiator and your body. This device and its antenna(s) must not be colocated or operated in conjunction with any other antenna or transmitter.

SAVE THESE INSTRUCTIONS



Regulatory notice

IC Notice

The term "IC" before the radio certification number only signifies that Industry Canada technical specifications were met. Operation is subject to the following two conditions:

1. This device may not cause interference, and
2. This device must accept any interference, including interference that may cause undesired operation of the device.

This Class B digital apparatus complies with Canadian ICES-003.

Cet appareil numérique de la classe B est conforme à la norme NMB-003 du Canada.

For products sold in the US and Canadian markets, only channels 1-11 are available. You cannot select any other channels.

IC RADIATION EXPOSURE STATEMENT:

This equipment complies with IC RSS-102 radiation exposure limits set forth for an uncontrolled environment. This equipment should be installed and operated so there is at least 8 inches (20 cm) between the radiator and your body. This device and its antenna(s) must not be colocated or operated in conjunction with any other antenna or transmitter.



SAVE THESE INSTRUCTIONS



Open Source License Notice

The software included in this product contains open source software. You may obtain the complete corresponding source code for a period of three years after the last shipment of this product by sending an email to <mailto:oss.request@samsung.com>.

It is also possible to obtain the complete corresponding source code in a physical medium such as a CD-ROM; a minimal charge will be required.

The following URL <http://opensource.samsung.com/opensource/SimpleConnectTP/seq/0> leads to the download page of the source code made available and open source license information as related to this product. This offer is valid to anyone in receipt of this information.



SAVE THESE INSTRUCTIONS

Installation

Follow these instructions carefully to ensure proper installation of the washer and to prevent accidents when doing laundry.

⚠️ WARNING

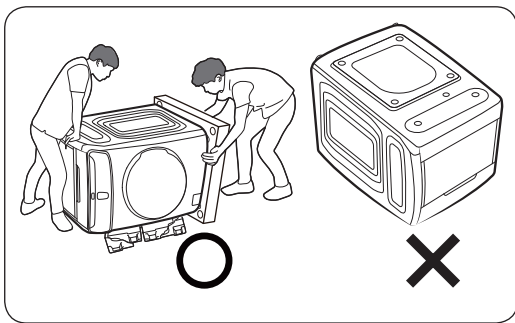
Control board, heat sink, motor, inlet valve, and pump are intentionally not grounded and may present a risk of electric shock only during servicing.

Unpacking your washer

Unpack your washer and inspect it for shipping damage. Make sure you have received all the items shown below. If your washer was damaged during shipping, or you do not have all of the items, contact 1-800-SAMSUNG (1-800-726-7864). To prevent personal injury or strain, wear protective gloves whenever lifting or carrying the unit.

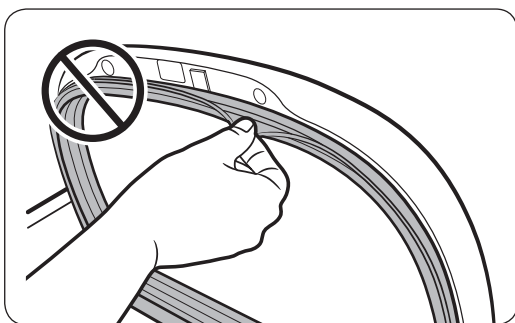
⚠️ WARNING

Packing materials can be dangerous to children; Keep all packing material (plastic bags, polystyrene, etc.) well out of children's reach.



⚠️ CAUTION

When unpacking the washer, a 2 person collaboration is needed. To remove the cushion bottom of the packing materials, do not tip the washer over on its front. When you lay the washer down to remove the carton base, protect the sides of the washer and lay it down carefully. Never lay your washer on its back or front.

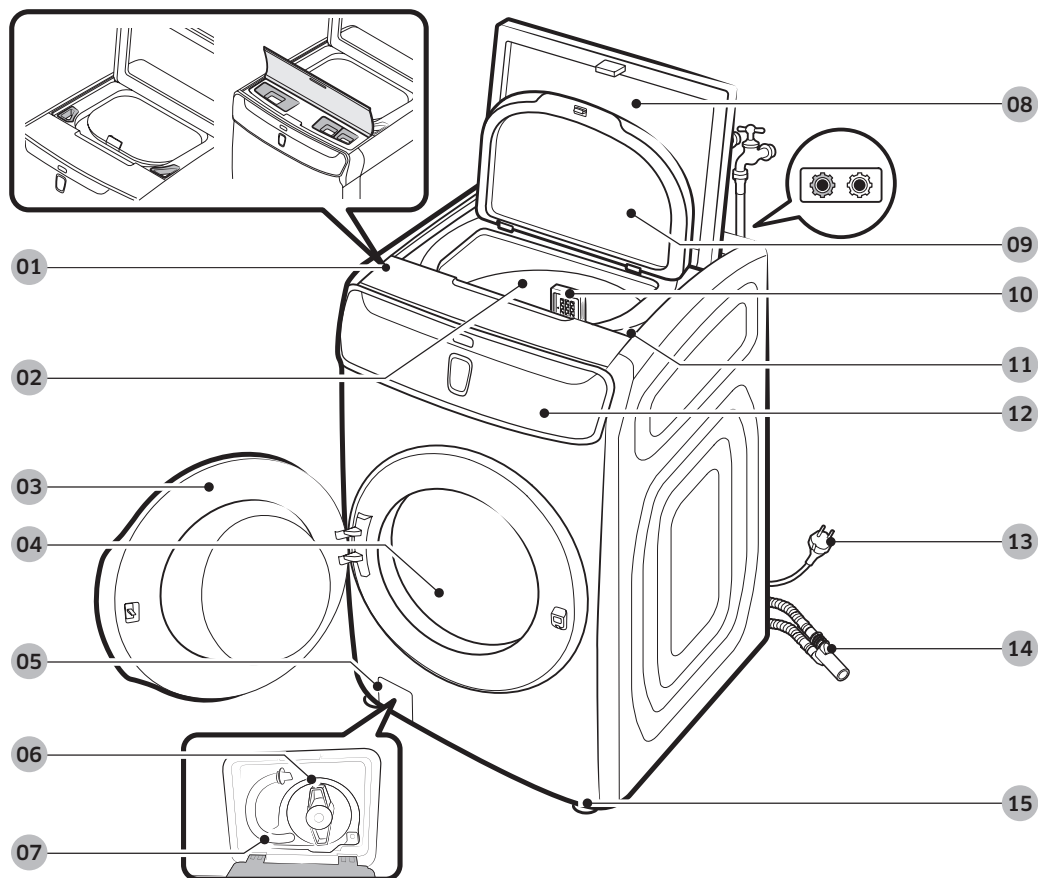


⚠️ CAUTION

Do not yank out or remove the sealing of the inner door. This may cause a leak during the washing process.

What's included

Make sure all the parts are included in the product package. If you have a question about the washer or the parts, contact a local Samsung customer center or your retailer.



01 Lower detergent compartment

02 Tub

03 Front door

04 Drum

05 Filter cover

06 Pump filter

07 Emergency drain tube

08 Top door

09 Protective cover (inner)

10 Lint filter

11 Upper detergent compartment

12 Main panel

13 Power plug

14 Pipe connector
(Upper drain hose &
lower drain hose)

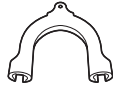
15 Levelling legs

Installation

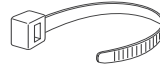
Accessories (supplied)



Bolt caps



Hose guide (x 2)



Tie straps



Aqua Pebble



* Rubber cups

* When not using the pedestal, use the rubber cups for soft floors or surfaces.

Accessories (not supplied)

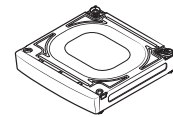
You must purchase these items at a local service center.



Water hoses (sold separately)



Anti-slip pads (sold separately)



Pedestal (flex system only)

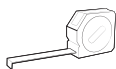
NOTE

- The number (7 to 9) of bolt caps provided depends on the model.
- The appearance of the washer and provided accessories may differ by model.
- To purchase an accessory or lost part, contact a local Samsung service center or your retailer.
- “WE272N*” is a pedestal dedicated to the flex system.

CAUTION

- Do not reuse old water hoses, which may leak or burst, causing flooding and/or property damage.
- Make sure rubber washers are inserted in each coupling of both water hoses.

Tools required for installation (not supplied)



Measuring tape



Philips screwdriver



Level



Adjustable pliers

Installation requirements

Electrical supply and grounding

- AC 120 V / 60 Hz fuse or circuit breaker is required.
- Use an individual branch circuit. Connect only the washer to the circuit.

WARNING

- Do NOT use an extension cord.
- Use only the power cord that comes with the washer.
- Do NOT connect the ground wire to plastic plumbing, gas lines, or hot water pipes.
- Improperly connected grounding conductors may cause electric shock.
- To ensure proper grounding, the washer comes with a power cord featuring a three-prong grounding plug for use in a properly installed and grounded outlet. Check with a qualified electrician or service person if you are not sure about the grounding.
- Do not modify the provided plug. If it does not fit the outlet, call a qualified electrician to install a proper outlet.

- To prevent unnecessary risk of fire, electrical shock, or personal injury, all wiring and grounding must be done in accordance with local codes, or in the absence of local codes, in accordance with the National Electrical Code, ANSI/NFPA No. 70-Latest Revision (for the U.S.) or the Canadian Electrical Code CSA C22.1 - Latest Revisions and local codes and ordinances. It is your responsibility to provide adequate electrical service for your washer.

Installation

Water supply

Water pressure less than 20 psi (137 kPa) may cause the water valve not to close completely. Or, it may take longer to fill the drum, causing the washer to turn off. Taps must be within 4 feet (122 cm) from the rear of the washer so that the provided inlet hoses reach the washer. To reduce the risk of leaks:

- Make sure taps are easily accessible.
- Turn off the taps when the washer is not in use.
- Check for any leaks at the water inlet hose fittings on a regular basis.

CAUTION

Before using the washer for the first time, check all connections at the water valve and taps for any leaks.

Drain

Samsung recommends a standpipe 18 in (46 cm) high. The drain hose must be connected through the hose clip to the standpipe, and the standpipe must fully cover the drain hose.

Flooring

For best performance, the washer must be installed on a solid floor. Wood floors may need to be reinforced to minimize vibration and/or unbalanced loads. Carpeting and soft tile surfaces do not provide good resistance to vibrations and may cause the washer to move slightly during the spin cycle.

CAUTION

Do NOT install the washer on a platform or a poorly supported structure.

Water temperature

Do not install the washer in areas where water may freeze as the washer always retains some water in its water valves, pumps, and/or hoses. Frozen water left in the connection parts may cause damage to belts, the pump, and other components of the washer.

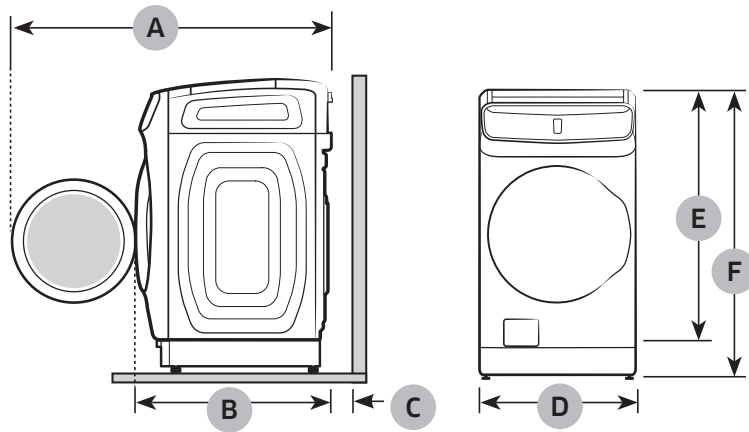
Alcove or closet installation

Minimum clearance for stable operation:

Sides	1 in. (25 mm)	Rear	6 in. (152 mm)
Top	21 in. (533 mm)	Front	2 in. (51 mm)

If both the washer and a dryer are installed in the same location, the front of the alcove or closet must have at least a 72 in² (465 cm²) unobstructed air opening. Your washer alone does not require a specific air opening.

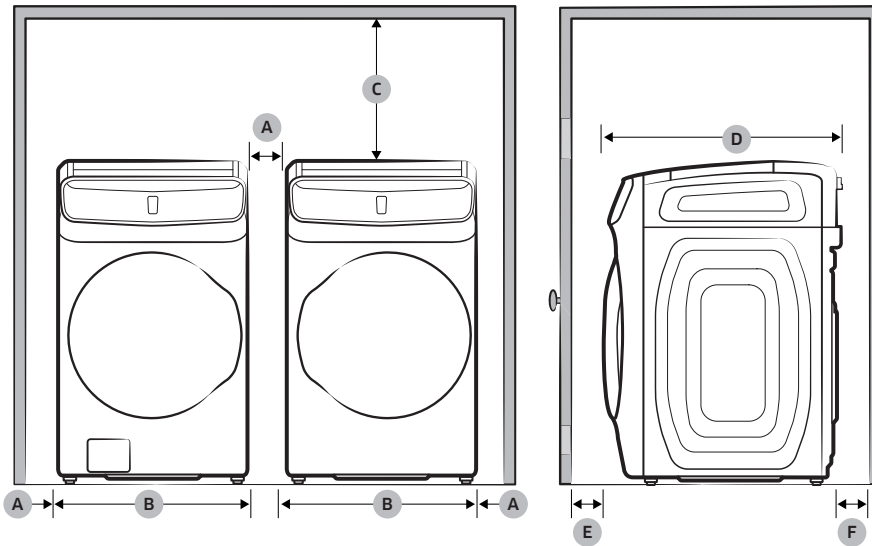
Installation on a pedestal



A	54.6 in. (1386 mm)	D	27 in. (686 mm)
B	34 in. (864 mm)	E	46.9 in. (1192 mm)
C	6 in. (152 mm)	F	52.2 in. (1326 mm)

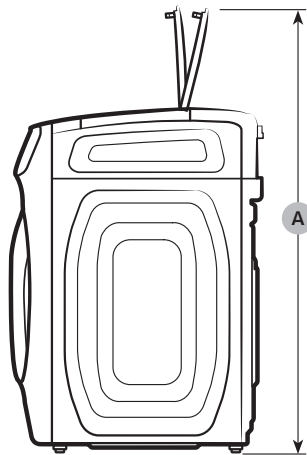
Installation

Side by side installation



A	1 in. (25 mm)	D	34 in. (864 mm)
B	27 in. (686 mm)	E	2 in. (51 mm)
C	21 in. (533 mm)	F	6 in. (152 mm)

*This clearance is not applicable to standalone washers.



A	61 in. (1550 mm)
---	------------------

Step-by-step installation

STEP 1 Select a location

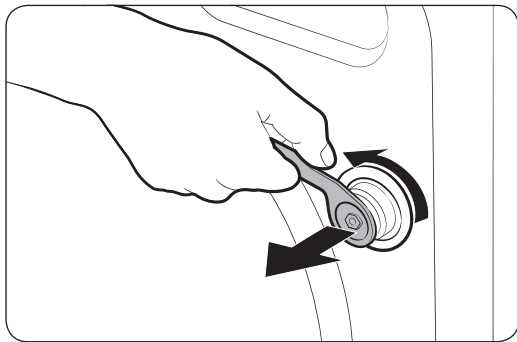
Location requirements:

- A solid, level surface without carpeting or flooring that may obstruct ventilation
- No direct sunlight
- Adequate room for ventilation and wiring
- Ambient temperature always higher than the freezing point (32 °F/0 °C)
- Away from heat sources

STEP 2 Remove the shipping bolts

⚠ WARNING

- Packaging materials can be dangerous to children. Dispose all packaging material (plastic bags, polystyrene, etc.) out of children's reach.
- To ensure proper installation, all 7 shipping bolts must be removed.

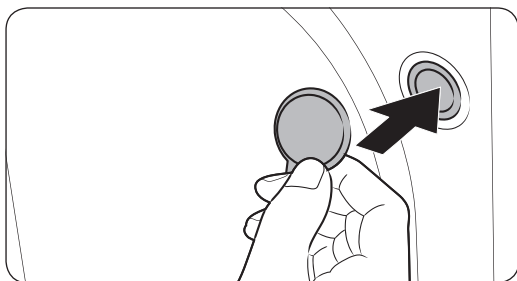


Unpack the product package and remove all shipping bolts (x7).

1. Loosen all shipping bolts on the rear of the machine using the wrench.

📄 NOTE

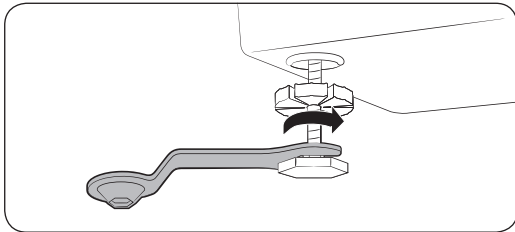
An adjustable wrench or 10 mm open-end wrench is required for removing the shipping bolts.



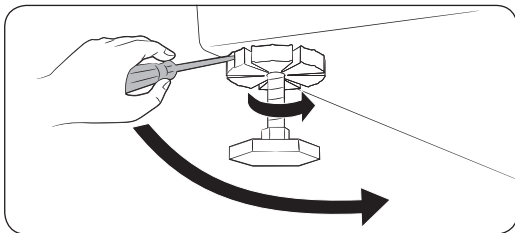
2. Fill the holes with the supplied plastic bolt caps. Keep the shipping bolts for future use.

Installation

STEP 3 Adjust the levelling legs



1. Gently slide the washer into position. Excessive force may damage the levelling legs.
2. Level the washer by manually adjusting the levelling legs.

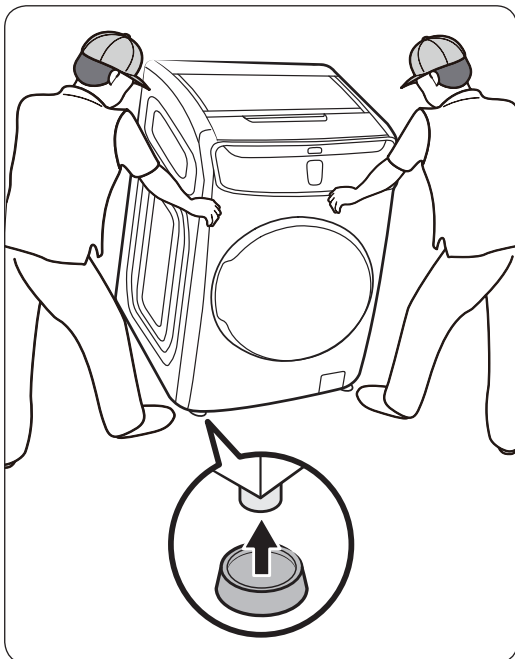


3. When levelling is complete, tighten the nuts using the wrench.

NOTE

An adjustable wrench or 17 mm open-end wrench is required to loosen or tighten the leveling legs.

STEP 4 Put the rubber cups on the legs (Only for soft floor or surface)



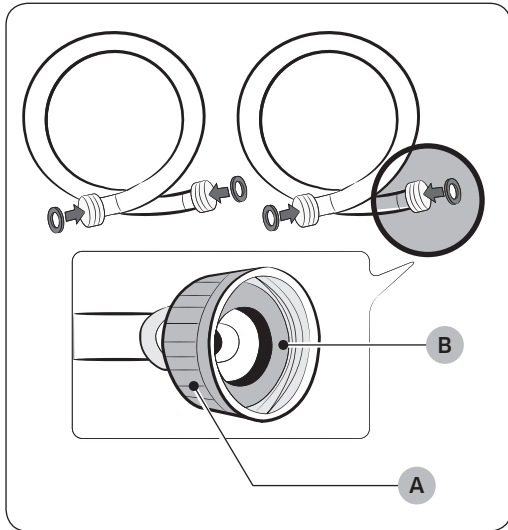
To protect a soft floor or surface, use the provided rubber cups. You don't need to use the rubber cups on a hard floor or on a pedestal.

1. Let two or more persons hold both sides of the washer.
2. While slanting the washer to one side, put the rubber cups under each leg of the washer one by one.

CAUTION

Make sure you have two or more persons insert the rubber cups. Otherwise, the washer may fall, causing physical or property damage.

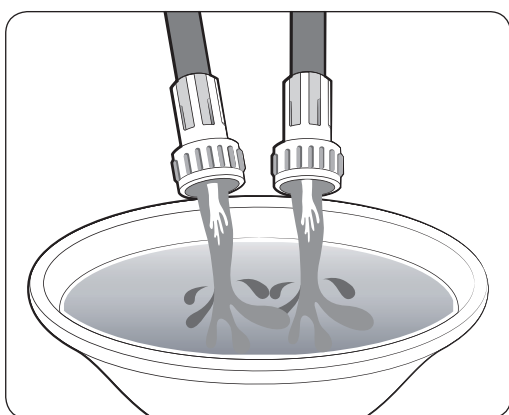
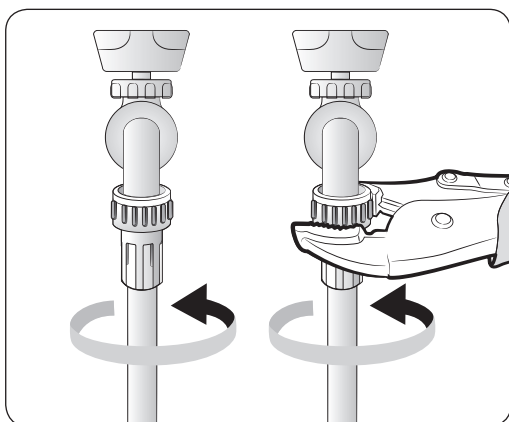
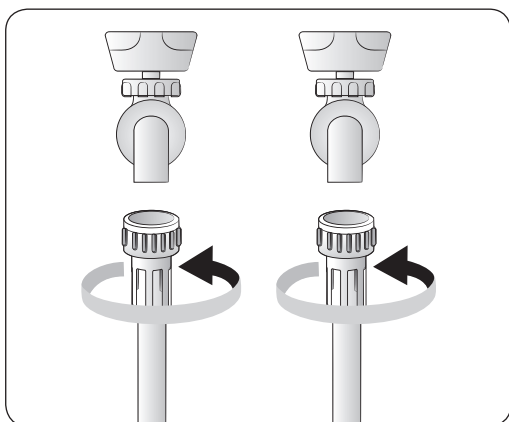
STEP 5 Connect the water hoses



⚠ CAUTION

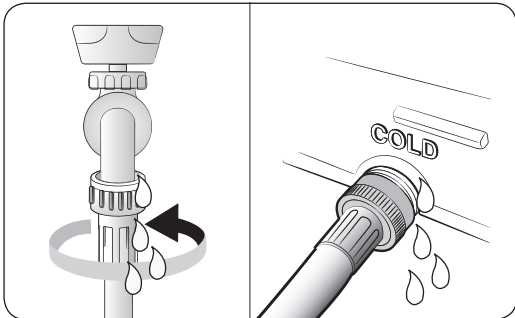
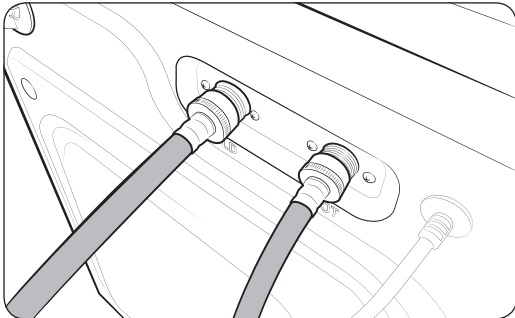
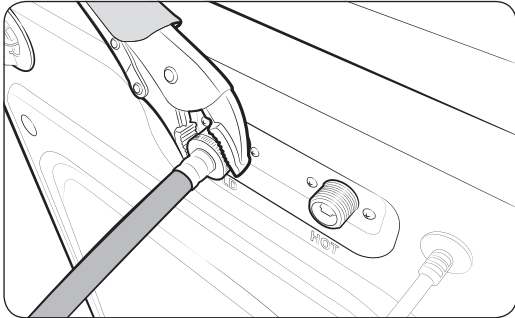
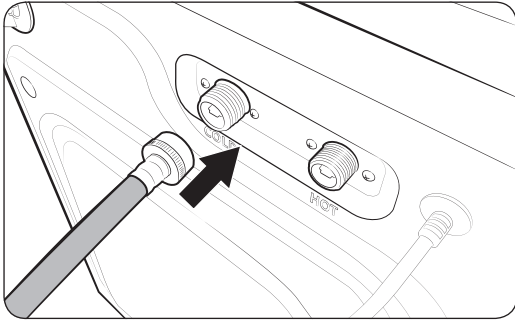
- Make sure you use a new water hose and that there are **rubber gaskets (B)** inside the **couplings (A)** at either end of each water hose. A water hose without the gasket may leak.
- If there is a water leak, stop using the washer and contact a local Samsung service center. A water leak may cause electric shock.
- Do not stretch the water hose by force. If the hose is too short, replace the hose with a longer, high-pressure hose.
- To prevent leaks, make sure both water hoses are not bent or kinked. A water leak may cause electric shock.

Installation



To connect the water hoses to the taps:

1. Connect one end of each water hose to the **Hot** or **Cold** tap.
2. Turn the fittings by hand until they are tight, and then tighten them an additional two-thirds of a turn with a pliers. To prevent damage, do not overtighten the fittings.
3. When done, pull the water hoses up and down to check if they are properly connected.
4. Put the other ends of the hoses into a bucket and open the taps for 10-15 seconds to remove impurities. When done, close the taps.



5. Connect the other ends of the water hoses to the corresponding inlets on the rear of the machine as specified. Make sure the hot water hose is connected to the hot inlet, and the cold water hose to the cold inlet.
6. Repeat step 2 above on the other fittings. Make sure both water hoses are connected properly. See the '4C' information code for troubleshooting.
7. Open both taps, and then check if there is a leak.

CAUTION

To prevent water hoses from being bent or kinked, make sure there is at least a 6-inch (150 mm) space between the washer and the rear wall.

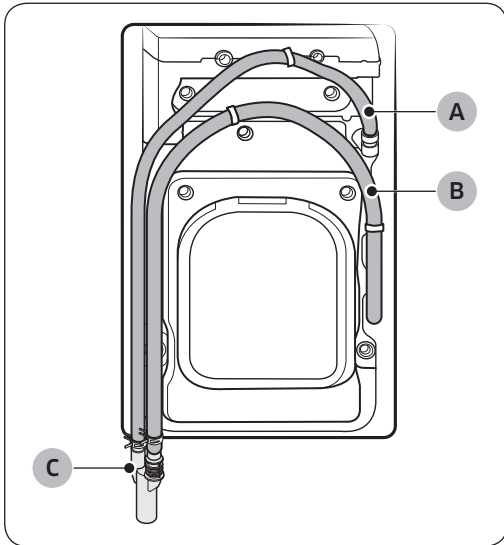
NOTE

If you do not want to use hot water, insert the inlet cap into the hot water inlet. You must purchase the inlet cap.

If the hot water inlet is closed with the inlet cap, you must select Cold for the water temperature. All other water indicators turn off.

Installation

STEP 6 Position the drain system



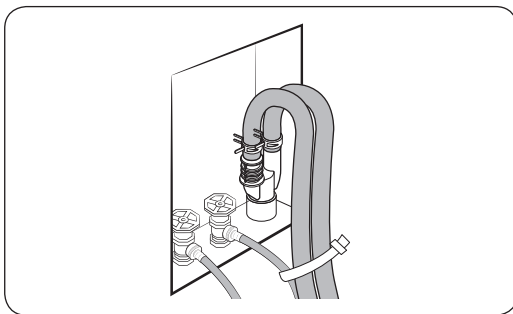
The pipe connector is attached on the product.

NOTE

A : Upper drain hose

B : Lower drain hose

C : Pipe Connector

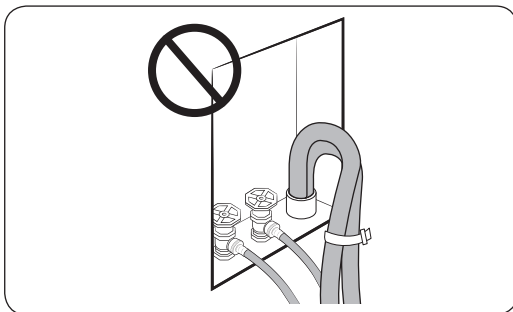


In a wall standpipe drain system

The drain hose must be placed into a wall standpipe drain system.

After inserting 2 drain hoses into the pipe connector, use tie straps to bind the drain hoses, and then insert the pipe connector into the wall standpipe.

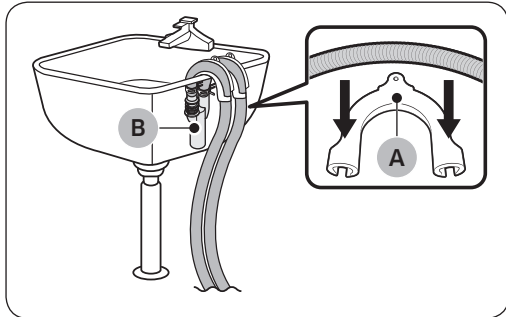
When complete, use the tie straps to bind the drain hose to the water hose.



WARNING

Make sure to use the pipe connector before inserting the drain hoses. Without the pipe connector, the drain hose will not be positioned securely inside the wall standpipe, causing a water leak.

The pipe connector can be positioned in the following ways:

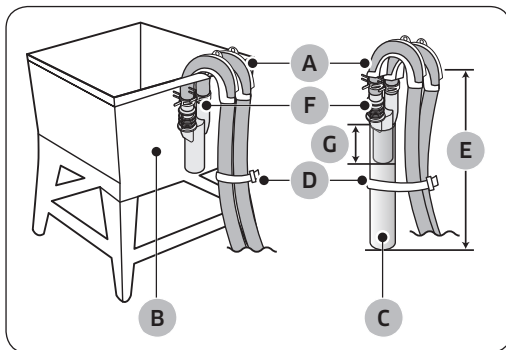


Over the edge of a wash basin

The pipe connector (B) must be placed at a height of between 24 in. (60 cm) and 35 in. (90 cm) from the floor. To keep the spout of the drain hose bent, use the supplied plastic hose guide (A). Secure the guide to the wall using a hook to ensure stable drainage.

NOTE

B : Pipe Connector

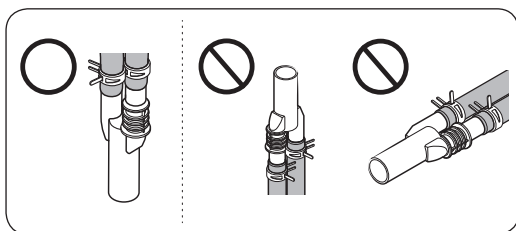


In a standpipe or laundry tub

The laundry tub (B) or standpipe (C) must be no shorter than 18 in. (46 cm) and no higher or longer than 96 inches (245 cm). Make sure the pipe connector and the standpipe are not airtight. The height of the standpipe (E) must be 43 in. (1100 mm) or higher from the floor.

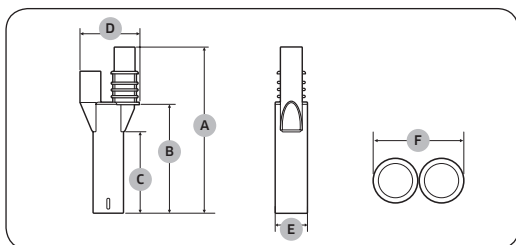
NOTE

A: Hose guide / D: Tie straps / F : Pipe Connector / G: 85 mm



CAUTION

- Do not extend the (Y-shaped) pipe connector using an extension hose.
- Make sure you face the tip of the pipe connector downwards to the drain hole. Positioning the connector tip elsewhere can cause the drained water to flow backward.



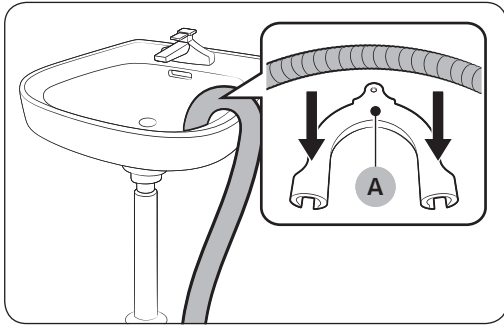
Dimensions of the pipe connector

A	172 mm	D	67 mm
B	112.5 mm	E	∅ 35
C	85 mm	F	60 mm

Installation

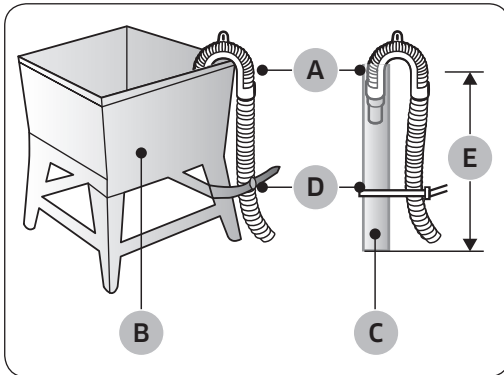
To position without the pipe connector

If you do not use the pipe connector, each drain hose can be positioned in the following ways:



Over the edge of a wash basin

The drain hose must be placed at a height of between 24 in. (60 cm) and 35 in. (90 cm) from the floor. To keep the spout of the drain hose bent, use the supplied plastic **hose guide (A)**. Secure the guide to the wall using a hook to ensure stable drainage.

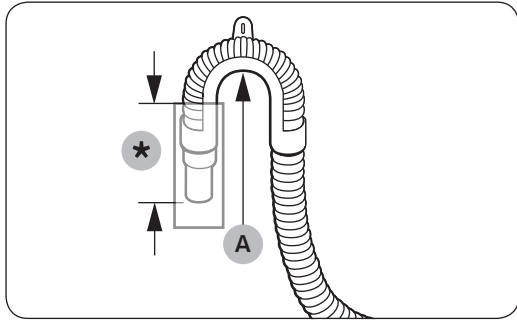


In a standpipe or laundry tub

The **laundry tub (B)** or **standpipe (C)** must be no shorter than 18 in. (46 cm) and no higher or longer than 96 inches (245 cm). Make sure the drain hose and the standpipe are not airtight. The **height of the standpipe (E)** must be 43 in. (1100 mm) or higher from the floor.

NOTE

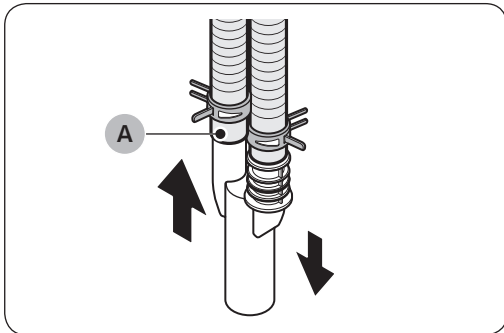
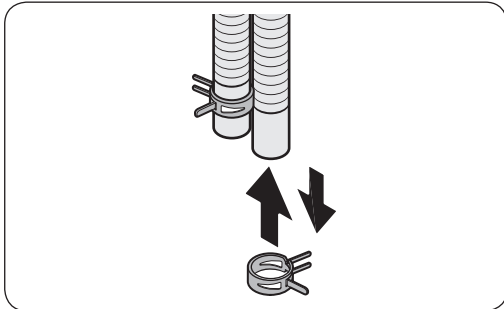
A: Hose guide / D: Tie straps



CAUTION

- Connect the **hose guide (A)** within 3–5 in. (7.6–12.7 cm)* from the end of the drain hose. If the drain hose is extended beyond the end of the hose guide, mold or microorganisms could spread inside the washer.
- The drain hose can be installed up to 96 in. (245 cm) high, but the draining capability can be reduced at the maximum height. Water remaining in the drain system may cause an odor.
- If the drain hose is installed less than 18 in. (46 cm) high, water can be drained during the process due to a siphon phenomenon. If this happens, a '4C' information code appears on the display.

Installation



NOTE

To position using the pipe connector

You washer comes with a pipe connector that is designed to join the upper drain hose and the lower drain hose. You can choose to use the connector to combine two drain hoses into a single outlet.

1. Insert the clamp ring on the end of the drain hose, one for each drain hose.
 2. Insert the pipe connector into the drain hoses. Make sure the longer side (A) fits into the drain hose running from the lower washer.
 3. Fix the position of the clamp rings near the end of each hose.
- To remove the pipe connector, follow these steps above in the reverse order.

STEP 7 Final check and power on

- Before using your washer, make sure to remove the dehumidifying agent (silica gel) from inside the upper washer.
- Do not eat or swallow the dehumidifying agent (silica gel).
- The protective cover may form moisture on its surface after the washer has checked for a leak to ensure normal operation. This is normal, and does not indicate a defective part. Open the cover for a moment to remove the moisture.
- Plug the power cord into an AC 120 V / 60 Hz approved electrical outlet protected by a fuse or circuit breaker. Then, press **POWER** to turn on the washer.

Before you start

Initial settings

Run Calibration (recommended)

Calibration ensures accurate weight detection by the washer. Make sure the tub or drum is empty before running Calibration.

To calibrate the upper washer

1. Press **POWER** on the control panel of the upper washer to turn the washer on.
2. Press and hold **NORMAL** and **Temp.** simultaneously for 3 seconds.
3. Press **START/PAUSE** to start Calibration.
 - The door is locked during the operation.
 - The tub keeps rotating clockwise and counter clockwise for several minutes.

4. When complete, the upper washer turns off automatically.

To calibrate the lower washer

1. Press **POWER** on the control panel of the lower washer to turn the washer on.
2. Press and hold **Temp.** and **Delay End** on the lower washer control panel simultaneously for 3 seconds.
3. Press **START/PAUSE** on the lower washer control panel to start Calibration.
4. When complete, the lower washer turns off automatically.

NOTE

Instead of rotating the tub, the lower washer rotates the drum.

Laundry guidelines

STEP 1 Sort

Sort the laundry according to these criteria:

- Care Label: Sort the laundry into cottons, mixed fibres, synthetics, silks, wools, and rayon.
- Color: Separate whites from colors.
- Size: Mixing different sized items together in the drum or tub improves the washing performance.

- Sensitivity: Wash delicate items separately. For pure, new woollen items, curtains, and silk items, check the labels for washing instructions.

NOTE

Make sure to check the care label on all clothing, and sort clothing accordingly before starting the wash.

Before you start

STEP 2 Empty pockets

Empty all the pockets of your laundry items

- Metal objects such as coins, pins, and buckles on clothing may damage other laundry items as well as the drum or tub.

Turn clothing with buttons and embroideries inside out

- If pants or jacket zippers are open while washing, the drum or tub may be damaged. Zippers should be closed and fixed with a string.
- Clothing with long strings may become entangled with other clothes. Make sure to tie the strings before starting the wash.

STEP 3 Use a laundry net

- Brassieres (water washable) must be placed in a laundry net. Metal parts of the brassieres may break through and tear other laundry items.
- Small, light clothing such as socks, gloves, stockings, and handkerchiefs may become caught around the door. Place them inside a fine laundry net.
- Do not wash the laundry net by itself without other laundry. This may cause abnormal vibrations that could move the washer and result in injury.

STEP 4 Determine the load capacity

Lower washer

Do not overload the washer. Overloading may cause the washer to wash improperly.

NOTE

When washing bedding or bedding covers, the wash time may be lengthened or the spin efficiency may be reduced. For bedding or bedding covers, the recommended maximum spin level is “Low or Medium Spin”, and the load capacity is 3.0 kg or less.

CAUTION

If the laundry is unbalanced and the “Ub” information code is displayed, redistribute the load. Unbalanced laundry may reduce the spinning performance.

Upper washer

Laundry guidelines

Use the upper washer for small loads under 3.3 lbs (1.5 kg).

Load	Shorts	Blue Jeans	Cotton pants	Shirts	Short-sleeved T-shirts
3.3 lb ↓ (1.5 kg ↓)	4	1	3	4	9
Load	T-shirts	Sports wear (upper)	Sports wear (pants)	Shower towel	Towel (small)
3.3 lb ↓ (1.5 kg ↓)	4	3	3	2	10

NOTE

- Use the recommended load for optimal washing performance. Overloads may reduce the performance.
- Use the lower washer for stubborn or heavily soiled loads or loads larger than recommended.

STEP 5 Add the correct detergent type

The type of detergent depends on the type of fabric (cotton, synthetic, delicate items, wool), color, wash temperature, and degree of soiling. Always use “low suds” HE laundry detergent which is designed for automatic washers.

NOTE

- Follow the detergent manufacturer’s recommendations based on the weight of the laundry, the degree of soiling, and the hardness of the water in your local area. If you are not sure about the water hardness, contact your local water authority.

- Do not use detergent that has hardened or solidified. This detergent may remain after the rinse cycle, blocking the drain outlet.

Use HE detergent only



Your washer is designed to use high efficiency (HE) detergents.

- For the best cleaning results, use a high efficiency detergent such as Tide HE, Wisk HE, Cheer HE or Gain HE*. High efficiency detergents contain suds suppressors that reduce or eliminate suds. When fewer suds are produced, the load tumbles more efficiently and cleaning is maximized. (* Brand names are trademarks of their respective manufacturers.)

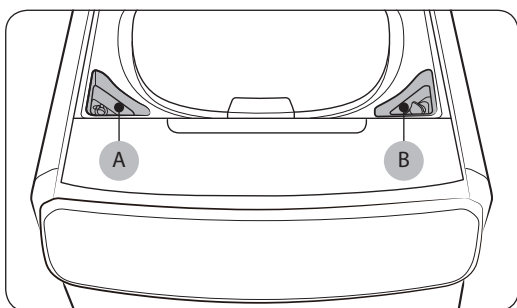
WARNING

Regular detergent is not recommended. Use HE detergents only.

Before you start

Guide to cleaning agents

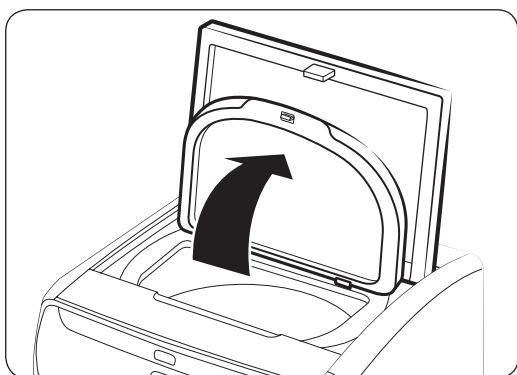
Upper washer



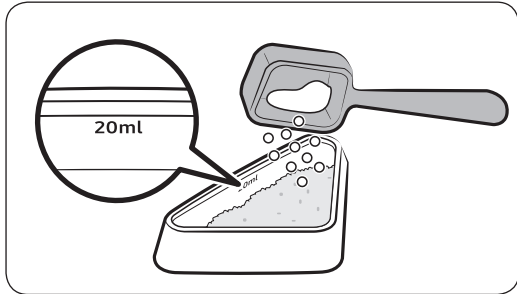
The upper washer provides two cleaning agent compartments: the left-side compartment for bleach, and the right side for fabric softener. You can apply detergent manually into the tub using the provided Aqua Pebble.

- **Bleach compartment (A):** Add non-chlorine bleach as instructed by the manufacturer.
- **Softener compartment (B):** Add a recommended amount of fabric softener as instructed by the manufacturer.

To apply cleaning agents to the upper washer



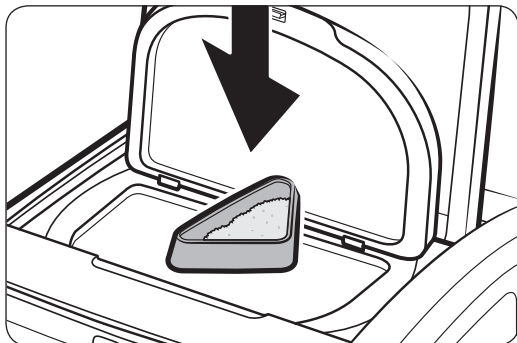
1. Open the top door, and then the protective cover. Remove the Aqua Pebble from the fabric softener container.



- Put a recommended amount of liquid or powdered detergent into the provided Aqua Pebble. The Aqua Pebble has a guide line (marked '20 ml') near its top, which is the max line. Do not exceed the max line.

⚠ CAUTION

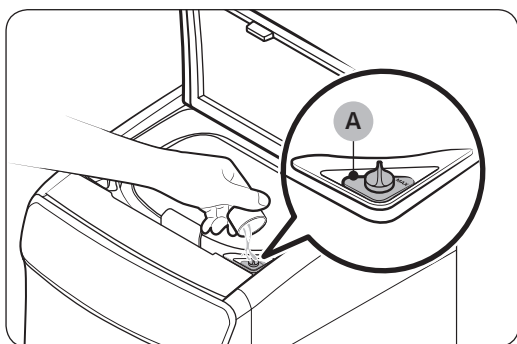
- Any detergent to be added to the upper washer must be put in the provided Aqua Pebble.
- Use HE detergent only.
- If you are adding powdered detergent, use the provided detergent cup, and add only one cup of detergent. Excessive amounts of detergent may cause detergent residue.
- Make sure the powdered detergent you add is a finely ground variety.
- Do not use the Aqua Pebble for bleach and/or fabric softener.



- Insert the Aqua Pebble around the center of the tub, and then put the laundry over the Aqua Pebble.

⚠ CAUTION

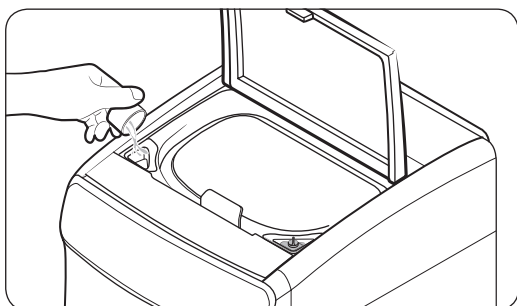
Make sure the Aqua Pebble is input first so it is placed under the laundry. Otherwise, detergent may not dissolve fully, causing residue after the wash is complete.



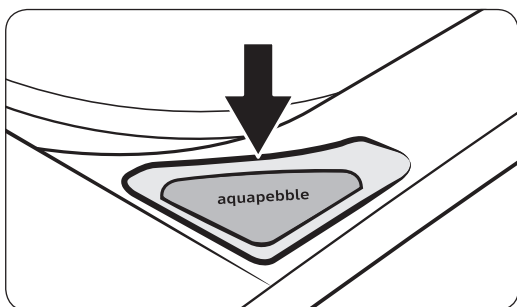
- Add a recommended amount of fabric softener to the softener compartment. Do not exceed the **max line (A)**.

Before you start

Before you start



5. Add a recommended amount of non-chlorine bleach to the bleach compartment. Use caution not to overfill the compartment.
6. Close the protective cover, and then the top door.



NOTE

When the cycle is complete, take out the Aqua Pebble, turn it over, and put it on the softener compartment for later use (see the figure). The Aqua Pebble is designed to fit in the softener compartment after it has been turned over.

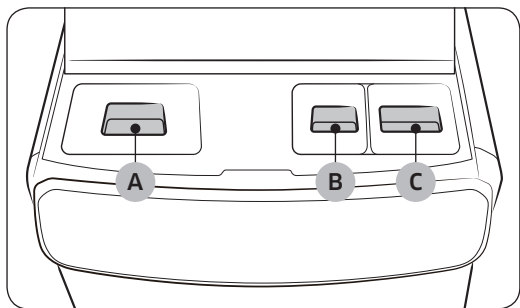
CAUTION

- Do not use chlorine bleach, which may damage the laundry.
- Use caution when inserting the Aqua Pebble as it is supposed to be balanced on top of the laundry at the beginning of the wash. Tipping the Aqua Pebble before the start of a wash may cause detergent residue to remain on the laundry at the end of the wash, causing discoloration of the laundry and/or reduced washing performance.
- Before each wash, make sure to clean the Aqua Pebble before adding fresh detergent.
- Do not insert the Aqua Pebble into a folded item or between different laundry items.
- Do not use liquid or powdered chlorine bleach.
- Do not put or store cleaning agents such as detergent, bleach, and fabric softener on top of your washer. Wipe up any spills immediately to prevent damage to the washer, especially the finish and the control panels.

NOTE

- It is normal for a small amount of water to remain in the detergent compartments at the end of a cycle.
- When adding color-safe bleach, we recommend you also use liquid detergent.
- When the wash is complete, remove the Aqua Pebble from the tub and clean it so that it is readily available for later use.

Lower washer



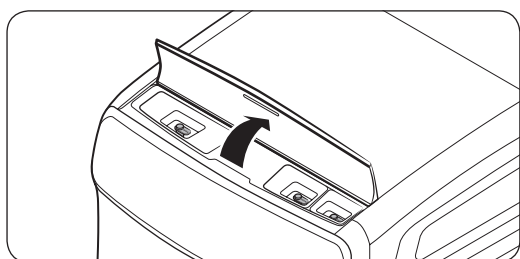
The lower washer provides three cleaning agent compartments: the left-most compartment for the main wash, the right-first one for bleach, and the far right for fabric softener.

- **Main wash compartment (A):** Add a recommended amount of liquid (or powdered) detergent to the main wash compartment.
- **Bleach compartment (B):** Add chlorine bleach as instructed by the manufacturer.
- **Softener compartment (C):** Add a recommended amount of fabric softener to the softener compartment.

CAUTION

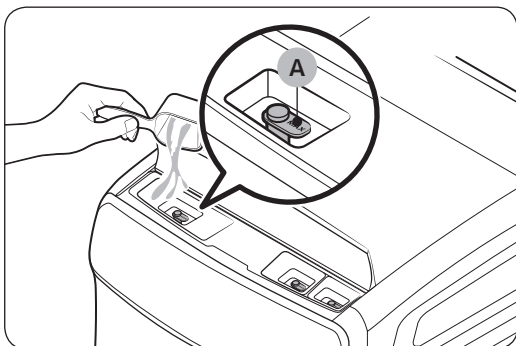
- Do not use ball or net types of detergent.
- Do not put tablet or capsule types of detergent in the detergent compartment. Tablet or capsule types of detergent must be put directly in the drum.
- To prevent the compartment from clogging, concentrated or highly-enriched agents (fabric softener or detergent) must be diluted with water before being added.

To apply cleaning agents to the lower washer



1. Open the top-front cover.

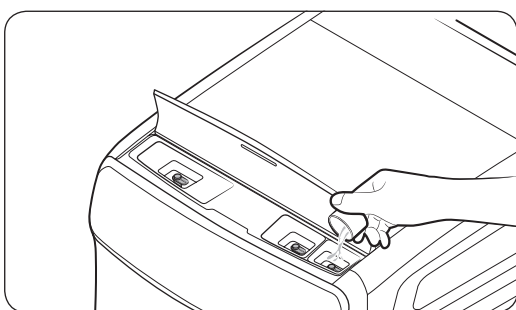
Before you start



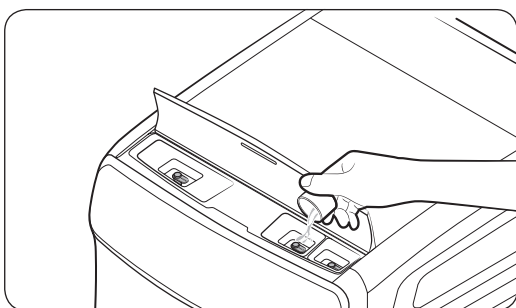
2. Add a recommended amount of liquid or powdered detergent to the detergent compartment. Do not exceed the **max line (A)**.

NOTE

To apply powdered detergent, first remove the liquid detergent container.



3. Add a recommended amount of fabric softener to the softener compartment. Do not exceed the max line.



4. If you want to add bleach, add a recommended amount of chlorine bleach to the bleach compartment. Do not exceed the max line.
5. Close the top-front cover.

NOTE

- If you use a high efficiency (HE) detergent, apply $\frac{2}{3}$ of the recommended amount to the main wash compartment.
- Oxygen boosters can increase washing performance. Make sure to add the oxygen booster after putting the laundry into the drum.
- To use both powdered detergent and powdered oxygen booster, it is more effective to put them together into the drum before loading the laundry.

Operations

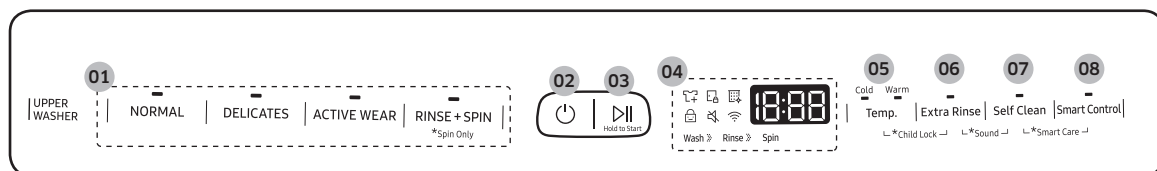
Your dual loading washer features upper and the lower washers for your convenience. The upper washer is an automatic tub loader that is designed to wash relatively small loads while the lower washer is a drum loader that takes care of normal or relatively heavy loads. The main panel is divided into 2 independent control panels.

WARNING

To reduce the risk of fire, electric shock, or injury to persons, read the IMPORTANT SAFETY INSTRUCTIONS before operating this washer.

Upper washer


Control panel



01 Cycle bar	Press to select a cycle.
02 POWER	Press to turn the upper washer on or off.
03 START/PAUSE (Hold to Start)	Press and hold to start operation or press to stop operation temporarily.
04 Status bar	The status bar shows current cycle information and estimated time remaining, or an information code if the upper washer needs to be checked.
05 Temp.	Press to toggle between two different water temperature options. <ul style="list-style-type: none"> • Warm: Colorfast items. • Cold: Brightly colored, very lightly soiled items.
06 Extra Rinse	Use to add an additional rinse at the end of the cycle to remove laundry additives more thoroughly.
07 Self Clean	Use to clean dirt and bacteria from the tub. Regular use (after every 20 washes) is recommended. No detergent or bleach is needed. Make sure the tub is empty.
08 Smart Control	After connecting the upper washer to your home network using the Samsung Smart Home app, you can control the washer remotely. When started, the Smart Control indicator blinks and the top door locks. The washer enters waiting mode and waits for remote commands. For more information, visit the Samsung Smart Home page.

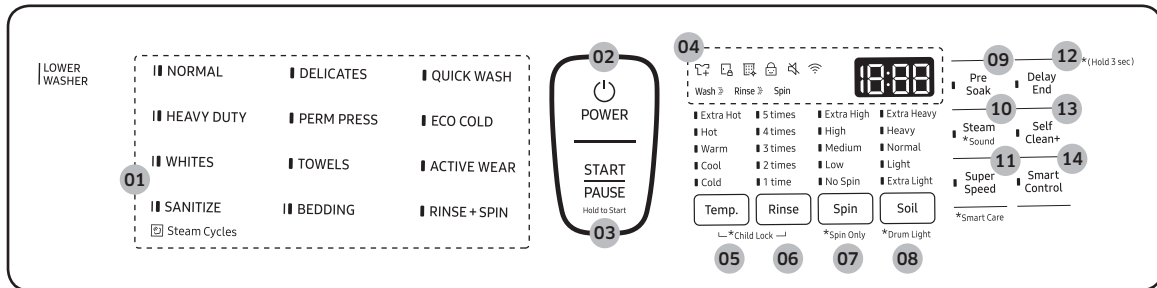
Operations

Cycle overview

Cycle	Description
NORMAL	<ul style="list-style-type: none">• For lightly soiled cotton, t-shirts, towels, and mixed loads.• Use to wash lightly soiled normal items, except delicate fabrics such as silk or handwash-only fabrics.
DELICATES	<ul style="list-style-type: none">• For sheer fabrics, bras, lingerie, silks, and other handwash-only fabrics. For best results, use liquid detergent.
ACTIVE WEAR	<ul style="list-style-type: none">• For exercise wear such as training pants, shirts/tops, and other performance clothing. This cycle provides effective soil removal with controlled tub rotation for special fabric care.
RINSE+SPIN	<ul style="list-style-type: none">• For loads that need rinsing only or for loads you want to add rinse-aided fabric softener to. <p> NOTE Spin Only: This cycle runs a spin cycle only. Press and hold RINSE+SPIN for 3 seconds.</p>


Lower washer


Control panel



01 Cycle area	Press to select a cycle.
02 POWER	Press to turn the lower washer on or off.
03 START/PAUSE (Hold to Start)	Press and hold to start operation or press to stop operation temporarily.
04 Status bar	The status bar shows current cycle information and estimated time remaining or an information code if the lower washer needs to be checked.
05 Temp.	<ul style="list-style-type: none"> Extra Hot: Heavily soiled, colorfast items. Only available with NORMAL, HEAVY DUTY, SANITIZE and Self Clean+. Hot: Whites and heavily soiled, colorfast items. Warm: Colorfast items. Cool: Brightly colored, very lightly soiled items. Cold: Uses only cold water without driving the heater. No warm water is supplied.
06 Rinse	<ul style="list-style-type: none"> Press to specify the total number of rinses for the current cycle. Keep pressing to cycle through the rinse count options available. For more information about the options available to a specific cycle, see the Cycle chart on page 80.

Operations

<p>07 Spin</p>	<ul style="list-style-type: none"> • Extra High: Extends the spinning process to effectively remove moisture from the load. Extra High uses a stronger spinning process to remove moisture, so it is not suitable for wrinklefree or non-iron fabrics, or overloads. • High: Underwear, t-shirts, jeans, and sturdy cottons. • Medium: Jeans, wrinkle-free or wash-and-wear items and synthetics. • Low: Delicate items that require a lower spinning speed. • No Spin: The drum does not spin after the final drain process. • Rinse Hold (No lamp turns on): The final rinse process is suspended so that the laundry remains in the water. To unload the laundry, run a drain or spin process. <p> NOTE</p> <p>* Spin Only: This cycle runs a spin cycle only. Press and hold Spin for 3 seconds. With the cycle time on the display, press Spin repeatedly until a desired spinning speed is selected. Then, press and hold START/PAUSE to start the cycle.</p>
<p>08 Soil</p>	<p>Press the button to select the soil level/washing time.</p> <ul style="list-style-type: none"> • Extra Heavy: For extremely soiled loads. • Heavy: For heavily soiled loads. • Normal: For moderately soiled loads. This setting is best for most loads. • Light: For lightly soiled loads. • Extra Light: For barely soiled loads.
<p>09 Pre Soak</p>	<p>This adds 30 minutes of soaking time at the start of the wash cycle for better stain removal.</p>

<p>10 Steam</p>	<p>With the Steam option selected, the washer senses the weight of the load and controls the steam effect according to the load size. This improves washing performance. Cycles available with the Steam option are: NORMAL, HEAVY DUTY, BEDDING, WHITES, and SANITIZE.</p> <ol style="list-style-type: none"> 1. Select a cycle. For applicable cycles, see above. 2. Press Steam. 3. Add detergent and fabric softener as instructed. 4. Press and hold START/PAUSE to start the cycle. <p>NOTE</p> <p>Steam may not be visible or present during the cycle, which is normal.</p>
<p>11 Super Speed</p>	<p>Press this button if you need to shorten the washing time, applicable for NORMAL, HEAVY DUTY, or BEDDING. The shortened time may differ depending on the selected cycle/load/options.</p>
<p>12 Delay End</p>	<p>You can set the washer to finish your wash automatically at a later time by choosing a delay of between 1 to 24 hours (in 1 hour increments). The hour displayed indicates the time the wash will finish.</p> <ol style="list-style-type: none"> 1. Select a cycle. Then, change the cycle settings if necessary. 2. Press Delay End repeatedly until a desired end time is set. 3. Press and hold START/PAUSE. The lamp indicator next to the Delay End button turns on with the clock running. 4. To cancel Delay End, restart the washer by pressing POWER. <p>Real-life case</p> <p>You want to finish a two-hour cycle 3 hours from now. To do this, you add the Delay End option to the current cycle with a 3-hour setting, and then press and hold START/PAUSE at 2:00 p.m. The washer starts operating at 3:00 p.m. and ends at 5:00 p.m. Provided below is the time line for this example.</p> 

Operations

13 Self Clean+	Cleans the drum by removing dirt and mold from the drum. <ul style="list-style-type: none">• Perform once every 40 washes with no detergent or bleach added.• Make sure the drum is empty.• Do not add any drum cleaning agents.
14 Smart Control	After connecting the lower washer to your home network using the Samsung Smart Home app, you can control the washer remotely. When started, the Smart Control indicator blinks and the front door locks. The washer enters waiting mode and waits for remote commands. For more information, visit the Samsung Smart Home page.

Cycle overview

Standard cycles

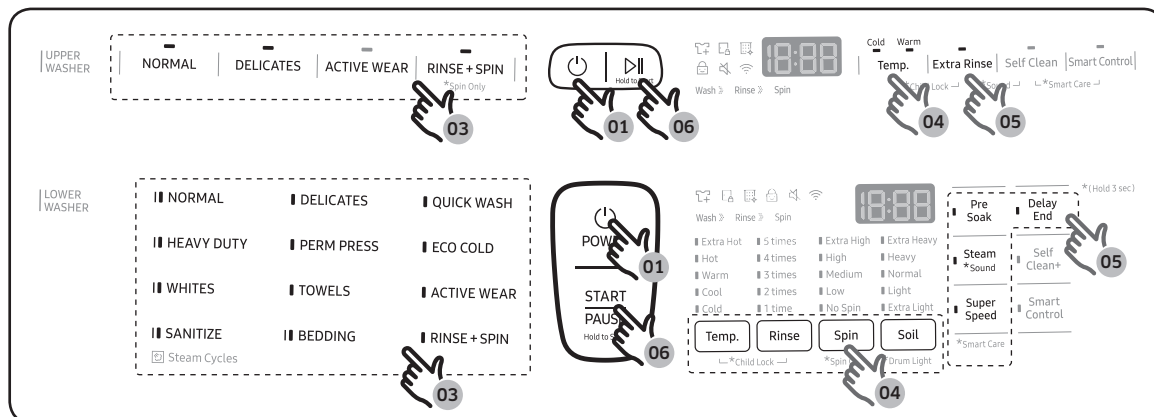
Cycle	Description
DELICATES	<ul style="list-style-type: none"> For sheer fabrics, bras, lingerie, silks, and other handwash-only fabrics. For best performance, use liquid detergent.
PERM PRESS	<ul style="list-style-type: none"> For wash-and-wear, synthetic fabrics, and lightly to normally soiled items.
TOWELS	<ul style="list-style-type: none"> For bath towels, washcloths (facecloths) and mats.
QUICK WASH	<ul style="list-style-type: none"> For lightly soiled items that you want to finish washing quickly.
ECO COLD	<ul style="list-style-type: none"> For normally and lightly soiled items. This cycle uses only cold water to save energy. Cold water also helps prevent fabric damage.
ACTIVE WEAR	<ul style="list-style-type: none"> For active wear such as sports jerseys, training pants, shirts/tops, and other performance clothing. This cycle provides effective soil removal with controlled drum rotation for special fabric care.
RINSE+SPIN	<ul style="list-style-type: none"> For loads that need rinsing only or for loads you want to add rinse-aided fabric softener to.

Steam cycles

Cycle	Description
NORMAL	<ul style="list-style-type: none"> For cottons, bed linens, table linens, underwear, towels, or shirts. The washing time and the rinse count are automatically adjusted according to the load.
HEAVY DUTY	<ul style="list-style-type: none"> For sturdy, colorfast fabrics and heavily soiled items.
WHITES	<ul style="list-style-type: none"> For white items with or without bleach.
SANITIZE	<ul style="list-style-type: none"> For heavily soiled, colorfast items. This cycle heats the water to 150 °F to eliminate bacteria.
BEDDING	<ul style="list-style-type: none"> For bulky items such as comforters, blankets, and sheets. For best results, wash only a single type of bedding. For bulky items, use liquid detergent and do not roll the items when you place them in the drum because they might get stuck.

Operations

Simple steps to start



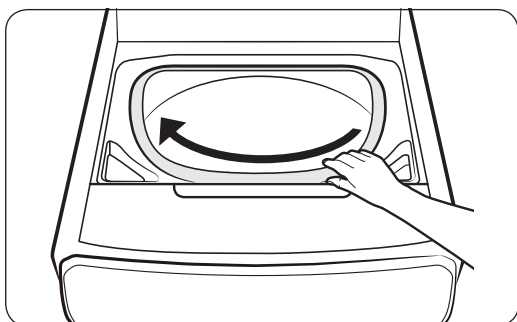
1. Press **POWER** on the control panel of a desired washer (upper/lower) to turn the washer on.
2. Put laundry into the washer.
3. Select a cycle.
4. Change the cycle settings (temperature and/or soil level) as appropriate to the laundry.
5. Select cycle options as needed.
6. Press and hold **START/PAUSE**.

To change the cycle during operation

1. Press **START/PAUSE** to stop operations temporarily.
2. Select a different cycle.
3. Press and hold **START/PAUSE** again to start the new cycle.

⚠ **WARNING**

- Do not put anything on top of your washer while it is running.
- While the lower washer is operating, the protective cover may have wet steam due to the temperature difference between the upper and lower parts of the washer.



⚠ **CAUTION**

When using the upper washer, you may not see all the remaining clothes after a cycle is finished, especially those in the front area of the tub.

When the cycle is complete, turn the tub manually to check if there are any clothes remaining in the tub.



This product is a smart washer that supports the Samsung Smart Home service.

The amount of time the EZ setup function (for connecting the washer to your network) can take to complete the network connection varies, depending on your network conditions.

Samsung Smart Home

Installation

Visit the Google Play Store, Galaxy Apps, or Apple App Store and search for “Samsung Smart Home”. Download and install the Samsung Smart Home app provided by Samsung Electronics to your smart device.

NOTE

- The Samsung Smart Home app is designed for Android 4.0 (ICS) or higher, or iOS 8.0 or higher, and is optimized for Samsung smartphones (Galaxy S and Galaxy Note series).
- On other devices, some functions may operate differently.
- For improved performance, the Samsung Smart Home app is subject to change without notice.

Registering a Samsung account

To use the Samsung Smart Home app, you must first sign in to your Samsung account. If you don't have a Samsung account, select **Register** in the app, and then follow the on-screen instructions to create an account.

NOTE

- If you have a registered Samsung account, log into your Samsung account. If you have a Samsung smartphone, you can go to the **Settings** menu on your smartphone, select **Accounts**, and then sign in to your Samsung account. This will allow you to log in without additional authentication.
- For third-party smart phones, the app account must be the same as the EZ Setup account.

Operations

Getting started

Using Samsung Smart Home, you can control your washer from your smart device remotely. For improved performance, the content and design of the app is subject to change without notice.

1. Launch the Samsung Smart Home App on your smartphone.
2. If 'Washer' is not listed, tap **Add Device** > **Select other device** > **Washer** on the app screen.
3. Press and hold **Smart Control** on your washer's control panel for more than 5 seconds until the 'AP' message appears on the display.
4. When the device registration is complete, turn on the Smart Control function on your washer and control your washer remotely.

Special features

Child Lock

To prevent children or infants from accidentally starting or setting the washer, Child Lock locks all buttons except for the **POWER** button. Note that each washer operates independently and has its own Child Lock function. If you want to activate Child Lock for the upper or lower washer, you must press the appropriate buttons on the upper or lower washer's control panel.

To activate Child Lock

- Press and hold **Temp.** and **Rinse** (or **Temp.** and **Extra Rinse** for the upper washer) simultaneously for 3 seconds. The door locks and the Child Lock indicator turns on. Then, press **START/PAUSE** to activate.

To deactivate Child Lock temporarily

- You can deactivate Child Lock temporarily for 1 minute. To do this, press and hold **Temp.** and **Rinse** (or **Temp.** and **Extra Rinse** for the upper washer) simultaneously for 3 seconds. The door is unlocked for 1 minute and the Child Lock indicator blinks.

NOTE

- If you open the door 1 minute or more after deactivating Child Lock, an alarm sounds for up to 2 minutes.
- If you close the door within 2 minutes, the door locks and Child Lock is reactivated. If you do not close the door or the door is not properly closed, the alarm keeps sounding for 2 minutes.
- To add laundry after activating Child Lock, first deactivate Child Lock or restart the washer.

To cancel Child Lock

- Press and hold **Temp.** and **Rinse** (or **Temp.** and **Extra Rinse** for the upper washer) for 3 seconds to deactivate, and then press and hold the buttons again for 3 seconds to release Child Lock. The door unlocks and the Child Lock indicator turns off.

Operations

Smart Care

The Smart Care function helps you diagnose and troubleshoot your washer if it has an issue. To enable this function, you must first download the Samsung Smart Washer app from the Play Store or the Apple Store, and install it on a mobile device that has a built-in camera. The Smart Care function has been optimized for: Galaxy and iPhone series devices. (It is not supported by some models.)

As the washer operates, it runs self-diagnosis in the background. If it senses an issue to check, it displays an information code on the display which you can scan using the app's Smart Care function, which then displays detailed information about the code for your reference.

1. Press and hold **Super Speed** (or **Self Clean** and **Smart Control** for the upper washer) on the washer for 3 seconds to enter the Smart Care mode.
2. Run the Samsung Smart Washer app on your mobile device, and then tap **Smart Care**.
3. Hold the mobile device so that the mobile device and the washer's status bar face each other. The app will recognize the information code automatically.
4. When the information code is recognized correctly, the app provides detailed information about the symptom and recommends further action.

NOTE

- The function name, Smart Care, may differ depending on your language.
- If the washer display is reflecting light, the app may fail to recognize the information code.
- If the app fails to recognize the information code a number of times consecutively, enter the information code manually into the app screen.
- The information code history stored in the washer will be deleted after you use this function.

Sound

Mute or unmute the sound (button beeps, indicator beeps, and chimes, etc.)

Upper washer

- To mute the alarm sound or beep on the upper washer, press and hold **Extra Rinse** and **Self Clean** for 3 seconds. To unmute, press and hold the buttons for 3 seconds again.

Lower washer

- To mute the alarm sound or beep on the lower washer, press and hold **Steam** for 3 seconds. To unmute, press and hold the button for 3 seconds again.

Drum Light (lower washer only)

The drum light turns on when the door is opened, and turns off after 2 minutes. To manually turn the drum light on or off, press and hold **Soil** for 3 seconds.

ATC (Auto Temperature Control)

ATC enables the washer to control water temperatures in each washing cycle using the washer's internal thermistor. It is designed to maintain certain washing temperatures for best results.

- If you select NORMAL or HEAVY DUTY, you may notice the washer supplying cold water. This is normal because the washer is designed to reduce power consumption.
- In these cycles, the Hot temperature is similar to bath-water temperatures and the Warm temperature to comfortable swimming pool temperatures.
- To wash laundry at a specific temperature, you must choose a different cycle first.

Maintenance

Keep the washer clean to prevent its performance from deteriorating and to preserve its life cycle.

WARNING

Control board, heat sink, motor, inlet valve and pump are intentionally not grounded and may present a risk of electric shock only during servicing.

General considerations

Cleaning

Surface of the washer

Use a soft cloth with a nonabrasive household detergent. Do not spray water onto the washer.

Exterior

1. Turn off the water taps after finishing the day's washing.
This will shut off the water supply to your washer and prevent the unlikely possibility of damage from escaping water. Leave the door open to allow the inside of your washer to dry out.
2. Use a soft cloth to wipe up all detergent, bleach, or other spills as they occur.
Clean the following as recommended below:
 - Control panels – Clean with a soft, damp cloth. Do not use abrasive powders or cleaning pads. Do not spray cleaners directly on the panels.
 - Cabinet – Clean with soap and water.

Interior

Clean the interior of your washer periodically to remove any dirt, soil, odor, mold, mildew, or bacterial residue that may remain in your washer as a result of washing clothes.

CAUTION

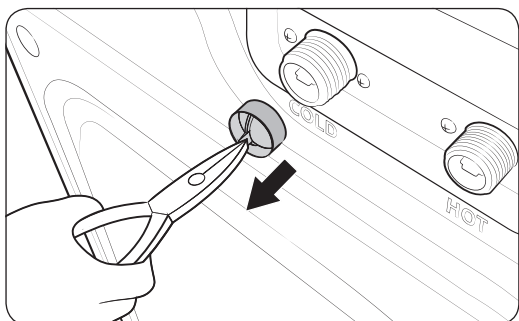
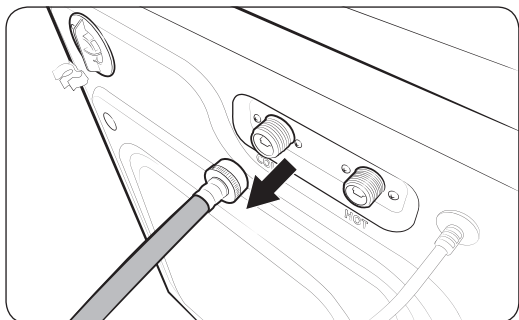
Failure to follow these instructions may result in unpleasant conditions, including odors and/or permanent stains on your washer or laundry.

NOTE

Hard water deposits may be removed, if needed. Use a cleaner labeled “Washer safe”.

Mesh filter

Clean the mesh filter of the water hose once or twice a year.



1. Turn off the washer, and then unplug the power cord.
2. Close the taps.
3. Loosen and disconnect the water hose from the back of the washer. Cover the hose with a cloth to prevent water from gushing out.
4. Use pliers to pull out the mesh filter from the inlet valve.
5. Submerge the mesh filter deeply in water so that the threaded connector is also submerged.
6. Dry the mesh filter completely in a shaded area.
7. Reinsert the mesh filter into the inlet valve, and reconnect the water hose to the inlet valve.
8. Open the tap.

NOTE

If the mesh filter is clogged, the “4C” information code appears on the the washer’s display.

Maintenance

Recovery from freezing

The washer may freeze when the temperature in its location drops below 32 °F (0 °C).

1. Turn off the washer, and then unplug the power cord.
2. Pour warm water over the tap to loosen the water hose.
3. Disconnect the water hose, and soak it in warm water.
4. Pour warm water into the drum (tub) and leave it for about 10 minutes.
5. Reconnect the water hose to the tap.

NOTE

If the washer still doesn't operate normally, repeat the steps above until it operates normally.

If the washer will not be used for an extended period of time

Avoid leaving the washer unused for an extended time. If you intend to leave the washer unused for a long period of time, follow the directions below:

1. Press **POWER**, and then select **RINSE+SPIN**.
2. Empty both the drum and the tub, close the door, and then press **START/PAUSE**.
3. When the cycle is complete, close the tap and disconnect the water hoses.
4. Turn off the washer, and then unplug the power cord.
5. Open the doors to let air circulate through the drum and the tub.

Upper washer

Self Clean


Self Clean is a self-cleaning cycle that removes dirt and bacteria that may occur inside the tub. We recommend running Self Clean every 20 washes.

1. Make sure the tub is empty.
2. Press **POWER**.
3. Press **Self Clean**.
4. Press and hold **START/PAUSE**.

CAUTION

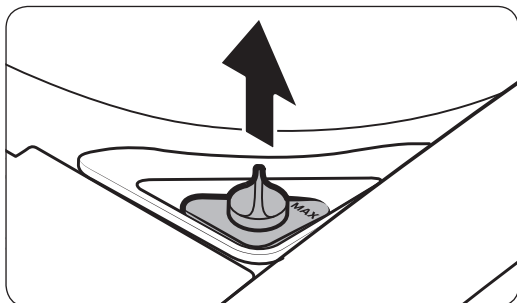
- With Self Clean, you can clean the tub without using detergent or bleach.
- Only use Self Clean when the tub is empty. This may cause damage to the laundry or a problem with the washer.

Self Clean reminder

- The Self Clean+ reminder  appears on the main display once every 20 washes. We strongly recommend that you perform the Self Clean+ regularly. Remove the laundry from the washer, turn the washer on, and clean the tub by running Self Clean.
- If you do not run Self Clean, the Self Clean indicator turns off. However, the indicator will light again after five washes. Not running Self Clean at this point will not cause a problem with the washer. However, we strongly recommend running Self Clean at this point.
- Although the Self Clean indicator turns on once a month or so, the frequency may differ depending on the number of times the washer is used.

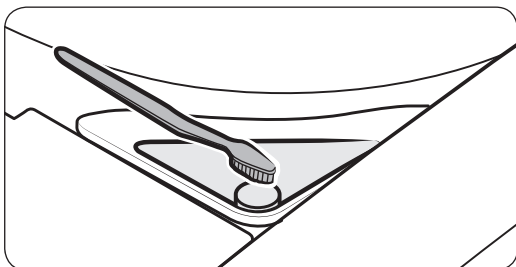
Fabric softener/bleach compartment

Both the fabric softener compartment and the bleach compartment on the upper washer are not removable by design to facilitate visual feedback to users. To clean the softener compartment, follow these instructions. Cleaning the bleach compartment is basically the same.



1. Open the top door, and then remove the softener cap.

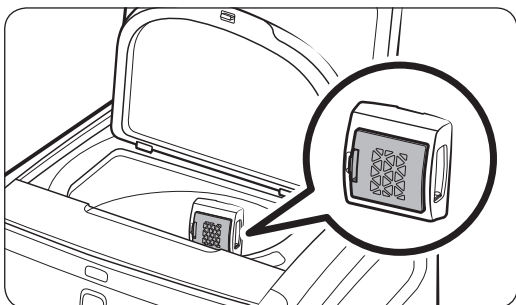
Maintenance



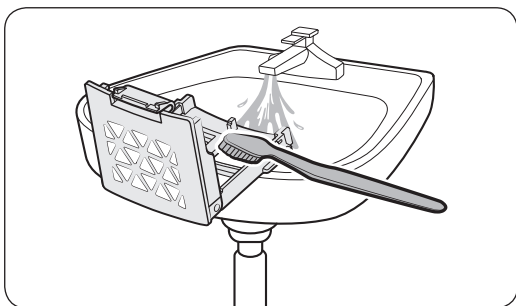
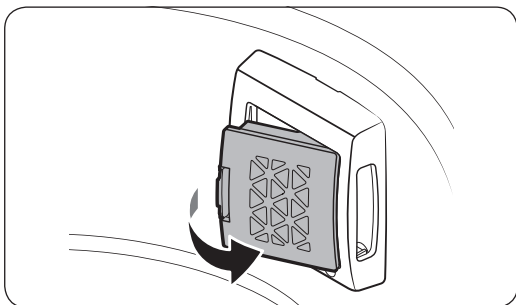
2. Use a soft brush (for example, a toothbrush) to clean inside the compartment and remove impurities.
3. Run the RINSE+SPIN cycle to rinse the compartment. After supplying water and draining 5 times, the 18-minute cycle completes with the final spin process.

Lint filter

We recommend cleaning the lint filter every 10 washes.



1. Remove the lint filter from the filter case on the tub of the upper washer.



2. Open the filter, and clean it with running water and a brush.
3. When cleaning is complete, close the filter and reinsert it in its original position. You will hear a clicking sound when the filter is inserted correctly.

Lower washer

Self Clean+

Perform this cycle regularly to clean the drum and to remove mold from it.

1. Make sure the drum is empty.
2. Press **POWER** to turn on the washer.
3. Press **Self Clean+**.
4. Press and hold **START/PAUSE**.

CAUTION

- Do not use any cleaning agents. Do not add detergent or bleach. Chemical residue in the drum degrades the cleaning performance.
- Only use Self Clean+ when the drum is empty. Do not use Self Clean+ if the drum contains laundry. This may cause damage to the laundry or a problem with the washer.

NOTE

The water temperature for Self Clean+ is set to Extra Hot, which cannot be changed.

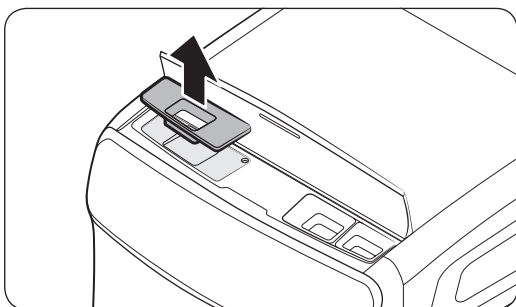
Self Clean+ reminder (🔔)

- The Self Clean+ reminder (🔔) appears on the main display once every 40 washes. We strongly recommend that you perform the Self Clean+ regularly.
- If you do not run Self Clean+ after every 40 washes, the Self Clean+ reminder turns off after one hour.
- When you first see this reminder, you can ignore the reminder for 6 consecutive washes. From the 7th wash, the reminder no longer appears. However, it appears again after the second batch of 40 washes.

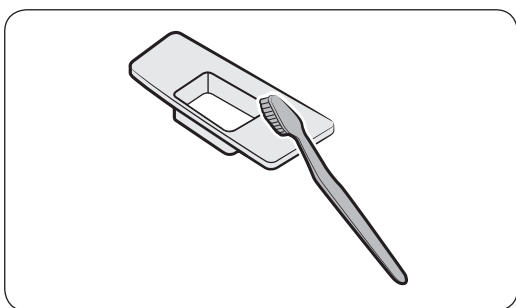
Maintenance

Main wash compartment

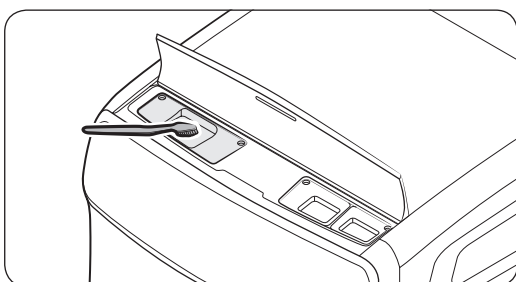
The main wash compartment needs to be cleaned periodically to remove buildup of laundry additives.



1. Open the top-front cover. Grasp the main wash compartment, and then pull up to remove.



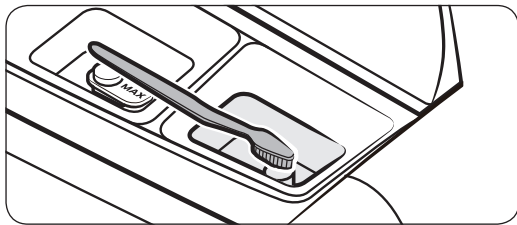
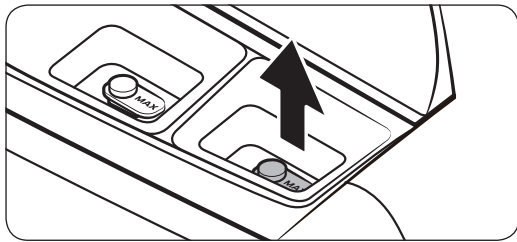
2. Remove all residue and traces of accumulated laundry agents from the compartment. Rinse it with warm water.



3. To clean the recess of the compartment, use a small, non-metal brush. Remove all residue from all sides of the recess.
4. Reinsert the compartment into place.

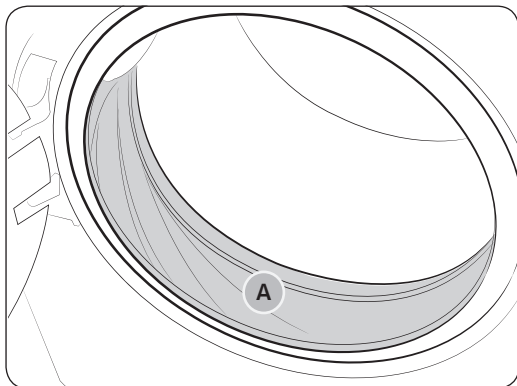
Fabric softener/bleach compartment

Both the fabric softener compartment and the bleach compartment on the lower washer are not removable by design to facilitate visual feedback to users. To clean the softener compartment, follow these instructions. Cleaning the bleach compartment is basically the same.



1. Open the top-front cover, and then remove the softener cap.
2. Use a soft brush (for example, a toothbrush) to clean inside the compartment and remove impurities.
3. Run the RINSE+SPIN cycle to rinse the compartment. After supplying water and draining 5 times, the 19-minute cycle completes with the final spin process.

Door diaphragm



1. Open the door and empty the drum.
2. Turn out the diaphragm (sealing or gasket of the drum **(A)**), and check if it is stained. If so, follow the steps below.
3. Combine 3/4 cups of liquid chlorine bleach and 1 gallon of warm tap water.
4. Wearing rubber gloves, use a soft, clean cloth dipped in the water and chlorine solution to clean the diaphragm.
5. Let stand for 5 minutes, and then wipe up and dry well.

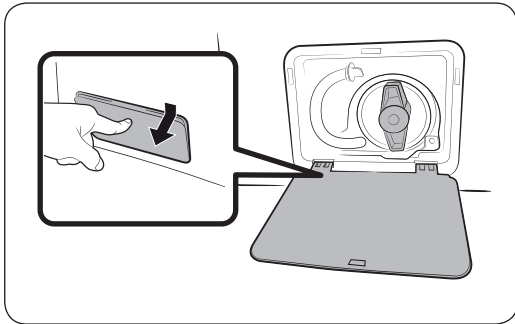
⚠ CAUTION

Use bleach carefully and be sure to follow the bleach manufacturer's use and care instructions.

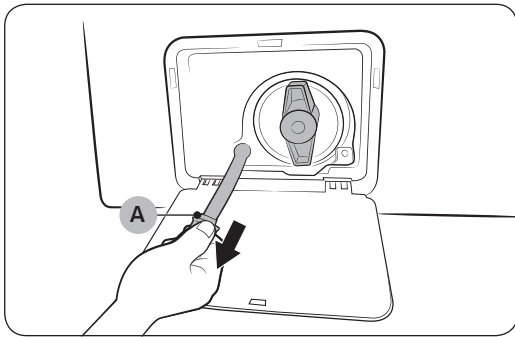
Maintenance

Emergency drain

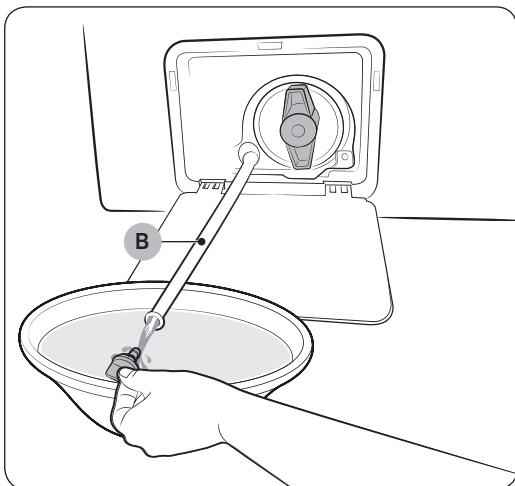
In case of a power failure, drain the water inside the drum before taking out the laundry.



1. Power off the washer, and then unplug it from the electrical outlet.
2. Gently press the top area of the filter cover to open.



3. Put an empty, spacious container in front of the cover, and stretch the emergency drain tube to the container while holding the **tube cap (A)**.



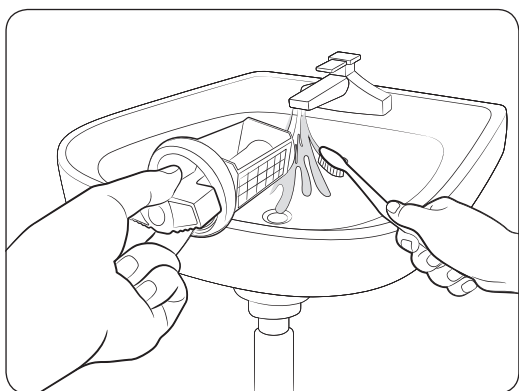
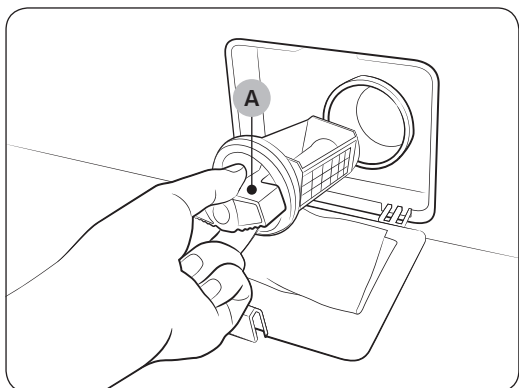
4. Open the tube cap and let water in the **Emergency drain tube (B)** flow into the container.
5. When done, close the tube cap, and reinsert the tube. Then, close the filter cover.

NOTE

Use a spacious container because the water in the drum may be more than expected.

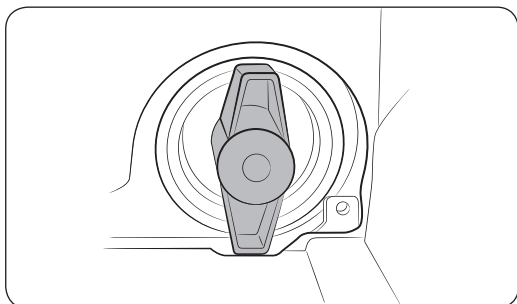
Pump filter

It is advisable to clean the pump filter 5 or 6 times a year to prevent it from clogging. A clogged pump filter may reduce the bubble effect.



1. Turn off the washer, and then unplug the power cord.
2. Drain the remaining water inside the drum. See the **Emergency drain** section on page 64.
3. Gently press the top area of the filter cover to open.
4. Turn the **pump filter knob (A)** to the left, and drain off the remaining water.
5. Clean the pump filter using a soft brush. Make sure the drain pump propeller inside the filter is not clogged.
6. Reinsert the pump filter, and then turn the filter knob to the right.
7. Close the filter cover.

Maintenance



NOTE

- Some pump filters feature a safety knob that is designed to prevent children from accidentally opening the filter compartment. To open the safety knob of the pump filter, push in and turn it counterclockwise. The spring mechanism of the safety knob helps open the filter.
- To close the safety knob of the pump filter, turn it clockwise. The spring makes a rattling sound, which is normal.

NOTE

If the pump filter is clogged, the “5C” information code appears on the washer’s display screen.

CAUTION

- Make sure the filter knob is closed properly after cleaning the filter. Otherwise, this may cause a leak.
- Make sure the filter is inserted properly after cleaning it. Otherwise, this may cause an operational failure or a leak.

Troubleshooting

Checkpoints

If you encounter an issue to check with the washer, first check the table below and try the suggestions.

Symptom	Action
Does not turn on.	<ul style="list-style-type: none">• Make sure your home electrical system is providing electrical power that matches the requirements of the washer. See page 21.• Make sure the power plug of the washer is completely plugged in.
Does not start.	<ul style="list-style-type: none">• Make sure the door is properly closed.• Make sure the taps are open.• Make sure to press and hold START/PAUSE to start the washer.• Make sure Child Lock is not activated.• Before the washer starts to fill, it will make a series of clicking noises to check the door lock and does a quick drain.• Check the fuse or reset the circuit breaker.• Check if the upper or lower washer displays an information code on the respective status bar.
Water supply is insufficient or no water is supplied.	<ul style="list-style-type: none">• Fully open the tap.• Make sure the door is properly closed.• Make sure the water supply hose is not frozen.• Make sure the water supply hose is not kinked or clogged.• Make sure there is sufficient water pressure.
After a cycle, detergent remains in the detergent drawer.	<ul style="list-style-type: none">• Make sure the washer is running with sufficient water pressure.• If you are using powdered detergent, do not use more than recommended.• If you are using liquid detergent, do not over fill the liquid detergent compartment.• Remove the liquid detergent and softener containers, and then clean the detergent drawer.

Troubleshooting

Symptom	Action
Excessive vibrations or makes noise.	<ul style="list-style-type: none"> • Make sure the washer is installed on a level, solid floor that is not slippery. If the floor is not level, use the levelling feet to adjust the height of the washer. • Make sure the shipping bolts are removed. • Make sure the washer is not contacting any other object. • Make sure the laundry load is balanced. • The motor can cause noise during normal operation. • Overalls or metal-decorated clothes can cause noise while being washed. This is normal. • Metal objects such as coins can cause noise. After washing, remove these objects from the drum or tub or filter case.
Does not drain and/or spin.	<ul style="list-style-type: none"> • Make sure the drain hose is neither kinked nor obstructed all the way to the drain system. If there is a drain restriction, call for service. • Make sure the debris filter is not clogged. • Close the door and press and hold START/PAUSE. For your safety, the washer will not tumble or spin unless the door is closed. • Make sure the drain hose is not frozen or clogged. • Make sure the drain hose is connected to a drain system that is not clogged. • If the washer is not supplied with sufficient power, the washer temporarily will not drain or spin. As soon as the washer regains sufficient power, it will operate normally.
Drains with noise.	<ul style="list-style-type: none"> • At the initial installation, or when the washer has not been used for an extended period of time, the washer may make deflating noises while draining. This is not a system failure.
The door does not open.	<ul style="list-style-type: none"> • Press START/PAUSE to stop the washer. • It may take a few moments for the door lock mechanism to disengage. • The door will not open until 3 minutes after the washer has stopped or the power has been turned off. • Make sure all the water in the drum or tub is drained. • The door may not open if water remains in the drum or tub. Drain the drum or tub and open the door manually. • Make sure the door lock light is off. The door lock light turns off after the washer has drained.

Symptom	Action
Excessive suds.	<ul style="list-style-type: none"> • Make sure you use the recommended types of detergent. • Use high efficiency (HE) detergent to prevent oversudsing. • Reduce the detergent amount for soft water, small loads, or lightly soiled loads. • Non-HE detergent is not recommended.
Cannot add additional detergent.	<ul style="list-style-type: none"> • Do not fill the detergent or fabric softener compartments beyond the marked max fill limit.
The washer stops.	<ul style="list-style-type: none"> • Plug the power cord into a live electrical outlet. • Check the fuse or reset the circuit breaker. • Close the door, and then press and hold START/PAUSE to start the washer. For your safety, the washer will not tumble or spin unless the door is closed. • Before the washer starts to fill, it will make a series of clicking noises to check the door lock and does a quick drain. • There may be a pause or soak period in the cycle. Wait and the washer may start. • Make sure the mesh filters of the water supply hoses at the taps are not clogged. Periodically clean the mesh filters. • If the washer is not supplied with sufficient power, the washer temporarily will not drain or spin. As soon as the washer regains sufficient power, it will operate normally.

Troubleshooting


Symptom	Action
The washer fills with the wrong temperature water.	<ul style="list-style-type: none"> • Fully open both taps. • Make sure the temperature selection is correct. • Make sure the hoses are connected to the correct taps. Flush the water lines. • Make sure your water heater is set to supply hot water with a minimum temperature of 120 °F (49 °C) at the tap. Also, check the water heater capacity and recovery rate. • Disconnect the hoses and clean the mesh filters. The mesh filters may be clogged. • While the washer fills, the water temperature may change as the automatic temperature control feature checks the incoming water temperature. This is normal. • While the washer fills, you may notice just hot and/or just cold water going through the dispenser when cold or warm temperatures are selected. This is a normal function of the automatic temperature control feature as the washer determines the water temperature.
The load is wet at the end of a cycle.	<ul style="list-style-type: none"> • Use the High or Extra High spin speed. • Use high efficiency (HE) detergent to reduce oversudsing. • The load is too small. Small loads (one or two items) may become unbalanced and not spin completely. • Make sure the drain hose is not kinked or clogged.
Leaks water.	<ul style="list-style-type: none"> • Make sure the door is properly closed. • Make sure all hose connections are tight. • Make sure the end of the drain hose is correctly inserted and secured to the drain system. • Avoid overloading. • Use high efficiency (HE) detergent to prevent oversudsing.
Has odors.	<ul style="list-style-type: none"> • Excessive suds collect in recesses and can cause foul odors. • Run cleansing cycles to sanitize periodically. • Clean the door seal (diaphragm). • Dry the washer interior after a cycle has finished.

Symptom	Action
The tub or the water/drain hose is frozen.	<ul style="list-style-type: none"> • For frozen hoses, use warm water to disconnect the frozen hoses. Soak them in warm water. • For a frozen tub, fill the tub with warm water, and then wait for about 10 minutes. • For the hose connector, put a hot towel on the drain hose connector. • After thawing the hoses, reconnect them.
Water drains out immediately.	<ul style="list-style-type: none"> • Make sure the drain hose is not clogged, and is hung over the drain hose hook. Fill the tub halfway with water, and try spinning again. • Lift the end of the drain hose to prevent water from draining. Fill the tub halfway with water, and then run the spin cycle after releasing the drain hose. • Make sure the drain hose is installed correctly. See the installation section of this manual and then adjust the position of the drain hose as instructed. • Make sure the washer drains completely if it is turned off by force. If you operate the washer before it has drained completely, the washer may supply water and drain simultaneously.

If an issue continues to occur, contact a local Samsung service center.

Troubleshooting

Samsung Smart Home

Problem	Action
I could not find “Samsung Smart Home” in the app market.	<ul style="list-style-type: none">• The Samsung Smart Home app is available for smartphones that run Android 4.0 (ICS) or higher, or iOS 7.0 or higher.
The Samsung Smart Home app fails to operate.	<ul style="list-style-type: none">• The Samsung Smart Home app is available for applicable models only.• The old Samsung Smart Washer app cannot connect with Samsung Smart Home models.
The Samsung Smart Home app is installed but is not connected to my washer.	<ul style="list-style-type: none">• You must log into your Samsung account to use the app.• Make sure that your router is operating normally.• If the Smart Control indicator  on the washer’s display is off, this indicates that no network connection has been established. Use the Samsung Smart Home app to connect and register the washer with your home network access point (AP).
Could not log into the app.	<ul style="list-style-type: none">• You must log into your Samsung account to use the app.• If you don’t have a Samsung account, follow the app’s onscreen instructions to create one.
An error message appears when I try to register my washer.	<ul style="list-style-type: none">• The connection may fail due to the distance from your access point (AP) or electrical interference from the surrounding environment. Wait a moment and try again.
The Samsung Smart Home app is successfully connected to my washer but does not run.	<ul style="list-style-type: none">• Exit and restart the Samsung Smart Home app or unplug your router and then reconnect it.

Information codes

If the washer fails to operate, you may see an information code on the screen. Check the table below and try the suggestions.

Code		Action
Upper washer	Lower washer	
1 1C	1C	Check the water level sensor. <ul style="list-style-type: none"> Power off and then power the washer on after 2-3 minutes, and then try again. Depending on the model, the drain system drains water automatically. The POWER and START/PAUSE buttons may be disabled during this process.
-	DC	The door is open. <ul style="list-style-type: none"> Close the door, and then press START/PAUSE to resume operation.
1 DC	-	The top door is open. <ul style="list-style-type: none"> Close the top door, and then press START/PAUSE to resume operation.
1 DC4	-	The protective cover is open. <ul style="list-style-type: none"> Close the protective cover, and then press START/PAUSE to resume operation.
1 DC1	DC1	Check the door switch. <ul style="list-style-type: none"> Power off and then power the washer on after 2-3 minutes, and then try again.
1 LC	LC	Check for water leaks. <ul style="list-style-type: none"> Power the washer off, and then check the drain system for any leaks. Once the leak issue is resolved, power the washer on after 2-3 minutes. Depending on the model, the drain system drains water automatically. The POWER and START/PAUSE buttons may be disabled during this process.

Troubleshooting

Code		Action
Upper washer	Lower washer	
1 LC1	LC1	<p>Check the drain hose.</p> <ul style="list-style-type: none"> • Make sure the end of the drain hose is placed on the floor. • Make sure the drain hose is not clogged. • If the information code remains, contact a customer service centre. <p>Others</p> <ul style="list-style-type: none"> • Use caution not to overfill any of the compartments (main wash/fabric softener/bleach). • Do not spray or use water when cleaning the top door of the upper washer. Use a cloth to wipe up.
1 4C	4C	<p>Check the water supply line.</p> <ul style="list-style-type: none"> • Check the connection to the water line (including water taps). • Power off and then power the washer on after 2-3 minutes, and then try again. • Depending on the model, the drain system drains water automatically. The POWER and START/PAUSE buttons may be disabled during this process.
1 4C2	4C2	<p>The water being supplied is too hot.</p> <ul style="list-style-type: none"> • Make sure the cold and hot water taps are properly connected. • Power off and then power the washer on after 2-3 minutes, and then try again.
1 5C	5C	<p>Check the drain system.</p> <ul style="list-style-type: none"> • Make sure the drain filter is not clogged. • If the drain filter is clogged, clean the filter, and then restart the washer.
1 HC	HC	<p>Check the washing heater.</p> <ul style="list-style-type: none"> • Power off the washer, and then contact a Samsung customer service center.

Code		Action
Upper washer	Lower washer	
1 UB	UB	<p>Check the spinning process.</p> <ul style="list-style-type: none"> The load may not be balanced inside the drum or tub. Load is too small, or heavy items are mixed with light items. Check the drum or tub and make sure the load is balanced. Avoid washing single items, adding few extra items help to balance the load. Redistribute the load evenly. Press START/PAUSE to resume operation, or power off and then power the washer on after 2-3 minutes, and then try again.
1 8C 1 8C1 1 8C2	8C 8C1 8C2	<p>Check the MEMS sensor.</p> <ul style="list-style-type: none"> Power off and then power the washer on after 2-3 minutes, and then try again.
1 OC	OC	<p>Water may overflow.</p> <ul style="list-style-type: none"> Close the water tap, and then call for service.
1 3C	3C	<p>Check the motor.</p> <ul style="list-style-type: none"> Power off and then power the washer on after 2-3 minutes, and then try again.
1 AC6	AC6	<p>Check the PBA communication status.</p> <ul style="list-style-type: none"> Power off and then power the washer on after 2-3 minutes, and then try again.
1 9C1 1 9C2	9C1 9C2	<p>The electronic control needs to be checked.</p> <ul style="list-style-type: none"> Check if power is supplied properly. If the information code remains, contact a Samsung service center.
1 SF	SF	<p>System failed.</p> <ul style="list-style-type: none"> Power off the washer, and then contact a Samsung service center.
1 AC	AC	<p>Check communications between main and sub PBAs.</p> <ul style="list-style-type: none"> Try powering off and restarting the cycle. If the information code remains, contact a customer service center.

Troubleshooting

Code		Action
Upper washer	Lower washer	
-	AC7	<p>Check communications between the lower main PBA and the upper main PBA.</p> <ul style="list-style-type: none">• Try powering off and restarting the cycle.• If the information code remains, contact a customer service center.





If any information code keeps appearing on the screen, contact a local Samsung service center.

Specifications

Fabric care chart

The following symbols provide garment care direction. The clothing care labels include symbols for drying, bleaching, drying and ironing, or dry cleaning when necessary. The use of symbols ensures consistency among garment manufacturers of domestic and imported items. Follow care label directions to optimize garment life and reduce laundering problems.

Wash cycle

	Normal
	Permanent press / Wrinkle resistant / Wrinkle control
	Gentle / Delicates
	Hand wash




Water temperature

...	Hot
..	Warm
.	Cold



NOTE

The temperature range for Hot is 135 °F (57 °C) or below, 95 °F (35 °C) or below for Warm, and 68 °F (20 °C) or below for Cold. Wash water temperature must be a minimum of 60 °F (16 °C) for detergent activation and effective cleaning.



Bleach

	Any bleach (when needed)
	Only non-chlorine (color-safe) bleach (when needed)
	Tumble dry






Normal

	Permanent press / Wrinkle resistant / Wrinkle control
	Gentle/Delicates

Special instructions




	Line dry/Hang to dry
	Drip dry
	Dry flat

Heat setting





	High
	Medium
	Low
	Any heat
	No heat / Air



Specifications

Iron dry or steam temperatures






	High
	Medium
	Low

Warning symbols for laundering

	Do not wash
	Do not wring
	Do not bleach
	Do not tumble dry

	No steam (added to iron)
	Do not iron

Dry-clean

	Dry-clean
	Do not dry-clean
	Line dry / Hang to dry
	Drip dry
	Dry flat

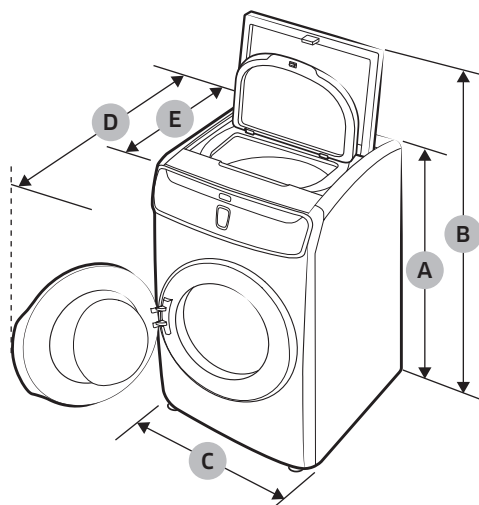
Protecting the environment

- This appliance is manufactured from recyclable materials. If you decide to dispose of it, please observe local waste disposal regulations. Cut off the power cord so that the appliance cannot be connected to a power source. Remove the lid so that animals and small children cannot get trapped inside the appliance.
- Do not exceed the detergent quantities recommended in the detergent manufacturers' instructions.
- Use stain removal products and bleaches before the wash cycle only when necessary.
- Save water and electricity by only washing full loads (the exact amount depends upon the program used).

Declaration of conformity

This appliance complies with UL2157.

Specification sheet



Type		Dual loading washer	
Dimensions (inches (mm))	A. Height - top door closed	46.9 in. (1192 mm)	
	B. Height - top door opened	61 in. (1550 mm)	
	C. Width	27 in. (686 mm)	
	D. Depth with door open	54.6 in. (1386 mm)	
	E. Depth	34 in. (864 mm)	
Water pressure (psi (kPa))		20 - 116 (137 - 800)	
NET weight (lb (kg))		308.6 (140)	
Spin revolution	Upper washer	800 rpm	
	Lower washer	1300 rpm	
Heater rating	Washing and heating	120 V	900 W
Annual energy consumption		Upper washer	60 kWh/year
		Lower washer	105 kWh/year
Annual water consumption		Upper washer	3540 gal/year
		Lower washer	4278 gal/year

Specifications

Cycle chart

Use this chart to set the best cycle and options for you laundry.

Upper washer

NOTE

Setting	Temp.
●: factory setting	W : Warm
●: can be selected	C : Cold

Cycle	Functions		Options
	Temp.		Extra Rinse
	W	C	
NORMAL	●	●	●
DELICATES	●	●	
ACTIVE WEAR	●	●	●
RINSE+SPIN			●

Lower washer

NOTE

Setting	Temp.	Rinse	Spin	Soil Level
●: factory setting	EH : Extra hot	5 : 5 times	EH : Extra High	EH : Extra Heavy
●: can be selected	H : Hot	4 : 4 times	H : High	H : Heavy
	W : Warm	3 : 3 times	M : Medium	N : Normal
	CL : Cool	2 : 2 times	L : Low	L : Light
	CD : Cold	1 : 1 times	NS : No Spin	EL : Extra Light

Cycle	Functions														
	Temp.					Rinse					Spin				
	EH	H	W	CL	CD	5	4	3	2	1	EH	H	M	L	NS
NORMAL	●	●	●	●	●	●	●	●	●	●	●	●	●	●	●
HEAVY DUTY	●	●	●	●	●	●	●	●	●	●	●	●	●	●	●
BEDDING			●	●	●	●	●	●	●	●			●	●	●
WHITES		●	●	●	●	●	●	●	●	●	●	●	●	●	●
SANITIZE	●					●	●	●	●	●	●	●	●	●	●
RINSE+SPIN						●	●	●	●	●	●	●	●	●	●
ACTIVE WEAR			●	●	●	●	●	●	●	●				●	●
DELICATES			●	●	●			●	●	●				●	●
PERM PRESS			●	●	●	●	●	●	●	●		●	●	●	●
QUICK WASH		●	●	●	●	●	●	●	●	●	●	●	●	●	●
ECO COLD				●	●	●	●	●	●	●	●	●	●	●	●
TOWELS		●	●	●	●	●	●	●	●	●	●	●	●	●	●
Self clean+	●								●		●				

Specifications

Cycle	Functions					Options			
	Soil Level					Pre Soak	Steam	Super Speed	Delay End
	EH	H	N	L	EL				
NORMAL	●	●	●	●	●	●	●	●	●
HEAVY DUTY	●	●	●	●	●	●	●	●	●
BEDDING	●	●	●	●	●	●	●	●	●
WHITES	●	●	●	●	●	●	●		●
SANITIZE	●	●	●	●	●	●	●		●
RINSE+SPIN									●
ACTIVE WEAR	●	●	●	●	●	●			●
DELICATES	●	●	●	●	●				●
PERM PRESS	●	●	●	●	●	●			●
QUICK WASH	●	●	●	●	●				●
ECO COLD	●	●	●	●	●	●			●
TOWELS	●	●	●	●	●				●
Self clean+									●

Warranty (U.S.A)

SAMSUNG WASHER

LIMITED WARRANTY TO ORIGINAL PURCHASER

This SAMSUNG brand product, as supplied and distributed by SAMSUNG ELECTRONICS AMERICA, INC. (SAMSUNG) and delivered new, in the original carton to the original consumer purchaser, is warranted by SAMSUNG against manufacturing defects in materials and workmanship for a limited warranty period of:

One (1) year part and labor, Three (3) years stainless tub part (Part Only), Ten (10) years washing DD motor part (Part Only)

This limited warranty begins on the original date of purchase, and is valid only on products purchased and used in the United States. To receive warranty service, the purchaser must contact SAMSUNG for problem determination and service procedures. Warranty service can only be performed by a SAMSUNG authorized service center. The original dated bill of sale must be presented upon request as proof of purchase to SAMSUNG or SAMSUNG's authorized service center. SAMSUNG will provide in-home service during the warranty period at no charge, subject to availability within the contiguous United States. In-home service is not available in all areas.

To receive in-home service, product must be unobstructed and accessible to the service agent. If service is not available, SAMSUNG may elect to provide transportation of the product to and from an authorized service center.

Warranty (U.S.A)

SAMSUNG will repair, replace, or refund this product at our option and at no charge as stipulated herein, with new or reconditioned parts or products if found to be defective during the limited warranty period specified above. All replaced parts and products become the property of SAMSUNG and must be returned to SAMSUNG. Replacement parts and products assume the remaining original warranty, or ninety (90) days, whichever is longer. This limited warranty covers manufacturing defects in materials and workmanship encountered in normal, noncommercial use of this product and shall not apply to the following: damage that occurs in shipment; delivery and installation; applications and uses for which this product was not intended; altered product or serial numbers; cosmetic damage or exterior finish; accidents, abuse, neglect, fire, water, lightning, or other acts of nature or God; use of products, equipment, systems, utilities, services, parts, supplies, accessories, applications, installations, repairs, external wiring or connectors not supplied or authorized by SAMSUNG that damage this product or result in service problems; incorrect electrical line voltage, fluctuations and surges; customer adjustments and failure to follow operating instructions, maintenance and environmental instructions that are covered and prescribed in the instruction book; product removal and reinstallation; problems caused by pest infestations. This limited warranty does not cover problems resulting from incorrect electric current, voltage or supply, light bulbs, house fuses, house wiring, cost of a service call for instructions, or fixing installation errors. SAMSUNG does not warrant uninterrupted or error-free operation of the product.

EXCEPT AS SET FORTH HEREIN, THERE ARE NO WARRANTIES ON THIS PRODUCT EITHER EXPRESS OR IMPLIED, AND SAMSUNG DISCLAIMS ALL WARRANTIES INCLUDING, BUT NOT LIMITED TO, ANY IMPLIED WARRANTIES OF MERCHANTABILITY, INFRINGEMENT OR FITNESS FOR A PARTICULAR PURPOSE.

NO WARRANTY OR GUARANTEE GIVEN BY ANY PERSON, FIRM, OR CORPORATION WITH RESPECT TO THIS PRODUCT SHALL BE BINDING ON SAMSUNG. SAMSUNG SHALL NOT BE LIABLE FOR LOSS OF REVENUE OR PROFITS, FAILURE TO REALIZE SAVINGS OR OTHER BENEFITS, OR ANY OTHER SPECIAL, INCIDENTAL OR CONSEQUENTIAL DAMAGES CAUSED BY THE USE, MISUSE, OR INABILITY TO USE THIS PRODUCT, REGARDLESS OF THE LEGAL THEORY ON WHICH THE CLAIM IS BASED, AND EVEN IF SAMSUNG HAS BEEN ADVISED OF THE POSSIBILITY OF SUCH DAMAGES.

NOR SHALL RECOVERY OF ANY KIND AGAINST SAMSUNG BE GREATER IN AMOUNT THAN THE PURCHASE PRICE OF THE PRODUCT SOLD BY SAMSUNG AND CAUSING THE ALLEGED DAMAGE. WITHOUT LIMITING THE FOREGOING, PURCHASER ASSUMES ALL RISK AND LIABILITY FOR LOSS, DAMAGE, OR INJURY TO PURCHASER AND PURCHASER'S PROPERTY AND TO OTHERS AND THEIR PROPERTY ARISING OUT OF THE USE, MISUSE, OR INABILITY TO USE THIS PRODUCT. THIS LIMITED WARRANTY SHALL NOT EXTEND TO ANYONE OTHER THAN THE ORIGINAL PURCHASER OF THIS PRODUCT, IS NONTRANSFERABLE AND STATES YOUR EXCLUSIVE REMEDY.

Some states do not allow limitations on how long an implied warranty lasts, or the exclusion or limitation of incidental or consequential damages, so the above limitations or exclusions may not apply to you. This warranty gives you specific rights, and you may also have other rights, which vary from state to state.

To obtain warranty service, please contact SAMSUNG at:

Samsung Electronics America, Inc.

85 Challenger Road

Ridgefield Park, NJ 07660

1-800-SAMSUNG (726-7864)

www.samsung.com/us/support

Visits by a Service Engineer to explain functions, maintenance, or installation are not covered by warranty.

Please contact the Samsung call center for help with any of these issues.

Warranty (CANADA)

SAMSUNG WASHER

LIMITED WARRANTY TO ORIGINAL PURCHASER

This SAMSUNG brand product, as supplied and distributed by SAMSUNG ELECTRONICS CANADA, INC. (SAMSUNG) and delivered new, in the original carton to the original consumer purchaser, is warranted by SAMSUNG against manufacturing defects in materials and workmanship for a limited warranty period of:

One (1) year part and labor, Ten (10) years washing DD motor (Part only)

This limited warranty begins on the original date of purchase, and is valid only on products purchased and used in the Canada. To receive warranty service, the purchaser must contact SAMSUNG for problem determination and service procedures. Warranty service can only be performed by a SAMSUNG authorized service center. The original dated bill of sale must be presented upon request as proof of purchase to SAMSUNG or SAMSUNG's authorized service center. SAMSUNG will provide in-home service during the warranty period at no charge, subject to availability within the Canada. In-home service is not available in all areas.

To receive in-home service, product must be unobstructed and accessible to the service agent. If service is not available, SAMSUNG may elect to provide transportation of the product to and from an authorized service center.

SAMSUNG will repair, replace, or refund this product at our option and at no charge as stipulated herein, with new or reconditioned parts or products if found to be defective during the limited warranty period specified above. All replaced parts and products become the property of SAMSUNG and must be returned to SAMSUNG. Replacement parts and products assume the remaining original warranty, or ninety (90) days, whichever is longer. This limited warranty covers manufacturing defects in materials and workmanship encountered in normal, noncommercial use of this product and shall not apply to the following: damage that occurs in shipment; delivery and installation; applications and uses for which this product was not intended; altered product or serial numbers; cosmetic damage or exterior finish; accidents, abuse, neglect, fire, water, lightning, or other acts of nature or God; use of products, equipment, systems, utilities, services, parts, supplies, accessories, applications, installations, repairs, external wiring or connectors not supplied or authorized by SAMSUNG that damage this product or result in service problems; incorrect electrical line voltage, fluctuations and surges; customer adjustments and failure to follow operating instructions, maintenance and environmental instructions that are covered and prescribed in the instruction book; product removal and reinstallation; problems caused by pest infestations. This limited warranty does not cover problems resulting from incorrect electric current, voltage or supply, light bulbs, house fuses, house wiring, cost of a service call for instructions, or fixing installation errors. SAMSUNG does not warranty uninterrupted or error-free operation of the product.

EXCEPT AS SET FORTH HEREIN, THERE ARE NO WARRANTIES ON THIS PRODUCT EITHER EXPRESS OR IMPLIED, AND SAMSUNG DISCLAIMS ALL WARRANTIES INCLUDING, BUT NOT LIMITED TO, ANY IMPLIED WARRANTIES OF MERCHANTABILITY, INFRINGEMENT OR FITNESS FOR A PARTICULAR PURPOSE.

Warranty (CANADA)

NO WARRANTY OR GUARANTEE GIVEN BY ANY PERSON, FIRM, OR CORPORATION WITH RESPECT TO THIS PRODUCT SHALL BE BINDING ON SAMSUNG. SAMSUNG SHALL NOT BE LIABLE FOR LOSS OF REVENUE OR PROFITS, FAILURE TO REALIZE SAVINGS OR OTHER BENEFITS, OR ANY OTHER SPECIAL, INCIDENTAL OR CONSEQUENTIAL DAMAGES CAUSED BY THE USE, MISUSE, OR INABILITY TO USE THIS PRODUCT, REGARDLESS OF THE LEGAL THEORY ON WHICH THE CLAIM IS BASED, AND EVEN IF SAMSUNG HAS BEEN ADVISED OF THE POSSIBILITY OF SUCH DAMAGES.

NOR SHALL RECOVERY OF ANY KIND AGAINST SAMSUNG BE GREATER IN AMOUNT THAN THE PURCHASE PRICE OF THE PRODUCT SOLD BY SAMSUNG AND CAUSING THE ALLEGED DAMAGE. WITHOUT LIMITING THE FOREGOING, PURCHASER ASSUMES ALL RISK AND LIABILITY FOR LOSS, DAMAGE, OR INJURY TO PURCHASER AND PURCHASER'S PROPERTY AND TO OTHERS AND THEIR PROPERTY ARISING OUT OF THE USE, MISUSE, OR INABILITY TO USE THIS PRODUCT. THIS LIMITED WARRANTY SHALL NOT EXTEND TO ANYONE OTHER THAN THE ORIGINAL PURCHASER OF THIS PRODUCT, IS NONTRANSFERABLE AND STATES YOUR EXCLUSIVE REMEDY.

Some provinces do not allow limitations on how long an implied warranty lasts, or the exclusion or limitation of incidental or consequential damages, so the above limitations or exclusions may not apply to you.

This warranty gives you specific rights, and you may also have other rights, which vary from province to province.

To obtain warranty service, please contact SAMSUNG at:

Samsung Electronics Canada Inc.

2050 Derry Road West,

Mississauga, Ontario L5N 0B9 Canada

1-800-SAMSUNG (726-7864)

www.samsung.com/ca/support (English)

www.samsung.com/ca_fr/support (French)

FAX : 1-866-436-4617

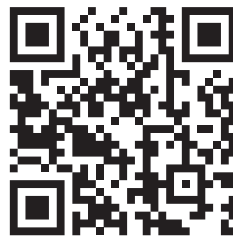
Visits by a Service Engineer to explain functions, maintenance, or installation are not covered by warranty.

Please contact the Samsung call center for help with any of these issues.

Memo

Memo

Memo



Scan the QR code* or visit
www.samsung.com/spsn
 to view our helpful
 How-to Videos and Live Shows

*Requires reader to be installed on your smartphone

Scan this with your smartphone

QUESTIONS OR COMMENTS?

COUNTRY	CALL	OR VISIT US ONLINE AT
U.S.A - Consumer Electronics - Mobile Phones	1-800-SAMSUNG (726-7864) 1-844-SAM-PAYS (726-7297)	www.samsung.com/us/support
CANADA	1-800-SAMSUNG(726-7864) 1-844-SAM-PAYS (726-7297)	www.samsung.com/ca/support (English) www.samsung.com/ca_fr/support (French)



DC68-03768A-04



FlexWash™

Manuel d'utilisation

WV60M9900A*

SAMSUNG

Sommaire

Consignes de sécurité	4
Remarques importantes sur les consignes de sécurité	4
Symboles de sécurité importants	4
Consignes de sécurité importantes	5
Avertissements importants concernant l'installation	6
Mises en garde pour l'installation	8
Avertissements importants concernant l'utilisation	8
Mises en garde concernant l'utilisation	10
Avertissements importants concernant le nettoyage	14
Notification de réglementation	15
Installation	18
Déballage de votre lave-linge	18
Ce qui est inclus	19
Conditions d'installation	21
Installation étape par étape	25
Avant de démarrer	35
Réglages initiaux	35
Instructions de lavage	35
Guide relatif aux produits de nettoyage	38
Opérations	43
Partie supérieure du lave-linge	43
Partie inférieure du lave-linge	45
Étapes simples pour commencer	50
Samsung Smart Home	51
Fonctions spéciales	53
Maintenance	56
Informations générales	56
Partie supérieure du lave-linge	59
Partie inférieure du lave-linge	61

Dépannage	67
Contrôles à effectuer	67
Samsung Smart Home	72
Codes d'information	73
Caractéristiques techniques	77
Tableau des symboles textiles	77
Protection de l'environnement	78
Déclaration de conformité	78
Fiche de caractéristiques techniques	79
Tableau des cycles	80



Consignes de sécurité

Félicitations pour l'achat de votre nouveau lave-linge Samsung. Ce manuel contient de précieuses informations concernant l'installation, l'utilisation et l'entretien de votre appareil. Prenez le temps de le lire afin de tirer pleinement profit de tous les avantages et les fonctionnalités qu'offre votre lave-linge.

Remarques importantes sur les consignes de sécurité

Veuillez lire attentivement ce manuel afin d'utiliser efficacement votre appareil en toute sécurité et de profiter pleinement de toutes ses fonctionnalités. Conservez ce manuel dans un endroit sûr situé à proximité de l'appareil afin de pouvoir facilement vous y reporter en cas de besoin. N'utilisez pas cet appareil autrement que pour l'usage auquel il est destiné, conformément aux consignes de ce manuel.

Les consignes de sécurité et les avertissements décrits dans ce manuel ne sont pas exhaustifs. Il est de votre responsabilité de faire preuve de bon sens, de prudence et de discernement lors de l'installation, de l'entretien ou de l'utilisation de votre lave-linge.

Ces consignes d'utilisation couvrant plusieurs modèles, il se peut que les caractéristiques de votre lave-linge diffèrent légèrement de celles décrites dans ce manuel ; ainsi, certains icônes d'avertissement peuvent ne pas s'appliquer à votre lave-linge. Pour toute question ou doute, contactez votre centre de service le plus proche ou connectez-vous sur www.samsung.com.

Symboles de sécurité importants

Signification des icônes et signes repris dans ce manuel d'utilisation :

AVERTISSEMENT

Risques ou pratiques inadaptées susceptibles de causer des blessures graves, la mort et/ou des dommages matériels.

ATTENTION

Risques ou pratiques inadaptées susceptibles de causer des blessures et/ou des dommages matériels.

REMARQUE

Indique la présence d'un risque de blessures ou de dommages matériels.

Ces symboles d'avertissement ont pour but d'éviter tout risque de blessure corporelle, pour vous ou d'autres personnes.

Respectez-les en toutes circonstances.

Lisez attentivement ce manuel et conservez-le en lieu sûr afin de pouvoir le consulter ultérieurement.

Lisez attentivement toutes les consignes avant d'utiliser l'appareil.

Comme avec tout équipement électrique ou comportant des parties mobiles, il existe un certain nombre de dangers potentiels. Pour utiliser cet appareil en toute sécurité, familiarisez-vous avec son fonctionnement et restez prudent lorsque vous l'employez.

CONSERVEZ SOIGNEUSEMENT CES CONSIGNES



Consignes de sécurité importantes

AVERTISSEMENT

Afin de réduire les risques d'incendie, d'électrocution ou de blessures physiques lors de l'utilisation de l'appareil, des précautions de base doivent être prises :

1. Lisez attentivement toutes les consignes avant d'utiliser l'appareil.
2. Ne lavez et ne faites sécher aucun article ayant été en contact de quelque manière que ce soit (nettoyage, lavage, trempage ou tache) avec de l'essence, des solvants de nettoyage à sec ou toute autre substance inflammable ou explosive. Ces substances dégagent en effet des vapeurs qui risquent de s'enflammer ou d'exploser.
3. Ne laissez pas les enfants jouer sur ou dans l'appareil. Une surveillance attentive s'impose lorsque l'appareil est utilisé à proximité d'enfants.
4. Avant la mise hors service ou au rebut de l'appareil, retirez le hublot du compartiment de lavage ou de séchage.
5. Ne tentez pas d'ouvrir l'appareil lorsque le tambour est en mouvement.
6. N'installez et n'entreposez jamais cet appareil dans un endroit exposé aux intempéries.
7. Ne jouez pas avec les commandes de l'appareil.
8. Ne procédez pas à la réparation ou au remplacement des pièces de l'appareil et ne tentez pas non plus de le réparer vous-même, sauf si le manuel d'entretien ou de réparation contient des recommandations spécifiques en la matière que vous comprenez et êtes en mesure d'exécuter.
9. N'ajoutez jamais d'essence, de solvant de nettoyage à sec ou d'autres substances inflammables ou explosives dans l'eau du lave-linge. Ces substances dégagent en effet des vapeurs qui risquent de s'enflammer ou d'exploser.
10. Dans certaines conditions, de l'hydrogène peut être dégagé dans les systèmes d'eau chaude qui n'ont pas été utilisés depuis au moins 2 semaines. L'HYDROGÈNE EST UN GAZ EXPLOSIF. Si votre système d'eau chaude n'a pas été utilisé pendant au moins deux semaines, ouvrez tous les robinets d'eau chaude de votre maison et laissez l'eau couler plusieurs minutes avant d'utiliser votre lave-linge ou votre lave-linge/sèche linge combinés. Cela permettra d'éliminer l'éventuelle accumulation d'hydrogène. L'hydrogène étant un gaz inflammable ; ne fumez pas et ne créez aucune flamme ni étincelle pendant cette opération.

CONSERVEZ SOIGNEUSEMENT CES CONSIGNES

Consignes de sécurité

Avertissements importants concernant l'installation

⚠ Avertissement concernant la proposition 65 de l'État de la Californie (États-Unis uniquement)

Cet appareil contient des produits chimiques connus de l'État de la Californie pour causer le cancer et des anomalies congénitales ou des effets nocifs sur la reproduction.

L'installation de cet appareil doit être effectuée par un technicien ou un centre de service qualifié.

- Le non-respect de cette consigne peut entraîner une électrocution, un incendie, une explosion, des problèmes avec l'appareil ou des blessures.

Cet appareil étant très lourd ; prenez toutes les précautions nécessaires pour le soulever.

Branchez le cordon d'alimentation à une prise murale qui respecte les caractéristiques techniques électriques locales. Utilisez la prise uniquement pour cet appareil et n'utilisez pas de rallonge.

- Le fait de partager une prise murale avec d'autres appareils à l'aide d'une multiprise ou d'une rallonge peut entraîner des chocs électriques ou des incendies.
- Assurez-vous que la tension, la fréquence et le courant alimentant le lave-linge sont identiques à ceux inscrits sur les caractéristiques techniques de l'appareil. Le non-respect de cette consigne peut entraîner une électrocution ou un incendie. Branchez fermement la fiche d'alimentation dans la prise murale.

Cet appareil doit être installé par un technicien qualifié ou un centre de réparation agréé.

- Le non-respect de cette consigne peut entraîner des chocs électriques, des incendies, une explosion, des problèmes avec le produit ou des blessures.

Éliminez régulièrement toute eau, poussière ou corps étranger au niveau des prises murales et zones de contact à l'aide d'un chiffon sec.

- Débranchez la fiche d'alimentation et nettoyez-la à l'aide d'un chiffon sec.
- Le non-respect de cette consigne peut entraîner une électrocution ou un incendie.

Branchez la fiche d'alimentation dans la prise murale de sorte que le cordon pende en direction du sol.

- Si vous branchez la fiche d'alimentation sur la prise dans l'autre sens, les fils électriques à l'intérieur du câble peuvent être endommagés, entraînant un risque d'électrocution ou d'incendie.

Conservez tous les matériaux d'emballage hors de la portée des enfants car ils pourraient être dangereux.

- Un enfant risque de s'étouffer s'il se met un sac plastique sur la tête.

CONSERVEZ SOIGNEUSEMENT CES CONSIGNES

Si la fiche d'alimentation, le cordon d'alimentation ou l'appareil est endommagé(e), contactez le centre de service Samsung le plus proche.

Cet appareil doit être correctement mis à la terre.

Ne reliez pas le conducteur de terre de l'appareil à un tuyau de gaz, un conduit d'eau en plastique ou une ligne téléphonique.

- Cela présenterait des risques d'électrocution, d'incendie, d'explosion ou de dysfonctionnement.
- Ne branchez jamais le cordon d'alimentation sur une prise qui n'est pas correctement mise à la terre. Assurez-vous que la prise est conforme aux normes locales et nationales.

N'installez jamais cet appareil près d'un radiateur ou de matériaux inflammables.

N'installez pas cet appareil dans un endroit humide, huileux ou poussiéreux, dans un endroit exposé directement au soleil ou à l'eau (de pluie).

N'installez pas cet appareil dans une pièce exposée à de basses températures.

- Le gel risquerait de faire éclater les tuyaux.

N'installez pas l'appareil dans un lieu où une fuite de gaz est susceptible de se produire.

- Cela pourrait entraîner une électrocution ou un incendie.

N'utilisez pas de transformateur électrique pour alimenter le lave-linge.

- Cela pourrait entraîner une électrocution ou un incendie.

N'utilisez pas de prise ou de cordon d'alimentation endommagé(e) ou de prise murale mal fixée.

Cela pourrait entraîner une électrocution ou un incendie.

Ne tirez pas et ne pliez pas excessivement le cordon d'alimentation.

Ne vrillez pas et n'attachez pas le cordon d'alimentation.

N'accrochez pas le cordon d'alimentation sur un objet métallique, ne posez pas d'objet lourd sur le cordon d'alimentation, ne l'insérez pas entre des objets et ne le coincez pas dans l'espace situé derrière l'appareil.

- Cela pourrait entraîner une électrocution ou un incendie.

Ne tirez pas sur le cordon d'alimentation pour le débrancher.

- Débranchez le cordon en tirant la prise.
- Le non-respect de cette consigne peut entraîner une électrocution ou un incendie.

L'appareil doit être positionné de telle manière que la prise de courant, les robinets d'arrivée d'eau et les tuyaux d'évacuation restent accessibles en permanence.

CONSERVEZ SOIGNEUSEMENT CES CONSIGNES

Consignes de sécurité

Mises en garde pour l'installation

ATTENTION

Cet appareil doit être positionné de façon à permettre l'accès à la prise d'alimentation.

- Le non-respect de cette consigne peut entraîner une électrocution en cas de fuites de courant.

Installez l'appareil sur un sol plan et solide, capable de supporter son poids.

- Le non-respect de cette consigne peut entraîner des vibrations, des mouvements et des bruits anormaux ou des problèmes avec l'appareil.

Avertissements importants concernant l'utilisation

AVERTISSEMENT

En cas d'inondation, coupez immédiatement l'alimentation en eau et l'alimentation électrique et contactez votre centre de service Samsung le plus proche.

- Ne touchez pas la prise d'alimentation avec des mains mouillées.
- Vous risqueriez de vous électrocuter.

Si l'appareil émet des bruit anormaux ou dégage une odeur de brûlé ou de la fumée, débranchez-le immédiatement et contactez votre centre de service Samsung le plus proche.

- Le non-respect de cette consigne peut entraîner une électrocution ou un incendie.

En cas de fuite de gaz (propane, gaz LP, etc.) aérez immédiatement la pièce sans toucher à la prise d'alimentation. Ne touchez pas l'appareil ou le cordon d'alimentation.

- N'utilisez pas de ventilateur. N'allumez pas d'ampoules.
- Une étincelle peut entraîner une explosion ou un incendie.

Ne laissez pas les enfants jouer sur ou dans le lave-linge. Avant de vous débarrasser de votre lave-linge, démontez-en le hublot

- Les enfants peuvent s'étouffer s'ils se retrouvent coincés à l'intérieur de l'appareil.

Assurez-vous de retirer l'emballage (mousse, polystyrène) fixé au bas du lave-linge avant d'utiliser celui-ci.

Ne lavez jamais de linge ayant été en contact avec de l'essence, du kérosène, du benzène, des diluants de peinture ou toute autre substance inflammable ou explosive.

- Risque d'électrocution, d'incendie ou d'explosion.

CONSERVEZ SOIGNEUSEMENT CES CONSIGNES

Ne forcez pas l'ouverture du hublot pendant le fonctionnement de l'appareil (lavage à haute température/séchage/essorage).

- Une fuite peut entraîner des brûlures ou rendre le sol glissant. Cela pourrait entraîner des blessures.
- L'ouverture forcée du hublot peut entraîner des dommages sur l'appareil et des blessures.

N'insérez pas votre main sous le lave-linge lorsque la machine est en cours de fonctionnement.

- Cela pourrait entraîner des blessures.

Ne touchez pas la prise d'alimentation avec des mains mouillées.

- Cela pourrait entraîner une électrocution.

Ne faites pas fonctionner l'appareil avec des mains mouillées.

- Cela pourrait entraîner une électrocution.

Ne débranchez pas l'appareil si celui-ci est en cours de fonctionnement.

- Le fait de rebrancher la prise d'alimentation dans la prise murale peut provoquer une étincelle et entraîner une électrocution ou un incendie.

Ne laissez pas les enfants ou les personnes handicapées utiliser ce lave-linge sans une surveillance adéquate. Ne laissez pas les enfants monter dans ou sur l'appareil.

- Cela pourrait entraîner une électrocution, des brûlures ou des blessures.

N'insérez pas votre main ou un objet métallique sous le lave-linge pendant son fonctionnement.

- Cela pourrait entraîner des blessures.

Ne débranchez pas l'appareil en tirant le cordon d'alimentation. Tenez toujours fermement la prise et tirez-la tout droit de la prise murale.

- Un cordon d'alimentation endommagé risque de provoquer un court-circuit, un incendie ou une électrocution.

Ne tentez pas de réparer, de démonter ou de modifier l'appareil vous-même.

- N'utilisez pas de fusible (cuivre, fil d'acier, etc.) autres que le fusible standard.
- Si l'appareil doit être réparé ou réinstallé, contactez votre centre de service Samsung le plus proche.
- Le non-respect de cette consigne peut entraîner une électrocution, un incendie, des problèmes avec le produit ou des blessures.

Si le tuyau d'arrivée d'eau se déconnecte du robinet et inonde l'appareil, débranchez le lave-linge.

- Le non-respect de cette consigne peut entraîner une électrocution ou un incendie.

CONSERVEZ SOIGNEUSEMENT CES CONSIGNES

Consignes de sécurité

Débranchez la prise d'alimentation lorsque l'appareil n'est pas utilisé pendant des périodes prolongées ou lors d'orages violents.

- Le non-respect de cette consigne peut entraîner une électrocution ou un incendie.

Si une substance étrangère pénètre dans l'appareil, débranchez-le et contactez le centre de service Samsung le plus proche.

- Cela pourrait entraîner une électrocution ou un incendie.

Ne laissez pas les enfants (ou les animaux domestiques) jouer sur ou dans votre lave-linge. Le hublot du lave-linge ne s'ouvre pas facilement de l'intérieur ; un enfant peut donc se blesser gravement s'il est enfermé dans l'appareil.

Mises en garde concernant l'utilisation

ATTENTION

Si le lave-linge est contaminé par des corps étrangers (ex. : détergent, saletés, déchets alimentaires etc.), débranchez-le et nettoyez-le à l'aide d'un chiffon doux humide.

- À défaut, une décoloration, une déformation, des dommages ou de la rouille peuvent apparaître.

La vitre du hublot (ou couvercle) peut être endommagée en cas d'impact important. Utilisez le lave-linge avec précaution.

- Si la vitre du hublot est endommagée, il existe un risque de blessure.

Après une interruption d'arrivée d'eau ou en rebranchant le tuyau d'arrivée d'eau au robinet, ouvrez celui-ci lentement.

Ouvrez le robinet d'arrivée d'eau lentement après une période prolongée de non-utilisation.

- La pression d'air dans le tuyau d'arrivée d'eau ou la canalisation d'eau peut entraîner des dommages à certaines pièces ou une fuite d'eau.

En cas de vidange défectueuse durant un cycle, vérifiez s'il y a un problème de vidange.

- En cas d'inondation (problème de vidange), il existe un risque d'électrocution ou d'incendie.

Introduisez complètement le linge dans le lave-linge afin qu'il ne reste pas coincé dans le hublot.

- Si du linge reste coincé dans le hublot, il peut être endommagé, ainsi que le lave-linge, ou une fuite d'eau peut survenir.

Coupez l'alimentation en eau lorsque le lave-linge n'est pas en cours d'utilisation.

- Assurez-vous que les raccords du tuyau d'arrivée d'eau sont correctement serrés.

CONSERVEZ SOIGNEUSEMENT CES CONSIGNES

Veillez à ce que le joint en caoutchouc et la vitre du hublot ne soient pas contaminés par des substances étrangères (ex. : déchets, fils, cheveux, etc.).

- Si des substances étrangères sont prises dans le hublot, celui-ci ne pourra pas fermer correctement et risque de provoquer des fuites.

Ouvrez les robinets et vérifiez que les raccords des tuyaux d'arrivée d'eau sont fermement serrés et qu'il n'y a aucune fuite d'eau avant d'utiliser l'appareil.

- Si les vis sur le raccord des tuyaux d'arrivée d'eau sont desserrées, des fuites peuvent se produire.

Le produit que vous avez acheté est prévu pour une utilisation domestique uniquement.

L'utilisation à des fins professionnelles est considérée comme une utilisation non conforme du produit. S'il est utilisé à des fins commerciales, le produit ne sera pas couvert par la garantie standard prévue par Samsung et Samsung ne saura en aucun cas être tenu pour responsable en cas de dysfonctionnements ou dommages résultant d'une utilisation non conforme.

Ne montez pas sur l'appareil et ne placez pas d'objets (tels que linge, bougies allumées, cigarettes allumées, vaisselle, produits chimiques, objets métalliques, etc.) sur l'appareil.

- Cela pourrait causer une électrocution, un incendie, des problèmes avec l'appareil ou des blessures.

Ne pulvérisez pas de matières volatiles telles que de l'insecticide sur la surface de l'appareil.

- En plus d'être nocives pour l'être humain, elles peuvent également entraîner une électrocution, un incendie ou des problèmes avec l'appareil.

Ne placez pas d'objets générant un champ électromagnétique à proximité du lave-linge.

- Ceci pourrait entraîner des blessures résultant de dysfonctionnements.

L'eau vidangée durant un cycle de séchage ou de lavage à haute température est chaude. Ne touchez pas cette eau.

- Cela pourrait entraîner des brûlures ou des blessures.

Ne lavez pas, n'essorez pas et ne séchez pas de sièges, de tapis ou de vêtements imperméables (*), sauf si votre appareil possède un cycle spécial pour ce genre d'articles.

Pour les tissus imperméables, utilisez uniquement le cycle WATERPROOF (IMPERMÉABLES).

N'utilisez aucun autre cycle pour les tissus imperméables (modèles adaptés au cycle WATERPROOF (IMPERMÉABLES) uniquement).

CONSERVEZ SOIGNEUSEMENT CES CONSIGNES

Consignes de sécurité

(*) : Linge de lit en laine, vêtements de pluie, veste de pêche, pantalons de ski, sacs de couchage, protections de langes, vêtements de sudation, de cyclisme, de motocyclisme, bâches automobiles, etc.

- Ne lavez pas de tapis épais ou durs même s'ils portent le sigle lave-linge sur leur étiquette d'entretien. Risque de vibrations anormales, de blessures ou de dégâts matériels (lave-linge, murs, sol ou linge).
- Ne lavez pas les lingettes jetables ou les paillasons ayant des dos en caoutchouc. Les dos en caoutchouc sont susceptibles de se détacher et d'adhérer à l'intérieur du tambour, ce qui pourrait entraîner un dysfonctionnement tel qu'une erreur de vidange.

Ne faites jamais fonctionner le lave-linge sans le tiroir à lessive.

- Ceci pourrait entraîner une électrocution ou des blessures résultant de la fuite d'eau.

Ne touchez pas l'intérieur du tambour alors qu'il est chaud, durant ou juste après le séchage.

- Cela pourrait entraîner des brûlures.

N'insérez pas votre main dans le tiroir à lessive.

- Ceci pourrait entraîner des blessures si votre main reste bloquée par le système d'arrivée de lessive.
- N'utilisez pas le bac à lessive liquide (sur les modèles applicables uniquement) pour de la lessive en poudre. Retirez le bac et mettez la lessive en poudre directement dans le compartiment de lavage principal.

Ne placez pas d'objets (tels que chaussures, déchets alimentaires, animaux) autres que du linge dans le lave-linge.

- Ceci pourrait endommager le lave-linge ou provoquer des vibrations anormales entraînant des blessures, voire la mort dans le cas d'animaux domestiques.

N'actionnez pas les boutons à l'aide d'objets tranchants tels que des aiguilles, des couteaux, les ongles etc.

- Cela pourrait entraîner une électrocution ou des blessures.

Ne lavez pas de linge entré en contact avec des huiles, crèmes ou lotions utilisées dans les salons de beauté ou de massage.

- Ceci pourrait provoquer une déformation du joint en caoutchouc, entraînant des fuites d'eau.

Ne laissez pas d'objets métalliques tels que des épingles de sûreté, à cheveux, etc. dans le tambour pendant des périodes prolongées. Ne laissez pas d'agent de blanchiment dans le tambour pendant des périodes prolongées.

- Ceci pourrait entraîner l'apparition de rouille sur le tambour.

CONSERVEZ SOIGNEUSEMENT CES CONSIGNES

- Si de la rouille commence à se former à la surface du tambour, appliquez un produit de nettoyage (neutre) et frottez à l'aide d'une éponge. N'utilisez jamais de brosse métallique.

N'utilisez pas directement de solvants de nettoyage à sec et ne lavez, ne rincez et n'essorez pas de linge entré en contact avec des solvants de nettoyage à sec.

- Risque de combustion ou d'inflammation spontanée résultant de la chaleur dégagée par l'oxydation de l'huile.

N'utilisez pas d'eau provenant d'appareils de refroidissement/de réchauffement d'eau.

- Ceci pourrait entraîner des dysfonctionnements du lave-linge.

N'utilisez pas de savon pour les mains dans le lave-linge.

- Risque de dysfonctionnement, de décoloration, d'oxydation ou de dégagement de mauvaises odeurs.

Placez les chaussettes et les soutiens-gorge dans un filet de lavage et lavez-les avec le reste du linge.

Ne lavez pas d'articles de grande taille tels que du linge de lit dans un filet de lavage.

- Dans le cas contraire, des vibrations anormales peuvent se produire et engendrer des blessures.
- Placez les plus petits objets, tels que des chaussettes délicates et de la lingerie, dans le filet de lavage.

N'utilisez pas de détergent solidifié.

- S'il s'accumule dans le lave-linge, des fuites d'eau peuvent en résulter.

Assurez-vous que toutes les poches des vêtements à laver sont vides.

- Les objets durs et pointus, comme les pièces de monnaie, les épingles de sûreté, les clous, les vis ou les pierres, peuvent occasionner d'importants dégâts à l'appareil.

Ne lavez pas de vêtements ayant de grandes boucles, boutons ou autres parties métalliques lourdes avec ce lave-linge.

Triez le linge par couleur en fonction de la solidité de la teinture et sélectionnez le cycle, la température de l'eau et les fonctions supplémentaires recommandées.

- Le non-respect de cette consigne peut entraîner une décoloration ou une détérioration des tissus.

Veillez à ce que les doigts des enfants ne soient pas pris dans le hublot lorsque vous la fermez.

- Le non-respect de cette consigne peut entraîner des blessures.

CONSERVEZ SOIGNEUSEMENT CES CONSIGNES

Consignes de sécurité

Avertissements importants concernant le nettoyage

AVERTISSEMENT

Ne nettoyez pas l'appareil en pulvérisant directement de l'eau dessus.

N'utilisez pas de produit nettoyant agressif.

N'utilisez pas de benzène, de diluant ou d'alcool pour nettoyer l'appareil.

- Cela pourrait entraîner des décolorations, des déformations, des dommages, des chocs électriques ou un incendie.

Avant d'effectuer un nettoyage ou une opération de maintenance, débranchez le cordon d'alimentation de la prise murale.

- Le non-respect de cette consigne peut entraîner une électrocution ou un incendie.

CONSERVEZ SOIGNEUSEMENT CES CONSIGNES

Notification de réglementation

Avis concernant la FCC

ATTENTION

Tous les changements ou modifications non expressément approuvé(e)s par l'autorité responsable de la conformité à la réglementation peut annuler le droit de l'utilisateur à utiliser cet appareil.

Cet appareil est conforme aux dispositions de la section 15 du règlement de la FCC. Le fonctionnement est soumis aux deux conditions suivantes :

1. Cet appareil ne doit pas causer d'interférences nuisibles ; et
2. Cet appareil doit accepter toute autre interférence reçue, y compris les interférences pouvant entraîner un fonctionnement non désiré.

Pour les appareils disponibles sur le marché américain/canadien, seuls les canaux 1 à 11 peuvent être utilisés. La sélection des autres canaux est impossible.

DÉCLARATION DE LA FCC :

Cet équipement a été testé et s'est avéré conforme aux limites d'un dispositif numérique de classe B, conformément à la section 15 du règlement de la FCC. Ces limites sont conçues pour assurer la protection raisonnable contre des interférences nuisibles dans une installation résidentielle.

Cet appareil génère, utilise et peut émettre de l'énergie radio électrique et, s'il n'est pas installé et utilisé conformément aux instructions, peut provoquer des interférences nuisibles aux communications par signal radio. Cependant, il n'y a aucune garantie que des interférences ne se produiront pas dans une installation particulière. Si cet appareil cause des interférences nuisibles à la réception des signaux de radio ou de télévision, ce qui peut être déterminé en allumant et en éteignant l'appareil, l'utilisateur est encouragé à essayer de corriger l'interférence par une ou plusieurs des mesures suivantes :

- Réorienter ou déplacer l'antenne de réception
- Espacer davantage l'appareil du récepteur
- Brancher l'équipement sur la prise d'un circuit différent que celui de la radio ou de la télévision.
- Consulter le revendeur ou un technicien expérimenté en radio/télévision pour obtenir de l'aide.

DÉCLARATION DE LA FCC SUR L'EXPOSITION AUX RADIATIONS :

Cet appareil est conforme aux limitations prévues par la FCC pour l'exposition aux radiations dans le cadre d'un environnement d'accès libre. Cet appareil doit être installé et utilisé avec une distance minimale de 8 pouces (20 cm) entre le radiateur et votre corps. Ce dispositif et son(s) antenne(s) ne doivent pas être coimplantés ni utilisés à proximité d'une autre antenne ou émetteur.

CONSERVEZ SOIGNEUSEMENT CES CONSIGNES



Notification de réglementation

Notification IC

Le terme « IC » précédant le numéro d'homologation radio signifie uniquement que les spécifications techniques d'Industry Canada ont été atteintes. Le fonctionnement est soumis aux deux conditions suivantes :

1. Cet appareil ne doit pas causer d'interférences ; et
2. Cet appareil doit accepter toute autre interférence, y compris les interférences pouvant entraîner un fonctionnement non désiré de l'appareil.

Cet appareil numérique de classe B est conforme à la norme ICES-003 canadienne.

Cet appareil numérique de classe B est conforme à la norme NMB-003 du Canada.

Pour les appareils disponibles sur le marché américain/canadien, seuls les canaux 1 à 11 peuvent être utilisés. La sélection des autres canaux est impossible.

DÉCLARATION IC SUR L'EXPOSITION AUX RADIATIONS :

Cet appareil est conforme aux limitations prévues par la norme IC RSS-102 pour l'exposition aux radiations dans le cadre d'un environnement d'accès libre. Cet appareil doit être installé et utilisé avec une distance minimale de 8 pouces (20 cm) entre le radiateur et votre corps. Ce dispositif et son(s) antenne(s) ne doivent pas être coimplantés ni utilisés à proximité d'une autre antenne ou émetteur.

CONSERVEZ SOIGNEUSEMENT CES CONSIGNES



Notification de licence de source libre

Le logiciel inclus dans cet appareil contient un logiciel de source libre (open source). Vous pouvez vous procurer le code source complet correspondant pendant une période de trois ans après la dernière expédition de cet appareil, en envoyant un e-mail à l'adresse <mailto:oss.request@samsung.com>.

Il est également possible d'obtenir le code source complet correspondant sur un support physique, tel qu'un CD-ROM ; des frais minimum seront facturés.

L'URL suivante <http://opensource.samsung.com/opensource/SimpleConnectTP/seq/0> vous donne accès à la page de téléchargement du code source mis à votre disposition, ainsi qu'aux informations sur la licence de source libre (open source) relative à cet appareil. Cette offre est valable pour toute personne ayant reçu ces informations.



CONSERVEZ SOIGNEUSEMENT CES CONSIGNES



Installation

Suivez attentivement ces instructions afin de garantir la bonne installation du lave-linge et d'éviter des accidents lors de son utilisation.

AVERTISSEMENT

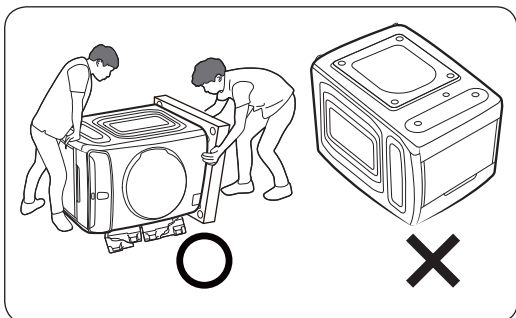
La mise à la terre du panneau de commande, du dissipateur thermique, du moteur, de la vanne d'arrivée d'eau et de la pompe n'a volontairement pas été effectuée ; ces éléments peuvent donc présenter un risque d'électrocution (lors de l'entretien uniquement).

Déballage de votre lave-linge

Déballer votre lave-linge et vérifiez qu'il n'a pas été endommagé pendant le transport. Vérifiez que vous disposez de tous les éléments illustrés ci-dessous. Si votre lave-linge a été endommagé pendant le transport ou si vous ne disposez pas de tous les éléments, appelez immédiatement le 1-800-SAMSUNG (1-800-726-7864). Afin de prévenir tout risque de blessures, munissez-vous de gants de protection pour soulever ou porter le lave-linge.

AVERTISSEMENT

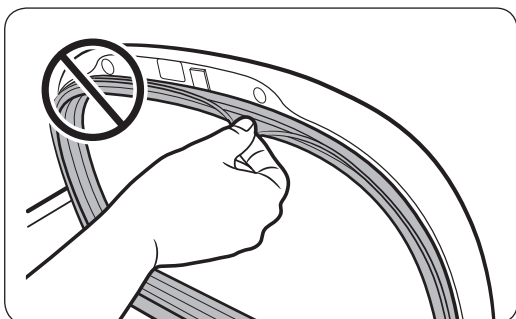
Tenez tous les matériaux d'emballage (sacs plastique, polystyrène, etc.) hors de portée des enfants.



ATTENTION

Lors du déballage du lave-linge, il est nécessaire d'être 2. Pour retirer le cache du bas des matériaux d'emballage, n'inclinez pas le lave-linge sur l'avant.

Lorsque vous couchez le lave-linge au sol pour retirer le fond du carton, protégez le côté de l'appareil et couchez-le avec précaution. Ne posez jamais le lave-linge sur la façade avant ou arrière.



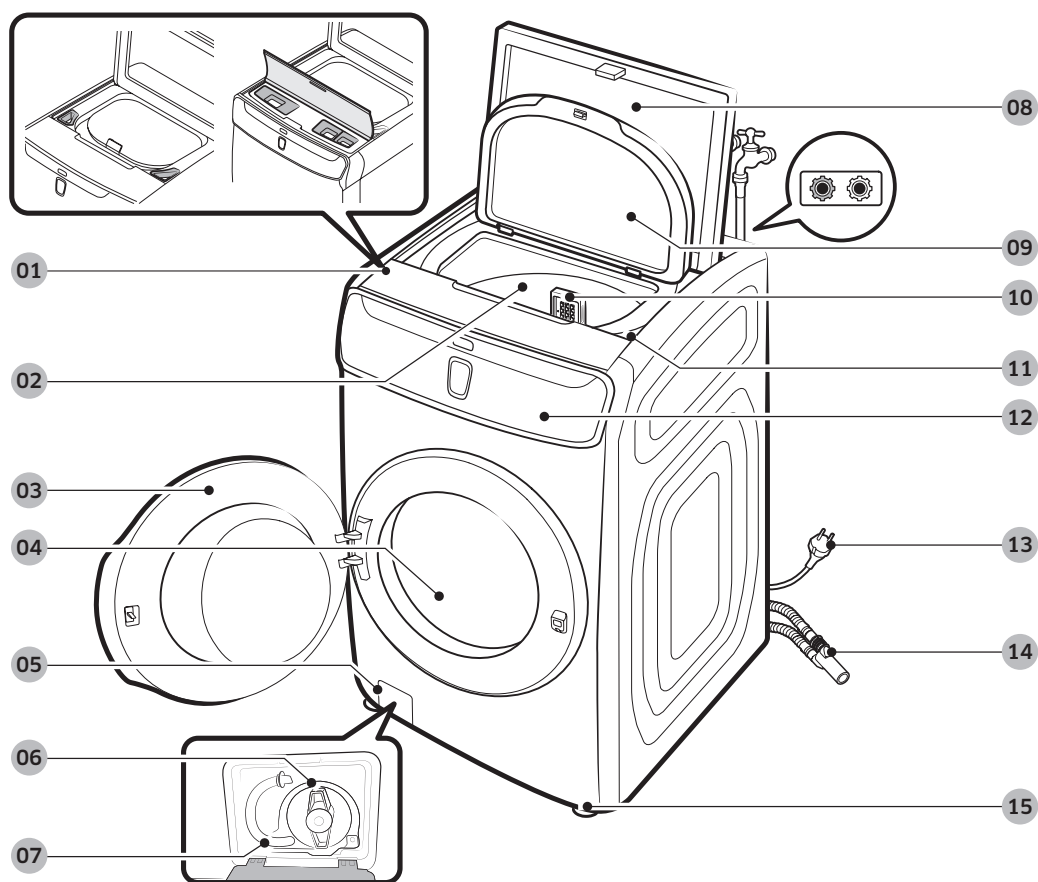
ATTENTION

N'arrachez pas ou ne retirez pas le joint d'étanchéité de la porte intérieure. Cela risque de provoquer une fuite lors du processus de lavage.



Ce qui est inclus

Assurez-vous que toutes les pièces sont incluses dans l'emballage de l'appareil. Pour toute question relative au lave-linge ou aux pièces, contactez un centre d'assistance clientèle Samsung local ou le magasin.



01 Bac à lessive inférieur	02 Cuve	03 Hublot
04 Tambour	05 Cache du filtre	06 Filtre de la pompe
07 Tuyau de vidange d'urgence	08 Trappe de chargement par le haut	09 Couverture de protection (intérieur)
10 Filtre à peluches	11 Bac à lessive supérieur	12 Panneau principal
13 Prise d'alimentation	14 Raccord de conduite (Tuyau de vidange supérieur et tuyau de vidange inférieur)	15 Pieds réglables

Installation

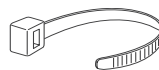
Accessoires (fournis)



Cache-boulons



Guides de tuyaux (x2)



Colliers de fixation



Boule doseuse



* Compartiments en caoutchouc

* Lorsque vous n'utilisez pas le socle, utilisez les compartiments en caoutchouc pour les surfaces ou sols mous.

Accessoires (non fournis)

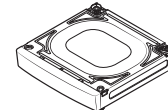
Vous devez vous procurer ces éléments auprès de votre centre de service local.



Tuyaux d'eau
(vendus séparément)



Patins antidérapants
(vendus séparément)



Socle (système flexible
uniquement)

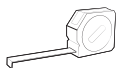
REMARQUE

- Le nombre de cache-boulons fournis (de 7 à 9) dépend du modèle.
- L'apparence du lave-linge et des accessoires fournis peut différer selon le modèle.
- Pour acheter un accessoire ou une pièce perdue, prenez contact avec un centre de service Samsung local ou avec le magasin.
- « WE272N* » est un socle destiné au système flexible.

ATTENTION

- Ne réutilisez pas de vieux tuyaux d'eau qui peuvent fuir ou éclater, ce qui entraînerait une inondation et/ou des dégâts matériels.
- Assurez-vous que les rondelles en caoutchouc sont insérées dans chaque raccord du tuyau d'eau.

Outils requis (non fournis)



Mètre ruban



Tournevis cruciforme



Niveau



Pince ajustables

Conditions d'installation

Alimentation électrique et mise à la terre

- Un fusible ou un disjoncteur 120 V CA / 60 Hz est requis.
- Utilisez un circuit de dérivation individuel. Branchez uniquement le lave-linge sur le circuit.

AVERTISSEMENT

- N'utilisez PAS de rallonge avec cet appareil.
- Utilisez uniquement le cordon d'alimentation fourni avec votre lave-linge.
- Ne reliez PAS un conducteur de terre à une plomberie en plastique, un conduit de gaz ou un conduit d'eau chaude.
- Un mauvais branchement des conducteurs peut entraîner une électrocution.
- Afin d'assurer la bonne mise à la terre de l'appareil, le lave-linge est équipé d'un cordon d'alimentation doté d'une prise à 3 broches avec conducteur de terre destinée à être branché sur une prise murale correctement installée et reliée à la terre. En cas de doute, demandez à un électricien qualifié ou à un réparateur de vérifier si l'appareil est correctement mis à la terre.
- Ne modifiez pas la prise fournie. Si elle ne rentre pas dans la prise, appelez un électricien qualifié pour installer une prise appropriée.

- Pour prévenir tout risque d'incendie, d'électrocution ou de blessure, l'intégralité du câblage et des mises à la terre doit être réalisée conformément aux réglementations locales ou, en l'absence de ces dernières, au code électrique national (National Electrical Code) ANSI/NFPA dernière révision n°70 (pour les États-Unis) ou aux dispositions canadiennes sur l'électricité CSA C22.1 (dernières révisions) et aux réglementations locales. Il relève de votre responsabilité de fournir un service électrique adapté à votre lave-linge.

Installation

Arrivée d'eau

Une pression d'eau inférieure à 20 psi (137 kPa) peut entraîner l'impossibilité de fermer complètement la vanne d'arrivée d'eau. Sinon, le risque est que le tambour mette plus de temps à se remplir, ce qui entraîne l'arrêt du lave-linge. Les robinets doivent se trouver à une distance maximale de 4 pieds (122 cm) de l'arrière du lave-linge de sorte que les tuyaux d'arrivée d'eau fournis puissent atteindre le lave-linge. Pour réduire le risque de fuites :

- Assurez-vous que les robinets sont faciles d'accès.
- Fermez les robinets d'arrivée d'eau lorsque vous n'utilisez pas le lave-linge.
- Vérifiez régulièrement l'absence de toute fuite au niveau des raccords du tuyau d'arrivée d'eau.

ATTENTION

Avant d'utiliser le lave-linge pour la première fois, vérifiez l'absence de fuites au niveau des raccords avec la vanne d'arrivée d'eau et les robinets.

Vidange

Samsung recommande de placer le tuyau d'évacuation mural à une hauteur de 18 pouces (46 cm). Le tuyau de vidange doit être raccordé en passant par le collier de serrage vers le tuyau d'évacuation et ce dernier doit recouvrir entièrement le tuyau de vidange.

Sol

Pour un fonctionnement optimal, le lave-linge doit être installé sur un sol stable. Si le sol est en bois, il est possible que vous deviez le renforcer afin de réduire les vibrations et les problèmes de déséquilibre. Les moquettes ou les surfaces molles ne sont pas très résistantes aux vibrations et peuvent entraîner un léger déplacement du lave-linge durant l'essorage.

ATTENTION

N'installez PAS le lave-linge sur une plateforme ou sur une structure instable.

Température de l'eau

N'installez pas le lave-linge dans un endroit qui risque d'être exposé au gel : il reste en effet toujours une certaine quantité d'eau dans sa vanne, sa pompe ou ses tuyaux. La présence d'eau gelée dans les pièces de raccordement peut entraîner l'endommagement des courroies, de la pompe et d'autres composants du lave-linge.

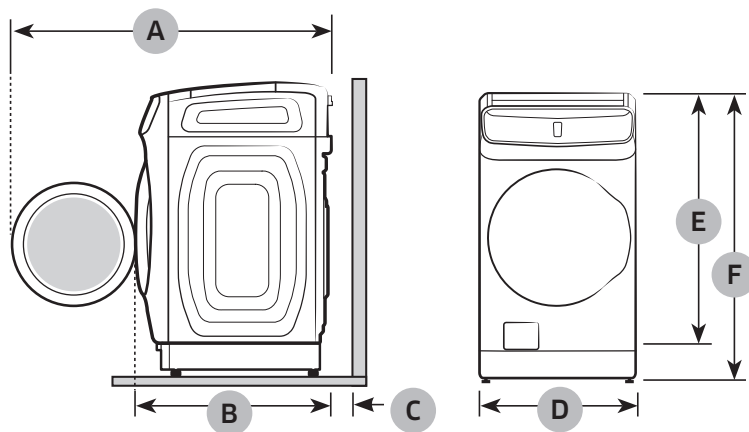
Encastrement dans une niche ou installation dans un placard

Dégagement minimal pour un fonctionnement stable :

Côtés	1 pouce (25 mm)	Arrière	6 pouces (152 mm)
Haut	21 pouces (533 mm)	Avant	2 pouces (51 mm)

Si vous souhaitez installer le lave-linge et le sèche-linge au même endroit, veuillez à laisser un espace libre d'au moins 72 po² (465 cm²) à l'avant de la niche ou de l'armoire. Installé seul, votre lave-linge ne nécessite aucun dégagement.

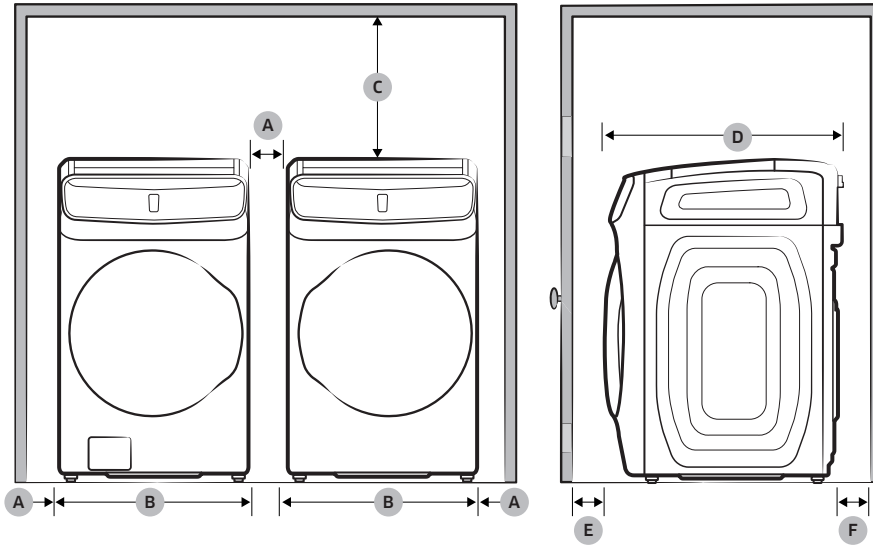
Installation sur un socle



A	54,6 pouces (1386 mm)	D	27 pouces (686 mm)
B	34 pouces (864 mm)	E	46,9 pouces (1192 mm)
C	6 pouces (152 mm)	F	52,2 pouces (1326 mm)

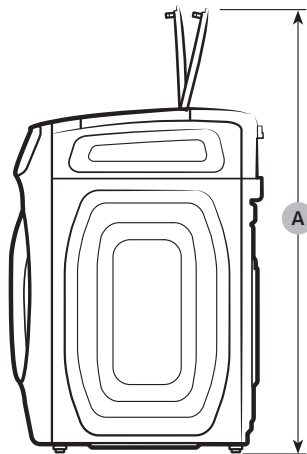
Installation

Installation côte à côte



A	1 pouce (25 mm)	D	34 pouces (864 mm)
B	27 pouces (686 mm)	E	2 pouces (51 mm)
C	21 pouces (533 mm)	F	6 pouces (152 mm)

*Ce dégagement n'est pas applicable aux lave-linges autonomes.



A	61 pouces (1550 mm)
---	---------------------

Installation étape par étape

ÉTAPE 1 Choisir un emplacement

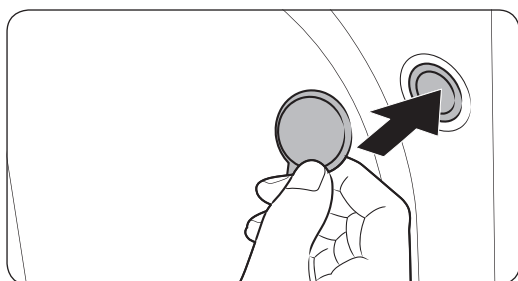
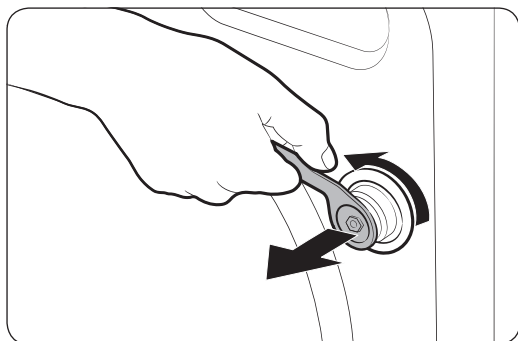
Choix de l'emplacement :

- Une surface dure et à niveau, sans moquette ou autre revêtement de sol susceptible d'obstruer l'aération
- Non exposé directement au soleil
- Une pièce adéquate pour une bonne ventilation et un câblage approprié ;
- La température ambiante est toujours supérieure au point de congélation (32 °F/0 °C)
- Un lieu éloigné de toute source de chaleur.

ÉTAPE 2 Retirer les vis de transport

⚠ AVERTISSEMENT

- Les matériaux d'emballage peuvent être dangereux pour les enfants. Tenez tous les matériaux d'emballage (sacs en plastique, polystyrène, etc.) hors de la portée des enfants.
- Pour assurer une bonne installation, toutes les 7 vis de transport doivent être retirées.



Enlevez l'emballage de l'appareil ainsi que toutes les vis de transport (x 7).

1. Desserrez toutes les vis de transport situées à l'arrière du lave-linge à l'aide de la clé.

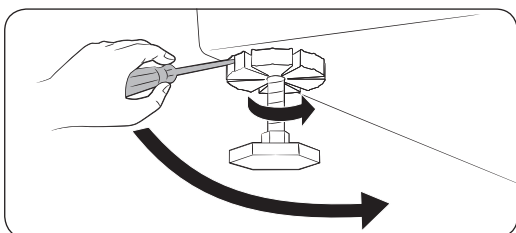
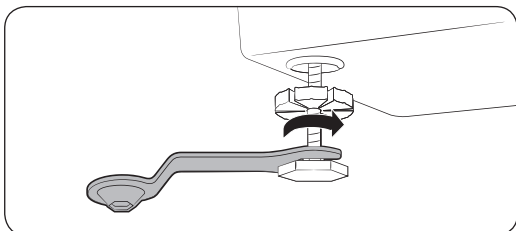
📄 REMARQUE

Une clé réglable ou une clé à fourche de 10 mm est requise pour retirer les vis de transport.

2. Bouchez les trous avec les cache-boulons en plastique fournis. Conservez les vis de transport pour une prochaine utilisation.

Installation

ÉTAPE 3 Ajustez les pieds réglables

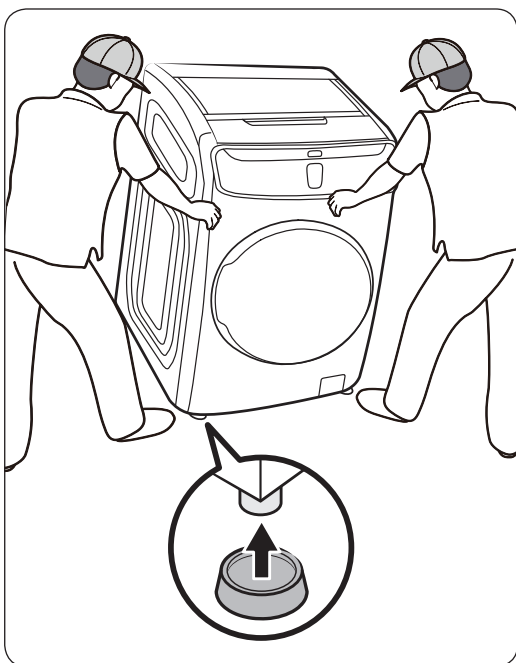


1. Faites glisser doucement le lave-linge à l'emplacement choisi. N'exercez pas de force excessive sous peine d'endommager les pieds réglables.
2. Mettez le lave-linge à niveau en ajustant manuellement les pieds réglables.
3. Une fois la mise à niveau terminée, serrez les écrous à l'aide de la clé.

REMARQUE

Une clé réglable ou une clé à fourche de 17 mm est requise pour desserrer ou serrer les pieds réglables.

ÉTAPE 4 Placez les compartiments en caoutchouc sur les pieds (Uniquement pour une surface ou un sol mou)



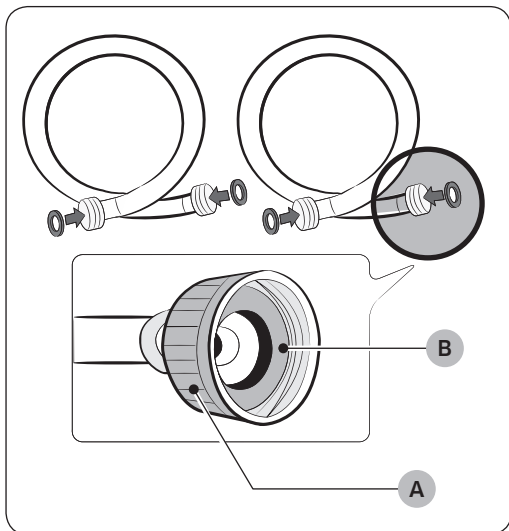
Pour protéger des surfaces ou des sols mous, utilisez les compartiments en caoutchouc fournis. Vous n'avez pas besoin d'utiliser les compartiments en caoutchouc sur un sol dur ou sur le socle.

1. Faites appel à deux personnes ou plus pour tenir le lave-linge des deux côtés.
2. Tout en inclinant le lave-linge d'un côté, placez les compartiments en caoutchouc un par un sur chaque pied du lave-linge.

ATTENTION

Assurez-vous que deux personnes ou plus insèrent les compartiments en caoutchouc. Autrement, le lave-linge peut se renverser et provoquer des blessures ou des dommages matériels.

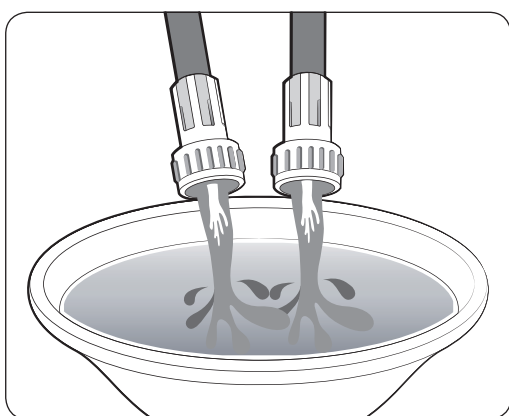
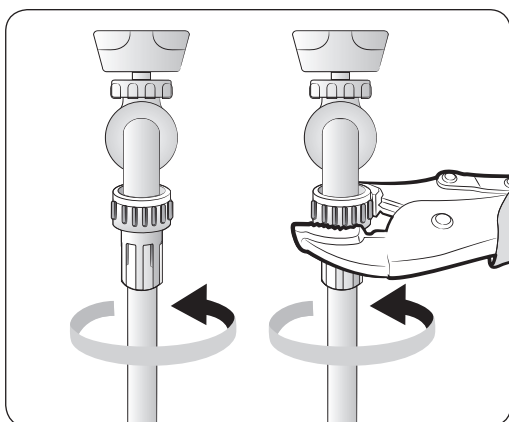
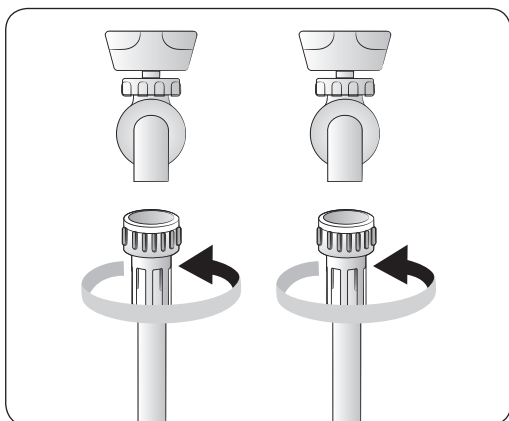
ÉTAPE 5 Raccordez les tuyaux d'eau



⚠ ATTENTION

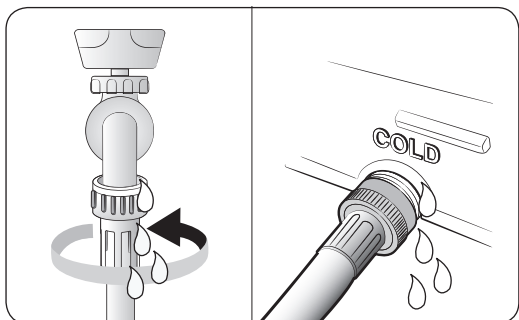
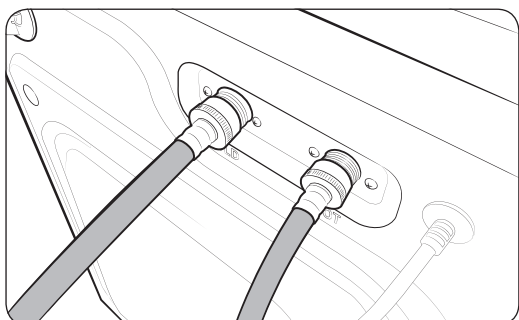
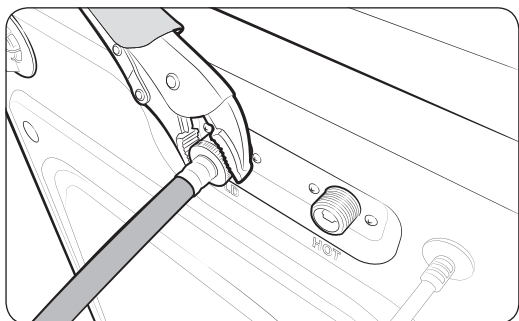
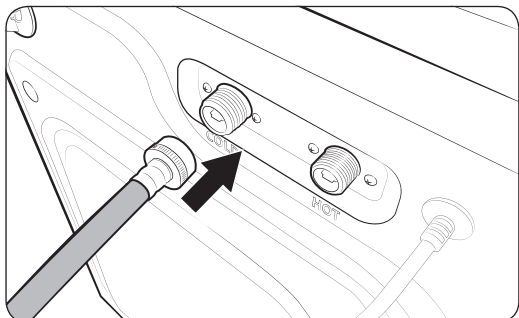
- Assurez-vous d'utiliser un tuyau d'eau neuf et que les **joints en caoutchouc (B)** se trouvent à l'intérieur des **raccords (A)** à l'une des extrémités du tuyau d'eau. Un tuyau d'eau sans joint peut fuir.
- Si vous observez une fuite d'eau, arrêtez-la à l'aide de la rondelle et prenez contact avec un centre de service Samsung local. Une fuite d'eau peut entraîner une électrocution.
- Ne tendez pas le tuyau d'eau avec force. Si le tuyau est trop court, remplacez-le par un tuyau haute pression plus long.
- Pour éviter les fuites, assurez-vous que les deux tuyaux d'eau ne sont pas courbés ou entortillés. Une fuite d'eau peut entraîner une électrocution.

Installation



Pour raccorder les tuyaux d'eau aux robinets :

1. Raccordez une extrémité de chaque tuyau d'eau sur le robinet d'eau **Hot (Chaude)** ou d'eau **Cold (Froide)**.
2. Tournez autant que possible les raccords à la main, puis procédez au serrage en effectuant deux tiers de tour supplémentaires à l'aide d'une pince. Pour prévenir tout dommage, ne serrez pas excessivement les raccords.
3. Une fois l'opération terminée, tirez les tuyaux d'eau vers le haut et le bas pour vérifier s'ils sont bien raccordés.
4. Placez les autres extrémités des tuyaux dans une bassine et ouvrez les robinets pendant 10 à 15 secondes, afin d'éliminer les impuretés. Une fois l'opération terminée, fermez les robinets.



5. Raccordez les autres extrémités des tuyaux d'eau sur les arrivées correspondantes à l'arrière du lave-linge, comme indiqué. Assurez-vous que le tuyau d'eau chaude est raccordé à l'arrivée d'eau chaude et le tuyau d'eau froide à l'arrivée d'eau froide.
6. Recommencez l'étape 2 ci-dessus sur les autres fixations. Assurez-vous que les deux tuyaux d'eau sont bien raccordés. Reportez-vous au code d'information « 4C » pour le dépannage.
7. Ouvrez les deux robinets et vérifiez l'absence de fuite.

⚠ ATTENTION

Pour éviter que les tuyaux d'eau ne soient courbés ou entortillés, veillez à conserver une distance d'au moins 6 pouces (150 mm) entre le lave-linge et la paroi arrière.

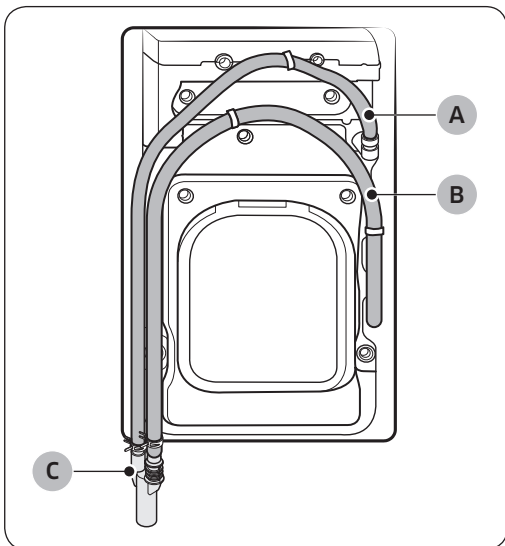
📄 REMARQUE

Si vous ne souhaitez pas utiliser le tuyau d'eau chaude, insérez le bouchon d'arrivée dans l'arrivée d'eau chaude. Vous devez vous procurer le bouchon d'arrivée.

Si l'arrivée d'eau chaude est fermée avec le bouchon d'arrivée, vous devez sélectionner Cold (Froide) pour la température de l'eau. Tous les autres voyants relatifs à l'eau s'éteignent.

Installation

ÉTAPE 6 Positionner le système de vidange



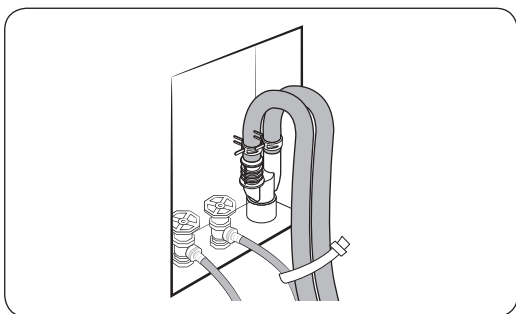
Le raccord de conduite est attaché sur l'appareil.

REMARQUE

A : Tuyau de vidange supérieur

B : Tuyau de vidange inférieur

C : Raccord de conduite

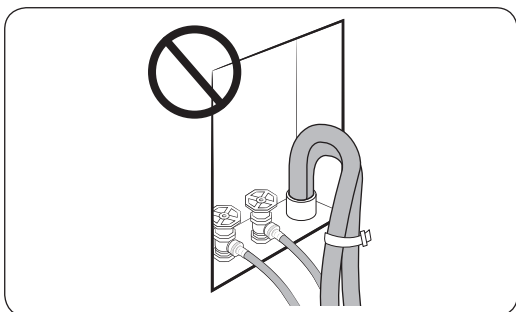


Dans un système de vidange à conduite verticale murale

Le tuyau de vidange doit être placé dans un système de vidange à conduite verticale murale.

Après avoir inséré les 2 tuyaux de vidange dans le raccord de conduite, utilisez des colliers de fixation pour courber les tuyaux de vidange, puis insérez le raccord de conduite dans la conduite verticale murale.

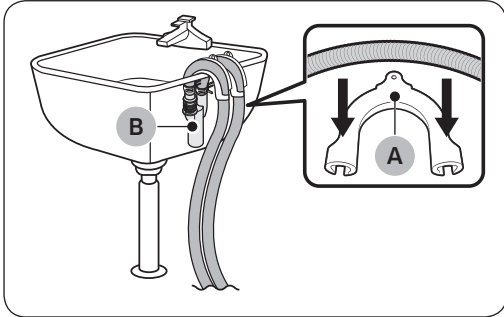
Une fois l'opération terminée, utilisez des colliers de fixation pour courber le tuyau de vidange vers le tuyau d'eau.



AVERTISSEMENT

Assurez-vous d'utiliser le raccord de conduite avant d'insérer les tuyaux de vidange. Sans le raccord de conduite, le tuyau de vidange ne sera pas positionné correctement et fermement à l'intérieur de la conduite verticale murale. Cela risque de provoquer une fuite d'eau.

Le raccord de conduite peut être positionné comme suit :



Sur le bord d'un lavabo

Le raccord de conduite (B) doit être placé à une hauteur située entre 24 pouces (60 cm) et 35 pouces (90 cm) du sol. Afin que l'embout du tuyau de vidange reste courbé, utilisez le guide du tuyau de vidange (A) en plastique fourni. Fixez le guide au mur à l'aide d'un crochet afin d'assurer une vidange stable.

REMARQUE

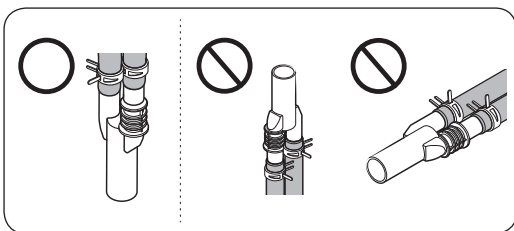
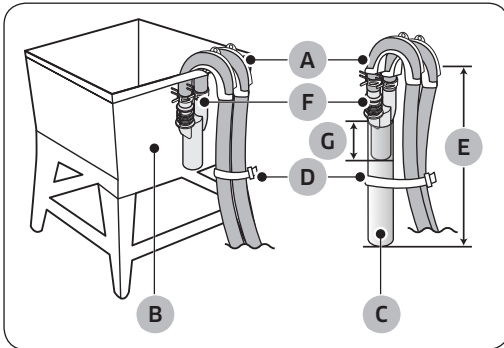
B : Raccord de conduite

Dans une conduite d'évacuation ou un bac à laver

La longueur du bac à laver (B) ou de la conduite d'évacuation (C) doit être comprise entre 18 pouces (46 cm) et 96 pouces (245 cm). Assurez-vous que le raccord de conduite et la conduite d'évacuation ne sont pas étanches à l'air. La hauteur de la conduite d'évacuation (E) doit être égale ou supérieure à 43 pouces (1100 mm) au-dessus du sol.

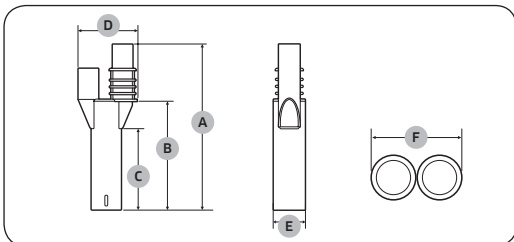
REMARQUE

A : Guide du tuyau / D : Colliers de fixation / F : Raccord de conduite / G : 85 mm



ATTENTION

- Ne rallongez pas le raccord de conduite (en forme de Y) à l'aide d'une rallonge de tuyau.
- Assurez-vous d'orienter l'extrémité du raccord de conduite vers le bas sur l'orifice de vidange. Si l'extrémité du raccord de conduite est positionnée à un autre endroit, l'eau vidangée risque d'être refoulée.



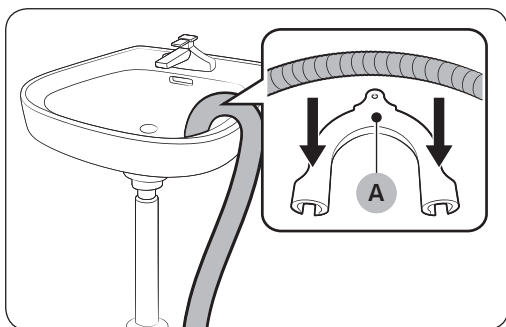
Dimensions du raccord de conduite

A	172 mm	D	67 mm
B	112,5 mm	E	Ø 35
C	85 mm	F	60 mm

Installation

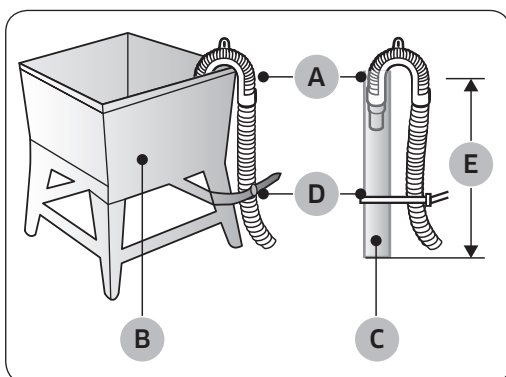
Positionner sans raccord de conduite

Si vous n'utilisez pas de raccord de conduite, chaque tuyau de vidange peut être placé comme suit :



Sur le bord d'un lavabo.

Le tuyau de vidange doit être placé à une hauteur située entre 24 pouces (60 cm) et 35 pouces (90 cm) du sol. Afin que l'embout du tuyau de vidange reste courbé, utilisez le guide du tuyau de vidange (A) en plastique fourni. Fixez le guide au mur à l'aide d'un crochet afin d'assurer une vidange stable.

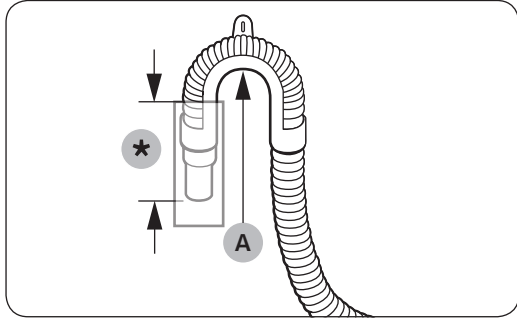


Dans une conduite d'évacuation ou un bac à laver

La longueur du bac à laver (B) ou du tuyau d'évacuation mural (C) doit être comprise entre 18 pouces (46 cm) et 96 pouces (245 cm). Assurez-vous que le tuyau de vidange et le tuyau d'évacuation ne sont pas étanches à l'air. La hauteur de la conduite d'évacuation (E) doit être égale ou supérieure à 43 pouces (1 100 mm) au-dessus du sol.

REMARQUE

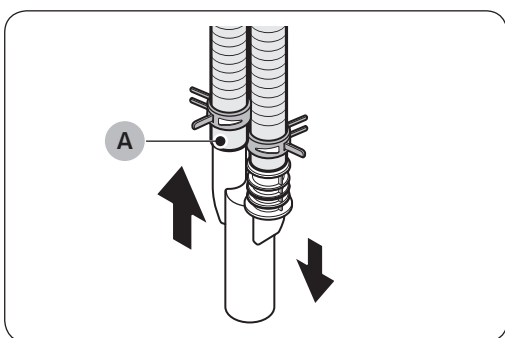
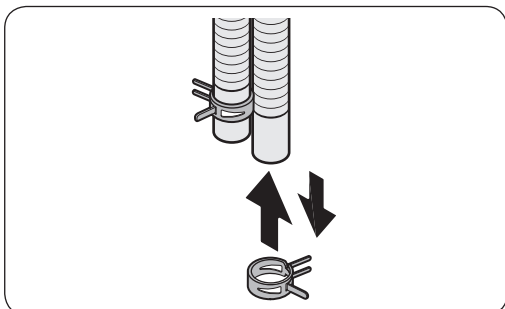
A : Guide du tuyau / D : Colliers de fixation



⚠ ATTENTION

- Raccordez le **guide du tuyau de vidange (A)** à maximum 3 à 5 pouces (7,6 à 12,7 cm)* de distance de l'extrémité du tuyau de vidange. Si le tuyau de vidange est étendu après l'extrémité du guide du tuyau, de la moisissure ou des microorganismes peuvent se répandre à l'intérieur du lave-linge.
- Le tuyau de vidange peut être installé à maximum 96 pouces (245 cm) de hauteur, mais la capacité de vidange peut être réduite à cette hauteur maximale. L'eau restant dans le système de vidange peut générer une mauvaise odeur.
- Si le tuyau de vidange est installé à moins de 18 pouces (46 cm) de hauteur, alors l'eau peut être vidangée pendant le processus en raison du phénomène de siphon. Si cela se produit, le code d'information « 4C » apparaît sur l'écran.

Installation



REMARQUE

Positionner à l'aide du raccord de conduite

Votre lave-linge est doté d'un raccord de conduite conçu pour relier le tuyau de vidange supérieur au tuyau de vidange inférieur. Vous pouvez utiliser le raccord pour associer deux tuyaux de vidange en une seule sortie.

1. Insérez une bague de serrage à l'extrémité de chacun des tuyaux de vidange.
 2. Insérez le raccord de conduite dans les tuyaux de vidange. Assurez-vous que le côté le plus long (A) est adapté au tuyau de vidange de la partie inférieure du lave-linge.
 3. Fixez les bagues de serrage près de chaque extrémité des tuyaux.
- Pour retirer le raccord de conduite, suivez les étapes ci-dessus dans l'ordre inverse.

ÉTAPE 7 Vérification finale et mise sous tension

- Avant d'utiliser votre lave-linge, assurez-vous de retirer l'agent de déshumidification (gel de silice) à l'intérieur de la partie supérieure du lave-linge.
- Ne mangez pas et n'ingérez pas d'agent de déshumidification (gel de silice).
- Une fois que le lave-linge a terminé la recherche de fuites pour assurer un fonctionnement normal, il se peut qu'il y ait de l'humidité sur la surface du couvercle de protection. C'est tout à fait normal ; cela n'est pas un signe de pièce défectueuse. Ouvrez le couvercle pendant un moment pour éliminer l'humidité.
- Branchez le cordon d'alimentation sur une prise électrique murale agréée de 120 V CA / 60 Hz, protégée par un fusible ou un disjoncteur. Puis, appuyez sur le bouton **POWER (MARCHE/ARRÊT)** pour allumer votre lave-linge.

Avant de démarrer

Réglages initiaux

Exécuter le calibrage (recommandé)

Le calibrage permet d'assurer une détection précise du poids par le lave-linge. Assurez-vous que la cuve ou le tambour sont vides avant d'exécuter le calibrage.

Pour calibrer la partie supérieure du lave-linge

1. Appuyez sur **POWER (MARCHE/ARRÊT)** sur le panneau de commande de la partie supérieure du lave-linge pour le mettre sous tension.
2. Maintenez simultanément enfoncés les boutons **Temp.** et **NORMAL** pendant 3 secondes.
3. Appuyez sur le bouton **START/PAUSE (DÉPART/PAUSE)** pour lancer le Calibrage.
 - Le hublot est fermé pendant l'utilisation.
 - La cuve continue de tourner dans le sens horaire et antihoraire pendant plusieurs minutes.
4. Une fois l'opération terminée, la partie supérieure du lave-linge s'éteint automatiquement.

Pour calibrer la partie inférieure du lave-linge

1. Appuyez sur **POWER (MARCHE/ARRÊT)** sur le panneau de commande de la partie inférieure du lave-linge pour le mettre sous tension.
2. Maintenez simultanément enfoncés les boutons **Temp.** et **Delay End (Arrêt différé)** pendant 3 secondes sur le panneau de commande de la partie inférieure du lave-linge.
3. Appuyez sur le bouton **START/PAUSE (DÉPART/PAUSE)** sur le panneau de commande de la partie inférieure du lave-linge pour commencer un cycle Calibrage.
4. Une fois l'opération terminée, la partie inférieure du lave-linge s'éteint automatiquement.

REMARQUE

Au lieu de faire tourner la cuve, la partie inférieure du lave-linge fait tourner le tambour.

Instructions de lavage

ÉTAPE 1 Trier

Triez le linge selon les critères suivants :

- Étiquette d'entretien : séparez le coton, les fibres mélangées, les synthétiques, la soie, la laine et les rayonnés.
- Couleur : séparez le blanc des couleurs.
- Taille : mélanger des articles de tailles différentes dans le tambour ou la cuve améliore les performances du lave-linge.

- Sensibilité : Lavez les vêtements délicats séparément. Pour les rideaux et les vêtements neufs en laine vierge et en soie, suivez les instructions de lavage figurant sur leurs étiquettes.

REMARQUE

Assurez-vous de vérifier l'étiquette d'entretien sur tous les vêtements et de trier ces derniers en fonction avant de lancer le lavage.

Avant de démarrer

ÉTAPE 2 Vider les poches

Videz toutes les poches des vêtements à laver.

- Les objets métalliques tels que les pièces de monnaie, les broches et les boucles sur les vêtements peuvent endommager les autres articles, ainsi que le tambour ou la cuve.

Retournez les vêtements disposant de boutons et de broderies.

- Veillez à fermer les fermetures éclair des pantalons ou des vestes afin de ne pas endommager le tambour ou la cuve. Les fermetures éclair doivent être fermées et maintenues comme tel à l'aide d'un fil.
- Les vêtements pourvus de lanières peuvent s'emmêler avec d'autres vêtements. Veillez à attacher les lanières avant de lancer le cycle de lavage.

ÉTAPE 3 Utiliser un filet à linge

- Les soutiens-gorge (lavables à l'eau) doivent être placés dans un filet à linge. Les pièces métalliques des soutiens-gorge peuvent percer et déchirer les autres articles.
- Les vêtements légers et de petite taille, tels que les chaussettes, gants, bas et mouchoirs, peuvent se coincer entre le hublot et la paroi du lave-linge. Placez-les dans un sac à linge fin.
- Ne lavez pas le sac à linge seul, sans linge. Ceci pourrait provoquer des vibrations anormales susceptibles d'entraîner des déplacements intempestifs du lave-linge ou des blessures.

ÉTAPE 4 Évaluer la capacité de chargement

Partie inférieure du lave-linge

Ne surchargez pas le lave-linge. Une surcharge de linge peut entraîner de mauvaises performances de lavage du lave-linge.

REMARQUE

Lorsque vous lavez des draps ou des couettes, il se peut que la durée de lavage soit allongée ou que l'efficacité de l'essorage soit moindre. Pour les couettes ou housses de couette, la vitesse du cycle d'essorage maximale recommandée est « vitesse d'essorage Basse ou Moyenne » et la capacité de chargement est de 3,0 kg maximum.

ATTENTION

Si le linge est mal équilibré et que le code d'information « Ub » s'affiche, redistribuez la charge. Une mauvaise répartition du linge peut réduire les performances d'essorage.

Partie supérieure du lave-linge

Instructions de lavage

Utilisez la partie supérieure du lave-linge pour les petites charges de moins de 3,3 lb (1,5 kg).

Charger	Shorts	Jeans	Pantalons en coton	Chemises	T-shirts à manches courtes
3,3 lb ↓ (1,5 kg ↓)	4	1	3	4	9
Charger	T-shirts	Vêtements de sport (hauts)	Vêtements de sport (pantalons)	Serviettes de bain	Serviette (petite)
3,3 lb ↓ (1,5 kg ↓)	4	3	3	2	10

NOTE

- Utilisez la charge recommandée pour des performances de lavage optimales. Les surcharges peuvent réduire les performances.
- Utilisez la partie inférieure du lave-linge pour du linge très sale ou taché ou pour les charges plus importantes que celles recommandées.

ÉTAPE 5 Ajouter le type correct de lessive

La lessive à utiliser dépend du type de tissu (coton, synthétiques, vêtements délicats, laine), de la couleur, de la température de lavage et du degré de salissure. Utilisez toujours une lessive HE qui mousse peu, prévue pour les lave-linges automatiques.

REMARQUE

- Respectez les recommandations du fabricant de la lessive ; celles-ci ont été élaborées en fonction du poids du linge, du degré de salissure et de la dureté de l'eau de votre région. Si vous avez des doutes concernant la dureté de l'eau, prenez contact avec une autorité locale en charge de l'eau.

- N'utilisez pas de lessives qui ont tendance à se durcir ou à se solidifier. Ce type de lessives reste après le cycle de rinçage, bloquant alors la sortie de vidange.

Utiliser uniquement une lessive HE



Votre lave-linge est conçu pour fonctionner avec des lessives haute efficacité (HE).

- Pour des résultats de lavage optimaux, utilisez une lessive haute efficacité telle que Tide HE, Wisk HE, Cheer HE ou Gain HE*. Les lessives haute efficacité contiennent des agents anti-mousse chargés de réduire, voire d'éliminer la mousse. Lorsqu'il y a moins de mousse, la charge tourne plus efficacement et le lavage est optimisé. (* Les noms de marque sont des marques déposées de leurs fabricants respectifs.)

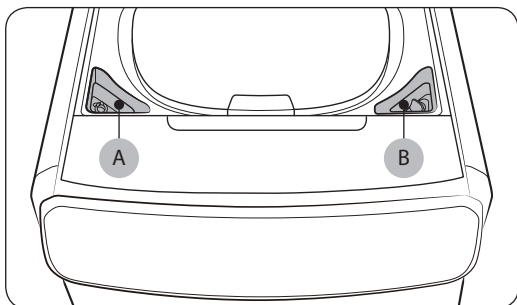
AVERTISSEMENT

Les lessives classiques ne sont pas recommandées. Utilisez uniquement des lessives HE.

Avant de démarrer

Guide relatif aux produits de nettoyage

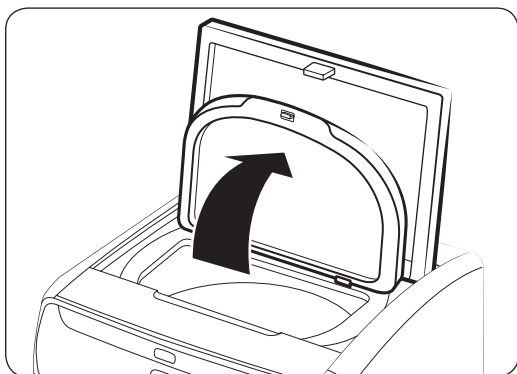
Partie supérieure du lave-linge



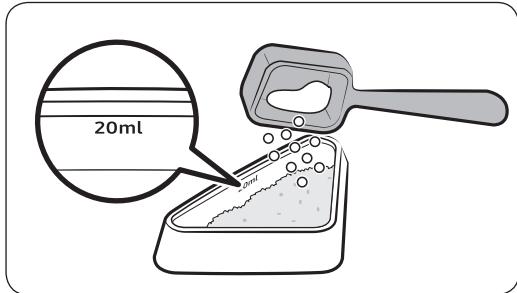
La partie supérieure du lave-linge se compose de deux bacs à lessive : celui de gauche pour l'agent de blanchiment, celui de droite pour l'adoucissant. Vous pouvez mettre la lessive manuellement dans la cuve.

- **Compartment d'agent de blanchiment (A)** : Ajoutez un agent de blanchiment non chloré conformément aux instructions du fabricant.
- **Compartment pour les adoucissants (B)** : Ajoutez la quantité recommandée d'adoucissant conformément aux instructions du fabricant.

Pour verser des produits de nettoyage à partir de la partie supérieure du lave-linge.



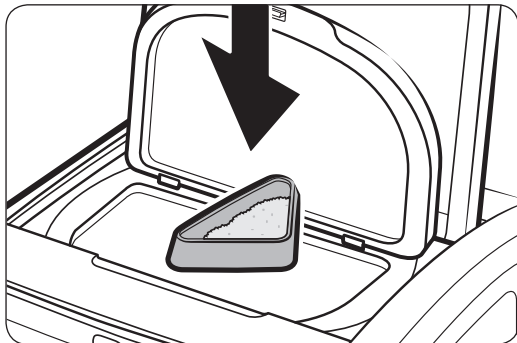
1. Ouvrez la trappe de chargement par le haut et le couvercle de protection. Retirez la boule doseuse du bac à adoucissant.



2. Versez la quantité recommandée de produit ou de lessive en poudre dans la boule doseuse. La boule doseuse dispose d'un repère (20 ml) correspondant à la dose maximale. Ne dépassez pas le repère.

⚠ ATTENTION

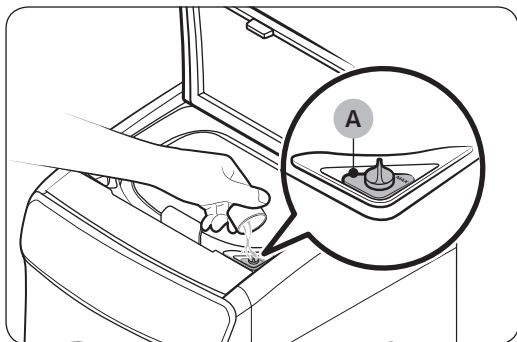
- Toute lessive versée dans la partie supérieure du lave-linge doit être contenue dans la boule doseuse fournie.
- Utilisez uniquement une lessive HE.
- Si vous ajoutez de la lessive en poudre, utilisez le compartiment de lessive fourni puis ajoutez uniquement une dose de lessive. Une quantité excessive de lessive peut laisser des traces après lavage.
- Assurez-vous que la lessive en poudre ajoutée n'est pas constituée d'amas de poudre.
- N'utilisez pas la boule doseuse pour l'agent de blanchiment et/ou l'adoucissant.



3. Insérez la boule doseuse au centre de la cuve et recouvrez-la avec votre linge.

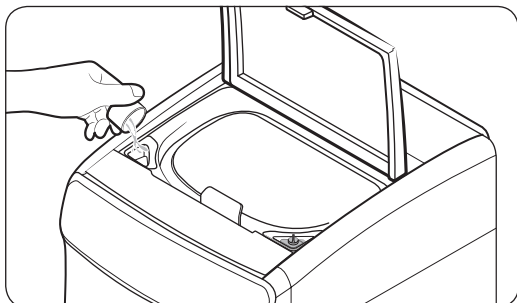
⚠ ATTENTION

Assurez-vous que la boule doseuse est préalablement introduite et placée sous le linge. Autrement, la lessive risque de ne pas se dissoudre correctement et de laisser des traces après lavage.

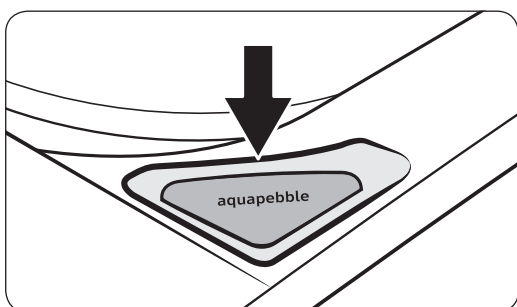


4. Versez la quantité recommandée d'adoucissant dans le compartiment correspondant. Ne dépassez pas la ligne maximale (A).

Avant de démarrer



5. Versez la quantité recommandée d'agent de blanchiment non chloré dans le compartiment correspondant. Veillez à ne pas dépasser la quantité recommandée dans le bac.
6. Fermez le couvercle de protection ainsi que la trappe de chargement par le haut.



REMARQUE

À la fin d'un cycle, retirez la boule doseuse et placez-la au-dessus du compartiment d'adoucissant pour une utilisation ultérieure (voir l'illustration). La boule doseuse est conçue pour s'insérer dans le compartiment d'adoucissant une fois retournée.

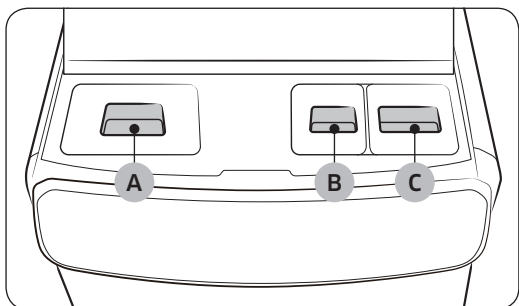
ATTENTION

- N'utilisez pas d'agent de blanchiment chloré susceptible d'abîmer votre linge.
- Insérez la boule doseuse avec précaution car celle-ci est censée se trouver en équilibre sur le linge au début du lavage. Si la boule doseuse se renverse avant le début du lavage, la lessive peut rester sur le linge à la fin du lavage et décolorer le linge et/ou réduire les performances de lavage.
- Avant chaque lavage, assurez-vous de nettoyer la boule doseuse avant d'ajouter de la lessive.
- N'insérez pas la boule doseuse dans un vêtement plié ni entre différents vêtements.
- N'utilisez pas d'agent de blanchiment chloré en poudre ou liquide.
- Ne placez pas et ne stockez pas de produits de nettoyage (lessive, agent de blanchiment, adoucissant, etc.) sur votre lave-linge. Essayez immédiatement tout liquide renversé pour prévenir tout dommage du lave-linge, notamment les panneaux de commande et les finitions.

REMARQUE

- Il est normal qu'une petite quantité d'eau subsiste dans les bacs à lessive à la fin du cycle.
- Lorsque vous ajoutez un agent de blanchiment non décolorant, il est recommandé d'utiliser une lessive liquide.
- Lorsque le lavage est terminé, retirez la boule doseuse de la cuve et nettoyez-la pour une utilisation ultérieure.

Partie inférieure du lave-linge



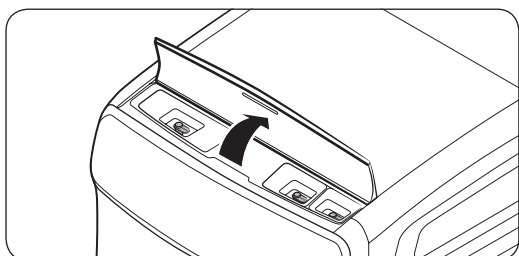
La partie inférieure du lave-linge se compose de trois bacs à lessive : celui de gauche pour la lessive, le premier à droite pour l'agent de blanchiment et le plus à droite pour l'adoucissant.

- **Compartment de lavage principal (A) :** Versez la quantité recommandée de lessive liquide (ou en poudre) dans le compartiment correspondant.
- **Compartment d'agent de blanchiment (B) :** Ajoutez un agent de blanchiment chloré conformément aux instructions du fabricant.
- **Compartment d'adoucissant (C) :** Versez la quantité recommandée d'adoucissant dans le compartiment correspondant.

ATTENTION

- N'utilisez pas de boules ou de filets de lessive.
- Ne placez pas de tablettes ou de capsules de lessive dans le bac à lessive. Les tablettes et les capsules de lessive peuvent être placées directement dans le tambour.
- Afin d'éviter que le compartiment ne se bouche, les agents concentrés ou fortement enrichis (adoucissants pour tissus ou lessives) doivent être dilués dans l'eau avant d'être ajoutés.

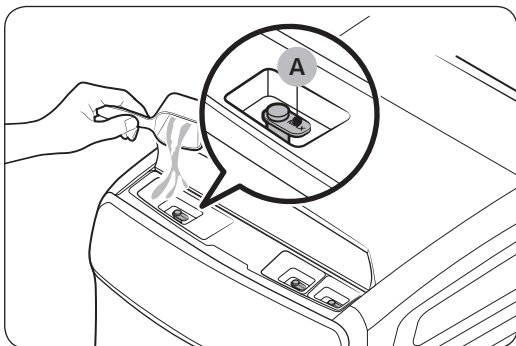
Pour verser des produits de nettoyage à partir de la partie inférieure du lave-linge.



1. Ouvrez le couvercle du haut.

Avant de démarrer

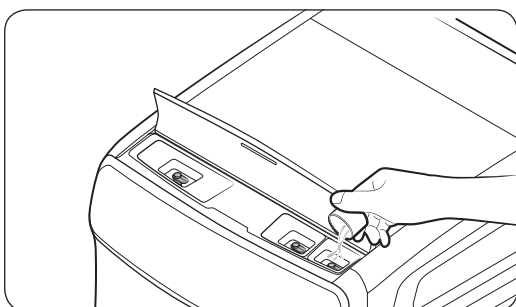
Avant de démarrer



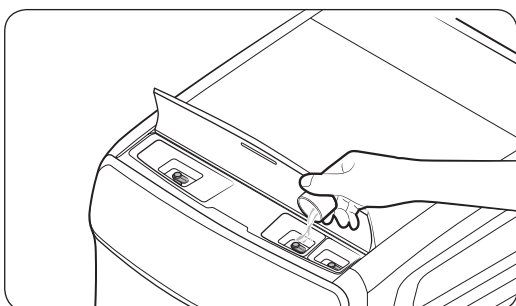
2. Versez la quantité recommandée de lessive liquide (ou en poudre) dans le compartiment correspondant. Ne dépassez pas la ligne maximale (A).

REMARQUE

Pour utiliser de la lessive en poudre, retirez d'abord le bac à lessive liquide.



3. Versez la quantité recommandée d'adoucissant dans le compartiment correspondant. Ne dépassez pas le repère.



4. Versez la quantité recommandée d'agent de blanchiment chloré dans le compartiment correspondant si vous souhaitez en utiliser. Ne dépassez pas le repère.
5. Fermez le couvercle du haut.

REMARQUE

- Versez les $\frac{2}{3}$ de la quantité recommandée de lessive haute efficacité (HE) dans le compartiment correspondant si vous souhaitez en utiliser.
- Les agents de suroxygénation peuvent augmenter les performances de lavage. Assurez-vous d'ajouter l'agent de suroxygénation après avoir mis le linge dans le tambour.
- Pour utiliser à la fois de la lessive en poudre et un agent de suroxygénation en poudre, il est plus efficace de les mettre ensemble dans le tambour avant de charger le linge.

Opérations

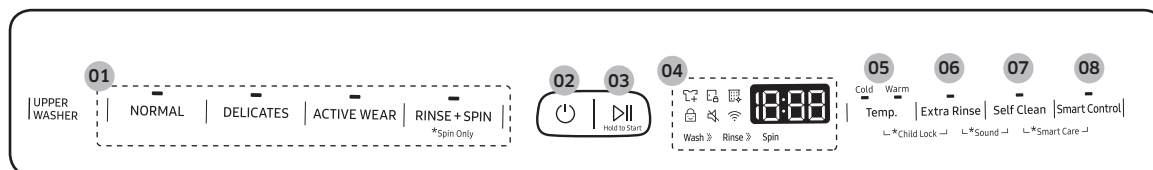
Votre lave-linge à double chargement présente une partie inférieure et une partie supérieure pour plus de praticité. La partie supérieure est un chargeur de cuve automatique conçu pour laver des petites quantités tandis que la partie inférieure est un chargeur de tambour prenant en charge des quantités normale ou relativement importantes. Le panneau principal est divisé en 2 panneaux de commande indépendants.

AVERTISSEMENT

Afin de limiter les risques d'incendie, d'électrocution ou de blessures, consultez la section CONSIGNES IMPORTANTES DE SÉCURITÉ avant d'utiliser ce lave-linge.

Partie supérieure du lave-linge


Panneau de commande



01 Barre des cycles	Appuyez sur le cycle souhaité.
02 MARCHÉ/ARRÊT	Appuyez sur ce bouton pour allumer ou éteindre la partie supérieure du lave-linge.
03 DÉPART/PAUSE (Hold to Start (Maintenir enfoncé pour commencer))	Maintenez ce bouton enfoncé pour démarrer le fonctionnement, ou appuyez sur ce bouton pour arrêter l'opération.
04 Barre d'état	La barre d'état affiche les informations du cycle actuel et le temps restant estimé, ou un code d'information si la partie supérieure du lave-linge doit être vérifiée.
05 Temp.	Appuyez sur ce bouton pour basculer entre deux options de température de l'eau. <ul style="list-style-type: none"> • Warm (Tiède) : tissus grand teint. • Cold (Froide) : linge très peu sale, couleurs vives.
06 Extra Rinse (Rinçage intensif)	Cette option permet d'ajouter un cycle de rinçage supplémentaire à la fin du cycle afin de mieux éliminer les additifs dans le linge.
07 Self Clean (Auto-nettoyage)	Utilisez cette option pour nettoyer la saleté et les bactéries dans la cuve. Une utilisation régulière (toutes les 20 lessives) est recommandée. Aucun produit de nettoyage ou agent de blanchiment n'est nécessaire. Assurez-vous que la cuve est vide.
08 Smart Control	Après avoir raccordé la partie supérieure du lave-linge à votre réseau domestique à l'aide de l'application Samsung Smart Home, vous pouvez contrôler le lave-linge à distance. Le témoin Smart Control clignote et la trappe de chargement par le haut se verrouille. Le lave-linge est prêt à recevoir les commandes à distance. Pour en savoir plus, accédez à la page d'accueil de Samsung Smart Home.

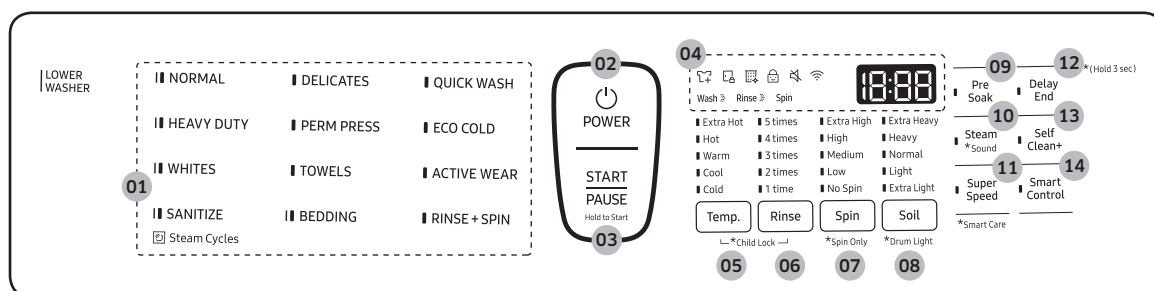
Opérations

Présentation des cycles

Cycle	Description
NORMAL	<ul style="list-style-type: none">• Pour les tissus en coton, les t-shirts, les serviettes et les charges mixtes légèrement sales.• Ce cycle permet de laver du linge légèrement sale normal et ne doit pas être utilisé pour les tissus délicats (soie ou lavage à la main).
DELICATES (DÉLICAT)	<ul style="list-style-type: none">• Textiles transparents, soutien-gorge, lingerie fine, soie et autres textiles délicats à laver à la main. Pour de meilleurs résultats, utilisez de la lessive liquide.
ACTIVE WEAR (VÊTEMENTS DE SPORT)	<ul style="list-style-type: none">• Pour les vêtements de sport (shorts, hauts/t-shirts et autres vêtements de sport). Ce cycle permet d'éliminer la saleté du linge délicat de manière efficace avec une rotation contrôlée de la cuve.
RINSE+SPIN (RINÇAGE+ESSORAGE)	<ul style="list-style-type: none">• Textiles ayant besoin d'un rinçage uniquement ou ajout d'un adoucissant. <p> REMARQUE Spin Only (Essorage uniquement) : Cycle d'essorage uniquement. Maintenez le bouton RINSE+SPIN (RINÇAGE+ESSORAGE) enfoncé pendant 3 secondes.</p>

Partie inférieure du lave-linge


Panneau de commande




01 Espace cycles	Appuyez sur le cycle souhaité.
02 POWER (MARCHE/ARRÊT)	Appuyez sur ce bouton pour allumer ou éteindre la partie inférieure du lave-linge.
03 START/PAUSE (DÉPART/PAUSE) (Maintenir enfoncé pour commencer)	Maintenez ce bouton enfoncé pour démarrer le fonctionnement, ou appuyez sur ce bouton pour arrêter l'opération.
04 Barre d'état	La barre d'état affiche les informations du cycle actuel et le temps restant estimé, ou un code d'information si la partie inférieure du lave-linge doit être vérifiée.
05 Temp.	<ul style="list-style-type: none"> • Extra Hot (Très chaude) : articles très sales et grand teint. Uniquement disponible avec les cycles NORMAL, HEAVY DUTY (GRAND RENDEMENT), SANITIZE (STÉRILISATION) et Self Clean+ (Auto-nettoyage+). • Hot (Chaude) : linge blanc et très sale, grand teint. • Warm (Tiède) : tissus grand teint. • Cool (Frais) : linge très peu sale, couleurs vives. • Cold (Froide) : utilise de l'eau froide uniquement sans actionner l'élément chauffant. Pas une goutte d'eau tiède n'est fournie.
06 Rinse (Rinçage)	<ul style="list-style-type: none"> • Appuyez sur ce bouton pour spécifier le nombre total de cycles de rinçage pour le cycle. Maintenez ce bouton enfoncé pour parcourir toutes les options disponibles pour le nombre de cycles de rinçage. Pour en savoir plus les options disponibles pour un cycle en particulier, consultez le Tableau des cycles à la page 80.

Opérations

07 Spin (Essorage)	<ul style="list-style-type: none">• Extra High (Très élevée) : prolonge le processus d'essorage afin de retirer efficacement l'humidité présente dans le linge. L'option Extra High (Très élevée) est un processus d'essorage plus intensif permettant de retirer l'humidité. Par conséquent, elle n'est adaptée ni aux tissus infroissables ou sans repassage, ni aux surcharges.• High (Élevée) : sous-vêtements, T-shirts, jeans et linge en coton épais.• Medium (Moyenne) : jeans, articles infroissables ou sans repassage, linge synthétique.• Low (Basse) : articles délicats qui nécessitent une vitesse d'essorage plus basse.• No Spin (Sans essorage) : le tambour n'essore pas après le processus de vidange final.• Rinse Hold (Arrêt cuve pleine) (aucun voyant ne s'allume) : le processus de rinçage final est suspendu de sorte que le linge reste immergé. Pour sortir le linge, lancez un processus de vidange ou d'essorage. <p>REMARQUE</p> <p>* Spin Only (Essorage uniquement) : Cycle d'essorage uniquement. Maintenez le bouton Spin (Essorage) enfoncé pendant 3 secondes. Une fois la durée du cycle affichée à l'écran, appuyez plusieurs fois sur le bouton Spin (Essorage) jusqu'à ce que la vitesse d'essorage souhaitée soit sélectionnée. Ensuite, appuyez sur le bouton START/PAUSE (DÉPART/PAUSE) pour commencer le cycle.</p>
08 Soil (Niveau de saleté)	Permet de sélectionner le degré de salissure/temps de lavage. <ul style="list-style-type: none">• Extra Heavy (Très sale) : linge très sale.• Heavy (Sale) : linge sale.• Normal : linge moyennement sale. Ce réglage convient à la plupart des lessives.• Light (Peu sale) : linge peu sale.• Extra Light (Très peu sale) : linge à peine sale.

09 Pre Soak (Pré-trempage)	Cette option ajoute 30 minutes de trempage au début du cycle de lavage pour obtenir une meilleure élimination des tâches.
10 Steam (Vapeur)	<p>Avec l'option Steam (Vapeur), le lave-linge détecte le poids du linge et contrôle l'effet de vapeur en fonction de la charge. Ce cycle permet d'améliorer les performances de lavage. Les cycles disponibles avec l'option Steam (Vapeur) sont les suivants : NORMAL, HEAVY DUTY (GRAND RENDEMENT), BEDDING (DRAPS), WHITES (VÊTEMENTS BLANCS) et SANITIZE (STÉRILISATION).</p> <ol style="list-style-type: none"> 1. Sélectionnez un cycle. Pour les cycles applicables, voir ci-dessus. 2. Appuyez sur Steam (Vapeur). 3. Ajoutez de la lessive et de l'adoucissant pour tissus comme indiqué. 4. Appuyez sur le bouton START/PAUSE (DÉPART/PAUSE) et maintenez-le enfoncé pour démarrer le cycle. <p> REMARQUE</p> <p>Il se peut que vous ne voyiez ou qu'il n'y ait pas de vapeur pendant le cycle, ce qui est normal.</p>
11 Super Speed (Haute vitesse)	Appuyez sur ce bouton si vous avez besoin de raccourcir le temps de lavage. Applicable pour les cycles NORMAL, HEAVY DUTY (GRAND RENDEMENT) et BEDDING (DRAPS). Le temps raccourci peut varier selon le cycle, la charge et les options sélectionnés.

Opérations

<p>12 Delay End (Arrêt différé)</p>	<p>Vous pouvez programmer votre lave-linge pour que le cycle de lavage se termine automatiquement plus tard, en choisissant un départ différé de 1 à 24 heures (par tranches d'une heure). L'heure affichée correspond à celle à laquelle le lavage se terminera.</p> <ol style="list-style-type: none"> 1. Sélectionnez un cycle. Ensuite, modifiez les réglages du cycle si nécessaire. 2. Appuyez plusieurs fois sur le bouton Delay End (Arrêt différé) jusqu'à obtenir l'heure de fin souhaitée. 3. Appuyez sur le bouton START/PAUSE (DÉPART/PAUSE) et maintenez-le enfoncé. Le voyant situé à côté du bouton Delay End (Arrêt différé) s'allume et l'horloge se met en marche. 4. Pour annuler le cycle Delay End (Arrêt différé), redémarrez le lave-linge en appuyant sur le bouton POWER (MARCHE/ARRÊT). <p>Exemple de mise en situation</p> <p>Vous souhaitez qu'un cycle de deux heures finisse dans 3 heures. Pour ce faire, ajoutez l'option Delay End (Arrêt différé) au cycle actuel en réglant 3 heures puis appuyez sur le bouton START/PAUSE (DÉPART/PAUSE) et maintenez-le enfoncé sur 14 h 00. Le lave-linge démarre à 15 h 00 et s'arrête à 17 h 00. Ci-dessous, vous trouverez la chronologie pour cet exemple.</p> 
<p>13 Self Clean+ (Auto-nettoyage+)</p>	<p>Ce cycle permet de nettoyer le tambour en éliminant la saleté et les moisissures qu'il contient.</p> <ul style="list-style-type: none"> • Effectuez ce cycle une fois tous les 40 lavages, sans ajouter de lessive ou d'agent de blanchiment. • Assurez-vous que le tambour est vide. • N'ajoutez aucun produit de nettoyage du tambour.
<p>14 Smart Control</p>	<p>Après avoir raccordé la partie inférieure du lave-linge à votre réseau domestique à l'aide de l'application Samsung Smart Home, vous pouvez contrôler le lave-linge à distance. Le témoin Smart Control clignote et le hublot se verrouille. Le lave-linge est prêt à recevoir les commandes à distance. Pour en savoir plus, accédez à la page d'accueil de Samsung Smart Home.</p>

Présentation des cycles

Cycles standards

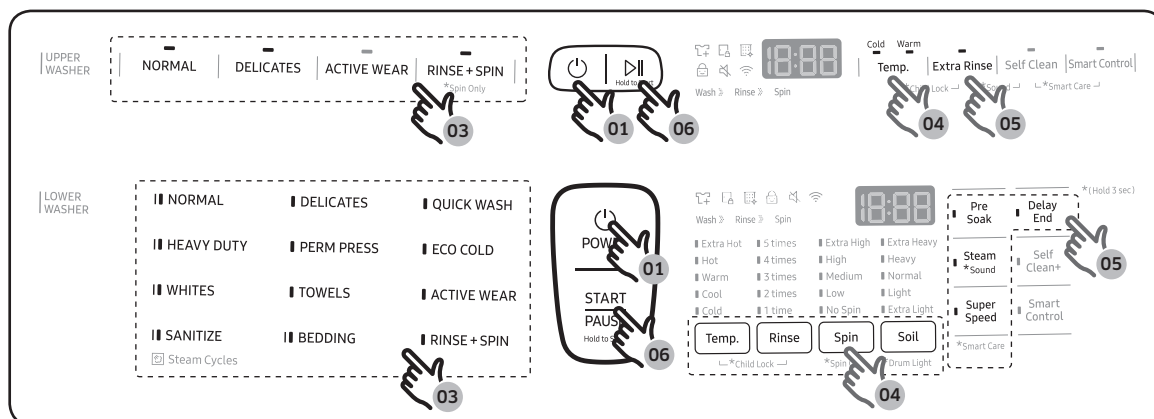
Cycle	Description
DELICATES (DÉLICAT)	<ul style="list-style-type: none"> Textiles transparents, soutien-gorge, lingerie fine, soie et autres textiles délicats à laver à la main. Pour des performances optimales, utilisez de la lessive liquide.
PERM PRESS (INFROISSABLES)	<ul style="list-style-type: none"> Pour les articles sans repassage, les tissus synthétiques et le linge peu à normalement sale.
TOWELS (SERVIETTES)	<ul style="list-style-type: none"> Serviettes, gants de toilette et tapis de bain.
QUICK WASH (LAVAGE EXPRESS)	<ul style="list-style-type: none"> Pour les articles peu sales que vous souhaitez finir de laver rapidement.
ECO COLD (ÉCO - FROID)	<ul style="list-style-type: none"> Pour les articles normalement à peu sales. Ce cycle utilise uniquement de l'eau froide pour économiser de l'énergie. L'eau froide aide également à éviter d'abîmer les tissus.
ACTIVE WEAR (VÊTEMENTS DE SPORT)	<ul style="list-style-type: none"> Pour les vêtements de sport (maillots, shorts, T-shirts, etc.). Ce cycle permet d'éliminer la saleté du linge délicat de manière efficace avec une rotation contrôlée du tambour.
RINSE+SPIN (RINÇAGE+ESSORAGE)	<ul style="list-style-type: none"> Textiles ayant besoin d'un rinçage uniquement ou ajout d'un adoucissant.

Cycles vapeur

Cycle	Description
NORMAL	<ul style="list-style-type: none"> Pour les articles en coton, les draps, le linge de table, les sous-vêtements, les serviettes ou les chemises. La durée de lavage et le nombre de cycles de rinçage sont automatiquement ajustés selon la charge.
HEAVY DUTY (GRAND RENDEMENT)	<ul style="list-style-type: none"> Pour le linge très sale et les textiles épais grand teint.
WHITES (VÊTEMENTS BLANCS)	<ul style="list-style-type: none"> Pour les vêtements blancs, avec ou sans agent de blanchiment.
SANITIZE (STÉRILISATION)	<ul style="list-style-type: none"> Pour les articles très sales et grand teint. La température de l'eau atteint 150 °F afin d'éliminer les bactéries.
BEDDING (DRAPS)	<ul style="list-style-type: none"> Pour les articles volumineux, comme les couettes, les couvertures et les draps. Pour des résultats optimaux, lavez 1 seul type de draps. Pour les articles volumineux, utilisez de la lessive liquide et n'enroulez pas les articles lorsque vous les placez dans le tambour pour éviter qu'ils ne se collent.

Opérations

Étapes simples pour commencer



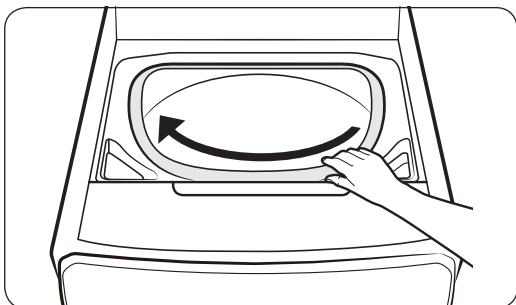
1. Appuyez sur **POWER (MARCHE/ARRÊT)** sur le panneau de commande de la partie inférieure ou supérieure du lave-linge pour le mettre sous tension.
2. Placez votre linge dans le lave-linge.
3. Sélectionnez un cycle.
4. Modifiez les réglages du cycle (température et/ou niveau de saleté) en fonction du linge.
5. Sélectionnez les options de cycle nécessaires.
6. Appuyez sur le bouton **START/PAUSE (DÉPART/PAUSE)** et maintenez-le enfoncé.

Pour changer de cycle pendant l'utilisation

1. Appuyez sur **START/PAUSE (DÉPART/PAUSE)** pour interrompre temporairement le fonctionnement.
2. Sélectionnez un autre cycle.
3. Appuyez à nouveau sur le bouton **START/PAUSE (DÉPART/PAUSE)** et maintenez-le enfoncé pour démarrer le nouveau cycle.

⚠ **AVERTISSEMENT**

- Ne posez aucun objet sur le lave-linge lorsque celui-ci est en fonctionnement.
- Lorsque la partie inférieure du lave-linge est en fonctionnement, le couvercle de protection peut dégager de la vapeur humide en raison de la différence de température entre la partie inférieure et la partie supérieure du lave-linge.



⚠ **ATTENTION**

Lorsque vous utilisez la partie supérieure du lave-linge, il se peut que ne voyiez pas les éventuels vêtements restants dans la zone avant de la cuve.

Une fois le cycle terminé, tournez la cuve manuellement pour vérifier si des vêtements sont restés dans la cuve.



Cet appareil est un lave-linge intelligent qui prend en charge le service Samsung Smart Home.

Le temps nécessaire à la fonction de configuration EZ (connexion du lave-linge au réseau) peut varier selon l'état de votre réseau.

Samsung Smart Home

Installation

Rendez-vous sur Google Play Store, Galaxy Apps ou Apple App Store et recherchez « Samsung Smart Home ». Téléchargez et installez l'application Samsung Smart Home fournie par Samsung Electronics sur votre appareil intelligent.

REMARQUE

- L'application Samsung Smart Home est conçue pour Android 4.0 (ICS) ou versions supérieures, et pour iOS 8.0 ou versions supérieures. Elle est également optimisée pour les smartphones Samsung (séries Galaxy S et Galaxy Note).
- Sur d'autres appareils, certaines fonctions peuvent opérer différemment.
- Pour des performances optimales, l'application Samsung Smart Home peut faire l'objet de modifications sans préavis.

Enregistrer un compte Samsung

Pour utiliser l'application Samsung Smart Home, vous devez d'abord vous connecter à votre compte Samsung. Si vous n'avez pas de compte Samsung, sélectionnez **Register (S'enregistrer)** dans l'application puis suivez les instructions affichées sur l'écran pour créer un compte.

REMARQUE

- Si vous avez un compte Samsung enregistré, connectez-vous à votre compte Samsung. Si vous avez un smartphone Samsung, accédez au menu des **paramètres** de votre smartphone, sélectionnez **Comptes** et connectez-vous à votre compte Samsung. Vous pourrez ainsi vous connecter sans authentification complémentaire.
- Pour les autres smartphones, le compte de l'application doit être identique au compte de configuration facile.

Opérations

Mise en marche

Grâce à l'application Samsung Smart Home, vous pouvez contrôler à distance votre lave-linge en utilisant votre appareil intelligent. Pour des performances optimales, le contenu et la conception de l'application peuvent faire l'objet de modifications sans préavis.

1. Lancez l'application Samsung Smart Home sur votre smartphone.
2. Si « Washer » (Lave-linge) ne figure pas dans la liste, appuyez sur **Add Device (Ajouter un appareil) > Select other device (Sélectionner un autre appareil) > Washer (Lave-linge)** sur l'écran de l'application.
3. Sur le panneau de commande de votre lave-linge, maintenez le bouton **Smart Control** enfoncé pendant plus de 5 secondes, jusqu'à ce que le message « AP » (Point d'accès) apparaisse à l'écran.
4. Une fois l'enregistrement de l'appareil terminé, activez la fonction Smart Control sur votre lave-linge pour le contrôler à distance.



Fonctions spéciales

Sécurité enfant

Afin d'éviter que les enfants ne démarrent ou ne configurent le lave-linge par mégarde, la fonction Child Lock (Sécurité enfant) verrouille tous les boutons, sauf le bouton **POWER (MARCHÉ/ARRÊT)**. Notez que chaque lave-linge fonctionne indépendamment et dispose de sa propre fonction Child Lock (Sécurité enfant). Si vous souhaitez activer la fonction Child Lock (Sécurité enfant) sur la partie inférieure ou supérieure du lave-linge, vous devez appuyer sur les boutons correspondants sur le panneau de commande de la partie inférieure ou supérieure du lave-linge.

Pour activer la fonction Sécurité enfant

- Appuyez simultanément sur les boutons **Temp.** et **Rinse (Rinçage)** (ou **Temp.** et **Extra Rinse (Rinçage intensif)** pour la partie supérieure du lave-linge) et maintenez-les enfoncés pendant 3 secondes. Le hublot se verrouille et le voyant de la fonction Child Lock (Sécurité enfant) s'allume. Ensuite, appuyez sur le bouton **START/PAUSE (DÉPART/PAUSE)** pour l'activer.

Pour désactiver temporairement la fonction Sécurité enfant

- Vous pouvez désactiver temporairement la fonction Child Lock (Sécurité enfant) pendant 1 minute. Pour ce faire, appuyez simultanément sur les boutons **Temp.** et **Rinse (Rinçage)** (ou **Temp.** et **Extra Rinse (Rinçage intensif)** pour la partie supérieure du lave-linge) et maintenez-les enfoncés pendant 3 secondes. Le hublot est déverrouillé pendant 1 minute et le voyant de la fonction Child Lock (Sécurité enfant) clignote.

REMARQUE

- Si vous ouvrez le hublot 1 minute ou plus après avoir désactivé la fonction Child Lock (Sécurité enfant), une alarme retentit pendant 2 minutes maximum.
- Si vous fermez le hublot avant que les 2 minutes ne se soient écoulées, il se verrouille et la fonction Child Lock (Sécurité enfant) est réactivée. Si vous ne fermez pas le hublot ou s'il est mal fermé, l'alarme continue de retentir pendant 2 minutes.
- Pour ajouter du linge après avoir activé la fonction Child Lock (Sécurité enfant), désactivez d'abord cette fonction ou redémarrez le lave-linge.

Pour désactiver la fonction Sécurité enfant

- Appuyez sur les boutons **Temp.** et **Rinse (Rinçage)** (ou **Temp.** et **Extra Rinse (Rinçage intensif)** pour la partie supérieure du lave-linge) en les maintenant enfoncés pendant 3 secondes pour désactiver, puis appuyez à nouveau sur les boutons en les maintenant enfoncés pendant 3 secondes pour désactiver la fonction Child Lock (Sécurité enfant). Le hublot se déverrouille et le voyant de la fonction Child Lock (Sécurité enfant) s'éteint.



Opérations

Smart Care

La fonction Smart Care vous aide à diagnostiquer et à dépanner votre lave-linge s'il rencontre un problème. Pour activer cette fonction, vous devez d'abord télécharger l'application Samsung Smart Washer sur Play Store ou sur Apple Store et l'installer sur un appareil mobile disposant d'un appareil photo intégré. La fonction Smart Care a été optimisée pour : les appareils des gammes Galaxy et iPhone. (Elle n'est pas prise en charge par certains modèles.)

Lorsque le lave-linge est en marche, il exécute un autodiagnostic en arrière-plan. S'il détecte un problème, il affiche un code d'informations sur l'écran que vous pouvez scanner en utilisant la fonction Smart Care de l'application ainsi que les informations détaillées relatives au code à titre indicatif.

1. Appuyez sur le bouton **Super Speed (Haute vitesse)** (ou **Self Clean (Auto-nettoyage)** et **Smart Control** pour la partie supérieure du lave-linge) du lave-linge et maintenez-le enfoncé pendant 3 secondes pour passer en mode Smart Care.
2. Exécutez l'application Samsung Smart Washer sur votre appareil mobile, puis appuyez légèrement sur **Smart Care**.
3. Tenez l'appareil mobile de sorte qu'il se trouve face à la barre d'état du lave-linge. L'application reconnaîtra automatiquement le code d'informations.
4. Une fois le code d'information correctement reconnu, l'application fournit des informations détaillées concernant le problème ainsi que les mesures à prendre.

REMARQUE

- Le nom de la fonction, Smart Care, peut varier selon la langue.
- Si l'écran du lave-linge réfléchit de la lumière, l'application peut ne pas parvenir à reconnaître le code d'information.
- Si l'application ne parvient pas à reconnaître le code d'informations à plusieurs reprises, saisissez le code d'informations manuellement sur l'écran de l'application.
- L'historique des codes d'informations est supprimé après l'utilisation de cette fonction.

Son

Activez ou désactivez le son (signaux sonores des boutons, des voyants etc.)

Partie supérieure du lave-linge

- Pour désactiver le son de l'alarme ou du signal de la partie supérieure du lave-linge, appuyez sur les boutons **Extra Rinse (Rinçage intensif)** et **Self Clean (Auto-nettoyage)** et maintenez-les enfoncés pendant 3 secondes. Pour le réactiver, appuyez et maintenez à nouveau enfoncés ces boutons pendant 3 secondes.

Partie inférieure du lave-linge

- Pour désactiver le son de l'alarme ou du signal de la partie inférieure du lave-linge, appuyez sur le bouton **Steam (Vapeur)** et maintenez-le enfoncé pendant 3 secondes. Pour le réactiver, appuyez et maintenez à nouveau enfoncé ce bouton pendant 3 secondes.

Éclairage du tambour (partie inférieure du lave-linge uniquement)

L'éclairage du tambour s'allume lorsque le hublot est ouvert et s'éteint après 2 minutes. Pour allumer ou éteindre l'éclairage du tambour manuellement, maintenez le bouton **Soil (Niveau de saleté)** enfoncé pendant 3 secondes.

ATC (Contrôle automatique de la température)

La fonction ATC permet au lave-linge de contrôler la température de l'eau dans chaque cycle de lavage à l'aide de la thermistance interne du lave-linge. Elle est conçue pour maintenir certaines températures pour l'eau de lavage afin de garantir des résultats optimaux.

- Si vous sélectionnez le cycle NORMAL ou HEAVY DUTY (GRAND RENDEMENT), il se peut que vous constatiez que votre lave-linge fournit de l'eau froide. Ceci est normal car le lave-linge est conçu pour réduire la consommation d'énergie.
- Avec ces cycles, le réglage de température Hot (Chaude) est similaire à l'eau d'un bain et le réglage de température Warm (Tiède) à des températures de piscine agréables.
- Pour laver le linge à une température spécifique, vous devez d'abord choisir un cycle différent.



Maintenance

Gardez le lave-linge propre afin d'éviter la détérioration de ses performances et de préserver son cycle de vie.

AVERTISSEMENT

La mise à la terre du panneau de commande, du dissipateur thermique, du moteur, de la vanne d'arrivée d'eau et de la pompe n'a volontairement pas été effectuée ; ces éléments peuvent donc présenter un risque d'électrocution (lors de l'entretien uniquement).

Informations générales

Nettoyage

Surface du lave-linge

Utilisez un chiffon doux avec un produit d'entretien ménager non abrasif. Ne versez pas d'eau sur le lave-linge.

Extérieure

1. Fermez les robinets d'eau après avoir terminé la lessive de la journée.
Cela permettra de couper l'arrivée d'eau dans votre lave-linge et d'empêcher tout dégât des eaux potentiel. Laissez le hublot ouvert pour permettre à l'intérieur de votre lave-linge de sécher.
2. Utilisez un chiffon doux pour essuyer les traces de lessive, d'agent de blanchiment ou d'autres produits sur les parois de la machine.
Conseils de nettoyage recommandés :
 - Panneaux de commande : nettoyez-les avec un chiffon doux et humide. N'utilisez pas de poudres abrasives ni de tampons à récurer. Ne vaporisez aucun produit d'entretien directement sur les panneaux de l'appareil.
 - Châssis : nettoyez-le à l'eau et au savon.

Intérieure

Nettoyez régulièrement le tambour pour enlever la poussière, la saleté, les odeurs, les moisissures ou les bactéries qui pourraient s'y être accumulées après une lessive.

ATTENTION

Le non-respect de ces instructions peut avoir des conséquences désagréables, comme le dégagement d'odeurs désagréables ou le transfert de traces indélébiles sur le lave-linge ou le linge.

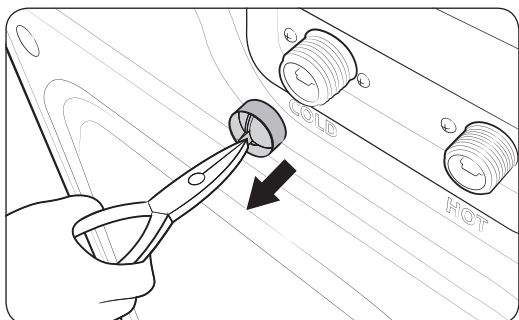
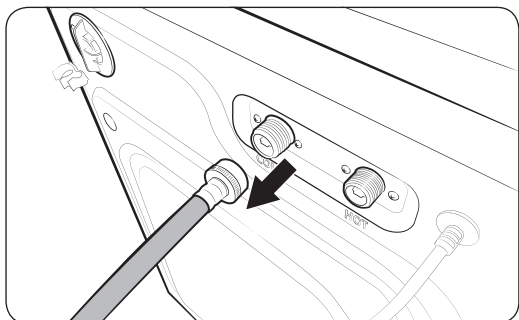
REMARQUE

Éliminez les dépôts calcaires si besoin. Utilisez un produit adapté aux lave-linge.



Filtre à maille

Nettoyez le filtre à maille du tuyau d'eau une fois ou deux par an.



1. Éteignez le lave-linge et débranchez le cordon d'alimentation.
2. Fermez les robinets.
3. Desserrez et débranchez le tuyau d'eau à l'arrière du lave-linge. Recouvrez le tuyau à l'aide d'un chiffon afin d'éviter que de l'eau ne coule à flots.
4. Utilisez une pince pour retirer le filtre à maille au niveau de la vanne d'arrivée d'eau.
5. Plongez le filtre à maille en profondeur dans de l'eau de sorte que le raccord fileté soit lui aussi submergé.
6. Faites sécher complètement le filtre à maille à l'ombre.
7. Réinstallez le filtre à maille dans la vanne d'arrivée d'eau et rebranchez le tuyau d'eau sur cette dernière.
8. Ouvrez le robinet.

REMARQUE

Si le filtre à maille est colmaté, le code d'information « 4C » apparaît sur l'écran du lave-linge.

Maintenance

Reprise après gel

Le lave-linge peut geler lorsque la température environnante chute en dessous de 32 °F (0 °C).

1. Éteignez le lave-linge et débranchez le cordon d'alimentation.
2. Versez de l'eau chaude sur le robinet pour assouplir le tuyau d'arrivée d'eau.
3. Débranchez le tuyau d'eau et plongez-le dans de l'eau tiède.
4. Versez de l'eau tiède dans le tambour (cuve) et laissez-la agir pendant environ 10 minutes.
5. Rebranchez le tuyau d'eau sur le robinet.

REMARQUE

Si le lave-linge ne fonctionne toujours pas normalement, recommencez les étapes ci-dessus jusqu'à ce qu'il fonctionne normalement.

Entretien en cas d'inutilisation prolongée

Évitez de laisser le lave-linge inutilisé pendant une période prolongée. Si vous savez que vous n'allez pas utiliser le lave-linge pendant une période prolongée, suivez la procédure ci-dessous :

1. Appuyez sur **POWER (MARCHE/ARRÊT)** puis sélectionnez **RINSE+SPIN (RINÇAGE+ESSORAGE)**.
2. Videz le tambour et la cuve, fermez le hublot puis appuyez sur le bouton **START/PAUSE (DÉPART/PAUSE)**.
3. Une fois le cycle terminé, fermez le robinet et débranchez les tuyaux d'eau.
4. Éteignez le lave-linge et débranchez le cordon d'alimentation.
5. Ouvrez les hublots pour laisser l'air circuler à travers le tambour et la cuve.

Partie supérieure du lave-linge

Auto-nettoyage

Self Clean (Auto-nettoyage) est un cycle d'auto-nettoyage permettant d'éliminer les bactéries et la saleté pouvant se former à l'intérieur de la cuve. Nous vous recommandons d'utiliser la fonction Self Clean (Auto-nettoyage) tous les 20 lavages.

1. Assurez-vous que la cuve est vide.
2. Appuyez sur **POWER (MARCHE/ARRÊT)**.
3. Appuyez sur le bouton **Self Clean (Auto-nettoyage)**.
4. Appuyez sur le bouton **START/PAUSE (DÉPART/PAUSE)** et maintenez-le enfoncé.

⚠ ATTENTION

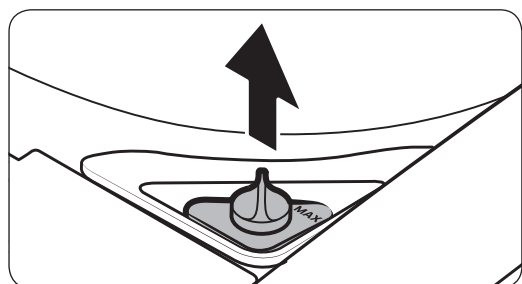
- Grâce au programme Self Clean (Auto-nettoyage), vous pouvez nettoyer la cuve sans utiliser de produit de nettoyage ni d'agent de blanchiment.
- Utilisez uniquement le programme Self Clean (Auto-nettoyage) lorsque la cuve est vide. Cela risquerait d'endommager le linge ou le lave-linge.

Rappel Auto-nettoyage (🔔)

- Le rappel Self Clean+ (Auto-nettoyage+) (🔔) apparaît sur l'écran principal une fois tous les 20 lavages. Nous vous recommandons vivement d'effectuer Self Clean+ (Auto-nettoyage+) régulièrement. Dans ce cas, retirez le linge du lave-linge, allumez la machine puis nettoyez la cuve en lançant le cycle Self Clean (Auto-nettoyage).
- Si vous ne lancez pas de cycle Self Clean (Auto-nettoyage), le voyant Self Clean (Auto-nettoyage) s'éteint. Toutefois, le voyant s'allumera à nouveau après cinq lavages. Ne pas lancer de cycle Self Clean (Auto-nettoyage) à ce stade ne met pas en péril le bon fonctionnement du lave-linge. Toutefois, nous vous recommandons vivement de lancer un cycle Self Clean (Auto-nettoyage) à ce stade.
- Bien que le voyant Self Clean (Auto-nettoyage) s'allume environ une fois par mois, il est possible que la fréquence d'apparition varie en fonction de la fréquence d'utilisation du lave-linge.

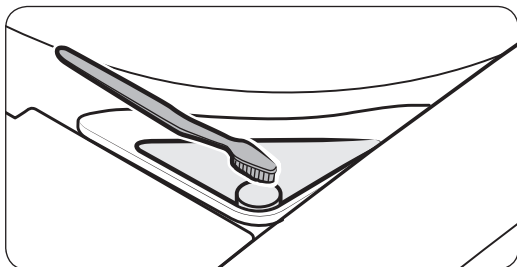
Compartiment d'adoucissant/agent de blanchiment

Le compartiment d'adoucissant et le compartiment d'agent de blanchiment de la partie supérieure du lave-linge ne sont amovibles à des fins de praticité visuelle pour les utilisateurs. Pour nettoyer le compartiment d'adoucissant, suivez ces instructions. Le nettoyage du compartiment d'agent de blanchiment est sensiblement le même.



1. Ouvrez la trappe de chargement par le haut puis retirez le bouchon de l'adoucissant.

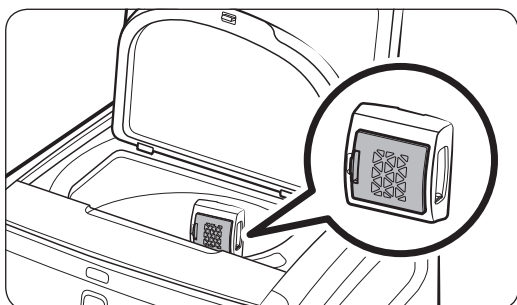
Maintenance



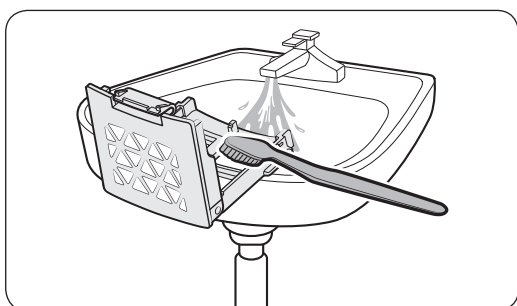
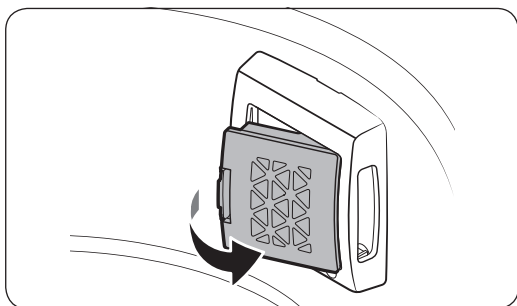
2. Utilisez une brosse douce (une brosse à dent par exemple) pour nettoyer l'intérieur du compartiment et retirer les impuretés.
3. Lancez le cycle RINSE+SPIN (RINÇAGE+ESSORAGE) pour rincer le compartiment. Après les 5 périodes d'alimentation en eau et de vidange, le cycle de 18 minutes s'achève avec le processus d'essorage final.

Filtre à peluches

Nous vous recommandons de nettoyer le filtre à peluches tous les 10 lavages.



1. Retirez le filtre à peluches du boîtier du filtre sur la cuve de la partie supérieure du lave-linge.



2. Ouvrez le filtre puis nettoyez-le à l'eau claire avec une brosse.
3. Une fois le nettoyage terminé, fermez le filtre et réinsérez-le dans sa position initiale. Le « clic » sonore indique que le filtre est bien installé.

Partie inférieure du lave-linge

Auto-nettoyage+

Lancez régulièrement ce cycle pour nettoyer le tambour et éliminer les moisissures qu'il contient.

1. Assurez-vous que le tambour est vide.
2. Appuyez sur le bouton **POWER (MARCHE/ARRÊT)** pour allumer le lave-linge.
3. Appuyez sur le bouton **Self Clean+ (Auto-nettoyage+)**.
4. Appuyez sur le bouton **START/PAUSE (DÉPART/PAUSE)** et maintenez-le enfoncé.


ATTENTION

- N'utilisez aucun produit de nettoyage. N'ajoutez aucune lessive ni agent de blanchiment. Les résidus chimiques dans le tambour détériorent les performances de nettoyage.
- Utilisez uniquement le programme Self Clean+ (Auto-nettoyage+) lorsque le tambour est vide. N'utilisez pas le programme Self Clean+ (Auto-nettoyage+) si le tambour contient du linge. Cela risquerait d'endommager le linge ou le lave-linge.

REMARQUE

La température de l'eau pour le programme Self Clean+ (Auto-nettoyage+) est réglée sur Extra Hot (Très chaude), ce qui ne peut être modifié.

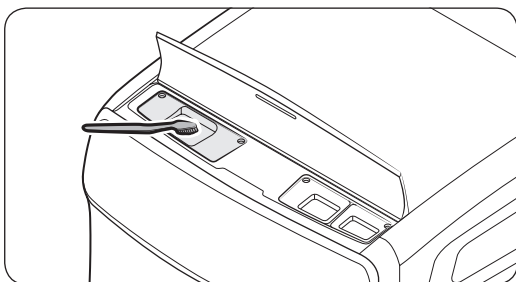
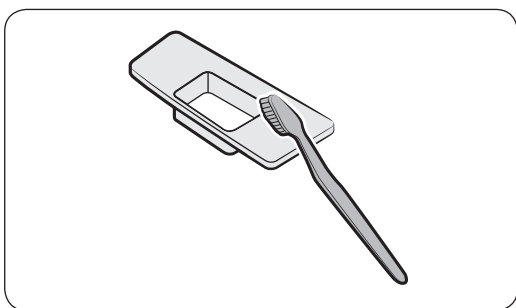
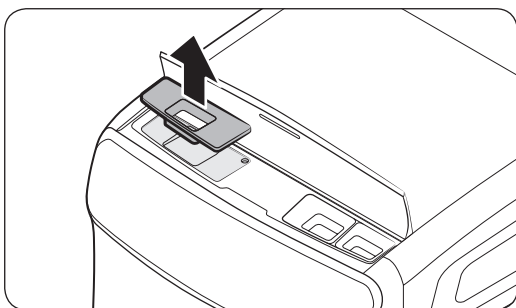
Rappel Auto-nettoyage+

- Le rappel Self Clean+ (Auto-nettoyage+)  apparaît sur l'écran principal une fois tous les 40 lavages. Il est recommandé de lancer régulièrement le cycle Self Clean+ (Auto-nettoyage+).
- Si vous ne lancez pas le programme Self Clean+ (Auto-nettoyage+) tous les 40 lavages, le rappel Self Clean+ (Auto-nettoyage+) se désactive après une heure.
- Lorsque ce rappel s'affiche pour la première fois, vous pouvez l'ignorer pendant 6 lavages consécutifs. À partir du 7^{ème} lavage, le rappel n'apparaît plus. Toutefois, il réapparaît au 40^{ème} lavage.

Maintenance

Compartiment de lavage principal

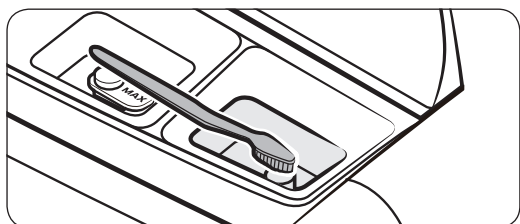
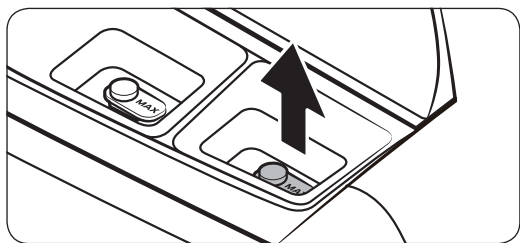
Le compartiment de lavage principal doit être nettoyé périodiquement afin d'éliminer l'accumulation d'additifs dans le linge.



1. Ouvrez le couvercle du haut. Tenez le compartiment de lavage principal puis tirez-le pour le retirer.
2. Éliminez tous les résidus et toutes les traces d'agents accumulés dans le linge à partir du compartiment. Rincez-le avec de l'eau tiède.
3. Pour nettoyer les parois du compartiment, utilisez une petite brosse non métallique. Retirez tous les résidus de chaque côté du compartiment.
4. Remettez le compartiment à sa place.

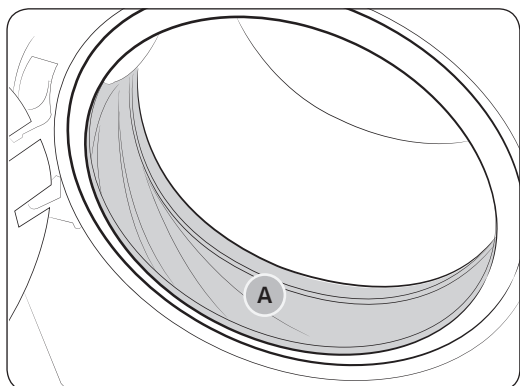
Compartiment d'adoucissant/agent de blanchiment

Le compartiment d'adoucissant et le compartiment d'agent de blanchiment de la partie inférieure du lave-linge ne sont amovibles à des fins de praticité visuelle pour les utilisateurs. Pour nettoyer le compartiment d'adoucissant, suivez ces instructions. Le nettoyage du compartiment d'agent de blanchiment est sensiblement le même.



1. Ouvrez le couvercle du haut puis retirez le bouchon de l'adoucissant.
2. Utilisez une brosse douce (une brosse à dent par exemple) pour nettoyer l'intérieur du compartiment et retirer les impuretés.
3. Lancez le cycle RINSE+SPIN (RINÇAGE+ESSORAGE) pour rincer le compartiment. Après les 5 périodes d'alimentation en eau et de vidange, le cycle de 19 minutes s'achève avec le processus d'essorage final.

Diaphragme du hublot



1. Ouvrez le hublot et videz le tambour.
2. Retournez le diaphragme (isolant ou joint d'étanchéité du tambour (A)) et vérifiez s'il est taché. Si oui, suivez les étapes ci-dessous.
3. Mélangez 3/4 de tasse d'agent de blanchiment au chlore liquide et 1 gallon d'eau tiède du robinet.
4. Après vous être équipé de gants en caoutchouc, utilisez un chiffon propre et doux imbibé d'eau et de solution chlorée pour nettoyer le diaphragme.
5. Laissez poser 5 minutes, puis essuyez le tout et laissez bien sécher.

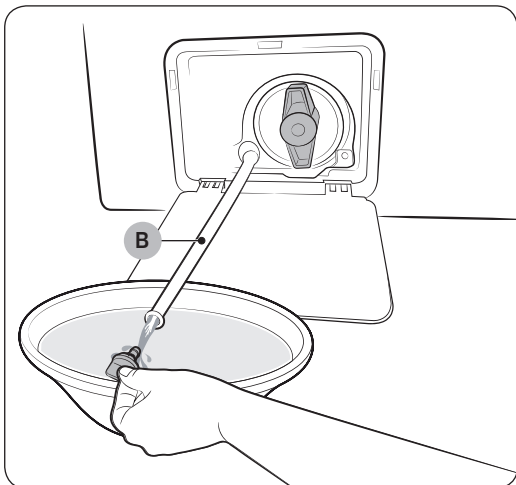
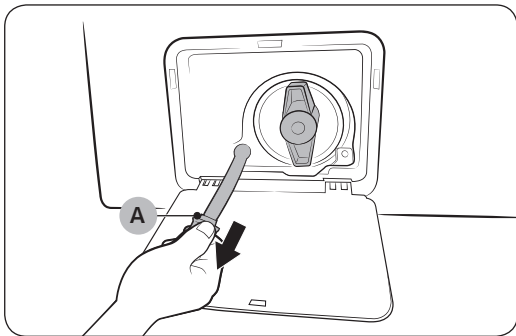
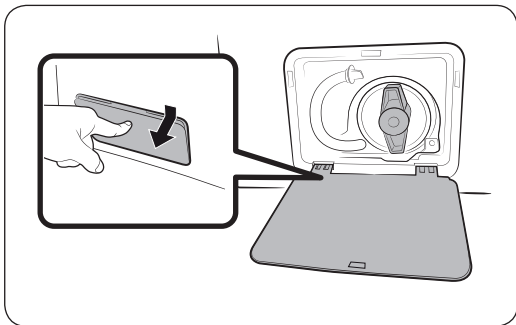
⚠ ATTENTION

Utilisez l'agent de blanchiment avec précaution et assurez-vous de suivre les instructions d'entretien et d'utilisation du fabricant de l'agent de blanchiment.

Maintenance

Vidange d'urgence

En cas de panne de courant, vidangez l'eau à l'intérieur du tambour avant de sortir le linge.



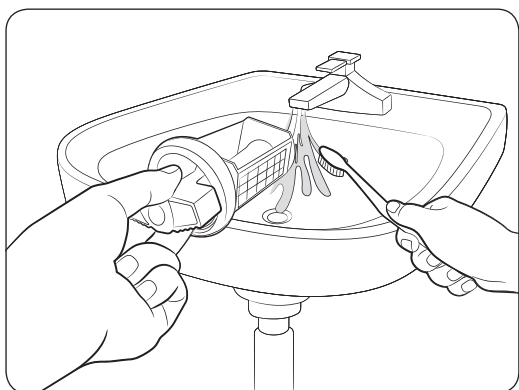
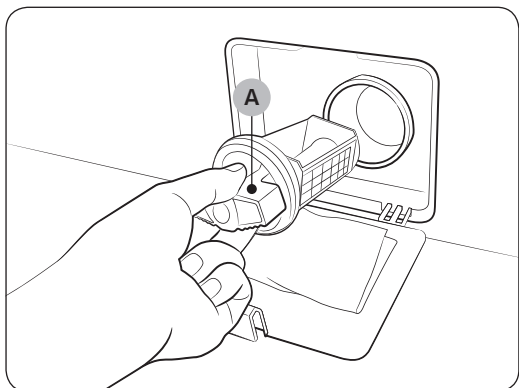
1. Mettez le lave-linge hors tension puis débranchez-le de la prise électrique.
2. Appuyez doucement sur la partie supérieure du cache du filtre pour l'ouvrir.
3. Placez un récipient vide et volumineux devant le cache et étirez le tuyau de vidange d'urgence vers le récipient, tout en tenant le **bouchon du tuyau (A)** en place.
4. Ouvrez le bouchon du tuyau et laissez l'eau s'écouler du **tuyau de vidange d'urgence (B)** dans le récipient.
5. Une fois l'opération terminée, fermez le bouchon du tuyau et réinsérez le tuyau. Ensuite, fermez le cache du filtre.

REMARQUE

Utilisez un récipient volumineux car la quantité d'eau présente dans le tambour peut être plus importante que prévu.

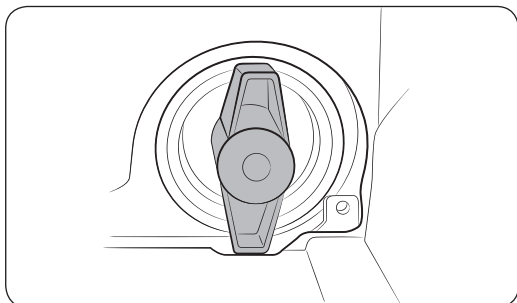
Filtre de la pompe

Il est recommandé de nettoyer le filtre de la pompe 5 ou 6 fois par an, afin d'éviter qu'il ne se bouche. Un filtre de pompe bouché peut réduire l'effet des bulles.



1. Éteignez le lave-linge et débranchez le cordon d'alimentation.
2. Vidangez le reste d'eau à l'intérieur du tambour. Reportez-vous à la section « Vidange d'urgence » à la page 64.
3. Appuyez doucement sur la partie supérieure du cache du filtre pour l'ouvrir.
4. Tournez le **bouton du filtre de la pompe (A)** sur la gauche et vidangez le reste d'eau.
5. Nettoyez le filtre de la pompe à l'aide d'une brosse souple. Assurez-vous que l'hélice de la pompe de vidange située à l'intérieur du filtre n'est pas bloquée.
6. Réinstallez le filtre de la pompe et tournez le bouton du filtre sur la droite.
7. Fermez le cache du filtre.

Maintenance



REMARQUE

- Certains filtres de pompe sont équipés d'un bouton de sécurité qui est conçu pour éviter que les enfants n'ouvrent accidentellement le compartiment du filtre. Pour ouvrir le bouton de sécurité du filtre de la pompe, pressez-le et faites-le tourner dans le sens antihoraire. Le mécanisme à ressort du bouton de sécurité aide à ouvrir le filtre.
- Pour fermer le bouton de sécurité du filtre de la pompe, faites-le tourner dans le sens horaire. Le ressort émet un son de cliquetis, ce qui est normal.

REMARQUE

Si le filtre de la pompe est colmaté, le code d'information « 5C » apparaît sur l'écran d'affichage du lave-linge.

ATTENTION

- Assurez-vous que le bouton du filtre est correctement fermé après le nettoyage du filtre. Si ce n'est pas le cas, une fuite peut survenir.
- Assurez-vous que le filtre est correctement installé après son nettoyage. Si ce n'est pas le cas, cela peut provoquer une panne opérationnelle ou une fuite.

Dépannage

Contrôles à effectuer

Si vous rencontrez un problème avec le lave-linge, consultez d'abord le tableau ci-dessous et essayez les actions suggérées.

Signe	Action
Le lave-linge ne s'allume pas.	<ul style="list-style-type: none">Assurez-vous que le système électrique de votre domicile fournit une alimentation électrique correspondant aux exigences pour le lave-linge. Reportez-vous à la page 21.Assurez-vous que la prise d'alimentation du lave-linge est correctement branchée.
L'appareil ne démarre pas.	<ul style="list-style-type: none">Assurez-vous que le hublot est correctement fermé.Assurez-vous que les robinets sont ouverts.Assurez-vous de maintenir enfoncé le bouton START/PAUSE (DÉPART/PAUSE) pour démarrer le lave-linge.Assurez-vous que la fonction Child Lock (Sécurité enfant) n'est pas activée.Avant de commencer à se remplir, le lave-linge émet une série de cliquetis pour vérifier le bon verrouillage du hublot et il effectue une vidange rapide.Vérifiez les fusibles ou réarmez le disjoncteur.Vérifiez si la partie supérieure ou inférieure du lave-linge affiche un code d'information sur la barre d'état.
L'arrivée d'eau est insuffisante ou interrompue.	<ul style="list-style-type: none">Ouvrez entièrement le robinet.Assurez-vous que le hublot est correctement fermé.Assurez-vous que le tuyau d'arrivée d'eau n'est pas gelé.Assurez-vous que le tuyau d'arrivée d'eau n'est pas entortillé ou bouché.Assurez-vous que la pression de l'eau est suffisante.
En fin de programme, de la lessive subsiste dans le tiroir à lessive.	<ul style="list-style-type: none">Assurez-vous que la pression d'eau est suffisante pour faire fonctionner le lave-linge.Si vous utilisez de la lessive en poudre, respectez le dosage recommandé.Si vous utilisez de la lessive liquide, ne remplissez pas excessivement le bac à lessive.Retirez les compartiments de lessive liquide et d'adoucissant puis nettoyez le tiroir à lessive.

Dépannage

Signe	Action
Le lave-linge vibre d'une manière excessive ou émet du bruit.	<ul style="list-style-type: none">• Assurez-vous que le lave-linge est installé sur un sol plat, solide et non glissant. Si le sol n'est pas plat, utilisez les pieds réglables pour ajuster la hauteur du lave-linge.• Assurez-vous que les vis de transport ont été retirées.• Assurez-vous que le lave-linge n'est en contact avec aucun autre objet.• Assurez-vous que la charge de linge est bien équilibrée.• Le moteur peut générer du bruit lors du fonctionnement normal.• Des salopettes ou des vêtements comportant des éléments métalliques peuvent générer du bruit lors du lavage. Ceci est tout à fait normal.• Des objets tels que des pièces de monnaie peuvent provoquer du bruit. Après le lavage, retirez ces objets du tambour, de la cuve ou du boîtier du filtre.
Le lave-linge ne se vidange pas et/ou n'essore pas.	<ul style="list-style-type: none">• Assurez-vous que le tuyau de vidange n'est ni entortillé ni bouché dans le système de vidange. Si la vidange ne s'effectue pas, appelez le service de dépannage.• Assurez-vous que le filtre à impuretés n'est pas bouché.• Fermez le hublot et appuyez sur le bouton START/PAUSE (DÉPART/PAUSE) en le maintenant enfoncé. Pour des raisons de sécurité, le lave-linge ne tourne et n'essore pas tant que le hublot n'est pas fermé.• Assurez-vous que le tuyau de vidange n'est pas gelé ou bouché.• Assurez-vous que le tuyau de vidange est raccordé à un système de vidange non obstrué.• Si l'alimentation électrique du lave-linge n'est pas suffisante, le lave-linge ne se vidange pas ou n'essore pas temporairement. Dès que l'alimentation électrique est à nouveau suffisante, le lave-linge fonctionne normalement.
Se vide en faisant du bruit.	<ul style="list-style-type: none">• Lors de la première installation, ou lorsque le lave-linge n'a pas été utilisé pendant une période prolongée, le lave-linge peut émettre des bruits de dégonflement lors de sa vidange. Il ne s'agit pas d'un dysfonctionnement du système.

Signe	Action
Le hublot ne s'ouvre pas.	<ul style="list-style-type: none"> Appuyez sur le bouton START/PAUSE (DÉPART/PAUSE) pour arrêter votre lave-linge. Le mécanisme de verrouillage du hublot se débloque après quelques minutes. Le hublot ne s'ouvre que 3 minutes après l'arrêt ou la mise hors tension du lave-linge. Vérifiez que toute l'eau du tambour ou de la cuve a été vidangée. Le hublot ne s'ouvre pas si de l'eau reste dans le tambour ou dans la cuve. Vidangez le tambour ou la cuve et ouvrez le hublot manuellement. Vérifiez que le voyant de verrouillage du tambour est éteint. Le voyant de verrouillage du hublot s'éteint après la vidange du lave-linge.
Quantité de mousse trop importante.	<ul style="list-style-type: none"> Assurez-vous d'utiliser les types de lessive recommandés. Utilisez une lessive haute efficacité pour empêcher la surproduction de mousse. Réduisez la quantité de lessive pour les lavages à l'eau douce, les petites charges ou pour le linge peu sale. Il est vivement conseillé d'utiliser une lessive haute efficacité.
Impossible de mettre de la lessive supplémentaire.	<ul style="list-style-type: none"> Ne remplissez pas les compartiments de lessive et d'adoucissant au-delà du repère.
Le lave-linge s'arrête.	<ul style="list-style-type: none"> Branchez le cordon d'alimentation sur une prise électrique qui fonctionne. Vérifiez les fusibles ou réarmez le disjoncteur. Fermez le hublot et appuyez sur le bouton START/PAUSE (DÉPART/PAUSE) en le maintenant enfoncé pour démarrer le lave-linge. Pour des raisons de sécurité, le lave-linge ne tourne et n'essore pas tant que le hublot n'est pas fermé. Avant de commencer à se remplir, le lave-linge émet une série de cliquetis pour vérifier le bon verrouillage du hublot et il effectue une vidange rapide. Le cycle peut comporter une phase de pause ou de trempage. Il se peut que le lave-linge se remette en marche après quelques minutes. Assurez-vous que le filtre à maille du tuyau d'arrivée d'eau sur les robinets n'est pas bouché. Nettoyez le filtre à maille régulièrement. Si l'alimentation électrique du lave-linge n'est pas suffisante, le lave-linge ne se vidange pas ou n'essore pas temporairement. Dès que l'alimentation électrique est à nouveau suffisante, le lave-linge fonctionne normalement.

Dépannage


Signe	Action
La température de l'eau lors du remplissage du lave-linge n'est pas correcte.	<ul style="list-style-type: none"> • Ouvrez entièrement les deux robinets. • Vérifiez le choix de la température. • Assurez-vous que les tuyaux sont branchés sur les bons robinets. Rincez les canalisations d'eau. • Assurez-vous que le chauffe-eau est réglé pour fournir de l'eau chaude à une température minimale de 120 °F (49 °C) au robinet. Vérifiez également la capacité et le taux de récupération du chauffe-eau. • Débranchez les tuyaux et nettoyez le filtre à maille. Le filtre à maille peut être obstrué. • Lors du remplissage du lave-linge, la température de l'eau est susceptible de varier car la fonction de contrôle automatique de la température vérifie la température de l'eau entrante. Ceci est tout à fait normal. • Lors du remplissage du lave-linge, vous pouvez remarquer que de l'eau chaude et/ou froide passe par le distributeur alors qu'une température de lavage contraire est sélectionnée. Ceci est tout à fait normal ; ce phénomène est dû à la fonction de contrôle automatique de la température chargée d'établir la température de l'eau.
Le linge n'est pas essoré correctement à la fin du cycle.	<ul style="list-style-type: none"> • Utilisez la vitesse de l'essorage High (Élevée) ou Extra High (Très élevée). • Utilisez une lessive haute efficacité (HE) pour réduire la production de mousse. • Il n'y a pas assez de linge. De petites charges (un ou deux articles) risquent de mal se répartir et donc de mal être essorées. • Assurez-vous que le tuyau de vidange n'est pas emmêlé ou bouché.
De l'eau fuit du lave-linge.	<ul style="list-style-type: none"> • Assurez-vous que le hublot est correctement fermé. • Vérifiez que tous les raccordements des tuyaux sont bien serrés. • Assurez-vous que l'extrémité du tuyau de vidange est bien insérée et fixée au système de vidange. • Éviter toute surcharge. • Utilisez une lessive haute efficacité pour empêcher la surproduction de mousse.
Présence d'odeurs.	<ul style="list-style-type: none"> • De la mousse trop importante s'accumule dans les renforcements et peut entraîner de mauvaises odeurs. • Exécutez des programmes de lavage pour stériliser de manière périodique. • Nettoyez le joint du hublot (diaphragme). • Faites sécher l'intérieur du lave-linge lorsqu'un cycle est terminé.

Signe	Action
La cuve ou le tuyau d'eau/de vidange est gelé(e).	<ul style="list-style-type: none"> • Versez de l'eau chaude sur les tuyaux gelés pour les débrancher. Trempez-les dans de l'eau tiède. • Remplissez la cuve gelée avec de l'eau chaude puis patientez durant environ 10 minutes. • Posez une serviette chaude sur le raccord du tuyau de vidange. • Rebranchez les tuyaux une fois qu'ils sont dégelés.
L'eau se vidange immédiatement.	<ul style="list-style-type: none"> • Assurez-vous que le tuyau de vidange n'est pas bouché et qu'il est suspendu au crochet qui lui est destiné. Remplissez d'eau à moitié la cuve et relancez le programme d'essorage. • Soulevez l'extrémité du tuyau de vidange pour éviter que l'eau ne soit vidangée. Remplissez d'eau à moitié la cuve puis lancez l'essorage après avoir libéré le tuyau de vidange. • Assurez-vous que le tuyau de vidange est correctement installé. Reportez-vous à la section Installation de ce manuel et ajustez la position du tuyau de vidange en suivant les instructions. • Assurez-vous que le lave-linge effectue une vidange complète s'il est éteint de manière forcée. Si vous faites fonctionner le lave-linge avant qu'il ait effectué la vidange complète, l'appareil risque de s'alimenter en eau et de vidanger simultanément.

Si un problème persiste, contactez le centre de service Samsung local.

Dépannage

Samsung Smart Home

Problème	Action
Je n'arrive pas à trouver « Samsung Smart Home » sur le marché des applications.	<ul style="list-style-type: none">• L'application Samsung Smart Home est disponible sur les smartphones qui utilisent Android 4.0 (ICS) ou versions supérieures, ou iOS 7.0 ou versions supérieures.
L'application Samsung Smart Home ne fonctionne pas.	<ul style="list-style-type: none">• L'application Samsung Smart Home est disponible uniquement sur les modèles applicables.• L'ancienne application Samsung Smart Washer ne peut pas se connecter aux modèles Samsung Smart Home.
L'application Samsung Smart Home est installée mais n'est pas connectée à mon lave-linge.	<ul style="list-style-type: none">• Vous devez vous connecter à votre compte Samsung pour utiliser l'application.• Assurez-vous que votre routeur fonctionne normalement.• Si le témoin de la fonction Smart Control  est éteint sur l'écran du lave-linge, cela indique qu'aucune connexion au réseau n'a encore été établie. Utilisez l'application Samsung Smart Home pour connecter et enregistrez le lave-linge sur votre point d'accès au réseau domestique (PA).
Je n'arrive pas à me connecter à l'application.	<ul style="list-style-type: none">• Vous devez vous connecter à votre compte Samsung pour utiliser l'application.• Si vous n'avez pas de compte Samsung, suivez les instructions affichées sur l'écran de l'application pour en créer un.
Un message d'erreur s'affiche lorsque j'essaie d'enregistrer mon lave-linge.	<ul style="list-style-type: none">• La connexion peut échouer à cause de la distance par rapport au point d'accès ou d'interférences électriques provenant de l'environnement autour. Patientez un moment puis réessayez.
L'application Samsung Smart Home est bien connectée à mon lave-linge mais elle ne se lance pas.	<ul style="list-style-type: none">• Quitter l'application Samsung Smart Home et redémarrez-la, ou débranchez puis rebranchez le routeur.

Codes d'information

Si le lave-linge ne parvient pas à fonctionner, vous pouvez voir un code d'information s'afficher à l'écran. Consultez le tableau ci-dessous et essayez les actions suggérées.

Code		Action
Partie supérieure du lave-linge	Partie inférieure du lave-linge	
1 1C	1C	Vérifiez le capteur de niveau d'eau. <ul style="list-style-type: none">Mettez le lave-linge hors tension puis, après 2 ou 3 minutes, remettez-le sous tension et réessayez.En fonction du modèle, le système de vidange purge l'eau automatiquement. Les boutons POWER (MARCHÉ/ARRÊT) et START/PAUSE (DÉPART/PAUSE) peuvent être désactivés pendant ce processus.
-	DC	Le hublot est ouvert. <ul style="list-style-type: none">Fermez le hublot et appuyez sur le bouton START/PAUSE (DÉPART/PAUSE) pour reprendre le fonctionnement.
1 DC	-	La trappe de chargement par le haut est ouverte. <ul style="list-style-type: none">Fermez la porte du haut et appuyez sur le bouton START/PAUSE (DÉPART/PAUSE) pour reprendre le fonctionnement.
1 DC4	-	Le couvercle de protection est ouvert. <ul style="list-style-type: none">Fermez le couvercle de protection et appuyez sur le bouton START/PAUSE (DÉPART/PAUSE) pour reprendre le fonctionnement.
1 DC1	DC1	Vérifiez l'interrupteur du hublot. <ul style="list-style-type: none">Mettez le lave-linge hors tension puis, après 2 ou 3 minutes, remettez-le sous tension et réessayez.
1 LC	LC	Vérifiez l'absence de fuites d'eau. <ul style="list-style-type: none">Mettez le lave-linge hors tension et vérifiez l'absence de fuites au niveau du système de vidange. Une fois la fuite réparée, mettez le lave-linge sous tension après 2 ou 3 minutes.En fonction du modèle, le système de vidange purge l'eau automatiquement. Les boutons POWER (MARCHÉ/ARRÊT) et START/PAUSE (DÉPART/PAUSE) peuvent être désactivés pendant ce processus.

Dépannage

Code		Action
Partie supérieure du lave-linge	Partie inférieure du lave-linge	
1 LC1	LC1	<p>Vérifiez le tuyau de vidange.</p> <ul style="list-style-type: none"> Assurez-vous que l'extrémité du tuyau de vidange est placée sur le sol. Assurez-vous que le tuyau de vidange n'est pas bouché. Si le code d'information subsiste, contactez un centre de réparation. <p>Autres</p> <ul style="list-style-type: none"> Veillez à ne pas dépasser la quantité recommandée de tous les bacs (lessive/assouplissant/agent de blanchiment). N'utilisez pas et ne projetez pas de l'eau lorsque vous nettoyez la porte supérieure de la partie supérieure du lave-linge. Essayez avec un chiffon.
1 4C	4C	<p>Vérifiez le conduit d'arrivée d'eau.</p> <ul style="list-style-type: none"> Vérifiez le raccordement du conduit d'eau (y compris les robinets d'eau). Mettez le lave-linge hors tension puis, après 2 ou 3 minutes, remettez-le sous tension et réessayez. En fonction du modèle, le système de vidange purge l'eau automatiquement. Les boutons POWER (MARCHÉ/ARRÊT) et START/PAUSE (DÉPART/PAUSE) peuvent être désactivés pendant ce processus.
1 4C2	4C2	<p>L'eau fournie est trop chaude.</p> <ul style="list-style-type: none"> Assurez-vous que les robinets d'eau froide et d'eau chaude sont correctement raccordés. Mettez le lave-linge hors tension puis, après 2 ou 3 minutes, remettez-le sous tension et réessayez.
1 5C	5C	<p>Vérifiez le système de vidange.</p> <ul style="list-style-type: none"> Assurez-vous que le filtre de vidange n'est pas bouché. Si le filtre de vidange est bouché, nettoyez-le et redémarrez le lave-linge.
1 HC	HC	<p>Vérifiez l'élément chauffant de lavage.</p> <ul style="list-style-type: none"> Mettez le lave-linge hors tension et prenez contact avec un centre de service clientèle Samsung.

Code		Action
Partie supérieure du lave-linge	Partie inférieure du lave-linge	
1 UB	UB	<p>Vérifiez le processus d'essorage.</p> <ul style="list-style-type: none"> • Il se peut que la charge ne soit pas équilibrée à l'intérieur du tambour ou de la cuve. La charge est trop faible ou des éléments lourds sont mélangés avec des éléments légers. Vérifiez le tambour ou la cuve et assurez-vous que la charge est équilibrée. • Évitez de laver un seul élément. Le fait d'ajouter quelques éléments supplémentaires permet d'équilibrer davantage la charge. Répartissez la charge de façon uniforme. • Appuyez sur le bouton START/PAUSE (DÉPART/PAUSE) pour reprendre le fonctionnement, ou mettez le lave-linge hors tension puis sous tension après 2 ou 3 minutes et réessayez.
1 8C 1 8C1 1 8C2	8C 8C1 8C2	<p>Vérifiez le capteur MEMS.</p> <ul style="list-style-type: none"> • Mettez le lave-linge hors tension puis, après 2 ou 3 minutes, remettez-le sous tension et réessayez.
1 OC	OC	<p>De l'eau peut déborder.</p> <ul style="list-style-type: none"> • Fermez le robinet d'eau, puis appelez le centre de service pour demander l'entretien.
1 3C	3C	<p>Vérifiez le moteur.</p> <ul style="list-style-type: none"> • Mettez le lave-linge hors tension puis, après 2 ou 3 minutes, remettez-le sous tension et réessayez.
1 AC6	AC6	<p>Vérifiez l'état des communications de la carte de circuit imprimé.</p> <ul style="list-style-type: none"> • Mettez le lave-linge hors tension puis, après 2 ou 3 minutes, remettez-le sous tension et réessayez.
1 9C1 1 9C2	9C1 9C2	<p>La commande électronique doit être vérifiée.</p> <ul style="list-style-type: none"> • Vérifiez si l'alimentation électrique est correctement fournie. • Si le code d'information subsiste, contactez un centre de service Samsung.
1 SF	SF	<p>Le système est en panne.</p> <ul style="list-style-type: none"> • Mettez le lave-linge hors tension et prenez contact avec un centre de service Samsung.

Dépannage

Code		Action
Partie supérieure du lave-linge	Partie inférieure du lave-linge	
1 AC	AC	Vérifiez les communications entre les cartes de circuit imprimé principal et auxiliaire. <ul style="list-style-type: none">• Essayez de mettre hors tension puis de redémarrer le programme.• Si le code d'information subsiste, contactez le service clientèle.
-	AC7	Vérifiez les communications entre la carte de circuit imprimé principal et la carte de circuit imprimé principal supérieur. <ul style="list-style-type: none">• Essayez de mettre hors tension puis de redémarrer le programme.• Si le code d'information subsiste, contactez le service clientèle.





Si un code d'information continue d'apparaître à l'écran, contactez un centre de service Samsung local.

Caractéristiques techniques

Tableau des symboles textiles

Les symboles suivants fournissent des conseils d'entretien des vêtements. Les étiquettes d'entretien des vêtements incluent des symboles relatifs au séchage, au blanchiment, au séchage et repassage ou au nettoyage à sec, le cas échéant. L'utilisation de ces symboles garantit la cohérence des informations entre les fabricants de vêtements (articles domestiques ou importés). Suivez les directives figurant sur l'étiquette d'entretien afin d'optimiser la durée de vie de votre linge et d'éviter des problèmes de lavage.

Cycle de lavage

	Normal
	Tissus infroissables / Infroissable / Anti-froissage
	Gentle / Délicat
	Lavage main




Température de l'eau

...	Chaude
..	Tiède
.	Froide



REMARQUE

La plage de température pour Hot (Chaude) est égale ou inférieure à 135 °F (57 °C), inférieure ou égale à 95 °F (35 °C) pour Warm (Tiède), et inférieure ou égale à 68 °F (20 °C) pour Cold (Froide). La température de l'eau de lavage doit être d'au moins 60 °F (16 °C) pour activer les agents nettoyants et obtenir un lavage efficace.




Agent de blanchiment

	Tout type (si nécessaire)
	Agent de blanchiment non chloré (non décolorant) uniquement (si nécessaire)
	Séchage en machine






Normal

	Tissus infroissables) / Infroissable / Anti-froissage
	Gentle / Délicat

Instructions spéciales




	Séchage en suspension
	Séchage sans essorage
	Séchage à plat

Température





	Élevée
	Moyenne
	Basse
	Toutes températures
	Sans chaleur / À l'air libre



Caractéristiques techniques

Températures de repassage facile ou vapeur






	Élevée
	Moyenne
	Basse

Symboles d'avertissement pour le lavage

	Ne pas laver
	Ne pas tordre
	Pas de chlorage
	Séchage en machine interdit

	Pas de vapeur (ajoutée au fer à repasser)
	Pas de repassage

Nettoyage à sec

	Nettoyage à sec
	Pas de nettoyage à sec
	Séchage sur corde / En suspension
	Séchage sans essorage
	Séchage à plat

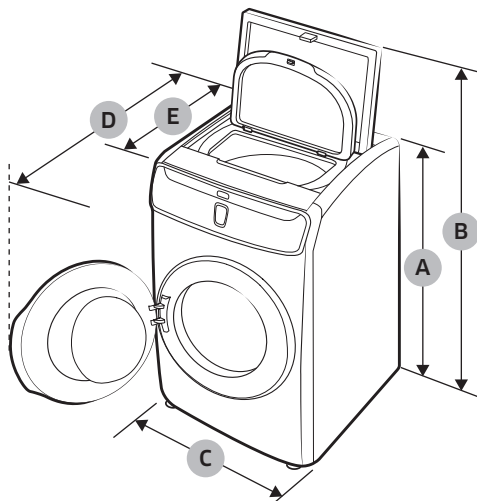
Protection de l'environnement

- Cet appareil a été fabriqué à partir de matériaux recyclables. Si vous décidez de vous en débarrasser, veuillez respecter les normes locales en matière de traitement des déchets. Coupez le cordon d'alimentation de façon à ce que l'appareil ne puisse pas être raccordé à une source électrique. Enlevez le couvercle pour que des animaux et des jeunes enfants ne se retrouvent pas piégés à l'intérieur de l'appareil.
- Ne dépassez pas les quantités de lessive préconisées par le fabricant de la lessive.
- N'utilisez de produits détachants et blanchissants avant le programme de lavage qu'en cas de nécessité.
- Économisez de l'eau et de l'électricité en ne faisant tourner que des charges pleines (la charge exacte dépend du programme utilisé).

Déclaration de conformité

Cet appareil est conforme à la norme UL2157.

Fiche de caractéristiques techniques



Type		Lave-linge à double chargement	
Dimensions (pouces (mm))	A. Hauteur, trappe de chargement par le haut fermée	46,9 pouces (1192 mm)	
	B. Hauteur, trappe de chargement par le haut ouverte	61 pouces (1550 mm)	
	C. Largeur	27 pouces (686 mm)	
	D. Profondeur avec hublot ouvert	54,6 pouces (1386 mm)	
	E. Profondeur	34 pouces (864 mm)	
Pression d'eau (psi (kPa))		20 à 116 (137 à 800)	
Poids NET (lb (kg))		308,6 (140)	
Vitesse d'essorage	Partie supérieure du lave-linge	800 tr/min	
	Partie inférieure du lave-linge	1300 tr/min	
Puissance de chauffe	Lavage et chauffage	120 V	900 W
Consommation d'énergie annuelle		Partie supérieure du lave-linge	60 kWh/an
		Partie inférieure du lave-linge	105 kWh/an
Consommation d'eau annuelle		Partie supérieure du lave-linge	3540 gal/an
		Partie inférieure du lave-linge	4278 gal/an

Caractéristiques techniques

Tableau des cycles

Utilisez ce tableau afin de définir les programmes et options les mieux adaptés à votre linge.

Partie supérieure du lave-linge

REMARQUE

Réglage	Temp.
● : réglage d'usine	W : Warm (Tiède)
● : peut être sélectionné	C : Cold (Froide)

Cycle	Fonctions		Options
	Temp.		Extra Rinse (Rinçage intensif)
	W	C	
NORMAL	●	●	●
DELICATES (DÉLICAT)	●	●	
ACTIVE WEAR (VÊTEMENTS DE SPORT)	●	●	●
RINSE+SPIN (RINÇAGE+ESSORAGE)			●

Partie inférieure du lave-linge

REMARQUE

Réglage	Temp.	Rinse (Rinçage)	Spin (Essorage)	Soil Level (Degré de salissure)
● : réglage d'usine	EH : Extra Hot (Très chaude)	5 : 5 fois	EH : Extra High (Très élevée)	EH : Extra Heavy (Très sale)
● : peut être sélectionné	H : Hot (Chaude)	4 : 4 fois	H : High (Élevée)	H : Heavy (Sale)
	W : Warm (Tiède)	3 : 3 fois	M : Medium (Moyenne)	N : Normal
	CL : Cool (Frais)	2 : 2 fois	L : Low (Basse)	L : Light (Peu sale)
	CD : Cold (Froide)	1 : 1 fois	NS : No spin (Sans essorage)	EL : Extra Light (Très peu sale)

Cycle	Fonctions														
	Temp.					Rinse (Rinçage)					Spin (Essorage)				
	EH	H	W	CL	CD	5	4	3	2	1	EH	H	M	L	NS
NORMAL	●	●	●	●	●	●	●	●	●	●	●	●	●	●	●
HEAVY DUTY (GRAND RENDEMENT)	●	●	●	●	●	●	●	●	●	●	●	●	●	●	●
BEDDING (DRAPS)			●	●	●	●	●	●	●	●			●	●	●
WHITES (VÊTEMENTS BLANCS)		●	●	●	●	●	●	●	●	●	●	●	●	●	●
SANITIZE (STÉRILISATION)	●					●	●	●	●	●	●	●	●	●	●
RINSE+SPIN (RINÇAGE+ESSORAGE)						●	●	●	●	●	●	●	●	●	●
ACTIVE WEAR (VÊTEMENTS DE SPORT)			●	●	●	●	●	●	●	●				●	●
DELICATES (DÉLICAT)			●	●	●			●	●	●				●	●
PERM PRESS (INFROISSABLES)			●	●	●	●	●	●	●	●		●	●	●	●
QUICK WASH (LAVAGE EXPRESS)		●	●	●	●	●	●	●	●	●	●	●	●	●	●
ECO COLD (ÉCO - FROID)				●	●	●	●	●	●	●	●	●	●	●	●
TOWELS (SERVIETTES)		●	●	●	●	●	●	●	●	●	●	●	●	●	●
Self Clean+ (Auto-Nettoyage+)	●								●		●				

Caractéristiques techniques

Cycle	Fonctions					Options			
	Soil Level (Degré de salissure)					Pre Soak (Pré-trempage)	Steam (Vapeur)	Super Speed (Haute vitesse)	Delay End (Arrêt différé)
	EH	H	N	L	EL				
NORMAL	●	●	●	●	●	●	●	●	
HEAVY DUTY (GRAND RENDEMENT)	●	●	●	●	●	●	●	●	
BEDDING (DRAPS)	●	●	●	●	●	●	●	●	
WHITES (VÊTEMENTS BLANCS)	●	●	●	●	●	●		●	
SANITIZE (STÉRILISATION)	●	●	●	●	●	●		●	
RINSE+SPIN (RINÇAGE+ESSORAGE)								●	
ACTIVE WEAR (VÊTEMENTS DE SPORT)	●	●	●	●	●	●		●	
DELICATES (DÉLICAT)	●	●	●	●	●			●	
PERM PRESS (INFROISSABLES)	●	●	●	●	●	●		●	
QUICK WASH (LAVAGE EXPRESS)	●	●	●	●	●			●	
ECO COLD (ÉCO - FROID)	●	●	●	●	●	●		●	
TOWELS (SERVIETTES)	●	●	●	●	●			●	
Self Clean+ (Auto-Nettoyage+)								●	

Garantie (ÉTATS-UNIS)

LAVE-LINGE SAMSUNG

GARANTIE LIMITÉE À L'ACHETEUR INITIAL

Ce produit de la marque SAMSUNG, fourni, distribué par SAMSUNG ELECTRONICS AMERICA, INC. (SAMSUNG) et livré neuf, s'accompagne d'une garantie de SAMSUNG contre tout vice de fabrication au niveau des pièces et de la main d'œuvre pendant une période limitée de :

Un (1) an pour les pièces et la main d'œuvre ; Trois (3) ans pour les pièces de la cuve en acier inoxydable (pièces uniquement) ; Dix (10) ans pour les pièces du moteur de lavage à entraînement direct (pièces uniquement).

Cette garantie limitée prend effet à la date originale d'achat. Elle ne s'applique qu'aux produits achetés et utilisés aux États-Unis. Pour bénéficier de réparations dans le cadre de la présente garantie, l'acheteur doit contacter la société SAMSUNG afin qu'elle détermine l'origine du problème et une procédure de réparation. Les services de garantie peuvent être pris en charge uniquement par un centre de service agréé SAMSUNG. Lors de la remise d'un produit défectueux à SAMSUNG ou à un centre de service agréé SAMSUNG, l'acheteur est tenu de présenter le coupon d'achat d'origine à la demande des intéressés à titre de preuve d'achat. SAMSUNG s'engage à assurer un service de réparation gratuit à domicile pendant la période de garantie. Ce service est soumis à disponibilité sur le territoire des États-Unis. Le service à domicile n'est pas disponible pour toutes les zones.

Pour bénéficier du service à domicile, l'appareil doit être situé dans un emplacement accessible à notre personnel. Si ce service n'est pas disponible, SAMSUNG peut choisir de prendre à sa charge le transport aller/retour du produit vers un centre de service agréé.

Garantie (ÉTATS-UNIS)

La société SAMSUNG prendra en charge, à sa convenance, la réparation, le remplacement ou le remboursement du produit tel que stipulé dans les présentes conditions et procédera au remplacement ou au reconditionnement des pièces ou des produits si ces derniers s'avèrent défectueux dans la limite de la période de garantie mentionnée précédemment. Toutes les pièces et tous les produits remplacés deviennent la propriété de SAMSUNG et doivent être retournés à SAMSUNG. Les pièces de rechange et les produits sont couverts pour la période restante de garantie ou quatre-vingt-dix (90) jours, si la période de garantie est inférieure à 90 jours. La garantie limitée couvre les vices de fabrication relatifs aux matériaux et à la qualité d'exécution survenus dans le cadre d'une utilisation normale et non commerciale du produit et ne s'applique pas aux causes suivantes, comprenant, mais ne se limitant pas à : tout dommage survenant au cours de l'expédition, de la livraison et de l'installation ; toute utilisation de l'appareil contraire au but auquel il était destiné ; tout numéro de produit ou de série effacé ; tout dommage du revêtement extérieur ou de l'aspect du produit ; tout dommage causé par un accident, une utilisation non conforme, une négligence, un incendie ou une inondation, la foudre ou une autre catastrophe naturelle ; toute utilisation de produits, d'équipements, de systèmes, d'appareils, de services, de pièces, de fournitures, d'accessoires, d'applications, d'installations, de réparations, de câblages externes ou de connecteurs non fournis ou autorisés par SAMSUNG et susceptibles d'endommager ledit appareil ou de nuire à son fonctionnement ; toute surtension, fluctuation ou tension de ligne électrique incorrecte ; tout réglage effectué par l'acheteur et tout non-respect des consignes d'utilisation, de maintenance et de respect de l'environnement couvertes ou prescrites dans le présent carnet d'entretien ; tout démontage ou toute réinstallation de l'appareil ; tout problème résultant d'une prolifération d'insectes nuisibles. Cette garantie limitée ne couvre pas les problèmes résultant d'un courant, d'une tension ou d'une alimentation électrique incorrects, ainsi que d'ampoules électriques, de fusibles ou de câblage domestiques inappropriés. Elle ne couvre pas non plus le coût des appels au service d'assistance pour obtenir des instructions ou la réparation des erreurs d'installation. SAMSUNG ne garantit pas que l'appareil sera exempt de tout problème ou qu'il fonctionnera sans interruption.

SAUF EXCEPTION MENTIONNÉE DANS LE PRÉSENT DOCUMENT, SAMSUNG NE FOURNIT AUCUNE GARANTIE EXPRESSE OU IMPLICITE QUANT À CET APPAREIL, Y COMPRIS, MAIS SANS S'Y LIMITER, LES GARANTIES IMPLICITES DE QUALITÉ MARCHANDE, DE CONTREFAÇON OU D'APTITUDE À UN USAGE PARTICULIER.

AUCUNE GARANTIE, QU'ELLE SOIT DONNÉE PAR UN TIERS, UNE ENTREPRISE OU UNE PERSONNE MORALE, NE POURRA ÊTRE CONSIDÉRÉE COMME UN ENGAGEMENT VIS-À-VIS DE SAMSUNG. SAMSUNG NE SERA AUCUNEMENT RESPONSABLE EN CAS DE PERTE DE BÉNÉFICES, DE MANQUE À GAGNER, D'INCAPACITÉ À RÉALISER DES ÉCONOMIES OU TOUT AUTRE AVANTAGE FINANCIER OU D'AUTRES DOMMAGES SPÉCIAUX, ACCESSOIRES OU INDIRECTS RÉSULTANT DE L'UTILISATION OU D'UNE MAUVAISE UTILISATION DE CET APPAREIL OU D'UNE INCAPACITÉ À UTILISER CET APPAREIL, QUELLE QUE SOIT LA BASE JURIDIQUE INVOQUÉE POUR JUSTIFIER L'ASSERTION ET MÊME SI SAMSUNG A ÉTÉ AVISÉ DE L'ÉVENTUALITÉ DE TELS DOMMAGES.

LES INDEMNITÉS FINANCIÈRES EXIGÉES AUPRÈS DE SAMSUNG NE POURRONT EN AUCUN CAS EXCÉDER LE PRIX D'ACHAT DU PRODUIT VENDU PAR SAMSUNG ET À L'ORIGINE DES DOMMAGES INVOQUÉS. SANS LIMITATION AUX DISPOSITIONS SUSDITES, L'ACHETEUR ASSUME TOUS LES RISQUES ET TOUTES LES RESPONSABILITÉS EN CAS DE PERTE, DE DOMMAGES OU DE BLESSURES ÉVENTUELLES INFLIGÉS À L'ACHETEUR ET AUX BIENS DE CELUI-CI ET À TOUTE AUTRE PERSONNE ET AUX BIENS DE CELLE-CI RÉSULTANT DE L'UTILISATION OU DE LA MAUVAISE UTILISATION DE L'APPAREIL OU DE L'INCAPACITÉ À L'UTILISER. CETTE GARANTIE LIMITÉE N'EST VALABLE POUR PERSONNE D'AUTRE QUE L'ACHETEUR INITIAL DU PRODUIT, N'EST PAS TRANSFÉRABLE ET ÉNONCE VOTRE RECOURS EXCLUSIF.

Certains états n'autorisent pas les limitations de durée de garantie implicite, ou l'exclusion ou la limitation des dommages accidentels ou indirects. Dans un tel cas, les limitations ou exclusions spécifiées ci-dessus ne s'appliquent pas. La présente garantie vous octroie des droits spécifiques, ainsi que d'autres variant d'un état à un autre.

Pour bénéficier d'un service d'assistance couvert par votre garantie, contactez SAMSUNG à l'adresse suivante :

Samsung Electronics America, Inc.

85 Challenger Road

Ridgefield Park, NJ 07660

1-800-SAMSUNG (726-7864)

www.samsung.com/us/support

Les visites des techniciens de maintenance destinées à expliquer les fonctions, la maintenance ou l'installation ne sont pas couvertes par la garantie.

Veillez prendre contact avec votre centre d'appels Samsung pour obtenir de l'aide sur l'un de ces problèmes.

Garantie (CANADA)

LAVE-LINGE SAMSUNG

GARANTIE LIMITÉE À L'ACHETEUR INITIAL

Ce produit de la marque SAMSUNG, tel que fourni et distribué par SAMSUNG ELECTRONICS CANADA, INC. (SAMSUNG) et livré neuf, s'accompagne d'une garantie de SAMSUNG contre tout vice de fabrication au niveau des pièces et de la main d'œuvre pendant une période limitée de :

Un (1) an pour les pièces et la main d'œuvre ; Dix (10) ans pour les pièces du moteur de lavage à entraînement direct (pièces uniquement).

Cette limite de garantie s'applique à compter de la date d'acquisition et couvre uniquement les produits achetés et utilisés au Canada. Pour bénéficier de réparations dans le cadre de la présente garantie, l'acheteur doit contacter la société SAMSUNG afin qu'elle détermine l'origine du problème et une procédure de réparation. Les services de garantie peuvent être pris en charge uniquement par un centre de service agréé SAMSUNG. Lors de la remise d'un produit défectueux à SAMSUNG ou à un centre de service agréé SAMSUNG, l'acheteur est tenu de présenter le coupon d'achat d'origine à la demande des intéressés à titre de preuve d'achat. SAMSUNG assurera un service de réparation gratuit à domicile pendant la période de garantie sujet à la disponibilité au Canada. Le service à domicile n'est pas disponible pour toutes les zones.

Pour bénéficier du service à domicile, l'appareil doit être situé dans un emplacement accessible à notre personnel. Si ce service n'est pas disponible, SAMSUNG peut choisir de prendre à sa charge le transport aller/retour du produit vers un centre de service agréé.

La société SAMSUNG prendra en charge, à sa convenance, la réparation, le remplacement ou le remboursement du produit tel que stipulé dans les présentes conditions et procédera au remplacement ou au reconditionnement des pièces ou des produits si ces derniers s'avèrent défectueux dans la limite de la période de garantie mentionnée précédemment. Toutes les pièces et tous les produits remplacés deviennent la propriété de SAMSUNG et doivent être retournés à SAMSUNG. Les pièces de rechange et les produits sont couverts pour la période restante de garantie ou quatre-vingt-dix (90) jours, si la période de garantie est inférieure à 90 jours. La garantie limitée couvre les vices de fabrication relatifs aux matériaux et à la qualité d'exécution survenus dans le cadre d'une utilisation normale et non commerciale du produit et ne s'applique pas aux causes suivantes, comprenant, mais ne se limitant pas à : tout dommage survenant au cours de l'expédition, de la livraison et de l'installation ; toute utilisation de l'appareil contraire au but auquel il était destiné ; tout numéro de produit ou de série effacé ; tout dommage du revêtement extérieur ou de l'aspect du produit ; tout dommage causé par un accident, une utilisation non conforme, une négligence, un incendie ou une inondation, la foudre ou une autre catastrophe naturelle ; toute utilisation de produits, d'équipements, de systèmes, d'appareils, de services, de pièces, de fournitures, d'accessoires, d'applications, d'installations, de réparations, de câblages externes ou de connecteurs non fournis ou autorisés par SAMSUNG et susceptibles d'endommager ledit appareil ou de nuire à son fonctionnement ; toute surtension, fluctuation ou tension de ligne électrique incorrecte ; tout réglage effectué par l'acheteur et tout non-respect des consignes d'utilisation, de maintenance et de respect de l'environnement couvertes ou prescrites dans le présent carnet d'entretien ; tout démontage ou toute réinstallation de l'appareil ; tout problème résultant d'une prolifération d'insectes nuisibles. Cette garantie limitée ne couvre pas les problèmes résultant d'un courant, d'une tension ou d'une alimentation électrique incorrects, ainsi que d'ampoules électriques, de fusibles ou de câblage domestiques inappropriés. Elle ne couvre pas non plus le coût des appels au service d'assistance pour obtenir des instructions ou la réparation des erreurs d'installation. SAMSUNG ne garantit pas que l'appareil sera exempt de tout problème ou qu'il fonctionnera sans interruption.

SAUF EXCEPTION MENTIONNÉE DANS LE PRÉSENT DOCUMENT, SAMSUNG NE FOURNIT AUCUNE GARANTIE EXPRESSE OU IMPLICITE QUANT À CET APPAREIL, Y COMPRIS, MAIS SANS S'Y LIMITER, LES GARANTIES IMPLICITES DE QUALITÉ MARCHANDE, DE CONTREFAÇON OU D'APTITUDE À UN USAGE PARTICULIER.

Garantie (CANADA)

AUCUNE GARANTIE, QU'ELLE SOIT DONNÉE PAR UN TIERS, UNE ENTREPRISE OU UNE PERSONNE MORALE, NE POURRA ÊTRE CONSIDÉRÉE COMME UN ENGAGEMENT VIS-À-VIS DE SAMSUNG. SAMSUNG NE SERA AUCUNEMENT RESPONSABLE EN CAS DE PERTE DE BÉNÉFICES, DE MANQUE À GAGNER, D'INCAPACITÉ À RÉALISER DES ÉCONOMIES OU TOUT AUTRE AVANTAGE FINANCIER OU D'AUTRES DOMMAGES SPÉCIAUX, ACCESSOIRES OU INDIRECTS RÉSULTANT DE L'UTILISATION OU D'UNE MAUVAISE UTILISATION DE CET APPAREIL OU D'UNE INCAPACITÉ À UTILISER CET APPAREIL, QUELLE QUE SOIT LA BASE JURIDIQUE INVOQUÉE POUR JUSTIFIER L'ASSERTION ET MÊME SI SAMSUNG A ÉTÉ AVISÉ DE L'ÉVENTUALITÉ DE TELS DOMMAGES.

LES INDEMNITÉS FINANCIÈRES EXIGÉES AUPRÈS DE SAMSUNG NE POURRONT EN AUCUN CAS EXCÉDER LE PRIX D'ACHAT DU PRODUIT VENDU PAR SAMSUNG ET À L'ORIGINE DES DOMMAGES INVOQUÉS. SANS LIMITATION AUX DISPOSITIONS SUSDITES, L'ACHETEUR ASSUME TOUS LES RISQUES ET TOUTES LES RESPONSABILITÉS EN CAS DE PERTE, DE DOMMAGES OU DE BLESSURES ÉVENTUELLES INFLIGÉS À L'ACHETEUR ET AUX BIENS DE CELUI-CI ET À TOUTE AUTRE PERSONNE ET AUX BIENS DE CELLE-CI RÉSULTANT DE L'UTILISATION OU DE LA MAUVAISE UTILISATION DE L'APPAREIL OU DE L'INCAPACITÉ À L'UTILISER. CETTE GARANTIE LIMITÉE N'EST VALABLE POUR PERSONNE D'AUTRE QUE L'ACHETEUR INITIAL DU PRODUIT, N'EST PAS TRANSFÉRABLE ET ÉNONCE VOTRE RECOURS EXCLUSIF.

Certaines provinces n'autorisent pas de limitations quant à la durée des garanties implicites ni l'exclusion ou la limitation de dommages accessoires ou indirects ; il se peut par conséquent que les limitations et exclusions énoncées ci-dessus ne s'appliquent pas à votre cas.

La présente garantie vous octroie des droits spécifiques, ainsi que d'autres variant d'une province à une autre.

Pour bénéficier d'un service d'assistance couvert par votre garantie, contactez SAMSUNG à l'adresse suivante :

Samsung Electronics Canada Inc.
2050 Derry Road West,
Mississauga, Ontario L5N 0B9 Canada
1-800-SAMSUNG (726-7864)
www.samsung.com/ca/support (English)
www.samsung.com/ca_fr/support (French)
FAX : 1-866-436-4617

Les visites des techniciens de maintenance destinées à expliquer les fonctions, la maintenance ou l'installation ne sont pas couvertes par la garantie.
Veuillez prendre contact avec votre centre d'appels Samsung pour obtenir de l'aide sur l'un de ces problèmes.

Mémo

Mémo

Mémo



Scan the QR code* or visit
www.samsung.com/spsn
 to view our helpful
 How-to Videos and Live Shows

*Requires reader to be installed on your smartphone

Scan this with your smartphone

DES QUESTIONS OU DES COMMENTAIRES ?

PAYS	APPELEZ LE	OU RENDEZ-VOUS SUR LE SITE
U.S.A - Consumer Electronics - Mobile Phones	1-800-SAMSUNG (726-7864) 1-844-SAM-PAYS (726-7297)	www.samsung.com/us/support
CANADA	1-800-SAMSUNG(726-7864) 1-844-SAM-PAYS (726-7297)	www.samsung.com/ca/support (English) www.samsung.com/ca_fr/support (French)



DC68-03768A-04



FlexWash™

Manual del usuario

WV60M9900A*

SAMSUNG

Contenido

Información sobre seguridad	4
Lo que necesita saber sobre las instrucciones de seguridad	4
Símbolos de seguridad importantes	4
Precauciones de seguridad importantes	5
Advertencias fundamentales para la instalación	6
Precauciones para la instalación	8
Advertencias fundamentales para el uso	8
Precauciones de uso	10
Advertencias fundamentales para la limpieza	14
Aviso regulatorio	15
Instalación	18
Desempaque de la lavadora	18
Componentes	19
Requisitos de instalación	21
Instalación paso a paso	25
Antes de comenzar	35
Configuración inicial	35
Pautas de lavado	35
Guía sobre los agentes de limpieza	38
Funcionamiento	43
Lavadora superior	43
Lavadora inferior	45
Sencillos pasos para comenzar	50
Samsung Smart Home	51
Funciones especiales	53
Mantenimiento	56
Consideraciones generales	56
Lavadora superior	59
Lavadora inferior	61

Solución de problemas	67
Verificaciones	67
Samsung Smart Home	72
Códigos de información	73
Especificaciones	77
Tabla de indicaciones sobre telas	77
Protección del medio ambiente	78
Declaración de conformidad	78
Hoja de especificaciones	79
Tabla de ciclos	80

Información sobre seguridad

Felicidades por la compra de la nueva lavadora Samsung. Este manual contiene información importante acerca de la instalación, el uso y el cuidado del electrodoméstico. Lea detenidamente estas instrucciones a fin de aprovechar al máximo los múltiples beneficios y funciones de la lavadora.

Lo que necesita saber sobre las instrucciones de seguridad

Lea este manual detenidamente para aprender a utilizar con seguridad y eficacia todas las características y funciones de su nuevo electrodoméstico. Conserve el manual en un lugar seguro cerca del electrodoméstico para consultas futuras. Utilice este electrodoméstico solo para el propósito para el que fue destinado como se describe en este manual.

Las advertencias y las instrucciones de seguridad importantes de este manual no cubren todas las posibles condiciones y situaciones que pueden ocurrir. Es su responsabilidad actuar con sentido común, precaución y cuidado cuando instale, realice el mantenimiento y ponga en funcionamiento la lavadora.

Puesto que las siguientes instrucciones de funcionamiento sirven para varios modelos, las características de su lavadora pueden diferir ligeramente de las que se describen en este manual y es posible que no todos los signos de advertencia sean aplicables. Si tiene alguna consulta o duda, comuníquese con el centro de servicio más cercano o busque ayuda e información en línea en www.samsung.com.

Símbolos de seguridad importantes

Los iconos y las señales incluidas en este manual del usuario significan lo siguiente:

ADVERTENCIA

Peligros o prácticas inseguras que podrían causar lesiones físicas graves o la muerte y/o daños materiales.

PRECAUCIÓN

Peligros o prácticas inseguras que podrían causar lesiones físicas y/o daños materiales.

NOTA

Indica que existe el riesgo de lesiones físicas o daños materiales.

Estas señales de advertencia tienen por objeto evitar que usted u otras personas sufran lesiones. Siga las instrucciones completamente.

Después de leer este manual, guárdelo en un lugar seguro para consultas futuras.

Lea todas las instrucciones antes de usar el electrodoméstico.

CONSERVE ESTAS INSTRUCCIONES

Al igual que con cualquier equipo que usa electricidad y piezas movibles, existen riesgos potenciales. Para usar este electrodoméstico en forma segura, familiarícese con su funcionamiento y manéjelo con cuidado cuando lo use.

Precauciones de seguridad importantes

ADVERTENCIA

Para reducir el riesgo de incendio, descarga eléctrica o lesiones físicas cuando usa este electrodoméstico, siga las instrucciones de seguridad básicas que figuran a continuación:

1. Lea todas las instrucciones antes de usar el electrodoméstico.
2. No lave ni seque prendas que se han limpiado, lavado, remojado o salpicado previamente con gasolina, solventes de limpieza en seco u otras sustancias inflamables o explosivas, ya que emiten vapores que pueden encenderse o explotar.
3. No permita que los niños jueguen sobre el electrodoméstico ni dentro de él. Se requiere de supervisión cuando el electrodoméstico es utilizado cerca de los niños.
4. Antes de descartar el electrodoméstico o de trasladarlo para que se le efectúe el servicio técnico, retire la puerta del compartimiento de la lavadora o la secadora.
5. No introduzca la mano en el electrodoméstico si la tina está en movimiento.
6. No instale ni almacene este electrodoméstico donde quede expuesto a los factores climáticos.
7. No modifique los controles.
8. No repare, reemplace ni intente realizar el mantenimiento de ninguna pieza del electrodoméstico salvo que esté recomendado específicamente en las instrucciones de mantenimiento del usuario o en las instrucciones de reparación para el usuario publicadas y que, a su juicio, usted tenga la habilidad para llevarlas a cabo.
9. No agregue gasolina, solventes de limpieza en seco u otras sustancias inflamables o explosivas al agua del lavado. Estas sustancias emiten vapores que pueden encenderse o explotar.
10. En ciertas circunstancias, puede producirse gas hidrógeno en un sistema de agua caliente que no se ha usado durante 2 semanas o más. EL GAS HIDRÓGENO ES EXPLOSIVO. Si el sistema de agua caliente no fue utilizado durante dicho período, antes de usar la lavadora o la lavadora y la secadora combinadas, abra las llaves del agua caliente y deje correr el agua por varios minutos. De esta manera, se eliminará el gas hidrógeno acumulado. Dado que el gas es inflamable, no fume ni use una llama abierta en ese momento.

CONSERVE ESTAS INSTRUCCIONES

Información sobre seguridad

Advertencias fundamentales para la instalación

Advertencia sobre la State of California Proposition 65 (solo EE.UU.)

Este producto contiene productos químicos reconocidos en el estado de California como capaces de provocar cáncer y defectos de nacimiento u otras afecciones reproductivas.

La instalación de este electrodoméstico la debe efectuar un técnico calificado o una empresa de servicios.

- De lo contrario, se puede provocar una descarga eléctrica, un incendio, una explosión, problemas con el producto o lesiones.

El electrodoméstico es pesado, tenga cuidado cuando lo levante.

Enchufe el cable de alimentación a un tomacorriente de pared que cumpla las especificaciones eléctricas locales. Utilice el tomacorriente solo con este electrodoméstico y no use un cable prolongador.

- Compartir el tomacorriente de pared con otros electrodomésticos, utilizando un multicontacto o prolongando el cable de alimentación, puede provocar una descarga eléctrica o un incendio.
- Asegúrese de que el voltaje, la frecuencia y la corriente suministradas a la lavadora coincidan con las indicadas en las especificaciones del producto. De lo contrario, se puede provocar una descarga eléctrica o un incendio. Enchufe el cable de alimentación firmemente en el tomacorriente de pared.

Este electrodoméstico debe ser instalado por un técnico calificado o una empresa de servicios.

- De lo contrario, se puede provocar una descarga eléctrica, un incendio, una explosión, problemas con el producto o lesiones.

Retire regularmente todas las sustancias extrañas, como polvo o agua, de los terminales y los puntos de contacto de la alimentación con un paño seco.

- Desenchufe el cable de alimentación y límpielo con un paño seco.
- De lo contrario, se puede provocar una descarga eléctrica o un incendio.

Enchufe el cable de alimentación en un tomacorriente de pared de manera que el cable baje hacia el piso.

- Si enchufa el cable de alimentación en el tomacorriente en la dirección opuesta, los cables eléctricos del interior del cable pueden dañarse y provocar una descarga eléctrica o un incendio.

Mantenga los materiales de empaque fuera del alcance de los niños, ya que son peligrosos para ellos.

- Si un niño mete la cabeza en una bolsa de plástico, se puede asfixiar.

CONSERVE ESTAS INSTRUCCIONES

Si el electrodoméstico, el enchufe o el cable de alimentación están dañados, comuníquese con el centro de servicio Samsung más cercano.

Este electrodoméstico debe conectarse a tierra correctamente.

La toma de tierra no se debe conectar a una conducción de gas, una cañería de agua de plástico ni a la línea telefónica.

- Puede provocar una descarga eléctrica, un incendio, una explosión o problemas con el producto.
- Nunca enchufe el cable de alimentación en un tomacorriente que no esté conectado a tierra correctamente. Asegúrese de que el tomacorriente guarde conformidad con las normativas locales y nacionales.

No instale este electrodoméstico cerca de un calefactor o de materiales inflamables.

No instale este electrodoméstico en un lugar húmedo, grasiento o cubierto de polvo, ni lo exponga a la luz directa del sol o al agua (gotas de lluvia).

No instale este electrodoméstico en un lugar donde se registren bajas temperaturas.

- El hielo puede reventar los tubos.

No instale este electrodoméstico en un lugar donde pueda haber fugas de gas.

- Se podría provocar una descarga eléctrica o un incendio.

No utilice transformadores eléctricos para alimentar la lavadora

- Se podría provocar una descarga eléctrica o un incendio.

No utilice un cable de alimentación o un enchufe dañado ni un tomacorriente de pared que esté flojo.

- Se podría provocar una descarga eléctrica o un incendio.

No jale el cable de alimentación ni lo doble excesivamente.

No tuerza ni ate el cable de alimentación.

No cuelgue el cable de alimentación de un objeto metálico, no coloque objetos pesados sobre él, no inserte el cable de alimentación entre objetos ni lo empuje en un espacio detrás del electrodoméstico.

- Se podría provocar una descarga eléctrica o un incendio.

No jale el cable de alimentación para desenchufarlo.

- Para desenchufar el cable de alimentación, jálelo sujetándolo por el enchufe.
- De lo contrario, se puede provocar una descarga eléctrica o un incendio.

El electrodoméstico debe colocarse en una posición en la que el tomacorriente, las llaves de suministro de agua y los tubos de drenaje sean accesibles.

CONSERVE ESTAS INSTRUCCIONES

Información sobre seguridad

Precauciones para la instalación

PRECAUCIÓN

Este electrodoméstico debe estar ubicado de manera tal que se pueda acceder fácilmente al enchufe.

- De lo contrario, se puede provocar un incendio o una descarga debido a las fugas eléctricas.

Instale el electrodoméstico sobre una superficie sólida y nivelada que pueda soportar su peso.

- Si no lo hace pueden producirse vibraciones anormales, movimientos, ruidos o problemas con el producto.

Advertencias fundamentales para el uso

ADVERTENCIA

Si el electrodoméstico se inunda, corte inmediatamente el suministro de agua y la alimentación y comuníquese con el centro de servicio Samsung más cercano.

- No toque el enchufe con las manos mojadas.
- Se puede provocar una descarga eléctrica.

Si el electrodoméstico genera ruidos extraños, olor a quemado o humo, desconéctelo de inmediato y llame al centro de servicio Samsung más cercano.

- De lo contrario, se puede provocar una descarga eléctrica o un incendio.

En caso de fugas de gas (como propano, LP, etc.), ventile inmediatamente el lugar sin tocar el enchufe. No toque el electrodoméstico ni el cable de alimentación.

- No utilice un ventilador. No encienda ninguna luz.
- Una chispa puede provocar un incendio o una explosión.

No permita que los niños jueguen sobre la lavadora o dentro de ella. Además, cuando se deshaga del electrodoméstico, quite el cierre de la puerta de la lavadora.

- Los niños pueden asfixiarse y morir si quedan atrapados dentro del producto.

Asegúrese de quitar el empaque (goma espuma, poliestireno) del fondo de la lavadora antes de utilizarla.

No utilice la lavadora para lavar prendas contaminadas con gasolina, queroseno, benceno, disolventes de pinturas, alcohol u otras sustancias inflamables o explosivas.

- Puede provocar una descarga eléctrica, un incendio o una explosión.

CONSERVE ESTAS INSTRUCCIONES

No abra la puerta de la lavadora por la fuerza mientras esté en funcionamiento (lavado a alta temperatura/secado/centrifugado).

- El agua que salga de la lavadora puede causar quemaduras o convertir el suelo en resbaladizo. Puede provocar lesiones personales.
- Abrir la puerta por la fuerza puede dañar el producto o causar lesiones personales.

No introduzca las manos bajo la lavadora cuando esté en funcionamiento.

- Puede provocar lesiones personales.

No toque el enchufe con las manos mojadas.

- Se podría provocar una descarga eléctrica.

No haga funcionar el electrodoméstico con las manos mojadas.

- Se podría provocar una descarga eléctrica.

No apague el electrodoméstico desenchufándolo mientras esté en funcionamiento.

- Si vuelve a enchufar el electrodoméstico en el tomacorriente puede originar una chispa y causar una descarga eléctrica o un incendio.

No deje que los niños ni las personas discapacitadas utilicen la lavadora sin la supervisión adecuada. No permita que los niños se suban al electrodoméstico.

- Esto puede provocar una descarga eléctrica, quemaduras o lesiones personales.

No introduzca la mano ni objetos de metal bajo la lavadora mientras esté en funcionamiento.

- Puede provocar lesiones personales.

No desenchufe el electrodoméstico jalando el cable de alimentación. Sujete siempre el enchufe firmemente y extráigalo en línea recta.

- Un cable de alimentación dañado puede provocar un cortocircuito, un incendio o una descarga eléctrica.

No trate de reparar, desensamblar ni modificar el electrodoméstico usted mismo.

- No utilice un fusible (de cobre, cable de acero, etc.) que no sea el estándar.
- Si es necesario reparar o volver a instalar el electrodoméstico, comuníquese con el centro de servicio Samsung más cercano.
- De lo contrario, se puede provocar una descarga eléctrica, un incendio, problemas con el producto o lesiones.

Si se afloja la manguera de suministro de agua de la llave del agua y se inunda el electrodoméstico, desenchufe el cable de alimentación.

- De lo contrario, se puede provocar una descarga eléctrica o un incendio.

CONSERVE ESTAS INSTRUCCIONES

Información sobre seguridad

Desenchufe el electrodoméstico si no lo va a utilizar durante un período prolongado o durante una tormenta eléctrica.

- De lo contrario, se puede provocar una descarga eléctrica o un incendio.

Si entra alguna sustancia extraña en el electrodoméstico, desenchufe el cable de alimentación y comuníquese con el centro de servicio Samsung más cercano.

- Se podría provocar una descarga eléctrica o un incendio.

No permita que los niños (ni las mascotas) jueguen encima o dentro de la lavadora. La puerta de la lavadora no se abre con facilidad desde el interior, y los niños podrían lastimarse gravemente si quedaran atrapados adentro.

Precauciones de uso

PRECAUCIÓN

Si la lavadora está contaminada por sustancias extrañas, tales como detergente, tierra, restos de alimentos, etc., desenchufe el cable de alimentación y limpie la lavadora con un paño suave humedecido.

- Si no lo hace se puede producir decoloración, deformación, daños u óxido.

El vidrio frontal (o la tapa) se puede romper con un impacto fuerte. Tenga cuidado cuando utilice la lavadora.

- La rotura del vidrio puede causar lesiones.

Tras una falla del suministro de agua o cuando se vuelve a conectar la manguera de suministro, abra lentamente la llave del agua.

Abra lentamente la llave del agua tras un periodo prolongado de falta de uso.

- La presión del aire de la manguera de suministro o de la conducción de agua puede dañar una pieza o provocar fugas de agua.

Si durante el funcionamiento hay una falla en el drenaje, revise el drenaje.

- Si se utiliza la lavadora inundada por una falla en el drenaje, se puede provocar una descarga eléctrica o un incendio.

Introduzca completamente la ropa en la lavadora para que no pueda quedar atrapada por la puerta.

- Si la ropa queda atrapada por la puerta, puede dañarse la ropa o la lavadora, o puede provocar fugas de agua.

CONSERVE ESTAS INSTRUCCIONES

Cierre el suministro de agua cuando la lavadora no esté en uso.

- Asegúrese de que los conectores de la manguera de suministro de agua estén correctamente ajustados.

Asegúrese de que la arandela de goma y el vidrio de la puerta frontal no estén contaminados por sustancias extrañas (como restos, hilos, cabellos, etc.)

- Si una sustancia extraña queda atrapada en la puerta o si la puerta no está bien cerrada, se puede producir una fuga de agua.

Antes de utilizar el producto, abra la llave del agua y verifique que los conectores de la manguera de suministro estén bien ajustados y que no haya fugas de agua.

- Si los conectores de la manguera de suministro de agua están flojos, puede haber fugas de agua.

El producto adquirido está diseñado exclusivamente para uso doméstico.

El uso del producto con fines comerciales se considera un uso incorrecto del producto. Si se hace un uso comercial del producto, este no quedará cubierto por la garantía estándar que ofrece Samsung y no se podrá atribuir a Samsung ninguna responsabilidad por el mal funcionamiento o los daños resultantes de este uso incorrecto.

No se pare encima del electrodoméstico ni le coloque encima objetos (como ropa, velas o cigarrillos encendidos, platos, productos químicos, objetos metálicos, etc.).

- Se podría provocar una descarga eléctrica, un incendio, problemas con el producto o lesiones.

No rocíe materiales volátiles, como insecticidas, en la superficie del electrodoméstico.

- Además de ser perjudiciales para las personas, también pueden provocar una descarga eléctrica, un incendio o problemas con el producto.

No coloque objetos que generen campos electromagnéticos cerca de la lavadora.

- Puede causar lesiones por un mal funcionamiento.

El agua que se drena durante el lavado a alta temperatura o durante el ciclo de secado está caliente. No toque el agua.

- Puede causar lesiones personales o quemaduras.

CONSERVE ESTAS INSTRUCCIONES

Información sobre seguridad

No lave, centrifugue ni seque asientos, alfombrillas o prendas impermeables (*) a menos que su electrodoméstico tenga un ciclo especial para lavar estos artículos.

Para telas impermeables, utilice solo el ciclo WATERPROOF (PRENDAS IMPERMEABLES). No utilice otros ciclos para las telas impermeables (solo modelos que disponen del ciclo WATERPROOF (PRENDAS IMPERMEABLES)).

(*): Ropa de cama de lana, fundas de lluvia, ropa para pescar, pantalones de esquí, bolsas de dormir, cubiertas de pañales, chándales, cubiertas de bicicletas, motos y automóviles, etc.

- No lave alfombrillas gruesas o espesas aunque lleven la marca de lavado en la etiqueta. Se pueden producir lesiones o dañar la lavadora, las paredes, el suelo o la ropa debido a las vibraciones anormales.
- No lave alfombras ni felpudos con forro de goma. El forro de goma se puede desprender y adherirse a la tina, lo que podría provocar un mal funcionamiento, por ejemplo una falla en el drenaje.

No haga funcionar la lavadora sin el dosificador de detergente.

- Se puede provocar una descarga eléctrica o lesiones debido a fugas de agua.

No toque el interior de la tina durante o inmediatamente después del secado, ya que está caliente.

- Se podría causar quemaduras.

No introduzca las manos en el cajón del detergente.

- Se puede dañar la mano ya que ésta puede quedar atrapada por el dispositivo de introducción del detergente.
- No utilice detergente en polvo en el compartimiento para detergente líquido (únicamente para los modelos aplicables). Retire el compartimiento y coloque el detergente en polvo directamente en el compartimiento de lavado principal.

No introduzca ningún objeto (como zapatos, restos de comida, animales) que no sea ropa en la lavadora.

- Se pueden producir daños en la lavadora o causar lesiones personales o la muerte en el caso de las mascotas debido a las vibraciones anormales.

No presione los botones con objetos afilados, como alfileres, cuchillos, las uñas, etc.

- Se podría provocar una descarga eléctrica o lesiones personales.

No lave ropa contaminada por aceites, cremas o lociones que se utilizan normalmente en los establecimientos para el cuidado de la piel o en las clínicas de masajes.

- Se puede deformar la arandela de goma y provocar fugas de agua.

CONSERVE ESTAS INSTRUCCIONES

No deje objetos de metal, como horquillas o clips, en la tina durante periodos prolongados. No deje blanqueador en la tina durante periodos prolongados.

- Estas dos acciones pueden oxidar la tina.
- Si comienza a aparecer óxido en la superficie de la tina, aplique un agente limpiador (neutro) sobre la superficie y utilice una esponja para limpiarla. Nunca utilice un cepillo de metal.

No utilice detergentes de limpieza en seco directamente ni lave, enjuague ni centrifugue ropa contaminada por detergentes de limpieza en seco.

- Se puede producir una combustión espontánea o un incendio por el calor de la oxidación del aceite.

No utilice agua de los dispositivos de calentamiento o enfriamiento del agua.

- Podría causar problemas en la lavadora.

No utilice jabón natural para lavado a mano en la lavadora.

- Si se endurece y se acumula en el interior de la lavadora, puede causar problemas en el producto, como decoloración, óxido y malos olores.

Coloque medias y brassieres en una red y lávelas junto con otra ropa.

No lave prendas grandes como ropa de cama dentro de una red.

- De no hacerlo se pueden producir lesiones personales por las vibraciones anormales.
- Coloque los artículos más pequeños, como las medias y la lencería, dentro de una red.

No utilice detergente endurecido.

- Si se acumula en el interior de la lavadora, puede provocar fugas de agua.

Asegúrese de que los bolsillos de las prendas que vaya a lavar estén vacíos.

- Los objetos duros o afilados, tales como monedas, clips, clavos, tornillos o piedras pueden causar daños considerables en la lavadora.

No utilice la lavadora para lavar ropa que contenga hebillas o botones grandes u otros objetos de metal pesados.

Clasifique las prendas según la solidez del color y seleccione el ciclo, la temperatura del agua y las funciones adicionales recomendadas.

- De lo contrario, se pueden decolorar o dañar las telas.

Al cerrar la puerta tenga cuidado de no atrapar los dedos de los niños.

- Si no lo hace, se pueden provocar lesiones personales.

CONSERVE ESTAS INSTRUCCIONES

Información sobre seguridad

Advertencias fundamentales para la limpieza

ADVERTENCIA

No limpie el electrodoméstico rociando directamente agua dentro de él.

No utilice un agente limpiador muy ácido.

No utilice benceno, disolventes ni alcohol para limpiar el electrodoméstico.

- Puede provocar decoloración, deformación, daños, incendio o descarga eléctrica.

Antes de la limpieza de la lavadora o las tareas de mantenimiento, desenchúfela del tomacorriente de la pared.

- De lo contrario, se puede provocar una descarga eléctrica o un incendio.

CONSERVE ESTAS INSTRUCCIONES

Aviso regulatorio

Aviso para FCC

PRECAUCIÓN

Todos los cambios y modificaciones que no cuenten con la aprobación expresa de la parte responsable del cumplimiento invalidará la autoridad del usuario para operar el equipo.

Este dispositivo cumple con el Apartado 15 de las Normas de la FCC. El funcionamiento se encuentra sujeto a las siguientes dos condiciones:

1. Este electrodoméstico no puede causar interferencia dañina, y
2. Este electrodoméstico debe aceptar la recepción de cualquier interferencia, incluidas aquellas que puedan causar un funcionamiento indeseado.

Producto disponible en el mercado de Estados Unidos/Canadá, solo puede operarse el canal 1-11. No es posible seleccionar otros canales.

DECLARACIÓN DE LA FCC:

Este equipo ha sido sometido a pruebas y se ha determinado que se encuentra dentro de los límites para los dispositivos digitales clase B, de acuerdo con el apartado 15 de las Normas de la FCC. Dichos límites han sido diseñados para proporcionar una protección razonable contra la interferencia dañina en una instalación residencial.

Este equipo genera, utiliza y puede irradiar energía de frecuencias de radio y, si no se lo instala y utiliza de acuerdo con las instrucciones, puede provocar interferencia dañina a las comunicaciones de radio. Sin embargo, no existe garantía alguna de que no habrá interferencia en una instalación determinada. Si el equipo provoca interferencia dañina a la recepción de radio o televisión, que puede determinarse al encender y apagar el equipo, se sugiere que el usuario trate de corregir la interferencia mediante una o más de las siguientes medidas:

- Reorientar o reubicar la antena receptora.
- Aumentar la distancia entre el equipo y el receptor.
- Conectar el equipo a un tomacorriente que esté en un circuito diferente al de la radio o el televisor.
- Consultar al distribuidor o a un técnico experimentado en radio/TV para obtener ayuda.

DECLARACIÓN DE LA FCC SOBRE LA EXPOSICIÓN A LA RADIACIÓN:

Este equipo cumple con los límites de exposición a la radiación establecidos por la FCC para un entorno no controlado. Este equipo debe instalarse y utilizarse con una distancia mínima de 8 pulgadas (20 cm) entre el radiador y su cuerpo. Este electrodoméstico y su/s antena/s no deben ubicarse ni utilizarse junto con ninguna otra antena o transmisor.

CONSERVE ESTAS INSTRUCCIONES



Aviso regulatorio

Aviso IC

El término "IC" antes del número de certificación de radio significa únicamente que se han cumplido las especificaciones técnicas del Ministerio de Industria del Canadá. El funcionamiento se encuentra sujeto a las siguientes dos condiciones:

1. Este electrodoméstico no puede causar interferencia, y
2. Este electrodoméstico debe aceptar cualquier interferencia, incluidas aquellas que puedan causar un funcionamiento indeseado del dispositivo.

Este aparato digital Clase B cumple con la norma canadiense ICES-003.

Cet appareil numérique de la classe B est conforme à la norme NMB-003 du Canada.

Producto disponible en el mercado de Estados Unidos/Canadá, solo puede operarse el canal 1-11. No es posible seleccionar otros canales.

DECLARACIÓN DE LA IC SOBRE LA EXPOSICIÓN A LA RADIACIÓN:

Este equipo cumple con los límites de exposición a la radiación RSS-102 establecidos por la IC para un entorno no controlado. Este equipo debe instalarse y utilizarse con una distancia mínima de 8 pulgadas (20 cm) entre el radiador y su cuerpo. Este electrodoméstico y su/s antena/s no deben ubicarse ni utilizarse junto con ninguna otra antena o transmisor.



CONSERVE ESTAS INSTRUCCIONES



Aviso de licencia de código abierto

El software incluido en este producto contiene software de código abierto, Puede obtener el correspondiente código fuente completo para un periodo de tres años a partir del último envío de este producto enviando un correo electrónico a <mailto:oss.request@samsung.com>.

Asimismo es posible obtener el correspondiente código fuente completo en un soporte físico como un CD-ROM; se le cobrará una tasa mínima.

La siguiente URL <http://opensource.samsung.com/opensource/SimpleConnectTP/seq/O> lleva a la página de descarga del código fuente disponible y a la información de licencia de código abierto relacionada con este producto. Esta oferta es válida para quienes reciban esta información.



CONSERVE ESTAS INSTRUCCIONES

Instalación

Siga detenidamente estas instrucciones para asegurar una adecuada instalación de la lavadora y evitar accidentes al lavar la ropa.

⚠ **ADVERTENCIA**

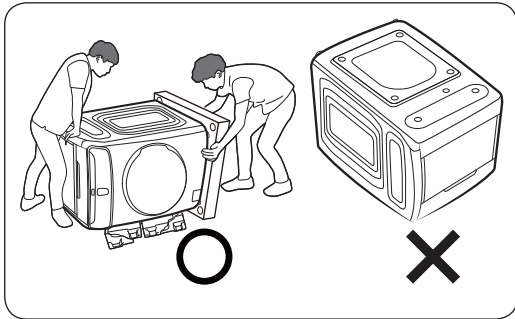
El panel de control, el tambor de centrifugado, el motor, la válvula de entrada y la bomba no están conectados a tierra intencionalmente y pueden presentar un riesgo de descarga eléctrica solo durante el servicio técnico.

Desempaque de la lavadora

Desempaque la lavadora e inspecciónela para controlar que no se hayan producido daños durante el transporte. Asegúrese de haber recibido todos los elementos que se muestran a continuación. Si la lavadora sufrió daños durante el transporte, o si falta algún elemento, comuníquese con el 1-800-SAMSUNG (1-800-726-7864). Para evitar lesiones físicas o distensiones musculares, use guantes protectores cada vez que levante o transporte la unidad.

⚠ **ADVERTENCIA**

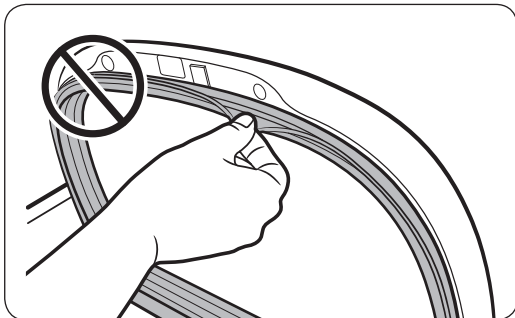
Los materiales de empaque pueden ser peligrosos para los niños. Mantenga todo el material de empaque (bolsas de plástico, poliestireno, etc.) fuera del alcance de los niños.



⚠ **PRECAUCIÓN**

Para desempacar la lavadora se necesita la colaboración de 2 personas. No incline la lavadora hacia adelante al retirar la protección de la parte inferior de los materiales de empaque.

Al acostar la lavadora sobre el piso para retirar la base de cartón, se debe proteger el lateral de la lavadora y apoyarla con cuidado. Nunca apoye la lavadora sobre la parte frontal ni posterior.

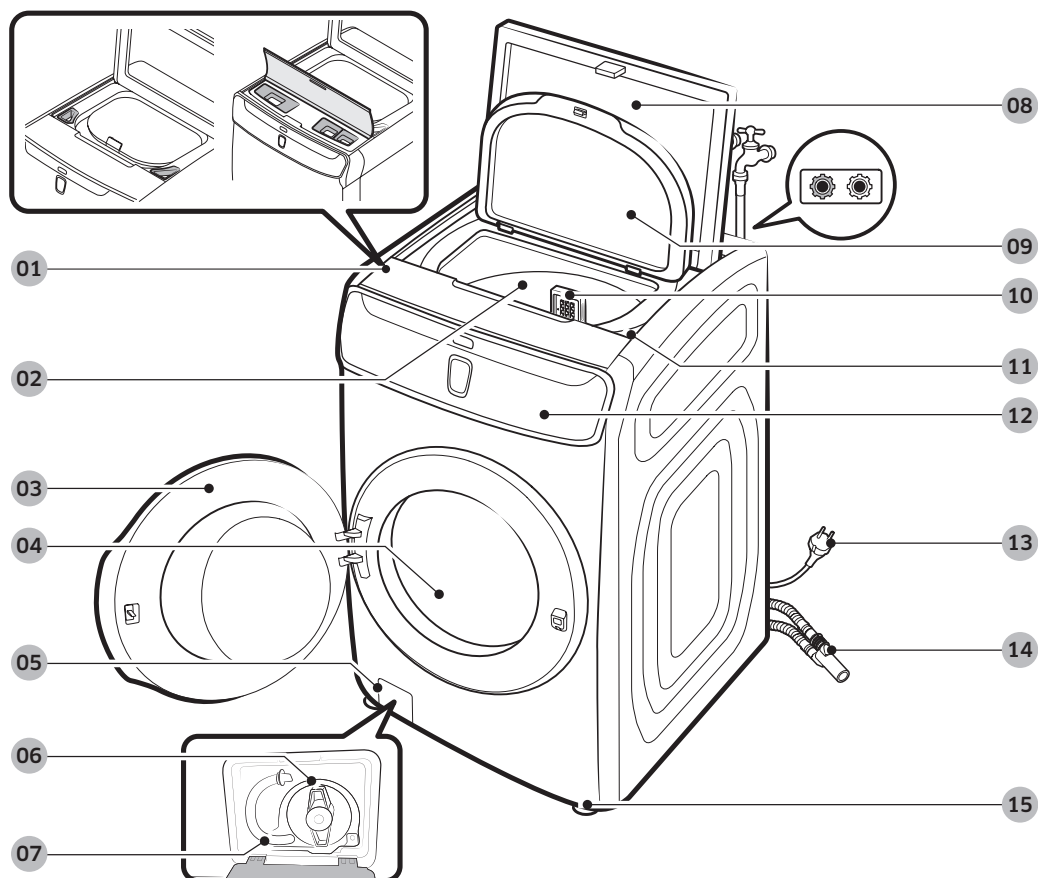


⚠ **PRECAUCIÓN**

No arranque el sellado de la puerta interior. Se puede originar una fuga durante la operación de lavado.

Componentes

Asegúrese de que todos los componentes estén incluidos en el paquete. Si tiene alguna pregunta acerca de la lavadora o las piezas, comuníquese con un centro de atención al cliente de Samsung o con el vendedor.



01 Compartimiento inferior para el detergente

02 Tambor

03 Puerta frontal

04 Tina

05 Cubierta del filtro

06 Filtro de la bomba

07 Tubo de drenaje de emergencia

08 Puerta superior

09 Cubierta protectora (interna)

10 Filtro para pelusas

11 Compartimiento superior para el detergente

12 Panel principal

13 Enchufe

14 Conector de tuberías (Manguera de drenaje superior y manguera de drenaje inferior)

15 Patas niveladoras

Instalación

Accesorios (provistos)



Tapas de los tornillos



Guías de la manguera
(x2)



Correa de sujeción



Aqua Pebble



* Protectores de goma

* Cuando no utilice el pedestal, utilice los protectores de goma en pisos o superficies blandos.

Accesorios (no provistos)

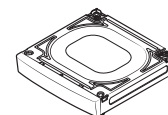
Estos elementos deben adquirirse por separado en un centro de servicio local.



Mangueras de agua
(se venden por separado)



Almohadillas antideslizantes
(se venden por separado)



Pedestal
(solo sistema flex)

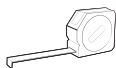
NOTA

- La cantidad de tapas para tornillos (7 a 9) provista depende del modelo.
- El aspecto de la máquina y los accesorios provistos puede diferir dependiendo del modelo.
- Para comprar accesorios o piezas perdidas, comuníquese con un centro de servicio Samsung local o con el vendedor.
- "WE272N*" es un pedestal especial para el sistema flex.

PRECAUCIÓN

- No vuelva a utilizar las mangueras viejas, ya que pueden tener fugas o se pueden reventar y provocar inundaciones o daños materiales.
- Asegúrese de que las arandelas de goma estén insertadas en cada unión de la manguera de agua.

Herramientas necesarias (no provistas)



Cinta de medir



Destornillador Philips



Nivel



Pinzas ajustables

Requisitos de instalación

Suministro eléctrico y conexión a tierra

- Fusible o interruptor de 120 V CA / 60 Hz requerido.
- Utilice un circuito derivado individual. Conecte solo la lavadora al circuito.

ADVERTENCIA

- NO utilice un cable prolongador.
- Utilice únicamente el cable de alimentación que viene con la lavadora.
- NO conecte el cable a tierra a las tuberías de plástico, las tuberías de gas o a las cañerías de agua caliente.
- La conexión no adecuada de los conductores de descarga a tierra puede generar una descarga eléctrica.
- Para asegurar una conexión a tierra adecuada, la lavadora está equipada con un cable de alimentación que cuenta con un enchufe de tres pines con conexión a tierra para utilizar en un tomacorriente con conexión a tierra correctamente instalado. Si tiene dudas sobre la correcta conexión a tierra, consulte con un electricista o un técnico de servicio acreditados.
- No modifique el enchufe provisto. Si no entra en el tomacorriente, solicite a un electricista calificado que instale el tomacorriente apropiado.

- Para evitar el riesgo innecesario de incendio, descarga eléctrica o lesiones físicas, todo el cableado y la conexión a tierra deben realizarse de conformidad con los códigos locales o, en ausencia de ellos, de conformidad con el Código Eléctrico Nacional, ANSI/NFPA Nro. 70, su última revisión (para EE.UU.) o el Código Eléctrico Canadiense CSA C22.1, sus últimas revisiones y los códigos y ordenanzas locales. Es su responsabilidad proveer el servicio eléctrico adecuado para su lavadora.



Instalación

Suministro de agua

Una presión de agua inferior a 20 psi (137 kPa) puede impedir que la válvula de agua se cierre completamente. También puede hacer que la tina demore demasiado en llenarse y se apague la lavadora. Las llaves del agua deben estar a menos de 4 pies (122 cm) de la parte posterior de la lavadora para que puedan llegar las mangueras de entrada provistas. Para reducir el riesgo de fugas:

- Asegúrese de que las llaves del agua se encuentren en un lugar accesible.
- Cierre las llaves cuando la lavadora no esté en uso.
- Revise periódicamente que no haya pérdidas de agua en los accesorios de la manguera de entrada de agua.

PRECAUCIÓN

Antes de utilizar la lavadora por primera vez, controle que todas las conexiones de la válvula y de la llave del agua no presenten pérdidas.

Drenaje

Samsung recomienda un tubo vertical de 18 in. (46 cm) de altura. La manguera de drenaje debe conectarse a la toma de agua a través del gancho, y la toma de agua debe cubrir totalmente la manguera de drenaje.

Piso

Para un mejor desempeño, la lavadora debe estar instalada sobre un piso sólido. Posiblemente los pisos de madera necesiten reforzarse para minimizar la vibración y/o el desequilibrio de la carga. Las superficies alfombradas o con revestimiento sintético no ofrecen una buena resistencia a las vibraciones y pueden causar que la lavadora se desplace levemente durante el ciclo de centrifugado.

PRECAUCIÓN

NO instale la lavadora sobre una plataforma o sobre una estructura con soportes poco resistentes.

Temperatura del agua

No instale la lavadora en áreas donde el agua se congele, dado que la lavadora siempre retiene algo de agua en las válvulas de agua, la bomba y las mangueras. El agua congelada dentro de los conductos puede dañar las correas, la bomba y otros componentes de la lavadora.



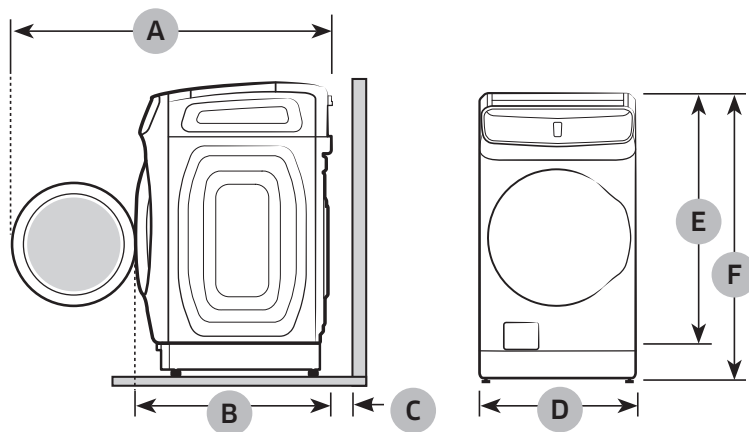
Instalación en un gabinete o en un hueco

Espacio libre mínimo para un funcionamiento estable:

Laterales	1 in. (25 mm)	Posterior	6 in. (152 mm)
Arriba	21 in. (533 mm)	Frente	2 in. (51 mm)

Si se instalan una lavadora y una secadora en la misma ubicación, el frente del gabinete o hueco debe tener una abertura de al menos 72 in² (465 cm²) sin obstrucciones. La lavadora sola no requiere una abertura de aire específica.

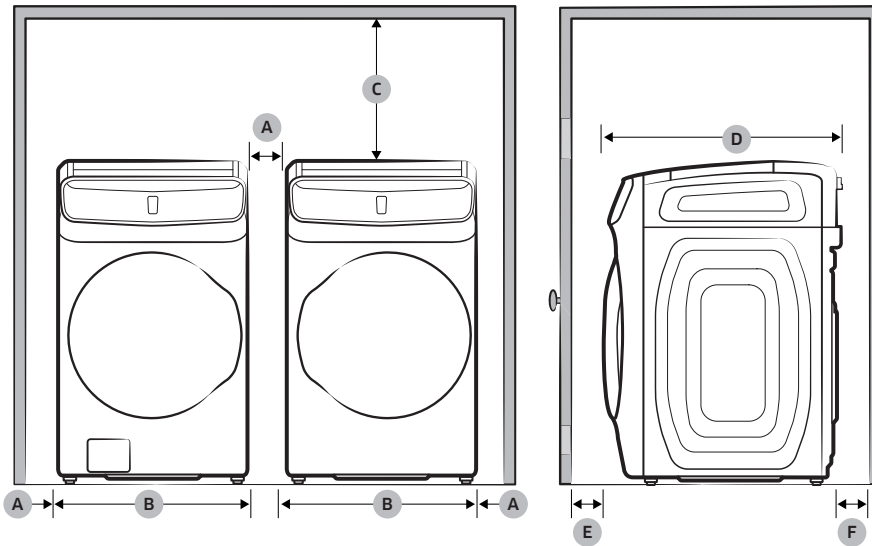
Instalación sobre pedestal



A	54.6 in. (1386 mm)	D	27 in. (686 mm)
B	34 in. (864 mm)	E	46.9 in. (1192 mm)
C	6 in. (152 mm)	F	52.2 in. (1326 mm)

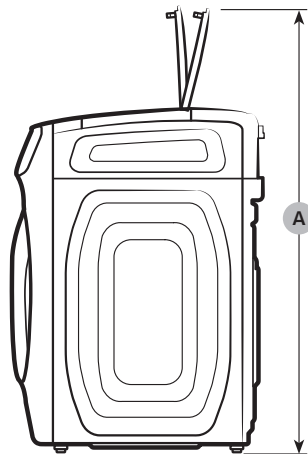
Instalación

Instalación lado a lado



A	1 in. (25 mm)	D	34 in. (864 mm)
B	27 in. (686 mm)	E	2 in. (51 mm)
C	21 in. (533 mm)	F	6 in. (152 mm)

*Espacio libre no aplicable a las lavadoras independientes.



A	61 in. (1550 mm)
---	------------------

Instalación paso a paso

PASO 1 Seleccionar una ubicación

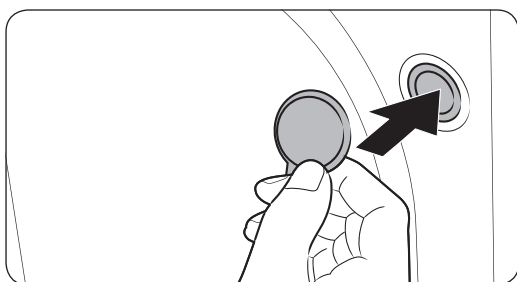
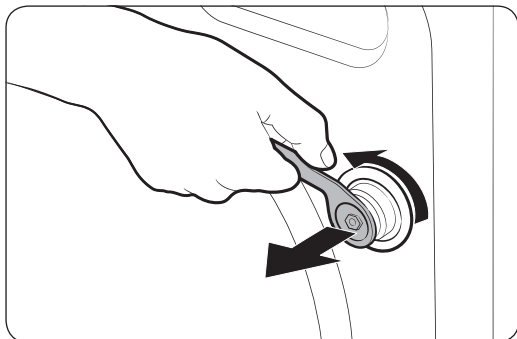
Requisitos de la ubicación:

- Una superficie sólida y nivelada sin alfombras ni revestimientos para pisos que puedan obstruir los orificios de ventilación
- No expuesta a la luz directa del sol
- Espacio suficiente para la ventilación y el cableado
- La temperatura ambiente debe ser siempre superior al punto de congelación (32 °F / 0 °C)
- Alejada de fuentes de calor

PASO 2 Retirar los tornillos de transporte

⚠ ADVERTENCIA

- Los materiales de empaque pueden ser peligrosos para los niños. Deseche todos los materiales de empaque (bolsas de plástico, poliestireno, etc.) lejos del alcance de los niños.
- Para garantizar una instalación adecuada, se deben retirar los 7 tornillos de transporte.



Desempaque el producto y retire todos los tornillos de transporte (x7).

1. Afloje todos los tornillos de transporte de la parte posterior de la máquina con la llave inglesa.

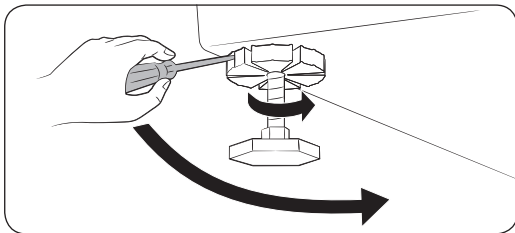
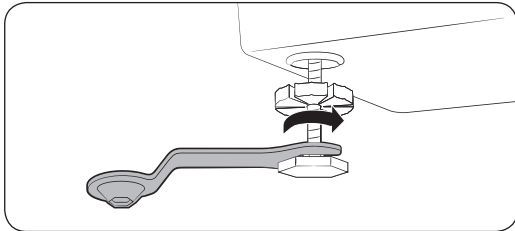
📄 NOTA

Es necesaria una llave ajustable o una llave de boca abierta de 10 mm para retirar los tornillos.

2. Cubra los orificios con las tapas de plástico para tornillos provistas. Conserve los tornillos de transporte en caso de que los necesite en el futuro.

Instalación

PASO 3 Ajustar las patas niveladoras

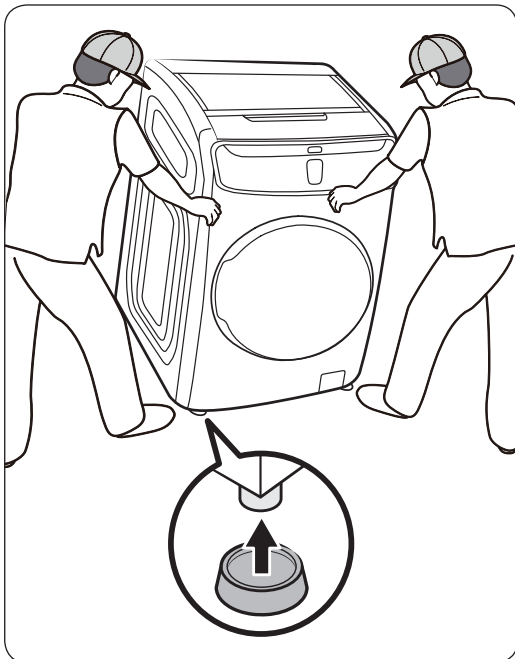


1. Deslice con cuidado la lavadora hasta dejarla en su lugar. Una fuerza excesiva puede dañar las patas niveladoras.
2. Nivele la lavadora ajustando manualmente las patas niveladoras.
3. Luego de nivelar la lavadora, apriete las tuercas con la llave.

NOTA

Se necesita una llave ajustable o una llave de boca abierta de 17 mm para aflojar o ajustar las patas niveladoras.

PASO 4 Colocar los protectores de goma en las patas (solo en pisos o superficies blandos)



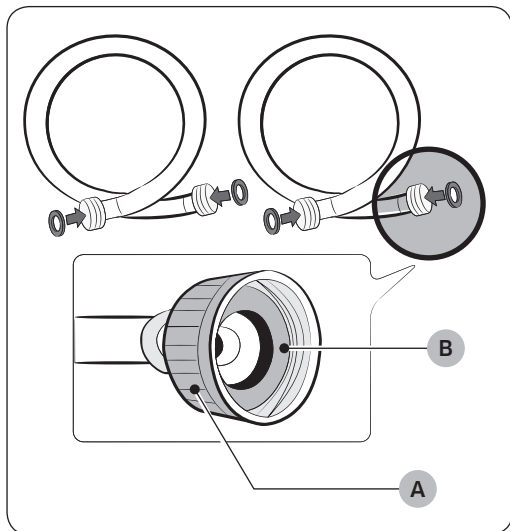
Para proteger los pisos o las superficies blandas, utilice los protectores de goma provistos. No es necesario usar los protectores de goma sobre superficies duras o sobre un pedestal.

1. Dos o más personas deben sujetar ambos lados de la lavadora.
2. Al inclinar la lavadora, coloque los protectores de goma en cada pata, una por una.

PRECAUCIÓN

Asegúrese de contar con la ayuda de dos personas o más al insertar los protectores de goma. De lo contrario, la lavadora podría caerse y provocar lesiones físicas o daños materiales.

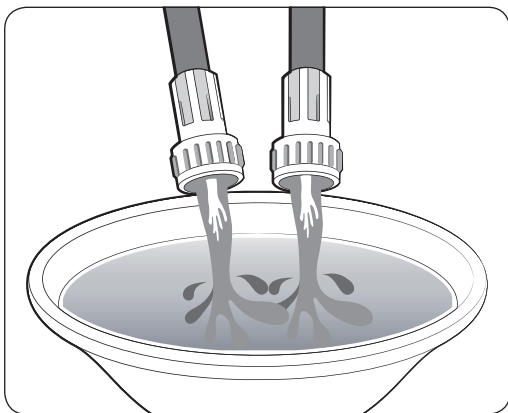
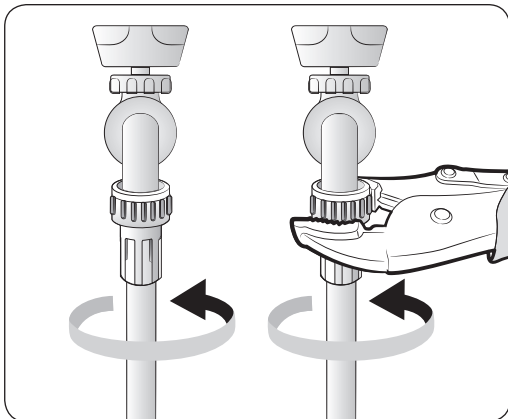
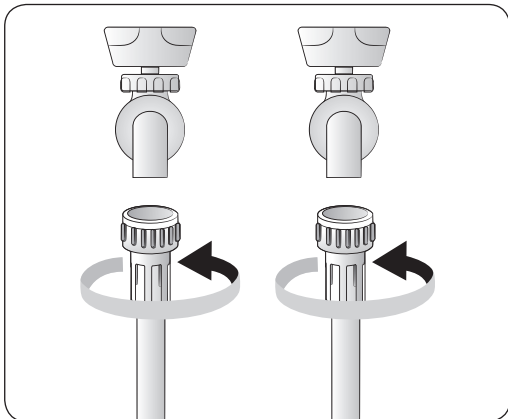
PASO 5 Conectar las mangueras de agua



⚠ PRECAUCIÓN

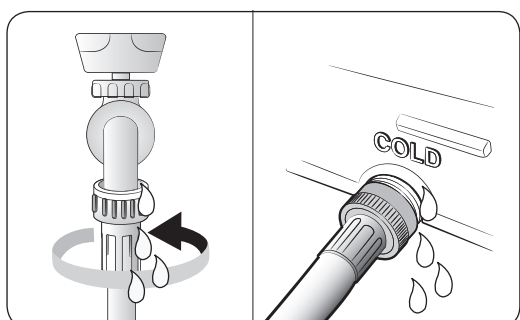
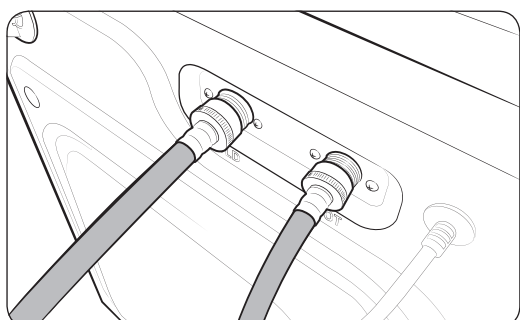
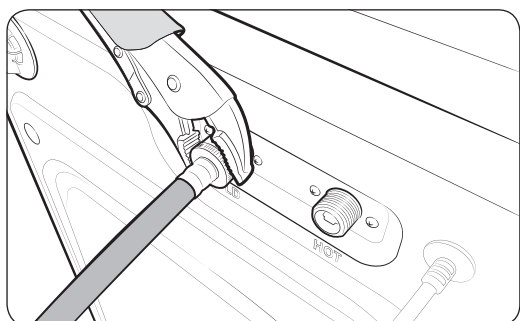
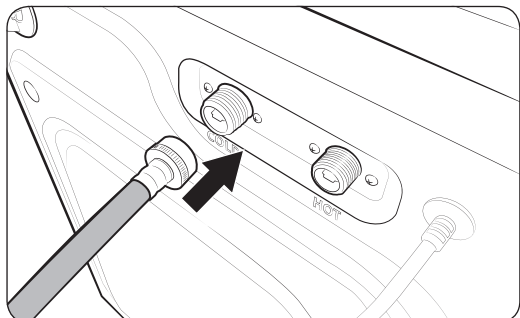
- Asegúrese de usar una manguera de agua nueva, y de que las **juntas de goma (B)** estén dentro de los **acoplamientos (A)** en cada extremo de la manguera. Una manguera de agua sin la junta puede causar una fuga de agua.
- Si hay una fuga de agua, deje de utilizar la lavadora y comuníquese con un centro de servicio local de Samsung. Una fuga de agua puede provocar una descarga eléctrica.
- No estire a la fuerza la manguera de agua. Si la manguera resulta demasiado corta, reemplácela por otra manguera de alta presión más larga.
- Para evitar fugas, asegúrese de que las mangueras de agua no estén dobladas ni enroscadas. Una fuga de agua puede provocar una descarga eléctrica.

Instalación



Para conectar las mangueras de agua a las llaves del agua:

1. Conecte un extremo de cada manguera a la llave del agua Hot (Caliente) o Cold (Fría).
2. Gire los conectores a mano hasta que queden ceñidos y, luego, ajústelos dos tercios adicionales con pinzas. Para prevenir daños, no ajuste demasiado los conectores.
3. Luego, jale hacia arriba y hacia abajo las mangueras de agua para verificar que estén conectadas correctamente.
4. Coloque los otros extremos de las mangueras en una cubeta y abra las llaves del agua durante 10 o 15 segundos para eliminar las impurezas. Cuando haya terminado, cierre las llaves del agua.



5. Conecte los otros extremos de las mangueras de agua a las correspondientes entradas ubicadas en la parte posterior de la lavadora como se especifica. Asegúrese de que la manguera de agua caliente esté conectada a la entrada de agua caliente, y la manguera de agua fría a la entrada de agua fría.
6. Repita el paso 2 anterior con las otras conexiones. Asegúrese de que ambas mangueras de agua estén bien conectadas. Consulte el código de información '4C' para la solución de problemas.
7. Abra las dos llaves y revise si hay una fuga.

⚠ PRECAUCIÓN

Para evitar que las mangueras de agua se enrosquen o se doblen, asegúrese de dejar una distancia mínima de 6 pulgadas (150 mm) entre la lavadora y la pared trasera.

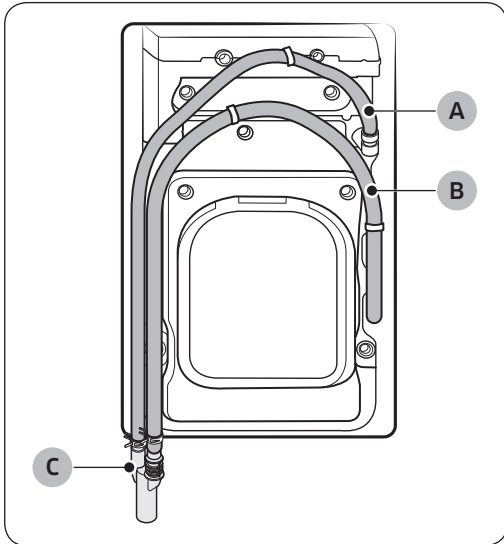
📄 NOTA

Si no desea usar agua caliente, inserte el tapón en la entrada de agua caliente. Debe comprar el tapón de entrada.

Si la entrada de agua caliente está cerrada con el tapón de entrada, debe seleccionar Cold (Fría) para la temperatura del agua. Los demás indicadores se apagan.

Instalación

PASO 6 Colocar el sistema de drenaje



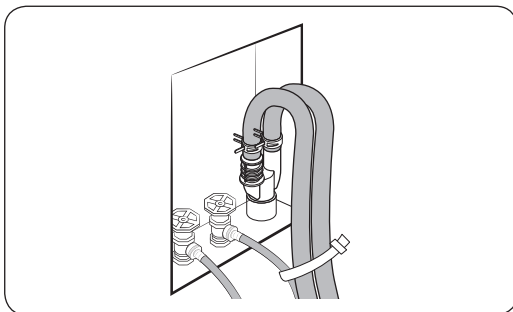
El conector de tuberías está fijado al producto.

NOTA

A: Manguera de drenaje superior

B: Manguera de drenaje inferior

C: Conector de tuberías

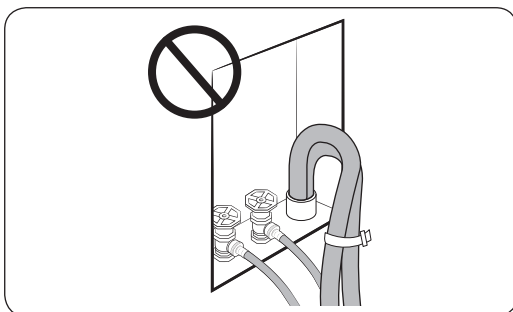


En un sistema de drenaje de una toma de agua de pared

La manguera de drenaje debe colocarse en el sistema de drenaje de una toma de agua de pared.

Después de insertar 2 mangueras de drenaje en el conector de tuberías, use correas de sujeción para atarlas y luego inserte el conector de tuberías en la toma de agua de pared.

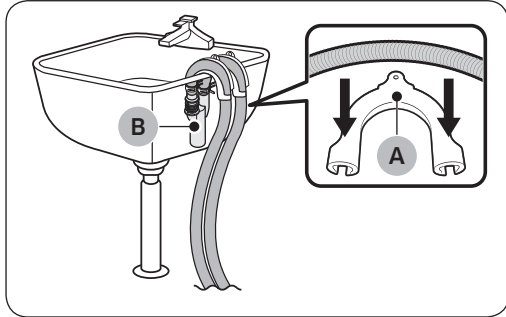
Cuando finalice, utilice las correas de sujeción para atar la manguera de drenaje a la manguera de agua.



⚠ ADVERTENCIA

Asegúrese de usar el conector de tuberías antes de insertar las mangueras de drenaje. Sin el conector de tuberías, la manguera de drenaje no quedará fijada firmemente dentro de la toma de agua de pared y puede causar pérdidas de agua.

El conector de tuberías puede colocarse de las siguientes formas:

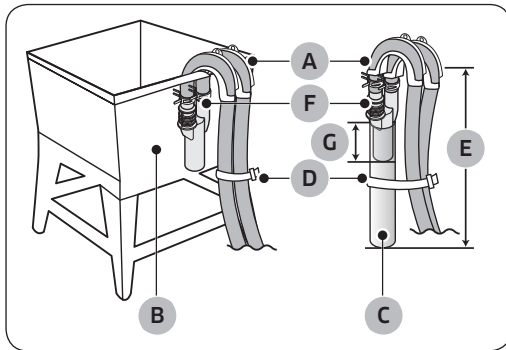


Sobre el borde de un lavamanos

El conector de tuberías (B) debe colocarse a una altura entre 24 in. (60 cm) y 35 in. (90 cm) del piso. Para mantener doblado el extremo de salida de la manguera, utilice la guía de plástico suministrada (A). Fije la guía a la pared con un gancho para asegurar la estabilidad durante el drenaje.

NOTA

B: Conector de tuberías

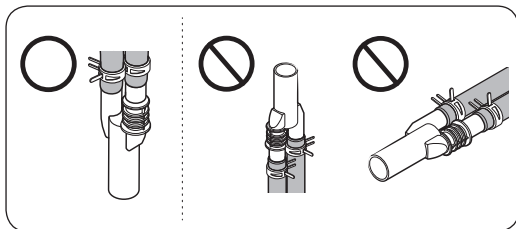


En una toma de agua o un tambor de lavado

El tambor de lavado (B) o el tubo vertical (C) no deben ser más cortos que 18 in. (46 cm) ni más altos o largos que 96 in. (245 cm). Asegúrese de que el conector de tuberías y la toma de agua no sean herméticas. La altura de la toma de agua (E) debe ser de 43 in. (1100 mm) o más desde el piso.

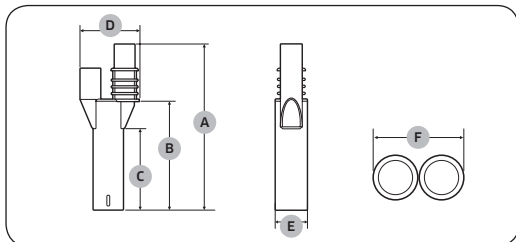
NOTA

A: Guía de la manguera / D: Correas de sujeción / F: Conector de tuberías / G: 85 mm



PRECAUCIÓN

- No prolongue el conector de tuberías (en forma de Y) con una manguera prolongadora.
- Asegúrese de colocar la punta del conector de tuberías en dirección al orificio de drenaje. Colocar la punta del conector en otra dirección puede provocar un reflujó del agua de drenaje.



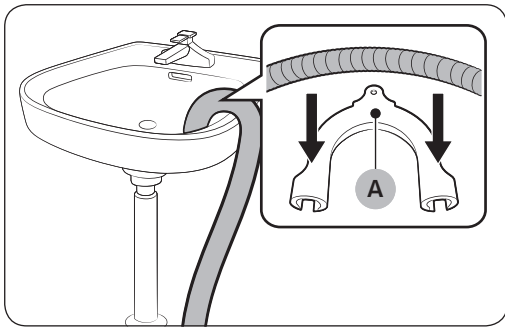
Dimensiones del conector de tuberías

A	172 mm	D	67 mm
B	112.5 mm	E	Ø 35
C	85 mm	F	60 mm

Instalación

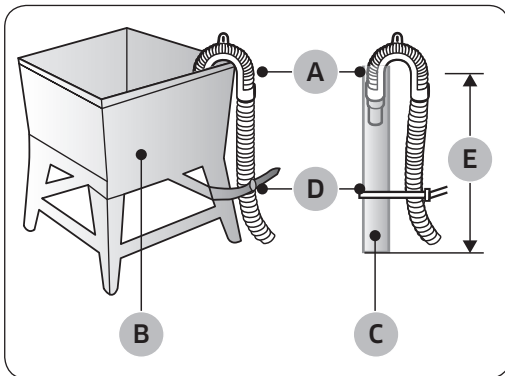
Colocación sin el conector de tuberías

Si no utiliza el conector de tuberías, cada manguera de drenaje puede colocarse de las siguientes formas:



Sobre el borde de un lavamanos

La manguera de drenaje debe colocarse a una altura entre 24 in. (60 cm) y 35 in. (90 cm) del piso. Para mantener doblado el extremo de salida de la manguera, utilice la guía de plástico suministrada (A). Fije la guía a la pared con un gancho para asegurar la estabilidad durante el drenaje.

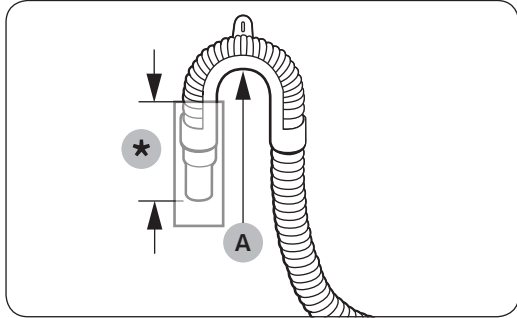


En una toma de agua o un tambor de lavado

El tambor de lavado (B) o el tubo vertical (C) no deben ser más cortos que 18 in. (46 cm) ni más altos o largos que 96 in. (245 cm). Asegúrese de que la manguera de drenaje y la toma de agua no sean herméticas. La altura de la toma de agua (E) debe ser de 43 pulg. (1100 mm) o más desde el piso.

NOTA

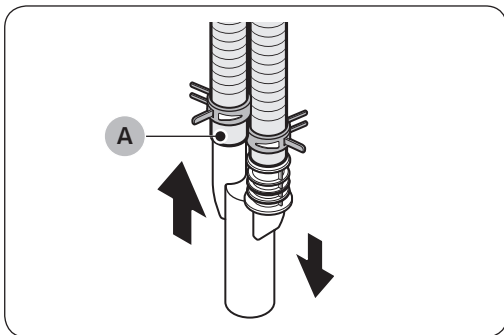
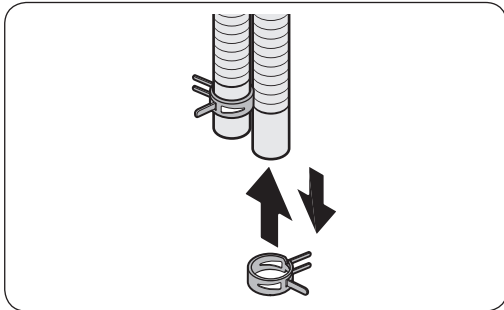
A: Guía de la manguera / D: Correa de sujeción



⚠ PRECAUCIÓN

- Conecte la **guía de la manguera (A)** dentro de las 3-5 in (7.6-12.7 cm)* desde el extremo de la manguera de drenaje. Si la manguera de drenaje se extiende más allá del extremo de la guía de la manguera, puede propagarse moho o microorganismos al interior de la lavadora.
- La manguera de drenaje puede instalarse hasta una altura de 96 in. (245 cm) pero su capacidad de drenaje puede verse reducida a la altura máxima. Si queda agua en el sistema de drenaje puede generar malos olores.
- Si la manguera de drenaje se instala por debajo de una altura de 18 in. (46 cm), el agua puede drenarse durante el proceso por un efecto sifón. Si esto sucede, en la pantalla se muestra el código de información '4C'.

Instalación



NOTA

Colocación con el conector de tuberías

Su lavadora viene con un conector de tuberías que tiene por objeto unir la manguera de drenaje superior y la manguera de drenaje inferior. Puede elegir utilizar el conector para combinar las dos mangueras de drenaje en la misma salida.

1. Inserte una junta de ajuste en el extremo de cada una de las mangueras de drenaje.
 2. Inserte el conector de tuberías en las mangueras de drenaje. Asegúrese de encajar el lado más largo (A) en la manguera de drenaje que sale de la lavadora inferior.
 3. Fije las juntas de ajuste cerca del extremo de cada manguera.
- Para retirar el conector de tuberías, siga los pasos anteriores en orden inverso.

PASO 7 Verificación final y encendido

- Antes de utilizar la lavadora, asegúrese de retirar el agente deshumidificador (gel de sílice) del interior de la lavadora superior.
- No ingiera el agente deshumidificador (gel de sílice).
- Es posible que la cubierta protectora forme humedad en la superficie después de que la lavadora haya revisado si hay una fuga para asegurar el funcionamiento normal. Esto es normal y no significa que haya alguna pieza defectuosa. Abra la cubierta un momento para eliminar la humedad.
- Enchufe el cable de alimentación a un tomacorriente de 120 V CA / 60 Hz aprobado y protegido por un disyuntor o fusible. Luego, presione **POWER (ENCENDER/APAGAR)** para poner en funcionamiento la lavadora.

Antes de comenzar

Configuración inicial

Ejecutar la calibración (recomendado)

La calibración asegura que la lavadora detecte el peso con precisión. Asegúrese de que el tambor o tina esté vacío antes de ejecutar la calibración.

Para calibrar la lavadora superior

1. Presione **POWER (ENCENDER/APAGAR)** en el panel de control de la lavadora superior para encender la lavadora.
2. Mantenga presionados simultáneamente **NORMAL** y **Temp. (Temperatura)** durante 3 segundos.
3. Presione **START/PAUSE (INICIO/PAUSA)** para iniciar la calibración.
 - La puerta permanece bloqueada durante el funcionamiento.
 - El tambor sigue girando hacia la derecha y hacia la izquierda durante varios minutos.

4. Cuando finaliza, la lavadora superior se apaga automáticamente.

Para calibrar la lavadora inferior

1. Presione **POWER (ENCENDER/APAGAR)** en el panel de control de la lavadora inferior para encender la lavadora.
2. Mantenga presionados simultáneamente **Temp. (Temperatura)** y **Delay End (Término Retardado)** en el panel de control de la lavadora inferior durante 3 segundos.
3. Presione **START/PAUSE (INICIO/PAUSA)** en el panel de control de la lavadora inferior para iniciar la calibración.
4. Cuando finaliza, la lavadora inferior se apaga automáticamente.

NOTA

En lugar de girar el tambor, la lavadora inferior gira la tina.

Pautas de lavado

PASO 1 Clasificar

Clasifique las prendas de acuerdo con los siguientes criterios:

- Etiqueta de indicaciones: Clasifique la ropa según su composición: algodón, mezclas, sintética, seda, lana y rayón.
- Color: Separe la ropa blanca de la de color.
- Tamaño: Mezclar prendas de distintos tamaños en la tina o el tambor mejora el desempeño del lavado.

- Sensibilidad: Lave las prendas delicadas por separado. Para las prendas nuevas de lana pura, cortinas y prendas de seda, verifique las etiquetas para conocer las instrucciones de lavado.

NOTA

Antes de iniciar el lavado, lea las etiquetas de cuidado de la ropa y clasifique los artículos en consecuencia.



Antes de comenzar

PASO 2 Vaciar los bolsillos

Vacíe los bolsillos de todas las prendas.

- Los objetos metálicos como monedas, clips y hebillas pueden dañar las otras prendas y la tina o el tambor.

Dé la vuelta a las prendas con botones o bordados

- Si los cierres de los pantalones o las chaquetas están abiertos durante el lavado, la tina o el tambor puede dañarse. Los cierres deben cerrarse y ajustarse con un cordón.
- Las prendas con cordones largos pueden enredarse con otras prendas. Asegúrese de sujetar los cordones antes de comenzar el lavado.

PASO 3 Utilizar una red para ropa

- Los brassieres (lavables con agua) se deben colocar dentro de una red para ropa. Las partes metálicas de los brassieres pueden atravesar la tela y dañar otras prendas.
- Las prendas pequeñas y livianas como las medias, los guantes, las medias de nylon y los pañuelos pueden trabarse en la puerta. Colóquelas dentro de una red para ropa.
- No lave la red sin ropa dentro de ella. Se podrían producir vibraciones anormales que podrían desplazar la lavadora y causar lesiones personales.

PASO 4 Calcular la capacidad de carga

Lavadora inferior

No sobrecargue la lavadora. Si sobrecarga la lavadora, la ropa puede no lavarse correctamente.

NOTA

Cuando se lave ropa de cama o cobertores, el tiempo de lavado se puede alargar o la eficacia del centrifugado puede reducirse. Para ropa de cama o cobertores, el nivel máximo de centrifugado recomendado es "Centrifugado Bajo o Medio" y la capacidad de carga es 3.0 kg o menos.

PRECAUCIÓN

Si la carga está desequilibrada y se muestra el código de información "Ub", redistribuya la carga. Una carga desequilibrada puede disminuir el desempeño del centrifugado.



Lavadora superior

Pautas de lavado

Use la lavadora superior para pequeñas cargas de menos de 3.3 lbs (1.5 kg).

Carga	Shorts	Jeans	Pantalones de algodón	Camisas	Camisetas de manga corta
3.3 lb ↓ (1.5 kg ↓)	4	1	3	4	9
Carga	Camisetas	Ropa deportiva (parte superior)	Ropa deportiva (pantalones)	Toalla de ducha	Toalla (pequeña)
3.3 lb ↓ (1.5 kg ↓)	4	3	3	2	10

NOTE

- Siga las recomendaciones de la carga para un desempeño óptimo de lavado. Las cargas excesivas pueden reducir el rendimiento.
- Utilice la lavadora inferior para prendas con manchas difíciles o muy sucias, o para cargas más voluminosas que las recomendadas.

PASO 5 Agregar el tipo de detergente adecuado

El tipo de detergente adecuado depende del tipo de tejido (algodón, sintético, prendas delicadas, lana), color, temperatura de lavado y grado de suciedad. Use siempre detergente de alta eficacia (HE, por sus siglas en inglés) y “baja espuma”, diseñado para lavadoras automáticas.

NOTA

- Siga las recomendaciones del fabricante del detergente en función del peso de la ropa, el grado de suciedad y la dureza del agua en su zona. Si desconoce la dureza del agua de su zona, comuníquese con las autoridades locales.

- No utilice un detergente que tenga tendencia a endurecerse o solidificarse. Este detergente puede permanecer durante el ciclo de enjuague y bloquear la salida de drenaje.

Utilice solo detergente de alta eficacia (HE).



La lavadora fue diseñada para usar detergentes de alta eficacia (HE, por su sigla en inglés).

- Para obtener un lavado de óptima calidad, use un detergente de alta eficacia, por ejemplo: Tide HE, Wisk HE, Cheer HE o Gain HE*. Los detergentes de alta eficacia contienen supresores que reducen o eliminan la espuma. Cuando se produce menos espuma, la carga se mueve con mayor eficacia y el lavado se maximiza. (* Los nombres de las marcas son marcas comerciales de sus respectivos fabricantes).

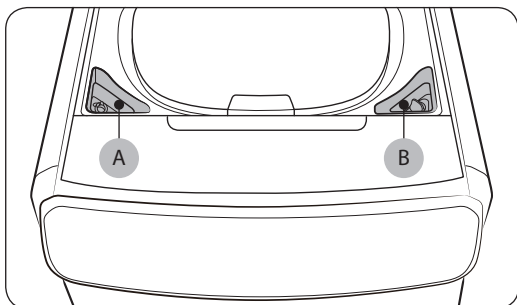
⚠ ADVERTENCIA

No se recomienda un detergente convencional. Utilice solo detergentes de alta eficacia (HE).

Antes de comenzar

Guía sobre los agentes de limpieza

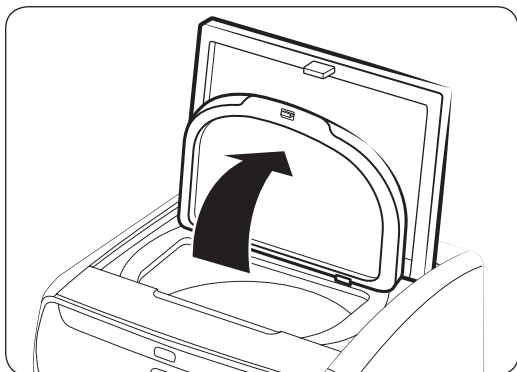
Lavadora superior



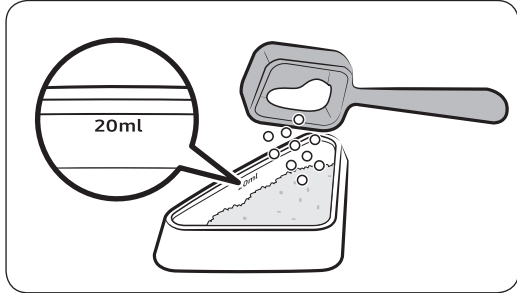
La lavadora superior cuenta con dos compartimientos para detergente: el del lado izquierdo para el blanqueador, y el del lado derecho para el suavizante. Puede colocar el detergente de forma manual en el tambor.

- **Compartimiento para el blanqueador (A):** Agregue el blanqueador sin cloro según las instrucciones del fabricante.
- **Compartimiento para el suavizante (B):** Agregue la cantidad de suavizante que se recomienda en las instrucciones del fabricante.

Para agregar agentes de limpieza a la lavadora superior.



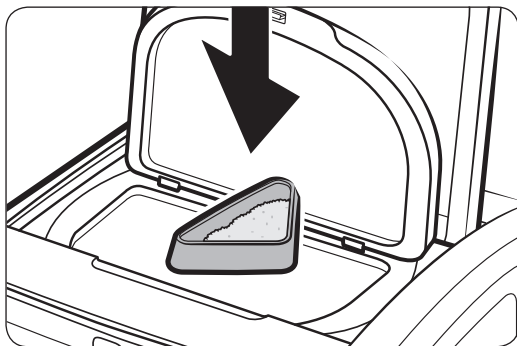
1. Abra la puerta superior y, luego, la cubierta protectora. Retire el Aqua Pebble del compartimiento para el suavizante de telas.



- Coloque la cantidad recomendada de detergente en polvo o líquido en el Aqua Pebble provisto. El Aqua Pebble tiene una línea de guía (con la marca de '20 ml') cerca de la parte superior, que es la línea máxima. No sobrepase esta línea máxima.

⚠ PRECAUCIÓN

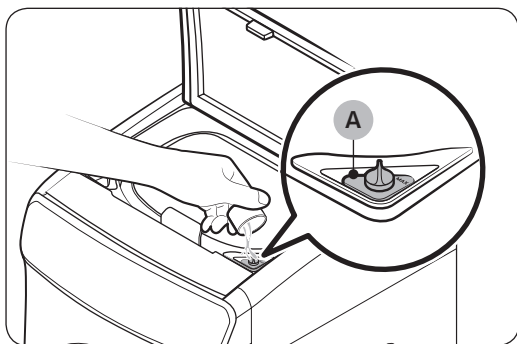
- El detergente agregado a la lavadora superior debe contenerse en el Aqua Pebble provisto.
- Utilice solo detergente de alta eficacia (HE).
- Si agrega detergente en polvo, utilice la taza de detergente provista y aplique solo una taza. Una cantidad excesiva de detergente puede dejar residuos.
- Asegúrese de agregar detergente en polvo de la variedad de grano fino.
- No utilice el Aqua Pebble para el blanqueador y/o el suavizante de telas.



- Inserte el Aqua Pebble alrededor del centro del tambor y luego coloque la ropa sobre el Aqua Pebble.

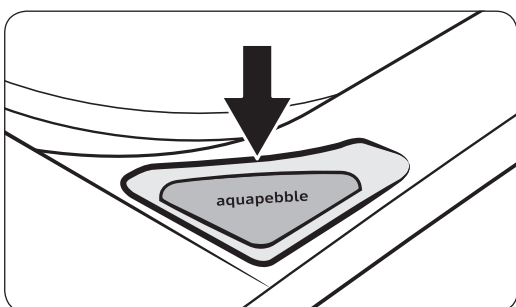
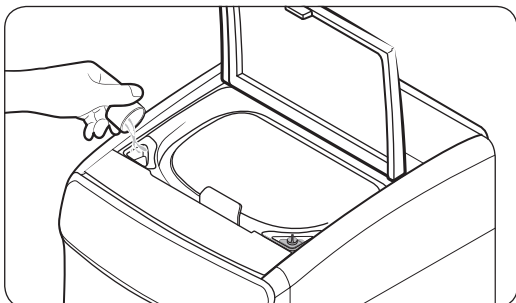
⚠ PRECAUCIÓN

Asegúrese de colocar el Aqua Pebble primero para que quede debajo de la ropa. De lo contrario, el detergente podría no disolverse totalmente y dejar residuos después del lavado.



- Vierta la cantidad recomendada de suavizante en el compartimiento para el suavizante. No sobrepase la línea máxima (A).

Antes de comenzar



5. Vierta la cantidad recomendada de blanqueador sin cloro en el compartimento para el blanqueador. Tenga cuidado de no llenar en exceso el compartimento.
6. Cierre la cubierta protectora y, luego, la puerta superior.

NOTA

Al completar un ciclo, retire el Aqua Pebble y colóquelo sobre el compartimento para el suavizante para un uso posterior (vea la figura). El Aqua Pebble está diseñado para encajar en el compartimento del suavizante después de darle la vuelta.

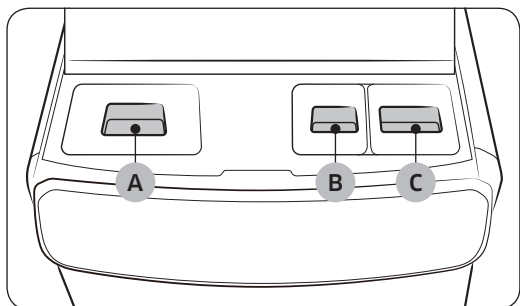
PRECAUCIÓN

- No utilice blanqueador con cloro ya que puede dañar las prendas.
- Tenga cuidado al insertar el Aqua Pebble, ya que se supone que debe quedar equilibrado encima de la ropa al comienzo del lavado. Si el Aqua Pebble se inclina antes del comienzo del lavado, pueden quedar residuos de detergente en la ropa al final del lavado, lo que causaría una decoloración de las prendas y/o una reducción del rendimiento del lavado.
- Antes de cada lavado, asegúrese de limpiar el Aqua Pebble antes de agregar nuevo detergente.
- No inserte el Aqua Pebble dentro de una prenda plegada o entre diferentes prendas.
- No use blanqueador con cloro, ya sea líquido o en polvo.
- No coloque ni almacene agentes de limpieza como detergentes, blanqueadores y suavizantes en la parte superior de la lavadora. Limpie de inmediato cualquier derrame para evitar daños a la lavadora, en especial el acabado o los paneles de control.

NOTA

- Es normal que al final del ciclo quede una pequeña cantidad de agua en los compartimentos para el detergente.
- Al agregar blanqueador para prendas de color, se recomienda utilizar un detergente líquido.
- Al completar el lavado, retire el Aqua Pebble del tambor y límpielo para un uso posterior.

Lavadora inferior



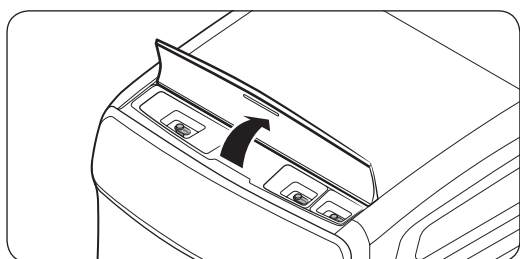
La lavadora inferior cuenta con tres compartimientos para el detergente: el del extremo izquierdo para el lavado principal, el primero a la derecha para el blanqueador y el del extremo derecho para el suavizante.

- **Compartimiento para el lavado principal (A):** Agregue la cantidad recomendada de detergente líquido (o en polvo) en el compartimiento para el lavado principal.
- **Compartimiento para el blanqueador (B):** Agregue el blanqueador con cloro según las instrucciones del fabricante.
- **Compartimiento para suavizante de telas (C):** Vierta la cantidad recomendada de suavizante en el compartimiento para el suavizante.

⚠ PRECAUCIÓN

- No use detergentes en bola o en red.
- No coloque detergente en pastillas o cápsulas en el compartimiento para el detergente. Los detergentes en pastillas o cápsulas deben colocarse directamente en el tambor.
- Para impedir que el compartimiento se obstruya, diluya los productos concentrados o muy densos (suavizantes o detergentes) en agua antes de agregarlos.

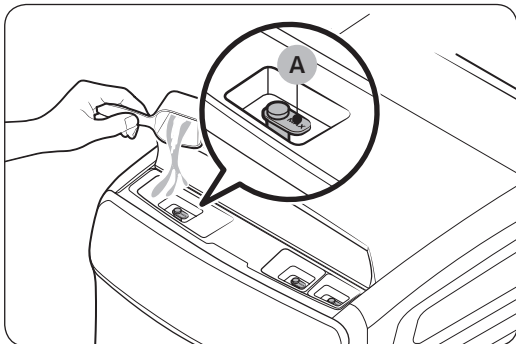
Para agregar agentes de limpieza a la lavadora inferior



1. Abra la cubierta frontal superior.

Antes de comenzar

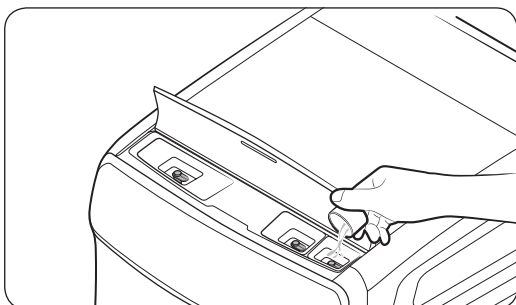
Antes de comenzar



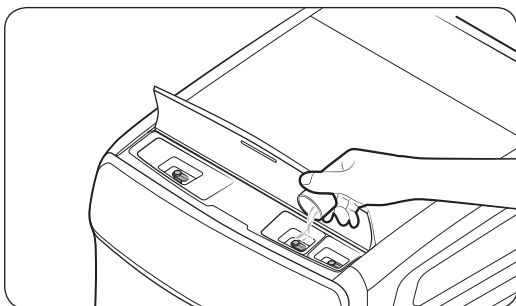
2. Agregue la cantidad recomendada de detergente líquido o en polvo en el compartimiento para el detergente. No sobrepase la línea máxima (A).

NOTA

Antes de aplicar detergente en polvo retire el contenedor para detergente líquido.



3. Vierta la cantidad recomendada de suavizante en el compartimiento para el suavizante. No sobrepase la línea máxima.



4. Si desea agregar blanqueador, aplique la cantidad recomendada de blanqueador con cloro en el compartimiento para el blanqueador. No sobrepase esta línea máxima.
5. Cierre la cubierta frontal superior.

NOTA

- Si utiliza un detergente de alta eficiencia (HE), agregue $\frac{2}{3}$ de la cantidad recomendada en el compartimiento de lavado principal.
- Los potenciadores de lavado pueden aumentar el rendimiento del lavado. Asegúrese de agregar el potenciador de lavado después de colocar las prendas en la tina.
- Para usar tanto detergente en polvo como potenciador de lavado, resulta más efectivo colocarlos juntos en la tina antes de cargar las prendas.

Funcionamiento

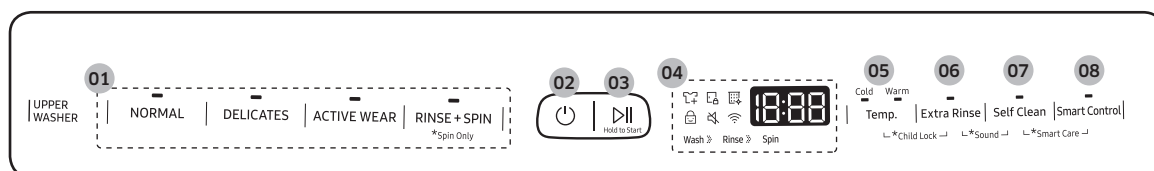
La lavadora de carga doble cuenta con tambores para lavado superior e inferior para su comodidad. La lavadora superior es un tambor de carga automática diseñado para lavar cargas relativamente pequeñas, mientras que la lavadora inferior es una tina para cargas normales o relativamente pesadas. El panel principal está dividido en 2 paneles de control independientes.

⚠️ ADVERTENCIA

Para reducir el riesgo de incendios, descargas eléctricas o lesiones personales, lea las INSTRUCCIONES DE SEGURIDAD IMPORTANTES antes de poner en funcionamiento la lavadora.

Lavadora superior

Panel de control



01 Barra de ciclos	Presione para seleccionar un ciclo.
02 ENCENDER/APAGAR	Presione para encender o apagar la lavadora.
03 INICIO/PAUSA (Hold to Start (Presione para iniciar))	Mantenga presionado para iniciar el funcionamiento, o presione para detenerlo temporalmente.
04 Barra de estado	La barra de estado muestra la información y el tiempo restante del ciclo que se está ejecutando, o un código de información si la lavadora superior necesita revisión.
05 Temp. (Temperatura)	Presione para alternar entre dos opciones de temperatura de agua diferentes. <ul style="list-style-type: none"> Warm (Tibia): Prendas que no destiñen. Cold (Fría): Prendas de colores vivos, ligeramente sucias.
06 Extra Rinse (Enjuague extra)	Se usa para agregar un enjuague adicional al final del ciclo para remover los aditivos del lavado con mayor eficacia.
07 Self Clean (Autolimpieza)	Se usa para limpiar suciedad y bacterias del tambor. Se recomienda el uso regular (después de 20 lavados). No es necesario usar detergente ni blanqueador. Asegúrese de que el tambor esté vacío.
08 Smart Control	Después de conectar la lavadora superior a la red doméstica mediante la aplicación Samsung Smart Home, puede controlar la lavadora de forma remota. El indicador de Smart Control parpadea y la puerta superior se cierra. La lavadora entra en modo de espera para los comandos remotos. Para obtener más información, visite la página de Samsung Smart Home.

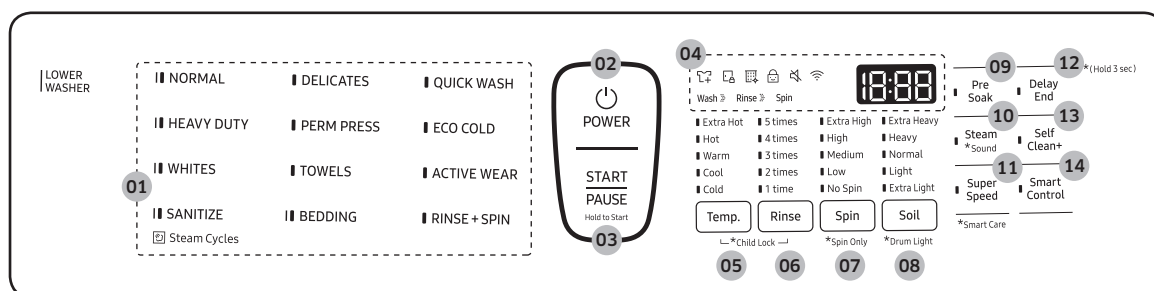
Funcionamiento

Descripción de los ciclos

Ciclo	Descripción
NORMAL	<ul style="list-style-type: none">• Para prendas de algodón, camisetas, toallas y cargas mixtas ligeramente sucias.• Se utiliza para lavar prendas normales ligeramente sucias, salvo telas delicadas como seda u otras telas que deben lavarse únicamente a mano.
DELICATES (DELICADA)	<ul style="list-style-type: none">• Para telas finas, brassieres, lencería, seda y otras telas que deben lavarse únicamente a mano. Para obtener mejores resultados, use detergente líquido.
ACTIVE WEAR (ROPA DEPORTIVA)	<ul style="list-style-type: none">• Para ropa de ejercicio, como pantalones deportivos, camisetas/camisas y otras prendas de entrenamiento. Este ciclo proporciona una eliminación efectiva de la suciedad con un giro controlado del tambor para prendas que requieren un cuidado especial.
RINSE+SPIN (ENJUAGUE+CENTRIFUGADO)	<ul style="list-style-type: none">• Para cargas que necesitan únicamente enjuague o para agregar suavizante de telas que se añade durante el enjuague. <p>NOTA Spin Only (Solo centrifugado): Este ciclo ejecuta solamente un centrifugado. Mantenga presionado RINSE+SPIN (ENJUAGUE+CENTRIFUGADO) durante 3 segundos.</p>

Lavadora inferior


Panel de control




01 Área de los ciclos	Presione para seleccionar un ciclo.
02 POWER (ENCENDER/APAGAR)	Presione para encender o apagar la lavadora inferior.
03 START/PAUSE (INICIO/PAUSA) (Presione para iniciar)	Mantenga presionado para iniciar el funcionamiento, o presione para detenerlo temporalmente.
04 Barra de estado	La barra de estado muestra la información y el tiempo restante del ciclo que se está ejecutando, o un código de información si la lavadora inferior necesita revisión.
05 Temp. (Temperatura)	<ul style="list-style-type: none"> Extra Hot (Muy caliente): Prendas muy sucias y que no destiñen. Solo disponible con NORMAL, HEAVY DUTY (ACCIÓN FUERTE), SANITIZE (DESINFECCIÓN) y Self Clean+ (Autolimpieza+). Hot (Caliente): Ropa blanca y prendas muy sucias de colores sólidos. Warm (Tibia): Prendas que no destiñen. Cool (Fresca): Prendas de colores vivos, ligeramente sucias. Cold (Fría): Usa solo agua fría sin encender el calentador. No se suministra agua tibia.
06 Rinse (Enjuagar)	<ul style="list-style-type: none"> Presione para especificar el número total de enjuagues del ciclo que se está ejecutando. Mantenga presionado para seleccionar una de las opciones de conteo de enjuagues disponibles. Para obtener más información sobre las opciones disponibles para un ciclo específico, consulte Tabla de ciclos en la página 80.

Funcionamiento

<p>07 Spin (Centrifugar)</p>	<ul style="list-style-type: none"> • Extra High (Muy alto): Extiende el proceso de centrifugado para eliminar con eficacia la humedad de la carga. El ajuste Extra High (Muy alto) utiliza un proceso de centrifugado más fuerte que elimina la humedad, por lo que no es adecuado para telas sin arrugas y que no necesitan planchado ni para sobrecargas. • High (Alto): Ropa interior, camisetas, jeans y algodones resistentes. • Medium (Medio): Jeans, prendas sin arrugas o que no necesitan planchado y telas sintéticas. • Low (Bajo): Prendas delicadas que necesitan una velocidad baja de centrifugado. • No Spin (Sin centrifugado): La tina no centrifuga después del proceso de drenaje final. • Rinse Hold (Mantener en remojo) (No se enciende ningún indicador): El proceso de enjuague final se interrumpe para que la carga permanezca en el agua. Para sacar la ropa, ejecute el proceso de drenaje o de centrifugado. <p>NOTA</p> <p>* Spin Only (Solo centrifugado): Este ciclo ejecuta solamente un centrifugado. Mantenga presionado Spin (Centrifugar) durante 3 segundos. Con el tiempo del ciclo en la pantalla, presione Spin (Centrifugar) repetidamente hasta que se seleccione la velocidad de centrifugado deseada. A continuación, mantenga presionado START/PAUSE (INICIO/PAUSA) para iniciar el ciclo.</p>
<p>08 Soil (Suciedad)</p>	<p>Presione el botón para seleccionar el nivel de suciedad y el tiempo de lavado.</p> <ul style="list-style-type: none"> • Extra Heavy (Extra sucia): Para prendas extremadamente sucias. • Heavy (Muy sucia): Para prendas muy sucias. • Normal: Para prendas moderadamente sucias. Esta opción es la mejor para <ul style="list-style-type: none"> • la mayoría de las cargas. • Light (Poco sucia): Para prendas ligeramente sucias. • Extra Light (Extra limpia): Para prendas apenas sucias.
<p>09 Pre Soak (Remojo)</p>	<p>Esto agrega 30 minutos de tiempo de remojo al inicio del ciclo de lavado para una mejor remoción de manchas.</p>

<p>10 Steam (Vapor)</p>	<p>Con la opción Steam (Vapor) seleccionada, la lavadora detecta el peso de la carga y controla el efecto del vapor de acuerdo con la carga. Esto mejora el desempeño del lavado. Los ciclos disponibles con la opción Steam (Vapor) son: NORMAL, HEAVY DUTY (ACCIÓN FUERTE), BEDDING (ROPA DE CAMA), WHITES (ROPA BLANCA) y SANITIZE (DESINFECCIÓN).</p> <ol style="list-style-type: none"> 1. Seleccione un ciclo. Consulte más arriba los ciclos aplicables. 2. Presione Steam (Vapor). 3. Agregue el detergente y el suavizante de telas siguiendo las instrucciones. 4. Mantenga presionado START/PAUSE (INICIO/PAUSA) para iniciar el ciclo. <p> NOTA El vapor puede no estar presente o visible durante el ciclo, lo cual es normal.</p>
<p>11 Super Speed (Súper velocidad)</p>	<p>Presione este botón si necesita acortar el tiempo de lavado, aplicable a NORMAL, HEAVY DUTY (ACCIÓN FUERTE) o BEDDING (ROPA DE CAMA). El tiempo acortado puede variar dependiendo de la selección de ciclo/carga/opciones.</p>

Funcionamiento

<p>12 Delay End (Término Retardado)</p>	<p>Puede hacer que la lavadora finalice automáticamente el lavado más tarde al seleccionar un tiempo de retardo de entre 1 y 24 horas (en incrementos de 1 hora). La pantalla indica la hora a la que finalizará el lavado.</p> <ol style="list-style-type: none"> 1. Seleccione un ciclo. Luego, cambie los ajustes del ciclo si es necesario. 2. Presione Delay End (Término Retardado) repetidamente hasta establecer el tiempo de finalización deseado. 3. Mantenga presionado START/PAUSE (INICIO/PAUSA). El indicador junto al botón Delay End (Término Retardado) se enciende con el reloj en funcionamiento. 4. Para cancelar el Delay End (Término Retardado), reinicie la lavadora presionando POWER (ENCENDER/APAGAR). <p>Caso real</p> <p>Desea que un ciclo que dura 2 horas finalice dentro de 3 horas. Para hacerlo, se agrega la opción al ciclo actual con un ajuste de 3 horas y, luego, se mantiene presionado START/PAUSE (INICIO/PAUSA) a las 2:00 p.m. La lavadora comienza a funcionar a las 3:00 p.m. y finaliza a las 5:00 p.m. A continuación se proporciona la línea de tiempo para este ejemplo.</p> 
<p>13 Self Clean+ (Autolimpieza+)</p>	<p>Limpia la tina al eliminar la suciedad y el moho presentes.</p> <ul style="list-style-type: none"> • Ejecútelo una vez cada 40 lavados sin detergente ni blanqueador. • Asegúrese de que la tina esté vacía. • No agregue agentes de limpieza para la tina.
<p>14 Smart Control</p>	<p>Después de conectar la lavadora inferior a la red doméstica mediante la aplicación Samsung Smart Home, puede controlar la lavadora de forma remota. El indicador de Smart Control parpadea y la puerta frontal se cierra. La lavadora entra en modo de espera para los comandos remotos. Para obtener más información, visite la página de Samsung Smart Home.</p>

Descripción de los ciclos

Ciclos normales

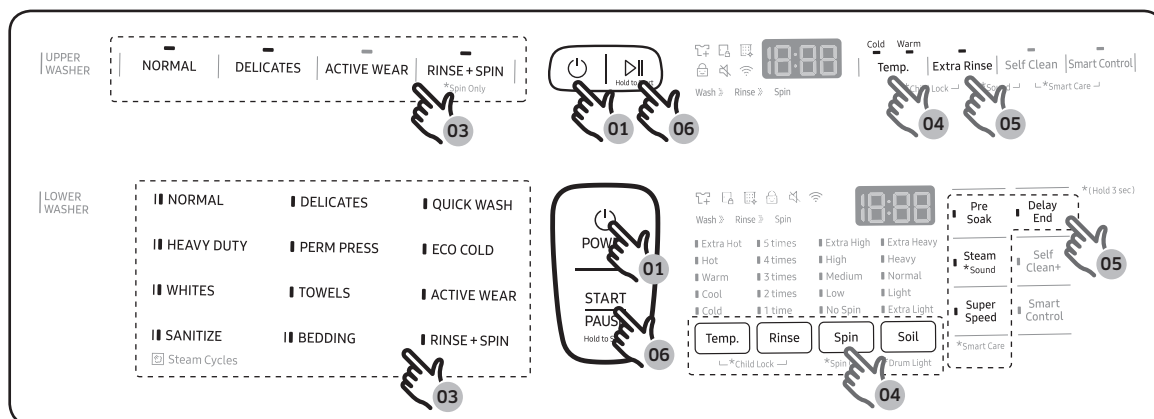
Ciclo	Descripción
DELICATES (DELICADA)	<ul style="list-style-type: none"> Para telas finas, brassieres, lencería, seda y otras telas que deben lavarse únicamente a mano. Para obtener mejor desempeño, use detergente líquido.
PERM PRESS (PLANCHA PERMANENTE)	<ul style="list-style-type: none"> Para telas sintéticas que no necesitan planchado y prendas ligera o moderadamente sucias.
TOWELS (TOALLAS)	<ul style="list-style-type: none"> Para toallas de baño, toallas pequeñas (para la cara) y tapetes.
QUICK WASH (LAVADO RÁPIDO)	<ul style="list-style-type: none"> Para prendas ligeramente sucias que desea que se laven rápidamente.
ECO COLD (ECO FRÍO)	<ul style="list-style-type: none"> Para prendas ligera o medianamente sucias. Este ciclo usa solo agua fría para ahorrar energía. Además, el agua fría ayuda a conservar la ropa.
ACTIVE WEAR (ROPA DEPORTIVA)	<ul style="list-style-type: none"> Para ropa de ejercicio, como buzos y pantalones deportivos, camisetas y otras prendas de entrenamiento. Este ciclo proporciona una eliminación efectiva de la suciedad con un giro controlado del tambor para prendas que requieren un cuidado especial.
RINSE+SPIN (ENJUAGUE+CENTRIFUGADO)	<ul style="list-style-type: none"> Para cargas que necesitan únicamente enjuague o para agregar suavizante de telas que se añade durante el enjuague.

Ciclos de vapor

Ciclo	Descripción
NORMAL	<ul style="list-style-type: none"> Para ropa de algodón, de cama y de mesa, ropa interior, toallas o camisas. La duración del lavado y el número de enjuagues se ajustan automáticamente de acuerdo con la carga.
HEAVY DUTY (ACCIÓN FUERTE)	<ul style="list-style-type: none"> Para telas resistentes de colores sólidos y prendas muy sucias.
WHITES (ROPA BLANCA)	<ul style="list-style-type: none"> Para prendas blancas con o sin blanqueador.
SANITIZE (DESINFECCIÓN)	<ul style="list-style-type: none"> Para prendas muy sucias de colores sólidos. Este ciclo calienta el agua a 150 °F para eliminar las bacterias.
BEDDING (ROPA DE CAMA)	<ul style="list-style-type: none"> Para prendas voluminosas como edredones, cobijas y sábanas. Para obtener los mejores resultados, lave un solo tipo de ropa de cama. Para prendas voluminosas, utilice detergente líquido y no enrolle las prendas al colocarlas en la tina porque podrían atascarse.

Funcionamiento

Sencillos pasos para comenzar



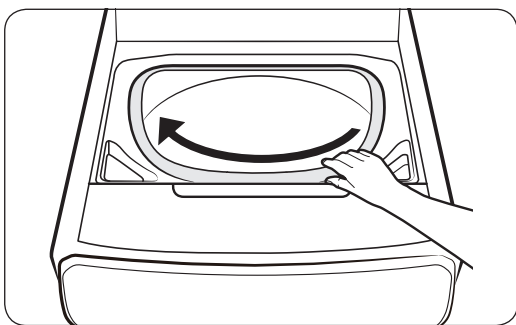
1. Presione **POWER (ENCENDER/APAGAR)** en el panel de control de la lavadora deseada (superior/inferior) para encenderla.
2. Coloque las prendas en la lavadora.
3. Seleccione un ciclo.
4. Cambie los ajustes del ciclo (temperatura y/o nivel de suciedad) de acuerdo con las prendas.
5. Seleccione las opciones del ciclo según sea necesario.
6. Mantenga presionado **START/PAUSE (INICIO/PAUSA)**.

Para cambiar el ciclo durante el funcionamiento

1. Presione **START/PAUSE (INICIO/PAUSA)** para detener el funcionamiento temporalmente.
2. Seleccione otro ciclo.
3. Mantenga presionado **START/PAUSE (INICIO/PAUSA)** nuevamente para iniciar el nuevo ciclo.

⚠ ADVERTENCIA

- No coloque ningún objeto en la parte superior de la lavadora cuando esté en funcionamiento.
- Mientras la lavadora inferior está en funcionamiento, es posible que la cubierta protectora acumule vapor húmedo debido a la diferencia de temperatura entre las secciones superior e inferior de la lavadora.



⚠ PRECAUCIÓN

Cuando utilice la lavadora superior, es posible que no vea ninguna prenda restante, especialmente en el área frontal del tambor. Al finalizar el ciclo, gire el tambor manualmente para verificar si queda alguna prenda en el interior.



Este producto es una lavadora inteligente que admite el servicio Samsung Smart Home.

El tiempo que la función de configuración EZ (para conectar la lavadora a la red) necesita para completar la conexión a la red varía dependiendo de la condición de la red.

Samsung Smart Home

Instalación

Visite la Google Play Store, Galaxy Apps o Apple App Store y busque "Samsung Smart Home". Descargue e instale en su dispositivo inteligente la aplicación Samsung Smart Home provista por Samsung Electronics.

NOTA

- La aplicación Samsung Smart Home está diseñada para Android 4.0 (ICS) o superior, o iOS8.0 o superior, y está optimizada para teléfonos inteligentes de Samsung (series Galaxy S y Galaxy Note).
- En otros dispositivos, algunas funciones pueden operar de una manera distinta.
- Para un mejor desempeño, la aplicación Samsung Smart Home está sujeta a cambios sin previo aviso.

Registro de una cuenta Samsung

Para utilizar la aplicación Samsung Smart Home, antes debe iniciar sesión en su cuenta Samsung. Si no dispone de una cuenta Samsung, seleccione **Register (Registro)** en la aplicación y luego siga las instrucciones en pantalla para crear una cuenta.

NOTA

- Si dispone de una cuenta Samsung registrada, inicie sesión en su cuenta Samsung. Si dispone de un teléfono inteligente Samsung, puede ir al menú **Settings (Ajustes)** de su teléfono, seleccionar **Accounts (Cuentas)** e iniciar sesión en su cuenta Samsung. Esto le permitirá iniciar sesión sin una autenticación adicional.
- Para teléfonos inteligentes de otras marcas, la cuenta de la aplicación debe ser la misma que la cuenta de Easy Setup (Configuración fácil).

Funcionamiento

Cómo comenzar

Con Samsung Smart Home, puede controlar remotamente su lavadora desde su dispositivo inteligente. Para un mejor desempeño, el contenido y el diseño de la aplicación están sujetos a cambios sin previo aviso.

1. Ejecute la aplicación Samsung Smart Home en su teléfono inteligente.
2. Si en la lista no aparece 'Washer (Lavadora)', toque **Add Device (Agregar dispositivo)** > **Select other device (Seleccionar otro dispositivo)** > **Washer (Lavadora)** en la pantalla de la aplicación.
3. Mantenga presionado **Smart Control** en el panel de control de la lavadora durante más de 5 segundos hasta que el mensaje 'AP' aparezca en la pantalla.
4. Una vez completado el registro del dispositivo, active la función Smart Control de la lavadora para controlarla en forma remota.

Funciones especiales

Seguro para niños

Para evitar que los niños enciendan o configuren accidentalmente la lavadora, Child Lock (Seguro para niños) bloquea todos los botones excepto **POWER (ENCENDER/APAGAR)**. Tenga en cuenta que cada lavadora funciona de manera independiente y tiene su propia función Child Lock (Seguro para niños). Si desea activar el Child Lock (Seguro para niños) de la lavadora superior o inferior, debe presionar los botones apropiados del panel de control de la lavadora superior o inferior.

Para activar Seguro para niños

- Mantenga presionados **Temp. (Temperatura)** y **Rinse (Enjuagar)** (o **Temp. (Temperatura)** y **Extra Rinse (Enjuague extra)** para la lavadora superior) simultáneamente durante 3 segundos. Se bloquea la puerta y se enciende el indicador de Child Lock (Seguro para niños). Luego, presione **START/PAUSE (INICIO/PAUSA)** para activarlo.

Para desactivar Seguro para niños temporalmente

- Puede desactivar Child Lock (Seguro para niños) temporalmente durante 1 minuto. Para hacerlo, mantenga presionados **Temp. (Temperatura)** y **Rinse (Enjuagar)** (o **Temp. (Temperatura)** y **Extra Rinse (Enjuague extra)** para la lavadora superior) simultáneamente durante 3 segundos. La puerta se desbloquea durante 1 minuto y el indicador de Child Lock (Seguro para niños) parpadea.

NOTA

- Si abre la puerta 1 minuto o más después de desactivar el seguro para niños, suena una alarma durante 2 minutos.
- Si cierra la puerta antes de transcurrir los 2 minutos, esta se bloquea y el seguro para niños se reactiva. Si no cierra la puerta o no se cierra correctamente, la alarma sigue sonando durante 2 minutos.
- Para agregar prendas después de activar Child Lock (Seguro para niños), primero desactive la función o reinicie la lavadora.

Para cancelar Seguro para niños

- Mantenga presionado **Temp. (Temperatura)** y **Rinse (Enjuagar)** (o **Temp. (Temperatura)** y **Extra Rinse (Enjuague extra)** para la lavadora superior) durante 3 segundos para desactivar, y luego mantenga presionados los botones nuevamente durante 3 segundos para liberar Child Lock (Seguro para niños). Se desbloquea la puerta y se apaga el indicador de Child Lock (Seguro para niños).

Funcionamiento

Smart Care

La función Smart Care le ayuda a diagnosticar y solucionar problemas de la lavadora en caso de que sea necesario. Para activar esta función, primero debe descargar la aplicación Samsung Smart Washer desde Play Store o Apple Store e instalarla en un dispositivo móvil que cuente con la función de cámara incorporada. La función Smart Care se ha optimizado para: Dispositivos Galaxy e iPhone. (No es compatible con algunos modelos).

Durante el funcionamiento de la lavadora, se ejecuta un autodiagnóstico en segundo plano. Si detecta un problema a verificar, muestra un código de información en la pantalla que usted puede escanear con la función Smart Care de la aplicación, que luego muestra información detallada sobre el código para su referencia.

1. Mantenga presionado **Super Speed (Súper velocidad)** (o **Self Clean (Autolimpieza)** y **Smart Control** para la lavadora superior) en la lavadora durante 3 segundos para ingresar al modo Smart Care.
2. Ejecute la aplicación Samsung Smart Washer en su dispositivo móvil y, luego, toque **Smart Care**.
3. Sujete el dispositivo móvil de modo que quede de frente a la barra de estado de la lavadora. La aplicación reconocerá el código de información automáticamente.
4. Cuando el código de información se reconoce correctamente, la aplicación proporciona información detallada sobre el síntoma y recomienda las medidas que se deben tomar.

NOTA

- El nombre de la función, Smart Care, puede variar según el idioma.
- Si hay reflejos de luz en la pantalla de la lavadora, es posible que la aplicación no reconozca el código de información.
- Si la aplicación no reconoce el código de información varias veces consecutivas, ingréselo manualmente en la pantalla de la aplicación.
- El historial de códigos de información se borra luego de usar esta función.

Sonido

Active o desactive el sonido (sonidos de los botones, indicadores y timbres, etc.)

Lavadora superior

- Para silenciar las alarmas o sonidos de la lavadora superior, mantenga presionados **Extra Rinse (Enjuague extra)** y **Self Clean (Autolimpieza)** durante 3 segundos. Para activar el sonido, vuelva a mantener presionados los botones durante 3 segundos.

Lavadora inferior

- Para silenciar las alarmas o sonidos de la lavadora inferior, mantenga presionado **Steam (Vapor)** durante 3 segundos. Para activar el sonido, vuelva a mantener presionado el botón durante 3 segundos.

Luz del tambor (solo la lavadora inferior)

La luz de la tina se enciende cuando se abre la puerta, y se apaga después de 2 minutos. Para encender o apagar manualmente la luz de la tina, mantenga presionado **Soil (Suciedad)** durante 3 segundos.

ATC (control automático de la temperatura)

La función ATC permite a la lavadora controlar la temperatura del agua en cada ciclo de lavado mediante el termistor interno de la lavadora. Está diseñada para mantener ciertas temperaturas de lavado a fin de obtener los mejores resultados.

- Si selecciona **NORMAL** o **HEAVY DUTY (ACCIÓN FUERTE)**, es posible que advierta que la lavadora suministra agua fría. Esto es normal, ya que la lavadora está diseñada para reducir el consumo energético.
- En dichos ciclos, la temperatura caliente es similar a una temperatura de agua de ducha, y la temperatura tibia es similar a la temperatura agradable de una piscina.
- Para lavar prendas a una temperatura específica, primero debe elegir un ciclo diferente.



Mantenimiento

Mantenga la lavadora limpia para prevenir el deterioro del desempeño y para preservar su vida útil.

ADVERTENCIA

El panel de control, el tambor de centrifugado, el motor, la válvula de entrada y la bomba no están conectados a tierra intencionalmente y pueden presentar un riesgo de descarga eléctrica solo durante el servicio técnico.

Consideraciones generales

Limpieza

Superficie de la lavadora

Use un paño suave y un detergente doméstico que no sea abrasivo. No rocíe agua sobre la lavadora.

Exterior

1. Cierre las llaves del agua después de finalizar el lavado del día.
Esto cerrará el suministro de agua a la lavadora y evitará la improbable posibilidad de que se produzcan daños a causa del derrame de agua. Deje la puerta abierta para permitir que el interior de la lavadora se seque.
2. Use un paño suave para limpiar todo el detergente, el blanqueador u otros derrames a medida que ocurran.
Limpie lo siguiente tal como se recomienda:
 - Paneles de control: limpie con un paño suave y húmedo. No use polvos abrasivos ni toallitas limpiadoras. No rocíe los paneles directamente con limpiadores en aerosol.
 - Gabinete: lave con agua y jabón.

Interior

Limpie el interior de la lavadora periódicamente para eliminar todo vestigio de suciedad, polvo, olor, moho, hongos o bacterias que pueda permanecer en la lavadora como consecuencia del lavado de ropa.

PRECAUCIÓN

El incumplimiento de estas instrucciones puede dar como resultado situaciones poco satisfactorias, tales como olor y/o manchas permanentes en la lavadora o en las prendas.

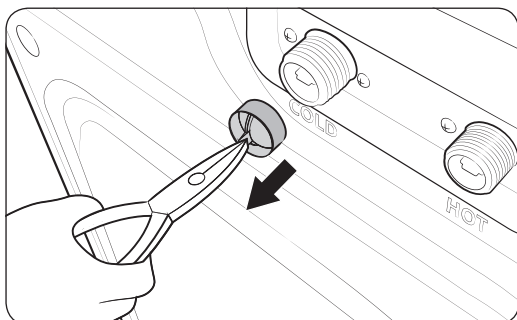
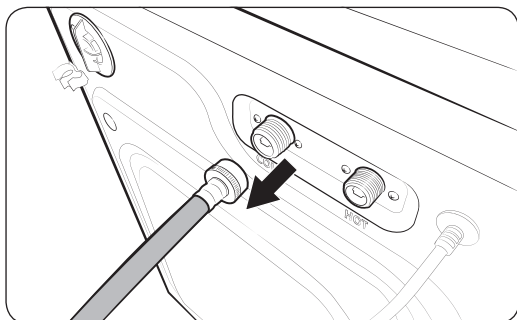
NOTA

Se pueden retirar los depósitos de agua dura si fuera necesario. Use un limpiador que en el rótulo indique que es seguro para lavadoras.



Filtro de malla

Limpe el filtro de malla la manguera de agua una o dos veces por año.



1. Apague la lavadora y, luego, desenchufe el cable de alimentación.
2. Cierre las llaves del agua.
3. Afloje y desconecte la manguera de agua de la parte trasera de la lavadora. Cubra la manguera con un paño para evitar la fuga de agua.
4. Use unas pinzas para sacar el filtro de malla de la válvula de entrada.
5. Sumerja el filtro de malla en agua de modo que el conector roscado quede también sumergido.
6. Seque el filtro de malla completamente a la sombra.
7. Vuelva a insertar el filtro de malla en la válvula de entrada y reconecte la manguera de agua en la válvula.
8. Abra la llave del agua.

NOTA

Si el filtro de malla está obstruido, aparece el código de información "4C" en la pantalla de la lavadora.

Mantenimiento

Recuperación de un congelamiento

La lavadora puede congelarse cuando la temperatura del lugar cae por debajo de 32 °F (0 °C).

1. Apague la lavadora y, luego, desenchufe el cable de alimentación.
2. Vierta agua caliente sobre la llave del agua para aflojar la manguera de suministro.
3. Desconecte la manguera y sumérgala en agua tibia.
4. Vierta agua tibia en la tina (tambor) y déjela 10 minutos aproximadamente.
5. Vuelva a conectar la manguera a la llave del agua.

NOTA

Si la lavadora sigue sin funcionar correctamente, repita los pasos anteriores hasta que funcione con normalidad.

Mantenimiento luego de un periodo prolongado sin utilizar la lavadora

Evite dejar la lavadora inactiva durante un periodo de tiempo prolongado. Si no la va a utilizar durante mucho tiempo, siga las instrucciones a continuación:

1. Presione **POWER (ENCENDER/APAGAR)** y, luego, seleccione **RINSE+SPIN (ENJUAGUE+CENTRIFUGADO)**.
2. Vacíe la tina y el tambor, cierre la puerta y presione **START/PAUSE (INICIO/PAUSA)**.
3. Al completar el ciclo, cierre la llave del agua y desconecte las mangueras de suministro.
4. Apague la lavadora y, luego, desenchufe el cable de alimentación.
5. Abra las puertas para que el aire circule por la tina y el tambor.



Lavadora superior

Autolimpieza

Self Clean (Autolimpieza) es un ciclo de autolimpieza que elimina la suciedad y las bacterias que pueden producirse dentro del tambor. Recomendamos realizar la autolimpieza cada 20 lavados.

1. Asegúrese de que el tambor esté vacío.
2. Presione **POWER (ENCENDER/APAGAR)**.
3. Presione **Self Clean (Autolimpieza)**.
4. Mantenga presionado **START/PAUSE (INICIO/PAUSA)**.

⚠ PRECAUCIÓN

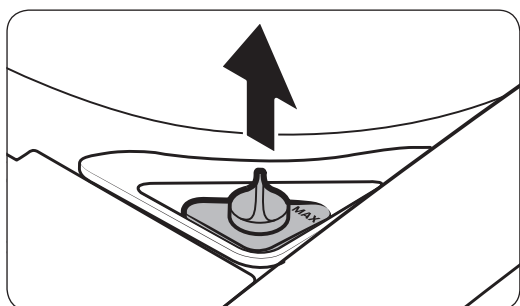
- Con la autolimpieza puede limpiar el tambor sin usar un agente limpiador o un blanqueador.
- Solo utilice la autolimpieza cuando el tambor esté vacío. Esto puede dañar las prendas o causar un problema en la lavadora.

Recordatorio de Autolimpieza (🧼)

- El recordatorio de Self Clean+ (Autolimpieza+) (🧼) se muestra en la pantalla principal cada 20 lavados. Le recomendamos firmemente que ejecute Self Clean+ (Autolimpieza+) con regularidad. En este caso, retire las prendas de la lavadora, enciéndala y limpie el tambor ejecutando la autolimpieza.
- Si no se ejecuta la autolimpieza, el indicador se apaga. No obstante, el indicador se encenderá nuevamente después de cinco lavados. No ejecutar la autolimpieza en este momento no causará ningún problema en la lavadora. No obstante, recomendamos ejecutar la autolimpieza en este momento.
- Si bien el indicador se enciende una vez por mes aproximadamente, la frecuencia puede variar dependiendo de la cantidad de veces que se utilice la lavadora.

Compartimiento para el suavizante/blanqueador

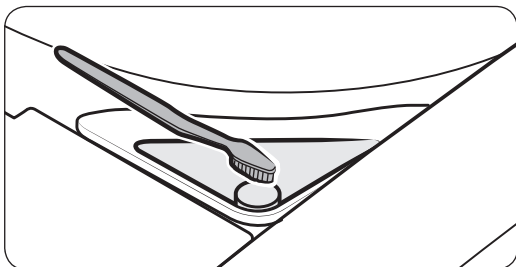
Los compartimientos para el suavizante y el blanqueador en la lavadora superior no son extraíbles a fin de facilitar la información visual para los usuarios. Para limpiar el compartimiento para el suavizante, siga estas instrucciones. La limpieza del compartimiento para el blanqueador es básicamente igual.



1. Abra la puerta superior y, luego, retire la tapa del suavizante.



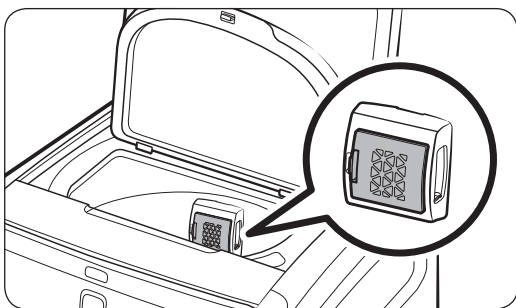
Mantenimiento



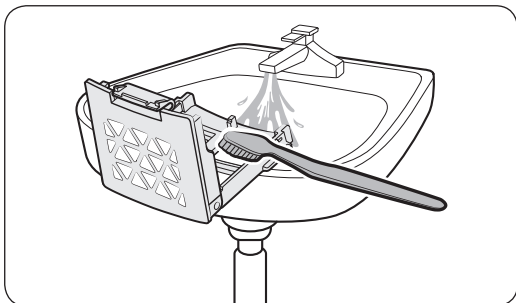
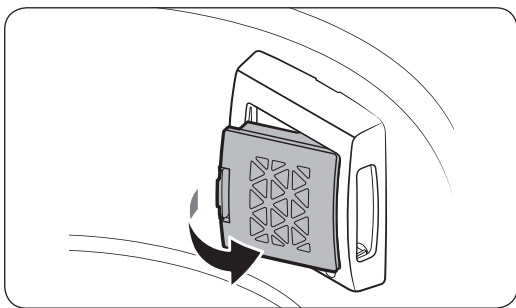
2. Utilice un cepillo suave (por ejemplo, cepillo de dientes) para limpiar el interior del compartimento y eliminar las impurezas.
3. Ejecute el ciclo RINSE+SPIN (ENJUAGUE+CENTRIFUGADO) para enjuagar el compartimento. Después de suministrar agua y drenar 5 veces, se completa el ciclo de 18 minutos con el proceso de centrifugado final.

Filtro para pelusas

Recomendamos limpiar el filtro para pelusas cada 10 lavados.



1. Retire el filtro para pelusas de la caja que está en el tambor de la lavadora superior.



2. Abra el filtro y límpielo con agua corriente y un cepillo.
3. Al finalizar la limpieza, cierre el filtro y vuelva a insertarlo en su posición original. Se escuchará un clic cuando el filtro encaje.

Lavadora inferior

Autolimpieza+

Ejecute este ciclo regularmente para limpiar la tina y eliminar el moho de su interior.

1. Asegúrese de que la tina esté vacía.
2. Presione **POWER (ENCENDER/APAGAR)** para poner en funcionamiento la lavadora.
3. Presione **Self Clean+ (Autolimpieza+)**.
4. Mantenga presionado **START/PAUSE (INICIO/PAUSA)**.

PRECAUCIÓN

- No utilice agentes limpiadores. No agregue detergente ni blanqueador. Los residuos químicos que quedan en la tina degradan el desempeño de la limpieza.
- Solo utilice Self Clean+ (Autolimpieza+) cuando la tina esté vacía. No lo utilice si hay prendas en la tina. Esto puede dañar las prendas o causar un problema en la lavadora.

NOTA

La temperatura del agua para Self Clean+ (Autolimpieza+) está configurada en Extra Hot (Muy caliente) y no se puede cambiar.

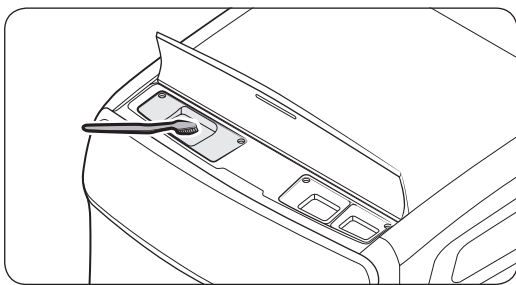
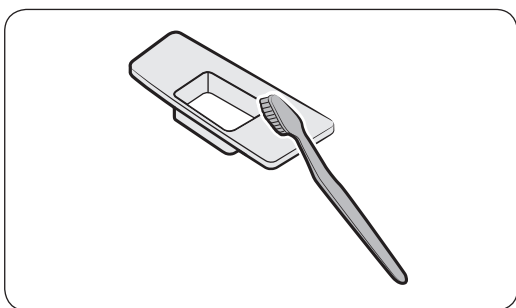
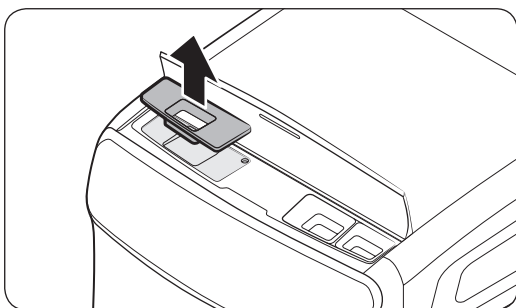
Recordatorio de Autolimpieza+ (🧼)

- El recordatorio de Self Clean+ (Autolimpieza+) (🧼) se muestra en la pantalla principal cada 40 lavados. Es aconsejable ejecutar Self Clean+ (Autolimpieza+) regularmente.
- Si no se ejecuta cada 40 lavados, el recordatorio se apaga después de una hora.
- Cuando vea este recordatorio por primera vez, puede ignorarlo hasta 6 lavados consecutivos. A partir del séptimo lavado, el recordatorio deja de aparecer. Sin embargo, vuelve a aparecer cuando se alcanzan los 40 lavados por segunda vez.

Mantenimiento

Compartimiento para el lavado principal

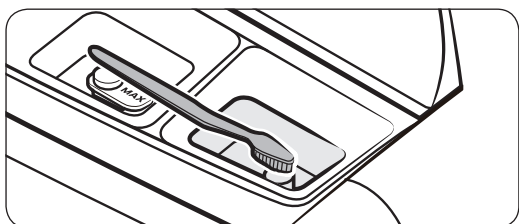
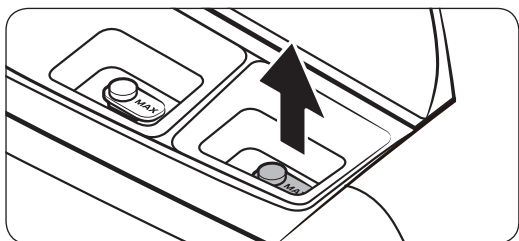
El compartimiento para el lavado principal debe limpiarse periódicamente a fin de eliminar la acumulación de aditivos del lavado.



1. Abra la cubierta frontal superior. Sujete el compartimiento para el lavado principal y, luego, jale hacia arriba para retirarlo.
2. Elimine todos los residuos y restos de agentes de lavado acumulados que haya en el compartimiento. Enjuáguelo con agua tibia.
3. Para limpiar la cavidad del compartimiento, utilice un cepillo pequeño no metálico. Elimine los residuos en todos los laterales de la cavidad.
4. Vuelva a insertar el compartimiento en su lugar.

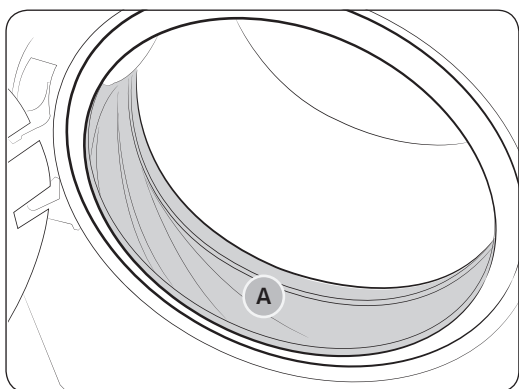
Compartimiento para el suavizante/blanqueador

Los compartimientos para el suavizante y el blanqueador en la lavadora inferior no son extraíbles a fin de facilitar la información visual para los usuarios. Para limpiar el compartimiento para el suavizante, siga estas instrucciones. La limpieza del compartimiento para el blanqueador es básicamente igual.



1. Abra la cubierta frontal superior y, luego, retire la tapa del suavizante.
2. Utilice un cepillo suave (por ejemplo, cepillo de dientes) para limpiar el interior del compartimiento y eliminar las impurezas.
3. Ejecute el ciclo RINSE+SPIN (ENJUAGUE+CENTRIFUGADO) para enjuagar el compartimiento. Después de suministrar agua y drenar 5 veces, se completa el ciclo de 19 minutos con el proceso de centrifugado final.

Diafragma de la puerta



1. Abra la puerta y vacíe la tina.
2. Dé la vuelta al diafragma (sello o junta de la tina (A)) y revise si está sucio. Si es así, siga los pasos que figuran a continuación.
3. Mezcle 3/4 de taza de blanqueador líquido a base de cloro y 1 galón de agua tibia de la llave.
4. Usando guantes de goma, limpie el diafragma con un paño limpio y suave humedecido en la solución de agua y cloro.
5. Deje reposar durante 5 minutos y, luego, limpie y seque bien.

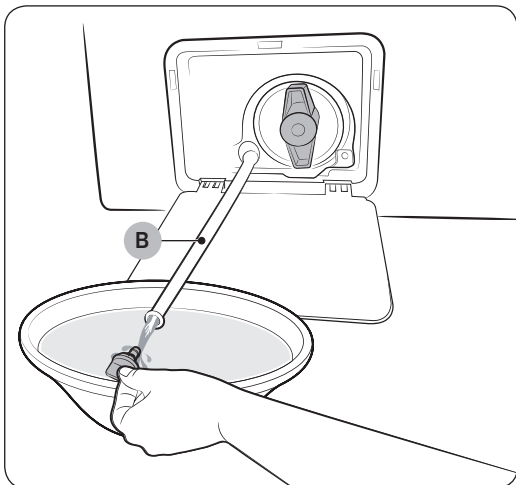
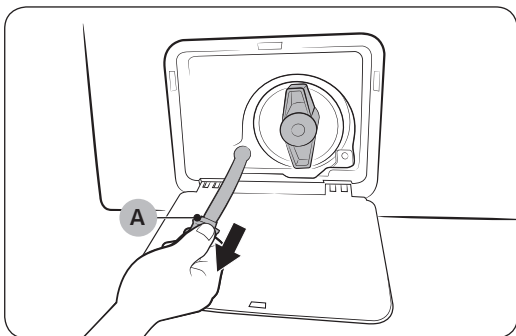
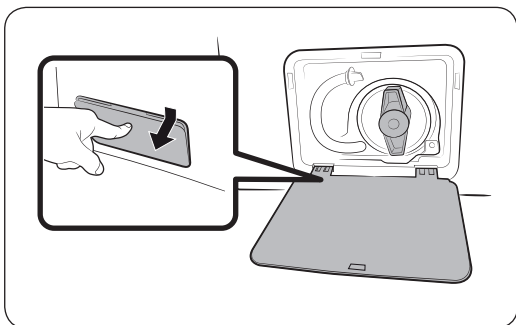
PRECAUCIÓN

Utilice con cuidado el blanqueador y asegúrese de seguir las instrucciones de uso y cuidado del fabricante.

Mantenimiento

Drenaje de emergencia

Si se produce una falla en el suministro eléctrico, vacíe el agua de la tina antes de retirar la ropa.



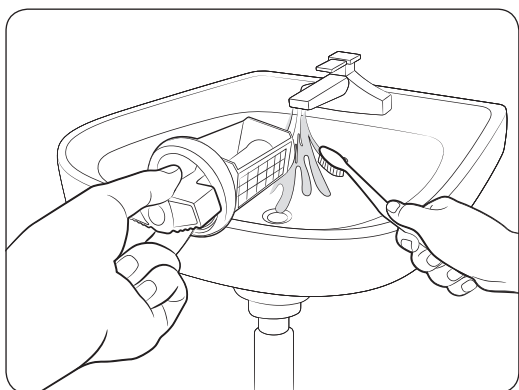
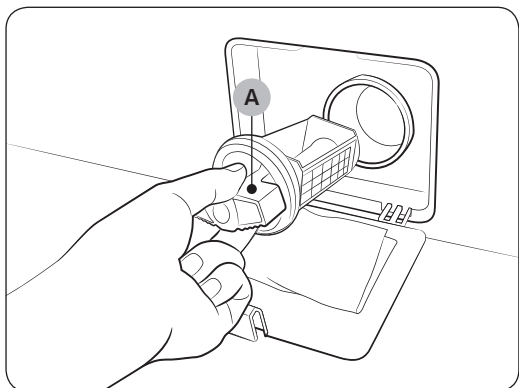
1. Apague la lavadora y, luego, desenchúfela del tomacorriente.
2. Presione suavemente la parte superior de la tapa del filtro para abrirla.
3. Coloque un recipiente grande y vacío delante de la tapa y extienda el tubo de drenaje de emergencia hacia el recipiente mientras sujeta el **tapón del tubo (A)**.
4. Abra el tapón del tubo y deje caer el agua del **tubo de drenaje de emergencia (B)** en el recipiente.
5. Al finalizar, cierre el tapón y vuelva a insertar el tubo. Luego, cierre la tapa del filtro.

NOTA

Use un recipiente grande, ya que la tina puede contener más agua de la esperada.

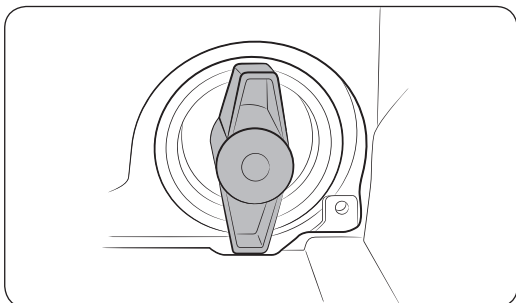
Filtro de la bomba

Es recomendable limpiar el filtro de la bomba 5 o 6 veces por año para evitar que se obstruya. Un filtro de bomba obstruido puede reducir el efecto de las burbujas.



1. Apague la lavadora y, luego, desenchufe el cable de alimentación.
2. Drene el agua restante de la tina. Consulte la sección **Drenaje de emergencia** en la página 64.
3. Presione suavemente la parte superior de la tapa del filtro para abrirla.
4. Gire la **perilla del filtro de la bomba (A)** hacia la izquierda y vacíe el agua restante.
5. Limpie el filtro de la bomba con un cepillo suave. Asegúrese de que no esté bloqueada la bomba de drenaje dentro del filtro.
6. Vuelva a colocar el filtro de la bomba y, luego, gire la perilla del filtro hacia la derecha.
7. Cierre la tapa del filtro.

Mantenimiento



NOTA

- Algunos filtros de bomba cuentan con una perilla de seguridad diseñada para evitar que los niños abran accidentalmente el compartimiento del filtro. Para abrir la perilla de seguridad del filtro de la bomba, presiónela y gírela en el sentido contrario al de las agujas del reloj. El mecanismo de muelle de la perilla de seguridad ayuda a abrir el filtro.
- Para cerrar la perilla de seguridad del filtro de la bomba, gírela en el sentido de las agujas del reloj. El muelle emite un ruido metálico que es normal.

NOTA

Si el filtro de la bomba está obstruido, aparece el código de información "5C" en la pantalla de la lavadora.

PRECAUCIÓN

- Asegúrese de cerrar bien la perilla del filtro luego de limpiarlo. De lo contrario, puede originar una fuga.
- Asegúrese de insertar correctamente el filtro luego de limpiarlo. De lo contrario, puede originar una falla en el funcionamiento o una fuga.

Solución de problemas

Verificaciones

Si tiene algún problema a verificar con la lavadora, primero consulte la siguiente tabla y pruebe las sugerencias.

Síntoma	Acción
No enciende.	<ul style="list-style-type: none">• Asegúrese de que la corriente que provee el sistema eléctrico doméstico coincide con los requisitos de la lavadora. Consulte la página 21.• Asegúrese de que el enchufe de la lavadora esté completamente conectado.
No se inicia.	<ul style="list-style-type: none">• Asegúrese de que la puerta esté perfectamente cerrada.• Asegúrese de que las llaves del agua estén abiertas.• Asegúrese de mantener presionado START/PAUSE (INICIO/PAUSA) para iniciar la lavadora.• Asegúrese de que Child Lock (Seguro para niños) no esté activado.• Antes de que la lavadora comience a llenarse, se oirá una serie de sonidos semejantes a un "clic" para controlar la traba de la puerta y que se efectúe un drenaje rápido.• Revise el fusible o reinicie el disyuntor.• Revise si la lavadora superior o inferior muestra un código de información en la barra de estado respectiva.
No hay suministro de agua o el suministro de agua es insuficiente.	<ul style="list-style-type: none">• Abra por completo la llave del agua.• Asegúrese de que la puerta esté perfectamente cerrada.• Asegúrese de que la manguera de suministro de agua no esté congelada.• Asegúrese de que la manguera de suministro de agua no esté enroscada u obstruida.• Asegúrese de que la presión del agua sea suficiente.
Después de un ciclo, queda detergente en el cajón para detergente.	<ul style="list-style-type: none">• Asegúrese de que la lavadora funcione con suficiente presión de agua.• Si utiliza detergente en polvo, utilice solo la cantidad recomendada.• Si utiliza detergente líquido, no llene demasiado el compartimiento.• Retire los compartimientos para el detergente líquido y el suavizante y, luego, limpie el cajón para el detergente.

Solución de problemas

Síntoma	Acción
Vibra de forma excesiva o hace ruido.	<ul style="list-style-type: none"> • Asegúrese de que la lavadora esté instalada sobre un piso nivelado y firme que no sea resbaladizo. Si el piso está desnivelado, use las patas niveladoras para ajustar la altura de la lavadora. • Asegúrese de que se hayan retirado los tornillos de transporte. • Asegúrese de que la lavadora no esté en contacto con ningún otro objeto. • Verifique que la carga de ropa sea equilibrada. • El motor puede hacer ruido durante el funcionamiento normal. • La ropa de trabajo y las prendas con decoraciones de metal pueden generar ruidos durante el lavado. Esto es normal. • Los objetos metálicos como las monedas pueden generar ruidos. Después del lavado, retire estos objetos de la tina, tambor o caja del filtro.
No drena y/o no centrifuga.	<ul style="list-style-type: none"> • Asegúrese de que la manguera de drenaje no esté enroscada ni obstruida en algún punto hasta el sistema de drenaje. Si existe alguna restricción en cuanto al drenaje, comuníquese con el servicio técnico. • Verifique que el filtro de residuos no esté obstruido. • Cierre la puerta y mantenga presionado START/PAUSE (INICIO/PAUSA). Por su seguridad, la lavadora no girará ni centrifugará salvo que la puerta esté cerrada. • Asegúrese de que la manguera de drenaje no esté congelada ni obstruida. • Asegúrese de que la manguera de drenaje esté conectada a un sistema de drenaje que no esté obstruido. • Si no se suministra suficiente energía a la lavadora, esta no drenará ni centrifugará temporalmente. En cuanto la lavadora recupere la energía suficiente, funcionará con normalidad.
Hace ruido al drenar.	<ul style="list-style-type: none"> • Después de la instalación inicial, o cuando la lavadora no se ha utilizado durante un período prolongado, pueden producirse ruidos de desinflamiento durante el drenaje. No se trata de una falla de sistema.

Síntoma	Acción
La puerta no se abre.	<ul style="list-style-type: none"> • Presione START/PAUSE (INICIO/PAUSA) para detener la lavadora. • Puede llevar algunos minutos que el mecanismo de cierre de la puerta se desconecte. • La puerta no se abrirá hasta 3 minutos después de que la lavadora se haya detenido o apagado. • Asegúrese de que se haya drenado toda el agua de la tina o del tambor. • Es posible que la puerta no se abra si queda agua en la tina o el tambor. Drene la tina o el tambor y abra la puerta manualmente. • Asegúrese de que la luz de la traba de la puerta se apague. La luz de la traba de la puerta se apaga después de que la lavadora realiza el drenaje.
Exceso de espuma.	<ul style="list-style-type: none"> • Asegúrese de utilizar los tipos de detergente recomendados. • Use un detergente de alta eficacia (HE, por su sigla en inglés) para evitar la formación de espuma en exceso. • Reduzca la cantidad de detergente para el agua blanda, las cargas pequeñas o ligeramente sucias. • No se recomienda un detergente de baja eficacia.
No se puede agregar detergente adicional.	<ul style="list-style-type: none"> • No llene los compartimientos para el detergente o el suavizante más allá del límite de llenado máximo marcado.
La lavadora se detiene.	<ul style="list-style-type: none"> • Enchufe el cable de alimentación a un tomacorriente que funcione. • Revise el fusible o reinicie el disyuntor. • Cierre la puerta y mantenga presionado START/PAUSE (INICIO/PAUSA) para iniciar la lavadora. Por su seguridad, la lavadora no girará ni centrifugará salvo que la puerta esté cerrada. • Antes de que la lavadora comience a llenarse, se oirá una serie de sonidos semejantes a un "clic" para controlar la traba de la puerta y que se efectúe un drenaje rápido. • Se puede producir una pausa o un período de remojo en el ciclo. Espere para ver si la lavadora comienza a funcionar. • Asegúrese de que el filtro de malla de la manguera de suministro de agua en las llaves del agua no esté obstruido. Limpie el filtro de malla periódicamente. • Si no se suministra suficiente energía a la lavadora, esta no drenará ni centrifugará temporalmente. En cuanto la lavadora recupere la energía suficiente, funcionará con normalidad.

Solución de problemas


Síntoma	Acción
La lavadora se llena con agua a una temperatura incorrecta.	<ul style="list-style-type: none"> • Abra por completo ambas llaves del agua. • Asegúrese de que la selección de temperatura sea la correcta. • Asegúrese de que las mangueras estén conectadas a las llaves correctas. Purgue las cañerías. • Asegúrese de que el calentador de agua esté configurado para suministrar agua caliente desde la llave a una temperatura mínima de 120 °F (49 °C) Asimismo, verifique la capacidad del calentador de agua y la velocidad de recuperación. • Desconecte las mangueras y limpie el filtro de malla. El filtro de malla puede estar obstruido. • Mientras la lavadora se llena, la temperatura del agua puede variar debido a que la función de control automático de la temperatura verifica la temperatura del agua que ingresa. Esto es normal. • Mientras la lavadora se llena, es posible que observe que por el dosificador pasa solo agua caliente y/o solo agua fría cuando se seleccionan las temperatura fría o tibia. Esta es una función normal que cumple el control de temperatura automático dado que la lavadora determina la temperatura del agua.
La carga está húmeda al finalizar un ciclo.	<ul style="list-style-type: none"> • Use la velocidad de centrifugado High (Alto) o Extra High (Muy alto). • Use un detergente de alta eficacia (HE, por su sigla en inglés) para reducir la formación de espuma en exceso. • La carga es demasiado pequeña. Las cargas pequeñas (una o dos prendas) se pueden desequilibrar y no centrifugarse en absoluto. • Asegúrese de que la manguera de drenaje no esté enroscada ni obstruida.
Pierde agua.	<ul style="list-style-type: none"> • Asegúrese de que la puerta esté perfectamente cerrada. • Asegúrese de que todas las conexiones de las mangueras estén ajustadas. • Asegúrese de que el extremo de la manguera de drenaje esté correctamente conectado y asegurado al sistema de drenaje. • Evite sobrecargar la lavadora. • Use un detergente de alta eficacia (HE, por su sigla en inglés) para evitar la formación de espuma en exceso.

Síntoma	Acción
Tiene olor.	<ul style="list-style-type: none"> • El exceso de espuma se acumula en los huecos y puede causar malos olores. • Realice ciclos de limpieza para desinfectar periódicamente. • Limpie el sello de la puerta (diafragma). • Seque el interior de la lavadora una vez finalizado el ciclo.
El tambor o la manguera de drenaje/ agua están congelados.	<ul style="list-style-type: none"> • Si las mangueras están congeladas, utilice agua tibia para desconectarlas. Remójelas en agua tibia. • Si el tambor está congelado, llénelo con agua tibia y, luego, espere aproximadamente 10 minutos. • Si el conector de la manguera está congelado, coloque una toalla caliente sobre el conector de la manguera de drenaje. • Después de descongelar las mangueras, vuelva a conectarlas.
El agua se drena inmediatamente.	<ul style="list-style-type: none"> • Asegúrese de que la manguera de drenaje no esté obstruida y que esté colgada en el gancho para la manguera. Llene el tambor con agua hasta la mitad e intente centrifugar de nuevo. • Levante el extremo de la manguera de drenaje para evitar que el agua se drene. Llene el tambor con agua hasta la mitad y, luego, ejecute el centrifugado después de liberar la manguera de drenaje. • Asegúrese de que la manguera de drenaje esté instalada correctamente. Consulte la sección de instalación de este manual y ajuste la posición de la manguera de drenaje según se indica. • Asegúrese de que la lavadora drene completamente si se apagó por la fuerza. Si la lavadora comienza a funcionar sin que haya drenado completamente, podría suministrar agua y drenar al mismo tiempo.

Si el problema persiste, póngase en contacto con un centro de servicio local de Samsung.

Solución de problemas

Samsung Smart Home

Problema	Acción
No encuentro la aplicación "Samsung Smart Home" en la tienda de aplicaciones.	<ul style="list-style-type: none">La aplicación Samsung Smart Home está disponible para teléfonos inteligentes con Android 4.0 (ICS) o superior, o iOS 7.0 o superior.
La aplicación Samsung Smart Home no funciona.	<ul style="list-style-type: none">La aplicación Samsung Smart Home solo está disponible para los modelos aplicables.La antigua aplicación Samsung Smart Washer no puede conectarse con modelos Samsung Smart Home.
La aplicación Samsung Smart Home está instalada pero no se conecta con mi lavadora.	<ul style="list-style-type: none">Para usar la aplicación debe registrarse en su cuenta Samsung.Asegúrese de que el enrutador funcione normalmente.Si el indicador de Smart Control  en la pantalla de la lavadora está apagado, esto indica que no se ha establecido ninguna conexión de red. Utilice la aplicación Samsung Smart Home para conectar y registrar la lavadora con su punto de acceso (AP) de la red doméstica.
No puedo registrarme en la aplicación.	<ul style="list-style-type: none">Para usar la aplicación debe registrarse en su cuenta Samsung.Si no dispone de una cuenta Samsung, siga las instrucciones en pantalla de la aplicación para crear una.
Cuando intento registrar mi lavadora, aparece un mensaje de error.	<ul style="list-style-type: none">La conexión puede fallar debido a la distancia de su punto de acceso (AP) o a interferencias eléctricas del entorno. Espere un momento y vuelva a intentarlo.
La aplicación Samsung Smart Home está conectada correctamente a mi lavadora, pero no funciona.	<ul style="list-style-type: none">Salga y reinicie la aplicación Samsung Smart Home, o desconecte y vuelva a conectar el enrutador.

Códigos de información

Si la lavadora no funciona bien, puede ver un código de información en la pantalla. Consulte la siguiente tabla y pruebe las sugerencias.

Código		Acción
Lavadora superior	Lavadora inferior	
1 1C	1C	Revise el sensor del nivel del agua. <ul style="list-style-type: none">• Apague la lavadora, enciéndala de nuevo después de 2 o 3 minutos y, luego, vuelva a intentarlo.• Dependiendo del modelo el sistema de drenaje drena el agua automáticamente. Los botones POWER (ENCENDER/APAGAR) y START/PAUSE (INICIO/PAUSA) pueden desactivarse durante este proceso.
-	DC	La puerta está abierta. <ul style="list-style-type: none">• Cierre la puerta y, luego, presione START/PAUSE (INICIO/PAUSA) para reanudar el funcionamiento.
1 DC	-	La puerta superior está abierta. <ul style="list-style-type: none">• Cierre la puerta superior y, luego, presione START/PAUSE (INICIO/PAUSA) para reanudar el funcionamiento.
1 DC4	-	La cubierta protectora está abierta. <ul style="list-style-type: none">• Cierre la cubierta protectora y, luego, presione START/PAUSE (INICIO/PAUSA) para reanudar el funcionamiento.
1 DC1	DC1	Revise el interruptor de la puerta. <ul style="list-style-type: none">• Apague la lavadora, enciéndala de nuevo después de 2 o 3 minutos y, luego, vuelva a intentarlo.
1 LC	LC	Revise si hay fugas de agua. <ul style="list-style-type: none">• Apague la lavadora y, luego, revise el sistema de drenaje para ver si hay fugas. Una vez solucionado el problema de la fuga, encienda la lavadora después de 2 o 3 minutos.• Dependiendo del modelo el sistema de drenaje drena el agua automáticamente. Los botones POWER (ENCENDER/APAGAR) y START/PAUSE (INICIO/PAUSA) pueden desactivarse durante este proceso.

Solución de problemas

Código		Acción
Lavadora superior	Lavadora inferior	
1 LC1	LC1	<p>Verifique la manguera de drenaje.</p> <ul style="list-style-type: none"> Asegúrese de que el extremo de la manguera de drenaje esté en el suelo. Asegúrese de que la manguera de drenaje no esté obstruida. Si el código de información permanece, comuníquese con un centro de servicio al cliente. <p>Varios</p> <ul style="list-style-type: none"> Tenga cuidado de no llenar en exceso los compartimientos (lavado principal/suavizante de telas/blanqueador). No rocíe ni use agua para limpiar la puerta superior de la lavadora superior. Use un paño para limpiarla.
1 4C	4C	<p>Revise el conducto de suministro de agua.</p> <ul style="list-style-type: none"> Revise la conexión de las cañerías de agua (incluidas las llaves del agua). Apague la lavadora, enciéndala de nuevo después de 2 o 3 minutos y, luego, vuelva a intentarlo. Dependiendo del modelo el sistema de drenaje drena el agua automáticamente. Los botones POWER (ENCENDER/APAGAR) y START/PAUSE (INICIO/PAUSA) pueden desactivarse durante este proceso.
1 4C2	4C2	<p>El agua suministrada está demasiado caliente.</p> <ul style="list-style-type: none"> Asegúrese de que las llaves del agua fría y caliente estén conectadas correctamente. Apague la lavadora, enciéndala de nuevo después de 2 o 3 minutos y, luego, vuelva a intentarlo.
1 5C	5C	<p>Revise el sistema de drenaje.</p> <ul style="list-style-type: none"> Asegúrese de que el filtro de drenaje no esté obstruido. Si el filtro de drenaje está obstruido, límpielo y, luego, vuelva a encender la lavadora.
1 HC	HC	<p>Revise el calentador de lavado.</p> <ul style="list-style-type: none"> Apague la lavadora y, luego, comuníquese con un centro de servicio al cliente de Samsung.

Código		Acción
Lavadora superior	Lavadora inferior	
1 UB	UB	<p>Revise el proceso de centrifugado.</p> <ul style="list-style-type: none"> Es posible que la carga no esté equilibrada dentro de la tina o el tambor. La carga es demasiado pequeña o se han mezclado artículos pesados y livianos. Revise la tina o el tambor y asegúrese de que la carga esté equilibrada. Evite lavar una sola prenda y agregue algunas prendas adicionales para equilibrar la carga. Redistribuya la carga uniformemente. Presione START/PAUSE (INICIO/PAUSA) para reanudar la operación, o apague la lavadora, enciéndala de nuevo después de 2 o 3 minutos y, luego, vuelva a intentarlo.
1 8C 1 8C1 1 8C2	8C 8C1 8C2	<p>Revise el sensor MEMS.</p> <ul style="list-style-type: none"> Apague la lavadora, enciéndala de nuevo después de 2 o 3 minutos y, luego, vuelva a intentarlo.
1 OC	OC	<p>El agua puede desbordar.</p> <ul style="list-style-type: none"> Cierre la llave del agua y, luego, comuníquese con el servicio técnico.
1 3C	3C	<p>Revise el motor.</p> <ul style="list-style-type: none"> Apague la lavadora, enciéndala de nuevo después de 2 o 3 minutos y, luego, vuelva a intentarlo.
1 AC6	AC6	<p>Verifique el estado de comunicación de la PBA.</p> <ul style="list-style-type: none"> Apague la lavadora, enciéndala de nuevo después de 2 o 3 minutos y, luego, vuelva a intentarlo.
1 9C1 1 9C2	9C1 9C2	<p>Se debe revisar el control electrónico.</p> <ul style="list-style-type: none"> Revise si la alimentación se suministra normalmente. Si el código de información permanece, comuníquese con un centro de servicio de Samsung.
1 SF	SF	<p>Falla del sistema.</p> <ul style="list-style-type: none"> Apague la lavadora y, luego, comuníquese con un centro de servicio de Samsung.

Solución de problemas

Código		Acción
Lavadora superior	Lavadora inferior	
1 AC	AC	Verifique las comunicaciones entre las PBA primaria y secundaria. <ul style="list-style-type: none">• Pruebe con apagar la lavadora y reiniciar el ciclo.• Si el código de información permanece, comuníquese con un centro de servicio al cliente.
-	AC7	Verifique las comunicaciones entre la PBA principal inferior y la PBA principal superior. <ul style="list-style-type: none">• Pruebe con apagar la lavadora y reiniciar el ciclo.• Si el código de información permanece, comuníquese con un centro de servicio al cliente.





Si un código de información sigue apareciendo en la pantalla, comuníquese con un centro de servicio local de Samsung.

Especificaciones

Tabla de indicaciones sobre telas

Los siguientes símbolos ofrecen indicaciones acerca de las prendas. La etiqueta de indicaciones de la prenda incluye símbolos para secado, blanqueado, secado y planchado, o limpieza en seco cuando son necesarios. El uso de símbolos garantiza la consistencia entre los fabricantes textiles de artículos nacionales e importados. Siga las indicaciones de la etiqueta para optimizar la vida útil de la prenda y reducir los problemas del lavado.

Ciclo de lavado

	Normal
	Planchado permanente / Antiarrugas / Control de arrugas
	Prendas suaves / Delicadas
	Lavado a mano




Temperatura del agua

...	Caliente
..	Tibia
.	Fría



NOTA

El rango de temperatura para Caliente es de 135 °F (57 °C) o inferior, 95 °F (35 °C) o inferior para Tibia y 68 °F (20 °C) o inferior para Fría. La temperatura del agua del lavado debe alcanzar un mínimo de 60 °F (16 °C) para que se active el detergente y se logre un lavado eficaz.



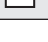
Blanqueador

	Cualquier blanqueador (cuando sea necesario)
	Solo blanqueador sin cloro (protección del color) (si es necesario)
	Secar en secadora






Normal

	Planchado permanente / Antiarrugas / Control de arrugas
	Prendas suaves/delicadas

Instrucciones especiales

	Secar colgado / Tender
	Colgar para que escurra
	Secar en posición horizontal

Ajuste del calor




	Alto
	Medio
	Bajo
	Cualquier calor
	Sin calor / Aire




Especificaciones

Temperaturas de secado con plancha o vapor






	Alto
	Medio
	Bajo

Símbolos de advertencia para el lavado

	No lavar
	No retorcer
	No usar blanqueador

	No secar en secadora
	Sin vapor (agregado a la plancha)
	No planchar

Limpiar en seco

	Limpiar en seco
	No limpiar en seco
	Secar colgado/tender
	Colgar para que escurra
	Secar en posición horizontal

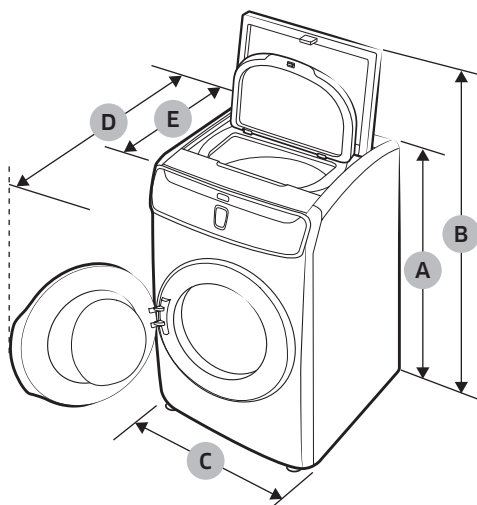
Protección del medio ambiente

- Este electrodoméstico se fabrica con materiales reciclables. Si decide deshacerse de él, siga la normativa local relacionada con la eliminación de desechos. Corte el cable de alimentación para que el electrodoméstico no pueda conectarse a una fuente de alimentación. Quite la tapa para que los animales y los niños pequeños no puedan quedar atrapados dentro de la máquina.
- No utilice cantidades de detergente mayores a las recomendadas por el fabricante del detergente.
- Utilice productos quitamanchas y blanqueadores antes del ciclo de lavado y solo cuando sea necesario.
- Ahorre agua y electricidad utilizando solo la capacidad total de la lavadora (la cantidad exacta depende del programa que se utilice).

Declaración de conformidad

Este electrodoméstico cumple con la norma UL2157.

Hoja de especificaciones



Tipo		Lavadora de carga doble	
Dimensiones (pulgadas (mm))	A. Altura: con la puerta superior cerrada	46.9 in. (1192 mm)	
	B. Altura: con la puerta superior abierta	61 in. (1550 mm)	
	C. Ancho	27 in. (686 mm)	
	D. Profundidad con la puerta abierta	54.6 in. (1386 mm)	
	E. Profundidad	34 in. (864 mm)	
Presión de agua (psi (kPa))		20 - 116 (137 - 800)	
Peso NETO (lb (kg))		308.6 (140)	
Revolución del centrifugado	Lavadora superior	800 rpm	
	Lavadora inferior	1300 rpm	
Potencia del calentador	Lavado y calentamiento	120 V	900 W
Consumo anual de energía		Lavadora superior	60 kWh/año
		Lavadora inferior	105 kWh/año
Consumo anual de agua		Lavadora superior	3540 gal/año
		Lavadora inferior	4278 gal/año

Especificaciones

Tabla de ciclos

Use esta tabla para configurar el mejor ciclo y las mejores opciones para su ropa.

Lavadora superior

NOTA

Ajuste	Temp. (Temperatura)
●: configuración de fábrica	W : Warm (Tibia)
●: se puede seleccionar	C: Cold (Fría)

Ciclo	Funciones		Opciones
	Temp. (Temperatura)		Extra Rinse (Enjuague extra)
	W	C	
NORMAL	●	●	●
DELICATES (DELICADA)	●	●	
ACTIVE WEAR (ROPA DEPORTIVA)	●	●	●
RINSE+SPIN (ENJUAGUE+CENTRIFUGADO)			●

Lavadora inferior

NOTA

Ajuste	Temp. (Temperatura)	Rinse (Enjuagar)	Spin (Centrifugar)	Soil Level (Nivel de suciedad)
● : configuración de fábrica	EH : Extra hot (Muy caliente)	5 : 5 veces	EH : Extra High (Muy alto)	EH : Extra Heavy (Extra sucia)
● : se puede seleccionar	H : Hot (Caliente)	4 : 4 veces	H : High (Alto)	H : Heavy (Muy sucia)
	W : Warm (Tibia)	3 : 3 veces	M : Medium (Medio)	N : Normal
	CL : Cool (Fresca)	2 : 2 veces	L : Low (Bajo)	L : Light (Poco sucia)
	CD : Cold (Fría)	1 : 1 vez	NS : No spin (Sin centrifugado)	EL : Extra Light (Extra limpia)

Ciclo	Funciones														
	Temp. (Temperatura)					Rinse (Enjuagar)					Spin (Centrifugar)				
	EH	H	W	CL	CD	5	4	3	2	1	EH	H	M	L	NS
NORMAL	●	●	●	●	●	●	●	●	●	●	●	●	●	●	●
HEAVY DUTY (ACCIÓN FUERTE)	●	●	●	●	●	●	●	●	●	●	●	●	●	●	●
Bedding (Ropa de cama)			●	●	●	●	●	●	●	●			●	●	●
WHITES (ROPA BLANCA)		●	●	●	●	●	●	●	●	●	●	●	●	●	●
SANITIZE (DESINFECCIÓN)	●					●	●	●	●	●	●	●	●	●	●
RINSE+SPIN (ENJUAGUE+CENTRIFUGADO)						●	●	●	●	●	●	●	●	●	●
ACTIVE WEAR (ROPA DEPORTIVA)			●	●	●	●	●	●	●	●				●	●
DELICATES (DELICADA)			●	●	●			●	●	●				●	●
PERM PRESS (PLANCHA PERMANENTE)			●	●	●	●	●	●	●	●		●	●	●	●
QUICK WASH (LAVADO RÁPIDO)		●	●	●	●	●	●	●	●	●	●	●	●	●	●
ECO COLD (ECO FRÍO)				●	●	●	●	●	●	●	●	●	●	●	●
TOWELS (TOALLAS)		●	●	●	●	●	●	●	●	●	●	●	●	●	●
Self Clean+ (Autolimpieza+)	●								●		●				

Especificaciones

Ciclo	Funciones					Opciones			
	Soil Level (Nivel de suciedad)					Pre Soak (Remojo)	Steam (Vapor)	Super Speed (Súper velocidad)	Delay End (Término Retardado)
	EH	H	N	L	EL				
NORMAL	●	●	●	●	●	●	●	●	
HEAVY DUTY (ACCIÓN FUERTE)	●	●	●	●	●	●	●	●	
BEDDING (ROPA DE CAMA)	●	●	●	●	●	●	●	●	
WHITES (ROPA BLANCA)	●	●	●	●	●	●		●	
SANITIZE (DESINFECCIÓN)	●	●	●	●	●	●		●	
RINSE+SPIN (ENJUAGUE+CENTRIFUGADO)								●	
ACTIVE WEAR (ROPA DEPORTIVA)	●	●	●	●	●	●		●	
DELICATES (DELICADA)	●	●	●	●	●			●	
PERM PRESS (PLANCHA PERMANENTE)	●	●	●	●	●	●		●	
QUICK WASH (LAVADO RÁPIDO)	●	●	●	●	●			●	
ECO COLD (ECO FRÍO)	●	●	●	●	●	●		●	
TOWELS (TOALLAS)	●	●	●	●	●			●	
Self Clean+ (Autolimpieza+)								●	

Garantía (Estados Unidos)

LAVADORA SAMSUNG

GARANTÍA LIMITADA PARA EL COMPRADOR ORIGINAL

El presente producto de la marca SAMSUNG, tal como lo provee y distribuye SAMSUNG ELECTRONICS AMERICA, INC. (SAMSUNG) y lo entrega como nuevo, en su caja de cartón original al comprador o consumidor original, está garantizado por SAMSUNG contra defectos de fabricación de los materiales y la mano de obra durante el período limitado de la garantía de:

Un (1) año para las piezas y la mano de obra, Tres (3) años para las piezas del tambor inoxidable (solo repuestos), Diez (10) años para el motor DD (solo repuestos)

La presente garantía limitada comienza en la fecha original de compra y es válida únicamente para productos comprados y usados en Estados Unidos. Para recibir el servicio técnico de la garantía, el comprador debe comunicarse con SAMSUNG con el fin de que se determine el problema y los procedimientos del servicio. El servicio técnico de la garantía solo puede ser prestado por un centro de servicio técnico autorizado de SAMSUNG. Se debe presentar la factura de compra original como prueba de compra a SAMSUNG o al servicio técnico autorizado de SAMSUNG. SAMSUNG prestará servicio técnico a domicilio durante el período de la garantía sin costo, sujeto a la disponibilidad dentro de los Estados Unidos contiguos. El servicio técnico a domicilio no está disponible en todas las áreas.

Para recibir el servicio técnico a domicilio, el producto no debe presentar obstrucciones y debe ser accesible para el agente del servicio técnico. Si el servicio técnico no está disponible, SAMSUNG puede optar por transportar el producto hasta y desde el servicio técnico autorizado.

Garantía (Estados Unidos)

SAMSUNG reparará, reemplazará el producto u ofrecerá un reembolso a su criterio y sin cargo adicional, tal como se establece en la presente garantía, con piezas o productos nuevos o reacondicionados si se verifica que es defectuoso durante el período limitado de la garantía especificado anteriormente. Todas las piezas y los productos reemplazados pasan a ser propiedad de SAMSUNG y deben ser devueltos a SAMSUNG. Las piezas y los productos reemplazados asumen la garantía original que resta, o noventa (90) días, el período que sea el más prolongado. La presente garantía limitada cubre defectos de fabricación de los materiales y la mano de obra encontrados durante el uso normal y doméstico de este producto y no será válida para lo siguiente: daños que ocurran durante el envío; entrega e instalación; aplicaciones y usos para los cuales el presente producto no fue destinado; números de serie o de producto alterados; daño cosmético o de acabado exterior; accidentes, abuso, descuido, incendio, inundación, caída de rayos, u otros casos fortuitos o de fuerza mayor; uso de productos, equipos, sistemas, utilidades, servicios, piezas, suministros, accesorios, aplicaciones, instalaciones, reparaciones, cableado externo o conectores no provistos ni autorizados por SAMSUNG que dañen este producto o que acarreen problemas en el servicio; voltaje de la línea eléctrica incorrecto, fluctuaciones y sobrevoltaje; ajustes del cliente e incumplimiento de lo establecido en el manual de instrucciones, instrucciones de mantenimiento y ambientales que están cubiertas y recomendadas en el manual de instrucciones; traslado y reinstalación del producto; problemas causados por plagas. La presente garantía limitada no cubre problemas derivados de la corriente, el voltaje o el suministro eléctrico incorrectos, las bombillas de luz, los fusibles de la casa, el cableado de la casa, el costo del servicio técnico para recibir instrucciones o corregir errores en la instalación. SAMSUNG no garantiza el funcionamiento ininterrumpido o sin errores del producto.

SALVO LO ESTABLECIDO EN LA PRESENTE GARANTÍA, NO EXISTEN GARANTÍAS SOBRE EL PRESENTE PRODUCTO, YA SEAN EXPRESAS O TÁCITAS, Y SAMSUNG DESCONOCE TODAS LAS GARANTÍAS QUE INCLUYEN, AUNQUE NO EN CARÁCTER TAXATIVO, CUALQUIER GARANTÍA TÁCITA DE QUE EL PRODUCTO SE ENCUENTRA EN CONDICIONES APTAS PARA LA VENTA, DE DEFRAUDACIÓN DE DERECHOS O DE QUE EL PRODUCTO SE ADECUA A LOS FINES ESPECÍFICOS PARA LOS CUALES SE ADQUIERE.

NINGÚN AVAL O GARANTÍA OTORGADOS POR PERSONA, COMPAÑÍA O CORPORACIÓN ALGUNA CON RESPECTO AL PRESENTE PRODUCTO REVESTIRÁ CARÁCTER VINCULANTE PARA SAMSUNG. SAMSUNG NO SERÁ RESPONSABLE POR PÉRDIDAS DE INGRESOS O LUCRO CESANTE, IMPOSIBILIDAD DE GENERAR AHORROS U OBTENER OTROS BENEFICIOS, O CUALQUIER DAÑO DERIVADO DE CIRCUNSTANCIAS ESPECIALES, DAÑO IMPREVISTO O DERIVADO CAUSADO POR EL USO, USO INCORRECTO, O INCAPACIDAD PARA USAR EL PRESENTE PRODUCTO, INDEPENDIENTEMENTE DE LA TEORÍA LEGAL EN QUE SE FUNDE EL RECLAMO Y AUN CUANDO SE LE HAYA NOTIFICADO A SAMSUNG DE LA POSIBILIDAD DE TALES DAÑOS.

NINGÚN RESARCIMIENTO DE NINGUNA ÍNDOLE CONTRA SAMSUNG SUPERARÁ EL MONTO DE COMPRA DEL PRODUCTO VENDIDO POR SAMSUNG Y CAUSANTE DEL PRESUNTO DAÑO. SIN LIMITAR LO PRECEDENTE, EL COMPRADOR ASUME TODO EL RIESGO Y LA RESPONSABILIDAD POR PÉRDIDA, DAÑO O LESIÓN AL COMPRADOR Y A LOS BIENES DEL COMPRADOR Y A TERCEROS Y A SUS BIENES DERIVADOS DEL USO, USO INCORRECTO O INCAPACIDAD PARA USAR EL PRESENTE PRODUCTO. LA PRESENTE GARANTÍA LIMITADA NO SE EXTENDERÁ A NINGUNA PERSONA DISTINTA DEL COMPRADOR ORIGINAL DEL PRESENTE PRODUCTO, ES INTRANSFERIBLE Y ESTABLECE SU EXCLUSIVA REPARACIÓN.

Algunos estados no permiten limitaciones en cuanto al plazo de una garantía implícita, o la exclusión o limitación de daños imprevistos o derivados, por lo tanto las limitaciones o exclusiones antedichas pueden no aplicarse en su caso. Esta garantía le otorga derechos específicos, y además puede tener otros derechos que varían según el Estado en el que se encuentre.

Para recibir servicio técnico de garantía, comuníquese con SAMSUNG a:

Samsung Electronics America, Inc.

85 Challenger Road

Ridgefield Park, NJ 07660

1-800-SAMSUNG (726-7864)

www.samsung.com/us/support

Las visitas del personal de servicio técnico para explicar funciones, mantenimiento o instalación no están cubiertas por la garantía.

Póngase en contacto con el centro de llamadas de Samsung para obtener ayuda con cualquiera de estos problemas.

Garantía (CANADÁ)

LAVADORA SAMSUNG

GARANTÍA LIMITADA PARA EL COMPRADOR ORIGINAL

El presente producto de la marca SAMSUNG, tal como lo provee y distribuye SAMSUNG ELECTRONICS CANADA, INC. (SAMSUNG) y lo entrega como nuevo, en su caja de cartón original al comprador o consumidor original, está garantizado por SAMSUNG contra defectos de fabricación de los materiales y la mano de obra durante el período limitado de la garantía de:

Un (1) año para las piezas y la mano de obra. Diez (10) años para el motor DD (solo el repuesto)

La presente garantía limitada comienza en la fecha original de compra y es válida únicamente para productos comprados y usados en Canadá. Para recibir el servicio técnico de la garantía, el comprador debe comunicarse con SAMSUNG con el fin de que se determine el problema y los procedimientos del servicio. El servicio técnico de la garantía solo puede ser prestado por un centro de servicio técnico autorizado de SAMSUNG. Se debe presentar la factura de compra original como prueba de compra a SAMSUNG o al servicio técnico autorizado de SAMSUNG. SAMSUNG prestará servicio técnico a domicilio durante el período de la garantía sin costo, sujeto a la disponibilidad dentro de Canadá. El servicio técnico a domicilio no está disponible en todas las áreas.

Para recibir el servicio técnico a domicilio, el producto no debe presentar obstrucciones y debe ser accesible para el agente del servicio técnico. Si el servicio técnico no está disponible, SAMSUNG puede optar por transportar el producto hasta y desde el servicio técnico autorizado.

SAMSUNG reparará, reemplazará el producto u ofrecerá un reembolso a su criterio y sin cargo adicional, tal como se establece en la presente garantía, con piezas o productos nuevos o reacondicionados si se verifica que es defectuoso durante el período limitado de la garantía especificado anteriormente. Todas las piezas y los productos reemplazados pasan a ser propiedad de SAMSUNG y deben ser devueltos a SAMSUNG. Las piezas y los productos reemplazados asumen la garantía original que resta, o noventa (90) días, el período que sea el más prolongado. La presente garantía limitada cubre defectos de fabricación de los materiales y la mano de obra encontrados durante el uso normal y doméstico de este producto y no será válida para lo siguiente: daños que ocurran durante el envío; entrega e instalación; aplicaciones y usos para los cuales el presente producto no fue destinado; números de serie o de producto alterados; daño cosmético o de acabado exterior; accidentes, abuso, descuido, incendio, inundación, caída de rayos, u otros casos fortuitos o de fuerza mayor; uso de productos, equipos, sistemas, utilidades, servicios, piezas, suministros, accesorios, aplicaciones, instalaciones, reparaciones, cableado externo o conectores no provistos ni autorizados por SAMSUNG que dañen este producto o que acarreen problemas en el servicio; voltaje de la línea eléctrica incorrecto, fluctuaciones y sobrevoltaje; ajustes del cliente e incumplimiento de lo establecido en el manual de instrucciones, instrucciones de mantenimiento y ambientales que están cubiertas y recomendadas en el manual de instrucciones; traslado y reinstalación del producto; problemas causados por plagas. La presente garantía limitada no cubre problemas derivados de la corriente, el voltaje o el suministro eléctrico incorrectos, las bombillas de luz, los fusibles de la casa, el cableado de la casa, el costo del servicio técnico para recibir instrucciones o corregir errores en la instalación. SAMSUNG no garantiza el funcionamiento ininterrumpido o sin errores del producto.

SALVO LO ESTABLECIDO EN LA PRESENTE GARANTÍA, NO EXISTEN GARANTÍAS SOBRE EL PRESENTE PRODUCTO, YA SEAN EXPRESAS O TÁCITAS, Y SAMSUNG DESCONOCE TODAS LAS GARANTÍAS QUE INCLUYEN, AUNQUE NO EN CARÁCTER TAXATIVO, CUALQUIER GARANTÍA TÁCITA DE QUE EL PRODUCTO SE ENCUENTRA EN CONDICIONES APTAS PARA LA VENTA, DE DEFRAUDACIÓN DE DERECHOS O DE QUE EL PRODUCTO SE ADECUA A LOS FINES ESPECÍFICOS PARA LOS CUALES SE ADQUIERE.

Garantía (CANADÁ)

NINGÚN AVAL O GARANTÍA OTORGADOS POR PERSONA, COMPAÑÍA O CORPORACIÓN ALGUNA CON RESPECTO AL PRESENTE PRODUCTO REVESTIRÁ CARÁCTER VINCULANTE PARA SAMSUNG. SAMSUNG NO SERÁ RESPONSABLE POR PÉRDIDAS DE INGRESOS O LUCRO CESANTE, IMPOSIBILIDAD DE GENERAR AHORROS U OBTENER OTROS BENEFICIOS, O CUALQUIER DAÑO DERIVADO DE CIRCUNSTANCIAS ESPECIALES, DAÑO IMPREVISTO O DERIVADO CAUSADO POR EL USO, USO INCORRECTO, O INCAPACIDAD PARA USAR EL PRESENTE PRODUCTO, INDEPENDIENTEMENTE DE LA TEORÍA LEGAL EN QUE SE FUNDE EL RECLAMO Y AUN CUANDO SE LE HAYA NOTIFICADO A SAMSUNG DE LA POSIBILIDAD DE TALES DAÑOS.

NINGÚN RESARCIMIENTO DE NINGUNA ÍNDOLE CONTRA SAMSUNG SUPERARÁ EL MONTO DE COMPRA DEL PRODUCTO VENDIDO POR SAMSUNG Y CAUSANTE DEL PRESUNTO DAÑO. SIN LIMITAR LO PRECEDENTE, EL COMPRADOR ASUME TODO EL RIESGO Y LA RESPONSABILIDAD POR PÉRDIDA, DAÑO O LESIÓN AL COMPRADOR Y A LOS BIENES DEL COMPRADOR Y A TERCEROS Y A SUS BIENES DERIVADOS DEL USO, USO INCORRECTO O INCAPACIDAD PARA USAR EL PRESENTE PRODUCTO. LA PRESENTE GARANTÍA LIMITADA NO SE EXTENDERÁ A NINGUNA PERSONA DISTINTA DEL COMPRADOR ORIGINAL DEL PRESENTE PRODUCTO, ES INTRANSFERIBLE Y ESTABLECE SU EXCLUSIVA REPARACIÓN.

Algunas provincias no permiten limitaciones en cuanto al plazo de una garantía implícita, o la exclusión o limitación de daños imprevistos o derivados, por lo que las limitaciones o exclusiones antedichas pueden no aplicarse en su caso.

Esta garantía le otorga derechos específicos, y además puede tener otros derechos que varían según la provincia en la que se encuentre.

Para recibir servicio técnico de garantía, comuníquese con SAMSUNG a:

Samsung Electronics Canada Inc.

2050 Derry Road West,

Mississauga, Ontario L5N 0B9 Canada

1-800-SAMSUNG (726-7864)

www.samsung.com/ca/support (English)

www.samsung.com/ca_fr/support (French)

FAX: 1-866-436-4617

Las visitas del personal de servicio técnico para explicar funciones, mantenimiento o instalación no están cubiertas por la garantía.

Póngase en contacto con el centro de llamadas de Samsung para obtener ayuda con cualquiera de estos problemas.

Notas

Notas

Notas



Scan the QR code* or visit
www.samsung.com/spsn
 to view our helpful
 How-to Videos and Live Shows

*Requires reader to be installed on your smartphone

Scan this with your smartphone

¿TIENE ALGUNA PREGUNTA O COMENTARIO?

PAÍS	LLAME AL	O VISÍTENOS EN LÍNEA EN
U.S.A - Consumer Electronics - Mobile Phones	1-800-SAMSUNG (726-7864) 1-844-SAM-PAYS (726-7297)	www.samsung.com/us/support
CANADA	1-800-SAMSUNG(726-7864) 1-844-SAM-PAYS (726-7297)	www.samsung.com/ca/support (English) www.samsung.com/ca_fr/support (French)



DC68-03768A-04