

Cutlery
Coutellerie
Cubiertos
Besteck

Instructions
Instructions
Instrucciones
Gebrauchsanweisung



KitchenAid

To learn more about your cutlery and experience our full line of cutlery and kitchen products, visit www.KitchenAid.com/cutlery (USA) or www.KitchenAid.ca (Canada).

For countries outside the USA and Canada, visit international.KitchenAid.com to locate your local KitchenAid website and customer support information.

You may also reach us at:

USA:
1.800.541.6390

Canada:
1.800.807.6777

UK/Northern Ireland:
01-942-60-55-04

PROOF OF PURCHASE

Always keep a copy of the itemized sales receipt showing the date of purchase of your cutlery. Proof of purchase will assure you of in-warranty service. The completion and submission of product registration information is not required to obtain your product warranty. Please complete the following for your personal records:

Model Number:

Date Purchased:

Store Name:

Customers in the USA only: Before you use your cutlery, please register online at www.KitchenAid.com/registermyproduct

This will enable us to contact you in the unlikely event of a product safety notification and assist us in complying with the provisions of the Consumer Product Safety Act.

USING YOUR CUTLERY

Proper Use

- Select the proper knife for the task at hand.
- Do not use knives to cut through bone or to cut or separate frozen foods; it may damage or dull the blade.
- Do not use knives as a screwdriver or can opener; it may damage the blade.

Cutting Surfaces

- Use smooth, easy-to-clean cutting surfaces. Wood and polyethylene cutting boards are recommended.
- Do not use knives on hard surfaces that can dull or damage the cutting edge, such as glass, stone, ceramic, metal, or countertops.

CARING FOR CUTLERY

Washing cutlery

- Cutlery is dishwasher safe, but hand washing is recommended for lasting appearance and performance.

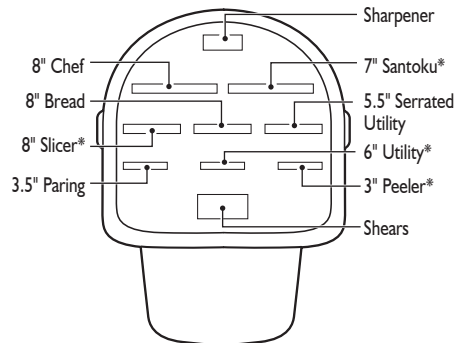
Sharpening cutlery

- KitchenAid cutlery sets include a knife sharpening steel. The KitchenAid sharpening steel may also be purchased separately.
- To maintain a precision cutting edge, follow the instructions on page 10 to sharpen cutlery after each use.

NOTE: Knives with serrated edges must be professionally sharpened.

Storing cutlery

- To help maintain the beauty of your cutlery, store cutlery in the included knife block when not in use.



* included with 11-piece set only

WARRANTY

KITCHENAID CUTLERY LIFETIME LIMITED WARRANTY (U.S.A. AND CANADA ONLY)

Your KitchenAid cutlery is warranted to be free of defects in material and workmanship under normal household use when used according to the instructions furnished with the product in the U.S. and Canada. This warranty applies to the purchaser and any succeeding owner of the product, with proof of purchase. This warranty does not cover damage or defects due to normal wear, misuse, abuse, impact, or failure to follow the manufacturer's use and care instructions. KitchenAid will repair or replace the product at our sole discretion with an identical or similar product.

YOUR SOLE AND EXCLUSIVE REMEDY UNDER THIS LIMITED WARRANTY SHALL BE PRODUCT OR PART REPLACEMENT AT OUR DISCRETION AS PROVIDED HEREIN. Warranty service may only be arranged by contacting the KitchenAid Customer eXperience Center. This limited warranty is valid in the United States and Canada and applies only when the product is used in the country in which it was purchased.

WHAT IS NOT COVERED BY THIS WARRANTY

1. Damage from ordinary wear and tear such as scratches, dents, stains, or discoloration to all surfaces, or other damage that does not impair the function of the cutlery.
2. Damage due to improper handling, accident, abuse, misuse, fire, flood, theft, acts of God, neglect, corrosion, modification, exposure to extreme temperatures, or failure to follow the manufacturer's use and care instructions.
3. Shipping, freight, or insurance fees to deliver replacement parts or return defective products to an Authorized KitchenAid Service Center.
4. Use of this product in commercial applications.
5. Minor imperfections or blemishes due to variations in paint, enamel, or metals.
6. Replacement product or parts when used outside the United States or Canada.
7. Surface damage due to chemical interaction or cleaning agents including, but not limited to, scouring pads, abrasive cleaners, or automatic dishwashers.
8. Replacement of cutlery sets; only the defective part or item will be replaced.

The cost of repair or replacement under these excluded circumstances shall be borne by the customer.

DISCLAIMER OF IMPLIED WARRANTIES

IMPLIED WARRANTIES, INCLUDING ANY LIMITED WARRANTY OF MERCHANTABILITY OR LIMITED WARRANTY OF FITNESS FOR A PARTICULAR PURPOSE, ARE LIMITED TO 1 YEAR OR THE SHORTEST PERIOD ALLOWED BY LAW. Some states and provinces do not allow limitations on duration of implied warranties of merchantability or fitness, so this limitation may not apply to you. This warranty gives you specific legal rights, and you also may have other rights that vary from state to state or province to province.

LIMITATION OF REMEDIES; EXCLUSION OF INCIDENTAL AND CONSEQUENTIAL DAMAGES

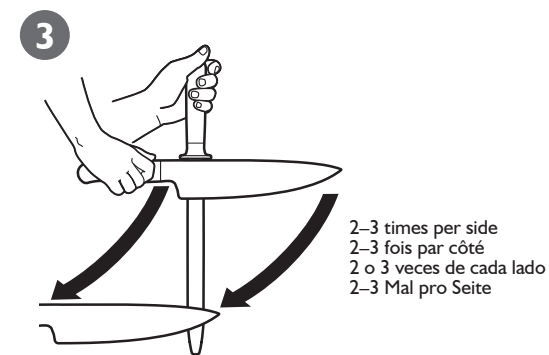
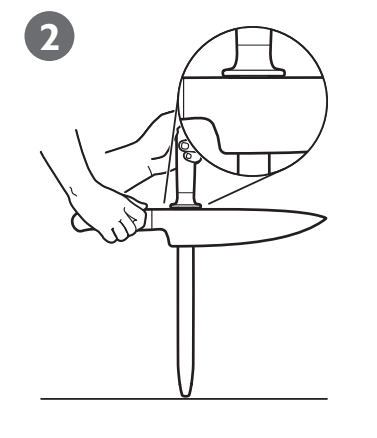
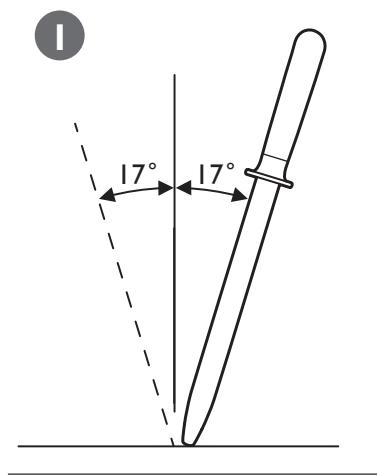
YOUR SOLE AND EXCLUSIVE REMEDY UNDER THIS LIMITED WARRANTY SHALL BE PRODUCT OR PART REPLACEMENT AT OUR DISCRETION AS PROVIDED HEREIN. KITCHENAID SHALL NOT BE RESPONSIBLE FOR INCIDENTAL OR CONSEQUENTIAL DAMAGES. Some states and provinces do not allow exclusion or limitation of incidental or consequential damages, so these limitations may not apply to you. This warranty gives you specific legal rights, and you also may have other rights that vary from state to state or province to province.

Outside the United States and Canada this warranty does not apply. If you need warranty service, contact the KitchenAid Customer eXperience Center at 1-800-541-6390 in the USA or 1-800-807-6777 in Canada.

KITCHENAID CUTLERY WARRANTY (OUTSIDE THE U.S.A. AND CANADA)

Lifetime limited warranty applies to U.S.A. and Canada only. For warranty information as it applies to other countries, visit international.KitchenAid.com.

Sharpening Cutlery
Aiguisage de la coutellerie
Afilado de los cubiertos
Schärfen des Bestecks



KitchenAid

- © 2015 KitchenAid. All rights reserved.
Used under license in Canada.
- © 2015 KitchenAid. Tous droits réservés.
Utilisé sous licence au Canada.
- © 2015 KitchenAid. Todos los derechos reservados. Usada en Canadá bajo licencia.
- © 2015 KitchenAid. Alle Rechte vorbehalten.
Verwendet unter Lizenz in Kanada.