

24" (61 cm) & 27" (69 cm) Gas Washer/Dryer Installation Instructions

Instructions pour l'installation de la laveuse/sécheuse à gaz de 24" (61 cm) et 27" (69 cm)

Instrucciones de instalación de la lavadora/secadora del gas de 24" (61 cm) y 27" (69 cm)

Table of Contents

WASHER/DRYER SAFETY	2
INSTALLATION REQUIREMENTS.....	5
Tools and Parts.....	5
LOCATION REQUIREMENTS.....	7
DIMENSIONS/CLEARANCES	8
DRAIN SYSTEM	10
ELECTRICAL REQUIREMENTS.....	11
GAS SUPPLY REQUIREMENTS.....	11
REMOVE SHIPPING STRAP.....	13
INSTALL LEVELING LEGS.....	14
REMOVE FOAM PACKING (24" models).....	14
VENTING.....	15
Venting Requirements.....	15
Plan Vent System.....	16
Install Vent System.....	17
CONNECT DRAIN HOSE.....	18
CONNECT INLET HOSES.....	19
MAKE GAS CONNECTION.....	21
CONNECT VENT	21
LEVEL WASHER/DRYER.....	22
COMPLETE INSTALLATION CHECKLIST	23

Table des matières

SÉCURITÉ DE LA LAVEUSE/SÉCHEUSE	24
EXIGENCES D'INSTALLATION	27
Outillage et pièces	27
EXIGENCES D'EMPLACEMENT	29
DIMENSIONS/DISTANCES DE DÉGAGEMENT	30
SYSTÈME DE VIDANGE	32
SPÉCIFICATIONS ÉLECTRIQUES	33
SPÉCIFICATIONS DE L'ALIMENTATION EN GAZ	33
ENLEVER LA SANGLE D'EXPÉDITION	35
INSTALLATION DES PIEDS DE NIVELLEMENT	36
ENLEVER L'EMBALLAGE EN MOUSSE (modèles de 24")	36
ÉVACUATION	37
Exigences concernant l'évacuation	37
Planification du système d'évacuation	38
Installation du conduit d'évacuation	39
RACCORDEMENT DU TUYAU DE VIDANGE.....	40
RACCORDEMENT DES TUYAUX D'ARRIVÉE D'EAU	41
RACCORDEMENT À LA CANALISATION DE GAZ	42
RACCORDEMENT DU CONDUIT D'ÉVACUATION	43
ÉTABLISSEMENT DE L'APLOMB DE LA LAVEUSE/SÉCHEUSE.....	44
LISTE DE VÉRIFICATION POUR L'ACHÈVEMENT DE L'INSTALLATION	45

Índice

SEGURIDAD DE LA LAVADORA/SECADORA	46
REQUISITOS DE INSTALACIÓN	49
Herramientas y piezas	49
REQUISITOS DE UBICACIÓN.....	51
DIMENSIONES Y ESPACIOS LIBRES.....	52
SISTEMA DE DESAGÜE	54
REQUISITOS ELÉCTRICOS	55
REQUISITOS DEL SUMINISTRO DE GAS.....	55
QUITE EL FLEJE DE EMBALAJE.....	57
INSTALACIÓN DE LAS PATAS NIVELADORAS.....	58
QUITE EL EMBALAJE DE HULE ESPUMA (modelos de 24")	58

VENTILACIÓN	59
Requisitos de ventilación	59
Planificación del sistema de ventilación.....	60
Instalación del sistema de ventilación	61
CONECTE LA MANGUERA DE DESAGÜE.....	62
CONECTE LAS MANGUERAS DE ENTRADA	63
CONEXIÓN DEL SUMINISTRO DE GAS.....	64
CONECTE EL DUCTO DE ESCAPE.....	65
NIVELACIÓN DE LA LAVADORA/SECADORA.....	65
LISTA DE CONTROL PARA LA REALIZACIÓN DE LA INSTALACIÓN.....	67

INSTALLATION NOTES

Date of purchase: _____
Date of installation: _____
Installer: _____
Model number: _____
Serial number: _____

NOTES CONCERNANT L'INSTALLATION

Date d'achat : _____
Date d'installation : _____
Installateur : _____
Numéro de modèle : _____
Numéro de série : _____

NOTAS DE INSTALACIÓN

Fecha de la compra: _____
Fecha de la instalación: _____
Instalador: _____
Número de modelo: _____
Número de serie: _____

Washer/Dryer Safety

Your safety and the safety of others are very important.

We have provided many important safety messages in this manual and on your appliance. Always read and obey all safety messages.



This is the safety alert symbol.

This symbol alerts you to potential hazards that can kill or hurt you and others.

All safety messages will follow the safety alert symbol and either the word “DANGER” or “WARNING.” These words mean:

⚠ DANGER

You can be killed or seriously injured if you don't immediately follow instructions.

⚠ WARNING

You can be killed or seriously injured if you don't follow instructions.

All safety messages will tell you what the potential hazard is, tell you how to reduce the chance of injury, and tell you what can happen if the instructions are not followed.



WARNING - “Risk of Fire”

- Clothes dryer installation must be performed by a qualified installer.
- Install the clothes dryer according to the manufacturer's instructions and local codes.
- Do not install a clothes dryer with flexible plastic venting materials or flexible metal (foil type) duct. If flexible metal duct is installed, it must be of a specific type identified by the appliance manufacturer as suitable for use with clothes dryers. Flexible venting materials are known to collapse, be easily crushed, and trap lint. These conditions will obstruct clothes dryer airflow and increase the risk of fire.
- To reduce the risk of severe injury or death, follow all installation instructions.
- Save these instructions.

⚠ WARNING

Fire Hazard

Failure to follow safety warnings exactly could result in serious injury, death, or property damage.

Do not install a booster fan in the exhaust duct.

Install all clothes dryers in accordance with the installation instructions of the manufacturer of the dryer.

WARNING: For your safety, the information in this manual must be followed to minimize the risk of fire or explosion, or to prevent property damage, personal injury, or death.

- Do not store or use gasoline or other flammable vapors and liquids in the vicinity of this or any other appliance.
- **WHAT TO DO IF YOU SMELL GAS:**
 - Do not try to light any appliance.
 - Do not touch any electrical switch; do not use any phone in your building.
 - Clear the room, building, or area of all occupants.
 - Immediately call your gas supplier from a neighbor's phone. Follow the gas supplier's instructions.
 - If you cannot reach your gas supplier, call the fire department.
- Installation and service must be performed by a qualified installer, service agency, or the gas supplier.

WARNING: Gas leaks cannot always be detected by smell.

Gas suppliers recommend that you use a gas detector approved by UL or CSA.

For more information, contact your gas supplier.

If a gas leak is detected, follow the "What to do if you smell gas" instructions.

In the State of Massachusetts, the following installation instructions apply:

- Installations and repairs must be performed by a qualified or licensed contractor, plumber, or gasfitter qualified or licensed by the State of Massachusetts.
- If using a ball valve, it shall be a T-handle type.
- A flexible gas connector, when used, must not exceed 3 feet.

IMPORTANT: The gas installation must conform with local codes, or in the absence of local codes, with the National Fuel Gas Code, ANSI Z223.1/NFPA 54 or the Canadian Natural Gas and Propane Installation Code, CSA B149.1.

The dryer must be electrically grounded in accordance with local codes, or in the absence of local codes, with the National Electrical Code, ANSI/NFPA 70 or Canadian Electrical Code, CSA C22.1.

IMPORTANT SAFETY INSTRUCTIONS

WARNING: To reduce the risk of fire, electric shock, or injury to persons when using the washer/dryer, follow basic precautions, including the following:

- Read all instructions before using the washer/dryer.
- Do not place items exposed to cooking oils in your dryer. Items contaminated with cooking oils may contribute to a chemical reaction that could cause a load to catch fire.
- Do not wash or dry articles that have been previously cleaned in, washed in, soaked in, or spotted with gasoline, dry-cleaning solvents, other flammable, or explosive substances as they give off vapors that could ignite or explode.
- Do not add gasoline, dry-cleaning solvents, or other flammable, or explosive substances to the wash water. These substances give off vapors that could ignite or explode.
- Do not allow children to play on or in the washer/dryer. Close supervision of children is necessary when the washer/dryer is used near children.
- Before the washer/dryer is removed from service or discarded, remove the doors to the washer/dryer compartments.
- Do not reach into the washer/dryer if the tub, agitator or drum is moving.
- Do not install or store the washer/dryer where it will be exposed to the weather.
- Do not tamper with controls.
- Clean dryer lint screen before or after each load.
- Under certain conditions, hydrogen gas may be produced in a hot water system that has not been used for 2 weeks or more. **HYDROGEN GAS IS EXPLOSIVE.** If the hot water system has not been used for such a period, before using the washing machine, turn on all hot water faucets and let the water flow from each for several minutes. This will release any accumulated hydrogen gas. As the gas is flammable, do not smoke or use an open flame during this time.
- Do not repair or replace any part of the washer/dryer or attempt any servicing unless specifically recommended in this Use and Care Guide or in published user-repair instructions that you understand and have the skills to carry out.
- Do not use fabric softeners or products to eliminate static unless recommended by the manufacturer of the fabric softener or product.
- Do not use heat to dry articles containing foam rubber or similarly textured rubber-like materials.
- Keep area around the exhaust opening and adjacent surrounding areas free from the accumulation of lint, dust, and dirt.
- The interior of the machine and dryer exhaust vent should be cleaned periodically by qualified service personnel.
- See "Electrical Requirements" section of the Installation Instructions booklet for grounding instructions.

SAVE THESE INSTRUCTIONS

State of California Proposition 65 Warnings:

WARNING: This product contains one or more chemicals known to the State of California to cause cancer.

WARNING: This product contains one or more chemicals known to the State of California to cause birth defects or other reproductive harm.

IMPORTANT SAFETY INSTRUCTIONS

When discarding or storing your old clothes dryer, remove the door.

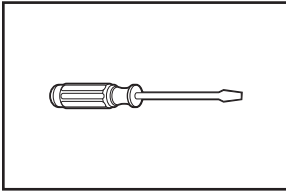
SAVE THESE INSTRUCTIONS

Installation Requirements

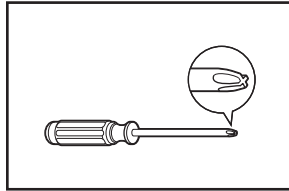
Tools and Parts

Gather required tools and parts before starting installation.

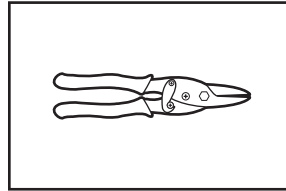
Tools needed:



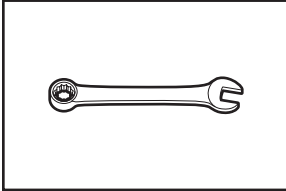
Flat-blade screwdriver



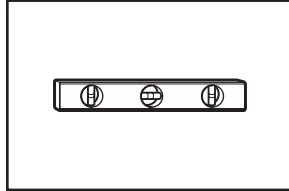
#2 Phillips screwdriver



Tin snips (new vent installations)

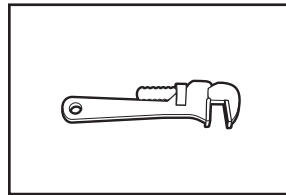


Adjustable or open-end wrench 9/16" (14 mm)

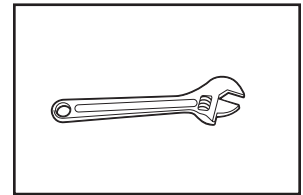


Level

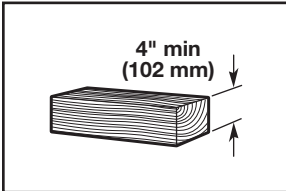
Tools needed for gas installations:



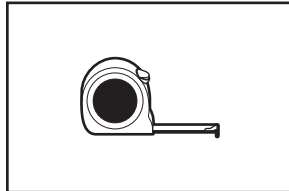
8" or 10" pipe wrench



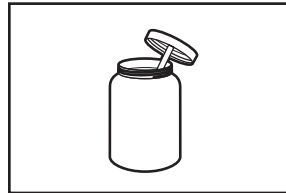
8" or 10" adjustable wrench (for gas connections)



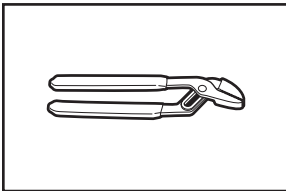
Wood block



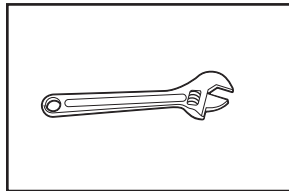
Ruler or measuring tape



Pipe-joint compound resistant to LP gas

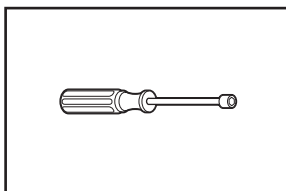


Pliers that open to 1 9/16" (39.5 mm)

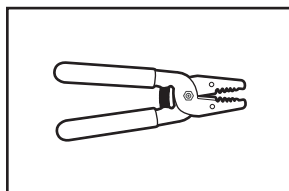


Adjustable wrench that opens to 1" (25 mm) or hex-head socket wrench

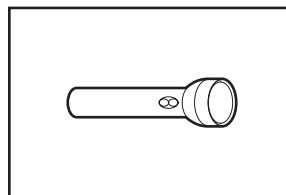
Optional tools:



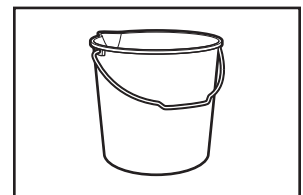
1/4" nut driver (recommended)



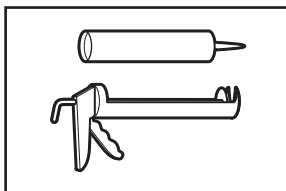
Wire stripper



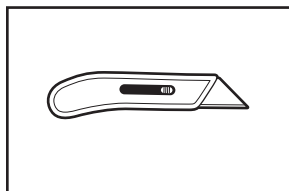
Flashlight



Bucket



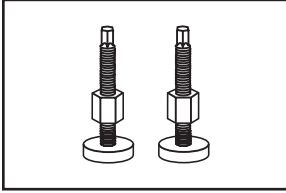
Caulking gun and compound (new vent installations)



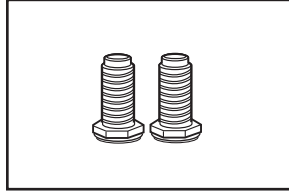
Utility knife

Parts supplied:

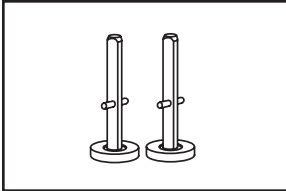
NOTE: Remove parts package from the washer basket. Check that all parts were included.



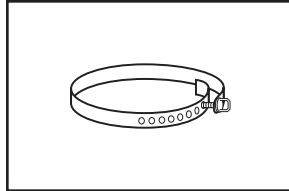
Front leveling feet with nuts (2) (27" models)



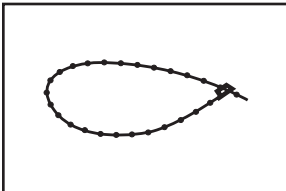
Front leveling legs (2) (24" models)



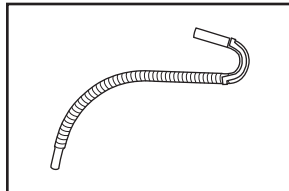
Rear leveling legs (2) (24" models)



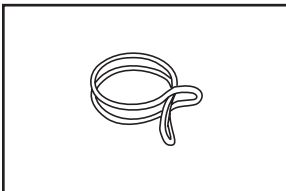
Shipping strap (27" models) (Not in parts bag. See "Remove Shipping Strap.")



Plastic strap (24" models)

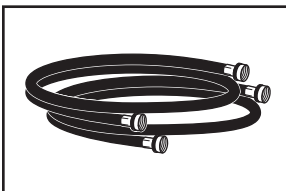


Drain hose



Silver double-wire hose clamp

Parts needed: (Not supplied with washer/dryer)



Inlet hoses with flat washers

- Vent clamps
- Vent elbows and ductwork
- Mobile Home Installation Kit (Part Number 346764)
- Metal exhaust system hardware

Check local codes, electrical supply and venting, and read "Electrical Requirements" and "Venting Requirements" before purchasing parts. Mobile home installations require metal exhaust system hardware available for purchase from the dealer from whom you purchased your washer/dryer. For further information, please reference the "Assistance or Service" section of the Washer/Dryer Use and Care Guide.

Optional equipment: (Not supplied with washer/dryer)

Refer to your Use and Care Guide for information about accessories available for your washer/dryer.

Alternate parts: (Not supplied with washer/dryer)

Your installation may require additional parts. To order, please refer to toll-free numbers on back page of your Use and Care Guide.

If you have:

Overhead sewer

Floor drain

1" (25 mm) standpipe

Laundry tub or standpipe taller than 96" (2.4 m)

Drain hose too short

Lint clogged drain

Water faucets beyond reach of fill hoses

You will need:

Standard 20 gal. (76 L) 39" (991 mm) tall Drain Tub or Utility Sink, Sump Pump and Connectors (available from local plumbing suppliers)

Siphon Break Part Number 285320, Additional Drain Hose Part Number 285702, and Connector Kit Part Number 285442

2" (51 mm) diameter to 1" (25 mm) diameter Standpipe Adapter Part Number 3363920, Connector Kit Part Number 285835

Sump pump system (if not already available)


Extension Drain Hose Part Number 285863, Connector Kit Part Number 285835

Drain Protector Part Number 367031, Connector Kit Part Number 285835

2 longer water fill hoses:
6 ft (1.8 m) Part Number 76314,
10 ft (3.0 m) Part Number 350008

Location Requirements

⚠ WARNING



Explosion Hazard

Keep flammable materials and vapors, such as gasoline, away from dryer.

Do not install in a garage.

Failure to do so can result in death, explosion, or fire.

Select proper location for your washer/dryer to improve performance and minimize noise and possible “washer walk.” Install your washer/dryer in a basement, laundry room, closet, or recessed area.

You will need:

- A location that allows for proper exhaust installation. A gas washer/dryer must be exhausted to the outdoors. See “Venting Requirements.”
- A grounded electrical outlet located within 2 ft (610 mm) of either side of the washer/dryer. See “Electrical Requirements”.
- A separate 15- or 20-amp circuit.
- A sturdy floor to support the washer/dryer weight (washer/dryer, water, and load) of 500 lbs (226.8 kg).
- A level floor with a maximum slope of 1" (25 mm) under entire washer/dryer. Clothes may not tumble properly and automatic sensor cycles may not operate correctly if washer/dryer is not level. Installing on carpet is not recommended.
- A water heater set to deliver 120°F (49°C) water to the washer.
- Hot and cold water faucets located within 4 ft (1.2 m) of the hot and cold water fill valves, and water pressure of 5–100 psi (34.5–689.6 kPa).

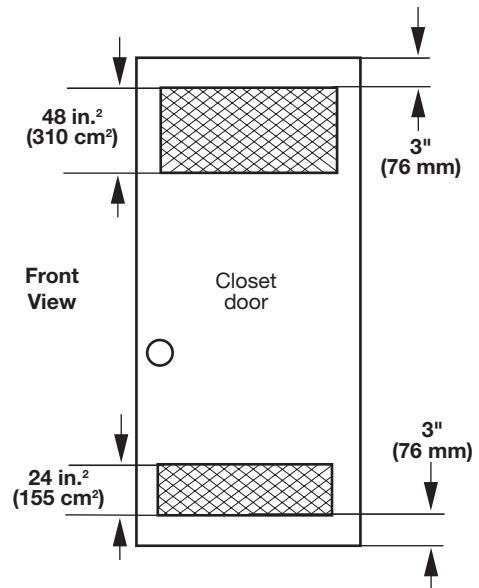
The washer/dryer must not be installed or stored in an area where it will be exposed to water and/or weather.

Do not operate your washer in temperatures at or below 32°F (0°C). Some water can remain in the washer and can cause damage in low temperatures. See “Washer/Dryer Care” in the Washer/Dryer Use and Care Guide for winterizing information.

Do not operate your dryer at temperatures below 45°F (7°C). At lower temperatures, the dryer might not shut off at the end of an automatic cycle. This can result in longer drying times.

Check code requirements. Some codes limit, or do not permit, installation of the washer/dryer in garages, closets, mobile homes, or sleeping quarters. Contact your local building inspector.

Recessed area or closet installation



The spacing dimensions above are recommended for this washer/dryer. This washer/dryer has been tested for spacing of 0" (0 mm) clearance on the sides. Recommended spacing should be considered for the following reasons:

- Additional spacing should be considered for ease of installation and servicing.
- Additional clearances might be required for wall, door, and floor moldings.
- Additional spacing on all sides of the washer/dryer is recommended to reduce noise transfer.
- For closet installation, with a door, minimum ventilation openings in the top and bottom of the door are required. Louvered doors with equivalent ventilation openings are acceptable.

NOTE: No other fuel-burning appliance can be installed in the same closet as a dryer.

Mobile Home – Additional Installation Requirements

This washer/dryer is suitable for mobile home installations. The installation must conform to the Manufactured Home Construction and Safety Standard, Title 24 CFR, Part 3280 (formerly the Federal Standard for Mobile Home Construction and Safety, Title 24, HUD Part 280) or the Canadian Manufactured Home Standard, CAN/CSA-Z240 MH.

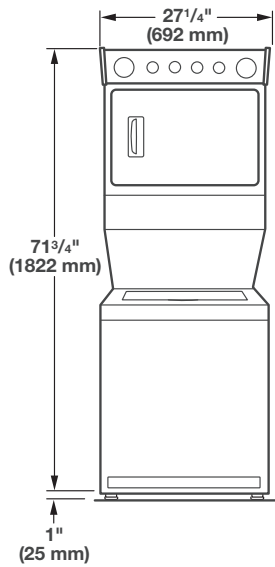
Mobile home installations require:

- Metal exhaust system hardware, which is available for purchase from your dealer.
- Mobile Home Installation Kit Part Number 346764. See “Tools and Parts” section for information on ordering.
- Special provisions must be made in mobile homes to introduce outside air into the dryer. The opening (such as a nearby window) should be at least twice as large as the dryer exhaust opening.

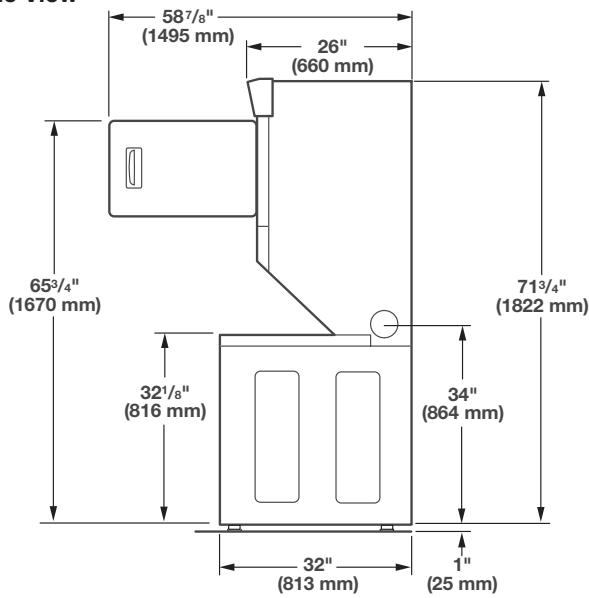
Dimensions/Clearances, 27" Models

Dimensions

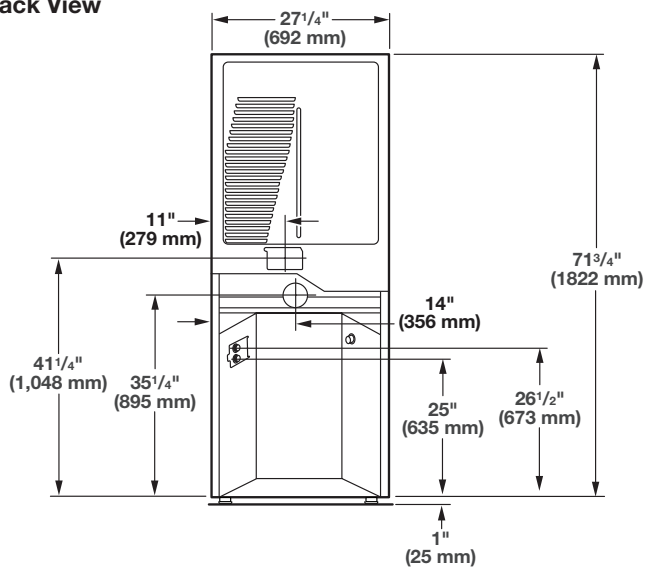
Front View



Side View

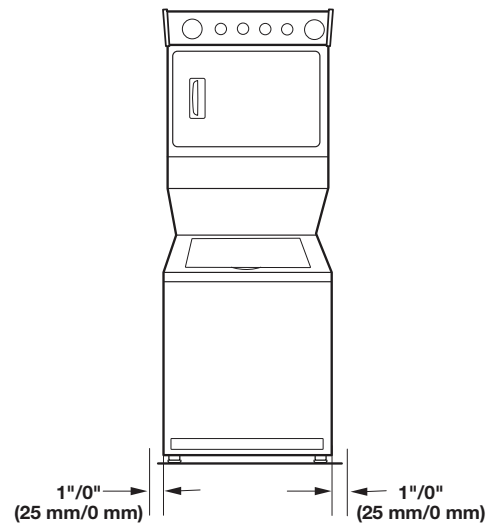


Back View

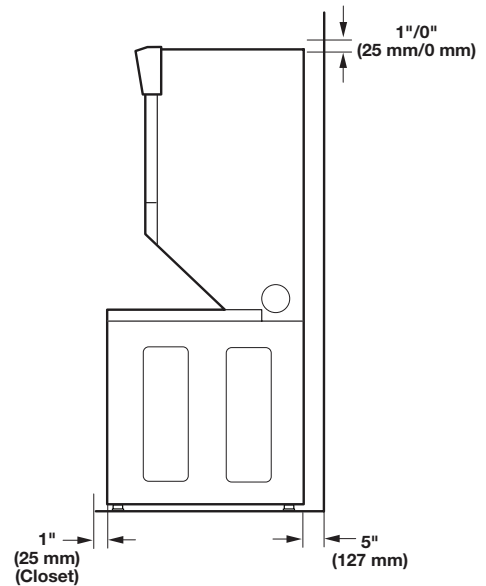


Clearances

Side Clearances (recommended/minimum)



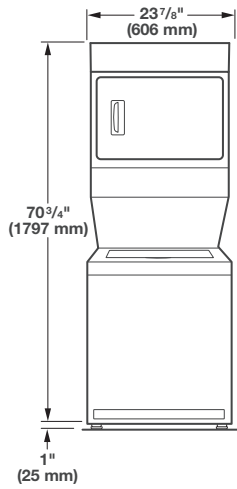
Front/Back/Top Clearances (recommended/minimum)



Dimensions/Clearances, 24" Models

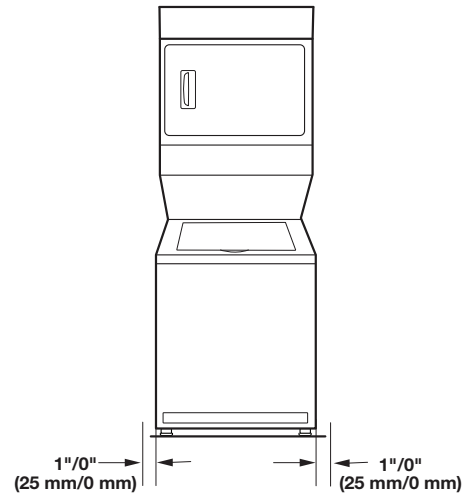
Dimensions

Front View

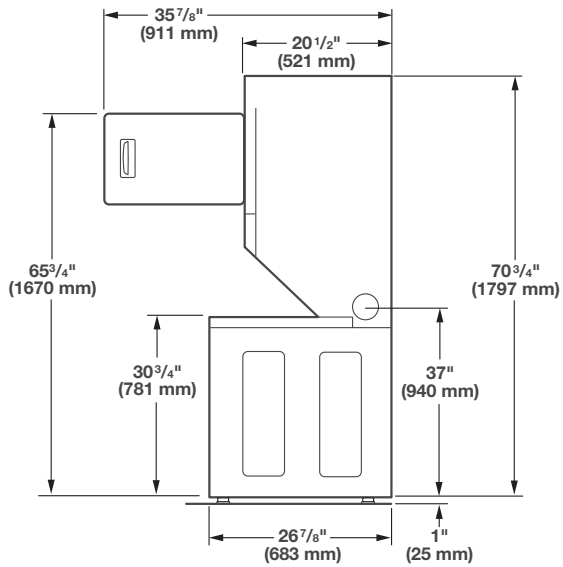


Clearances

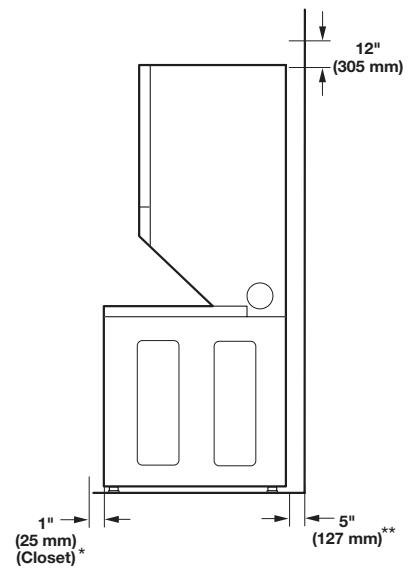
Side Clearances (recommended/minimum)



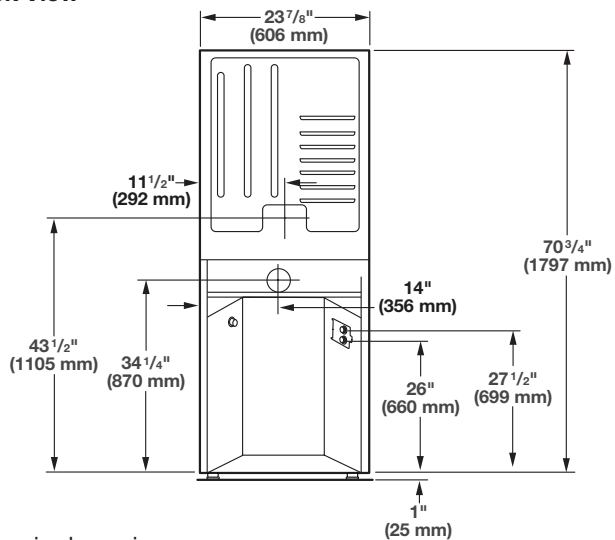
Side View



Front/Back/Top Clearances



Back View



*Required spacing.

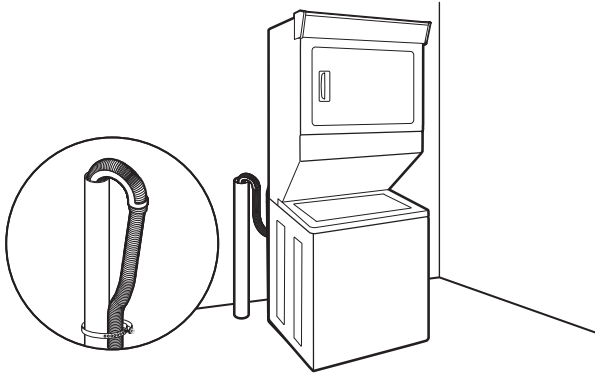
**Rear clearance may be 0" (0 mm) when house exhaust system is lined up directly with dryer exhaust.

Drain System

Drain system can be installed using a floor drain, wall standpipe, floor standpipe, or laundry tub. Select method you need.

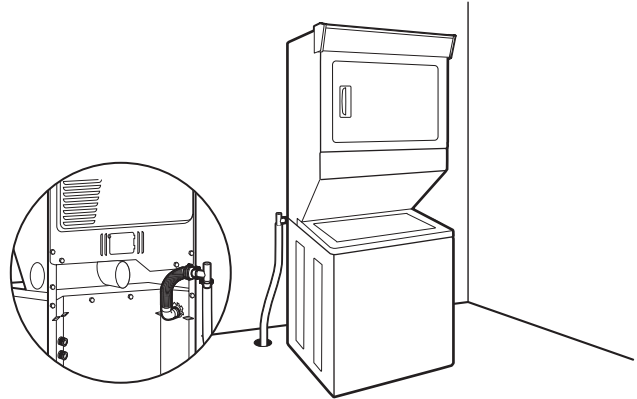
Floor standpipe drain system

Minimum diameter for a standpipe drain: 2" (51 mm). Minimum carry-away capacity: 17 gal. (64 L) per minute. Top of standpipe must be at least 39" (991 mm) high; install no higher than 96" (2.4 m) from bottom of washer/dryer. If you must install higher than 96" (2.4 m), you will need a sump pump system.



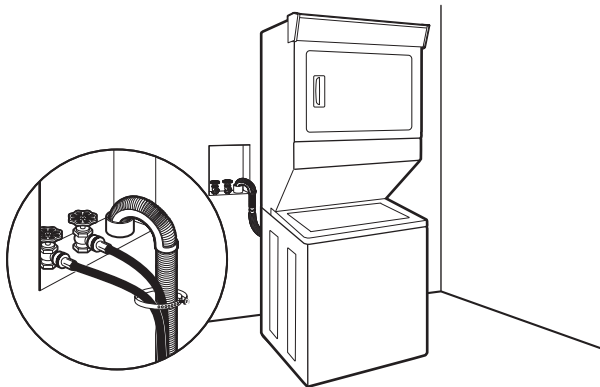
Floor drain system

Floor drain system requires a Siphon Break Kit (Part Number 285834), 2 Connector Kits (Part Number 285385), and an Extension Drain Hose (Part Number 285863) that may be purchased separately. To order, please see toll-free phone numbers in your Use and Care Guide. Minimum siphon break: 28" (710 mm) from bottom of washer/dryer. (Additional hoses may be needed.)



Wall standpipe drain system

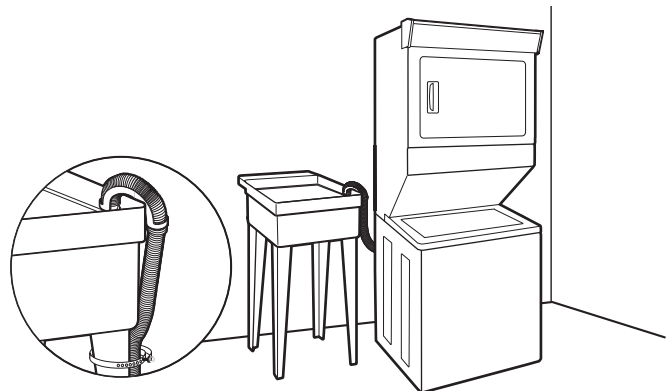
See requirements for floor standpipe drain system.



Laundry tub drain system

Minimum capacity: 20 gal. (76 L). Top of laundry tub must be at least 39" (991 mm) above floor on 27" models, or 34" (864 mm) above floor on 24" models; install no higher than 96" (2.4 m) from bottom of washer/dryer.

IMPORTANT: To avoid siphoning, no more than 4.5" (114 mm) of drain hose should be inside standpipe or below the top of wash tub. Secure drain hose with shipping strap or plastic strap.



Electrical Requirements

⚠ WARNING



Electrical Shock Hazard

Plug into a grounded 3 prong outlet.

Do not remove ground prong.

Do not use an adapter.

Do not use an extension cord.

Failure to follow these instructions can result in death, fire, or electrical shock.

- This washer/dryer is equipped with a power supply cord having a 3-prong grounding plug.
- To minimize possible shock hazard, the cord must be plugged into a mating, 3-prong, grounding-type outlet, grounded in accordance with local codes and ordinances. If a mating outlet is not available, it is the personal responsibility and obligation of the customer to have the properly grounded outlet installed by a qualified electrician.
- If codes permit and a separate ground wire is used, it is recommended that a qualified electrician determine that the ground path is adequate.
- Do not ground to a gas pipe.
- Check with a qualified electrician if you are not sure the washer is properly grounded.
- Do not have a fuse in the neutral or ground circuit.
- 120 Volt, 60 Hz, AC only, 15- or 20- amp fused electrical supply is required. A time-delay fuse or circuit breaker is recommended. It is also recommended that a separate circuit serving only this washer/dryer be provided.

GROUNDING INSTRUCTIONS

- For a grounded, cord-connected washer/dryer: This washer/dryer must be grounded. In the event of malfunction or breakdown, grounding will reduce the risk of electric shock by providing a path of least resistance for electric current. This washer/dryer is equipped with a cord having an equipment-grounding conductor and a grounding plug. The plug must be plugged into an appropriate outlet that is properly installed and grounded in accordance with all local codes and ordinances.

WARNING: Improper connection of the equipment-grounding conductor can result in a risk of electric shock. Check with a qualified electrician or service representative or personnel if you are in doubt as to whether the washer/dryer is properly grounded. Do not modify the plug provided with the washer/dryer: if it will not fit the outlet, have a proper outlet installed by a qualified electrician.

SAVE THESE INSTRUCTIONS

Gas Supply Requirements

⚠ WARNING



Explosion Hazard

Use a new CSA International approved gas supply line.

Install a shut-off valve.

Securely tighten all gas connections.

If connected to LP, have a qualified person make sure gas pressure does not exceed 13" (330 mm) water column.

Examples of a qualified person include:

**licensed heating personnel,
authorized gas company personnel, and
authorized service personnel.**

Failure to do so can result in death, explosion, or fire.

GAS TYPE

Natural Gas:

This washer/dryer is equipped for use with Natural gas. It is design-certified by CSA International for LP (propane or butane) gases with appropriate conversion.

- Your washer/dryer must have the correct burner for the type of gas in your home. Burner information is located on the rating plate in the door well of your dryer. If this information does not agree with the type of gas available, contact your dealer or call the phone numbers referenced in the "Assistance or Service" section of your Use and Care Guide.

LP Gas Conversion:

IMPORTANT: Conversion must be made by a qualified technician.

No attempt shall be made to convert the appliance from the gas specified on the model/serial rating plate for use with a different gas without consulting your gas company.

GAS SUPPLY LINE

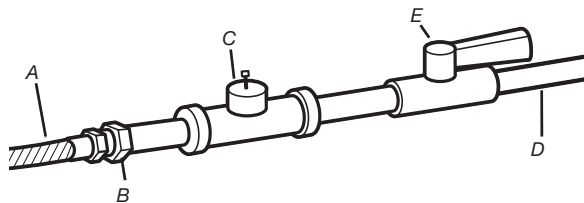
- Must include 1/8" NPT minimum plugged tapping accessible for test gauge connection, immediately upstream of the gas connection to the washer/dryer. See illustration below.
- 1/2" IPS pipe is recommended.
- Must include shut-off valve:

In the U.S.A.:

An individual manual shut-off valve must be installed within six (6) ft. (1.8 m) of the washer/dryer in accordance with the National Fuel Gas Code, ANSI Z223.1. The location should be easy to reach for opening and closing.

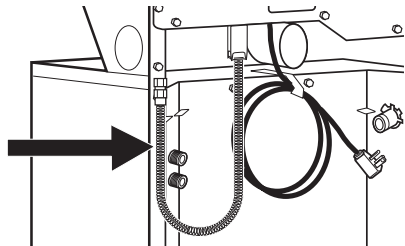
In Canada:

An individual manual shut-off valve must be installed in accordance with the B149.1, Natural Gas and Propane Installation Code. It is recommended that an individual manual shut-off valve be installed within six (6) ft. (1.8 m) of the washer/dryer. The location should be easy to reach for opening and closing.



- A. 3/8" flexible gas connector
- B. 3/8" pipe to flare adapter fitting
- C. 1/8" NPT minimum plugged tapping
- D. 1/2" NPT gas supply line
- E. Gas shut-off valve

This washer/dryer is equipped with its own permanent, flexible gas connector, design-certified by CSA International, for connecting the washer/dryer to the gas supply line.



Flexible gas connector

DRYER GAS CONNECTION

Option 1

Rigid gas supply line:

- Connect your washer/dryer to the rigid gas supply line using an elbow and a 3/8" flare x 3/8" NPT adapter fitting between the stainless steel gas connector and the washer/dryer gas pipe, as needed to prevent kinking.

Option 2

Approved aluminum or copper tubing:

- 3/8" approved aluminum or copper tubing is acceptable for lengths under 20 ft. (6.1 m) if local codes and gas supplier permit.
- If you are using natural gas, do not use copper tubing.
- Lengths over 20 ft. (6.1 m) should use larger tubing and a different size adapter fitting.
- If your washer/dryer has been converted to use LP gas, 3/8" LP compatible copper tubing can be used. If the total length of the supply line is more than 20 ft. (6.1 m), use larger pipe.

NOTE: Pipe-joint compounds that resist the action of LP gas must be used. Do not use TEFLON^{®†} tape.

GAS SUPPLY CONNECTION REQUIREMENTS

- Use an elbow and a 3/8" flare x 3/8" NPT adapter fitting between the flexible gas connector and the washer/dryer gas pipe, as needed, to avoid kinking.
- Use only pipe-joint compound. Do not use TEFLON^{®†} tape.

BURNER INPUT REQUIREMENTS

Elevations up to 10,000 ft (3,048 meters):

- The design of this washer/dryer is certified by CSA International for use at altitudes up to 10,000 ft (3,048 m) above sea level at the Btu rating indicated on the model/serial number plate. Burner input adjustments are not required when the washer/dryer is operated up to this elevation.

Elevations above 10,000 ft (3,048 meters):

- When installed above 10,000 ft. (3,048 m) a 4% reduction of the burner Btu rating shown on the model/serial number plate is required for each 1,000 ft. (305 m) increase in elevation.

Gas supply pressure testing

- The washer/dryer must be disconnected from the gas supply piping system during pressure testing at pressures greater than 1/2 psi.

Remove Shipping Strap (27" models)

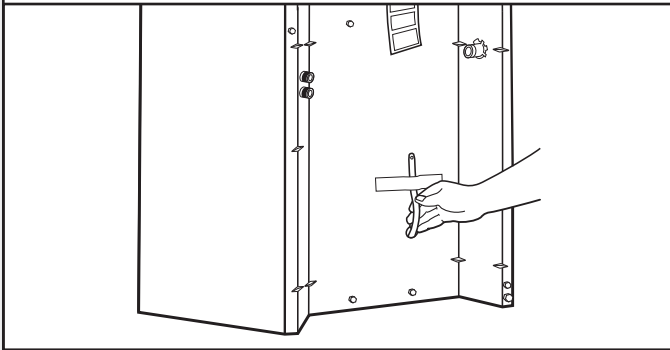
⚠ WARNING

Excessive Weight Hazard

**Use two or more people to move and install washer/dryer.
Failure to do so can result in back or other injury.**

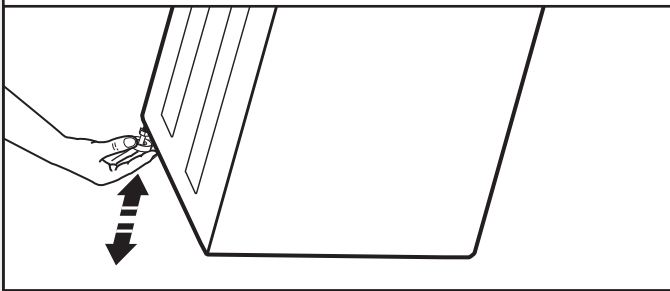
To avoid floor damage, set washer/dryer onto cardboard before moving across floor. Move washer/dryer close to its final location.

1. Remove strap, hang tag, and pin



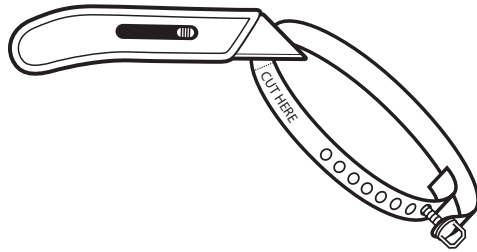
Do not cut yellow strap. Pull yellow strap firmly until completely removed from washer/dryer. There should be 2 cotter pins on the end of the shipping strap. Remove the hang tag and pin from the vent pipe.

2. Check rear leveling legs



Tilt the washer/dryer forward. Move each of the 2 rear legs in an up-down motion to check the self-adjusting leveling legs for free movement. This is required for proper leveling. Gently lower the washer/dryer to the floor.

3. Cut shipping strap



Cut the shipping strap about 16" (406 mm) from the plug end. Look for the words "CUT HERE." Discard end with cotter pins. You will use the remaining piece of shipping strap to secure the drain hose.

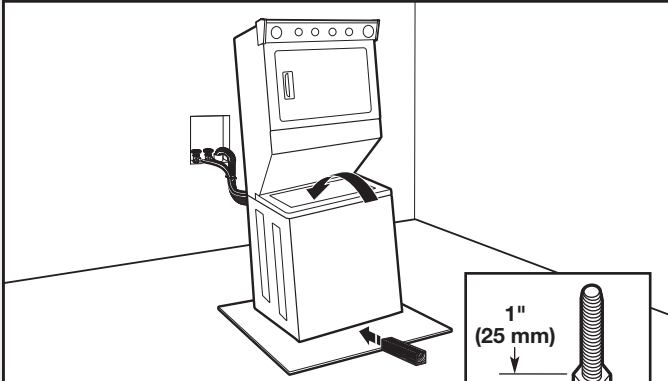
Install Leveling Legs (27" models)

⚠️ WARNING

Excessive Weight Hazard

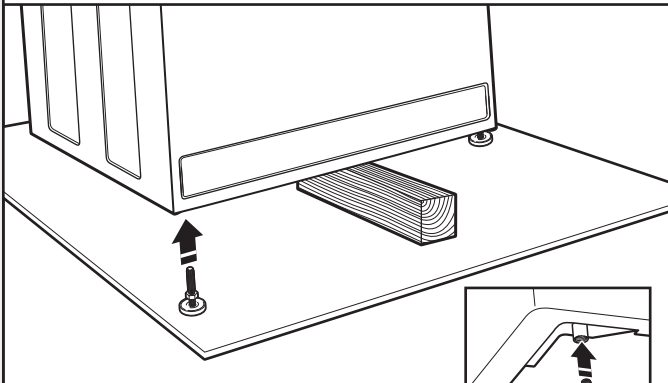
Use two or more people to move and install washer/dryer.
Failure to do so can result in back or other injury.

1. Prepare to install leveling feet



Prop up the front of the washer/dryer about 4" (102 mm) with a wood block or similar object that will support the weight of the washer/dryer. Then screw the locknut onto each foot to within 1" (25 mm) of the foot base.

2. Install front leveling feet



Screw the feet into the threaded holes at the front corners of the washer/dryer until the jam nuts touch the washer.

NOTE: Do not tighten the nuts until the washer/dryer is level.

Tilt the washer/dryer back and remove the wood block. Gently lower the washer/dryer to the floor.

Install Leveling Legs (24" models)

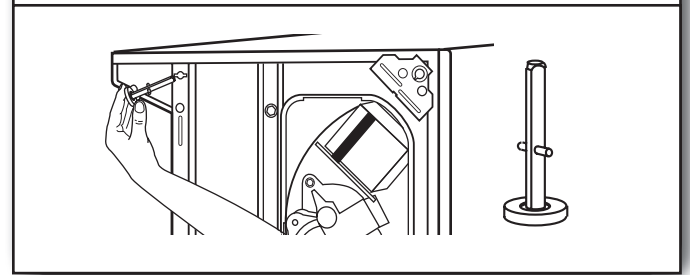
⚠️ WARNING

Excessive Weight Hazard

Use two or more people to move and install washer/dryer.
Failure to do so can result in back or other injury.

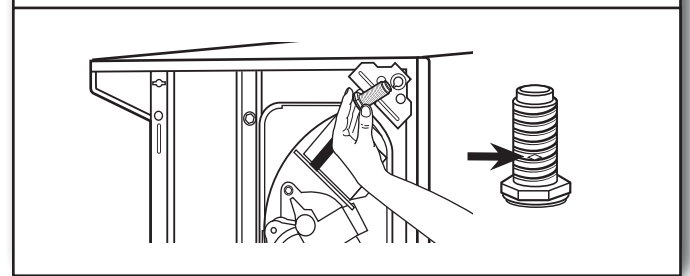
To protect the floor, use a large flat piece of cardboard from the shipping carton. Gently place the washer/dryer on its side, on the cardboard.

1. Install rear leveling legs



Push legs into holes in rear corners until they snap into place. Check adjustability of rear legs by pushing in one leg. The other leg should come out. Check both legs. If they do not move freely, repeat procedure.

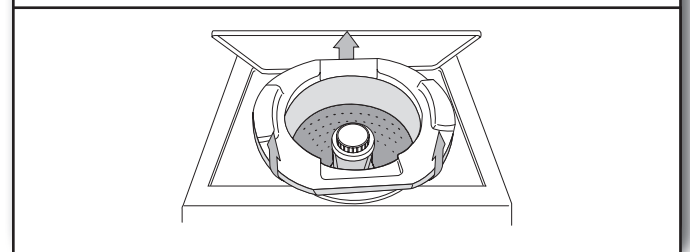
2. Install front leveling legs



Examine front leveling legs; find diamond marking. Screw front legs by hand into holes in triangular braces in front corners. Use wrench to finish turning the legs until diamond marking is no longer visible. Gently stand the washer/dryer upright.

Remove Foam Packing (24" models)

1. Pull foam packing ring out of washer



Open the washer lid. The latch under the dryer will keep the lid open. Pull the foam packing ring out of the washer. **NOTE:** Keep the foam ring and use it when transporting your washer/dryer. This packing material is used to keep the washer tub stable during transport.

Venting

Venting Requirements

⚠ WARNING

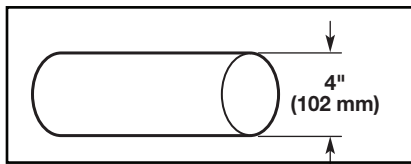


Fire Hazard
Use a heavy metal vent.
Do not use a plastic vent.
Do not use a metal foil vent.
Failure to follow these instructions can result in death or fire.

WARNING: To reduce the risk of fire, this dryer MUST BE EXHAUSTED OUTDOORS.

IMPORTANT: Observe all governing codes and ordinances.

Dryer exhaust must not be connected into any gas vent, chimney, wall, ceiling, attic, crawlspace, or a concealed space of a building. Only rigid or flexible metal vent shall be used for exhausting.



4" (102 mm) heavy metal exhaust vent

- Only a 4" (102 mm) heavy metal exhaust vent and clamps may be used.
- Do not use plastic or metal foil vent.

Rigid metal vent:

- Recommended for best drying performance and to avoid crushing and kinking.

Flexible metal vent: (Acceptable only if accessible to clean)

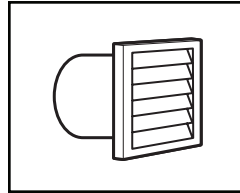
- Must be fully extended and supported in final dryer location.
- Remove excess to avoid sagging and kinking that may result in reduced airflow and poor performance.
- Do not install in enclosed walls, ceilings, or floors.
- The total length should not exceed 7³/₄ ft. (2.4 m).

NOTE: If using an existing vent system, clean lint from entire length of the system and make sure exhaust hood is not plugged with lint. Replace plastic or metal foil vents with rigid metal or flexible metal vents. Review "Vent System Chart" and, if necessary, modify existing vent system to achieve best drying performance.

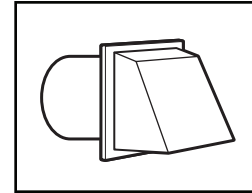
Exhaust hoods:

- Must be at least 12" (305 mm) from ground or any object that may obstruct exhaust (such as flowers, rocks, bushes, or snow).

Recommended Styles:

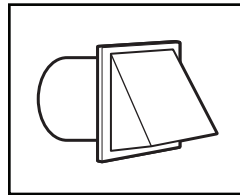


Louvered hood



Box hood

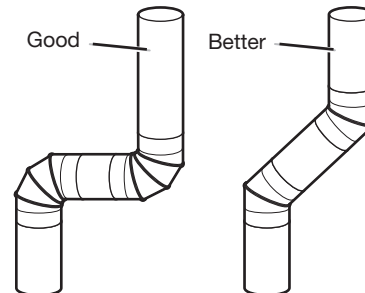
Acceptable Style:



Angled hood

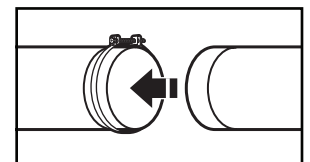
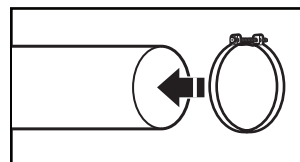
Elbows:

- 45° elbows provide better airflow than 90° elbows.



Clamps:

- Use clamps to seal all joints.
- Exhaust vent must not be connected or secured with screws or other fastening devices that extend into interior of duct and catch lint. Do not use duct tape.



Improper venting can cause moisture and lint to collect indoors, which may result in:

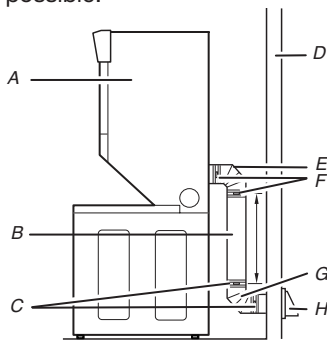
- Moisture damage to woodwork, furniture, paint, wallpaper, carpets, etc.
- Housecleaning problems and health problems.

See "Venting Kits" for more information.

Plan Vent System

Recommended exhaust installations

Typical installations vent the washer/dryer from the rear. Other installations are possible.



- A. Dryer
- B. Rigid metal or flexible metal vent
- C. Clamps
- D. Wall
- E. Elbow
- F. Clamps
- G. Elbow
- H. Exhaust hood


Optional exhaust installations:

This washer/dryer can be converted to exhaust out the right or left side. To convert the washer/dryer, use Side Exhaust Kit Part Number 279823. If your washer/dryer was previously exhausted from the right or left side, it can be converted to rear exhaust by using standard offset connections. To cover the hole in the side, one of the following plugs can be added:

- 692790 (white)
- 3977784 (biscuit)

Follow the instructions in the kit to install. Kits are available from the dealer from whom you purchased your washer/dryer.

⚠ WARNING



Fire Hazard

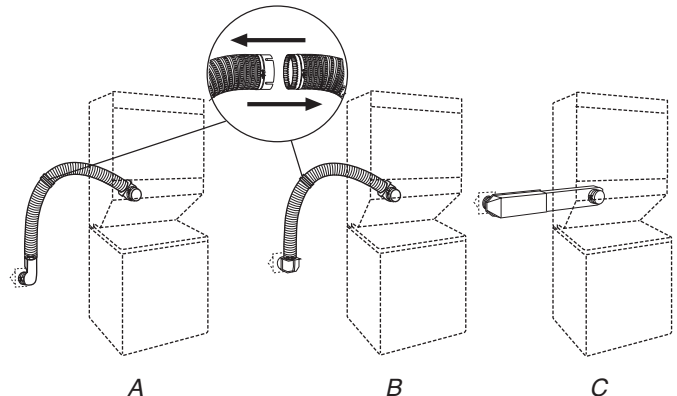
Cover unused exhaust holes with a manufacturer's exhaust cover kit.

Contact your local dealer.

Failure to follow these instructions can result in death, fire, electrical shock, or serious injury.

Alternate installations for close clearances

Venting systems come in many varieties. Select the type best for your installation. Three close-clearance installations are shown. Refer to the manufacturer's instructions.



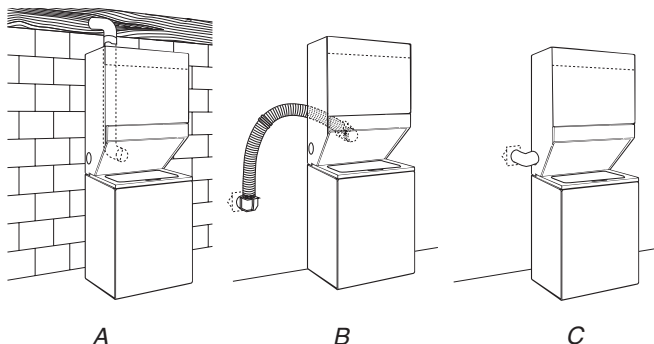
- A. Loop system with standard elbows
- B. Loop system with one offset and one standard elbow
- C. Vent system with one periscope (2" [51 mm] clearance)

NOTE: The following kits for close-clearance alternate installations are available for purchase.

Venting Kits

For more information, call **1-866-698-2538**, or visit us at www.whirlpool.com/accessories. In Canada, call **1-800-688-2002** or visit us at www.whirlpoolparts.ca.

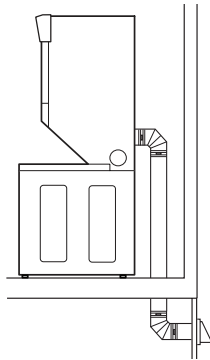
Part Number	Descriptions
4396028	Over-the-Top Installation
4396037	0" (0 mm) to 18" (457 mm) Metal vent periscope (For use with dryer vent to wall vent mismatch)
4396011	18" (457 mm) to 29" (737 mm) Metal vent periscope (For use with dryer vent to wall vent mismatch)
4396014	29" (737 mm) to 50" (1.27 m) Metal vent periscope (For use with dryer vent to wall vent mismatch)
4392892	In-wall metal DuraVent™ periscope
279818	4-way vent kit – white
W10186596	4-way vent kit – universal grey
4396028	Sure Connect™ venting kit (over-the-top installation)
4396009RP	5' Universal connect vent, flexible dryer venting
4396010RP	6' SecureConnect™ vent, flexible dryer venting
4396013RB	Dryer vent installer's kit
4396033RP	5' flexible dryer venting with clamps
4396727RP	8' flexible dryer venting with clamps
4396004	Dryer offset elbow
4396005	Wall offset elbow
4396006RW	DuraSafe™ close elbow
4396007RW	Through-the-wall vent cap
4396008RP	4" steel dryer venting clamps – 2 pack
8212662	Flush mounting louvered vent hood 4"



- A. Standard rear offset exhaust installation
- B. Rear exhaust for offset close-clearance connection
- C. Left- or right-side exhaust installation

Special provisions for mobile home installations:

The exhaust vent must be securely fastened to a noncombustible portion of the mobile home structure and must not terminate beneath the mobile home. Terminate the exhaust vent outside.



Determine vent path:

- Select route that will provide straightest and most direct path outdoors.
- Plan installation to use fewest number of elbows and turns.
- When using elbows or making turns, allow as much room as possible.
- Bend vent gradually to avoid kinking.
- Use as few 90° turns as possible.

Determine vent length and elbows needed for best drying performance:

- Use following “Vent System Chart” to determine type of vent material and hood combinations acceptable to use.

NOTE: Do not use vent runs longer than those specified in “Vent System Chart.” Exhaust systems longer than those specified will:

- Shorten life of dryer.
- Reduce performance, resulting in longer drying times and increased energy usage.

The “Vent System Chart” provides venting requirements that will help achieve best drying performance.

Vent System Chart, 27" Models		
Number of 90° turns or elbows	Type of vent	Angled hoods
0	Rigid metal	35 ft. (10.7 m)
1	Rigid metal	27 ft. (8.2 m)
2	Rigid metal	19 ft. (5.8 m)

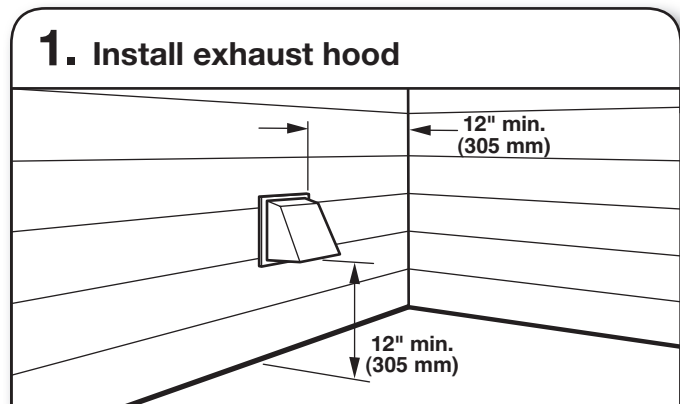
Vent System Chart, 24" Models		
Number of 90° turns or elbows	Type of vent	Angled hoods
0	Rigid metal	36 ft. (11.0 m)
1	Rigid metal	26 ft. (7.9 m)
2	Rigid metal	16 ft. (4.9 m)

NOTE: Side exhaust installations have a 90° turn inside the dryer. To determine maximum exhaust length, add one 90° turn to the chart.

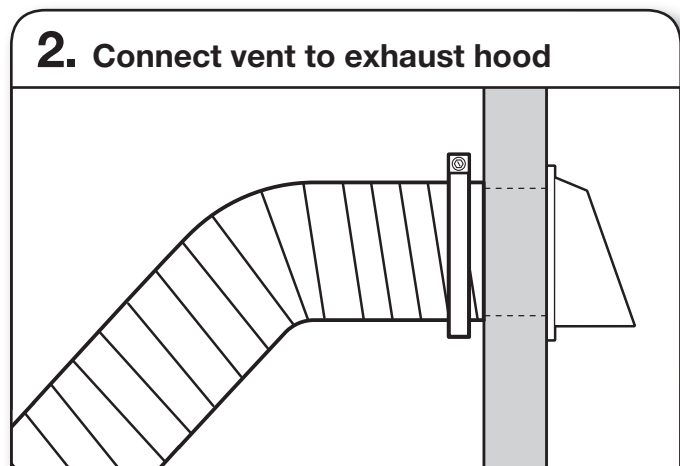
Vent System Chart, 27" Long Vent Model WGTLV27FW (U.S. Only)		
Number of 90° turns or elbows	Type of vent	Angled hoods
0	Rigid metal	125 ft. (38.1 m)
1	Rigid metal	115 ft. (35.1 m)
2	Rigid metal	105 ft. (32.0 m)
3	Rigid metal	95 ft. (29.0 m)
4	Rigid metal	85 ft. (25.9 m)
5	Rigid metal	75 ft. (22.9 m)

NOTE: Side exhaust installations have a 90° turn inside the dryer. To determine maximum exhaust length, add one 90° turn to the chart.

Install Vent System



Install exhaust hood and use caulking compound to seal exterior wall opening around exhaust hood.



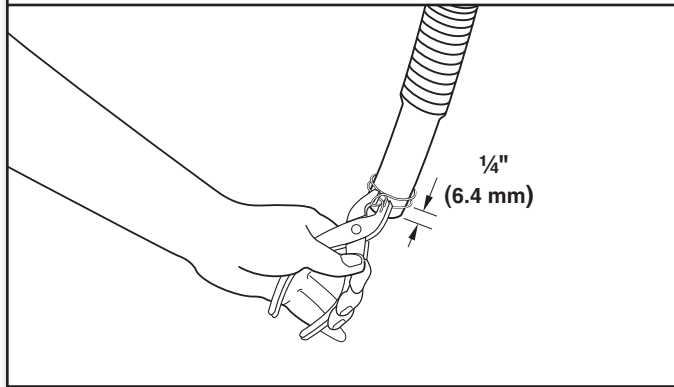
Vent must fit inside the exhaust hood. Secure vent to exhaust hood with 4" (102 mm) clamp. Run vent to dryer location using straightest path possible. Avoid 90° turns. Use clamps to seal all joints. Do not use duct tape, screws, or other fastening devices that extend into interior of vent to secure vent, because they can catch lint.

Connect Drain Hose

Proper connection of the drain hose protects your floors from damage due to water leakage. To keep the drain hose from coming off or leaking, it must be installed according to the following instructions:

IMPORTANT: To ensure proper installation, this procedure must be followed exactly.

1. Attach clamp to drain hose

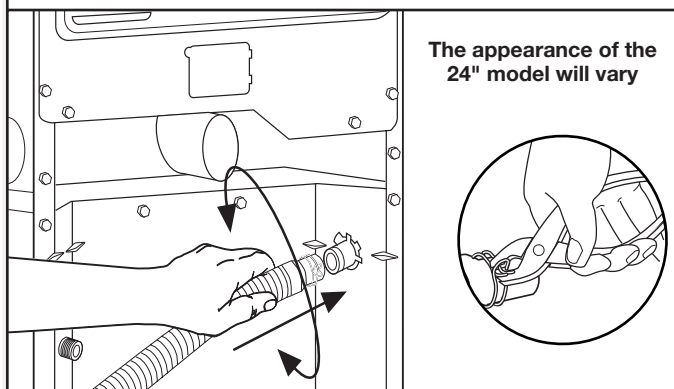


Check the drain hose to see whether it is the proper length. Wet the inside of the straight end of the drain hose with tap water.

IMPORTANT: Do not use any lubricant other than water.

Squeeze ears of the silver double-wire clamp with pliers to open. Place clamp over the straight end of the drain hose 1/4" (6.4 mm) from the end.

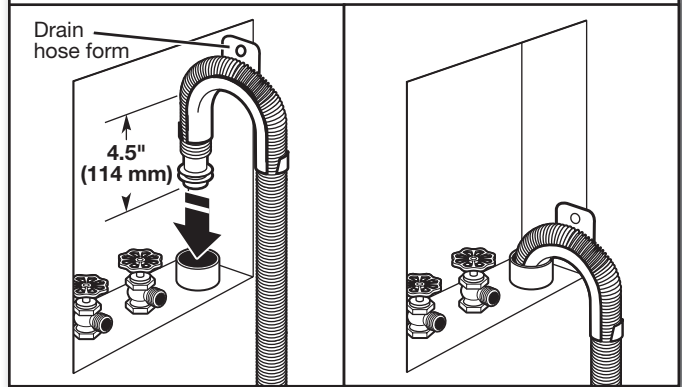
2. Attach drain hose to drain connector (27" model shown)



The appearance of the 24" model will vary

Open clamp. Twist hose back and forth while pushing onto drain connector on the side of the washer/dryer. Continue until hose contacts the ribbed stops on the cabinet. Place clamp over the area marked "CLAMP." Release clamp.

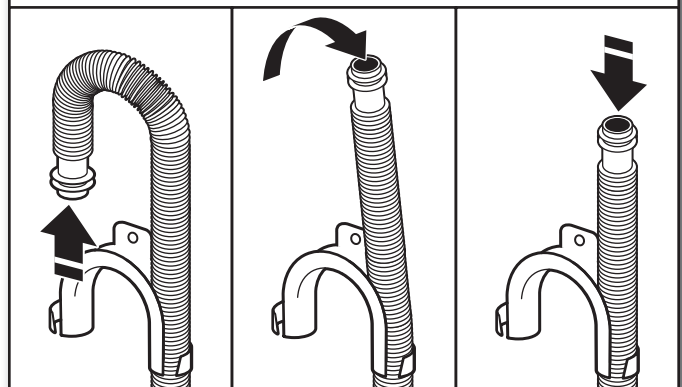
3. Place drain hose in standpipe



Place hose into standpipe (shown in picture) or over side of laundry tub.

IMPORTANT: 4.5" (114 mm) of drain hose should be inside standpipe; do not force excess hose into standpipe or lay on bottom of laundry tub. Drain hose form must be used.

4. Remove drain hose form (floor drain installations only)



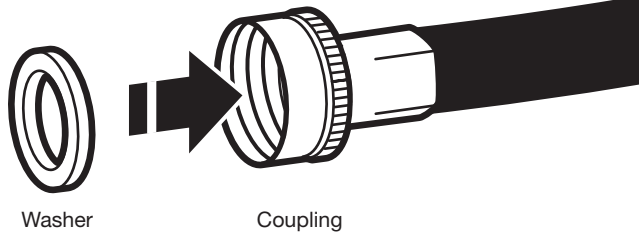
For floor drain installations, you will need to remove the drain hose form from the end of the drain hose. You may need additional parts with separate directions. See "Tools and Parts."

Connect Inlet Hoses

Washer must be connected to water faucets with new inlet hoses with flat washers (not provided). Do not use old hoses.

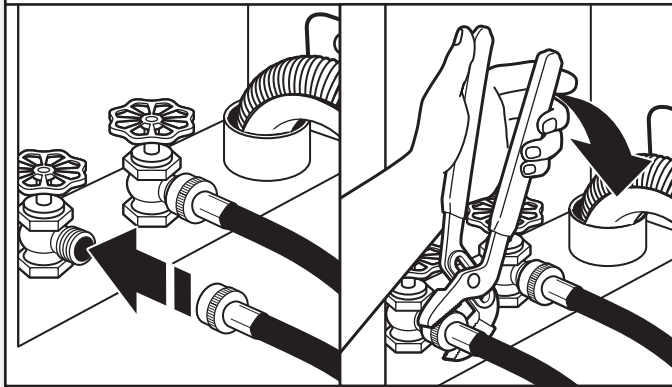
NOTE: Both hoses must be attached and have water flowing to inlet valves. If you are only connecting to a cold water faucet, you must use a Y-adaptor (not included).

1. Insert washer into each hose



Insert a new flat washer into each end of the inlet hoses (not provided). Firmly seat the washers in the couplings.

2. Connect inlet hoses to water faucets

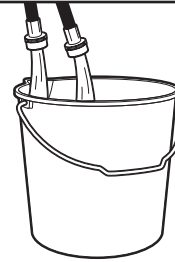


Attach hose to hot water faucet. Screw on coupling by hand until it is seated on washer. Use pliers to tighten couplings an additional two-thirds turn. Repeat this step with second hose for cold water faucet.

IMPORTANT: Do not overtighten or use tape or sealants on valve when attaching to faucets or washer. Damage can result.

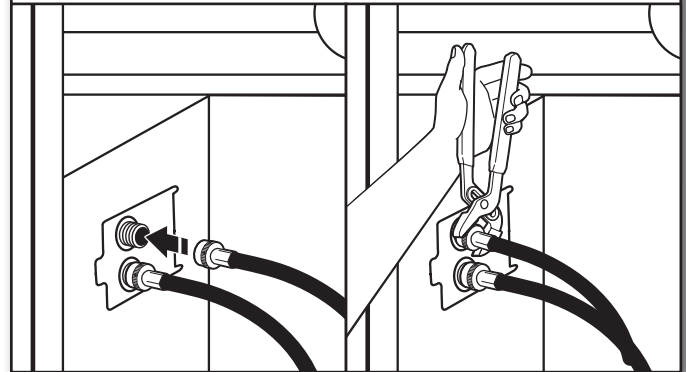
HELPFUL TIP: Make note of which hose is connected to hot water to help in attaching hoses to washer correctly. In most standard configurations, hoses will cross over each other when attached correctly.

3. Clear water lines



Run water for a few seconds through hoses into a laundry tub, drainpipe, or bucket to prevent clogs. Water should run until clear.

4. Connect inlet hoses to washer

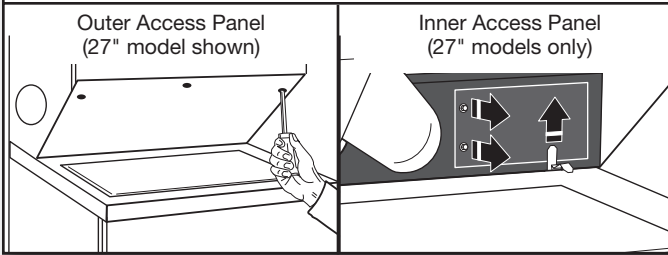


Attach hot water hose to the bottom inlet valve. Screw coupling by hand until it is snug. Use pliers to tighten couplings an additional two-thirds turn. Repeat with cold water inlet valve (top valve).

IMPORTANT: To reduce risk of hose failure, replace the hoses every 5 years. Record hose installation or replacement dates for future reference.

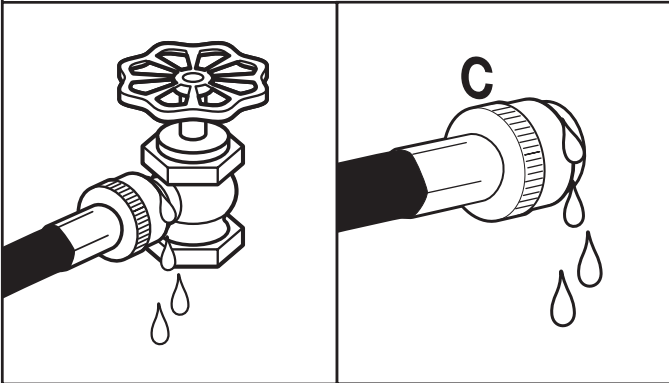
- Periodically inspect and replace hoses if bulges, kinks, cuts, wear, or leaks are found.

5. Move washer/dryer to final location



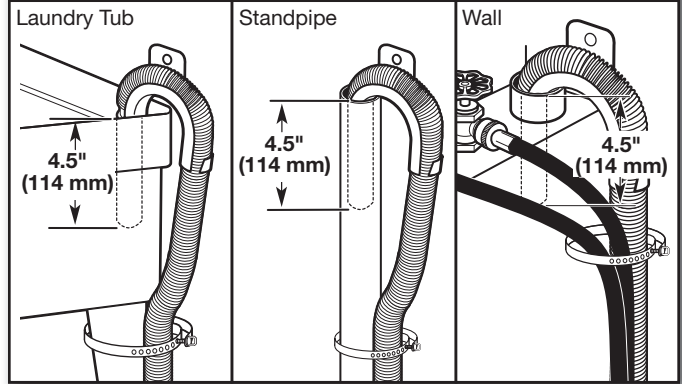
If you are working in a closet or recessed area: move the washer/dryer into its final location and remove cardboard from under washer/dryer. Remove the outer access panel by removing 2 (24" models) or 3 (27" models) Phillips-head screws and one bumper (27" models only), located at the top of the access panel. Remove inner access panel (27" models only) by removing clip, cover, and 2 screws. Set panels, screws, clip, inner access panel cover, and bumper aside. Complete hookup of water hoses and vent. Replace access panels upon completion of washer/dryer installation.

6. Check for leaks



Turn on water faucets to check for leaks. A small amount of water may enter washer. It will drain later.

7. Secure drain hose



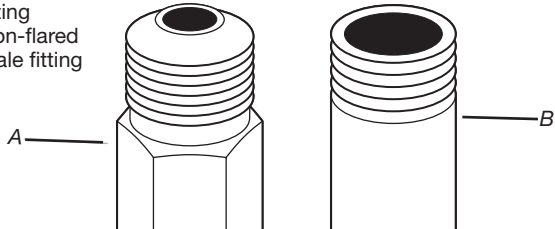
Secure drain hose to laundry tub leg, drain standpipe, or inlet hoses for wall standpipe with shipping strap removed earlier (27" models) or plastic strap included in the parts package (24" models).

It is the responsibility of the installer to install and secure the drain hose into the provided plumbing/drain in a manner that will avoid the drain hose coming out of or leaking from the plumbing/drain.

Make Gas Connection

1. Connecting gas supply to dryer

- A. Flared male fitting
- B. Non-flared male fitting

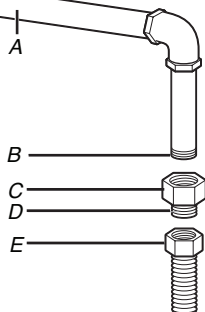


Remove red cap from flexible gas connector. Remove the 1/2" NPT adapter from the flexible gas connector (it will be necessary to use two adjustable wrenches). Using a wrench to tighten, connect gas supply to washer/dryer. Use pipe-joint compound on threads of all non-flared male fittings. If flexible metal tubing is used, be sure there are no kinks.

NOTE: For LP gas connections, you must use pipe-joint compound resistant to action of LP gas. Do not use TEFLON® tape.

2. Install adapter

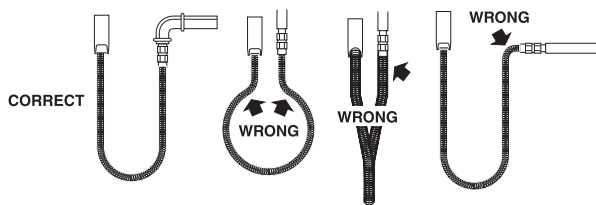
- A. 1/2" rigid gas supply pipe
- B. Use pipe-joint compound.
- C. 1/2" NPT adapter
- D. Do not use pipe-joint compound.
- E. Flexible gas connector



Install the adapter on the 1/2" rigid gas supply pipe using pipe-joint compound.

NOTE: For LP gas connections, you must use pipe-joint compound resistant to action of LP gas. Do not use TEFLON® tape.

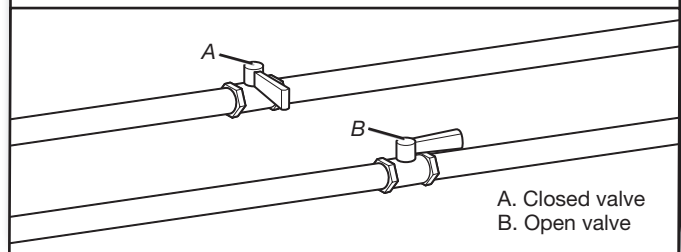
3. Attach connector



Attach the flexible gas connector to the 1/2" NPT adapter. Do not use pipe-joint compound for this connection.

There should be a natural loop in the flexible gas connector. The flexible gas connector must not be twisted, kinked, or attached with any sharp bends.

4. Open shut-off valve

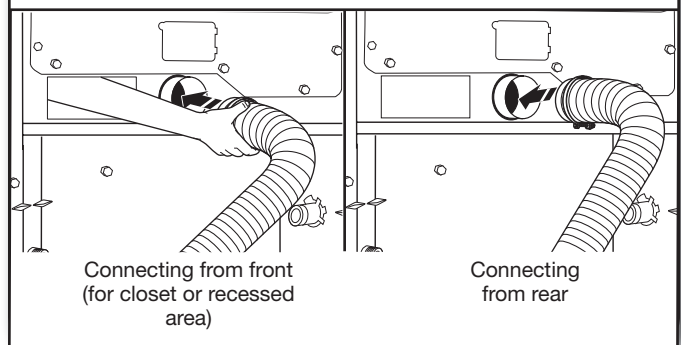


- A. Closed valve
- B. Open valve

Open shut-off valve in supply line; valve is open when handle is parallel to gas pipe. Then, test all connections by brushing on an approved noncorrosive leak-detection solution. Bubbles will show a leak. Correct any leak found.

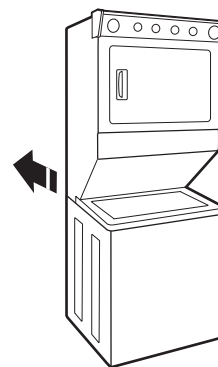
Connect Vent

1. Connect vent to exhaust outlet (27" model shown)



Using a 4" (102 mm) clamp, connect vent to exhaust outlet in dryer. If connecting to existing vent, make sure vent is clean. Dryer vent must fit over dryer exhaust outlet and inside exhaust hood. Check that vent is secured to exhaust hood with a 4" (102 mm) clamp.

2. Move washer/dryer to final location



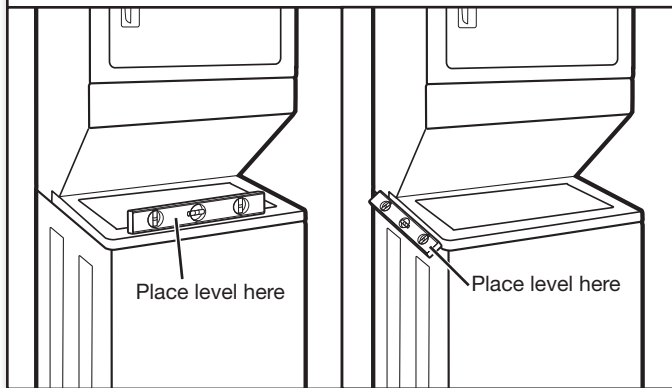
Move washer/dryer to final location, taking care not to crush or kink vent.

After washer/dryer is in place, remove corner posts and cardboard from under washer/dryer.

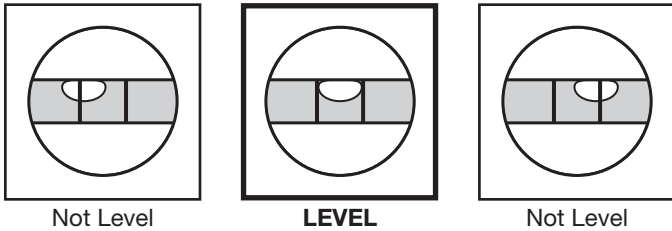
Level Washer/Dryer

IMPORTANT: Level washer/dryer properly to reduce excess noise and vibration.

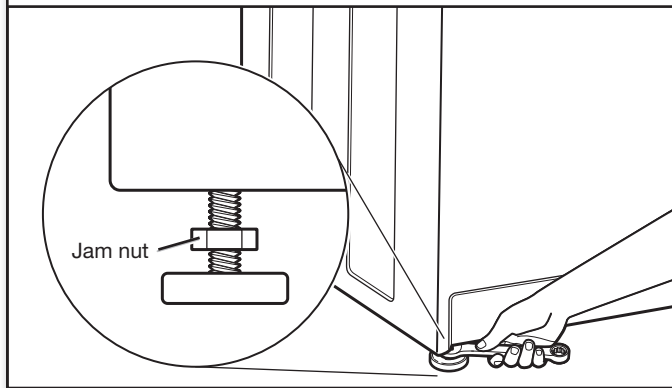
1. Check levelness of washer/dryer



With washer/dryer in its final location, place a level on top edges of washer/dryer. Use side seam as a guide to check levelness of sides. Check levelness of front using lid, as shown. Rock washer/dryer back and forth to make sure all four feet make solid contact with floor. If washer/dryer is level, skip to step 3 (27" models) or step 4 (24" models).



2. Adjust leveling feet (27" model shown)



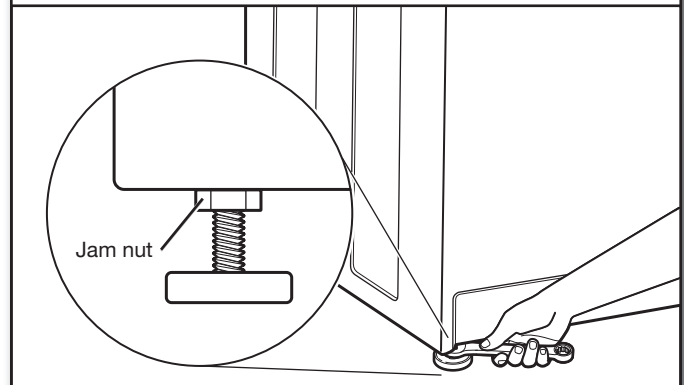
If washer/dryer is not level, prop up front of washer/dryer about 4" (102 mm) with a wood block or similar object that will support weight of washer/dryer.

On 27" models, use a 9/16" or 14 mm open-end or adjustable wrench to turn jam nuts clockwise on feet until they are about 1/2" (13 mm) from the washer/dryer cabinet. Then turn the leveling foot clockwise to lower the washer/dryer or counterclockwise to raise the washer/dryer.

On 24" models, adjust the feet up or down as necessary.

On all models, remove wood block and lower washer/dryer. Recheck levelness of washer/dryer and repeat as needed.

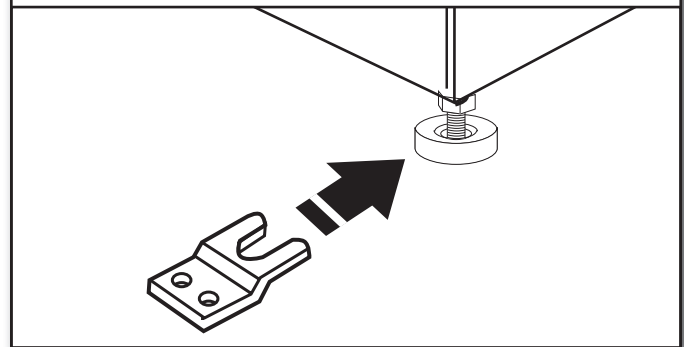
3. Tighten leveling feet (27" models)



When washer/dryer is level, use a 9/16" or 14 mm open-end or adjustable wrench to turn jam nuts counterclockwise on leveling feet tightly against washer/dryer cabinet.

HELPFUL TIP: You may want to prop washer/dryer with a wooden block.

4. Fasten washer/dryer to floor (if needed)



For mobile home use: Washer/dryers with gas dryers must be securely fastened to the floor.

Mobile home installations require a Mobile Home Installation Kit. See "Tools and Parts" section for information on ordering.

⚠ WARNING



Electrical Shock Hazard

Plug into a grounded 3 prong outlet.

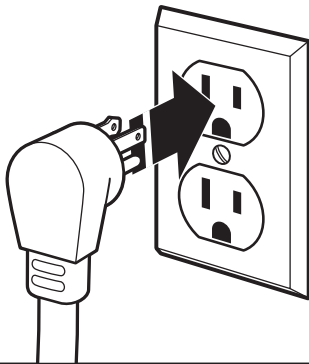
Do not remove ground prong.

Do not use an adapter.

Do not use an extension cord.

Failure to follow these instructions can result in death, fire, or electrical shock.

5. Plug into a grounded 3-prong outlet



Complete Installation Checklist

- Check that all parts are now installed. If there is an extra part, go back through the steps to see which step was skipped.
- Check that you have all of your tools.
- Dispose of/recycle all packaging materials. Keep the plastic foam for use if the washer/dryer should be transported.
- Check the washer/dryer's final location. Be sure the vent is not crushed or kinked.
- Check that the washer/dryer is level and front leveling feet are tight. See "Level Washer/Dryer."
- Plug into a grounded 3-prong outlet. Turn on power.
- Check that the water faucets are on.
- Check for leaks around faucets and inlet hoses.
- Remove the protective film on the console and any tape remaining on the washer/dryer.
- Read the Washer/Dryer Use and Care Guide.
- Wipe the dryer drum interior thoroughly with a damp cloth to remove any dust.
- To test the washer, measure 1/2 the normal recommended amount of detergent and pour it into the washer. Close the lid. Select HEAVY and pull out the Cycle Control knob. Allow the washer to complete one whole cycle.
- To test the dryer, set the dryer on a full heat cycle (not an air cycle) for 20 minutes and start the dryer.

If the dryer will not start, check the following:

- Washer/dryer is plugged into a grounded 3-prong outlet.
- Push To Start button has been firmly pushed.
- Electrical supply is connected.
- Household fuses are intact and tight, or circuit breakers have not tripped.
- Dryer door is closed.
- When the dryer has been running for 5 minutes, open the dryer door and feel for heat. If you do not feel heat, turn off the dryer and check to see whether the gas supply line shut-off valve is open.
 - If the gas supply line shut-off valve is closed, open it, then repeat the 5-minute test as outlined above.
 - If the gas supply line shut-off valve is open, contact a qualified technician.

