



Register your new Bosch now:
www.bosch-home.com/welcome



Fridge
Réfrigérateur
Frigorífico
B30IR800SP



BOSCH

en Operating and installation
instructions
fr Notices d'utilisation et de
montage

es Instrucciones de uso y de
montaje

en Table of Contents	3
fr Table des matières	17
es Índice	31

en Table of Contents

Important Safety Instructions	4	Alarm Function	11
Definition	4	Door Alarm	11
WARNING: Before You Switch On the Appliance....	4	Switching Off the Alarm	11
Technical Safety.....	4	Refrigerator Compartment.....	11
Important Information When Using the Appliance ...	4	When Purchasing Food, Please Note	11
Children in the Household.....	4	Arranging Food in the Appliance	11
General Regulations	4	Super Cooling.....	11
State of California Proposition 65 Warnings.....	4	Switching On	11
Information Concerning Disposal.....	5	Switching Off	11
♻ Disposal of Packaging.....	5	“Cool-Fresh” Container	11
♻ Disposal of Your Old Appliance.....	5	Selection Buttons for “Cool-Fresh” Container	12
Installing the Appliance.....	5	Foods suitable for “Cool-Fresh” Container	12
Transporting	5	Foods not suitable for “Cool-Fresh” Container	12
Installation Location	5	Interior Fittings	12
Ventilation	5	Removing the Shelves.....	12
Scope of Delivery.....	6	Trays in the Refrigerator Compartment.....	12
Connecting the Appliance.....	6	Removing the Humidity Filter in the “Cool-Fresh”	
Electrical Connection.....	6	Container.....	13
Getting to Know Your Appliance.....	7	Switching Off and Disconnecting the Appliance.....	13
Controls	8	Switching the Appliance Off.....	13
Switching the Appliance On.....	9	Disconnecting the Appliance	13
Operating Tips	9	Defrosting	13
Setting the Language	9	Cleaning the Appliance.....	13
Setting the Temperature Unit.....	9	Proceed as Follows	13
Setting the Temperature	9	Interior Fittings	13
Refrigerator Compartment.....	9	Odors.....	14
Special Functions.....	9	Exchange the Odor Filter.....	13
Setup Mode	9	Light (LED).....	14
Vacation Mode.....	10	Tips for Saving Energy.....	14
Sabbath Mode	10	Operating Noises	14
Energy Saving Mode	10	Normal Noises	14
		Preventing Noises	14
		Before Calling for Service.....	15
		Appliance	15
		Customer Service.....	16



Important Safety Instructions

READ AND SAVE THESE INSTRUCTIONS!

Definition



WARNING:

This indicates that death or serious injury may result due to non-observance of this warning.



CAUTION:

This indicates that minor or moderately severe injury may result due to non-observance of this warning.

WARNING: Before You Switch On the Appliance

Please read the instructions for use and installation carefully. They contain important information on how to install, use and maintain the appliance.

The manufacturer is not liable if you disregard the instructions and warnings in the operating instructions. Retain all documents for later use or for the subsequent owner.

Technical Safety

If the power cord of this appliance is damaged, it must be replaced by the manufacturer, customer service or a similarly qualified person. Improper installations and repairs may put the user at considerable risk.

Repairs may be performed by the manufacturer, customer service or a similarly qualified person only. Only original parts supplied by the manufacturer may be used. The manufacturer guarantees that only these parts satisfy the safety requirements.

Do not use multiple outlets, extension leads or adapters. The appliance comes with a UL registered 3-wire power cord

Never sever or remove the third (earth) conductor from the power cord.

The appliance requires a 3-pole socket. The socket may be connected by an electrician only.

Where there is a 2-pole standard wall socket, it is the personal responsibility of the customer to have this socket replaced with a correctly grounded 3-pole wall socket. Do not use any adapter plugs.

Important Information When Using the Appliance

- Never use electrical appliances inside the appliance (e.g. heater, electric ice maker, etc.). Explosion hazard!
- Never defrost or clean the appliance with a steam cleaner! The steam may penetrate electrical parts and cause a short-circuit.
Risk of electric shock!
- Do not use pointed or sharp-edged implements to remove frost or layers of ice. You could damage the refrigerant tubes. Leaking refrigerant may cause eye injuries or ignite.

- Do not store products which contain flammable propellants (e.g. spray cans) or explosive substances in the appliance.
Explosion hazard!
- Do not stand on or lean heavily against base of appliance, drawers or doors, etc.
- For defrosting and cleaning, pull the power cord plug out or switch off the fuse. Do not pull out the power cord plug by tugging on the power cord.
- Store high-percentage alcohol tightly closed and standing up.
- Keep plastic parts and the door seal free of oil and grease. Otherwise, parts and door seal will become porous.
- Never cover or block the ventilation openings for the appliance.
- Avoiding placing children and vulnerable people at risk:
At risk are children, people who have limited physical, mental or sensory abilities, as well as people who have inadequate knowledge concerning safe operation of the appliance.
Ensure that children and vulnerable people have understood the hazards.
A person responsible for safety must supervise or instruct children and vulnerable people who are using the appliance.
Only children from 8 years and above may use the appliance.
Supervise children who are cleaning and maintaining the appliance. Never allow children to play with the appliance.

Children in the Household

- Keep children away from the packaging and its parts. Danger of suffocation from collapsible boxes and foil!
- Do not allow children to play with the appliance!
- If the appliance features a lock:
Keep the key out of the reach of children!

General Regulations

The appliance is suitable for refrigerating food.

This appliance is intended for use in the home and the home environment.

The refrigeration circuit has been checked for leaks.

This appliance is intended for use at an elevation of no more than 2000 meters above sea level.

State of California Proposition 65 Warnings

WARNING:

This product contains chemicals known to the State of California to cause cancer, birth defects or other reproductive harm.

Information Concerning Disposal

Disposal of Packaging

The packaging protects your appliance from damage during transit. All utilized materials are environmentally safe and recyclable. Please help us by disposing the packaging in an environmentally friendly manner.

Please ask your dealer or inquire at your local authority about current means of disposal.

Disposal of Your Old Appliance

Old appliances are not worthless trash! Valuable raw materials can be reclaimed by recycling.

WARNING:

1. Pull out the Power Plug.
2. Cut Off the Power Cord and discard with the Power Plug.
3. Do not take out the trays and shelves. This helps to prevent children from climbing in!
4. Do not allow children to play with the appliance once it has spent its useful life.

Could cause suffocation!

Refrigerators contain refrigerant and gases in the insulation. Refrigerant and gases must be disposed of professionally. Ensure that tubing of the refrigerant circuit is not damaged prior to proper disposal.

Installing the Appliance

Have a technician install and connect the appliance according to the enclosed Installation Instructions.

WARNING:

Do not install the appliance:

- outdoors,
- in an environment subject to drips of water,
- in rooms with risk of frost.

Transporting

The appliances are heavy and must be secured during transportation and installation.

Because of the weight/dimensions of the appliance and to minimize the risk of injuries and damage to the appliance at least two people are necessary to set-up the appliance securely.

Installation Location

A dry, well-ventilated room is suitable as an installation location. The installation location should not be exposed to direct sunlight or placed near a heat source, e.g. a cooker, radiator, etc. If installation next to a heat source is unavoidable, use a suitable insulating plate or observe the following minimum distances from the heat source:

- 1.2" (3 cm) to electric or gas cookers.
- 12" (30 cm) to an oil or coal-fired cooker.

The floor of the installation location must not give way; if required, reinforce floor. To ensure that the Ice Maker functions correctly, the appliance must be upright.

Ventilation

The refrigeration unit is ventilated only via the ventilation grille in the base. Never cover the ventilation grille or place anything in front of it. Otherwise the refrigeration unit must work harder, increasing the power consumption.

Scope of Delivery

After unpacking all parts, check for any damage in transit.

If you have any complaints, please contact the dealer from whom you purchased the appliance or our Customer Service department.

The following parts are included:

- Built-in appliance
- Interior fittings (depending on model)
- Bag containing installation materials
- Operating Instructions
- Installation Instructions
- Customer Service Booklet
- Warranty enclosure
- Information on the energy consumption and noises.

Connecting the Appliance

Have a technician install and connect the appliance according to the enclosed Installation Instructions.

Do not remove the transportation protection devices from the shelves and storage compartments until the appliance has been installed.

Apart from statutory national regulations, you should comply with all applicable local electricity companies codes and requirements.

After installing the appliance, wait at least 1 hour before switching the appliance On. During transportation the oil in the compressor may have flowed into the refrigeration system.

Before switching the appliance On for the first time, clean the interior of the appliance (see chapter "Cleaning the Appliance").

Electrical Connection



WARNING:

RISK OF ELECTRIC SHOCK

Connect the appliance to a grounded, 3-phase outlet only. Never remove the ground phase. Do not use any adapters. Do not use any extension leads.



WARNING:

RISK OF ELECTRIC SHOCK

Incorrect connection of the appliance may result in death, fire or electric shock. Improper connection of the protective conductor may result in electric shock. If you are in doubt as to whether the appliance has been properly grounded, have it tested by a qualified electrician or Customer Service technician.



WARNING:

RISK OF ELECTRIC SHOCK

If the length of the power cord is inadequate, never use multiple outlets or extension leads. Instead, please contact Customer Service for alternatives.

This appliance must be connected to a permanently installed outlet.

The outlet must be near the appliance and also freely accessible following installation of the appliance.

The appliance complies with protection class I. Connect it to a correctly installed outlet. Correct means: with a protective conductor, 110 V – 120 V/60 Hz alternating current. The outlet must be protected by a 10 A – 16 A fuse.

The appliance comes with a UL registered 3-wire power cord. The appliance requires a 3-pole outlet.

Please observe the following table with regard to this.

Appliance	Maximum Simultaneous Load
Refrigerator 30"	2.0 amps

Check on the rating plate whether the indicated voltage and current type match the values of your power supply.

The position of the rating plate can be found in the chapter entitled Customer Service.



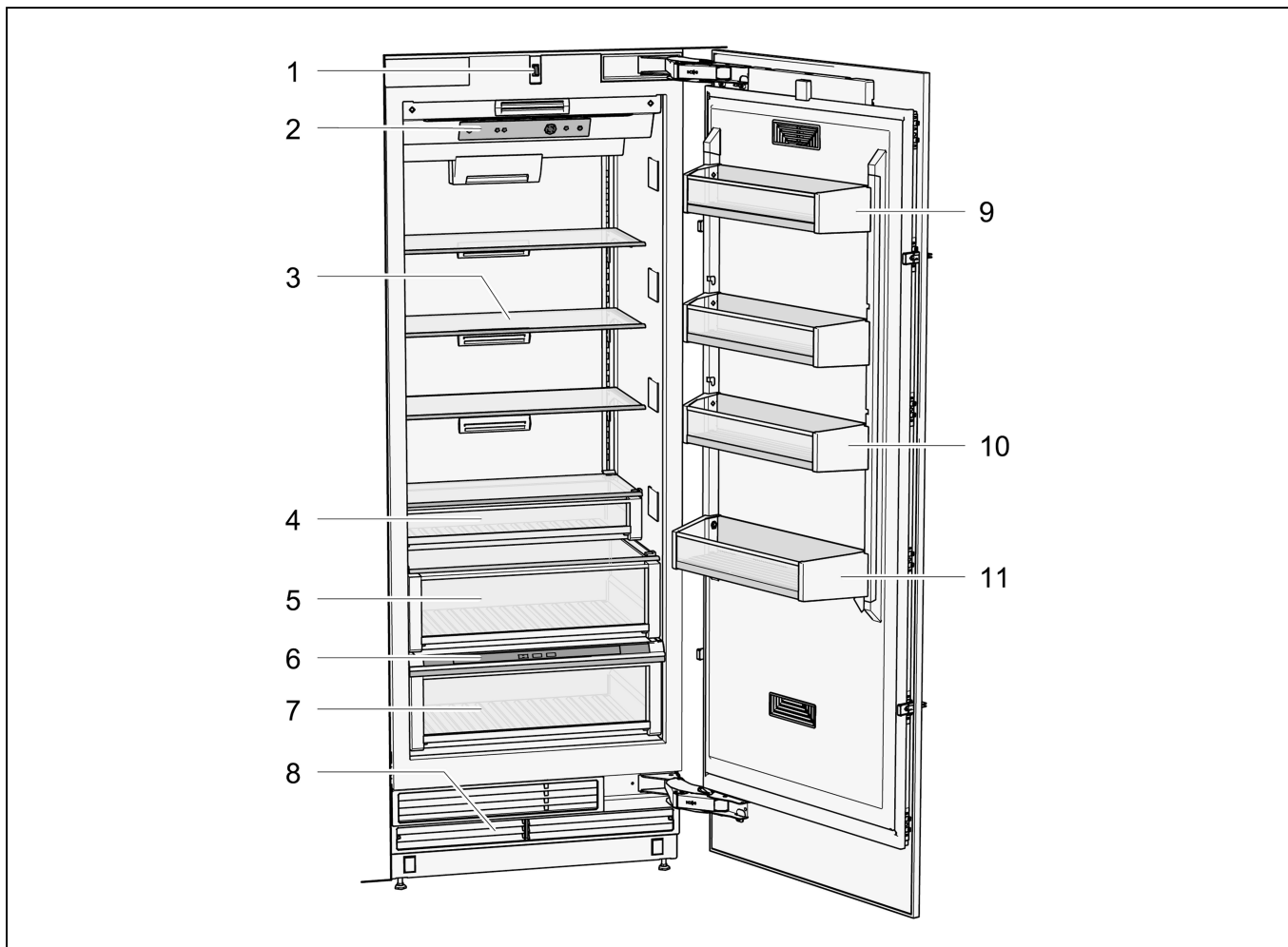
WARNING:

Never connect the appliance to electronic energy saver plugs.

Our appliances can be used with mains and sine controlled inverters. Mains-controlled inverters are used for photovoltaic systems which are connected directly to the national grid. Sine controlled inverters must be used for isolated applications (e.g. on ships or in mountain lodges) which are not connected directly to the national grid.

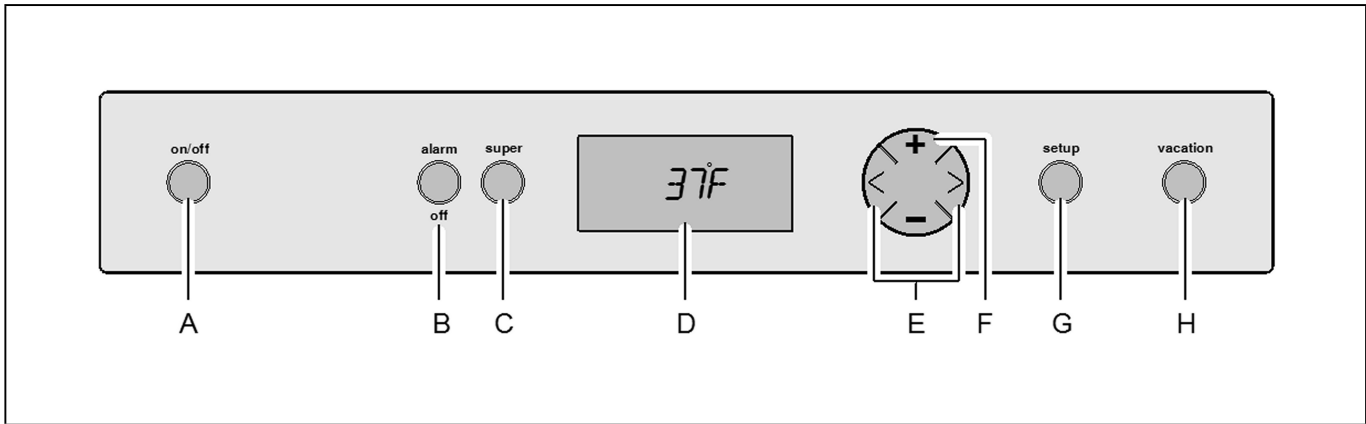
Getting to Know Your Appliance

These Operating Instructions refer to several models.
The diagrams may differ.



- 1** Light Switch
- 2** Controls
- 3** Glass shelves
- 4** Snack-Box
- 5** Fruit and Vegetable Container
- 6** Selection Buttons "Cool-fresh" Container
- 7** "Cool-fresh" Container
- 8** Ventilation
- 9** Butter and Cheese Compartment
- 10** Door Shelf
- 11** Storage Compartments for large Bottles

Controls



A POWER Button

Serves to switch the whole appliance On and Off.

B ALARM Button

Serves to switch the warning signal Off. See chapter "Alarm function".

C SUPER Button

Serves to switch the Super Cooling On and Off. See chapter "Super Cooling".

D Display Panel

The temperature in the Refrigerator Compartment is shown in the Display Panel. Activated special functions are shown via "symbol".

The menus and setting options which are available are represented on the Display Panel in the Setup Mode. See chapter "Special Functions".

E Selection Buttons < / >

The temperature setting is activated using the Selection Buttons, see chapter "Setting the Temperature".

For selecting a menu in the Setup Mode, see chapter "Special Functions", section "Setup Mode".

F Setting Buttons + / -

The temperature can be changed using the Setting Buttons, see chapter "Setting the Temperature".

More settings can be selected in the Setup Mode, see chapter "Special Functions".

G SETUP Button

This button starts and ends the Setup Mode. If the Setup Mode is ended using the SETUP Button, the changes that have been made are stored.





H VACATION Button

This button is used to switch Vacation Mode On and Off, see chapter "Special Functions", section "Vacation Mode".

Note:

A sound can be heard every time a button is pushed if this function is selected in the "Sound" menu during the Setup Mode.

Symbols in the Display Field

-  Super Cooling is active (see chapter "Super Cooling").
-  Vacation Mode is active (see chapter "Special Functions").
-  For the setting options in the Setup Mode (see chapter "Special Functions").
-  A warning message is displayed (see chapter "Alarm function").

Switching the Appliance On

Switch the appliance On with the **POWER** Button. The appliance begins to cool. Light turns on when the door is open.



CAUTION:

Keep hands and fingers away from front and rear openings of the refrigerator door when closing.

Risk of injury to hands or fingers!

Never allow children to climb on or play with the refrigerator door.

Operating Tips

- When the appliance has been switched on, it may take several hours until the set temperature is reached.

Setting the Language

The Display Languages can be changed according to the table in the chapter “Special Functions”, section “Setup Mode”.

To change the Display Language:

1. Press the **SETUP** Button.
2. Press the **<** or **>** Selection Button, until the set language is displayed.
3. Press the **+** or **-** Setting Button, until the desired language is displayed.
4. Press the **SETUP** Button, in order to store the settings.

The set temperature is displayed again on the Display Panel.

Setting the Temperature Unit

The temperature can be displayed in degrees Celsius (°C) or degrees Fahrenheit (°F).

1. Press the **SETUP** Button.
The first menu (Temperature Unit) is displayed.
2. Press the **+** or **-** Setting Button in order to switch between degrees Fahrenheit (°F) and degrees Celsius (°C).
3. Press the **SETUP** Button, in order to store the settings.

The set temperature is displayed again on the Display Panel.

Setting the Temperature

Refrigerator Compartment

(can be selected from +35 °F (2 °C) to +46 °F (8 °C))
We recommend a setting of +37 °F (3 °C).

Perishable food should not be stored above +37 °F (3 °C).

1. Press the **<** Selection Button.
2. Set the temperature with the **+** (warmer) or **-** (cooler) Setting Button.

Special Functions

The following Special Functions can be selected or displayed:

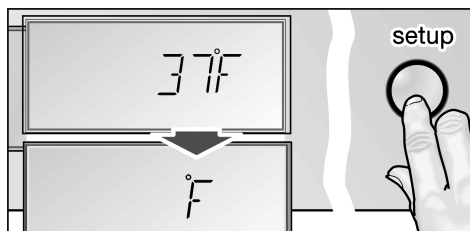
Setup Mode

In Setup Mode you can make your personal settings.

Switching On

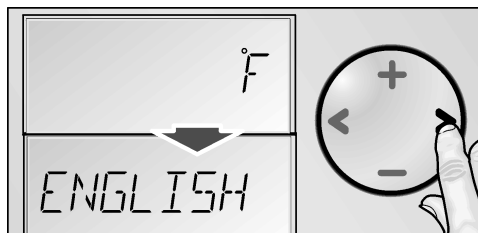
Press the **SETUP** Button.

The first menu (temperature unit) is displayed on the Display Panel.

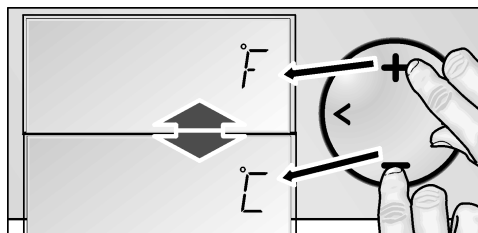


Making Settings

1. Switch on Setup Mode.
2. Press the **<** or **>** Selection Button.
The next menu is displayed and its current setting (mostly **ON** or **OFF**).



3. Press the **+** or **-** Setting Button.



4. Press the **<** or **>** Selection Button to save and move to the next menu.

Switching Off

Press the **SETUP** Button.

All of the changed settings are stored.

Note:

If no button is selected within 20 seconds, the Setup Mode ends automatically. All of the changed settings are stored. The set temperature is displayed again on the Display Panel.

Menus in the Setup Mode

The following settings can be made.

Menu	Possible setting
Temperature Unit	°C (degrees Celsius) °F (degrees Fahrenheit)
Language	English French Spanish
Sound	On Off
Energy Saving Mode (Eco Function)	On Off

Vacation Mode

If leaving the appliance for a long period of time, you can switch the appliance over to the energy-saving Vacation Mode.

When Vacation Mode is switched On, the following settings are made:

- The appliance operates in Energy-Saving Mode.
- The light is switched Off.
- The “Super Cooling” function is ended (if activated).

Switching On

Press the **VACATION** Button.

The “VACATION” symbol is displayed on the Display Panel.

Switching Off

Press the **VACATION** Button.

The previous settings and temperature values are restored.

Sabbath Mode

When Sabbath Mode is switched On, the following settings are switched Off:

- Acoustic Signal
- Interior Light
- Messages in the Display Panel
- The background illumination of the Display Panel is reduced
- Buttons are locked.

Switching On

1. Press and hold down the **SUPER** Button.
2. Press the **VACATION** Button.
3. Press the **SUPER** Button and hold down for a further 3 seconds.
The “VACATION” symbol flashes on the Display Panel and “SABBATH MODE” is displayed.

Switching Off

Press the **VACATION** Button.

The previous settings and temperature values are once again activated.

Energy Saving Mode

If the Energy Saving Function (Eco Function) is activated, the appliance switches to the Energy Saving Operation. This Energy Saving Function is preset at the factory in order to reduce energy consumption. The background illumination of the Display Panel is likewise reduced.

Switching On

1. Press the **SETUP** Button.
2. Press the **➤** Selection Button, until “ECO MODE” and the current setting (**OFF**) is displayed.
3. Press the **+** Setting Button, in order to reset the setting.
4. Press the **SETUP** Button, in order to store the setting.
“ECO” is displayed on the Display Panel.

Switching Off

1. Press the **SETUP** Button.
2. Press the **➤** Selection Button, until “ECO MODE” and the current setting (**ON**) is displayed.
3. Press the **–** Setting Button, in order to reset the setting.
4. Press the **SETUP** Button, in order to store the setting.

Alarm Function

Door Alarm

The Door Alarm switches On if an appliance door is left open for longer than three minutes. Close the door to switch Off the Warning Signal.

Switching Off the Alarm

Press the **ALARM** button to switch Off the Warning Signal.

Refrigerator Compartment

WARNING:

Do not store explosive substances in the appliance. **Risk of explosion!**

The Refrigerator Compartment is the ideal storage location for ready meals, cakes and pastries, preserved food, condensed milk, hard cheese, fruit and vegetables sensitive to cold as well as tropical fruit.

When Purchasing Food, Please Note

The freshness at point of purchase is important for the shelf-life of your food.

In principle, the fresher the produce when placed in the “Cool-Fresh” Container, the longer it stays fresh.

Therefore, when buying food, always pay attention to the degree of freshness.

Observe the expiration date specified by the manufacturer for ready products and bottled products.

Arranging Food in the Appliance

- Wrap or cover food before placing in the appliance. This will retain the aroma, color and freshness of the food. In addition, flavors will not be transferred between foods and the plastic parts will not become discolored.
- Allow warm food and drinks to cool down before placing in the appliance.
- Do not block air outlet openings with food in the refrigerator compartment, otherwise the air circulation will be impaired.
Food which is stored directly in front of the air outlet openings may be frozen by the cold air flowing out.
- Avoid contact of oil and fat with the plastic parts and door seal.

Super Cooling

Super cooling cools the Refrigerator Compartment as cold as possible for approx. 6 hours. Then the appliance automatically switches to the temperature set prior to super cooling mode.

Switch On Super Cooling, e.g.

- Before placing large quantities of food in the refrigerator compartment
- For fast cooling drinks.

Switching On

Press the **SUPER** Button.

The display panel indicates the symbol “SUPER❄”.



Switching Off

Press the **SUPER** Button.

“Cool-Fresh” Container

The “Cool-Fresh” Container has a temperature of almost 32 °F (0 °C). The “cool-fresh” drawer is covered by a special filter which sets the ideal humid climate.

The low temperature and the optimum moisture provide ideal storage conditions for fresh food.

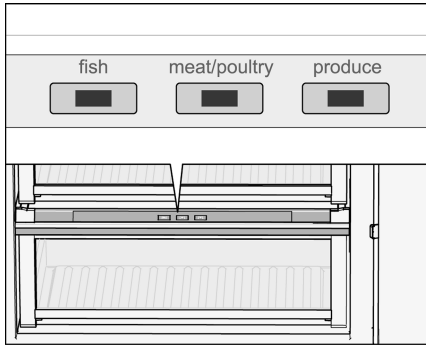
Food can be kept fresh up to three times longer than in the normal cooling zone – for even longer freshness, nutrient retention and flavor.

Selection Buttons for “Cool-Fresh” Container

Press the appropriate button corresponding to the food stored:

- **fish**
For the storage of fish and seafood.
- **meat/poultry**
For the storage of meat products, poultry, sausage and prepared meals.
- **produce**
For the storage of fruit, vegetables, mushrooms and herbs.

The selection is displayed by illumination of the corresponding button.



Foods suitable for “Cool-Fresh” Container

In principle all foods which are fresh and are to remain fresh for even longer, such as: fish, seafood, meat and sausage, dairy products, and ready meals.

Foods not suitable for “Cool-Fresh” Container

Fruit and vegetables sensitive to cold (e.g.: tropical fruit such as pineapples, bananas, papaya, citrus fruits, melons as well as tomatoes, aubergines, zucchini, capsicums, cucumbers, potatoes).

The ideal storage location for these foods is the refrigerator compartment.

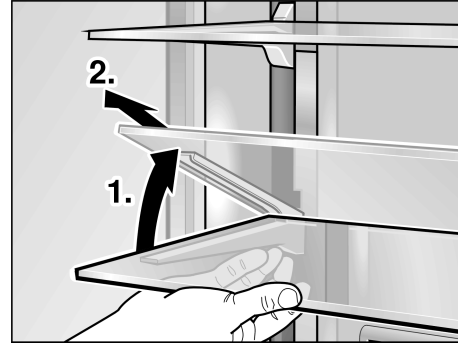
Interior Fittings

Removing the Shelves

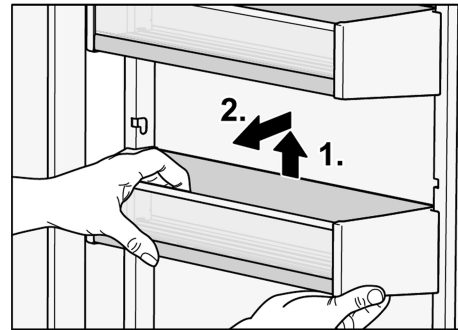
You can reposition the Shelves inside the appliance and Door Shelves as required.

Lift the Shelves and remove.

Shelves inside the Compartment

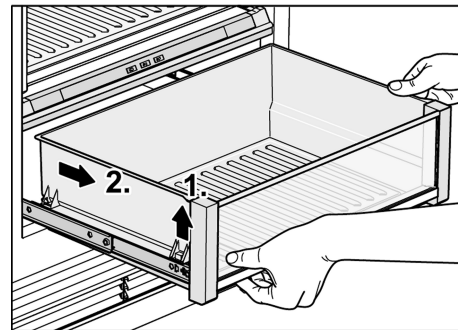


Door Shelves



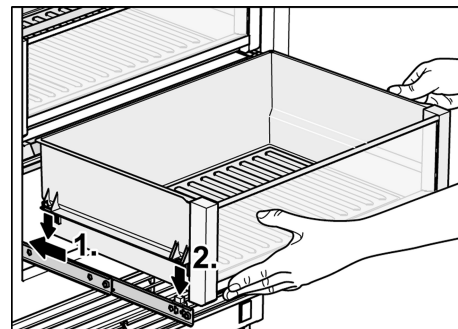
Trays in the Refrigerator Compartment

1. Lift tray slightly and take out.



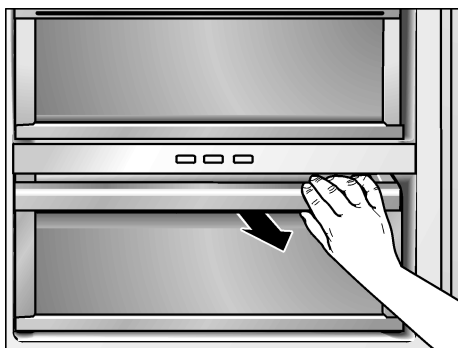
2. Lift tray at front slightly and insert into the runners.

3. Lower tray and push back.

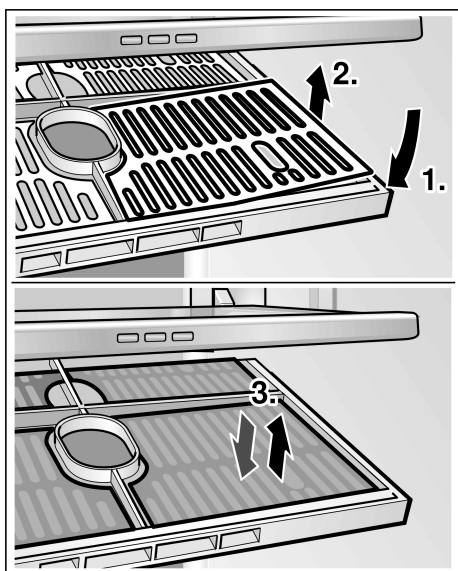


Removing the Humidity Filter in the “Cool-Fresh” Container

Take out the “Cool-Fresh” Container first. Then, pull out the Humidity Filter.



Lift off the Filter Cover and take out the Filter.



Switching Off and Disconnecting the Appliance

Switching the Appliance Off

1. Press the **POWER** Button.
2. Unplug the Power Plug.

Disconnecting the Appliance

If you do not use the appliance for a prolonged period:

1. Take all food out of the appliance.
2. Switch the appliance Off.
3. Unplug the Power Plug or switch the fuse Off.
4. Clean the appliance interior (see chapter “Cleaning the Appliance”).
5. Leave the appliance doors open to prevent odors from forming.

Defrosting

Defrosting is actuated automatically.

Cleaning the Appliance



WARNING:

Never clean the appliance with a steam cleaner!



CAUTION:

- Do not use abrasive, chloride or acidic cleaning agents or solvents.
- Do not use scouring or abrasive sponges. The metallic surfaces could corrode.
- Never clean Shelves and Containers in the dishwasher. The parts may become deformed!

Proceed as Follows

1. Before cleaning: Switch the appliance Off.
2. Unplug the Power Plug or switch the fuse Off.
3. Take all food out and store in a cool location.
4. Clean the appliance with a soft cloth, lukewarm water and a little pH neutral cleaning liquid. Prevent the rinsing water from running into the light.
5. Wipe the Door Seal with clear water only and then wipe dry thoroughly.
6. After cleaning, reconnect and switch the appliance back On.
7. Put the food back in the appliance.

Interior Fittings

All variable parts of the appliance can be taken out for cleaning (see chapter “Interior Fittings”).

Odors

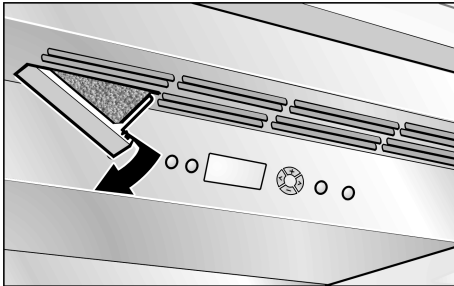
If you experience unpleasant odors:

1. Switch the appliance Off.
2. Take all food out of the appliance.
3. Clean the interior. See chapter "Cleaning the Appliance".
4. Clean all packages.
5. Seal strong smelling food in order to avoid odors from forming.
6. Switch the appliance On again.
7. Store food in the appliance.
8. Check whether the formation of odors is still occurring after 24 hours.
9. Exchange the odor filter. See chapter "Exchange the odor filter".

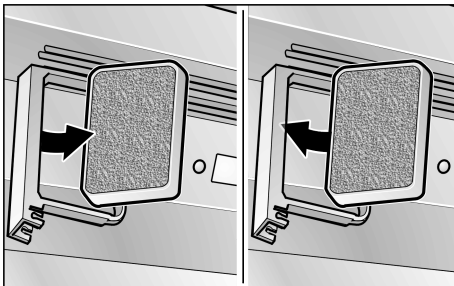
Exchange the Odor Filter

Spare filters are available from your dealer.

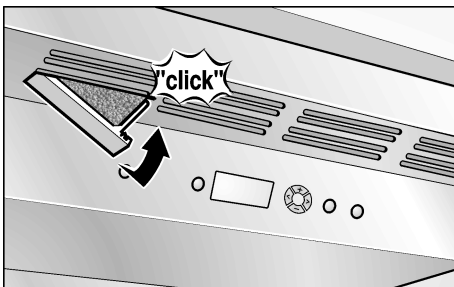
1. Opening the filter holder.



2. Remove the used Odor Filter and replace with a new Odor Filter.



3. Closing the filter holder.



Light (LED)

Your appliance features a maintenance-free LED light.

These lights may be repaired by Customer Service or authorized technicians only.

Tips for Saving Energy

- Install the appliance in a dry, well ventilated room! The appliance should not be installed in direct sunlight or near a heat source (e.g. radiator, cooker). If required, use an insulating plate.
- Do not block the Ventilation Openings in the appliance.
- Allow warm food and drinks to cool down before placing in the appliance!
- When thawing frozen products, place them in the refrigerator. Use the coldness of the frozen food to cool food.
- Open the appliance as briefly as possible!

Operating Noises

Normal Noises

Droning

Motors are running (e.g. refrigeration units, fan).

Bubbling, humming or gurgling noises

Refrigerant is flowing through the tubing.

Clicking

Motor, switches or solenoid valves are switching On/Off.

Preventing Noises

The appliance is not level

Please align the appliance with a spirit level. Use the Height-Adjustable Feet or place packing underneath them.

The appliance is not free-standing

Please move the appliance away from adjacent units or appliances.

Containers or Shelves wobble or stick

Please check the removable parts and re-insert them correctly, if required.

Bottles or containers are touching each other

Move the bottles or containers slightly away from each other.

Before Calling for Service

Before you call Customer Service:

Please check whether you can troubleshoot yourself based on the following information.

Customer Service will charge you for advice – even if the appliance is still under guarantee!

Appliance

Fault	Possible cause	Remedial action
Appliance has no refrigeration capacity.	Appliance has been switched Off.	Press the POWER Button.
	Power failure.	Check whether the power is on.
The light does not work.	The fuse has been switched Off.	Check the fuse.
The display does not illuminate.	The Power Plug has not been inserted properly.	Check whether the Power Plug is secure.
The refrigeration unit is switching On more frequently and for longer.	Appliance opened frequently.	Do not open the appliance unnecessarily.
	The Ventilation Openings have been covered.	Remove obstacles.
	Large quantities of fresh food are placed in the freezer.	Switch Super Cooling On (see chapter "Super Cooling").
The temperature in the Refrigerator Compartment is too cold.	Temperature has been set too low.	Increase the temperature (see chapter "Selecting the Temperature").
The light (LED) does not work.	The LED lamp is defective.	Call Customer Service.
	Light switch is jammed.	Check whether it can be moved.
You experience unpleasant odors.	Strongly smelling food is not sealed.	Clean the appliance. Seal strongly smelling food (see chapter "Odors").
Display indicates "E..".	Electronics have detected a fault.	Call Customer Service.
Display indicates "LOWPOWER".	The mains voltage falls below the permitted limiting value.	When the line voltage reaches the stipulated value again, the warning message goes out. If the warning message lasts for longer, inform the energy supply company.
Display indicates "HIGHVOLT".	The line voltage exceeds the permitted limiting value.	When the line voltage reaches the stipulated value again, the warning message goes out. If the warning message lasts for longer, inform the energy supply company.

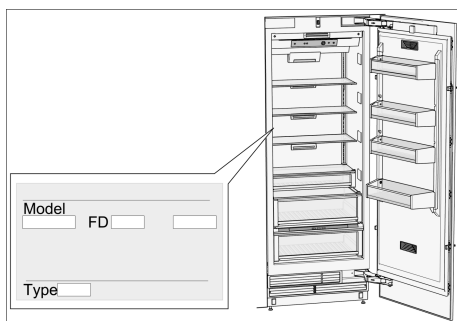
Customer Service

Before you call Customer Service, see the chapter entitled “Before Calling for Service”.

After checking according to the chapter entitled “Before Calling for Service”, additional help can be requested by calling the Bosch Customer Service center, 1-800-944-2904 (toll-free), from anywhere in the USA. In Canada contact your Bosch Customer Service or call 1-800-944-2904.

Note down the following information about your freezer so that you have it ready and can be better assisted if you require help or Customer Service.

Dealer's name: _____
Address: _____
Telephone number: _____
Purchase date: _____
Model number: _____
FD number: _____
Serial number: _____
Type: _____



fr Table des matières

Consignes de sécurité et avertissements	18	Le compartiment réfrigérateur	25
Définition	18	Attention lors de l'achat de produits alimentaires	25
AVERTISSEMENT : Avant de mettre l'appareil en service	18	Consignes à respecter lors du rangement de produits alimentaires	25
Sécurité technique	18	Super-réfrigération	25
Pendant l'utilisation	18	Allumage	25
Les enfants et l'appareil	19	Extinction.....	25
Dispositions générales.....	19	Bac fraîcheur.....	25
Mises en garde de la proposition 65 de l'État de Californie	19	Touches de sélection du bac fraîcheur	26
Conseils pour la mise au rebut.....	19	Aliments convenant au bac fraîcheur.....	26
♻ Mise au rebut de l'emballage.....	19	Aliments ne convenant pas au bac fraîcheur	26
♻ Mise au rebut de l'ancien appareil.....	19	Équipement	26
Installation de l'appareil	19	Retirer les clayettes.....	26
Transport.....	19	Bacs dans le compartiment réfrigérateur	26
Lieu d'installation.....	19	Retirer le filtre à humidité du bac fraîcheur.....	27
Aération.....	19	Arrêt et remisage de l'appareil.....	27
Étendue des fournitures.....	20	Coupure de l'appareil.....	27
Branchement de l'appareil	20	Remisage de l'appareil	27
Connexion électrique.....	20	Dégivrer l'appareil.....	27
Présentation de l'appareil.....	21	Nettoyage de l'appareil.....	27
Éléments de commande.....	22	Procédure	27
Enclenchement de l'appareil	23	Équipement	27
Remarques concernant le fonctionnement de l'appareil.....	23	Odeurs	28
Réglage de la langue.....	23	Changer le filtre à odeurs.....	28
Régler l'unité de température	23	Éclairage (LED)	28
Réglage de la température	23	Economies d'énergie	28
Compartiment réfrigérateur	23	Bruits de fonctionnement.....	28
Fonctions spéciales.....	23	Bruits parfaitement normaux.....	28
Mode Configuration	23	Éviter la génération de bruits.....	28
Mode Vacances.....	24	Avant d'appeler le service après-vente.....	29
Mode Sabbat.....	24	Appareil.....	29
Mode Économie d'énergie	24	Service après-vente	30
Fonction alarme.....	25		
Alarme relative à la porte.....	25		
Désactiver l'alarme.....	25		

Consignes de sécurité et avertissements

VEUILLEZ LIRE ET CONSERVER CES INSTRUCTIONS !

Définition

AVERTISSEMENT :

Indique que le non-respect de cet avertissement peut avoir comme conséquence la mort ou une blessure grave.

ATTENTION :

Indique que le non-respect de cet avertissement peut avoir comme conséquence la mort ou une blessure grave.

AVERTISSEMENT : Avant de mettre l'appareil en service

Veillez lire attentivement et entièrement les informations figurant dans les notices d'utilisation et de montage. Elle contiennent des remarques importantes concernant l'installation, l'utilisation et l'entretien de l'appareil.

Le fabricant décline toute responsabilité si les consignes et mises en garde contenues dans la notice d'utilisation ne sont pas respectées. Conservez toute la documentation pour pouvoir la consulter à nouveau ultérieurement ou si l'appareil doit changer un jour de propriétaire.

Sécurité technique

Si le cordon d'alimentation électrique de cet appareil a été endommagé, il faut confier son remplacement au fabricant, au service après-vente ou à une personne détenant des qualifications similaires. Les installations et réparations inexpertes peuvent engendrer des risques considérables pour l'utilisateur.

Les réparations ne pourront être réalisées que par le fabricant, le service après-vente ou une personne détenant des qualifications similaires.

Il ne faut utiliser que les pièces d'origine du fabricant. Le fabricant ne garantit que les pièces d'origine car elles seules remplissent les exigences de sécurité. N'utilisez pas de rallonge, de bloc multiprise ou d'adaptateur.

L'appareil est livré équipé d'un cordon de raccordement au réseau à trois fils homologué UL.

Il est interdit en toutes circonstances de couper ou de retirer le troisième conducteur (mise à la terre) du câble d'alimentation.

L'appareil requiert une prise de courant à trois pôles. La prise de courant ne peut être branchée que par un électricien qualifié.

Lorsqu'une prise de courant standard bipolaire est disponible, il en va de la responsabilité personnelle du client de la remplacer par une prise de courant tripolaire réglementairement reliée à la terre. N'utilisez pas de connecteur adaptateur.

Pendant l'utilisation

- N'utilisez pas d'appareils électriques à l'intérieur de l'appareil (par ex. appareils de chauffage, machine à glaçons, etc.).
Risque d'explosion !
- Ne décongelez et ne nettoyez jamais l'appareil avec un nettoyeur à vapeur ! La vapeur risque d'atteindre des pièces électriques et de provoquer un court-circuit.
Risque d'électrocution !
- Pour détacher le givre ou les couches de glace, n'utilisez jamais d'objets pointus ou présentant des arêtes vives. Vous risqueriez d'endommager les tubulures dans lesquelles circule le produit réfrigérant. Le fluide réfrigérant peut s'enflammer en jaillissant ou provoquer des blessures oculaires.
- Ne stockez dans l'appareil ni produits contenant des gaz propulseurs inflammables (par ex. bombes aérosols) ni produits explosifs.
Risque d'explosion !
- Ne vous servez pas abusivement des socles, rails télescopiques, portes, etc. comme marchepieds ou pour vous appuyer.
- Avant de décongeler et nettoyer, débranchez la fiche mâle de la prise de courant ou ramenez le disjoncteur en position éteinte. Pour débrancher, ne saisissez que la fiche mâle, pas le cordon de branchement.
- Ne conservez les bouteilles de boissons fortement alcoolisées qu'hermétiquement fermées et debout.
- L'huile et la graisse ne doivent pas entrer en contact avec les parties en matières plastiques et le joint de porte. Les pièces en plastique et le joint de porte deviendront sinon poreux.
- Ne recouvrez et n'obstruez jamais les orifices d'entrée et de sortie d'air affectées à l'appareil.
- Évitez des risques pour les enfants et les personnes en danger :
Sont en danger les enfants et les personnes dont les capacités physiques, psychiques ou de perception sont restreintes, ainsi que les personnes ne détenant pas suffisamment de connaissances sur l'utilisation sûre de l'appareil. Assurez-vous que les enfants et les personnes en danger ont bien compris la nature des dangers. Une personne responsable de la sécurité doit surveiller ou guider les enfants et les personnes en danger lorsqu'elles se trouvent près de l'appareil.
Ne permettez l'utilisation de l'appareil qu'aux enfants à partir de 8 ans.
Surveillez les enfants pendant le nettoyage et la maintenance. Ne permettez jamais aux enfants de jouer avec l'appareil.

Les enfants et l'appareil

- Ne confiez jamais l'emballage et ses pièces constitutives aux enfants. Ils risquent de s'étouffer avec les cartons pliants et les feuilles de plastique ! Ne confiez jamais l'emballage et ses pièces constitutives aux enfants.
- L'appareil n'est pas un jouet !
- Si l'appareil est équipé d'une serrure : rangez la clé hors de portée des enfants !

Dispositions générales

L'appareil sert à réfrigérer des produits alimentaires. Cet appareil est destiné à un usage domestique dans un foyer privé, et à l'environnement domestique. Le circuit frigorifique a subi un contrôle d'étanchéité. Cet appareil est conçu pour une utilisation jusqu'à une altitude maximale de 2000 m.

Mises en garde de la proposition 65 de l'État de Californie

AVERTISSEMENT :

Ce produit contient des produits chimiques considérés par l'État de Californie comme pouvant causer des cancers, des anomalies congénitales ou d'autres troubles de la reproduction.

Conseils pour la mise au rebut

Mise au rebut de l'emballage

L'emballage protège votre appareil contre les dégâts qu'il pourrait subir en cours de transport. Tous les matériaux qui le constituent sont compatibles avec l'environnement et recyclables. Aidez-nous : À éliminer l'emballage dans le respect de l'environnement. Pour savoir comment vous débarrasser de l'emballage, veuillez consulter votre revendeur ou les services administratifs de votre mairie.

Mise au rebut de l'ancien appareil

Les appareils usagés ne sont pas des déchets sans valeur ! Des matières premières précieuses peuvent être récupérées par le recyclage.

AVERTISSEMENT :

1. Débranchez la fiche mâle de la prise de courant.
2. Sectionnez le cordon d'alimentation puis enlevez-le avec la fiche mâle.
3. Pour dissuader les enfants de grimper dans l'appareil, ne retirez pas les clayettes et les bacs !
4. Ne permettez pas aux enfants de jouer avec l'appareil lorsqu'il ne sert plus. **Risques de suffocation !**

Les appareils frigorifiques contiennent des fluides frigorigènes et des gaz isolants qui nécessitent une

mise au rebut adéquate. Veillez à ce que les tuyaux du circuit frigorifique de votre appareil ne soient pas endommagés jusqu'à son élimination dans les règles de l'art. Jusqu'à l'enlèvement de l'appareil, veillez bien à ce que son circuit frigorifique ne soit pas endommagé.

Installation de l'appareil

Faites installer l'appareil par un spécialiste qui respectera le contenu de la notice de montage ci-jointe.

AVERTISSEMENT :

Ne pas installer l'appareil :

- à l'extérieur,
- dans un environnement propice aux fuites d'eau,
- dans des pièces exposées au gel.

Transport

Les appareils sont lourds. Il faut les sécuriser en vue du transport et pendant le montage.

En raison du poids et des dimensions de l'appareil, pour réduire au maximum le risque de blessures ou d'endommager l'appareil, il faudra au moins deux personnes pour installer l'appareil de manière sûre.

Lieu d'installation

Un local sec et aérable convient comme lieu d'installation. Il faudrait que le lieu d'installation ne soit pas directement exposé aux rayons solaires et pas à proximité d'une source de chaleur (cuisinière, radiateur, etc.). Si l'installation à côté d'une source de chaleur est inévitable, veuillez utiliser un panneau isolant approprié ou respecter les écarts minimums suivants par rapport à la source de chaleur :

- 1,2" (3 cm) par rapport aux cuisinières électriques ou à gaz.
- 12" (30 cm) par rapport à un appareil de chauffage au fuel ou au charbon.

Sur l'emplacement, le sol ne doit pas s'affaisser. Renforcez-le le cas échéant. Afin que le distributeur de glaçons fonctionne impeccablement, l'appareil doit se trouver parfaitement à la verticale.

L'air destiné au groupe frigorifique rentre et sort par la grille d'aération située dans le socle. Ne recouvrez en aucun cas la grille d'aération et ne placez rien devant. Le groupe frigorifique se trouverait sinon sollicité plus fortement, ce qui augmenterait la consommation de courant.

Aération

L'air destiné au groupe frigorifique rentre et sort par la grille d'aération située dans le socle. Ne recouvrez en aucun cas la grille d'aération et ne placez rien devant. Le groupe frigorifique se trouverait sinon sollicité plus fortement, ce qui augmenterait la consommation de courant.

Étendue des fournitures

Après avoir déballé, vérifiez toutes les pièces pour détecter d'éventuels dégâts dus au transport. En cas de réclamation, veuillez vous adresser au revendeur auprès duquel vous avez acquis l'appareil ou auprès de notre service après-vente.

La livraison comprend les pièces suivantes :

- Appareil encastrable
- Équipement (selon le modèle)
- Notice d'utilisation
- Notice de montage
- Carnet de service après-vente
- Pièce annexe de la garantie
- Informations relatives à la consommation d'énergie et aux bruits
- Sachet avec quincaillerie de montage

Branchement de l'appareil

Faites installer et raccorder l'appareil par un spécialiste qui procédera selon la notice de montage ci-jointe.

N'enlevez les cales de transport retenant les clayettes et balconnets qu'après l'installation.

Outre les prescriptions légales en vigueur dans votre pays, veuillez aussi respecter les règlements publiés par les compagnies distribuant l'électricité dans votre localité.

Après l'installation de l'appareil en position verticale, attendez au moins une heure avant de le mettre en service. Il peut en effet arriver, pendant le transport, que l'huile présente dans le compresseur se déplace vers le circuit frigorifique.

Avant la première mise en service, nettoyez le compartiment intérieur de l'appareil. (Voir le chapitre « Nettoyage de l'appareil ».)

Connexion électrique

AVERTISSEMENT :

RISQUE D'ÉLECTROCUTION :

Cet appareil doit être branché dans une prise triphasée uniquement. Ne retirez jamais la broche de mise à la terre. N'utilisez pas d'adaptateur. N'utilisez pas de rallonge électrique. !

AVERTISSEMENT :

RISQUE D'ÉLECTROCUTION :

Un branchement incorrect de l'appareil pose un risque de mort, d'incendie ou d'électrocution. Un branchement inadéquat du conducteur de terre pose un risque d'électrocution. En cas d'incertitude sur la bonne mise à la terre de l'appareil, faites-le inspecter par un électricien ou technicien qualifié.



AVERTISSEMENT :

RISQUE D'ÉLECTROCUTION :

Si la longueur du cordon d'alimentation est insuffisante, abstenez-vous à tout prix d'utiliser une rallonge ou un bloc multiprise. Contactez plutôt le service à la clientèle pour des solutions de rechange.

Le raccordement de cet appareil demande la présence d'une prise de courant fixe.

La prise de courant doit être proche de l'appareil et demeurer librement accessible une fois ce dernier installé.

L'appareil est conforme à la classe de protection I. Branchez l'appareil à une prise de courant installée réglementairement. Par « réglementairement », on entend : avec conducteur de terre et courant alternatif de 110 à 120 V/60 Hz. La prise doit être protégée par un fusible supportant une intensité de 10 A à 16 A.

L'appareil est livré équipé d'un cordon d'alimentation au réseau à trois fils homologué UL. L'appareil requiert une prise de courant à trois pôles.

Veuillez observer le tableau suivant à ce sujet :

Appareil	Charge maximale simultanée
Réfrigérateur 30"	2,0 ampères

Vérifiez sur la plaque signalétique si la tension indiquée et le type de courant correspondent aux valeurs de votre réseau électrique. La position de la plaque signalétique est indiquée au chapitre Service à la clientèle.



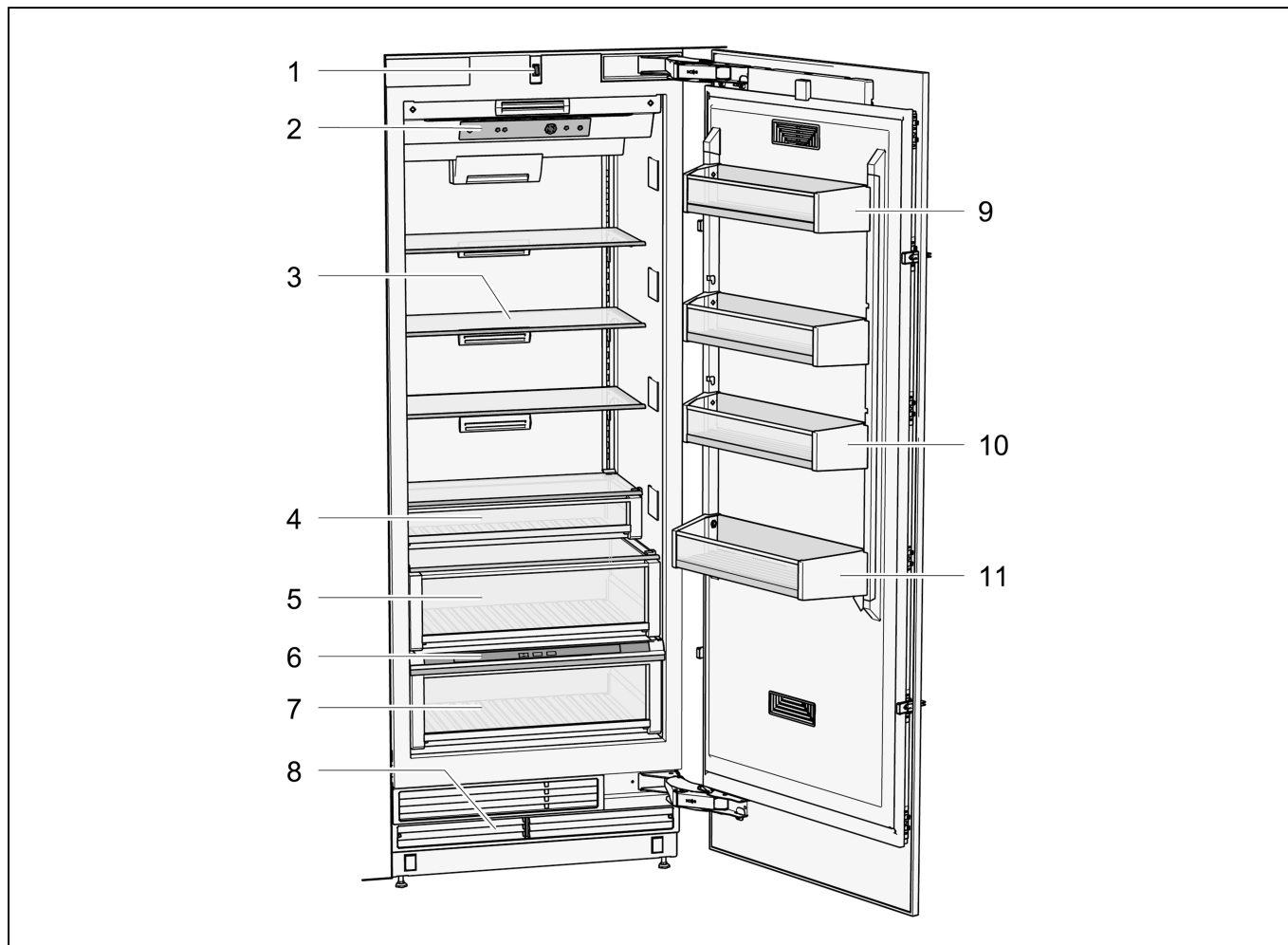
AVERTISSEMENT :

Il est interdit de brancher l'appareil à une prise à économie d'énergie électronique.

Nos appareils peuvent être alimentés via des onduleurs pilotés par le secteur ou à pilotage sinusoïdal. Directement raccordées au secteur public, les installations photovoltaïques font appel à des onduleurs pilotés par le secteur. Dans les solutions en îlots (p. ex. sur les bateaux ou les refuges de montagne), ne disposant pas d'un raccordement direct au secteur électrique public, il faut utiliser des onduleurs à pilotage sinusoïdal.

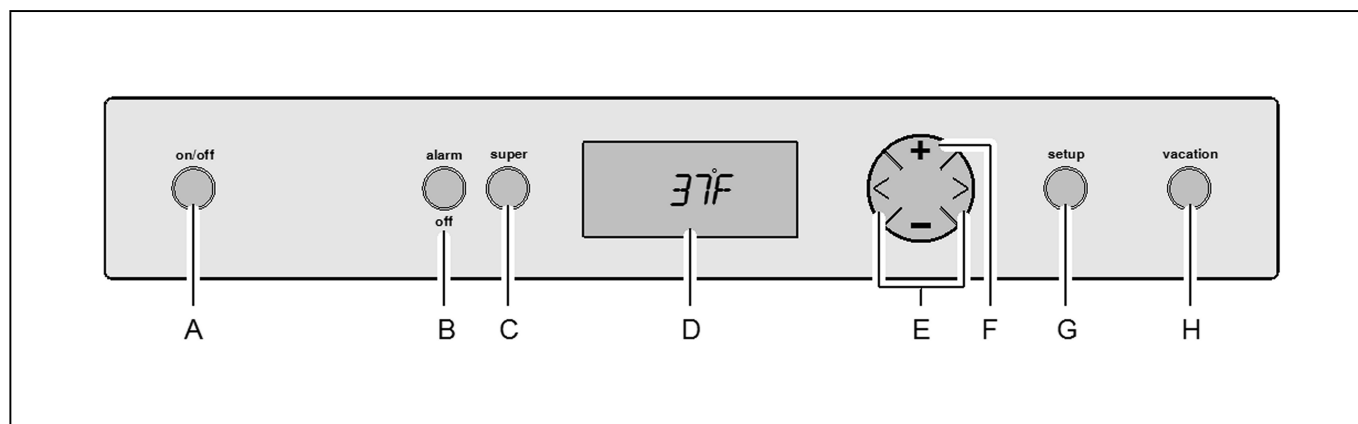
Présentation de l'appareil

La présente notice d'utilisation vaut pour plusieurs modèles.
Selon le modèle, l'appareil peut différer du contenu des illustrations.



- 1 Interrupteur d'éclairage
- 2 Éléments de commande
- 3 Clayettes en verre
- 4 Compartiment des collations
- 5 Bac(s) à fruits et légumes
- 6 Touches de sélection Bac fraîcheur
- 7 Bac fraîcheur
- 8 Aération
- 9 Casier à beurre et à fromage
- 10 Rangement en contre-porte
- 11 Support à grandes bouteilles

Éléments de commande

**A Touche POWER**

Sert à allumer et éteindre l'ensemble de l'appareil.

B Touche ALARM

Sert à désactiver l'alarme sonore.
Voir le chapitre « Fonction alarme ».

C Touche SUPER

Pour allumer et éteindre la super-réfrigération.
Voir le chapitre « Super-réfrigération ».

D Bandeau d'affichage

Les températures régnant dans le compartiment réfrigérateur s'affichent. Les fonctions spéciales activées sont représentées par des symboles.

En mode Configuration, les menus disponibles et les options de réglage s'affichent. Voir le chapitre « Fonctions spéciales ».

E Touches de sélection < / >

Le réglage de la température s'active par les touches de sélection, voir le chapitre « Réglage de la température ».

Pour sélectionner un menu en mode Configuration, voir le chapitre « Fonctions spéciales », section « Mode Configuration ».

F Touches de réglage + / -

Les touches de réglage permettent de modifier le réglage de la température, voir le chapitre « Réglage de la température ».

Il est possible d'effectuer autres réglages en mode Configuration, voir le chapitre « Fonctions spéciales ».

G Touche SETUP

Cette touche active le mode Configuration et y met fin. Si vous mettez fin au mode Configuration par la touche SETUP, l'appareil mémorise les modifications accomplies.

H Touche VACATION

Elle sert à activer et désactiver le mode Vacances ; voir le chapitre « Fonctions spéciales », section « Mode Vacances ».

Remarque :

Chaque actionnement d'une touche est signalé par un bip si, en mode Configuration, vous avez activé cette fonction dans le menu SON.

Les symboles sur le bandeau d'affichage

La fonction de super-réfrigération est activée (voir le chapitre « Super-réfrigération »).



Le mode Vacances est activé, voir le chapitre « Fonctions spéciales ».



Possibilités de réglage en mode Configuration, voir le chapitre « Fonctions spéciales ».



Un message d'avertissement s'affiche, voir le chapitre « Fonction alarme ».

Enclenchement de l'appareil

Allumez l'appareil par la touche **POWER**.

L'appareil commence à réfrigérer. Porte en position ouverte, l'éclairage est allumé.

⚠ ATTENTION :

Lors de la fermeture, éloignez les mains et les doigts des orifices de portes avant et arrière de la porte du compartiment congélateur et du tiroir de congélation. **Risque de blessures aux mains et aux doigts !**

Ne permettez jamais aux enfants de grimper sur la porte de l'unité de la congélation, ou de jouer avec elle.

Remarques concernant le fonctionnement de l'appareil

- Après son allumage, l'appareil peut avoir besoin de plusieurs heures pour atteindre la température réglée.

Réglage de la langue

Il est possible de modifier les langues d'affichage conformément au tableau du chapitre « Fonctions spéciales », section « Mode Configuration ».

Pour changer de langue d'affichage :

1. Appuyez sur la touche **SETUP**.
2. Appuyez sur la touche de sélection **<** ou **>** jusqu'à ce que la langue réglée s'affiche.
3. Appuyez sur la touche de réglage **+** ou **-** jusqu'à ce que la langue voulue s'affiche.
4. Appuyez sur la touche **SETUP** pour enregistrer les réglages. Dans le champ d'affichage, la température réglée à nouveau s'affiche.

Régler l'unité de température

L'affichage de la température peut avoir lieu en degrés Celsius (°C) ou en degrés Fahrenheit (°F).

1. Appuyez sur la touche **SETUP**.
Le premier menu (unité de température) s'affiche.
2. Appuyez sur la touche de réglage **+** ou **-** pour commuter entre les degrés Fahrenheit (°F) ou les degrés Celsius (°C).
3. Appuyez sur la touche **SETUP** pour enregistrer les réglages.
Dans le champ d'affichage, la température réglée à nouveau s'affiche.

Réglage de la température

Compartiment réfrigérateur

(Réglage possible de +35 °F (2 °C) to +46 °F (8 °C))
Nous vous recommandons de régler la température sur +37 °F (3 °C).

Évitez de stocker les produits alimentaires délicats à une température supérieure à +37 °F (3 °C).

1. Appuyez sur la touche de sélection **<**.
2. Réglez la température comme vous le souhaitez à l'aide des touches de réglage **+** (température plus élevée) ou **-** (température moins élevée).

Fonctions spéciales

Les fonctions spéciales suivantes peuvent être sélectionnées ou affichées :

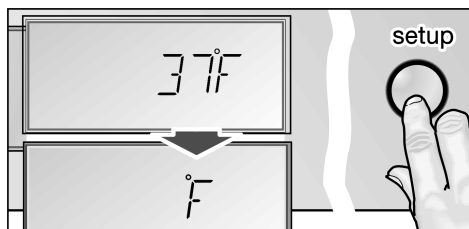
Mode Configuration

En mode Configuration, vous pouvez effectuer vos réglages personnels.

Allumage

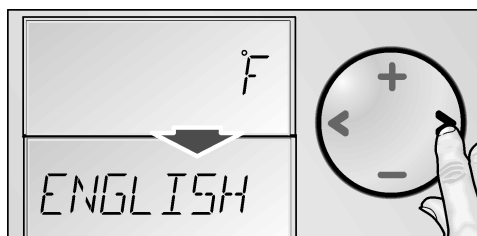
Appuyez sur la touche **SETUP**.

Le premier menu s'affiche (unité de température).

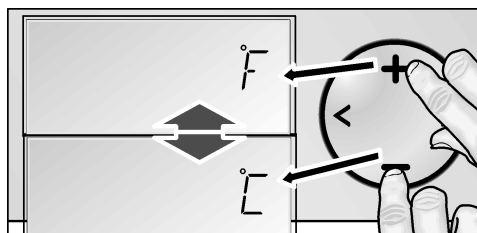


Effectuer des réglages

1. Activez le mode Configuration (Setup).
2. Appuyez sur la touche de sélection **<** ou **>**.
Le menu suivant et son réglage actuel (**ON** ou **OFF** la plupart du temps) s'affichent.



3. Appuyez sur la touche de réglage **+** ou **-**.



4. Appuyez sur la touche de sélection **<** ou **>** pour sauvegarder et passer au menu suivant.

Coupage de l'appareil

Appuyez sur la touche **SETUP**.

Tous les réglages modifiés sont mémorisés.

Remarque :

Si vous n'appuyez sur aucune touche dans les 20 secondes, le mode Configuration prend automatiquement fin. Tous les réglages modifiés sont mémorisés. Dans le champ d'affichage, la température réglée à nouveau s'affiche.

Menus en mode Configuration

Il est possible d'effectuer les réglages suivants :

Le menu	Réglage possible
Unité de température	°C (degrés Celsius) °F (degrés Fahrenheit)
Langue	Anglais Français Espagnol
Son	Marche Arrêt
Mode Économie d'énergie (Fonction Eco)	Marche Arrêt

Mode Vacances

En cas d'absence prolongée, vous pouvez commuter l'appareil sur le mode Vacances, économe en énergie lui aussi.

Lors de l'activation du mode Vacances, les réglages suivants s'effectuent :

- L'appareil fonctionne en mode Économie d'énergie.
- L'éclairage est éteint.
- La fonction de super-réfrigération prend fin (si elle était activée).

Allumage

Appuyez sur la touche **VACATION**.

Le symbole « VACATION » apparaîtra sur le bandeau d'affichage.

Extinction

Appuyez sur la touche **VACATION**.

Les réglages et températures antérieurs se réactivent.

Mode Sabbat

L'activation du mode Mode Sabbat a pour effet de désactiver les réglages suivants :

- Signal acoustique
- Éclairage intérieur
- Messages affichés
- La luminosité du rétro-éclairage de l'affichage diminue
- Les touches deviennent inopérantes.

Allumage

1. Appuyez sur la touche **SUPER** et maintenez-la appuyée.
2. Appuyez sur la touche **VACATION**.
3. Appuyez sur la touche **SUPER** et maintenez-la appuyée 3 secondes supplémentaires.
Le symbole « VACATION » apparaît clignotant et la mention « SABBATH MODE » s'affiche.

Extinction

Appuyez sur la touche **VACATION**.

Les réglages et températures antérieurs se réactivent.

Mode Économie d'énergie

Lorsque vous activez la fonction d'économie d'énergie (fonction Eco), l'appareil commute sur un mode de fonctionnement économe. Cette fonction d'économie d'énergie a été pré-réglée en usine pour réduire la consommation énergétique. La luminosité du rétro-éclairage de l'affichage diminue également.

Allumage

1. Appuyez sur la touche **SETUP**.
2. Appuyez sur la touche de sélection **➤** jusqu'à ce que la mention « ECO MODE » et le réglage actuel (**OFF**) s'affiche.
3. Appuyez sur la touche de réglage **+** pour commuter le réglage.
4. Appuyez sur la touche **SETUP** pour enregistrer le réglage.
La mention « ECO MODE » s'affiche.

Extinction

1. Appuyez sur la touche **SETUP**.
2. Appuyez sur la touche de sélection **➤** jusqu'à ce que la mention « ECO MODE » et le réglage actuel (**ON**) s'affiche.
3. Appuyez sur la touche de réglage **-** pour commuter le réglage.
4. Appuyez sur la touche **SETUP** pour enregistrer le réglage.

Fonction alarme

Alarme relative à la porte

L'alarme relative à la porte s'active si une porte de l'appareil reste ouverte plus de trois minutes. Refermer la porte suffit pour que l'alarme sonore cesse.

Désactiver l'alarme

Appuyez sur la touche **ALARM** pour éteindre l'alarme sonore.

Le compartiment réfrigérateur

AVERTISSEMENT :

Ne rangez jamais de substances explosives dans l'appareil. **Risque d'explosion !**

Le compartiment réfrigérateur est l'endroit idéal où ranger les plats finis de préparer, les pâtisseries, conserves, le lait condensé, le fromage dur, les fruits et légumes craignant le froid ainsi que les agrumes.

Attention lors de l'achat de produits alimentaires

L'important, en ce qui concerne la durée de conservation de vos produits alimentaires, c'est leur fraîcheur à l'achat.

Principe fondamental : plus les produits à stocker arrivent frais dans le compartiment fraîcheur et plus ils demeureront longtemps frais.

Faites donc toujours bien attention, à l'achat, à la fraîcheur des produits alimentaires.

Produits tout prêts et liquides conditionnés : respectez la date limite de consommation préférentielle indiquée par le fabricant.

Consignes à respecter lors du rangement de produits alimentaires

- Rangez les aliments si possible bien emballés ou bien couverts. Ils garderont ainsi arôme, couleur et fraîcheur. Ceci empêche en outre que certains aliments ne communiquent leur goût à d'autres et que les pièces en plastique changent anormalement de couleur.
- Attendez que les boissons et aliments chauds aient refroidi à la température de la pièce avant de les ranger dans l'appareil.
- Dans le compartiment réfrigérateur, veillez à ce que les produits alimentaires n'obstruent pas les orifices de sortie d'air car cela gênerait sa circulation.
Les produits alimentaires rangés directement devant les orifices de sortie d'air peuvent geler au contact de l'air froid affluant.
- Les huiles et graisses n'entrent pas en contact avec les pièces en plastique et le joint de la porte.

Super-réfrigération

Pendant la super-réfrigération, la température dans le compartiment réfrigérateur descend le plus bas possible pendant env. 6 heures. Ensuite, l'appareil commute sur la température réglée avant que vous n'activiez la super-réfrigération.

Activez la super-réfrigération par exemple :

- Avant de ranger de grandes quantités d'aliments.
- Pour refroidir rapidement des boissons.

Allumage

Appuyez sur la touche **SUPER**.

A l'afficheur apparaissent le symbole « SUPER❄ ».



Extinction

Appuyez sur la touche **SUPER**.

Bac fraîcheur

Dans le tiroir fraîcheur règne une température proche de 32 °F (0 °C). Le bac fraîcheur est recouvert d'un filtre spécial qui permet d'obtenir un climat humide idéal.

La température basse et l'humidité contrôlée offrent des conditions d'entreposage idéales pour les aliments frais.

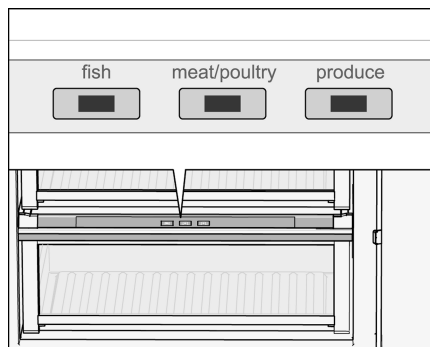
Les aliments peuvent demeurer frais jusqu'à trois fois plus longtemps que dans la zone réfrigérée normale, ce qui permet de profiter pleinement de leur fraîcheur, de leurs nutriments et de leur saveur.

Touches de sélection du bac fraîcheur

Appuyez sur la touche appropriée en fonction de la nourriture à préserver :

- **fish** (poisson)
Pour la préservation du poisson et des fruits de mer.
- **meat/poultry** (viande/volaille)
Pour la préservation des produits à base de viande, de la volaille, des saucisses et des mets préparés.
- **produce** (légumes)
Pour la préservation des fruits, des légumes, des champignons et des herbes.

La sélection est affichée par l'éclairage de la touche appropriée.



Aliments convenant au bac fraîcheur

En principe, tous les aliments qui sont frais et qui peuvent demeurer frais pendant une plus longue période, par exemple : le poisson, les fruits de mer, la viande et les saucisses, les produits laitiers et les mets préparés.

Aliments ne convenant pas au bac fraîcheur

Les fruits et les légumes qui sont sensibles au froid (par ex. : les fruits tropicaux comme les ananas, les bananes, les papayes, les agrumes, les melons et les tomates, les aubergines, les courgettes, les piments, les concombres et les patates).

L'endroit idéal pour entreposer ces aliments est le compartiment réfrigérateur.

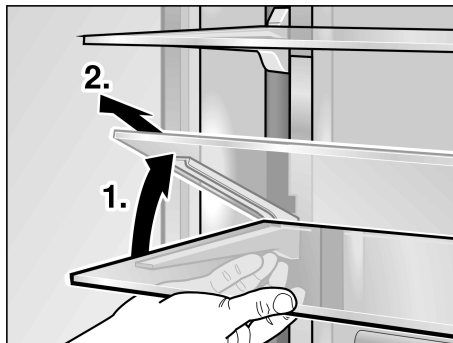
Equipement

Retirer les clayettes

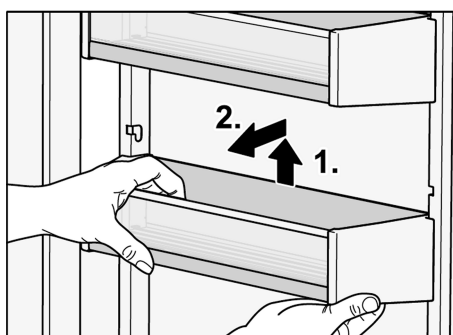
Vous pouvez modifier suivant besoin l'agencement des clayettes du compartiment intérieur et l'agencement des récipients en contre-porte.

Soulevez les clayettes et sortez-les.

Clayettes dans le compartiment intérieur

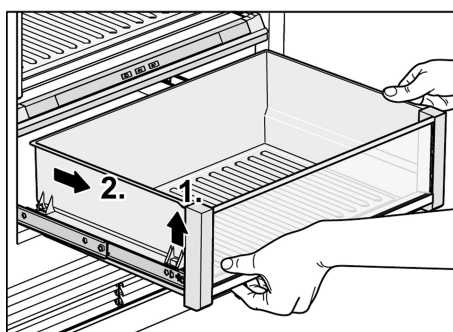


Rangements en contre-porte



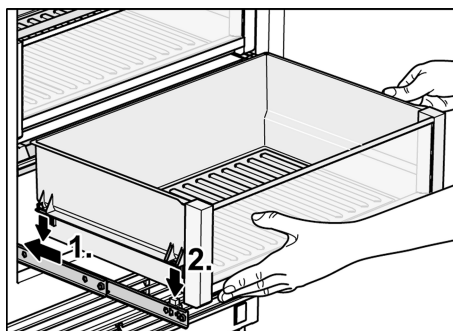
Bacs dans le compartiment réfrigérateur

1. Soulevez légèrement le bac et retirez-le.



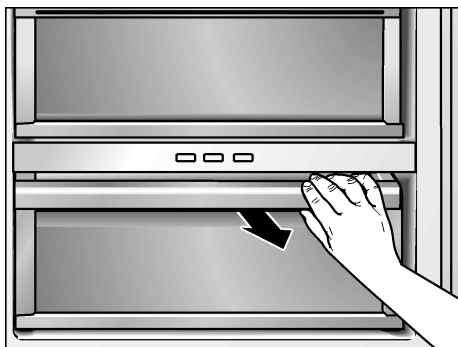
2. Soulevez légèrement l'avant du bac et introduisez-le dans les coulissants.

3. Abaissez le bac et poussez-le en arrière.

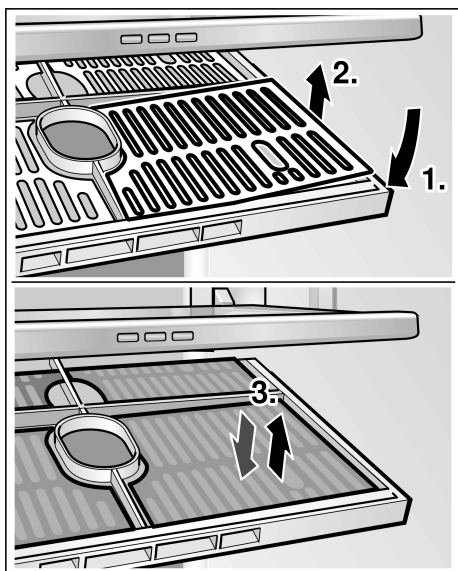


Retirer le filtre à humidité du bac fraîcheur

Retirez d'abord le bac fraîcheur. Retirez ensuite le filtre à humidité.



Soulevez le couvercle du filtre et retirez le filtre.



Arrêt et remisage de l'appareil

Coupure de l'appareil

Appuyez sur la touche **POWER**.
Débranchez la fiche mâle de la prise de courant.

Remisage de l'appareil

Si l'appareil doit rester longtemps sans servir :

1. Sortez tous les produits alimentaires de l'appareil.
2. Éteignez l'appareil.
3. Déconnectez la fiche mâle du réseau ou ramenez le disjoncteur en position éteinte.
4. Nettoyez l'intérieur de l'appareil (voir le chapitre « Nettoyage de l'appareil »).
5. Laissez les portes de l'appareil ouvertes pour empêcher l'apparition d'odeurs.

Dégivrer l'appareil

Le dégivrage a lieu automatiquement.

Nettoyage de l'appareil

- ⚠ **AVERTISSEMENT :**
Ne nettoyez jamais l'intérieur de l'appareil avec un nettoyeur à vapeur !
- ⚠ **ATTENTION :**
 - N'utilisez aucun produit de nettoyage contenant du sable, du chlorure ou de l'acide, ni aucun solvant.
 - N'utilisez jamais d'éponges abrasives ou susceptibles de rayer. Des zones corrodées pourraient apparaître sur les surfaces métalliques.
 - Ne nettoyez jamais les clayettes et les bacs au lave-vaisselle. Ces pièces pourraient se déformer !

Procédure

1. Éteignez l'appareil avant de le nettoyer.
2. Débranchez la fiche mâle du secteur ou ramenez le disjoncteur en position éteinte !
3. Enlevez tous les aliments de l'appareil et placez-les dans un endroit frais.
4. Ne nettoyez l'appareil qu'avec un chiffon doux, de l'eau tiède et du produit à vaisselle présentant un pH neutre. L'eau de nettoyage ne doit pas pénétrer dans l'éclairage.
5. N'essuyez le joint de porte qu'avec un chiffon et de l'eau propre ; ensuite, séchez-le à fond.
6. Après le nettoyage : Rebranchez la fiche mâle de l'appareil puis réenclenchez-le.
7. Remplacez les aliments dans l'appareil.

Équipement

Pour nettoyer, il est possible de retirer toutes les pièces variables de l'appareil (voir le chapitre « Équipement »).

Odeurs

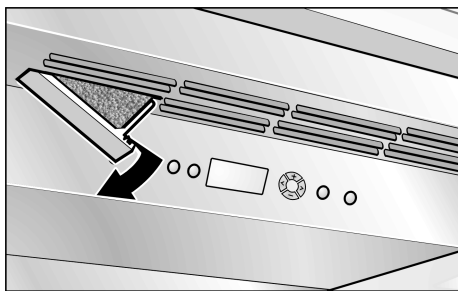
Si des odeurs désagréables se manifestent :

1. Éteignez l'appareil.
2. Sortez tous les produits alimentaires de l'appareil.
3. Nettoyez le compartiment intérieur. Voir le chapitre « Nettoyage de l'appareil ».
4. Nettoyer tous les emballages.
5. Pour empêcher l'apparition d'odeurs, mettez sous emballage hermétique les produits alimentaires qui dégagent une forte odeur.
6. Remettez l'appareil en marche.
7. Rangez les produits alimentaires.
8. Au bout de 24 heures, vérifiez si de nouveau des odeurs sont apparues.
9. Changez le filtre à odeurs. Voir le chapitre « Changer le filtre à odeurs ».

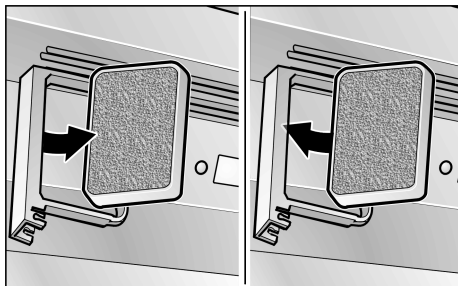
Changer le filtre à odeurs

Des filtres de rechange sont disponibles chez votre revendeur.

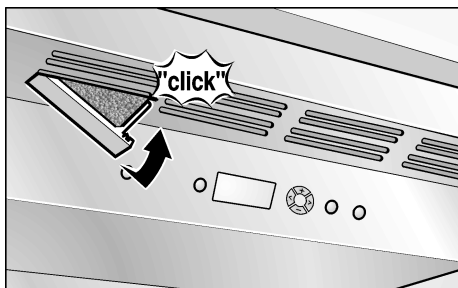
1. Ouvrez le porte-filtre.



2. Extrayez le filtre à odeurs épuisé et mettez un filtre à odeurs neuf en place.



3. Fermez le porte-filtre.



Éclairage (LED)

Votre appareil est équipé d'un éclairage par LED ne demandant pas d'entretien.

Les réparations de cet éclairage sont exclusivement réservées au service après-vente ou à des spécialistes autorisés.

Economies d'énergie

- Placez l'appareil dans un local sec et aérable. Veillez à ce que l'appareil ne soit pas directement exposé aux rayons solaires et qu'il ne se trouve pas à proximité d'une source de chaleur (par ex. radiateur, cuisinière). Utilisez le cas échéant une plaque isolante.
- N'obstruez pas les grilles d'aération de l'appareil.
- Attendez que les plats chauds aient refroidi avant de les ranger dans le compartiment congélateur !
- Rangez les produits surgelés dans le compartiment réfrigérateur pour qu'ils dégèlent. Utilisez l'excédent de froid pour refroidir les aliments.
- N'ouvrez la porte de l'appareil que le plus brièvement possible !

Bruits de fonctionnement

Bruits parfaitement normaux

Bourdonnement sourd

Les moteurs tournent (par ex. groupes frigorifiques, ventilateur).

Clapotis, sifflement léger ou gargouillis

Le fluide frigorigène circule dans les tubulures.

Cliquetis

Le moteur, les interrupteurs ou les électrovannes s'allument / s'éteignent.

Éviter la génération de bruits

L'appareil ne repose pas d'aplomb

Veillez mettre l'appareil d'aplomb à l'aide d'un niveau à bulle. Ajustez ensuite l'horizontalité par les pieds à vis ou placez un objet dessous.

L'appareil touche quelque chose

Eloignez l'appareil de meubles ou appareils voisins.

Les bacs ou surfaces de rangement vacillent ou se coincent

Vérifiez les pièces amovibles puis remettez-les en place correctement.

Des bouteilles ou récipients se touchent

Eloignez légèrement les bouteilles ou récipients les uns des autres.

Avant d'appeler le service après-vente

Avant d'appeler le service après-vente (SAV) :

Vérifiez svp si vous ne pouvez pas remédier vous-même au dérangement à l'aide des instructions qui suivent.

Vous éviterez des dépenses inutiles car le déplacement du technicien du SAV vous sera facturé même pendant la période de garantie.

Appareil

Dérangement	Cause possible	Remède
L'appareil ne refroidit pas.	L'appareil est éteint.	Appuyez sur la touche POWER .
L'éclairage ne fonctionne pas.	Coupure de courant.	Vérifiez la présence de courant.
Affichage éteint.	Le fusible / disjoncteur a été retiré / se trouve en position éteinte.	Vérifiez le fusible / disjoncteur.
	Fiche mâle incorrectement branchée dans la prise de courant.	Vérifiez si la fiche mâle est bien branchée dans la prise de courant.
Le groupe frigorifique s'enclenche de plus en plus souvent et longtemps.	Vous avez ouvert fréquemment l'appareil.	N'ouvrez pas l'appareil inutilement.
	Les orifices d'apport et d'évacuation d'air sont recouverts par des objets faisant obstacle.	Enlevez ces obstacles.
	Vous venez de ranger une assez grande quantité d'aliments frais.	Activez la super-réfrigération (voir la section « Super-réfrigération »).
La température dans le compartiment réfrigérateur est trop basse.	Vous avez réglé la température trop basse.	Haussez la température (voir la section « Réglage de la température »).
L'éclairage (LED) ne fonctionne pas.	L'éclairage par LED est défectueux.	Appelez le service après-vente.
	L'interrupteur de l'éclairage est coincé.	Vérifiez s'il peut s'enfoncer.
Des odeurs désagréables se manifestent.	Des produits alimentaires dégageant de fortes odeurs n'ont pas été mis sous emballage hermétique.	Nettoyez l'appareil. Emballez sous emballages hermétiques les produits alimentaires dégageant de fortes odeurs (voir « Odeurs »).
La zone d'affichage contient un « E.. ».	L'électronique a détecté un défaut.	Appelez le service après-vente.
La zone d'affichage contient un « LOWPOWER ».	La tension du secteur descend actuellement en dessous de la tension limite admissible.	Si la tension du secteur revient sur la valeur prescrite, le message d'avertissement s'éteint. Si ce message d'avertissement persiste, prévenez votre compagnie distributrice d'électricité.
La zone d'affichage contient un « HIGHVOLT ».	La tension du secteur dépasse la tension limite admissible.	Si la tension du secteur revient sur la valeur prescrite, le message d'avertissement s'éteint. Si ce message d'avertissement persiste, prévenez votre compagnie distributrice d'électricité.

Service après-vente

Avant d'appeler le service après-vente, veuillez vous référer au chapitre « Avant d'appeler le service après-vente ».

Après vérification conformément au chapitre « Avant d'appeler le service après-vente », il est possible d'appeler en plus, gratuitement, le Bosch Customer Interaction Center au 1-800-944-2904 depuis tout le territoire des USA.

Au Canada, veuillez vous adresser à votre SAV Bosch ou composer le numéro 1-800-944-2904.

Si vous avez besoin que le SAV vous aide, veuillez avant de l'appeler noter les informations suivantes relatives à votre réfrigérateur congélateur afin de les avoir à portée de main et que le SAV vous aide de manière plus ciblée.

Nom du revendeur :

Adresse :

N° de téléphone :

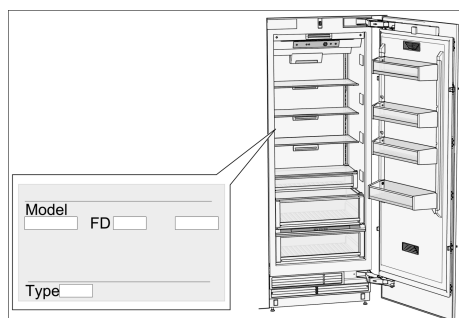
Date d'achat :

Numéro du modèle :

Numéro de fabrication (FD) :

Numéro de série :

Type :



es Índice

Consejos y advertencias de seguridad	32	Función alarma.....	39
Definición	32	Alarma Puerta	39
AVISO: Antes de poner el aparato		Desactivar la alarma	39
en funcionamiento.....	32	Compartimento frigorífico.....	39
Seguridad técnica	32	Puntos a tener en cuenta al comprar alimentos	
Durante el uso.....	32	frescos.....	39
Niños en el hogar.....	33	Puntos a tener en cuenta al colocar	
Observaciones de carácter general	33	los alimentos en el aparato.....	39
Propuesta 65 de Advertencias del Estado de		Superfrío	39
California	33	Conexión	39
Consejos para la eliminación del embalaje y el		Desconexión.....	39
desguace de los aparatos usados.....	33	Cajón fresco.....	39
♻️ Consejos para la eliminación del embalaje		Botones de selección para el cajón fresco	40
de los aparatos.....	33	Alimentos aptos para el cajón fresco	40
♻️ Desguace de los aparatos usados	33	Alimentos no aptos para el cajón fresco.....	40
Instalación del aparato.....	33	Equipamiento.....	40
Transporte.....	33	Retirar los estantes	40
Sitio de emplazamiento.....	33	Recipiente en el compartimento frigorífico	40
Ventilación	33	Cómo retirar el filtro para humedad	
Volumen de suministro	34	del cajón fresco.....	41
Conectar el aparato.....	34	Desconexión y paro del aparato.....	41
Conexión a la red eléctrica	34	Desconectar el aparato.....	41
Familiarizándose con la unidad	35	Paro del aparato.....	41
Elementos de mando	36	Al desescarchar el aparato.....	41
Conectar el aparato.....	37	Limpieza del aparato	41
Advertencias relativas al funcionamiento		Modo de proceder	41
del aparato.....	37	Equipamiento	41
Ajuste del idioma	37	Olores.....	42
Ajustar la magnitud de la temperatura	37	Sustituir el filtro desodorizante.....	42
Ajustar la temperatura.....	37	Iluminación interior (LED).....	42
Compartimento frigorífico	37	Consejos prácticos para ahorrar energía eléctrica... 42	
Funciones especiales.....	37	Ruidos de funcionamiento del aparato.....	42
Modo «Configuración»	37	Ruidos de funcionamiento normales del aparato. 42	
Modo «Vacaciones».....	38	Ruidos que se pueden evitar fácilmente	42
Modo Sabbath	38	Antes de llamar para pedir servicio técnico.....	43
Modalidad de ahorro energético.....	38	Aparato.....	43
		Servicio de Asistencia Técnica.....	44



Consejos y advertencias de seguridad

¡LEA Y GUARDE ESTAS INSTRUCCIONES!

Definición

AVISO:

Esto indica que la muerte o lesiones graves pueden ocurrir como resultado del incumplimiento de esta advertencia.

ATENCIÓN:

Esto indica que en caso de incumplimiento, la consecuencia pueden ser lesiones leves o de mediana gravedad.

AVISO: Antes de poner el aparato en funcionamiento

¡Lea detenidamente las instrucciones de uso y de montaje! Contienen información importante sobre la instalación, el uso y el mantenimiento del aparato. El fabricante no se hace responsable si las instrucciones de uso y advertencias no se observan correctamente. Guarde toda la información para consultas posteriores o para el próximo propietario.

Seguridad técnica

En caso de resultar dañado el cable de conexión del aparato y tener que sustituirlo, estos trabajos sólo podrán ser ejecutados por electricistas, técnicos del Servicio de Asistencia Técnica Oficial de la marca o personas con una cualificación profesional similar. La instalación o reparación efectuadas de modo erróneo o incorrecto pueden implicar serios peligros para el usuario.

Las reparaciones que fuera necesario efectuar sólo podrán ser ejecutadas por electricistas, técnicos del Servicio de Asistencia Técnica Oficial de la marca o personas con una cualificación profesional similar. Sólo podrán utilizarse piezas originales del fabricante. Sólo en el caso de utilizar piezas originales del fabricante, éste garantiza que cumplan las exigencias de seguridad planteadas.

No utilice nunca tomas de corriente múltiples ni cables de prolongación o adaptadores.

El aparato viene con un cable de alimentación de 3 hilos según la certificación UL (Underwriters Laboratories, dispositivos de conexión certificados según la norma norteamericana y canadiense).

Bajo ninguna circunstancia se debe cortar o quitar el tercero (es decir, la tierra) del cable de conexión. El aparato requiere de una tomacorriente de 3 polos. La tomacorriente solo debe ser conectada por un electricista calificado.

Si se dispone de una tomacorriente de pared estándar de 2 polos, es responsabilidad personal del cliente reemplazarla por una tomacorriente de pared de 3 polos con tomacorriente de acuerdo a las indicaciones. No utilizar adaptadores para la clavija.

Durante el uso

- No usar aparatos eléctricos en el interior de la unidad (por ejemplo calefacciones, heladoras, etc.). ¡Peligro de explosión!
- ¡No utilizar ningún tipo de limpiadora de vapor para desescarchar o limpiar la unidad! El vapor puede acceder a piezas eléctricas, provocando un cortocircuito. ¡Peligro de descargas eléctricas!
- ¡No rasar el hielo o la escarcha con ayuda de objetos metálicos puntiagudos o cortantes! Los conductos del agente refrigerante del compartimento de congelación podrían resultar dañados. El agente refrigerante puede salpicar, encendiéndose o causando lesiones en los ojos.
- No guardar productos combinados con agentes o gases propelentes (por ejemplo sprays) ni materias explosivas en el aparato. ¡Peligro de explosión!
- No usar los zócalos, piezas extensibles, puertas, etc. para pararse encima o como apoyo.
- Antes de desescarchar o limpiar el aparato, extraer el enchufe de conexión de la toma de corriente de la red o desconectar el fusible. Tirar del enchufe, no del cable de conexión.
- Almacenar el alcohol de alta graduación solamente en recipientes herméticos y parado.
- No ensuciar las partes de material plástico y las juntas de las puertas con aceites o grasas. En caso contrario, las piezas de material plástico y las juntas se vuelven porosas.
- No obstruir ni cubrir nunca las rejillas de ventilación y aireación del aparato.
- Evitar riesgos para niños y personas de riesgo: Existen peligros para niños, personas que presenten deficiencias corporales, psíquicas o bien que presenten deficiencias en su capacidad de percepción o bien personas que no dispongan del conocimientos suficiente respecto del manejo seguro del equipo. Asegurarse que los niños y las personas de riesgo hayan comprendido los peligros existentes. Una persona responsable de la seguridad debe supervisar y guiar a los niños y a personas de riesgo durante el uso del equipo. El equipo no debe ser utilizado por niños menores que 8 años. Supervisar los niños durante las tareas de limpieza y mantenimiento. Nunca dejar que los niños jueguen con el equipo.

Niños en el hogar

- No dejar el embalaje o sus partes a los niños. ¡Existe peligro de asfixia a causa de los cartones y las láminas de plástico!
- ¡El aparato no es un juguete para niños!
- En aparatos con cierre de puerta: ¡Guarde la llave fuera del alcance de los niños!

Observaciones de carácter general

El aparato ha sido diseñado para refrigerar alimentos.

El presente aparato ha sido diseñado para el uso doméstico en el hogar particular o en su entorno.

La estanqueidad del circuito de refrigeración viene verificada de fábrica.

Este aparato está previsto para ser utilizado a una altura máxima de 2,000 metros sobre el nivel del mar.

Propuesta 65 de Advertencias del Estado de California

AVISO:

Este producto contiene sustancias químicas que en el Estado de California, se conocen como causantes de cáncer, defectos de nacimiento u otro daño reproductivo.

Consejos para la eliminación del embalaje y el desguace de los aparatos usados

Consejos para la eliminación del embalaje de los aparatos

El embalaje protege su aparato contra posibles daños durante el transporte. Todos los materiales de embalaje utilizados son respetuosos con el medio ambiente y pueden ser reciclados o reutilizados. Contribuya activamente a la protección del medio ambiente insistiendo en unos métodos de eliminación y recuperación de los materiales de embalaje respetuosos con el medio ambiente.

Su Distribuidor o Administración local le informará gustosamente sobre las vías y posibilidades más eficaces y actuales para la eliminación respetuosa con el medio ambiente de estos materiales.

Desguace de los aparatos usados

Los aparatos usados incorporan materiales valiosos que se pueden recuperar. Reciclando pueden recuperarse materias primas valiosas.

AVISO:

1. Extraer el enchufe de conexión del aparato de la toma de corriente de la red eléctrica.
2. Corte el cable de conexión del aparato y retírelo conjuntamente con el enchufe.
3. No retirar los soportes y baldas del aparato a fin de no facilitar a los niños el acceso al interior de éste.

4. No permita que los niños jueguen con los aparatos inservibles. **¡Puede causar asfixia!**

Todos los aparatos frigoríficos contienen gases aislantes y refrigerantes, que exigen un tratamiento y eliminación específicos. Preste atención a que las tuberías del circuito de frío de su aparato no sufran daños ni desperfectos antes de haberlo entregado en el correspondiente Centro Oficial de recogida.

Instalación del aparato

Encargar la instalación y conexión del aparato a la red eléctrica a un técnico especialista, de conformidad a las presentes instrucciones de montaje.

AVISO:

No instale el electrodoméstico:

- En exteriores.
- En un ambiente sujeto a goteo de agua.
- En habitaciones con riesgo de escarcha.

Transporte

Los aparatos son pesados y tienen que asegurarse durante el transporte y montaje.

A causa del elevado peso y las dimensiones del aparato y con objeto de evitar o reducir a un mínimo los riesgos de daños o lesiones personales o desperfectos en el aparato, se requieren como mínimo dos personas para garantizar una instalación segura del mismo.

Sitio de emplazamiento

El Sitio más adecuado para el emplazamiento del aparato es una habitación seca, dotada de una buena ventilación. El aparato no debe instalarse de forma que reciba directamente los rayos del sol, ni tampoco encontrarse próximo a focos activos de calor tales como cocinas, calefacciones, etc. No obstante, si esto último fuera inevitable, se habrá de proteger la unidad con un panel aislante adecuado, o bien observar las siguientes distancias mínimas de separación con respecto a la fuente de calor en cuestión:

- Cocinas eléctricas y de gas, 1,2" (3 cm).
- Cocinas de gas-oil o de carbón, 12" (30 cm).

El suelo en el Sitio de emplazamiento del aparato deberá poseer una suficiente capacidad de sustentación. En caso necesario deberá reforzarse adecuadamente. Para asegurar el funcionamiento correcto del dispensador de hielo, el aparato tiene que encontrarse en posición vertical.

Ventilación

La ventilación y aireación del compresor sólo tiene lugar a través de la rejilla de ventilación del zócalo. No cubrir la rejilla de ventilación ni colocar objetos delante de la misma. De lo contrario, el aparato tendrá que aumentar su rendimiento, provocando un consumo de energía eléctrica elevado e inútil.

Volumen de suministro

Verifique que las piezas no presentan daños ni desperfectos debidos al transporte tras desembalarlas. En caso de constatar daños o desperfectos deberá dirigirse al distribuidor en donde adquirió su electrodoméstico o al Servicio de Asistencia Técnica Oficial de la marca.

El envío consta de los siguientes elementos:

- Aparato integrable
- Equipamiento (según modelo)
- Instrucciones de uso
- Instrucciones de montaje
- Cuaderno de mantenimiento
- Suplemento de la garantía
- Informaciones sobre el consumo de energía y los ruidos del aparato
- Bolsa con material de montaje.

Conectar el aparato

Encarga la instalación y conexión del aparato a un especialista del ramo, de conformidad a las presentes instrucciones de montaje.

Retirar los seguros de transporte de las bandejas y baldas de vidrio (tapones de plástico) sólo una vez que se ha instalado el aparato en su emplazamiento definitivo.

Observar estrictamente las normas nacionales vigentes del sector, así como las normas y disposiciones de las empresas locales de abastecimiento de electricidad.

Tras colocar el aparato en su emplazamiento definitivo deberá dejarse reposar éste durante aprox. una hora antes de ponerlo en funcionamiento. Durante el transporte del aparato puede ocurrir que el aceite contenido en el compresor penetre en el circuito del frío.

Limpiar el interior del aparato antes de su puesta en funcionamiento inicial (véase el capítulo «Limpieza el aparato»).

Conexión a la red eléctrica

 **AVISO:**
PELIGRO DE DESCARGA ELÉCTRICA:

Conecte el aparato sólo a una toma de corriente tripolar con toma de tierra. No quitar nunca la fase de toma de tierra. No utilizar adaptadores. No utilizar cables de prolongación.

 **AVISO:**
PELIGRO DE DESCARGA ELÉCTRICA:

La conexión incorrecta del aparato puede ser causa de muerte, incendios o descargas eléctricas. En caso de una conexión incorrecta del conductor de protección pueden producirse descargas eléctricas. Si tiene dudas respecto a que la conexión a tierra del aparato sea la correcta, deje que un electricista calificado o un técnico de servicio revise el aparato.

 **AVISO:**
PELIGRO DE DESCARGA ELÉCTRICA:

Si la longitud del cable de conexión a la red eléctrica no es suficiente, no utilice nunca tomas de corriente múltiples o cables de prolongación. En su lugar, póngase en contacto con el servicio al cliente para examinar alternativas.

Para conectar este aparato se requiere de una toma de corriente instalada de forma permanente.


La toma de corriente deberá encontrarse cerca del aparato y también estar fácilmente accesible después de la instalación del mismo.

El aparato corresponde al tipo de protección I. Conecte el aparato a una toma de corriente instalada conforme a las prescripciones. Conforme a las prescripciones significa: con un conductor de protección, 110 V – 120 V/60 Hz de corriente alterna. La toma de corriente debe estar protegida con un fusible de 10 – 16 A.

El aparato se entrega con un cable de conexión a la red eléctrica de 3 hilos según la certificación UL. El aparato requiere de una toma de corriente de 3 polos. En este contexto, por favor tenga en cuenta la siguiente tabla:

Aparato	Carga máxima simultánea
Frigorífico 30"	2,0 amperios

Compruebe en la placa de características, si coinciden la tensión indicada y el tipo de corriente con los valores de su red eléctrica. La posición de la placa de características la encuentra en el capítulo Servicio al cliente.

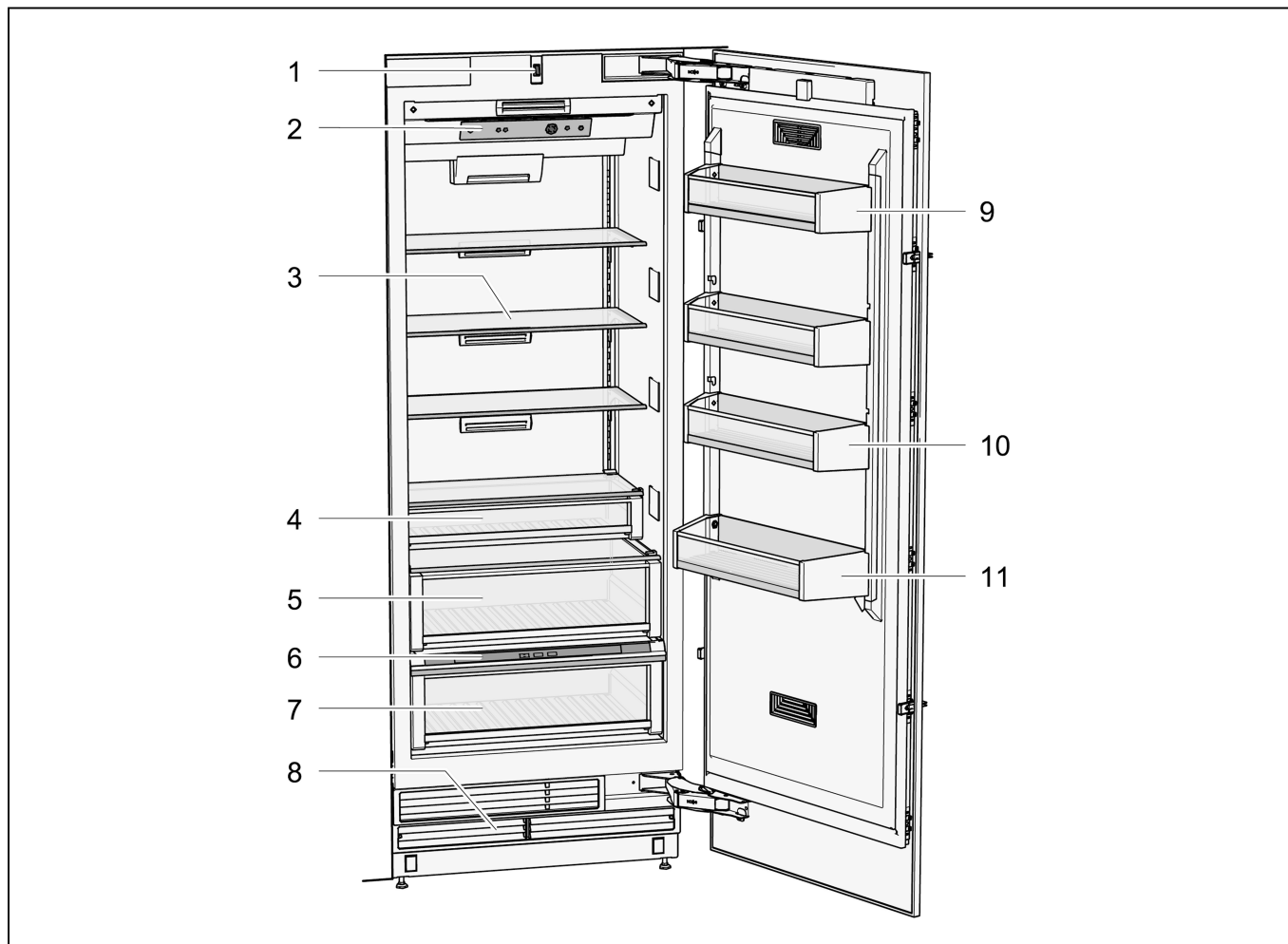
 **AVISO:**
El aparato no se podrá conectar en ningún caso a conectores electrónicos para ahorro energético.

Nuestros aparatos se pueden conectar a rectificadores de corriente por onda sinusoidal o conmutados por red. Los rectificadores conmutados por red se emplean en las instalaciones fotovoltaicas conectadas directamente a la red pública de abastecimiento de corriente eléctrica. Para aplicaciones aisladas, como por ejemplo en buques o albergues de montaña que no disponen de conexión a la red eléctrica, tienen que emplearse rectificadores de onda sinusoidal.

Familiarizándose con la unidad

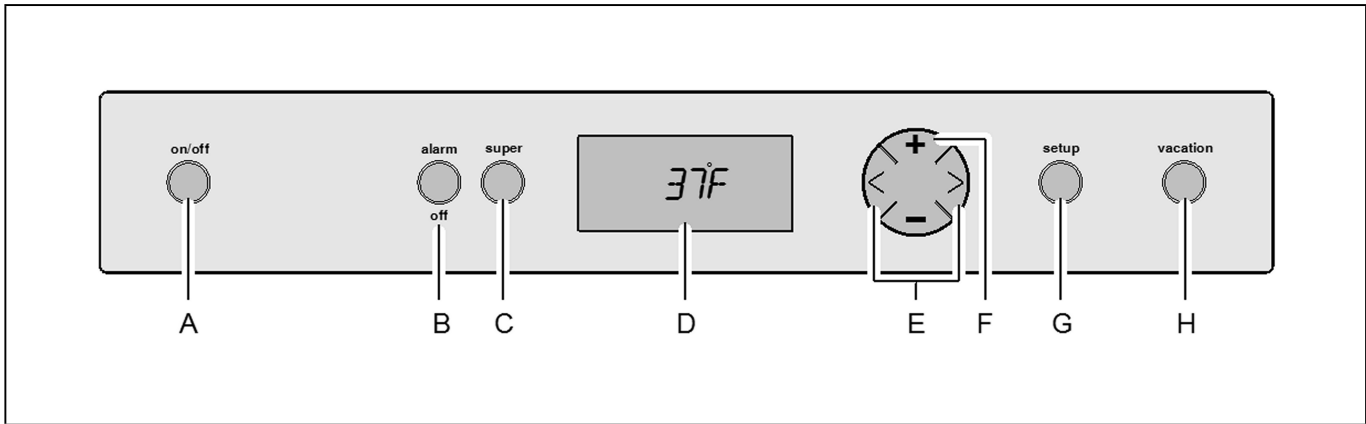
Las presentes instrucciones de uso son válidas para varios modelos de aparato.

Por ello es posible que las ilustraciones muestren detalles y características de equipamiento que no concuerdan con las de su aparato concreto.



- 1** Interruptor de la iluminación interior
- 2** Elementos de mando
- 3** Estantes de vidrio
- 4** Recipiente para refrigerios
- 5** Cajón para fruta y verdura
- 6** Botones de selección del cajón fresco
- 7** Cajón fresco
- 8** Ventilación
- 9** Compartimento para guardar la mantequilla y el queso
- 10** Estante de la puerta
- 11** Botellero para guardar botellas grandes

Elementos de mando



A Tecla POWER

Para la conexión y desconexión del aparato completo.

B Tecla ALARM

Desactiva la alarma acústica. Véase el capítulo «Función alarma».

C Tecla SUPER

Conecta y desconecta la función de superfrío. Véase el capítulo «Superfrío».

D Pantalla de visualización

La temperatura del compartimiento frigorífico se muestra en el panel de la pantalla. Las funciones especiales activadas se muestran mediante «Símbolos».

Mediante el modo «Configuración» se muestran en pantalla, los menús y las opciones de ajuste disponibles. Véase el capítulo «Funciones especiales».

E Teclas selectoras < / >

El ajuste de la temperatura se activa mediante las teclas, véase el capítulo «Ajustar la temperatura».

Para seleccionar un menú en el modo «Configuración», véase el capítulo «Funciones especiales», sección «Modo Configuración».

F Teclas de ajuste + / -

La temperatura se puede modificar mediante las teclas de ajuste. Véase al respecto el capítulo «Ajustar la temperatura».

En el modo «Configuración» se pueden efectuar los siguientes ajustes, véase el capítulo «Funciones especiales».

G Tecla SETUP

Esta tecla activa y pone fin al modo «Configuración». Poniendo fin al modo «Configuración» con la tecla SETUP se memorizan las modificaciones efectuadas.

H Tecla VACATION

Activa y desactiva el modo Vacaciones. Véase el capítulo «Funciones especiales», sección «Modo Vacaciones».

Nota:

Cada pulsación de la tecla es confirmada mediante un sonido acústico en caso de estar activada dicha opción (ON) en el menú «SONIDO» del modo «Configuración».

Símbolos en la pantalla de visualización

- | | |
|-------------------------|--|
| SUPER ❄️ | La función Superfrío está activada, véase el capítulo «Superfrío». |
| VACATION | El modo «Vacaciones» está activado, véase el capítulo «Funciones especiales». |
| ON
OFF | Opciones de ajuste del modo «Configuración», véase el capítulo «Funciones especiales». |
| ALARM | Se muestra un aviso, véase el capítulo «Función alarma». |

Conectar el aparato

Conectar el aparato a través de la tecla **POWER**. El aparato comienza a refrigerar. La iluminación interior está conectada con la puerta abierta.

⚠ **ATENCIÓN:**

Mantener alejadas las manos y los dedos de las aberturas puerta anteriores y posteriores de la unidad congeladora o bien de la gaveta congeladora. **¡Peligro de lesiones para las manos o los dedos!**

Nunca permitir que los niños se suban a la puerta de la unidad congeladora o que jueguen con ella.

Advertencias relativas al funcionamiento del aparato

- Tras conectar el aparato pueden pasar varias horas hasta que se alcance la temperatura ajustada.

Ajuste del idioma

El idioma de diálogo se puede seleccionar en función de la tabla de selección que se muestra en el capítulo «Funciones especiales», sección «Modo Configuración».

Para modificar el idioma de diálogo con la pantalla:

1. Pulsar la tecla **SETUP**.
2. Pulsar las teclas selectoras **<** o **>**, hasta que aparezca el idioma programado.
3. Pulsar las teclas de ajuste **+** o **-** hasta que aparezca en la pantalla de visualización el idioma deseado.
4. Pulsar la tecla **SETUP** para memorizar los ajustes. En la pantalla de visualización se vuelve a mostrar la temperatura ajustada.

Ajustar la magnitud de la temperatura

La temperatura se puede mostrar en pantalla en grados Fahrenheit (°F) o grados centígrados (°C).

1. Pulsar la tecla **SETUP**.
Se muestra el primer menú (Magnitud de la temperatura).
2. Pulsar las teclas de ajuste **+** o **-** para conmutar entre grados Fahrenheit (°F) y grados centígrados (°C).
3. Pulsar la tecla **SETUP** para memorizar los ajustes. En la pantalla de visualización se vuelve a mostrar la temperatura ajustada.

Ajustar la temperatura

Compartimento frigorífico

(ajustable de +35 °F (2 °C) to +46 °F (8 °C))

Se aconseja ajustar una temperatura de +37 °F (3 °C). Los alimentos delicados no deberán guardarse a una temperatura superior (más calor) a +37 °F (3 °C).

1. Pulsar la tecla selectora **<**.
2. Ajustar la temperatura deseada con ayuda de las teclas **+** (más calor) o **-** (más frío).

Funciones especiales

Los siguientes funciones especiales se pueden seleccionar o mostrar:

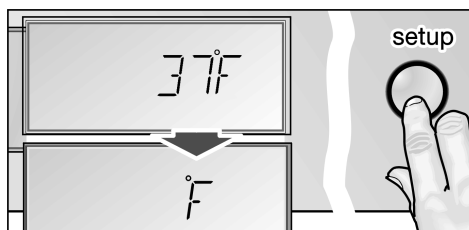
Modo «Configuración»

En el modo «Configuración» puede Vd. realizar sus ajustes individuales.

Activar la función

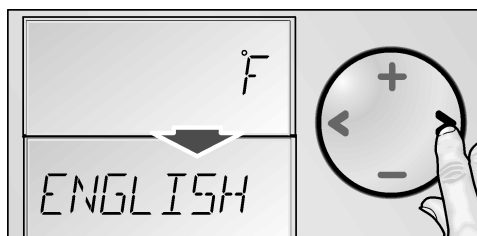
Pulsar la tecla **SETUP**.

En la pantalla de visualización se muestra el primer menú (magnitud de la temperatura).

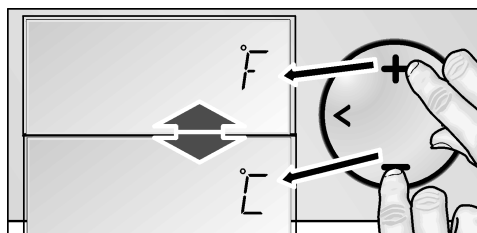


Efectuar los ajustes deseados

1. Activar el Modo «Configuración».
2. Pulsar la tecla selectora **<** o **>**.
En la pantalla de visualización se muestra el siguiente menú y su ajuste actual (casi siempre **ON** o **OFF**).



3. Pulsar la tecla de ajuste **+** o **-**.



4. Presione el botón de selección **<** o **>** para guardar y pasar al siguiente menú.

Desconexión y paro de la unidad

Pulsar la tecla **SETUP**.

El sistema memoriza todas las modificaciones efectuadas.

Nota:

En caso de no pulsar una tecla en el plazo de 20 segundos, el modo «Configuración» concluye automáticamente. El sistema memoriza todas las modificaciones efectuadas. En la pantalla de visualización se vuelve a mostrar la temperatura ajustada.

Menús del modo «Configuración»

En el menú «Configuración» se pueden efectuar los siguientes ajustes.

Menú	Posible posición
Magnitud de la temperatura	°C (grados centígrados) °F (grados Fahrenheit)
Idioma	Inglés Francés Español
Sonido acústico	Activado Desactivado
Modalidad de ahorro energético (Función Eco)	Activado Desactivado

Modo «Vacaciones»

Para los largos períodos de ausencia se puede conmutar el aparato al modo de ahorro energético «Vacaciones».

Al activar el modo «Vacaciones» se realizan los siguientes ajustes:

- El aparato trabaja en el modo de ahorro energético.
- La iluminación interior está desactivada.
- Se pone fin a la función «Superfrío» (en caso de estar activada).

Conexión

Pulsar la tecla **VACATION**.

Se muestra el símbolo «VACATION» en el panel de la pantalla.

Desconexión

Pulsar la tecla **VACATION**.

Los ajustes y las temperaturas programados con anterioridad vuelven a activarse.

Modo Sabbath

Al activar el modo Sabbath se desconectan las siguientes funciones:

- Señal acústica
- Iluminación interior
- Indicaciones en la pantalla de visualización
- Se reduce la intensidad de la iluminación de fondo de la pantalla de visualización
- Las teclas están bloqueadas.

Conexión

1. Pulsar la tecla **SUPER** y mantenerla pulsada.
2. Pulsar la tecla **VACATION**.
3. Mantener pulsada la tecla **SUPER** durante otros tres segundos.

En la pantalla de visualización parpadea el símbolo «VACATION» y se muestra «SABBATH MODE».

Desconexión

Pulsar la tecla **VACATION**.

Los ajustes y las temperaturas programados con anterioridad vuelven a activarse.

Modalidad de ahorro energético

En caso de estar activada a función de ahorro energético (función Eco), el aparato conmuta automáticamente al modo de funcionamiento de ahorro energético. Esta función de ahorro energético viene ajustada de fábrica a fin de reducir el consumo de energía eléctrica. La intensidad de la iluminación de fondo del aparato también se reduce.

Conexión

1. Pulsar la tecla **SUPER**.
2. Pulsar la tecla selectora **>** hasta que aparezcan en pantalla el modo «ECO MODE» y el ajuste actual (**OFF**).
3. Pulsar las teclas de ajuste **+** para modificar los ajustes.
4. Pulsar la tecla **SUPER** para memorizar los ajustes. En la pantalla de visualización aparece la leyenda «ECO».

Desconexión

1. Pulsar la tecla **SETUP**.
2. Pulsar la tecla selectora **>** hasta que aparezcan en pantalla el modo «ECO MODE» y el ajuste actual (**ON**).
3. Pulsar las teclas de ajuste **-** para modificar los ajustes.
4. Pulsar la tecla **SETUP** para memorizar los ajustes.

Función alarma

Alarma Puerta

La alarma puerta se activa cuando una puerta del aparato permanece abierta durante más de tres minutos. La alarma acústica se desactiva cerrando la puerta.

Desactivar la alarma

Pulsar la tecla **ALARM** para desactivar la alarma acústica.

Compartimento frigorífico

⚠ AVISO:

No almacenar sustancia explosivas en este equipo. **¡Existe peligro de explosión!**

El compartimento frigorífico es el lugar ideal para guardar platos cocinados, pan y bollería, conservas, leche condensada, queso duro, fruta sensible al frío, verdura y cítricos.

Puntos a tener en cuenta al comprar alimentos frescos

Que un alimento esté más o menos fresco en el momento de comprarlo es fundamental para su conservación.

Téngase presente: Cuanto más frescos sean los alimentos al introducirlos en el compartimento fresco, más tiempo se pueden guardar y conservar en el mismo.

Por lo tanto le aconsejamos preste suma atención a comprar siempre alimentos los más frescos posible.

En el caso de los platos preparados o alimentos envasados, deberá tenerse en cuenta la fecha de caducidad del producto indicada por el fabricante.

Puntos a tener en cuenta al colocar los alimentos en el aparato

- Colocar los alimentos empaquetados o bien cubiertos en la unidad. De este modo se evita que los alimentos se deshidraten, descoloren o pierdan su valor nutritivo y aroma. Además se evita la mezcla de olores y sabores, así como la descoloración de las piezas de plástico.
- Dejar enfriar los alimentos o bebidas calientes hasta una temperatura ambiente antes de introducirlos en el aparato.
- No obstruir ni bloquear con alimentos las aberturas de salida del aire a fin de permitir la libre circulación del mismo.

Los alimentos colocados en las inmediaciones de las aberturas de salida del aire pueden resultar congelados como consecuencia del aire frío que sale por éstas.

- No permitir que las grasas y aceites entren en contacto con los elementos de plástico del interior del frigorífico o la junta de la puerta.

Superfrío

Mediante esta función se enfría el compartimento frigorífico durante aprox. 6 horas hasta alcanzar la temperatura más baja posible, conmutando a continuación a la temperatura ajustada con anterioridad a la activación de la opción.

La función de superfrío se selecciona en caso de:

- antes de introducir grandes cantidades de alimentos,
- desear enfriar rápidamente bebidas.

Conexión

Pulsar la tecla **SUPER**.

En la pantalla de visualización se muestra el símbolo «SUPER❄».



Desconexión

Pulsar la tecla **SUPER**.

Cajón fresco

En el cajón para conservación fresca reina una temperatura de aprox. 32 °F (0 °C). El cajón fresco está cubierto por un filtro especial que programa el clima húmedo ideal.

La baja temperatura y la humedad óptima proporcionan las condiciones ideales de almacenamiento para alimentos frescos.

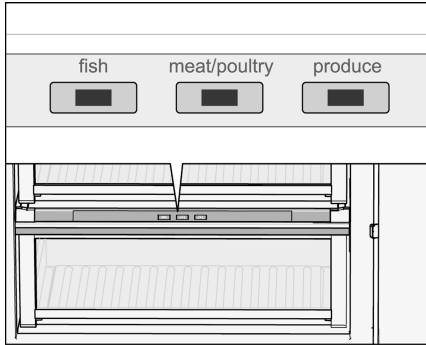
Los alimentos pueden mantenerse frescos hasta tres veces más tiempo que en la zona de refrigeración normal, para obtener una frescura, una retención de nutrientes y un sabor por aún más tiempo.

Botones de selección para el cajón fresco

Presione el botón adecuado que corresponda al alimento almacenado:

- **fish** (pescado)
Para el almacenamiento de pescado y mariscos.
- **meat/poultry** (carne/aves)
Para el almacenamiento de productos derivados de la carne, aves, salchichas y comidas preparadas.
- **produce** (verduras)
Para el almacenamiento de frutas, verduras, hongos y hierbas.

La selección se muestra mediante la iluminación del botón correspondiente.



Alimentos aptos para el cajón fresco

En principio, todos los alimentos que son frescos y deben permanecer frescos por aún más tiempo, como por ejemplo: pescado, mariscos, carne y salchichas, productos lácteos y comidas elaboradas.

Alimentos no aptos para el cajón fresco

Frutas y verduras sensibles al frío (p. ej.: frutas tropicales como ananás, bananas, papaya, frutas cítricas, melones, como también tomates, berenjenas, zucchini, capsicum, pepinos y papas).

El lugar de almacenamiento ideal para estos alimentos es el compartimento frigorífico.

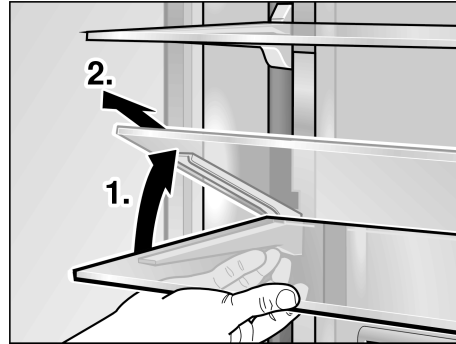
Equipamiento

Retirar los estantes

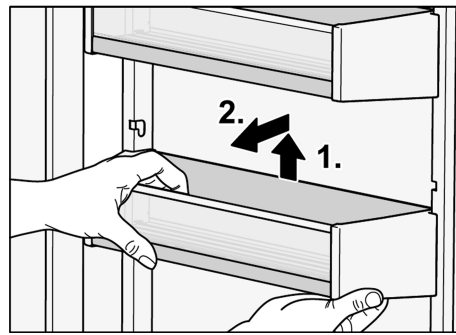
La posición de los estantes del interior del aparato y los estantes de la puerta se puede variar individualmente.

Alzar los estantes por su parte delantera y retirarla del aparato.

Estantes del interior del aparato

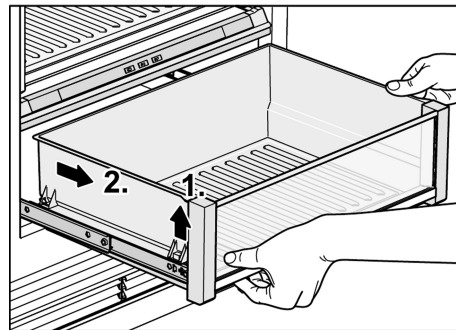


Estantes de la puerta

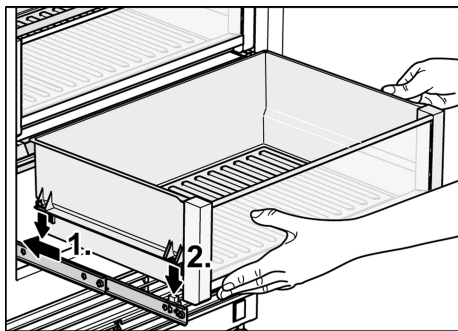


Recipiente en el compartimento frigorífico

1. Levantar levemente el recipiente y extraerlo.

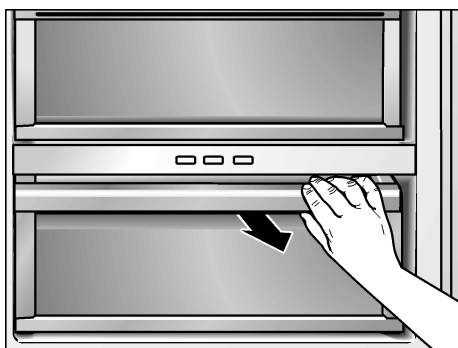


2. Levantar levemente la parte anterior del recipiente y colocar las extensiones.
3. Hacer descender el recipiente y desplazarlo hacia atrás.

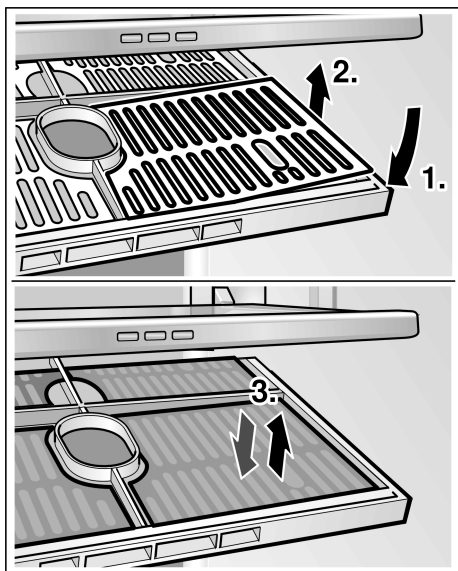


Cómo retirar el filtro para humedad del cajón fresco

Primero, retire el cajón fresco. Luego, jale el filtro para humedad.



Levante la cubierta del filtro y retire el filtro.



Desconexión y paro del aparato

Desconectar el aparato

1. Accionar la tecla **POWER**.
2. Extraer el cable de conexión de la red eléctrica.

Paro del aparato

En caso de largos períodos de inactividad de la unidad:

1. Retirar todos los alimentos del aparato.
2. Desconectar el aparato.
3. Extraer el enchufe del aparato de la toma de corriente o desactivar el fusible.
4. Limpiar el interior del aparato (véase el capítulo «Limpieza del aparato»).
5. Dejar las puertas del aparato abiertas para evitar la formación de olores.

Al desescarchar el aparato

El desescarchado del aparato se efectúa automáticamente.

Limpieza del aparato



AVISO:

¡No utilizar ningún tipo de limpiadora de vapor!



ATENCIÓN:

- No utilizar detergentes que contengan arena, cloro o ácidos. ¡No emplear tampoco disolventes!
- No emplear esponjas abrasivas. En las superficies metálicas podría producirse corrosión.
- No lavar nunca las bandejas, compartimentos o estantes del aparato en el lavavajillas. ¡Las piezas pueden deformarse!

Modo de proceder

1. Desconectar el aparato antes de proceder a su limpieza.
2. ¡Extraer para ello el enchufe del aparato de la red de corriente, o desactivar el fusible!
3. Retire todos los alimentos y almacénelos en un lugar frío.
4. Limpiar el aparato con un paño suave, agua templada y un poco de lavavajillas manual con pH neutro. Téngase presente que el agua empleada en la limpieza del aparato no debe entrar en contacto con la iluminación.
5. Limpiar la junta de la puerta sólo con agua clara, secándola bien a continuación.
6. Tras concluir la limpieza del aparato: Conectarlo a la red y ponerlo en funcionamiento.
7. Coloque los alimentos nuevamente en el aparato.

Equipamiento

Los elementos variables del aparato se pueden extraer para su limpieza (véase el capítulo «Equipamiento»).

Olores

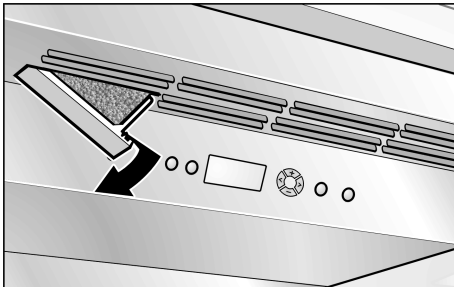
En caso de comprobar olores desagradables:

1. Desconectar el aparato.
2. Retirar todos los alimentos del aparato.
3. Limpiar el interior del aparato. Véase el capítulo «Limpieza del aparato».
4. Limpiar los envases de todos los alimentos empaquetados o envasados almacenados en el aparato.
5. Envasar herméticamente los alimentos que desarrollen un fuerte olor, a fin de evitar la formación de olores en el aparato.
6. Volver a conectar el aparato.
7. Colocar y ordenar los alimentos.
8. Verificar al cabo de 24 horas si ha vuelto a producir olor en el aparato.
9. Sustituir el filtro desodorizante. Véase el capítulo «Sustituir el filtro desodorizante».

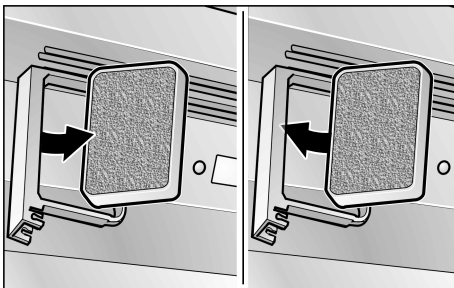
Sustituir el filtro desodorizante

Los filtros de repuesto los puede adquirir en el distribuidor en donde compró el aparato.

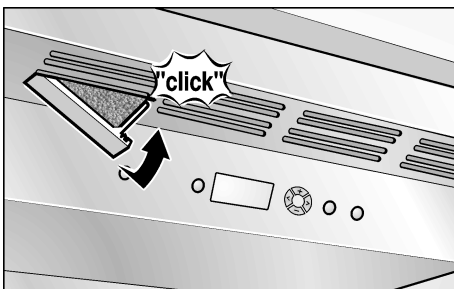
1. Abrir el soporte del filtro.



2. Retirar el filtro desodorizante agotado y sustituirlo por uno nuevo.



3. Cerrar el soporte del filtro.



Iluminación interior (LED)

Su aparato está equipado con una iluminación por diodos luminosos exenta de mantenimiento.

Las reparaciones de este tipo de iluminación sólo podrán ser realizadas por personal técnico del Servicio de Asistencia Técnica Oficial de la marca o autorizado oficialmente por el fabricante.

Consejos prácticos para ahorrar energía eléctrica

- ¡Emplazar el aparato en una habitación seca y fresca, dotada de una buena ventilación! Recuerde además que el aparato no debe instalarse de forma que reciba directamente los rayos del sol, ni encontrarse tampoco próximo a focos activos de calor tales como cocinas, calefacciones, etc. No obstante, si esto último fuera inevitable, se habrá de proteger la unidad con un panel aislante adecuado.
- Prestar atención a que las aberturas de ventilación y aireación no estén nunca obstruidas.
- ¡Dejar enfriar los alimentos o bebidas calientes hasta temperaturas ambientes antes de introducirlos en el aparato!
- Descongelar los productos congelados en el interior del frigorífico. De esta manera se puede aprovechar el frío desprendido por los mismos para la refrigeración de los restantes alimentos guardados.
- ¡Mantenga abiertas las puertas del aparato el menos tiempo posible!

Ruidos de funcionamiento del aparato

Ruidos de funcionamiento normales del aparato

Ruidos en forma de murmullos sordos

Los motores están trabajando (compresores, ventilador).

Ruidos en forma de gorgoteo

Se producen al penetrar el líquido refrigerante en los tubos delgados.

Ruidos en forma de clic

El motor, los interruptores o las electroválvulas se conectan/desconectan.

Ruidos que se pueden evitar fácilmente

El aparato está colocado en posición desnivelada

Nivelar el aparato con ayuda de un nivel de burbuja. Calzarlo en caso necesario.

El aparato entra en contacto con muebles u otros objetos

Retirar el aparato de los muebles u otros aparatos con los que esté en contacto.

Los cajones o baldas oscilan o están agarrotados

Verificar los elementos desmontables y, en caso necesario, colocarlos correctamente.

Las botellas o recipientes entran en contacto mutuo

Separar algo las botellas y los recipientes.

Antes de llamar para pedir servicio técnico

Antes de avisar al Servicio de Asistencia Técnica:

Compruebe si la avería o fallo que usted ha constatado se encuentra recogida en los siguientes consejos y advertencias.

Tenga presente que los gastos del técnico no quedan cubiertos por las prestaciones del servicio de garantía.

Aparato

Avería	Posible causa	Forma de subsanarla
El aparato no enfría.	El aparato está desconectado.	Pulsar la tecla POWER .
La iluminación no funciona.	Un corte del suministro de corriente.	Verificar si hay corriente.
La pantalla de visualización no se ilumina.	El fusible está desactivado.	Verificar el fusible.
	El enchufe del aparato no está correctamente asentado en la toma de corriente.	Cerciorarse de que el enchufe esté asentado correctamente en la toma de corriente.
La frecuencia y duración de la conexión del compresor aumenta.	La puerta del aparato se ha abierto con demasiada frecuencia.	No abrir la puerta del aparato innecesariamente.
	Las aberturas de ventilación y aireación están obstruidas.	Eliminar la causa de la obstrucción.
	Al introducir grandes cantidades de alimentos frescos en el compartimento de congelación.	Conexión de la función de superfrío (véanse capítulo «Superfrío»).
La temperatura del compartimento frigorífico o compartimento de congelación es demasiado baja (frío).	El selector de temperatura está ajustado a un valor demasiado alto (demasiado frío).	Colocar el selector de la temperatura en un valor inferior (véanse capítulo «Ajustar la temperatura»).
La iluminación (LED) no funciona.	La iluminación de diodos luminosos está defectuosa.	Avisar al Servicio de Asistencia Técnica Oficial.
	El interruptor de la luz está agarrotado.	Verificar la movilidad del interruptor.
Se han constatado olores desagradables.	Los alimentos que desprenden un fuerte olor no se envasaron herméticamente.	Limpiar el aparato. Envasar herméticamente los alimentos que desarrollen un fuerte olor (véase el capítulo «Olores»).
En la pantalla de visualización aparece la indicación «E..».	El sistema electrónico ha detectado una avería.	Avisar al Servicio de Asistencia Técnica Oficial.
En la pantalla de visualización aparece la indicación «LOWPOWER».	La tensión de red es inferior al valor límite admisible.	Tan pronto como la tensión de red vuelve a alcanzar su valor prescrito, se apaga la indicación de avería. En caso de permanecer la indicación activada durante un tiempo prolongado, deberá avisarse a la empresa de abastecimiento de energía.
En la pantalla de visualización aparece la indicación «HIGHVOLT».	El voltaje de la línea excede el valor límite permitido.	Tan pronto como la tensión de red vuelve a alcanzar su valor prescrito, se apaga la indicación de avería. En caso de permanecer la indicación activada durante un tiempo prolongado, deberá avisarse a la empresa de abastecimiento de energía.

Servicio de Asistencia Técnica

Antes de llamar el servicio a clientes, rogamos consultar el apartado «Antes de llamar para pedir servicio técnico».

Después de la consulta correspondiente en el apartado «Antes de llamar para pedir servicio técnico», puede solicitarse ayuda adicional mediante un llamado a Bosch en el Bosch Customer Interaction Center, 1-800-944-2904 (libre de costes), desde cualquier punto de los E.E.U.U.

En el Canadá, rogamos consultar con el servicio a clientes Bosch o bien al número 1-800-944-2904.

Rogamos anotar las siguientes informaciones de su equipo refrigerador congelador, a fin de tenerlos a mano cuando necesite ayuda o la presencia del servicio a clientes, lo cual agilizará el procedimiento.

Nombre del comerciante:

Dirección:

Número de teléfono:

Fecha de compra:

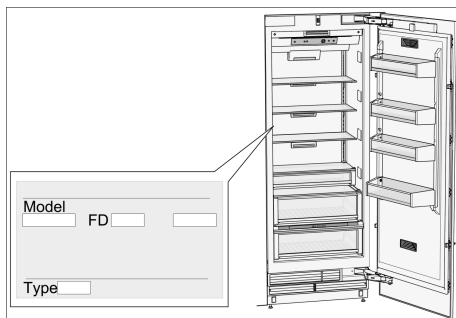
Número del modelo:

Número del fabricación

(FD):

Número de serie:

Tipo:



BSH Home Appliances Corporation

1901 Main Street, Suite 600,
Irvine CA 92614, USA

www.bosch-home.com



8001029362 (9706)
en-us, fr-ca, es-mx