



Register your new Bosch now:  
[www.bosch-home.com/welcome](http://www.bosch-home.com/welcome)



**B21CL80SNS**



**BOSCH**

en Operating and installation  
instructions

fr Notices d'utilisation et de  
montage

es Instrucciones de uso y de  
montaje

---

**en Table of Contents ... 3**

---

**fr Table des matières ... 24**

---

**es Índice ..... 45**

---

## en Table of Contents

IMPORTANT SAFETY INSTRUCTIONS .....	4	Child Lock .....	15
Disposal information .....	5	Refrigerator compartment .....	15
Scope of Delivery .....	6	Fresh food compartment .....	16
Installing the appliance .....	6	Freezer compartment .....	16
Aligning the appliance .....	7	Freezing food .....	16
Connecting the appliance .....	7	Freezing fresh food .....	17
Installing the handles .....	9	Thawing frozen food .....	17
Appliance and Installation Dimensions .....	10	Ice maker .....	17
Getting to know your appliance .....	11	Interior Fittings .....	19
Control and display panel .....	12	Switching off and disconnecting the appliance .	20
Operating tips .....	13	Defrosting .....	20
Switching on the appliance .....	13	Cleaning .....	21
Setting the temperature .....	13	LED light .....	21
Temperature unit .....	14	Energy saving tips .....	21
Super Cool .....	14	Operating noises .....	21
Super Freeze .....	14	Before Calling for Service .....	22
Eco Mode .....	15	Customer Service .....	23
Auto Mode .....	15		



# IMPORTANT SAFETY INSTRUCTIONS

## READ AND SAVE THESE INSTRUCTIONS!

### Definitions



#### WARNING

This indicates that death or serious injuries may occur as a result of not observing this warning.



#### CAUTION

This indicates that minor to moderate injuries may occur as a result of not observing this warning.

#### NOTICE

This indicates that damage to appliance or property may occur as a result of not observing this warning.

### WARNING: Before you turn on the appliance

Please read the Operating and Installation Instructions carefully, including the following. They contain important safety information and instructions for installation, use and maintenance of the appliance. The manufacturer is not responsible if you fail to comply with the instructions and warnings. Retain all documents for subsequent use or for the next owner.

### Technical safety

Improper installations and repairs may put the user at risk.

Repairs must be performed by an authorized service provider.

Only use original parts supplied by the manufacturer. Only original manufacturer supplied parts satisfy safety requirements.

If the power cord of this appliance is damaged, it must be replaced by an authorized servicer.

The appliance comes with a UL listed 3-wire Power Cord.

Never sever or remove the third (ground) conductor from the power cord.

The appliance requires a 3-wire receptacle. The plug must be installed by a licensed electrician only and comply with local codes.

Where there is a 2-wire standard wall receptacle, it is the responsibility of the customer to have this receptacle replaced with a correctly grounded 3-wire wall receptacle. Do not use any adapter plugs.

### Important information when using the appliance


- Never use electrical devices inside the appliance. Risk of explosion!
- Never use a steam cleaner to defrost or clean the appliance. The steam may penetrate electrical parts and cause a short-circuit. Risk of electric shock!
- Do not use pointed or sharp-edged objects to remove frost or layers of ice. You could damage the refrigerant tubes. Leaking refrigerant may ignite or cause eye injuries.
- Do not store products that contain flammable propellants (e.g. spray cans) or explosive substances in the appliance. Risk of explosion!
- Do not stand or support yourself on the base, drawers or doors or other parts of the appliance. You could damage the appliance or be injured.
- To clean the appliance, pull out the power cord plug or switch off the electrical breaker or fuse! Do not pull out the power cord plug by tugging the cable.
- Bottles that contain a high percentage of alcohol must be sealed and stored in an upright position.
- Keep plastic parts and the door seals free of oil and grease. Otherwise, plastic parts and door seal will become porous.
- Never cover or block the ventilation openings for the appliance. This forces the appliance to work harder, increasing its power consumption.
- This appliance must not be used by children without adult supervision.
- Do not store bottled or canned drinks (especially carbonated drinks) in the freezer compartment. **Bottles and cans may explode!**
- Do not place popsicles or ice cubes straight from the freezer compartment into your mouth. **Risk of low-temperature burns!**
- Do not touch frozen surfaces or food in the freezer with wet hands. Skin may adhere to these extremely cold surfaces. **Risk of injury!**
- Do not scrape off frost or stuck frozen food with a knife or pointed object. You could damage the appliance or be injured.



# IMPORTANT SAFETY INSTRUCTIONS

## READ AND SAVE THESE INSTRUCTIONS!

### Children in the household

 **WARNING**

**Risk of suffocation from cardboard boxes and plastic film! Keep packaging and packaging components away from children.**

**Do not allow children to play with the appliance!**

**If the appliance features a lock, keep the key out of the reach of children.**

### General requirements


The appliance is suitable for

- refrigerating food
- freezing food
- making ice.

This appliance is intended for use in the home and the home environment.

The refrigeration circuit has been tested for leaks before leaving the factory.

### State of California Proposition 65 Warnings

 **WARNING**

**This product contains chemicals known to the State of California to cause cancer, birth defects or other reproductive harm.**


### Disposal information

#### Disposal of packaging

The packaging protects your appliance from damage during transit. All utilized materials are environmentally safe and recyclable. Please help us by disposing of the packaging in an environmentally friendly manner.

Remove handles from the packaging before disposal.

Please ask your dealer or inquire at your local authority about current means of disposal.


 **WARNING**

**Risk of suffocation from cardboard boxes and plastic film!**

**Keep packaging and packaging components away from children.**

#### Disposal of your old appliance

Old appliances are useful! Valuable raw materials can be reclaimed by recycling old appliances.

 **WARNING**

**Risk of child entrapment!**

**Children can lock themselves in the appliance.**

**Before disposing of the old refrigerator:**

**Remove the doors and the freezer compartment drawer.**

**Leave the shelves and containers in place so that children may not easily climb inside.**

Proper disposal of appliances:

1. Pull out the power plug.
2. Cut off the power cord and discard with the power plug.
3. Do not take out the trays and shelves. This helps to prevent children from climbing in!
4. Do not allow children to play with the appliance. Could cause suffocation!

Refrigerators contain refrigerants and their insulation contains gases. Refrigerant and gases must be disposed of properly. Follow local ordinances for disposal. Ensure that the tubing of the refrigerant circuit is not damaged prior to proper disposal.



# IMPORTANT SAFETY INSTRUCTIONS

## READ AND SAVE THESE INSTRUCTIONS!

### Scope of Delivery

After unpacking all parts, check for any damage in transit.

If there is damage, do not plug in your appliance. Please contact the dealer.

#### The following parts are included:

- Free-standing appliance
- Interior fittings (depending on model)
- Bag containing installation materials
- Operating instructions
- Installation instructions
- Registration card
- Information on energy consumption and noises

### Installing the appliance

Have a qualified technician install and connect the appliance according to the enclosed Installation Instructions.



#### WARNING

##### Do not install the appliance:

- outdoors,
- in an environment subject to drips of water,
- in rooms with risk of freezing temperatures.

### Transporting

The appliance is heavy and must be secured during transport and installation.

The castors are provided for installation purposes only.

Do not use the castors for transporting the appliance.



#### WARNING

##### Risk of injury!

**The appliance is very heavy. It can fall over and cause serious injuries during transport and installation. At least two people are required to install the appliance safely. Keep the refrigerator doors closed until the appliance is upright and level at the installation location.**

**Hidden surfaces may have sharp edges. Use caution when reaching behind or under appliance.**

### Installation location



#### WARNING

##### Risk of explosion!

**Do not install the appliance near explosive or flammable substances.**

A dry, well-ventilated room is suitable as an installation location. The installation location should not be exposed to direct sunlight or placed near a heat source, e.g. a cooker, radiator, etc. If installation next to a heat source is unavoidable, use a suitable insulating plate or observe the following minimum distances from the heat source:

- 1 1/4" (3 cm) to electric or gas stoves.
- 11 3/16" (30 cm) to oil or solid fuel stoves.

To ensure that the Ice Maker functions correctly, the appliance must be upright and level.

### Climatic classes

The climate class can be found on the rating plate. The climate class indicates within which ambient temperatures the appliance can be operated.

Climatic class	Permitted ambient temperature
SN	50 °F to 90 °F (+10 °C to 32 °C)
N	61 °F to 90 °F (+16 °C to 32 °C)
ST	61 °F to 100 °F (+16 °C to 38 °C)
T	61 °F to 110 °F (+16 °C to 43 °C)

### Subsurface

#### NOTICE

The appliance is very heavy.

The floor on which the appliance is to be installed must be rigid. Reinforce the floor, if necessary.

### Ventilation

The refrigeration unit is ventilated only via the ventilation grille in the base. Never cover the ventilation grille or place anything in front of it. Otherwise the refrigeration unit must work harder, increasing the power consumption.

## Aligning the appliance

### NOTICE

To ensure that the appliance operates correctly, use a level to align the appliance.

If the appliance is not level, water may flow out of the ice maker, ice cubes may be irregular, or the doors may not close properly.

1. Place the appliance in the designated location.
2. So that the appliance cannot move, unscrew the two front feet until they are standing firmly on the floor.
3. Screw the feet in/out until the appliance is exactly level.
4. Use the level to check if the appliance is level.

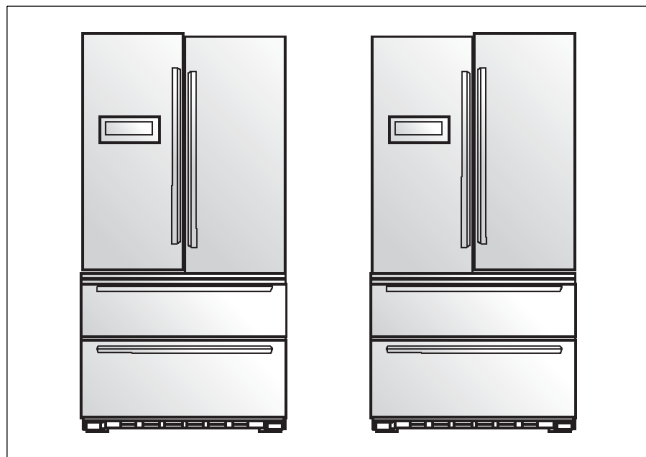
### NOTICE

To ensure that the appliance does not move, the front feet must be firmly planted on the floor.

5. If the height of the refrigerator compartment doors are uneven or if the freezer compartment drawer is slanted after adjusting the level of the appliance, use the following method to adjust them.

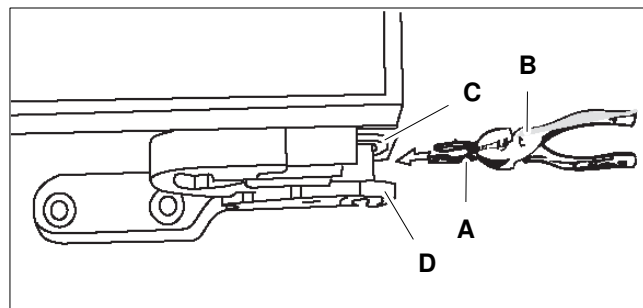
## Adjusting the refrigerator doors

The appliance must be level in order to get the doors to align.



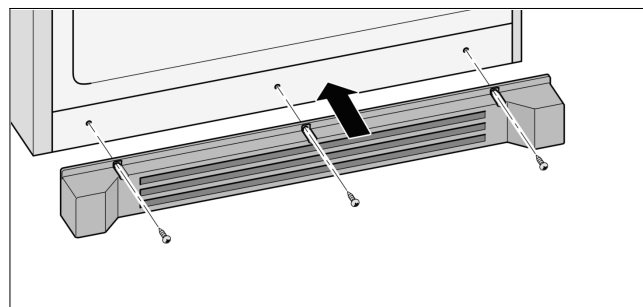
1. Raise the lower door up to the level of the higher door.

2. Insert the supplied fastener-ring (A) using a pair of pliers (B) in the gap between the hinge-grommet (C) and the lower hinge (D). The number of fasten-rings you will need to insert depends on the gap.



## Installing the base plate

1. Mount the base plate.
2. Insert the three screws and tighten (the screws are located in the manual kit).



## Connecting the appliance

Have a technician install and connect the appliance according to the enclosed Installation Instructions.

Do not remove the transportation protection devices from the shelves and storage compartments until the appliance has been installed and aligned.

Always connect the water before the power.

Apart from statutory national regulations, you should comply with all applicable local electricity and water companies' codes and requirements.

After installing the appliance, wait at least 6 hours before switching the appliance on. During transportation the oil in the compressor may have flowed into the refrigeration system.

Before switching the appliance on for the first time, clean the interior of the appliance (see chapter "Cleaning the Appliance").

## Water connection



### WARNING

**Risk of electric shock and damage to the appliance!**  
**Disconnect the appliance from the power source before performing any work on the water connection.**

**Only a qualified installation technician may connect the appliance to the water supply in accordance with plumbing and relevant water utility company regulations.**

Connect the appliance to a drinking water line only:

- Minimum pressure:  
0.17 MPa (1.72 bar, 24.95 PSI)
- Maximum pressure:  
0.82 MPa (8.25 bar, 119.66 PSI)
- Pressure over 0.82 MPa (8.25 bar, 119.66 PSI):  
install a pressure limiter between drinking water connection and hose set.

The water should be connected only by a competent plumber according to the local regulations of the appropriate Water Supply company.

A cold water connection is necessary for operating the ice maker. The water pressure must be between 0.17 MPa (1.72 bar, 24.95 PSI) and 0.82 MPa (8.25 bar, 119.66 PSI). The installation must correspond to the local plumbing regulations.

A separate Shut-Off-Valve should be installed in the cold-water inflow.

The Shut-Off-Valve should not be located behind the appliance. It is recommended that you mount the Shut-Off-Valve directly next to the appliance or at another place that is easily accessible.

When installing the water connection, pay attention to the permissible installation area for the water line.

For connection to the drinking water line use only water pipes that are suitable for drinking water. Observe national regulations and the connection conditions of the local Water Supply companies.

## Electrical connection



### WARNING

**Risk of electric shock and fire if electrical connection is not installed properly!**

**Plug into a fixed, grounded 3-prong outlet only. The outlet must be installed and grounded according to code by a qualified electrician. If necessary, have the installation inspected by a qualified electrician to ensure it is properly grounded.**

**Never remove grounding conductor.**

**Do not use an extension cord, adapters or power strip.**

**Non-compliance with these instructions may result in death, fire or an electric shock. Improper connection of the grounding conductor may result in an electric shock. If you are in doubt whether the appliance has been grounded properly, have the appliance tested by a qualified electrician.**

The receptacle must be installed according to the Installation Manual.

Connect the appliance to 115 V/60 Hz AC through a correctly installed 3-pole grounded receptacle. The receptacle must be protected with a 15 to 20 A fuse.

The appliance comes with a UL registered 3-wire Power Cord.

Please see the following table:

Appliance	Maximum simultaneous load
Fridge-freezer	6.0 amps

Check on the Rating Plate whether the indicated voltage and current type correspond with the values of your power supply. The location of the Rating Plate can be found in the chapter "Customer Service".



### WARNING

**Never connect the appliance to electronic energy saving devices.**

**This appliance can be used with power line and sine-controlled inverters. Power line-controlled inverters are used for photovoltaic systems which are connected directly to the national grid.**

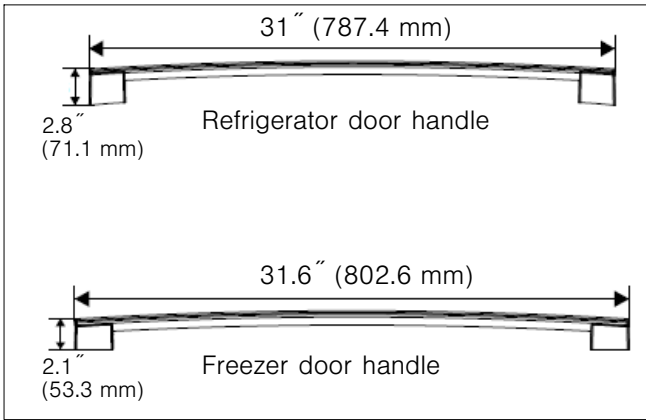
**Sine-controlled inverters must be used for isolated applications (e.g. on ships or in mountain lodges) which are not connected directly to the national grid.**



# Installing the handles

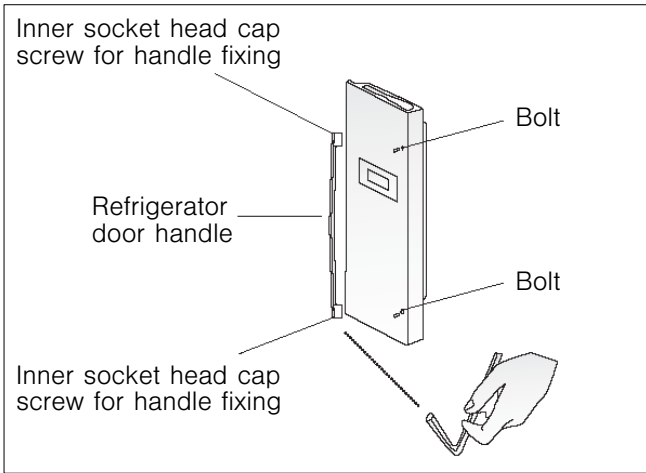
## Difference between the freezer and the refrigerator door handle

Handles are located inside of the carton box.



## Refrigerator door handle

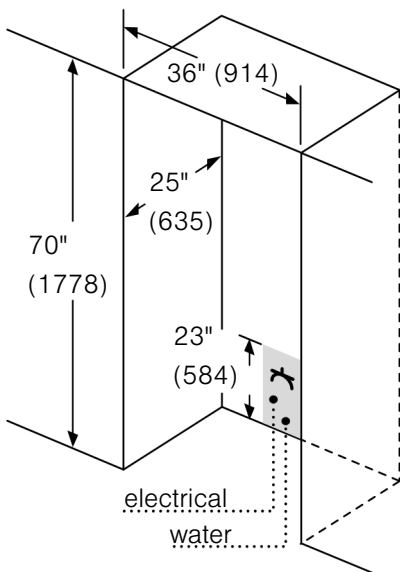
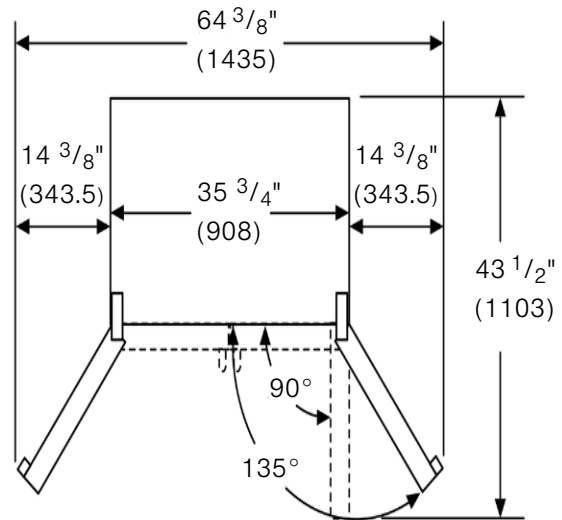
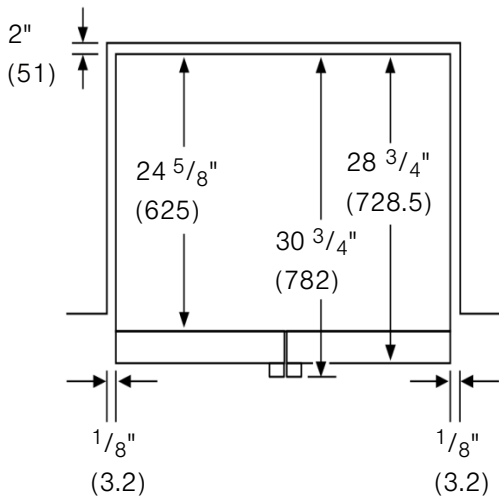
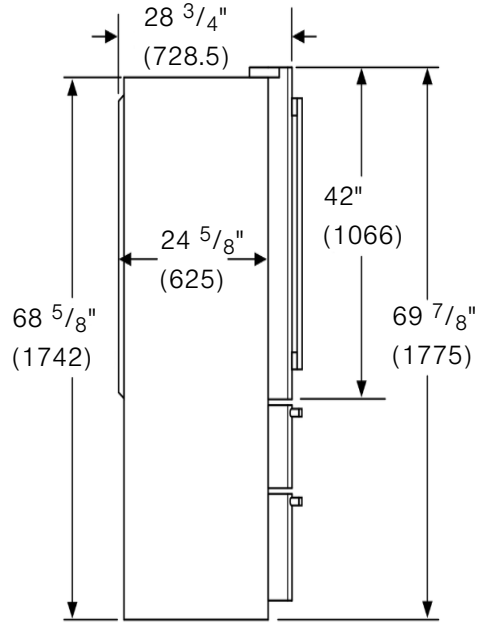
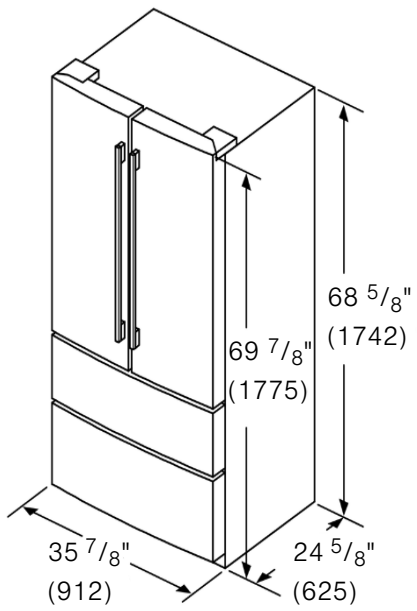
1. Take the refrigerator door handle out of the box and place it as per the direction shown in the figure (Note: i.e. the direction which both screw holes on the handle are close to the edge) and hang the handle above the set bolt.
2. Use the small hexagon wrench supplied in the box to set the handle screws into both the small screwed holes on the handle. After they are screwed down, gently shake the handle to confirm the handle is tightened.



## Freezer door handle

The assembly steps of the freezer door handle are the same as the ones of the refrigerator door handle. During the assembly of the handle the direction of tapping hole is downward (towards the ground).

# Appliance and Installation Dimensions



Leave  $\frac{1}{2}$ " (12.7 mm) gap at the top and  $2$ " (51 mm) behind the refrigerator for proper ventilation.

For installation next to a wall, leave  $3 \frac{3}{4}$ " (95.2 mm) minimum on wall side for opening the door.

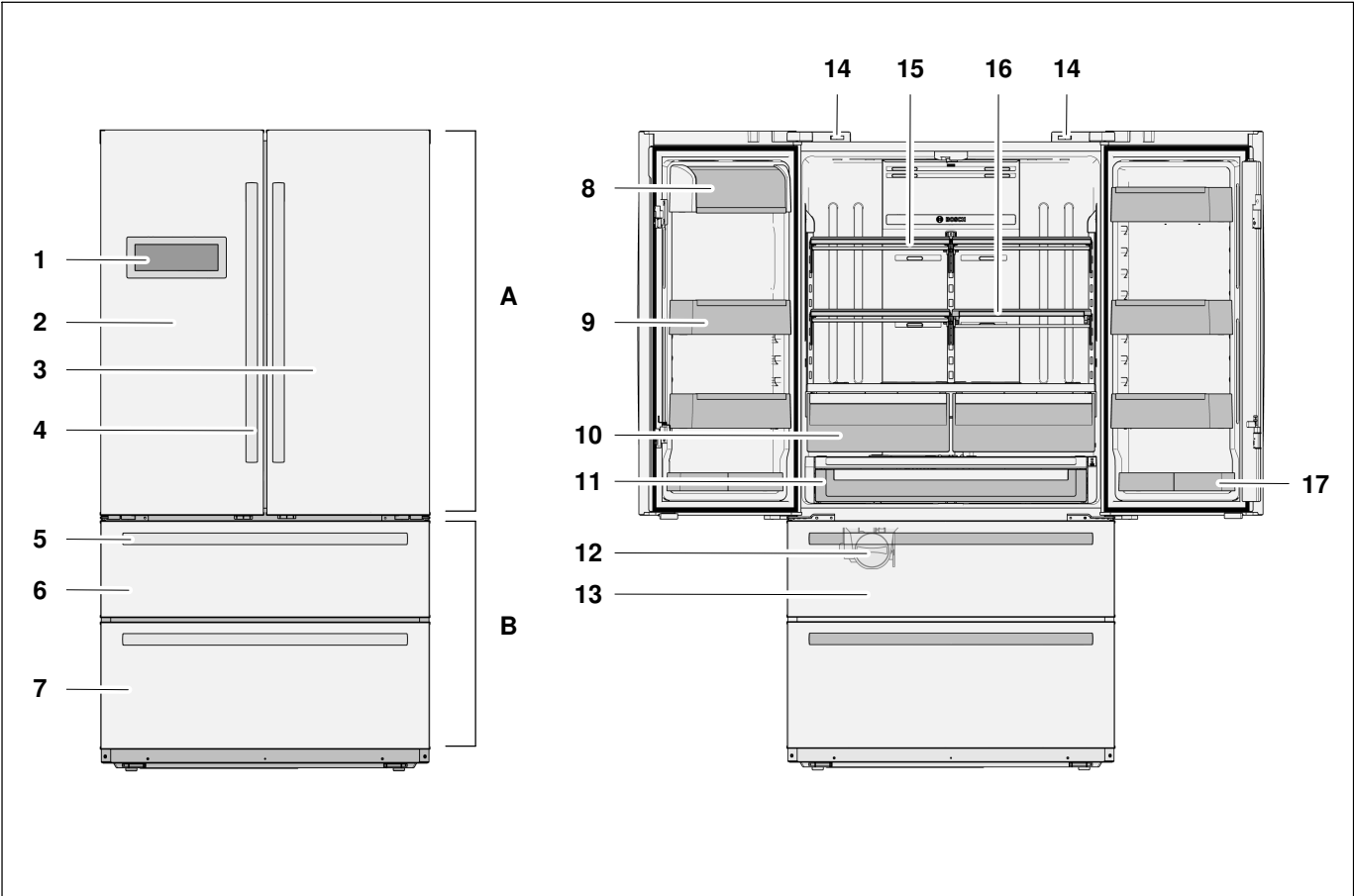
It is recommended that you do not install the refrigerator near a heat source such as an oven or a range.

Maximum receptacle and water line height  $23$ " (584 mm).

measurements in inches (mm)

# Getting to know your appliance

These operating and installation instructions apply to several models. The illustrations may differ from your particular model.



- A Refrigerator compartment can be adjusted between 34 °F (+1 °C) and 44 °F (+7 °C)
- B Freezer compartment can be adjusted between 9 °F (-13 °C) and -7 °F (-22 °C)

- 1 Control and display panel
- 2 Left door for refrigerator compartment
- 3 Right door for refrigerator compartment
- 4 Door handle
- 5 Drawer handle
- 6 Upper freezer drawer
- 7 Lower freezer drawer
- 8 Dairy Bin
- 9 Door bin
- 10 Crisper drawers
- 11 Chiller drawer
- 12 Ice maker
- 13 Ice storage box
- 14 Switch for refrigerator compartment lamp
- 15 Adjustable shelf
- 16 Retractable Shelf
- 17 Small tray

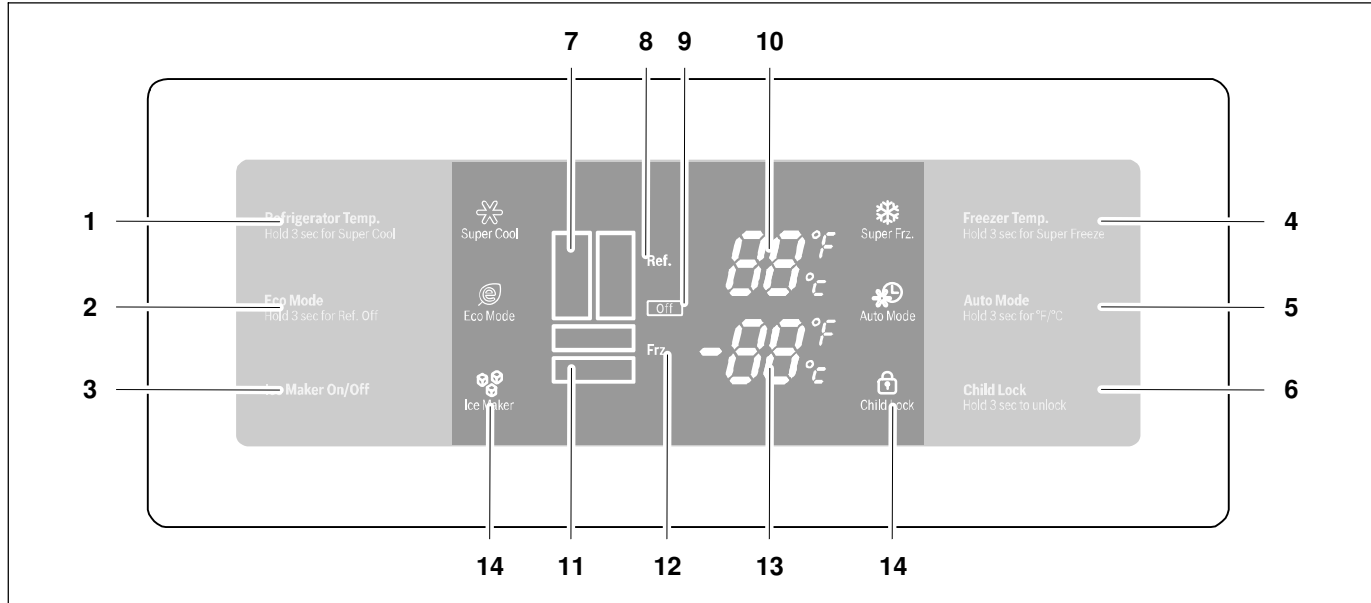
# Control and display panel

## Display

When turned on for the first time all icons show in display for 3 seconds then turn into black.

## Display control

After 30 seconds with no actions for door opening and no button operation the display panel light will go out. Every time the door is opened, closed or the display is touched, the display panel returns to normal.



### 1 “Refrigerator Temp.” button

Button for

- adjusting the temperature in the refrigerator compartment
- switching the “Super Cool” function on and off.

### 2 ”Eco Mode” button

Button for switching the Eco Mode on and off.

### 3 ”Ice Maker” button

Button for switching the ice maker on and off.

### 4 “Freezer Temp.” button

Button for

- adjusting the temperature in the freezer compartment
- switching the “Super freeze” function on and off.

### 5 ”Auto Mode” button

Button for switching the Auto Mode on and off.

### 6 ”Child Lock” button

Button for switching the Child Lock on and off.

### 7 Refrigerator compartment icon

### 8 Refrigerator indicate

### 9 Off icon

Means refrigerator shut down

### 10 Refrigerator compartment temperature display

Displays the temperature set for the refrigerator compartment.

### 11 Freezer compartment icon

### 12 Freezer indicate

### 13 Freezer compartment temperature display

Displays the temperature set for the freezer compartment.

### 14 Symbols on the display panel



#### Super Cool

Appears when the “Super Cool” function is on.



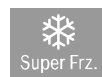
#### Eco Mode

Appears when the Eco Mode is on.



#### Ice Maker

Appears when the ice maker is on.



#### Super Freeze

Appears when the “Super Freeze” function is on.



#### Auto Mode

Appears when the Auto Mode is on.



#### Child Lock

Appears when the Child Lock is on.

## Operating tips

### Opening and closing the refrigerator compartment doors

The refrigerator compartment doors can be opened and closed independently.

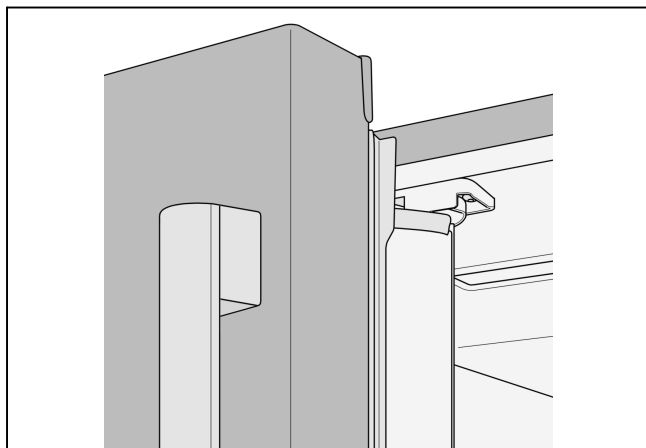
The left refrigerator compartment door has a foldaway door bar.

### NOTICE

Risk of damage to the appliance!

The door bar could become damaged if you attempt to close the left refrigerator compartment door when the door bar is not folded back.

Before closing the refrigerator compartment doors, make sure that the door bar is folded at a right angle to the door.



**When closing the left refrigerator compartment door, the door bar folds behind the right refrigerator compartment door, forming a seal between the refrigerator compartment doors.**

## Switching on the appliance

### NOTICE

After installing the appliance, wait at least 6 hours before plugging in the appliance. The oil in the compressor may have flowed into the refrigeration system during transport.

Connect the appliance plug to the outlet.

After the appliance has been plugged in, the refrigeration process will begin. The interior light in the refrigerator compartment switches on when the door is open.

It will take several hours for the inside of the appliance to reach the temperatures set at the factory. Do not place food in the appliance until these temperatures are reached.

#### Initial temperature

Refrigerator compartment: 39 °F (+4 °C)

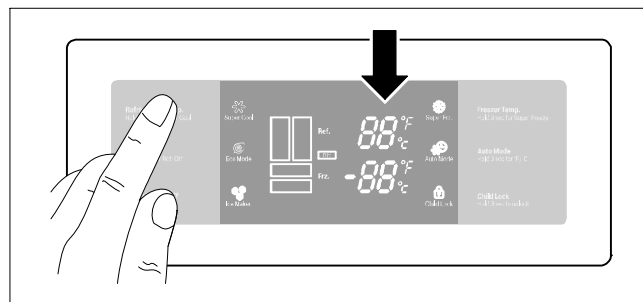
Freezer compartment: 0 °F (-18 °C).

## Setting the temperature

### Refrigerator compartment

The temperature can be adjusted between 34 °F (+1 °C) up to 44 °F (+7 °C).

1. Press the "Refrigerator Temp." button. The refrigerator compartment temperature illuminate.
2. Press the "Refrigerator Temp." button until the desired refrigerator compartment temperature is set.



After the temperature adjustment is completed, the new temperature setting will be active for 15 seconds after button was pressed.

We recommend a setting of 39 °F (+4 °C).

Perishable foods should not be stored at temperatures higher than 39 °F (+4 °C).

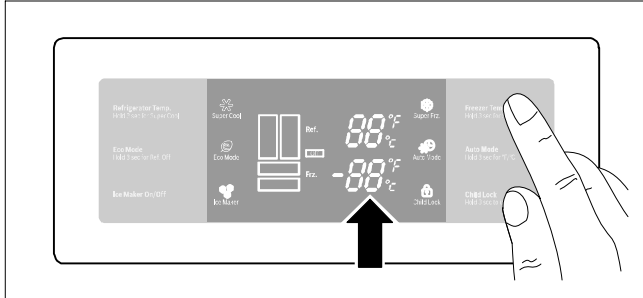
## Freezer compartment

The temperature can be adjusted between 9 °F (-13 °C) up to -7 °F (-22 °C).

1. Press the "Freezer Temp." button.

The freezer compartment temperature illuminate.

2. Press the "Freezer Temp." button until the desired refrigerator compartment temperature is set.



After the temperature adjustment is completed, the new temperature setting will be active for 15 seconds after button was pressed.

We recommend a setting of 0 °F (-18 °C).

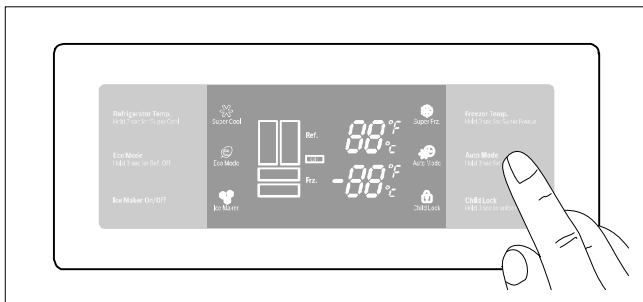
## Temperature unit

The temperature can be displayed in degrees Fahrenheit (°F) or Celsius (°C).

After the appliance is switched on, the temperature appears in degrees Fahrenheit (°F).

### To set the temperature unit:

Press the "Auto Mode" button for 3 seconds.



The temperature unit switches.

## Super Cool

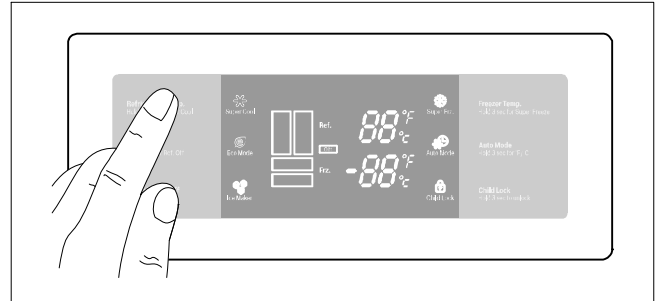
Super Cool cools the refrigerator compartment down as low as possible.

Super Cool is particularly recommended for the following:

- Before placing large quantities of food in the refrigerator compartment.
- To cool drinks quickly.

### To switch on Super Cool:

Press the "Refrigerator Temp." button for 3 seconds.



The temperature is set to 34 °F (+1 °C).

### To switch off Super Cool:

Press the "Refrigerator Temp." button for 3 seconds.

After 2.3 hours, Super Cool mode will turn off automatically.

## Super Freeze

Food should be frozen as quickly as possible in order to retain their vitamins, nutritional value, appearance and flavor.

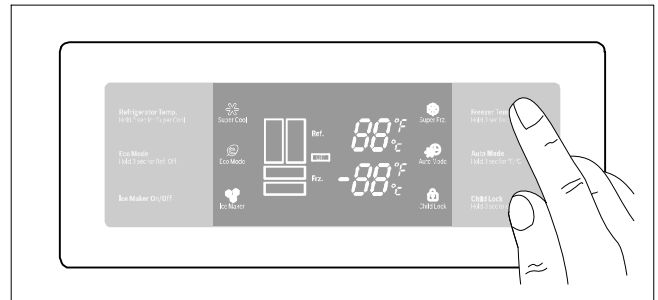
To prevent an undesirable rise in temperature when placing fresh food in the freezer compartment, switch on Super Freeze several hours beforehand.

As a rule, 4 to 6 hours is adequate. Allow for a minimum of 24 hours if planning to use the maximum freezing capacity.

Smaller quantities of food can be frozen without Super Freeze.

### To switch on Super Freeze:

Press the "Freezer Temp." button for 3 seconds.



The temperature is set to -7 °F (-22 °C).

**To switch off Super Freeze:**

Press the "Freezer Temp." button for 3 seconds.

After 6 hours Super Freeze mode will turn off automatically.

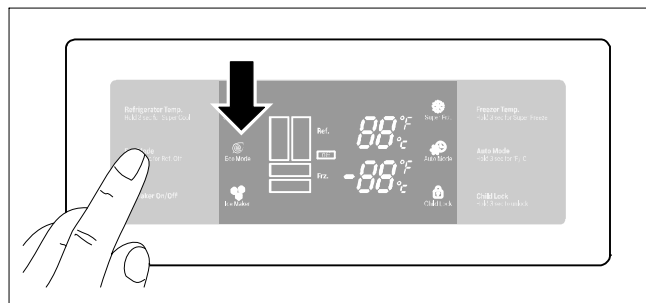
**Eco Mode**

This mode is for going on vacation or not using the refrigerator for a long period of time.

The temperature of refrigerator compartment is automatically set to 44 °F (7 °C) and the temperature of the freezer compartment is set to 5 °F (-15 °C).

**To switch on Eco Mode:**

Press the "Eco Mode" button.



The "Eco Mode" symbol appears.

**To switch off Eco Mode:**

Press the "Eco Mode" button.

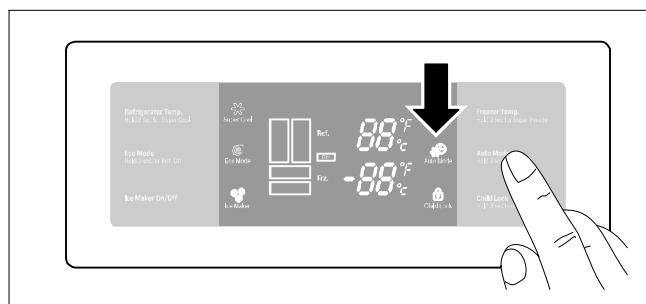
The "Eco Mode" symbol disappears.

**Auto Mode**

The temperature of refrigerator compartment is automatically set to 41 °F (5 °C) and the temperature of the freezer compartment is set to 0 °F (-18 °C).

**To switch on Auto Mode:**

Press the "Auto Mode" button.



The "Auto Mode" symbol appears.

**To switch off Auto Mode:**

Press the "Auto Mode" button.

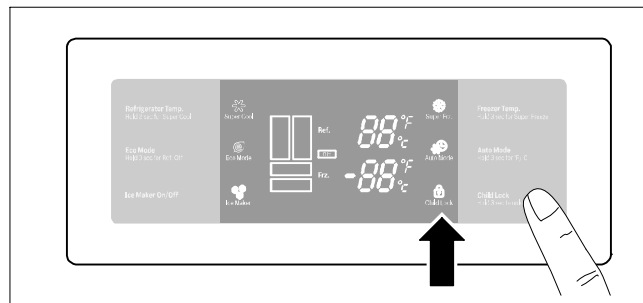
The "Auto Mode" symbol disappears.

**Child Lock**

When the Child Lock is activated, all of the buttons on the control and display panel are locked.

**To switch the Child Lock on or off:**

Press the "Child Lock" button for 3 seconds.



The "Child Lock" symbol appears when the Child Lock is activated.

**Refrigerator compartment****WARNING****Risk of explosion!**

**Do not store explosive substances in the appliance.**

The Refrigerator compartment is the ideal storage location for ready meals, cakes and pastries, preserved food, condensed milk, milk, cheese, spreads, sauces, dips and eggs.

**When purchasing food, please note**

The freshness at point of purchase is important for the shelf-life of your food. In principle, the fresher the produce when placed in the crisper drawers, the longer it stays fresh. Therefore, when buying food, always pay attention to the degree of freshness.

Observe the expiration date specified by the manufacturer for ready products and bottled products.

**Arranging Food in the Appliance**

- Wrap or cover food before placing in the appliance. This will retain the aroma, color and freshness of the food. In addition, flavors will not be transferred between foods and the plastic parts in the appliance will not become discolored.
- Allow warm food and drinks to cool down before placing in the appliance.
- Do not block air outlet openings with food in the refrigerator compartment, otherwise the air circulation will be impaired. Food which is stored directly in front of the air outlet openings may be frozen by the cold air flowing out.
- Avoid contact of oil and fat with the plastic parts and door seal.

## Fresh food compartment

### The following foods are suitable for keeping in the fresh food compartment

- Fish, seafood, meat, sausage and cold meats, dairy products, ready meals
- Vegetables (e.g. carrots, asparagus, celery, leeks, beetroot, mushrooms, cabbage, broccoli, cauliflower, sprouts, kohlrabi)
- Lettuce varieties (e.g. lamb's lettuce, iceberg, chicory, round lettuce)
- Herbs (e.g. dill, parsley, chives, basil)
- Fruit (varieties not sensitive to cold, e.g. apples, peaches, berries, grapes).



### CAUTION

After power failure or disconnection of the appliance from the power source, the temperature of the fresh food compartment must be readjusted.

## Freezer compartment



### WARNING

**Risk of explosion!**  
Never store products containing flammable propellants (such as spray cans) or explosive or easily combustible substances in the appliance.



### CAUTION

Do not refreeze thawing or thawed food. Never keep frozen food longer than the maximum storage duration.

## Using the freezer compartment

- To store deep-frozen food.
- To freeze food.
- To make and store ice cubes.

### NOTICE

Make sure that the freezer compartment drawers are always kept closed. The frozen food will thaw if the freezer compartment drawers are open. The freezer compartment will become covered with thick ice. Also: Energy will be lost due to high power consumption.

When the freezer compartment drawers are closed, low pressure occurs inside the compartment.

If you cannot reopen the freezer compartment drawers right away, wait two to three minutes until the low pressure has adjusted itself.

## Freezing food

### Purchasing Frozen Food

- Packaging must not be damaged.
- Use by the "expiration" date.
- Temperature in the supermarket freezer must be 0 °F (-18 °C) or lower.
- If possible, transport deep-frozen food in an insulated bag and place immediately in the Freezer Compartment.



## Freezing fresh food

Freeze fresh and undamaged food only.

To retain the best possible nutritional value, flavor and color, vegetables should be blanched before freezing. Eggplants, peppers, zucchini and asparagus do not require blanching.

Literature on freezing and blanching can be found in bookshops.

### NOTICE

Keep food that is to be frozen away from food that is already frozen.

- The following foods are suitable for freezing:  
Cakes and pastries, fish and seafood, meat, game, poultry, vegetables, fruit, herbs, eggs without shells, dairy products such as cheese, butter and quark, and ready meals and leftovers such as soups, stews, cooked meat and fish, potato dishes, soufflés and desserts.
- The following foods are not suitable for freezing:  
Types of vegetables that are usually consumed raw such as lettuce or radishes, eggs in shells, grapes, whole apples, pears and peaches, hard-boiled eggs, yogurt, butter milk, sour cream, crème fraîche and mayonnaise.

## Packing Frozen Food

To prevent food from losing its flavor or drying out, place in airtight containers.

1. Place food in packaging.
2. Remove air.
3. Seal the wrapping.
4. Label packaging with contents and date of freezing.

### Suitable Packaging:

Cling wrap, polyethylene hose film, aluminum foil, freezer containers. These products are available from specialist outlets.

### Unsuitable Packaging:

Wrapping paper, greaseproof paper, cellophane, bin liners and used shopping bags.

### Items Suitable for Sealing Packaged Food:

Rubber bands, plastic clips, string, cold-resistant adhesive tape, etc. Bags and tubular film made of polyethylene can be sealed with a film heat sealer.

## Storage life of frozen food

The storage life depends on the type of food. At a temperature setting of 0 °F (-18 °C):

- Fish, sausage, ready meals, cakes and pastries:  
up to **6 months**
- Cheese, poultry and meat:  
up to **8 months**
- Fruit and vegetables:  
up to **12 months**.

## Thawing frozen food



### CAUTION

#### Risk of poisoning!

**Do not refreeze food that is beginning to thaw or has already thawed. The food cannot be refrozen until it has been prepared (boiled or fried). Do not store these refrozen products for the maximum storage period.**

Depending on the type of food and its intended use, frozen food can be thawed as follows:

- in the refrigerator compartment
- in an electric oven with/without fan-assisted hot air
- in the microwave.

## Ice maker

The ice maker makes ice cubes.

When the ice storage box is full, the ice maker stops ice production automatically.

The ice maker is capable of producing 2.8 - 3.3 lb (1.3 - 1.5 kg) of ice in 24 hours depending on the temperature of freezer compartment, surrounding temperature, frequency of door opening/closing and other working conditions.

### Points to observe when switching on for the first time

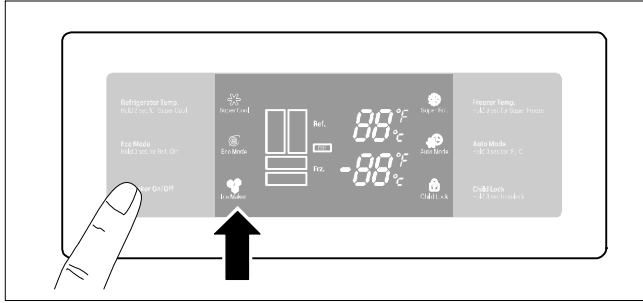
The ice maker only functions when the appliance is connected to the water supply.

The ice maker starts to make ice cubes as soon as the appliance has reached the set temperature.

When using the ice maker for the first time, do not use the first 30 to 40 ice cubes for reasons of hygiene.

## Switching on

1. Make sure that ice storage box is in its place and locked into position.
2. Press the "Ice Maker" button.



The "Ice Maker" symbol appears.

Before the ice maker is switched on again after a long period, clean the ice cube maker and the ice storage box.

When the ice maker is switched on, the temperature for the freezer compartment automatically shown on the display is 0° F (-18 °C).

## Notes on using the ice-maker

You will hear the sound of the motor after about two hours. This is the sound of the valve providing water to the ice maker and does not indicate a malfunction.

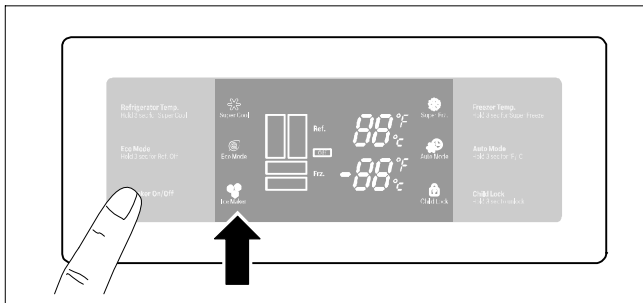
It is normal that several ice cubes may stick together or get crushed.

Ice making takes longer if you open the drawer frequently.

## Switching off

Before switching the ice maker off, it is most important that you switch the water supply to the appliance off for a few hours.

1. Press the "Ice Maker" button.



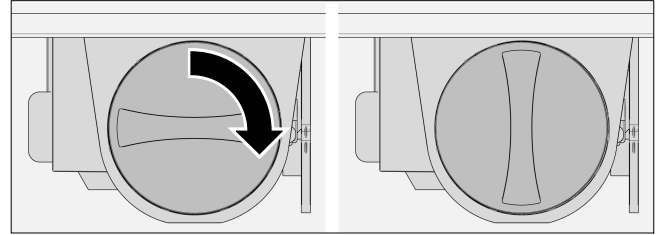
The "Ice Maker" symbol disappears.

2. Taking out and cleaning the ice storage box.
3. Taking out and cleaning the ice cube box.

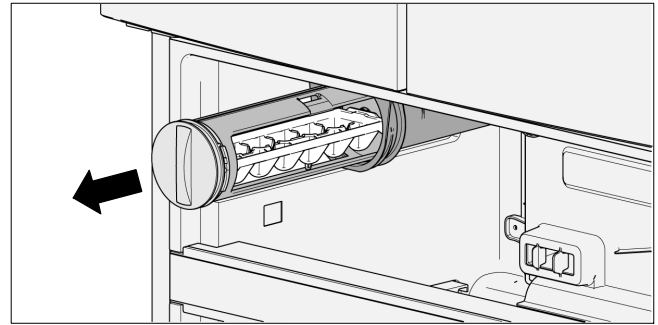
## Taking out and cleaning the ice cube box

If the ice maker is not used for a long period, ice cubes that are first produced might have an unpleasant smell. You must take out and clean the ice cube box.

1. Open the upper drawer in the freezer compartment.
2. Turn the handle from the horizontal position to vertical to release the lock.



3. Pull the ice maker rack out.
4. Take out the ice cube box.



5. Rinse the ice cube box with warm water (below 140 °F / 60 °C). Do not use detergent.
6. Dry the ice cube box completely by air to ensure that water droplets in the ice cube box are gone which could otherwise cause abnormal functioning of the ice maker.
7. Insert the ice cube box onto the ice maker rack.
8. Push in the ice maker rack.
9. Turn the handle from the vertical position to horizontal to lock.

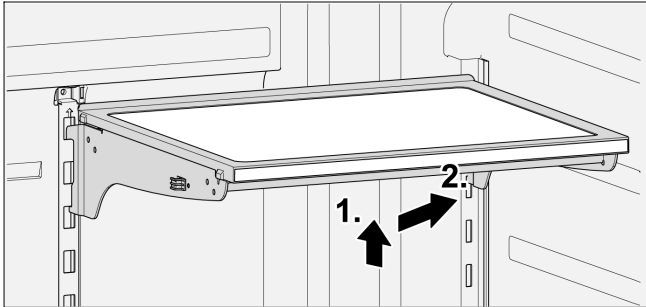
# Interior Fittings

## Adjustable Shelf

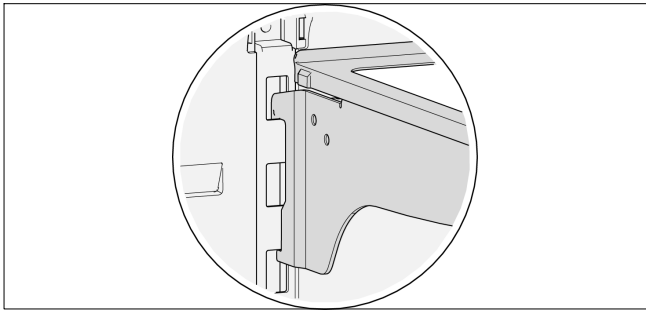
The Adjustable Shelf can be adjusted to the proper height required by various food items.

### Adjusting

Tilt the shelf upward, raise it and pull it out towards you.



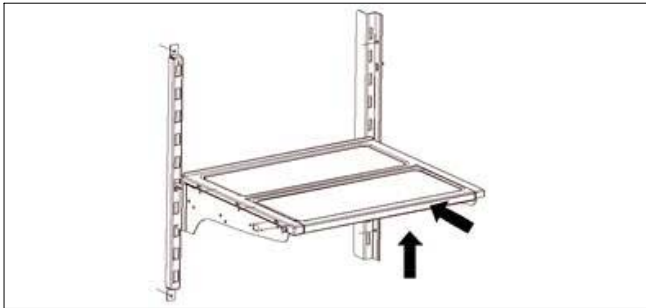
During installation, put the upper end of the fixed leg into the desired slot. Lower the shelf. The lower end of the fixed leg engages into a lower slot.



## Retractable Shelf

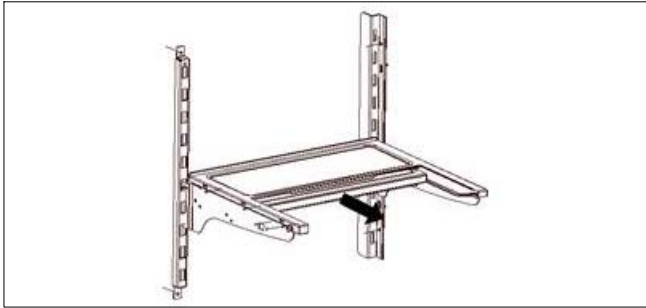
### Folding

Put fore-end of the retractable glass shelf up until it coincides with rear-end.

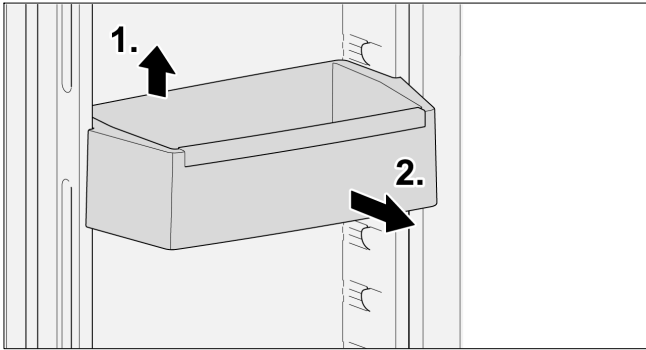


## Unfolding

Pull out the retractable glass shelf directly until it is at the fore-end level of fixed glass shelf, then the buckle of retractable glass shelf will drop into the slot of fixed shelf and will not withdraw due to factor of gravity.

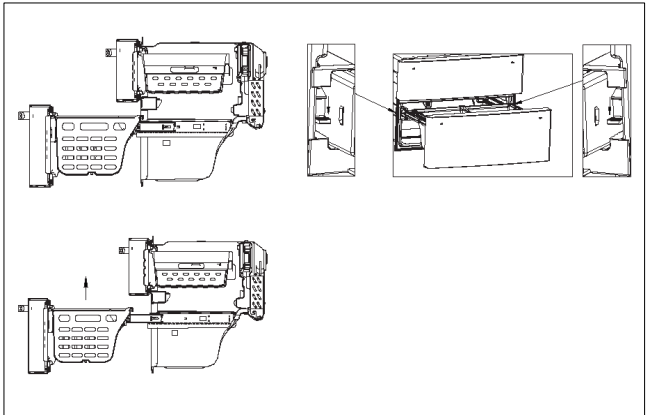


## Door bin



## Lower freezer drawer

1. Pull out the lower freezer drawer to the proper position.
2. Press the buttons in both slots respectively (must press both sides at the same time), pull out the freezer drawer until it stops.
3. Take out the lower drawer as directed by the arrows.

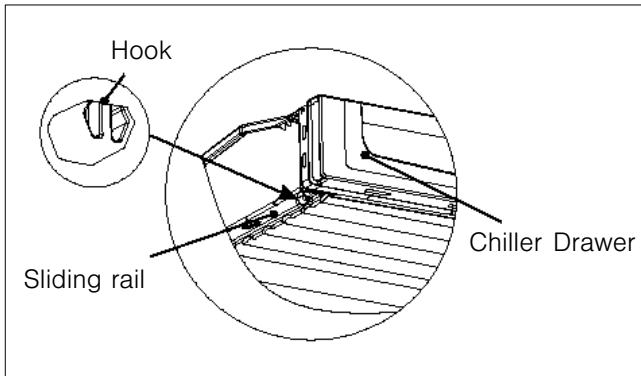


## Chiller Drawer

The Chiller Drawer has a maximum load of 22 lb (10 kg).

### Pulling out and installing the Chiller Drawer

1. Pull out the Chiller Drawer.
2. Find the hooks at the left and right sides at the drawer bottom (shown in the figure).
3. Hold the hook at two sides with a nose pliers and push it up and out of the groove of sliding rail and take out the hook at the other side with the same method.
4. Take out the drawer.



5. Install the drawer by putting the hook into the slots.

---

## Switching off and disconnecting the appliance

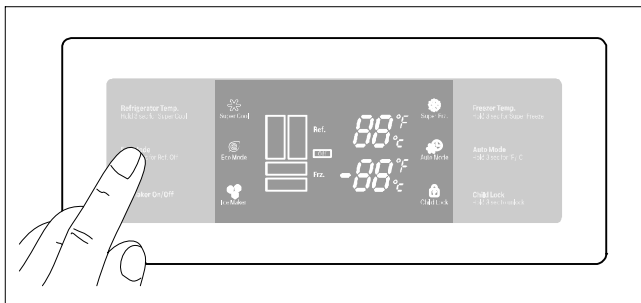
### Switching off the appliance

Unplug the appliance or switch off the fuse.

### Switching the refrigerator compartment on and off

#### To switch off:

Press the "Eco Mode" button for 3 seconds.



The refrigerator compartment is turned off and a beep tone sounds.

The refrigerator temperature area shows "- -" and the "Off" icon appears.

#### To switch on:

Press the "Eco Mode" button for 3 seconds.

Refrigerator compartment is turned on and a beep tone sounds.

## Disconnecting the appliance

If the appliance is not used for an extended period of time:

1. It is imperative that you disconnect the water supply to the appliance for a few hours before switching off the appliance.
2. Remove all food from the appliance.
3. Unplug the appliance.
4. Empty and clean the ice maker and the ice storage box.
5. Clean the appliance interior (see "Cleaning the appliance").

---

## Defrosting

### Freezer compartment

The fully automatic NoFrost system ensures that the freezer compartment remains free of ice. Defrosting is not required.

### Refrigerator compartment

Defrosting takes place automatically.

The condensation runs through the drainage hole into an evaporation pan at the rear of the appliance.

## Cleaning



### WARNING

**Risk of electric shock!**

**Unplug the appliance or turn off the circuit breaker or fuse before cleaning the appliance.**



### CAUTION

**To avoid personal injury or damage to property, observe the following:**

**Never use a steam cleaner to clean the appliance.**

**Do not use abrasive or acidic cleaning agents or solvents.**

**Wipe lights and the control and display panel with a damp cloth only. Do not let water used for cleaning drip into the lights or onto the control and display panel.**

**Do not let cleaning water run into the drainage hole in the evaporation area.**

**Never clean shelves and containers in a dishwasher. The parts may warp.**

## Cleaning the appliance

The Crisper Drawers and Chiller Drawer can be removed for cleaning.

1. Unplug the appliance or turn off the circuit breaker.
2. Remove all food from the appliance and store in a cool location.
3. Clean the appliance with a soft cloth, using lukewarm water and a small amount of pH-balanced dishwashing liquid.
4. Rub dry when done.
5. Wipe the door seal with clear water only and then thoroughly wipe dry.
6. After cleaning, reconnect to switch on the appliance.

## LED light

The appliance features a maintenance-free LED light.



### CAUTION

**Risk of eye injury from Class 1M laser light (IEC 60825)!**

**Do not look directly into the light with optical instruments.**

These lights must be repaired by customer service or an authorized technicians only.

## Energy saving tips

- Install the appliance in a dry, well ventilated room, but not in direct sunlight and not near a heat source (radiator, stove, etc.). Use an insulating plate, if required.
- Allow warm food and drinks to cool down before placing in the appliance.
- When thawing frozen food, place it in the refrigerator compartment. The low temperature of the frozen products cools the food in the appliance.
- Open and close the appliance doors and drawers as quickly as possible.

## Operating noises

### Normal noises

**Humming** - refrigerating unit is running. The fan in the circulating air system is running.

**Bubbling, whirring or gurgling noises** - refrigerant is flowing through the tubing or water is flowing into the ice maker.

**Clicking** - motor is switching on or off. The solenoid valve at the water connection is opening or closing.

**Rumbling** - ready ice cubes from the ice maker are falling into the ice storage box.

### Solving simple noise problems

#### The appliance is not level

Align the appliance using a level. Use the height-adjustable feet.

#### The appliance is touching adjacent units or appliances

Move the appliance away from adjacent units or appliances.

#### Loose or sticking drawers, baskets or storage areas

Check the removable parts and, if required, reinsert them.

#### Receptacles are touching each other

Move bottles or receptacles slightly away from each other.

## Before Calling for Service

Before you call Customer Service:

Please check whether you can troubleshoot yourself based on the following information.

Customer Service may charge you for an unnecessary service call. Please see Warranty Statement for coverage and exceptions.

### Appliance

Problem	Possible cause	Corrective action	
No display on the display panel, interior light is not working, and the appliance is not working.	The power cord is not plugged in.	Plug in the power cord.	
	The fuse has blown or circuit breaker has been tripped.	Replace fuse or reset the circuit breaker. Check if electricity is present at outlet.	
	Power outage.	Wait until power has been restored. If necessary, contact an electrician or the utility company.	
The interior light is not working.	The light switch to the freezer or refrigerator compartment is sticking.	Check whether the light switch can be moved.	
	The LED bulb is defective.	See "LED light".	
Food is too cold.	Temperature has been set too low.	Adjust to a higher temperature.	
Food is too warm.	Door will not close properly.	Align the appliance with a level. See "Aligning the appliance". Check the position of the drawers and correct, if necessary. Check the door seals and foldaway door bar; if necessary, clean or correct position.	
	Temperature has been set too high.	Select a lower temperature.	
	Ventilation opening is blocked.	Remove any food blocking the ventilation opening.	
	Doors were opened frequently or were open for an extended period of time.	Wait until the temperature in the appliance drops.	
	A large amount of fresh food has been placed in refrigerator.	Fresh food must first reach the correct storage temperature.	
	Appliance has an unpleasant odor.	Food with a strong odor was placed in the refrigerator.	Wrap up the food or place it in an airtight container.
		The interior compartment is dirty.	Clean the interior compartment.
Water droplets are forming on the exterior of the appliance.	Door will not close properly.	Align the appliance with a level. See "Aligning the appliance". Check the position of the drawers and correct, if necessary. Check the door seals and foldaway door bar; if necessary, clean or correct position.	
	Humidity is too high.	This may be normal in certain regions.	

Problem	Possible cause	Corrective action
Water droplets are forming inside the appliance.	Humidity is too high or doors have been opened frequently.	Do not open doors as frequently or do not keep them open too long.
	The door seals are not tight.	Check the door seals and foldaway door bar; if necessary, clean or correct position.
Drawers can only be closed with great difficulty.	The drawer has not been inserted correctly.	Insert the drawer correctly.
	The drawer rails are dirty.	Clean the drawer rails.
The ice maker is not making ice cubes.	The ice maker is switched off.	Switch on the ice maker.
	The appliance is not being supplied with water.	Have a qualified technician check the water connection.
	The water connection line has kinks in it.	Shut off the water supply. Straighten out the kinks. Have damaged water connection lines replaced with original manufacturer parts.
	Water pressure is too low.	Have the water pressure checked.
	The ice storage box is not inserted correctly.	Insert the ice storage box correctly.
	The water connection is installed incorrectly.	If the water connection is not installed correctly, this can cause low water pressure and can damage the appliance.

## Customer Service

Before you call Customer Service, see the chapter entitled "Before Calling for Service".

After checking according to the chapter entitled "Before Calling for Service", additional help can be requested by calling the Bosch Customer Service center, 1-800-944-2904 (toll-free), from anywhere in the USA. In Canada contact your Bosch Customer Service or call 1-800-944-2904.

Note down the following information about your freezer so that you have it ready and can be better assisted if you require help or Customer Service.

---

Dealer name

---

Address

---

Telephone number

---

Purchase date

---

Model number (E number)

---

Serial number (FD number)

---

Type

## fr Table des matières

CONSIGNES DE SÉCURITÉ IMPORTANTES ...	25	Mode automatique .....	36
Informations relatives au recyclage et à la mise au rebut .....	26	Verrouillage – Enfants .....	36
Contenu de l'expédition .....	27	Compartiment du réfrigérateur .....	36
Installation de l'appareil .....	27	Compartiment pour aliments frais .....	37
Nivellement de l'appareil .....	28	Compartiment du congélateur .....	37
Connexion de l'appareil .....	28	Congélation d'aliments .....	37
Installation des poignées .....	30	Congélation d'aliments frais .....	38
Appareils et installation Dimensions .....	31	Décongélation d'aliments .....	38
Votre appareil et ses éléments .....	32	Machine à glaçons .....	38
Tableau d'affichage et de commande .....	33	Accessoires intérieurs .....	40
Conseils d'utilisation .....	34	Mise hors circuit et débranchement de l'appareil	41
Mise en marche l'appareil .....	34	Décongélation .....	41
Réglage de la température .....	34	Nettoyage .....	42
Unité de température .....	35	Lumière DEL .....	42
Fonction Super Cool .....	35	Conseils d'économie d'énergie .....	42
Fonction Super Freeze .....	35	Bruits lors du fonctionnement .....	42
Mode d'économie d'énergie .....	36	Avant d'appeler le service à la clientèle .....	43
		Service à la clientèle .....	44



# CONSIGNES DE SÉCURITÉ IMPORTANTES

## LISEZ ET CONSERVEZ CES INSTRUCTIONS !

### Définitions

 **AVERTISSEMENT**

Indique que de **sérieuses blessures ou un décès pourraient survenir en cas de non-respect de l'avertissement.**

 **ATTENTION**

Indique que des **blessures mineures ou modérées pourraient survenir en cas de non-respect de l'avertissement.**

**REMARQUE**

Indique que des dommages à l'appareil ou à la propriété pourraient survenir en cas de non-respect de l'avertissement.

### **AVERTISSEMENT : Avant d'allumer l'appareil**

Veillez lire attentivement les instructions d'installation et utilisation, y compris ce qui suit. Vous y trouverez d'importants renseignements de sécurité ainsi que des instructions d'installation, d'utilisation et d'entretien. Le fabricant n'assume aucune responsabilité en cas de non-respect des instructions et avertissements. Conservez tous les documents pour une utilisation ultérieure ou pour le prochain propriétaire.

### **Sécurité technique**

L'installation et la réparation inadéquates de cet appareil peuvent mettre les usagers en péril. Seul un fournisseur de services d'entretien autorisé doit réaliser les travaux de réparation de cet appareil. N'utilisez que les pièces originales fournies par le fabricant. Seules les pièces originales satisfont aux exigences en matière de sécurité. Si le cordon d'alimentation de cet appareil est endommagé, un préposé à l'entretien autorisé doit en effectuer le remplacement. L'appareil est équipé d'un cordon d'alimentation triphasée homologuée UL/ULC. Ne coupez pas et n'enlevez jamais le troisième conducteur (mise à la terre) du cordon d'alimentation. L'appareil requiert l'utilisation d'une prise triphasée, que seul un électricien agréé doit installer et respectez tous les codes locaux en vigueur. Lorsque la prise murale standard est biphasée, il incombe au client de la faire remplacer par une prise murale triphasée avec une mise à la terre adéquate.

N'utilisez pas un bouchon-raccord pour brancher l'appareil.

### **Renseignements importants concernant l'utilisation de l'appareil**

- N'utilisez jamais de dispositifs électriques à l'intérieur de l'appareil. Risque d'explosion !
- N'utilisez jamais un dispositif de nettoyage à vapeur pour décongeler ou nettoyer l'appareil. La vapeur peut pénétrer dans les pièces électriques ou provoquer un court-circuit. Risque de décharge électrique !
- N'utilisez pas d'objets pointus ou coupants pour enlever le givre ou de la glace. Vous pourriez endommager les tuyaux de refroidissement. Conséquemment, le liquide frigorigène pourrait s'enflammer ou causer des lésions oculaires.
- N'entreposez pas de produits qui contiennent des agents propulseurs inflammables (comme des aérosols) ou des substances explosives dans l'appareil. Risque d'explosion !
- Ne montez pas sur l'appareil et ne vous appuyez pas sur la base, les tiroirs, les portes ou d'autres pièces d'appareil. Vous pourriez endommager l'appareil ou vous blesser.
- Pour nettoyer l'appareil, débranchez le cordon d'alimentation, le disjoncteur ou le fusible. Ne débranchez pas le cordon d'alimentation en le tirant d'un coup.
- Les bouteilles qui contiennent un haut pourcentage d'alcool doivent être scellées et entreposées en position verticale.
- Assurez-vous qu'aucun élément huileux ou gras ne touche aux pièces de plastique et aux joints des portes, sans quoi ils deviendront perméables.
- Pour éviter que l'appareil travaille inutilement et consomme trop d'électricité, ne couvrez pas et ne bloquez jamais les prises d'air de ventilation.
- Les enfants ne doivent pas utiliser cet appareil sans la supervision d'un adulte.
- N'entreposez pas de boissons embouteillées ou de canettes (particulièrement des boissons gazéifiées) dans le compartiment du congélateur. Ces produits peuvent exploser !
- Ne mangez pas de sucettes glacées et ne mettez pas de la glace dans votre bouche en les sortant du compartiment du congélateur. Risque de brûlure par le froid !
- Ne touchez pas des surfaces ou des aliments dans le congélateur si vos mains sont mouillées. La peau peut coller à ces surfaces extrêmement froides. Risque de blessure !
- Ne grattez pas le givre et n'essayez pas retirer des aliments congelés qui sont pris dans le congélateur avec un couteau ou un objet pointu. Vous pourriez endommager l'appareil ou vous blesser.

# CONSIGNES DE SÉCURITÉ IMPORTANTES

## LISEZ ET CONSERVEZ CES INSTRUCTIONS !

### Présence d'enfants dans la maison

 **AVERTISSEMENT**

Risque de suffocation avec du carton plié ou des pellicules moulantes.  
**Ne laissez pas les enfants s'approcher de l'emballage et des différents accessoires.**  
**Ne laissez pas les enfants jouer avec l'appareil !**  
**Si l'appareil est muni d'un verrou, gardez la clé hors de la portée des enfants.**

### Exigences générales

L'appareil est approprié pour :

- réfrigérer des aliments ;
- congeler des aliments ;
- faire des glaçons.

L'appareil est conçu pour une utilisation ménagère.

Un essai d'étanchéité sur le circuit de refroidissement a été mené avant que l'appareil ne quitte l'usine.

### Avertissements de la Proposition 65 de l'État de la Californie

 **AVERTISSEMENT**

**Ce produit contient des produits chimiques connus de l'État de la Californie pour causer le cancer, des anomalies congénitales ou d'autres problèmes de reproduction.**

## Informations relatives au recyclage et à la mise au rebut

### Recyclage de l'emballage

L'emballage protège votre appareil contre les dommages pendant le transport. Tous les matériaux utilisés sont respectueux de l'environnement et recyclables. Veuillez nous aider à mettre l'emballage au rebut d'une façon qui est respectueuse de l'environnement.


Retirer les poignées de l'emballage avant de le jeter. Veuillez vous informer des méthodes de mise au rebut auprès de votre détaillant ou autorité locale.

 **AVERTISSEMENT**

Risque de suffocation avec des boîtes de carton ou des pellicules de plastique !  
**Gardez l'emballage et les matériaux d'emballage hors de la portée des enfants.**

### Mise au rebut de votre vieil appareil

Les vieux électroménagers sont utiles! Des matières premières de grande valeur peuvent être récupérées lors du recyclage de vieux électroménagers.

 **AVERTISSEMENT**

**Risque pour les enfants de s'enfermer dans l'appareil !**  
**Les enfants peuvent s'enfermer dans l'appareil.**  
**Avant de mettre au rebut votre vieux réfrigérateur :**  
**Enlevez les portes ainsi que le tiroir du compartiment du congélateur.**  
**Laissez les étagères et les conteneurs en place de façon à ce que les enfants ne puissent pas entrer facilement dans l'appareil.**

Mise au rebut adéquate d'un électroménager :

1. Débranchez-le de la prise électrique.
2. Coupez le cordon d'alimentation et jetez-le.
3. N'enlevez pas les bacs et étagères. Ils empêchent les enfants d'entrer dans l'appareil.
4. Ne laissez pas les enfants jouer avec l'appareil.  
Risque de suffocation !

Les réfrigérateurs contiennent du liquide frigorigène et leur isolation contient des gaz. Le liquide frigorigène et les gaz doivent être éliminés adéquatement. Suivez les directives locales de mise au rebut. Assurez-vous que les tuyaux du circuit de réfrigération ne sont pas endommagés avant de mettre convenablement l'appareil au rebut.

# CONSIGNES DE SÉCURITÉ IMPORTANTES

## LISEZ ET CONSERVEZ CES INSTRUCTIONS !

### Contenu de l'expédition

Après avoir déballé toutes les pièces, assurez-vous que rien n'a été endommagé pendant le transport. S'il y a des dommages, ne branchez pas l'appareil. Veuillez communiquer avec votre détaillant.

#### Les éléments suivants sont inclus :

- Appareil autoportant
- Accessoires intérieurs (selon le modèle)
- Sac contenant le matériel d'installation
- Instructions d'utilisation
- Instructions d'installation
- Carte d'enregistrement
- Renseignements sur la consommation d'énergie et les bruits de fonctionnement

### Installation de l'appareil

Cet appareil doit être installé et branché selon les Instructions d'installation fournies.



#### AVERTISSEMENT

##### N'installez pas l'appareil ...

- à l'extérieur ;
- dans un endroit où de l'eau pourrait s'écouler ;
- dans les pièces exposées à un risque de température glaciale.

### Transport

L'appareil est lourd et doit être immobilisé pendant le transport et l'installation.

Les roulettes ne sont fournies que pour faciliter l'installation.

N'utilisez pas les roulettes pour transporter l'appareil.



#### AVERTISSEMENT

##### Risque de blessure !

**L'appareil est très lourd. Il peut tomber et causer des blessures graves durant le transport et l'installation. Au moins deux personnes sont requises pour installer l'appareil en toute sécurité. Gardez les portes du réfrigérateur fermées jusqu'à ce que l'appareil soit en position verticale et de niveau.**

**Les surfaces cachées peuvent dissimuler des arêtes aiguës. Faire preuve de prudence en cherchant à atteindre l'arrière ou le dessous de l'appareil.**

### Lieu d'installation



#### AVERTISSEMENT

##### Risque d'explosion !

**N'installez pas l'appareil près de substances explosives ou inflammables.**

Le lieu d'installation doit être sec et bien aéré. Il ne doit pas être exposé directement aux rayons du soleil ou installé près d'une source de chaleur, comme une cuisinière ou un appareil de chauffage. S'il est inévitable de l'installer près d'une source de chaleur, utilisez une plaque d'isolation ou respectez les distances minimales suivantes :

- 1 1/4" de pouces (3 cm) d'un poêle électrique ou au gaz.
- 11 3/16" de pouces (30 cm) d'un poêle à pétrole ou à combustible solide.

De manière à ce que la machine à glaçons fonctionne correctement, l'appareil doit être droit et à niveau.

### Classes climatiques

La classe climatique de l'appareil est indiquée sur la plaque signalétique et mentionne les températures ambiantes dans lesquelles l'appareil peut être utilisé.

Classe climatique	Température ambiante permise
SN	50 °F à 90 °F (+10 °C à 32 °C)
N	61 °F à 90 °F (+16 °C à 32 °C)
ST	61 °F à 100 °F (+16 °C à 38 °C)
T	61 °F à 110 °F (+16 °C à 43 °C)

### Plancher

#### REMARQUE

L'appareil est très lourd.

Le plancher sur lequel l'appareil est installé doit être rigide. Renforcez le plancher s'il le faut.

### Aération

Seule une grille d'aération, située à la base de l'appareil, assure la ventilation de l'appareil de réfrigération. Ne couvrez et ne bloquez jamais la grille d'aération pour éviter que l'appareil travaille inutilement et consomme trop d'électricité.

## Nivellement de l'appareil

### REMARQUE

Pour vous assurer du bon fonctionnement de l'appareil, utilisez un niveau pour le niveler.

Si l'appareil n'est pas de niveau, de l'eau pourrait s'écouler de la machine à glaçons, les glaçons pourraient avoir des formes irrégulières et les portes pourraient ne pas se fermer convenablement.

1. Placez l'appareil à l'endroit d'installation choisi.
2. Pour éviter que l'appareil bouge, dévissez les deux pattes avant jusqu'à ce qu'elles reposent fermement sur le plancher.
3. Vissez ou dévissez les pattes jusqu'à ce que l'appareil soit parfaitement nivelé.
4. Utilisez un niveau pour vous assurer que l'appareil est bien nivelé.

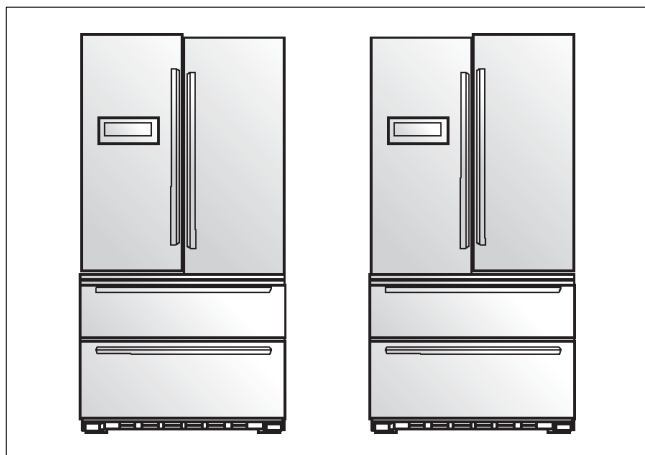
### REMARQUE

Pour vous assurer que l'appareil ne bouge pas, les pattes avant doivent reposer fermement sur le plancher.

5. Si les portes du compartiment du réfrigérateur ne sont pas à la même hauteur, ou si le tiroir du compartiment du congélateur est incliné après le nivellement de l'appareil, utilisez la méthode suivante pour les ajuster.

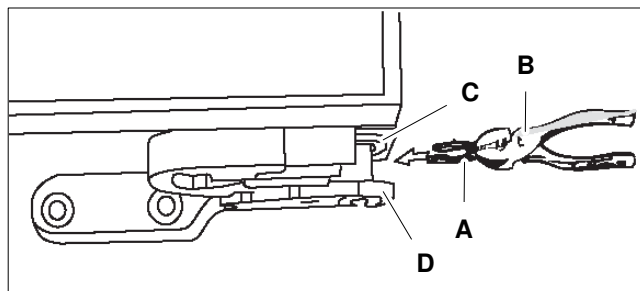
### Ajustement des portes du réfrigérateur

L'appareil doit être de niveau pour aligner correctement les portes.



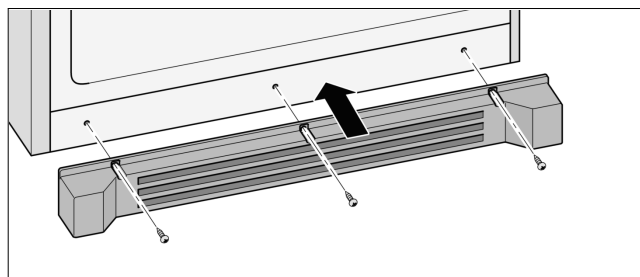
1. Levez la porte la plus basse jusqu'à ce qu'elle soit de niveau avec la porte la plus haute.

2. Insérez avec des pinces (B) un anneau de fixation fourni (A) dans l'espace séparant l'œillet de la charnière (C) et la charnière inférieure (D). Le nombre d'anneaux de fixation dont vous aurez besoin dépendra de l'espace à combler.



### Installation de la plinthe

1. Montez la plinthe.
2. Insérez les trois vis et fixez-les en place (les vis sont fournies dans la trousse du manuel).



## Connexion de l'appareil

Confiez à un technicien l'installation et le branchement de l'appareil, en conformité avec les instructions d'installation adjointes.

N'enlevez pas le dispositif de protection pour le transport des étagères et des compartiments avant l'installation et le nivellement de l'appareil.

Réalisez toujours le raccordement de l'eau avant de procéder au raccordement électrique.

Hormis les réglementations nationales en vigueur, vous devriez toujours respecter le code de l'électricité local ainsi que les codes et exigences du service des eaux.

Après l'installation de l'appareil, attendez au moins six heures avant d'allumer l'appareil. Durant le transport, il est possible que l'huile du compresseur ait coulé dans le système de refroidissement.

Avant d'allumer l'appareil pour la première fois, nettoyez-en l'intérieur (consultez la section « Nettoyage de l'appareil »).

## Raccordement de l'eau



### AVERTISSEMENT

**Risque de décharge électrique et de dommages à l'appareil !**

**Débranchez l'appareil de la source d'alimentation avant de procéder aux travaux de raccordement à l'eau.**

**Seul un technicien qualifié doit procéder au raccordement, conformément aux réglementations en vigueur de plomberie et du service des eaux.**

Raccordez uniquement l'appareil à une conduite d'eau potable :

- Pression minimale : 0.17 MPa (1.72 bars, 24.95 PSI)
- Pression maximale : 0.82 MPa (8.25 bars, 119.66 PSI)
- Pression de plus de 0,82 MPa (8,25 bars, 119.66 PSI) : installez un limiteur de pression entre la conduite d'eau potable et le tuyau.

Seul un plombier compétent doit s'occuper des travaux de raccordement de l'eau, en conformité avec les réglementations locales du service des eaux.

L'appareil doit être raccordé à une conduite d'eau froide pour que la machine à glaçons fonctionne convenablement. La pression de l'eau doit varier entre 0.17 MPa (1.72 bars, 24.95 PSI) et 0.82 MPa (8.25 bars, 119.66 PSI). L'installation doit respecter les réglementations de plomberie en vigueur.

Un robinet d'arrêt doit être installé à la conduite d'entrée d'eau froide.

Le robinet d'arrêt ne doit pas se trouver derrière l'appareil. Il est recommandé d'installer le robinet d'arrêt à côté de l'appareil ou à un endroit facilement accessible.

Lors des travaux de raccordement, prêtez attention aux zones de montage admissibles de la conduite d'eau.

Pour le raccordement à la conduite d'eau, n'utilisez que des tuyaux pour eau potable. Respectez les réglementations nationales et les exigences du service des eaux.

## Raccordement électrique



### AVERTISSEMENT

**Risque de décharge électrique et d'incendie lors d'un raccordement électrique inadéquat !**

**Branchez uniquement l'appareil à une prise triphasée fixe avec mise à la terre. Un électricien qualifié doit procéder à l'installation et à la mise à la terre, en conformité avec le code de l'électricité. S'il le faut, faites inspecter l'installation par un électricien qualifié pour vous assurer que la mise à la terre a été faite convenablement.**

**N'enlevez jamais un connecteur de mise à la terre. N'utilisez pas de rallonge électrique, d'adaptateur ou de barre multiprise.**

**Le non-respect de ces instructions peut entraîner la mort ou une décharge électrique, ou provoquer un incendie. Le raccordement inadéquat du connecteur de terre peut provoquer une décharge électrique. Si vous doutez de la conformité de la mise à la terre de l'appareil, faites vérifier l'installation par un électricien qualifié.**

La prise doit être installée conformément aux instructions fournies dans le manuel d'installation.

Raccordez l'appareil à un réseau de courant alternatif de 115 V/60 Hz, par le biais d'une prise triphasée avec une mise à la terre dûment effectuée. La prise doit être protégée par un fusible ou disjoncteur de 15 à 20 ampères.

L'appareil est équipé d'un cordon d'alimentation triphasée homologuée UL/ULC.

Veuillez consulter le tableau suivant :

Appareil	Courant simultané maximal
----------	---------------------------

Réfrigérateur-congélateur	6.0 A
---------------------------	-------

Consultez la plaque signalétique pour savoir si le voltage et le type de courant indiqués correspondent à ceux de votre résidence. Pour connaître l'emplacement de la plaque signalétique, consultez la section « Service à la clientèle ».



### AVERTISSEMENT

**Ne branchez jamais l'appareil à un dispositif électronique d'économie d'énergie.**

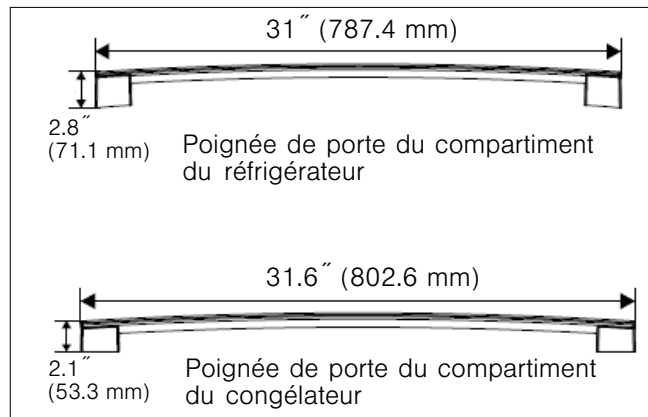
**Nos appareils sont compatibles avec l'utilisation d'un convertisseur continu-alternatif ou d'un onduleur sinusoïdal. Les convertisseurs continu-alternatif sont utilisés avec les systèmes photovoltaïques qui sont directement raccordés au réseau national.**

**Les onduleurs sinusoïdaux doivent être utilisés avec les applications isolées (p. ex., sur des bateaux ou dans des maisons en montagne) qui ne sont pas directement raccordées au réseau national.**

## Installation des poignées

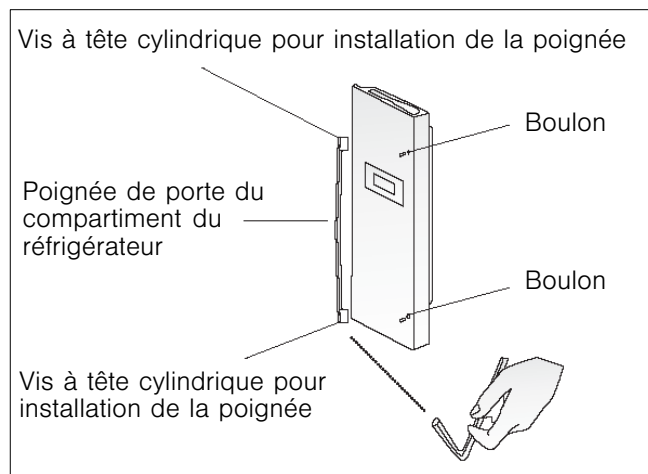
### Différence entre la poignée du compartiment du congélateur et celle du compartiment du réfrigérateur

Les poignées se trouvent à l'intérieur de la boîte en carton.



### Poignée de porte du compartiment du réfrigérateur

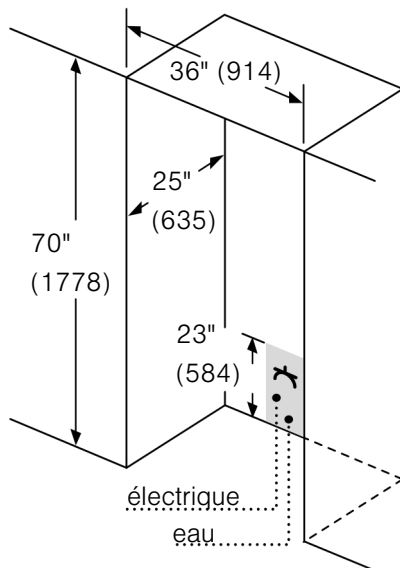
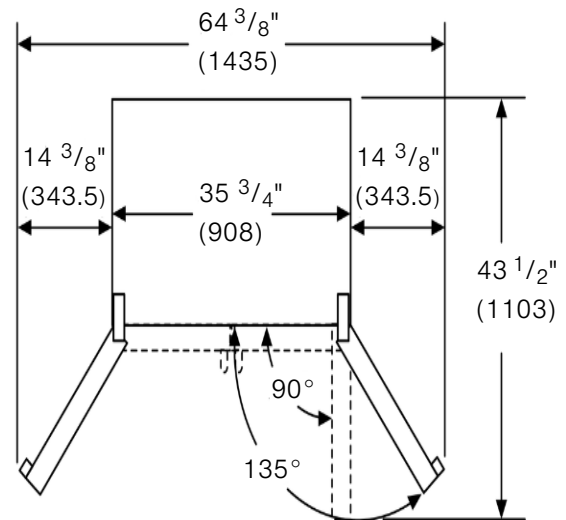
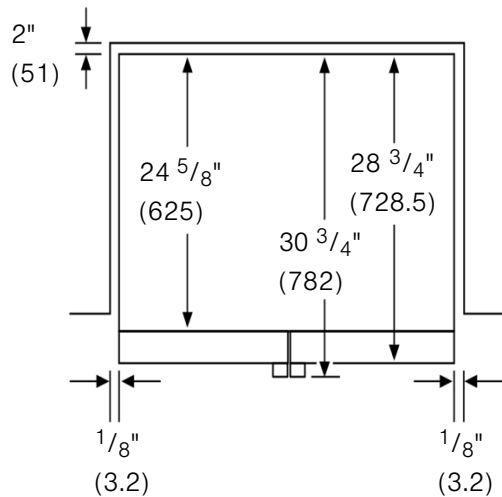
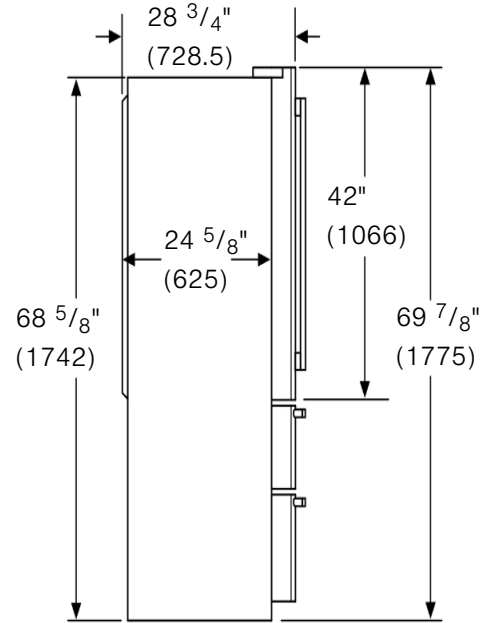
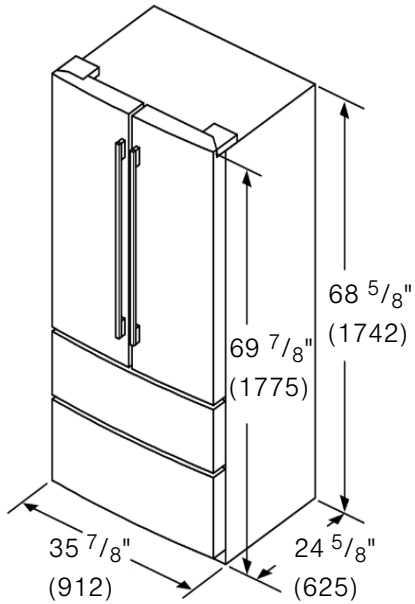
1. Placez la poignée du compartiment du réfrigérateur, comme illustré (Note : les orifices des vis de la poignée se trouvent près du rebord de la porte), puis accrochez-la aux boulons.
2. Utilisez la petite clé hexagonale fournie pour visser les vis de la poignée dans les deux petits orifices de la poignée. Une fois que vous les avez vissées, secouez doucement la poignée pour vous assurer qu'elle tient bien en place.



### Poignée de porte du compartiment du congélateur

Les étapes à suivre pour l'assemblage de la porte du compartiment du congélateur sont les mêmes que celles de la porte du compartiment du réfrigérateur. Durant l'assemblage de la porte, les trous de coulée doivent être orientés vers le bas (vers le sol).

## Appareils et installation Dimensions



Laisser  $1 \frac{1}{2}$ " (12.7 mm) écart au sommet et  $2$ " (51 mm) derrière le réfrigérateur pour une bonne ventilation.

Pour l'installation à côté d'un mur, laissez  $3 \frac{3}{4}$ " (95.2 mm) minimum sur le côté de la paroi pour ouvrir la porte.

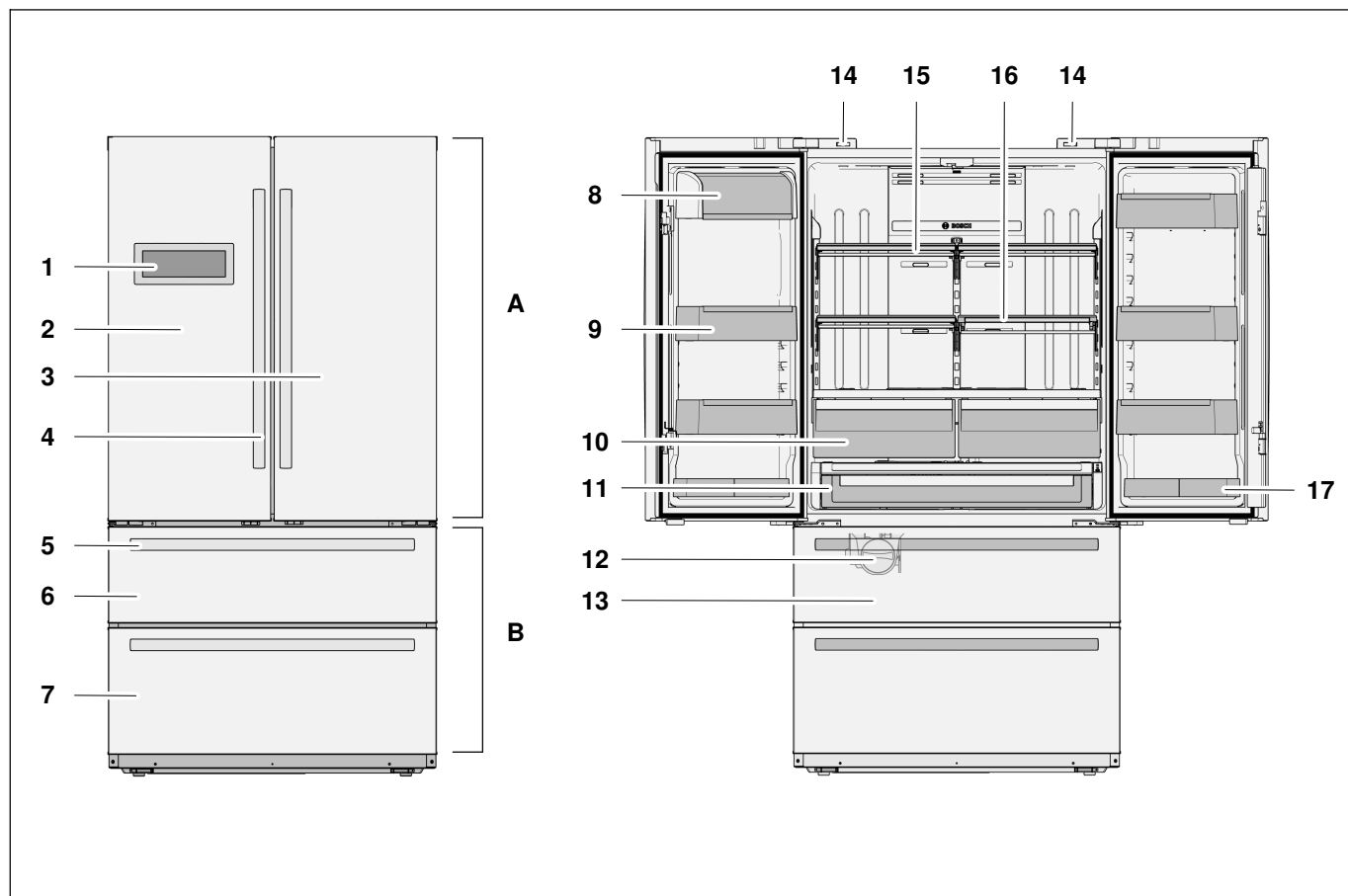
Il est recommandé de ne pas installer le réfrigérateur près d'une source de chaleur comme un four ou une plaque.

Réceptacle et de l'eau Hauteur maximale de la ligne  $23$ " (584 mm).

measurements in inches (mm)

## Votre appareil et ses éléments

Ces instructions d'installation et d'utilisation s'appliquent à plusieurs modèles. Il est possible que l'illustration ne corresponde pas au modèle de votre appareil en particulier.



**A** Le compartiment du réfrigérateur peut être réglé à des températures variant entre 34 °F (+1 °C) et 44 °F (+7 °C)

**B** Le compartiment du congélateur peut être réglé à des températures variant entre 9 °F (-13 °C) et -7 °F (-22 °C)

- 1 Tableau d'affichage et de commande
- 2 Porte gauche du compartiment du réfrigérateur
- 3 Porte droite du compartiment du réfrigérateur
- 4 Poignée de porte
- 5 Poignée de tiroir
- 6 Tiroir supérieur du congélateur
- 7 Tiroir inférieur du congélateur
- 8 Casier laitier
- 9 Casier de porte
- 10 Bac à fruits et à légumes
- 11 Tiroir de refroidissement
- 12 Machine à glaçons
- 13 Compartiment d'entreposage de glaçons
- 14 Interrupteur de la lampe du compartiment du réfrigérateur
- 15 Clayette réglable
- 16 Clayette rétractable
- 17 Petit bac



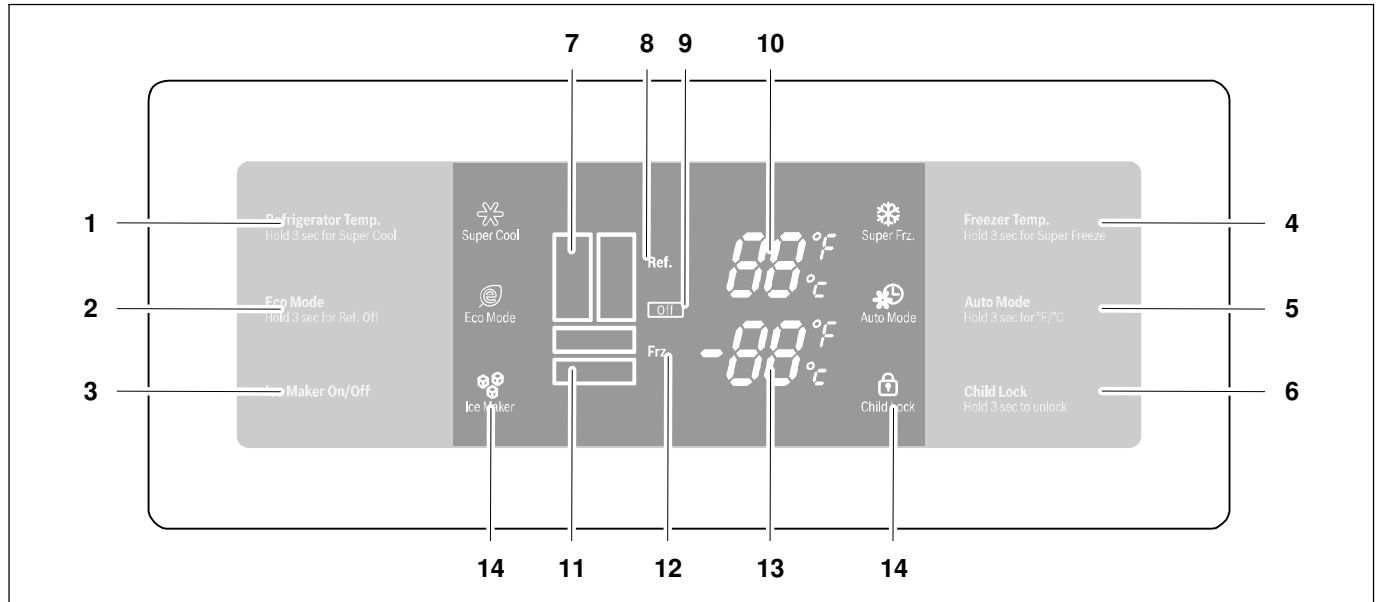
## Tableau d'affichage et de commande

### Tableau d'affichage

Lorsque vous allumez l'appareil pour la première fois, tous les symboles du microprocesseur apparaissent à l'écran pendant trois secondes, puis s'éteignent.

### Tableau d'affichage

30 secondes après que la porte a été refermée et qu'aucune touche n'a été appuyée, la lumière du panneau d'affichage s'éteindra. Chaque fois que la porte est ouverte, fermée ou que le panneau est touché, l'affichage revient à la normale.



#### 1 Touche « Refrigerator Temp. »

Cette touche sert à

- régler la température du compartiment du réfrigérateur ;
- allumer et éteindre la fonction « Super Cool ».

#### 2 Touche « Eco Mode »

Cette touche sert à allumer et éteindre le mode d'économie d'énergie.

#### 3 Touche « Ice Maker »

Cette touche sert à allumer et éteindre la machine à glaçons.

#### 4 Touche « Freezer Temp. »

Cette touche sert à

- régler la température du compartiment du congélateur ;
- allumer et éteindre la fonction « Super Freeze ».

#### 5 Touche « Auto Mode »

Cette touche sert à allumer et éteindre le mode automatique.

#### 6 Touche « Child Lock »

Cette touche sert à allumer et éteindre le mode de verrouillage pour enfants.

#### 7 Symbole du compartiment du réfrigérateur

#### 8 Symbole du réfrigérateur

#### 9 Symbole hors circuit

Signifie que le réfrigérateur est éteint.

#### 10 Affichage de température du compartiment du réfrigérateur

Indique la température choisie du compartiment du réfrigérateur.

#### 11 Symbole du compartiment du congélateur

#### 12 Symbole du congélateur

#### 13 Affichage de température du compartiment du congélateur

Indique la température choisie pour le compartiment du congélateur.

#### 14 Symboles apparaissant sur le tableau d'affichage



##### Fonction Super Cool

Ce symbole apparaît lorsque la fonction « Super Cool » est en marche.



##### Mode d'économie d'énergie

Ce symbole apparaît lorsque le mode d'économie d'énergie est activé.



##### Machine à glaçons

Ce symbole apparaît lorsque la machine à glaçons est allumée.



##### Fonction Super Freeze

Ce symbole apparaît lorsque la fonction « Super Freeze » est en marche.



##### Mode automatique

Ce symbole apparaît lorsque le mode automatique est activé.



##### Verrouillage – Enfants

Ce symbole apparaît lorsque la fonction de verrouillage du tableau d'affichage est activée.

## Conseils d'utilisation

### Ouverture et fermeture des portes du compartiment du réfrigérateur

Il est possible d'ouvrir et de fermer de façon indépendante les portes du compartiment du réfrigérateur.

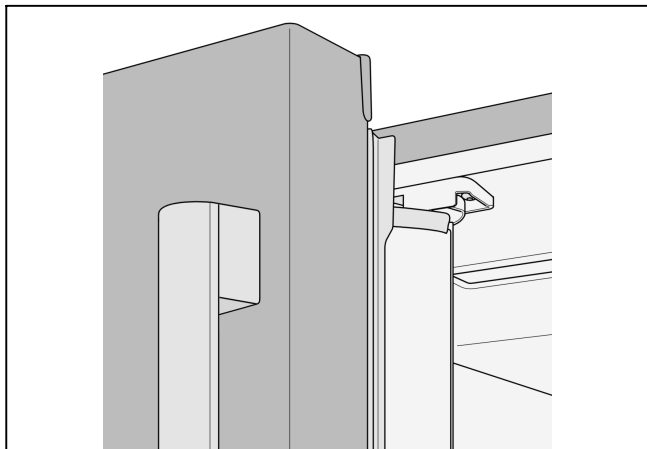
La porte gauche du compartiment du réfrigérateur est munie d'une barre escamotable.

### REMARQUE

Risque de dommages à l'appareil !

Vous pourriez endommager la barre si vous tentez de fermer la porte gauche du compartiment du réfrigérateur lorsque la barre n'est pas repliée vers l'intérieur.

Avant de fermer les portes du compartiment du réfrigérateur, assurez-vous que la barre est en angle droit par rapport à la porte.



Lorsque vous fermez la porte gauche du compartiment du réfrigérateur, la barre escamotable se replie derrière la porte droite pour former un joint étanche.

## Mise en marche l'appareil

### REMARQUE

Après l'installation de l'appareil, attendez au moins six heures avant de brancher l'appareil, car il est possible que l'huile du compresseur ait coulé dans le système de refroidissement.

Branchez la fiche de l'appareil dans la prise.

Une fois l'appareil branché, le processus de réfrigération s'enclenche. La lampe intérieure du compartiment du réfrigérateur s'allume lors de l'ouverture de la porte.

Il faut plusieurs heures pour que l'intérieur de l'appareil atteigne sa température de fonctionnement. Ne mettez pas de nourriture dans l'appareil avant l'atteinte de cette température.

Température initiale

Compartiment réfrigérateur : 39 °F (+4 °C)

Compartiment congélateur : 0 °F (-18 °C).

## Réglage de la température

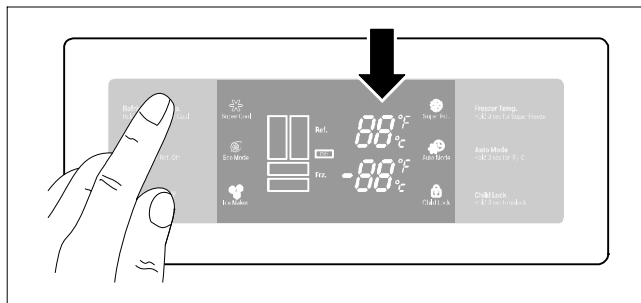
### Compartiment du réfrigérateur

Il est possible de régler la température entre 34 °F (+1 °C) et 44 °F (+7 °C).

1. Appuyez sur la touche « Refrigerator Temp. ».

La température du compartiment du réfrigérateur apparaît à l'écran.

2. Appuyez sur la touche « Refrigerator Temp. » jusqu'à ce que vous atteigniez la température désirée du compartiment du réfrigérateur.



Une fois la température réglée, le nouveau réglage apparaît à l'écran pendant 15 secondes.

Nous recommandons de régler la température à 39 °F (+4 °C).

Ne conservez pas d'aliments périssables à des températures supérieures à 39 °F (+4 °C).

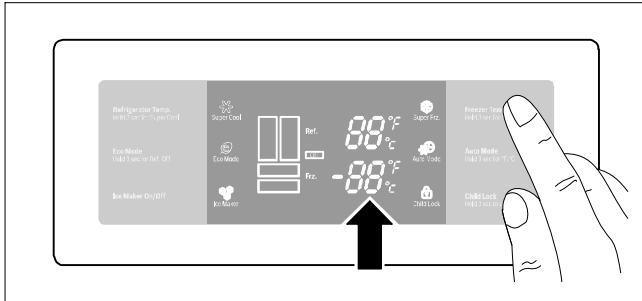
## Compartiment du congélateur

Il est possible de régler la température entre 9 °F (-13 °C) et -7 °F (-22 °C).

1. Appuyez sur la touche « Freezer Temp. ».

La température du compartiment du congélateur apparaît à l'écran.

2. Appuyez sur la touche « Freezer Temp. » jusqu'à ce que vous atteigniez la température désirée du compartiment du réfrigérateur.



Une fois la température réglée, le nouveau réglage apparaît à l'écran pendant 15 secondes.

Nous recommandons réglée la température à 0 °F (-18 °C).

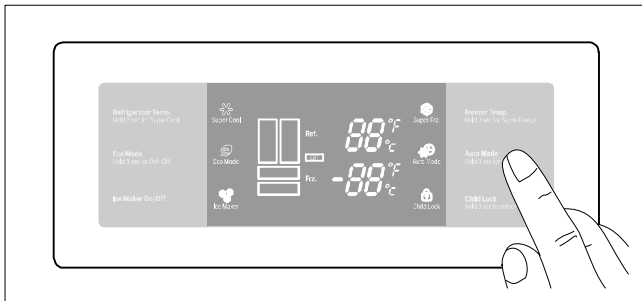
## Unité de température

La température peut être affichée en degrés Fahrenheit (°F) ou Celsius (°C).

L'unité de température par défaut est le Fahrenheit (°F).

### Ajustement de l'unité de température :

Appuyez sur la touche « Auto Mode » pendant trois secondes.



L'unité de température change.

## Fonction Super Cool

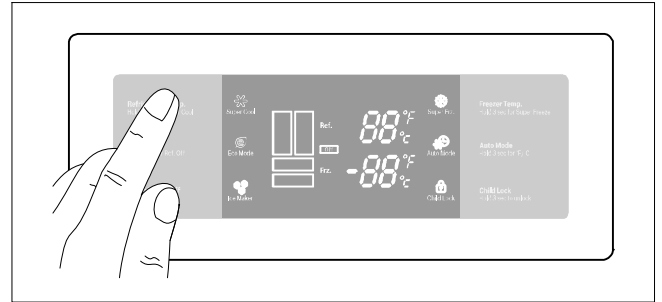
La fonction Super Cool refroidit le compartiment du réfrigérateur à la plus basse température possible.

Il est recommandé d'utiliser cette fonction ...

- avant de mettre de grandes quantités de nourriture dans le compartiment du réfrigérateur ;
- pour refroidir rapidement des boissons.

### Activation de la fonction Super Cool :

Appuyez sur la touche « Refrigerator Temp. » pendant trois secondes.



La température est réglée à 34 °F (+1 °C).

### Désactivation de la fonction Super Cool :

Appuyez sur la touche « Refrigerator Temp. » pendant trois secondes.

La fonction Super Cool se désactive automatiquement au bout de 2.3 heures.

## Fonction Super Freeze

Pour retenir leurs vitamines, leur valeur nutritionnelle, leur apparence et leur saveur, les aliments doivent être congelés le plus rapidement possible.

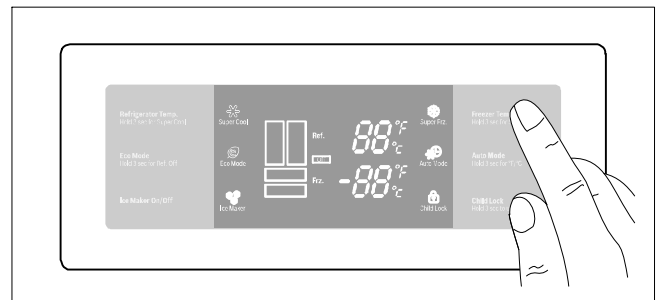
Pour prévenir toute montée de température non voulue lorsque vous mettez des aliments dans le compartiment du congélateur, activez la fonction Super Freeze plusieurs heures à l'avance.

En règle générale, il convient d'activer la fonction de quatre à six heures avant d'en avoir besoin. Laissez la fonction pendant au moins 24 heures si vous prévoyez d'utiliser la capacité de congélation maximale.

Il est possible de congeler de plus petites quantités sans avoir recours à la fonction Super Freeze.

### Activation de la fonction Super Freeze :

Appuyez sur la touche « Freezer Temp. » pendant trois secondes.



La température est réglée à -7 °F (-22 °C).

**Désactivation de la fonction Super Freeze :**

Appuyez sur la touche « Freezer Temp. » pendant trois secondes.

La fonction Super Freeze se désactive automatiquement au bout de 6 heures.

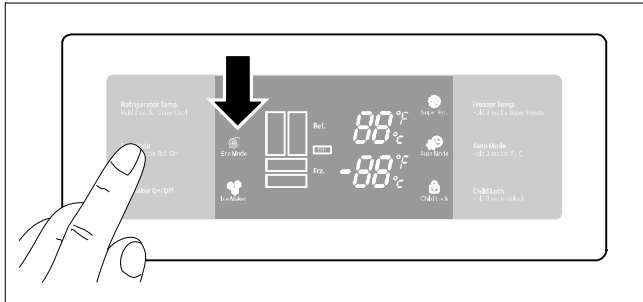
**Mode d'économie d'énergie**

Ce mode sert lors des vacances ou quand le réfrigérateur n'est pas utilisé pendant une longue période.

La température du compartiment du réfrigérateur s'ajuste automatiquement à 44 °F (7 °C) et celle du compartiment du congélateur à 5 °F (-15 °C).

**Activation du mode d'économie d'énergie :**

Appuyez sur la touche « Eco Mode ».



Le symbole « Eco Mode » apparaît à l'écran.

**Désactivation du mode d'économie d'énergie :**

Appuyez sur la touche « Eco Mode ».

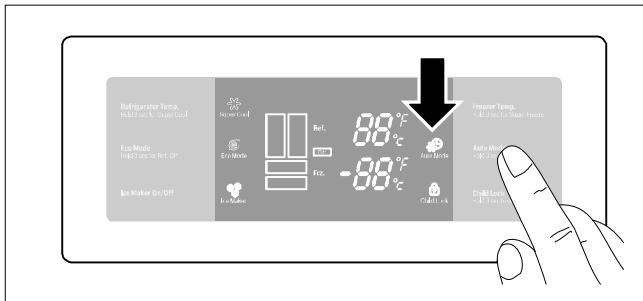
Le symbole « Eco Mode » disparaît de l'écran.

**Mode automatique**

La température du compartiment du réfrigérateur s'ajuste automatiquement à 41 °F (5 °C) et celle du compartiment du congélateur à 0 °F (-18 °C).

**Activation du mode automatique :**

Appuyez sur la touche « Auto Mode ».



Le symbole « Auto Mode » apparaît à l'écran.

**Désactivation du mode automatique :**

Appuyez sur la touche « Auto Mode ».

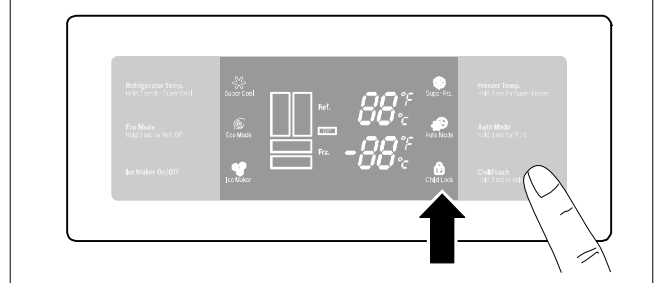
Le symbole « Auto Mode » disparaît de l'écran.

**Verrouillage – Enfants**

Lorsque la fonction de verrouillage pour enfants est activée, toutes les touches du tableau d'affichage sont verrouillées.

**Activation et désactivation du mode de verrouillage pour enfants :**

Appuyez sur la touche « Child Lock » pendant trois secondes.



Le symbole « Child Lock » apparaît lors de l'activation de la fonction.

**Compartiment du réfrigérateur****AVERTISSEMENT****Risque d'explosion !**

**N'entreposez pas de substances explosives dans l'appareil.**

Le compartiment du réfrigérateur est l'endroit idéal pour entreposer des plats préparés, des gâteaux et pâtisseries, des aliments en conserve, du lait condensé, du lait, du fromage, des pâtes à tartiner, des sauces, des sauces froides et des oeufs.

**Éléments à prendre en note lorsque vous achetez de la nourriture**

La fraîcheur des produits au moment de leur achat est importante pour leur durée de conservation. En principe, plus les produits sont placés rapidement dans les bacs à fruits et à légumes, plus ils se conservent longtemps. Par conséquent, lors de leur achat, toujours vérifier leur fraîcheur.

Notez la date de péremption du fabricant pour les plats préparés et les produits embouteillés.

**Conservation des aliments dans l'appareil**

- Pour retenir l'arôme, la couleur et la fraîcheur des aliments, enveloppez-les ou couvrez-les avant de les mettre au réfrigérateur. Cela évitera également la transmission de saveurs d'un aliment à un autre et la décoloration des pièces de plastique de l'appareil.
- Laissez aux boissons et aliments chauds le temps de refroidir avant de les entreposer dans l'appareil.
- Ne bloquez pas les prises d'air de ventilation du compartiment du réfrigérateur avec des aliments, car cela affectera la circulation de l'air. Les aliments qui sont entreposés directement en face des prises d'air peuvent se congeler en raison de la circulation de l'air froid.
- Évitez que de l'huile et de la graisse entrent en contact avec les pièces en plastique et les joints des portes.

## Compartiment pour aliments frais

**N'hésitez pas à conserver les aliments suivants dans le compartiment pour aliments frais :**

- Poisson, fruits de mer, viandes, saucisses et viandes froides, produits laitiers, plats préparés.
- Légumes (p. ex., carottes, asperges, céleris, poireaux, betteraves, champignons, chou, brocoli, chou-fleur, choux de Bruxelles, chou-rave).
- Variétés de laitues (p. ex., mâche, iceberg, chicorée).
- Fines herbes (p. ex., aneth, persil, ciboulette, basilic).
- Fruits (variétés non sensibles au froid, comme des pommes, des poires, des fruits des champs et des raisins).



### ATTENTION

Après une panne ou le débranchement de l'appareil, la température du compartiment pour aliments frais doit être réglée de nouveau.

## Compartiment du congélateur



### AVERTISSEMENT

**Risque d'explosion !**

**N'entreposez jamais dans l'appareil des produits contenant des agents propulseurs inflammables (comme des aérosols) ou explosifs, ou encore des substances à combustion facile.**



### ATTENTION

**Ne pas recongeler des aliments décongelés ou en cours de décongélation. Ne jamais congeler des aliments plus longtemps que leur durée de conservation maximale.**

## Utilisation du compartiment du congélateur

- Conservation d'aliments surgelés.
- Congélation d'aliments.
- Fabrication et entreposage de glaçons.

### REMARQUE

Assurez-vous que les tiroirs du compartiment du congélateur sont toujours fermés. Les aliments congelés se décongèleront si les tiroirs sont ouverts et le compartiment du congélateur se couvrira d'une épaisse couche de glace, sans compter la consommation électrique considérable que cela provoquera.

Lorsque les tiroirs du compartiment du congélateur sont fermés, la pression intérieure peut être très basse.

Si vous avez de la difficulté à ouvrir les tiroirs du compartiment du congélateur après les avoir fermés, attendez deux ou trois minutes, jusqu'à ce que la pression intérieure se régule.

## Congélation d'aliments

### Achat d'aliments congelés

- L'emballage ne doit pas être endommagé.
- Consommez les aliments en fonction de leur date d'expiration.
- La température du congélateur du supermarché doit être de 0 °F (-18 °C) ou moins.
- Dans la mesure du possible, transportez les aliments surgelés dans un sac isothermique et mettez-les immédiatement dans le compartiment du congélateur.

## Congélation d'aliments frais

Ne congelez que des aliments frais et non endommagés.

Pour conserver leur valeur nutritionnelle, leur saveur et leur couleur, vous devriez blanchir les légumes avant de les congeler, sauf les aubergines, les courgettes et les asperges.

Pour en savoir davantage sur la façon de congeler et blanchir des aliments, de nombreux ouvrages sont en vente en librairie.

### REMARQUE

Séparez les aliments à congeler de ceux qui sont déjà congelés.

- N'hésitez pas à congeler les aliments suivants : Gâteaux et pâtisseries, poissons et fruits de mer, viande, gibier, volaille, légumes, fruits, fines herbes, œufs sans coquille, produits laitiers (fromage, beurre et quark), plats préparés et restants, comme des soupes, ragoûts, viandes cuites, poissons, mets à base de pomme de terre, soufflés et desserts.
- Évitez de congeler les aliments suivants : Légumes qui se mangent habituellement crus, comme de la laitue, des radis, des œufs avec coquille, des raisins, des pommes, poires et pêches entières, des œufs durs, du yogourt, du babeurre, de la crème sure, de la crème fraîche et de la mayonnaise.

## Conservation d'aliments congelés

Pour éviter que les aliments perdent leur saveur et s'assèchent, mettez-les dans des emballages hermétiques.

1. Mettez l'aliment dans l'emballage.
2. Enlevez le surplus d'air.
3. Scellez l'emballage.
4. Indiquez le contenu et la date de congélation sur une étiquette.

### Emballages appropriés :

Pellicule de plastique ou de polyéthylène, papier d'aluminium, contenants à congélateur. Ces produits sont en vente dans des boutiques spécialisées.

### Emballages inappropriés :

Papier d'emballage, papier ciré, cellophane, sacs d'ordure et sacs à provisions usagés.

### Articles appropriés pour sceller des aliments emballés :

Bandes élastiques, pincettes en plastique, ficelle, ruban adhésif résistant au froid, etc. Il est également possible de sceller les sacs et tubes de polyéthylène avec un dispositif de scellage par chaleur.

## Durée de conservation des aliments congelés

La durée de conservation dépend du type d'aliment dont il s'agit. À une température de 0 °F (-18 °C), vous pouvez conserver ...

- du poisson, des saucisses, des plats préparés, des gâteaux et des pâtisseries pour un maximum de six mois ;
- du fromage, de la volaille et de la viande pour un maximum de huit mois ;
- des fruits et légumes pour un maximum de 2 mois.

## Décongélation d'aliments



### ATTENTION

#### Risque d'empoisonnement !

**Ne faites pas congeler des aliments qui sont en processus de décongélation ou qui sont déjà décongelés. Les aliments ne peuvent être congelés à nouveau avant d'être préparés (bouillis ou frits). N'entreposez pas ces produits pour la période d'entreposage maximale.**

Selon le type d'aliment et l'utilisation prévue, il est possible de décongeler les aliments ...

- dans le compartiment du réfrigérateur ;
- dans un four électrique, avec ou sans ventilateur à air chaud ;
- dans un four à micro-ondes.

## Machine à glaçons

La machine à glaçons produit des cubes de glace.

Lorsque le compartiment d'entreposage des glaçons est plein, la machine à glaçons arrête automatiquement la production.

Selon la température du compartiment du congélateur, la température ambiante, la fréquence à laquelle la porte est ouverte et d'autres conditions, la machine peut produire de 2,8 à 3,3 lb (1,3 à 1,5 kg) de glaçons en 24 heures.

### Aspects à tenir en compte lors de la première utilisation

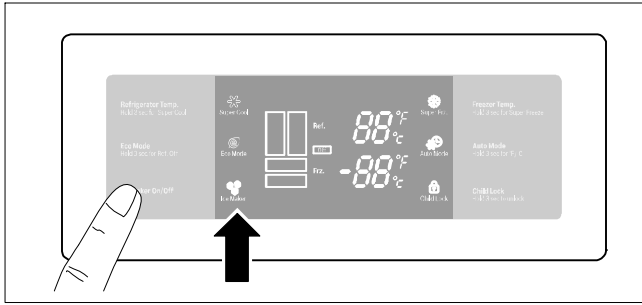
La machine à glaçons ne fonctionne que lorsque l'appareil est approvisionné en eau.

La machine à glaçons commence à produire des cubes de glace aussitôt que l'appareil atteint la température de consigne.

Pour des raisons de salubrité, lors de la première utilisation de la machine à glaçons, n'utilisez pas les 30 ou 40 premiers glaçons.

## Allumer la machine

1. Assurez-vous que le compartiment d'entreposage des glaçons est bien verrouillé en place.
2. Appuyez sur la touche « Ice Maker ».



Le symbole « Ice Maker » apparaît à l'écran.

Avant d'allumer la machine à glaçons après une longue période d'inactivité, nettoyez le bac à glaçons et le compartiment d'entreposage des glaçons.

Lorsque vous allumez la machine à glaçons, le réglage de température automatique du compartiment du congélateur de 0°F (-18 °C) apparaît à l'écran.

## Notes concernant l'utilisation de la machine à glaçons

Vous entendrez le bruit du moteur après deux heures environ. Il s'agit du bruit émis par la valve apportant l'eau à la machine à glaçons. Cela, toutefois, n'indique pas une anomalie.

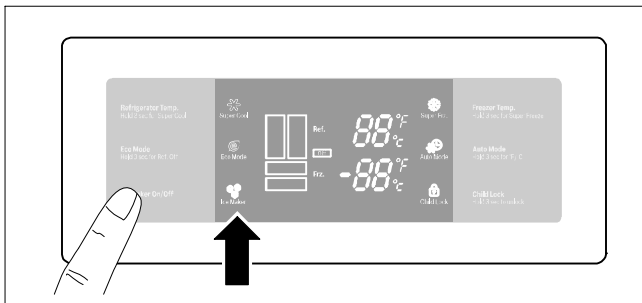
Il est normal que des cubes de glace collent ensemble ou se cassent.

Il faut plus de temps pour fabriquer des glaçons si le tiroir est ouvert fréquemment.

## Éteindre la machine

Il est important de fermer l'approvisionnement en eau de l'appareil quelques heures avant d'éteindre la machine à glaçons.

1. Appuyez sur la touche « Ice Maker ».



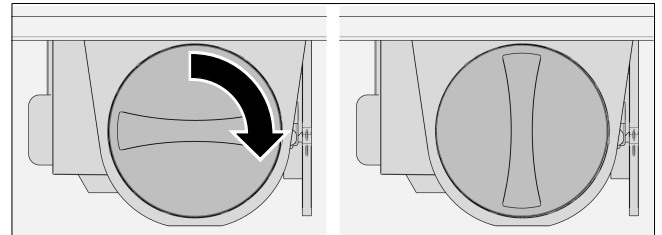
Le symbole « Ice Maker » disparaît de l'écran.

2. Retrait et nettoyage du compartiment d'entreposage des glaçons.
3. Retrait et nettoyage du bac à glaçons.

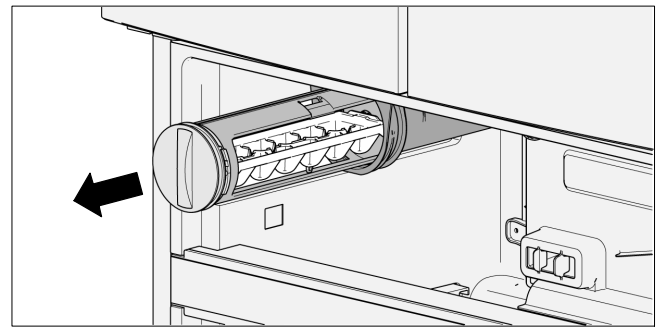
## Retrait et nettoyage du bac à glaçons

Si la machine à glaçons est inutilisée pendant une longue période, les premiers cubes de glace produits dégageront une odeur désagréable. Il vous faut alors retirer et nettoyer le bac à glaçons.

1. Ouvrez le tiroir supérieur du compartiment du congélateur.
2. Tournez la manivelle de la position horizontale à la position verticale pour déverrouiller le support de la machine.



3. Tirez sur le support de la machine à glaçons.
4. Retirez le bac à glaçons.



5. Rincez le bac à glaçons avec de l'eau chaude (de moins de 140 °F/60 °C). N'utilisez pas de détergent.
6. Laissez complètement sécher le bac à glaçons pour vous assurer qu'aucune goutte d'eau n'y reste, ce qui pourrait provoquer le mauvais fonctionnement de la machine à glaçons.
7. Insérez le bac à glaçons dans le support de la machine à glaçons.
8. Poussez le support de la machine à glaçons en place.
9. Tournez la manivelle de la position verticale à la position horizontale pour verrouiller le support en place.

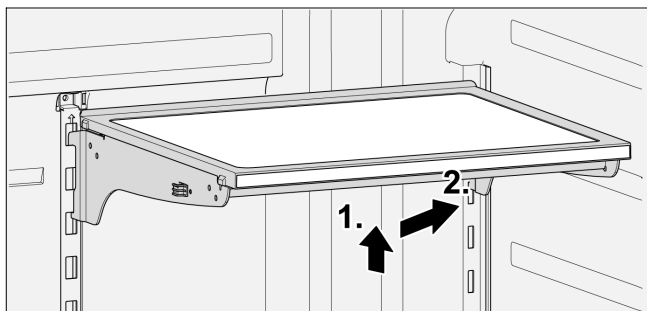
## Accessoires intérieurs

### Clayette réglable

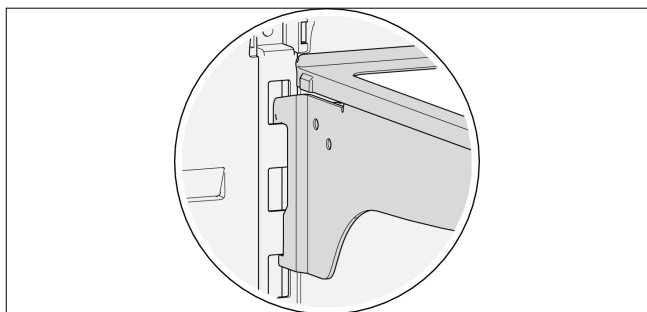
La clayette peut être réglée à la hauteur souhaitée selon les différents aliments qui y sont entreposés.

#### Réglage

Incliner la clayette vers le haut, la soulever et la tirer vers vous.



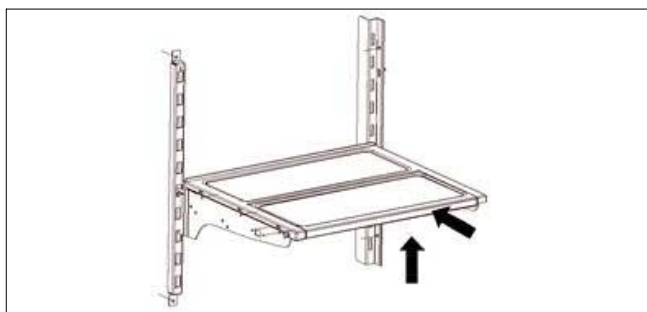
Pendant l'installation, engager la partie supérieure de la patte fixe dans la fente désirée. Rabattre la clayette. La partie inférieure de la patte doit s'insérer dans la fente inférieure.



### Clayette rabattable

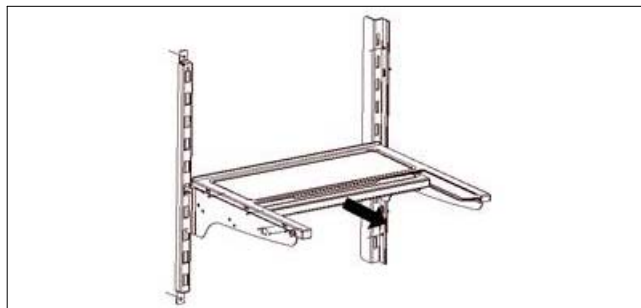
#### Rabattre

Soulever l'avant la clayette rabattable en verre jusqu'à ce qu'il s'aligne sur l'arrière.

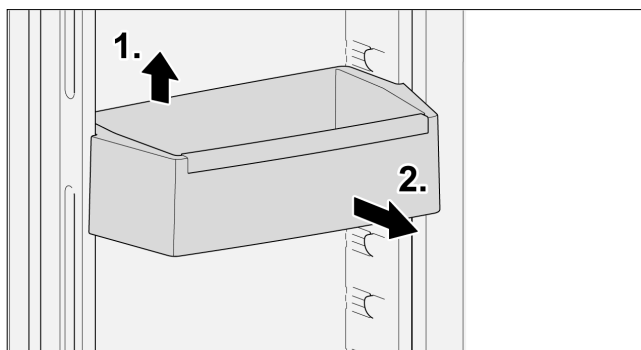


#### Remonter

Tirer directement la clayette rabattable en verre jusqu'à ce qu'elle s'aligne sur l'avant de la clayette en verre fixe, la patte de la clayette rabattable en verre s'insérera dans la fente de la clayette fixe et demeurera stable grâce au principe de gravité.

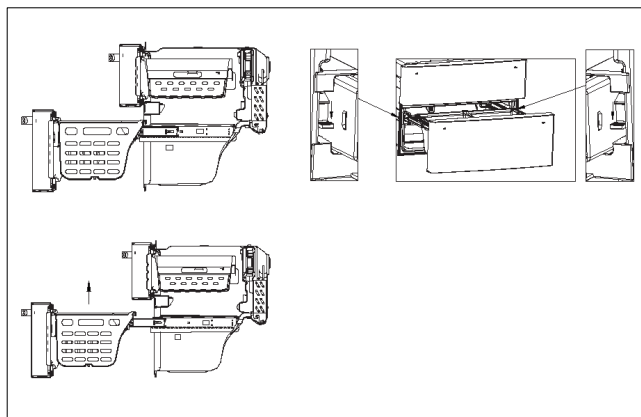


### Casier de porte



### Tiroir inférieur du congélateur

1. Tirez sur le tiroir inférieur du congélateur jusqu'à la position adéquate.
2. Appuyez simultanément sur les boutons des fentes latérales, puis tirez sur le tiroir du congélateur jusqu'à ce qu'il s'arrête.
3. Enlevez le tiroir inférieur comme l'indiquent les flèches sur l'illustration.



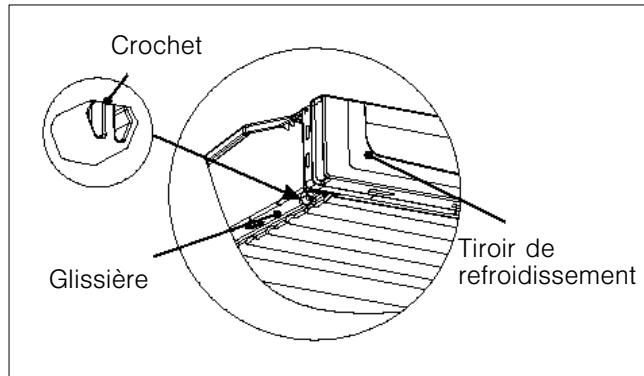


## Tiroir de refroidissement

La capacité de charge maximale tiroir de refroidissement est de 10 kg (22 lb).

### Retirer et installer le tiroir de refroidissement

1. Retirer le tiroir de refroidissement.
2. Recherchez les crochets latéraux, sous le tiroir (comme indiqué sur la figure).
3. Avec une paire de pinces, saisissez l'un des crochets et poussez-le vers le haut puis à l'extérieur de la glissière. Répétez ce processus avec l'autre crochet.
4. Enlevez le tiroir.



5. Installez le tiroir en insérant les crochets dans les fentes.

## Mise hors circuit et débranchement de l'appareil

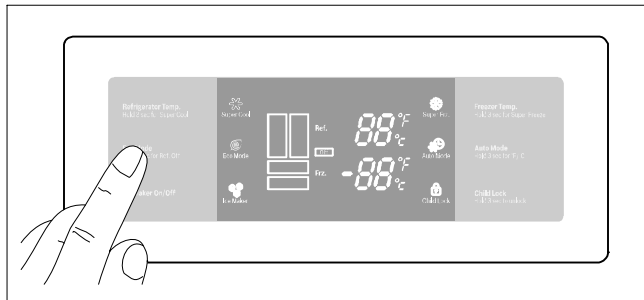
### Mise hors circuit de l'appareil

Débranchez l'appareil, enlevez le fusible ou coupez le disjoncteur.

### Mise en marche et hors circuit du compartiment du réfrigérateur

#### Pour éteindre :

Appuyez sur la touche « Eco Mode » pendant trois secondes.



Le compartiment du réfrigérateur s'éteint. Un signal sonore se fait entendre.

La température du réfrigérateur indique « - » et le symbole « Off » apparaît.

#### Pour l'allumer :

Appuyez sur la touche « Eco Mode » pendant trois secondes.

Le compartiment du réfrigérateur s'allume. Un signal sonore se fait entendre.

### Débranchement de l'appareil

Si l'appareil demeure inutilisé pendant une longue période :

1. Il est impératif que vous coupiez l'approvisionnement en eau de l'appareil quelques heures avant de l'éteindre.
2. Retirez tous les aliments de l'appareil.
3. Débranchez l'appareil.
4. Videz le bac à glaçons et le compartiment d'entreposage des glaçons, puis nettoyez-les.
5. Nettoyez l'intérieur de l'appareil (consultez la section « Nettoyage de l'appareil »).

## Décongélation

### Compartiment du congélateur

Le système entièrement automatique de prévention du givrage prévient la formation de glace dans le compartiment du congélateur. Il n'est pas nécessaire de dégivrer l'appareil.

### Compartiment du réfrigérateur

Le dégivrage se fait automatiquement.

La condensation passe dans le trou d'écoulement et tombe dans la plaque d'évaporation, située à l'arrière de l'appareil.

## Nettoyage



### AVERTISSEMENT

**Risque de décharge électrique !**  
**Débrancher l'appareil ou déclencher le disjoncteur ou enlever le fusible avant de nettoyer l'appareil.**



### ATTENTION

**Pour éviter tout risque de blessure ou de dommages à la propriété, respectez les consignes suivantes :**

**N'utilisez jamais un dispositif de nettoyage à vapeur pour nettoyer l'appareil.**

**N'utilisez pas d'agents nettoyants ou de solvants abrasifs ou acides.**

**Essuyez les lumières, le tableau d'affichage et les commandes avec un linge humide uniquement. Ne laissez pas l'eau utilisée pour le nettoyage s'écouler dans les lampes, sur le tableau d'affichage ou sur les commandes.**

**Ne laissez pas l'eau de nettoyage s'infiltrer dans le trou d'écoulement et dans la zone d'évaporation.**

**Ne nettoyez jamais les étagères ou les conteneurs dans un lave-vaisselle. Les pièces pourraient se déformer.**

## Nettoyage de l'appareil

Les bacs à fruits et légumes et le tiroir de refroidissement peuvent être retirés pour le nettoyage.

1. Débrancher l'appareil ou déclencher le disjoncteur.
2. Retirez tous les aliments de l'appareil et entreposez-les dans un endroit frais.
3. Nettoyez l'appareil avec un linge propre, de l'eau tiède et une petite quantité de détergent à vaisselle au pH équilibré.
4. Séchez-les lorsque vous avez terminé.
5. Essuyez le joint d'étanchéité des portes avec de l'eau propre seulement puis essuyez-le bien.
6. Après le nettoyage, rebranchez l'appareil avant de l'allumer.

## Lumière DEL

L'appareil est muni d'une lumière DEL qui ne nécessite aucun entretien.



### ATTENTION

**Risque de lésion oculaire par laser de catégorie 1M (IEC 60825) !**

**Ne regardez pas directement la lumière avec un instrument optique.**

Seul un technicien autorisé peut réparer ces lumières.

## Conseils d'économie d'énergie

- Installez l'appareil dans une pièce sèche et bien aérée, loin de sources de chaleur (poêle, cuisinière, etc.), sans l'exposer directement aux rayons du soleil. Utilisez une plaque d'isolation, s'il le faut.
- Laissez aux boissons et aliments chauds le temps de refroidir avant de les mettre dans l'appareil.
- Lorsque vous faites décongeler des aliments, placez-les dans le compartiment du réfrigérateur. La basse température des produits congelés permet de refroidir les aliments se trouvant dans l'appareil.
- Ouvrez et fermez les portes et les tiroirs de l'appareil le plus rapidement possible.

## Bruits lors du fonctionnement

### Bruits normaux

**Bourdonnement** - l'appareil de réfrigération ou le ventilateur du système de circulation d'air fonctionne.

**Vrombissement ou gargouillement** - le liquide frigorigène circule dans les tuyaux ou de l'eau circule dans la machine à glaçons.

**Cliquetis** - le moteur s'allume ou s'éteint. La vanne électromagnétique du raccordement d'eau s'ouvre ou se referme.

**Grondement** - des cubes de glace de la machine à glaçons tombent dans le compartiment d'entreposage.

### Résolution de problèmes sonores simples

#### L'appareil n'est pas de niveau

Nivelez l'appareil avec un niveau. Utilisez les pattes ajustables.

#### L'appareil touche à des électroménagers ou appareils adjacents

Déplacez l'appareil pour éviter qu'il touche à des électroménagers ou appareils adjacents.

#### Tiroirs, paniers ou bacs d'entreposage mal fixés

Vérifiez les pièces amovibles et, s'il le faut, remettez-les en place.

#### Des récipients se touchent

Déplacez légèrement les bouteilles ou les récipients pour ne qu'ils soient en contact les uns aux autres.

## Avant d'appeler le service à la clientèle

Avant d'appeler le service à la clientèle :

Vérifiez s'il vous est possible de régler le problème en consultant les renseignements suivants.

Le service à la clientèle peut vous facturer un appel inutile. Veuillez vous reporter à l'Énoncé de garantie du produit pour des renseignements sur la couverture et les exceptions.

### Appareil

Problème	Cause potentielle	Mesure corrective
Le tableau d'affichage reste noir, la lumière intérieure ne fonctionne pas et l'appareil ne fonctionne pas.	Le cordon d'alimentation n'est pas branché.	Branchez le cordon d'alimentation.
	Le fusible ou le disjoncteur a sauté.	Remplacez le fusible ou enclenchez le disjoncteur. Assurez qu'il y a du courant dans la prise électrique.
	Panne de courant.	Attendez que le courant soit rétabli. S'il le faut, communiquez avec un électricien ou le service public.
La lumière intérieure ne fonctionne pas.	L'interrupteur de la lumière du compartiment du réfrigérateur ou du congélateur est collé.	Assurez-vous que l'interrupteur peut bouger.
	L'ampoule DEL est défectueuse.	Consultez la section « Lumière DEL ».
La nourriture est trop froide.	La température a été réglée à une valeur trop basse.	Ajustez l'appareil à une température plus élevée.
La nourriture est trop chaude.	La porte ne s'ouvre pas et ne se ferme pas convenablement.	Nivelez l'appareil avec un niveau. Consultez la section « Nivellement de l'appareil ».  Vérifiez l'installation des tiroirs et corrigez au besoin.
		Vérifiez les joints d'étanchéité des portes et la barre escamotable. S'il le faut, nettoyez-les ou placez-les correctement.
	La température a été réglée à une valeur trop haute.	Sélectionnez une température plus basse.
	La prise d'air de ventilation est bloquée.	Enlevez les aliments qui bloquent la prise d'air de ventilation.
	Les portes ont été ouvertes fréquemment ou pendant une longue période de temps.	Attendez que la température intérieure diminue.
	Une grande quantité de nourriture a été mise au réfrigérateur.	La nourriture doit d'abord atteindre la température d'entreposage adéquate.
L'appareil dégage une odeur désagréable.	Des aliments à forte odeur ont été mis au réfrigérateur.	Enveloppez les aliments ou mettez-les dans un contenant hermétique.
	L'intérieur du compartiment est sale.	Nettoyez l'intérieur du compartiment.
Des gouttes d'eau se forment à l'extérieur de l'appareil.	La porte ne s'ouvre pas et ne se ferme pas convenablement.	Nivelez l'appareil avec un niveau. Consultez la section « Nivellement de l'appareil ».  Vérifiez l'installation des tiroirs et corrigez au besoin.
		Vérifiez les joints d'étanchéité des portes et la barre escamotable. S'il le faut, nettoyez-les ou placez-les correctement.
	L'humidité est trop élevée.	Cela peut être normal dans certaines régions.

Problème	Cause potentielle	Mesure corrective
Des gouttes d'eau se forment à l'intérieur de l'appareil.	L'humidité est trop élevée ou les portes ont été ouvertes fréquemment.	N'ouvrez pas les portes aussi souvent ou ne les laissez pas ouvertes trop longtemps.
	Les joints des portes ne sont pas étanches.	Vérifiez les joints d'étanchéité des portes et de la barre escamotable. S'il le faut, nettoyez-les ou placez-les correctement.
Le tiroir est très difficile à fermer.	Le tiroir n'a pas été installé correctement.	Insérez le tiroir correctement.
	Les glissières du tiroir sont sales.	Nettoyez les glissières du tiroir.
La machine à glaçons ne produit pas de glace.	La machine à glaçons est éteinte.	Allumez la machine à glaçons.
	L'appareil n'est pas approvisionné en eau.	Faites vérifier le raccordement à l'eau par un technicien qualifié.
	La conduite d'eau est pliée.	Coupez l'approvisionnement en eau. Redressez la conduite. Faites remplacer les conduites d'eau par des pièces originales du fabricant.
	La pression de l'eau est trop basse.	Faites vérifier la pression de l'eau.
	Le compartiment d'entreposage des glaçons n'est pas installé correctement.	Insérez correctement le compartiment d'entreposage des glaçons.
	Le raccordement à la conduite d'eau n'a pas été effectué adéquatement.	Un raccordement inadéquat peut entraîner une baisse de la pression de l'eau et endommager l'appareil.

## Service à la clientèle

Avant d'appeler le service à la clientèle, consultez la section « Avant d'appeler le service à la clientèle ».

Après avoir fait les vérifications mentionnées dans la section « Avant d'appeler le service à la clientèle », vous pouvez demander de l'aide en appelant le centre de service à la clientèle de Bosch de partout aux États-Unis, au 1-800-944-2904 (numéro sans frais). Au Canada, communiquez avec votre service à la clientèle Bosch ou appelez au 1-800-944-2904.

Prenez note des renseignements suivants sur votre réfrigérateur afin de les avoir à portée de la main si vous devez communiquer avec le service à la clientèle de Bosch.

Nom du détaillant
Adresse
Numéro de téléphone
Date d'achat
Numéro de modèle (numéro E)
Numéro de série (numéro FD)
Type


## es Índice

INSTRUCCIONES IMPORTANTES DE SEGURIDAD .....	46	Bloqueo para niños .....	57
Cómo deshacerse de un aparato .....	47	Compartimento de refrigerador .....	57
Volumen de suministro .....	48	Compartimento para alimentos frescos .....	58
Instalación del aparato .....	48	Compartimento de congelación .....	58
Nivelación del aparato .....	49	Congelado de alimentos .....	58
Conexión del aparato .....	49	Congelado de alimentos frescos .....	59
Instalación de manillas .....	51	Descongelado de alimentos .....	59
Appliance y Dimensiones de instalación .....	52	Máquina de hielo .....	59
Conozca su aparato .....	53	Accesorios interiores .....	61
Pantalla y panel de control .....	54	Apagado y desconexión del aparato .....	62
Consejos de utilización .....	55	Descongelado del aparato .....	62
Encendido del aparato .....	55	Limpieza del aparato .....	63
Regulación de la temperatura .....	55	Iluminación interior (Luz LED) .....	63
Unidad de temperatura .....	56	Consejos prácticos para ahorrar energía eléctrica .....	63
Función Super Cool .....	56	Ruidos de funcionamiento del aparato .....	63
Función Super Freeze .....	56	Antes de solicitar el Servicio de Asistencia Técnica .....	64
Modo económico .....	57	Servicio de Asistencia Técnica .....	65
Modo automático .....	57		

# INSTRUCCIONES IMPORTANTES DE SEGURIDAD

## ¡LEA Y GUARDE ESTAS INSTRUCCIONES!

### Definiciones

 **ADVERTENCIA**

Este símbolo indica riesgo de lesiones de gravedad o de muerte en caso de no tener en cuenta esta advertencia.

 **ATENCIÓN**

Este símbolo indica riesgo de lesiones menores o moderadas en caso de no tener en cuenta esta advertencia.

**NOTA**

Este símbolo indica riesgos de dañar el aparato o la propiedad en caso de no tener en cuenta esta advertencia.

### ADVERTENCIA: Antes de encender el aparato

Por favor, lea atentamente las instrucciones de instalación y utilización del aparato. Contienen importante información de seguridad e instrucciones de instalación, de utilización y de mantenimiento del aparato. El fabricante no responsabiliza de eventuales daños y perjuicios producidos en caso de incumplimiento por parte del usuario de las instrucciones y advertencias de seguridad proporcionadas. Guarde las instrucciones de uso y montaje para posteriores consultas o para el próximo propietario en caso de venta, cesión o traslado del aparato.

### Seguridad técnica

Instalaciones y reparaciones inadecuadas pueden poner el riesgo al usuario.

Las reparaciones deberán ser realizadas por servicios de mantenimiento autorizados.

Utilice únicamente las piezas originales proporcionadas por el fabricante. Sólo las piezas originales del fabricante cumplen con los requisitos de seguridad.

En caso de estar dañado el cable de alimentación del aparato, éste deberá ser reemplazado por un técnico autorizado.

El aparato viene equipado con un cable de alimentación trifásico certificado ULC.

Nunca corte o quite la tercera clavija (toma de tierra) del cable de alimentación.

El aparato requiere una toma de corriente trifásica. Sólo un electricista autorizado puede instalar la toma de corriente y cumpla con toda la normativa local.

Si las tomas de corriente de pared estándares son bifásicas, es competencia del cliente reemplazarlas por tomas de corriente trifásicas con una toma de tierra adecuada. No utilice adaptadores de conexión.


### Información importante acerca de la utilización del aparato

- No utilice aparatos eléctricos dentro del aparato. ¡Existe peligro de explosión!
- No utilice ningún tipo de limpiador a vapor para desescarchar o limpiar el aparato. El vapor caliente podría penetrar en el interior del aparato, accediendo a los elementos conductores de corriente y provocar un cortocircuito. ¡Peligro de descarga eléctrica!
- No utilice objetos puntiagudos o afilados para eliminar la escarcha o el hielo. Puede dañar los tubos refrigerantes. La fuga de fluido refrigerante puede provocar un incendio o causar lesiones oculares.
- No almacene en el aparato productos que contengan gases o agentes propelentes (p. ej. aerosoles) o sustancias explosivas. ¡Existe peligro de explosión!
- No se ponga de pie o se apoye en la base, los cajones, las puertas u otros componentes del aparato. Podría dañar el aparato o lesionarse.
- Para limpiar el aparato, desconecte el cable de alimentación o apague el disyuntor o fusible. No desenchufe el cable de alimentación tirando de él.
- Selle las botellas que contengan un alto porcentaje de alcohol y guárdelas en posición vertical.
- Asegúrese de que las grasas o aceites no entran en contacto con los elementos de plástico del interior del aparato o la junta de puerta. El plástico y la junta de goma son materiales muy susceptibles a la porosidad.
- Nunca cubra o bloquee las rejillas de ventilación del aparato. Esto hace que el aparato funcione con mayor intensidad, lo que incrementa su consumo energético.
- Los niños no deben utilizar este aparato sin la supervisión de un adulto.
- No almacene bebidas embotelladas o enlatadas (particularmente bebidas carbonatadas) en el compartimento del congelador. ¡Las botellas y las latas pueden estallar!
- No introduzca directamente en su boca los helados, polos o cubitos de hielo extraídos del congelador ¡Peligro de quemaduras!
- No toque con las manos mojadas las superficies del congelador o alimentos congelados. La piel puede adherirse a las superficies extremadamente frías. ¡Riesgo de lesión!
- No rasque el hielo o la escarcha con ayuda de objetos metálicos puntiagudos o cortantes. Podría dañar el aparato o lesionarse.

# INSTRUCCIONES IMPORTANTES DE SEGURIDAD

## ¡LEA Y GUARDE ESTAS INSTRUCCIONES!

### Niños en el hogar

 **ADVERTENCIA**

**¡Existe peligro de asfixia a causa de los cartones y las láminas de plástico!**  
**Mantenga a los niños apartados del embalaje o partes del mismo.**  
**¡No permita que los niños jueguen con el aparato!**  
**Si el aparato tiene una cerradura, conserve la llave fuera del alcance de los niños.**

### Observaciones de carácter general


El aparato es adecuado para:

- refrigerar alimentos
- congelar alimentos
- hacer hielo.

Este aparato ha sido diseñado para uso doméstico en el hogar particular o en su entorno.

La estanqueidad del circuito de refrigeración viene verificada de fábrica.

### Advertencias en virtud de la Proposición 65 del estado de California

 **ADVERTENCIA**

**Este producto contiene una o más sustancias químicas que el estado California sabe que provocan cáncer, defectos congénitos, u otro daño reproductivo.**


## Cómo deshacerse de un aparato

### Eliminación del embalaje

El embalaje protege su aparato de posibles daños durante el transporte. Todos los materiales empleados son reciclables y respetuosos con el medio ambiente. Contribuya activamente a la protección del medio ambiente eligiendo métodos de eliminación y recuperación respetuosos con el medio ambiente.

Antes de desechar el embalaje, extraiga las asas.


Su Distribuidor o Administración local le informará sobre los procedimientos de eliminación más eficaces y actuales.

 **ADVERTENCIA**

**¡Existe peligro de asfixia a causa de los cartones y las láminas de plástico!**  
**Mantenga el embalaje y el material de embalaje fuera del alcance de los niños.**

### Cómo deshacerse de su aparato usado

¡Los aparatos usados son incorporan materiales valiosos recuperables! Entregue el aparato en un centro oficial de recogida o recuperación de materiales reciclables.

 **ADVERTENCIA**

**¡Riesgo de niños atrapados!**  
**Los niños pueden quedar encerrados dentro del aparato.**  
**Antes de deshacerse de su aparato usado:**  
**Desinstale las puertas y el cajón del compartimento del congelador.**  
**Mantenga las estanterías y los contenedores en su sitio para evitar que los niños se introduzcan fácilmente en el interior.**

Como deshacerse adecuadamente de aparatos:

1. Desconecte el aparato de la toma de corriente de la red eléctrica.
2. Corte el cable de alimentación del aparato y retírelo conjuntamente con el enchufe.
3. No retire las bandejas y los estantes del aparato a fin de evitar el acceso de los niños a su interior.
4. No permita que los niños jueguen con el aparato  
**¡Peligro de asfixia!**

Todos los aparatos frigoríficos contienen gases aislantes y fluidos refrigerantes, que exigen un tratamiento y eliminación específicos. Preste atención a que las tuberías del circuito de frío de su aparato no estén dañadas, previa entrega en el correspondiente Centro Oficial de recogida.

# INSTRUCCIONES IMPORTANTES DE SEGURIDAD

## ¡LEA Y GUARDE ESTAS INSTRUCCIONES!

### Volumen de suministro

Tras desembalar todas las piezas, verifique que el aparato no presenta daños o desperfectos producidos durante el transporte.

En caso de presentar daños o desperfectos, no conecte el aparato y póngase en contacto con su distribuidor.

#### El envío consta de los siguientes elementos:

- Aparato de libre instalación
- Accesorios interiores (según modelo)
- Bolsa con material de montaje
- Instrucciones de utilización
- Instrucciones de instalación y montaje
- Tarjeta de registro
- Información sobre el consumo energético y los ruidos de funcionamiento del aparato

### Instalación del aparato

Solicite a un técnico calificado que instale y conecte el aparato de acuerdo con las instrucciones de instalación suministradas.



### ADVERTENCIA

#### No instale el aparato:

- en el exterior;
- en un entorno donde pueda estar sometido a goteo de agua;
- en lugares con riesgo de temperaturas de congelación.

### Transporte

El aparato es de gran peso y debe estar asegurado durante el transporte.

Se proporcionan ruedas exclusivamente para facilitar su instalación.

No utilice las ruedas para transportar el aparato.



### ADVERTENCIA

#### ¡Riesgo de lesión!

**El aparato es de gran peso. Puede caer y causar lesiones graves durante el transporte y su instalación. Se requieren al menos dos personas para instalarlo de forma segura. Mantenga las puertas del refrigerador cerradas hasta que el aparato esté en posición vertical en el lugar de instalación.**

**Las superficies ocultas pueden tener bordes afilados. Tenga precaución al tocar la parte trasera del aparato o debajo del mismo.**

### Lugar de instalación



### ADVERTENCIA

#### ¡Riesgo de explosión!

**Mantenga el aparato alejado de sustancias explosivas o inflamables.**

Coloque el aparato en un ambiente seco y bien ventilado. El lugar de instalación no debe estar expuesto a la luz solar directa o encontrarse cerca de una fuente de calor, como una estufa, radiador, etc. Si no es posible instalar el aparato lejos de una fuente de calor, utilice una placa aislante adecuada o respete las distancias mínimas de seguridad que se indican a continuación:

- 1 1/4" (3 cm) de estufas de gas o eléctricas.
- 11 3/16" (30 cm) de estufas de combustible sólido o aceite.

Para garantizar el funcionamiento correcto de la máquina de hielo, el aparato debe estar en posición vertical y nivelado.

### Clase climáticas

La clase climática a la que pertenece el aparato se encuentra en la placa de características del mismo. La clase climática indica las temperaturas ambientales en las que el aparato funciona correctamente.

Clase climática	Temperaturas ambientales permitidas
SN	50 °F a 90 °F (+10 °C a 32 °C)
N	61 °F a 90 °F (+16 °C a 32 °C)
ST	61 °F a 100 °F (+16 °C a 38 °C)
T	61 °F a 110 °F (+16 °C a 43 °C)

### Subsuelo

### NOTA

El aparato es de gran peso.

Instale el aparato sobre un suelo plano y rígido. Refuerce el suelo si hace falta.

### Aireación

El aparato de refrigeración se ventila únicamente con las rejillas de aireación de la base. Nunca cubra o bloquee las rejillas de ventilación del aparato. De lo contrario, el aparato funcionará con mayor intensidad, incrementando su consumo energético.



## Nivelación del aparato

### NOTA

Para asegurarse de que el aparato funciona correctamente, utilice un nivel para nivelar el aparato.

Si el aparato no está nivelado, podría desbordar agua de la máquina de hielo, los cubitos de hielo podrían ser irregulares y las puertas podrían no cerrarse adecuadamente.

1. Coloque el aparato en su lugar de instalación.
2. Para que el aparato se mantenga firme y estable, desatornille las dos patas delanteras hasta que apoyen firmemente en el suelo.
3. Atornille y desatornille las patas hasta que el aparato esté perfectamente nivelado.
4. Utilice un nivel para comprobar la nivelación del aparato.

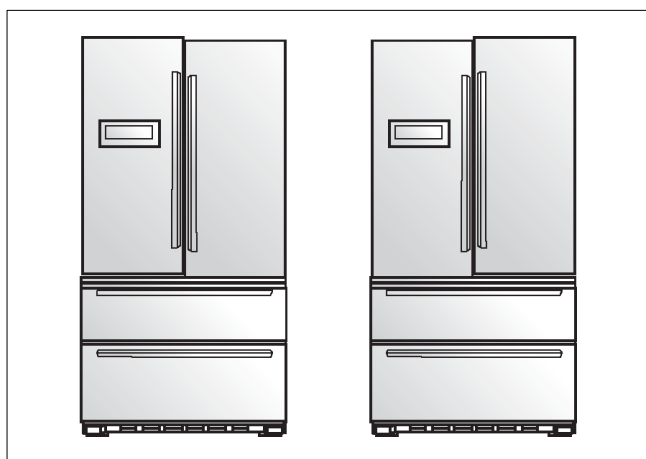
### NOTA

Para asegurarse de que el aparato está correctamente apoyado, las dos patas delanteras deberán descansar firmemente sobre el suelo.

5. Si la altura de las puertas del compartimento del refrigerador son desiguales o si el cajón del compartimento del congelador está inclinado después de haber nivelado el aparato, utilice el método siguiente para ajustarlas.

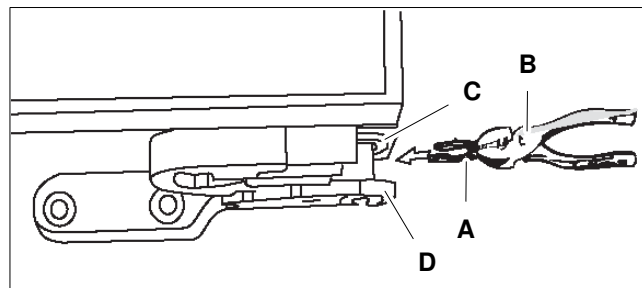
### Ajuste de las puertas del refrigerador

El aparato debe estar nivelado para poder ajustar bien las puertas.



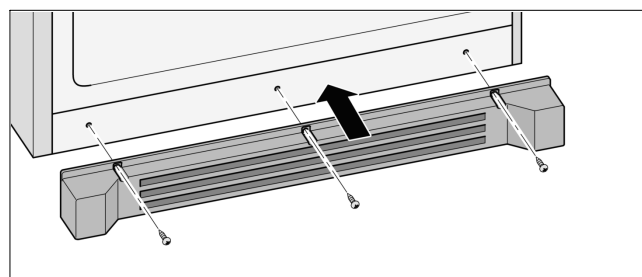
1. Levante la puerta inferior al nivel de la puerta superior.

2. Inserte el gancho de fijación proporcionado (A) utilizando alicates (B) en el espacio que hay entre la arandela de la bisagra (C) y la parte inferior de la bisagra (D). El número de ganchos de fijación que tendrá que utilizar dependerá de la amplitud del espacio.



### Instalación del rodapié

1. Prepare el rodapié.
2. Inserte los tres tornillos y apriételos (los tornillos se encuentran en el kit manual).



## Conexión del aparato

Solicite a un técnico autorizado que instale y enchufe el aparato conforme a las instrucciones de instalación adjuntas.

No retire los dispositivos de protección de las estanterías y compartimentos de almacenamiento antes de que el aparato esté totalmente instalado y nivelado.

Conecte en primer lugar el suministro de agua y a continuación el suministro eléctrico.

Además de la normativa nacional vigente, se deberá respetar el reglamento y los códigos y requisitos aplicables de las compañías suministradoras de agua y electricidad.

Una vez instalado el aparato, espere al menos seis horas antes de ponerlo en marcha para que el circuito refrigerante funcione correctamente. El aceite del compresor puede haberse introducido en el sistema de refrigeración durante el transporte.

Antes de encender el aparato por primera vez, limpie el interior (vea la sección "Limpieza del aparato").

## Conexión a la toma de agua



### ADVERTENCIA

**¡Riesgo de descarga eléctrica y de daño del aparato!**

**Desconecte el aparato de su fuente de alimentación antes de proceder a realizar cualquier trabajo sobre la toma de agua.**

**Sólo un técnico de instalación cualificado puede conectar el aparato a la toma de agua conforme a la normativa vigente de fontanería y del servicio del agua.**

Conecte el aparato a una línea de agua potable exclusivamente:

- Presión mínima:  
0.17 MPa (1.72 bar, 24.95 PSI)
- Presión máxima:  
0.82 MPa (8.25 bar, 119.66 PSI)
- Presión de más de 0,82 MPa (8,25 bar, 119.66 PSI): instale un limitador de presión entre la toma de agua potable y el juego de mangueras.

Sólo un fontanero autorizado debe conectar el suministro de agua al aparato conforme a la normativa local del servicio de agua.

Se requiere una toma de agua fría para la máquina de hielo. La presión del agua debe ser de entre 0.17 MPa (1.72 bar, 24.95 PSI) y 0.82 MPa (8.25 bar, 119.66 PSI). La instalación debe ser conforme a la normativa de fontanería local.

Se debe instalar una válvula de cierre separada a la línea de agua fría.

La válvula de cierre no debe ubicarse detrás del aparato. Se recomienda instalar la válvula de cierre directamente al lado del aparato o en otro lugar de fácil acceso.

Al instalar la conexión de agua, tenga en cuenta la zona de montaje permitida de la toma de agua.

Para la conexión de la toma de agua potable, utilice conductos exclusivos para agua potable. Respete la normativa vigente nacional y los requisitos de conexión de las compañías locales de suministro de agua.

## Conexión a la red eléctrica



### ADVERTENCIA

**¡Peligro de descarga eléctrica e incendio en caso de conexión inadecuada!**

**Conecte el aparato únicamente a una toma de corriente trifásica con toma de tierra. Un electricista cualificado debe instalar conforme a la normativa vigente la toma de corriente con toma de tierra. En caso de ser necesario, solicite a un electricista cualificado que revise la instalación para asegurarse de que la unidad está adecuadamente conectada a tierra.**

**Nunca quite el conductor de la toma de tierra.**

**No utilice alargadores, adaptadores ni conexiones múltiples.**

**No seguir las instrucciones de seguridad puede causar la muerte, un incendio o una descarga eléctrica. La conexión inadecuada del conector de la toma de tierra puede producir una descarga eléctrica. Si tiene alguna duda acerca de la realización de la toma de tierra, solicite a un electricista cualificado que revise su instalación.**

Se debe instalar la toma de tierra conforme a las instrucciones del manual de instalación.

Conecte el aparato a una red de corriente alterna de 115 V/60 Hz mediante una toma de corriente trifásica correctamente instalada. La toma de corriente debe estar protegida por un fusible de 15 a 20 A.

El aparato viene equipado con un cable de alimentación trifásico certificado ULC.

Por favor siga la siguiente tabla:

Aparato	Carga simultánea máxima
Refrigerador- Congelador	6.0 A

Compruebe en la placa de características del aparato si el voltaje y el tipo de corriente indicados corresponden a los valores de la alimentación eléctrica de su hogar. La ubicación de la placa de características está indicada en la sección "Atención al cliente".



### ADVERTENCIA

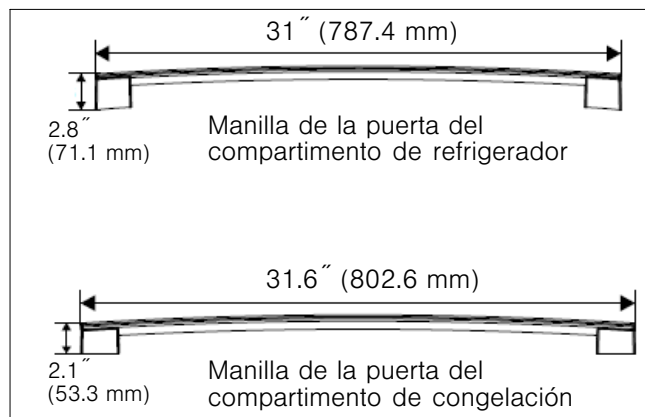
**El aparato no se podrá conectar en ningún caso a dispositivos electrónicos para ahorro energético.**

**Nuestros aparatos de pueden conectar a rectificadores de corriente por onda sinusoidal o conmutados por red. Los rectificadores o conmutados por red se emplean en instalaciones fotovoltaicas conectadas directamente a la red pública de abastecimiento de corriente eléctrica. Para aplicaciones aisladas, (p. ej. en barcos o en casas de montaña) que no disponen de conexión a la red eléctrica, tienen que emplearse rectificadores de onda sinusoidal.**

## Instalación de manillas

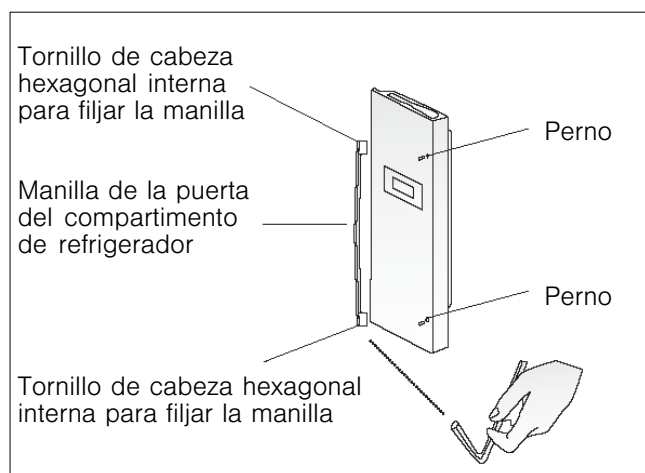
### Diferencia entre la manilla del compartimento de refrigerador y la del compartimento de congelación

Las manijas se encuentran en el interior de la caja de cartón.



### Manilla de la puerta del compartimento de refrigerador

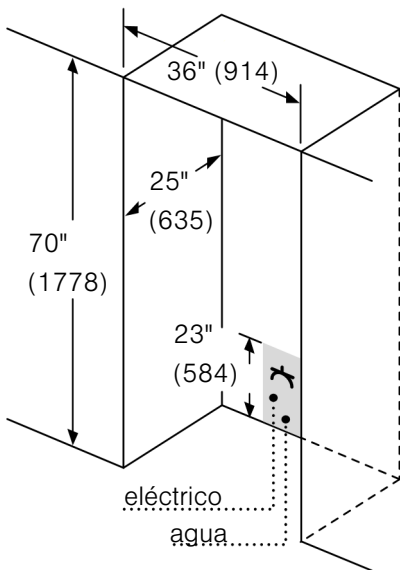
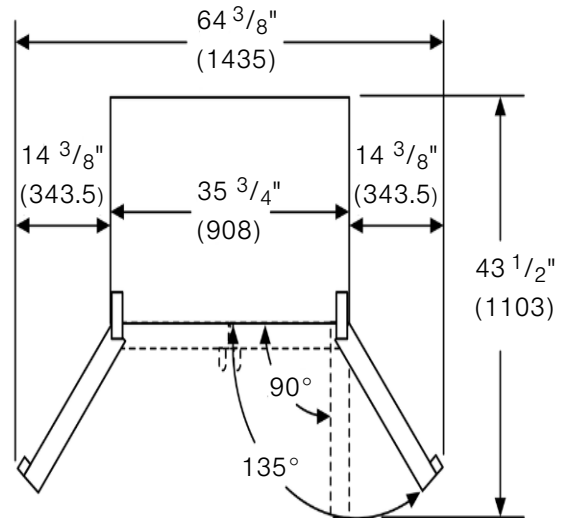
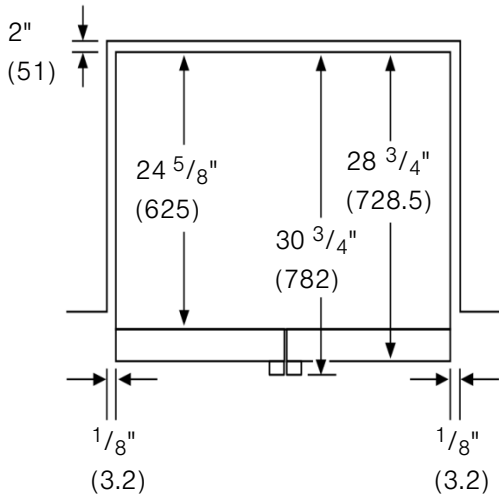
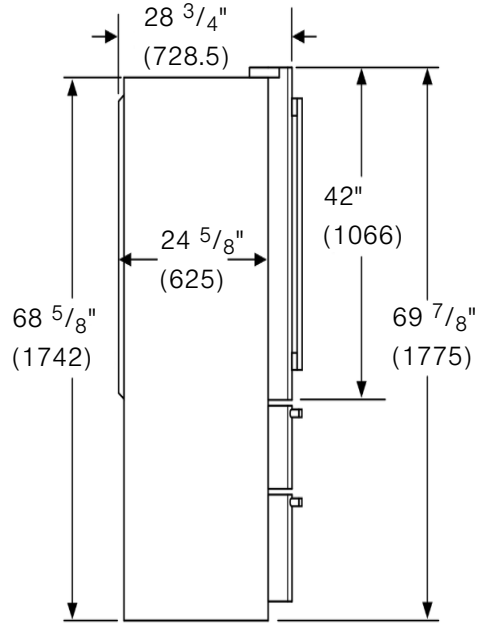
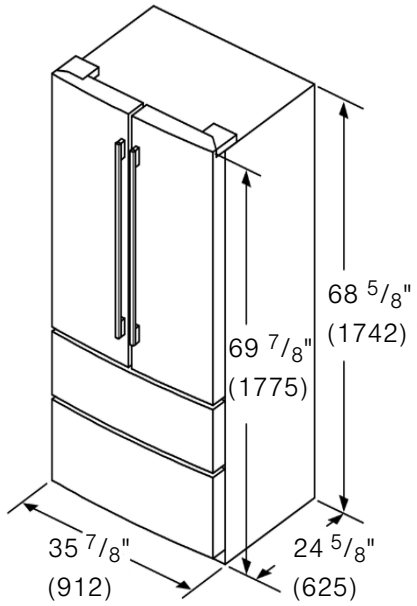
1. Coloque la manilla del compartimento del refrigerador tal y como se muestra en la ilustración (Nota: los dos orificios para los tornillos de la manilla se encuentran próximos al borde) y cuelgue la manilla encima de los pernos.
2. Utilice la pequeña llave hexagonal proporcionada para apretar los tornillos de la manilla introducidos en sus orificios. Una vez atornillados, sacuda suavemente la manilla para confirmar que está instalada correctamente.



### Manilla de la puerta del compartimento de congelación

Los pasos de montaje de la manilla de la puerta del compartimento de congelación son las mismas que las de la manilla de la puerta del compartimento de refrigerador. Durante el montaje de la manilla, la orientación de los orificios perforados es hacia abajo (hacia el suelo).

# Appliance y Dimensiones de instalación



Deje  $\frac{1}{2}$ " (12.7 mm) brecha en la parte superior y 2" (51 mm) detrás del refrigerador para una ventilación adecuada.

Para la instalación junto a una pared, deje  $3\frac{3}{4}$ " (95.2 mm) en el lado de la pared para abrir la puerta.

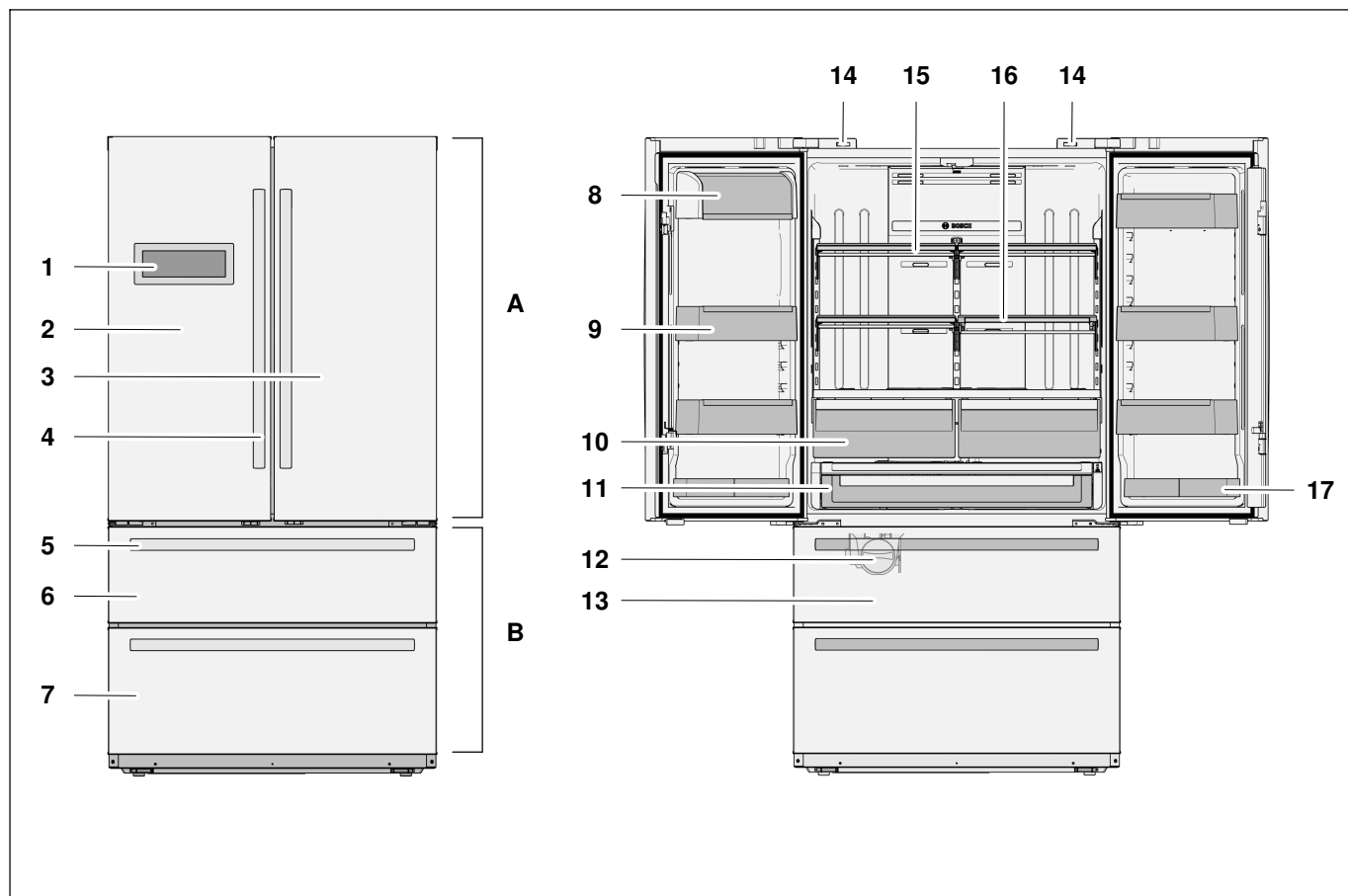
Se recomienda que no se instale el refrigerador cerca de una fuente de calor como un horno o un rango.

Receptáculo de agua y altura máxima de la línea 23" (584 mm).

measurements in inches (mm)

## Conozca su aparato

Estas instrucciones de instalación y utilización son válidas para distintos modelos. Las ilustraciones pueden variar según el modelo.



A La temperatura del refrigerador puede ser ajustada de 34 °F (+1 °C) a 44 °F (+7 °C).

B La temperatura del congelador puede ser ajustada de 9 °F (-13 °C) a -7 °F (-22 °C).

- 1 Pantalla y panel de control
- 2 Puerta izquierda del refrigerador
- 3 Puerta derecha del refrigerador
- 4 Manilla de la puerta
- 5 Manilla del cajón
- 6 Cajón superior del congelador
- 7 Cajón inferior del congelador
- 8 Compartimento para lácteos
- 9 Compartimento en puerta
- 10 Cajón de frutas y verduras
- 11 Cajón de carnes y pescados
- 12 Máquina de hielo
- 13 Caja de almacenamiento de hielo
- 14 Interruptor de la lámpara del refrigerador
- 15 Estante ajustable
- 16 Estante retráctil
- 17 Estante pequeño de puerta

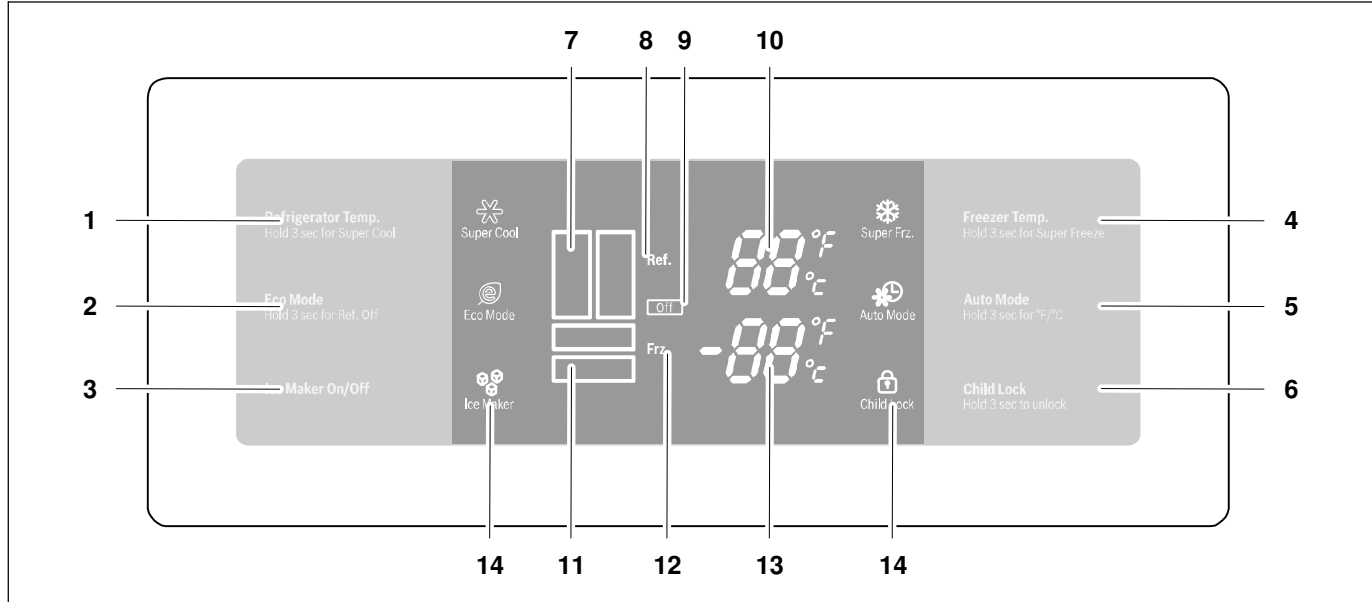
# Pantalla y panel de control

## Pantalla

Al encender el aparato por primera vez, todos los iconos aparecen en la pantalla durante tres segundos antes de apagarse.

## Control de pantalla

Si durante 30 segundos no se abre la puerta ni se pulsa ningún botón, se apaga la luz del panel indicador. Cada vez que se abre/cierra la puerta o se toca la pantalla, se restablece el funcionamiento normal del panel indicador.



### 1 Botón "Refrigerator Temp."

Botón para

- ajusta la temperatura del refrigerador.
- activa o desactiva la función "Super Cool".

### 2 Botón "Eco Mode"

Activa o desactiva el funcionamiento en modo económico.

### 3 Botón "Ice Maker"

Enciende o apaga la máquina de hielo.

### 4 Botón "Freezer Temp."

Botón para

- ajusta la temperatura del congelador.
- activa o desactiva la función "Super Freeze".

### 5 Botón "Auto Mode"

Activa o desactiva el modo automático.

### 6 Botón "Child Lock"

Activa o desactiva la función de bloqueo para niños.

### 7 Icono del refrigerador

### 8 Indicador del refrigerador

### 9 Icono de aparato apagado

Significa que el refrigerador está apagado.

### 10 Indicador de temperatura del refrigerador.

Muestra la temperatura programada para el compartimiento del refrigerador.

### 11 Icono del congelador

### 12 Indicador del congelador

### 13 Indicador de temperatura del congelador

Muestra la temperatura programada para el compartimiento del congelador.

### 14 Iconos de la pantalla del panel de control



#### Función Super Cool

Aparece al activar la función "Super Cool".



#### Modo económico

Aparece al activar el modo económico.



#### Máquina de hielo

Aparece al encender la máquina de hielo.



#### Función Super Freeze

Aparece al activar la función "Super Freeze".



#### Modo automático

Aparece al activar el modo automático.



#### Bloqueo para niños

Aparece al activar la función de bloqueo para niños.

## Consejos de utilización

### Abrir y cerrar las puertas del compartimento refrigerador

Las puertas del refrigerador se pueden abrir y cerrar de forma independiente.

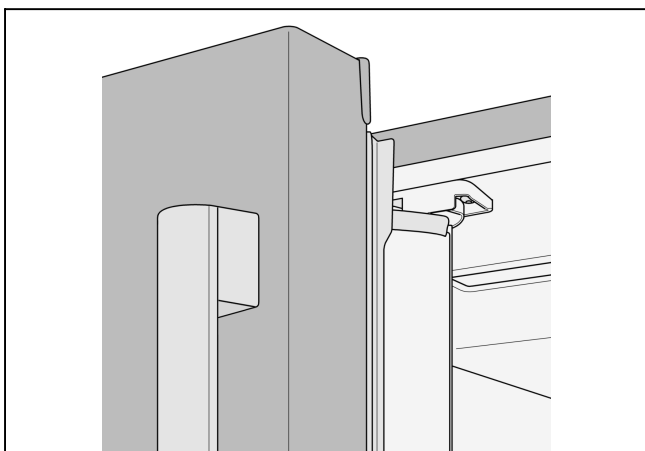
La puerta izquierda del refrigerador viene equipada con una barra abatible.

### NOTA

¡Peligro de dañar el aparato!

Se puede dañar la barra de la puerta si se intenta cerrar la puerta izquierda del refrigerador cuando no está plegada por dentro.

Asegúrese de que la barra de la puerta está plegada en ángulo recto respecto a la puerta, antes de cerrar las puertas del refrigerador.



**Al cerrar la puerta izquierda del refrigerador, la barra de la puerta se inserta en la parte posterior de la puerta derecha, logrando un sellado entre ambas puertas del refrigerador.**

## Encendido del aparato

### NOTA

Una vez instalado el aparato, espere al menos seis horas antes de ponerlo en marcha para que el circuito refrigerante funcione correctamente. El aceite del compresor puede haberse introducido en el sistema de refrigeración durante el transporte.

Conecte el enchufe del aparato en la toma de corriente eléctrica.

Una vez el aparato está conectado, comienza el proceso de refrigeración. La iluminación interior del refrigerador se activa cuando la puerta está abierta.

El aparato puede necesitar varias horas hasta alcanzar las temperaturas ajustadas. No coloque alimentos en su interior hasta haber alcanzado dichas temperaturas.

### Temperatura inicial

Compartimento refrigerador: 39 °F (+4 °C)

Compartimento congelador: 0 °F (-18 °C).

## Regulación de la temperatura

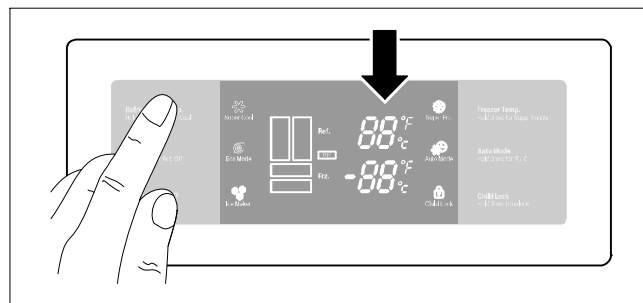
### Compartimento de refrigerador

La temperatura del refrigerador puede ser ajustada de 34 °F (+1 °C) a 44 °F (+7 °C).

1. Pulse el botón "Refrigerator Temp."

El indicador de temperatura del refrigerador se ilumina.

2. Pulse el botón "Refrigerator Temp." hasta alcanzar la temperatura deseada.



Una vez ajustada la temperatura, la nueva programación de temperatura permanecerá activa durante 15 segundos tras haber pulsado el botón.

Recomendamos ajustar el refrigerador a una temperatura de 39 °F (+4 °C).

No es conveniente almacenar alimentos perecederos a temperaturas superiores a 39 °F (+4 °C).

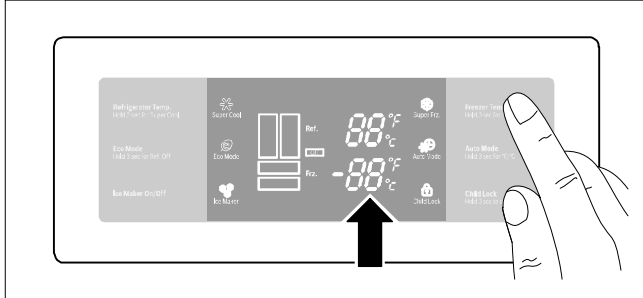
## Compartimento de congelación

La temperatura se puede ajustar de 9 °F (-13 °C) a -7 °F (-22 °C).

1. Pulse el botón "Freezer Temp."

El indicador de temperatura del congelador se ilumina.

2. Pulse el botón "Freezer Temp." hasta alcanzar la temperatura deseada.



Una vez ajustada la temperatura, la nueva programación de temperatura permanecerá activa durante 15 segundos tras haber pulsado el botón.

Recomendamos ajustar el compartimento de congelación a una temperatura de 0 °F (-18 °C).

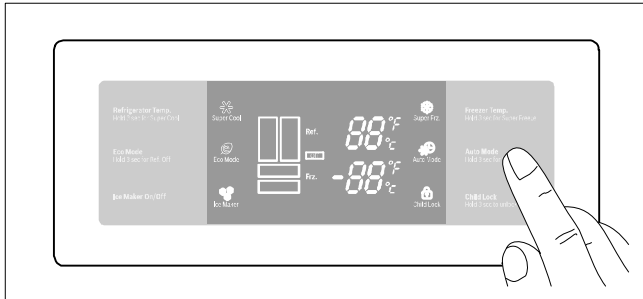
## Unidad de temperatura

Se puede configurar la unidad de medida de la temperatura en grados Fahrenheit (°F) o Celsius (°C).

Una vez encendido el aparato, la temperatura aparece en grados Fahrenheit (°F).

**Para ajustar la unidad de medida de la temperatura:**

Mantenga presionado el botón "Auto Mode" durante 3 segundos.



La unidad de temperatura cambia.

## Función Super Cool

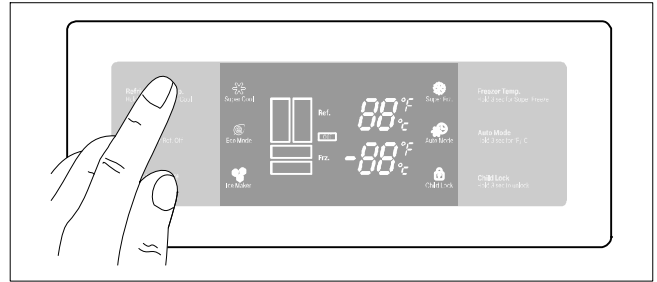
La activación de la función "Super Cool" (enfriamiento rápido) disminuye rápidamente la temperatura del compartimento del refrigerador.

Se recomienda la función "Super Cool" en las siguientes situaciones:

- Antes de colocar grandes cantidades de alimentos en el refrigerador.
- Para enfriar bebidas rápidamente.

**Para activar la función Super Cool:**

Mantenga presionado el botón "Refrigerator Temp." durante 3 segundos.



La temperatura del refrigerador se ajustará a 34 °F (+1 °C).

**Para desactivar la función Super Cool:**

Mantenga presionado el botón "Refrigerator Temp." durante 3 segundos.

La función "Super Cool" se apaga automáticamente después de 2.3 horas.

## Función Super Freeze

Los alimentos deben congelarse tan pronto como sea posible a fin de conservar sus vitaminas, su valor nutricional, su aspecto y su sabor.

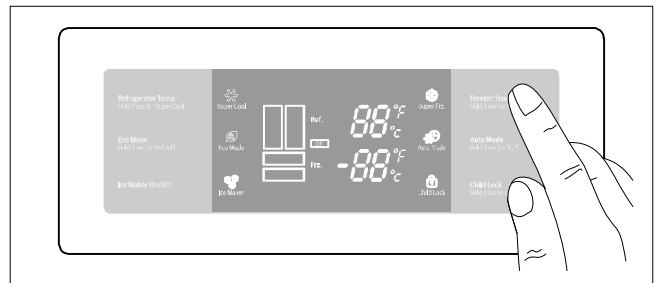
Para evitar un incremento no deseado de la temperatura al colocar alimentos frescos en el compartimento del congelador, encienda la función "Super Freeze" con varias horas de anticipación.

Como regla general, entre 4 y 6 horas son suficientes. Deje transcurrir un mínimo de 24 horas si planea usar la capacidad de congelamiento máxima.

Es posible congelar cantidades más pequeñas de alimentos sin la función "Super Freeze".

**Para activar la función Super Freeze:**

Mantenga presionado el botón "Freezer Temp." durante 3 segundos.



La temperatura del compartimento de congelación se ajustará a -7 °F (-22 °C).

**Para desactivar la función Super Freeze:**

Mantenga presionado el botón "Freezer Temp." durante 3 segundos.

La función "Super Freeze" se apaga automáticamente después de 6 horas.



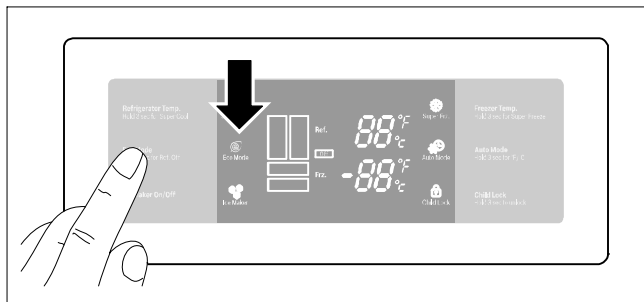
## Modo económico

Seleccione este modo si se va de vacaciones o si no tiene previsto usar el refrigerador durante un largo periodo de tiempo.

Al activar la función "Eco Mode" la temperatura del compartimento del refrigerador se ajusta automáticamente a 44 °F (7 °C) y la del compartimento del congelador a 5 °F (-15 °C).

### Para activar el modo económico:

Pulse el botón "Eco Mode".



El icono "Eco Mode" aparece en la pantalla del panel de control.

### Para desactivar el modo económico:

Pulse el botón "Eco Mode".

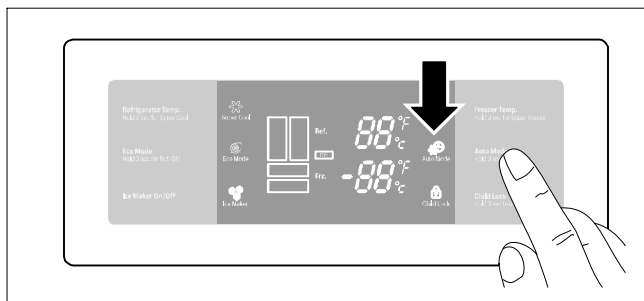
El icono "Eco Mode" desaparece de la pantalla del panel de control.

## Modo automático

Al activar la función "Auto Mode" la temperatura del compartimento del refrigerador se ajusta automáticamente a 41 °F (5 °C) y la del compartimento del congelador a 0 °F (-18 °C).

### Para activar el modo automático:

Pulse el botón "Auto Mode".



El icono "Auto Mode" aparece en la pantalla del panel de control.

### Para desactivar el modo automático:

Pulse el botón "Auto Mode".

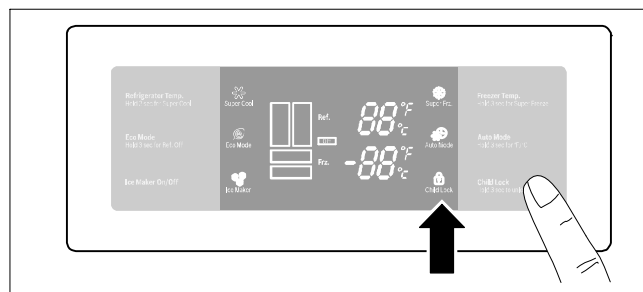
El icono "Auto Mode" desaparece de la pantalla del panel de control.

## Bloqueo para niños

Al activar la función de bloqueo para niños, todos los botones del panel de control y la pantalla estarán bloqueados.

### Para activar y desactivar la función de bloqueo para niños:

Mantenga presionado el botón "Child Lock" durante 3 segundos.



El icono "Child Lock" aparece en la pantalla del panel de control cuando se activa el bloqueo para niños.

## Compartimento de refrigerador



### ADVERTENCIA

#### ¡Peligro de explosión!

**No almacene sustancias explosivas en el interior del aparato.**

El compartimento de refrigerador es el lugar ideal para almacenar comidas preparadas, pasteles y bollería, conservas, leche condensada, leche, queso, productos para untar, salsas, dips y huevos.

### Al adquirir los alimentos, compruebe lo siguiente

La frescura que tengan los alimentos en el momento de comprarlos es importante para su conservación. En principio, entre más frescos estén los productos al colocarlos en los cajones, mayor será el tiempo que permanecerán frescos. Por lo tanto, al comprar alimentos, preste siempre atención a su grado de frescura.

Compruebe la fecha de caducidad de los productos preparados y embotellados.

### Colocación de los alimentos en el aparato

- Coloque los alimentos empaquetados o bien cubiertos en el aparato. De este modo evitará que los alimentos se deshidraten, decoloren o pierdan su valor nutritivo y aroma. Además se evita la mezcla de olores y sabores y la decoloración de las piezas de plástico del aparato.
- Para reducir el consumo energético y para lograr un mayor rendimiento del aparato, deje que la comida tibia o caliente se enfríe antes de introducirla en el aparato.
- Evite bloquear con alimentos las rejillas de aireación del compartimento refrigerador con alimentos, de lo contrario, la libre circulación del aire quedará afectada. Los alimentos almacenados frente a las rejillas de aireación pueden congelarse debido a la salida de aire frío.
- Evite cualquier contacto de aceites o grasas con las piezas de plástico y las gomas de sellado de las puertas del aparato.

## Compartimento para alimentos frescos

Los siguientes alimentos son susceptibles de ser almacenados en el compartimento de comida fresca

- Pescados, mariscos, carnes, salchichas, embutidos, fiambres, productos lácteos, comidas preparadas.
- Verdura (p. ej. zanahorias, espárragos, apio, puerros, remolacha, col, brócoli, coliflor, coles de Bruselas, rábano).
- Lechugas (p. ej. canónigos, iceberg, endivia, etc.).
- Hierbas aromáticas (p. ej. eneldo, perejil, cebolleta, albahaca).
- Fruta (variedades no sensibles al frío; p. ej. manzanas, melocotones, frutas del bosque, uvas).



### ATENCIÓN

Si se produce un corte de luz o se desconecta el aparato de la red eléctrica, habrá que reajustar la temperatura del compartimento de productos frescos.

## Compartimento de congelación



### ADVERTENCIA

¡Peligro de explosión!

En ningún caso almacene en el aparato productos que contengan gases o agentes propelentes (como aerosoles), explosivos, o sustancias fácilmente combustibles.



### ATENCIÓN

No vuelva a congelar alimentos descongelados o parcialmente descongelados. Nunca se debe superar el tiempo máximo de almacenamiento de los productos congelados.

## Utilice el compartimento de congelación

- para conservar productos ultracongelados;
- para congelar alimentos frescos;
- para preparar y conservar cubitos de hielos.

### NOTA

Asegúrese siempre de que los cajones del compartimento de congelado están cerrados correctamente. En caso de no estar bien cerrados, los alimentos se pueden descongelar. El compartimento de congelación se cubrirá de escarcha y se producirá un aumento elevado del consumo de energía eléctrica.

Cuando los cajones del compartimento del congelador están cerrados, la presión interior del compartimento es baja.

En caso de no poder abrir los cajones inmediatamente después de cerrarlos, espere dos o tres minutos hasta que la baja presión generada haya sido compensada.

## Congelado de alimentos

### Al comprar alimentos ultracongelados

- Preste atención a que el embalaje del alimento o producto congelado no presente ningún tipo de daño.
- Verifique la fecha de caducidad de los alimentos y cerciórese de que ésta no ha vencido.
- La temperatura del congelador del establecimiento donde adquiriera los alimentos deberá ser de mínimo 0 °F (-18 °C).
- Procure transportar los alimentos congelados en bolsas isotérmicas. Una vez en el hogar, deberá colocarlos inmediatamente en el compartimento de congelación.

## Congelado de alimentos frescos

Congele únicamente alimentos frescos y en perfectas condiciones.

Es conveniente escaldar las verduras antes de su congelación a fin de que su sabor, aroma o color no se deteriore ni pierdan su valor nutritivo. No es necesario escaldar las berenjenas, los pimientos, los calabacines y los espárragos.

Podrá encontrar más detalles sobre esta técnica en cualquier libro o manual de cocina relativo a la congelación de alimentos.

### NOTA

Procure que los alimentos congelados no entren en contacto con los alimentos frescos que desea congelar.

- Alimentos adecuados para la congelación: Pasteles y bollería, pescados y mariscos, carne, caza, aves, verduras y hortalizas, fruta, hierbas aromáticas, huevos sin cáscara, productos lácteos como queso, mantequilla y queso fresco, platos cocinados y restos de comidas como sopas, estofados, carnes o pescados cocinados, platos a base de patatas, gratinados y platos dulces.
- Alimentos que no deben congelarse: Verduras que se consumen normalmente crudas como lechugas o rábanos, huevos con cáscara, uvas, manzanas, peras y melocotones enteros, huevos duros, yogur, suero de leche, crema agria, nata líquida y mayonesa.

## Envasado de los alimentos congelados

Envase herméticamente los alimentos para que no se deshidraten o pierdan su sabor.

1. Introduzca los alimentos en la envoltura elegida.
2. Elimine todo el aire del interior del envase.
3. Cierre el embalaje herméticamente.
4. Etiquete el embalaje indicando su contenido y la fecha de congelación.

### Materiales indicados para el envasado de los alimentos:

Láminas de plástico o polietileno, papel de aluminio, contenedores y envases específicos para la congelación de alimentos. Estos productos están disponibles para su adquisición en la mayoría de los supermercados, grandes almacenes o en comercios especializados.

### Materiales no apropiados para el envasado de alimentos:

Papel de empaquetar, papel apergaminado, celofán, bolsas de basura y bolsas de plástico de la compra usadas.

### Materiales adecuados para el cierre de los envases:

Bandas elásticas, pinzas de plástico, cinta adhesiva resistente al frío, etc. Las bolsas o láminas de plástico de polietileno se pueden termosellar con un sellador de calor.

## Tiempo de almacenamiento de alimentos congelados

El tiempo de almacenamiento en el compartimento de congelación depende del tipo de alimento que desee congelar. Se pueden conservar a una temperatura de 0 °F (-18 °C):

- Los pescados, salchichas, platos cocinados, pasteles y bollería: hasta seis meses.
- Los quesos, aves y carne: hasta ocho meses.
- La fruta y verdura: hasta doce meses.

## Descongelado de alimentos



### ATENCIÓN

**¡Peligro de envenenamiento!**

**Los alimentos que se hayan descongelado o hayan comenzado a descongelarse sólo podrán volver a ser congelados tras asarlos, freírlos, hervirlos o cocinarlos. En ningún caso deberá agotar al máximo el tiempo de caducidad de los productos.**

Según el tipo de alimento y la naturaleza de su uso, se puede elegir entre los siguientes procedimientos:

- en el compartimento refrigerador;
- en un horno eléctrico con o sin ventilador de aire caliente;
- en el microondas.

## Máquina de hielo

La máquina de hielo fabrica cubitos de hielo.

Cuando el cajón de almacenamiento de hielo está lleno, el proceso de producción de hielo se detiene.

La máquina de hielo tiene capacidad de producir entre 2,8 y 3,3 lb (1,3 y 1,5 kg) de hielo en 24 horas según la temperatura del compartimento de congelación, la temperatura ambiente, la frecuencia con la que se abran y cierren las puertas, y otras condiciones circunstanciales.

### Aspectos a tener en cuenta al encender por primera vez el aparato

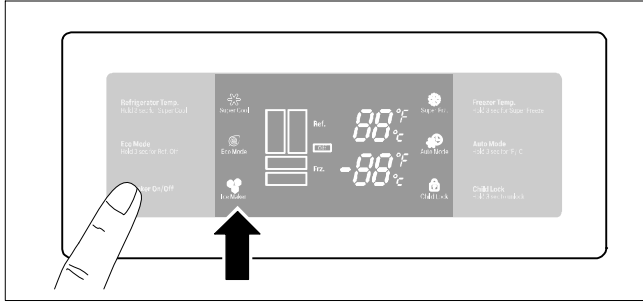
La máquina de hielo sólo funciona cuando el aparato está conectado a un suministro de agua.

La máquina de hielo comienza a producir cubitos de hielo una vez el aparato ha alcanzado la temperatura de funcionamiento.

Por razones de higiene, al utilizar la máquina de hielo por primera vez, no utilice los primeros 30-40 cubitos de hielo.

## Encendido de la máquina de hielo

1. Asegúrese de que el cajón de almacenamiento de cubitos esté correctamente colocado.
2. Pulse el botón "Ice Maker".



El icono "Ice Maker" aparece en la pantalla del panel de control.

Antes de volver a encender la máquina de hielo tras un periodo largo de tiempo, limpie la máquina y el cajón de almacenamiento de cubitos de hielo.

Cuando está encendida la máquina de hielo, la temperatura que aparece automáticamente en la pantalla es de 0° F (-18 °C).

## Comentarios acerca de la utilización de la máquina de hielo

Escuchará el ruido del motor al cabo de unas dos horas. Este ruido es producido por la válvula que suministra agua a la máquina de hielo, y no es indicativo de ninguna avería.

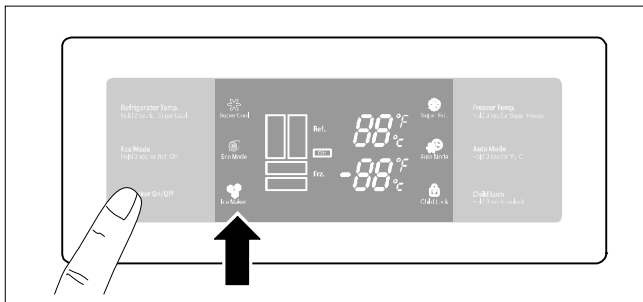
En ocasiones los cubitos de hielo se pegan unos a otros o se rompen.

La máquina de hielo requerirá más tiempo para producir hielo si el cajón se abre con frecuencia.

## Apagado de la máquina de hielo

Antes de apagar la máquina de hielo, es importante cerrar el suministro de agua al aparato durante unas horas.

1. Pulse el botón "Ice Maker".



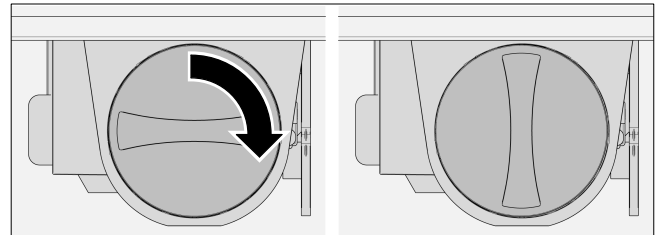
El icono "Ice Maker" desaparece de la pantalla del panel de control.

2. Saque y limpie el cajón de almacenamiento de cubitos de hielo.
3. Saque y limpie la caja de cubitos de hielo.

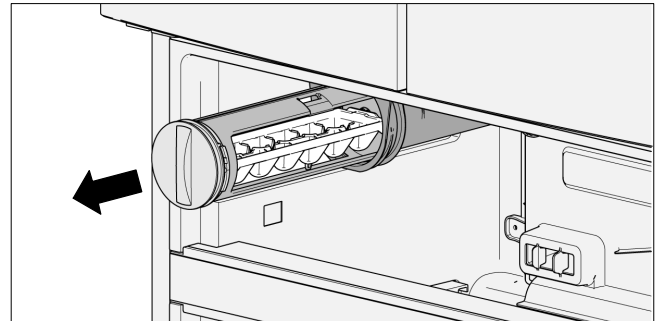
## Sacar y limpiar la caja de cubitos de hielo

En caso de no utilizar la máquina de hielo durante un largo periodo de tiempo, los primeros cubitos de hielo pueden desprender un olor desagradable. Deberá sacar y limpiar la caja de cubitos de hielo.

1. Abra el cajón superior del compartimento de congelación.
2. Gire la manilla desde la posición horizontal a la posición vertical para retirar el bloqueo.



3. Tire de la estantería de la máquina de hielo.
4. Saque la caja de cubitos de hielo.



5. Enjuague la caja de cubitos de hielo con agua caliente (de menos de 140 °F / 60 °C). No utilice detergente.
6. Deje secar completamente al aire la caja de cubitos de hielo para asegurarse de que no queda humedad en su interior, lo que podría causar el mal funcionamiento de la máquina de hielo.
7. Inserte la caja de cubitos de hielo sobre la estantería de la máquina de hielo.
8. Presione la estantería de la máquina de hielo hacia dentro.
9. Gire la manilla desde la posición vertical a la posición horizontal para bloquear la estantería.

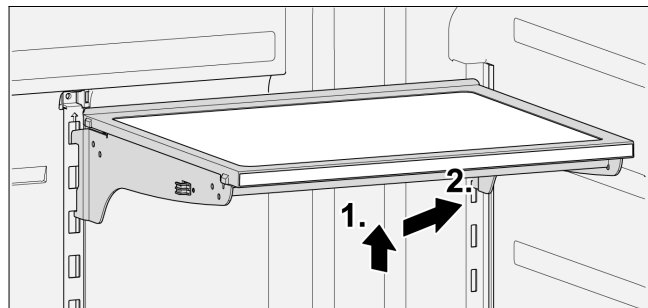
## Accesorios interiores

### Estante ajustable

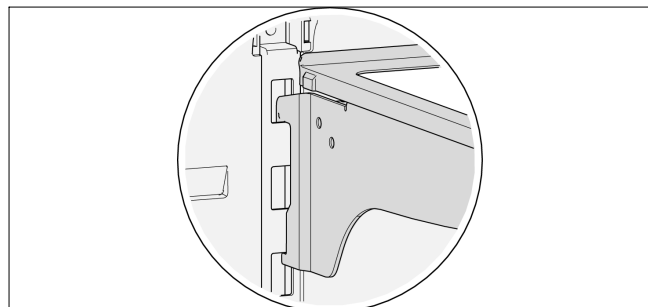
El estante ajustable puede colocarse a diferentes alturas según el tamaño de los productos almacenados.

#### Ajuste

Incline el estante hacia arriba, levántelo y extráigalo jalando hacia usted.



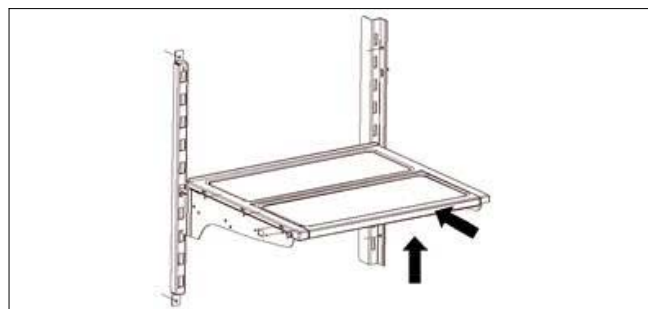
Durante la instalación, coloque el extremo superior de la pata fija en la ranura deseada. Baje el estante. El extremo inferior de la pata fija se encaja en una ranura inferior.



### Estante retráctil

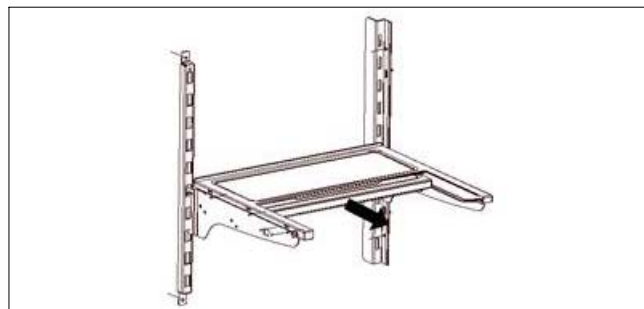
#### Plegado

Alce el extremo delantero del estante de vidrio retráctil hasta que coincida con el extremo trasero.

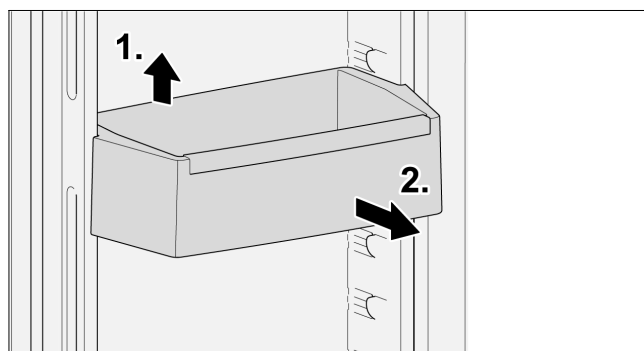


### Desplegado

Jale hacia afuera el estante de vidrio retráctil directamente hasta que se encuentre en el nivel del extremo delantero del estante de vidrio fijo; el broche del estante de vidrio retráctil caerá en la ranura del estante fijo, y la gravedad hará que se mantenga inmóvil.

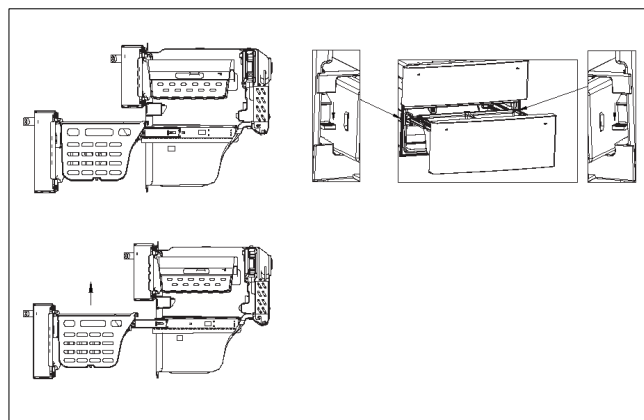


### Compartimento en puerta



### Cajón inferior del compartimento de congelación

1. Tire del cajón inferior del congelador hasta la posición indicada.
2. Presione simultáneamente los botones en ambas ranuras y tire del cajón hasta que llegue a un tope.
3. Extraiga el cajón inferior en el sentido que indican las flechas.

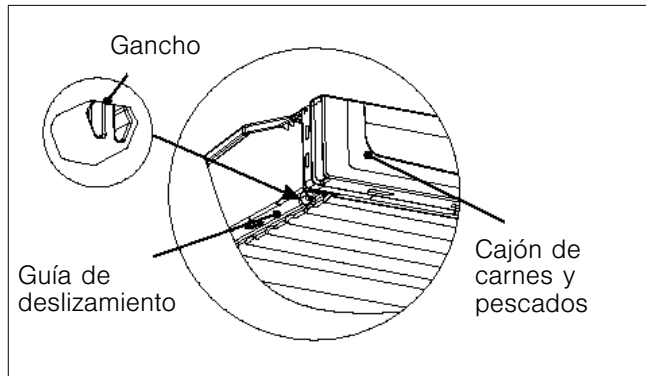


## Cajón de carnes y pescados

La carga máxima del cajón de carnes y pescados es de 22 lb (10 kg).

### Extracción e instalación del cajón de carnes y pescados

1. Extraiga el cajón de carnes y pescados.
2. Busque los ganchos en ambos extremos, debajo de cajón (como se muestra en la ilustración).
3. Sujete un gancho con alicates de punta fina y empujelo hacia arriba y fuera de la ranura de la guía de deslizamiento. A continuación, quite el gancho del otro extremo del cajón utilizando el mismo método.
4. Quite el cajón.



5. Instale el cajón insertando los ganchos en las ranuras correspondientes.

## Apagado y desconexión del aparato

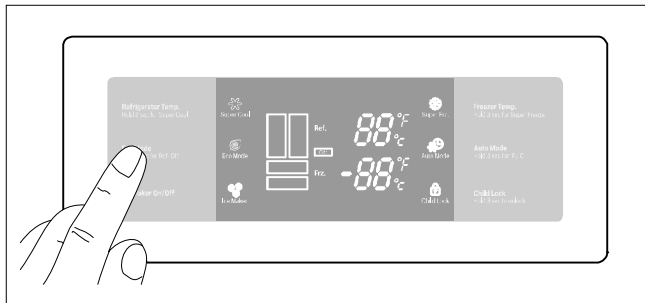
### Apagar el aparato

Extraiga el enchufe del aparato de la toma de corriente o desactive el fusible.

### Encendido y apagado del compartimento refrigerador

#### Apagado:

Mantenga presionado el botón "Eco Mode" durante 3 segundos.



El compartimento refrigerador se apaga y emite una señal acústica.

El indicador de temperatura del refrigerador indica "- -" y el icono "Off" aparece en la pantalla del panel de control.

#### Encendido:

Mantenga presionado el botón "Eco Mode" durante 3 segundos.

El compartimento refrigerador se enciende y emite una señal acústica.

### Desconexión del aparato

En caso de largos periodos de inactividad del aparato:

1. Es muy importante que desconecte el suministro de agua del aparato unas horas antes de desconectarlo.
2. Retire todos los alimentos almacenados en el aparato.
3. Desconecte el aparato.
4. Vacíe y limpie la máquina de hielo y la caja de almacenamiento de cubitos de hielo.
5. Limpie el interior del aparato (vea la sección "Limpiar el aparato").

## Descongelado del aparato

### Compartimento de congelación

Gracias al sistema automático No Frost, el compartimento de congelación permanece libre de hielo o escarcha, no siendo necesario efectuar su desescarchado o descongelado.

### Compartimento del refrigerador

El aparato se descongela automáticamente.

El agua de condensación acumulada se desagua mediante orificios de desagüe a una bandeja de evaporación instalada en la parte trasera del aparato.

## Limpieza del aparato



### ADVERTENCIA

**¡Peligro de descarga eléctrica!**  
Desenchufe el aparato o desconecte el fusible o interruptor de circuito antes de limpiar el aparato.



### ATENCIÓN

**Para evitar lesiones personales y/o daños a la propiedad, tenga en cuenta las siguientes precauciones:**  
**En ningún caso utilice un limpiador a vapor para la limpieza del aparato.**  
**No utilice detergentes o disolventes ácidos o abrasivos.**  
**Limpie con un paño húmedo las luces, el panel de control y la pantalla. Tenga presente que el agua empleada en la limpieza del aparato no debe entrar en contacto con la iluminación, el panel de control o la pantalla.**  
**No permita que se introduzca agua en el orificio de desagüe hacia la zona de evaporación posterior.**  
**No lave nunca las bandejas, compartimentos o estantes del aparato en el lavaplatos. ¡Las piezas podrían deformarse!**

## Limpieza del aparato

Los cajones de frutas y verduras y el cajón de carnes y pescados pueden extraerse para limpiarlos.

1. Desenchufe el aparato o desconecte el interruptor de circuito.
2. Retire los alimentos del aparato y colóquelos en un lugar frío.
3. Limpie el aparato con un paño suave, agua templada y un poco de detergente lavavajillas con pH neutro.
4. Seque el aparato al terminar la limpieza.
5. Limpie la junta de la puerta sólo con agua limpia, secándola completamente a continuación.
6. Tras concluir la limpieza, conecte el aparato a la red y póngalo en funcionamiento.

## Iluminación interior (Luz LED)

El aparato está equipado con una iluminación por diodos luminosos (LED) exenta de mantenimiento.



### ATENCIÓN

**¡Peligro de lesión ocular causada por láser de clase 1M (IEC 60825)!**  
**No mire directamente al haz láser ni utilice instrumentos ópticos para ello.**

Las reparaciones de este tipo de iluminación sólo podrán ser realizadas por personal técnico del Servicio de Asistencia Técnica Oficial de la marca o autorizado oficialmente por el fabricante.

## Consejos prácticos para ahorrar energía eléctrica

- Instale el aparato en una habitación seca y fresca, dotada de buena ventilación. El aparato no debe instalarse expuesto directamente a la luz del sol ni próximo a focos activos de calor (cocina, radiador, estufa, etc.). En caso de ser inevitable, deberá proteger la unidad con un panel aislante adecuado.
- Deje enfriar los alimentos o bebidas calientes hasta temperatura ambiente antes de introducirlos en el aparato.
- Descongele los productos congelados en el interior del compartimento del refrigerador. De esta forma se puede aprovechar el frío desprendido por éstos para la refrigeración de los restantes alimentos almacenados.
- Mantenga abiertas las puertas del aparato el menor tiempo posible a fin de evitar al máximo las pérdidas de frío.

## Ruidos de funcionamiento del aparato

### Ruidos normales de funcionamiento

**Zumbido** - el aparato de refrigeración está funcionando. El ventilador del sistema de circulación de aire está funcionando.

**Ruidos en forma de gorgoteo** - el líquido refrigerante está penetrando en los tubos o el agua fluye hacia la máquina de hielo.

**Chasquidos** - el motor se enciende o se apaga. La válvula solenoide de la entrada de agua se abre o se cierra.

**Ruido estrepitoso** - los cubitos de hielo de la máquina de hielo caen en la caja de almacenamiento.

### Ruidos que se pueden evitar fácilmente

#### El aparato no está correctamente nivelado

Nivele el aparato con ayuda de un nivel. Utilice las patas ajustables.

#### El aparato entra en contacto con electrodomésticos u otros objetos adyacentes

Desplace el aparato para evitar que entre en contacto con los electrodomésticos o aparatos adyacentes.

#### Los cajones, baldas o estantes de almacenamiento oscilan

Verifique los elementos desmontables y, en caso necesario, colóquelos de nuevo en su emplazamiento.

#### Las botellas o recipientes entran en contacto

Separe ligeramente las botellas o los contenedores para que no entren en contacto.

## Antes de solicitar el Servicio de Asistencia Técnica

Antes de solicitar el Servicio de Asistencia Técnica:

Compruebe si la avería o fallo que ha detectado se encuentra recogida en los siguientes consejos y advertencias y puede ser resuelta por Ud. mismo.

El servicio de atención al cliente podría cobrarle las llamadas innecesarias. Consulte el ámbito de cobertura y las excepciones en la Declaración de garantía.

### Aparato

Problema	Causa posible	Medida correctiva	
No se ilumina la pantalla, la luz interior no se enciende y el aparato no funciona.	El cable de alimentación no está correctamente enchufado.	Enchufe el cable de alimentación.	
	El fusible se ha fundido o el disyuntor de circuito se ha disparado.	Reemplace el fusible o reinicie el disyuntor de circuito. Verifique si llega la electricidad a la toma de corriente.	
	Se ha producido un corte del suministro de corriente eléctrica.	Espere a que se restablezca la corriente. Póngase en contacto con un electricista o con su compañía eléctrica, si es necesario.	
La luz interior no funciona.	El interruptor de la luz del compartimento del refrigerador o del congelador está adherido.	Asegúrese de que el interruptor de la luz se puede mover.	
	La iluminación de diodos luminosos está defectuosa.	Vea la sección "Iluminación interior (LED)".	
La comida está demasiado fría.	Se ha ajustado el aparato a una temperatura demasiado baja.	Seleccione una temperatura algo más elevada.	
La comida está demasiado caliente.	La puerta no se cierra correctamente.	Nivele el aparato utilizando un nivel. Vea la sección "Nivelación del aparato".  Compruebe la posición de los cajones y corríjala si es necesario.  Compruebe las gomas de sellado de las puertas y la barra abatible de la puerta izquierda. Límpielos o corrija su posición si es preciso.	
	Se ha ajustado el aparato a una temperatura demasiado alta.	Seleccione una temperatura más baja.	
	Las rejillas de aireación están bloqueadas.	Retire cualquier alimento u objeto que bloquee las rejillas de aireación.	
	Las puertas se abrieron con frecuencia o estuvieron abiertas durante demasiado tiempo.	Espere a que descienda la temperatura del aparato.	
	Se ha introducido una gran cantidad de alimentos frescos.	La comida fresca deberá alcanzar primero la temperatura de almacenamiento correcta.	
	El aparato desprende un olor desagradable.	Se introdujeron alimentos de fuerte olor en el refrigerador.	Embale la comida o guárdela en un contenedor hermético.
		El compartimento interior está sucio.	Limpie el compartimento interior.
Se forman gotas de condensación de agua en el exterior del aparato.	La puerta no se cierra adecuadamente.	Nivele el aparato utilizando un nivel. Vea la sección "Nivelación del aparato".  Compruebe la posición de los cajones y corríjala si hace falta.  Compruebe las gomas de sellado de las puertas y la barra abatible de la puerta izquierda. Límpielos o corrija su posición si es preciso.	
	Hay demasiada humedad.	Esta circunstancia puede ser normal en algunas regiones.	



Problema	Causa posible	Medida correctiva
Se forman gotas de condensación de agua en el interior del aparato.	Hay demasiada humedad o se abrieron las puertas con demasiada frecuencia.	No abra las puertas con tanta frecuencia o no las deje abiertas durante demasiado tiempo.
	Las gomas de sellado de las puertas no están bien ajustadas.	Compruebe las gomas de sellado de las puertas y la barra abatible de la puerta izquierda. Límpielos o corrija su posición si es preciso.
Los cajones se cierran con dificultad.	Los cajones no se insertaron correctamente.	Inserte los cajones adecuadamente.
	Los rieles del cajón están sucios.	Limpie los rieles del cajón.
La máquina de hielo no produce cubitos de hielo.	La máquina de hielo está apagada.	Encienda la máquina de hielo.
	El aparato no tiene suministro de agua.	Solicite a un técnico cualificado que conecte el agua.
	La línea de agua presenta acodaduras.	Cierre el suministro de agua. Elimine las acodaduras. Reemplace las líneas de conexión de agua dañadas por piezas originales del fabricante.
	La presión del agua es demasiado baja.	Verifique la presión de agua.
	La caja de cubitos de hielo no está insertada correctamente.	Inserte correctamente la caja de cubitos de hielo.
	La conexión del agua no se ha realizado correctamente.	En caso de no disponer de una conexión de agua adecuada, puede existir una presión de agua insuficiente que podría dañar el aparato.

## Servicio de Asistencia Técnica

Antes de solicitar el Servicio de Asistencia Técnica, vea la sección titulada "Antes de solicitar Servicio de Asistencia Técnica".

Una vez consultada la sección "Antes de solicitar Servicio de Asistencia Técnica", puede solicitar ayuda adicional llamando al Centro de Atención al Cliente de Bosch al 1-800-944-2904 (número gratuito) desde cualquier lugar de EEUU. En Canadá, póngase en contacto con el Centro de Atención al Cliente de Bosch de su región o llame al 1-800-944-2904.

Anote la siguiente información sobre su aparato para que le podamos proporcionar la mejor atención.

Nombre del distribuidor

Dirección

Número de teléfono

Fecha de compra

Número de modelo (número E)

Número de serie (número FD)

Tipo

**BSH Home Appliances Corporation**

1901 Main Street, Suite 600,

Irvine CA 92614, USA

[www.bosch-home.com](http://www.bosch-home.com)



8001076210 (9706)

en-us, fr-ca, es-mx