



WASHERS

SAFETY INSTRUCTIONS 4

USING THE WASHER

Getting Started 6

Loading 15

CARE AND CLEANING 16

INSTALLATION INSTRUCTIONS 18

TROUBLESHOOTING TIPS 23

CONSUMER SUPPORT

Warranty 27

Consumer Support 28

OWNER'S MANUAL & INSTALLATION INSTRUCTIONS

- GTW490
- GTW485
- GTW460
- GTW330
- GTW220
- HTW240
- HTW200

ENGLISH/ESPAÑOL

Write the model and serial numbers here:

Model # _____

Serial # _____

You can find them under the lid of the washer.

GO13

THANK YOU FOR MAKING GE APPLIANCES A PART OF YOUR HOME.

Whether you grew up with GE Appliances, or this is your first, we're happy to have you in the family.

We take pride in the craftsmanship, innovation and design that goes into every GE Appliances product, and we think you will too. Among other things, registration of your appliance ensures that we can deliver important product information and warranty details when you need them.

Register your GE appliance now online. Helpful websites and phone numbers are available in the Consumer Support section of this Owner's Manual. You may also mail in the pre-printed registration card included in the packing material.



IMPORTANT SAFETY INFORMATION

READ ALL INSTRUCTIONS BEFORE USING THE APPLIANCE

▲WARNING To reduce the risk of death, fire, explosion, electric shock, or injury to persons when using your appliance, follow basic precautions, including the following:

- Read all instructions before using the appliance.
- **DO NOT** wash or dry articles that have been previously cleaned in, washed in, soaked in or spotted with gasoline, dry-cleaning solvents, or other flammable or explosive substances, as they give off vapors that could ignite or explode.
- **DO NOT** add gasoline, dry-cleaning solvents, or other flammable or explosive substances to the wash water. These substances give off vapors that could ignite or explode.
- Under certain conditions, hydrogen gas may be produced in a hot-water system that has not been used for 2 weeks or more. **HYDROGEN GAS IS EXPLOSIVE**. If the hot water system has not been used for such a period, before using a washing machine, turn on all hot-water faucets and let the water flow from each for several minutes. This will release any accumulated hydrogen gas. As the gas is flammable, **DO NOT** smoke or use an open flame during this time.
- **DO NOT** allow children to play on or in this appliance. Close supervision of children is necessary when this appliance is used near children. Before the washer is removed from service or discarded, remove the door or lid. Failure to follow these instructions may result in death or injury to persons.
- **DO NOT** reach into the appliance if the tub or agitator is moving to prevent accidental entanglement.
- For waterproof, water-resistant and bulky items, only use the **Bulky Items** (or **Delicates**) cycle. **DO NOT** use other cycles for these items. Using other cycles can cause excessive vibration and may result in injury or damage to the washer, walls, or floor. **DO NOT** mix waterproof and non-waterproof items.
- **DO NOT** install or store this appliance where it will be exposed to the weather.
- **DO NOT** tamper with controls, repair or replace any part of this appliance or attempt any servicing unless specifically recommended in the user maintenance instructions or in published user repair instructions that you understand and have the skills to carry out.
- **DO NOT** operate this appliance if it is damaged, malfunctioning, partially disassembled, or has missing or broken parts including a damaged cord or plug.
- Unplug the appliance or turn off the circuit breaker before servicing. Pressing the **Power** button **DOES NOT** disconnect power.
- See "ELECTRICAL REQUIREMENTS" located in the Installation Instructions for grounding instructions.

READ AND SAVE THESE INSTRUCTIONS

IMPORTANT SAFETY INFORMATION

READ ALL INSTRUCTIONS BEFORE USING THE APPLIANCE

PROPER INSTALLATION

This washer must be properly installed and located in accordance with the Installation Instructions before it is used.

- Ensure that the hot water hose is connected to the “H” valve and the cold water hose is connected to the “C” valve.
- Install or store where it will not be exposed to temperatures below freezing or exposed to the weather, which could cause permanent damage and invalidate the warranty.
- Properly ground washer to conform with all governing codes and ordinances. Follow details in the Installation Instructions.

⚠ WARNING - Electrical Shock Hazard

Plug into a grounded 3 prong outlet.

DO NOT remove ground prong.

DO NOT use an adapter.

DO NOT use an extension cord.

Failure to follow these instructions can result in death, fire or electrical shock.

- Ensure washer is properly leveled and washer legs are adjusted such that unit is stable.
- Optional drain hose extension recommended for discharging heights from 60” - 96”.
- GE Appliances strongly recommends the use of factory specified parts. A list of factory hoses available for purchase are listed. These hoses are manufactured and tested to meet GE Appliances specifications.
- GE Appliances strongly recommends the use of new water supply hoses. Hoses degrade over time and need to be replaced every 5 years to reduce the risk of hose failures and water damage.

START-UP SEQUENCE

- Any time the washer is being started or restarts after the washer lid has been opened and closed, the washer will turn on the cold water valve for two short periods followed by a 10 second pause before continuing. If the lid is opened during this period, the washer will pause. You will have to push the **Start** button again to restart the cycle.

AUTOMATIC DRAIN SEQUENCE

- Machine will automatically drain any time the lid is left open for more than 15 minutes and water is present.
- Machine will automatically drain if left in a paused state with the lid closed for more than 24 hours and water is present.

WHEN NOT IN USE

- Turn off water faucets to minimize leakage if a break or rupture should occur. Check the condition of the fill hoses; GE Appliances recommends changing the hoses every 5 years.

PARTS AND ACCESSORIES

Order on-line at GEApplianceparts.com today, 24 hours a day or by phone at 800.626.2002 during normal business hours. In Canada, visit your local GE Appliances parts distributor or call 800.661.1616.

Part Number	Accessory
PM14X10002	4 ft rubber water supply hoses
Or	
PM14X10005	4 ft braided water supply hoses
WH49X301	Drain hose extension
PM7X1	Washer Floor Tray

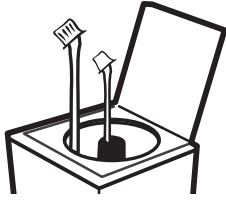
READ AND SAVE THESE INSTRUCTIONS

Getting started

WARNING To reduce the risk of fire, electric shock, or injury to persons, read the IMPORTANT SAFETY INSTRUCTIONS before operating this appliance.

Throughout this manual, features and appearance may vary from your model.

Step 1



- Add fabric softener to the fabric softener dispenser (on some models); see page 14.
- Add the manufacturer's recommended amount of detergent or detergent packet to the bottom of the wash basket before adding clothes. GE Appliances recommends the use of High Efficiency detergents such as in your energy efficient washer.

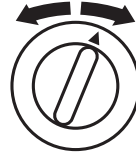
Step 2



- Loosely add items around agitator or Infusor. Overloading may negatively impact wash performance. See page 15 for suggested loading examples.
- Close lid.

NOTE: Unit will not start with lid open if Precise Fill is selected except on Bulky Items cycle.

Step 3



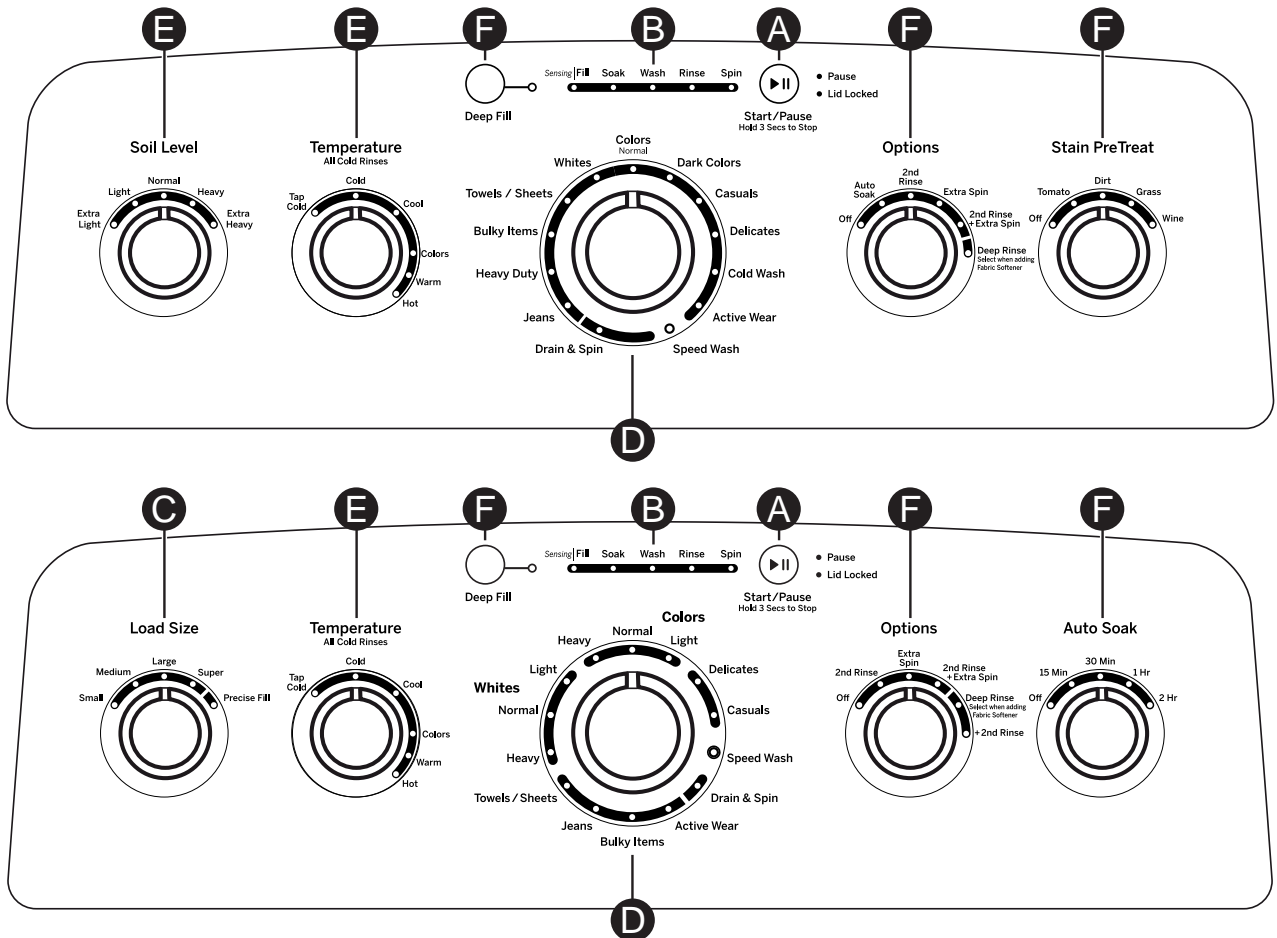
- Select wash cycle.
- Select wash options, including Deep Rinse option (on some models) when using fabric softener.
- Select options.
- Select load size (on some models).

Step 4

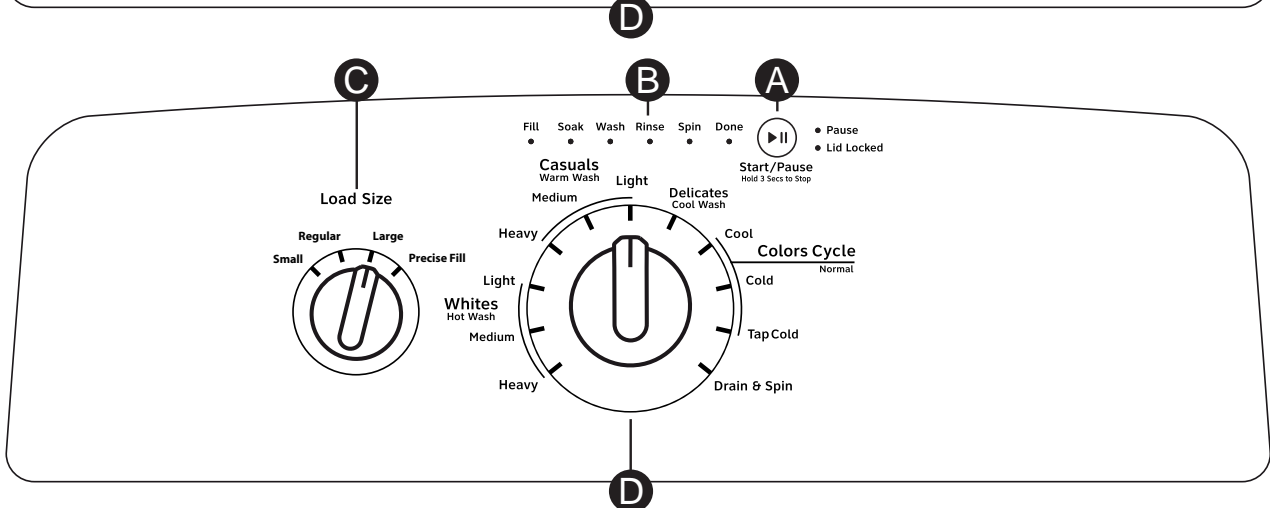
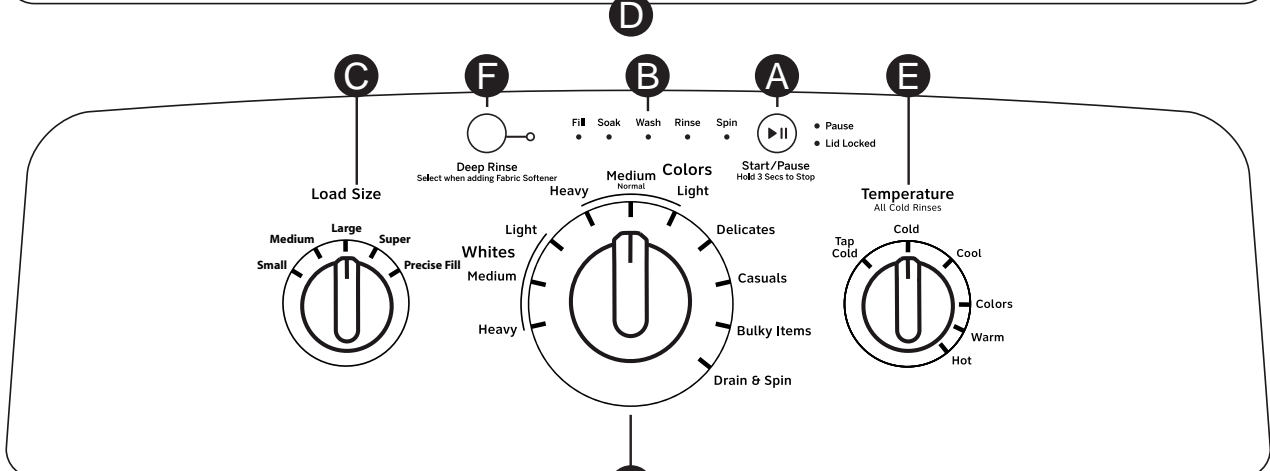
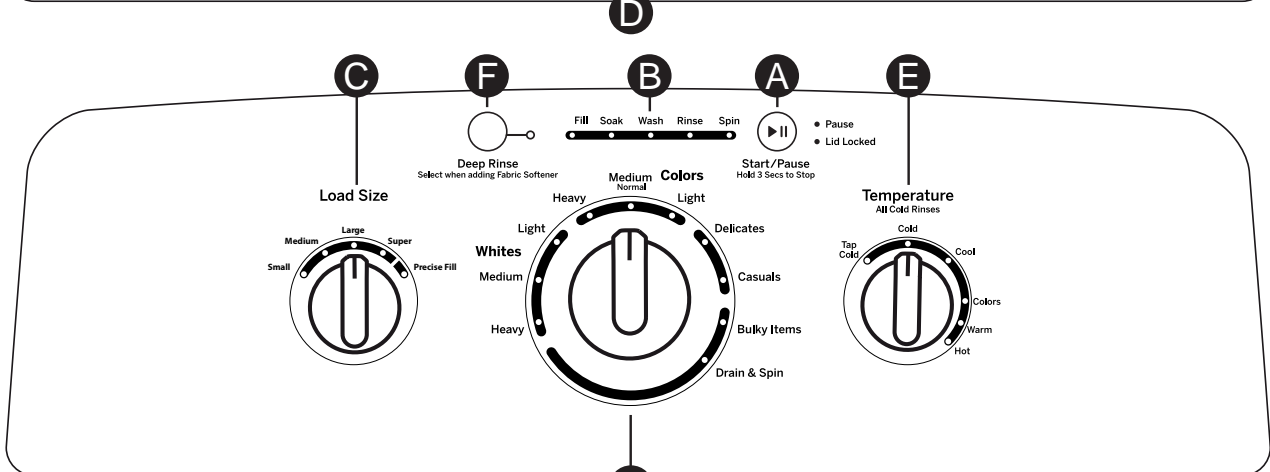
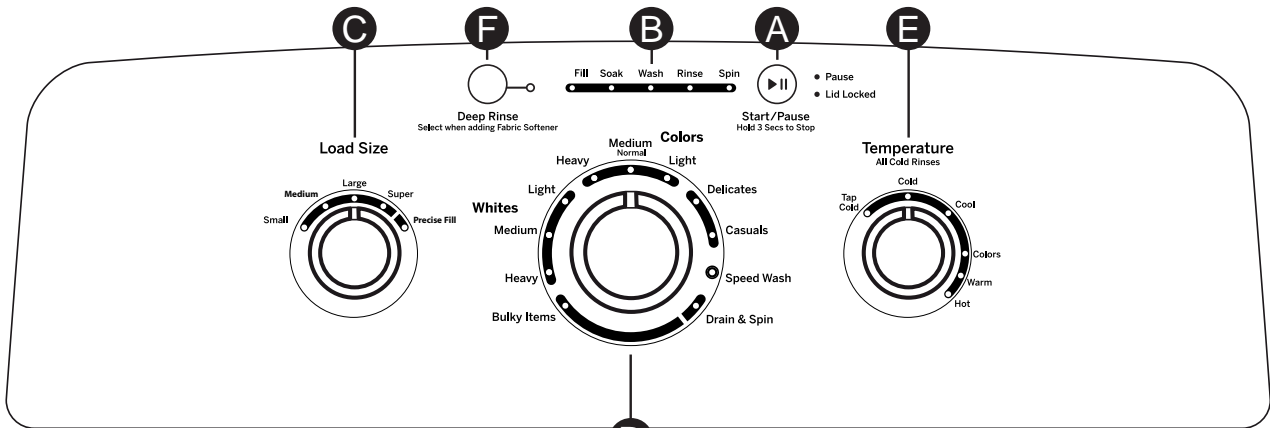


- Press Start.

Controls



Getting started



Getting started

A Start/Pause

Press **Start** to begin the cycle. **NOTE:** If the lid is closed, the lid will lock only during the load sensing portion of the cycle (when the **Precise Fill** selection is made or models which do not have a load size selection) and during spin portions of the cycle. Lid will unlock after load sensing and spin.

Pressing **Pause** will unlock the lid (if locked at that time), pause the cycle and the **Pause** indicator light will blink.

To continue the cycle, press **Start** again. If water remains in the machine, select the **Drain & Spin** cycle to drain basket and spin water out of the washer basket. **NOTE:** Machine will automatically cancel and drain when water is present and the lid is left open for 15 minutes or the unit is left in a paused state for 24 hours with the lid closed. Select cycle and press **Start** to begin new cycle.

B Cycle Status Lights

Shows whether the washer is in the **Fill, Soak, Wash, Rinse** or **Spin** portion of the cycle.

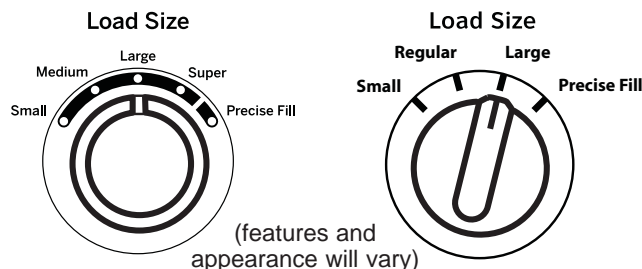
If an out-of-balance condition is detected by the washer, the **Spin** light will blink during the remaining portion of the cycle and will stay illuminated for a short time after cycle completion. When this occurs, the washer is taking actions to correct the out-of-balance condition and complete the cycle normally. In some cases, the washer may not be able to balance the load and spin up to full speed. If you notice the load is more wet than normal at the end of the cycle, redistribute the load evenly in the wash basket and run a **Drain & Spin** cycle.

C Load Size (on some models)

Add  detergent to the bottom of the basket and fabric softener to the dispenser (on some models) prior to loading clothes.

Loosely load items in the washer basket. Overloading may negatively impact wash performance. Adjust the load size accordingly.

Make the load selection:



Precise Fill (on some models)

- For convenience, best performance and optimal efficiency, select **Precise Fill** for models so equipped. This selection automatically provides the correct amount of water suited to the size and type of load placed in the unit. Lid will be locked for the duration of the load sensing process, which includes a brief spin period and a portion of the water fill.
- If you prefer to manually select the water level, select **Small** through **Super**. While **Precise Fill** is best for most loads and general washing, you may want to manually select the load size for specialty items such as bulky, lightweight comforters or pillows, where you want to ensure a larger water level is applied. Manual load size selections should be made for wet items placed in the washer, such as soaked towels or garments.
- The washer will not fill with water when **Precise Fill** is selected if the lid is opened. When the lid is closed the machine is able to begin filling with water in order to sense the load size.

NOTE: This is a high-efficiency washing machine. This system requires less water while providing effective cleaning action. You may notice that the water level is lower than on your previous washer. This is normal.

Getting started

D Wash Cycles-Cycle Selector Knob - For models GTW490, GTW485, GTW460, GTW330, GTW220 & HTW240 only.

The wash cycle controls the type of washing process. The cycle selector knob can be turned in either direction. Turning the knob after starting a cycle will stop the washer and change the cycle/options to the new selection. Press **Start** to begin the new cycle selection.

The chart below will help you match the items to be washed with the best wash cycle settings. For optimal performance, select the cycle that most closely matches the items being washed.

Selections and options shown in **bold** are the recommended settings for that cycle.

Some cycles and options may not be available on some models.

Items to Wash	Cycle	Wash Temp	Soil Level	Spin Selection (Duration)	Options Available	Cycle Details
Cycle for normal, regular, or typical use for washing up to a full load of normally soiled cotton clothing.	Colors	Hot Warm Colors Cool Cold Tap Cold	Ex. Heavy Heavy Normal Light Ex. Light	Max/Extra Normal	Stain PreTreat Guide Auto Soak Deep Rinse 2nd Rinse On GTW460 Model Only : Deep Fill	Cycle for normal, regular, or typical use for washing up to a full load of normally soiled cotton clothing. Choose the Heavy or Extra Heavy soil level selection and Warm or Hot water temperature selection as appropriate for your clothes load for a higher degree of cleaning. Incorporates multi-stage fills and wash periods to provide optimal fabric care.
Dark colored items, linens, and mixed loads.	Dark Colors	Hot Warm Colors Cool Cold Tap Cold	Ex. Heavy Heavy Normal Light Ex. Light	Max/Extra Normal	Stain PreTreat Guide Deep Fill Auto Soak Deep Rinse 2nd Rinse	Lower wash temperatures, a shorter wash period, and a deep fill rinse (on some models) minimizes fading and spotting of dark colored fabrics. Incorporates multi-stage fills and wash periods to provide optimal fabric care.
Casual clothes, lightly soiled office wear.	Casuals	Hot Warm Colors Cool Cold Tap Cold	Ex. Heavy Heavy Normal Light Ex. Light	Max/Extra Normal	Stain PreTreat Guide Deep Fill Auto Soak Deep Rinse 2nd Rinse	Wash period tailored to care for casual clothes and office wear items. Incorporates multi-stage fills and wash periods to provide optimal fabric care.
Lingerie and special care fabrics with light soil.	Delicates	Hot Warm Colors Cool Cold Tap Cold	Ex. Heavy Heavy Normal Light Ex. Light	Max/Extra Normal	Stain PreTreat Guide Deep Fill Auto Soak Deep Rinse 2nd Rinse	Utilizes a unique "tri-pulse" extra gentle agitate profile and a low spin speed to provide special care to delicate fabrics. It is recommended to place small or ultra delicate items in mesh bags before washing.
Dark colored fabrics and mixed loads.	Cold Wash	Hot Warm Colors Cool Cold Tap Cold	Ex. Heavy Heavy Normal Light Ex. Light	Max/Extra Normal	Deep Fill Auto Soak Deep Rinse 2nd Rinse	Cycle combines multiple extended wash agitation periods with soak periods to provide enhanced cleaning performance and energy efficiency with colder water temperatures.
Medium to lightly soiled athletic wear items of technical or synthetic fabrics.	Active Wear	Hot Warm Colors Cool Cold Tap Cold	Ex. Heavy Heavy Normal Light Ex. Light	Max/Extra Normal	Stain PreTreat Guide Deep Fill Auto Soak Deep Rinse 2nd Rinse	Cycle designed for care of medium to lightly soiled active wear, athletic wear, and technical fabrics. Incorporates a multi stage wash period with soak to effectively treat body soils and odors. Use the Heavy Duty cycle for heavily soiled sports clothing constructed of sturdy fabric.

Getting started

D Wash Cycles-Cycle Selector Knob - Continued - For models GTW490, GTW485, GTW460, GTW330, GTW220 & HTW240 only.

Items to Wash	Cycle	Wash Temp	Soil Level	Spin Selection (Duration)	Options Available	Cycle Details
Small loads of lightly soiled items that are needed in a hurry.	Speed Wash	Hot Warm Colors Cool Cold Tap Cold	Ex. Heavy Heavy Normal Light Ex. Light	Max/Extra Normal	Stain PreTreat Guide Deep Fill Auto Soak Deep Rinse 2nd Rinse	Utilizes an expedited wash period and time saving continuous spray rinse to clean small lightly soiled loads in the fastest time possible.
Wet load of items. For items that need only to be rinsed, use this cycle with Deep Rinse option.	Drain & Spin			Max/Extra Normal	Deep Rinse 2nd Rinse	Utilizes a high speed spin to extract water from wet items. For items that need to be rinsed, select the Deep Rinse and/or 2nd Rinse option when using this cycle.
Jeans with medium to light soil. For heavily soiled work jeans, use the Heavy Duty Cycle.	Jeans	Hot Warm Colors Cool Cold Tap Cold	Ex. Heavy Heavy Normal Light Ex. Light	Max / Extra Normal	Stain PreTreat Guide Deep Fill Auto Soak Deep Rinse 2nd Rinse	Combines higher water levels, a specially designed agitation profile, and multi step wash and soak periods to care for jeans with medium to light soil. Use the Heavy Duty cycle for heavily soiled work jeans.
Sturdy fabrics with heavy to medium soil.	Heavy Duty	Hot Warm Colors Cool Cold Tap Cold	Ex. Heavy Heavy Normal Light Ex. Light	Max / Extra Normal	Stain PreTreat Guide Deep Fill Auto Soak Deep Rinse 2nd Rinse	Incorporates multi-step wash and soak periods combined with extended wash periods to effectively clean heavily to medium soiled sturdy fabrics.
Water-resistant, bedding and bulky items, such as large coats, mattress pads, and bath mats.	Bulky Items	Hot Warm Colors Cool Cold Tap Cold	Ex. Heavy Heavy Normal Light Ex. Light	Max / Extra Normal	Stain PreTreat Guide Deep Fill Auto Soak Deep Rinse 2nd Rinse	Provides a Deep Fill/max fill wash water level to wash bulky and waterproof items. Also incorporates a Deep Fill rinse to effectively rinse bulky items and a low spin speed appropriate for these items. Only use this cycle for water-resistant, bedding or bulky items.
Towels. Sheets.	Towels / Sheets	Hot Warm Colors Cool Cold Tap Cold	Ex. Heavy Heavy Normal Light Ex. Light	Max / Extra Normal	Stain PreTreat Guide Deep Fill Auto Soak Deep Rinse 2nd Rinse	Cycle designed washing towels or sheets, using a higher water level and a soak period to effectively clean these items. It is recommended that towels and sheets be washed separately for best care and washing performance. For waterproof bed covers use Bulky Items cycle.
Whites and household linens	Whites	Hot Warm Colors Cool Cold Tap Cold	Ex. Heavy Heavy Normal Light Ex. Light	Max / Extra Normal	Stain PreTreat Guide Deep Fill Auto Soak Deep Rinse 2nd Rinse	Cycle tailored to clean and brighten your whites.

⚠ CAUTION Failure to follow these instructions may result in injury or property damage.

For Waterproof, Water-Resistant, or Bulky Items:

- Only use the **Bulky Items** (or **Delicates**) cycle. NOTE: Some models only have a **Delicates** cycle.
- Using other cycles can cause excessive vibration and may result in injury or damage to the washer, walls, or floor.
- Do not mix waterproof and non-waterproof items.
- Read the **Owner's Manual** for wash cycle details.

Getting started

D Wash Cycles-Cycle Selector Knob - For model HTW200 only.

The wash cycle controls the type of washing process. The cycle selector knob can be turned in either direction. Turning the knob after starting a cycle will stop the washer and change the cycle options to the new selection. Press **Start** to begin the new cycle selection.

The chart below will help you match the items to be washed with the best wash cycle settings. For optimal performance, select the cycle that most closely matches the items being washed.

Items to Wash	Cycle	Wash Temp	Soil Level	Spin Selection (Duration)	Cycle Details
Cycle for normal, regular, or typical use for washing up to a full load of normally soiled cotton clothing.	Colors	Cool Cold Tap Cold	Normal	Normal	Cycle for normal, regular, or typical use for washing up to a full load of normally soiled cotton clothing. Multiple wash temperature selections are available within this single cycle: Tap Cold: Coldest selection available, adds no hot water. Cold: Adds some hot water to aid dissolving detergents in colder climates. Cool: Adds more hot water to increase cleaning. The Normal cycle is identical in cycle steps, wash times, etc. for each wash temperature selection available. All rinses are cold.
Whites and household linens	Whites	Hot	Heavy Medium Light	Normal	Provides the hottest hot temperature available (based on your water heater setting) with longer wash periods to clean and brighten your whites. It is recommended that a Oxi or chlorine bleach product appropriate for items being washed be used with this cycle to maximize whitening performance. Note that three soil levels are available: Heavy, Regular, and Light. Rinse is cold.
Light colored items. More heavily soiled or items with body soils.	Casuals	Warm	Heavy Medium Light	Normal	Wash temperature and wash profile tailored for items that are more heavily soiled and/or contain body soils. Note that three soil levels are available: Heavy, Regular, and Light. Rinse is cold.
Lingerie and special care fabrics with light soil. Water-resistant, bedding and bulky items, such as large coats, mattress pads, and bath mats.	Delicates	Cool	Light	Normal	Utilizes a unique "tri-pulse" extra gentle agitate profile and a low spin speed to provide special care to delicate fabrics. It is recommended to place small or ultra delicate items in mesh bags before washing.
Wet load of items.	Drain & Spin			Normal	Utilizes a high speed spin to extract water from wet items.

NOTE: Water temperature selections are embedded within the wash cycles. For the **Colors Cycle Normal**, there are multiple temperature selections available. For other cycles, such as **Whites**, there is only one temperature available but there are multiple soil levels embedded. Select the cycle, temperature and soil level that best matches items being washed.

Getting started

F Settings

Select settings for agitation (**Soil**) and water temperature (**Temp**).

NOTE: Longer **Spin** times typically reduce dryer time/energy usage (i.e. reduces total energy when using both a washer and a dryer).

F Cycle Options (on some models)

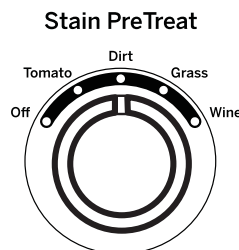
Stain PreTreat

The **Stain PreTreat** feature allows you to indicate what stains are on the garments in your load. This feature incorporates a patent pending treatment method. An initial water fill is performed at a temperature tailored to the stain type selected and to an amount which enables a concentrated cleaning step. A stain scrubbing period, followed by an active soak, is conducted to effectively treat the stain. Then additional water is added to the selected temperature and the wash phase is conducted for the cycle selected.

This feature can be applied to most wash cycles as described in the cycle guide.

To use **Stain PreTreat**:

1. Select the desired wash cycle.
2. Select the stain to be treated under the **Stain PreTreat** options.



Stain PreTreat Guide

Category	Recommended Temperatures Treatment/Wash	Stain	For best results, before placing in washer:
Tomato	Cool/Warm	Sauce Catsup Salsa	Pretreat with liquid detergent or stain remover product; rinse with cool water.
Dirt	Cool/Warm	Dirt Clay Mud	Allow dirt to dry; remove loose dirt using a brush. Rinse with cool water.
Grass	Cold/Warm	Grass Lipstick Chocolate Gravy Mayonnaise BBQ Sauce	Pretreat with liquid detergent or stain remover product. Brush lightly; rinse with cold water.
Wine	Cool/Warm	Wine Soda Kool-Aid Tea Coffee Juice Beer	Pretreat with mixture of Oxi product and cool water. Add Oxi product along with detergent in the washer.

- Recommended temperatures are optimal for stain removal performance; adjust temperature selection to suit load being washed.
- Ensure stain is completely removed after wash cycle and before placing in dryer; very tough stains may require a second treatment.

Getting started

F Cycle Options - Continued

Deep Fill

Select the **Deep Fill** feature for loads where extra water is needed. The **Deep Fill** feature is recommended for special case loads only, not for typical use.

Press the **Deep Fill** button once before starting the cycle to add an incremental amount of water to the wash load. Holding the **Deep Fill** button for 3 seconds will provide the deepest fill level possible; this will increase cycle time due to the additional time it takes to fill the washer.

To cancel the option if desired, press the **Deep Fill** button again.

NOTE: The **Deep Fill** button can also be pressed after the washer has completed filling and is in the wash phase if additional water is desired. To stop the extra fill, press the **Deep Fill** button again and the water will stop.

Auto Soak

This option begins with a brief agitation, soaks for a specified period of time, then moves through the rest of the cycle automatically.

2nd Rinse

When you use extra detergent or bleach to clean heavily soiled clothes, use the **2nd Rinse** option to better remove additional residues.

Extra Spin

Select to provide additional spin time, increasing energy efficiency through reducing drying times.

2nd Rinse + Extra Spin

Provides both a second rinse and an extra spin.

Deep Rinse

Set this option to provide a deep rinse or when using fabric softener. This option may change other settings (e.g. **Spin** may go to a higher setting) to maximize performance.

NOTE: For model GTW490 only. If liquid fabric softener is desired, wait until the **Rinse** cycle status light is illuminated and the final rinse fill is complete before adding the recommended amount of liquid fabric softener directly to the rinse bath. When adding liquid fabric softener, pour into deeper areas of rinse water while avoiding direct contact with fabric.

Consumer Help Indicator

Your washer is equipped with Consumer Help Indicator (CHI). CHI is our way to communicate a simple remedy for some situations that you can perform without the need to call for service. The chart below describes the helpful lights you may notice flashing on the display.

Spin light blinking	If an out-of-balance condition is detected by the washer, the Spin light will blink during the remaining portion of the cycle and will stay illuminated for a short time after cycle completion. When this occurs, the washer is taking actions to correct the out-of-balance condition and complete the cycle normally. In some cases, the washer may not be able to balance the load and spin up to full speed. If you notice the load is more wet than normal at the end of the cycle, redistribute the load evenly in the wash basket and run a Drain & Spin cycle.
Fill light (Water not entering washer)	Check your house water supply. Did you forget to turn on one or both supply valves after installation or coming back from vacation? As soon as the light starts to flash, the washer will initiate a 4 minute lock-out period. The washer controls won't respond/change during this time. After the 4 minutes, you can begin your cycle again. If you try to bypass the lock-out period by unplugging the washer, the 4 minute timer will start over again.
Lid Locked light	Lid Locked light will flash if 3 cycles have been started without opening the lid. The washer will not start another cycle until the lid is opened. Try opening, then closing the lid and starting a new cycle. If the problem persists, call GE Appliances at 800.GE.CARES (800.432.2737) for service.

Getting started

Automatic Load Sensing

This determines the correct agitate profile, agitate duration and amount of water suited to the size and type of load placed in the washer. The washer will not start the wash cycle or fill with water if the lid is open. When the lid is closed the machine is able to begin filling with water in order to sense the load size.

NOTE: Automatic Load Sensing initiates a spin at the beginning of the cycle and will take as much as 3 minutes to complete (significantly shorter for smaller loads); this is normal operation.

NOTE: This is a high efficiency washing machine. This system requires less water while providing effective cleaning action. You may notice that the water level is lower than on your previous washer. This is normal.

Liquid Fabric Softener Dispenser (on some models)

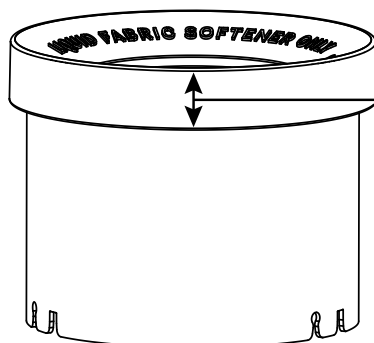
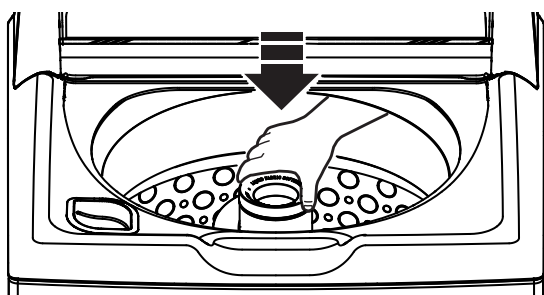
The **agitator cap** fits into the top of the agitator. If it accidentally comes off, simply put it back on.

The **fabric softener dispenser** automatically releases liquid fabric softener at the proper time during the cycle.

Do not stop the washer or raise the lid during the first spin. This will cause the dispenser to empty too soon.

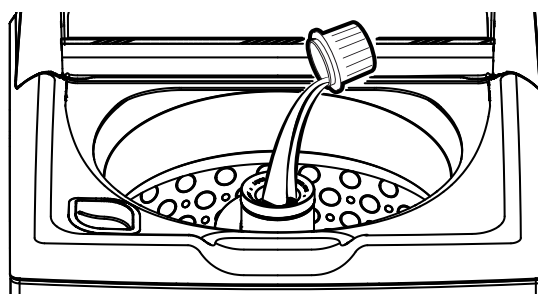
To use, follow these steps:

- 1 Make sure dispenser is securely attached to agitator.



ONLY this portion of the dispenser is visible once installed into agitator

- 2 Use only liquid diluted fabric softener. Pour into dispenser, using amount recommended on package.



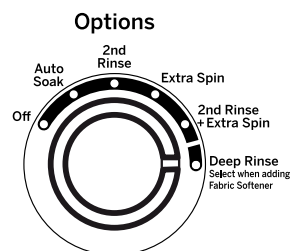
Never pour fabric softener directly on clothes. It may stain them.

- 3 Add water to dispenser until it reaches the maximum fill line.

Do not pour anything into the agitator if the agitator cap or dispenser is removed.



- 4 Select **Deep Rinse** option.

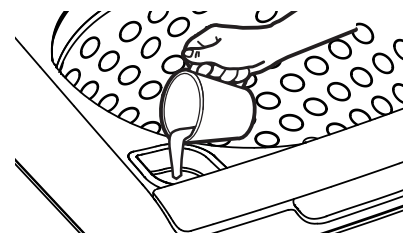


NOTE: Fabric softener may not dispense properly if the **Deep Rinse** option is not selected.

Liquid Bleach

Liquid chlorine bleach should be added through the bleach dispenser in the **front left corner**. Follow bleach manufacturer's recommendations for the correct amount of liquid chlorine bleach based on load size, taking care to not apply or spill it directly on clothing.

NOTE: Do not use liquid chlorine bleach and laundry pretreatments such as an Oxi product in the same wash load.



Pretreatment

Place laundry pretreatments, such as an Oxi product, directly in the bottom of the wash basket before loading clothes.

NOTE: Do not use liquid chlorine bleach and laundry pretreatments such as an Oxi product in the same wash load.

Loading

Always follow fabric manufacturer's care label when laundering.


Proper Use of Detergent

Using too little or too much detergent is a common cause of laundry problems.

Use less detergent if you have soft water, a smaller load or a lightly soiled load.

For spots, apply pre-treatment to items as recommended on the product label. Application should be made in the basket to prevent overspray which may cause the coloring on the lid or graphics to fade.

Place detergent packets in the bottom of the wash basket before adding clothes.

GE Appliances recommends the use of High Efficiency detergents such as  in your energy efficient washer. HE detergents are formulated to work with low water wash and rinse systems. HE detergents reduce the oversudsing problems commonly associated with regular detergents.

When using high efficiency or concentrated detergents, consult the product label to determine amount required for optimum performance. Excessive detergent will negatively impact wash performance.

Sorting Wash Loads

Sort by color (whites, lights, colors), soil level, fabric type (sturdy cottons, easy care, delicates) and whether the fabric produces lint (terry cloth, chenille) or collects lint (velveteen, corduroy). Wash lint producers such as cotton towels and socks separate from lint collectors including synthetic garments and dress pants.

WARNING - Fire Hazard

DO NOT wash fabrics soiled with flammable liquids or cleaning solvents.

No washer can completely remove oil.

DO NOT wash or dry anything that has been soaked in or spotted with any type of oil (including cooking oils).

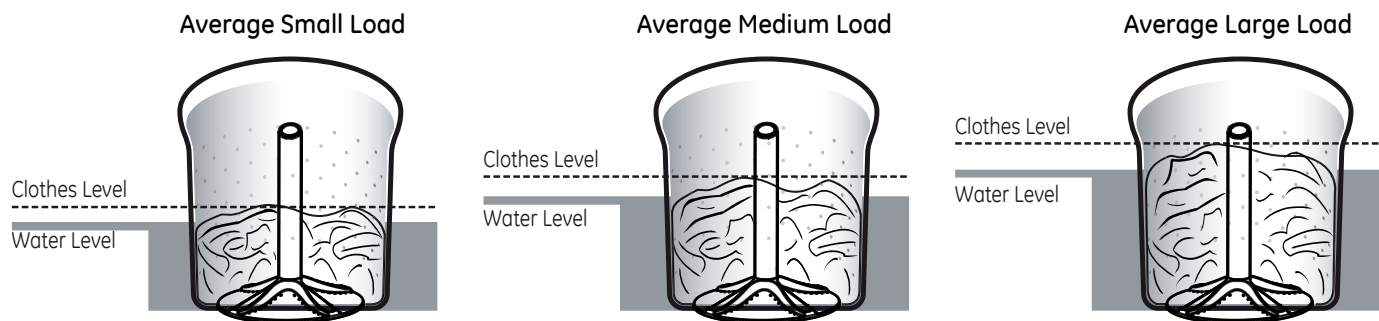
DO NOT reach into the washer until all moving parts have stopped.

Doing so can result in death, explosion, fire or amputation.

Loading the Washer

Load dry items loosely in the washer basket. For best results, load items evenly and loosely around the outside of the basket, filling in towards the center on larger loads. To add items after washer has started, press **Start/Pause** if the lid is locked; wait until the **Lid Lock** indicator on the display is no longer illuminated before attempting to open the lid. Lift the lid and submerge additional items around the outside of the basket. Close the lid and press **Start** to resume. Adjust load size selection and/or use **Deep Fill** option if necessary.

- On Infusor models, do not place large items such as sheets, blankets and towels across the Infusor. Load them around the outside of the basket.
- Do not put lawn or sofa cushions into the washer as they are too big to move. Remove outer covers and **ONLY** wash them.



Care and cleaning

Exterior of the Washer

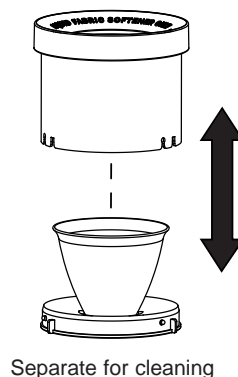
Immediately wipe off any spills with a damp cloth.

Interior of the Washer

Leave the lid open after washing to allow moisture to evaporate. If you want to clean the basket, use a clean soft cloth dampened with liquid detergent; then rinse. (Do not use harsh or gritty cleaners.)

Cleaning the Fabric Softener Dispenser (on some models)

- 1 Remove the dispenser from the top of the agitator.
- 2 Separate the dispenser cup from the cover by grasping the top and pushing down on the inside of the cup with your fingers. Dispenser cup will pop free from the cover.
- 3 To clean the dispenser, soak both the dispenser cup and the dispenser cover in the following solution:
 - 1 US gallon (3.8 liters) warm water
 - 1/4 cup (60 ml) heavy-duty liquid detergent
 - 1 cup (240 ml) bleach
- 4 If necessary, loosen buildup with a clean, soft cloth after soaking. Do not use a stiff brush; you may roughen the surface of the dispenser.
- 5 Rinse and reassemble dispenser. Place dispenser back on the agitator.



Water Supply Hoses

Hoses connecting washer to faucet should be replaced every 5 years.

Moving and Storage

Ask the service technician to remove water from drain pump and hoses. Do not store the washer where it will be exposed to the weather.

Long Vacations

Be sure water supply is shut off at faucets. Drain all water from hoses and water filter pump area if weather will be below freezing.

Installation Instructions

Washer

If you have any questions, call GE Appliances at 800.GE.CARES (800.432.2737) or visit our Website at: GEAppliances.com
In Canada, call 800.561.3344 or visit www.GEAppliances.ca

BEFORE YOU BEGIN

Read these instructions completely and carefully.

- **IMPORTANT** – Save these instructions for local inspector's use.
- **IMPORTANT** – Observe all governing codes and ordinances.
- **Note to Installer** – Be sure to leave these instructions with the Consumer.
- **Note to Consumer** – Keep these instructions for future reference.
- **Skill level** – Installation of this appliance requires basic mechanical and electrical skills.
- **Completion time** – 1-3 hours
- Proper installation is the responsibility of the installer.
- Product failure due to improper installation is not covered under the Warranty.

PARTS SUPPLIED

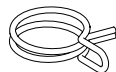
- Drain Hose
- Owner's Reference Guide



- Cable Tie
- Drain Hose Clip



- Clamp



TOOLS REQUIRED FOR WASHER INSTALLATION

- Pliers

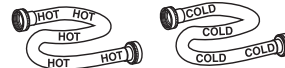


- Level



PARTS REQUIRED (Sold separately)

- Water Hoses (2)



- Rubber Washers (2) and Strainer Screens (2)



- Drain Hose Extension (For discharge heights from 60" - 96")

GE Appliances Parts and Accessories

Order on-line at GEApplianceparts.com today, 24 hours a day or by phone at 800.626.2002 during normal business hours.

Part Number	Accessory
PM14X10002	4 ft Rubber Water Supply Hoses
Or	
PM14X10005	4 ft Braided Metal Water Supply Hoses
WH1X2267	Rubber Washer (1) and Screen (1)
WH49X301	Drain Hose Extension (For discharge heights from 60" - 96")

NOTE: We strongly recommend the use of new water supply hoses. Hoses degrade over time and need to be replaced every 5 years to reduce the risk of hose failures and water damage.

Installation Instructions

LOCATION OF YOUR WASHER

DO NOT Install the Washer:

1. In an area exposed to dripping water or outside weather conditions. The ambient temperature should never be below 60°F (15.6°C) for proper washer operation.
2. In an area where it will come in contact with curtains or drapes.
3. On carpet. The floor **MUST** be a hard surface with a maximum slope of 1/2" per foot (1.27 cm per 30 cm). To make sure the washer does not vibrate or move, you may have to reinforce the floor.

NOTE: If floor is in poor condition, use 3/4" impregnated plywood sheet solidly attached to existing floor covering.

IMPORTANT: Minimum Installation Clearances - Alcove or Closet

- If your washer is approved for installation in an alcove or closet, there will be a label on the back of the machine describing requirements.
- Minimum clearance between washer and adjacent walls or other surfaces: 0" either side, 2" front, 3" rear. Vertical space from floor to overhead shelving, cabinets, ceiling, etc. = 60".
- Closet doors must be louvered or otherwise ventilated and have at least 60 square inches of open area. If the closet contains both a washer and a dryer, doors must contain a minimum of 120 square inches of open area.

NOTE: The clearances stated on this label are minimums. Consideration must be given to providing adequate clearances for installing and servicing.

WATER SUPPLY REQUIREMENTS

WATER SUPPLY LINES - Purge Hot and Cold water supply lines for 30 seconds prior to installation of hoses and washing machine. Ensure inlet hose screens are also clean and free of debris.

WATER PRESSURE - Must be 20 psi minimum to 120 psi maximum.

WATER TEMPERATURE - Household water heater should be set to deliver water at 120° to 150°F (50° to 66°C) TO THE WASHER when hot wash is selected.

SHUTOFF VALVES - Both hot and cold shutoff valves (faucets) should be supplied.

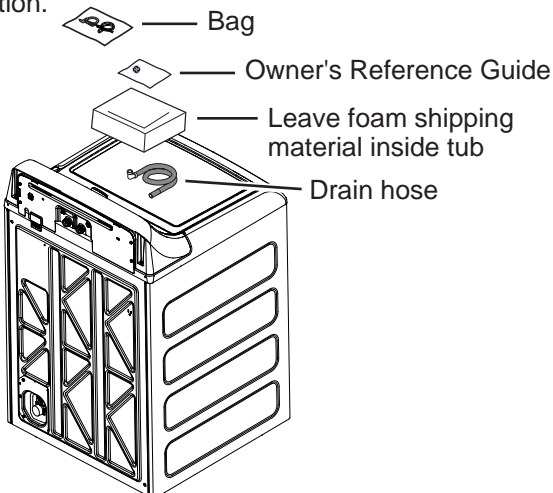
DRAIN - Water should be drained into standpipe. Discharge height **MUST NOT BE LESS THAN 30 INCHES**, and no more than 8 feet above the base of the washer. Standpipe must be 1-1/2 inches minimum inside diameter and must be open to atmosphere.

1 UNPACKING THE WASHER

After the machine is in the home, remove outside packing material/carton from washer.

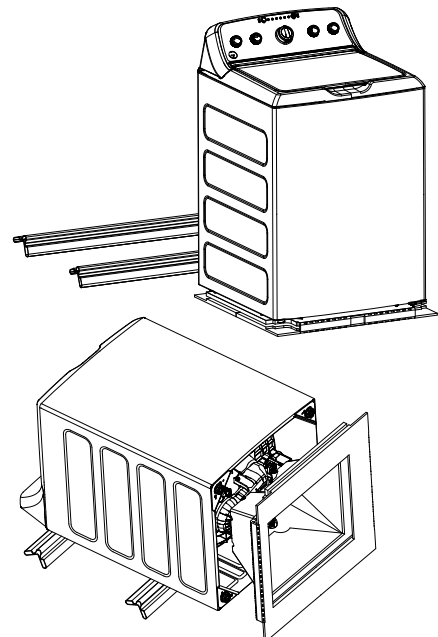
Remove bag (containing clamp, cable tie and drain hose clip), drain hose and Owner's Reference Guide from tub.

NOTE: Leave foam shipping material inside tub opening to hold tub in place during the rest of installation.



2 REMOVE THE BASE

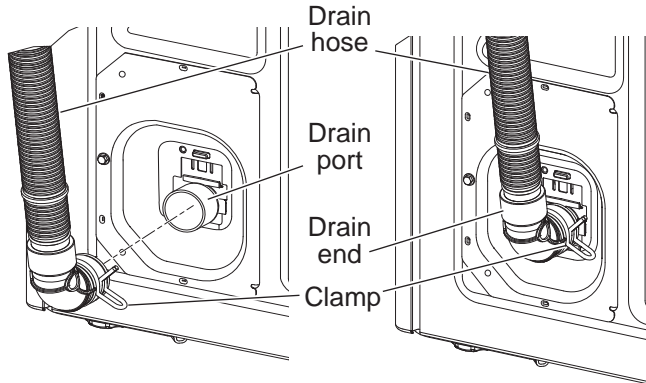
Remove base from unit by placing foot on side of base and tipping unit back on corner post. Remove base and bring the washer back upright.



Installation Instructions

3 CONNECT DRAIN HOSE TO WASHER

Connect drain hose to drain port on back of washer. Open clamp with pliers and slide onto hose end. Holding clamp open, push hose end onto drain port until fully seated. Release clamp between locating ribs on hose end. Outlet of hose end should be oriented vertically.

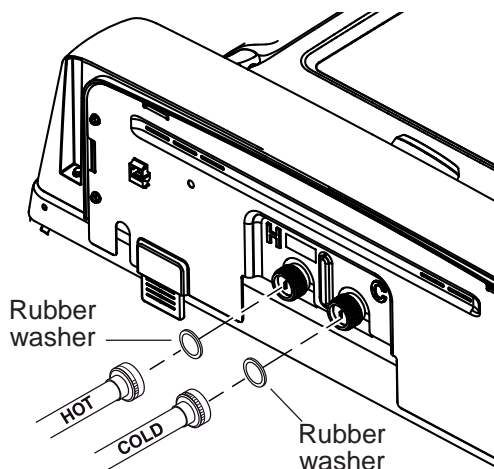


4 CONNECT WATER HOSES TO WASHER

Unplug electrical cord before installing water hoses. If not installed, install rubber washer in one end of hot water hose. Thread hot water hose onto connection labeled **H** at top rear of washer. Hand tighten and use pliers to tighten hoses between 1/8 and 1/4 turn beyond hand-tight.

If not installed, install rubber washer in one end of cold water hose **C**. Thread cold water hose onto connection labeled **C** at top rear of washer. Hand tighten and use pliers to tighten hoses between 1/8 and 1/4 turn beyond hand-tight.

Move washer as close to final location as possible, leaving room for you to make water, drain, and electrical connections to your home.



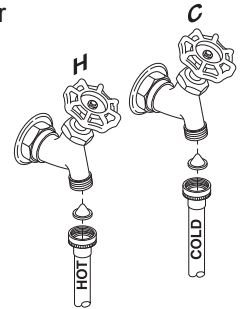
5 CONNECT WATER HOSES TO OUTLET VALVES

Determine which is HOT water line before attaching water hoses to faucets. Traditionally, HOT faucet is on left.

(If screen washers are not installed) With protruding part of screen toward you, install strainer screen/rubber washer into each of the free ends of two water hoses.

Connect hot water hose to hot water outlet valve of your home. Hand tighten and use pliers to tighten hoses between 1/4 and 1/2 turn beyond hand-tight. Open hot water valve.

Connect cold water hose to cold water outlet valve of your home. Hand tighten and use pliers to tighten hoses between 1/4 and 1/2 turn beyond hand-tight. Open cold water valve.



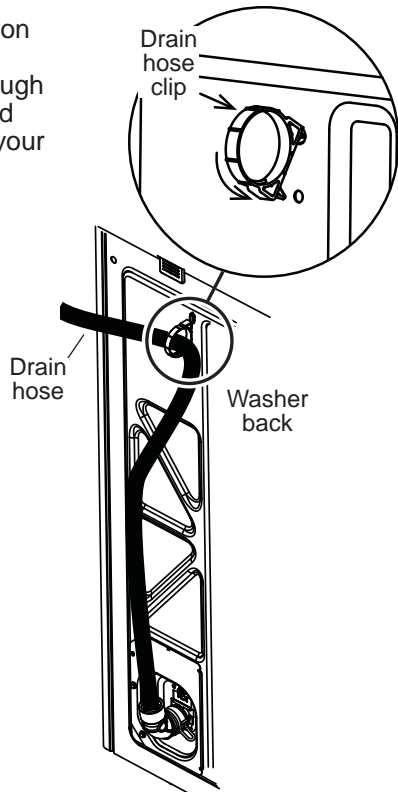
Check for leaks and drips at the hose couplings. Tighten as necessary.

Installation Instructions

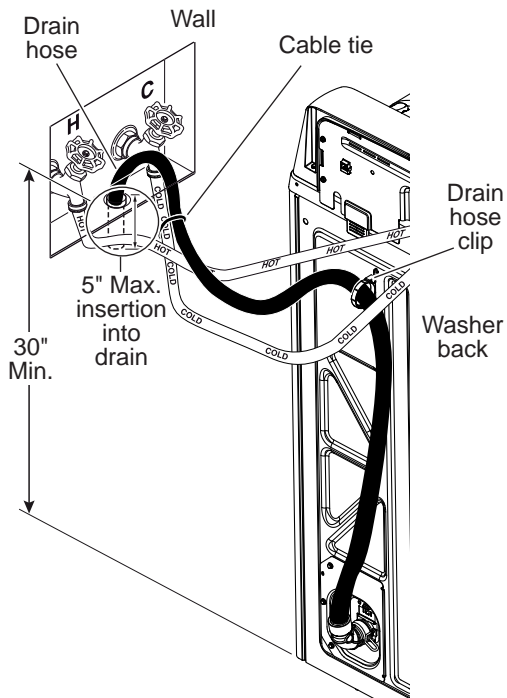
6 CONNECT TO DRAIN

Install drain hose clip on rear panel of washer. Route drain hose through clip and insert free end into drain opening of your home.

NOTE: If longer drain hose is required, order drain hose extension kit, GE Appliances part number WH49X301. Connect additional drain hose (contained in kit) to original hose with hose clamp (contained in kit).



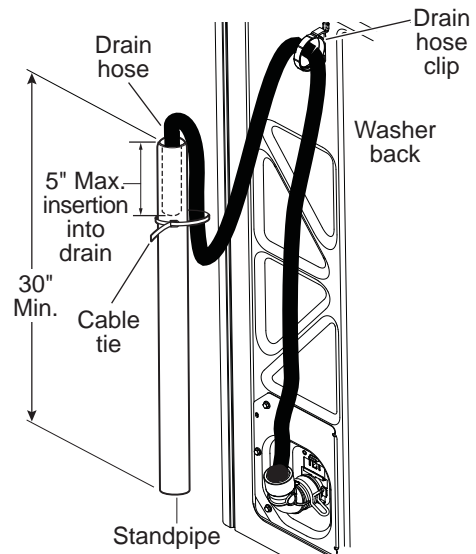
If water valves and drain are built into wall, fasten drain hose to one of the water hoses with cable tie provided.



NOTE: Placing the drain hose too far down the drain pipe can cause a siphoning action. No more than 5" of hose should be in the drain pipe. There must be an air gap around the drain hose. A snug fit can also cause a siphoning action.

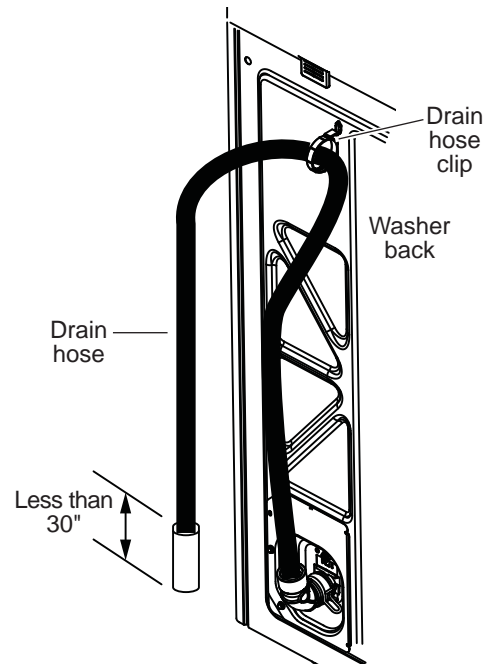
6 CONNECT TO DRAIN (Continued)

If your drain is a standpipe, fasten drain hose to standpipe with cable tie provided.



NOTE: Placing the drain hose too far down the drain pipe can cause a siphoning action. No more than 5" of hose should be in the drain pipe. There must be an air gap around the drain hose. A snug fit can also cause a siphoning action.

If drain discharge height does not meet 30" minimum height requirement, end of drain hose must be secured in drain opening of home by installer and have an air gap around hose to prevent siphoning.



NOTE: Placing the drain hose too far down the drain pipe can cause a siphoning action. No more than 5" of hose should be in the drain pipe. There must be an air gap around the drain hose. A snug fit can also cause a siphoning action.

Installation Instructions

ELECTRICAL REQUIREMENTS

⚠ WARNING - Electrical Shock Hazard

Plug into a grounded 3-prong outlet.

DO NOT remove ground prong.

DO NOT use an adapter.

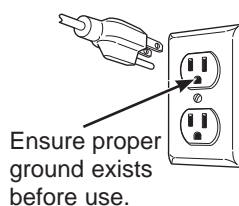
DO NOT use an extension cord.

Failure to follow these instructions can result in death, fire or electrical shock.

CIRCUIT – Individual, properly polarized and grounded 15 or 20 amp circuit breaker or time-delay fuse.

POWER SUPPLY – 2 wire plus ground, 120 Volt, single phase, 60 Hz, alternating current.

Outlet Receptacle – Properly grounded 3-prong receptacle to be located so the power cord is accessible when the washer is in an installed position. If a 2-prong receptacle is present, it is the owner's responsibility to have a licensed electrician replace it with a properly grounded 3-prong grounding type receptacle.



Washer must be electrically grounded in accordance with local codes and ordinances, or in the absence of local codes, with latest edition of the NATIONAL ELECTRICAL CODE, ANSI/NFPA NO. 70 or CANADIAN ELECTRICAL CODE, CSA C22.1. Check with a licensed electrician if you are not sure that the washer is properly grounded.

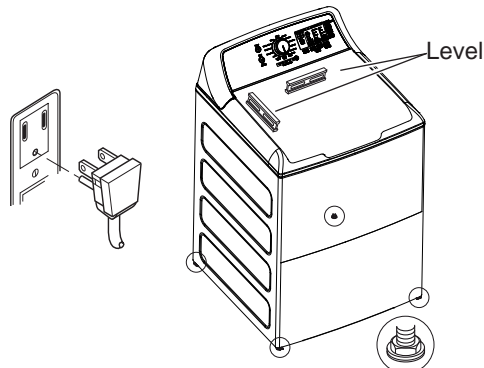
7 CONNECT POWER AND INSTALL

Make sure large dial control (on some models) on washer is pushed in to the OFF position.

Insert plug of electrical cord into a 115V, 15- or 20-amp wall receptacle. Move washer into final position. Place level on flat top side edges of washer. Adjust all four leveling legs until washer is level left-to-right and front-to-back. Remove level.

Open tub lid. Remove and discard tub shipping material (see Step 1).

Remove plastic protector sheet from control panel face.



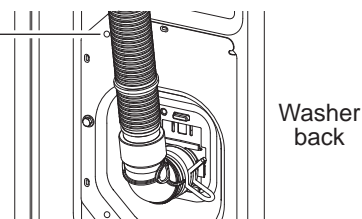
GROUNDING INSTRUCTIONS

This appliance must be grounded. In the event of malfunction or breakdown, grounding will reduce the risk of electric shock by providing a path of least resistance for electric current. This appliance is equipped with a cord having an equipment-grounding conductor and a grounding plug. The plug must be plugged into an appropriate outlet that is properly installed and grounded in accordance with all local codes and ordinances.

⚠ WARNING Improper connection of the equipment-grounding conductor can result in a risk of electrical shock. Check with a qualified electrician, or service representative or personnel, if you are in doubt as to whether the appliance is properly grounded. **DO NOT** modify the plug on the power supply cord. If it will not fit the outlet, have a proper outlet installed by a qualified electrician.

If required by local codes, an external 18 gauge or larger copper ground wire (not provided) may be added. Attach to washer cabinet with a #10-16 x 1/2" sheet metal screw (available at any hardware store) to rear of washer as illustrated.

Attach ground wire and ground screw (obtain locally)



Mobile Home Installation:

Installation must conform to Standard for Mobile Homes, ANSI A119.1 and National Mobile Home Construction and Safety Standards Act of 1974 (PL93-383).

FINAL CHECKLIST



Before starting the washer, check to make sure:

- Main power is turned on.
- The washer is plugged in.
- The water faucets are turned on.
- The unit is level and all four leveling legs are firmly on the floor.
- The shipping foam and cardboard are removed.
- The drain hose is properly tied up.
- There are no leaks at the faucet, drain line or washer.

Run the washer through a complete cycle.

- Check for water leaks and proper operation.
- Place these instructions in a location near the washer for future reference.

Troubleshooting Tips... Before you call for service

Problem	Possible Causes	What To Do
Short spray and delay after pushing the Start button	Lid was opened and closed between cycle selection and start	This is normal. See START-UP SEQUENCE in the Safety Instructions section.
Water level seems low	This is normal	Water may not cover the top level of the clothes. This is normal for this high efficiency washer.
Low water flow	Water valve screens are stopped up	Turn off the water source and remove the water connection hoses from the upper back of the washer and the water faucets. Clean both the hose screens (if so equipped) and the screens in the machine using a brush or a toothpick. Reconnect the hoses and turn the water back on. Check to ensure there are no leaks at the connections.
Water siphoning out of washer	Drain standpipe is too low or hose too far into standpipe	The drain hose must exceed 30" height at some point between the washer back and the drain pipe. Use anti-siphon clip. See the Installation Instructions .
Too many suds	Soft water	Try less detergent.
	Too much detergent	Measure your detergent carefully. Use less soap if you have soft water, a smaller load or a lightly soiled load.
	Type of detergent	Switch to High Efficiency detergent such as 
Water leaks	Type of detergent	Switch to High Efficiency detergent such as 
	Using too much detergent in washer	Use less detergent. Use less soap if you have soft water, a smaller load or a lightly soiled load.
	Fill hoses or drain hose is improperly connected	Make sure hose connections are tight at faucets and rubber washers are installed. Make sure end of drain hose is correctly inserted in and secured to drain facility.
	Household drain clogged	Check household plumbing. You may need to call a plumber.
	Drain hose rubs on wall	Make sure drain hose does not make contact with the wall. May cause excessive wear on the hose.
	Constant water pressure to fill hoses at water source	Tighten hoses at the faucets. Check condition of the fill hoses; they should be replaced every 5 years.
Water temperature seems incorrect	Cooler water temperatures provide improved energy efficiency	New laundry detergents have been formulated to work with cooler water temperatures without affecting wash performance.
	Water supply is turned off or improperly connected	Turn both hot and cold faucets fully on and make sure hoses are connected to correct faucets. NOTE: Water valves are marked "H" and "C".
	Water valve screens are stopped up	Turn off the water source and remove the water connection hoses from the upper back of the washer and the water faucets. Clean both the hose screens (if so equipped) and the screens in the machine using a brush or a toothpick. Reconnect the hoses and turn the water back on. Check to ensure there are no leaks at the connections.
	Cool/Cold Water when selecting Hot	This is normal. The washer senses water temperature (on some models) and optimizes for best results. Cold water is added periodically when hot is selected.
	House water heater is not set properly	Make sure house water heater is delivering water at 120°F–140°F (48°C–60°C).
Water pumped out before cycle is complete	Water was left in unit for 24 hours with lid closed or 15 minutes with lid open	Previous cycle has been cancelled. Close lid, select new cycle, and start machine.
Water won't drain	Drain hose is kinked or improperly connected	Straighten drain hose and make sure washer is not sitting on it. Top of drain outlet should be less than 8 ft (2.44 m) above floor.

Troubleshooting Tips... Before you call for service

Problem	Possible Causes	What To Do
Washer spins and pauses at the beginning of cycles	This is normal	The washer is sensing the load.
Washer pauses during wash cycle	The Soak Option was chosen	This is normal. The washer alternates between agitate and soak during these cycles to get your clothes cleaner with less wear.
	This is normal	Many cycles incorporate as series of soaks within the agitation period to get your clothes clean with less wear.
Laundry additives dispensing too soon (Dispensers on some models)	Overfilling of dispensers	Do not overfill or add water to dispenser. Select Deep Rinse option when using fabric softener.
Washer pauses during spin cycle	This is normal	The washer may pause during the spin cycle to remove soapy water more efficiently.
Washer won't operate	Washer is unplugged	Make sure cord is plugged securely into a working outlet.
	Water supply is turned off	Turn both hot and cold faucets fully on.
	Lid is open—safety feature prevents agitation and spinning when lid is up	Close lid and press Start .
	Circuit breaker/fuse is tripped/blown	Check house circuit breakers/fuses. Replace fuses or reset breaker. Washer should have a separate outlet.
	Electronics need to be reset	Unplug washer, wait 2 minutes, plug back in and press Start .
	Start was not pressed	Press Start .
Detergent packets not dissolving	Laundry detergent packet placed in dispenser	Laundry detergent packets should not be used in the dispensers. They should only be added directly to the wash basket following the manufacturer's directions.
Unexplained time and/or settings changes	Changing options (on some models)	This is normal. Several options will change other options to maximize washer performance.
Basket seems loose	Basket moves or rotates freely	Washer basket does not have a traditional brake. Washer basket will move freely. This is normal.
Agitator seems loose (on some models)	Agitator top moves/has side-to-side movement	Agitator top is designed to be flexible to allow for care of large bulky items such as comforters; this is normal.
Colored spots	Incorrect use of fabric softener	Check fabric softener package for instructions and follow directions for using dispenser. Make sure you have selected the Deep Rinse option. (on some models) Pretreat stain and rewash using Speed Wash cycle before drying. (on some models)
	Dye transfer	Sort whites or lightly colored items from dark colors.
Grayed or yellowed clothes	Detergent amount	Be sure to follow detergent manufacturer's directions.
	Hard water	Use a water conditioner or install a water softener.
	Water is not hot enough	Make sure water heater is delivering water at 120°F–140°F (48°C–60°C).
	Washer is overloaded	Loosely load clothes no higher than the top row of holes in the washer basket. For best results, load items around the outside of the basket.
	Dye transfer	Sort clothes by color. If fabric label states wash separately, unstable dyes may be indicated.

Troubleshooting Tips... Before you call for service

Problem	Possible Causes	What To Do
Lint or residue on clothes	Clothes are air or line dried	If you do not dry your clothes with a clothes dryer, your clothes may retain more lint.
	Incorrect sorting	Separate lint producers from lint collectors.
	Washing too long	Wash small loads for a shorter time using Light Soil setting.
	Detergent not dissolving	Rewash; next time: Try a liquid detergent Use warmer water temperature.
	Overloading	Loosely load clothes in the washer basket. For best results, load items around the outside of the basket.
	Incorrect use of fabric softener	Check fabric softener package for instructions and follow directions for using dispenser. Make sure you have selected the Deep Rinse option. (on some models)
Clothes too wet	Incorrect cycle selected	Make sure the cycle selected matches the load you are washing. Some fabrics will feel wetter when rinsed with cold water.
	Wash load out of balance	Redistribute load in washer and run through Drain & Spin cycle.
Blinking Spin light or Spin light on at end of cycle	Out of balance condition has been detected	Allow cycle to continue and finish. If load is wet at the end of the cycle, even out load and run a Drain & Spin cycle.
Pilling	Result of normal wear on poly-cotton blends and fuzzy fabrics	While this is not caused by the washer, you can slow the pilling process by washing garments inside out.
Snags, holes, tears, rips or excessive wear	Pins, snaps, hooks, sharp buttons, belt buckles, zippers and sharp objects left in pockets	Fasten snaps, hooks, buttons and zippers. Remove loose items like pins, objects in pockets and sharp buttons. Turn knits (which snag easily) inside out.
	Undiluted chlorine bleach	Check bleach package instructions for proper amount. Never add undiluted bleach to wash or allow clothes to come in contact with undiluted bleach.
	Chemicals like hair bleach or dye, permanent wave solution	Rinse items that may have chemicals on them before washing. Use Speed Wash cycle with Extra Rinse option. (on some models)
Wrinkling	Incorrect wash and dry cycles	Match Cycle selection to the type of fabric you are washing (especially for easy care loads).
	Improper sorting	Avoid mixing heavy items (like jeans) with light items (like blouses). Try a fabric softener.
	Overloading	Loosely load clothes in the washer basket.
	Repeated washing in water that is too hot	Wash in warm or cold water.

Troubleshooting Tips... Before you call for service

Sounds	Possible Causes	Reason
“Clicking”	Shifter mechanism is engaging or disengaging	The drive system will engage at the start of agitate and disengage when agitate is complete. This occurs multiple times during the wash.
Back and forth “swoosh”	Electric motor reversing direction	This sound is the motor rotating back and forth to clean your laundry.
“Clicking” behind Control during fill	Automatic Temperature Control Valve	Two valves mix cold and hot water. The “clicking” is when either valve turns on or off to raise or lower the fill water temperature.
Water flow changes during fill	Automatic Temperature Control Valve	Two valves mix cold and hot water. The “clicking” is when either valve turns on or off to raise or lower the fill water temperature.
Motor sounds during spin	Motor ramping up/down during spin cycle	The motor will speed up incrementally during the spin cycle. When spin is complete, it will coast until it stops.
“Humming”	Water drain pump	The drain pump will make a humming sound when pumping out water after agitation stops and continue until spin is complete.
	Drive motor	The drive motor will make a “humming” sound during the wash and spin phases of the cycle.
“Gurgling”	Water drain pump	When the pump starts drawing in air, it starts to gurgle. The washer should then begin spinning and the sound will continue until it is done spinning.
Water “swishing”	Washing process	Water swishing while the unit is agitating is normal, especially with smaller loads.
Washer rocking/moving	Washer leveling legs uneven	To level the washer, adjust the leveling legs by rotating the individual leg in the proper direction for up or down.
“Squeaking” sound	Washer not level and rubbing on cabinet	To level the washer, adjust the leveling legs by rotating the individual leg in the proper direction for up or down.

Washer sounds that may be different from your prior washer:

Clicks, water flowing, gear sounds followed by pauses, and electric hum sounds are all part of the normal wash cycle.

To listen and watch videos of normal washer operation, please go to <http://products.geappliances.com/appliance/gea-support-search-content?contentid=23061> or scan the QR code.



GE/Hotpoint Appliances Washer Warranty

WARRANTY

GEAppliances.com

All warranty service is provided by our Factory Service Centers, or an authorized Customer Care® technician. To schedule service online, visit us at www.geappliances.com/service_and_support/, or call GE Appliances at 800.GE.CARES (800.432.2737). Please have your serial number and your model number available when calling for service.

Servicing your appliance may require the use of the onboard data port for diagnostics. This gives a GE Appliances factory service technician the ability to quickly diagnose any issues with your appliance and helps GE Appliances improve its products by providing GE Appliances with information on your appliance. If you do not want your appliance data to be sent to GE Appliances, please advise your technician not to submit the data to GE Appliances at the time of service.

For the period of	We will replace
One year From the date of the original purchase	Any factory specified part of the washer which fails due to a defect in materials or workmanship. During this limited one-year warranty , we will also provide, free of charge , all labor and related service to replace the defective part.

What is not covered:

- Service trips to your home to teach you how to use the product.
- Improper installation, delivery or maintenance.
- Failure of the product if it is abused, misused, or used for other than the intended purpose or used commercially.
- Replacement of house fuses or resetting of circuit breakers.
- Products which are not defective or broken, or which are working as described in the Owner's Manual.
- Damage to the product caused by accident, fire, floods or acts of God.
- Incidental or consequential damage caused by possible defects with this appliance.
- Defects or damage due to operation in freezing temperatures.
- Damage caused after delivery.
- Product not accessible to provide required service.

EXCLUSION OF IMPLIED WARRANTIES

Your sole and exclusive remedy is product repair as provided in this Limited Warranty. Any implied warranties, including the implied warranties of merchantability or fitness for a particular purpose, are limited to one year or the shortest period allowed by law.

In the United States:

This warranty is extended to the original purchaser and any succeeding owner for products purchased for home use within the USA. If the product is located in an area where service by a GE Appliances Authorized Servicer is not available, you may be responsible for a trip charge or you may be required to bring the product to an Authorized GE Appliances Service location for service. In Alaska, the warranty excludes the cost of shipping or service calls to your home.

Some states do not allow the exclusion or limitation of incidental or consequential damages. This warranty gives you specific legal rights, and you may also have other rights which vary from state to state. To know what your legal rights are, consult your local or state consumer affairs office or your state's Attorney General.

Warrantor: GE Appliances, a Haier company

In Canada:

This warranty is extended to the original purchaser and any succeeding owner for products purchased in Canada for home use within Canada. If the product is located in an area where service by a GE Appliances Authorized Servicer is not available, you may be responsible for a trip charge or you may be required to bring the product to an Authorized GE Appliances Service location.

Some provinces do not allow the exclusion or limitation of incidental or consequential damages. This warranty gives you specific legal rights, and you may also have other rights which vary from province to province. To know what your legal rights are, consult your local or provincial consumer affairs office.

Warrantor: MC Commercial, Burlington, ON, L7R 5B6

Extended Warranties: Purchase a GE Appliances extended warranty and learn about special discounts that are available while your warranty is still in effect. You can purchase it online anytime at www.geappliances.com/service_and_support/shop-for-extended-service-plans.htm or call 800.626.2224 during normal business hours. GE Appliances Service will still be there after your warranty expires.

Staple your receipt here. Proof of the original purchase date is needed to obtain service under the warranty.

Consumer Support

GE Appliances Website

Have a question or need assistance with your appliance? Try the GE Appliances Website 24 hours a day, any day of the year! You can also shop for more great GE Appliances products and take advantage of all our on-line support services designed for your convenience. In the US: GEAppliances.com

Register Your Appliance

Register your new appliance on-line at your convenience! Timely product registration will allow for enhanced communication and prompt service under the terms of your warranty, should the need arise. You may also mail in the pre-printed registration card included in the packing material. In the US: GEAppliances.com/register

Schedule Service

Expert GE Appliances repair service is only one step away from your door. Get on-line and schedule your service at your convenience any day of the year. In the US: GEAppliances.com/ge/service-and-support/service.htm or call 800.432.2737 during normal business hours.

Extended Warranties

Purchase a GE Appliances extended warranty and learn about special discounts that are available while your warranty is still in effect. You can purchase it on-line anytime. GE Appliances Services will still be there after your warranty expires. In the US: GEAppliances.com/ge/service-and-support/shop-for-extended-service-plans.htm or call 800.626.2224 during normal business hours.

Remote Connectivity

For assistance with wireless network connectivity (for models with remote enable), visit our website at GEAppliances.com/ge/connected-appliances/ or call 800.220.6899 in the US.

Parts and Accessories

Individuals qualified to service their own appliances can have parts or accessories sent directly to their homes (VISA, MasterCard and Discover cards are accepted). Order on-line today 24 hours every day. In the US: GEApplianceparts.com or by phone at 877.959.8688 during normal business hours.

Instructions contained in this manual cover procedures to be performed by any user. Other servicing generally should be referred to qualified service personnel. Caution must be exercised, since improper servicing may cause unsafe operation.

Contact Us

If you are not satisfied with the service you receive from GE Appliances, contact us on our Website with all the details including your phone number, or write to:

In the US: General Manager, Customer Relations | GE Appliances, Appliance Park | Louisville, KY 40225
GEAppliances.com/ge/service-and-support/contact.htm



LAVADORAS

INSTRUCCIONES DE SEGURIDAD 4

USAR LA LAVADORA
 Puesta en Marcha6
 Carga15

CUIDADO Y LIMPIEZA..... 16

INSTRUCCIONES DE INSTALACIÓN18

CONSEJOS PARA LA SOLUCIÓN DE PROBLEMAS23

ATENCIÓN AL CLIENTE
 Garantía (EE.UU.) 27
 Soporte al consumidor28

MANUAL DEL PROPIETARIO E INSTALACIÓN

- GTW490
- GTW485
- GTW460
- GTW330
- GTW220
- HTW240
- HTW200

Escriba el número de modelo y de serie aquí:

N.º de modelo # _____

N.º de serie # _____

Puede encontrarlos bajo la puerta de la lavadora.

GO13

GRACIAS POR HACER QUE GE APPLIANCES SEA PARTE DE SU HOGAR.

Ya sea que haya crecido usando GE Appliances, o que ésta es su primera vez, nos complace tenerlo en la familia.

Sentimos orgullo por el nivel de arte, innovación y diseño de cada uno de los electrodomésticos de GE Appliances, y creemos que usted también. Entre otras cosas, el registro de su electrodoméstico asegura que podamos entregarle información importante del producto y detalles de la garantía cuando los necesite.

Registre su electrodoméstico GE ahora a través de Internet. Sitios Web y números telefónicos útiles están disponibles en la sección de Soporte para el Consumidor de este Manual del Propietario.

También puede enviar una carta en la tarjeta de inscripción preimpresa que se incluye con el material embalado.



GE APPLIANCES

INFORMACIÓN IMPORTANTE DE SEGURIDAD

LEA TODAS LAS INSTRUCCIONES ANTES DE USAR

⚠️ ADVERTENCIA

Para reducir el riesgo de muerte, incendio, explosión, descargas eléctricas o lesiones sobre las personas al usar su electrodoméstico, siga las precauciones básicas, incluyendo lo siguiente

- Lea todas las instrucciones antes de usar este electrodoméstico.
- **NO** lave ni seque prendas que en forma previa hayan sido secadas, lavadas, mojadas o manchadas con gasolina, solventes de limpieza en seco, u otras sustancias inflamables o explosivas, ya que despiden vapores que se podrían encender o explotar.
- **NO** agregue gasolina, solventes de limpieza en seco, u otras sustancias inflamables o explosivas al agua de lavado. Estas sustancias despiden vapores que se podrían prender fuego o explotar.
- Bajo ciertas condiciones, se podrá producir gas de hidrógeno en un sistema de agua caliente que no fue usado por 2 semanas o más. **EL GAS DE HIDRÓGENO ES UN EXPLOSIVO**. Si el sistema de agua caliente no fue usado por dicho período, antes de usar una lavadora, abra todos los grifos de agua caliente y deje que corra agua de cada uno durante varios minutos. Esto liberará cualquier gas de hidrógeno acumulado. Debido a que el gas es inflamable, **NO** fume ni use una llama abierta durante este proceso.
- **NO** permita que los niños jueguen sobre o dentro de este electrodoméstico. Cuando el electrodoméstico se use cerca de niños, será necesario supervisarlos de cerca. Antes de dejar la lavadora fuera de servicio o de deshacerse de ésta, quite la puerta o la tapa. Si no se siguen estas instrucciones, se podrá producir la muerte o lesiones personales.
- **NO** introduzca las manos en el electrodoméstico si el tambor o agitador se encuentra en movimiento a fin de evitar enredos accidentales.
- Para artículos impermeables, resistentes al agua y voluminosos, utilice solamente el ciclo **Bulky Items** (Artículos Voluminosos) o **Delicates** (Delicados). **NO** utilice otros ciclos para estos artículos. El uso de otros ciclos puede causar vibraciones excesivas y puede causar lesiones o daños a la lavadora, paredes o piso. **NO** mezcle artículos impermeables y no impermeables.
- **NO** instale ni guarde este electrodoméstico donde quede expuesto a los factores climáticos.
- **NO** manipule indebidamente los controles, reparar ni reemplazar cualquier parte del electrodoméstico o realizar cualquier otro trabajo técnico, a menos que esto sea específicamente recomendado en las instrucciones de mantenimiento del usuario o en instrucciones publicadas sobre reparaciones del usuario, que entienda y para las cuales posea las destrezas necesarias.
- **NO** intente usar este electrodoméstico si se encuentra dañado, funcionando mal, parcialmente desensamblado, o si tiene partes faltantes o rotas, incluyendo un cable o enchufe dañado.
- Desenchufe el electrodoméstico o apague el disyuntor antes de realizar el servicio técnico. Presionar el botón **Power** (Encendido) **NO** desconecta el encendido.
- Para acceder a las instrucciones de conexión a tierra, lea los "REQUISITOS ELÉCTRICOS" ubicados en las Instrucciones de Instalación.

PIEZAS Y ACCESORIOS

Solicítelos on-line hoy mismo a GEApplianceparts.com, las 24 horas del día o por teléfono al **800.626.2002** en horario normal de trabajo.

Número de Pieza

PM14X10002

O

PM14X10005

WH49X301

PM7X1

Accesorio

Mangueras de goma de suministro de agua de 4 pies

Mangueras trenzada de suministro de agua de 4 pies

Extensión de la manguera de drenaje

Bandeja del Piso de la Lavadora

LEA Y GUARDE ESTAS INSTRUCCIONES

INFORMACIÓN IMPORTANTE DE SEGURIDAD

LEA TODAS LAS INSTRUCCIONES ANTES DE USAR

INSTALACIÓN CORRECTA

La lavadora se debe instalar y colocar correctamente de acuerdo con las instrucciones de instalación, antes de utilizarla.

- Asegúrese de que la manguera de agua caliente esté conectada a la válvula "H" y que la manguera de agua fría esté conectada a la válvula "C".
- Instale o almacene la lavadora en un lugar donde no esté expuesta a temperaturas bajo cero ni a las inclemencias climáticas, ya que esto puede provocar daños irreversibles e invalidar la garantía.
- Conecte correctamente a tierra la lavadora de conformidad con todos los códigos y ordenanzas regulatorias. Siga la información de Instrucciones de instalación.

ADVERTENCIA - Riesgo de Descarga Eléctrica

Enchufe a un tomacorriente de 3 clavijas con conexión a tierra.

NO retire la terminal de tierra.

NO UTILICE un cable de extensión.

NO UTILICE un enchufe adaptador con este artefacto.

Si no se siguen estas instrucciones, se podrá producir la muerte, incendio o descargas eléctricas.

- Asegúrese de que la lavadora esté correctamente nivelada y que sus patas estén ajustadas de modo que la unidad se encuentre estable.
- Se recomienda una extensión opcional de la manguera de drenaje para descargas en alturas de 60" a 96".
- GE Appliances recomienda enfáticamente el uso de piezas especificadas de fábrica. A continuación se encuentra una lista de mangueras de fábrica disponibles para la compra. Estas mangueras están fabricadas y probadas para cumplir con las especificaciones de GE Appliances.
- GE Appliances recomienda enfáticamente el uso de mangueras nuevas de suministro de agua. Las mangueras se desgastan con el tiempo y deben reemplazarse cada 5 años para reducir el riesgo de fallas en las mangueras y daños provocados por el agua.

SECUENCIA DE INICIO

- En cualquier momento en que la lavadora se inicie o se reinicie una vez abierta y cerrada su tapa, la misma activará la válvula de agua fría durante dos períodos cortos seguidos por una pausa de 10 minutos antes de continuar. Si la tapa es abierta durante este período, la lavadora se pausará. Se deberá presionar el botón **Start** (Iniciar) nuevamente para reiniciar el ciclo.

SECUENCIA AUTOMÁTICA DE DRENAJE

- La lavadora se vacía automáticamente cada vez que la tapa se queda abierta durante más de 15 minutos y hay agua.
- La máquina se drenará automáticamente si se deja en estado de pausa con la tapa cerrada durante más de 24 horas y hay agua presente.

CUANDO NO ESTÉ EN USO

- Cierre las llaves de paso minimizar las fugas en caso de que se produzca una rotura o grieta. Compruebe el estado de las mangueras de llenado; GE Appliances recomienda el cambio de las mangueras cada 5 años.

LEA Y GUARDE ESTAS INSTRUCCIONES

Puesta en Marcha

⚠️ ADVERTENCIA

Para reducir el riesgo de incendios, descargas eléctricas o heridas, lea las INSTRUCCIONES IMPORTANTES DE SEGURIDAD antes de utilizar este electrodoméstico.

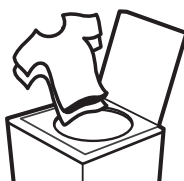
Es posible que las funciones y apariencias varíen con relación a su modelo a lo largo del manual.

Paso 1



- Agregue el suavizante al dosificador para suavizante; para más detalles (en algunos modelos), lea la página 14.
- Agregue la cantidad recomendada de detergente o paquete de detergente del fabricante al fondo de la canasta de lavado antes de agregar la ropa. GE Appliances recomienda el uso de detergentes de Alta Eficiencia tales como en su lavadora de energía eficiente.

Paso 2



- Agregue las prendas sin ajustar alrededor del agitador o Infusor. Sobrecargar el tambor puede producir un impacto negativo en el desempeño de lavado. Consulte la página 15 para obtener ejemplos de carga sugeridos.
- Cierre la tapa. **NOTA:** La unidad no arrancará con la tapa abierta si se selecciona Precise Fill (Llenado Preciso), excepto en el ciclo Bulky Items (Artículos Voluminosos).

Paso 3



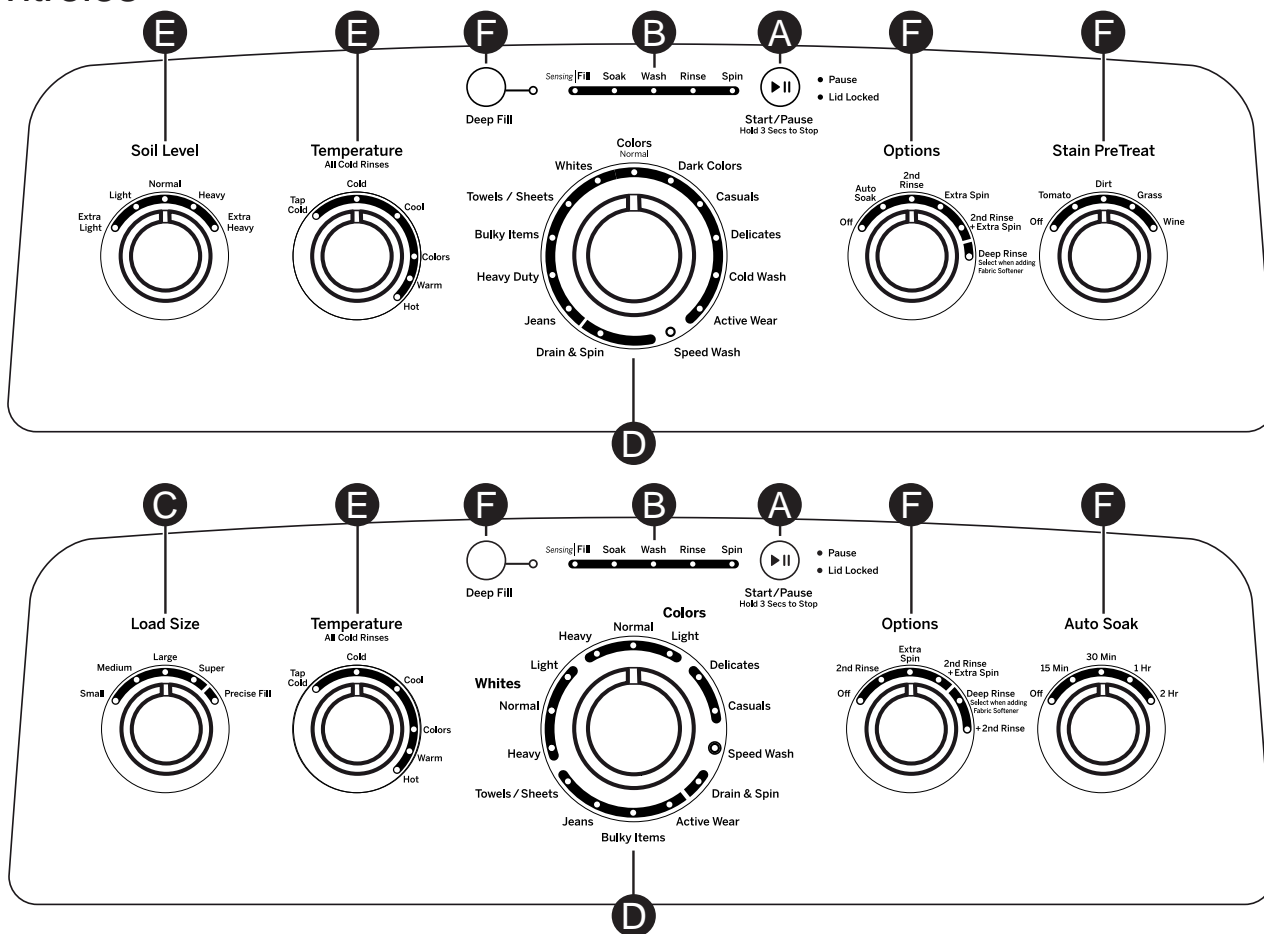
- Seleccione el ciclo de lavado.
- Seleccione el opciones de lavado, incluyendo la opción Deep Rinse (Enjuague Profundo) (en algunos modelos) al usar suavizante para telas.
- Seleccione las opciones.
- Seleccione tamaño de carga (en algunos modelos).

Paso 4

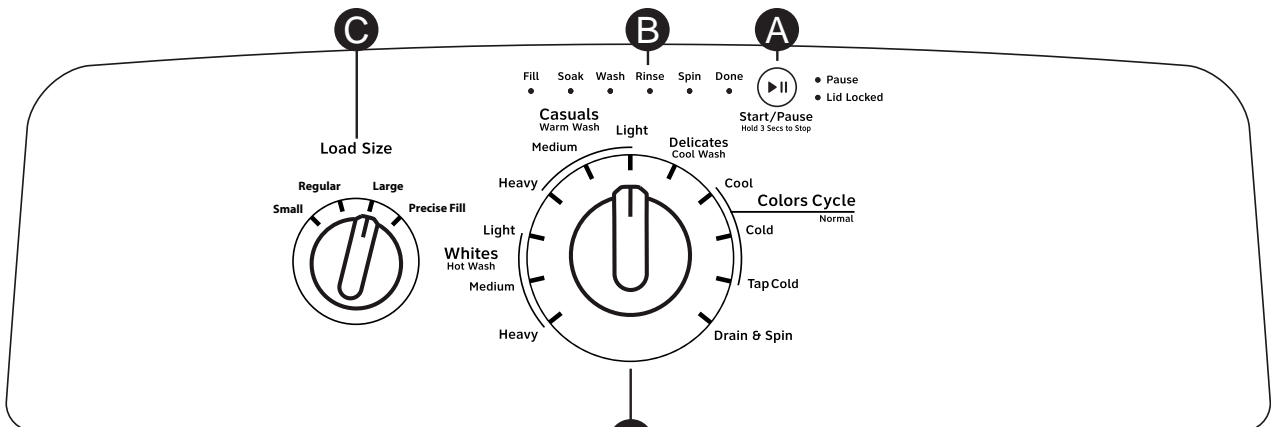
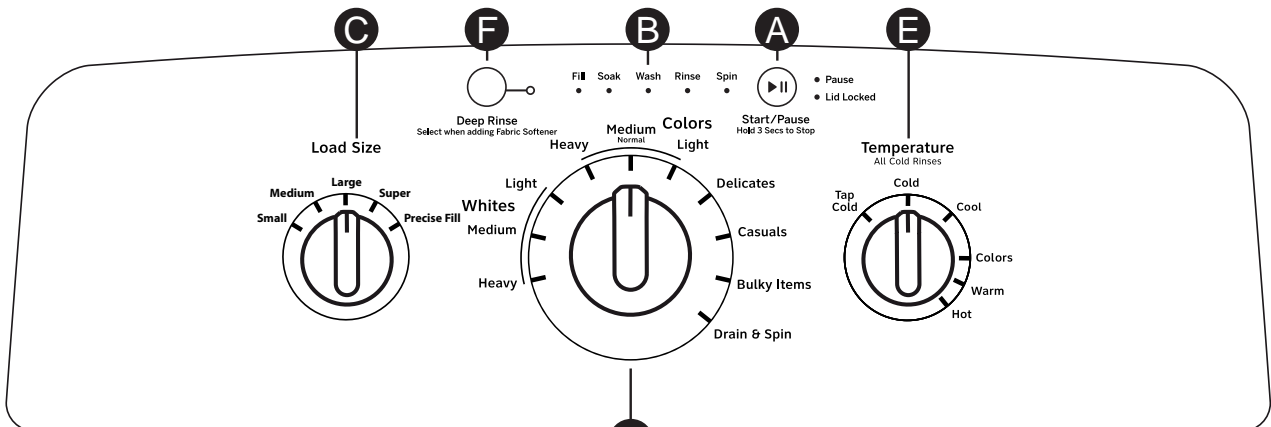
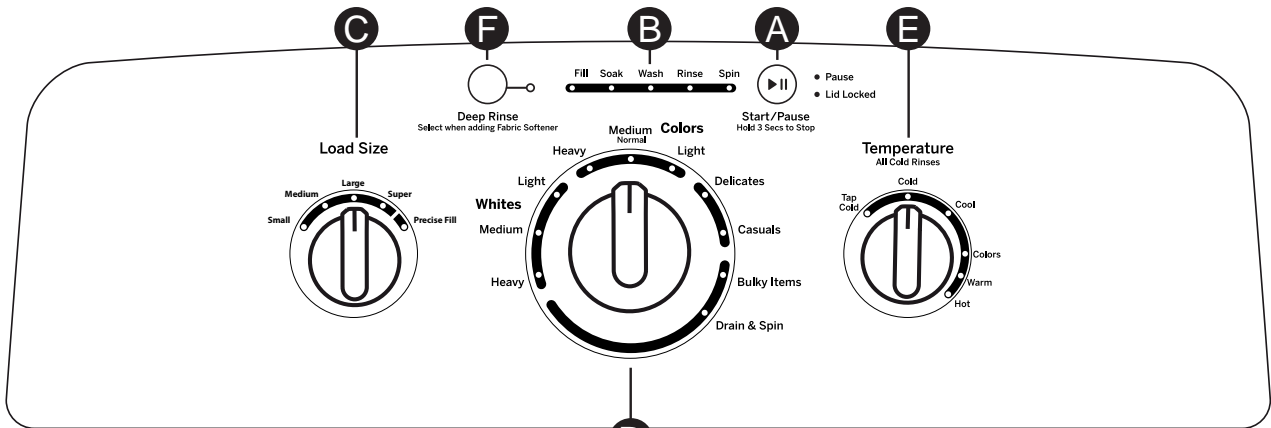
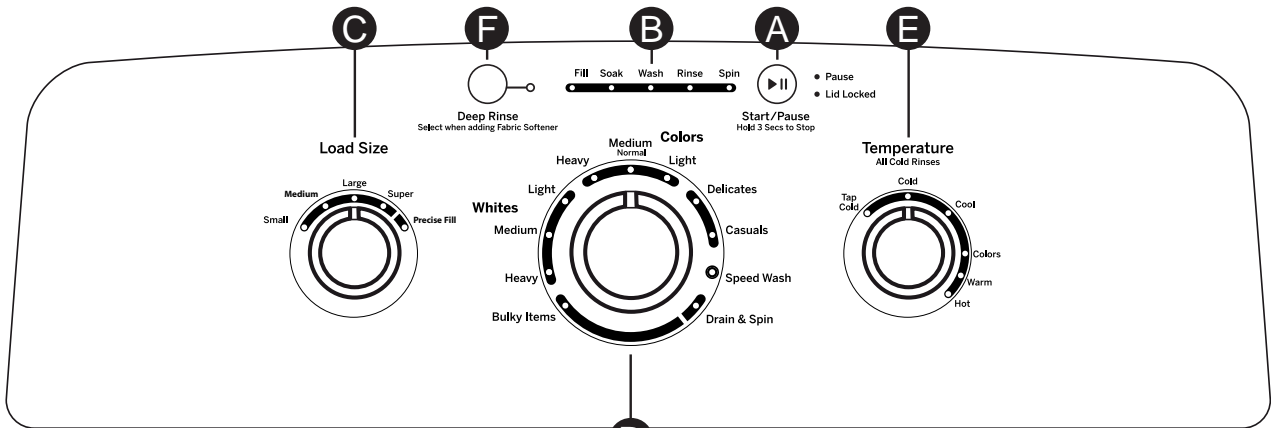


- Oprima Start.

Controles



Puesta en Marcha



Puesta en Marcha

A Start/Pause (Inicio/Pausa)

Presione **Start** (Inicio) para comenzar el ciclo. **NOTA:** Si la tapa está cerrada, la tapa se bloqueará sólo durante la porción de detección de carga del ciclo (cuando se seleccione **Precise Fill** (Llenado Preciso) o con los modelos que no tienen una selección de tamaño de carga) y durante las partes de centrifugado del ciclo. La tapa se desbloqueará después de detectar la carga y girar.

Presionar **Pause** (Pausa) desbloqueará la tapa (si se encuentra bloqueada en ese momento), pausará el ciclo y la luz del indicador de **Pause** (Pausa) titilará.


Para continuar el ciclo, presione **Start** (Inicio) nuevamente. Si el agua permanece en la máquina, seleccione el ciclo **Drain & Spin** (Drenar y Girar) para drenar el tubo y desagotar el agua de la lavadora. **NOTA:** La lavadora se parará automáticamente y drenará cuando haya agua y la tapa se dejará abierta durante 15 minutos o la unidad se quedará en estado de pausa durante 24 horas con la tapa cerrada. Seleccione el ciclo y presione **Start** para comenzar el nuevo ciclo.

B Las Luces de Estatus Ciclo

Muestra si la lavadora está en el ciclo **Fill** (llenado), **Soak** (Enjuagar), **Wash** (Lavar), **Rinse** (Enjuagar) o **Spin** (Girar).

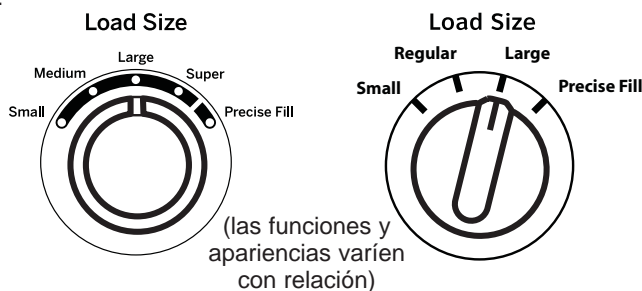
Si una condición de desequilibrio es detectado por la lavadora, el indicador de Giro (Spin) parpadeará durante la parte restante del ciclo y permanecerá iluminado durante un corto tiempo después del fin del ciclo. Cuando este ocurre, la lavadora está tomando medidas para corregir la condición de desequilibrio y completar el ciclo normalmente. En algunos casos, es posible que la lavadora no pueda ser capaz de equilibrar la carga y girar a plena velocidad. Si se observa que la carga es más húmedo de lo normal al fin del ciclo, redistribuye la carga de manera uniforme en el tambor de lavado y ejecute un ciclo de **Drain & Spin** (Drenar y Girar).

C Load Size (Tamaño de carga) (en algunos modelos)

Agregue  detergente en el fondo del tambor y suavizante de telas en el dosificador (en algunos modelos) antes de cargar la ropa.

Agregue las prendas sin apretar en el tambor de la lavadora. Sobrecargar el tambor puede producir un impacto negativo en el desempeño de lavado. Ajuste el tamaño de la carga según corresponda.

Realice la selección de carga:



Precise Fill (Llenado Preciso) (en algunos modelos)

- Para lograr comodidad, un buen desempeño y una eficiencia óptima, seleccione **Precise Fill** (Llenado Preciso) (en algunos modelos). Esta selección proporciona automáticamente la cantidad correcta de agua que se ajusta al tamaño y tipo de carga colocada en la unidad. La tapa quedará bloqueada a lo largo del proceso con sensor de la carga, que incluye un breve período de giro y una parte del llenado de agua.
- Si prefiere seleccionar el nivel de agua en forma manual, seleccione desde **Small** (pequeña) hasta **Super** (súper). Mientras que **Precise Fill** (Llenado Preciso) (en algunos modelos) es mejor para la mayoría de las cargas y el lavado general, quizás se deban seleccionar en forma manual el tamaño de carga para elementos especiales tales como cubrelechos o almohadas voluminosos y livianos, donde se quiere garantizar la aplicación de un nivel mayor de agua. Las selecciones manuales de tamaño de carga deben realizarse para elementos húmedos colocados en la lavadora, tales como toallas o prendas mojadas.
- La lavadora no se llenará de agua cuando se elija la función de **Precise Fill** (Llenado Preciso), si la tapa se encuentra abierta. Cuando se cierre la tapa, la máquina podrá comenzar a llenarse de agua a fin de activar su sensor sobre el tamaño de la carga.

NOTA: Esta es una lavadora de alta eficiencia. Este sistema requiere menos agua al tiempo que brinda una acción de limpieza excepcional. Usted puede notar que el nivel de agua es menor que el de su lavadora anterior. Esto es normal.

Puesta en Marcha

D Perilla de Ciclos de Lavado-Selector de Ciclo - Sólo para los modelos GTW490, GTW485, GTW460, GTW330, GTW220 y HTW240.

El ciclo de lavado controla el tipo de proceso de lavado. La perilla Selector de Ciclo se puede girar en cualquier dirección. Girar la perilla luego de iniciar un ciclo detendrá la lavadora y modificará el ciclo/ opciones en la nueva selección. Presione **Start** (Iniciar) para comenzar la selección del nuevo ciclo.

El siguiente cuadro le ayudará a encontrar la mejor combinación entre las prendas que serán lavadas y las mejores configuraciones de ciclos de lavado. Para un rendimiento óptimo, seleccione el ciclo más conveniente para las prendas que serán lavadas.

Las selecciones y opciones en **negrita** son configuraciones recomendados para ese ciclo.

Es posible que algunos ciclos y opciones no estén disponibles en algunos modelos.

Prendas a Lavar	Ciclo	Temperatura de Lavado	Nivel de Suciedad	Selección del Giro (Duración)	Opciones Disponibles	Detalles del Ciclo
Ciclo para el uso normal, regular o típica para el lavado hasta una carga completa de ropa de algodón de suciedad normal.	Colores	Caliente Tibio Colores Fresca Fría Fría del Grifo	Ext. Sucia Sucia Normal Apenas Sucia Ext. Apenas Sucia	Máx./Extra Normal	Guía de Pretratamiento de Manchas Remojo Automático Enjuague Intenso Enjuague Segundo Para el modelo GTW460 Únicamente: Llenado Intenso	Ciclo para el uso normal, regular o típica para el lavado hasta una carga completa de ropa de algodón de suciedad normal. Elija la selección de nivel de suciedad Heavy (Sucio) o Extra Heavy (Muy Sucio) o la selección de temperatura Hot Water (Agua Caliente), según sea apropiado para su carga de ropa en un nivel de lavado más alto. Incorpora llenados con pasos múltiples y períodos de lavado para brindar un cuidado óptimo de las telas.
Cargas de artículos oscuros, ropa de blanca y mezclada.	Colores oscuros	Caliente Tibio Colores Fresca Fría Fría del Grifo	Ext. Sucia Sucia Normal Apenas Sucia Ext. Apenas Sucia	Máx./Extra Normal	Guía de Pretratamiento de Manchas Llenado Intenso Remojo Automático Enjuague Intenso Enjuague Segundo	Las temperaturas de lavado más bajas, un período de lavado más corto y un enjuague con llenado intenso (en algunos modelos) minimizan el desgaste y las manchas sobre las telas de algodón oscuras. Incorpora llenados con pasos múltiples y períodos de lavado para brindar un cuidado óptimo de las telas.
Ropa de uso diario, de oficina apenas sucia.	Ropa de uso diario	Caliente Tibio Colores Fresca Fría Fría del Grifo	Ext. Sucia Sucia Normal Apenas Sucia Ext. Apenas Sucia	Máx./Extra Normal	Guía de Pretratamiento de Manchas Llenado Intenso Remojo Automático Enjuague Intenso Enjuague Segundo	Ciclo de lavado ajustado para el cuidado de prendas casuales y de oficina. Incorpora llenados con pasos múltiples y períodos de lavado para brindar un cuidado óptimo de las telas.
Lencería y telas que requieren cuidado especial con suciedad entre leve.	Prendas delicadas	Caliente Tibio Colores Fresca Fría Fría del Grifo	Ext. Sucia Sucia Normal Apenas Sucia Ext. Apenas Sucia	Máx./Extra Normal	Guía de Pretratamiento de Manchas Llenado Intenso Remojo Automático Enjuague Intenso Enjuague Segundo	Utiliza un perfil de agitación extra suave de "tres pulsos" y una baja velocidad de centrifugado para brindar cuidado especial a las telas delicadas. Se recomienda colocar las prendas pequeñas o ultra delicadas en bolsas de malla antes del lavado.
Cargas de telas oscuras y mezclada.	Lavado Frío	Caliente Tibio Colores Fresca Fría Fría del Grifo	Ext. Sucia Sucia Normal Apenas Sucia Ext. Apenas Sucia	Máx./Extra Normal	Llenado Intenso Remojo Automático Enjuague Intenso Enjuague Segundo	El ciclo combina periodos de ampliada agitación de lavados múltiples con períodos de remojo, a fin de brindar un rendimiento mejorado de la limpieza y una mayor eficacia con temperaturas más bajas de agua.
Prendas deportivas con nivel de suciedad entre medio y leve de tejidos técnicos y sintéticos.	Ropa Informal	Caliente Tibio Colores Fresca Fría Fría del Grifo	Ext. Sucia Sucia Normal Apenas Sucia Ext. Apenas Sucia	Máx./Extra Normal	Guía de Pretratamiento de Manchas Llenado Intenso Remojo Automático Enjuague Intenso Enjuague Segundo	Ciclo diseñado para el cuidado de la tela de ropa informal, deportiva y de uso técnico con un nivel de suciedad entre medio y leve. Incorpora un período de lavado con pasos múltiples con un remojo para tratar efectivamente la suciedad y los olores del cuerpo. Use el ciclo Heavy Duty (Carga Pesada) para ropa deportiva muy sucia fabricada con tela resistente).

Puesta en Marcha

D Perilla de Ciclos de Lavado-Selector de Ciclo - Continuada - Sólo para los modelos GTW490, GTW485, GTW460, GTW330, GTW220 y HTW240.

Prendas a Lavar	Ciclo	Temperatura de Lavado	Nivel de Suciedad	Selección del Giro (Duración)	Opciones Disponibles	Detalles del Ciclo
Para pequeñas cantidades de prendas con poca suciedad que se necesitan de forma rápida.	Lavado Rápido	Caliente Tibio Colores Fresca Fría Fría del Grifo	Ext. Sucia Sucia Normal Apenas Sucia Ext. Apenas Sucia	Máx./Extra Normal	Guía de Pretratamiento de Manchas Llenado Intenso Remojo Automático Enjuague Intenso Enjuague Segundo	Utiliza un período de lavado acelerado, y un enjuague con spray continuo para ahorrar tiempo, a fin de lavar cargas pequeñas que estén apenas sucias en el menor tiempo posible.
Carga de prendas mojadas. Para aquellas prendas que sólo necesitan ser enjuagadas, use este ciclo con la opción Deep Rinse (Enjuague Profundo).	Drenaje y Giro			Máx./Extra Normal	Enjuague Intenso Enjuague Segundo	Utiliza un giro de alta velocidad para extraer el agua de las prendas mojadas. Para aquellas prendas que necesitan ser enjuagadas, seleccione la opción Deep Rinse (Enjuague Profundo) al usar este ciclo.
Vaqueros con suciedad entre media y leve. Si se trata de vaqueros usados para trabajar con mucha suciedad, use el ciclo Heavy Duty Cycle (Ciclo de Carga Pesada).	Vaqueros	Caliente Tibio Colores Fresca Fría Fría del Grifo	Ext. Sucia Sucia Normal Apenas Sucia Ext. Apenas Sucia	Máx./Extra Normal	Guía de Pretratamiento de Manchas Llenado Intenso Remojo Automático Enjuague Intenso Enjuague Segundo	Combina niveles de agua superiores, un perfil de agitación diseñado especialmente, y un lavado con pasos múltiples y períodos de remojo para el cuidado de vaqueros con suciedad entre media y leve. Use el ciclo Heavy Duty (Carga Pesada) para vaqueros de trabajo con mucha suciedad.
Telas resistentes con suciedad entre pesada y media.	Carga Pesada	Caliente Tibio Colores Fresca Fría Fría del Grifo	Ext. Sucia Sucia Normal Apenas Sucia Ext. Apenas Sucia	Máx./Extra Normal	Guía de Pretratamiento de Manchas Llenado Intenso Remojo Automático Enjuague Intenso Enjuague Segundo	Incorpora de lavado de varios pasos y tomar períodos combinados con períodos prolongados de lavado para limpiar con eficacia en gran medida al medio sucio telas resistentes.
Resistente al agua, ropa de cama y artículos voluminosos, tales como grandes abrigos, almohadillas de colchón y estereras de baño.	Prendas Voluminosas	Caliente Tibio Colores Fresca Fría Fría del Grifo	Ext. Sucia Sucia Normal Apenas Sucia Ext. Apenas Sucia	Máx./Extra Normal	Guía de Pretratamiento de Manchas Llenado Intenso Remojo Automático Enjuague Intenso Enjuague Segundo	Proporciona un nivel de llenado profundo / máximo de agua de lavado para lavar artículos voluminosos e impermeables. También incorpora un enjuague de llenado profundo para enjuagar con eficacia artículos voluminosos y un giro de baja velocidad apropiado para estos artículos. Utilice este ciclo sólo para artículos resistentes al agua, ropa de cama o artículos voluminosos.
Toallas Sábanas	Toallas/ Sábanas	Caliente Tibio Colores Fresca Fría Fría del Grifo	Ext. Sucia Sucia Normal Apenas Sucia Ext. Apenas Sucia	Máx./Extra Normal	Guía de Pretratamiento de Manchas Llenado Intenso Remojo Automático Enjuague Intenso Enjuague Segundo	Ciclo diseñado para lavar toallas o sábanas, usando un nivel de agua más alto y un período de remojo para lavar de forma efectiva estas prendas. Se recomienda que las toallas y sábanas sean lavadas de forma separada para un mejor cuidado y rendimiento del lavado. Para cubiertas impermeables de la cama utilice el ciclo Bulky Items .
Los blancos y ropa de hogares.	Blancos	Caliente Tibio Colores Fresca Fría Fría del Grifo	Ext. Sucia Sucia Normal Apenas Sucia Ext. Apenas Sucia	Máx./Extra Normal	Guía de Pretratamiento de Manchas Llenado Intenso Remojo Automático Enjuague Intenso Enjuague Segundo	Ciclo adaptado para limpiar y dar brillo a sus blancos.

Puesta en Marcha

D Perilla de Ciclos de Lavado-Selector de Ciclo - Continuada - Sólo para los modelos GTW490, GTW485, GTW460, GTW330, GTW220 y HTW240.

⚠ PRECAUCIÓN El incumplimiento de estas instrucciones puede resultar en lesiones o daños a la propiedad.

Para artículos impermeables, resistentes al agua o voluminosos:

- Utilice solamente el ciclo **Bulky Items** (Artículos Voluminosos) (o **Delicates** (Delicados)). NOTA: Algunos modelos sólo tienen un ciclo **Delicates**.
- El uso de otros ciclos puede causar vibraciones excesivas y puede causar lesiones o daños a la lavadora, paredes o piso.
- No mezcle artículos impermeables y no impermeables.
- Lea el **Manual del Usuario** para los detalles del ciclo de lavado.

D Perilla de Ciclos de Lavado-Selector de Ciclo - Sólo para lo modelo HTW200.

El ciclo de lavado controla el tipo de proceso de lavado. La perilla Selector de Ciclo se puede girar en cualquier dirección. Girar la perilla luego de iniciar un ciclo detendrá la lavadora y modificará el ciclo opciones en la nueva selección. Presione **Start** (Iniciar) para comenzar la selección del nuevo ciclo.

El siguiente cuadro le ayudará a encontrar la mejor combinación entre las prendas que serán lavadas y las mejores configuraciones de ciclos de lavado. Para un rendimiento óptimo, seleccione el ciclo más conveniente para las prendas que serán lavadas.

Prendas a Lavar	Ciclo	Temperatura de Lavado	Nivel de Suciedad	Selección del Giro (Duración)	Detalles del Ciclo
Ciclo para el uso normal, regular o típica para el lavado hasta una carga completa de ropa de algodón de suciedad normal.	Colores	Fresca Fría Fría del Grifo	Normal	Normal	Ciclo para el uso normal, regular o típica para el lavado hasta una carga completa de ropa de algodón de suciedad normal. Hay múltiples selecciones de temperatura disponibles dentro de este ciclo: Fría del Grifo: La selección la más fría está disponible, no agrega agua caliente. Fría: Agrega agua caliente para ayudar disolver detergentes en ambientes más fríos. Fresca: Agrega más agua para mejorar la limpieza. El ciclo Normal es idéntico con respecto a las etapas del ciclo, los tiempos de lavado, etc. para cada selección de temperatura de lavado disponible. Todos los enjuagues están fríos.
Los blancos y ropa de hogares.	Blancos	Caliente	Sucia Medio Apenas sucia	Normal	Proporciona la temperatura la más caliente disponible (en función de su temperatura del calentador de agua seleccionada) con períodos más largos de lavado para limpiar y aclarar sus blancos. Se recomienda utilizar un producto Oxi o un producto de cloro blanqueador apropiado para los artículos que se lavan con este ciclo para maximizar el rendimiento de blanqueamiento. Tenga en cuenta que están disponibles tres niveles de suciedad: Pesado, Regular, y la Ligerero. El enjuague está frío.
Artículos de colores ligeros. Artículos muy sucios o con una suciedad corporal.	Ropa de uso diario	Tibio	Sucia Medio Apenas sucia	Normal	La temperatura de la lavadora y el perfil de lavado adaptados para los artículos que están más sucios y / o que contienen una suciedad corporal. Tenga en cuenta que están disponibles tres niveles de suciedad: Pesado, Regular, y Ligerero. El enjuague está frío.
Lencería y telas que requieren cuidado especial con suciedad entre leve. Resistente al agua, ropa de cama y artículos voluminosos, tales como grandes abrigos, almohadillas de colchón y esteras de baño.	Prendas delicadas	Fresca	Apenas sucia	Normal	Utiliza un perfil de agitación extra suave de "tres pulsos" y una baja velocidad de centrifugado para brindar cuidado especial a las telas delicadas. Se recomienda colocar las prendas pequeñas o ultra delicadas en bolsas de malla antes del lavado.
Carga de prendas mojadas.	Drenaje y Giro			Normal	Utiliza un giro de alta velocidad para extraer el agua de las prendas mojadas.

NOTA: Las selecciones de temperatura de agua están integradas dentro de los ciclos de lavado. Para el **Colors Cycle Normal** (Ciclo de colores normal), hay múltiples selecciones de temperatura disponibles dentro de ese ciclo. Para otros ciclos, como los blancos, sólo hay una temperatura disponible pero hay múltiples niveles de suciedad integradas. Seleccione el ciclo, la temperatura y el nivel del suciedad que mejor se adapte a los artículos que se están lavando.

Puesta en Marcha

E Settings (Configuraciones)

Seleccione las configuraciones para agitación (**Soil**) (Suciedad) y temperatura del agua (**Temp**).

NOTA: Tiempos de giro más prolongados típicamente reducen el tiempo de la secadora/uso de energía (es decir: reduce el uso de la energía total al usar tanto una lavadora como una secadora).

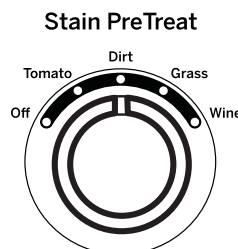
F Opciones de ciclo (en algunos modelos)

Stain PreTreat (Pretratamiento de manchas)

La característica **Stain PreTreat** (pretratamiento de manchas) le permite señalar las manchas que se encuentran en las prendas de la carga. Esta función incorpora un método de tratamiento pendiente de patentamiento. Un llenado de agua inicial es realizado a una temperatura ajustada al tipo de manchas seleccionado y a una cantidad que permite un paso de limpieza concentrado. Un período de fregado de manchas, seguido por un remojo activo, es conducido para tratar de forma efectiva la mancha. Luego se agrega agua a la temperatura seleccionada y la fase de lavado es conducida para el ciclo seleccionado.

Cómo usar Stain PreTreat (pretratamiento de manchas):

1. Seleccione el ciclo de lavado deseado.
2. Seleccione la mancha que será tratada bajo las opciones de **Stain PreTreat** (pretratamiento de manchas).



Guía de Pretratamiento de Manchas

Categoría	Temperaturas Recomendadas Tratamiento/ Lavado	Mancha	Para obtener mejores resultados, antes de colocar la ropa en la lavadora:
Tomate	Fresca/Tibio	Salsa Salsa de tomate Salsa	Precalentar con detergente líquido o con un producto para eliminar manchas. Enjuagar con agua fresca.
Suciedad	Fresca/Tibio	Suciedad Barro Lodo	Espere a que la suciedad se seque; elimine la suciedad suelta con un cepillo. Enjuague con agua fría.
Césped	Fría/Tibio	Césped Lápiz Labial Chocolate Salsa Espesa Mayonesa Salsa de BBQ	Precalentar con detergente líquido o con un producto para eliminar manchas. Cepillar suavemente; enjuagar con agua fría.
Vino	Fresca/Tibio	Vino Fría/ Tibia Vino Gaseosa Kool-aid Té Café Jugo Cerveza	Precaliente con la mezcla del producto de Oxi y agua fría. Agregue el producto de Oxi junto con el detergente en el agua.

- Las temperaturas recomendadas son óptimas para la eliminación de manchas; ajuste la selección de temperatura para ajustar la carga que se está lavando.
- Asegúrese de que la mancha sea completamente eliminada luego del ciclo de lavado y antes de colocar la ropa en la secadora; es posible que las manchas muy difíciles requieran un segundo tratamiento.

Puesta en Marcha

F Opciones de ciclo

Deep Fill (Relleno profunda)

Seleccione la función de **Deep Fill** (Llenado Intenso) para las cargas donde se necesita más agua. La función de relleno intenso se recomienda para cargas especiales, no para uso típico.

Presione el botón **Deep Fill** (Llenado Intenso) una vez antes de iniciar el ciclo para agregar una cantidad adicional de agua a la carga del lavado. Mantener presionado el botón **Deep Fill** (Llenado Intenso) durante 3 segundos brindará el nivel más intenso de llenado posible; esto incrementará el tiempo del ciclo debido al tiempo adicional que lleva llenar la lavadora.

A fin de cancelar la opción, si así lo desea, presione el botón **Deep Fill** (Llenado Intenso) nuevamente.

NOTA: El botón **Deep Fill** (Llenado Intenso) también puede ser presionado una vez que la lavadora haya completado el llenado y se encuentre en la fase de lavado, si se desea agregar más agua. Para detener el llenado adicional, presione el botón **Deep Fill** (Llenado Intenso) nuevamente y el agua se detendrá.

Auto Soak (Auto remojo)

Esta opción comienza con una breve agitación, realiza el remojo durante un período de tiempo específico, y luego realiza el resto del ciclo de forma automática.

2nd Rinse (Enjuague segundo)

Al usar detergente o blanqueador adicional para limpiar ropa muy sucia, use la opción **2nd Rinse** (Enjuague segundo) para eliminar mejor los residuos adicionales.

Extra Spin (Giro Adicional)

Seleccione esta opción para brindar tiempo de giro adicional, incrementando la eficiencia energética a través de la reducción de los tiempos de secado.

2nd Rinse + Extra Spin (2do Enjuague + Giro Adicional)

Brinda tanto un segundo enjuague como un giro adicional.

Deep Rinse (Enjuague profundo)

Configure esta opción para brindar un enjuague profundo o cuando use un suavizante para telas. Esto podrá modificar otras configuraciones (es decir: **Spin** (Girar) se podrá activar en una configuración más alta) a fin de maximizar el rendimiento.

NOTA: Sólo para el modelo GTW490. Si se desea un suavizante de tejidos líquido, espere hasta que se ilumine la luz de estado del ciclo de enjuague y se complete el llenado final de enjuague antes de añadir la cantidad recomendada de suavizante líquido de tejidos directamente al agua de enjuague. Cuando añada suavizante de telas líquido, vierta en áreas más profundas del agua de enjuague evitando al mismo tiempo el contacto directo con la tela.

Indicador de Ayuda al Consumidor

Su lavadora está equipada con la función Consumer Help Indicator (Indicador de Ayuda al Consumidor, CHI). CHI es nuestra forma de comunicar una solución simple para algunas acciones que usted puede realizar sin la necesidad de llamar al servicio técnico.

El siguiente cuadro describe las luces útiles que es posible que observe en la pantalla.

Spin (La luz intermitente de giro)	Si una condición de desequilibrio es detectado por la lavadora, el indicador de Giro (Spin) parpadeará durante la parte restante del ciclo y permanecerá iluminado durante un corto tiempo después del fin del ciclo. Cuando este ocurre, la lavadora está tomando medidas para corregir la condición de desequilibrio y completar el ciclo normalmente. En algunos casos, es posible que la lavadora no pueda ser capaz de equilibrar la carga y girar a plena velocidad. Si se observa que la carga es más húmedo de lo normal al fin del ciclo, redistribuye la carga de manera uniforme en el tambor de lavado y ejecute un ciclo de Drain & Spin (Drenaje y Giro).
Fill (Luz de Llenado) (El agua no entra a la lavadora)	Controle el suministro de agua del hogar. ¿Olvidó abrir una o ambas válvulas luego de la instalación o al volver de sus vacaciones? Tan pronto como la luz comienza a parpadear, la lavadora iniciará un período de bloqueo de 4 minutos. Los controles de la lavadora no responden/ cambian durante este tiempo. Luego de 4 minutos, puede comenzar el ciclo nuevamente. Si intenta eludir el período de bloqueo desenchufando la lavadora, el temporizador de 4 minutos se iniciará nuevamente.
Lid Locked (La luz de Tapa Bloqueada)	La luz de Lid Locked (Tapa Bloqueada) parpadeará si 3 ciclos de lavado han iniciado sin abrir la tapa. La lavadora no se iniciará otro ciclo hasta que se abra la tapa. Trate de abrir, a continuación, cierre la tapa y inicie un nuevo ciclo. Si el problema persiste, llame al 800.561.3344 para el servicio.

Puesta en Marcha

Sensor de Carga Automático

Esto determina el perfil de agitación correcto, la duración de la agitación y la cantidad de agua adecuada al tamaño y tipo de carga colocado en la lavadora. La lavadora no iniciará el ciclo de lavado ni se llenará de agua si la tapa se encuentra abierta. Cuando se cierra la tapa la máquina puede comenzar a llenarse de agua para poder detectar el tamaño de la carga.

NOTA: La función Automatic Load Sensing (Sensor de Carga Automática) inicia un giro al comenzar el ciclo y tardará hasta 3 minutos en completar la misma (significativamente más corto para cargas más pequeñas); éste es el funcionamiento normal.

NOTA: Esta es una lavadora de alta eficiencia. Este sistema requiere menos agua al tiempo que brinda una acción de limpieza excepcional. Usted puede notar que el nivel de agua es menor que el de su lavadora anterior. Esto es normal.

Liquid Fabric Softener Dispenser (en algunos modelos)

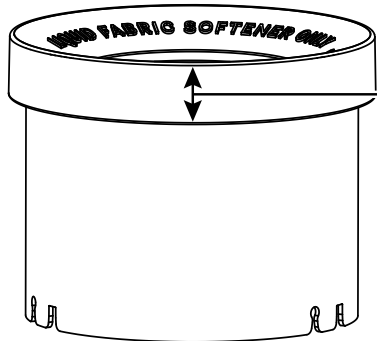
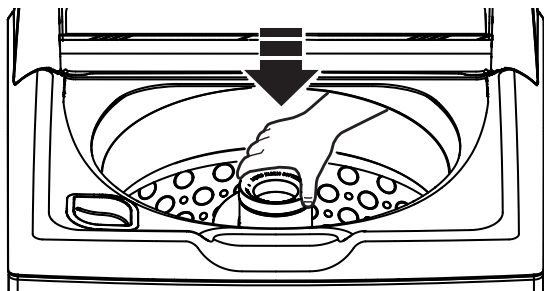
La tapa del agitador entra en la parte superior del agitador. Si se sale accidentalmente, simplemente vuelva a colocarla en su lugar.

El dosificador de suavizante libera automáticamente el suavizante líquido en el momento adecuado del ciclo.

No detenga la lavadora durante el primer centrifugado. Esto hará que el dosificador se vacíe antes de tiempo.

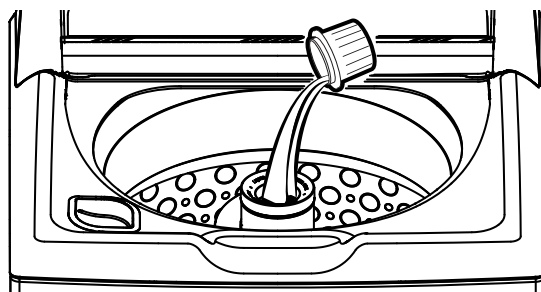
Para usarlo, siga estos pasos:

- 1 Asegúrese de que el dosificador esté bien adherido al agitador.



SÓLO esta parte del dispensador queda visible una vez instalado en el agitador

- 2 Use suavizante líquido exclusivamente. Viértalo en el dosificador, utilizando la cantidad recomendada en el envase.



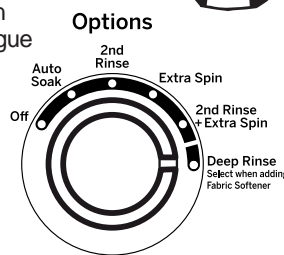
No vierta el suavizante directamente sobre las prendas; ya que podría mancharlas.

- 3 Agregue agua al dosificador hasta que llegue a la línea de llenado máximo.

No vierta nada en el agitador si se retira la tapa del agitador o el dosificador.



- 4 Seleccione la opción **Deep Rinse** (Enjuague Intenso).

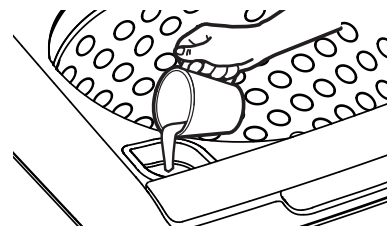


NOTA: Es posible que el suavizante para tela no dispense de forma apropiada si la opción **Deep Rinse** (Enjuague Intenso) no es seleccionada.

Blanqueador Líquido

El blanqueador líquido de cloro debe ser agregado a través del dispensador del blanqueador en la **esquina frontal izquierda**. Siga las recomendaciones del fabricante del blanqueador para utilizar la cantidad correcta de blanqueador líquido de cloro en base al tamaño de la carga, evitando aplicar o salpicar el mismo directamente sobre la ropa.

NOTA: No use blanqueador líquido de cloro ni pretratamientos de lavado tales como el producto Oxi en la misma carga a lavar.



Pretratamiento

Coloque los pretratamientos de lavado, tales como el producto Oxi, directamente sobre el fondo de la canasta de lavado antes de agregar la ropa.

NOTA: No use blanqueador líquido de cloro ni pretratamientos de lavado tales como el producto Oxi en la misma carga a lavar

Carga

F Siempre siga las instrucciones del fabricante de la ropa cuando lave.


Uso correcto del detergente

El uso de demasiado poco o cantidades excesivas de detergente es causa común de problemas con la colada.

Use menos detergente si tiene agua blanda, una carga más liviana o ropa poco sucia.

Para tratar manchas, aplique pretratamiento a las prendas según se recomienda en la etiqueta del producto. La aplicación debe realizarse en el tambor para evitar una pulverización excesiva que podría provocar que los colores de la tapa o de los gráficos pierdan su intensidad.

Coloque los receptáculos de detergente en la parte inferior de la canasta de lavado antes de agregar la ropa.

GE Appliances recomienda el uso de detergentes de Alta Eficiencia tales como  su lavadora de energía eficiente. Los detergentes HE están formulados para funcionar en sistemas de lavado y enjuague con poca agua. Los detergentes HE reducen los problemas de espuma excesiva comúnmente asociados con los detergentes comunes.

Cuando utilice detergentes de alta eficiencia o concentrados, consulte la etiqueta del producto para determinar la cantidad requerida para un desempeño óptimo. Una cantidad excesiva de detergente puede tener un impacto negativo en el desempeño de lavado.

Separación de cargas

Separe por color (blancos, claros, colores), nivel de suciedad, tipo de tela (algodones rústicos, limpieza fácil, delicados) y si la tela produce pelusa (tela de toalla, felpilla) o junta pelusa (terciopelo, pana). Lave los productores de pelusas tales como toallas de algodón y medias aparte de los recolectores de pelusas, incluyendo prendas sintéticas y pantalones de vestir.

ADVERTENCIA - Riesgo de incendio

NO lave tejidos sucios con líquidos inflamables o disolventes de limpieza.

Ninguna lavadora puede eliminar el aceite por completo.

NO lave o seque cualquier cosa remojada o salpicada con cualquier tipo de aceite (incluyendo aceites de cocina).

NO toque el interior de la lavadora antes de que todas las partes en movimiento se hayan detenido.

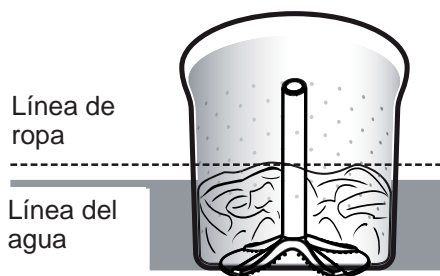
Si lo hace, eso puede ocasionar la muerte, explosión, incendio o amputación.

Carga de la lavadora

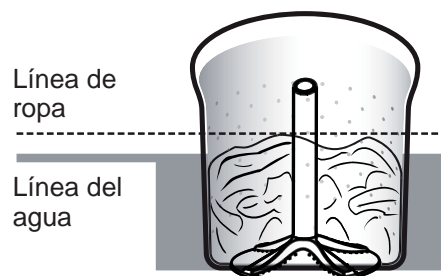
Agregue las prendas secas sin apretar en el tambor de la lavadora. Para mejores resultados, cargue las prendas en forma uniforme y sin apretarlas alrededor de la parte exterior del tambor, llenando hacia las parte del centro en cargas grandes. Para agregar prendas una vez que se inició un ciclo en la lavadora, presione **Start/Pause** (Iniciar/pausa) si la tapa está bloqueada; espere hasta que el indicador de **Lid Locked** (Bloqueo de la Tapa) que aparece en la pantalla ya no esté iluminado, antes de intentar abrir la tapa. Levante la tapa y sumerja prendas adicionales alrededor de la parte externa de la canasta. Cierre la tapa y presione **Start** (Iniciar) para reanudar el lavado. Ajuste la selección del tamaño de la carga y/o use la opción **Deep Fill** (Llenado Intenso), si es necesario.

- En los modelos Infusor, no coloque prendas grandes tales como sábanas, colchas y toallas sobre el Infusor. Cárguelas alrededor de la parte exterior del tambor.
- No coloque almohadones de jardín o sofá en la lavadora, ya que son demasiado grandes para poder moverlos. Retire las tapas externas y **SÓLO** lave las mismas.

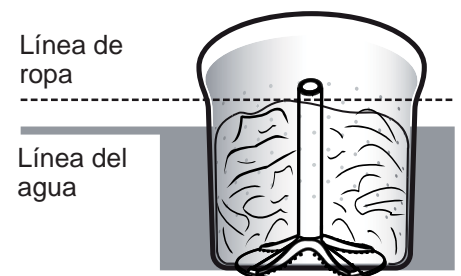
Carga Pequeña Promedio



Carga Mediana Promedio



Carga Grande Promedio



Cuidado y limpieza

La parte exterior de la lavadora

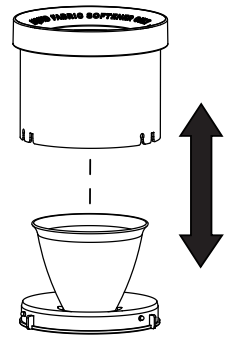
Limpie inmediatamente cualquier clase de derrame con un paño húmedo.

La parte interior de la lavadora

Deje la tapa abierta después de lavar para que se evapore la humedad. Si desea limpiar el cesto, use un paño suave y limpio empapado en detergente líquido; luego enjuáguelo. (No use limpiadores duros.)

Limpieza del dosificador de suavizante (en algunos modelos)

- 1 Retire el dosificador de la parte superior del agitador.
- 2 Separe la taza dosificadora de la cubierta tomando la parte superior y empujando con sus dedos hacia abajo, en el interior de la taza. La taza dosificadora se liberará de la cubierta.
- 3 Para limpiar el dosificador, remoje la taza y la cubierta dosificadora en la siguiente solución:
 - 1 galón (3,8 litros) de agua caliente
 - 1/4 taza (60 ml) de detergente líquido reforzado
 - 1 taza (240 ml) de blanqueador
- 4 Si es necesario, reduzca la acumulación con un paño suave y limpio después del remojo. No utilice un cepillo duro; podría dañar la superficie del dosificador.
- 5 Enjuague y vuelva a montar el dosificador. Vuelva a colocarlo sobre el agitador.



Separe para la limpieza

Mangueras de suministro de aguas

Las mangueras que conectan la lavadora al grifo deben cambiarse cada 5 años.

Desplazamiento y almacenamiento

Solicite al técnico que elimine toda el agua de la bomba de drenaje y de las mangueras. No almacene la lavadora donde se vea expuesta a las inclemencias del tiempo.

Long Vacations

Asegúrese de que el suministro de agua esté cortado desde todos los grifos. Drene toda el agua de las mangueras y el área de la bomba de filtro de agua si la temperatura puede llegar a bajo cero.

Instrucciones de instalación

Lavadora



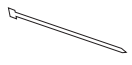

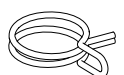
Si tiene alguna pregunta, llame GE Appliances a 800.GE.CARES (800.432.2737) o visite nuestro sitio Web en: GEAppliances.com

ANTES DE COMENZAR



Lea detenidamente todas las instrucciones.

- **IMPORTANTE** — Guarde estas instrucciones para uso del inspector local.
- **IMPORTANTE** — Cumpla todos los códigos y ordenanzas regulatorias.
- **Nota al instalador** — Asegúrese de dejar estas instrucciones al usuario.
- **Nota al usuario** — guarde estas instrucciones para consultas futuras.
- **Nivel de habilidad** – la instalación de este electrodoméstico requiere habilidades mecánicas y eléctricas básicas.
- **Duración** – de 1 a 3 horas
- La instalación adecuada es responsabilidad del instalador.
- La garantía no cubre fallas producidas por la instalación inadecuada del producto.

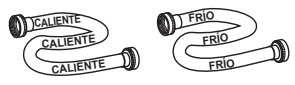

PIEZAS INCLUIDAS

- Manguera de Desagüe 
- Guía de referencia propietario 
- Abrazadera de cable 
- Sujetador de la Manguera de Desagüe 
- Abrazadera 

HERRAMIENTAS NECESARIAS PARA LA INSTALACIÓN DE LA LAVADORA

- Pinza 
- Nivel 

PIEZAS NECESARIAS (Se adquiere por separado)

- Suministro de agua (2) 
- Arandelas de Caucho (2) y Pantallas de Filtro (2) 
- Extensión de la Manguera de Desagüe (Para alturas de descarga de entre 60" y 96")

GE Appliances Piezas y accesorios

Solicítelos on-line hoy mismo a GEApplianceparts.com, las 24 horas del día o por teléfono al 800.626.2002 en horario normal de trabajo.

Número de Pieza Accesorio

- | | |
|------------|---|
| PM14X10002 | Mangueras de goma de suministro de agua de 4 pies |
| PM14X10005 | Mangueras trenzada de suministro de agua de 4 pies |
| WH1X2267 | Arandelas de Caucho y Pantallas |
| WH49X301 | Extensión de la Manguera de Desagüe (Para alturas de descarga de entre 60" y 96") |

NOTA: Se recomienda enfáticamente el uso de mangueras nuevas de suministro de agua. Las mangueras se desgastan con el tiempo y deben reemplazarse cada 5 años para reducir el riesgo de fallas en las mangueras y daños provocados por el agua.

Instrucciones de instalación

UBICACIÓN DE LA LAVADORA

NO instale la lavadora:

1. En un área expuesta a goteras o a las condiciones del exterior. La temperatura ambiente no debe ser nunca inferior a 60°F (15,6°C) para que la lavadora funcione correctamente.
2. En una zona en la que pueda entrar en contacto con cortinas u otras telas.
3. Sobre una alfombra. El suelo **DEBE** ser una superficie dura con una inclinación máxima de 1/2" por pie (1,27 cm por cada 30 cm). Para asegurarse de que la lavadora no vibre ni se mueva, es posible que tenga que reforzar el suelo.

NOTA: Si el suelo se encuentra en mal estado, utilice una plancha con 3/4" de contrachapado bien fija al revestimiento existente en el suelo.

IMPORTANTE: Distancias mínimas de separación para la instalación - Nicho o Armario

- Si la lavadora ha sido aprobada para ser instalada en un nicho o armario, debe haber una etiqueta en la parte posterior de la máquina que describa los requisitos.
- Distancia mínima entre la lavadora y las paredes adyacentes o cualquier otra superficie: 0 cm (0 pulg.) a los lados, 5 cm (2 pulg.) al frente. Espacio vertical desde el piso a los estantes superiores, gabinetes, cielo rasos, etc. = 60".
- Las puertas del armario deben contar con rejillas u otro tipo de ventilación y tener por lo menos 60 pulgadas cuadradas (387 cm²) de espacio abierto. Si el armario incluye una lavadora y una secadora, las puertas deben contener un mínimo de 120 pulgadas cuadradas (774 cm²) de espacio abierto.

NOTA: Los espacios mencionados en las etiquetas son los mínimos. Se debe dar una gran importancia al suministro de un espacio adecuado para la instalación y el mantenimiento de los aparatos.

REQUISITOS DE SUMINISTRO DE AGUA

LÍNEAS DE SUMINISTRO DE AGUA - Purgar las líneas de suministro de agua caliente y fría durante 30 segundos antes de instalar las mangueras y la lavadora. Asegúrese de que las mallas de las mangueras de entrada también estén limpias y libres de residuos.

PRESIÓN DE AGUA - Debe ser de 1,4 kgf/cm² (20 psi) como mínimo y de 8,4 kgf/cm² (120 psi) como máximo.

TEMPERATURA DE AGUA - Se debe regular el calentador de agua de la vivienda para que proporcione agua a una temperatura de 50 °C a 65 °C (120 °F a 150 °F) A LA LAVADORA, al seleccionar el ciclo de lavado en caliente.

VÁLVULAS DE CIERRE - Se deben suministrar dos válvulas de cierre (llaves), una para el agua caliente y otra para la fría.

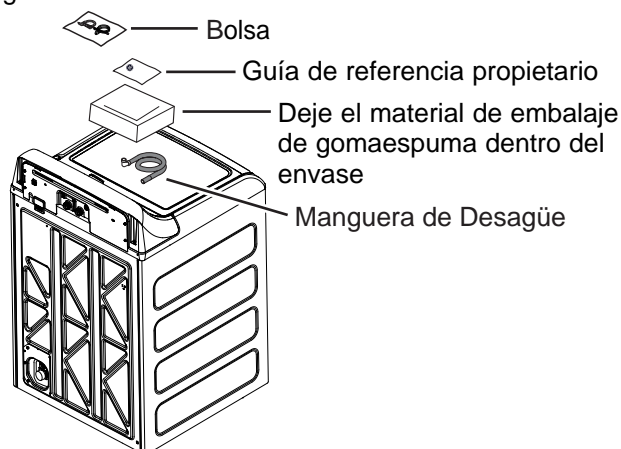
DRENAJE - Se puede drenar el agua hacia un tubo vertical. La altura de descarga **NO DEBE SER MENOR DE 76 cm** (30 pulg.), ni debe encontrarse a más de 2,4 m (8 pies) de la base de la lavadora. El diámetro interno del tubo vertical debe ser de 3,8 cm (1-1/2 pulg.) como mínimo y debe encontrarse abierto a la atmósfera.

1 DESEMBALAJE DE LA LAVADORA

Cuando la lavadora se encuentre en su hogar, deseche el material de empaque sobrante de la lavadora.

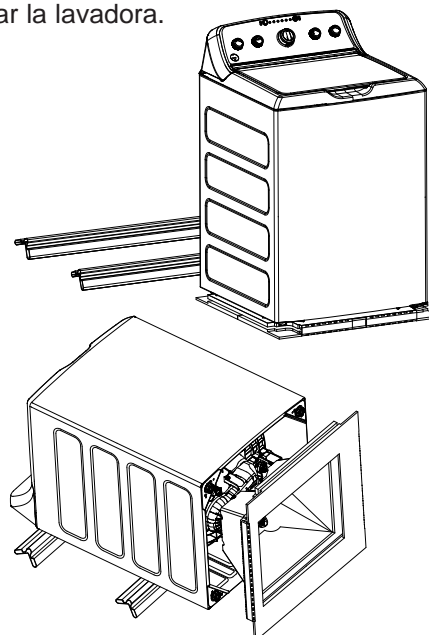
Retire la bolsa (con la abrazadera, el enlace para cable y el sujetador para la manguera de drenaje), la manguera de drenaje Manguera de drenaje y guía de referencia propietario del envase.

NOTA: Deje el material de embalaje de gomaespuma F dentro del envase para sostener el mismo en su lugar durante el resto de la instalación.



2 RETIRE LA BASE

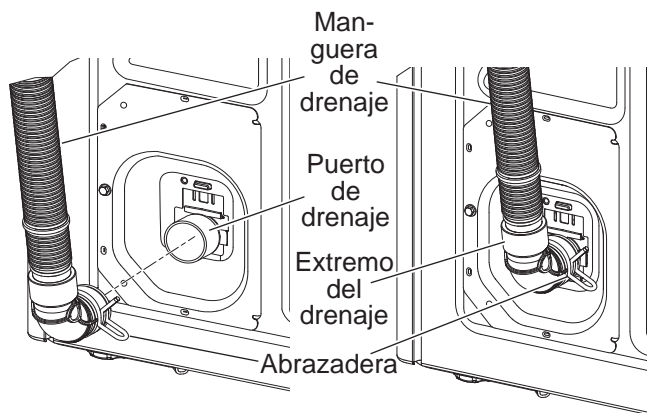
Retire la base de la unidad colocando el pie al costado de la base e inclinando la unidad nuevamente hacia la posición del ángulo. Retire la base y vuelva a enderezar la lavadora.



Instrucciones de instalación

3 CONECTE LA MANGUERA DE DESAGÜE A LA LAVADORA

Conecte la manguera de desagüe al puerto de drenaje en la parte trasera de la lavadora. Abra la abrazadera con las pinzas y deslice las mismas sobre el extremo de la manguera. Manteniendo la abrazadera abierta, presione el extremo de la manguera sobre el puerto de drenaje hasta que quede completamente insertada. Libere la abrazadera entre los resortes de ubicación en el extremo de la manguera. La salida del extremo de la manguera debe estar orientada verticalmente

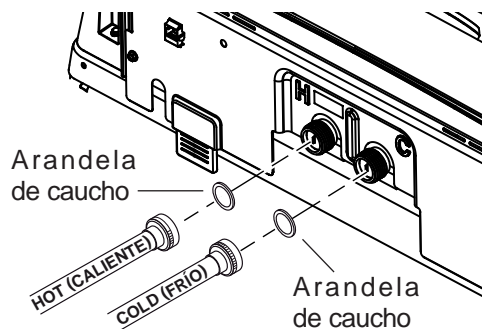


4 CONECTE LAS MANGUERAS DE AGUA A LA LAVADORA

Antes de instalar las mangueras de agua, saque el cordón eléctrico de su lugar de almacenamiento. Si no está presente, instale la arandela de caucho en un extremo de la manguera de agua caliente. Enrosque la manguera de agua caliente en la pieza para conexión con etiqueta **H** en la parte posterior superior de la lavadora. Apriétela con la mano y luego gírela un octavo de vuelta más con una pinza. Ajuste manualmente y use una pinza para ajustar las mangueras entre 1/8 y 1/4 de giro luego del ajuste manual.

Si no está presente, instale la arandela de caucho en un extremo de la manguera de agua fría (**C**). Enrosque la manguera de agua fría en la pieza para conexión con etiqueta **C** en la parte posterior superior de la lavadora. Ajuste manualmente y use una pinza para ajustar las mangueras entre 1/8 y 1/4 de giro luego del ajuste manual.

Coloque la lavadora lo más cerca posible a su lugar definitivo dejando espacio para que se pueda drenar el agua y se puedan efectuar las conexiones eléctricas.



5 CONECTE LAS MANGUERAS DE AGUA A LAS VÁLVULAS DE SALIDA

Averigüe cuál es la tubería de agua CALIENTE antes de conectar las mangueras de agua a las llaves. Generalmente, la llave de agua CALIENTE se encuentra a la izquierda.

(Si los filtros/arandelas de caucho no están presentes) Con la parte convexa del filtro hacia usted, coloque el filtro y la arandela de caucho en cada uno de los extremos libres de las mangueras de agua.

Conecte la manguera de agua caliente a una válvula de salida de agua caliente en su hogar. Ajuste manualmente y use una pinza para ajustar las mangueras entre 1/4 y 1/2 giro luego del ajuste manual. Abra la válvula de agua caliente.

Conecte la manguera de agua fría **S** a una válvula de salida de agua fría en su hogar. Ajuste manualmente y use una pinza para ajustar las mangueras entre 1/4 y 1/2 giro luego del ajuste manual. Abra la válvula de agua fría.

Controle la presencia de pérdidas y goteos en las uniones de las mangueras. Ajuste según sea necesario.



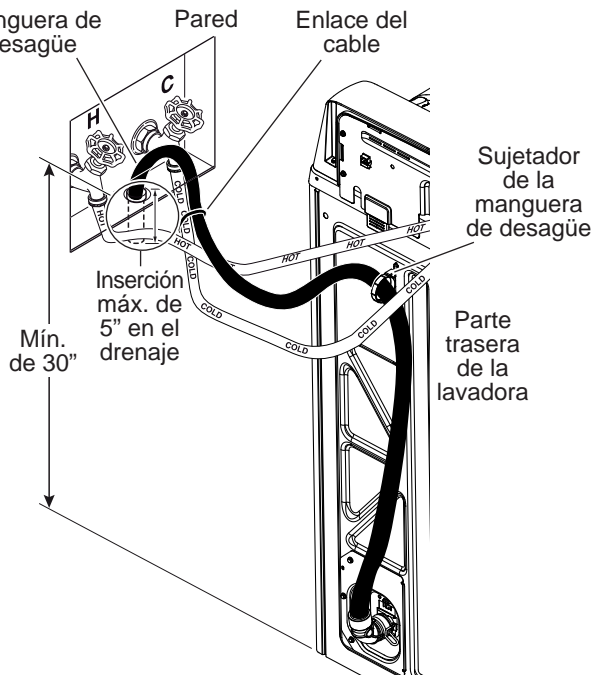
Instrucciones de instalación

6 CONECTE AL DRENAJE

Instale el sujetador de la manguera de drenaje en el panel trasero de la lavadora. Oriente la manguera de drenaje a través del sujetador e inserte el extremo libre en la abertura del drenaje de su hogar.

NOTA: Si se requiere una manguera de drenaje más larga, mande a pedir el equipo de extensión de la manguera de drenaje, número de pieza GE Appliances **WH49X301**. Conecte la manguera de drenaje adicional (incluida en el equipo de extensión) a la manguera original usando la abrazadera para la manguera (también incluida en el equipo de extensión).

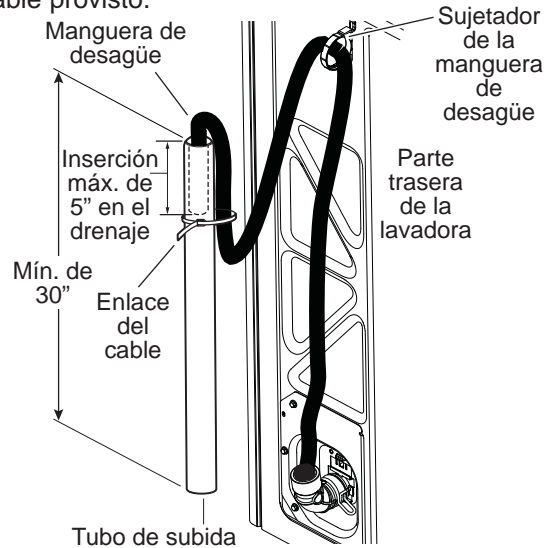
Si las válvulas de agua y el drenaje están adheridos a la pared, ajuste la manguera de desagüe a una de las mangueras de agua con el enlace para cable provisto.



NOTA: Colocar la manguera de drenaje muy debajo de la tubería de drenaje puede provocar un efecto de sifón. No debe haber más de 5 pulgadas de manguera en la tubería de drenaje. Debe haber un espacio de aire alrededor de la manguera de drenaje. Si la manguera está muy ajustada, también puede provocarse un efecto de sifón.

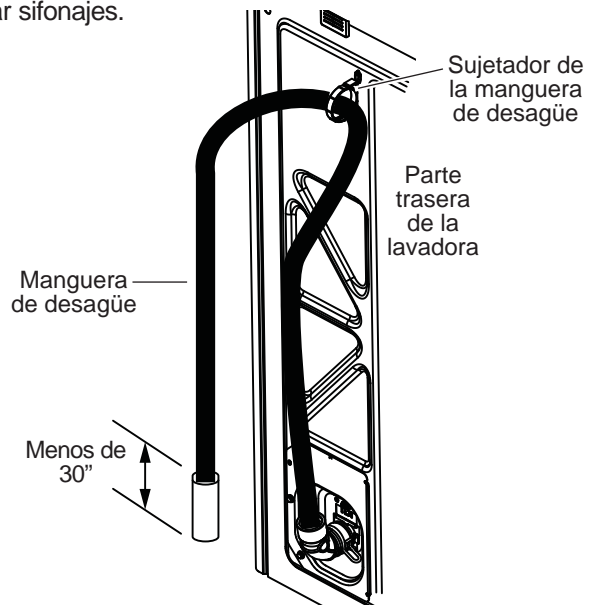
6 CONECTE AL DRENAJE (Continúa)

Si el drenaje es un tubo de subida, ajuste la manguera de drenaje al tubo de subida con el enlace de cable provisto.



NOTA: Colocar la manguera de drenaje muy debajo de la tubería de drenaje puede provocar un efecto de sifón. No debe haber más de 5 pulgadas de manguera en la tubería de drenaje. Debe haber un espacio de aire alrededor de la manguera de drenaje. Si la manguera está muy ajustada, también puede provocarse un efecto de sifón.

Si la altura de la descarga del drenaje no cubre el requisito de altura mínima de 30", el extremo de la manguera de desagüe debe ser asegurado por un instalador en la abertura del desagüe del hogar y se deberá dejar una brecha de aire alrededor de la manguera para evitar sifonajes.



NOTA: Colocar la manguera de drenaje muy debajo de la tubería de drenaje puede provocar un efecto de sifón. No debe haber más de 5 pulgadas de manguera en la tubería de drenaje. Debe haber un espacio de aire alrededor de la manguera de drenaje. Si la manguera está muy ajustada, también puede provocarse un efecto de sifón.

Instrucciones de instalación

REQUISITOS ELÉCTRICOS

⚠ ADVERTENCIA - Riesgo de Descarga Eléctrica

Enchufe a un tomacorriente de 3 clavijas con conexión a tierra.

NO retire la terminal de tierra.

NO UTILICE un cable de extensión.

NO UTILICE un enchufe adaptador con este artefacto.

Si no se siguen estas instrucciones, se podrá producir la muerte, incendio o descargas eléctricas.

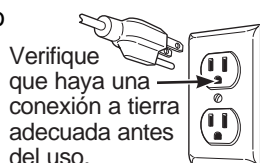
CIRCUITO – individual, correctamente polarizado y conectado a un disyuntor de 15 o 20 amperes o a un fusible con retardo.

SUMINISTRO DE CORRIENTE – 2 cables y conexión a tierra, 120 voltios, fase simple, 60 Hz., corriente alterna.

Receptáculo Externo – receptáculo de 3 clavijas correctamente conectado a tierra, ubicado de modo que el cable de corriente esté accesible cuando la lavadora esté en una posición instalada. Si hay un

receptáculo de 2 clavijas, es responsabilidad del propietario solicitar a un electricista matriculado que reemplace el mismo por un receptáculo de 3 clavijas con conexión a tierra, que esté correctamente conectado a tierra.

La lavadora deberá estar correctamente conectada a tierra de acuerdo con los códigos y ordenanzas locales, o en ausencia de códigos locales, con la última edición del Código Eléctrico Nacional, ANSI/NFPA NO. 70 o el Código Eléctrico Canadiense, CSA C22.1. En caso de no estar seguro de que la lavadora esté correctamente conectada a tierra, consulte a un electricista matriculado.



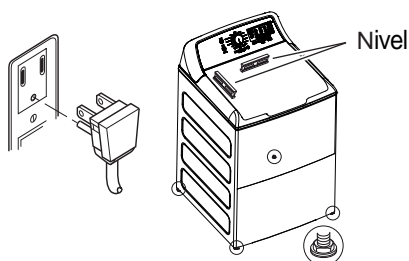
7 CONECTE LA CORRIENTE E INSTALE

Asegúrese de que la perilla de control (en algunos modelos) de la lavadora se encuentra presionado, en la posición de apagado (OFF).

Enchufe el cordón eléctrico en un tomacorriente de 115 voltios y de 15 ó 20 amperios. Desplace la lavadora hacia su posición final. Coloque el nivel en el extremo superior lateral de la lavadora. Ajuste las cuatro patas niveladoras hasta que la lavadora esté nivelada de izquierda a derecha y del frente a la parte trasera. Quite el nivel.

Abra la tapa del tambor. Quite tina material evio (consulte el paso 1).

Quite la lámina protectora de plástico del frente del tablero de control.



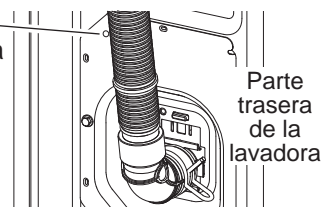
INSTRUCCIONES DE CONEXIÓN A TIERRA

Este electrodoméstico deberá estar conectado a tierra. En caso de avería o mal funcionamiento, la conexión a tierra reducirá el riesgo de descargas eléctricas al brindar un camino con una resistencia menor para la corriente eléctrica. Este electrodoméstico está equipado con un cable con un conductor para la conexión a tierra del equipo y un enchufe con conexión a tierra. El enchufe deberá estar conectado a un tomacorriente instalado en forma adecuada y con conexión a tierra de acuerdo con todos los códigos y ordenanzas locales.

⚠ **ADVERTENCIA** Una conexión inapropiada del conductor de conexión a tierra del equipo puede provocar riesgos de descargas eléctricas. Consulte a un electricista calificado o personal o representantes del servicio técnico si tiene dudas de que el electrodoméstico se encuentre conectado a tierra apropiadamente. **NO** modifique el enchufe en el cable de suministro de corriente. Si no coincide con la toma de corriente, contrate a un electricista calificado para que instale una toma de corriente en forma adecuada.

Si los códigos locales lo requieren, se podrá agregar un cable a tierra externo de cobre de calibre 18 o más grande (no provisto). Adhiera el gabinete de la lavadora con un tornillo de chapa metálica N°10-16 x 1/2" (disponible en cualquier tienda de repuestos) a la parte trasera de la lavadora, siguiendo la ilustración.

Conecte el cable a tierra y el tornillo de conexión a tierra (adquirido localmente)



Instalación en Casas Rodantes:

La instalación se deberá realizar conforme con la Ley de Estándar para Casas Rodantes (Standard for Mobile Homes), ANSI A119.1 y de Estándares Nacionales de Construcción y Seguridad de Casas Rodantes (National Mobile Home Construction and Safety Standards Act) de 1974 (PL93-383).

LISTA DE VERIFICACIÓN FINAL



Antes de poner en funcionamiento la lavadora, asegúrese de comprobar lo siguiente:

- La alimentación está conectada.
- La lavadora está enchufada.
- Las llaves de paso están abiertas.
- La lavadora está nivelada y que cada una de las cuatro patas niveladoras estén en contacto con el piso.
- La gomaespuma del embalaje y cartón debe ser retirada.
- La tubería de desagüe se ha asegurado correctamente.
- No existe ninguna fuga en la llave de paso, la tubería de desagüe ni la lavadora.

Ponga en funcionamiento la lavadora en un ciclo completo.

- Compruebe que no haya fugas de agua y que funcione correctamente.
- Coloque las instrucciones en un lugar próximo a la lavadora para futuras consultas.

Antes de Solicitar el Servicio Técnico

Problema	Causas posibles	Qué hacer
Espray corto y retraso luego de presionar el botón Start (Iniciar)	La tapa fue abierta y cerrada entre la selección del ciclo y el inicio	Esto es normal. Lea la sección SECUENCIA DE INICIO en las Instrucciones de seguridad .
El nivel de agua parece bajo	Esto es normal	El agua puede no cubrir el nivel superior de las prendas. Esto es normal para esta lavadora de alta eficiencia.
Flujo bajo de agua	Los filtros de malla de la válvula de agua están tapados	Cierre la llave del agua y quite las mangueras de conexión de agua de la parte superior trasera de la lavadora y de los grifos de agua. Limpie ambos filtros de las mangueras (si están equipadas con estos) y los filtros de la máquina usando un cepillo o un cepillo de dientes. Vuelva a conectar las mangueras y abra el agua de nuevo. Asegúrese de que no haya pérdidas en las conexiones.
El agua genera un efecto de sifón hacia afuera de la lavadora	El tubo de alimentación del drenaje está demasiado bajo o la manguera está demasiado lejos del tubo de subida	La manguera de drenaje debe superar las 30" en algún punto entre la parte trasera de la lavadora y el tubo de drenaje. Use un sujetador anti sifonaje. Lea las Instrucciones de Instalación .
Demasiada espuma	Agua blanda	Pruebe con menos detergente.
	Demasiado detergente	Mida el detergente con cuidado. Use menos jabón si tiene agua blanda, una carga más liviana o ropa poco sucia.
	Tipo de detergente	Cambie a detergente de Alta Eficiencia tales como  .
Fugas de agua	Tipo de detergente	Cambie a detergente de Alta Eficiencia tales como  .
	Demasiado detergente en la lavadora	Use menos detergente. Use menos jabón si tiene agua blanda, una carga más liviana o ropa poco sucia.
	La manguera de llenado o la de desagüe está mal conectada	Asegúrese de que las conexiones de la manguera estén firmes en los grifos y que las arandelas de goma estén instaladas. Asegúrese de que el extremo de la manguera de desagüe esté insertado como corresponde y bien seguro al desagüe.
	Desagüe de la casa está tapado	Examine la tubería de la casa. Tendrá que llamar al fontanero.
	La manguera de desagüe roza la pared	Asegúrese de que la manguera de desagüe no haga contacto con la pared. Esto puede provocar un desgaste excesivo en la manguera.
	Presión de agua constante a las mangueras de llenado en la fuente de agua	Ajuste las mangueras a los grifos. Verifique la condición de las mangueras de llenado; se deben reemplazar cada 5 años.
La temperatura del agua parece incorrecta	Temperaturas más frías del agua proporcionan mayor eficiencia energética	Se han formulado nuevos detergentes para colada que trabajan con temperaturas más frías del agua sin afectar el rendimiento del lavado.
	La provisión de agua está cerrada o mal conectada	Se han formulado nuevos detergentes para colada que mangueras están conectadas a los grifos correctos. NOTA: Las válvulas de agua están marcadas con "H" y "C".
	Los filtros de malla de la válvula de agua están tapados	Cierre la llave del agua y quite las mangueras de conexión de agua de la parte superior trasera de la lavadora y de los grifos de agua. Limpie ambos filtros de las mangueras (si están equipadas con estos) y los filtros de la máquina usando un cepillo o un cepillo de dientes. Vuelva a conectar las mangueras y abra el agua de nuevo. Asegúrese de que no haya pérdidas en las conexiones.
	Agua fresca/fría cuando se selecciona caliente.	Esto es normal. La lavadora detecta la temperatura del agua (en algunos modelos) y la optimiza para mejores resultados. El agua fría se agrega en forma periódica cuando se selecciona agua caliente.
	El calentador de agua de la casa no está configurado correctamente	Asegúrese de que el calentador esté suministrando agua a 120°F–140°F (48°C–60°C).
Agua bombeada antes de completarse el ciclo	El ciclo anterior ha sido cancelado. Cierre la tapa, seleccione el nuevo ciclo y arranque la lavadora.	
El agua no drena	La manguera de desagüe está doblada o mal conectada	Enderece la manguera de desagüe y asegúrese de que la lavadora no esté apoyada sobre ella. La parte superior de la salida del desagüe debe estar a menos de 8 pies (2,44 m) por encima del piso.

Antes de Solicitar el Servicio Técnico

Problema	Causas posibles	Qué hacer
La lavadora se gira y pausa en el inicio de los ciclos	Esto es normal	La lavadora está sintiendo la carga.
La lavadora se interrumpe durante el ciclo de lavado	Se seleccionó la opción Soak (Remojo)	Esto es normal. La lavadora alterna entre agitar y remojar durante estos ciclos para que sus prendas se limpien mejor con menos desgaste.
	Esto es normal	Muchos ciclos incorporan una serie de opciones de remojo dentro del período de agitación, a fin de dejar su ropa limpia con menor desgaste.
Los aditivos de lavado se dispensan demasiado rápido (Dispensadores en algunos modelos)	Desborde de los dispensadores	No sobrecargue ni agregue agua al dispensador. Seleccione la opción Deep Rinse (Enjuague Profundo) al usar el suavizante para telas.
La lavadora se interrumpe durante el ciclo de centrifugado	Esto es normal	La lavadora puede hacer pausas durante el ciclo de centrifugado para eliminar el agua jabonosa con más eficiencia.
La lavadora no funciona	La lavadora no está enchufada	Asegúrese de que el cable esté bien enchufado a un tomacorriente que funcione.
	La fuente de agua está cerrada	Abra por completo los grifos de agua fría y caliente.
	La puerta está abierta—una característica de seguridad impide la agitación y centrifugado cuando la puerta está levantada	Cierre la puerta y oprima Start .
	El disyuntor/fusible está cortado/quemado	Verifique el disyuntor/fusibles. Reemplace los fusibles o reajuste el disyuntor. La lavadora debe tener un tomacorriente separado.
	Hay que reajustar la electrónica	Desenchufe la lavadora, espere 2 minutos, vuelva a enchufarla y oprima Start .
	No se oprió Start	Oprima Start .
Los paquetes de detergente no se disuelven	El paquete de detergente para ropa sucia se colocó en el dispensador	Los paquetes de detergente de ropa sucia no deberían ser usados en el dispensador. Sólo se deberían agregar directamente a la canasta de la lavadora, siguiendo las instrucciones del fabricante.
Cambios sin explicación en el tiempo y/o la configuración	Opciones de cambios (en algunos modelos)	Esto es normal. Varias opciones cambiarán otras opciones a fin de maximizar el desempeño del lavado.
El tambor parece suelto libremente	El tambor se mueve o gira	El tambor de la lavadora no cuenta con un freno tradicional. El tambor se mueve libremente. Esto es normal.
El agitador parece flojo (en algunos modelos)	La parte superior del agitador se mueve / tiene movimiento de un lado a otro	La tapa del agitador se diseña para ser flexible para permitir el cuidado de los artículos voluminosos tales como edredones; esto es normal.
Manchas de colores	Uso incorrecto del tejido suavizante	Lea las instrucciones en el envase del suavizante y siga las recomendaciones para el uso del dosificador. Verifique que haya seleccionado la opción de Deep Rinse (Enjuague Profundo). (en algunos modelos) Trate manchas en forma previa y vuelva a lavar usando el ciclo Speed Wash (Lavado Rápido) antes de secar. (en algunos modelos)
	Transferencia de colores	Separe las prendas blancas o de colores claros de las de colores oscuros.
Prendas grises o amarillentas	Cantidad de detergente	Asegúrese de seguir las instrucciones del fabricante del detergente.
	Agua pesada	Use un acondicionador de agua o instale un suavizador de agua.
	El agua no está lo suficientemente caliente	Asegúrese de que el calentador de agua esté suministrando agua a 120°F–140°F (48°C–60°C).
	La lavadora está sobrecargada	Cargue ropa de forma no excesiva de modo que no supere la fila superior de la canasta de la lavadora. Para un mejor resultado, cargue los ítems alrededor de la parte exterior de la canasta.
	Transferencia de colores	Separe las prendas por color. Si la etiqueta de la tela indica lavar separadamente, pueden estar indicados los colores inestables.

Antes de Solicitar el Servicio Técnico

Problema	Causas posibles	Qué hacer
Pelusa o residuos en las prendas	Las prendas son secadas al aire o en el tendedor	Si no seca su colada con una secadora, sus prendas pueden retener más pelusa.
	Separación incorrecta	Separe los productores de pelusa de los que la captan.
	Lavado demasiado prolongado	Lave cantidades pequeñas durante un período más corto, usando la configuración Light Soil (Suciedad Leve).
	El detergente no se disuelve	Vuelva a lavar; la próxima vez: Pruebe un detergente líquido. Use una temperatura del agua más caliente.
	Sobrecarga	Agregue las prendas sin apretar en el tambor de la lavadora. Para un mejor resultado, cargue los ítems alrededor de la parte exterior de la canasta.
	Uso incorrecto del tejido suavizante	Lea las instrucciones en el envase del suavizante y siga las recomendaciones para el uso del dosificador. Verifique que haya seleccionado la opción de Deep Rinse (Enjuague Profundo). (en algunos modelos)
La ropa está demasiado mojada	Ciclo seleccionado incorrecto	Asegúrese que el ciclo seleccionado coincida con la carga que esté lavando. Algunas telas se sentirán más húmedas cuando se enjuaguen con agua fría.
	Carga de lavado desbalanceada	Redistribuya la carga en la lavadora y active el ciclo de Drain & Spin (Drenar y Girar).
Luz intermitente de giro o la luz giro en al final del ciclo	Una condición de desequilibrio es detectado por la lavadora	Deje que el ciclo continúe y acabado. La carga es más húmedo de lo normal al fin del ciclo, redistribuye la carga de manera uniforme en el tambor de lavado y ejecute un ciclo de Drain & Spin (Drenar y Girar).
Formación de bolitas	Resultado del desgaste normal de mezclas de algodón y poliéster telas con pelusa	Si bien esto no se debe a la lavadora, puede reducir la velocidad del proceso de formación de bolitas lavando las prendas dadas vuelta.
Enganches, agujeros, desgarros, rasgones o desgaste excesivo	Alfileres, broches, ganchos, botones cortantes, hebillas de cinturón, cierres y objetos cortantes dejados en los bolsillos	Cierre broches, ganchos, botones y cierres. Retire los objetos sueltos como alfileres, objetos en los bolsillos y botones cortantes. De vuelta las prendas de punto (que se enganchan fácilmente).
	Blanqueador con cloro no diluido	Vea las instrucciones en el envase del blanqueador para ver la cantidad correcta. No agregue blanqueador sin diluir a la colada ni permita que las prendas entren en contacto con el blanqueador sin diluir.
	Químicos como el blanqueador para el cabello o tinte, solución para permanente	Enjuague las prendas que puedan tener químicos antes de lavarlas. Use el ciclo Speed Wash (Lavado Rápido) con la opción Extra Rinse (Enjuague Adicional). (en algunos modelos)
Arrugas	Ciclos de lavado y secado incorrectos	Haga coincidir la selección del ciclo con el tipo de tela que esté lavando (especialmente para cargas fáciles de limpiar).
	Separación incorrecta	Evite mezclar las prendas pesadas (como vaqueros) con otras livianas (como blusas). Pruebe con un suavizante.
	Sobrecarga	Agregue las prendas sin apretar en el tambor de la lavadora.
	Lavado repetido en agua demasiado caliente	Lave en agua tibia o fría.

Antes de Solicitar el Servicio Técnico

Sonidos	Causas posibles	Motivo
“Clic”	El mecanismo de conmutación está enganchado o suelto	El sistema de transmisión se engancha al inicio de la agitación y se suelta cuando ésta se completa. Esto ocurre varias veces durante el lavado.
“Silbidos” oscilantes	El motor eléctrico revierte la dirección	Éste es el sonido que hace el motor al rotar hacia atrás para limpiar la lavado.
Sonido de “clic” detrás el panel de control mientras llena	Válvula de control de la temperatura del agua	Dos válvula mezcla el agua fría y la caliente. El “clic” es cuando cualquier válvula se enciende o apaga para elevar o reducir la temperatura de llenado de agua.
El flujo de agua cambia durante el llenado	Válvula de control de la temperatura del agua	Dos válvula mezcla el agua fría y la caliente. El flujo cambia cuando cualquier válvula se enciende o apaga para elevar o reducir la temperatura de llenado de agua.
Sonidos del motor durante los giros	El motor cambie la velocidad de la temperatura del agua	El motor va aumentando la velocidad durante el ciclo de centrifugado. Cuando el centrifugado se completa, se irá deteniendo hasta que pare.
“Zumbido”	Bomba de desagüe	La bomba de desagüe hará un zumbido cuando elimine el agua tras la agitación y continuará hasta que se complete el centrifugado.
	Motor de conducción	El motor de conducción generará un “zumbido” durante el lavado y las fases de giro del ciclo.
“Gorgoteo”	Bomba de desagüe	Cuando la bomba comienza a aspirar aire, hace un gorgoteo. La lavadora comenzará el centrifugado y el sonido continuará hasta que se complete el centrifugado.
El agua “borbotea”	Proceso de lavado	Resulta normal que el agua borbotee mientras la unidad realiza la agitación, especialmente con cargas pequeñas.
La lavadora se balancea/mueve	La lavadora patas niveladoras torcida	Para nivelar la lavadora, ajuste las patas de nivelación girando la pata individual en la dirección apropiada para subir o bajar.
Sonido de “chillido”	La lavadora no está nivelada y hay roce en el gabinete	Para nivelar la lavadora, ajuste las patas de nivelación girando la pata individual en la dirección apropiada para subir o bajar.

Lavadora sonidos que pueden ser diferentes de la lavadora antes:

‘Clic’, el agua que fluye, sonidos de engranajes seguidos por pausas, y los sonidos de zumbidos eléctricos son parte del ciclo de lavado normal.

Para escuchar y ver vídeos de funcionamiento normal lavadora, por favor vaya a <http://products.geappliances.com/appliance/gea-support-search-content?contentid=23061> o escanear el código QR. **NOTA:** El sitio web es sólo en Inglés, pero los videos son todavía útiles para escuchar los sonidos que pueda oír.



Garantía de la lavadora GE/Hotpoint Appliances

GEAppliances.com

Todo el servicio de garantía es provisto por nuestros Centros de Servicio de Fabricación, o un técnico autorizado de Servicio al Cliente (Customer Care®). Para programar una visita del servicio técnico, visítenos a través de Internet en **GEAppliances.com**, o llame GE Appliances al 800.GE.CARES (800.432.2737). Cuando llame para solicitar el servicio, tenga los números de serie y modelo disponibles.

Para realizar el servicio técnico de su electrodoméstico se podrá requerir el uso de datos del puerto de abordaje para su diagnóstico. Esto da al técnico del Servicio de Fábrica de GE Appliances la habilidad de diagnosticar de forma rápida cualquier problema con su electrodoméstico, y de ayudar a GE Appliances a mejorar sus productos al brindarle a GE Appliances la información sobre su electrodoméstico. Si no desea que los datos de su electrodoméstico sean enviados a GE Appliances, solicitamos que le indique a su técnico NO entregar los datos a GE Appliances en el momento del servicio.

Por el Período de:	GE Appliances reemplazará:
Un Año Desde la fecha de compra original	Cualquier pieza especificada de fábrica de la lavadora que falle debido a un defecto de los materiales o la mano de obra. Durante esta garantía limitada de un año , también ofrecemos, en forma gratuita , toda la mano de obra y los costos de servicio para reemplazar la pieza defectuosa.

Qué No Cubrirá GE Appliances:

- Viajes del personal de servicio a su casa para enseñarle cómo usar su producto.
- Instalación, entrega o mantenimiento inapropiada.
- Fallas del producto si es maltratado, mal usado, o usado para un propósito diferente del que se creó o si es usado para usos comerciales.
- Cambio de los fusibles de su casa o reajuste del circuito de interruptores.
- Productos sin defectos o rotos, o los cuales se encuentran funcionando como se indica en el Manual del propietario.
- Daños al producto causados por accidentes, incendios, inundaciones o actos de la naturaleza.
- Daños imprevistos resultantes causados por posibles defectos con este electrodoméstico.
- Defectos o daños debido a la puesta en funcionamiento a temperaturas de congelación.
- Daños causados después del envío.
- Producto no accesible para facilitar el servicio requerido.

EXCLUSIÓN DE GARANTÍAS IMPLÍCITAS

Su única y exclusiva alternativa es la reparación del producto, como se indica en la Garantía Limitada. Las garantías implícitas, incluyendo garantías implícitas de comerciabilidad o conveniencia sobre un propósito particular, se limitan a un año o al período más corto permitido por la ley.

Esta garantía se extiende al comprador original y a cualquier propietario subsecuente para productos comprados para uso doméstico dentro Estados Unidos. Si el producto está situado en un área que no dispone de servicio por parte de un proveedor de servicio autorizado de GE Appliances, podría tener que hacerse cargo de los costes de envío o bien podría solicitársele que lleve el producto a un centro de servicio de GE Appliances autorizado para realizar la reparación. En Alaska, la garantía excluye el costo de envío o las visitas de servicio a su casa.

Algunos estados no permiten la exclusión o limitación de daños imprevistos. Esta garantía le da sus derechos legales específicos, y es posible que usted tenga otros derechos legales que varían de estado a estado. Para informarse de cuáles son sus derechos legales, consulte a su oficina de asuntos del consumidor local o estatal o póngase en contacto con la Oficina de su Procurador General.

Garante: GE Appliances, a Haier company

Garantías Extendidas: Adquiera una garantía extendida de GE Appliances y conozca los descuentos especiales que están disponibles mientras su garantía aún está vigente. Puede acceder a la misma a través de Internet en cualquier momento en

www.geappliances.com/service_and_support/shop-for-extended-service-plans.htm

o llamando al 800.626.2224 durante el horario comercial. Los Servicios para los GE Appliances aún estarán disponibles cuando su garantía caduque.

Soporte para el Consumidor

Sitio Web de GE Appliances

¿Desea realizar una consulta o necesita ayuda con su electrodoméstico? ¡Intente a través del Sitio Web de GE Appliances las 24 horas del día, cualquier día del año! Usted también puede comprar más electrodomésticos maravillosos de GE Appliances y aprovechar todos nuestros servicios de soporte a través de Internet, diseñados para su conveniencia. En EE.UU.: GEAppliances.com

Registre su Electrodoméstico

¡Registre su electrodoméstico nuevo a través de Internet, según su conveniencia! Un registro puntual de su producto permitirá una mejor comunicación y un servicio más puntual de acuerdo con los términos de su garantía, en caso de surgir la necesidad. También puede enviar una carta en la tarjeta de inscripción preimpresa que se incluye con el material embalado. En EE.UU.: GEAppliances.com/register

Servicio Programado

El servicio de reparación de expertos de GE Appliances está a sólo un paso de su puerta. Conéctese a través de Internet y programe su servicio a su conveniencia cualquier día del año. En EE.UU.: GEAppliances.com/ge/service-and-support/service.htm o comuníquese al 800.432.2737 durante el horario de atención comercial.

Garantías Extendidas

Adquiera una garantía extendida de GE Appliances y conozca los descuentos especiales que están disponibles mientras su garantía aún está vigente. La puede adquirir en cualquier momento a través de Internet. Los servicios de GE Appliances aún estarán allí cuando su garantía caduque.

En EE.UU.: GEAppliances.com/ge/service-and-support/shop-for-extended-service-plans.htm o comuníquese al 800.626.2224 durante el horario de atención comercial.

Conectividad Remota

Para solicitar asistencia para la conectividad de red inalámbrica (para modelos con acceso remoto), visite nuestro sitio web en GEAppliances.com/ge/connected-appliances/ o comuníquese al 800.220.6899 en EE.UU.

Piezas y Accesorios

Aquellos individuos calificados para realizar el servicio técnico de sus propios electrodomésticos podrán solicitar el envío de piezas o accesorios directamente a sus hogares (se aceptan las tarjetas VISA, MasterCard y Discover). Ordene hoy a través de Internet durante las 24 horas, todos los días. En EE.UU.: GEApplianceparts.com o de forma telefónica al 877.959.8688 durante el horario de atención comercial.

Las instrucciones que figuran en este manual cubren los procedimientos que serán realizados por cualquier usuario. Otros servicios técnicos generalmente deben ser derivados a personal calificado del servicio. Se deberá tener cuidado, ya que una reparación indebida podrá hacer que el funcionamiento no sea seguro.

Contáctenos

Si no se encuentra satisfecho con el servicio que recibió de GE Appliances, comuníquese con nosotros a través de nuestro sitio Web con todos los detalles, incluyendo su número telefónico, o escriba a:

En EE.UU.: General Manager, Customer Relations | GE Appliances, Appliance Park | Louisville, KY 40225
GEAppliances.com/ge/service-and-support/contact.htm