

Operator's Manual

CRAFTSMAN®

AIR COMPRESSOR

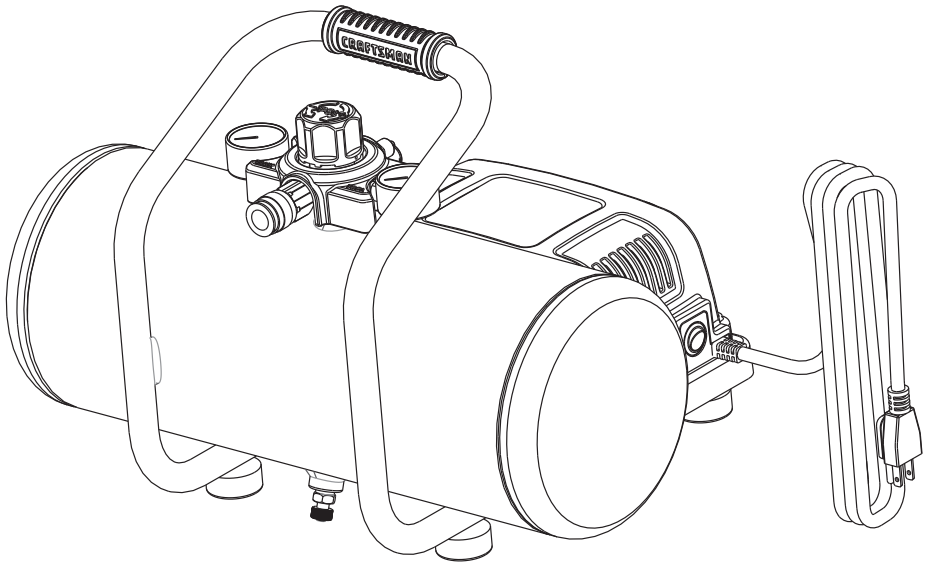
3-gallon

1/3 HP

Oil-Free

Universal Motor and Pump

Model No. 16953



CAUTION:
Before using this product,
read this manual and follow
all its Safety Rules and
Operating Instructions.

- Safety Instructions
- Installation & Operation
- Maintenance & Storage
- Troubleshooting Guide
- Parts List
- Español

Sears Brands Management Corporation
Hoffman Estates, IL 60179 U.S.A.
www.craftsman.com

02/19/2016
Part No. E109568

Table of Contents

	Page
Warranty	See Below
Safety Symbols	1
Important Safety Instructions & Guidelines	1
Specifications	2
Glossary	2
Duty Cycle	2
Parts & Features	3
Installation & Assembly	4
Operating Procedures	5
Maintenance	6
Storage	6
Troubleshooting Guide	7
Exploded View	8
Parts List	9
Español	11

CRAFTSMAN LIMITED WARRANTY

FOR ONE YEAR from the date of sale this product is warranted against defects in material or workmanship.

WITH PROOF OF SALE a defective product will be replaced free of charge. For warranty coverage details to receive free replacement, visit the web page: www.craftsman.com/warranty.

This ONE YEAR warranty is void if this product is ever used while providing commercial services or if rented to another person. For 90 DAY commercial and rental use terms, see the Craftsman warranty web page.

This warranty gives you specific legal rights, and you may also have other rights which vary from state to state.

**Sears Brands Management Corporation,
Hoffman Estates, IL 60179 U.S.A.**

Safety Symbols

The information listed below should be read and understood by the operator. This information is given to protect the user while operating and storing the air compressor. We utilize the symbols below to allow the reader to recognize important information about their safety.

⚠ DANGER	⚠ CAUTION
Indicates an imminently hazardous situation which, if not avoided, will result in death or serious injury.	Indicates a potentially hazardous situation which, if not avoided, may result in minor or moderate injury.
⚠ WARNING	CAUTION
Indicates a potentially hazardous situation which, if not avoided, could result in death or serious injury	When used without the safety alert symbol indicates a potentially hazardous situation which, if not avoided, may result in property damage.





Important Safety Instructions and Guidelines





• Save all instructions

⚠ WARNING

WARNING: This product contains one or more chemicals known to the State of California to cause cancer and birth defects or other reproductive harm. Wash hands after handling.

Improper operation or maintenance of this product could result in serious injury and/or property damage. Read and understand all of the warnings and safety instructions provided before using this equipment.

CAUTION	The air compressor should be operated on a dedicated 15 amp circuit. If the circuit does not have 15 free amps available, a larger circuit must be used. Always use more air hose before utilizing extension cords. All extension cords used must be 12 gauge with a maximum length of 25 ft. The circuit fuse type must be a time delay. Low voltage could cause damage to the motor.
Risk of Moving Parts 	If the air compressor is in operation, all guards and covers should be attached or installed correctly. If any guard or cover has been damaged, do not operate the equipment until the proper personnel has correctly repaired the equipment. The power cord should be free of any moving parts, twisting and/or crimping while in use and while in storage.
Risk of Burns 	There are surfaces on your air compressor that while in operation and thereafter can cause serious burns if touched. The equipment should be allowed time to cool before any maintenance is attempted. Items such as the compressor pump and the outlet tube are normally hot during and after operation.
Risk of Falling 	Operation of the air compressor should always be in a position that is stable. Never use the air compressor on a rooftop or elevated position that could allow the unit to fall or be tipped over. Use additional air hose for elevated jobs.
Risk from Flying Objects 	Always wear ANSI Z87.1 approved safety glasses with side shields when the air compressor is in use. Turn off the air compressor and drain the air tank before performing any type of maintenance or disassembly of the hoses or fittings. Never point any nozzle or sprayer toward any part of the body or at other people or animals.

<p>Risk of Breathing</p> 	<p>Avoid using the air compressor in confined areas. Always have adequate space (12 in.) on all sides of the air compressor. Also keep children, pets, and others out of the area of operation. This air compressor does not provide breathable air for anyone or any auxiliary breathing device. Spraying material will always need to be in another area away from the air compressor to not allow intake air to damage the air compressor filter.</p>
<p>Risk of Electrical Shock</p> 	<p>Never utilize the air compressor in the rain or wet conditions. Any electrical issues or repairs should be performed by authorized personnel such as an electrician and should comply with all national and local electrical codes. The air compressor should also have the proper three prong grounding plug, correct voltage, and adequate fuse protection.</p>
<p>Risk of Explosion or Fire</p> 	<p>Never operate the compressor near combustible materials, gasoline or solvent vapors. If spraying flammable materials, locate the air compressor at least 20 ft. away from the spray area. Never operate the air compressor indoors or in a confined area.</p>
<p>Risk of Bursting</p> 	<p>Always drain the air compressor tank daily or after each use. If the tank develops a leak, then replace the air compressor. Never use the air compressor after a leak has been found or try to make any modifications to the tank. Never modify the air compressor's factory settings which control the tank pressure or any other function.</p>

Specifications

Pump Oil-Free
 Motor 1/3 HP (Universal)
 Bore 0.98 in.
 Stroke 0.67 in.
 Voltage Single Phase 120 VAC
 Minimum Circuit Requirement 2.9 Amps

Air Tank Capacity 3 Gallons
 Cut-in Pressure 70 PSI
 Cut-out Pressure 100 PSI
 SCFM @ 90 PSI 0.4

Glossary

CFM: Cubic feet per minute.
SCFM: Standard cubic feet per minute;
 a unit of measure for air delivery.
PSIG: Pounds per square inch gauge;
 a unit of measure for pressure.
ASME: American Society of Mechanical Engineers.
California Code: Unit complies with
 California Code 462 (I) (2)/ (M) (2).

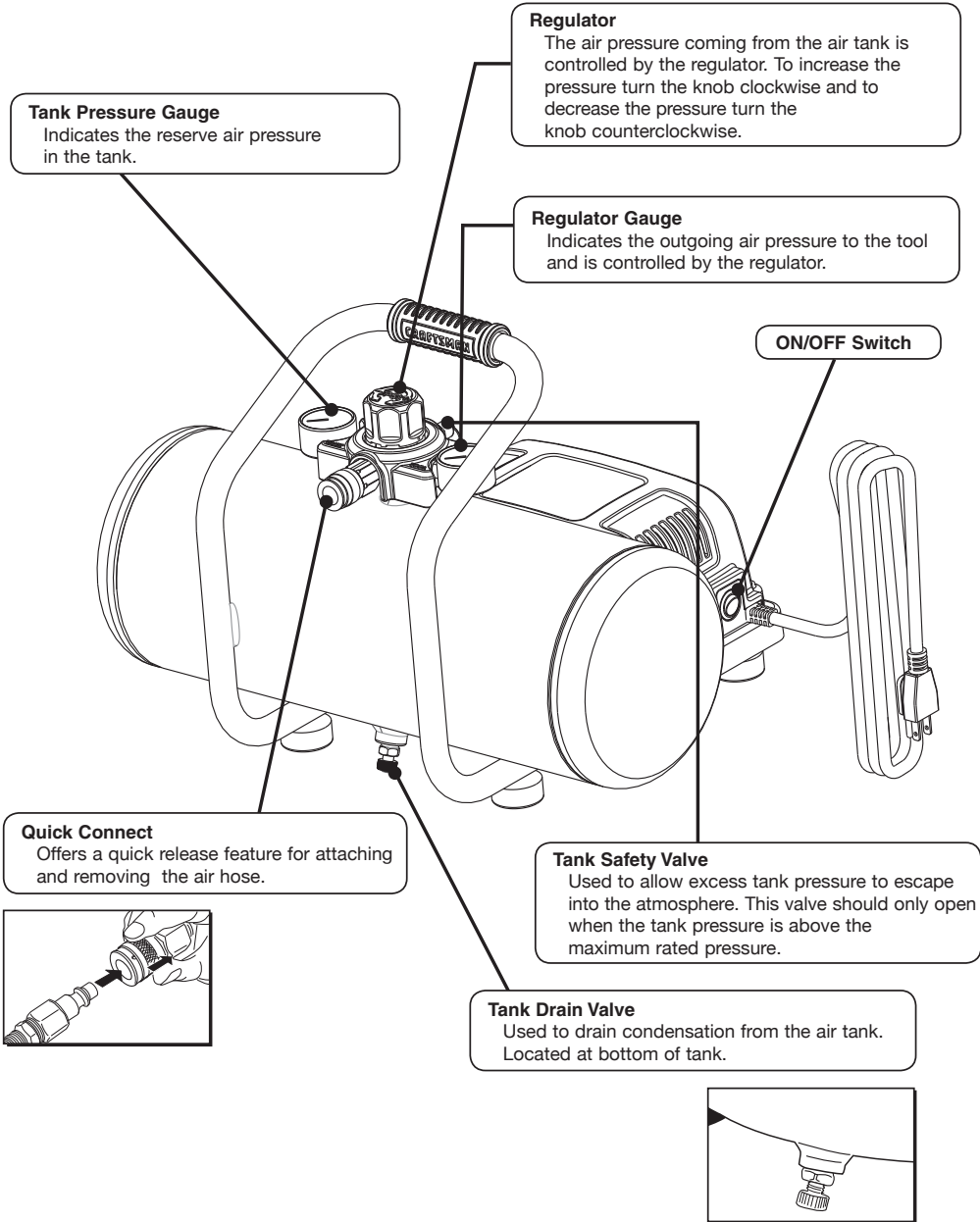
Cut-In Pressure: The air compressor will automatically start to refill the tank when the pressure drops below the prescribed minimum.
Cut-Out Pressure: The point at which the motor stops when the tank has reached maximum air pressure.
Code Certification: Products that bear one or more of the following marks: UL, ULc, ETL, CSA, have been evaluated by OSHA-certified independent safety laboratories and meet the applicable Underwriters Laboratories Standards for Safety.

Duty Cycle

This is a 50% duty cycle air compressor. Do not run the air compressor for a combined total of more than 30 minutes in the space of one hour.

Parts & Features

See figures below for reference.



Installation & Assembly

⚠ WARNING

The air compressor should be turned off, unplugged from the power source, the air bled from the tank and the unit allowed time to cool before any maintenance is performed. Personal injuries could occur from moving parts, electrical sources, compressed air or hot surfaces. The quick connect assembly must be attached before use. Failure to assemble correctly could result in leaks and possible injury. If unsure of assembly instructions or you experience difficulty in assembly, take the unit to a qualified service dealer for assistance.

Getting Started - Location of the Air Compressor

The air compressor should always be located in a clean, dry and well ventilated environment. The unit should have at minimum, 12 in. of space on each side.

⚠ WARNING

Risk Of Fire Or Explosion

This product incorporates snap action switch contacts and a universal electric motor which tend to produce arcs and sparking and therefore should not be exposed to flammable liquids or vapors. This product is not intended for installation or use in a commercial garage or shop environment.

Grounding Instructions

This product should be grounded. In the event of an electrical short circuit, grounding reduces the risk of electric shock by providing an escape wire for the electric current.

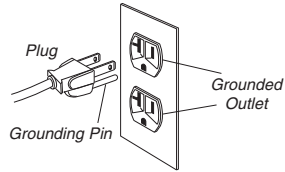
This product is equipped with a cord having a grounding wire with an appropriate grounding plug. (See the figure at top right corner.) The plug must be plugged into an outlet that is properly installed and grounded in accordance with all local codes and ordinances. Check with a qualified electrician or service personnel if these instructions are not completely understood or if in doubt as to whether the tool is properly grounded.

Improper installation of the grounding plug will result in a risk of electric shock. If repair or replacement of the cord or plug is necessary, do not connect the grounding wire to either flat blade terminal. The wire with insulation having an outer surface that is green with or without yellow stripes is the grounding wire. Check with a qualified electrician or service personnel if the grounding instructions are not completely understood, or if in doubt as to whether this product is properly grounded.

Do not modify the plug provided. If it will not fit the outlet, have the proper outlet installed by a qualified electrician.

⚠ WARNING

This product is for use on a circuit having a nominal rating of 120 volts and is factory-equipped with a specific electric cord and plug to permit connection to a proper electric circuit.



Make sure the product is connected to an outlet having the same configuration as the plug. An adapter should not be used with this product. If the product must be reconnected for use on a different type of electric circuit, qualified service personnel should make the reconnection.

Extension Cords

Use only a 3-wire extension cord that has a 3-blade grounding plug and a 3-slot receptacle that will accept the plug on the product. Make sure your extension cord is in good condition. When using an extension cord, be sure to use one heavy enough to carry the current your product will draw. Cords must not exceed 25 ft. and No. 12 AWG size must be used. An undersized cord will cause a drop in line voltage resulting in loss of power and overheating.

Break In Procedures

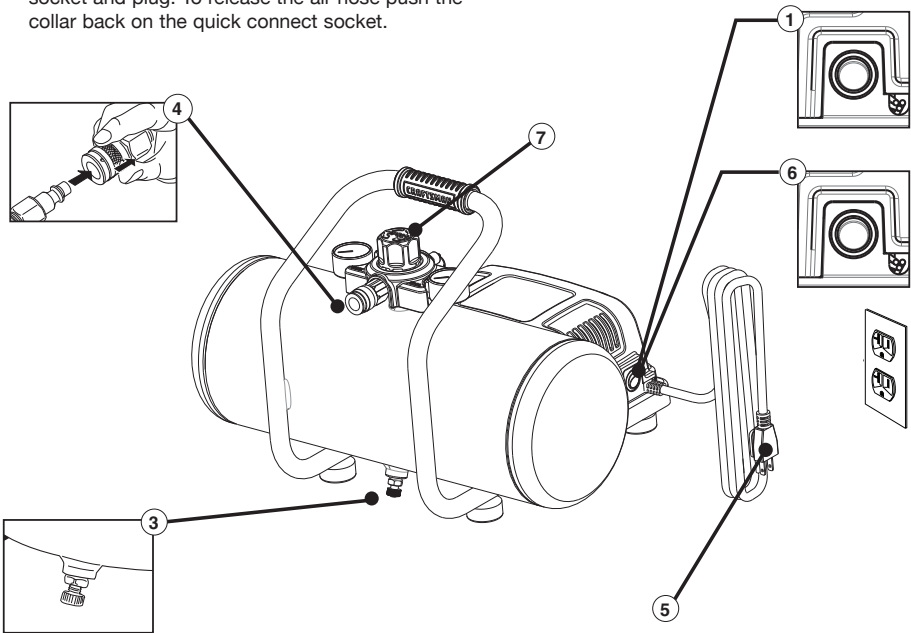
No break in procedure is required by the user. This product is factory tested to ensure proper operation and performance.

Operating Procedures

Daily Start-Up Procedures

1. Set the On/Off switch to the Off position.
2. Inspect the air compressor, air hose, and any accessories/tools being used for damage or obstruction. If any of these mentioned items are in need of repair/replacement, take the unit to a qualified service dealer for inspection and repair using identical replacement parts.
3. Close the drain valve.
4. Connect the air hose to the quick connect socket on the regulator assembly by inserting the quick connect plug on the air hose into the quickconnect socket. The quick connect socket collar will snap forward and lock the plug into place providing an air tight seal between the socket and plug. To release the air hose push the collar back on the quick connect socket.

5. Plug the power cord into the proper receptacle.
6. Turn the On/Off switch to the On position and the compressor will start and build air pressure in the tank to cut-out pressure and then shut off automatically.
7. Adjust the regulator to a PSI setting that is needed for your application and be sure it is within the safety standards required to perform the task. If using a pneumatic tool, the manufacturer should have recommendations in the manual for that particular tool on operating PSI settings.
8. The air compressor is now ready for use.



Daily Shut-Down Procedures

1. Set the On/Off switch to the Off position.
2. Unplug the power cord from the receptacle.
3. Set the outlet pressure to zero on the regulator.
4. Remove any air tools or accessories.
5. Open the drain valve allowing air to bleed from the tank. After all of the air has bled from the tank, close the drain valve to prevent debris buildup in the valve.

⚠ CAUTION

When draining the tank, always use ear and eye protection. Drain the tank in a suitable location; condensation will be present in most cases of draining.

⚠ WARNING

Water that remains in the tank during storage will corrode and weaken the air tank which could cause the tank to rupture. To avoid serious injury, be sure to drain the tank after each use or daily.

Maintenance

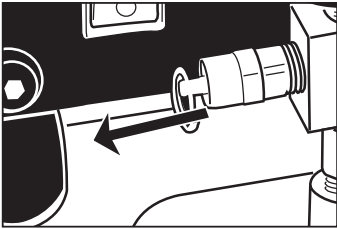
NOTE: Any service procedure not covered in the maintenance schedule should be performed by qualified service personnel.

⚠ WARNING

The air compressor should be turned off, unplugged from the power source, air bled from the tank and allowed time to cool before any maintenance is performed.

⚠ WARNING

Do not attempt to remove or adjust the safety valve.



Check the safety valve by performing these three steps:

1. Plug the compressor in and run until shut-off pressure is reached.
2. Wearing safety glasses, pull out on the safety valve ring to release pressure from the tank.
3. The safety valve should close automatically at approximately at 40-50 PSI. If the safety valve does not allow air to be released when you pull out on the ring, or does not close automatically, it must be replaced.

Maintenance Schedule

Items to Check/Change	Before each use or daily
Check Tank Safety Valve	X
Overall Unit Visual Check	X
Drain Tank	X
Check Power Cord for Damage	X

⚠ CAUTION

To ensure efficient operation and longer life of the air compressor unit, a routine maintenance schedule should be followed. The following schedule is geared toward a consumer whose compressor is used in a normal working environment on a daily basis.

⚠ CAUTION

This compressor is equipped with an automatic reset thermal overload protector which will shut off motor if it becomes overheated. If the thermal overload protector is actuated, the motor must be allowed to cool down before start-up is possible.

NOTE: The motor will automatically restart without warning if the unit is left plugged into an outlet with the On/Off switch in the On position.

Storage

For storing the air compressor, be sure to do the following:

1. Turn the unit off and unplug the power cord from the receptacle.
2. Remove all air hoses, accessories, and air tools from the air compressor.
3. Perform the daily maintenance schedule.
4. Open the drain valve to bleed all air from the tank.
5. Close the drain valve.
6. Store the air compressor in a clean and dry location.

Troubleshooting Guide

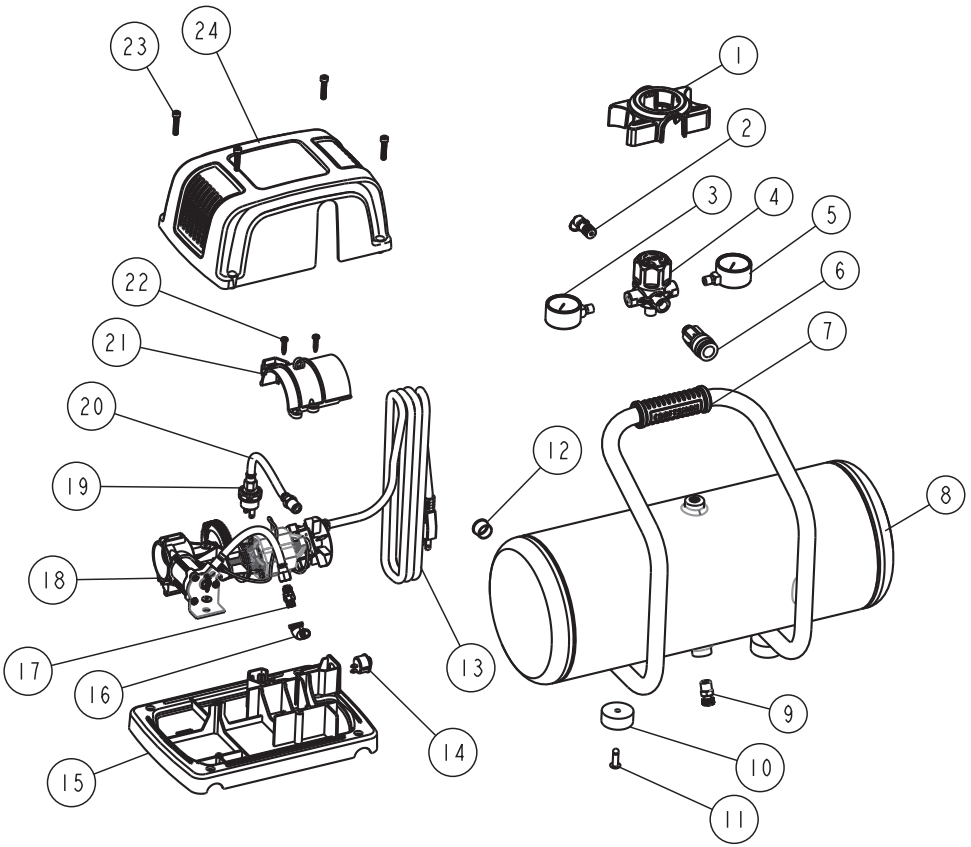
⚠ WARNING

The air compressor should be turned off and unplugged from the power source before any maintenance is performed as well as the air bled from the tank and the unit allowed time to cool. Personal injuries could occur from moving parts, electrical sources, compressed air, or hot surfaces.

PROBLEM	POSSIBLE CORRECTION
Air leaks at the check valve or at the pressure relief valve.	A defective check valve results in a constant air leak at the pressure relief valve when there is pressure in the tank and the compressor is shut off. Drain the tank, then remove and clean or replace the check valve.
Air leaks between head and cylinder.	Be sure of proper torque on head bolts. If leak remains, contact a service technician.
Air leak from safety valve.	Operate the safety valve manually by pulling on the ring. If the valve continues to leak when in the closed position, it should be replaced.
Pressure reading on the regulated pressure gauge drops when an accessory is used.	If there is an excessive amount of pressure drop when the accessory is used, replace the regulator. NOTE Adjust the regulated pressure under flow conditions (while accessory is being used). It is normal for the gauge to show minimal pressure loss during initial use of the tool.
Excessive tank pressure.	Move the Auto-On/Off switch to the Off position. If the unit doesn't shut off, unplug it from the power source and contact a service technician.
Motor will not start.	Make sure power cord is plugged in and the switch is on. Inspect for the proper size fuse in your circuit box. If the fuse was tripped, reset it and restart the unit. If repeated tripping occurs, replace the check valve or contact a service technician.
Thermal overload protector cuts out repeatedly.	1. Lack of ventilation, room temperature too high. Move to cooler environment. 2. Excessive air usage, compressor too small for this application. Lower rate of consumption.
Excessive moisture in the discharge air.	Remove the water in the tank by draining after each use. High humidity environments will cause excessive condensation. Utilize water filters on your air line. NOTE Water condensation is not caused by compressor malfunction. Be sure the compressor's air output is greater than your tool's air consumption rate.
Air leaks from the tank body or tank welds.	⚠ WARNING Never drill into, weld or otherwise modify the air tank or it will weaken. The tank can rupture or explode. Compressor cannot be repaired. Discontinue use of the air compressor.

Air Compressor Model 16953 Exploded View

To purchase replacement parts, call 1-888-331-4569



Air Compressor Model 16953

Parts List

Item#	Kit#	Part#	Description	Qty
1		E107388	Cover, Regulator, U02HPD	1
2		E103436	Safety Valve, 110 PSI	1
3		E107912	Gauge, 38 mm, Plstc HSG, 250 Max, White, 3-O'clock Side Feed 1/8 NPT No Red Line	1
4		E107387	Regulator, 4 Port, 1/8 NPT X 1/4 NPT, U02HPD	1
5		E107913	Gauge, 38 mm, Plstc HSG, 250 Max, White, 9-O'clock Side Feed 1/8 NPT No Red Line	1
6		E102822	Fitting, Quick Connect, One Touch, Bright Brass Over Steel	1
7			Handle Grip, Craftsman	1
8			Weldment, Assy, U02HPD	1
9		E100098	Multi-Turn, Drain Valve	1
10			Isolator, 38 X 16 mm	4
11			Pop Rivet	4
12			Cap, Tube	2
13		E107906	18 AWG SJT 3/C 105C With Cleat	1
14		E102422	Rocker Switch SPST 20A-125V 20 X 2.5 Panel	1

Item#	Kit#	Part#	Description	Qty
15			Shroud, Btm, U02HPD	1
16			Elbow 90 Male X Female 1/8-27 NPT	1
17		E103849	Check Valve, Straight, 1/8 NPT	1
18			U0, Pump / Motor	1
19		E103848	Micro-Pressure Switch 70-100 PSI 1/8 NPT	1
20			Tube, Pressure Flex, 1/8 NPT Female Comp X Male 1/8 NPT	1
21			U0, Motor, Clamp	1
22			Screw, Plastite #8-16 Pan Hd. T20 Torx X .75 in. Lg	3
23			Pan Head Torx Drive #10 1 in. Sheet Metal	4
24		E107681	Shroud, Top, U02HPD	1

NOTE: Any part number field without a number listed is not available.

Notes

Manual de Operación



COMPRESOR DE AIRE

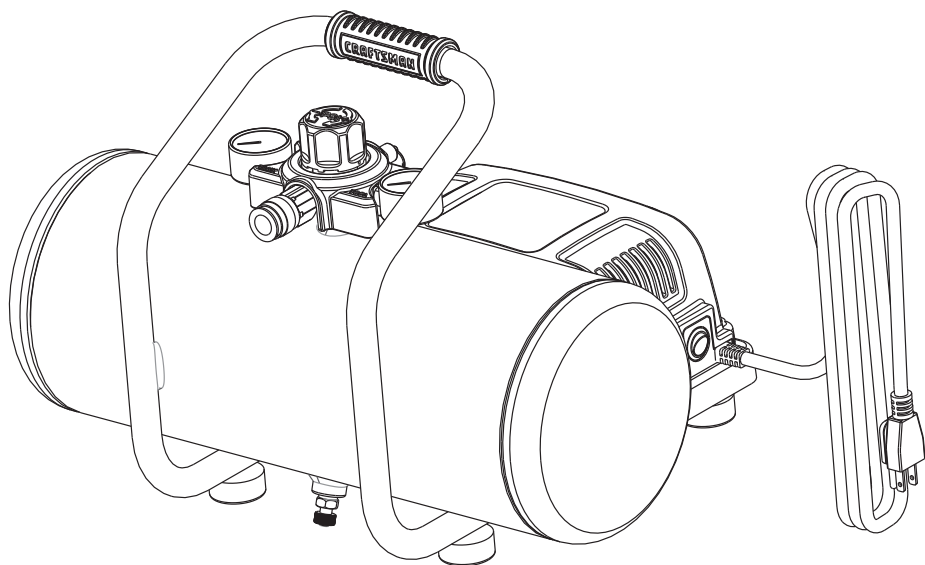
11.3 litros

1/3 HP

Sin aceite

Motor y bomba universales

Model No. 16953



PRECAUCIÓN: Antes de usar el producto, lea este manual y siga sus reglas e instrucciones de seguridad.

- Instrucciones y pautas de seguridad importantes
- Instalación y operación
- Mantenimiento y Almacenamiento
- Diagnóstico y corrección de fallas
- Lista de las piezas

Sears Brands Management Corporation
Hoffman Estates, IL 60179 U.S.A.
www.craftsman.com

02/19/2016
Part No. E109568

Contenido

	Página esta página
Garantía	
Símbolos de seguridad	1
Instrucciones y pautas de seguridad importantes	1
Especificaciones	2
Glosario	2
Ciclo de trabajo	2
Partes y características	3
Instalación y ensamblaje	4
Procedimientos de operación	5
Mantenimiento	6
Almacenamiento	6
Diagnóstico y corrección de fallas	7
Vista esquemática	8
Lista de las piezas	9

GARANTÍA LIMITADA CRAFTSMAN

Este producto está garantizado contra defectos de materiales o de mano de obra por un periodo de UN AÑO a partir de la fecha de venta.

CON UN RECIBO reemplazaremos sin costo un producto defectuoso.

Para saber los detalles de la cobertura de la garantía y obtener un reemplazo sin costo, visite la página web: www.craftsman.com/warranty.

Esta garantía de UN AÑO se anulará si este producto es utilizado para proporcionar servicios comerciales o si se alquila a otra persona. Para saber los términos del uso de 90 DÍAS para fines comerciales o de alquiler, vea la página Web para la garantía Craftsman.

Esta garantía le otorga derechos legales específicos; además, es posible que usted tenga otros derechos, los cuales varían de estado a estado.

**Sears Brands Management Corporation,
Hoffman Estates, IL 60179 U.S.A.**

Símbolos comunes de seguridad

El operador debe leer y entender la información descrita a continuación. Esta información se ofrece para proteger al usuario al operar y almacenar el compresor de aire. Los símbolos siguientes son los que se utilizan para indicar al lector información que es importante para su seguridad.

⚠ PELIGRO	⚠ PRECAUCIÓN
Indica una situación de riesgo inminente que, al no protegerse, provocará lesiones graves o la muerte.	Indica una situación potencialmente peligrosa que, de no evitarse, podría provocar lesiones menores o moderadas.
⚠ ADVERTENCIA	PRECAUCIÓN
Indica una situación potencialmente peligrosa que, al no protegerse, podría provocar lesiones graves o la muerte.	Cuando no aparezca sin el símbolo de alerta de seguridad, esto quiere decir que hay una situación potencialmente peligrosa que, al no protegerse, podría causar daños materiales.

Instrucciones y pautas de seguridad importantes





• Guarde todas las instrucciones

⚠ ADVERTENCIA

ADVERTENCIA:

Este producto contiene uno o más productos químicos reconocidos por el Estado de California como causantes de cáncer, defectos de nacimiento u otros daños de reproducción. Lávese las manos después de manipularlo.

La operación y el mantenimiento inadecuados de este producto pueden provocar lesiones graves y daños materiales. Antes de utilizar este equipo, lea y entienda las advertencias e instrucciones de seguridad aquí contenidas.

PRECAUCIÓN	El compresor de aire se debe operar desde un circuito especial de 15 amperios. Si el circuito no dispone de una capacidad de 15 amperios, se debe usar un circuito de mayor capacidad. Si es necesario, antes de emplear una extensión eléctrica, añada una manguera de aire más larga. Las extensiones eléctricas deben ser de calibre 12 y tener una longitud máxima de 7.6 metros. El fusible del circuito debe ser de acción retardada. Un voltaje demasiado bajo puede dañar el motor.
Riesgo por partes en movimiento 	Al operar el compresor, todos los protectores y cubiertas deben estar fijados e instalados correctamente. Si alguno de los protectores o cubiertas está dañado, no opere el equipo hasta que personal calificado repare el problema. El cable de corriente debe mantenerse alejado de las partes móviles del equipo y no debe torcerse ni prensarse durante su empleo, ni al almacenarse.
Riesgo de quemaduras 	En su compresor hay superficies que, al ser tocadas durante y después de su operación, pueden causar quemaduras graves. Antes de darle mantenimiento al equipo, se debe dejar enfriar. Por lo normal, durante y después de su operación, ciertas partes como la bomba del compresor y el tubo de salida estarán calientes.
Riesgo de caída 	El compresor siempre debe ser operado en una posición estable. Nunca utilice el compresor sobre un techo o en una posición elevada ya que podría caer o volcarse. Al trabajar en posiciones elevadas, utilice una manguera de aire más larga.
Riesgo de lanzamiento de objetos 	Al emplear el compresor, siempre utilice anteojos de seguridad con protectores laterales que cumplan con la norma ANSI Z87.1. Antes de llevar a cabo cualquier clase de mantenimiento y antes de desconectar las mangueras y los acopladores, apague el compresor y drene el tanque de aire. Nunca apunte la boquilla o el rociador hacia ninguna parte de su cuerpo, ni él de otros seres.

<p>Riesgo para la respiración</p> 	<p>Evite utilizar el compresor de aire en áreas encerradas. Siempre tenga un espacio libre adecuado (30 cm.) en todos los lados del compresor. También mantenga fuera del área de operación a las mascotas, niños y otras personas. Este compresor de aire no provee aire que pueda ser respirado ni empleado con un dispositivo respiratorio auxiliar. El material de rociado siempre deberá estar en otra zona, alejado del compresor de aire, para evitar que el aire aspirado dañe al filtro del compresor.</p>
<p>Riesgo de descargas eléctricas</p> 	<p>Nunca utilice el compresor de aire bajo lluvia o en lugares mojados. Los problemas eléctricos deben ser reparados por personal autorizado, tal como sería un electricista, y deben cumplir con las normas eléctricas nacionales y locales. El compresor también debe tener la clavija apropiada de tres terminales para hacer tierra y contar con un suministro eléctrico que sea del voltaje correcto y con un fusible de protección adecuado.</p>
<p>Riesgo de explosión y fuego</p> 	<p>Nunca opere el compresor cerca de materiales combustibles, gasolina ni vapores de solventes. Si está rociando materiales inflamables, coloque el compresor a una distancia de cuando menos 6 metros del área de rociado. Nunca opere el compresor de aire en interiores o en lugares cerrados.</p>
<p>Riesgo de estallido</p> 	<p>Drene el compresor diariamente o después de cada utilización. Si el tanque tiene una fuga, reemplace el compresor. Nunca utilice el compresor si se ha detectado una fuga, ni trate de modificar el tanque. Nunca modifique los ajustes de fábrica del compresor que controlan la presión del tanque y demás funciones.</p>

Especificaciones

Bomba	Sin aceite
Motor	1/3 HP (Universal)
Diámetro	24.9 mm
Carrera	17 mm
Voltaje monofásico	120 VAC
Capacidad mínima del circuito	2.9 A

Capacidad del tanque de aire	11.3 litros
Presión de arranque	482.6 KPa / 70 PSI
Presión de parada	689.4 KPa / 100 PSI
Pies cúbicos por minuto (SCFM) a 90 LPPC	0.4

Glosario

CFM: Pies cúbicos por minuto.

SCFM: Pies cúbicos estándar por minuto; unidad de medición de suministro del aire.

PSIG: Libras por pulgada cuadrada sobre la presión atmosférica; unidad de medición de presión.

ASME: Sociedad estadounidense de ingeniero mecánicos.

Código de California: La unidad cumple con el código de California 462 (I) (2)/ (M) (2).

Presión de arranque: El compresor arranca automáticamente cuando la presión baja a menos del mínimo prescrito.

Presión de parada: El motor se para cuando el tanque alcance la presión máxima de aire.

Certificación de código: Los productos que tienen alguna o varias de las siguientes marcas han sido evaluados por laboratorios de seguridad independientes certificados por OSHA, y cumplen con las normas de seguridad de Underwriters Laboratories: UL, ULc, ETL, CSA.

Ciclo de trabajo

Este compresor tiene un ciclo de trabajo de 50%. No ponga en marcha el compresor de aire durante un total combinado de más de 30 minutos, en una hora de tiempo.

Partes y características

Como referencia, vea las figuras abajo.

Manómetro de presión del tanque

Indica la presión de la reserva de aire del tanque.

Regulador

La presión del aire que sale del tanque es controlada por el regulador. Para aumentar la presión, gire la perilla en dirección de las manecillas; para disminuirla, gire la perilla en dirección contraria a las manecillas.

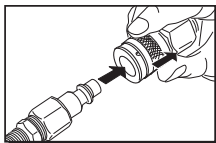
Manómetro de presión de salida

Indica la presión de salida del aire que entra en la herramienta, la cual que es controlada por el regulador.

Interruptor de encendido y apagado (ON/OFF)

Conector de acoplamiento rápido

Permite conectar y desconectar rápidamente la manguera del aire.

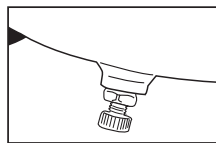


Válvula de seguridad del tanque

Permite que el exceso de presión en el tanque escape hacia el medio ambiente. Esta válvula sólo se abrirá cuando la presión en el tanque esté por encima de la presión máxima nominal del modelo.

Válvula de drenaje

Sirve para drenar la condensación acumulada en el fondo del tanque. Se encuentra en la parte inferior del tanque.



Instalación y ensamblaje

⚠ ADVERTENCIA

Antes de darle cualquier tipo de mantenimiento al compresor de aire, se debe apagar y desconectar de la fuente de alimentación eléctrica, además de purgar el aire del tanque y darle suficiente tiempo para enfriarse. Existe el riesgo de que las partes móviles, las fuentes eléctricas, el aire comprimido y las superficies calientes provoquen lesiones. El ensamblaje de conexión rápida debe estar instalado antes de usar el compresor.

Un ensamblaje inadecuado puede ser causa de fugas y posiblemente de lesiones. Si no está seguro de entender las instrucciones de ensamblaje o tiene dificultad para llevar a cabo el ensamblaje, lleve la unidad a un concesionario calificado de servicio.

Primer paso: Ubicación del compresor del aire

El compresor del aire siempre debe estar en un medio ambiente limpio, seco y bien ventilado. La unidad debe tener por lo menos 30 cm de espacio libre en cada lado.

⚠ ADVERTENCIA

Riesgo de incendio o explosión

Este producto incorpora un interruptor con contactos de transición brusca y un motor eléctrico universal que tienden a producir arcos y chisporroteo. Por lo tanto, no se lo debe exponer a líquidos o vapores inflamables. Este producto no está previsto para uso o instalación en un entorno de garaje o taller comercial.

Instrucciones de conexión a tierra

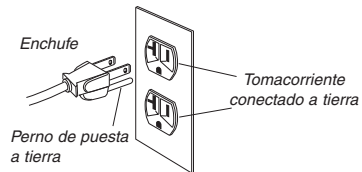
Este producto se debe conectar a tierra. En el caso de que haya un cortocircuito, la conexión a tierra reduce el riesgo de descargas eléctricas al ofrecer una ruta de escape para la corriente eléctrica. Este producto cuenta con un cable que tiene un alambre de tierra y una clavija con terminal de tierra (ver la figura a continuación). La clavija debe enchufarse en un tomacorriente instalado y puesto a tierra según las normas locales. Hable con un electricista o agente de servicio calificado si no entiende completamente estas instrucciones, o si tiene dudas sobre la correcta puesta a tierra de la herramienta.

Una conexión a tierra inadecuada puede provocar una descarga eléctrica. Si necesita reparar o cambiar el cable o la clavija, no conecte el alambre de tierra con ninguna de las terminales planas. El alambre de tierra es de color verde, con o sin franjas amarillas.

Verifique con un electricista o agente de servicio calificado, si no entiende completamente estas instrucciones para la conexión a tierra, o si tiene dudas sobre una correcta conexión a tierra del producto. No modifique la clavija que viene con el equipo; si no puede enchufarla en el tomacorriente, llame a un electricista calificado para que le instale el tomacorriente adecuado.

⚠ ADVERTENCIA

Este producto está diseñado para trabajar en un circuito con un voltaje nominal de 120 voltios y está equipado en la fábrica con un cable y clavija que permiten su conexión a un circuito eléctrico apropiado.



Asegúrese de que el producto esté conectado a un tomacorriente con la misma configuración que la clavija. No se debe usar un adaptador con este equipo. Si debe conectar el equipo con un circuito eléctrico de diferente tipo, consiga la ayuda de personal calificado para realizar la reconexión.

Cables de extensión

Sólo utilice un cable de extensión de tres alambres con una clavija con extensión a tierra de tres terminales que pueda enchufarse en un tomacorriente de tres orificios. Asegúrese de que su cable de extensión esté en buenas condiciones. Si utiliza un cable de extensión, compruebe que sea de la capacidad de la corriente que requiere su equipo. Las extensiones no deben ser de más de 25 pies (7.6 m) de largo y deben tener cable de calibre 12 AWG. Un cable más delgado provocará una caída en el voltaje de la línea, lo que provocará una pérdida de potencia y sobrecalentamiento.

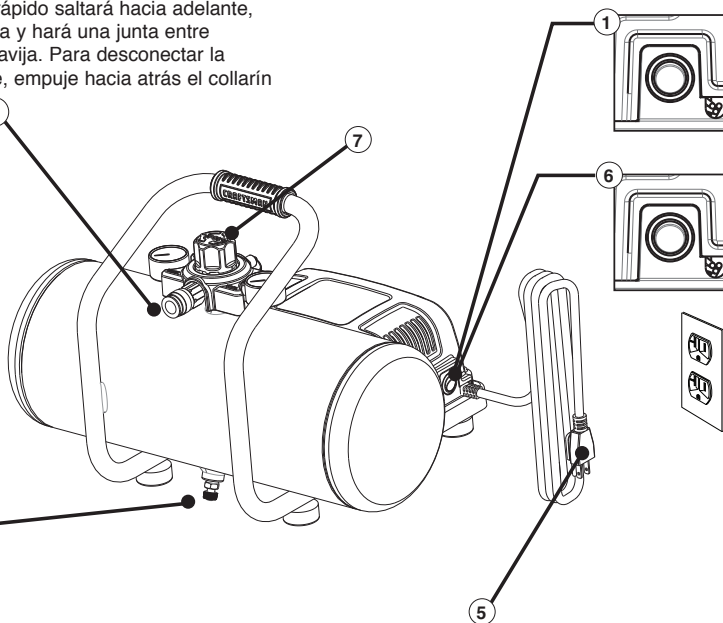
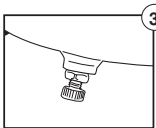
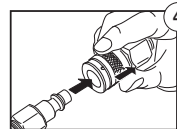
Procedimiento inicial de preparación

No se requiere un procedimiento inicial de preparación. Este producto ha sido probado en la fábrica para asegurar su operación y rendimiento adecuados.

Procedimientos de operación

Procedimiento diario de arranque

1. Ponga el interruptor On/Off en la posición de apagado (Off).
2. Verifique que el compresor del aire, la manguera de aire y todos los accesorios/herramientas utilizados, no tengan daños ni obstrucción. Si algunas de los artículos descritos requieren una reparación o reemplazo, lleve la unidad a un concesionario calificado de servicio, para inspección y reparación, utilizando repuestos idénticos.
3. Cierre la válvula de drenaje.
4. Enchufe la manguera del aire dentro del conector de acoplamiento rápido de la unidad del regulador, insertando la clavija de conexión rápida en la manguera del aire, dentro del conector de acoplamiento rápido. El collarín del conector de acoplamiento rápido saltará hacia adelante, sujetando la clavija y hará una junta entre el conector y la clavija. Para desconectar la manguera del aire, empuje hacia atrás el collarín



5. Enchufe el cable de corriente en un tomacorriente apropiado.
6. Mueva el interruptor On/Off a la posición de encendido(On); el compresor deberá arrancar, acumulando la presión del aire en el tanque hasta llegar a la presión de apagado, momento en el cual se apagará de manera automática.
7. Ajustar el regulador a un valor de bar (PSI) que sea necesario para el uso previsto y verificar que esté dentro de los estándares de seguridad requeridos para realizar la tarea. Si se utiliza una herramienta neumática, el fabricante debe haber incluido en el manual de dicha herramienta valores recomendados para la presión de servicio en bar (PSI).
8. Ahora el compresor de aire está listo para uso.

Procedimiento diario de apagado

1. Colocar la palanca de encendido/apagado (On/Off) en la posición apagado (Off)
2. Desconecte el cable del tomacorriente.
3. Ponga en cero el regulador de presión de salida.
4. Quite todas las herramientas o accesorios de aire.
5. Abra la válvula de drenaje permitiendo que escape el aire del tanque. Cuando haya salido del tanque todo el aire, cierre la válvula de drenaje para evitar que entre suciedad.

⚠ PRECAUCIÓN

Al drenar el tanque utilice protección para oídos y ojos. Drene el tanque en un lugar apropiado; en la mayoría de las ocasiones al drenar saldrá condensación.

⚠ ADVERTENCIA

Si no drena el tanque al almacenarlo, en su interior quedará agua que lo corroerá y debilitará, lo cual puede provocar su ruptura. Para evitar lesiones graves, drene el tanque diariamente o después de cada uso.

Mantenimiento

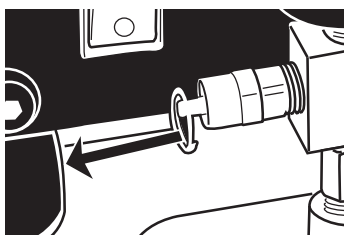
NOTA: Cualquier procedimiento de servicio que no esté cubierto en el programa de mantenimiento que sigue deberá ser efectuado el personal de servicio calificado.

⚠ ADVERTENCIA

Antes de dar mantenimiento al equipo, se debe apagar y desconectar del tomacorriente, así como purgar el aire del tanque y permitir que la unidad se enfríe.

⚠ ADVERTENCIA

No intentar retirar o ajustar la válvula de seguridad.



Revisar la válvula de seguridad mediante la ejecución de los tres pasos siguientes:

1. Enchufar el compresor y hacerlo funcionar hasta que alcance la presión de desconexión.
2. Con gafas de seguridad puestas, tirar del aro de la válvula de seguridad para aliviar la presión del tanque. Usar la otra mano para desviar el aire o despojos expulsados a alta velocidad para protegerse la cara.
3. La válvula de seguridad debe cerrarse automáticamente a una presión aproximada de 2.8 a 3.4 bar (40 a 50 PSI). Si la válvula de seguridad no permite la salida del aire al tirarse del aro, o no cierra automáticamente, es preciso reemplazarla.

Almacenamiento

Para almacenar el compresor, asegúrese de hacer lo siguiente:

1. Apague la unidad y desconecte el cable eléctrico del tomacorriente.
2. Quite del compresor las mangueras, accesorios y herramientas de aire.
3. Lleve a cabo el programa de mantenimiento de rutina.
4. Abra la válvula de drenaje para drenar el aire del tanque.
5. Cierre la válvula de drenaje.
6. Guarde el compresor en un lugar limpio y seco.

Programa para mantenimiento

Asuntos para verificar / cambiar	Antes de cada uso o diariamente
Revisar la válvula de seguridad del tanque	X
Revisar visualmente el aspecto general de la unidad	X
Drenar el tanque	X
Verificar que el cable eléctrico no esté dañado	X

⚠ PRECAUCIÓN

A fin de asegurar una operación eficiente y una larga vida del compresor, debe seguir un programa de mantenimiento de rutina. El siguiente programa de mantenimiento está enfocado al consumidor cuyo compresor es usado en un medio ambiente normal y diariamente.

⚠ PRECAUCIÓN

Este compresor es equipado con un automático repone protector térmico de sobrecarga que apagará el motor si llega a ser recalentado. Si el protector térmico de sobrecarga es accionado, el motor debe ser permitido enfriarse antes de puesta en marcha es posible.

NOTA: El motor reiniciará automáticamente sin la advertencia si la unidad es dejada conectó a una salida con el interruptor de en/de prendido.

Diagnóstico y corrección de fallas

⚠ ADVERTENCIA

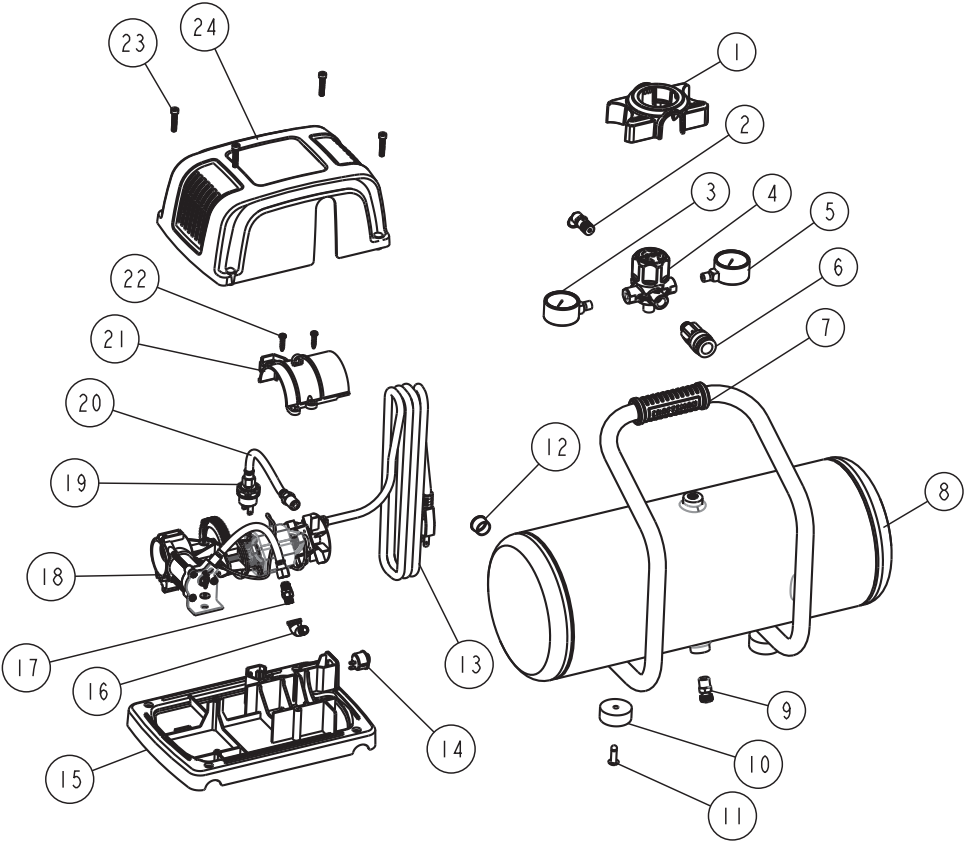
Antes de dar mantenimiento al equipo, se debe apagar y desconectar del tomacorriente, así como purgar el aire del tanque y permitir que la unidad se enfríe. Las partes en movimiento, las fuentes eléctricas, el aire comprimido y las superficies calientes pueden provocar lesiones.

PROBLEMA	POSIBLE CORRECCIÓN
Fuga de aire en la válvula de retención o en la válvula de alivio.	Una válvula de retención defectuosa provoca una fuga de aire constante en la válvula de alivio cuando esté apagado y el compresor tenga presión de aire. Drene el tanque, quite y limpie o cambie la válvula de retención.
Fugas de aire entre la cabeza llame a un técnico de servicio.	Compruebe que los pernos de la cabeza tengan un par apropiado. Si continúa la fuga, el cilindro.
Fuga de aire en la válvula de seguridad.	Opere manualmente la válvula de seguridad jalando el anillo. Si el tanque continúa teniendo una fuga estando la válvula en posición cerrada, deberá cambiarla.
La presión indicada en el manómetro de presión regulada bajará cuando se utiliza un accesorio.	Si al utilizar un accesorio hay una disminución excesiva de presión, cambie el regulador. NOTE Ajuste la presión regulada bajo condiciones de flujo (mientras se utiliza un accesorio). Es normal que el manómetro indique una disminución de presión mínima al comenzar a utilizar la herramienta.
Presión excesiva en el tanque.	Apague el interruptor de encendido (Off). Si la unidad no se apaga, desconéctela del tomacorriente y comuníquese con un técnico de servicio.
El motor no arranca.	Compruebe que el cable de corriente esté enchufado y que el interruptor esté encendido Compruebe que el fusible de la caja de circuitos sea de la capacidad adecuada. Si se ha disparado, restablézcalo y vuelva a arrancar la unidad. Si el fusible se dispara con frecuencia, reemplace la válvula de retención o llame a un técnico de servicio.
El protector contra sobrecarga térmica se desconecta repetidamente.	1. Falta de ventilación, temperatura ambiente demasiado alta. Desplazarlo a un entorno más fresco. 2. Uso excesivo de aire; compresor demasiado pequeño para este uso. Reducir la tasa de consumo.
Humedad excesiva en el aire de salida.	Saque el agua del tanque drenándolo después de cada vez que se use. En los medios ambientes de alta humedad habrá un exceso de condensación; instale filtros de agua en su línea de aire. NOTE La condensación no es provocada por una falla en el compresor. Compruebe que la salida de aire del compresor sea mayor que el consumo del aire de su herramienta.
Fugas de aire en el cuerpo o la soldadura del tanque.	⚠ ADVERTENCIA Nunca taladre, suelde o modifique de ninguna manera el tanque, pues se debilitará. El tanque podría romperse o explotar. El tanque no puede ser reparado.

Compresor de aire – Modelo 16953

Vista esquemática

Para comprar piezas de repuesto, llame al 1-888-331-4569



Compresor de aire – Modelo 16953

Lista de las piezas

Número de Artículo	Número de Kit	Número de Pieza	Descripción	Cantidad
1		E107388	Caja, Regulador, U02HPD	1
2		E103436	Válvula De Seguridad, 110PSI	1
3		E107912	Manómetro, 38 mm, Caja Plást, 250 Máx, Blanco, Aliment. Lateral A Las Tres, 1/8 NPT, Sin Línea Roja	1
4		E107387	Regulador, 4 Puertas, 1/8 NPT X 1/4 NPT, U02HPD	1
5		E107913	Manómetro, 38 mm, Caja Plást, 250 Máx, Blanco, Aliment. Lateral A Las Nueve, 1/8 NPT, Sin Línea Roja	1
6		E102822	Acoplador, Conexión Rápida, One Touch, Latón Brillante Sobre Acero	1
7			Agarradera, Craftsman	1
8			Ensamblaje Soldado, Tanque, U02HPD	1
9		E100098	Válvula De Drenaje, Vueltas Múltiples	1
10			Pie Aislante, 38 X16 mm	4
11			Remache De Seguridad	4
12			Tubo, Capuchón	2
13		E107906	Cordón Eléct.18 AWG SJT 3/C 105C Con Sujetador	1

Número de Artículo	Número de Kit	Número de Pieza	Descripción	Cantidad
14		E102422	Interr. Bascul., Spst 20A-125V – Panel 20 X 2.5	1
15			Caja, Bajo, U02HPD	1
16			Codo 90° Macho X Hembra - 1/8-27 NPT	1
17		E103849	Válvula De Retención, Salida, Derecho, 1/8 NPT	1
18			Bomba / Motor U0	1
19		E103848	Interruptor De Presión, 70-100 PSI - 1/8 NPT	1
20			Tubo, Presión Flex., 1/8 NPT - Comp Hembra X Macho - 1/8 NPT	1
21			Sujetador, Motor, U0	1
22			Tornillo, Plástite #8-16 Cabeza Redonda - T20 Torx X .75 Pulg. Long.	3
23			Tornillo Para Metal, Cabeza Redonda – 1 Pulg. - Punta Torx #10	4
24		E107681	Caja, Alto, U02HPD	1

NOTA: Cualquier campo para los números de piezas que no tengan un número específico de pieza, indica que no está disponible.

CRAFTSMAN®

Product questions or problems?

1-888-331-4569

Customer Care Hot Line

**Get answers to questions, troubleshoot problems,
order parts, or schedule repair service.**

Para respuestas a preguntas o problemas, y ordenar
piezas o pedir servicio para la reparación de su equipo.

To help us help you, register your product at www.craftsman.com/registration

Para poderte ayudar mejor, registra tu producto en www.craftsman.com/registration

Join the Craftsman Club today!

CRAFTSMAN CLUB®

www.craftsman.com/signup

**Receive exclusive member benefits including special pricing and offers,
project sharing, expert advice, and SHOP YOUR WAY REWARDS!**

Como miembro exclusivo, recibe diversos beneficios como ofertas, precios especiales, proyectos nuevos, consejos de expertos y nuestro programa de puntos SHOP YOUR WAY REWARDS!

® Registered Trademark / ™ Trademark of KCD IP, LLC in the United States, or Sears Brands, LLC in other countries
® Marca Registrada / ™ Marca de Fábrica de KCD IP, LLC en Estados Unidos, o Sears Brands, LLC in otros países