

Installation Instructions
Instrucciones de instalación

English / Español

Table of Contents / Índice.....2

Kenmore®

Commercial Dryer

Secadora comercial

P/N W10919679A

Sears Brands Management Corporation

Hoffman Estates, IL 60179 U.S.A.

www.kenmore.com

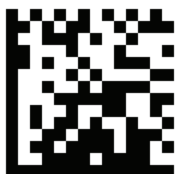


Table of Contents

DRYER SAFETY	2
TOOLS & PARTS	5
DIMENSIONS/CLEARANCES.....	6
GAS DRYER INSTALLATION REQUIREMENTS	7
ELECTRIC DRYER INSTALLATION REQUIREMENTS....	10
DRYER VENTING REQUIREMENTS.....	13
GAS SUPPLY CONNECTION	15
INSTALLING LEVELING LEGS.....	17
ELECTRIC DRYER ELECTRICAL CONNECTIONS.....	18
LEVELING	23
COMPLETE INSTALLATION	23
REVERSING DRYER DOOR SWING (OPTIONAL)	24
MAINTENANCE INSTRUCTIONS	26
ELECTRONIC CONTROL SET-UP INSTRUCTIONS.....	27
WARRANTY.....	32
ASSISTANCE OR SERVICE.....	BACK COVER

Índice

SEGURIDAD DE LA SECADORA.....	33
HERRAMIENTAS Y PIEZAS	36
DIMENSIONES Y ESPACIOS LIBRES	37
REQUISITOS DE INSTALACIÓN DE LA SECADORA A GAS.....	38
REQUISITOS DE INSTALACIÓN DE LA SECADORA ELÉCTRICA	41
REQUISITOS DE VENTILACIÓN DE LA SECADORA.	44
CONEXIÓN DEL SUMINISTRO DE GAS.....	46
INSTALACIÓN DE LAS PATAS NIVELADORAS.....	48
CONEXIONES ELÉCTRICAS DE LA SECADORA ELÉCTRICA	49
NIVELACIÓN	55
COMPLETE LA INSTALACIÓN.....	56
CÓMO INVERTIR EL CIERRE DE LA PUERTA DE LA SECADORA (OPCIONAL)	57
INSTRUCCIONES DE MANTENIMIENTO.....	59
INSTRUCCIONES DE PROGRAMACIÓN DEL CONTROL ELECTRÓNICO	60
GARANTÍA	67
AYUDA O SERVICIO TÉCNICO	CONTRAPORTADA

DRYER SAFETY

Your safety and the safety of others are very important.

We have provided many important safety messages in this manual and on your appliance. Always read and obey all safety messages.



This is the safety alert symbol.

This symbol alerts you to potential hazards that can kill or hurt you and others.

All safety messages will follow the safety alert symbol and either the word "DANGER" or "WARNING."

These words mean:

⚠ DANGER

You can be killed or seriously injured if you don't immediately follow instructions.

⚠ WARNING

You can be killed or seriously injured if you don't follow instructions.

All safety messages will tell you what the potential hazard is, tell you how to reduce the chance of injury, and tell you what can happen if the instructions are not followed.

⚠ WARNING

Fire Hazard

Failure to follow safety warnings exactly could result in serious injury, death, or property damage.

Do not install a booster fan in the exhaust duct.

Install all clothes dryers in accordance with the installation instructions of the manufacturer of the dryer.



WARNING - “Risk of Fire”

- Clothes dryer installation must be performed by a qualified installer.
- Install the clothes dryer according to the manufacturer’s instructions and local codes.
- Do not install a clothes dryer with flexible plastic venting materials or flexible metal (foil type) duct. If flexible metal duct is installed, it must be of a specific type identified by the appliance manufacturer as suitable for use with clothes dryers. Flexible venting materials are known to collapse, be easily crushed, and trap lint. These conditions will obstruct clothes dryer airflow and increase the risk of fire.
- To reduce the risk of severe injury or death, follow all installation instructions.
- Save these instructions.

- It is recommended that the owner post, in a prominent location, instructions for the customer’s use in the event the customer smells gas. This information should be obtained from your gas supplier.
- Post the following warning in a prominent location.

FOR YOUR SAFETY

Do not store or use gasoline or other flammable vapors and liquids in the vicinity of this or any other appliance.

WARNING:

FIRE OR EXPLOSION HAZARD

Failure to follow safety warnings exactly could result in serious injury, death, or property damage.

- Do not store or use gasoline or other flammable vapors and liquids in the vicinity of this or any other appliance.
- **WHAT TO DO IF YOU SMELL GAS:**
 - Do not try to light any appliance.
 - Do not touch any electrical switch; do not use any phone in your building.
 - Clear the room, building, or area of all occupants.
 - Immediately call your gas supplier from a neighbor’s phone. Follow the gas supplier’s instructions.
 - If you cannot reach your gas supplier, call the fire department.
- Installation and service must be performed by a qualified installer, service agency, or the gas supplier.

WARNING: Gas leaks cannot always be detected by smell.

Gas suppliers recommend that you use a gas detector approved by UL or CSA.

For more information, contact your gas supplier.

If a gas leak is detected, follow the “What to do if you smell gas” instructions.

DRYER SAFETY

In the State of Massachusetts, the following installation instructions apply:

- Installations and repairs must be performed by a qualified or licensed contractor, plumber, or gas fitter qualified or licensed by the State of Massachusetts.
- Acceptable Shut-off Devices: Gas Cocks and Ball Valves installed for use shall be listed.
- A flexible gas connector, when used, must not exceed 4 feet (121.9 cm).

IMPORTANT: The gas installation must conform with local codes, or in the absence of local codes, with the National Fuel Gas Code, ANSI Z223.1/NFPA 54, or the Natural Gas and Propane Installation Code, CSA B149.1.

The dryer must be electrically grounded in accordance with local codes, or in the absence of local codes, with the National Electrical Code, ANSI/NFPA 70, or the Canadian Electrical Code, Part 1, CSA C22.1.

IMPORTANT SAFETY INSTRUCTIONS

When discarding or storing your old clothes dryer, remove the door.

SAVE THESE INSTRUCTIONS

IMPORTANT SAFETY INSTRUCTIONS

WARNING: To reduce the risk of fire, electric shock, or injury to persons when using the dryer, follow basic precautions, including the following:

- Read all instructions before using the dryer.
- This dryer is intended only for drying clothes and textiles that have been washed in water. Do not use for any other purpose.
- **WARNING:** If you smell gas, do not use the dryer or any electrical equipment nearby. Warn other people to clear the area. Contact the dryer owner immediately.
- Do not place items exposed to cooking oils in your dryer. Items contaminated with cooking oils may contribute to a chemical reaction that could cause a load to catch fire.
- Do not dry articles that have been previously cleaned in, washed in, soaked in, or spotted with gasoline, dry-cleaning solvents, or other flammable or explosive substances as they give off vapors that could ignite or explode.
- Do not dry unwashed items in the dryer.
- Do not allow children to play on or in the dryer. Close supervision of children is necessary when the dryer is used near children.
- Before the dryer is removed from service or discarded, remove the doors to the dryer compartment.
- Do not reach into the dryer if the drum is moving.
- Do not open door while dryer is in operation. It will stop.
- Do not install or store the dryer where it will be exposed to water and/or the weather.
- Do not tamper with controls.
- Clean dryer lint screen before or after each load.
- Do not use this dryer without the lint screen in place.
- Do not repair or replace any part of the dryer or attempt any servicing unless specifically recommended in this Installation Instructions or in published user-repair instructions that you understand and have the skills to carry out.
- Do not use fabric softeners or products to eliminate static unless recommended by the manufacturer of the fabric softener or product.
- Do not use heat to dry articles containing foam rubber or similarly textured rubber-like materials.
- The final part of a tumble dryer cycle occurs without heat (cool-down cycle) to ensure that the articles are left at a temperature that ensures that the items will not be damaged.
- **WARNING:** Never stop a tumble dryer before the end of the drying cycle unless all items are quickly removed and spread out so that the heat is dissipated. (Avoids risk of spontaneous combustion).
- Keep area around the exhaust opening and adjacent surrounding areas free from the accumulation of lint, dust, and dirt.
- The interior of the dryer and dryer exhaust vent should be cleaned periodically by qualified service personnel.
- See "Electrical Requirements" section for grounding instructions.

SAVE THESE INSTRUCTIONS

State of California Proposition 65 Warnings:

WARNING: This product contains one or more chemicals known to the State of California to cause cancer.

WARNING: This product contains one or more chemicals known to the State of California to cause birth defects or other reproductive harm.

TOOLS & PARTS

Tools Needed:



8" (200 mm)
or 10" (250 mm)
Pipe Wrench



8" (200 mm) or 10" (250 mm)
Adjustable Wrench
that opens to 1" (25 mm)



Flat-Blade Screwdriver



Phillips Screwdriver



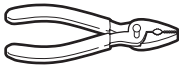
TORX T20[†] Security
Screwdriver or Bit



1" (25 mm) Hex-Head
Socket Wrench



1/4" Socket Wrench



Pliers (that open to
1 1/16" [39 mm])



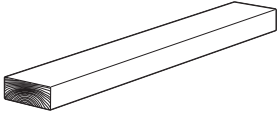
Level



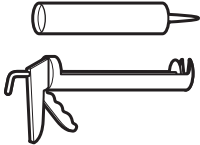
Utility Knife



1/4" (6 mm) Nut Driver



27" (686 mm)
Wood Block



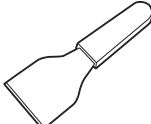
Caulk Gun and Caulk
(for installing new exhaust vent)



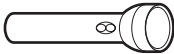
Vent Clamps



Pipe-Joint Compound
suitable for gas type



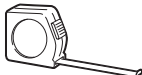
Putty Knife



Flashlight (optional)



1" (25 mm)
Open-End Wrenches

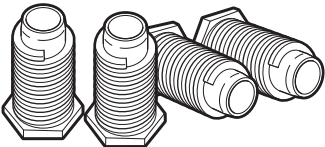


Ruler or Measuring Tape

Parts Supplied:



Foot Boots (4)

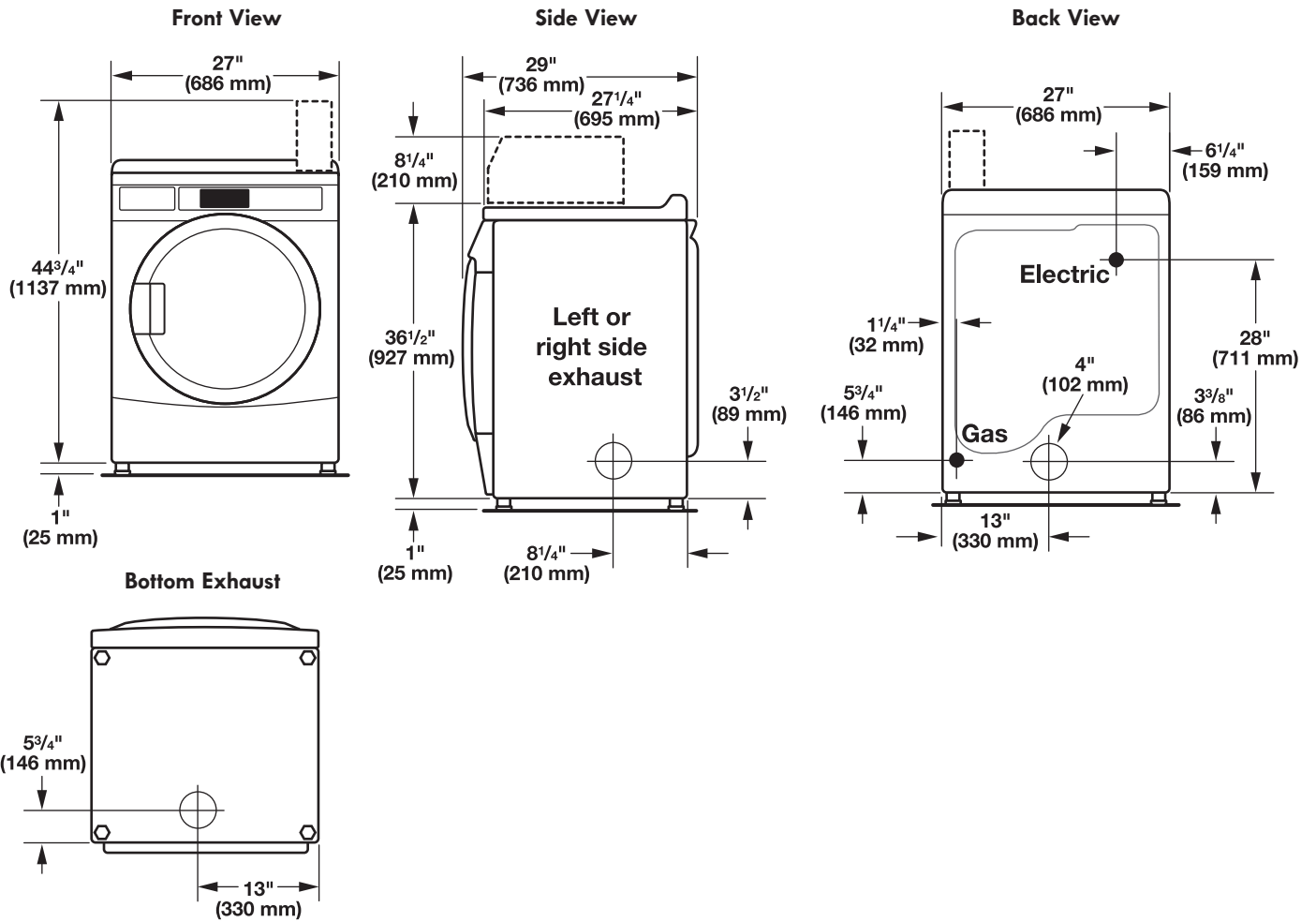


Leveling Legs (4)

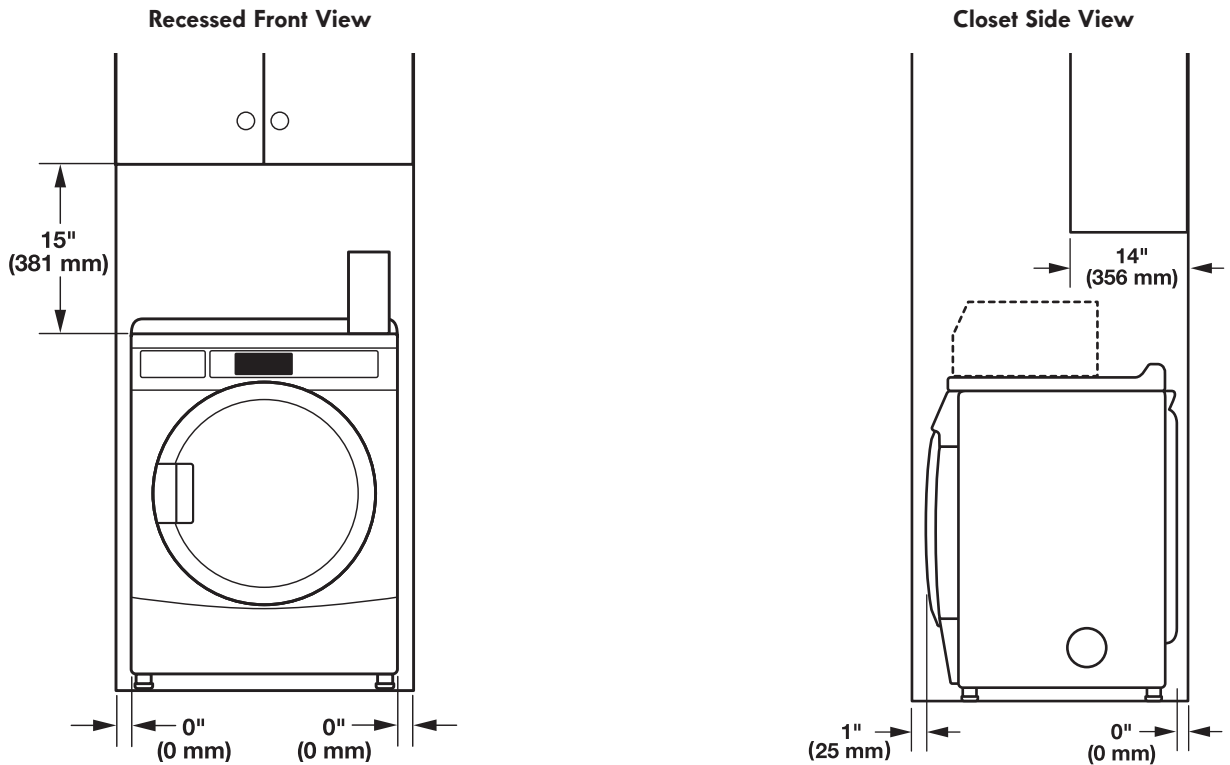
[†]TORX and T20 are registered trademarks of Acument Intellectual Properties, LLC.

DIMENSIONS/CLEARANCES

Dimensions



Clearances



GAS DRYER INSTALLATION REQUIREMENTS

Location Requirements

⚠ WARNING



Explosion Hazard

Keep flammable materials and vapors, such as gasoline, away from dryer.

Do not install in a garage.

Failure to do so can result in death, explosion, or fire.

Your dryer can be installed in a basement, laundry room, or recessed area.

This dryer is not intended for installation in a mobile home.

Companion appliance location requirements should also be considered.

IMPORTANT: Do not install or store the dryer where it will be exposed to water and/or the weather. Proper installation is your responsibility.

You will need:

- A grounded electrical outlet located within 6 ft. (1.8 m) of where the power cord is attached to the back of the dryer. See "Electrical Requirements."
- A level floor with a maximum slope of 1" (25 mm) under entire dryer. Installing the dryer on soft floor surfaces, such as carpets or surfaces with foam backing, is not recommended.

Gas dryer installation clearances

- The location must be large enough to allow the dryer door to be fully opened.
- Additional spacing should be considered for ease of installation and servicing. The door opens more than 180.°
- Additional clearances might be required for wall, door, and floor moldings.
- Additional spacing of 1" (25 mm) on all sides of the dryer is recommended to reduce noise transfer.

When installing a gas dryer:

IMPORTANT: Observe all governing codes and ordinances.

- Check code requirements: Some codes limit or do not permit installation of clothes dryers in garages, closets, or sleeping quarters. Contact your local building inspector.
- Make sure that lower edges of the cabinet, plus the back and bottom sides of the dryer, are free of obstructions to permit adequate clearance of air openings for combustion air. See "Recessed Area and Closet Installation Instructions" below for minimum spacing requirements.

Recessed Area and Closet Installation Instructions

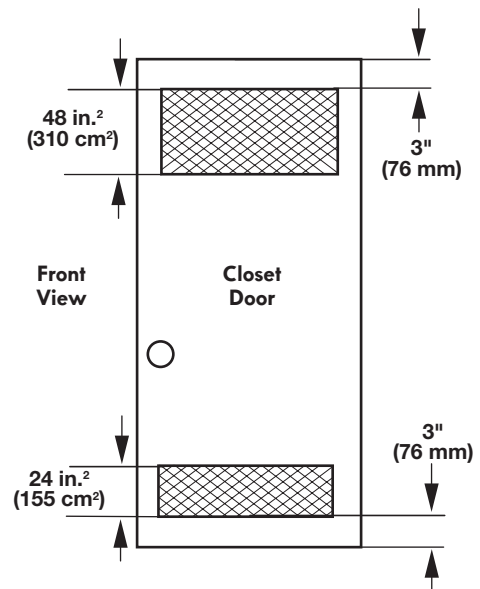
This dryer may be installed in a recessed area or closet. For recessed area and closet installations, minimum clearances can be found on the warning label on the rear of the dryer or in "Dimensions/Clearances."

The installation spacing is in inches and is the minimum allowable. Additional spacing should be considered for ease of installation, servicing, and compliance with local codes and ordinances.

If closet door is installed, the minimum unobstructed air opening in the top and bottom is required. Louvered doors with equivalent air openings are acceptable.

The dryer must be exhausted outdoors.

No other fuel-burning appliance may be installed in the same closet as the dryer.



GAS DRYER INSTALLATION REQUIREMENTS

Electrical Requirements

⚠ WARNING



Electrical Shock Hazard

Plug into a grounded 3 prong outlet.

Do not remove ground prong.

Do not use an adapter.

Do not use an extension cord.

Failure to follow these instructions can result in death, fire, or electrical shock.

IMPORTANT: The dryer must be electrically grounded in accordance with local codes and ordinances or, in the absence of local codes, with the National Electrical Code, ANSI/NFPA 70, latest edition, or Canadian Electrical Code, CSA C22.1. If codes permit and a separate ground wire is used, it is recommended that a qualified electrical installer determine that the ground path is adequate.

A copy of the above code standards can be obtained from:

National Fire Protection Association
One Batterymarch Park, Quincy, MA 02269

CSA International
8501 East Pleasant Valley Road
Cleveland, Ohio 44131-5575

- Do not ground to a gas pipe.
- Do not have a fuse in the neutral or ground circuit.
- A 120-volt, 60 Hz, AC-only, 15- or 20-amp, fused electrical circuit is required. A time-delay fuse or circuit breaker is also recommended. It is recommended that a separate circuit serving only this dryer be provided.
- This dryer is equipped with a power supply cord having a 3-prong grounding plug.
- To minimize the possibility of shock, the cord must be plugged into a mating, 3 prong, grounding-type outlet, grounded in accordance with local codes and ordinances. If a mating outlet is not available, it is the personal responsibility and obligation of the customer to have the properly grounded outlet installed by a qualified electrician.
- If codes permit and a separate ground wire is used, it is recommended that a qualified electrician determine that the ground path is adequate.
- Check with a qualified electrician if you are not sure the dryer is properly grounded.

Gas Dryer Grounding

GROUNDING INSTRUCTIONS

- For a grounded, cord-connected dryer:
This dryer must be grounded. In the event of malfunction or breakdown, grounding will reduce the risk of electric shock by providing a path of least resistance for electric current. This dryer is equipped with a cord having an equipment-grounding conductor and a grounding plug. The plug must be plugged into an appropriate outlet that is properly installed and grounded in accordance with all local codes and ordinances.

WARNING: Improper connection of the equipment-grounding conductor can result in a risk of electric shock. Check with a qualified electrician or service representative or personnel if you are in doubt as to whether the dryer is properly grounded. Do not modify the plug provided with the dryer: if it will not fit the outlet, have a proper outlet installed by a qualified electrician.

SAVE THESE INSTRUCTIONS

GAS DRYER INSTALLATION REQUIREMENTS

Gas Supply

⚠ WARNING



Explosion Hazard

Use a new CSA International approved gas supply line.

Install a shut-off valve.

Securely tighten all gas connections.

If connected to propane, have a qualified person make sure gas pressure does not exceed 13" (330 mm) water column.

Examples of a qualified person include:

**licensed heating personnel,
authorized gas company personnel, and
authorized service personnel.**

Failure to do so can result in death, explosion, or fire.

Gas supply pressure required to operate this dryer is a minimum of 5.2" wc (1.30 kPa) and a maximum of 10.5" wc (2.62 kPa).

IMPORTANT: Observe all governing codes and ordinances.

This installation must conform with all local codes and ordinances. In the absence of local codes, installation must conform with American National Standard, National Fuel Gas Code ANSI Z223.1/NFPA 54 or CAN/CSA B149.

A copy of the above code standards can be obtained from:

National Fire Protection Association
One Batterymarch Park, Quincy, MA 02269

CSA International
8501 East Pleasant Valley Road
Cleveland, Ohio 44131-5575


The design of this dryer has been certified by CSA International for use at altitudes up to 10,000 feet (3048 m) above sea level at the B.T.U. rating indicated on the model/serial plate. Burner input adjustments are not required when the dryer is operated up to this elevation.

When installed above 10,000 feet (3048 m), a four percent (4%) reduction of the burner B.T.U. rating shown on the model/serial plate is required for each 1,000 foot (305 m) increase in elevation. For assistance when converting to other gas types and/or installing above 10,000 feet (3048 m) elevation, contact your local service company.

ELECTRIC DRYER INSTALLATION REQUIREMENTS

Location Requirements

⚠ WARNING



Explosion Hazard

Keep flammable materials and vapors, such as gasoline, away from dryer.

Do not install in a garage.

Failure to do so can result in death, explosion, or fire.

Your dryer can be installed in a basement, laundry room, or recessed area.

This dryer is not intended for installation in a mobile home.

Companion appliance location requirements should also be considered.

IMPORTANT: Do not install or store the dryer where it will be exposed to water and/or the weather. Proper installation is your responsibility.

You will need:

- A grounded electrical outlet located within 6 ft. (1.8 m) of where the power cord is attached to the back of the dryer. See “Electrical Requirements.”
- A level floor with a maximum slope of 1" (25 mm) under entire dryer. Installing the dryer on soft floor surfaces, such as carpets or surfaces with foam backing, is not recommended.

Electric dryer installation clearances

- The location must be large enough to allow the dryer door to be fully opened.
- Additional spacing should be considered for ease of installation and servicing. The door opens more than 180°.
- Additional clearances might be required for wall, door, and floor moldings.
- Additional spacing of 1" (25 mm) on all sides of the dryer is recommended to reduce noise transfer.

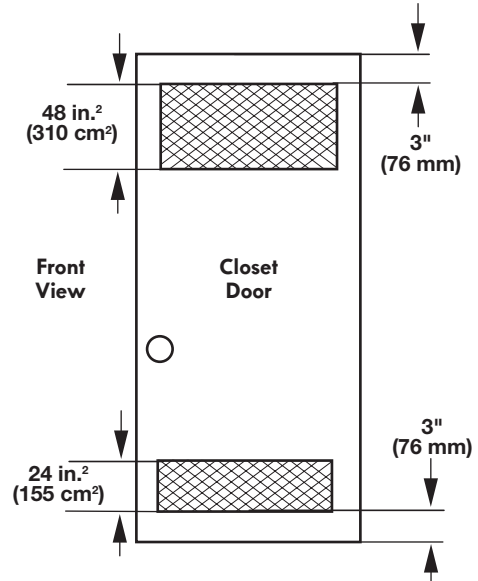
Recessed Area and Closet Installation Instructions

This dryer may be installed in a recessed area or closet. For recessed area and closet installations, minimum clearances can be found on the warning label on the rear of the dryer or in “Dimensions/Clearances.”

The installation spacing is in inches and is the minimum allowable. Additional spacing should be considered for ease of installation, servicing, and compliance with local codes and ordinances.

If closet door is installed, the minimum unobstructed air opening in the top and bottom is required. Louvered doors with equivalent air openings are acceptable.

The dryer must be exhausted outdoors.



Electrical Requirements – U.S.A. only

It is your responsibility:

- To contact a qualified electrical installer.
- To be sure that the electrical connection is adequate and in conformance with the National Electrical Code, ANSI/NFPA 70, latest edition, and all local codes and ordinances.
- The National Electrical Code requires a 4-wire power supply connection for homes built after 1996, dryer circuits involved in remodeling after 1996, and all mobile home installations.
- A copy of the above code standards can be obtained from: National Fire Protection Association, One Batterymarch Park, Quincy, MA 02269.
- To supply the required 3- or 4-wire, single phase, 120-/240-volt, 60 Hz., AC-only electrical supply (or 3- or 4-wire, 120-/208-volt electrical supply, if specified on the serial/rating plate) on a separate 30-amp circuit, fused on both sides of the line. A time delay fuse or circuit breaker is recommended. Connect to an individual branch circuit. Do not have a fuse in the neutral or grounding circuit.
- Do not use an extension cord.
- If codes permit and a separate ground wire is used, it is recommended that a qualified electrician determine that the ground path is adequate.

ELECTRIC DRYER INSTALLATION REQUIREMENTS

Electrical Requirements – U.S.A. only (cont.)

Electrical Connection

To properly install your dryer, you must determine the type of electrical connection you will be using and follow the instructions provided for it here.

- This dryer is manufactured ready to install with a 3-wire electrical supply connection. The neutral ground conductor is permanently connected to the neutral conductor (white wire) within the dryer. If the dryer is installed with a 4-wire electrical supply connection, the neutral ground conductor must be removed from the external ground connector (green screw) and secured under the neutral terminal (center or white wire) of the terminal block. When the neutral ground conductor is secured under the neutral terminal (center or white wire) of the terminal block, the dryer cabinet is isolated from the neutral conductor.
- If local codes do not permit the connection of a neutral ground wire to the neutral wire, see “Optional 3-wire connection” section.
- A 4-wire power supply connection must be used when the appliance is installed in a location where grounding through the neutral conductor is prohibited. Grounding through the neutral is prohibited for (1) new branch-circuit installations and (2) areas where local codes prohibit grounding through the neutral conductor.

Electric Dryer Grounding

GROUNDING INSTRUCTIONS

- For a grounded, cord-connected dryer:
This dryer must be grounded. In the event of malfunction or breakdown, grounding will reduce the risk of electric shock by providing a path of least resistance for electric current. This dryer uses a cord having an equipment-grounding conductor and a grounding plug. The plug must be plugged into an appropriate outlet that is properly installed and grounded in accordance with all local codes and ordinances.
- For a permanently connected dryer:
This dryer must be connected to a grounded metal, permanent wiring system, or an equipment-grounding conductor must be run with the circuit conductors and connected to the equipment-grounding terminal or lead on the dryer.

WARNING: Improper connection of the equipment-grounding conductor can result in a risk of electric shock. Check with a qualified electrician or service representative or personnel if you are in doubt as to whether the dryer is properly grounded. Do not modify the plug on the power supply cord: if it will not fit the outlet, have a proper outlet installed by a qualified electrician.

SAVE THESE INSTRUCTIONS

Electric Dryer Power Supply Cord

WARNING



Fire Hazard

- Use a new UL listed 30 amp power supply cord.
- Use a UL listed strain relief.
- Disconnect power before making electrical connections.
- Connect neutral wire (white or center wire) to center terminal.
- Ground wire (green or bare wire) must be connected to green ground connector.
- Connect remaining 2 supply wires to remaining 2 terminals (gold).
- Securely tighten all electrical connections.
- Failure to do so can result in death, fire, or electrical shock.

If using a power supply cord:

Use a UL Listed power supply cord kit marked for use with clothes dryers. The kit should contain:

- A UL Listed 30-amp power supply cord, rated 120-/240-volt minimum. The cord should be type SRD or SRDT and be at least 4 ft. (1.22 m) long. The wires that connect to the dryer must end in ring terminals or “U” shaped spade terminals with upturned ends.
- A UL Listed strain relief.

If your outlet looks like this:



4-wire
receptacle
(14-30R)

Then choose a 4-wire power supply cord with ring or spade terminals and UL Listed strain relief. The 4-wire power supply cord, at least 4 ft. (1.22 m) long, must have four 10-gauge copper wires and match a 4-wire receptacle of NEMA Type 14-30R. The ground wire (ground conductor) may be either green or bare. The neutral conductor must be identified by a white cover.

If your outlet looks like this:



3-wire
receptacle
(10-30R)

Then choose a 3-wire power supply cord with ring or spade terminals and UL Listed strain relief. The 3-wire power supply cord, at least 4 ft. (1.22 m) long, must have three 10-gauge copper wires and match a 3-wire receptacle of NEMA Type 10-30R.

ELECTRIC DRYER INSTALLATION REQUIREMENTS

Direct Wire

WARNING



Fire Hazard

Use 10 gauge copper wire.

Use a UL listed strain relief.

Disconnect power before making electrical connections.

Connect neutral wire (white or center wire) to center terminal.

Ground wire (green or bare wire) must be connected to green ground connector.

Connect remaining 2 supply wires to remaining 2 terminals (gold).

Securely tighten all electrical connections.

Failure to do so can result in death, fire, or electrical shock.

If connecting by direct wire:

Power supply cable must match power supply (4-wire or 3-wire) and be:

- Flexible armored cable or nonmetallic sheathed copper cable (with ground wire), covered with flexible metallic conduit. All current-carrying wires must be insulated.
- 10-gauge solid copper wire (do not use aluminum).
- At least 5 ft. (1.52 m) long.

DRYER VENTING REQUIREMENTS

⚠ WARNING



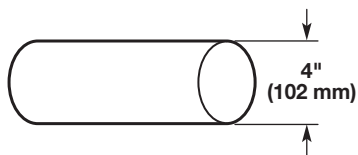
Fire Hazard

- Use a heavy metal vent.
- Do not use a plastic vent.
- Do not use a metal foil vent.
- Failure to follow these instructions can result in death or fire.

WARNING: To reduce the risk of fire, this dryer **MUST BE EXHAUSTED OUTDOORS.**

IMPORTANT: Observe all governing codes and ordinances.

Dryer exhaust must not be connected into any gas vent, chimney, wall, ceiling, attic, crawlspace, or a concealed space of a building. Only rigid or flexible metal vent shall be used for exhausting.



4" (102 mm) heavy, metal exhaust vent

- Only a 4" (102 mm) heavy, metal exhaust vent and clamps may be used.
- Do not use plastic or metal foil vent.

Rigid metal vent:

- Recommended for best drying performance and to avoid crushing and kinking.

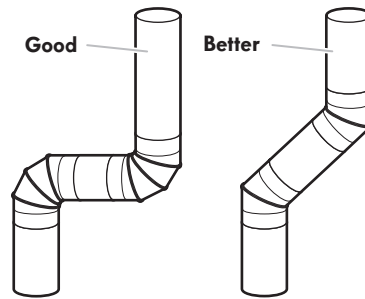
Flexible metal vent: (Acceptable only if accessible to clean)

- Must be fully extended and supported in final dryer location.
- Remove excess to avoid sagging and kinking that may result in reduced airflow and poor performance.
- Do not install in enclosed walls, ceilings, or floors.
- The total length should not exceed 7³/₄ ft. (2.4 m).

NOTE: If using an existing vent system, clean lint from entire length of the system and make sure exhaust hood is not plugged with lint. Replace plastic or metal foil vents with rigid metal or flexible metal vents. Review "Vent System Chart" and if necessary, modify existing vent system to achieve best drying performance.

Elbows:

- 45° elbows provide better airflow than 90° elbows.



Clamps:

- Use clamps to seal all joints.
- Exhaust vent must not be connected or secured with screws or other fastening devices that extend into interior of duct and catch lint. Do not use duct tape.



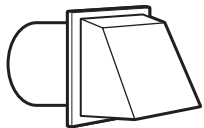
Improper venting can cause moisture and lint to collect indoors, which may result in:

- Moisture damage to woodwork, furniture, paint, wallpaper, carpets, etc.
- Housecleaning problems and health problems.

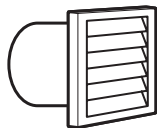
DRYER VENTING REQUIREMENTS

Vent Hoods

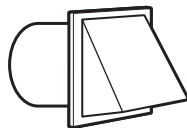
4" (102 mm) Diameter Exhaust Hoods



Box Hood

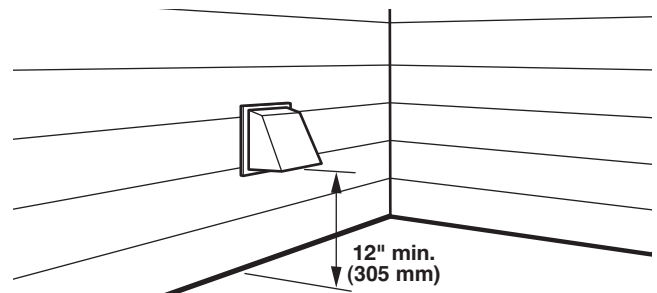


Louvered Hood



Angled Hood

Exhaust hood must be at least 12" (305 mm) from the ground or any object that may be in the path of the exhaust (such as flowers, rocks, bushes, or snow).



Vent System Length

Maximum Vent Length/Vent Connection

Maximum length of vent system depends upon the type of vent used, number of elbows, and type of exhaust hood.

Vent System Chart (Rigid Metal Vent)

No. of 90° Turns	Box and Louvered Hood	Angled Hood
0	64 ft. (19.5 m)	58 ft. (17.7 m)
1	54 ft. (16.5 m)	48 ft. (14.6 m)
2	44 ft. (13.4 m)	38 ft. (11.6 m)
3	35 ft. (10.7 m)	29 ft. (8.8 m)
4	27 ft. (8.2 m)	21 ft. (6.4 m)

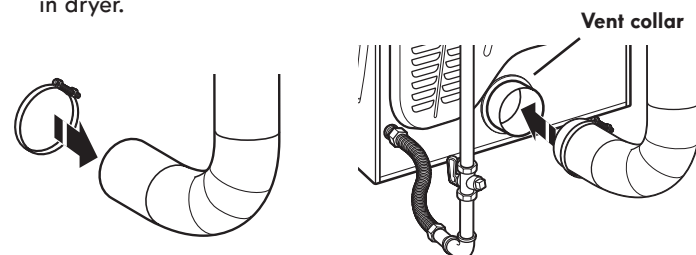
For vent systems not covered by the vent specification chart, see your parts distributor.

Provision must be made for enough air for combustion and ventilation. (Check governing codes and ordinances.) See "Recessed Area and Closet Installation Instructions" in the "Location Requirements" section.

A 4" (102 mm) outlet hood is preferred. However, a 2½" (64 mm) outlet exhaust hood may be used. A 2½" (64 mm) outlet creates greater back pressure than other hood types. For permanent installation, a stationary vent system is required.

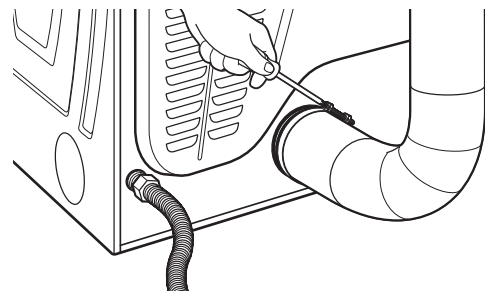
Connect Vent

1. If connecting to existing vent, make sure the vent is clean.
2. Using a 4" (102 mm) clamp, connect vent to exhaust outlet in dryer.

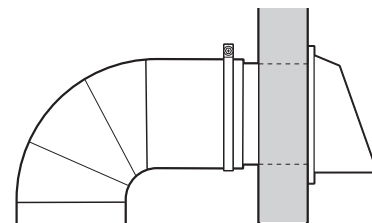


NOTE: Do not remove vent collar.

3. Tighten hose clamp with Phillips screwdriver.



4. Make sure the vent is secured to exhaust hood with a 4" (102 mm) clamp.

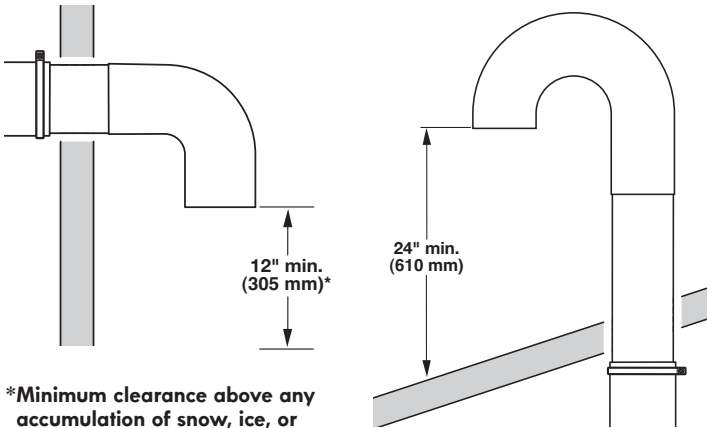


5. Move dryer into final position. Do not crush or kink vent. Make sure dryer is level.

DRYER VENTING REQUIREMENTS

If an Exhaust Hood Cannot be Used

The outside end of main vent should have a sweep elbow directed downward.



*Minimum clearance above any accumulation of snow, ice, or debris such as leaves

If main vent travels vertically through the roof, rather than through wall, install a 180° sweep elbow on end of vent at least 2 ft. (610 mm) above surface of roof.

The opening in wall or roof shall have a diameter 1/2" (13 mm) larger than vent diameter. Vent should be centered in opening.

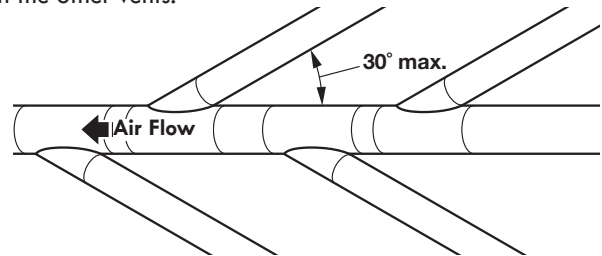
Do not install screening over end of vent for best performance.

Multiple Dryer Venting

A main vent can be used for venting a group of dryers. The main vent should be sized to remove 5663 l/min. (200 CFM) of air per dryer. Large-capacity lint screens of proper design may be used in main vent if checked and cleaned frequently. The room where the dryers are located should have make-up air equal to or greater than CFM of all the dryers in the room.

Back-draft Damper Kit is available from your distributor and should be installed in the vent of each dryer to keep exhausted air from returning into dryers and to keep exhaust in balance within main vent. Unobstructed return air openings are required.

Each vent should enter the main vent at an angle pointing in the direction of the airflow. Vents entering from the opposite side should be staggered to reduce the exhausted air from interfering with the other vents.



The maximum angle of each vent entering the main vent should be no more than 30°.

Keep air openings free of dry cleaning fluid fumes. Fumes create acids which, when drawn through the dryer heating units, can damage dryers and items being dried.

A clean-out cover should be located on the main vent for periodic cleaning of the vent system.

GAS SUPPLY CONNECTION

Make Gas Connection

⚠ WARNING

Excessive Weight Hazard

**Use two or more people to move and install dryer.
Failure to do so can result in back or other injury.**

1. Remove red cap from gas pipe on back of dryer.
2. Connect gas supply to dryer. Use a pipe thread compound approved for the type of gas supplied. If flexible metal tubing is used, be certain there are no kinks.
If necessary for service, open the front lower service panel by using a 1/4" nutdriver to remove the two hex-head screws from the bottom of the panel. Then lift up on the panel while pulling the bottom of the panel away from the dryer.

3. Open the shut-off valve in the gas supply line and make sure the dryer has its own gas supply opened.
4. Test all connections by brushing on an approved noncorrosive leak-detection solution. Bubbles will show a leak. Correct any leaks found.

GAS SUPPLY CONNECTION

Type of Gas

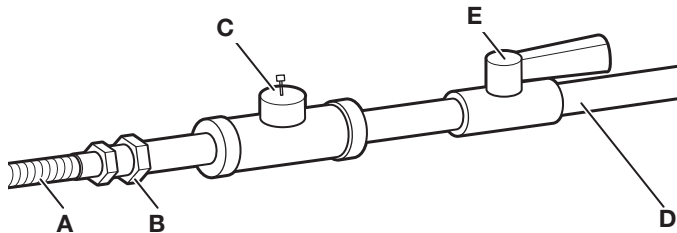
This dryer is equipped for use with natural gas. It is certified by UL for use with propane gas with appropriate conversion. No attempt shall be made to convert dryer from gas specified on serial/rating plate for use with a different gas without consulting the serving gas supplier. Conversion must be done by a qualified service technician.

Gas conversion kit part numbers are listed on gas valve burner base.

Gas Supply Line

Recommended Method

Provide a gas supply line of 1/2" (13 mm) rigid (IPS) pipe to dryer location. Pipe joint compounds that resist action of propane gas must be used. Do not use TEFLON^{®†} tape. With propane gas, piping or tubing size can be 1/2" (13 mm) minimum. Usually, propane gas suppliers determine size and materials used in the system.



- A. 3/8" flexible gas connector
- B. 3/8" pipe to flare adapter fitting
- C. 1/8" NPT minimum plugged tapping
- D. 1/2" NPT gas supply line
- E. Gas shut-off valve.

Gas Supply Pressure Testing

A 1/8" NPT minimum plugged tapping, accessible for gauge testing, must be installed immediately downstream of the installed shut-off valve to the dryer (as shown above). The dryer must be disconnected from the gas supply piping system during any pressure testing of the system at test pressures in excess of 1/2" psig (352 kg/m²).

Alternate Method

The gas supply may also be connected using 3/8" (10 mm) approved copper or aluminum tubing. If the total length of the supply line is more than 20 ft. (6.1 m), larger tubing will be required.

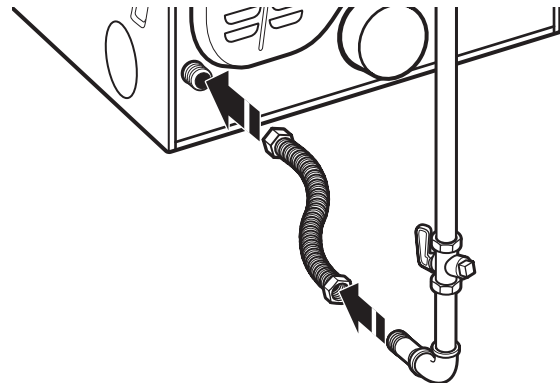
If using natural gas, do not use copper tubing. Pipe joint compounds that resist action of type of gas supplied must be used.

Shut-off valve required

The supply line must be equipped with a manual shut-off valve installed within 6 ft. (1.8 m) of dryer in accordance with National Fuel Gas Code, ANSI Z223.1. This valve should be located in same room as dryer. It should be in a location that allows ease of opening and closing. Do not block access to shut-off valve.

Flexible Metal Appliance Connector

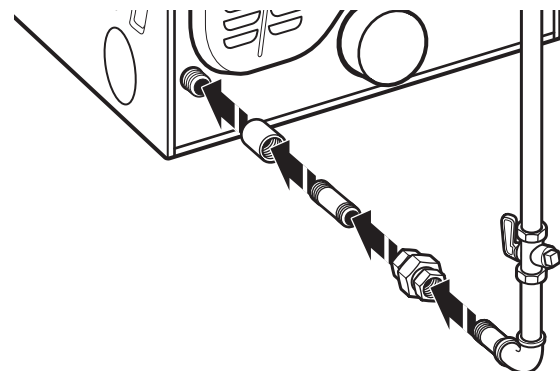
It is recommended that a new flexible stainless steel gas line, design-certified by CSA International, be used for connecting the dryer to the gas supply line. (The gas pipe which extends through the lower rear of the dryer is provided with 3/8" male pipe thread.)



NOTE: Do not kink or damage the flexible stainless steel gas line when moving the dryer.

Rigid Pipe Connection

The rigid pipe connection requires a combination of pipe fittings to obtain an in-line connection to the dryer.



[†]TEFLON is a registered trademark of Chemours.

INSTALLING LEVELING LEGS

⚠ WARNING

Excessive Weight Hazard

**Use two or more people to move and install dryer.
Failure to do so can result in back or other injury.**

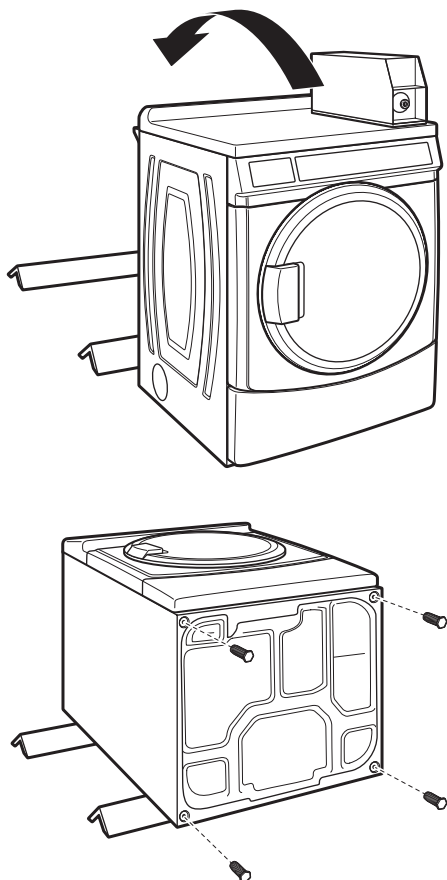
1. Prepare dryer for leveling legs

NOTE: Slide dryer onto cardboard or hardboard before moving to avoid damaging floor covering.

Using two or more people, move dryer to desired installation location.

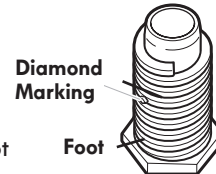
Take tape off front corners of dryer. Open dryer and remove the literature and parts packages. Wipe drum interior with damp cloth to remove any dust.

Take two cardboard corners from the dryer carton and place them on the floor in back of the dryer. Firmly grasp body of the dryer and gently lay it on its back on the cardboard corners.



2. Screw in leveling legs

Examine leveling legs and find diamond marking. Screw legs into leg holes by hand. Use an adjustable wrench or 1" (25 mm) hex-head socket wrench to finish turning legs until diamond marking is no longer visible. Then fit a covered foot boot over each leg foot.



To protect the floor, use a large piece of cardboard from the dryer carton. Stand dryer up on the cardboard. Slide the dryer until it is close to its final location. Leave enough room for electrical connection and to connect the exhaust vent.

Remove cardboard or hardboard from under dryer. Adjust the legs of the dryer up or down until the dryer is level.

ELECTRIC DRYER ELECTRICAL CONNECTIONS

Connection Options

Power Cord

4-wire receptacle (NEMA Type 14-30R)
Go to "Power Supply Cord Connection" section.

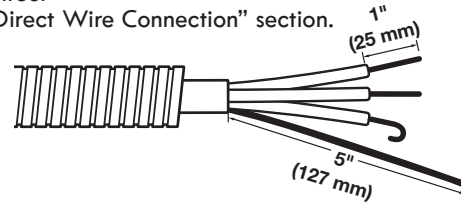


3-wire receptacle (NEMA Type 10-30R)
Go to "Power Supply Cord Connection" section.

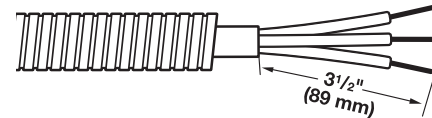


Direct Wire

4-wire direct
Go to "Direct Wire Connection" section.



3-wire direct
Go to "Direct Wire Connection" section.



NOTE: If local codes do not permit connection of a cabinet-ground conductor to neutral wire, go to "Connecting 3-Wire Connection: Optional" section. This connection may be used with either a power supply cord or a direct wire connection.

Power Supply Cord Connection

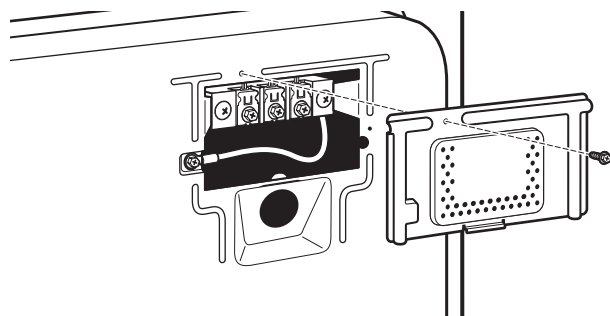
WARNING



Fire Hazard

- Use a new UL listed 30 amp power supply cord.
- Use a UL listed strain relief.
- Disconnect power before making electrical connections.
- Connect neutral wire (white or center wire) to center terminal.
- Ground wire (green or bare wire) must be connected to green ground connector.
- Connect remaining 2 supply wires to remaining 2 terminals (gold).
- Securely tighten all electrical connections.
- Failure to do so can result in death, fire, or electrical shock.

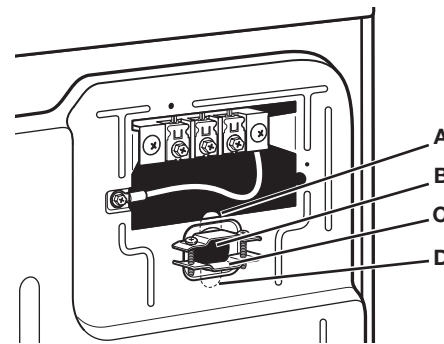
Remove Terminal Block Cover



Remove hold-down screw and terminal block cover.

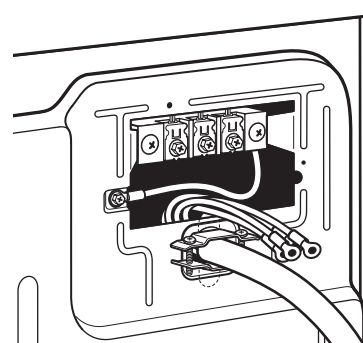
Power Supply Cord Strain Relief

1. Insert strain relief.



Remove the screws from a 3/4" (19 mm) UL Listed strain relief. Put the tabs of the two clamp sections (C) into the hole below the terminal block opening (B) so that one tab is pointing up (A) and the other is pointing down (D), and hold in place. Tighten strain relief screws just enough to hold the two clamp sections (C) together.

2. Insert power cord into strain relief.



Put power supply cord through the strain relief. Be sure that the wire insulation on the power supply cord is inside the strain relief. The strain relief should have a tight fit with the dryer cabinet and be in a horizontal position. Do not further tighten strain relief screws at this point.

ELECTRIC DRYER ELECTRICAL CONNECTIONS

Connecting 4-Wire Connection: Power Supply Cord

IMPORTANT: A 4-wire connection is required for mobile homes and where local codes do not permit the use of 3-wire connections.

Standard Power Supply Cord Connectors



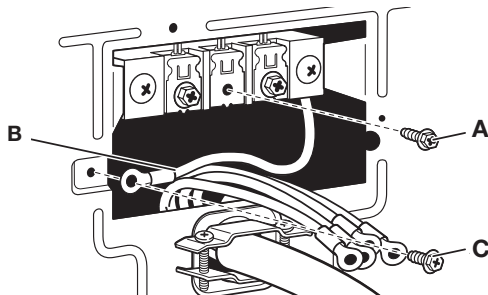
Flanged Spade Connector



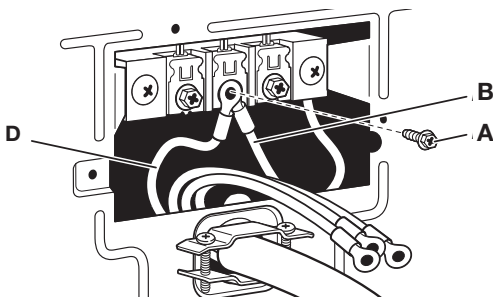
Ring Connector

Connecting Neutral Ground and Neutral Wires

1. Remove center terminal block screw (A) and the neutral ground wire (B) by removing the green external ground conductor screw (C).

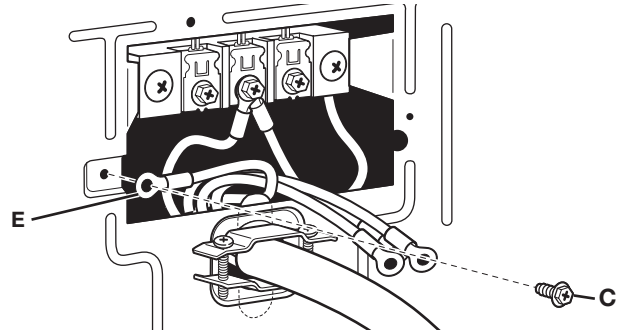


2. Connect neutral ground wire (B) and neutral wire (white or center wire) (D) of power supply cord under center terminal block screw (A). Tighten screw.



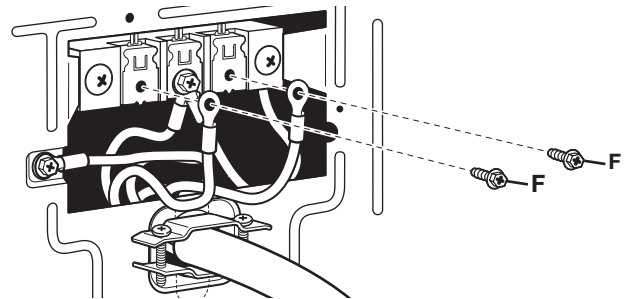
Connecting Power Cord Ground Wire

3. Connect ground wire (green or bare) (E) of power supply cord under green external ground conductor screw (C). Tighten screw.



Connecting Remaining Wires

4. Connect remaining wires under outer terminal block screws (F). Tighten screws. Finally, reinstall terminal block cover to dryer rear panel. Secure cover with hold-down screw. Now go to "Venting Requirements."



Connecting 3-Wire Connection: Power Supply Cord

Standard Power Cord Connectors



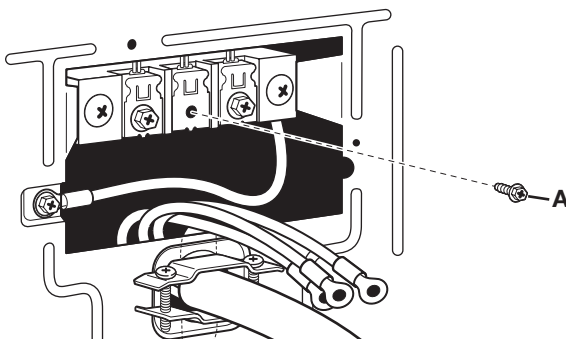
Flanged Spade Connector



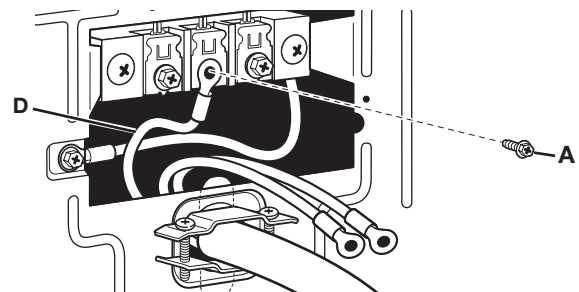
Ring Connector

Connecting Neutral Wire

1. Loosen or remove center terminal block screw (A).



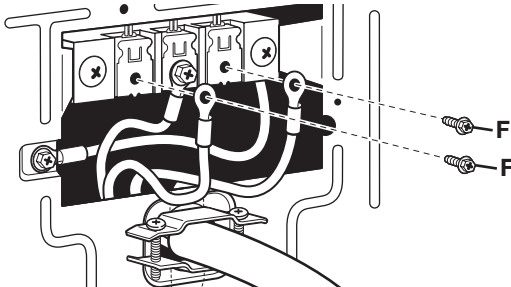
2. Connect neutral wire (white or center wire) (D) of power supply cord under center terminal block screw (A). Tighten screw.



ELECTRIC DRYER ELECTRICAL CONNECTIONS

Connecting 3-Wire Connection: Power Supply Cord (cont.)

3. Connect remaining wires under outer terminal block screws (F). Tighten screws. Finally, reinstall terminal block cover to dryer rear panel. Secure cover with hold-down screw. Now go to "Venting Requirements."



Direct Wire Connection

⚠ WARNING

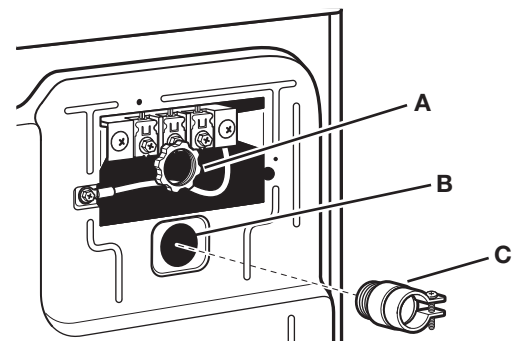


Fire Hazard

- Use 10 gauge copper wire.
- Use a UL listed strain relief.
- Disconnect power before making electrical connections.
- Connect neutral wire (white or center wire) to center terminal.
- Ground wire (green or bare wire) must be connected to green ground connector.
- Connect remaining 2 supply wires to remaining 2 terminals (gold).
- Securely tighten all electrical connections.
- Failure to do so can result in death, fire, or electrical shock.

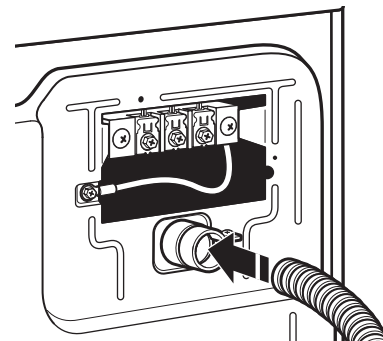
Direct Wire Strain Relief

1. Insert strain relief.



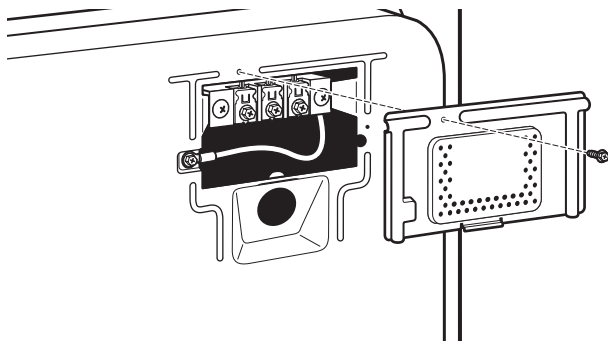
Unscrew the removable conduit connector (A) and any screws from a 3/4" (19 mm) UL Listed strain relief. Put the threaded section of the strain relief (C) through the hole below the terminal block opening (B). Reaching inside the terminal block opening, screw the removable conduit connector (A) onto the strain relief threads.

2. Insert conduit into strain relief and tighten clamp.



Put direct wire cable through the strain relief. The strain relief should have a tight fit with the dryer cabinet and be in a horizontal position. Tighten strain relief screw against the direct wire cable.

Remove Terminal Block Cover



Remove hold-down screw and terminal block cover.

ELECTRIC DRYER ELECTRICAL CONNECTIONS

Connecting 4-Wire Connection: Direct Wire

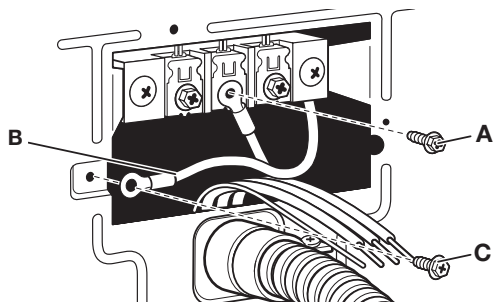
IMPORTANT: A 4-wire connection is required for mobile homes and where local codes do not permit the use of 3-wire connections.

Direct wire cable must have 5 ft. (1.52 m) of extra length so dryer can be moved if needed.

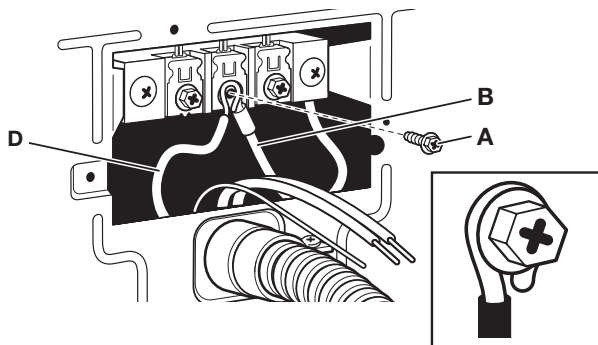
Strip 5" (127 mm) of outer covering from end of cable, leaving bare ground wire at 5" (127 mm). Cut 1½" (38 mm) from three remaining wires. Strip insulation back 1" (25 mm). Shape ends of wires into a hook shape.

Connecting Neutral Ground and Neutral Wires

1. Remove center terminal block screw (A) and the neutral ground wire (B) by removing the green external ground conductor screw (C).

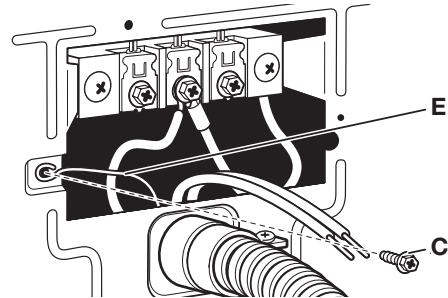


2. Connect neutral ground wire (B) and place hooked end (hook facing right) of neutral wire (white or center wire) (D) of direct wire cable under center terminal block screw (A). Squeeze hooked ends together and tighten screw.



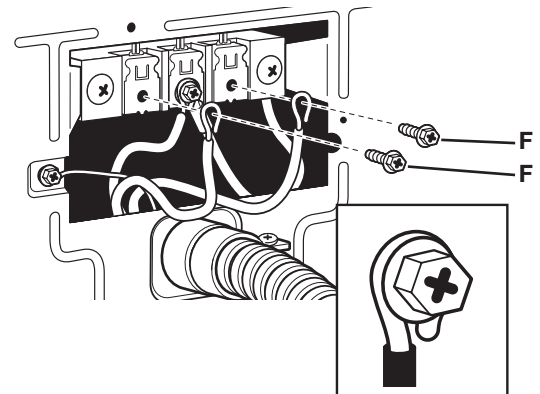
Connecting Direct Wire Ground

3. Connect ground wire (green or bare wire) (E) of direct wire cable under green external ground conductor screw (C). Tighten screw.



Connecting Remaining Wires

4. Connect remaining wires under outer terminal block screws (F). Squeeze hooked ends together and tighten screws. Finally, reinstall terminal block cover to dryer rear panel. Secure cover with hold-down screw. Now go to "Venting Requirements."



ELECTRIC DRYER ELECTRICAL CONNECTIONS

Connecting 3-Wire Connection: Direct Wire

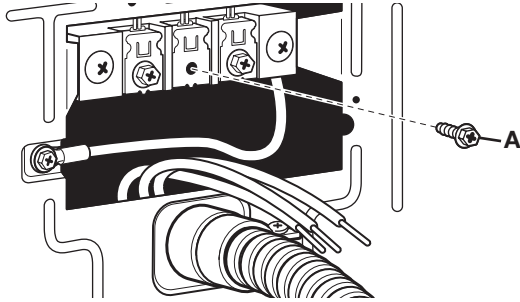
Use where local codes permit connecting cabinet-ground conductor to neutral wire.

Direct wire cable must have 5 ft. (1.52 m) of extra length so dryer can be moved if needed.

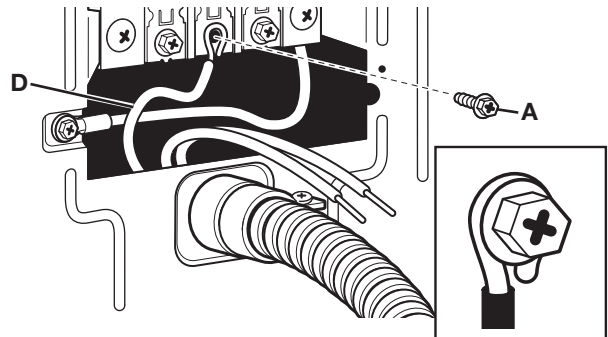
Strip 3½" (89 mm) of outer covering from end of cable. Strip insulation back 1" (25 mm). If using 3-wire cable with ground wire, cut bare wire even with outer covering. Shape ends of wires into a hook shape.

Connecting Neutral Wire

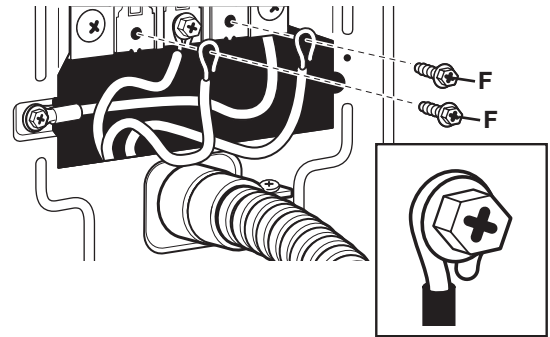
1. Loosen or remove center terminal block screw (A).



2. Place hooked end of neutral wire (white or center wire) (D) of direct wire cable under center terminal block screw (A), hook facing right. Squeeze hooked end together and tighten screw.



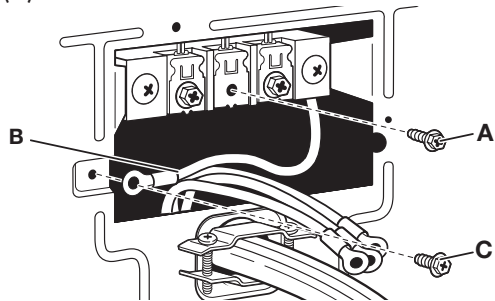
3. Connect remaining wires under outer terminal block screws (F). Squeeze hooked ends together and tighten screws. Finally, reinstall terminal block cover to dryer rear panel. Secure cover with hold-down screw. Now go to "Venting Requirements."



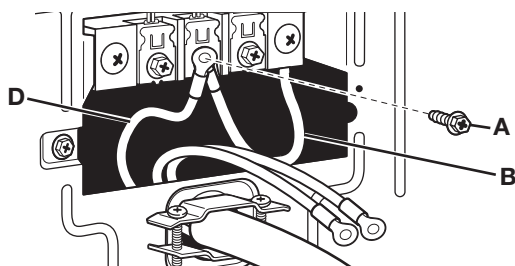
Connecting 3-Wire Connection: Optional

Use for direct wire or power supply cord where local codes do not permit connecting cabinet-ground conductor to neutral wire.

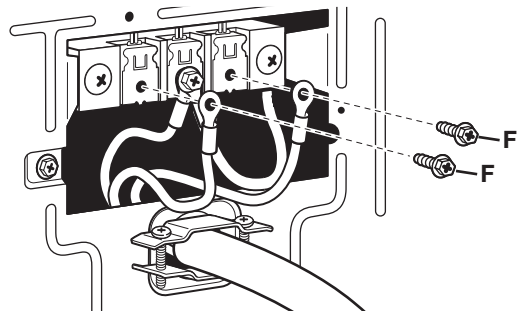
1. Remove center terminal block screw (A). Also remove neutral ground wire (B) by removing green external ground conductor screw (C).



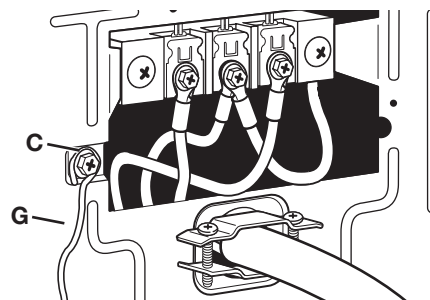
2. Connect neutral ground wire (B) and neutral wire (white or center wire) (D) of power supply cord/cable under center terminal block screw (A). Tighten screw.



3. Connect remaining wires under outer terminal block screws (F). Tighten screws.



4. Connect a separate copper ground wire (G) under the green external ground conductor screw (C) to an adequate ground. Finally, reinstall terminal block to dryer rear panel. Secure cover with hold-down screw. Now go to "Venting Requirements."



LEVELING

Leveling your dryer properly reduces excess noise and vibration.

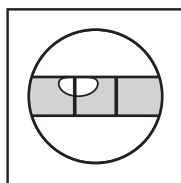
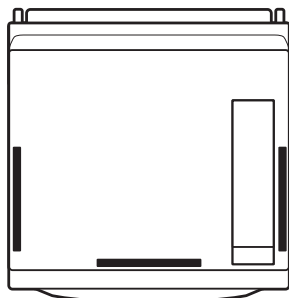
⚠️ WARNING

Excessive Weight Hazard

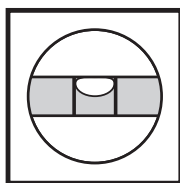
Use two or more people to move and install dryer.

Failure to do so can result in back or other injury.

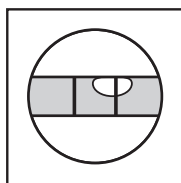
1. Remove cardboard from beneath dryer. Place a level on top edges of dryer, checking each side and front. If not level, tip dryer and adjust feet up or down, repeating as necessary.



Not Level

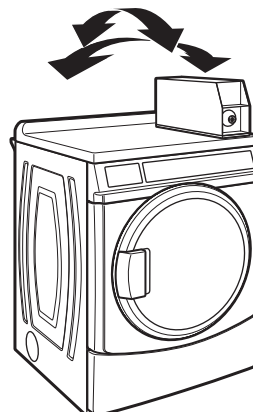


LEVEL



Not Level

2. Grip dryer from top and rock back and forth, making sure all four feet are firmly on floor. Repeat, rocking dryer from side to side. If dryer rocks, adjust leveling feet.



3. If dryer is not level, turn the leveling feet counterclockwise to lower the dryer or clockwise to raise the dryer. Recheck levelness of dryer and that all four feet are firmly in contact with the floor. Repeat as needed.

HELPFUL TIP: You may want to prop up front of dryer about 4" (102 mm) with a wood block or similar object that will support weight of dryer.

COMPLETE INSTALLATION

1. Check the electrical requirements. Be sure that you have the correct electrical supply and the recommended grounding method. See "Electrical Requirements."
2. Check that all parts are now installed. If there is an extra part, go back through the steps.
3. Check that you have all of your tools.
4. Dispose of/recycle all packaging materials.

⚠️ WARNING



Electrical Shock Hazard

Plug into a grounded 3 prong outlet.

Do not remove ground prong.

Do not use an adapter.

Do not use an extension cord.

Failure to follow these instructions can result in death, fire, or electrical shock.

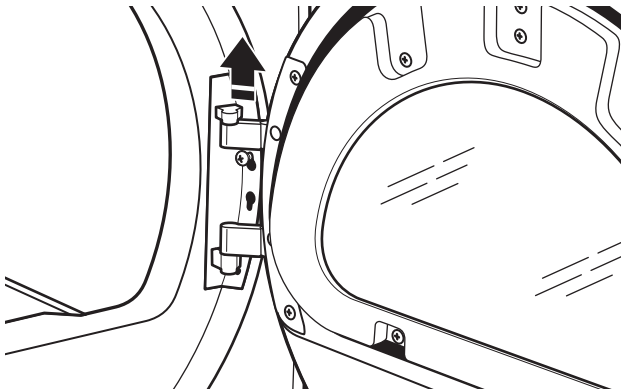
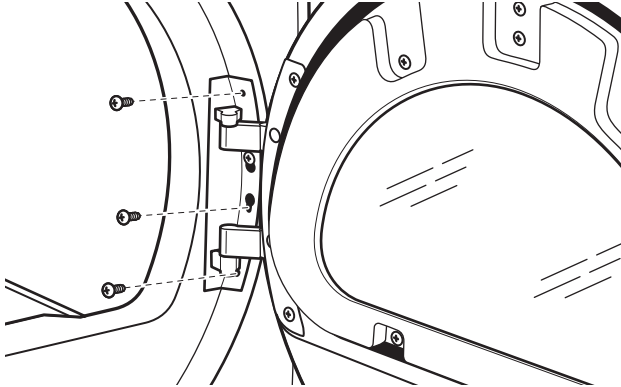
6. Check dryer operation. Close dryer door. Insert coins in slide and press slide in slowly. Select the COTTON/WHITES cycle and let the dryer run for at least five minutes.
NOTE: Dryer door must be closed for dryer to operate.
7. Open the dryer door. Check that the inside of the dryer is warm. If the burner does not ignite and you can feel no heat inside the dryer, shut off dryer for 5 minutes. Check that all supply valve controls are in On position and that the electrical cord is plugged in. Repeat 5-minute test.
8. If drying time is too long, make sure that the lint screen is clean and that there are no obstructions to airflow in the dryer vent system.
9. Restart the dryer and allow it to complete a full cycle to make sure it is working properly.

5. Plug into a grounded outlet, or connect power.

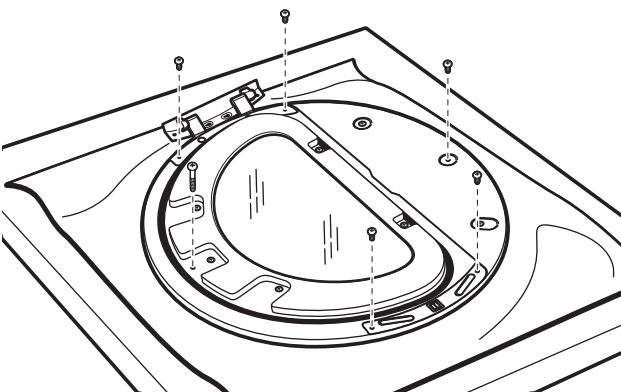
REVERSING DRYER DOOR SWING (OPTIONAL)

Remove the Door Assembly

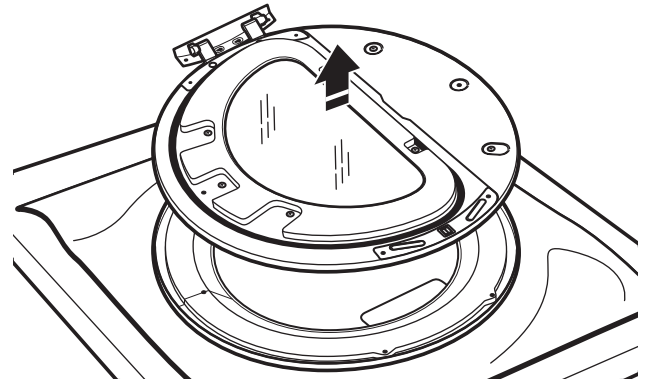
1. Place a towel or soft cloth on top of dryer or work space to avoid scratching of the surface.
2. Remove three of the four screws that hold the door hinge on the front panel of the dryer. Partially loosen the remaining screw with keyhole opening and lift the door off the screw.



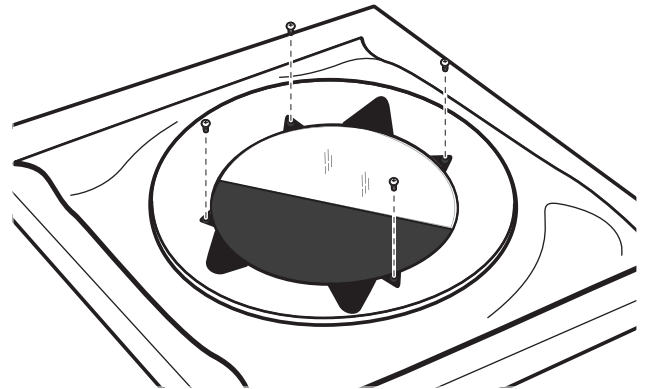
3. Lay the door assembly on a previously prepared flat surface with the inside (inner door assembly) facing up, and remove six Phillips head screws to release outer door assembly from inner door assembly.



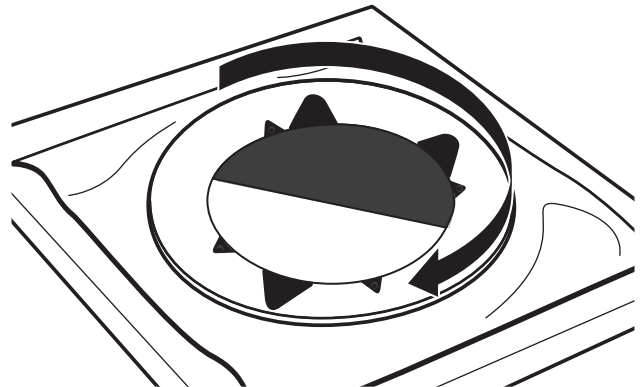
4. Lift the inner door assembly off outer door assembly.



5. Remove four Phillips head screws to release the center insert from the outer door ring.



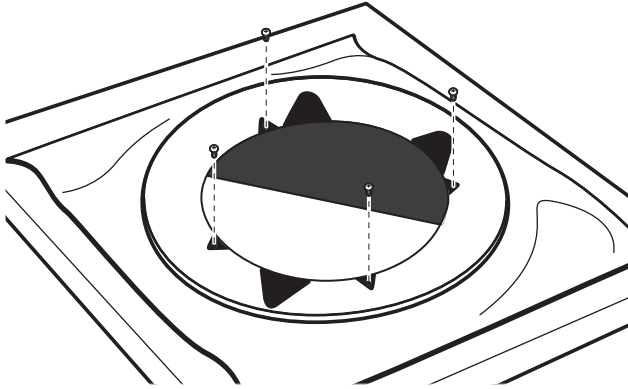
6. Lift and rotate the center insert 180°.



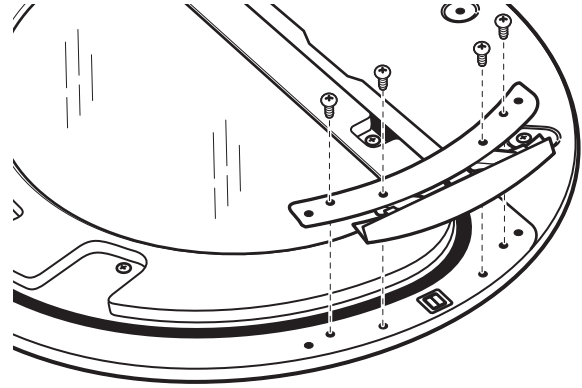
NOTE: It is important that you remove only six indicated screws.

REVERSING DRYER DOOR SWING (OPTIONAL)

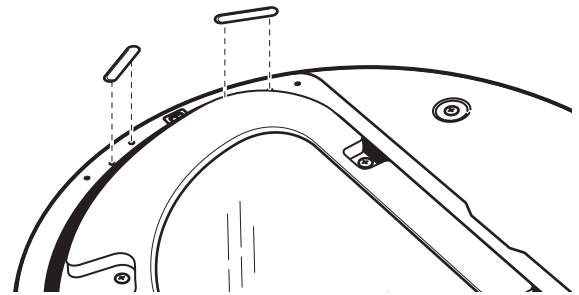
7. Reassemble the center insert and outer door ring with the four screws removed in step 5.



3. Move hinge to other side. Reinstall four screws.

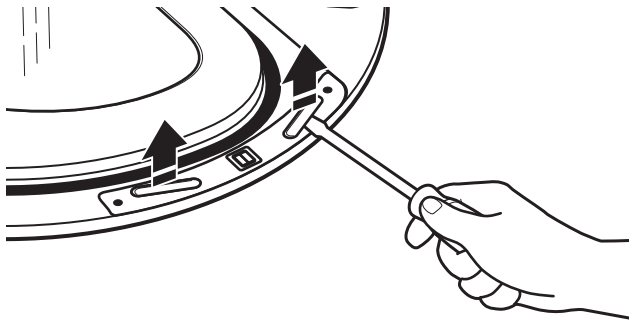


4. Reinstall plug strips on opposite side of the inner door.

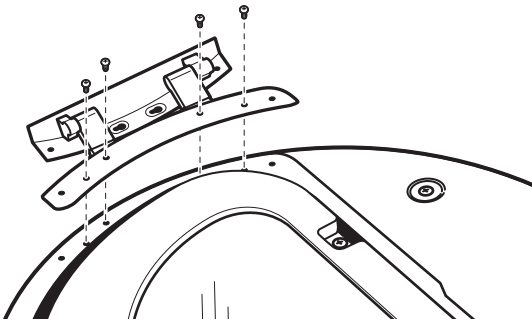


Reverse Hinge

1. Use a small flat-blade screwdriver to remove two plug strips from the inner door. Slide the head of the screwdriver under the plugs, without scratching inner door surface, and lift up strip.



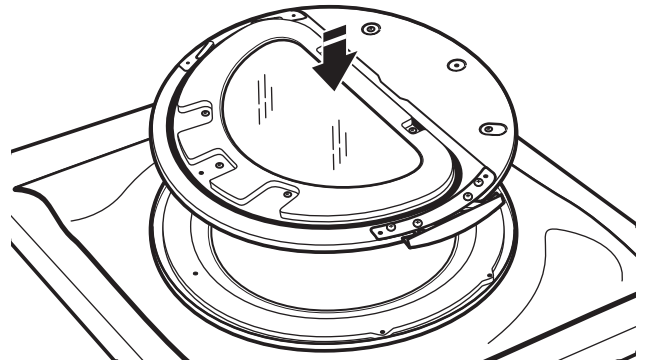
2. Remove the four screws that attach to inner door hinge.



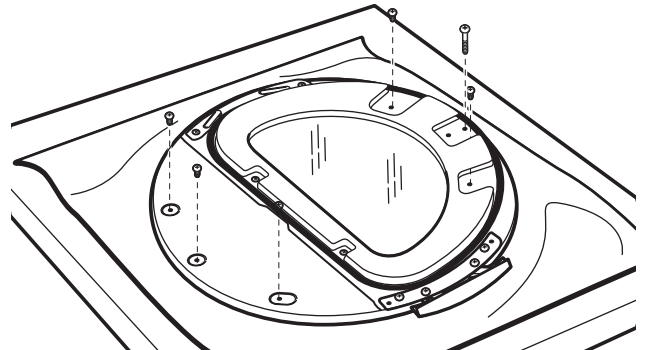
5. Check for fingerprints on the glass. Clean if necessary.

Replace the Door Assembly

1. Place the inner door assembly inside the outer door assembly.



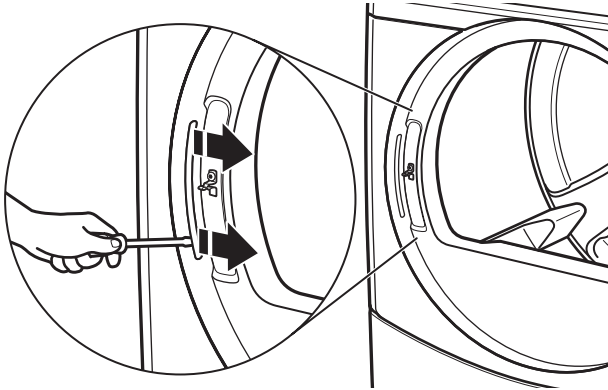
2. Reassemble the inner and outer door assemblies with the six screws.



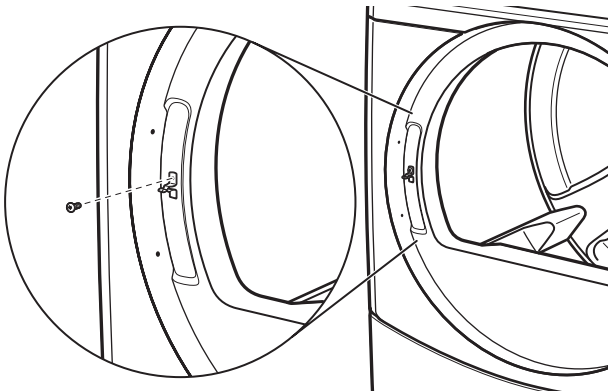
REVERSING DRYER DOOR SWING (OPTIONAL)

Reverse the strike

1. Use a small flat-blade screwdriver to remove plug strip from the dryer door opening. Slide the head of the screwdriver under the plugs, without scratching dryer surface, and lift up strip.



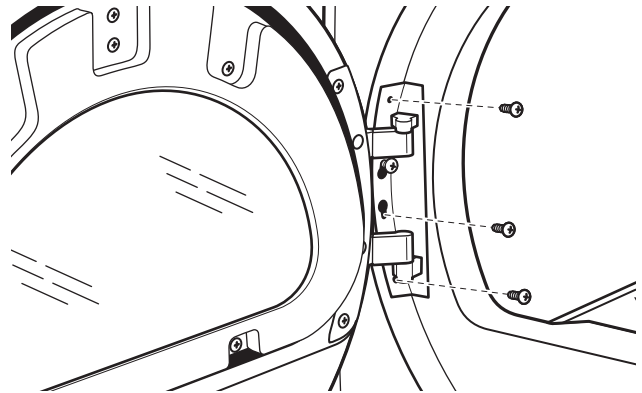
2. Remove the strike using a Phillips screwdriver.



3. Insert strike on the opposite side.

Reinstall the door

1. Partially insert the third screw from the top; then, slide the hinge onto this screw while hooking the hinge into the front panel hole. Reattach door to dryer front panel with the remaining three screws.



2. Check for fingerprints on the glass. Clean if necessary.
3. Close door and check that it latches securely.

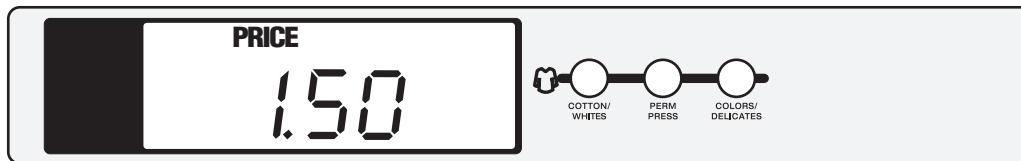
MAINTENANCE INSTRUCTIONS

- Clean lint screen before and after each cycle.
- Removing accumulated lint:
 - From inside the dryer cabinet:
Lint should be removed every 2 years or more often, depending on dryer usage. Cleaning should be done by a qualified person.
 - From the exhaust vent:
Lint should be removed every 2 years, or more often, depending on dryer usage.
- Keep area around dryer clear and free from combustible materials, gasoline, and other flammable vapors and liquids.
- Keep dryer area clear and free from items that would obstruct the flow of combustion and ventilation air.

If dryer does not operate, check the following:

- Electrical supply is connected.
- Circuit breaker is not tripped or house fuse is not blown.
- Door is closed. Listen closely to hear the door switch activate.
- Control is set up properly and display shows cycle time.
- Cycle selection button has been pushed firmly.
- For gas dryers, check that gas supply shut-off valves are set in open position.

ELECTRONIC CONTROL SET-UP INSTRUCTIONS



NOTE: After the dryer has been installed and plugged in, the display will show "0 MINUTES." After the door has been opened and closed, the display will show the vend price.

General User Information

SCROLLING "OUT OF ORDER" MESSAGE, FOLLOWED BY A FAILURE OR DIAGNOSTIC CODE, SHOWING IN DISPLAY – This condition indicates the dryer is inoperative.

"0 MINUTES" SHOWING IN DISPLAY – This indicates the dryer cannot be operated. Coins dropped or debit inputs during this condition will be stored in escrow but cannot be used until normal operation is restored by opening and closing the door. If a door switch has failed, causing "0 MINUTES" to remain in the display after the door is opened and closed, it must be replaced before normal operation can be restored.

COLD START (Initial first use) – Dryer is programmed at the factory as follows: \$1.50 dry price (30 minutes).

WARM START (after power failure) – A few seconds after power is restored, if a cycle was in progress at the time of the power failure, "RESELECT CYCLE" will flash in the display, indicating the need for a fabric setting button to be pressed to restart dryer.

PRICING – After the door is opened and then closed following the completion of a cycle, the display indicates the cycle price (unless set for free operation, where the display will flash "Select Cycle"). As coins are dropped or debit inputs arrive, the display will change to lead the user through the initiation of a cycle.

There are four (4) types of dryer pricing:

Fixed "Vend" Pricing

A dryer setup for "Fixed Cycle" operation can only accept additional time accumulated by increments equal to the length of a complete dry cycle. A maximum of 99 minutes may be purchased; no additional credit is given for coins dropped with 99 minutes in the display.

Accumulator Pricing

If option d is set to d. 00, and the 6 code is set to one coin 1, then accumulator pricing is in effect. Cycle time can be purchased one coin at a time up to the maximum time of 99 minutes.

Fixed Cycle With Top Off Pricing (available for use with coin drops or tcard readers only)

A dryer set to offer "Top Off" capability will allow time to be added to an existing dry cycle in increments equal to the number of minutes of dry time per quarter (coin 1), up to 99 minutes, regardless of the cost required to start the dryer. No credit is given for coins or debit inputs entered when the control is displaying 99 minutes.

FREE CYCLES – This is established by setting the cycle price to zero. When this happens, "SELECT CYCLE" will appear rather than a cycle price. Any cycle started as a free cycle will automatically terminate when the door is opened.

DEBIT CARD READY – This dryer is debit card ready. It will accept a variety of debit card systems, but does NOT come with a debit card reader. Refer to the debit card reader manufacturer for proper dryer setup. When a Generation 2 card reader is installed, the dryer is placed in enhanced debit mode.

In Enhanced Debit Mode, the top off price can be set independently (see VALUE OF COIN 2), and the top off time is calculated according to the following equation:

$$\frac{\text{top off price}}{\text{full cycle price}} = \frac{\text{top off time}}{\text{full cycle length}}$$

In models converted to a Generation 1 debit card system, debit pulses represent the equivalent of one coin (coin 1).

NOTE: Enhanced debit mode cannot be deselected.

Control Set-Up Procedures

IMPORTANT: Read all instructions before operating.

The fabric setting buttons along with the digital display are used to set up the dryer controls.

The display can contain four numbers and/or letters and a decimal point. These are used to indicate the set-up codes and related code values available for use in programming the dryer.

How to Use the Buttons to Program the Controls

1. The COTTON/WHITES button is used to adjust the values associated with set-up codes. Pressing the button will change the value by increments. Rapid adjustment is possible by holding down the button.
2. The PERM PRESS button will advance through the set-up codes. Pressing this button will advance to the next available set-up code. Holding down the button will automatically advance through the set-up codes at a rate faster than one per second.
3. The COLORS/DELICATES button is used to select or deselect options.

ELECTRONIC CONTROL SET-UP INSTRUCTIONS

Start Operating Set-Up

Insert service access door key, turn, and lift to remove service access door.

Dryers with Card Reader Installed:

Once the debit card reader is installed (according to the reader manufacturer's instructions), the set-up mode can be entered by inserting a manual set-up card (supplied by the reader manufacturer) into the card slot. If manual set-up card is not available, only the diagnostic mode can be entered by removing the service access door.

IMPORTANT: To access set-up mode or diagnostic mode, use a service key to open the service access door. If a card reader is installed, a service card may also be available for accessing diagnostics.

The dryer is now in the set-up mode.

NOTE: It is not necessary to set up the dryer with the following codes; the dryer is pre-set at the factory. These codes can be used to change settings, if desired.

Set-Up Codes

- The PERM PRESS button will advance from code to code.
- The COTTON/WHITES button will change the code value.
- The COLORS/DELICATES button will select or deselect options.

The set-up code is indicated by the one or two left-hand characters. The set-up code value is indicated by the two or three right-hand characters.

NOTE: The first line of each code indicates the factory default.

Code	Explanation
6 06	REGULAR CYCLE PRICE
6 06	When the d.xx is set to d.00, this 6 xx value represents the number of quarters (coin 1) needed to start the dryer; may adjust from 0–39. Change this value by pressing the COTTON/WHITES button. 6 06 = 6 quarters = \$1.50.
6 01	When the d.xx is set to d.CS, this 6 xx value represents the number of push-in actuations of the coin slide to start the dryer. 6 01 would equal one coin slide activation. → Press the PERM PRESS button once to advance to next code.
7 05	REGULAR DRY TIME
7 05	When set to Coin Drop or Card Reader operation, the dry time equals the Regular Dry Time value multiplied by the Regular Cycle Price value. Example: 6 06 and 7 05 = (06 x 05 = 30 minutes).
7 30	For coin slide or OPL operation, the value is the amount of minutes of dry time. Pressing COTTON/WHITES adjusts the value from 1–99 minutes. → Press the PERM PRESS button once to advance to next code.
8 00	TYPE OF DRYER PRICING
8 00	Fixed Cycle with Top Off. Only available for use with coin drops or card readers. For detailed description, see General User Information.
8 FC	Fixed Cycle. For detailed description, see General User Information. Use COLORS/DELICATES button to make this selection. → Press the PERM PRESS button once to advance to next code.
9 00	CYCLE COUNTER OPTION This option is either SELECTED "ON" or NOT SELECTED "OFF."
9 00	Not Selected "OFF."
9 0C	Selected "ON" and not able to be deselected. Press the COLORS/DELICATES button three consecutive times to select "ON." Once selected "ON" it cannot be deselected. → Press the PERM PRESS button once to advance to next code.

Code	Explanation
1. 00	MONEY COUNTER OPTION This option is either SELECTED "ON" or NOT SELECTED "OFF."
1. 00	Not Selected "OFF."
1. 0C	Selected "ON." Press the COLORS/DELICATES button three consecutive times to select "ON" and three consecutive times to deselect (Not Selected "OFF"). Counter resets by going from "OFF" to "ON."
1. 0C	Selected "ON" and not able to be deselected. To select "ON" and not able to be deselected, first select "ON," then within 2 seconds, press COLORS/DELICATES twice, COTTON/WHITES once, and exit the set-up mode. → Press the PERM PRESS button once to advance to next code.
2. 00	SPECIAL PRICING OPTION This option is either SELECTED "ON" or NOT SELECTED "OFF."
2. 00	Not Selected "OFF;" and next available code will be A.00.
2. 5P	Selected "ON." Press the COLORS/DELICATES button once for this selection. If SPECIAL PRICING OPTION is selected, you have access to codes "3.XX" through "9.XX." → Press the PERM PRESS button once to advance to next code.
OPTIONS TO USE IF SPECIAL PRICING IS SELECTED:	
3. 06	SPECIAL CYCLE PRICE
3. 06	Represents the number of quarters (coin 1) needed to start the dryer; may adjust from 0–39. (See b.xx set-up for VALUE OF COIN 1.) Advance from 0–39 by pressing COTTON/WHITES. Factory default of 6 quarters = \$1.50. → Press the PERM PRESS button once to advance to next code.
4. 05	SPECIAL DRY TIME
4. 05	Represents the number of minutes per quarter (coin 1). Factory default of 5 minutes per coin. Example: 6 quarters x 5 minutes = 30 minutes. By pressing the COTTON/WHITES button, the value can be adjusted from 1–99 minutes.
4. 30	For coin slide or OPL operation, the value is the amount of minutes of dry time. → Press the PERM PRESS button once to advance to next code.
5. 00	TIME-OF-DAY CLOCK, MINUTES
5. 00	This is the TIME-OF-DAY CLOCK, minute setting; select 0–59 minutes by pressing the COTTON/WHITES button. → Press the PERM PRESS button once to advance to next code.
6. 00	TIME-OF-DAY CLOCK, HOURS NOTE: Uses military time or 24 hr. clock.
6. 00	This is the TIME-OF-DAY CLOCK, hour setting; select 0–23 hours by pressing the COTTON/WHITES button. → Press the PERM PRESS button once to advance to next code.
7. 00	SPECIAL PRICE START HOUR NOTE: Uses military time or 24 hr. clock.
7. 00	This is the start hour; 0–23 hours. Select START HOUR by pressing the COTTON/WHITES button. → Press the PERM PRESS button once to advance to next code.
8. 00	SPECIAL PRICE STOP HOUR NOTE: Uses military time or 24 hr. clock.
8. 00	This is the stop hour; 0–23 hours. Select STOP HOUR by pressing the COTTON/WHITES button. → Press the PERM PRESS button once to advance to next code.

ELECTRONIC CONTROL SET-UP INSTRUCTIONS

Code	Explanation																								
9. 10	SPECIAL PRICE DAY																								
9. 10	This represents the day of the week and whether special pricing is selected for that day. A number followed by '0' indicates no selection that particular day (9.10). A number followed by an 'S' indicates selected for that day (9.1S). Day of week (1–7) can be chosen by pressing the COTTON/WHITES button. Press the COLORS/DELICATES button once to select special pricing for each day chosen. When exiting set-up code '9', the display must show current day of week: <table border="1" style="margin-left: 20px;"> <thead> <tr> <th>DISPLAY</th> <th>DAY OF WEEK</th> <th>CODE (selected)</th> </tr> </thead> <tbody> <tr><td>10</td><td>Day 1 = Sunday</td><td>1S</td></tr> <tr><td>20</td><td>Day 2 = Monday</td><td>2S</td></tr> <tr><td>30</td><td>Day 3 = Tuesday</td><td>3S</td></tr> <tr><td>40</td><td>Day 4 = Wednesday</td><td>4S</td></tr> <tr><td>50</td><td>Day 5 = Thursday</td><td>5S</td></tr> <tr><td>60</td><td>Day 6 = Friday</td><td>6S</td></tr> <tr><td>70</td><td>Day 7 = Saturday</td><td>7S</td></tr> </tbody> </table> → Press the PERM PRESS button once to advance to next code.	DISPLAY	DAY OF WEEK	CODE (selected)	10	Day 1 = Sunday	1S	20	Day 2 = Monday	2S	30	Day 3 = Tuesday	3S	40	Day 4 = Wednesday	4S	50	Day 5 = Thursday	5S	60	Day 6 = Friday	6S	70	Day 7 = Saturday	7S
DISPLAY	DAY OF WEEK	CODE (selected)																							
10	Day 1 = Sunday	1S																							
20	Day 2 = Monday	2S																							
30	Day 3 = Tuesday	3S																							
40	Day 4 = Wednesday	4S																							
50	Day 5 = Thursday	5S																							
60	Day 6 = Friday	6S																							
70	Day 7 = Saturday	7S																							
A. 00	VAULT VIEWING OPTION This option is either SELECTED "ON" or NOT SELECTED "OFF."																								
A. 00	Not Selected "OFF."																								
A. SC	Selected "ON." Press the COLORS/DELICATES button once for this selection. When selected, the money and/or cycle counts will be viewable (if counting is selected) when the coin box is removed. → Press the PERM PRESS button once to advance to next code.																								
b. 05	VALUE OF COIN 1																								
b. 05	This represents the value of coin 1 in number of nickels: 05 = \$0.25. By pressing the COTTON/WHITES button, there is the option of 1–199 nickels.																								
b. 30	With coin slide activation, this represents the total vend price in nickels. Example: b.30 is equal to \$1.50. → Press the PERM PRESS button once to advance to next code.																								
C. 20	VALUE OF COIN 2																								
C. 20	This represents the value of coin 2 in number of nickels: c.20 = \$1.00. By pressing the COTTON/WHITES button, there is the option of 1–199 nickels.																								
C. 05	When a Gen 2 card reader is used, this code represents the value of top off in nickels. C.05 = \$0.25. → Press the PERM PRESS button once to advance to next code.																								
d. 00	COIN SLIDE OPTION This option is either SELECTED "ON" or NOT SELECTED "OFF." Replacement of meter case will be needed for coin slide mounting.																								
d. 00	Not Selected "OFF."																								
d. CS	Selected "ON." NOTE: This option needs to be set to "00" unless the meter case has been changed to accept a coin slide device. Press the COLORS/DELICATES button three consecutive times for this selection. When coin slide mode is selected, set "b." equal to value of vend price in nickels. Set "6 xx" (regular cycle price) and "3 xx" (special cycle price) to number of slide operations. NOTE: If the installer sets up "CS" on a coin drop model, the dryer will not register coins inserted. → Press the PERM PRESS button once to advance to next code.																								

Code	Explanation
E. 00	ADD COINS OPTION This option is either SELECTED "ON" or NOT SELECTED "OFF." This option causes the customer display to show the number of coins (coin 1) to enter, rather than the dollars-and-cents amount.
E. 00	Not Selected "OFF."
E. AC	Selected "ON." Press the COLORS/DELICATES button three consecutive times for this selection. → Press the PERM PRESS button once to advance to next code.
J. Cd	COIN/DEBIT OPTION
J. Cd	Both coin and debit selected. Press the COLORS/DELICATES button three consecutive times to change this selection.
J. _d	Debit Card selected, coin disabled. This selection must be used for free vend. Press the COLORS/DELICATES button three consecutive times to change this selection.
J. C_	Coins selected, debit disabled. Press the COLORS/DELICATES button three consecutive times to change this selection.
J. Ed	Enhanced Debit is self-selected when a Generation 2 card reader is installed in the dryer. The "Ed" option cannot be manually selected or deselected. → Press the PERM PRESS button once to advance to next code.
L. 00	PRICE SUPPRESSION OPTION This option is either SELECTED "ON" or NOT SELECTED "OFF." This option causes the customer display to show "AVAILABLE" or "ADD" rather than the amount of money to add. (Used mainly in debit installations.)
L. 00	Not Selected "OFF."
L. PS	Selected "ON." Press the COLORS/DELICATES button once for this selection. → Press the PERM PRESS button once to advance to next code.
n. CE	CLEAR ESCROW OPTION This option is either SELECTED "ON" or NOT SELECTED "OFF." When selected, money held in escrow for 30 minutes without further escrow or cycle activity will be cleared.
n. CE	Selected "ON."
n. 00	Not Selected "OFF." Press the COLORS/DELICATES button once to deselect this option. → Press the PERM PRESS button once to advance to next code.
U. 00	PENNY INCREMENT OFFSET
U. 00	This represents the penny increment price offset used in Generation 2 (Enhanced Debit) models. Choose from 0–4 pennies by pressing the COTTON/WHITES button. → Press the PERM PRESS button once to advance to next code.

ELECTRONIC CONTROL SET-UP INSTRUCTIONS

If cycle counter (9 OC) is selected, the following is true:

1 00	Cycles in HUNDREDS	<u>1 02</u> = 200
2 00	Cycles in ONES	<u>2 25</u> = 25
		TOTAL CYCLES = 225

This is "VIEW ONLY" and cannot be cleared.

→ Press the PERM PRESS button once to advance to next code.

If money counter (1.0C or 1.C0) is selected, the following is true:

3 00	Dollars in HUNDREDS	<u>3 01</u> = \$100.00
4 00	Dollars in ONES	<u>4 68</u> = \$ 68.00
5 00	Number of CENTS	<u>5 75</u> = \$ 00.75
		TOTAL = \$168.75

END OF SET-UP PROCEDURES

TO EXIT FROM SET-UP MODE

1. Close the service access door.
2. Remove the manual set-up card.

Diagnostic Codes

If the set-up mode is entered and one of the following has previously occurred, the appropriate diagnostic code will be in the display.

Dryer Display	Explanation
d 5	Blocked coin 1 or coin drop UI control circuit failure (coin recognition and customer display disabled while blockage persists).
d 9	Voltage detected below 90 VAC for 8 seconds.
d 13	Blocked coin 2 or coin drop UI control circuit failure (coin recognition and customer display disabled while blockage persists).
d 16	Not receiving communications from installed debit card reader in Enhanced (Generation 2) Debit mode.
F 01	Dryer motor control circuit error (cycles and price display disabled until diagnostic code is manually cleared). The control doesn't know if the motor relay is bad (stuck on), the motor relay drive circuit is bad (shorted), causing the motor relay to stay on, or the motor relay feedback circuit is bad.
F 22	Exhaust thermistor open, temperature drops below 18°F (>50 kΩ) for 1 minute in Run mode, or immediately in Factory Diagnostic Mode.
F 23	Exhaust thermistor shorted, temperature above 250°F (<500 Ω) for 1 minute in Run mode, or immediately in Factory Diagnostic Mode.
F 70	UI is not receiving communications from CCU (cycles and price display disabled while error persists or is manually cleared).
F 71	CCU is not receiving communications from UI (cycles and price display disabled while error persists or is manually cleared).
F 73	UI Microprocessor is not able to read or verify EEPROM (cycles and price display disabled until diagnostic code is manually cleared).
F 74	UI EEPROM memory is a CRC failure (cycles and price display disabled until diagnostic code is manually cleared).

Dryer Diagnostic Mode

This mode is entered by depressing COLORS/DELICATES for one second while in either of the set-up codes 6 xx or 7 xx or with a diagnostic code present. Diagnostic codes are cleared on entry and all display segments should flash. If a diagnostic code persists, it must be corrected before the diagnostic cycle can be entered.

All Models:

With all segments flashing, the diagnostic cycle is started by depressing the PERM PRESS button. The cycle consists of 7 minutes of heat and 1 minute of cooldown.

The COTTON/WHITES button will increment the diagnostic cycle minutes up to 99, then roll over to 2 minutes. The COLORS/DELICATES button will cancel this cycle and exit the diagnostic mode.

Dryer Help Mode

Dryer help mode is entered by pressing the COTTON/WHITES button while in special pricing option 2.xx. In help mode, the software revision is displayed. The help mode is advanced by pressing the PERM PRESS button. See Help Mode Submenu below for the order in which items are displayed. Press the COTTON/WHITES button at any time to exit help mode.

Help Codes

Help Code	Description
71	Generation 2 debit card cycle polling message out of sequence.
74	Generation 2 debit card remaining balance message out of sequence.
75	Generation 2 debit card new card balance message out of sequence.
88	Invalid messaging state found in data acquisition communications comm_suprv () routine.

ELECTRONIC CONTROL SET-UP INSTRUCTIONS

Help Mode Submenu

Step	Display Indication	Explanation
1	1h.XX	Help Code 1, where XX is the help code number.*
2	2h.XX	Help Code 2, where XX is the help code number.*
3	3h.XX	Help Code 3, where XX is the help code number.*
4	1.X##	Error history code 1, where X is the F or d code, and ## is the code number.**
5	2.X##	Error history code 2, where X is the F or d code, and ## is the code number.**
6	3.X##	Error history code 3, where X is the F or d code, and ## is the code number.**
7	4.X##	Error history code 4, where X is the F or d code, and ## is the code number.**
8	SC.XX	CCU software revision, where XX is the software revision number.
9	SU.XX	UI software revision, where XX is the software number.
10	EU.XX	UI EEPROM revision, where XX is the EEPROM number.

* To erase the 3 help codes, press COLORS/DELICATES button.

** The Errors displayed in this section are the history errors that have occurred in the dryer (not necessarily an error that is in progress). The current error is displayed in the MANUAL KEY FUNCTION IN DIAGNOSTIC SUB-MODE.

In help mode, other display symbols and elements are mapped to reflect the state of various inputs and outputs as follows:

All Dryers

- * low voltage present (below about 90 VAC)
- °(circle above digit) door closed
- OR motor sensed running
- AIR heater/gas valve relay on
- FLUFF motor relay on

KENMORE APPLIANCE WARRANTY

KENMORE LIMITED WARRANTY

FOR ONE YEAR from the date of sale this appliance is warranted against defects in material or workmanship when it is correctly installed, operated, and maintained according to all supplied instructions.

WITH PROOF OF SALE, a defective appliance will receive free repair or replacement at option of seller.

For warranty coverage details to obtain free repair or replacement, visit the web page: www.kenmore.com/warranty.

This warranty covers ONLY defects in material and workmanship, and will NOT pay for:

1. Expendable items that can wear out from normal use, including but not limited to filters, belts, bags, or screw-in base light bulbs.
2. A service technician to clean or maintain this appliance, or to instruct the user in correct appliance installation, operation, and maintenance.
3. Service calls to correct appliance installation not performed by Sears authorized service agents, or to repair problems with house fuses, circuit breakers, house wiring, and plumbing or gas supply systems resulting from such installation.
4. Damage to or failure of this appliance resulting from installation not performed by Sears authorized service agents, including installation that was not in accord with electrical, gas, or plumbing codes.
5. Damage to or failure of this appliance, including discoloration or surface rust, if it is not correctly operated and maintained according to all supplied instructions.
6. Damage to or failure of this appliance, including discoloration or surface rust, resulting from accident, alteration, abuse, misuse or use for other than its intended purpose.

7. Damage to or failure of this appliance, including discoloration or surface rust, caused by the use of detergents, cleaners, chemicals, or utensils other than those recommended in all instructions supplied with the product.
8. Damage to or failure of parts or systems resulting from unauthorized modifications made to this appliance.
9. Service to an appliance if the model and serial plate is missing, altered, or cannot easily be determined to have the appropriate certification logo.

DISCLAIMER OF IMPLIED WARRANTIES; LIMITATION OF REMEDIES

Customer's sole and exclusive remedy under this limited warranty shall be product repair or replacement as provided herein. Implied warranties, including warranties of merchantability or fitness for a particular purpose, are limited to one year or the shortest period allowed by law. Seller shall not be liable for incidental or consequential damages. Some states and provinces do not allow the exclusion or limitation of incidental or consequential damages, or limitation on the duration of implied warranties of merchantability or fitness, so these exclusions or limitations may not apply to you.

This warranty applies only while this appliance is used in the United States.

This warranty gives you specific legal rights, and you may also have other rights which vary from state to state.

**Sears Brands Management Corporation
Hoffman Estates, IL 60179**

3/2015

Su seguridad y la seguridad de los demás es muy importante.

Hemos incluido muchos mensajes importantes de seguridad en este manual y en su electrodoméstico. Lea y obedezca siempre todos los mensajes de seguridad.



Este es el símbolo de alerta de seguridad.

Este símbolo le llama la atención sobre peligros potenciales que pueden ocasionar la muerte o una lesión a usted y a los demás.

Todos los mensajes de seguridad irán a continuación del símbolo de advertencia de seguridad y de la palabra "PELIGRO" o "ADVERTENCIA". Estas palabras significan:

 **PELIGRO**

Si no sigue las instrucciones de inmediato, usted puede morir o sufrir una lesión grave.

 **ADVERTENCIA**

Si no sigue las instrucciones, usted puede morir o sufrir una lesión grave.

Todos los mensajes de seguridad le dirán el peligro potencial, le dirán cómo reducir las posibilidades de sufrir una lesión y lo que puede suceder si no se siguen las instrucciones.

ADVERTENCIA

Peligro de incendio

Si no se siguen las advertencias de seguridad con exactitud, se podrían producir lesiones graves, muertes o daños a la propiedad.

No instale un ventilador de refuerzo en el conducto de escape.

Instale todas las secadoras de ropa de acuerdo con las instrucciones de instalación del fabricante de las secadoras.



ADVERTENCIA - "Riesgo de incendio"

- La instalación de la secadora de ropa debe estar a cargo de un instalador competente.
- Instale la secadora de ropa según las instrucciones del fabricante y los códigos locales.
- No instale una secadora de ropa con materiales de ventilación de plástico flexible o un conducto de metal flexible (de hoja de metal). Si se usa un conducto de metal flexible, éste deberá ser de un tipo específico, que esté identificado por el fabricante de electrodomésticos como apto para ser usado con secadoras de ropa. Es sabido que los materiales de ventilación flexible se derrumban, se aplastan con facilidad y atrapan pelusa. Estas condiciones obstruirán el flujo de aire de la secadora de ropa y aumentarán el riesgo de incendio.
- Para reducir el riesgo de lesiones severas o la muerte, siga todas las instrucciones de instalación.
- Guarde estas instrucciones.

SEGURIDAD DE LA SECADORA

- Se recomienda que el propietario coloque las instrucciones para el uso del cliente en un lugar a la vista, en caso de que el cliente sienta olor a gas. Esta información deberá obtenerse con su proveedor de gas.
- Coloque a la vista la siguiente advertencia.

PARA SU SEGURIDAD

No almacene ni use gasolina u otros vapores y líquidos inflamables cerca de éste o cualquier otro electrodoméstico.

ADVERTENCIA:

PELIGRO DE INCENDIO O EXPLOSIÓN

Si no se siguen las advertencias de seguridad con exactitud, se podrían producir lesiones graves, muertes o daños a la propiedad.

- No almacene o use gasolina u otros líquidos y vapores inflamables cerca de éste u otro aparato electrodoméstico.
- PASOS QUE USTED DEBE SEGUIR SI HUELE A GAS:
 - No trate de encender ningún aparato electrodoméstico.
 - No toque ningún interruptor eléctrico; no use ningún teléfono en su edificio.
 - Desaloje a todos los ocupantes del cuarto, edificio o área.
 - Llame inmediatamente a su proveedor de gas desde el teléfono de un vecino. Siga las instrucciones de su proveedor de gas.
 - Si usted no puede comunicarse con su proveedor de gas, llame al departamento de bomberos.
- La instalación y el servicio deben ser efectuados por un instalador calificado, una agencia de servicio o por el proveedor de gas.

ADVERTENCIA: Las pérdidas de gas no siempre se pueden detectar por el olfato.

Los proveedores de gas recomiendan que usted use un detector de gas aprobado por UL (Laboratorio de normalización) o CSA (Asociación canadiense de seguridad).

Para obtener más información, póngase en contacto con su proveedor de gas.

Si se detecta una fuga de gas, siga las instrucciones de “Pasos que usted debe seguir si huele a gas”.

En el estado de Massachusetts se aplican las siguientes instrucciones de instalación:

- Las instalaciones y reparaciones se deben efectuar por un contratista, plomero o gasista calificado o licenciado por el estado de Massachusetts.
- Reemplace con dispositivos de cierre aceptables: las llaves de gas y las válvulas de bola instaladas para el uso deben estar en la lista.
- Si se usa un conector de gas flexible no debe exceder de 4 pies (121,9 cm).

IMPORTANTE: La instalación de gas debe hacerse de acuerdo con los códigos locales, o si no los hay, con el Código Nacional de Gas Combustible (National Fuel Gas Code), ANSI Z223.1/NFPA 54.

La secadora debe estar conectada a tierra de acuerdo con los códigos locales, o si no los hay, con el Código Nacional de Electricidad (National Electrical Code), ANSI/NFPA 70.

INSTRUCCIONES IMPORTANTES DE SEGURIDAD

Antes de guardar o descartar su vieja secadora, quítele la puerta.

GUARDE ESTAS INSTRUCCIONES

INSTRUCCIONES IMPORTANTES DE SEGURIDAD

ADVERTENCIA: A fin de reducir el riesgo de incendio, descarga eléctrica o de daño a las personas que usen la secadora, deben seguirse las precauciones básicas, incluidas las siguientes:

- Lea todas las instrucciones antes de usar la secadora.
- Esta secadora se ha diseñado solamente para secar ropa y materiales textiles que hayan sido lavados en agua. No la use para ningún otro propósito.
- **ADVERTENCIA:** Si usted siente olor a gas, no use la secadora ni ningún equipo eléctrico que esté cerca. Advierta a otras personas que deben despejar el área. Póngase en contacto inmediatamente con el dueño de la secadora.
- No coloque los objetos expuestos a aceite para cocinar en su secadora. Los objetos expuestos a aceites para cocinar pueden contribuir a una reacción química que podría causar que la ropa se inflame.
- No seque artículos que hayan sido previamente limpiados, lavados, remojados o humedecidos con gasolina, solventes de limpieza en seco u otras sustancias inflamables o explosivas ya que éstas emanan vapores que podrían encenderse o causar una explosión.
- No seque en la secadora artículos que no hayan sido lavados.
- No permita que los niños jueguen encima o dentro de la secadora. Es necesario una supervisión cuidadosa de los niños cada vez que se use la secadora cerca de ellos.
- Antes de poner la secadora fuera de servicio o desecharla, quite la puerta al compartimiento de la secadora.
- No introduzca las manos en la secadora cuando el tambor está moviéndose.
- No abra la puerta mientras la secadora esté funcionando. Se detendrá.
- No instale o almacene esta secadora donde esté expuesta al agua y/o a la intemperie.
- No trate de jugar con los controles.
- Limpie el filtro de pelusa antes o después de cada carga de ropa.
- No use esta secadora sin el filtro de pelusa en su lugar.
- No repare o reemplace ninguna pieza de la secadora ni trate de repararla a menos que esto se recomiende específicamente en los Instrucciones de instalación o en instrucciones de reparación publicadas para el usuario que usted comprenda y sólo si cuenta con la experiencia necesaria para llevar a cabo dicha reparación.
- No utilice suavizante de telas o productos para eliminar la estática de prendas a menos que lo recomiende el fabricante del suavizante de telas o del producto en uso.
- No utilice calor para secar prendas que contengan hule espuma o materiales con textura de hule similar.
- La parte final de un ciclo de rotación en la secadora ocurre sin calor (ciclo de enfriamiento) para asegurarse de que los artículos se dejen a una temperatura que asegure que no se dañarán.
- **ADVERTENCIA:** Nunca detenga un secado con rotación antes de que se termine el ciclo de secado, a menos que todos los artículos se hayan sacado y separado, para que se disipe el calor. (Evita el riesgo de combustión espontánea).
- Mantenga el área alrededor de la abertura de ventilación y las áreas adyacentes a esta abertura sin pelusa, polvo o suciedad.
- La parte interior de la secadora y el ducto de escape se deben limpiar periódicamente. Esta limpieza la debe llevar a cabo un reparador calificado.
- Consulte la sección "Requisitos eléctricos" para ver las instrucciones de conexión a tierra.

GUARDE ESTAS INSTRUCCIONES

Advertencias de la Proposición 65 del estado de California:

ADVERTENCIA: Este producto contiene una o más sustancias químicas identificadas por el estado de California como causantes de cáncer.

ADVERTENCIA: Este producto contiene una o más sustancias químicas identificadas por el estado de California como causantes de defectos congénitos o algún otro tipo de daños en la función reproductora.

HERRAMIENTAS Y PIEZAS

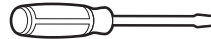
Herramientas necesarias:



Llave para tubos de 8" (200 mm) o 10" (250 mm)



Llave ajustable de 8" (200 mm) o de 10" (250 mm) que se abra a 1" (25 mm)



Destornillador de hoja plana



Destornillador Phillips



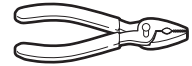
Destornillador o broca de seguridad Torx T-20[†]



Llave de cubo de cabeza hexagonal de 1" (25 mm)



Llave de tubo de 1/4" (6 mm)



Pinzas (que se abran a 1 1/16" [39 mm])



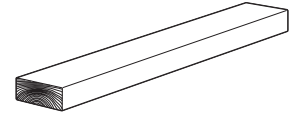
Nivel



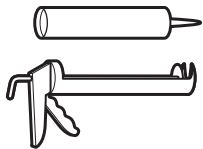
Cuchillo para uso general



Llave de tuercas de 1/4" (6 mm)



Bloque de madera de 27" (686 mm)



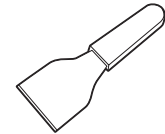
Pistola y masilla para calafateo (para instalar el nuevo ducto de escape)



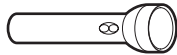
Abrazaderas para ducto



Compuesto para unión de tuberías que sea adecuado para el tipo de gas



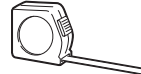
Cuchillo para masilla



Linterna (opcional)



Llaves de boca de 1" (25 mm)

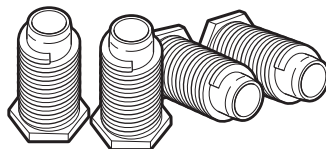


Regla o cinta para medir

Piezas suministradas:



Cuñas (4)

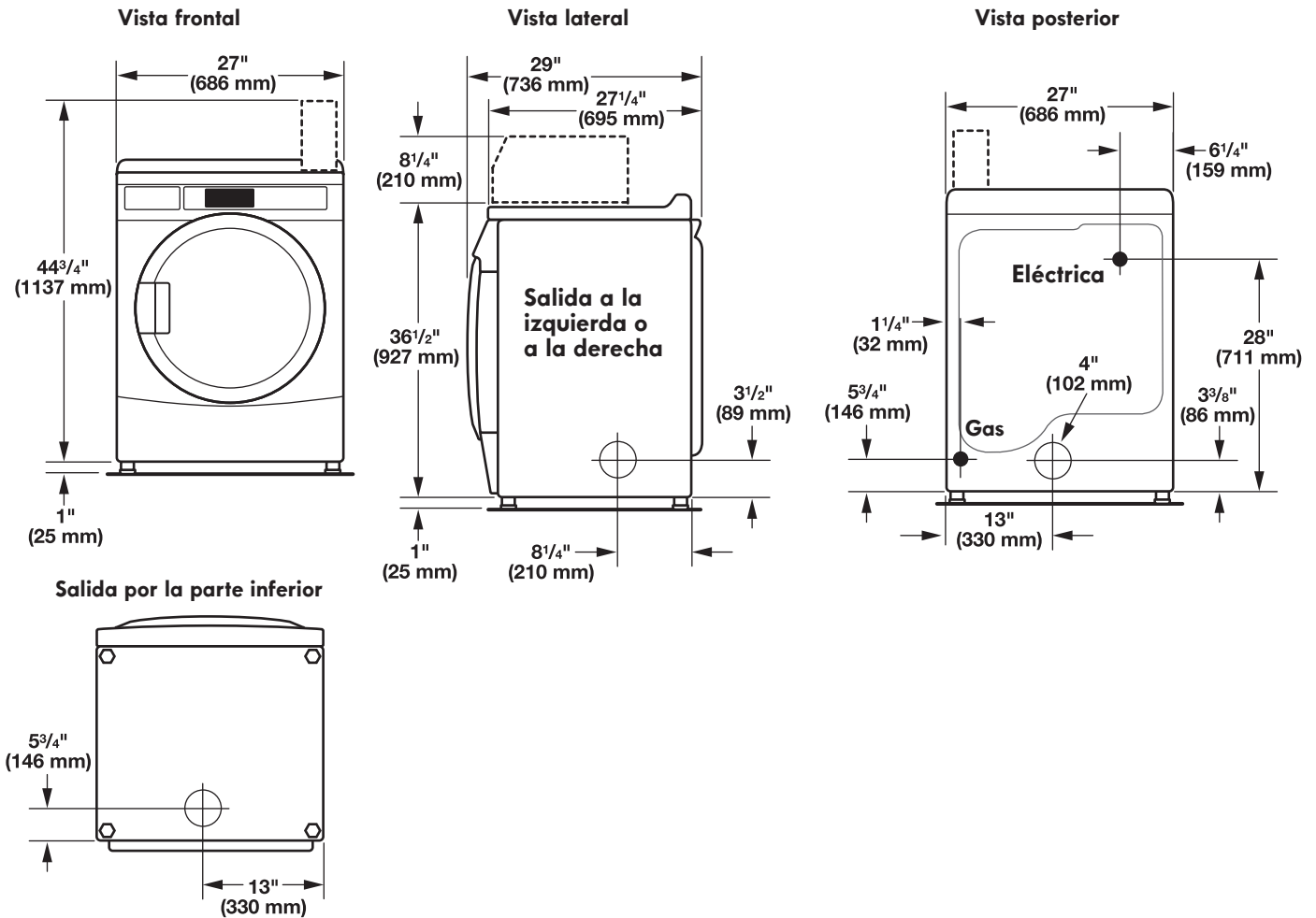


Patatas de la secadora (4)

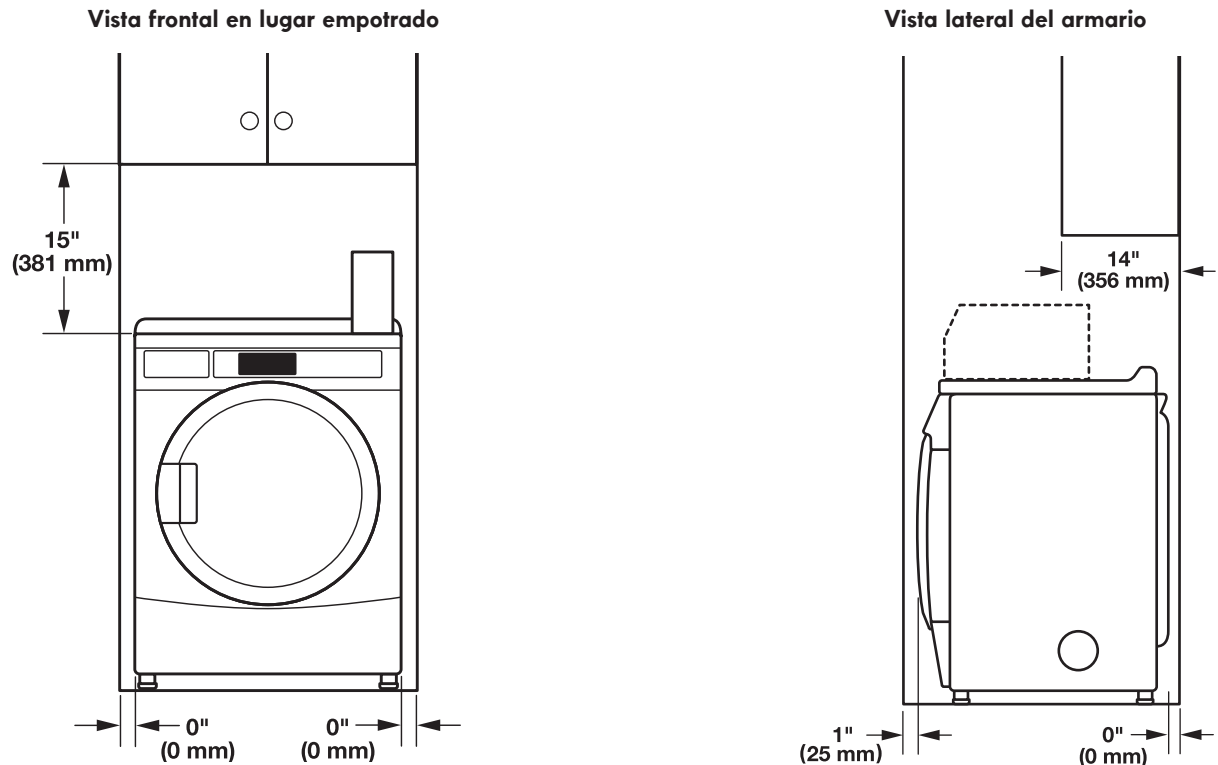
[†]TORX y T20 son marcas registradas de Acument Intellectual Properties, LLC.

DIMENSIONES Y ESPACIOS LIBRES

Dimensiones



Espacios libres



REQUISITOS DE INSTALACIÓN DE LA SECADORA A GAS

Requisitos de ubicación

⚠️ ADVERTENCIA



Peligro de Explosión

Mantenga los materiales y vapores inflamables, tales como la gasolina, alejados de la secadora.

No instale en un garage.

No seguir estas instrucciones puede ocasionar la muerte, explosión o incendio.

Su secadora se puede instalar en un sótano, cuarto para lavar o un lugar empotrado.

Esta secadora no es apropiada para instalaciones en casas rodantes.

Deberá tenerse en cuenta también los requisitos para la ubicación de otro electrodoméstico que le acompañe.

IMPORTANTE: No instale ni almacene esta secadora donde estará expuesta al agua y/o a la intemperie. La instalación correcta es su responsabilidad.

Usted necesitará:

- Un contacto eléctrico con conexión a tierra ubicado a una distancia de no más de 6 pies (1,8 m) del lugar donde el cable eléctrico está fijado a la parte posterior de la secadora. Vea "Requisitos eléctricos."
- Un piso nivelado con un declive máximo de 1" (25 mm) debajo de la secadora completa. No se recomienda instalar la secadora sobre superficies blandas del piso, tales como alfombras o superficies con reverso de espuma.

Espacios libres de instalación para la secadora a gas

- La ubicación debe ser lo suficientemente grande para permitir que la puerta de la secadora se abra completamente.
- Debe considerarse espacio adicional para facilitar la instalación y el servicio técnico. La puerta se abra a más de 180°.
- Se podrían necesitar espacios libres adicionales para las molduras de la pared, de la puerta y del piso.
- Se recomienda un espacio adicional de 1" (25 mm) en todos los lados de la secadora para reducir la transferencia de ruido.

Cuando instale una secadora a gas:

IMPORTANTE: Observe todos los códigos y ordenanzas aplicables.

- Verifique los requisitos de los códigos: Algunos códigos limitan, o no permiten, la instalación de la secadora en garajes, clósets o en dormitorios. Póngase en contacto con el inspector de construcciones de su localidad.
- Asegúrese de que los bordes inferiores del armario, además de los lados de la parte posterior e inferior de la secadora, estén libres de obstrucciones, para permitir el espacio adecuado de aberturas para la combustión de aire. Vea "Instrucciones para la instalación empotrada o en clóset" a continuación para los requisitos mínimos de espacio.

Instrucciones para la instalación empotrada o en clóset

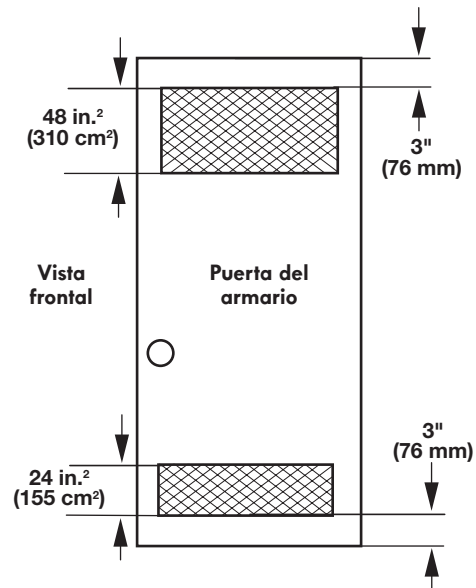
Esta secadora podrá instalarse en un área empotrada o en un clóset. Para las instalaciones en áreas empotradas y clósets, se pueden encontrar los espacios mínimos en la etiqueta de advertencia, en la parte posterior de la secadora o en la sección "Dimensiones y espacios libres."

El espacio de instalación es en milímetros y es el mínimo permitido. Debe considerarse espacio adicional para facilitar la instalación, el servicio técnico y el cumplimiento de los códigos y ordenanzas locales.

Si se ha instalado la puerta del clóset, se requieren aberturas mínimas de ventilación sin obstrucciones en la parte superior e inferior de la puerta. Se aceptan puertas tipo persianas con aberturas de aire equivalentes.

La secadora deberá ventilarse al exterior.

No se puede instalar otro electrodoméstico que usa combustible en el mismo armario en que se encuentra la secadora.



REQUISITOS DE INSTALACIÓN DE LA SECADORA A GAS

Requisitos eléctricos

⚠ ADVERTENCIA



Peligro de Choque Eléctrico

Conecte a un contacto de pared de conexión a tierra de 3 terminales.

No quite la terminal de conexión a tierra.

No use un adaptador.

No use un cable eléctrico de extensión.

No seguir estas instrucciones puede ocasionar la muerte, incendio o choque eléctrico.

IMPORTANTE: La secadora debe ser puesta a tierra de acuerdo a los códigos y ordenanzas locales, o en la ausencia de códigos locales, con el National Electrical Code (Código Eléctrico Nacional), ANSI/NFPA 70, última edición. Si los códigos lo permiten y se emplea un alambre de conexión a tierra separado, es recomendable que un instalador eléctrico calificado determine si la trayectoria de conexión a tierra es adecuada.

Usted puede obtener una copia de todas las normas arriba indicadas en:

National Fire Protection Association
One Batterymarch Park, Quincy, MA 02269

CSA International
8501 East Pleasant Valley Road
Cleveland, Ohio 44131-5575

- No conecte a tierra a un tubo de gas.
- No coloque un fusible en el circuito neutro o de puesta a tierra.
- Se requiere un circuito eléctrico con fusible de 120 voltios, 60 Hz, CA solamente, de 15 o 20 amp. Se recomienda también un fusible retardador o un cortacircuitos. Asimismo se recomienda el uso de un circuito independiente que preste servicio únicamente a esta secadora.
- Esta secadora viene equipada con un cable eléctrico dotado de un enchufe de 3 terminales con conexión a tierra.
- Para reducir al mínimo los posibles choques eléctricos, el cable debe ser enchufado en un contacto apropiado de pared de 3 terminales, conectado a tierra de acuerdo con los códigos y normas locales. Si no hay disponible un contacto equivalente, es responsabilidad y obligación personal del cliente de tener un contacto apropiado con conexión a tierra instalado por un electricista calificado.
- Si los códigos lo permiten y se emplea un alambre de conexión a tierra separado, es recomendable que un instalador eléctrico calificado determine si la trayectoria de conexión a tierra es adecuada.
- Si no está seguro de que la conexión a tierra de la secadora sea la adecuada, verifíquela con un electricista competente.

Conexión a tierra de la secadora a gas

INSTRUCCIONES PARA LA CONEXIÓN A TIERRA

- Para la conexión de una secadora mediante cable eléctrico conectado a tierra:

Esta secadora debe estar conectada a tierra. En el caso de funcionamiento defectuoso o avería, la conexión a tierra reducirá el riesgo de choque eléctrico al proporcionar una vía de menor resistencia para la corriente eléctrica. Esta secadora está equipada con un cable que cuenta con un conductor para la conexión a tierra del equipo y un enchufe de conexión a tierra. El enchufe debe conectarse en un contacto apropiado, que esté debidamente instalado y conectado a tierra de acuerdo con todos los códigos y ordenanzas locales.

ADVERTENCIA: La conexión indebida del conductor para la conexión a tierra del equipo puede ocasionar un riesgo de choque eléctrico. Verifique con un electricista, representante o personal de servicio técnico calificado para asegurarse de que la conexión a tierra de la secadora sea apropiada. No modifique el enchufe proporcionado con la secadora. Si no encaja en el contacto, contrate un electricista calificado para que instale un contacto adecuado.

GUARDE ESTAS INSTRUCCIONES

REQUISITOS DE INSTALACIÓN DE LA SECADORA A GAS

Suministro de gas

ADVERTENCIA



Peligro de Explosión

Use una línea de suministro de gas nueva con aprobación CSA Internacionál.

Instale una válvula de cierre.

Apriete firmemente todas las conexiones de gas.

Si se conecta a un suministro de gas propano, la presión no debe exceder una columna de agua de 330 mm (13 pulg) y debe ser verificada por una persona calificada.

Ejemplos de una persona calificada incluyen:

**personal de servicio del sistema de calefacción con licencia,
personal autorizado de la compañía de gas, y
personal autorizado para dar servicio.**

No seguir estas instrucciones puede ocasionar la muerte, explosión o incendio.

La presión del suministro de gas requerida para hacer funcionar la secadora es de un mínimo de 5,2" ca (1,30 kPa) y un máximo de 10,5" ca (2,62 kPa).

IMPORTANTE: Observe todos los códigos y reglamentos aplicables.

Esta instalación debe hacerse de acuerdo con todos los códigos y ordenanzas locales. Si no hay códigos locales, la instalación deberá hacerse de acuerdo al Código estadounidense nacional (American National Standard) o el Código Nacional de Gas Combustible (National Fuel Gas Code), ANSI Z223.1/NFPA 54.

Usted puede obtener una copia de todas las normas arriba indicadas en:

National Fire Protection Association
One Batterymarch Park, Quincy, MA 02269

CSA International
8501 East Pleasant Valley Road
Cleveland, Ohio 44131-5575

El diseño de esta secadora ha sido certificado por CSA International para uso en altitudes de hasta 10.000 pies (3.048 m) sobre el nivel del mar en la clasificación de B.T.U. indicada en la placa del modelo/serie. No se requieren ajustes de entrada del quemador cuando se usa la secadora hasta esta altitud.

Cuando se instale sobre los 10.000 pies (3.048 m), se requiere un cuatro por ciento (4%) de reducción de la clasificación en B.T.U. del quemador mostrado en la placa del modelo/serie por cada 1.000 pies (305 m) de incremento en la elevación. Para obtener asistencia al convertir a otros tipos de gas y/o al instalar sobre 10.000 pies (3.048 m) de elevación, póngase en contacto con su compañía de servicio local.

REQUISITOS DE INSTALACIÓN DE LA SECADORA ELÉCTRICA

Requisitos de ubicación

⚠️ ADVERTENCIA



Peligro de Explosión

Mantenga los materiales y vapores inflamables, tales como la gasolina, alejados de la secadora.

No instale en un garage.

No seguir estas instrucciones puede ocasionar la muerte, explosión o incendio.

Su secadora se puede instalar en un sótano, cuarto para lavar o un lugar empotrado.

Esta secadora no es apropiada para instalaciones en casas rodantes.

Deberá tenerse en cuenta también los requisitos para la ubicación de otro electrodoméstico que le acompañe.

IMPORTANTE: No instale ni almacene esta secadora donde estará expuesta al agua y/o a la intemperie. La instalación correcta es su responsabilidad.

Usted necesitará:

- Un contacto eléctrico con conexión a tierra ubicado a una distancia de no más de 6 pies (1,8 m) del lugar donde el cable eléctrico está fijado a la parte posterior de la secadora. Vea "Requisitos eléctricos."
- Un piso nivelado con un declive máximo de 1" (25 mm) debajo de la secadora completa. No se recomienda instalar la secadora sobre superficies blandas del piso, tales como alfombras o superficies con reverso de espuma.

Espacios libres de instalación para la secadora eléctrica

- La ubicación debe ser lo suficientemente grande para permitir que la puerta de la secadora se abra completamente.
- Debe considerarse espacio adicional para facilitar la instalación y el servicio técnico. La puerta se abra a más de 180°.
- Se podrían necesitar espacios libres adicionales para las molduras de la pared, de la puerta y del piso.
- Se recomienda un espacio adicional de 1" (25 mm) en todos los lados de la secadora para reducir la transferencia de ruido.

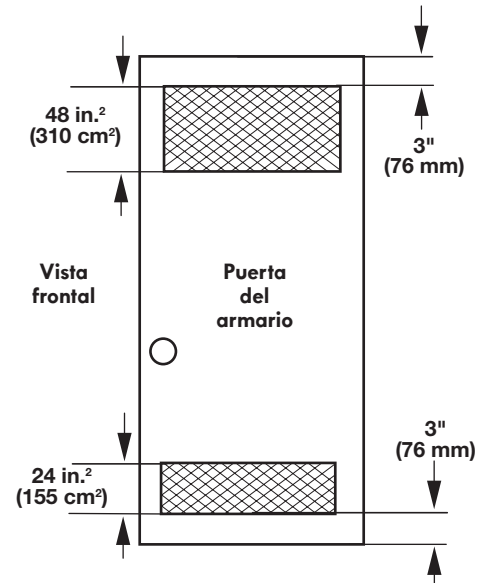
Instrucciones para la instalación empotrada o en clóset

Esta secadora podrá instalarse en un área empotrada o en un clóset. Para las instalaciones en áreas empotradas y clósets, se pueden encontrar los espacios mínimos en la etiqueta de advertencia, en la parte posterior de la secadora o en la sección "Dimensiones y espacios libres."

El espacio de instalación es en milímetros y es el mínimo permitido. Debe considerarse espacio adicional para facilitar la instalación, el servicio técnico y el cumplimiento de los códigos y ordenanzas locales.

Si se ha instalado la puerta del clóset, se requieren aberturas mínimas de ventilación sin obstrucciones en la parte superior e inferior de la puerta. Se aceptan puertas tipo persianas con aberturas de aire equivalentes.

La secadora deberá ventilarse al exterior.



Requisitos eléctricos – Sólo en EE.UU.

Usted es responsable de:

- Ponerse en contacto con un instalador eléctrico calificado.
- Asegurarse de que la conexión eléctrica sea adecuada y de conformidad con el Código Nacional Eléctrico, ANSI/NFPA 70 – última edición y con todos los códigos y ordenanzas locales.
- El Código Nacional Eléctrico requiere una conexión de suministro de energía eléctrica de 4 hilos para aquellos hogares construidos después de 1996, para los circuitos de secadora que se hayan reformado después de 1996 y todas las instalaciones de casas rodantes.
- Usted puede obtener una copia de todas las normas arriba indicadas en: National Fire Protection Association, One Batterymarch Park, Quincy, MA 02269.
- Proveer el suministro eléctrico requerido de 3 o 4 alambres, monofásico, de 120/240 voltios, 60 Hz, CA solamente (o un suministro eléctrico de 3 o 4 alambres, de 120/208 voltios, si se especifica en la placa indicadora de corriente/de la serie) en un circuito separado de 30 amps, protegido con fusibles en ambos lados de la línea. Se recomienda un fusible retardador o un cortacircuitos. Conéctelo a un circuito derivado individual. No tenga un fusible en el circuito neutro o de conexión a tierra.
- No use un cable eléctrico de extensión.
- Si los códigos lo permiten y se emplea un alambre de conexión a tierra separado, es recomendable que un electricista calificado determine si la trayectoria de conexión a tierra es adecuada.

REQUISITOS DE INSTALACIÓN DE LA SECADORA ELÉCTRICA

Requisitos eléctricos – Sólo en EE.UU. (cont.)

Conexión eléctrica

Para instalar su secadora adecuadamente, usted debe determinar el tipo de conexión eléctrica que va a usar y seguir las instrucciones que aquí se proveen para el caso.

- Esta secadora ha sido manufacturada lista para ser instalada en una conexión de suministro de energía eléctrica de 3 hilos. El conductor de puesta a tierra neutro está permanentemente conectado al conductor neutral (cable blanco) dentro de la secadora. Si la secadora está instalada con una conexión de suministro eléctrico de 4 hilos, el conductor neutro de puesta a tierra se debe quitar del conector de puesta a tierra exterior (tornillo verde) y se debe ajustar debajo de la terminal neutra (cable central o blanco) del bloque de terminal. Cuando el conductor neutro de puesta a tierra esté ajustado debajo de la terminal neutra (cable central o blanco) del bloque de terminal, la carcasa de la secadora queda aislada del conductor neutral.
- Si los códigos locales no permiten la conexión de un conductor neutro conectado a tierra al alambre neutro, vea la sección "Conexión opcional de 3 hilos."
- Deberá usarse una conexión con suministro de energía de 4 hilos cuando el aparato esté instalado en una ubicación en la cual esté prohibida la conexión a tierra a través del conductor neutro. Está prohibido hacer la puesta a tierra a través del conductor neutro para (1) las nuevas instalaciones de circuito derivado y (2) áreas donde los códigos locales prohíben la conexión a tierra a través del conductor neutro.

Conexión a tierra de la secadora eléctrica

INSTRUCCIONES PARA LA CONEXIÓN A TIERRA

- Para la conexión de una secadora mediante cable eléctrico conectado a tierra:
Esta secadora debe estar conectada a tierra. En el caso de funcionamiento defectuoso o avería, la conexión a tierra reducirá el riesgo de choque eléctrico al proporcionar una vía de menor resistencia para la corriente eléctrica. Esta secadora usa un cable que cuenta con un conductor para la conexión a tierra del equipo y un enchufe de conexión a tierra. El enchufe debe conectarse en un contacto apropiado, que esté debidamente instalado y conectado a tierra de acuerdo con todos los códigos y ordenanzas locales.
- Para la conexión permanente de una secadora:
Esta secadora debe estar conectada a un sistema de cableado de metal permanente, conectado a tierra, o se debe tender un conducto para la conexión a tierra del equipo con los conductores de circuito y conectado al terminal de tierra del equipo o al conductor de suministro de la secadora.

ADVERTENCIA: La conexión indebida del conductor para la conexión a tierra del equipo puede ocasionar un riesgo de choque eléctrico. Verifique con un electricista, representante o personal de servicio técnico calificado para asegurarse de que la conexión a tierra de la secadora sea apropiada. No modifique el enchufe que viene con el cable eléctrico. Si no encaja en el contacto, contrate un electricista calificado para que instale un contacto adecuado.

GUARDE ESTAS INSTRUCCIONES

Cable de suministro eléctrico de la secadora eléctrica

⚠ ADVERTENCIA



Peligro de Incendio

Use un cable de suministro eléctrico nuevo de 30 amperes que esté en la lista de UL.

Use un protector de cables que esté en la lista de UL.

Desconecte el suministro eléctrico antes de hacer las conexiones eléctricas.

Conecte el alambre neutro (el blanco o el del centro) al terminal central.

El alambre de tierra (el verde o el no aislado) se debe conectar con el conector verde de tierra.

Conecte los 2 alambres de suministro restantes con las 2 terminales restantes (las doradas).

Apriete firmemente todas las conexiones eléctricas.

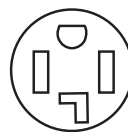
No seguir estas instrucciones puede ocasionar la muerte, incendio, o choque eléctrico.

Si emplea un cable de suministro eléctrico:

Use un juego de cable de suministro de energía que esté en la lista de UL, para ser usado con secadoras de ropa. El juego deberá incluir:

- Un cable de suministro de energía de 30 amperios que esté en la lista de UL, de 120/240 voltios mínimo. El cable deberá ser del tipo SRD o SRDT y tener por lo menos 4 pies (1,22 m) de largo. Los alambres que conectan a la secadora deben acabar en terminales de anillo o de horquilla en forma de "U" con los extremos hacia arriba.
- Un protector de cables que esté en la lista de UL.

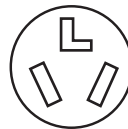
Si el contacto de pared luce como éste:



Contacto de 4 alambres (14-30R)

Entonces elija un cable de suministro eléctrico de 4 alambres con terminales de anillo o de horquilla y con protector contra tirones que esté en la lista de UL. El cordón de suministro de corriente de 4 hilos, de por lo menos 4 pies (1,22 m) de largo, debe tener 4 hilos de cobre sólido de calibre 10 y encajar en un tomacorriente para 4 hilos de NEMA Tipo 14-30R. El hilo de puesta a tierra (conductor de puesta a tierra) debe ser verde o desnudo. El conductor neutral debe ser identificado con una cubierta blanca.

Si el contacto de pared luce como éste:



Contacto de 3 alambres (10-30R)

Entonces elija un cable de suministro eléctrico de 3 alambres con terminales de anillo o de horquilla y con protector contra tirones que esté en la lista de UL. El cable de suministro de corriente de 3 hilos, de por lo menos 4 pies (1,22 m) de largo, debe tener 3 hilos de cobre sólido de calibre 10 y encajar en un tomacorriente para 3 hilos de NEMA Tipo 10-30R.

REQUISITOS DE INSTALACIÓN DE LA SECADORA ELÉCTRICA

Cableado directo

ADVERTENCIA



Peligro de Incendio

Utilice alambre de cobre de calibre 10.

Use un protector de cables que esté en la lista de UL.

Desconecte el suministro eléctrico antes de hacer las conexiones eléctricas.

Conecte el alambre neutro (el blanco o el del centro) a la terminal central.

El alambre de tierra (el verde o el no aislado) se debe conectar con el conector verde de tierra.

Conecte los 2 alambres de suministro restantes con las 2 terminales restantes (las doradas).

Apriete firmemente todas las conexiones eléctricas.

No seguir estas instrucciones puede causar la muerte, incendio o choque eléctrico.

Si hace la conexión con cableado directo:

El cable de suministro eléctrico debe ser igual al suministro eléctrico (de 4 alambres o de 3 alambres) y debe ser:

- Cable blindado flexible o cable de cobre forrado no metálico (con alambre puesto a tierra), protegido con un conducto metálico flexible. Todos los alambres conductores de corriente deben estar aislados.
- Alambre de cobre sólido de calibre 10 (no utilice aluminio).
- Tener por lo menos 5 pies (1,52 m) de longitud.

REQUISITOS DE VENTILACIÓN DE LA SECADORA

⚠️ ADVERTENCIA



Peligro de Incendio

Use un ducto de escape de metal pesado.

No use un ducto de escape de plástico.

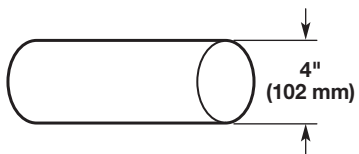
No use un ducto de escape de aluminio.

No seguir estas instrucciones puede ocasionar la muerte o incendio.

ADVERTENCIA: Para reducir el riesgo de incendio, esta secadora DEBE VENTILARSE HACIA EL EXTERIOR.

IMPORTANTE: Observe todos los códigos y ordenanzas aplicables.

El ducto de escape de la secadora no debe conectarse en ningún ducto de gas, chimenea, pared, techo, desván, espacio angosto o el espacio oculto de un edificio. Deberá usarse solamente un ducto de metal rígido o flexible para la ventilación.



Ducto de escape de metal pesado de 4" (102 mm)

- Sólo puede usarse un ducto de escape de metal pesado de 4" (102 mm) y abrazaderas.
- No utilice un ducto de escape de plástico ni de aluminio.

Ducto de escape de metal rígido:

- Se recomienda para un mejor desempeño en el secado y para evitar que se aplaste o se tuerza.

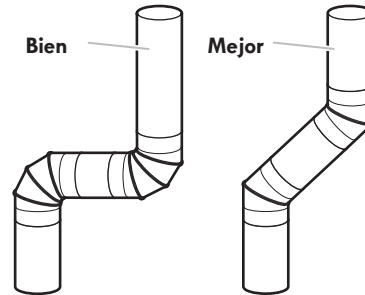
Ducto de escape de metal flexible: (Es aceptable sólo si es accesible para la limpieza)

- Deberá extenderse por completo y tener soporte en la ubicación final de la secadora.
- Quite el exceso del mismo para evitar que se doble y se tuerza, lo cual podría dar lugar a una reducción del flujo de aire y a un rendimiento insuficiente.
- No instale un ducto de escape de metal flexible en paredes, techos o pisos encerrados.
- La longitud total no deberá exceder los 7¾ pies (2,4 m).

NOTA: Si se usa un sistema de ventilación existente, limpie la pelusa que está en toda la longitud del sistema y asegúrese de que la capota de ventilación no esté obstruida con pelusa. Reemplace los ductos de escape de plástico o de hoja de metal por ductos de metal rígido o de metal flexible. Revise el "Cuadro del sistema de ventilación" y, si es necesario, modifique el sistema de ventilación existente para lograr el mejor desempeño de secado.

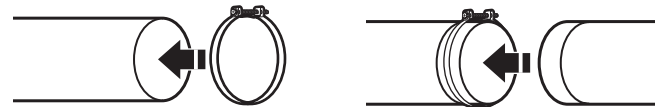
Codos:

- Los codos de 45° proveen un mejor flujo de aire que los codos de 90°.



Abrazaderas:

- Utilice abrazaderas para sellar todas las juntas.
- No debe conectarse ni asegurarse el ducto de escape con tornillos ni con ningún otro dispositivo de sujeción que se extienda hacia el interior de dicho ducto y atrape pelusa. No utilice cinta para ductos.



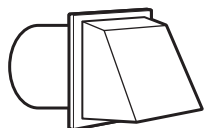
La ventilación inadecuada puede ocasionar la acumulación de humedad y pelusa en la casa, lo cual puede dar como resultado:

- Daños de humedad en la carpintería, muebles, pintura, empapelado, alfombras, etc.
- Problemas en la limpieza de la casa y de salud.

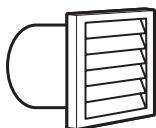
REQUISITOS DE VENTILACIÓN DE LA SECADORA

Capotas de ventilación

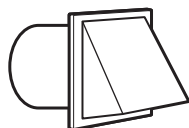
Capotas de ventilación de 4" (102 mm) de diámetro



Capota tipo caja

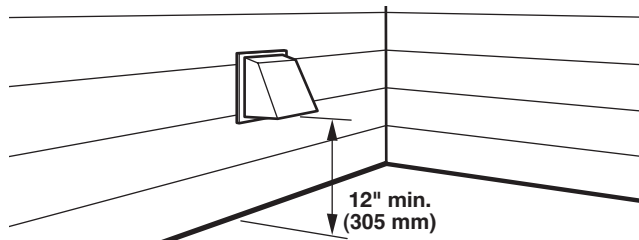


Capota tipo persiana



Capota angular

La capota de ventilación debe estar por lo menos a 12" (305 mm) de distancia del piso o de cualquier objeto que pudiese estar en el trayecto del ducto de escape (como flores, rocas, arbustos o nieve).



Largo del sistema de ventilación

Largo máximo del ducto de ventilación/ Conexión de la ventilación

La longitud máxima del sistema de ventilación depende del tipo de ducto que se use, el número de codos y el tipo de capota de ventilación.

Cuadro del sistema de ventilación
(ducto de escape de metal rígido)

Nº de vueltas de 90°	Capota tipo caja y tipo persiana	Capota angular
0	64 pies (19,5 m)	58 pies (17,7 m)
1	54 pies (16,5 m)	48 pies (14,6 m)
2	44 pies (13,4 m)	38 pies (11,6 m)
3	35 pies (10,7 m)	29 pies (8,8 m)
4	27 pies (8,2 m)	21 pies (6,4 m)

Para los sistemas de ventilación que no se incluyan en el cuadro de especificaciones de ventilación, póngase en contacto con su distribuidor de piezas.

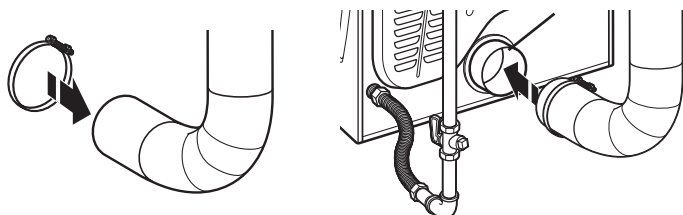
Se deben realizar provisiones para que haya suficiente aire para la combustión y la ventilación. (Verifique los códigos y reglamentos aplicables.) Consulte "Instrucciones para la instalación empotrada y en clóset" en la sección "Requisitos de ubicación."

Se prefiere una capota de salida de 4" (102 mm). Aún así, podrá usarse una salida de escape de 2½" (64 mm). Una salida de 2½" (64 mm) ocasiona mayor contrapresión que los otros tipos de capotas. Para una instalación permanente, se necesita un sistema fijo de ventilación.

Conexión del ducto de escape

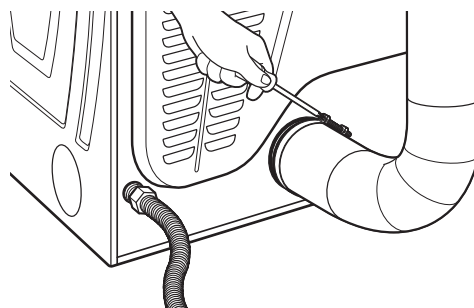
1. Si se conecta a un ducto de escape existente, asegúrese de que el mismo esté limpio.
2. Usando una abrazadera de 4" (102 mm), conecte el ducto de escape a la salida de aire en la secadora.

Collar del ducto de escape

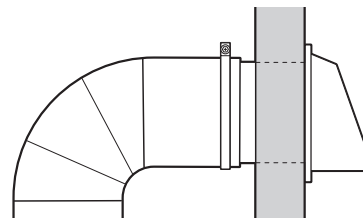


NOTA: No quite el collar del ducto de escape.

3. Apriete la abrazadera de manguera con un destornillador Phillips.



4. Cerciórese de que el ducto de escape esté asegurado a la capota de ventilación con una abrazadera de 4" (102 mm).

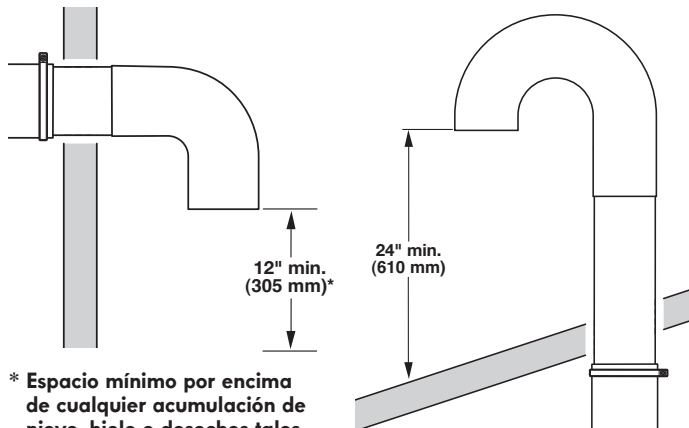


5. Mueva la secadora a su posición final. No aplaste ni retuerza el ducto de escape. Asegúrese de que la secadora esté nivelada.

REQUISITOS DE VENTILACIÓN DE LA SECADORA

Si no puede usarse una capota de ventilación

El extremo exterior del ducto de ventilación principal debe tener un codo redondo dirigido hacia abajo.



* Espacio mínimo por encima de cualquier acumulación de nieve, hielo o desechos tales como hojas

Si el ducto de ventilación principal tiene una trayectoria vertical a través del techo en vez de la pared, instale un codo redondo de 180° en el extremo del ducto, a un mínimo de 2 pies (610 mm) por arriba de la superficie del techo.

La abertura en la pared o el techo deberá tener un diámetro de 1/2" (13 mm) mayor que el diámetro del ducto. El ducto debe centrarse en la abertura.

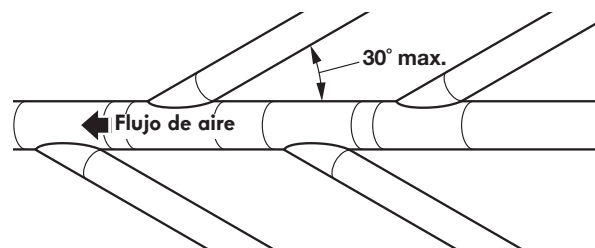
Para obtener el mejor desempeño, no debe instalar una pantalla sobre el extremo del ducto.

Ventilación para múltiples secadoras

Puede usarse un ducto de ventilación principal para la ventilación de un grupo de secadoras. El ducto principal deberá tener el tamaño adecuado para sacar 5663 l/mín. (200 CFM [pies cúbicos por minuto]) de aire por cada secadora. Pueden usarse filtros de pelusa de gran capacidad con el diseño adecuado en el ducto principal si se controlan y se limpian con frecuencia. La habitación en donde estén ubicadas las secadoras deberá tener aire de reposición suficiente o mayor que los CFM de todas las secadoras en la habitación.

Un juego de compuerta de contratiro se encuentra disponible con su distribuidor y se debe instalar en el ducto de cada secadora, para evitar que el aire de escape regrese a las secadoras, así como para mantener el ducto de escape equilibrado con el ducto principal. Se requieren aberturas de aire de retorno sin obstrucciones.

Cada ducto deberá entrar en el ducto de escape principal a un ángulo que apunte hacia la dirección del flujo de aire. Los ductos que entran del lado opuesto deberán alternarse para reducir la interferencia del aire de salida con los otros ductos.



El ángulo máximo de cada ducto que entra en el ducto principal deberá ser no más de 30°.

Mantenga las aberturas de aire libres de los gases de los líquidos de limpieza en seco. Los gases producen ácidos, los cuales pueden dañar las secadoras y los artículos que se estén secando cuando pasan a través de las unidades de calentamiento de las secadoras.

Debe ubicarse una cubierta de limpieza en el conducto principal para una limpieza periódica del sistema de ventilación.

CONEXIÓN DEL SUMINISTRO DE GAS

Conecte la línea de suministro de gas

⚠ ADVERTENCIA

Peligro de Peso Excesivo

Use dos o más personas para mover e instalar la secadora.

No seguir esta instrucción puede ocasionar una lesión en la espalda u otro tipo de lesiones.

1. Quite la tapa roja del tubo de gas en la parte posterior de la secadora.
2. Conecte la línea de suministro de gas a la secadora. Use un compuesto para juntas de tubería aprobado para el tipo de suministro de gas. Si se usa tubería flexible de metal, asegúrese que no hay partes retorcidas.

Si es necesario para el servicio, abra el panel inferior de servicio usando una llave de tuercas de 1/4" para quitar los dos tornillos de cabeza hexagonal de la parte inferior del panel. Después levante el panel mientras jala y saca la parte inferior de la secadora.

3. Abra la válvula de cierre del suministro de gas y asegúrese de que el suministro de gas de la secadora está abierto.
4. Pruebe todas las conexiones aplicando con un cepillo una solución aprobada para detección de fugas que no sea corrosiva. Se observarán burbujas si hay fugas. Tape cualquier fuga que encuentre.

CONEXIÓN DEL SUMINISTRO DE GAS

Tipo de gas

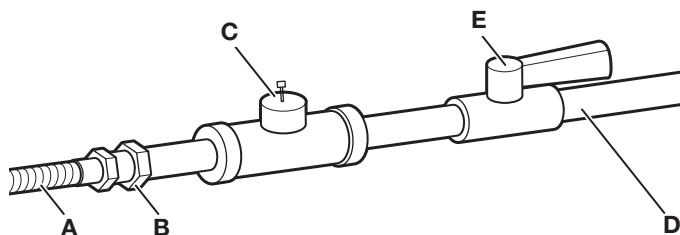
Esta secadora está equipada para uso con gas natural. Está certificada por UL para uso con gas propano con conversión apropiada. No debe intentarse convertir la secadora del gas especificado en la placa de certificación serial para usarse con un gas diferente sin consultar el distribuidor de suministro de gas. La conversión deberá llevarla a cabo un técnico de servicio calificado.

Los números de pieza de los juegos de conversión de gas están enlistados en la base del quemador de la válvula de gas.

Línea de suministro de gas

Método recomendado

Provea una línea de suministro de gas de tubería rígida de 1/2" (13 mm) (IPS) a la ubicación de la secadora. Deben usarse compuestos para uniones de tubería que sean resistentes a la acción del gas propano. No utilice cinta TEFLON.[†] Con gas propano, el tamaño de la tubería o conducto puede ser de 1/2" (13 mm) mínimo. Por lo general, los proveedores de gas propano determinan el tamaño y los materiales a usarse en el sistema.



- A. Conector flexible de gas de 3/8"
- B. Accesorio adaptador abocinado para tubo de 3/8"
- C. Derivación tapada NPT por lo menos de 1/8"
- D. Línea de suministro de gas NPT de 1/2"
- E. Válvula de cierre de gas

Prueba de presión del suministro de gas

Se debe instalar una derivación tapada NPT de por lo menos 1/8," accesible para las pruebas de calibre, inmediatamente por debajo de la válvula de cierre instalada que va a la secadora (como se muestra arriba). Se debe desconectar la secadora del sistema de tubería del suministro de gas, siempre que se hagan pruebas de presión de dicho sistema a presiones de prueba que exceden 1/2 lb/pulg² (352 kg/m²).

Método alternativo

También puede conectarse el suministro de gas usando tubería de cobre o aluminio aprobada de 3/8" (10 mm). Si la longitud total de la línea de suministro es más de 20 pies (6,1 m), se necesitará una tubería más grande.

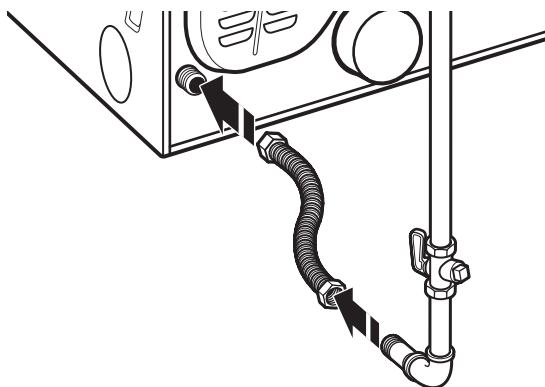
Si se usa gas natural, no use tubería de cobre. Deben usarse compuestos para uniones de tubería que sean aprobados para el tipo de suministro de gas.

Debe tener una válvula de cierre

La línea de suministro debe estar equipada con una válvula de cierre manual instalada a menos de 6 pies (1,8 m) de la secadora de acuerdo al National Fuel Gas Code (Código Nacional de Gas Combustible), ANSI Z223.1. Esta válvula debe ubicarse en el mismo cuarto que la secadora. Deberá estar en una ubicación que permita un fácil acceso para abrir y cerrar. No bloquee el acceso a la válvula de cierre.

Conector flexible de metal del aparato

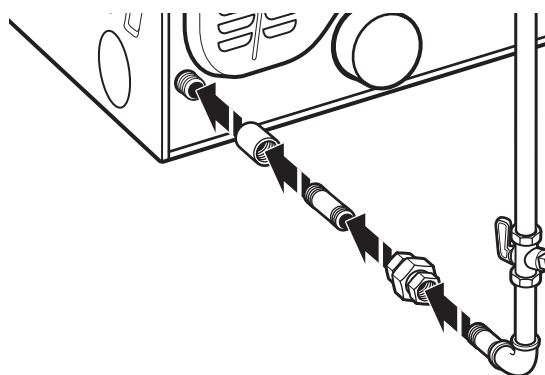
Se recomienda usar una nueva línea de gas de acero inoxidable flexible, con diseño certificado por CSA International, para conectar la secadora a la línea de suministro de gas. (La tubería de gas que se extiende desde la parte baja posterior de la secadora está provista con una rosca para tubería tipo macho de 3/8.")



NOTA: No tuerza o dañe la línea de gas de acero inoxidable flexible cuando mueva la secadora.

Conexión de tubería rígida

La conexión de tubería rígida requiere una combinación de accesorios de tubería para obtener una conexión en línea hacia la secadora.



[†]TEFLON es una marca registrada de Chemours.

INSTALACIÓN DE LAS PATAS NIVELADORAS

⚠️ ADVERTENCIA

Peligro de Peso Excesivo

Use dos o más personas para mover e instalar la secadora.

No seguir esta instrucción puede ocasionar una lesión en la espalda u otro tipo de lesiones.

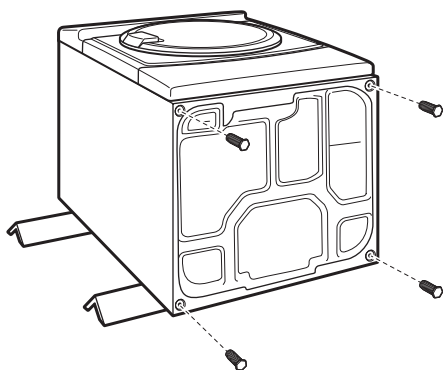
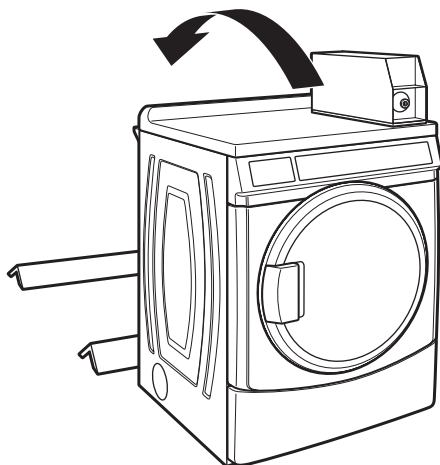
1. Prepare la secadora para las patas niveladoras

NOTA: Deslice la secadora sobre un pedazo de cartón o madera dura antes de moverla por el piso para no dañar el acabado de éste.

Con la ayuda de dos o más personas, mueva la secadora al lugar deseado para su instalación.

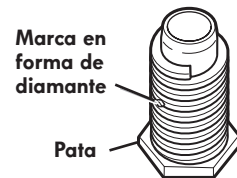
Remueva la cinta de las esquinas frontales de la secadora. Abra la secadora y saque los paquetes que contienen la bolsa con documentos y las piezas. Limpie el interior del tambor minuciosamente con un paño húmedo.

Tome dos de los esquinales de cartón de la caja y colóquelos sobre el piso, en la parte posterior de la secadora. Sujete con firmeza el cuerpo de la secadora y colóquela sobre su parte posterior, encima de los esquinales de cartón.



2. Atornille las patas niveladoras

Examine las patas niveladoras y localice la marca en forma de diamante. Atornille con la mano las patas en los orificios para éstas. Use una llave de tuercas de 1" (25 mm) o una llave de cubo para terminar de girar las patas, hasta llegar a la marca con forma de diamante. Luego haga encajar una cubierta protectora sobre cada pata.



Para proteger el piso, use un pedazo de cartón grande de la caja de la secadora. Coloque la secadora en posición vertical sobre el cartón. Deslice la secadora cerca de su ubicación final. Deje suficiente espacio para la conexión eléctrica y para conectar el ducto de escape.

Quite el cartón o madera que se encuentra debajo de la secadora. Incline las patas de la secadora hacia arriba o hacia abajo hasta que la misma quede nivelada.

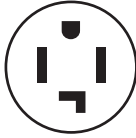
CONEXIONES ELÉCTRICAS DE LA SECADORA ELÉCTRICA

Opciones de conexión

Cable de suministro de energía

Contacto de 4 alambres (Tipo NEMA 14-30R)

Vaya a la sección "Conexión con cable de suministro de energía."



Contacto de 3 alambres (Tipo NEMA 10-30R)

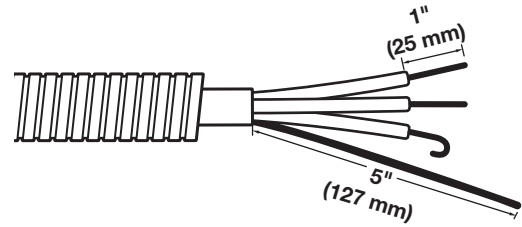
Vaya a la sección "Conexión con cable de suministro de energía."



Cable directo

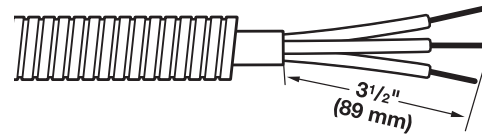
Directo de 4 alambres

Vaya a la sección "Conexión por cable directo."



Directo de 3 alambres

Vaya a la sección "Conexión por cable directo."



NOTA: Si los códigos locales no permiten la conexión de un conductor para conexión a tierra de la carcasa al alambre neutro, prosiga a "Conexión eléctrica de 3 hilos: Opcional." Esta conexión se puede utilizar con una conexión por cable de suministro de energía o por cable directo.

CONEXIONES ELÉCTRICAS DE LA SECADORA ELÉCTRICA

Conexión por cable de suministro de energía

⚠ ADVERTENCIA



Peligro de Incendio

Use un cable de suministro eléctrico nuevo de 30 amperes que esté en la lista de UL.

Use un protector de cables que esté en la lista de UL.

Desconecte el suministro eléctrico antes de hacer las conexiones eléctricas.

Conecte el alambre neutro (el blanco o el del centro) al terminal central.

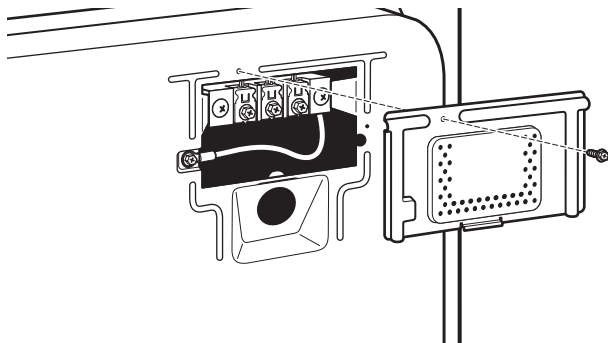
El alambre de tierra (el verde o el no aislado) se debe conectar con el conector verde de tierra.

Conecte los 2 alambres de suministro restantes con las 2 terminales restantes (las doradas).

Apriete firmemente todas las conexiones eléctricas.

No seguir estas instrucciones puede ocasionar la muerte, incendio, o choque eléctrico.

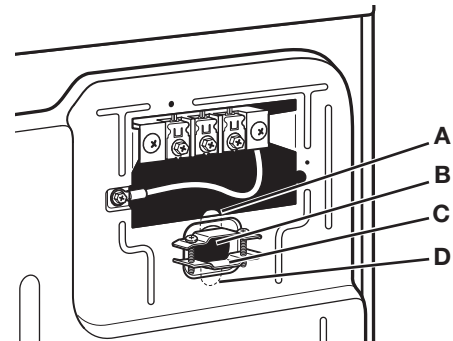
Quite la tapa del bloque de terminal



Quite el tornillo de sujeción y la tapa del bloque de terminal.

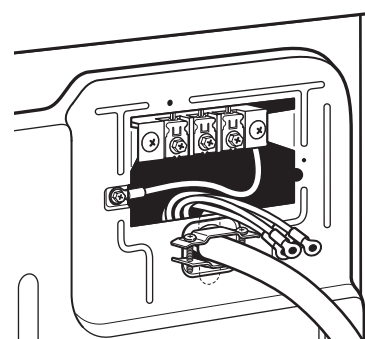
Protector de cables del cable de suministro de energía

1. Inserte el protector de cables.



Quite los tornillos de un protector de cables de 3/4" (19 mm) que esté en la lista de UL. Coloque las lengüetas de las dos secciones de la abrazadera (C) en el orificio que está debajo de la abertura del bloque de terminal (B) de manera que una lengüeta esté apuntando hacia arriba (A) y la otra esté apuntando hacia abajo (D), y sujételas en su lugar. Apriete los tornillos del protector de cables sólo lo suficiente para mantener las dos secciones de la abrazadera juntas (C).

2. Inserte el cable eléctrico en el protector de cables.



Haga pasar el cable de suministro de energía a través del protector de cables. Asegúrese de que el aislamiento de cables del cable de suministro de energía esté dentro del protector de cables. El protector de cables deberá encajar bien con la carcasa de la secadora y estar en posición horizontal. No ajuste más los tornillos del protector de cables en este momento.

CONEXIONES ELÉCTRICAS DE LA SECADORA ELÉCTRICA

Conexión eléctrica de 4 hilos: Cable de suministro de energía

IMPORTANTE: Se necesita una conexión de 4 hilos para las casas rodantes y donde los códigos locales no permitan el uso de conexiones de 3 hilos.

Terminales de cable de suministro de energía estándar



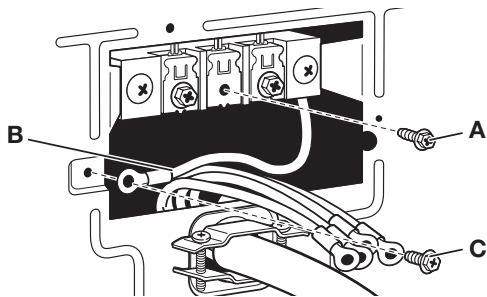
Terminal de espada con puntas dobladas



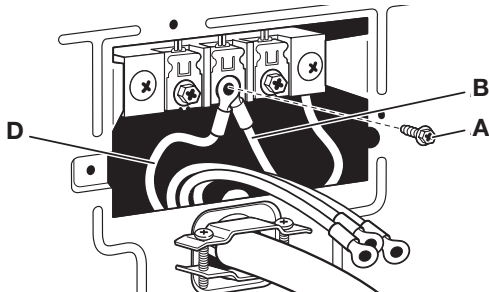
Terminal de anillo

Conexión dos alambres de tierra neutro y neutro

1. Para quitar el tornillo central del bloque de terminal (A) y el alambre de conexión a tierra neutro (B), remueva el tornillo conductor de puesta a tierra exterior verde (C).

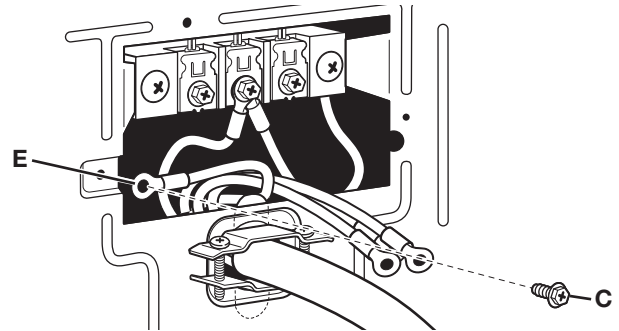


2. Conecte el alambre de puesta a tierra neutro (B) y el alambre neutro (alambre blanco o central) (D) del cable de suministro eléctrico debajo del tornillo central de bloque de terminal (A). Apriete el tornillo.



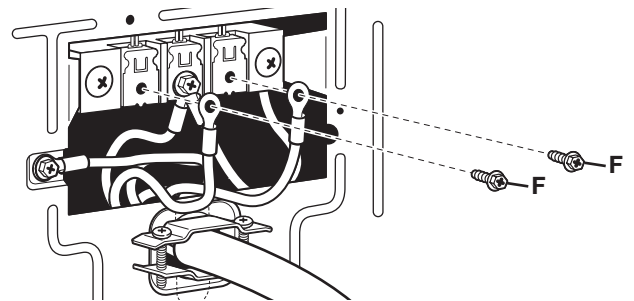
Conexión de alambre de tierra de cable de energía

3. Conecte el alambre de puesta a tierra (verde o desnudo) (E) del cable de suministro eléctrico debajo del tornillo de conductor de puesta a tierra exterior verde (C). Apriete el tornillo.



Conexión de los dos alambres restantes

4. Conecte los alambres restantes debajo de los tornillos externos del bloque de terminal (F). Apriete los tornillos. Por último, vuelva a instalar la tapa del bloque de terminal al panel posterior de la secadora. Asegure la tapa con un tornillo de sujeción. Ahora vaya a "Requisitos de ventilación."



CONEXIONES ELÉCTRICAS DE LA SECADORA ELÉCTRICA

Conexión eléctrica de 3 hilos: Cable de suministro de energía

Terminales de cable de suministro de energía estándar



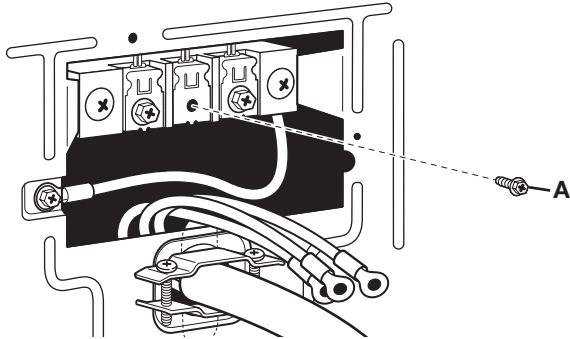
Terminal de espada con puntas dobladas



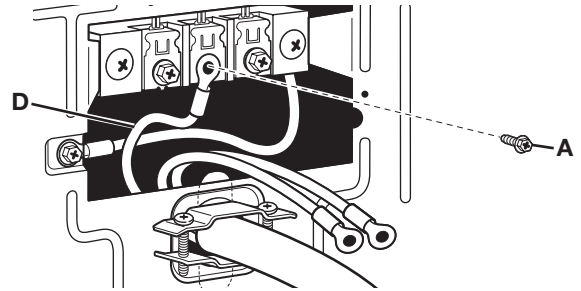
Terminal de anillo

Conexión del alambre neutro

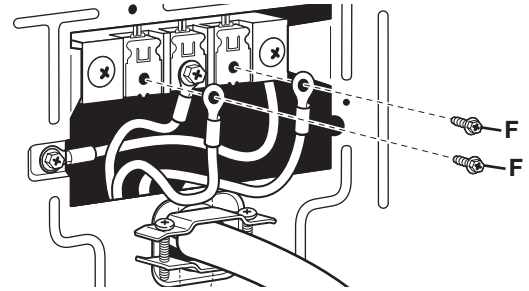
1. Afloje o saque el tornillo central del bloque de terminal (A).



2. Conecte el alambre neutro (alambre blanco o central) (D) del cable de suministro eléctrico debajo del tornillo central de bloque de terminal (A). Apriete el tornillo.



3. Conecte los alambres restantes debajo de los tornillos extremos del bloque de terminal (F). Apriete los tornillos. Por último, vuelva a instalar la tapa del bloque de terminal al panel posterior de la secadora. Asegure la tapa con un tornillo de sujeción. Ahora vaya a "Requisitos de ventilación."



CONEXIONES ELÉCTRICAS DE LA SECADORA ELÉCTRICA

Conexión por cable directo

⚠ ADVERTENCIA



Peligro de Incendio

Utilice alambre de cobre de calibre 10.

Use un protector de cables que esté en la lista de UL.

Desconecte el suministro eléctrico antes de hacer las conexiones eléctricas.

Conecte el alambre neutro (el blanco o el del centro) a la terminal central.

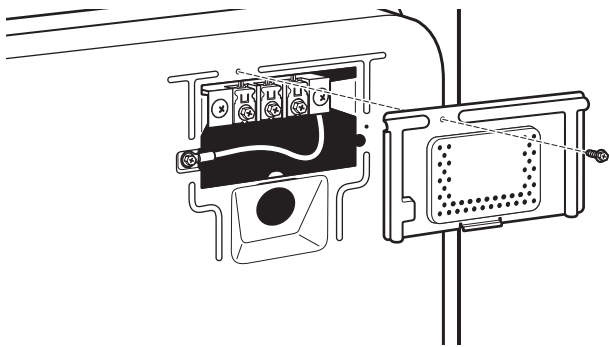
El alambre de tierra (el verde o el no aislado) se debe conectar con el conector verde de tierra.

Conecte los 2 alambres de suministro restantes con las 2 terminales restantes (las doradas).

Apriete firmemente todas las conexiones eléctricas.

No seguir estas instrucciones puede causar la muerte, incendio o choque eléctrico.

Quite la tapa del bloque de terminal



Quite el tornillo de sujeción y la tapa del bloque de terminal.

Conexión eléctrica de 4 hilos: Cable directo

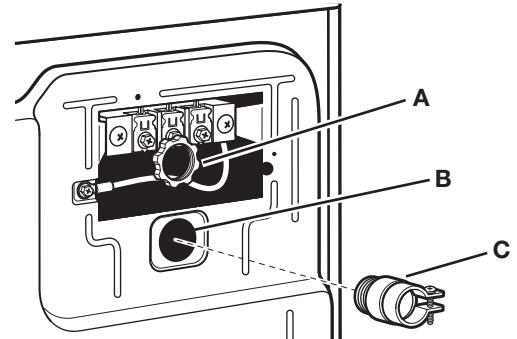
IMPORTANTE: Se necesita una conexión de 4 hilos para las casas rodantes y donde los códigos locales no permitan el uso de conexiones de 3 hilos.

El cable del hilo directo deberá tener 5 pies (1,52 m) de largo adicional, para poder mover la secadora si es necesario.

Pele 5" (127 mm) de la cubierta exterior del extremo del cable, dejando el cable a tierra desnudo a 5" (127 mm). Corte 1 1/2" (38 mm) de los tres hilos restantes. Pele el aislamiento 1" (25 mm). Doble los extremos de los alambres para formar un gancho.

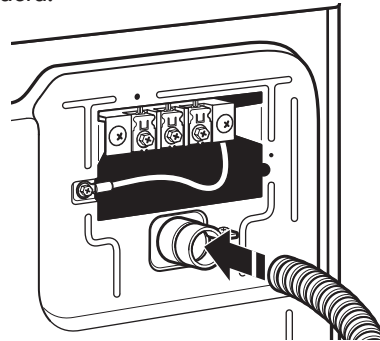
Protector de cables para cable directo

1. Inserte el protector de cables.



Desatornille el conector de conducto removible (A) y cualquier tornillo del protector de cables de 3/4" (19 mm) que esté en la lista de UL. Haga pasar la sección roscada del protector de cables (C) a través del orificio que está debajo de la abertura del bloque de terminal (B). Busque dentro de la abertura del bloque de terminal y atornille el conector de conducto removible (A) sobre las roscas del protector de cables.

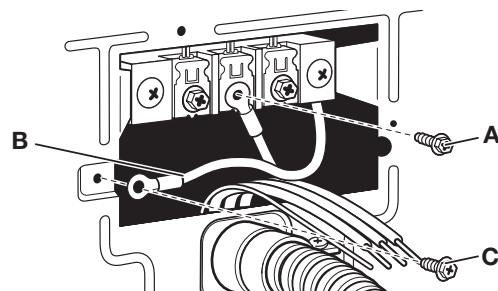
2. Inserte el conducto en el protector de cables y apriete la abrazadera.



Haga pasar el cable directo a través del protector de cables. El protector de cables deberá encajar bien con la carcasa de la secadora y estar en posición horizontal. Apriete el tornillo del protector de cables contra el cable directo.

Conexión de los alambres de tierra neutro y neutro

1. Para quitar el tornillo central del bloque de terminal (A) y el alambre de conexión a tierra neutro (B), remueva el tornillo externo del conductor de puesta a tierra verde (C).

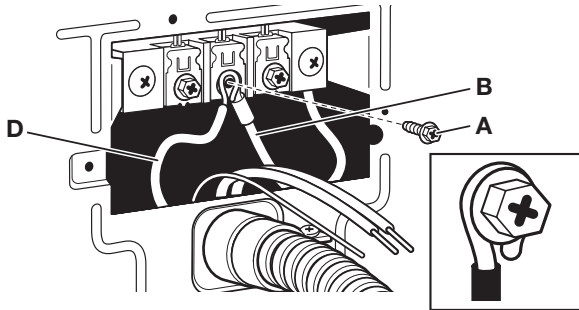


CONEXIONES ELÉCTRICAS DE LA SECADORA ELÉCTRICA

Conexión eléctrica de 4 hilos: Cable directo (cont.)

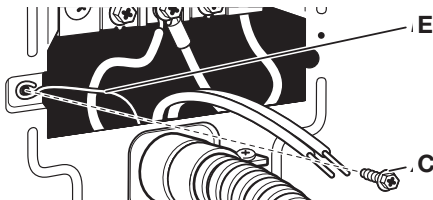
Conexión de los alambres de tierra neutro y neutro (cont.)

2. Conecte el alambre de puesta a tierra neutro (B) y coloque el extremo en forma de gancho (con el gancho mirando hacia la derecha) del alambre neutro (alambre blanco o central) (D) del cable de alambre directo debajo del tornillo central de bloque de terminal (A). Exprima los extremos enganchados juntos y apriete el tornillo.



Conexión de alambre directo de tierra

3. Conecte el alambre de puesta a tierra neutro (alambre verde o desnudo) (E) del cable de alambre directo debajo del tornillo de conductor de puesta a tierra exterior verde (C). Apriete el tornillo.



Conexión eléctrica de 3 hilos: Cable directo

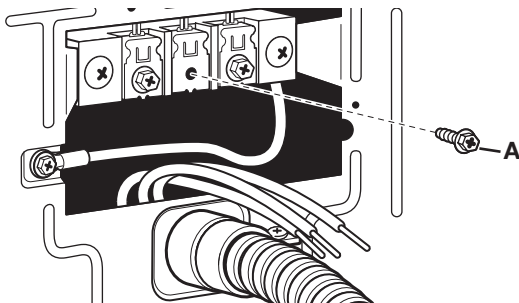
Use este método donde los códigos locales permitan conectar el alambre a tierra al alambre neutro.

El cable del hilo directo deberá tener 5 pies (1,52 m) de largo adicional, para poder mover la secadora si es necesario.

Pele 3 1/2" (89 mm) de la cubierta exterior del extremo del cable. Pele el aislamiento 1" (25 mm). Si va a usar el cable de 3 hilos con hilo a tierra, corte el hilo desnudo alineado con la cubierta exterior. Doble los extremos de los alambres para formar un gancho.

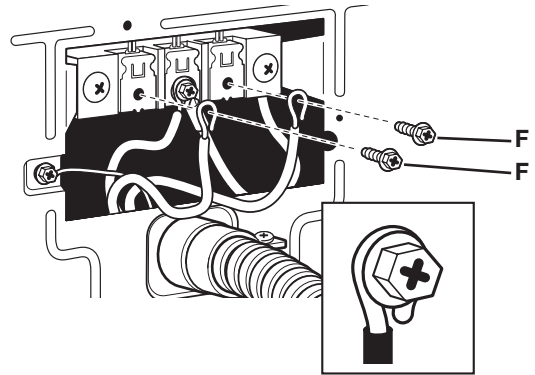
Conexión del alambre neutro

1. Afloje o saque el tornillo central del bloque de terminal (A).

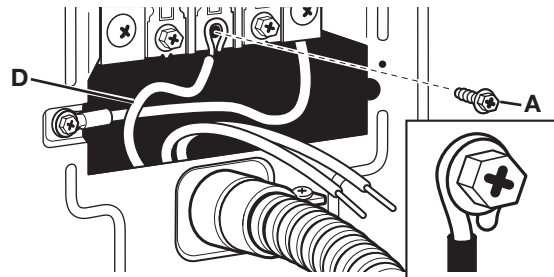


Conexión de los dos alambres restantes

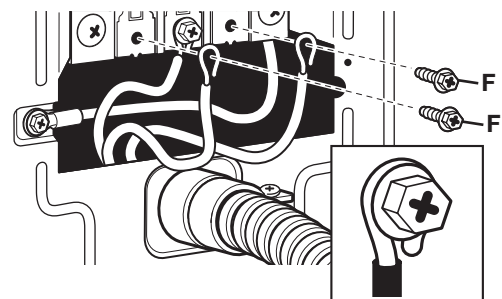
4. Conecte los alambres restantes debajo de los tornillos extremos de bloque de terminal (F). Exprima los extremos enganchados juntos y apriete los tornillos. Por último, vuelva a instalar la tapa del bloque de terminal al panel posterior de la secadora. Asegure la tapa con un tornillo de sujeción. Ahora vaya a "Requisitos de ventilación."



2. Coloque el extremo en forma de gancho del hilo neutro (alambre blanco o central) (D) del cable de alambre directo debajo del tornillo central de bloque de terminal (A), con el gancho mirando hacia la derecha. Exprima el extremo enganchado junto y apriete el tornillo.



3. Conecte los alambres restantes debajo de los tornillos extremos de bloque de terminal (F). Exprima los extremos enganchados juntos y apriete los tornillos. Por último, vuelva a instalar la tapa del bloque de terminal al panel posterior de la secadora. Asegure la tapa con un tornillo de sujeción. Ahora vaya a "Requisitos de ventilación."

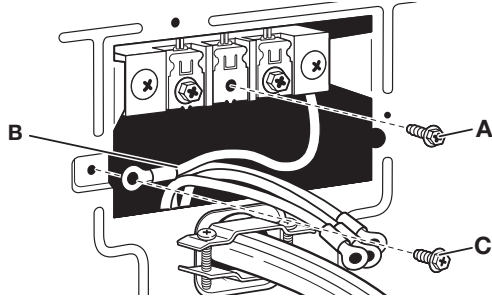


CONEXIONES ELÉCTRICAS DE LA SECADORA ELÉCTRICA

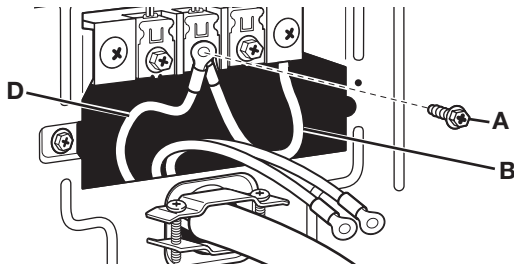
Conexión eléctrica de 3 hilos: Opcional

Úselo para el cable directo o el cable de suministro de energía donde los códigos locales no permiten conectar un conductor de conexión a tierra de la carcasa al hilo neutro.

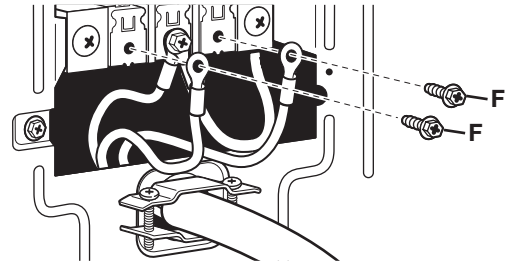
1. Quite el tornillo central del bloque de terminal (A). Saque también el alambre neutro de puesta a tierra (B) quitando el tornillo externo de conductor de tierra verde (C).



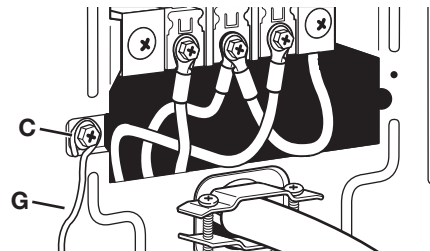
2. Conecte el alambre a tierra neutro (B) y el alambre neutro (alambre blanco o central) (D) del cable de suministro eléctrico debajo del tornillo central de bloque de terminal (A). Apriete el tornillo.



3. Conecte los alambres restantes debajo de los tornillos extremos del bloque de terminal (F). Apriete los tornillos.



4. Conecte un hilo de tierra de cobre separado (G) debajo del tornillo externo de conductor a tierra verde (C) a tierra adecuada. Por último, vuelva a instalar el bloque de terminal al panel posterior de la secadora. Asegure la tapa con un tornillo de sujeción. Ahora vaya a "Requisitos de ventilación."



NIVELACIÓN

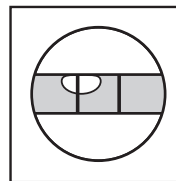
El nivelar adecuadamente su secadora reduce el ruido y la vibración en exceso.

⚠ ADVERTENCIA

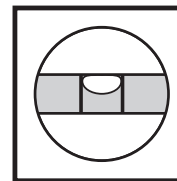
Peligro de Peso Excesivo

Use dos o más personas para mover e instalar la secadora.

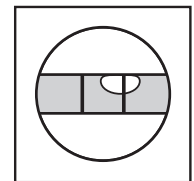
No seguir esta instrucción puede ocasionar una lesión en la espalda u otro tipo de lesiones.



No está nivelada

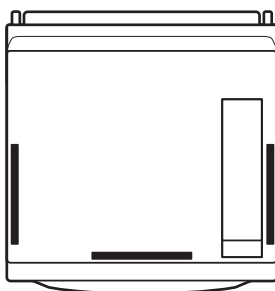


NIVELADA



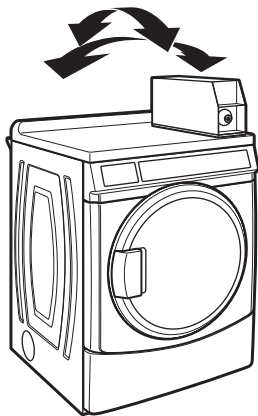
No está nivelada

1. Retire el cartón que está debajo de la secadora. Coloque un nivel en los bordes superiores de la secadora, revisando cada lado y el frente. Si la secadora no está nivelada, inclínela y ajuste las patas hacia arriba o hacia abajo, repitiendo si es necesario.



NIVELACIÓN

2. Sujete la secadora de la parte superior y balancéela de atrás hacia delante, asegurándose de que las cuatro patas estén firmes en el piso. Repítalo, balanceando la secadora de un lado al otro. Si se balancea la secadora, regule las patas niveladoras.



3. Si la secadora no está nivelada, gire las patas niveladoras hacia la izquierda para bajar la secadora, o hacia la derecha para levantarla. Vuelva a verificar la nivelación de la secadora y que las cuatro patas estén en contacto firme con el piso. Repita el procedimiento si es necesario.

CONSEJO ÚTIL: Puede apuntalar el frente de la secadora aproximadamente 4" (102 mm) con un bloque de madera o un objeto similar que vaya a soportar el peso de la secadora.

COMPLETE LA INSTALACIÓN

1. Revise los requisitos eléctricos. Asegúrese de contar con la fuente de electricidad correcta y el método recomendado de conexión a tierra. Vea "Requisitos eléctricos."
2. Verifique que todas las piezas estén ahora instaladas. Si hay una pieza extra, repita los pasos.
3. Verifique que tenga todas las herramientas.
4. Deshágase de todos los materiales de embalaje o recíclelos.

⚠ ADVERTENCIA



Peligro de Choque Eléctrico

Conecte a un contacto de pared de conexión a tierra de 3 terminales.

No quite la terminal de conexión a tierra.

No use un adaptador.

No use un cable eléctrico de extensión.

No seguir estas instrucciones puede ocasionar la muerte, incendio o choque eléctrico.

5. Enchufe en un contacto con conexión a tierra o conecte el suministro de energía.

6. Verifique el funcionamiento de la secadora. Cierre la puerta de la secadora. Inserte las monedas en el tragamonedas y presiónelo hacia adentro lentamente. Seleccione el ciclo de COTTON/WHITES (ropa de algodón/ropa blanca) y deje que la secadora funcione durante por lo menos cinco minutos.

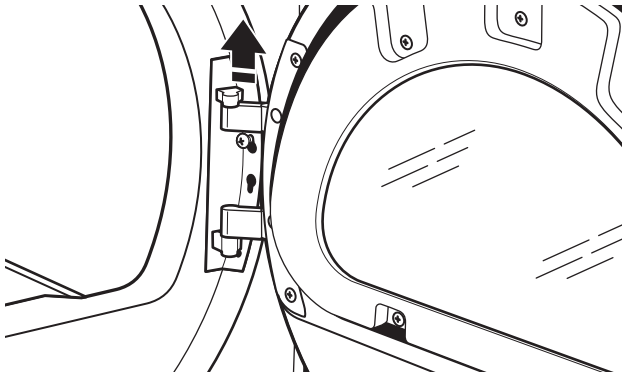
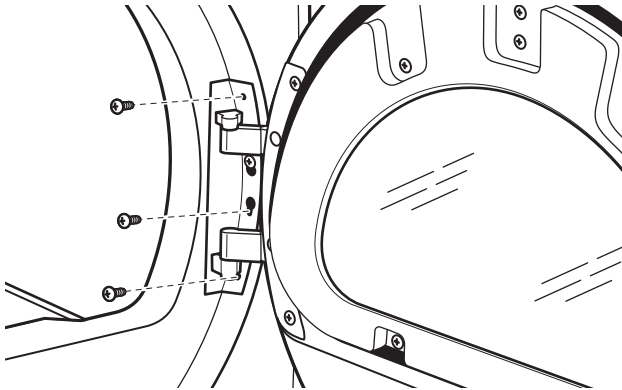
NOTA: La puerta de la secadora debe cerrarse para que la misma funcione.

7. Abra la puerta de la secadora. Fíjese si el interior de la secadora está tibio. Si el quemador no se enciende y no siente calor dentro de la secadora, apáguela por 5 minutos. Revise que todos los controles de la válvula de suministro estén en la posición de Encendido, y que el cable de suministro de energía esté enchufado. Repita la prueba de 5 minutos.
8. Si el tiempo de secado es demasiado largo, fíjese en el filtro de pelusa para ver si hay desechos y otras cosas que lo obstruyan, y cerciórese de que no haya obstrucciones del flujo de aire en el sistema de ventilación de la secadora.
9. Vuelva a iniciar la secadora y deje que termine un ciclo completo para asegurarse de que ésta funcione adecuadamente.

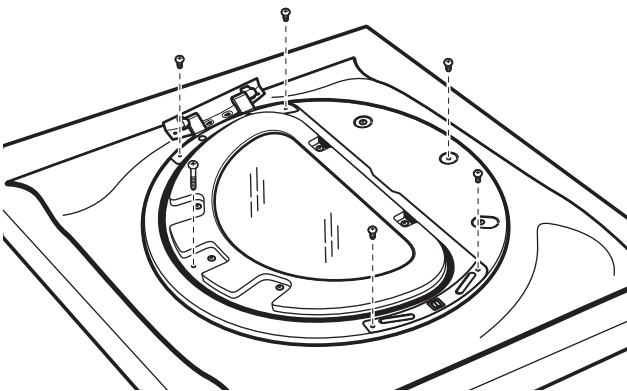
CÓMO INVERTIR EL CIERRE DE LA PUERTA DE LA SECADORA (OPCIONAL)

Cómo quitar el ensamblaje de la puerta

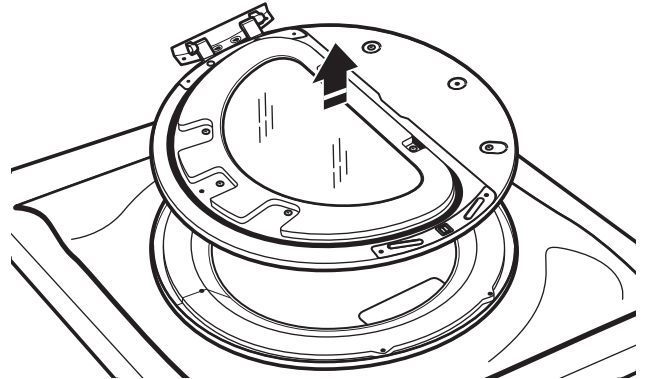
1. Coloque una toalla o un paño suave en la parte superior de la secadora o de la superficie de trabajo, para evitar rayar la superficie.
2. Quite tres de los cuatro tornillos que sostienen la bisagra de la puerta en el panel frontal de la secadora. Afloje parcialmente el tornillo restante con orificio de bocallave y levante la puerta del tornillo para separarla.



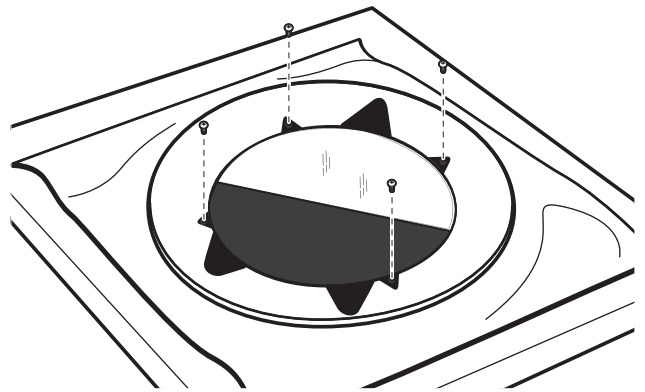
3. Coloque el ensamblaje de la puerta horizontalmente sobre una superficie plana que se haya preparado anteriormente, con el lado interior (el ensamblaje de la puerta interior) mirando hacia arriba, y quite los seis tornillos de cabeza Phillips para separar el ensamblaje de la puerta exterior del ensamblaje de la puerta interior.



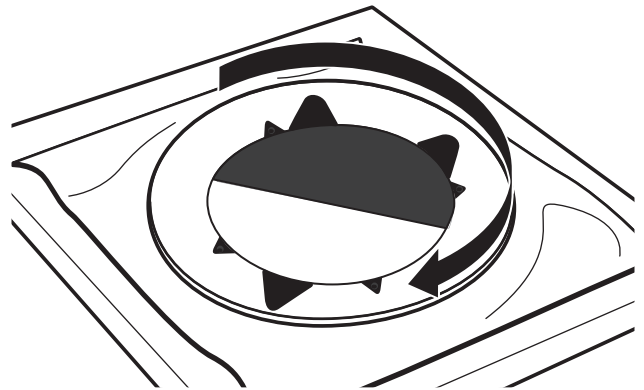
4. Levante el ensamblaje de la puerta interior y sepárelo del ensamblaje de la puerta exterior.



5. Quite cuatro tornillos de cabeza Phillips para liberar la inserción central del anillo exterior de la puerta.



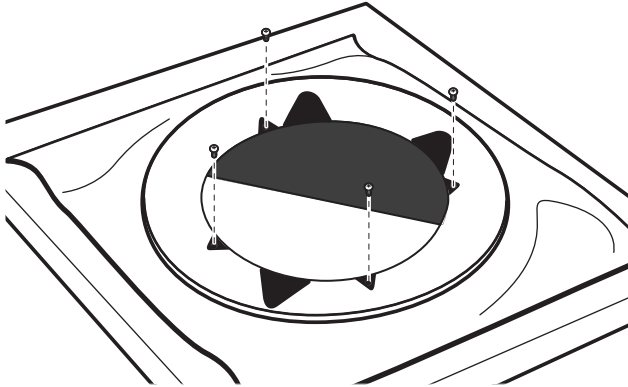
6. Levante y gire la inserción central 180.º



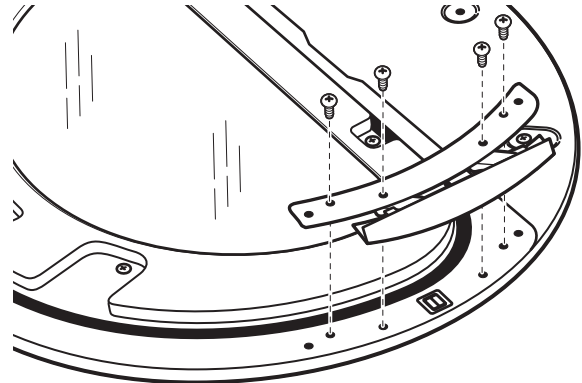
NOTA: Es importante que quite solamente los seis tornillos indicados.

CÓMO INVERTIR EL CIERRE DE LA PUERTA DE LA SECADORA (OPCIONAL)

7. Vuelva a colocar la inserción central y el anillo exterior de la puerta con los cuatro tornillos que se quitaron en el paso 5.

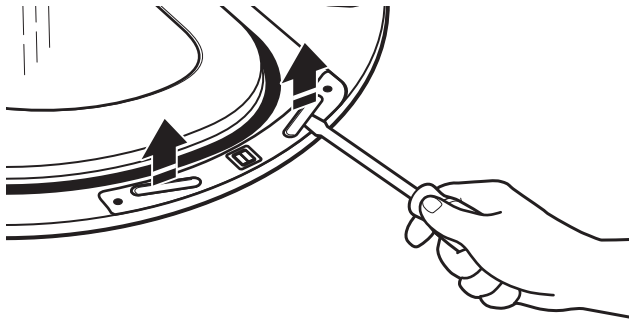


3. Mueva la bisagra al otro lado. Vuelva a instalar los cuatro tornillos.

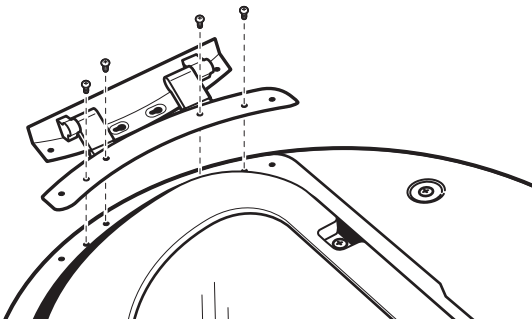


Invierta la bisagra

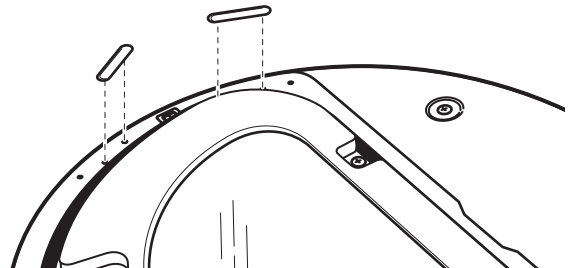
1. Use un destornillador de hoja plana pequeño para quitar los dos tapones largos de la puerta interior. Deslice la hoja del destornillador debajo de los tapones, sin rayar la superficie de la puerta interior, y levante el tapón.



2. Quite los cuatro tornillos que sujetan a la bisagra de la puerta interior.



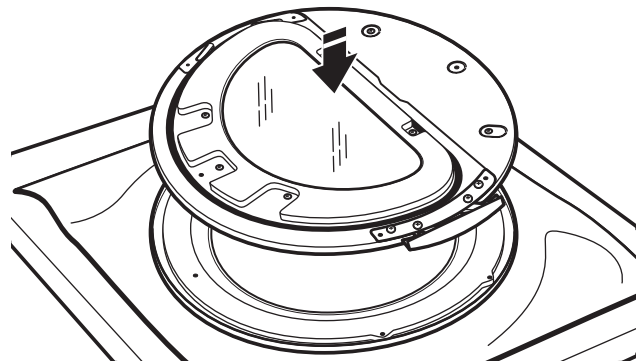
4. Reinstale la cintas de los tapones en el lado opuesto de la puerta interior.



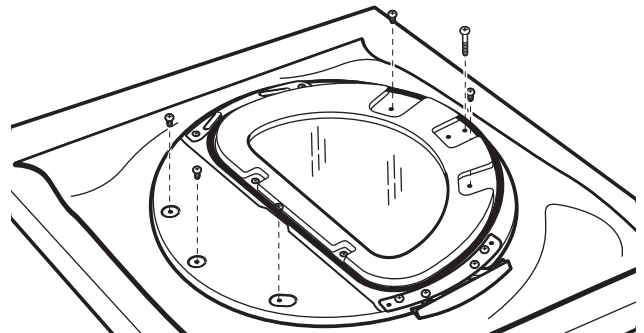
5. Fíjese si hay huellas digitales en el vidrio. Limpie si es necesario.

Vuelva a colocar el ensamblaje de la puerta

1. Coloque el ensamblaje interior de la puerta dentro del ensamblaje exterior de la puerta.



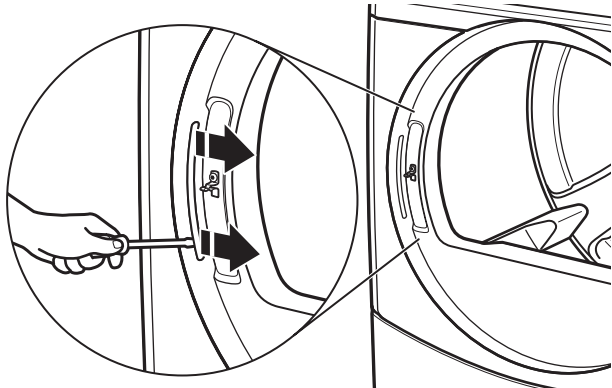
2. Vuelva a colocar los ensamblajes interior y exterior de la puerta con los seis tornillos.



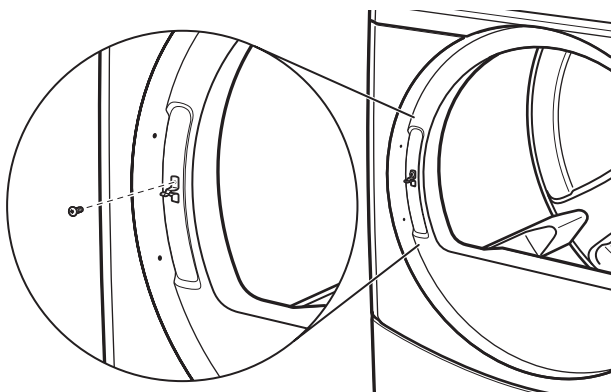
CÓMO INVERTIR EL CIERRE DE LA PUERTA DE LA SECADORA (OPCIONAL)

Cómo invertir el tope

1. Use un destornillador de hoja plana pequeño para quitar la cinta del tapón de la abertura de la puerta de la secadora. Deslice la hoja del destornillador debajo de los tapones, sin rayar la superficie de la secadora, y levante el tapón.



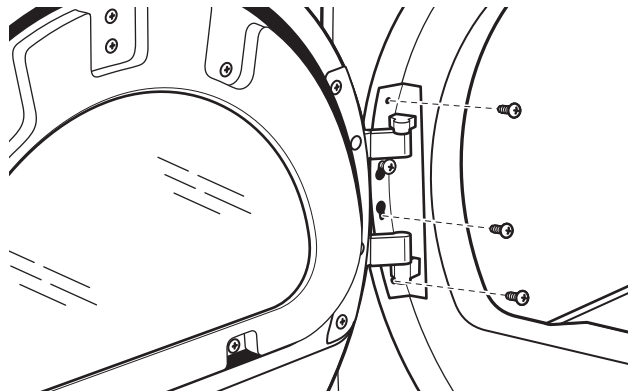
2. Quite el tope con un destornillador Phillips.



3. Inserte el tope en el lado opuesto.

Vuelva a instalar la puerta

1. Inserte parcialmente el tercer tornillo desde la parte superior; luego deslice la bisagra sobre este tornillo mientras engancha la bisagra en el orificio frontal del panel. Vuelva a sujetar la puerta al panel frontal de la secadora con los tres tornillos restantes.



2. Fíjese si hay huellas digitales en el vidrio. Limpie si es necesario.
3. Cierre la puerta y compruebe que se cierra con seguridad.

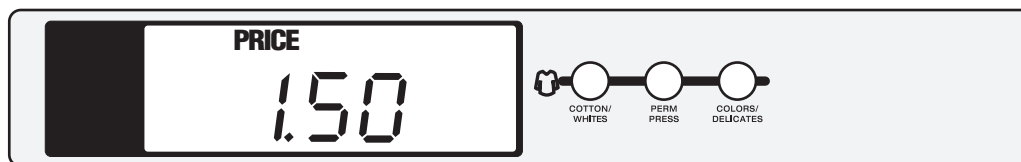
INSTRUCCIONES DE MANTENIMIENTO

- Limpie el filtro de pelusa antes y después de cada ciclo.
- Cómo quitar la pelusa acumulada:
En el interior de la carcasa de la secadora:
Según el uso de la secadora, se debe quitar la pelusa cada 2 años, o con más frecuencia. La limpieza deberá efectuarla una persona calificada.
En el ducto de escape:
Según el uso de la secadora, se debe quitar la pelusa cada 2 años o con más frecuencia.
- Mantenga el área alrededor de la secadora limpia y libre de materiales combustibles, gasolina y otros vapores y líquidos inflamables.
- Mantenga el área donde está la secadora despejada y libre de artículos que pudieran obstruir el flujo de aire para la combustión y la ventilación.

Si la secadora no funciona, revise lo siguiente:

- Que el suministro eléctrico esté conectado.
- Que el cortacircuitos no se disparó o el fusible de la casa no está quemado.
- Que la puerta esté cerrada. Escuche detenidamente para oír cuando se active el interruptor de la puerta.
- Que el control esté programado correctamente y la pantalla muestra la duración del ciclo.
- Que se haya presionado con firmeza el botón de selección de ciclos.
- Para las secadoras a gas, revise que las válvulas de cierre del suministro de gas estén en la posición abierta.

INSTRUCCIONES DE PROGRAMACIÓN DEL CONTROL ELECTRÓNICO



NOTA: Después de que se ha instalado y enchufado la secadora, la pantalla mostrará "0 minutes" (0 minutos). Después de que se haya abierto y cerrado la puerta, la pantalla mostrará el precio de venta.

Información general para el usuario

DESPLAZAMIENTO POR PANTALLA DEL MENSAJE "OUT OF ORDER" (FUERA DE SERVICIO), SEGUIDO POR UN CÓDIGO DE FALLA O DE DIAGNÓSTICO – Esta condición indica que la secadora es inoperante.

APARECE "0 MINUTES" (0 MINUTOS) EN LA PANTALLA –

Esta condición indica que la secadora no puede usarse. Las monedas que se hayan puesto o los ingresos de tarjeta de pago automático permanecerán en el depósito, pero no se pueden utilizar hasta que se abra y se cierre la puerta, lo cual reanuda el funcionamiento normal. Si un interruptor de puerta ha fallado y por esto permanece "0 MINUTES" (0 MINUTOS) en la pantalla después de que se haya abierto y cerrado la puerta, el interruptor debe reemplazarse antes de que se pueda continuar con el funcionamiento normal.

INICIO EN FRÍO (La primera vez que se use) – La secadora se ha programado de fábrica de la manera siguiente: Precio de secado de \$1,50 (30 minutos).

INICIO CON AGUA TIBIA (después de un corte de corriente) –

Unos segundos después de que se reestablezca la electricidad, si un ciclo se encontraba funcionando cuando ocurrió el corte de corriente, destellará "RESELECT CYCLE" (Vuelva a seleccionar el ciclo), lo cual indica que se necesita presionar un botón para que la secadora vuelva a funcionar.

PRECIOS – Después de que se ha abierto y cerrado la puerta siguiendo la finalización de un ciclo, la pantalla indica el precio del ciclo (a menos que se haya programado para un funcionamiento gratuito, en cuyo caso se mostrará "SELECT CYCLE" [Seleccionar ciclo]). A medida que se ponen las monedas o se reciben los pagos con tarjeta de pago automático, la pantalla cambiará para guiar al usuario en el inicio de un ciclo.

Hay cuatro (4) tipos de precios para la secadora:

Precio fijo de "venta"

Una secadora que está programada para el funcionamiento de un "Ciclo fijo" solamente puede aceptar tiempo adicional que se haya acumulado en incrementos que sean igual a la duración de un ciclo de secado completo. Se puede comprar un máximo de 99 minutos y no se da crédito adicional por monedas adicionales una vez que aparece 99 minutos en la pantalla.

Precio del acumulador

Si la opción "d" está fijada en d. 00, y el código 6 está fijado en una moneda 1, el modo del acumulador está en efecto. El tiempo del ciclo se puede comprar con una moneda a la vez, hasta un tiempo máximo de 99 minutos.

Ciclo fijo con precio por tiempo adicional (disponible para usarse con depósitos de monedas o lectores de tarjeta solamente)

Una secadora que esté programada con la habilidad de "Tiempo adicional" permitirá que se agregue tiempo a un ciclo de secado existente, en incrementos que sean igual al número de minutos de secado por cada moneda de 25 centavos (moneda 1), hasta 99 minutos, sin importar el costo requerido para poner la secadora en marcha. No se da crédito por monedas o tarjeta de pago automático cuando el control muestra 99 minutos en la pantalla.

CICLOS GRATUITOS – Esta opción se fija programando el precio en cero. Cuando esto ocurre, aparecerá "SELECT CYCLE" (Seleccionar ciclo) en lugar del precio del ciclo. Cualquier ciclo que haya comenzado como un ciclo gratuito se terminará automáticamente cuando se abra la puerta.

LISTA PARA TARJETA DE PAGO AUTOMÁTICO – Esta secadora está lista para el "cable" de tarjetas de pago automático. Aceptará distintos sistemas de tarjeta de pago automático, pero NO se entrega con un lector de tarjeta de pago automático. Consulte al fabricante de lectores de tarjeta de pago automático para obtener información sobre la preparación adecuada para las secadoras. Cuando se instala un lector de tarjeta de Generación 2, la secadora se fija en el modo mejorado de tarjeta de pago automático.

En el modo mejorado de tarjeta de pago automático, el precio por tiempo adicional se puede fijar de manera independiente (consulte VALOR DE MONEDA 2), y el tiempo adicional se calcula según la siguiente ecuación:

$$\frac{\text{precio por tiempo adicional}}{\text{precio de ciclo completo}} = \frac{\text{cantidad de tiempo adicional}}{\text{duración de ciclo completo}}$$

Para los modelos que se han sido convertidos para el sistema de tarjeta de pago automático Generación 1, cada señal de la tarjeta es equivalente a una moneda (moneda 1).

NOTA: El modo mejorado de tarjeta de pago automático no se puede cancelar.

Procedimientos de programación del control

IMPORTANTE: Lea todas las instrucciones antes de usarla.

Los botones para la selección de telas y la pantalla digital se utilizan para programar los controles de la secadora.

En la pantalla se pueden mostrar cuatro números y/o letras y un punto decimal. Éstos se usan para indicar los códigos de la programación y los valores relacionados de los códigos disponibles para la programación de la secadora.

INSTRUCCIONES DE PROGRAMACIÓN DEL CONTROL ELECTRÓNICO

Cómo utilizar los botones para programar los controles

1. El botón COTTON/WHITES (ropa de algodón/ropa blanca) se utiliza para ajustar los valores asociados con los códigos de programación. El presionar el botón aumentará el valor en uno (1). Se pueden hacer ajustes rápidamente si se mantiene presionado el botón.
2. El botón PERM PRESS (planchado permanente) le permitirá ver los códigos de programación. El presionar el botón le muestra el siguiente código de programación disponible. El mantener presionado el botón le muestra automáticamente todos los códigos de programación a una velocidad de uno (1) por segundo.
3. El botón COLORS/DELICATES (ropa de color/ropa delicada) se usa para seleccionar o quitar opciones.

Comience la programación de funcionamiento

Inserte la llave de la puerta de acceso de servicio, gírela y levante para quitar la puerta de acceso de servicio.

Secadoras con lector de tarjeta instalado:

Una vez que se haya instalado el lector de tarjeta de pago automático (según las instrucciones del fabricante de lectores), se puede ingresar al modo de programación insertando una tarjeta de programación manual (provista por el fabricante de lectores) en la ranura para tarjeta. Si no hay una tarjeta de programación manual disponible, sólo podrá acceder al modo de diagnóstico quitando la puerta de acceso de servicio.

IMPORTANTE: Para obtener acceso al modo de programación o al de diagnóstico, use una llave de servicio para abrir la puerta de acceso al mismo. Si se ha instalado un lector de tarjeta, una tarjeta de servicio también puede estar disponible para tener acceso a los diagnósticos.

La secadora se encuentra ahora en el modo de programación.

NOTA: No es necesario programar la secadora con los códigos que siguen; la misma está prefijada de fábrica. Estos códigos pueden usarse para cambiar los ajustes, si lo desea.

Códigos de programación

- El botón PERM PRESS (planchado permanente) avanzará código por código.
- El botón COTTON/WHITES (ropa de algodón/ropa blanca), cambiará el valor del código.
- El botón COLORS/DELICATES (ropa de color/ropa delicada) seleccionará o quitará opciones.

El código de programación se indica con uno o los dos caracteres al lado izquierdo. El valor del código de programación se indica con los dos o tres caracteres al lado derecho.

NOTA: El primer renglón de cada código indica el ajuste de fábrica.

Código Explicación

Código	Explicación
6 06	PRECIO DEL CICLO NORMAL
6 06	Cuando d.xx esté fijado en d.00, este valor de 6 xx representa el número de monedas (moneda 1) necesarias para poner en marcha la secadora; puede ajustarse de 0 a 39. Cambie este valor presionando el botón COTTON/WHITES (ropa de algodón/ropa blanca). 6 06 = 6 monedas = \$1,50.
6 01	Cuando d.xx esté fijado en d.CS, este valor de 6 xx representa el número de empujes del tragamonedas para poner la secadora en marcha. 6 01 sería el equivalente a la activación del deslizamiento de una moneda. → Presione el botón PERM PRESS (planchado permanente) una vez para ver el siguiente código.
7 05	TIEMPO DE SECADO NORMAL
7 05	Cuando se haya fijado el funcionamiento en depósito de monedas o lector de tarjeta, el tiempo de secado será equivalente al valor del tiempo de secado común multiplicado por el valor del precio del ciclo común. Ejemplo: 6 06 y 7 05 = (06 x 05 = 30 minutos).
7 30	Para la operación del tragamonedas o del OPL, el valor es la cantidad de minutos de secado. El presionar COTTON/WHITES (ropa de algodón/ropa blanca) ajusta el valor de 1 a 99 minutos. → Presione el botón PERM PRESS (planchado permanente) una vez para ver el siguiente código.
8 00	TIPO DE PRECIOS DE SECADO
8 00	Ciclo fijo con tiempo adicional. Disponible para usarse con depósitos de monedas o lectores de tarjeta solamente. Para ver una descripción detallada, vea "Información general para el usuario."
8 FC	Ciclo fijo. Para ver una descripción detallada, vea "Información general para el usuario". Use el botón COLORS/DELICATES (ropa de color/ropa delicada) para hacer esta selección. → Presione el botón PERM PRESS (planchado permanente) una vez para ver el siguiente código.

INSTRUCCIONES DE PROGRAMACIÓN DEL CONTROL ELECTRÓNICO

Código	Explicación
9 00	OPCIÓN DE CONTADOR DE CICLOS Esta opción se SELECCIONA "ON" o NO SE SELECCIONA "OFF."
9 00	No seleccionada "OFF."
9 0C	Seleccionada "ON" y no se puede anular. Presione el botón COLORS/DELICATES (ropa de color/ropa delicada) tres veces consecutivas para seleccionar "ON." Una vez que se seleccione "ON," no se puede anular la opción. → Presione el botón PERM PRESS (planchado permanente) una vez para ver el siguiente código.
1. 00	OPCIÓN DE CONTADOR DE DINERO Esta opción se SELECCIONA "ON" o NO SE SELECCIONA "OFF."
1. 00	No seleccionada "OFF."
1. 0C	Seleccionada "ON". Presione el botón COLORS/DELICATES (ropa de color/ropa delicada) tres veces consecutivas para seleccionar "ON" (encendido) y tres veces consecutivas para deseleccionarla (No seleccionada "OFF" – apagado). El contador pone la cuenta en cero cuando se cambia de "OFF" (apagado) a "ON" (encendido).
1. 00	Seleccionada "ON" y no se puede anular. Para seleccionar "ON" (encendido) y que no se pueda anular, seleccione primero "ON" y luego, en menos de 2 segundos, presione dos veces el botón COLORS/DELICATES (ropa de color/ropa delicada), el botón COTTON/WHITES (ropa de algodón/ropa blanca) una vez y luego salga del modo de programación. → Presione el botón PERM PRESS (planchado permanente) una vez para ver el siguiente código.
2. 00	OPCIÓN DE PRECIOS ESPECIALES Esta opción se SELECCIONA "ON" o NO SE SELECCIONA "OFF."
2. 00	No seleccionada "OFF" y el próximo código disponible será A.00.
2. SP	Seleccionada "ON." Presione el botón COLORS/DELICATES (ropa de color/ropa delicada) una vez para hacer esta selección. Si se selecciona la OPCIÓN DE PRECIOS ESPECIALES, tendrá acceso a los códigos "3.XX" a "9.XX." → Presione el botón PERM PRESS (planchado permanente) una vez para ver el siguiente código.
OPCIONES DISPONIBLES SI SE SELECCIONA PRECIOS ESPECIALES:	
3. 06	PRECIO PARA CICLOS ESPECIALES
3. 06	Representa el número de monedas de 25 centavos (moneda 1) para poner en marcha la secadora; puede ajustarse de 0 a 39. (Vea la programación de b.xx para VALOR DE LA MONEDA 1.) Avance de 0 a 39 presionando el botón COTTON/WHITES (ropa de algodón/ropa blanca). Ajuste de fábrica de 6 monedas de 25 centavos = \$1,50. → Presione el botón PERM PRESS (planchado permanente) una vez para ver el siguiente código.

Código	Explicación
4. 05	TIEMPO DE SECADO ESPECIAL
4. 05	Representa el número de minutos por cada moneda de 25 centavos (moneda 1). Ajuste de fábrica de 5 minutos por cada moneda. Ejemplo: 6 monedas de 25 centavos x 5 minutos = 30 minutos. Al presionar el botón COTTON/WHITES (ropa de algodón/ropa blanca), el valor se puede ajustar de 1 a 99 minutos.
4. 30	Para la operación del tragamonedas o del OPL, el valor es la cantidad de minutos de secado. → Presione el botón PERM PRESS (planchado permanente) una vez para ver el siguiente código.
5. 00	RELOJ DE LA HORA DEL DÍA, MINUTOS
5. 00	Este es el reloj de la hora del día. Para ajustar los minutos, seleccione de 0 a 59 minutos presionando el botón COTTON/WHITES (ropa de algodón/ropa blanca). → Presione el botón PERM PRESS (planchado permanente) una vez para ver el siguiente código.
6. 00	RELOJ DE LA HORA DEL DÍA, HORAS NOTA: Utiliza el reloj de formato militar o de 24 horas.
6. 00	Este es el reloj de la hora del día. Para ajustar las horas, seleccione de 0 a 23 horas presionando el botón COTTON/WHITES (ropa de algodón/ropa blanca). → Presione el botón PERM PRESS (planchado permanente) una vez para ver el siguiente código.
7. 00	HORA EN LA QUE COMIENZA EL PRECIO ESPECIAL NOTA: Utiliza el reloj de formato militar o de 24 horas.
7. 00	Esta es la hora de inicio, de 0 a 23 horas. Seleccione la hora de inicio presionando el botón COTTON/WHITES (ropa de algodón/ropa blanca). → Presione el botón PERM PRESS (planchado permanente) una vez para ver el siguiente código.
8. 00	HORA EN LA QUE TERMINA EL PRECIO ESPECIAL NOTA: Utiliza el reloj de formato militar o de 24 horas.
8. 00	Esta es la hora en que termina, de 0 a 23 horas. Seleccione la hora de finalización presionando el botón COTTON/WHITES (ropa de algodón/ropa blanca). → Presione el botón PERM PRESS (planchado permanente) una vez para ver el siguiente código.

INSTRUCCIONES DE PROGRAMACIÓN DEL CONTROL ELECTRÓNICO

Código	Explicación																								
9. 10	DÍA DE PRECIO ESPECIAL																								
9. 10	<p>Esto representa el día de la semana y si se seleccionó un precio especial para ese día. Un número seguido por un "0" indica que no se hizo una selección para ese día en particular (9.10). Un número seguido por la letra "S" indica que se hizo una selección para ese día (9.1S).</p> <p>Los días de la semana (de 1 a 7) se seleccionan presionando el botón COTTON/WHITES (ropa de algodón/ropa blanca). Presione una vez el botón COLORS/DELICATES (ropa de color/ropa delicada) para seleccionar el precio especial para cada día elegido.</p> <p>Cuando salga del código de programación "9," la pantalla debe mostrar el día de la semana actual:</p> <table border="1" style="margin-left: 20px;"> <thead> <tr> <th>MUESTRA</th> <th>DÍA DE LA SEMANA</th> <th>CÓDIGO (seleccionado)</th> </tr> </thead> <tbody> <tr> <td>10</td> <td>Día 1 = Domingo</td> <td>1S</td> </tr> <tr> <td>20</td> <td>Día 2 = Lunes</td> <td>2S</td> </tr> <tr> <td>30</td> <td>Día 3 = Martes</td> <td>3S</td> </tr> <tr> <td>40</td> <td>Día 4 = Miércoles</td> <td>4S</td> </tr> <tr> <td>50</td> <td>Día 5 = Jueves</td> <td>5S</td> </tr> <tr> <td>60</td> <td>Día 6 = Viernes</td> <td>6S</td> </tr> <tr> <td>70</td> <td>Día 7 = Sábado</td> <td>7S</td> </tr> </tbody> </table> <p>→ Presione el botón PERM PRESS (planchado permanente) una vez para ver el siguiente código.</p>	MUESTRA	DÍA DE LA SEMANA	CÓDIGO (seleccionado)	10	Día 1 = Domingo	1S	20	Día 2 = Lunes	2S	30	Día 3 = Martes	3S	40	Día 4 = Miércoles	4S	50	Día 5 = Jueves	5S	60	Día 6 = Viernes	6S	70	Día 7 = Sábado	7S
MUESTRA	DÍA DE LA SEMANA	CÓDIGO (seleccionado)																							
10	Día 1 = Domingo	1S																							
20	Día 2 = Lunes	2S																							
30	Día 3 = Martes	3S																							
40	Día 4 = Miércoles	4S																							
50	Día 5 = Jueves	5S																							
60	Día 6 = Viernes	6S																							
70	Día 7 = Sábado	7S																							
A. 00	OPCIÓN PARA VER EL DEPÓSITO Esta opción se SELECCIONA "ON" o NO SE SELECCIONA "OFF."																								
A. 00	No seleccionada "OFF."																								
A. SC	<p>Seleccionada "ON." Presione el botón COLORS/DELICATES (ropa de color/ropa delicada) una vez para hacer esta selección. Cuando esté seleccionada, se podrán ver los recuentos de dinero o ciclos (si se seleccionaron las opciones de contador) cuando se retire la caja de monedas.</p> <p>→ Presione el botón PERM PRESS (planchado permanente) una vez para ver el siguiente código.</p>																								
b. 05	VALOR DE LA MONEDA 1																								
b. 05	<p>Esto representa el valor de la moneda 1 en el número de monedas de 5 centavos: 05 = \$0,25. Al presionar el botón COTTON/WHITES (ropa de algodón/ropa blanca), tendrá la opción de 1 a 199 monedas de 5 centavos.</p>																								
b. 30	<p>Con la activación del tragamonedas, esto representa el total del precio de venta en monedas de 5 centavos. Ejemplo: b. 30 es igual a \$1,50.</p> <p>→ Presione el botón PERM PRESS (planchado permanente) una vez para ver el siguiente código.</p>																								
C. 20	VALOR DE LA MONEDA 2																								
C. 20	<p>Esto representa el valor de la moneda 2 en la cantidad de monedas de 5 centavos. c.20 = \$1,00. Al presionar el botón de COTTON/WHITES (ropa de algodón/ropa blanca), hay una opción de 1 a 199 monedas de 5 centavos.</p>																								
C. 05	<p>Cuando se usa un lector de tarjeta de Generación 2, este código representa el valor de tiempo adicional en monedas de 5 centavos. C.05 = \$0,25.</p> <p>→ Presione el botón PERM PRESS (planchado permanente) una vez para ver el siguiente código.</p>																								

Código	Explicación
d. 00	OPCIÓN DE TRAGAMONEDAS Esta opción se SELECCIONA "ON" o NO SE SELECCIONA "OFF." Será necesario volver a colocar la caja del contador para el montaje del tragamonedas.
d. 00	No seleccionada "OFF."
d. CS	<p>Seleccionada "ON".</p> <p>NOTA: Deberá fijarse esta opción en "00," a menos que se haya cambiado la caja del contador para aceptar un dispositivo tragamonedas.</p> <p>Presione el botón COLORS/DELICATES (ropa de color/ropa delicada) tres veces consecutivas para hacer esta selección. Cuando se selecciona el modo de tragamonedas, fije la "b." en un valor igual al del precio de venta en monedas de 5 centavos. Fije el código de programación 6 xx (precio del ciclo normal) y el código de programación 3 xx (precio para ciclos especiales) en el número de veces que funcione el tragamonedas.</p> <p>NOTA: Si un instalador prepara "CS" en un modelo que funciona con depósito de monedas, no registrará monedas.</p> <p>→ Presione el botón PERM PRESS (planchado permanente) una vez para ver el siguiente código.</p>
E. 00	OPCIÓN DE AGREGAR MONEDAS Esta opción se selecciona "ON" o NO SE SELECCIONA "OFF." Esta opción hace que la pantalla del cliente muestre el número de monedas (moneda 1) que se deben colocar, en lugar del monto en dólares y centavos.
E. 00	No seleccionada "OFF."
E. AC	<p>Seleccionada "ON."</p> <p>Presione el botón COLORS/DELICATES (ropa de color/ropa delicada) tres veces consecutivas para esta selección.</p> <p>→ Presione el botón PERM PRESS (planchado permanente) una vez para ver el siguiente código.</p>
J. Cd	MODO DE PAGO (OPCIÓN DE MONEDA/TARJETA DE PAGO AUTOMÁTICO)
J. Cd	<p>Se han seleccionado tanto moneda como el pago con tarjeta de pago automático. Presione el botón COLORS/DELICATES (ropa de color/ropa delicada) tres veces consecutivas para cambiar esta selección.</p>
J. _d	<p>Tarjeta de pago automático seleccionada, pago con monedas desactivado. Esta selección deberá usarse para el funcionamiento gratuito. Presione el botón COLORS/DELICATES (ropa de color/ropa delicada) tres veces consecutivas para cambiar esta selección.</p>
J. C_	<p>Pago con monedas activado, pago con tarjeta de pago automático desactivado. Presione el botón COLORS/DELICATES (ropa de color/ropa delicada) tres veces consecutivas para cambiar esta selección.</p>
J. Ed	<p>El modo mejorado de tarjeta de pago automático se elige automáticamente cuando un lector de tarjeta de generación 2 se instala en la secadora. La opción "Ed" no se puede seleccionar ni anular manualmente.</p> <p>→ Presione el botón PERM PRESS (planchado permanente) una vez para ver el siguiente código.</p>

INSTRUCCIONES DE PROGRAMACIÓN DEL CONTROL ELECTRÓNICO

Código Explicación

L. 00	OPCIÓN DE SUPRIMIR EL PRECIO Esta opción se SELECCIONA "ON" o NO SE SELECCIONA "OFF." Esta opción hace que la pantalla del cliente muestre "AVAILABLE" (Disponible) o "ADD" (Agregar) en lugar de la cantidad de dinero que hay que agregar. (Se usa principalmente en las instalaciones para tarjeta de pago automático.)
L. 00	No seleccionada "OFF."
L. PS	Seleccionada "ON." Presione el botón COLORS/ DELICATES (ropa de color/ropa delicada) una vez para esta selección. → Presione el botón PERM PRESS (planchado permanente) una vez para ver el siguiente código.
n. CE	OPCIÓN PARA BORRAR LA CANTIDAD EN EL DEPÓSITO Esta opción se SELECCIONA "ON" o NO SE SELECCIONA "OFF." Cuando se selecciona, si hay dinero en el depósito durante 30 minutos sin haberse seleccionado un ciclo o sin agregar más dinero, se borrará este monto.
n. CE	Seleccionada "ON."
n. 00	No seleccionada "OFF." Presione el botón COLORS/ DELICATES (ropa de color/ropa delicada) una vez para anular esta selección. → Presione el botón PERM PRESS (planchado permanente) una vez para ver el siguiente código.
U. 00	COMPENSACIÓN DE INCREMENTO DE CENTÉSIMOS
U. 00	Esto representa la compensación del precio en incremento de centavos que se usa en los lectores de tarjeta de Generación 2. Elija de 0 a 4 centavos presionando el botón COTTON/WHITES (ropa de algodón/ropa blanca). → Presione el botón PERM PRESS (planchado permanente) una vez para ver el siguiente código.

Si se selecciona el contador de ciclos (9 0C), lo siguiente es verdad:

1 00	Número de ciclos en CIENTOS	1 <u>02</u> = 200
2 00	Número de ciclos en UNIDADES	2 <u>25</u> = 25
		TOTAL DE CICLOS = 225

Esto es "SÓLO PARA VERSE" y no se puede borrar.

- Presione el botón PERM PRESS (planchado permanente) una vez para ver el siguiente código.

Si se selecciona el contador de dinero (1.0C ó 1.C0), lo siguiente es verdad:

3 00	Número de dólares en CIENTOS	3 <u>01</u> = \$100,00
4 00	Número de dólares en UNIDADES	4 <u>68</u> = \$ 68,00
5 00	Número de CENTAVOS	5 <u>75</u> = \$ 00,75
		TOTAL = \$ 168,75

FIN DE LOS PROCEDIMIENTOS DE LA PROGRAMACIÓN

CÓMO SALIR DEL MODO DE PROGRAMACIÓN

1. Cierre la puerta de acceso de servicio.
2. Saque la tarjeta de programación manual.

INSTRUCCIONES DE PROGRAMACIÓN DEL CONTROL ELECTRÓNICO

Códigos de diagnóstico

Si se ingresa al modo de programación y ha ocurrido algo de lo siguiente, el código de diagnóstico adecuado aparecerá en la pantalla.

Pantalla de la secadora	Explicación
d 5	Moneda 1 obstruida o fallo en el circuito de control de la IU del depósito de monedas (la pantalla del cliente y del reconocimiento de monedas se desactivará mientras permanezca la obstrucción).
d 9	Voltaje detectado por debajo de 90 VCA durante 8 segundos.
d 13	Moneda 2 obstruida o fallo en el circuito de control de la IU del depósito de monedas (la pantalla del cliente y del reconocimiento de monedas se desactivará mientras permanezca la obstrucción).
d 16	No recibe comunicación del lector de tarjetas de pago automático ya instalado en el modo de Pago con tarjeta de pago automático mejorado (Generación 2).
F 01	Error del circuito de control del motor de la secadora (la pantalla de ciclos y precio se desactiva hasta que se borre manualmente el código de diagnóstico). El control no sabe si el relé del motor está malo (pegado), el circuito de accionamiento del relé del motor está malo (en cortocircuito), haciendo que el relé del motor permanezca encendido, o si el circuito de retroalimentación del relé del motor está malo.
F 22	Termistor de salida en cortocircuito, la temperatura baja a menos de 18°F (>50 kΩ) durante 1 minuto en el modo de Funcionamiento (Run) o inmediatamente en el modo de diagnóstico de fábrica.
F 23	Termistor de salida en cortocircuito, la temperatura está por encima de 250°F (<500 Ω) durante 1 minuto en el modo de Funcionamiento (Run) o inmediatamente en el modo de diagnóstico de fábrica.
F 70	La IU no recibe comunicación de la UCC (la pantalla de ciclos y precio estará desactivada mientras dure el error o hasta que se despeje manualmente).
F 71	La UCC no recibe comunicación de la IU (la pantalla de ciclos y precio estará desactivada mientras dure el error o hasta que se despeje manualmente).
F 73	El microprocesador de la IU no puede leer ni verificar el EEPROM (la pantalla de ciclos y precio estará desactivada hasta que se despeje manualmente el código de diagnóstico).
F 74	La memoria del EEPROM de la IU es una falla de CRC (la pantalla de ciclos y precio estará desactivada hasta que se despeje manualmente el código de diagnóstico).

Modo de diagnóstico de la secadora

Se ingresa a este modo presionando COLORS/DELICATES (ropa de color/ropa delicada) durante un segundo mientras está en uno de los códigos 6 xx o 7 xx, o con un código de diagnóstico presente. Los códigos de diagnóstico se despejan al ingresar algo y todos los segmentos de la pantalla deben destellar. Si continúa apareciendo un código de diagnóstico, deberá ser corregido antes de ingresar al ciclo de diagnóstico.

Todos los modelos:

Con todos los segmentos destellando, el ciclo de diagnóstico comienza cuando presione el botón de PERM PRESS (planchado permanente). El ciclo consiste de 7 minutos de calor y 1 de enfriamiento.

El botón de COTTON/WHITES (ropa de algodón/ropa blanca) aumentará los minutos del ciclo de diagnóstico hasta 99 minutos, luego regresará a 2 minutos. El botón de COLORS/DELICATES (ropa de color/ropa delicada) anulará este ciclo y saldrá del modo de diagnóstico.

Modo de ayuda de la secadora

Se puede acceder al modo de ayuda de la secadora presionando el botón de COTTON/WHITES (ropa de algodón/ropa blanca) mientras esté en la opción de precio especial 2.xx. Mientras esté en el modo de ayuda, se muestra la revisión del software en la pantalla. Se puede avanzar en el modo de ayuda presionando el botón de PERM PRESS (planchado permanente). Consulte el submenú del Modo de ayuda a continuación para ver el orden en el que se muestran los elementos. Presione el botón de COTTON/WHITES (ropa de algodón/ropa blanca) en cualquier momento para salir del modo de ayuda.

Códigos de ayuda

Código de ayuda	Descripción
71	Está fuera de secuencia el mensaje del sondeo del ciclo de la tarjeta de pago automático de Generación 2.
74	Está fuera de secuencia el mensaje de balance remanente de la tarjeta de pago automático de Generación 2.
75	Está fuera de secuencia el mensaje de balance de nueva tarjeta de pago automático de Generación 2.
88	Se ha encontrado un estado de mensajes inválidos en la rutina de communications comm_suprv ().

INSTRUCCIONES DE PROGRAMACIÓN DEL CONTROL ELECTRÓNICO

Submenú del Modo de ayuda

Paso	Indicación en la pantalla	Explicación
1	1h.XX	Código de ayuda 1, en el cual XX es el número de código de ayuda.*
2	2h.XX	Código de ayuda 2, en el cual XX es el número de código de ayuda.*
3	3h.XX	Código de ayuda 3, en el cual XX es el número de código de ayuda.*
4	1.X###	Código de historia de errores 1, en el cual X es el código F o d, y ## es el número de código.**
5	2.X###	Código de historia de errores 2, en el cual X es el código F o d, y ## es el número de código.**
6	3.X###	Código de historia de errores 3, en el cual X es el código F o d, y ## es el número de código.**
7	4.X###	Código de historia de errores 4, en el cual X es el código F o d, y ## es el número de código.**
8	SC.XX	Revisión del software de la UCC, en la cual XX es el número de revisión del software.
9	SU.XX	Revisión del software de la IU, en la cual XX es el número de software.
10	EU.XX	Revisión de EEPROM de la IU, en la cual XX es el número de EEPROM.

* Para borrar los 3 códigos de ayuda, presione el botón de COLORS/DELICATES (ropa de color/ropa delicada).

** Los errores mostrados en esta sección son errores en la historia que han ocurrido en la secadora (no necesariamente un error actual). El error actual se muestra EN EL SUBMODO DE DIAGNÓSTICO DE FUNCIONAMIENTO DE LOS BOTONES MANUALES.

En el modo de ayuda, se muestran otros símbolos y elementos en la pantalla para reflejar el estado de varias entradas y salidas, como sigue:

Todas las secadoras

*..... existe un bajo voltaje (aproximadamente por debajo de los 90 V CA)

°(Círculo encima del dígito).....puerta cerrada

OR (O BIEN) se detectó que el motor está funcionando

AIR (AIRE) el relé del calentador/ la válvula de gas está encendido

FLUFF (ESPONJAR) motor del relé encendido

GARANTÍA DE LOS ELECTRODOMÉSTICOS DE KENMORE

GARANTÍA LIMITADA DE KENMORE

DURANTE UN AÑO a partir de la fecha de venta de este electrodoméstico, el aparato posee garantía contra defectos en los materiales o en la mano de obra cuando se instale, opere y mantenga correctamente de acuerdo con todas las instrucciones provistas.

CON EL COMPROBANTE DE VENTA, un electrodoméstico defectuoso recibirá la reparación o sustitución gratuita, a discreción del vendedor.

Para obtener detalles de la cobertura de la garantía sobre reparaciones y repuestos sin cargo, visite la página web: www.kenmore.com/warranty.

Esta garantía cubre SOLAMENTE los defectos de material y mano de obra, y NO pagará por:

1. Los artículos no reutilizables que puedan gastarse con el uso normal, incluyendo, pero sin limitación, filtros, correas, bolsas y bombillas de luz con rosca en la base.
2. Un técnico de servicio para limpiar o mantener este electrodoméstico o para enseñarle al usuario la correcta instalación, uso y mantenimiento de este.
3. Visitas del servicio técnico para corregir la instalación del electrodoméstico la cual no fue realizada por agentes autorizados del servicio técnico de Sears, o para reparar problemas con fusibles domésticos, cortacircuitos, cableado de la casa y plomería o sistemas de suministro de gas que resulten de tal instalación.
4. Daños o fallas en el electrodoméstico que resulten de la instalación la cual no fue realizada por agentes autorizados de servicio técnico de Sears, lo que incluye instalaciones que no se realizaron de acuerdo con los códigos eléctricos, de gas o de plomería.
5. Daños o fallas en el electrodoméstico, lo que incluye decoloración u óxido en la superficie, si no se hizo un uso y mantenimiento correcto de acuerdo con todas las instrucciones provistas.
6. Daños o fallas en el electrodoméstico, lo que incluye decoloración u óxido en la superficie como consecuencia de un accidente, alteración, abuso, uso indebido o un uso diferente de aquél para el cual fue diseñado.

7. Daños o fallas en el electrodoméstico lo que incluye decoloración u óxido en la superficie causados por el uso de detergentes, limpiadores, productos químicos o utensilios diferentes de los recomendados en todas las instrucciones provistas con el producto.
8. Daños o fallas en piezas o sistemas como resultado de modificaciones no autorizadas que se hayan efectuado en este electrodoméstico.
9. Servicio técnico a un electrodoméstico si la placa de modelo y número de serie falta, está alterada o no puede determinarse con facilidad el logotipo de certificación correspondiente.

EXCLUSIÓN DE GARANTÍAS IMPLÍCITAS; LIMITACIÓN DE RECURSOS

El único y exclusivo recurso del cliente según los términos de esta garantía limitada será el de reparar o sustituir el producto según se estipula en la presente. Las garantías implícitas, incluyendo las garantías de comerciabilidad o de capacidad para un propósito particular, serán limitadas a un año o al período más corto permitido por ley. El vendedor no se hará responsable por daños incidentales o consecuentes. Algunos estados y provincias no permiten la exclusión o limitación de daños incidentales o consecuentes, la limitación acerca de cuánto debe durar una garantía implícita de comerciabilidad o capacidad, de modo que las limitaciones o exclusiones arriba mencionadas pueden no aplicarse en su caso.

Esta garantía se aplica sólo mientras este electrodoméstico se usa en los Estados Unidos.

Esta garantía le otorga derechos legales específicos, y es posible que usted tenga también otros derechos, los cuales varían de un estado a otro.

**Sears Brands Management Corporation
Hoffman Estates, IL 60179 U.S.A.**

3/2015

Kenmore®

Customer Care Hotline

To schedule in-home repair service
or order replacement parts

Para pedir servicio de reparación
a domicilio, y ordenar piezas

1-844-553-6667

www.kenmore.com



W10919679A

©2017 Sears Brands, LLC

04/17

