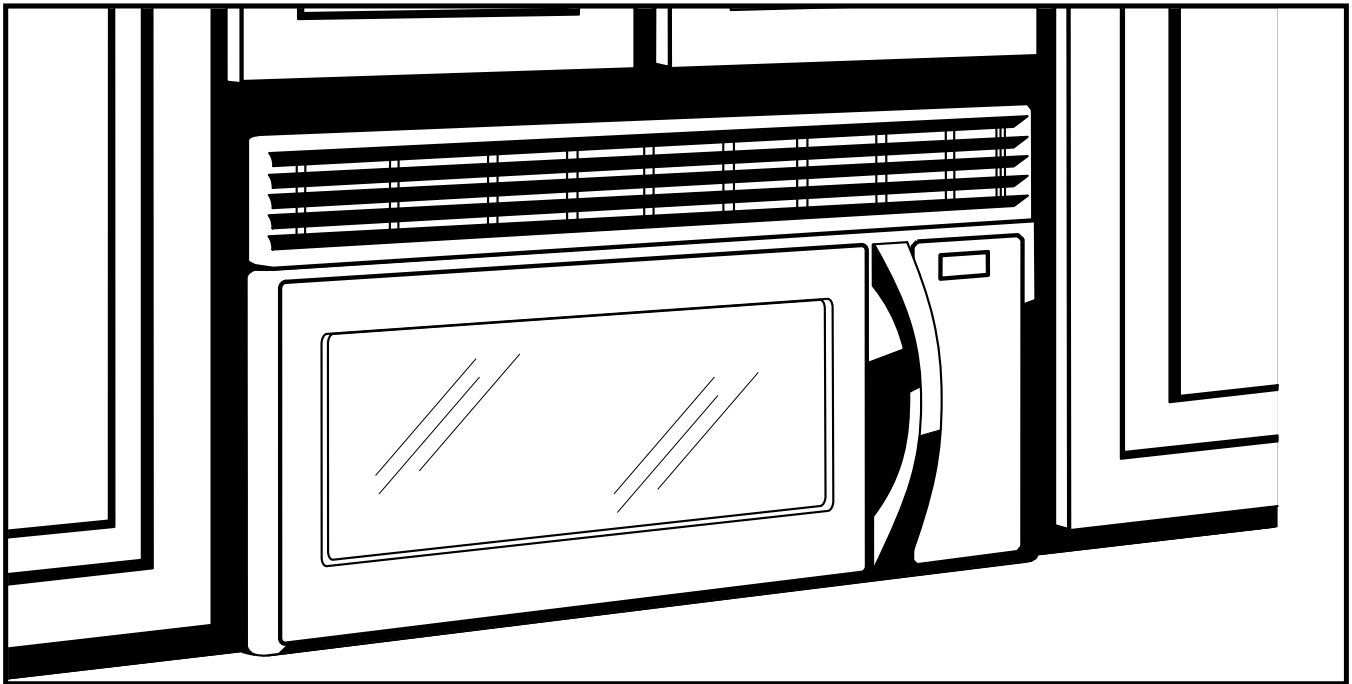


Microwave Oven

Four Micro-ondes

Horno Microondas



Customer Interaction Center:
1-877-337-3639

www.HaierAmerica.com

User Manual
Guide de l'Utilisateur
Manual del Usuario

Model **HMV1630**

Haier[®]

Quality ■ Innovation ■ Style

SAFETY PRECAUTIONS

Warning! – To reduce the risk of burns, electric shock, fire, injury to persons or exposure to excessive microwave oven energy when using your appliance, follow basic safety precautions, including the following:

1. **Read all instructions before using the appliance.**
2. Read and follow the specific: "PRECAUTIONS TO AVOID POSSIBLE EXPOSURE TO EXCESSIVE MICROWAVE ENERGY" found on page 3.
3. As with most cooking appliances, close supervision is necessary to reduce the risk of a fire in the oven cavity.
4. To reduce the risk of fire in the oven cavity:
 - i). Do not overcook food. Carefully attend the appliance when paper, plastic, or other combustible materials are placed inside the oven to facilitate cooking.
 - ii). Remove wire twist-ties and metal handles from paper or plastic containers/bags before placing them in the oven.
 - iii). If materials inside the oven ignite, keep the oven door closed. Turn the oven off, and unplug the appliance. Disconnect the power cord, shut off power at the fuse or circuit breaker panel.
 - iv). Do not use the oven cavity for storage purposes. Do not leave paper products, cooking utensils, or food in the cavity when not in use.
5. This oven must be grounded. Connect only to properly grounded outlet. See "GROUNDING INSTRUCTIONS" found on page 6.
6. Install or locate this oven only in accordance with the installation instructions provided.
7. Some products such as whole eggs and sealed containers-for example, closed glass jars-are able to explode and should not be heated in the oven.
8. Use this appliance only for its intended uses as described in this manual. Do not use corrosive chemicals or vapors in this appliance. This oven is specifically designed to heat or cook or dry food. It is not designed for industrial or laboratory use.
9. As with any appliance, close supervision is necessary when used by children.
10. Do not operate this oven if it has a damaged cord or plug, if it is not working properly or if it has been damaged or dropped.
11. This appliance should be serviced only by qualified service technicians. Contact the nearest authorized service facility for examination, repair or adjustment.
12. Do not cover or block any openings on the oven.
13. Do not store or use this appliance outdoors.

14. Do not use this oven near water, for example, near a kitchen sink, in a wet basement, near a swimming pool, or similar locations.
15. Keep cord away from heated surfaces.
16. Do not let cord hang over edge of table or counter.
17. When cleaning surfaces of door and oven that comes together on closing the door, use only mild, nonabrasive soaps or detergents applied with a sponge or soft cloth.
18. Liquids, such as water, coffee, or tea are able to be overheated beyond the boiling point without appearing to be boiling. Visible bubbling or boiling when the container is removed from the microwave oven is not always present. THIS COULD RESULT IN VERY HOT LIQUIDS SUDDENLY BOILING OVER WHEN THE CONTAINER IS DISTURBED OR A SPOON OR OTHER UTENSIL IS INSERTED INTO THE LIQUID.
 - i) Do not overheat the liquid.
 - ii) Stir the liquid both before and halfway through heating it.
 - iii) Do not use straight-sided containers with narrow necks.
 - iv) After heating, allow the container to stand in the microwave oven for a short time before removing the container.
 - v) Use extreme care when inserting a spoon or other utensil into the container.
19. Clean ventilation hoods frequently - grease should not be allowed to accumulate on hood or filter.
20. When flaming foods under the hood, turn the fan on.
21. Use care when cleaning the vent-hood filter. Corrosive cleaning agents, such as lye-based oven cleaners, may damage the filter.
22. Suitable for use above both gas and electric cooking equipment.

SAVE THESE INSTRUCTIONS

HOUSEHOLD USE ONLY

Thank you for purchasing our Haier product. This easy-to-use manual will guide you in getting the best performance from your Haier microwave oven.

Model number

Serial number

Remember to record the model and serial number. They are on a label located inside the door frame of your microwave oven.

Date of purchase

Staple your receipt to your manual. You will need it to obtain warranty service.

PRECAUTIONS TO AVOID POSSIBLE EXPOSURE TO EXCESSIVE MICROWAVE ENERGY

- (a) Do not attempt to operate this oven with the door open since this can result in harmful exposure to microwave energy. It is important not to break or tamper with the safety interlocks.
- (b) Do not place any object between the oven front face and the door or allow soil or cleaner residue to accumulate on sealing surfaces.
- (c) **Do not operate the oven if it is damaged. It is particularly important that the oven door closes properly and that there is no damage to the:**
 - (1) **DOOR (bent)**
 - (2) **HINGES AND LATCHES (broken or loosened)**
 - (3) **DOOR SEALS AND SEALING SURFACE**
- (d) **The oven should not be adjusted or repaired by anyone except properly qualified service personnel.**

SPECIFICATIONS

Model:	HMV1630
Rated Voltage:	120V~ 60Hz
Rated Input Power:	1550W
Rated Output Power(Microwave):	1000W
Oven Capacity:	1.6 Cu.ft.
Turntable Diameter:	Ø13.60 inch
External Dimensions (WxHxD):	29.88" x 15.75" x 15.04"
Net Weight:	Approx. 55.1 lbs
Incandescent Light Bulbs:	30 W max. Appliance Bulb

TABLE OF CONTENTS

	PAGE
SAFETY PRECAUTIONS	1-2
Precautions.....	3
Specifications	3
BEFORE USING YOUR MICROWAVE OVEN	5
Grounding Instructions.....	6
Radio Interference.....	6
Utensils	7
Materials You Can Use In Microwave Oven	7-8
Materials To Be Avoided In Microwave Oven	8
SETTING UP YOUR MICROWAVE OVEN	9
Names of Oven Parts and Accessories	9
Turntable Installation	10
OPERATION.....	11-15
Control Panel and Features	11
Operation Instructions.....	12-15
1. Clock Setting	12
2. Microwave Cooking.....	12
3. Multi-stage Cooking.....	13
4. Convenience Cooking Controls.....	13
5. Defrost Cooking.....	14
6. Hood Function	14
7. Surface Lighting	14
8. Timer Function	14
9. Popcorn Menu	15
10. Baked Potato Menu	15
11. Beverage Menu	15
12. Reheat	15
13. Status Recall Function	15
14. Child Lockout Function	15
CLEANING AND CARE.....	16-19
Cleaning The Exhaust Filters.....	16
Surface Light Replacement.....	17
Charcoal Filter Replacement.....	17
Oven Light Replacement	18
Cleaning Suggestions	19
MAINTENANCE.....	20
Troubleshooting	20
ASSISTANCE OR SERVICE.....	21
LIMITED WARRANTY.....	22

Before Using Your Microwave Oven

DANGER

Electrical Shock Hazard

Touching some of the internal components can cause serious personal injury or death. Do not disassemble this appliance.



WARNING

Electrical Shock Hazard

Improper use of the grounding can result in electric shock. Do not plug into an outlet until appliance is properly installed and grounded.



GROUNDING INSTRUCTIONS

This appliance must be grounded. In the event of an electrical short circuit, grounding reduces the risk of electric shock by providing an escape wire for the electric current. This appliance is equipped with a cord grounding wire with a grounding plug. The plug must be plugged into an outlet that is properly installed and grounded.

Consult a qualified electrician or service technician if the grounding instructions are not completely understood or if doubt exists as to whether the appliance is properly grounded. If it is necessary to use an extension cord, use only a 3-wire extension cord that has a 3-pronged grounding plug, and a 3-slot receptacle that will accept the plug on the appliance. The marked rating of the extension cord shall be equal to or greater than the electrical rating of the appliance.

1. A short power-supply cord is provided to reduce the risks resulting from becoming entangled in or tripping over a longer cord.
2. Longer cord sets or extension cords are available and may be used if care is exercised in their use.
3. If a long cord sets or extension cord is used:
 - 1) The marked electrical rating of the cord set or extension marked electrical rating of the cord set or extension cord should be at least as great as the electrical rating of the appliance.
 - 2) The extension cord must be a grounding-type 3-wire cord; and
 - 3) The longer cord sets should be arranged so that it will not drape over the countertop or tabletop where it can be pulled on by children or tripped over unintentionally.

RADIO INTERFERENCE

1. Operation of the microwave oven may cause interference to your radio, TV or similar equipment.
2. When there is interference, it may be reduced or eliminated by taking the following measures:
3. If a long cord sets or extension cord is used:
 - 1) Clean door and sealing surface of the oven.
 - 2) Reorient the receiving antenna of radio or television.
 - 3) Relocate the microwave oven with respect to the receiver.
 - 4) Move the microwave oven away from the receiver.
 - 5) Plug the microwave oven into a different outlet so that microwave oven and receiver are on different branch circuits.

UTENSILS

CAUTION

Personal Injury Hazard

Tightly-closed utensils could explode.
Closed containers should be opened and
plastic pouches should be pierced before cooking.

See the instructions on "Materials you can use in microwave oven or to be avoided in a microwave oven." There may be certain non-metallic utensils that are not safe to use for microwaving. If in doubt, you can test the utensil in question following the procedure below.

Utensil Test:

1. Fill a microwave-safe container with 1 cup of cold water (250ml) along with the utensil in question.
2. Cook on maximum power for 1 minute.
3. Carefully feel the utensil. If the utensil is warm, do not use it for microwave cooking.
4. Do not exceed 1 minute cooking time.

MATERIALS YOU CAN USE IN MICROWAVE OVEN

Utensils	Remarks
Aluminum foil	Shielding only. Small smooth pieces can be used to cover thin parts of meat or poultry to prevent overcooking. Arching can occur if foil is too close to oven walls. The foil should be at least 1 inch (2.5cm) away from oven walls.
Browning dish	Follow manufacturer's instructions. The bottom of browning dish must be at least 3/16 inch (5mm) above the turntable. Incorrect usage may cause the turntable to break.
Dinnerware	Microwave-safe only. Follow manufacturer's instructions. Do not use cracked or chipped dishes.
Glass jars	Always remove lid. Use only to heat food until just warm. Most glass jars are not heat resistant and may break.
Glassware	Heat-resistant oven glassware only. Make sure there is no metallic trim. Do not use cracked or chipped dishes.
Oven cooking bags	Follow manufacturer's instructions. Do not close with metal tie. Make slits to allow steam to escape.

MATERIALS YOU CAN USE IN MICROWAVE OVEN [CONT']

Utensils	Remarks
Paper plates and cups	Use for short-term cooking/warming only. Do not leave oven unattended while cooking.
Paper towels	Use to cover food for reheating and absorbing fat. Use with supervision for a short-term cooking only.
Parchment paper	Use as a cover to prevent splattering or a wrap for steaming.
Plastic	Microwave-safe only. Follow the manufacturer's instructions. Should be labeled "Microwave Safe". Some plastic containers soften, as the food inside gets hot. "Boiling bags" and tightly closed plastic bags should be slit, pierced or vented as directed by package.
Plastic wrap	Microwave-safe only. Use to cover food during cooking to retain moisture. Do not allow plastic wrap to touch food.
Thermometers	Microwave-safe only (meat and candy thermometers).
Wax paper	Use as a cover to prevent splattering and retain moisture.

MATERIALS TO BE AVOIDED IN MICROWAVE OVEN

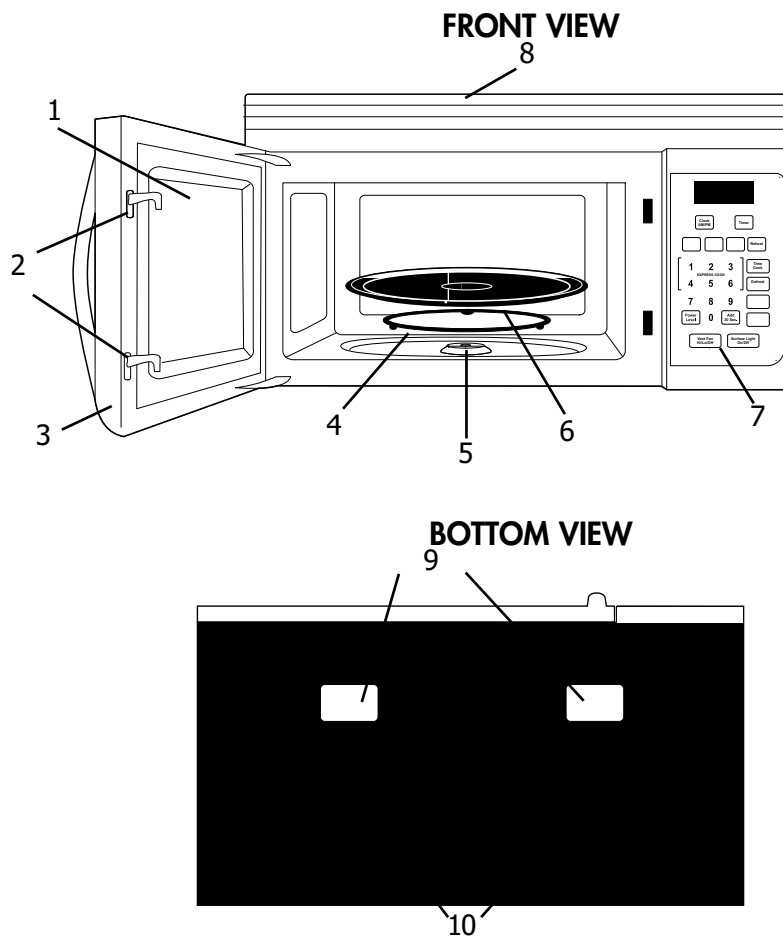
Utensils	Remarks
Aluminum tray	May cause arcing. Transfer food into microwave-safe dish.
Food carton with metal handle	May cause arcing. Transfer food into microwave-safe dish.
Metal or metaltrimmed utensils	Metal shields the food from microwave energy. Metal trim may cause arcing.
Metal twist ties	May cause arcing and could cause a fire in the oven.
Paper bags	May cause a fire in the oven.
Plastic foam	Plastic foam may melt or contaminate the liquid inside when exposed to high temperature.
Wood	Wood will dry out when used in the microwave oven and may split or crack.

Setting Up Your Oven

NAMES OF OVEN PARTS AND ACCESSORIES

Remove the oven and all materials from the carton and oven cavity. Your oven comes with the following accessories:

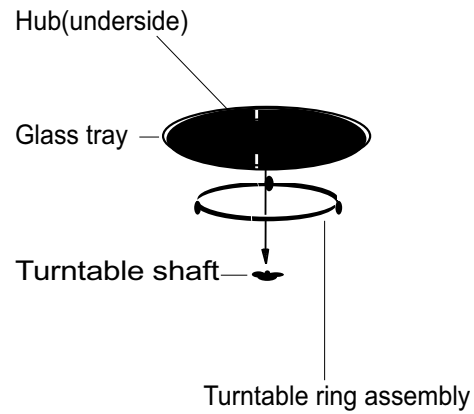
Glass tray	x 1
Turntable ring assembly	x 1
Instruction Manual	x 1



- | | |
|----------------------------|----------------------------------|
| 1. Window | 6. Turntable glass tray |
| 2. Interlock system | 7. Control panel |
| 3. Door assembly | 8. Ventilation openings (on top) |
| 4. Turntable ring assembly | 9. Surface lights |
| 5. Turntable Shaft | 10. Ventilation filters |

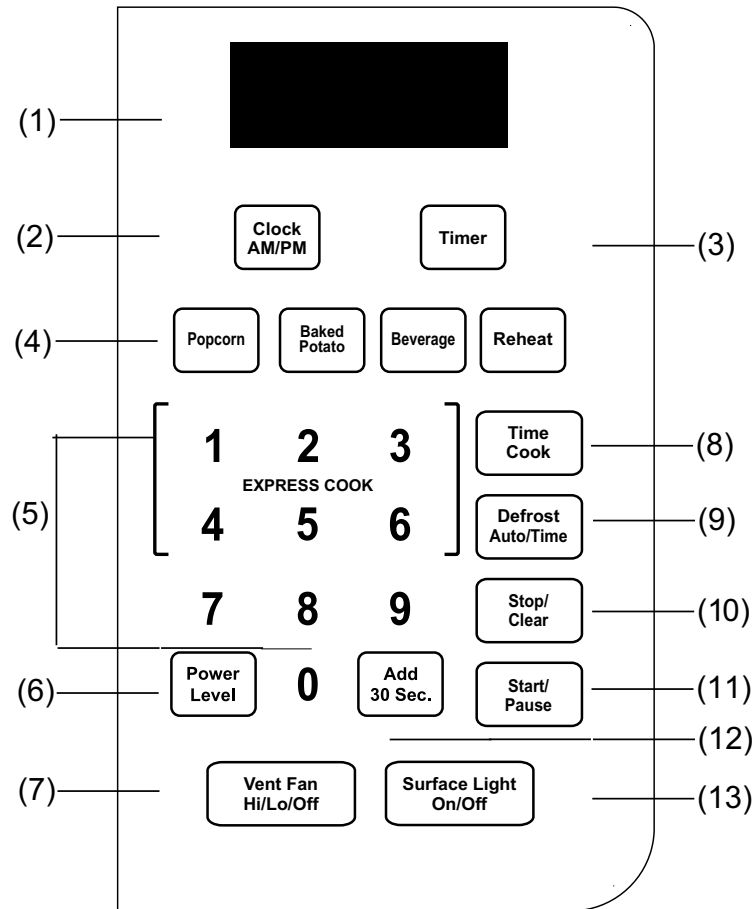
TURNTABLE INSTALLATION

- a. Never place the glass tray upside down. The glass tray should never be restricted.
- b. Both glass tray and turntable ring assembly must always be used during cooking.
- c. All food and containers of food are always placed on the glass tray for cooking.
- d. If glass tray or turntable ring assembly cracks or breaks, contact your nearest authorized service center.



Operation

CONTROL PANEL AND FEATURES



1. Display Screen
2. Clock AM/PM:
to set the current time.
3. Timer
4. Auto Menu
5. Number Keys
6. Power
7. Vent Fan Hi/Lo/Off
8. Time Cook
9. Defrost Auto/Time
10. Stop/Clear:
clears all previous settings when pressed before cooking starts. During cooking: press once to stop oven; twice to stop and clear all entries.
11. Start/Pause
12. Add 30 Sec.
13. Surface Light On/Off

Operation

OPERATION INSTRUCTIONS

1. CLOCK SETTING

1. Press "**CLOCK/AM/PM**", the unit enters the clock setting state. AM indicator will light and flash "0:00" to remind you to input the time.
2. Press "**CLOCK/AM/PM**" again to select AM or PM. The corresponding AM or PM indicator will light.
3. Press the number keys and enter the correct time. For example, if the time is 10:12, press number keys "1, 0, 1, 2" to enter the time.
4. Press "**CLOCK/AM/PM**" key to finish setting the clock.
Note: This model has a 12-hour clock, ranging from 1:00 to 12:59. If the time is not correctly set, press "**CLOCK/AM/PM**", the buzzer will sound twice to indicate the unit has been put into the set state.

2. MICROWAVE COOKING

1. Press "**TIME COOK**" to select microwave cooking. "0:00" will flash to remind you to input the cooking time.
2. Press the number keys to adjust the cooking time needed. For example, to enter a cook time of 10 minutes, press "1, 0, 0, 0" to program. The maximum cooking time is 99 minutes 99 seconds.
3. At this time, you can choose the power level by pressing "**POWER**".
4. Press the appropriate number keys, 1-10, to select the power level.
5. Press "**START/PAUSE**" to start cooking. Time counts down.
Note: 1). If the power level you choose is 100% power, steps "3" and "4" can be skipped and go directly to the step "5".
2). After cooking has finished, the buzzer will sound five times.

TEN POWER LEVELS ARE AVAILABLE.

Level	10	9	8	7	6	5	4	3	2	1
Power	100%	90%	80%	70%	60%	50%	40%	30%	20%	10%
Display	PL10	PL9	PL8	PL7	PL6	PL5	PL4	PL3	PL2	PL1

3. MULTI-STAGE COOKING

At most two stages can be input.

For example: to cook the food with 100% microwave power for 10 minutes and then cook with 80% microwave power for 15 minutes. Do as following:

- 1) Press "**TIME COOK**" to choose microwave cooking;
- 2) Press "1", "0", "0", "0" to input the cooking time;
- 3) Press "**POWER**" to choose 100% microwave power;
- 4) Press "**TIME COOK**" to choose microwave cooking;
- 5) Press "1", "5", "0", "0" to input cooking time;
- 6) Press "**POWER**" to select the microwave power;
- 7) Press "8" to choose 80% microwave power;
- 8) Press "**START**" to start cooking.

Note:

- a. Only Microwave cooking can be programmed for multi-stage cooking. Defrost and Auto programs cannot be set for multi-stage cooking.
- b. When the first stage finishes, the buzzer will sound once and the second stage will begin cooking.
- c. During cooking, adding 30 seconds to the cook time can be added by pressing "**ADD 30 SEC.**" The cook time can be added to a maximum of 99 minutes and 99 seconds.

4. CONVENIENCE COOKING CONTROLS

- 1) In the waiting state, press "**ADD 30 SEC.**" to start cooking 100% microwave power for 30 seconds.
- 2) During cooking, 30 seconds can be added each time the "**ADD 30 SEC**" button is pressed. The maximum cooking time is 99 minutes and 99 seconds.
- 3) Press number keys from 1 to 6 to start cooking with full microwave power for 1-6 minutes. For example, selecting "2" will program cooking for two minutes.

Note: During convenience cooking, microwave power can be checked and selected. Press "**POWER**", the current power will display, then press number keys to choose the power you desire.

5. DEFROST COOKING

A. DEFROST BY WEIGHT

- 1) Press "**DEFROST AUTO/TIME**" once to choose defrost by weight function. Defrost indicator will light, "0:0" and "lb" indicator flash;
- 2) Press number keys from 0 to 9 to input the defrost weight. For example, if the food weight is 1.2 lbs, then press "1", "2" to input. The maximum cooking weight is 6.0 lbs. If the weight input is more than 6.0 lbs, the unit will return to the waiting state.
- 3) Press "**START/PAUSE**" to start defrosting. "lb" indicator will be off.

B. DEFROST BY TIME

- 1) Press "**DEFROST AUTO/TIME**" twice to choose defrost by time function. Defrost indicator will light, "0:00" will flash.
- 2) Press number keys from 0 to 9 to input the defrost time. The maximum defrost time that can be input is 99 minutes and 99 seconds.
- 3) Press "**START/PAUSE**" to start defrosting.
Note: Once half of the defrost time elapses, the buzzer will sound twice to remind you to turn the food over.

6. HOOD FUNCTION

- 1) When the exhaust fan is off, press "**VENT FAN/Hi/Lo/OFF**" once to choose the high fan speed.
- 2) Press "**VENT FAN/Hi/Lo/OFF**" twice to choose the low fan speed.
- 3) Press "**VENT FAN/Hi/Lo/OFF**" a third time to turn the fan off.
- 4) Except when locked, the fan can be adjusted at any time.

7. SURFACE LIGHTING

- 1) Press "**SURFACE LIGHT ON/OFF**" once to turn on the lamp.
- 2) Press "**SURFACE LIGHT ON/OFF**" again to turn off the lamp.

8. TIMER FUNCTION

- 1) Press "**TIMER**", timer indicator will light.
- 2) Press number keys to input the cooking time you need. The maximum cooking time is 99 minutes and 99 seconds.
- 3) Press "**TIMER**" to start time count down. When countdown time has expired, the buzzer will sound and "**OFF**" is displayed to indicate completion.
- 4) Press "**TIMER**" to exit the timer function.
Note: When timer function is in use, only hood fan and surface lights can be activated. Other functions cannot be used until timer function has been exited.

9. POPCORN MENU

- 1) Press "**POPCORN**" repeatedly until the number you wish appears in the display.
For example, press "**POPCORN**" once , "1.75" ounces appears in the LED.
press "**POPCORN**" twice , "3.0" ounces appears in the LED.
press "**POPCORN**" 3 times , "3.5" ounces appears in the LED.
- 2) Press "**START/PAUSE**" to cook.

10. BAKED POTATO MENU

- 1) Press "**BAKED POTATO**" repeatedly until the number you wish appears in the display.
"1"SET: for approximately 7.1 ounces
"2"SET: for approximately 14.2 ounces
"3"SET: for approximately 21.3 ounces
For example, press "**BAKED POTATO**" once , "1" appears in the LED.
- 2) Press "**START/PAUSE**" to cook.

11. BEVERAGE MENU

- 1) Press "**BEVERAGE**" repeatedly until the number you wish appears in the display.
"1"SET: for approximately 8.8 ounces
"2"SET: for approximately 17.6 ounces
"3"SET: for approximately 26.4 ounces
For example, press "**BEVERAGE**" once , "1" appears in the LED.
- 2) Press "**START/PAUSE**" to cook.

12. REHEAT

- 1) Press "**REHEAT**" repeatedly until the number you wish appears in the display.
For example, press "**REHEAT**" once , "8.0" ounces appears in the LED.
press "**REHEAT**" twice , "16.0" ounces appears in the LED.
press "**REHEAT**" 3 times , "24.0" ounces appears in the LED.
- 2) Press "**START/PAUSE**" to cook.

13. STATUS RECALL FUNCTION

- (1) During microwave cooking state, press "**POWER**" to check the power level.
- (2) During microwave cooking state, press "**CLOCK/AM/PM**" to check the clock.

14. CHILD LOCKOUT FUNCTION

Locking: In waiting state, press "**STOP/CLEAR**" for 3 seconds, two beeps will sound to indicate CHILD LOCKOUT state has been activated.

Unlocking: In locked state, press "**STOP/CLEAR**" for 3 seconds, two beeps will sound to indicate CHILD LOCKOUT state has been deactivated.

Cleaning and Care

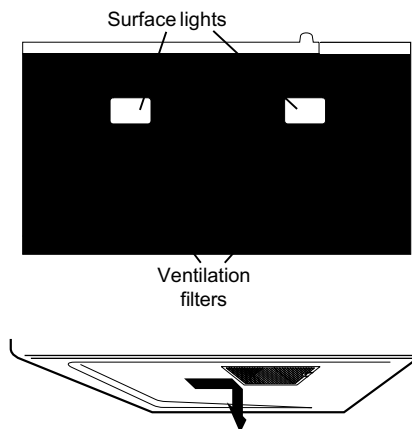
CLEANING THE EXHAUST FILTERS

The oven ventilation exhaust filters should be removed and cleaned often; generally at least once every month.

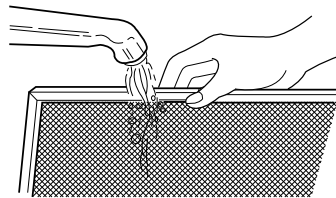
⚠ CAUTION

To avoid risk of personal injury or property damage, do not operate oven hood without filters properly in place.

- 1) To remove the exhaust ventilation filters, slide the filter to the rear. Then pull filter downward and push to the other side. The filter will drop out. Repeat for the 2nd filter.



- 2) Soak the ventilation filters in hot water using a mild detergent. Rinse well and shake to dry. **Do not use ammonia or wash in a dishwasher. The aluminum on the filter will corrode and darken.**



- 3) To reinstall the exhaust ventilation filter, slide it into the side slot, then push up and toward oven to lock. Reinstall the 2nd filter using the same procedure.



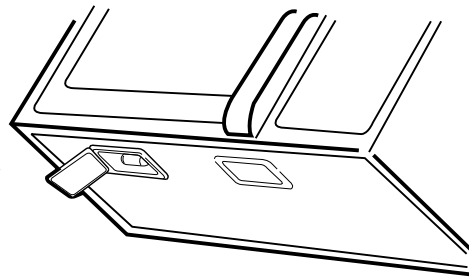
Cleaning and Care

SURFACE LIGHT REPLACEMENT

CAUTION

To avoid risk of personal injury or property damage, wear gloves when replacing the light bulbs.

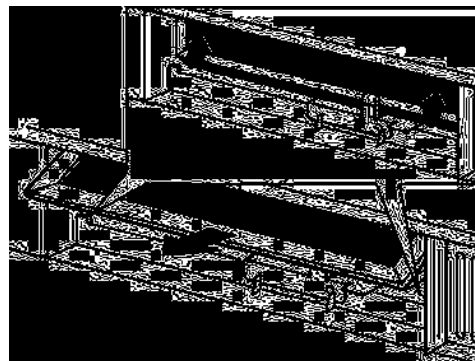
- 1) Unplug the microwave oven or turn off power at the main circuit breaker.
- 2) Remove the bulb cover mounting screws at both light positions under the microwave.
- 3) Replace bulb with max. 30 watt appliance bulb.
- 4) Re-install bulb cover and mounting screw.
- 5) Plug the microwave back into the power supply or turn the power back on at the main circuit breaker.



CHARCOAL FILTER REPLACEMENT

A charcoal filter should be installed in your microwave oven when set for non-vented or recirculated installation. The filter should be changed every 6 to 12 months depending on use.

- 1) Disconnect power to the microwave oven at the circuit breaker panel or by unplugging.
- 2) Remove the vent grill mounting screws.
- 3) Pull the vent grill away from the unit.
- 4) Remove the charcoal filter by pushing it inwards, then turn and pull it away from the unit.



Cleaning and Care

OVEN LIGHT REPLACEMENT

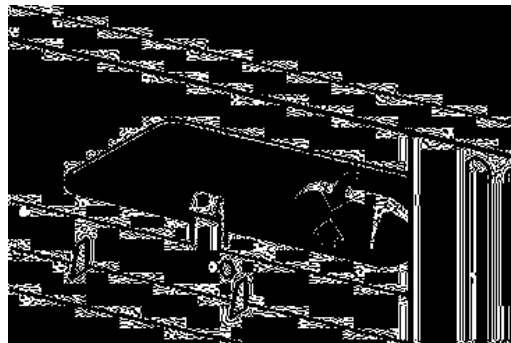
Remove the vent grill per instructions 1-4 above and charcoal filter, if used.

- 1) Open light cover located behind filter mounting by carefully pulling up on the front edge.



- 2) Remove old light bulb and replace only with equivalent Max. 30 W appliance bulb available at most hardware stores or lighting centers.

Note: DO NOT USE BULBS LARGER THAN 30 WATTS.



- 3) Replace the microwave oven light cover by carefully pushing into place. Replace the charcoal filter. Push the vent grill back into place (engaging both the bottom and top tabs) and replace the vent grill mounting screws.

Cleaning and Care

CLEANING SUGGESTIONS

For best performance and for safety reasons, keep the oven clean inside and outside. Take special care to keep the inner door panel and oven door frame free of food and grease build-up.

Never use rough scouring powder or pads on the microwave. Wipe the microwave oven inside and out with a soft cloth and a warm (not hot) mild detergent solution. Then rinse and wipe completely dry.

Wipe spatters immediately with a wet paper towel, especially after cooking greasy foods like chicken or bacon. Clean your microwave oven weekly or more often, if needed.

Follow these instructions to clean and care for your microwave oven:

- Keep the inside (cavity) of the oven clean. Food particles and spilled liquids can stick to the oven walls, causing the oven to work less efficiently.
- Wipe up spills immediately. Use a damp, clean cloth and mild soap. **DO NOT** use harsh detergents or abrasive cleaners.
- To help loosen baked-on food particles or liquids, heat 2 cups of water in a 4 cup glass measuring cup on High power for 5 minutes or until boiling. Let stand in oven cavity for 1 to 2 minutes. (Tip: add lemon juice to keep the oven smelling fresh)
- Remove the glass turntable tray from the oven when cleaning the oven cavity or tray. To prevent the glass turntable from breaking, handle with care and do not put it in water immediately after cooking. Wash the turntable tray in warm sudsy water or in the dishwasher.
- Clean the outside surface of the microwave with soap and a clean damp cloth. Dry with a clean soft cloth. To prevent damage to the operating parts of the oven, do not let water seep into any vents or openings.
- Wash the oven door window with very mild soap and water. Be sure to use a soft clean cloth to avoid scratching.
- If steam accumulates inside or outside the oven door, wipe with a soft cloth. Steam can accumulate when operating the oven in high humidity and in no way indicates microwave leakage.
- Never operate the oven without food in the oven cavity; this can damage the magnetron tube or glass tray. You may wish to leave a cup of standing water inside the oven when it is not in use to prevent damage if the oven is accidentally turned on.

Maintenance

TROUBLESHOOTING

Check your problem by using the chart below and try the solutions for each problem. If the microwave oven still does not work properly, contact the nearest authorized service center.

TROUBLE	POSSIBLE CAUSE	POSSIBLE REMEDY
Oven will not start	a. Electrical cord for oven is not plugged in. b. Door is open. c. Incorrect operation is set.	a. Plug into the outlet. b. Close the door and try again. c. Check instructions.
Arching or sparking	a. Materials to be avoided in microwave oven are being used. b. Oven is being operated empty. c. Spilled food remains in the cavity.	a. Use microwave-safe cookware only. b. Do not operate with oven empty. c. Clean cavity with wet towel.
Unevenly cooked foods	a. Materials to be avoided in microwave oven are used. b. Food is not defrosted completely. c. Cooking time, power level is not suitable. d. Food is not turned or stirred.	a. Use microwave-safe cookware only. b. Completely defrost food. c. Use correct cooking time, power level. d. Turn or stir food.
Overcooked foods	Cooking time, power level is not suitable.	Use correct cooking time, power level.
Undercooked foods	a. Materials to be avoided in microwave oven are used. b. Food is not defrosted completely. c. Oven ventilation ports are restricted. d. Cooking time, power level is not suitable.	a. Use microwave-safe cookware only. b. Completely defrost food. c. Check to see that oven ventilation ports are not restricted. d. Use correct cooking time, power level.
Improper defrosting	a. Materials to be avoided in microwave oven are used. b. Cooking time, power level is not suitable. c. Food is not turned or stirred.	a. Use microwave-safe cookware only. b. Use correct cooking time, power level. c. Turn or stir food.

Assistance or Service

Before calling for assistance or service, please check "Troubleshooting" section. It may save you the cost of a service call. If you still need help follow the instructions below.

When calling, please have the purchase date and the complete model and serial number of your appliance. This information will help us to better respond to your request.

If you need replacement parts

If you need to order replacement parts, we recommend that you only use factory specified parts. These parts will fit right and work properly. To locate factory specified replacement parts in your area, call our Customer Interaction Center telephone number (1-877-337-3639) or contact your nearest designated service center.

Limited Warranty

In-Home Service

1 Year Warranty

For 12 months from the date of original retail purchase, Haier will repair or replace any part free of charge that fails due to a defect in materials or workmanship, including labor.

For Warranty Service

Contact your nearest authorized service center. All service must be performed by a Haier authorized service technician. For the name and telephone number of the nearest authorized service center please call 1-877-337-3639.

Before calling, please have the following information available:

Model number and serial number of your appliance (found inside the door frame of your microwave oven). The name and address of the dealer you purchased the unit from and the date of purchase. A clear description of the problem and proof of purchase (sales receipt).

This warranty covers appliances within the continental United States, Puerto Rico and Canada. What is not covered by this warranty:

Replacement or repair of household fuses, circuit breakers, wiring or plumbing. A product whose original serial number has been removed or altered. Any service charges not specifically identified as normal such as normal service area or hours. Damage to dishware. Damage incurred in shipping. Damage caused by improper installation or maintenance. Damage from misuse, abuse accident, fire, flood, or acts of nature. Damage from service other than an authorized Haier dealer or service center. Damage from incorrect electrical current, voltage or supply. Damage resulting from any product modification, alteration or adjustment not authorized by Haier. Adjustment of consumer operated controls as identified in the owners manual. Hoses, knobs and all attachments, accessories and disposable parts. Labor, service transportation, and shipping charges for the removal and replacement of defective parts beyond the initial 12-month period. Damage from anything other than normal household use. Any transportation and shipping charges.

THIS LIMITED WARRANTY IS GIVEN IN LIEU OF ALL OTHER WARRANTIES, EXPRESSED OR, INCLUDING THE WARRANTIES OF MERCHANTABILITY AND FITNESS FOR A PARTICULAR PURPOSE

The remedy provided in this warranty is exclusive and is granted in lieu of all other remedies. This warranty does not cover incidental or consequential damages, so the above limitations may not apply to you. Some states may not allow limitations on how long an implied warranty lasts, so the above limitations may not apply to you. This warranty gives you specific legal rights, and you may have other rights, which vary, from state to state or territory to territory.

Haier America
New York, NY 10018

CONSIGNES DE SÉCURITÉ

Avertissement! - Afin de réduire les risques de brûlure, de choc électrique, d'incendie, de blessures ou d'exposition à une énergie micro-ondes excessive, suivez des consignes de sécurité élémentaires, y compris les précautions suivantes :

1. **Lisez toutes les instructions avant d'utiliser l'appareil.**
2. Lisez et respectez les « PRÉCAUTIONS POUR ÉVITER L'EXPOSITION POSSIBLE À UNE ÉNERGIE MICRO-ONDES EXCESSIVE » à la page 3.
3. Comme c'est le cas de tout appareil de cuisson, une surveillance étroite est nécessaire afin de réduire le risque d'incendie dans la cavité du four.
4. Pour réduire le risque d'incendie dans la cavité du four :
 - i). Ne cuisez pas trop les aliments. Surveiller étroitement l'appareil pendant la cuisson si du papier, plastique ou autre matériau combustible sont placés dans le four pour faciliter la cuisson.
 - ii). Retirer les attaches et les poignées métalliques des contenants ou sacs de papier ou plastique avant de les placer dans le four.
 - iii). Si des matériaux devaient s'enflammer dans le four, laissez la porte du four fermée. Éteignez le four et débranchez l'appareil. Débranchez le cordon d'alimentation, coupez l'alimentation au niveau du fusible ou du disjoncteur.
 - iv). N'utilisez pas le four comme espace de rangement. Ne laissez pas de papier, ustensiles de cuisson ou aliments dans le four lorsqu'il n'est pas utilisé.
5. Ce four doit être mis à la terre. Ne le branchez que sur une prise correctement mise à la terre. Consultez les « DIRECTIVES DE MISE À LA TERRE » à la page 6.
6. Installez ou placez ce four seulement conformément aux instructions d'installation fournies.
7. Certains produits tels les œufs entiers et les contenants hermétiques tels les pots de verre fermés peuvent exploser et ne devraient pas être chauffés dans ce four.
8. Utilisez cet appareil uniquement aux fins pour lesquelles il a été prévu tel que décrit dans ce guide. N'utilisez pas de produits chimiques corrosifs ou de vapeurs corrosives dans cet appareil. Ce four est spécialement conçu pour chauffer, cuire ou sécher des aliments. Il n'est pas conçu pour une utilisation industrielle ou en laboratoire.
9. Comme c'est le cas de tout appareil, une surveillance étroite est nécessaire lors de l'utilisation par des enfants.
10. N'utilisez pas cet appareil si son cordon ou sa fiche d'alimentation sont endommagés, s'il ne fonctionne pas correctement ou s'il a été échappé ou endommagé.
11. Toute réparation doit être effectuée par un technicien en entretien et réparation qualifié seulement. Contactez le centre de service autorisé le plus près pour vérification, réparation ou ajustement.
12. Ne couvrez ni ne bloquez aucune ouverture du four.
13. Ne rangez et n'utilisez pas cet appareil à l'extérieur.

14. N'utilisez pas ce four près d'une source d'eau, tel un évier de cuisine, un sous-sol humide, une piscine ou des endroits semblables.
15. Éloignez le cordon d'alimentation de toute surface chauffée.
16. Ne laissez pas le cordon d'alimentation pendre au bord d'une table ou d'un comptoir.
17. Pour nettoyer les surfaces de la porte et du four qui entrent en contact l'une avec l'autre lorsque la porte est fermée, utilisez seulement du savon ou un détergent doux et non abrasif et appliquez-le avec une éponge ou un linge doux.
18. Les liquides, tels que l'eau, le café ou le thé peuvent être surchauffés au-delà du point d'ébullition sans faire une seule bulle. Une ébullition visible ou des bulles ne sont pas toujours présentes lorsque le contenant est sorti du four à micro-ondes. LE LIQUIDE TRÈS CHAUD PEUT SOUDAINEMENT COMMENCER À BOUILLIR PENDANT QUE LE CONTENANT EST DÉPLACÉ OU QU'UNE CUILLÈRE OU UN AUTRE USTENSILE Y EST DÉPOSÉ.
 - i) Ne surchauffez pas le liquide.
 - ii) Remuer le liquide avant de le chauffer et à la moitié du temps de chauffage.
 - iii) N'utilisez pas de contenants aux côtés droits et à col étroit,
 - iv) Après le chauffage, laissez le contenant reposer dans le four à micro-ondes pendant une courte période avant de l'en retirer,
 - v) Soyez très prudent si vous insérez une cuiller ou un autre ustensile dans le contenant.
19. Nettoyez fréquemment la hotte de ventilation - il faut éviter de laisser la graisse s'accumuler sur la hotte ou le filtre.
20. Si des aliments flambent sous la hotte, allumez le ventilateur.
21. Soyez prudent en nettoyant le filtre de la hotte à évacuation. Les agents nettoyants corrosifs, tels que les produits nettoyants pour four à base d'hydroxyde de sodium, peuvent endommager le filtre.
22. Convient à une utilisation au-dessus d'une cuisinière au gaz ou électrique.

CONSERVEZ CES INSTRUCTIONS

USAGE DOMESTIQUE SEULEMENT

Merci d'avoir acheté un produit Haier.
Ce manuel convivial vous indiquera comment tirer le meilleur rendement de votre four à micro-ondes Haier.

N'oubliez pas d'inscrire le numéro du modèle et le numéro de série. Ces numéros se trouvent sur une étiquette apposée à l'intérieur du cadre de porte du four à micro-ondes.

Numéro du modèle

Numéro de série

Date d'achat

Agrafez votre reçu à ce guide. Vous en aurez besoin pour obtenir des services en vertu de la garantie.

PRÉCAUTIONS POUR ÉVITER L'EXPOSITION POSSIBLE À UNE ÉNERGIE MICRO-ONDES EXCESSIVE

- (a) N'essayez pas de faire fonctionner ce four la porte ouverte: un tel fonctionnement peut entraîner une exposition dangereuse à l'énergie micro-ondes. Il est important de ne pas contourner ou altérer le verrouillage de sécurité.
- (b) Ne déposez pas d'objet entre la face du four et la porte. Ne laissez pas la saleté ou les résidus de produits nettoyants s'accumuler sur les surfaces d'étanchéité.
- (c) **Ne faites pas fonctionner le four s'il est endommagé. Il est particulièrement important que la porte du four se ferme bien et que les éléments suivants ne soient pas endommagés :**
 - (1) **PORTE (courbée)**
 - (2) **CHARNIÈRES ET LOQUETS (brisés ou lâches)**
 - (3) **JOINTS D'ÉTANCHÉITÉ ET SURFACE D'ÉTANCHÉITÉ DE LA PORTE**
- (d) **Le four doit être réparé par un technicien en entretien et réparation qualifié.**

SPÉCIFICATIONS

Modèle :	HMV1 630
Tension nominale :	120 V ~ 60 Hz
Puissance d'entrée nominale :	1550 W
Puissance de sortie nominale (micro-ondes) :	1000 W
Capacité du four :	1,6 pi ³
Diamètre du plateau tournant :	Ø 13,60 po
Dimensions extérieures (LxHxP) :	29,88 po x 15,75 po x 15,04 po
Poids net :	Approx. 55,1 lb
Lampes à incandescence :	Lampe d'appareil électroménager 30 W max.

TABLE DES MATIÈRES

	PAGE
CONSIGNES DE SÉCURITÉ	1-2
Précautions	3
Spécifications	3
AVANT D'UTILISER VOTRE FOUR À MICRO-ONDES	5
Directives de mise à la terre	6
Interférence aux fréquences radio électriques.....	6
Ustensiles.....	7
Ustensiles que vous pouvez utiliser dans le four micro-ondes	7-8
Ustensiles à ne pas utiliser dans le four micro-ondes	8
RÉGLAGE DE VOTRE FOUR À MICRO-ONDES.....	9
Nom des pièces et accessoires du four	9
Installation du plateau tournant	10
UTILISATION DE L'APPAREIL.....	11-15
Panneau de commande et fonctions	11
Consignes d'utilisation.....	12-15
1. Réglage de l'horloge	12
2. Cuisson aux micro-ondes	12
3. Cuisson en plusieurs étapes	13
4. Commandes de cuisson pratiques.....	13
5. Décongélation.....	14
6. Fonctionnement de la hotte	14
7. Éclairage de surface	14
8. Fonctionnement de la minuterie	14
9. Menu Maïs soufflé	15
10. Menu Pomme de terre au four	15
11. Menu Boisson	15
12. Réchauffage	15
13. Fonction de rappel de l'état	15
14. Fonction de verrouillage de sécurité enfants	15
NETTOYAGE ET ENTRETIEN	16-19
Nettoyage des filtres d'évacuation	16
Remplacement de la lampe de surface.....	17
Remplacement du filtre à charbon	17
Remplacement de la lampe de four	18
Suggestions de nettoyage	19
ENTRETIEN.....	20
Dépannage.....	20
ASSISTANCE OU SERVICE	21
GARANTIE LIMITÉE	22

Avant d'utiliser votre four à micro-ondes

DANGER

Risque d'électrocution

Le contact avec certains composants internes peut causer la mort ou des lésions corporelles graves. Ne désassembler pas cet appareil.



AVERTISSEMENT

Risque d'électrocution

Une utilisation inadéquate de la prise de mise à la terre peut causer des chocs électriques. La fiche doit être branchée dans une prise correctement installée et mise à la terre.



DIRECTIVES DE MISE À LA TERRE

Cet appareil doit être mis à la terre. En cas de court-circuit, la mise à la terre réduit le risque de choc électrique en fournissant un fil conduisant le courant électrique.

Cet appareil est muni d'un cordon avec fil de mise à la terre et prise de mise à la terre. La fiche doit être branchée dans une prise de courant correctement installée et mise à la terre.

Consultez un électricien ou un technicien à l'entretien qualifié si vous ne comprenez pas bien les directives de mise à la terre ou si vous n'êtes pas certain que l'appareil est adéquatement mis à la terre. En cas de nécessité absolue, n'utilisez qu'une rallonge tripolaire munie d'une fiche à trois broches, dont une de mise à la terre, et une prise de courant tripolaire pouvant loger la fiche de l'appareil. La capacité nominale indiquée sur la rallonge sera égale ou supérieure à la capacité nominale de l'appareil.

1. Un cordon d'alimentation court est fourni afin de réduire l'emmêlement et les risques de trébucher sur un cordon plus long.
2. Des cordons amovibles plus longs ou des rallonges sont disponibles et peuvent être utilisés si l'on est très prudent.
3. Si vous utilisez un long cordon amovible ou une longue rallonge :
 - 1) La capacité électrique nominale indiquée du cordon amovible ou de la rallonge devrait être égale ou supérieure à la capacité électrique nominale de l'appareil.
 - 2) La rallonge doit être un cordon tripolaire avec mise à la terre, et
 - 3) Les cordons amovibles plus longs doivent être arrangés de manière à ne pas s'étendre sur le comptoir ou le dessus de la table où des enfants pourraient les tirer ou trébucher dessus.

INTERFÉRENCE AUX FRÉQUENCES RADIO ÉLECTRIQUES

1. L'utilisation du four à micro-ondes peut entraîner des interférences dans les réceptions radiophoniques, télévisuelles ou d'autres équipements semblables.
2. S'il y a des interférences, il est possible de les réduire ou de les éliminer en posant les gestes suivants :
3. Si vous utilisez un long cordon amovible ou une longue rallonge :
 - 1) Nettoyer la porte et la surface d'étanchéité de la porte.
 - 2) Réorienter l'antenne réceptrice de la radio ou de la télévision.
 - 3) Déplacer le four à micro-ondes par rapport au récepteur
 - 4) Éloigner le four à micro-ondes du récepteur.
 - 5) Brancher le four à micro-ondes dans une prise différente afin qu'il ne se trouve pas sur le même circuit que le récepteur.

USTENSILES



MISE EN GARDE

Risques de blessure

Les contenants hermétiquement fermés pourraient exploser.
Les contenants scellés devraient être ouverts et
les sacs de plastique hermétiquement fermés devraient être percés avant la cuisson.

Voir les instructions sur les « Ustensiles que vous pouvez utiliser dans le four micro-ondes ou à ne pas utiliser dans le four micro-ondes ». Certains ustensiles non métalliques peuvent ne pas être sécuritaires pour la cuisson aux micro-ondes. En cas de doute, vous pouvez déterminer si l'ustensile en question convient au micro-ondes en suivant la procédure ci-dessous.

Test d'un ustensile :

1. Placer l'ustensile à vérifier à côté d'un contenant sûr pour la cuisson aux micro-ondes rempli d'une tasse d'eau (250 ml).
2. Faites cuire aux micro-ondes pendant une minute à puissance élevée.
3. Avec prudence, touchez l'ustensile. Si l'ustensile est chaud, ne l'utilisez pas pour la cuisson aux micro-ondes.
4. Ne dépassez pas le temps de cuisson de 1 minute.

USTENSILES QUE VOUS POUVEZ UTILISER DANS LE FOUR MICRO-ONDES

Ustensiles	Remarques
Papier aluminium	Comme écran seulement. De petits morceaux lisses peuvent être utilisés pour couvrir les parties minces de la viande ou de la volaille pour empêcher une surcuisson. Le papier d'aluminium en contact avec la paroi du four peut produire des étincelles. L'aluminium doit être à au moins 1 po (2,5 cm) des parois du four.
Plat à brunir	Conformez-vous aux instructions du fabricant. Le fond du plat à brunir doit être à au moins 3/16 po (5 mm) au-dessus du plateau tournant. Une utilisation incorrecte peut causer le bris du plateau tournant.
Vaisselle	Sûre pour la cuisson aux micro-ondes seulement. Conformez-vous aux instructions du fabricant. N'utilisez pas de vaisselle craquée ou écaillée.
Pots de verre	Enlevez toujours le couvercle. Utilisez seulement pour réchauffer les aliments jusqu'à une température tiède. La plupart des pots de verre ne résistent pas à la chaleur et peuvent briser.
Articles de verre	Plats pour le four en verre résistants à la chaleur seulement. Assurez-vous qu'il n'y ait pas de bordure métallique. N'utilisez pas de vaisselle craquée ou écaillée.
Sacs de cuisson pour le four	Conformez-vous aux instructions du fabricant. Ne fermez pas à l'aide d'une attache métallique. Percez le sac afin de laisser la vapeur s'échapper.

USTENSILES QUE VOUS POUVEZ UTILISER DANS LE FOUR MICRO-ONDES (SUITE)

Ustensiles	Remarques
Assiettes et tasses de papier	Utilisez pour la cuisson ou le réchauffage de courte durée seulement. Ne laissez pas le four sans surveillance pendant la cuisson.
Essuie-tout	Utilisez pour couvrir les aliments pendant le réchauffage et pour absorber le gras. Utilisez avec surveillance pour une cuisson de courte durée seulement.
Papier parchemin	Utilisez comme couvercle pour empêcher les éclaboussures ou comme enveloppe pour une cuisson à la vapeur.
Plastique	Sûr pour la cuisson aux micro-ondes seulement. Conformez-vous aux instructions du fabricant. Doit porter une étiquette « Sûr pour la cuisson aux micro-ondes ». Certains contenants de plastique s'amollissent lorsque les aliments à l'intérieur deviennent chauds. Les pochettes de cuisson « à bouillir » et les sacs de plastique hermétiquement fermés devraient être fendus, percés ou aérés tel qu'indiqué sur leur emballage.
Pellicule plastique	Sûre pour la cuisson aux micro-ondes seulement. Utilisez pour couvrir les aliments pendant la cuisson afin de retenir l'humidité. Ne laissez pas la pellicule plastique toucher aux aliments.
Thermomètres	Sûrs pour la cuisson aux micro-ondes seulement (thermomètres à viande ou à bonbons).
Papier ciré	Utilisez comme couvercle pour empêcher les éclaboussures ou pour retenir l'humidité.

USTENSILES À NE PAS UTILISER DANS LE FOUR MICRO-ONDES

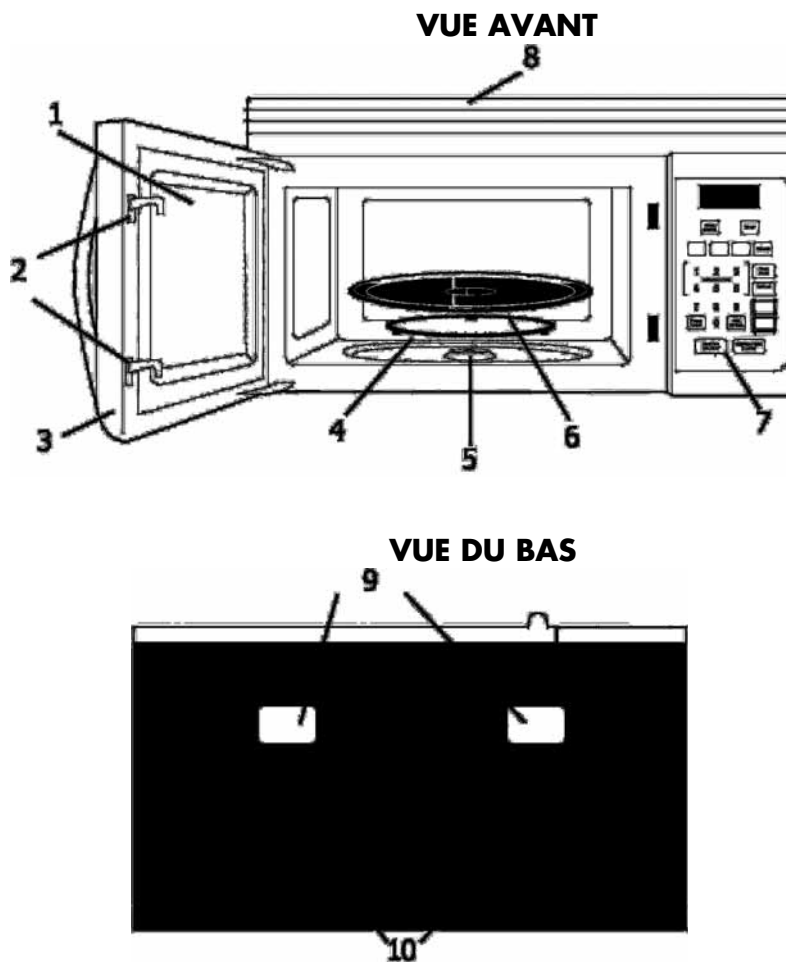
Ustensiles	Remarques
Plateau d'aluminium	Peut produire des étincelles. Transférez les aliments dans un plat sûr pour la cuisson aux micro-ondes.
Carton de nourriture avec poignées en métal	Peut produire des étincelles. Transférez les aliments dans un plat sûr pour la cuisson aux micro-ondes.
Ustensiles en métal ou à garnitures métalliques	Le métal empêche l'énergie micro-ondes d'atteindre les aliments. Les garnitures métalliques peuvent produire des étincelles.
Attaches métalliques	Peuvent produire des étincelles et pourraient causer un incendie dans le four.
Sacs en papier	Peuvent causer un incendie dans le four.
Mousse plastique	La mousse plastique peut fondre ou contaminer le liquide à l'intérieur quand elle est exposée à une température élevée.
Bois	Le bois séchera s'il est utilisé dans le four à micro-ondes et il peut fendre ou craquer.

Réglage de votre four

NOM DES PIÈCES ET ACCESSOIRES DU FOUR

Sortez le four du carton et retirez tous les matériaux de la cavité du four.
Votre four est vendu avec accessoires suivants :

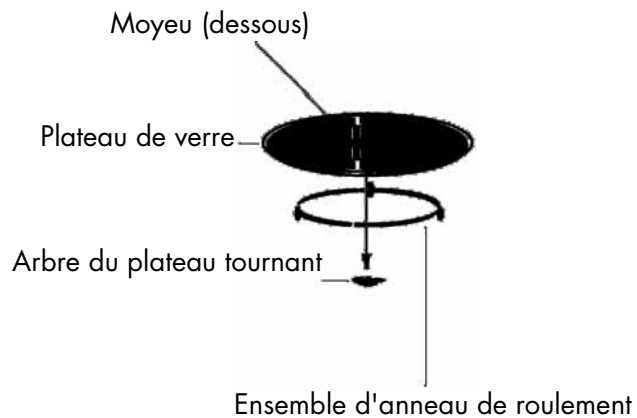
Plateau de verre	x 1
Anneau de roulement	x 1
Mode d'emploi	x 1



- | | |
|-----------------------------------|--|
| 1. Fenêtre | 6. Plateau tournant en verre |
| 2. Système de verrouillage | 7. Panneau de commande |
| 3. Ensemble de porte | 8. Ouvertures de ventilation (sur le dessus) |
| 4. Ensemble d'anneau de roulement | 9. Lampes de surface |
| 5. Arbre du plateau tournant | 10. Filtres de ventilation |

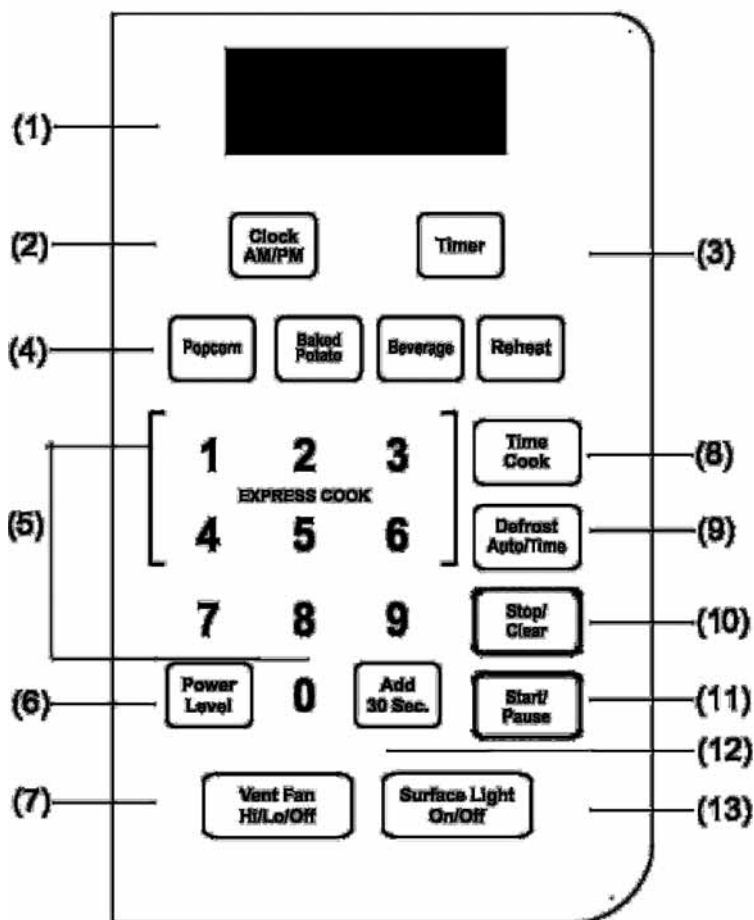
INSTALLATION DU PLATEAU TOURNANT

- a. Ne placez jamais le plateau de verre à l'envers. Le plateau de verre ne doit jamais être bloqué.
- b. Le plateau de verre et l'anneau de roulement doivent toujours être utilisés pendant la cuisson.
- c. Tous les aliments et les contenants d'aliments sont toujours placés sur le plateau de verre pour la cuisson.
- d. Si le plateau de verre ou l'anneau de roulement craque ou brise, contactez le centre de service autorisé le plus prêt de chez vous.



Utilisation de l'appareil

PANNEAU DE COMMANDE ET FONCTIONS



1. Écran
2. Horloge AM/PM :
pour régler l'heure.
3. Minuterie
4. Menu automatique
5. Touches numériques
6. Mise en marche/arrêt
7. Ventilateur d'aération niveau
H/B/Arrêt
8. Temps de cuisson
9. Dégivrage automatique/Temps
10. Arrêt/Effacer :
*efface tous les réglages précédents si
enfoncée avant le début de la cuisson.
Pendant la cuisson : Appuyez une fois
pour arrêter le four; deux fois pour arrêter
et effacer toutes les entrées.*
11. Marche/Pause
12. Ajouter 30 sec
13. Marche-arrêt de la lampe de surface

Utilisation de l'appareil

INSTRUCTIONS D'UTILISATION

1. RÉGLAGE DE L'HORLOGE

1. Appuyez sur « **HORLOGE/AM/PM** », l'appareil entre en mode réglage de l'horloge. L'indicateur AM s'allumera et l'affichage « 0:00 » clignotera pour vous rappeler d'entrer l'heure.
2. Appuyez sur « **HORLOGE/AM/PM** », à nouveau pour sélectionner AM ou PM. L'indicateur AM ou PM correspondant s'allumera.
3. Entrez l'heure exacte en appuyant sur les touches numériques. Par exemple, s'il est 10:12, appuyez sur les touches 1, 0, 1, 2 pour entrer l'heure.
4. Appuyez sur la touche « **HORLOGE/AM/PM** », pour terminer le réglage de l'horloge.

Remarque : Ce modèle comporte une horloge de 12 heures, allant de 1:00 à 12:59. Si l'heure n'est pas réglée correctement, appuyez sur « **HORLOGE/AM/PM** », l'avertisseur sonnera deux fois pour indiquer que l'appareil est en mode de réglage.

2. CUISSON AUX MICRO-ONDES

1. Appuyez sur « **TEMPS DE CUISSON** », pour sélectionner la cuisson aux micro-ondes. « 0:00 » clignotera pour vous rappeler d'entrer le temps de cuisson.
2. Entrez le temps de cuisson nécessaire en appuyant sur les touches numériques. Par exemple, pour programmer un temps de cuisson de 10 minutes, appuyez sur les touches 1, 0, 0, 0. Le temps de cuisson maximum est de 99 minutes 99 secondes.
3. À ce stade, vous pouvez choisir le niveau de puissance en appuyant sur « **PUISSANCE** ».
4. Appuyez sur les touches numériques appropriées, 1-1 0, pour sélectionner le niveau de puissance.
5. Appuyez sur « **MARCHE/PAUSE** » pour commencer la cuisson. Le temps est compté à rebours.

Remarque : 1). Si le niveau de puissance que vous choisissez est 100 %, vous pouvez sauter les étapes 3 et 4 et aller directement à l'étape 5.

2) Quand la cuisson est terminée, l'avertisseur sonne cinq fois.

DIX NIVEAUX DE PUISSANCE SONT DISPONIBLES.

Niveau	10	9	8	7	6	5	4	3	2	1
Mise en marche/arrêt	100%	90%	80%	70%	60%	50%	40%	30%	20%	10%
Affichage	NP10	NP9	NP8	NP7	NP6	NP5	NP4	NP3	NP2	NP1

3. CUISSON EN PLUSIEURS ÉTAPES

Il est possible d'entrer au plus deux étapes.

Par exemple : pour cuire les aliments à un niveau de puissance micro-ondes de 100 % pendant 10 minutes, puis à un niveau de puissance micro-ondes de 80 % pendant 15 minutes, Faites comme suit :

- 1) Appuyez sur « **TEMPS DE CUISSON** », pour sélectionner la cuisson aux micro-ondes.
- 2) Appuyez sur 1, 0, 0, 0 pour entrer le temps de cuisson.
- 3) Appuyez sur « **PUISSANCE** », pour sélectionner la puissance micro-ondes de 100 %.
- 4) Appuyez sur « **TEMPS DE CUISSON** », pour sélectionner la cuisson aux micro-ondes.
- 5) Appuyez sur 1, 5, 0, 0 pour entrer le temps de cuisson.
- 6) Appuyez sur « **PUISSANCE** », pour sélectionner la puissance micro-ondes.
- 7) Appuyez sur 8 pour sélectionner la puissance micro-ondes de 80 %.
- 8) Appuyez sur « **MARCHE** » pour commencer la cuisson.

Remarque :

- a. Seule la cuisson micro-ondes peut être programmée pour plusieurs étapes. Les programmes de décongélation et les programmes automatiques ne peuvent pas être programmés pour la cuisson en plusieurs étapes.
- b. Lorsque la première étape est terminée, l'avertisseur sonne une fois et la deuxième étape de cuisson commence.
- c. Pendant la cuisson, il est possible d'ajouter 30 secondes au temps de cuisson en appuyant sur « **AJOUTER 30 SEC** ». Le temps de cuisson peut être augmenté jusqu'à un maximum de 99 minutes et 99 secondes.

4. COMMANDES DE CUISSON PRATIQUES

1. En mode attente, appuyez sur "**AJOUTER 30 SEC**" pour commencer la cuisson micro-ondes à la puissance de 100 % pendant 30 secondes.
2. Pendant la cuisson, vous pouvez ajouter 30 secondes chaque fois que vous appuyez sur le bouton "**AJOUTER 30 SEC**". Le temps de cuisson maximum est de 99 minutes et 99 secondes.
3. Appuyez sur les touches numériques de 1 à 6 pour commencer la cuisson à la puissance micro-ondes maximum pendant une à six minutes. Par exemple, choisir « 2 » programmera la cuisson pendant deux minutes.

Remarque : Pendant la cuisson pratique, vous pouvez vérifier et choisir la puissance micro-ondes. Appuyez sur « **PUISSANCE** », l'affichage indique la puissance sélectionnée; appuyez ensuite sur les touches numériques pour sélectionner la puissance que vous désirez.

5. DÉCONGÉLATION

A. DÉCONGÉLATION PAR POIDS

- 1) Appuyez sur « **DÉCONGÉLATION TEMPS/AUTO** », pour sélectionner la fonction de décongélation selon le poids. L'indicateur de décongélation s'allumera, « 0:0 » et l'indicateur « lb » clignotera.
- 2) Appuyez sur les touches numériques de 0 à 9 pour entrer le poids de décongélation. Par exemple, si le poids de l'aliment est 1,2 lb, appuyez sur 1, 2 pour l'entrer. Le poids de cuisson maximum est 6,0 lb. Si le poids entré excède 6,0 lb, l'appareil retournera au mode d'attente.
- 3) Appuyez sur « **MARCHE/PAUSE** » pour commencer la décongélation. L'indicateur « lb » sera éteint.

B. DÉCONGÉLATION PAR TEMPS

- 1) Appuyez sur « **DÉCONGÉLATION TEMPS/AUTO** », deux fois pour sélectionner la fonction de décongélation selon un temps. L'indicateur de décongélation s'allumera, « 0:00 » clignotera.
- 2) Appuyez sur les touches numériques de 0 à 9 pour entrer le temps de décongélation. Le temps de décongélation maximum que vous pouvez entrer est de 99 minutes et 99 secondes.
- 3) Appuyez sur « **MARCHE/PAUSE** » pour commencer la décongélation.
Remarque : Une fois la moitié du temps de décongélation écoulée, l'avertisseur sonnera deux fois pour vous rappeler de retourner l'aliment.

6. FONCTIONNEMENT DE LA HOTTE

- 1) Le ventilateur d'évacuation étant à l'arrêt, appuyez sur « **VENTILATEUR ÉVACUATION/H/B/ARRÊT** » une fois pour choisir la vitesse du ventilateur d'évacuation.
- 2) Appuyez sur « **VENTILATEUR ÉVACUATION/H/B/ARRÊT** » deux fois pour choisir la vitesse basse du ventilateur d'évacuation.
- 3) Appuyez sur « **VENTILATEUR ÉVACUATION/H/B/ARRÊT** » une troisième fois pour arrêter le ventilateur d'évacuation.
- 4) Il est possible d'ajuster le ventilateur d'évacuation, sauf lorsqu'il est verrouillé.

7. ÉCLAIRAGE DE SURFACE

- 1) Appuyez sur « **MARCHE-ARRÊT LAMPE DE SURFACE** » une fois pour allumer la lampe.
- 2) Appuyez sur « **MARCHE-ARRÊT LAMPE DE SURFACE** » à nouveau pour éteindre la lampe.

8. FONCTIONNEMENT DE LA MINUTERIE

- 1) Appuyez sur « **MINUTERIE** », l'indicateur de la minuterie s'allume.
- 2) Entrez le temps de cuisson nécessaire en appuyant sur les touches numériques. Le temps de cuisson maximum est de 99 minutes et 99 secondes.
- 3) Appuyez sur « **MINUTERIE** » pour commencer le décompte du temps de cuisson. Lorsque le décompte est terminé, l'avertisseur sonne et « **ARRÊT** » est affiché pour indiquer l'achèvement.

- 4) Appuyez sur « **MINUTERIE** » pour sortir de la fonction de minuterie.
Remarque : Lorsque la minuterie est en fonction, seul le ventilateur d'évacuation et les lampes de surface peuvent être activés. Les autres fonctions ne peuvent pas être utilisées tant que la fonction de minuterie est active.

9. MENU MAÏS SOUFFLÉ

- 1) Appuyez sur « **MAÏS SOUFFLÉ** » plusieurs fois jusqu'à ce que le chiffre désiré s'affiche. Par exemple, appuyez sur « **MAÏS SOUFFLÉ** » une fois, l'écran affiche 1,75 oz. Appuyez sur « **MAÏS SOUFFLÉ** » deux fois, l'écran affiche 3,0 oz. Appuyez sur « **MAÏS SOUFFLÉ** » 3 fois, l'écran affiche 3,5 oz.
- 2) Appuyez sur « **MARCHE/PAUSE** » pour cuire.

10. MENU POMME DE TERRE AU FOUR

- 1) Appuyez sur « **POMME DE TERRE AU FOUR** » plusieurs fois jusqu'à ce que le chiffre désiré s'affiche.
RÉGLAGE « 1 » : pour environ 7,1 oz
RÉGLAGE « 2 » : pour environ 14,2 oz
RÉGLAGE « 3 » : pour environ 21,3 oz. Par exemple appuyez sur « **POMME DE TERRE AU FOUR** » une fois, l'écran affiche « 1 ».
- 2) Appuyez sur « **MARCHE/PAUSE** » pour cuire.

11. MENU BOISSON

- 1) Appuyez sur « **BOISSON** » plusieurs fois jusqu'à ce que le chiffre désiré s'affiche.
RÉGLAGE « 1 » : pour environ 8,8 oz
RÉGLAGE « 2 » : pour environ 17,6 oz
RÉGLAGE « 3 » : pour environ 26,4 oz. Par exemple appuyez sur « **BOISSON** » une fois, l'écran affiche « 1 ».
- 2) Appuyez sur « **MARCHE/PAUSE** » pour cuire.

12. RÉCHAUFFAGE

- 1) Appuyez sur « **RÉCHAUFFER** » plusieurs fois jusqu'à ce que le chiffre désiré s'affiche. Par exemple appuyez sur « **RÉCHAUFFER** » une fois, l'écran affiche « 8 oz ». Appuyez sur « **RÉCHAUFFER** » deux fois, l'écran affiche « 16 oz ». Appuyez sur « **RÉCHAUFFER** » 3 fois, l'écran affiche « 24 oz ».
- 2) Appuyez sur « **MARCHE/PAUSE** » pour cuire.

13. FONCTION DE RAPPEL DE L'ÉTAT

- 1) Pendant la cuisson micro-ondes, appuyez sur « **PUISSANCE** », pour vérifier le niveau de puissance.
- 2) Pendant la cuisson micro-ondes, appuyez sur « **HORLOGE/AM/PM** » pour vérifier l'horloge.

14. FONCTION DE VERROUILLAGE DE SÉCURITÉ ENFANTS

Pour verrouiller : En mode attente, appuyez sur « **ARRÊT/EFFACER** » pendant trois secondes; l'avertisseur émettra deux bips pour indiquer que le VERROUILLAGE ENFANT est activé.

Pour déverrouiller : En mode verrouillé, appuyez sur « **ARRÊT/EFFACER** » pendant trois secondes; l'avertisseur émettra deux bips pour indiquer que le VERROUILLAGE ENFANT est désactivé.

Nettoyage et entretien

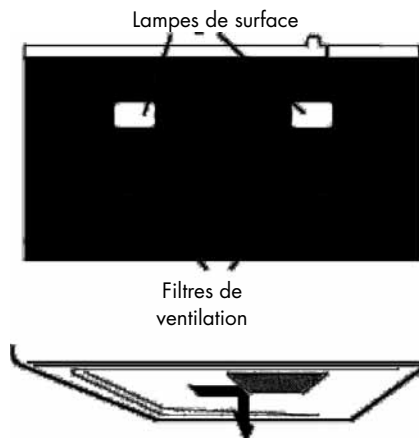
NETTOYAGE DES FILTRES DE VENTILATION

Les filtres de ventilation aspirante doivent être enlevés et nettoyés souvent; en général, au moins une fois par mois.

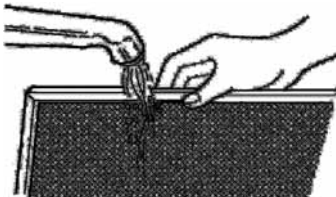
! MISE EN GARDE

Pour éviter les risques de blessure ou de dommages à la propriété, ne faites pas fonctionner la hotte du four sans avoir mis les filtres bien en place.

- 1) Pour enlever les filtres de la ventilation aspirante, glissez le filtre à l'arrière. Puis, tirez le filtre vers le bas et poussez de l'autre côté. Le filtre sortira. Répétez l'opération pour le deuxième filtre.



- 2) Faites tremper les filtres de ventilation dans l'eau chaude et un détergent doux. Rincez bien et secouez pour assécher. **N'utilisez pas d'ammoniaque et ne lavez pas au lave-vaisselle. L'aluminium du filtre se corroderait et noircirait.**



- 3) Pour réinstaller le filtre de la ventilation aspirante, glissez-le dans la fente du côté, puis poussez-le vers le haut et vers le four pour le verrouiller en place. Réinstaller le deuxième filtre de la même manière.



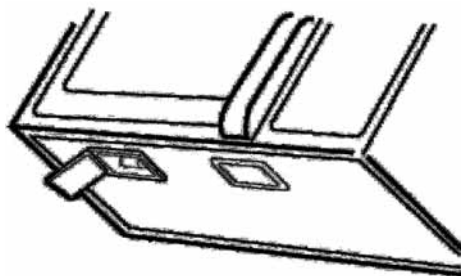
Nettoyage et entretien

REPLACEMENT DE LA LAMPE DE SURFACE

MISE EN GARDE

Pour éviter les risques de blessure ou de dommages à la propriété, portez des gants lorsque vous remplacez les ampoules électriques.

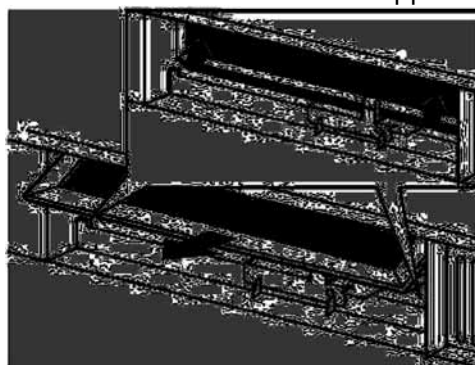
- 1) Débranchez le four à micro-ondes ou coupez l'alimentation au niveau du disjoncteur principal.
- 2) Enlevez les vis de montage du couvercle de l'ampoule des deux lampes sous le four à micro-ondes.
- 3) Remplacez l'ampoule par une ampoule d'appareil électroménager d'un maximum de 30 watts.
- 4) Réinstallez le couvercle de l'ampoule et les vis de montage.
- 5) Rebranchez le four à micro-ondes ou rebranchez l'alimentation au niveau du disjoncteur principal.



REPLACEMENT DU FILTRE À CHARBON

Un filtre à charbon doit être installé dans le four à micro-ondes s'il est réglé pour une installation non-ventilée ou de recirculation de l'air. Le filtre doit être changé tous les 6 à 12 mois selon l'utilisation.

- 1) Coupez l'alimentation du four à micro-ondes au niveau du disjoncteur ou en le débranchant.
- 2) Enlevez les vis de montage de la grille de ventilation.
- 3) Retirez la grille de ventilation de l'appareil.
- 4) Enlevez le filtre à charbon en le poussant vers l'intérieur, puis tournez-le et retirez-le de l'appareil.

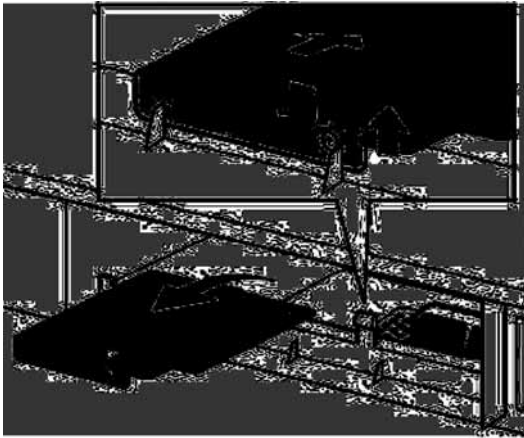


Nettoyage et entretien

REPLACEMENT DE LA LAMPE DE FOUR

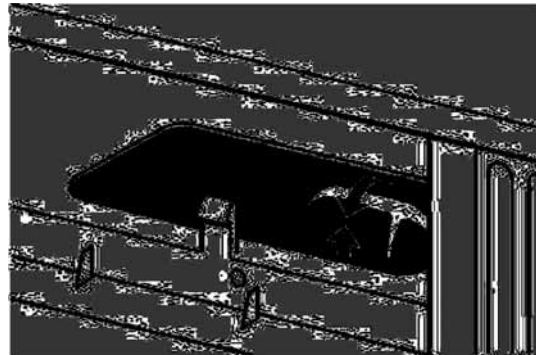
Enlevez la grille de ventilation et le filtre à charbon, si utilisé, en suivant les instructions 1-4 ci-dessus.

- 1) Ouvrez le couvercle de la lampe situé derrière le support du filtre en tirant doucement sur la partie antérieure.



- 2) Enlevez la vieille ampoule électrique et remplacez-la par une ampoule d'appareil électroménager équivalente d'un maximum de 30 W en vente dans la plupart des quincailleries et centres de luminaires.

Remarque : N'UTILISEZ PAS D'AMPOULES PLUS GROSSES QUE 30 WATTS.



- 3) Remplacez le couvercle de l'ampoule du four à micro-ondes en la poussant doucement en place. Remplacez le filtre à charbon. Remettez la grille de ventilation en place en la poussant (enclenchez les languettes du haut et du bas) et remplacez les vis de montage de la grille de ventilation.

Nettoyage et entretien

SUGGESTIONS DE NETTOYAGE

Pour un meilleur rendement et pour des raisons de sécurité, gardez l'intérieur et l'extérieur du four propres. Prenez bien soin de ne pas laisser des aliments et de la graisse s'accumuler sur le panneau intérieur et sur le cadre de la porte du four.

N'utilisez jamais de poudre ou tampon à récurer abrasifs dans le four à micro-ondes. Essayez l'intérieur et l'extérieur des fours à micro-ondes avec un linge doux et une solution tiède de détergent doux. Puis rincez et essuyez complètement.

Essayez les éclaboussures sans tarder avec un essuie-tout mouillé, surtout après la cuisson d'aliments gras tels que le poulet ou le bacon. Nettoyez votre four à micro-ondes chaque semaine ou plus souvent, au besoin.

Suivez ces instructions pour nettoyer et entretenir votre four à micro-ondes :

- Gardez l'intérieur (la cavité) du four propre. Les particules d'aliments et les liquides répandus peuvent coller aux parois du four et entraîner un fonctionnement moins efficace du four.
- Essayez immédiatement les débordements. Utilisez un linge propre humide et du savon doux. N'utilisez PAS de détergents forts ou de nettoyants abrasifs.
- Pour aider à décoller des particules d'aliments ou des liquides cuits, chauffez 2 tasses d'eau dans une tasse à mesurer de 4 tasses à puissance maximum pendant cinq minutes ou jusqu'à ébullition. Laissez reposer dans la cavité du four pendant 1 ou 2 minutes. (Conseil : ajoutez du jus de citron pour donner une fraîche odeur à l'intérieur du four)
- Enlevez le plateau tournant de verre du four lorsque vous nettoyez la cavité du four ou le plateau. Pour éviter de briser le plateau de verre, manipulez-le avec soin et ne le plongez pas dans l'eau immédiatement après la cuisson. Lavez le plateau tournant dans l'eau tiède savonneuse ou dans le lave-vaisselle.
- Nettoyez la surface extérieure du four à micro-ondes avec du savon et un linge propre humide. Asséchez avec un linge doux propre. Pour éviter d'endommager les pièces d'opération du four, évitez que de l'eau s'infilte dans les événements ou les ouvertures.
- Nettoyez la fenêtre de la porte du four avec de l'eau et un savon très doux. Assurez-vous d'utiliser un linge doux propre pour éviter de l'égratigner.
- Si de la vapeur s'accumule à l'intérieur ou à l'extérieur de la porte du four, essuyez-la avec un linge doux. De la vapeur peut s'accumuler pendant le fonctionnement du four lorsque l'humidité est élevée, mais cela n'indique aucunement une fuite de micro-ondes.
- Ne faites jamais fonctionner le four sans aliment à l'intérieur; cela pourrait endommager le magnétron ou le plateau en verre. Vous pourriez laisser une tasse d'eau à l'intérieur du four quand il n'est pas utilisé afin d'éviter d'endommager le four s'il est mis en marche accidentellement.

Entretien

DÉPANNAGE

Trouvez le problème dans le tableau ci-dessous et essayez les solutions proposées pour chaque problème. Si le four à micro-ondes ne fonctionne toujours pas correctement, contactez le centre de service autorisé le plus près de chez vous.

PROBLÈME	CAUSES POSSIBLES	SOLUTIONS POSSIBLES
Le four ne se met pas en marche	<ul style="list-style-type: none">a. Le cordon électrique du four n'est pas branché.b. La porte est ouverte.c. L'opération réglée est incorrecte.	<ul style="list-style-type: none">a. Branchez dans la prise de courant.b. Fermer la porte et réessayer.c. Vérifiez les instructions.
Production d'arcs ou d'étincelles	<ul style="list-style-type: none">a. Des ustensiles à ne pas utiliser dans le four à micro-ondes sont utilisées.b. Le four est mis en marche vide.c. Des aliments renversés restent dans la cavité du four.	<ul style="list-style-type: none">a. Utilisez des plats sûrs pour la cuisson aux micro-ondes seulement.b. Ne faites pas fonctionner le four quand il est vide.c. Nettoyez la cavité avec un essuie-tout mouillé.
Cuisson inégale des aliments	<ul style="list-style-type: none">a. Des ustensiles à ne pas utiliser dans le four à micro-ondes sont utilisées.b. Les aliments ne sont pas entièrement décongelés.c. Le temps de cuisson ou le niveau de puissance ne sont pas appropriés.d. Les aliments n'ont pas été tournés ou remués.	<ul style="list-style-type: none">a. Utilisez des plats sûrs pour la cuisson aux micro-ondes seulement.b. Décongelez entièrement l'aliment.c. Utilisez le temps de cuisson ou le niveau de puissance qui conviennent.d. Retournez ou remuez l'aliment.
Aliments trop cuits	Le temps de cuisson ou le niveau de puissance ne sont pas appropriés.	Utilisez le temps de cuisson ou le niveau de puissance qui conviennent.
Aliments pas assez cuits	<ul style="list-style-type: none">a. Des ustensiles à ne pas utiliser dans le four à micro-ondes sont utilisées.b. Les aliments ne sont pas entièrement décongelés.c. Les événements de ventilation du four sont bouchés.d. Le temps de cuisson ou le niveau de puissance ne sont pas appropriés.	<ul style="list-style-type: none">a. Utilisez des plats sûrs pour la cuisson aux micro-ondes seulement.b. Décongelez entièrement l'aliment.c. Assurez-vous que les événements de ventilation ne sont pas bouchés.d. Utilisez le temps de cuisson ou le niveau de puissance qui conviennent.
Décongélation incorrecte	<ul style="list-style-type: none">a. Des ustensiles à ne pas utiliser dans le four à micro-ondes sont utilisées.b. Le temps de cuisson ou le niveau de puissance ne sont pas appropriés.c. Les aliments n'ont pas été tournés ou remués.	<ul style="list-style-type: none">a. Utilisez des plats sûrs pour la cuisson aux micro-ondes seulement.b. Utilisez le temps de cuisson ou le niveau de puissance qui conviennent.c. Retournez ou remuez l'aliment.

Assistance ou service

Avant d'appeler pour obtenir de l'assistance ou du service, veuillez consulter la section « Dépannage ». Cela pourrait vous épargner le coût d'une visite d'un réparateur. Si vous avez toujours besoin d'aide, suivez les instructions ci-dessous.

Lorsque vous appelez, veuillez avoir en main la date d'achat et les numéros complets de modèles et de série de votre appareil. Ces renseignements nous aideront à mieux répondre à votre demande.

Si vous avez besoin de pièces de rechange

Si vous devez commander des pièces de rechange, nous vous recommandons d'utiliser uniquement des pièces spécifiées d'origine. Ces pièces s'ajusteront bien et fonctionneront correctement. Pour trouver des pièces de rechange spécifiées d'origine dans votre région, composez le numéro de téléphone de notre centre d'interaction avec la clientèle (1-877-337-3639) ou contactez le centre de service désigné le plus près de chez vous.

Garantie limitée

Service à domicile

Garantie 1 an

Pendant 12 mois à partir de la date d'achat originale, Haier réparera ou remplacera gratuitement toute pièce défectueuse en raison d'un vice de matériau ou de fabrication, incluant la main-d'œuvre.

Pour le service en vertu de la garantie

Contactez le centre de service autorisé le plus près de chez vous. Tout service doit être effectué par un technicien de service autorisé Haier. Pour obtenir le nom et le numéro de téléphone du centre de service autorisé le plus près de chez vous, veuillez téléphoner au 1-877-337-3639.

Avant d'appeler, veuillez avoir en main les renseignements suivants :

Le numéro de modèle et le numéro de série de votre appareil (ils se trouvent sur une étiquette apposée à l'intérieur du cadre de porte du four à micro-ondes). Le nom et l'adresse du vendeur ou vous avez acheté l'appareil et la date d'achat. Une description claire du problème et une preuve d'achat (reçu de caisse).

Cette garantie couvre les appareils de la zone continentale des États-Unis, de Porto Rico et du Canada. Ce qui n'est pas couvert par cette garantie :

Le remplacement ou la réparation des fusibles, de disjoncteurs, de câblage ou de la plomberie. Un produit dont le numéro de série original a été supprimé ou altéré. Tous les frais de service qui ne sont pas expressément définis comme normaux tels qu'un service normal ou des heures normales. Les dommages à la vaisselle. Le dommage survenant pendant l'expédition. Le dommage causé par une mauvaise installation ou un mauvais entretien. Les dommages résultant d'une mauvaise utilisation, d'un abus, d'un accident, d'un incendie, d'une inondation ou d'une catastrophe naturelle. Les dommages résultant du service par quelqu'un d'autre qu'un vendeur ou un technicien d'un centre de service autorisé Haier. Les dommages résultant d'un courant, d'une tension ou d'une alimentation électrique incorrects. Les dommages résultant de toute modification, altération ou ajustement du produit non autorisé par Haier. L'ajustement des commandes faites par le consommateur tel que décrit dans le guide de l'utilisateur. Les tuyaux, les poignées et toutes les pièces, accessoires et pièces jetables. La main-d'œuvre, le transport du service et les frais d'expédition pour l'enlèvement et le remplacement des pièces défectueuses au-delà de la période initiale de 12 mois. Les dommages causés par tout autre chose qu'une utilisation domestique normale. Tous frais de transport et d'expédition.

CETTE GARANTIE LIMITÉE EST DONNÉE EN GUISE ET LIEU DE TOUTE AUTRE GARANTIE, EXPRESSE OU COMPRENANT LES GARANTIES DE VALEUR MARCHANDE ET DE CONVENANCE PRÉCISE

Le recours offert aux présentes est exclusif et octroyé en remplacement de tout autre recours. La garantie ne couvre pas les dommages accessoires ou indirects. Par conséquent, les limitations précédentes peuvent ne pas s'appliquer à vous. Certains États peuvent ne pas allouer de limites concernant la durée d'une garantie implicite, alors les limites susmentionnées peuvent ne pas s'appliquer à vous. Cette garantie vous accorde des droits légaux précis, et vous pourriez avoir d'autres droits qui varient d'un État à l'autre ou d'un territoire à l'autre.

Haier America
New York, NY 10018

PRECAUCIONES DE SEGURIDAD

Advertencia A fin de disminuir el riesgo de quemaduras, descarga eléctrica, incendio, lesión física o sobreexposición a la energía del horno de microondas al usar el electrodoméstico, siga las precauciones básicas de seguridad, como las que se mencionan a continuación:

1. **Lea todas las instrucciones antes de usar el aparato.**
2. Lea y siga las "PRECAUCIONES PARA EVITAR UNA POSIBLE SOBREEXPOSICIÓN A LA ENERGÍA DEL MICROONDAS" específicas que aparecen en la página 3.
3. Al igual que con la mayoría de los electrodomésticos para cocinar, es necesaria una supervisión cuidadosa para disminuir el riesgo de incendio dentro del horno.
4. Para reducir el riesgo de incendio dentro del horno:
 - i). No cocine los alimentos en exceso. Preste atención al electrodoméstico cuando coloque en su interior papel, plástico u otros materiales combustibles para facilitar la cocción.
 - ii). Quite los alambres y los mangos de metal de los envases o bolsas de papel o plástico antes de introducirlos en el horno.
 - iii). Si algún material se incendia dentro del horno, mantenga la puerta cerrada. Apague el aparato y desconéctelo. Desconecte el cable de suministro eléctrico, interrumpa el suministro eléctrico desde la caja de fusibles o tablero de conexiones del interruptor de carga.
 - iv). No utilice el interior del horno para guardar cosas. No deje productos de papel, artículos de cocina ni alimentos en el interior del horno cuando no esté en uso.
5. Este horno debe conectarse a tierra. Conéctelo únicamente a un tomacorriente con conexión a tierra adecuada. Véase "INSTRUCCIONES DE CONEXIÓN A TIERRA" en la página 6.
6. Instale o coloque este horno de conformidad con las instrucciones de instalación proporcionadas.
7. Algunos productos, como los huevos enteros y los envases sellados (por ejemplo, frascos de vidrio cerrados), pueden explotar, por lo que no deben calentarse en el horno.
8. Utilice este aparato solamente para lo que fue diseñado, según se describe en este manual. No use químicos corrosivos ni vapores con este aparato. Este horno está diseñado específicamente para calentar, cocinar o deshidratar comida. No está diseñado para uso industrial o de laboratorio.
9. Al igual que con cualquier electrodoméstico, es necesario supervisar a los niños atentamente cuando lo usen.
10. No use este horno si el cable o el enchufe están dañados, si no está funcionando adecuadamente o si se ha dañado o caído.
11. Únicamente técnicos de servicio calificados deben dar servicio a este aparato. Comuníquese con el centro de servicio autorizado más cercano en caso de requerir revisiones, reparaciones o ajustes.
12. No cubra ni obstruya ninguna abertura del horno.

13. No guarde ni use este aparato en exteriores.
14. No use este horno cerca del agua, por ejemplo, cerca de un fregadero, en un sótano húmedo, cerca de una alberca o en lugares similares.
15. Mantenga el cable alejado de superficies calientes.
16. No permita que el cable cuelgue sobre el borde de la mesa o mostrador.
17. Cuando limpie las superficies de la puerta y del horno que entran en contacto al cerrar la puerta, hágalo con jabones o detergentes suaves y no abrasivos y aplíquelos con una esponja o paño suave.
18. Líquidos como agua, café o té podrían sobrecalentarse más allá del punto de ebullición sin que parezca que están hirviendo. No siempre aparecen burbujas o signos visibles de ebullición cuando se saca el envase del horno de microondas. **LOS LÍQUIDOS MUY CALIENTES PODRÍAN COMENZAR A HERVIR REPENTINAMENTE CUANDO SE MUEVE EL ENVASE O CUANDO SE INTRODUCE EN EL LÍQUIDO UNA CUCHARA O ALGÚN OTRO ARTÍCULO DE COCINA.**
 - i) No sobrecaliente el líquido.
 - ii) Agite el líquido antes de calentarlo y a la mitad del proceso.
 - iii) No utilice envases de bordes rectos con cuellos angostos.
 - iv) Después de calentar, deje unos momentos el envase dentro del horno de microondas antes de sacarlo.
 - v) Tenga extremo cuidado al insertar una cuchara u otro artículo de cocina dentro del envase.
19. Limpie las campanas extractoras con frecuencia. No permita que se acumule grasa en la campana ni en el filtro.
20. Cuando flamee alimentos bajo la campana encienda el extractor.
21. Cuando limpie el filtro de la campana extractora, hágalo con cuidado. Los agentes limpiadores corrosivos, como los limpiadores de hornos a base de lejía, pueden dañar el filtro.
22. Adecuado para usarse sobre equipo de cocina de gas y eléctrico.

GUARDE ESTAS INSTRUCCIONES SÓLO PARA USO DOMÉSTICO

Gracias por adquirir nuestro producto Haier. Este manual fácil de usar lo guiará para que saque el máximo provecho de su horno de microondas Haier.

Recuerde registrar el modelo y número de serie que se encuentran en una etiqueta en el marco de la puerta del horno de microondas.

Número de modelo

Número de serie

Fecha de compra

Engrape el recibo al manual. Lo necesitará para recibir el servicio cubierto por la garantía.

PRECAUCIONES PARA EVITAR POSIBLE SOBREEXPOSICIÓN A LA ENERGÍA DEL MICROONDAS

- (a) No intente usar este horno con la puerta abierta, ya que esto podría tener como resultado una exposición perjudicial a la energía del microondas. Es importante no romper o violar los seguros.
- (b) No coloque ningún objeto entre el frente del horno y la puerta, ni permita que se acumule suciedad o residuos de limpiador en las superficies de sellado.
- (c) **No utilice el horno si está dañado. Es de particular importancia que la puerta del horno cierre bien y que no haya daños en:**
 - (1) **LA PUERTA (inclinación).**
 - (2) **LAS BISAGRAS Y SEGUROS (rotos o flojos).**
 - (3) **LOS SELLOS DE LA PUERTA Y LA SUPERFICIE DE SELLADO.**
- (d) **Únicamente personal de servicio con capacitación adecuada debe ajustar o reparar el horno.**

ESPECIFICACIONES

Modelo:	HMV1630
Voltaje nominal:	120 V ~ 60 Hz
Potencia de entrada nominal:	1550 W
Potencia de salida nominal (microondas):	1000 W
Capacidad del horno:	1.6 pies cúbicos
Diámetro del plato giratorio:	Ø 13.60 pulgadas
Dimensiones externas (ancho x altura x profundidad):	29.88 pulg. x 15.75 pulg. x 15.04 pulg. (75.89 cm x 40 cm x 38.20 cm)
Peso neto:	Aproximadamente 55.1 libras (25 kg)
Bombillas incandescentes:	Bombilla del aparato de 30 W máx.

ÍNDICE

	PÁGINA
PRECAUCIONES DE SEGURIDAD.....	1-2
Precauciones.....	3
Especificaciones.....	3
ANTES DE USAR EL HORNO DE MICROONDAS.....	5
Instrucciones de conexión a tierra.....	6
Interferencia de radio.....	6
Artículos de cocina.....	7
Materiales que puede usar en el horno de microondas.....	7-8
Materiales no debe usar en el horno de microondas.....	8
CONFIGURACIÓN DEL HORNO DE MICROONDAS.....	9
Nombres de las partes y los accesorios del horno.....	9
Instalación del plato giratorio.....	10
FUNCIONAMIENTO.....	11-15
Panel de control y características.....	11
Instrucciones de funcionamiento.....	12-15
1. Configuración del reloj.....	12
2. Cómo cocinar en el microondas.....	12
3. Cómo cocinar en varias etapas.....	13
4. Controles de cocción rápida.....	13
5. Cómo descongelar.....	14
6. Función de extractor.....	14
7. Lámparas exteriores.....	14
8. Función de temporizador.....	14
9. Menú de palomitas de maíz.....	15
10. Menú de papas al horno.....	15
11. Menú de bebidas.....	15
12. Cómo recalentar.....	15
13. Función de memoria de estado.....	15
14. Función de seguro para niños.....	15
LIMPIEZA Y CUIDADO.....	16-19
Limpieza de los filtros del extractor.....	16
Sustitución de las lámparas exteriores.....	17
Sustitución del filtro de carbón.....	17
Sustitución de la lámpara del horno.....	18
Sugerencias de limpieza.....	19
MANTENIMIENTO.....	20
Solución de problemas.....	20
ASISTENCIA O SERVICIO.....	21
GARANTÍA LIMITADA.....	22

Antes de usar el horno de microondas

PELIGRO

Riesgo de descarga eléctrica

Tocar algunos de los componentes internos podría provocar lesión personal grave o la muerte. No desarme este aparato.



ADVERTENCIA

Riesgo de descarga eléctrica

El uso inadecuado de la conexión a tierra puede provocar descarga eléctrica. No lo enchufe en un tomacorriente hasta que el aparato esté instalado correctamente y conectado a tierra.



INSTRUCCIONES DE CONEXIÓN A TIERRA

Este electrodoméstico debe conectarse a tierra. En caso de corto circuito eléctrico, la conexión a tierra reduce el riesgo de sufrir una descarga eléctrica al proporcionar un cable de escape para la corriente eléctrica. Este electrodoméstico está equipado con un cable y un enchufe de conexión a tierra. El enchufe se debe conectar en un tomacorriente que esté instalado y conectado a tierra correctamente.

Consulte a un electricista o técnico de servicio calificado si no entiende completamente las instrucciones de conexión a tierra o si tiene duda en cuanto a si el electrodoméstico está conectado a tierra de manera adecuada. Si necesita usar un cable de extensión, utilice sólo un cable de extensión de 3 hilos que tenga un enchufe de tres clavijas con conexión a tierra y un tomacorriente de tres clavijas que admita el enchufe del aparato. El valor nominal marcado en el cable de extensión debe ser igual o mayor al valor nominal eléctrico del aparato.

1. El cable de suministro eléctrico que se incluye es corto para reducir el riesgo de enredarse o tropezarse con uno más largo.
2. Existen cables más largos o extensiones que pueden usarse si se tiene cuidado al hacerlo.
3. Si se utiliza un cable largo o una extensión:
 - 1) El valor nominal eléctrico marcado en el cable o en la extensión debe ser de por lo menos el mismo valor nominal eléctrico del aparato.
 - 2) El cable de extensión debe ser de 3 hilos con conexión a tierra.
 - 3) Los cables más largos deben acomodarse de modo que no queden tendidos sobre el mostrador o la mesa, donde los niños puedan jalarlos o puedan provocar tropiezos accidentalmente.

INTERFERENCIA DE RADIO

1. El funcionamiento del horno de microondas puede provocar interferencia con el radio, la televisión o equipo similar.
2. En caso de interferencia, se pueden tomar las siguientes medidas para reducirla o eliminarla:
3. Si se utiliza un cable largo o una extensión:
 - 1) Limpie la puerta y la superficie de sellado del horno.
 - 2) Modifique la orientación de la antena receptora del radio o la televisión.
 - 3) Cambie la posición del horno de microondas en función del receptor.
 - 4) Aleje el horno de microondas del receptor.
 - 5) Conecte el horno de microondas en otro tomacorriente, de modo que este y el receptor estén en diferentes conexiones.

ARTÍCULOS DE COCINA

PRECAUCIÓN

Riesgo de lesión personal

Los recipientes de cocina cerrados herméticamente podrían explotar. Antes de cocinar, es necesario abrir los recipientes cerrados y perforar las bolsas plásticas.

Vea a las instrucciones en "Materiales que puede usar o que no debe usar en el horno de microondas". Es posible que haya ciertos artículos de cocina que no sean de metal y que no sea seguro introducir en el microondas. En caso de duda, realice el siguiente procedimiento para probar el artículo de cocina en cuestión.

Prueba para los artículos de cocina:

1. Llene un envase apto para microondas con 1 taza de agua fría (250 ml) e introduzca el artículo de cocina en cuestión.
2. Introdúzcalo en el microondas y cocine durante 1 minuto a la máxima potencia.
3. Con cuidado toque el artículo de cocina. Si se siente caliente, no lo utilice en el microondas.
4. No lo introduzca por más de 1 minuto.

MATERIALES QUE PUEDE USAR EN EL HORNO DE MICROONDAS

Artículos de cocina	Observaciones
Papel aluminio	Sólo para protección. Se pueden usar pequeños trozos lisos para cubrir partes delgadas de carne o pollo, a fin de evitar que se cuezan excesivamente. Si el aluminio se encuentra demasiado cerca de las paredes del horno, podría provocar chispas. El papel aluminio debe estar por lo menos a 1 pulgada (2.5 cm) de las paredes del horno.
Platón dorador	Siga las instrucciones del fabricante. El fondo del platón dorador debe estar por lo menos 3/16 de pulgada (5 mm) por encima del plato giratorio. El uso incorrecto podría provocar que el plato giratorio se rompa.
Vajillas	Sólo las que sean aptas para uso en microondas. Siga las instrucciones del fabricante. No utilice platos rotos o despostillados.
Frascos de vidrio	Siempre quite la tapa. Utilícelos únicamente para calentar alimentos hasta que apenas estén calientes. La mayoría de los frascos de vidrio no son resistentes al calor y podrían romperse.
Cristalería	Utilice únicamente cristalería apta para hornos resistente al calor. Asegúrese de que no tengan adornos metálicos. No utilice platos rotos o despostillados.
Bolsas para hornear	Siga las instrucciones del fabricante. No las cierre con piezas de metal. Haga cortes para permitir que se escape el vapor.

MATERIALES QUE PUEDE USAR EN EL HORNO DE MICROONDAS (CONTINUACIÓN)

Artículos de cocina	Observaciones
Platos y vasos de cartón	Únicamente úselos para cocinar/calentar por tiempos cortos. No descuide el horno durante el proceso.
Toallas de papel	Úselas para cubrir los alimentos; para recalentar y absorber la grasa. Únicamente úselas con supervisión para cocinar durante tiempos cortos.
Papel para horno	Utilícelo para cubrir y evitar salpicaduras o para envolver y cocinar al vapor.
Plástico	Sólo el que sea apto para uso en microondas. Siga las instrucciones del fabricante. Debe incluir una etiqueta que diga "Microwave Safe" (apto para microondas). Algunos envases de plástico se ablandan conforme se calienta la comida en su interior. A las "bolsas para cocinar" y las bolsas de plástico herméticamente cerradas se les deben hacer cortes o perforaciones de ventilación, según las indicaciones del empaque.
Plástico para envolver	Sólo el que sea apto para uso en microondas. Úselo para cubrir los alimentos a fin de mantenerlos hidratados mientras los cocina. No permita que el plástico para envolver entre en contacto con los alimentos.
Termómetros	Sólo los que sean aptos para uso en microondas (termómetros para carnes y para caramelos).
Papel encerado	Utilícelo para cubrir y evitar salpicaduras, así como para mantener los alimentos hidratados.

MATERIALES QUE NO DEBE USAR EN EL HORNO DE MICROONDAS

Artículos de cocina	Observaciones
Charola de aluminio	Puede provocar chispas. Pase los alimentos a un recipiente apto para microondas.
Envase de cartón con manija de metal	Puede provocar chispas. Pase los alimentos a un recipiente apto para microondas.
Artículos de cocina de metal o con adornos metálicos	El metal no deja que la energía de microondas llegue a los alimentos. Los adornos de metal pueden provocar chispas.
Alambres de metal	Pueden provocar chispas y podrían incendiarse en el horno.
Bolsas de papel	Pueden incendiarse en el horno.
Unicel	El unicel puede derretirse o contaminar el líquido en el interior cuando se expone a altas temperaturas.
Madera	La madera puede deshidratarse cuando se usa en el horno de microondas y podría quebrarse o agrietarse.

Configuración del horno

NOMBRES DE LAS PARTES Y LOS ACCESORIOS DEL HORNO

Saque el horno y todos los materiales de la caja de cartón y del interior del horno.

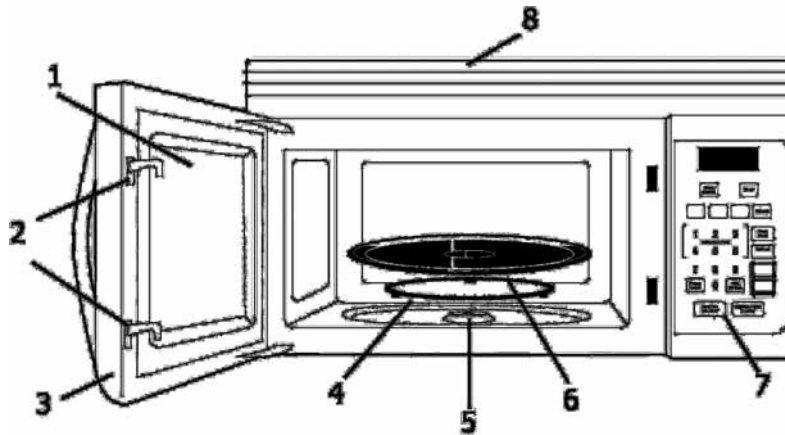
El horno incluye los siguientes accesorios:

Charola de vidrio 1 pieza

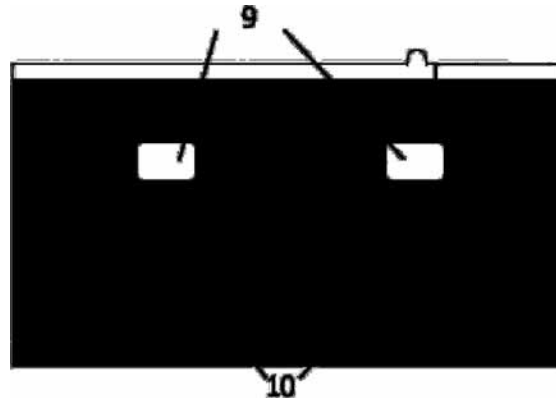
Aro del plato giratorio 1 pieza

Manual de instrucciones 1 pieza

VISTA DESDE EL FRENTE



VISTA DESDE ABAJO



1. Ventana.

2. Sistema de seguros.

3. Puerta.

4. Aro del plato giratorio.

5. Eje del plato giratorio.

6. Charola de vidrio giratoria.

7. Panel de control.

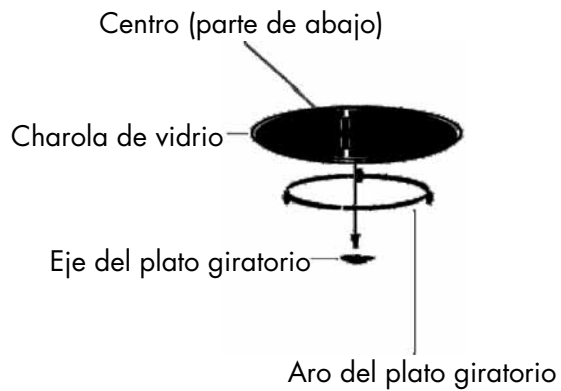
8. Ranuras de ventilación (en la parte superior).

9. Lámparas exteriores.

10. Filtros de ventilación.

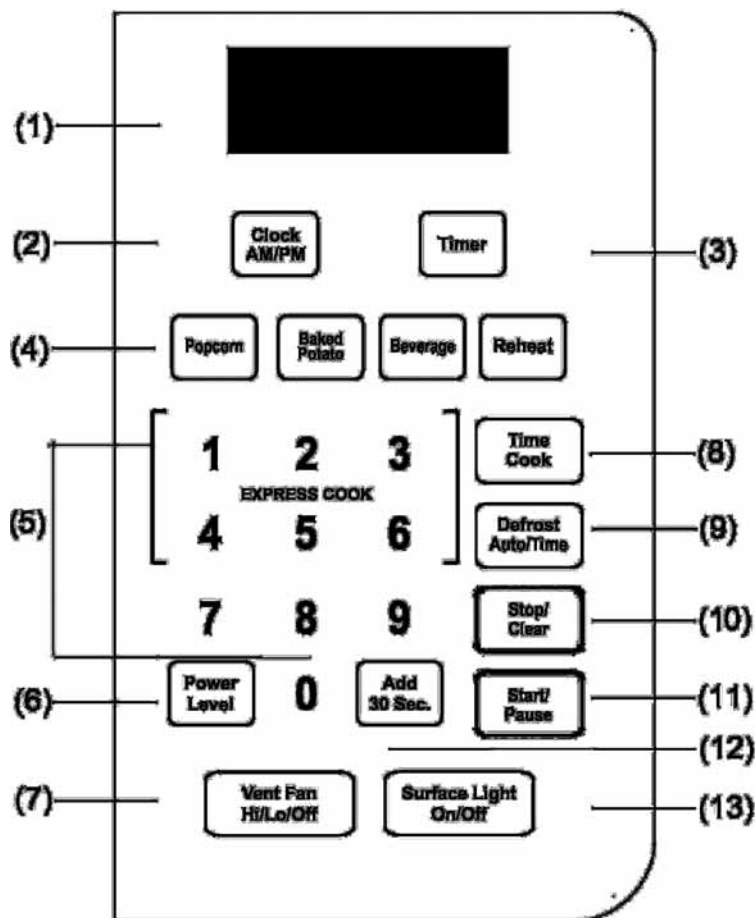
INSTALACIÓN DEL PLATO GIRATORIO

- a. Nunca coloque la charola de vidrio al revés. La charola de vidrio nunca debe tener obstáculos de movimiento.
- b. Tanto la charola de vidrio, como el aro del plato giratorio, siempre deben usarse mientras se cocina.
- c. Todos los alimentos y recipientes deben siempre colocarse sobre la charola de vidrio al cocinar.
- d. Si la charola de vidrio o el aro del plato giratorio se cuartean o se rompen, comuníquese con su centro de servicio autorizado más cercano.



Funcionamiento

PANEL DE CONTROL Y CARACTERÍSTICAS



1. Pantalla
2. Reloj a. m./p. m.:
para configurar la hora actual.
3. Temporizador.
4. Menú de inicio automático.
5. Teclas numéricas.
6. Potencia.
7. Extractor alto/bajo/apagado.
8. Tiempo de cocción.
9. Descongelado automático/tiempo.
10. Pausa/borrar:
borra todas las configuraciones anteriores cuando se oprime antes de que comience a cocinar. Durante el proceso: oprímalo una vez para detener el horno; dos veces para detener y borrar todas las entradas.
11. Inicio/pausa.
12. Añadir 30 segundos.
13. Encender/apagar lámparas exteriores.

Funcionamiento

INSTRUCCIONES DE FUNCIONAMIENTO

1. CONFIGURACIÓN DEL RELOJ

1. Oprima **"CLOCK/AM/PM"** para que la unidad entre en estado de configuración del reloj. El indicador AM se encenderá y parpadeará "0:00" para recordarle que introduzca la hora.
2. Oprima **"CLOCK/AM/PM"** de nuevo para elegir a. m. o p. m. El indicador correspondiente se encenderá.
3. Oprima las teclas numéricas e introduzca la hora correcta. Por ejemplo, si son las 10:12, oprima las teclas numéricas "1, 0, 1, 2" para introducir la hora.
4. Oprima la tecla **"CLOCK/AM/PM"** para terminar de configurar el reloj.
Nota: Este modelo usa un formato de 12 horas, que va desde la 1:00 hasta las 12:59. Si la hora no se configuró correctamente, oprima **"CLOCK/AM/PM"**, se escuchará la alarma dos veces para indicar que la unidad ha entrado en estado de configuración.

2. CÓMO COCINAR EN EL MICROONDAS

1. Oprima **"TIME COOK"** para seleccionar la función de cocinar en el microondas. "0:00" parpadeará para recordarle que introduzca el tiempo de cocción.
2. Oprima las teclas numéricas para ajustar el tiempo de cocción necesario. Por ejemplo, para introducir un tiempo de cocción de 10 minutos, oprima "1, 0, 0, 0" para programarlo. El tiempo de cocción máximo es de 99 minutos y 99 segundos.
3. En este momento, puede elegir el nivel de potencia oprimiendo **"POWER"**.
4. Oprima las teclas numéricas correspondientes, del 1 al 10, para elegir el nivel de potencia.
5. Oprima **"START/PAUSE"** para comenzar a cocinar. El tiempo aparece en cuenta regresiva.
Nota: 1). Si elige el nivel de potencia 100%, puede omitir los pasos "3" y "4" e ir directamente al paso "5".
2). Después de que termine el tiempo de cocción, la alarma sonará cinco veces.

EXISTEN DIEZ NIVELES DE POTENCIA DISPONIBLES.

Nivel	10	9	8	7	6	5	4	3	2	1
Potencia	100%	90%	80%	70%	60%	50%	40%	30%	20%	10%
Pantalla	PL10	PL9	PL8	PL7	PL6	PL5	PL4	PL3	PL2	PL1

3. CÓMO COCINAR EN VARIAS ETAPAS

Se pueden introducir dos etapas como máximo.

Por ejemplo: para cocinar los alimentos con una potencia de microondas del 100% durante 10 minutos y después cocinar con una potencia de microondas del 80% durante 15 minutos haga lo siguiente:

- 1) Oprima **"TIME COOK"** para elegir la función de cocinar en el microondas.
- 2) Oprima "1", "0", "0", "0" para ingresar el tiempo de cocción.
- 3) Oprima **"POWER"** para elegir la potencia de microondas del 100%.
- 4) Oprima **"TIME COOK"** para elegir la función de cocinar en el microondas.
- 5) Oprima "1", "5", "0", "0" para ingresar el tiempo de cocción.
- 6) Oprima **"POWER"** para seleccionar la potencia de microondas.
- 7) Oprima "8" para elegir la potencia de microondas del 80%.
- 8) Oprima **"START"** para comenzar a cocinar.

Nota:

- a. Únicamente la función de cocinar del microondas puede programarse para la cocción en varias etapas. El programa de descongelar y el programa automático no pueden configurarse para la cocción en varias etapas.
- b. Cuando termine la primera etapa, la alarma sonará una vez y comenzará la segunda etapa de cocción.
- c. Durante este tiempo, se pueden añadir 30 segundos al tiempo de cocción oprimiendo **"ADD 30 SEC."**. El tiempo de cocción puede aumentarse hasta un máximo de 99 minutos y 99 segundos.

4. CONTROLES DE COCCIÓN RÁPIDA

- 1) En el estado de espera, oprima **"ADD 30 SEC."** para comenzar a cocinar a una potencia del 100% de microondas durante 30 segundos.
- 2) Durante la cocción, pueden añadirse 30 segundos cada vez que se oprime el botón **"ADD 30 SEC"**. El tiempo de cocción máximo es de 99 minutos y 99 segundos.
- 3) Oprima las teclas numéricas del 1 al 6 para comenzar a cocinar a la potencia máxima de microondas durante 1 a 6 minutos. Por ejemplo, al seleccionar "2", se programará una cocción de dos minutos.

Nota: Durante la cocción rápida, se puede comprobar y seleccionar la potencia de microondas. Oprima **"POWER"**; se mostrará la potencia actual. Luego oprima las teclas numéricas para elegir la potencia deseada.

5. CÓMO DESCONGELAR

A. DESCONGELAR POR PESO

- 1) Oprima **"DEFROST AUTO/TIME"** una vez para elegir la función de descongelar por peso. El indicador de descongelamiento se encenderá y parpadeará "0:0" y "lb".
- 2) Oprima las teclas numéricas del 0 al 9 para introducir el peso de la comida que se va a descongelar. Por ejemplo, si el peso es de 1.2 libras, oprima "1", "2" para introducirlo. El peso máximo de cocción es de 6.0 libras. Si introduce un peso mayor que 6.0 libras, la unidad regresará al estado de espera.
- 3) Oprima **"START/PAUSE"** para iniciar el descongelamiento. El indicador "lb" se apagará.

B. DESCONGELAR POR TIEMPO

- 1) Oprima **"DEFROST AUTO/TIME"** dos veces para elegir la función de descongelar por tiempo. El indicador de descongelamiento se encenderá y destellará "0:00".
- 2) Oprima las teclas numéricas del 0 al 9 para introducir el tiempo de descongelamiento. El tiempo máximo de descongelamiento que puede ingresarse es de 99 minutos y 99 segundos.
- 3) Oprima el botón **"START/PAUSE"** para iniciar el descongelamiento.
Nota: Una vez que transcurra la mitad del tiempo de descongelamiento, la alarma sonará dos veces para recordarle que debe voltear el alimento.

6. FUNCIÓN DE EXTRACTOR

- 1) Cuando el extractor esté apagado, oprima **"VENT FAN/Hi/Lo/OFF"** una vez para elegir la velocidad alta del extractor.
- 2) Oprima **"VENT FAN/Hi/Lo/OFF"** dos veces para elegir la velocidad baja del extractor.
- 3) Oprima **"VENT FAN/Hi/Lo/OFF"** una tercera vez para apagar el extractor.
- 4) Excepto cuando esté bloqueado, el extractor puede ajustarse en cualquier momento.

7. LÁMPARAS EXTERIORES

- 1) Oprima **"SURFACE LIGHT ON/OFF"** una vez para encender las lámparas.
- 2) Oprima **"SURFACE LIGHT ON/OFF"** de nuevo para apagar las lámparas.

8. FUNCIÓN DE TEMPORIZADOR

- 1) Oprima **"TIMER"**; el indicador de temporizador se encenderá.
- 2) Oprima las teclas numéricas para introducir el tiempo de cocción necesario. El tiempo de cocción máximo es de 99 minutos y 99 segundos.
- 3) Oprima **"TIMER"** para comenzar la cuenta regresiva. Cuando haya finalizado la cuenta regresiva, la alarma sonará y se mostrará **"OFF"** para indicar que terminó.
- 4) Oprima **"TIMER"** para salir de la función de temporizador.
Nota: Cuando la función de temporizador se encuentra en uso, sólo es posible activar el extractor de la campana y las lámparas exteriores. El resto de las funciones no pueden usarse hasta que se haya salido de la función de temporizador.

9. MENÚ DE PALOMITAS DE MAÍZ

- 1) Oprima **"POPCORN"** varias veces hasta que aparezca el número deseado en la pantalla. Por ejemplo, oprima **"POPCORN"** una vez y aparece "1.75" onzas en la pantalla LED; oprima **"POPCORN"** dos veces y aparece "3.0" onzas en la pantalla LED; oprima **"POPCORN"** tres veces y aparece "3.5" onzas en la pantalla LED.
- 2) Oprima **"START/PAUSE"** para cocinar.

10. MENÚ DE PAPAS AL HORNO

- 1) Oprima **"BAKED POTATO"** varias veces hasta que aparezca el número deseado en la pantalla.
CONFIGURACIÓN "1": para aproximadamente 7.1 onzas.
CONFIGURACIÓN "2": para aproximadamente 14.2 onzas.
CONFIGURACIÓN "3": para aproximadamente 21.3 onzas. Por ejemplo, oprima **"BAKED POTATO"** una vez y aparece "1" en la pantalla LED.
- 2) Oprima **"START/PAUSE"** para cocinar.

11. MENÚ DE BEBIDAS

- 1) Oprima **"BEVERAGE"** varias veces hasta que aparezca el número deseado en la pantalla.
CONFIGURACIÓN "1": para aproximadamente 8.8 onzas.
CONFIGURACIÓN "2": para aproximadamente 17.6 onzas.
CONFIGURACIÓN "3": para aproximadamente 26.4 onzas.
Por ejemplo, oprima **"BEVERAGE"** una vez y aparece "1" en la pantalla LED.
- 2) Oprima **"START/PAUSE"** para cocinar.

12. CÓMO RECALENTAR

- 1) Oprima **"REHEAT"** varias veces hasta que aparezca el número deseado en la pantalla. Por ejemplo, oprima **"REHEAT"** una vez y aparece "8.0" onzas en la pantalla LED; oprima **"REHEAT"** dos veces y aparece "16.0" onzas en la pantalla LED; oprima **"REHEAT"** tres veces y aparece "24.0" onzas en la pantalla LED.
- 2) Oprima **"START/PAUSE"** para cocinar.

13. FUNCIÓN DE MEMORIA DEL ESTADO

- 1) Durante la función de cocinar del microondas, oprima **"POWER"** para verificar el nivel de potencia.
- 2) Durante la función de cocinar del microondas, oprima **"CLOCK/AM/PM"** para verificar el reloj.

14. FUNCIÓN DE SEGURO PARA NIÑOS

Para activar el seguro: En el estado de espera, oprima **"STOP/CLEAR"** durante 3 segundos; se escucharán dos pitidos para indicar que se ha activado el estado CHILD LOCKOUT (SEGURO PARA NIÑOS).

Para desactivar el seguro: Cuando el seguro esté activado, oprima **"STOP/CLEAR"** durante 3 segundos; se escucharán dos pitidos para indicar que se ha desactivado el estado CHILD LOCKOUT.

Limpeza y cuidado

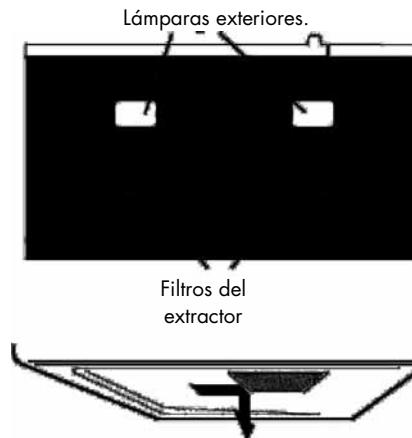
LIMPIEZA DE LOS FILTROS DEL EXTRACTOR

Los filtros del extractor del horno deben quitarse y limpiarse con regularidad; por lo general, al menos una vez al mes.

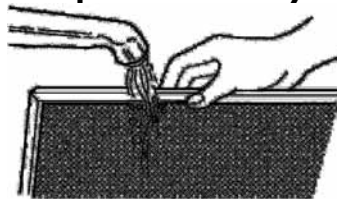
⚠ PRECAUCIÓN

Para evitar el riesgo de sufrir lesiones personales o causar daños materiales, no haga funcionar el extractor del horno sin colocar los filtros correctamente en su lugar.

- 1) Para quitar los filtros del extractor, deslice el filtro hacia la parte posterior. Después, jale el filtro hacia abajo y empújelo al lado opuesto. El filtro se desprenderá. Repita los pasos para el segundo filtro.



- 2) Sumerja los filtros del extractor en agua caliente con detergente suave. Enjuague bien y sacúdalo para secar. **No utilice amoníaco ni lo lave en un lavavajillas, ya que el aluminio del filtro se puede corroer y oscurecer.**



- 3) Para volver a instalar el filtro del extractor, deslícelo sobre la ranura, luego empújelo hacia arriba y en dirección del horno para fijarlo. Vuelva a colocar el segundo filtro empleando el mismo procedimiento.



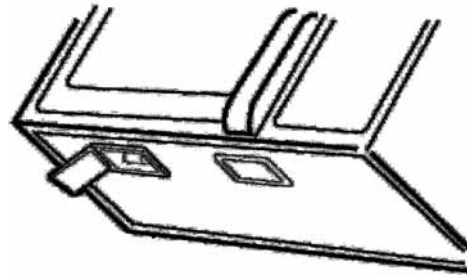
Limpieza y cuidado

SUSTITUCIÓN DE LAS LÁMPARAS EXTERIORES

PRECAUCIÓN

Para evitar el riesgo de sufrir lesiones personales o causar daños materiales, utilice guantes cuando sustituya las bombillas de luz.

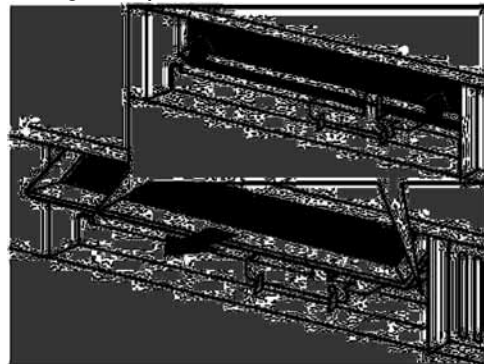
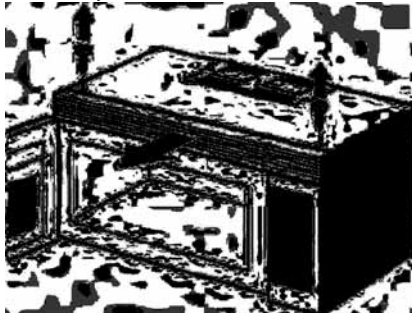
- 1) Desenchufe el horno de microondas o apague el interruptor principal de carga.
- 2) Quite los tornillos de montaje de la cubierta de la bombilla en ambas lámparas, debajo del microondas.
- 3) Sustituya con una bombilla para electrodoméstico de 30 vatios como máximo.
- 4) Coloque nuevamente la cubierta de la bombilla y los tornillos de montaje.
- 5) Vuelva a enchufar el microondas al suministro eléctrico o vuelva a encender el interruptor principal de carga.



SUSTITUCIÓN DEL FILTRO DE CARBÓN

Se debe colocar un filtro de carbón en el horno de microondas cuando se instala para uso con recirculación o sin extracción. El filtro debe cambiarse cada 6 a 12 meses, según el uso.

- 1) Desconecte la alimentación eléctrica del horno de microondas en el tablero de conexiones del interruptor de carga o bien, desenchúfelo.
- 2) Quite los tornillos de montaje de la rejilla de ventilación.
- 3) Quite la rejilla de ventilación de la unidad.
- 4) Saque el filtro de carbón empujándolo hacia dentro, luego gírelo y retírelo de la unidad.

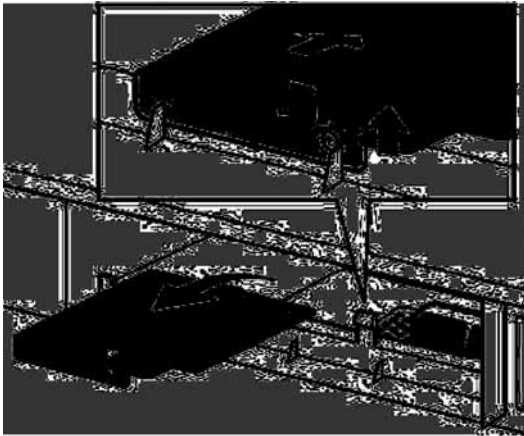


Limpieza y cuidado

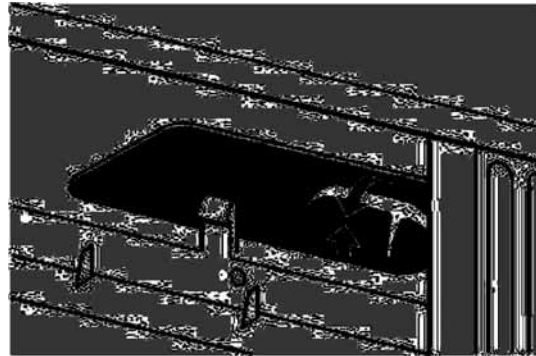
SUSTITUCIÓN DE LA LÁMPARA DEL HORNO

Quite la rejilla de ventilación según las instrucciones de los pasos 1 a 4 anteriores, así como el filtro de carbón, en caso de haberlo.

- 1) Abra la cubierta de la lámpara que se encuentra detrás del marco del filtro, jalándola suavemente del borde frontal.
- 2) Quite la bombilla usada y sustitúyala sólo con una bombilla para electrodoméstico similar de 30 W como máximo, que puede conseguir en casi todas las ferreterías o centros de venta de equipo de iluminación.



Nota: NO UTILICE BOMBILLAS DE MÁS DE 30 VATIOS.



- 3) Vuelva a colocar la cubierta de la lámpara del horno de microondas, empujándola suavemente en su lugar. Coloque de nuevo el filtro de carbón. Empuje la rejilla de ventilación de vuelta a su lugar (metiendo las pestañas superior e inferior) y coloque de nuevo los tornillos de montaje.

Limpieza y cuidado

SUGERENCIAS DE LIMPIEZA

Para obtener el mejor desempeño y por motivos de seguridad, mantenga el horno limpio por dentro y por fuera. Tenga especial cuidado en evitar que se acumulen alimentos y grasa en el panel de la puerta interior y en el marco de la puerta del horno.

Nunca utilice polvos ásperos ni fibras rugosas en el microondas. Limpie el interior y exterior del horno de microondas con un paño suave y una solución tibia (no caliente) de detergente suave. Luego enjuague y seque por completo.

Limpie de inmediato las salpicaduras con una toalla húmeda de papel, sobre todo después de cocinar alimentos grasosos, como pollo o tocino. Limpie el horno de microondas una vez por semana o con más frecuencia de ser necesario.

Siga estas instrucciones de limpieza y cuidado para el horno de microondas:

- Mantenga limpio el interior (la cavidad) del horno. Las partículas de alimentos y líquidos derramados pueden adherirse a las paredes del horno, lo que provoca que funcione con menor eficacia.
- Limpie de inmediato cualquier derrame. Use un paño húmedo y limpio, y jabón suave. NO emplee detergentes fuertes ni limpiadores abrasivos.
- Para ayudar a desprender las partículas de alimentos o los líquidos, caliente 2 tazas de agua en una taza medidora de vidrio de 4 tazas a potencia alta durante 5 minutos o hasta que hierva. Deje reposar dentro del horno durante 1 a 2 minutos. (Recomendación: añada jugo de limón para mantener un aroma fresco en el horno).
- Saque la charola de vidrio giratoria del horno cuando limpie la cavidad o la charola. Para evitar que la charola de vidrio giratoria se rompa, manipúlela con cuidado y no la sumerja en agua inmediatamente después de cocinar. Lave la charola giratoria con agua tibia jabonosa o en el lavavajillas.
- Limpie la superficie exterior del microondas con jabón y un paño húmedo limpio. Seque con un paño limpio y suave. Para evitar daños a las partes del horno que se accionan, no deje que se filtre agua por ninguna ventilación o abertura.
- Lave la ventana de la puerta del horno con jabón muy suave y agua. Asegúrese de usar un paño suave y limpio para evitar raspaduras.
- Si se acumula vapor dentro o fuera de la puerta del horno, limpie con un paño suave. El vapor puede acumularse al poner en funcionamiento el horno con mucha humedad; esto de ninguna manera indica fuga del microondas.
- Nunca ponga a funcionar el horno sin alimentos en la cavidad, ya que se puede dañar el tubo de magnetrón o la charola de vidrio. Puede dejar una taza de agua en el interior del horno cuando no esté en uso para evitar daños al mismo en caso de que se encienda accidentalmente.

Mantenimiento

SOLUCIÓN DE PROBLEMAS

Consulte el problema que tiene en la siguiente tabla y pruebe las soluciones para cada uno de ellos. Si el horno de microondas sigue sin funcionar correctamente, comuníquese al centro de servicio autorizado más cercano.

PROBLEMA	CAUSA POSIBLE	SOLUCIÓN POSIBLE
El horno no enciende	<ul style="list-style-type: none">a. El cable de suministro eléctrico del horno no está enchufado.b. La puerta está abierta.c. Está establecido un modo de funcionamiento incorrecto.	<ul style="list-style-type: none">a. Enchúfelo en el tomacorriente.b. Cierre la puerta e intente de nuevo.c. Consulte las instrucciones.
Se forman chispas	<ul style="list-style-type: none">a. Se están utilizando materiales que no deben usarse en el horno de microondas.b. El horno se puso en funcionamiento sin nada adentro.c. Hay restos de alimentos derramados en la cavidad.	<ul style="list-style-type: none">a. Emplee sólo artículos de cocina aptos para microondas.b. No ponga en funcionamiento el horno cuando esté vacío.c. Limpie la cavidad con una toalla húmeda.
Los alimentos no se cuecen de modo uniforme	<ul style="list-style-type: none">a. Se están utilizando materiales que no deben usarse en el horno de microondas.b. El alimento no está descongelado por completo.c. El tiempo de cocción y/o la potencia no son adecuados.d. El alimento no se ha volteado ni agitado.	<ul style="list-style-type: none">a. Emplee sólo artículos de cocina aptos para microondas.b. Descongele el alimento por completo.c. Emplee el tiempo de cocción y/o la potencia correctos.d. Voltee o agite el alimento.
Los alimentos se cuecen en exceso	El tiempo de cocción y/o la potencia no son adecuados.	Emplee el tiempo de cocción y/o la potencia correctos.
Los alimentos no se cuecen por completo	<ul style="list-style-type: none">a. Se están utilizando materiales que no deben usarse en el horno de microondas.b. El alimento no está descongelado por completo.c. Los orificios de ventilación del horno están obstruidos.d. El tiempo de cocción y/o la potencia no son adecuados.	<ul style="list-style-type: none">a. Emplee sólo artículos de cocina aptos para microondas.b. Descongele el alimento por completo.c. Compruebe que los orificios de ventilación del horno no estén obstruidos.d. Emplee el tiempo de cocción y/o la potencia correctos.
No descongela correctamente	<ul style="list-style-type: none">a. Se están utilizando materiales que no deben usarse en el horno de microondas.b. El tiempo de cocción y/o la potencia no son adecuados.c. El alimento no se ha volteado ni agitado.	<ul style="list-style-type: none">a. Emplee sólo artículos de cocina aptos para microondas.b. Emplee el tiempo de cocción y/o la potencia correctos.c. Voltee o agite el alimento.

Asistencia o servicio

Antes de llamar para solicitar asistencia o servicio, consulte la sección "Solución de problemas", ya que podría ahorrarse el costo de una llamada de servicio. Si aún necesita ayuda, siga las instrucciones a continuación.

Al llamar, tenga a la mano la fecha de compra, el modelo y el número de serie completos del electrodoméstico. Esta información nos ayudará a responder mejor a su solicitud.

En caso de necesitar refacciones

Si necesita realizar un pedido de refacciones, le recomendamos que utilice sólo las refacciones especificadas por la fábrica. Estas refacciones se adaptarán bien y funcionarán correctamente. Para ubicar dónde puede adquirir las refacciones especificadas por la fábrica en su zona, llame al número de teléfono del centro de atención al cliente (1-877-337-3639) o comuníquese al centro de servicio designado más cercano.

Garantía limitada

Servicio a domicilio

1 año de garantía

Durante 12 meses a partir de la fecha de compra original en la tienda, Haier se compromete a reparar o cambiar, sin cargo alguno, cualquier parte que presente fallas debido a un defecto de fabricación o de los materiales, lo que incluye la mano de obra.

Para obtener el servicio cubierto por la garantía

Comuníquese con el centro de servicio autorizado más cercano. Todo servicio debe ser realizado por un técnico de servicio autorizado de Haier. Para obtener el nombre y el número de teléfono del centro de servicio autorizado más cercano, llame al 1-877-337-3639.

Antes de llamar, tenga a la mano la siguiente información:

Número de modelo y de serie del electrodoméstico (ubicados en el interior del marco de la puerta del horno de microondas). Nombre y dirección del distribuidor al que le compró la unidad y fecha de compra. Una descripción clara del problema y comprobante de compra (recibo de venta).

Esta garantía cubre aparatos dentro de Estados Unidos continental, Puerto Rico y Canadá. Excepciones de la cobertura de esta garantía:

Cambio o reparación de fusibles domésticos, interruptores de carga, cableado o tubería. Productos cuyo número de serie haya sido eliminado o alterado. Cargo por servicios no identificados específicamente como normales, como zona de servicio normal u horario de atención normal. Daño a recipientes para alimentos. Daños producidos durante el envío. Daños causados por trabajos inadecuados de instalación o mantenimiento. Daños causados por uso incorrecto, maltrato, accidentes, incendios, inundaciones o fenómenos naturales. Daños causados por servicios distintos a los brindados por un distribuidor o centro de servicio autorizado de Haier. Daños causados por tipos incorrectos de corriente eléctrica, voltaje o suministro. Daños causados por modificaciones, alteraciones o ajustes realizados en el producto sin autorización de Haier. Ajuste de los controles operados por el consumidor, según se describe en el manual del propietario. Mangueras, perillas y cualquier accesorio y parte desechable. Cargos por mano de obra, transportación del personal de servicio y envíos para retirar y cambiar partes defectuosas después del período inicial de 12 meses. Daños causados por usos distintos al doméstico. Cualquier gasto de transporte y envío.

ESTA GARANTÍA LIMITADA SE OTORGA EN LUGAR DE CUALQUIER OTRA GARANTÍA, EXPRESA O, INCLUSO LAS GARANTÍAS DE COMERCIALIZACIÓN E IDONEIDAD PARA UN FIN PARTICULAR.

El recurso ofrecido en esta garantía es exclusivo y se otorga en lugar de cualquier otro recurso. Esta garantía no cubre daños incidentales o derivados, de modo que es posible que las limitaciones anteriores no apliquen en su caso. Es posible que algunos estados no permitan limitaciones sobre la duración de una garantía implícita, de modo que es posible que las limitaciones anteriores no apliquen en su caso. Esta garantía le otorga derechos legales específicos; usted puede tener otros derechos, que varían en cada estado o territorio.

Haier América
New York, NY 10018

IMPORTANT

Do Not Return This Product To The Store

If you have a problem with this product, please contact the
"Customer Satisfaction Center" at 1-877-337-3639.

DATED PROOF OF PURCHASE REQUIRED FOR WARRANTY SERVICE

IMPORTANT

Ne pas Réexpédier ce Produit au Magasin

Pour tout problème concernant ce produit, veuillez contacter le service des
consommateurs 'Customer Satisfaction Center' au 1-877-337-3639.

UNE PREUVE D'ACHAT DATEE EST REQUISE POUR BENEFICIER DE LA GARANTIE.

IMPORTANTE

No regrese este producto a la tienda

Si tiene algún problema con este producto, por favor contacte el "Centro de Servicio al
Consumidor" al 1-877-337-3639 (Válido solo en E.U.A).

NECESITA UNA PRUEBA DE COMPRA FECHADA PARA EL SERVICIO DE LA GARANTIA

Part # MW-9999-42

120V, 60Hz

**Made in China
Fabriqué en Chine
Hecho en China**

Haier®

**Haier
New York, NY 10018**

Printed in China