

Installation Instructions

Side-by-Side Refrigerators

Design Guide

With Installation Instructions

Réfrigérateurs Côte à Côte

Buide de conception comprenant

les instructions d'installation, Page 25

Frigoríficos Lado a Lado

Guía de diseño con

instrucciones de instalación, Página 47

Doppelseitige Kühlschränke

Aufbauanleitung

mit Installationsanleitung, Seite 69

'Side-by-Side' Koelkasten

Ontwerpgids

met installatie instructies, Pagina 91

ثلاجات بابين متجاورين

دليل التصميم

مع تعليمات التركيب 113

31-46531

224D2828P001

12-08 JR

monogram.com



Safety Information

BEFORE YOU BEGIN

Read these instructions completely and carefully.

• **IMPORTANT** – Save these instructions for local inspector’s use. Observe all governing codes and ordinances.

• **Note to Installer** – Be sure to leave these instructions with the Consumer.

• **Note to Consumer** – Keep these instructions with your Owner’s Manual for future reference.

⚠ **WARNING:**

This appliance must be properly grounded. See “Earthing the Refrigerator,” page 10.

⚠ **CAUTION:**

Due to the weight and size of this refrigerator, and to reduce the risk of personal injury or damage to the product, **FOUR PEOPLE ARE REQUIRED FOR INSTALLATION OF A 42” OR 48” WIDE MODEL.**

Skill Level – Installation of this refrigerator requires basic mechanical, carpentry and plumbing skills. Proper installation is the responsibility of the installer.

Product failure due to improper installation is not covered under the factory warranty.

⚠ **WARNING:**

- These refrigerators are top-heavy and must be secured to prevent the possibility of tipping forward. Anti-Tip protection is required. See page 12 for details.
- Use this appliance only for its intended purpose.
- Immediately repair or replace electric cord if it becomes frayed or damaged.
- Unplug the refrigerator before cleaning or making repairs.
- Repairs should be made by a qualified service technician.

NOTE: While performing installations described in this book, safety glasses or goggles should be worn.

CONTENTS

Planning Guide

The Installation Space	3
Dimensions and Clearances	3
130° Door Swing	4
90° Door Swing	5
Customization Basics	6
6 mm Framed Panel Dimensions	7
19 mm Overlay Panel Dimensions	8
Raised Overlay Panel Design	9
Side Panels	10

Installation Instructions

Tools, Hardware, Materials	10
----------------------------------	----

Earthing the Refrigerator	10
Step 1, Remove Packaging	11
Step 2, Move Refrigerator into House	11
Step 3, Install Water Line	11
Step 4, Household Water Filtration	12
Step 5, Install Side Panels	12
Step 6, Install Anti-Tip Brackets	12
Step 7, Level Refrigerator	13
Step 8, Alternate Anti-Tip Procedure	13
Step 9, Secure Refrigerator to Cabinetry	14
Step 10, Adjust Door Swing	14
Step 11, Install Grille Panel	14
Step 12, Install Framed Panels	15

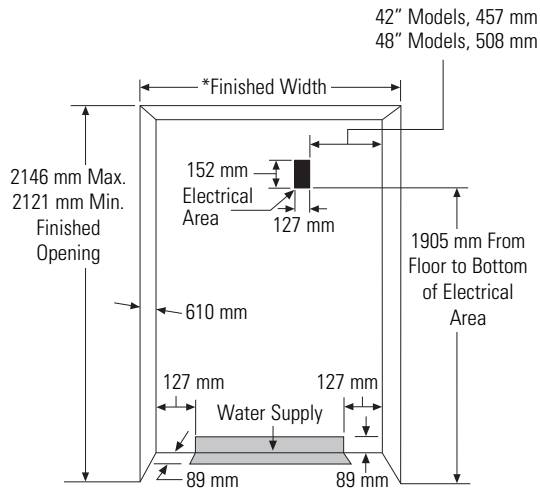
Step 12A, Install Overlay Panels	16, 17
Step 13, Install Dispenser Trim	18
Step 14, Connect Water Supply	18
Step 15, Connect Power	19
Step 16, Start Icemaker	19
Step 17, Install Toekick	19

Tubular Handle Kit

Step 1, Remove Door Handles	20
Step 2, Install Handles onto Panels	21
Step 3, Install Assembled Handles	22
Step 4, Install Dispenser Trim	22

Design Guide

THE INSTALLATION SPACE



*Finished cutout width must be:
 1054 mm for 42" Models
 1207 mm for 48" models

Water And Electrical Locations

The opening must be prepared with the electrical and water supply located as shown.

The cutout depth must be at least 610 mm

The refrigerator will project forward, slightly beyond adjacent cabinetry, depending on your installation.

Cutout depth beneath a soffit:

When installed beneath a soffit, the soffit cannot exceed the 610 mm installation depth shown. The top case trim overlaps the bottom of the soffit.

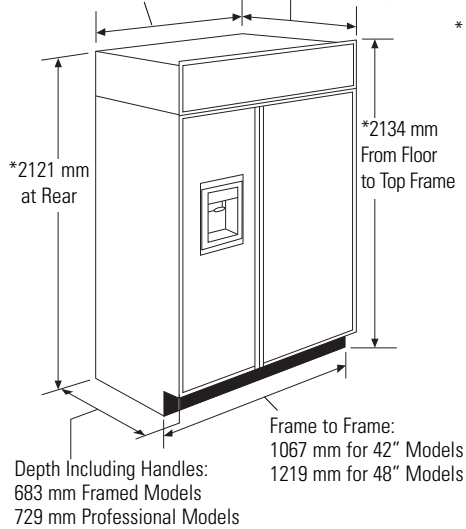
Additional Specifications

- 220 to 240 volt, 50 Hz., 4.5 amps power supply is required. An individual properly earthed branch circuit or circuit breaker is recommended. Install a properly earthed electrical receptacle recessed into the back wall. Electrical outlet must be located on rear wall as shown.
- Use the supplied water line kit or GE SmartConnect™ Refrigerator Tubing kit to connect the water line on the refrigerator to the house water supply. Installation of an easily accessible shut-off valve in the water line is required.

DIMENSIONS AND CLEARANCES

Case Width:
 1041 mm for 42" Models
 1194 mm for 48" Models

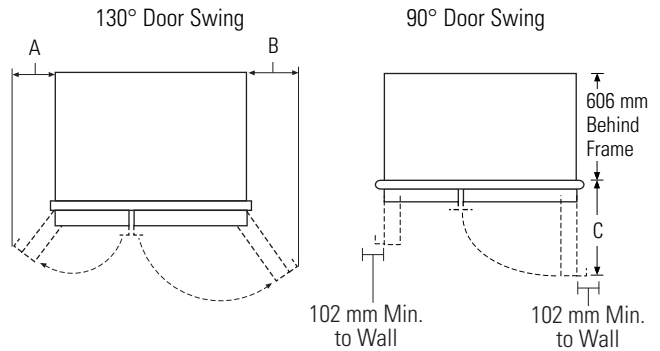
645 mm Framed Models
 654 mm Stainless Steel Models
 Case Depth



* Shipping height.
 The refrigerator can be adjusted to fit into a cutout that is 2121 min. to 2146 mm max. height. Note that the top case trim at the front is 13 mm higher and will overlap upper cabinetry or soffit. Use leveling legs and wheels for a maximum 25 mm height adjustment.

Product Clearances

These refrigerators are equipped with a 2-position doorstop. The factory-set 130° door swing can be adjusted to 90° if clearance to adjacent cabinets or walls is restricted.



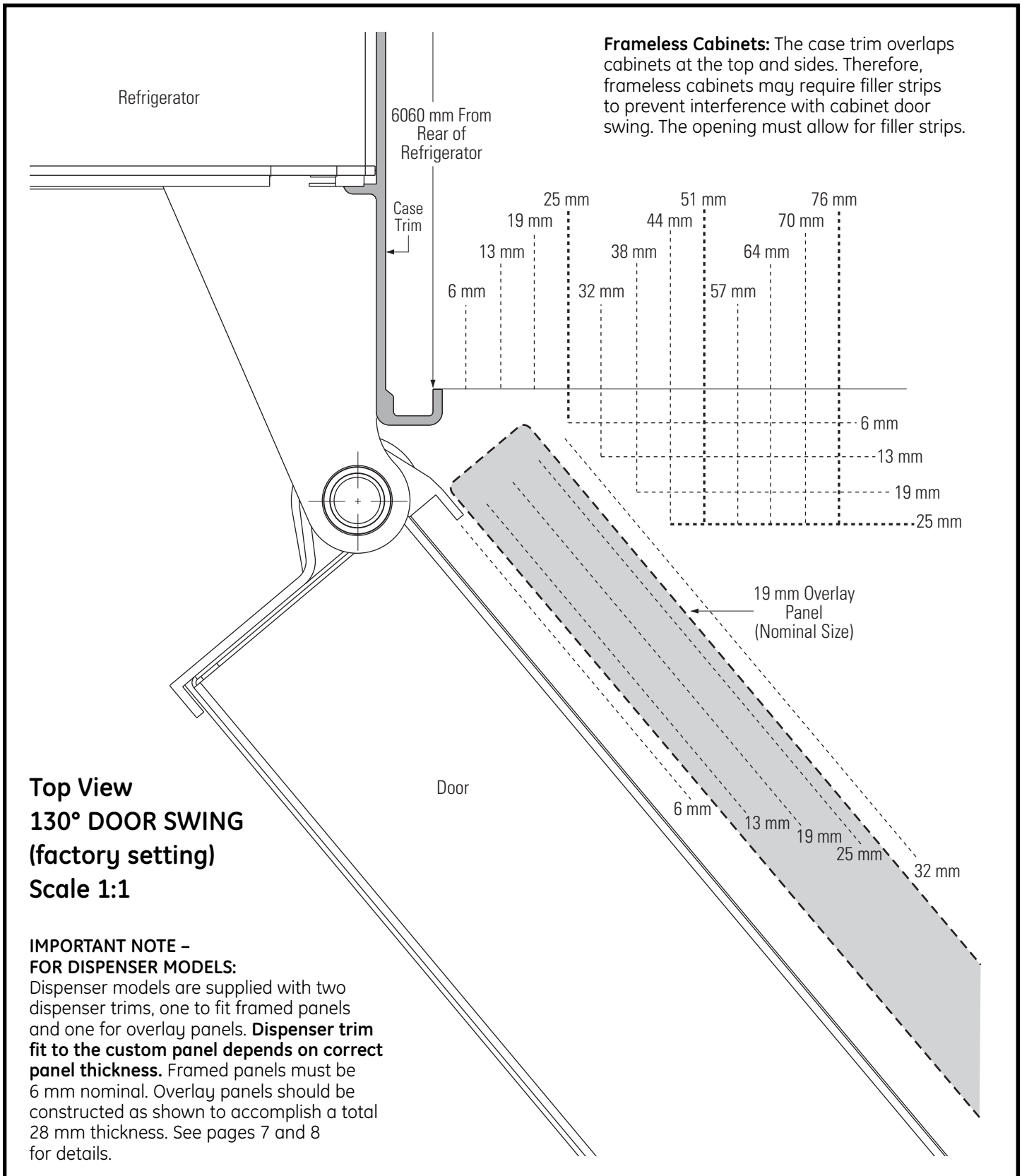
Allow minimum clearances for the freezer door (Dimension A) and fresh food door (Dimension B) for a full 130° door swing and to allow for pan removal.

Models	A	B	C
42"	330 mm	483 mm	676 mm
48"	381 mm	508 mm	727 mm

For a 90° door swing, allow 101.6 mm min. clearance to a wall for framed and stainless steel models. Allow 127 mm min. clearance for professional series models. If the 90° doorstop position is used, pan access is maintained, but pan removal is restricted.

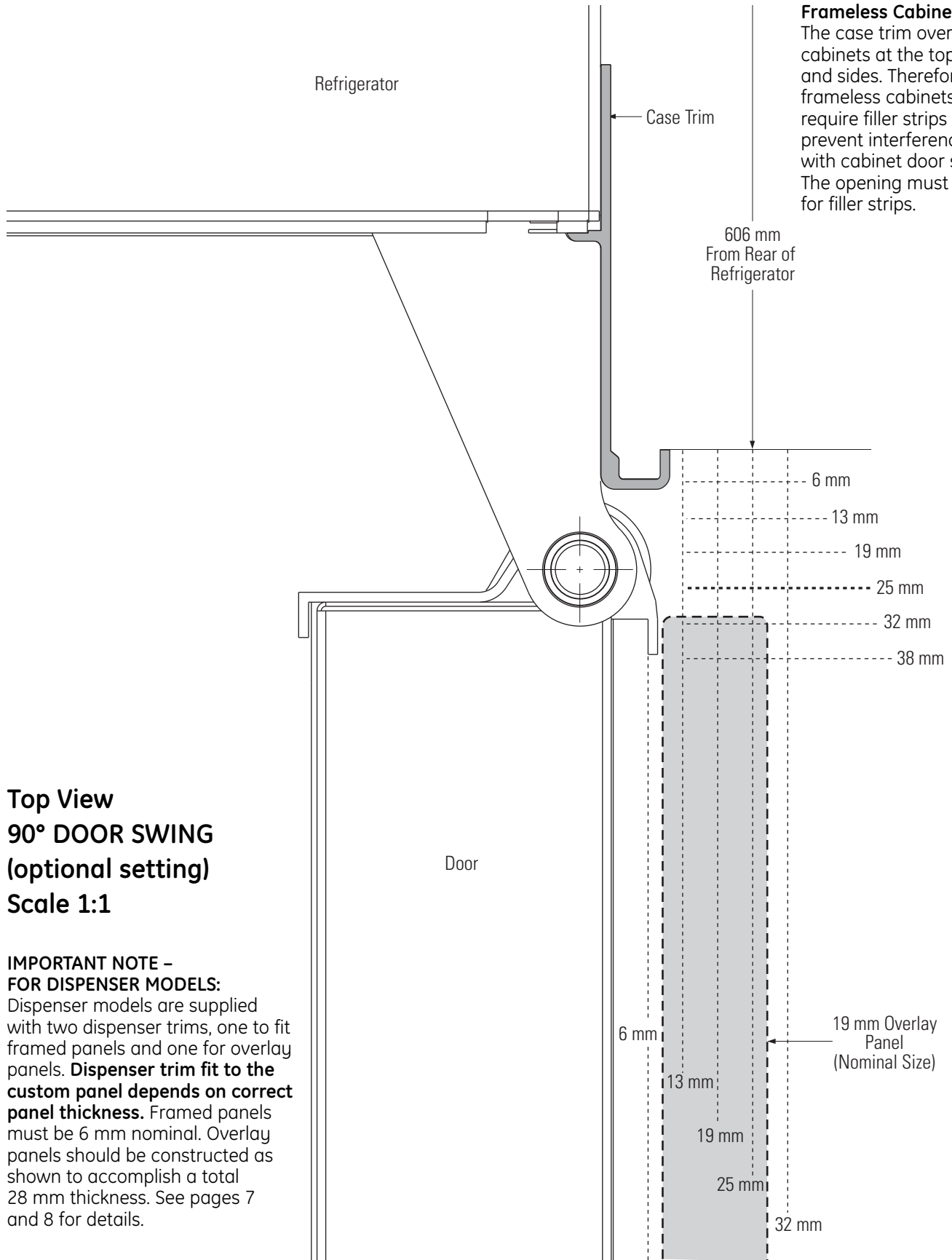
See the illustrations on pages 4 and 5 to determine door swing interaction with adjacent cabinets or countertops.

Design Guide



Design Guide

Frameless Cabinets:
The case trim overlaps cabinets at the top and sides. Therefore, frameless cabinets may require filler strips to prevent interference with cabinet door swing. The opening must allow for filler strips.



Top View
90° DOOR SWING
(optional setting)
Scale 1:1

IMPORTANT NOTE – FOR DISPENSER MODELS:
Dispenser models are supplied with two dispenser trims, one to fit framed panels and one for overlay panels. **Dispenser trim fit to the custom panel depends on correct panel thickness.** Framed panels must be 6 mm nominal. Overlay panels should be constructed as shown to accomplish a total 28 mm thickness. See pages 7 and 8 for details.

Design Guide

CUSTOMIZATION BASICS:

Framed Or Overlay Panels, Custom Handles and Accessory Kits

Professional Style Stainless Steel Refrigerators

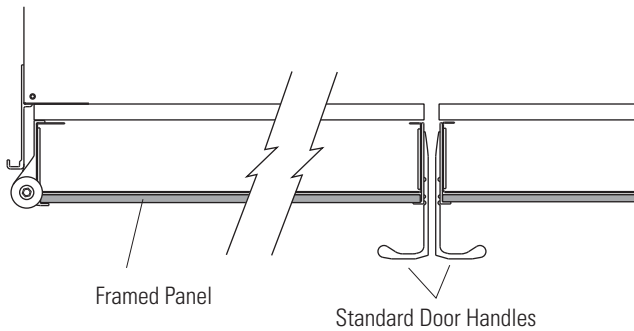
Stainless steel wrapped refrigerators have beveled edges and professional-style handles. These models are shipped ready for installation.

Trimmed Refrigerators

Trimmed refrigerators are designed to be customized with decorative panels. Field installed custom door and grille panels are required.

Framed panels

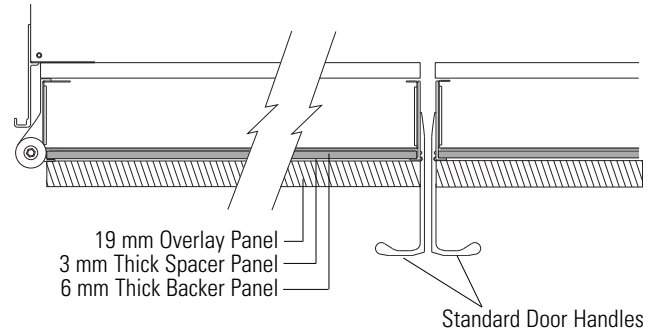
You may install 6 mm-thick custom panels from your cabinet manufacturer. The decorative panel slides into the factory installed trim. Order black or stainless steel accessory panels from your Monogram dealer.



Standard supplied handles shown in 6 mm panel position.

Overlay panels

You may also choose to install custom overlay panels from your cabinet manufacturer. This design provides a seamless appearance which integrates smoothly with surrounding cabinetry.



Standard supplied handles shown in 19 mm overlay panel position.

Door Handles

The standard supplied handles can be adjusted to accommodate both framed or overlay panels. Custom handles of your choice, supplied by your cabinetmaker can also be installed on 19 mm overlay panels. If desired, you may order ZKHSS2 Monogram stainless steel tubular handle kit for 19 mm overlay panels.

Side Panels

Side panels must be used whenever the sides of the refrigerator will be exposed.

Optional Accessory Kits

ZKHSS2: Monogram tubular stainless steel handles designed to fit 19 mm overlay panels.

Accessory Panels

Black and stainless steel accessory panels are available from your Monogram dealer. Panels are cut to size and ready to install.

Models	Black Acrylic
ZISB480D	ZPB480D
ZIS480N	ZPB480N
ZISB420D	ZPB420D
ZIS420N	ZPB420N

Design Guide

6 mm FRAMED PANEL DIMENSIONS

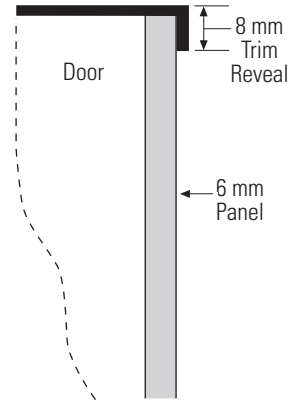
If you choose to install framed panels, they must be cut to the dimensions shown. The panels will slide into the frame on the door and grille.

Non-Dispenser Models

If the custom panel is less than 6 mm thick and it fits loosely in the door frame it can be backed up with a piece of filler material or foam tape to improve the fit.

IMPORTANT NOTE: Maximum total panel weight:

- Fresh food door panel – 34 kg.
- Freezer door panel – 24 kg.
- Grille Panel – 8 kg.



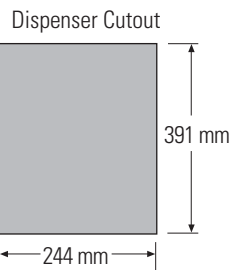
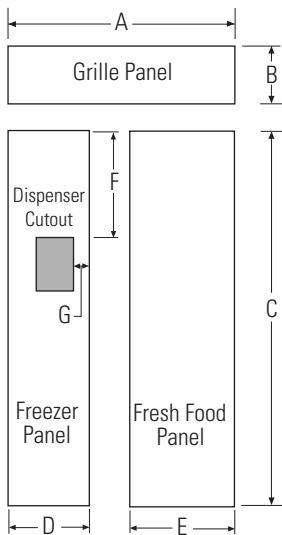
IMPORTANT NOTE – DISPENSER MODELS

The refrigerator is supplied with two dispenser trims, one for framed panels and one for overlay panels.

- If the panel is less than 6 mm thick, a noticeable gap may be created around the dispenser trim. Foam tape may be applied on the door to improve the fit.

- If the panel is more than 6 mm thick, the dispenser trim cannot be secured to the door.

See Dispenser Trim Fit Examples, page 9.



The framed panel must be 6 mm nominal thickness to fit the dispenser trim.

	Side-by-Side (in millimeters)					Dispenser Cutout Position	
	A	B	C	D	E	F	G
42" Models	1013 mm	241 mm	1737 mm	370 mm	624 mm	452 mm	79 mm
48" Models	1165 mm	241 mm	1737 mm	471 mm	675 mm	452 mm	130 mm

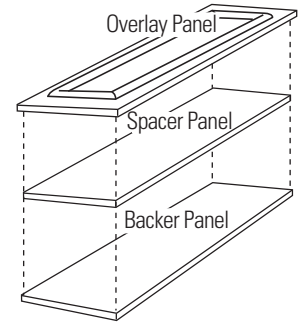
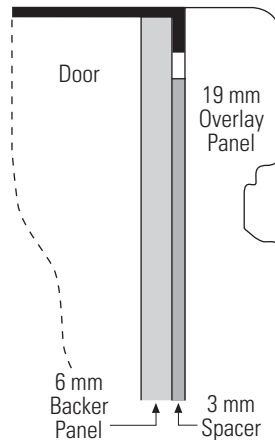
Design Guide

19 mm OVERLAY PANEL DIMENSIONS

For a more custom appearance, overlay panels may be installed on trimmed models. The overlay panel must be secured to a 6 mm thick backer panel which slides into the trim. A spacer panel 3 mm thick must be placed between the overlay and backer panel.

Assemble the panels with glue and screws:

- Center the spacer panel on the backer panel, left to right and top to bottom. Secure the panels with glue.
- Center the spacer and backer panel on the overlay panel and secure with glue and screws. Screws must be countersunk into the backer panel.



NOTE: Left-to-right offset is not always equal to top-to-bottom offset.

$$6 \text{ mm} + 3 \text{ mm} + 19 \text{ mm} = 28 \text{ mm Total Panel Thickness}$$

IMPORTANT NOTE – DISPENSER MODELS

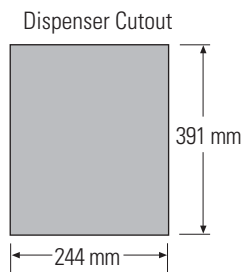
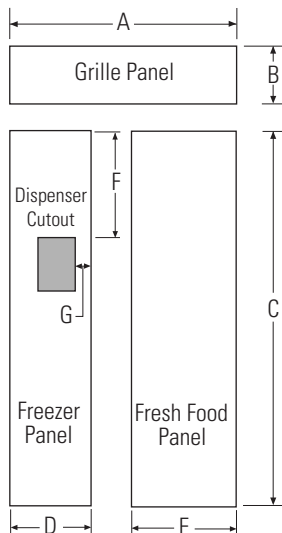
The refrigerator is supplied with two dispenser trims, one for framed panels and one for overlay panels. The overlay dispenser trim is designed to fit a total panel thickness of 28 mm.

- If the panel is less than 28 mm a noticeable gap may be created around the dispenser trim.
- If the panel is more than 28 mm the dispenser trim cannot be secured to the door.

See Dispenser Trim Fit Examples, page 9.

- The overlay panel must be constructed according to the specifications shown to achieve the correct total thickness.
- Alternative panel construction methods such as securing a 19 mm panel to a 6 mm backer panel cannot be used. Another method, routing a 19 mm thick panel on all sides, cannot be used. These methods will not result in the required 28 mm panel thickness.

When a raised panel design is to be used, a custom middle rail is required. See page 9 for details.



*Cut the dispenser opening after the backer, spacer and overlay panels have been assembled.

IMPORTANT NOTE: Maximum total weight for the assembled panels:

- Fresh food door panel – 34 kg.
- Freezer door panel – 24 kg.
- Grille Panel – 8 kg.

42" Side-by-Side (in millimeters)

	A	B	C	D	E	*Dispenser Cutout Position	
	F	G					
6 mm Backer Panel	1013 mm	241 mm	1737 mm	370 mm	624 mm		
3 mm Spacer Panel	991 mm	219 mm	1702 mm	337 mm	591 mm		
19 mm Overlay Panel	1019 mm	248 mm	1743 mm	376 mm	630 mm	456 mm	133 mm

48" Side-by-Side (in millimeters)

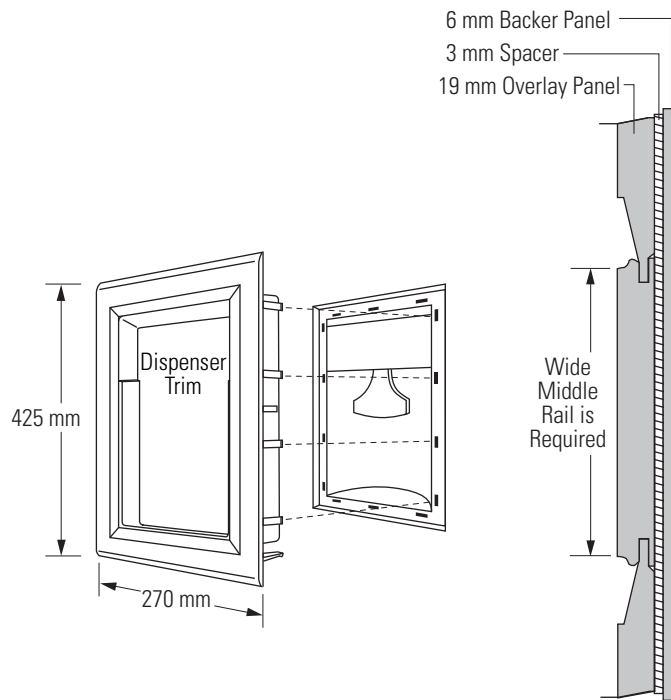
	A	B	C	D	E	*Dispenser Cutout Position	
	F	G					
6 mm Backer Panel	1165 mm	241 mm	1737 mm	472 mm	699 mm		
3 mm Spacer Panel	1143 mm	219 mm	1702 mm	438 mm	641 mm		
19 mm Overlay Panel	1172 mm	248 mm	1743 mm	462 mm	681 mm	456 mm	133 mm

Design Guide

DISPENSER MODELS: RAISED OVERLAY PANEL DESIGN

When a raised panel design is to be used, a custom wide middle rail is required to accept the dispenser trim.

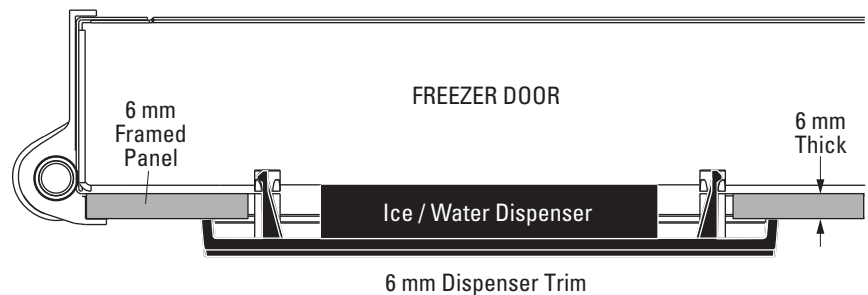
- The middle rail must be wide enough to allow for the dispenser trim to overlap the opening.
- The middle rail must be 28 mm total thickness to accept the dispenser trim.



DISPENSER TRIM FIT EXAMPLES: (NOT TO SCALE)

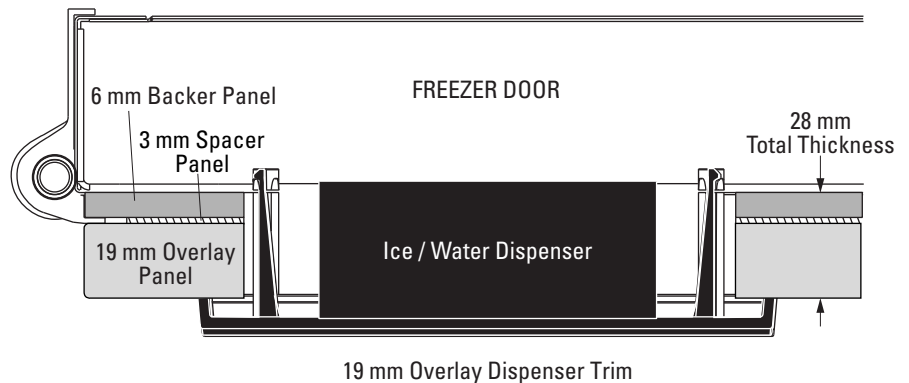
6 mm FRAMED PANEL

- The dispenser trim fits over the custom panel and snaps into the freezer door.
- The clips will not engage the door if the panel is more than 6 mm thick.
- If the panel is less than 6 mm thick, a noticeable gap may be created around the dispenser trim.



19 mm OVERLAY PANEL

- The dispenser trim fits over the custom panel and snaps into the freezer door.
- The clips will not engage the door if the panel is more than 28 mm thick.
- If the panel is less than 28 mm thick, a noticeable gap may be created around the dispenser trim.

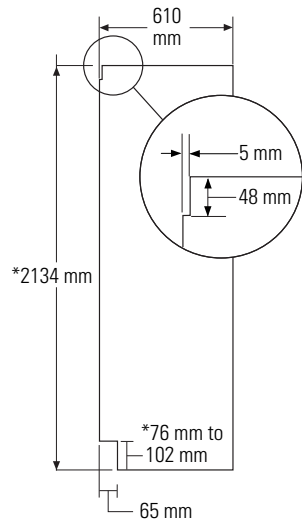


Design Guide

SIDE PANELS

Side panels must be used whenever the sides of the refrigerator will be exposed. The 6 mm side panels will slip into the side case trim. Secure the panels to the refrigerator with stick-on hook and loop fastener strips. Order the side panels from the cabinet manufacturer.

- Cut a notch in the top front corner as shown to allow clearance for corner keys in the front side trim.



TOOLS AND MATERIALS REQUIRED

- Tin snips to cut banding
- Stepladder
- 1" Bit extension
- Tape measure
- 1/4" Drywall screws
- Bucket
- Level
- Appliance hand truck
- Tubing cutter
- 7/16" Open-end wrench
- #2 Phillips screwdriver
- Drill and appropriate bits
- 5/16", 7/16" Socket
- Safety glasses
- 1-1/8" Open-end wrench
- Pliers
- 1/4", 5/16" Combo ratchet
- 900 mm x 50 mm x 100 mm Wood block for Anti-Tip support
- Supplied water line kit or GE SmartConnect™ Refrigerator Tubing kits
- Water shut-off valve
- Custom panels for doors and grille panel
- Screws to secure refrigerator to cabinetry
- Stick-on hook and loop fastener strips for 6 mm side panels

HARDWARE SUPPLIED

- Water filter bypass plug
- Anti-Tip brackets
- 1/4" nut and ferrule
- Dispenser trims for 6 mm and 19 mm overlay panels
- 12 pan-head screws for custom handle installation

FLOORING

For proper installation, this refrigerator must be placed on a level surface of hard material that is at the same height as the rest of the flooring. This surface should be strong enough to support a fully loaded refrigerator, or approximately 680 kg.

NOTE: Protect the finish of the flooring. Cut a large section of the cardboard carton and place under the refrigerator where you are working.

EARTHING THE REFRIGERATOR

IMPORTANT—(Please read carefully)

FOR PERSONAL SAFETY, THIS APPLIANCE MUST BE PROPERLY EARTHED.

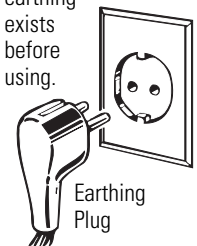
The power cord of this appliance is equipped with an earthing plug which mates with a standard earthed wall receptacle to minimize the possibility of electric shock hazard from this appliance.

Have the wall outlet and circuit checked by a qualified electrician to make sure the outlet is properly earthed.

Where an unearthed wall outlet is encountered, it is your personal responsibility and obligation to have it replaced with a properly earthed wall outlet.

IMPORTANT: The refitting of electric plugs and cables should be done by a qualified technician or service agent. In some countries the refitting of electric plugs and cables is only permitted when the work is completed by a qualified technician.

Ensure proper earthing exists before using.



NOTE: Plug type shown may not match to the plug on your refrigerator depending on the country of the sale.

Mains lead replacement

If the mains lead on your refrigerator needs replacing at any time, it must be replaced by a special lead which is obtainable from your local dealer. A charge will be made for the replacement of the mains lead if you have damaged the lead.

Unplug the unit or turn off the main switch on the switchboard before servicing or repairing the refrigerator. To unplug the unit, pull the refrigerator away from the wall and then unplug it.

Installation Instructions

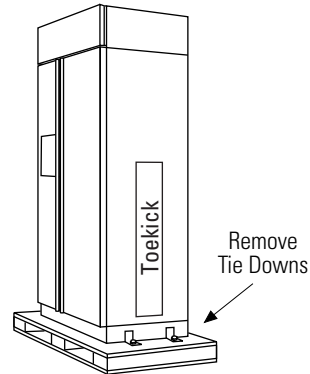
STEP 1 REMOVE PACKAGING

⚠ CAUTION: The refrigerator is much heavier at the top than at the bottom—be careful when moving. When using a hand truck, handle from the side only.

- Carefully cut banding at the top and bottom. Remove the outer carton.
- Slide out the back corner posts (2).
- Slide the carton off the top of the cabinet.

NOTE: IT IS NOT NECESSARY TO LAY THE CABINET DOWN IN ORDER TO REMOVE THE SKID!

- The unit is secured to the skid with 4 slotted tie-down straps. Remove the six 7/16" bolts from the base channels in the tie-downs.
- Remove the six 7/16" bolts securing the straps to the skid.



⚠ CAUTION:
DO NOT ATTEMPT TO ROLL UNIT OFF SKID.

- The support blocks on the bottom of the refrigeration case must be removed before the refrigerator is taken off the skid or damage will occur. Carefully tilt the refrigerator and slide the blocks out from beneath.
- Remove the toekick and set aside for final installation.
- Lift the refrigerator off the skid with an appliance dolly. Handle from the sides.

STEP 2 MOVE THE REFRIGERATOR INTO THE HOUSE

- Re use the corner posts from the packaging to protect stainless steel models. Run the appliance dolly straps over the posts and under the handles.
- Leave the protective film on the refrigerator until installation is complete.

IMPORTANT: Never lift the refrigerator by the handle or push against the grill panel; this could cause damage or misalignment.

- Avoid laying the unit on its back or side to prevent sealed system restrictions which can damage the product.

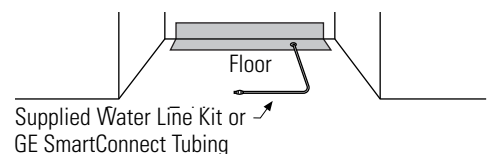
STEP 3 INSTALL WATER LINE

- A cold water supply is required for automatic icemaker operation. The water pressure must be between 2.75 bar (275000 pascal) and 8.25 bar (825000 pascal).
- Route the supplied water line kit or GE SmartConnect™ plastic tubing between the house cold water line and the water connection location.
- The tubing should be long enough to extend to the front of the refrigerator. Allow enough tubing to accommodate the bend leading into the water line connection.

NOTE: The only GE-approved plastic tubing is supplied in the GE SmartConnect™ Refrigerator Tubing kits. Do not use any other plastic water supply line because the line is under pressure at all times. Other types of plastic may crack or rupture with age and cause water damage to your home.

GE SmartConnect™ Refrigerator Tubing Kits are available in the following lengths:

- 0.6 m WX08X10002
- 1.8 m WX08X10006
- 4.6 m WX08X10015
- 7.6 m WX08X10025



Shut off the main water supply.

Turn on the nearest faucet long enough to clear the line of water.

- Install a shut-off valve between the icemaker water valve and cold water pipe in a basement or cabinet. The shut-off valve should be located where it will be easily accessible.
- Turn on the main water supply long enough to flush out the debris thoroughly. In new home construction, there may be a high level of copper residue in the supply pipe, which can damage plastic tubing. Make sure to flush the supply pipe thoroughly before you install the water line kit. Shut off the water supply at the shut-off valve. See Step 14 for details of connecting the water supply.

NOTE: Shut-off valves are included in many water supply kits. Before purchasing, make sure a valve complies with your local plumbing codes.

Installation Instructions

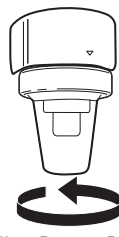
STEP 4 INSTALLATION WITH HOUSEHOLD WATER FILTRATION SYSTEM

Skip this step if you do not have a household water filtration system.

If the water supply to the refrigerator is from any household water filtration system, the filter cartridge should be removed. For better ice and water performance, remove the filter and install the filter bypass plug.



Rotate Clockwise To Remove



Filter Bypass Plug

STEP 5 INSTALL SIDE PANELS

Skip this step when not using side panels.

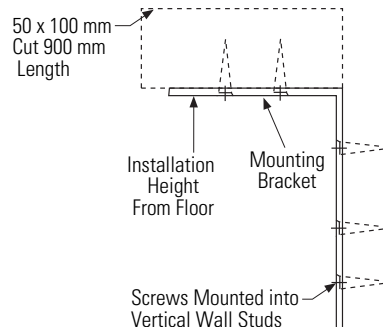
If you are using 6 mm side panels, they should be inserted into the case trim. Fasten the panels to the refrigerator with stick-on hook and loop fastener strips before setting the refrigerator in place.

STEP 6 INSTALL ANTI-TIP BRACKETS

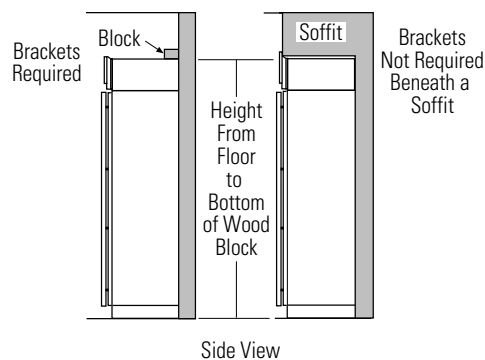
⚠ WARNING: ANTI-TIP PRECAUTIONS

The refrigerator is top-heavy and must be secured to prevent the possibility of tipping forward.

- Cut a 50 mm x 100 mm x 900 mm wood block. Secure the block to the mounting brackets provided using 6 mm diameter wood screws.



- Secure the bracket with the wood block to the back wall so that it is 2134 mm (or your installation height) from the finished floor. Use 6 mm diameter wood screws.



- The screws must penetrate at least 25 mm into the vertical wall studs.

Connect power cord:

- Before pushing the refrigerator into the opening, plug the power cord into the receptacle. Open the grille panel and reach into the opening at the back to grasp the power cord. Pull the power cord into the opening as you push the refrigerator back.
- Gently push refrigerator into the opening with hands against front corners.

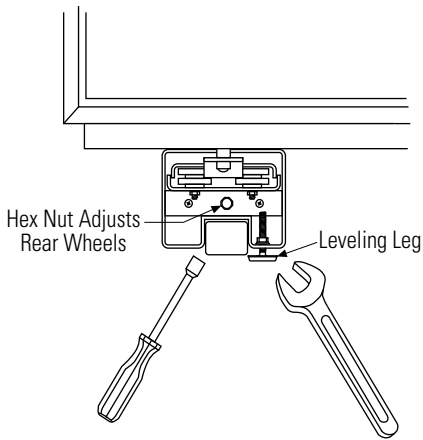
IMPORTANT NOTE: When the refrigerator is installed under a soffit or if there is not enough height for this method of security, brackets cannot be used. Proceed to Step 7 to level the refrigerator and then to Step 9 to secure refrigerator to cabinets. See Step 8 if you have metal wall studs. The refrigerator must be secured to prevent tipping.

Installation Instructions

STEP 7 LEVEL REFRIGERATOR

All models have 4-point leveling. The front is supported by leveling legs, and the rear is supported by adjustable wheels. Both are accessible from the front of the refrigerator.

- To level the back of the refrigerator, turn the 7/16" hex nut located above the front wheels. Turn clockwise to raise or counterclockwise to lower the refrigerator.
- For front leveling, use a 1-1/4" open-end wrench.
- Adjust height of refrigerator to match installation cutout opening 2121 mm to 2146 mm. The refrigerator should be level and plumb with cabinetry.

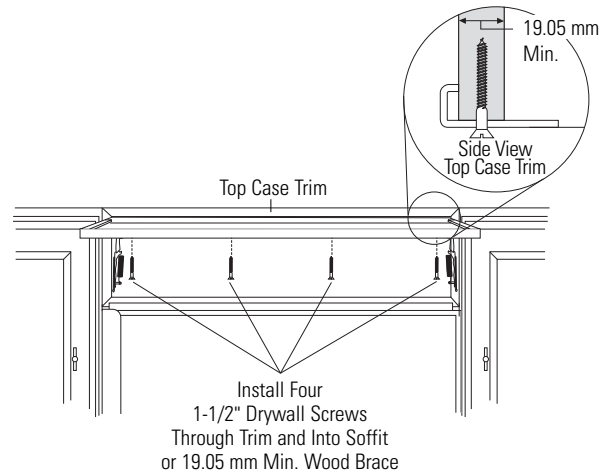


⚠ CAUTION:

The rear leveling wheels and front leveling legs are limited to a maximum height adjustment of 25 mm. If the installation requires more than 2146 mm height, the installer should elevate the refrigerator on a sheet of plywood or runners. Cabinetry trim could also be added across the top of the opening to shorten the opening. **If you attempt to raise the refrigerator more than 25 mm, you will damage the front leveling legs and the rear leveling wheels.**

STEP 8 ALTERNATE ANTI-TIP PROCEDURE

The refrigerator must be secured to prevent tipping. The anti-tip brackets cannot be used on metal wall studs. Use this Alternate Procedure to secure the refrigerator against tip-over whenever metal wall studs are encountered and there is no soffit.



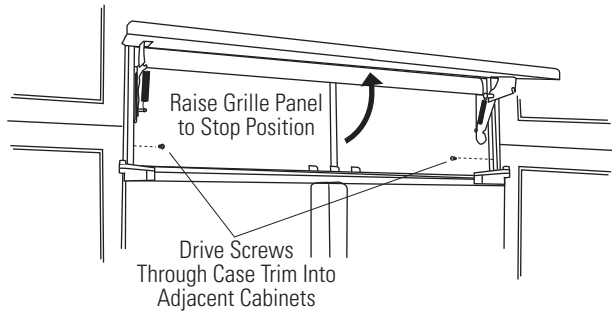
- Raise the grille panel to access case trim.
- Use a 3/16" bit to drill four evenly spaced clearance holes through the metal top case trim.
- Use a 1/16" bit to drill to pilot holes through the metal clearance holes and into the wood soffit. The holes should be centered in the soffit or a 19.05 mm min. wood brace. The brace spanning the enclosure must be securely fastened to cabinets on both sides.
- Install four, 1-1/2" drywall screws into the pilot holes.

Installation Instructions

STEP 9 SECURE REFRIGERATOR TO CABINETRY

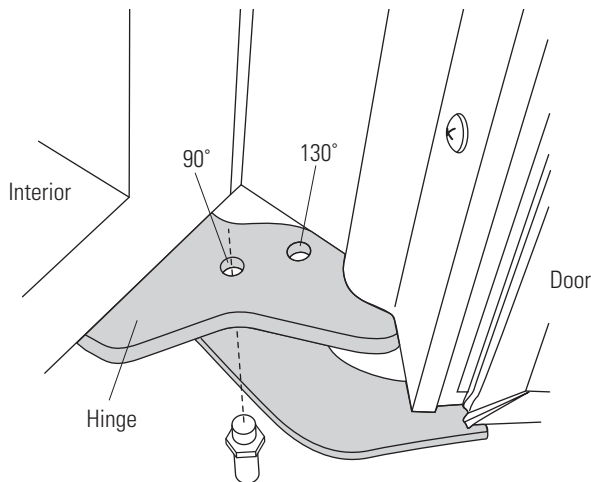
Whenever possible, perform this step for anti-tip security or when anti-tip brackets cannot be used. **The refrigerator must be secured to prevent tipping.**

- Raise the grille panel to access the case trim.
- Drill a hole in the trim and drive a 6 mm diameter screw through the trim into the adjacent cabinet.
- Follow the same procedure on the opposite side.



STEP 10 ADJUST DOOR SWING

NOTE: This refrigerator has a 2-position door stop. When space does not allow the door to swing open fully to 130°, you may change the door swing to a 90° opening. **Skip this step if door opening is satisfactory for your installation situation.**

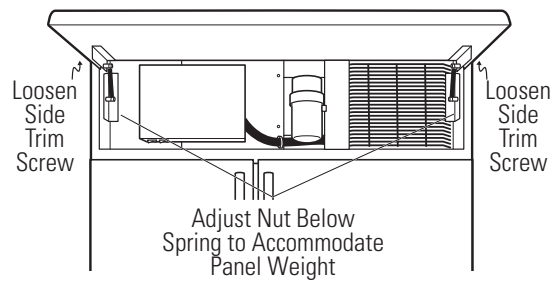
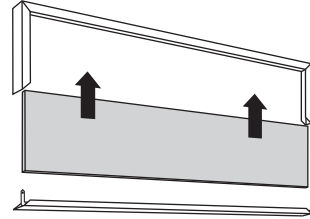


- Open the door to view the bottom hinge. Note the door stop pin locations. The pin is factory-installed in the 130° position.
- Close the door. From below, use pliers to unscrew the door stop and reinstall into the 90° position.

STEP 11 INSTALL GRILLE PANEL (for Custom Panel Models only)

To insert the framed or overlay panel into the grille:

- Raise the grille panel to the stop position.



- Loosen the screws on the side trim behind the frame. Remove the bottom trim.

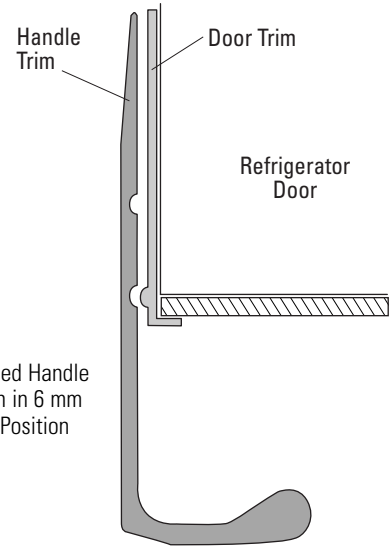
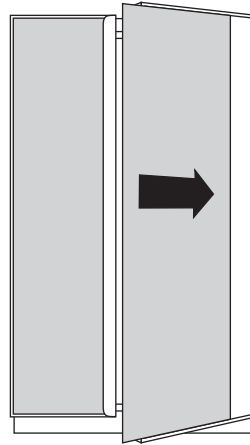
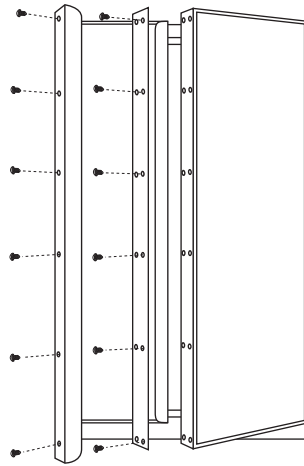
CAUTION: The metal panel may be slippery. Grip the metal panel firmly so the panel does not slip out of the frame and cause personal injury or damage to the frame.

- Slide the panel over the metal backer panel and into the trim.
- If necessary, tap with a wood block until the panel slips under the top trim piece.
- Reassemble the bottom trim. Tighten the screws.
- Adjust the hinge spring to accommodate the panel weight, if necessary.

Installation Instructions

STEP 12 INSTALL FRAMED PANELS

Go to Step 10A for Overlay Panels



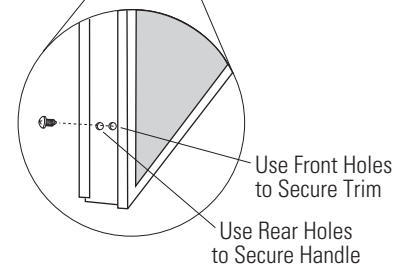
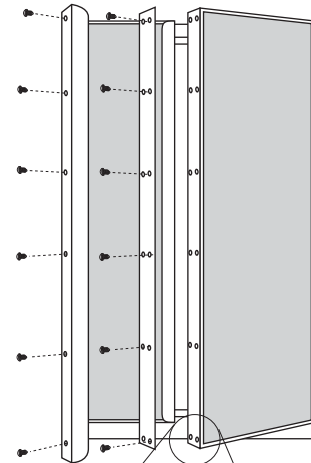
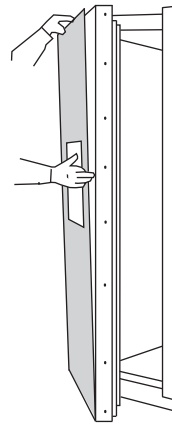
Install door panels:

- Open the door to 90°. Remove the 6 Phillips-head screws from the door handle.
- Remove the handle. Retain all screws.
- Remove the 6 screws holding the trim, then lift off the trim. Retain the screws.
- Slide the framed panel into the door trim.

Dispenser Models Only:

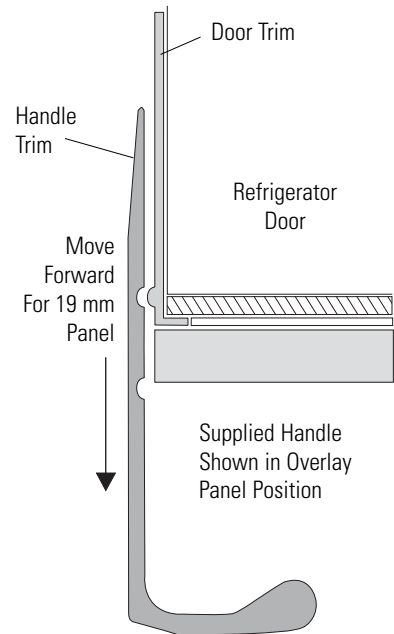
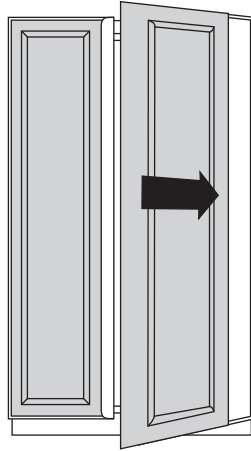
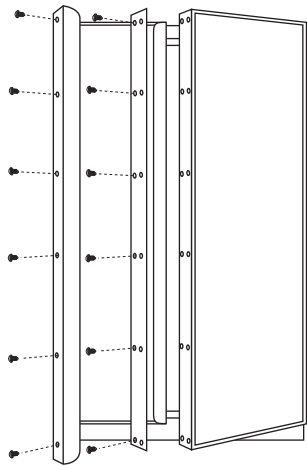
- The dispenser controls protrude beyond the face of the freezer door. To avoid damage to the dispenser, the trim at the top of the door should be removed.
- Remove the screws holding the top trim in place.
- Place the freezer panel into the bottom channel and slide into the hinge side trim.
- Reinstall the top trim piece with screws.
- There are two sets of holes in the handle side trim. Replace the handle side trim by installing the original screws in the FRONT screw holes.
- Secure the handle to the door using the REAR screw holes.
- Follow the same procedures to install the opposite panel.
- Check to be sure the handles are evenly aligned with each other at the top. To adjust, loosen the handle screws and slide up or down. Tighten the screws.

NOTE: Aluminum cover trim is supplied for use with custom handles on overlay panels. It is not intended for use with 6 mm panels. Discard the cover trim when using 6 mm framed panels.



Installation Instructions

STEP 12A INSTALL OVERLAY PANELS

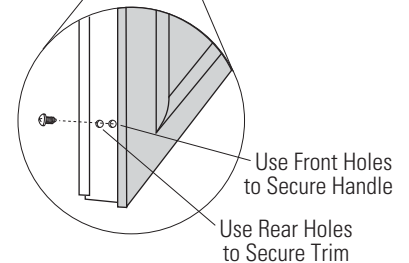
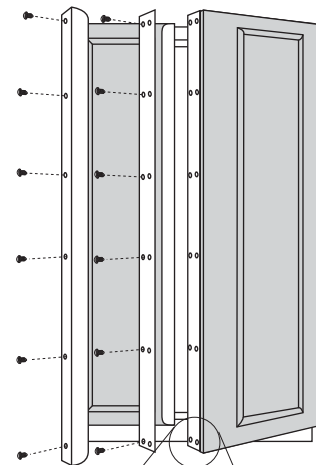
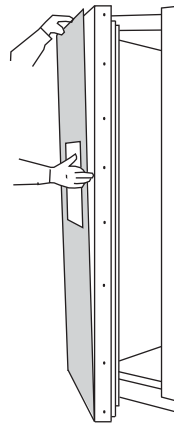


Install door panels:

- Open door to 90°. Remove the 6 Phillips-head screws from the door handle.
- Remove the handle. Retain all screws.
- Remove the 6 screws holding the trim, then lift off the trim. Retain the screws.
- Slide the overlay panel into the door trim.

Dispenser Models Only:

- The dispenser controls protrude beyond the face of the freezer door. To avoid damage to the dispenser, the trim at the top of the door should be removed.
- Remove the screws holding the top trim in place.
- Place the assembled freezer panel into the bottom channel and slide into the hinge side trim.
- Reinstall the top trim piece with the screws.
- There are two sets of holes in the handle side trim. Replace handle side trim by installing the original screws in the REAR screw holes.
- Secure the handle to the door using the FRONT screw holes.
- Follow the same procedures to install the opposite panel.
- Check to be sure the handles are evenly aligned with each other at the top. To adjust, loosen the handle screws and slide up or down. Tighten the screws.

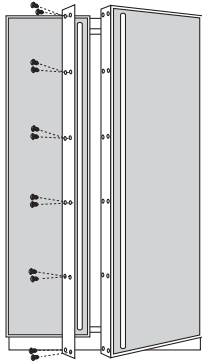


Installation Instructions

STEP 12A (continued)

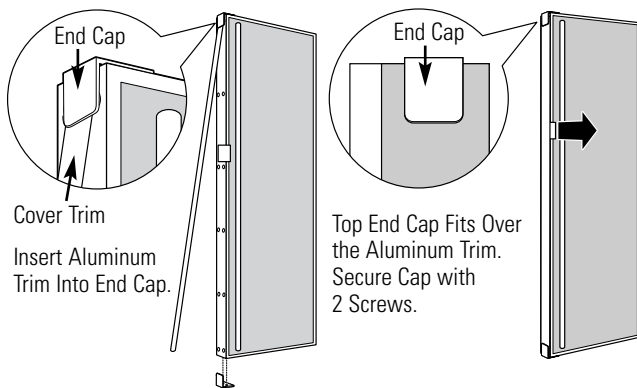
Custom Handles

- If you are using custom handles, the handle must be properly secured to the overlay panel before sliding the panel into the trim.
- The cabinet manufacturer will supply the custom handle and hardware.
- Discard the supplied handle.



Reinstall all original screws.

- Reinstall the handle side trim, using all 12 supplied flat-head screws, plus the 12 flat-head screws originally installed in the handle trim.
- Install a supplied end cap onto the top of the door, using a Phillips-head screwdriver and the 2 screws provided. **Hand-tighten the screws into the end caps. Do not overtighten; damage will occur.**
- Clean the aluminum trim with rubbing alcohol—do not use alcohols with oil or lanolin that will prevent adhesion of double-sided tape.
- Slip the aluminum cover trim behind the top end cap to check the fit. The aluminum cover trim has a recess on each end which fits the end cap.



- Remove the trim. Peel away a few inches of the adhesive backing. **IMPORTANT:** The tape is very sticky and strong. Once it adheres to a surface, it cannot be removed without damaging both surfaces. **Do not install the trim before the final wood panels are in place.** Be sure to align the trim carefully before removing the paper backing.

STEP 12A (continued)

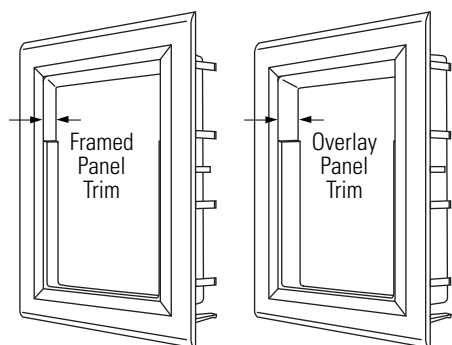
- Carefully place the aluminum cover trim into the top end cap so that the recess is aligned with the cap. Use the top-to-bottom grooves along the handle side to align the cover trim accurately. Pull the tape a few inches at a time while pressing the trim against the door. Press and hold approximately 10 seconds before continuing along the length of the door.
- Install another end cap at the bottom of the door to secure the cover trim. Use a stubby Phillips-head screwdriver and the 2 screws provided. **NOTE:** Make sure there are no gaps in the installation.
- Follow the same procedure on the opposite door.

Installation Instructions

STEP 13 INSTALL DISPENSER TRIM

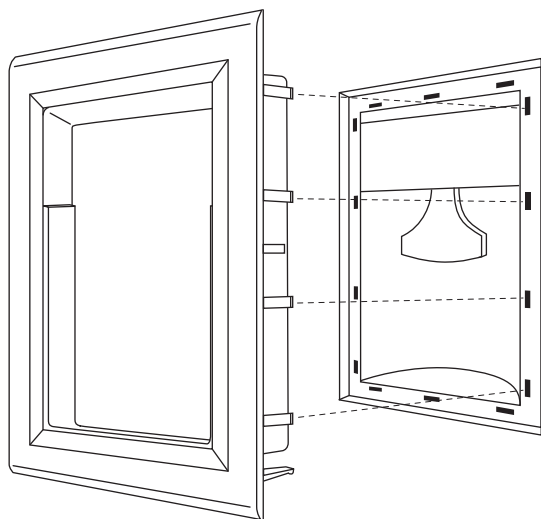
Skip this step if you are installing a stainless steel wrapped or a non-dispenser refrigerator.

There are two dispenser trims shipped with your refrigerator. Select the appropriate trim for your application.



Compare the dispenser trims. Note that the inside depth of the frames are different. Choose the trim with less depth for framed panels. Choose the deeper one for overlay panels.

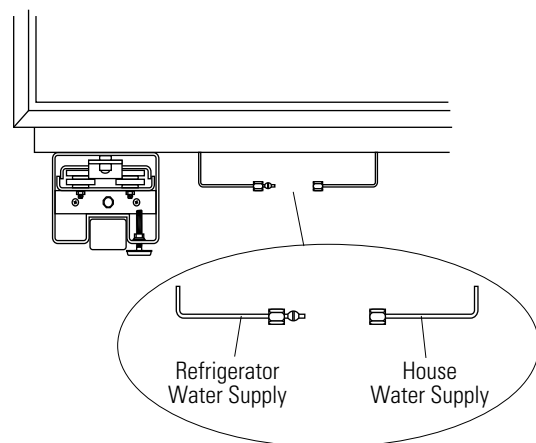
Dispenser trim fit over the custom panel depends on correct panel thickness. See pages 7 and 8 for panel construction information.



- Press and snap the dispenser trim into the dispenser recess on the refrigerator door.

If an excessive gap exists around the dispenser trim or if the panel fits loosely in the door frame, foam tape may be applied to help improve the fit. Remove the trim and panel and apply the foam tape to the door around the dispenser and in the corners.

STEP 14 CONNECT WATER SUPPLY



NOTE: The new hose sets supplied with the appliance are to be used. Discard old hose sets.

Supplied Water Line Kit:

- Turn on the water to flush out debris from the line thoroughly and then shut off the water valve.
- Connect the adapt tab on the supplied water line kit to the end of the tubing coming from the house cold water supply.
- Insert the molded end of the tubing into the refrigerator connection at the back of the refrigerator and tighten with the compression nut until it is hand-tight. Tighten one additional turn with the wrench, being careful not to overtighten. Overtightening may cause leaks.
- Turn on the water to check for leaks.

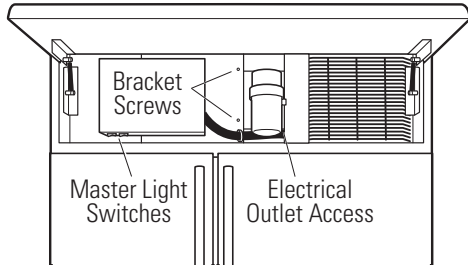
GE SmartConnect™ Tubing:

- Insert the molded end of the tubing into the refrigerator connection. Tighten the compression nut until it is just hand-tight.
- Tighten one additional turn with a wrench. Overtightening can cause leaks!
- Turn on the water to check for leaks.

Installation Instructions

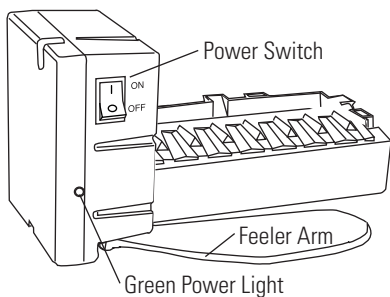
STEP 15 CONNECT POWER, CLOSE GRILLE PANEL

- Open the grill panel.
- Plug in the power cord (if necessary) by reaching into the opening next to the water filter. If access is too tight, remove the 2 screws holding the water filter bracket and move aside. Plug in the power cord and secure the bracket with the original screws.



- Check to make sure power to refrigerator is on by opening refrigerator door to see if interior lights are on.
- The temperature controls are preset at 3°C for the fresh food section and -18°C for the freezer.
- Allow 24 hours to stabilize before making adjustments.

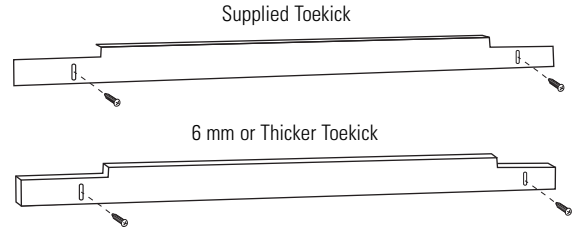
STEP 16 START ICEMAKER



- Flip the switch to I (ON). The icemaker will begin operation automatically.
- Be sure nothing interferes with the sweep of the feeler arm.
- Discard the first full bucket of ice cubes.
- To turn the icemaker off, set the switch to O (OFF).

STEP 17 INSTALL TOEKICK

- Locate the supplied toekick (shipped taped to the side of the refrigerator). Install with the 2 screws provided. Adjust to the desired height and tighten the screws.
- A custom toekick can be installed to match or complement the surrounding cabinetry. Use the supplied toekick as a template to cut the shape.

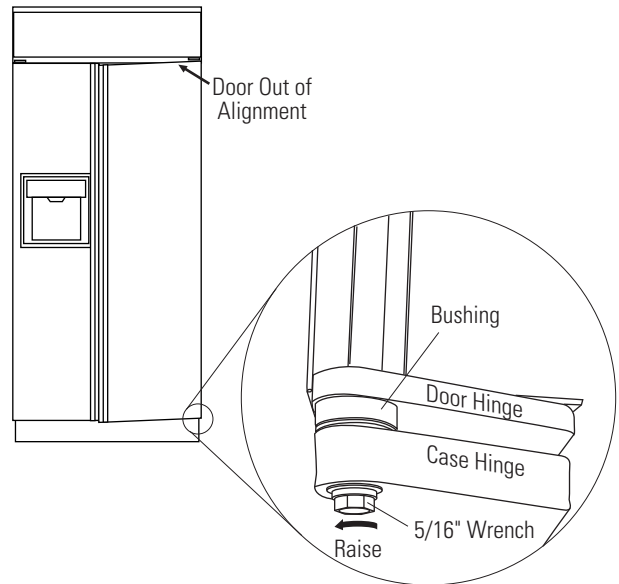


INSPECT FINAL INSTALLATION

Check door alignment

Stand back away from the refrigerator to inspect the final installation.

- Check to be sure the handles are evenly aligned with each other at the top. To adjust, loosen the handle screws and slide up or down. Tighten the screws.
- Shipping or the addition of heavy door panels may have caused the doors to move slightly out of alignment.



- If necessary, the fresh food door may be adjusted up or down to align with the freezer door.
- Use a 5/16" wrench to adjust the hinge pin as shown.

Tubular Stainless Steel Handles

This kit provides for the installation of tubular stainless steel handles on 19 mm overlay custom panels.

TOOLS AND MATERIALS REQUIRED

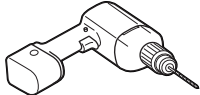
In addition to the custom door panels, you need:



- #2 Phillips screwdriver



- Center punch



- Drill and 7/32" bit and 7/8" spade bit



- Hammer



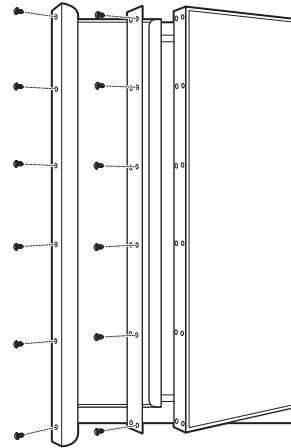
- Safety glasses



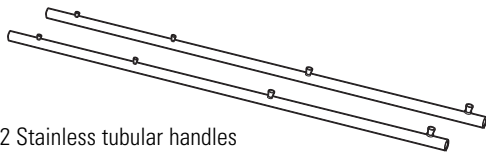
- Pencil

STEP 1 REMOVE DOOR HANDLES

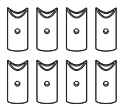
- Open the refrigerator door to 90°. Remove the 6 screws holding the handle to the door.
- Remove the 6 screws holding the handle side trim. Retain all screws and trim. Discard the handle.
- Follow the same procedure to remove the freezer handle and trim.



PARTS LIST



2 Stainless tubular handles



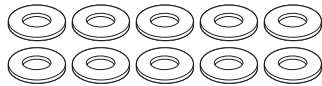
8 Handle standoffs



3/32" Allen wrench for set screws



10 Screws for handle standoffs
#10-32 x 1" pan head machine screws (8 required, 2 extra)



10 Plastic spacers (8 required, 2 extra)



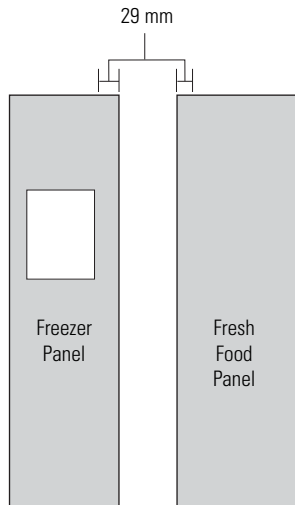
10 Set screws (8 required, 2 extra)

Tubular Stainless Steel Handles

STEP 2 INSTALL HANDLE ONTO PANELS

Drill Pilot Holes

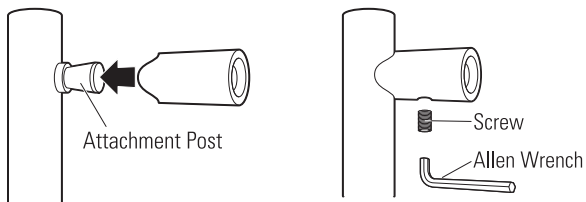
- Measure, mark and draw a line, 29 mm from the handle side edge, top to bottom.
- Hold the tubular handle against the appearance side, centered top to bottom and on the marked line.
- Mark the screw hole locations at the center of the handle attachment posts. Place the handle over the marks to check again that the holes are aligned to the handle posts.
- Center punch to mark the hole locations. Drill 6 mm pilot holes from the appearance side and through the entire panel thickness.
- Follow the same procedure to drill pilot holes on the opposite door.



CAUTION: Hole locations must be exact to accept handle standoff and handle assembly.

Assemble Handles

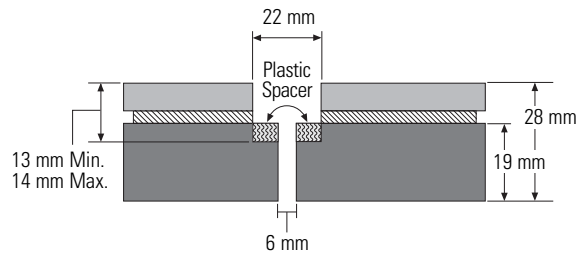
- Place a handle standoff on each attachment post on the handle. Position the screw hole on the standoff to point to the floor.
- Install set screws into the bottom of each standoff, using the Allen wrench provided. The standoff should be tight against the handle.



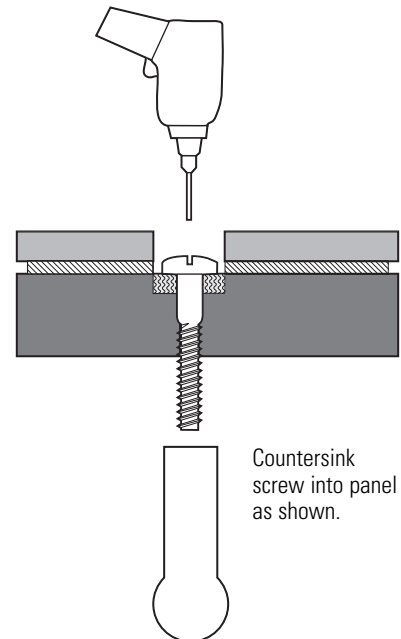
STEP 2 (continued)

Secure Handles to Panels

- Use a 7/8" spade bit to drill 13 mm to 14 mm max. depth into the back side of the panel. At this depth there will be enough screw threads to engage the handle on the appearance side. See the illustration below.
- Stand the panel up on the hinge side. Place a plastic spacer into the 22 mm opening, then drop the screw through the spacer.



- Place the handle standoffs against the mounting screws on the appearance side, then drive the top screw partially into the standoff.
- Drive the next screw partially into the standoff. Continue installing screws to the bottom location. Alternate back to the top tightening screws one at a time until the handle is tight against the panel.



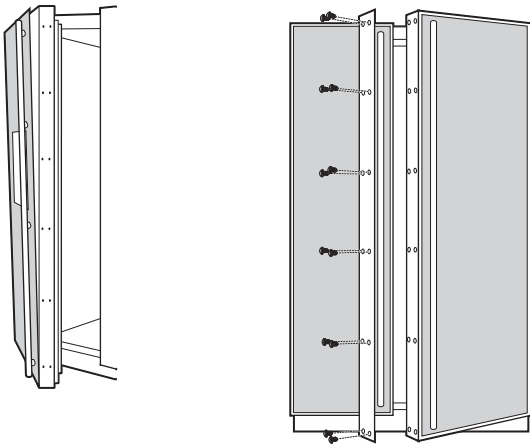
Tubular Stainless Steel Handles

STEP 3 INSTALL ASSEMBLED HANDLES

- Slide the assembled panels into the door trim.
- Secure both trims using all the original screws.

Dispenser Models Only:

- The dispenser controls protrude beyond the face of the freezer door. To avoid damage to the dispenser, the trim at the top of the door should be removed. Lift off the trim.
- Remove the screws holding the top trim in place. Lift off the trim.
- Place the freezer panel into the bottom channel and slide into the hinge side trim.
- Reinstall the top trim piece with screws.



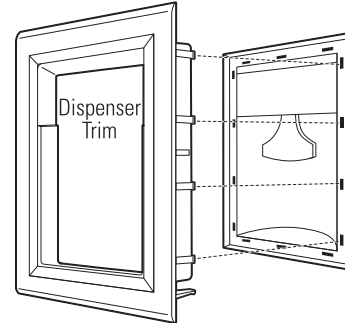
Reinstall all original screws

STEP 4 INSTALL DISPENSER TRIM

For Dispenser Models Only:

There are two dispenser trims shipped with your dispenser refrigerator. Note that the inside depth of the frames are different. Choose the trim marked 19 mm overlay panels.

- Press and snap the dispenser trim into the dispenser recess on the door.



Notes

NOTE: Product improvement is a continuing endeavor at General Electric. Therefore, materials, appearance and specifications are subject to change without notice.

REMARQUE : Au sein de General Electrics, nous nous efforçons toujours d'améliorer nos produits. Ainsi, les matériaux, l'aspect et les spécifications peuvent être modifiés sans préavis.

NOTA: General Electric se esfuerza constantemente por mejorar sus productos. Por lo tanto, los materiales, el aspecto y las especificaciones del producto pueden verse sometidos a cambios sin previo aviso.

HINWEIS: General Electric ist stets um die Verbesserung ihrer Produkte bemüht. Aus diesem Grund behalten wir uns Änderungen hinsichtlich Material, Aussehen und technischer Daten vor.

OPMERKING: De verbetering van producten is een voortdurend streefdoel bij General Electric. Daarom kunnen de materialen, het uitzicht en de specificaties zonder kennisgeving worden gewijzigd.

ملاحظة: تحسين المنتجات مسعى مستمر في جنرال إلكتريك. لذلك فإن المواد والمظهر والمواصفات تخضع للتغيير بدون إشعار مسبق.



Monogram®

Pub No. 31-46531
224D2828P001

12-08 JR
12008-00