

Use & Care Guide
Manual de uso y cuidado
Guide d'utilisation et d'entretien
English/Español/Français

Model/Modelo/Modèle: 664.4278*

Kenmore Elite[®]

Dual Fuel Downdraft Range

Estufa para dos combustibles con tiro descendente

Cuisinière à bi-combustible et extraction par le bas

* = color number, número de color, le numéro de la couleur

P/N W11127229A

Sears Brands Management Corporation
Hoffman Estates, IL 60179 U.S.A.

www.kenmore.com
www.sears.com

Sears Canada Inc.
Toronto, Ontario, Canada M5B 2C3
www.sears.ca



TABLE OF CONTENTS

TABLE OF CONTENTS	2	Electronic Oven Controls	15
KENMORE MAJOR APPLIANCE WARRANTY	3	Sabbath Mode	17
RANGE SAFETY	4	Keep Warm	17
The Anti-Tip Bracket	5	Aluminum Foil	18
KEY USAGE TIPS	7	Positioning Racks and Bakeware.....	18
Surface Temperatures.....	7	Roll-Out Rack.....	19
Preheating	7	Oven Vent	20
Surface Burners.....	7	Baking and Roasting.....	20
FEATURE GUIDE	8	Broiling.....	21
COOKTOP USE	11	Convection Cooking.....	21
Surface Burners.....	11	Cook Time	22
Surface Grates	12	Meat Probe	22
Burner Size	13	RANGE CARE	23
Griddle	13	Clean Cycle.....	23
Downdraft Ventilation System.....	13	General Cleaning.....	24
Cookware	13	Oven Light.....	25
Home Canning.....	14	TROUBLESHOOTING	26
OVEN USE	15		

KENMORE MAJOR APPLIANCE WARRANTY

KENMORE ELITE LIMITED WARRANTY

FOR ONE YEAR from the date of sale this appliance is warranted against defects in material or workmanship when it is correctly installed, operated and maintained according to all supplied instructions.

WITH PROOF OF SALE a defective appliance will receive free repair or replacement at option of seller.

For warranty coverage details to obtain free repair or replacement, visit the web page:

www.kenmore.com/warranty

This warranty coverage applies for only one year from the sale date in the United States, and is void in Canada, if the appliance is ever used for other than private household purposes.

This warranty covers ONLY defects in material and workmanship, and will NOT pay for:

1. Discoloration of cooktop surfaces resulting from normal use.
2. Expendable items that can wear out from normal use, including but not limited to filters, belts, bags or screw-in base light bulbs.
3. A service technician to clean or maintain this appliance, or to instruct the user in correct appliance installation, operation and maintenance.
4. Service calls to correct appliance installation not performed by Sears authorized service agents, or to repair problems with house fuses, circuit breakers, house wiring, and plumbing or gas supply systems resulting from such installation.
5. Damage to or failure of this appliance resulting from installation not performed by Sears authorized service agents, including installation that was not in accord with electrical, gas or plumbing codes.
6. Damage to or failure of this appliance, including discoloration or surface rust, if it is not correctly operated and maintained according to all supplied instructions.
7. Damage to or failure of this appliance, including discoloration or surface rust, resulting from accident, alteration, abuse, misuse or use for other than its intended purpose.
8. Damage to or failure of this appliance, including discoloration or surface rust, caused by the use of detergents, cleaners, chemicals or utensils other than those recommended in all instructions supplied with the product.
9. Damage to or failure of parts or systems resulting from unauthorized modifications made to this appliance.
10. Service to an appliance if the model and serial plate is missing, altered, or cannot easily be determined to have the appropriate certification logo.

Disclaimer of implied warranties; limitation of remedies

Customer's sole and exclusive remedy under this limited warranty shall be product repair or replacement as provided herein. Implied warranties, including warranties of merchantability or fitness for a particular purpose, are limited to one year or the shortest period allowed by law. Seller shall not be liable for incidental or consequential damages. Some provinces do not allow the exclusion or limitation of incidental or consequential damages, or limitation on the duration of implied warranties of merchantability or fitness, so these exclusions or limitations may not apply to you.

This warranty applies only while this appliance is used in the United States or Canada*.

This warranty gives you specific legal rights, and you may also have other rights which vary from state to state.

*In-home repair service is not available in all Canadian geographical areas, nor will this warranty cover user or servicer travel and transportation expenses if this product is located in a remote area (as defined by Sears Canada Inc.) where an authorized servicer is not available.

**Sears Brands Management Corporation
Hoffman Estates, IL 60179**

**Sears Canada Inc.
Toronto, Ontario, Canada M5B 2C3**

RANGE SAFETY

Your safety and the safety of others are very important.

We have provided many important safety messages in this manual and on your appliance. Always read and obey all safety messages.



This is the safety alert symbol.

This symbol alerts you to potential hazards that can kill or hurt you and others.

All safety messages will follow the safety alert symbol and either the word "DANGER" or "WARNING."

These words mean:

⚠ DANGER

You can be killed or seriously injured if you don't immediately follow instructions.

⚠ WARNING

You can be killed or seriously injured if you don't follow instructions.

All safety messages will tell you what the potential hazard is, tell you how to reduce the chance of injury, and tell you what can happen if the instructions are not followed.

WARNING: If the information in these instructions is not followed exactly, a fire or explosion may result causing property damage, personal injury or death.

- Do not store or use gasoline or other flammable vapors and liquids in the vicinity of this or any other appliance.
- **WHAT TO DO IF YOU SMELL GAS:**
 - Do not try to light any appliance.
 - Do not touch any electrical switch.
 - Do not use any phone in your building.
 - Immediately call your gas supplier from a neighbor's phone. Follow the gas supplier's instructions.
 - If you cannot reach your gas supplier, call the fire department.
- Installation and service must be performed by a qualified installer, service agency or the gas supplier.

WARNING: Gas leaks cannot always be detected by smell.
Gas suppliers recommend that you use a gas detector approved by UL or CSA.
For more information, contact your gas supplier.
If a gas leak is detected, follow the “What to do if you smell gas” instructions.

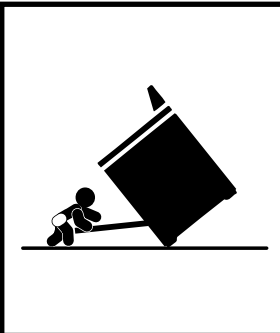
State of California Proposition 65 Warnings:

WARNING: This product contains one or more chemicals known to the State of California to cause cancer.

WARNING: This product contains one or more chemicals known to the State of California to cause birth defects or other reproductive harm.

The Anti-Tip Bracket

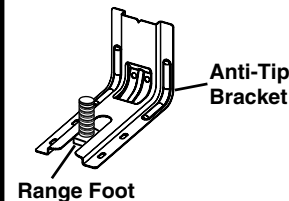
The range will not tip during normal use. However, the range can tip if you apply too much force or weight to the open door without the anti-tip bracket fastened down properly.



⚠ WARNING

Tip Over Hazard

- A child or adult can tip the range and be killed.**
- Verify the anti-tip bracket has been properly installed and engaged per installation instructions.**
- Re-engage anti-tip bracket if range is moved.**
- Do not operate range without anti-tip bracket installed and engaged.**
- Failure to follow these instructions can result in death or serious burns to children and adults.**



To verify the anti-tip bracket is installed and engaged:

- Slide range forward.
- Look for the anti-tip bracket securely attached to floor or wall.
- Slide range back so rear range foot is under anti-tip bracket.
- See installation instructions for details.

IMPORTANT SAFETY INSTRUCTIONS

WARNING: To reduce the risk of fire, electrical shock, injury to persons, or damage when using the range, follow basic precautions, including the following:

- **WARNING:** TO REDUCE THE RISK OF TIPPING OF THE RANGE, THE RANGE MUST BE SECURED BY PROPERLY INSTALLED ANTI-TIP DEVICES. TO CHECK IF THE DEVICES ARE INSTALLED PROPERLY, SLIDE RANGE FORWARD, LOOK FOR ANTI-TIP BRACKET SECURELY ATTACHED TO FLOOR OR WALL, AND SLIDE RANGE BACK SO REAR RANGE FOOT IS UNDER ANTI-TIP BRACKET.
- **WARNING:** NEVER use this appliance as a space heater to heat or warm the room. Doing so may result in carbon monoxide poisoning and overheating of the oven.
- **WARNING:** NEVER cover any slots, holes or passages in the oven bottom or cover an entire rack with materials such as aluminum foil. Doing so blocks air flow through the oven and may cause carbon monoxide poisoning. Aluminum foil linings may also trap heat, causing a fire hazard.
- **CAUTION:** Do not store items of interest to children in cabinets above a range or on the backguard of a range – children climbing on the range to reach items could be seriously injured.
- Do Not Leave Children Alone – Children should not be left alone or unattended in area where the range is in use. They should never be allowed to sit or stand on any part of the range.
- Wear Proper Apparel – Loose-fitting or hanging garments should never be worn while using the range.
- User Servicing – Do not repair or replace any part of the range unless specifically recommended in the manual. All other servicing should be referred to a qualified technician.
- Storage in or on the Range – Flammable materials should not be stored in an oven or near surface units.
- Do Not Use Water on Grease Fires – Smother fire or flame or use dry chemical or foam-type extinguisher.
- Use Only Dry Potholders – Moist or damp potholders on hot surfaces may result in burns from steam. Do not let potholder touch hot heating elements. Do not use a towel or other bulky cloth.
- DO NOT TOUCH SURFACE UNITS OR AREAS NEAR UNITS – Surface units may be hot even though they are dark in color. Areas near surface units may become hot enough to cause burns. During and after use, do not touch, or let clothing or other flammable materials contact surface units or areas near units until they have had sufficient time to cool. Among those areas are the cooktop and surfaces facing the cooktop.
- Never Leave Surface Units Unattended at High Heat Settings – Boilover causes smoking and greasy spillovers that may ignite.
- Glazed Cooking Utensils – Only certain types of glass, glass/ceramic, ceramic, earthenware, or other glazed utensils are suitable for range-top service without breaking due to the sudden change in temperature.
- Utensil Handles Should Be Turned Inward and Not Extend Over Adjacent Surface Units – To reduce the risk of burns, ignition of flammable materials, and spillage due to unintentional contact with the utensil, the handle of a utensil should be positioned so that it is turned inward, and does not extend over adjacent surface units.
- Clean Cooktop With Caution – If a wet sponge or cloth is used to wipe spills on a hot cooking area, be careful to avoid steam burn. Some cleaners can produce noxious fumes if applied to a hot surface.
- Use Care When Opening Door – Let hot air or steam escape before removing or replacing food.
- Do Not Heat Unopened Food Containers – Build-up of pressure may cause container to burst and result in injury.
- Keep Oven Vent Ducts Unobstructed.
- Placement of Oven Racks – Always place oven racks in desired location while oven is cool. If rack must be moved while oven is hot, do not let potholder contact hot heating element in oven.
- DO NOT TOUCH HEATING ELEMENTS OR INTERIOR SURFACES OF OVEN – Heating elements may be hot even though they are dark in color. Interior surfaces of an oven become hot enough to cause burns. During and after use, do not touch, or let clothing or other flammable materials contact heating elements or interior surfaces of oven until they have had sufficient time to cool. Other surfaces of the appliance may become hot enough to cause burns – among these surfaces are oven vent openings and surfaces near these openings, oven doors, and windows of oven doors.
- Proper Installation – The range, when installed, must be electrically grounded in accordance with local codes or, in the absence of local codes, with the *National Electrical Code, ANSI/NFPA 70*. In Canada, the range must be electrically grounded in accordance with Canadian Electrical Code. Be sure the range is properly installed and grounded by a qualified technician.
- Disconnect the electrical supply before servicing the appliance.
- Injuries may result from the misuse of appliance doors or drawers such as stepping, leaning, or sitting on the doors or drawers.
- Maintenance – Keep range area clear and free from combustible materials, gasoline, and other flammable vapors and liquids.
- Top burner flame size should be adjusted so it does not extend beyond the edge of the cooking utensil.

For self-cleaning ranges –

- Do Not Clean Door Gasket – The door gasket is essential for a good seal. Care should be taken not to rub, damage, or move the gasket.
- Do Not Use Oven Cleaners – No commercial oven cleaner or oven liner protective coating of any kind should be used in or around any part of the oven.
- Clean Only Parts Listed in Manual.
- Before Self-Cleaning the Oven – Remove broiler pan and other utensils. Wipe off all excessive spillage before initiating the cleaning cycle.

For units with ventilating hood –

- Clean Ventilating Hoods Frequently – Grease should not be allowed to accumulate on hood or filter.
- When flambéing foods under the hood, turn the fan on.

SAVE THESE INSTRUCTIONS

KEY USAGE TIPS

Surface Temperatures

When the range is in use, all range surfaces may become hot, such as the knobs and oven door.

Oven Vent

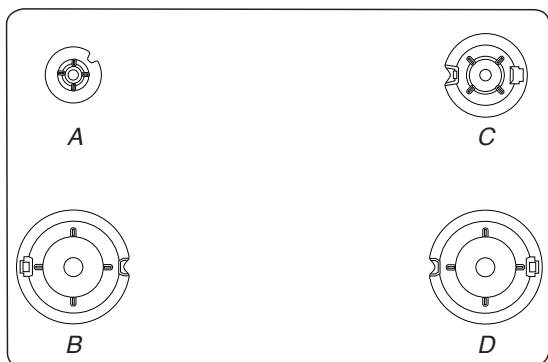
The oven vent releases hot air and moisture from the oven and should not be blocked or covered. Do not set plastics, paper, or other items that could melt or burn near the oven vent.

Preheating

When beginning a Bake, Convection Bake, or Convection Roast cycle, the oven will begin preheating after Start is pressed. The oven will take approximately 12 to 15 minutes to reach 350°F (177°C) with all of the oven racks provided with your oven inside the oven cavity. Higher temperatures will take longer to preheat. The preheat cycle rapidly increases the oven temperature. The actual oven temperature will go above your set temperature to offset the heat lost when your oven door is opened to insert food. This ensures that when you place your food in the oven, the oven will begin at the proper temperature. Insert your food when the preheat tone sounds. Do not open the door during preheat before the tone sounds.

Surface Burners

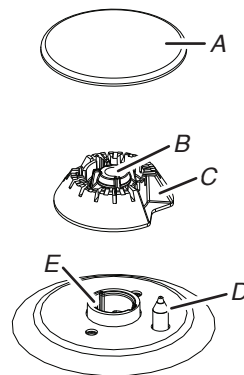
The burner bases and caps must be properly positioned before cooking. Your range comes with three sizes of burners and caps. Each round burner base is marked with a letter indicating the burner size. Align the burner bases as shown in the following illustration:



A. Small (P)
B. Large (L)

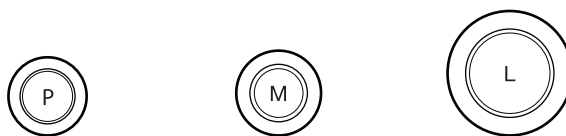
C. Medium (M)
D. Large (L)

Align the gas tube opening in the burner base with the orifice holder on the cooktop and the igniter electrode with the notch in the burner base.



A. Burner cap
B. Gas tube opening
C. Burner base
D. Igniter electrode
E. Orifice holder

Each round burner cap is marked with a letter indicating the burner size. Place the burner caps on the appropriate burner bases.

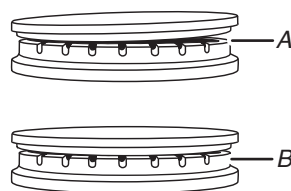


Small cap (P)

Medium cap (M)

Large cap (L)

Burner caps should be level when properly positioned. If burner caps are not properly positioned, surface burners will not light. The burner cap should not rock or wobble when properly aligned.



A. Incorrect
B. Correct

FEATURE GUIDE

This Use and Care Guide covers several models. Your model may have some or all of the items listed. Refer to this Use and Care Guide for more detailed instructions. You can find your model number and serial number on the label, located on the oven frame behind the top side of the oven door.

⚠ WARNING

Food Poisoning Hazard

Do not let food sit in oven more than one hour before or after cooking.

Doing so can result in food poisoning or sickness.



Keypad	Feature	Instructions
SETTINGS/CLOCK	Clock	The clock can use a 12- or 24-hour cycle. See the “Electronic Oven Controls” section. <ol style="list-style-type: none"> 1. Press SETTINGS/CLOCK until “CLOCK” is displayed. 2. Use the number keypad to set the time of day. 3. Press START to change the time. 4. Press 3 for AM or 6 for PM.
SETTINGS/CLOCK	Settings	Settings enables you to personalize the audible tones and oven operation to suit your needs. See the “Electronic Oven Controls” section.
LIGHT	Oven cavity light	While the oven door is closed, press LIGHT to turn the light on and off. The oven light will come on when the oven door is opened.
TIMER SET-OFF	Oven timer	The Timer can be set in hours or minutes up to 9 hours and 59 minutes. <ol style="list-style-type: none"> 1. Press TIMER SET-OFF. 2. Press the number keypads to set the length of time in hr-min-min. For example, for 2 hours and 45 minutes, enter 2-4-5. Leading zeros do not have to be entered. For example, for 2 minutes, enter 2. 3. Press TIMER SET-OFF to begin the countdown. If enabled, one tone will sound at end of countdown. 4. Press TIMER SET-OFF again to cancel the Timer and return to the time of day. Do not press the Stop keypad because the oven will turn off. 5. If the Timer is running, but not in the display, press TIMER SET-OFF to display the countdown for 5 seconds.
START	Cooking start	Start begins any oven function. If Start is not pressed within 2 minutes after pressing a keypad, the function is canceled and the time of day is displayed.
STOP	Range function	Stop stops any oven function except the Clock and Timer.


Keypad	Feature	Instructions
BAKE	Baking and roasting	<ol style="list-style-type: none"> 1. Press BAKE. 2. Press the number keypads to set the desired temperature. 3. Press START. 4. To change the temperature, repeat Step 2. Press START. 5. Press STOP when finished. <p>NOTE: The convection fan will shut off when the oven door is opened. If the oven door remains open for too long, the heating elements will shut off until the oven door is closed. All timers, including any active Cook Time or Timed Cook functions, will continue to count down.</p>
STEAM BAKE	Steam bake	<ol style="list-style-type: none"> 1. Insert the steam rack with water reservoir in the oven. 2. Pour 1½ cups (350 mL) of warm distilled water into the water reservoir. NOTE: Do not fill past the Max mark. 3. Press STEAM BAKE. 4. Press the number keypad to select the desired food option. 5. Press the number keypads to set the temperature. 6. Press START. 7. Insert food when preheating finishes. 8. (Optional) Press COOK TIME. Press the number keypads to set the cook time. 9. Press START. 10. Press STOP when finished. <p>NOTE: Let oven cool before removing and emptying water reservoir.</p> <p>NOTE: The convection fan will shut off when the oven door is opened. If the oven door remains open for too long, the heating elements will shut off until the oven door is closed. All timers, including any active Cook Time or Timed Cook functions, will continue to count down.</p>
BROIL	Broiling	<ol style="list-style-type: none"> 1. Press BROIL. 2. Press the number keypads to set the desired temperature. 3. Press START and allow the oven to preheat for 2 minutes. 4. To change the temperature, repeat steps 2 and 3. 5. Position the cookware in the oven, and then close the door. 6. Press STOP when finished. <p>NOTE: The convection fan will shut off when the oven door is opened. If the oven door remains open for too long, the heating elements will shut off until the oven door is closed. All timers, including any active Cook Time or Timed Cook functions, will continue to count down.</p>
AUTO CONVECTION BAKE	Convection cooking	<ol style="list-style-type: none"> 1. Press BAKE in AUTO CONVECTION MODES. 2. Press 1 to have the oven automatically convert the temperature and time for convection baking. Press 2 to manually convert the temperature and time. 3. Press the number keypads to set the desired temperature. 4. Press START. 5. To change the temperature, repeat steps 3 and 4. 6. Press STOP when finished. <p>NOTE: The convection fan will shut off when the oven door is opened. If the oven door remains open for too long, the heating elements will shut off until the oven door is closed. All timers, including any active Cook Time or Timed Cook functions, will continue to count down.</p>

Keypad	Feature	Instructions
AUTO CONVECTION BROIL	Convection cooking	<ol style="list-style-type: none"> 1. Press BROIL in AUTO CONVECTION MODES. 2. Press 1 to have the oven automatically convert the temperature and time for convection baking. Press 2 to manually convert the temperature and time. 3. Press the number keypads to set the desired temperature. 4. Press START. 5. To change the temperature, repeat steps 3 and 4. 6. Press STOP when finished. <p>NOTE: The convection fan will shut off when the oven door is opened. If the oven door remains open for too long, the heating elements will shut off until the oven door is closed. All timers, including any active Cook Time or Timed Cook functions, will continue to count down.</p>
AUTO CONVECTION ROAST	Convection cooking	<ol style="list-style-type: none"> 1. Press ROAST in AUTO CONVECTION MODES. 2. Press 1 to have the oven automatically convert the temperature and time for convection baking. Press 2 to manually convert the temperature and time. 3. Press the number keypads to set the desired temperature. 4. Press START. 5. To change the temperature, repeat steps 3 and 4. 6. Press STOP when finished. <p>NOTE: The convection fan will shut off when the oven door is opened. If the oven door remains open for too long, the heating elements will shut off until the oven door is closed. All timers, including any active Cook Time or Timed Cook functions, will continue to count down.</p>
DOWNDRAFT HIGH/LOW/OFF	Downdraft fan	<p>Press HIGH in DOWNDRAFT or LOW in DOWNDRAFT to turn on the Downdraft Fan at the desired speed.</p> <p>Press OFF in DOWNDRAFT to turn off the Downdraft Fan immediately.</p>
KEEP WARM	Hold warm	<p>Food must be at serving temperature before placing it in the warmed oven.</p> <ol style="list-style-type: none"> 1. Press KEEP WARM. 2. Press the number keypads to set the desired temperature. 3. Press START. 4. To change the temperature, repeat steps 2 and 3. 5. Press STOP when finished. <p>NOTE: The convection fan will shut off when the oven door is opened. If the oven door remains open for too long, the heating elements will shut off until the oven door is closed. All timers, including any active Cook Time or Timed Cook functions, will continue to count down.</p>
ACCELA HEAT	No-preheat baking	<p>To bake without preheating:</p> <ol style="list-style-type: none"> 1. Press ACCELA HEAT. 2. Press the number keypads to set the desired temperature. 3. Press START. 4. To change the temperature, repeat steps 2 and 3. 5. Press STOP when finished.
DELAY START	Delayed start	<p>The Delay Start keypad is used to enter the starting time for an oven function with a delayed start. Delay Start should not be used for foods such as breads and cakes because they may not bake properly.</p> <p>To set a Timed Cook or a Delayed Timed Cook, see the “Cook Time” section.</p>
COOK TIME	Timed cooking	<p>Cook Time allows the oven to be set to turn on at a certain time of day, cook for a set length of time, and/or shut off automatically.</p> <p>To set a Timed Cook or a Delayed Timed Cook, see the “Cook Time” section.</p>
LO TEMP CLEAN	Clean cycle	<p>See the “Clean Cycle” section.</p>

Keypad	Feature	Instructions
START (hold 3 sec)	Oven control lockout	<ol style="list-style-type: none"> 1. Check that the oven is off. 2. Press and hold START (hold 3 sec) for 3 seconds. 3. A tone will sound and “Control Locked” will scroll, and then “Locked” will be displayed. 4. Repeat to unlock. No keypads will function with the controls locked. The cooktop functions are not affected by the oven control lockout.

COOKTOP USE

⚠ WARNING



Fire Hazard

Do not let the burner flame extend beyond the edge of the pan.

Turn off all controls when not cooking.

Failure to follow these instructions can result in death or fire.

Electric igniters automatically light the surface burners when control knobs are turned to Lite.

Before setting a control knob, place filled cookware on the grate. Do not operate a burner using empty cookware or without cookware on the grate.

To Set:

1. Push in and turn knob counterclockwise to LITE.
All surface burners will click. Only the burner with the control knob turned to Lite will produce a flame.
2. Turn knob to anywhere between Hi and Lo.

REMEMBER: When range is in use, the entire cooktop area may become hot.

Power Failure

In case of prolonged power failure, the surface burners can be lit manually. Hold a lit match near a burner, and then turn knob counterclockwise to LITE. After the burner lights, turn knob to setting.

Surface Burners

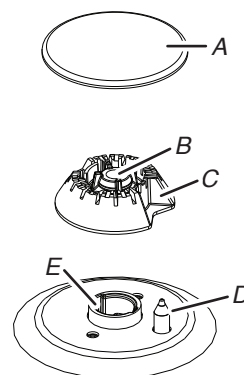
IMPORTANT: Do not obstruct the flow of combustion and ventilation air around the burner grate edges.

Burner Cap: Always keep the burner cap in place when using a surface burner. A clean burner cap will help avoid poor ignition and uneven flames. Always clean the burner cap after a spillover and routinely remove and clean the caps according to the “General Cleaning” section.

NOTE: Each round burner base is marked with a letter indicating the burner size.

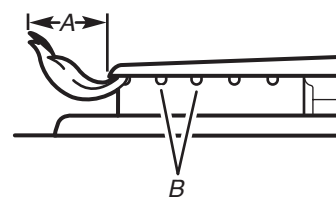
Alignment: Be sure to align the gas tube opening in the burner base with the orifice holder on the cooktop and the igniter electrode with the notch in the burner base.

NOTE: Each round burner base is marked with a letter indicating the burner size.



- A. Burner cap D. Igniter electrode
B. Gas tube opening E. Orifice holder
C. Burner base

Gas Tube Opening: Gas must flow freely throughout the gas tube opening for the burner to light properly. Keep this area free of soil and do not allow spills, food, cleaning agents, or any other material to enter the gas tube opening. Keep spillovers out of the gas tube opening by always using a burner cap.



- A. 1" to 1 1/2" (2.5 cm to 3.8 cm)
B. Burner ports

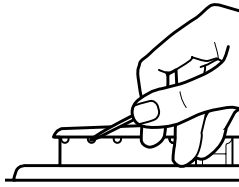
Burner Ports: Check burner flames occasionally for proper size and shape as shown in the previous illustration. A good flame is blue in color, not yellow. Keep this area free of soil and do not allow spills, food, cleaning agents, or any other material to enter the burner ports.

To Clean:

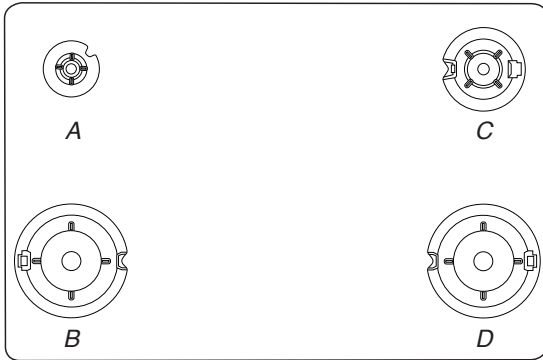
IMPORTANT: Before cleaning, make sure all controls are off and the cooktop is cool. Do not use oven cleaners, bleach, or rust removers. Do not wash in the dishwasher.

1. Remove the burner cap and the burner base, and clean according to the “General Cleaning” section.
2. Clean the gas tube opening with a damp cloth.

- Clean clogged burner ports with a straight pin as shown. Do not enlarge or distort the port. Do not use a wooden toothpick. If the burner needs to be adjusted, contact a trained repair specialist.

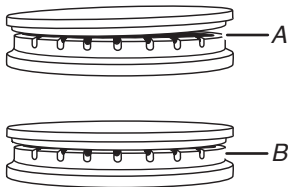


- Replace the burner base. Each round burner base is marked with a letter indicating the burner size. See the following illustration for burner positions.



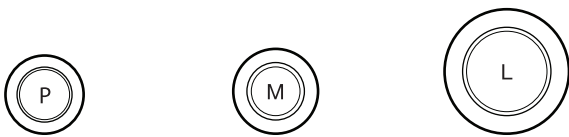
A. Small (P) C. Medium (M)
 B. Large (L) D. Large (L)

- Each round burner cap is marked with a letter indicating the burner size. Replace the burner cap, making sure it is properly aligned with the burner base. The burner cap should not rock or wobble when properly aligned.



A. Incorrect
 B. Correct

IMPORTANT: The bottom of the small and medium caps are different. Do not put the wrong size burner cap on the burner base.



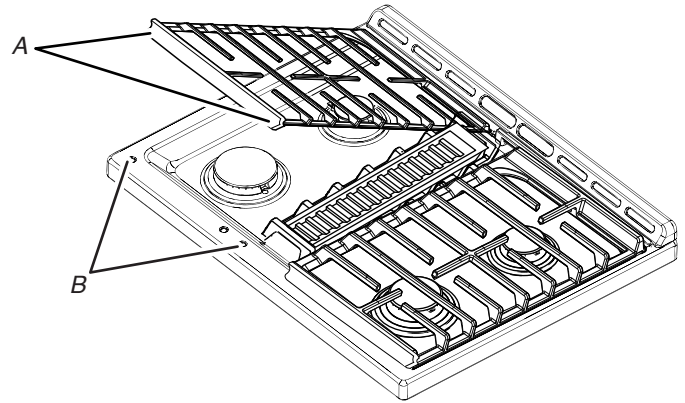
Small cap (P) Medium cap (M) Large cap (L)

- Turn on the burner. If the burner does not light, check cap alignment. If the burner still does not light, turn off the burner. Do not service the burner yourself. Contact a trained repair specialist.

Surface Grates

The grates must be properly positioned before cooking. In the proper position, the grates should be flush and level. Improper installation of the grates may result in chipping or scratching of the cooktop.

To ensure proper positioning, align bumpers on grate bottom with the indentations in the cooktop.

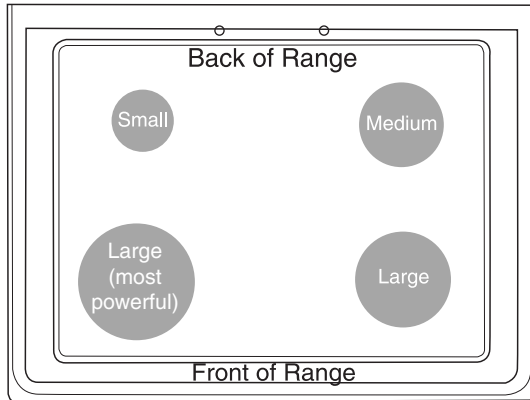


A. Bumpers
 B. Alignment indentations

Although the burner grates are durable, they will gradually lose their shine and/or discolor due to the high temperatures of the gas flame.

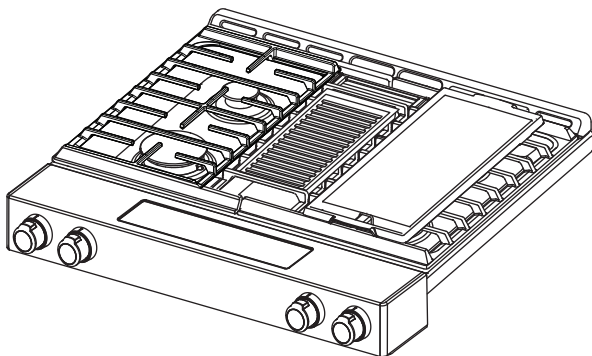
Burner Size

Select a burner that best fits your cookware. See the following illustration and table.



Burner Size	Recommended Use
Small	<ul style="list-style-type: none"> ■ Low-heat cooking ■ Melting chocolate or butter
Medium	<ul style="list-style-type: none"> ■ Multi-purpose burner
Large	<ul style="list-style-type: none"> ■ For large cookware
Large (most powerful)	<ul style="list-style-type: none"> ■ For large cookware ■ Most powerful burner

Griddle



Griddle installed on right side of cooktop

To Use the Griddle:

1. Locate the griddle on the right side grate, as shown. The locating feet on the bottom of the griddle will engage the grate tines to keep the griddle from sliding.
2. Before each use, brush on a thin layer of cooking oil to keep food from sticking. Cooking sprays may leave a sticky residue on the griddle that is hard to remove.
3. Preheat the griddle for 5 minutes. Preheating the griddle slowly will ensure even heat distribution and will avoid warping the griddle.
4. For preheating and cooking, set the front burner to the lowest heat setting and the rear burner to medium-high heat for best performance.

NOTE: The griddle may also be used on the left side grate. For best results, the rear burner setting should be set to Medium-Low or Medium, and the front burner setting should be set to Low.

To Clean the Griddle:

1. Let the griddle cool, and then empty the drip tray.
2. See the “General Cleaning” section for cleaning instructions.
3. Store griddle in a cool dry place.

Downdraft Ventilation System

The built-in downdraft ventilation system removes cooking vapors, odors, and smoke from foods prepared on the cooktop.

IMPORTANT: For optimal performance, operate the downdraft ventilation system with the filter properly installed.

To avoid the buildup of grease, the filter should be cleaned often.

For more information on proper filter placement and cleaning, see “Downdraft Ventilation System” in the “General Cleaning” section.

Cookware

IMPORTANT: Do not leave empty cookware on a hot surface cooking area, element, or surface burner.

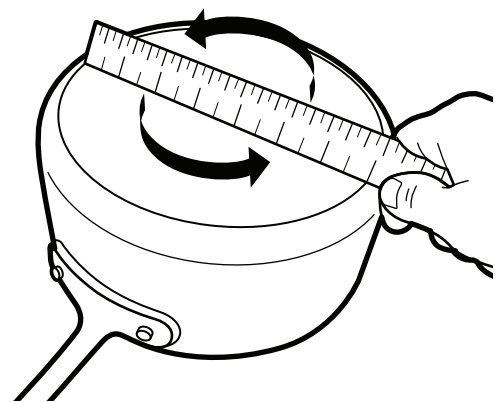
Ideal cookware should have a flat bottom, straight sides, and a well-fitting lid, and the material should be of medium-to-heavy thickness.

Rough finishes may scratch the cooktop or coils. Aluminum and copper may be used as a core or base in cookware. However, an aluminum or copper base can leave permanent marks on the cooktop surface.

Cookware material affects cooking results because it is a factor in how quickly and evenly heat is transferred.

Cookware with nonstick surfaces should not be used under the broiler.

Check for flatness by placing the straight edge of a ruler across the bottom of the cookware. While you rotate the ruler, no space or light should be visible between it and the cookware.

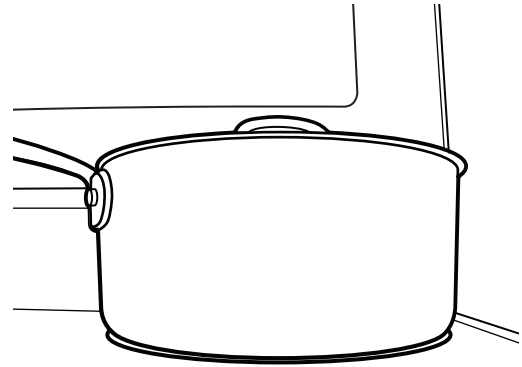


Use the following table as a guide for cookware material characteristics.

Cookware	Characteristics
Aluminum	<ul style="list-style-type: none"> ■ Heats quickly and evenly. ■ Suitable for all types of cooking ■ Medium or heavy thickness is best for most cooking tasks. ■ May leave aluminum residues which may be diminished if cleaned immediately after cooking.
Cast iron	<ul style="list-style-type: none"> ■ Heats slowly and evenly. ■ Good for browning and frying ■ Maintains heat for slow cooking. ■ Rough edges or burrs may scratch the cooktop.
Ceramic or ceramic glass	<ul style="list-style-type: none"> ■ Follow manufacturer's instructions. ■ Heats slowly but unevenly. ■ Ideal results on low-to-medium heat settings ■ May scratch the cooktop.
Copper	<ul style="list-style-type: none"> ■ Heats very quickly and evenly. ■ May leave copper residues which may be diminished if cleaned immediately after cooking. ■ Can leave a permanent stain or bond to the cooktop if overheated.
Earthenware	<ul style="list-style-type: none"> ■ Follow manufacturer's instructions. ■ Use on low heat settings. ■ May scratch the cooktop.
Porcelain enamel on steel or cast iron	<ul style="list-style-type: none"> ■ See stainless steel or cast iron. ■ Porcelain enamel bakeware without a metal base may bond to the cooktop if overheated.
Stainless steel	<ul style="list-style-type: none"> ■ Heats quickly but unevenly. ■ A core or base of aluminum or copper on stainless steel provides even heating.

Use flat-bottomed cookware for best cooking results and energy efficiency. The cookware should be about the same size as the cooking area outlined on the cooktop or the coil element. Cookware should not extend more than 1/2" (13 mm) beyond the surface cooking area or element.

The cookware should be centered above the burner with the bottom sitting level on the grate. The flame should be adjusted so that it does not extend up the sides of the cookware.



Home Canning

When canning for long periods, alternate the use of surface burners between batches. This allows time for the most recently used areas to cool.

- Center the canner on the grate above the burner.
- Do not place canner on 2 surface burners at the same time.
- For more information, contact your local agricultural extension office or refer to published home canning guides. Companies that manufacture home canning products can also offer assistance.

OVEN USE

Odors and smoke are normal when the oven is used the first few times or when it is heavily soiled.

IMPORTANT: The health of some birds is extremely sensitive to the fumes given off. Exposure to the fumes may result in death to certain birds. Always move birds to another closed and well-ventilated room.

Electronic Oven Controls

Control Display

The display will flash when powered up or after a power loss. Press STOP to clear. When the oven is not in use, the time of day is displayed. If the range is in Energy Save mode, the display will be blank when not in use.

Tones

Tones are audible signals, indicating the following:

One Tone

- Valid keypad press
- Oven is preheated (long tone).
- Function has been entered.
- Reminder, repeating each minute after the four end-of-cycle tones

Three Tones

- Invalid keypad press

Four Tones

- End of cycle

Use Settings/Clock to change the tone settings.

Energy Save

The Energy Save mode puts the range into sleep mode and reduces energy consumption.

1. Press SETTINGS/CLOCK until "ENERGY SAVE" is displayed.
2. The current setting will be displayed.
3. Press 1 to adjust the setting.
4. Press START or STOP to exit and display the time of day.

Settings

Many features of the oven control can be adjusted to meet your personal needs. These changes are made using Settings/Clock.

Use Settings/Clock to scroll through the features that can be changed. Each press of Settings/Clock will advance the display to the next setting. After selecting the feature to be changed, the control will prompt you for the required input. Then press START or STOP to exit and display the time of day. Details of all of the feature changes are explained in the following sections.

Press STOP to exit Settings.

Clock

The clock can use a 12- or 24-hour cycle.

1. Press SETTINGS/CLOCK until "CLOCK" is displayed.
2. Use the number keypads to set the time of day.
3. Press START to change the time.
4. Press 3 for AM or 6 for PM.

Fahrenheit and Celsius

The temperature is preset to Fahrenheit but can be changed to Celsius.

1. Press SETTINGS/CLOCK until "TEMP UNIT" is displayed.
2. The current setting will be displayed.
3. Press 1 to adjust the setting.
4. Press START or STOP to exit and display the time of day.

Audible Tones Disable

Turns off all tones, including the end-of-cycle tone and keypad tones. Reminder tones are still active when all tones are disabled.

1. Press SETTINGS/CLOCK until "SOUND" is displayed.
2. The current setting will be displayed.
3. Press 1 to adjust the setting.
4. Press START or STOP to exit and display the time of day.

Sound Volume

Sets the volume of the tone to either high or low.

1. Press SETTINGS/CLOCK until "SOUND VOLUME" is displayed.
2. The current setting will be displayed.
3. Press 1 to adjust the setting.
4. Press START or STOP to exit and display the time of day.

End-of-Cycle Tone

Activates or turns off the tones that sound at the end of a cycle.

1. Press SETTINGS/CLOCK until "END TONE" is displayed.
2. The current setting will be displayed.
3. Press 1 to adjust the setting.
4. Press START or STOP to exit and display the time of day.

Keypress Tones

Activates or turns off the tones when a keypad is pressed.

1. Press SETTINGS/CLOCK until “KEYPRESS TONE” is displayed.
2. The current setting will be displayed.
3. Press 1 to adjust the setting.
4. Press START or STOP to exit and display the time of day.

Reminder Tones Disable

Turns off the short repeating tone that sounds every 1 minute after the end-of-cycle tones.

1. Press SETTINGS/CLOCK until “REMINDER TONE” is displayed.
2. The current setting will be displayed.
3. Press 1 to adjust the setting.
4. Press START or STOP to exit and display the time of day.

12/24 Hour Clock

1. Press SETTINGS/CLOCK until “12/24 HOUR” is displayed.
2. The current setting will be displayed.
3. Press 1 to adjust the setting.
4. Press START or STOP to exit and display the time of day.

Demo Mode

IMPORTANT: This feature is intended for use on the sales floor with 120 V power connection and permits the control features to be demonstrated without the oven turning on. If this feature is activated, the oven will not work.

1. Press SETTINGS/CLOCK until “DEMO MODE” is displayed.
2. The current setting will be displayed.
3. Press 1 to adjust the setting.
4. Press START or STOP to exit and display the time of day.

Sabbath Mode

The Sabbath mode sets the oven to remain on in a bake setting until turned off.

When the Sabbath mode is set, only the Bake cycle will operate. All other cooking and cleaning cycles are disabled. No tones will sound and the displays will not indicate temperature changes.

When the oven door is opened or closed, the oven light will not turn on or off and the heating elements will not turn on or off immediately.

To Enable Sabbath Mode Capability (One Time Only):

1. Press SETTINGS/CLOCK until “SABBATH” is displayed.
2. The current setting will be displayed.
3. Press 1 to adjust the setting.
4. Press START or STOP to exit and display the time of day.

12-Hour Shutoff

The oven control is set to automatically shut off the oven 12 hours after the oven initiates a cook or clean function. This will not interfere with any Timed or Delay Cook functions.

1. Press SETTINGS/CLOCK until “12Hr AUTO_OFF” is displayed.
2. The current setting will be displayed.
3. Press 1 to adjust the setting.
4. Press START or STOP to exit and display the time of day.

Languages — Scrolling Display Text

Language options are English, Spanish, and French.

1. Press SETTINGS/CLOCK until “LANGUAGE” is displayed.
2. The current setting will be displayed.
3. Press 1 or 2 to select the desired language.
4. Press START or STOP to exit and display the time of day.

Oven Temperature Offset Control

IMPORTANT: Do not use a thermometer to measure oven temperature. Elements will cycle on and off as needed to provide consistent temperature but may run slightly hot or cool at any point in time due to this cycling. Most thermometers are slow to react to temperature change and will not provide an accurate reading due to this cycling.

The oven provides accurate temperatures; however, it may cook faster or slower than your previous oven, so the temperature can be adjusted to personalize it for your cooking needs. It can be changed to Fahrenheit or Celsius.

To Adjust Oven Temperature:

1. Press SETTINGS/CLOCK until “TEMP CALIB” is displayed.
 2. On some models, press 1 to adjust the drawer temperature calibration. Press START, wait 10 seconds for the display to change, and then continue with Step 3.
- OR**
- Press START to adjust the oven temperature calibration. Wait 10 seconds for the display to change, and then continue with Step 3.
3. Press 3 to increase the temperature in 5°F (3°C) increments, or press 6 to decrease the temperature in 5°F (3°C) increments. The offset range is from -30°F to +30°F (-18°C to +18°C).
 4. Press START or STOP to exit and display the time of day.

Example: After a 5°F (3°C) adjustment increase, the oven will cook at 305°F (152°C) while the display shows 300°F (149°C).

Sabbath Mode

Sabbath mode sets the oven to remain on in a bake setting until turned off.

When Sabbath mode is set, only the Bake cycle will operate. All other cooking and cleaning cycles are disabled. No tones will sound and the displays will not indicate temperature changes.

When the oven door is opened or closed, the oven light will not turn on or off and the heating elements will not turn on or off immediately.

To Enable Sabbath Mode Capability (One Time Only):

1. Press SETTINGS/CLOCK until "SABBATH" is displayed. "OFF. Press (1) for On" will scroll in the display.
2. Press 1. "ON. Press (1) for Off" will scroll in the display. Sabbath mode can be activated for baking.
3. Press START or STOP to exit and display the time of day.
NOTE: To disable Sabbath mode, repeat steps 1 through 3 to change the status from "SABBATH ON" to "SABBATH OFF."

To Activate Sabbath Mode:

1. Press BAKE.
2. Press the number keypads to enter a temperature other than the one displayed.
3. Press START.
For timed cooking in Sabbath mode, press COOK TIME and then the number keypads to set the desired cook time. Press START.
4. Press SETTINGS/CLOCK. Then press 7. "SAB" will appear in the display.

To Adjust Temperature (When Sabbath Mode Is Running):

1. Press the number keypad as instructed by the scrolling text to select the new temperature.
NOTE: The temperature adjustment will not appear on the display and no tones will sound. The scrolling text will be shown on the display as it was before the keypad was pressed.
2. Press START.

To Activate a Delayed Timed Sabbath Mode:

⚠ WARNING

Food Poisoning Hazard

Do not let food sit in oven more than one hour before or after cooking.

Doing so can result in food poisoning or sickness.

1. Press BAKE.
2. Press the number keypads to enter a temperature other than the one displayed.
3. Press COOK TIME.
4. Press the number keypads to enter the length of time to cook.

5. Press DELAY START.
6. Press the number keypads to enter the number of hours and/or minutes you want to delay the start time.
7. Press START.
8. Press SETTINGS/CLOCK. Then press 7. "SAB" will appear in the display.
When the start time is reached, the oven will automatically turn on.

To Deactivate Sabbath Mode:

Press SETTINGS/CLOCK, and then press 7 to return to regular baking, or press STOP to turn off the range.



For further assistance, guidelines for proper usage, and a complete list of models with the Sabbath feature, please visit the web at www.star-k.org.

Keep Warm

⚠ WARNING

Food Poisoning Hazard

Do not let food sit in oven more than one hour before or after cooking.

Doing so can result in food poisoning or sickness.

NOTE: The convection fan will shut off when the oven door is opened. If the oven door remains open for too long, the heating elements will shut off until the oven door is closed. All timers, including any active Cook Time or Timed Cook functions, will continue to count down.

IMPORTANT: Food must be at serving temperature before placing it in the warmed oven. Food may be held up to 1 hour; however, breads and casseroles may become too dry if left in the oven during the Keep Warm function. For best results, cover food.

The Keep Warm feature allows hot cooked foods to stay at serving temperature.

To Use:

1. Press KEEP WARM.
2. Press the number keypads to set the desired temperature. A tone will sound if the minimum or maximum temperature is reached.
3. Press START.
4. Place food in the oven.
5. Press STOP when finished.

NOTE: The temperature may be changed at any time by repeating steps 2 and 3.

Aluminum Foil

IMPORTANT: To avoid permanent damage to the oven bottom finish, do not line the oven bottom with any type of foil or liner. For best cooking results, do not cover entire oven rack with foil because air must be able to move freely.

Positioning Racks and Bakeware

IMPORTANT: To avoid permanent damage to the porcelain finish, do not place food or bakeware directly on the oven door or bottom.

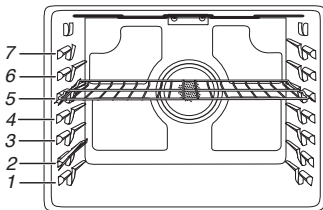
Bakeware

To cook food evenly, hot air must be able to circulate. Allow 2" (5 cm) of space around bakeware and oven walls. Make sure that no bakeware piece is directly over another.

Racks

- Position racks before turning on the oven.
- Do not position racks with bakeware on them.
- Make sure racks are level.

To position a rack, pull it out to the stop position, raise the front edge, and then lift out. Use the following illustration and table as a guide.

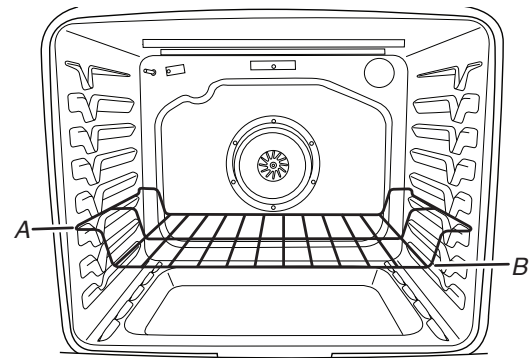


The oven has 7 positions for a flat rack, as shown in the previous illustration and the following table.

Flat Rack Position*	Type of Food
7	Broiling/searing meats, hamburgers, steaks
6	Broiled meats, poultry, fish
3 or 4	Most baked goods, casseroles, frozen foods
2	Roasted meats
1	Large roasts or poultry

For hamburger patties to have a well-seared exterior and a rare interior, use a flat rack in rack position 7. Side 1 should cook for approximately 2½ to 3½ minutes. Side 2 should cook for approximately 4 to 5 minutes. Expect a moderate degree of smoke when broiling.

*If your model has a Max Capacity Oven Rack, the recessed ends must be placed in the rack position above the desired position of the food. See the following illustration.



A. Ends of rack in position 3
B. Food in position 2

IMPORTANT: These rack positions are for flat racks. If a Max Capacity Oven Rack is used, the rack position must be adjusted as shown in the previous figure.

Multiple Rack Cooking

Two-rack (non-convection): Use rack positions 2 and 5 or 3 and 6.

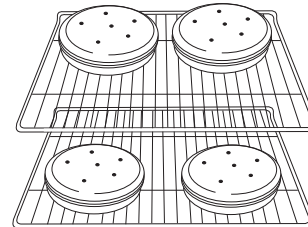
Two-rack (convection): Use rack positions 2 and 5 or 3 and 6.

Three-rack (convection): Use rack positions 2 and 7 and a Max Capacity Oven Rack in rack position 5.

Baking Cookies and Layer Cakes on Two Racks

Baking Layer Cakes

For best results when baking cakes on two racks, use the Bake function, a flat rack in rack position 5, and a flat rack in rack position 2. If you do not have two flat racks, use a Max Capacity Oven Rack in rack position 6. Place the cakes on the racks as shown. Keep at least 3" (7.6 cm) of space between the front of the racks and the front cakes.



Baking Cookies

For best results when baking cookies on two racks, use the Convection Bake function, a flat rack in rack position 6, and a flat rack in rack position 3.

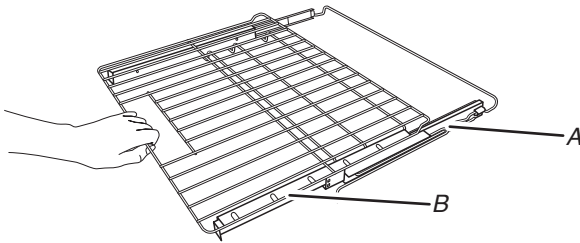
If you do not have two flat racks, use a flat rack in rack position 2 and a Max Capacity Oven Rack in rack position 6.

If you do not have Convection Bake, use the standard Bake function.

Roll-Out Rack

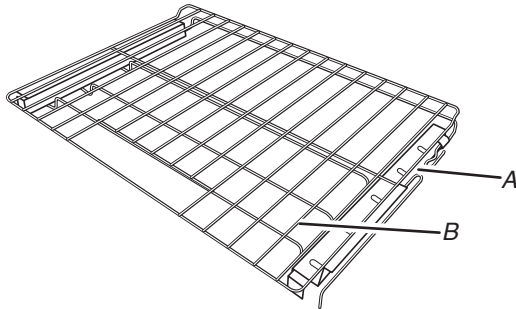
The roll-out rack allows easy access to position and remove food in the oven. It is not recommended to use the roll-out rack in the top rack, position 7, or the bottom rack, position 1.

Open Position



A. Rack frame
B. Sliding rack

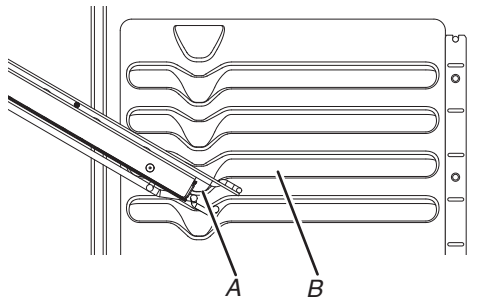
Closed and Engaged Position



A. Rack frame
B. Sliding rack

To Insert Roll-Out Rack:

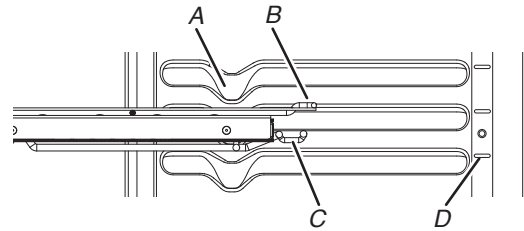
1. Angle the front of the rack assembly up, and then insert the rack frame into the "V" cutout in the rack guides of the oven cavity.



A. "V" cutout
B. Rack guides

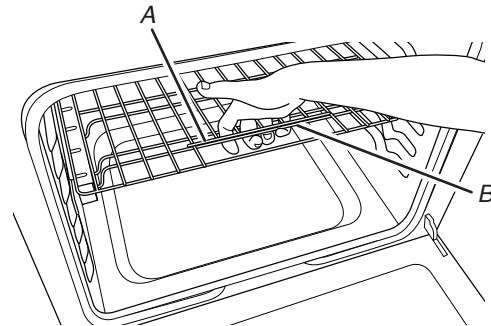
2. Keep rack assembly lifted up at an angle, and then push in to bypass the lower "V" cutout.

3. Lower the front of the rack assembly, and then gently slide rack assembly into oven, bypassing the "V" cutouts. Push the rack assembly into the oven until it stops at the ladder in the back of the oven.



A. "V" cutout
B. Rack guides
C. Ladder hook
D. Ladder

4. Reach through the rack to hold the sliding rack and the front crossbar. Lift the front of the rack assembly, and then push the rack assembly to the back of the oven. Lower the front of the rack assembly so the ladder hook engages with the ladder on both sides of the oven.



A. Sliding rack
B. Front crossbar

To Remove Roll-Out Rack:

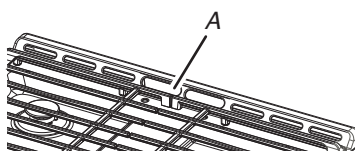
1. Push the sliding rack in completely so that it is in the closed and engaged position.
2. Reach through the rack to hold the sliding rack and the front crossbar. Lift the front of the rack assembly to disengage the ladder hook from the ladders at the rear of the oven, and then pull the rack assembly forward.
3. Using 2 hands, gently pull the sliding rack and the rack frame at the same time to the "V" cutout. Angle the rack so that the front is higher than the back, and then gently pull rack past "V" cutout and then out of the oven.

To avoid damage to the sliding rack, do not place more than 25 lbs (11.4 kg) on the rack.

Do not clean the roll-out rack in a dishwasher. It may remove the rack's lubricant and affect its ability to slide.

See the "General Cleaning" section for more information.

Oven Vent



A. Oven vent

The oven vent releases hot air and moisture from the oven and should not be blocked or covered. Blocking or covering the oven vent will cause poor air circulation, affecting cooking and cleaning results. Do not set plastics, paper, or other items that could melt or burn near the oven vent.

Baking and Roasting

NOTE: The convection fan will shut off when the oven door is opened. If the oven door remains open for too long, the heating elements will shut off until the oven door is closed. All timers, including any active Cook Time or Timed Cook functions, will continue to count down.

Preheating

When beginning a Bake, Convect Bake, or Convect Roast cycle, the oven will begin preheating after Start is pressed. The oven will take approximately 12 to 15 minutes to reach 350°F (177°C) with all of the oven racks provided with your oven inside the oven cavity. Higher temperatures will take longer to preheat. The preheat cycle rapidly increases the oven temperature. The actual oven temperature will go above your set temperature to offset the heat lost when your oven door is opened to insert food. This ensures that when you place your food in the oven, the oven will begin at the proper temperature. Insert your food when the preheat tone sounds. Do not open the door during preheat before the tone sounds.

Accela Heat

Use the Accela Heat feature whenever you wish to start baking immediately, without the need for preheating. This feature provides good results when preparing convenience foods such as cinnamon rolls, frozen pizza, bacon, french fries, and tator tots. During Accela Heat, the bake and broil elements cycle on and off while the fan circulates the hot air. Accela Heat is designed for single-rack baking. For best results, use a flat rack in position 3 and bakeware with low or no sides. This allows the air to circulate around the food evenly.

Do not open the oven door often. Opening the door will reduce the temperature in the oven and may increase bake time. Check food for doneness at the package time. Food may require a few extra minutes.

Oven Temperature

While in use, the oven elements will cycle on and off as needed to maintain a consistent temperature, but they may run slightly hot or cool at any point in time due to this cycling. Opening the oven door while in use will release the hot air and cool the oven which could impact the cooking time and performance. It is recommended to use the oven light to monitor cooking progress.

NOTE: On models with convection, the convection fan may run in the non-convection Bake mode to improve oven performance.

Temperature Management System

The Temperature Management System electronically regulates the oven heat levels during preheat and Bake to maintain a precise temperature range for optimal cooking results. The bake and broil elements or burners cycle on and off in intervals. On convection range models, the fan will run while preheating and may be cycled on and off for short intervals during Bake to provide the best results. This feature is automatically activated when the oven is in use.

Before baking and roasting, position racks according to the "Positioning Racks and Bakeware" section. When roasting, it is not necessary to wait for the oven preheat cycle to end before putting food in, unless it is recommended in the recipe.

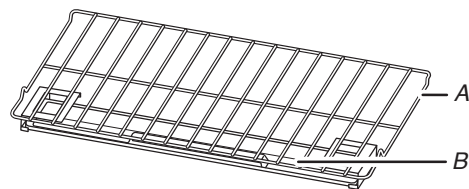
Steam Bake

The Steam Bake function works in conjunction with the steam rack to provide additional moisture during baking. The steam rack contains a water reservoir which heats up and releases steam into the oven cavity during the Steam Bake cycle. There are three preprogrammed food options to choose from: Breads, Desserts, and Fish as well as a Refresh/Reheat option.

For best performance, place the steam rack in the lowest available rack position in the cavity and pour 1½ cups (350 mL) of warm distilled water into the reservoir. Do not fill past the Max level indicated on the reservoir.

NOTE: Using distilled water will help to prevent calcium build-up and mineral deposits.

After the Steam Bake cycle is complete, some water may remain in the reservoir. This is normal. Wait for the oven to cool and discard the water.



A. Steam rack
B. Water reservoir

Broiling

NOTE: The convection fan will shut off when the oven door is opened. If the oven door remains open for too long, the heating elements will shut off until the oven door is closed. All timers, including any active Cook Time or Timed Cook functions, will continue to count down.

When broiling, preheat the oven for 2 minutes before putting food in, unless recommended otherwise in the recipe. Position food on grid in a broiler pan, and then place it in the center of the oven rack.

IMPORTANT: Close the door to ensure proper broiling temperature.

Lower broil temperature settings add to cooking time but allow for more precise control of cooking. The lower the broil setting is, the slower the cooking. Thicker cuts and unevenly shaped pieces of meat, fish, and poultry may cook better at lower broil settings. Use rack position 6 or 7 for broiling. Refer to the "Positioning Racks and Bakeware" section for more information.

On lower settings, the broil element will cycle on and off to maintain the proper temperature.

- For best results, use a broiler pan and grid. It is designed to drain juices and help avoid spatter and smoke.

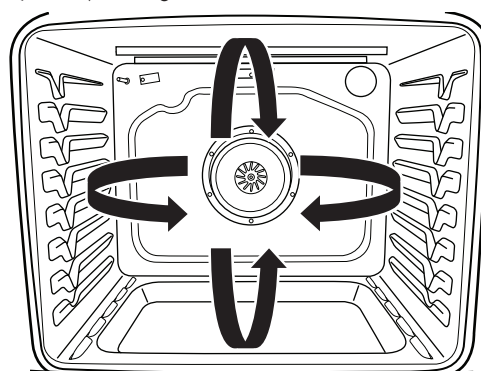
To purchase a broiler pan, Part Number 4396923 may be ordered from sears.com. See the back cover of this Use and Care Guide for additional contact information.

NOTE: Odors and smoke are normal the first few times the oven is used or if the oven is heavily soiled.

Convection Cooking

NOTE: The convection fan will shut off when the oven door is opened. If the oven door remains open for too long, the heating elements will shut off until the oven door is closed. All timers, including any active Cook Time or Timed Cook functions, will continue to count down.

In a convection oven, the fan-circulated hot air continually distributes heat more evenly than the natural movement of air in a standard thermal oven. This movement of hot air helps maintain a consistent temperature throughout the oven, cooking foods more evenly, crisping surfaces while sealing in moisture, and yielding crustier breads.



During convection baking or roasting, the bake, broil, and convection elements cycle on and off in intervals while the fan circulates the hot air. During convection broiling, the broil and convection elements cycle on and off.

If the oven door is opened during convection cooking, the fan will turn off immediately. It will come back on when the oven door is closed.

With convection cooking, most foods can be cooked at a lower temperature and/or a shorter cooking time than in a standard thermal oven. Use the following table as a guide.

Convection Mode	Time/Temp. Guidelines
Convection Bake	25°F (15°C) lower temperature, possible shortened cooking time
Convection Roast	Cooking time shortened by up to 30%
Convection Broil	Shortened cooking time

Convect Options

Convect Bake - multiple-rack baking or cookies, biscuits, breads, casseroles, tarts, tortes, cakes.

Convect Roast - whole chicken or turkey, vegetables, pork roasts, beef roasts

Convect Broil - thicker cuts or unevenly shaped pieces of meat, fish, or poultry

Cook Time

WARNING

Food Poisoning Hazard

Do not let food sit in oven more than one hour before or after cooking.

Doing so can result in food poisoning or sickness.

To Set a Timed Cook:

1. Press BAKE, BROIL, AUTO CONVECTION BAKE, AUTO CONVECTION BROIL, or AUTO CONVECTION ROAST.
2. Press the number keypads to enter a temperature other than the one displayed.
3. Press COOK TIME. The Cook Time oven indicator light will light up.
4. Press the number keypads to enter the length of time to cook.
5. Press START. The display will count down the time. When the time ends, the oven will shut off automatically.
6. Press STOP to clear the display.

To Set a Delayed Timed Cook:

1. Press BAKE, BROIL, AUTO CONVECTION BAKE, AUTO CONVECTION BROIL, or AUTO CONVECTION ROAST.
2. Press the number keypads to enter a temperature other than the one displayed.
3. Press COOK TIME. The Cook Time oven indicator light will light up.
4. Press number keypads to enter the length of time to cook.
5. Press DELAY START.
6. Press number keypads to enter the number of hours and/or minutes you want to delay the start time.
7. Press START.

When the start time is reached, the oven will automatically turn on. The temperature and/or time settings can be changed anytime after pressing Start by repeating steps 2 through 7. When the set cook time ends, the oven will shut off automatically.

8. Press STOP to clear the display.

Meat Probe

(on some models)

The meat probe accurately measures the internal temperature of meat, poultry, and casseroles with liquid and should be used in determining the doneness of meat and poultry.

This meat probe operates as an independent device and is not plugged into the oven. Follow the meat probe directions for using the meat probe.

To avoid damage to the meat probe, do not leave the meat probe in self-cleaning ovens while the cycle is running.

RANGE CARE

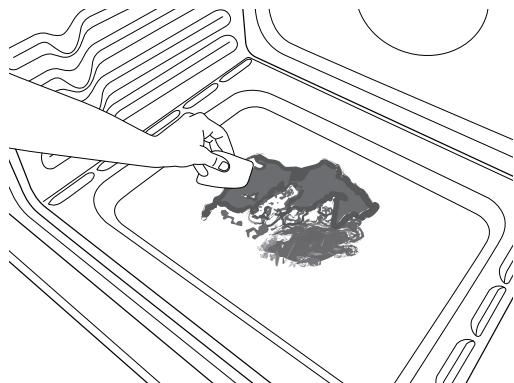
Clean Cycle

Lo Temp Clean is an innovative cleaning solution that utilizes heat and water to release baked-on spills from the oven in less than 1 hour. This new cleaning technology is a low-heat, odor-free alternative to traditional self-cleaning options.

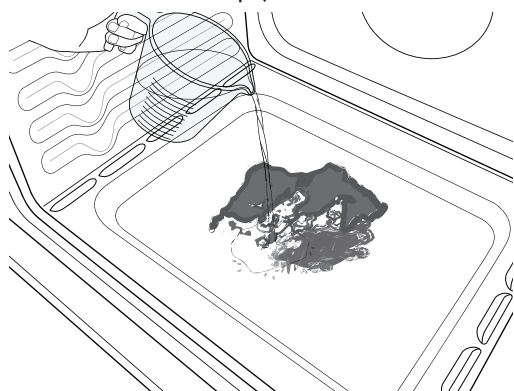
Allow the oven to cool to room temperature before using the Clean cycle. If your oven cavity is above 200°F (93°C), “Oven Cooling” will appear in the display and the Clean cycle will not be activated until the oven cavity cools down.

To Clean:

1. Remove all racks and accessories from the oven cavity and wipe excess soil. Use a plastic scraper to remove easily removed soils.



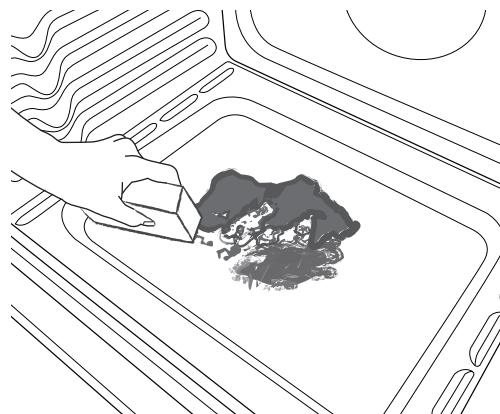
2. Pour 1³/₄ cups (14 oz [414 mL]) of distilled or filtered water onto the bottom of the empty oven and close the oven door.



IMPORTANT: Do not use chemicals or other additives with the water. Do not open the oven door during the Clean cycle. The water on the oven bottom is hot.

3. Press LO TEMP CLEAN and then START on the oven control panel.
4. Allow 40 minutes for cleaning and cooldown. A beep will sound when the Clean cycle is complete.
5. Press STOP at the end of the cycle. Stop may be pressed at any time to stop the Clean cycle.

6. Remove the residual water and loosened soils with a sponge or cloth immediately after the Clean cycle is complete. Much of the initial 1³/₄ cups (14 oz [414 mL]) of water will remain in the oven after the cycle is completed. If additional soils remain, leave a small amount of water in the oven bottom to assist with the cleaning.



7. If any soils remain, remove them with a non-scratch scrubbing sponge or plastic scraper. Additional Clean cycles may be run to help remove the stubborn soils.

IMPORTANT: Do not use oven cleaners. The use of chemicals, including commercial oven cleaners or metal scouring pads, may cause permanent damage to the porcelain surface of the oven interior.

NOTES:

- The range should be level to ensure that the entire surface of the bottom of the oven cavity is covered by water at the beginning of the Clean cycle.
- For best results, use distilled or filtered water. Tap water may leave mineral deposits on the oven bottom.
- Before removing the residual water and loosened soils at the end of the Clean cycle, insert a cloth or paper towel between the lower edge of the oven door and the front frame to keep water from spilling onto the front of the range and the floor.
- Soil baked on through several cooking cycles will be more difficult to remove with the Clean cycle.
- Nonabrasive scrub sponges or eraser-style cleaning pads (without cleaners) can be effective for cleaning the oven cavity walls, oven door, and oven bottom for difficult soils. For best results, moisten the pads and sponges before use.
- Run an additional Clean cycle for stubborn soils.
- Kitchen and appliance cleaner and cooktop cleaner may be used to clean the oven bottom, walls, and door when the oven has finished the cycle and returned to room temperature. If cooktop cleaner is used, it is recommended to wipe out the cavity with distilled water as well.

General Cleaning

IMPORTANT: Before cleaning, make sure all controls are off and the oven and cooktop are cool. Always follow label instructions on cleaning products.

Soap, water, and a soft cloth or sponge are suggested first unless otherwise noted.

EXTERIOR PORCELAIN ENAMEL SURFACES (on some models)

Food spills containing acids, such as vinegar and tomato, should be cleaned as soon as the entire range is cool. These spills may affect the finish.

Cleaning Method:

- Glass cleaner, mild liquid cleaner, or nonabrasive scrubbing pad:
Gently clean around the model/serial/rating plate because scrubbing may remove numbers.
- Kitchen and appliance cleaner (Part Number W10355010 may be ordered from **sears.com**. See the back cover of this Use and Care Guide for additional contact information.)

STAINLESS STEEL (on some models)

NOTE: To avoid damage to stainless steel surfaces, do not use soap-filled scouring pads, abrasive cleaners, cooktop cleaner, steel-wool pads, gritty washcloths, or abrasive paper towels. Damage may occur to stainless steel surfaces, even with one-time or limited use.

Cleaning Method:

Rub in direction of grain to avoid damaging.

- Stainless steel cleaner (Part Number W10355016 may be ordered from **sears.com**. See the back cover of this Use and Care Guide for additional contact information.)

METALLIC PAINT (on some models)

Do not use abrasive cleaners, cleaners with bleach, rust removers, ammonia, or sodium hydroxide (lye) because paint surface may stain.

PORCELAIN-COATED GRATES AND CAPS

Food spills containing acids, such as vinegar and tomato, should be cleaned as soon as the cooktop, grates, and caps are cool. These spills may affect the finish.

To avoid chipping, do not bang grates and caps against each other or hard surfaces such as cast iron cookware.

Do not reassemble caps on burners while wet.

Cleaning Method:

- Nonabrasive plastic scrubbing pad and mildly abrasive cleanser:
Clean as soon as cooktop, grates, and caps are cool.
- Dishwasher (grates only, not caps):
Use the most-aggressive cycle. Cooked-on soils should be soaked or scrubbed before going into a dishwasher. Although the burner grates are durable, they may lose their shine and/or discolor when washed in a dishwasher.

- Gas grate and drip pan cleaner (Part Number 31617 may be ordered from **sears.com**. See the back cover of this Use and Care Guide for additional contact information.)

SURFACE BURNERS

Food spills containing acids, such as vinegar and tomato, should be cleaned as soon as the cooktop, grates, and caps are cool. These spills may affect the finish.

To avoid chipping, do not bang grates and caps against each other or hard surfaces such as cast iron cookware.

Do not reassemble caps on burners while wet.

Do not clean in the Cleaning cycle.

Do not clean in dishwasher.

Cleaning Method:

- Nonabrasive plastic scrubbing pad and mildly abrasive cleanser:
Clean as soon as cooktop, grates, burners, and caps are cool.
- Gas grate and drip pan cleaner (Part Number 31617 may be ordered from **sears.com**. See the back cover of this Use and Care Guide for additional contact information.)

COOKTOP CONTROLS

To avoid damage to the cooktop controls, do not use steel wool, abrasive cleansers, or oven cleaner.

To avoid damage, do not soak or immerse knobs in water.

When replacing knobs, make sure knobs are in the Off position.

On some models, do not remove seals under knobs.

Cleaning Method:

- Soap and water:
Pull knobs straight away from control panel to remove. Clean with a soft cloth moistened with soap and water.

GRIDDLE

To avoid damaging the nonstick surface, do not use steel wool or abrasive cleaners.

Cleaning Method:

- Mild detergent
- Dishwasher:
Although the burner grates are durable, they may lose their shine and/or discolor when washed in a dishwasher.

CONTROL PANEL AND OVEN DOOR EXTERIOR

To avoid damage to the control panel, do not use abrasive cleaners, steel-wool pads, gritty washcloths, or abrasive paper towels.

Cleaning Method:

- Glass cleaner and soft cloth or sponge:
Apply glass cleaner to soft cloth or sponge, not directly on panel.
- Kitchen and appliance cleaner (Part Number W10355010 may be ordered from **sears.com**. See the back cover of this Use and Care Guide for additional contact information.)

OVEN RACKS

Cleaning Method:

- Steel-wool pad
- For racks that have discolored and are harder to slide, a light coating of vegetable oil applied to the rack guides will help them slide.

OVEN CAVITY

Use Lo Temp Clean regularly to clean oven spills.

Do not use oven cleaners.

Food spills should be cleaned when oven cools. At high temperatures, foods react with porcelain. Staining, etching, pitting, or faint white spots can result.

Do not clean the oven door gasket.

Cleaning Method:

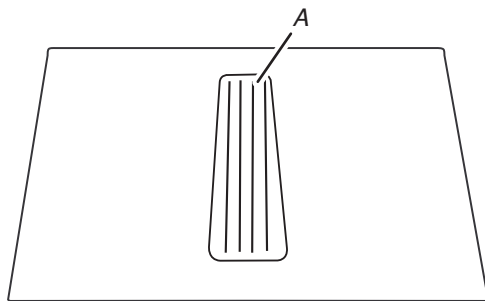
- Clean cycle:
See the "Clean Cycle" section.

DOWNDRAFT VENTILATION SYSTEM

Vent Grate

Cleaning Method:

- Remove the burner grates.
- Lift the vent grate off the cooktop.



A. Vent grate

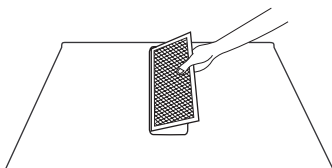
- Nonabrasive plastic scrubbing pad and mildly abrasive cleanser:
Wipe clean or wash in sink.
- Dishwasher:
Use mild detergent.

Filter

The filter is a permanent type and should be cleaned when soiled.

Cleaning Method:

- Turn off the downdraft ventilation system before removing the filter.
- Remove vent grate, and then lift the filter out of the vent chamber.

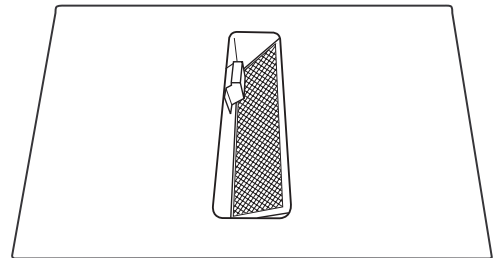


- Clean the filter in the sink with warm water and detergent or in the dishwasher.

- Replace the filter.

The filter should always be placed at an angle. As you face the front of the range, the top of the filter should rest against the right side of the vent opening. The bottom of the filter should rest against the left side of the vent chamber at the bottom.

If the filter is flat against the fan wall, ventilation effectiveness will be reduced.



Ventilation Chamber

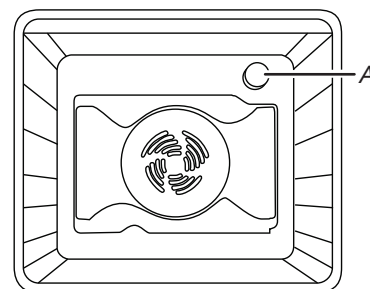
The ventilation chamber, which houses the filter, should be cleaned in the event of spills or when it becomes coated with a film of grease.

Cleaning Method:

- Mild household detergent or cleanser and paper towel, damp cloth or sponge:
Apply detergent or cleanser to paper towel, damp cloth or sponge, not directly to the ventilation chamber.

Oven Light

The oven light is a standard 40-watt appliance bulb. Before replacing, make sure the oven and cooktop are cool and the control knobs are in the Off position.



A. Oven light


To Replace:

1. Unplug range or disconnect power.
2. Turn the glass bulb cover in the back of the oven counterclockwise to remove.
3. Turn bulb counterclockwise to remove from socket.
4. Replace bulb, then bulb cover by turning clockwise.
5. Plug in range or reconnect power.

TROUBLESHOOTING

CHECK THESE POINTS TO HELP SAVE YOU TIME AND MONEY.

⚠ WARNING



Electrical Shock Hazard

Plug into a grounded 3 prong outlet.

Do not remove ground prong.

Do not use an adapter.

Do not use an extension cord.

Failure to follow these instructions can result in death, fire, or electrical shock.

Problem	Possible Causes	Solutions
Nothing will operate	Power supply cord is unplugged	Plug into a grounded 3 prong outlet.
	ENERGY SAVE is active and the display is blank	Press any keypad on the control to display the time of day. See the “Electronic Oven Controls” section for more information.
	Household fuse is blown or a circuit breaker is tripped	Replace the fuse or reset the circuit breaker. If the problem continues, call an electrician.
	Main or regulator gas shut-off valve is in the Off position	See the Installation Instructions.
	The range is improperly connected to the gas supply	Contact a trained repair specialist, or see Installation Instructions.
Surface burners will not operate	The control knob is not set correctly	Push in knob before turning to a setting.
	Air in the gas lines	If this is the first time the surface burners have been used, turn on any one of the surface burner knobs to release air from the gas lines.
	Clogged burner ports	See the “Surface Burners” section.
Surface burner flames are uneven, yellow, and/or noisy	Clogged burner ports	See the “Surface Burners” section.
	Burner caps positioned improperly	See the “Surface Burners” section.
	Range converted improperly	If propane gas is being used, contact a service technician. See the back cover for more information.
Excessive heat around cookware on cooktop	Cookware and flame are not matched	The cookware should be centered above the burner with the bottom sitting level on the grate. The flame should be adjusted so that it does not extend up the sides of the pan.
Cooktop cooking results not what expected	Improper cookware	Ideal cookware should have a flat bottom, straight sides, and a well-fitting lid, and the material should be of a medium-to-heavy thickness.
	Control knob set to incorrect heat level	See the “Cooktop Use” section.
	Range is not level	Level the range. See the Installation Instructions.
Oven will not operate	Air in the gas lines	If this is the first time the oven has been used, turn on any one of the surface burner knobs to release air from the gas lines.
	Oven control lockout is on	Press and hold START for 3 seconds to unlock.
	Control is in Demo mode	Demo mode will deactivate all oven elements. See “Demo Mode” in the “Electronic Oven Controls” section.
	Electronic oven control set incorrectly	See the “Electronic Oven Controls” section.

Problem	Possible Causes	Solutions
Oven burner flames are yellow or noisy	Range converted improperly	If propane gas is being used, contact a service technician. See the back cover for more information.
Oven temperature too high or too low	Oven temperature needs adjustment	See “Oven Temperature Control” in the “Electronic Oven Controls” section.
Convection fan not working	The convection cycle is in the first 5 minutes of operation	This is normal. The convection fan will start running approximately 5 minutes into the cycle.
	Oven door is open	If the oven door is opened during convection cooking, the fan will turn off immediately. It will come back on when the oven door is closed.
Display shows messages	Power failure (display shows flashing time)	Clear the display. On some models, reset the clock, if needed. See “Clock” keypad feature in the “Feature Guide” section.
	Error code (display shows letter followed by number)	Depending on your model, press STOP to clear the display. See “Control Display” in the “Electronic Oven Controls” section. If it reappears, call for service. See the back cover for more information.
	Start needs to be pressed so a cycle can begin (display shows “PUSH” or “PSH”)	See the “Start” keypad feature in the “Feature Guide” section.
	Range is in Sabbath mode (display shows “SAb”)	Press STOP to exit Sabbath mode.
Clean cycle did not work on all spills	Several cooking cycles between Clean cycles or spills on oven walls and doors	Run additional Clean cycles. Kitchen and appliance cleaner or cooktop cleaner can be used for stubborn soils.
Mineral deposits are left on the oven bottom after the Clean cycle	Tap water was used in the Clean cycle	Use distilled or filtered water in the Clean cycle. To remove deposits, use a cloth soaked with vinegar. Then use a cloth dampened with water to thoroughly remove any vinegar residue.
	Range is not level	Mineral deposits will collect on dry areas of the oven bottom during the Clean cycle. Level the range. See the Installation Instructions. To remove deposits, use a cloth soaked with vinegar. Then use a cloth dampened with water to thoroughly remove any vinegar residue.
Ventilation system not capturing smoke efficiently	Poor cross ventilation in the room or makeup air	See the Installation Instructions.
	Outside wall cap shut or blocked	Check outside wall cap.
	Range or air filter installed incorrectly	See the Installation Instructions.

Problem	Possible Causes	Solutions
Oven cooking results not what expected	Range is not level	Level the range. See the Installation Instructions.
	The temperature set was incorrect	Double-check the recipe in a reliable cookbook.
	Oven temperature is calibrated incorrectly	See "Oven Temperature Control" in the "Electronic Oven Controls" section.
	Oven was not preheated	See the "Baking and Roasting" section.
	Racks were positioned improperly	See the "Positioning Racks and Bakeware" section.
	Not enough air circulation around bakeware	See the "Positioning Racks and Bakeware" section.
	Batter distributed unevenly in pan	Check that batter is level in the pan.
	Darker browning of food caused by dull or dark bakeware	Lower oven temperature 25°F (15°C) or move rack to a higher position in the oven.
	Lighter browning of food caused by shiny or light-colored bakeware	Move rack to a lower position in the oven.
	Incorrect length of cooking time was used	Adjust cooking time.
	Oven door was not closed	Be sure that the bakeware does not keep the door from closing.
	Oven door was opened during cooking	Peeking into the oven releases oven heat and can result in longer cooking times.
	Rack is too close to bake burner, making baked items too brown on bottom	Move rack to higher position in the oven.
Pie crusts browning too quickly	Use aluminum foil to cover the edge of the crust and/or reduce baking temperature.	

Noises

Problem	Possible Causes	Solutions
Surface burner making popping noises	Wet burner	Allow it to dry.

Notes

ÍNDICE

GARANTÍA DE GRANDES ELECTRODOMÉSTICOS KENMORE.....	31	Controles electrónicos del horno	45
SEGURIDAD DE LA ESTUFA.....	32	Modo de descanso	47
Soporte antivuelco.....	33	Mantenimiento caliente	48
CONSEJOS DE USO CLAVE	36	Papel de aluminio	48
Temperaturas de la superficie	36	Posición de las parrillas y los utensilios para hornear.....	49
Precalentamiento	36	Parrilla extraíble.....	50
Quemadores de superficie	36	Ventilación del horno	51
GUÍA DE FUNCIONES	37	Cómo hornear y asar	51
USO DE LA SUPERFICIE DE COCCIÓN	40	Asar a la parrilla.....	52
Quemadores de superficie	41	Cocción por convección.....	52
Rejillas de la superficie	42	Tiempo de cocción.....	53
Tamaño del quemador	42	Sonda para carnes	53
Plancha	43	CUIDADO DE LA ESTUFA	54
Sistema de ventilación de tiro descendente	43	Ciclo de limpieza	54
Utensilios de cocina.....	43	Limpieza general.....	55
Envasado casero	44	Luz del horno	57
USO DEL HORNO.....	45	SOLUCIÓN DE PROBLEMAS	58

GARANTÍA DE GRANDES ELECTRODOMÉSTICOS KENMORE

GARANTÍA LIMITADA DE KENMORE ELITE

DURANTE UN AÑO a partir de la fecha de venta de este electrodoméstico, el aparato posee garantía contra defectos en los materiales o en la mano de obra cuando se instale, opere y mantenga correctamente de acuerdo con todas las instrucciones provistas.

CON EL COMPROBANTE DE VENTA, un electrodoméstico defectuoso recibirá la reparación o sustitución gratuita, a criterio del vendedor.

Para ver los detalles de cobertura de la garantía a fin de obtener reparación o repuestos sin costo, visite la página web: www.kenmore.com/warranty

La cobertura de esta garantía es válida solo durante un año a partir de la fecha de venta en los Estados Unidos, y no tiene validez en Canadá, si este electrodoméstico se utiliza en algún momento para fines que no sean domésticos.

Esta garantía cubre ÚNICAMENTE defectos de material y mano de obra, y NO pagará:

1. Pérdida de color de las superficies de cocción debido al uso normal.
2. Los artículos no reutilizables que puedan gastarse con el uso normal, incluidos, entre otras cosas, filtros, correas, bolsas y focos de base rosca.
3. Un técnico de servicio para limpiar o realizar el mantenimiento de este electrodoméstico o para enseñarle al usuario cómo instalar, operar o mantener el producto correctamente.
4. Llamadas de servicio para corregir una instalación del electrodoméstico no realizada por agentes de servicio autorizados de Sears o para reparar problemas con fusibles, disyuntores, cables y plomería de la casa o con sistemas de suministro de gas que sean resultado de esa instalación.
5. Daños o fallas de este electrodoméstico que sean resultado de una instalación no realizada por agentes de servicio autorizados de Sears, incluida una instalación que no estuviera de acuerdo con los códigos de electricidad, gas o plomería.
6. Daños o fallas de este electrodoméstico, incluido el cambio de color o la oxidación de superficies, si no se opera y mantiene correctamente de acuerdo con todas las instrucciones que se suministran.
7. Daños o fallas de este electrodoméstico, incluido el cambio de color o la oxidación de superficies, como resultado de accidentes, alteraciones, abuso, uso indebido o un uso diferente del previsto.
8. Daños o fallas de este electrodoméstico, incluido el cambio de color o la oxidación de superficies, causados por el uso de detergentes, limpiadores, sustancias químicas o utensilios diferentes de los recomendados en todas las instrucciones suministradas con el producto.
9. Daños o fallas de piezas o sistemas como resultado de modificaciones no autorizadas que se hayan efectuado en este electrodoméstico.
10. Servicios a un electrodoméstico si la placa con el modelo y el número de serie falta, está alterada o no tiene el logotipo de certificación correcto fácilmente visible.

Exclusión de garantías implícitas; limitación de recursos

El único y exclusivo recurso del cliente según los términos de esta garantía limitada será el de reparar o reemplazar el producto según se estipula en la presente. Las garantías implícitas, incluyendo las garantías de comerciabilidad o de capacidad para un propósito particular, serán limitadas a un año o al período más corto permitido por ley. El vendedor no se hará responsable por daños incidentales o consecuentes. Algunos estados y provincias no permiten la exclusión o limitación de daños incidentales o consecuentes, o limitación acerca de cuánto debe durar una garantía implícita de comerciabilidad o capacidad, de modo que las limitaciones o exclusiones arriba mencionadas pueden no aplicarse en su caso.

Esta garantía se aplica solo mientras este aparato se use en los Estados Unidos o en Canadá*.

Esta garantía le otorga derechos legales específicos, y es posible que usted tenga también otros derechos, los cuales varían de un estado a otro.

*No se dispone de servicio de reparaciones en la casa en todas las áreas geográficas de Canadá; esta garantía no cubrirá los gastos de viaje y transporte del usuario o del personal de servicios si este producto está ubicado en un área remota (según lo defina Sears Canada Inc.) donde no haya personal de servicios autorizado disponible.

**Sears Brands Management Corporation
Hoffman Estates, IL 60179**

**Sears Canada Inc.
Toronto, Ontario, Canada M5B 2C3**

SEGURIDAD DE LA ESTUFA

Su seguridad y la seguridad de los demás es muy importante.

Hemos incluido muchos mensajes importantes de seguridad en este manual y en su electrodoméstico. Lea y obedezca siempre todos los mensajes de seguridad.



Este es el símbolo de alerta de seguridad.

Este símbolo le llama la atención sobre peligros potenciales que pueden ocasionar la muerte o una lesión a usted y a los demás.

Todos los mensajes de seguridad irán a continuación del símbolo de advertencia de seguridad y de la palabra "PELIGRO" o "ADVERTENCIA". Estas palabras significan:

 **PELIGRO**

Si no sigue las instrucciones de inmediato, usted puede morir o sufrir una lesión grave.

 **ADVERTENCIA**

Si no sigue las instrucciones, usted puede morir o sufrir una lesión grave.

Todos los mensajes de seguridad le dirán el peligro potencial, le dirán cómo reducir las posibilidades de sufrir una lesión y lo que puede suceder si no se siguen las instrucciones.

ADVERTENCIA: Si la información en estas instrucciones no se sigue con exactitud, podría ocurrir un incendio o una explosión, lo que causaría daños a propiedades, heridas personales o la muerte.

- No almacene o use gasolina u otros líquidos y vapores inflamables cerca de este u otro aparato electrodoméstico.
- **PASOS QUE USTED DEBE SEGUIR SI HUELE A GAS:**
 - No trate de encender ningún aparato electrodoméstico.
 - No toque ningún interruptor eléctrico.
 - No use ningún teléfono en su casa o edificio.
 - Llame inmediatamente a su proveedor de gas desde el teléfono de un vecino.
Siga las instrucciones de su proveedor de gas.
 - Si usted no puede comunicarse con su proveedor de gas, llame al departamento de bomberos.
- La instalación y el servicio deben ser efectuados por un instalador calificado, una agencia de servicio o por el proveedor de gas.

ADVERTENCIA: Las pérdidas de gas no siempre se pueden detectar por el olfato.

Los proveedores de gas recomiendan que usted use un detector de gas aprobado por UL (Laboratorio de normalización) o CSA (Asociación canadiense de seguridad).

Para obtener más información, póngase en contacto con su proveedor de gas.

Si se detecta una fuga de gas, siga las instrucciones de “Pasos que usted debe seguir si huele a gas”.

Advertencias de la Proposición 65 del estado de California:

ADVERTENCIA: Este producto contiene una o más sustancias químicas identificadas por el estado de California como causantes de cáncer.

ADVERTENCIA: Este producto contiene una o más sustancias químicas identificadas por el estado de California como causantes de defectos congénitos o algún otro tipo de daños en la función reproductora.

Soporte antivuelco

La estufa no se volcará durante el uso normal. Sin embargo, la estufa se puede volcar si se aplica demasiada fuerza o peso sobre la puerta abierta sin tener el soporte antivuelco adecuadamente sujeto al piso.



⚠ ADVERTENCIA

Peligro de Vuelco

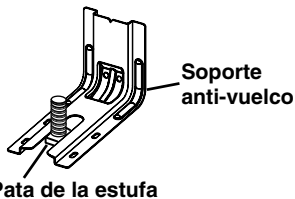
Un niño o un adulto puede volcar accidentalmente la estufa y resultar muerto.

Verifique que se haya instalado y asegurado debidamente el soporte anti-vuelco según las instrucciones de instalación.

Si traslada de lugar la estufa, vuelva a asegurar el soporte anti-vuelco.

No ponga a funcionar la estufa sin tener el soporte anti-vuelco instalado y asegurado.

No seguir estas instrucciones puede ocasionar la muerte o quemaduras graves en niños y adultos.



Para verificar que el soporte anti-vuelco esté instalado y asegurado:

- Deslice la estufa hacia adelante.
- Verifique que el soporte anti-vuelco esté bien sujeto al piso o a la pared.
- Deslice la estufa hacia atrás de modo que la pata trasera quede debajo del soporte anti-vuelco.
- Consulte las instrucciones de instalación para ver más detalles.

INSTRUCCIONES IMPORTANTES DE SEGURIDAD

ADVERTENCIA: Para reducir el riesgo de incendio, choque eléctrico, lesiones a personas o daños al usar la estufa, siga precauciones básicas, incluyendo las siguientes:

- **ADVERTENCIA:** PARA REDUCIR EL RIESGO DE VUELCO DE LA ESTUFA, LA MISMA DEBE ASEGURARSE CON LA INSTALACIÓN ADECUADA DE DISPOSITIVOS ANTIVUELCO. PARA VERIFICAR SI LOS DISPOSITIVOS ESTÁN INSTALADOS ADECUADAMENTE, DESLICE LA ESTUFA HACIA ADELANTE, REVISE QUE EL SOPORTE ANTIVUELCO ESTÉ BIEN SUJETO AL PISO O A LA PARED Y DESLICE LA ESTUFA HACIA ATRÁS DE MODO QUE LA PATA TRASERA QUEDE DEBAJO DEL SOPORTE ANTIVUELCO.
- **ADVERTENCIA:** NUNCA use este electrodoméstico como calefactor de ambientes para calentar o entibiar la habitación. El hacerlo puede causar intoxicación por monóxido de carbono y sobrecalentamiento del horno.
- **ADVERTENCIA:** NUNCA cubra ranuras, orificios o pasajes en la parte inferior del horno ni cubra una rejilla entera con materiales tales como papel de aluminio. El hacerlo bloquea el flujo de aire en el horno y puede causar intoxicación por monóxido de carbono. Los forros de papel de aluminio también pueden atrapar el calor y provocar un riesgo de incendio.
- **CUIDADO:** No almacene artículos que interesen a los niños en los armarios que están encima de la estufa o en el soporte de la estufa; al trepar los niños encima de la estufa para alcanzar algún objeto, podrían sufrir una lesión grave.
- No deje a los niños solos – No se debe dejar a los niños solos o sin supervisión en el área donde la estufa está en uso. Jamás se les debe permitir que se sienten o se paren en alguna parte de la estufa.
- Use ropa apropiada – Nunca debe ponerse ropa holgada o que se esté colgando mientras esté usando la estufa.
- Servicio del usuario – No repare ni reemplace alguna pieza de la estufa a menos que se recomiende específicamente en el manual. Cualquier otro servicio se debe dejar en las manos de un técnico competente.
- Almacenar en o sobre la estufa – Los materiales inflamables no deben almacenarse en el horno o cerca de las unidades exteriores.
- No use agua en incendios provocados por grasa – Extinga el incendio o la llama o use un extinguidor de tipo espuma o químico seco.
- Use sólo agarradores de ollas secos – Los agarradores de ollas húmedos o mojados en las superficies calientes pueden ocasionar quemaduras por vapor. No deje que el agarrador de ollas toque los elementos calefactores calientes. No use una toalla ni otros paños voluminosos.
- **NO TOQUE LAS UNIDADES EXTERIORES NI ÁREAS CERCANAS A LAS UNIDADES** – Las unidades exteriores podrían estar calientes, aún si están de color sea oscuro. Las áreas cercanas a las unidades exteriores se pueden calentar lo suficiente para ocasionar quemaduras. Durante y después del uso, no toque ni deje que la ropa u otros materiales inflamables toquen las unidades exteriores o las áreas cercanas a las unidades hasta que haya transcurrido tiempo suficiente para que se enfríen. Entre esas áreas, están la superficie de cocción y las superficies que están frente a la superficie de cocción.
- Nunca deje sin supervisión las unidades exteriores a fuego alto – Los derrames por ebullición ocasionan salpicaduras grasosas y humeantes que pueden incendiarse.
- Utensilios de cocina vidriados – Sólo algunos tipos de utensilios de vidrio, cerámica vitrificada, cerámica, loza de barro u otros utensilios vidriados son adecuados para usarse sobre la estufa sin que se rompan debido a cambios repentinos de temperatura.
- Los mangos de los utensilios deben colocarse hacia adentro y no deben extenderse hasta las unidades exteriores adyacentes – Para reducir riesgos de quemaduras, incendio de materiales inflamables y salpicaduras debido a contacto accidental con el utensilio, el mango del utensilio debe colocarse hacia adentro y no debe extenderse hasta las unidades exteriores adyacentes.
- Limpie la superficie de cocción con cuidado – Si usa una esponja o un paño mojado para limpiar los derrames en el área de cocción caliente, tenga cuidado para evitar quemaduras por vapor. Algunos productos de limpieza pueden producir gases nocivos al ser aplicados en una superficie caliente.
- Tenga cuidado al abrir la puerta – Deje que salga el aire caliente o el vapor antes de quitar o volver a colocar alimentos.
- No ponga a calentar recipientes de alimentos cerrados – La acumulación de presión puede hacer que el recipiente explote y ocasione lesiones.
- Mantenga los ductos de ventilación del horno sin obstrucciones.
- Colocación de las parrillas del horno – Siempre coloque las parrillas del horno en el lugar deseado mientras el horno esté frío. Si se debe mover la parrilla mientras el horno está caliente, no permita que el agarrador de ollas entre en contacto con el elemento calefactor caliente en el horno.
- **NO TOQUE LOS ELEMENTOS CALEFACTORES NI LAS SUPERFICIES INTERIORES DEL HORNO** – Los elementos calefactores podrían estar calientes, aún si están de color oscuro. Las superficies interiores de un horno se calientan lo suficiente como para causar quemaduras. Durante y después del uso, no toque ni deje que la ropa u otros materiales inflamables toquen los elementos calefactores ni las superficies interiores del horno hasta que haya transcurrido tiempo suficiente para que se enfríen. Otras superficies del electrodoméstico pueden calentarse lo suficiente como para causar quemaduras, entre esas superficies están los orificios de ventilación del horno y las superficies cercanas a esos orificios, las puertas del horno y las ventanas de las puertas del horno.
- Instalación adecuada – Cuando se instale la estufa, deberá conectarse a tierra de acuerdo con los códigos locales, o en la ausencia de los mismos, con el *Código Nacional Eléctrico (National Electrical Code), ANSI/NFPA 70*. En Canadá, la estufa deberá conectarse a tierra de acuerdo con el Código canadiense de electricidad (Canadian Electrical Code). Cerciórese de que la instalación y puesta a tierra de la estufa sean efectuadas adecuadamente por un técnico competente.

GUARDE ESTAS INSTRUCCIONES

INSTRUCCIONES IMPORTANTES DE SEGURIDAD

- Desconecte el suministro eléctrico antes de dar servicio al electrodoméstico.
- Pueden ocasionarse lesiones por el uso indebido de las puertas o cajones del electrodoméstico, como puede ser pisar, apoyarse o sentarse sobre las puertas o cajones.
- Mantenimiento – Mantenga el área de la estufa limpia y libre de materiales combustibles, gasolina y otros vapores y líquidos inflamables.
- Deberá ajustarse el tamaño de la llama del quemador superior de modo que no se extienda más allá del borde del utensilio de cocina.

Para las estufas con autolimpieza –

- No limpie la junta de la puerta – La junta de la puerta es esencial para un cierre hermético. Deberá tenerse cuidado de no frotar, dañar ni mover la junta.
- No use limpiadores para horno – No deberá usarse ningún limpiador para horno comercial ni revestimiento protector para hornos de ninguna clase dentro ni alrededor de ninguna parte del horno.
- Limpie solamente las partes enlistadas en el manual.
- Antes de hacer la autolimpieza del horno – Quite la charola para asar a la parrilla y otros utensilios. Limpie todos los derrames excesivos antes de iniciar el ciclo de limpieza.

Para unidades con campana de ventilación –

- Limpie las campanas de ventilación con frecuencia – No se debe dejar que la grasa se acumule en la campana o en el filtro.
- Al flamear los alimentos debajo de la campana, encienda el ventilador.

GUARDE ESTAS INSTRUCCIONES

CONSEJOS DE USO CLAVE

Temperaturas de la superficie

Cuando la estufa está en uso, todas las superficies pueden calentarse, incluidas las perillas y la puerta del horno.

Ventilación del horno

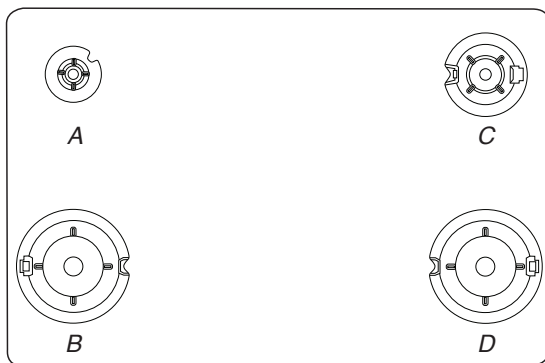
La ventilación del horno libera aire caliente y humedad del horno y no debe bloquearse ni taparse. No coloque objetos de plástico, papel ni otros objetos que puedan derretirse o quemarse cerca de la ventilación del horno.

Pre calentamiento

Cuando comience un ciclo de horneado, horneado por convección o asado por convección, el horno comenzará a precalentarse luego de presionar el botón Start (Inicio). El horno tardará 12 a 15 minutos aproximadamente para alcanzar 350°F (177°C) con todas las parrillas de horno provistas con el horno dentro de la cavidad. Cuanto mayor sea la temperatura, más tiempo tomará precalentar el horno. El ciclo de precalentamiento aumenta rápidamente la temperatura del horno. La temperatura real del horno superará la temperatura fijada para compensar la pérdida de calor cuando se abra la puerta del horno para introducir los alimentos. Esto asegura que el horno comience a la temperatura correcta cuando se coloquen los alimentos en el horno. Introduzca los alimentos cuando suene el tono de precalentamiento. No abra la puerta durante el precalentamiento antes de que suene el tono.

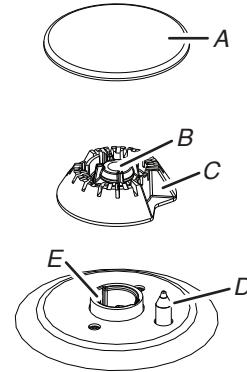
Quemadores de superficie

Las bases y las tapas de los quemadores deben estar correctamente ubicadas antes de cocinar. La estufa viene con 3 tamaños de quemadores y de tapas. La base de cada quemador redondo tiene marcada una letra que indica el tamaño del quemador. Alinee las bases de los quemadores como se muestra en la ilustración siguiente:



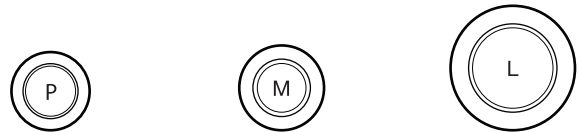
A. Pequeña (P) C. Intermedia (M)
B. Grande (L) D. Grande (L)

Alinee la abertura del tubo de gas en la base de los quemadores con el soporte de orificio en la superficie de cocción y el electrodo encendedor con la muesca en la base de los quemadores.



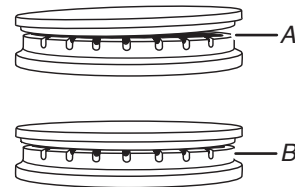
A. Tapa del quemador D. Electrodo encendedor
B. Abertura del tubo de gas E. Soporte de orificio
C. Base del quemador

La tapa de cada quemador redondo tiene marcada una letra que indica el tamaño del quemador. Coloque las tapas de los quemadores sobre las bases de los quemadores apropiados.



Tapa pequeña (P) Tapa intermedia (M) Tapa grande (L)

Las tapas de los quemadores deben estar niveladas cuando se colocan en la posición correcta. Si las tapas de los quemadores no están en la posición correcta, los quemadores de la superficie no se encenderán. La tapa de los quemadores no debe oscilar ni tambalearse si está debidamente alineada.



A. Incorrecto
B. Correcto

GUÍA DE FUNCIONES

Este manual de uso y cuidado abarca varios modelos. Su modelo puede contar con algunos o todos los elementos enumerados. Consulte este manual de uso y cuidado para obtener instrucciones más detalladas. Puede encontrar el número de modelo y de serie en la etiqueta ubicada en el marco del horno, detrás del lado superior de la puerta del horno.

⚠️ ADVERTENCIA

Peligro de Intoxicación Alimentaria

No deje sus alimentos en el horno por más de una hora antes o después de su cocción.

No seguir esta instrucción puede ocasionar intoxicación alimentaria o enfermedad.



Botón	Función	Instrucciones
SETTINGS/CLOCK (Ajustes/Reloj)	Reloj	<p>El reloj puede usar un ciclo de 12 o 24 horas. Vea la sección “Controles electrónicos del horno”.</p> <ol style="list-style-type: none"> 1. Presione SETTINGS/CLOCK (Ajustes/Reloj) hasta que aparezca en la pantalla “CLOCK” (Reloj). 2. Utilice las teclas numéricas para fijar la hora. 3. Presione START (Inicio) para cambiar la hora. 4. Presione 3 para AM o 6 para PM.
SETTINGS/CLOCK (Ajustes/Reloj)	Ajustes	<p>Permite personalizar los tonos audibles y el funcionamiento del horno según las necesidades. Vea la sección “Controles electrónicos del horno”.</p>
LIGHT (Luz del Horno)	Luz de la cavidad del horno	<p>Con la puerta del horno cerrada, presione LIGHT (Luz del Horno) para encender y apagar la luz. La luz del horno se encenderá cuando se abra la puerta del horno.</p>
TIMER SET-OFF (Fijar-Apagar el Temporizador)	Temporizador del horno	<p>El temporizador se puede fijar en horas o minutos, hasta 9 horas y 59 minutos.</p> <ol style="list-style-type: none"> 1. Presione TIMER SET-OFF (Fijar-Apagar el temporizador). 2. Presione las teclas numéricas para fijar la duración en hr-min-min. Por ejemplo, para 2 horas y 45 minutos, ingrese 2-4-5. No es necesario ingresar ceros iniciales. Por ejemplo, para 2 minutos, ingrese 2. 3. Presione TIMER SET-OFF (Fijar-Apagar el temporizador) para comenzar la cuenta regresiva. Si se lo activa, sonará un tono al final de la cuenta regresiva. 4. Presione TIMER SET-OFF (Fijar-Apagar el Temporizador) para cancelar el temporizador y volver a la hora del día. No presione la tecla Stop (Detener), ya que al hacerlo se apagará el horno. 5. Si el temporizador está haciendo la cuenta regresiva, pero no en la pantalla, presione TIMER SET-OFF (Fijar-Apagar el Temporizador) para mostrar la cuenta regresiva en la pantalla por 5 segundos.
START (Inicio)	Inicio de cocción	<p>La tecla Start (Inicio) iniciará cualquier función del horno. Si no se presiona Start (Inicio) en un plazo de 2 minutos después de haber presionado una tecla, la función se cancela y en la pantalla aparece la hora del día.</p>
STOP (Detener)	Función de la estufa	<p>La tecla Stop (Detener) detiene cualquier función del horno, con excepción de Clock (Reloj) y Timer (Temporizador).</p>

Botón	Función	Instrucciones
BAKE (Hornear)	Hornear y asar	<ol style="list-style-type: none"> 1. Presione BAKE (Hornear). 2. Presione las teclas numéricas para fijar la temperatura deseada. 3. Presione START (Inicio). 4. Para cambiar la temperatura, repita el paso 2. Presione START (Inicio). 5. Presione STOP (Detener) cuando haya terminado. <p>NOTA: El ventilador de convección se apagará cuando se abra la puerta del horno. Si la puerta del horno permanece abierta por mucho tiempo, los elementos calentadores no funcionarán hasta que se cierre la puerta del horno. Todos los temporizadores, incluidas las funciones de Cook Time (Tiempo de cocción) y Timed Cook (Cocción programada), continuarán la cuenta regresiva.</p>
STEAM BAKE (Hornear con vapor)	Hornear con vapor	<ol style="list-style-type: none"> 1. Introduzca la parrilla de vapor con depósito de agua en el horno. 2. Vierta 1¹/₂ tazas (350 mL) de agua tibia y destilada en el depósito de agua. <p>NOTA: No llene más allá de la marca de máximo Max.</p> <ol style="list-style-type: none"> 3. Presione STEAM BAKE (Hornear con vapor). 4. Presione el botón numérico para seleccionar la opción deseada de alimento. 5. Presione las teclas numéricas para fijar la temperatura. 6. Presione START (Inicio). 7. Introduzca el alimento cuando termine de precalentar. 8. (Opcional) Presione COOK TIME (Tiempo de cocción). Presione las teclas numéricas para fijar el tiempo de cocción. 9. Presione START (Inicio). 10. Presione STOP (Detener) cuando haya terminado. <p>NOTA: Deje que el horno se enfríe antes de quitar y vaciar el depósito de agua.</p> <p>NOTA: El ventilador de convección se apagará cuando se abra la puerta del horno. Si la puerta del horno permanece abierta por mucho tiempo, los elementos calentadores no funcionarán hasta que se cierre la puerta del horno. Todos los temporizadores, incluidas las funciones de Cook Time (Tiempo de cocción) y Timed Cook (Cocción programada), continuarán la cuenta regresiva.</p>
BROIL (Asar a la parrilla)	Asar a la parrilla	<ol style="list-style-type: none"> 1. Presione BROIL (Asar a la parrilla). 2. Presione las teclas numéricas para fijar la temperatura deseada. 3. Presione START (Inicio) y deje que el horno se precaliente durante 2 minutos. 4. Para cambiar la temperatura, repita los pasos 2 y 3. 5. Coloque los utensilios de cocina dentro del horno y cierre la puerta del horno. 6. Presione STOP (Detener) cuando haya terminado. <p>NOTA: El ventilador de convección se apagará cuando se abra la puerta del horno. Si la puerta del horno permanece abierta por mucho tiempo, los elementos calentadores no funcionarán hasta que se cierre la puerta del horno. Todos los temporizadores, incluidas las funciones de Cook Time (Tiempo de cocción) y Timed Cook (Cocción programada), continuarán la cuenta regresiva.</p>
AUTO CONVECTION BAKE (Horneado de convección automática)	Cocción por convección	<ol style="list-style-type: none"> 1. Presione BAKE (Hornear) en AUTO CONVECTION MODES (Modos de cocción por convección automáticos). 2. Presione 1 para convertir automáticamente la temperatura y el tiempo de cocción por convección del horno. Presione 2 para convertir manualmente la temperatura y el tiempo. 3. Presione las teclas numéricas para fijar la temperatura deseada. 4. Presione START (Inicio). 5. Para cambiar la temperatura, repita los pasos 3 y 4. 6. Presione STOP (Detener) cuando haya terminado. <p>NOTA: El ventilador de convección se apagará cuando se abra la puerta del horno. Si la puerta del horno permanece abierta por mucho tiempo, los elementos calentadores no funcionarán hasta que se cierre la puerta del horno. Todos los temporizadores, incluidas las funciones de Cook Time (Tiempo de cocción) y Timed Cook (Cocción programada), continuarán la cuenta regresiva.</p>

Botón	Función	Instrucciones
AUTO CONVECTION BROIL (Asar por convección automática)	Cocción por convección	<ol style="list-style-type: none"> 1. Presione BROIL (Asar a la parrilla) en AUTO CONVECTION MODES (Modos de cocción por convección automáticos). 2. Presione 1 para convertir automáticamente la temperatura y el tiempo de cocción por convección del horno. Presione 2 para convertir manualmente la temperatura y el tiempo. 3. Presione las teclas numéricas para fijar la temperatura deseada. 4. Presione START (Inicio). 5. Para cambiar la temperatura, repita los pasos 3 y 4. 6. Presione STOP (Detener) cuando haya terminado. <p>NOTA: El ventilador de convección se apagará cuando se abra la puerta del horno. Si la puerta del horno permanece abierta por mucho tiempo, los elementos calentadores no funcionarán hasta que se cierre la puerta del horno. Todos los temporizadores, incluidas las funciones de Cook Time (Tiempo de cocción) y Timed Cook (Cocción programada), continuarán la cuenta regresiva.</p>
AUTO CONVECTION ROAST (Asado de convección automática)	Cocción por convección	<ol style="list-style-type: none"> 1. Presione ROAST (Asar) en AUTO CONVECTION MODES (Modos de cocción por convección automáticos). 2. Presione 1 para convertir automáticamente la temperatura y el tiempo de cocción por convección del horno. Presione 2 para convertir manualmente la temperatura y el tiempo. 3. Presione las teclas numéricas para fijar la temperatura deseada. 4. Presione START (Inicio). 5. Para cambiar la temperatura, repita los pasos 3 y 4. 6. Presione STOP (Detener) cuando haya terminado. <p>NOTA: El ventilador de convección se apagará cuando se abra la puerta del horno. Si la puerta del horno permanece abierta por mucho tiempo, los elementos calentadores no funcionarán hasta que se cierre la puerta del horno. Todos los temporizadores, incluidas las funciones de Cook Time (Tiempo de cocción) y Timed Cook (Cocción programada), continuarán la cuenta regresiva.</p>
DOWNDRAFT HIGH/LOW/OFF (Tiro descendente Alto/Bajo/Apagado)	Ventilador de tiro descendente	<p>Presione HIGH (Alto) o LOW (Bajo) en DOWNDRAFT (Tiro descendente) para encender el ventilador de tiro descendente a la velocidad deseada.</p> <p>Presione OFF (Apagado) en DOWNDRAFT (Tiro descendente) para apagar de forma inmediata el ventilador de tiro descendente.</p>
KEEP WARM (Mantener caliente)	Mantener caliente	<p>Los alimentos deberán estar a la temperatura como para ser servidos antes de colocarlos en el horno caliente.</p> <ol style="list-style-type: none"> 1. Presione KEEP WARM (Mantener Caliente). 2. Presione las teclas numéricas para fijar la temperatura deseada. 3. Presione START (Inicio). 4. Para cambiar la temperatura, repita los pasos 2 y 3. 5. Presione STOP (Detener) cuando haya terminado. <p>NOTA: El ventilador de convección se apagará cuando se abra la puerta del horno. Si la puerta del horno permanece abierta por mucho tiempo, los elementos calentadores no funcionarán hasta que se cierre la puerta del horno. Todos los temporizadores, incluidas las funciones de Cook Time (Tiempo de cocción) y Timed Cook (Cocción programada), continuarán la cuenta regresiva.</p>
ACCELA HEAT (Capacidad térmica Accela)	Cocción sin precalentamiento	<p>Para cocinar sin precalentamiento:</p> <ol style="list-style-type: none"> 1. Presione ACCELA HEAT (Capacidad térmica Accela). 2. Presione las teclas numéricas para fijar la temperatura deseada. 3. Presione START (Inicio). 4. Para cambiar la temperatura, repita los pasos 2 y 3. 5. Presione STOP (Detener) cuando haya terminado.

Botón	Función	Instrucciones
DELAY START (Inicio Diferido)	Inicio diferido	La tecla Delay Start (Inicio Diferido) se utiliza para ingresar la hora en la que se va a iniciar una función del horno con un inicio diferido. Delay Start (Inicio Diferido) no debe usarse para alimentos tales como panes y pasteles, ya que tal vez no se horneen como es debido. Para fijar Timed Cook (Cocción Programada) o Delayed Timed Cook (Cocción Programada Diferida), consulte la sección "Tiempo de cocción".
COOK TIME (Tiempo de Cocción)	Cocción programada	La función Cook Time (Tiempo de Cocción) permite que el horno se fije para encenderse a una determinada hora del día, cocine durante un tiempo establecido y/o se apague automáticamente. Para fijar Timed Cook (Cocción Programada) o Delayed Timed Cook (Cocción Programada Diferida), consulte la sección "Tiempo de cocción".
LO TEMP CLEAN (Limpieza a Baja Temperatura)	Ciclo de limpieza	Vea la sección "Ciclo de limpieza".
START (hold 3 sec) (Inicio [presione por 3 segundos para bloquear])	Bloqueo de controles del horno	<ol style="list-style-type: none"> 1. Verifique que el horno esté apagado. 2. Mantenga presionada la tecla START (hold 3 sec) (Inicio [presione por 3 segundos para bloquear]) durante 3 segundos. 3. Sonará un tono y se desplazará "Control Locked" (Bloqueo de Control); luego aparecerá en la pantalla "Locked" (Bloqueado). 4. Repita para desbloquear. Cuando los controles estén bloqueados, no funcionará ninguna tecla. Las funciones de la superficie de cocción no se ven afectadas por el bloqueo del control del horno.

USO DE LA SUPERFICIE DE COCCIÓN

ADVERTENCIA



Peligro de Incendio

No permita que la llama del quemador se extienda más allá de la orilla de la cacerola.

Apague todos los controles cuando no esté cocinando.

No seguir estas instrucciones puede ocasionar la muerte o incendio.

Para ajustar:

1. Empuje hacia adentro y gire la perilla en sentido antihorario hasta LITE (Encendido).

Todos los quemadores de superficie harán un chasquido. Solamente producirá una llama el quemador cuya perilla de control esté en Lite (Encendido).

2. Gire la perilla hasta cualquier posición entre Hi (Alto) y Lo (Bajo).

RECUERDE: Cuando se esté usando la estufa, toda la superficie de cocción se calienta.

Corte de corriente

En el caso de un corte de corriente prolongado, los quemadores de la superficie pueden encenderse manualmente. Sostenga un cerillo encendido cerca del quemador y gire la perilla a la izquierda, a LITE (Encendido). Después de que se encienda el quemador, gire la perilla hasta el ajuste deseado.

Los encendedores eléctricos encienden automáticamente los quemadores de la superficie cuando las perillas de control se giran a la posición Lite (Encendido).

Coloque un utensilio de cocina lleno sobre la rejilla antes de ajustar una perilla de control. No use un quemador con utensilios de cocina vacíos o sin utensilios de cocina sobre la rejilla.

Quemadores de superficie

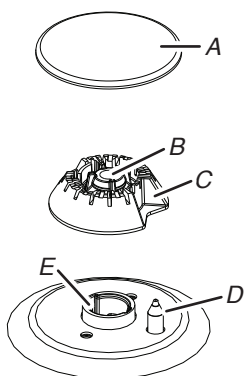
IMPORTANTE: No obstruya el flujo de aire de combustión y ventilación alrededor de los bordes de las rejillas de los quemadores.

Tapa del quemador: Siempre mantenga la tapa del quemador en su lugar cuando use un quemador de la superficie. Una tapa del quemador limpia ayudará a prevenir el encendido deficiente y las llamas desaparejas. Siempre limpie la tapa del quemador después de un derrame; quite y limpie periódicamente las tapas según la sección "Limpieza general".

NOTA: La base de cada quemador redondo tiene marcada una letra que indica el tamaño del quemador.

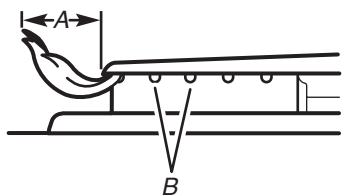
Alineamiento: Asegúrese de alinear la abertura del tubo de gas en la base del quemador con el soporte de orificio en la superficie de cocción y el electrodo encendedor con la muesca en la base del quemador.

NOTA: La base de cada quemador redondo tiene marcada una letra que indica el tamaño del quemador.



- A. Tapa del quemador
B. Abertura del tubo de gas
C. Base del quemador
D. Electrodo encendedor
E. Soporte de orificio

Apertura del tubo de gas: Debe haber flujo libre de gas a través de la abertura del tubo de gas para que el quemador se encienda como es debido. Mantenga esa zona libre de suciedad y no permita que ingresen salpicaduras, comida, productos de limpieza ni otros materiales en la abertura del tubo de gas. Para mantener las salpicaduras alejadas de la abertura del tubo de gas, coloque siempre una tapa en el quemador.



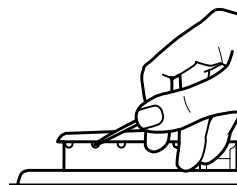
- A. 1" a 1 1/2" (2,5 cm a 3,8 cm)
B. Orificios de los quemadores

Orificios de los quemadores: Revise las llamas de los quemadores ocasionalmente para verificar que tengan el tamaño y la forma adecuados, como se muestra arriba. Una buena llama es de color azul, no amarillo. Mantenga esta zona libre de suciedad y no deje que entren salpicaduras, alimentos, agentes de limpieza ni otro material en los orificios de los quemadores.

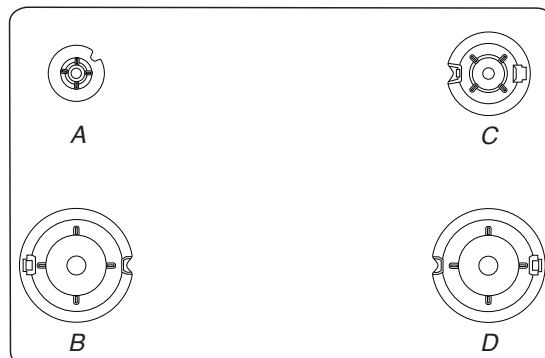
Para limpiar:

IMPORTANTE: Antes de limpiar, asegúrese de que todos los controles estén apagados y que la superficie de cocción esté fría. No use limpiadores para horno, blanqueador ni productos para quitar óxido. No lave en la lavavajillas.

1. Quite la tapa del quemador de la base del quemador y límpiela como se indica en la sección "Limpieza general".
2. Limpie la abertura del tubo de gas con un paño húmedo.
3. Limpie los orificios del quemador obstruidos con un alfiler recto, como se muestra. No agrande ni deforme el orificio. No use un palillo de dientes de madera. Si se debe regular el quemador, póngase en contacto con un especialista en reparaciones capacitado.

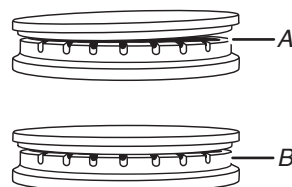


4. Vuelva a colocar la base del quemador. La base de cada quemador redondo tiene marcada una letra que indica el tamaño del quemador. Vea en la ilustración siguiente las posiciones de los quemadores.



- A. Pequeña (P)
B. Grande (L)
C. Intermedia (M)
D. Grande (L)

5. La tapa de cada quemador redondo tiene marcada una letra que indica el tamaño del quemador. Vuelva a colocar la tapa del quemador y asegúrese de que quede debidamente alineada con la base del quemador. La tapa de los quemadores no debe oscilar ni tambalearse si está debidamente alineada.



- A. Incorrecto
B. Correcto

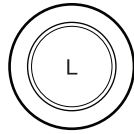
IMPORTANTE: Las bases de las tapas pequeñas e intermedias son distintas. No coloque una tapa de quemador equivocada sobre la base del quemador.



Tapa pequeña (P)



Tapa intermedia (M)



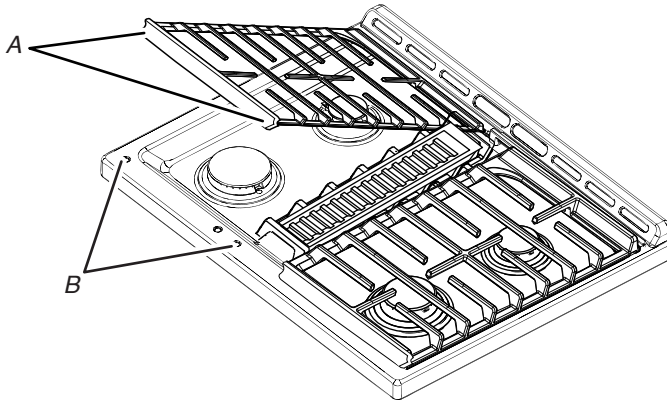
Tapa grande (L)

6. Encienda el quemador. Si el quemador no se enciende, verifique la alineación de la tapa. Si el quemador todavía no se enciende, ciérrelo. No intente reparar el quemador por su cuenta. Póngase en contacto con un especialista en reparaciones capacitado.

Rejillas de la superficie

Les grilles doivent être correctement positionnées avant la cuisson. Les grilles doivent être en affleurement et de niveau pour être en bonne position. Une mauvaise installation des grilles peut entraîner l'écaillage ou l'éraflage de la table de cuisson.

Para garantizar una colocación correcta, alinee los topes de la parte inferior de las rejillas con las hendiduras de la superficie de cocción.

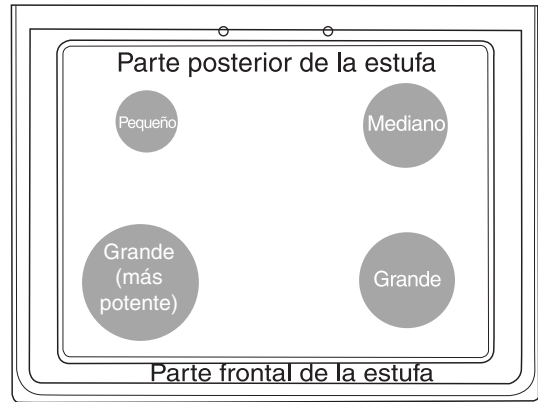


A. Parachoques
B. Hendiduras de alineación

Bien que les grilles de brûleurs soient durables, elles perdront progressivement de leur lustre et (ou) se décoloreront en raison des fortes températures produites par les flammes.

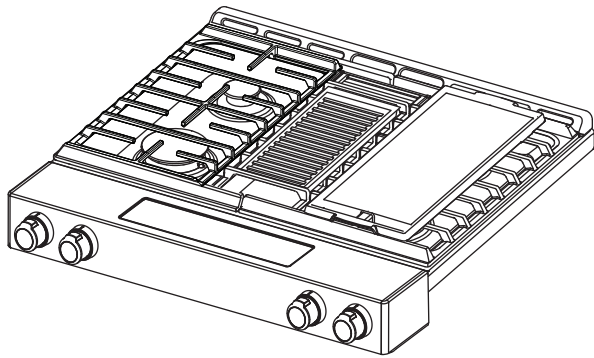
Tamaño del quemador

Seleccione un quemador cuyo tamaño sea el más adecuado para el utensilio de cocina. Vea la ilustración y la tabla siguientes.



Tamaño del quemador	Uso recomendado
Pequeño	<ul style="list-style-type: none"> ■ Cocción con calor bajo ■ Para derretir chocolate o mantequilla
Medium (Media)	<ul style="list-style-type: none"> ■ Quemador multiuso
Grande	<ul style="list-style-type: none"> ■ Para utensilios de cocina grandes
Grande (potencia máxima)	<ul style="list-style-type: none"> ■ Para utensilios de cocina grandes ■ El quemador más potente

Plancha



Plancha instalada en el lado derecho de la superficie de cocción

Para usar la plancha:

1. Ubique la plancha en la rejilla del lado derecho, como se muestra. Las patas de ubicación en la base de la plancha se engancharán a las puntas de la rejilla para evitar que la plancha se deslice.
2. Antes de cada uso, aplique con un pincel una capa delgada de aceite de cocina para evitar que se peguen los alimentos. Los rociadores de cocina pueden dejar un residuo pegajoso en la plancha, el cual es difícil de quitar.
3. Caliente previamente la plancha durante 5 minutos. El calentar despacio la plancha previamente asegurará una distribución uniforme del calor y evitará que la misma se deforme.
4. Para el precalentamiento y la cocción, ponga el quemador frontal en el ajuste de calor más bajo y el quemador posterior en el ajuste de fuego medio alto, para un mejor rendimiento.

NOTA: La plancha también puede usarse sobre la rejilla lateral izquierda. Para obtener mejores resultados, deberá fijarse el quemador posterior en el ajuste Medium-Low (Medio - Bajo) o Medium (Medio) y el quemador frontal deberá fijarse en el ajuste Low (Bajo).

Para limpiar la plancha:

1. Deje que la plancha se enfríe y vacíe la bandeja para goteos.
2. Vea las instrucciones de limpieza en la sección "Limpieza general".
3. Guarde la plancha en un área fresca y seca.

Sistema de ventilación de tiro descendente

El sistema de ventilación empotrado de tiro descendente quita los vapores, olores y humo provenientes de la cocción de los alimentos preparados en la superficie de cocción.

IMPORTANTE: Para un funcionamiento óptimo, el sistema de ventilación de tiro descendente debe tener el filtro correctamente instalado.

Para evitar la acumulación de grasa, el filtro debe limpiarse con frecuencia.

Para obtener más información sobre la colocación y limpieza adecuadas del filtro, vea "Sistema de ventilación de tiro descendente" en la sección "Limpieza general".

Utensilios de cocina

IMPORTANTE: No deje utensilios de cocina vacíos sobre un área de cocción, un elemento o un quemador de superficie calientes.

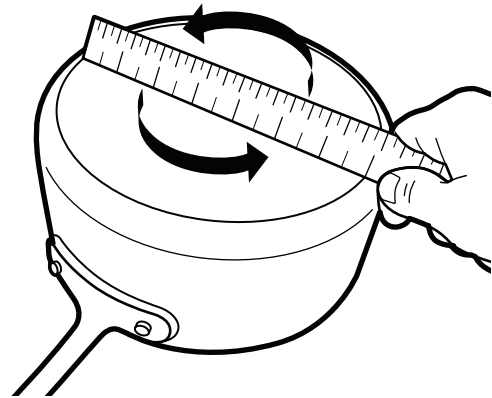
El utensilio de cocina ideal debe tener fondo plano, lados rectos, una tapa que encaje bien y el material debe ser de grosor mediano a pesado.

Los acabados ásperos pueden rayar la superficie de cocción o las bobinas de encendido. El aluminio y el cobre pueden usarse como centro o base del utensilio de cocina. Sin embargo, cuando se use como base puede dejar marcas permanentes en la superficie de cocción.

El material de los utensilios de cocción afecta al resultado porque influye en la rapidez y la uniformidad de la transferencia del calor.

No deben usarse utensilios de cocina con superficies antiadherentes debajo del asador.

Verifique si está plano colocando el borde derecho de una regla a lo largo del fondo del utensilio de cocina. Al girar la regla no debe haber espacio ni luz visible entre la regla y el utensilio de cocina.



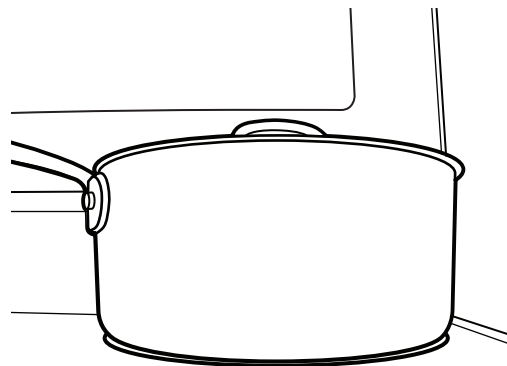
Utilice la tabla siguiente como guía de las características de los materiales de los utensilios de cocina.

Utensilios de cocina	Características
Aluminio	<ul style="list-style-type: none">■ Se calienta de manera rápida y uniforme.■ Sirve para todos los tipos de cocción.■ Los espesores medianos o pesados son óptimos para la mayoría de los trabajos de cocción.■ Pueden quedar residuos de aluminio, que se reducirán si se limpia inmediatamente después de la cocción.
Hierro fundido	<ul style="list-style-type: none">■ Se calienta de manera lenta y uniforme.■ Es bueno para dorar y freír.■ Mantiene el calor para una cocción lenta.■ Los bordes ásperos o las rebabas podrían rayar la superficie de cocción.

Utensilios de cocina	Características
Cerámica o vitrocerámica	<ul style="list-style-type: none"> ■ Siga las instrucciones del fabricante. ■ Calienta de manera lenta pero no uniforme. ■ Ofrece buenos resultados con los ajustes de calor bajo a medio. ■ Podría rayar la superficie de cocción.
Cobre	<ul style="list-style-type: none"> ■ Se calienta de manera rápida y uniforme. ■ Puede dejar residuos de cobre, que disminuirán si se limpia inmediatamente después de la cocción. ■ Podría dejar manchas permanentes o pegotes en la superficie de cocción si se calienta en exceso.
Barro cocido	<ul style="list-style-type: none"> ■ Siga las instrucciones del fabricante. ■ Use con ajustes de calor bajo. ■ Podría rayar la superficie de cocción.
Hierro fundido o acero con esmalte de porcelana	<ul style="list-style-type: none"> ■ Vea acero inoxidable o hierro fundido. ■ Los utensilios esmaltados sin base metálica pueden adherirse a la superficie de cocción si se calientan en exceso.
Acero inoxidable	<ul style="list-style-type: none"> ■ Se calienta de manera rápida pero no uniforme. ■ Un centro o una base de aluminio o cobre sobre acero inoxidable proporciona un calor uniforme.

Use utensilios de cocina con fondo plano para lograr los mejores resultados de cocción y un uso eficiente de energía. El recipiente de cocción deberá ser aproximadamente del mismo tamaño que el área de cocción descrita en la superficie de cocción o el elemento de bobina. Los utensilios de cocina no deben superar la zona o elemento de cocción más de 1/2" (13 mm).

El recipiente de cocción debe centrarse sobre el quemador, con el fondo nivelado en la parrilla. Deberá regularse la llama para que no se eleve por los costados del recipiente.



Envasado casero

Cuando esté haciendo enlatados por largos períodos, alterne el uso de los quemadores de la superficie entre una tanda y otra. Esto da tiempo para que se enfríen las áreas que se han usado recientemente.

- Centre el recipiente para envasado sobre la rejilla, encima del quemador.
- No coloque el recipiente para envasado sobre 2 quemadores de superficie a la vez.
- Para obtener más información, póngase en contacto con la oficina de extensión del departamento de agricultura local o consulte guías para envasado casero publicadas. También pueden ofrecer ayuda las compañías que fabrican productos para envasado casero.

USO DEL HORNO

Los olores y el humo son normales cuando el horno se usa las primeras veces o cuando tiene suciedad profunda.

IMPORTANTE: La salud de algunas aves es sumamente sensible a los gases emanados. La exposición a los gases puede ocasionar la muerte de ciertas aves. Traslade siempre las aves a otro cuarto cerrado y bien ventilado.

Controles electrónicos del horno

Pantalla de control

La pantalla destellará cuando se encienda o después de un corte de corriente. Presione STOP (Detener) para borrarla. Cuando el horno no está en uso, se muestra la hora del día. Si la estufa está en modo Energy Save (Ahorro de energía), la pantalla estará en blanco cuando no esté en uso.

Tonos

Los tonos son señales audibles que indican lo siguiente:

Un tono

- Tecla válida
- El horno está precalentado (tono largo).
- Se ha ingresado una función.
- Señal recordatoria, se repite cada minuto después de los cuatro tonos de fin de ciclo

Tres tonos

- Tecla no válida

Cuatro tonos

- Fin del ciclo

Use la tecla Settings/Clock (Ajustes/Reloj) para cambiar los ajustes de tono.

Ahorro de energía

El modo Energy Save (Ahorro de energía) sitúa la estufa en reposo y reduce el consumo de energía.

1. Presione SETTINGS/CLOCK (Ajustes/Reloj) hasta que aparezca en la pantalla "ENERGY SAVE" (Ahorro de energía).
2. Aparecerá el ajuste actual.
3. Presione el botón 1 para configurar el ajuste.
4. Presione START (Inicio) o STOP (Detener) para salir y para que se muestre la hora del día.

Ajustes

Muchas características del control del horno pueden regularse para satisfacer sus necesidades personales. Estos cambios se hacen con la tecla Settings/Clock (Ajustes/Reloj).

Use la tecla Settings/Clock (Ajustes/Reloj) para desplazarse por las funciones que se pueden cambiar. Cada vez que presione la tecla Settings/Clock (Ajustes/Reloj) la pantalla avanzará hasta el ajuste siguiente. Después de seleccionar la función que va a cambiar, el control le indicará qué botón debe presionar. A continuación presione START (Inicio) o STOP (Detener) para salir y para que se muestre la hora del día. En las secciones a continuación, se explican los detalles de todos los cambios en las características.

Presione STOP (Detener) para salir de Settings (Ajustes).

Reloj

El reloj puede usar un ciclo de 12 o 24 horas.

1. Presione SETTINGS/CLOCK (Ajustes/Reloj) hasta que aparezca en la pantalla "CLOCK" (Reloj).
2. Use los botones numéricos para fijar la hora del día.
3. Presione START (Inicio) para cambiar la hora.
4. Presione 3 para AM o 6 para PM.

Fahrenheit y Celsius

La temperatura está prefijada en Fahrenheit, pero puede cambiarse a Celsius.

1. Presione SETTINGS/CLOCK (Ajustes/Reloj) hasta que aparezca en la pantalla "TEMP UNIT" (Unidad de temperatura).
2. Aparecerá el ajuste actual.
3. Presione el botón 1 para configurar el ajuste.
4. Presione START (Inicio) o STOP (Detener) para salir y para que se muestre la hora del día.

Deshabilitar los tonos audibles

Apaga todos los tonos, incluso el de fin de ciclo y los tonos de las teclas. Los tonos recordatorios permanecen activados cuando todos los tonos se han desactivado.

1. Presione SETTINGS/CLOCK (Ajustes/Reloj) hasta que aparezca en la pantalla "SOUND" (Sonido).
2. Aparecerá el ajuste actual.
3. Presione el botón 1 para configurar el ajuste.
4. Presione START (Inicio) o STOP (Detener) para salir y para que se muestre la hora del día.

Volumen de sonido

Fija la intensidad del tono en alta o baja.

1. Presione SETTINGS/CLOCK (Ajustes/Reloj) hasta que aparezca en la pantalla "SOUND VOLUME" (Volumen de sonido).
2. Aparecerá el ajuste actual.
3. Presione el botón 1 para configurar el ajuste.
4. Presione START (Inicio) o STOP (Detener) para salir y para que se muestre la hora del día.

Tono de fin de ciclo

Activa o apaga los tonos que se escuchan al final de un ciclo.

1. Presione SETTINGS/CLOCK (Ajustes/Reloj) hasta que aparezca en la pantalla "END TONE" (Tono de final).
2. Aparecerá el ajuste actual.
3. Presione el botón 1 para configurar el ajuste.
4. Presione START (Inicio) o STOP (Detener) para salir y para que se muestre la hora del día.

Tonos del teclado

Activa o apaga los tonos que se escuchan cuando se presiona una tecla.

1. Presione SETTINGS/CLOCK (Ajustes/Reloj) hasta que aparezca en la pantalla "KEYPRESS TONE" (Tono de Teclas).
2. Aparecerá el ajuste actual.
3. Presione el botón 1 para configurar el ajuste.
4. Presione START (Inicio) o STOP (Detener) para salir y para que se muestre la hora del día.

Deshabilitar los tonos recordatorios

Apaga el tono breve que se repite cada 1 minuto después de los tonos de fin de ciclo.

1. Presione SETTINGS/CLOCK (Ajustes/Reloj) hasta que aparezca en la pantalla "REMINDER TONE" (Tono recordatorio).
2. Aparecerá el ajuste actual.
3. Presione el botón 1 para configurar el ajuste.
4. Presione START (Inicio) o STOP (Detener) para salir y para que se muestre la hora del día.

Reloj de 12/24 horas

1. Presione SETTINGS/CLOCK (Ajustes/Reloj) hasta que en la pantalla aparezca "12/24 HOUR".
2. Aparecerá el ajuste actual.
3. Presione el botón 1 para configurar el ajuste.
4. Presione START (Inicio) o STOP (Detener) para salir y para que se muestre la hora del día.

Modo de demostración

IMPORTANTE: Esta característica está destinada al uso en el salón de ventas con una conexión eléctrica de 120 V y permite demostrar las características de control sin que se encienda el horno. Si se activa esta característica, el horno no funcionará.

1. Presione SETTINGS/CLOCK (Ajustes/Reloj) hasta que aparezca en la pantalla "DEMO MODE" (Modo de Demostración).
2. Aparecerá el ajuste actual.
3. Presione el botón 1 para configurar el ajuste.
4. Presione START (Inicio) o STOP (Detener) para salir y para que se muestre la hora del día.

Modo Sabbath (Día de Descanso)

El modo Sabbath (Día de Descanso) fija el horno para que permanezca encendido en un ajuste para hornear hasta que sea apagado.

Cuando se fije el modo Sabbath (Día de Descanso), solamente funcionará el ciclo Bake (Hornear). Todos los demás ciclos de cocción y limpieza estarán deshabilitados. No sonará ningún tono y la pantalla no indicará los cambios de temperatura.

Cuando se abra o se cierre la puerta del horno, la luz no se encenderá ni apagará y los elementos calentadores no se encenderán ni apagarán de inmediato.

Para activar la capacidad de usar Sabbath Mode (Modo de descanso) (sólo una vez):

1. Presione SETTINGS/CLOCK (Ajustes/Reloj) hasta que aparezca en la pantalla "SABBATH" (Día de Descanso).
2. Aparecerá el ajuste actual.
3. Presione el botón 1 para configurar el ajuste.
4. Presione START (Inicio) o STOP (Detener) para salir y para que se muestre la hora del día.

Apagado después de 12 horas

El control del horno se fija para apagarlo automáticamente 12 horas después de que haya comenzado la función de cocción o de limpieza. Esto no interfiere con ninguna función de cocción programada ni diferida.

1. Presione SETTINGS/CLOCK (Ajustes/Reloj) hasta que aparezca en la pantalla "12Hr AUTO_OFF" (Apagado Después De 12 Horas).
2. Aparecerá el ajuste actual.
3. Presione el botón 1 para configurar el ajuste.
4. Presione START (Inicio) o STOP (Detener) para salir y para que se muestre la hora del día.

Idiomas — Texto que se desplaza en la pantalla

Las opciones de idioma son inglés, español y francés.

1. Presione SETTINGS/CLOCK (Ajustes/Reloj) hasta que aparezca en la pantalla "LANGUAGE" (Idioma).
2. Aparecerá el ajuste actual.
3. Presione las teclas 1 o 2 para seleccionar el idioma.
4. Presione START (Inicio) o STOP (Detener) para salir y para que se muestre la hora del día.

Control de compensación de la temperatura del horno

IMPORTANTE: No use un termómetro para medir la temperatura del horno. Los elementos se encenderán y se apagarán según sea necesario para brindar una temperatura uniforme, pero es posible que funcione en algún momento ligeramente caliente o frío a causa de este ciclo. La mayoría de los termómetros son lentos para reaccionar a los cambios de temperatura y no brindarán una lectura precisa a causa de este ciclo.

El horno proporciona temperaturas exactas; sin embargo, es posible que cocine más rápido o más despacio que su horno anterior, de manera que se puede ajustar la temperatura para adecuarla a sus necesidades de cocción. Puede cambiarse a Fahrenheit o a Celsius.

Para ajustar la temperatura del horno:

1. Presione SETTINGS/CLOCK (Ajustes/Reloj) hasta que aparezca en la pantalla "TEMP CALIB" (Calibración de Temperatura).
2. En algunos modelos, presione 1 para ajustar la temperatura del cajón. Presione START (Inicio), espere 10 segundos hasta que cambie la pantalla, y continúe con el paso 3.

O BIEN

Presione START (inicio) para ajustar la calibración de la temperatura del horno. Espere 10 segundos hasta que cambie la pantalla y continúe con el paso 3.

3. Presione el botón 3 para aumentar la temperatura en incrementos de 5°F (3°C), o presione el botón 6 para disminuir la temperatura en incrementos de 5°F (3°C). La escala de desviación es de -30°F a +30°F (de -18°C a +18°C).
4. Presione START (Inicio) o STOP (Detener) para salir y para que se muestre la hora del día.

Ejemplo: Después de un ajuste de incremento de 5°F (3°C), el horno cocina a 305°F (152°C) mientras que la pantalla indica 300°F (149°C).

Modo de descanso

El modo Sabbath (Modo de Descanso) fija el horno para que permanezca encendido en un ajuste para hornear hasta que se apague.

Cuando se fije el modo Sabbath (Modo de descanso), solamente funcionará el ciclo Bake (Hornear). Todos los demás ciclos de cocción y limpieza estarán deshabilitados. No sonará ningún tono y la pantalla no indicará los cambios de temperatura.

Cuando se abra o se cierre la puerta del horno, la luz no se encenderá ni apagará y los elementos calentadores no se encenderán ni apagará de inmediato.

Para activar la capacidad de usar Sabbath Mode (Modo de Descanso) (sólo una vez):

1. Presione SETTINGS/CLOCK (Ajustes/Reloj) hasta que aparezca en la pantalla "SABBATH" (Día de Descanso). "OFF. Press (1) for On" (Apagado. Presione [1] para On [Encendido]) y podrá avanzar en la pantalla.
2. Presione la tecla 1. "ON. Press (1) for Off" (Encendido. Presione [1] para Off [Apagado]) y podrá avanzar en la pantalla. El modo de descanso se puede activar para hornear.
3. Presione START (Inicio) o STOP (Detener) para salir y para que se muestre la hora del día.

NOTA: Para desactivar el modo de descanso repita los pasos del 1 al 3 con el fin de cambiar el estado de "SABBATH ON" (activado) a "SABBATH OFF" (desactivado).

Para activar el modo Sabbath (modo de descanso):

1. Presione BAKE (Hornear).
2. Presione las teclas numéricas para ingresar una temperatura diferente de la que aparece en la pantalla.
3. Presione START (Inicio).

Para la cocción programada en Sabbath Mode (Modo de descanso), presione COOK TIME (Tiempo de Cocción) y luego las teclas numéricas para fijar el tiempo de cocción deseado. Presione START (Inicio).

4. Presione SETTINGS/CLOCK (Ajustes/Reloj). Luego presione 7. Aparecerá "Sab" en la pantalla.

Para ajustar la temperatura (cuando el modo Sabbath [modo de descanso] está funcionando):

1. Presione el botón numérico según se indique en el texto que se desplaza en la pantalla para seleccionar una nueva temperatura.

NOTA: El ajuste de temperatura no aparecerá en la pantalla y no sonará ningún tono. En la pantalla aparece el texto que había antes de presionar la tecla.

2. Presione START (Inicio).

Para activar un modo de descanso habilitado:

ADVERTENCIA

Peligro de Intoxicación Alimentaria

No deje sus alimentos en el horno por más de una hora antes o después de su cocción.

No seguir esta instrucción puede ocasionar intoxicación alimentaria o enfermedad.

1. Presione BAKE (Hornear).
2. Presione las teclas numéricas para ingresar una temperatura diferente de la que aparece en la pantalla.
3. Presione COOK TIME (Tiempo de Cocción).
4. Presione los botones numéricos para ingresar la duración del tiempo de cocción.
5. Presione DELAY START (Inicio Diferido).
6. Presione las teclas numéricas para ingresar la cantidad de horas y/o minutos que quiera retrasar la hora de inicio.
7. Presione START (Inicio).
8. Presione SETTINGS/CLOCK (Ajustes/Reloj). Luego presione 7. Aparecerá "SAb" en la pantalla.
El horno se encenderá automáticamente cuando haya alcanzado la hora de inicio.

Para desactivar el modo Sabbath (modo de descanso):

Presione SETTINGS/CLOCK (Ajustes/Reloj) y luego 7 para volver al horneado normal o presione STOP (Detener) para apagar la estufa.



Para obtener asistencia, instrucciones sobre el uso correcto y una lista completa de modelos con la función Sabbath, visite www.star-k.org.

Mantenimiento caliente

ADVERTENCIA

Peligro de Intoxicación Alimentaria

No deje sus alimentos en el horno por más de una hora antes o después de su cocción.

No seguir esta instrucción puede ocasionar intoxicación alimentaria o enfermedad.

NOTA: El ventilador de convección se apagará cuando se abra la puerta del horno. Si la puerta del horno permanece abierta por mucho tiempo, los elementos calentadores no funcionarán hasta que se cierre la puerta del horno. Todos los temporizadores, incluidas las funciones de Cook Time (Tiempo de cocción) y Timed Cook (Cocción programada), continuarán la cuenta regresiva.

IMPORTANTE: Los alimentos deberán estar a la temperatura como para ser servidos antes de colocarlos en el horno caliente. Los alimentos se pueden mantener adentro por hasta 1 hora. Sin embargo, panes y estofados se pueden secar mucho si se dejan en el horno con la función Keep Warm (Mantener Caliente). Para obtener resultados óptimos, cubra los alimentos.

La característica de Keep Warm (Mantener Caliente) le permite mantener los alimentos cocidos a una temperatura lista para servirse.

Cómo usar:

1. Presione KEEP WARM (Mantener Caliente).
2. Presione las teclas numéricas para fijar la temperatura deseada. Se emite un sonido cuando se alcanza la temperatura mínima o máxima.
3. Presione START (Inicio).
4. Coloque los alimentos en el horno.
5. Presione STOP (Detener) cuando haya terminado.

NOTA: La temperatura puede cambiarse en cualquier momento repitiendo los pasos 2 y 3.

Papel de aluminio

IMPORTANTE: Para evitar daños permanentes en el acabado del piso del horno, no lo cubra con ningún tipo de papel de aluminio o revestimiento.

Para obtener resultados de cocción óptimos, no cubra toda la parrilla del horno con papel de aluminio, ya que el aire debe poder circular libremente.

Posición de las parrillas y los utensilios para hornear

IMPORTANTE: Para evitar daños permanentes en el acabado de porcelana, no coloque alimentos ni utensilios para hornear directamente sobre la puerta o el piso del horno.

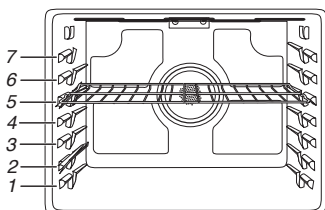
Utensilios para hornear

Para una cocción uniforme del alimento, el aire caliente debe poder circular. Deje 2" (5 cm) libres alrededor del utensilio para hornear y las paredes del horno. Asegúrese de que ningún utensilio para hornear esté directamente encima de otro.

Parrillas

- Coloque las parrillas antes de encender el horno.
- No coloque parrillas con utensilios para hornear encima.
- Asegúrese de que las parrillas estén niveladas.

Para ubicar una parrilla, retírela hasta la posición de tope, levante el borde delantero y luego sáquela. Use como guía la ilustración y la tabla siguientes.

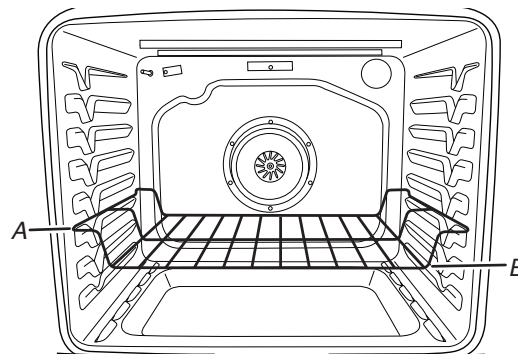


El horno tiene 7 posiciones para una parrilla plana, como se muestra en la ilustración anterior y en la tabla a continuación.

Posición de parrilla plana*	Tipo de alimento
7	Asar a la parrilla/dorar rápidamente carnes, hamburguesas y filetes
6	Carnes, pollo y pescado asados a la parrilla
3 o 4	La mayoría de los alimentos horneados, guisados, alimentos congelados
2	Carnes asadas
1	Asados o aves grandes

Para que las hamburguesas tengan un exterior bien dorado y un interior a punto, use una parrilla plana en la posición de parrilla 7. El lado 1 debe cocinarse durante aproximadamente 2¹/₂ a 3¹/₂ minutos. El lado 2 debe cocinarse durante aproximadamente 4 a 5 minutos. Es normal que haya un grado moderado de humo cuando se asa a la parrilla.

*Si su modelo tiene una parrilla de horno de máxima capacidad, los extremos en relieve deberán colocarse en la posición de parrilla por encima de la posición deseada para el alimento. Vea la siguiente ilustración.



A. Extremos de la parrilla en la posición 3
B. Alimento en la posición 2

IMPORTANTE: Estas posiciones de parrilla son para las parrillas planas. Si se usa una parrilla de horno de máxima capacidad, la posición de la parrilla debe ajustarse como se muestra en la figura anterior.

Cocción en varias parrillas

Dos parrillas (sin convección): Use las posiciones de parrilla 2 y 5 o 3 y 6.

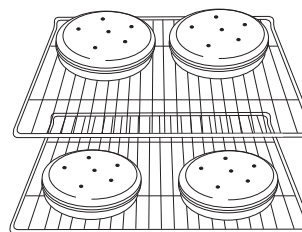
Dos parrillas (a convección): Use las posiciones de parrilla 2 y 5 o 3 y 6.

Tres parrillas (a convección): Use las posiciones de parrilla 2 y 7 y una parrilla de horno de máxima capacidad en la posición de parrilla 5.

Horneado de galletas y pasteles de capas en dos parrillas

Horneado de pasteles de capas

Para obtener resultados óptimos cuando se hornean pasteles en dos parrillas, use la función Bake (Horneado), una parrilla plana en la posición de parrilla 5 y una parrilla plana en la posición de parrilla 2. Si no dispone de dos parrillas planas, utilice una parrilla de horno de máxima capacidad en la posición de parrilla 6. Coloque los pasteles en las parrillas como se muestra. Deje un espacio de al menos 3" (7,6 cm) entre la parte delantera de las parrillas y los pasteles delanteros.



Horneado de galletas

Para obtener resultados óptimos cuando se hornean galletas en dos parrillas, use la función Convection Bake (Horneado por convección), una parrilla plana en la posición de parrilla 6 y una parrilla plana en la posición de parrilla 3.

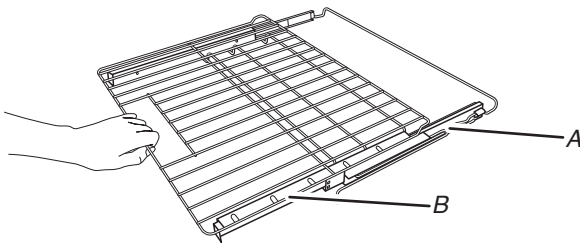
Si no dispone de dos parrillas planas, utilice una parrilla plana en la posición 2 y una parrilla de horno de máxima capacidad en la posición 6.

Si no dispone de la función Convection Bake, utilice la función Bake estándar.

Parrilla extraíble

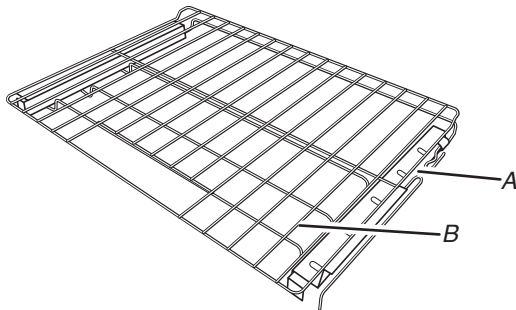
La parrilla extraíble permite un acceso fácil para colocar y quitar alimentos del horno. No se recomienda usar una parrilla deslizable en la parrilla superior, posición 7, o en la parrilla inferior, posición 1.

Posición abierta



A. Marco de la parrilla
B. Parrilla deslizable

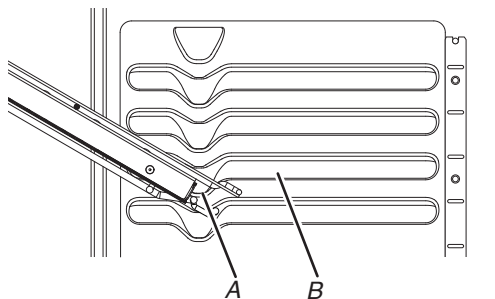
Posición cerrada y enganchada



A. Marco de la parrilla
B. Parrilla deslizable

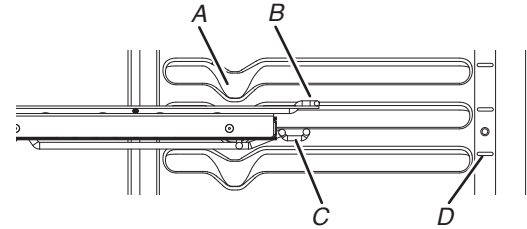
Cómo insertar la parrilla deslizable:

1. Levante el frente del conjunto de la parrilla e inserte el marco de la parrilla en el recorte en "V" en las guías de la parrilla de la cavidad del horno.



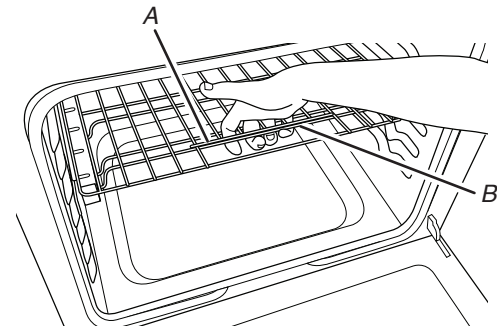
A. Recorte en "V"
B. Guías de la parrilla

2. Mantenga levantado en ángulo el conjunto de la parrilla y luego, empuje hacia adentro hasta pasar el recorte inferior en "V".
3. Baje el frente del conjunto de la parrilla y deslícelo suavemente en el horno, pasando los recortes en "V". Empuje el conjunto de la parrilla dentro del horno hasta que se detenga en la escalera de la parte posterior del horno.



A. Recorte en "V"
B. Guías de la parrilla
C. Gancho de la escalera
D. Escalera

4. Alcance la parrilla para agarrar la parrilla deslizable y la barra transversal frontal. Levante la parte frontal del conjunto de la parrilla y empuje el conjunto hacia la parte posterior del horno. Baje la parte frontal del conjunto de la parrilla para que el gancho de la escalera encaje con la escalera a ambos lados del horno.



A. Parrilla deslizable
B. Barra transversal frontal

Cómo quitar la parrilla deslizable:

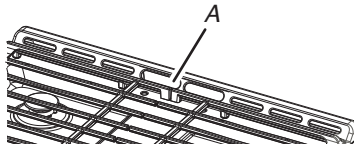
1. Empuje la parrilla deslizable completamente de modo que quede en la posición cerrada y enganchada.
2. Levante la parte frontal del conjunto de la parrilla para que el gancho de la escalera se desenganche de las escaleras de la parte trasera del horno y jale el conjunto de la parrilla hacia adelante.
3. Jale suavemente con las 2 manos la parrilla deslizable y el marco de la misma, a la misma vez, hasta el recorte en "V". Levante la parrilla en ángulo de modo que la parte frontal quede más alta que la parte posterior; jale suavemente la parrilla hasta pasar el recorte en "V" y luego, sáquela del horno.

Para evitar que se dañe la parrilla deslizable, no coloque más de 25 lb (11,4 kg) sobre la misma.

No lave la parrilla deslizable en la lavavajillas. Puede quitar el lubricante de la parrilla y afectar su capacidad de deslizamiento.

Vea la sección "Limpieza general" para obtener más información.

Ventilación del horno



A. Ventilación del horno

La ventilación del horno libera aire caliente y humedad del horno y no debe bloquearse ni taparse; de lo contrario, se producirá una circulación de aire deficiente que afectará los resultados de la cocción y de la limpieza. No coloque objetos de plástico, papel u otros artículos que podrían derretirse o quemarse cerca de la ventilación del horno.

Cómo hornear y asar

NOTA: El ventilador de convección se apagará cuando se abra la puerta del horno. Si la puerta del horno permanece abierta por mucho tiempo, los elementos calentadores no funcionarán hasta que se cierre la puerta del horno. Todos los temporizadores, incluidas las funciones de Cook Time (Tiempo de cocción) y Timed Cook (Cocción programada), continuarán la cuenta regresiva.

Precalentamiento

Cuando comience un ciclo de horneado, horneado por convección o asado por convección, el horno comenzará a precalentarse luego de presionar el botón Start (Inicio). El horno tardará 12 a 15 minutos aproximadamente para alcanzar 350 °F (177 °C) con todas las parrillas de horno provistas con el horno dentro de la cavidad. Cuanto mayor sea la temperatura, más tiempo tomará precalentar el horno. El ciclo de precalentamiento aumenta rápidamente la temperatura del horno. La temperatura real del horno superará la temperatura fijada para compensar la pérdida de calor cuando se abra la puerta del horno para introducir los alimentos. Esto asegura que el horno comience a la temperatura correcta cuando se coloquen los alimentos en el horno. Introduzca el alimento cuando suene el tono de precalentamiento. No abra la puerta durante el precalentamiento antes de que suene el tono.

Capacidad térmica Accela

Utilice la función de Capacidad térmica Accela cuando desee comenzar a cocinar de inmediato, sin necesidad de precalentar. Esta función ofrece buenos resultados cuando prepara alimentos precocinados, como rollos de canela, pizza congelada, tocino, papas fritas y frituras de papas. Durante el uso de esta función, los elementos de horneado o asado se encienden y apagan a intervalos, mientras el ventilador hace circular aire caliente. La Capacidad térmica Accela está diseñada para horneado en una rejilla. Para obtener los mejores resultados, use una rejilla plana en la posición 3 y use platos con bordes bajos o sin bordes. Esto permite que el aire circule alrededor de los alimentos de manera uniforme.

No abra la puerta del horno con frecuencia. Si abre la puerta del horno, reducirá la temperatura en su interior y puede prolongar el tiempo de cocción. Verifique el tiempo de cocción de los alimentos en las instrucciones del envase. Es posible que deba dejar los alimentos unos minutos más para su cocción completa.

Temperatura del horno

Mientras está en uso, los elementos del horno se encenderán y se apagarán según sea necesario para mantener una temperatura constante, pero es posible que funcione en algún momento ligeramente caliente o frío a causa de este ciclo. Si se abre la puerta del horno mientras se encuentra en uso, se liberará aire caliente y el horno se enfriará, lo que podría afectar el tiempo y el rendimiento de la cocción. Se recomienda usar la luz del horno para controlar el progreso de cocción.

NOTA: En los modelos con convección, el ventilador de convección puede funcionar en el modo de horneado sin convección para mejorar el rendimiento del horno.

Sistema de control de temperatura

El sistema de control de temperatura regula electrónicamente los niveles de calor del horno durante el precalentamiento y el horneado para mantener una temperatura precisa y obtener resultados de cocción óptimos. Los elementos o quemadores de hornear y asar a la parrilla tendrán ciclos con encendido y apagado a intervalos. En los modelos de estufas con convección, el ventilador se encenderá mientras la estufa se está precalentando, y se enciende y apaga a intervalos cortos durante el horneado para proveer los mejores resultados. Esta función se activa automáticamente cuando el horno está en uso.

Antes de hornear o asar, coloque las parrillas según la sección "Posición de las parrillas y los utensilios para hornear".

Al asar, no es necesario esperar a que termine el ciclo de precalentamiento del horno antes de colocar los alimentos, a menos que la receta de cocina lo recomiende.

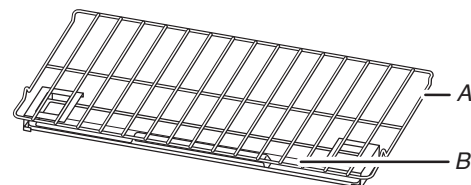
Hornear con vapor

La función Steam Bake (Hornear con vapor) funciona junto con la parrilla de vapor para proporcionar mayor humedad durante el horneado. La parrilla de vapor tiene un depósito de agua que se calienta y libera vapor dentro de la cavidad del horno durante el ciclo de horneado con vapor. Se pueden elegir tres opciones preprogramadas para alimentos: Breads (Panes), Desserts (Postres) y Fish (Pescados), así como una opción Refresh/Reheat (Reacondicionar/Recalentar).

Para un rendimiento óptimo, coloque la parrilla de vapor en la posición más baja disponible para las parrillas en la cavidad y vierta 1½ tazas (350 mL) de agua tibia y destilada en el depósito. No llene más allá del nivel indicado Max (Máximo) en el depósito.

NOTA: Si usa agua destilada, puede evitar la acumulación de calcio y los depósitos de mineral.

Una vez completo el ciclo de horneado con vapor, es posible que quede algo de agua en el depósito. Eso es normal. Espere hasta que el horno se enfríe y deseche el agua.



A. Parrilla de vapor
B. Depósito de agua

Asar a la parrilla

NOTA: El ventilador de convección se apagará cuando se abra la puerta del horno. Si la puerta del horno permanece abierta por mucho tiempo, los elementos calentadores no funcionarán hasta que se cierre la puerta del horno. Todos los temporizadores, incluidas las funciones de Cook Time (Tiempo de cocción) y Timed Cook (Cocción programada), continuarán la cuenta regresiva.

Cuando ase a la parrilla, precaliente el horno durante 2 minutos antes de colocar los alimentos, a menos que se recomiende otra cosa en la receta. Coloque los alimentos sobre una rejilla en una bandeja para asar y después ubíquelos en el centro de la parrilla del horno.

IMPORTANTE: Cierre la puerta para garantizar una temperatura adecuada para asar.

El ajuste de temperatura más baja para asar aumenta el tiempo de cocción, pero permite controlar en forma más precisa la cocción. Cuanto más bajo sea el ajuste de temperatura, más lenta será la cocción. Los cortes más gruesos y los trozos de carne, pescado y ave con forma irregular se pueden cocinar mejor a ajustes para asar a la parrilla más bajos. Use las parrillas 6 o 7 para asar a la parrilla. Consulte la sección “Posición de las parrillas y los utensilios para hornear” para obtener más información.

Con los ajustes más bajos, el elemento para asar a la parrilla se encenderá y se apagará para mantener la temperatura adecuada.

■ Para obtener resultados óptimos, utilice una bandeja para asar con rejilla. Se han diseñado para drenar los jugos y evitar salpicaduras y humo.

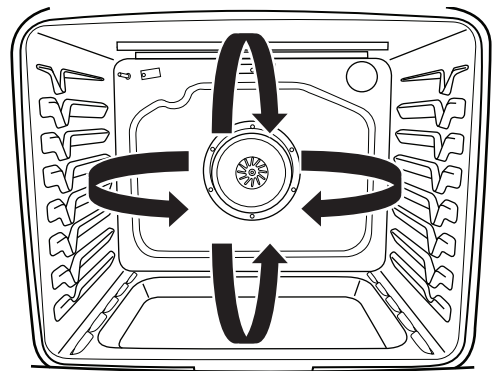
Para hacer un pedido de una charola para asar, puede hacer un pedido con la referencia de pieza 4396923 a sears.com. Consulte la contratapa de esta Guía de Uso y cuidado para obtener información adicional.

NOTA: Es normal que el horno despidiera olores y humo con los primeros usos o si contiene una gran suciedad.

Cocción por convección

NOTA: El ventilador de convección se apagará cuando se abra la puerta del horno. Si la puerta del horno permanece abierta por mucho tiempo, los elementos calentadores no funcionarán hasta que se cierre la puerta del horno. Todos los temporizadores, incluidas las funciones de Cook Time (Tiempo de cocción) y Timed Cook (Cocción programada), continuarán la cuenta regresiva.

En un horno por convección, el aire caliente que hace circular el ventilador distribuye el calor continuamente y con más uniformidad que el movimiento natural del aire en un horno térmico estándar. Este movimiento de aire caliente ayuda a mantener una temperatura uniforme en todo el horno, cocina los alimentos más uniformemente y deja las superficies crujientes a la vez que atrapa la humedad y hace que los panes salgan con cortezas más crujientes.



Durante el horneado o asado por convección, el ciclo de horneado, asado a la parrilla y de los elementos de convección se enciende y apaga a intervalos, mientras el ventilador hace circular aire caliente. Durante el asado a la parrilla por convección, el ciclo de los elementos de asado a la parrilla y convección se enciende y apaga.

Si se abre la puerta del horno durante la cocción por convección, el ventilador se apagará de inmediato. Se encenderá nuevamente cuando se cierre la puerta del horno.

Por medio de la cocción por convección, la mayoría de los alimentos puede cocinarse a una temperatura más baja y/o un tiempo de cocción menor que en un horno térmico estándar. Utilice la tabla siguiente como guía.

Modo de cocción por convección	Indicaciones de tiempo/temp.
Horneado por convección	25°F (15°C) temperatura menor, posible reducción del tiempo de cocción
Asado por convección	Reducción del tiempo de cocción en hasta un 30%
Asado a la parrilla por convección	Reducción del tiempo de cocción

Opciones para la convección

Horneado por convección: horneado en varias parrillas para galletas, bizcochos, panes, guisados, tartas, tortas y pasteles.

Asar por convección: pollo o pavo entero, verduras, asados de cerdo y de carne de res

Asar a la parrilla por convección: cortes más gruesos o piezas de carne, pescado o ave de forma irregular

Tiempo de cocción

ADVERTENCIA

Peligro de Intoxicación Alimentaria

No deje sus alimentos en el horno por más de una hora antes o después de su cocción.

No seguir esta instrucción puede ocasionar intoxicación alimentaria o enfermedad.

Para fijar una cocción programada:

1. Presione BAKE (Hornear), BROIL (Asar), AUTO CONVECTION BAKE (Horneado de convección automática), AUTO CONVECTION BROIL (Asar por convección automática), o AUTO CONVECTION ROAST (Asado de convección automática).
2. Presione las teclas numéricas para ingresar una temperatura diferente de la que aparece en la pantalla.
3. Presione COOK TIME (Tiempo de Cocción). Se encenderá la luz indicadora de Cook Time (Tiempo de Cocción).
4. Presione las teclas numéricas para ingresar la duración del tiempo de cocción.
5. Presione START (Inicio). En la pantalla aparecerá la cuenta regresiva del tiempo. Cuando finalice el tiempo, el horno se apagará automáticamente.
6. Presione STOP (Detener) para borrar la pantalla.

Para fijar una cocción programada diferida:

1. Presione BAKE (Hornear), BROIL (Asar), AUTO CONVECTION BAKE (Horneado de convección automática), AUTO CONVECTION BROIL (Asar por convección automática), o AUTO CONVECTION ROAST (Asado de convección automática).
2. Presione las teclas numéricas para ingresar una temperatura diferente de la que aparece en la pantalla.
3. Presione COOK TIME (Tiempo de Cocción). Se encenderá la luz indicadora de Cook Time (Tiempo de Cocción).
4. Presione los botones numéricos para ingresar la duración del tiempo de cocción.
5. Presione DELAY START (Inicio Diferido).
6. Presione los botones numéricos para ingresar la cantidad de horas y/o minutos que quiera retrasar la hora de inicio.
7. Presione START (Inicio).
El horno se encenderá automáticamente cuando haya alcanzado la hora de inicio. El ajuste de la temperatura y/o el tiempo se pueden cambiar en cualquier momento después de presionar Start (Inicio) y repetir los pasos del 2 al 7. Cuando termine el tiempo de cocción fijado, el horno se apagará automáticamente.
8. Presione STOP (Detener) para borrar la pantalla.

Sonda para carnes (en algunos modelos)

La sonda para carnes mide con exactitud la temperatura interna de carnes, aves y guisados con líquido y se debe usar para determinar el punto de cocción de la carne y el pollo.

Esta sonda para carnes funciona como un dispositivo independiente y no se conecta al horno. Cuando use la sonda para carnes, siga las instrucciones.

Para evitar que se dañe, no deje la sonda para carnes en hornos de limpieza automática mientras el ciclo esté en ejecución.

CUIDADO DE LA ESTUFA

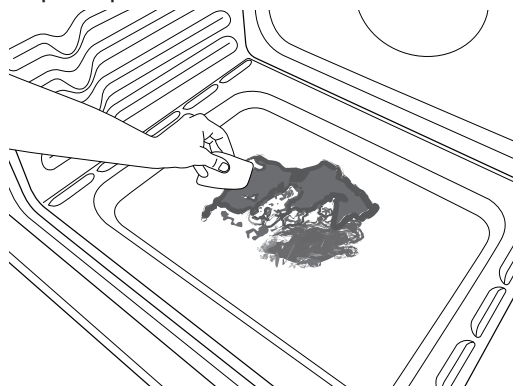
Ciclo de limpieza

Lo Temp Clean (Limpieza a Baja Temperatura) es una solución de limpieza innovadora que utiliza calor y agua para aflojar en menos de 1 hora las salpicaduras quemadas y adheridas al horno. Esta nueva tecnología de limpieza presenta una alternativa de calor bajo y sin olor frente a las opciones tradicionales de autolimpieza.

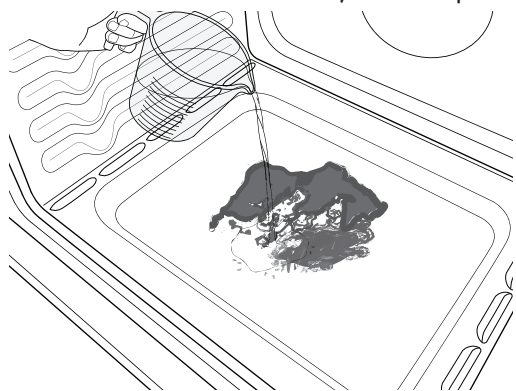
Deje que el horno se enfríe a temperatura ambiente antes de usar el ciclo Clean (Limpieza). Si la temperatura de la cavidad del horno es mayor de 200 °F (93 °C), aparecerá "Oven Cooling" (Enfriamiento del Horno) en la pantalla y el ciclo de limpieza no se activará hasta que la cavidad del horno se haya enfriado.

Para limpiar:

1. Quite todas las parrillas y los accesorios de la cavidad del horno y limpie el exceso de suciedad. Use un raspador de plástico para quitar la suciedad fácil de retirar.



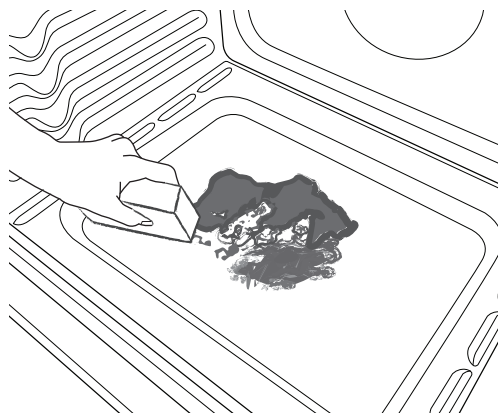
2. Vierta 1 ³/₄ tazas (14 oz [414 mL]) de agua destilada o filtrada en la base del horno vacío y cierre la puerta.



IMPORTANTE: No use productos químicos ni otros aditivos con el agua. No abra el horno durante el ciclo Clean (Limpieza). El agua que está en el piso del horno está caliente.

3. Presione LO TEMP CLEAN (Limpieza a Baja Temperatura) y, después, START (Inicio) en el panel de control del horno.
4. Deje que transcurran 40 minutos para la limpieza y el enfriamiento. Se escuchará un pitido cuando se haya terminado el ciclo Clean (Limpieza).
5. Presione STOP (Detener) al final del ciclo. Se puede presionar Stop (Detener) en cualquier momento para detener el ciclo de limpieza.

6. Retire el agua residual y la suciedad que se aflojó con una esponja o un paño de inmediato una vez que el ciclo de limpieza esté completo. La mayor parte de las 1 ³/₄ tazas (14 oz [414 mL]) iniciales de agua permanecerá en el horno después de que se termine el ciclo. Si todavía queda suciedad, deje una pequeña cantidad de agua en el piso del horno para facilitar la limpieza.



7. Si queda suciedad, quítela con una esponja para restregar que no raye o un raspador de plástico. Se pueden hacer funcionar ciclos de limpieza adicionales para ayudar a quitar la suciedad rebelde.

IMPORTANTE: No use productos de limpieza para hornos. El uso de sustancias químicas, incluso productos de limpieza comerciales para hornos o estropajos de metal, puede causar daños permanentes a la superficie de porcelana del interior del horno.

NOTAS:

- La estufa deberá estar nivelada para asegurarse de que toda la superficie del piso de la cavidad del horno esté cubierta con agua al comienzo del ciclo de Clean (Limpieza).
- Para obtener resultados óptimos, use agua destilada o filtrada. Es posible que el agua del grifo deje depósitos minerales en el piso del horno.
- Antes de quitar el agua restante y la suciedad floja al final del ciclo Clean (Limpieza), inserte un paño o una toalla de papel entre el borde inferior de la puerta del horno y el marco delantero para evitar que el agua se derrame sobre el frente de la estufa y el piso.
- Será más difícil quitar suciedad acumulada después de varios ciclos de cocción con el ciclo Clean (Limpieza).
- Las esponjas para restregar no abrasivas o las almohadillas de limpieza tipo borrador (sin productos de limpieza) pueden ser eficaces para limpiar suciedad rebelde en las paredes de la cavidad, la puerta y la base del horno. Para obtener resultados óptimos, humedezca las almohadillas y las esponjas antes de usarlas.
- Ponga a funcionar un ciclo Clean (Limpieza) adicional para la suciedad rebelde.

- El limpiador para cocinas y electrodomésticos y el limpiador de superficies de cocción pueden usarse para limpiar la base, las paredes y la puerta del horno cuando se haya terminado el ciclo y el horno haya vuelto a la temperatura ambiente. Si se usa el limpiador para superficies de cocción, se recomienda limpiar también la cavidad con agua destilada.

Limpeza general

IMPORTANTE: Antes de la limpieza, asegúrese de que todos los controles estén apagados y que el horno y la superficie de cocción estén fríos. Siempre siga las instrucciones de las etiquetas de los productos de limpieza.

Se sugiere usar primero agua, jabón y un paño o una esponja suaves, a menos que se indique otra cosa.

SUPERFICIES EXTERIORES DE ESMALTE DE PORCELANA (en algunos modelos)

Las salpicaduras de alimentos que contienen ácidos, como vinagre y tomate, deben limpiarse apenas la estufa se enfríe por completo: esas salpicaduras pueden afectar al acabado.

Método de limpieza:

- Limpiavidrios, limpiador líquido suave o estropajo no abrasivo:
Limpie con cuidado alrededor de la placa con el número de modelo/serie/clasificación porque el fregado puede borrar los números.
- Es posible solicitar limpiador de cocina y aparatos (referencia W10355010) a **sears.com**. Consulte la contratapa de esta Guía de Uso y cuidado para obtener información adicional.

ACERO INOXIDABLE (en algunos modelos)

NOTA: para evitar daños a las superficies de acero inoxidable, no use estropajos precargados con jabón, productos de limpieza abrasivos, limpiador para superficies de cocción, estropajos de lana de acero, paños de lavar ásperos o toallas de papel abrasivas. Podrían producir daños en las superficies de acero inoxidable, aunque solo se usen una vez o de forma limitada.

Método de limpieza:

Frote en la dirección de la veta para evitar causar daños.

- Es posible solicitar limpiador de acero inoxidable (referencia W10355016) a **sears.com**. Consulte la contratapa de esta Guía de Uso y cuidado para obtener información adicional.

PINTURA METÁLICA (en algunos modelos)

No use productos de limpieza abrasivos, limpiadores con blanqueador, removedores de óxido, amoníaco ni hidróxido de sodio (lejía), ya que se pueden manchar las superficies pintadas.

TAPAS Y REJILLAS CON REVESTIMIENTO DE PORCELANA

Las salpicaduras de alimentos que contienen ácidos, como vinagre y tomate, deben limpiarse apenas la superficie de cocción, las rejillas y las tapas estén frías; esas salpicaduras pueden afectar al acabado.

Para evitar los desportillados, no golpee las rejillas y las tapas entre sí ni contra superficies duras como utensilios de cocina de hierro fundido.

No vuelva a armar las tapas sobre los quemadores mientras estén húmedas.

Método de limpieza:

- Almohadilla plástica no abrasiva y limpiador abrasivo suave:
Limpie apenas la superficie de cocción, las rejillas y las tapas se hayan enfriado.
- Lavavajillas (solo las rejillas, no las tapas):
Use el ciclo más potente. Los restos de alimentos cocidos se deben poner en remojo o fregar antes de llevarlos a una lavavajillas.
Si bien las rejillas de los quemadores son duraderas, pueden perder el brillo y/o decolorarse si se lavan en la lavavajillas.
- Es posible solicitar limpiador de rejillas de gas y bandejas colectoras (referencia 31617) a **sears.com**. Consulte la contratapa de esta Guía de Uso y cuidado para obtener información adicional.

QUEMADORES DE SUPERFICIE

Las salpicaduras de alimentos que contienen ácidos, como vinagre y tomate, deben limpiarse apenas la superficie de cocción, las rejillas y las tapas estén frías; esas salpicaduras pueden afectar al acabado.

Para evitar los desportillados, no golpee las rejillas y las tapas entre sí ni contra superficies duras como utensilios de cocina de hierro fundido.

No vuelva a armar las tapas sobre los quemadores mientras estén húmedas.

No las limpie en el ciclo de autolimpieza.

No las lave en la lavavajillas.

Método de limpieza:

- Almohadilla plástica no abrasiva y limpiador abrasivo suave:
Limpie la superficie de cocción, las rejillas y las tapas en cuanto se hayan enfriado.
- Es posible solicitar limpiador de rejillas de gas y bandejas colectoras (referencia 31617) a **sears.com**. Consulte la contratapa de esta Guía de Uso y cuidado para obtener información adicional.

CONTROLES DE LA SUPERFICIE DE COCCIÓN

Para evitar daños en los controles de la superficie de cocción, no use lana de acero, productos de limpieza abrasivos ni productos para limpiar hornos.

Para evitar daños, no remoje ni sumerja las perillas en agua.

Cuando vuelva a colocar las perillas, asegúrese de que las mismas estén en la posición de Off (Apagado).

En algunos modelos, no quite los obturadores que hay debajo de las perillas.

Método de limpieza:

- Agua y jabón:
Tire de las perillas en sentido recto para quitarlas del panel de control. Límpielas con un paño suave humedecido con agua y jabón.

PLANCHA

Para evitar dañar la superficie antiadherente, no use estropajos de acero ni limpiadores abrasivos.

Método de limpieza:

- Detergente suave
- Lavavajillas:
Si bien la plancha es duradera, ésta puede perder el brillo y/o decolorarse si se lava en la lavavajillas.

PANEL DE CONTROL Y EXTERIOR DE LA PUERTA DEL HORNO

Para evitar daños en el panel de control, no use productos de limpieza abrasivos, estropajos de lana de acero, paños de lavar ásperos ni toallas de papel abrasivas.

Método de limpieza:

- Limpiavidrios y un paño o una esponja suave:
Aplique limpiavidrios en una esponja o un paño suave, no directamente sobre el panel.
- Es posible solicitar limpiador de cocina y aparatos (referencia W10355010) a sears.com. Consulte la contratapa de esta Guía de Uso y cuidado para obtener información adicional.

PARRILLAS DEL HORNO

Método de limpieza:

- Estropajo de lana de acero
- Para las parrillas que han cambiado de color y que no se deslizan con facilidad, la aplicación de una capa ligera de aceite vegetal en las guías de la parrilla ayudará a que se deslicen con mayor facilidad.

CAVIDAD DEL HORNO

Utilice la función Lo Temp Clean (Limpieza a baja temperatura) con regularidad para limpiar salpicaduras en el horno.

No use productos de limpieza para hornos.

Las salpicaduras de alimentos deben limpiarse cuando el horno se enfríe. A altas temperaturas, los alimentos reaccionan con la porcelana. Esto puede dar lugar a manchas, marcas, picaduras o manchas blancas tenues.

No limpie la junta de la puerta del horno.

Método de limpieza:

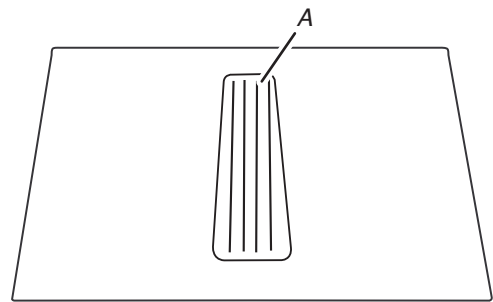
- Ciclo de limpieza:
Consulte la sección "Ciclo de limpieza".

SISTEMA DE VENTILACIÓN DE TIRO DESCENDENTE

Rejilla de ventilación

Método de limpieza:

- Quite las rejillas de los quemadores.
- Levante la rejilla de ventilación de la superficie de cocción.



A. Rejilla de ventilación

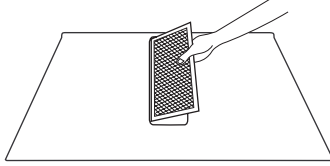
- Use un estropajo plástico no abrasivo y un limpiador abrasivo suave:
Limpie o lave en el fregadero.
- Lavavajillas:
Use detergente suave.

Filtro

El filtro es del tipo permanente y debe limpiarse cuando tenga suciedad.

Método de limpieza:

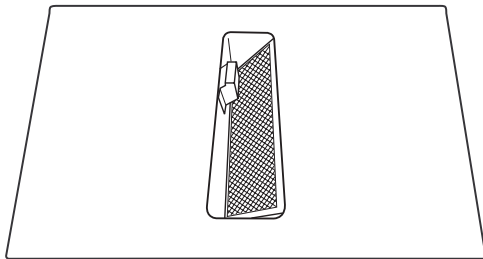
- Apague el sistema de ventilación de tiro descendente antes de quitar el filtro.
- Quite la rejilla de ventilación y luego levante el filtro para quitarlo de la cámara de ventilación.



- Limpie el filtro en el fregadero con agua caliente y detergente o en la lavavajillas.
- Vuelva a colocar el filtro.

El filtro debe colocarse siempre en ángulo. Al mirar el frente de la estufa, la parte superior del filtro debe reposar contra el lado derecho de la abertura de ventilación. La base del filtro debe reposar contra el lado izquierdo de la cámara de ventilación en la base.

Si el filtro queda plano contra la pared del ventilador, se verá reducida la efectividad de la ventilación.



Cámara de ventilación

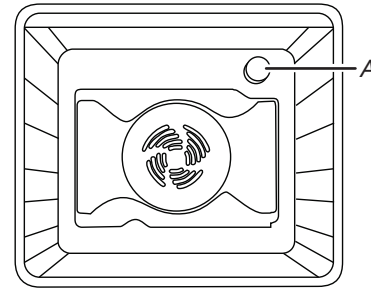
La cámara de ventilación que aloja el filtro debe limpiarse en caso de derrames o cuando está cubierta con una capa de grasa.

Método de limpieza:

- Detergente o limpiador suave doméstico y una toalla de papel, un paño húmedo o una esponja:
Aplique el detergente o el limpiador sobre una toalla de papel, un paño húmedo o una esponja; no lo aplique directamente sobre la cámara de ventilación.

Luz del horno

La luz del horno es un foco estándar de 40 vatios para electrodomésticos. Antes de cambiarlo, asegúrese de que el horno y la superficie de cocción estén fríos y que de las perillas de control estén la posición Off (apagado).



A. Luz del horno


Cómo volver a colocarla:

1. Desenchufe la estufa o desconecte el suministro de energía.
2. Gire en sentido antihorario la cubierta de vidrio del foco en la parte posterior del horno para quitarla.
3. Gire el foco en sentido antihorario para sacarlo del casquillo.
4. Vuelva a colocar el foco y, después, la cubierta del foco girando en sentido horario.
5. Enchufe la estufa o reconecte el suministro de energía.

SOLUCIÓN DE PROBLEMAS

VERIFIQUE ESTOS PUNTOS PARA AHORRAR TIEMPO Y DINERO.

⚠ ADVERTENCIA



Peligro de Choque Eléctrico

Conecte a un contacto de pared de conexión a tierra de 3 terminales.

No quite la terminal de conexión a tierra.

No use un adaptador.

No use un cable eléctrico de extensión.

No seguir estas instrucciones puede ocasionar la muerte, incendio o choque eléctrico.

Problema	Causas posibles	Soluciones
Nada funciona	El cable de suministro eléctrico está desenchufado	Enchufe en un tomacorriente de 3 terminales con conexión a tierra.
	El modo ahorro de energía está activado y la pantalla está en blanco.	Presione cualquier tecla del control para que aparezca la hora del día. Vea la sección “Controles electrónicos del horno” para obtener más información.
	Se ha fundido un fusible de la vivienda o se ha disparado un interruptor automático.	Reemplace el fusible o reposicione el cortacircuitos. Si el problema continúa, llame a un electricista.
	La válvula de cierre de gas principal o reguladora está cerrada.	Vea las Instrucciones de instalación.
	Se ha conectado incorrectamente la estufa al suministro de gas.	Póngase en contacto con un especialista en reparación capacitado o vea las Instrucciones de instalación.
Los quemadores de superficie no funcionan	La perilla del control no está fijada correctamente.	Empuje hacia adentro la perilla antes de girar hasta un ajuste.
	Aire en los conductos gas	Si esta es la primera vez que se usan los quemadores de superficie, encienda cualquiera de las perillas de los quemadores de superficie para liberar el aire de las líneas de gas.
	Orificios del quemador obstruidos	Vea la sección “Quemadores de superficie”.
Las llamas del quemador de superficie son desparejas, amarillas y/o hacen ruido	Orificios del quemador obstruidos	Vea la sección “Quemadores de superficie”.
	Tapas del quemador colocadas incorrectamente	Vea la sección “Quemadores de superficie”.
	Estufa convertida incorrectamente	Si utiliza gas propano, llame al servicio técnico. Para obtener más información, vea la contraportada.
Hay demasiado calor alrededor de los utensilios de cocina sobre la superficie de cocción	El recipiente de cocción no coincide con la llama	El recipiente de cocción debe centrarse sobre el quemador, con el fondo nivelado en la parrilla. Deberá regularse la llama para que no se eleve por los costados del recipiente.
Los resultados de cocción de la superficie de cocción no son los esperados	Utensilio de cocina inadecuado	El utensilio de cocina ideal debe tener fondo plano, lados rectos, una tapa que encaje bien y el material debe ser de un grosor mediano a pesado.
	Se ha fijado la perilla de control en un nivel de calor incorrecto	Consulte la sección “Uso de la superficie de cocción”.
	La estufa no está nivelada	Nivele la estufa. Vea las Instrucciones de instalación.

Problema	Causas posibles	Soluciones
El horno no funciona	Aire en los conductos gas	Si es la primera vez que se usa el horno, encienda la perilla de cualquiera de los quemadores de superficie para liberar el aire de las líneas de gas.
	El bloqueo de control del horno está activado	Mantenga presionada la tecla START (Inicio) durante 3 segundos.
	El control está en Demo Mode (modo de demostración)	El modo de demostración desactiva todos los elementos del horno. Vea “Modo de demostración” en la sección “Controles electrónicos del horno”.
	Se ha fijado incorrectamente el control electrónico del horno.	Vea la sección “Controles electrónicos del horno”.
Las llamas del quemador del horno son amarillas o ruidosas	Estufa convertida incorrectamente	Si utiliza gas propano, llame al servicio técnico. Para obtener más información, vea la contraportada.
La temperatura del horno es demasiado alta o demasiado baja	La temperatura del horno debe regularse	Vea “Control de la temperatura del horno” en la sección “Controles electrónicos del horno”.
No funciona el ventilador de convección	El ciclo de convección tiene lugar en los primeros 5 minutos de funcionamiento	Eso es normal. El ventilador de convección comenzará a funcionar aproximadamente a los 5 minutos de comenzado el ciclo.
	Está abierta la puerta del horno	Si se abre la puerta del horno durante la cocción por convección, el ventilador se apagará de inmediato y se encenderá nuevamente cuando se cierre la puerta del horno.
La pantalla muestra mensajes	Corte de corriente (aparece la hora destellando en la pantalla)	Borre la pantalla. En algunos modelos, vuelva a fijar el reloj, si es necesario. Vea la función de la tecla “Clock” (reloj) en la sección “Guía de funciones”.
	Código de error (la pantalla muestra una letra seguida de un número)	Según su modelo, presione STOP (Detener) para borrar la pantalla. Consulte “Pantalla de control” en la sección “Controles electrónicos del horno”. Si vuelve a aparecer, solicite servicio técnico. Para obtener más información, vea la contraportada.
	Se necesita presionar Start (Inicio) para que comience un ciclo (la pantalla muestra “PUSH” o “PSH” [Presione]).	Vea la característica del botón “Start” (Inicio) en la sección “Guía de funciones”.
	La estufa está en modo Sabbath (Día de Descanso) (pantalla muestra “SAb”)	Presione STOP (Detener) para salir del modo Sabbath (Día de Descanso).
El ciclo de limpieza no actuó con todas las salpicaduras	Pasan demasiados ciclos de cocción entre los ciclos de limpieza o hay demasiadas salpicaduras en las paredes y las puertas del horno	Ponga a funcionar ciclos de limpieza adicionales. Para las manchas rebeldes se puede utilizar el limpiador de cocina y electrodomésticos o el limpiador de superficies de cocción.
Quedan depósitos de minerales en el piso del horno después del ciclo de limpieza	Se ha usado agua del grifo en el ciclo de limpieza	Use agua destilada o filtrada en el ciclo de limpieza. Para quitar los depósitos, use un paño empapado con vinagre. Después, use un paño humedecido con agua para quitar por completo los restos de vinagre.
	La estufa no está nivelada	Los depósitos de minerales se acumularán en las áreas secas del piso del horno durante el ciclo de limpieza. Nivele la estufa. Vea las Instrucciones de instalación. Para quitar los depósitos, use un paño empapado con vinagre. Después, use un paño humedecido con agua para quitar por completo los restos de vinagre.

Problema	Causas posibles	Soluciones
El sistema de ventilación no captura el humo con eficiencia	Ventilación cruzada deficiente en la habitación o aire de complemento	Vea las Instrucciones de instalación.
	La ventosa de la pared externa está cerrada o bloqueada	Verifique la ventosa de la pared externa.
	La estufa o el filtro de aire están instalados de forma incorrecta	Vea las Instrucciones de instalación.
Los resultados de cocción del horno no son los que se esperaban	La estufa no está nivelada	Nivele la estufa. Vea las Instrucciones de instalación.
	Se ha fijado la temperatura incorrecta	Vuelva a verificar la receta en un libro de cocina confiable.
	Se ha calibrado incorrectamente la temperatura del horno	Vea “Control de la temperatura del horno” en la sección “Controles electrónicos del horno”.
	No se ha precalentado el horno	Consulte la sección “Cómo hornear y asar”.
	Se han colocado las parrillas de modo incorrecto	Vea la sección “Posición de las parrillas y los utensilios para hornear”.
	No hay suficiente circulación de aire alrededor de los utensilios para hornear	Vea la sección “Posición de las parrillas y los utensilios para hornear”.
	La masa se ha distribuido de manera desigual en el recipiente	Verifique que la masa esté nivelada en la bandeja.
	Los alimentos tienen un dorado más oscuro causado por un utensilio de horneado de color mate u oscuro	Baje la temperatura del horno 25 °F (15 °C) o mueva la parrilla hacia una posición más alta en el horno.
	Los alimentos tienen un dorado más claro causado por un utensilio de cocción lustroso o de color claro	Mueva la parrilla hacia una posición más baja en el horno.
	Se ha usado un tiempo de cocción incorrecto	Ajuste el tiempo de cocción.
	No se ha cerrado la puerta del horno	Asegúrese de que el utensilio para hornear no impida que se cierre la puerta.
	Se ha abierto la puerta del horno durante la cocción	Abrir el horno durante la cocción disminuye el calor interior horno y puede prolongar los tiempos de cocción.
	La parrilla está demasiado cerca del quemador y los alimentos horneados quedan demasiado dorados en la base	Mueva la parrilla hacia una posición más alta en el horno.
Las cortezas de las tartas se doran con demasiada rapidez	Use papel de aluminio para cubrir el borde de la corteza y/o reduzca la temperatura de horneado.	

Ruidos

Problema	Causas posibles	Soluciones
El quemador de superficie hace ruidos como estallidos	Quemador mojado	Déjelo secar.

TABLE DES MATIÈRES

TABLE DES MATIÈRES.....	61	Commandes électroniques du four.....	76
GARANTIE DES APPAREILS MÉNAGERS KENMORE.....	62	Mode Sabbat	78
SÉCURITÉ DE LA CUISINIÈRE	63	Maintien au chaud.....	79
Bride antibasculement.....	64	Papier d'aluminium	79
CONSEILS ÉLÉMENTAIRES D'UTILISATION	67	Positionnement des grilles et des ustensiles de cuisson au four	80
Températures en surface.....	67	Grille déployante	81
Préchauffage	67	Évent du four	82
Brûleurs de surface	67	Cuisson au four et rôtissage	82
GUIDE DES CARACTÉRISTIQUES.....	68	Cuisson au gril	83
UTILISATION DE LA TABLE DE CUISSON	71	Cuisson par convection.....	83
Brûleurs de surface	72	Durée de cuisson	84
Grilles de surface.....	73	Sonde de cuisson.....	84
Taille du brûleur.....	73	ENTRETIEN DE LA CUISINIÈRE.....	85
Plaque à frire.....	74	Programme de nettoyage	85
Système de ventilation à aspiration par le bas.....	74	Nettoyage général.....	86
Plat de cuisson.....	74	Lampe du four	88
Mise en conserve à la maison.....	75	DÉPANNAGE.....	89
UTILISATION AU FOUR.....	76		

GARANTIE DES APPAREILS MÉNAGERS KENMORE

GARANTIE LIMITÉE ELITE KENMORE

PENDANT UN AN à compter de la date d'achat, cet appareil est garanti contre tout défaut de matériau ou de fabrication lorsqu'il est installé, utilisé et entretenu conformément aux instructions fournies.

SUR PREUVE DE VENTE, un appareil défectueux sera réparé ou remplacé gratuitement à la discrétion du vendeur. .

Pour connaître les détails sur la couverture de la garantie afin d'obtenir un dépannage gratuit ou un remplacement, visitez la page Web suivante : **www.kenmore.com/warranty**

La couverture de garantie ne s'applique que pendant 90 JOURS à partir de la date d'achat aux États-Unis et est nulle au Canada si cet appareil ménager est utilisé à d'autres fins que pour un usage privé et domestique.

Cette garantie couvre UNIQUEMENT les vices de matériaux et de fabrication et ne couvre PAS :

1. La décoloration des surfaces de la table de cuisson résultant d'un usage normal.
2. Les pièces courantes pouvant s'user suite à une utilisation normale, notamment les filtres, courroies, sacs et les ampoules d'éclairage à culot à vis.
3. L'intervention d'un technicien de réparation pour nettoyer ou entretenir cet appareil ou pour montrer à l'utilisateur comment installer, utiliser et entretenir correctement cet appareil.
4. Les interventions de dépannage pour rectifier l'installation de l'appareil non réalisée par des agents d'entretien autorisés de Sears ou pour intervenir sur des problèmes concernant les fusibles du domicile, les disjoncteurs et les systèmes de plomberie ou d'alimentation de gaz résultant de l'installation.
5. L'endommagement ou l'état défectueux de cet appareil imputable à l'installation non réalisée par des agents d'entretien autorisés de Sears, y compris une installation non conforme aux codes d'électricité, de gaz et de plomberie.
6. L'endommagement ou l'état défectueux de cet appareil, notamment une décoloration ou l'apparition de rouille sur la surface, dans le cas où l'utilisation ou l'entretien ne sont pas conformes à toutes les instructions fournies.
7. L'endommagement ou l'état défectueux de cet appareil, notamment une décoloration ou l'apparition de rouille sur la surface, résultant d'un accident, d'un usage impropre ou abusif ou d'une utilisation autre que celle à laquelle il est destiné.
8. L'endommagement ou l'état défectueux de cet appareil, notamment une décoloration ou l'apparition de rouille sur la surface, causé par l'utilisation de détergents, nettoyants, produits chimiques ou ustensiles autres que ceux recommandés dans toutes les instructions fournies avec le produit.
9. L'endommagement ou l'état défectueux de pièces ou systèmes résultant d'une modification non autorisée faite à cet appareil.
10. L'intervention sur l'appareil si la plaque signalétique indiquant le numéro de modèle et de série est manquante, a subi une modification ou s'il est difficile de déterminer si l'appareil porte le logo de certification approprié.

Clause d'exonération de responsabilité au titre des garanties implicites; limitation des recours

Le seul et exclusif recours du client dans le cadre de la présente garantie limitée consiste en la réparation ou le remplacement prévu ci-dessus. Les garanties implicites, y compris les garanties applicables de qualité marchande ou d'aptitude à un usage particulier, sont limitées à un an ou à la plus courte période autorisée par la loi. Le vendeur n'assume aucune responsabilité pour les dommages fortuits ou indirects. Certains États ou certaines provinces ne permettent pas l'exclusion ou la limitation des dommages fortuits ou indirects, ou la limitation de la durée des garanties implicites de qualité marchande ou d'aptitude à un usage particulier, de sorte que ces exclusions ou limitations peuvent ne pas être applicables dans votre cas.

Cette garantie s'applique seulement lorsque cet appareil est utilisé aux États-Unis ou au Canada*.

Cette garantie vous confère des droits juridiques spécifiques et vous pouvez également jouir d'autres droits qui peuvent varier d'un État à l'autre.

*Le service de réparation à domicile n'est pas disponible dans toutes les régions géographiques du Canada; cette garantie ne couvrira pas non plus les frais de déplacement et de transport de l'utilisateur ou du dépanneur si ce produit se trouve dans une région éloignée (tel que défini par Sears Canada Inc.) où aucun dépanneur autorisé n'est disponible

**Sears Brands Management Corporation
Hoffman Estates, IL 60179**

**Sears Canada Inc.
Toronto, Ontario, Canada M5B 2C3**

SÉCURITÉ DE LA CUISINIÈRE

Votre sécurité et celle des autres est très importante.

Nous donnons de nombreux messages de sécurité importants dans ce manuel et sur votre appareil ménager. Assurez-vous de toujours lire tous les messages de sécurité et de vous y conformer.



Voici le symbole d'alerte de sécurité.

Ce symbole d'alerte de sécurité vous signale les dangers potentiels de décès et de blessures graves à vous et à d'autres.

Tous les messages de sécurité suivront le symbole d'alerte de sécurité et le mot "DANGER" ou "AVERTISSEMENT". Ces mots signifient :

⚠ DANGER

Risque possible de décès ou de blessure grave si vous ne suivez pas immédiatement les instructions.

⚠ AVERTISSEMENT

Risque possible de décès ou de blessure grave si vous ne suivez pas les instructions.

Tous les messages de sécurité vous diront quel est le danger potentiel et vous disent comment réduire le risque de blessure et ce qui peut se produire en cas de non-respect des instructions.

AVERTISSEMENT : Si les renseignements dans ces instructions ne sont pas exactement observés, un incendie ou une explosion peut survenir, causant des dommages au produit, des blessures ou un décès.

- **Ne pas entreposer ni utiliser de l'essence ou d'autres vapeurs ou liquides inflammables à proximité de cet appareil ou de tout autre appareil électroménager.**
- **QUE FAIRE DANS LE CAS D'UNE ODEUR DE GAZ :**
 - **Ne pas tenter d'allumer un appareil.**
 - **Ne pas toucher à un commutateur électrique.**
 - **Ne pas utiliser le téléphone se trouvant sur les lieux.**
 - **Appeler immédiatement le fournisseur de gaz à partir du téléphone d'un voisin. Suivre ses instructions.**
 - **À défaut de joindre votre fournisseur de gaz, appeler les pompiers.**
- **L'installation et l'entretien doivent être effectués par un installateur qualifié, une agence de service ou le fournisseur de gaz.**

AVERTISSEMENT : L'odorat ne permet pas toujours la détection d'une fuite de gaz.

Les distributeurs de gaz recommandent l'emploi d'un détecteur de gaz (homologation UL ou CSA).

Pour d'autre information, contacter le fournisseur de gaz local.

En cas de détection d'une fuite de gaz, exécuter les instructions "Que faire dans le cas d'une odeur de gaz".

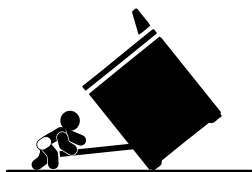
Avertissements de la proposition 65 de l'État de Californie :

AVERTISSEMENT : Ce produit contient au moins un produit chimique connu par l'État de Californie pour être à l'origine de cancers.

AVERTISSEMENT : Ce produit contient au moins un produit chimique connu par l'État de Californie pour être à l'origine de malformations et autres déficiences de naissance.

Bride antibasculement

Dans des conditions de service normales, la cuisinière ne bascule pas. Elle peut cependant basculer si une force ou un poids excessif est appliqué sur la porte ouverte alors que la bride antibasculement n'est pas convenablement fixée



⚠ AVERTISSEMENT

Risque de basculement

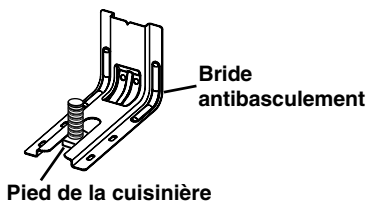
Un enfant ou une personne adulte peut faire basculer la cuisinière, ce qui peut causer un décès.

Vérifier que la bride antibasculement est bien installée et engagée, conformément aux instructions d'installation.

Réengager la bride antibasculement si la cuisinière a été déplacée.

Ne pas faire fonctionner la cuisinière si la bride antibasculement n'est pas installée et engagée.

Le non-respect de ces instructions peut causer un décès ou des brûlures graves aux enfants et aux adultes.



Pour vérifier que la bride antibasculement est bien installée et engagée :

- **Faire glisser la cuisinière vers l'avant.**
- **Vérifier que la bride antibasculement est bien fixée au plancher ou au mur.**
- **Faire de nouveau glisser la cuisinière vers l'arrière de sorte que le pied de la cuisinière se trouve sous la bride antibasculement.**
- **Voir les instructions d'installation pour plus de détails.**

IMPORTANTES INSTRUCTIONS DE SÉCURITÉ

AVERTISSEMENT : Pour réduire le risque d'incendie, de choc électrique, de blessures ou de dommages lors de l'utilisation de la cuisinière, il convient d'observer certaines précautions élémentaires dont les suivantes :

■ **AVERTISSEMENT :** POUR MINIMISER LE RISQUE DE BASCULEMENT DE LA CUISINIÈRE, ELLE DOIT ÊTRE BIEN IMMOBILISÉE PAR DES DISPOSITIFS ANTIBASCULEMENT CORRECTEMENT INSTALLÉS. POUR VÉRIFIER SI LES DISPOSITIFS SONT CORRECTEMENT INSTALLÉS, GLISSER LA CUISINIÈRE VERS L'AVANT ET VÉRIFIER SI LA BRIDE ANTIBASCULEMENT EST BIEN FIXÉE AU PLANCHER OU AU MUR, ET GLISSER LA CUISINIÈRE VERS L'ARRIÈRE POUR QUE LE PIED ARRIÈRE DE LA CUISINIÈRE SOIT SOUS LA BRIDE ANTIBASCULEMENT.

■ **AVERTISSEMENT :** NE JAMAIS utiliser cet appareil comme dispositif de chauffage de la pièce. Le non-respect de cette instruction peut entraîner une intoxication au monoxyde de carbone et une surchauffe du four.

■ **AVERTISSEMENT :** NE JAMAIS couvrir les fentes, trous ou passages d'air au fond du four ou couvrir entièrement une grille avec des matériaux tels que du papier d'aluminium. Le non-respect de cette instruction empêche la circulation de l'air dans le four et peut entraîner une intoxication au monoxyde de carbone. Les feuilles de papier d'aluminium peuvent également retenir la chaleur et créer un risque d'incendie.

■ **MISE EN GARDE :** Ne pas remiser dans des armoires au-dessus de la cuisinière ou sur le dossier d'une cuisinière, des objets que des enfants pourraient vouloir atteindre. Les enfants pourraient se brûler ou se blesser en grimant sur la cuisinière.

■ Ne pas laisser les enfants seuls – Les enfants ne doivent pas être laissés seuls ou sans surveillance dans la pièce où la cuisinière est en service. Ne jamais laisser les enfants s'asseoir ou se tenir sur une partie quelconque de la cuisinière.

■ Porter des vêtements appropriés – Des vêtements amples ou détachés ne doivent jamais être portés pendant l'utilisation de la cuisinière.

■ Entretien par l'utilisateur – Ne pas réparer ni remplacer toute pièce de la cuisinière si ce n'est pas spécifiquement recommandé dans le manuel. Toute autre opération d'entretien ou de réparation doit être confiée à un technicien qualifié.

■ Remisage dans ou sur la cuisinière – Des matériaux inflammables ne doivent pas être remisés dans un four ou près des éléments de surface.

■ Ne pas utiliser d'eau pour éteindre un feu de graisse – Éteindre le feu ou les flammes ou utiliser un extincteur à produits chimiques secs, ou un extincteur à mousse.

■ N'utiliser que des mitaines de four sèches – Des mitaines de four mouillées ou humides sur des surfaces chaudes peuvent provoquer des brûlures provenant de la vapeur. Ne pas laisser les mitaines de four toucher les éléments chauffants. Ne pas utiliser une serviette ou un tissu épais.

■ NE PAS TOUCHER LES ÉLÉMENTS DE SURFACE OU L'ESPACE PRÈS DES ÉLÉMENTS – Les éléments de surface peuvent être chauds même lorsqu'ils ont une teinte foncée. Les endroits près des éléments de surface peuvent devenir assez chauds pour causer des brûlures. Pendant et après l'utilisation, ne pas toucher les éléments chauffants et ne pas laisser les vêtements ou autres matériaux inflammables entrer en contact avec ces éléments de surface ou les endroits près des éléments, avant qu'ils aient suffisamment refroidi. Ces endroits comprennent la table de cuisson et les surfaces près de la table de la cuisson.

■ Ne jamais laisser les éléments de la table de cuisson sans surveillance alors qu'ils chauffent à la puissance maximale. Il pourrait en résulter une ébullition qui cause de la fumée et des renversements de corps gras qui peuvent s'enflammer.

■ Ustensiles de cuisson vitrifiés – Seulement certains types d'ustensiles de verre, vitrocéramique, céramique, faïence ou autres surfaces vitrifiées conviennent pour le service sur une table de cuisson, sans bris attribuables aux changements soudains de température.

■ Les poignées des ustensiles doivent être tournées vers l'intérieur et non vers le dessus des éléments adjacents – Pour réduire le risque de brûlures, d'inflammation de produits inflammables et de renversements dus à l'entrechoquement non intentionnel des ustensiles, la poignée d'un ustensile doit être positionnée de sorte qu'elle soit tournée vers l'intérieur et non au-dessus des éléments de surface adjacents.

■ Nettoyer la table de cuisson avec prudence – Si une éponge ou un chiffon mouillé est utilisé pour essuyer les renversements sur une surface de cuisson chaude, éviter les brûlures causées par la vapeur chaude. Certains nettoyants peuvent produire des émanations nocives lorsqu'ils sont utilisés sur une surface chaude.

■ Exercer une grande prudence lors de l'ouverture de la porte – Laisser l'air chaud ou la vapeur s'échapper avant d'enlever ou de replacer un plat.

■ Ne pas faire chauffer des contenants fermés – L'accumulation de pression peut causer une explosion du contenant et des blessures.

CONSERVEZ CES INSTRUCTIONS

IMPORTANTES INSTRUCTIONS DE SÉCURITÉ

- Ne jamais obstruer les ouvertures des événements.
 - Positionnement des grilles du four – Toujours placer les grilles du four à la position désirée pendant que le four est froid. Si la grille doit être déplacée pendant que le four est chaud, ne pas laisser les mitaines de four toucher l'élément chaud du four.
 - **NE PAS TOUCHER LES ÉLÉMENTS CHAUFFANTS OU LES SURFACES INTÉRIEURES DU FOUR** – Les éléments chauffants peuvent être chauds même s'ils ont une teinte foncée. Les surfaces intérieures d'un four deviennent assez chaudes pour causer des brûlures. Pendant et après l'utilisation, ne pas toucher ou laisser des vêtements ou autres matériaux inflammables venir en contact avec les éléments chauds ou les surfaces intérieures chaudes du four avant qu'ils aient eu assez de temps pour refroidir. D'autres surfaces de l'appareil peuvent devenir assez chaudes pour causer des brûlures. Ces surfaces comprennent les ouvertures de l'événement du four et les surfaces près de ces ouvertures, les portes du four, et les hublots des portes du four.
 - Installation correcte – Une fois installée, la cuisinière doit être reliée à la terre conformément aux codes locaux, ou en l'absence de codes locaux, au *National Electrical Code ANSI/NFPA 70*. Au Canada, la cuisinière doit être reliée à la terre conformément au Code canadien des installations électriques. Veiller à ce que l'installation et la mise à la terre de la cuisinière soient correctement réalisées par un électricien qualifié.
 - Déconnecter la source de courant électrique avant d'intervenir sur l'appareil.
 - Des blessures peuvent résulter d'un mauvais usage des portes ou tiroirs de l'appareil – par exemple marcher, s'appuyer ou s'asseoir sur les portes ou tiroirs.
 - Entretien – Maintenir la zone de la cuisinière à l'abri des matériaux combustibles, essence ou autres vapeurs ou liquides inflammables.
 - La taille de la flamme du brûleur supérieur doit être ajustée de façon à ne pas dépasser du bord de l'ustensile de cuisson.
- Pour les cuisinières avec programme d'autonettoyage –**
- Ne pas nettoyer le joint de la porte – Le joint de la porte est essentiel pour l'étanchéité. Veiller à ne pas frotter, endommager ou déplacer le joint.
 - Ne pas utiliser des produits commerciaux de nettoyage du four – On ne doit pas utiliser un produit commercial de nettoyage de four ou un enduit de protection des surfaces internes du four quel qu'en soit le type, sur les surfaces du four ou les surfaces voisines.
 - Nettoyer uniquement les pièces indiquées dans le manuel.
 - Avant d'exécuter le programme d'autonettoyage du four – Ôter la lèchefrite et les autres ustensiles. Essuyer tout excès de renversement avant de commencer un programme de nettoyage.
- Pour les appareils avec hotte de ventilation –**
- Nettoyer les hottes de ventilation fréquemment – La graisse ne doit pas s'accumuler sur la hotte ou le filtre.
 - Lorsque vous flambez des aliments sous la hotte, mettre le ventilateur en marche.

CONSERVEZ CES INSTRUCTIONS

CONSEILS ÉLÉMENTAIRES D'UTILISATION

Températures en surface

Lorsque la cuisinière est en marche, toutes ses surfaces peuvent chauffer, y compris les boutons de commande et la porte du four.

Évent du four

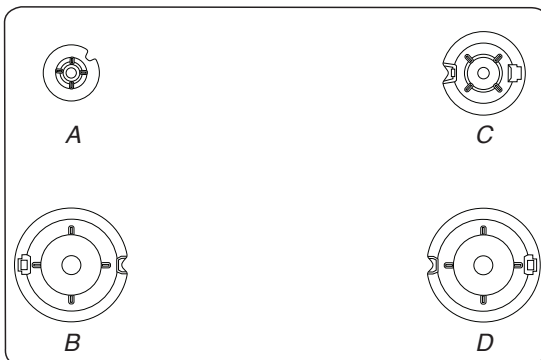
L'évent du four permet l'évacuation de l'air chaud et de l'humidité du four. Il ne doit pas être obstrué ou couvert. Ne pas placer près de l'évent du four des objets en plastique, en papier ou susceptibles de fondre ou de brûler.

Préchauffage

Au début d'un programme de cuisson au four (Bake), de cuisson au four avec convection (Convect Bake) ou de rôtissage avec convection (Convect Roast), le four commence par un préchauffage une fois la touche Start (mise en marche) enfoncée. Le four atteint 350 °F (177 °C) en 12 à 15 minutes environ lorsque toutes les grilles fournies avec le four sont à l'intérieur de la cavité du four. Pour atteindre une température plus élevée, le préchauffage est plus long. Le programme de préchauffage augmente rapidement la température du four. La température réelle du four dépasse alors la température programmée, pour compenser la chaleur perdue à l'ouverture du four pour y introduire le plat à cuire. Ainsi, le four entame la cuisson à la température correcte après y avoir placé le plat. Placer les aliments au four lorsque le signal sonore de préchauffage retentit. Ne pas ouvrir la porte du four pendant le préchauffage tant que le signal sonore n'a pas retenti.

Brûleurs de surface

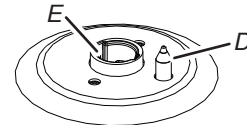
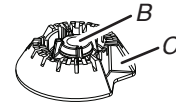
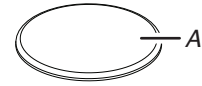
Les bases et les chapeaux des brûleurs doivent être correctement positionnés avant la cuisson. Votre cuisinière est équipée de brûleurs et de chapeaux de 3 tailles. Chaque base de brûleur rond est marquée d'une lettre indiquant la taille du brûleur. Aligner les bases des brûleurs comme indiqué sur l'illustration suivante :



A. Petit (P)
B. Grand (L)

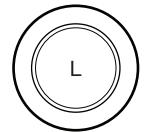
C. Moyen (M)
D. Grand (L)

Aligner l'ouverture du tube d'arrivée de gaz de la base du brûleur avec le porte-gicleur situé sur la cuisinière et d'aligner également l'électrode d'allumage avec l'encoche de la base du brûleur.



A. Chapeau de brûleur
B. Ouverture du tube d'arrivée de gaz
C. Base du brûleur
D. Électrode d'allumage
E. Support du gicleur

Chaque chapeau de brûleur rond est marqué d'une lettre indiquant la taille du brûleur. Placer les chapeaux de brûleur sur les bases de brûleur correspondantes.



Petit chapeau (P) Chapeau moyen (M) Grand chapeau (L)

Un chapeau de brûleur correctement placé doit être horizontal. Si les chapeaux de brûleur ne sont pas correctement installés, les brûleurs de surface ne s'allumeront pas. Lorsque le chapeau de brûleur est correctement aligné, il ne balance pas et n'oscille pas.



A. Incorrect
B. Correct

GUIDE DES CARACTÉRISTIQUES

Ce Guide d'utilisation et d'entretien couvre différents modèles. Le modèle que vous avez peut comporter toutes les caractéristiques énumérées ou seulement certaines d'entre elles. Consulter ce Guide d'utilisation et d'entretien pour des instructions détaillées. Vous trouverez les numéros de modèle et de série sur l'étiquette située sur le châssis du four, derrière la partie supérieure de la porte du four.

⚠ AVERTISSEMENT

Risque d'empoisonnement alimentaire

Ne pas laisser des aliments dans un four plus d'une heure avant ou après la cuisson.

Le non-respect de cette instruction peut causer un empoisonnement alimentaire ou une maladie.



Clavier	Fonction	Instructions
SETTINGS/CLOCK (réglages/horloge)	Horloge	Cette horloge est réglable sur 12 ou 24 heures. Voir la section “Commandes électroniques du four”. <ol style="list-style-type: none"> Appuyer sur SETTINGS/CLOCK (réglages/horloge) jusqu'à afficher “CLOCK” (horloge). Appuyer sur les touches numériques pour régler l'heure. Appuyer sur START (mise en marche) pour changer l'heure. Appuyer sur 3 pour AM (heure du matin) ou 6 pour PM (heure de l'après-midi).
SETTINGS/CLOCK (réglages/horloge)	Réglages	Les réglages permettent de personnaliser les signaux sonores et le fonctionnement du four selon les préférences de l'utilisateur. Voir la section “Commandes électroniques du four”.
LIGHT (lampe)	Lampe de la cavité du four	Alors que la porte du four est fermée, appuyer sur LIGHT (lampe) pour allumer ou éteindre la lampe. La lampe du four s'allume à l'ouverture de la porte.
TIMER SET-OFF (réglage-arrêt de la minuterie)	Minuterie du four	La minuterie peut être réglée en heures ou en minutes jusqu'à concurrence de 9 heures et 59 minutes. <ol style="list-style-type: none"> Appuyer sur TIMER SET-OFF (réglage-arrêt de la minuterie). Appuyer sur les touches pour déterminer la durée en h:min:sec. Par exemple, pour 2 heures 45 minutes, saisir 2, 4 et 5. Il n'est pas nécessaire de saisir les zéros de gauche. Par exemple, pour saisir 2 minutes, appuyer sur 2. Appuyer sur TIMER SET-OFF (réglage-arrêt de la minuterie) pour commencer le compte à rebours. S'il est activé, un signal sonore retentit à la fin du compte à rebours. Appuyer sur TIMER SET-OFF (réglage-arrêt de la minuterie) pour annuler la minuterie et revenir à l'heure du jour. Ne pas appuyer sur la touche Stop (arrêt), sinon le four s'éteindra. Si la minuterie est activée, mais n'apparaît pas sur l'affichage, appuyer sur TIMER SET-OFF (réglage-arrêt de la minuterie) pour faire apparaître le compte à rebours pendant 5 secondes.
START (mise en marche)	Démarrage de la cuisson	La touche Start (mise en marche) met en marche n'importe quelle fonction du four. Si, après avoir appuyé sur une touche, on n'appuie pas sur Start dans les 2 minutes qui suivent, la fonction est annulée et l'heure s'affiche.

Clavier	Fonction	Instructions
STOP (arrêt)	Fonction de la cuisinière	La touche Stop (arrêt) désactive toutes les fonctions du four à l'exception de l'horloge et de la minuterie.
BAKE (cuisson au four)	Cuisson au four et rôtissage	<ol style="list-style-type: none"> 1. Appuyer sur BAKE (cuisson au four). 2. Utiliser les touches numériques pour régler la température souhaitée. 3. Appuyer sur START (mise en marche). 4. Pour changer la température, répéter l'étape 2. Appuyer sur START (mise en marche). 5. Appuyer sur STOP (arrêt) après avoir terminé. <p>REMARQUE : Le ventilateur de convection s'arrête lorsque la porte du four est ouverte. Si la porte du four reste ouverte trop longtemps, les éléments chauffants se ferment jusqu'à ce que la porte soit de nouveau fermée. Toutes les minuteries, incluant les minuteries de cuisson ou les fonctions de cuisson minutée, continuent leur compte à rebours.</p>
STEAM BAKE (cuisson au four vapeur)	Cuisson au four vapeur	<ol style="list-style-type: none"> 1. Insérer la grille d'étuvage avec le réservoir d'eau dans le four. 2. Verser 1¹/₂ tasse (350 mL) d'eau tiède et distillée dans le réservoir d'eau. <p>REMARQUE : Ne pas remplir au-delà de la ligne Max.</p> <ol style="list-style-type: none"> 3. Appuyer sur STEAM BAKE (cuisson au four vapeur). 4. Utiliser les touches numériques pour sélectionner le plat souhaité. 5. Utiliser les touches numériques pour régler la température. 6. Appuyer sur START (mise en marche). 7. Insérer les aliments lorsque le préchauffage est terminé. 8. (Facultatif) Appuyer sur COOK TIME (durée de cuisson). Appuyer sur les touches numériques pour régler la durée de cuisson. 9. Appuyer sur START (mise en marche). 10. Appuyer sur STOP (arrêt) après avoir terminé. <p>REMARQUE : Laisser le four refroidir avant de retirer et vider le réservoir d'eau.</p> <p>REMARQUE : Le ventilateur de convection s'arrête lorsque la porte du four est ouverte. Si la porte du four reste ouverte trop longtemps, les éléments chauffants se ferment jusqu'à ce que la porte soit de nouveau fermée. Toutes les minuteries, incluant les minuteries de cuisson ou les fonctions de cuisson minutée, continuent leur compte à rebours.</p>
BROIL (cuisson au grill)	Cuisson au grill	<ol style="list-style-type: none"> 1. Appuyer sur BROIL (cuisson au grill). 2. Utiliser les touches numériques pour régler la température souhaitée. 3. Appuyer sur START (mise en marche) et laisser le four préchauffer pendant 2 minutes. 4. Pour changer la température, répéter les étapes 2 et 3. 5. Placer le plat dans le four, puis fermer la porte. 6. Appuyer sur STOP (arrêt) après avoir terminé. <p>REMARQUE : Le ventilateur de convection s'arrête lorsque la porte du four est ouverte. Si la porte du four reste ouverte trop longtemps, les éléments chauffants se ferment jusqu'à ce que la porte soit de nouveau fermée. Toutes les minuteries, incluant les minuteries de cuisson ou les fonctions de cuisson minutée, continuent leur compte à rebours.</p>
AUTO CONVECTION BAKE (cuisson au four automatique par convection)	Cuisson par convection	<ol style="list-style-type: none"> 1. Appuyer sur BAKE (cuisson au four) en AUTO CONVECTION MODES (modes de cuisson au four automatique par convection). 2. Appuyer sur 1 pour que le four convertisse automatiquement la température et la durée pour la cuisson par convection. Appuyer sur 2 pour convertir manuellement la température et la durée. 3. Utiliser les touches numériques pour régler la température souhaitée. 4. Appuyer sur START (mise en marche). 5. Pour changer la température, répéter les étapes 3 et 4. 6. Appuyer sur STOP (arrêt) après avoir terminé. <p>REMARQUE : Le ventilateur de convection s'arrête lorsque la porte du four est ouverte. Si la porte du four reste ouverte trop longtemps, les éléments chauffants se ferment jusqu'à ce que la porte soit de nouveau fermée. Toutes les minuteries, incluant les minuteries de cuisson ou les fonctions de cuisson minutée, continuent leur compte à rebours.</p>

Clavier	Fonction	Instructions
AUTO CONVECTION BROIL (cuisson au gril automatique par convection)	Cuisson par convection	<ol style="list-style-type: none"> 1. Appuyer sur BROIL (cuisson au gril) en AUTO CONVECTION MODES (modes de cuisson au four automatique par convection). 2. Appuyer sur 1 pour que le four convertisse automatiquement la température et la durée pour la cuisson par convection. Appuyer sur 2 pour convertir manuellement la température et la durée. 3. Utiliser les touches numériques pour régler la température souhaitée. 4. Appuyer sur START (mise en marche). 5. Pour changer la température, répéter les étapes 3 et 4. 6. Appuyer sur STOP (arrêt) après avoir terminé. <p>REMARQUE : Le ventilateur de convection s'arrête lorsque la porte du four est ouverte. Si le porte du four reste ouverte trop longtemps, les éléments chauffants se ferment jusqu'à ce que la porte soit de nouveau fermée. Toutes les minuteries, incluant les minuteries de cuisson ou les fonctions de cuisson minutée, continuent leur compte à rebours.</p>
AUTO CONVECTION ROAST (rôtissage automatique par convection)	Cuisson par convection	<ol style="list-style-type: none"> 1. Appuyer sur ROAST (rôtissage) en AUTO CONVECTION MODES (modes de cuisson au four automatique par convection). 2. Appuyer sur 1 pour que le four convertisse automatiquement la température et la durée pour la cuisson par convection. Appuyer sur 2 pour convertir manuellement la température et la durée. 3. Utiliser les touches numériques pour régler la température souhaitée. 4. Appuyer sur START (mise en marche). 5. Pour changer la température, répéter les étapes 3 et 4. 6. Appuyer sur STOP (arrêt) après avoir terminé. <p>REMARQUE : Le ventilateur de convection s'arrête lorsque la porte du four est ouverte. Si le porte du four reste ouverte trop longtemps, les éléments chauffants se ferment jusqu'à ce que la porte soit de nouveau fermée. Toutes les minuteries, incluant les minuteries de cuisson ou les fonctions de cuisson minutée, continuent leur compte à rebours.</p>
DOWNDRAFT HIGH/LOW/OFF (Aspiration par le bas arrêt/élevée/basse)	Ventilateur à aspiration par le bas	<p>Appuyer sur HIGH (vitesse élevée) ou sur LOW (vitesse basse) en DOWNDRAFT (aspiration par le bas) pour allumer le ventilateur à aspiration par le bas à la vitesse désirée.</p> <p>Appuyer sur OFF (arrêt) en DOWNDRAFT (aspiration par le bas) pour éteindre le ventilateur à aspiration par le bas immédiatement.</p>
KEEP WARM (maintien au chaud)	Maintien au chaud	<p>Les aliments doivent être à la température de service avant d'être placés dans le four chaud.</p> <ol style="list-style-type: none"> 1. Appuyer sur KEEP WARM (maintien au chaud). 2. Utiliser les touches numériques pour régler la température souhaitée. 3. Appuyer sur START (mise en marche). 4. Pour changer la température, répéter les étapes 2 et 3. 5. Appuyer sur STOP (arrêt) après avoir terminé. <p>REMARQUE : Le ventilateur de convection s'arrête lorsque la porte du four est ouverte. Si le porte du four reste ouverte trop longtemps, les éléments chauffants se ferment jusqu'à ce que la porte soit de nouveau fermée. Toutes les minuteries, incluant les minuteries de cuisson ou les fonctions de cuisson minutée, continuent leur compte à rebours.</p>
ACCELA HEAT	Cuisson au four sans préchauffage	<p>Pour cuire au four sans préchauffage :</p> <ol style="list-style-type: none"> 1. Appuyer sur ACCELA HEAT. 2. Utiliser les touches numériques pour régler la température souhaitée. 3. Appuyer sur START (mise en marche). 4. Pour changer la température, répéter les étapes 2 et 3. 5. Appuyer sur STOP (arrêt) après avoir terminé.

Clavier	Fonction	Instructions
DELAY START (mise en marche différée)	Mise en marche différée	La touche Delay Start (mise en marche différée) sert à entrer l'heure de mise en marche pour un four équipé de la mise en marche différée. La mise en marche différée ne doit pas être utilisée pour les aliments tels que pains et gâteaux, car ils risquent de ne pas bien cuire. Pour régler une cuisson minutée ou une cuisson minutée différée, voir la section "Durée de cuisson".
COOK TIME (durée de cuisson)	Cuisson minutée	La fonction de durée de cuisson permet d'allumer le four à une certaine heure de la journée, d'effectuer une cuisson pendant une durée déterminée ou d'éteindre le four automatiquement. Pour régler une cuisson minutée ou une cuisson minutée différée, voir la section "Durée de cuisson".
LO TEMP CLEAN (nettoyage à basse température)	Programme de nettoyage	Voir la section "Programme de nettoyage".
START (hold 3 sec) (mise en marche [appuyer pendant 3 s]).	Verrouillage des commandes du four	<ol style="list-style-type: none"> Vérifier que le four est éteint. Appuyer pendant 3 secondes sur la touche START (hold 3 sec) (mise en marche [appuyer pendant 3 s]). Un signal sonore retentit et l'avertissement "Control Locked" (commandes verrouillées) défile, puis "Locked" (verrouillé) s'affiche. Répéter l'opération pour déverrouiller. Aucune touche ne fonctionne lorsque les commandes sont verrouillées. Les fonctions de la table de cuisson ne sont pas affectées par le verrouillage des commandes du four.

UTILISATION DE LA TABLE DE CUISSON

AVERTISSEMENT



Risque d'incendie

La flamme d'un brûleur ne devrait pas dépasser le bord du récipient de cuisson.

Fermer tous les réglages lorsque la cuisson est terminée.

Le non-respect de ces instructions peut causer un décès ou un incendie.

Des allumeurs électriques allument automatiquement les brûleurs de surface lorsque les boutons de commande sont tournés à LITE (allumage).

Avant de régler un bouton de commande, placer l'ustensile de cuisson rempli sur la grille. Ne pas faire fonctionner un brûleur avec un ustensile de cuisson vide ou sans ustensile de cuisson sur la grille.

Réglage :

- Enfoncer et tourner le bouton dans le sens antihoraire à LITE (allumage).

Tous les brûleurs de surface émettront un déclic. Seul le brûleur dont le bouton de commande est tourné à Lite (allumage) produira une flamme.
- Tourner le bouton n'importe où entre Hi et Lo (élevé et bas).

N'OUBLIEZ PAS : Lors de l'utilisation de la cuisinière, toute la surface de la table de cuisson peut devenir chaude.

Panne de courant

En cas de panne de courant prolongée, les brûleurs de surface peuvent être allumés manuellement. Tenir une allumette allumée près d'un brûleur et tourner le bouton dans le sens antihoraire à LITE (allumage). Une fois le brûleur allumé, tourner le bouton sur setting (réglage).

Brûleurs de surface

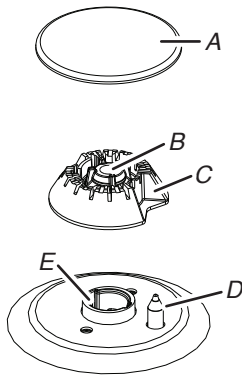
IMPORTANT : Ne pas entraver l'évacuation de l'air de combustion et de ventilation autour des bords des grilles de brûleur.

Chapeau de brûleur : Toujours garder le chapeau de brûleur en place lorsqu'un brûleur de surface est utilisé. Un chapeau de brûleur propre aide à empêcher le mauvais allumage et les flammes irrégulières. Toujours nettoyer le chapeau du brûleur après un renversement; enlever et nettoyer régulièrement les chapeaux comme indiqué à la section "Nettoyage général".

REMARQUE : Chaque base de brûleur rond est marquée d'une lettre indiquant la taille du brûleur.

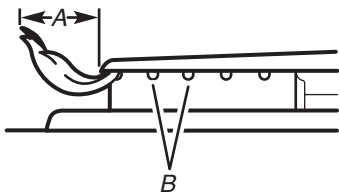
Alignement : S'assurer d'aligner l'ouverture du tube d'arrivée de gaz de la base du brûleur avec le porte-gicleur situé sur la cuisinière et d'aligner également l'électrode d'allumage avec l'encoche de la base du brûleur.

REMARQUE : Chaque base de brûleur rond est marquée d'une lettre indiquant la taille du brûleur.



A. Chapeau de brûleur
B. Ouverture du tube d'arrivée de gaz
C. Base du brûleur
D. Électrode d'allumage
E. Support du gicleur

Ouverture du tube d'arrivée de gaz : Pour que le brûleur s'allume convenablement, il faut que le gaz puisse passer librement à travers l'orifice. Garder cette zone propre et ne pas laisser de renversements, d'aliments, d'agents de nettoyage ou tout autre produit pénétrer dans l'ouverture du tube d'arrivée de gaz. Toujours utiliser un chapeau de brûleur pour protéger l'ouverture de gaz contre tout renversement.



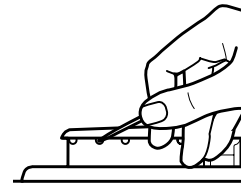
A. 1" à 1 1/2" (2,5 cm à 3,8 cm)
B. Orifices de brûleur

Orifices de brûleur : Examiner occasionnellement les flammes des brûleurs pour en vérifier la taille et la forme comme indiqué dans l'illustration précédente. Une bonne flamme est bleue plutôt que jaune. Garder cette zone exempte de souillures et ne pas laisser les produits renversés, les aliments, les agents de nettoyage ou autre produit pénétrer dans les orifices de brûleur.

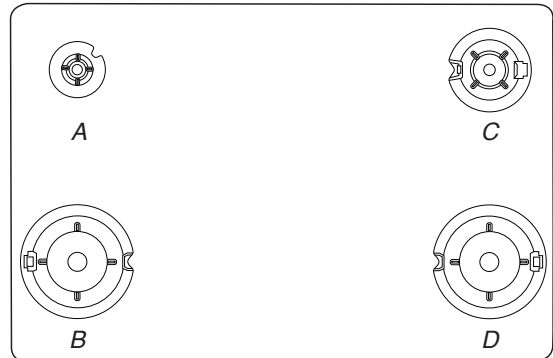
Nettoyage :

IMPORTANT : Avant le nettoyage, s'assurer que toutes les commandes sont éteintes et que la table de cuisson est refroidie. Ne pas utiliser de nettoyants à four, d'agent de blanchiment ou de décapants à rouille. Ne pas laver au lave-vaisselle.

1. Enlever le chapeau et la base du brûleur et nettoyer comme indiqué à la section "Nettoyage général".
2. Nettoyer l'ouverture du tube d'arrivée de gaz avec un chiffon humide.
3. Nettoyer les orifices de brûleur obstrués avec une épingle droite comme indiqué. Ne pas agrandir ni déformer l'orifice. Ne pas utiliser un cure-dents en bois. Si le brûleur a besoin d'être ajusté, contacter un technicien de réparation qualifié.



4. Réinstaller la base du brûleur. Chaque base de brûleur rond est marquée d'une lettre indiquant la taille du brûleur. Voir les illustrations suivantes pour connaître la position des brûleurs.



A. Petit (S)
B. Grand (L)
C. Moyen (M)
D. Grand (L)

5. Chaque chapeau de brûleur rond est marqué d'une lettre indiquant la taille du brûleur. Réinstaller le chapeau du brûleur et s'assurer qu'il est bien aligné avec le chapeau du brûleur. Lorsque le chapeau de brûleur est correctement aligné, il ne balance pas et n'oscille pas.



A. Incorrect
B. Correct

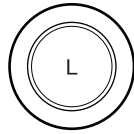
IMPORTANT : La partie inférieure des petits chapeaux et des chapeaux moyens est différente. Ne pas poser un chapeau de la mauvaise taille sur la base du brûleur.



Petit chapeau (S)



Chapeau moyen (M)



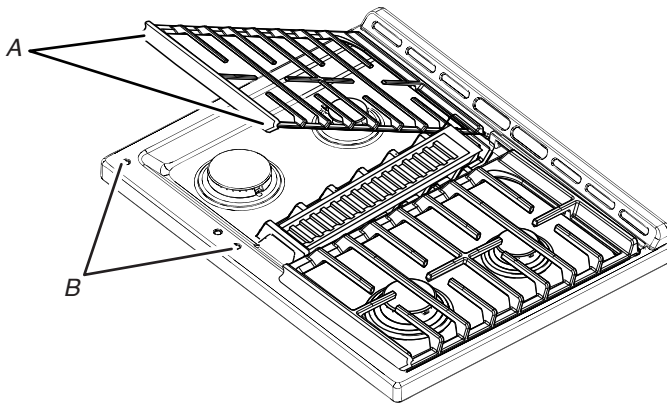
Grand chapeau (L)

6. Allumer le brûleur. Si le brûleur ne s'allume pas, vérifier l'alignement du chapeau. Si le brûleur ne s'allume toujours pas, éteindre le brûleur. Ne pas réparer le brûleur soi-même. Contacter un technicien de réparation qualifié.

Grilles de surface

Les grilles doivent être correctement positionnées avant la cuisson. Les grilles doivent être en affleurement et de niveau pour être en bonne position. Une mauvaise installation des grilles peut entraîner l'écaillage ou l'éraflage de la table de cuisson.

Afin de les positionner correctement, aligner les butoirs souples au-dessous de la grille avec les indentations sur la table de cuisson.

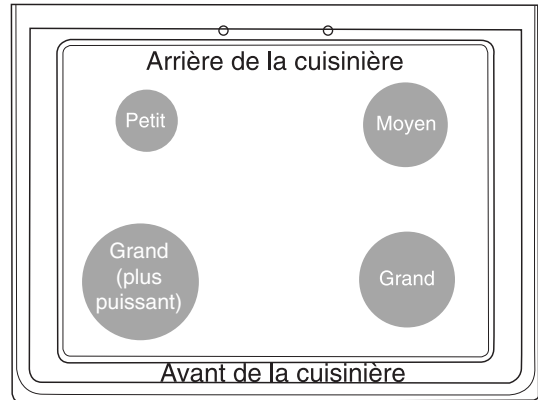


A. Butoir souple
B. Indentations d'alignement

Bien que les grilles de brûleurs soient durables, elles perdront progressivement de leur lustre et se décoloreront en raison des fortes températures produites par les flammes.

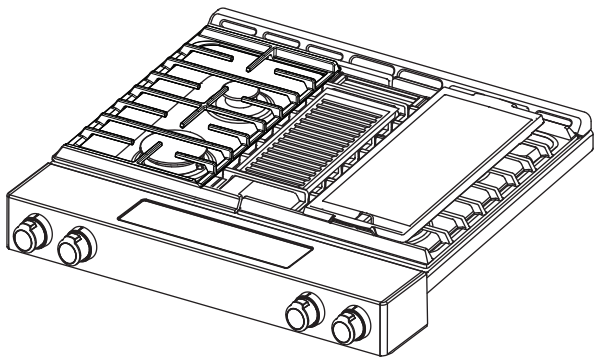
Taille du brûleur

Sélectionner le brûleur qui convient le mieux à votre ustensile. Voir l'illustration et le tableau suivants.



Taille du brûleur	Utilisation recommandée
Petit	<ul style="list-style-type: none"> ■ Cuisson à température faible. ■ Faire fondre le chocolat ou le beurre.
Moyenne	<ul style="list-style-type: none"> ■ Brûleur tout usage.
Grand	<ul style="list-style-type: none"> ■ Pour ustensile de cuisson de grande taille.
Grand (le plus puissant)	<ul style="list-style-type: none"> ■ Pour ustensile de cuisson de grande taille. ■ Brûleur le plus puissant.

Plaque à frire



Plaque à frire installée sur le côté droit de la table de cuisson

Utilisation de la plaque à frire :

1. Localiser la plaque à frire sur le côté droit de la table de cuisson tel qu'indiqué. Les pieds de positionnement sur le dessous de la plaque à frire s'engagent dans les tiges de la grille pour empêcher la plaque à frire de glisser.
2. Avant chaque utilisation, passer une fine couche d'huile de cuisson afin d'empêcher les aliments de coller. Les aérosols de cuisson peuvent laisser un résidu collant sur la plaque à frire, qui sera difficile à enlever.
3. Préchauffer la plaque à frire pendant 5 minutes. Un préchauffage lent assure une distribution homogène de la chaleur et évite de déformer la plaque à frire.
4. Pour un préchauffage et une cuisson parfaits, placer le brûleur avant au réglage de chaleur le plus faible et le brûleur arrière au niveau de chaleur moyen-élevé.

REMARQUE : La plaque à frire peut également être utilisée sur la grille de gauche. Pour une performance optimale, placer le brûleur arrière au niveau de chaleur moyen-élevé ou moyen, et le brûleur avant au réglage de chaleur le plus faible.

Nettoyage de la plaque à frire :

1. Laisser la plaque à frire refroidir, puis vider le plateau ramasse-gouttes.
2. Voir la section "Nettoyage général" pour les instructions de nettoyage.
3. Conserver la plaque à frire dans un lieu sec et frais.

Système de ventilation à aspiration par le bas

Le système de ventilation incorporé à aspiration par le bas élimine les vapeurs, les odeurs et la fumée de cuisson des aliments préparés sur la table de cuisson.

IMPORTANT : Pour un rendement optimal, faire fonctionner le système de ventilation à aspiration par le bas lorsque le filtre est correctement installé.

Afin d'éviter une accumulation de graisse, le filtre doit être nettoyé souvent.

Pour plus d'informations sur l'installation et le nettoyage corrects du filtre, voir "Système de ventilation à aspiration par le bas" dans la section "Nettoyage général".

Plat de cuisson

IMPORTANT : Ne pas laisser d'ustensile de cuisson vide sur une surface de cuisson, un élément ou un brûleur de surface chaud.

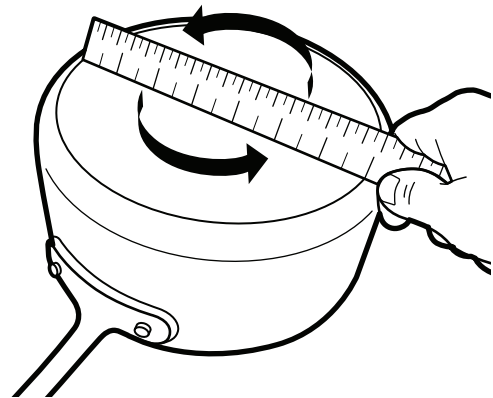
Les plats de cuisson parfaits doivent avoir un fond plat, des parois droites, un couvercle qui ferme hermétiquement et le matériau doit être d'épaisseur moyenne à forte.

Les finis rugueux peuvent érafler la table de cuisson ou les éléments. L'aluminium et le cuivre peuvent être utilisés comme fond ou base d'un ustensile de cuisson. Toutefois, une base en aluminium ou en cuivre peut laisser des marques permanentes sur les grilles.

Le matériau de l'ustensile de cuisson a une incidence sur le résultat de cuisson en raison de sa capacité à distribuer de façon égale et rapide la chaleur.

Les ustensiles de cuisson avec surface antiadhésive ne doivent pas être utilisés sous le gril.

Vérifier que le récipient est plat en plaçant le bord plat d'une règle en travers du fond du récipient. Lorsque l'on fait tourner la règle, aucun espace ou jour ne doit être visible entre celle-ci et le plat.



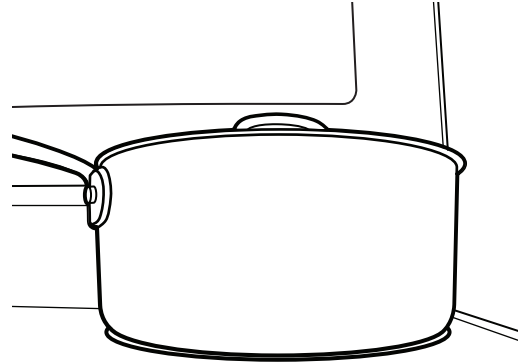
Utiliser le tableau suivant comme guide pour les caractéristiques du matériau d'ustensile de cuisson.

Plat de cuisson	Caractéristiques
Aluminium	<ul style="list-style-type: none">■ Chauffe rapidement et uniformément.■ Convient à tous les genres de cuisson.■ L'épaisseur moyenne ou forte convient le mieux pour la plupart des tâches de cuisson.■ Peut laisser des résidus d'aluminium. Pour en réduire la quantité, les nettoyer immédiatement après la cuisson.
Fonte	<ul style="list-style-type: none">■ Chauffe lentement et uniformément.■ Convient pour le brunissage et la friture.■ Maintient la chaleur pour une cuisson lente.■ Des rebords anguleux ou mal poncés peuvent érafler la table de cuisson.

Plat de cuisson	Caractéristiques
Céramique ou vitrocéramique	<ul style="list-style-type: none"> ■ Suivre les instructions du fabricant. ■ Chauffe lentement, mais inégalement. ■ Excellents résultats avec des réglages de chaleur de bas à moyen. ■ Peut érafler la table de cuisson.
Cuivre	<ul style="list-style-type: none"> ■ Chauffe très rapidement et uniformément. ■ Peut laisser des résidus de cuivre. Pour en réduire la quantité, les nettoyer immédiatement après la cuisson. ■ Peut laisser une tache indélébile ou adhérer à la table de cuisson en cas de surchauffe du matériau.
Terre cuite	<ul style="list-style-type: none"> ■ Suivre les instructions du fabricant. ■ Utiliser des réglages de température basse. ■ Peut érafler la table de cuisson.
Acier émaillé en porcelaine ou fonte émaillée	<ul style="list-style-type: none"> ■ Voir acier inoxydable ou fonte. ■ Les ustensiles de cuisson au four en émail vitrifié dépourvus d'une base métallique peuvent adhérer à la table de cuisson en cas de surchauffe du matériau.
Acier inoxydable	<ul style="list-style-type: none"> ■ Chauffe rapidement, mais inégalement. ■ Un fond ou une base d'aluminium ou de cuivre sur l'acier inoxydable procure un chauffage uniforme.

Utiliser des ustensiles de cuisson à fond plat pour obtenir de meilleurs résultats de cuisson et une meilleure utilisation de l'énergie. Les ustensiles de cuisson doivent avoir la même taille que la zone de cuisson indiquée sur la table de cuisson. L'ustensile ne doit pas dépasser de plus de 1/2" (13 mm) hors de la surface de cuisson ou de l'élément.

Les ustensiles de cuisson doivent être centrés au-dessus du brûleur tout en étant posés à l'horizontale au fond sur la grille. La flamme doit être réglée de sorte qu'elle ne s'étende pas sur les côtés du plat de cuisson.



Mise en conserve à la maison

Lors de la préparation de conserves pendant de longues périodes, alterner l'utilisation des brûleurs de surface de cuisson entre chaque quantité préparée. Ceci permet aux dernières surfaces utilisées de refroidir.

- Centrer l'autoclave sur la plus grande surface de cuisson ou sur le plus grand élément.
- Ne pas placer l'autoclave sur 2 brûleurs de surface en même temps.
- Pour plus de renseignements, contacter votre bureau de développement agricole local ou consulter les guides publiés sur la mise en conserve domestique. Les compagnies qui fabriquent des produits pour la préparation de conserves peuvent aussi offrir de l'aide.

UTILISATION AU FOUR

Des odeurs et de la fumée sont normales lorsque le four est utilisé les premières fois et lorsqu'il est très sale.

IMPORTANT : La santé de certains oiseaux est très sensible aux émanations de fumée. L'exposition aux émanations peut entraîner la mort de certains oiseaux. Toujours déplacer les oiseaux dans une autre pièce fermée et bien aérée.

Commandes électroniques du four

Affichage des commandes

L'affichage clignote à la mise sous tension ou après une coupure de courant. Appuyer sur STOP (arrêt) pour effacer. Lorsque le four n'est pas utilisé, l'heure s'affiche. Si la cuisinière est en mode d'économie d'énergie, l'écran est inactif lorsque le four n'est pas utilisé.

Signaux sonores

Les signaux sonores avertissent l'utilisateur de divers événements :

Un seul signal sonore

- Appui sur une touche valide
- Préchauffage du four terminé (signal sonore long)
- Saisie d'une fonction
- Rappel émis chaque minute après le signal sonore de fin de programme

Trois signaux sonores

- Appui sur une touche non valide

Quatre signaux sonores

- Fin de programme

Appuyer sur la touche Settings/Clock (réglages/horloge) pour modifier les réglages des signaux sonores.

Mode d'économie d'énergie

Le mode Energy Save (économie d'énergie) place la cuisinière en mode de veille pour réduire la consommation d'énergie.

1. Appuyer sur SETTINGS/CLOCK (réglages/horloge) jusqu'à afficher "ENERGY SAVE" (économie d'énergie).
2. Le réglage en cours s'affiche.
3. Appuyer sur la touche 1 pour changer le réglage.
4. Appuyer sur START (mise en marche) ou STOP (arrêt) pour quitter et afficher l'heure.

Réglages

De nombreuses fonctions du four peuvent être réglées pour répondre à vos besoins. La touche Settings/Clock (réglages/horloge) sert à effectuer ces ajustements.

Appuyer sur la touche Settings/Clock (réglages/horloge) pour faire défiler les fonctions modifiables. L'affichage passe au réglage suivant à chaque pression supplémentaire sur Settings/Clock (réglages/horloge). Après avoir sélectionné la fonction à modifier, le tableau de commande demande à l'utilisateur d'effectuer la manœuvre nécessaire. Appuyer ensuite sur START (mise en marche) ou STOP (arrêt) pour quitter et afficher l'heure. Les sections suivantes détaillent toutes les fonctions modifiables.

Appuyer sur STOP (arrêt) pour quitter le mode Settings (réglages).

Horloge

Cette horloge est réglable sur 12 ou 24 heures.

1. Appuyer sur SETTINGS/CLOCK (réglages/horloge) jusqu'à afficher "CLOCK" (horloge).
2. Appuyer sur les touches numériques pour régler l'heure.
3. Appuyer sur START (mise en marche) pour changer l'heure.
4. Appuyer sur 3 pour AM (heure du matin) ou 6 pour PM (heure de l'après-midi).

Fahrenheit et Celsius

La température est pré-réglée pour un affichage en degrés Fahrenheit, mais on peut la permuter en degrés Celsius.

1. Appuyer sur SETTINGS/CLOCK (réglages/horloge) jusqu'à afficher "TEMP UNIT" (unité de température).
2. Le réglage en cours s'affiche.
3. Appuyer sur la touche 1 pour changer le réglage.
4. Appuyer sur START (mise en marche) ou STOP (arrêt) pour quitter et afficher l'heure.

Désactivation des signaux sonores

Désactive tous les signaux sonores, y compris le signal sonore de fin de programme et les signaux sonores d'appui sur une touche. Les signaux sonores de rappel restent actifs lorsque tous les sons sont désactivés.

1. Appuyer sur SETTINGS/CLOCK (réglages/horloge) jusqu'à afficher "SOUND" (son).
2. Le réglage en cours s'affiche.
3. Appuyer sur la touche 1 pour changer le réglage.
4. Appuyer sur START (mise en marche) ou STOP (arrêt) pour quitter et afficher l'heure.

Volume sonore

Règle le volume du signal sonore à bas ou élevé.

1. Appuyer sur SETTINGS/CLOCK (réglages/horloge) jusqu'à afficher "SOUND VOLUME" (volume sonore).
2. Le réglage en cours s'affiche.
3. Appuyer sur la touche 1 pour changer le réglage.
4. Appuyer sur START (mise en marche) ou STOP (arrêt) pour quitter et afficher l'heure.

Tonalité de fin de cycle

Active ou désactive les signaux sonores émis à la fin d'un programme.

1. Appuyer sur SETTINGS/CLOCK (réglages/horloge) jusqu'à afficher "END TONE" (signal sonore de fin).
2. Le réglage en cours s'affiche.
3. Appuyer sur la touche 1 pour changer le réglage.
4. Appuyer sur START (mise en marche) ou STOP (arrêt) pour quitter et afficher l'heure.

Son des touches

Active ou désactive les signaux sonores lorsqu'on appuie sur une touche.

1. Appuyer sur SETTINGS/CLOCK (réglages/horloge) jusqu'à afficher "KEYPRESS TONE" (signal sonore des touches).
2. Le réglage en cours s'affiche.
3. Appuyer sur la touche 1 pour changer le réglage.
4. Appuyer sur START (mise en marche) ou STOP (arrêt) pour quitter et afficher l'heure.

Désactivation des signaux sonores de rappel

Désactive le signal sonore bref qui retentit chaque minute après le signal sonore de fin de programme.

1. Appuyer sur SETTINGS/CLOCK (réglages/horloge) jusqu'à afficher "REMINDER TONE" (signal sonore de rappel).
2. Le réglage en cours s'affiche.
3. Appuyer sur la touche 1 pour changer le réglage.
4. Appuyer sur START (mise en marche) ou STOP (arrêt) pour quitter et afficher l'heure.

Horloge 12/24 heures

1. Appuyer sur SETTINGS/CLOCK (réglages/horloge) jusqu'à afficher "12/24 HOUR" (horloge sur 12/24 heures).
2. Le réglage en cours s'affiche.
3. Appuyer sur la touche 1 pour changer le réglage.
4. Appuyer sur START (mise en marche) ou STOP (arrêt) pour quitter et afficher l'heure.

Mode de démonstration

IMPORTANT : Destinée au personnel en magasin, cette fonction permet, avec un raccordement au secteur 120 V, de présenter les fonctions des commandes sans pour autant activer le four. Si cette fonction est activée, le four ne fonctionnera pas.

1. Appuyer sur SETTINGS/CLOCK (réglages/horloge) jusqu'à afficher "DEMO MODE" (mode démo).
2. Le réglage en cours s'affiche.
3. Appuyer sur la touche 1 pour changer le réglage.
4. Appuyer sur START (mise en marche) ou STOP (arrêt) pour quitter et afficher l'heure.

Mode Sabbat

Le mode Sabbat permet au four de continuer à fonctionner sur un réglage de cuisson au four jusqu'à ce qu'on l'éteigne.

Lorsque le mode Sabbat est réglé, seul le programme de cuisson au four fonctionne. Tous les autres programmes de cuisson et de nettoyage sont désactivés. Aucun signal sonore ne retentit et les affichages n'indiquent pas les changements de température.

Lorsque la porte du four est ouverte ou fermée, la lampe du four ne s'allume ou ne s'éteint pas et les éléments de chauffage ne s'allument ou ne s'éteignent pas immédiatement.

Activation du mode Sabbat (une seule fois) :

1. Appuyer sur SETTINGS/CLOCK (réglages/horloge) jusqu'à afficher "SABBATH" (sabbat).
2. Le réglage en cours s'affiche.
3. Appuyer sur la touche 1 pour changer le réglage.
4. Appuyer sur START (mise en marche) ou STOP (arrêt) pour quitter et afficher l'heure.

Arrêt au bout de 12 heures

Le four est configuré pour s'éteindre automatiquement 12 heures après avoir activé une fonction de cuisson ou de nettoyage. Cette fonction ne perturbe aucune fonction de cuisson minutée ou différée.

1. Appuyer sur SETTINGS/CLOCK (réglages/horloge) jusqu'à afficher "12Hr AUTO_OFF" (arrêt automatique après 12 heures).
2. Le réglage en cours s'affiche.
3. Appuyer sur la touche 1 pour changer le réglage.
4. Appuyer sur START (mise en marche) ou STOP (arrêt) pour quitter et afficher l'heure.

Langue du texte inscrit sur l'affichage

Les options de langue sont l'anglais, l'espagnol et le français.

1. Appuyer sur SETTINGS/CLOCK (réglages/horloge) jusqu'à afficher "LANGUAGE" (langue).
2. Le réglage en cours s'affiche.
3. Appuyer sur les touches 1 ou 2 pour sélectionner la langue souhaitée.
4. Appuyer sur START (mise en marche) ou STOP (arrêt) pour quitter et afficher l'heure.

Commande de décalage de température du four

IMPORTANT : Ne pas utiliser de thermomètre pour mesurer la température du four. Les éléments chauffants s'allument et s'éteignent en alternance pour maintenir une température constante, mais leur température peut varier légèrement dans un sens ou dans l'autre du fait de cette alternance. De nombreux thermomètres réagissent lentement à un changement de température et ne donneront pas une mesure exacte du fait de cette alternance.

Le four fournit des températures précises; toutefois, il peut cuire plus rapidement ou plus lentement que votre ancien four, c'est pourquoi la température peut être ajustée à vos besoins de cuisson. Elle peut être modifiée en degrés Fahrenheit ou Celsius.

Ajustement de la température du four :

1. Appuyer sur SETTINGS/CLOCK (réglages/horloge) jusqu'à afficher "TEMP CALIB" (étalonnage température).
2. Sur certains modèles, appuyer sur 1 pour régler la température du tiroir-réchaud. Appuyer sur START (mise en marche), attendre 10 secondes que l'affichage change, puis passer à l'étape 3.

OU

Appuyer sur START (mise en marche) pour effectuer le réglage de la température du four. Attendre 10 secondes que l'affichage change, puis passer à l'étape 3.

3. Appuyer sur la touche 3 pour augmenter la température par paliers de 5 °F (3 °C) ou sur la touche 6 pour diminuer la température par paliers de 5 °F (3 °C). L'intervalle d'ajustement se situe entre -30 °F et +30 °F (-18 °C et +18 °C).
4. Appuyer sur START (mise en marche) ou STOP (arrêt) pour quitter et afficher l'heure.

Exemple : Après une augmentation de 5 °F (3 °C), le four cuit à 305 °F (152 °C), mais affiche toujours 300 °F (149 °C).

Mode Sabbat

Le mode Sabbat permet au four de continuer à fonctionner sur un réglage de cuisson au four jusqu'à ce qu'on l'éteigne.

Lorsque le mode Sabbat est réglé, seul le programme de cuisson au four fonctionne. Tous les autres programmes de cuisson et de nettoyage sont désactivés. Aucun signal sonore ne retentit et les affichages n'indiquent pas les changements de température.

Lorsque la porte du four est ouverte ou fermée, la lampe du four ne s'allume ou ne s'éteint pas et les éléments de chauffage ne s'allument ou ne s'éteignent pas immédiatement.

Activation du mode Sabbat (une seule fois) :

1. Appuyer sur SETTINGS/CLOCK (réglages/horloge) jusqu'à afficher "SABBATH" (sabbat). "ARRÊT. Appuyer sur (1) pour On" défile dans la zone de texte.
2. Appuyer sur la touche 1. « MARCHE. Appuyer sur 1 pour OFF » défile dans la zone de texte. Le mode Sabbat peut être utilisé pour la cuisson au four.
3. Appuyer sur START (mise en marche) ou STOP (arrêt) pour quitter et afficher l'heure.

REMARQUE : Pour désactiver le mode Sabbat, répéter les étapes 1 à 3 pour changer l'état de "SABBATH ON" (mode Sabbat activé) à "SABBATH OFF" (mode Sabbat désactivé).

Activation du mode Sabbat :

1. Appuyer sur BAKE (cuisson au four).
2. Appuyer sur les touches numériques pour entrer une température autre que celle qui est affichée.
3. Appuyer sur START (mise en marche).
Pour une cuisson minutée au mode Sabbat, appuyer sur COOK TIME (durée de cuisson), puis sur les touches numériques pour régler la durée de cuisson désirée. Appuyer sur START (mise en marche).
4. Appuyer sur SETTINGS/CLOCK (réglages/horloge). Appuyer ensuite sur 7. "Sab" apparaît sur l'affichage.

Réglage de la température (lorsque le mode Sabbat fonctionne) :

1. Appuyer sur les touches numériques comme indiqué par le texte déroulant afin de sélectionner la nouvelle température.
REMARQUE : Le changement de température n'apparaît pas sur l'affichage et aucun son n'est émis. Le texte déroulant s'affiche tel qu'il était avant que l'on n'appuie sur la touche.
2. Appuyer sur START (mise en marche).

Pour activer le mode Sabbat et l'utiliser pour la cuisson :

⚠️ AVERTISSEMENT

Risque d'empoisonnement alimentaire

Ne pas laisser des aliments dans un four plus d'une heure avant ou après la cuisson.

Le non-respect de cette instruction peut causer un empoisonnement alimentaire ou une maladie.

1. Appuyer sur BAKE (cuisson au four).
2. Appuyer sur les touches numériques pour entrer une température autre que celle qui est affichée.
3. Appuyer sur COOK TIME (durée de cuisson).
4. Appuyer sur les touches numériques pour entrer la durée de cuisson.
5. Appuyer sur DELAY START (mise en marche différée).
6. Appuyer sur les touches numériques pour entrer le nombre d'heures ou de minutes dont on souhaite différer l'heure de mise en marche.
7. Appuyer sur START (mise en marche).
8. Appuyer sur SETTINGS/CLOCK (réglages/horloge). Appuyer ensuite sur 7. "SAb" apparaît sur l'affichage. Lorsque l'heure de mise en marche est atteinte, le four s'allume automatiquement.

Désactivation du mode Sabbat :

Appuyer sur SETTINGS/CLOCK (réglages/horloge), puis sur 7 pour revenir à la cuisson au four traditionnelle ou sur STOP (arrêt) pour éteindre la cuisinière.



Pour obtenir de l'aide, des directives pour une utilisation convenable et une liste complète des modèles munis du mode Sabbat, visiter le site Web www.star-k.org.

Maintien au chaud

⚠️ AVERTISSEMENT

Risque d'empoisonnement alimentaire

Ne pas laisser des aliments dans un four plus d'une heure avant ou après la cuisson.

Le non-respect de cette instruction peut causer un empoisonnement alimentaire ou une maladie.

REMARQUE : Le ventilateur de convection s'arrête lorsque la porte du four est ouverte. Si le porte du four reste ouverte trop longtemps, les éléments chauffants se ferment jusqu'à ce que la porte soit de nouveau fermée. Toutes les minuteries, incluant les minuteries de cuisson ou les fonctions de cuisson minutée, continuent leur compte à rebours.

IMPORTANT : Les aliments doivent être à la température de service avant d'être placés dans le four chaud. Les aliments peuvent être gardés au four jusqu'à une heure; toutefois, les pains et les mets en sauce peuvent devenir trop secs s'ils sont laissés dans le four alors que la fonction Keep Warm est activée. Pour de meilleurs résultats, couvrir les aliments.

La caractéristique Keep Warm (maintien au chaud) permet de garder les aliments cuits chauds à la température de service.

Utilisation :

1. Appuyer sur KEEP WARM (maintien au chaud).
2. Utiliser les touches numériques pour régler la température souhaitée. Un signal sonore retentit lorsque la température minimum ou maximum est atteinte.
3. Appuyer sur START (mise en marche).
4. Placer les aliments dans le four.
5. Appuyer sur STOP (arrêt) après avoir terminé.

REMARQUE : Il est possible de changer les réglages de température en tout temps en répétant les étapes 2 et 3.

Papier d'aluminium

IMPORTANT : Pour éviter des dommages permanents au fini du fond du four, ne pas recouvrir le fond avec du papier d'aluminium ou un revêtement quelconque.

Pour obtenir les meilleurs résultats de cuisson, ne pas couvrir entièrement la grille d'aluminium, car l'air doit pouvoir circuler librement.

Positionnement des grilles et des ustensiles de cuisson au four

IMPORTANT : Afin d'éviter des dommages permanents au fini en porcelaine, ne pas placer d'aliments ou d'ustensiles de cuisson au four directement sur la porte ou sur le fond du four.

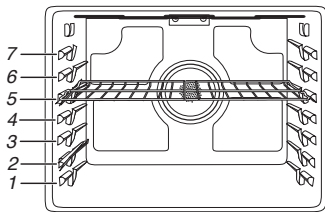
Ustensiles de cuisson

L'air chaud doit pouvoir circuler autour de l'aliment pour le cuire uniformément. Laisser 2" (5 cm) entre les ustensiles de cuisson et les parois du four. S'assurer qu'aucun ustensile de cuisson ne se trouve directement au-dessus d'un autre.

Grilles

- Placer les grilles avant d'allumer le four.
- Ne pas installer les grilles lorsque des ustensiles de cuisson au four se trouvent dessus.
- S'assurer que les grilles sont horizontales.

Pour positionner une grille, la tirer jusqu'à la butée, soulever l'avant puis la retirer. Se servir de l'illustration et des tableaux suivants comme guide.

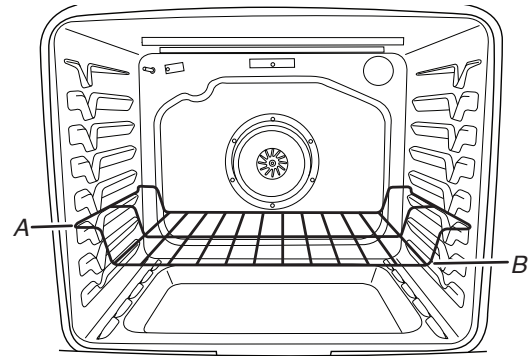


Le four présente 7 positions possibles pour une grille plate, comme indiqué dans l'illustration précédente et le tableau suivant.

Position de la grille plate*	Type d'aliment
7	Cuire au gril/griller les viandes, les hamburgers, les steaks
6	Viandes grillées, volaille, poisson
3 ou 4	La plupart des produits de boulangerie, plats en sauce, plats surgelés
2	Viandes rôties
1	Gros rôtis/volailles

Pour qu'une galette à hamburger soit bien saisie à l'extérieur tout en restant bien tendre à l'intérieur, utiliser une grille plate en position 7. La cuisson du 1^{er} côté devrait prendre entre 2¹/₂ à 3¹/₂ minutes. La cuisson du deuxième côté devrait prendre entre 4 et 5 minutes. Une légère fumée peut se dégager durant la cuisson au gril.

*Si votre modèle possède une grille de four à capacité maximale, les bords surélevés doivent être placés dans la position immédiatement supérieure à la position souhaitée pour les aliments. Voir l'illustration suivante.



A. Extrémités de la grille en position 3
B. Aliments en position 2

IMPORTANT : Ces positions de grille sont pour les grilles plates. En cas d'utilisation d'une grille de four à capacité maximale, la position de la grille doit être ajustée en conséquence comme dans l'illustration précédente.

Cuisson sur plusieurs grilles

Cuisson sur deux grilles (sans convection) : Utiliser les positions de grille 2 et 5, ou 3 et 6.

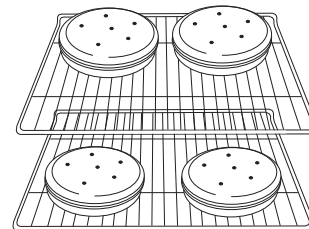
Cuisson sur deux grilles (avec convection) : Utiliser les positions de grille 2 et 5, ou 3 et 6.

Cuisson sur trois grilles (avec convection) : Utiliser les positions de grille 2 et 7 et une grille de four à capacité maximale en position 5.

Cuisson au four de biscuits et de gâteaux à étages sur deux grilles

Cuisson au four de gâteaux à étages

Pour une cuisson optimale de gâteaux sur deux grilles, utiliser la fonction Bake (cuisson au four), une grille plate en position 5 et une grille plate en position 2. Si deux plaques plates ne sont pas disponibles, utiliser une grille à capacité maximale en position 6. Placer les gâteaux sur les grilles comme indiqué. Prévoir un espace d'au moins 3" (7,6 cm) entre le bord avant des grilles et les gâteaux placés à l'avant.



Cuisson au four de biscuits

Pour une cuisson optimale de biscuits sur deux grilles, utiliser la fonction Convection Bake (cuisson au four par convection), une grille plate en position 6 et une grille plate en position 3.

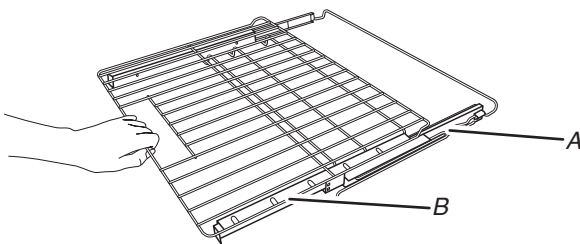
Si seule une grille plate est disponible, utiliser une grille plate en position 2 et une grille de four à capacité maximale en position 6.

Si le four est dépourvu de la fonction Convection Bake (cuisson au four par convection), utiliser la fonction Bake (cuisson au four) standard.

Grille déployante

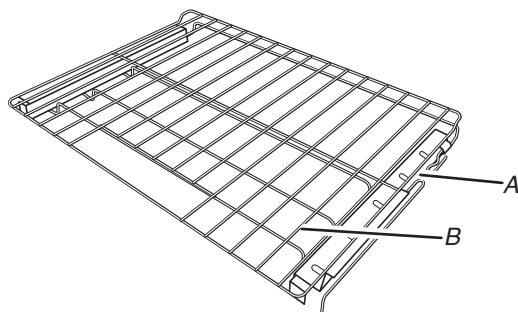
Cette grille déployante offre un accès facile à l'utilisateur pour le positionnement et le retrait des aliments. Il n'est pas conseillé d'utiliser la grille déployante à la position supérieure (position 7) ou à la position inférieure (position 1).

Position déployée



A. Pourtour de grille
B. Grille coulissante

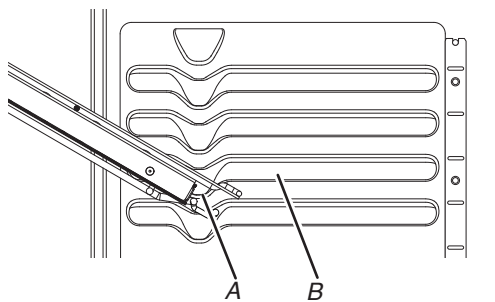
Position rétractée et emboîtée



A. Pourtour de grille
B. Grille coulissante

Insertion de la grille déployante :

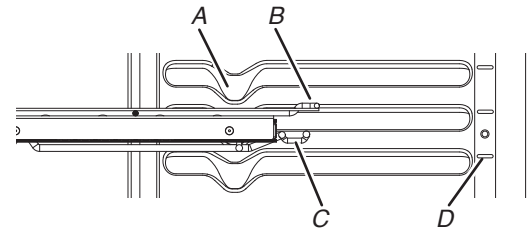
1. Incliner l'avant de la grille vers le haut et insérer le pourtour de la grille dans l'encoche en "V" des glissières de grille à l'intérieur de la cavité du four.



A. Ouverture en "V"
B. Glissières de grille

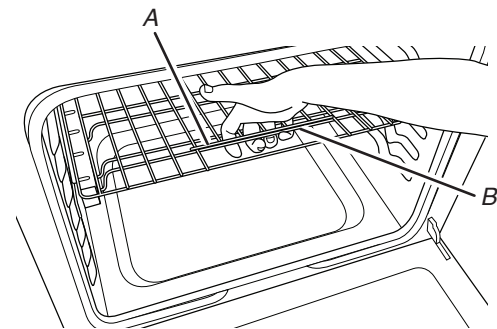
2. Garder la grille inclinée vers le haut et l'enfoncer au-delà de l'encoche inférieure en "V".

3. Abaisser l'avant de la grille et l'introduire avec précaution dans le four en la faisant glisser au-delà des encoches en "V". Enfoncer la grille à l'intérieur du four jusqu'à ce qu'elle bute sur l'échelle dans le fond du four.



A. Ouverture en "V"
B. Glissières de grille
C. Crochet de l'échelle
D. Échelle

4. Passer la main sur la grille pour agripper la grille coulissante et la barre transversale avant. Soulever l'avant de la grille et pousser la grille à l'arrière du four. Abaisser l'avant de la grille pour que le crochet de l'échelle s'engage dans l'échelle de chaque côté du four.



A. Grille coulissante
B. Grille transversale avant

Dépose de la grille déployante :

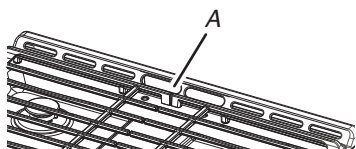
1. Enfoncer complètement la grille coulissante jusqu'à ce qu'elle soit rétractée et emboîtée.
2. Passer la main sur la grille pour agripper la grille coulissante et la barre transversale avant. Soulever l'avant de la grille pour dégager le crochet de l'échelle au fond du four, et tirer la grille vers l'avant.
3. Avec les 2 mains, retirer simultanément la grille coulissante et son pourtour avec précaution pour les extraire de l'encoche en "V". Incliner la grille de façon à ce que l'avant soit plus haut que l'arrière et la retirer avec précaution pour l'extraire de l'encoche en "V", puis du four.

Pour éviter d'endommager la grille coulissante, ne pas placer plus de 25 lb (11,4 kg) sur la grille.

Ne pas nettoyer la grille déployante au lave-vaisselle. Ceci pourrait enlever le lubrifiant de la grille et affecter la capacité de celle-ci à glisser.

Voir la section "Nettoyage général" pour plus de renseignements.

Évent du four



A. Évent du four

L'évent du four permet l'évacuation de l'air chaud et de l'humidité du four. Il ne doit pas être obstrué ou couvert. Le fait d'obstruer ou de couvrir l'évent nuit à la circulation adéquate de l'air et affecte les résultats de cuisson et de nettoyage. Ne pas placer près de l'évent du four des objets en plastique, en papier ou susceptibles de fondre ou de brûler.

Cuisson au four et rôtissage

REMARQUE : Le ventilateur de convection s'arrête lorsque la porte du four est ouverte. Si la porte du four reste ouverte trop longtemps, les éléments chauffants se ferment jusqu'à ce que la porte soit de nouveau fermée. Toutes les minuteriers, incluant les minuteriers de cuisson ou les fonctions de cuisson minutée, continuent leur compte à rebours.

Préchauffage

Au début d'un programme de cuisson au four (Bake), de cuisson au four avec convection (Convect Bake) ou de rôtissage avec convection (Convect Roast), le four commence par un préchauffage une fois la touche Start (mise en marche) enfoncée. Le four atteint 350 °F (177 °C) en 12 à 15 minutes environ lorsque toutes les grilles fournies avec le four sont à l'intérieur de la cavité du four. Pour atteindre une température plus élevée, le préchauffage est plus long. Le programme de préchauffage augmente rapidement la température du four. La température réelle du four dépasse alors la température programmée, pour compenser la chaleur perdue à l'ouverture du four pour y introduire le plat à cuire. Ainsi, le four entame la cuisson à la température correcte après y avoir placé le plat. Placer les aliments au four lorsque le signal sonore de préchauffage retentit. Ne pas ouvrir la porte du four pendant le préchauffage tant que le signal sonore n'a pas retenti.

Accela Heat

Utiliser la fonction Accela Heat si l'on souhaite cuire au four immédiatement, sans qu'il faille préchauffer. Cette fonction fournit de bons résultats lors de la préparation des plats cuisinés tels que des brioches à la cannelle, de la pizza surgelée, du bacon, des frites et des tator tots. Durant Accela Heat, les éléments de cuisson au four et de cuisson au grill s'allument et s'éteignent par intermittence tandis que le ventilateur fait circuler l'air chaud. La fonction Accela Heat est conçue pour la cuisson au four sur une seule grille. Pour obtenir de meilleurs résultats, utiliser une grille plate en position 3 et un ustensile dont les rebords sont bas ou ne comporte aucun rebord. Ceci permet l'air de circuler uniformément autour des aliments.

Ne pas ouvrir la porte du four souvent. Ouvrir la porte réduira la température dans le four et peut augmenter la durée de cuisson. Contrôler le degré de cuisson des aliments au moment indiqué sur l'emballage. Les aliments peuvent nécessiter quelques minutes de plus.

Température du four

En cours d'utilisation, les éléments chauffants du four s'allument et s'éteignent en alternance pour maintenir une température constante, mais leur température peut varier légèrement dans un sens ou dans l'autre du fait de cette alternance. L'ouverture de la porte du four en cours d'utilisation laisse échapper l'air chaud et refroidit le four, ce qui peut modifier la durée nécessaire et le résultat de la cuisson. Pour suivre l'avancement de la cuisson, il est conseillé d'utiliser l'éclairage du four.

REMARQUE : Sur les modèles équipés d'une fonction de convection, le ventilateur de convection peut tourner dans le mode de cuisson sans convection pour améliorer la performance du four.

Système de gestion de la température

Le système de gestion de la température contrôle électroniquement les niveaux de température du four durant le préchauffage et la cuisson afin de maintenir une gamme précise de températures pour des résultats de cuisson optimaux. Les éléments de cuisson au four et au grill ou brûleurs s'allument et s'éteignent par intermittence. Pour les cuisinières à convection, le ventilateur fonctionne pendant le préchauffage et peut s'allumer et s'éteindre par intermittence pendant de courts intervalles dans le mode Bake (cuisson au four) afin de produire un meilleur résultat. Ce comportement est automatique lorsque le four est utilisé.

Avant la cuisson au four et le rôtissage, placer les grilles comme indiqué à la section "Positionnement des grilles et des ustensiles de cuisson au four". Lors du rôtissage, il n'est pas nécessaire d'attendre la fin du préchauffage du four avant d'y placer la nourriture, sauf si la recette le recommande.

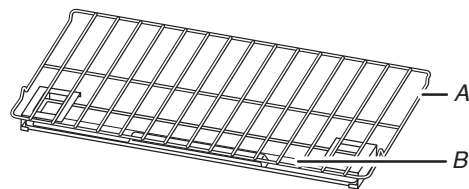
Cuisson au four vapeur

La fonction de cuisson au four vapeur s'utilise avec la grille d'étuvage pour apporter davantage d'humidité durant la cuisson au four. La grille d'étuvage est équipée d'un réservoir d'eau qui chauffe et libère de la vapeur dans la cavité durant le programme de cuisson au four vapeur. 3 options préprogrammées de plats sont disponibles : pains, desserts et poissons, ainsi qu'une option rafraîchir/réchauffer.

Pour de meilleures performances, placer la grille d'étuvage à la position de grille la plus basse de la cavité et verser 1¹/₂ tasse (350 mL) d'eau tiède et distillée dans le réservoir. Ne pas remplir au-delà du niveau Max indiqué dans le réservoir.

REMARQUE : Utiliser de l'eau distillée aidera à empêcher l'accumulation de calcium et les dépôts de minéraux.

Une fois le programme de cuisson au four vapeur terminé, il est possible qu'il reste de l'eau dans le réservoir. Ceci est normal. Attendre que le four ait refroidi et jeter l'eau.



A. Grille d'étuvage
B. Réservoir d'eau

Cuisson au gril

REMARQUE : Le ventilateur de convection s'arrête lorsque la porte du four est ouverte. Si le porte du four reste ouverte trop longtemps, les éléments chauffants se ferment jusqu'à ce que la porte soit de nouveau fermée. Toutes les minuteries, incluant les minuteries de cuisson ou les fonctions de cuisson minutée, continuent leur compte à rebours.

Pour la cuisson au gril, préchauffer le four pendant 2 minutes avant d'y placer des aliments, à moins que la recette ne recommande autre chose. Placer l'aliment sur la grille de la lèchefrite, puis placer celle-ci au centre de la grille du four.

IMPORTANT : Fermer la porte pour une température de cuisson au gril adéquate.

Abaisser la température de cuisson au gril prolonge la durée de cuisson mais permet un contrôle plus précis de la cuisson. Plus le réglage du gril est bas, plus la cuisson est lente. Les morceaux épais et de forme irrégulière de viande, de poisson et de volaille cuisent mieux à des réglages de gril plus bas. Utiliser les grilles en positions 6 ou 7 pour la cuisson au gril. Consulter la section "Positionnement des grilles et ustensiles de cuisson" pour plus d'informations.

À des réglages inférieurs, l'élément de cuisson au gril s'allume et s'éteint par intermittence afin de maintenir une température adéquate.

- Pour de meilleurs résultats, utiliser une lèchefrite et une grille. La grille est conçue pour laisser s'écouler les jus et aider à éviter les éclaboussures et la fumée.

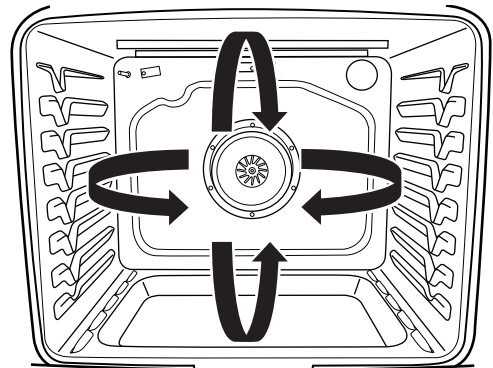
Le numéro de pièce 4396923 peut être commandé sur sears.com. Voir la couverture arrière de ce guide d'utilisation et d'entretien pour obtenir des coordonnées supplémentaires.

REMARQUE : Des odeurs et de la fumée sont normales lorsque le four est utilisé les premières fois, ou lorsqu'il est très sale.

Cuisson par convection

REMARQUE : Le ventilateur de convection s'arrête lorsque la porte du four est ouverte. Si le porte du four reste ouverte trop longtemps, les éléments chauffants se ferment jusqu'à ce que la porte soit de nouveau fermée. Toutes les minuteries, incluant les minuteries de cuisson ou les fonctions de cuisson minutée, continuent leur compte à rebours.

Dans un four à convection, l'air chaud que fait circuler le ventilateur répartit plus uniformément la chaleur que le mouvement naturel de l'air dans un four thermique standard. Ce déplacement de l'air chaud aide à maintenir une température constante dans tout le four, ce qui permet de cuire les aliments plus uniformément, de faire croustiller la surface des aliments tout en conservant leur humidité naturelle et de donner des pains plus croustillants.



Durant la cuisson ou le rôtissage par convection, les éléments de cuisson au four, cuisson au gril et de convection s'allument et s'éteignent par intermittence tandis que le ventilateur fait circuler l'air chaud. Durant la cuisson au gril par convection, les éléments de cuisson au gril et de convection s'allument et s'éteignent par intermittence.

Si la porte du four est ouverte durant la cuisson par convection, le ventilateur s'éteint immédiatement. Il s'allume à nouveau lorsque la porte du four est fermée.

La cuisson par convection permet de cuire la majorité des aliments à une température plus basse ou moins longtemps qu'avec un four thermique standard. Utiliser le tableau suivant comme guide.

Mode de convection	Lignes directrices Time/Temp. (température/durée)
Cuisson au four par convection	Température plus basse de 25 °F (15 °C), réduction éventuelle du temps de cuisson
Rôtissage par convection	Temps de cuisson réduit jusqu'à 30 %
Cuisson au gril par convection	Raccourcissement du temps de cuisson

Options de cuisson par convection

Cuisson au four par convection : cuisson au four sur plusieurs grilles de biscuits, pains, plats en sauce, tartes, tourtes et gâteaux.

Rôtissage par convection : poulets ou dindes entiers, légumes, rôtis de porc, rôtis de bœuf.

Cuisson au gril par convection : morceaux plus épais ou inégaux de viande, de poisson ou de volaille.

Durée de cuisson

AVERTISSEMENT

Risque d'empoisonnement alimentaire

Ne pas laisser des aliments dans un four plus d'une heure avant ou après la cuisson.

Le non-respect de cette instruction peut causer un empoisonnement alimentaire ou une maladie.

Réglage d'une cuisson minutée :

1. Appuyer sur BAKE (cuisson au four), BROIL (gril), AUTO CONVECTION BAKE (cuisson au four automatique par convection), AUTO CONVECTION BROIL (cuisson au gril automatique par convection), ou AUTO CONVECTION ROAST (rôtissage automatique par convection).
2. Appuyer sur les touches numériques pour entrer une température autre que celle qui est affichée.
3. Appuyer sur COOK TIME (durée de cuisson). Le témoin lumineux de la durée de cuisson du four s'allume.
4. Appuyer sur les touches numériques pour entrer la durée de cuisson.
5. Appuyer sur START (mise en marche). L'affichage présente le compte à rebours de la durée. Lorsque la durée est écoulée, le four s'éteint automatiquement.
6. Appuyer sur STOP (arrêt) pour effacer l'affichage.

Réglage d'une cuisson minutée différée :

1. Appuyer sur BAKE (cuisson au four), BROIL (gril), AUTO CONVECTION BAKE (cuisson au four automatique par convection), AUTO CONVECTION BROIL (cuisson au gril automatique par convection), ou AUTO CONVECTION ROAST (rôtissage automatique par convection).
2. Appuyer sur les touches numériques pour entrer une température autre que celle qui est affichée.
3. Appuyer sur COOK TIME (durée de cuisson). Le témoin lumineux de la durée de cuisson du four s'allume.
4. Appuyer sur les touches numériques pour entrer la durée de cuisson.
5. Appuyer sur DELAY START (mise en marche différée).
6. Appuyer sur les touches numériques pour entrer le nombre d'heures ou de minutes dont on souhaite différer l'heure de mise en marche.
7. Appuyer sur START (mise en marche).
Lorsque l'heure de mise en marche est atteinte, le four s'allume automatiquement. Il est possible de modifier les réglages de température ou d'heure de mise en marche à tout moment après avoir appuyé sur Start (mise en marche) en répétant les étapes 2 à 7. Lorsque la durée de cuisson réglée s'achève, le four s'éteint automatiquement.
8. Appuyer sur STOP (arrêt) pour effacer l'affichage.

Sonde de cuisson (sur certains modèles)

La sonde de cuisson mesure avec précision la température interne de la viande, de la volaille ainsi que des mets en sauce et doit être utilisée pour déterminer le degré de cuisson de la viande et de la volaille.

Cette sonde de cuisson fonctionne de manière indépendante et n'est pas raccordée aux commandes du four. Suivre les instructions de la sonde de cuisson pour l'emploi d'une sonde de cuisson.

Afin d'éviter d'endommager la sonde de cuisson, ne pas la laisser dans les fours avec fonction autonettoyage lorsque le programme est en cours d'exécution.

ENTRETIEN DE LA CUISINIÈRE

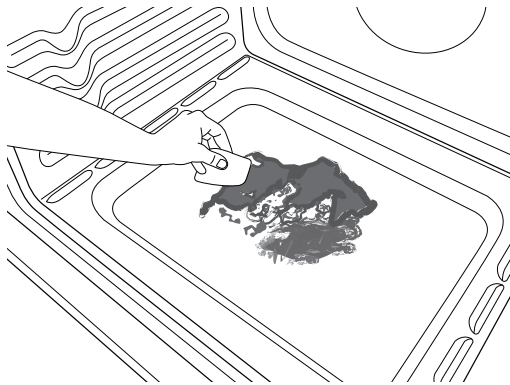
Programme de nettoyage

Le nettoyage à basse température est une solution de nettoyage innovante qui utilise l'eau et la chaleur pour désincruster les traces de renversements du four en moins d'une heure. Cette nouvelle technologie de nettoyage à faible niveau de chaleur représente une alternative inodore aux options traditionnelles d'auto-nettoyage.

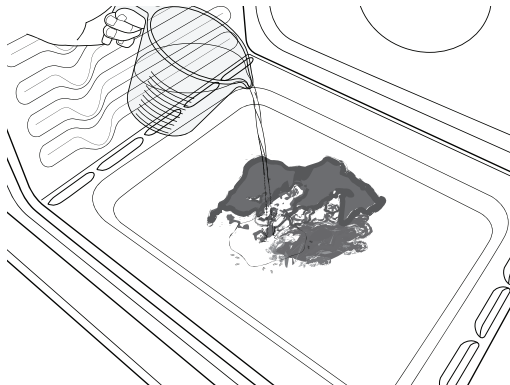
Laisser la cuisinière refroidir et atteindre la température ambiante avant d'utiliser le programme de nettoyage. Si la température de la cavité du four est supérieure à 200 °F (93 °C), "Oven Cooling" (refroidissement four) apparaît sur l'affichage et le programme de nettoyage à la vapeur ne s'active pas avant que la cavité ait refroidi.

Nettoyage :

1. Retirer tous les accessoires et grilles de la cavité du four. Essuyer les saletés. Utiliser une spatule en plastique pour enlever les aliments faciles à enlever.

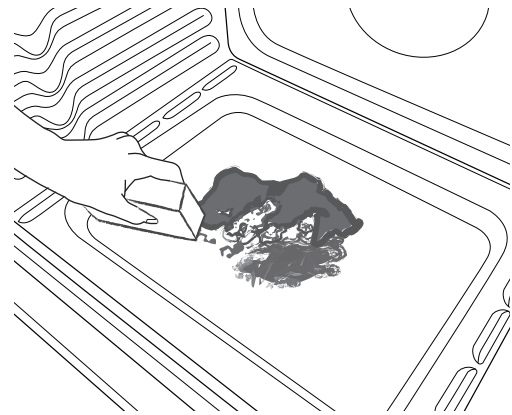


2. Verser 1³/₄ tasses (14 oz [414 mL]) d'eau distillée ou filtrée dans le fond du four vide et fermer la porte du four.



IMPORTANT : Ne pas utiliser de produits chimiques ou d'autres additifs avec l'eau. Ne pas ouvrir la porte du four durant le programme de nettoyage. L'eau au fond du four est chaude.

3. Appuyer sur LO TEMP CLEAN (nettoyage à basse température), puis sur START (mise en marche) sur le tableau de commande du four.
4. Prévoir 40 minutes pour le nettoyage et le refroidissement du four. Un bip retentit lorsque le programme de nettoyage est terminé.
5. Appuyer sur STOP (arrêt) à la fin du programme. On peut appuyer sur Stop (arrêt) à tout moment pour arrêter le programme de nettoyage.
6. Retirer l'excédent d'eau et les saletés désincrustées avec une éponge ou un linge une fois le programme de nettoyage terminé. La plupart de l'eau initiale contenue dans 1³/₄ tasses (14 oz [414 mL]) d'eau restera dans le four après la fin du programme de nettoyage. S'il reste encore des saletés, laisser une petite quantité d'eau dans le fond du four pour faciliter le nettoyage.



7. Utiliser une éponge douce ou un grattoir en plastique pour éliminer les saletés qui restent. On peut faire fonctionner d'autres programmes de nettoyage pour favoriser l'élimination des saletés tenaces.

IMPORTANT : Ne pas utiliser de nettoyeurs à four. L'utilisation de produits chimiques, y compris de nettoyeurs commerciaux pour four ou de tampons à récurer métalliques peuvent endommager définitivement la surface en émail de l'intérieur du four.

REMARQUE :

- La cuisinière doit être d'aplomb afin que toute la surface du fond de la cavité du four soit recouverte par l'eau au début du programme de nettoyage.
- Pour de meilleurs résultats, utiliser de l'eau distillée ou filtrée. Une eau du robinet pourrait laisser des dépôts minéraux sur le fond du four.
- Avant d'éliminer l'excédent d'eau et les saletés désincrustées à la fin du programme de nettoyage, insérer un chiffon ou un essuie-tout entre le bord inférieur de la porte du four et le châssis avant pour empêcher l'eau de couler sur l'avant de la cuisinière et sur le plancher.

- De la saleté qui aura adhéré pendant plusieurs programmes de cuisson sera plus difficile à éliminer avec le programme de nettoyage.
- Une éponge douce ou un tampon à récurer de type doux (sans nettoyant) peut être efficace pour le nettoyage des parois de la cavité du four, de la porte et du fond du four lorsque les saletés sont difficiles à nettoyer. Pour des résultats optimaux, humidifier le tampon ou l'éponge avant utilisation.
- Faire fonctionner un programme de nettoyage supplémentaire pour les saletés tenaces.
- Un nettoyant pour appareils ménagers de cuisine et un nettoyant pour table de cuisson peuvent être utilisés pour nettoyer le fond du four, ses parois et sa porte lorsque le four a terminé le programme de nettoyage et que sa température est redevenue ambiante. Si l'on utilise le nettoyant pour table de cuisson, il est recommandé d'essuyer aussi la cavité avec de l'eau distillée.

Nettoyage général

IMPORTANT : Avant le nettoyage, s'assurer que toutes les commandes sont éteintes et que le four et la table de cuisson sont froids. Toujours suivre les instructions figurant sur les étiquettes des produits de nettoyage.

L'usage de savon, d'eau et d'un chiffon doux ou d'une éponge est suggéré en priorité, sauf indication contraire.

SURFACES EN EMAIL VITRIFIÉ UNIQUEMENT (sur certains modèles)

Les éclaboussures alimentaires acides, telles que vinaigre et tomate, doivent être nettoyées dès que la cuisinière a refroidi. Ces salissures peuvent endommager le fini.

Méthode de nettoyage :

- Nettoyant à vitre, nettoyant doux liquide ou tampon à récurer non abrasif :
Nettoyer délicatement autour de la plaque signalétique, car le frottement pourrait en effacer les chiffres.
- Nettoyant pour la cuisine et les électroménagers (numéro de pièce W10355010, peut être commandé sur sears.com. Voir la couverture arrière de ce guide d'utilisation et d'entretien pour obtenir des coordonnées supplémentaires.).

ACIER INOXYDABLE (sur certains modèles)

REMARQUE : Afin d'éviter d'endommager les surfaces en acier inoxydable, ne pas utiliser de tampons à récurer savonneux, de nettoyeurs abrasifs, de crème à polir pour table de cuisson, de tampons en laine d'acier, de chiffons de lavage rêches ou d'essuie-tout abrasifs. Ils peuvent endommager les surfaces en acier inoxydable, même après une seule application ou quelques-unes.

Méthode de nettoyage :

Frotter dans la direction du grain pour éviter les dommages.

- Nettoyant pour l'acier inoxydable (numéro de pièce W10355016, peut être commandé sur sears.com. Voir la couverture arrière de ce guide d'utilisation et d'entretien pour obtenir des coordonnées supplémentaires.).

PEINTURE MÉTALLIQUE (sur certains modèles)

Ne pas utiliser de nettoyeurs abrasifs, de nettoyeurs avec agent de blanchiment, de produits antirouille, d'ammoniaque ou d'hydroxyde de sodium (soude), car la surface peinte pourrait se tacher.

GRILLES ET CHAPEAUX ÉMAILLÉS

Les renversements d'aliments contenant des produits acides, tels que vinaigre et tomates, doivent être nettoyés dès que la table de cuisson, les grilles et les chapeaux ont refroidi. Ces salissures peuvent endommager le fini.

Pour éviter l'écaillage, ne pas entrechoquer les grilles et les chapeaux ni les frapper contre des surfaces dures telles que les ustensiles en fonte.

Ne pas réinstaller les chapeaux sur les brûleurs lorsqu'ils sont mouillés.

Méthode de nettoyage :

- Ustensile de récurage en plastique non abrasif et nettoyant légèrement abrasif :
Nettoyer dès que la table de cuisson, les grilles et les chapeaux ont refroidi.
- Lave-vaisselle (les grilles seulement et non les chapeaux) :
Utiliser le programme le plus intense. Les saletés cuites doivent être trempées ou frottées avant d'être placées au lave-vaisselle.
Bien que les grilles de brûleurs soient durables, elles perdront progressivement de leur lustre et se décoloreront lorsqu'on les lave au lave-vaisselle.
- Nettoyant pour les grilles et le plateau d'égouttement (numéro de pièce 31617, peut être commandé sur sears.com. Voir la couverture arrière de ce guide d'utilisation et d'entretien pour obtenir des coordonnées supplémentaires.).

BRÛLEURS DE SURFACE

Les renversements d'aliments contenant des produits acides, tels que vinaigre et tomates, doivent être nettoyés dès que la table de cuisson, les grilles et les chapeaux ont refroidi. Ces salissures peuvent endommager le fini.

Pour éviter l'écaillage, ne pas entrechoquer les grilles et les chapeaux ni les frapper contre des surfaces dures telles que les ustensiles en fonte.

Ne pas réinstaller les chapeaux sur les brûleurs lorsqu'ils sont mouillés.

Ne pas utiliser le programme d'autonettoyage pour les nettoyer.
Ne pas nettoyer au lave-vaisselle.

Méthode de nettoyage :

- Ustensile de récurage en plastique non abrasif et nettoyant légèrement abrasif :
Nettoyer dès que la table de cuisson, les grilles, les brûleurs et les chapeaux ont refroidi.
- Nettoyant pour les grilles et le plateau d'égouttement (numéro de pièce 31617, peut être commandé sur sears.com. Voir la couverture arrière de ce guide d'utilisation et d'entretien pour obtenir des coordonnées supplémentaires.).

COMMANDES DE LA TABLE DE CUISSON

Afin d'éviter d'endommager les commandes de la table de cuisson, ne pas utiliser de laine d'acier, de nettoyeurs abrasifs ou de nettoyant pour four.

Pour éviter tout dommage, ne pas immerger ou laisser tremper les boutons dans l'eau.

Lors de la réinstallation des boutons, s'assurer que chaque bouton est à la position Off (arrêt).

Sur certains modèles, ne pas enlever les joints sous les boutons.

Méthode de nettoyage :

- Savon et eau :
Tirer les boutons directement hors du tableau de commande pour les enlever. Nettoyer en utilisant un chiffon doux humecté d'eau savonneuse.

PLAQUE À FRIRE

Pour éviter d'endommager la surface antiadhésive, ne pas utiliser un tampon de laine d'acier ou des nettoyeurs abrasifs.

Méthode de nettoyage :

- Détergent doux
- Lave-vaisselle :
Bien que les grilles de brûleurs soient durables, elles perdront progressivement de leur lustre et (ou) se décoloreront lorsqu'on les lave au lave-vaisselle.

TABLEAU DE COMMANDE ET EXTÉRIEUR DE LA PORTE DU FOUR

Afin d'éviter d'endommager le tableau de commande, ne pas utiliser de nettoyeurs abrasifs, de tampons en laine d'acier, de chiffons de lavage rêches ou d'essuie-tout abrasifs.

Méthode de nettoyage :

- Nettoyant à vitre et chiffon doux ou éponge :
Appliquer le nettoyant à vitre sur un chiffon doux ou une éponge et non directement sur le tableau.
- Nettoyant pour la cuisine et les électroménagers (numéro de pièce W10355010, peut être commandé sur sears.com. Voir la couverture arrière de ce guide d'utilisation et d'entretien pour obtenir des coordonnées supplémentaires.).

GRILLES DU FOUR

Méthode de nettoyage :

- Tampon en laine d'acier.
- Pour les grilles ternies qui glissent difficilement, enduire légèrement les glissières d'huile végétale; cela facilitera leur glissement.

CAVITÉ DU FOUR

Utiliser régulièrement la fonction de nettoyage à basse température pour nettoyer les renversements dans le four.

Ne pas utiliser de nettoyeurs à four.

Les éclaboussures alimentaires doivent être nettoyées lorsque le four a refroidi. À des températures élevées, les aliments réagissent avec la porcelaine. Cette réaction peut causer des taches, des attaques, des piqûres ou de légères taches blanches.

Ne pas nettoyer le joint d'étanchéité de la porte.

Méthode de nettoyage :

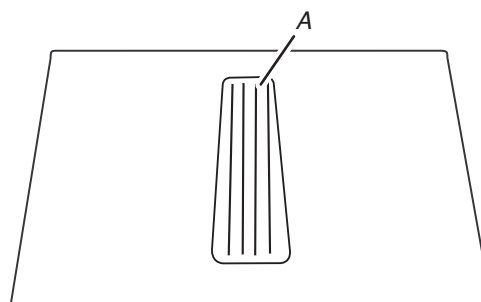
- Programme de nettoyage :
Voir la section "Programme de nettoyage".

SYSTÈME DE VENTILATION AVEC ASPIRATION PAR LE BAS

Grille de ventilation

Méthode de nettoyage :

- Soulever les grilles de brûleurs.
- Soulever la grille de ventilation de la table de cuisson pour la retirer.



A. Grille de ventilation

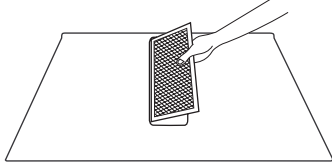
- Ustensile de récurage en plastique non abrasif et nettoyant légèrement abrasif :
Essuyer ou laver dans un évier.
- Lave-vaisselle :
Utiliser un détergent doux.

Filtere

Le filtre correspond à un filtre permanent et doit être nettoyé lorsqu'il est sale.

Méthode de nettoyage :

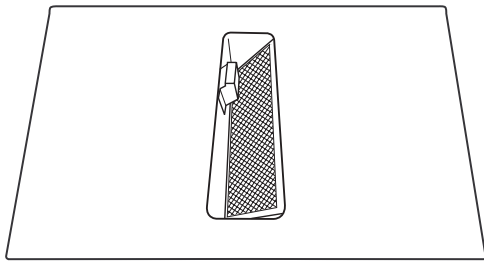
- Éteindre le système de ventilation avec aspiration par le bas avant de retirer le filtre.
- Retirer la grille de ventilation et dégager ensuite le filtre de la chambre d'évacuation en le soulevant.



- Nettoyer le filtre à l'eau tiède et au détergent dans l'évier ou au lave-vaisselle.
- Réinstaller le filtre.

Le filtre doit toujours être placé en angle. Lorsque l'on se place face à la cuisinière, le sommet du filtre doit reposer contre le côté droit de l'ouverture d'aération. Le fond du filtre doit reposer contre le côté gauche de la chambre d'évacuation, au fond de celle-ci.

Si le filtre est à plat contre la paroi du ventilateur, l'efficacité du système de ventilation sera réduite.



Chambre d'évacuation

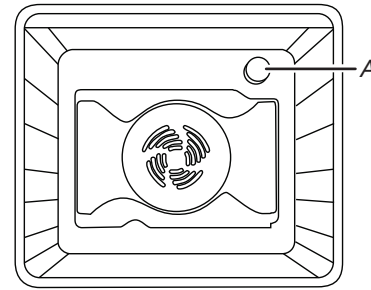
La chambre d'évacuation dans laquelle est logé le filtre doit être nettoyée régulièrement en cas de renversement ou si elle est recouverte d'une pellicule grasseuse.

Méthode de nettoyage :

- Détergent ou nettoyant doux pour usage domestique et essuie-tout, chiffon ou éponge humide : Appliquer le détergent ou nettoyant sur l'essuie-tout, le chiffon ou l'éponge humide et non pas directement sur la chambre d'évacuation.

Lampe du four

La lampe du four est une ampoule standard de 40 watts pour appareil ménager. Avant le remplacement, s'assurer que le four et la table de cuisson sont froids et que les boutons de commande sont à la position off (arrêt).



A. Lampe du four

Pour remplacer :

1. Débrancher l'appareil ou déconnecter la source de courant électrique.
2. Tourner le couvercle en verre de l'ampoule à l'arrière du four dans le sens antihoraire et l'enlever.
3. Tourner l'ampoule dans le sens antihoraire et la retirer de la douille.
4. Remplacer l'ampoule et replacer le couvercle de l'ampoule en le tournant dans le sens horaire.
5. Brancher l'appareil ou reconnecter la source de courant électrique.

DÉPANNAGE

CONTRÔLER LES POINTS SUIVANTS POUR GAGNER DU TEMPS ET FAIRE DES ÉCONOMIES.

⚠ AVERTISSEMENT



Risque de choc électrique

Brancher sur une prise à 3 alvéoles reliée à la terre.

Ne pas enlever la broche de liaison à la terre.

Ne pas utiliser un adaptateur.

Ne pas utiliser un câble de rallonge.

Le non-respect de ces instructions peut causer un décès, un incendie ou un choc électrique.

Problème	Causes possibles	Solutions
Rien ne fonctionne	Le cordon d'alimentation électrique est débranché	Brancher l'appareil sur une prise à 3 alvéoles reliée à la terre.
	La fonction d'économie d'énergie est activée et l'écran est inactif	Appuyer sur n'importe quelle touche sur la commande pour afficher l'heure du jour. Voir la section "Commandes électroniques du four".
	Un fusible domestique est grillé ou le disjoncteur est ouvert	Remplacer le fusible ou réenclencher le disjoncteur. Si le problème persiste, appeler un électricien.
	Le robinet principal d'arrêt ou de réglage du gaz est à la position fermée.	Voir les instructions d'installation.
	La cuisinière est mal raccordée à la canalisation de gaz.	Contacteur un technicien de réparation qualifié ou voir les Instructions d'installation.
Les brûleurs de surface ne fonctionnent pas	Le bouton de commande n'est pas réglé correctement	Enfoncer le bouton avant de le tourner à un réglage.
	Présence d'air dans les conduites de gaz	Si c'est la première fois que les brûleurs de surface sont utilisés, allumer n'importe quel bouton de brûleur de surface afin de libérer l'air présent dans les canalisations.
	Orifices de brûleur obstrués	Voir la section "Brûleurs de surface".
Les flammes des brûleurs de surface ne sont pas uniformes, sont de teinte jaune ou sont bruyantes	Orifices de brûleur obstrués	Voir la section "Brûleurs de surface".
	Les chapeaux des brûleurs sont mal positionnés	Voir la section "Brûleurs de surface".
	Conversion inappropriée de la cuisinière	Si du gaz propane est utilisé, communiquer avec un technicien. Voir la couverture arrière pour plus de renseignements.
Chaleur excessive autour des ustensiles de cuisson sur la table de cuisson	Le brûleur et la flamme ne couvrent pas la même surface	Les ustensiles de cuisson doivent être centrés au-dessus du brûleur tout en étant posés à l'horizontale au fond sur la grille. La flamme doit être réglée de sorte qu'elle ne s'étende pas sur les côtés du plat.
La cuisson ne produit pas les résultats escomptés	Ustensiles de cuisson inappropriés	Les ustensiles de cuisson idéals doivent avoir un fond plat, des parois droites, un couvercle qui ferme hermétiquement et le matériau doit être d'épaisseur moyenne à forte.
	Le bouton de commande est réglé sur un niveau de chaleur incorrect.	Voir la section "Utilisation de la table de cuisson".
	La cuisinière n'est pas d'aplomb	Régler l'aplomb de la cuisinière. Voir les instructions d'installation.

Problème	Causes possibles	Solutions
Le four ne fonctionne pas	Présence d'air dans les conduites de gaz	Si c'est la première fois que le four est utilisé, allumer n'importe quel bouton de brûleur de surface afin de libérer l'air présent dans les canalisations.
	Le verrouillage de la commande du four est en fonction	Appuyer pendant 3 secondes sur la touche START (mise en marche) pour déverrouiller.
	La commande est en mode Démo.	Le mode démonstration désactivera tous les éléments du four. Voir "Mode de démonstration" dans la section "Commandes électroniques du four".
	La commande électronique du four est mal réglée	Voir la section "Commandes électroniques du four".
Les flammes du brûleur du four sont jaunes ou bruyantes.	Conversion inappropriée de la cuisinière	Si du gaz propane est utilisé, communiquer avec un technicien. Voir la couverture arrière pour plus de renseignements.
La température du four est trop élevée ou trop basse	Il faut ajuster la température du four	Voir "Commande de température du four" dans la section "Commandes électroniques du four".
Le ventilateur de convection ne fonctionne pas	Le programme de convection se déroule pendant les 5 premières minutes de fonctionnement	Ceci est normal. Le ventilateur de convection commencera à fonctionner pendant environ 5 minutes dans le programme.
	La porte est ouverte	Si la porte du four est ouverte durant la cuisson par convection, le ventilateur s'éteint immédiatement. Il s'allume à nouveau lorsque la porte du four est fermée.
Des messages s'affichent	Panne de courant (l'afficheur indique une heure clignotante)	Effacer l'affichage. Sur certains modèles, régler de nouveau l'horloge au besoin. Voir la fonction de la touche "Clock" (horloge) à la section "Guide des caractéristiques".
	Code d'erreur (l'afficheur indique une lettre suivie d'un numéro)	En fonction du modèle, appuyer sur STOP (arrêt) pour effacer l'affichage. Voir "Affichage des commandes" dans la section "Commandes électroniques du four". S'il réapparaît, appeler le service de dépannage. Voir la couverture arrière pour plus de renseignements.
	Il faut appuyer sur Start (mise en marche) pour qu'un programme puisse commencer (l'afficheur indique "PUSH" ou "PSH")	Voir la caractéristique de touche "Start" (mise en marche) à la section "Guide des caractéristiques".
	La cuisinière est en mode Sabbath ("SAb" affiché)	Appuyer sur STOP (arrêt) pour quitter le mode Sabbath.
Le programme de nettoyage n'a pas éliminé toutes les salissures	Plusieurs programmes de cuisson avant un programme de nettoyage ou éclaboussures sur les parois et la porte du four.	Lancer des programmes de nettoyage supplémentaires. Un nettoyant pour la cuisine et les électroménagers ou un nettoyant pour les tables de cuisson peut être utilisé pour les taches tenaces.
Des dépôts minéraux se forment au fond du four après le programme de nettoyage	L'eau du robinet a été utilisée durant le programme de nettoyage.	Utiliser de l'eau distillée ou filtrée pour le programme de nettoyage. Utiliser un chiffon imbibé de vinaigre pour enlever les dépôts. Utiliser ensuite un chiffon humide pour enlever complètement tout résidu de vinaigre.
	La cuisinière n'est pas d'aplomb	Les dépôts minéraux s'accumulent sur les surfaces sèches du fond du four durant le programme de nettoyage. Régler l'aplomb de la cuisinière. Voir les instructions d'installation. Utiliser un chiffon imbibé de vinaigre pour enlever les dépôts. Utiliser ensuite un chiffon humide pour enlever complètement tout résidu de vinaigre.

Problème	Causes possibles	Solutions
Le système d'évacuation ne retient pas efficacement la fumée	Aération de la pièce ou système de renouvellement d'air d'appoint insuffisant	Consulter les Instructions d'installation.
	Bouche de décharge murale extérieure fermée ou obstruée	Vérifier la bouche de décharge murale extérieure.
	Installation incorrecte du filtre de la cuisinière ou du filtre à air installé	Consulter les Instructions d'installation.
La cuisson au four ne produit pas les résultats prévus	La cuisinière n'est pas d'aplomb	Régler l'aplomb de la cuisinière. Voir les instructions d'installation.
	Le réglage de température était incorrect	Vérifier la recette dans un livre de recettes fiable.
	La température du four est mal calibrée	Voir "Commande de température du four" dans la section "Commandes électroniques du four".
	Le four n'a pas été préchauffé	Voir la section "Cuisson au four et rôtissage".
	Les grilles ont été positionnées de façon inappropriée	Voir la section "Positionnement des grilles et ustensiles de cuisson au four".
	La circulation d'air est insuffisante autour des ustensiles de cuisson au four	Voir la section "Positionnement des grilles et ustensiles de cuisson au four".
	La pâte est distribuée de façon inégale dans le plat	Vérifier que la pâte est répartie uniformément dans le plat.
	Brunissage plus foncé des aliments à cause d'ustensiles de cuisson au four plus ternes ou plus foncés	Diminuer la température du four de 25 °F (15 °C) ou déplacer la grille plus haut dans le four.
	Brunissage moins prononcé des aliments à cause d'ustensiles de cuisson au four brillants ou plus clairs	Déplacer la grille à une position moins élevée dans le four.
	Une durée de cuisson incorrecte a été utilisée	Régler la durée de cuisson.
	La porte du four n'a pas été fermée	Vérifier que les ustensiles de cuisson au four n'empêchent pas la porte de se fermer.
	La porte du four a été ouverte durant la cuisson	Lorsqu'on ouvre la porte pour vérifier la cuisson, de la chaleur s'échappe du four, ce qui peut retarder la cuisson.
	La grille est trop proche du brûleur de cuisson, ce qui fait que les éléments cuits au four sont trop bruns à la base	Déplacer la grille à une position plus élevée dans le four.
Les croûtes de tarte brunissent trop tôt	Utiliser du papier d'aluminium pour couvrir le bord de la croûte ou réduire la température de cuisson du four.	

Bruits

Problème	Causes possibles	Solutions
Le brûleur de surface émet des bruits d'éclatement	Le brûleur est mouillé.	Le laisser sécher.

Kenmore®

Customer Care Hotline

To schedule repair service or order parts

Para pedir servicio o ordenar piezas

1-844-553-6667

www.kenmore.com

For service in Canada Au Canada pour service

1-800-469-4663

