



# Washer

---

## User manual

WF45M5500A\*/WF45M5100A\*

---

**SAMSUNG**

# Contents

---

<b>Safety information</b>	<b>4</b>
What you need to know about the safety instructions	4
Important safety symbols	4
Important safety precautions	5
Critical installation warnings	6
Installation cautions	8
Critical usage warnings	8
Usage cautions	10
Critical cleaning warnings	13
<b>Installation</b>	<b>14</b>
Unpacking your washer	14
What's included	15
Installation requirements	17
Step-by-step installation	22
<b>Before you start</b>	<b>28</b>
Initial settings	28
Laundry guidelines	28
Detergent drawer guidelines	30
<b>Operations</b>	<b>33</b>
Feature panel	33
Simple steps to start	36
Cycle overview	37
<b>Maintenance</b>	<b>43</b>
Self Clean+	43
Smart Care	44
Emergency drain	45
Cleaning	46
Recovery from freezing	49
Care against an extended time of disuse	49
Cleaning the exterior	50
Cleaning the interior	50

---

<b>Troubleshooting</b>	<b>51</b>
Checkpoints	51
Information codes	55
<b>Specifications</b>	<b>57</b>
Fabric care chart	57
Protecting the environment	58
Declaration of conformity	58
Specification sheet	59
Cycle chart	60
<b>Warranty (U.S.A)</b>	<b>62</b>

---



# Safety information

---

Congratulations on your new Samsung washer. This manual contains important information on the installation, use and care of your appliance. Please take some time to read this manual to take full advantage of your washer's many benefits and features.

## What you need to know about the safety instructions

---

Please read this manual thoroughly to ensure that you know how to safely and efficiently operate the extensive features and functions of your new appliance. Please store the manual in a safe location close to the appliance for future reference. Use this appliance only for its intended purpose as described in this instruction manual.

Warnings and Important Safety Instructions in this manual do not cover all possible conditions and situations that may occur. It is your responsibility to use common sense, caution and care when installing, maintaining and operating your washer.

Because the following operating instructions cover various models, the characteristics of your washer may differ slightly from those described in this manual and not all warning signs may be applicable. If you have any questions or concerns, contact your nearest service center or find help and information online at [www.samsung.com](http://www.samsung.com).

## Important safety symbols

---

What the icons and signs in this user manual mean:

### **WARNING**

Hazards or unsafe practices that may result in severe personal injury, death and/or property damage.

### **CAUTION**

Hazards or unsafe practices that may result in personal injury and/or property damage.

### **NOTE**

Indicates that a risk of personal injury or material damage exists.

These warning signs are here to prevent injury to yourself and others.

Please follow them explicitly.

After reading this manual, store it in a safe place for future reference.

Read all instructions before using the appliance.

As with any equipment that uses electricity and moving parts, potential hazards exist.

To safely operate this appliance, familiarize yourself with its operation and exercise care when using it.

# SAVE THESE INSTRUCTIONS





---

## Important safety precautions

---

### **WARNING**

To reduce the risk of fire, electric shock, or injury to persons when using your appliance, follow basic precautions, including the following:

1. Read all instructions before using the appliance.
2. Do not wash or dry articles that have been previously cleaned in, washed in, soaked in, or spotted with gasoline, dry-cleaning solvents, other flammable or explosive substances as they give off vapors that could ignite or explode.
3. Do not allow children to play on or in the appliance. Close supervision of children is necessary when the appliance is used near children.
4. Before the appliance is removed from service or discarded, remove the door to the washing or drying compartment.
5. Do not reach into the appliance if the drum is moving.
6. Do not install or store this appliance where it will be exposed to the weather.
7. Do not tamper with controls.
8. Do not repair or replace any part of the appliance or attempt any servicing unless specifically recommended in the user-maintenance instructions or in published user repair instructions that you understand and have the skills to carry out.
9. Do not add gasoline, dry-cleaning solvents, or other flammable or explosive substances to the wash water. These substances give off vapors that could ignite or explode.
10. Under certain conditions, hydrogen gas may be produced in a hot water system that has not been used for 2 weeks or more. **HYDROGEN GAS IS EXPLOSIVE.** If the hot water system has not been used for such a period, before using a washer or combination washer-dryer, turn on all hot water faucets and let the water flow from each for several minutes. This will release any accumulated hydrogen gas. As the gas is flammable, do not smoke or use an open flame during this time.

# SAVE THESE INSTRUCTIONS



# Safety information

---

## Critical installation warnings

---

### **State of California Proposition 65 Warning (US only)**

This product contains chemicals known to the State of California to cause cancer and birth defects or other reproductive harm.

The installation of this appliance must be performed by a qualified technician or service company.

- Failure to do so may result in electric shock, fire, an explosion, problems with the product, or injury.

The appliance is heavy, therefore take care when lifting it.

Plug the power cord into a wall socket that meets local electrical specifications. Use the socket for this appliance only, and do not use an extension cord.

- Sharing a wall socket with other appliances, using a power strip, or extending the power cord may result in electric shock or fire.
- Ensure that the voltage, frequency, and current supplied to the washer matches those listed in the product specifications. Failure to do so may result in electric shock or fire. Plug the power plug into the wall socket firmly.

Remove all foreign substances such as dust or water from the power plug terminals and contact points using a dry cloth on a regular basis.

- Unplug the power plug and clean it with a dry cloth.
- Failure to do so may result in electric shock or fire.

Plug the power plug into the wall socket so that the cord is running towards the floor.

- If you plug the power plug into the socket in the opposite direction, the electric wires within the cable may be damaged and this may result in electric shock or fire.

Keep all packaging materials out of the reach of children as these may be dangerous.

- If a child places a plastic bag over his or her head, he or she can suffocate.

If the appliance, power plug, or power cord is damaged, contact your nearest service center.

This appliance must be properly grounded.

Do not ground the appliance to a gas pipe, plastic water pipe, or telephone line.

- This may result in electric shock, fire, an explosion, or problems with the product.

## SAVE THESE INSTRUCTIONS



- 
- Never plug the power cord into a socket that is not grounded correctly. Make sure that the socket is in accord with local and national regulations.

Do not install this appliance near a heater or any flammable material.

Do not install this appliance in a humid, oily or dusty location, or in a location exposed to direct sunlight or water (rain drops).

Do not install this appliance in a location exposed to low temperatures.

- Frost may cause the tubes to burst.

Do not install this appliance in a location where gas may leak.

- This may result in electric shock or fire.

Do not use an electric transformer to power the washer.

- This may result in electric shock or fire.

Do not use a damaged power plug, damaged power cord, or loose wall socket.

- This may result in electric shock or fire.

Do not pull or bend the power cord excessively.

Do not twist or tie the power cord.

Do not hook the power cord over a metal object, place a heavy object on the power cord, insert the power cord between objects, or push the power cord into the space behind the appliance.

- This may result in electric shock or fire.

Do not pull the power cord when unplugging the power plug.

- Unplug the power plug by pulling the plug.
- Failure to do so may result in electric shock or fire.

This appliance should be positioned so that the power plug, the water supply taps, and the drain pipes are accessible.

## SAVE THESE INSTRUCTIONS



# Safety information

---

## Installation cautions

---

### CAUTION

This appliance should be positioned in such a way that the power plug is easily accessible.

- Failure to do so may result in electric shock or fire due to electric leakage.

Install your appliance on a solid, level floor that can support its weight.

- Failure to do so may result in abnormal vibrations, movement, noise, or problems with the product.

## Critical usage warnings

---

### WARNING

If the appliance is flooded, turn off the water & power supplies immediately and contact your nearest service center.

- Do not touch the power plug with wet hands.
- Failure to do so may result in electric shock.

If the appliance generates a strange noise, a burning smell, or smoke, unplug the power plug immediately and contact your nearest service center.

- Failure to do so may result in electric shock or fire.

In the event of a gas leak (such as propane gas, LP gas, etc.), ventilate immediately without touching the power plug. Do not touch the appliance or power cord.

- Do not use a ventilating fan.
- A spark may result in an explosion or fire.

Do not let children play in or on the washer. In addition, when disposing of the appliance, remove the washer door lever.

- Children can suffocate to death if trapped inside the product.

Make sure to remove the packaging (sponge, styrofoam) attached to the bottom of the washer before using it.

Do not wash items contaminated with gasoline, kerosene, benzene, paint thinner, alcohol, or other inflammable or explosive substances in the washer.

- This may result in electric shock, fire, or an explosion.

## SAVE THESE INSTRUCTIONS



---

Do not open the washer door by force while it is operating (high-temperature washing/drying/spinning).

- Water flowing out of the washer may result in burns or cause the floor to be slippery. This may result in injury.
- Opening the door by force may result in damage to the product or injury.

Do not insert your hand under the washer while an operation is in progress.

- This may result in injury.

Do not touch the power plug with wet hands.

- This may result in electric shock.

Do not turn the appliance off by unplugging the power plug while an operation is in progress.

- Plugging the power plug into the wall socket again may cause a spark and result in electric shock or fire.

Do not let children or the infirm use this washer without proper supervision. Do not let children climb in or onto the appliance.

- This may result in electric shock, burns, or injury.

Do not insert your hand or a metal object under the washer while it is operating.

- This may result in injury.

Do not unplug the appliance by pulling the power cord. Always grip the plug firmly and pull it straight out of the outlet.

- Damage to the power cord may cause a short-circuit, fire, and/or electric shock.

Do not attempt to repair, disassemble, or modify the appliance yourself.

- Do not use a fuse (such as copper, steel wire, etc.) other than a standard fuse.
- When the appliance needs to be repaired or reinstalled, contact your nearest service center.
- Failure to do so may result in electric shock, fire, problems with the product, or injury.

If the water supply hose comes loose from the faucet and floods the appliance, unplug the power plug.

- Failure to do so may result in electric shock or fire.

Unplug the power plug when the appliance is not being used for long periods of time or during a thunder or lightning storm.

- Failure to do so may result in electric shock or fire.

## SAVE THESE INSTRUCTIONS



# Safety information

---

If any foreign substance enters the appliance, unplug the power plug and contact your nearest Samsung Customer Service.

- This may result in electric shock or fire.

Do not let children (or pets) play in or on your washer. The washer door does not open easily from the inside and children may be seriously injured if trapped inside.

## Usage cautions

---

### CAUTION

If the washer is contaminated by a foreign substance such as detergent, dirt, food waste, etc., unplug the power plug and clean the washer using a damp, soft cloth.

- Failure to do so may result in discoloration, deformation, damage, or rust.

The front glass may be broken by a strong impact. Take care when using the washer.

- If the glass is broken, it may result in injury.

After a water supply failure or when reconnecting the water supply hose, open the faucet slowly.

Open the faucet slowly after a long period of non-use.

- The air pressure in the water supply hose or the water pipe may damage a product part or result in a water leak.

If a draining error occurs during an operation, check if there is a draining problem.

- If the washer is used when it is flooded because of a draining problem, it may result in electric shock or fire.

Insert the laundry into the washer completely so that the laundry does not get caught in the door.

- If laundry gets caught in the door, it may result in damage to the laundry or the washer, or result in a water leak.

Turn the water supply off when the washer is not being used.

- Ensure that the water supply hose connectors are properly tightened.

Ensure that the rubber seal and front door glass are not contaminated by a foreign substance (e.g. waste, thread, hair, etc.).

- If a foreign substance is caught in the door or the door is not completely closed, it may cause a water leak.

## SAVE THESE INSTRUCTIONS



Open the faucet and check if the water supply hose connectors are firmly tightened and that there are no water leaks before using the product.

- If the connectors on the water supply hoses are loose, it may result in a water leak.

The product you have purchased is designed for domestic use only.

Using the product for business purposes qualifies as a product misuse. If the product is used for business purposes, it will not be covered by the standard warranty provided by Samsung and no responsibility can be attributed to Samsung for malfunctions or damages resulting from such misuse.

Do not stand on the appliance or place objects (such as laundry, lighted candles, lighted cigarettes, dishes, chemicals, metal objects, etc.) on the appliance.

- This may result in electric shock, fire, problems with the product, or injury.

Do not spray volatile material such as insecticide onto the surface of the appliance.

- As well as being harmful to humans, this may result in electric shock, fire, or problems with the product.

Do not place objects that generate electromagnetic fields near the washer.

- This may result in injury due to a malfunction.

Water drained during a high-temperature wash or drying cycle is hot. Do not touch the water.

- This may result in burns or injury.

Do not wash, spin, or dry water-proof seats, mats, or clothing (\*) unless your appliance has a special cycle for washing these items.

(\*): Woollen bedding, rain covers, fishing vests, ski pants, sleeping bags, diaper covers, sweat suits, and bicycle, motor cycle and car covers, etc.

- Do not wash thick or hard mats even if the washer mark is on the care label. This may result in injury or damage to the washer, walls, floor, or clothing due to abnormal vibrations.
- Do not wash throw rugs or doormats with rubber backing. The rubber backing may come off and stick to inside the drum, and this may result in malfunction such as a drainage error.

Do not operate the washer when the detergent drawer is removed.

- This may result in electric shock or injury due to a water leak.

## SAVE THESE INSTRUCTIONS

# Safety information

---

Do not touch the insides of the drum during or just after drying as it is hot.

- This may result in burns.

Do not insert your hand into the detergent drawer.

- This may result in injury as your hand may be caught by the detergent input device.
- Do not use the liquid detergent container (on applicable models only) for powdered detergent. Remove the container and put powdered detergent directly into the Main wash compartment.

Do not place any objects (such as shoes, food waste, animals) other than laundry into the washer.

- This may result in damage to the washer, or injury and death in the case of pets, due to the abnormal vibrations.

Do not press the buttons using sharp objects such as pins, knives, fingernails, etc.

- This may result in electric shock or injury.

Do not wash laundry contaminated by oils, creams, or lotions usually found in skincare shops or massage clinics.

- This may cause the rubber seal to become deformed and result in a water leak.

Do not leave metal objects such as safety pins, hair pins or bleach in the drum for long periods of time.

- Doing either may cause the drum to rust.
- If rust starts appearing on the surface of the drum, apply a (neutral) cleansing agent to the surface and use a sponge to clean it. Never use a metal brush.

Do not use dry cleaning detergent directly and do not wash, rinse, or spin laundry contaminated by dry cleaning detergent.

- This may result in spontaneous combustion or ignition due to the heat from the oxidation of the oil.

Do not use water from water cooling/heating devices.

- This may result in problems with the washer.

Do not use natural hand-washing soap for the washer.

- If it hardens and accumulates inside the washer, it may result in problems with the product, discoloration, rust, or bad odors.

## SAVE THESE INSTRUCTIONS



Place socks and brassieres in a washing net and wash them with the other laundry.

Do not wash large laundry items such as bedding in the washing net.

- Failure to do so may result in injury due to abnormal vibrations.

Do not use hardened detergent.

- If it accumulates inside the washer, it may result in a water leak.

Make sure that the pockets of all the clothing items to be washed are empty.

- Hard, sharp objects such as coins, safety pins, nails, screws, or stones can cause extensive damage to the appliance.

Do not wash clothing with large buckles, buttons, or other heavy metal objects in the washer.

Sort the laundry by color on the basis of its colorfastness and select the recommended cycle, water temperature, and additional functions.

- Failure to do this may result in discoloration or fabric damage.

Take care that children's fingers are not caught in the door when you close it.

- Failure to do so may result in injury.

## Critical cleaning warnings

### **WARNING**

Do not clean the appliance by spraying water directly onto it.

Do not use a strong acidic cleaning agent.

Do not use benzene, thinner, or alcohol to clean the appliance.

- This may result in discoloration, deformation, damage, electric shock, or fire.

Before cleaning or performing maintenance, unplug the appliance from the wall socket.

- Failure to do so may result in electric shock or fire.

# SAVE THESE INSTRUCTIONS

# Installation

Follow these instructions carefully to ensure proper installation of your washer and to prevent accidents when doing laundry.

## ⚠️ **WARNING**

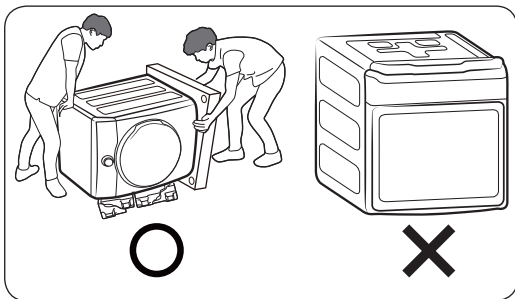
Control board, heat sink, motor, inlet valve and pump are intentionally not grounded and may present a risk of electric shock only during servicing.

## Unpacking your washer

Unpack your washer and inspect it for shipping damage. Make sure you have received all the items shown below. If your washer was damaged during shipping, or you do not have all of the items, call 1-800-SAMSUNG (1-800-726-7864). To prevent personal injury or strain, wear protective gloves whenever lifting or carrying the unit.

## ⚠️ **WARNING**

Packing materials can be dangerous to children; Keep all packing material (plastic bags, polystyrene, etc.) well out of children's reach.



## ⚠️ **CAUTION**

When unpacking the washer, a 2 person collaboration is needed. To remove the cushion bottom of the packing materials, do not tip the washer over on its front side.

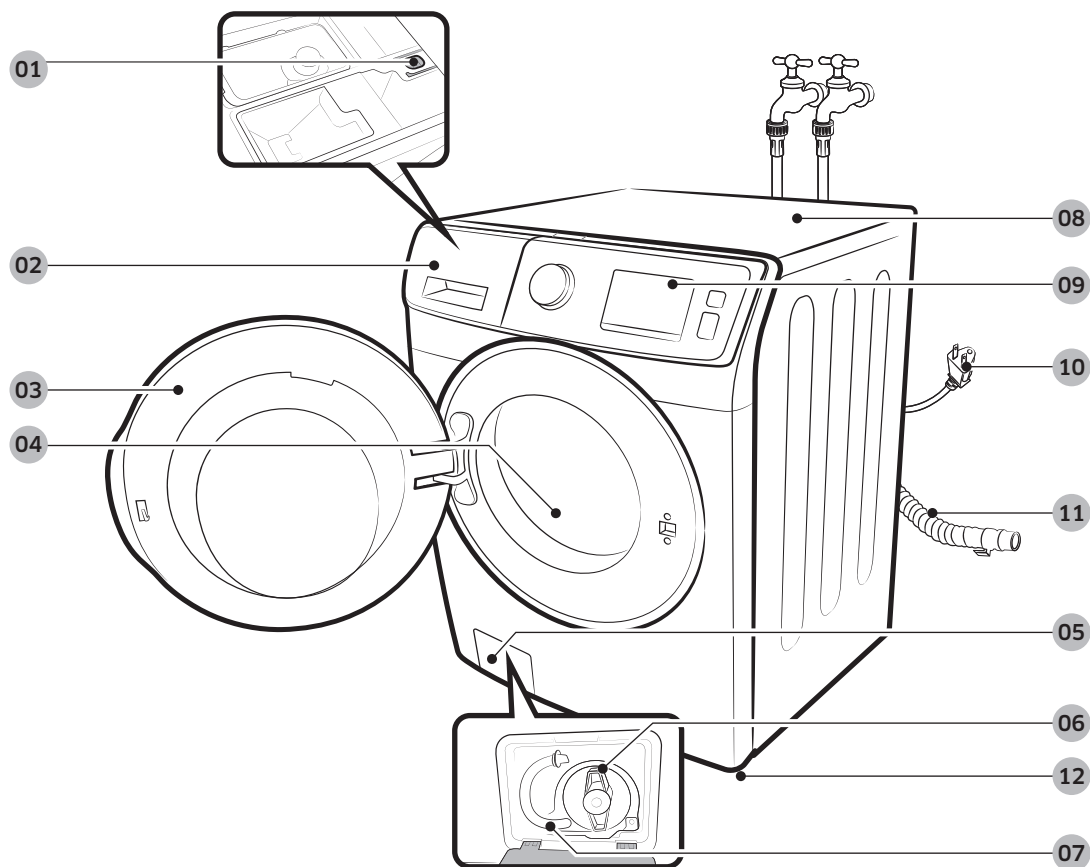
When you lay the washer down to remove the carton base, protect the side of the washer and lay it down carefully. Never lay your washer on its back or front.

---

## What's included

---

Make sure all the parts are included in the product package. If you have a problem with the washer or the parts, contact a local Samsung customer center or the retailer.



**01** Release lever

**04** Drum

**07** Emergency drain tube

**10** Power plug

**02** Detergent drawer

**05** Filter cover

**08** Worktop

**11** Drain hose

**03** Door

**06** Pump filter

**09** Control panel

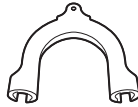
**12** Levelling feet

# Installation

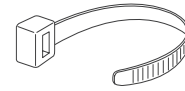
## Parts supplied



Bolt caps

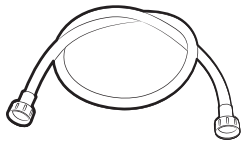


Hose guide

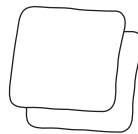


Tie straps

## Parts not supplied

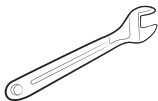


Water hoses (sold separately)

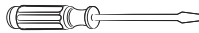


Anti-slip pads (sold separately)

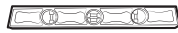
## Tools needed for installation



Wrench



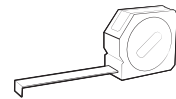
Philips screwdriver



Level



Adjustable Plier



Measuring tape

### NOTE

- Bolt caps: The number (3 to 6) of bolt caps provided depends on the model.
- The appearance of the washer and provided accessories may differ with the model.
- To purchase an accessory or lost part, contact a local Samsung service center or the retailer.

### CAUTION

- Do not reuse old water hoses, which may leak or burst, causing flooding and/or property damage.
- Make sure rubber washers are inserted in each coupling of both water hoses.

## Installation requirements

### Electrical supply and grounding

- AC 120 V / 60 Hz fuse or circuit breaker is required.
- Use an individual branch circuit.  
Connect only the washer to the circuit.

To ensure proper grounding, the washer comes with a power cord featuring a three-prong grounding plug for use in a properly installed and grounded outlet. Check with a qualified electrician or service person if you are not sure about the grounding.

Do not modify the provided plug. If it does not fit the outlet, call a qualified electrician to install a proper outlet.

#### **WARNING**

- Do NOT use an extension cord.
- Use only the power cord that comes with the washer.
- Do NOT connect the ground wire to plastic plumbing, gas lines, or hot water pipes.
- Improperly connected grounding conductors may cause electric shock.
- To prevent unnecessary risk of fire, electrical shock, or personal injury, all wiring and grounding must be done in accordance with local codes, or in the absence of local codes, in accordance with the National Electrical Code, ANSI/NFPA No. 70-Latest Revision (for the U.S.) or the Canadian Electrical Code CSA C22.1 - Latest Revisions and local codes and ordinances. It is your responsibility to provide adequate electrical service for your washer.

### Water supply

Proper water pressure for this washer is between 20-116 psi (137-800 kPa).

Water pressure less than 20 psi (137 kPa) may cause the water valve not to close completely. Or, it may take longer to fill the drum, causing the washer to turn off. Faucets must be within 4 feet (122 cm) from the rear of the washer so that the provided inlet hoses reach the washer.

To reduce the risk of leaks:

- Make sure faucets are easily accessible.
- Turn off the taps when the washer is not in use.
- Check for any leaks at the water inlet hose fittings on a regular basis.

#### **CAUTION**

Before using the washer for the first time, check all connections at the water valve and taps for any leaks.



# Installation

## Drain

Samsung recommends a standpipe 18 in (46 cm) high. The drain hose must be connected through the hose clip to the standpipe, and the standpipe must fully cover the drain hose.

## Flooring

For best performance, the washer must be installed on a solid floor. Wood floors may need to be reinforced to minimize vibration and/or unbalanced loads. Carpeting and soft tile surfaces do not provide good resistance to vibrations and may cause the washer to move slightly during the spin cycle.

### CAUTION

Do NOT install the washer on a platform or a poorly supported structure.

## Water temperature

Do not install the washer in areas where water may freeze as the washer always retains some water in its water valves, pumps, and/or hoses. Frozen water left in the connection parts may cause damage to belts, the pump, and other components of the washer.

## Alcove or closet installation

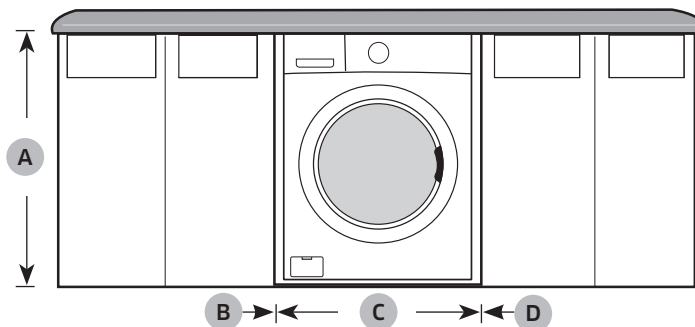
Minimum clearance for stable operation:

Sides	1 in. (25 mm)
Top	17 in. (432 mm)
Rear	5.9 in. (150 mm)
Front	2 in. (51 mm)

If both the washer and a dryer are installed in the same location, the front of the alcove or closet must have at least a 72 in<sup>2</sup> (465 cm<sup>2</sup>) unobstructed air opening. Your washer alone does not require a specific air opening.

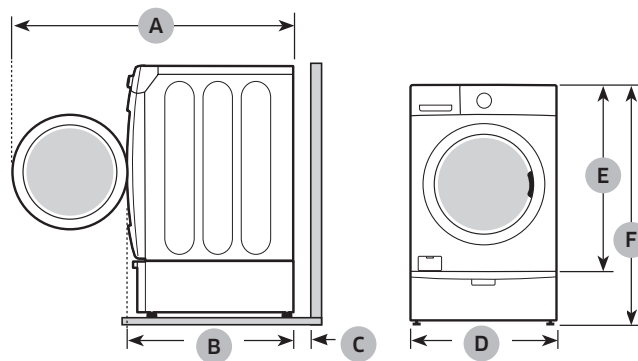


## Undercounter installation



A	39 in. (991 mm)	C	27 in. (686 mm)
B	1 in. (25 mm)	D	1 in. (25 mm)

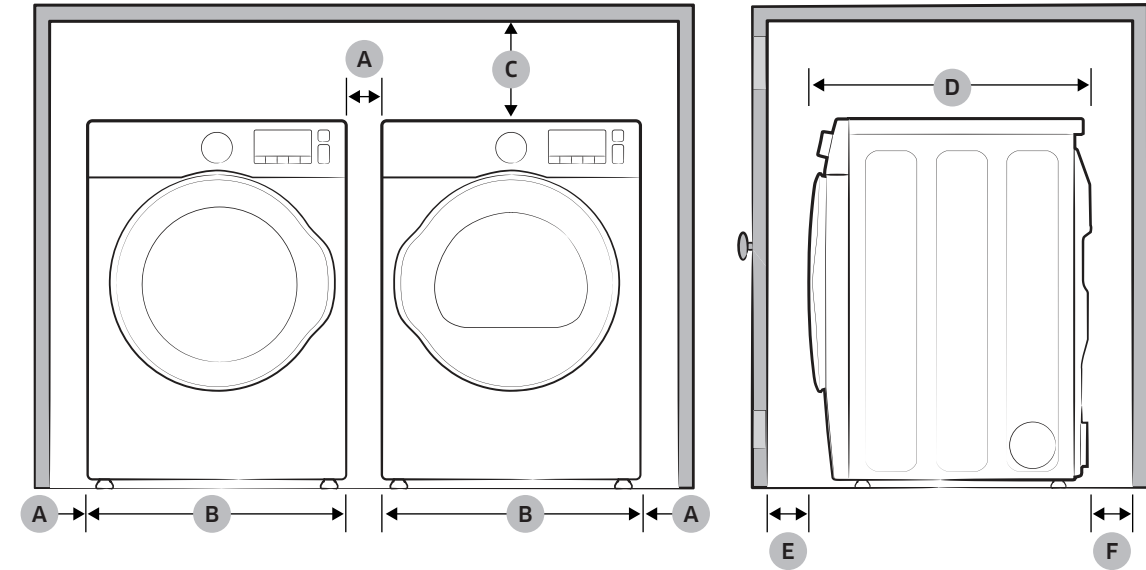
## Installation on a pedestal



A	54.6 in. (1387 mm)	D	27 in. (686 mm)
B	34 in. (864 mm)	E	38.7 in. (983 mm)
C	5.9 in. (150 mm)	F	53.4 in. (1356 mm)

# Installation

Side by side installation

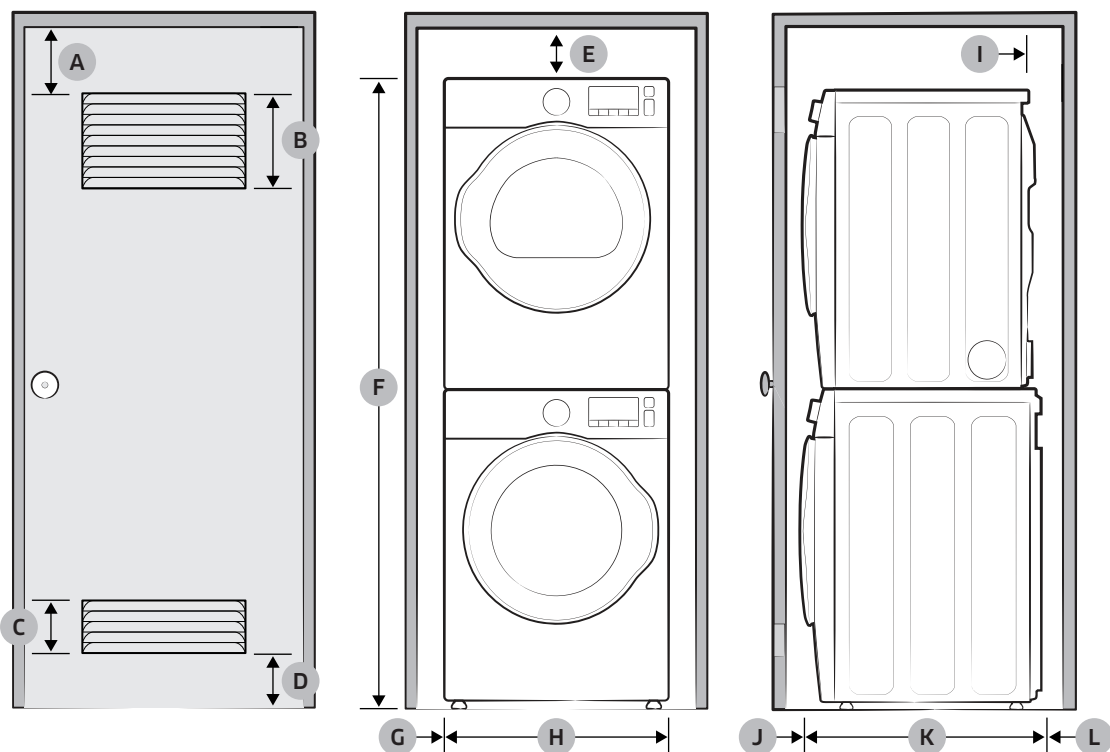


A*	1 in. (25 mm)	D	34 in. (864 mm)
B	27 in. (686 mm)	E	2 in. (51 mm)
C	17 in. (432 mm)	F	5.9 in. (150 mm)

\*This clearance is not applicable to stand-alone washers.



Stacked installation (Model: SKK-7A)



A	3 in. (76 mm)	G	1 in. (25 mm)
B	48 in <sup>2</sup> . (31000 mm <sup>2</sup> )	H	27 in. (686 mm)
C	24 in <sup>2</sup> . (15500 mm <sup>2</sup> )	I	5 in. (127 mm)
D	3 in. (76 mm)	J	3 in. (76 mm)
E	6 in. (152 mm)	K	34 in. (864 mm)
F	78.5 in. (1994 mm)	L	8 in. (203 mm)

**⚠ WARNING**

- Samsung's washers and dryers can be stacked to maximize usable space.
- The dryer legs need to be removed to stack the washer and dryer. You can purchase an optional stacking kit from your Samsung retailer.

Installation

# Installation

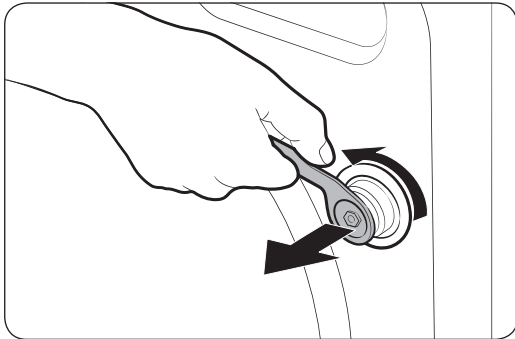
## Step-by-step installation

### STEP 1 Select a location

Location requirements:

- A solid, level surface without carpeting or flooring that may obstruct ventilation
- No direct sunlight
- Adequate room for ventilation and wiring
- Ambient temperature always higher than the freezing point (32 °F / 0 °C)
- Away from heat sources

### STEP 2 Remove the shipping bolts

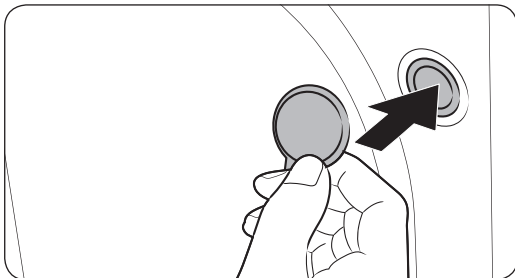


Unpack the product package and remove all shipping bolts.

1. Loosen all shipping bolts on the rear of the machine using the spanner.

#### NOTE

An adjustable wrench or 10 mm open-end wrench is required for removing the shipping bolts.

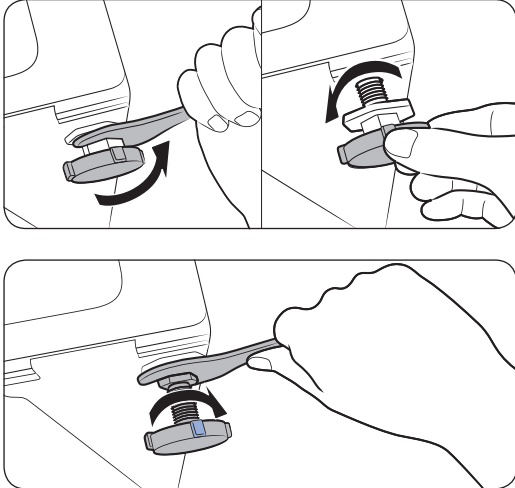


2. Fill the holes with the supplied plastic bolt caps.  
Keep the shipping bolts for future use.

#### WARNING

Packaging materials can be dangerous to children. Dispose all packaging material (plastic bags, polystyrene, etc.) out of children's reach.

### STEP 3 Adjust the levelling feet

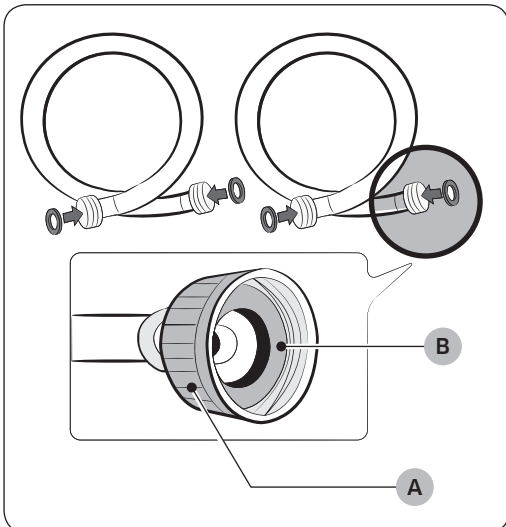


1. Gently slide the washer into position. Excessive force may damage the levelling feet.
2. Level the washer by manually adjusting the levelling feet.
3. When levelling is complete, tighten the nuts using the spanner.

#### NOTE

An adjustable wrench or 17 mm open-end wrench is required to loosen or tighten the leveling feet.

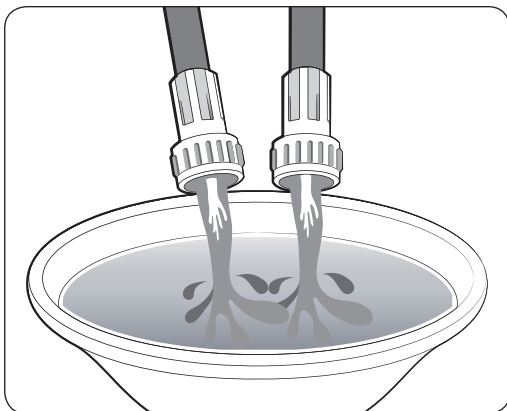
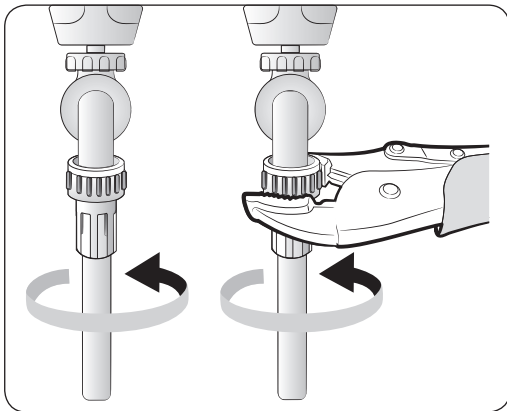
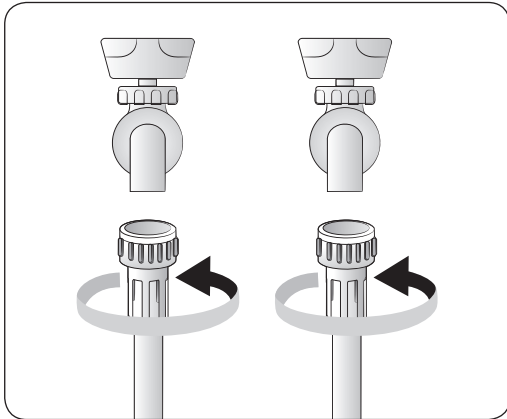
### STEP 4 Connect the water hose



#### CAUTION

- Make sure you use a new water hoses, and there are **rubber gaskets (B)** inside the **couplings (A)** at either end of each water hose. A water hose without the gasket may leak.
- If there is a water leak, stop using the washer and contact a local Samsung service center. A water leak may cause electric shock.
- Do not stretch the water hoses by force. If a hose is too short, replace the hose with a longer, high-pressure hose.
- To prevent leaks, make sure both water hoses are not bent or kinked. A water leak may cause electric shock.

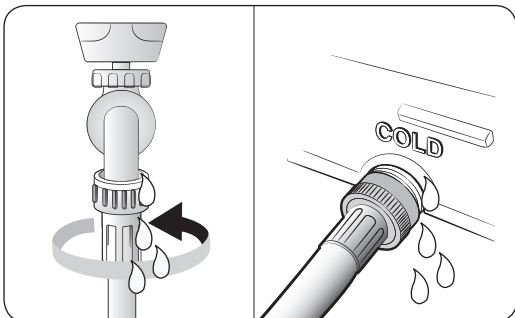
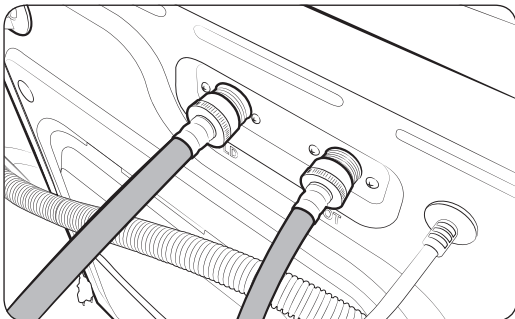
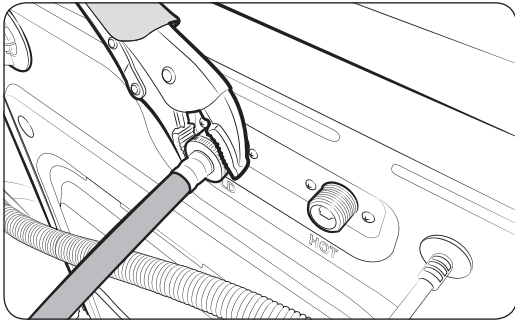
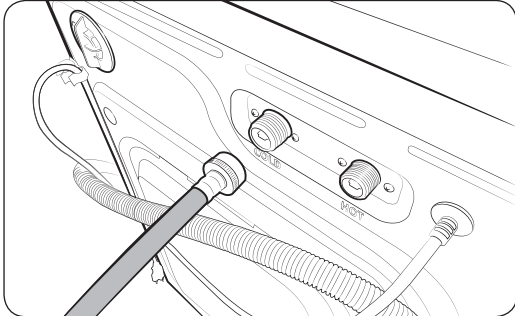
# Installation



To connect the water hoses to the faucets:

1. Connect one end of each water hose to the **Hot** or **Cold** tap.
2. Turn the fittings by hand until they are tight, and then tighten them by just an additional two-thirds of a turn with a pliers. Do not overtighten the fittings. You can damage them.
3. When done, pull the water hoses up and down to check if they are properly connected.

4. Put the other ends of the hoses into a bucket and open the taps for 10-15 seconds to remove impurities. When done, close the taps.



5. Connect the other ends of the water hoses to the corresponding inlets on the rear of the machine as specified. Make sure the hot water hose is connected to the hot inlet, and the cold water hose to the cold inlet.
6. Repeat step 2 above on the other fittings. Make sure both water hoses are connected properly. See the “4C” information code for troubleshooting.
7. Open both faucets, and check if there is a leak.

**NOTE**

If you do not want to use the hot water hose, insert the inlet cap into the hot water inlet. In this case, you must select Tap Cold for the water temperature. All other water indicators turn off.

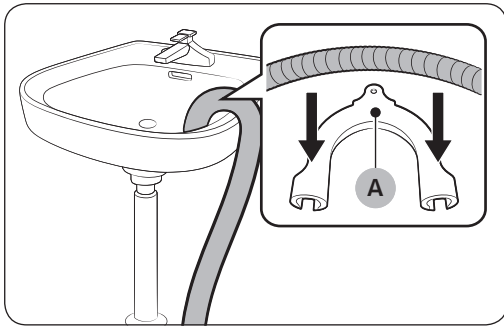
**CAUTION**

To prevent water hoses from being bent or kinked, make sure there is at least a 6 inch (150 mm) space between the washer and the rear wall.

# Installation

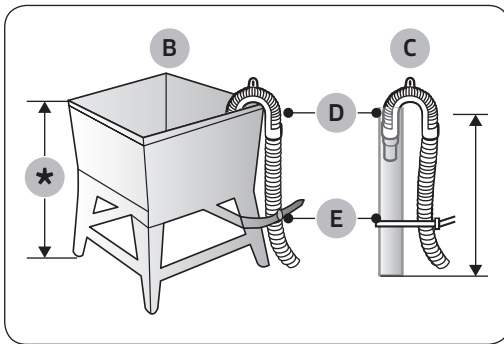
## STEP 5 Position the drain hose

The drain hose can be positioned in three ways:



### Over the edge of a wash basin

The drain hose must be placed at a height of between 24 in. (60 cm) and 35 in. (90 cm) from the floor. To keep the spout of the drain hose bent, use the supplied plastic **hose guide (A)**. Secure the guide to the wall using a hook to ensure stable drainage.

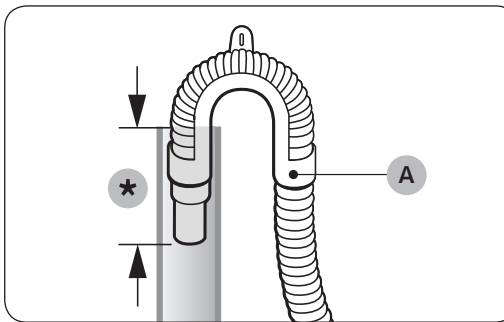


### In a standpipe or laundry tub

The laundry tub (B) or standpipe (C) must be no shorter than 18 in. (46 cm) and no higher or longer than 96 inches (245 cm). Make sure the drain hose and the standpipe are not airtight.

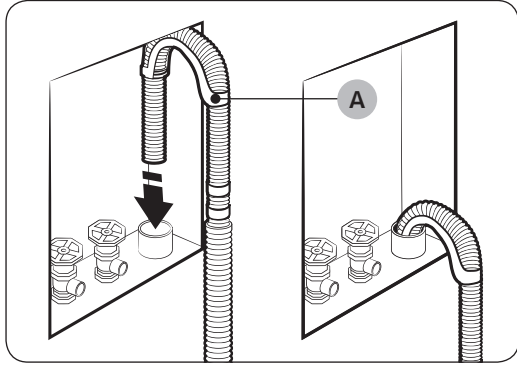
#### NOTE

D: Hose retainer / E: Tie straps



#### CAUTION

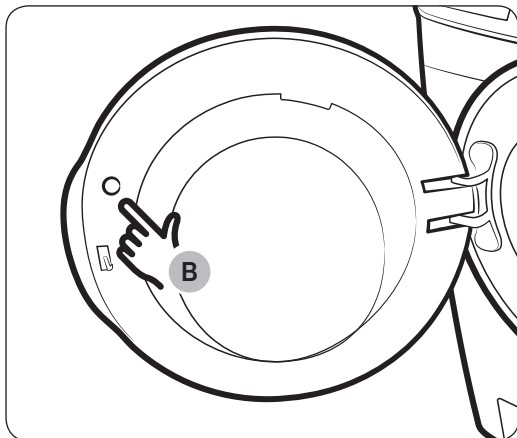
- Connect the **hose guide (A)** within 6 in. (15 cm)\* of the end of the drain hose. If the drain hose is extended beyond the end of the hose guide, mold or microorganisms could spread inside the washer.
- The drain hose can be installed up to 96 in. (245 cm) high, but the draining capability can be reduced at the maximum height. Water remaining in the drain system may cause an odor.
- If the drain hose is installed less than 18 in. (46 cm) high, water can be drained during the process due to a siphon phenomenon. If this happens, a “4C” information code appears on the display.



### Wall standpipe drain system

The drain hose must be placed into a wall standpipe drain system. To keep the end of the drain hose bent, use the supplied **hose guide (A)**. Secure the guide to the wall using a hook to ensure stable drainage.

### STEP 6 Remove the film inside the door



Remove the **small circle film (B)** above the door latch before use.

### STEP 7 Power on

Plug the power cord into an AC 120 V / 60 Hz approved electrical outlet protected by a fuse or circuit breaker. Then, press **POWER** to turn on the washer.

# Before you start

## Initial settings

### Run Calibration (recommended)

Calibration ensures accurate weight detection by the washer. Make sure the drum is empty before running Calibration.

1. Press **POWER** to turn on the washer.
2. Press and hold **Temp.** and **Delay End** simultaneously for 3 seconds.
3. Press **START/PAUSE** to start Calibration.
  - The door is locked during the operation.
  - The drum keeps rotating clockwise and anticlockwise for several minutes.
4. When complete, the washer turns off automatically.

## Laundry guidelines

### STEP 1 Sort

Sort the laundry according to these criteria:

- Care Label: Sort the laundry into cottons, mixed fibres, synthetics, silks, wools, and rayon.
- Color: Separate whites from colors.
- Size: Mixing different sized items together in the drum improves the washing performance.
- Sensitivity: Wash delicate items separately. For pure, new woolen items, curtains, and silk items, check the labels on the items.

#### **NOTE**

Make sure to check the care label on all clothing, and sort clothing accordingly before starting the wash.

### STEP 2 Empty pockets

Empty all the pockets of your laundry items

- Metal objects such as coins, pins, and buckles on clothing may damage other laundry items as well as the drum.

### Turn clothing with buttons and embroideries inside out

- If pants or jacket zippers are open while washing, the drum may be damaged. Zippers should be closed and fixed with a string.
- Clothing with long strings may become entangled with other clothes. Make sure to tie the strings before starting the wash.

### STEP 3 Use a laundry net

- Brassieres (water washable) must be placed in a laundry net. Metal parts of the brassieres may break through and tear other laundry items.
- Small, light clothing such as socks, gloves, stockings, and handkerchiefs may become caught around the door. Place them inside a fine laundry net.
- Do not wash the laundry net by itself without other laundry. This may cause abnormal vibrations that could move the washer and result in injury.



#### **STEP 4 Prewash (if necessary)**

Select the Prewash option for the selected cycle if the laundry is heavily soiled. Do not use the Prewash option if you will be adding detergent manually to the drum.

#### **STEP 5 Determine the load capacity**

Do not overload the washer. Overloading may cause the washer to wash improperly.

##### **NOTE**

When washing bedding or bedding covers, the wash time may be lengthened or the spin efficiency may be reduced.

For bedding or bedding covers, the recommended maximum spin level is “Low or Medium Spin”, and the load capacity is 3.0 kg or less.

##### **CAUTION**

If the laundry is unbalanced and the “UB” information code is displayed, redistribute the load. Unbalanced laundry may reduce the spinning performance.

#### **STEP 6 Add the correct detergent type**

The type of detergent depends on the type of fabric (cotton, synthetic, delicate items, wool), color, wash temperature, and degree of soiling. Always use “low suds” HE laundry detergent which is designed for automatic washers.

##### **NOTE**

- Follow the detergent manufacturer’s recommendations based on the weight of the laundry, the degree of soiling, and the hardness of the water in your local area. If you are not sure about the water hardness, contact a local water authority.

- Do not use detergent that tends to harden or solidify. This detergent may remain after the rinse cycle, blocking the drain outlet.

##### **CAUTION**

When washing wool using the WOOL cycle, use only a neutral liquid detergent. Powdered detergent used with the WOOL cycle can remain on the laundry and discolor it.

Use HE detergent only



Your washer is designed to use high efficiency (HE) detergents.

- For the best cleaning results, use a high efficiency detergent such as Tide HE, Wisk HE, Cheer HE or Gain HE\*. High efficiency detergents contain suds suppressors that reduce or eliminate suds. When fewer suds are produced, the load tumbles more efficiently and cleaning is maximized. (\* Brand names are trademarks of their respective manufacturers.)

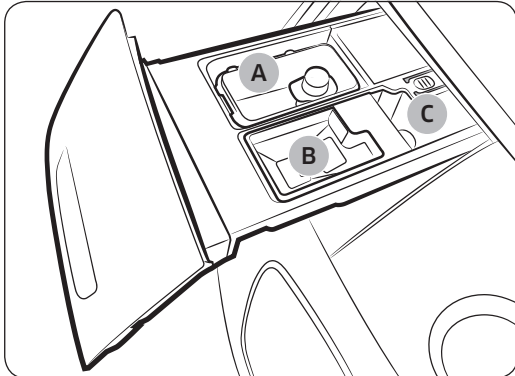
##### **WARNING**

Regular detergent is not recommended. Use HE detergents only.

# Before you start

## Detergent drawer guidelines

The washer provides a four-compartment dispenser: the front-left compartment for the main wash, the rear-left for pre-wash, the front-right for fabric softeners, and the rear-right for the liquid chlorine bleach.

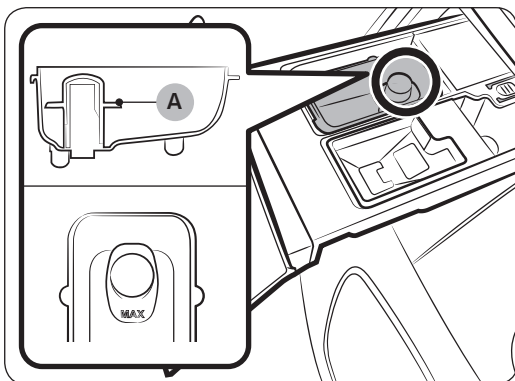


1. **Main-wash compartment (A):** Add main-wash detergent, water softener, soaking detergent, color-safe, non-chlorine bleach, and/or stain removers.
2. **Softener compartment (B):** Add fabric softener. Do not exceed the **max line**.
3. **Bleach compartment (C):** Add liquid chlorine bleach. Do not exceed the **max line**.

### ⚠ CAUTION

- Do not open the detergent drawer while the washer is operating.
- Do not use the following types of detergent:
  - Tablet or capsule types
  - Ball or net types
- To prevent the compartment from clogging, concentrated or highly-enriched agents (fabric softener or detergent) must be diluted with water before being added.

## To add washing agents to the detergent drawer

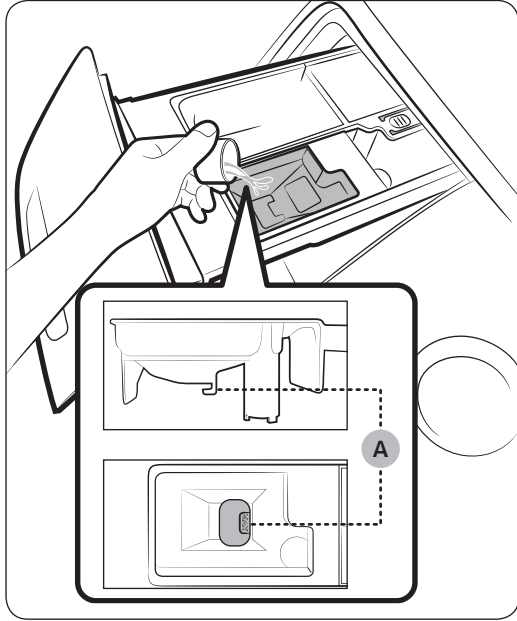


### Adding liquid detergent

1. Slide open the detergent drawer.
2. Add the liquid laundry detergent to the liquid detergent container in the **main-wash compartment**. Make sure that the detergent does not exceed the marked **max line (A)**.

### 📄 NOTE

- Do not add powdered laundry detergent or other powdered laundry agents to the liquid laundry container.
- To use powdered detergent, see page 32.



3. Add fabric softener to the **softener compartment**. Do not exceed the **max line (A)**.

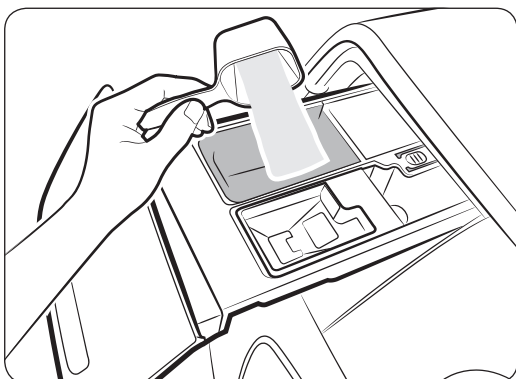
**⚠ CAUTION**

- Powdered fabric softener is not recommended. Use liquid fabric softener only.
  - Concentrated fabric softener must be diluted with water before being added.
  - Do not add main-wash detergent to the **softener compartment**.
4. Close the detergent drawer.

Before you start

# Before you start

## To use powdered detergent

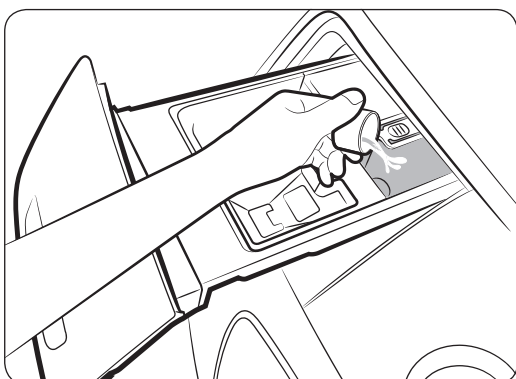


First, remove the provided liquid detergent container from the **main-wash compartment**. Then, add powdered detergent to the **main-wash compartment** according to the detergent manufacturer's instructions.

### ⚠ CAUTION

Do not add powdered detergent to the liquid detergent container.

## To use the bleach compartment

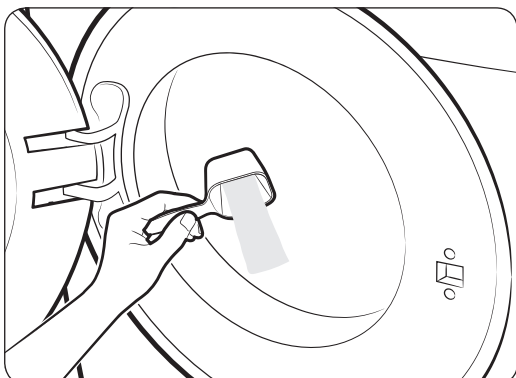


Add only liquid chlorine bleach to the **bleach compartment**. Do not exceed the **max line**.

### ⚠ CAUTION

Do not add undiluted liquid chlorine bleach directly to the load or to the drum. It is a powerful chemical and can cause fabric damage, such as weakening of the fibers or color loss if not use properly.

## To use oxigen boosters or color-safe bleach



Oxygen boosters or color-safe bleach can increase washing performance. Make sure to add the oxygen booster or color-safe bleach after putting the laundry into the drum.

### 📄 NOTE

To use both powdered detergent and powdered oxygen booster or powdered color-safe bleach, it is more effective to put them together into the drum before loading the laundry.

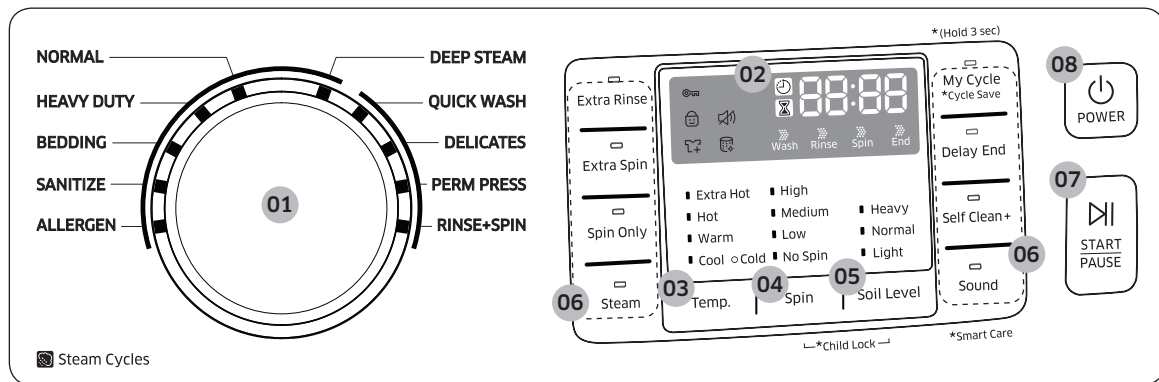
# Operations

## ⚠ WARNING

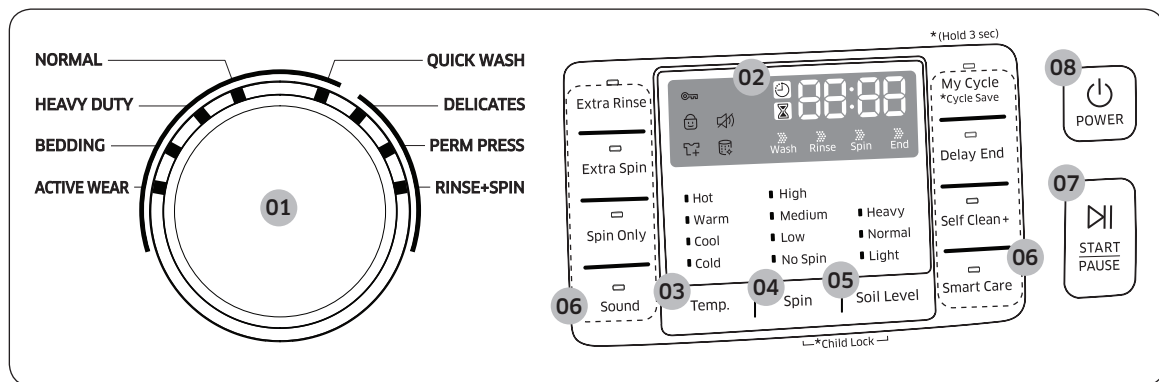
To reduce the risk of fire, electric shock, or injury to persons, read the IMPORTANT SAFETY INSTRUCTIONS before operating this appliance.

## Feature panel

### WF45M5500A\*



### WF45M5100A\*



# Operations

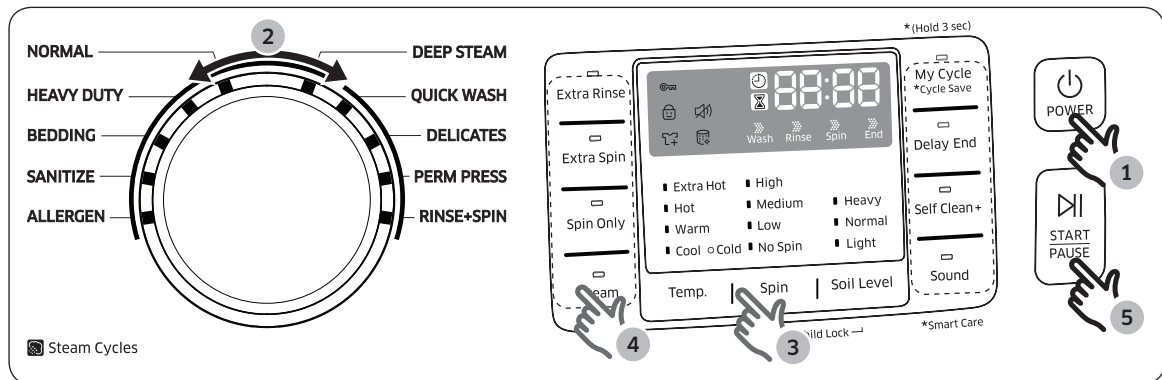
01 Cycle Selector	Turn the dial to select a cycle.
02 Display	The display shows current cycle information and estimated time remaining, or an information code if the washer needs to be checked.
03 Temp.	<p>Press to change the water temperature for the current cycle.</p> <p><b>WF45M5500A*</b></p> <ul style="list-style-type: none"> <li>• <b>Extra Hot:</b> Heavily soiled, colorfast items. Only available with NORMAL, HEAVY DUTY, and SANITIZE.</li> <li>• <b>Hot:</b> Whites and heavily soiled, colorfast items.</li> <li>• <b>Warm:</b> Uses warm water only in the final rinse process. This is for energy saving purposes.</li> <li>• <b>Cool:</b> Brightly colored, very lightly soiled items. The washer supplies additional hot water or drives the heater to warm up the water if it is below 60 °F (16 °C).</li> <li>• <b>Cold:</b> Uses only cold water without driving the heater. No warm water is supplied.</li> </ul> <p><b>WF45M5100A*</b></p> <ul style="list-style-type: none"> <li>• <b>Hot:</b> Whites and heavily soiled, colorfast items.</li> <li>• <b>Warm:</b> Uses warm water only in the final rinse process. This is for energy saving purposes.</li> <li>• <b>Cool:</b> Brightly colored, very lightly soiled items. The washer supplies additional hot water or drives the heater to warm up the water if it is below 60 °F (16 °C).</li> <li>• <b>Cold:</b> Uses only cold water without driving the heater. No warm water is supplied.</li> </ul>

<p><b>04 Spin</b></p>	<p>Press to change the spinning speed for the current cycle.</p> <ul style="list-style-type: none"> <li>• <b>High:</b> Underwear, t-shirts, jeans and sturdy cottons.</li> <li>• <b>Medium:</b> Jeans, wrinkle-free or wash-and-wear items and synthetics.</li> <li>• <b>Low:</b> Delicate items that requires a lower spinning speed.</li> <li>• <b>No Spin:</b> The drum does not spin after the final drain process.</li> <li>• <b>Rinse Hold</b> (No lamp turns on): The final rinse process is suspended so that the laundry remains in the water. To unload the laundry, run a drain or spin process.</li> </ul> <p><b>NOTE</b></p> <p><b>Spin Only:</b> This cycle runs the spinning process. Press and hold <b>Spin</b> for 3 seconds. With the cycle time on the display, press <b>Spin</b> repeatedly until a desired spinning speed is selected. Then, press <b>START/PAUSE</b> to start the cycle.</p> <p>This cycle is available only when no specific cycle is selected.</p>
<p><b>05 Soil Level</b></p>	<p>Press the button to select the soil level/washing time.</p> <ul style="list-style-type: none"> <li>• <b>Heavy:</b> For heavily soiled loads.</li> <li>• <b>Normal:</b> For moderately soiled loads. This setting is best for most loads.</li> <li>• <b>Light:</b> For lightly soiled loads.</li> </ul>
<p><b>06 Options</b></p>	<p>Press the buttons to select different cycle options.</p>
<p><b>07 START/PAUSE</b></p>	<p>Press to Start or Pause operation.</p>
<p><b>08 POWER</b></p>	<p>Press to turn the washer on or off.</p>

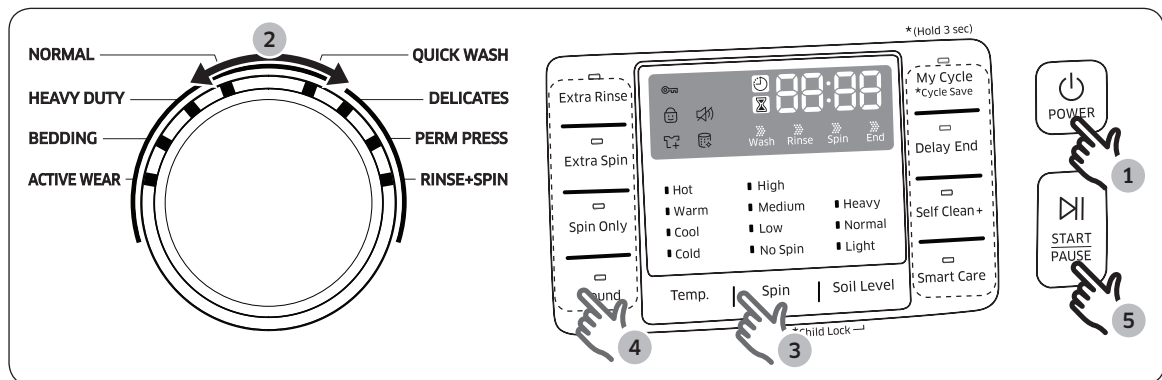
# Operations

## Simple steps to start

WF45M5500A\*



WF45M5100A\*



1. Press **POWER** to turn on the washer.
2. Turn the **Cycle Selector** to select a cycle.
3. Change the cycle settings (**Temp.**, **Spin**, and **Soil Level**) as necessary.
4. Select desired options as necessary.
5. Press **START/PAUSE**.

### To change the cycle during operation

1. Press **START/PAUSE** to stop operation.
2. Select a different cycle.
3. Press **START/PAUSE** again to start the new cycle.

### **WARNING**

Do not place anything on top of your washer while it is running.



---

## Cycle overview


---

### Standard cycles

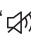
Cycle	Description
QUICK WASH	<ul style="list-style-type: none"><li>For lightly soiled items that you want to finish washing quickly.</li></ul>
DELICATES	<ul style="list-style-type: none"><li>For sheer fabrics, bras, lingerie (silk), and other handwash-only fabrics.</li><li>For best performance, use liquid detergent.</li></ul>
PERM PRESS	<ul style="list-style-type: none"><li>For wash-and-wear, synthetic fabrics, and lightly to normally soiled items.</li></ul>
RINSE+SPIN	<ul style="list-style-type: none"><li>Features an additional rinse process after fabric softener is applied to the laundry.</li></ul>
ACTIVE WEAR (WF45M5100* model only)	<ul style="list-style-type: none"><li>For exercise wear such as sports jerseys, training pants, shirts/tops and other performance clothing. This cycle provides effective soil removal with controlled drum rotation for special fabric care.</li></ul>

# Operations

## Steam cycles

Cycle	Description
DEEP STEAM (WF45M5500A* model only)	<ul style="list-style-type: none"><li>For heavily soiled, colorfast items. This cycle uses steam and a high water temperature to effectively remove stains.</li></ul>
NORMAL	<ul style="list-style-type: none"><li>For cottons, bed linens, table linens, underwear, towels, or shirts. The washing time and the number of rinses are automatically adjusted according to the load.</li></ul>
HEAVY DUTY	<ul style="list-style-type: none"><li>For sturdy, colorfast fabrics and heavily soiled items.</li></ul>
BEDDING	<ul style="list-style-type: none"><li>For bulky items such as comforters, blankets, and sheets.</li><li>For best results, wash only 1 type of bedding.</li><li>For bulky items, use liquid detergent and do not roll the items in the drum because they might get stuck in the drum.</li></ul>
SANITIZE (WF45M5500A* model only)	<ul style="list-style-type: none"><li>For heavily soiled, colorfast items. This cycle heats the water to 150 °F to eliminate bacteria.</li></ul> <p> <b>NOTE</b> If you press <b>START/PAUSE</b> during the heating portion of SANITIZE cycle, your washer door will remain locked for your safety.</p>
ALLERGEN (WF45M5500A* model only)	<ul style="list-style-type: none"><li>Use to remove dust mites, pet dander, or other allergic substances.</li></ul>

## Options

Option	Description
Extra Rinse	<ul style="list-style-type: none"><li>• Adds an additional rinse at the end of the cycle to remove laundry additives more thoroughly.</li></ul>
Extra Spin	<ul style="list-style-type: none"><li>• Adds additional spin time to remove more water from loads.</li></ul>
Spin Only	<ul style="list-style-type: none"><li>• Press to run the Spin cycle of a selected course only.</li></ul>
Steam	<ul style="list-style-type: none"><li>• Press this button to use the Steam function. Steam is available with the NORMAL, HEAVY DUTY, BEDDING, SANITIZE, DEEP STEAM and ALLERGEN. For heavily soiled, colorfast items, the Steam function improves stain treatment and uses less water. (only for WF45M5500A* model)</li></ul>
Sound	<ul style="list-style-type: none"><li>• Press to mute the washer. No alarm or melody will sound except for the diagnostic checking beep and the indicator “” lights up. To unmute, press the button again.</li></ul>
My Cycle	<ul style="list-style-type: none"><li>• Create your own washing cycle with preferred settings and use the cycle with a single button push.</li></ul>
Delay End	<ul style="list-style-type: none"><li>• Set the washer to finish your wash automatically at a later time. Choose a delay of between 1 to 24 hours (in 1 hour increments).</li></ul>
Self Clean+	<ul style="list-style-type: none"><li>• Cleans the drum by removing dirt and bacteria from the drum.</li><li>• Perform once every 40 washes with no detergent or bleach added.</li><li>• Make sure the drum is empty.</li><li>• Do not add any drum cleaning agents.</li></ul>
Smart Care	<ul style="list-style-type: none"><li>• This function enables you to check the status of the washing machine using a smartphone.</li></ul>

# Operations

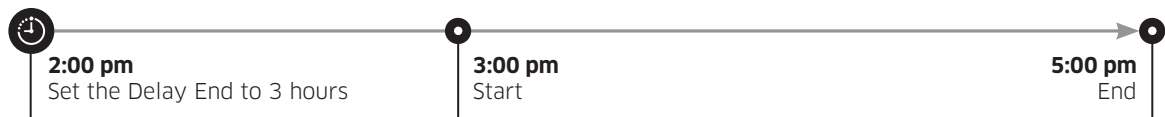
## Delay End

You can set the washer to finish your wash automatically at a later time by choosing a delay of between 1 to 24 hours (in 1 hour increments). The hour displayed indicates the time the wash will finish.

1. Select a cycle. Then, change the cycle settings if necessary.
2. Press **Delay End** repeatedly until a desired end time is set.
3. Press **START/PAUSE**. The 🕒 indicator turns on with the clock running.
4. To cancel **Delay End**, restart the washer by pressing **POWER**.

### Real-life case

You want to finish a two-hour cycle 3 hours from now. To do this, you add the Delay End option to the current cycle with a 3-hour setting, and then press **START/PAUSE** at 2:00 pm. The washer starts operating at 3:00 pm and ends at 5:00 pm. Provided below is the time line for this example.



## Steam

With the Steam cycle, the washer senses the weight of the load and controls the steam effect according to the load size. This improves washing performance.

Available Steam cycles are: NORMAL, HEAVY DUTY, BEDDING, SANITIZE, ALLERGEN, and DEEP STEAM.

1. Turn the **Cycle Selector** to select a Steam cycle.
2. Press **Steam**.
3. Add detergent and fabric softener as instructed.
4. Press **START/PAUSE** to start the cycle.

### NOTE

- Steam may not be visible or present during the cycle. This is normal.
- Unlike other Steam cycles, you don't need to press **Steam** for DEEP STEAM as the Steam function turns on automatically.

## Child Lock

To prevent accidents by children or infants, Child Lock locks all buttons except for the **Power** button.

### To activate Child Lock

- Press and hold both **Soil Level** and **Spin** for 3 seconds. Then, press **START/PAUSE** to activate. The door locks and the Child Lock indicator turns on.

### To deactivate Child Lock temporarily

- You can deactivate Child Lock temporarily for 1 minute. To do this, press and hold both **Soil Level** and **Spin** for 3 seconds. The door is unlocked for 1 minute and the Child Lock indicator blinks.

### NOTE

- If you open the door 1 minute after deactivating Child Lock, an alarm sounds for up to 2 minutes.
- If you close the door within 2 minutes, the door locks and Child Lock is reactivated. If you do not close the door or the door is not properly closed, the alarm keeps sounding for 2 minutes.
- To add laundry after activating Child Lock, deactivate Child Lock or restart the washer.

### To cancel Child Lock

- Press and hold both **Soil Level** and **Spin** for 6 seconds. The door unlocks and the Child Lock indicator turns off.

## My Cycle

Create your own washing cycle with preferred settings and use the cycle with the push of a single button.

### To create your own cycle


1. Turn the **Cycle Selector** to select a cycle.
2. Change the cycle settings (**Temp.**, **Spin**, and **Soil Level**) as necessary.
3. Add an option to your preference. For more information, see the “**Options**” section.
4. Press and hold **My Cycle** for 3 seconds to save your settings. Applicable indicators blink for 3 seconds. Once you save the cycle, you can use it by pressing **My Cycle**.

### NOTE

If you press and release **My Cycle** within 3 seconds, the previously saved cycle and options appear.

## Sound

Mute or unmute the sound.

- To mute or unmute the sound, press and hold **Temp.** for 3 seconds. When the sound is muted, the  indicator turns on.

# Operations

---

## ATC (Auto Temperature Control)

ATC enables the washer to control water temperatures in each washing cycle using the internal thermistor. It is designed to maintain certain washing temperatures for best results.

### NOTE

- If you select NORMAL or HEAVY DUTY, you may notice the washer supplying cold water. This is normal because the machine is designed to reduce power consumption.
- In these cycles, the Hot temperature is similar to bath-water temperatures, and the Warm temperature to comfortable swimming pool temperatures.
- To wash clothes at a specific temperature, you must choose a different cycle first.

# Maintenance

---

Keep the washer clean to prevent its performance from deteriorating and to preserve it throughout its life cycle.

## **WARNING**

Control board, heat sink, motor, inlet valve and pump are intentionally not grounded and may present a risk of electric shock only during servicing.

## **Self Clean+**

---

Perform this cycle regularly to clean the drum and to remove bacteria from it.

1. Make sure the drum is empty.
2. Press **POWER** to turn on the washer.
3. Press **Self Clean+**.
4. Press **START/PAUSE**.

## **NOTE**

- The water temperature for Self Clean+ is set to Extra Hot, which cannot be changed. (only for WF45M5500A\* model)
- The water temperature for Self Clean+ is set to Hot, which cannot be changed. (only for WF45M5100A\* model)

## **CAUTION**

Do not use any cleaning agents. Do not add detergent or bleach. Chemical residue in the drum degrades the cleaning performance.

## **Self Clean+ reminder**

- The **Self Clean+** reminder appears on the main screen once every 40 washes. It is advisable to perform the **Self Clean+** regularly.
- If you do not run the cycle within 1 hour when the **Self Clean+** reminder appears, the reminder turns off automatically.
- When you first see this reminder, you can ignore the reminder for 6 consecutive washes. From the 7<sup>th</sup> wash, the reminder no longer appears. However, it appears again on the second 40<sup>th</sup> wash.

# Maintenance

---

## Smart Care

---

The Smart Care function helps you diagnose and troubleshoot your washer if it has a problem. To enable this function, you must first download the Samsung Smart Washer app from the Play Store or the Apple Store, and install it on a mobile device that has a camera. The Smart Washer Smart Care function has been optimized for: Galaxy and iPhone series devices. (It is not supported by some models.)

As the washer operates, it runs its self-diagnosis function in the background. If it senses a problem, it displays an information code on the display which you can scan using the app's Smart Care function. The Smart Care function will then display detailed information about the code.

1. To enable the Smart Care function.
  - Press and hold **Sound** on the washer for 3 seconds to enter the Smart Care mode. (only for WF45M5500A\* model)
  - Press **Smart Care** button to enter the Smart Care mode. (only for WF45M5100A\* model)
2. Run the Samsung Smart Washer app on your mobile device, and tap **Smart Care**.
3. Hold the mobile device so that the mobile device and the washer's display panel face each other. The app will recognize the information code automatically.
4. When the information code is recognized correctly, the app provides detailed information about the symptom and recommends further action.

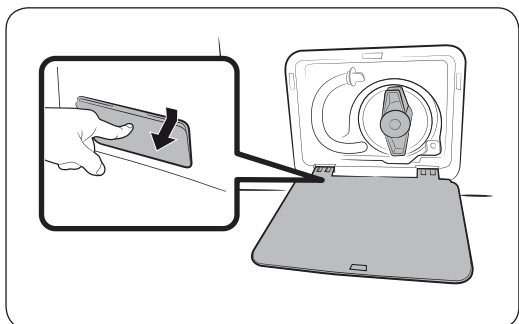
### **NOTE**

- The function name, Smart Care, may differ depending on your language.
- If the washer display is reflecting light, the app may fail to recognize the information code.
- If the app fails to recognize the Smart Care code a number of times consecutively, enter the information code manually onto the app screen.

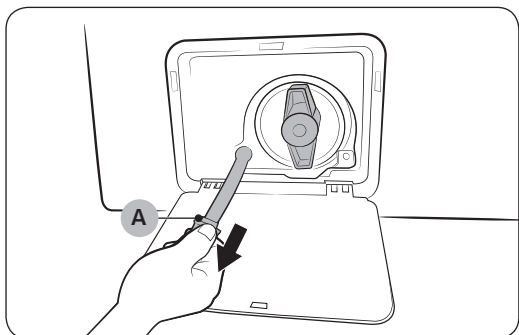


## Emergency drain

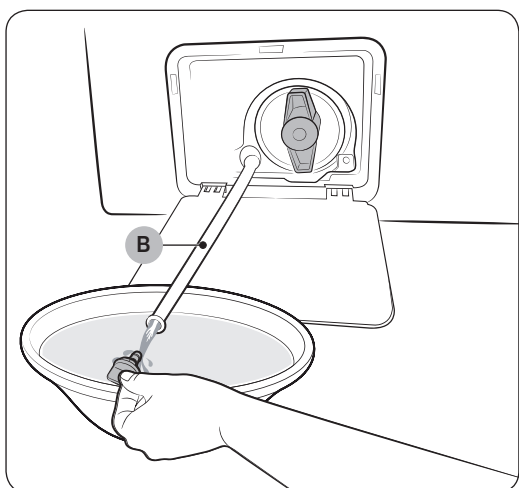
In case of a power failure, drain the water inside the drum before taking out the laundry.



1. Power off the washer, and then unplug it from the electrical outlet.
2. Gently press the top area of the **filter cover** to open.



3. Put an empty, spacious container around the cover, and stretch the **emergency drain tube** to the container while holding the **tube cap (A)**.



4. Open the **tube cap** and let water in the **Emergency drain tube (B)** flow into the container.
5. When done, close the **tube cap**, and reinsert the tube. Then, close the **filter cover**.

### **NOTE**

Use a spacious container because the water in the drum may be more than expected.

# Maintenance

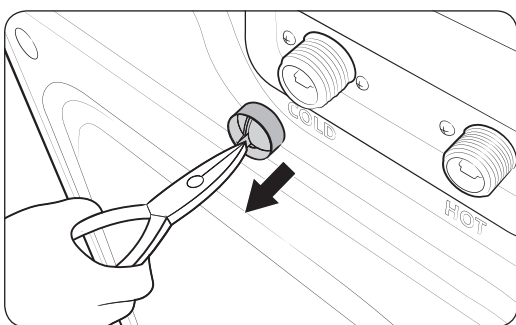
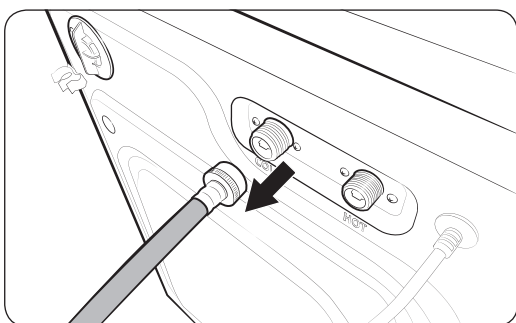
## Cleaning

### Surface of the washer

Use a soft cloth with a nonabrasive household detergent. Do not spray water onto the washer.

### Mesh filter

Clean the mesh filter of the water hose once or twice a year.



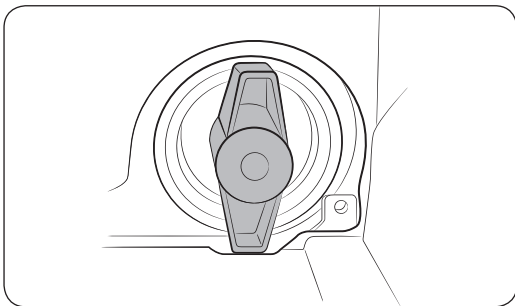
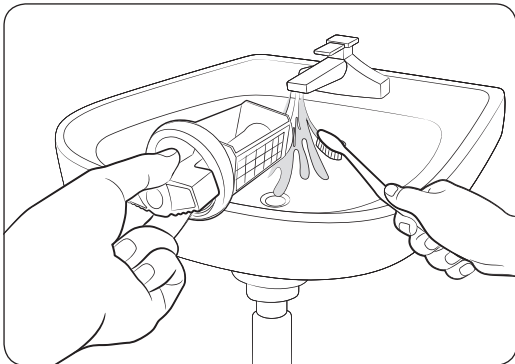
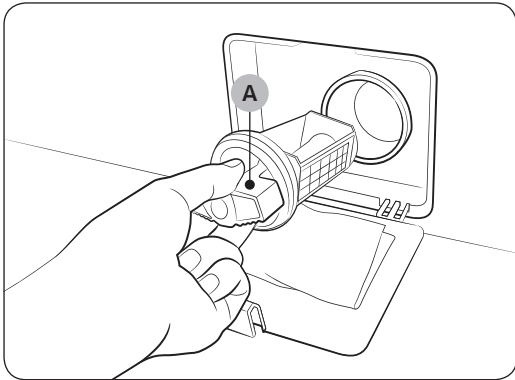
1. Turn off the washer, and then unplug the power cord.
2. Close the faucet.
3. Loosen and disconnect the water hose from the back of the washer. Cover the hose with a cloth to prevent water from gushing out.
4. Use pliers to pull out the mesh filter from the inlet valve.
5. Submerge the mesh filter deeply in water so that the threaded connector is also submerged.
6. Dry the mesh filter completely in a shaded area.
7. Reinsert the mesh filter into the inlet valve, and reconnect the water hose to the inlet valve.
8. Open the faucet.

### NOTE

If the mesh filter is clogged, the “4C” information code appears on the the washer’s display screen

## Pump filter

It is advisable to clean the pump filter 5 or 6 times a year to prevent its clogging. A clogged pump filter may reduce the bubble effect.



1. Turn off the washer, and unplug the power cord.
2. Drain the remaining water inside the drum. See the “Emergency drain” section on page 45.
3. Gently press the top area of the **filter cover** to open.
4. Turn the **pump filter knob (A)** to the left, and drain off the remaining water.
5. Clean the **pump filter** using a soft brush. Make sure the drain pump propeller inside the filter is not clogged.
6. Reinsert the **pump filter**, and then turn the filter knob to the right.
7. Close the **filter cover**.

### NOTE

- Some pump filters feature a safety knob that is designed to prevent children from accidentally opening the filter compartment. To open the safety knob of the **pump filter**, push in and turn it counterclockwise. The spring mechanism of the safety knob helps open the filter.
- To close the safety knob of the **pump filter**, turn it clockwise. The spring makes a rattling sound, which is normal.

### NOTE

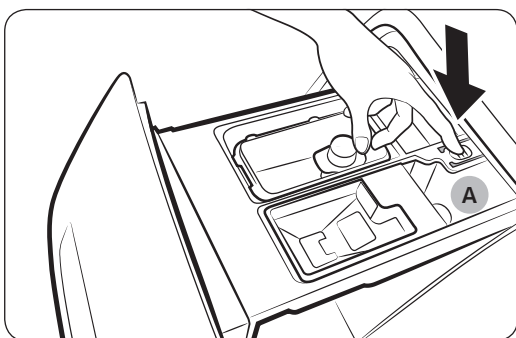
If the pump filter is clogged, the “5C” information code appears on the washer’s display screen.

# Maintenance

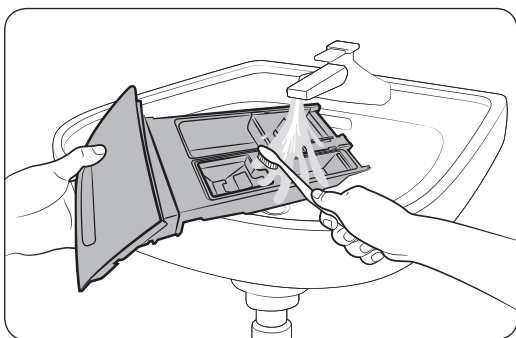
## ⚠ CAUTION

- Make sure the filter knob is closed properly after cleaning the filter. Otherwise, this may cause a leak.
- Make sure the filter is inserted properly after cleaning it. Otherwise, this may cause an operational failure or a leak.

## Detergent drawer



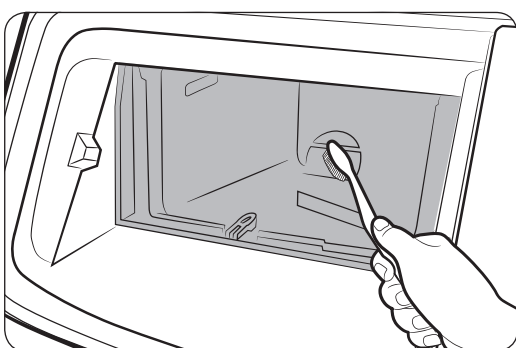
1. While holding down the **release lever (A)** inside the drawer, slide open the drawer, and then remove the drawer from the washer.
2. Remove the **liquid detergent container** from the drawer.



3. Clean the drawer components in flowing water using a soft brush.

## 📄 NOTE

Other parts of the drawer can also be removed. They can fall out if you hold the drawer upside down.

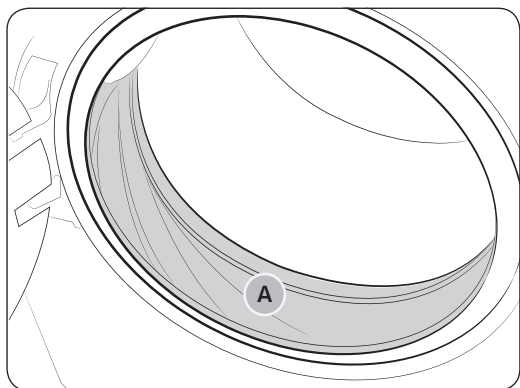


4. Clean the drawer recess using a soft brush.
5. Reinsert the **liquid detergent container** into the detergent drawer.
6. Slide the drawer into the drawer recess, and then push it inward until it is fully closed.

## 📄 NOTE

To remove remaining detergent, run a **RINSE+SPIN** cycle with the drum empty.

## Door diaphragm



1. Open the door, and then empty the drum.
2. Combine 3/4 cups of liquid chlorine bleach and 1 gallon of warm tap water.
3. Turn over the diaphragm (A).
4. Wearing rubber gloves, use a soft, clean cloth dipped in the water and bleach solution to clean the diaphragm.
5. Let stand 5 minutes, and then wipe up and dry well.
6. Put the diaphragm back into position.

### CAUTION

Use bleach carefully and be sure to follow the bleach manufacturer's use and care instructions.

## Recovery from freezing

The washer may freeze when the temperature in its location drops below 32 °F (0 °C).

1. Turn off the washer, and unplug the power cord.
2. Pour warm water over the faucet to loosen the water hose.
3. Disconnect the water hose, and soak it in warm water.
4. Pour warm water into the drum and leave it for about 10 minutes.
5. Reconnect the water hose to the faucet.

### NOTE

If the washer still doesn't operate normally, repeat the steps above until it operates normally.

## Care against an extended time of disuse

Avoid leaving the washer unused for an extended time. However, if you intend to leave the washer unused for a long period of time, follow the directions below:

1. Press the **POWER** button, and then turn the **Cycle Selector** to **RINSE+SPIN**.
2. Empty the drum, and then press **START/PAUSE**.
3. When the cycle is complete, close the faucets and disconnect the water hoses.
4. Turn off the washer, and then unplug the power cord.
5. Open the door to let air circulate through the drum.

# Maintenance

---

## Cleaning the exterior

---

1. Turn off the water faucets after finishing the day's washing.  
This will shut off the water supply to your washer and prevent the unlikely possibility of damage from escaping water. Leave the door open to allow the inside of your washer to dry out.
2. Use a soft cloth to wipe up all detergent, bleach, or other spills as they occur.  
Clean the following as recommended below:
  - Control Panel - Clean with a soft, damp cloth. Do not use abrasive powders or cleaning pads. Do not spray cleaners directly on the panel.
  - Cabinet - Clean with soap and water.

## Cleaning the interior

---

Clean the interior of your washer periodically to remove any dirt, soil, odor, mold, mildew, or bacterial residue that may remain in your washer as a result of washing clothes.

### **CAUTION**

Failure to follow these instructions may result in unpleasant conditions, including odors and/or permanent stains on your washer or laundry.

### **NOTE**

Hard water deposits may be removed, if needed. Use a cleaner labeled "Washer safe".

# Troubleshooting

## Checkpoints

If you encounter a problem with the washer, first check the table below and try the suggestions.

Problem	Action
Does not start.	<ul style="list-style-type: none"> <li>• Make sure the washer is plugged in.</li> <li>• Make sure the door is properly closed.</li> <li>• Make sure the faucets are open.</li> <li>• Make sure to press or tap <b>START/PAUSE</b> to start the washer.</li> <li>• Make sure <b>Child Lock</b> is not activated.</li> <li>• Before the washer starts to fill, it will make a series of clicking noises to check the door lock and does a quick drain.</li> <li>• Check the fuse or reset the circuit breaker.</li> </ul>
Water supply is insufficient, or no water is supplied.	<ul style="list-style-type: none"> <li>• Fully open the faucet.</li> <li>• Make sure the door is properly closed.</li> <li>• Make sure the water supply hose is not frozen.</li> <li>• Make sure the water supply hose is not kinked or clogged.</li> <li>• Make sure there is sufficient water pressure.</li> </ul>
After a cycle, detergent remains in the detergent drawer.	<ul style="list-style-type: none"> <li>• Make sure the washer is running with sufficient water pressure.</li> <li>• Make sure the detergent is added to the center of the detergent drawer.</li> <li>• Make sure the rinse cap is inserted properly.</li> <li>• If using granular detergent, make sure the detergent selector is in the upper position.</li> <li>• Remove the rinse cap and clean the detergent drawer.</li> </ul>
Excessive vibrations or makes noise.	<ul style="list-style-type: none"> <li>• Make sure the washer is installed on a level, solid floor that is not slippery. If the floor is not level, use the levelling feet to adjust the height of the washer.</li> <li>• Make sure the shipping bolts are removed.</li> <li>• Make sure the washer is not contacting any other object.</li> <li>• Make sure the laundry load is balanced.</li> <li>• The motor can cause noise during normal operation.</li> <li>• Overalls or metal-decorated clothes can cause noise while being washed. This is normal.</li> <li>• Metal objects such as coins can cause noise. After washing, remove these objects from the drum or filter case.</li> </ul>

# Troubleshooting

Problem	Action
Does not drain and/or spin.	<ul style="list-style-type: none"> <li>• Make sure the drain hose is neither kinked nor obstructed all the way to the drain system. If there is a drain restriction, call for service.</li> <li>• Make sure the debris filter is not clogged.</li> <li>• Close the door and press or tap <b>START/PAUSE</b>. For your safety, the washer will not tumble or spin unless the door is closed.</li> <li>• Make sure the drain hose is not frozen or clogged.</li> <li>• Make sure the drain hose is connected to a drain system that is not clogged.</li> <li>• If the washer is not supplied with sufficient power, the washer temporarily will not drain or spin. As soon as the washer regains sufficient power, it will operate normally.</li> </ul>
The door does not open.	<ul style="list-style-type: none"> <li>• Press or tap <b>START/PAUSE</b> to stop the washer.</li> <li>• It may take a few moments for the door lock mechanism to disengage.</li> <li>• The door will not open until 3 minutes after the washer has stopped or the power turned off.</li> <li>• Make sure all the water in the drum is drained.</li> <li>• The door may not open if water remains in the drum. Drain the drum and open the door manually.</li> <li>• Make sure the door lock light is off. The door lock light turns off after the washer has drained.</li> </ul>
Excessive suds.	<ul style="list-style-type: none"> <li>• Make sure you use the recommended types and amounts of detergent.</li> <li>• Use high efficiency (HE) detergent to prevent oversudsing.</li> <li>• Reduce the detergent amount for soft water, small loads, or lightly soiled loads.</li> <li>• Non-HE detergent is not recommended.</li> </ul>
Cannot add additional detergent.	<ul style="list-style-type: none"> <li>• Make sure the remaining amount of detergent and fabric softener is not over the limit.</li> </ul>



Problem	Action
<p>The washer stops.</p>	<ul style="list-style-type: none"> <li>• Plug the power cord into a live electrical outlet.</li> <li>• Check the fuse or reset the circuit breaker.</li> <li>• Close the door and press <b>START/PAUSE</b> to start the washer. For your safety, the washer will not tumble or spin unless the door is closed.</li> <li>• Before the washer starts to fill, it will make a series of clicking noises to check the door lock and does a quick drain.</li> <li>• There may be a pause or soak period in the cycle. Wait briefly and the washer may start.</li> <li>• Make sure the mesh filter of the water supply hose at the faucets is not clogged. Periodically clean the mesh filter.</li> <li>• If the washer is not supplied with sufficient power, the washer temporarily will not drain or spin. As soon as the washer regains sufficient power, it will operate normally.</li> </ul>
<p>Fills with the wrong temperature water.</p>	<ul style="list-style-type: none"> <li>• Fully open both taps.</li> <li>• Make sure the temperature selection is correct.</li> <li>• Make sure the hoses are connected to the correct taps. Flush water lines.</li> <li>• Make sure your water heater is set to supply hot water with a minimum temperature of 120 °F (49 °C) at the tap. Also, check the water heater capacity and recovery rate.</li> <li>• Disconnect the hoses and clean the mesh filters. The mesh filters may be clogged.</li> <li>• While the washer fills, the water temperature may change as the automatic temperature control feature checks incoming water temperature. This is normal.</li> <li>• While the washer fills, you may notice just hot and/or just cold water going through the dispenser when cold or warm temperatures are selected. This is a normal function of the automatic temperature control feature as the washer determines the water temperature.</li> </ul>
<p>The load is wet at the end of a cycle.</p>	<ul style="list-style-type: none"> <li>• Use the High or Extra High spin speed.</li> <li>• Use high efficiency (HE) detergent to reduce oversudsing.</li> <li>• The load is too small. Small loads (one or two items) may become unbalanced and not spin completely.</li> <li>• Make sure the drain hose is not kinked or clogged.</li> </ul>

# Troubleshooting

Problem	Action
Leaks water.	<ul style="list-style-type: none"><li>• Make sure the door is properly closed.</li><li>• Make sure all hose connections are tight.</li><li>• Make sure the end of the drain hose is correctly inserted and secured to the drain system.</li><li>• Avoid overloading.</li><li>• Use high efficiency (HE) detergent to prevent oversudsing.</li></ul>
Has odors.	<ul style="list-style-type: none"><li>• Excessive suds collect in recesses and can cause foul odors.</li><li>• Run cleansing cycles to sanitize periodically.</li><li>• Clean the door seal (diaphragm).</li><li>• Dry the washer interior after a cycle has finished.</li></ul>
No bubbles are seen (BubbleShot models only).	<ul style="list-style-type: none"><li>• Overloading may screen bubbles.</li><li>• Severely contaminated laundry may not generate bubbles.</li></ul>

If a problem persists, contact a local Samsung service center.

## Information codes

If the washer fails to operate, you may see an information code on the screen. Check the table below and try the suggestions.

Code	Action
1C	<b>Check the water level sensor.</b> <ul style="list-style-type: none"><li>Power the washer off. Wait 2-3 minutes, power the washer on, and then try again.</li><li>Depending on the model, the drain system drains water automatically. The <b>POWER</b> and <b>START/PAUSE</b> buttons may be disabled during this process.</li></ul>
DC	<b>The door is open.</b> <ul style="list-style-type: none"><li>Close the door and press <b>START/PAUSE</b> to resume operation.</li></ul>
DC1	<b>Check the door switch.</b> <ul style="list-style-type: none"><li>Power the washer off. Wait 2-3 minutes, power the washer on, and then try again.</li></ul>
LC	<b>Check for water leaks.</b> <ul style="list-style-type: none"><li>Power the washer off, and then check the drain system for any leaks. Once the leak issue is resolved, power the washer on.</li><li>Depending on the model, the drain system drains water automatically. The <b>POWER</b> and <b>START/PAUSE</b> buttons may be disabled during this process.</li></ul>
4C	<b>Check the water supply line.</b> <ul style="list-style-type: none"><li>Check the connection to the water lines (including water taps).</li><li>Power the washer off. Wait 2-3 minutes, power the washer on, and then try again.</li><li>Depending on the model, the drain system drains water automatically. The <b>POWER</b> and <b>START/PAUSE</b> buttons may be disabled during this process.</li></ul>
4C2	<b>Laundry needs protection because the water being supplied is too hot.</b> <ul style="list-style-type: none"><li>Make sure the cold and hot water taps are properly connected.</li><li>Power the washer off. Wait 2-3 minutes, power the washer on, and then try again.</li></ul>

# Troubleshooting

Code	Action
5C	<p><b>Check the drain system.</b></p> <ul style="list-style-type: none"> <li>• Make sure the drain filter is not clogged.</li> <li>• If the drain filter is clogged, clean the filter, and then restart the washer.</li> </ul>
HC	<p><b>Check the washing heater.</b></p> <ul style="list-style-type: none"> <li>• Power off the washer, and then contact a Samsung service center.</li> </ul>
UB	<p><b>Check the spinning process.</b></p> <ul style="list-style-type: none"> <li>• The load may not be balanced inside the drum. Check the drum and make sure the load is balanced.</li> <li>• Press <b>START/PAUSE</b> to resume operation or power the washer off, wait 2-3 minutes, power the washer on, and then try again.</li> </ul>
8C, 8C1, 8C2	<p><b>Check the MEMS sensor.</b></p> <ul style="list-style-type: none"> <li>• Power the washer off. Wait 2-3 minutes, power the washer on, and then try again.</li> </ul>
OC	<p><b>Water may overflow.</b></p> <ul style="list-style-type: none"> <li>• Close the water valve and call for service.</li> </ul>
3C	<p><b>Check the motor.</b></p> <ul style="list-style-type: none"> <li>• Power the washer off. Wait 2-3 minutes, power the washer on, and then try again.</li> </ul>
AC6	<p><b>Check the PBA communication status.</b></p> <ul style="list-style-type: none"> <li>• Power the washer off. Wait 2-3 minutes, power the washer on, and then try again.</li> </ul>
9C1/9C2	<p><b>The electronic control needs to be checked.</b></p> <ul style="list-style-type: none"> <li>• Check if power is supplied properly.</li> <li>• If the information code remains, contact a Samsung service center.</li> </ul>
SF	<p><b>System failed.</b></p> <ul style="list-style-type: none"> <li>• Power off the washer, and then contact a Samsung service center.</li> </ul>





If any information code keeps appearing on the screen, contact a local Samsung service center.

# Specifications

## Fabric care chart

The following symbols provide garment care direction. The clothing care labels include symbols for drying, bleaching, drying and ironing, or dry cleaning when necessary. The use of symbols ensures consistency among garment manufacturers of domestic and imported items. Follow care label directions to optimize garment life and reduce laundering problems.

### Wash cycle

	Normal
	Permanent press/Wrinkle resistant/Wrinkle control
	Gentle/Delicates
	Hand wash




### Water temperature

...	Hot
..	Warm
.	Cold


### NOTE

This represents appropriate wash water temperatures for various items. The temperature range for Hot is 106-126 °F (41-52 °C), for Warm is 84-106 °F (29-41 °C), and for Cold is 61-84 °F (16-29 °C). Wash water temperature must be a minimum of 61 °F (16 °C) for detergent activation and effective cleaning.




### Bleach

	Any bleach (when needed)
	Only non-chlorine (color-safe) bleach (when needed)
	Tumble dry






### Normal

	Permanent press/Wrinkle resistant/Wrinkle control
	Gentle/Delicates

### Special instructions




	Line dry/Hang to dry
	Drip dry
	Dry flat



### Heat setting

	High
	Medium
	Low
	Any heat
	No heat / Air





# Specifications

## Iron dry or steam temperatures






	High
	Medium
	Low

	No steam (added to iron)
	Do not iron

## Warning symbols for laundering

	Do not wash
	Do not wring
	Do not bleach
	Do not tumble dry

## Dry-clean

	Dry-clean
	Do not dry-clean
	Line dry / Hang to dry
	Drip dry
	Dry flat

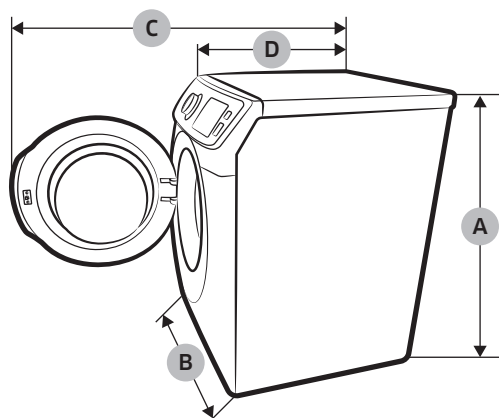
## Protecting the environment

- This appliance is manufactured from recyclable materials. If you decide to dispose of it, please observe local waste disposal regulations. Cut off the power cord so that the appliance cannot be connected to a power source. Remove the lid so that animals and small children cannot get trapped inside the appliance.
- Do not exceed the detergent quantities recommended in the detergent manufacturers' instructions.
- Use stain removal products and bleaches before the wash cycle only when necessary.
- Save water and electricity by only washing full loads (the exact amount depends upon the program used).

## Declaration of conformity

This appliance complies with UL2157.

## Specification sheet



Type		Front loading washer		
		WF45M5500A*	WF45M5100A*	
Dimensions (inches (mm))	A. Height-overall		38.7 (984)	
	B. Width		27 (686)	
	C. Depth with door open		54.6 (1386)	
	D. Depth		34 (864)	
Water pressure (psi (kPa))			20-116 (137-800)	
NET weight (lb (kg))			218 (99)	
Spin revolution			1300 rpm	
Heater rating			900 W	-
Heater rating	Washing	120 V	200 W	200 W
	Washing and heating	120 V	1150 W	-
	Spin	120 V	550 W	550 W
	Drain	120 V	80 W	80 W

# Specifications

## Cycle chart

Use this chart to set the best cycle and options for you laundry.

### NOTE

Setting	Temp.	Spin	Soil Level
●: factory setting	EH: Extra Hot	H: High	H: Heavy
●: can be selected	H: Hot	M: Medium	-
	W: Warm	L: Low	N: Normal
	C: Cool	NS: No Spin	-
	CD: Cold	RH: Rinse Hold	L: Light

### WF45M5500A\*

Cycle	Functions												
	Temp.					Spin					Soil Level		
	EH	H	W	C	CD	H	M	L	NS	RH	H	N	L
NORMAL	●	●	●	●	●	●	●	●	●	●	●	●	●
HEAVY DUTY	●	●	●	●	●	●	●	●	●	●	●	●	●
BEDDING			●	●	●		●	●	●	●	●	●	●
SANITIZE	●					●	●	●	●	●	●	●	●
ALLERGEN		●				●	●	●	●	●	●	●	●
RINSE+SPIN						●	●	●	●	●			
PERM PRESS			●	●	●	●	●	●	●	●	●	●	●
DELICATES			●	●	●			●	●	●	●	●	●
QUICK WASH		●	●	●	●	●	●	●	●	●	●	●	●
DEEP STEAM		●				●	●	●	●	●	●		
Self Clean+	●					●							

Cycle	Options					
	Extra Rinse	Extra Spin	Spin Only	Steam	Delay End	My Cycle
NORMAL	●	●	●	●	●	●
HEAVY DUTY	●	●	●	●	●	●
BEDDING	●	●	●	●	●	●
SANITIZE	●	●	●	●	●	●
ALLERGEN	●	●	●	●	●	●
RINSE+SPIN	●	●	●		●	●
PERM PRESS	●	●	●		●	●
DELICATES	●		●		●	●
QUICK WASH	●		●		●	●
DEEP STEAM	●	●	●	●	●	●
Self Clean+					●	



Use this chart to set the best cycle and options for you laundry.

**NOTE**

Setting	Temp.	Spin	Soil Level
●: factory setting	H: Hot	H: High	H: Heavy
●: can be selected	W: Warm	M: Medium	-
	C: Cool	L: Low	N: Normal
	CD: Cold	NS: No Spin	-
	-	RH: Rinse Hold	L: Light

**WF45M5100A\***

Cycle	Functions											
	Temp.				Spin					Soil Level		
	H	W	C	CD	H	M	L	NS	RH	H	N	L
NORMAL	●	●	●	●	●	●		●	●	●	●	●
HEAVY DUTY	●	●	●	●	●	●	●	●	●	●	●	●
BEDDING		●	●	●		●	●	●	●	●	●	●
ACTIVE WEAR		●	●	●			●	●	●	●	●	●
RINSE+SPIN					●	●	●	●	●			
PERM PRESS		●	●	●	●	●	●	●	●	●	●	●
DELICATES		●	●	●			●	●	●	●	●	●
QUICK WASH	●	●	●	●	●	●	●	●	●	●	●	●
Self Clean+	●				●							

Cycle	Options				
	Extra Rinse	Extra Spin	Spin Only	Delay End	My Cycle
NORMAL	●	●	●	●	●
HEAVY DUTY	●	●	●	●	●
BEDDING	●	●	●	●	●
ACTIVE WEAR	●	●	●	●	●
RINSE+SPIN	●	●	●	●	●
PERM PRESS	●	●	●	●	●
DELICATES	●		●	●	●
QUICK WASH	●		●	●	●
Self Clean+				●	

Specifications

# Warranty (U.S.A)

---

## SAMSUNG WASHER

---

### LIMITED WARRANTY TO ORIGINAL PURCHASER

This SAMSUNG brand product, as supplied and distributed by SAMSUNG ELECTRONICS AMERICA, INC. (SAMSUNG) and delivered new, in the original carton to the original consumer purchaser, is warranted by SAMSUNG against manufacturing defects in materials and workmanship for a limited warranty period of:

One (1) year part and labor, Three (3) years stainless tub part (Part Only), Ten (10) years washing DD motor part (Part Only)

This limited warranty begins on the original date of purchase, and is valid only on products purchased and used in the United States. To receive warranty service, the purchaser must contact SAMSUNG for problem determination and service procedures. Warranty service can only be performed by a SAMSUNG authorized service center. The original dated bill of sale must be presented upon request as proof of purchase to SAMSUNG or SAMSUNG's authorized service center. SAMSUNG will provide in-home service during the warranty period at no charge, subject to availability within the contiguous United States. In-home service is not available in all areas.

To receive in-home service, product must be unobstructed and accessible to the service agent. If service is not available, SAMSUNG may elect to provide transportation of the product to and from an authorized service center.

---

SAMSUNG will repair, replace, or refund this product at our option and at no charge as stipulated herein, with new or reconditioned parts or products if found to be defective during the limited warranty period specified above. All replaced parts and products become the property of SAMSUNG and must be returned to SAMSUNG. Replacement parts and products assume the remaining original warranty, or ninety (90) days, whichever is longer. This limited warranty covers manufacturing defects in materials and workmanship encountered in normal, noncommercial use of this product and shall not apply to the following: damage that occurs in shipment; delivery and installation; applications and uses for which this product was not intended; altered product or serial numbers; cosmetic damage or exterior finish; accidents, abuse, neglect, fire, water, lightning, or other acts of nature or God; use of products, equipment, systems, utilities, services, parts, supplies, accessories, applications, installations, repairs, external wiring or connectors not supplied or authorized by SAMSUNG that damage this product or result in service problems; incorrect electrical line voltage, fluctuations and surges; customer adjustments and failure to follow operating instructions, maintenance and environmental instructions that are covered and prescribed in the instruction book; product removal and reinstallation; problems caused by pest infestations. This limited warranty does not cover problems resulting from incorrect electric current, voltage or supply, light bulbs, house fuses, house wiring, cost of a service call for instructions, or fixing installation errors. SAMSUNG does not warrant uninterrupted or error-free operation of the product.

EXCEPT AS SET FORTH HEREIN, THERE ARE NO WARRANTIES ON THIS PRODUCT EITHER EXPRESS OR IMPLIED, AND SAMSUNG DISCLAIMS ALL WARRANTIES INCLUDING, BUT NOT LIMITED TO, ANY IMPLIED WARRANTIES OF MERCHANTABILITY, INFRINGEMENT OR FITNESS FOR A PARTICULAR PURPOSE.

# Warranty (U.S.A)

---

NO WARRANTY OR GUARANTEE GIVEN BY ANY PERSON, FIRM, OR CORPORATION WITH RESPECT TO THIS PRODUCT SHALL BE BINDING ON SAMSUNG. SAMSUNG SHALL NOT BE LIABLE FOR LOSS OF REVENUE OR PROFITS, FAILURE TO REALIZE SAVINGS OR OTHER BENEFITS, OR ANY OTHER SPECIAL, INCIDENTAL OR CONSEQUENTIAL DAMAGES CAUSED BY THE USE, MISUSE, OR INABILITY TO USE THIS PRODUCT, REGARDLESS OF THE LEGAL THEORY ON WHICH THE CLAIM IS BASED, AND EVEN IF SAMSUNG HAS BEEN ADVISED OF THE POSSIBILITY OF SUCH DAMAGES.

NOR SHALL RECOVERY OF ANY KIND AGAINST SAMSUNG BE GREATER IN AMOUNT THAN THE PURCHASE PRICE OF THE PRODUCT SOLD BY SAMSUNG AND CAUSING THE ALLEGED DAMAGE. WITHOUT LIMITING THE FOREGOING, PURCHASER ASSUMES ALL RISK AND LIABILITY FOR LOSS, DAMAGE, OR INJURY TO PURCHASER AND PURCHASER'S PROPERTY AND TO OTHERS AND THEIR PROPERTY ARISING OUT OF THE USE, MISUSE, OR INABILITY TO USE THIS PRODUCT. THIS LIMITED WARRANTY SHALL NOT EXTEND TO ANYONE OTHER THAN THE ORIGINAL PURCHASER OF THIS PRODUCT, IS NONTRANSFERABLE AND STATES YOUR EXCLUSIVE REMEDY.

Some states do not allow limitations on how long an implied warranty lasts, or the exclusion or limitation of incidental or consequential damages, so the above limitations or exclusions may not apply to you. This warranty gives you specific rights, and you may also have other rights, which vary from state to state.

To obtain warranty service, please contact SAMSUNG at:

**Samsung Electronics America, Inc.**

**85 Challenger Road**

**Ridgefield Park, NJ 07660**

**1-800-SAMSUNG (726-7864)**

**[www.samsung.com/us/support](http://www.samsung.com/us/support)**

Visits by a Service Engineer to explain functions, maintenance, or installation are not covered by warranty.

Please contact your Samsung call agent for help with any of these issues.

# Warranty (CANADA)

---

## SAMSUNG WASHER

---

### LIMITED WARRANTY TO ORIGINAL PURCHASER

This SAMSUNG brand product, as supplied and distributed by SAMSUNG ELECTRONICS CANADA, INC. (SAMSUNG) and delivered new, in the original carton to the original consumer purchaser, is warranted by SAMSUNG against manufacturing defects in materials and workmanship for a limited warranty period of:

One (1) year part and labor, Ten (10) years washing DD motor (Part only)

This limited warranty begins on the original date of purchase, and is valid only on products purchased and used in the Canada. To receive warranty service, the purchaser must contact SAMSUNG for problem determination and service procedures. Warranty service can only be performed by a SAMSUNG authorized service center. The original dated bill of sale must be presented upon request as proof of purchase to SAMSUNG or SAMSUNG's authorized service center. SAMSUNG will provide in-home service during the warranty period at no charge, subject to availability within the Canada. In-home service is not available in all areas.

To receive in-home service, product must be unobstructed and accessible to the service agent. If service is not available, SAMSUNG may elect to provide transportation of the product to and from an authorized service center.

# Warranty (CANADA)

---

SAMSUNG will repair, replace, or refund this product at our option and at no charge as stipulated herein, with new or reconditioned parts or products if found to be defective during the limited warranty period specified above. All replaced parts and products become the property of SAMSUNG and must be returned to SAMSUNG. Replacement parts and products assume the remaining original warranty, or ninety (90) days, whichever is longer. This limited warranty covers manufacturing defects in materials and workmanship encountered in normal, noncommercial use of this product and shall not apply to the following: damage that occurs in shipment; delivery and installation; applications and uses for which this product was not intended; altered product or serial numbers; cosmetic damage or exterior finish; accidents, abuse, neglect, fire, water, lightning, or other acts of nature or God; use of products, equipment, systems, utilities, services, parts, supplies, accessories, applications, installations, repairs, external wiring or connectors not supplied or authorized by SAMSUNG that damage this product or result in service problems; incorrect electrical line voltage, fluctuations and surges; customer adjustments and failure to follow operating instructions, maintenance and environmental instructions that are covered and prescribed in the instruction book; product removal and reinstallation; problems caused by pest infestations. This limited warranty does not cover problems resulting from incorrect electric current, voltage or supply, light bulbs, house fuses, house wiring, cost of a service call for instructions, or fixing installation errors. SAMSUNG does not warranty uninterrupted or error-free operation of the product.

EXCEPT AS SET FORTH HEREIN, THERE ARE NO WARRANTIES ON THIS PRODUCT EITHER EXPRESS OR IMPLIED, AND SAMSUNG DISCLAIMS ALL WARRANTIES INCLUDING, BUT NOT LIMITED TO, ANY IMPLIED WARRANTIES OF MERCHANTABILITY, INFRINGEMENT OR FITNESS FOR A PARTICULAR PURPOSE.

---

NO WARRANTY OR GUARANTEE GIVEN BY ANY PERSON, FIRM, OR CORPORATION WITH RESPECT TO THIS PRODUCT SHALL BE BINDING ON SAMSUNG. SAMSUNG SHALL NOT BE LIABLE FOR LOSS OF REVENUE OR PROFITS, FAILURE TO REALIZE SAVINGS OR OTHER BENEFITS, OR ANY OTHER SPECIAL, INCIDENTAL OR CONSEQUENTIAL DAMAGES CAUSED BY THE USE, MISUSE, OR INABILITY TO USE THIS PRODUCT, REGARDLESS OF THE LEGAL THEORY ON WHICH THE CLAIM IS BASED, AND EVEN IF SAMSUNG HAS BEEN ADVISED OF THE POSSIBILITY OF SUCH DAMAGES.

NOR SHALL RECOVERY OF ANY KIND AGAINST SAMSUNG BE GREATER IN AMOUNT THAN THE PURCHASE PRICE OF THE PRODUCT SOLD BY SAMSUNG AND CAUSING THE ALLEGED DAMAGE. WITHOUT LIMITING THE FOREGOING, PURCHASER ASSUMES ALL RISK AND LIABILITY FOR LOSS, DAMAGE, OR INJURY TO PURCHASER AND PURCHASER'S PROPERTY AND TO OTHERS AND THEIR PROPERTY ARISING OUT OF THE USE, MISUSE, OR INABILITY TO USE THIS PRODUCT. THIS LIMITED WARRANTY SHALL NOT EXTEND TO ANYONE OTHER THAN THE ORIGINAL PURCHASER OF THIS PRODUCT, IS NONTRANSFERABLE AND STATES YOUR EXCLUSIVE REMEDY.

Some provinces do not allow limitations on how long an implied warranty lasts, or the exclusion or limitation of incidental or consequential damages, so the above limitations or exclusions may not apply to you.

This warranty gives you specific rights, and you may also have other rights, which vary from province to province.

To obtain warranty service, please contact SAMSUNG at:

**Samsung Electronics Canada Inc.**

2050 Derry Road West,

Mississauga, Ontario L5N 0B9 Canada

1-800-SAMSUNG (726-7864)

[www.samsung.com/ca/support](http://www.samsung.com/ca/support) (English)

[www.samsung.com/ca\\_fr/support](http://www.samsung.com/ca_fr/support) (French)

FAX : 1-866-436-4617

Visits by a Service Engineer to explain functions, maintenance, or installation are not covered by warranty.

Please contact your Samsung call agent for help with any of these issues.



Scan the QR code\* or visit  
[www.samsung.com/spsn](http://www.samsung.com/spsn)  
 to view our helpful  
 How-to Videos and Live Shows

\*Requires reader to be installed on your smartphone

Scan this with your smartphone

## QUESTIONS OR COMMENTS?

COUNTRY	CALL	OR VISIT US ONLINE AT
U.S.A	1-800-SAMSUNG (726-7864) 1-844-SAM-PAYS (726-7297)	<a href="http://www.samsung.com/us/support">www.samsung.com/us/support</a>
CANADA	1-800-SAMSUNG (726-7864)	<a href="http://www.samsung.com/ca/support">www.samsung.com/ca/support</a> (English) <a href="http://www.samsung.com/ca_fr/support">www.samsung.com/ca_fr/support</a> (French)



DC68-03773A-01



A black and white artistic photograph of water splashing, creating a dynamic and textured background. The water droplets are captured in mid-air, creating a sense of movement and freshness. The lighting highlights the individual droplets and the overall spray, giving it a soft, ethereal quality.

# Lavadora

## Manual del usuario

WF45M5500A\*/WF45M5100A\*

**SAMSUNG**

# Contenido

---

<b>Información sobre seguridad</b>	<b>4</b>
Lo que necesita saber sobre las instrucciones de seguridad	4
Símbolos de seguridad importantes	4
Precauciones de seguridad importantes	5
Advertencias fundamentales para la instalación	6
Precauciones para la instalación	8
Advertencias fundamentales para el uso	8
Precauciones de uso	10
Advertencias fundamentales para la limpieza	13
<b>Instalación</b>	<b>14</b>
Desempaque de la lavadora	14
Componentes	15
Requisitos de instalación	17
Instalación paso a paso	22
<b>Antes de comenzar</b>	<b>28</b>
Configuración inicial	28
Pautas de lavado	28
Pautas para el cajón para detergente	30
<b>Funcionamiento</b>	<b>33</b>
Panel de funciones	33
Sencillos pasos para comenzar	36
Descripción de los ciclos	37
<b>Mantenimiento</b>	<b>43</b>
Autolimpieza+	43
Smart Care	44
Drenaje de emergencia	45
Limpieza	46
Recuperación de un congelamiento	49
Mantenimiento luego de un periodo prolongado sin utilizar la lavadora	49
Limpieza del exterior	50
Limpieza del interior	50

---

<b>Solución de problemas</b>	<b>51</b>
Verificaciones	51
Códigos de información	55
<b>Especificaciones</b>	<b>57</b>
Tabla de indicaciones sobre telas	57
Protección del medio ambiente	58
Declaración de conformidad	58
Hoja de especificaciones	59
Tabla de ciclos	60
<b>Garantía (Estados Unidos)</b>	<b>62</b>

---



# Información sobre seguridad

Felicitaciones por la compra de la nueva lavadora Samsung. Este manual contiene información importante acerca de la instalación, el uso y el cuidado del electrodoméstico. Lea detenidamente estas instrucciones a fin de aprovechar al máximo los múltiples beneficios y funciones de la lavadora.

## Lo que necesita saber sobre las instrucciones de seguridad

Lea este manual detenidamente para aprender a utilizar con seguridad y eficacia todas las características y funciones de su nuevo electrodoméstico. Conserve el manual en un lugar seguro cerca del electrodoméstico para consultas futuras. Utilice este electrodoméstico solo para el propósito para el que fue destinado como se describe en este manual.

Las advertencias y las instrucciones de seguridad importantes de este manual no cubren todas las posibles condiciones y situaciones que pueden ocurrir. Es su responsabilidad actuar con sentido común, precaución y cuidado cuando instale, realice el mantenimiento y ponga en funcionamiento la lavadora. Puesto que las siguientes instrucciones de funcionamiento sirven para varios modelos, las características de su lavadora pueden diferir ligeramente de las que se describen en este manual y es posible que no todos los signos de advertencia sean aplicables. Si tiene alguna consulta o duda, comuníquese con el centro de servicio más cercano o busque ayuda e información en línea en [www.samsung.com](http://www.samsung.com).

## Símbolos de seguridad importantes

Los íconos y las señales incluidas en este manual del usuario significan lo siguiente:

### **ADVERTENCIA**

Peligros o prácticas inseguras que podrían causar lesiones físicas graves o la muerte y/o daños materiales.

### **PRECAUCIÓN**

Peligros o prácticas inseguras que podrían causar lesiones físicas y/o daños materiales.

### **NOTA**

Indica que existe el riesgo de lesiones físicas o daños materiales.

Estas señales de advertencia están aquí para evitar que usted u otras personas sufran lesiones.

Siga las instrucciones completamente.

Después de leer este manual, guárdelo en un lugar seguro para consultas futuras.

Lea todas las instrucciones antes de usar el electrodoméstico.

Al igual que con cualquier equipo que usa electricidad y piezas movibles, existen riesgos potenciales. Para usar este electrodoméstico en forma segura, familiarícese con su funcionamiento y manéjelo con cuidado cuando lo use.

# CONSERVE ESTAS INSTRUCCIONES



## Precauciones de seguridad importantes

### **ADVERTENCIA**

Para reducir el riesgo de incendio, descarga eléctrica o lesiones físicas cuando usa este electrodoméstico, siga las instrucciones de seguridad básicas que figuran a continuación:

1. Lea todas las instrucciones antes de usar el electrodoméstico.
2. No lave ni seque prendas que se han limpiado, lavado, remojado o salpicado previamente con gasolina, solventes de limpieza en seco u otras sustancias inflamables o explosivas, ya que emiten vapores que pueden prenderse fuego o explotar.
3. No permita que los niños jueguen sobre el electrodoméstico ni dentro de él. Se requiere de supervisión cuando el electrodoméstico es utilizado cerca de los niños.
4. Antes de descartar el electrodoméstico o de trasladarlo para que se le efectúe el servicio técnico, retire la puerta del compartimiento de la lavadora o la secadora.
5. No introduzca la mano en el electrodoméstico si el tambor está en movimiento.
6. No instale ni almacene este electrodoméstico donde quede expuesto a los factores climáticos.
7. No modifique los controles.
8. No repare, reemplace ni intente realizar el mantenimiento de cualquier pieza de la máquina salvo que esté recomendado específicamente en las instrucciones de mantenimiento del usuario o en las instrucciones de reparación para el usuario publicadas y que, a su juicio, usted tenga la habilidad para llevarlas a cabo.
9. No agregue gasolina, solventes de limpieza en seco u otras sustancias inflamables o explosivas al agua del lavado. Estas sustancias emiten vapores que pueden encenderse o explotar.
10. En ciertas circunstancias, puede producirse gas hidrógeno en un sistema de agua caliente que no se ha usado durante 2 semanas o más. **EL GAS HIDRÓGENO ES EXPLOSIVO.** Si el sistema de agua caliente no fue utilizado durante dicho período, antes de usar la lavadora o la lavadora y la secadora combinadas, abra las llaves del agua caliente y deje correr el agua por varios minutos. De esta manera, se eliminará el gas hidrógeno acumulado. Dado que el gas es inflamable, no fume ni use una llama abierta en ese momento.

# CONSERVE ESTAS INSTRUCCIONES



# Información sobre seguridad

---

## Advertencias fundamentales para la instalación

---

### **Advertencia sobre la State of California Proposition 65 (solo EE.UU.)**

Este producto contiene productos químicos reconocidos en el estado de California como capaces de provocar cáncer y defectos de nacimiento u otras afecciones reproductivas.

La instalación de este electrodoméstico la debe efectuar un técnico calificado o una empresa de servicios.

- En caso contrario, se puede provocar una descarga eléctrica, un incendio, una explosión, problemas con el producto o lesiones.

El electrodoméstico es pesado, tenga cuidado cuando lo levante.

Enchufe el cable de alimentación a un tomacorriente de pared que cumpla las especificaciones eléctricas locales. Utilice el tomacorriente solo con este electrodoméstico y no use un cable prolongador.

- Compartir el tomacorriente de pared con otros electrodomésticos, utilizando un multicontacto o prolongando el cable de alimentación, puede provocar un incendio o una descarga eléctrica.
- Asegúrese de que el voltaje, la frecuencia y la corriente coincidan con las especificaciones del producto. De lo contrario, se puede provocar un incendio o una descarga eléctrica. Enchufe el cable de alimentación firmemente en el tomacorriente de pared.

Retire regularmente todas las sustancias extrañas, como polvo o agua, de los terminales y los puntos de contacto de la alimentación con un paño seco.

- Desenchufe el cable de alimentación y límpielo con un paño seco.
- De lo contrario, se puede provocar un incendio o una descarga eléctrica.

Enchufe el cable de alimentación en un tomacorriente de pared de manera que el cable baje hacia el piso.

- Si enchufa el cable de alimentación en el tomacorriente en la dirección opuesta, los cables eléctricos del interior del cable pueden dañarse y provocar un incendio o una descarga eléctrica.

Mantenga los materiales de empaque fuera del alcance de los niños, ya que son peligrosos para ellos.

- Si un niño introduce la cabeza en una bolsa, se puede asfixiar.

## CONSERVE ESTAS INSTRUCCIONES



Cuando el electrodoméstico, el enchufe o el cable de alimentación estén dañados, comuníquese con el centro de servicio más cercano.

Este electrodoméstico debe conectarse a tierra correctamente.

La toma de tierra no se debe conectar a una conducción de gas o de agua ni a la línea telefónica.

- Puede provocar una descarga eléctrica, un incendio, una explosión o problemas con el producto.
- Nunca enchufe el cable de alimentación a un tomacorriente que no esté conectado a tierra correctamente y asegúrese de que guarde conformidad con los códigos locales y nacionales.

No instale este electrodoméstico cerca de un calefactor o materiales inflamables.

No instale este electrodoméstico en un lugar húmedo, grasiento o cubierto de polvo, ni lo exponga a la luz directa del sol o al agua (gotas de lluvia).

No instale este electrodoméstico en un lugar donde se registren bajas temperaturas.

- El hielo puede reventar los tubos.

No instale este electrodoméstico en un lugar donde pueda haber fugas de gas.

- Puede provocar un incendio o una descarga eléctrica.

No utilice un transformador eléctrico.

- Puede provocar un incendio o una descarga eléctrica.

No utilice un cable de alimentación dañado ni un tomacorriente que esté flojo.

- Puede provocar un incendio o una descarga eléctrica.

No jale el cable de alimentación ni lo doble excesivamente.

No tuerza ni ate el cable de alimentación.

No cuelgue el cable de alimentación de un objeto metálico, no coloque objetos pesados sobre él, no inserte el cable de alimentación entre objetos ni lo empuje en un espacio detrás del electrodoméstico.

- Puede provocar un incendio o una descarga eléctrica.

No jale el cable de alimentación para desenchufarlo.

- Desenchufe el cable de alimentación sujetándolo por el enchufe.
- De lo contrario, se puede provocar un incendio o una descarga eléctrica.

El electrodoméstico debe colocarse en una posición en la que el tomacorriente, las llaves de suministro de agua y los tubos de drenaje sean accesibles.

## CONSERVE ESTAS INSTRUCCIONES



# Información sobre seguridad

---

## Precauciones para la instalación

---

### PRECAUCIÓN

Este electrodoméstico debe estar ubicado de manera tal que se pueda acceder fácilmente al enchufe.

- De lo contrario, se puede provocar un incendio o una descarga debido a las fugas eléctricas.

Instale el electrodoméstico sobre una superficie sólida y nivelada que pueda soportar su peso.

- Si no lo hace pueden producirse vibraciones anormales, movimientos, ruidos o problemas con el producto.

## Advertencias fundamentales para el uso

---

### ADVERTENCIA

Si el electrodoméstico se inunda, corte inmediatamente el suministro de agua y la alimentación y comuníquese con el centro de servicio más cercano.

- No toque el enchufe con las manos mojadas.
- Se puede provocar una descarga eléctrica.

Si el electrodoméstico genera ruidos extraños, olor a quemado o humo, desconéctelo inmediatamente y llame al centro de servicio más cercano.

- De lo contrario, se puede provocar un incendio o una descarga eléctrica.

En caso de fugas de gas (como propano, LP, etc.), ventile inmediatamente sin tocar el enchufe. No toque el electrodoméstico ni el cable de alimentación.

- No utilice un ventilador.
- Una chispa puede provocar un incendio o una explosión.

No permita que los niños jueguen sobre la lavadora o dentro de ella. Además, cuando se deshaga del aparato, quite el cierre de la puerta de la lavadora.

- Si un niño queda atrapado dentro puede morir asfixiado.

Asegúrese de quitar el empaque (goma espuma, poliestireno) del fondo de la lavadora antes de utilizarla.

No lave prendas contaminadas con gasolina, queroseno, benceno, disolventes de pinturas, alcohol u otras sustancias inflamables o explosivas.

- Puede provocar una descarga eléctrica, un incendio o una explosión.

## CONSERVE ESTAS INSTRUCCIONES





No abra la puerta de la lavadora por la fuerza mientras esté en funcionamiento (lavado a alta temperatura/secado/centrifugado).

- El agua que salga de la lavadora puede causar quemaduras o convertir el suelo en resbaladizo. Puede provocar lesiones físicas.
- Abrir la puerta por la fuerza puede dañar el producto o causar lesiones personales.

No introduzca las manos bajo la lavadora cuando esté en funcionamiento.

- Puede provocar lesiones físicas.

No toque el enchufe con las manos mojadas.

- Puede provocar una descarga eléctrica.

No apague el electrodoméstico desenchufándolo mientras esté en funcionamiento.

- Si vuelve a enchufar el electrodoméstico en el tomacorriente puede originar una chispa y causar una descarga eléctrica o un incendio.

No deje que los niños ni las personas discapacitadas utilicen la lavadora sin la supervisión adecuada. No permita que los niños se suban al electrodoméstico.

- Puede provocar una descarga eléctrica, quemaduras o lesiones personales.

No introduzca la mano ni objetos de metal bajo la lavadora mientras esté en funcionamiento.

- Puede provocar lesiones físicas.

No desenchufe el electrodoméstico tirando del cable de alimentación. Sujete siempre el enchufe firmemente y tire de él en línea recta.

- Un cable de alimentación dañado puede provocar un cortocircuito, un incendio o una descarga eléctrica.

No trate de reparar, desensamblar ni modificar el electrodoméstico usted mismo.

- No utilice un fusible (de cobre, cable de acero, etc.) que no sea el estándar.
- Cuando deba reparar o volver a instalar el electrodoméstico, comuníquese con el centro de servicio más cercano.
- De lo contrario, se puede provocar una descarga eléctrica, un incendio, problemas con el producto o lesiones.

Si se afloja la manguera de suministro de agua de la llave del agua y se inunda el electrodoméstico, desenchufe el cable de alimentación.

- De lo contrario, se puede provocar un incendio o una descarga eléctrica.

Desenchufe el electrodoméstico si no lo va a utilizar durante un período prolongado o durante una tormenta eléctrica.

- De lo contrario, se puede provocar un incendio o una descarga eléctrica.

## CONSERVE ESTAS INSTRUCCIONES



# Información sobre seguridad

---

Si entra alguna sustancia extraña en la máquina, desenchufe el cable de alimentación y comuníquese con el centro de atención al cliente de Samsung más cercano.

- Puede provocar un incendio o una descarga eléctrica.

No permita que los niños (ni las mascotas) jueguen encima o dentro de la lavadora. La puerta de la lavadora no se abre con facilidad desde el interior, y los niños podrían lastimarse gravemente si quedaran atrapados adentro.

## Precauciones de uso

---

### PRECAUCIÓN

Si la lavadora está contaminada por sustancias extrañas, tales como detergente, tierra, restos de alimentos, etc., desenchufe el cable de alimentación y limpie la lavadora con un paño suave humedecido.

- Si no lo hace se puede producir decoloración, deformación, daños u óxido.

El vidrio frontal se puede romper con un impacto fuerte. Tenga cuidado cuando utilice la lavadora.

- La rotura del vidrio puede causar lesiones.

Tras una falla del suministro de agua o cuando se vuelve a conectar la manguera de suministro, abra lentamente la llave del agua.

Abra lentamente la llave del agua tras un periodo prolongado de falta de uso.

- La presión del aire de la manguera de suministro o de la conducción de agua puede dañar una pieza o provocar fugas de agua.

Si durante el funcionamiento hay una falla en el drenaje, revise el drenaje.

- Si se utiliza la lavadora inundada por una falla en el drenaje, se puede provocar una descarga eléctrica o un incendio.

Introduzca completamente la ropa en la lavadora para que no pueda quedar atrapada por la puerta.

- Si la ropa queda atrapada por la puerta, puede dañarse la ropa o la lavadora, o puede provocar fugas de agua.

Cierre el suministro de agua cuando la lavadora no esté en uso.

- Asegúrese de que los tornillos del conector de la manguera de suministro del agua estén correctamente afirmados.

## CONSERVE ESTAS INSTRUCCIONES



Asegúrese de que la arandela de goma y el vidrio de la puerta frontal no estén contaminados por sustancias extrañas (como restos, hilos, cabellos, etc.)

- Si una sustancia extraña queda atrapada en la puerta o si la puerta no está bien cerrada, se puede producir una fuga de agua.

Antes de utilizar el producto, abra la llave del agua y verifique que el conector de la manguera de suministro esté bien ajustado y que no haya fugas de agua.

- Si los tornillos o el conector de la manguera de suministro del agua están flojos, puede haber fugas de agua.

El producto adquirido está diseñado exclusivamente para uso doméstico.

El uso del producto con fines comerciales se considera un uso incorrecto del producto. En tal caso el producto no quedará cubierto por la garantía estándar que ofrece Samsung y no se podrá atribuir a Samsung ninguna responsabilidad por el malfuncionamiento o los daños resultantes de este uso incorrecto.

No se pare encima del electrodoméstico ni le coloque encima objetos (como ropa, velas o cigarrillos encendidos, platos, productos químicos, objetos metálicos, etc.).

- Puede provocar una descarga eléctrica, un incendio, problemas con el producto o lesiones.

No rocíe materiales volátiles, como insecticidas, en la superficie del electrodoméstico.

- Además de ser perjudiciales para las personas, también pueden provocar una descarga eléctrica, un incendio o problemas con el producto.

No coloque objetos que generen campos electromagnéticos cerca de la lavadora.

- Puede causar lesiones por un mal funcionamiento.

El agua que se drena durante el lavado a alta temperatura o durante el ciclo de secado está caliente. No toque el agua.

- Puede causar lesiones personales o quemaduras.

No lave, centrifugue ni seque asientos, alfombrillas o prendas impermeables (\*) a menos que su electrodoméstico tenga un ciclo especial para lavar estos artículos.

(\*): Ropa de cama de lana, fundas de lluvia, ropa para pescar, pantalones de esquí, bolsas de dormir, cubiertas de pañales, chándales, cubiertas de bicicletas, motos y automóviles, etc.

- No lave alfombrillas gruesas o espesas aunque lleven la marca de lavado en la etiqueta. Se pueden producir lesiones o dañar la lavadora, las paredes, el suelo o la ropa debido a las vibraciones anormales.
- No lave alfombras ni felpudos con forro de goma. El forro de goma se puede desprender y adherirse al tambor, lo que puede resultar en un funcionamiento anómalo, por ejemplo una falla en el drenaje.

## CONSERVE ESTAS INSTRUCCIONES



# Información sobre seguridad

---

No haga funcionar la lavadora sin el dosificador de detergente.

- Se puede provocar una descarga eléctrica o lesiones debido a fugas de agua.

No toque el interior del tambor durante o inmediatamente después del secado, ya que está caliente.

- Puede causar quemaduras.

No introduzca las manos en el cajón del detergente.

- Se puede dañar la mano ya que ésta puede quedar atrapada por el dispositivo de introducción del detergente.
- La guía de detergente líquido (solo modelos aplicables) no es válida para detergente en polvo. Elimine la guía cuando utilice detergente en polvo.

No introduzca ningún objeto (como zapatos, restos de comida, animales) que no sea ropa en la lavadora.

- Se puede dañar la lavadora, causar lesiones o la muerte en caso de mascotas por vibraciones anormales.

No presione los botones con objetos afilados, como alfileres, cuchillos, las uñas, etc.

- Puede provocar una descarga eléctrica o lesiones personales.

No lave ropa contaminada por aceites, cremas o lociones que se utilizan normalmente en los establecimientos para el cuidado de la piel o en las clínicas de masajes.

- Se puede deformar la arandela de goma y provocar fugas de agua.

No deje objetos de metal (tales como clips, horquillas, etc.) ni blanqueador en el tambor durante períodos prolongados.

- Se puede oxidar el tambor.
- Si comienza a aparecer óxido en la superficie del tambor, aplique un agente limpiador (neutro) sobre la superficie y utilice una esponja para limpiarla. Nunca utilice un cepillo de metal.

No utilice detergentes de limpieza en seco directamente ni lave, enjuague ni centrifugue ropa contaminada por detergentes de limpieza en seco.

- Se puede producir una combustión espontánea o un incendio por el calor de la oxidación del aceite.

No utilice agua de los dispositivos de calentamiento o enfriamiento del agua.

- Podría causar problemas en la lavadora.

No utilice jabón natural para lavado a mano en la lavadora.

- Si se endurece y se acumula en el interior de la lavadora, puede causar problemas en el producto, como decoloración, óxido y malos olores.

## CONSERVE ESTAS INSTRUCCIONES



Coloque medias y brassieres en una red y lávelas junto con otra ropa.

No lave prendas grandes como ropa de cama dentro de una red.

- De no hacerlo se pueden producir lesiones personales por las vibraciones anormales.

No utilice detergente endurecido.

- Si se acumula en el interior de la lavadora, puede provocar fugas de agua.

Asegúrese de que los bolsillos de las prendas que vaya a lavar estén vacíos.

- Los objetos duros o afilados, tales como monedas, clips, clavos, tornillos o piedras pueden causar daños considerables en la lavadora.

No lave ropa que contenga hebillas grandes, botones u otros objetos de metal pesados.

Clasifique las prendas según la solidez del color y seleccione el ciclo, la temperatura del agua y las funciones adicionales recomendados.

- Esto puede decolorar o dañar las telas.

Al cerrar la puerta tenga cuidado de no atrapar los dedos de los niños.

- Si no lo hace, se pueden provocar lesiones personales.

## Advertencias fundamentales para la limpieza

### ADVERTENCIA

No limpie el electrodoméstico rociando directamente agua dentro de él.

No utilice un agente limpiador muy ácido.

No utilice benceno, disolventes ni alcohol para limpiar el electrodoméstico.

- Puede provocar decoloración, deformación, daños, incendio o descarga eléctrica.

Antes de la limpieza o las tareas de mantenimiento, desenchufe el electrodoméstico del tomacorriente de la pared.

- De lo contrario, se puede provocar un incendio o una descarga eléctrica.

# CONSERVE ESTAS INSTRUCCIONES



# Instalación

Siga detenidamente estas instrucciones para asegurar una adecuada instalación de la lavadora y evitar accidentes al lavar la ropa.

## **ADVERTENCIA**

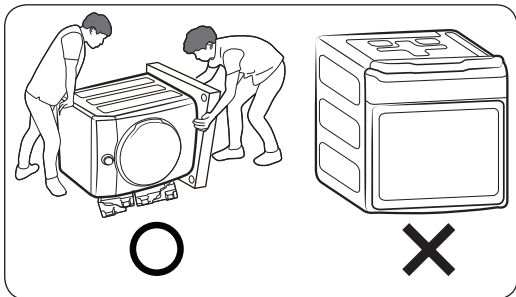
El panel de control, el tambor de centrifugado, el motor, la válvula de entrada y la bomba no están conectados a tierra intencionalmente y pueden presentar riesgo de descarga eléctrica durante el servicio técnico.

## Desempaque de la lavadora

Desempaque la lavadora e inspecciónela para controlar que no se hayan producido daños durante el transporte. Asegúrese de haber recibido todos los elementos que se muestran a continuación. Si la lavadora sufrió daños durante el transporte, o si falta algún elemento, comuníquese con el 1-800-SAMSUNG (1-800-726-7864). Para evitar lesiones físicas o distensiones musculares, use guantes protectores cada vez que levante o transporte la unidad.

## **ADVERTENCIA**

Los materiales de empaque pueden ser peligrosos para los niños. Mantenga todo el material de empaque (bolsas de plástico, poliestireno, etc.) fuera del alcance de los niños.



## **PRECAUCIÓN**

Al desempacar la lavadora, se necesita la colaboración de 2 personas. No la incline hacia el lado delantero al retirar la protección de la parte inferior de los materiales de empaque.

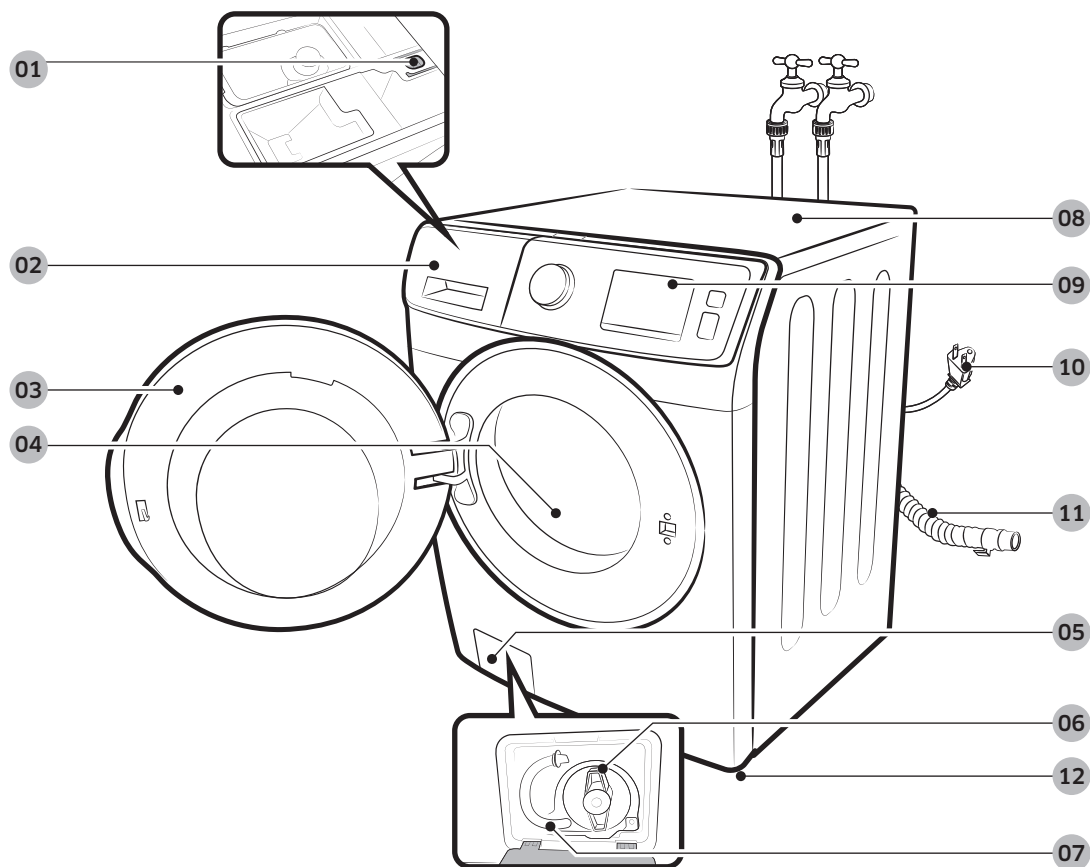
Cuando recline la lavadora para retirar la base de cartón, proteja el lateral y deposítela con cuidado.

Nunca apoye la lavadora sobre la parte frontal ni la posterior.



## Componentes

Asegúrese de que todos los componentes estén incluidos en el paquete. Si tiene algún problema con la lavadora o las piezas, comuníquese con un centro de atención al cliente de Samsung o con el vendedor.



01 Palanca de seguridad

04 Tambor

07 Tubo de drenaje de emergencia

10 Tomacorriente

02 Cajón para detergente

05 Cubierta del filtro

08 Encimera

11 Manguera de drenaje

03 Puerta

06 Filtro de la bomba

09 Panel de control

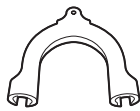
12 Patas niveladoras

# Instalación

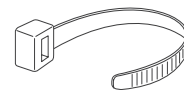
## Partes suministradas



Tapas de los tornillos

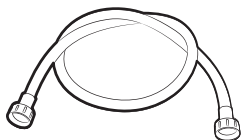


Guía de la manguera

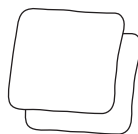


Correa de sujeción

## Partes no suministradas

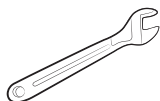


Mangueras de agua  
(se venden por separado)

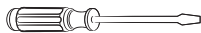


Almohadillas antideslizantes  
(se venden por separado)

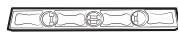
## Herramientas necesarias para la instalación



Llave inglesa



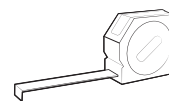
Destornillador  
Philips



Nivel



Pinzas ajustables



Cinta de medir

### **NOTA**

- Tapas de los tornillos: La cantidad de tapas para tornillos (3 a 6) provista depende del modelo.
- El aspecto de la máquina y los accesorios provistos puede diferir dependiendo del modelo.
- Para comprar accesorios o piezas perdidas, comuníquese con un centro de servicios Samsung o con el vendedor.
- El Smart Home Adapter solo se puede comprar en el sitio web de Samsung ([www.samsung.com](http://www.samsung.com)).

### **PRECAUCIÓN**

- No vuelva a utilizar las mangueras viejas, ya que pueden tener fugas o se pueden reventar y provocar inundaciones o daños materiales.
- Asegúrese de que las arandelas de goma estén insertadas en cada unión de las dos mangueras de agua.



## Requisitos de instalación

### Suministro eléctrico y conexión a tierra

- Fusible o interruptor de 120 V CA / 60 Hz requerido.
- Utilice un circuito derivado individual. Conecte solo la lavadora al circuito.

Para asegurar una conexión a tierra adecuada, la lavadora está equipada con un cable de alimentación que cuenta con un enchufe de tres pines con conexión a tierra para utilizar en un tomacorriente con conexión a tierra correctamente instalado.

Si tiene dudas sobre la correcta conexión a tierra, consulte con un electricista o un técnico de servicio acreditados.

No modifique el enchufe provisto. Si no entra en el tomacorriente, solicite a un electricista calificado que instale el tomacorriente apropiado.

#### **ADVERTENCIA**

- NO utilice un cable prolongador.
- Utilice únicamente el cable de alimentación que viene con la lavadora.
- NO conecte el cable a tierra a las tuberías de plástico, las tuberías de gas o a las cañerías de agua caliente.
- La conexión no adecuada de los conductores de descarga a tierra puede generar una descarga eléctrica.
- Para evitar el riesgo innecesario de incendio, descarga eléctrica o lesiones físicas, todo el cableado y la conexión a tierra deben realizarse de conformidad con los códigos locales o, en ausencia de ellos, de conformidad con el Código Eléctrico Nacional, ANSI/NFPA Nro. 70, su última revisión (para EE.UU.) o el Código Eléctrico Canadiense CSA C22.1, sus últimas revisiones y los códigos y ordenanzas locales.

Es su responsabilidad proveer el servicio eléctrico adecuado para su lavadora.

### Suministro de agua

La presión de agua adecuada para esta lavadora es de 20-116 psi (137-800 kPa).

Una presión de agua inferior a 20 psi (137 kPa) puede impedir que la válvula de agua se cierre completamente. También puede hacer que el tambor demore demasiado en llenarse y se apague la lavadora.

Las llaves del agua deben estar a menos de 4 pies (122 cm) de la parte posterior de la lavadora para que lleguen las mangueras de entrada provistas.

Para reducir el riesgo de fugas:

- Asegúrese de que las llaves del agua se encuentren en una posición accesible.
- Cierre las llaves cuando la lavadora no esté en uso.
- Revise periódicamente que no haya pérdidas de agua en los accesorios de la manguera de entrada de agua.

#### **PRECAUCIÓN**

Antes de utilizar la lavadora por primera vez, controle que todas las conexiones de la válvula y de la llave del agua no presenten pérdidas.



# Instalación

## Drenaje

Samsung recomienda un tubo vertical de 18 in (46 cm) de altura. La manguera de drenaje debe conectarse a la toma de agua a través del gancho, y la toma de agua debe cubrir totalmente la manguera de drenaje.

## Piso

Para un mejor desempeño, la lavadora debe estar instalada sobre un piso sólido. Posiblemente los pisos de madera necesiten reforzarse para minimizar la vibración y/o el desequilibrio de la carga.

Las superficies alfombradas o con revestimiento sintético no ofrecen una buena resistencia a las vibraciones y pueden causar que la lavadora se desplace levemente durante el ciclo de centrifugado.

### PRECAUCIÓN

NO instale la lavadora sobre una plataforma o sobre una estructura con soportes poco resistentes.

## Temperatura del agua

No instale la lavadora en áreas donde el agua se congele, dado que la lavadora siempre retiene algo de agua en las válvulas de agua, la bomba y las mangueras. El agua congelada dentro de los conductos puede dañar las correas, la bomba y otros componentes de la lavadora.

## Instalación en un gabinete o en un hueco

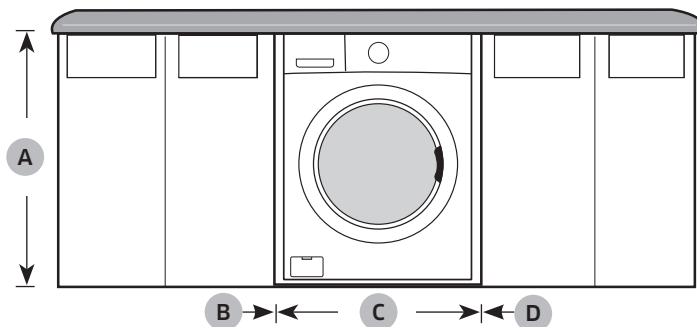
Espacio libre mínimo para un funcionamiento estable:

Laterales	1 in (25 mm)
Arriba	17 in (432 mm)
Posterior	5.9 in (150 mm)
Frente	2 in (51 mm)

Si se instalan una lavadora y una secadora en la misma ubicación, el frente del gabinete o hueco debe tener una abertura de al menos 72 in<sup>2</sup> (465 cm<sup>2</sup>) sin obstrucciones. La lavadora sola no requiere una abertura de aire específica.

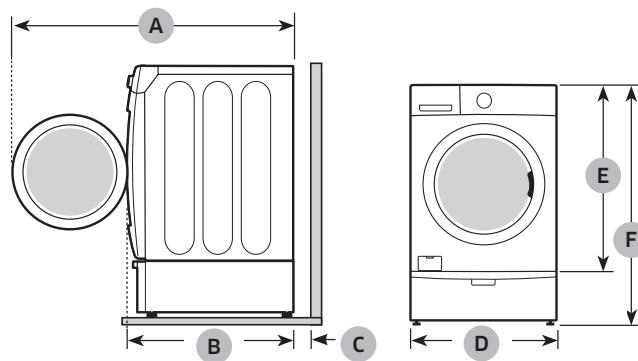


### Instalación debajo de mostrador



A	39 in (991 mm)	C	27 in (686 mm)
B	1 in (25 mm)	D	1 in (25 mm)

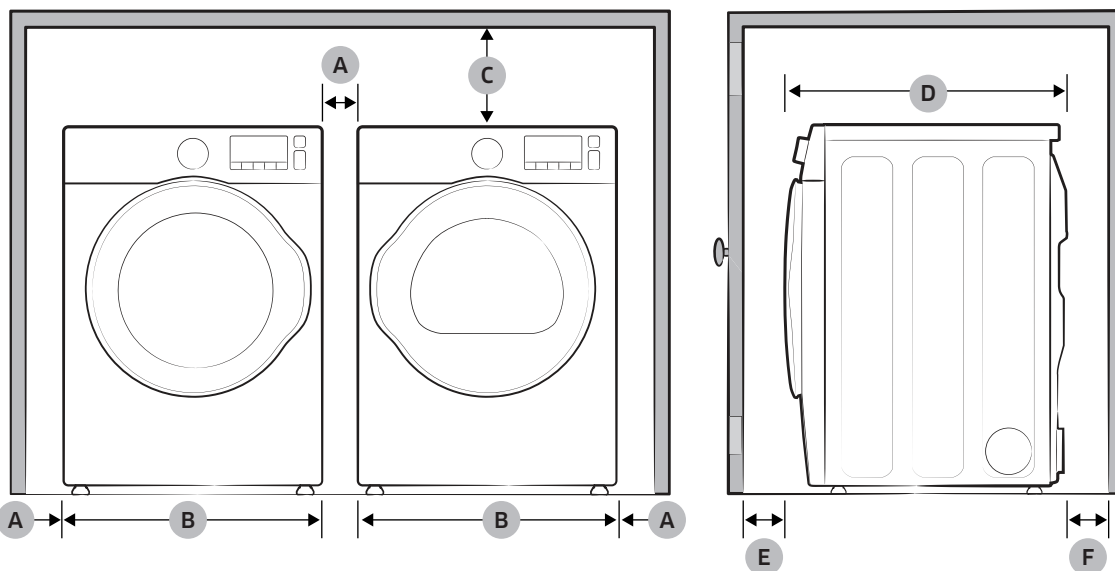
### Instalación sobre pedestal



A	54.6 in (1387 mm)	D	27 in (686 mm)
B	34 in (864 mm)	E	38.7 in (983 mm)
C	5.9 in (150 mm)	F	53.4 in (1356 mm)

# Instalación

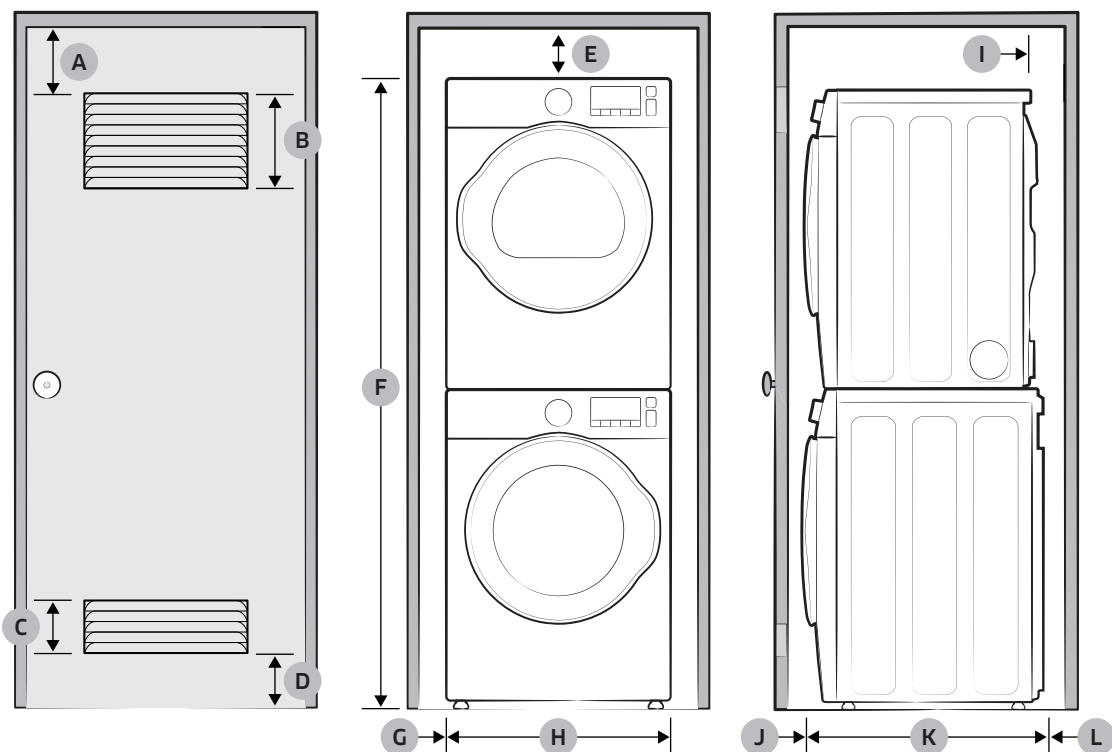
## Instalación lado a lado



A*	1 in (25 mm)	D	34 in (864 mm)
B	27 in (686 mm)	E	2 in (51 mm)
C	17 in (432 mm)	F	5.9 in (150 mm)

\*Espacio libre no aplicable a las lavadoras independientes.

## Instalación apilada (Modelo: SKK-7A)



A	3 in (76 mm)	G	1 in (25 mm)
B	48 in <sup>2</sup> (31000 mm <sup>2</sup> )	H	27 in (686 mm)
C	24 in <sup>2</sup> (15500 mm <sup>2</sup> )	I	5 in (127 mm)
D	3 in (76 mm)	J	3 in (76 mm)
E	6 in (152 mm)	K	34 in (864 mm)
F	78.5 in (1994 mm)	L	8 in (203 mm)

### **⚠ ADVERTENCIA**

- Las lavadoras y las secadoras de Samsung pueden apilarse para maximizar el espacio aprovechable.
- Deben retirarse las patas de la secadora para apilar la lavadora y la secadora. Puede adquirir un kit de apilamiento opcional en su comercio minorista de productos Samsung.

# Instalación

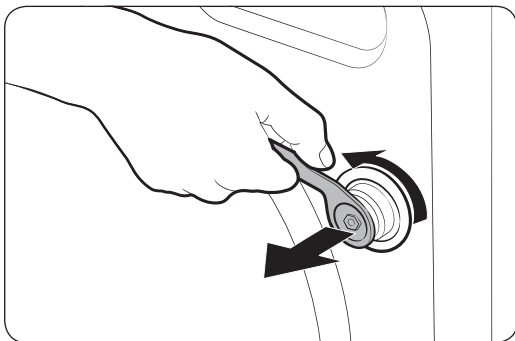
## Instalación paso a paso

### PASO 1 Seleccionar una ubicación

Requisitos de la ubicación:

- Una superficie sólida y nivelada sin alfombras ni revestimientos para pisos que puedan obstruir los orificios de ventilación
- No expuesta a la luz directa del sol
- Espacio suficiente para la ventilación y el cableado
- La temperatura ambiente debe ser siempre superior al punto de congelación (32 °F / 0 °C)
- Alejada de fuentes de calor

### PASO 2 Retirar los tornillos de transporte

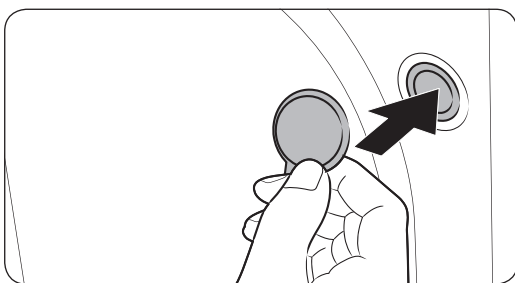


Desempaque el producto y retire todos los tornillos de transporte.

1. Afloje todos los tornillos de transporte de la parte posterior de la máquina con la llave.

#### **NOTA**

Es necesaria una llave inglesa ajustable o una llave de boca abierta de 10 mm para retirar los tornillos.

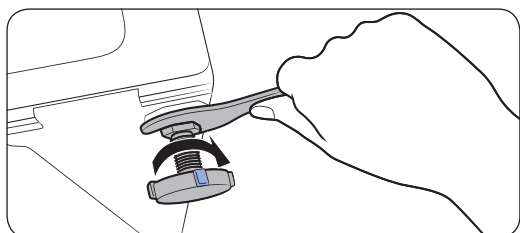
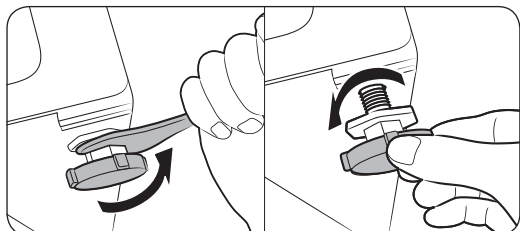


2. Cubra los orificios con las tapas de plástico para tornillos provistas. Conserve los tornillos de transporte en caso de que los necesite en el futuro.

#### **ADVERTENCIA**

Los materiales de empaque pueden ser peligrosos para los niños. Deseche todos los materiales de empaque (bolsas de plástico, poliestireno, etc.) lejos del alcance de los niños.

### PASO 3 Ajustar las patas niveladoras

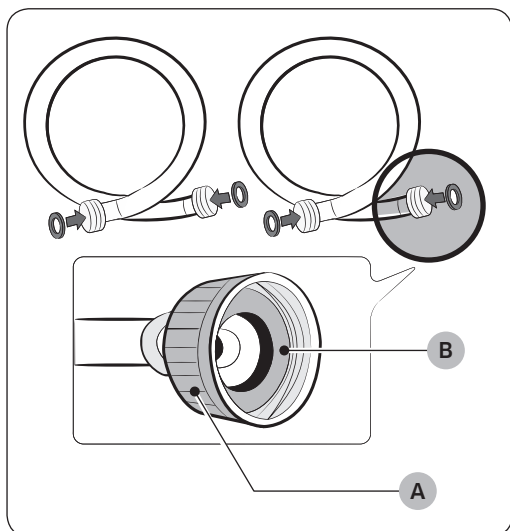


1. Deslice con cuidado la lavadora hasta dejarla en su lugar.  
Una fuerza excesiva puede dañar las patas niveladoras.
2. Nivele la lavadora ajustando manualmente las patas niveladoras.
3. Luego de nivelar la lavadora, apriete las tuercas con la llave.

**NOTA**

Es necesaria una llave ajustable o una llave de boca abierta de 17 mm para aflojar o ajustar los tornillos.

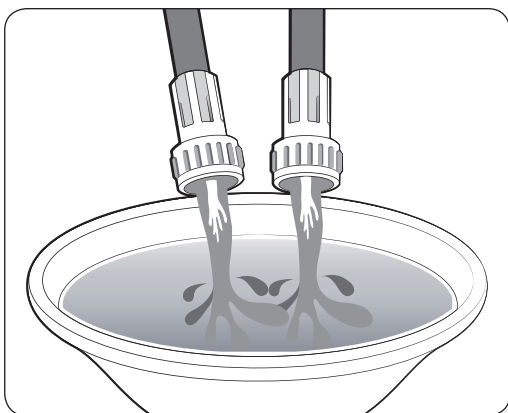
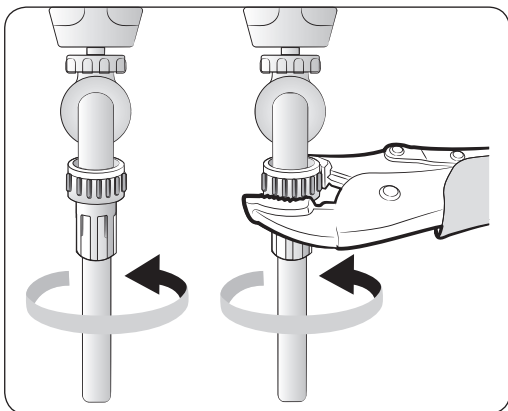
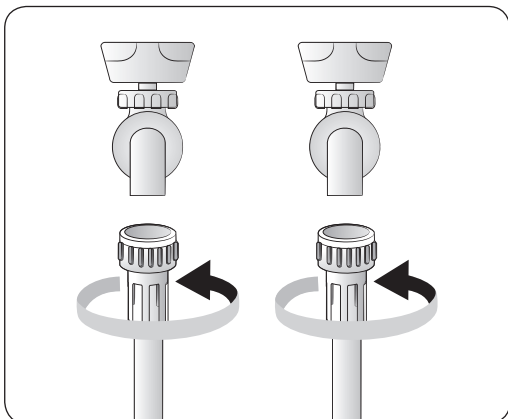
### PASO 4 Conectar la manguera de agua



**PRECAUCIÓN**

- Asegúrese de usar una manguera de agua nueva, y de que las **juntas de goma (B)** estén dentro de los **acoplamientos (A)** en cada extremo de la manguera. Una manguera de agua sin la junta puede causar una fuga de agua.
- Si hay una fuga de agua, deje de utilizar la lavadora y comuníquese con un centro de servicio local de Samsung. Una fuga de agua puede provocar una descarga eléctrica.
- No estire a la fuerza la manguera de agua. Si la manguera resulta demasiado corta, reemplácela por otra manguera de alta presión más larga.
- Para evitar fugas, asegúrese de que las mangueras de agua no estén dobladas ni enroscadas. Una fuga de agua puede provocar una descarga eléctrica.

# Instalación

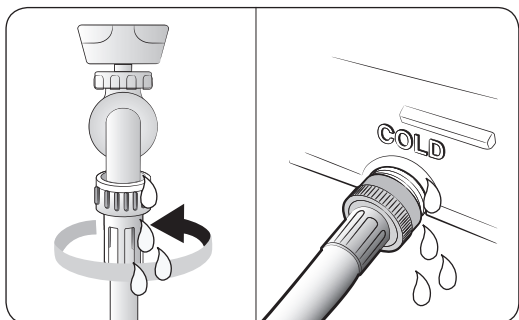
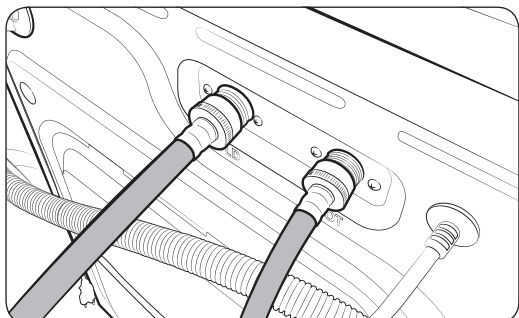
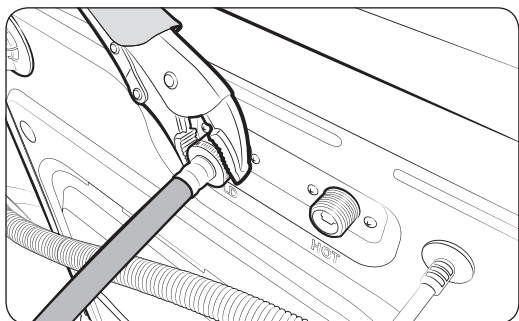
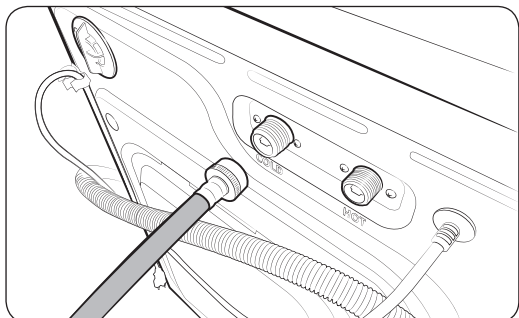


Para conectar las mangueras de suministro de agua a las llaves del agua:

1. Conecte un extremo de cada manguera a la llave del agua **Caliente** o **Fría**.
2. Gire los conectores a mano hasta que queden ceñidos y, luego, ajústelos dos tercios adicionales con unas pinzas. No ajuste los conectores por demás. Podría dañarlos.
3. Luego, jale hacia arriba y hacia abajo las mangueras de agua para verificar que estén conectadas correctamente.

4. Coloque los otros extremos de las mangueras en una cubeta y abra las llaves del agua durante 10 o 15 segundos para eliminar las impurezas. Cuando haya terminado, cierre las llaves del agua.





5. Conecte los otros extremos de las mangueras de agua a las correspondientes entradas ubicadas en la parte posterior de la lavadora como se especifica. Asegúrese de que la manguera de agua caliente esté conectada a la entrada de agua caliente, y la manguera de agua fría a la entrada de agua fría.
6. Repita el paso 2 anterior con las otras conexiones. Asegúrese de que ambas mangueras de agua estén bien conectadas. Consulte el código de información "4C" para la solución de problemas.
7. Abra las dos llaves y revise si hay una fuga.

**NOTA**

Si no desea usar la manguera de agua caliente, inserte el tapón en la entrada de agua caliente. En este caso, debe seleccionar Tap Cold (Agua fría de la llave) para la temperatura del agua. Los demás indicadores se apagan.

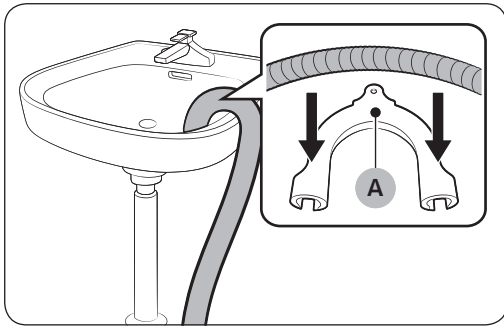
**PRECAUCIÓN**

Para evitar que las mangueras de agua se enrosquen o doblen, asegúrese de dejar una distancia mínima de 6 pulgadas (150 mm) entre la lavadora y la pared trasera.

# Instalación

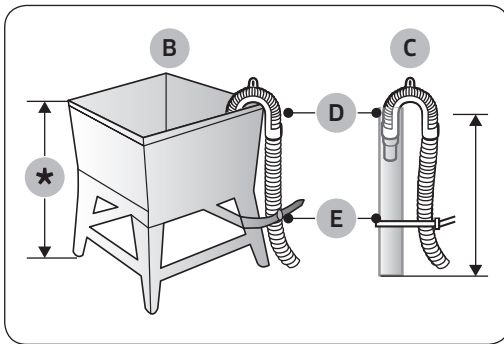
## PASO 5 Colocar la manguera de drenaje

La manguera de drenaje puede colocarse de tres formas:



### Sobre el borde de un lavamanos

La manguera de drenaje debe colocarse a una altura entre 24 in (60 cm) y 35 in (90 cm) del piso. Para mantener doblado el extremo de salida de la manguera, utilice la guía de la manguera (A) de plástico suministrada. Fije la guía a la pared con un gancho para asegurar la estabilidad durante el drenaje.

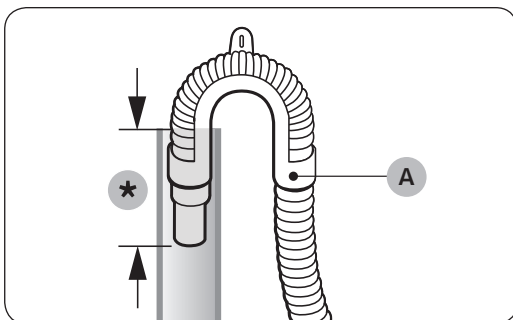


### En una toma de agua o un tambor de lavado

El tambor de lavado (B) o la toma de agua (C) no deben ser más cortos que 18 in (46 cm) ni más altos o largos que 96 in (245 cm). Asegúrese de que la manguera de drenaje y la toma de agua no sean herméticas.

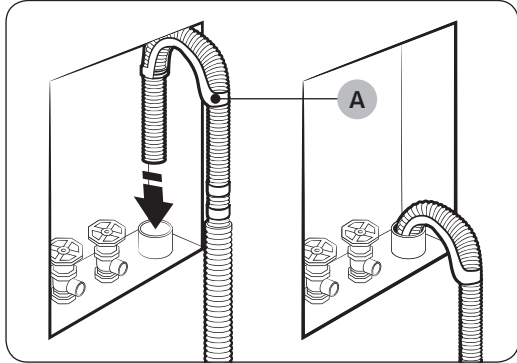
### NOTA

D: Dispositivo para sujetar la manguera /  
E: Correa de sujeción



### PRECAUCIÓN

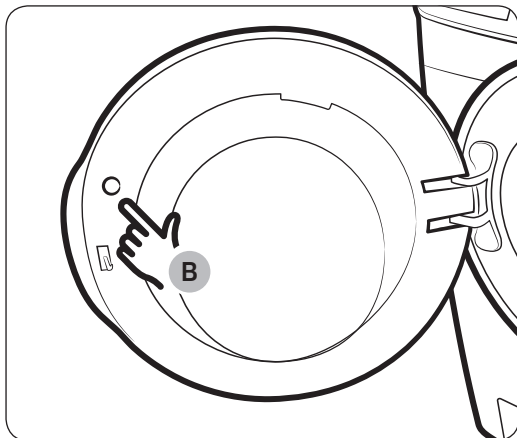
- Conecte la guía de la manguera (A) dentro de 6 in (15 cm)\* del extremo de la manguera de drenaje. Si la manguera de drenaje se extiende más allá del extremo de la guía de la manguera, puede propagarse moho o microorganismos al interior de la lavadora.
- La manguera de drenaje puede instalarse hasta una altura de 96 in (245 cm) pero su capacidad de drenaje puede verse reducida a la altura máxima. Si queda agua en el sistema de drenaje puede generar malos olores.
- Si la manguera de drenaje se instala por debajo de una altura de 18 in (46 cm), el agua puede drenarse durante el proceso por un efecto sifón. Si esto sucede, en el display se muestra el código de información "4C".



### Sistema de drenaje en una toma de agua de pared

La manguera de drenaje debe colocarse en el sistema de drenaje de una toma de agua de pared. Para mantener doblado el extremo de salida de la manguera, utilice la **guía de la manguera (A)** suministrada. Fije la guía a la pared con un gancho para asegurar la estabilidad durante el drenaje.

### PASO 6 Retirar la protección de la puerta



Retire el **pequeño círculo protector (B)** arriba de la traba de la puerta antes de usar la lavadora.

### PASO 7 Encendido

Enchufe el cable de alimentación a un tomacorriente de 120 V CA / 60 Hz aprobado y protegido por un disyuntor o fusible. Luego, presione **POWER (ENCENDER/APAGAR)** para poner en funcionamiento la lavadora.



# Antes de comenzar

## Configuración inicial

### Ejecutar la calibración (recomendado)

La calibración asegura que la lavadora detecte el peso con precisión. Asegúrese de que el tambor esté vacío antes de ejecutar la calibración.

1. Presione **POWER (ENCENDER/APAGAR)** para poner en funcionamiento la lavadora.
2. Mantenga presionados simultáneamente **Temp. (Temperatura)** y **Delay End (Término retardado)** durante 3 segundos.

3. Presione **START/PAUSE (INICIO/PAUSA)** para iniciar la calibración.
  - La puerta permanece bloqueada durante el funcionamiento.
  - El tambor sigue girando hacia la derecha y hacia la izquierda durante varios minutos.
4. Cuando finaliza, la lavadora se apaga automáticamente.

## Pautas de lavado

### PASO 1 Clasificar

Clasifique las prendas de acuerdo con los siguientes criterios:

- Etiqueta de indicaciones: Clasifique la ropa según su composición: algodón, mezclas, sintética, seda, lana y rayón.
- Color: Separe la ropa blanca de la de color.
- Tamaño: Mezclar prendas de distintos tamaños en el tambor mejora el desempeño del lavado.
- Sensibilidad: Lave las prendas delicadas por separado para las prendas nuevas de pura lana, de seda y cortinas. Lea las etiquetas de los artículos.

#### **NOTA**

Antes de iniciar el lavado, lea las etiquetas de cuidado de la ropa y clasifique los artículos en consecuencia.

### PASO 2 Vaciar los bolsillos

Vacíe los bolsillos de todas las prendas.

- Los objetos metálicos como monedas, clips y hebillas pueden dañar las otras prendas y el tambor.

Dé vuelta las prendas con botones o bordados

- Si los cierres de los pantalones o las chaquetas están abiertos durante el lavado, el tambor puede dañarse. Los cierres deben cerrarse y ajustarse con un cordón.
- Las prendas con cordones largos pueden enredarse con otras prendas. Asegúrese de sujetar los cordones antes de comenzar el lavado.

### PASO 3 Utilizar una red para ropa

- Las brassieres (lavables con agua) se deben colocar dentro de una red para ropa. Las partes metálicas de los brassieres pueden atravesar la tela y dañar otras prendas.
- Las prendas pequeñas y livianas como las medias, los guantes, las medias de nylon y los pañuelos pueden trabarse en la puerta. Colóquelas dentro de una red para ropa.
- No lave la red sin ropa dentro de ella. Se podrían producir vibraciones anormales que podrían desplazar la lavadora y causar lesiones personales.



## PASO 4 Prelavar (si es necesario)

Seleccione la opción Prelavado del ciclo seleccionado si la ropa está muy sucia. No use la opción de prelavado si va a agregar el detergente manualmente al tambor.

## PASO 5 Calcular la capacidad de carga

No sobrecargue la lavadora. Si sobrecarga la lavadora, la ropa puede no lavarse correctamente.

### NOTA

Cuando se lave ropa de cama o cobertores, el tiempo de lavado se puede alargar o la eficacia del centrifugado puede reducirse.

Para ropa de cama o cobertores, el nivel máximo de centrifugado recomendado es "Velocidad Baja o Media" y la capacidad de carga es 3.0 kg o menos.

### PRECAUCIÓN

Si la carga está desequilibrada y el código de información "UB" se muestra en el display, redistribuya la carga. Una carga desequilibrada puede disminuir el desempeño del centrifugado.

## PASO 6 Agregar el tipo de detergente adecuado

El tipo de detergente adecuado depende del tipo de tejido (algodón, sintético, prendas delicadas, lana), color, temperatura de lavado y grado de suciedad. Use siempre detergente de alta eficacia (HE) y "baja espuma", diseñado para las lavadoras automáticas.

### NOTA

- Siga las recomendaciones del fabricante del detergente en función del peso de la ropa, el grado de suciedad y la dureza del agua en su zona. Si desconoce la dureza del agua de su zona, comuníquese con las autoridades locales.

- No utilice un detergente que tenga tendencia a endurecerse o solidificarse. Este detergente puede permanecer durante el ciclo de enjuague y bloquear la salida de drenaje.

### PRECAUCIÓN

Cuando lave prendas de lana con el programa de lana, utilice exclusivamente un detergente líquido neutro. Si utiliza detergente en polvo en el programa de lana, puede permanecer en la ropa y decolorarla.

Utilice solo detergentes de alta eficacia (HE).



La lavadora fue diseñada para usar detergentes de alta eficacia (HE, por su sigla en inglés).

- Para obtener un lavado de óptima calidad, use un detergente de alta eficacia, por ejemplo: Tide HE, Wisk HE, Cheer HE o Gain HE\*. Los detergentes de alta eficacia contienen supresores que reducen o eliminan la espuma. Cuando se produce menos espuma, la carga se mueve con mayor eficacia y el lavado se maximiza. (\* Los nombres de las marcas son marcas comerciales de sus respectivos fabricantes).

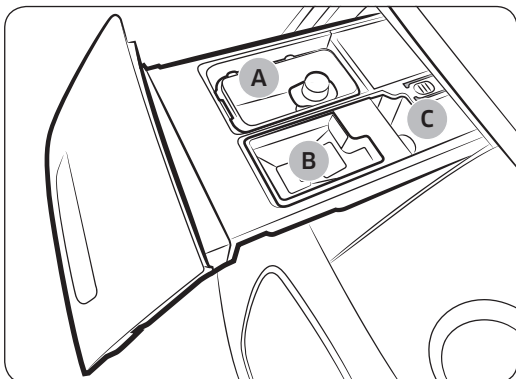
### ADVERTENCIA

No se recomienda un detergente convencional. Utilice solo detergentes de alta eficacia (HE).

# Antes de comenzar

## Pautas para el cajón para detergente

La lavadora tiene un dispensador con cuatro compartimientos: el delantero izquierdo para el lavado principal, el trasero izquierdo para el prelavado, el delantero derecho para el suavizante de telas y el trasero derecho para el blanqueador líquido.

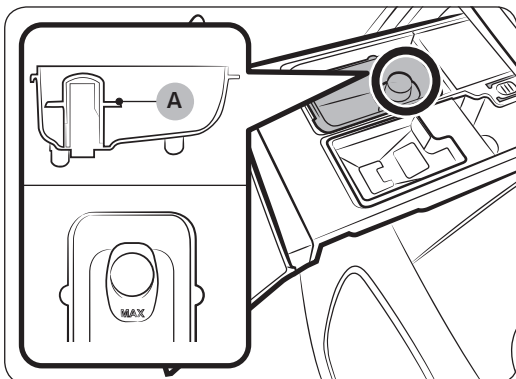


1. **Compartimiento para el lavado principal (A):**  
Agregue detergente para lavado principal, acondicionador para agua, detergente para remojo, blanqueador sin cloro con protección para ropa de color y/o productos quitamanchas.
2. **Compartimiento para el suavizante (B):**  
Agregue suavizante de telas. No sobrepase la línea máxima.
3. **Compartimiento para el blanqueador (C):**  
Agregue blanqueador líquido. No sobrepase la línea máxima.

### ⚠ PRECAUCIÓN

- No abra el cajón para detergente mientras la lavadora se encuentra en funcionamiento.
- No use los siguientes tipos de detergente:
  - En pastillas o cápsulas
  - En bola o en red
- Para impedir que el compartimiento se obstruya, diluya los productos concentrados o muy densos (suavizantes o detergentes) en agua antes de agregarlos.

## Agregar productos de lavado en el cajón para detergente

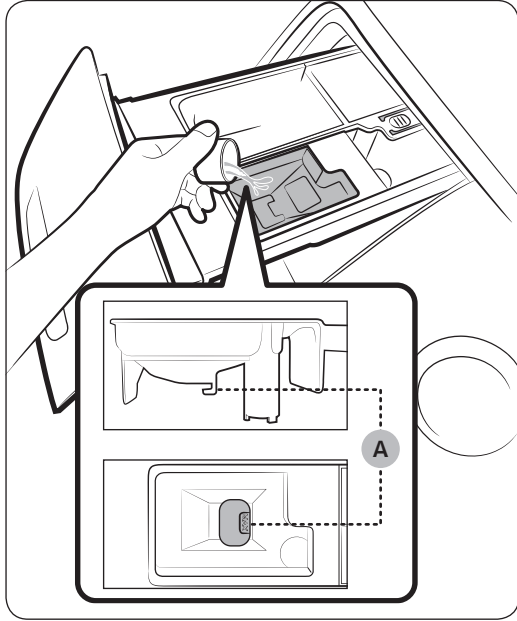


### Uso de detergente líquido

1. Abra el cajón para detergente.
2. Agregue detergente líquido en el contenedor correspondiente del **compartimiento para el lavado principal**. Asegúrese de que el detergente no sobrepase la **línea máxima (A)** marcada.

### 📄 NOTA

- No agregue detergente en polvo ni otros agentes de lavado en polvo en el contenedor para detergente líquido.
- Para utilizar detergente en polvo, consulte la página 32.



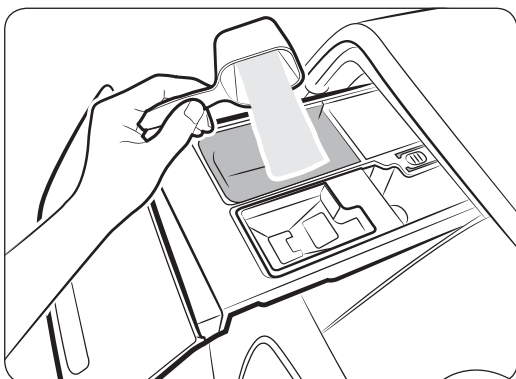
3. Agregue suavizante para telas en el **compartimiento para el suavizante**. No sobrepase la línea máxima (A).

**⚠ PRECAUCIÓN**

- No se recomienda el suavizante de telas en polvo. Utilice solo suavizante de telas líquido.
  - El suavizante de telas concentrado debe diluirse en agua antes de agregarlo.
  - No agregue detergente para lavado principal en el **compartimiento para el suavizante**.
4. Cierre el cajón para detergente.

# Antes de comenzar

## Para utilizar detergente en polvo

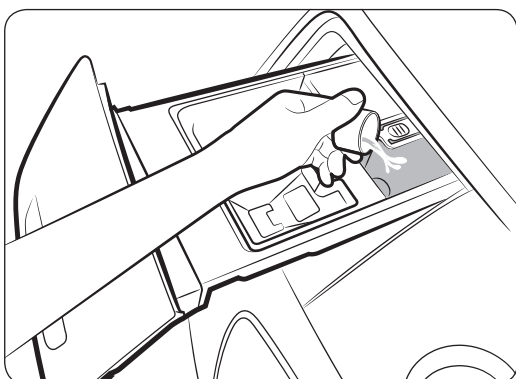


Primero retire el contenedor para detergente líquido provisto del **compartimento para el lavado principal**. Luego, agregue detergente en polvo en el **compartimento para el lavado principal** siguiendo las instrucciones del fabricante de detergente.

### ⚠ PRECAUCIÓN

No agregue detergente en polvo en el contenedor para detergente líquido.

## Para utilizar el compartimento para el blanqueador

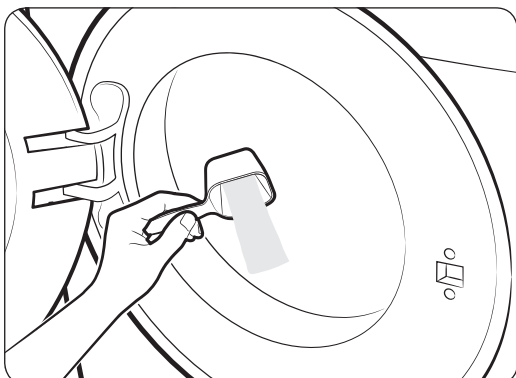


Agregue solo blanqueador líquido con cloro en el **compartimento para blanqueador**. No sobrepase la línea máxima.

### ⚠ PRECAUCIÓN

No agregue un blanqueador líquido que contenga cloro sin diluir directamente sobre la carga o dentro del tambor. Se trata de un químico potente y puede ser perjudicial para la tela, por ejemplo desgastando las fibras o causando decoloración, si no se usa correctamente.

## Para utilizar potenciador de lavado o blanqueador con protección para ropa de color



Los potenciadores de lavado o blanqueadores con protección para ropa de color pueden mejorar el desempeño del lavado. Asegúrese de agregar el potenciador de lavado o el blanqueador con protección para ropa de color después de colocar la ropa en el tambor.

### 📄 NOTA

Para usar detergente en polvo y potenciador de lavado o blanqueador con protección para ropa de color, resulta más efectivo colocarlos juntos en el tambor antes de cargar la ropa.



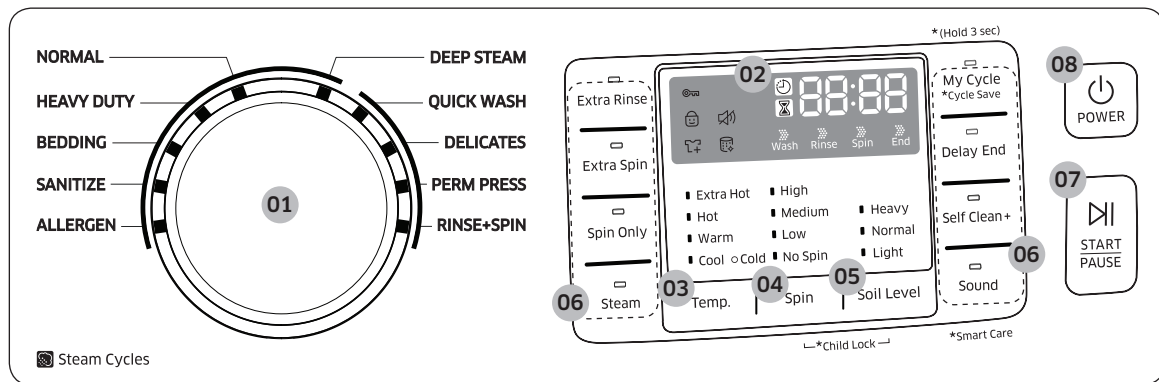
# Funcionamiento

## ⚠ ADVERTENCIA

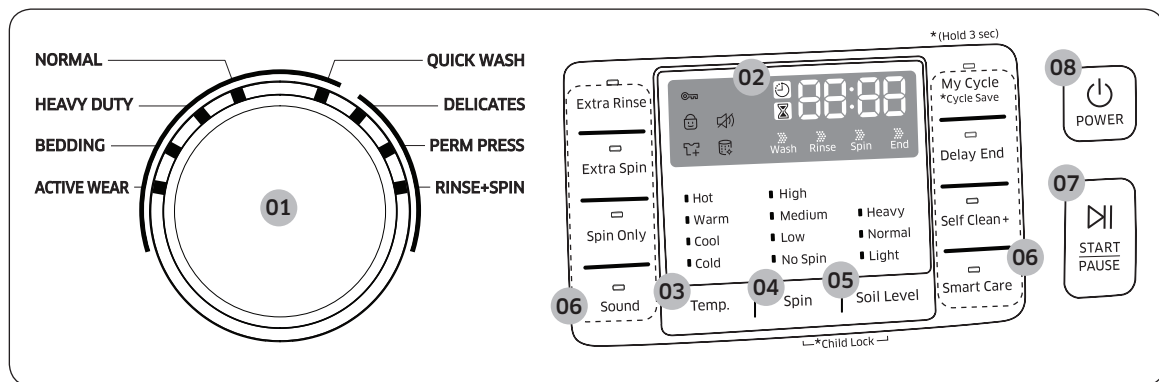
Para reducir el riesgo de incendio, descarga eléctrica o lesiones personales, lea las INSTRUCCIONES DE SEGURIDAD IMPORTANTES antes de poner en funcionamiento el electrodoméstico.

## Panel de funciones

WF45M5500A\*




WF45M5100A\*



# Funcionamiento

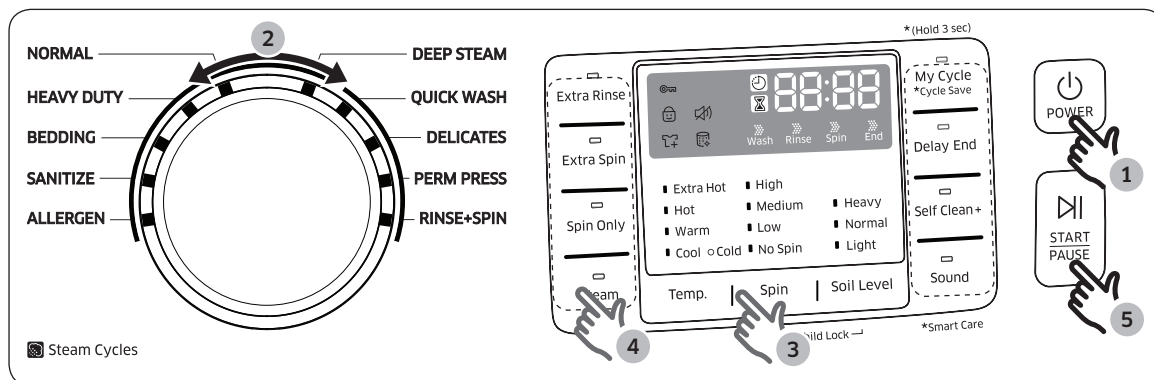
01 Selector de ciclos	Gire el disco para seleccionar un ciclo.
02 Display	El display muestra información y tiempo restante del ciclo que se está ejecutando, o un código de información si la lavadora necesita revisión.
03 Temp. (Temperatura)	<p>Presione para cambiar la temperatura del ciclo que se está ejecutando.</p> <p><b>WF45M5500A*</b></p> <ul style="list-style-type: none"> <li>• <b>Extra Hot (Muy caliente):</b> Prendas muy sucias y que no destiñen. Solo disponible con NORMAL, HEAVY DUTY (ACCIÓN FUERTE) y SANITIZE (DESINFECCIÓN).</li> <li>• <b>Hot (Caliente):</b> Ropa blanca y prendas muy sucias de colores sólidos.</li> <li>• <b>Warm (Tibia):</b> Solo usa agua tibia al final del proceso de enjuague. Es útil para ahorrar energía.</li> <li>• <b>Cool (Fresca):</b> Prendas de colores vivos, ligeramente sucias. La lavadora suministra agua caliente adicional o enciende el calentador para que caliente el agua si está a menos de 60 °F (16 °C).</li> <li>• <b>Cold (Fría):</b> Usa solo agua fría sin encender el calentador. No se suministra agua tibia.</li> </ul> <p><b>WF45M5100A*</b></p> <ul style="list-style-type: none"> <li>• <b>Hot (Caliente):</b> Ropa blanca y prendas muy sucias de colores sólidos.</li> <li>• <b>Warm (Tibia):</b> Solo usa agua tibia al final del proceso de enjuague. Es útil para ahorrar energía.</li> <li>• <b>Cool (Fresca):</b> Prendas de colores vivos, ligeramente sucias. La lavadora suministra agua caliente adicional o enciende el calentador para que caliente el agua si está a menos de 60 °F (16 °C).</li> <li>• <b>Cold (Fría):</b> Usa solo agua fría sin encender el calentador. No se suministra agua tibia.</li> </ul>

<p><b>04 Spin (Centrifugar)</b></p>	<p>Presione para cambiar la velocidad de centrifugado del ciclo que se está ejecutando.</p> <ul style="list-style-type: none"> <li>• <b>High (Alta):</b> Ropa interior, camisetas, jeans y algodones resistentes.</li> <li>• <b>Medium (Media):</b> Jeans, prendas sin arrugas o que no necesitan planchado y telas sintéticas.</li> <li>• <b>Low (Baja):</b> Prendas delicadas que necesitan una velocidad baja de centrifugado.</li> <li>• <b>No Spin (Sin centrifugado):</b> El tambor no centrifuga después del proceso de drenaje final.</li> <li>• <b>Mantener en remojo (No se enciende ningún indicador):</b> El proceso de enjuague final se interrumpe para que la carga permanezca en el agua. Para sacar la ropa, ejecute el proceso de drenaje o de centrifugado.</li> </ul> <p> <b>NOTA</b></p> <p><b>Spin Only (Solo centrifugado):</b> Este ciclo es solo para el proceso de centrifugado. Mantenga presionado <b>Spin (Centrifugar)</b> durante 3 segundos. Con el tiempo del ciclo en el display, presione <b>Spin (Centrifugar)</b> repetidamente hasta que se seleccione la velocidad de centrifugado deseada. A continuación presione <b>START/PAUSE (INICIO/PAUSA)</b> para iniciar el ciclo.</p> <p>Este ciclo solo está disponible cuando no hay ningún ciclo seleccionado.</p>
<p><b>05 Soil Level (Nivel de suciedad)</b></p>	<p>Presione el botón para seleccionar el nivel de suciedad y el tiempo de lavado.</p> <ul style="list-style-type: none"> <li>• <b>Heavy (Muy sucia):</b> Para prendas muy sucias.</li> <li>• <b>Normal:</b> Para prendas moderadamente sucias. Esta opción es la mejor para la mayoría de las cargas.</li> <li>• <b>Light (Poco sucia):</b> Para prendas ligeramente sucias.</li> </ul>
<p><b>06 Opciones</b></p>	<p>Presione los botones para seleccionar diferentes opciones del ciclo.</p>
<p><b>07 START/PAUSE (INICIO/PAUSA)</b></p>	<p>Presione para iniciar o detener una operación.</p>
<p><b>08 POWER (ENCENDER/APAGAR)</b></p>	<p>Presione para encender y apagar la lavadora.</p>

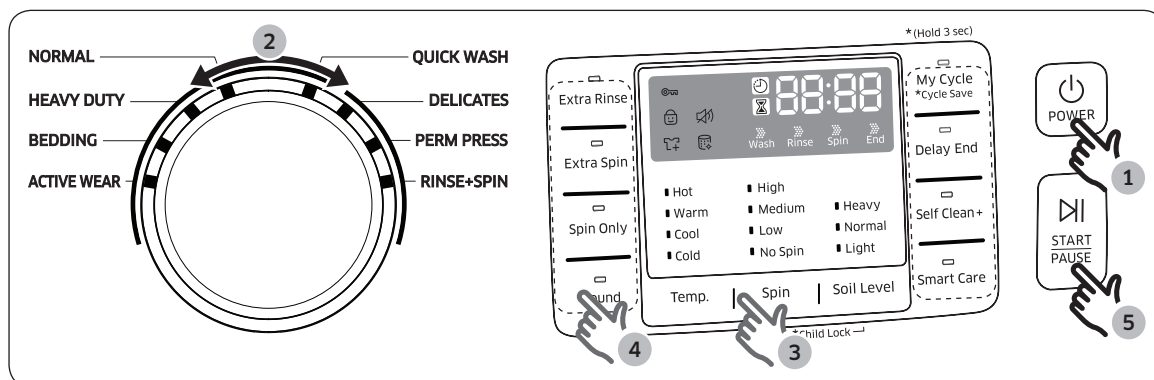
# Funcionamiento

## Sencillos pasos para comenzar

WF45M5500A\*



WF45M5100A\*



1. Presione **POWER** (ENCENDER/APAGAR) para poner en funcionamiento la lavadora.
2. Gire el Selector de ciclos para seleccionar el ciclo deseado.
3. Cambie la configuración del ciclo (Temp. (Temperatura), Spin (Centrifugar) y Soil Level (Nivel de suciedad)) según sea necesario.
4. Seleccione las opciones deseadas según sea necesario.
5. Presione **START/PAUSE** (INICIO/PAUSA).

### Para cambiar el ciclo durante el funcionamiento

1. Presione **START/PAUSE** (INICIO/PAUSA) para detener el funcionamiento.
2. Seleccione otro ciclo.
3. Presione nuevamente **START/PAUSE** (INICIO/PAUSA) para iniciar el nuevo ciclo.

### ⚠ ADVERTENCIA

No coloque ningún objeto en la parte superior de la lavadora cuando esté en funcionamiento.

---

## Descripción de los ciclos

---

### Ciclos normales

Ciclo	Descripción
QUICK WASH (LAVADO RÁPIDO)	<ul style="list-style-type: none"><li>• Para prendas ligeramente sucias que desea que se laven rápidamente.</li></ul>
DELICATES (DELICADA)	<ul style="list-style-type: none"><li>• Para telas finas, brassieres, lencería (seda) y otras telas que deben lavarse únicamente a mano.</li><li>• Para obtener mejor desempeño, use detergente líquido.</li></ul>
PERM PRESS (PLANCHADO PERMANENTE)	<ul style="list-style-type: none"><li>• Para telas sintéticas que no necesitan planchado y prendas ligera o moderadamente sucias.</li></ul>
RINSE+SPIN (ENJUAGUE+CENTRIFUGADO)	<ul style="list-style-type: none"><li>• Efectúa un ciclo de enjuague adicional después de agregar suavizante de telas a la ropa.</li></ul>
ACTIVE WEAR (ROPA DEPORTIVA) (solo modelo WF45M5100*)	<ul style="list-style-type: none"><li>• Para ropa de ejercicio, como buzos y pantalones deportivos, camisetas y otras prendas de entrenamiento. Este ciclo proporciona una eliminación efectiva de la suciedad con un giro controlado del tambor para prendas que requieren un cuidado especial.</li></ul>

# Funcionamiento

## Ciclos de vapor

Ciclo	Descripción
DEEP STEAM (VAPORIZACIÓN PROFUNDA) (solo modelo WF45M5500A*)	<ul style="list-style-type: none"><li>Para prendas muy sucias de colores sólidos. Este ciclo usa vapor y una temperatura elevada para eliminar eficazmente las manchas.</li></ul>
NORMAL	<ul style="list-style-type: none"><li>Para ropa de algodón, de cama y de mesa, ropa interior, toallas o camisas. La duración del lavado y el número de enjuagues se ajustan automáticamente de acuerdo con la carga.</li></ul>
HEAVY DUTY (ACCIÓN FUERTE)	<ul style="list-style-type: none"><li>Para telas resistentes de colores sólidos y prendas muy sucias.</li></ul>
BEDDING (ROPA DE CAMA)	<ul style="list-style-type: none"><li>Para prendas voluminosas, como edredones, cobijas y sábanas.</li><li>Para obtener los mejores resultados lave 1 solo tipo de ropa de cama.</li><li>Para prendas voluminosas, use detergente líquido y no enrolle las prendas en el tambor ya que pueden quedarse adheridas.</li></ul>
SANITIZE (DESINFECCIÓN) (solo modelo WF45M5500A*)	<ul style="list-style-type: none"><li>Para prendas muy sucias de colores sólidos. Este ciclo calienta el agua a 150 °F para eliminar las bacterias.</li></ul> <p><b>NOTA</b></p> <p>Si presiona pause <b>START/PAUSE (INICIO/PAUSA)</b> durante la fase de calentamiento del ciclo de SANITIZE (DESINFECCIÓN), la puerta de la lavadora permanecerá trabada por su seguridad.</p>
ALLERGEN (ALÉRGENOS) (solo modelo WF45M5500A*)	<ul style="list-style-type: none"><li>Este ciclo se aplica para eliminar ácaros, caspa de las mascotas u otras sustancias alérgicas de las telas.</li></ul>


## Opciones

Opción	Descripción
Extra Rinse (Enjuague extra)	<ul style="list-style-type: none"><li>• Agrega un enjuague adicional al final del ciclo para remover los aditivos del lavado con mayor eficacia.</li></ul>
Extra Spin (Centrifugado extra)	<ul style="list-style-type: none"><li>• Agrega tiempo adicional para extraer más agua de las cargas.</li></ul>
Spin Only (Solo centrifugado)	<ul style="list-style-type: none"><li>• Presione para ejecutar únicamente el ciclo de centrifugado del programa seleccionado.</li></ul>
Steam (Vapor)	<ul style="list-style-type: none"><li>• Presione este botón para usar la función de vapor. El vapor está disponible con NORMAL, HEAVY DUTY (ACCIÓN FUERTE), BEDDING (ROPA DE CAMA), SANITIZE (DESINFECCIÓN), DEEP STEAM (VAPORIZACIÓN PROFUNDA) y ALLERGEN (ALÉRGENOS). Para prendas muy sucias de colores sólidos, la función de vapor mejora el tratamiento de las manchas y emplea menos agua (solo para modelo WF45M5500A*).</li></ul>
Sound (Sonido)	<ul style="list-style-type: none"><li>• Presione para silenciar la lavadora. No se emiten alarmas ni melodías excepto el pitido de verificación de diagnóstico, y se enciende el indicador "🔊". Para cancelar el silencio, presione nuevamente el botón .</li></ul>
My Cycle (Mi ciclo)	<ul style="list-style-type: none"><li>• Cree su propio ciclo de lavado con su configuración preferida y úselo simplemente presionando un botón.</li></ul>
Delay End (Término retardado)	<ul style="list-style-type: none"><li>• Configure la lavadora para que finalice el lavado automáticamente en otro momento. Puede elegir un tiempo de retardo de entre 1 y 24 horas (en incrementos de 1 hora).</li></ul>
Self Clean+ (Autolimpieza+)	<ul style="list-style-type: none"><li>• Limpia el tambor al eliminar la suciedad y las bacterias presentes.</li><li>• Ejecútelo una vez cada 40 lavados sin detergente ni blanqueador.</li><li>• Asegúrese de que el tambor esté vacío.</li><li>• No agregue agentes de limpieza para el tambor.</li></ul>
Smart Care	<ul style="list-style-type: none"><li>• Esta función permite comprobar el estado de la lavadora con un teléfono inteligente.</li></ul>

# Funcionamiento

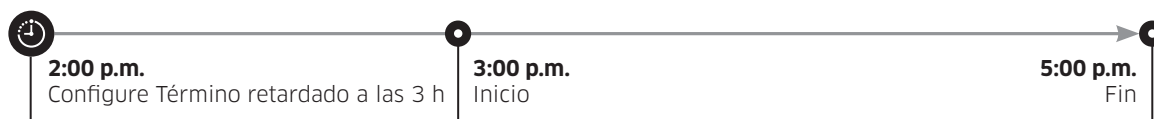
## Término retardado

Puede hacer que la lavadora finalice automáticamente el lavado en otro momento, eligiendo un tiempo de retardo de entre 1 y 24 horas (en incrementos de 1 hora). El display indica la hora a la que finalizará el lavado.

1. Seleccione un ciclo. Luego, cambie la configuración del ciclo si es necesario.
2. Presione **Delay End (Término retardado)** repetidamente hasta establecer la hora de finalización deseada.
3. Presione **START/PAUSE (INICIO/PAUSA)**. El indicador  se ilumina con el reloj en marcha.
4. Para cancelar el **Delay End (Término retardado)**, reinicie la lavadora presionando **POWER (ENCENDER/APAGAR)**.

### Ejemplo

Desea que un ciclo que dura 2 horas finalice dentro de 3 horas. Para ello, agregue la opción de término retardado al ciclo que se está ejecutando con un ajuste de 3 horas y presione el botón **START/PAUSE (INICIO/PAUSA)** a las 2:00 p.m. ¿Qué sucede? La lavadora comienza a funcionar a las 3:00 p.m. y se detiene a las 5:00 p.m. A continuación se proporcionan los tiempos para este ejemplo.



## Vapor

Con el ciclo Vapor, la lavadora detecta el peso de la carga y controla el efecto del vapor de acuerdo con la carga. Esto mejora el desempeño del lavado.

Los ciclos disponibles con vapor son: NORMAL, HEAVY DUTY (ACCIÓN FUERTE), BEDDING (ROPA DE CAMA), SANITIZE (DESINFECCIÓN), ALLERGEN (ALÉRGENOS) y DEEP STEAM (VAPORIZACIÓN PROFUNDA).

1. Gire el **Selector de ciclos** para seleccionar un ciclo de vapor.
2. Presione **Steam (Vapor)**.
3. Agregue el detergente y el suavizante de telas siguiendo las instrucciones.
4. Presione **START/PAUSE (INICIO/PAUSA)** para iniciar el ciclo.

### **NOTA**

- El vapor puede no estar presente o visible durante el ciclo. Esto es normal.
- A diferencia de otros ciclos de vapor, no es necesario presionar **Steam (Vapor)** para VAPORIZACIÓN PROFUNDA ya que el botón **Steam (Vapor)** se enciende automáticamente.



## Seguro para niños

Para prevenir posibles accidentes con los niños, la función Seguro para niños bloquea todos los botones, excepto **POWER (ENCENDER/APAGAR)**.

### Para activar el Seguro para niños

- Mantenga presionados los botones **Soil Level (Nivel de suciedad)** y **Spin (Centrifugar)** durante 3 segundos. A continuación, presione **START/PAUSE (INICIO/PAUSA)** para activarlo. La puerta se bloquea con el indicador.

### Para desactivar el Seguro para niños temporalmente

- Puede desactivar temporalmente el Seguro para niños durante 1 minuto. Para ello, mantenga presionados los botones **Soil Level (Nivel de suciedad)** y **Spin (Centrifugar)** durante 3 segundos. La puerta se desbloquea durante 1 minuto y el indicador parpadea,

### **NOTA**

- Si se abre la puerta 1 minuto después de desactivar el Seguro para niños, suena una alarma durante 2 minutos.
- Si se cierra la puerta antes de transcurrir los 2 minutos, ésta se bloquea y el Seguro para niños se reactiva. Si deja la puerta abierta o ésta no está bien cerrada, la alarma suena durante 2 minutos.
- Para agregar prendas después de activar el Seguro para niños, primero desactive el Seguro para niños o reinicie la lavadora.

### Para cancelar el Seguro para niños

- Mantenga presionados los botones **Soil Level (Nivel de suciedad)** y **Spin (Centrifugar)** durante 6 segundos. La puerta se desbloquea y el indicador se apaga.

## Mi ciclo

Cree su propio ciclo de lavado con su configuración preferida y úselo con un botón.

### Para crear su propio ciclo

1. Gire el **Selector de ciclos** para seleccionar el ciclo deseado.
2. Cambie la configuración del ciclo (**Temp. (Temperatura)**, **Spin (Centrifugar)** y **Soil Level (Nivel de suciedad)**) según sea necesario.
3. Agregue una opción de su preferencia. Para obtener más información, consulte la sección "Opciones".
4. Mantenga presionado **My Cycle (Mi ciclo)** durante 3 segundos para guardar los ajustes. Los indicadores correspondientes parpadean durante 3 segundos. Una vez guardado el ciclo, puede usarlo presionando **My Cycle (Mi ciclo)**.

### **NOTA**

Si presiona **My Cycle (Mi ciclo)** y lo suelta dentro de los 3 segundos, aparecerán las opciones y el ciclo que se guardaron anteriormente.




# Funcionamiento

---

## Sonido

Cancela o activa el sonido.

- Para cancelar o activar el sonido, mantenga presionado **Temp. (Temperatura)** durante 3 segundos. Cuando se cancela el sonido, el indicador  se enciende.

## ATC (control automático de la temperatura)

La función ATC permite a la lavadora controlar la temperatura del agua en cada proceso de lavado mediante el termistor interno. Está diseñada para mantener el nivel de la temperatura de lavado y mejorar el desempeño.

### **NOTA**

- Si selecciona NORMAL o HEAVY DUTY (ACCIÓN FUERTE), es posible que advierta que la lavadora suministra agua fría. Esto es normal, ya que la lavadora está diseñada para reducir el consumo energético.
- En dichos ciclos, la temperatura caliente es similar a una temperatura de agua de ducha, y la temperatura tibia es similar a la temperatura agradable de una piscina.
- Para lavar prendas a una temperatura específica, primero debe elegir un ciclo diferente.



# Mantenimiento

Mantenga la lavadora limpia para impedir el deterioro del desempeño y para preservar su vida útil.

## **ADVERTENCIA**

El panel de control, el tambor de centrifugado, el motor, la válvula de entrada y la bomba no están conectados a tierra intencionalmente y pueden presentar riesgo de descarga eléctrica durante el servicio técnico.

## **Autolimpieza+**

Efectúe este ciclo regularmente para limpiar el tambor y eliminar las bacterias.

1. Asegúrese de que el tambor esté vacío.
2. Presione **POWER (ENCENDER/APAGAR)** para poner en funcionamiento la lavadora.
3. Seleccione **Self Clean+ (Autolimpieza+)**.
4. Presione **START/PAUSE (INICIO/PAUSA)**.

## **NOTA**

- La temperatura del agua de la autolimpieza está configurada como muy caliente y no se puede cambiar (solo para modelo WF45M5500A\*).
- La temperatura del agua de la autolimpieza está configurada como caliente y no se puede cambiar (solo para modelo WF45M5100A\*).

## **PRECAUCIÓN**

No utilice agentes limpiadores. No agregue detergente ni blanqueador. Los residuos químicos que quedan en el tambor disminuyen el desempeño del lavado.

## **Recordatorio de la autolimpieza+ (🧼)**

- El recordatorio de **Self Clean+ (Autolimpieza+)** se muestra en la pantalla principal cada 40 lavados. Es aconsejable realizar la **Self Clean+ (Autolimpieza+)** regularmente.
- Si no ejecuta el ciclo en el término de 1 hora desde que aparece el recordatorio de **Self Clean+ (Autolimpieza+)**, el recordatorio se apaga automáticamente.
- Cuando vea este recordatorio por primera vez, puede ignorarlo hasta 6 veces consecutivas. A partir del séptimo lavado, el recordatorio deja de aparecer. Sin embargo, vuelve a aparecer cuando se alcanzan los 40 lavados por segunda vez.

# Mantenimiento

## Smart Care

La función Smart Care le ayuda a diagnosticar y solucionar los problemas que pueda tener la lavadora. Para activar esta función primero se debe descargar la aplicación Samsung Smart Washer en Play Store o en Apple Store e instalarla en un dispositivo móvil que disponga de una cámara.

La función Smart Washer Smart Care se ha optimizado para: dispositivos de las series Galaxy y iPhone. (Algunos modelos no la admiten.)

Cuando la lavadora está funcionando, ejecuta su función de autodiagnóstico en un segundo plano. Si detecta un problema, muestra un código de información en la pantalla, que usted podrá escanear con la función Smart Care de la aplicación. Luego la función Smart Care mostrará información detallada del código.

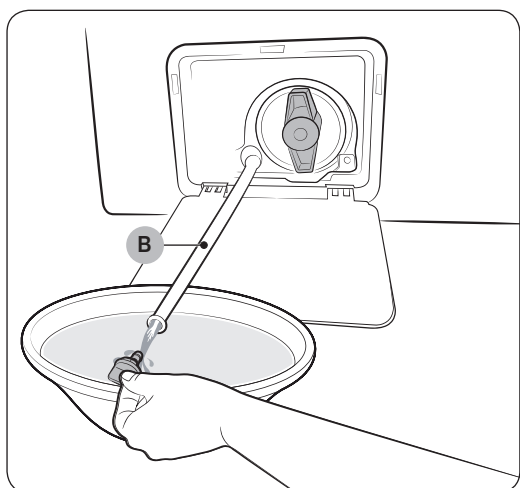
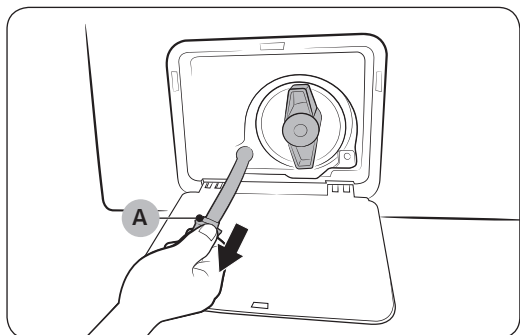
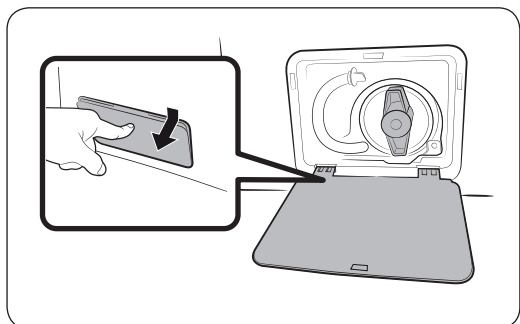
1. Para activar la función Smart Care.
  - Mantenga presionado **Sound (Sonido)** en la lavadora durante 3 segundos para ingresar en el modo Smart Care (solo para modelo WF45M5500A\*).
  - Presione el botón **Smart Care** para ingresar en el modo Smart Care (solo para modelo WF45M5100A\*).
2. Ejecute la aplicación Samsung Smart Washer en su dispositivo móvil y toque **Smart Care**.
3. Coloque la cámara del dispositivo móvil cerca del panel del display de la lavadora de modo que el dispositivo móvil y la lavadora queden encarados. La aplicación reconocerá inmediatamente el código de información.
4. Cuando el código de información se reconoce correctamente, la aplicación proporciona información detallada sobre el síntoma y las medidas aplicables.

### **NOTA**

- El nombre de la función, Smart Care, puede variar según el idioma.
- Si en el display de la lavadora hay reflejos, es posible que la aplicación no reconozca el código de información.
- Si la aplicación no reconoce el código Smart Care consecutivamente, ingrese a mano el código de información en la pantalla de la aplicación.

## Drenaje de emergencia

Si se produce una falla en el suministro eléctrico, vacíe el agua del tambor antes de retirar la ropa.



1. Apague y desenchufe la lavadora del tomacorriente.
2. Presione suavemente la parte superior de la tapa del filtro para abrirla.
3. Coloque un recipiente grande y vacío debajo y extienda el **tubo de drenaje de emergencia** hacia el recipiente mientras sujeta el **tapón del tubo (A)**.
4. Abra el **tapón del tubo** y deje caer el agua del **tubo de drenaje de emergencia (B)** en el recipiente.
5. Al finalizar, cierre el **tapón del tubo** y vuelva a insertar el tubo. Luego, cierre la **tapa del filtro**.

### **NOTA**

Use un recipiente grande, ya que el tambor puede contener más agua de la esperada.

# Mantenimiento

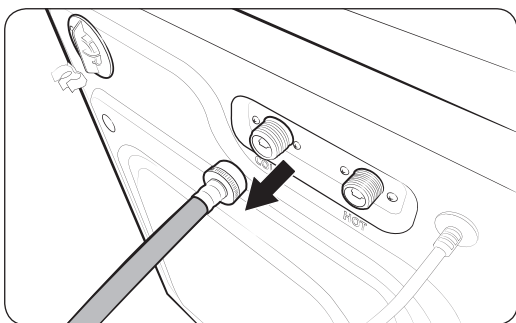
## Limpieza

### Superficie de la lavadora

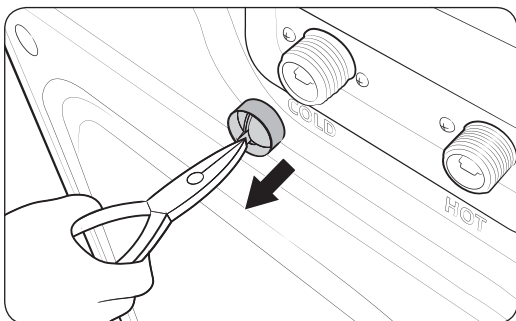
Use un paño suave y un detergente doméstico que no sea abrasivo. No rocíe agua sobre la lavadora.

### Filtro de malla

Limpe el filtro de malla la manguera de agua una o dos veces por año.



1. Apague la lavadora y desenchufe el cable de alimentación.
2. Cierre la llave de agua.
3. Afloje y desconecte la manguera de agua de la parte trasera de la lavadora. Cubra la manguera con un paño para evitar la fuga de agua.



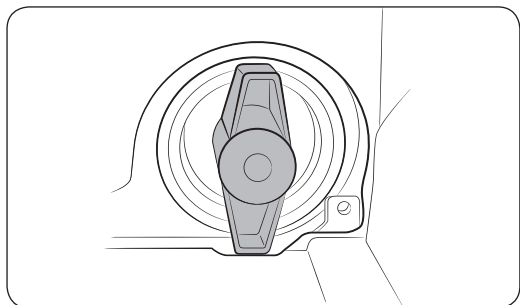
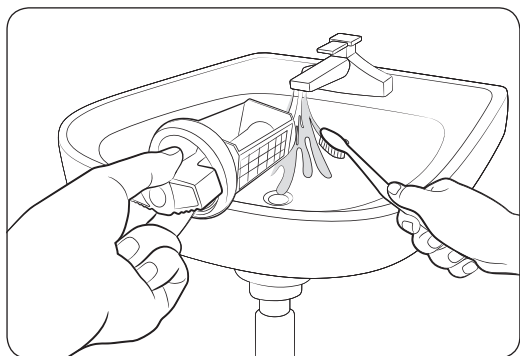
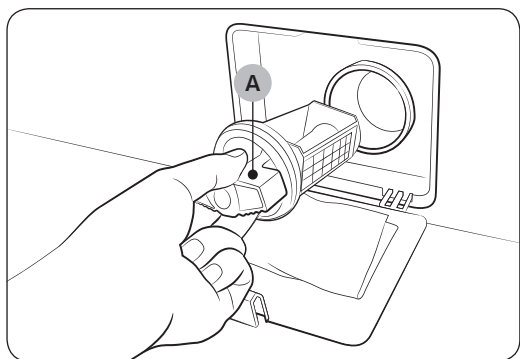
4. Use unas pinzas para sacar el filtro de malla de la válvula de entrada.
5. Sumerja el filtro de malla en agua de modo que el conector roscado quede también sumergido.
6. Seque el filtro de malla a la sombra.
7. Vuelva a insertar el filtro de malla en la válvula de entrada y reconecte la manguera de agua en la válvula.
8. Abra la llave.

### NOTA

Si el filtro de malla está obstruido, aparece el código de información "4C" en la pantalla.

## Filtro de la bomba

Es recomendable limpiar el filtro de la bomba 5 o 6 veces por año para evitar que se obstruya. Un filtro de bomba obstruido puede reducir el efecto de las burbujas.



1. Apague la lavadora y desenchufe el cable de alimentación.
2. Drene el agua restante del tambor. Consulte la sección “Drenaje de emergencia”.
3. Presione suavemente la parte superior de la **tapa del filtro** para abrirla.
4. Gire la **perilla del filtro de la bomba (A)** hacia la izquierda y vacíe el agua restante.
5. Limpie el **filtro de la bomba** con un cepillo suave. Asegúrese de que no esté obstruida la bomba de drenaje dentro del filtro.
6. Vuelva a colocar el **filtro de la bomba** y gire la perilla del filtro hacia la derecha.
7. Cierre la **tapa del filtro**.

### NOTA

- Algunos filtros de bomba cuentan con una perilla de seguridad diseñada para evitar que los niños abran accidentalmente el compartimento del filtro. Para abrir la perilla de seguridad del **filtro de la bomba**, presiónelo y gírelo en el sentido contrario al de las agujas del reloj. El mecanismo de muelle de la perilla de seguridad ayuda a abrir el filtro.
- Para cerrar la perilla de seguridad del **filtro de la bomba**, gírelo en el sentido de las agujas del reloj. El muelle emite un ruido metálico que es normal.

### NOTA

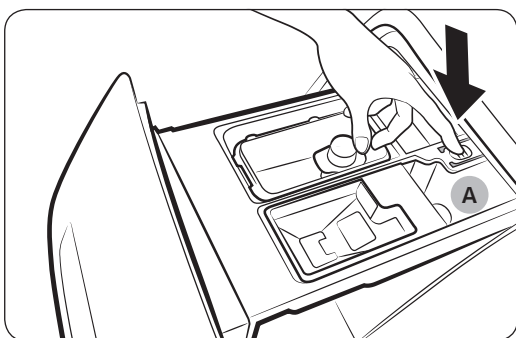
Si el filtro de la bomba está obstruido, aparece el código de información “5C” en la pantalla de la lavadora.

# Mantenimiento

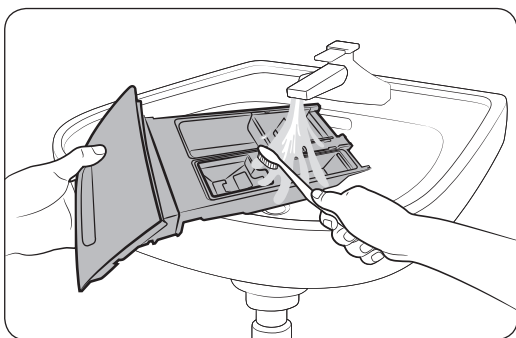
## ⚠ PRECAUCIÓN

- Asegúrese de cerrar bien la perilla del filtro luego de limpiarlo. De lo contrario, puede originar una fuga.
- Asegúrese de insertar correctamente el filtro luego de limpiarlo. De lo contrario, puede originar una falla en el funcionamiento o una fuga.

## Cajón para detergente



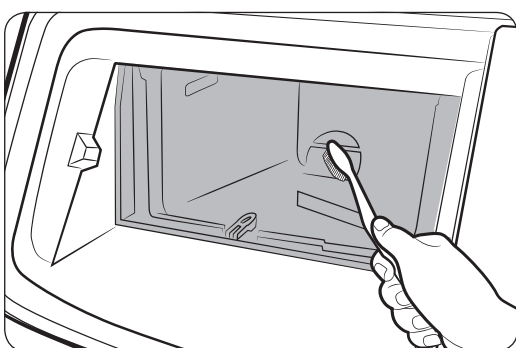
1. Mientras presiona la **palanca de seguridad (A)** en el interior del cajón, abra el cajón.
2. Retire el **contenedor para detergente líquido** del cajón.



3. Limpie los componentes del cajón con agua corriente y un cepillo suave.

## 📄 NOTA

Otras partes del cajón también se pueden retirar. Pueden caer si se voltea el cajón.



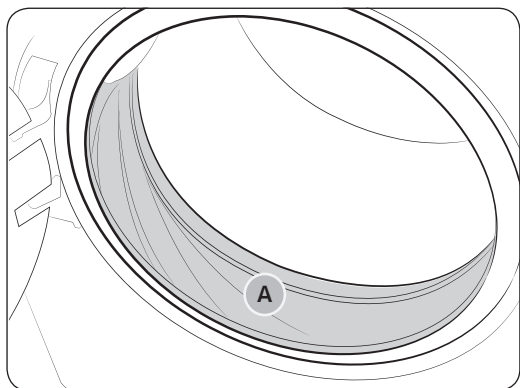
4. Limpie el hueco del cajón con un cepillo suave.
5. Vuelva a insertar la **palanca de seguridad** y el **contenedor para detergente líquido** en el cajón.
6. Deslice el cajón en el hueco y empuje hacia adentro hasta que cierre completamente.

## 📄 NOTA

Para eliminar el detergente restante, realice el ciclo **RINSE+SPIN (ENJUAGUE+CENTRIFUGADO)** con el tambor vacío.



## Diafragma de la puerta



1. Abra la puerta y vacíe el tambor.
2. Mezcle 3/4 de taza de blanqueador líquido a base de cloro y 1 galón de agua tibia de la llave.
3. Dé la vuelta al diafragma (A).
4. Póngase guantes de goma y limpie el diafragma con un paño limpio y suave mojado en la solución de agua y blanqueador.
5. Deje reposar durante 5 minutos y luego limpie y seque bien.
6. Vuelva a colocar el diafragma en su lugar.

### PRECAUCIÓN

Maneje el blanqueador con cuidado siguiendo las instrucciones del fabricante.

## Recuperación de un congelamiento

La lavadora se puede congelar cuando la temperatura desciende por debajo de 0 °C.

1. Apague la lavadora y desenchufe el cable de alimentación.
2. Vierta agua tibia en la llave para aflojar la manguera de agua.
3. Desconecte la manguera de agua y sumérgala en agua tibia.
4. Vierta agua tibia en el tambor y déjela 10 minutos aproximadamente.
5. Vuelva a conectar la manguera de agua a la llave del agua.

### NOTA

Si la lavadora sigue sin funcionar correctamente, repita los pasos anteriores hasta que funcione con normalidad.

## Mantenimiento luego de un periodo prolongado sin utilizar la lavadora

Evite dejar la lavadora inactiva durante un periodo de tiempo prolongado. Si esto no es posible, drene la lavadora y desenchufe el cable de alimentación.

1. Gire el **Selector de ciclos** para seleccionar **RINSE+SPIN (ENJUAGUE+CENTRIFUGADO)**.
2. Vacíe el tambor y presione **START/PAUSE (INICIO/PAUSA)**.
3. Luego de completado el ciclo, cierre la llave del agua y desconecte la manguera de agua.
4. Apague la lavadora y desenchufe el cable de alimentación.
5. Abra la puerta para que el aire circule por el tambor.

# Mantenimiento

---

## Limpeza del exterior

---

1. Cierre las llaves del agua después de finalizar el lavado del día.  
Esto cerrará el suministro de agua a la lavadora y evitará la improbable posibilidad de que se produzcan daños a causa del derrame de agua. Deje la puerta abierta para permitir que el interior de la lavadora se seque.
2. Use un paño suave para limpiar todo el detergente, el blanqueador u otros derrames a medida que ocurran.  
Limpie lo siguiente tal como se recomienda:
  - Panel de control - Limpie con un paño suave y húmedo. No use polvos abrasivos ni toallitas limpiadoras. No rocíe el panel directamente con limpiadores en aerosol.
  - Gabinete - Lave con agua y jabón.

## Limpeza del interior

---

Limpie el interior de la lavadora periódicamente para eliminar todo vestigio de suciedad, polvo, olor, moho, hongos o bacterias que pueda permanecer en la lavadora como consecuencia del lavado de ropa.

### **PRECAUCIÓN**

El incumplimiento de estas instrucciones puede dar como resultado situaciones poco satisfactorias, tales como olor y/o manchas permanentes en la lavadora o en las prendas.

### **NOTA**

Se pueden retirar los depósitos de agua dura si fuera necesario. Use un limpiador que en el rótulo indique que es seguro para lavadoras.

# Solución de problemas

## Verificaciones

Si tiene algún problema con la lavadora, primero consulte la tabla siguiente y pruebe las sugerencias.

Problema	Acción
No se inicia.	<ul style="list-style-type: none"><li>• Asegúrese de que la lavadora esté enchufada.</li><li>• Asegúrese de que la puerta esté perfectamente cerrada.</li><li>• Asegúrese de que las llaves del agua estén abiertas.</li><li>• Asegúrese de presionar o tocar <b>START/PAUSE (INICIO/PAUSA)</b> para iniciar el funcionamiento de la lavadora.</li><li>• Asegúrese de que <b>Seguro para niños</b> no esté activado.</li><li>• Antes de que la lavadora comience a llenarse, se oirá una serie de sonidos semejantes a un "clic" para controlar la traba de la puerta y que se efectúe un drenaje rápido.</li><li>• Revise el fusible o reinicie el disyuntor.</li></ul>
No hay suministro de agua o el suministro de agua es insuficiente.	<ul style="list-style-type: none"><li>• Abra totalmente la llave.</li><li>• Asegúrese de que la puerta esté perfectamente cerrada.</li><li>• Asegúrese de que la manguera de suministro de agua no esté congelada.</li><li>• Asegúrese de que la manguera de suministro de agua no esté enroscada u obstruida.</li><li>• Asegúrese de que la presión del agua sea suficiente.</li></ul>
Después de un ciclo, queda detergente en el cajón para detergente.	<ul style="list-style-type: none"><li>• Asegúrese de que la lavadora funcione con suficiente presión de agua.</li><li>• Asegúrese de verter el detergente en la parte central del cajón para detergente.</li><li>• Asegúrese de insertar correctamente el medidor para el enjuague.</li><li>• Si utiliza un detergente granulado, asegúrese de que el selector de detergente se encuentre en la posición superior.</li><li>• Retire el medidor para el enjuague y limpie el cajón para detergente.</li></ul>
Vibra de forma excesiva o hace ruido.	<ul style="list-style-type: none"><li>• Asegúrese de que la lavadora esté instalada sobre un piso nivelado y firme que no sea resbaladizo. Si el piso está desnivelado, use las patas niveladoras para ajustar la altura de la lavadora.</li><li>• Asegúrese de que se hayan retirado los tornillos de transporte.</li><li>• Asegúrese de que la lavadora no esté en contacto con ningún otro objeto.</li><li>• Verifique que la carga de ropa sea equilibrada.</li><li>• El motor puede hacer ruido durante el funcionamiento normal.</li><li>• La ropa de trabajo y las prendas con decoraciones de metal pueden generar ruidos durante el lavado. Esto es normal.</li><li>• Los objetos metálicos como las monedas pueden generar ruidos. Después del lavado, retire estos objetos del tambor o la caja del filtro.</li></ul>

# Solución de problemas

Problema	Acción
No drena y/o no centrifuga.	<ul style="list-style-type: none"> <li>• Asegúrese de que la manguera de drenaje esté completamente enderezada hasta el sistema de drenaje. Si encuentra alguna restricción en cuanto al drenaje, comuníquese con el servicio técnico.</li> <li>• Verifique que el filtro de residuos no esté obstruido.</li> <li>• Cierre la puerta y presione o toque <b>START/PAUSE (INICIO/PAUSA)</b>. Por su seguridad, la lavadora no girará ni centrifugará salvo que la puerta esté cerrada.</li> <li>• Asegúrese de que la manguera de drenaje no esté congelada ni obstruida.</li> <li>• Asegúrese de que la manguera de drenaje esté conectada a un sistema de drenaje que no esté obstruido.</li> <li>• Si no se suministra suficiente energía a la lavadora, esta no drenará ni centrifugará temporalmente. En cuanto la lavadora recupere la energía suficiente, funcionará con normalidad.</li> </ul>
La puerta no se abre.	<ul style="list-style-type: none"> <li>• Presione o toque <b>START/PAUSE (INICIO/PAUSA)</b> para detener el funcionamiento de la lavadora.</li> <li>• Puede llevar algunos minutos que el mecanismo de cierre de la puerta se desconecte.</li> <li>• La puerta no se abrirá hasta 3 minutos después de que la lavadora se haya detenido o apagado.</li> <li>• Asegúrese de que se haya drenado toda el agua del tambor.</li> <li>• Es posible que la puerta no se abra si queda agua en el tambor. Drene el tambor y abra la puerta manualmente.</li> <li>• Asegúrese de que la luz de la traba de la puerta se apague. La luz de la traba de la puerta se apaga después de que la lavadora realiza el drenaje.</li> </ul>
Exceso de espuma.	<ul style="list-style-type: none"> <li>• Asegúrese de utilizar los tipos recomendados de detergente según corresponda.</li> <li>• Use un detergente de alta eficacia (HE, por su sigla en inglés) para evitar la formación de espuma en exceso.</li> <li>• Reduzca la cantidad de detergente para el agua blanda, las cargas pequeñas o ligeramente sucias.</li> <li>• No se recomienda un detergente de baja eficacia.</li> </ul>
No se puede aplicar detergente adicional.	<ul style="list-style-type: none"> <li>• Asegúrese de que la cantidad restante de detergente y suavizante de telas no supere el límite.</li> </ul>



Problema	Acción
Se detiene.	<ul style="list-style-type: none"><li>• Enchufe el cable de alimentación a un tomacorriente que funcione.</li><li>• Revise el fusible o reinicie el disyuntor.</li><li>• Cierre la puerta y presione <b>START/PAUSE (INICIO/PAUSA)</b> para iniciar la lavadora. Por su seguridad, la lavadora no girará ni centrifugará salvo que la puerta esté cerrada.</li><li>• Antes de que la lavadora comience a llenarse, se oirá una serie de sonidos semejantes a un "clic" para controlar la traba de la puerta y que se efectúe un drenaje rápido.</li><li>• Se puede producir una pausa o un período de remojo en el ciclo. Espere un instante para ver si la lavadora comienza a funcionar.</li><li>• Asegúrese de que el filtro de malla de la manguera de suministro de agua en las llaves del agua no esté obstruido. Limpie el filtro de malla periódicamente.</li><li>• Si no se suministra suficiente energía a la lavadora, esta no drenará ni centrifugará temporalmente. En cuanto la lavadora recupere la energía suficiente, funcionará con normalidad.</li></ul>
Se llena con agua a una temperatura incorrecta.	<ul style="list-style-type: none"><li>• Abra por completo ambas llaves del agua.</li><li>• Asegúrese de que la selección de temperatura sea la correcta.</li><li>• Asegúrese de que las mangueras estén conectadas a las llaves correctas. Purgue las cañerías.</li><li>• Asegúrese de que el calentador de agua esté configurado para suministrar agua caliente en la salida de agua a una temperatura mínima de 120 °F (49 °C). Asimismo, verifique la capacidad del calentador de agua y la velocidad de recuperación.</li><li>• Desconecte las mangueras y limpie los filtros de malla. Los filtros de malla pueden estar obstruidos.</li><li>• Mientras la lavadora se llena, la temperatura del agua puede variar debido a que la función automática de control de la temperatura verifica la temperatura del agua que ingresa. Esto es normal.</li><li>• Mientras la lavadora se llena, es posible que observe que por el dosificador pasa solo agua caliente y/o solo agua fría cuando se seleccionan las temperatura fría o tibia. Esta es una función normal que cumple el control de temperatura automático dado que la lavadora determina la temperatura del agua.</li></ul>



# Solución de problemas

Problema	Acción
La carga está húmeda al finalizar un ciclo.	<ul style="list-style-type: none"> <li>• Use la velocidad de centrifugado Alta o Muy alta.</li> <li>• Use un detergente de alta eficacia (HE, por su sigla en inglés) para reducir la formación de espuma en exceso.</li> <li>• La carga es demasiado pequeña. Las cargas pequeñas (una o dos prendas) se pueden desequilibrar y no centrifugarse en absoluto.</li> <li>• Asegúrese de que la manguera de drenaje no esté enroscada ni obstruida.</li> </ul>
Pierde agua.	<ul style="list-style-type: none"> <li>• Asegúrese de que la puerta esté perfectamente cerrada.</li> <li>• Asegúrese de que todas las conexiones de las mangueras estén ajustadas.</li> <li>• Asegúrese de que el extremo de la manguera de drenaje esté correctamente conectado y asegurado al sistema de drenaje.</li> <li>• Evite sobrecargar la lavadora.</li> <li>• Use un detergente de alta eficacia (HE, por su sigla en inglés) para evitar la formación de espuma en exceso.</li> </ul>
Tiene olor.	<ul style="list-style-type: none"> <li>• El exceso de espuma se acumula en los huecos y puede causar malos olores.</li> <li>• Realice ciclos de limpieza para desinfectar periódicamente.</li> <li>• Limpie el sello de la puerta (diafragma).</li> <li>• Seque el interior de la lavadora una vez finalizado el ciclo.</li> </ul>
No se ven burbujas (Modelos con Bubbleshot solamente).	<ul style="list-style-type: none"> <li>• La sobrecarga puede evitar la formación de burbujas.</li> <li>• La ropa severamente contaminada puede no generar burbujas.</li> </ul>

Si el problema persiste, comuníquese con un centro de servicio local de Samsung.

## Códigos de información

Si la lavadora no funciona bien, puede ver un código de información en la pantalla. Consulte la tabla siguiente y pruebe las sugerencias.

Código	Acción
1C	<b>Revise el sensor del nivel del agua.</b> <ul style="list-style-type: none"><li>• Apague la máquina, enciéndala de nuevo después de 2 o 3 minutos y vuelva a intentarlo.</li><li>• Dependiendo del modelo el sistema de drenaje drena el agua automáticamente. Los botones <b>POWER (ENCENDER/APAGAR)</b> y <b>START/PAUSE (INICIO/PAUSA)</b> pueden desactivarse durante este proceso.</li></ul>
DC	<b>La puerta está abierta.</b> <ul style="list-style-type: none"><li>• Cierre la puerta y presione <b>START/PAUSE (INICIO/PAUSA)</b> para reanudar el funcionamiento.</li></ul>
DC1	<b>Revise el interruptor de la puerta.</b> <ul style="list-style-type: none"><li>• Apague la máquina, enciéndala de nuevo después de 2 o 3 minutos y vuelva a intentarlo.</li></ul>
LC	<b>Revise si hay fugas de agua.</b> <ul style="list-style-type: none"><li>• Apague la máquina y revise el sistema de drenaje para ver si hay fugas. Una vez resuelta la fuga, encienda la máquina después de 2-3 minutos.</li><li>• Dependiendo del modelo el sistema de drenaje drena el agua automáticamente. Los botones <b>POWER (ENCENDER/APAGAR)</b> y <b>START/PAUSE (INICIO/PAUSA)</b> pueden desactivarse durante este proceso.</li></ul>
4C	<b>Revise el conducto de suministro de agua.</b> <ul style="list-style-type: none"><li>• Revise la conexión del conducto de suministro de agua (incluidas las llaves del agua)</li><li>• Apague la máquina, enciéndala de nuevo después de 2 o 3 minutos y vuelva a intentarlo.</li><li>• Dependiendo del modelo el sistema de drenaje drena el agua automáticamente. Los botones <b>POWER (ENCENDER/APAGAR)</b> y <b>START/PAUSE (INICIO/PAUSA)</b> pueden desactivarse durante este proceso.</li></ul>
4C2	<b>La ropa necesita protección porque el agua suministrada está demasiado caliente.</b> <ul style="list-style-type: none"><li>• Asegúrese de que las llaves del agua fría y caliente estén conectadas correctamente.</li><li>• Apague la máquina, enciéndala de nuevo después de 2 o 3 minutos y vuelva a intentarlo.</li></ul>

# Solución de problemas

Código	Acción
5C	<p>Revise el sistema de drenaje.</p> <ul style="list-style-type: none"> <li>Asegúrese de que el filtro de drenaje no esté obstruido.</li> <li>Si el filtro de drenaje está obstruido, límpielo y vuelva a encender la máquina.</li> </ul>
HC	<p>Revise el calentador de lavado.</p> <ul style="list-style-type: none"> <li>Apague la máquina y comuníquese con un centro de servicio al cliente.</li> </ul>
UB	<p>Revise el proceso de centrifugado.</p> <ul style="list-style-type: none"> <li>Es posible que la carga no esté equilibrada dentro del tambor. Revise el tambor y asegúrese de que la carga esté equilibrada.</li> <li>Presione <b>START/PAUSE (INICIO/PAUSA)</b> para reanudar la operación, o apague la máquina, enciéndala de nuevo después de 2 o 3 minutos y vuelva a intentarlo.</li> </ul>
8C, 8C1, 8C2	<p>Revise el sensor MEMS.</p> <ul style="list-style-type: none"> <li>Apague la máquina, enciéndala de nuevo después de 2 o 3 minutos y vuelva a intentarlo.</li> </ul>
0C	<p>El agua puede desbordar.</p> <ul style="list-style-type: none"> <li>Cierre la válvula de agua y comuníquese con el servicio técnico.</li> </ul>
3C	<p>Revise el motor.</p> <ul style="list-style-type: none"> <li>Apague la máquina, enciéndala de nuevo después de 2 o 3 minutos y vuelva a intentarlo.</li> </ul>
AC6	<p>Verifique el estado de comunicación de la PBA.</p> <ul style="list-style-type: none"> <li>Apague la máquina, enciéndala de nuevo después de 2 o 3 minutos y vuelva a intentarlo.</li> </ul>
9C1/9C2	<p>Se debe revisar el control electrónico.</p> <ul style="list-style-type: none"> <li>Revise si la alimentación se suministra normalmente.</li> <li>Si el código de información permanece, comuníquese con un centro de servicio al cliente.</li> </ul>
SF	<p>Falla del sistema.</p> <ul style="list-style-type: none"> <li>Apague la máquina y comuníquese con un centro de servicio al cliente.</li> </ul>

Si un código de información sigue apareciendo en la pantalla, comuníquese con un centro de servicio local de Samsung.







# Especificaciones

## Tabla de indicaciones sobre telas

Los siguientes símbolos ofrecen indicaciones acerca de las prendas. La etiqueta de indicaciones de la prenda incluye símbolos para secado, blanqueado, secado y planchado, o limpieza en seco cuando son necesarios. El uso de símbolos garantiza la consistencia entre los fabricantes textiles de artículos nacionales e importados. Siga las indicaciones de la etiqueta para optimizar la vida útil de la prenda y reducir los problemas del lavado.

### Ciclo de lavado

	Normal
	Planchado permanente/ Antiarrugas/Control de arrugas
	Prendas suaves/Delicadas
	Lavado a mano

### Temperatura del agua




...	Caliente
..	Tibia
.	Fría

### NOTA



Representa las temperaturas del agua del lavado apropiadas para diversas prendas. El rango de temperatura para Caliente es de 106-126 °F (41-52 °C), para Tibia es de 84-106 °F (29-41 °C) para Fría es de 61-84 °F (16-29 °C).

La temperatura del agua del lavado debe alcanzar un mínimo de 61 °F (16 °C) para que se active el detergente y se logre un lavado eficaz.




### Blanqueador

	Cualquier blanqueador (cuando sea necesario)
	Solo blanqueador sin cloro (protección del color) (si es necesario)
	Secar en secadora






### Normal

	Planchado permanente/ Antiarrugas/Control de arrugas
	Prendas suaves/delicadas

### Instrucciones especiales

	Secar colgado/Tender
	Colgar para que escurra
	Secar en posición horizontal

### Ajuste del calor




	Alto
	Medio
	Bajo
	Cualquier calor
	Sin calor / Aire




# Especificaciones

## Temperaturas de secado con plancha o vapor






	Alta
	Media
	Baja

## Símbolos de advertencia para el lavado

	No lavar
	No retorcer
	No usar blanqueador

	No secar en secadora
	Sin vapor (agregado a la plancha)
	No planchar

## Limpiar en seco

	Limpiar en seco
	No limpiar en seco
	Secar colgado / Tender
	Colgar para que escurra
	Secar en posición horizontal

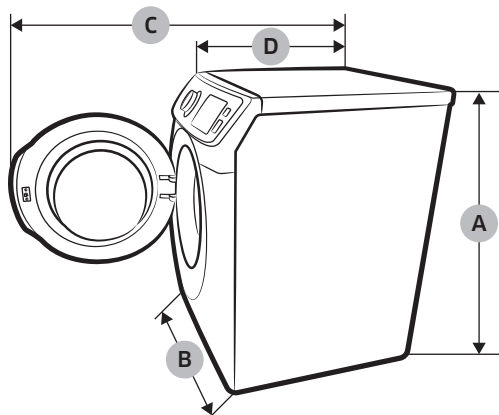
## Protección del medio ambiente

- Este electrodoméstico se fabrica con materiales reciclables. Si decide deshacerse de él, siga la normativa local relacionada con la eliminación de desechos. Corte el cable de alimentación para que el electrodoméstico no pueda conectarse a una fuente de alimentación. Quite la tapa para que los animales y los niños pequeños no puedan quedar atrapados dentro de la máquina.
- No utilice cantidades de detergente mayores a las recomendadas por el fabricante del detergente.
- Utilice productos quitamanchas y blanqueadores antes del ciclo de lavado y solo cuando sea necesario.
- Ahorre agua y electricidad utilizando solo la capacidad total de la lavadora (la cantidad exacta depende del programa que se utilice).

## Declaración de conformidad

Este electrodoméstico cumple con la norma UL2157.

## Hoja de especificaciones



Tipo		Lavadora de carga frontal		
		WF45M5500A*		WF45M5100A*
Dimensiones (pulgadas (mm))	A. Altura total		38.7 (984)	
	B. Ancho		27 (686)	
	C. Profundidad con la puerta abierta		54.6 (1386)	
	D. Profundidad		34 (864)	
Presión de agua (psi (kPa))			20-116 (137-800)	
Peso NETO (lb (kg))			218 (99)	
Revolución del centrifugado			1300 rpm	
Potencia del calentador			900 W	-
Potencia del calentador	Lavado	120 V	200 W	200 W
	Lavado y calentamiento	120 V	1150 W	-
	Centrifugado	120 V	550 W	550 W
	Drenaje	120 V	80 W	80 W

# Especificaciones

## Tabla de ciclos

Use esta tabla para configurar el mejor ciclo y las mejores opciones para su ropa.

### NOTA

Configuración	Temp. (Temperatura)	Spin (Centrifugar)	Soil Level (Nivel de suciedad)
●: configuración de fábrica	EH: Muy caliente	H: Alta	H: Muy sucia
●: se puede seleccionar	H: Caliente	M: Media	-
	W: Tibia	L: Baja	N: Normal
	C: Fresca	NS: Sin centrifugado	-
	CD: Fría	RH: Mantener en remojo	L: Poco sucia

## WF45M5500A\*

Ciclo	Funciones												
	Temp. (Temperatura)					Spin (Centrifugar)					Soil Level (Nivel de suciedad)		
	EH	H	W	C	CD	H	M	L	NS	RH	H	N	L
NORMAL	●	●	●	●	●	●	●	●	●	●	●	●	●
HEAVY DUTY (ACCIÓN FUERTE)	●	●	●	●	●	●	●	●	●	●	●	●	●
BEDDING (ROPA DE CAMA)			●	●	●		●	●	●	●	●	●	●
SANITIZE (DESINFECCIÓN)	●					●	●	●	●	●	●	●	●
ALLERGEN (ALÉRGENOS)		●				●	●	●	●	●	●	●	●
RINSE+SPIN (ENJUAGUE+CENTRIFUGADO)						●	●	●	●	●			
PERM PRESS (PLANCHADO PERMANENTE)			●	●	●	●	●	●	●	●	●	●	●
DELICATES (DELICADA)			●	●	●			●	●	●	●	●	●
QUICK WASH (LAVADO RÁPIDO)		●	●	●	●	●	●	●	●	●	●	●	●
DEEP STEAM (VAPORIZACIÓN PROFUNDA)		●				●	●	●	●	●	●		
Self Clean+ (Autolimpieza+)	●					●							

Ciclo	Opciones					
	Extra Rinse (Enjuague extra)	Extra Spin (Centrifugado extra)	Spin Only (Solo centrifugado)	Steam (Vapor)	Delay End (Término retardado)	My Cycle (Mi ciclo)
NORMAL	●	●	●	●	●	●
HEAVY DUTY (ACCIÓN FUERTE)	●	●	●	●	●	●
BEDDING (ROPA DE CAMA)	●	●	●	●	●	●
SANITIZE (DESINFECCIÓN)	●	●	●	●	●	●
ALLERGEN (ALÉRGENOS)	●	●	●	●	●	●
RINSE+SPIN (ENJUAGUE+CENTRIFUGADO)	●	●	●		●	●
PERM PRESS (PLANCHADO PERMANENTE)	●	●	●		●	●
DELICATES (DELICADA)	●		●		●	●
QUICK WASH (LAVADO RÁPIDO)	●		●		●	●
DEEP STEAM (VAPORIZACIÓN PROFUNDA)	●	●	●	●	●	●
Self Clean+ (Autolimpieza+)					●	

Use esta tabla para configurar el mejor ciclo y las mejores opciones para su ropa.

**NOTA**

Configuración	Temp. (Temperatura)	Spin (Centrifugar)	Soil Level (Nivel de suciedad)
●: configuración de fábrica	H: Caliente	H: Alta	H: Muy sucia
●: se puede seleccionar	W: Tibia	M: Media	-
	C: Fresca	L: Baja	N: Normal
	CD: Fría	NS: Sin centrifugado	-
	-	RH: Mantener en remojo	L: Poco sucia

**WF45M5100A\***

Ciclo	Funciones											
	Temp. (Temperatura)				Spin (Centrifugar)					Soil Level (Nivel de suciedad)		
	H	W	C	CD	H	M	L	NS	RH	H	N	L
NORMAL	●	●	●	●	●	●		●	●	●	●	●
HEAVY DUTY (ACCIÓN FUERTE)	●	●	●	●	●	●	●	●	●	●	●	●
BEDDING (ROPA DE CAMA)		●	●	●		●	●	●	●	●	●	●
ACTIVE WEAR (ROPA DEPORTIVA)		●	●	●			●	●	●	●	●	●
RINSE+SPIN (ENJUAGUE+CENTRIFUGADO)					●	●	●	●	●			
PERM PRESS (PLANCHADO PERMANENTE)		●	●	●	●	●	●	●	●	●	●	●
DELICATES (DELICADA)		●	●	●			●	●	●	●	●	●
QUICK WASH (LAVADO RÁPIDO)	●	●	●	●	●	●	●	●	●	●	●	●
Self Clean+ (Autolimpieza+)	●				●							

Ciclo	Opciones				
	Extra Rinse (Enjuague extra)	Extra Spin (Centrifugado extra)	Spin Only (Solo centrifugado)	Delay End (Término retardado)	My Cycle (Mi ciclo)
NORMAL	●	●	●	●	●
HEAVY DUTY (ACCIÓN FUERTE)	●	●	●	●	●
BEDDING (ROPA DE CAMA)	●	●	●	●	●
ACTIVE WEAR (ROPA DEPORTIVA)	●	●	●	●	●
RINSE+SPIN (ENJUAGUE+CENTRIFUGADO)	●	●	●	●	●
PERM PRESS (PLANCHADO PERMANENTE)	●	●	●	●	●
DELICATES (DELICADA)	●		●	●	●
QUICK WASH (LAVADO RÁPIDO)	●		●	●	●
Self Clean+ (Autolimpieza+)				●	

# Garantía (Estados Unidos)

---

## LAVADORA SAMSUNG

---

### GARANTÍA LIMITADA PARA EL COMPRADOR ORIGINAL

El presente producto de la marca SAMSUNG, tal como lo provee y distribuye SAMSUNG ELECTRONICS AMERICA, INC. (SAMSUNG) y lo entrega como nuevo, en su caja de cartón original al comprador o consumidor original, está garantizado por SAMSUNG contra defectos de fabricación de los materiales y la mano de obra durante el período limitado de la garantía de:

Un (1) año para las piezas y la mano de obra, Tres (3) años para las piezas del tambor inoxidable (solo repuestos), Diez (10) años para el motor DD (solo repuestos)

La presente garantía limitada comienza en la fecha original de compra y es válida únicamente para productos comprados y usados en Estados Unidos. Para recibir el servicio técnico de la garantía, el comprador debe comunicarse con SAMSUNG con el fin de que se determine el problema y los procedimientos del servicio. El servicio técnico de la garantía solo puede ser prestado por un centro de servicio técnico autorizado de SAMSUNG. Se debe presentar la factura de compra original como prueba de compra a SAMSUNG o al servicio técnico autorizado de SAMSUNG. SAMSUNG prestará servicio técnico a domicilio durante el período de la garantía sin costo, sujeto a la disponibilidad dentro de los Estados Unidos contiguos. El servicio técnico a domicilio no está disponible en todas las áreas.

Para recibir el servicio técnico a domicilio, el producto no debe presentar obstrucciones y debe ser accesible para el agente del servicio técnico. Si el servicio técnico no está disponible, SAMSUNG puede optar por transportar el producto hasta y desde el servicio técnico autorizado.

---

SAMSUNG reparará, reemplazará el producto u ofrecerá un reembolso a su criterio y sin cargo adicional, tal como se establece en la presente garantía, con piezas o productos nuevos o reacondicionados si se verifica que es defectuoso durante el período limitado de la garantía especificado anteriormente. Todas las piezas y los productos reemplazados pasan a ser propiedad de SAMSUNG y deben ser devueltos a SAMSUNG. Las piezas y los productos reemplazados asumen la garantía original que resta, o noventa (90) días, el período que sea el más prolongado. La presente garantía limitada cubre defectos de fabricación de los materiales y la mano de obra encontrados durante el uso normal y doméstico de este producto y no será válida para lo siguiente: daños que ocurran durante el envío; entrega e instalación; aplicaciones y usos para los cuales el presente producto no fue destinado; números de serie o de producto alterados; daño cosmético o de acabado exterior; accidentes, abuso, descuido, incendio, inundación, caída de rayos, u otros casos fortuitos o de fuerza mayor; uso de productos, equipos, sistemas, utilidades, servicios, piezas, suministros, accesorios, aplicaciones, instalaciones, reparaciones, cableado externo o conectores no provistos ni autorizados por SAMSUNG que dañen este producto o que acarreen problemas en el servicio; voltaje de la línea eléctrica incorrecto, fluctuaciones y sobrevoltaje; ajustes del cliente e incumplimiento de lo establecido en el manual de instrucciones, instrucciones de mantenimiento y ambientales que están cubiertas y recomendadas en el manual de instrucciones; traslado y reinstalación del producto; problemas causados por plagas. La presente garantía limitada no cubre problemas derivados de la corriente, el voltaje o el suministro eléctrico incorrectos, las bombillas de luz, los fusibles de la casa, el cableado de la casa, el costo del servicio técnico para recibir instrucciones o corregir errores en la instalación. SAMSUNG no garantiza el funcionamiento ininterrumpido o sin errores del producto.

SALVO LO ESTABLECIDO EN LA PRESENTE GARANTÍA, NO EXISTEN GARANTÍAS SOBRE EL PRESENTE PRODUCTO, YA SEAN EXPRESAS O TÁCITAS, Y SAMSUNG DESCONOCE TODAS LAS GARANTÍAS QUE INCLUYEN, AUNQUE NO EN CARÁCTER TAXATIVO, CUALQUIER GARANTÍA TÁCITA DE QUE EL PRODUCTO SE ENCUENTRA EN CONDICIONES APTAS PARA LA VENTA, DE DEFRAUDACIÓN DE DERECHOS O DE QUE EL PRODUCTO SE ADECUA A LOS FINES ESPECÍFICOS PARA LOS CUALES SE ADQUIERE.

# Garantía (Estados Unidos)

---

NINGÚN AVAL O GARANTÍA OTORGADOS POR PERSONA, COMPAÑÍA O CORPORACIÓN ALGUNA CON RESPECTO AL PRESENTE PRODUCTO REVESTIRÁ CARÁCTER VINCULANTE PARA SAMSUNG. SAMSUNG NO SERÁ RESPONSABLE POR PÉRDIDAS DE INGRESOS O LUCRO CESANTE, IMPOSIBILIDAD DE GENERAR AHORROS U OBTENER OTROS BENEFICIOS, O CUALQUIER DAÑO DERIVADO DE CIRCUNSTANCIAS ESPECIALES, DAÑO IMPREVISTO O DERIVADO CAUSADO POR EL USO, USO INCORRECTO, O INCAPACIDAD PARA USAR EL PRESENTE PRODUCTO, INDEPENDIEMENTE DE LA TEORÍA LEGAL EN QUE SE FUNDE EL RECLAMO Y AUN CUANDO SE LE HAYA NOTIFICADO A SAMSUNG DE LA POSIBILIDAD DE TALES DAÑOS.

NINGÚN RESARCIMIENTO DE NINGUNA ÍNDOLE CONTRA SAMSUNG SUPERARÁ EL MONTO DE COMPRA DEL PRODUCTO VENDIDO POR SAMSUNG Y CAUSANTE DEL PRESUNTO DAÑO. SIN LIMITAR LO PRECEDENTE, EL COMPRADOR ASUME TODO EL RIESGO Y LA RESPONSABILIDAD POR PÉRDIDA, DAÑO O LESIÓN AL COMPRADOR Y A LOS BIENES DEL COMPRADOR Y A TERCEROS Y A SUS BIENES DERIVADOS DEL USO, USO INCORRECTO O INCAPACIDAD PARA USAR EL PRESENTE PRODUCTO. LA PRESENTE GARANTÍA LIMITADA NO SE EXTENDERÁ A NINGUNA PERSONA DISTINTA DEL COMPRADOR ORIGINAL DEL PRESENTE PRODUCTO, ES INTRANSFERIBLE Y ESTABLECE SU EXCLUSIVA REPARACIÓN.

Algunos estados no permiten limitaciones en cuanto al plazo de una garantía implícita, o la exclusión o limitación de daños imprevistos o derivados, por lo tanto las limitaciones o exclusiones antedichas pueden no aplicarse en su caso. Esta garantía le otorga derechos específicos, y además puede tener otros derechos que varían según el Estado en el que se encuentre.

Para recibir servicio técnico de garantía, comuníquese con SAMSUNG a:

**Samsung Electronics America, Inc.**

85 Challenger Road

Ridgefield Park, NJ 07660

1-800-SAMSUNG (726-7864)

[www.samsung.com/us/support](http://www.samsung.com/us/support)

Las visitas del personal de servicio técnico para explicar funciones, mantenimiento o instalación no están cubiertas por la garantía.

Póngase en contacto con su agente del centro de llamadas Samsung para que le asesore.



# Garantía (CANADÁ)

---

## LAVADORA SAMSUNG

---

### **GARANTÍA LIMITADA PARA EL COMPRADOR ORIGINAL**

El presente producto de la marca SAMSUNG, tal como lo provee y distribuye SAMSUNG ELECTRONICS CANADA, INC. (SAMSUNG) y lo entrega como nuevo, en su caja de cartón original al comprador o consumidor original, está garantizado por SAMSUNG contra defectos de fabricación de los materiales y la mano de obra durante el período limitado de la garantía de:

Un (1) año para las piezas y la mano de obra. Diez (10) años para el motor DD (solo el repuesto)

La presente garantía limitada comienza en la fecha original de compra y es válida únicamente para productos comprados y usados en Canadá. Para recibir el servicio técnico de la garantía, el comprador debe comunicarse con SAMSUNG con el fin de que se determine el problema y los procedimientos del servicio. El servicio técnico de la garantía solo puede ser prestado por un centro de servicio técnico autorizado de SAMSUNG. Se debe presentar la factura de compra original como prueba de compra a SAMSUNG o al servicio técnico autorizado de SAMSUNG. SAMSUNG prestará servicio técnico a domicilio durante el período de la garantía sin costo, sujeto a la disponibilidad dentro de Canadá. El servicio técnico a domicilio no está disponible en todas las áreas.

Para recibir el servicio técnico a domicilio, el producto no debe presentar obstrucciones y debe ser accesible para el agente del servicio técnico. Si el servicio técnico no está disponible, SAMSUNG puede optar por transportar el producto hasta y desde el servicio técnico autorizado.

# Garantía (CANADÁ)

---

SAMSUNG reparará, reemplazará el producto u ofrecerá un reembolso a su criterio y sin cargo adicional, tal como se establece en la presente garantía, con piezas o productos nuevos o reacondicionados si se verifica que es defectuoso durante el período limitado de la garantía especificado anteriormente. Todas las piezas y los productos reemplazados pasan a ser propiedad de SAMSUNG y deben ser devueltos a SAMSUNG. Las piezas y los productos reemplazados asumen la garantía original que resta, o noventa (90) días, el período que sea el más prolongado. La presente garantía limitada cubre defectos de fabricación de los materiales y la mano de obra encontrados durante el uso normal y doméstico de este producto y no será válida para lo siguiente: daños que ocurran durante el envío; entrega e instalación; aplicaciones y usos para los cuales el presente producto no fue destinado; números de serie o de producto alterados; daño cosmético o de acabado exterior; accidentes, abuso, descuido, incendio, inundación, caída de rayos, u otros casos fortuitos o de fuerza mayor; uso de productos, equipos, sistemas, utilidades, servicios, piezas, suministros, accesorios, aplicaciones, instalaciones, reparaciones, cableado externo o conectores no provistos ni autorizados por SAMSUNG que dañen este producto o que acarreen problemas en el servicio; voltaje de la línea eléctrica incorrecto, fluctuaciones y sobrevoltaje; ajustes del cliente e incumplimiento de lo establecido en el manual de instrucciones, instrucciones de mantenimiento y ambientales que están cubiertas y recomendadas en el manual de instrucciones; traslado y reinstalación del producto; problemas causados por plagas. La presente garantía limitada no cubre problemas derivados de la corriente, el voltaje o el suministro eléctrico incorrectos, las bombillas de luz, los fusibles de la casa, el cableado de la casa, el costo del servicio técnico para recibir instrucciones o corregir errores en la instalación. SAMSUNG no garantiza el funcionamiento ininterrumpido o sin errores del producto.

SALVO LO ESTABLECIDO EN LA PRESENTE GARANTÍA, NO EXISTEN GARANTÍAS SOBRE EL PRESENTE PRODUCTO, YA SEAN EXPRESAS O TÁCITAS, Y SAMSUNG DESCONOCE TODAS LAS GARANTÍAS QUE INCLUYEN, AUNQUE NO EN CARÁCTER TAXATIVO, CUALQUIER GARANTÍA TÁCITA DE QUE EL PRODUCTO SE ENCUENTRA EN CONDICIONES APTAS PARA LA VENTA, DE DEFRAUDACIÓN DE DERECHOS O DE QUE EL PRODUCTO SE ADECUA A LOS FINES ESPECÍFICOS PARA LOS CUALES SE ADQUIERE.

---

NINGÚN AVAL O GARANTÍA OTORGADOS POR PERSONA, COMPAÑÍA O CORPORACIÓN ALGUNA CON RESPECTO AL PRESENTE PRODUCTO REVESTIRÁ CARÁCTER VINCULANTE PARA SAMSUNG. SAMSUNG NO SERÁ RESPONSABLE POR PÉRDIDAS DE INGRESOS O LUCRO CESANTE, IMPOSIBILIDAD DE GENERAR AHORROS U OBTENER OTROS BENEFICIOS, O CUALQUIER DAÑO DERIVADO DE CIRCUNSTANCIAS ESPECIALES, DAÑO IMPREVISTO O DERIVADO CAUSADO POR EL USO, USO INCORRECTO, O INCAPACIDAD PARA USAR EL PRESENTE PRODUCTO, INDEPENDIEMENTE DE LA TEORÍA LEGAL EN QUE SE FUNDE EL RECLAMO Y AUN CUANDO SE LE HAYA NOTIFICADO A SAMSUNG DE LA POSIBILIDAD DE TALES DAÑOS.

NINGÚN RESARCIMIENTO DE NINGUNA ÍNDOLE CONTRA SAMSUNG SUPERARÁ EL MONTO DE COMPRA DEL PRODUCTO VENDIDO POR SAMSUNG Y CAUSANTE DEL PRESUNTO DAÑO. SIN LIMITAR LO PRECEDENTE, EL COMPRADOR ASUME TODO EL RIESGO Y LA RESPONSABILIDAD POR PÉRDIDA, DAÑO O LESIÓN AL COMPRADOR Y A LOS BIENES DEL COMPRADOR Y A TERCEROS Y A SUS BIENES DERIVADOS DEL USO, USO INCORRECTO O INCAPACIDAD PARA USAR EL PRESENTE PRODUCTO. LA PRESENTE GARANTÍA LIMITADA NO SE EXTENDERÁ A NINGUNA PERSONA DISTINTA DEL COMPRADOR ORIGINAL DEL PRESENTE PRODUCTO, ES INTRANSFERIBLE Y ESTABLECE SU EXCLUSIVA REPARACIÓN.

Algunas provincias no permiten limitaciones en cuanto al plazo de una garantía implícita, o la exclusión o limitación de daños imprevistos o derivados, por lo que las limitaciones o exclusiones antedichas pueden no aplicarse en su caso.

Esta garantía le otorga derechos específicos, y además puede tener otros derechos que varían según la provincia en la que se encuentre.

Para recibir servicio técnico de garantía, comuníquese con SAMSUNG a:

**Samsung Electronics Canada Inc.**

2050 Derry Road West,

Mississauga, Ontario L5N 0B9 Canada

1-800-SAMSUNG (726-7864)

[www.samsung.com/ca/support](http://www.samsung.com/ca/support) (English)

[www.samsung.com/ca\\_fr/support](http://www.samsung.com/ca_fr/support) (French)

FAX: 1-866-436-4617

Las visitas del personal de servicio técnico para explicar funciones, mantenimiento o instalación no están cubiertas por la garantía.

Póngase en contacto con su agente del centro de llamadas Samsung para que le asesore.

Garantía (CANADÁ)



Scan the QR code\* or visit  
[www.samsung.com/spsn](http://www.samsung.com/spsn)  
 to view our helpful  
 How-to Videos and Live Shows

\*Requires reader to be installed on your smartphone

Scan this with your smartphone

## ¿TIENE PREGUNTAS O COMENTARIOS?

PAÍS	LLAME AL	O VISÍTENOS EN LÍNEA EN
U.S.A	1-800-SAMSUNG (726-7864) 1-844-SAM-PAYS (726-7297)	<a href="http://www.samsung.com/us/support">www.samsung.com/us/support</a>
CANADA	1-800-SAMSUNG (726-7864)	<a href="http://www.samsung.com/ca/support">www.samsung.com/ca/support</a> (English) <a href="http://www.samsung.com/ca_fr/support">www.samsung.com/ca_fr/support</a> (French)



DC68-03773A-01