

Haier

User Manual
Guide de l'utilisateur
Manual del usuario
HCR2250AGS
HCR6250AGS

24" and 36" Gas Free-Standing Range

Cuisinière autoportante à gaz de 24" et 36"

Estufa independiente para gas de 24" y 36"



TABLE OF CONTENTS

RANGE SAFETY	2
The Anti-tip Bracket	4
PARTS AND FEATURES	8
ELECTRONIC CONTROL	10
Setting the Clock and Timer	10
Timed Cooking.....	11
COOKTOP USE	12
Ignition and Operation of the Burners	12
Cookware	13
OVEN USE	14
Cooking with the Gas Oven	14
Oven Tips and Techniques	15
RANGE CARE	18
Cleaning	18
TROUBLESHOOTING	20
Baking and Roasting Problems.....	20
Cooktop	21
Oven.....	22
LIMITED WARRANTY	23

RECORD KEEPING

Thank you for purchasing this Haier product. This user manual will help you get the best performance from your new range.

For future reference, record the model and serial number located on the inside frame of the range, and the date of purchase.

Staple your proof of purchase to this manual to aid in obtaining warranty service if needed.

Model number

Serial number

Date of purchase

RANGE SAFETY

Your safety and the safety of others are very important.

We have provided many important safety messages in this manual and on your appliance. Always read and obey all safety messages.



This is the safety alert symbol.

This symbol alerts you to potential hazards that can kill or hurt you and others. All safety messages will follow the safety alert symbol and either the word "DANGER," "WARNING" or "CAUTION."

These words mean:



An imminently hazardous situation. You could be killed or seriously injured if you don't immediately follow instructions.



A potentially hazardous situation which, if not avoided, could result in death or serious bodily injury.



A potentially hazardous situation which, if not avoided, may result in moderate or minor injury.

All safety messages will tell you what the potential hazard is, tell you how to reduce the chance of injury, and tell you what can happen if the instructions are not followed.

⚠ WARNING



Fire Hazard

If the information in this manual is not followed exactly, a fire or explosion may result causing property damage, personal injury or death.

- Do not store or use gasoline or other flammable vapors and liquids in the vicinity of this or any other appliance.
- WHAT TO DO IF YOU SMELL GAS
 - Do not try to light any appliance.
 - Do not touch any electrical switch.
 - Do not use any phone in your building.
 - Clear the room, building, or area of all occupants.
 - Immediately call your gas supplier from a neighbor's phone. Follow the gas supplier's instructions.
 - If you cannot reach your gas supplier, call the fire department.
- Installation and service must be performed by a qualified installer, service agency or the gas supplier.

State of California Proposition 65 Warnings:

WARNING: This product contains one or more chemicals known to the State of California to cause cancer.

WARNING: This product contains one or more chemicals known to the State of California to cause birth defects or other reproductive harm.

In the State of Massachusetts, the following installation instructions apply:

- Installations and repairs must be performed by a qualified or licensed contractor, plumber, or gasfitter qualified or licensed by the State of Massachusetts.
- If using a ball valve, it shall be a T-handle type.
- A flexible gas connector, when used, must not exceed 3 feet.

THE ANTI-TIP BRACKET

⚠ WARNING



Tip Over Hazard

A child or adult can tip the range and be killed.

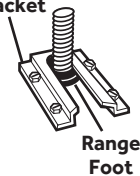
Connect anti-tip bracket to rear range foot.

Reconnect the anti-tip bracket, if the range is moved.

See the installation instructions for details.

Failure to follow these instructions can result in death or serious burns to children and adults.

**Anti-Tip
Bracket**



Making sure the anti-tip bracket is installed:

- Slide range forward.
- Look for the anti-tip bracket securely attached to floor.
- Slide range back so rear range foot is under anti-tip bracket.

IMPORTANT SAFETY INSTRUCTIONS

WARNING: To reduce the risk of fire, electrical shock, injury to persons, or damage when using the range, follow basic precautions, including the following:

- **WARNING:** TO REDUCE THE RISK OF TIPPING OF THE RANGE, THE RANGE MUST BE SECURED BY PROPERLY INSTALLED ANTI-TIP DEVICES. TO CHECK IF THE DEVICES ARE INSTALLED PROPERLY, SLIDE RANGE COMPLETELY FORWARD, LOOK FOR ANTI-TIP BRACKET SECURELY ATTACHED TO THE FLOOR BEHIND THE RANGE AND SLIDE RANGE COMPLETELY BACK UNTIL THE REAR RANGE FOOT IS UNDER ANTI-TIP BRACKET.
- **WARNING:** NEVER use this appliance as a space heater to heat or warm the room. Doing so may result in carbon monoxide poisoning and overheating of the oven.
- **WARNING:** NEVER cover any slots, holes or passages in the oven bottom or cover an entire rack with materials such as aluminum foil. Doing so blocks airflow through the oven and may cause carbon monoxide poisoning. Aluminum foil linings may also trap heat, causing a fire hazard.
- **CAUTION:** Do not store items of interest to children in cabinets above a range or on the back guard of a range – children climbing on the range to reach items could be seriously injured.
- Do Not Leave Children Alone – Children should not be left alone or unattended in area where the range is in use. They should never be allowed to sit or stand on any part of the range.
- Wear Proper Apparel – Loose-fitting or hanging garments should never be worn while using the range.
- User Servicing – Do not repair or replace any part of the range unless specifically recommended in the manual. All other servicing should be referred to a qualified technician.
- Storage in or on the Range – Flammable materials should not be stored in an oven or near surface units.
- Do Not Use Water on Grease Fires – Smother fire or flame or use dry chemical or foam-type extinguisher.
- Use Only Dry Potholders – Moist or damp potholders on hot surfaces may result in burns from steam. Do not let potholder touch hot heating elements. Do not use a towel or other bulky cloth.

IMPORTANT SAFETY INSTRUCTIONS

- **DO NOT TOUCH SURFACE UNITS OR AREAS NEAR UNITS** – Surface units may be hot even though they are dark in color. Areas near surface units may become hot enough to cause burns. During and after use, do not touch, or let clothing or other flammable materials contact surface units or areas near units until they have had sufficient time to cool. Among those areas are the cooktop and surfaces facing the cooktop.
- **Never Leave Surface Units Unattended at High Heat Settings** – Boil over causes smoking and greasy spillovers that may ignite.
- **Glazed Cooking Utensils** – Only certain types of glass, glass/ceramic, ceramic, earthenware, or other glazed utensils are suitable for range-top service without breaking due to the sudden change in temperature.
- **Utensil Handles Should Be Turned Inward and Not Extend Over Adjacent Surface Units** – To reduce the risk of burns, ignition of flammable materials, and spillage due to unintentional contact with the utensil, the handle of a utensil should be positioned so that it is turned inward, and does not extend over adjacent surface units.
- **Clean Cooktop With Caution** – If a wet sponge or cloth is used to wipe spills on a hot cooking area, be careful to avoid steam burn. Some cleaners can produce noxious fumes if applied to a hot surface.
- **Use Care When Opening Door** – Let hot air or steam escape before removing or replacing food.
- **Do Not Heat Unopened Food Containers** – Build-up of pressure may cause container to burst and result in injury.
- **Keep Oven Vent Ducts Unobstructed.**
- **Placement of Oven Racks** – Always place oven racks in desired location while oven is cool. If rack must be moved while oven is hot, do not let potholder contact hot heating element in oven.
- **DO NOT TOUCH HEATING ELEMENTS OR INTERIOR SURFACES OF OVEN** – Heating elements may be hot even though they are dark in color. Interior surfaces of an oven become hot enough to cause burns. During and after use, do not touch, or let clothing or other flammable materials contact heating elements or interior surfaces of oven until they have had sufficient time to cool. Other surfaces of the appliance may become hot enough to cause burns – among these surfaces are oven vent openings and surfaces near these openings, oven doors, and windows of oven doors.

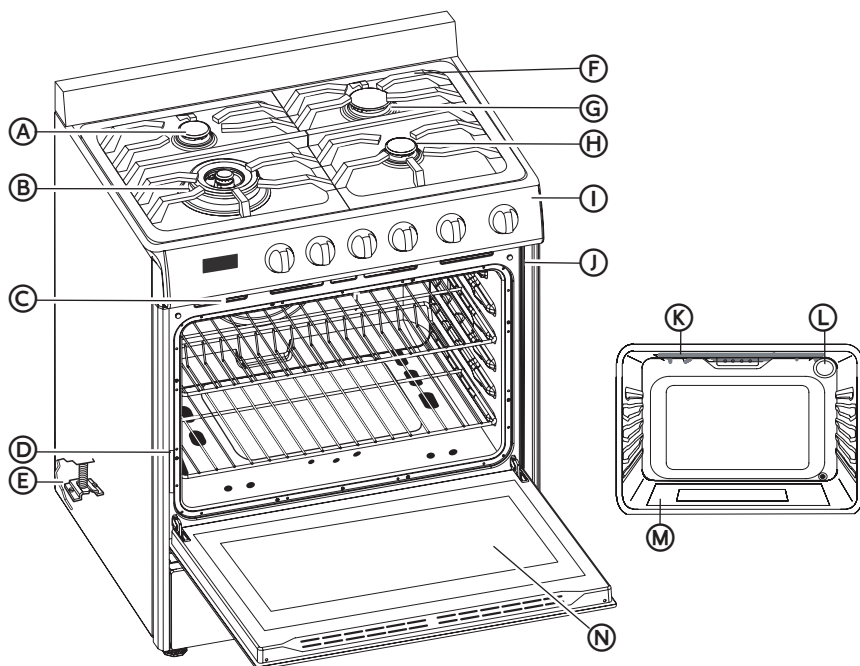
IMPORTANT SAFETY INSTRUCTIONS

- **Proper Installation** – The range, when installed, must be electrically grounded in accordance with local codes or, in the absence of local codes, with the National Electrical Code, ANSI/NFPA 70. In Canada, the range must be electrically grounded in accordance with Canadian Electrical Code. Be sure the range is properly installed and grounded by a qualified technician.
 - **Disconnect the electrical supply** before servicing the appliance.
 - **Injuries may result from the misuse of appliance doors or drawers** such as stepping, leaning, or sitting on the doors or drawers.
 - **Maintenance** – Keep range area clear and free from combustible materials, gasoline, and other flammable vapors and liquids.
 - **Top burner flame size** should be adjusted so it does not extend beyond the edge of the cooking utensil.
- For self-cleaning ranges –**
- **Do Not Clean Door Gasket** – The door gasket is essential for a good seal. Care should be taken not to rub, damage, or move the gasket.
 - **Do Not Use Oven Cleaners** – No commercial oven cleaner or oven liner protective coating of any kind should be used in or around any part of the oven.
 - **Clean Only Parts Listed in Manual.**
- For units with ventilating hood –**
- **Clean Ventilating Hoods Frequently** – Grease should not be allowed to accumulate on hood or filter.
 - **When flambé cooking under the vent hood, turn the fan on.**

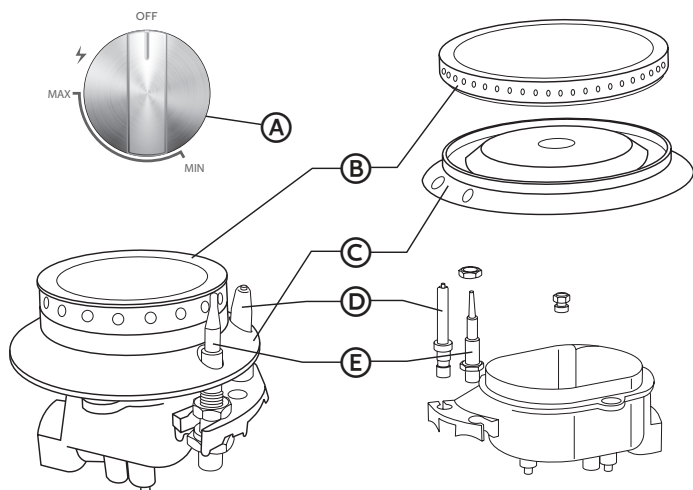
READ AND SAVE THESE INSTRUCTIONS

PARTS AND FEATURES

This manual covers several different models. The range you have purchased may have some or all of the items listed. The locations and appearances of the features shown here may not match those of your model.



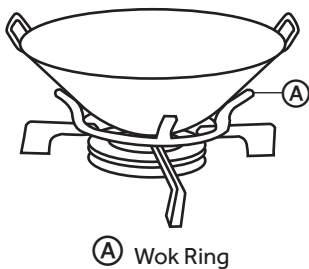
- | | |
|-----------------------------------|---------------------------------|
| (A) Left Rear Surface Burner | (H) Right Front Surface Burner |
| (B) Left Front Surface Burner | (I) Control Panel |
| (C) Oven Vent | (J) Door Gasket |
| (D) Model and Serial Number Plate | (K) Broil Burner |
| (E) Anti-tip Bracket | (L) Oven Light |
| (F) Grate | (M) Bottom Burner (not visible) |
| (G) Right Rear Surface Burner | (N) Oven Door Window |



- Ⓐ Control Knob Off Position
- Ⓑ Burner Cap
- Ⓒ Burner Head
- Ⓓ Electrode
- Ⓔ Flame Detector (On Some Models)

Accessory

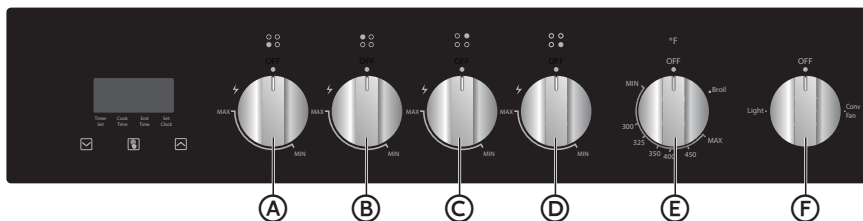
Both flat-bottom wok pans and round-bottom wok pans supported with the wok ring (provided) can be used with all models.



Ⓐ Wok Ring

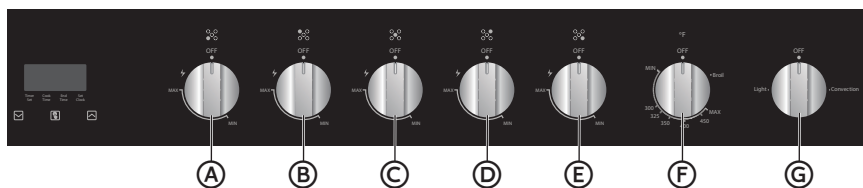
CONTROL PANEL

24" MODELS



- (A) Front Left Burner
- (D) Front Right Burner
- (B) Rear Left Burner
- (E) Temperature Control
- (C) Rear Right Burner
- (F) Features Control

36" MODELS



- (A) Front Left Burner
- (E) Front Right Burner
- (B) Rear Left Burner
- (F) Temperature Control
- (C) Center Burner
- (G) Features Control
- (D) Rear Right Burner

CLOCK AND TIMER

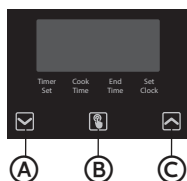
Your model has a digital display, 12-hour clock with three Control buttons.

IMPORTANT: In the event of a power failure, all settings including the time display will be lost. When the power is returned, the bar above Timer Set and 12:00 will be displayed.

TIME OF DAY

When the power is connected, the screen displays 12:00 and the bar above “Set Clock.”

To set the correct time, press the up arrow or down arrow until the correct time is displayed. After 5 seconds, the clock will start automatically, or you can press the function button to select manual operation.



(A) Decrease Time

(B) Function

(C) Increase Time

SET THE TIMER

The digital countdown timer can be set up to 23 hours and 59 minutes maximum.

To set the timer, press the function button repeatedly until the bar above Timer Set is displayed. Once the function button is released, the current time is displayed and the bar above Timer Set flashes. When the function button is pressed the remaining time is displayed. When the set time is reached, Timer Set disappears and the alarm will ring. To stop the alarm, press any button.

NOTE: After pressing the function button, you must set the timer within 5 seconds.

TIMED COOKING

⚠ WARNING

Food Poisoning Hazard

Do not let food sit in oven more than one hour before or after cooking.
Doing so can result in food poisoning or sickness.

Timed Cooking allows the oven to be set to turn on at a certain time of day, cook for a set length of time, and/or shut off automatically. Delay start should not be used for food such as breads and cakes because they may not bake properly.

NOTE: Before setting, make sure the clock is set to the correct time of day. See “To Set the Time of Day” earlier in this section.

1. Press the function button repeatedly until the bar above Cook Time flashes and then press the up arrow or down arrow to set the time frame for baking.
2. Press the function button repeatedly until the bar above End Time flashes and then press the up arrow or down arrow to set the time to turn off the oven.
3. Set the cooking temperature and cooking mode by turning the Thermostat knob and the Selector knob.
4. After following these steps, the bars above Cook Time and End Time will flash, indicating that the automatic cooking feature of the oven is set.

For example: If cooking time takes 45 minutes and you want to finish cooking at 6:00.

1. Press the function button repeatedly until the bar above Cook Time flashes and set the cooking time 45 minutes.
2. Press the function button repeatedly until the bar above End Time flashes and set the finish time to 6:00.


After the above setting, the current time is displayed and the bars above Cook Time and End Time will flash indicating that the automatic cooking feature is set. When the clock displays 5:15, the oven will start cooking automatically, and the Cook Time bar will flash.

COOKTOP USE

Read the instructions before installing or using this appliance.

1. This appliance shall be installed in accordance with the regulations in force and only used in a well-ventilated space.
2. The use of a gas-cooking appliance results in the production of heat and moisture in the room in which it is installed. Ensure that the kitchen is well ventilated: keep natural ventilation holes open or install a mechanical ventilation device (mechanical extractor hood).
3. Prolonged intensive use of the appliance may call for additional ventilation, for example opening of a window, or more effective ventilation, for example increasing the level of mechanical ventilation where present.

IGNITION AND OPERATION OF THE BURNERS

In order to ignite a burner, push down on the knob while rotating it counterclockwise, until the knob indicator is aligned with the ignite icon .

For models with a safety valve - Once the flame is lit, hold the knob depressed for about 3-4 seconds until the device keeps the burner automatically lit. If the burner fails to ignite, wait one minute for the gas to dissipate before attempting to reignite. Adjust the flame intensity by rotating the knob counterclockwise from MAX (maximum) to MIN (minimum).

To turn off the burner, rotate the knob clockwise until the indicator on the knob is aligned with OFF.

POWER FAILURE

In case of prolonged power failure, the surface burners can be lit manually. Hold a lit match near a burner and turn knob counterclockwise until the indicator is aligned with MAX. After the burner is lit, turn knob to desired setting.

In the case of unintentional flame extinguishing, the safety valve intervenes by shutting off the gas to the burners.

The electric igniter must not be actuated for longer than 15 seconds. Should the burner not light, or should the burner be unintentionally turned off, immediately close the burner, and wait at least 1 minute before repeating. Once ignited, adjust the flame as desired.

For lower gas consumption and a better result, use saucepans with a diameter matching the diameter of the burner, to avoid the flame coming up around the sides of the saucepan. See the Container Table. Use only flat-bottomed pans.

As soon as liquid starts to boil, turn the flame down to a level sufficient to maintain boiling.

COOKWARE

MATCH PAN DIAMETER TO FLAME SIZE

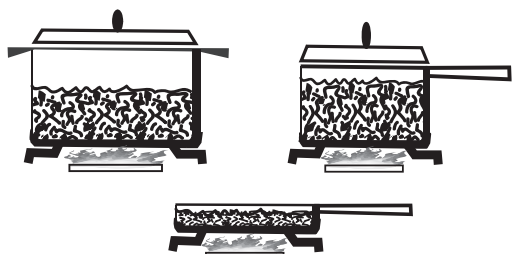
The flame should be the same size as the bottom of the pan or smaller. Do not use small pans with high flame settings as the flames can lick up the sides of the pan. Oversize pans that span two burners are placed front to rear, not side to side.

USE BALANCED PANS

Pans must sit level on the cooktop grate without rocking. Center the pan over the burner.

USE A LID THAT FITS PROPERLY

A well-fitting lid helps shorten the cooking time. Flat, heavy bottom pans provide even heat and stability.



BALANCED PAN



CONCAVE
(HOLLOW)



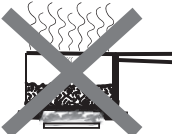
CONVEX
(ROUNDED)



UNBALANCED PAN



FLAME TOO LARGE
FOR PAN SIZE



USE LIDS THAT
FIT PROPERLY

CONTAINER TABLE

Burner	Min Saucepan	Max Saucepan
Auxiliary	3.5" (9.0 cm)	6.3" (16 cm)
Semi-rapid	5.1" (13 cm)	7.1" (18 cm)
Rapid	5.9" (15 cm)	10.2" (26 cm)
Triple ring	8.3" (21 cm)	10.2" (26 cm)

OVEN USE

COOKING WITH THE GAS OVEN

BAKING AND ROASTING

This oven features a gas burner located under the oven cavity which provides evenly distributed heat from the bottom of the oven. The heat rises naturally to bake food evenly.

The heated air circulating naturally, cooks meats to a flavorful, crispiness outside while keeping the inside tender and juicy.

BROILING

This oven features a gas burner located at the top of the oven cavity which provides evenly distributed heat from the top of the oven.

The broil burner will remain on until the Oven Control knob is turned to the off position.

TEMPERATURE CONTROL

The Temperature knob is used to select either the Bake or Broil Oven Mode.

BAKE

- Push in on the Temperature knob, and then turn the knob counterclockwise to automatically ignite the bake burner. Continue turning the knob to select the required cooking temperature, between MIN (150°F) and MAX.

Oven Control Display

- Illuminates when the oven is preheating.
- Turns off when the selected cooking temperature has been reached.

BROIL

- Push in on the Temperature control knob, and then turn the knob clockwise to automatically ignite the broil burner.

NOTE: The broil burner will remain on until the Temperature control is returned to the OFF position.

FEATURES CONTROL

Light

The oven cavity light turns ON automatically, when the Bake or Broil function is selected, and remains on during operation.

Conv (Convection) Fan

During convection cooking, the fan provides hot air circulation throughout the oven. The movement of heated air around the food can help to speed up cooking by penetrating the cooler outer surfaces. Food cooks more evenly, browning and crisping outer surfaces while sealing moisture inside.

During convection cooking, the bake and broil elements, and the fan operate to heat the oven cavity. If the oven door is opened during convection cooking or preheating, the fan turns off immediately and the element(s) will turn off after 30 seconds. Once the door is closed, the element(s) will turn back on.

NOTE: The convection fan may be turned on and off at any time

OVEN TIPS AND TECHNIQUES

Baking is cooking with heated air. The lower bake burner is on which heats the air in the oven cavity, baking the food with naturally circulating hot air currents.

Follow the recipe or convenience food directions for baking temperature, time and rack position. Baking time will vary with the temperature of ingredients and the size, shape and finish of the baking utensil.

General Guidelines

- For best results, bake food on a single rack with at least 1" - 1 ½" (2,5 - 3 cm) space between utensils and oven walls.
- Use one rack when selecting the bake mode.
- Check for doneness at the minimum time.
- Use metal bake ware (with or without a non stick finish), heatproof glass, glass-ceramic, pottery or other utensils suitable for the oven.
- When using heatproof glass, reduce temperature by 25°F (15°C) from recommended temperature.
- Use baking sheets with or without sides or jelly roll pans.
- Dark metal pans or nonstick coatings will cook faster with more browning. Insulated bake ware will slightly lengthen the cooking time for most foods.
- Do not use aluminum foil or disposable aluminum trays to line any part of the oven. Foil is an excellent heat insulator and heat will be trapped beneath it. This will alter the cooking performance and can damage the finish of the oven.
- Avoid using the opened door as a shelf to place pans.
- See Troubleshooting for tips to Solving Baking and Roasting Problems.

BAKE CHART

FOOD ITEM	RACK POSITION	TEMP. °F (°C) (PREHEATED OVEN)	TIME (MIN)
Cake			
Cupcakes	2	350 (175)	19-22
Bundt Cake	1	350 (175)	40-45
Angel Food	1	350 (175)	35-39
Pie			
2 crust, fresh, 9"	2	375-400 (190-205)	45-50
2 crust, frozen fruit, 9"	2	375 (190)	68-78
Cookies			
Sugar	2	350-375 (175-190)	8-10
Chocolate Chip	2	350-375 (175-190)	8-13
Brownies	2	350 (175)	29-36
Breads			
Yeast bread loaf, 9x5	2	375 (190)	18-22
Yeast rolls	2	375-400 (190-205)	12-15
Biscuits	2	375-400 (190-205)	7-9
Muffins	2	425 (220)	15-19
Pizza			
Frozen	2	400-450 (205-235)	23-26
Fresh	2	475 (246)	15-18

- See Troubleshooting for tips to Solving Baking and Roasting Problems.

ROAST CHART

Roast should typically be 20 minutes per pound at 350°F (175°C).

MEATS	WEIGHT (lb)	OVEN TEMP. °F (°C)	RACK POSITION	TIME (min. per lb)	INTERNAL TEMP. °F (°C)
Beef					
Rib Roast	4-6	325 (160)	2	16-20 18-22	145 (63) medium rare 160 (71) medium
Rib Eye Roast, (boneless)	4-6	325 (160)	2	16-20 18-22	145 (63) medium rare 160 (71) medium
Rump, Eye, Tip, Sirloin (boneless)	3-6	325 (160)	2	16-20 18-22	145 (63) medium rare 160 (71) medium
Tenderloin Roast	2-3	400 (205)	2	15-20	145 (63) medium rare

MEATS	WEIGHT (lb)	OVEN TEMP. °F (°C)	RACK POSITION	TIME (min. per lb)	INTERNAL TEMP. °F (°C)
Pork					
Loin Roast (boneless or bone-in)	5-8	350 (175)	2	16-20	160 (71) medium
Shoulder	3-6	350 (175)	2	20-25	160 (71) medium
Poultry					
Chicken whole	3-4	375 (190)	2	18-21	180 (82)
Turkey, not stuffed	12-15	325 (160)	1	10-14	180 (82)
Turkey, not stuffed	16-20	325 (160)	1	9-11	180 (82)
Turkey, not stuffed	21-25	325 (160)	1	6-10	180 (82)
Turkey Breast	3-8	325 (160)	1	15-20	170 (77)
Cornish Hen	1-1 ½	350 (175)	2	45-75 total	180 (82)
Lamb					
Half Leg	3-4	325 (160)	2	22-27	160 (71) medium
Whole Leg	6-8	325 (160)	1	28-33	170 (77) well
				22-27	160 (71) medium
				28-33	170 (77) well

BROIL CHART

FOOD AND THICKNESS	RACK POSITION	INTERNAL TEMP. °F (°C)	TIME SIDE 1 (MIN.)*	TIME SIDE 2 (MIN.)*
Beef				
Steak (1-½" or more)				
Medium rare	4	145 (65)	9-12	8-10
Medium	4	160 (71)	11-13	10-12
Well	4	170 (77)	18-20	16-17
Hamburgers (more than 1")				
Medium	4	160 (71)	8-11	5-7
Well	4	170 (77)	11-13	8-10
Poultry				
Chicken Quarters	4	180 (82)	16-18	10-13
Chicken Halves	3	180 (82)	25-27	15-18
Chicken Breasts	4	170 (77)	13-15	9-13
Pork				
Pork Chops (1¼" or more)	4	160 (71)	12-14	11-13
Sausage - fresh	4	160 (71)	4-6	3-5

RANGE CARE

CLEANING

IMPORTANT: Before cleaning, make sure all controls are off and the oven and cooktop are cool. Always follow label instructions on cleaning products. Soap, water and a soft cloth or sponge are suggested first unless otherwise noted. Do not use abrasive cleaning products.

EXTERIOR PORCELAIN ENAMEL SURFACES

Food spills containing acids, such as vinegar and tomato, should be cleaned as soon as the entire appliance is cool. These spills may affect the finish.

Cleaning Method:

Glass cleaner, mild liquid cleaner or nonabrasive scrubbing pad: Gently clean around the model and serial number plate because scrubbing may remove numbers.

EXTERIOR STAINLESS STEEL

NOTE: Do not use soap-filled scouring pads, abrasive cleaners, Cooktop Polishing Cream, steel-wool pads, gritty washcloths or some paper towels. Damage may occur, even with one-time or limited use.

Rub in direction of grain to avoid damaging.

Cleaning Methods:

Liquid detergent or all-purpose cleaner: Rinse well with clean water and dry with soft, lint-free cloth.

Stainless Steel Cleaner and Polish

Vinegar for hard water spots

OVEN DOOR EXTERIOR

Cleaning Method:

Glass cleaner and paper towels or nonabrasive plastic scrubbing pad: Apply glass cleaner to soft cloth or sponge, not directly on panel.

PORCELAIN-COATED GRATES AND CAPS

- Clean as soon as cooktop, grates and caps are cool.
- Food spills containing acids, such as vinegar and tomato, should be cleaned as soon as the cooktop grates and caps are cool. These spills may affect the finish.
- To avoid chipping, do not bang grates and caps against each other or hard surfaces such as cast iron cookware.
- Do not reassemble caps on burners while wet.

Cleaning Method:

Nonabrasive plastic scrubbing pad and mildly abrasive cleanser

BURNER SPREADER

Wash the burner spreader frequently with boiling water and detergent to remove any deposits which could block the flame outlet.

Before reinstalling, dry the burner spreader thoroughly so the burner will ignite properly.

COOKTOP CONTROL KNOBS

- Pull knobs straight away from control panel to remove.
- When replacing knobs, make sure knobs are in the Off position.

Cleaning Method:

Soap and water or dishwasher:

NOTE: Do not use steel wool, abrasive cleansers or oven cleaner. Do not soak knobs.

CONTROL PANEL

Cleaning Method:

Glass cleaner and soft cloth or sponge: Apply glass cleaner to soft cloth or sponge, not directly on panel.

NOTE: Do not use abrasive cleaners, steel-wool pads, gritty washcloths or some paper towels. Damage may occur.

OVEN CAVITY

Food spills should be cleaned when oven cools. At high temperatures, foods react with porcelain, so staining, etching, pitting or faint white spots can result.

Cleaning Method:

Mild detergent and warm water.

NOTE: Do not use oven cleaners.

OVEN RACKS AND ROASTING RACKS

Cleaning Method:

Steel-wool pad

BROILER PAN

Cleaning Method:

Mildly abrasive cleanser: Scrub with wet scouring pad.

Solution of ½ cup (125 mL) ammonia to 1 gal. (3.75 L) water: Soak for 20 minutes, and then scrub with scouring or steel-wool pad.

Oven cleaner: Follow product label instructions. Porcelain enamel only, not chrome Dishwasher

ENGLISH

TROUBLESHOOTING

First try the solutions suggested here to possibly avoid the cost of a service call.

BAKING AND ROASTING PROBLEMS

With any oven setting poor results can occur for many reasons other than a malfunction of the oven. Check the chart below for causes of the most common problems. Since the size, shape and material of baking utensils directly affect the baking results, the best solution may be to replace old baking utensils that have darkened and warped with age and use.

Baking Problem	Cause
Food browns unevenly	<ul style="list-style-type: none">• Oven not preheated• Aluminum foil on oven rack or oven bottom• Baking utensil too large for recipe• Pans touching each other or oven walls
Food too brown on bottom	<ul style="list-style-type: none">• Oven not preheated• Using glass, dull or darkened metal pans• Incorrect rack position• Pans touching each other or oven walls
Food is dry or has shrunk excessively	<ul style="list-style-type: none">• Oven temperature too high• Baking time too long• Oven door opened frequently• Pan size too large
Food is baking or roasting too slowly	<ul style="list-style-type: none">• Oven temperature too low• Oven not preheated• Oven door opened frequently• Tightly sealed with aluminum foil• Pan size too small
Pie crusts do not brown on bottom or crust is soggy	<ul style="list-style-type: none">• Baking time not long enough• Using shiny steel pans• Incorrect rack position• Oven temperature is too low
Cakes pale, flat and may not be done inside	<ul style="list-style-type: none">• Oven temperature too low• Incorrect baking time• Cake tested too soon• Oven door opened too often• Pan size may be too large

Cakes high in middle with crack on top	<ul style="list-style-type: none"> • Oven temperature too high • Baking time too long • Pans touching each other or oven walls • Incorrect rack position • Pan size too small
Pie crust edges too brown	<ul style="list-style-type: none"> • Oven temperature too high • Edges of crust too thin

COOKTOP

PROBLEM	POSSIBLE CAUSE	SOLUTION
Burner will not ignite	There is no power to the cooktop	Plug into a grounded 3 prong outlet. Replace fuse or reset circuit breaker.
Burner will not operate	First time use. Air still in the gas line.	Turn on any one of the surface burner knobs to release air from the gas lines.
	Control knob is not set correctly.	Push in knob before turning to a setting.
	The burner port is clogged.	Clean burner port opening using a stiff, nylon toothbrush or a straightened paper clip.
Burner Flames are uneven, yellow and/or noisy	Burner port(s) are clogged.	Clean burner port opening using a stiff, nylon toothbrush or a straightened paper clip.
	Burner caps are not positioned properly.	Place burner caps so that the alignment pins are properly aligned with the slots.
	Propane gas is being used.	The range should be converted to LP gas by a qualified technician.
Burner flame is too high or too low	Cooktop gas supply is not correct.	Ensure the range is set for the correct gas type. It is factory set for natural gas. If connected to LP gas the burners should be converted to LP gas with the orifice/injector kit supplied and the pressure regulator converted to the LP gas setting by a qualified technician.
	The gas pressure is not correct.	Make sure the pressure regulator is installed correctly and the gas line pressure is correct. See Installation Instructions.
Burner makes popping noises	The burner is wet.	Allow the burner to dry before using.
	The burner cap and/or gas spreader is not positioned correctly.	Place burner caps so that the alignment pins are properly aligned with the slots.
Excessive heat around cookware on cooktop	The cookware is not the proper size for the burner.	Use cookware with a bottom surface approximately the same size as the cooking area and burner. Cookware should not extend more than 1" (2.5 cm) outside the cooking area. Adjust the flame so that it does not come up around the cookware.

Cooking results are not what expected	Using incorrect cookware	See the "Cookware" section.
	The control knob is not set to the proper heat level.	See the "Controls" section.

OVEN

PROBLEM	POSSIBLE CAUSE	SOLUTION
Oven is not heating	No power to the oven	Reset the circuit breaker or replace the fuse in the electrical box to your oven.
	Oven control not turned on	Make sure the oven temperature has been selected.
Oven is not cooking evenly	Not using the correct bake ware or oven rack position	Refer to cook charts for recommended rack position. Always reduce recipe temperature by 25 °F (15 °C) when baking with Convention Bake mode.
Oven display stays Off.	Power interruption	Turn off power at the main power supply (fuse or breaker box). Turn breaker back on. If condition persists, call for service.
Cooling fan continues to run after oven is turned off	The electronic components have not yet cooled sufficiently	The fan will turn off automatically when the electronic components have cooled sufficiently.
Oven light is not working properly	Light bulb loose or burned-out.	Reinsert or replace the light bulb. Touching the bulb with fingers may cause the bulb to burn out.
Oven light stays on	Door is not closing completely	Check for obstruction in oven door. Check to see if hinge is bent or door switch broken.
Cannot remove lens cover	Soil build-up around the lens cover.	Wipe lens cover area with a clean, dry towel prior to attempting to remove the lens cover.
Clock and timer are not working properly	No power to the oven	Reset the circuit breaker or replace the fuse in the electrical box to your oven.
Excessive Moisture		When using bake mode, preheat the oven first. Convection Bake and Convection Roast will eliminate any moisture in the oven.
Porcelain Chips	Porcelain interior is bumped by oven racks	When removing and replacing oven racks, always tilt racks upward and do not force them to avoid chipping the porcelain.

FOR MORE HELP, VISIT HAIERAMERICA.COM OR CALL THE CONSUMER HELP LINE AT 1-877-337-3639.

LIMITED WARRANTY

IN-HOME SERVICE

FULL TWO YEAR WARRANTY

For 24 months from the date of original retail purchase, Haier will repair or replace any part free of charge including labor that fails due to a defect in materials or workmanship.

Haier may replace or repair at their sole discretion any part, sub system including the entire product.

Product must be accessible, without encumbrance and installed properly to receive for warranty repair service.

LIMITED WARRANTY

NOTE: This warranty commences on the date the item was purchased, and the original purchase receipt must be presented to the authorized service representative before warranty repairs are rendered.

Exceptions: Commercial Use Warranty

90 days labor from date of original purchase

90 days parts from date of original purchase

No other warranty applies.

FOR WARRANTY SERVICE

All service must be performed by a Haier authorized service center. For the name and telephone number of the nearest authorized service center, please call 1-877-337-3639.

Before calling please have available the following information:

Model number and serial number of your appliance. The name and address of the dealer you purchased the unit from and the date of purchase.

A clear description of the problem.

A proof of purchase (sales receipt).

This warranty covers home appliance services within the contiguous United States and Canada and where available in Alaska, Hawaii and Puerto Rico.

What is not covered by this warranty:

Replacement or repair of household fuses, circuit breakers, wiring or plumbing.

A product whose original serial number has been removed or altered.

Any service charges not specifically identified as normal such as normal service area or hours.

Replacement of light bulbs.

Damage to clothing.

Damage incurred in shipping.

Damage caused by improper installation or maintenance.

Damage from misuse, abuse accident, fire, flood, or acts of nature.

Damage from service other than an authorized Haier dealer or service center.

Damage from incorrect electrical current, voltage or supply.

Damage resulting from any product modification, alteration or adjustment not authorized by Haier.

Adjustment of consumer operated controls as identified in the owner's manual.

Hoses, knobs, lint trays and all attachments, accessories and disposable parts.

Labor, service transportation, and shipping charges for the removal and replacement of defective parts beyond the initial 24-month period.

Damage from other than normal household use.

Any transportation and shipping charges.

THIS LIMITED WARRANTY IS GIVEN IN LIEU OF ALL OTHER WARRANTIES, EXPRESS ED OR IMPLIED, INCLUDING BUT NOT LIMITED TO, THE WARRANTIES OF MERCHANTABILITY AND FITNESS FOR A PARTICULAR PURPOSE

The remedy provided in this warranty is exclusive and is granted in lieu of all other remedies.

This warranty does not cover incidental or consequential damages, so the above limitations may not apply to you. Some states do not allow limitations on how long an implied warranty lasts, so the above limitations may not apply to you.

This warranty gives you specific legal rights, and you may have other rights, which vary from state to state.

Haier America
Wayne, NJ 07470

TABLE DES MATIÈRES

SÉCURITÉ DE LA CUISINIÈRE	25
La bride antibasculement	27
PIÈCES ET CARACTÉRISTIQUES	32
TABLEAU DE COMMANDE	34
Horloge et minuterie	34
Cuisson minutée	35
UTILISATION DE LA TABLE DE CUISSON	36
Panne de courant	37
Ustensiles de cuisine	37
UTILISATION DU FOUR	39
Cuisson avec le four à gaz	39
Conseils et technique du four	40
ENTRETIEN DU FOUR	43
Nettoyage	43
DÉPANNAGE	46
Problèmes concernant la cuisson et le rôtissage	46
Tables de cuisson	47
Four	48
GARANTIE LIMITÉE	50

DOCUMENTS À CONSERVER

Merci d'avoir acheté ce produit Haier.
Ce manuel d'utilisation vous aidera
à obtenir la meilleure performance
possible de votre nouvelle cuisinière.

Pour référence ultérieure, inscrire le
numéro de plaque signalétique situé
sur le cadre à l'intérieur du la cuisinière,
et la date d'achat.

Pour faciliter l'obtention d'un service
sous garantie, agrafez la preuve de la
date d'achat à ce manuel.

Numéro de modèle

Numéro de série

Date d'achat

Votre sécurité et celle des autres est très importante.

Nous donnons de nombreux messages de sécurité importants dans ce manuel et sur votre appareil ménager. Assurez-vous de toujours lire tous les messages de sécurité et de vous y conformer.



Voici le symbole d'alerte de sécurité.

Ce symbole d'alerte de sécurité vous signale les dangers potentiels de décès et de blessures graves à vous et à d'autres. Tous les messages de sécurité suivront le symbole d'alerte de sécurité et le mot "DANGER", "AVERTISSEMENT" ou "ATTENTION".

Ces mots signifient :

⚠ DANGER

Une situation de danger imminent. Vous courez le risque d'un décès ou de blessures graves si vous ne suivez pas immédiatement les instructions.

⚠ AVERTISSEMENT

Une situation potentiellement dangereuse qui, si vous ne l'évitez pas, peut provoquer la mort ou des blessures graves.

⚠ ATTENTION

Une situation potentiellement dangereuse qui, si vous ne l'évitez pas, peut entraîner des blessures légères à modérées.

Tous les messages de sécurité vous diront quel est le danger potentiel et comment réduire le risque de blessure et ce qui peut se produire en cas de non-respect des instructions.

⚠ AVERTISSEMENT



Risque d'incendie

Si les informations figurant dans ce manuel ne sont pas suivies à la lettre, il peut en résulter un incendie ou une explosion pouvant causer des dégâts matériels, des blessures, voire un décès.

- Ne pas ranger et utiliser d'essence ou d'autres vapeurs et liquides inflammables à proximité de cet appareil ou d'un autre appareil.
- QUE FAIRE SI VOUS SENTEZ UNE ODEUR DE GAZ
 - Ne pas essayer d'allumer un appareil.
 - Ne pas toucher d'interrupteur électrique.
 - Ne pas utiliser de téléphone dans votre bâtiment.
 - Faire évacuer tous les occupants de la pièce, du bâtiment ou de la zone concernée.
 - Appeler immédiatement votre fournisseur de gaz depuis chez un voisin. Suivre les instructions de votre fournisseur de gaz.
 - Si le fournisseur de gaz ne peut être rejoint, appeler les pompiers.
- L'installation et la maintenance doivent être confiées à un installateur qualifié, à un réparateur agréé ou au fournisseur de gaz.

⚠ AVERTISSEMENT



Risque de basculement

Un enfant ou une personne adulte peut faire basculer la cuisinière ce qui peut causer un décès.

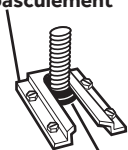
Joindre la bride antibasculement au pied arrière de la cuisinière.

Joindre de nouveau la bride antibasculement si la cuisinière est déplacée.

Voir détails dans les instructions d'installation.

Le non-respect de ces instructions peut causer un décès ou des brûlures graves aux enfants et aux adultes.

La bride antibasculement



Le pied de la cuisinière

Assurez-vous qu'une bride antibasculement est installée :

- Glisser la cuisinière vers l'avant.
- Vérifier que la bride antibasculement est bien fixée au plancher.
- Glisser de nouveau la cuisinière vers l'arrière de sorte que le pied est sous la bride antibasculement.

IMPORTANTES INSTRUCTIONS DE SÉCURITÉ

AVERTISSEMENT : Afin de réduire le risque d'incendie, de choc électrique, de blessures corporelles ou de dommage lors de l'utilisation de la cuisinière, il convient d'observer certaines précautions fondamentales, notamment :

- **AVERTISSEMENT :** POUR MINIMISER LE RISQUE DE BASCULEMENT DE LA CUISINIÈRE, ELLE DOIT ÊTRE BIEN IMMOBILISÉE PAR DES DISPOSITIFS ANTIBASCULEMENT CORRECTEMENT INSTALLÉS. POUR VÉRIFIER SI LES DISPOSITIFS SONT CORRECTEMENT INSTALLÉS, FAIRE GLISSER LA CUISINIÈRE COMPLÈTEMENT VERS L'AVANT, VÉRIFIER SI LA BRIDE ANTIBASCULEMENT EST BIEN FIXÉE AU MUR SITUÉ DERRIÈRE LA CUISINIÈRE, ET FAIRE GLISSER LA CUISINIÈRE COMPLÈTEMENT VERS L'ARRIÈRE JUSQU'À CE QUE L'ENTRETOISE ARRIÈRE DE LA CUISINIÈRE SE TROUVE SOUS LA BRIDE ANTIBASCULEMENT.
- **AVERTISSEMENT :** NE JAMAIS utiliser cet appareil comme dispositif de chauffage de la pièce. Le nonrespect de cette instruction peut entraîner une intoxication au monoxyde de carbone et une surchauffe du four.
- **AVERTISSEMENT :** NE JAMAIS couvrir les fentes, trous ou passages d'air au fond du four ou couvrir entièrement une grille avec des matériaux tels que du papier d'aluminium. Le non-respect de cette instruction empêche la circulation de l'air dans le four et peut entraîner une intoxication au monoxyde de carbone. Les feuilles de papier d'aluminium peuvent également retenir la chaleur et créer un risque d'incendie.
- **MISE EN GARDE :** Ne pas remettre dans des armoires au-dessus de la cuisinière ou sur le dossier d'une cuisinière, des objets que des enfants pourraient vouloir atteindre. Les enfants pourraient se brûler ou se blesser en grimpant sur la cuisinière.
- Ne pas laisser les enfants seuls – Les enfants ne doivent pas être laissés seuls ou sans surveillance dans la pièce où la cuisinière est en service. Ne jamais laisser les enfants s'asseoir ou se tenir sur une partie quelconque de la cuisinière.
- Porter des vêtements appropriés – Des vêtements amples ou détachés ne doivent jamais être portés pendant l'utilisation de la cuisinière.

IMPORTANTES INSTRUCTIONS DE SÉCURITÉ

- Entretien par l'utilisateur – Ne pas réparer ni remplacer toute pièce de la cuisinière si ce n'est pas spécifiquement recommandé dans le manuel. Toute autre opération d'entretien ou de réparation doit être confiée à un technicien qualifié.
- Remisage dans ou sur la cuisinière – Des matériaux inflammables ne doivent pas être remisés dans un four ou près des éléments de surface.
- Ne pas utiliser d'eau pour éteindre un feu de graisse – Éteuffer le feu ou les flammes ou utiliser un extincteur à produits chimiques secs, ou un extincteur à mousse.
- N'utiliser que des mitaines de four sèches – Des mitaines de four mouillées ou humides sur des surfaces chaudes peuvent provoquer des brûlures provenant de la vapeur. Ne pas laisser les mitaines de four toucher les éléments chauffants. Ne pas utiliser une serviette ou un tissu épais.
- NE PAS TOUCHER LES ÉLÉMENTS DE SURFACE OU L'ESPACE PRÈS DES ÉLÉMENTS – Les éléments de surface peuvent être chauds même lorsqu'ils ont une teinte foncée. Les endroits près des éléments de surface peuvent devenir assez chauds pour causer des brûlures. Pendant et après l'utilisation, ne pas toucher les éléments chauffants et ne pas laisser les vêtements ou autres matériaux inflammables entrer en contact avec ces éléments de surface ou les endroits près des éléments, avant qu'ils aient suffisamment refroidi. Ces endroits comprennent la table de cuisson et les surfaces près de la table de la cuisson.
- Ne jamais laisser les éléments de la table de cuisson sans surveillance alors qu'ils chauffent à la puissance maximale. Il pourrait en résulter une ébullition qui cause de la fumée et des renversements de corps gras qui peuvent s'enflammer.
- Ustensiles de cuisson vitrifiés – Seulement certains types d'ustensiles de verre, vitrocéramique, céramique, faïence ou autres surfaces vitrifiées conviennent pour le service sur une table de cuisson, sans bris attribuables aux changements soudains de température.

IMPORTANTES INSTRUCTIONS DE SÉCURITÉ

- Les poignées des ustensiles doivent être tournées vers l'intérieur et non vers le dessus des éléments adjacents – Pour réduire le risque de brûlures, d'inflammation de produits inflammables et de renversements dus à l'entrechoquement non intentionnel des ustensiles, la poignée d'un ustensile doit être positionnée de sorte qu'elle soit tournée vers l'intérieur et non au-dessus des éléments de surface adjacents.
- Nettoyer la table de cuisson avec prudence – Si une éponge ou un chiffon mouillé est utilisé pour essuyer les renversements sur une surface de cuisson chaude, éviter les brûlures causées par la vapeur chaude. Certains nettoyants peuvent produire des émanations nocives lorsqu'ils sont utilisés sur une surface chaude.
- Exercer une grande prudence lors de l'ouverture de la porte – Laisser l'air chaud ou la vapeur s'échapper avant d'enlever ou de replacer un plat.
- Ne pas faire chauffer des contenants fermés – L'accumulation de pression peut causer une explosion du contenant et des blessures.
- Ne jamais obstruer les ouvertures des événements.
- Positionnement des grilles du four – Toujours placer les grilles du four à la position désirée pendant que le four est froid. Si la grille doit être déplacée pendant que le four est chaud, ne pas laisser les mitaines de four toucher l'élément chaud du four.
- **NE PAS TOUCHER LES ÉLÉMENTS CHAUFFANTS OU LES SURFACES INTÉRIEURES DU FOUR** – Les éléments chauffants peuvent être chauds même s'ils ont une teinte foncée. Les surfaces intérieures d'un four deviennent assez chaudes pour causer des brûlures. Pendant et après l'utilisation, ne pas toucher ou laisser des vêtements ou autres matériaux inflammables venir en contact avec les éléments chauds ou les surfaces intérieures chaudes du four avant qu'ils aient eu assez de temps pour refroidir. D'autres surfaces de l'appareil peuvent devenir assez chaudes pour causer des brûlures. Ces surfaces comprennent les ouvertures de l'évent du four et les surfaces près de ces ouvertures, les portes du four, et les hublots des portes du four.

IMPORTANTES INSTRUCTIONS DE SÉCURITÉ

- Installation correcte – Une fois installée, la cuisinière doit être reliée à la terre conformément aux codes locaux, ou en l'absence de codes locaux, au *National Electrical Code ANSI/NFPA 70*. Au Canada, la cuisinière doit être reliée à la terre conformément au Code canadien des installations électriques. Be sure the range is properly installed and grounded by a qualified technician.
- Déconnecter la source de courant électrique avant d'intervenir sur l'appareil.
- Des blessures peuvent résulter d'un mauvais usage des portes ou tiroirs de l'appareil – par exemple marcher, s'appuyer ou s'asseoir sur les portes ou tiroirs.
- Entretien – Maintenir la zone de la cuisinière à l'abri des matériaux combustibles, essence ou autres vapeurs ou liquides inflammables.
- La taille de la flamme du brûleur supérieur doit être ajustée de façon à ne pas dépasser du bord de l'ustensile de cuisson.

Pour les cuisinières avec programme d'autonettoyage –

- Ne pas nettoyer le joint de la porte – Le joint de la porte est essentiel pour l'étanchéité. Veiller à ne pas frotter, endommager ou déplacer le joint.
- Ne pas utiliser des produits commerciaux de nettoyage du four – On ne doit pas utiliser un produit commercial de nettoyage de four ou un enduit de protection des surfaces internes du four quel qu'en soit le type, sur les surfaces du four ou les surfaces voisines.
- Nettoyer uniquement les pièces indiquées dans le manuel.

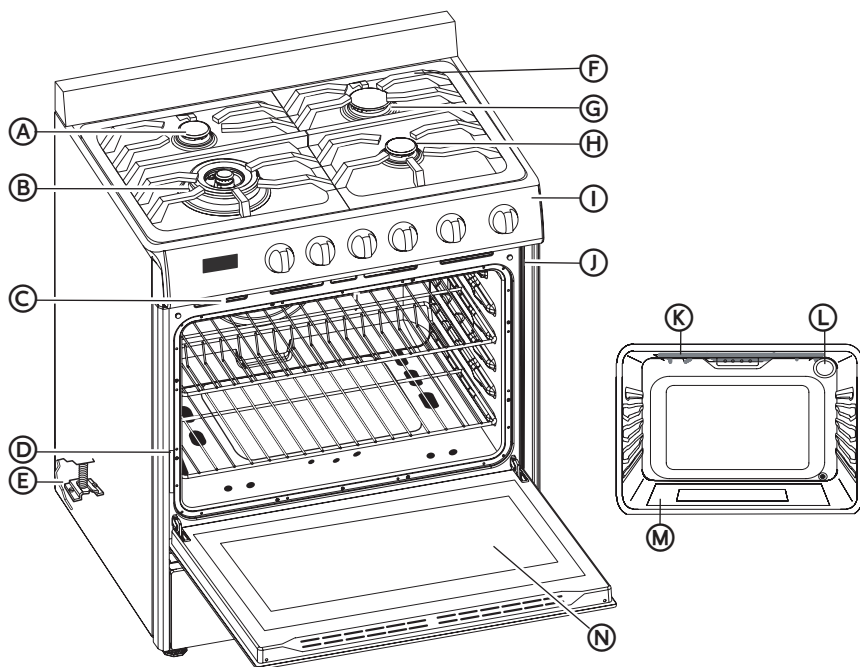
Pour les appareils avec hotte de ventilation –

- Nettoyer les hottes de ventilation fréquemment – La graisse ne doit pas s'accumuler sur la hotte ou le filtre.
- Lorsque vous flambez des aliments sous la hotte, mettre le ventilateur en marche.

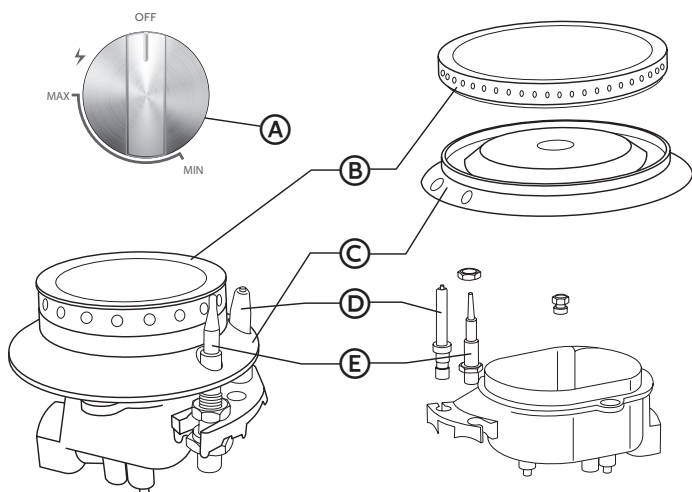
LIRE ET CONSERVER CES INSTRUCTIONS

PIÈCES ET CARACTÉRISTIQUES

Ce manuel couvre plusieurs modèles différents. La cuisinière que vous avez achetée peut comporter l'ensemble des articles énumérés ou seulement certains d'entre eux. L'emplacement et l'apparence des caractéristiques illustrées peuvent ne pas correspondre à ceux de votre modèle.



- (A) Brûleur de surface arrière gauche
- (B) Brûleur de surface avant gauche
- (C) Conduit d'évacuation du four
- (D) Plaque signalétique des numéros de modèle et de série
- (E) Bride antibasculement
- (F) Grille
- (G) Brûleur de surface arrière droit
- (H) Brûleur de surface avant droit
- (I) Tableau de commande
- (J) Joint d'étanchéité de la porte
- (K) Brûleur de cuisson au gril
- (L) Lampe du four
- (M) Brûleur inférieur (non visible)
- (N) Hublot de la porte du four



Ⓐ Bouton de commande sur la position Off (arrêt)

Ⓑ Chapeau de brûleur

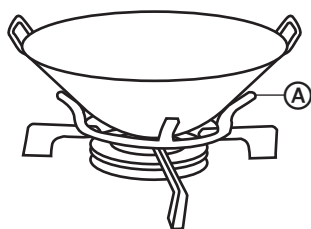
Ⓒ Tête de brûleur

Ⓓ Électrode

Ⓔ Détecteur de flamme (sur certains modèles)

Accessoire

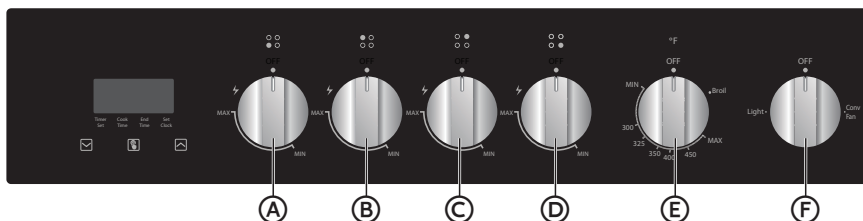
Le wok à fond plat et le wok à fond arrondi soutenus par le cerclage de wok (fourni) peuvent être utilisés avec tous les modèles.



Ⓐ Anneau de Wok

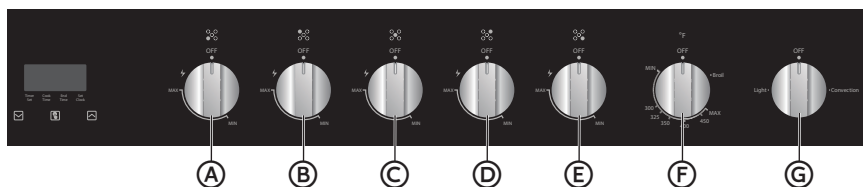
TABLEAU DE COMMANDE

MODÈLES DE 24"



- Ⓐ Brûleur avant gauche
- Ⓑ Brûleur arrière gauche
- Ⓒ Brûleur arrière droit
- Ⓓ Brûleur avant droit
- Ⓔ Bouton de commande de la température
- Ⓕ Commande des fonctions

MODÈLES DE 36"



- Ⓐ Brûleur avant gauche
- Ⓑ Brûleur arrière gauche
- Ⓒ Brûleur central
- Ⓓ Brûleur arrière droit
- Ⓔ Brûleur avant droit
- Ⓕ Bouton de commande de la température
- Ⓖ Commande des fonctions

HORLOGE ET MINUTERIE

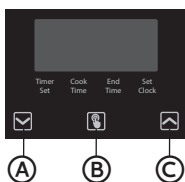
Votre modèle est équipé d'un affichage numérique, d'une horloge au format 12 heures et de trois boutons de commande.

IMPORTANT : Dans le cas d'une panne de courant, tous les réglages seront réinitialisés, y compris l'affichage de l'heure. Une fois le courant rétabli, la barre au-dessus de Timer Set (minuterie réglée) affiche 12:00.

RÉGLAGE DE L'HORLOGE

Lorsque l'appareil est mis sous tension, l'écran affiche 12:00 dans la barre au-dessus de "Set Clock" (régler l'horloge).

Pour régler l'heure exacte, appuyer sur la flèche vers le haut ou la flèche vers le bas jusqu'à ce que l'heure exacte s'affiche. Au bout de 5 secondes, l'horloge démarre automatiquement, il est également possible d'appuyer sur le bouton de fonction pour choisir le fonctionnement manuel.



- Ⓐ Diminuer la durée
- Ⓑ Fonction
- Ⓒ Augmenter la durée

RÉGLAGE DE LA MINUTERIE

La minuterie numérique peut être réglée jusqu'à 23 heures et 59 minutes.

Pour régler la minuterie, appuyer plusieurs fois sur le bouton de fonction jusqu'à ce que la barre au-dessus de Timer Set (minuterie réglée) s'affiche. Une fois le bouton de fonction relâché, l'heure actuelle s'affiche et la barre au-dessus de Timer Set (minuterie réglée) clignote. Lorsque l'on appuie sur le bouton de fonction, la durée restante s'affiche. Une fois la durée réglée atteinte, Timer Set (minuterie réglée) disparaît et une alarme retentit. Pour arrêter l'alarme, appuyer sur n'importe quel bouton.

REMARQUE : Après avoir appuyé sur le bouton de fonction, la minuterie doit être réglée dans les cinq secondes suivantes.

CUISSON MINUTÉE

⚠ AVERTISSEMENT

Risque d'intoxication alimentaire

Ne pas laisser d'aliments dans un four plus d'une heure avant ou après la cuisson.

Le non-respect de cette instruction peut causer une intoxication alimentaire ou une maladie.

La cuisson minutée permet d'allumer le four à une certaine heure de la journée, d'effectuer une cuisson pendant une durée déterminée et/ou d'éteindre le four automatiquement. La mise en marche différée ne doit pas être utilisée pour les aliments tels que pains et gâteaux car ils risquent de ne pas bien cuire.

REMARQUE : Avant le réglage, s'assurer que l'horloge est réglée à l'heure exacte. Voir "Réglage de l'horloge" plus haut dans cette section.

1. Appuyer plusieurs fois sur le bouton de fonction jusqu'à ce que la barre au-dessus de Cook Time (durée de cuisson) clignote et appuyer sur la flèche vers le haut ou vers le bas pour régler la durée de cuisson au four.
2. Appuyer plusieurs fois sur le bouton de fonction jusqu'à ce que la barre au-dessus de End Time (heure de fin) clignote puis appuyer sur la flèche vers le haut ou vers le bas pour régler l'heure d'arrêt du four.
3. Pour régler la température de cuisson et le mode de cuisson, tourner le bouton de thermostat et le bouton de sélection.
4. Après avoir suivi ces étapes, la barre au-dessus de Cook Time (durée de cuisson) et de End Time (heure de fin) clignote, ce qui indique que la caractéristique de cuisson automatique du four est réglée.

Par exemple : Si la durée de cuisson est de 45 minutes et que vous souhaitez arrêter la cuisson à 6:00.

1. Appuyer plusieurs fois sur le bouton de fonction jusqu'à ce que la barre au-dessus de Cook Time (durée de cuisson) clignote et régler la durée de cuisson sur 45 minutes.
2. Appuyer plusieurs fois sur le bouton de fonctions jusqu'à ce que la barre au-dessus de End Time (heure de fin) clignote et régler l'heure de fin à 6:00.

Une fois ce réglage effectué, l'heure actuelle s'affiche et barre au-dessus de Cook Time (durée de cuisson) et End Time (heure de fin) clignote, ce qui indique que la caractéristique de cuisson automatique du four est réglée. Lorsque l'horloge affiche 5:15, le four commence automatiquement la cuisson et la barre de Cook Time (durée de cuisson) clignote.

UTILISATION DE LA TABLE DE CUISSON

Lire les instructions avant d'installer ou d'utiliser cet appareil.

1. L'installation de cet appareil doit être effectuée en respectant les normes en vigueur et l'appareil doit uniquement être utilisé dans un espace bien aéré.
2. L'utilisation d'un appareil de cuisson à gaz entraîne une production de chaleur et d'humidité dans la pièce dans laquelle il est installé. Veiller à ce que la pièce soit bien aérée : laisser les orifices de ventilation naturels ouverts ou installer un dispositif de ventilation mécanique (hotte à extraction mécanique).
3. Une utilisation intensive et prolongée de l'appareil peut exiger une ventilation supplémentaire, comme l'ouverture d'une fenêtre, ou une ventilation plus efficace comme l'augmentation du niveau de ventilation mécanique le cas échéant.

ALLUMAGE ET FONCTIONNEMENT DES BRÛLEURS

Afin d'allumer un brûleur, tirer sur le bouton tout en le tournant dans le sens antihoraire, jusqu'à ce que le bouton indicateur soit aligné avec l'icône d'allumage ⚡.

Pour les modèles équipés d'une électrovanne de sécurité : une fois que la flamme est allumée, maintenir le bouton enfoncé pendant 3 à 4 secondes, jusqu'à ce que le dispositif maintienne automatiquement le brûleur allumé. Si le brûleur ne parvient pas à s'allumer, attendre une minute pour que le gaz ne se dissipe avant de tenter de l'allumer une nouvelle fois. Régler l'intensité de la flamme en tournant le bouton dans le sens antihoraire de MAX (maximum) à MIN (minimum).

Pour éteindre le brûleur, tourner le bouton dans le sens horaire jusqu'à ce que l'indicateur sur le bouton soit aligné sur OFF (arrêt).

PANNE DE COURANT

En cas de panne de courant prolongée, les brûleurs de surface peuvent être allumés manuellement. Tenir une allumette allumée près d'un brûleur et tourner le bouton dans le sens antihoraire jusqu'à ce l'indicateur soit aligné sur MAX (maximum). Une fois le brûleur allumé, tourner le bouton jusqu'au réglage désiré.

Dans le cas d'une extinction de flamme involontaire, l'électrovanne de sécurité intervient en coupant le gaz aux brûleurs.

L'allumeur électrique ne doit pas être déclenché pendant plus de 15 secondes. Dans le cas où le brûleur ne s'allume pas, ou si le brûleur est involontairement éteint, fermer immédiatement le brûleur et attendre au moins 1 minute avant de répéter l'opération. Une fois le brûleur allumé, régler la flamme autant que désiré.

Pour une consommation de gaz réduite et un meilleur résultat, utiliser des casseroles à sauce dont le diamètre correspond à celui du brûleur, cela évite également que les flammes atteignent les bords de la casserole à sauce. Voir le tableau Récipient. Utiliser des poêles à fond plat.

Dès que les liquides commencent à bouillir, réduire la flamme à un niveau suffisant pour que l'ébullition soit maintenue.

USTENSILES DE CUISINE

LE DIAMÈTRE DE LA CASSEROLE DOIT CORRESPONDRE AU DIAMÈTRE DE LA FLAMME

La flamme devrait avoir le même diamètre (ou un petit peu moins) que la base du récipient. Ne pas utiliser des petits récipients sur une flamme haute car les flammes pourraient brûler les côtés du récipient. Des récipients hors-mesure qui occupent deux brûleurs, doivent être placés de l'avant vers l'arrière et non pas sur deux brûleurs côte à côte.

UTILISER DES RÉCIPIENTS ÉQUILIBRÉS

Les casseroles doivent être stables sur les grilles de la table de cuisson, elles ne doivent pas osciller. Centrer le récipient sur le brûleur.

UTILISER UN COUVERCLE QUI S'ADAPTE PARFAITEMENT SUR LE RÉCIPIENT

Un couvercle qui ferme hermétiquement signifie une durée de cuisson plus courte. Des casseroles à la base plate et lourde fournissent une chaleur uniforme et stable.



CASSEROLE ÉQUILIBRÉE



FOND CONCAVE
(CREUX)



FOND CONVEXE
(ARRONDI)



POËLE DÉSÉQUILBRÉE



FLAMME TROP GRANDE
POUR LA TAILLE DE L'USTENSILE



UTILISEZ DES COUVERCLES
BIEN AJUSTÉS

TABLEAU RÉCIPIENT

Burner	Min Casserole à sauce	Max Casserole à sauce
Auxiliaire	3,5" (9,0 cm)	6,3" (16 cm)
Semi-rapide	5,1" (13 cm)	7,1" (18 cm)
Rapide	5,9" (15 cm)	10,2" (26 cm)
Triple bague	8,3" (21 cm)	10,2" (26 cm)

UTILISATION DU FOUR

CUISSON AVEC LE FOUR À GAZ

CUISSON AU FOUR ET RÔTISSAGE

Ce four comporte un brûleur à gaz situé sous la cavité du four, ce qui procure une distribution homogène de la chaleur provenant du bas du four. La chaleur remonte naturellement pour cuire les aliments uniformément.

L'air chaud circulant naturellement cuit les viandes de sorte qu'elles soient bien saisies et savoureuses à l'extérieur et tendres et juteuses à l'intérieur.

CUISSON AU GRIL

Ce four comporte un brûleur à gaz situé sur le plafond de la cavité du four, ce qui procure une distribution homogène de la chaleur provenant du haut du four.

Le brûleur de cuisson au gril reste allumé jusqu'à ce que le bouton de commande du four soit tourné à la position d'arrêt (OFF).

COMMANDE DE LA TEMPÉRATURE

Le bouton de commande de la température est utilisé pour sélectionner le mode Bake (cuisson au four) ou Broil (cuisson au gril).

CUISSON AU FOUR

- Enfoncer le bouton de la température en le tournant dans le sens antihoraire afin d'allumer automatiquement le brûleur de cuisson au four. Continuer de tourner le bouton pour sélectionner la température de cuisson désirée, entre MIN (150 °F) et MAX.

Affichage des commandes du four

- S'illumine lorsque le four est en cours de préchauffage.
- S'éteint lorsque la température de cuisson sélectionnée a été atteinte.

CUISSON AU GRIL

- Enfoncer le bouton de commande de la température en le tournant dans le sens horaire afin d'allumer automatiquement le brûleur de cuisson au gril.

REMARQUE : Le brûleur de cuisson au gril reste allumé jusqu'à ce que le bouton de commande de la température soit remis à la position d'arrêt (OFF).

COMMANDE DES FONCTIONS

Lampe

La lampe de la cavité du four s'ALLUME automatiquement lorsque la fonction Bake (cuisson au four) ou Broil (cuisson au gril) est sélectionnée, puis reste ensuite allumée durant la cuisson.

Ventilateur de convection

Lors de la cuisson par convection, le ventilateur fait circuler l'air chaud de façon uniforme dans le four. Le déplacement de l'air chaud autour des aliments peut accélérer la cuisson par la pénétration des surfaces extérieures froides. Les aliments cuisent plus uniformément; les surfaces extérieures ont le brunissage et le croustillant recherchés tandis que l'humidité est conservée à l'intérieur.

Lors de la cuisson par convection, les éléments de cuisson au four et au gril et le ventilateur sont tous sollicités pour chauffer la cavité du four. Si la porte du four est ouverte durant la cuisson par convection ou le préchauffage, le ventilateur s'éteint immédiatement et le(s) élément(s) s'éteint/s'éteignent après 30 secondes. L'élément/les éléments se rallume(nt) une fois que la porte est fermée.

REMARQUE : Le ventilateur de convection peut être activé ou désactivé en tout temps.

CONSEILS ET TECHNIQUE DU FOUR

La cuisson est une sorte de cuisson à air chaud. Le brûleur de cuisson du four inférieur est allumé, ce qui chauffe l'air dans la cavité du four en cuisant les aliments avec des flux d'air chaud circulant de manière naturelle.

Suivez la recette ou les instructions pour la température de cuisson et la position de la grille. Le temps de cuisson varie avec la température des ingrédients et leur taille, leur forme et la finition du plat de cuisson.

Guides Générales

- Pour de meilleurs résultats, cuisiner les aliments, cuisinez sur une simple grille avec au moins 1"-1½" (2,5 - 3 cm) d'espace entre les plats et les parois de four.
- N'utilisez qu'une grille lorsque vous choisissez le mode cuisson.
- Vérifiez la cuisson au temps minimum.
- Utilisez des plats en métal (avec une finition antiadhésive ou non), en verre résistant à la chaleur, en verre céramique, en poterie ou d'autres plats appropriés au four.
- Lorsque vous utilisez un plat en verre résistant à la chaleur, réduisez la température de 25°F (15°C) par rapport à la température recommandée.
- Utilisez des plats avec ou sans bord.
- Des plats en métal foncé ou avec des finitions non adhésives cuiront plus vite en brunissant plus le met. Des plats isolés ralentiront légèrement le temps de cuisson dans la plupart des cas.
- N'utilisez pas de feuille en aluminium ou de plateaux en aluminium. Une feuille est un excellent isolant de chaleur et donc la chaleur sera attrapée dessous. Cela altère la performance de cuisson et cela endommage la finition de four.
- Évitez de placer sur la porte ouverte des plats.
- Veuillez Dépannage pour obtenir des conseils à Solution des problèmes de cuisson.

TABLEAU DE CUISSON

ALIMENTS	POSITION DE GRILLE	TEMP. °F (°C) (FOUR PRÉCHAUFFE)	TEMPS (MIN)
Gâteau			
Petits gâteaux	2	350 (175)	19-22
Gâteau bundt	1	350 (175)	40-45
Gâteau des anges	1	350 (175)	35-39
Tarte			
2 croûtes, fraîches, 9po	2	375-400 (190-205)	45-50
2 croûtes, fruits surgelés, 9po	2	375 (190)	68-78
Biscuit			
Sucre	2	350-375 (175-190)	8-10
Brisures de chocolat	2	350-375 (175-190)	8-13
Carrés au chocolat (brownies)	2	350 (175)	29-36
Pains			
Pain à levure, 9x5	2	375 (190)	18-22
Petits pains à levure	2	375-400 (190-205)	12-15
Biscuits	2	375-400 (190-205)	7-9
Muffins	2	425 (220)	15-19
Pizza (Cuisson à plusieurs grilles)			
	2	400-450 (205-235)	23-26
Surgelée	2	475 (246)	15-18
Fraîche			

- Veuillez Dépannage pour obtenir des conseils à Solution des problèmes de cuisson.

TABLEAU DE RÔTISSAGE

Le rôti nécessite généralement 20 minutes par livre à 350 °F (175 °C).

VIANDES	POIDS lb (kg)	TEMP. FOUR °C (°F)	POSITION DE LA GRILLE	TEMPS DE RÔTISSAGE (Min/)	TEMP. INTERNE °C (°F)
Boeuf					
Côte de boeuf	4-6	325 (160)	2	16-20 18-22	145 (63) misaignant 160 (71) médium
Rosbif de faux-filet (sans os)	4-6	325 (160)	2	16-20 18-22	145 (63) misaignant 160 (71) médium

VIANDES	POIDS lb (kg)	TEMP. FOUR °C (°F)	POSITION DE LA GRILLE	TEMPS DE RÔTISSAGE (Min/)	TEMP. INTERNE °C (°F)
Croupe, filet, pointe de surlonge (sans os)	3-6	325 (160)	2	16-20 18-22	145 (63) misaignant 160 (71) médium
Rôti de filet	2-3	400 (205)	2	15-20	145 (63) misaignant
Porc					
Longe de porc (sans os ou avec os)	5-8	350 (175)	2	16-20	160 (71) médium
Épaule	3-6	350 (175)	2	20-25	160 (71) médium
Volaille					
Poulet entier, non farci	3-4	375 (190)	2	18-21	180 (82)
Dinde non farcie	12-15	325 (160)	1	10-14	180 (82)
Dinde non farcie	16-20	325 (160)	1	9-11	180 (82)
Dinde non farcie	21-25	325 (160)	1	6-10	180 (82)
Poitrine	3-8	325 (160)	1	15-20	170 (77)
Poulet de Cournouailles	1-1 ½	350 (175)	2	45-75 total	180 (82)
Agneau					
Demi-gigot	3-4	325 (160)	2	22-27 28-33	160 (71) médium 170 (77) bien cuit
Gigot entier	6-8	325 (160)	1	22-27 28-33	160 (71) médium 170 (77) bien cuit

TABLEAU DE GRIL

ALIMENTS ET ÉPAISSEUR	POSITION DE LA GRILLE	TEMPÉRATURE DU FOUR °C (°F)	TEMPS CÔTÉ 1 (MIN.)*	TEMPS CÔTÉ 2 (MIN.)
Boeuf				
Steak (2,5 cm [1 po] ou plus)				
Médium saignant	4	145 (65)	9-12	8-10
Médium	4	160 (71)	11-13	10-12
Bien cuit	4	170 (77)	18-20	16-17

ALIMENTS ET ÉPAISSEUR	POSITION DE LA GRILLE	TEMPÉRATURE DU FOUR °C (°F)	TEMPS CÔTÉ 1 (MIN.)*	TEMPS CÔTÉ 2 (MIN.)
Hamburgers (2,5 cm [1 po] ou plus)				
Médium	4	160 (71)	8-11	5-7
Bien cuit	4	170 (77)	11-13	8-10
Volaille				
Quart de poulet	4	180 (82)	16-18	10-13
Deux demi-poulets	3	180 (82)	25-27	15-18
Poitrines de poulet	4	170 (77)	13-15	9-13
Porc				
Côtelettes de porc (4 cm [1 ¼ po] ou plus)	4	160 (71)	12-14	11-13
Saucisses fraîches	4	160 (71)	4-6	3-5

ENTRETIEN DU FOUR

NETTOYAGE

IMPORTANT : Avant le nettoyage, s'assurer que toutes les commandes sont éteintes et que le four et la table de cuisson sont froids. Toujours suivre les instructions figurant sur les étiquettes des produits de nettoyage. L'usage de savon, d'eau et d'un chiffon doux ou d'une éponge est suggéré en priorité, sauf indication contraire. Ne pas utiliser de produits de nettoyage abrasifs.

SURFACES EXTÉRIEURES ÉMAILLÉES

Les renversements d'aliments contenant des produits acides, tels que vinaigre et tomates, doivent être nettoyés dès que l'appareil a refroidi. Ces salissures peuvent endommager le fini.

Méthode de nettoyage :

Nettoyant à vitre, nettoyant doux liquide ou tampon à récurer non abrasif : Nettoyer délicatement autour des numéros de modèle et de série car le frottement pourrait en effacer les chiffres.

EXTÉRIEUR ACIER INOXYDABLE

REMARQUE : Ne pas utiliser de tampons à récurer savonneux, de nettoyants abrasifs, de crème à polir pour table de cuisson, de tampons en laine d'acier, de chiffons de lavage rugueux ou certains essuie-tout en papier. Des dommages peuvent survenir, même en cas d'utilisation limitée ou non renouvelée.

Frotter dans la direction du grain pour éviter les dommages.

Méthodes de nettoyage :

Détergent liquide ou nettoyant tout-usage : Rincer à l'eau propre et sécher avec un chiffon doux sans charpie.

Nettoyant pour acier inoxydable et poli.

Vinaigre pour les taches d'eau dure.

EXTÉRIEUR DE LA PORTE DU FOUR

Méthode de nettoyage :

Nettoyant à vitre et essuie-tout ou tampon à récurer en plastique non abrasif : Appliquer le nettoyant à vitre sur un chiffon doux ou une éponge, et non directement sur le tableau.

GRILLES ET CHAPEAUX ÉMAILLÉS

- Nettoyer dès que la table de cuisson, les grilles et les chapeaux ont refroidi.
- Les renversements d'aliments contenant des produits acides, tels que vinaigre et tomates, doivent être nettoyés dès que la table de cuisson, les grilles et les chapeaux ont refroidi. Ces salissures peuvent endommager le fini.
- Pour éviter l'écaillage, ne pas entrechoquer les grilles et les chapeaux ni les frapper contre des surfaces dures telles que les ustensiles en fonte.
- Ne pas réinstaller les chapeaux sur les brûleurs lorsqu'ils sont mouillés.

Méthode de nettoyage :

Ustensile de récurage en plastique non abrasif et nettoyant légèrement abrasif

RÉPARTITEUR DU BRÛLEUR

Nettoyer fréquemment le répartiteur du brûleur avec de l'eau bouillante et du détergent afin de retirer tout dépôt qui pourrait obstruer la sortie des flammes.

Avant la réinstallation, sécher soigneusement le répartiteur du brûleur pour que le brûleur s'allume correctement.

BOUTONS DE COMMANDE DE LA TABLE DE CUISSON

- Tirer les boutons en ligne droite hors du tableau de commande pour les enlever.
- Lors de la réinstallation des boutons, s'assurer que chacun d'entre eux est en position Off (arrêt).

Méthode de nettoyage :

Savon et eau ou lave-vaisselle :

REMARQUE : Ne pas utiliser de laine d'acier, de produits de nettoyage abrasifs ou de nettoyant pour four. Ne pas immerger les boutons de commande.

TABLEAU DE COMMANDE

Méthode de nettoyage :

Nettoyant à vitre et chiffon doux ou éponge : Appliquer le nettoyant à vitre sur un chiffon doux ou une éponge, et non directement sur le tableau.

REMARQUE : Ne pas utiliser de produits de nettoyage abrasifs, tampons en laine d'acier, chiffons de lavage rugueux ou certains essuie-tout en papier. Des dommages peuvent survenir.

CAVITÉ DU FOUR

Les éclaboussures alimentaires doivent être nettoyées lorsque le four a refroidi. À haute température, les aliments réagissent avec l'émail et peuvent ainsi provoquer la formation de taches, une attaque acide, des piqûres ou des décolorations blanchâtres.

Méthode de nettoyage :

Détergent doux et eau tiède.

REMARQUE : Ne pas utiliser de nettoyants à four.

GRILLES DE FOUR ET DE RÔTISSAGE

Méthode de nettoyage :

Tampon en laine d'acier

LÈCHEFRITE 2 PIÈCES

Méthode de nettoyage :

Produit de nettoyage légèrement abrasif : Frotter avec un tampon à récurer mouillé.

Solution de 1 tasse (125 mL) d'ammoniaque par gallon (3,75 L) d'eau : Laisser tremper pendant 20 minutes, puis frotter avec un tampon à récurer ou en laine d'acier.

Nettoyant à four : Suivre les instructions figurant sur l'étiquette du produit. Si la lèchefrite et sa grille sont émaillées et non chromées, elles peuvent être nettoyées au lave-vaisselle.

DÉPANNAGE

Essayer d'abord les solutions suggérées ici pour éviter le coût d'un appel de service.

PROBLÈMES CONCERNANT LA CUISSON ET LE RÔTISSAGE

Avec la cuisson au four ou la cuisson à convection et le rôtissage à convection, plusieurs raisons autres que le mauvais fonctionnement du four peuvent être à l'origine de résultats mitigés. Reportez-vous aux tableaux de cuisson.

Problème concernant la cuisson et le rôtissage	Cause
Aliment brunissant de façon inégale	<ul style="list-style-type: none">• Four non préchauffé• Papier aluminium sur la grille ou au fond du four• Plat de cuisson trop grand pour la recette• Plat touchant aux autres plats ou à la paroi du four
Aliment trop brun au fond	<ul style="list-style-type: none">• Four non préchauffé• Utilisation de plat en verre, mat ou foncé• Position de grille incorrecte• Plat touchant aux autres plats ou à la paroi du four
Aliment sec ou ayant excessivement rétréci	<ul style="list-style-type: none">• Température du four trop élevée• Temps de cuisson trop long• Porte du four trop souvent ouverte• Plat trop grand
Aliment cuisant ou rôtissant trop lentement	<ul style="list-style-type: none">• Température du four trop basse• Four non préchauffé• Porte du four trop souvent ouverte• Plat scellé hermétiquement avec du papier aluminium• Plat trop petit
Croûte à tarte non brunie au fond ou croûte non cuite	<ul style="list-style-type: none">• Temps de cuisson pas assez long• Utilisation de plat en acier brillant• Position de grille incorrecte• Température du four trop basse
Gâteau pâle, plat, ou non cuit à l'intérieur	<ul style="list-style-type: none">• Température du four trop basse• Temps de cuisson incorrect• Cuisson vérifiée trop tôt• Porte du four trop souvent ouverte• Plat trop grand

Gâteau élevé au centre avec craquelure sur les dessus.	<ul style="list-style-type: none"> • Température du four trop élevée • Temps de cuisson trop long • Plat touchant aux autres plats ou à la paroi du four • Position de grille incorrecte • Plat trop petit
Bords de croûte de tarte trop bruns	<ul style="list-style-type: none"> • Température du four trop élevée • Bords de croûte trop minces

TABLES DE CUISSON

PROBLÈME	CAUSE POSSIBLE	SOLUTION
Le brûleur ne s'allume pas	La table de cuisson n'est pas alimentée.	Brancher sur une prise à 3 alvéoles reliée à la terre. Remplacer le fusible ou réenclencher le disjoncteur.
Le brûleur ne fonctionne pas	Première utilisation. Présence d'air dans la conduite de gaz.	Allumer n'importe quel brûleur de surface pour libérer l'air des canalisations de gaz.
	Le bouton de commande n'est pas réglé correctement.	Enfoncer le bouton avant de le tourner à un réglage.
	L'orifice du brûleur est obstrué.	Nettoyer l'ouverture de l'orifice du brûleur à l'aide d'une brosse à dents en nylon dure ou d'un trombone déplié.
Les flammes des brûleurs ne sont pas uniformes, sont de teinte jaune et/ou bruyantes	Le/les orifice(s) du brûleur est/sont obstrué(s).	Nettoyer l'ouverture de l'orifice du brûleur à l'aide d'une brosse à dents en nylon dure ou d'un trombone déplié.
	Les chapeaux des brûleurs ne sont pas positionnés correctement.	Installer les chapeaux des brûleurs de manière à ce que les tiges d'alignement soient bien alignées avec les encoches.
	Du gaz propane est utilisé.	La table de cuisson doit être convertie en gaz de pétrole liquéfiés (GPL), par un technicien qualifié.
La flamme du brûleur est trop élevée ou trop basse	La table de cuisson n'est pas alimentée par le bon type de gaz.	Vérifiez que la table de cuisson est réglé pour le type de gaz correcte. Il est réglé en usine pour le gaz naturel. Si connecté à gaz LP les brûleurs doivent être convertis au gaz propane avec le kit orifice/injecteur fourni et le régulateur de pression converti au réglage de gaz de pétrole liquéfié par un technicien qualifié.
	La pression du gaz n'est pas correcte.	S'assurer que le détendeur est correctement installé et que la pression de l'arrivée de gaz est correcte. Voir les Instructions d'installation.

Le brûleur émet des bruits d'éclatement	Le brûleur est mouillé.	Laisser sécher le brûleur avant de l'utiliser.
	Le chapeau du brûleur et/ ou le diffuseur de gaz n'est pas positionné correctement.	Installer les chapeaux des brûleurs de manière à ce que les tiges d'alignement soient bien alignées avec les encoches.
Chaleur excessive autour des ustensiles de cuisson sur la table de cuisson	La taille de l'ustensile de cuisson n'est pas adaptée à celle du brûleur.	Utiliser un ustensile de cuisson dont la surface du fond est à peu près de la même taille que la surface de cuisson et le brûleur. L'ustensile de cuisson ne doit pas dépasser de plus de 1" (2,5 cm) hors de la zone de cuisson. Régler la flamme de manière à ce qu'elle n'enveloppe pas l'ustensile de cuisson.
Les résultats de cuisson ne sont pas ceux que vous aviez prévus	Utilisation d'ustensiles de cuisson inappropriés.	Voir la section "Ustensiles de cuisson".
	Le bouton de commande n'est pas réglé au bon niveau de chauffe.	Voir la section "Commandes".

FOUR

PROBLÈME	CAUSE POSSIBLE	SOLUTION
Le four ne chauffe pas	Le four n'est pas connecté à l'alimentation électrique.	Réenclencher le disjoncteur ou remplacer le fusible dans le boîtier de raccordement électrique du four.
	Le module de commande n'a pas été allumé	S'assurer que la température du four a été sélectionnée.
Le four ne chauffe pas d'une manière homogène	Utilisation d'un ustensile de cuisson au four ou d'une position de grille de four incorrect(e)	Consulter les tableaux de cuisson pour connaître la position de grille recommandée. Pour une cuisson en mode Cuisson au four par convection, toujours baisser la température de la recette de 25 °F (15 °C) .
L'affichage du four reste éteint	Panne de courant	Déconnecter la source de courant électrique principale (fusible ou boîtier de disjoncteurs). Remettre en marche le boîtier de disjoncteurs. Si le problème persiste, faire un appel de service.

Le ventilateur de refroidissement continue à fonctionner après que le four ait été éteint	Les composants électroniques du four n'ont pas encore suffisamment refroidi.	Le ventilateur s'éteint automatiquement lorsque les composants électroniques ont suffisamment refroidi.
La lampe du four ne fonctionne pas correctement	Une ampoule est desserrée dans la douille ou grillée.	Réinsérer ou remplacer l'ampoule. L'ampoule peut griller si on la touche avec les doigts.
La lampe du four reste allumée	La porte ne se ferme pas complètement	Vérifier si la porte du four est obstruée. Vérifier si la charnière est tordue ou si le contacteur de la porte est cassé.
Le protège-ampoule ne peut pas être retiré	Accumulation de saletés autour du protège-ampoule.	Essuyer la surface du protège-ampoule avec un torchon propre et sec avant d'essayer de retirer le protège-ampoule.
L'horloge et la minuterie ne fonctionnent pas correctement	Le four n'est pas connecté à l'alimentation électrique.	Réenclencher le disjoncteur ou remplacer le fusible dans le boîtier de raccordement électrique du four.
Humidité excessive		Lorsque le mode Cuisson au four est utilisé, préchauffer le four au préalable. La cuisson au four par convection et le rôtissage par convection vont éliminer toute l'humidité dans le four.
Éclats de porcelaine	L'intérieur en porcelaine a été heurté par les grilles du four	Lorsque les grilles du four sont retirées et remises en place, toujours incliner les grilles vers le haut et ne pas les forcer pour éviter d'écailler la porcelaine.

POUR OBTENIR DE L'AIDE SUPPLÉMENTAIRE, VISITER HAIERAMERICA.COM OU CONTACTER LA LIGNE D'ASSISTANCE À LA CLIENTÈLE AU 1-877-337-3639.

GARANTIE LIMITÉE

SERVICE À DOMICILE

GARANTIE COMPLÈTE DE DEUX ANS

Pendant 24 mois à compter de la date d'achat d'origine, Haier réparera ou remplacera gratuitement n'importe quelle pièce (main-d'œuvre comprise) comportant un défaut de matériau ou de fabrication.

Haier peut choisir à sa seule discrétion de remplacer ou réparer des pièces, des sous-systèmes ou le produit tout entier.

Le produit doit être accessible, dégagé et installé correctement pour bénéficier du service de réparation sous garantie.

GARANTIE LIMITÉE

REMARQUE : Cette garantie prend effet à la date à laquelle l'article a été acheté et le reçu de l'achat d'origine doit être présenté au représentant de dépannage autorisé avant qu'une quelconque réparation sous garantie ne soit effectuée.

Exceptions : Garantie à usage commercial
90 jours sur la main-d'œuvre à compter de la date d'achat d'origine

90 jours sur les pièces à compter de la date d'achat d'origine

Aucune autre garantie ne s'applique.

SERVICE AU TITRE DE LA GARANTIE

Contactez le centre de dépannage autorisé le plus proche. Tout dépannage doit être effectué par un centre de dépannage autorisé Haier. Pour le nom et le numéro de téléphone du centre de dépannage autorisé le plus proche de votre domicile, composez le 1-877-337-3639.

Avant d'appeler le centre, veuillez garder à disposition les renseignements suivants : Numéros de plaque signalétique de l'appareil. Le nom et l'adresse du revendeur auprès duquel vous avez acheté l'appareil, ainsi que la date d'achat.

Une description claire du problème rencontré. Une preuve d'achat (reçu de vente).

Cette garantie est valable pour le service des appareils domestiques aux États-Unis contigus et au Canada et lorsque le service est disponible, en Alaska, à Hawaï et Porto Rico.

Cette garantie ne couvre pas :

Le remplacement ou la réparation des fusibles, disjoncteurs, du câblage ou du circuit de plomberie du domicile.

Un produit dont le numéro de série d'origine a été enlevé ou modifié.

Tous frais de dépannage non identifiés comme étant normaux tel un dépannage dans une zone ou une tranche horaire normale.

Vêtements endommagés.

Les dommages liés à l'expédition.

Les dommages liés à une installation ou un entretien inadapté.

Les dommages causés par l'un des éléments suivants : Mauvaise utilisation, utilisation abusive, accident, incendie ou catastrophe naturelle.

Les dommages résultant d'un dépannage fourni par une entité autre qu'un revendeur ou centre de dépannage autorisé Haier.

Les dommages causés par un courant, une tension ou une alimentation électrique incorrects.

Les dommages résultant d'une quelconque modification ou altération du produit ou d'un ajustement non autorisé par Haier.

Un ajustement des commandes utilisées par le consommateur tel qu'identifié dans le manuel de l'utilisateur.

Les tuyaux, boutons, plateaux à charpie et tout accessoire ou pièce jetable.

Les frais de main-d'œuvre, transport pour dépannage et d'expédition pour le retrait et le remplacement de pièces défectueuses au-delà de la période de 24 mois.

Les dommages liés à une utilisation autre qu'une utilisation domestique normale.

Tout frais de transport et d'expédition.

CETTE GARANTIE LIMITÉE REMPLACE TOUTE AUTRE GARANTIE EXPRESSE OU IMPLICITE, Y COMPRIS, MAIS PAS SEULEMENT, LES GARANTIES IMPLICITES, Y COMPRIS LES GARANTIES DE QUALITÉ MARCHANDE OU D'APTITUDE À UN USAGE PARTICULIER

Le recours offert dans cette garantie est exclusif et se substitue à toute autre garantie.

Cette garantie ne couvre pas les dommages fortuits ou indirects; aussi les limitations décrites ci-dessus peuvent ne pas s'appliquer à votre cas. Certains États ne permettent pas de limitation sur la durée d'une garantie implicite, aussi les limitations décrites ci-dessus peuvent ne pas s'appliquer à votre cas.

Cette garantie vous confère des droits juridiques spécifiques. Vous pouvez également jouir d'autres droits qui peuvent varier d'un État à l'autre.

Haier America
Wayne, NJ 07470

ÍNDICE

SEGURIDAD DE LA ESTUFA	52
El soporte anti-vuelco	54
PIEZAS Y CARACTERÍSTICAS	59
PANEL DE CONTROL	61
Reloj y temporizador	61
Cocción programada	62
USO DE LA SUPERFICIE DE COCCIÓN	63
Corte de electricidad	64
Utensilios de cocina.....	64
USO DEL HORNO	66
Cocción con el horno de gas	66
Consejos y técnicas de horneado.....	67
CUIDADO DEL HORNO	70
Limpieza	70
SOLUCIÓN DE PROBLEMAS	73
Resolución de los problemas de horneado.....	73
Superficies de cocción.....	74
Horno	75
GARANTÍA LIMITADA	77

INFORMACIÓN A TENER EN CUENTA

Le agradecemos la compra de este producto de marca Haier. Este manual para el usuario le ayudará a obtener el mejor funcionamiento de su nueva estufa.

Para referencia futura, anote el número de modelo y de serie en el cuadro interior de la estufa, y la fecha de compra.

Engrape la prueba de compra a este manual para asistirle cuando necesite obtener servicio bajo la garantía.

Número de modelo

Número de serie

Fecha de compra

Su seguridad y la seguridad de los demás es muy importante.

Hemos incluido muchos mensajes importantes de seguridad en este manual y en su electrodoméstico. Lea y obedezca siempre todos los mensajes de seguridad.



Este es el símbolo de advertencia de seguridad.

Este símbolo le llama la atención sobre peligros potenciales que pueden ocasionar la muerte o una lesión a usted y a los demás. Todos los mensajes de seguridad irán a continuación del símbolo de advertencia de seguridad y de la palabra "PELIGRO", "ADVERTENCIA" o "PRECAUCIÓN".

Estas palabras significan:

⚠ PELIGRO

Se trata de una situación de peligro inminente. Si no sigue las instrucciones de inmediato, usted puede morir o sufrir una lesión grave.

⚠ ADVERTENCIA

Se trata de una situación posiblemente peligrosa que, de no evitarse, podría causar la muerte o una lesión grave.

⚠ PRECAUCIÓN

Se trata de una situación posiblemente peligrosa que, de no evitarse, podría causar lesiones moderadas o leves.

Todos los mensajes de seguridad le dirán el peligro potencial, le dirán cómo reducir las posibilidades de sufrir una lesión y lo que puede suceder si no se siguen las instrucciones.

! ADVERTENCIA



Peligro de Incendio

Si no se siguen exactamente las instrucciones de esta guía, se puede ocasionar un incendio o explosión que dé como resultado daños materiales, lesiones personales o la muerte.

- No almacene ni use gasolina u otros vapores y líquidos inflamables cerca de esta unidad o de cualquier otro electrodoméstico.
- QUÉ HACER SI PERCIBE OLOR A GAS
 - No intente encender ningún electrodoméstico.
 - No toque ningún interruptor eléctrico.
 - No use ningún teléfono dentro del edificio.
 - Desaloje a todos los ocupantes del cuarto, edificio o área.
 - Llame inmediatamente al proveedor de gas desde el teléfono de su vecino. Siga las instrucciones del proveedor de gas.
 - Si no se puede comunicar con el proveedor de gas, llame al departamento de bomberos.
- Un instalador calificado, una agencia de servicio o el proveedor de gas debe realizar la instalación y el servicio.

EL SOPORTE ANTI-VUELCO

! ADVERTENCIA



Peligro de Vuelco

Un niño o un adulto puede volcar accidentalmente la estufa y resultar muerto.

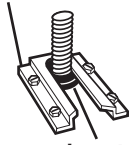
Conecte el soporte anti-vuelco a la pata trasera de la estufa.

Si traslada de lugar la estufa, vuelva a conectar el soporte anti-vuelco.

Consulte las instrucciones de instalación para más detalles.

No seguir estas instrucciones puede ocasionar la muerte o quemaduras graves en niños y adultos.

El soporte anti-vuelco



La pata trasera

Asegúrese de que el soporte anti-vuelco haya sido instalado:

- Deslice la estufa hacia adelante.
- Verifique que el soporte anti-vuelco esté bien asegurado al piso.
- Deslice la estufa para colocarla de nuevo en su lugar asegurándose de que la pata trasera quede debajo del soporte anti-vuelco.

INSTRUCCIONES IMPORTANTES DE SEGURIDAD

ADVERTENCIA: Para reducir el riesgo de incendio, choque eléctrico, lesiones a personas o daños al utilizar la estufa, siga precauciones básicas, incluyendo las siguientes:

- **ADVERTENCIA:** PARA REDUCIR EL RIESGO DE VUELCO DE LA ESTUFA, ESTA DEBE FIJARSE CON LA INSTALACIÓN ADECUADA DE DISPOSITIVOS ANTIVUELCO. PARA COMPROBAR SI LOS DISPOSITIVOS ESTÁN INSTALADOS DE FORMA ADECUADA, DESLICE LA ESTUFA COMPLETAMENTE HACIA ADELANTE, BUSQUE EL SOPORTE ANTIVUELCO SUJETO FIRMEMENTE A LA PARED DETRÁS DE LA ESTUFA Y DESLICE LA ESTUFA POR COMPLETO HACIA ATRÁS DE MODO QUE EL SOPORTE ANTIVUELCO QUEDE ENCIMA DEL REFUERZO TRASERO DE LA ESTUFA.
- **ADVERTENCIA:** Nunca use este aparato como calefactor de ambientes para calentar o entibiar la habitación. Si lo hace, puede provocar intoxicación por monóxido de carbono.
- **ADVERTENCIA:** NUNCA cubra las ranuras, orificios o pasajes en la parte inferior del horno ni cubra toda una rejilla con materiales tales como papel de aluminio. Si lo hace, bloqueará el flujo de aire en el horno y puede causar intoxicación por monóxido de carbono. Los forros de papel de aluminio también pueden atrapar el calor y provocar un riesgo de incendio.
- **PRECAUCIÓN:** No almacene artículos que interesen a los niños sobre el horno. Si los niños se trepan al aparato para alcanzar algún objeto, podrían sufrir una lesión grave.
- No se debe dejar a los niños solos o sin supervisión en el área donde el aparato está en uso. Jamás se les debe permitir que se sienten o se paren en alguna parte del aparato.
- Use la ropa apropiada - Nunca debe usar prendas holgadas o que cuelguen mientras esté usando la estufa.
- Servicio para el usuario – No repare ni reemplace ninguna pieza del horno, salvo que se recomiende específicamente. Hágalo reparar por un técnico de servicio autorizado.
- Almacenaje dentro o sobre el aparato - No se debe almacenar materiales inflamables cerca de las unidades de superficie.
- No use agua en incendios provocados por grasa - Extinga el incendio o la llama o use un extinguidor de tipo espuma o químico seco.

INSTRUCCIONES IMPORTANTES DE SEGURIDAD

- Use solo agarraderas de ollas secas - Las agarraderas de ollas húmedas o mojadas en las superficies calientes pueden ocasionar quemaduras por vapor. No deje que la agarradera de ollas toque los elementos calefactores calientes. No use una toalla ni otros paños voluminosos.
- **NO TOQUE LAS UNIDADES EXTERIORES O ÁREAS CERCA DE LAS UNIDADES**
- Las unidades exteriores podrían estar calientes aún si están de color oscuro. Las áreas cercanas a las unidades exteriores se pueden calentar lo suficiente para ocasionar quemaduras. Durante y después del uso, no toque ni deje que la ropa u otros materiales inflamables toquen las unidades exteriores o las áreas cercanas a las unidades hasta que haya transcurrido tiempo suficiente para que se enfríen. Entre esas áreas, se encuentran la superficie de cocción y las superficies que están frente a la superficie de cocción.
- Nunca deje sin supervisión la superficie de cocción cuando está en uso. Los derrames por hervor causan salpicaduras grasosas y humeantes, las cuales pueden encenderse. Si derrama líquido sobre un quemador podría encenderse todo o parte de la llama o afectar el encendido de chispa.
- Utensilios de cocina vidriados
- Solo algunos tipos de utensilios de vidrio, cerámica vitrificada, cerámica, loza de barro u otros utensilios vidriados son adecuados para usarse sobre la estufa sin que se rompan debido a cambios repentinos de temperatura.
- Los mangos deben colocarse hacia adentro y no deben sobrepasar las unidades de superficie adyacentes
- Para reducir riesgos de quemaduras, incendio de materiales inflamables y salpicaduras debido a contacto accidental con el utensilio, el mango del utensilio debe colocarse hacia adentro y no debe sobrepasar las unidades de superficie adyacentes.
- Las agarraderas para ollas húmedas o mojadas en las superficies calientes pueden ocasionar quemaduras por vapor. No deje que la agarradera para ollas toque los elementos calefactores calientes. No use una toalla ni otros paños voluminosos. Algunos productos de limpieza pueden producir gases nocivos cuando se aplican en una superficie caliente.
- Tenga cuidado al abrir la puerta - Debe abrirla suavemente para dejar que salga el aire caliente o el vapor antes de quitar o volver a colocar alimentos.

INSTRUCCIONES IMPORTANTES DE SEGURIDAD

- No ponga a calentar recipientes de alimentos cerrados - La acumulación de presión puede hacer que el recipiente explote y ocasione lesiones.
- No obstruya el flujo de aire para la combustión y la ventilación.
- Colocación de bastidores horno – Siempre coloque las parrillas del horno en el lugar deseado mientras el horno esté frío. Si se debe mover la parrilla mientras el horno está caliente, no permita que la agarradera de ollas entre en contacto con el elemento calefactor caliente.
- **NO TOQUE LOS ELEMENTOS CALEFACTORES NI LAS SUPERFICIES INTERIORES DEL HORNO** – Los elementos calefactores podrían estar calientes, aún si están de color oscuro. Las superficies interiores de un horno se calientan lo suficiente como para causar quemaduras. Durante y después del uso, no toque ni deje que la ropa u otros materiales inflamables toquen los elementos calefactores ni las superficies interiores del horno hasta que haya transcurrido tiempo suficiente para que se enfríen. Otras superficies del electrodoméstico pueden calentarse lo suficiente como para causar quemaduras, entre esas superficies están los orificios de ventilación del horno y las superficies cercanas a esos orificios, las puertas del horno y las ventanas de las puertas del horno.
- Instalación adecuada – Cuando se instale la estufa, deberá conectarse a tierra de acuerdo con los códigos locales, o en la ausencia de estos, con el Código Nacional Eléctrico (National Electrical Code), ANSI/NFPA 70. En Canadá, la estufa deberá conectarse a tierra de acuerdo con el Código canadiense de electricidad (Canadian Electrical Code). Cerciórese de que la instalación y puesta a tierra de la estufa sean efectuadas adecuadamente por un técnico competente.
- Desconecte el suministro eléctrico antes de dar servicio al electrodoméstico.
- Pueden producirse lesiones por el uso indebido de las puertas o cajones del electrodoméstico, como puede ser pisar, apoyarse o sentarse sobre las puertas o cajones.
- Mantenimiento – Mantenga el área de la estufa limpia y libre de materiales combustibles, gasolina y otros vapores y líquidos inflamables.
- Deberá ajustarse el tamaño de la llama del quemador superior de modo que no se extienda más allá del borde del recipiente de cocción.

INSTRUCCIONES IMPORTANTES DE SEGURIDAD

Para las estufas con autolimpieza –

- No limpie la junta de la puerta. Es esencial para que quede bien sellada. Deberá tener cuidado de no frotar, dañar ni mover o quitar la junta de la puerta.
- No utilice limpiadores de horno – No deberá usarse ningún limpiador para horno comercial ni revestimiento protector para hornos de ninguna clase dentro ni alrededor de ninguna parte del horno.
- Limpie solo las piezas enumeradas en este manual.

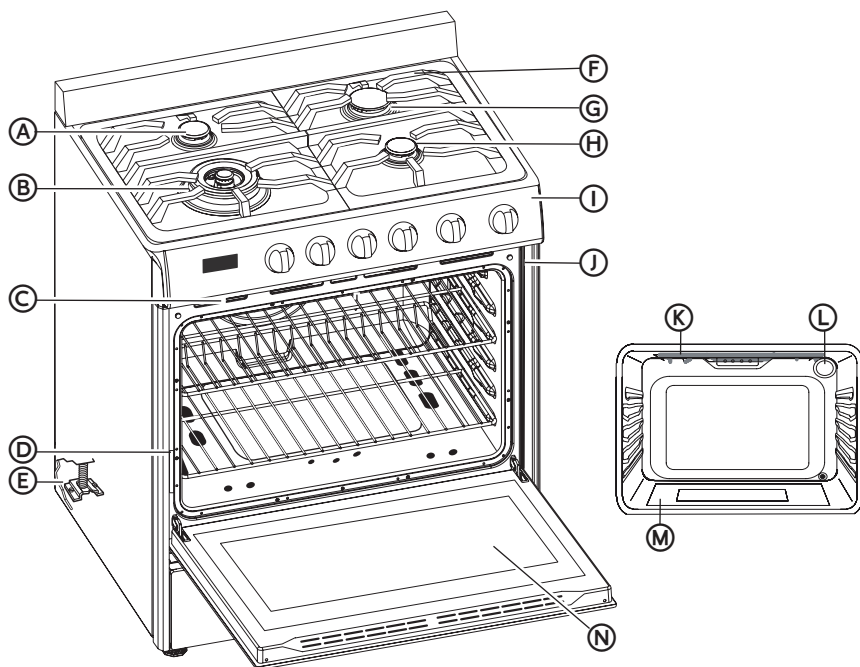
Para unidades con campanas de ventilación -

- Limpie las campanas de ventilación con frecuencia - No se debe permitir que la grasa se acumule en la campana o en el filtro.
- Al flamear alimentos debajo de la campana, encienda el ventilador.

LEA Y GUARDE ESTAS INSTRUCCIONES

PIEZAS Y CARACTERÍSTICAS

Este manual abarca varios modelos diferentes. La estufa que usted adquirió puede tener algunos o todos los artículos que aparecen a continuación. Es posible que la ubicación y la apariencia de las características que se muestran aquí no coincidan con las de su modelo.



A Quemador de superficie trasero izquierdo

B Quemador de superficie delantero izquierdo

C Ducto de escape del horno

D Placa con el número de modelo y de serie

E Soporte antivuelco

F Rejilla

G Quemador de superficie trasero derecho

H Quemador de superficie delantero derecho

I Panel de control

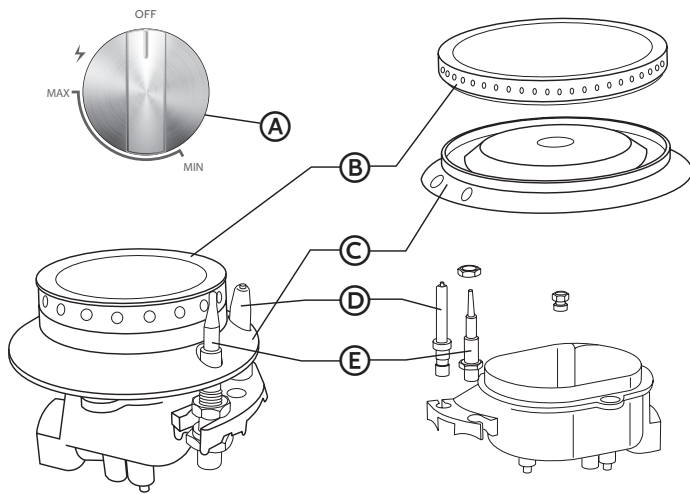
J Junta de la puerta

K Elemento para asar a la parrilla

L Luz del horno

M Elemento inferior (no visible)

N Ventana de la puerta del horno



- Ⓐ Posición OFF (Apagado) de la perilla de control

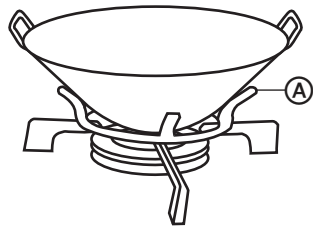
Ⓑ Tapa del quemador

Ⓒ Cabeza del quemador
- Ⓓ Electrodo

Ⓔ Detector de incendios (en algunos modelos)

Accesorio

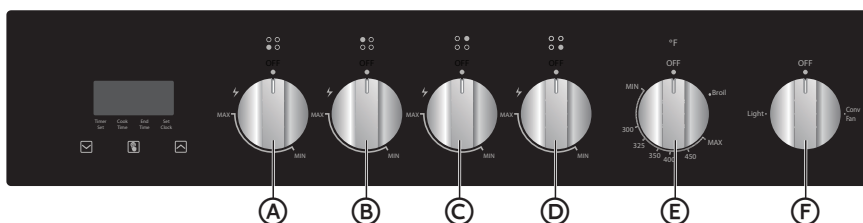
Tanto las ollas tipo wok con base plana como las ollas tipo wok con base redonda con aro (provisto) pueden utilizarse con todos los modelos.



Ⓐ Anillo wok

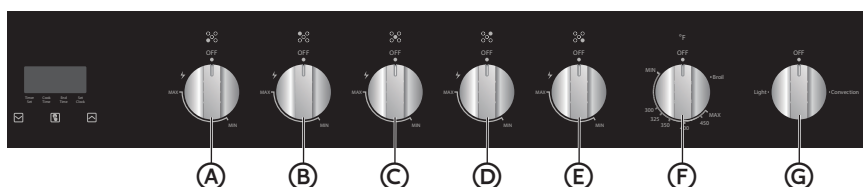
PANEL DE CONTROL

MODELOS DE 24"



- Ⓐ Quemador delantero izquierdo
- Ⓑ Quemador trasero izquierdo
- Ⓒ Quemador trasero derecho
- Ⓓ Quemador delantero derecho
- Ⓔ Perilla de temperatura
- Ⓕ Control de funciones

MODELOS DE 36"



- Ⓐ Quemador delantero izquierdo
- Ⓑ Quemador trasero izquierdo
- Ⓒ Quemador central
- Ⓓ Quemador trasero derecho
- Ⓔ Quemador delantero derecho
- Ⓕ Perilla de temperatura
- Ⓖ Control de funciones

RELOJ Y TEMPORIZADOR

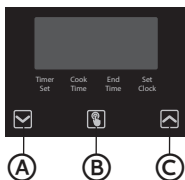
Su modelo tiene una pantalla digital, reloj de 12 horas con tres botones de control.

IMPORTANTE: En caso de un corte de electricidad, se perderán todos los ajustes, incluido el indicador de tiempo. Cuando vuelva la electricidad, aparecerán la barra por encima de Timer Set (Ajuste del temporizador) y 12:00.

HORA DEL DÍA

Cuando se conecta la corriente, la pantalla muestra 12:00 y la barra por encima de "Set Clock" (Fijar el reloj).

Para fijar la hora correcta, presione la flecha hacia arriba o la flecha hacia abajo hasta que aparezca la hora correcta. Después de 5 segundos, el reloj se iniciará automáticamente, o puede presionar el botón de función para seleccionar la operación manual.



- (A) Disminuir tiempo
- (B) Función
- (C) Aumentar tiempo

PARA FIJAR EL TEMPORIZADOR

La cuenta regresiva del temporizador digital se puede fijar hasta las 23 horas y 59 minutos como máximo.

Para fijar el temporizador, presione el botón de función varias veces hasta que aparezca la barra por encima de Timer Set (Ajuste del temporizador). Una vez que suelta el botón de función, aparece la hora actual y la barra por encima de Timer Set (Ajuste del temporizador) destella. Cuando se presiona el botón de función, aparece el tiempo restante. Cuando se alcanza el tiempo de ajuste, desaparece Timer Set (Ajuste del temporizador) y la alarma sonará. Para detener la alarma, presione cualquier botón.

NOTA: Después de presionar el botón de función, debe ajustar el temporizador dentro de los 5 segundos.

COCCIÓN PROGRAMADA

! ADVERTENCIA

Peligro de intoxicación por alimentos

No deje sus alimentos en el horno por más de una hora antes o después de su cocción.

No seguir esta instrucción puede ocasionar intoxicación alimentaria o enfermedad.

La cocción programada permite que el horno se pueda fijar para que se encienda a una hora determinada del día, cocine durante un período de tiempo determinado, y/o se apague automáticamente. El inicio diferido no debe usarse para alimentos como panes y tortas porque quizás no se horneen como es debido.

NOTA: Antes de fijar el reloj, asegúrese de que esté en la hora correcta del día. Vea "Para fijar la hora del día" anteriormente en esta sección.

1. Presione el botón de función varias veces hasta que la barra por encima de Cook Time (Tiempo de cocción) destelle y, a continuación, presione la flecha hacia arriba o hacia abajo para fijar el tiempo previsto para el horneado.
2. Presione el botón de función varias veces hasta que la barra por encima de End Time (Hora de finalización) destelle y, a continuación, presione el botón con la flecha hacia arriba o hacia abajo para fijar la hora en la que se deberá apagar el horno.
3. Fije la temperatura de cocción y el modo de cocción girando la perilla del termostato y la perilla del selector.
4. Después de seguir estos pasos, las barras por encima de Cook Time (Tiempo de cocción) y de End Time (Hora de finalización) destellarán, lo que indica que la función de cocción automática del horno está fijada.

Por ejemplo: Si el tiempo de cocción es de 45 minutos y desea terminar la cocción a las 6:00.

1. Presione el botón de función varias veces hasta que la barra por encima de Cook Time (Tiempo de cocción) destelle y, fije el tiempo de cocción en 45 minutos.
2. Presione el botón de función varias veces hasta que la barra por encima de End Time (Hora de finalización) destelle y, se fije la hora de finalización a las 6:00.


Después del ajuste anterior, aparece la hora actual y las barras por encima de Cook Time (Tiempo de cocción) y End Time (Hora de finalización) destellarán, lo que indica que se fija la función de cocción automática. Cuando el reloj muestra 5:15, el horno comenzará a cocinar automáticamente, y la barra Cook Time (Tiempo de cocción) destellará.

USO DE LA SUPERFICIE DE COCCIÓN

Lea las instrucciones antes de instalar o utilizar este electrodoméstico.

1. Este electrodoméstico deberá instalarse de acuerdo con las reglamentaciones vigentes y solamente se deberá utilizar en un lugar bien ventilado.
2. El uso de un electrodoméstico de cocción a gas produce calor y humedad en la habitación en la que está instalado. Asegúrese de que la cocina esté bien ventilada: mantenga los orificios de ventilación natural abiertos o instale un dispositivo de ventilación mecánica (campana de extracción mecánica).
3. El uso intensivo y prolongado del electrodoméstico puede requerir una ventilación adicional, tal como la abertura de una ventana, o una ventilación más eficaz, por ejemplo aumentar el nivel de ventilación mecánica donde se encuentre.

ENCENDIDO Y FUNCIONAMIENTO DE LOS QUEMADORES

Para encender un quemador, empuje hacia abajo la perilla mientras gira en el sentido contrario a las agujas del reloj, hasta que el indicador de la perilla esté alineado con el ícono de encendido .

Para los modelos con válvula de seguridad - Una vez que la llama está encendida, mantenga presionada la perilla durante unos 3 a 4 segundos hasta que el dispositivo mantenga el quemador automáticamente encendido. Si el quemador no se enciende, espere un minuto para que el gas se disipe antes de tratar de encenderlo de nuevo. Ajuste la intensidad de la llama girando la perilla en el sentido contrario a las agujas del reloj desde MAX (Máximo) a MIN (Mínimo).

Para apagar el quemador, gire la perilla en el sentido de las agujas del reloj hasta que el indicador de la perilla esté alineado con OFF (Apagado).

CORTE DE ELECTRICIDAD

En el caso de un corte prolongado de electricidad, los quemadores de la superficie pueden encenderse manualmente. Mantenga un cerillo encendido cerca del quemador y gire la perilla en el sentido contrario a las agujas del reloj hasta que el indicador esté alineado con MAX (Máximo). Después de que se encienda el quemador, gire la perilla hasta el ajuste deseado.

En caso de extinción no intencional de la llama, la válvula de seguridad interviene cerrando el suministro de gas a los quemadores.

El encendedor eléctrico no se debe accionar durante más de 15 segundos. Si el quemador no se enciende o se apaga involuntariamente, cierre el quemador de inmediato y espere al menos 1 minuto antes de repetir. Una vez que se encienda, ajuste la llama según desee.

Para un menor consumo de gas y un mejor resultado, use sartenes con un diámetro que coincidan con el quemador, a fin de evitar que la llama llegue a los lados de la sartén. Vea el Cuadro de recipientes. Use solamente cacerolas de base plana.

Apenas el líquido empiece a hervir, baje la llama a un nivel suficiente para mantener la ebullición.

UTENSILIOS DE COCINA

ADECUE EL DIÁMETRO DE LA LLAMA AL DEL RECIPIENTE

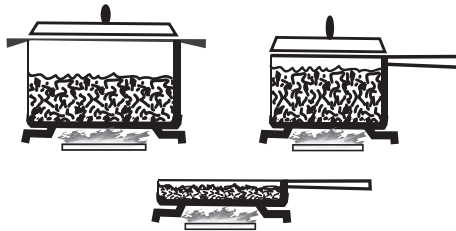
La llama debería tener el mismo diámetro (o un poco menos) que la base del recipiente. No utilice sartenes pequeñas con una llama alta, porque las llamas podrían comerse los laterales del recipiente. Las sartenes o cazuelas de gran tamaño que requieran el uso de dos quemadores, deberían ponerse entre un quemador trasero y uno frontal, y no de lado a lado de la placa de cocción.

UTILICE RECIPIENTES EQUILIBRADOS

Las sartenes y ollas deben asentarse de manera estable en la parrilla de la placa de cocción, no deben bailar. Centre el recipiente sobre el quemador.

UTILICE UNA TAPA QUE ENCAJE PERFECTAMENTE CON EL RECIPIENTE

Una tapa adecuada ayuda a acortar el tiempo de cocción. Las sartenes con fondos planos y pesados proporcionan un calor uniforme y una gran estabilidad.



CACEROLA EQUILIBRADA



CÓNCAVO
(HUECA)



CONVEXO
(REDONDEADA)



CACEROLA NO EQUILIBRADA



LLAMA DEMASIADO
GRANDE PARA EL
TAMAÑO DE LA CACEROLA



USE TAPAS QUE
ENCAJEN BIEN

CUADRO DE RECIPIENTES

Burner	Tamaño mínimo de sartén	Tamaño máximo de sartén
Auxiliar	3,5" (9,0 cm)	6,3" (16 cm)
Semirrápido	5,1" (13 cm)	7,1" (18 cm)
Rápido	5,9" (15 cm)	10,2" (26 cm)
Aro triple	8,3" (21 cm)	10,2" (26 cm)

USO DEL HORNO

COCCIÓN CON EL HORNO DE GAS

CÓMO HORNEAR Y ASAR

Este horno tiene un quemador de gas ubicado debajo de la cavidad del horno que brinda una distribución pareja del calor desde la parte inferior del horno. El calor se eleva naturalmente para hornear los alimentos de forma pareja.

El aire caliente que circula de forma natural, cocina las carnes de modo tal que el exterior es sabroso y crujiente mientras que el interior es tierno y jugoso.

ASAR A LA PARRILLA

Este horno tiene un quemador de gas ubicado en la parte superior de la cavidad del horno que brinda una distribución pareja del calor desde la parte superior del horno.

El quemador para asar a la parrilla permanecerá encendido hasta que la perilla de control del horno se coloque en la posición OFF (Apagado).

CONTROL DE TEMPERATURA

La perilla de temperatura se utiliza para seleccionar los modos de horno Bake (Hornear) o Broil (Asar a la parrilla).

HORNEAR

- Empuje la perilla de temperatura y luego, gírela en sentido antihorario para encender de forma automática el quemador para hornear. Continúe girando la perilla a fin de seleccionar la temperatura de cocción requerida entre MIN (Min.) (150 °F [66 °C]) y MAX (Máx.).

Pantalla de control del horno

- Se ilumina cuando el horno se está precalentando.
- Se apaga cuando se alcanzó la temperatura de cocción seleccionada.

ASAR A LA PARRILLA

- Empuje la perilla de control de temperatura y luego, gírela en sentido horario para encender de forma automática el quemador para asar a la parrilla.

NOTA: El quemador para asar a la parrilla permanecerá encendido hasta que la perilla de control de temperatura se coloque en la posición OFF (Apagado).

CONTROL DE FUNCIONES

Luz

La luz de la cavidad del horno se enciende automáticamente cuando se selecciona la función Bake (Hornear) o Broil (Asar a la parrilla) y permanece encendida durante el funcionamiento.

Ventilador de convección

Durante la cocción por convección, el ventilador proporciona circulación de aire caliente en todo el horno. El movimiento del aire caliente alrededor de los alimentos puede ayudar a acelerar la cocción, penetrando en las superficies exteriores más frías. Los alimentos se cocinan de una forma más pareja, dorando y tostando las superficies exteriores mientras que se conserva la humedad en el interior.

Durante la cocción por convección, los elementos para hornear y asar a la parrilla, y el ventilador funcionan para calentar la cavidad del horno. Si se abre la puerta del horno durante la cocción por convección o el precalentamiento, el ventilador se apaga inmediatamente y el(los) elemento(s) se apagará(n) después de 30 segundos. Una vez que la puerta está cerrada, el(los) elemento(s) se volverán a encender.

NOTA: El ventilador por convección puede encenderse y apagarse en cualquier momento.

CONSEJOS Y TÉCNICAS DE HORNEADO

Hornear es cocinar con aire caliente. El quemador para hornear inferior está encendido lo que calienta el aire en la cavidad del horno y hornea el alimento con corrientes de aire caliente que circulan de forma natural.

Siga la receta o las orientaciones de los alimentos convenientes para la temperatura de horneado, el tiempo y la posición de las rejillas. El tiempo de horneado cambiará con la temperatura de los ingredientes y con las dimensiones, la forma y el acabado del molde de horneado.

Directrices Generales

- Para obtener los mejores resultados hornee los alimentos en una única rejilla con al menos 1" - 1½" (2,5 - 3 cm) espacio entre los moldes y las paredes del horno.
- Use una rejilla cuando selecciona el modo de horneado.
- Controle para que estén cocidos en el menor tiempo.
- Use moldes del metal (con o sin acabado antiadherente), vidrio refractario, vitrocerámica, cerámica u otros utensilios adecuados para el horno.
- Cuando use vidrio refractario, reduzca la temperatura en 25 °F (15 °C) con respecto a la temperatura recomendada.
- Use bandejas de horneado con o sin lados o moldes de charlotas.
- Las cazuelas de metal oscuro o con recubrimiento antiadherente cuecen más rápidamente y los alimentos se doran más. Los moldes aislantes alargarán ligeramente el tiempo de cocción para la mayoría de los alimentos.
- No utilice hojas de aluminio o bandejas de aluminio desechables para cubrir cualquier parte del horno. Las hojas son un excelente aislante de calor y el calor quedará atrapado por debajo. Esto alterará el rendimiento de la cocción y podrá dañar el acabado del horno.
- Evite el uso de la puerta se abrió como un estante para colocar sartenes.
- Consulte Solución de problemas para obtener sugerencias para la resolución de hornear y asar problemas.

TABLA DE COCCIÓN POR HORNEADO

ALIMENTO	POSICIÓN DE REJILLA	TEMP. °F (°C) (HORNO PRECALENTADO)	TIEMPO (MIN)
Pastel			
Glaseado	2	350 (175)	19-22
Pastel	1	350 (175)	40-45
Bizcochos	1	350 (175)	35-39
Pay			
2 cortezas, fresco 9"	2	375-400 (190-205)	45-50
2 cortezas. fruta congel. 9"	2	375 (190)	68-78
Galletas			
Azúcar	2	350-375 (175-190)	8-10
Colócate chip	2	350-375 (175-190)	8-13
Brownies	2	350 (175)	29-36
Panes			
Pan de levadura, 9x5	2	375 (190)	18-22
Rollos de levadura	2	375-400 (190-205)	12-15
Bollo	2	375-400 (190-205)	7-9
Panecillo Molletes	2	425 (220)	15-19
Pizza			
Congelada	2	400-450 (205-235)	23-26
Fresca	2	475 (246)	15-18

- Consulte Solución de problemas para obtener sugerencias para la resolución de hornear y asar problemas.

TABLA DE ASADO POR CONVECCIÓN

Asar toma normalmente 20 minutos por libra (454 g) a 350 °F (175 °C).

CARNES	PESO lb (kg)	TEMP. HORNO °F (°C)	POSICIÓN DE REJILLA	TIEMPO (min per lb)	TEMPERATURA INTERNA °F (°C)
Carne					
Costillas	4-6	325 (160)	2	16-20 18-22	145 (63) vuelta y vuelta 160 (71) medio
Ojo de bife (sin hueso)	4-6	325 (160)	2	16-20 18-22	145 (63) vuelta y vuelta 160 (71) medio

CARNES	PESO lb (kg)	TEMP. HORNO °F (°C)	POSICIÓN DE REJILLA	TIEMPO (min per lb)	TEMPERATURA INTERNA °F (°C)
Churrasco, lomo (sin hueso)	3-6	325 (160)	2	16-20 18-22	145 (63) vuelta y vuelta 160 (71) medio
Lomo de ternera asado	2-3	400 (205)	2	15-20	145 (63) vuelta y vuelta
Puerco					
Lomo asado (con o sin hueso)	5-8	350 (175)	2	16-20	160 (71) medio
Hombro	3-6	350 (175)	2	20-25	160 (71) medio
Aves					
Pollo Entero sin relleno	3-4	375 (190)	2	18-21	180 (82)
Pavo sin ralleno	12-15	325 (160)	1	10-14	180 (82)
Pavo sin ralleno	16-20	325 (160)	1	9-11	180 (82)
Pavo sin ralleno	21-25	325 (160)	1	6-10	180 (82)
Pechuga Pavo	3-8	325 (160)	1	15-20	170 (77)
Codorniz	1-1 ½	350 (175)	2	45-75 total	180 (82)
Cordero					
Media Pierna	3-4	325 (160)	2	22-27 28-33	160 (71) medio 170 (77) bien cocido
Toda la Pierna	6-8	325 (160)	1	22-27 28-33	160 (71) medio 170 (77) bien cocido

TABLA DE ASADO

ALIMENTO Y GROSOR	POSICIÓN DE REJILLA	POSICIÓN DE ASADO °F (°C)	TIEMPO LADO 1 (MIN.)*	TIEMPO LADO 2 (MIN.)*
Carne de res				
Filete (1" o más)				
Vuelta y Vuelta	4	145 (65)	9-12	8-10
Medio	4	160 (71)	11-13	10-12
Bien Cocido	4	170 (77)	18-20	16-17
Hamburguesas (1" o más)				
Medio	4	160 (71)	8-11	5-7
Bien Cocido	4	170 (77)	11-13	8-10
Aves				
Cuartod de Pollo	4	180 (82)	16-18	10-13
Pollo en dos mitades	3	180 (82)	25-27	15-18
Pechuga de Pollo	4	170 (77)	13-15	9-13
Puerco				
Chuletas (1¼" o más)	4	160 (71)	12-14	11-13
Salchicha - fresca	4	160 (71)	4-6	3-5

CUIDADO DEL HORNO

LIMPIEZA

IMPORTANTE: Antes de iniciar la limpieza, asegúrese de que todos los controles estén apagados y que el horno y la superficie de cocción estén fríos. Siempre siga las instrucciones que vienen en las etiquetas de los productos de limpieza. En primer lugar, se sugiere el empleo de jabón, agua y una esponja o paño suave, salvo que se indique lo contrario. No use productos de limpieza abrasivos.

SUPERFICIES EXTERIORES DE ESMALTE DE PORCELANA

Los derrames de alimentos que contienen ácidos, tales como vinagre y tomate, deben limpiarse apenas esté frío el electrodoméstico. Es posible que estos derrames dañen el acabado.

Método de limpieza:

Producto para limpiar vidrios, producto de limpieza líquido suave o estropajo no abrasivo: limpie cuidadosamente alrededor de la placa con el número de modelo y de serie, ya que al refregar, puede borrar los números.

ACERO INOXIDABLE DE LA PARTE EXTERIOR

NOTA: No utilice estropajos que vienen con jabón, productos de limpieza abrasivos, crema para pulir la superficie de cocción, estropajos de lana de acero, paños ásperos o toallas de papel abrasivas. Podrían ocasionar daños, aun si solo se usan una vez o en forma limitada.

Frote en la dirección de la veta para evitar que se dañe.

Métodos de limpieza:

Detergente líquido o limpiador multiuso: enjuague bien con agua limpia y seque con un paño suave y sin pelusa.

Limpiador de acero inoxidable

Vinagre para manchas de agua dura

PARTE EXTERIOR DE LA PUERTA DEL HORNO

Método de limpieza:

Producto para limpiar vidrios y toallas de papel o un estropajo de plástico no abrasivo: aplique el producto para limpiar vidrios en una esponja o paño suave; no lo haga directamente sobre el panel.

TAPAS Y REJILLAS CON REVESTIMIENTO DE PORCELANA

- Límpielas apenas la superficie de cocción, las rejillas y las tapas se hayan enfriado.
- Los derrames de alimentos que contienen ácidos, tales como vinagre y tomate, deben limpiarse apenas se enfríen las rejillas de la superficie de cocción y las tapas. Es posible que estos derrames dañen el acabado.
- Para evitar las desportilladuras, no golpee las rejillas y las tapas una contra la otra ni contra superficies duras tales como utensilios de cocina de hierro fundido.
- No vuelva a colocar las tapas sobre los quemadores mientras estén húmedas.

Método de limpieza:

Estropajo de plástico no abrasivo y limpiador abrasivo suave

PROPAGADOR DEL QUEMADOR

Lave, a menudo, el propagador del quemador con agua hirviendo y detergente para quitar los depósitos que podrían bloquear la salida de la llama.

Antes de volver a colocarlo, seque bien el propagador del quemador para que el quemador se encienda como es debido.

PERILLAS DE CONTROL DE LA SUPERFICIE DE COCCIÓN

- Jale las perillas en sentido recto para quitarlas del panel de control.
- Cuando vuelva a colocar las perillas, asegúrese de que estas estén en la posición OFF (Apagado).

Método de limpieza:

Agua y jabón o lavavajillas:

NOTA: No use productos de limpieza abrasivos, estropajos de lana de acero, paños ásperos o ciertas toallas de papel. Pueden ocasionar daños.

PANEL DE CONTROL

Método de limpieza:

Producto para limpiar vidrios y un paño suave o esponja: aplique el producto para limpiar vidrios en un paño suave o esponja, no lo haga directamente sobre el panel.

NOTA: Do not use abrasive cleaners, steel-wool pads, gritty washcloths or some paper towels. Damage may occur.

CAVIDAD DEL HORNO

Los derrames de alimentos deberán limpiarse cuando el horno se enfríe. A altas temperaturas, la reacción química de los alimentos con la porcelana puede dar lugar a manchas, corrosión, picaduras o tenues puntos blancos.

Método de limpieza:

Detergente suave y agua tibia.

NOTA: No use limpiadores para horno.

PARRILLAS DEL HORNO Y PARRILLAS PARA ASAR

Método de limpieza:

Estropajo de lana de acero

CHAROLA PARA ASAR DE DOS PIEZAS

Método de limpieza:

Limpiador abrasivo suave: refriegue con un estropajo húmedo.

Solución de ½ taza (125 mL) de amoníaco en 1 galón (3,75 L) de agua: remoje durante 20 minutos, y luego refriegue con un estropajo o una esponja de lana de acero.

Limpiador para horno: siga las instrucciones de la etiqueta del producto. Solo para el esmalte de porcelana, no apto para cromo ni lavavajillas.

SOLUCIÓN DE PROBLEMAS

Pruebe primero las soluciones sugeridas aquí para evitar posiblemente el costo de una visita de servicio técnico.

RESOLUCIÓN DE LOS PROBLEMAS DE HORNEADO

Tanto con el Horneado como con el Horneado de convección, los resultados escasos pueden ocurrir por muchas razones además de por un mal funcionamiento del horno. Controle la tabla para las causas de los problemas más comunes. Debido a que el tamaño, la forma y el material de los utensilios de hornear tienen un efecto directo sobre los resultados del horneado, la mejor solución podría ser remplazar los viejos utensilios de hornear que se han oscurecido y deformado con el tiempo y el uso. Revise también la tabla de Horneado de la posición de la rejilla y el tiempo de hornear.

Problema de horneado	Causa
Los alimentos se doran poco uniformes	<ul style="list-style-type: none">• El horno no está precalentado• Papel de aluminio en la rejilla o fondo del horno• Utensilios de hornear son demasiado grandes• Los moldes tienen contacto o tocan la pared
Alimentos demasiado marrón en la parte inferior	<ul style="list-style-type: none">• El horno no está precalentado• Se usa un molde de vidrio, mate o de metal oscuro• Posición incorrecta de la rejilla• Los moldes tienen contacto o tocan la pared
Los alimentos quedan muy secos o muy encogidos	<ul style="list-style-type: none">• Temperatura del horno muy alta• Tiempo de hornear muy largo• Se abrió la puerta del horno frecuentemente• El molde es demasiado grande
Los alimentos se hornean o asan muy lentamente	<ul style="list-style-type: none">• Temperatura del horno muy baja• El horno no está precalentado• Se abrió la puerta del horno frecuentemente• Muy sellado con papel de aluminio• El molde es demasiado pequeño
Las costras de pays no se doran en el fondo o quedan muy empapadas.	<ul style="list-style-type: none">• Tiempo de hornear insuficiente• Se usan moldes de acero brillosos• Posición incorrecta de la rejilla• Temperatura del horno muy baja

Los pasteles no se doran y quedan planos, tal vez sin terminar por adentro	<ul style="list-style-type: none"> • Temperatura del horno muy baja • Tiempo de hornear incorrecto • Se probó el pastel antes de tiempo • Se abrió la puerta del horno frecuentemente • El molde es demasiado grande
Los pasteles quedan elevados en el centro con grietas en la parte superior	<ul style="list-style-type: none"> • Temperatura del horno muy alta • Tiempo de hornear muy largo • Los moldes tienen contacto o tocan la pared • Posición incorrecta de la rejilla • El molde es demasiado pequeño
Los bordes de la costra de pays quedan muy dorados	<ul style="list-style-type: none"> • Temperatura del horno muy alta • Los bordes de la costra son muy delgados

SUPERFICIES DE COCCIÓN

PROBLEMA	POSIBLE CAUSA	SOLUCIÓN
El quemador no enciende	La superficie de cocción no recibe suministro eléctrico	Conecte a un contacto de pared de conexión a tierra de 3 terminales. Reemplace el fusible o restablezca el cortacircuitos.
El quemador no funciona	Es la primera vez que lo usa. Todavía hay aire en las líneas de gas.	Encienda cualquiera de las perillas de los quemadores de la superficie para liberar el aire de las líneas de gas.
	La perilla del control no está fijada correctamente.	Empuje hacia adentro la perilla antes de girar hacia un ajuste.
	El puerto del quemador está obstruido.	Limpie la abertura del puerto del quemador con un cepillo de dientes rígido de nailon o un sujetapapeles enderezado.
Las llamas del quemador son desparejas, amarillas y/o hacen ruido	El/los puerto(s) del quemador están obstruidos.	Limpie la abertura del puerto del quemador con un cepillo de dientes rígido de nailon o un sujetapapeles enderezado.
	Las tapas de los quemadores no están colocadas correctamente.	Coloque las tapas de los quemadores de modo que las espigas de alineamiento estén alineadas correctamente con las ranuras.
	Se está usando gas propano.	La estufa debe ser convertido a gas LP por un técnico cualificado.

La llama del quemador es demasiado alta o demasiado baja	El suministro de gas de la superficie de cocción no es correcto.	Asegúrese de que la cubierta está fijada para el tipo de gas correcto. Es ajustado de fábrica para el gas natural. Si está conectado a gas LP de los quemadores deben ser convertidos a gas LP con el kit de orificio/injector suministrado y el regulador de presión convierte en el escenario de gas LP por un técnico cualificado.
	La presión de gas no es correcta.	Asegúrese de que el regulador de presión esté instalado correctamente y la presión de la línea de gas es correcta. Vea las Instrucciones de instalación.
El quemador hace ruidos de estallido	El quemador está húmedo.	Deje que el quemador se seque antes de usar.
	La tapa del quemador y/o el difusor de llama no están colocados de manera correcta.	Coloque las tapas de los quemadores de modo que las espigas de alineamiento estén alineadas correctamente con las ranuras.
Hay demasiado calor alrededor de los utensilios de cocina sobre la superficie de cocción	Los utensilios de cocina no son del tamaño adecuado para el quemador.	Asegúrese de que los utensilios de cocina tengan una superficie de base aproximadamente del mismo tamaño que el área de cocción y el quemador de superficie. Los utensilios de cocina no deben extenderse más de 1" (2,5 cm) del área de la superficie de cocción. Ajuste la llama de modo que no envuelva al utensilio de cocina.
Los resultados de cocción no son los que se esperaba	Se está usando el utensilio de cocina incorrecto	Vea la sección "Utensilios de cocina".
	La perilla de control no se fijó en el nivel de calor adecuado.	Vea la sección "Controles".

HORNO

PROBLEMA	POSIBLE CAUSA	SOLUCIÓN
El horno no calienta	El horno no recibe suministro eléctrico	Restablezca el cortacircuitos o reemplace el fusible en la caja eléctrica del horno.
	El control del horno no está encendido	Asegúrese de haber seleccionado la temperatura del horno.
El horno no cocina de forma pareja	El utensilio para hornear o la posición de las parrillas del horno que se está utilizando no son correctas	Consulte los cuadros de cocción para conocer la posición recomendada de las parrillas. Siempre reduzca la temperatura de la receta en 25 °F (15 °C) cuando hornee con el modo Convection Bake (Horneado por convección).

La pantalla del horno permanece apagada	Corte de corriente	Apague la electricidad desde el suministro de energía principal (caja de fusibles o el cortacircuitos). Vuelva a encender el cortacircuitos. Si el inconveniente continúa, llame al servicio técnico.
El ventilador de enfriamiento continúa encendido después de que se apaga el horno	Los componentes electrónicos no se han enfriado lo suficiente	El ventilador se apagará automáticamente cuando los componentes electrónicos se hayan enfriado lo suficiente.
La luz del horno no funciona correctamente	El foco está flojo o quemado.	Vuelva a insertar el foco o reemplácelo. Si toca el foco con los dedos, puede hacer que se quemé.
La luz del horno queda encendida	La puerta no se cierra completamente	Verifique si la puerta del horno está obstruida. Verifique si la bisagra está doblada o el interruptor de la puerta está roto.
No puede quitar la cubierta del lente	Acumulación de suciedad alrededor de la cubierta del lente	Limpie el área de la cubierta del lente con una toalla seca y limpia antes de intentar quitarla.
El reloj y el temporizador no funcionan correctamente	El horno no recibe suministro eléctrico	Restablezca el cortacircuitos o reemplace el fusible en la caja eléctrica del horno.
Humedad excesiva		Cuando utilice el modo de horneado, primero precaliente el horno. Los modos Convection Bake (Horneado por convección) y Convection Roast (Asado por convección) eliminarán cualquier humedad en el horno.
Desportilladuras en la porcelana	El interior de porcelana se golpea con las parrillas del horno	Al quitar y volver a colocar las parrillas del horno, siempre inclínelas hacia arriba y no las fuerce para evitar desportilladuras en la porcelana.

SI NECESITA MÁS AYUDA, VISITE HAIERAMERICA.COM O COMUNÍQUESE CON LA LÍNEA DE AYUDA AL CONSUMIDOR LLAMANDO AL 1-877-337-3639.

GARANTÍA LIMITADA

SERVICIO EN EL HOGAR

GARANTÍA COMPLETA POR DOS AÑOS

Durante 24 meses a partir de la fecha de compra original en la tienda, Haier reparará o reemplazará cualquier pieza del aparato sin costo, incluyendo la mano de obra, si la misma falla debido a defectos en los materiales o en la mano de obra.

Haier puede reemplazar o reparar, a su sola discreción, cualquier pieza, subsistema, incluso el producto entero.

El producto debe ser accesible, sin inconvenientes, e instalarse de forma adecuada para recibir el servicio técnico de reparación por parte de la garantía.

GARANTÍA LIMITADA

NOTA: Esta garantía comienza en la fecha de compra de este producto, y el recibo original deberá presentarse al representante autorizado de servicio antes de hacerse las reparaciones bajo la garantía.

Excepciones: Garantía uso comercial

90 días en la mano de obra a partir de la fecha de compra original

90 días en las piezas a partir de la fecha de compra original

No es aplicable ninguna otra garantía.

PARA OBTENER SERVICIO BAJO LA GARANTÍA

Póngase en contacto con el centro de servicio autorizado más cercano a su localidad. Todo servicio deberá ser realizado por un centro de servicio autorizado por Haier. Para obtener el nombre y el número de teléfono del centro de servicio autorizado más cercano, llame al 1-877-337-3639.

Antes de llamar, tenga a mano la siguiente información:

Número de modelo y de serie del aparato.
El nombre y la dirección del distribuidor en donde compró la unidad y la fecha de compra.

Una descripción clara del problema.

Un comprobante de compra (recibo de compra).

Esta garantía cubre servicios para electrodomésticos dentro de los Estados Unidos continental y Canadá y donde esté disponible en Alaska, Hawái y Puerto Rico.

Lo que no está cubierto bajo esta garantía:

Reemplazo o reparación de fusibles domésticos, cortacircuitos, cableado o plomería.

Un producto cuyo número de serie original haya sido removido o alterado.

Cualquier cargo por servicio que no haya sido identificado específicamente como servicio normal, como puede ser el área o las horas de servicio.

Reemplazo de los focos.

Daños a la ropa.

Daños ocurridos durante el transporte.

Daños ocasionados por la instalación o el mantenimiento inadecuados.

Daños por el uso incorrecto, abuso, accidente, incendio, inundación o fenómenos de la naturaleza.

Daños debidos al servicio efectuado por un distribuidor o centro de servicio que sea diferente del autorizado por Haier.

Daños ocasionados por la corriente, el voltaje o el suministro eléctrico incorrectos.

Daños que resulten de cualquier modificación hecha en el producto, alteración o ajustes no autorizados por Haier.

Ajuste de los controles manejados por el cliente según han sido identificados en el manual del propietario.

Mangueras, perillas, bandejas de pelusa y todos los otros aditamentos, accesorios y piezas desechables.

Cargos por mano de obra, transporte para el servicio y envío para la remoción y el reemplazo de las piezas defectuosas que se efectúen después del período inicial de 24 meses.

Daños ocasionados por un uso diferente al doméstico normal.

Cualquier gasto de transporte y de envío.

ESTA GARANTÍA LIMITADA REEMPLAZA TODAS LAS OTRAS GARANTÍAS, EXPRESAS O IMPLÍCITAS QUE INCLUYAN, ENTRE OTRAS, LAS GARANTÍAS DE COMERCIABILIDAD O DE CAPACIDAD PARA UN PROPÓSITO EN PARTICULAR

El recurso provisto en esta garantía es exclusivo y está otorgado en lugar de cualquier otro recurso.

Esta garantía no cubre daños incidentales o consecuentes, de modo que las limitaciones indicadas anteriormente pueden no aplicarse en su caso. Algunos estados no permiten las limitaciones acerca de cuánto tiempo dura una garantía implícita, de modo que las limitaciones arriba indicadas quizás no le correspondan.

Esta garantía le otorga derechos legales específicos, y es posible que usted tenga otros derechos, los cuales varían de un estado a otro.

Haier America
Wayne, NJ 07470

IMPORTANT

Do Not Return This Product To The Store
If you have a problem with this product, please contact the
"Haier Customer Satisfaction Center" at
1-877-337-3639.

DATED PROOF OF PURCHASE, MODEL #, AND SERIAL #
REQUIRED FOR WARRANTY SERVICE

IMPORTANT

Ne pas Réexpédier ce Produit au Magasin
Pour tout problème concernant ce produit, veuillez contacter
le service des consommateurs "Haier Customer Satisfaction Center" au
1-877-337-3639.

PREUVE D'ACHAT DÁTÉE, NUMÉRO DE MODÈLE ET LE NUMÉRO DE SÉRIE
REQUIS POUR LE SERVICE DE GARANTIE

IMPORTANTE

No regrese este producto a la tienda
Si tiene algún problema con este producto, por favor contacte el
"Centro de Servicio al Consumidor de Haier" al
1-877-337-3639 (Válido solo en E.U.A).
NECESITA UNA PRUEBA DE COMPRA FECHADA, NÚMERO DE MODELO
Y DE SERIE PARA EL SERVICIO DE LA GARANTÍA

Made in China
Fabriqué en Chine
Hecho en China

Haier

Haier America
Wayne, NJ 07470

HCR2250AGS
HCR6250AGS
Issued: March 2016

Printed in China

Part # 0570000700 REV A