



Product questions or problems?

1-888-331-4569

Customer Care Hot Line

**Get answers to questions, troubleshoot problems,
order parts, or schedule repair service.**

Para respuestas a preguntas o problemas, y ordenar
piezas o pedir servicio para la reparación de su equipo.

To help us help you, register your product at www.craftsman.com/registration

Para poderte ayudar mejor, registra tu producto en www.craftsman.com/registration

Join the Craftsman Club today!



www.craftsman.com/signup

**Receive exclusive member benefits including special pricing and offers,
project sharing, expert advice, and SHOP YOUR WAY REWARDS!**

Como miembro exclusivo, recibe diversos beneficios como ofertas, precios especiales, proyectos
nuevos, consejos de expertos y nuestro programa de puntos SHOP YOUR WAY REWARDS!

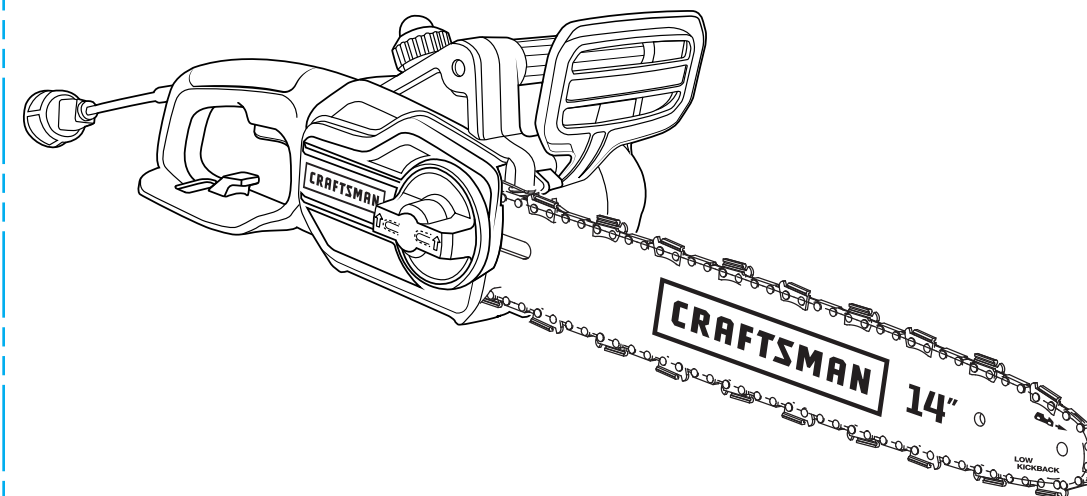
© Registered Trademark / TM Trademark of KCD IP, LLC in the United States, or Sears Brands, LLC in other countries
© Marca Registrada / TM Marca de Fábrica de KCD IP, LLC en Estados Unidos, o Sears Brands, LLC in otros países

Operator's Manual



9 Amp Motor Electric Chain Saw

Model No.
172.740500 14-In. Bar



CAUTION: Read, understand and follow all
Safety Rules and Operating Instructions in this
Manual before using this product.

Sears Brands Management Corporation,
Hoffman Estates, IL 60179 U.S.A.
www.craftsman.com

- WARRANTY
- SAFETY
- UNPACKING
- ASSEMBLY
- OPERATION
- MAINTENANCE
- PARTS LIST
- ESPAÑOL

TABLE OF CONTENTS

Warranty.....	Page 2
Safety Symbols.....	Page 3
Safety Instructions.....	Pages 4 - 13
Unpacking.....	Page 13
Description.....	Pages 14 - 15
Assembly and Adjustments.....	Pages 16 - 18
Operation Terms.....	Pages 19
Operation.....	Pages 20 - 28
Maintenance/Trouble Shooting.....	Pages 28 - 32
Specifications.....	Pages 32
Parts Lists.....	Pages 33 - 34

CRAFTSMAN LIMITED WARRANTY

FOR TWO YEARS from the date of sale, this product is warranted against defects in material or workmanship.

WITH PROOF OF SALE, a defective product will be replaced free of charge.

For warranty coverage details or to obtain free replacement, visit the web site: www.craftsman.com

This warranty does not cover the bar and chain, which are expendable parts that can wear out from normal use within the warranty period.

This warranty is void if this product is ever used while providing commercial services or if rented to another person.

This warranty gives you specific legal rights, and you may also have other rights which vary from state to state.

Sears Brands Management Corporation, Hoffman Estates, IL 60179

NOTE: Chain and Bar Oil is not included. **BEFORE** using this Chain Saw, do not forget to purchase Craftsman Bar & Chain Oil, SAE30.

⚠ WARNING: Some dust particles created by lawn and garden tools contain chemicals known to the state of California to cause cancer, birth defects or other reproductive harm. Some examples of these chemicals are:

- Compounds in fertilizers, herbicides, pesticides, and insecticides.
- Arsenic and chromium from chemically treated lumber.

Your risk from these exposures varies, depending upon how often you do this type of work. To reduce your exposure to these chemicals:

- Work in a well-ventilated area
- Work with approved safety equipment, such as those dust masks that are specially designed to filter out microscopic particles.



Intertek
3025736



**SAVE THESE INSTRUCTIONS!
READ ALL INSTRUCTIONS!**

SAFETY SYMBOLS

The purpose of safety symbols is to attract your attention to possible dangers. The safety symbols and the explanations with them deserve your careful attention and understanding. The symbol warnings do not, by themselves, eliminate any danger. The instructions and warnings they give are no substitutes for proper accident prevention measures.

⚠ WARNING: Be sure to read and understand all safety instructions in this manual, including all safety alert symbols such as “**DANGER**,” “**WARNING**,” and “**CAUTION**” before using this rotary tool. Failure to follow all instructions listed in this manual may result in electric shock, fire and/or serious personal injury.

SYMBOL SIGNAL MEANING

⚠ SAFETY ALERT SYMBOL: Indicates **DANGER, WARNING, OR CAUTION**. May be used in conjunction with other symbols or pictographs.

⚠ DANGER: Indicates a hazardous situation which, if not avoided, will result in death or serious injury. This signal word is to be limited to the most extreme situations. Always follow the safety precautions to reduce the risk of fire, electric shock, and personal injury.

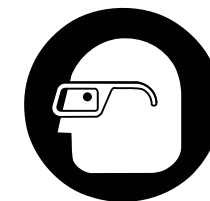
⚠ WARNING: Indicates a hazardous situation which, if not avoided, could result in death or serious injury. Always follow the safety precautions to reduce the risk of fire, electric shock, and personal injury.

⚠ CAUTION: Indicates a hazardous situation which, if not avoided, could result in minor or moderate injury.

Damage Prevention and Information Messages

These inform the user of important information and/or instructions that could lead to equipment or other property damage if they are not followed. Each message is preceded by the word “**NOTE**,” as in the example below:

NOTE: Equipment and/or property damage may result if these instructions are not followed.



⚠ WARNING: To ensure safety and reliability, all repairs should be performed by a qualified service technician.

⚠ WARNING: The operation of any power tools can result in foreign objects being thrown into your eyes, which can result in severe eye damage. Before beginning power tool operation, always wear safety goggles or safety glasses with side shield and a full face shield when needed. We recommend a Wide Vision Safety Mask for use over eyeglasses or standard safety glasses with side shields. Always use eye protection which is marked to comply with ANSI Z87.1 shields.

SAFETY INSTRUCTIONS

⚠ WARNING: If correctly used, this electric **Chain Saw** is an efficient tool to use; if used improperly or without the due precautions it could become a dangerous tool. For pleasant and safe work, **ALWAYS** strictly comply with the safety rules that are contained in this manual.

⚠ WARNING: **BE SURE** to read and understand all instructions in this manual before using this electric **Chain Saw**. Failure to follow all instructions listed below may result in electric shock, fire and/or serious personal injury.

⚠ WARNING: To avoid mistakes that could cause serious injury, **DO NOT** connect the **Chain Saw** to the power source until the following instructions have been read and understood.

⚠ WARNING: Consider the work area environment. Use extreme caution when cutting small size brush and saplings because the slender material may catch the saw chain and be whipped toward you or pull you off balance. **DO NOT** operate a chain saw in a tree unless specifically trained to do so. When cutting a limb that is under tension be alert for spring back so that you will not be struck when the tension in the wood fibers is released.

GENERAL POWER TOOL SAFETY WARNINGS

⚠ WARNING: Read all safety warnings and instructions. Failure to follow the warnings and instructions may result in electric shock, fire and/or serious injury.

SAVE ALL WARNINGS AND INSTRUCTIONS FOR FUTURE REFERENCE.

The term power tool in the warnings refers to your electric (corded) power tool or battery-operated (cordless) power tool.

WORK AREA SAFETY

- **Avoid Dangerous Environment - Don't use appliances in damp or wet locations.**
- **Keep work area clean and well lit.** Cluttered or dark areas invite accidents.
- **Do not operate power tools in explosive atmospheres, such as in the presence of flammable liquids, gases or dust.** Power tools create sparks which may ignite the dust or fumes.
- **Keep children and bystanders away while operating a power tool.** Distractions can cause you to lose control.

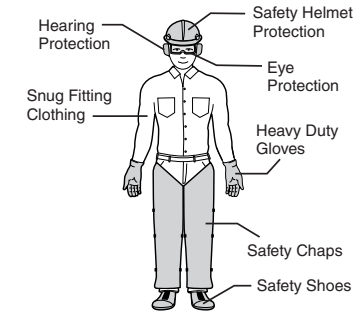
ELECTRICAL SAFETY

- **Power tool plugs must match the outlet.** Never modify the plug in any way. **Do not use any adapter plugs with grounded power tools.** Unmodified plugs and matching outlets will reduce risk of electric shock.
- **Avoid body contact with grounded surfaces such as pipes, radiators, ranges and refrigerators.** There is an increased risk of electric shock if your body is grounded.
- **Do not expose power tools to rain or wet conditions.** Water entering a power tool will increase the risk of electric shock.
- **Do Not Abuse Cord - Never carry appliance by cord or yank it to disconnect from receptacle. Keep cord from heat, oil, and sharp edges.** Damaged or entangled cords increase the risk of electric shock.
- **When operating a power tool outdoors, use an extension cord suitable for outdoor use.** Use of a cord suitable for outdoor use reduces the risk of electric shock.
- **Operating a power tool in a damp location is unavoidable, use a ground fault circuit interrupter (GFCI) protected supply.** Use of an GFCI reduces the risk of electric shock.

SAFETY INSTRUCTIONS cont.

PERSONAL SAFETY

- **Stay alert, watch what you are doing and use common sense when operating a power tool. Do not use a power tool while you are tired or under the influence of drugs, alcohol or medication.** A moment of inattention while operating power tools may result in serious personal injury.
- **Use personal protective equipment. Always wear eye protection.** Protective equipment such as dust mask, non-skid safety shoes, hard hat, or hearing protection used for appropriate conditions will reduce personal injuries.
- **Avoid Unintentional Starting - Do not carry plugged-in appliance with finger on switch.** Be sure switch is off when plugging in.
- **Remove any adjusting key or wrench before turning the power tool on.** A wrench or a key left attached to a rotating part of the power tool may result in personal injury.
- **Do not overreach. Keep proper footing and balance at all times.** This enables better control of the power tool in unexpected situations.
- **Dress properly. Do not wear loose clothing or jewelry. Keep your hair, clothing and gloves away from moving parts.** Loose clothes, jewelry or long hair can be caught in moving parts.
- **If devices are provided for the connection of dust extraction and collection facilities, ensure these are connected and properly used.** Use of dust collection can reduce dust-related hazards.



POWER TOOL USE AND CARE

- **Don't grasp the exposed cutting blades or cutting edges when picking up or holding the appliance or power tool.**
- **Don't Force Appliance/Power Tool - It will do the job better and with less likelihood of a risk of injury at the rate for which it was designed.**
- **Do not use the power tool if the switch does not turn it on and off.** Any power tool that cannot be controlled with the switch is dangerous and must be repaired.
- **Disconnect the plug from the power source and/or the battery pack from the power tool before making any adjustments, changing accessories, or storing power tools.** Such preventive safety measures reduce the risk of starting the power tool accidentally.
- **Store idle power tools out of the reach of children and do not allow persons unfamiliar with the power tool or these instructions to operate the power tool.** Power tools are dangerous in the hands of untrained users.
- **Maintain power tools. Check for misalignment or binding of moving parts, breakage of parts and any other condition that may affect the power tools operation. If damaged, have the power tool repaired before use.** Many accidents are caused by poorly maintained power tools.
- **Maintain Appliance With Care -** Keep cutting edge sharp and clean for best performance and to reduce the risk of injury. Follow instructions for lubricating and changing accessories. Inspect appliance cord periodically, and if damaged, have it repaired by an authorized service facility. Inspect extension cords periodically and replace if damaged. Keep handles dry, clean, and free from oil and grease.
- **Use the power tool, accessories and tool bits etc., in accordance with these instructions and in the manner intended for the particular type of power tool, taking into account the working conditions and the work to be performed.** Use of the power tool for operations different from those intended could result in a hazardous situation.
- **USE ONLY chains that are recommended for this Chain Saw.** Chains that may be suitable for one Chain Saw may become hazardous when used on another Chain Saw.
- **Keep the chain saw a sufficient distance away from electrical power lines.**

SERVICE

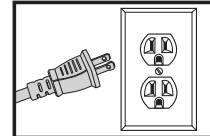
- **Have your power tool serviced by a qualified repair person using only identical replacement parts.** This will ensure that the safety of the power tool is maintained.


SAFETY INSTRUCTIONS cont.

ELECTRICAL SAFETY

⚠ WARNING: Do not permit fingers to touch the terminals of plug when installing or removing the extension cord from the plug.

1. **Double insulated tools are equipped with a polarized plug (one blade is wider than the other and will require the use of a polarized extension cord.** The Chain Saw's plug will fit into a polarized extension cord only one way. If the plug does not fit fully into the extension cord, reverse the plug. If the plug still does not fit, obtain a correct polarized extension cord. A polarized extension cord will require the use of a polarized wall outlet. This plug will fit into the polarized wall outlet only one way. If the plug does not fit fully into the wall outlet, reverse the plug. If the plug still does not fit, contact a qualified electrician to install the proper outlet. **Do not change or alter** the equipment plug, extension cord receptacle, or extension cord plug in any way.



2. Double insulation  eliminates the need for the three-wire grounded power cord and grounded power supply system. Applicable only to Class II (double-insulated) tools. This Chain Saw is a double insulated tool.

⚠ WARNING: GFCI (Ground Fault Circuit Interrupter) protection should be provided on all circuits or outlets to be used for electric chain saws and lawn and garden power tools. Receptacles are available having built-in GFCI protection and should be used for this measure of protection.

- Double insulation DOES NOT take the place of normal safety precautions when operating this tool.
- Guard against electric shock: Prevent body contact with grounded surfaces. For example: metal pipes, wire fences.

3. **BEFORE** plugging in the tool, **BE SURE** that the outlet voltage supplied is within the voltage marked on the tool's data plate. **DO NOT** use "AC only" rated tools with a DC power supply.
4. **DO NOT expose tools to rain or wet conditions or use electric tools in wet or damp locations.** Water entering an electric tool will increase the risk of electric shock.
5. **If operating an electric tool in damp locations is unavoidable, ALWAYS USE a Ground Fault Circuit Interrupter to supply power to your tool. ALWAYS WEAR electrician's rubber gloves and footwear in damp conditions.**
6. **To reduce the risk of electric shock,** use only with an extension cord intended for outdoor use, such as an extension cord of cord type: SW-A, SOW-A, STW-A, STOW-A, SJW-A, SJOW-A, SJTW-A. or SJTOW-A.
7. **INSPECT tool cords for damage.** Have damaged tool cords repaired at a Sears Service Center. **BE SURE** to stay constantly aware of the cord location and keep it well away from the cutting blade.
8. **DO NOT abuse the extension cord. NEVER use the cord to carry the tool by or to pull the plug from the outlet.** Keep cord away from heat, oil, sharp edges or moving parts. Replace damaged cords immediately. Damaged cords increase the risk of electric shock.

EXTENSION CORDS

Use a proper extension cord. ONLY use cords listed by Underwriters Laboratories (UL). Other extension cords can cause a drop in line voltage, resulting in a loss of power and overheating of tool.

For this tool an AWG (American Wire Gauge) size of a least 18-gauge is recommended for an extension cord of 25-ft. or less in length. Use 16-gauge for an extension cord of 50-ft. **Use 14-gauge for an extension cord of 100-ft.**

SAFETY INSTRUCTIONS cont.

EXTENSION CORDS cont.

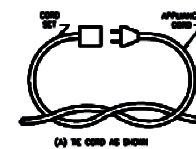
Remember, a **smaller wire gauge size has greater capacity than a larger number** (14-gauge wire has more capacity than 16-gauge wire; 12-gauge wire has more capacity than 14-gauge). When in doubt use the smaller number.

Minimum gauge for extension cords

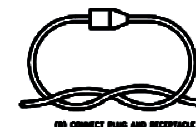
Volts	Total length of cord in feet				
	25	50	100	150	
120V	25	50	100	150	
240V	50	100	200	300	
Ampere Rating		AWG			
More than	Not more than				
0 - 6	18	16	16	14	
6 - 10	18	16	14	12	
10 - 12	16	16	14	12	
12 - 16	14	12	Not recommended		

NOTE - Only the applicable parts of the Table need to be included. For instance, a 120-volt product need not include the 240-volt heading.

Method of securing extension cord



(A) TO CORD AS SHOWN


















(B) CORRECT PLUG AND RECEPTACLE

⚠ CAUTION: Keep the extension cord clear of the work area. Position the cord so that it will not get caught on bushes, hedges, tree trunks, lawnmowers or other obstructions while you are working with the Chain Saw.

⚠ WARNING: Check extension cords before each use. If damaged replace immediately. Never use tool with a damaged cord since touching the damaged area could cause electrical shock, resulting in serious injury.

SAFETY SYMBOLS FOR YOUR TOOL

The label on your tool may include the following symbols.

- V.....Volts
- A.....Amps
- Hz.....Hertz
- W.....Watts
- min.....Minutes
- ~.....Alternating current
-Direct current
- no No-load speed
- .../min.....Revolutions or Strokes per minute
- ⚠.....Indicates danger, warning or caution. It means attention! Your safety is involved.
- .....Tip contact may cause the guide bar to move suddenly upward and backwards, which may cause serious injury to user.
- .....Contact of the guide bar tip with any object should be avoided.
- .....Read and follow all safety precautions in the owner's manual. Failure to follow to instruction could result in serious injury to user.
- .....Do not expose to rain.
- .....Remove plug from mains immediately if the cable is damaged or cut.
- .....Protective goggles/visor, helmet & hearing protection.
- .....Gloves with saw protection.
- .....Boots with saw protection, steel-toe cap and non-slip sole.
- .....Wear dust mask.
- .....Do not use one handed when operating the chain saw.
- .....Always use two hands when operating the chain saw.
- .....Class II construction, Double-Insulation. When servicing, use only identical replacement parts.
- .....The chain saw kickback angle is 10°, with a chain stop.
- .....Correct Direction of Cutting-Teeth.
- .....Chain Stop

SAFETY INSTRUCTIONS cont.

SERVICE SAFETY

1. **If any part of this Chain Saw is missing or should break, bend, or fail in any way; or should any electrical component fail to perform properly: SHUT OFF** the power switch and remove the power cord from the Chain Saw and have the missing, damaged or failed parts replaced **BEFORE** resuming operation.
2. **Tool service should be performed at a qualified service dealer or repair center.** Service or maintenance performed by unqualified personnel could result in a risk of injury.
3. **When servicing a tool, use only identical replacement parts. Follow instructions in the maintenance section of this manual.** Use of unauthorized parts or failure to follow maintenance instructions may create a risk of electric shock or injury.

SAFETY RULES FOR ELECTRIC CHAIN SAWS

1. **KNOW your electric Chain Saw. Read operator's manual carefully.** Learn the applications and limitations, as well as the specific potential hazards related to this tool. Following this rule will reduce the risk of electric shock, fire or serious injury.
2. **DO NOT** use the Chain Saw without adequate lighting.
ALWAYS make sure that you can see what you are cutting.
3. Use Chain Saw **ONLY** when wood is dry.
4. **ALWAYS** stand to the left of the Handle. Any debris thrown by the Chain Saw would be coming from the Blade Guard area on the right of the Chain Saw.
5. **ALWAYS** remove objects such as sticks and debris from the cutting path that could become entangled in, or thrown by the Chain Saw.
6. **DO NOT** start cutting until you have a clear work area, secure footing, especially if you are felling a tree, a retreat path. Keep work area clean.
7. **DO NOT** operate with one hand. Serious injury to the operator, helpers, or bystanders may result from one handed operation. A pole saw/chain saw is intended for two-handed use.
8. **DO NOT** operate chain saw from a ladder or in a tree.
9. **MAKE SURE** the chain will not make contact with any object while starting the saw. **NEVER** start the saw when the guide bar is in a cut.
10. **DO NOT** force chain saw. It will do the job better and safer at the rate for which it was intended.
11. **DO NOT** put pressure on the saw, especially at the end of the cut. Doing so can cause you to lose control when the cut is completed.
12. **STOP** the saw before setting it down.
13. **Carry the chain saw by the front handle with the chain saw switched off and away from your body. When transporting or storing the chain saw always fit the guide bar cover.** Proper handling of the chain saw will reduce the likelihood of accidental contact with the moving saw chain.
14. Use the right tool, **CUT WOOD ONLY.** Don't use chain saw for purpose not intended; for example, don't use chain saw for cutting plastic, masonry, non-wood building materials.
15. **DO NOT** operate a chain saw that is damaged, improperly adjusted, or not completely and securely assembled. Always replace bar, chain, hand guard, or other parts immediately if they become damaged, broken, or are otherwise removed.
16. **Tool service should be performed at a Sears Parts and Repair Center** or other qualified service dealer. Service or maintenance performed by unqualified personnel could result in a risk of injury.
17. **Keep all parts of the body away from the saw chain when the chain saw is operating. Before you start the chain saw, make sure the saw chain is not contacting anything.** A moment of inattention while operating chain saws may cause entanglement of your clothing or body with the saw chain.

SAFETY INSTRUCTIONS cont.

SAFETY RULES FOR ELECTRIC CHAIN SAWS cont.

18. **Always hold the chain saw with your right hand on the rear handle and your left hand on the front handle.** Holding the chain saw with a reversed hand configuration increases the risk of personal injury and should never be done.
19. **Hold the power tool by insulated gripping surfaces only, because the saw chain may contact hidden wiring or its own cord.** Saw chains contacting a "live wire" may make exposed metal parts of the power tool "live" and could give the operator an electric shock.
20. Have all chain saw service performed by a qualified service dealer or repair center except the items listed in the **MAINTENANCE** section of this manual.
21. **MAKE CERTAIN** saw chain stops moving when trigger switch is released.
22. **KEEP** the handles dry and clean and free from oil and grease.
23. **KEEP** oil cap and fasteners securely tightened.
24. Nonconforming replacement components or the removal of safety devices may cause damage to the unit and possible injury to the operator or bystanders. **Use only** Craftsman accessories and replacement parts as recommended. **Never** modify your saw.
25. **MAINTAIN** chain saw with care.
26. **KEEP** unit sharp and clean for better and safer performance.
27. **FOLLOW INSTRUCTIONS** for lubricating and changing accessories.
28. **UNPLUG** the chain saw from the power source when not in use, before servicing, and when changing accessories and attachments, such as saw chain and guard.
29. **CHECK FOR DAMAGED PARTS.** Before further use of the pole saw/chain saw, a guard or other part that is damaged should be carefully checked to determine that it will operate properly and perform its intended function. **CHECK** for alignment of moving parts, binding of moving parts, breakage of parts, mounting and any other conditions that may affect its operation. A guard or other part that is damaged should be properly repaired or replaced by a qualified service dealer or repair center unless otherwise indicated elsewhere in the operator's manual.
30. **WHEN NOT IN USE,** chain saws should be stored in a dry, high or locked-up place out of the reach of children.
31. **WHEN STORING CHAIN SAW,** unplug and use a bar sheath or carrying case.

⚠ WARNING: NEVER reach under the Chain Saw (chain area) until you have unplugged Chain Saw and the Chain has come to a complete stop. The Chain Saw's chain will continue to rotate for a few seconds after it is switched off.

ADDITIONAL RULES FOR SAFE OPERATION

⚠ WARNING: BE SURE to read and understand all instructions. Failure to follow all instructions listed below may result in electric shock, fire and/or serious personal injury.

1. **ALWAYS wear safety goggles or safety glasses with side shields, and a full-face shield when using this Chain Saw.** We recommend a Wide Vision Safety Mask for use over eyeglasses or standard safety glasses with side-shield, available at Sears Stores or other Craftsman Outlets.
2. **PROTECT your lungs.** Wear a face mask, dust mask or respirator if the operation is dusty.
3. **PROTECT your hearing.** Wear appropriate personal hearing protection during use. Under some conditions noise from this product may contribute to hearing loss.

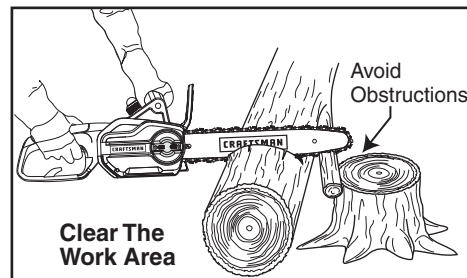
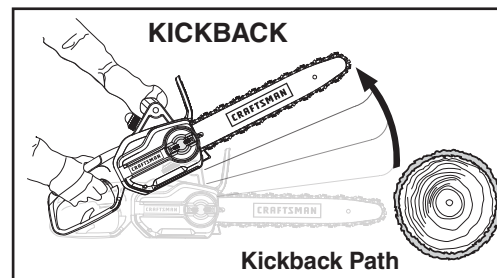
SAFETY INSTRUCTIONS cont.

ADDITIONAL RULES FOR SAFE OPERATION cont.

4. **Wear safety glasses and hearing protection. Further protective equipment for head, hands, legs and feet is recommended.** Adequate protective clothing will reduce personal injury by flying debris or accidental contact with the saw chain.
5. **ALL VISITORS AND BYSTANDERS MUST** wear the same safety equipment that the operator of the tool wears.
6. **ALWAYS check the tool for damaged parts.** Check for misalignment or binding of moving parts, breakage of parts, and any other condition that may affect the tool's operation. Before further use of the tool, a guard or other part that is damaged should be carefully checked to determine if it will operate properly and perform its intended function. A guard or other part that is damaged should be properly repaired or replaced at a qualified service dealer or repair center service dealer.
7. **Always keep proper footing and operate the chain saw only when standing on fixed, secure and level surface.** Slippery or unstable surfaces such as ladders may cause a loss of balance or control of the chain saw.
8. **Use extreme caution when cutting brush and saplings.** The slender material may catch the saw chain and be whipped toward you or pull you off balance.
9. **Follow instructions for lubricating, chain tensioning and changing accessories.** Improperly tensioned or lubricated chain may either break or increase the chance for kickback.
10. **Only use replacement bars and chains specified by the manufacturer.** Incorrect replacement bars and chains may cause chain breakage and/or kickback.
11. **Follow the manufacturer's sharpening and maintenance instructions for the saw chain.** Decreasing the depth gauge height can lead to increased kickback.

⚠ WARNING: Follow all safety rules to help prevent Kickback which can cause serious personal injury.

AVOID KICKBACK AND PULL-IN



1. **KICKBACK** is the backward, upward or sudden forward motion of the guide bar occurring when the saw chain near the upper tip of the guide bar contacts any object such as a log or branch, or when the wood closes in and pinches chain in the cut. Contacting a foreign object in the wood can also result in loss of chain saw control.
2. **ROTATIONAL KICKBACK** can occur when the moving chain contacts an object at the upper tip of the guide bar. This contact can cause the chain to dig into the object, which stops the chain for an instant. The result is a lightning fast, reverse reaction which kicks the guide bar up and back toward the operator.
3. **PINCH-KICKBACK** can occur when the wood closes in and pinches the moving saw chain in the cut along the top of the guide bar and the saw chain is suddenly stopped. This sudden stopping of the chain results in a reversal of the chain force used to cut wood and causes the saw to move in the opposite direction of the chain rotation. The saw is driven straight back toward the operator.

SAFETY INSTRUCTIONS cont.

ADDITIONAL RULES FOR SAFE OPERATION cont.

AVOID KICKBACK AND PULL-IN cont.

4. **PULL-IN** can occur when the moving chain contacts a foreign object in the wood in the cut along the bottom of the guide bar and the saw chain is suddenly stopped. This sudden stopping pulls the saw forward and away from the operator and could easily cause the operator to lose control of the saw.

CAUSES AND OPERATOR PREVENTION OF KICKBACK:

- Kickback may occur when the nose or tip of the guide bar touches an object, or when the wood closes in and pinches the saw chain in the cut.
- Tip contact in some cases may cause a sudden reverse reaction, kicking the guide bar up and back towards the operator.
- Pinching the saw chain along the top of the guide bar may push the guide bar rapidly back towards the operator.
- Either of these reactions may cause you to lose control of the saw which could result in serious personal injury.
- Do not rely exclusively upon the safety devices built into your saw.
- As a chain saw user, you should take several steps to keep your cutting jobs free from accident or injury.
- **Kickback is the result of tool misuse and/or incorrect operating procedures or conditions** and can be avoided by taking proper precautions as given below:
 - **Maintain a firm grip**, with thumbs and fingers encircling the chain saw handles, with both hands on the saw and position your body and arm to allow you to resist kickback forces. Kickback forces can be controlled by the operator, if proper precautions are taken.
 - **Do not let go of the chain saw.**
 - **Do not overreach and do not cut above shoulder height.** This helps prevent unintended tip contact and enables better control of the chain saw in unexpected situations.

AVOID PINCH-KICKBACK

1. Be extremely aware of situations or obstructions that can cause material to pinch the top of or otherwise stop the chain.
2. Do not cut more than one log at a time.
3. Do not twist the saw as the bar is withdrawn from an undercut when bucking.

AVOID PULL-IN

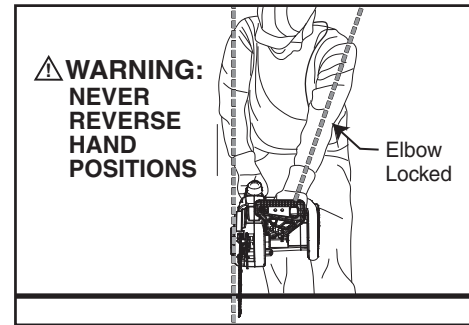
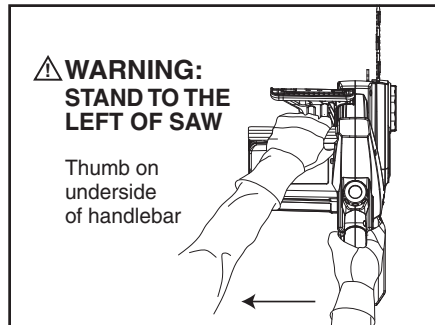
1. Always begin cutting with the saw at full speed and the saw housing against wood.
2. Use wedges made of plastic or wood. Never use metal to hold the cut open.

⚠ WARNING: Follow all safety rules to help prevent Kickback which can cause serious personal injury.

SAFETY INSTRUCTIONS cont.

ADDITIONAL RULES FOR SAFE OPERATION cont.

MAINTAIN CONTROL

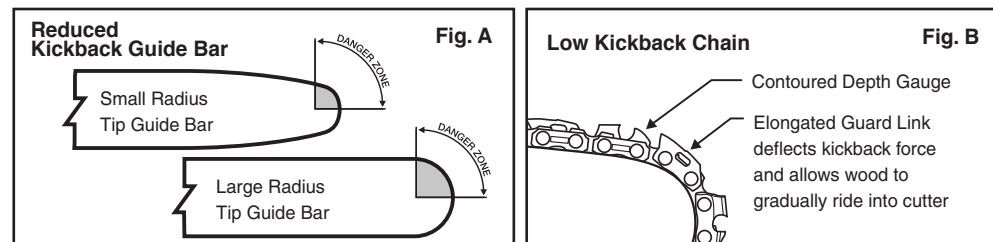


1. A good, firm grip on the saw with both hands will help you maintain control. Don't let go. Grip the rear handle with your right hand whether you are right or left handed. Wrap the fingers of your left hand over and around the front handlebar, and your left thumb under the front handlebar. Keep your left arm straight with the elbow locked.
2. Position your left hand on the front handlebar so it is in a straight line with your right hand on the rear handle when making bucking cuts. Stand slightly to the left side of the saw to keep your body from being in a direct line with the cutting chain.
3. Stand with your weight evenly balanced on both feet.
4. Do not overreach. You could be drawn or thrown off balance and lose control.
5. Do not cut above shoulder height. It is difficult to maintain control of saw above shoulder height.

KICKBACK SAFETY FEATURES

WARNING: The following features are included on your saw to help reduce hazard of kickback; however, such features will not totally eliminate this danger. Do not rely only on safety devices. Follow all safety rules to help avoid kickback and other forces which can result in serious injury.

1. **Hand Guard:** designed to reduce the chance of your left hand contacting the chain if your hand slips off the front handlebar.
2. **Position of Front and Rear Handle Bars AVOID KICKBACK:** designed with distance between handles and "in-line" with each other. The spread and "in-line" position of the hands provided by this design work together to give balance and resistance in controlling the pivot of the saw back toward the operator if kick back occurs.
3. **Reduced-Kickback Guide Bar:** designed with a small radius tip which reduces the size of the kickback danger zone on the bar tip, see Fig. A below. This type of bar has been demonstrated to significantly reduce the number and seriousness of kickbacks when tested in accordance with ANSI B175.1.
4. **Low Kickback Chain** has met kickback performance requirements when tested on the representative sample of these chain saws specified in ANSI B175.1. See Fig. B below.



12

SAFETY INSTRUCTIONS cont.

ADDITIONAL RULES FOR SAFE OPERATION cont.

WARNING: • Tip contact in some cases may cause a lightning fast REACTION, kicking the guide bar up and back toward the operator.
• Pinching the saw chain along the tip of the guide bar may push the guide bar rapidly back towards the operator.
• Either of these reactions may cause you to lose control of the saw which could result in serious injury. Do not rely exclusively upon devices built into your saw.

CAUTION: Exposure to vibrations through prolonged use of hand tools could cause blood vessel or nerve damage in the fingers, hands, and joints of people prone to circulation disorders or abnormal swelling. Prolonged use in cold weather has been linked to blood vessel damage in otherwise healthy people. If symptoms occur such as numbness, pain, loss of strength, change in skin color or texture, or loss of feeling in the fingers, hands, or joints, discontinue the use of this tool and seek medical attention. An anti-vibration system does not guarantee the avoidance of these problems. Users who operate power tools on a continual and regular basis must closely monitor their physical condition and the condition of this tool.

SAVE THESE INSTRUCTIONS. Refer to them frequently and use them to instruct others who may use this tool. If someone borrows this tool, make sure they have these instructions also.

UNPACKING

1. The **Chain Saw** comes fully assembled, including the **Chain/Chain Bar Assembly**.
2. Do not discard box or packing material until all parts are examined.
3. Remove **Plastic Protective Chain and Bar Cover** before use.

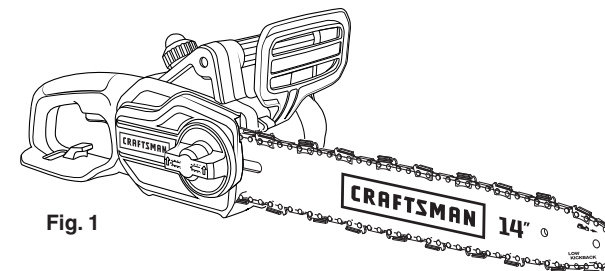


Fig. 1

NOTE: Chain and Bar Oil is not included. **BEFORE** using this Chain Saw, do not forget to purchase Craftsman Bar & Chain Oil, SAE30.

WARNING: If any part of the Chain Saw is missing or damaged, do not connect the Chain Saw to the power source until the damaged part is repaired or replaced.

13

DESCRIPTION

KNOW YOUR CHAIN SAW

NOTE: Before attempting to use this product, familiarize yourself with all operating features and safety rules.

Your Chain Saw has a precision built electric motor and it should only be connected to a **120-volt, 60 Hz AC ONLY** power supply (normal household current). The electric Chain Saw should always be used with a GFCI (Ground Fault Circuit Interrupter) outlet.

DO NOT operate this Chain Saw on direct current (DC). The large voltage drop would cause a loss of power and the motor would overheat.

If the Chain Saw does not operate when plugged into correct 120-volt, 60 Hz AC ONLY outlet, check the power supply. The Chain Saw comes with an electric plug and should be plugged into a proper extension cord (See page 6).

CHAIN SAW FEATURES:

- Powerful 9 Amp
- Bar length: 14"
- Auto-tensioning chain system
- Tool-less blade change
- Easy prime oil pump and level
- Low kickback bar and chain
- Lock-off button prevents accidental starting

TECHNICAL DATA:

- Voltage: 120V
- Rated power: 9A
- Bar length: 14"
- Chain speed: 28 ft/s
- Oil tank capacity: 4.06 ounces
- Chain pitch: 3/8"
- Number of chain links: 52
- Chain gauge: 0.050"
- Chain type: E&S®, Type 3/8LP.050 52E (14")
Oregon®, Type 91PX052X (14")
- Bar type: E&S®, Type ES140SDEA041 (14")
Oregon®, Type 140SDEA041 (14")
- Machine weight: 6.6 lbs
- Protection class: □ / II

CHAIN SAW CALL-OUTS (See Figures 2 and 3 on page 15)

1. Rear handle (See Fig. 2)
2. On/Off switch (See Fig. 2)
3. Lock-off button (See Fig. 2)
4. Oil filler cap with primer bulb (See Fig. 2)
5. Front handle (See Fig. 2)
6. Front Hand Guard (See Fig. 2)
7. Chain Guide bar (See Fig. 2)
8. Chain (See Fig. 2)
9. Spiked bumper (See Figs. 2 and 3)
10. Plastic Chain/Bar/Blade protection cover (See Fig. 2)
11. Chain Tensioning Knob (See Fig. 2)
12. Cover plate (See Fig. 2)
13. Drive sprocket (See Fig. 3)
14. Guide fins for chain bar (See Fig. 3)
15. Symbol for rotation and cutting direction (See Fig. 3)
16. Chain tensioning catch (See Fig. 3)
17. Chain catcher (See Fig. 3)
18. Fastening bar bolt (See Fig. 3)
19. Oil level gauge (See Fig. 3)

DESCRIPTION cont.

KNOW YOUR CHAIN SAW cont.

CHAIN SAW CALL-OUTS cont. (Figures 2 and 3)

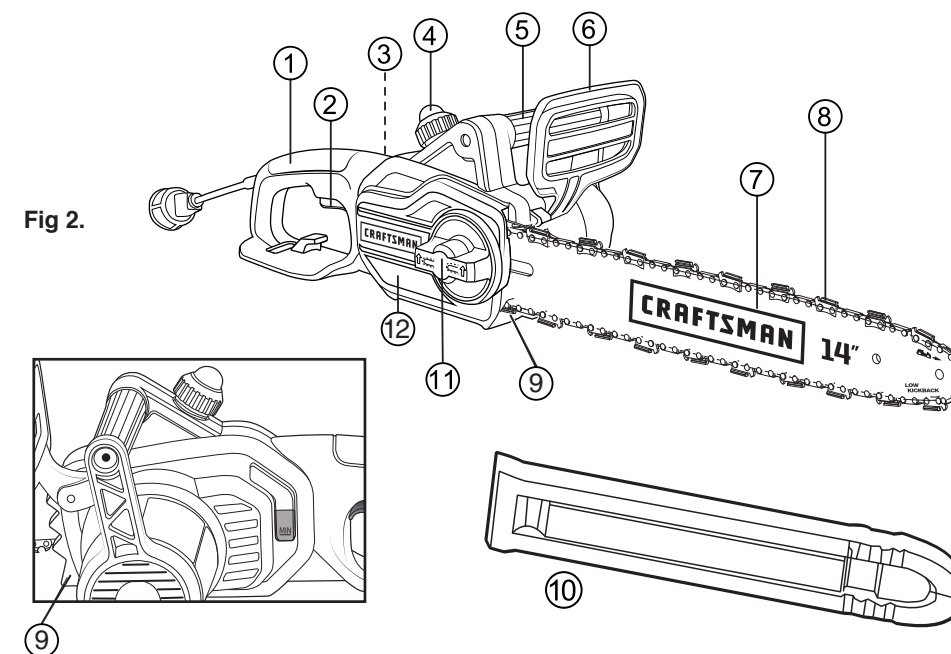
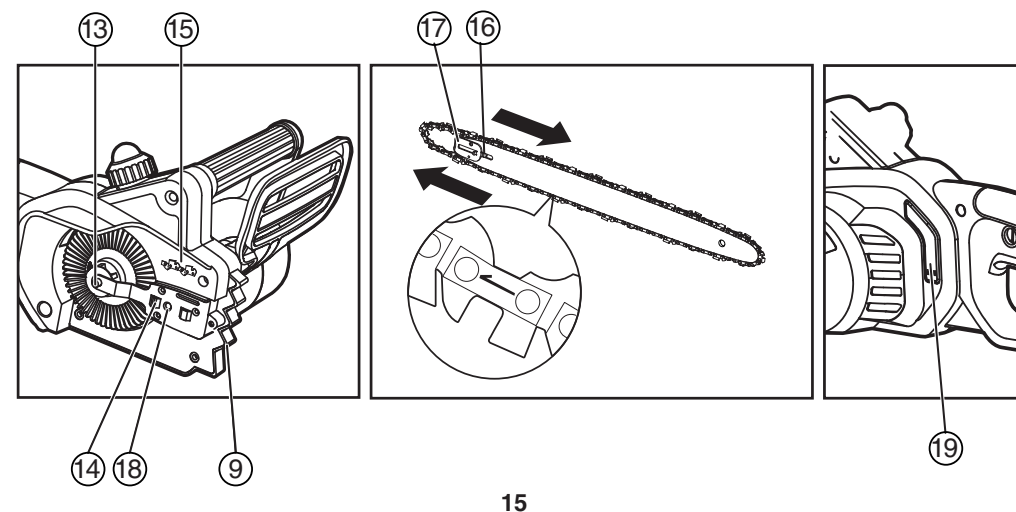


Fig 3.



ASSEMBLY & ADJUSTMENTS

INTENDED USE

The chain saw is intended for wood: sawing of trees, tree trunks, branches, wooden beams, planks, etc. Cuts can be sawed with or across the grain. This product is not suitable for sawing mineral materials, plastics or non-wood building materials.

ASSEMBLY

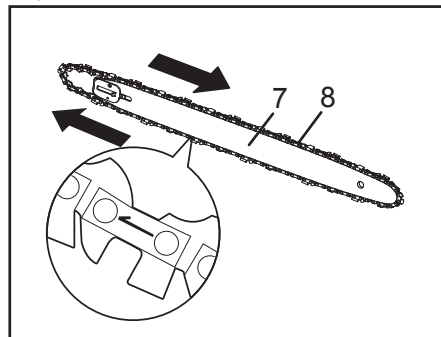
NOTE: This Chain Saw comes fully assembled, including the Chain/Chain Bar Assembly. See below for Chain/Chain Bar Replacement.

WARNING: Do not connect the chain saw to extension cord and power source before it is completely assembled. Always use gloves when handling the chain.

CHAIN AND CHAIN BAR ASSEMBLY/REPLACEMENT (See Figs. 4a, 4b, 4c, 4d and Pgs 14-15 for part reference)

1. Place the chain saw on any suitable flat surface.
2. (See Fig. 4a) Slide the chain (8) in the slot around the guide bar (7). Ensure chain is in correct running direction by comparing with chain symbol (15). Ensure the chain tensioning catch (16) is facing outwards.
3. (See Fig. 4b) Fit the chain onto the drive sprocket (13) and guide the guide bar (7), so that the fastening bar bolt (18) and the two guide fins (14) fit into the keyway of the guide bar (7).

Fig. 4a



4. Check to make sure all parts are seated properly and hold chain and guide bar in a level position. (See Fig. 4c)
5. Fit cover plate into place. Ensure that the chain catcher (17) fits into the groove of the cover plate (12). (See Figs. 2 & 3, pg.15)
6. Tighten the Chain Cover by turning the Chain Tensioning Knob (11) clockwise until it is tight. (See Figs. 4c and 4d)

NOTE: The chain is not yet tensioned. Tensioning the chain applies as described in the TENSIONING CHAIN section.

Fig. 4b

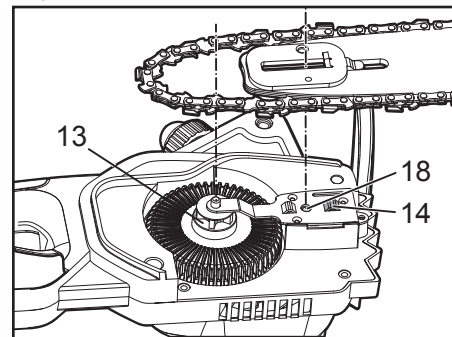
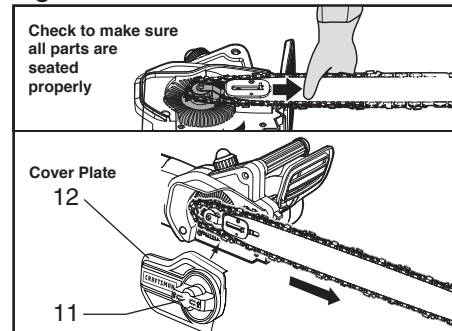


Fig. 4c



ASSEMBLY & ADJUSTMENTS cont.

TENSIONING CHAIN

Always check the chain tension before use, after the first cuts and regularly during use. Upon initial operation, new chains can lengthen considerably.

WARNING: Unplug chain saw from power source before adjusting saw chain tension.

WARNING: Cutting edges on chain are sharp. Use protective gloves when handling chain.

WARNING: ALWAYS Maintain proper chain tension. A loose chain will increase the risk of kickback. A loose chain may jump out of guide bar groove. This may injure operator and damage chain. A loose chain will cause chain, chain bar, and sprocket to wear rapidly. The chain life of the saw chain mainly depends upon sufficient lubrication and correct tensioning. Avoid tensioning the chain if it is hot, as this will cause the chain to become over tensioned when it cools down.

Fig. 4d

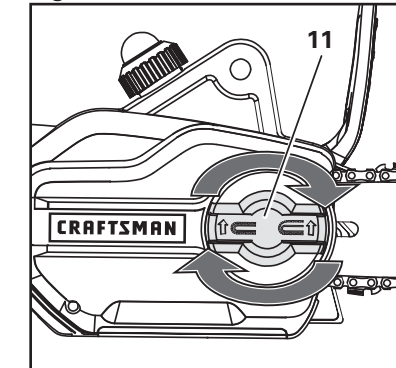


Fig. 5

1. Place the chain saw on any suitable flat surface.
2. Turn the Chain Tensioning Knob (11) clockwise until it is hand tight (See Fig.4d).

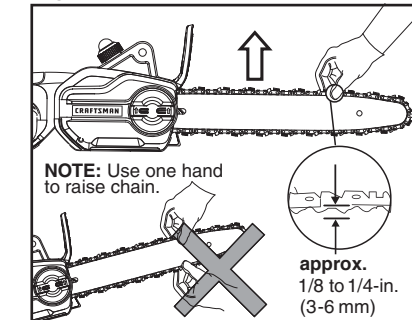
The tension is automatically set while the Chain Tensioning Knob is being tightened.

The ratchet mechanism prevents the chain tension from loosening.

3. Double check the tension set by the automatic Chain Tensioning Knob.

The correct chain tension is reached when the chain can be raised approximately 1/8 to 1/4 in. (3-6 mm) from the Guide Bar in the center. This should be done by using one hand to raise the chain against the weight of the machine.

4. The Chain will stretch from use and lose proper tension. To retension chain, first loosen the Chain Tension knob by turning counterclockwise 3 full turns. Make sure that the cover plate is securely in place. Proceed to retension chain by repeating steps 1 - 3 listed above.



ASSEMBLY & ADJUSTMENTS cont.

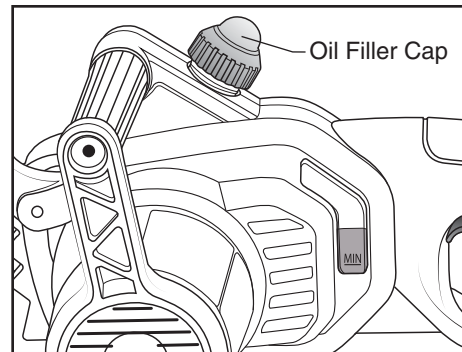
LUBRICATION

⚠ CAUTION: The chain saw is **NOT** supplied filled with chain oil. It is essential to fill with oil before use. Never operate the chain saw without chain oil or at an empty oil tank level, as this will result in extensive damage to the product. Chain life and cutting capacity depends on optimum lubrication. Therefore, the chainsaw should be properly filled with oil and primed before each use.

Filling chain oil reservoir: (See Fig. 6)

1. Set chain saw on any suitable surface with oil filler cap facing upward.
2. Clean area around the Oil Filler Cap with cloth, unscrew and remove the cap by turning it counterclockwise.
3. Add bar and chain oil (Craftsman Bar & Chain Oil, SAE30) until reservoir is full.
4. Avoiding dirt or debris entering oil reservoir, screw oil filler cap back into place.

Fig. 6



⚠ CAUTION: To allow venting of the oil reservoir, small breather channels are provided between the oil filler cap and the strainer. To prevent leakage, ensure machine is left in a horizontal position (oil filler cap uppermost) when not in use. It is important to use only the recommended oil to avoid damage to the chain saw. Never use recycled/old oil. Use of non-approved oil will invalidate the warranty.

CHAINSAW OPERATION TERMS

Bucking – The process of cross cutting a felled tree or log into lengths.

Chain Saw Power Head – A chain saw without the saw chain and guide bar.

Drive Sprocket or Sprocket – The toothed part that drives the saw chain.

Felling – The process of cutting down a tree.

Felling Back Cut – The final cut in a tree felling operation made on the opposite side of the tree from the notching undercut.

Front Handle – The support handle located at or toward the front of the chain saw.

Front Hand Guard – A structural barrier between the front handle of a chain saw and the guide bar, typically located close to the hand position on the front handle.

Guide Bar – A solid railed structure that supports and guides the saw chain.

Kickback – The backward or upward motion, or both, of the guide bar occurring when the saw chain near the nose of the top area of the guide bar contacts any object such as a log or branch, or when the wood closes in and pinches the saw chain in the cut.

Kickback, Pinch – The rapid pushback of the saw which can occur when the wood closes in and pinches the moving saw chain in the cut along the top of the guide bar.

Kickback, Rotational – The rapid upward and backward motion of the saw which can occur when the moving saw chain near the upper portion of the tip of the guide bar contacts an object, such as a log or branch.

Low-Kickback Chain – A chain that complies with the kickback performance requirements of ANSI B175.1-1991 when tested on a representative sample of chain saws.

Normal Cutting Position – Those positions assumed in performing the bucking and felling cuts.

Notching Undercut – A notch cut in a tree that directs the tree's fall.

Oiler Control – A system for oiling the guide bar and saw chain.

Rear Handle – The support handle located at or toward the rear of the saw.

Reduced Kickback Guide Bar – A guide bar which has been demonstrated to reduce kickback significantly.

Replacement Saw Chain – A chain that complies with the kickback performance requirements of ANSI B175.1-1991 when tested with specific chain saws. It may not meet the ANSI performance requirements when used with other saws.

Saw Chain – A loop of chain having cutting teeth, that cut the wood, and that is driven by the motor and is supported by the guide bar.

Spiked Bumper (Gripping Teeth) – The teeth allow user to pivot the saw and maintain position while sawing.

Switch – A device that when operated will complete or interrupt an electrical power circuit to the motor of the chain saw.

Switch Linkage – The mechanism that transmits motion from a trigger to the switch.

Lock-off Button – A movable stop that prevents the unintentional operation of the switch until manually actuated.

OPERATION

ATTACHING EXTENSION CORD

1. Remove Plug safety cap as shown (Fig. 7a). Insert extension cord socket into Chain Saw Plug (Fig. 7b).
2. An Extension Cord Retainer is attached to the Handle to reduce strain on the cord. To use this feature, simply double the extension cord as shown, about a foot from the end, and insert it into the end of the Retainer. Place the loop formed by doubling the cord over the Hook (Fig. 7c). Gently tug on the cord to ensure that it is firmly situated in the Retainer (Fig. 7d).
3. Keep extension cord clear of operator, unit and any obstacles at all times. Do not expose the cord to heat, oil, water, or sharp edges.

Fig. 7a

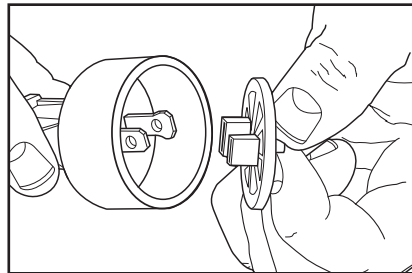


Fig. 7b

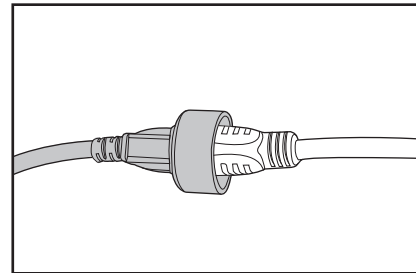


Fig. 7c

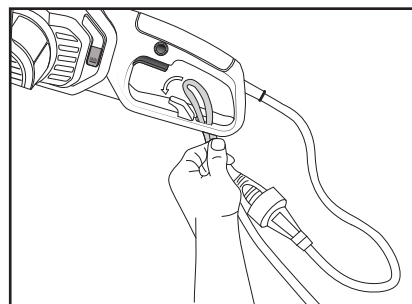
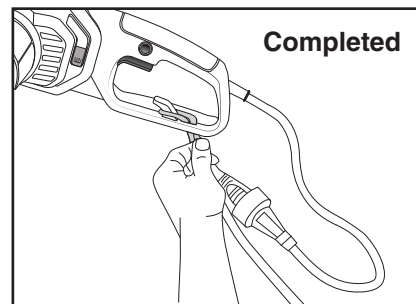


Fig. 7d



Cord locked in Extension Cord Retainer

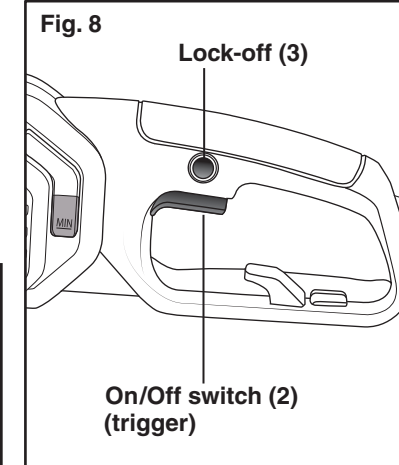
OPERATION cont.

SWITCHING ON AND OFF (Fig. 8)

⚠ WARNING: Check the voltage and electric current supply: The voltage and current supply must comply with the ratings on the data plate.

1. To switch the Chain Saw ON, press the **lock-off button**, then fully press the **On/Off switch (2)** and hold in this position. The lock-off button (3) can now be released.
2. To switch the Chain Saw OFF, release the **On/Off switch (2)**. The chain will not stop immediately.

⚠ WARNING: DO NOT attempt to touch the saw chain until it is completely stopped! Even a slowly moving chain can inflict severe cuts to hands. Also, always unplug the saw from its electrical power source and wear heavy duty protective gloves before touching a stopped chain.



CUTTING

Check oil level gauge prior to starting and regularly during operation. Refill oil when oil level is low. The oil tank filling will last approximately 16 minutes, depending on sawing intensity and stops. (See Fig. 6 on page 18)

Confirm the chain tension is in working order and the chain sharp.

Pause operation to check tension of a new replacement chain.

See TENSIONING CHAIN instructions.

Upon initial operation, new chains can lengthen considerably. The condition of the chain influences the cutting performance. Only a sharp chain protects from overload which can result in jamming and kickback.

Make sure you are wearing the necessary protective equipment.

Wear safety glasses/goggles/visor – safety helmet and hearing protection.

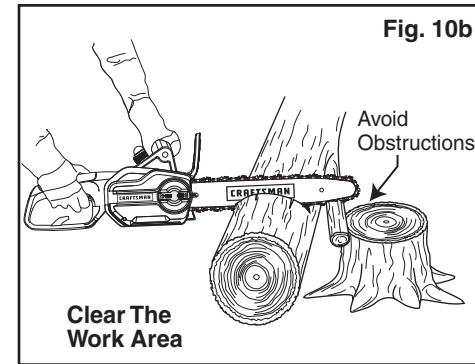
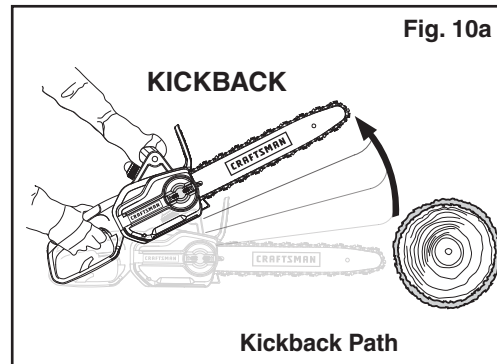
Further protective equipment for head, hands, legs and feet is highly recommended.

Adequate protective clothing will reduce personal injury by flying debris or accidental contact with saw chain.

⚠ CAUTION: Do not touch the ground with the chain. Ensure safety clearance of 7-7/8 inch (20 cm.). If an increasing oil pattern develops, the automatic oiler is operating fine. If there is no oil pattern, despite a full oil reservoir, see "Troubleshooting".

OPERATION cont.

KICKBACK (Figs. 10a, 10b)



KICKBACK is the backward, upward or sudden forward motion of the guide bar occurring when the saw chain near the upper tip of the guide bar contacts any object such as a log or branch, or when the wood closes in and pinches chain in the cut. Contacting a foreign object in the wood can also result in loss of chain saw control.

When kickback occurs the chainsaw reacts unpredictably and can cause severe injuries to the operator or bystanders. Particular attention must be given when sawing sideways, slanted or during length cuts, as the spiked bumper usually cannot be applied.

To avoid kickback:

- Saw with guide bar at a flat angle.
- Never work with a loose, widely stretched or the heavily worn out chain.
- Ensure chain is sharpened correctly.
- Never saw above shoulder height.
- Never work with the tip of the guide bar.
- Always hold the chain saw firmly with both hands.
- Always use a low kickback chain.
- Whenever possible, apply the spiked bumper against the log for leverage.
- Ensure correct chain tension.

OPERATION cont.

GENERAL CUTTING

Always hold the chain saw firmly with both hands. Grasp the front grip with the left hand and the rear grip with the right hand. Fully grip both handles at all times during operation.

(See Figs. 11 and 12)

Never operate chain saw using only one hand. Ensure power cord is located to the rear, away from the chain and wood and so positioned that it will not be caught on branches or the like during cutting.

Fig. 11

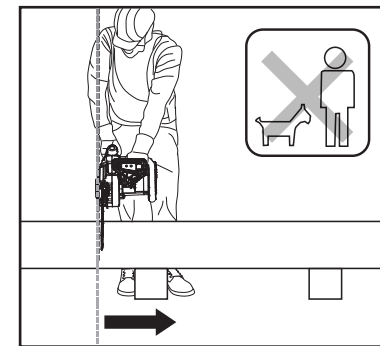
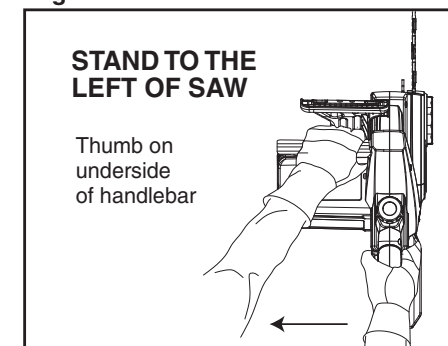


Fig. 12



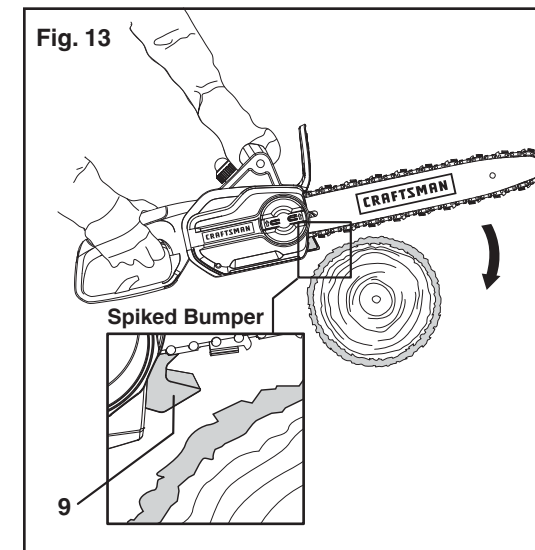
Use the chain saw only with secure footing. Hold the chain saw at the right-hand side of your body. **(See Figs. 11 and 12)**

The chain must be running at full speed before it makes contact with the wood.

Whenever possible, apply the spiked bumper teeth (9) against the log as a leverage point while cutting.

Use the bumper teeth to secure the saw onto the wood before starting to cut.

The teeth allow user to pivot the saw and maintain position while sawing. **(See Fig. 13)**



OPERATION cont.

GENERAL CUTTING cont.

For thicker logs, reset the spiked bumper teeth to a lower point on the log while sawing by pulling the saw slightly backwards and repositioning the teeth at a lower level on the log. Do not remove the saw completely from the wood.

- Do not force the chain while cutting, let the chain do the work, using the gripping teeth to apply minimal leverage pressure.
- Do not operate the chain saw with arms fully extended or attempt to saw areas which are difficult to reach, or on a ladder. Never use the chain saw above shoulder height. (See Fig. 14)

NOTE: Sawing is optimized when the chain speed remains steady during cutting.

Beware when reaching the end of the cut. The weight of the saw may change unexpectedly as it cuts free from the wood.

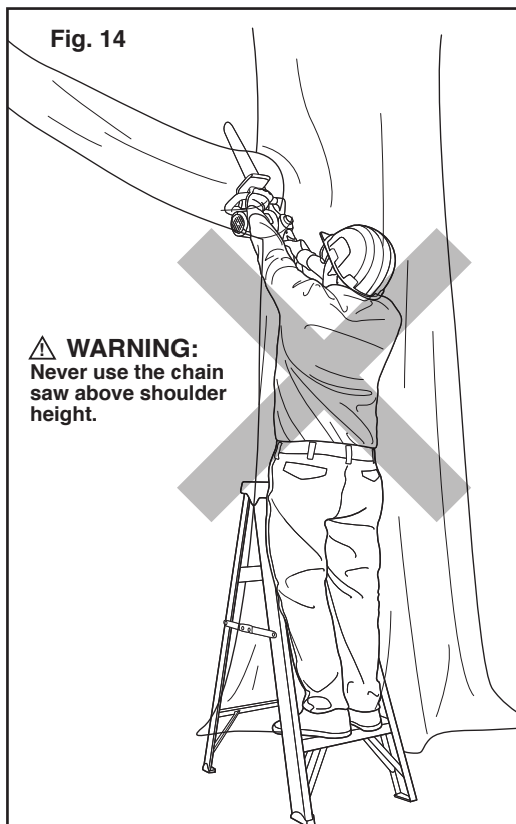
Accidents can occur to the legs and feet.

Always remove the saw from a wood cut while the saw is running.

NOTE: Do not attempt a pruning or limbing operation in a standing tree unless specifically trained to do so.

NOTE: When cutting a limb that is under tension or compression, be alert for springback.

Fig. 14



OPERATION cont.

GENERAL CUTTING cont.

CUTTING LOGS

Observe the following safety instructions:

Support logs so that the facing sides at the cut do not close in against each other, which would result in the chain being jammed or pinched. (See Figs. 15 and 16)

Fig. 15

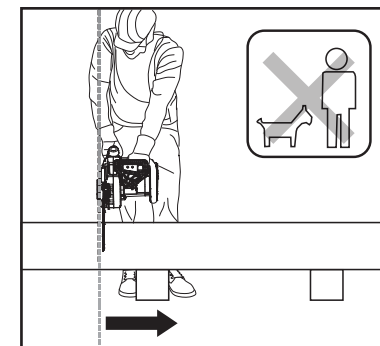
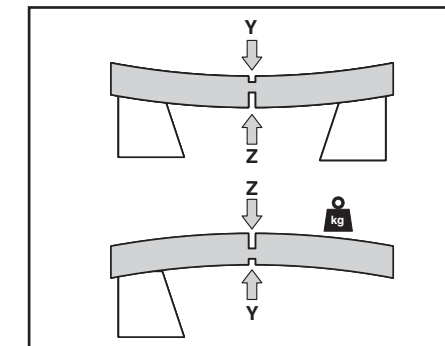


Fig. 16



⚠ CAUTION:

Position and set short logs safely prior to sawing. Saw only wood or wooden objects. When sawing, always take care to avoid hitting stones, nails, etc. as these could be thrown up or cause damage to the chain or serious injury to the operator or bystanders.

Keep a running saw clear of wire fencing or the ground.

Use of the saw to thin out branches or bushes is not approved.

When working on a slope, operate above or to the side of the upright trunk, fallen tree or laying log. Never assume a downhill position from the trunk, tree or log.

Be careful not to trip over tree stumps, branches, roots, etc.

CUTTING WOOD UNDER TENSION (See Fig. 16)

There is a high risk of accidents when sawing wood, branch or trees under **tension**.

Be extremely careful. Leave saw jobs like these to professionals.

When sawing logs supported on both ends, start the cut from above (Y) about 1/3 of the diameter into the log and then finish the cut (Z) from below, in order to avoid contact of the chain saw with the ground. When sawing logs supported on only one end, start the cut from below (Y) about 1/3 of the diameter into the log and finish the cut from above (Z) in order to avoid log splitting or jamming of the chain saw.

OPERATION cont.

GENERAL CUTTING cont.

FELLING TREES (See Fig. 17)

Always wear a hard hat to protect head against falling branches. The chain saw can only be used to fell trees smaller in diameter than the length of the guide bar.

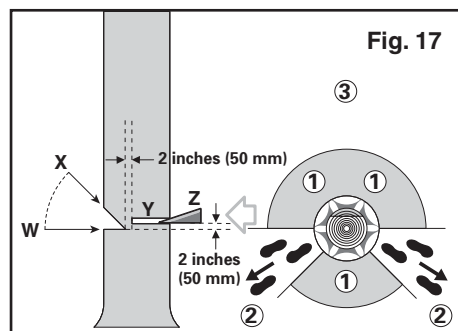
- 1. Secure work area (See 1, Fig. 17).** Ensure no persons or animals are in the vicinity of the falling tree. Never attempt to free a jammed saw chain and guide bar with the motor running. Stop the motor and unplug the saw. Then use wedges to free chain and guide bar. When cutting and felling operations are being performed by separate persons at the same time, the felling operations must be separated from the cutting operation by a distance of at least twice the height of the tree being felled. Trees must not be felled in a manner that would endanger any person, strike any utility line or cause any property damage. If the tree does make contact with any utility line, the company should be notified immediately. The chain saw operator must keep on the uphill side of the terrain as the tree is likely to roll or slide downhill after it is felled.
- 2. An escape path (See 2, Fig. 17)** must be planned and cleared as necessary before cuts are started. The escape path must extend back and diagonally to the rear of the expected line of fall.
- 3. Before felling is started (See 3, Fig. 17),** consider the natural lean of the tree, the location of larger branches and the wind direction to judge which way the tree will fall. Remove dirt, stones, loose bark, nails staples, and wire from the tree.

Notching undercut: Make the notch (x-w) 1/3 the diameter of the tree, perpendicular to the direction of falls as make the lower horizontal notching cut first. This will help to avoid pinching either the saw chain or the guide bar when the second notch is being made.

Felling back cut: Make the felling back cut (Y) at least 2-Inches (50 mm) higher than the horizontal notching cut. Keep the felling back cut parallel to the horizontal notching cut.

Make the felling back cut so enough wood is left to act as a hinge. The hinge wood keeps the tree from twisting and falling in the wrong direction. Do not cut through the hinge. As the felling back cut gets close to the hinge the tree should begin to fall. If there is any chance that the tree may not fall in desired direction or it may rock back and bind the saw chain, stop cutting before the felling back cut is complete and use wedges of wood, plastic, or aluminum (Z) to open the cut and drop the tree along the desired line of fall.

When the tree begins to fall remove the chain saw from the cutting, stop the motor, put the chain saw down, and then use the retreat path planned. Be alert for overhead limbs falling and watch your footing.



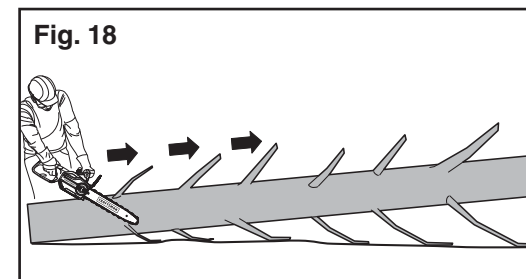
OPERATION cont.

GENERAL CUTTING cont.

LIMBING A TREE (See Fig. 18)

Limbing is removing the branches from a fallen tree. When limbing leave larger lower limbs to support the log off the ground.

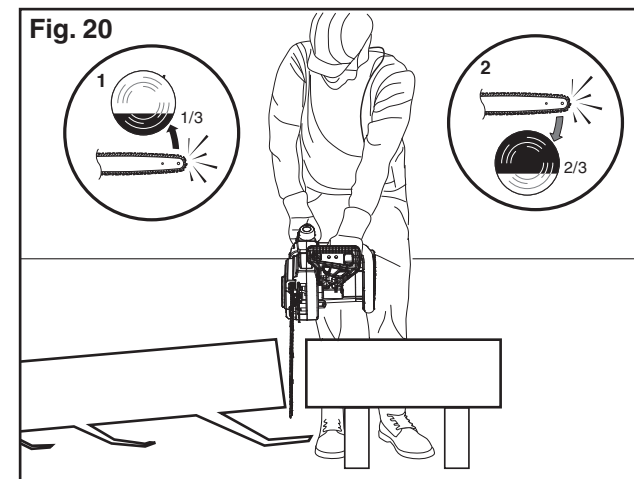
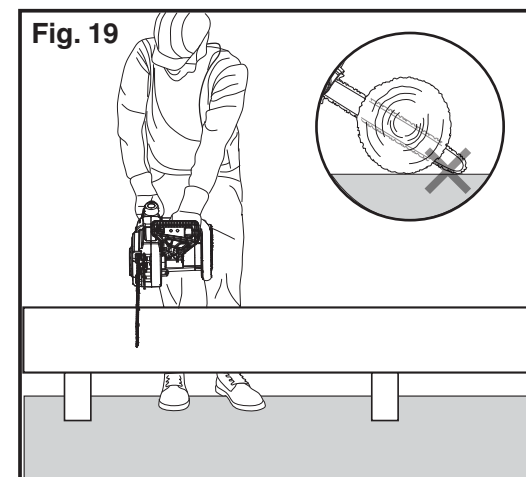
Remove each top limb in a single cut as illustrated. Support limbs are under tension. Cut support limbs from bottom up to avoid binding the saw blade. **WARNING!** When limbing, stand on the other side of the fallen tree from the limb you are cutting to stay out of the way of the falling cut limb.



BUCKING A LOG

Bucking is cutting a log into lengths. It is important to make sure your footing is firm and your weight is evenly distributed on both feet. When possible, the log should be raised and supported by the use of limbs, logs or chocks. Never let the saw chain contact the ground.

1. When the log is supported along its entire length as illustrated, cut it from the top (overbuck). See Fig. 19.
2. When the log is supported on one end, as illustrated, cut 1/3 the diameter from the underside (underbuck). Then make the finished cut by overbucking to meet the first cut. (See Fig. 20)



OPERATION cont.

GENERAL CUTTING cont.

BUCKING A LOG cont.

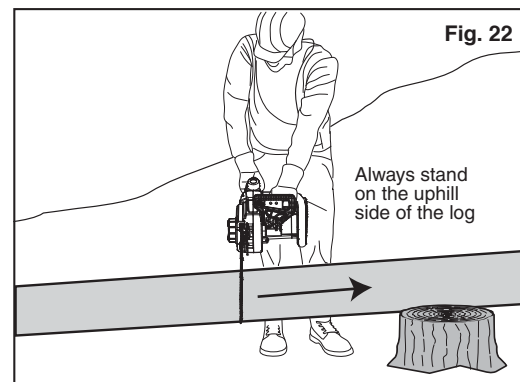
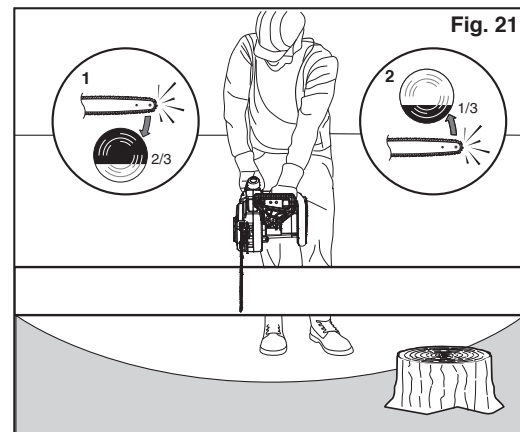
3. When the log is supported on both ends, as illustrated, cut 1/3 the diameter from the top overbuck. Then make the finished cut by underbucking the lower 2/3 to meet the first cut. (See Fig. 21)

4. When bucking on a slope always stand on the uphill side of the log as illustrated. (See Fig. 22)

5. When "cutting through", to maintain complete control release the cutting pressure near the end of the cut without relaxing your grip on the chain saw handles. **Don't let the chain contact the ground.**

After completing the cut, wait for the saw chain to stop before you move the chain saw.

Always stop the motor before moving from tree to tree.



MAINTENANCE AND STORAGE OF CHAIN SAW

GENERAL MAINTENANCE

⚠ WARNING: Before performing any work on Chain Saw, disconnect Chain Saw's power plug from the extension cord and power source.

NOTE: To ensure long and reliable service, carry out the following maintenance regularly and before each use:

Regularly check for obvious defects such as loose, dislodged or damaged chain and guide bar, loose fixings and worn or damaged components. Inspect the switch and cord for damage. Check that covers and guards are undamaged and correctly fitted.

⚠ WARNING: DO NOT use Chain Saw if it has any broken parts. **ALWAYS** have damaged, missing, worn or broken parts replaced before using.

NOTE: WHEN SERVICING a tool, use only identical replacement parts. Use of unauthorized parts or failure to follow maintenance instructions may create a risk of electric shock or injury.

MAINTENANCE AND STORAGE OF CHAIN SAW cont.

WARNING! If power supply cord is damaged stop tool use immediately. Take tool to a qualified service dealer for inspection and possible repair using identical replacement parts.

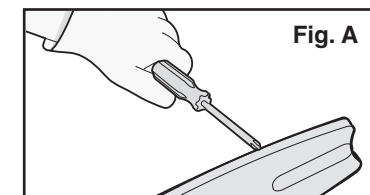
1. Unplug chain saw from power source
 - When not in use
 - Before moving from one place to another
 - Before servicing
 - Before changing accessories or attachments, such as saw chain and guard
2. Inspect chain saw before and after each use. Check saw closely if guard or other part has been damaged. Check for any damage that may affect operator safety or operation of saw. Check for alignment or binding of moving parts. Check for broken or damaged parts. Do not use chain saw if damage affects safety or operation. Take saw to a qualified service dealer for inspection and possible repair using identical replacement parts. Before transporting, empty all oil from the chain oil reservoir.
3. Maintain chain saw with care.
 - Never expose saw to rain.
 - Keep chain sharp, clean, and lubricated for better and safer performance.
 - Follow steps outlined in this manual to sharpen chain.
 - Keep handles dry, clean, and free of oil and grease.
 - Keep all screws and nuts tight.
 - Inspect power cord often. If damaged, stop use immediately and take chain saw to a qualified service dealer for inspection and possible repair using identical replacement parts.
 - Never carry chain saw by power cord.
 - Never yank power cord to unplug it.
 - Keep power cord from heat, oil, and sharp edges.
 - Inspect extension cords often and replace if damaged.
4. When servicing, use only identical replacement parts.
5. When not in use, always store chain saw
 - in a high or locked place, out of children's reach
 - in a dry place

BAR MAINTENANCE

To maximize bar life, the following bar maintenance is recommended. The bar rails that carry the chain should be cleaned before storing the tool or if the bar or chain appears to be dirty. The rails should be cleaned every time the chain is removed. Turn the bar over and reinstall, top rail becoming bottom and bottom rail becoming top, around every 5 hours of use.

TO CLEAN THE BAR RAILS:

1. Remove chain cover and bar and chain. (see ASSEMBLY section)
2. Using a wire brush, screwdriver or similar tool, clear the residue from the inner groove of the bar. (See Fig. A)
3. Make sure to clean oil passages thoroughly.



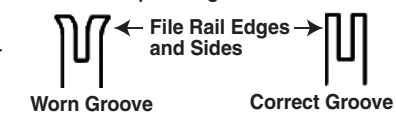
CONDITIONS WHICH REQUIRE GUIDE BAR MAINTENANCE

- Saw cuts to one side or at an angle.
- Saw has to be forced through the cut.
- Inadequate supply of oil to the bar and chain.

Check the condition of the Guide Bar each time the chain is sharpened. A worn Guide Bar will damage the chain and make cutting difficult. After each use, with unit disconnected from power source, clean all sawdust from the Guide Bar and sprocket hole. File uneven edges of worn groove as shown in illustration below.

Replace the Guide Bar when excessively worn and the groove can no longer be filed even, the Guide Bar is bent or cracked, or when excess heating or burring of the rails occurs. If replacement is necessary, use only the Guide Bar specified for your saw in the repair parts list or on the decal located on the chain saw.

When rail top is uneven, use a flat file to restore square edges and sides.



MAINTENANCE AND STORAGE OF CHAIN SAW cont.

Replacing/Changing Chain And Guide Bar

Replace chain when cutters are too worn to sharpen or when chain stops.

Only use replacement chain noted in this manual.

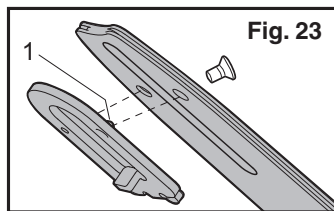
Inspect Guide Bar before replacing chain.

A worn or damaged Guide Bar is unsafe and will damage chain. It will also make cutting harder.

Fit the chain and guide bar as described in **ASSEMBLY** and **TENSIONING CHAIN** sections, (See pages 16 and 17). The circular groove of the guide bar will wear particularly on the lower edge with time. When replacing the chain turn the chain bar 180° to allow even wear, thus extending chain bar life.

Check Drive Sprocket. Replace the bar if the drive sprocket is worn out or damaged.

If The Chain Bar Is Worn Out Or Damaged, take the chain catcher off the bar by loosening the screw counterclockwise. Then fit the chain catcher into the new bar by tightening the screw clockwise. The protrusion (1) on the bar side of the catcher must fit into the hole for it in the bar. (See Fig. 23)



SHARPENING SAW CHAIN

⚠ WARNING: Unplug chain saw from power source before servicing. Severe injury or death could occur from electrical shock or body contact with moving chain. Cutting edges on chain are sharp. Use protective gloves when handling chain.

Keep chain sharp. Your saw will cut faster and more safely. A dull chain will cause undue sprocket, Guide Bar, chain, and motor wear. If you must force chain into wood and cutting creates only sawdust with a few large chips, then chain is dull.

Purchase a new chain or have your chain sharpened professionally at a qualified service center, or sharpen the chain yourself by using a proper sharpening kit. Also observe the sharpening instructions supplied with the sharpening kit. The height difference between the cutting tip and the ridge is the depth gauge setting. (See Fig. 27)

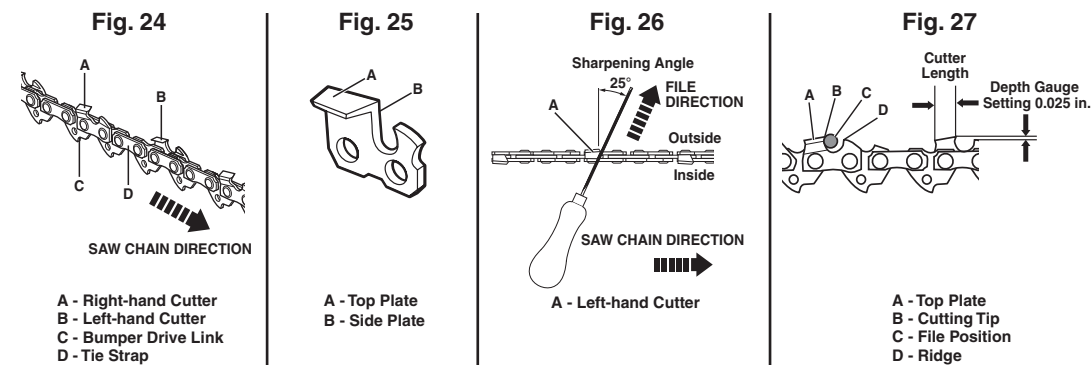
When you sharpen the cutting tip, the depth gauge setting between the tip and the side plate ridge will decrease. To maintain optimal cutting performance the ridge has to be filed down to achieve the recommended depth gauge setting.

TO SHARPEN THE CHAIN, PROCEED AS FOLLOWS:

- Use protective gloves.
- Ensure the chain is correctly tensioned on the guide bar.
- Use a round file, whose diameter is 1.1 times the cutting tooth depth. Make sure 20% of the file diameter is above the cutter's top plate (See Fig. 26 and 27).
NOTE: A file guide is available from most chainsaw retailers and is the easiest way to hold the file at the correct position.
- File at an angle perpendicular to the bar, and at an angle of 25° to the direction of travel. (See Fig. 26)
- File each tooth from the inside towards outside only. File one side of the chain first than turn the saw around and repeat the process.
- Sharpen each tooth equally by using the same number of strokes.
- Keep all cutter lengths equal (See Fig. 27). Each time the cutting tip is sharpened the cutting length is reduced. When the cutter length is reduced to 0.16 inch (4 mm) the chain is worn out and should be replaced.
- The depth gauge setting is also reduced with each sharpening. Every 5 sharpenings use a depth gauge measuring tool to check the height between the cutting tip and the ridge (See Fig. 27). When necessary use a flat file to file down the ridge to achieve the .025 inch depth gauge setting. Depth gauge measuring tools are available from most chainsaw retailers.
- If the saw is not functioning properly, take it to a qualified chainsaw service center to have saw inspected for possible repair. Use only identical parts as listed in this manual.

MAINTENANCE AND STORAGE OF CHAIN SAW cont.

SHARPENING SAW CHAIN cont.



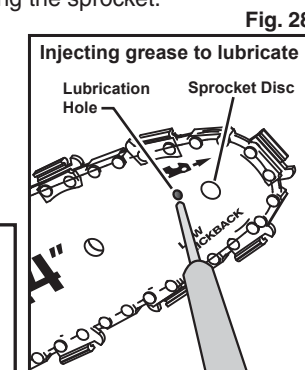
LUBRICATE SPROCKET

⚠ WARNING: Wear heavy duty gloves when performing any maintenance or service to this tool. Always unplug the tool before performing any service or maintenance on this tool.

Note: It is not necessary to remove the chain or bar when lubricating the sprocket.

1. Clean the bar and sprocket.
2. Using a grease gun, insert the tip of the gun into the lubrication hole and inject grease until it appears at the outside edge of the sprocket tip. (See Fig. 28)
3. Put on heavy duty protective gloves. Pull the chain in the direction of the bar tip to rotate the sprocket to evenly distribute the grease onto the sprocket teeth.

⚠ WARNING: The chain pulls with a significant amount of resistance. ALWAYS wear heavy duty gloves to pull the chain. To minimize exposure to the chain cutting edges, ONLY pull the chain forward in the direction of the bar tip. DO NOT pull the chain in the direction of the motor.



CLEANING / STORAGE

- Clean the molded plastic housing of the chain saw using a soft brush and clean cloth. **DO NOT** use water, solvents or polishes.
 - Remove all debris, especially from the motor cooling vents.
 - Remove and brush clean the cover plate, chain and chain bar after 1 to 3 hours of use.
 - Clean the area under the cover plate, the drive sprocket and chain bar assembly using a soft brush.
 - Clean oil outlet with a clean cloth.
 - If the chain saw is to be stored for a long period of time, clean chain and chain bar.
- STORE IN A SECURE, DRY PLACE OUT OF THE REACH OF CHILDREN.**
- Do not place other objects on the chain saw.
 - To prevent oil leakage, ensure machine is left in a horizontal position.
 - When storing machine in original packaging the chain oil reservoir must be completely emptied.

TROUBLE SHOOTING

SYMPTOM	POSSIBLE	CAUSE
Chain saw fails to operate	No power Electrical socket faulty Extension cord damaged	Check power Use another socket Check cord, replace
Chain saw operates intermittently	Extension cord damaged Loose connection Internal wiring defective On/Off switch defective	Check cord, replace Contact service agent Contact service agent Contact service agent
Dry chain	No oil in reservoir Vent in oil filler cap clogged Oil passage clogged	Refill oil Clean cap Clean oil passage outlet
Chain/chain bar overheats	No oil in reservoir Vent in oil filler cap clogged Oil passage clogged Chain is over-tensioned Dull chain	Refill oil Clean cap Clean oil passage outlet Adjust locking knob Sharpen chain or replace
Chain saw rips, vibrates, does not saw properly	Chain tension too loose Dull chain Chain worn out Chain teeth are facing in the wrong direction	Adjust locking knob Sharpen chain or replace Replace chain Reassemble with chain in correct direction

Never use tools with defective On/Off switches.

In the case of all other types of technical faults, take tool to a qualified service dealer for inspection and possible repair using identical replacement parts.

SPECIFICATIONS

Model 172.740500

Voltage	120V~60Hz
Amps	9A
Bar length	14"
Chain speed	28 ft/s
Oil tank capacity	4.06 ounces
Chain pitch	3/8"
Number of chain links	52
Chain gauge	0.050"
Chain Type	E&S®, Type 3/8LP.050 52E (14") Oregon®, Type 91PX052X (14")
Bar Type	E&S®, Type ES140SDEA041 (14") Oregon®, Type 140SDEA041 (14")
Weight (chain & bar included)	6.6 lbs
Protection class	□ / II

PARTS LIST

The model number will be found on the nameplate of the Chain Saw. Always mention the model number when requesting parts and service for your tool. To order parts, call 1-888-331-4569

9 Amp Motor Electric Chain Saw

Model No.
172.740500 14-In. Bar

Position No.	Parts No.	Part Description	Qty.
1	GCS350SU-1	Protect Plate	1
2	GCS350SU-2	Self Tapping Screw	16
3	GCS350SU-3	Motor Cover	1
5	GCS350SU-5	Torsional Spring	2
6	GCS350SU-6	Carbon Brush(pair)	1
7	GCS350SU-7	Rear Bracket	1
8	GCS350SU-8	Stator	1
9	GCS350SU-9	Left Housing	1
11	GCS350SU-11	Ball Bearing 608	1
12	GCS350SU-12	Rotor	1
13	GCS350SU-13	Retaining Ring	1
15	GCS350SU-15	Oil Exit	1
16	GCS350SU-16	Front Bracket Body	1
20	GCS350SU-20	Tighten Bolt	1
22	GCS350SU-22	Small Gear	1
23	GCS350SU-23	Washer	1
24	GCS350SU-24	Retaining Ring	1
25	GCS350SU-25	Oil Button	1
26	GCS350SU-26	Oil Lid	1
27	GCS350SU-27	One Way Valve	1
28	GCS350SU-28	Gas Valve Plate	1
29	GCS350SU-29	Oil Bottle	1
30	GCS350SU-30	Big Gear	1
31	GCS350SU-31	Needle Bearing	2
32	GCS350SU-32	Washer	1
33	GCS350SU-33	Bar Spacer	1
34	GCS350SU-34	Self Tapping Screw	3
35	GCS350SU-35	E Ring 5	1
36	GCS350SU-36	Sunk Screw	1
37	GCS350SU-37	Guide Bar	1
38	GCS350SU-38	Right Housing	1
39	GCS350SU-39	Press Block	1
40	GCS350SU-40	Saw Chain	1
42	GCS350SU-42	Bush	1
43	GCS350SU-43	Cam	1
44	GCS350SU-44	Self Tapping Screw	2
45	GCS350SU-45	Stator	1
46	GCS350SU-46	Chain Guard	1
47	GCS350SU-47	Spring	1
48	GCS350SU-48	Tension Wheel	1
49	GCS350SU-49	Bolt	1
50	GCS350SU-50	Knob Body	1
51	GCS350SU-51	Inner Wire	1
52	GCS350SU-52	Inner Wire	1
53	GCS350SU-53	Micro Piece	2
54	GCS350SU-54	Connector Plug	1
55	GCS350SU-55	Oil Tube	1
56	GCS350SU-56	Chain Cover	1
57	GCS350SU-57	Switch	1
58	GCS350SU-58	Bearing Sleeve	1
59	GCS350SU-59	Self Tapping Screw	2
60	GCS350SU-60	Self Tapping Screw	2
61	GCS350SU-61	Washer	1
62	GCS350SU-62	Ball Bearing 619	1
63	GCS350SU-63	Spring Washer	2
64	GCS350SU-64	Washer	2
101	GCS350SU-101	Left Housing Assembly	1
102	GCS350SU-102	Rotor Set	1
103	GCS350SU-103	Front Bracket Assembly	1

PARTS LIST

**9 Amp Motor
Electric Chain Saw** Model No. 172.740500 14-In. Bar

