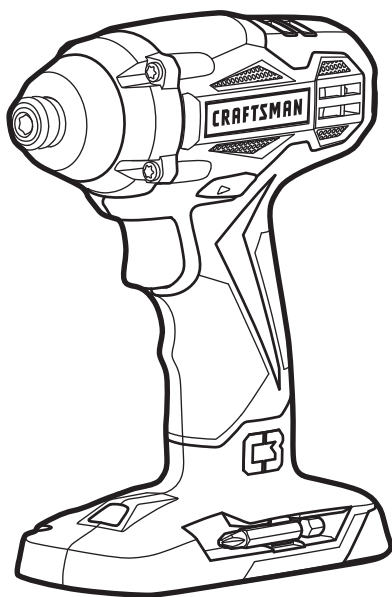


Operator's Manual



C3 1/4" IMPACT DRIVER

Model No. 5727.1



▲ WARNING: To reduce the risk of injury, the user must read and understand the Operator's Manual before using this product.

Sears Brands Management Corporation, Hoffman Estates, IL 60179 U.S.A.

www.craftsman.com

- WARRANTY
- SAFETY
- DESCRIPTION
- ASSEMBLY
- OPERATION
- MAINTENANCE
- ESPAÑOL

TABLE OF CONTENTS

Warranty	Page 2
Safety Symbols	Pages 4-5
Safety Instructions	Pages 6-8
Description	Pages 9-10
Assembly	Page 10
Operation	Pages 11-14
Maintenance	Page 15
Troubleshooting	Page 15
Parts List	Pages 16-17

CRAFTSMAN LIMITED WARRANTY

FOR ONE YEAR from the date of sale, this product is warranted against any defects in material or workmanship.

WITH PROOF OF SALE, a defective product will be replaced free of charge.

For warranty coverage details to obtain free replacement, visit the web page: www.craftsman.com/warranty

This warranty does not cover the bit, which is an expendable part that can wear out from normal use within the warranty period.

This ONE YEAR warranty is void if this product is ever used while providing commercial services or if rented to another person. For 90 DAY commercial and rental use terms, see the Craftsman warranty web page.

This warranty gives you specific legal rights, and you may also have other rights which vary from state to state.

Sears Brands Management Corporation, Hoffman Estates, IL 60179.

SAVE THESE INSTRUCTIONS!

READ ALL INSTRUCTIONS!

This impact driver has many features for making its use more pleasant and enjoyable. Safety, performance, and dependability have been given top priority in the design of this product making it easy to maintain and operate.

⚠ DANGER: People with electronic devices, such as pacemakers, should consult their physician(s) before using this product. Operation of electrical equipment in close proximity to a heart pacemaker could cause interference or failure of the pacemaker.

⚠ WARNING: Some dust created by power sanding, sawing, grinding, drilling and other construction activities contains chemicals known to the state of California to cause cancer, birth defects or other reproductive harm. Some examples of these chemicals are:

- Lead from lead-based paints
- Crystalline silica from bricks and cement and other masonry products, and
- Arsenic and chromium from chemically-treated lumber.

Your risk from these exposures varies, depending on how often you do this type of work. To reduce your exposure to these chemical: work in a well ventilated area, and work with approved safety equipment, such as those dust masks that are specially designed to filter out microscopic particles.

SAFETY SYMBOLS

The purpose of safety symbols is to attract your attention to possible dangers. The safety symbols and the explanations with them deserve your careful attention and understanding. The symbol warnings do not, by themselves, eliminate any danger. The instructions and warnings they give are no substitutes for proper accident prevention measures.

⚠ WARNING: Be sure to read and understand all safety instructions in this manual, including all safety alert symbols such as “**DANGER**,” “**WARNING**,” and “**CAUTION**” before using this tool. Failure to follow all instructions listed in this manual may result in electric shock, fire, and/or serious personal injury.

SYMBOL SIGNAL MEANING

SAFETY ALERT SYMBOL: Indicates **DANGER, WARNING, or CAUTION**; may be used in conjunction with other symbols or pictographs.

⚠ DANGER: Indicates a hazardous situation which, if not avoided, will result in death or serious injury.

⚠ WARNING: Indicates a hazardous situation which, if not avoided, could result in death or serious injury.

⚠ CAUTION: Indicates a hazardous situation which, if not avoided, could result in minor or moderate injury.

Damage prevention and Information Messages

These inform the user of important information and/or instructions that could lead to equipment or other property damage if they are not followed. Each message is preceded by the word “NOTICE”, as in the example below.

NOTICE: Equipment and/or property damage may result if these instructions are not followed.













⚠ WARNING: To ensure safety and reliability, all repairs should be performed by a qualified service technician.



⚠ WARNING: The operation of any power tools can result in foreign objects being thrown into your eyes, which can result in severe eye damage. Before beginning power tool operation, always wear safety goggles or safety glasses with side shield and a full face shield when needed. We recommend a Wide Vision Safety Mask for use over eyeglasses or standard safety glasses with side shields. Always use eye protection which is marked to comply with ANSI Z87.1.

SAVE THESE INSTRUCTIONS

Some of these following symbols may be used on this tool. Please study them and learn their meaning. Proper interpretation of these symbols will allow you to operate the tool better and more safely.

SYMBOL	NAME	DESIGNATION/EXPLANATION
V	Volts	Voltage
A	Amperes	Current
Hz	Hertz	Frequency (cycles per second)
W	Watt	Power
min	Minutes	Time
	Alternating Current	Type of current
	Direct Current	Type or a characteristic of current
n_0	No-load Speed	Rotational speed, at no load
	Class II Construction	Double-insulated construction
.../min	Per Minute	Revolutions, strokes, surface speed, orbits, etc., per minute
	Wet Conditions Alert	Do not expose to rain or use in damp locations.
	Read The Operator's Manual	To reduce the risk of injury, user must read and understand operator's manual before using this product.
	Eye Protection	Always wear safety goggles or safety glasses with side shields and a full face shield when operating this product.
	Safety Alert	Precautions that involve your safety.
	No-Hands Symbol	Failure to keep your hands away from the blade will result in serious personal injury.
	No-Hands Symbol	Failure to keep your hands away from the blade will result in serious personal injury.
	No-Hands Symbol	Failure to keep your hands away from the blade will result in serious personal injury.
	No-Hands Symbol	Failure to keep your hands away from the blade will result in serious personal injury.
	Hot Surface	To reduce the risk of injury or damage, avoid contact with any hot surface.

SAFETY INSTRUCTIONS

GENERAL POWER TOOL SAFETY WARNINGS

⚠ WARNING: Read all safety warnings and instructions. Failure to follow the warnings and instructions may result in electric shock, fire and/or serious injury.

Save all warnings and instructions for future reference.

The term “power tool” in the warnings refers to your mains-operated (corded) power tool or battery-operated (cordless) power tool.

WORK AREA SAFETY

- **Keep work area clean and well lit.** Cluttered or dark areas invite accidents.
- **Do not operate power tools in explosive atmospheres, such as in the presence of flammable liquids, gases or dust.** Power tools create sparks which may ignite the dust or fumes.
- **Keep children and bystanders away while operating a power tool.** Distractions can cause you to lose control.

ELECTRICAL SAFETY

- **Power tool plugs must match the outlet. Never modify the plug in any way. Do not use any adaptor plugs with earthed (grounded) power tools.** Unmodified plugs and matching outlets will reduce risk of electric shock
- **Avoid body contact with earthed or grounded surfaces such as pipes, radiators, ranges and refrigerators.** There is an increased risk of electric shock if your body is earthed or grounded.
- **Do not expose power tools to rain or wet conditions.** Water entering a power tool will increase the risk of electric shock.
- **Do not abuse the cord. Never use the cord for carrying, pulling or unplugging the power tool. Keep cord away from heat, oil, sharp edges or moving parts.** Damaged or entangled cords increase the risk of electric shock.
- **When operating a power tool outdoors, use an extension cord suitable for outdoor use.** Use of a cord suitable for outdoor use reduces the risk of electric shock.
- **If operating a power tool in a damp location is unavoidable, use a ground fault circuit interrupter (GFCI) protected supply.** Use of a GFCI reduces the risk of electric shock.

PERSONAL SAFETY

- **Stay alert, watch what you are doing and use common sense when operating a power tool. Do not use tool while tired or under the influence of drugs, alcohol, or medication.** A moment of inattention while operating power tools may result in serious personal injury.
- **Use personal protective equipment. Always wear eye protection.** Protective equipment such as dust mask, non-skid safety shoes, hard hat, or hearing protection used for appropriate conditions will reduce personal injuries.
- **Prevent unintentional starting. Ensure the switch is in the off-position before connecting to power source and/or battery pack, picking up or carrying the tool.** Carrying power tools with your finger on the switch or energizing in power tools that have the switch on invites accidents.
- **Remove any adjusting key or wrench before turning the power tool on.** A wrench or a key left attached to a rotating part of the power tool may result in personal injury.
- **Do not overreach. Keep proper footing and balance at all times.** This enables better control of the power tool in unexpected situations.
- **Dress properly. Do not wear loose clothing or jewelry. Keep your hair, clothing and gloves away from moving parts.** Loose clothes, jewelry or long hair can be caught in moving parts.
- **If devices are provided for the connection of dust extraction and collection facilities, ensure these are connected and properly used.** Use of these devices can reduce dust-related hazards.

POWER TOOL USE AND CARE

- **Do not force the power tool. Use the correct power tool for your application.** The correct power tool will do the job better and more safely at the rate for which it was designed.
- **Do not use the power tool if the switch does not turn it on and off.** Any power tool that cannot be controlled with the switch is dangerous and must be repaired.
- **Disconnect the plug from the power source and/or the battery pack from the power tool before making any adjustments, changing accessories, or storing power tools.** Such preventive safety measures reduce the risk of starting the power tool accidentally.
- **Store idle power tools out of the reach of children and do not allow persons unfamiliar with the power tool or these instructions to operate the power tool.** Power tools are dangerous in the hands of untrained users.
- **Maintain power tools. Check for misalignment or binding of moving parts, breakage of parts and any other condition that may affect the power tool's operation. If damaged, have the power tool repaired before use.** Many accidents are caused by poorly maintained power tools.

- **Keep cutting tools sharp and clean.** Properly maintained cutting tools with sharp cutting edges are less likely to bind and are easier to control.
- **Use the power tool, accessories, tool bits, etc. in accordance with these instructions, taking into account the working conditions and the work to be performed.** Use of the power tool for operations different from those intended could result in a hazardous situation.

BATTERY TOOL USE AND CARE

- **Recharge only with the charger specified by the manufacturer.** A charger that is suitable for one type of battery pack may create a risk of fire when used with another battery pack.
- **Use power tools only with specifically designated battery packs.** Use of any other battery packs may create a risk of injury and fire.
- **When battery pack is not in use, keep it away from other metal objects, like paper clips, coins, keys, nails, screws or other small metal objects that can make a connection from one terminal to another.** Shorting the battery terminals together may cause burns or a fire.
- **Under abusive conditions, liquid may be ejected from the battery; avoid contact. If contact accidentally occurs, flush with water. If liquid contacts eyes, additionally seek medical help.** Liquid ejected from the battery may cause irritation or burns.

SERVICE

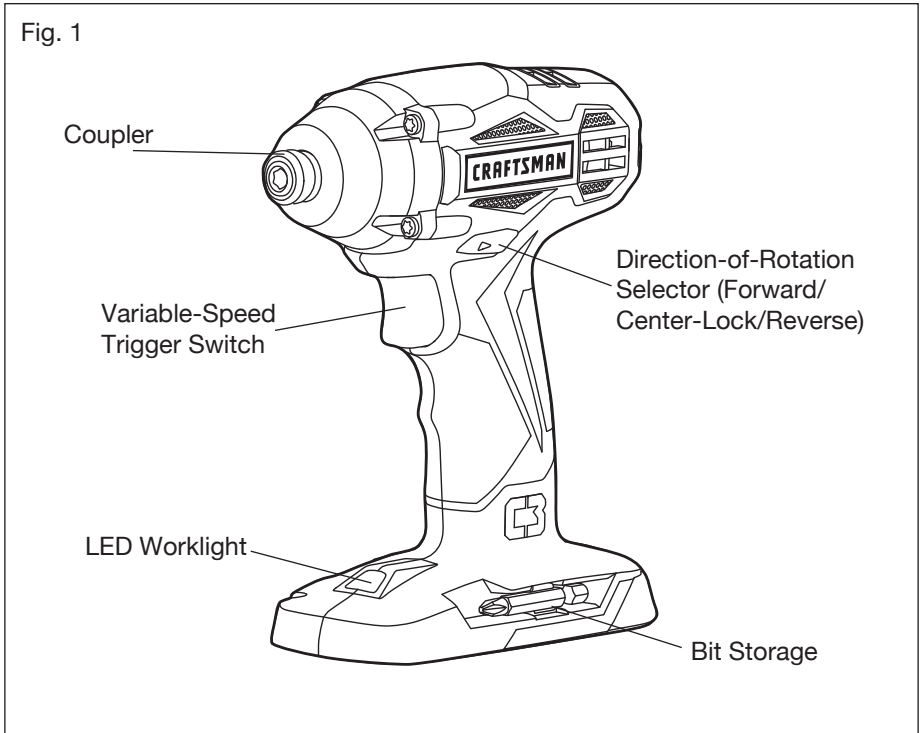
- **Have your power tool serviced by a qualified repair person using only identical replacement parts.** This will ensure that the safety of the power tool is maintained.
- **Follow instructions in the Maintenance section of this manual.** Use of unauthorized parts or failure to follow Maintenance instructions may create a risk of shock or injury.

SPECIFIC SAFETY RULES FOR IMPACT DRIVER

- **Hold power tools by their insulated gripping surfaces when performing an operation where the cutting tool may contact hidden wiring.** If a cutting accessory contacts a “live” wire, it may make exposed metal parts of the power tool “live” and could give the operator an electric shock.

DESCRIPTION

KNOW YOUR IMPACT DRIVER (Fig. 1)



PRODUCT SPECIFICATIONS

Motor	19.2 Volt DC
Coupler	1/4 in. (6.35mm)
No-load Speed	0-2500/min (RPM)
Impacts per minute	0-3500 BPM
Torque	1600 in.lbs

⚠ WARNING: The safe use of this product requires an understanding of the information on the tool and in this operator's manual, as well as knowledge of the project you are attempting. Before use of this product, familiarize yourself with all operating features and safety rules.

VARIABLE SPEED

The variable-speed trigger switch delivers higher speed with increased trigger pressure and lower speed with decreased trigger pressure.

FORWARD/CENTER-LOCK/REVERSE SELECTOR

The impact driver has a direction-of-rotation selector located above the trigger switch for changing the direction of bit rotation. Setting the trigger switch in the OFF (center-lock) position helps reduce the possibility of accidental starting when not in use.

LED WORKLIGHT

The LED worklight, located on the base of the impact driver, illuminates when the trigger switch is depressed. This feature provides extra light for increased visibility.

ASSEMBLY

⚠ WARNING: If any parts are broken or missing, do not attempt to attach the battery pack or operate the impact driver until the broken or missing parts are replaced. Failure to do so could result in possible serious injury.

⚠ WARNING: Do not attempt to modify this impact driver or create accessories not recommended for use with this impact driver. Any such alteration or modification is misuse and could result in a hazardous condition leading to possible serious injury.

⚠ WARNING: To prevent accidental starting that could cause serious personal injury, always remove the battery pack from the impact driver when changing bits.

UNPACKING

This product has been shipped completely assembled.

- Carefully remove the tool and any accessories from the carton. Make sure that all items listed in the packing list are included.
- Inspect the tool carefully to make sure that no breakage or damage occurred during shipping.
- Do not discard the packing material until you have carefully inspected and satisfactorily operated the tool.
- If any parts are damaged or missing, please return the tool to the place of purchase.

PACKING LIST

Impact driver, bit (installed on the impact driver) and operator's manual

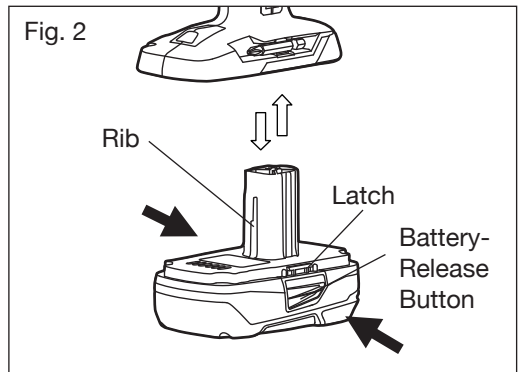
OPERATION

This product will accept Craftsman C3 19.2V lithium-ion battery packs. For complete charging instructions, refer to the Operator's Manual for the battery packs and chargers.

⚠ WARNING: To prevent accidental starting that could cause serious personal injury, always remove the battery pack from the tool when assembling parts, making adjustments, installing or removing bit, cleaning, or when it is not in use.

TO ATTACH BATTERY PACK (Fig. 2)

1. Lock the trigger switch on the impact driver by placing the direction-of-rotation (forward/center-lock/reverse) selector in the center position.
2. Align the raised rib on the battery pack with the groove inside the impact driver, and then insert the battery pack into the tool.



NOTICE: Make sure that the latch on the battery pack snaps into place and the battery pack is secured to the tool before beginning operation. Improper assembly of the battery pack can cause damage to internal components.

TO DETACH BATTERY PACK (Fig. 2)

1. Lock the trigger switch on the impact driver by placing the direction-of-rotation (forward/center-lock/reverse) selector in the center position.
2. Depress both battery-release buttons, located on the sides of the battery pack, to release the battery pack.
3. Pull the battery pack out and remove it from the tool.

⚠ WARNING: Battery tools are always in operating condition. Therefore, the direction-of-rotation selector should always be locked when the tool is not in use or when carrying the tool at your side.

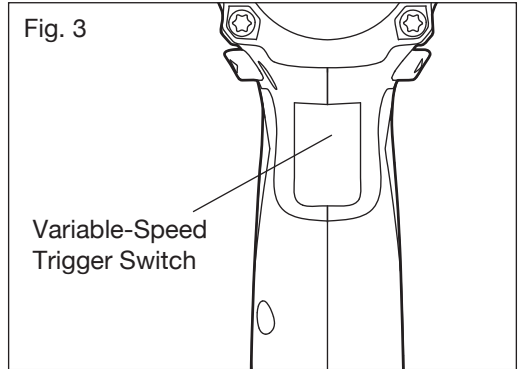
TRIGGER SWITCH (Fig. 3)

To turn the impact driver ON, depress the trigger switch.

To turn it OFF, release the trigger switch.

VARIABLE SPEED (Fig. 3)

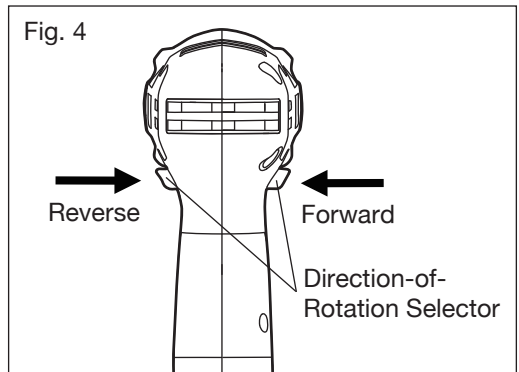
The variable-speed trigger switch delivers higher speed with increased trigger pressure and lower speed with decreased trigger pressure.



DIRECTION-OF-ROTATION SELECTOR (FORWARD/CENTER-LOCK/REVERSE) (Fig. 4)

The direction of bit rotation is reversible and is controlled by a selector located above the trigger switch.

With the impact driver held in normal operating position, as shown in Fig. 4:



1. Position the direction-of-rotation selector to the left of the tool for forward rotation.
2. Position the direction-of-rotation selector to the right of the tool for reverse.
3. Setting the switch in the OFF (center-lock) position helps reduce the possibility of accidental starting when not in use.

NOTICE: To prevent gear damage, always allow the impact driver to come to a complete stop before changing the direction of rotation.

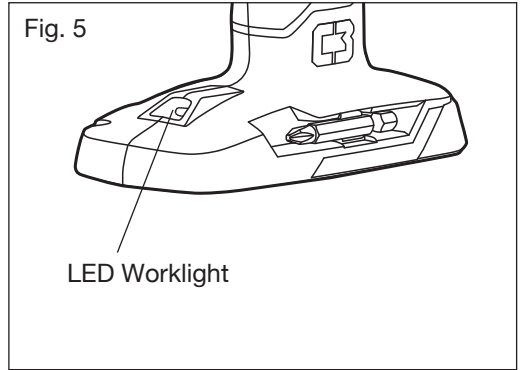
NOTICE: The impact driver will not run unless the direction-of-rotation selector is engaged fully to the left or right.

ELECTRIC BRAKE

To stop the impact driver, release the trigger switch and allow the tool to come to a complete stop. The electric brake quickly stops the coupler from rotating. This feature engages automatically when you release the trigger switch.

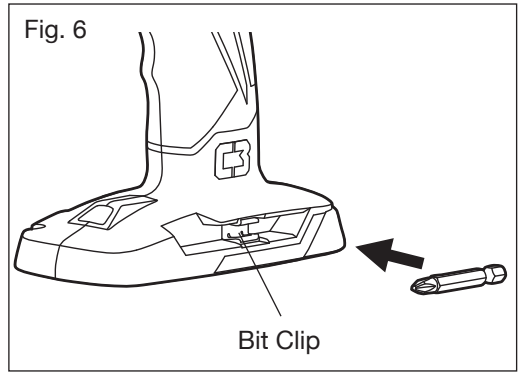
LED WORKLIGHT (Fig. 5)

The LED worklight, located on the base of the impact driver, will illuminate when the trigger switch is depressed. This provides additional light on the surface of the workpiece. The LED worklight will turn off when the trigger switch is released.



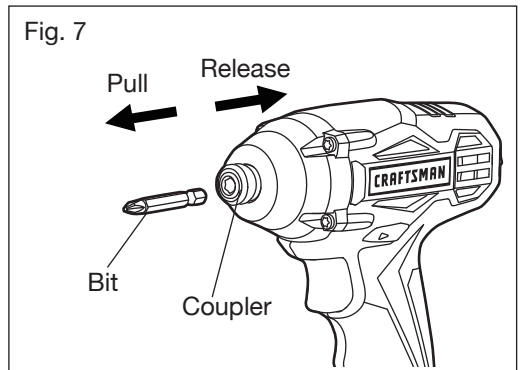
BIT STORAGE (Fig. 6)

When not in use, the bit can be placed in the storage area located on the base of the impact driver. Store the bit on the base of the driver by snapping it into place in the bit clip.



INSTALLING BITS (Fig. 7)

1. Remove the battery pack from the impact driver when installing the bit.
2. Lock the trigger switch on the impact driver by placing the direction-of-rotation (forward/center-lock/reverse) selector in the center position.
3. Pull the coupler away from the driver.
4. Insert the driver bit into the coupler.
5. Release the coupler.
6. Pull on the bit to make sure it is secured in the coupler. There may be some play in the installed bit; this is normal.



⚠ WARNING: Make sure the bit is secured in the coupler before using the impact driver. If the coupler does not return to its original position, the bit is not correctly installed. Retry until the bit is properly installed and the coupler returns to its original position. Failure to do so could result in serious personal injury.

REMOVING BITS (Fig. 7)

1. Remove the battery pack from the impact driver when removing the bit.
2. Lock the trigger switch on the impact driver by placing the direction-of-rotation (forward/center-lock/reverse) selector in the center position.
3. Pull the coupler away from the driver.
4. Remove the driver bit from the coupler. .

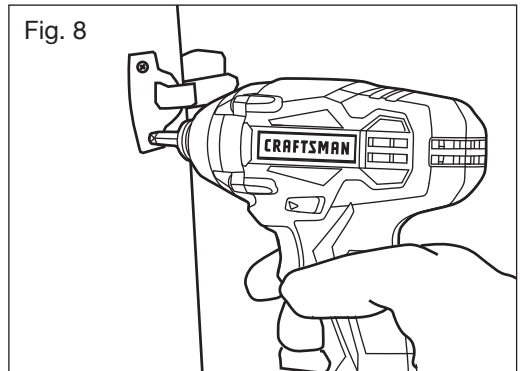
⚠ WARNING: Use protective gloves when removing the bit from the tool, or first allow the bit to cool down. The bit may be hot after prolonged use.

⚠ CAUTION: The impact driver is not designed to be used as a drill.

TIGHTENING AND LOOSENING SCREWS AND NUTS (Fig. 8)

1. Install the correct bit.
2. Place the direction-of-rotation (forward/center-lock/reverse) selector in the correct position for the operation.
3. Apply just enough pressure to keep the bit engaged on the screw or nut.
4. Apply minimal pressure to the trigger switch initially. Increase the speed only when full control can be maintained.

⚠ WARNING: Do not over-tighten, as the force of the impact driver can break the fastener. Keep the driver at a right angle to the fastener to avoid damaging the fastener head.



MAINTENANCE

⚠ WARNING: To avoid serious personal injury, always remove the battery pack from the tool when cleaning or performing any maintenance.

⚠ WARNING: Always wear safety goggles or safety glasses with side shields when using compressed air to clean the tool. If the operation is dusty, also wear a dust mask.

GENERAL MAINTENANCE

Avoid using solvents when cleaning plastic parts. Most plastics are susceptible to damage from various types of commercial solvents and may be damaged by their use. Use clean clothes to remove dirt, dust, oil, grease, etc.

⚠ WARNING: Do not at any time let brake fluids, gasoline, petroleum-based products, penetrating oils, etc. come in contact with plastic parts. Chemicals can damage, weaken or destroy plastic which may result in serious personal injury.

⚠ WARNING: When servicing, use only identical craftsman replacement parts. Use of any other parts may create a hazard or cause product damage. To ensure safety and reliability, all repairs should be performed by a qualified service technician.

TROUBLESHOOTING

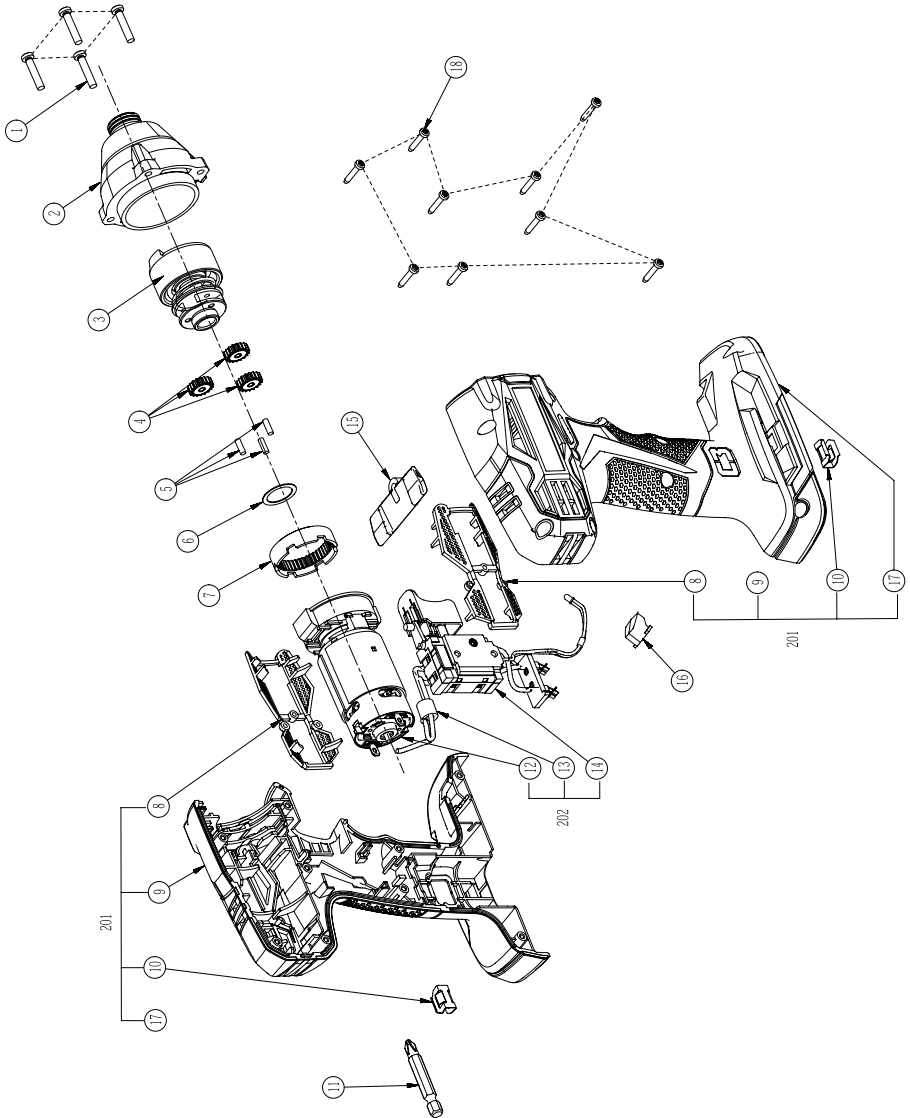
PROBLEM	CAUSE	SOLUTION
The impact driver does not work	Battery is depleted	Charge the battery
Bit cannot be installed	Coupler is not released	Release the coupler
	Bit does not fit the coupler	Use suitable bit
Motor overheating	Be sure cooling vents are free from saw dust and obstacles	Clean, clear vents. Do not cover vents with hand during operation

PARTS LIST

1/4" IMPACT DRIVER MODEL NUMBER 5727.1

The Model Number will be found on the nameplate attached to the tool. Always mention the Model Number when ordering parts for this tool.

To order parts, call 1-888-331-4569.



PARTS LIST

1/4" IMPACT DRIVER MODEL NUMBER 5727.1

The Model Number will be found on the nameplate of the tool. Always mention the Model Number when ordering parts for this tool.

To order parts, call 1-888-331-4569.

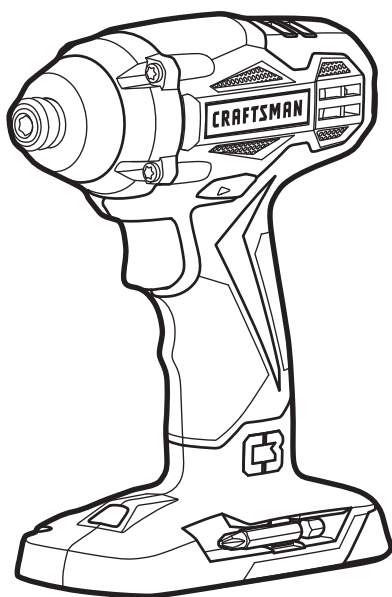
No	Part No	Part Name	QTY
1	5610248000	Tapping Screw	4
2	2823871000	Front Gear Housing Assembly	1
3	2823683000	Impact Block Assembly	1
4	3520745000	Planet Gear	3
5	3550147000	Needle Pin	3
6	5650223000	Washer	1
7	3520744000	Ring Gear	1
201	2823983000	L R Housing Set	1
8	3127553000	Support	2
9	3321803000	Left Housing	1
10	3703673000	Bits Holder	2
11	3810017000	Screw Bit	1
202	2823984000	Control Assembly	1
12	2790376000	Motor and Gear Case Assembly	1
13	3680140000	Magnet Ring	1
14	2823966000	Contact Receptacle Assembly	1
15	3126501000	F/R Button	1
16	3126500000	LED Cover	1
17	3321802000	Right Housing	1
18	5610241000	Screw	9

Manual del Propietario

CRAFTSMAN®

ATORNILLADOR DE IMPACTO DE 1/4 PULG. C3

Modelo N°. 5727.1



⚠ ADVERTENCIA: Para reducir el riesgo de lesiones, el usuario debe leer y comprender el Manual del Propietario antes de usar este producto.

- GARANTÍA
- SEGURIDAD
- DESCRIPCIÓN
- MONTAJE
- OPERACIÓN
- MANTENIMIENTO
- ESPAÑOL

Sears Brands Management Corporation, Hoffman Estates,
IL 60179 U.S.A.

www.craftsman.com

TABLE OF CONTENTS

Garantía	Página 20
Símbolos de Seguridad	Páginas 22-23
Instrucciones de Seguridad	Páginas 24-26
Descripción	Páginas 28-29
Montaje	Páginas 29-30
Operación	Páginas 30-34
Mantenimiento	Página 34
Identificación y Solución de Problemas	Página 34

GARANTÍA LIMITADA DE CRAFTSMAN

DURANTE UN AÑO desde la fecha de vender, este producto cuenta con garantía contra cualquier clase de defectos de material o de mano de obra.

MEDIANTE UNA PRUEBA DE VENDER, el producto defectuoso se reemplazará sin costo alguno.

Si desea obtener detalles sobre la cobertura de garantía para obtener un reemplazo sin costo, visite la página web: www.craftsman.com/warranty

Esta garantía no cubre la broca, porque es una pieza prescindible que pueden desgastarse debido al uso normal dentro del período de garantía.

La presente garantía de UN AÑO quedará anulada si este producto se usa para brindar servicios comerciales o si se alquila a terceros. Para consultar los términos de uso comercial y de alquiler de 90 DÍAS, visite la página web sobre garantía de Craftsman.

Esta garantía le otorga derechos legales específicos y usted puede contar con otros derechos, que pueden variar de estado a estado.

Sears Brands Management Corporation, Hoffman Estates, IL 60179.

¡GUARDE ESTAS INSTRUCCIONES!

¡LEA TODAS LAS INSTRUCCIONES!

Este atornillador de impacto inalámbrico cuenta con varias características para hacer su uso más agradable y placentero. Durante el diseño de esta herramienta, la seguridad, el rendimiento y la confiabilidad han sido las prioridades principales, además de la sencillez de mantenimiento y de operación.

⚠ PELIGRO: La gente con los accesorios electrónicos, como los estimuladores cardíacos, deben consultar sus médicos antes de usar este producto. La operación de los equipos eléctricos cerca de un estimulador cardíaco puede causar la interferencia o la avería del estimulador cardíaco.

⚠ ADVERTENCIA: Unos polvos creado por lijadoras mecánicas, las sierras mecánicas, las amoladoras eléctricas, los taladros y otras actividades de la construcción contienen los elementos químicos que son conocidos para el estado de California de causar el cancer, los defectos de nacimientos o otros daños reproductores. Unos ejemplos de estos elementos químicos estan:

- Plomo de la pintura con base de plomo
- El sílice cristalino de los ladrillos y cemento y otras productas de la albañilería, y
- El arsenic y el cromo de la madera tratada químicamente

Su riesgo de éstas exposiciones varía, dependiente con qué frecuencia haga esto typo de trabajo. Para reducir su exposición a estos elementos químicos: trabaje en un lugar bien ventilada, y trabaje con el equipo de seguridad, como las máscaras antipolvo que han diseñado específicamente para filtrar las partículas microscópicas.

SÍMBOLOS DE SEGURIDAD

El objeto de los símbolos de seguridad es atraer su atención sobre posibles peligros.

Los símbolos de seguridad y las explicaciones junto a ellas ameritan su cuidadosa atención y comprensión. Los símbolos de advertencia no eliminan los peligros por sí solos. Las instrucciones y advertencias que ofrecen no reemplazan las medidas adecuadas de prevención de accidentes.

⚠️ ADVERTENCIA: Asegúrese de leer y comprender todas las instrucciones de seguridad de este manual, incluyendo todos los símbolos de alerta de seguridad, tales como “PELIGRO”, “ADVERTENCIA” y “PRECAUCIÓN” antes de utilizar esta perforadora/atornilladora. No seguir todas las instrucciones listadas a continuación puede generar una descarga eléctrica, un incendio y/o graves lesiones corporales.

SIGNIFICADO DE LOS SÍMBOLOS

⚠️ PELIGRO: Indica una situación peligrosa que, si no se evita, puede provocar la muerte o una lesión grave. Esta palabra debe limitarse a las situaciones más extremas.

⚠️ ADVERTENCIA: Indica una situación peligrosa que, si no se evita, puede provocar la muerte o una lesión grave.

⚠️ PRECAUCIÓN: Indica una situación peligrosa que, si no se evita, puede provocar una lesión menor o moderada.

Mensajes de información y de prevención de daños

Estos informan al usuario sobre informaciones y/o instrucciones importantes que podrían provocar daños al equipamiento o a la propiedad si no se siguen. Cada mensaje está precedido por la palabra “AVISO”, como en el ejemplo siguiente:

AVISO: Pueden provocarse daños al equipamiento y/o a la propiedad si no se cumplen estas instrucciones.


⚠️ ADVERTENCIA: Para garantizar la seguridad y la confiabilidad, todas las reparaciones deben ser efectuadas por un técnico calificado.



⚠️ ADVERTENCIA: El funcionamiento de cualquier herramienta eléctrica puede provocar el lanzamiento de objetos en dirección de su rostro, y los consecuentes graves daños oculares. Antes de comenzar a utilizar la herramienta eléctrica, siempre use gafas o lentes de seguridad con protección lateral y una protección completa de rostro cuando sea necesario. Recomendamos el uso de una máscara de seguridad de visión amplia sobre los anteojos o gafas de seguridad estándar con protección lateral. Siempre utilice protección ocular con certificación de cumplimiento con ANSI Z87.1.

GUARDE ESTAS INSTRUCCIONES

Algunos de los siguientes símbolos pueden utilizarse en esta herramienta. Tenga a bien estudiarlos y aprender su significado. Una interpretación adecuada de estos símbolos le permitirá operar la herramienta de una manera mejor y más segura.

SÍMBOLO	NOMBRE	DESIGNACIÓN / EXPLICACIÓN
V	Voltios	Voltaje
A	Amperios	Corriente
Hz	Hercios	Frecuencia (ciclos por segundo)
W	Vatios	Energía
min	Minutos	Tiempo
~	Corriente alterna	Tipo de corriente
—	Corriente continua	Tipo o una característica de la corriente
n_0	Velocidad sin carga	Velocidad giratoria, sin carga
	Construcción Clase II	Construcción de doble aislación
.../min	Por minuto	Revoluciones, carreras, velocidad de superficie, órbitas, etc., por minuto.
	Alerta de condiciones húmedas	No exponga a la lluvia u otras locaciones húmedas.
	Lea el manual de operación	Para reducir el riesgo de lesiones, el usuario debe leer y comprender este manual de operación antes de usar este producto.
	Protección ocular	Siempre use gafas o lentes de seguridad con protecciones laterales y una protección de todo el rostro cuando utilice este producto.
	Alerta de seguridad	Precauciones que involucran su seguridad.
	Símbolo de no tocar con las manos	No mantener sus manos alejadas de la sierra provocará lesiones personales graves.
	Símbolo de no tocar con las manos	No mantener sus manos alejadas de la sierra provocará lesiones personales graves.
	Símbolo de no tocar con las manos	No mantener sus manos alejadas de la sierra provocará lesiones personales graves.
	Símbolo de no tocar con las manos	No mantener sus manos alejadas de la sierra provocará lesiones personales graves.
	Superficie caliente	Para reducir el riesgo de lesiones o daños, evite el contacto con cualquier superficie caliente.

INSTRUCCIONES DE SEGURIDAD

ADVERTENCIAS GENERALES DE SEGURIDAD DE LAS HERRAMIENTAS ELÉCTRICAS

⚠ ADVERTENCIA: Lea y comprenda todas las instrucciones. No seguir todas las instrucciones listadas a continuación puede generar una descarga eléctrica, un incendio y/o graves lesiones corporales. El término “herramienta eléctrica” de todas las advertencias listadas a continuación hacen referencia a herramientas eléctricas con cable o herramientas eléctricas operadas a batería (inalámbricas).

CONSERVE TODAS LAS ADVERTENCIAS E INSTRUCCIONES PARA REFERENCIA FUTURA

SEGURIDAD EN EL ÁREA DE TRABAJO

- **Mantenga el área de trabajo limpia y bien iluminada.** Las áreas desordenadas u oscuras son propicias para los accidentes.
- **No utilice herramientas eléctricas en atmósferas explosivas, como en la presencia de líquidos inflamables, gases o polvillo.** Las herramientas eléctricas crean chispas, que pueden encender el polvillo o el humo.
- **Mantenga a los niños y a los transeúntes alejados mientras maneja esta herramienta eléctrica.** Las distracciones pueden provocar la pérdida de control.

SEGURIDAD ELÉCTRICA

- **Evite el contacto corporal con superficies con conexión a tierra, tales como cañerías, radiadores, cocinas y refrigeradores.** Existe un riesgo mayor de descarga eléctrica si su cuerpo tiene conexión a tierra.
- **Los enchufes de las herramientas eléctricas deben poder insertarse en los tomacorrientes.** Nunca modifique el enchufe de ninguna manera. **No utilice enchufes adaptadores con herramientas eléctricas con conexión a tierra.** No modificar los enchufes y contar con el tomacorriente adecuado reducirán el riesgo de una descarga eléctrica.
- **No exponga las herramientas eléctricas a la lluvia o a condiciones de humedad.** El agua que ingresa a la herramienta eléctrica incrementará el riesgo de una descarga eléctrica.
- **No maltrate el cable. Nunca utilice el cable para trasladar o desenchufar la herramienta eléctrica ni tire del mismo. Mantenga el cable alejado del calor, aceite, extremos afilados o piezas en movimiento.** Los cables dañados o enredados incrementan el riesgo de una descarga eléctrica.

- **Cuando utilice una herramienta eléctrica al aire libre, use un cable de extensión especial para uso al exterior.** El uso de un cable adecuado para el aire libre reduce el riesgo de una descarga eléctrica.
- **Si no puede evitar el uso de una herramienta eléctrica en un lugar húmedo, utilice un suministro de energía protegido por un interruptor de circuito con descarga a tierra (GFCI, por sus siglas en inglés).** El uso de un GFCI reduce el riesgo de una descarga eléctrica.

SEGURIDAD PERSONAL

- **Manténgase alerta, preste atención a lo que hace y tenga sentido común cuando utilice una herramienta eléctrica. No utilice una herramienta eléctrica si está cansado o bajo la influencia de drogas, alcohol o alguna medicación.** Un momento de distracción mientras utiliza herramientas eléctricas puede provocar lesiones personales graves.
- **Utilice equipamiento de protección personal. Siempre use protección ocular.** El equipamiento de seguridad como las máscaras antipolvo, zapatos antideslizantes, cascos o protección auditiva utilizados para condiciones apropiadas reducirán las lesiones personales.
- **Evite el encendido involuntario. Verifique que el interruptor se encuentre en la posición OFF (apagado) antes de conectar a la fuente de energía y/o a la batería, levantar la herramienta o trasladarla.** Llevar herramientas eléctricas con el dedo sobre el interruptor o enchufar herramientas que tienen el interruptor en la posición “ON” (encendido) es una invitación a sufrir un accidente.
- **Quite las llaves ajustables antes de encender la herramienta eléctrica.** Una llave de tuercas que se deja conectada a una pieza giratoria de la herramienta puede provocar lesiones personales.
- **No se estire de más. Mantenga una postura equilibrada y segura en todo momento.** Esto permite un mejor control de la herramienta eléctrica en situaciones inesperadas.
- **Vístase adecuadamente. No use vestimenta suelta o joyas. Mantenga su cabello, ropa y guantes alejados de las piezas en movimiento.** La ropa suelta, joyas o cabello largo pueden engancharse en las piezas en movimiento.
- **Si los dispositivos pueden conectarse a instalaciones de extracción y recolección de polvillo, asegúrese de que se encuentren bien conectados y se usen adecuadamente.** El uso de estos dispositivos puede reducir los riesgos relacionados con el polvillo.

USO Y CUIDADO DE LA HERRAMIENTA ELÉCTRICA

- **No fuerce la herramienta eléctrica. Use la herramienta eléctrica correcta para su aplicación.** La herramienta eléctrica correcta hará mejor el trabajo y de manera más segura cuando se usa en la clasificación para la cual fue diseñada.
- **No use la herramienta eléctrica si el interruptor no puede encenderla (ON) o apagarla (OFF).** Cualquier herramienta que no puede controlarse mediante el interruptor es peligrosa y debe repararse.
- **Desconecte el enchufe de la fuente de energía y/o el paquete de baterías desde la herramienta eléctrica antes de realizar ajustes, cambiar accesorios o almacenar herramientas eléctricas.** Dichas medidas de seguridad preventivas reducen el riesgo de encender la herramienta eléctrica de manera accidental.
- **Guarde las herramientas eléctricas fuera del alcance de los niños y no permita que personas que no saben usar la herramienta eléctrica o que no conocen las instrucciones la operen.** Las herramientas eléctricas son peligrosas en manos de usuarios faltos de capacitación.
- **Realice mantenimiento de las herramientas eléctricas. Controle que las piezas en movimiento no estén mal alineadas y que no se traben, la rotura de piezas y cualquier otra condición que pueda afectar el funcionamiento de la herramienta eléctrica. Si está dañada, haga reparar la herramienta antes de usarla.** Muchos accidentes son provocados por herramientas que no han recibido el mantenimiento adecuado.
- **Mantenga las herramientas de corte afiladas y limpias.** Las herramientas de corte bien mantenidas con extremos de corte afilados tienen menos probabilidades de trabarse y son más fáciles de controlar.
- **Utilice la herramienta eléctrica, accesorios, hojas de corte, etc. de acuerdo con estas instrucciones y del modo concebido para este tipo particular de herramienta eléctrica, teniendo en cuenta las condiciones de trabajo y el trabajo a realizar.** El uso de la herramienta eléctrica para operaciones diferentes de las previstas puede generar una situación peligrosa.

USO Y CUIDADO DE LA HERRAMIENTA A BATERÍA

- **Recargue la herramienta sólo con el cargador especificado por el fabricante.** Un cargador adecuado para un tipo de paquete de baterías puede crear un riesgo de incendio cuando se utiliza un paquete diferente.
- **Utilice herramientas eléctricas sólo con los paquetes de baterías designados específicamente.** El uso de otra clase de paquetes de baterías puede generar un riesgo de lesiones o incendio.
- **Cuando el paquete de baterías no se encuentra en uso, manténgalo alejado de otros objetos metálicos, como ganchitos para papel, monedas, llaves, clavos, tornillos u otros objetos pequeños de metal que pueden hacer una conexión de una terminal a otra.** Si las terminales de la batería hacen un corto, pueden provocarse quemaduras o un incendio.

- **Si se la somete a malas condiciones, puede salir líquido de la batería; evite el contacto. Si ocurre un contacto accidental, enjuague con agua. Si el líquido ingresa a sus ojos, busque ayuda médica.** El líquido que sale de la batería puede provocar irritación o quemaduras.

SERVICIO

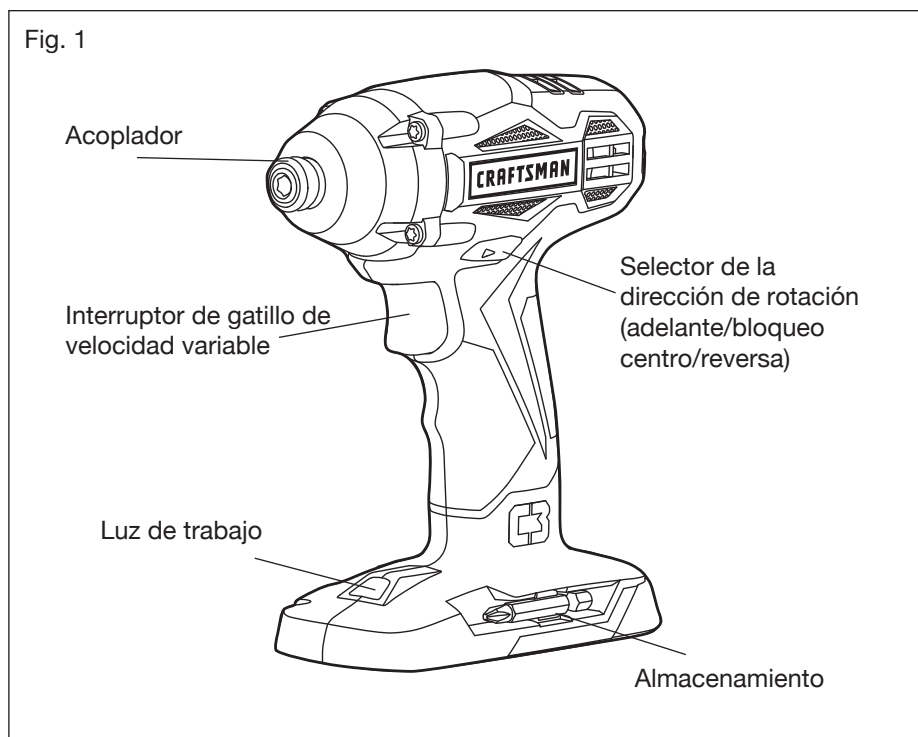
- **Solicite a personal de reparación calificado que realice el mantenimiento y arreglos utilizando sólo las piezas de repuesto idénticas.** Esto asegurará el mantenimiento de la seguridad de la herramienta eléctrica.
- **Siga las instrucciones de la Sección de Mantenimiento de este manual.** El uso de piezas no autorizadas o no seguir las instrucciones de Mantenimiento pueden crear un riesgo de descarga eléctrica o lesiones.

NORMAS ESPECÍFICAS DE SEGURIDAD PARA LA ATORNILLADOR DE IMPACTO

- **Sostenga las herramientas eléctricas de sus superficies de agarre aisladas cuando realice una operación en la que la herramienta de corte pueda hacer contacto con cableado oculto o con su propio cable.** El contacto con un cable “cargado” provocará que las piezas expuestas de piezas de metal también se “carguen” y ejerzan una descarga eléctrica en el operador.

DESCRIPCIÓN

CONOZCA SU ATORNILLADOR DE IMPACTO (Fig. 1)



ESPECIFICACIÓN DE PRODUCTO

Motor	19.2 voltios CC
Acoplador	1/4 plug. (6.35mm).
Velocidad sin carga	0-2500/min (RPM)
Impactos por minuto	0-3500 GPM
Torque	1600 pulg. lbs

⚠ ADVERTENCIA: El uso seguro de este producto requiere una comprensión de la información incluida en la herramienta y en este manual del propietario, además del conocimiento del proyecto que está iniciando. Antes de usar este producto, familiarícese con todas las características de operación y normas de seguridad.

VELOCIDAD VARIABLE

El gatillo de velocidad variable ofrece una velocidad mayor con una presión de gatillo mayor y una velocidad menor cuando se presiona el gatillo con menos fuerza.

ADELANTE/REVERSA/CENTRO BLOQUEO

La atornillador de impacto cuenta con un selector de dirección de rotación ubicado sobre el interruptor de gatillo que se utiliza para cambiar la dirección de rotación de la broca. Colocar el interruptor de gatillo en la posición OFF (centro bloqueo) ayuda a reducir la posibilidad de un arranque accidental cuando no se encuentra en uso.

LUZ DE TRABAJO LED

La luz de trabajo LED, ubicada en el base de la atornillador de impacto, se ilumina cuando se presiona el interruptor de gatillo. Esta característica ofrece luz extra para lograr una visibilidad mayor.

MONTAJE

⚠ ADVERTENCIA: Si falta alguna pieza o si alguna pieza está rota, no trate de enchufar el cable de energía u operar la perforadora/atornilladora hasta que se reemplacen las piezas faltantes o rotas. No hacerlo puede provocar una lesión personal grave.

⚠ ADVERTENCIA: No trate de modificar esta perforadora/atornilladora o crear accesorios no recomendados para usar con esta herramienta. Cualquier alteración o modificación constituye un uso indebido y podría provocar una condición peligrosa y posibles lesiones graves.

⚠ ADVERTENCIA: Para prevenir un arranque accidental que podría provocar lesiones personales graves, siempre desconecte el paquete de baterías de la perforadora/atornilladora cuando cambie las brocas.

DESEMPAQUE

Este producto se ha enviado completamente montado.

- Con cuidado, quite la herramienta y los accesorios de la caja. Asegúrese de que todos los elementos listados en el paquete estén incluidos.
- Inspeccione la herramienta con detenimiento para constatar que no hayan ocurrido roturas o daños durante el envío.
- No descarte el material de empaque hasta que haya inspeccionado la herramienta con cuidado y la haya utilizado satisfactoriamente.
- Si falta alguna pieza o alguna pieza se encuentra rota, devuelva la herramienta al lugar de compra.

LISTA DE EMPAQUE

Atornillador de impacto, broca (instalada del atornillador de impacto) y manual del propietario

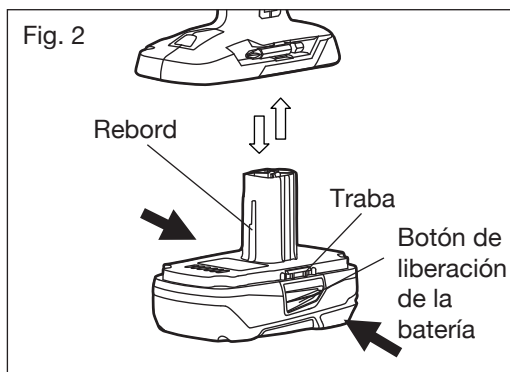
OPERACIÓN

Este producto acepta paquetes de baterías de ion de litio Craftsman C3 de 19.2V. Para las instrucciones de carga completas, consulte los Manuales del Operador correspondientes a los paquetes de baterías y cargadores.

⚠️ ADVERTENCIA: Para evitar un arranque accidental que podría provocar lesiones personales graves, siempre desconecte el paquete de baterías de la herramienta cuando coloque piezas, realice ajustes, instale o quite brocas, efectúe la limpieza o cuando no lo esté utilizando.

CÓMO COLOCAR EL PAQUETE DE BATERÍAS (FIG. 2)

1. Bloquee el interruptor de gatillo de la atornillador de impacto colocando el selector de dirección de rotación (adelante/centro bloqueo/reversa) en la posición central.
2. Alinee los rebordes elevados del paquete de baterías con las ranuras de la atornillador de impacto y luego coloque el paquete de baterías en la atornillador de impacto.



AVISO: Constate que la traba de la parte superior del paquete de baterías se fijen su lugar y que el paquete de baterías esté bien sujeto a la herramienta antes de comenzar el funcionamiento. Un montaje inadecuado del paquete de baterías puede provocar daños a los componentes internos.

CÓMO QUITAR EL PAQUETE DE BATERÍAS (FIG. 2)

1. Bloquee el interruptor de gatillo de la atornillador de impacto colocando el selector de dirección de rotación (adelante/centro bloqueo/reversa) en la posición central.
2. Baje los botones de liberación de la batería ubicados sobre ambos costados del paquete de baterías para liberarlo.
3. Tire del paquete de baterías hacia afuera para quitarlo de la herramienta.

⚠ ADVERTENCIA: Las herramientas a batería siempre se encuentran en condiciones operativas. Por lo tanto, el selector de dirección de rotación siempre debe estar bloqueado cuando la herramienta no esté en uso o cuando la lleve a su lado.

INTERRUPTOR DE GATILLO (FIG. 3)

Para encender (ON) la atornillador de impacto, presione el interruptor de gatillo. Para apagarla (OFF), suelte el interruptor de gatillo.

VELOCIDAD VARIABLE (FIG. 3)

El gatillo de velocidad variable ofrece una velocidad mayor con una presión de gatillo mayor y una velocidad menor cuando se presiona el gatillo con menos fuerza.

SELECTOR DE DIRECCIÓN DE ROTACIÓN (ADELANTE/ CENTRO BLOQUEO/ REVERSA) (FIG. 4)

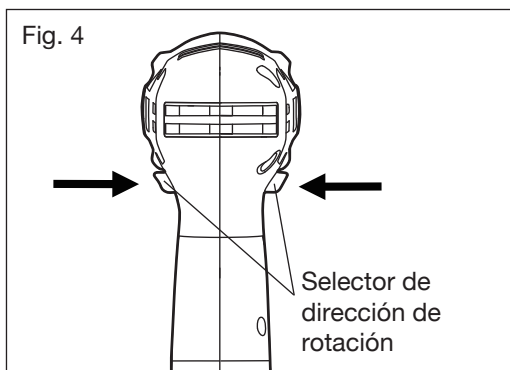
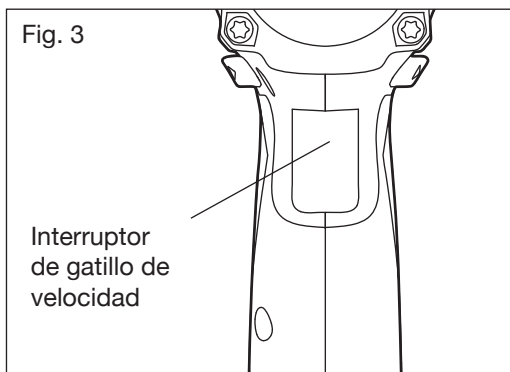
La dirección de rotación de la broca es reversible y se controla mediante un selector ubicado encima del interruptor de gatillo.

Con el atornillador de impacto en una posición de funcionamiento normal y el selector de dirección de rotación en la posición OFF (bloqueo centro) como puede verse en la Fig. 4:

1. Coloque el selector de dirección de rotación hacia la izquierda de la herramienta para perforar.
2. Coloque el selector de dirección de rotación hacia la derecha de la herramienta para ir en reversa.
3. Colocar el interruptor en la posición OFF (bloqueo centro) ayuda a reducir la posibilidad de un arranque accidental cuando no se encuentra en uso.

AVISO: Para evitar daños a los engranajes, siempre espere a que el portabrocas se detenga por completo antes de cambiar la dirección de rotación.

AVISO: La perforadora/atornilladora no funciona a menos que el selector de dirección de rotación se encuentre desplazado hacia la izquierda o derecha.



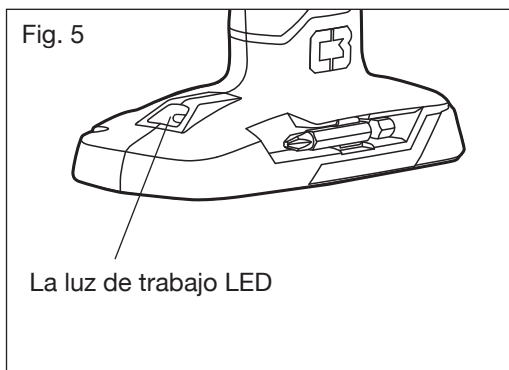
FRENO ELÉCTRICO

Para detener la perforadora/atornilladora, libere el interruptor de gatillo y permita que el portabrocas se detenga por completo. El freno eléctrico rápidamente detiene la rotación del portabrocas. Esta función se activa automáticamente cuando se libera el interruptor de gatillo.

LUZ DE TRABAJO LED (FIG. 5)

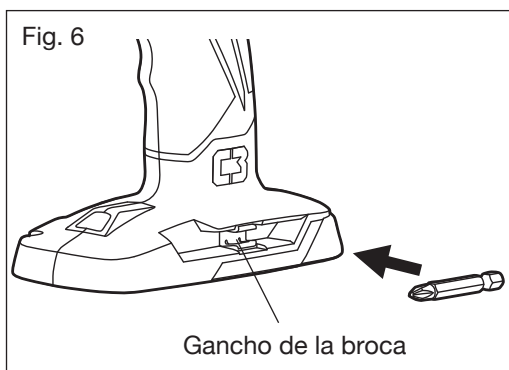
La luz de trabajo LED, ubicada en el base del atornillador de impacto, se ilumina cuando se presiona el interruptor de gatillo. Esto brinda iluminación adicional sobre la superficie de la pieza de trabajo para poder trabajar en áreas de baja iluminación.

La luz de trabajo LED se apaga cuando se suelta el interruptor de gatillo.



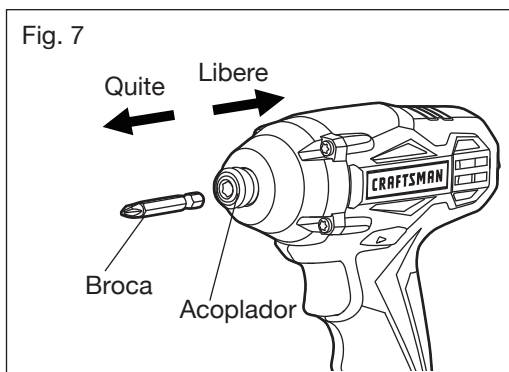
ALMACENAMIENTO DE LA BROCA (FIG. 6)

Cuando no se encuentra en uso, la broca puede colocarse en el área de almacenamiento ubicada en la base de la atornillador de impacto. Almacene la broca en la base de la atornillador de impacto trabándola en su lugar con el gancho de la broca.



CÓMO INSTALAR BROCAS (FIG. 7)

1. Quite el paquete de baterías del atornillador de impacto cuando instale la broca.
2. Bloquee el interruptor de gatillo del atornillador de impacto colocando el selector de dirección de rotación (adelante/bloqueo centro/reversa) en la posición central.



3. Quite el acoplador del atornillador.
4. Introduzca la broca del atornillador dentro del acoplador.
5. Libere el acoplador.
6. Tire de la broca para asegurar que se halle firme en el acoplador. Puede haber algo de juego en la broca instalada; esto es normal.

⚠ ADVERTENCIA: Asegúrese de que la broca esté firme en el acoplador antes de utilizar el atornillador de impacto. Si el acoplador no vuelve a su posición original, la broca no está bien instalada. Vuelva a intentar hasta que la broca quede bien instalada y el acoplador retorne a su posición original. No hacerlo puede provocar una lesión personal grave.

CÓMO QUITAR LAS BROCAS (FIG. 7)

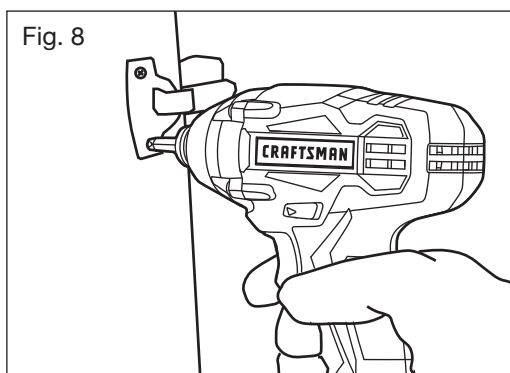
1. Quite el paquete de baterías del atornillador de impacto cuando instale la broca.
2. Bloquee el interruptor de gatillo del atornillador de impacto colocando el selector de dirección de rotación (adelante/bloqueo centro/reversa) en la posición central.
3. Quite el acoplador del atornillador.
4. Retire la broca.

⚠ ADVERTENCIA: Utilice guantes protectores cuando quite la broca de la herramienta, o antes deje que la broca se enfríe. La broca puede estar caliente después de un uso prolongado.

⚠ PRECAUCIÓN: El atornillador de impacto no está diseñado para utilizarse como un taladro.

AJUSTE Y AFLOJAR TORNILLO O TUERCA (FIG. 8)

1. Instale la broca correcta.
2. Bloquee el interruptor de gatillo del atornillador de impacto colocando el selector de dirección de rotación (adelante/bloqueo centro/reversa) en la posición correcto.
3. Aplique sólo la presión suficiente para mantener la broca sujeta al tornillo o tuerca.
4. Inicialmente, aplique una presión mínima sobre el interruptor de gatillo. Aumente la velocidad sólo cuando pueda mantenerse un control total.



⚠️ ADVERTENCIA: No ajuste de más, ya que la fuerza del atornillador de impacto puede romper la sujeción. Mantenga el atornillador de impacto en ángulo recto respecto de la sujeción para no dañar la cabeza de la misma.

MANTENIMIENTO

⚠️ ADVERTENCIA: Para evitar una lesión personal grave, siempre quite el paquete de baterías de la herramienta cuando la limpie o realice alguna clase de mantenimiento.

⚠️ ADVERTENCIA: Siempre utilice gafas de seguridad con protecciones laterales cuando utilice aire comprimido para limpiar la herramienta. Si durante la operación se genera mucho polvillo, también use una máscara antipolvillo.

MANTENIMIENTO GENERAL

Evite usar solventes cuando limpie piezas plásticas. La mayoría de los plásticos son susceptibles a daños por parte de varios tipos de solventes comerciales y pueden dañarse por su uso. Utilice paños para quitar suciedad, polvillo, aceite, grasa, etc.

⚠️ ADVERTENCIA: No permita bajo ninguna circunstancia que líquido de frenos, gasolina, productos a base de petróleo, aceites penetrantes, etc. entren en contacto con las piezas plásticas. Los químicos pueden dañar, debilitar o destruir el plástico, lo que puede provocar una lesión personal grave.

⚠️ ADVERTENCIA: Cuando realice un mantenimiento, sólo utilice piezas de repuesto idénticas. El uso de otras piezas puede generar un riesgo o provocar daños al producto. Para garantizar la seguridad y la confiabilidad, todas las reparaciones deben ser efectuadas por un técnico calificado.

IDENTIFICACIÓN Y SOLUCIÓN DE PROBLEMAS

PROBLEMA	CAUSA	SOLUCIÓN
El atornillador no funciona	La batería está gastada	Cargue la batería
La broca no puede instalarse	La manga no se ha liberado	Libere la manga
	La broca no entra en la manga	Utilice un adaptador adecuado
Sobrecalentamiento del motor	Asegúrese de que las ventilaciones estén libres de polvillo y obstáculos	Limpie las ventilaciones. No las cubra con las manos durante el funcionamiento

NOTICE

CRAFTSMAN®

Product questions or problems?

1-888-331-4569

Customer Care Hot Line

**Get answers to questions, troubleshoot problems,
order parts, or schedule repair service.**

Para respuestas a preguntas o problemas, y ordenar
piezas o pedir servicio para la reparación de su equipo.

To help us help you, register your product at www.craftsman.com/registration

Para poderte ayudar mejor, registra tu producto en www.craftsman.com/registration

Join the Craftsman Club today!

CRAFTSMAN® CLUB

www.craftsman.com/signup

**Receive exclusive member benefits including special pricing and offers,
project sharing, expert advice, and SHOP YOUR WAY REWARDS!**

Como miembro exclusivo, recibe diversos beneficios como ofertas, precios especiales, proyectos nuevos, consejos de expertos y nuestro programa de puntos SHOP YOUR WAY REWARDS!