

**Dishwasher**  
**Lave-Vaisselle**



**BOSCH**

**en** Operating instructions  
**fr** Guide d'Utilisation

**9001164799 (9601)**



Dear Valued Customer,

Welcome and congratulations on your new Bosch® dishwasher purchase! Our German engineers work tirelessly to craft machines with virtually silent operation, resource-saving efficiency, and optimum quality. We know you'll be pleased.

For other premium Bosch® appliances, visit us online at:  
[www.bosch-home.com/us](http://www.bosch-home.com/us) (USA)  
or  
[www.bosch-appliances.ca](http://www.bosch-appliances.ca) (Canada)

While there, don't forget to register your new dishwasher by clicking on the Support tab or filling out the product registration card enclosed with your new unit.

If you have any questions or comments, please contact us at: 1-800-944-2904  
or write us at:

<http://www.bosch-home.com/us/customer-support/contact-us.html>

## Table of Contents

<b>Safety Definitions</b> .....	<b>1</b>
<b>Important Safety Instructions</b> .....	<b>2-3</b>
<b>Dishwasher Components</b> .....	<b>4-5</b>
<b>Dishwasher Setup</b> .....	<b>6-8</b>
<b>Dishware Materials</b> .....	<b>9</b>
<b>Loading the Dishwasher</b> .....	<b>10-11</b>
<b>Rack Features</b> .....	<b>12</b>
<b>Dishwasher Cycles and Options</b> .....	<b>13</b>
<b>Wash Cycle Information</b> .....	<b>14</b>
<b>Operating the Dishwasher</b> .....	<b>15-17</b>
<b>Care and Maintenance</b> .....	<b>18-19</b>
<b>Troubleshooting Guide</b> .....	<b>20-22</b>
<b>Customer Service</b> .....	<b>23</b>
<b>Statement of Limited Product Warranty</b> .....	<b>24</b>

## Safety Definitions

### **WARNING**

This indicates that death or serious injuries may occur as a result of non-observance of this warning.

### **CAUTION!**

This indicates that minor or moderate injuries may occur as a result of non-observance of this warning.

### **NOTICE:**

This indicates that damage to the appliance or property may occur as a result of non-compliance with this advisory.

**Note:** This alerts you to important information and/or tips.

# **IMPORTANT SAFETY INSTRUCTIONS:**

## **Please READ and SAVE this information**

### **WARNING**

Misuse of the dishwasher can result in serious injury or death. Do not use the dishwasher in any way not covered in this manual or for any purpose other than those explained in the following pages.



Severe product damage and/or injury could result from the use of unauthorized service technicians or non-original replacement parts. All repairs must be performed by an authorized service technician using only original equipment factory replacement parts.



Electrical shock or fire could result if the electrical supply for the dishwasher covered in this manual is incorrectly installed or if the dishwasher has been improperly grounded. Do not use the dishwasher covered in this manual unless you are certain the electrical supply has been correctly installed and the dishwasher has been properly grounded.



Never use harsh chemicals to clean your dishwasher. Some chloride-containing products can damage your dishwasher and may present health hazards!

### **NOTICE**

Never use steam cleaning products to clean your dishwasher. The manufacturer will not be responsible for the possible damages or consequences.



It is highly recommended for the end user to become familiar with the procedure to shut off the incoming water supply and the procedure to shut off the incoming power supply. See the Installation Instructions or contact your installer for more information.



To avoid possible dishwasher damage, do not use harsh chemicals, abrasive cleaners, scouring pads (metal or plastic), or abrasive cloths/paper towels to clean your dishwasher's exterior door panel. Your dishwasher's exterior door panel can be damaged by doing so.



NSF/ANSI 184 Certified residential dishwashers are not intended for licensed food establishments.



## **WARNING: To reduce the risk of fire, electrical shock, or serious injury, observe the following:**

- 1 This dishwasher is provided with Installation Instructions and this Use and Care Manual. Read and understand all instructions before using the dishwasher.
- 2 This appliance must be grounded to a metal, permanent wiring system, or an equipment grounding conductor must be run with the circuit conductors and connected to the equipment grounding terminal or lead on the dishwasher. See the Installation Instructions included with this dishwasher for more information on electrical requirements.
- 3 Use this dishwasher only for its intended function, which is the washing of household dishware and kitchenware rated as dishwasher safe.
- 4 Use only detergents or rinsing agents recommended for use in a dishwasher, and keep them out of the reach of children.
- 5 When loading items to be washed:
  - Locate sharp items so they are not likely to damage the door seal.
  - Load knives and other sharp utensils with their HANDLES UP to reduce the risk of cut-type injuries.
  - Do not wash plastic items unless they are marked “dishwasher safe” or the equivalent. For plastic items not so marked, check the manufacturer’s recommendations.
  - Do not operate your dishwasher unless all enclosure panels are in place.
  - Do not tamper with or override controls and interlocks.
- 6 Do not abuse, sit or stand on the door or dish racks of the dishwasher.
- 7 To reduce risk of injury, do not allow children to play in or on the dishwasher.
- 8 When children become old enough to operate the appliance, it is the responsibility of the parents/legal guardians to ensure the children are instructed in safe practices by authorized persons.
- 9 Under certain conditions, hydrogen gas may be produced in a hot water system that has not been used for two weeks or more. Hydrogen gas is explosive. Before using a dishwasher that is connected to a hot water system that has been unused for two weeks or longer, turn on all hot water faucets and let the water flow from each for several minutes. This will release any accumulated hydrogen gas. As the gas is explosive, do not smoke or use an open flame during this time.
- 10 Remove the dishwasher door to the washing compartment when removing an old dishwasher for service or discarding.
- 11 To avoid floor damage and possible mold growth, do not allow wet areas to remain around or under the dishwasher.
- 12 Protect your dishwasher from the elements. Protect against freezing to avoid possible damage to the fill valve. Damage caused by freezing is not covered by the warranty.
- 13 This appliance must be grounded. In the event of a malfunction or breakdown, grounding will reduce the risk of electric shock by providing a path of least resistance for electric current. This appliance is equipped with a cord having an equipment-grounding conductor.
  - Improper connection of the equipment-grounding conductor can result in risk of electric shock. Check with a authorized electrician or service representative if you are in doubt whether the appliance is properly grounded.

### **State of California Proposition 65 Warnings:**

WARNING: This product contains one or more chemicals known to the State of California to cause cancer, birth defects, or other reproductive harm.

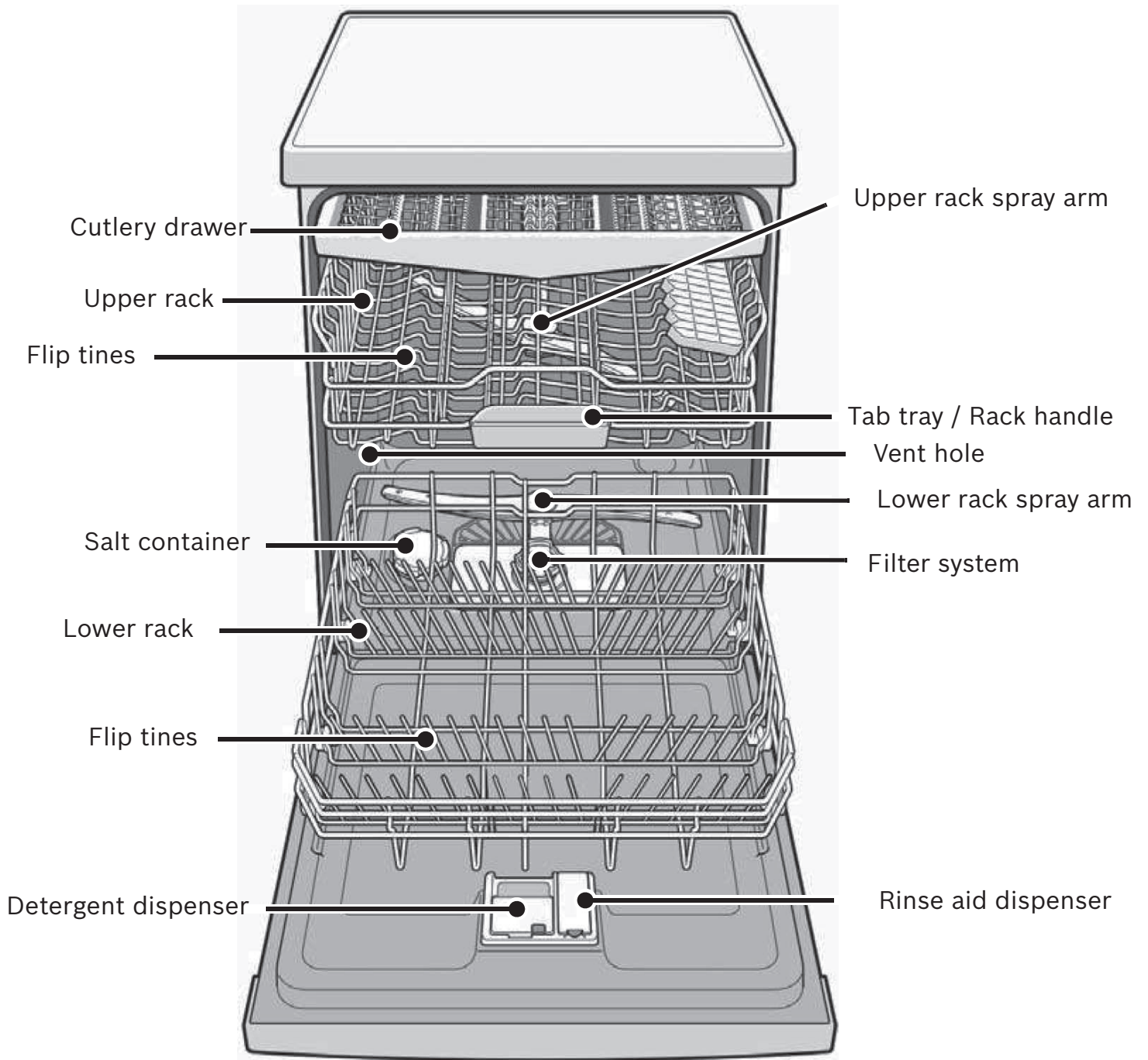
# Dishwasher Components

	Wash Cycles					
Model	Heavy	Auto	Eco	Normal	Express	Rinse
SGE68U55UC	●	●	●	●	●	●

	Wash Cycle Options				
Model	Delay	Half Load	Delicate	Sanitize	Extra Shine <sup>®</sup>
SGE68U55UC	●	●	●	●	●

Additional Features	Description
Rackmatic <sup>®</sup>	3 position adjustable upper rack. The height of the upper rack can be adjusted in 3 positions to create more space.
Cutlery Drawer	Third level rack to maximize loading space.
Time Remaining Indicator	Indicates the cycle time remaining.
44 dBA Sound Level	Quiet washing.
Delay Start	Start of a cycle can be delayed in 1-hour increments up to 24 hours.
Rinse Cycle	If you need to pre-rinse dishes to avoid odors, let the dishwasher do the work for you. Place unrinsed dishes inside dishwasher and select the "Rinse" cycle. Uses less water than hand rinsing and very low energy. <i>Note: Do not use detergent in this cycle.</i>
Tab Tray / Upper Rack Handle	Place detergent tabs inside the dispenser as normal. The tabs fall into the tab tray and dissolve perfectly every time. Also serves as an upper rack handle.
24/7 AquaStop <sup>®</sup> Leak Protection	If a leak has occurred, it shuts down operation and automatically pumps out water to avoid contact with the floor.
2 Flip Tine Rows in upper and lower racks	Folds down to improve loading versatility.
Two Cup Shelves	Can be used for cups or larger serving utensils.
Child Lock	The Child Lock feature allows you to disable the dishwasher control panel to prevent accidental activation.
Vase Holder	Positions tall vases and other containers securely for thorough cleaning.
Plastic Item Clips	Securely holds light-weight plastic accessories (cups, lids, etc.).
Low Salt Notification Light	Illuminates to indicate Salt is low.
Low Rinse Aid Notification Light	Illuminates to indicate Rinse Aid is low.
Sanitized Notification Light	Illuminates to indicate sanitation requirements are met. Only available in Heavy, Auto, or Normal cycles.
Energy Efficient 259 kWh	ENERGY STAR <sup>®</sup> qualified.





# Dishwasher Setup

## Water Softening System

Your dishwasher requires soft water to ensure proper washing results and is equipped with an internal water softening system. However, if you have a household water softening system, the internal system provided is not needed.

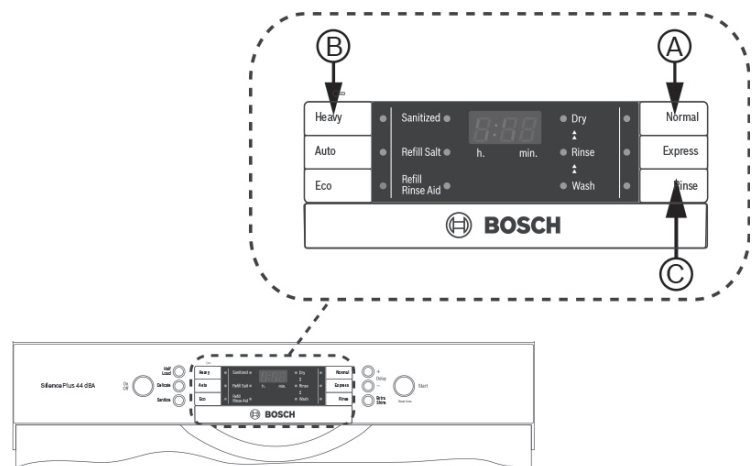
For the water softening system to function properly, it will need to use dishwasher water softening salt. The amount of salt dispensed can be set from “H:00” to “H:07”. Salt is not used at H:00 (default factory setting). The amount of salt required depends on the degree of hardness of your tap water. See **Table 1**.

- 1 Turn the unit on using the **[ON/OFF]** button.
- 2 Hold down the “**A**” button (see **Figure 1**) and press **[Start/Resume]** until the display indicates “**H:00**”.
- 3 Release both buttons and press the “**C**” button to select the desired setting.
- 4 Save the selected setting by pressing **[Start/Resume]**.

**Table 1 - Water hardness**

Tap water hardness ppm CaCO <sup>3</sup> /l	Setting of internal water softener	Fill water softener with salt?
0 - 110	H:00	no
120 - 140	H:01	yes
150 - 180	H:02	yes
190 - 210	H:03	yes
220 - 290	H:04	yes
300 - 370	H:05	yes
380 - 540	H:06	yes
550 - 890	H:07	yes

**Figure 1**



## Using the water hardness test strip

Kurz eintauchen (1 sec), leicht abschütteln und nach 1 min ablesen. 4 grün/green/vert 1 rot/red/rouge 2 rot/red/rouge 3 rot/red/rouge 4 rot/red/rouge	Dip briefly (1 sec), shake off excess water and compare after 1 min. □ □ □ □ ■ □ □ □ ■ ■ □ □ ■ ■ ■ □ ■ ■ ■ ■	Plongez brièvement (1 sec), égouttez l'excès d'eau et comparez après 1 min. <3°dH/ <3.75°e/ <5.4°f >4°dH/ >5°e/ >7.2°f >8,4°dH/ >10.5°e/ >15.1°f >14°dH/ >17.5°e/ >25.2°f >21°dH/ >26.25°e/ >37.8°f	<b>AQUADUR®</b> Teststäbchen zur Bestimmung der Wasserhärte Test stick for determination of water hardness Bandelette pour déterminer la dureté de l'eau
--	---	--	---

Dip the test strip into tap water for a second. Shake off excess water and wait approximately 1 minute before comparing results.	After 1 minute the test strip will show you the correct setting	Setting of internal water softener	Fill water softener with salt?
□ □ □ □	0	H:00	no
□ □ □ ■	1	H:00	no
□ □ ■ ■	2	H:02	yes
□ ■ ■ ■	3	H:04	yes
■ ■ ■ ■	4	H:06	yes



## Salt

**Only** refill the salt container, using a funnel to pour, right before turning on the unit to ensure that salt overflow is immediately washed away. This prevents corrosion. See **Figure 2**.

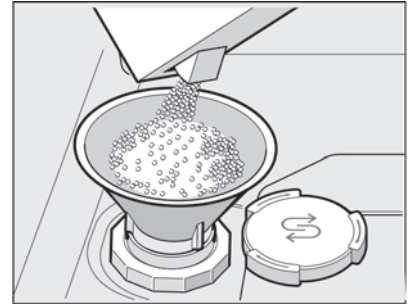
- 1 Open the screw cap of the salt container.
- 2 Fill the container with water (only required when turning on the unit for the first time).
- 3 Add dishwasher salt until the water is displaced and runs out.
- 4 Refill with salt as soon as the “Refill Salt” LED is lit.

**Notice:** Never fill the salt dispenser with detergent. It will destroy the water softening system. To prevent corrosion, refill with salt and immediately begin any cycle.

*Note: Do not use salt tablets or any salt other than dishwasher water softening salt.*

*For more information about ordering salt please contact Customer Service (1-800-944-2904).*

**Figure 2**



## Detergent

Use only detergent specifically designed for dishwashers. For best results, use fresh powdered dishwashing detergent or detergent tabs.

### NOTICE

To avoid dishwasher damage, do not use hand dishwashing products in your dishwasher.

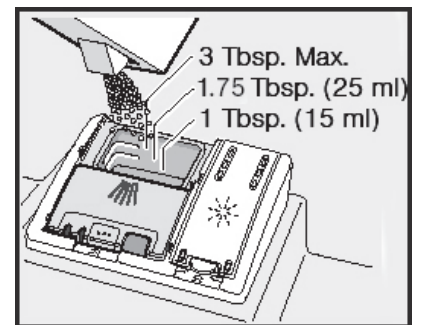
To avoid dishwasher damage, do not use too much detergent if your water is soft. Using too much detergent with soft water may cause etching in glassware.

The dishwasher uses less water than most, therefore, less detergent is required. With soft water, 1 tablespoon (15 ml) of detergent will clean most loads. The detergent dispenser cup has lines that measure detergent (**Figure 3**) to 1 tablespoon (15 ml) and 2 tablespoons (25 ml). 3 tablespoons (45 ml) of detergent will completely fill the detergent dispenser.

*Note: If you do not know the hardness of your water supply, use 15 ml (1 tbsp) of detergent. Increase the amount if necessary to the least amount required to get your kitchenware clean.*

Use the measuring lines in the detergent dispenser cup as a guide to measure the amount of detergent recommended in **Table 2**.

**Figure 3**



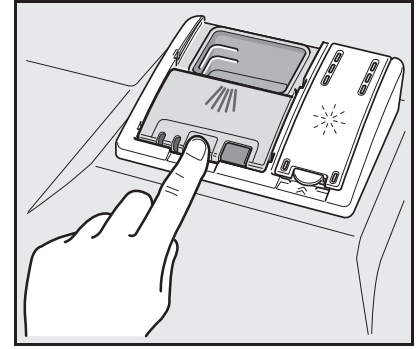
**Table 2- Recommended Detergent Amount**

Wash Cycle	Hard Water/ Heavy Soil	Medium Water/ Medium Soil	Soft Water/ Little Soil
Heavy	3 tbsp (45 ml)	3 tbsp (45 ml)	1.75-3 tbsp (25-45 ml)
Auto	1.75-3 tbsp (25-45 ml)	1.75 tbsp (25 ml)	1-1.75 tbsp (15-25 ml)
Eco	1.75 tbsp (25 ml)	1-1.75 tbsp (15-25 ml)	1 tbsp (15 ml)
Normal	1.75-3 tbsp (25-45 ml)	1.75 tbsp (25 ml)	1-1.75 tbsp (15-25 ml)
Express	1.75 tbsp (25 ml)	1-1.75 tbsp (15-25 ml)	1 tbsp (15 ml)
Rinse	None	None	None

### To Close:

- Place finger as shown in **Figure 4**.
- Slide door closed and press down firmly until it clicks.

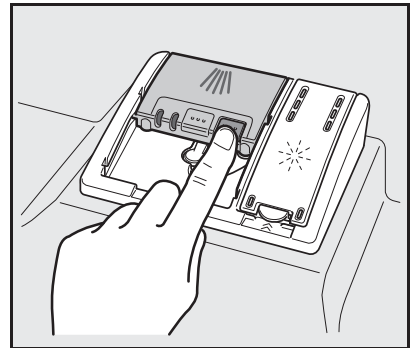
**Figure 4**



### To Open:

- To open the cover, push the button as shown in **Figure 5**.
- Cover will slide open.

**Figure 5**



## Rinse Aid

To achieve proper drying, always use a liquid rinse aid, even if your detergent contains a rinse aid or drying additive.

*Note: The dishwasher indicates low rinse aid by turning on the “Refill Rinse Aid” LED in the display. If this light is on, you need to refill the rinse aid dispenser by following the directions below.*

### Adding Rinse Aid

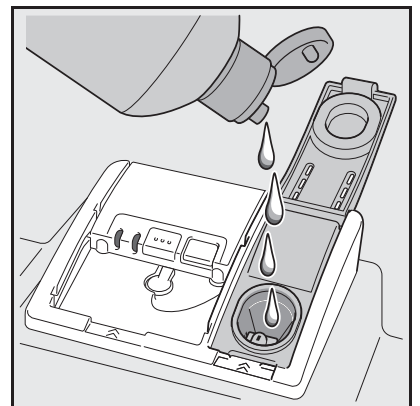
#### **NOTICE**

To avoid oversudsing or clogging, do not overfill the rinse aid dispenser. Wipe up any spills with a damp cloth.

- 1 Add liquid rinse aid to the dispenser until it is full (see **Figure 6**). Do not overfill.
- 2 Close the lid. **Lid must be fully closed until it clicks in order to seal.**
- 3 Wipe up any excess rinse aid that may have puddled when the dispenser reservoir is full.

The indicator light will go out a few moments after the dishwasher door is shut. See page 16 for instructions on how to adjust the amount of rinse aid dispensed.

**Figure 6**



# Dishware Materials

*Note: Before using your dishwasher for the first time, check the information in this section. Some items are not dishwasher safe and should be hand washed; others require special loading.*

## Recommended

**Aluminum:** Colored anodized aluminum may fade over time. Minerals in your water may cause the aluminum to darken or spot. This can usually be removed with a soap-filled steel wool pad.

**China, Crystal, Stoneware:** Some hand-painted utensils may discolor, fade or spot. Hand wash these utensils. Position fragile glassware so that it will not fall over or come in contact with other utensils during the wash cycle.

**Glass:** Milk glasses may discolor or become yellow.

**Non-stick Coatings:** Apply a light coating of vegetable oil to non-stick surfaces after drying.

**Plastics:** Make sure the plasticware is dishwasher safe.

**Stainless Steel, Sterling Silver and Silver Plates:** Load these so they do not come in contact with other metals.

## Not Recommended

**Acrylic:** crazing, small cracks throughout the acrylic, may occur.

**Adhesive-Joined Pieces:** Adhesives that join materials such as plastic, wood, bone, steel, copper, tin, etc. may loosen.

**Bone-Handled Utensils:** Handles may separate.

**Iron:** Iron will rust. Hand wash and dry immediately.

**Non-Dishware Items:** Your dishwasher is intended for use in cleaning ONLY standard household dishware and kitchenware.

**Pewter, Brass, Bronze:** These items will tarnish. Hand wash and dry immediately.

**Tin:** Tin will stain. Hand wash and dry immediately.

**Wood:** Wooden bowls, wooden utensils and utensils with wooden handles can crack, warp and lose their finish.

# Loading the Dishwasher

Do not pre-wash items with loosely attached soiling. Remove all food particles, bones, toothpicks and excessive grease. Items having burned-on, baked-on or starchy soils may require some pretreatment. Refer to the Dishware Materials section for more information about dishware suitability.

Load only dishwasher safe items into the dishwasher. Load dishes in the dishwasher racks so the insides of bowls, pots and pans are facing the spray arms as shown. Avoid nesting and contact points between dishes. Separate items of dissimilar metals. Use care to not block movement of the spray arms.

## WARNING

The sharp points and edges of knives and other sharp utensils can cause serious injuries. Load knives and other sharp utensils with edges down. Do not allow children to handle or play near knives and sharp utensils.

## NOTICE

To avoid dishwasher damage, do not load the dishwasher with paper products, plastic bags, packing materials or anything other than normal, dishwasher safe dishware and kitchenware.

## Loading the Upper Rack

Ensure items do not protrude through the bottom of the racks and block the spray arms.

*Note: When pushing the upper rack into the dishwasher, push it until it stops against the back of the tub so the upper rack spray arm connects to the water supply at the back of the tub. Do not push racks in using the door.*

## Loading the Lower Rack

Place large items in the lower rack. Load pots, pans and bowls upside down. Do not block vent with tall baking sheets. Load these items on the right side of the dishwasher.

## Loading the Cutlery Drawer

The cutlery drawer horizontally positions knives, spatulas and other oversized tools for improved cleaning and easier loading and unloading. Arrange cutlery in the cutlery drawer.

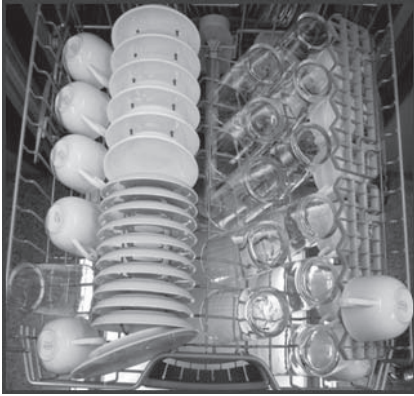
## Unloading the Dishwasher

When unloading the dishwasher, it is recommended to unload the lower rack first. Next, unload the silverware basket followed by the upper rack, and then the cutlery drawer. This prevents water from dripping down onto dishware.

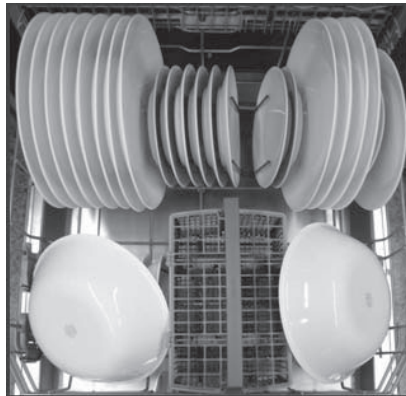
*Note: Dishes are more likely to chip when unloading before cooling.*

## Suggested Loading Pattern

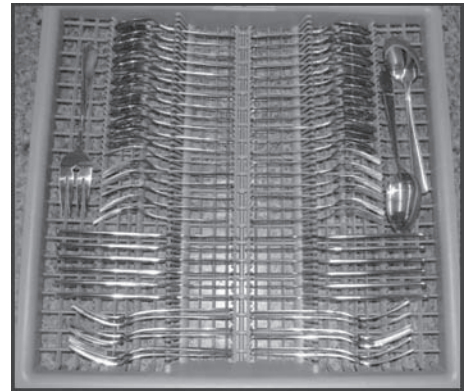
Upper Rack



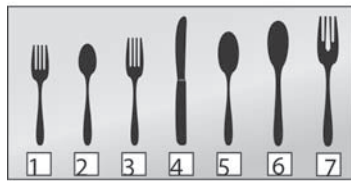
Lower Rack



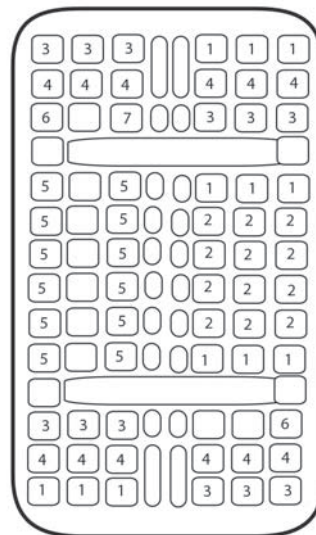
Cutlery Drawer



Silverware Basket

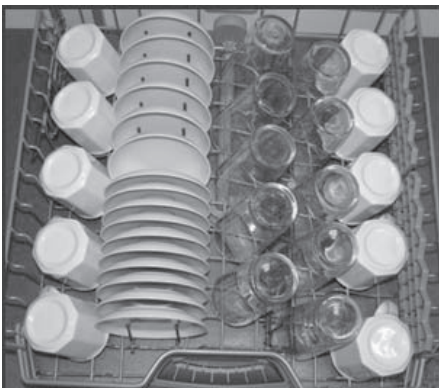


- 1- Salad fork
- 2- Teaspoon
- 3- Dinner fork
- 4- Knife
- 5- Tablespoon
- 6- Serving spoon
- 7- Serving fork



## Additional Loading Pattern

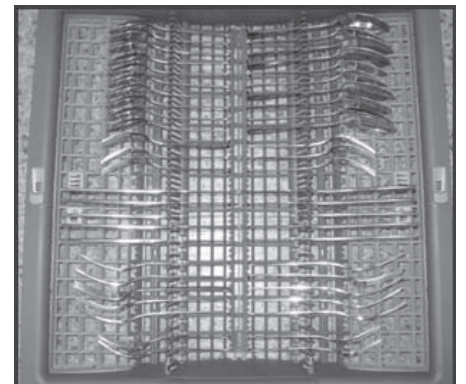
Upper Rack



Lower Rack



Cutlery Drawer



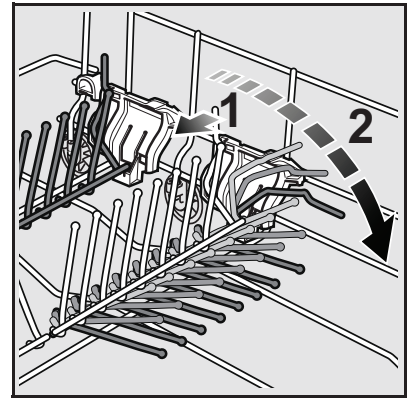


# Rack Features

## Flip Tines

The upper and lower racks consist of tines that can be folded down depending on what you may need to load in the rack. To fold down, grasp the folding tine and release from notch. Push folding tine downward to desired position as shown in **Figure 7**.

Figure 7

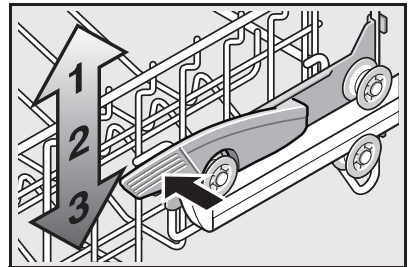


## RackMatic®

The height of the upper rack can be adjusted in 3 positions to create more space (see **Figure 8**).

- 1 Pull the empty upper rack out of the dishwasher until it stops.
- 2 To lower the rack, push the lever inward then upward.
- 3 To raise, hold the empty rack by the sides and lift up.

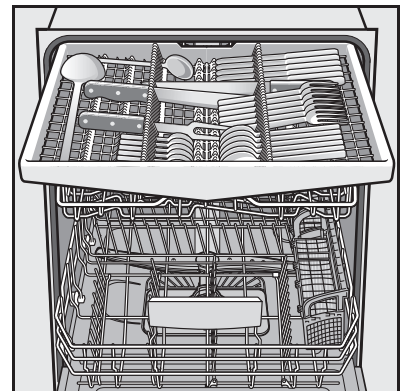
Figure 8



## Cutlery Drawer

The cutlery drawer horizontally positions knives, spatulas and other oversized tools for improved cleaning and easier loading and unloading. Arrange cutlery in the cutlery drawer as illustrated in **Figure 9**.

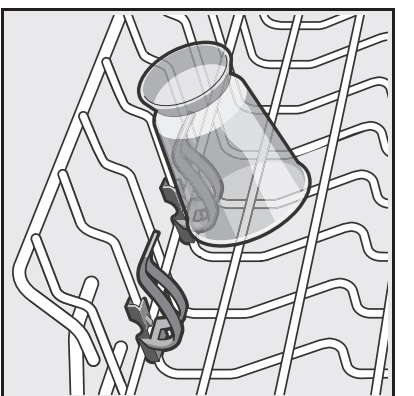
Figure 9



## Plastic Item Clips

Light-weight plastic accessories (cups, lids, etc.) can be held securely by the plastic item clips (see **Figure 10**).

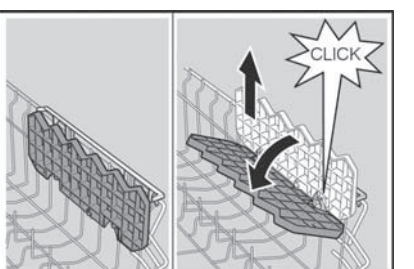
Figure 10



## Cup Shelves

The shelf and the space underneath can be used for cups or for larger serving utensils (see **Figure 11**).

Figure 11



# Dishwasher Cycles and Options

## Wash Cycles

*Note: In order to save energy, it is recommended to set the “Auto Power Off” feature to “P:01” (see the “Auto Power Off” section of this manual).*

**Heavy:** Best for cleaning items with baked-on food or grease. These dishes would normally require soaking.

**Auto:** This is the most flexible cycle. With our most complex soil sensing capability, this cycle is perfect for use with mixed loads of dishware with varying amounts of food soil.

**Eco:** Best for delicate dishes and glasses, the Eco cycle lowers temperature and cycle length to decrease energy usage.

**Normal:** The Normal cycle is recommended for daily, regular, or typical use to completely wash a full load of normally soiled dishes.

In order to obtain optimal performance with minimum energy consumption, it is recommended to disable all available features except Auto Power Off as noted at the start of this section.

*Note 1: See footnote for additional energy test setup instructions.*

**Express:** Cleans lightly soiled dishes and reduces overall wash time. Use this cycle to clean glasses and dessert dishware that may need to be reused at the same event.

**Rinse:** Allows you to rinse food soil off of a partial load and hold them in the dishwasher until you are ready to run a full load.

## Wash Cycle Options

**Delay Start:** Allows you to delay the start time of your dishwasher in one hour increments up to 24 hours.

**Half Load:** Can reduce water consumption when washing small, lightly soiled loads that fill approximately half of the dishwasher’s capacity.

**Delicate:** Available only in the Heavy, Auto and Normal cycles. This option’s lower temperature will reduce the risk of cloudy glasses.

**Sanitize:** The Sanitize feature is available only in the Heavy, Auto and Normal cycles. Select one of these cycles, press the “Sanitize Option” button and then press Start/Resume to activate the Sanitation features. The sanitize LED will light when sanitation requirements are met. The technical sanitation measures may also improve the drying results.

*Note: The dishwasher automatically defaults to Auto when turned off and back on. If you used the sanitize option in your last cycle, the dishwasher will default to Auto with the Sanitize option selected when you turn it on.*

**Extra Shine®:** Used in combination with a wash cycle (except Rinse), the Extra Shine® option raises the temperature and extends the drying time to further enhance drying results and provides a brilliant shine.

*Note 1: The Energy Guide label was based on the Normal or Regular soil sensing cycle as follows: The unit was tested without any Rinse Aid (liquid) in the Rinse Aid chamber. A single dose of detergent was inserted into the Detergent Dispenser, with no detergent being used in the prewash. The unit was not subjected to truncated testing per the definitions in the test procedure. We recommend that dish loads such as the one in the energy certification test have the rack position set in the highest position.*

# Wash Cycle Information

The cycle times in this Use and Care Manual are based on normal soil loads and 120°F incoming water and will vary based on your actual conditions.

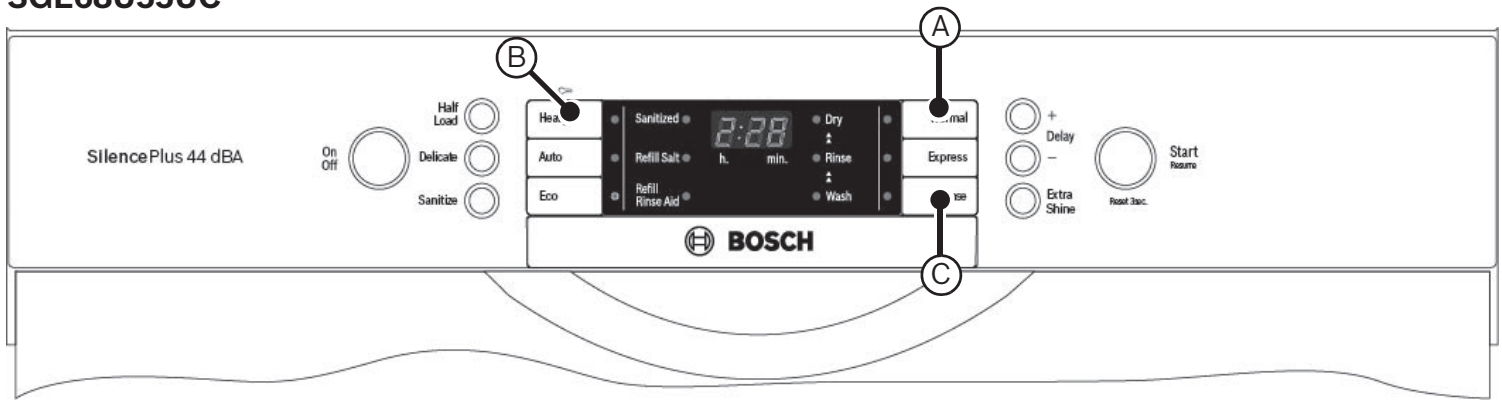
**Table 3 - Wash Cycle Information**

	<b>Heavy</b>	<b>Auto</b>	<b>Eco</b>	<b>Normal</b>	<b>Express</b>	<b>Rinse</b>
cycle time	110-135 min	105-129 min	80-85 min	130-135 min	30 min	9 min
water consumption	18.6-24.2 L 4.9-6.4 gal	13.1-24.5 L 3.5-6.5 gal	9.3-14.5 L 2.5-3.8 gal	8.3-20.6 L 2.2-5.4 gal	10.5 L 2.8 gal	4.1 L 1.1 gal
wash temperature	66-71°C 150-160°F	53-66°C 127-150°F	45-50°C 113-122°F	45-55°C 113-131°F	45°C 113°F	incoming incoming
rinse temperature	72°C 162°F	70°C 158°F	62°C 144°F	62-69°C 144-156°F	50°C 122°F	incoming incoming
<b>Half Load</b>						
cycle time	114 min	95-105 min	75-80 min	110-120 min	n/a	n/a
water consumption	17.9 L 4.8 gal	10.2-16.5 L 2.7-4.4 gal	9.3-12.5 L 2.5-3.3 gal	10.9-14 L 2.9-3.7 gal	n/a	n/a
rinse temperature	72°C 162°F	70°C 158°F	62°C 144°F	69°C 156°F	n/a	n/a
<b>Delicate</b>						
cycle time	105-110 min	90-105 min	n/a	105-120 min	n/a	n/a
water consumption	18.6-24.2 L 4.9-6.4 gal	13.1-24.5 L 3.5-6.5 gal	n/a	8.3-20.6 L 2.2-5.4 gal	n/a	n/a
rinse temperature	60°C 140°F	60°C 140°F	n/a	60°C 140°F	n/a	n/a
<b>Sanitize</b>						
cycle time	130-150 min	125-150 min	n/a	140-155 min	n/a	n/a
water consumption	18.6-24.2 L 4.9-6.4 gal	13.1-24.5 L 3.5-6.5 gal	n/a	8.3-20.6 L 2.2-5.4 gal	n/a	n/a
rinse temperature	72°C 162°F	72°C 162°F	n/a	72°C 162°F	n/a	n/a
<b>Extra Shine®</b>						
cycle time	130-150 min	125-150 min	115-125 min	140-155 min	50 min	n/a
water consumption	18.6-24.2 L 4.9-6.4 gal	13.1-24.5 L 3.5-6.5 gal	9.3-14.5 L 2.5-3.8 gal	8.3-20.6 L 2.2-5.4 gal	10.5 L 2.8 gal	n/a
rinse temperature	72°C 162°F	72°C 162°F	72°C 162°F	72°C 162°F	72°C 162°F	n/a

*Note: Only sanitizing cycles have been designed to meet the requirements of Section 6 of the NSF/ANSI Standard for Residential Equipment for soil removal and sanitization efficacy. There is no intention, either directly or indirectly, to imply that all cycles have passed sanitization performance tests.*

# Operating the Dishwasher

SGE68U55UC



**NOTE:** The door must be opened before changing settings and closed after changing settings. Buttons are sensitive and should be touched gently. Avoid any grease or food particles resting on the buttons as they could activate the dishwasher. Wiping and cleaning can also activate the dishwasher. For best results, use bare, clean hands when touching the buttons.

## WARNING

To avoid risk of injury, always use caution when opening the door during or following a wash cycle as hot water or steam may escape. Do not fully open the door until water noises have stopped and steam has subsided.

### Start the dishwasher

- 1 Press the **[On/Off]** button.
- 2 Select a cycle and desired options and press **[Start/Resume]**.

NOTE: Your dishwasher is protected against unintentional operation. If the appliance door remains open for more than 4 seconds after pressing the [Start/Resume] button, the operation will be paused. Press the [Start/Resume] button again and close the appliance door.

### Cancel a Cycle

- 1 Press and hold the **[Start/Resume]** button for approximately 3 seconds until the display reads “0:01”.
- 2 Wait about 1 minute while the dishwasher drains.
- 3 Press the **[On/Off]** button.

NOTE: Your dishwasher is protected against unintentional operation. If the appliance door remains open for more than 4 seconds after pressing the [Start/Resume] button, the operation will be paused. Press the [Start/Resume] button again and close the appliance door.

### Interrupt a Cycle

- 1 Press the **[On/Off]** button to turn the unit off.
- 2 To resume the cycle, press the **[On/Off]** button.

NOTE: Your dishwasher is protected against unintentional operation. If the appliance door remains open for more than 4 seconds after pressing the [Start/Resume] button, the operation will be paused. Press the [Start/Resume] button again and close the appliance door.

## Setting the Amount of Rinse Aid

The amount of rinse aid dispensed can be set from “r:00” to “r:06”.

To change the setting:

- 1 Press the **[On/Off]** button.
- 2 Hold down the “**A**” button (see page 15) and press **[Start/Resume]** until the display indicates “**H:0x**”  
(x can be any number).
- 3 Release both buttons.
- 4 Press the “**A**” button until the display shows “**r:05**”.
- 5 Press the “**C**” button to select the desired setting.
  - “**r:00**” = dispenser is OFF
  - “**r:01**” = lowest setting
  - “**r:02**” = low setting
  - “**r:03**” = medium setting
  - “**r:04**” = medium/high setting
  - “**r:05**” = high setting
  - “**r:06**” = highest setting
- 6 Press **[Start/Resume]** to save the setting.

## Delay Start

You can delay the start of the cycle in one hour increments up to 24 hours.

To set delay start:

- 1 Press the **[On/Off]** button.
- 2 Press the **[+]** button until the display jumps to “**h:01**”.
- 3 Press the **[+]** or **[-]** button until the displayed time corresponds with your requirements.
  - h:01** = 1 hour delay
  - h:24** = 24 hour delay
- 4 Press **[Start/Resume]** to activate delay start.

To cancel delay start:

- 1 Press the **[+]** or **[-]** button until “**h:00**” is indicated on the digital display.
- 2 Press and hold **[Start/Resume]** for 3 seconds to cancel the cycle. You may now start a new cycle.

NOTE: Your dishwasher is protected against unintentional operation. If the appliance door remains open for more than 4 seconds after pressing the [Start/Resume] button, the operation will be paused. Press the [Start/Resume] button again and close the appliance door.



## Auto Power Off

To save energy, the dishwasher is turned off 1 minute after the wash cycle ends. Auto Power Off can be adjusted from P:00 to P:02.

To change the setting:

- 1 Press the **[On/Off]** button.
- 2 Hold down the **“A”** button (see page 15) and press **[Start/Resume]** until the display indicates **“H:0x”** (x can be any number).
- 3 Release both buttons.
- 4 Press the **“A”** button until the display indicates **“P:0x”**.
- 5 Press the **“C”** button until the display corresponds with your requirements.
  - P:00** = dishwasher does not turn off automatically
  - P:01** = dishwasher turns off automatically after 1 minute
  - P:02** = dishwasher turns off automatically after 120 minutes (2 hours)
- 6 Press **[Start/Resume]** to save the setting.

## Child Lock

- 1 Start the desired cycle.
- 2 Hold down the button that says “Child Lock” underneath it for approximately 3 seconds until the display reads **“CL”**.
- 3 The **“CL”** will be indicated now if any button is pressed and the program will not be reset.

To deactivate the child lock, hold down the “Child Lock” button for approximately 3 seconds until the display no longer reads **“CL”**.

## Aquastop® Leak Protection

Our AquaStop® system contains leaks through a precisely engineered tub and sensor system that works with our solid molded base. If a leak has occurred, it shuts down operation and automatically pumps out water to avoid contact with the floor. It works 24/7 and can turn itself on.

# Care and Maintenance

A regular inspection and maintenance of your machine will help to prevent faults. This saves time and prevents future problems.

## Overall condition of the machine

Never use a steam cleaner to clean your dishwasher. The manufacturer is not responsible for any consequential damage.

Regularly wipe the front of the appliance with a damp cloth - water and a small amount of liquid soap is adequate. Do not use sponges with a rough surface or abrasive detergents, as these could scratch the surfaces.

Stainless steel appliances: To prevent corrosion, avoid using sponge cloths or chlorine based cleaners. Use a stainless steel polish to seal and protect the surface.

Clean the outer edges of the inside door panel regularly to remove debris that may collect from normal loading. If spots begin to appear on the stainless steel, make sure the rinse agent is full and functioning properly.

## ⚠ WARNING

Use caution when removing parts for cleaning as some debris may be sharp.

## Filters

The filter system consists of a coarse filter, a flat fine filter and a micro filter. The filters keep large foreign objects in the rinsing water away from the pump. Foreign objects may occasionally block the filters.

Check the filters for residue by:

- Unscrew the filter cylinder as illustrated in **Figures 12-13** and take out the filter system.
- Remove any residue and clean filters under running water.
- Reinstall filter system in reverse sequence and ensure that the arrow marks are facing each other after locking it into place.

Figure 12

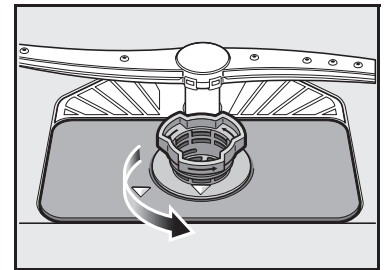


Figure 13

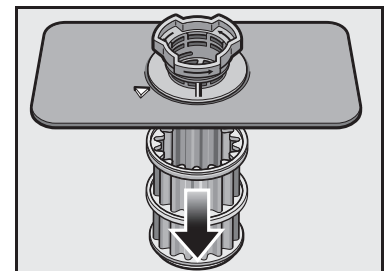
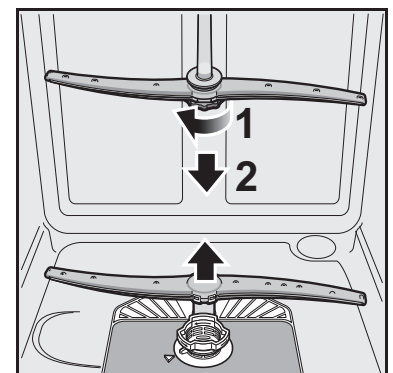


Figure 14



## Spray Arms

Check spray arms for grease and limescale deposits.

If you find such deposits:

- Fill detergent dispenser with detergent and start the appliance without utensils in the cycle with the highest rinsing temperature (see wash cycle information table).
- Clean the appliance with detergents/ appliance cleaners which are particularly suitable for use with dishwashers.
- Unscrew the spray arms and inspect as shown in **Figure 14**.

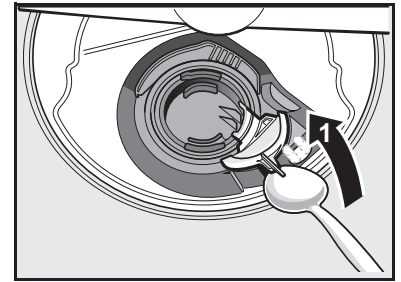
## Waste water pump

Large food remnants in the rinsing water not retained by the filters may block the waste water pump. The rinsing water does not get pumped out and covers the filters.

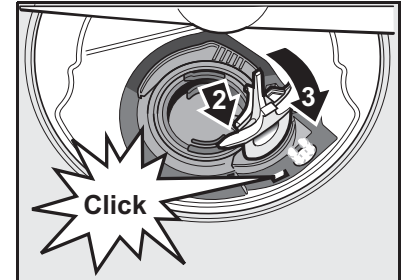
In this case:

- Disconnect the appliance from the power supply.
- Remove the filters.
- Scoop out standing water - use a sponge if necessary.
- Using a spoon, pry off the pump cover (see **Figures 15-16**) until it clicks, then grip the cover and pull upward until it resists and then pull forward.
- Check inner compartment and remove any foreign objects.
- Place cover in the original position, press down and engage.
- Reinstall filters.

**Figure 15**



**Figure 16**



## **NOTICE**

### **Preparing your Dishwasher for Vacation**

Before leaving for vacation during warmer weather, besides turning off the main valve, also turn off water supply at the nearest point to the dishwasher. During colder weather, please follow the instructions for winterizing your unit below.

## **NOTICE**

### **Winterizing your Dishwasher**

If your dishwasher will be unused for an extended period of time in a location that experiences freezing temperatures (holiday home or through a vacation period), have your dishwasher winterized by a professional servicer.

# Troubleshooting Guide

Dishwashers may occasionally exhibit problems that are unrelated to a malfunction of the dishwasher itself. The following information may help you with a dishwasher problem without involving a repair professional.

Problem	Cause	Action
Cycle does not resume after door is opened and closed during cycle.	1. Door is opened longer than 4 seconds after a cycle has started.	1. Press [START / RESUME] button and close the door within 4 seconds to resume cycle.
Dishwasher does not start	<ol style="list-style-type: none"> <li>1. Door may not be properly latched.</li> <li>2. Unit may not be turned on.</li> <li>3. Unit not reset or previous cycle not completed.</li> <li>4. Delay start engaged.</li> <li>5. Interruption of electrical power supply to dishwasher or blown fuse.</li> <li>6. The door may have been closed without first selecting a cycle.</li> <li>7. Water supply may not be turned on.</li> </ol>	<ol style="list-style-type: none"> <li>1. Shut the door completely.</li> <li>2. Press the main power switch to turn unit on.</li> <li>3. To reset, refer to “Operating the Dishwasher” in this manual.</li> <li>4. To reset, refer to “Delay Start” section in this manual.</li> <li>5. Reset circuit breaker or replace blown fuse, if necessary..</li> <li>6. Select a cycle and press Start/Resume.</li> <li>7. Check and turn on water supply.</li> </ol>
Display does not illuminate or console lights are not on	<ol style="list-style-type: none"> <li>1. A fuse may have been blown or circuit breaker tripped.</li> <li>2. Door not closed or latched.</li> </ol>	<ol style="list-style-type: none"> <li>1. Check the fuse or circuit breaker box and replace the fuse or reset the breaker if necessary.</li> <li>2. Ensure door is properly latched and completely closed.</li> </ol>
Dishwasher seems to run a long time	<ol style="list-style-type: none"> <li>1. Incoming water is not warm enough.</li> <li>2. Cycle time can vary due to soil and water conditions.</li> <li>3. Rinse aid dispenser is empty.</li> <li>4. Dishwasher connected to cold water supply.</li> </ol> <p><i>Note: Refer to “Wash Cycle Information” section in this manual for typical cycle lengths.</i></p>	<ol style="list-style-type: none"> <li>1. Before starting a cycle, run hot water faucet at the sink closest to the dishwasher.</li> <li>2. Sensors in the dishwasher automatically increase the cycle time to ensure a good wash when heavy soil is detected.</li> <li>3. Add rinse aid.</li> <li>4. Verify dishwasher is connected to hot water supply plumbing.</li> </ol>
Dishes are not getting clean enough	<ol style="list-style-type: none"> <li>1. Spray arm movement obstructed.</li> <li>2. Spray arm nozzles clogged.</li> <li>3. Improper use of detergents.</li> <li>4. Filters could be clogged.</li> <li>5. Dishes are nested or loaded too close together.</li> <li>6. Selected wash cycle is not suitable for food soil conditions.</li> </ol>	<ol style="list-style-type: none"> <li>1. Ensure that spray arm movement is not blocked by hand rotating spray arms before starting cycle.</li> <li>2. Remove the spray arms and clean according to the “Care and Maintenance” section of the manual.</li> <li>3. Increase or decrease detergent depending on the water hardness (refer to Table 1).</li> <li>4. Clean the filters according to the “Care and Maintenance” section of the manual.</li> <li>5. Rearrange load such that water spray can reach all items in the dishwasher - see “Loading the Dishwasher” section of the manual.</li> <li>6. Refer to “Wash Cycle Information” section of the manual.</li> </ol>

Problem	Cause	Action
Dishes are not getting dry enough	1. Rinse aid dispenser is empty. 2. Improper loading of dishes. 3. Selected cycle does not include drying. <i>Note: Plastic or Teflon do not typically dry as well as other items due to their inherent properties.</i>	1. Add rinse aid - the use of rinse aid improves drying. 2. Rearrange load to ensure items are not nesting (see “Loading the Dishwasher” section of the manual). 3. Rinse and Hold setting does not include drying. <i>Note: Sanitize option and Intensive Drying feature also improve drying performance.</i>
Odor <i>Note: Water testing is done in the factory. Occasionally water may still appear in the dishwasher at purchase which may create an odor.</i>	1. Food debris is present at the bottom of the dishwasher. 2. Food particles are present near the door seal. 3. Dishes left in unit too long before running a cycle. 4. Residual water is present at the bottom of the dishwasher. 5. Drain hose is obstructed.	1. Remove the filters and clean according to the “Care and Maintenance” section of the manual. 2. Refer to “Care and Maintenance” section of the manual. 3. Run a Rinse cycle if you do not intend to immediately wash the dishes. 4. Ensure the unit has completely drained from the last cycle. 5. Remove any obstructions from the drain hose by calling authorized personnel. <i>Note: If odor still persists, run the Normal cycle until it flushes and interrupt the cycle and place an 8 oz. cup of distilled white vinegar solution on the upper rack and then finish the cycle.</i>
Dishwasher not filling with water	1. Restriction in the water supply system. 2. Previous wash cycle was not completed. 3. Delay start is active.	1. Ensure that the water supply valve (typically located under kitchen sink) is open and check that the water supply line has no kinks or clogs. 2. Refer to the “Operating the Dishwasher” section of the manual. 3. Cancel the delay start or wait until delay start time completes.
Water leaks	1. Suds. 2. Door seal could be pulled away from track. 3. Condensation vent is blocked. 4. Improper installation.	1. Wrong type of detergent results in suds and leaks - use only dishwasher detergents. If suds still persist, add one tablespoon of vegetable oil at the bottom of the dishwasher and run the desired cycle. 2. Ensure the door seal is in the track. 3. Ensure that condensation vent is not blocked. 4. Have proper installation verified by authorized personnel (water supply, drain system, leveling, plumbing).
Tub stains	1. Stains on the dishwasher interior are due to water hardness. 2. Silverware in contact with tub. 3. Rust from steel items (baking sheets) in contact with tank or from bleach-based wipes being used.	1. Concentrated lemon juice can reduce the build up of hard water stains. Run a Normal cycle until it flushes and interrupt the cycle and then place an 8 oz. cup of the concentrated lemon solution on the upper rack and finish the cycle. This can be done periodically to avoid build up. 2. Ensure that silverware does not make contact with the tub while running a cycle. 3. Ensure that steel items or bleach-based wipes do not make contact with the tub.



<b>Problem</b>	<b>Cause</b>	<b>Action</b>
Streaks on glassware or residue on the dishes	1. Incorrect rinse agent setting.	1. Depending on the hardness of water, adjust the rinse agent dispenser. Refer to “Dishwasher Setup” section in the manual.
Fascia panel discolored or marked	1. Abrasive cleaner used.	1. Use mild detergents with soft damp cloth.
Noise during wash cycle	1. Dishes may not be arranged properly.	1. Water circulation sound is normal, but if you suspect items are banging into each other or into the spray arms, refer to the “Loading the Dishwasher” section of the manual for optimal arrangement.
Detergent dispenser cover will not shut	1. Improper operation of detergent cover. 2. Previous cycle has not finished and should be interrupted or cancelled.	1. Refer to “Detergent” section of the manual for instructions on opening and closing the dispenser. 2. Refer to the “Operating the Dishwasher” section of the manual.
Unable to select desired cycle	1. Previous cycle has not finished.	1. Refer to the “Operating the Dishwasher” section of the manual.

# Customer Service

Your Bosch® dishwasher requires no special care other than that described in the Care and Maintenance section of this manual. If you are having a problem with your dishwasher, before calling for service please refer to the Troubleshooting Guide section of the manual. If service is necessary, contact your dealer or installer or an authorized service center. Do not attempt to repair the appliance yourself. Any work performed by unauthorized personnel may void the warranty.

If you are having a problem with your Bosch® dishwasher and are not pleased with the service you have received, please take the following steps until the problem is corrected to your satisfaction:

- 1 Call us at 1-800-944-2904
- 2 Contact Customer Service from our web site:  
[www.bosch-home.com/us](http://www.bosch-home.com/us) or [www.bosch-home.ca](http://www.bosch-home.ca)
- 3 Contact your installer or the Bosch Authorized Service Contractor in your area.
- 4 Write us:

BSH Home Appliances Corporation  
1901 Main Street  
Irvine, CA 92614

Please be sure to include your model information as well as an explanation of the problem and the date it started. You will find the model and serial number information on the label located on the edge of the dishwasher door. Please make a copy of your invoice and keep it with this manual. Customer Service may need to verify purchase date for warranty purposes.



# STATEMENT OF LIMITED PRODUCT WARRANTY

**What this Warranty Covers & Who it Applies to:** The limited warranty provided by BSH Home Appliances ("Bosch") in this Statement of Limited Product Warranty applies only to the Bosch appliance sold to you, the first using purchaser, provided that the Product was purchased:

- For your normal, household use, and has in fact at all times only been used for normal household purposes.
- New at retail (not a display, "as is", or previously returned model), and not for resale.
- Commercial Use such as office space, multi-housing properties (apartments, time-shares, etc.), and Hotel/Motel suites. (Any type of industrial/restaurant use is not covered).
- Within the United States or Canada, and has at all times remained within the country of original purchase.

The warranties stated herein apply only to the first purchaser of the Product and are not transferable. Please make sure to return your registration card; while not necessary to effectuate warranty coverage, it is the best way for Bosch to notify you in the unlikely event of a safety notice or product recall.

**How Long the Warranty Lasts:** Bosch warrants that the Product is free from defects in materials and workmanship for a period of three hundred and sixty-five (365) days from the date of purchase. The foregoing timeline begins to run upon the date of purchase, and shall not be stalled, tolled, extended, or suspended, for any reason whatsoever. This Product is also warranted to be free from cosmetic defects in material and workmanship (such as scratches of stainless steel, paint/porcelain blemishes, chip, dents, or other damage to the finish of the Product), for a period of thirty (30) days from the date of purchase or closing date for new construction. This *cosmetic* warranty excludes slight color variations due to inherent differences in painted and porcelain parts, as well as differences caused by kitchen lighting, product location, or other similar factors. This cosmetic warranty specifically excludes any display, floor, "As Is", or "B" stock appliances.

**Repair/Replace as Your Exclusive Remedy:** During this warranty period, Bosch or one of its authorized service providers will repair your Product without charge to you (subject to certain limitations stated herein) if your Product proves to have been manufactured with a defect in materials or workmanship. If reasonable attempts to repair the Product have been made without success, then Bosch will replace your Product (upgraded models may be available to you, in Bosch's sole discretion, for an additional charge). All removed parts and components shall become the property of Bosch at its sole option. All replaced and/or repaired parts shall assume the identity of the original part for purposes of this warranty and this warranty shall not be extended with respect to such parts. Bosch's sole liability and responsibility hereunder is to repair manufacturer-defective Product only, using a Bosch authorized service provider during normal business hours. For safety and property damage concerns, Bosch highly recommends that you do not attempt to repair the Product yourself, or use an un-authorized servicer; Bosch will have no responsibility or liability for repairs or work performed by a non-authorized servicer. If you choose to have someone other than an authorized service provider work on your Product, THIS WARRANTY WILL AUTOMATICALLY BECOME NULL AND VOID. Authorized service providers are those persons or companies that have been specially trained on Bosch products, and who possess, in Bosch's opinion, a superior reputation for customer service and technical ability (note that they are independent entities and are not agents, partners, affiliates or representatives of Bosch). Notwithstanding the foregoing, Bosch will not incur any liability, or have responsibility, for the Product if it is located in a remote area (more than 100 miles from an authorized service provider) or is reasonably inaccessible, hazardous, threatening, or treacherous locale, surroundings, or environment; in any such event, if you request, Bosch would still pay for labor and parts and ship the parts to the nearest authorized service provider, but you would still be fully liable and responsible for any travel time or other special charges by the service company, assuming they agree to make the service call.

**Out of Warranty Product:** Bosch is under no obligation, at law or otherwise, to provide you with any concessions, including repairs, prorates, or Product replacement, once this warranty has expired.

**Warranty Exclusions:** The warranty coverage described herein excludes all defects or damage that are not the direct fault of Bosch, including without limitation, one or more of the following:

- Use of the Product in anything other than its normal, customary and intended manner (including without limitation, use or storage of an indoor product outdoors, use of the Product in conjunction with air or water-going vessels).
- Any party's willful misconduct, negligence, misuse, abuse, accidents, neglect, improper operation, failure to maintain, improper or negligent installation, tampering, failure to follow operating instructions, mishandling, unauthorized service (including self performed "fixing" or exploration of the appliance's internal workings).
- Adjustment, alteration or modification of any kind.
- A failure to comply with any applicable state, local, city, or county electrical, plumbing and/or building codes, regulations, or laws, including failure to install the product in strict conformity with local fire and building codes and regulations.
- Ordinary wear and tear, spills of food, liquid, grease accumulations, or other substances that accumulate on, in, or around the Product.
- Any external, elemental and/or environmental forces and factors, including without limitation, rain, wind, sand, floods, fires, mud slides, freezing temperatures, excessive moisture or extended exposure to humidity, lightning, power surges, structural failures surrounding the appliance, and acts of God.

In no event shall Bosch have any liability or responsibility whatsoever for damage to surrounding property, including cabinetry, floors, ceilings, and other structures or objects around the Product. Also excluded from this warranty are Products on which the serial numbers have been altered, defaced, or removed; service visits to teach you how to use the Product, or visits where there is nothing wrong with the Product; correction of installation problems (you are solely responsible for any structure and setting for the Product, including all electrical, plumbing or other connecting facilities, for proper foundation/flooring, and for any alterations including without limitation cabinetry, walls, floors, shelving, etc.); and resetting of breakers or fuses.

TO THE EXTENT ALLOWED BY LAW, THIS WARRANTY SETS OUT YOUR EXCLUSIVE REMEDIES WITH RESPECT TO PRODUCT, WHETHER THE CLAIM ARISES IN CONTRACT OR TORT (INCLUDING STRICT LIABILITY, OR NEGLIGENCE) OR OTHERWISE. THIS WARRANTY IS IN LIEU OF ALL OTHER WARRANTIES, WHETHER EXPRESS OR IMPLIED. ANY WARRANTY IMPLIED BY LAW, WHETHER FOR MERCHANTABILITY OR FITNESS FOR A PARTICULAR PURPOSE, OR OTHERWISE, SHALL BE EFFECTIVE ONLY FOR THE PERIOD THAT THIS EXPRESS LIMITED WARRANTY IS EFFECTIVE. IN NO EVENT WILL THE MANUFACTURER BE LIABLE FOR CONSEQUENTIAL, SPECIAL, INCIDENTAL, INDIRECT, "BUSINESS LOSS", AND/OR PUNITIVE DAMAGES, LOSSES, OR EXPENSES, INCLUDING WITHOUT LIMITATION TIME AWAY FROM WORK, HOTELS AND/OR RESTAURANT MEALS, REMODELLING EXPENSES IN EXCESS OF DIRECT DAMAGES WHICH ARE DEFINITELY CAUSED EXCLUSIVELY BY BOSCH, OR OTHERWISE. SOME STATES DO NOT ALLOW THE EXCLUSION OR LIMITATION OF INCIDENTAL OR CONSEQUENTIAL DAMAGES, AND SOME STATES DO NOT ALLOW LIMITATIONS ON HOW LONG AN IMPLIED WARRANTY LASTS, SO THE ABOVE LIMITATIONS MAY NOT APPLY TO YOU. THIS WARRANTY GIVES YOU SPECIFIC LEGAL RIGHTS, AND YOU MAY ALSO HAVE OTHER RIGHTS WHICH VARY FROM STATE TO STATE.

No attempt to alter, modify or amend this warranty shall be effective unless authorized in writing by an officer of BSH.





Félicitations et merci!

Bienvenue dans la grande famille Bosch® et félicitations pour votre achat d'un tout nouveau lave-vaisselle Bosch® ! Nos ingénieurs allemands travaillent sans relâche pour concevoir des appareils pratiquement silencieux d'une qualité exceptionnelle qui utilisent efficacement les ressources nécessaires. Nous savons que vous serez satisfait(e) de votre achat.

Pour des réponses rapides à des questions fréquentes, veuillez consulter le Guide de référence rapide compris avec ce manuel.

Pour d'autres appareils Bosch® de qualité, visitez notre site Web à l'adresse :

*www.bosch-home.com/us (USA)*

or

*www.bosch-appliances.ca (Canada)*

Pendant que vous visitez notre site, n'oubliez pas d'enregistrer votre nouveau lave-vaisselle en cliquant sur le lien du Soutien à la clientèle ou en remplissant la carte d'enregistrement du produit incluse avec votre nouvelle unité.

Si vous avez des questions ou des commentaires, veuillez nous contacter au :

*1-800-944-2904*

ou écrivez-vous à :

*http://www.bosch-home.com/us/customer-support/contact-us.html*

## Table des matières

<b>Définitions concernant la sécurité.....</b>	<b>1</b>
<b>Consignes de sécurité importantes.....</b>	<b>2-3</b>
<b>Composants du lave-vaisselle.....</b>	<b>4-5</b>
<b>Le programme d'installation.....</b>	<b>6-8</b>
<b>Matériaux de lave-vaisselle.....</b>	<b>9</b>
<b>Chargement du lave-vaisselle.....</b>	<b>10-11</b>
<b>Caractéristiques des paniers.....</b>	<b>12</b>
<b>Accessoires des paniers.....</b>	<b>13</b>
<b>Informations sur les programmes de lavage.....</b>	<b>14</b>
<b>Fonctionnement du lave-vaisselle.....</b>	<b>15-17</b>
<b>Nettoyage et entretien.....</b>	<b>18-19</b>
<b>Aide automatique.....</b>	<b>20-23</b>
<b>Service après-vente.....</b>	<b>24</b>
<b>Énoncé de garantie limitée du produit.....</b>	<b>25</b>

## Définitions concernant la sécurité

### **ATTENTION**

Ceci indique que le non-respect de cet avertissement peut entraîner des blessures légères ou modérées.

### **AVIS**

Ceci indique que la non-conformité à cet avis de sécurité peut entraîner des dommages à l'appareil ou matériels.

**Remarque :** Ceci vous avertit que d'importantes informations et/ou conseils sont fournis.



# Consignes de sécurité importantes: Veuillez lire et conserver ces informations



## AVERTISSEMENT

Une mauvaise utilisation du lave-vaisselle peut entraîner des blessures graves ou la mort. Ne pas utiliser le lave-vaisselle d'une manière qui n'est pas traitée dans le présent guide ou à des fins autres que celles qui sont expliquées dans les pages qui suivent.



Des dommages au produit et/ou blessures graves peuvent survenir par suite de l'emploi de techniciens en entretien et en réparation non qualifiés ou de pièces de rechanges qui ne sont pas d'origine. Toutes les réparations doivent être effectuées par un technicien en entretien et en réparation qualifié qui utilise des pièces de rechange du fabricant de l'équipement d'origine.



Un choc électrique ou un incendie peut résulter de l'installation inexacte de l'alimentation électrique du lave-vaisselle traité dans le présent guide ou d'une mauvaise mise à la terre du lave-vaisselle. Ne pas utiliser le lave-vaisselle traité dans le présent guide à moins d'être certain que l'alimentation électrique a été correctement installée ou que le lave-vaisselle a été correctement mis à la terre.



Ne jamais nettoyer votre lave-vaisselle avec des produits chimiques puissants. Certains produits contenant des chlorures peuvent endommager votre lave-vaisselle et poser des risques pour la santé !

## AVIS

Ne jamais nettoyer votre lave-vaisselle avec des produits de nettoyage à la vapeur. Le fabricant n'assume aucune responsabilité pour d'éventuels dommages ou conséquences.



Il est vivement recommandé à l'utilisateur final de se familiariser avec les procédures de fermeture de l'alimentation d'eau entrante et de coupure de l'alimentation électrique entrante. Reportez-vous aux instructions d'installation ou communiquez avec votre installateur pour de plus amples renseignements.



Pour éviter d'endommager les lave-vaisselle, ne pas utiliser de produits chimiques, de produits nettoyants abrasifs, de tampons à récurer (métal ou plastique), ou abrasifs serviettes tissus / papier pour nettoyer le panneau de porte extérieur de votre lave-vaisselle. Panneau de porte extérieur de votre lave-vaisselle peut être endommagé en le faisant.



NSF / ANSI 184 lave-vaisselle résidentiels certifiés ne sont pas destinés aux établissements alimentaires autorisés.



## **AVERTISSEMENT : Pour réduire le risque d'incendie, de choc électrique ou de blessure grave, respectez les consignes suivantes :**

- 1** Ce lave-vaisselle est fourni avec les instructions d'installation et le présent guide d'utilisation et d'entretien. Lire et comprendre toutes les instructions avant de faire fonctionner le lave-vaisselle.
- 2** Cet appareil doit être mis à la terre sur une installation de fils à demeure en métal ou un conducteur de protection doit être relié aux fils conducteurs et raccordé à la borne ou au fil de mise à la terre du lave-vaisselle. Consulter les instructions d'installation fournies avec ce lave-vaisselle pour de plus amples renseignements sur les conditions requises pour l'alimentation en électricité.
- 3** Utiliser uniquement ce lave-vaisselle conformément à l'usage auquel il est destiné, à savoir pour laver la vaisselle et la batterie de cuisine de ménage.
- 4** Utiliser uniquement des détergents ou agents de rinçage recommandés pour une utilisation dans un lave-vaisselle, et les garder hors de la portée des enfants.
- 5** Lors du chargement des articles dans le lave-vaisselle :
  - Disposer les articles coupants de sorte à ce qu'ils ne puissent pas endommager le joint de porte.
  - Placer les couteaux et autre ustensiles tranchants le MANCHE VERS LE HAUT pour réduire le risque de blessure par coupure.
  - Ne pas laver d'articles en plastique à moins qu'ils ne soient identifiés par la mention « lavable au lave-vaisselle » ou l'équivalent.
  - Ne pas faire fonctionner votre lave-vaisselle à moins que tous les panneaux protecteurs ne soient en place.
  - Ne pas altérer ni neutraliser les commandes et dispositifs de verrouillage.
- 6** Ne pas utiliser abusivement, s'asseoir ou se tenir debout sur la porte ou les paniers à vaisselle du lave-vaisselle.
- 7** Pour réduire le risque de blessures, empêcher les enfants de jouer à l'intérieur ou sur le lave-vaisselle.
- 8** Lorsque les enfants sont en âge de faire fonctionner l'appareil, les parents ou tuteurs légaux ont la responsabilité de s'assurer qu'ils ont été initiés aux pratiques sécuritaires par des personnes qualifiées.
- 9** Dans certaines conditions, de l'hydrogène peut se former à l'intérieur d'un système de production d'eau chaude qui n'a pas été utilisé pendant deux semaines ou plus. L'hydrogène est un gaz explosif. Avant d'utiliser un lave-vaisselle qui est relié à un système de production d'eau chaude inactif depuis deux semaines ou plus, ouvrir tous les robinets d'eau chaude et laisser l'eau couler pendant quelques minutes. Ceci aura pour effet de libérer l'hydrogène accumulé à l'intérieur du système. Ne pas fumer et ne pas utiliser de flamme nue pendant cette opération.
- 10** Enlever la porte du compartiment de lavage d'un ancien lave-vaisselle que vous devez déposer pour réparation ou mise au rebut.
- 11** Afin d'éviter d'endommager le plancher et la formation éventuelle de moisissures, ne laissez aucune trace d'eau sur le sol adjacent au lave-vaisselle ou sous ce dernier.
- 12** Protégez votre lave-vaisselle des éléments. Protégez-le contre le gel afin d'éviter les dommages éventuels au robinet de remplissage. Les dommages causés par le gel ne sont pas couverts par la garantie.
- 13** Modèles avec cordon d'alimentation :
  - Cet appareil doit être mis à la terre. En cas de fonctionnement défectueux ou de panne, la mise à la terre réduit les risques de choc électrique en fournissant un trajet de moindre résistance au courant. Cet appareil est équipé d'un cordon d'alimentation avec un conducteur de mise à la terre d'équipement et une fiche de mise à la terre. Cette fiche doit être branchée sur une prise appropriée, installée et mise à la terre conformément aux codes et règlements locaux.
  - Un mauvais raccordement du conducteur de mise à la terre d'équipement peut entraîner un risque de choc électrique. En cas de doute quant à la mise à la terre adéquate de l'appareil, communiquez avec un électricien ou un technicien en réparation qualifié. Ne pas modifier la fiche fournie avec l'appareil. Si elle ne rentre pas dans la prise, faites installer une prise adéquate par un électricien qualifié.

### **AVERTISSEMENTS DE LA PROPOSITION 65 DE L'ÉTAT DE LA CALIFORNIE :**

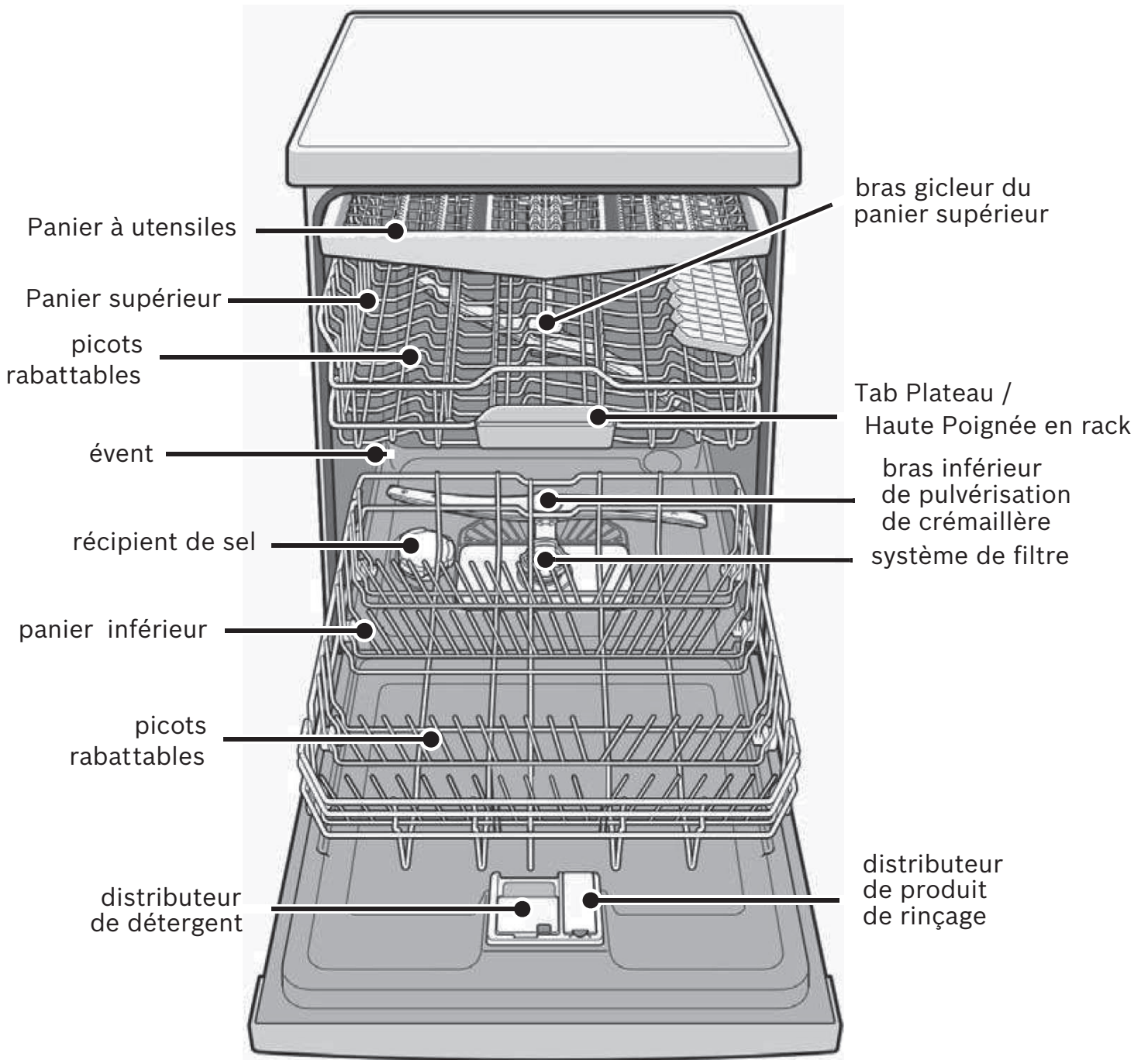
AVERTISSEMENT : Cet appareil contient un ou plusieurs produits chimiques qui, selon l'État de la Californie, peuvent causer le cancer, des malformations ou d'autres problèmes congénitaux.

# Composants du lave-vaisselle

	Programmes de lavage					
Modèle	Heavy	Auto	Eco	Normal	Express	Rinse
SGE68U55UC	●	●	●	●	●	●

	Options de lavage				
Modèle	Delay	Half Load	Delicate	Sanitize	Extra Shine®
SGE68U55UC	●	●	●	●	●

Caractéristiques supplémentaires	Description
Rackmatic®	3 positions de la grille supérieure réglable. La hauteur du panier supérieur peut être réglée en trois positions pour créer plus d'espace.
Panier à utensiles	Crémaillère de troisième niveau pour maximiser l'espace de chargement.
Indicateur de temps restant	Indique le temps restant.
44 dBA de niveau sonore	Laver régulièrement calme.
Mise en marche	Début d'un cycle peut être retardée par incréments de 1 heure jusqu'à 24 heures.
Cycle de rinçage pour un gallon	Économise l'eau et l'énergie en vous permettant de rincer le sol de la nourriture hors d'une charge partielle et maintenez la vaisselle dans le lave-vaisselle jusqu'à ce que vous êtes prêt à exécuter une charge complète. <i>Remarque : N'utilisez pas de détergent dans ce cycle.</i>
Tab Plateau / Haute Poignée en rack	Place onglets de détergent dans l'endroit idéal pour se dissoudre.
24/7 AquaStop® Protection contre les fuites	Si une fuite est survenue, il arrête le fonctionnement et les pompes à eau pour éviter le contact avec le sol automatiquement.
2 picots rabattables dans le panier supérieur y inférieur	Se rabattent pour améliorer la polyvalence du chargement.
2 étagères à tasses	Peuvent être utilisées pour les tasses et autres très grands ustensiles..
Verrouillage	La fonction de verrouillage des enfants vous permet de désactiver le panneau de commande de lave-vaisselle pour éviter toute activation accidentelle.
Titulaire de Vase	Positions de grands vases en toute sécurité.
Article en plastique clips	Maintient fermement accessoires légers en plastique (tasses, couvercles, etc).
Faible teneur en sel Témoin de notification	Allume pour indiquer le sel est faible.
Faible notification de rinçage Lumière	S'allume pour indiquer de rinçage est faible.
Sanitized Témoin de notification	Il s'allume pour indiquer des exigences d'assainissement sont remplies. Uniquement disponible en lourd, Auto ou Normal.
Energy Efficient 259 kWh	ENERGY STAR® qualifié.



# Le programme d'installation

## Système adoucisseur d'eau

Le lave-vaisselle a besoin d'eau douce pour obtenir de bons résultats de lavage et est équipé d'un adoucisseur d'eau interne. Toutefois, si votre habitation est équipée d'un système adoucisseur d'eau, vous n'aurez pas besoin d'utiliser le système intégré au lave-vaisselle.

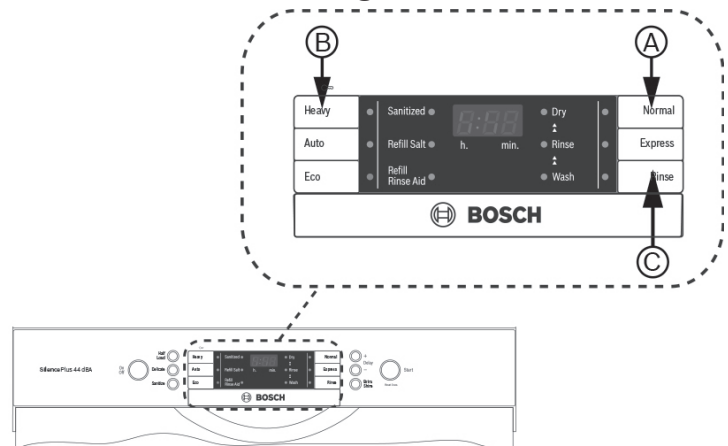
La quantité de sel versée peut être ajustée entre H:00 et H:07. Le sel n'est pas requis à H:00 (ceci est le paramètre usine par défaut - voir **tableau 1**).

- 1 Allumer l'appareil en appuyant sur **[ON/OFF]** (Activer/Désactiver).
- 2 Maintenir la touche **A** (voir **Figure 1**) enfoncée et appuyer et maintenir la touche **[Start/Resume]** (Démarrer/Continuer) enfoncée jusqu'à ce que l'affichage indique H:00.
- 3 Relâcher les deux touches. Appuyer sur **C** pour sélectionner le paramètre souhaité.
- 4 Sauvegarder le paramètre sélectionné en appuyant sur **[Start/Resume]** (Démarrer/Continuer).

tableau 1

Tap dureté de l'eau ppm CaCO <sub>3</sub> / l	Réglage de l'adoucisseur d'eau	Remplissez adoucisseur d'eau
0 - 110	H:00	non
120 - 140	H:01	oui
150 - 180	H:02	oui
190 - 210	H:03	oui
220 - 290	H:04	oui
300 - 370	H:05	oui
380 - 540	H:06	oui
550 - 890	H:07	oui

Figure 1



## Utilisation d'une bandelette pour tester la dureté de l'eau

Kurz eintauchen (1 sec), leicht abschütteln und nach 1 min ablesen. 4 grün/green/vert 1 rot/red/rouge 2 rot/red/rouge 3 rot/red/rouge 4 rot/red/rouge	Dip briefly (1 sec), shake off excess water and compare after 1 min. [Color scale: 4 white, 1 black, 2 black, 3 black, 4 black]	Plongez brièvement (1 sec), égouttez l'excès d'eau et comparez après 1 min. <3°dH/ <3.75°e/ <5.4°f >4°dH/ >5°e/ >7.2°f >8.4°dH/ >10.5°e/ >15.1°f >14°dH/ >17.5°e/ >25.2°f >21°dH/ >26.25°e/ >37.8°f	<b>AQUADUR®</b> Teststäbchen zur Bestimmung der Wasserhärte Test stick for determination of water hardness Bandelette pour déterminer la dureté de l'eau
--	--	--	---

Plongez brièvement (pendant 1 seconde) la bandelette dans l'eau du robinet. Égouttez l'excédent d'eau et comparez au bout d'environ 1 minute.	Au bout d'une (1) minute, la décoloration rouge visible sur la bandelette vous indiquera le paramètre correct.	Alignement de l'appareil adoucisseur	Verser le sel dans le récipient à sel
[Color scale: 4 white]	0	H:00	no
[Color scale: 1 black]	1	H:00	no
[Color scale: 2 black]	2	H:02	oui
[Color scale: 3 black]	3	H:04	oui
[Color scale: 4 black]	4	H:06	oui



## Sel

**Seulement** toujours remplir de sel immédiatement avant de mettre l'appareil en circuit. Ceci permet de dissoudre le surplus de solution de sel et de ne pas corroder le réservoir de rinçage. Voir **Figure 2**.

- 1 Remplir le réservoir avec de l'eau (seulement requis au moment de la première mise en circuit de l'appareil).
- 2 Ajouter du sel. L'eau est déplacée et s'écoule.
- 3 Remplir le réservoir de sel dès que ou que le voyant DEL Sel s'allume.

*Remarque: Ne remplissez jamais le réservoir de sel avec du détergent. Il va détruire le système d'adoucissement de l'eau. Pour éviter la corrosion, ajouter du sel et commencer immédiatement un cycle.*

*Remarque: le sel de recharge que lorsque le «Sel Refill» est allumée.*

Ne pas utiliser les comprimés de sel ou tout autre sel de lave-vaisselle de sel adoucissement de l'eau.

Pour plus d'informations sur la commande de sel s'il vous plaît contacter le Service Client (1-800-944-2904)

## Détergent

Utiliser uniquement un détergent spécialement conçu pour les lave-vaisselle. Pour de meilleurs résultats, utiliser un détergent pour lave-vaisselle en poudre frais.

### AVIS

Pour éviter d'endommager le lave-vaisselle, ne pas utiliser de détergent pour le lavage de la vaisselle à la main.



Pour éviter d'endommager le lave-vaisselle, ne pas utiliser trop de détergent si vous disposez d'une eau douce. Si vous employez une quantité trop importante de détergent dans une eau douce, vous risqueriez de rayer la verrerie.

Ce lave-vaisselle utilise moins d'eau. Par conséquent, moins de détergent est nécessaire. Avec de l'eau douce, 1 c. à soupe (15 ml) de détergent (**Figure 3**) nettoie la plupart des charges. Le godet du distributeur de détergent comporte des lignes graduées pour mesurer le détergent comme suit : 1 c. à soupe (15 ml) et 2 c. à soupe (25 ml). 3 c. à soupe (45 ml) de détergent rempliront complètement le godet du distributeur de détergent.

*Remarque : si vous ne connaissez pas le degré de dureté de l'eau de votre réseau d'alimentation, utilisez 15 ml de détergent. Augmentez la quantité de détergent au besoin pour atteindre la quantité minimale nécessaire pour laver correctement votre vaisselle.*

Utilisez les lignes graduées du godet du distributeur de détergent comme guide pour mesurer la quantité de détergent recommandée au **tableau 2**.

Figure 2

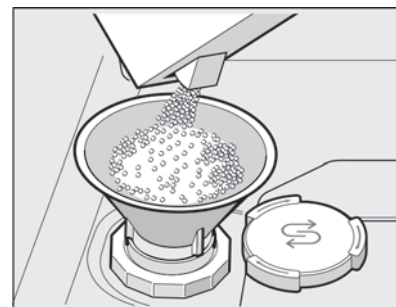
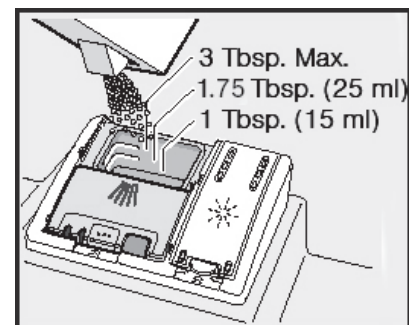


Figure 3



**Table 2- Recommended Detergent Amount**

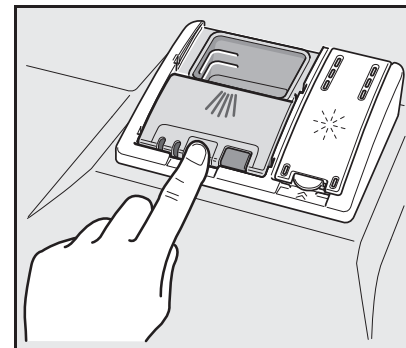
Wash Cycle	Hard Water/ Heavy Soil	Medium Water/ Medium Soil	Soft Water/ Little Soil
Heavy	3 tbsp (45 ml)	3 tbsp (45 ml)	1.75-3 tbsp (25-45 ml)
Auto	1.75-3 tbsp (25-45 ml)	1.75 tbsp (25 ml)	1-1.75 tbsp (15-25 ml)
Eco	1.75 tbsp (25 ml)	1-1.75 tbsp (15-25 ml)	1 tbsp (15 ml)
Normal	1.75-3 tbsp (25-45 ml)	1.75 tbsp (25 ml)	1-1.75 tbsp (15-25 ml)
Express	1.75 tbsp (25 ml)	1-1.75 tbsp (15-25 ml)	1 tbsp (15 ml)
Rinse	None	None	None



## Fermeture

- Placez le doigt comme indiqué à la **Figure 4**.
- Faites coulisser le couvercle en position fermée et appuyez fermement jusqu'à ce que vous entendiez un déclic.

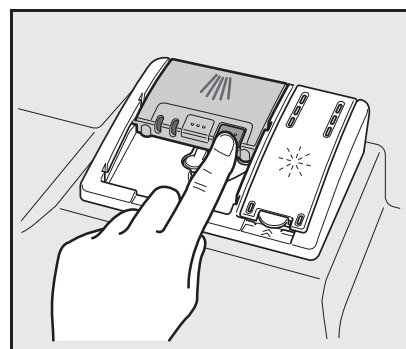
Figure 4



## Ouverture

- Pour ouvrir le couvercle, appuyez sur le bouton comme illustré à la **Figure 5**.
- Le couvercle s'ouvrira

Figure 5



## Agent de rinçage

Pour obtenir un séchage adéquat, toujours utiliser un agent de rinçage liquide, même si votre détergent contient déjà un agent de rinçage ou un adjuvant de séchage.

*Remarque : le lave-vaisselle signale un manque de produit de rinçage en allumant l'indicateur lumineux. Si ce témoin est allumé, vous devez remplir le distributeur d'agent de rinçage en suivant les consignes ci-dessous.*

## Ajout de l'agent de rinçage

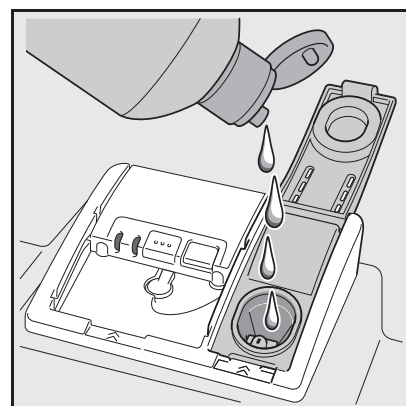
### AVIS

Pour éviter un excès de mousse ou de colmatage, ne pas trop remplir le distributeur de produit de rinçage. Essuyez tout débordement avec un chiffon humide.

- 1 Ajouter du liquide de rinçage dans le distributeur jusqu'à ce qu'il soit plein (voir **Figure 6**). Ne pas trop remplir.
- 2 Fermez le couvercle. **Le couvercle doit être complètement fermée jusqu'à ce qu'il s'enclenche afin de sceller.**
- 3 Essuyer tout produit de rinçage en excès qui peut avoir puillé lorsque le réservoir du distributeur est plein.

Le voyant s'éteint quelques instants après que la porte du lave-vaisselle est fermée. Voir page suivante pour des instructions sur la façon de régler la quantité de produit de rinçage.

Figure 6



# Matériaux de la vaisselle

*Remarque : avant d'utiliser votre lave-vaisselle pour la première fois, vérifier les informations figurant dans cette section. Certains articles ne sont pas lavables au lave-vaisselle et doivent être lavés à la main ; d'autres nécessitent un chargement spécial.*

## Matériaux recommandés

**Aluminium** : l'aluminium anodisé coloré peut s'altérer au fil du temps. Les minéraux présents dans l'eau peuvent noircir ou tacher l'aluminium. Ceci se nettoie généralement à l'aide d'un tampon de laine d'acier savonneux.

**Porcelaine, cristal, faïence** : certains ustensiles peints à la main peuvent se décolorer, s'altérer ou se tacher. Laver ces ustensiles à la main. Placer la verrerie fragile de façon à ce qu'elle ne se renverse pas ou qu'elle n'entre pas en contact avec d'autres ustensiles pendant le déroulement du programme de lavage.

**Verrerie** : le verre laiteux risque de se décolorer ou de jaunir.

**Finis anti-adhésifs** : appliquer une légère quantité d'huile végétale sur les surfaces anti-adhésives après le séchage.

**Plastique** : s'assurer que les articles en plastique sont lavables au lave-vaisselle.

**Acier inoxydable, argent fin et métaux argentés** : charger ce type d'articles de sorte à ce qu'ils n'entrent pas en contact avec d'autres métaux.

## Non recommandé

**Acrylique** : des craquelures (petites fissures) peuvent apparaître sur l'acrylique.

**Pièces collées** : les adhésifs utilisés pour le collage des objets en plastique, bois, os, acier, cuivre, fer blanc, etc. risquent de ne pas tenir.

**Ustensiles avec manches en os** : les manches risquent de se décoller.

**Fer** : le fer se rouille. Laver à la main et sécher immédiatement.

**Articles autres que la vaisselle** : votre lave-vaisselle est conçu UNIQUEMENT pour le lavage de la vaisselle et de la batterie de cuisine de ménage standard.

**Étain, laiton, bronze** : ces matériaux auront tendance à ternir. Laver à la main et sécher immédiatement.

**Fer blanc** : le fer blanc aura tendance à se tacher. Laver à la main et sécher immédiatement.

**Bois** : les bols et les ustensiles en bois et les ustensiles avec manches en bois peuvent se fissurer, se déformer et perdre leur fini.

# Chargement du lave-vaisselle

Ne pas laver au préalable les articles comportant des saletés peu adhérentes. Enlever les particules d'aliments, les os, les cure-dents et la graisse excessive. Il sera peut-être nécessaire de traiter préalablement la vaisselle comportant des saletés brûlées, collées ou farineuses. Consulter la section Matériaux de la vaisselle pour de plus amples renseignements sur l'adaptation de la vaisselle.

Charger uniquement les articles lavables au lave-vaisselle. Charger la vaisselle dans les paniers de sorte à orienter l'intérieur des bols, marmites et casseroles vers les bras gicleurs. Éviter que les articles ne s'emboîtent les uns dans les autres et éviter qu'ils ne se touchent. Séparer les articles de métal différent.



## AVERTISSEMENT

Les points et les bords des couteaux et autres ustensiles tranchants pointus peuvent provoquer des blessures graves. Charger les couteaux et autres ustensiles tranchants avec des bords vers le bas. Ne pas laisser les enfants manipuler ou jouer à proximité des couteaux et des ustensiles tranchants.

## AVIS

Pour éviter d'endommager le lave-vaisselle, ne pas charger d'articles en papier, sacs en plastique, matériaux d'emballage ou d'articles autres que la vaisselle et les ustensiles de cuisine normaux lavables au lave-vaisselle.

## Chargement du panier supérieur

S'assurer que les articles ne dépassent pas du fond des paniers et qu'ils ne bloquent pas les bras gicleurs.

*Remarque : lorsque vous poussez le panier supérieur à l'intérieur du lave-vaisselle, faites en sorte qu'il bute contre la paroi arrière de la cuve afin que le bras gicleur du panier supérieur se branche sur la conduite d'alimentation d'eau à l'arrière de la cuve. Ne pas pousser les paniers avec la porte.*

## Chargement du panier inférieur

Disposer les articles volumineux dans le panier inférieur. Charger les marmites, casseroles et bols à l'envers. Ne pas bloquer l'évent du lave-vaisselle avec les grandes tôles à biscuits. Chargez ces articles du côté droit du lave-vaisselle.

## Chargement du Panier à utensiles

La panier à utensiles positionne horizontalement couteaux, spatules et autres outils surdimensionnés pour un meilleur nettoyage et de faciliter le chargement et le déchargement. Disposer les couverts en panier à utensiles.

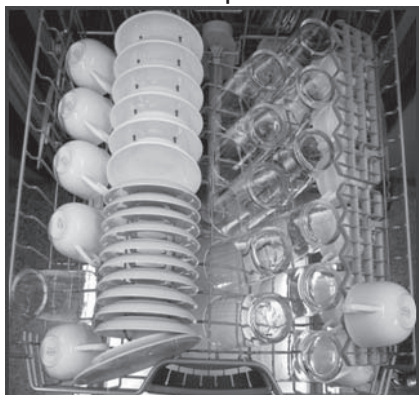
## Déchargement du lave-vaisselle

Lors du déchargement du lave-vaisselle, il est recommandé de décharger abord le panier inférieur. Ensuite, décharger le panier à couverts suivie par le panier supérieur, puis la panier à utensiles.

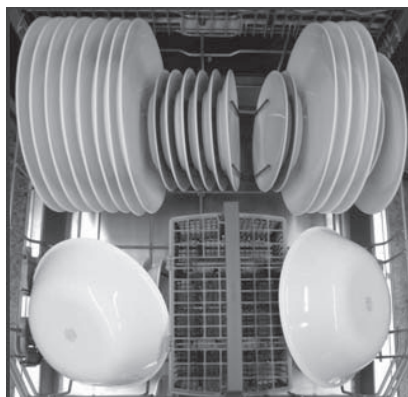
*Remarque : Les plats sont plus susceptibles à puce lors du déchargement avant le refroidissement.*

## Configuration de chargement suggérée

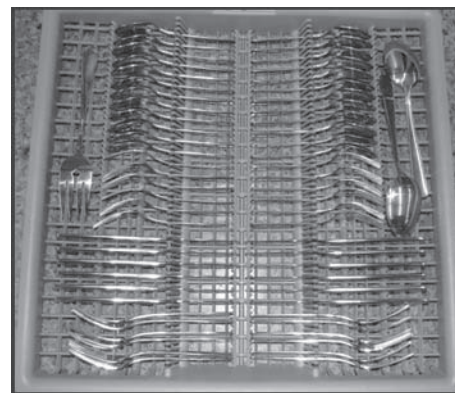
Panier supérieur



Panier inférieur



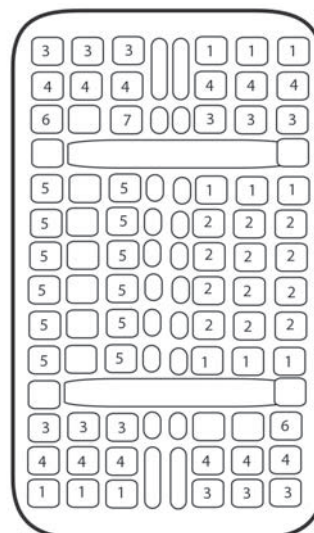
Panier à ustensiles



Panier à couverts

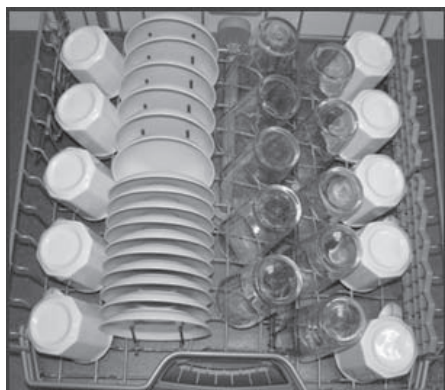


- 1- fourchette à salade
- 2- cuiller à thé
- 3- fourchette de table
- 4- couteau
- 5- cuiller à soupe
- 6- cuiller à servir
- 7 - fourchette de service



## Configuration de chargement supplémentaire

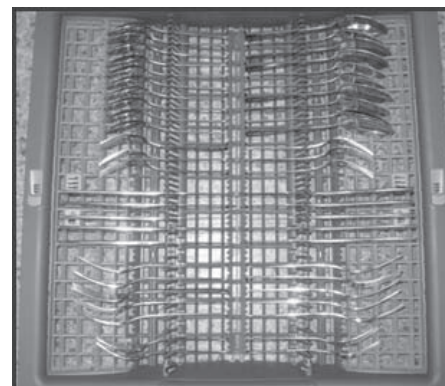
Panier supérieur



Panier inférieur



Panier à ustensiles

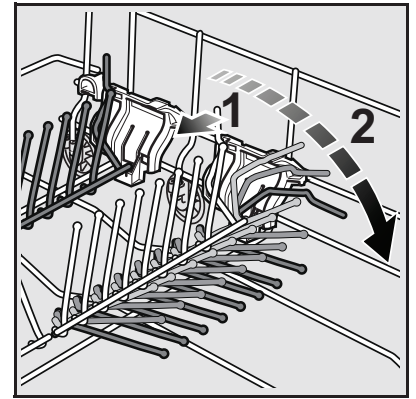


# Accessoires des paniers

## Picots rabattables

Les paniers comportent des picots qui peuvent être repliés en fonction des articles devant être placés dans le lave-vaisselle. Pour rabattre un picot, saisissez-le et dégagez-le de l'encoche. Poussez-le vers le bas pour le mettre dans la position voulue comme indiqué à la **Figure 7**.

Figure 7

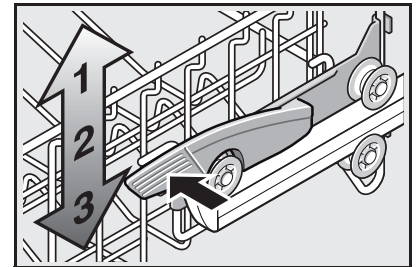


## RackMatic®

La hauteur du panier supérieur peut être réglée en trois positions pour créer plus d'espace (voir **Figure 8**).

- 1 Tirer le panier supérieur.
- 2 Pour abaisser le panier, pousser les leviers vers l'intérieur.
- 3 Pour lever le panier, maintenir le panier par les côtés du bord supérieur et soulever.

Figure 8



## Panier à ustensiles

Le tiroir à accessoires permet de disposer des couteaux, spatules et autres ustensiles surdimensionnés à l'horizontale pour améliorer le lavage et faciliter le chargement et déchargement de la vaisselle. Disposer la cutellerie dans le tiroir comme illustré. Voir **Figure 9**.

Figure 9

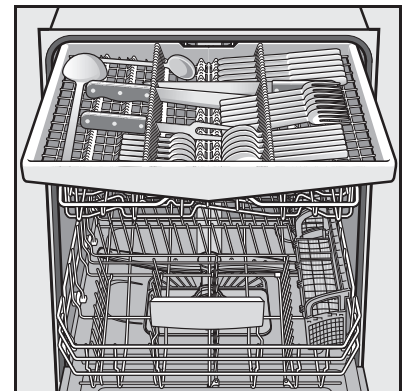


Figure 10

## Attaches pour articles en plastique

Les accessoires légers en plastique (par exemple, les tasses, couvercles) peuvent être solidement fixés à l'aide d'attaches spécialement conçues pour ce type d'article (voir **Figure 10**).

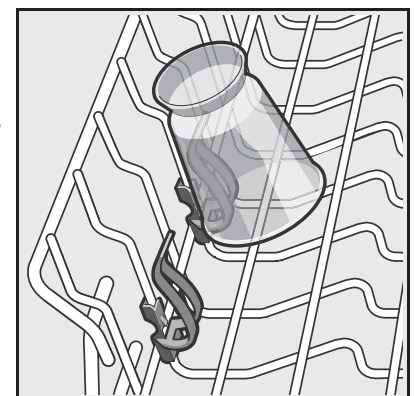
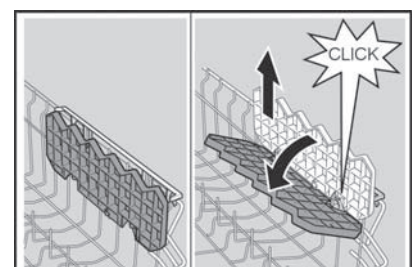


Figure 11

## étagères à tasses

La durée et l'espace sous peut être utilisé pour de petites tasses ou pour ustensiles de service plus grandes (voir **Figure 11**).





# Programmes et options du lave-vaisselle

## Programmes de lavage

*Remarque : Afin d'économiser de l'énergie, il est recommandé de régler la fonction "Auto Power Off" à "P: 01" (voir section du manuel intitulée "Auto Power Off").*

**Heavy :** donne les meilleurs résultats pour éliminer les aliments collés ou la graisse. Habituellement, on doit faire tremper cette vaisselle.

**Auto :** notre cycle intelligent, avec notre capacité de détection du sol plus souple, ce cycle est optimale pour une utilisation avec de la vaisselle mixte et sols alimentaires.

**Eco:** Idéal pour les plats délicats et des lunettes, le cycle Eco réduit la température et de la durée du cycle de diminuer la consommation d'énergie.

**Normal :** C'est le cycle recommandé pour une utilisation quotidienne, régulière ou typique pour laver complètement une pleine charge de vaisselle normalement sale.

*Pour obtenir des performances optimales avec une consommation d'énergie minimale, il est recommandé de désactiver toutes les options et les paramètres disponibles, sauf "Auto Power Off" comme indiqué au début de cette section.*

*Remarque 1 : Voir la note pour des instructions supplémentaires d'installation d'essai de l'énergie.*

**Express:** Nettoie la vaisselle salie récemment avec des saletés faciles à éliminer. Ce cycle réduit le temps de cycle en comprenant tout de même le séchage.

**Rinse :** Vous Permet de rincer la vaisselle vente d'accusation juin Partielle et de la Mettre en attente In the lave-vaisselle JUSQU'A that the chargé Soit Pleine.

## Option des programmes de lavage

**Delay Start :** L'on peut retarder la mise en marche de 1 h à 24 h.

**Half Load:** Permet de diminuer la consommation d'eau pour laver une petite quantité de vaisselle légèrement sale qui n'utilise environ que la moitié de la capacité du lave-vaisselle.

**Delicate :** L'option Délicat est uniquement disponible dans les cycles lourds, Auto et Normal. Ce cycle est utilisé La fonction Désinfecter est offerte uniquement avec les programmes de lavage intense, automatique et normal. Les procédés techniques de désinfection peuvent également améliorer les résultats de séchage.

**Sanitize :** Disponible seulement pour les cycles Intense, Automatique et Normal. Le voyant DEL de désinfection s'allumera lorsque les exigences de désinfection seront atteintes. Les mesures techniques de désinfection peuvent également améliorer les résultats de séchage.

*Remarque : le lave-vaisselle passe en mode de lavage automatique par défaut lorsqu'il est éteint puis rallumé. Si vous avez programmé l'option de désinfection lors du cycle précédent, le lave-vaisselle passera en mode de lavage automatique par défaut avec l'option de désinfection sélectionnée lorsque vous le mettez en marche.*

**Extra Shine® :** Utilisé en combinaison avec un cycle de lavage (sauf Rinse), l'option supplémentaire Shine® soulève la température et prolonge le temps de séchage pour améliorer encore les résultats de séchage et fournit un éclat brillant.

*Remarque : Seuls les cycles de désinfection ont été conçus pour répondre aux exigences de la section 6 des normes NSF/ANSI pour l'équipement résidentiel destiné à l'élimination des saletés et l'efficacité de désinfection. Nous n'avons aucune intention, directe ou indirecte, d'insinuer que tous les cycles ont réussi les tests de performance au niveau de la désinfection.*



# Informations sur les programmes de lavage

Les temps de cycle dans ce manuel d'utilisation et entretien sont en fonction de charges sales normales et 120 ° F eau entrant et varient en fonction de vos conditions réelles.

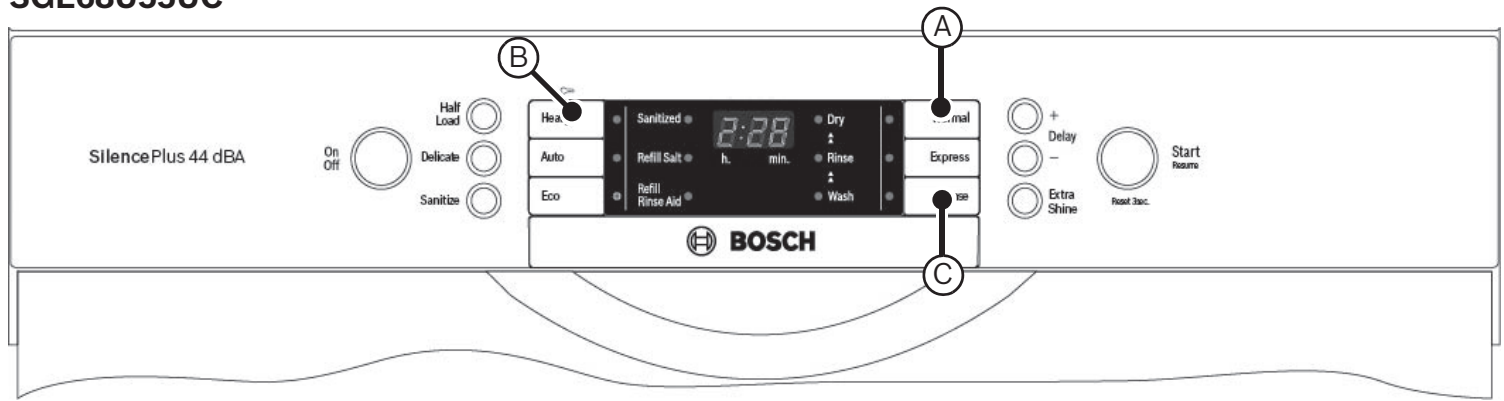
**Tableau 3 - Informations sur les programmes de lavage**

	Heavy	Auto	Eco	Normal	Express	Rinse
durée du programme	110-135 min	105-129 min	80-85 min	130-135 min	30 min	9 min
consommation d'eau	18.6-24.2 L 4.9-6.4 gal	13.1-24.5 L 3.5-6.5 gal	9.3-14.5 L 2.5-3.8 gal	8.3-20.6 L 2.2-5.4 gal	10.5 L 2.8 gal	4.1 L 1.1 gal
température de l'eau	66-71°C 150-160°F	53-66°C 127-150°F	45-50°C 113-122°F	45-55°C 113-131°F	45°C 113°F	incoming incoming
température de rinçage	72°C 162°F	70°C 158°F	62°C 144°F	62-69°C 144-156°F	50°C 122°F	incoming incoming
<b>Half Load</b>						
durée du programme	114 min	95-105 min	75-80 min	110-120 min	n/a	n/a
consommation d'eau	17.9 L 4.8 gal	10.2-16.5 L 2.7-4.4 gal	9.3-12.5 L 2.5-3.3 gal	10.9-14 L 2.9-3.7 gal	n/a	n/a
température de rinçage	72°C 162°F	70°C 158°F	62°C 144°F	69°C 156°F	n/a	n/a
<b>Delicate</b>						
durée du programme	105-110 min	90-105 min	n/a	105-120 min	n/a	n/a
consommation d'eau	18.6-24.2 L 4.9-6.4 gal	13.1-24.5 L 3.5-6.5 gal	n/a	8.3-20.6 L 2.2-5.4 gal	n/a	n/a
température de rinçage	60°C 140°F	60°C 140°F	n/a	60°C 140°F	n/a	n/a
<b>Sanitize</b>						
durée du programme	130-150 min	125-150 min	n/a	140-155 min	n/a	n/a
consommation d'eau	18.6-24.2 L 4.9-6.4 gal	13.1-24.5 L 3.5-6.5 gal	n/a	8.3-20.6 L 2.2-5.4 gal	n/a	n/a
température de rinçage	72°C 162°F	72°C 162°F	n/a	72°C 162°F	n/a	n/a
<b>Extra Shine®</b>						
durée du programme	130-150 min	125-150 min	115-125 min	140-155 min	50 min	n/a
consommation d'eau	18.6-24.2 L 4.9-6.4 gal	13.1-24.5 L 3.5-6.5 gal	9.3-14.5 L 2.5-3.8 gal	8.3-20.6 L 2.2-5.4 gal	10.5 L 2.8 gal	n/a
température de rinçage	72°C 162°F	72°C 162°F	72°C 162°F	72°C 162°F	72°C 162°F	n/a

*Remarque : Seuls les cycles de désinfection ont été conçus pour répondre aux exigences de l'article 6 de la norme NSF / ANSI pour l'équipement résidentiel pour l'enlèvement des sols et assainissement efficacité. Il n'y a pas l'intention, soit directement ou indirectement, de laisser entendre que tous les cycles ont subi des tests de performance de désinfection.*

# Fonctionnement du lave-vaisselle

SGE68U55UC



**Remarque :** Les boutons sont sensibles et doivent être touchés doucement. Évitez toute particule de graisse ou de nourriture reposant sur les boutons car ils pourraient activer le lave-vaisselle. Essuyage et de nettoyage peut également activer le lave-vaisselle. Pour de meilleurs résultats, utilisez nus, les mains propres lorsque vous touchez les boutons.

## AVERTISSEMENT

Pour éviter tout risque de blessure, utilisez toujours prudence lorsque vous ouvrez la porte pendant ou après un cycle de lavage que l'eau chaude ou de la vapeur peut s'échapper. Ne pas ouvrir complètement la porte jusqu'à ce que les bruits d'eau ont cessé et la vapeur a disparu.

### Démarrez le lave-vaisselle

- 1 Appuyez sur la touche **[On/Off]**.
- 2 Sélectionnez un cycle et les options désirées et appuyez sur **[Start/Resume]**.

Remarque: Votre lave-vaisselle est protégé contre les activations accidentelles. Si la porte de l'appareil demeure ouverte pendant plus de 4 secondes après avoir appuyé sur le bouton **[Start/Resume]** (Démarrer/Continuer), l'activation sera mise en pause. Appuyez de nouveau sur le bouton **[Start/Resume]** et fermez la porte de l'appareil.

### Annuler un cycle

- 1 Appuyez et maintenez le bouton **[Start/Resume]** pendant environ 3 secondes jusqu'à ce que l'écran affiche **"0:01"**.
- 2 Attendez environ 1 minute alors que le lave-vaisselle vidange.
- 3 Appuyez sur la touche **[On/Off]**.

Remarque: Votre lave-vaisselle est protégé contre les activations accidentelles. Si la porte de l'appareil demeure ouverte pendant plus de 4 secondes après avoir appuyé sur le bouton **[Start/Resume]** (Démarrer/Continuer), l'activation sera mise en pause. Appuyez de nouveau sur le bouton **[Start/Resume]** et fermez la porte de l'appareil.

### Interruption d'un cycle

- 1 Appuyez sur le bouton **[On / Off]** pour éteindre l'appareil.
- 2 Pour reprendre le cycle, appuyez sur le bouton **[On / Off]**.

Remarque: Votre lave-vaisselle est protégé contre les activations accidentelles. Si la porte de l'appareil demeure ouverte pendant plus de 4 secondes après avoir appuyé sur le bouton **[Start/Resume]** (Démarrer/Continuer), l'activation sera mise en pause. Appuyez de nouveau sur le bouton **[Start/Resume]** et fermez la porte de l'appareil.

## Pour définir la quantité d'agent de rinçage

La quantité de produit de rinçage versée peut être ajustée entre « r:00 » et « r:06 ».

Modification du paramètre :

- 1 Appuyez sur la touche **[On/Off]**.
- 2 Maintenir la touche **A** enfoncée et appuyer et maintenir la touche **[Start/Resume]** enfoncée jusqu'à ce que l'affichage indique « **H:00** ». Relâcher les deux touches.
- 3 Appuyer sur **A** jusqu'à ce que l'affichage indique « **r:04** ».
- 4 Appuyer sur **C** pour sélectionner le paramètre souhaité.
  - « **r:00** » = le distributeur est désactivé
  - « **r:01** » = paramètre le plus faible
  - « **r:02** » = paramètre faible
  - « **r:03** » = paramètre moyen
  - « **r:04** » = paramètre moyen-élevé
  - « **r:05** » = paramètre élevé
  - « **r:06** » = paramètre le plus élevé
- 5 Appuyez sur **[Start/Resume]** pour sauvegarder le réglage.

## Mise en marche différée

Vous pouvez retarder le début du cycle de tranches d'une heure, jusqu'à 24 heures.

Pour régler le délai de commencer :

- 1 Appuyez sur la touche **[On/Off]**.
- 2 Appuyez sur le bouton **[+]** jusqu'à ce que l'affichage passe à « **H:01** ».
- 3 Appuyez sur la touche **[+]** ou **[-]** jusqu'à ce que l'heure affichée correspond à vos besoins.
  - h: 01** = 1 heure de retard    **h: 24** = 24 heures de retard
- 4 Appuyez sur **[Start/Resume]** pour activer le départ différé.

Pour annuler le départ différé:

- 1 Appuyez sur la touche **[+]** ou **[-]** jusqu'à ce que « **H:00** » est indiqué sur l'affichage numérique.
- 2 Appuyez et maintenez **[Start/Resume]** pendant 3 secondes pour annuler le programme. Vous pouvez maintenant commencer un nouveau cycle.

Remarque: Votre lave-vaisselle est protégé contre les activations accidentelles. Si la porte de l'appareil demeure ouverte pendant plus de 4 secondes après avoir appuyé sur le bouton **[Start/Resume]** (Démarrer/Continuer), l'activation sera mise en pause. Appuyez de nouveau sur le bouton **[Start/Resume]** et fermez la porte de l'appareil.

## Auto Power Off

Pour économiser l'énergie, le lave-vaisselle est éteint 1 minute après la fin du cycle de lavage. Auto Power Off peut être réglée de P: 00 à P: 02.

Pour modifier le réglage :

- 1 Appuyez sur la touche **[On/Off]**.
- 2 Maintenez le bouton **A** et appuyez sur **[Start/Resume]** jusqu'à ce que l'écran affiche « **H:0x** » (x peut être ne importe quel nombre).
- 3 Relâchez les deux boutons.
- 4 Appuyez sur la touche jusqu'à ce que l'écran affiche « **P:0x** ».
- 5 Appuyez sur le bouton **C** jusqu'à ce que l'écran correspond à vos besoins.
  - P:00** = lave-vaisselle ne s'éteint pas automatiquement
  - P:01** = lave-vaisselle s'éteint automatiquement après 1 minute
  - P:02** = lave-vaisselle s'éteint automatiquement après 120 minutes (2 heures)
- 6 Appuyez sur **[Start/Resume]** pour sauvegarder le réglage.

## **Verrouillage**

- 1 Démarrez le programme désiré.
- 2 Maintenez le bouton qui dit "Verrouillage" en dessous pendant environ 3 secondes jusqu'à ce que l'écran affiche "**CL**".
- 3 Le "**CL**" sera indiqué maintenant si ne importe quel bouton est pressé et le programme ne sera pas remise à zéro.

Pour désactiver le verrouillage des enfants, maintenez enfoncée la touche "Verrouillage" pendant environ 3 secondes jusqu'à ce que l'écran ne lit plus "**CL**".

## **Aquastop® Leak Protection**

Notre système AquaStop® contient les fuites à travers une baignoire et d'un capteur système conçu précisément qui travaille avec notre base moulée solide. Si une fuite est survenue, il arrêter le fonctionnement et les pompes à eau pour éviter le contact avec le sol automatiquement. Il fonctionne 24/7 et peut se transformer en.

# Nettoyage et entretien

Certaines parties du lave-vaisselle nécessitent un entretien occasionnel. Les opérations d'entretien sont faciles à effectuer et permettent d'obtenir continuellement un excellent rendement de votre lave-vaisselle.

## Conditions générales

Ne jamais utiliser un nettoyeur à vapeur avec le lave-vaisselle. Le fabricant n'est pas responsable des dommages encourus.

Essuyer régulièrement le devant de l'appareil avec un chiffon humide (une solution d'eau et de détergent est adéquate).

Ne pas utiliser d'éponge à surface rugueuse ni de détergent abrasif car ils peuvent endommager les surfaces.

Appareil en acier inoxydable : pour éviter la corrosion, ne pas utiliser de chiffon éponge, ni laver plusieurs fois avant d'utiliser l'appareil la première fois.

## AVERTISSEMENT

Faites preuve de prudence lorsque vous retirez les parties pour le nettoyage car des débris peuvent être coupants.

## Filtres

Les filtres permettent de garder les objets étrangers de l'eau de rinçage loin de la pompe. Ils peuvent parfois obstruer les filtres.

Vérifier les filtres

- Dévisser le filtre cylindrique tel qu'il est illustré et le sortir voir **Figures 12-13**.
- Enlever tout résidu et le passer à l'eau courante.
- Réinstaller le système de filtre et s'assurer que les flèches sont à l'opposées l'une de l'autre une fois le système de filtre fermé.

Figure 12

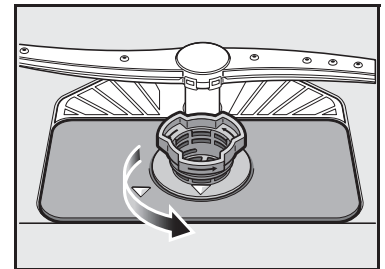
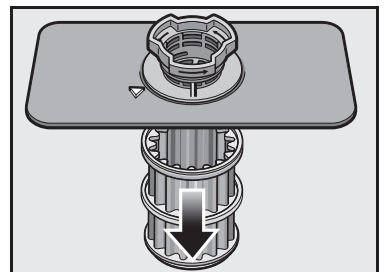


Figure 13



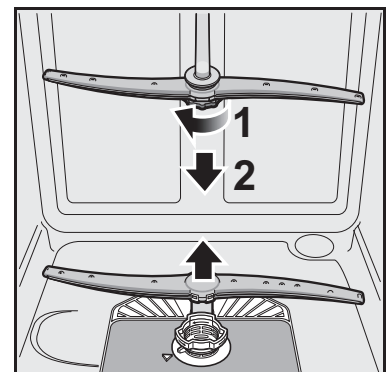
## Bras gicleurs

Vérifiez bras de pulvérisation pour les dépôts de graisse et de calcaire.

Si vous trouvez ces dépôts :

- Remplissez le distributeur de détergent avec un détergent et démarrer l'appareil sans ustensiles dans le cycle de la température de rinçage plus haut (voir cycle de lavage table d'information).
- Nettoyez l'appareil avec des détergents / nettoyants d'appareils qui sont particulièrement appropriés pour une utilisation avec un lave-vaisselle.
- Dévissez les bras d'aspersion et d'inspecter comme indiqué dans **Figure 14**.

Figure 14



## Pompe d'eau usée

Les résidus d'aliments de l'eau de rinçage non captés par les filtres peuvent obstruer la pompe à eau usée. L'eau de rinçage ne peut être pompée et recouvre le filtre.

Dans ce cas :

- Débrancher l'appareil de l'alimentation électrique.
- Enlever les filtres.
- Vider l'eau à l'aide d'une éponge, au besoin.
- Avec une cuillère, enlever le couvercle de la pompe, tel qu'il est illustré, ensuite prendre le couvercle par la languette et tirer vers le haut jusqu'à résistance, puis le sortir (voir **Figure 15-16**).
- Vérifier l'intérieur du compartiment et enlever tout objet étranger.
- Remettre le couvercle à sa position d'origine.
- Installer le filtre.

Figure 15

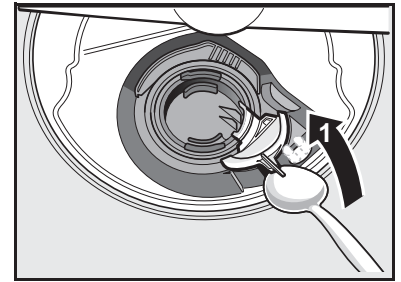
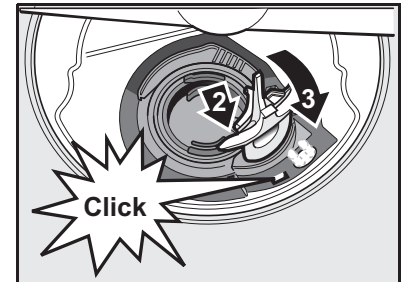


Figure 16



## AVIS

### Préparation de l'appareil pour les vacances

Avant de partir en vacances pendant un temps plus chaud, en plus de couper la vanne principale, également désactiver l'approvisionnement en eau au point le plus proche du lave-vaisselle. Par temps froid, s'il vous plaît suivez les instructions pour l'hivernage de votre appareil ci-dessous.

## AVIS

### Hivernage de votre lave-vaisselle

Si votre lave-vaisselle ne sera pas utilisée pour une longue période de temps dans un endroit qui connaît des températures de congélation (maison de vacances ou par une période de vacances), avoir votre vaisselle par un professionnel.



# Guide de dépannage

Lave-vaisselle peut parfois présenter des problèmes ne sont pas liés à un dysfonctionnement du lave-vaisselle lui-même. Les informations suivantes peuvent vous aider avec un problème sans intervention d'un professionnel de réparation.

Problème	Cause	Action à prendre
Le cycle ne continue pas après que la porte soit ouverte et fermée au cours d'un cycle.	1. La porte est ouverte pendant plus de 4 secondes après le début d'un cycle.	1. Appuyez sur le bouton [START / RESUME] (DÉMARRER / CONTINUER) et fermez la porte dans les 4 secondes suivantes pour continuer le cycle.
Le lave-vaisselle ne se met pas en marche	1. La porte est peut-être mal enclenchée. 2. L'appareil n'est peut-être pas allumé. 3. La machine n'a pas été réinitialisée ou le programme précédent n'est pas terminé. 4. La mise en marche différée est activée. 5. Interruption de l'alimentation électrique du lave-vaisselle ou fusible ayant sauté. 6. La porte a peut-être été fermée avant d'avoir choisi le programme. 7. Le robinet d'alimentation en eau n'est peut-être pas ouvert.	1. Fermez complètement la porte. 2. Appuyez sur le commutateur principal pour allumer la machine. 3. Pour réinitialiser la machine, reportez-vous à la section de ce guide intitulée « Annulation ou modification du programme ». 4. Pour réinitialiser la machine, reportez-vous à la section de ce guide intitulée « Mise en marche différée ». 5. Vérifiez le disjoncteur. 6. Sélectionnez un programme et fermez la porte. 7. Vérifiez et ouvrez le robinet d'alimentation en eau.
L'afficheur ne s'allume pas	1. Un fusible a peut-être sauté ou le disjoncteur s'est déclenché. 2. La porte est mal fermée ou mal enclenchée. <i>Remarque : pour les modèles équipés de commandes situées sur la partie supérieure de la porte, l'afficheur ne s'allume que lorsque la porte est ouverte et les commandes sont visibles.</i>	1. Vérifiez le fusible ou le boîtier de disjoncteurs et remplacez le fusible ou réarmez le disjoncteur le cas échéant. 2. Assurez-vous que la porte est correctement enclenchée et complètement fermée.
Le programme de lavage semble durer trop longtemps	1. L'eau qui alimente le lave-vaisselle n'est pas assez chaude. 2. La durée du programme peut varier en fonction de la saleté de la vaisselle et de la qualité de l'eau. 3. Le distributeur de produit de rinçage est vide. 4. Le lave-vaisselle est branché sur une conduite d'eau froide. <i>Remarque : reportez-vous à la section de ce guide intitulée « Informations sur les programmes de lavage » pour obtenir la durée de programme type.</i>	1. Avant de démarrer un programme, faites couler le robinet d'eau chaude de l'évier le plus proche du lave-vaisselle. 2. Les capteurs du lave-vaisselle augmentent automatiquement la durée du programme pour une vaisselle bien propre en cas de détection d'une quantité importante de saletés sur la vaisselle. 3. Versez le produit de rinçage dans le distributeur. 4. Vérifiez que le lave-vaisselle est bien raccordé à la tuyauterie d'arrivée d'eau chaude.

Problème	Cause	Action à prendre
La vaisselle est mal lavée	<ol style="list-style-type: none"> <li>1. Quelque chose empêche le bras de lavage de tourner.</li> <li>2. Quelque chose bouche les jets du bras d'aspersion.</li> <li>3. Mauvaise utilisation des détergents.</li> <li>4. Les filtres sont peut-être bouchés.</li> <li>5. Les pièces de vaisselle sont imbriquées les unes dans les autres ou disposées trop près les unes des autres.</li> <li>6. Le programme de lavage choisi ne convient pas aux conditions de saleté de la vaisselle.</li> </ol>	<ol style="list-style-type: none"> <li>1. Assurez-vous que le mouvement de rotation des bras d'aspersion n'est pas bloqué en faisant pivoter ces derniers à la main.</li> <li>2. Retirez les bras d'aspersion et nettoyez-les en suivant les consignes du paragraphe figurant dans la section de ce guide intitulée « Nettoyage et entretien ».</li> <li>3. Augmentez ou diminuez la quantité de détergent selon la dureté de l'eau. Reportez-vous au tableau 1.</li> <li>4. Nettoyer les filtres. Reportez-vous la section de ce guide intitulée « Nettoyage et entretien ».</li> <li>5. Changez la disposition de la vaisselle afin que le jet d'eau puisse asperger correctement toutes les pièces. Reportez-vous également la section de ce guide intitulée « Chargement de la vaisselle ».</li> <li>6. Reportez-vous également à « Programme de lavage » dans la section de ce guide intitulée « Fonctionnement du lave-vaisselle ».</li> </ol>
La vaisselle n'est pas bien sèche	<ol style="list-style-type: none"> <li>1. Le distributeur de produit de rinçage est vide. (Le voyant du produit de rinçage est activé).</li> <li>2. Mauvais chargement de la vaisselle.</li> <li>3. Le programme choisi ne comprend pas le séchage.</li> </ol> <p><i>Remarque : en général, les ustensiles en plastique et en Téflon ne sèchent pas aussi bien que d'autres ustensiles en raison des propriétés inhérentes à ces types de matériaux.</i></p>	<ol style="list-style-type: none"> <li>1. Versez le produit de rinçage dans le distributeur. L'utilisation d'un produit de rinçage améliore le séchage.</li> <li>2. Changez la disposition de la vaisselle pour veiller à ce que les articles ne soient pas imbriqués les uns dans les autres. Reportez-vous également à la section de ce guide intitulée « Chargement de la vaisselle ».</li> <li>3. Le paramètre Rinçage et attente ne comprend pas de programme de séchage.</li> </ol>
Impossible de sélectionner le programme voulu	<ol style="list-style-type: none"> <li>1. Le programme précédent n'est pas terminé</li> </ol>	<ol style="list-style-type: none"> <li>1. Reportez-vous à la section de ce guide intitulée « Annulation ou modification du programme ».</li> </ol>
Apparition de films d'eau sur les verres ou de résidus sur la vaisselle	<ol style="list-style-type: none"> <li>1. Mauvais dosage du produit de rinçage.</li> </ol>	<ol style="list-style-type: none"> <li>1. Réglez le distributeur du produit de rinçage en fonction de la dureté de l'eau. Pour des informations sur le dosage, reportez-vous à la section de ce guide intitulée « Ajout de détergent et de produit de rinçage ».</li> </ol>
Le panneau avant est décoloré ou rayé	<ol style="list-style-type: none"> <li>1. Vous avez utilisé un produit d'entretien abrasif</li> </ol>	<ol style="list-style-type: none"> <li>1. Utilisez des détergents non abrasifs et un linge humide doux.</li> </ol>

Problème	Cause	Action à prendre
<p>Odeur</p> <p><i>Remarque: les tests de l'eau est effectuée en usine. Parfois l'eau peut encore apparaître dans un lave-vaisselle à l'achat qui peut créer une odeur.</i></p>	<ol style="list-style-type: none"> <li>1. Des déchets alimentaires se sont accumulés au fond du lave-vaisselle.</li> <li>2. Des particules d'aliments se sont accumulées près du joint d'étanchéité de la porte.</li> <li>3. La vaisselle est restée trop longtemps dans le lave-vaisselle avant le lancement d'un programme.</li> <li>4. De l'eau résiduelle s'est accumulée au fond du lave-vaisselle.</li> <li>5. Le tuyau de vidange est obstrué.</li> </ol>	<ol style="list-style-type: none"> <li>1. Retirez les filtres et nettoyez-les conformément à la section de ce guide intitulée « Nettoyage et entretien ».</li> <li>2. Reportez-vous à « Nettoyage et entretien » dans la section de ce guide.</li> <li>3. Si vous n'avez pas l'intention de laver la vaisselle immédiatement, lancez le programme Rinse/Hold .</li> <li>4. Assurez-vous que l'opération de vidange du programme précédent est complètement terminée.</li> <li>5. Pour éliminer les objets pouvant obstruer le tuyau de vidange, faites appel à un personnel qualifié.</li> </ol>
<p>Le lave-vaisselle ne se remplit pas d'eau</p>	<ol style="list-style-type: none"> <li>1. Obstruction au niveau du réseau d'alimentation en eau.</li> <li>2. Le programme de lavage précédent n'est pas terminé.</li> <li>3. La fonction de mise en marche différée est activée.</li> <li>4. HL'alimentation en eau domestique est coupée</li> </ol>	<ol style="list-style-type: none"> <li>1. Assurez-vous que le robinet d'arrivée d'eau (en général situé sous l'évier de la cuisine) est ouvert et vérifiez que la conduite d'alimentation n'est ni pliée ni bouchée.</li> <li>2. Reportez-vous à la section de ce guide intitulée « Fonctionnement du lave-vaisselle ».</li> <li>3. Annulez la mise en marche différée ou attendez que la période de mise en marche différée soit terminée ou que ce délai expire.</li> <li>4. Ouvrez l'alimentation en eau domestique</li> </ol>
<p>Fuites d'eau</p>	<ol style="list-style-type: none"> <li>1. Mousse</li> <li>2. Le joint d'étanchéité peut être sorti de la rainure.</li> <li>3. L'évent de condensation est bloqué.</li> <li>4. Mauvaise installation.</li> </ol>	<ol style="list-style-type: none"> <li>1. Les détergents inadéquats ont tendance à produire de la mousse et à provoquer des fuites. Utilisez uniquement des détergents pour lave-vaisselle. Si le problème de mousse persiste, mettez une cuillère à soupe d'huile végétale au fond du lave-vaisselle et lancez le programme voulu.</li> <li>2. Assurez-vous que le joint d'étanchéité est bien inséré dans la rainure.</li> <li>3. Assurez-vous que l'évent de condensation n'est pas bloqué.</li> <li>4. Faites vérifier l'installation par un personnel qualifié (alimentation en eau, système de vidange, mise à niveau, tuyauterie).</li> </ol>
<p>Taches apparaissant dans la cuve</p>	<ol style="list-style-type: none"> <li>1. Les taches qui se forment à l'intérieur du lave-vaisselle sont dues à la dureté de l'eau.</li> <li>2. Les couverts sont en contact avec les parois de la cuve.</li> </ol>	<ol style="list-style-type: none"> <li>1. L'emploi de jus de citron concentré peut réduire l'accumulation de taches d'eau dure. Lancez un programme de lavage normal jusqu'au rinçage puis interrompez le programme et versez une tasse de 250 ml (8 oz. liq.) de citron concentré sur le panier supérieur. Terminez ensuite le programme. Ceci peut être fait périodiquement pour prévenir l'accumulation de taches.</li> <li>2. Assurez-vous que les couverts n'entrent pas en contact avec les parois de la cuve pendant le déroulement d'un programme.</li> </ol>

Problème	Cause	Action à prendre
Fonctionnement bruyant pendant le déroulement du programme de lavage	1. La vaisselle n'est pas correctement disposée.	1. Les sons correspondant à la circulation de l'eau sont normaux, mais si vous soupçonnez que des pièces de vaisselle se cognent entre elles ou touchent les bras d'aspersion, reportez-vous à la section du présent guide intitulée « Préparation et chargement de la vaisselle » pour connaître la disposition optimale de la vaisselle.
Le couvercle du distributeur de détergent ne se ferme pas	1. Mauvais fonctionnement du couvercle du distributeur de détergent. 2. Le programme précédent n'est pas terminé ; réinitialisation ou interruption du programme.	1. Reportez-vous à la section de ce guide intitulée « Ajout de détergent et de produit de rinçage » pour des instructions sur l'ouverture et la fermeture du distributeur. 2. Reportez-vous à la section de ce guide intitulée « Annulation ou modification du programme ».

# Service après-vente

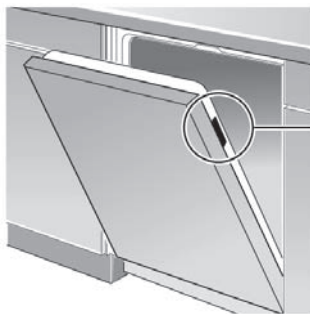
Votre lave-vaisselle Bosch® ne requiert aucun entretien spécial autre que celui décrit à la section Nettoyage et entretien du présent guide. En cas de problème avec votre lave-vaisselle, avant de faire appel aux services d'un technicien, reportez-vous à la section Guide de dépannage du guide. Si un technicien doit intervenir, communiquer avec votre revendeur ou installateur ou avec un service de réparation autorisé. Ne pas tenter de réparer soi-même l'appareil. Toute réparation effectuée par un personnel non autorisé peut être une cause d'annulation de la garantie.

Si votre lave-vaisselle Bosch® vous pose un problème et si vous n'êtes pas satisfait du service que vous avez reçu, veuillez effectuer les démarches suivantes jusqu'à ce que votre problème soit résolu à votre entière satisfaction :

- 1 Téléphonnez au 1-800-944-2904
- 2 Communiquez avec le service après-vente à partir de notre site Web [www.bosch-home.com/us](http://www.bosch-home.com/us) or [www.bosch-appliances.ca](http://www.bosch-appliances.ca)
- 3 Communiquez avec l'installateur ou le prestataire de service après-vente agréé de Bosch® de votre région.
- 4 Écrivez à :

*BSH Home Appliances Corporation  
1901 Main Street, Suite 600  
Irvine, CA 92614*

S'il vous plaît n'oubliez pas d'inclure vos informations de modèle ainsi que l'explication du problème et la date à laquelle elle a commencé. Vous trouverez le modèle et le numéro de série sur l'étiquette située sur le bord de la porte lave-vaisselle. S'il vous plaît faire une copie de votre facture et de la garder avec ce manuel. Le client doit présenter une preuve d'achat pour obtenir un service de garantie.



BOSCH	Cust. Service (SERVICE CLIENTÈLE): 1-800-944-2904	UL	NSF	ENERGY VERIFIED BY ÉNERGÉTIQUE VÉRIFIÉ PAR
MODEL NUMBER (NUMÉRO DE MODÈLE)	~ 120 V 12,0 A 60 Hz	C US	RESIDENTIAL	ETL
SH#####UC/06	(M) 0,2 kW - □ - 1,2 kW	LISTED (LISTÉ)		EP3132762
FD910300001	Made in the USA of US and imported parts (Fabriqué aux É.-U. de pièces É.-U. et importées)	76x5 DISHWASHER (LAVE-VAISSELLE) E103022	Certified residential dishwashers are not intended for licensed food establishments. Les lave-vaisselle résidentiels certifiés ne sont pas destinés aux établissements alimentaires agréés.	
SN6P5B	10103098989100011			

# ÉNONCÉ DE GARANTIE LIMITÉE DU PRODUIT

Couverture et application de la garantie : La garantie limitée fournie par BSH Home Appliances (« Bosch ») dans le présent énoncé de garantie limitée du produit s'applique seulement à l'appareil Bosch qui vous est vendu, le premier acheteur à l'utiliser, à la condition que le Produit ait été acheté : Pour votre usage domestique normal et qu'il ait effectivement, en tout temps, été utilisé à des fins domestiques normales. À l'état neuf au détail (et non comme un modèle d'exposition, « tel quel » ou ayant déjà été retourné), et non à des fins de revente. Pour un emploi commercial comme dans un bureau, un complexe d'habitation (appartements, multipropriétés, etc.) ou pour les chambres d'un hôtel/motel. (Toute utilisation industrielle/pour un restaurant n'est pas couverte). Aux États-Unis ou au Canada, et qu'il soit en tout temps demeuré dans le pays d'achat d'origine. Les garanties énoncées aux présentes s'appliquent seulement au premier acheteur du produit et ne sont pas transférables. S'assurer de retourner la carte d'enregistrement; quoique non nécessaire pour que la couverture de la garantie prenne effet, elle constitue le meilleur moyen pour Bosch de vous prévenir dans l'éventualité peu probable d'un avis de sécurité ou d'un rappel de produit.

Durée de la garantie : Bosch garantit que le Produit est exempt de défauts de matériaux et de fabrication pendant une période de trois cent soixante-cinq (365) jours à compter de la date d'achat. Cette période commence à s'écouler à partir de la date d'achat et ne sera pas retardée, restreinte, prolongée ni suspendue pour quelque raison que ce soit. Ce Produit est également garanti comme étant exempt de défauts cosmétiques au niveau des matériaux et de la fabrication (comme des égratignures sur l'acier inoxydable, des imperfections de peinture/porcelaine, des éclats, des bosses ou autres dommages à la finition du Produit), pour une période de trente (30) jours à partir de la date d'achat ou de la date d'achèvement pour une nouvelle construction. Cette garantie cosmétique exclut les variations légères de couleur causées par les différences inhérentes entre les sections peintes et les sections en porcelaine, de même que les différences causées par l'éclairage de la cuisine, l'emplacement du Produit et autres facteurs similaires. Cette garantie cosmétique exclut spécifiquement tous les appareils d'exposition, de plancher, « tel quel » et remis à neuf. Réparation ou remplacement du produit comme recours exclusif : Pendant cette période de garantie, Bosch ou l'un de ses prestataires de services agréés réparera le Produit sans frais de votre part (sous réserve de certaines limitations énoncées aux présentes) s'il s'avère que le Produit comporte un défaut de matériaux ou de fabrication. Si des tentatives raisonnables de réparation du Produit ont été effectuées sans succès, alors Bosch remplacera le Produit (des modèles mis à niveau peuvent être mis à votre disposition, à la seule discrétion de Bosch moyennant des frais supplémentaires). Tous les composants ou pièces enlevés deviennent la propriété de Bosch à sa seule option. Toutes les pièces remplacées et/ou réparées assumeront l'identité de la pièce d'origine aux fins de la présente garantie, et cette dernière ne sera pas prolongée au regard de ces pièces. La seule obligation et responsabilité de Bosch en vertu des présentes est de réparer seulement le Produit présentant un défaut de fabrication, par l'entremise d'un prestataire de services agréé Bosch aux heures normales de travail. Pour des questions de sécurité et de dommages à la propriété, Bosch recommande vivement de ne pas tenter de réparer soi-même le Produit, ni d'utiliser un service de réparation non autorisé; Bosch décline toute responsabilité pour les réparations ou le travail effectués par un service de réparation non autorisé. Si vous choisissez de faire intervenir une personne qui n'est pas un prestataire de service après-vente agréé pour travailler sur votre Produit, LA PRÉSENTE GARANTIE DEVIENDRA AUTOMATIQUEMENT NULLE ET NON AVENUE. Les prestataires de services agréés sont des personnes ou des entreprises qui ont été spécialement formées pour les produits Bosch et qui possèdent, de l'avis de Bosch, une excellente réputation pour le service à la clientèle et des aptitudes techniques (il est à noter qu'il s'agit d'entités indépendantes et non d'agents, partenaires, affiliés ou représentants de Bosch). Nonobstant ce qui précède, Bosch n'assumera aucune responsabilité ou obligation à l'égard du Produit s'il est situé dans une région éloignée (plus de 160 km [100 miles] d'un prestataire de services agréé) ou s'il est raisonnablement inaccessible ou à un endroit, dans une zone ou dans un environnement dangereux, menaçant ou hasardeux; dans un tel cas, si vous en faites la demande, Bosch pourrait payer les frais de main-d'oeuvre et de pièces et expédier les pièces au prestataire de services agréé le plus proche, mais vous seriez quand même entièrement responsable pour tout déplacement ou autres frais spéciaux requis par le prestataire de services, à supposer qu'il accepte de se rendre à votre domicile.

Produit hors garantie : Bosch n'est nullement tenu, par la loi ou autrement, de vous offrir toute concession, y compris réparations, tarifs proportionnels ou remplacement de Produit, une fois la garantie expirée.

Exclusions de la garantie : La couverture de garantie décrite aux présentes exclut tout défaut ou dommage qui n'est pas directement une faute de Bosch, incluant sans limitation, un ou plusieurs des cas suivants : Utilisation du Produit d'une façon autre que normale, habituelle et pour l'usage auquel il est destiné (incluant sans limitation, utilisation ou rangement d'un produit pour l'intérieur à l'extérieur, utilisation du Produit avec des avions ou bateaux quels qu'ils soient). Mauvaise conduite de toute partie, négligence, mauvaise utilisation, abus, accidents, fonctionnement inadéquat, manquement à l'entretien, installation inadéquate ou négligée, manipulation, manquement à observer les instructions, manipulation sans précaution, service non autorisé (incluant « réparation » soi-même ou exploration du fonctionnement interne de l'appareil). Réglage, altération ou modification de toute sorte. Manquement à se conformer à tous les codes électriques, de plomberie et/ou de construction de la province/état, locaux, municipaux ou autres règlements ou lois applicables, incluant le manquement à installer le produit conformément aux codes et règlement d'incendie et de construction. Bris et usure ordinaires, déversements d'aliments, liquides, accumulations de graisse, ou autres substances accumulées sur, dans ou autour du Produit. Tout facteur ou force environnementale, élémentaire et/ou externe, incluant sans limitation, pluie, vent, sable, inondation, incendie, glissement de terrain, gel, humidité excessive ou exposition prolongée à l'humidité, foudre, surtension, bris de structure environnante de l'appareil, et actes de Dieu. En aucun cas, Bosch ne sera tenu responsable des dommages survenus à la propriété environnante, incluant armoires, planchers, plafonds et autres structures ou objets autour du Produit. Également exclus de la garantie sont les Produits dont les numéros de série ont été modifiés, effacés ou enlevés; les visites de service pour montrer au client comment utiliser le Produit ou les visites lorsque le Produit ne présente aucun problème; la correction de problèmes d'installation (le client est responsable de toute structure et réglage du Produit, incluant électricité, plomberie ou autres services utilitaires, de disposer d'un plancher/fondation approprié et pour toute modification incluant sans limitation armoires, murs, planchers, tablettes, etc.); et la remise en fonction des disjoncteurs ou fusibles. SELON CE QUI EST PERMIS PAR LA LOI, CETTE GARANTIE ÉTABLIT DES SOLUTIONS EXCLUSIVES EN REGARD DU PRODUIT, PAR RÉCLAMATION PAR CONTRAT OU TORT (INCLUANT RESPONSABILITÉ STRICTE OU NÉGLIGENCE) OU AUTREMENT. CETTE GARANTIE EST EN LIEU DE TOUTE AUTRE GARANTIE, EXPRESSE OU IMPLICITE. TOUTE GARANTIE IMPLICITE PAR LOI, SOIT POUR COMMERCIALISATION OU À DES FINS PARTICULIÈRES, OU AUTRE, SERA EN VIGUEUR SEULEMENT POUR LA PÉRIODE PENDANT LAQUELLE CETTE GARANTIE LIMITÉE EXPRESSE EST EN VIGUEUR. EN AUCUN CAS, LE FABRICANT NE SERA TENU RESPONSABLE DES DOMMAGES, PERTES OU DÉPENSES ACCESSOIRES, SPÉCIAUX, INTÉRÊTS, INDIRECTS, « PERTE D'AFFAIRES » ET/OU PUNITIFS, INCLUANT SANS LIMITATION, CONGÉ DE TRAVAIL, REPAS À L'HÔTEL ET/OU AU RESTAURANT, DÉPENSES POUR RÉNOVATIONS EN EXCÈS DES DOMMAGES DIRECTS QUI SONT DÉFINITIVEMENT CAUSÉS, EXCLUSIVEMENT, PAR BOSCH, OU AUTREMENT. CERTAINS ÉTATS OU PROVINCES NE PERMETTENT PAS L'EXCLUSION DES DOMMAGES ACCESSOIRES OU INDIRECTS OU LA LIMITATION DE LA DURÉE D'UNE GARANTIE IMPLICITE, PAR CONSÉQUENT, LES LIMITATIONS SUSMENTIONNÉES PEUVENT NE PAS S'APPLIQUER. CETTE GARANTIE DONNE DES DROITS LÉGAUX SPÉCIFIQUES ET LE CLIENT PEUT EN AVOIR D'AUTRES QUI VARIENT D'UN ÉTAT/PROVINCE À L'AUTRE. Aucune tentative d'altérer, de modifier ou d'amender la présente garantie ne peut être applicable à moins de l'autorisation écrite d'un représentant de BSH.







BSH reserves the right to change specifications or design without notice. Some models are certified for use in Canada. BSH is not responsible for products which are transported from the United States for use in Canada. Check with your local Canadian distributor or dealer.

BSH se réserve le droit de modifier les données techniques ou le design sans préavis. Certains modèles sont certifiés pour une utilisation au Canada. BSH n'est pas responsable pour les produits transportés des États-Unis pour une utilisation au Canada. Vérifier auprès d'un marchand ou distributeur canadien.

BSH Home Appliances Corporation  
1901 Main Street  
Irvine, CA 92614

**9001164799 (9601)**