



# 30" (76.2 CM) WALL-MOUNT CANOPY RANGE HOOD

## Installation Instructions and Use & Care Guide

For questions about features, operation/performance, parts, accessories or service, call: **1-866-644-2449**.

In Canada, for assistance, installation and service, call: **1-866-664-2449**.

# CAMPANA PARA COCINA CON ESCUDETE DE MONTAJE EN LA PARED DE 30" (76,2 CM)

## Instrucciones de instalación y Manual de uso y cuidado

Si tiene preguntas respecto a las características, funcionamiento, rendimiento, partes, accesorios o servicio técnico, llame al: **1-866-664-2449**.

# HOTTE DE CUISINIÈRE À MONTAGE MURAL DE 30" (76,2 CM)

## Instructions d'installation et Guide d'utilisation et d'entretien

Au Canada, pour assistance, installation ou service, composer le **1-866-664-2449**.

Table of Contents/Índice/Table des matières..... 2

For warranty concerns, do not take the appliance back to the store. Please contact us in U.S.A. or Canada at **1-866-664-2449**.

This product features a Limited Warranty - See the "Warranty" section for complete details. IKEA® appliances carry a 5-year warranty (excludes LAGAN family - see warranty for coverage details).

**NOTE:** Proof of Purchase is required to obtain warranty service.

Si tiene dudas acerca de la garantía, no devuelva el aparato a la tienda. Póngase en contacto con nosotros en los EE.UU. o en Canadá al **1-866-664-2449**.

Este producto tiene una garantía limitada - Consulte la sección "Garantía" para obtener todos los detalles. Los aparatos IKEA® tienen una garantía de 5 años (excluyendo los de la familia LAGAN - consulte la garantía para ver los detalles acerca de la cobertura).

**NOTA:** Se requiere la prueba de compra para obtener servicio bajo la garantía.

Pour toute question concernant l'application de la garantie, ne pas rapporter l'appareil au magasin. Veuillez nous contacter aux É.-U. ou au Canada au **1-866-664-2449**.

Ce produit est couvert par une garantie limitée - Voir la section "Garantie" pour des détails complets. Les appareils IKEA® sont couverts par une garantie de 5 ans (hormis les appareils de la série LAGAN - voir la garantie pour des détails concernant les modalités de garantie).

**REMARQUE :** Une preuve d'achat est obligatoire pour obtenir l'application de la garantie.

**IMPORTANT: READ AND SAVE THESE INSTRUCTIONS.**

**FOR RESIDENTIAL USE ONLY.**

**IMPORTANTE: LEA Y GUARDE ESTAS INSTRUCCIONES.**

**SÓLO PARA USO RESIDENCIAL.**

**IMPORTANT : LIRE ET CONSERVER CES INSTRUCTIONS.**

**POUR UTILISATION RÉSIDENIELLE UNIQUEMENT.**

**LIB0115743A/W10836386B**

---

## TABLE OF CONTENTS

<b>RANGE HOOD SAFETY</b> .....	<b>3</b>	<b>RANGE HOOD USE</b> .....	<b>11</b>
<b>INSTALLATION REQUIREMENTS</b> .....	<b>5</b>	Range Hood Controls .....	11
Tools and Parts.....	5	<b>RANGE HOOD CARE</b> .....	<b>12</b>
Location Requirements.....	5	Cleaning .....	12
Venting Requirements.....	6	<b>WIRING DIAGRAM</b> .....	<b>13</b>
Electrical Requirements .....	7	<b>ASSISTANCE OR SERVICE</b> .....	<b>14</b>
<b>INSTALLATION INSTRUCTIONS</b> .....	<b>8</b>	In the U.S.A. ....	14
Prepare Location.....	8	In Canada .....	14
Install Range Hood.....	9	Accessories.....	14
Connect Vent System .....	9	<b>WARRANTY</b> .....	<b>15</b>
Make Electrical Connection .....	10		
Install Vent Covers.....	10		
Complete Installation .....	11		

---

## ÍNDICE

<b>SEGURIDAD DE LA CAMPANA PARA COCINA</b> .....	<b>17</b>	<b>USO DE LA CAMPANA PARA COCINA</b> .....	<b>26</b>
<b>REQUISITOS DE INSTALACIÓN</b> .....	<b>19</b>	Controles de la campana para cocina.....	26
Herramientas y piezas.....	19	<b>CUIDADO DE LA CAMPANA PARA COCINA</b> .....	<b>27</b>
Requisitos de ubicación.....	19	Limpieza .....	27
Requisitos de ventilación .....	20	<b>DIAGRAMA DE CABLEADO</b> .....	<b>28</b>
Requisitos eléctricos.....	22	<b>AYUDA O SERVICIO TÉCNICO</b> .....	<b>29</b>
<b>INSTRUCCIONES DE INSTALACIÓN</b> .....	<b>22</b>	En los EE.UU. ....	29
Preparación de la ubicación .....	22	Accesorios.....	29
Instalación de la campana para cocina.....	23	<b>GARANTÍA</b> .....	<b>29</b>
Conexión del sistema de ventilación .....	23		
Conexión del suministro eléctrico.....	24		
Instalación de las cubiertas del ducto de escape .....	25		
Complete la instalación.....	25		

---

## TABLE DES MATIÈRES

<b>SÉCURITÉ DE LA HOTTE DE CUISINIÈRE</b> .....	<b>31</b>	<b>UTILISATION DE LA HOTTE</b> .....	<b>40</b>
<b>EXIGENCES D'INSTALLATION</b> .....	<b>33</b>	Commandes de la hotte de cuisinière .....	40
Outils et pièces.....	33	<b>ENTRETIEN DE LA HOTTE</b> .....	<b>41</b>
Exigences d'emplacement.....	33	Nettoyage .....	41
Exigences concernant l'évacuation.....	34	<b>SCHÉMA DE CÂBLAGE</b> .....	<b>42</b>
Spécifications électriques.....	35	<b>ASSISTANCE OU SERVICE</b> .....	<b>43</b>
<b>INSTRUCTIONS D'INSTALLATION</b> .....	<b>36</b>	Au Canada.....	43
Préparation de l'emplacement.....	36	Accessoires .....	43
Installation de la hotte .....	37	<b>GARANTIE</b> .....	<b>43</b>
Raccordement du circuit d'évacuation.....	37		
Raccordement électrique.....	38		
Installation des cache-conduits.....	39		
Achever l'installation .....	39		

# RANGE HOOD SAFETY

## Your safety and the safety of others are very important.

We have provided many important safety messages in this manual and on your appliance. Always read and obey all safety messages.



This is the safety alert symbol.

This symbol alerts you to potential hazards that can kill or hurt you and others.

All safety messages will follow the safety alert symbol and either the word "DANGER" or "WARNING."

These words mean:

**⚠ DANGER**

**You can be killed or seriously injured if you don't immediately follow instructions.**

**⚠ WARNING**

**You can be killed or seriously injured if you don't follow instructions.**

All safety messages will tell you what the potential hazard is, tell you how to reduce the chance of injury, and tell you what can happen if the instructions are not followed.

State of California Proposition 65 Warnings:

WARNING: This product contains one or more chemicals known to the State of California to cause cancer.

WARNING: This product contains one or more chemicals known to the State of California to cause birth defects or other reproductive harm.

# IMPORTANT SAFETY INSTRUCTIONS

**WARNING:** TO REDUCE THE RISK OF FIRE, ELECTRIC SHOCK, OR INJURY TO PERSONS, OBSERVE THE FOLLOWING:

- Use this unit only in the manner intended by the manufacturer. If you have questions, contact the manufacturer.
- Before servicing or cleaning the unit, switch power off at service panel and lock the service disconnecting means to prevent power from being switched on accidentally. When the service disconnecting means cannot be locked, securely fasten a prominent warning device, such as a tag, to the service panel.
- Installation work and electrical wiring must be done by qualified person(s) in accordance with all applicable codes and standards, including fire-rated construction.
- Do not operate any fan with a damaged cord or plug. Discard fan or return to an authorized service facility for examination and/or repair.
- Sufficient air is needed for proper combustion and exhausting of gases through the flue (chimney) of fuel burning equipment to prevent backdrafting. Follow the heating equipment manufacturer's guideline and safety standards such as those published by the National Fire Protection Association (NFPA), the American Society for Heating, Refrigeration and Air Conditioning Engineers (ASHRAE), and the local code authorities.
- When cutting or drilling into wall or ceiling, do not damage electrical wiring and other hidden utilities.
- Ducted fans must always be vented outdoors.

**CAUTION:** For general ventilating use only. Do not use to exhaust hazardous or explosive materials and vapors.

**CAUTION:** To reduce risk of fire and to properly exhaust air, be sure to duct air outside - do not vent exhaust air into spaces within walls or ceilings, attics or into crawl spaces, or garages.

**WARNING:** TO REDUCE THE RISK OF FIRE, USE ONLY METAL DUCTWORK.

**WARNING:** TO REDUCE THE RISK OF A RANGE TOP GREASE FIRE:

- Never leave surface units unattended at high settings. Boilovers cause smoking and greasy spillovers that may ignite. Heat oils slowly on low or medium settings.
- Always turn hood ON when cooking at high heat or when flambeing food (i.e. Crepes Suzette, Cherries Jubilee, Peppercorn Beef Flambé).
- Clean ventilating fans frequently. Grease should not be allowed to accumulate on fan or filter.
- Use proper pan size. Always use cookware appropriate for the size of the surface element.

**WARNING:** TO REDUCE THE RISK OF INJURY TO PERSONS IN THE EVENT OF A RANGE TOP GREASE FIRE, OBSERVE THE FOLLOWING:<sup>a</sup>

- SMOTHER FLAMES with a close fitting lid, cookie sheet, or metal tray, then turn off the burner. BE CAREFUL TO PREVENT BURNS. If the flames do not go out immediately, EVACUATE AND CALL THE FIRE DEPARTMENT.
- NEVER PICK UP A FLAMING PAN - you may be burned.
- DO NOT USE WATER, including wet dishcloths or towels - a violent steam explosion will result.
- Use an extinguisher ONLY if:
  - You know you have a class ABC extinguisher, and you already know how to operate it.
  - The fire is small and contained in the area where it started.
  - The fire department is being called.
  - You can fight the fire with your back to an exit.

<sup>a</sup>Based on "Kitchen Fire Safety Tips" published by NFPA.

- **WARNING:** To reduce the risk of fire or electrical shock, do not use this fan with any solid-state speed control device.

## READ AND SAVE THESE INSTRUCTIONS

# INSTALLATION REQUIREMENTS


## Tools and Parts

Gather the required tools and parts before starting installation. Read and follow the instructions provided with any tools listed here.

### Tools Needed

- Level
- Drill with 1<sup>1</sup>/<sub>4</sub>" (3.2 cm), 3<sup>8</sup>/<sub>8</sub>" (9.5 mm), and 5<sup>1</sup>/<sub>16</sub>" (7.9 mm) drill bits
- Pencil
- Wire stripper or utility knife
- Tape measure or ruler
- Pliers
- Caulking gun and weatherproof caulking compound
- Vent clamps
- Jigsaw or keyhole saw
- Flat-blade screwdriver
- Metal snips
- Phillips screwdriver
- Metric hex key set

### Parts Needed

- Home power supply cable 
- 1/2" (12.7 mm) UL listed or CSA approved strain relief
- 3 UL listed wire connectors

### For Vented Installations, You Will Also Need:

- 1 wall or roof cap
- Metal vent system

### For Non-Vented (Recirculating) Installations, You Will Also Need:

- Charcoal Filter Kit Part Number W10412939 for non-vented (recirculating) installations only. See "Assistance or Service" section to order.
- 6" (15.2 cm) diameter round metal vent duct - length required is determined by ceiling height.

### Parts Supplied

Remove parts from packages. Check that all parts are included.

- Hood canopy assembly with blower and LED lights installed
- Vent transition with backdraft dampers installed
- Vent cover support bracket
- Metal grease filter(s)
- Mounting template
- 2-piece vent cover
- 2 - 3.5 x 9.5 mm mounting screws (Phillips)
- 8 - 4.2 x 8 mm screws (T20<sup>®†</sup> drive)
- 6 - 5 x 45 mounting screws (#2 Phillips drive)
- 4 - 5.4 x 75 mm screws (Phillips) (for 10 x 60 mm wall anchors)
- 2 - 8 x 40 mm wall anchors (masonry)
- 4 - 10 x 60 mm wall anchors
- T20<sup>®</sup> Torx<sup>®†</sup> adapter
- Air deflector (for non-vented [recirculating] installations only)

## Location Requirements

**IMPORTANT:** Observe all governing codes and ordinances.

Have a qualified technician install the range hood. It is the installer's responsibility to comply with installation clearances specified on the model/serial/rating plate. The model/serial/rating plate is located behind the left filter on the rear wall of the vent hood.

Canopy hood location should be away from strong draft areas, such as windows, doors, and strong heating vents.

Cabinet opening dimensions that are shown must be used. Given dimensions provide minimum clearance.

This range hood is recommended for use with cooktops with a maximum total rating of 60,000 BTUs or less.

Grounded electrical outlet is required. See "Electrical Requirements" section.

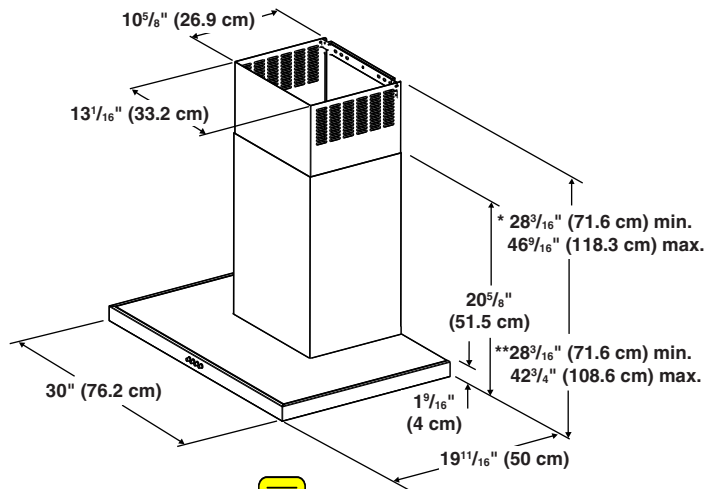
The canopy hood is factory set for venting through the roof or wall. For non-vented (recirculating) installation, see "For non-vented (recirculating) installation only" in the "Connect Vent System" section. Charcoal Filter Kit Part Number W10412939 is available from your dealer or an authorized parts distributor.

All openings in ceiling and wall where canopy hood will be installed must be sealed.

### For Mobile Home Installations

The installation of this range hood must conform to the Manufactured Home Construction Safety Standards, Title 24 CFR, Part 328 (formerly the Federal Standard for Mobile Home Construction and Safety, Title 24, HUD, Part 280) or, when such standard is not applicable, the standard for Manufactured Home Installation 1982 (Manufactured Home Sites, Communities and Setups) ANSI A225.1/NFPA 501A or latest edition, or with local codes.

### Product Dimensions

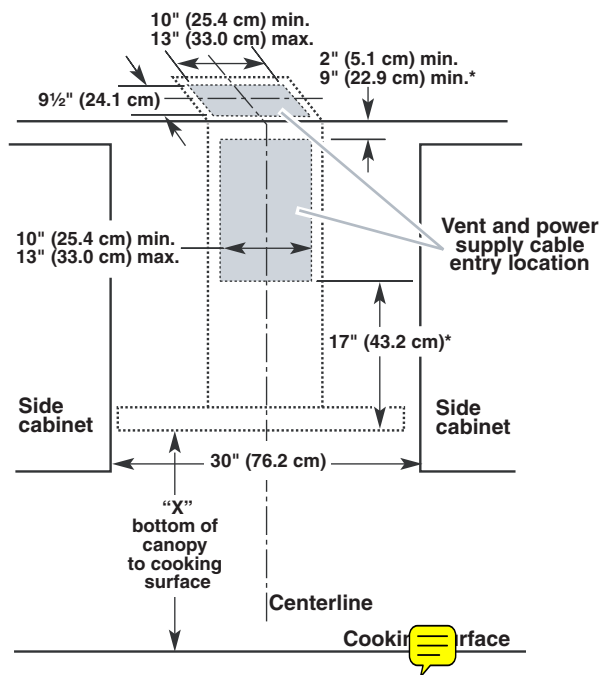


\* For non-vented (recirculating) installations

\*\* For vented installations

†TORX and T20 are registered trademarks of Acument Intellectual Properties, LLC.

## Cabinet Dimensions



\* For non-vented (recirculating) installations

### IMPORTANT:

Minimum distance "X": 24" (61 cm)  
from electric cooking surface

Minimum distance "X": 27" (68.6 cm)  
from gas cooking surface

Suggested maximum distance "X": 36" (91.4 cm)

The chimneys can be adjusted for different ceiling heights.  
See the following chart.

Vented Installations		
	Min. ceiling height	Max. ceiling height
Electric cooking surface	7' 5" (2.26 m)	9' 6" (2.9 m)
Gas cooking surface	7' 8" (2.34 m)	9' 6" (2.9 m)
Non-Vented (Recirculating) Installations		
	Min. ceiling height	Max. ceiling height
Electric cooking surface	7' 5" (2.26 m)	9' 10" (3 m)
Gas cooking surface	7' 8" (2.34 m)	9' 10" (3 m)

**NOTE:** The range hood chimneys are adjustable and designed to meet varying ceiling or soffit heights, depending on the distance "X" between the bottom of the range hood and the cooking surface. For higher ceilings, a Stainless Steel Chimney Extension Kit Part Number EXTKIT25FS is available from your dealer or an authorized parts distributor. The chimney extension replaces the upper chimney shipped with the range hood.

## Venting Requirements

(vented models only)

- Vent system must terminate to the outdoors except for non-vented (recirculating) installations.
- Do not terminate the vent system in an attic or other enclosed area.
- Do not use 4" (10.2 cm) laundry-type wall cap.
- Use metal vent only. Rigid metal vent is recommended. Plastic or metal foil vent is not recommended.
- The length of vent system and number of elbows should be kept to a minimum to provide efficient performance.

### For the Most Efficient and Quiet Operation:

- Use no more than three 90° elbows.
- Make sure there is a minimum of 24" (61 cm) of straight vent between the elbows if more than 1 elbow is used.
- Do not install 2 elbows together.
- Use clamps to seal all joints in the vent system.
- The vent system must have a damper. If the roof or wall cap has a damper, do not use the damper supplied with the range hood.
- Use caulking to seal exterior wall or roof opening around the cap.
- The size of the vent should be uniform.

### Cold Weather Installations

An additional backdraft damper should be installed to minimize backward cold air flow and a thermal break should be installed to minimize conduction of outside temperatures as part of the vent system. The damper should be on the cold air side of the thermal break.

The break should be as close as possible to where the vent system enters the heated portion of the house.

### Makeup Air

Local building codes may require the use of makeup air systems when using ventilation systems greater than specified CFM of air movement. The specified CFM varies from locale to locale. Consult your HVAC professional for specific requirements in your area.

### Venting Methods

This canopy hood is factory set for venting through the roof or wall.

A 6" (15.2 cm) round vent system is needed for installation (not included). The hood exhaust opening is 6" (15.2 cm) round.

**NOTE:** Flexible vent is not recommended. Flexible vent creates back pressure and air turbulence that greatly reduce performance.

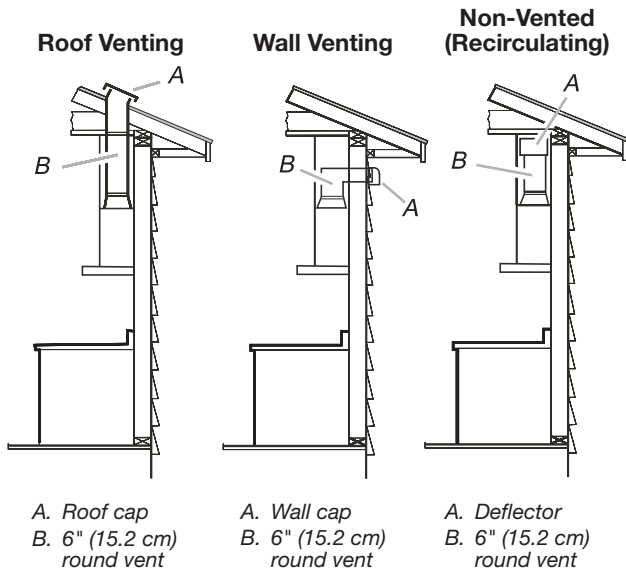
Vent system can terminate either through the roof or wall. To vent through a wall, a 90° elbow is needed.

### Rear Discharge

A 90° elbow may be installed immediately above the hood.

## For Non-Vented (Recirculating) Installations

If it is not possible to vent cooking fumes and vapors to the outside, the hood can be used in the non-vented (recirculating) version by fitting a charcoal filter and the deflector. To order, see the "Assistance or Service" section.



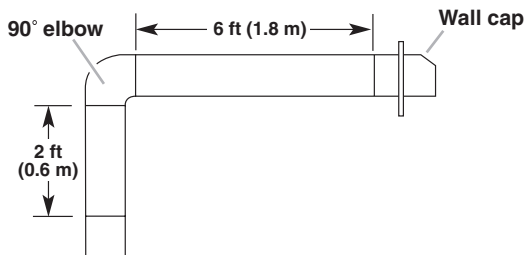
## Calculating Vent System Length

To calculate the length of the system you need, add the equivalent feet (meters) for each vent piece used in the system.

Vent Piece	6" (15.2 cm) Round	
45° elbow	2.5 ft (0.8 m)	
90° elbow	5 ft (1.5 m)	

Maximum equivalent vent length is 35 ft (10.7 m).

## Example Vent System



The following example falls within the maximum recommended vent length of 35 ft (10.7 m).

1 - 90° Elbow	= 5 ft (1.5 m)
1 - Wall cap	= 0 ft (0 m)
8 ft (2.4 m) straight	= 8 ft (2.4 m)
Length of system	= 13 ft (3.9 m)

## Electrical Requirements

Observe all governing codes and ordinances.

Ensure that the electrical installation is adequate and in conformance with National Electrical Code, ANSI/NFPA 70 (latest edition), or CSA Standards C22.1-94, Canadian Electrical Code, Part 1 and C22.2 No. 0-M91 (latest edition), and all local codes and ordinances.

If codes permit and a separate ground wire is used, it is recommended that a qualified electrician determine that the ground path is adequate.

A copy of the above code standards can be obtained from:

National Fire Protection Association  
1 Batterymarch Park  
Quincy, MA 02169-7471  
CSA International  
8501 East Pleasant Valley Road  
Cleveland, OH 44131-5575

- A 120-volt, 60-Hz., AC-only, 15-amp, fused electrical circuit is required.
- If the house has aluminum wiring, follow the procedure below:
  1. Connect a section of solid copper wire to the pigtail leads.
  2. Connect the aluminum wiring to the added section of copper wire using special connectors and/or tools designed and UL listed for joining copper to aluminum.

Follow the electrical connector manufacturer's recommended procedure. Aluminum/copper connection must conform with local codes and industry accepted wiring practices.
- Wire sizes and connections must conform with the rating of the appliance as specified on the model/serial/rating plate. The model/serial/rating plate is located behind the left filter on the rear wall of the range hood.
- Wire sizes must conform to the requirements of the National Electrical Code, ANSI/NFPA 70 (latest edition), or CSA Standards C22.1-94, Canadian Electrical Code, Part 1, and C22.2 No. 0-M91 (latest edition), and all local codes and ordinances.

# INSTALLATION INSTRUCTIONS

## Prepare Location

- It is recommended that the vent system be installed before hood is installed.
  - Before making cutouts, make sure there is proper clearance within the ceiling or wall for exhaust vent.
  - Check your ceiling height and the hood height maximum before you install your hood. See “Cabinet Dimensions” in the “Location Requirements” section for details.
1. Disconnect power.
  2. Determine which venting method to use: roof, wall, or non-vented.
  3. Select a flat surface for assembling the range hood. Place covering over that surface.

### **WARNING**

#### **Excessive Weight Hazard**

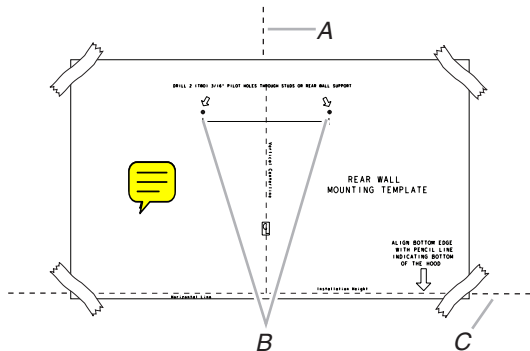
**Use two or more people to move and install range hood.**

**Failure to do so can result in back or other injury.**

4. Using 2 or more people, lift range hood onto covered surface.
5. Remove wood base from range hood and dispose of properly.
6. Remove the metal grease filter and the white foam shipping block from inside the range hood located below the blower.

### Range Hood Mounting Screws Installation

1. Determine and mark the centerline on the wall where the canopy hood will be installed.
2. Select a mounting height between a minimum of 24" (61 cm) for an electric cooking surface, a minimum of 27" (68.6 cm) for a gas cooking surface, and a suggested maximum of 36" (91.4 cm) above the range to the bottom of the hood. Mark a reference line on the wall.
3. Tape template in place, aligning the template centerline and bottom of template with hood bottom line and with the centerline marked on the wall.



- A. Centerline
- B. Fastener locations
- C. Mounting height reference (hood bottom line)

4. Mark centers of the fastener locations through the template to the wall.

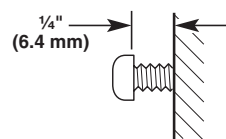
**IMPORTANT:** All canopy mounting screws must be installed into wood where possible. If there is no wood to screw into, additional wall framing supports may be required or use the (4) 10 x 60 mm wall anchors and 5.4 x 75 mm screws. Remove the template.

5. For wood, drill  $\frac{3}{16}$ " (4.8 mm) pilot holes at all locations where screws are being installed into wood.

For wall anchors, drill  $\frac{7}{16}$ " (10 mm) holes at all locations where wall anchors are being used.

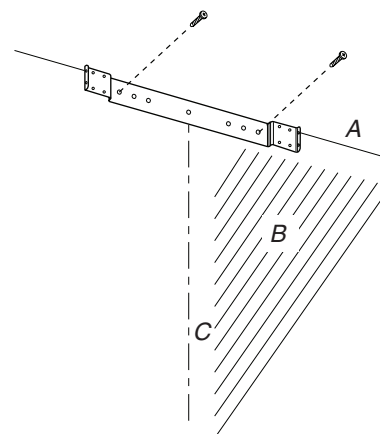
6. For wood, install (2) 5 x 45 mm mounting screws. Leave a  $\frac{1}{4}$ " (6.4 mm) gap between the wall and the back of the screw head to slide range hood into place.

For wall anchors, install the 10 x 60 mm wall anchors and install the 5.4 x 75 mm screws into the wall anchors. Tighten until the wall anchors are secure. Back the screws out  $\frac{1}{4}$ " (6.4 mm).



### Vent Cover Bracket Installation

1. Attach vent cover bracket to wall flush to the ceiling using (2) 5 x 45 mm screws. Use optional wall anchors if needed.



- A. Ceiling
- B. Wall
- C. Centerline

### Complete Preparation

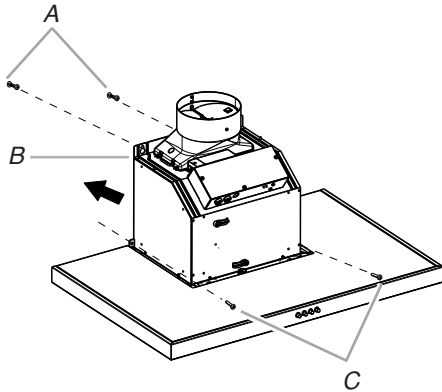
1. Determine and make all necessary cuts in the wall for the vent system. Install the vent system before installing the hood. See “Venting Requirements” section.
  2. Determine the required height for the home power supply cable and drill a  $1\frac{1}{4}$ " (3.2 cm) hole at this location.
  3. Run the home power supply cable according to the National Electrical Code or CSA Standards and local codes and ordinances. There must be enough  $\frac{1}{2}$ " conduit and wires from the fused disconnect (or circuit breaker) box to make the connection in the hood’s electrical terminal box.
- NOTE:** Do not reconnect power until installation is complete.
4. Use caulk to seal all openings.



## Install Range Hood

**NOTE:** Remove protective film from range hood and metal filters.

- Using 2 or more people, hang range hood on 2 mounting screws through the mounting slots on back of hood.

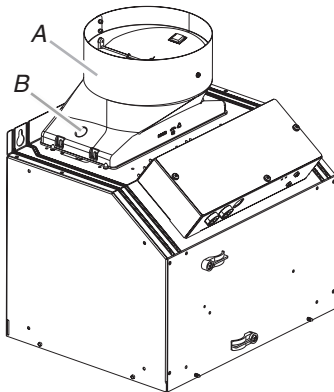


A. Mounting screws  
B. Mounting slots  
C. Lower mounting screws

- Remove the grease filter. See "Range Hood Care" section.
- Level the range hood and tighten upper mounting screws.
- Install (2) 5 x 45 mm lower mounting screws and tighten. Use the optional wall anchors if needed.

## Connect Vent System

- Install transition on top of hood (if removed for shipping) with (2) 3.5 x 9.5 mm sheet metal screws.



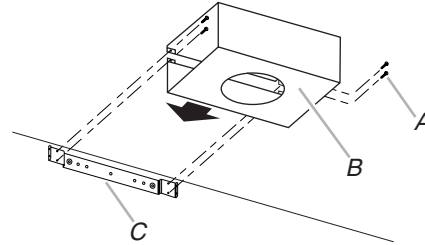
A. Vent transition  
B. 3.5 x 9.5 mm screw

### For vented installations only:

- Fit vent system over transition piece.
- Seal connection with clamps.
- Check that backdraft dampers work properly.

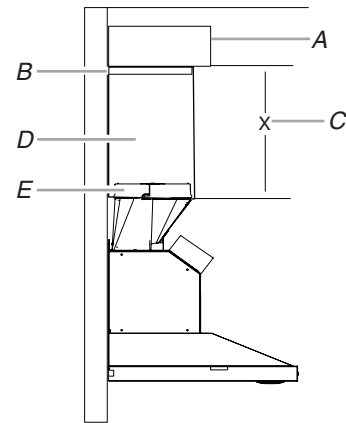
### For non-vented (recirculating) installation only:

- Assemble the air deflector with the duct cover bracket using (4) 4.2 x 8 mm T20® screws. Use T20® Torx® drive (or T20® adapter provided) to tighten.



A. Assembly screws  
B. Air deflector  
C. Duct cover bracket

- Measure from the bottom of the air deflector to the bottom of the hood outlet.



A. Air deflector  
B. Vent clamp  
C. X = length to cut vent duct  
D. Vent duct  
E. Exhaust outlet

- Cut the duct to the measured size "X."
- Remove the air deflector.
- Slide the duct onto the bottom of the air deflector.
- Place the assembled air deflector and duct over the exhaust outlet from the hood.
- Reassemble the air deflector to the duct cover bracket with the 4 assembly screws.
- Seal connections with vent clamps.

## Make Electrical Connection

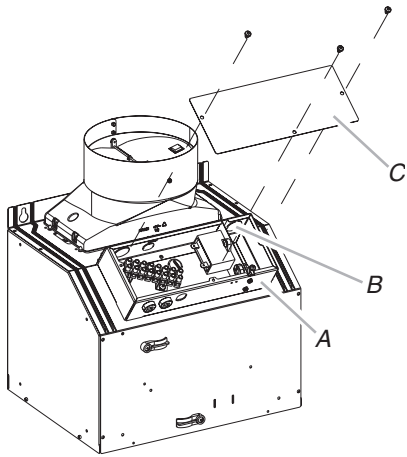
### **⚠ WARNING**



#### Electrical Shock Hazard

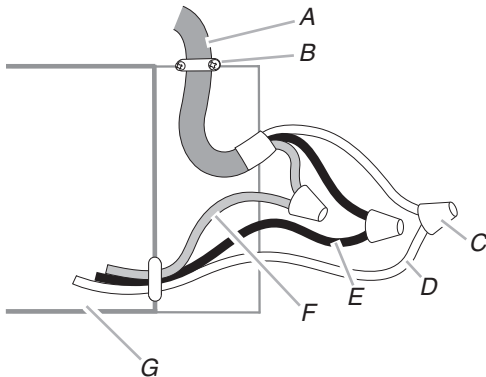
**Disconnect power before servicing.**  
**Replace all parts and panels before operating.**  
**Failure to do so can result in death or electrical shock.**

1. Disconnect power.
2. Remove terminal box cover.
3. Remove the knockout in the terminal box and install a UL listed or CSA approved 1/2" strain relief.



A. Terminal box  
 B. Knockout  
 C. Terminal box cover

4. Run home power supply cable through strain relief into terminal box.



A. Home power supply cable  
 B. UL listed or CSA approved strain relief  
 C. UL listed wire connectors  
 D. White wires  
 E. Black wires  
 F. Green (or bare) and yellow-green ground wires  
 G. Terminal box

5. Use UL listed wire connectors and connect black wires (E) together.

6. Use UL listed wire connectors and connect white wires (D) together.

### **⚠ WARNING**



#### Electrical Shock Hazard

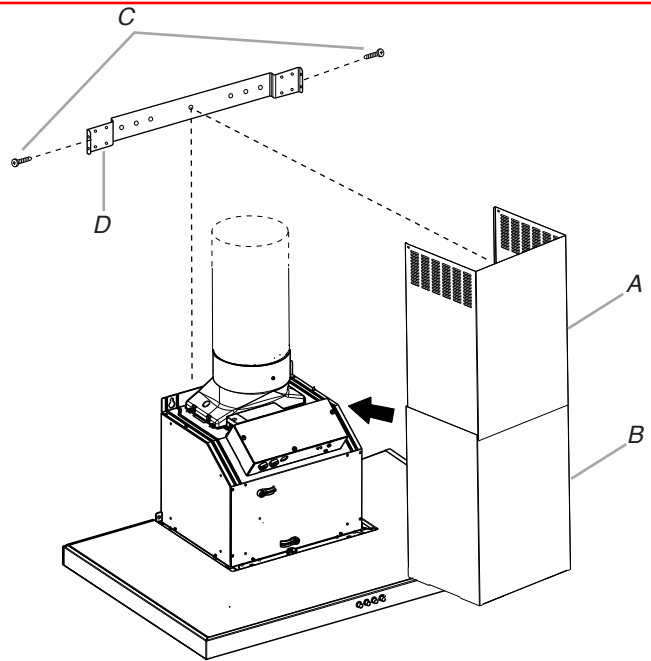
**Electrically ground blower.**  
**Connect ground wire to green and yellow ground wire in terminal box.**  
**Failure to do so can result in death or electrical shock.**

7. Connect green (or bare) ground wire from home power supply to yellow-green ground wire (F) in terminal box using UL listed wire connectors.
8. Tighten strain relief screw.
9. Install terminal box cover.
10. Check that all light bulbs are secure in their sockets.
11. Reconnect power.

## Install Vent Covers

**NOTE:** Remove protective film from the vent covers.

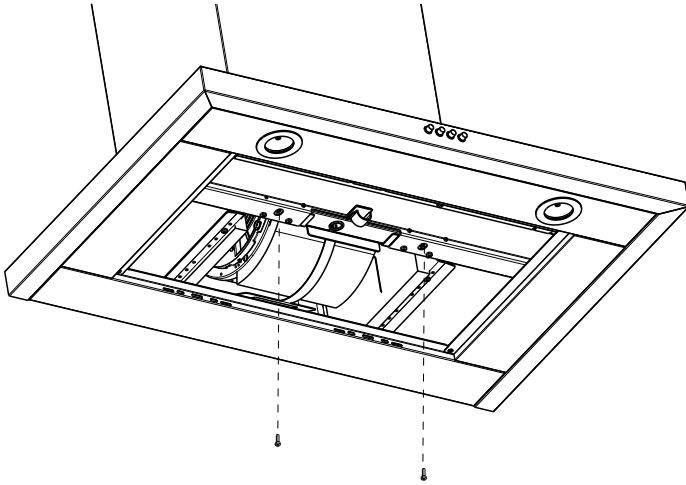
1. When using both upper and lower vent covers, push lower cover down onto hood and lift upper cover to ceiling. Install with (2) 4.2 x 8 mm screws.



A. Upper vent cover  
 B. Lower vent cover  
 C. 4.2 x 8 mm screws  
 D. Bracket

**NOTE:** For vented installations, the upper vent cover may be reversed to hide slots.

- Secure the bottom of the duct with (2) 4.2 x 8 mm assembly screws.



## Complete Installation

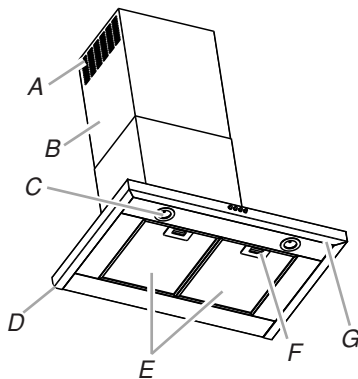
- For non-vented (recirculating) installations only, install charcoal filters over grille on blower housing. See the "Range Hood Care" section.
- Install metal filters. See the "Range Hood Care" section.
- Check the operation of the range hood blower and light. See the "Range Hood Use" section.

**NOTE:** To get the most efficient use from your new range hood, read the "Range Hood Use" section.

## RANGE HOOD USE

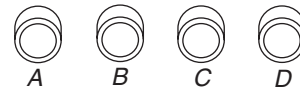
The range hood is designed to remove smoke, cooking vapors, and odors from the cooktop area. For best results, start the hood before cooking and allow it to operate several minutes after the cooking is complete to clear all smoke and odors from the kitchen.

The hood controls are located on the front side of the canopy.



- A. Louver holes (non-vented/ recirculating installations)
- B. Duct covers
- C. LED lights
- D. Canopy
- E. Grease filters
- F. Grease filter handles
- G. Controls

### Range Hood Controls



- A. On/Off light button
- B. Blower off and speed minimum button
- C. Blower speed medium button
- D. Blower speed maximum button

### Operating the light

The On/Off light button controls both lights. Press once for ON and again for OFF.

### Operating the blower

The Blower Speed buttons turn the blower on and control the blower speed and sound level for quiet operation. The speed can be changed anytime during fan operation by pressing the desired Blower Speed button.

Press the Blower Off button a second time to turn the blower off.

# RANGE HOOD CARE

## Cleaning

**IMPORTANT:** Clean the hood and grease filters frequently according to the following instructions. Replace grease filters before operating hood.

### Exterior Surfaces

To avoid damage to the exterior surface, do not use steel wool or soap-filled scouring pads.

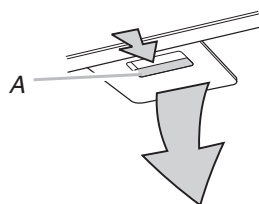
Always wipe dry to avoid water marks.

#### Cleaning Method:

- Liquid detergent soap and water or all-purpose cleanser
- Wipe with damp soft cloth or nonabrasive sponge, and then rinse with clean water and wipe dry.

### Metal Grease Filter

1. Remove the filter by pulling the spring-release handle and then pulling down the filter.



A. Spring-release handle

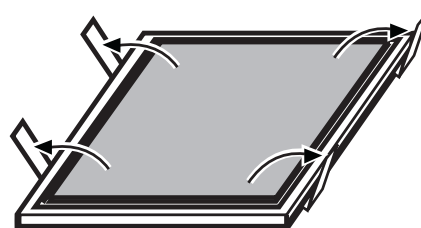
2. Wash metal filter as needed in dishwasher or hot detergent solution.
3. Reinstall the filter by making sure the spring-release handles are toward the front. Insert aluminum filter into upper track.
4. Push in spring-release handle.
5. Push up on metal filter and release handle to latch into place.
6. Repeat steps 1 through 5 for the other filter.

### Non-Vented (recirculating) Installation Filters

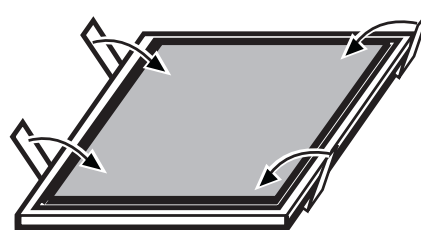
The charcoal filter is not washable. It should last up to 6 months with normal use. Replace with Charcoal Filter Kit. See the "Assistance or Service" section for information on ordering.

#### To replace charcoal filter:

1. Remove metal grease filter from range hood. See "Metal Grease Filter" in this section.
2. Bend spring clips away from metal grease filter.



3. Place charcoal filter into top side of metal filter.
4. Bend spring clips back into place to secure the charcoal filter to the metal filter.

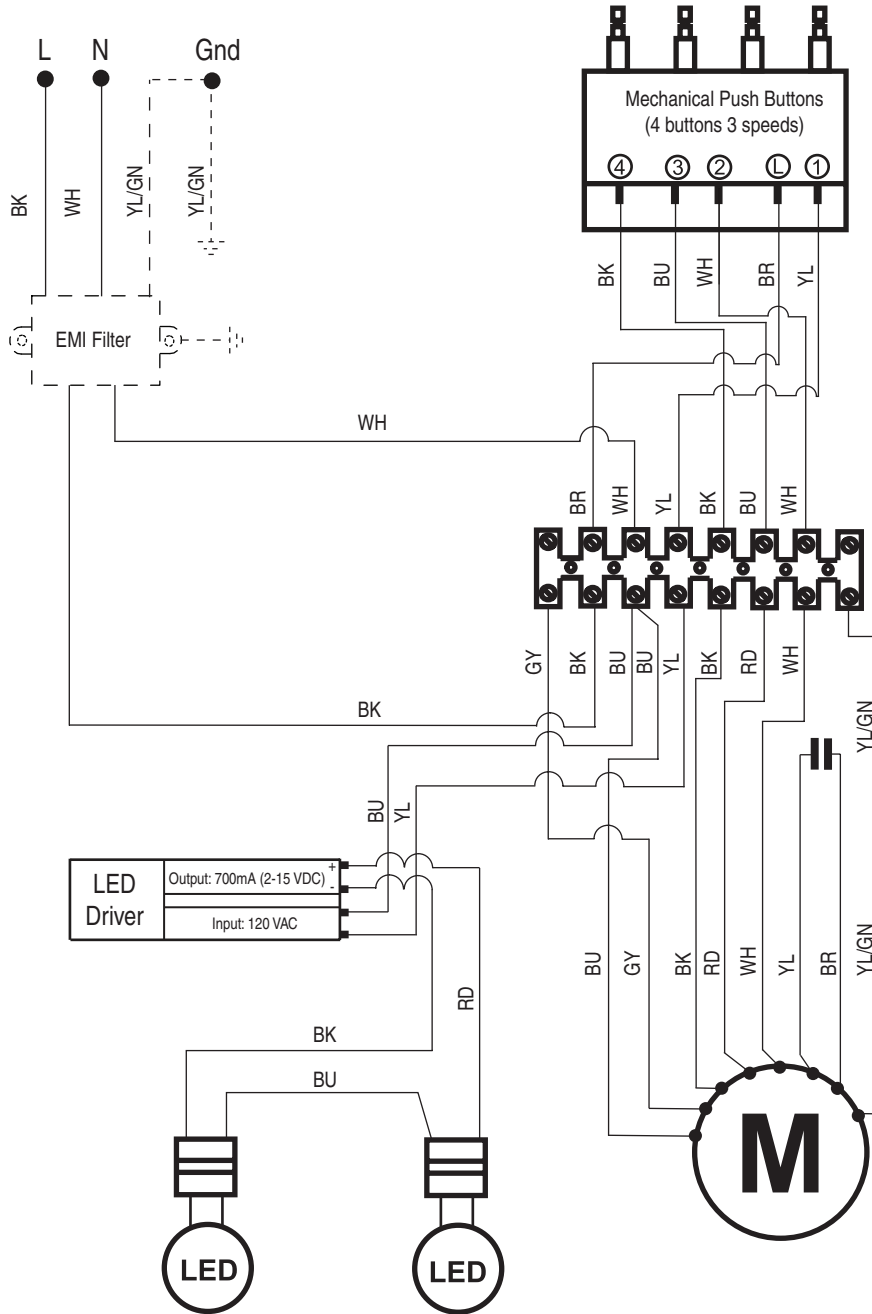


5. Replace metal grease filter. See "Metal Grease Filter" in this section.

### Replacing an LED Lamp

The LED lights are replaceable by a service technician only. See the "Warranty" section for service contact information.

# WIRING DIAGRAM



Push Button Switch Operation	
FUNCTION	POSITION
Off	No Connection
Lamps	Brown/Yellow (L-1)
Low Speed	Brown/White (L-2)
Med Speed	Brown/Blue (L-3)
High Speed	Brown/Black (L-4)

Motor Specifications	
Power Supply	120 VAC
Frequency	60 Hz
Power Absorption	240 W
Motor Resistance ( $\Omega$ )	
Blue/Black	17.7
Blue/Gray	27.1
Blue/Red	34.6
Blue/White	41.2

**SEL0113400**

# ASSISTANCE OR SERVICE

Before calling for assistance or service, please check to see whether a circuit breaker has tripped or a household fuse has blown. It may save you the cost of a service call. If you still need help, follow the instructions below.

When calling, please know the purchase date and the complete model and serial number of your appliance. This information will help us to better respond to your request.

## If You Need Replacement Parts

If you need to order replacement parts, we recommend that you use only factory specified parts. Factory specified parts will fit right and work right because they are made with the same precision used to build every new IKEA® appliance.

To locate factory **specified parts** in your area, call us or your nearest designated service center.

## In the U.S.A.

Call the Whirlpool Customer eXperience Center toll-free: **1-866-664-2449**.

### Our Consultants Provide Assistance With:

- Features and specifications on our full line of appliances.
- Installation information.
- Use and maintenance procedures.
- Accessory and repair parts sales.
- Specialized customer assistance (Spanish speaking, hearing impaired, limited vision, etc.).
- Referrals to local dealers, repair parts distributors, and service companies. Whirlpool designated service technicians are trained to fulfill the product warranty and provide after-warranty service anywhere in the United States.

### For Further Assistance

If you need further assistance, you can write to Whirlpool Corporation with any questions or concerns at:

IKEA Brand Home Appliances  
Customer eXperience Center  
553 Benson Road  
Benton Harbor, MI 49022-2692

Please include a daytime phone number in your correspondence.

## In Canada

Call the Whirlpool Canada Customer eXperience Centre toll-free: **1-866-664-2449**.

### Our Consultants Provide Assistance With:

- Features and specifications on our full line of appliances.
- Use and maintenance procedures.
- Accessory and repair parts sales.
- Referrals to local dealers, repair parts distributors, and service companies. Whirlpool Canada LP designated service technicians are trained to fulfill the product warranty and provide after-warranty service anywhere in Canada.

### For Further Assistance

If you need further assistance, you can write to Whirlpool Canada with any questions or concerns at:

Customer eXperience Centre  
Whirlpool Canada LP  
200 - 6750 Century Ave.  
Mississauga, Ontario L5N 0B7

Please include a daytime phone number in your correspondence.

## Accessories

### Charcoal Filter

(for non-vented installations only)  
Order Part Number W10412939

### Chimney Extension Kit

Order Part Number EXTKIT25FS

### 6" (15.2 cm) Makeup Air Kit

(Consult local building codes.)  
Order Part Number W10446915

# IKEA MAJOR APPLIANCE WARRANTY

## How long is the IKEA limited warranty valid?

This limited warranty is valid for five years from the date of purchase, when this major appliance is operated and maintained according to instructions attached to or furnished with the product, unless the appliance is named LAGAN in which case this limited warranty is valid for one year from the date of purchase. This limited warranty is valid only in the United States or Canada and applies only when the major appliance is used in the country in which it was purchased. Proof of original purchase date is required to obtain service under this limited warranty.

## Which appliances are not covered by the IKEA five (5) year limited warranty?

For major appliances named “LAGAN,” this limited warranty is valid for one year from the date of purchase.

## Who will execute the service?

This limited warranty is provided by Whirlpool Corporation or Whirlpool Canada LP (hereafter “Whirlpool”). Service must be provided by a Whirlpool designated service company.


## What does this limited warranty cover?

The limited warranty will pay for factory specified parts and repair labor to correct defects in materials or workmanship that existed when the major appliance was purchased. The exceptions are specified under the headline “What is not covered under this limited warranty?”.

## What will be done to correct the problem?

The designated service company will examine the product and decide, at its sole discretion, if it is covered under this limited warranty. If considered covered, the designated service company will then repair the defect. Your sole and exclusive remedy under this limited warranty shall be product repair as provided herein.

## What is not covered under this limited warranty?

- Service calls to correct the installation of your major appliance, to instruct you on how to use your major appliance, to replace or repair house fuses, or to correct house wiring or plumbing.
- Service calls to repair or replace appliance light bulbs, air filters or water filters. Consumable parts are excluded from warranty coverage.
- Replacement parts or repair labor if this major appliance is used for other than normal, single-family household use or when it is used in a manner that is inconsistent to published user or operator instructions and/or installation instructions.
- Damage resulting from accident, alteration, misuse, abuse, fire, flood, acts of God, improper installation, installation not in accordance with electrical or plumbing codes, or use of consumables or cleaning products not approved for use.
- Cosmetic damage, including scratches, dents, chips or other damage to the finish of your major appliance, unless such damage results from defects in materials or workmanship and is reported within 30 days from the date of purchase.
- Any food loss or medicine loss due to refrigerator or freezer product failures.
-  and delivery. This major appliance is intended to be repaired in your home.
- Repairs to parts or systems resulting from unauthorized modifications made to the appliance.
- Expenses for travel and transportation for product service if your major appliance is located in a remote area where service by an authorized servicer is not available.
- The removal and reinstallation of your major appliance if it is installed in an inaccessible location or is not installed in accordance with published installation instructions.
- Replacement parts or repair labor on major appliances with original model/serial numbers that have been removed, altered or cannot be easily determined.

**The cost of repair or replacement under these excluded circumstances shall be borne by the customer.**

## Disclaimer of Implied Warranties

IMPLIED WARRANTIES, INCLUDING ANY IMPLIED WARRANTY OF MERCHANTABILITY OR IMPLIED WARRANTY OF FITNESS FOR A PARTICULAR PURPOSE, ARE LIMITED TO FIVE YEARS (ONE YEAR FOR MAJOR APPLIANCES NAMED “LAGAN”) OR THE SHORTEST PERIOD ALLOWED BY LAW. Some states and provinces do not allow limitations on the duration of implied warranties of merchantability or fitness, so this limitation may not apply to you. This warranty gives you specific legal rights, and you also may have other rights that vary from state to state or province to province.

## Limitation of Remedies; Exclusion of Incidental and Consequential Damages

YOUR SOLE AND EXCLUSIVE REMEDY UNDER THIS LIMITED WARRANTY SHALL BE PRODUCT REPAIR AS PROVIDED HEREIN. WHIRLPOOL SHALL NOT BE LIABLE FOR INCIDENTAL OR CONSEQUENTIAL DAMAGES. Some states and provinces do not allow the exclusion or limitation of incidental or consequential damages, so these limitations and exclusions may not apply to you. This warranty gives you specific legal rights, and you also may have other rights that vary from state to state or province to province.

## How to reach us if you need our service

If outside the 50 United States and Canada, contact your authorized IKEA retailer to determine if another warranty applies.

If you need service, please read the Installation Instructions and/or the “Troubleshooting” section of the Use & Care Guide before contacting us. If you need additional help, do not hesitate to contact us in the U.S.A. and Canada at **1-866-664-2449**.


---

**Keep this book and your sales slip together for future reference. You must provide proof of purchase or installation date for in-warranty service.**

Write down the following information about your major appliance to better help you obtain assistance or service if you ever need it. You will need to know your complete model number and serial number. You can find this information on the model and serial number label located on the product.

Dealer name \_\_\_\_\_

Address \_\_\_\_\_

Phone number  \_\_\_\_\_

Model number \_\_\_\_\_

Serial number \_\_\_\_\_

Purchase date \_\_\_\_\_



# SEGURIDAD DE LA CAMPANA PARA COCINA

## Su seguridad y la seguridad de los demás es muy importante.

Hemos incluido muchos mensajes importantes de seguridad en este manual y en su electrodoméstico. Lea y obedezca siempre todos los mensajes de seguridad.



Este es el símbolo de advertencia de seguridad.

Este símbolo le llama la atención sobre peligros potenciales que pueden ocasionar la muerte o una lesión a usted y a los demás.

Todos los mensajes de seguridad irán a continuación del símbolo de advertencia de seguridad y de la palabra "PELIGRO" o "ADVERTENCIA". Estas palabras significan:

 **PELIGRO**

**Si no sigue las instrucciones de inmediato, usted puede morir o sufrir una lesión grave.**

 **ADVERTENCIA**

**Si no sigue las instrucciones, usted puede morir o sufrir una lesión grave.**

Todos los mensajes de seguridad le dirán el peligro potencial, le dirán cómo reducir las posibilidades de sufrir una lesión y lo que puede suceder si no se siguen las instrucciones.

Advertencias de la Proposición 65 del estado de California:

**ADVERTENCIA:** Este producto contiene una o más sustancias químicas identificadas por el estado de California como causantes de cáncer.

**ADVERTENCIA:** Este producto contiene una o más sustancias químicas identificadas por el estado de California como causantes de defectos congénitos o algún otro tipo de daños en la función reproductora.

# INSTRUCCIONES IMPORTANTES DE SEGURIDAD

**ADVERTENCIA:** PARA REDUCIR EL RIESGO DE INCENDIOS, CHOQUE ELÉCTRICO O LESIONES A PERSONAS, OBSERVE LO SIGUIENTE:

- Use esta unidad sólo de la manera para la que fue diseñada por el fabricante. Si tiene preguntas, póngase en contacto con el fabricante.
- Antes de dar servicio o limpiar esta unidad, apague el suministro de energía en el panel de servicio, y bloquee los medios de desconexión del servicio para evitar que se encienda accidentalmente el suministro de energía. Cuando el medio de desconexión del servicio no se pueda bloquear, sujete de manera segura un dispositivo de advertencia prominente, como podría ser una etiqueta, al panel de servicio.
- El trabajo de instalación y cableado se debe llevar a cabo por una persona(s) calificada(s), en conformidad con todos los códigos y estándares aplicables, incluyendo construcciones clasificadas como resistentes al fuego.
- No opere ningún ventilador que tenga un cable o enchufe dañado. Deshágase del ventilador o devuélvalo a un lugar de servicio autorizado para que sea examinado y/o reparado.
- Es necesario que haya suficiente aire para la adecuada combustión y ventilación de gases a través del conducto (la chimenea) del equipo que consume combustible, para evitar que ocurra contratiro. Siga la guía y los estándares de seguridad del fabricante del equipo de calefacción, como serían aquéllos publicados por National Fire Protection Association (NFPA) (Asociación nacional de protección contra incendios), American Society for Heating, Refrigeration and Air Conditioning Engineers (ASHRAE) (Sociedad estadounidense para ingenieros de calefacción, refrigeración y acondicionamiento de aire) y las autoridades de códigos locales.
- Cuando corte o taladre en una pared o techo, no dañe el cableado eléctrico ni otros servicios públicos ocultos.
- Los ventiladores con conductos siempre deben dar salida al aire hacia el exterior.

**CUIDADO:** Para usarse solamente en ventilación común. No lo utilice para ventilar materiales y vapores peligrosos o explosivos.

**CUIDADO:** Para reducir el riesgo de incendio y para ventilar el aire adecuadamente, asegúrese de dirigir el conducto de ventilación hacia el exterior - no ventile el aire de salida a espacios dentro de paredes o techos, áticos, espacios angostos o garajes.

**ADVERTENCIA:** PARA REDUCIR EL RIESGO DE INCENDIO, SÓLO USE CONDUCTOS METÁLICOS.

**ADVERTENCIA:** PARA REDUCIR EL RIESGO DE INCENDIO PROVOCADO POR GRASA EN LA SUPERFICIE DE LA ESTUFA:

- Nunca deje las unidades de superficie sin vigilancia cuando estén en ajustes altos. Los derrames por hervor causan salpicaduras grasosas y humeantes, las cuales pueden encenderse. Caliente los aceites lentamente y con ajustes bajos o medios.
- Siempre ENCIENDA la campana cuando cocine con calor alto o cuando flamee alimentos (por ejemplo, crepes Suzette, cerezas Jubileo y flameado de carne de res con pimienta).
- Limpie los ventiladores con frecuencia. No permita que se acumule la grasa en el ventilador o en el filtro.
- Use cacerolas del tamaño adecuado. Siempre use utensilios de cocción que sean los adecuados para el tamaño del elemento de la superficie.

**ADVERTENCIA:** PARA REDUCIR EL RIESGO DE LESIONES A PERSONAS SI SE PRENDE FUEGO EN LA SUPERFICIE DE LA ESTUFA OCASIONADO POR GRASA, OBSERVE LO SIGUIENTE:<sup>a</sup>

- EXTINGA LAS LLAMAS con una tapa que encaje muy bien, una bandeja para galletas o una bandeja metálica, y luego apague el quemador. TENGA CUIDADO PARA EVITAR QUEMADURAS. Si las llamas no se extinguen de inmediato, EVACUE Y LLAME AL DEPARTAMENTO DE BOMBEROS.
- NUNCA AGARRE UNA CACEROLA QUE ESTÉ ARDIENDO - podría quemarse.
- NO UTILICE AGUA ni artículos de limpieza con agua, incluyendo paños para vajilla o toallas mojadas - podría ocurrir una explosión de vapor violenta.
- SÓLO use un extinguidor si:
  - Sabe a ciencia cierta que tiene un extinguidor de clase ABC y ya sabe cómo utilizarlo.
  - El incendio es pequeño y se encuentra contenido en el lugar en donde se inició.
  - Ha llamado al departamento de bomberos.
  - Puede apagar el fuego con su espalda mirando hacia una salida.

<sup>a</sup>Basado en “Consejos de seguridad para fuegos de cocina”, publicado por la NFPA (Asociación nacional de protección contra incendios).

- **ADVERTENCIA:** A fin de reducir el riesgo de incendio o de choque eléctrico, no use este ventilador con ningún dispositivo semiconductor para el control de la velocidad.

## LEA Y GUARDE ESTAS INSTRUCCIONES

# REQUISITOS DE INSTALACIÓN

## Herramientas y piezas

Reúna las herramientas y piezas necesarias antes de comenzar la instalación. Lea y siga las instrucciones provistas con cualquiera de las herramientas detalladas aquí.

### Herramientas necesarias

- Nivel
- Taladro con brocas de 1<sup>1</sup>/<sub>4</sub>" (3,2 cm), 3<sup>3</sup>/<sub>8</sub>" (9,5 mm) y 5<sup>1</sup>/<sub>16</sub>" (7,9 mm)
- Lápiz
- Pelacables o cuchillo de uso general
- Cinta de medir o regla
- Pinzas
- Pistola para calafateo y masilla para calafateo a prueba de agua
- Abrazaderas para ducto
- Sierra de vaivén o sierra caladora
- Destornillador de hoja plana
- Tijeras de hojalatero
- Destornillador Phillips
- Juego de llaves hexagonales métricas

### Piezas necesarias

- Cable de suministro eléctrico doméstico
- Protector de cables de 1<sup>1</sup>/<sub>2</sub>" (12,7 mm) que esté en la lista de UL o aprobado por CSA
- 3 conectores para cables que estén en la lista de UL

### Para las instalaciones con ducto de escape, también necesitará:

- 1 cubierta para pared o techo
- Sistema de ventilación metálico


### Para las instalaciones sin ducto de escape (con recirculación), también necesitará:

- Juego de filtro de carbón, pieza número W10412939, solamente para las instalaciones sin ducto de escape (con recirculación). Vea la sección "Ayuda o servicio técnico" para hacer pedidos.
- Ducto de escape redondo de metal de 6" (15,2 cm) de diámetro - el largo necesario está determinado por la altura del techo.

### Piezas suministradas

Saque las piezas de los paquetes. Verifique que estén todas las piezas.

- Ensamblaje del escudete para campana con ventilador y luces LED instalados
- Pieza de transición del ducto con compuertas de contratrio instaladas
- Soporte de la cubierta del ducto
- Filtro(s) de metal para grasa
- Plantilla de montaje
- Cubierta para ducto de 2 piezas

- 2 tornillos de 3,5 x 9,5 mm (Phillips)
- 8 tornillos de 4,2 x 8 mm (destornillador T20<sup>†</sup>)
- 6 tornillos de montaje de 5 x 45 mm (destornillador Phillips N° 2)
- 4 tornillos de 5,4 x 75 mm (Phillips) (para los taquetes para pared de 10 x 60 mm)
- 2 taquetes para pared de 8 x 40 mm (para albañilería)
- 4 taquetes para pared de 10 x 60 mm
- Adaptador  <sup>†</sup> T20<sup>®</sup>
- Desviador de aire (solo para las instalaciones sin ducto de escape [con recirculación])

## Requisitos de ubicación

**IMPORTANTE:** Observe todos los códigos y ordenanzas aplicables.

Haga que un técnico capacitado instale la campana para cocina. Es la responsabilidad del instalador cumplir con los espacios de instalación especificados en la placa con la clasificación de modelo/serie. La placa con clasificación de modelo/serie está ubicada detrás del filtro izquierdo, en la pared posterior de la campana de ventilación.

La ubicación de la campana con escudete deberá estar lejos de zonas con corrientes fuertes de aire, tales como ventanas, puertas y orificios de calefacción fuertes.

Deben usarse las dimensiones de la abertura del armario que se muestran. Las dimensiones proporcionadas proveen los espacios mínimos.

Se recomienda el uso de esta campana de cocina con superficies de cocción con una clasificación máxima total de 60 000 BTU o menos.

Se requiere un enchufe eléctrico con conexión a tierra. Vea la sección "Requisitos eléctricos".

La campana con escudete se ha ajustado de fábrica para tener una ventilación a través del techo o de la pared. Para ver la instalación sin ducto de escape (con recirculación), consulte "Solamente para las instalaciones sin ducto de escape (con recirculación)" en la sección "Conexión del sistema de ventilación". Juego de filtro de carbón, pieza número W10412939, está disponible con su distribuidor o un distribuidor de piezas autorizado.

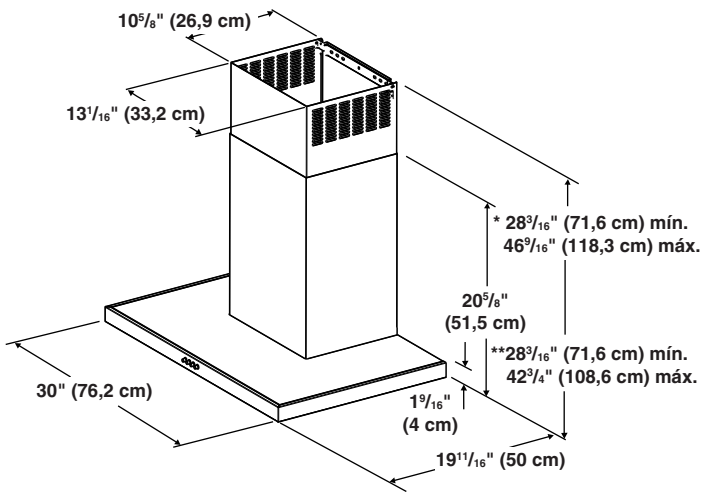
Se deben sellar todas las aberturas en el techo y la pared en donde se va a instalar la campana con escudete.

### Para la instalación en casas rodantes

La instalación de esta campana para cocina debe ajustarse a los Manufactured Home Construction Safety Standards (Estándares de seguridad y construcción de casas fabricadas), Título 24 CFR, Parte 328 (anteriormente conocidos como Federal Standard for Mobile Home Construction and Safety [Estándar federal para la seguridad y construcción de casas rodantes], Título 24, HUD Parte 280), o cuando dicho estándar no sea aplicable, el estándar Manufactured Home Installation (Estándar para instalación en casas fabricadas) de 1982 (Manufactured Home Sites, Communities and Setups [Obras, comunidades y proyectos de casas fabricadas]), ANSI A225.1/NFPA 501A, o la última edición o con los códigos locales.

<sup>†</sup>TORX y T20 son marcas registradas de Acument intellectual properties, LLC.

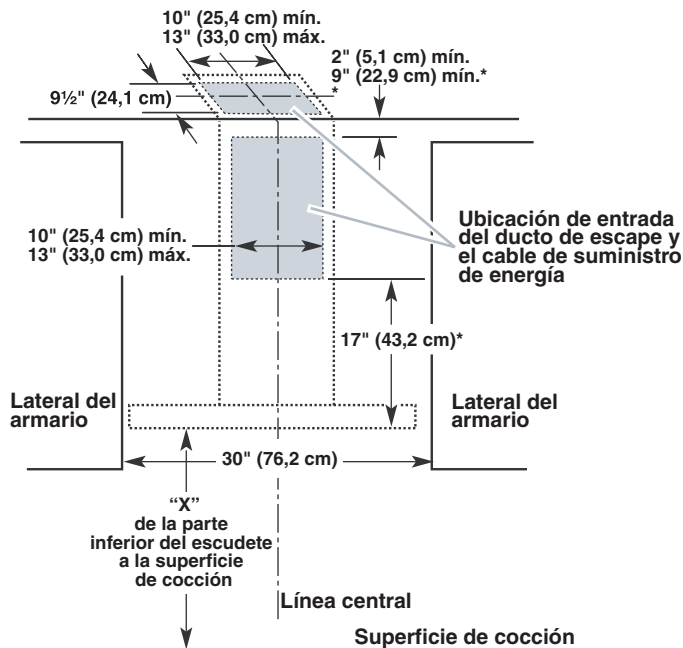
## Medidas del producto



\* Para las instalaciones sin ducto de escape (con recirculación)

\*\* Para las instalaciones con ducto de escape

## Dimensiones del armario



\* Para las instalaciones sin ducto de escape (con recirculación)

### IMPORTANTE:

Distancia mínima "X": 24" (61 cm) desde la superficie de cocción eléctrica

Distancia mínima "X": 27" (68,6 cm) desde la superficie de cocción a gas

Distancia máxima sugerida "X": 36" (91,4 cm)

Las chimeneas pueden regularse para las diferentes alturas del techo. Vea el cuadro siguiente.

### Instalaciones con ventilación

	Altura mínima del techo	Altura máxima del techo
Superficie de cocción eléctrica	7' 5" (2,26 m)	9' 6" (2,9 m)
Superficie de cocción a gas	7' 8" (2,34 m)	9' 6" (2,9 m)

### Instalaciones sin ducto de escape (con recirculación)

	Altura mínima del techo	Altura máxima del techo
Superficie de cocción eléctrica	7' 5" (2,26 m)	9' 10" (3 m)
Superficie de cocción a gas	7' 8" (2,34 m)	9' 10" (3 m)

**NOTA:** Las chimeneas de la campana para cocina son ajustables y se han diseñado para varias alturas de techos o soffits, dependiendo de la distancia "X" entre la parte inferior de la campana de cocina y la superficie de cocción. Para techos más altos, un Juego de extensión para chimenea de acero inoxidable, Pieza número EXTKIT25FS, se encuentra disponible con su distribuidor o un distribuidor de piezas autorizado. La extensión para chimenea reemplaza la chimenea superior que se envió con la campana de cocina.

## Requisitos de ventilación

(Modelos con ducto de escape solamente)

- El sistema de ventilación debe terminar en el exterior, excepto para las instalaciones sin ducto de escape (con recirculación).
- No dirija la salida del sistema de ventilación hacia el desván u otra área cerrada.
- No utilice una cubierta de pared de tipo para lavandería de 4" (10,2 cm).
- Utilice ducto de escape de metal únicamente. Se recomienda un ducto de escape de metal rígido. No se recomienda ducto de escape de plástico u hoja metálica.
- El largo del sistema de ventilación y el número de codos se deben mantener al mínimo para proveer un funcionamiento eficaz.

### Para obtener el funcionamiento más eficaz y silencioso:

- No use más de 3 codos de 90°.
- Asegúrese de que haya un mínimo de 24" (61 cm) de ducto de escape recto entre los codos, si se utiliza más de 1 codo.
- No instale 2 codos lado a lado.
- Use abrazaderas para sellar todas las juntas en el sistema de ventilación.
- El sistema de ventilación debe tener una compuerta. Si la cubierta del techo o la pared tiene una compuerta, no use la compuerta provista con la campana de cocina.
- Utilice masilla de calafateo para sellar la abertura exterior de la pared o el techo alrededor de la cubierta.
- El tamaño del ducto de escape debe ser uniforme.

## Instalaciones en climas fríos

Como parte del sistema de ventilación, se deberá instalar una compuerta de contratiro adicional para minimizar el flujo de aire frío hacia atrás, y un dispositivo de interrupción térmico para reducir la conducción de las temperaturas exteriores. La compuerta deberá estar en el lado del aire frío del dispositivo de interrupción térmico.

El dispositivo de interrupción deberá estar lo más cerca posible del lugar donde el sistema de ventilación entra a la parte con calefacción de la casa.

## Aire de complemento

Los códigos locales de construcción podrían requerir el uso de sistemas de aire de complemento, en el caso de que se usen sistemas de ventilación con un movimiento de aire mayor a los CFM (pies cúbicos por minuto) especificados. Los pies cúbicos por minuto especificados varían entre localidades. Consulte a su profesional de Calefacción, Ventilación y Acondicionamiento de Aire (HVAC) para obtener información sobre los requisitos particulares en su zona.

## Métodos de ventilación

Esta campana con escudete se ha ajustado de fábrica para tener una ventilación a través del techo o de la pared.

Se requiere un sistema de ventilación redondo de 6" (15,2 cm) para la instalación (no incluido). La abertura de ventilación de la campana es redonda, de 6" (15,2 cm).

**NOTA:** No se recomienda el uso de ductos de escape flexibles. Los ductos de escape flexibles crean contrapresión y turbulencia de aire, lo cual reduce el desempeño en gran medida.

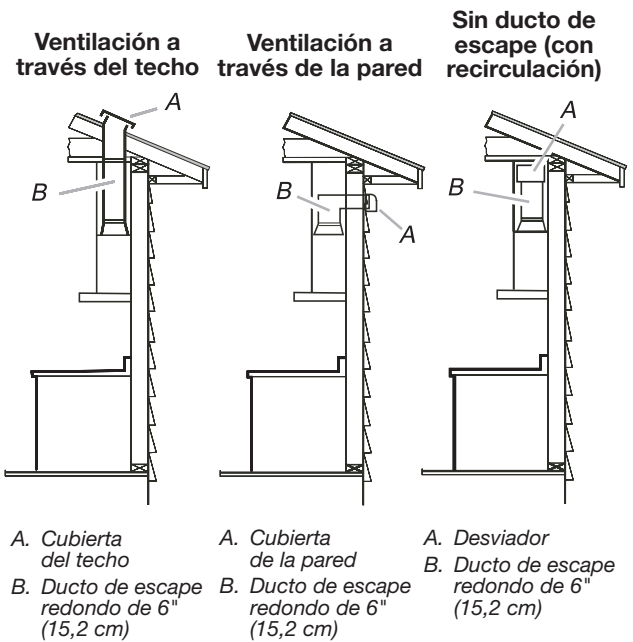
El sistema de ventilación debe terminar a través del techo o la pared. Para colocar el ducto a través de la pared, se necesita un codo de 90°.

## Descarga posterior

Se puede instalar un codo de 90° justo arriba de la campana.

## Para las instalaciones sin ducto de escape (con recirculación)

Si no es posible ventilar el humo y los vapores de la cocción al exterior, la campana puede usarse en la versión sin ducto de escape (con recirculación); use el desviador de aire (provisto) y un juego de filtro de carbón (no provisto). Para hacer pedidos, consulte la sección "Ayuda o servicio técnico".



## Cómo calcular el largo del sistema de ventilación

Para calcular el largo del sistema que necesita, sume los pies (metros) equivalentes para cada porción de ducto de escape que se utilice en el sistema.

### Porción de ducto de escape Redondo de 6" (15,2 cm)

Codo de 45°

2,5 pies (0,8 m)



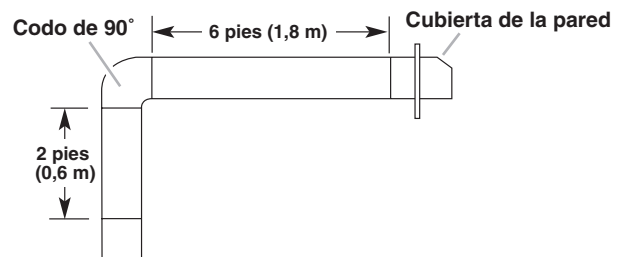
Codo de 90°

5 pies (1,5 m)



El largo máximo equivalente del ducto es 35 pies (10,7 m).

## Ejemplo de sistema de ventilación



El siguiente ejemplo tiene el largo máximo recomendado del ducto de escape de 35 pies (10,7 m).

1 codo de 90° = 5 pies (1,5 m)

1 cubierta de pared = 0 pies (0 m)

Porción recta de 8 pies (2,4 m) = 8 pies (2,4 m)

Largo del sistema = 13 pies (3,9 m)

## Requisitos eléctricos

Observe todos los códigos y reglamentos aplicables.

Asegúrese de que la instalación eléctrica sea adecuada y en conformidad con el National Electrical Code (Código Nacional Eléctrico), ANSI/NFPA 70 (última edición) o las normas de CSA C22.1-94, Canadian Electrical Code (Código Canadiense de Electricidad), Parte 1 y C22.2 N° 0-M91 (última edición), y todos los códigos y ordenanzas locales.

Si los códigos lo permiten y se emplea un alambre de conexión a tierra separado, es recomendable que un electricista calificado determine si la trayectoria de conexión a tierra es adecuada.

Usted puede obtener una copia de las normas de los códigos arriba indicadas en:

National Fire Protection Association  
1 Batterymarch Park  
Quincy, MA 02169-7471

CSA International  
8501 East Pleasant Valley Road  
Cleveland, OH 44131-5575

- Se necesita un circuito eléctrico de 120 voltios, 60 hertzios, CA solamente, de 15 amperios y protegido con fusibles.
- Si la casa tiene cableado de aluminio, siga el procedimiento a continuación:

1. Conecte una sección de alambre de cobre sólido a los conductores flexibles.
2. Conecte el cableado de aluminio a la sección añadida de alambre de cobre usando conectores especiales y/o herramientas diseñadas y de la lista de UL para unir el cobre al aluminio.

Siga el procedimiento recomendado por el fabricante del conector eléctrico. La conexión de cobre/aluminio deberá hacerse en conformidad con los códigos locales y las prácticas de cableado aceptadas por la industria.

- Los tamaños de los cables y las conexiones deben cumplir de acuerdo con la clasificación del electrodoméstico, como se especifica en la placa de clasificación del modelo/de la serie. La placa del modelo/de la serie está ubicada detrás del filtro, en la pared posterior de la campana para cocina.
- El tamaño de los cables debe cumplir con los requisitos del National Electrical Code (Código Nacional Eléctrico), ANSI/NFPA 70 (última edición) o las normas de CSA C22.1-94 Canadian Electrical Code (Código Canadiense de Electricidad), Parte 1 y C22.2 N° 0-M91 (última edición), y todos los códigos y ordenanzas locales.

## INSTRUCCIONES DE INSTALACIÓN

### Preparación de la ubicación

- Se recomienda que el sistema de ventilación sea instalado antes de que se instale la campana.
- Antes de hacer los recortes, asegúrese que haya suficiente espacio libre dentro del techo o la pared para el ducto de escape.
- Revise la altura de su techo y la altura máxima de la campana antes de instalar la campana. Consulte "Dimensiones del armario" en la sección "Requisitos de ubicación" para obtener detalles.

1. Desconecte el suministro de energía.
2. Decida qué método de ventilación usar: a través del techo, de la pared o sin ducto.
3. Seleccione una superficie plana para ensamblar la campana para cocina. Cubra dicha superficie.

## ⚠ ADVERTENCIA

### Peligro de Peso Excesivo

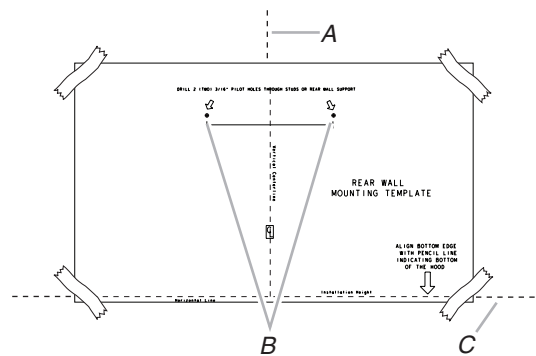
**Use dos o más personas para mover e instalar la campana de cocina.**

**No seguir esta instrucción puede ocasionar una lesión en la espalda u otro tipo de lesiones.**

4. Con la ayuda de 2 o más personas, levante la campana de cocina y colóquela en la superficie cubierta.
5. Retire la base de madera de la campana y deséchela de manera adecuada.
6. Retire el filtro de metal para grasa y el bloque de espuma de envío desde el interior de la campana para cocina ubicada bajo el ventilador.

### Instalación de los tornillos de montaje de la campana para cocina

1. Determine y marque la línea central en la pared en donde se instalará la campana con escudete.
2. Seleccione una altura de montaje entre un mínimo de 24" (61 cm) para una superficie de cocción eléctrica, un mínimo de 27" (68,6 cm) para una superficie de cocción a gas y un máximo sugerido de 36" (91,4 cm) por encima de la estufa hasta la base de la campana. Marque una línea de referencia en la pared.
3. Pegue la plantilla con cinta adhesiva en su lugar, alineando la línea central y la parte inferior de la misma con la línea de la base de la campana y con la línea central marcada en la pared.



- A. Línea central
- B. Ubicaciones para el ajustador
- C. Referencia para la altura de montaje (línea de la base de la campana)

4. Marque los centros de las ubicaciones de los ajustadores a través de la plantilla en la pared.

**IMPORTANTE:** Todos los tornillos de montaje de la campana deben instalarse en madera donde sea posible. Si no hay madera para instalar tornillos, es posible que se requieran soportes de marco de madera adicionales, o use los (4) anclajes de pared de 10 x 60 mm y los tornillos de 5,4 x 75 mm.

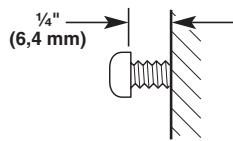
Retire la plantilla.

5. Para madera, taladre orificios piloto de  $\frac{3}{16}$ " (4,8 mm) en todas las ubicaciones donde se vayan a instalar los tornillos en madera.

Para los anclajes de pared, taladre orificios de  $\frac{7}{16}$ " (10 mm) en todas las ubicaciones donde se usen anclajes de pared.

6. Para madera, instale (2) tornillos de montaje de 5 x 45 mm. Deje un espacio de  $\frac{1}{4}$ " (6,4 mm) entre la pared y la parte posterior de la cabeza del tornillo para deslizar la campana de cocina en su lugar.

Para anclajes de pared, instale los anclajes de pared de 10 x 60 mm e instale los tornillos de 5,4 x 75 mm en los anclajes de pared. Apriete hasta que los anclajes de pared estén firmes. Gire hacia fuera los tornillos  $\frac{1}{4}$ " (6,4 mm).



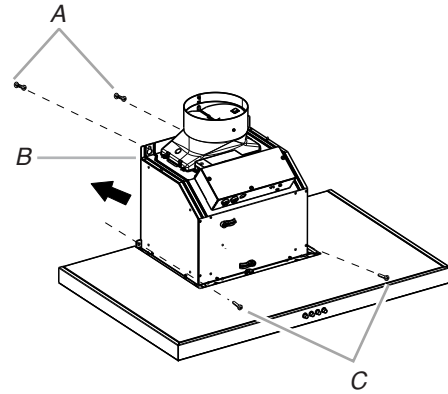
**NOTA:** No reconecte la electricidad hasta que se haya completado la instalación.

4. Use masilla de calafateo para sellar todas las aberturas.

## Instalación de la campana para cocina

**NOTA:** Retire la película protectora de la campana y de los filtros metálicos.

1. Con la ayuda de dos o más personas, cuelgue la campana para cocina sobre 2 tornillos de montaje a través de las ranuras de montaje que están sobre la parte posterior de la campana.

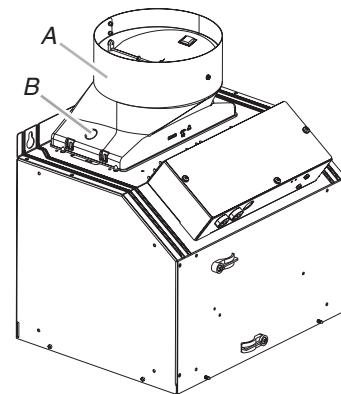


- A. Tornillos de montaje
- B. Ranuras de montaje
- C. Tornillos de montaje inferiores

2. Saque el filtro para grasa. Consulte la sección "Cuidado de la campana para cocina".
3. Nivele la campana para cocina y apriete los tornillos de montaje superiores.
4. Instale 2 tornillos de montaje inferiores de 5 x 45 mm y apriételos. Use los taquetes de pared optativos si es necesario.

## Conexión del sistema de ventilación

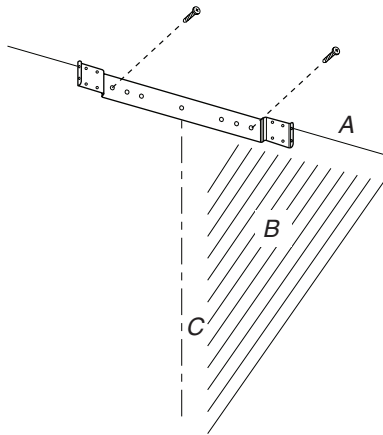
1. Instale la pieza de transición encima de la campana (si se ha quitado para el envío) con 2 tornillos para lámina metálica de 3,5 x 9,5 mm..



- A. Pieza de transición del ducto
- B. Tornillo de 3,5 x 9,5 mm

## Instalación del soporte de la cubierta del ducto

1. Sujete el soporte de la cubierta del ducto a la pared alineado con el techo usando 2 tornillos de 2 de 5 x 45 mm. Use anclajes de pared optativos si es necesario.



- A. Techo
- B. Pared
- C. Línea central

## Complete la preparación

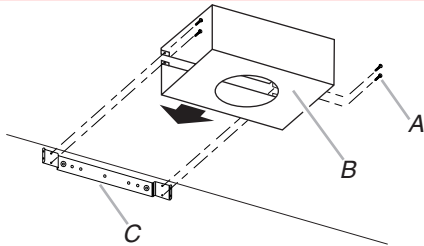
1. Determine y haga todos los cortes necesarios en la pared para el sistema de ventilación. Instale el sistema de ventilación antes de instalar la campana. Vea la sección "Requisitos de ventilación".
2. Determine la altura necesaria para el cable de suministro eléctrico de la casa y taladre un orificio de  $1\frac{1}{4}$ " (3,2 cm) en esa ubicación.
3. Haga pasar el cable de suministro de energía de la casa según las normas del National Electrical Code (Código nacional eléctrico) o CSA (Asociación de normalización canadiense) y los códigos y ordenanzas locales. Debe haber suficiente conducto de  $\frac{1}{2}$ " y alambres de la caja de desconexión con fusible (o cortacircuitos) para hacer la conexión en la caja eléctrica de terminales de la campana.

### Solamente para las instalaciones con ducto de escape:

1. Haga encajar el sistema de ventilación sobre la pieza de transición.
2. Selle la conexión con las abrazaderas.
3. Verifique que las compuertas de contratiro funcionen adecuadamente.

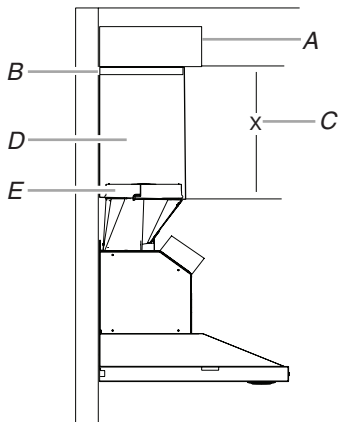
### Solamente para las instalaciones sin ducto de escape (con recirculación):

1. Ensamble el desviador de aire con el soporte de la cubierta del ducto usando 4 tornillos T20® de 4,2 x 8 mm. Use un destornillador Torx® T20® (o el adaptador T20® provisto) para apretar.



- A. Tornillos para el ensamblaje
- B. Desviador de aire
- C. Soporte de la cubierta del ducto

2. Mida desde la parte inferior del desviador de aire hasta la parte inferior de la salida de la campana.



- A. Desviador de aire
- B. Abrazadera para ducto
- C. X = longitud para cortar el ducto de escape
- D. Ducto de escape
- E. Salida de escape

3. Corte el ducto al tamaño medido "X".
4. Saque el desviador de aire.
5. Deslice el ducto sobre la parte inferior del desviador de aire.
6. Coloque el desviador de aire y el ducto ensamblados sobre la salida de escape que viene de la campana.
7. Vuelva a ensamblar el desviador de aire al soporte de la cubierta del ducto con los 4 tornillos de ensamblaje.
8. Selle las conexiones con las abrazaderas para ducto.

## Conexión del suministro eléctrico

### ⚠ ADVERTENCIA



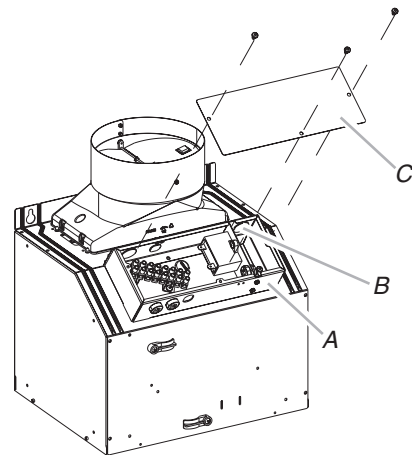
#### Peligro de Choque Eléctrico

**Desconecte el suministro de energía antes de darle mantenimiento.**

**Vuelva a colocar todos los componentes y paneles antes de hacerlo funcionar.**

**No seguir estas instrucciones puede ocasionar la muerte o choque eléctrico.**

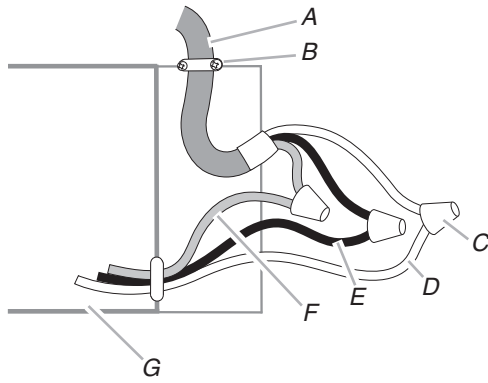
1. Desconecte el suministro de energía.
2. Quite la cubierta de la caja de terminales.
3. Quite el disco removible que está en la caja de terminales e instale un protector de cables de 1/2" que esté en la lista de UL o esté aprobado por CSA.



- A. Caja de terminales
- B. Disco removible
- C. Cubierta de la caja de terminales

4. Haga pasar el cableado de suministro de energía doméstico a través del protector de cables, dentro de la caja de terminales.





- A. Cable de suministro de energía doméstico
- B. Protector de cables que esté en la lista de UL o aprobado por CSA
- C. Conectores de alambres aprobados por UL
- D. Alambres blancos
- E. Alambres negros
- F. Alambres verdes (o desnudos) y amarillos - verdes de puesta a tierra
- G. Caja de terminales

5. Use conectores de alambres que estén en la lista de UL y conecte los alambres negros (E) juntos.
6. Use conectores de alambres que estén en la lista de UL y conecte los alambres blancos (D) juntos.

## ⚠ ADVERTENCIA



### Peligro de Choque Eléctrico

Conecte el soplador a tierra.

Conecte el alambre de tierra al alambre verde y amarillo de conexión a tierra en la caja de terminales.

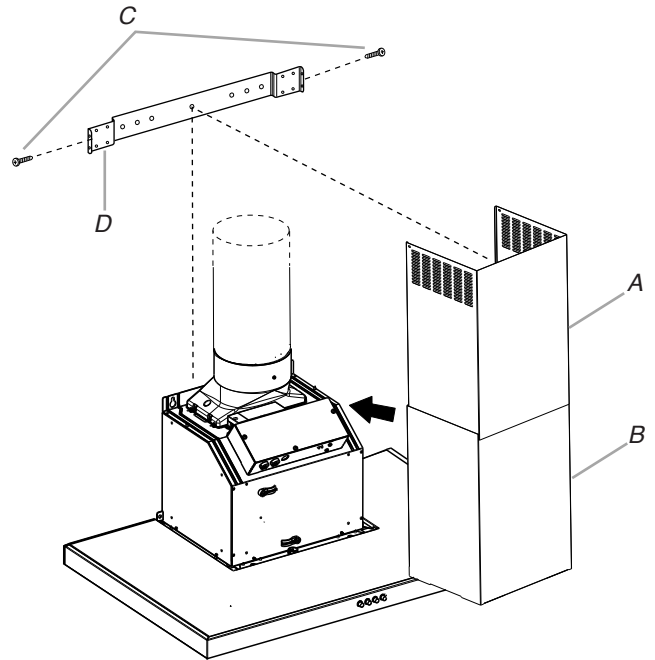
No seguir estas instrucciones puede ocasionar la muerte o choque eléctrico.

7. Conecte el alambre verde (o desnudo) de puesta a tierra del suministro de energía doméstico al alambre amarillo - verde de puesta a tierra (F) en la caja de terminales usando conectores de alambres que estén en la lista de UL.
8. Apriete el tornillo del protector de cables.
9. Instale la cubierta de la caja de terminales.
10. Cerciórese de que todos los focos estén seguros en sus portalámparas.
11. Reconecte el suministro de energía.

## Instalación de las cubiertas del ducto de escape

**NOTA:** Retire la película protectora de las tapas de la ventilación.

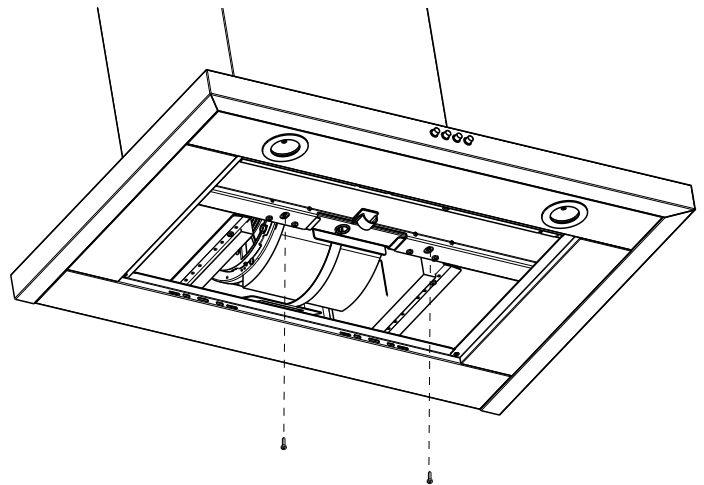
1. Cuando use ambas cubiertas del ducto de escape (superior e inferior), empuje la cubierta inferior hacia abajo, sobre la campana y levante la cubierta superior hacia el techo. Instálela con 2 tornillos de 4,2 x 8 mm.



- A. Cubierta superior del ducto
- B. Cubierta inferior del ducto
- C. Tornillos de 4,2 x 8 mm
- D. Soporte

**NOTA:** Para las instalaciones con ducto de escape, la cubierta superior del ducto puede invertirse para ocultar las ranuras.

2. Asegure la base del ducto con 2 tornillos de 4,2 x 8 mm.



## Complete la instalación

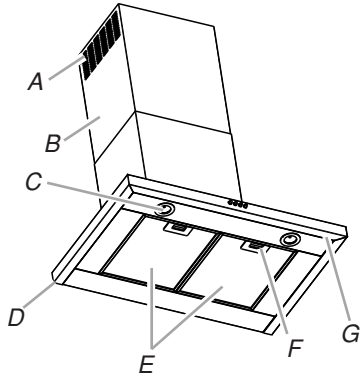
1. Solamente para las instalaciones sin ventilación (con recirculación), instale los filtros de carbón sobre la rejilla en el alojamiento del soplador. Consulte la sección "Cuidado de la campana para cocina".
2. Instale los filtros de metal. Consulte la sección "Cuidado de la campana para cocina".
3. Verifique el funcionamiento del soplador de la campana para cocina y la luz. Consulte la sección "Uso de la campana para cocina".

**NOTA:** Para obtener un uso más eficaz de su nueva campana de cocina, lea la sección "Uso de la campana para cocina".

# USO DE LA CAMPANA PARA COCINA

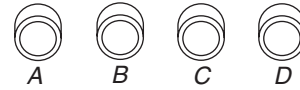
La campana para cocina se ha diseñado para remover humo, vapores provenientes de la cocción y olores del área de la superficie de cocción. Para obtener mejores resultados, encienda la campana antes de cocinar y permita que funcione por varios minutos después de haber cocinado, para que quite todo el humo y los olores de la cocina.

Los controles de la campana están ubicados en el lado frontal del escudete.



- A. Orificios de las rejillas (para las instalaciones sin ducto de escape [con recirculación])
- B. Cubiertas del ducto
- C. Luces LED
- D. Escudete
- E. Filtros de grasa
- F. Manijas del filtro para grasa
- G. Controles

## Controles de la campana para cocina



- A. Botón de Encendido/Apagado de la luz
- B. Botón de velocidad mínima y apagado del soplador
- C. Botón de velocidad media del soplador
- D. Botón de velocidad máxima del soplador

## Cómo utilizar la luz

El botón de Encendido/Apagado controla ambas luces. Presione una vez para Encendido y nuevamente para Apagado.

## Cómo utilizar el soplador

Los botones de velocidad del soplador encienden el soplador y controlan la velocidad y el nivel de sonido de éste para un funcionamiento silencioso. La velocidad se puede cambiar en cualquier momento mientras el ventilador esté funcionando, presionando el botón de la velocidad deseada del soplador.

Presione el botón de soplador apagado por segunda vez para apagar el soplador.

# CUIDADO DE LA CAMPANA PARA COCINA

## Limpieza

**IMPORTANTE:** Limpie con frecuencia la campana y los filtros para grasa de acuerdo a las instrucciones a continuación. Vuelva a colocar los filtros para grasa antes de poner a funcionar la campana.

### Superficies exteriores

Para evitar daños a la superficie exterior, no use estropajos de acero ni jabonosos.

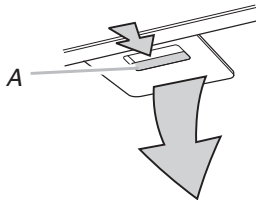
Siempre séquela con un paño para evitar manchas de agua.

#### Método de limpieza:

- Detergente líquido y agua o producto de limpieza general
- Límpielo con un paño suave húmedo o una esponja no abrasiva, enjuáguelo con agua limpia y séquelo con un paño.

### Filtro de metal para grasa

1. Para quitar el filtro, jale la manija de liberación con resorte y jale el filtro hacia abajo.



A. Manija de liberación con resorte

2. Lave los filtros de metal cuando sea necesario en la lavavajillas o con una solución caliente de detergente.
3. Vuelva a instalar el filtro asegurándose de que las manijas de liberación con resorte estén mirando hacia el frente. Inserte el filtro de aluminio dentro de la guía superior.
4. Empuje hacia dentro la manija de liberación con resorte.
5. Empuje el filtro de metal hacia arriba y suelte la manija para que se trabe en su lugar.
6. Repita los pasos 1 a 5 para el otro filtro.

### Filtros para las instalaciones sin ducto de escape (con recirculación)

El filtro de carbón no se puede lavar. Deberá durar hasta 6 meses con el uso normal. Reemplácelo con el Juego de filtro de carbón. Vea la sección "Ayuda o servicio técnico" para obtener información sobre pedidos.

#### Para reemplazar el filtro de carbón:

1. Quite el filtro metálico para grasa de la campana para cocina. Consulte "Filtro metálico para grasa" en esta sección.
2. Doble los sujetadores con resorte para separarlos del filtro de metal para grasa.



3. Coloque el filtro de carbón en el lado superior del filtro de metal.
4. Doble los sujetadores con resorte nuevamente hacia dentro en su lugar para asegurar el filtro de carbón al filtro de metal.

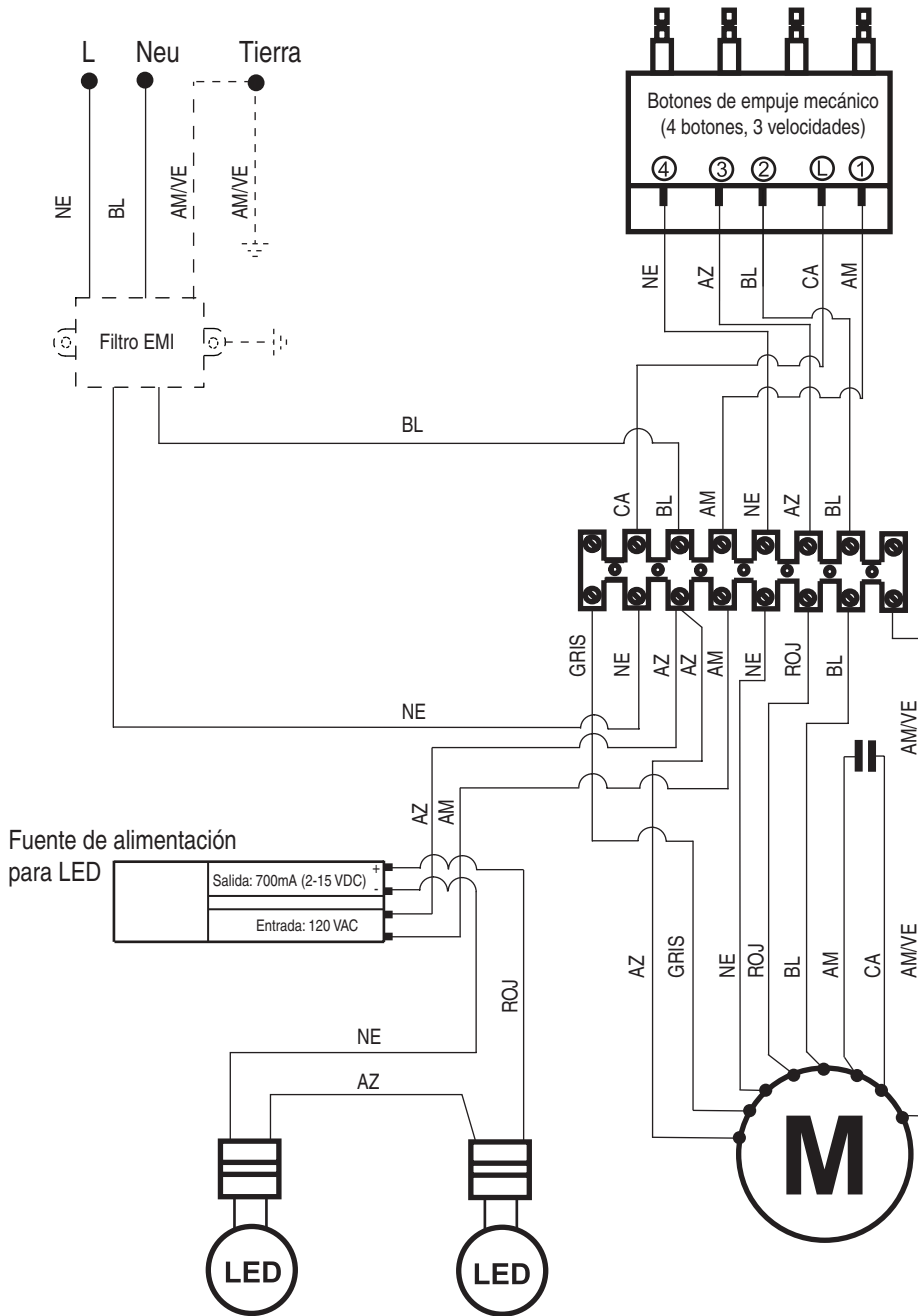


5. Vuelva a colocar el filtro metálico para grasa. Consulte "Filtro metálico para grasa" en esta sección.

### Sustitución de lámparas LED

La sustitución de las luces LED debe estar a cargo exclusivamente de un técnico. Consulte la sección "Garantía" para obtener información de contacto del servicio técnico.

# DIAGRAMA DE CABLEADO



Funcionamiento del botón interruptor	
FUNCIÓN	POSICIÓN
Apagado	No hay conexión
Focos	Café/Amarillo (L-1)
Velocidad baja	Café/Blanco (L-2)
Velocidad media	Café/Azul (L-3)
Velocidad alta	Café/Negro (L-4)

Características del motor	
Suministro de energía	120 VAC
Frecuencia	60 Hz
Absorción de energía	240 vatios
Resistencia del motor ( $\Omega$ )	
Azul/Negro	17,7
Azul/Gris	27,1
Azul/Rojo	34,6
Azul/Blanco	41,2

## SEL0113400

# AYUDA O SERVICIO TÉCNICO

Antes de solicitar ayuda o servicio técnico, por favor revise si se ha disparado un cortacircuitos o si se ha quemado un fusible doméstico. Esto le podrá ahorrar el costo de una visita de servicio técnico. Si considera que aún necesita ayuda, siga las instrucciones que aparecen a continuación.

Cuando llame, tenga a mano la fecha de compra y el número completo del modelo y de la serie de su electrodoméstico. Esta información nos ayudará a atender mejor a su pedido.

## Si necesita piezas de repuesto

Si necesita pedir piezas de repuesto, recomendamos que use únicamente piezas especificadas de fábrica. Las piezas especificadas de fábrica encajarán bien y funcionarán bien ya que están confeccionadas con la misma precisión empleada en la fabricación de cada electrodoméstico nuevo de IKEA®.

Para encontrar piezas especificadas de fábrica en su localidad, llámenos o llame al centro de servicio técnico designado más cercano a su localidad.

## En los EE.UU.

Llame al centro para la eXperiencia del cliente de Whirlpool sin costo alguno al: **1-866-664-2449**.

## Nuestros consultores ofrecen ayuda para:

- Características y especificaciones de nuestra línea completa de electrodomésticos.
- Información sobre la instalación.
- Procedimiento para el uso y mantenimiento.
- Venta de accesorios y partes para reparación.
- Asistencia especializada para el consumidor (habla hispana, problemas de audición, visión limitada, etc.).

- Recomendaciones con distribuidores locales, compañías que dan servicio y distribuidores de partes para reparación. Los técnicos de servicio designados por Whirlpool están capacitados para cumplir con la garantía del producto y ofrecer servicio una vez que la garantía termine, en cualquier lugar de los Estados Unidos.

## Para obtener asistencia adicional

Si necesita asistencia adicional, puede escribir a Whirlpool Corporation con sus preguntas o dudas a:

IKEA Brand Home Appliances  
Customer eXperience Center  
553 Benson Road  
Benton Harbor, MI 49022-2692

Por favor incluya en su correspondencia un número de teléfono en el que se le pueda localizar durante el día.

## Accesorios

### Filtro de carbón

(solamente para instalaciones sin ducto de escape)  
Pida la pieza número W10412939

### Juego de extensión para chimenea

Pida la pieza número EXTKIT25FS

### Juego de aire de complemento de 6" (15,2 cm)

(consulte los códigos de construcción locales)  
Pida la pieza número W10446915

# GARANTÍA DE LOS ELECTRODOMÉSTICOS PRINCIPALES DE IKEA

## ¿Durante cuánto tiempo es válida la garantía limitada de IKEA?

Esta garantía limitada es válida durante cinco años a partir de la fecha de compra, siempre y cuando este electrodoméstico principal haya sido operado y mantenido según las instrucciones adjuntas o provistas con el producto, a menos que sea un aparato de nombre LAGAN, en cuyo caso la garantía limitada será válida durante un año a partir de la fecha de compra. Esta garantía limitada es válida solamente en Estados Unidos o en Canadá y se aplica solamente cuando el electrodoméstico principal se use en el país en el que se ha comprado. Se requiere una prueba de la fecha de compra original para obtener servicio bajo esta garantía limitada.

## ¿Qué electrodomésticos no están cubiertos bajo la garantía limitada de IKEA de cinco (5) años?

Para los electrodomésticos principales cuyo nombre sea "LAGAN", esta garantía será válida durante un año a partir de la fecha de compra.

## ¿Quién estará a cargo de llevar a cabo el servicio?

Esta garantía limitada es provista por Whirlpool Corporation o Whirlpool Canada LP (en lo sucesivo denominada "Whirlpool"). El servicio deberá ser suministrado por una compañía de servicio designada por Whirlpool.

## ¿Qué es lo que cubre esta garantía limitada?

La garantía limitada pagará por piezas especificadas de fábrica y trabajo de reparación, para corregir defectos en los materiales o en la mano de obra existentes en el momento de la compra del electrodoméstico principal. Las excepciones se especifican bajo el título "¿Qué es lo que no está cubierto bajo esta garantía limitada?".

## ¿Qué se hará para corregir el problema?

La compañía designada de servicio examinará el producto y decidirá, a su exclusiva discreción, si está cubierto bajo esta garantía limitada. Si considera que está cubierto, la compañía designada de servicio reparará el defecto. Su único y exclusivo recurso según los términos de esta garantía limitada será el de reparar el producto según se estipula en la presente.

## ¿Qué es lo que no está cubierto bajo esta garantía limitada?

- Visitas de servicio técnico para corregir la instalación de su electrodoméstico principal, para enseñarle a usar su electrodoméstico principal, para cambiar o reparar fusibles domésticos o para corregir la instalación eléctrica o de la tubería de la casa.
- Visitas de servicio técnico para reparar o reemplazar focos para electrodomésticos, filtros de aire o filtros de agua. Las piezas de consumo están excluidas de la cobertura de la garantía.
- Piezas de repuesto o mano de obra si este electrodoméstico principal se usa de un modo diferente al doméstico normal de una familia, o cuando se use de un modo contrario a las instrucciones publicadas para el usuario u operador y/o las instrucciones de instalación.
- Daños causados por accidente, alteración, uso indebido, abuso, incendio, inundación, actos fortuitos, instalación incorrecta, instalación que no esté de acuerdo con los códigos eléctricos o de plomería, o el empleo de artículos de consumo o productos de limpieza no aprobados para ser usados.
- Daños estéticos, incluyendo rayaduras, abolladuras, desportilladuras u otro daño al acabado de su electrodoméstico principal, a menos que el mismo sea debido a defectos en los materiales o la mano de obra y se informe en un lapso de 30 días a partir de la fecha de compra.
- Cualquier pérdida de comida o de medicamentos debida a fallas del refrigerador o del congelador.
- Recogida y entrega. Este electrodoméstico principal se ha destinado para ser reparado en su hogar.
- Reparaciones de piezas o sistemas como resultado de modificaciones no autorizadas que se hayan efectuado en el electrodoméstico.
- Gastos de viaje y transporte para obtener servicio para el producto, si su electrodoméstico principal está ubicado en un lugar remoto en el cual no haya disponible un técnico de servicio autorizado.
- La remoción y reinstalación de su electrodoméstico principal, si estuviera instalado en un lugar inaccesible o si no estuviera instalado de conformidad con las instrucciones de instalación publicadas.
- Piezas de repuesto o mano de obra en electrodomésticos principales con números de modelo/serie originales que se hayan removido, alterado o que no puedan ser identificados con facilidad.

**El costo de la reparación o el reemplazo bajo estas circunstancias excluidas correrá por cuenta del cliente.**

## Exclusión de garantías implícitas

LAS GARANTÍAS IMPLÍCITAS, INCLUYENDO CUALQUIER GARANTÍA IMPLÍCITA DE COMERCIABILIDAD O GARANTÍA IMPLÍCITA DE CAPACIDAD PARA UN PROPÓSITO PARTICULAR, SERÁN LIMITADAS A CINCO AÑOS (UN AÑO PARA LOS ELECTRODOMÉSTICOS PRINCIPALES DE NOMBRE "LAGAN") O AL PERÍODO MÁS CORTO PERMITIDO POR LEY. Algunos estados y provincias no permiten la limitación de la duración de garantías implícitas de comerciabilidad o capacidad, de modo que la limitación arriba indicada quizás no le corresponda. Esta garantía le otorga derechos legales específicos, y es posible que usted tenga también otros derechos que varían de un estado a otro o de una provincia a otra.

## Limitación de recursos; exclusión de daños incidentales y consecuentes

SU ÚNICO Y EXCLUSIVO RECURSO SEGÚN LOS TÉRMINOS DE ESTA GARANTÍA LIMITADA SERÁ EL DE REPARAR EL PRODUCTO SEGÚN SE ESTIPULA EN LA PRESENTE. WHIRLPOOL NO SE RESPONSABILIZARÁ POR DAÑOS INCIDENTALES O CONSECUENTES. Algunos estados y provincias no permiten la exclusión o limitación de daños incidentales o consecuentes, de modo que estas limitaciones y exclusiones quizás no le correspondan. Esta garantía le otorga derechos legales específicos, y es posible que usted tenga también otros derechos que varían de un estado a otro o de una provincia a otra.

## Cómo puede ponerse en contacto con nosotros si necesita nuestro servicio

Si usted se encuentra fuera de los cincuenta Estados Unidos y Canadá, póngase en contacto con su vendedor autorizado de IKEA para determinar si corresponde otra garantía.

Si necesita servicio técnico, sírvase leer las Instrucciones de instalación y/o la sección "Solución de problemas" del Manual de uso y cuidado antes de ponerse en contacto con nosotros. Si necesita ayuda adicional, no dude en contactarnos en EE.UU. y Canadá al **1-866-664-2449**.

2/09

**Guarde este libro y su comprobante de compra juntos para referencia futura. Usted deberá proporcionar el comprobante de la compra o una fecha de instalación para obtener servicio bajo la garantía.**

Escriba la siguiente información acerca de su electrodoméstico principal para ayudarle mejor a obtener asistencia o servicio técnico si alguna vez llegara a necesitarlo. Deberá tener a mano el número completo del modelo y de la serie. Usted puede encontrar esta información en la etiqueta con el número de modelo y de serie ubicada en el producto.

Nombre del distribuidor \_\_\_\_\_

Dirección \_\_\_\_\_

Número de teléfono \_\_\_\_\_

Número de modelo \_\_\_\_\_

Número de serie \_\_\_\_\_

Fecha de compra \_\_\_\_\_