

JENN-AIR®

INSTALLATION INSTRUCTIONS

PRO-STYLE® GAS CONVECTION RANGES
30" (76.2 CM), 36" (91.4 CM) AND 48" (121.9 CM)

For residential use only

INSTRUCTIONS D'INSTALLATION

CUISINIÈRES À CONVECTION À GAZ PRO-STYLE®
DE 30" (76,2 CM), 36" (91,4 CM) ET 48" (121,9 CM)

Pour utilisation résidentielle uniquement

Table of Contents/Table des matières

RANGE SAFETY	2	SÉCURITÉ DE LA CUISINIÈRE	16
INSTALLATION REQUIREMENTS.....	4	EXIGENCES D'INSTALLATION	18
Tools & Parts	4	Outillage et pièces.....	18
Location Requirements	6	Exigences d'emplacement.....	20
Electrical Requirements	8	Spécifications de l'installation électrique	22
Gas Supply Requirements	8	Spécifications de l'alimentation en gaz	22
INSTALLATION INSTRUCTIONS.....	10	INSTRUCTIONS D'INSTALLATION	24
Unpack the Range	10	Déballage de la cuisinière	24
Install Anti-Tip Bracket.....	11	Installation de la bride antibasculement	25
Make Gas Connection	12	Raccordement au gaz.....	26
Verify Anti-Tip Bracket Location	12	Vérification de l'emplacement	
Level Range.....	13	de la bride antibasculement.....	26
Install Griddle	13	Réglage de l'aplomb de la cuisinière.....	27
Electronic Ignition System	13	Installation de la plaque à frire	27
Reinstall Kick Plate.....	15	Système d'allumage électronique.....	27
Complete Installation	15	Réinstallation du garde-pieds	29
		Achever l'installation	29

IMPORTANT:

Save for local electrical inspector's use.

Installer: Leave installation instructions with the homeowner.

Homeowner: Keep installation instructions for future reference.

IMPORTANT :

À conserver pour consultation par l'inspecteur local des installations électriques.

Installateur : Remettre les instructions d'installation au propriétaire.

Propriétaire : Conserver les instructions d'installation pour référence ultérieure.

RANGE SAFETY

Your safety and the safety of others are very important.

We have provided many important safety messages in this manual and on your appliance. Always read and obey all safety messages.



This is the safety alert symbol.

This symbol alerts you to potential hazards that can kill or hurt you and others.

All safety messages will follow the safety alert symbol and either the word “DANGER” or “WARNING.”

These words mean:

⚠ DANGER

You can be killed or seriously injured if you don't immediately follow instructions.

⚠ WARNING

You can be killed or seriously injured if you don't follow instructions.

All safety messages will tell you what the potential hazard is, tell you how to reduce the chance of injury, and tell you what can happen if the instructions are not followed.

WARNING: If the information in this manual is not followed exactly, a fire or explosion may result causing property damage, personal injury or death.

- Do not store or use gasoline or other flammable vapors and liquids in the vicinity of this or any other appliance.
- **WHAT TO DO IF YOU SMELL GAS:**
 - Do not try to light any appliance.
 - Do not touch any electrical switch.
 - Do not use any phone in your building.
 - Immediately call your gas supplier from a neighbor's phone. Follow the gas supplier's instructions.
 - If you cannot reach your gas supplier, call the fire department.
- Installation and service must be performed by a qualified installer, service agency or the gas supplier.

WARNING: Gas leaks cannot always be detected by smell.

Gas suppliers recommend that you use a gas detector approved by UL or CSA.

For more information, contact your gas supplier.

If a gas leak is detected, follow the “What to do if you smell gas” instructions.

IMPORTANT: Do not install a ventilation system that blows air downward toward this gas cooking appliance. This type of ventilation system may cause ignition and combustion problems with this gas cooking appliance resulting in personal injury or unintended operation.

In the State of Massachusetts, the following installation instructions apply:

- Installations and repairs must be performed by a qualified or licensed contractor, plumber, or gasfitter qualified or licensed by the State of Massachusetts.
- If using a ball valve, it shall be a T-handle type.
- A flexible gas connector, when used, must not exceed 3 feet.

⚠ WARNING

Tip Over Hazard

A child or adult can tip the range and be killed.

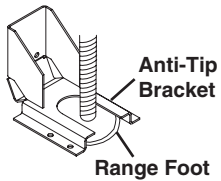
Install anti-tip bracket to floor or wall per installation instructions.

Slide range back so rear range foot is engaged in the slot of the anti-tip bracket.

Re-engage the anti-tip bracket if the range is moved.

Do not operate range without anti-tip bracket installed and engaged.

Failure to follow these instructions can result in death or serious burns to children and adults.



To verify the anti-tip bracket is installed and engaged:

- Slide range forward.
- Look for the anti-tip bracket securely attached to floor or wall.
- Slide range back so rear range foot is under anti-tip bracket.
- See installation instructions for details.

INSTALLATION REQUIREMENTS

Tools & Parts

Gather the required tools and parts before starting installation. Read and follow the instructions provided with any tools listed here.

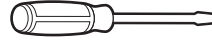
Tools Needed



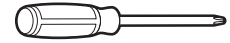
Pipe wrench



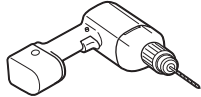
**Adjustable wrench
or 5/8" wrench**



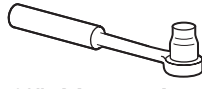
**1/8" x 4 1/4" flat-blade
screwdriver**



#2 Phillips screwdriver



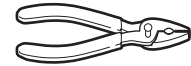
Drill



3/8" drive ratchet



1 5/16" combination wrench



Pliers



Level



Tubing cutter



1/4", 3/8", 5/16" nut drivers



Marker or pencil



3/16" carbide tip masonry bit



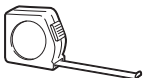
1/8" drill bit



**Pipe-joint compound
resistant to LP gas**



**Noncorrosive
leak-detection solution**

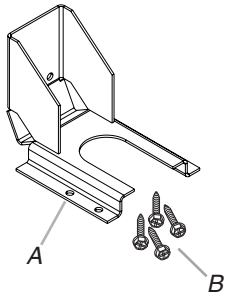


Tape measure

Parts Supplied

Check that all parts are included:

- Anti-tip bracket kit



A. Anti-tip bracket
B. #8-18 x 1" Phillips head screws (4)

NOTE: Anti-tip bracket must be securely mounted to subfloor. Thickness of flooring may require longer screws to anchor bracket to subfloor. Longer screws are available from your local hardware store. See "Install Anti-Tip Bracket" section.

- Gas pressure regulator
- Burner grates
- Burner bases and burner caps
- Griddle drip tray (on griddle models)

Conversion Kits:

For models that start with JGRP or JLRP no conversion kits are supplied. Call service to request one of the following:

- LP Conversion Kit P/N W10825584
- Natural Gas Conversion Kit P/N W10821163

NOTE: JLRP is factory set for LP. All other models are factory set for Natural gas.

Parts Needed

- All models must be installed with a backguard if installing at zero clearance to a combustible back wall surface such as drywall. Alternatively, zero clearance to a back wall is acceptable provided the surface of the entire back wall above the range and below the hood is covered with a non-combustible material such as tile or stainless steel. See "Cabinet Dimensions" in the "Location Requirements" section for installation requirements.

- 30" (76.2 cm) Adjustable Backguard
Order Part Number 8285148
- 36" (91.4 cm) Adjustable Backguard
Order Part Number 8284756
- 48" (121.9 cm) Adjustable Backguard
Order Part Number 8284755
- 22" (55.9 cm) Backsplash with Dual-Position Shelf for 30" (76.2 cm) Ranges
Order Part Number W10285447
- 22" (55.9 cm) Backsplash with Dual-Position Shelf for 36" (91.4 cm) Ranges
Order Part Number W10285448
- 22" (55.9 cm) Backsplash with Dual-Position Shelf for 48" (121.9 cm) Ranges
Order Part Number W10285449

To order, see the "Assistance or Service" section of the Use and Care Guide.

Check local codes and consult gas supplier. Check existing gas supply and electrical supply. See the "Electrical Requirements" and "Gas Supply Requirements" sections.

It is recommended that all electrical connections be made by a licensed, qualified electrical installer.

High Altitude Conversion

To convert the cooktop for elevations above 6,560 ft (1999.5 m), order a High Altitude Conversion Kit.

- Part Number W10394294 – LP high altitude
- Part Number W10394293 – Natural gas high altitude

To order, see the "Assistance or Service" section of the Use and Care Guide.

Location Requirements

IMPORTANT: Observe all governing codes and ordinances. Do not obstruct flow of combustion and ventilation air.

- It is the installer's responsibility to comply with installation clearances specified on the model/serial rating plate. The model/serial rating plate is located under the console on the right-hand side.
- It is recommended that a 600 CFM or larger range hood be installed above the range.
- It is not recommended that a microwave hood combination be mounted above the range.
- Recessed installations must provide complete enclosure of the sides and rear of the range.
- To eliminate the risk of burns or fire by reaching over heated surface units, cabinet storage space located above the surface units should be avoided. If cabinet storage is to be provided, the risk can be reduced by installing a range hood that projects horizontally a minimum of 5" (12.7 cm) beyond the bottom of the cabinets.
- All openings in the wall or floor where range is to be installed must be sealed.
- Do not seal the range to the side cabinets.
- Cabinet opening dimensions that are shown must be used. Given dimensions are minimum clearances.
- The anti-tip bracket must be installed. To install the anti-tip bracket shipped with the range, see "Install Anti-Tip Bracket" section.
- Grounded electrical supply is required. See "Electrical Requirements" section.
- Proper gas supply connection must be available. See "Gas Supply Requirements" section.
- Contact a qualified floor covering installer to check that the floor covering can withstand at least 200°F (93°C). Use an insulated pad or ¼" (0.64 cm) plywood over carpet and under range if installing range over carpeting.

IMPORTANT: To avoid damage to your cabinets, check with your builder or cabinet supplier to make sure that the materials used will not discolor, delaminate, or sustain other damage. This oven has been designed in accordance with the requirements of UL and CSA International and complies with the maximum allowable wood cabinet temperatures of 194°F (90°C).

Mobile Home – Additional Installation Requirements

The installation of this range must conform to the Manufactured Home Construction and Safety Standard, Title 24 CFR, Part 3280 (formerly the Federal Standard for Mobile Home Construction and Safety, Title 24, HUD Part 280). When such standard is not applicable, use the Standard for Manufactured Home Installations, ANSI A225.1/NFPA 501A or with local codes.

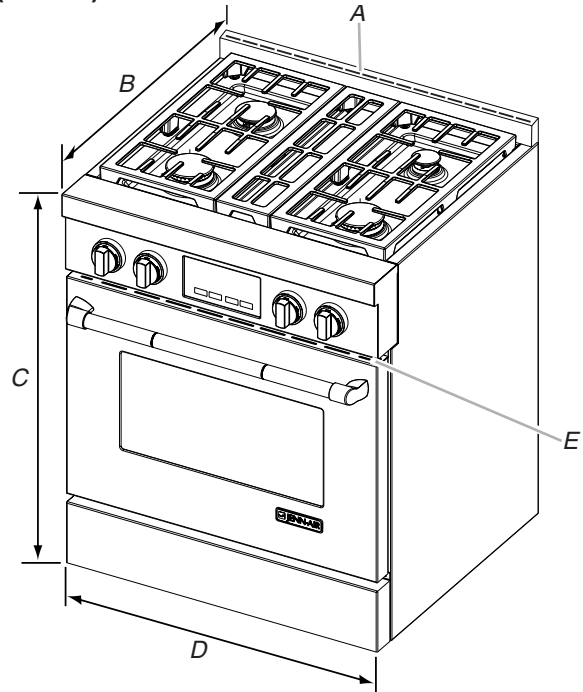
In Canada, the installation of this range must conform with the current standards CAN/CSA-A240-latest edition or with local codes.

Mobile Home Installations Require:

- When this range is installed in a mobile home, it must be secured to the floor during transit. Any method of securing the range is adequate as long as it conforms to the standards listed above.

Product Dimensions

30" (76.2 cm) models



A. Island trim

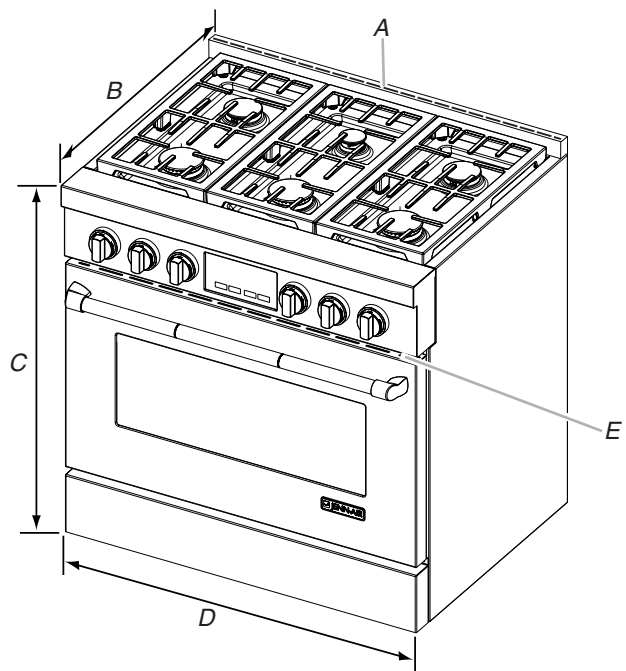
B. 27¾" (70.5 cm) depth with control panel (See NOTE)

C. 35¾" (90.8 cm) cooktop height when sitting on the wheels

D. 30" (76.2 cm) width

E. Model/serial rating plate location

36" (91.4 cm) models



A. Island trim

B. 27⅞" (68.9 cm) depth with control panel (See NOTE)

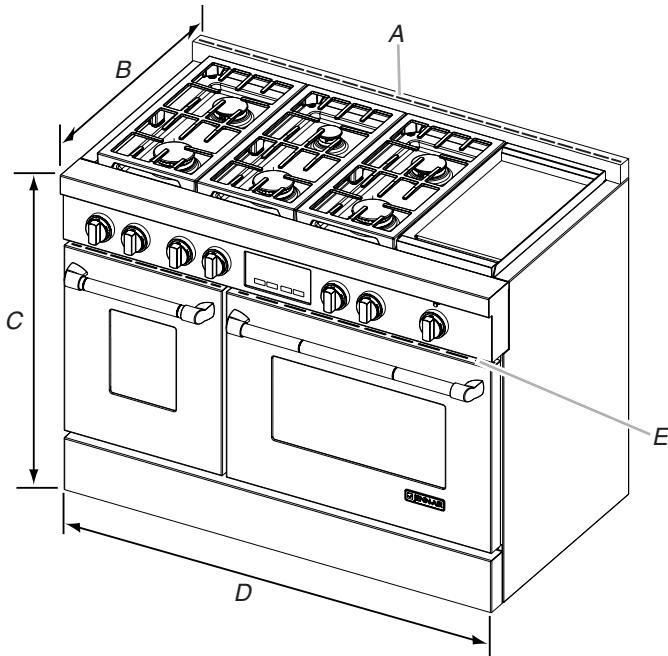
C. 35¾" (90.8 cm) cooktop height when sitting on the wheels

D. 36" (91.4 cm) width

E. Model/serial rating plate location

NOTE: When installed in a 24" (61.0 cm) base cabinet with 25" (63.5 cm) countertop; front of oven door protrudes 1⅞" (4.8 cm) beyond 24" (61.0 cm) base cabinet.

48" (121.9 cm) models



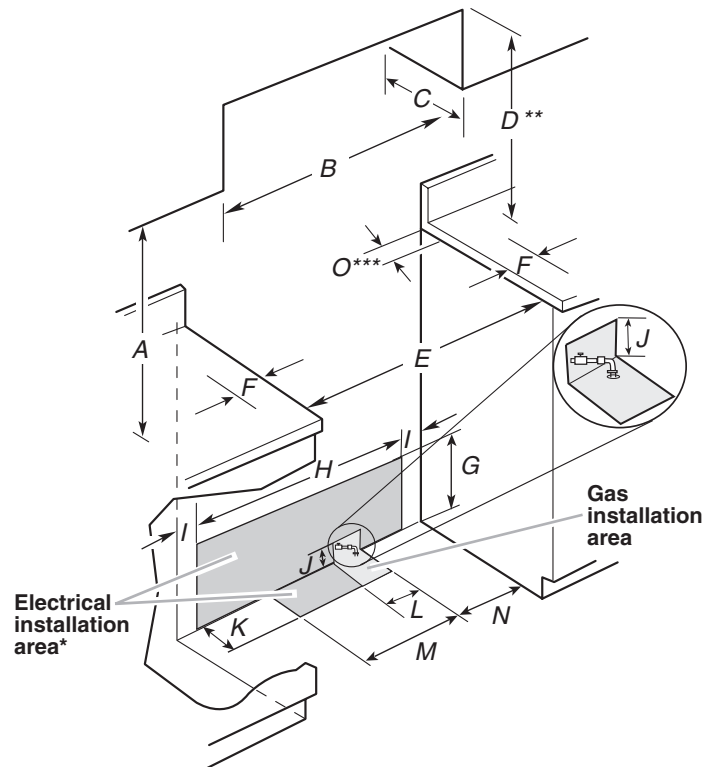
- A. Island trim
- B. 27 $\frac{1}{8}$ " (68.9 cm) depth with control panel (See NOTE)
- C. 35 $\frac{3}{4}$ " (90.8 cm) cooktop height when sitting on the wheels
- D. 48" (121.9 cm) width
- E. Model/serial rating plate location

NOTE: When installed in a 24" (61.0 cm) base cabinet with 25" (63.5 cm) countertop; front of oven door protrudes 1 $\frac{7}{8}$ " (4.8 cm) beyond 24" (61.0 cm) base cabinet.

Cabinet Dimensions

Cabinet opening dimensions shown are for 25" (64.0 cm) countertop depth, 24" (61.0 cm) base cabinet depth, and 36" (91.4 cm) countertop height. Dimensions must be met in order to ensure a flush fit to back wall.

IMPORTANT: If installing a range hood or hood liner above the range, follow the range hood or hood liner installation instructions for dimensional clearances above the cooktop surface.



- A. 18" (45.7 cm) upper cabinet to countertop
- B. 30" (76.2 cm) model: 30" (76.2 cm) min. upper cabinet width
36" (91.4 cm) model: 36" (91.4 cm) min. upper cabinet width
48" (121.9 cm) model: 48" (121.9 cm) min. upper cabinet width
- C. 13" (33 cm) max. upper cabinet depth
- D. For minimum clearance to top of range**.
- E. 30 $\frac{1}{4}$ " (76.8 cm) on 30" (76.2 cm) models
36 $\frac{1}{4}$ " (92.1 cm) on 36" (91.4 cm) models
48 $\frac{1}{4}$ " (122.6 cm) on 48" (121.9 cm) models
- F. 6" (15.2 cm) min. clearance from both sides of range to side wall or other combustible material
- G. 15" (38.1 cm)
- H. 22" (55.9 cm) on 30" (76.2 cm) models
28" (71.1 cm) on 36" (91.4 cm) models
40" (101.6 cm) on 48" (121.9 cm) models
- I. 1 $\frac{1}{2}$ " (3.8 cm)
- J. 3" (7.6 cm)
- K. 5" (12.7 cm)
- L. 6" (15.2 cm) on 30" (76.2 cm) models
14" (35.5 cm) on 36" (91.4 cm) models
24" (61.0 cm) on 48" (121.9 cm) models
- M. 10 $\frac{1}{2}$ " (26.7 cm)
- N. 6" (15.2 cm)
- O. 6" (15.2 cm)***

*Receptacle must be rotated 90° for Canadian installation.

**Minimum Clearances

30" (76.2 cm) models: 30" (76.2 cm) minimum clearance between the top of the cooking platform and the bottom of an uncovered wood or metal cabinet

36" (91.4 cm) models: 42" (106.7 cm) minimum clearance between the top of the cooking platform and the bottom of an uncovered wood or metal cabinet

48" (121.9 cm) models: 42" (106.7 cm) minimum clearance between the top of the cooking platform and the bottom of an uncovered wood or metal cabinet

***If the surface of the back wall is constructed of a combustible material and a backguard is not installed, a 6" (15.2 cm) minimum clearance is required for all models.

Electrical Requirements

⚠ WARNING



Electrical Shock Hazard

Plug into a grounded 3 prong outlet.

Do not remove ground prong.

Do not use an adapter.

Do not use an extension cord.

Failure to follow these instructions can result in death, fire, or electrical shock.

IMPORTANT: The range must be electrically grounded in accordance with local codes and ordinances, or in the absence of local codes, with the National Electrical Code, ANSI/NFPA 70 or Canadian Electrical Code, CSA C22.1.

If codes permit and a separate ground wire is used, it is recommended that a qualified electrical installer determine that the ground path is adequate.

A copy of the above code standards can be obtained from:

National Fire Protection Association
1 Batterymarch Park
Quincy, MA 02169-7471

CSA International
8501 East Pleasant Valley Road
Cleveland, OH 44131-5575A

A 120-volt, 60 Hz., AC-only, 15-amp fused, electrical circuit is required. A time-delay fuse or circuit breaker is also recommended. It is recommended that a separate circuit serving only this range be provided.

Electronic ignition systems operate within wide voltage limits, but proper grounding and polarity are necessary. Check that the outlet provides 120-volt power and is correctly grounded.

The wiring diagram is located behind the kick plate in a clear plastic bag.

Gas Supply Requirements

⚠ WARNING



Explosion Hazard

Use a new CSA International approved gas supply line.

Install a shut-off valve.

Securely tighten all gas connections.

If connected to LP, have a qualified person make sure gas pressure does not exceed 14" (36 cm) water column.

Examples of a qualified person include:

licensed heating personnel,
authorized gas company personnel, and
authorized service personnel.

Failure to do so can result in death, explosion, or fire.

Observe all governing codes and ordinances.

IMPORTANT: This installation must conform with all local codes and ordinances. In the absence of local codes, installation must conform with American National Standard, National Fuel Gas Code ANSI Z223.1/NFPA 54 – latest edition or CAN/CGA B149 – latest edition.

IMPORTANT: Range must be connected to a regulated gas supply.

IMPORTANT: Leak testing of the range must be conducted according to the manufacturer's instructions.

Type of Gas

Natural Gas:

The model/serial rating plate located under the console on the right-hand side has information on the types of gas that can be used. If the types of gas listed do not include the type of gas available, check with the local gas supplier.

LP Gas Conversion:

Conversion must be done by a qualified service technician.

No attempt shall be made to convert the range from the gas specified on the model/serial rating plate for use with a different gas without consulting the serving gas supplier. For models that start with JGRP or JLRP, contact service to order the conversion kit referenced under the "Tools and Parts" section. For all other models, use the conversion kit provided with your range. The parts for this kit are in the literature package supplied with the range.

Gas Supply Line

- Provide a gas supply line of ¾" (1.9 cm) rigid pipe to the range location. A smaller size pipe on longer runs may result in insufficient gas supply. With LP gas, piping or tubing size can be ½" (1.3 cm) minimum. Usually, LP gas suppliers determine the size and materials used in the system.

NOTE: Pipe-joint compounds that resist the action of LP gas must be used. Do not use TEFLON®† tape.

Flexible Metal Appliance Connector:

- If local codes permit, a new CSA design-certified, 4–5 ft (122–152.4 cm) long, ⅝" (1.6 cm) or ¾" (1.9 cm) I.D. flexible metal appliance connector may be used for connecting range to the gas supply line.

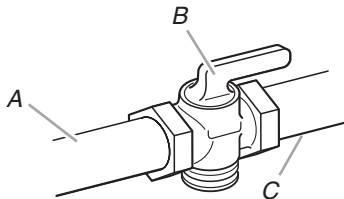


- A ½" (1.3 cm) male pipe thread is needed for connection to the female pipe threads of the inlet to the range pressure regulator.
- Do not kink or damage the flexible metal tubing when moving the range.

IMPORTANT: All connections must be wrench-tightened. Do not make connections to the gas regulator too tight. Making the connections too tight may crack the regulator and cause a gas leak. Do not allow the regulator to turn or move when tightening fittings.

- Must include a shut-off valve:

The supply line must be equipped with a manual shut-off valve. This valve should be located in the same room but external to the range opening such as an adjacent cabinet. It should be in a location that allows ease of opening and closing. Do not block access to shut-off valve. The valve is for turning on or shutting off gas to the range.



A. Gas supply line
B. Shut-off valve "open" position
C. To range

Gas Pressure Regulator

The gas pressure regulator supplied with this range must be used. The inlet pressure to the regulator should be as follows for proper operation:

Natural Gas:

Minimum pressure: 6" (15.2 cm) WCP

Maximum pressure: 14" (35.6 cm) WCP

LP Gas:

Minimum pressure: 11" (27.9 cm) WCP

Maximum pressure: 14" (35.6 cm) WCP

Contact local gas supplier if you are not sure about the inlet pressure.

Burner Input Rating – Altitude

Input ratings shown on the model/serial/rating plate are for elevations up to 2,000 ft (609.6 m).

For elevations above 2,000 ft (609.6 m), ratings are reduced at a rate of 4% for each 1,000 ft (304.8 m).

Gas Supply Pressure Testing

Gas supply pressure for testing regulator must be at least 1" (2.5 cm) water column pressure above the manifold pressure shown on the model/serial/rating plate.

Line Pressure Testing Above ½ psi Gauge (14" WCP)

The range and its individual shut-off valve must be disconnected from the gas supply piping system during any pressure testing of that system at test pressures in excess of ½ psi (3.5 kPa).

Line Pressure Testing at ½ psi Gauge (14" WCP) or Lower

The range must be isolated from the gas supply piping system by closing its individual manual shut-off valve during any pressure testing of the gas supply piping system at test pressures equal to or less than ½ psi (3.5 kPa).

INSTALLATION INSTRUCTIONS

Unpack the Range

⚠ WARNING

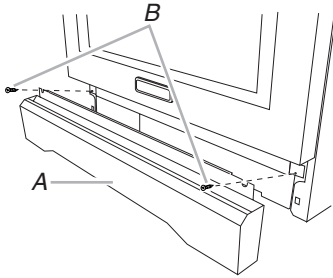
Excessive Weight Hazard

Use two or more people to move and install range.
Failure to do so can result in back or other injury.

1. Remove shipping materials, tape, and film from range. Keep shipping pallet under range. Remove oven racks, grates, and parts package from inside oven.
2. Remove kick plate.
Your range will either have the kick plate already installed (follow Option 1) or packaged on top of the unit (follow Option 2).

Option 1

- a. Remove foam between door and kick plate.
- b. Remove screws from kick plate.

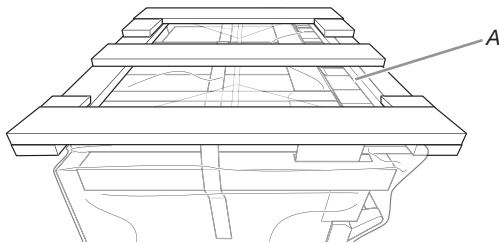


A. Kick plate
B. Remove these screws.

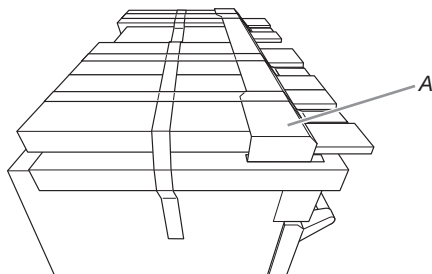
- c. Lift up on kick plate to release plate from shoulder screws.
- d. Lay kick plate to the side to avoid scratching the stainless steel.

Option 2

- a. Remove kick plate from top of range and grate pack.

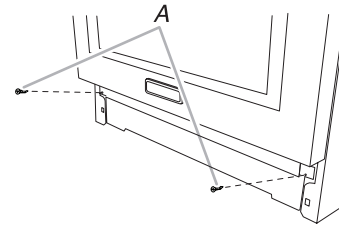


A. Kick plate
In packaging



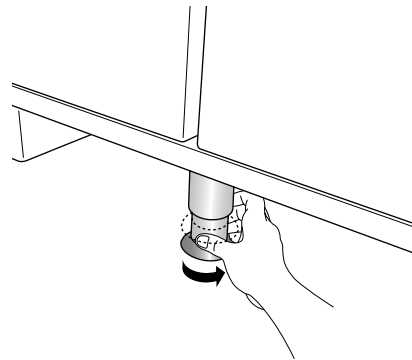
A. Kick plate
Packaging removed

- b. Lay kick plate to the side to avoid scratching the stainless steel.
- c. Remove screws from range.



A. Remove these screws.

3. For 48" (121.9 cm) models only, rotate center support counterclockwise off the pallet until it stops.

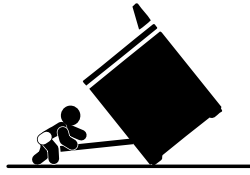


NOTE: This support is used only for shipping and is not needed for installation.

4. Lay a piece of cardboard from side packaging on the floor behind range. Using 2 or more people, firmly grasp each side of range. Lift range up about 3" (8.0 cm) and move it back until range is off shipping pallet. Set range on cardboard to avoid damaging floor.

Install Anti-Tip Bracket

⚠️ WARNING



Tip Over Hazard

A child or adult can tip the range and be killed.

Install anti-tip bracket to floor or wall per installation instructions.

Slide range back so rear range foot is engaged in the slot of the anti-tip bracket.

Re-engage anti-tip bracket if range is moved.

Do not operate range without anti-tip bracket installed and engaged.

Failure to follow these instructions can result in death or serious burns to children and adults.

1. Determine which mounting method to use: floor or wall.
If you have a stone or masonry floor, you can use the wall mounting method.
2. Determine and mark centerline of the cutout space.
The mounting bracket must be installed on the right side of the cutout. Position mounting bracket in cutout as shown in the following illustration.

Measurement B:

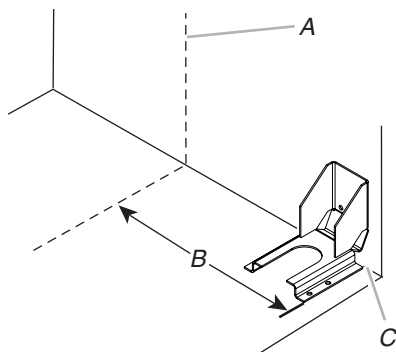
30" (76.2 cm) ranges: 14 $\frac{1}{4}$ " (36.1 cm)

36" (91.4 cm) ranges: 17 $\frac{1}{4}$ " (43.8 cm)

48" (121.9 cm) ranges: 23 $\frac{3}{8}$ " (59.3 cm)

Measurement C:

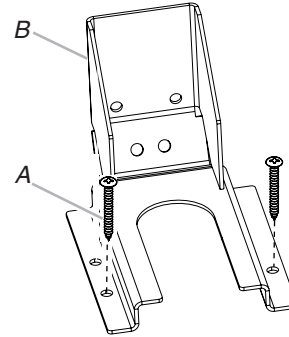
Optional distance from back wall. If back wall is constructed of a combustible material and a backguard is not installed, a 6" (15.2 cm) minimum clearance is required for all models. Install anti-tip bracket accordingly.



- A. Centerline
- B. Centerline of cutout to outside edge of anti-tip bracket
- C. Back wall to back of range

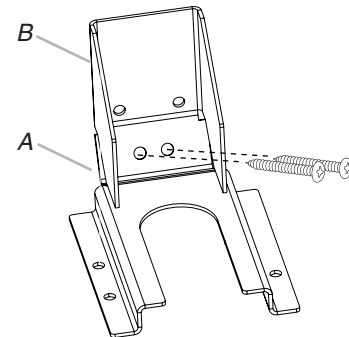
3. Drill two $\frac{1}{8}$ " (3.0 mm) holes that correspond to the bracket holes of the determined mounting method. See the following illustrations.

Floor Mounting



- A. #12 x 1 $\frac{5}{8}$ " screws
- B. Anti-tip bracket

Wall Mounting



- A. #12 x 1 $\frac{5}{8}$ " screws
- B. Anti-tip bracket

4. Using a Phillips screwdriver, mount anti-tip bracket to the wall or floor with the two #12 x 1 $\frac{5}{8}$ " screws provided. Depending on the thickness of your flooring, longer screws may be necessary to anchor the bracket to the subfloor. Longer screws are available from your local hardware store.
5. Move range close enough to opening to allow for electrical connections to be made. Remove shipping base, cardboard, or hardboard from under range.
6. Continue installing your range using the following installation instructions.

Make Gas Connection

⚠️ WARNING



Explosion Hazard

Use a new CSA International approved gas supply line.

Install a shut-off valve.

Securely tighten all gas connections.

If connected to LP, have a qualified person make sure gas pressure does not exceed 14" (36 cm) water column.

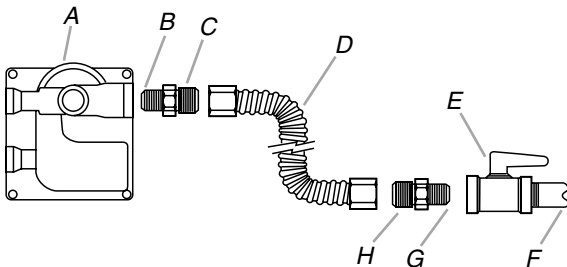
Examples of a qualified person include:

licensed heating personnel,
authorized gas company personnel, and
authorized service personnel.

Failure to do so can result in death, explosion, or fire.

1. Assemble flexible connector from gas supply pipe to pressure regulator located in the middle rear of the range.
2. Apply pipe-joint compound made for use with LP gas to the smaller thread ends of the flexible connector adapters. (See B and G in the following illustration.)
3. Attach one adapter to the gas pressure regulator and the other adapter to the gas shut-off valve. Tighten both adapters, being certain not to move or turn the gas pressure regulator.
4. Use a $1\frac{5}{16}$ " combination wrench and an adjustable wrench to attach the flexible gas supply to the adapters. Check that connector is not kinked.

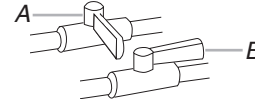
IMPORTANT: All connections must be wrench-tightened. Do not make connections to the gas regulator too tight. Making the connections too tight may crack the regulator and cause a gas leak. Do not allow the regulator to turn or move when tightening fittings.



- | | |
|---|--|
| A. Gas pressure regulator | E. Manual gas shut-off valve |
| B. Use pipe-joint compound. | F. $\frac{1}{2}$ " or $\frac{3}{4}$ " gas pipe |
| C. Adapter (must have $\frac{1}{2}$ " male pipe thread) | G. Use pipe-joint compound. |
| D. Flexible connector | H. Adapter |

Complete Connection

1. Open the manual shut-off valve in the gas supply line. The valve is open when the handle is parallel to the gas pipe.



A. Closed valve

B. Open valve

2. Test all connections by brushing on an approved noncorrosive leak-detection solution. If bubbles appear, a leak is indicated. Correct any leak found.
3. Remove cooktop burner caps, burner bases, and grates from parts package. Place burner bases on cooktop and burner caps on burner bases. Place grates over burners and caps.

⚠️ WARNING



Electrical Shock Hazard

Plug into a grounded 3 prong outlet.

Do not remove ground prong.

Do not use an adapter.

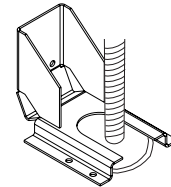
Do not use an extension cord.

Failure to follow these instructions can result in death, fire, or electrical shock.

4. Plug into a grounded 3 prong outlet.
5. Turn on power supply. For further information, please refer to the user instructions located in the Use and Care Guide.

Verify Anti-Tip Bracket Location

1. Using a $\frac{5}{16}$ " socket or wrench, turn all 4 leveling rods one full turn to raise the range and provide enough clearance for the rear leveling leg to slide into the anti-tip bracket.

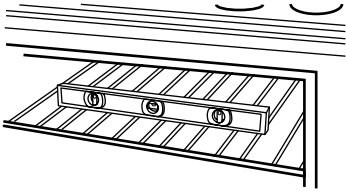


2. Move range into its final location, making sure rear leveling leg slides into anti-tip bracket.
3. Use a flashlight to look underneath the bottom of the range and visually check that the rear range foot is inserted into the slot of the anti-tip bracket.

Level Range

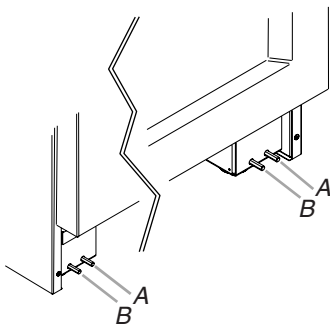
NOTE: Range must be level for satisfactory baking performance.

1. Place rack in oven.
2. Place level on rack and check levelness of the range, first side to side, then front to back.



3. If range is not level, adjust the leveling rods. Turn leveling rods located behind the kick plate to level range and to raise or lower range to the desired countertop height.

NOTE: All roller feet must be off the floor upon final installation.

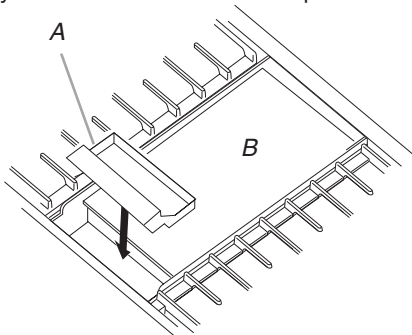


A. Rear leveling rod
B. Front and brass leveling rod

Install Griddle (on griddle models)

The griddle is factory installed.

1. Place drip tray in the well at the front of the griddle. Slide tray toward the back until it stops.



A. Griddle drip tray
B. Griddle

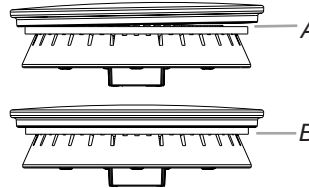
2. Clean griddle before using. Refer to the Use and Care Guide.

Electronic Ignition System

Install Burner Bases and Burner Caps

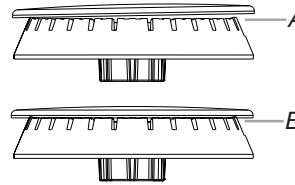
Install the burner base, making sure the igniter electrode is properly aligned with the base. Place burner caps on top of burner bases. If burner caps are not properly positioned, surface burners will not light.

Ultra Power™ Dual-Flame Burner



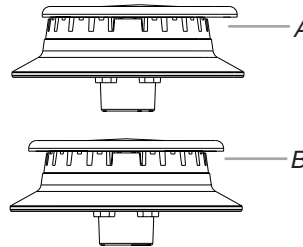
A. Incorrect
B. Correct

Professional Burner



A. Incorrect
B. Correct

Simmer/Melt Burner



A. Incorrect
B. Correct

Initial Lighting and Gas Flame Adjustments

Cooktop burners use electronic igniters in place of standing pilots. When the cooktop control knob is turned to any position, the system creates a spark to light the burner. This sparking continues until the flame is lit or the knob is turned to OFF.

NOTE: The first time igniting the burners will take longer. This allows the gas to reach the burners during the first use.

Check Operation of Cooktop Burners

Push in and turn each control knob to LITE.

NOTE: You will hear a clicking sound while the line clears.

The surface burners and grill flames should light within 4 seconds. The first time a burner is lit, it may take longer than 4 seconds to light because of air in the gas line.

After verifying the proper burner operation, turn the control knobs to OFF.

If burners do not light properly:

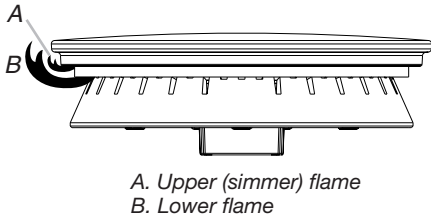
- Turn cooktop control knob to OFF.
- Check that the range is plugged in and the circuit breaker has not tripped or the fuse has not blown.
- Check that the gas shut-off valves are set to the “open” position.
- Check that burner caps are properly positioned on burner bases.

Repeat startup. If a burner does not light at this point, contact your dealer or authorized service company for assistance.

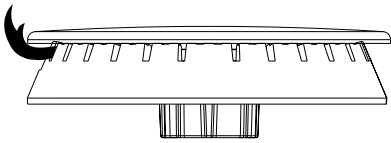
Flame Height

The cooktop flame should be a steady blue flame approximately 1/4" (0.64 cm) high.

Dual Flame Burner

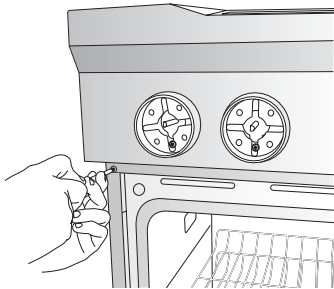


Single Flame Burner



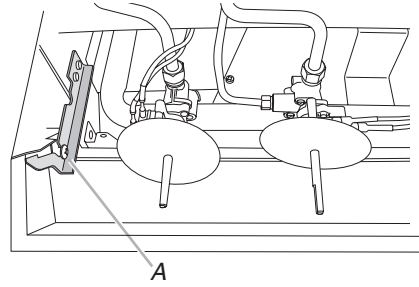
To Adjust Flame Height:

1. Unplug range or disconnect power.
2. Remove burner grates.
3. Remove the control knobs.
4. Open the oven door and remove the 2 screws on each side of the range that hold the control console in place.



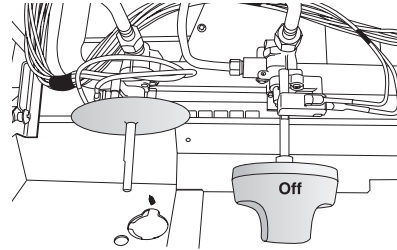
NOTE: Make sure to leave oven door open or the control console will not rest in the side brackets properly once it is detached.

5. Pull up on the control console and let it drop forward into the notched console brackets on each side.

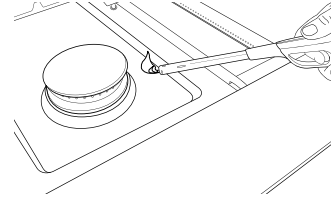


A. Control console bracket

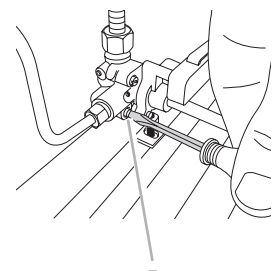
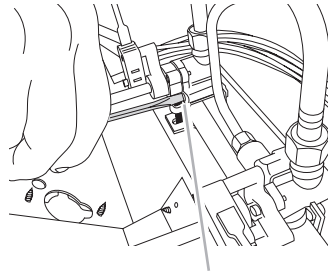
6. Remove the round gasket from the valve stem.
7. Put a control knob onto the valve stem of the burner you want to adjust.



8. Turn the control knob to LO and, using a butane extension lighter, light the burner.



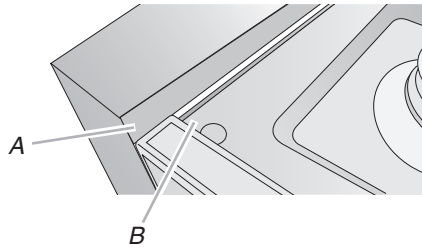
9. Remove the control knob.
10. Use a 1/8" x 4 1/4" flat-blade screwdriver to adjust the flame height. Tighten screw to reduce flame height. Loosen screw to increase flame height.



A. Single flame burner adjustment screw (on right side of valve)
B. Dual flame burner adjustment screw (on left side of valve)

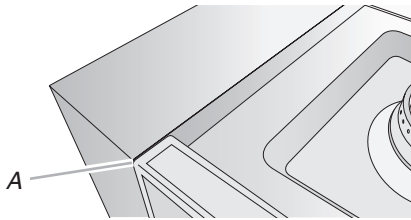
11. When finished adjusting the flame height, put a control knob back onto the valve stem and turn off the burner.
12. Remove the control knob.
13. Replace the round gasket.
14. Repeat steps 6 through 13 for any other burners that need adjustment.

15. Lift up on the control console and set it back into place. For a proper fit, the flange of the control console must hook over the lip on the front of the range cooktop.



A. Control console flange
B. Front lip of range cooktop

16. Check that the control console is flush with the top edge of the range.

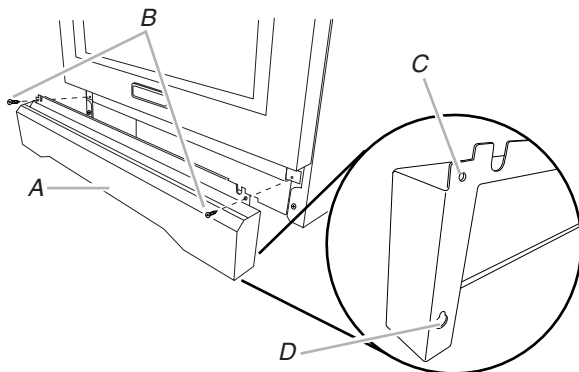


A. Flush with range top

17. Replace the 2 screws on each side of the control console.
18. Replace the control knobs.
19. Replace burner grates.
20. Test the flame by turning the control from LO to HI, checking the flame at each setting.

Reinstall Kick Plate

1. Align shoulder screw mounting holes with shoulder screws on range.
2. Push kick plate down against front of range until the top screw holes are aligned with the mounting holes on the front of the range.
3. Reattach screws to the top of the kick plate.



A. Kick plate
B. Reattach these screws.
C. Top screw hole
D. Shoulder screw mounting hole

Complete Installation

1. Check that all parts are now installed. If there is an extra part, go back through the steps to see which step was skipped.
2. Check that you have all of your tools.
3. Dispose of/recycle all packaging materials.
4. For oven use and cleaning, read the Use and Care Guide.

Check Operation of Oven Bake Burner(s)

1. Remove the oven racks and bake burner cover and set them aside on a covered surface.
2. Start a Bake cycle. See the Use and Care Guide for operating instructions.

The oven bake burner should light within 8 seconds. Under certain conditions it may take the burner up to 60 seconds to light.

Electronic igniters are used to light the bake burners.

NOTE: No adjustments can be made to the bake flames.

Check Operation of Oven Broil Burner

1. Remove the oven racks and set them aside on a covered surface.
2. Start a Broil cycle. See the Use and Care Guide for operating instructions.

The oven broil burner should light within 8 seconds. Under certain conditions, it may take the burner up to 60 seconds to light.

Electronic igniters are used to light the broil burner.

NOTE: No adjustments can be made to the broil flames.

If you need Assistance or Service:

Please reference the "Assistance or Service" section of the Use and Care Guide or contact the dealer from whom you purchased your range.

