

# REFRIGERATOR USER INSTRUCTIONS

## Table of Contents / Table des matières

<b>REFRIGERATOR SAFETY</b> .....	<b>2</b>	<b>SÉCURITÉ DU RÉFRIGÉRATEUR</b> .....	<b>14</b>
<b>INSTALLATION INSTRUCTIONS</b> .....	<b>3</b>	<b>INSTRUCTIONS D'INSTALLATION</b> .....	<b>15</b>
Unpack the Refrigerator.....	3	Déballage du réfrigérateur.....	15
Location Requirements.....	3	Exigences d'emplacement.....	16
Electrical Requirements.....	4	Spécifications électriques.....	16
Water Supply Requirements.....	4	Spécifications de l'alimentation en eau.....	17
Connect the Water Supply.....	4	Raccordement de la canalisation d'eau.....	17
Refrigerator Doors.....	5	Portes du réfrigérateur.....	18
Adjust the Doors.....	6	Ajustement des portes.....	18
<b>REFRIGERATOR USE</b> .....	<b>6</b>	<b>UTILISATION DU RÉFRIGÉRATEUR</b> .....	<b>19</b>
Using the Controls.....	6	Utilisation des commandes.....	19
Ice Maker.....	7	Machine à glaçons (sur certains modèles).....	20
<b>REFRIGERATOR FEATURES</b> .....	<b>8</b>	<b>CARACTÉRISTIQUES DU RÉFRIGÉRATEUR</b> .....	<b>21</b>
Refrigerator Shelves.....	8	Tablettes du réfrigérateur.....	21
Deli Drawer.....	8	Tiroir pour spécialités alimentaires.....	21
Crisper.....	8	Bac à légumes.....	21
<b>FREEZER FEATURES</b> .....	<b>9</b>	<b>CARACTÉRISTIQUES DU CONGÉLATEUR</b> .....	<b>22</b>
Wire Freezer Shelf.....	9	Tablette métallique du congélateur (sur certains modèles).....	22
Glass Freezer Shelf.....	9	Tablette en verre du congélateur.....	22
<b>DOOR FEATURES</b> .....	<b>10</b>	<b>CARACTÉRISTIQUES DE LA PORTE</b> .....	<b>23</b>
Door Rails.....	10	Tringles de porte.....	23
Door Bins.....	10	Balconnets de porte.....	23
Utility Compartment.....	10	Compartiment utilitaire.....	23
<b>REFRIGERATOR CARE</b> .....	<b>10</b>	<b>ENTRETIEN DU RÉFRIGÉRATEUR</b> .....	<b>23</b>
Cleaning.....	10	Nettoyage.....	23
Changing the Light Bulbs.....	11	Remplacement des ampoules d'éclairage.....	24
Vacation and Moving Care.....	11	Entretien avant les vacances ou lors d'un déménagement.....	24
<b>PROBLEM SOLVER</b> .....	<b>12</b>	<b>RÉSOLUTION DE PROBLÈMES</b> .....	<b>25</b>
<b>ACCESSORIES</b> .....	<b>13</b>	<b>ACCESSOIRES</b> .....	<b>27</b>
<b>ASSISTANCE OR SERVICE</b> .....	<b>13</b>	<b>ASSISTANCE OU SERVICE</b> .....	<b>27</b>

# REFRIGERATOR SAFETY

## Your safety and the safety of others are very important.

We have provided many important safety messages in this manual and on your appliance. Always read and obey all safety messages.



This is the safety alert symbol.

This symbol alerts you to potential hazards that can kill or hurt you and others.

All safety messages will follow the safety alert symbol and either the word "DANGER" or "WARNING."

These words mean:

**⚠ DANGER**

**You can be killed or seriously injured if you don't immediately follow instructions.**

**⚠ WARNING**

**You can be killed or seriously injured if you don't follow instructions.**

All safety messages will tell you what the potential hazard is, tell you how to reduce the chance of injury, and tell you what can happen if the instructions are not followed.

## IMPORTANT SAFETY INSTRUCTIONS

**WARNING:** To reduce the risk of fire, electric shock, or injury to persons when using the refrigerator, follow basic precautions, including the following:

- Plug into a grounded 3 prong outlet.
- Do not remove ground prong.
- Do not use an adapter.
- Do not use an extension cord.
- Disconnect power before servicing.
- Replace all parts and panels before operating.
- Remove doors from your old refrigerator.
- Use nonflammable cleaner.
- Keep flammable materials and vapors, such as gasoline, away from refrigerator.
- Use two or more people to move and install refrigerator.
- Disconnect power before installing ice maker (on ice maker kit ready models only).
- A qualified service technician must install the water line and ice maker.
- This appliance is not intended for use by persons (including children) with reduced physical, sensory or mental capabilities, or lack of experience and knowledge, unless they have been given supervision or instruction concerning use of the appliance by a person responsible for their safety.
- Children should be supervised to ensure that they do not play with the appliance.
- This appliance is intended to be used in household and similar applications such as: staff kitchen areas in shops, offices and other working environments; farm houses and by clients in hotels, motels and other residential type environments; bed and breakfast type environments; and catering and similar non-retail applications.
- If the power supply cord is damaged, it must be replaced by the manufacturer, its service agent or a similarly qualified person in order to avoid a hazard.

**SAVE THESE INSTRUCTIONS**

## Proper Disposal of Your Old Refrigerator

### **⚠️ WARNING**

#### **Suffocation Hazard**

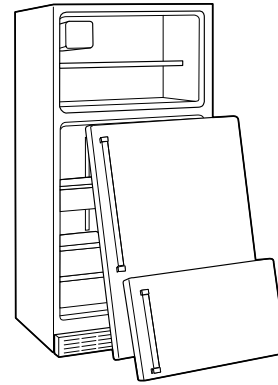
**Remove doors from your old refrigerator.**

**Failure to do so can result in death or brain damage.**

**IMPORTANT:** Child entrapment and suffocation are not problems of the past. Junked or abandoned refrigerators are still dangerous – even if they will sit for “just a few days.” If you are getting rid of your old refrigerator, please follow these instructions to help prevent accidents.

#### **Before You Throw Away Your Old Refrigerator or Freezer:**

- Take off the doors.
- Leave the shelves in place so that children may not easily climb inside.



#### **Important information to know about disposal of refrigerants:**

Dispose of refrigerator in accordance with Federal and Local regulations. Refrigerants must be evacuated by a licensed, EPA certified refrigerant technician in accordance with established procedures.

## INSTALLATION INSTRUCTIONS

### Unpack the Refrigerator

### **⚠️ WARNING**

#### **Excessive Weight Hazard**

**Use two or more people to move and install refrigerator.**

**Failure to do so can result in back or other injury.**

#### **When Moving Your Refrigerator:**

Your refrigerator is heavy. When moving the refrigerator for cleaning or service, be sure to cover the floor with cardboard or hardboard to avoid floor damage. Always pull the refrigerator straight out when moving it. Do not wiggle or “walk” the refrigerator when trying to move it, as floor damage could occur.

#### **Clean Before Using**

After you remove all of the package materials, clean the inside of your refrigerator before using it. See the cleaning instructions in “Refrigerator Care.”

#### **Important information to know about glass shelves and covers:**

Do not clean glass shelves or covers with warm water when they are cold. Shelves and covers may break if exposed to sudden temperature changes or impact, such as bumping. Tempered glass is designed to shatter into many small, pebble-size pieces. This is normal. Glass shelves and covers are heavy. Use both hands when removing them to avoid dropping.

#### **Remove the Packaging**

- Remove tape and glue residue from surfaces before turning on the refrigerator. Rub a small amount of liquid dish soap over the adhesive with your fingers. Wipe with warm water and dry.

**NOTE:** Do not use sharp instruments, rubbing alcohol, flammable fluids, or abrasive cleaners to remove tape or glue. These products can damage the surface of your refrigerator. For more information, see “Refrigerator Safety.”

- Dispose of/recycle all packaging materials.

**IMPORTANT:** Do not remove the white foam air return insert that is located behind the control panel on the ceiling of the refrigerator (on some models). The insert is part of the refrigerator and not part of the packing material. If the insert is removed, ice may migrate down from the freezer and cause icicles to form.

### Location Requirements

### **⚠️ WARNING**



#### **Explosion Hazard**

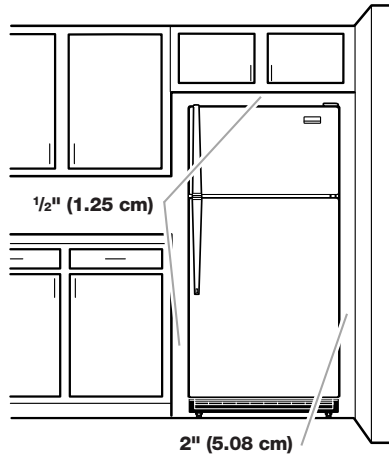
**Keep flammable materials and vapors, such as gasoline, away from refrigerator.**

**Failure to do so can result in death, explosion, or fire.**

**IMPORTANT:** This refrigerator is designed for indoor household use only.

To ensure proper ventilation for your refrigerator, allow for ½" (1.25 cm) of space on each side and at the top. Allow for 1" (2.54 cm) of space behind the refrigerator. If your refrigerator has an ice maker, allow extra space at the back for the water line connections. When installing your refrigerator next to a fixed wall, leave a 2" (5.08 cm) minimum space on the hinge side (some models require more) to allow the door to swing open.

**NOTE:** This refrigerator is intended for use in a location where the temperature ranges from a minimum of 55°F (13°C) to a maximum of 110°F (43°C). The preferred room temperature range for optimum performance, which reduces electricity usage and provides superior cooling, is between 60°F (15°C) and 90°F (32°C). It is recommended that you do not install the refrigerator near a heat source, such as an oven or radiator.



## Electrical Requirements

### ⚠ WARNING



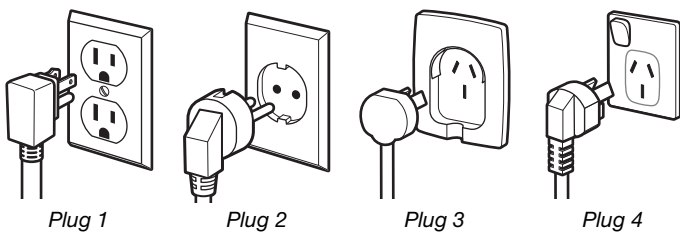
#### Electrical Shock Hazard

- Plug into a grounded 3 prong outlet.
- Do not remove ground prong.
- Do not use an adapter.
- Do not use an extension cord.
- Failure to follow these instructions can result in death, fire, or electrical shock.

Before you move your refrigerator into its final location, it is important to make sure you have the proper electrical connection.

#### Recommended Grounding Method

A 115 Volt 60 Hz. (Plug 1), 220-240 Volt 50 Hz. (Plugs 2 or 3), or 220-240 Volt 60 Hz. (Plug 4) AC only 10-amp fused and grounded (earthed) electrical supply is required.



It is recommended that a separate circuit serving only your refrigerator be provided. Use an outlet that cannot be turned off by a switch. Do not use an extension cord.

**NOTE:** Before performing any type of installation or cleaning, or removing a light bulb, turn cooling off or turn the control (Thermostat, Refrigerator or Freezer Control depending on the model) to OFF, and then disconnect the refrigerator from the electrical source. When you are finished, reconnect the refrigerator to the electrical source and turn cooling on or reset the control (Thermostat, Refrigerator or Freezer Control depending on the model) to the desired setting. See "Using the Controls" in the User Instructions, User Guide, or Use & Care Guide.

## Water Supply Requirements

**IMPORTANT:** Connect to potable water supply only.

Read all directions before you begin.

Gather the required tools and parts before starting installation. Read and follow the instructions provided with any tools listed here.

**Tools Needed:** Flat-blade screwdriver, ⅞" and ½" Open-end wrenches or 2 Adjustable wrenches, ¼" Nut driver and drill bit, Cordless drill.

**IMPORTANT:**

- If you turn on the refrigerator before the water line is connected, turn OFF the ice maker.
- All installations must meet local plumbing code requirements.
- Use copper tubing and check for leaks. Install copper tubing only in areas where the household temperatures will remain above freezing.

**NOTE:** Your refrigerator dealer has a kit available with a ¼" (6.35 mm) saddle-type shutoff valve, a union, and copper tubing. Before purchasing, make sure a saddle-type valve complies with your local plumbing codes. Do not use a piercing-type or ⅜" (4.76 mm) saddle valve which reduces water flow and clogs more easily.

### Water Pressure

**IMPORTANT:** A cold water supply with water pressure between 30 and 120 psi (207 and 827 kPa) is required to operate the ice maker.

**NOTE:** If the water pressure is less than what is required, ice cubes could be hollow or irregular shaped.

If you have questions about your water pressure, call a licensed, qualified plumber.

#### Reverse Osmosis Water Supply

If a reverse osmosis water filtration system is connected to your cold water supply, the water pressure to the reverse osmosis system needs to be a minimum of 40 to 60 psi (276 to 414 kPa).

If the ice maker is still not operating properly:

- Check to see whether the sediment filter in the reverse osmosis system is blocked. Replace the filter if necessary.
- Allow the storage tank on the reverse osmosis system to refill after heavy usage.

## Connect the Water Supply

Read all directions before you begin.

**IMPORTANT:** If you turn ON the refrigerator before the water line is connected, turn OFF the ice maker.

### Connect to Water Line

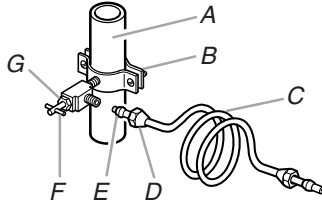
1. Unplug refrigerator or disconnect power.
2. Turn OFF main water supply. Turn ON nearest faucet long enough to clear line of water.
3. Locate a ½" to 1¼" (1.25 cm to 3.18 cm) vertical cold water pipe near the refrigerator.

**IMPORTANT:**

- Make sure it is a cold water pipe.

- Horizontal pipe will work, but drill on the top side of the pipe, not the bottom. This will help keep water away from the drill and normal sediment from collecting in the valve.

- Determine the length of copper tubing you need. Measure from the connection on the lower left rear of refrigerator to the water pipe. Add 7 ft (2.1 m) to allow for cleaning. Use 1/4" (6.35 mm) O.D. (outside diameter) copper tubing. Be sure both ends of copper tubing are cut square.
- Using a cordless drill, drill a 1/4" hole in the cold water pipe you have selected.

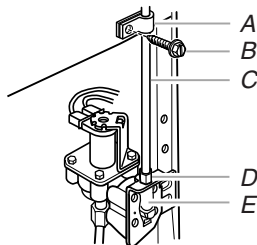


- |                    |                       |
|--------------------|-----------------------|
| A. Cold water pipe | E. Compression sleeve |
| B. Pipe clamp      | F. Shutoff valve      |
| C. Copper tubing   | G. Packing nut        |
| D. Compression nut |                       |

- Fasten the shutoff valve to the cold water pipe with the pipe clamp. Be sure the outlet end is solidly in the 1/4" drilled hole in the water pipe and that the washer is under the pipe clamp. Tighten the packing nut. Tighten the pipe clamp screws slowly and evenly so washer makes a watertight seal. Do not overtighten or you may crush the copper tubing.
- Slip the compression sleeve and compression nut on the copper tubing, as shown. Insert the end of the tubing into the outlet end squarely as far as it will go. Screw compression nut onto outlet end with adjustable wrench. Do not overtighten.
- Place the free end of the tubing in a container or sink, and turn ON the main water supply. Flush the tubing until water is clear. Turn OFF the shutoff valve on the water pipe. Coil the copper tubing.

### Connect to Refrigerator

- Unplug refrigerator or disconnect power.
- Attach the copper tubing to the valve inlet using a compression nut and sleeve, as shown. Tighten the compression nut. Do not overtighten.
- Use the tube clamp on the back of the refrigerator to secure the tubing to the refrigerator, as shown. This will help avoid damage to the tubing when the refrigerator is pushed back against the wall.
- Turn shutoff valve ON.
- Check for leaks. Tighten any connections (including connections at the valve) or nuts that leak.



- |                     |                    |
|---------------------|--------------------|
| A. Tube clamp       | D. Compression nut |
| B. Tube clamp screw | E. Valve inlet     |
| C. Copper tubing    |                    |

- The ice maker is equipped with a built-in water strainer. If your water conditions require a second water strainer, install it in the 1/4" (6.35 mm) water line at either tube connection. Obtain a water strainer from your nearest appliance dealer.

### Complete the Installation

## ⚠ WARNING



### Electrical Shock Hazard

**Plug into a grounded 3 prong outlet.**

**Do not remove ground prong.**

**Do not use an adapter.**

**Do not use an extension cord.**

**Failure to follow these instructions can result in death, fire, or electrical shock.**

- Plug into a grounded 3 prong outlet.

**NOTE:** Allow 24 hours to produce the first batch of ice. Discard the first three batches of ice produced. Allow 3 days to completely fill ice container.

## Refrigerator Doors

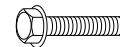
### Tools Needed:

- |                                |                         |
|--------------------------------|-------------------------|
| ■ 5/16" Hex-head socket wrench | ■ 5/16" Open-end wrench |
| ■ #2 Phillips screwdriver      | ■ Flat 2" putty knife   |
| ■ Flat-blade screwdriver       |                         |

### IMPORTANT:

- Before you begin, turn the refrigerator control OFF. Unplug refrigerator or disconnect power.
- Remove food and adjustable door or utility bins from doors.
- If you are only removing and replacing the doors, see the "Remove Doors and Hinges" and "Replace Doors and Hinges" sections.

### Remove Doors and Hinges



5/16" Hex-head Hinge Screw

- Unplug refrigerator or disconnect power.
- Close the refrigerator door and keep both doors closed until you are ready to lift them free from the cabinet.
 

**NOTE:** Provide additional support for the doors while the hinges are being moved. Do not depend on the door magnets to hold the doors in place while you are working.
- Remove the parts for the top hinge, as shown in Top Hinge graphic. Lift the freezer door free from the cabinet.
- Remove the parts for the center hinge, as shown in the Center Hinge graphic. Lift the refrigerator door free from the cabinet.
- Remove base grille from the bottom front of the refrigerator.
- Remove the parts for the bottom hinge, as shown in the Bottom Hinge graphic.

## Adjust the Doors

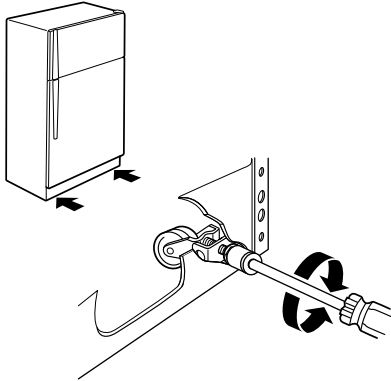
**IMPORTANT:** Fully retract the rollers into the cabinet to lower the refrigerator.

### Door Closing

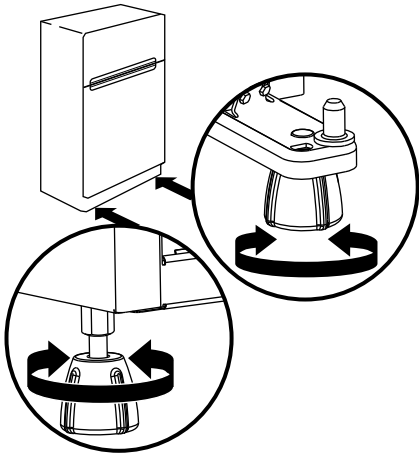
Your refrigerator has two front adjustable rollers – one on the right and one on the left. If your refrigerator seems unsteady or you want the doors to close easier, adjust the refrigerator's tilt using the following instructions:

1. Remove the base grille. See the Base Grille graphic in "Refrigerator Doors." The two leveling screws are part of the front roller assemblies, which are at the base of the refrigerator on either side.
2. Use a socket driver to adjust the leveling screws. Turn the leveling screw to the right to raise that side of the refrigerator or turn the leveling screw to the left to lower that side. It may take several turns of the leveling screws to adjust the tilt of the refrigerator.

**NOTE:** Having someone push against the top of the refrigerator takes some weight off the leveling screws and rollers which makes it easier to adjust.



**NOTE:** On some models if your product has an extra leveler adjust it, turning right or left to prevent product tipping.

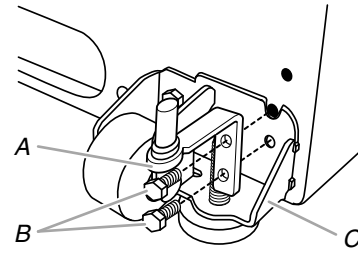


3. Open both doors again to make sure they close as easily as you like and that they stay closed. If not, tilt the refrigerator slightly more to the rear by turning both leveling screws to the right. It may take several more turns.

#### NOTES:

- To keep the refrigerator level, you should turn both leveling screws the same amount.
- On models with the leveling/roller assembly, after adjusting the refrigerator to the desired tilt, turn the leveling leg until it is firmly against the floor as shown.

### On some models



- A. Bottom hinge
- B. Screws
- C. Leveling/roller assembly

4. Replace the base grille.

### Door Aligning

If the space between your doors looks uneven, you can adjust it using the following instructions:

1. Depending on your model, remove the top hinge cover. Loosen the top hinge screws using a  $\frac{5}{16}$ " socket or wrench.
2. Have someone hold the door in place or put a spacer between the doors while you tighten the top hinge screws.
3. Replace the top hinge cover, if removed in Step 1.

## REFRIGERATOR USE

### Using the Controls

Your refrigerator has two controls that affect the temperature. The temperature control is located at the top front of the refrigerator compartment and the Airflow control is located on the back wall of the freezer compartment.

#### IMPORTANT:

- The recommended setting should be correct for normal household refrigerator use. The controls are set correctly when milk or juice is as cold as you like and when ice cream is firm.
- Wait 24 hours for your refrigerator to cool completely before adding food. If you add food before the refrigerator has cooled completely, your food may spoil.

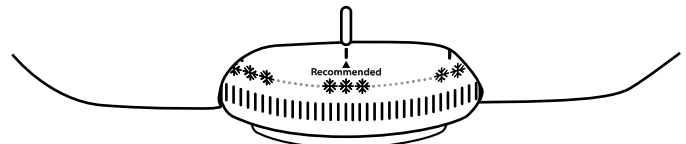
**NOTE:** Adjusting the refrigerator and freezer temperature controls to a colder than recommended setting will not cool the compartments any faster.

- If the temperature is too warm or too cold in the refrigerator or freezer, first check the air vents to be sure they are not blocked before adjusting the controls.

### Temperature Control (mechanical models)

For your convenience, the Temperature control is preset at the factory. When you first install your refrigerator, make sure the control is still preset as shown.

#### Recommended Setting "3 Snowflakes"

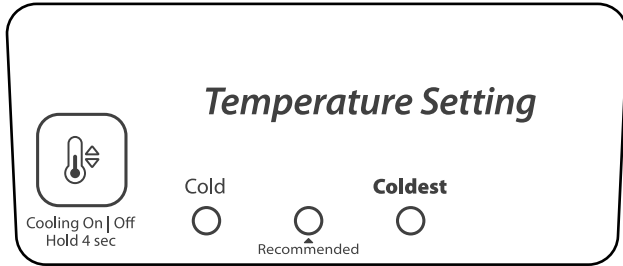


### Cooling Off/On

- Move the dial control to the word OFF. To turn cooling back on, move the dial control to the desired temperature setting.

## Temperature Control (electronic models)

### Recommended Setting



### Cooling Off/On

- To turn off Cooling, press and hold the Temperature Setting button for 4 seconds, until all lights turn ON for 1 second. To turn cooling back on, press and hold the Temperature Setting button again for 4 seconds.

**NOTE:** Neither compartment will cool when the control is set to OFF.



### Adjusting the Temperature Control (mechanical and electronic models)

If you need to adjust the temperature in either the refrigerator or freezer compartment, use the settings listed in the chart below as a guide.

**NOTE:** Except when starting the refrigerator, do not adjust the control more than one setting at a time. Wait 24 hours between adjustments for the temperature to stabilize.

- Move the dial to the desired number of snowflakes from (1 least cold to 5 coldest).

OR

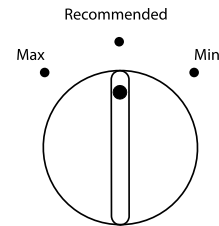
- Press the Temperature Setting button to toggle among the three LED lights which indicate the temperature setting. Reading from left to right, the LED in the first position is the least cold. The LEDs indicate increasingly colder settings as you continue to the right.

CONDITION/REASON:	ADJUSTMENT:
REFRIGERATOR too warm	TEMPERATURE Control one setting higher
FREEZER too warm/too little ice	AIRFLOW or TEMPERATURE Control one setting higher
REFRIGERATOR too cold	TEMPERATURE Control one setting lower
FREEZER too cold	AIRFLOW or TEMPERATURE Control one setting lower

## Airflow Control

The Airflow control regulates the amount of air flowing between the freezer and the refrigerator compartments.

When you plug in the refrigerator for the first time, turn the Airflow control to the Recommended setting.



### Adjusting the Airflow Control (Freezer Temperature Control)

If you want to temporarily increase the cold airflow to a specific compartment, adjust the control.

- Max** - Increase airflow to the freezer (this will make the freezer colder).
- Min** - Increase airflow to the refrigerator (this will make the freezer warmer).

**IMPORTANT:** Once the performance is achieved, return the Airflow control to the Recommended setting to keep the refrigerator operating at optimum efficiency.

CONDITION/REASON:	ADJUSTMENT:
Heavy ice use	Max
Hot room temperature	Max - To maintain ice making production rate
Large quantity of groceries	Min - To quickly chill food and beverages

## Ice Maker (on some models)

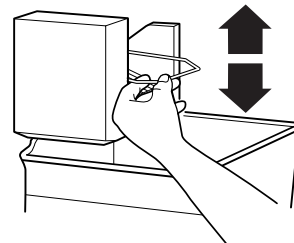
### Turning the Ice Maker On/Off

**NOTE:** Do not force the wire shutoff arm up or down.

- To turn on the ice maker, simply lower the wire shutoff arm.

**NOTE:** Your ice maker has an automatic shutoff. As ice is made, the ice cubes will fill the ice storage bin and the ice cubes will raise the wire shutoff arm to the OFF (arm up) position.

- To manually turn off the ice maker, lift the wire shutoff arm to the OFF (arm up) position and listen for the click to make sure the ice maker will not continue to operate.



**NOTE:** Turn off the ice maker before removing the ice storage bin to serve ice or to clean the bin. This will keep the ice cubes from dropping out of the ice maker and into the freezer compartment. After replacing the ice storage bin, turn on the ice maker.

---

## Ice Production Rate

---

- **NORMAL Ice Production:** The ice maker should produce approximately 8 to 12 batches of ice in a 24-hour period. If ice is not being made fast enough, turn the Freezer control toward a higher (colder) number in half number steps. (For example, if the control is at 3, move it to between 3 and 4.) Wait 24 hours and, if necessary, gradually turn the Freezer control to the highest setting, waiting 24 hours between each increase.
- **MAXIMUM Ice Production (on some models):** The ice maker should produce approximately 16 to 20 batches of ice in a 24-hour period. If your refrigerator has the maximum ice production feature, push the switch to MAX.

---

## Remember

---

- Allow 24 hours to produce the first batch of ice. Allow 3 days to completely fill the ice storage bin. Discard the first three batches of ice produced.
- The quality of your ice will be only as good as the quality of the water supplied to your ice maker. Avoid connecting the ice maker to a softened water supply. Water softener chemicals (such as salt) can damage parts of the ice maker and lead to poor quality ice. If a softened water supply cannot be avoided, make sure the water softener is operating properly and is well maintained.
- Do not store anything on top of the ice maker or in the ice storage bin.

# REFRIGERATOR FEATURES

Your model may have some or all of these features.

### Important information to know about glass shelves and covers:

Do not clean glass shelves or covers with warm water when they are cold. Shelves and covers may break if exposed to sudden temperature changes or impact, such as bumping. Tempered glass is designed to shatter into many small, pebble-size pieces. This is normal. Glass shelves and covers are heavy. Use both hands when removing them to avoid dropping.

---

## Refrigerator Shelves

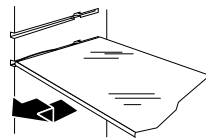
The shelves in your refrigerator are adjustable to match your individual storage needs.

Storing similar food items together in your refrigerator and adjusting the shelves to fit different heights of items will make finding the exact item you want easier. It will also reduce the amount of time the refrigerator door is open, and save energy.

### To remove and replace a shelf:

1. Remove items from the shelf.
2. Slide the shelf straight out to the stop.
3. Depending on your model, lift back or front of the shelf past the stop. Slide shelf out the rest of the way.
4. Replace the shelf by sliding the back of the shelf into the track in the wall of the cabinet.

5. Guide the front of the shelf into the shelf track. Be sure to slide the shelf in all the way.



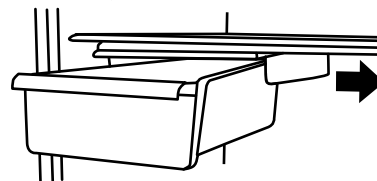
---

## Deli Drawer

### To remove and replace the deli drawer:

1. Slide deli drawer out to the stop.
2. Lift front of deli drawer with one hand while supporting bottom of drawer with other hand. Slide drawer out the rest of the way.
3. Replace the drawer by sliding it back in fully past the drawer stop.

**NOTE:** The deli drawer moves sideways on the shelf to allow for flexible positioning.



---

## Meat Storage Guide

---

Store most meat in original wrapping as long as it is airtight and moisture-proof. Rewrap if necessary. See the following chart for storage times. When storing meat longer than the times given, freeze the meat.

Fresh fish or shellfish..... use same day as purchased  
Chicken, ground beef, variety meats (liver) ..... 1-2 days  
Cold cuts, steaks/roasts ..... 3-5 days  
Cured meats..... 7-10 days  
Leftovers - Cover leftovers with plastic wrap, aluminum foil, or plastic containers with tight lids.

---

## Crisper

---

### Crisper Drawers

---

### To remove and replace the crisper drawer:

1. Slide the crisper drawer straight out to the stop. Lift the front and slide the drawer out the rest of the way.
2. Replace the drawer by sliding the drawer in fully past the stop.

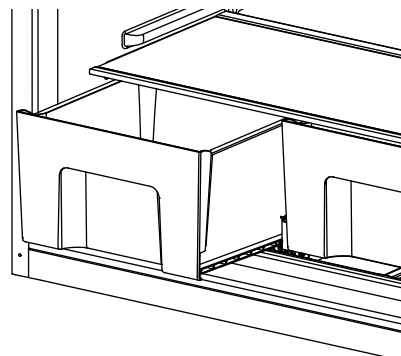
---

### Crisper Cover

---

### To remove and replace the crisper cover:

1. Remove the crisper(s).
2. Pull the glass straight out.
3. Replace the glass by pushing it straight in.





---

## Crisper Humidity Control

---

You can control the amount of humidity in the moisture-sealed crisper. Adjust the control to any setting between LOW and HIGH. LOW (open) lets moist air out of the crisper for best storage of fruits and vegetables with skins.

- **Fruit:** Wash, let dry and store in refrigerator in plastic bag or crisper. Do not wash or hull berries until they are ready to use. Sort and keep berries in original container in crisper, or store in a loosely closed paper bag on a refrigerator shelf.
- **Vegetables with skins:** Place in plastic bag or plastic container and store in crisper.

HIGH (closed) keeps moist air in the crisper for best storage of fresh, leafy vegetables.

- **Leafy vegetables:** Wash in cold water, drain and trim or tear off bruised and discolored areas. Place in plastic bag or plastic container and store in crisper.

---

## FREEZER FEATURES

Your model may have some or all of these features.

### Important information to know about glass shelves and covers:

Do not clean glass shelves or covers with warm water when they are cold. Shelves and covers may break if exposed to sudden temperature changes or impact, such as bumping. Tempered glass is designed to shatter into many small, pebble-size pieces. This is normal. Glass shelves and covers are heavy. Use both hands when removing them to avoid dropping.

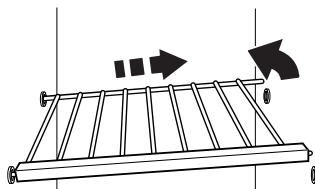
---

## Wire Freezer Shelf (on some models)

### To remove and replace a wire shelf:

1. Remove the shelf by lifting the entire shelf slightly and moving it all the way to the left-hand side. Tilt the right-hand side up and out of the shelf supports.
2. Replace the shelf by inserting the left-hand end all the way into the shelf supports. Then, lower the right-hand end of the shelf and insert it into the shelf supports.

**NOTE:** The shelf should lower slightly and lock into place. If the shelf does not appear stable, make sure both ends of the shelf are inserted into the shelf supports.

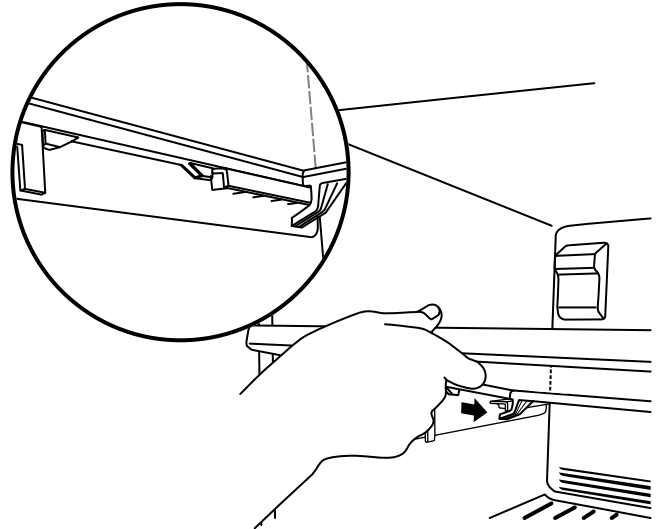


---

## Glass Freezer Shelf (on some models)

### To remove and replace a glass shelf:

1. Lift the front of the shelf to raise the shelf tabs up and out of the opening in each shelf track. Slide the shelf out the rest of the way.
2. Replace the shelf by tilting the back end downward to align the back shelf tab under the track on each side of the freezer. Gently push the shelf into the freezer until the two center shelf tabs are positioned within the opening in each track. Lower the shelf to rest on the shelf tracks.



---

## Frozen Food Storage Guide

---

Storage times will vary according to the quality and type of food, the type of packaging or wrap used (should be airtight and moisture-proof), and the storage temperature. Seal the package or container securely to avoid taste and odor transfer throughout the product. Ice crystals inside a sealed package are normal. This simply means that moisture in the food and air inside the package have condensed, creating ice crystals.

Put no more unfrozen food into the freezer than will freeze within 24 hours (no more than 2 to 3 lbs of food per cubic foot [907 to 1,350 g per L] of freezer space). Leave enough space in the freezer for air to circulate around packages. The freezer door must close tightly.

**NOTE:** For more information on preparing food for freezing, check a freezer guide or reliable cookbook.

# DOOR FEATURES

Your model may have some or all of these features.

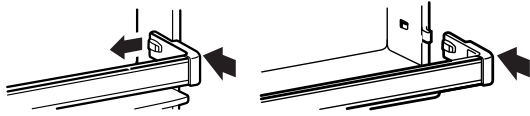
## Door Rails

The door rails may be removed for easier cleaning.

### Snap-on Door Rails (on some models)

#### To remove and replace the rails:

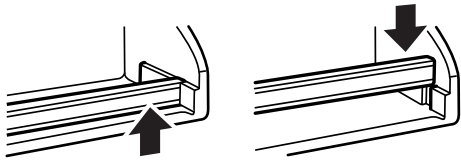
1. Depending on your model, remove the rails by pushing in slightly on the front of the bracket while pulling out on the inside tab. Repeat these steps for the other end.
2. Replace the rails by aligning the ends of the brackets with the buttons on the sides of the door liner. Firmly snap bracket and assembly onto the tabs above the shelf, as shown.



### Drop-in Door Rails (on some models)

#### To remove and replace the rails:

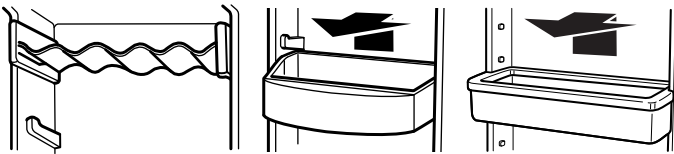
1. Remove the rails by pulling straight up on each end of the rail.
2. Replace the rails by sliding the shelf rail into the slots on the door and pushing the rail straight down until it stops.



## Door Bins (on some models)

#### To remove and replace the bins:

1. Remove the bin by lifting it and pulling it straight out.
2. Replace the bin by sliding it in above the desired support and pushing it down until it stops.



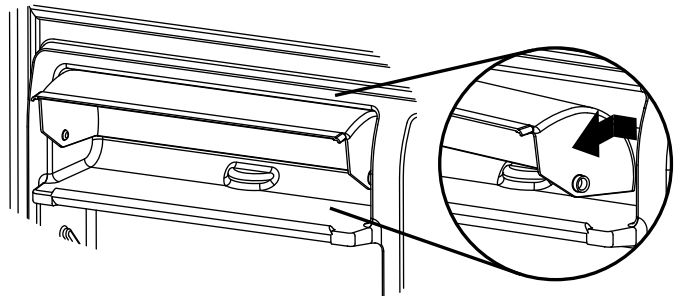
## Utility Compartment

The utility compartment may be removed for easier cleaning.

#### To remove and replace the utility compartment:

1. Remove the utility compartment by squeezing against one side while raising the utility compartment up and pulling it straight out.

2. Replace the utility compartment by positioning one side in the lock and sliding in the opposite side until it stops.



# REFRIGERATOR CARE

## Cleaning

### ⚠ WARNING



#### Explosion Hazard

Use nonflammable cleaner.

Failure to do so can result in death, explosion, or fire.

Both the refrigerator and freezer sections defrost automatically. However, clean both sections about once a month to avoid buildup of odors. Wipe up spills immediately.

#### IMPORTANT:

- Because air circulates between both sections, any odors formed in one section will transfer to the other. You must thoroughly clean both sections to eliminate odors. To avoid odor transfer and drying out of food, wrap or cover foods tightly.
- For stainless steel models, stainless steel is corrosion-resistant and not corrosion-proof. To help avoid corrosion of your stainless steel, keep your surfaces clean by using the following cleaning instructions.

#### To Clean Your Refrigerator:

**NOTE:** Do not use abrasive or harsh cleaners such as window sprays, scouring cleansers, flammable fluids, muriatic acid, cleaning waxes, concentrated detergents, bleaches or cleansers containing petroleum products on exterior surfaces (doors and cabinet), plastic parts, interior and door liners or gaskets. Do not use paper towels, scouring pads, or other harsh cleaning tools.

1. Unplug refrigerator or disconnect power.
2. Hand wash, rinse, and dry removable parts and interior surfaces thoroughly. Use a clean sponge or soft cloth and a mild detergent in warm water.
3. Clean the exterior surfaces.

**Painted metal:** Wash painted metal exteriors with a clean, soft cloth or sponge and a mild detergent in warm water. Rinse surfaces with clean, warm water and dry immediately to avoid water spots.

**Stainless steel:** Wash stainless steel surfaces with a clean, soft cloth or sponge and a mild detergent in warm water. Rinse surfaces with clean, warm water and dry immediately to avoid water spots.

**NOTE:** When cleaning stainless steel, always wipe in the direction of the grain to avoid cross-grain scratching.

- There is no need for routine condenser cleaning in normal home operating environments. If the environment is particularly greasy or dusty, or there is significant pet traffic in the home, the condenser should be cleaned every 2 to 3 months to ensure maximum efficiency.

If you need to clean the condenser:

- Remove the base grille.
- Use a vacuum cleaner with a soft brush to clean the grille, the open areas behind the grille and the front surface area of the condenser.
- Replace the base grille when finished.

- Plug in refrigerator or reconnect power.

## Changing the Light Bulbs

**IMPORTANT:** The light bulbs in both the refrigerator and freezer compartments of your new refrigerator use LED technology. If the lights do not illuminate when the refrigerator and/or freezer door is opened, call for assistance or service.

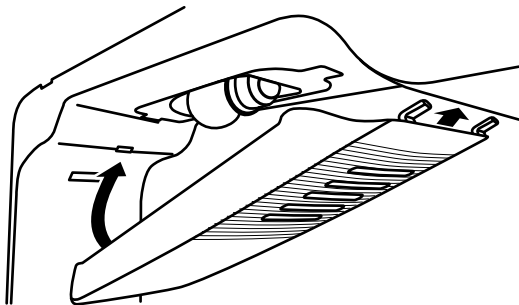
### Refrigerator Compartment Light

The refrigerator light bulb is located behind the control.

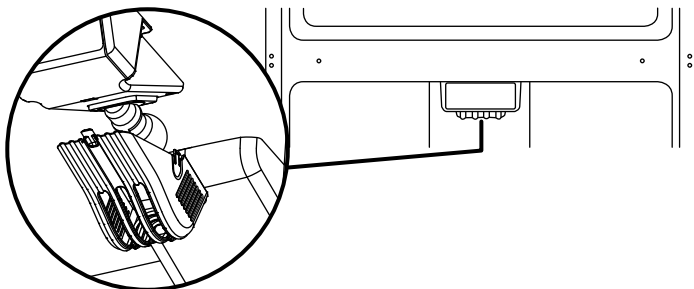
- Unplug refrigerator or disconnect power.
- Remove the light shield by squeezing in on the sides and pulling it straight down.
- Remove the light bulb and replace it with an appliance bulb of the same size and shape.
  - To replace the LED bulb with an LED bulb, order part number W10716219 (4 watts).

**NOTE:** Some LED replacement bulbs are not recommended for wet/damp environments. The refrigerator and freezer compartments are considered to be wet/damp environments. If using a brand of LED bulb other than the recommended LED bulb, before installation, read and follow all instructions on the LED packaging.

- To replace an LED bulb with an incandescent bulb, use only incandescent bulbs for household appliances with a maximum of 60 watts.
- Replace the light shield.



or



- Plug in refrigerator or reconnect power.

## Vacation and Moving Care

### Vacations

#### If You Choose to Leave the Refrigerator On While You're Away:

- Use up any perishables and freeze other items.
- If your refrigerator has an automatic ice maker, and is connected to the household water supply, turn off the water supply to the refrigerator. Property damage can occur if the water supply is not turned off.
- If you have an automatic ice maker, turn off the ice maker.
 

**NOTE:** Raise the wire shutoff arm to OFF (up) position.
- Empty the ice bin.

#### If You Choose to Turn Off the Refrigerator Before You Leave:

- Remove all food from the refrigerator.
- If your refrigerator has an automatic ice maker:
  - Turn off the water supply to the ice maker at least one day ahead of time.
  - When the last load of ice drops, raise the wire shutoff arm to the OFF (up) position.
- Turn off the Temperature control(s). See "Using the Control(s)."
- Clean refrigerator, wipe it, and dry well.
- Tape rubber or wood blocks to the tops of both doors to prop them open far enough for air to get in. This stops odor and mold from building up.

### Moving

When you are moving your refrigerator to a new home, follow these steps to prepare it for the move.


- If your refrigerator has an automatic ice maker:
  - Turn off the water supply to the ice maker at least one day ahead of time.
  - Disconnect the water line from the back of the refrigerator.
  - When the last load of ice drops, raise the wire shutoff arm to the OFF (up) position.
- Remove all food from the refrigerator and pack all frozen food in dry ice.
- Empty the ice bin.
- Turn off the Temperature control(s). See "Using the Control(s)."
- Unplug refrigerator.
- Clean, wipe, and dry thoroughly.
- Take out all removable parts, wrap them well, and tape them together so they don't shift and rattle during the move.
- Depending on the model, raise the front of the refrigerator so it rolls more easily OR raise the leveling screws so they don't scrape the floor. See "Adjust the Door(s)" or "Door Closing and Door Alignment."
- Tape the doors closed and tape the power cord to the back of the refrigerator.

When you get to your new home, put everything back and refer to the "Installation Instructions" section for preparation instructions. Also, if your refrigerator has an automatic ice maker, remember to reconnect the water supply to the refrigerator.

# PROBLEM SOLVER

First try the solutions suggested here to possibly avoid a service call.

**⚠ WARNING**



**Electrical Shock Hazard**

Plug into a grounded 3 prong outlet.  
Do not remove ground prong.  
Do not use an adapter.  
Do not use an extension cord.

Failure to follow these instructions can result in death, fire, or electrical shock.

**⚠ WARNING**



**Explosion Hazard**

Use nonflammable cleaner.  
Failure to do so can result in death, explosion, or fire.

---

## If you experience    Possible Causes and/or Recommended Solutions

---

<b>The refrigerator will not operate</b>	<ul style="list-style-type: none"> <li>■ <b>Not connected to an electrical supply</b> - Plug the power cord into a grounded 3 prong outlet. Do not use an extension cord.</li> <li>■ <b>No power to the electrical outlet</b> - Plug in a lamp to see if the outlet is working.</li> <li>■ <b>Household fuse blown or circuit breaker tripped</b> - Replace the fuse or reset the circuit breaker. If the problem continues, contact an electrician.</li> <li>■ <b>Control is not turned on</b> - Turn ON the refrigerator control. See “Using the Controls” in the User Guide.</li> <li>■ <b>New installation</b> - Allow 24 hours following installation for the refrigerator to cool completely. <b>NOTE:</b> Adjusting the temperature control(s) to coldest setting will not cool the refrigerator more quickly.</li> </ul>
--	--

<b>The motor seems to run too much</b>	Your new refrigerator may run longer than your old one. Energy efficient refrigerators run longer at lower, more energy efficient speeds. Your refrigerator may run even longer if the room is warm, a large food load is added, the door is opened often, or if the door has been left open.
--	---

<b>The refrigerator is noisy</b>	<p>Refrigerator noise has been reduced over the years. Due to this reduction in operating noise, you may notice unfamiliar noises that are normal. Following are some normal sounds with an explanation:</p> <ul style="list-style-type: none"> <li>■ <b>Buzzing</b> - heard when the water valve opens to fill the ice maker</li> <li>■ <b>Clicking/Snapping</b> - valves opening or closing</li> <li>■ <b>Pulsating</b> - fans/compressor adjusting to optimize performance</li> <li>■ <b>Rattling</b> - flow of refrigerant, water line, or from items placed on top of the refrigerator</li> <li>■ <b>Sizzling/Gurgling</b> - water dripping on the heater during defrost cycle</li> <li>■ <b>Popping</b> - contraction/expansion of inside walls, especially during initial cool-down</li> <li>■ <b>Water running</b> - may be heard when ice melts during the defrost cycle and water runs into the drain pan</li> <li>■ <b>Creaking/Cracking</b> - occurs as ice is being ejected from the ice maker mold</li> </ul>
----------------------------------	---

<b>The door will not close completely</b>	■ <b>The door is blocked open</b> - Move food packages away from door. Push bin or shelf back into the correct position. Make sure the crisper cover is fully pushed in, so that the back rests on the supports.
---	--

<b>The door is difficult to open</b>	■ <b>Gaskets are dirty or sticky</b> - Clean gaskets and contact surfaces with mild soap and warm water. Rinse and dry with soft cloth.
--------------------------------------	---

<b>Temperature is too warm</b>	<ul style="list-style-type: none"> <li>■ <b>New installation</b> - Allow 24 hours following installation for the refrigerator to cool completely.</li> <li>■ <b>Door(s) opened often or not closed completely</b> - Allows warm air to enter refrigerator. Minimize door openings and keep doors fully closed.</li> <li>■ <b>A large amount of warm food has been recently added</b> - Allow several hours for refrigerator to return to normal temperature.</li> <li>■ <b>Check that the Temperature control(s) are set correctly for the surrounding conditions</b> - Adjust the controls to one setting colder. Check temperature in 24 hours. See “Using the Control(s)” in the User Guide.</li> </ul>
--------------------------------	--

---

If you experience	Possible Causes and/or Recommended Solutions
<b>There is interior moisture buildup</b> <b>NOTE:</b> Some moisture buildup is normal.	<ul style="list-style-type: none"> <li>■ <b>Humid room</b> - Contributes to moisture buildup in the refrigerator.</li> <li>■ <b>Door(s) opened often or not closed completely</b> - Allows humid air to enter the refrigerator. Minimize door openings and keep door fully closed.</li> </ul>
<b>The ice maker is not producing ice or not enough ice (on some models)</b>	<ul style="list-style-type: none"> <li>■ <b>The ice maker is not connected to a water supply</b> - Connect refrigerator to water supply and turn water shutoff valve fully open.</li> <li>■ <b>A kink in the line can reduce water flow</b> - Straighten the water source line.</li> <li>■ <b>Ice maker is not turned on</b> - Make sure the ice maker wire shutoff arm or switch (depending on model) is in the ON position.</li> <li>■ <b>New installation</b> - Wait 24 hours following ice maker installation for ice production to begin. Wait 3 days for full ice production.</li> <li>■ <b>Large amount of ice recently removed</b> - Allow sufficient time for ice maker to produce more ice.</li> <li>■ <b>Ice cube jammed in the ice maker ejector arm</b> - Remove ice from the ejector arm with a plastic utensil.</li> <li>■ <b>A reverse osmosis water filtration system connected to your cold water supply can decrease water pressure</b> - See "Water Supply Requirements."</li> </ul>
<b>The ice cubes are hollow or small (on some models)</b> <b>NOTE:</b> This is an indication of low water pressure.	<ul style="list-style-type: none"> <li>■ <b>The water valve is not completely open</b> - Turn the water shutoff valve fully open.</li> <li>■ <b>A kink in the line can reduce water flow</b> - Straighten the water source line.</li> <li>■ <b>A reverse osmosis water filtration system connected to your cold water supply can decrease water pressure</b> - See "Water Supply Requirements."</li> <li>■ If questions remain regarding water pressure, call a licensed, qualified plumber.</li> </ul>
<b>Off-taste, odor or gray color in the ice (on some models)</b>	<ul style="list-style-type: none"> <li>■ <b>New plumbing connections can cause discolored or off-flavored ice</b> - Discard the ice and wash the ice storage bin. Allow 24 hours for the ice maker to make new ice, and discard the first three batches of ice produced.</li> <li>■ <b>Ice stored too long can develop an off-taste</b> - Discard ice. Wash ice bin. Allow 24 hours for ice maker to make new ice.</li> <li>■ <b>Food odor transferring to ice</b> - Use airtight, moisture proof packaging to store food.</li> <li>■ <b>There are minerals (such as sulfur) in the water</b> - A water filter may need to be installed to remove the minerals.</li> </ul>

## ACCESSORIES

To order accessories, contact the dealer from whom you purchased your refrigerator.

## ASSISTANCE OR SERVICE

Before calling for assistance or service, please check "Problem Solver." It may save you the cost of a service call. If you still need help, follow the instructions below.

Contact the dealer from whom you purchased the refrigerator.

### If you need replacement parts

To locate factory specified replacement parts in your area, contact the dealer from whom you purchased your refrigerator.

## Warranty

Contact the dealer from whom you purchased the refrigerator for warranty information.

**Keep this book and your sales slip together for future reference. You must provide proof of purchase or installation date for in-warranty service.**

Write down the following information about your appliance to help you obtain assistance or service if you ever need it. You will need to know your complete model number and serial number. You can find this information on the model and serial number label, located on the inside wall of the refrigerator compartment.

Dealer name \_\_\_\_\_  
 Serial number \_\_\_\_\_  
 Address \_\_\_\_\_  
 Phone number \_\_\_\_\_  
 Model number \_\_\_\_\_  
 Purchase date \_\_\_\_\_