

WASHER INSTALLATION INSTRUCTIONS

INSTRUCCIONES DE INSTALACIÓN DE LA LAVADORA

Table of Contents

WASHER SAFETY1

INSTALLATION REQUIREMENTS.....2

 Tools and Parts.....2

 Location Requirements2

 Drain System3

 Electrical Requirements4

INSTALLATION INSTRUCTIONS.....4

 Before you start: remove shipping materials4

 Connect Drain Hose.....5

 Connect Inlet Hoses.....6

 Level Washer7

 Complete Installation Checklist.....8

Índice

SEGURIDAD DE LA LAVADORA9

REQUISITOS DE INSTALACIÓN9

 Herramientas y piezas9

 Requisitos de ubicación10

 Sistema de desagüe.....11

 Requisitos eléctricos11

INSTRUCCIONES DE INSTALACIÓN12

 Antes de comenzar: quite los materiales
 de transporte12

 Conexión de la manguera de desagüe.....13

 Conexión de las mangueras de entrada14

 Nivelación de la lavadora15

 Complete la instalaciónContraportado

INSTALLATION NOTES

Date of purchase: _____

Date of installation: _____

Installer: _____

Model number: _____

Serial number: _____

NOTAS SOBRE LA INSTALACIÓN

Fecha de compra: _____

Fecha de instalación: _____

Instalador: _____

Número de modelo: _____

Número de serie: _____

WASHER SAFETY

Your safety and the safety of others are very important.

We have provided many important safety messages in this manual and on your appliance. Always read and obey all safety messages.



This is the safety alert symbol.

This symbol alerts you to potential hazards that can kill or hurt you and others.

All safety messages will follow the safety alert symbol and either the word "DANGER" or "WARNING."

These words mean:

⚠ DANGER

You can be killed or seriously injured if you don't immediately follow instructions.

⚠ WARNING

You can be killed or seriously injured if you don't follow instructions.

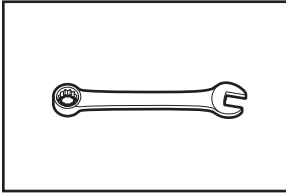
All safety messages will tell you what the potential hazard is, tell you how to reduce the chance of injury, and tell you what can happen if the instructions are not followed.

INSTALLATION REQUIREMENTS

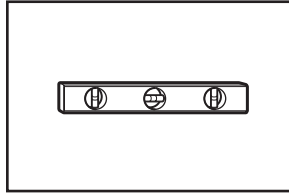
Tools and Parts

Gather required tools and parts before starting installation.

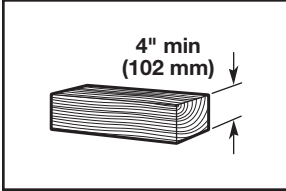
Tools needed:



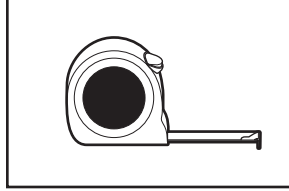
Adjustable or open end wrench $\frac{9}{16}$ " (14 mm)



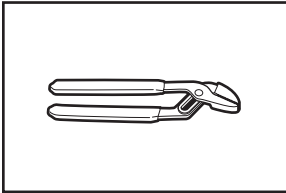
Level



Wood block

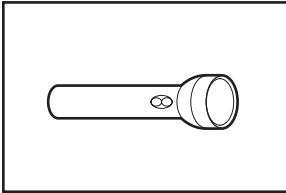


Ruler or measuring tape

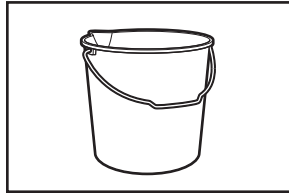


Pliers that open to $1\frac{3}{4}$ " (44.5 mm)

Optional tools:



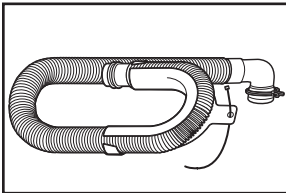
Flashlight



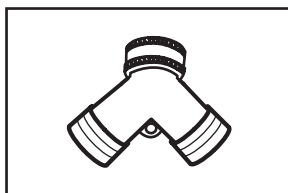
Bucket

Parts supplied:

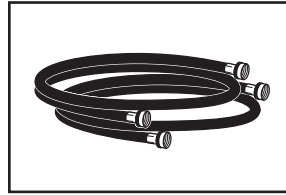
NOTE: All parts supplied for installation are in cardboard insert in the top of the washer.



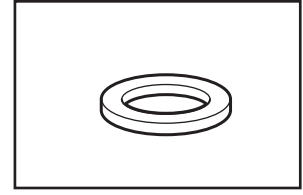
Drain hose with clamp, U-form, and cable tie



"Y" connector



Inlet hoses with flat washers



Rubber washer

Alternate parts: (Not supplied with washer)

Your installation may require additional parts.

If you have:

Overhead sewer

1" (25 mm) standpipe

Drain hose too short

Lint clogged drain

You will need:

Standard 20 gal. (76 L) 39" (990 mm) tall drain tub or utility sink, sump pump and connectors (available from local plumbing suppliers)

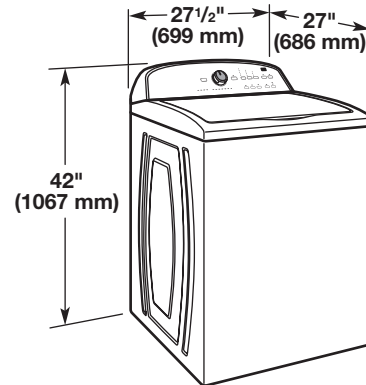
2" (51 mm) diameter to 1" (25 mm) diameter Standpipe Adapter Part Number 3363920
Connector Kit Part Number 285835

Extension Drain Hose Part Number 285863
Connector Kit Part Number 285835

Drain Protector Part Number 367031
Connector Kit Part Number 285835

LOCATION REQUIREMENTS

Select proper location for your washer to improve performance and minimize noise and possible "washer walk". Install your washer in a basement, laundry room, closet, or recessed area.



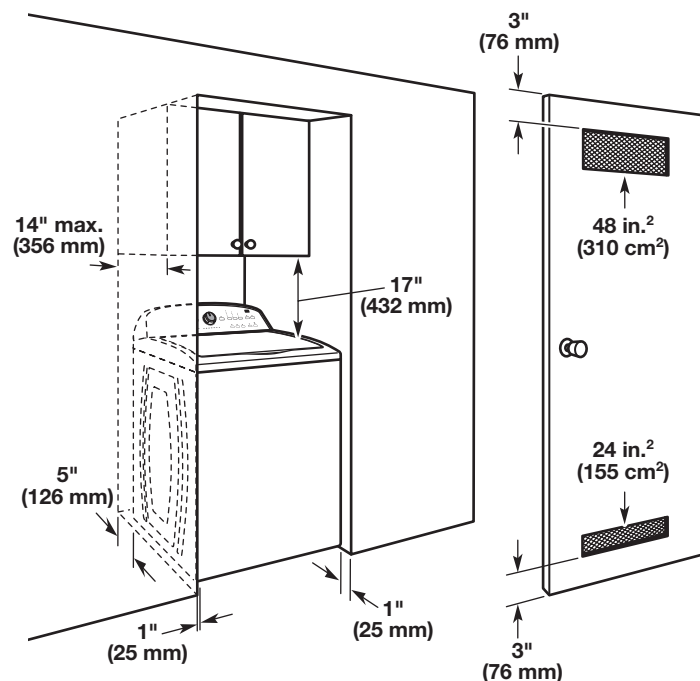
You will need:

- A water heater set to 120° F (49° C).
- A grounded electrical outlet located within 4 ft (1.2 m) of power cord on back of washer.
- Hot and cold water faucets located within 3 ft (0.9 m) of hot and cold water fill valves on washer and water pressure of 20-100 psi (138-690 kPa).
- A level floor with maximum slope of 1" (25 mm) under entire washer. Installing on carpet is not recommended.
- Floor must support washer's total weight (with water and load) of 315 lbs (143 kgs).

IMPORTANT: Do not install, store, or operate washer where it will be exposed to weather or in temperatures below 32° F (0° C). Water remaining in washer after use may cause damage in low temperatures. See "Washer Care" in your Use and Care Guide for winterizing information.

Proper installation is your responsibility.

Recessed area or closet installation

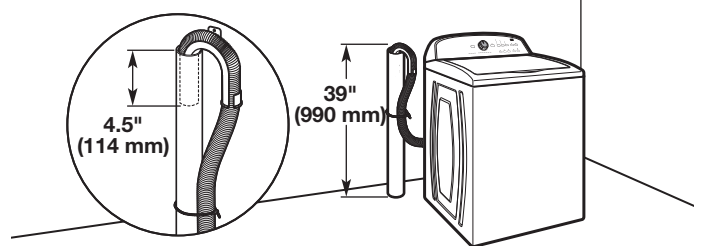


Dimensions show recommended spacing allowed, except for closet door ventilation openings which are minimum required. This washer has been tested for installation with spacing of 0" (0 mm) clearance on the sides. Consider allowing more space for ease of installation and servicing, and spacing for companion appliances and clearances for walls, doors, and floor moldings. Add spacing of 1" (25 mm) on all sides of washer to reduce noise transfer. If a closet door or louvered door is installed, top and bottom air openings in door are required.

DRAIN SYSTEM

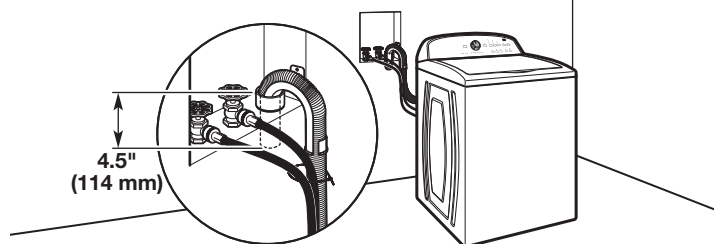
Drain system can be installed using a floor drain, wall standpipe, floor standpipe, or laundry tub. Select method you need.

Floor standpipe drain system



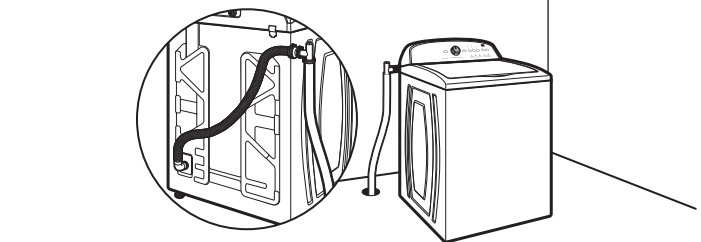
Minimum diameter for a standpipe drain: 2" (51 mm). Minimum carry-away capacity: 17 gal. (64 L) per minute. Top of standpipe must be at least 39" (990 mm) high; install no higher than 96" (2.44 m) from bottom of washer. If you must install higher than 96" (2.44 m), you will need a sump pump system.

Wall standpipe drain system



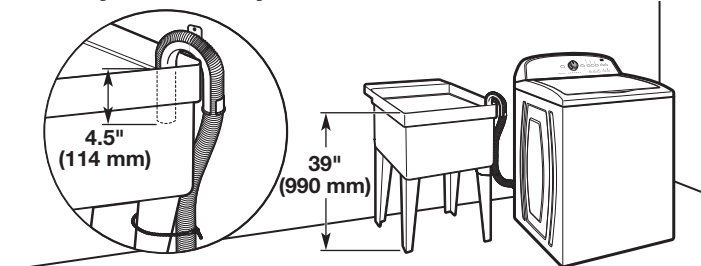
See requirements for floor standpipe drain system.

Floor drain system



Floor drain system requires a Siphon Break Kit (Part Number 285834), 2 Connector Kits (Part Number 285835), and an Extension Drain Hose (Part Number 285863) that may be purchased separately. Minimum siphon break: 28" (710 mm) from bottom of washer. (Additional hoses may be needed.)

Laundry tub drain system



Minimum capacity: 20 gal. (76 L). Top of laundry tub must be at least 39" (990 mm) above floor; install no higher than 96" (2.44 m) from bottom of washer.

IMPORTANT: To avoid siphoning, no more than 4.5" (114 mm) of drain hose should be inside standpipe or below the top of wash tub. Secure drain hose with cable tie.

ELECTRICAL REQUIREMENTS

⚠ WARNING



Electrical Shock Hazard

Plug into a grounded 3 prong outlet.

Do not remove ground prong.

Do not use an adapter.

Do not use an extension cord.

Failure to follow these instructions can result in death, fire, or electrical shock.

- A 120 volt, 60 Hz., AC only, 15- or 20-amp, fused electrical supply is required. A time-delay fuse or circuit breaker is recommended. It is recommended that a separate circuit breaker serving only this appliance be provided.
- This washer is equipped with a power supply cord having a 3 prong grounding plug.
- To minimize possible shock hazard, the cord must be plugged into a mating, 3 prong, grounding-type outlet, grounded in accordance with local codes and ordinances. If a mating outlet is not available, it is the personal responsibility and obligation of the customer to have the properly grounded outlet installed by a qualified electrician.
- If codes permit and a separate ground wire is used, it is recommended that a qualified electrician determine that the ground path is adequate.
- Do not ground to a gas pipe.
- Check with a qualified electrician if you are not sure the washer is properly grounded.
- Do not have a fuse in the neutral or ground circuit.

GROUNDING INSTRUCTIONS

For a grounded, cord-connected washer:

This washer must be grounded. In the event of a malfunction or breakdown, grounding will reduce the risk of electrical shock by providing a path of least resistance for electric current. This washer is equipped with a cord having an equipment-grounding conductor and a grounding plug. The plug must be plugged into an appropriate outlet that is properly installed and grounded in accordance with all local codes and ordinances.

WARNING: Improper connection of the equipment-grounding conductor can result in a risk of electric shock. Check with a qualified electrician or serviceman if you are in doubt as to whether the appliance is properly grounded.

Do not modify the plug provided with the appliance – if it will not fit the outlet, have a proper outlet installed by a qualified electrician.

For a permanently connected washer:

This washer must be connected to a grounded metal, permanent wiring system, or an equipment grounding conductor must be run with the circuit conductors and connected to the equipment-grounding terminal or lead on the appliance.

INSTALLATION INSTRUCTIONS

⚠ WARNING

Excessive Weight Hazard

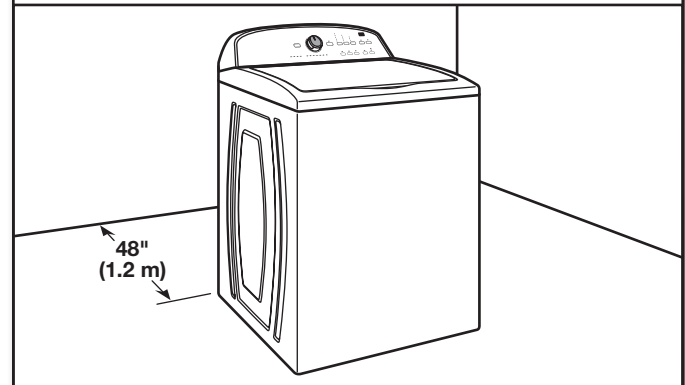
Use two or more people to move and install washer.

Failure to do so can result in back or other injury.

Before you start: remove shipping materials

It is necessary to remove all shipping materials for proper operation and to avoid excessive noise from washer.

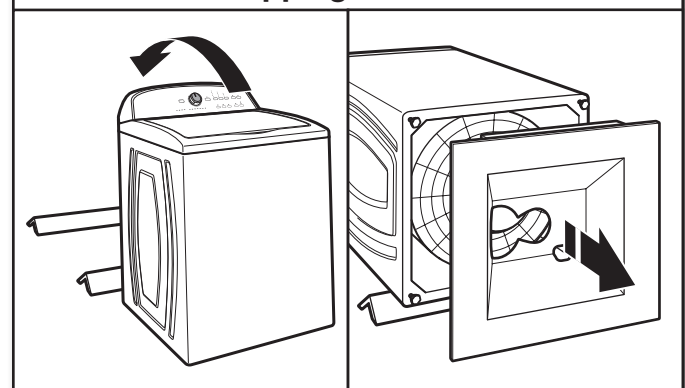
1. Move washer



Move washer to within 4 ft (1.2 m) of its final location; it must be in a fully upright position.

NOTE: To avoid floor damage, set washer onto cardboard before moving it and make sure lid is taped shut.

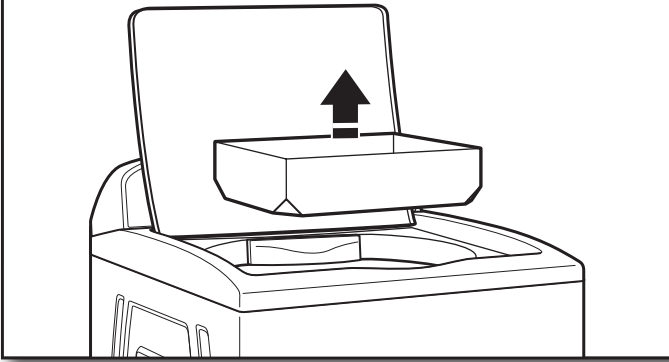
2. Remove shipping base



To avoid damaging floor, place cardboard supports from shipping carton on floor behind washer. Tip washer back and place on cardboard supports. Remove shipping base. Set washer upright.

IMPORTANT: Removing shipping base is necessary for proper operation. If your washer includes a sound shield, please refer to the instructions included with the sound shield to install it at this time.

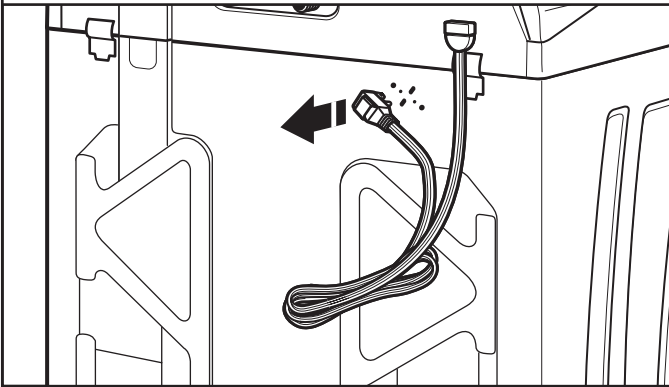
3. Remove packing tray from tub



Remove tape from washer lid, open lid and remove cardboard packing tray from tub. Be sure to remove all parts from tray.

NOTE: Keep tray in case you need to move washer later.

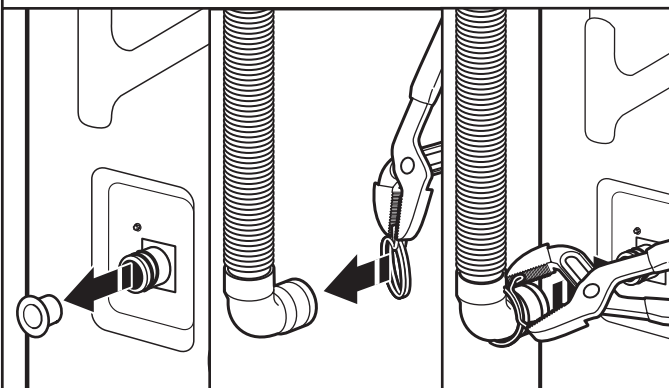
4. Free power cord



Firmly grasp power cord plug and pull to free from rear panel. Gently place power cord over console to allow free access to back of washer.

CONNECT DRAIN HOSE

5. Attach drain hose to drain port



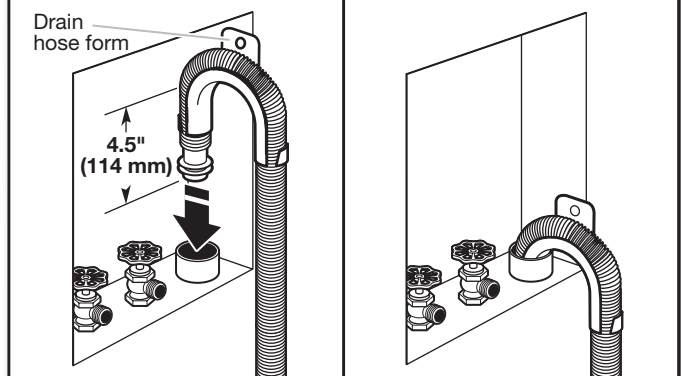
Remove the red plastic plug from the black drain port on the back of the washer.

If clamp is not already in place on elbow end of drain hose, slide it over end as shown. Squeeze clamp with pliers and slide black elbow end of drain hose onto black drain port and secure with clamp.

For a laundry tub or standpipe drain, go to step 6.

For a floor drain, remove the preinstalled drain hose form as shown in Step 7. You may need additional parts with separate directions. See "Tools and Parts".

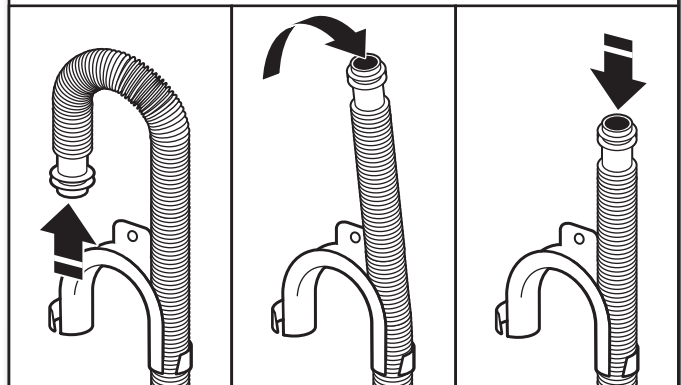
6. Place drain hose in standpipe



Place hose into standpipe (shown in picture) or over side of laundry tub.

IMPORTANT: 4.5" (114 mm) of drain hose should be inside standpipe; do not force excess hose into standpipe or lay on bottom of laundry tub. Drain hose form must be used.

7. Remove drain hose form (floor drain installations only)



For floor drain installations, you will need to remove the drain hose form from the end of the drain hose. You may need additional parts with separate directions. See "Tools and Parts".

CONNECT INLET HOSES

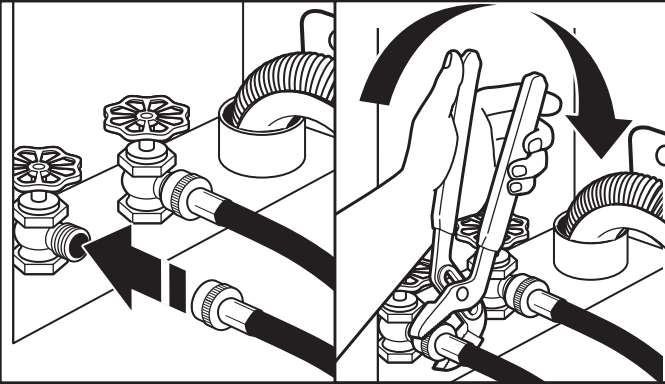
Washer must be connected to water faucets with new inlet hoses with flat washers (not provided). Do not use old hoses.

NOTE: Both hoses must be attached and have water flowing to inlet valves. If you are only connecting to a cold water faucet, you must use a Y-adapter (provided).

If you have a hot water faucet, go to step 8a.

If you have only a cold water faucet, go to step 8b.

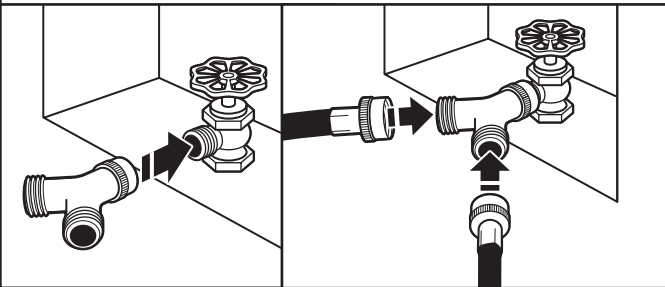
8a. Connect inlet hoses to water faucets



Attach hose to hot water faucet. Screw on coupling by hand until it is seated on washer. Use pliers to tighten couplings an additional two-thirds turn. Repeat this step with second hose for cold water faucet.

IMPORTANT: Do not overtighten or use tape or sealants on valve when attaching to faucets or washer. Damage can result.

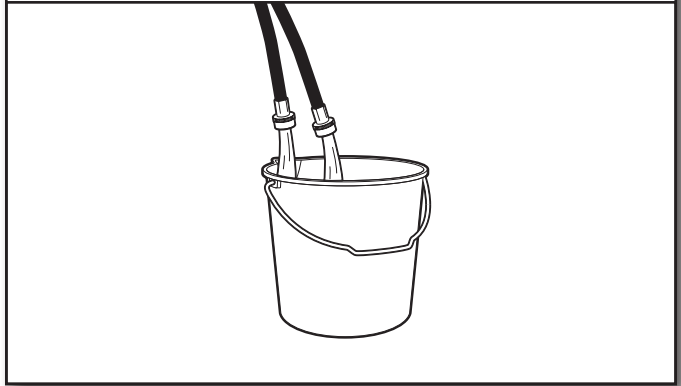
8b. Connect inlet hoses to “Y” connector



Attach the brass female end of the “Y” connector to the cold water faucet. Use pliers to tighten couplings an additional two-thirds turn. One end of the long hose has a wire mesh strainer inside the coupling. Attach this end to the “Y” connector. Attach washer cold inlet hose to other side of “Y” connector. Screw on coupling by hand until it is seated on connector. Using pliers, tighten the couplings an additional two-thirds turn.

IMPORTANT: Do not overtighten or use tape or sealants on valve when attaching to faucets or washer. Damage can result.

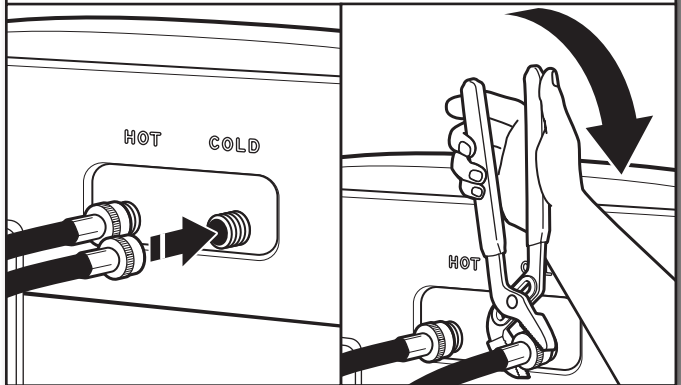
9. Clear water lines



Run water for a few seconds through hoses into a laundry tub, drainpipe, or bucket to avoid clogs. Water should run until clear.

Make note of which hose is connected to hot water to help in attaching hoses to washer correctly.

10. Connect inlet hoses to washer

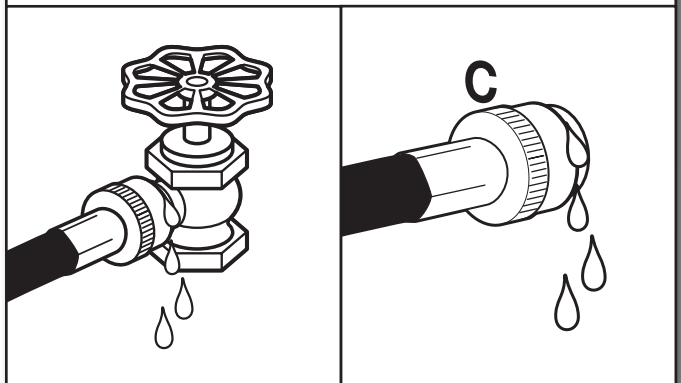


Attach hot water hose to hot water inlet valve marked with a red ring. Screw coupling by hand until it is snug. Use pliers to tighten couplings an additional two-thirds turn. Repeat with cold water inlet valve.

IMPORTANT: To reduce risk of hose failure, replace the hoses every 5 years. Record hose installation or replacement dates for future reference.

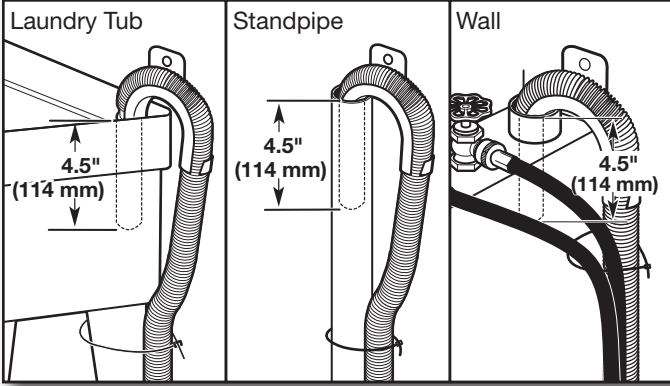
- Periodically inspect and replace hoses if bulges, kinks, cuts, wear, or leaks are found.

11. Check for leaks



Turn on water faucets to check for leaks. A small amount of water may enter washer. It will drain later.

12. Secure drain hose



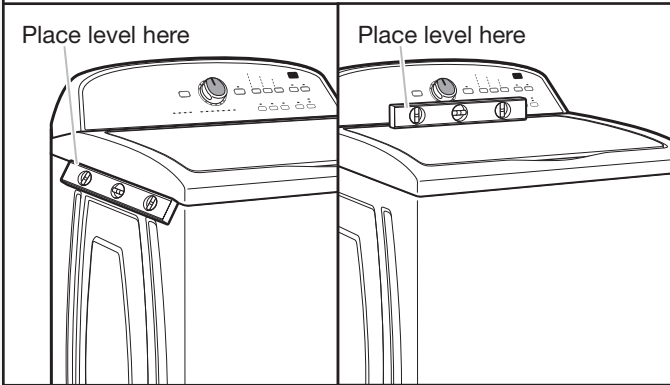
Secure drain hose to laundry tub leg, drain standpipe, or inlet hoses for wall standpipe with cable tie.

It is the responsibility of the installer to install and secure the drain hose into the provided plumbing/drain in a manner that will avoid the drain hose coming out of or leaking from the plumbing/drain.

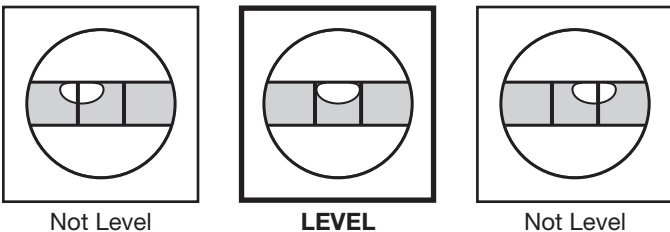
LEVEL WASHER

IMPORTANT: Level washer properly to reduce excess noise and vibration.

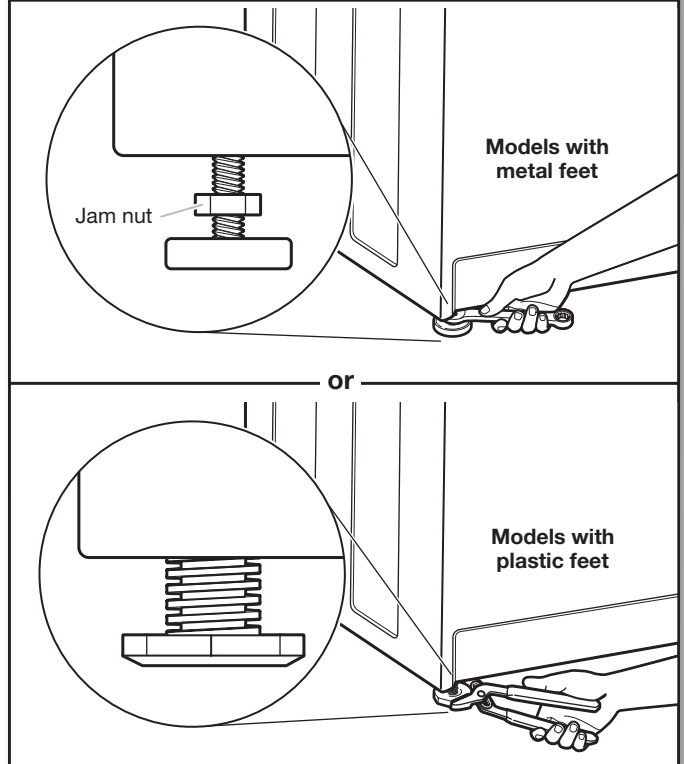
13. Check levelness of washer



Move the washer to its final location. Place a level on top edges of washer. Use side seam as a guide to check levelness of sides. Check levelness of front using lid as shown. Rock washer back and forth to make sure all four feet make solid contact with floor. If washer is level, skip to step 15, (on models with metal feet) or step 16 (on models with plastic feet).



14. Adjust leveling feet



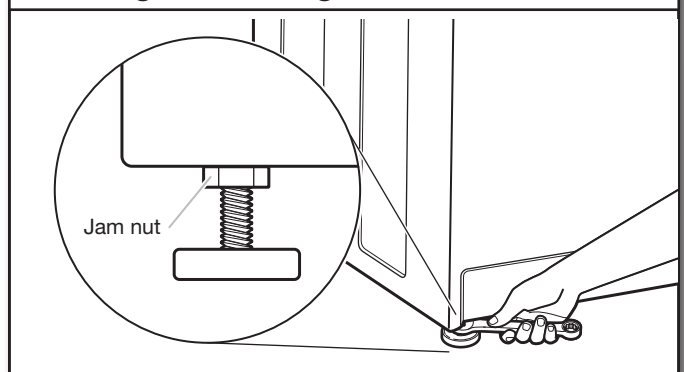
If washer is not level:

On models with metal feet, use a $\frac{9}{16}$ " or 14 mm open-end or adjustable wrench to turn jam nuts clockwise on feet until they are about $\frac{1}{2}$ " (13 mm) from the washer cabinet. Then turn the leveling foot clockwise to lower the washer or counterclockwise to raise the washer.

On models with plastic feet, use adjustable pliers to turn the plastic leveling foot counterclockwise to lower the washer or clockwise to raise the washer. On all models, recheck levelness of washer and repeat as needed.

HELPFUL TIP: You may want to prop up front of washer about 4" (102 mm) with a wood block or similar object that will support weight of washer.

15. Tighten leveling feet



On models with metal feet, when washer is level, use a $\frac{9}{16}$ " or 14 mm open-end or adjustable wrench to turn jam nuts counterclockwise on leveling feet tightly against washer cabinet.

HELPFUL TIP: You may want to prop washer with wooden block.

⚠ WARNING



Electrical Shock Hazard

Plug into a grounded 3 prong outlet.

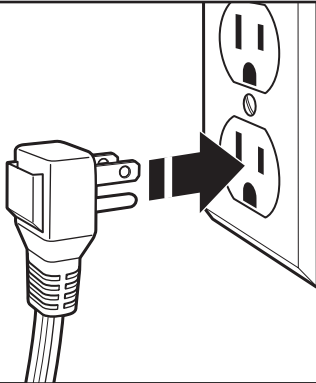
Do not remove ground prong.

Do not use an adapter.

Do not use an extension cord.

Failure to follow these instructions can result in death, fire, or electrical shock.

16. Plug into a grounded 3 prong outlet



COMPLETE INSTALLATION CHECKLIST

- Check electrical requirements. Be sure you have correct electrical supply and recommended grounding method.
- Check that all parts are now installed. If there is an extra part, go back through steps to see what was skipped.
- Check that you have all of your tools.
- Check that shipping materials were completely removed from washer.
- Check that water faucets are on.
- Check for leaks around faucets and inlet hoses.
- Remove protective film from console and any tape remaining on washer.
- Check that washer is plugged into a grounded 3 prong outlet.
- Dispose of/recycle all packaging materials.
- Read "Washer Care" in your Use and Care Guide.
- To test and clean your washer, measure ½ of normal recommended amount of powdered or liquid detergent and pour it into washer basket or detergent dispenser (on some models). Close lid. Select any cycle. Start washer and allow to complete full cycle.

SEGURIDAD DE LA LAVADORA

Su seguridad y la seguridad de los demás es muy importante.

Hemos incluido muchos mensajes importantes de seguridad en este manual y en su electrodoméstico. Lea y obedezca siempre todos los mensajes de seguridad.



Este es el símbolo de advertencia de seguridad.

Este símbolo le llama la atención sobre peligros potenciales que pueden ocasionar la muerte o una lesión a usted y a los demás.

Todos los mensajes de seguridad irán a continuación del símbolo de advertencia de seguridad y de la palabra "PELIGRO" o "ADVERTENCIA". Estas palabras significan:

⚠ PELIGRO

Si no sigue las instrucciones de inmediato, usted puede morir o sufrir una lesión grave.

⚠ ADVERTENCIA

Si no sigue las instrucciones, usted puede morir o sufrir una lesión grave.

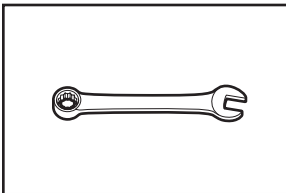
Todos los mensajes de seguridad le dirán el peligro potencial, le dirán cómo reducir las posibilidades de sufrir una lesión y lo que puede suceder si no se siguen las instrucciones.

REQUISITOS DE INSTALACIÓN

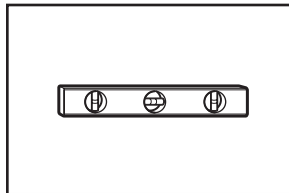
Herramientas y Piezas

Reúna las herramientas y piezas necesarias antes de comenzar la instalación.

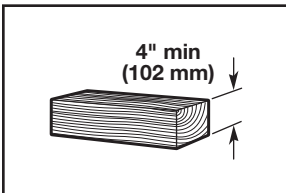
Herramientas necesarias:



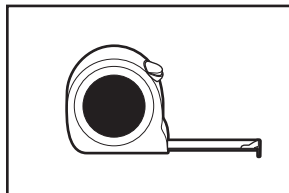
Llave de tuerca ajustable o de extremo abierto de $\frac{9}{16}$ " (14 mm)



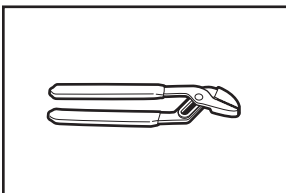
Nivel



Bloque de madera

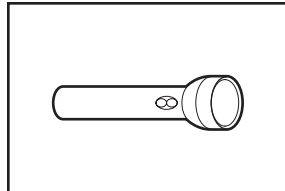


Regla o cinta para medir

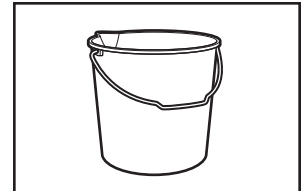


Pinzas que se abren a $1\frac{3}{4}$ " (44,5 mm)

Herramientas optativas:



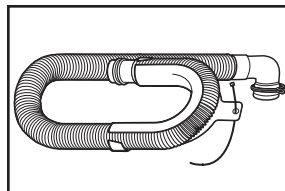
Linterna



Cubeta

Piezas suministradas:

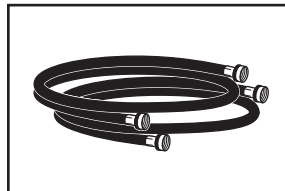
NOTA: Todas las piezas suministradas para la instalación están en una caja de cartón separada, en la parte superior de la lavadora.



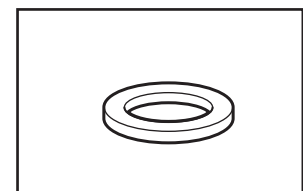
Manguera de desagüe con abrazadera, molde en forma de U y fleje de atadura rebordecado



Conector en "Y"



Mangueras de entrada con arandelas planas



Arandela de goma

Piezas alternativas: (No se proveen con la lavadora)

Su instalación puede requerir piezas suplementarias.

Si tiene:

Una alcantarilla suspendida

Usted necesitará:

Tina de desagüe estándar de 20 galones (76 L) 39" (990 mm) de altura o lavadero utilitario, bomba de sumidero y conectores (disponible con proveedores locales)

Tubo vertical de 1" (25 mm) de diámetro

Juego de adaptador de tubo vertical de 2" (51 mm) de diámetro a 1" (25 mm) de diámetro, pieza número 3363920
Juego de conectores, pieza número 285835

Una manguera de desagüe corta

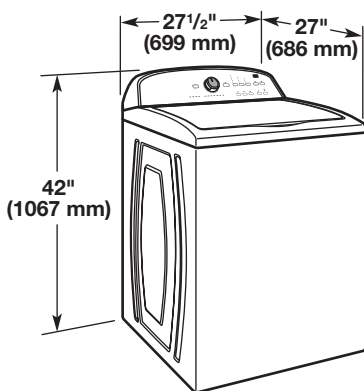
EJuego de extensión de desagüe, pieza número 285863
Juego de conectores, pieza número 285835

Desagüe obstruido por pelusa

Protector del desagüe, pieza número 367031
Juego de conectores, pieza número 285835

REQUISITOS DE UBICACIÓN

Seleccione una ubicación apropiada para su lavadora, para realzar el rendimiento y reducir al mínimo el ruido y la posible "caminata" de la lavadora. Instale su lavadora en un sótano, cuarto para lavar, clóset o un lugar empotrado.



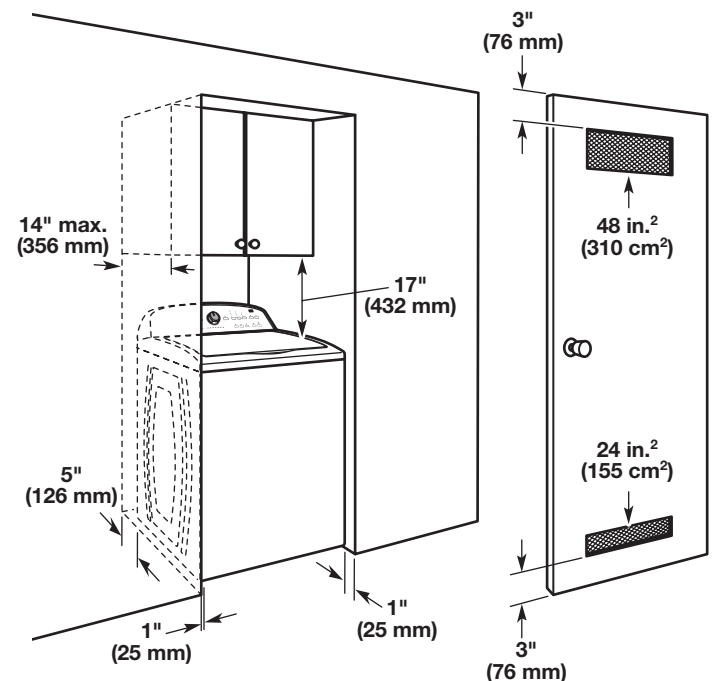
Usted necesitará:

- Un calentador de agua fijado en 120°F (49°C).
- Un contacto con conexión a tierra ubicado a no más de 4 pies (1,2 m) del cable eléctrico en la parte posterior de la lavadora.
- Grifos de agua caliente y de agua fría ubicados a una distancia de no más de 3 pies (0,9 m) de las válvulas de llenado del agua caliente y fría en la lavadora y una presión de agua de 20–100 lb/pulg² (138–690 kPa).
- Un piso nivelado con un declive máximo de 1" (25 mm) debajo de la lavadora completa. No se recomienda la instalación sobre una alfombra.
- El piso debe sostener el peso total de la lavadora (con el agua y la carga) de 315 lb (143 kg).

IMPORTANTE: No instale, guarde ni utilice la lavadora en donde estará expuesta a la intemperie o en temperaturas por debajo de 32°F (0°C). El agua que queda en la lavadora después del uso puede causar daños en temperaturas bajas. Vea "Cuidado de la lavadora" en el Manual de uso y cuidado, para saber cómo acondicionarla para el invierno.

La instalación correcta es su responsabilidad.

Instalación en zona empotrada o en el clóset

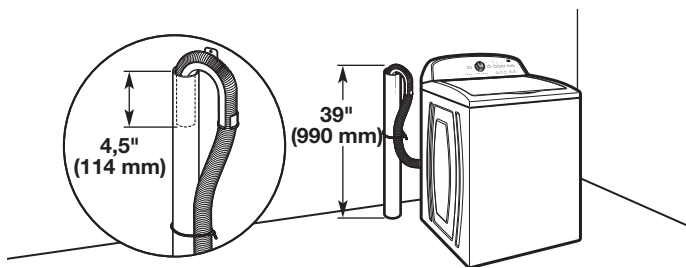


Las dimensiones muestran los espacios permitidos recomendados, excepto por las aberturas de ventilación de la puerta del clóset, las cuales son las mínimas necesarias. Esta lavadora ha sido puesta a prueba para la instalación en espacios de 0" (0 mm) en los costados. Considere dejar más espacio para facilitar la instalación y el servicio técnico, así como espacio para electrodomésticos que le acompañen y espacios libres para las molduras de la pared, de la puerta y del piso. Agregue un espacio adicional de 1" (25 mm) en todos los lados de la lavadora para reducir la transferencia de ruido. Si se instala una puerta de clóset o tipo persiana, es necesario que tenga aberturas para el aire en la parte superior e inferior.

SISTEMA DE DESAGÜE

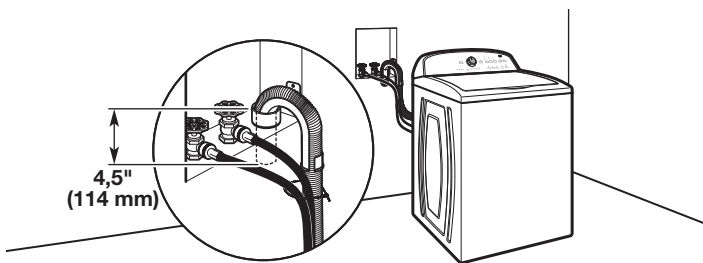
El sistema de desagüe de la lavadora se puede instalar utilizando un desagüe de piso, un tubo vertical de pared, un tubo vertical de piso o una tina de lavadero. Seleccione el método que necesita.

Sistema de desagüe de tubo vertical de piso



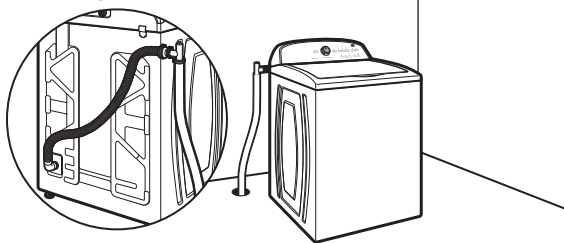
Diámetro mínimo para el desagüe de tubo vertical: 2" (51 mm)
 Capacidad de desplazamiento mínima: 17 gal. (64 L) por minuto.
 La parte superior del tubo vertical debe estar a 39" (991 mm) de altura como mínimo; instálela a no más de 96" (2,44 m) de la base de la lavadora. Si la instala a más de 96" (2,44 m), necesitará un sistema de bomba de sumidero.

Sistema de desagüe de tubo vertical de pared



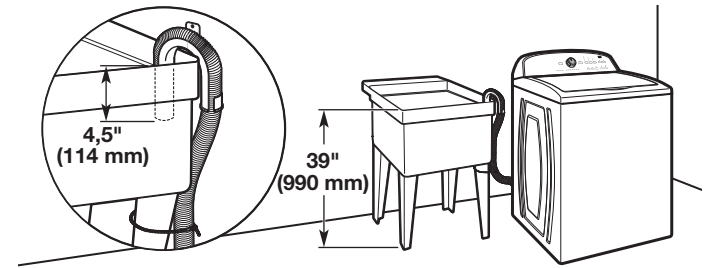
Vea los requisitos para el sistema de desagüe de tubo vertical de piso.

Sistema de desagüe de piso



Un sistema de desagüe por el piso requiere de un juego de desviación de sifón (pieza número 285834), 2 juegos de conectores (pieza número 285385) y extensión de manguera de desagüe (pieza número 285863), la cual puede comprarse por separado. Desviación de sifón mínima: 28" (710 mm) de la base de la lavadora. (Se pueden necesitar mangueras adicionales.)

Sistema de desagüe de tina de lavadero



Capacidad mínima: 20 gal. (76 L). La parte superior de la tina de lavadero debe estar a 39" (991 mm) del piso como mínimo; instálela a no más de 96" (2,44 m) de la base de la lavadora.

IMPORTANTE: Para evitar el efecto de sifón, no debe haber más de 4,5" (114 mm) de manguera de desagüe dentro del tubo vertical o debajo de la parte superior de la tina de lavado. Siempre ajuste la manguera de desagüe con un fleje de atadura rebordeado.

REQUISITOS ELÉCTRICOS

⚠ ADVERTENCIA



Peligro de Choque Eléctrico

- Conecte a un contacto de pared de conexión a tierra de 3 terminales.**
- No quite la terminal de conexión a tierra.**
- No use un adaptador.**
- No use un cable eléctrico de extensión.**
- No seguir estas instrucciones puede ocasionar la muerte, incendio o choque eléctrico.**

- Se necesita un suministro eléctrico de 120 voltios, 60 hertzios, CA solamente, de 15 ó 20 amperios y protegido con fusible. Se recomienda un fusible retardador o un cortacircuitos, en un circuito independiente que preste servicio únicamente a este aparato.
- Esta lavadora viene equipada con un cable eléctrico dotado de un enchufe de 3 terminales con conexión a tierra.
- Para reducir al mínimo el peligro de posibles choques eléctricos, el cable debe ser enchufado en un contacto apropiado de pared de 3 terminales, conectado a tierra de acuerdo con los códigos y normas locales. Si no hay disponible una salida equivalente, es responsabilidad y obligación personal del cliente de tener un contacto apropiado con conexión a tierra instalado por un electricista calificado.

- Si los códigos lo permiten y se emplea un alambre de conexión a tierra separado, es recomendable que un electricista calificado determine si la trayectoria de conexión a tierra es adecuada.
- No conecte a tierra a un tubo de gas.
- Si no está seguro de que la conexión a tierra de la lavadora sea la adecuada, verifíquela con un electricista competente.
- No coloque un fusible en el circuito neutro o de puesta a tierra.

INSTRUCCIONES PARA LA CONEXIÓN A TIERRA

Para una lavadora conectada a tierra con cable eléctrico:

Esta lavadora debe conectarse a tierra. En caso de funcionamiento defectuoso o avería, la conexión a tierra reducirá el riesgo de choque eléctrico al proporcionar una vía de menor resistencia para la corriente eléctrica. Esta lavadora viene equipada con un cable eléctrico que tiene un conductor de conexión a tierra del equipo y un enchufe con conexión a tierra. El enchufe debe conectarse en un contacto de pared apropiado que haya sido debidamente instalado y conectado a tierra de conformidad con todos los códigos y ordenanzas locales.

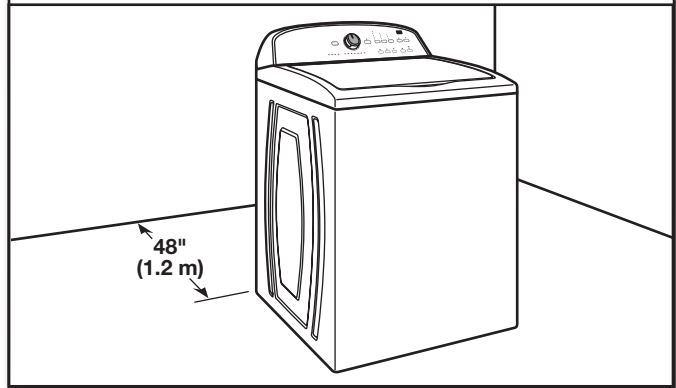
ADVERTENCIA: La conexión incorrecta de la terminal de conexión a tierra del equipo puede ocasionar un riesgo de choque eléctrico. Consulte con un electricista o técnico en reparaciones calificado si tiene duda alguna en cuanto a la conexión a tierra correcta del electrodoméstico.

No modifique el enchufe provisto con el electrodoméstico. Si éste no encaja en el contacto de pared, pida a un electricista calificado que le instale un contacto de pared apropiado.

Para una lavadora con contacto eléctrico permanente:

Esta lavadora debe estar conectada a un sistema de cableado de metal permanente, conectado a tierra, o se debe tender un conducto para la conexión a tierra del equipo con los conductores de circuito y conectado a la terminal de tierra del equipo o al conductor de suministro del electrodoméstico.

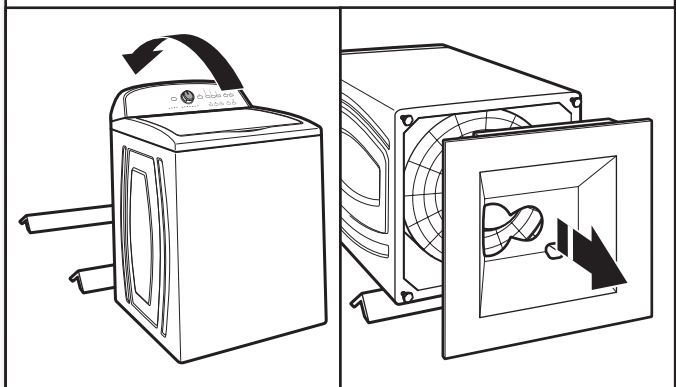
1. Mueva la lavadora



Mueva la lavadora a 4 pies (1,2 m) de su ubicación final. Debe estar en posición vertical.

NOTA: Para evitar daños en el piso, coloque la lavadora sobre un cartón antes de moverla y asegúrese de que la tapa esté cerrada con cinta adhesiva.

2. Saque la base de transporte



Para evitar daños al piso y a la lavadora, coloque soportes de cartón de la caja de transporte sobre el piso, detrás de la lavadora. Inclíne hacia atrás la lavadora y colóquela sobre los soportes de cartón. Saque la base de transporte. Ponga la lavadora en posición vertical.

IMPORTANTE: Para un funcionamiento adecuado es necesario quitar la base de transporte. Si su lavadora incluye un aislador de sonido, consulte las instrucciones incluidas con el mismo para instalarlo en este momento.

INSTRUCCIONES DE INSTALACIÓN

⚠ ADVERTENCIA

Peligro de Peso Excesivo

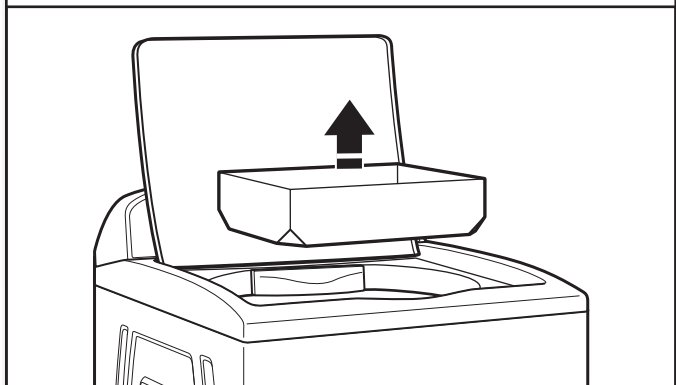
Use dos o más personas para mover e instalar la lavadora.

No seguir esta instrucción puede ocasionar una lesión en la espalda u otro tipo de lesiones.

Antes de comenzar: Cómo quitar los materiales de transporte

Es necesario quitar todos materiales de transporte para obtener un funcionamiento adecuado y para evitar ruido excesivo de la lavadora.

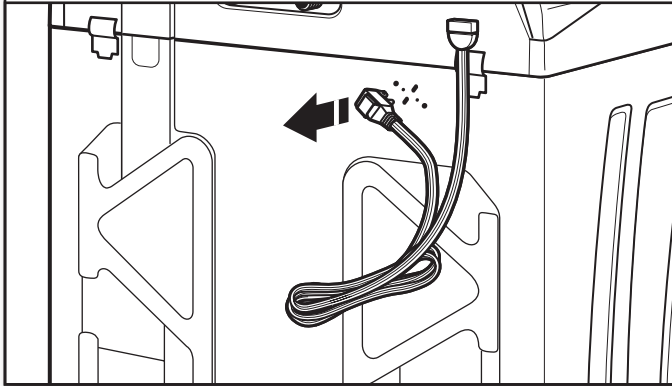
3. Saque la bandeja de empaque de la tina



Quite la cinta adhesiva de la tapa de la lavadora, abra la tapa y saque la bandeja de empaque de cartón de la tina. Cerciñese de sacar todas las piezas de la bandeja.

NOTA: Guarde la bandeja por si necesita mover la lavadora más tarde.

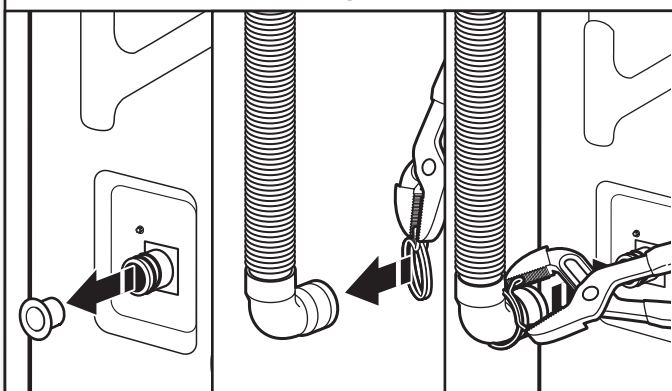
4. Liberar el cable eléctrico



Sujete con firmeza el cable eléctrico y jálelo para liberarlo por completo del panel posterior. Después coloque el cable eléctrico con cuidado sobre la consola para permitir un acceso sin obstrucciones a la parte posterior de la lavadora.

CONEXIÓN DE LA MANGUERA DE DESAGÜE

5. Sujete la manguera de desagüe al puerto de desagüe



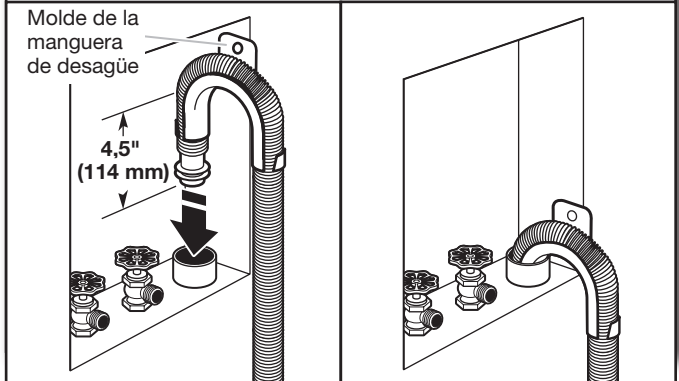
Quite el enchufe plástico rojo del puerto de desagüe negro en la parte posterior de la lavadora.

Si la abrazadera no está en su lugar, sobre el extremo del codo de la manguera de desagüe, deslícelo sobre el extremo como se muestra. Apriete la abrazadera con unas pinzas y deslice el extremo de la manguera de desagüe con el codo negro sobre el puerto de desagüe negro. Asegúrelo con la abrazadera.

Para una tina de lavandería o una tubería vertical, vaya al paso 6.

Para un desagüe por el piso, quite el molde de la manguera de desagüe instalado previamente, como se muestra en el paso 7. Podría necesitar piezas adicionales con indicaciones por separado. Vea "Piezas y herramientas".

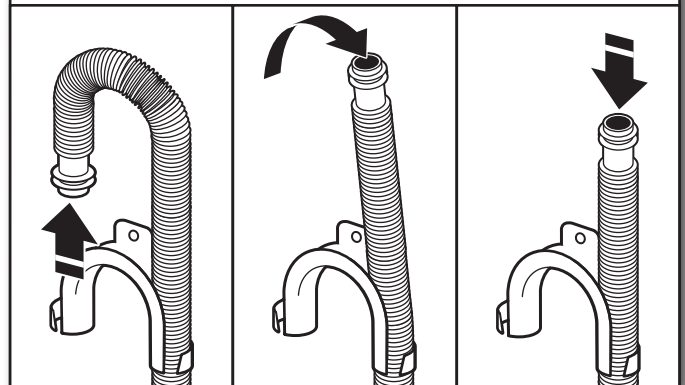
6. Coloque la manguera de desagüe en el tubo vertical



Coloque la manguera dentro del tubo vertical (se muestra en la ilustración) o sobre el lado de la tina de lavadero.

IMPORTANTE: No debe haber más de 4,5" (114 mm) de manguera de desagüe dentro del tubo vertical; no fuerce el exceso de la manguera dentro del tubo vertical, ni lo coloque en el fondo de la tina de lavadero. El molde de la manguera de desagüe debe usarse.

7. Cómo quitar el molde de la manguera de desagüe (instalaciones con desagüe por el piso únicamente)



Para las instalaciones con desagüe por el piso, necesitará quitar el molde de la manguera de desagüe del extremo de la misma. Puede ser que necesite piezas adicionales con instrucciones por separado. Vea "Piezas y herramientas".

CONEXIÓN DE LAS MANGUERAS DE ENTRADA

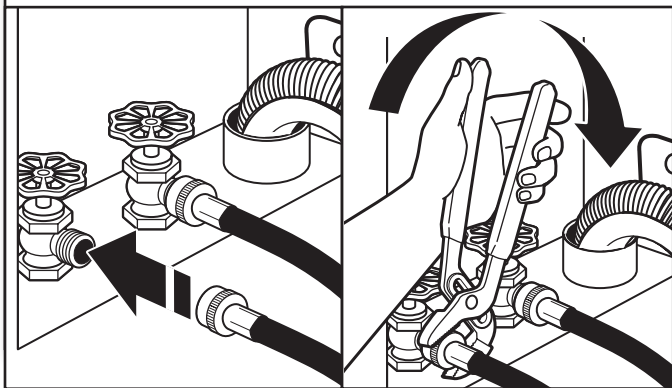
La lavadora debe estar conectada a los grifos de agua con mangueras de entrada nuevas y arandelas planas (no provistas). No use mangueras viejas.

NOTA: Deberán sujetarse ambas mangueras y tener flujo de agua a las válvulas de llenado. Si sólo va a conectar a un grifo de agua fría, deberá utilizar un adaptador en Y (provisto).

Si usted tiene un grifo de agua caliente, proceda al paso 8a.

Si usted tiene solamente un grifo de agua fría, proceda al paso 8b.

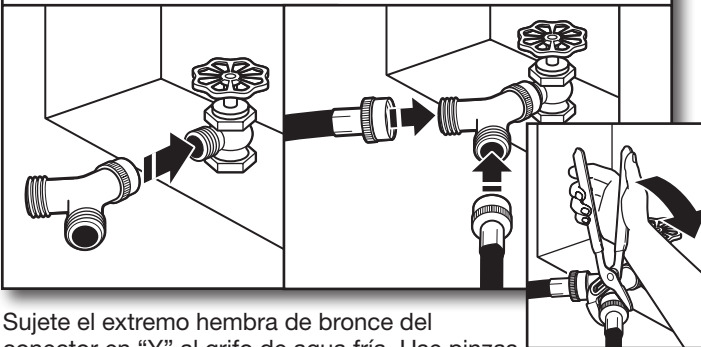
8a. Conecte las mangueras de entrada a los grifos del agua



Sujete la manguera al grifo de agua caliente. Atornille el acoplamiento con la mano hasta que quede asentado en la lavadora. Use pinzas para apretar los acoplamientos dos tercios de vuelta adicional. Repita este paso con la segunda manguera para el grifo de agua fría.

IMPORTANTE: No apriete en exceso ni use cinta o selladores en la válvula. Puede resultar en daños.

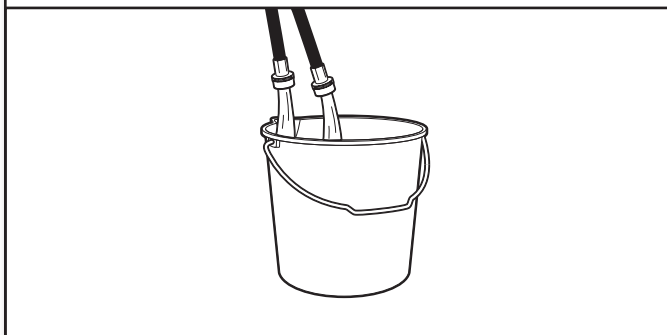
8b. Conecte las mangueras de entrada al conector en "Y"



Sujete el extremo hembra de bronce del conector en "Y" al grifo de agua fría. Use pinzas para apretar los acoplamientos dos tercios de vuelta adicional. Un extremo de la manguera larga tiene un filtro de malla de alambre dentro del acoplamiento. Sujete este extremo al conector en "Y". Fije la manguera de entrada de agua fría de la lavadora al otro lado del conector en "Y". Atornille el acoplamiento con la mano hasta que quede asentado en el conector. Usando las pinzas, apriete los acoplamientos dos tercios de vuelta adicional.

IMPORTANTE: No apriete en exceso ni use cinta o selladores en la válvula cuando la sujete a los grifos o a la lavadora. Puede ocasionar daños.

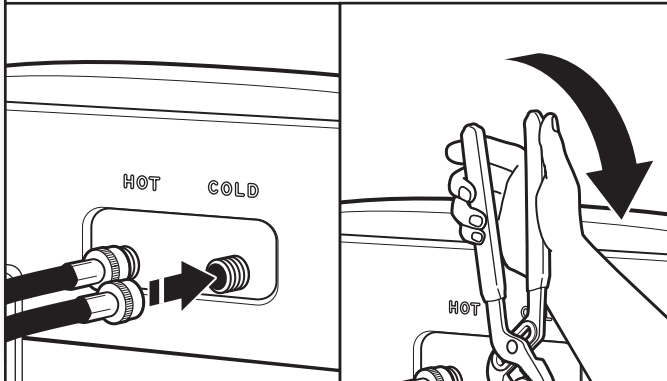
9. Despeje las líneas de agua



Deje correr agua por algunos segundos por las mangueras, a una tina de lavadero, tubo de desagüe o cubeta para evitar que se obstruya. El agua debe correr hasta que salga limpia.

Haga la nota cuyo la manguera está conectada con la agua caliente para ayudar en asociar las mangueras a la lavadora correctamente.

10. Conecte las mangueras de entrada a la lavadora

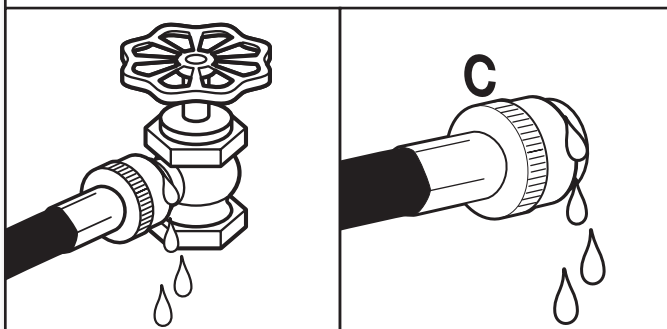


Sujete la manguera de agua caliente a la válvula de entrada de agua caliente, marcada con un anillo rojo. Atornille el acoplamiento a mano hasta que quede apretado. Use pinzas para apretar los acoplamientos dos tercios de vuelta adicional. Repítalo con la válvula de entrada del agua fría.

IMPORTANTE: Para reducir el riesgo de que las mangueras fallen, reemplácelas cada 5 años. Para consulta en el futuro, anote en las mangueras la fecha de instalación o la fecha de reposición de las mismas.

- Inspeccione periódicamente y reemplace las mangueras si aparecen bultos, torceduras, cortaduras, desgaste o filtraciones de agua.

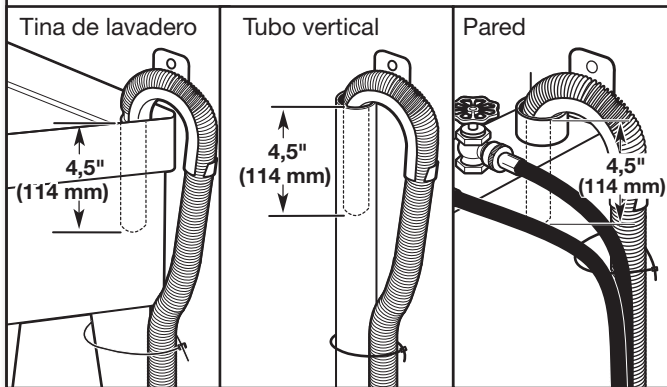
11. Revise si hay fugas



Abra los grifos del agua para revisar si hay fugas de agua en el grifo y en la conexión a la lavadora. Una pequeña cantidad de agua podría entrar en la lavadora. Ésta se desaguará más tarde.

Balancee la lavadora hacia delante y hacia atrás para asegurarse de que las 4 patas hagan contacto firme con el piso. Si la lavadora está nivelada, saltee al paso 15 (en los modelos con las patas de metal o al paso 16 (en los modelos con las patas plásticas).

12. Asegure la manguera de desagüe



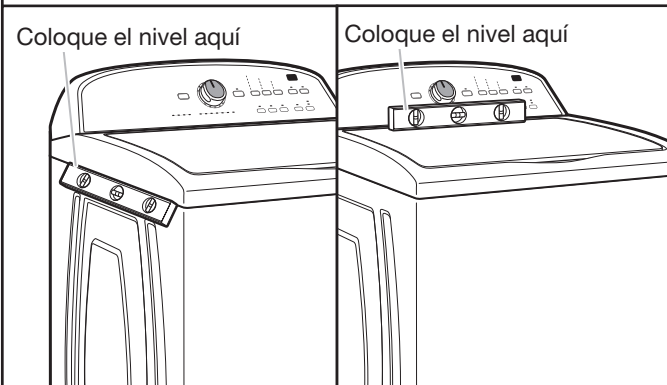
Asegure la manguera de desagüe a la pata del lavadero, al tubo vertical o a las mangueras de entrada para el tubo vertical de pared, utilizando el fleje de atadura rebordeado.

Es responsabilidad del instalador instalar y asegurar la manguera de drenaje en el drenaje/la plomería que se provee de una manera que impida que la manguera de drenaje se salga o presente fugas de la plomería/el drenaje.

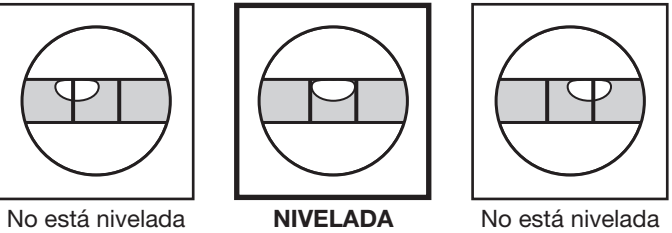
NIVELACIÓN DE LA LAVADORA

IMPORTANTE: El nivelar adecuadamente su lavadora reduce el ruido y la vibración en exceso.

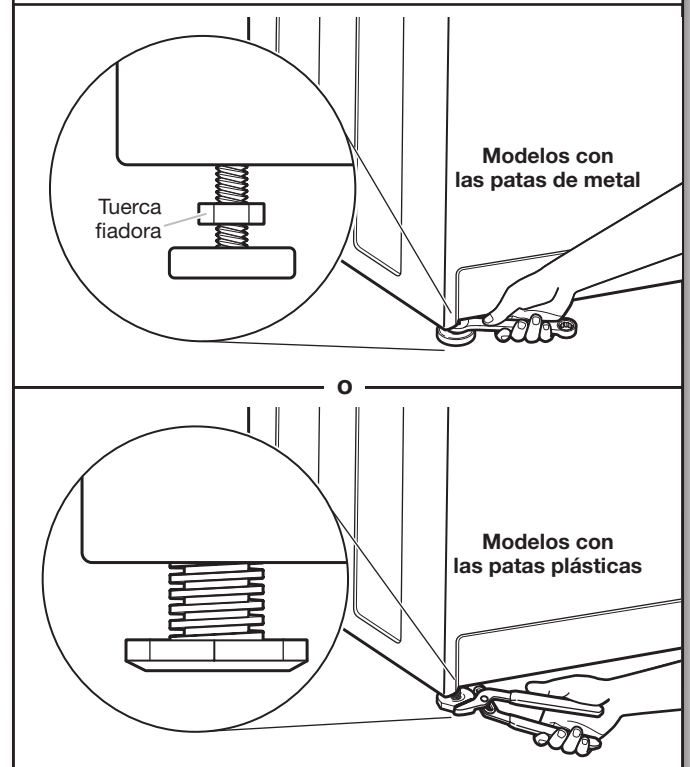
13. Revise la nivelación de la lavadora



Con la lavadora en su ubicación final, coloque un nivel en los bordes superiores de la lavadora. Use la hendidura lateral como una guía para revisar la nivelación de los lados. Revise la nivelación del frente usando la tapa, como se muestra.



14. Cómo ajustar las patas niveladoras



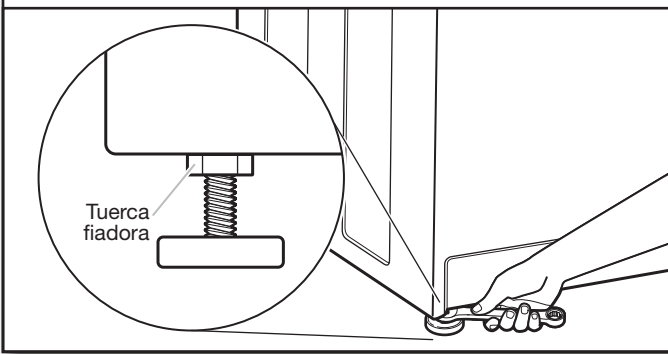
Si la lavadora no está nivelada:

En los modelos con las patas de metal, use una llave de boca de $\frac{9}{16}$ " ó 14 mm o una llave ajustable para girar las tuercas fijadoras hacia la derecha sobre las patas, hasta que estén a aproximadamente $\frac{1}{2}$ " (13 mm) de la carcasa de la lavadora. Luego gire la pata niveladora hacia la derecha para bajar la lavadora, o hacia la izquierda para levantarla.

En los modelos con las patas plásticas, use los alicates ajustables para girar la pata niveladora plástica hacia la izquierda para bajar la lavadora o hacia la derecha para levantarla. En todos los modelos, revise la nivelación de la lavadora nuevamente y repita el procedimiento según sea necesario.

CONSEJO ÚTIL: Puede apuntalar el frente de la lavadora aproximadamente 4" (102 mm) con un bloque de madera o un objeto similar que vaya a soportar el peso de la lavadora.

15. Apriete las patas niveladoras



En los modelos con las patas de metal, cuando la lavadora esté nivelada, use una llave de boca de $\frac{9}{16}$ " ó 14 mm o una llave ajustable para girar las tuercas fijadoras en las patas hacia la izquierda, apretándolas contra la carcasa de la lavadora.

CONSEJO ÚTIL: Puede apuntalar la lavadora con un bloque de madera.

⚠ ADVERTENCIA



Peligro de Choque Eléctrico

Conecte a un contacto de pared de conexión a tierra de 3 terminales.

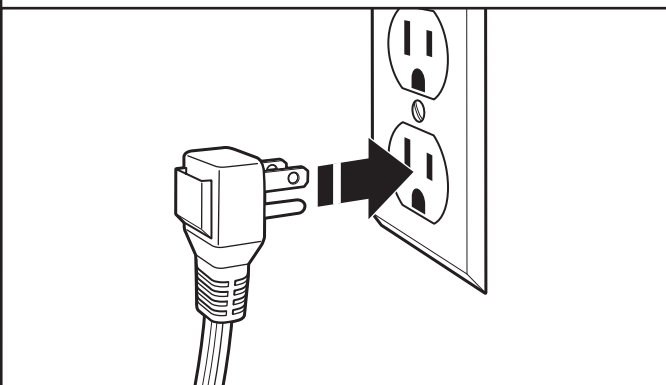
No quite la terminal de conexión a tierra.

No use un adaptador.

No use un cable eléctrico de extensión.

No seguir estas instrucciones puede ocasionar la muerte, incendio o choque eléctrico.

16. Conecte a un contacto de pared de conexión a tierra de 3 terminales



COMPLETE LA INSTALACIÓN

- Revise los requisitos eléctricos. Asegúrese de contar con la fuente de electricidad correcta y el método recomendado de conexión a tierra.
- Verifique que todas las piezas estén ahora instaladas. Si hay alguna pieza extra, vuelva a revisar todos los pasos para ver qué se omitió.
- Verifique que tenga todas las herramientas.
- Revise que los materiales de transporte se hayan quitado por completo de la lavadora.
- Revise que los grifos de agua estén abiertos.
- Verifique si hay fugas alrededor de los grifos y de las mangueras de entrada.
- Quite la película de la consola y la cinta que quede en la lavadora.
- Revise que la lavadora esté conectada en un contacto de 3 terminales con conexión a tierra.
- Deshágase de todos los materiales de embalaje o recíclelos.
- Lea "Cuidado de la lavadora" en el Manual de uso y cuidado.
- Para probar y limpiar su lavadora, mida $\frac{1}{2}$ de la cantidad normal recomendada de detergente en polvo o líquido y viértalo en la canasta de la lavadora o en el depósito de detergente (en algunos modelos). Cierre la tapa. Seleccione cualquier ciclo. Ponga en marcha la lavadora y deje que termine un ciclo completo.

W10807862A

© 2015

All rights reserved

Todos los derechos reservados.