

## Use & Care Guide

Manual de uso y cuidado

Guide d'utilisation et d'entretien

English / Español / Français

Table of Contents...2 / Índice...17 / Table des matières...34

Models/Modelos/Modèles: 110.6813\*410, 110.7813\*410  
110.6913\*410, 110.7913\*410, 110.C6813\*413, 110.C6913\*413

# Kenmore®

## Electric or Gas Dryer

## Secadora eléctrica o a gas

## Sécheuse électrique ou à gaz

\* = color number, número de color, le numéro de la couleur

P/N W10680143F  
Sears Brands Management Corporation  
Hoffman Estates, IL 60179 U.S.A.  
[www.kenmore.com](http://www.kenmore.com)

Sears Canada Inc.  
Toronto, Ontario, Canada M5B 2C3  
[www.sears.ca](http://www.sears.ca)



## TABLE OF CONTENTS

DRYER SAFETY.....	2	ADDITIONAL FEATURES.....	10
CHECK YOUR VENT SYSTEM FOR GOOD AIR FLOW....	4	DRYER CARE.....	11
USE SENSING CYCLES FOR BETTER FABRIC CARE AND ENERGY SAVINGS.....	4	TROUBLESHOOTING.....	13
CONTROL PANEL AND FEATURES.....	5	PROTECTION AGREEMENTS.....	16
CYCLE GUIDE.....	6	WARRANTY.....	16
USING YOUR DRYER.....	8	ASSISTANCE OR SERVICE.....	Back Cover

## DRYER SAFETY

### Your safety and the safety of others are very important.

We have provided many important safety messages in this manual and on your appliance. Always read and obey all safety messages.



This is the safety alert symbol.

This symbol alerts you to potential hazards that can kill or hurt you and others.

All safety messages will follow the safety alert symbol and either the word “DANGER” or “WARNING.”

These words mean:

**⚠ DANGER**

You can be killed or seriously injured if you don't immediately follow instructions.

**⚠ WARNING**

You can be killed or seriously injured if you don't follow instructions.

All safety messages will tell you what the potential hazard is, tell you how to reduce the chance of injury, and tell you what can happen if the instructions are not followed.



## WARNING - “Risk of Fire”

- Clothes dryer installation must be performed by a qualified installer.
- Install the clothes dryer according to the manufacturer’s instructions and local codes.
- Do not install a clothes dryer with flexible plastic venting materials or flexible metal (foil type) duct. If flexible metal duct is installed, it must be of a specific type identified by the appliance manufacturer as suitable for use with clothes dryers. Flexible venting materials are known to collapse, be easily crushed, and trap lint. These conditions will obstruct clothes dryer airflow and increase the risk of fire.
- To reduce the risk of severe injury or death, follow all installation instructions.
- Save these instructions.

State of California Proposition 65 Warnings:

WARNING: This product contains one or more chemicals known to the State of California to cause cancer.

WARNING: This product contains one or more chemicals known to the State of California to cause birth defects or other reproductive harm.

## IMPORTANT SAFETY INSTRUCTIONS

**WARNING:** To reduce the risk of fire, electric shock, or injury to persons when using the dryer, follow basic precautions, including the following:

- Read all instructions before using the dryer.
- Do not place items exposed to cooking oils in your dryer. Items contaminated with cooking oils may contribute to a chemical reaction that could cause a load to catch fire.
- Do not dry articles that have been previously cleaned in, washed in, soaked in, or spotted with gasoline, dry-cleaning solvents, or other flammable or explosive substances as they give off vapors that could ignite or explode.
- Do not allow children to play on or in the dryer. Close supervision of children is necessary when the dryer is used near children.
- Before the dryer is removed from service or discarded, remove the door to the drying compartment.
- Do not reach into the dryer if the drum is moving.
- Do not install or store the dryer where it will be exposed to the weather.
- Do not tamper with controls.
- Do not repair or replace any part of the dryer or attempt any servicing unless specifically recommended in this Use and Care Guide or in published user-repair instructions that you understand and have the skills to carry out.
- Do not use fabric softeners or products to eliminate static unless recommended by the manufacturer of the fabric softener or product.
- Do not use heat to dry articles containing foam rubber or similarly textured rubber-like materials.
- Clean lint screen before or after each load.
- Keep area around the exhaust opening and adjacent surrounding areas free from the accumulation of lint, dust, and dirt.
- The interior of the dryer and exhaust vent should be cleaned periodically by qualified service personnel.
- See “Electrical Requirements” located in the installation instructions for grounding instructions.

**SAVE THESE INSTRUCTIONS**

**WARNING: For your safety, the information in this manual must be followed to minimize the risk of fire or explosion, or to prevent property damage, personal injury, or death.**

- Do not store or use gasoline or other flammable vapors and liquids in the vicinity of this or any other appliance.
- **WHAT TO DO IF YOU SMELL GAS:**
  - Do not try to light any appliance.
  - Do not touch any electrical switch; do not use any phone in your building.
  - Clear the room, building, or area of all occupants.
  - Immediately call your gas supplier from a neighbor's phone. Follow the gas supplier's instructions.
  - If you cannot reach your gas supplier, call the fire department.
- Installation and service must be performed by a qualified installer, service agency, or the gas supplier.

**WARNING:** Gas leaks cannot always be detected by smell.

Gas suppliers recommend that you use a gas detector approved by UL or CSA.

For more information, contact your gas supplier.

If a gas leak is detected, follow the “What to do if you smell gas” instructions.

## IMPORTANT SAFETY INSTRUCTIONS

When discarding or storing your old clothes dryer, remove the door.

**SAVE THESE INSTRUCTIONS**

## CHECK YOUR VENT SYSTEM FOR GOOD AIR FLOW

### **WARNING**



#### Fire Hazard

Use a heavy metal vent.

Do not use a plastic vent.

Do not use a metal foil vent.

Failure to follow these instructions can result in death or fire.

### Good Air Flow

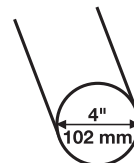
Along with heat, dryers require good air flow to efficiently dry laundry. Proper venting will reduce your drying times and improve your energy savings. See Installation Instructions.

The venting system attached to the dryer plays a big role in good air flow. Blocked or crushed vents as well as improper venting installation will reduce air flow and dryer performance.

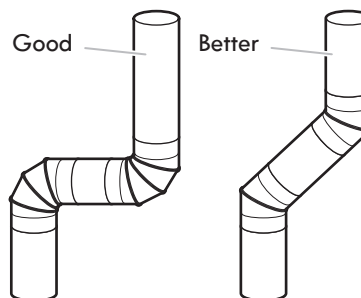
Service calls caused by improper venting are not covered by the warranty and will be paid by the customer, regardless of who installed the dryer. To clean or repair venting, contact a venting specialist.

### Maintain good air flow by:

- Cleaning your lint screen before each load.
- Replacing plastic or foil vent material with 4" (102 mm) diameter heavy, rigid vent material.



- Using the shortest length of vent possible.
- Using no more than four 90° elbows in a vent system; each bend and curve reduces air flow.



- Removing lint and debris from the exhaust hood.
- Removing lint from the entire length of the vent system at least every 2 years. When cleaning is complete, be sure to follow the Installation Instructions supplied with your dryer for final product check.
- Clearing away items from the front of the dryer.

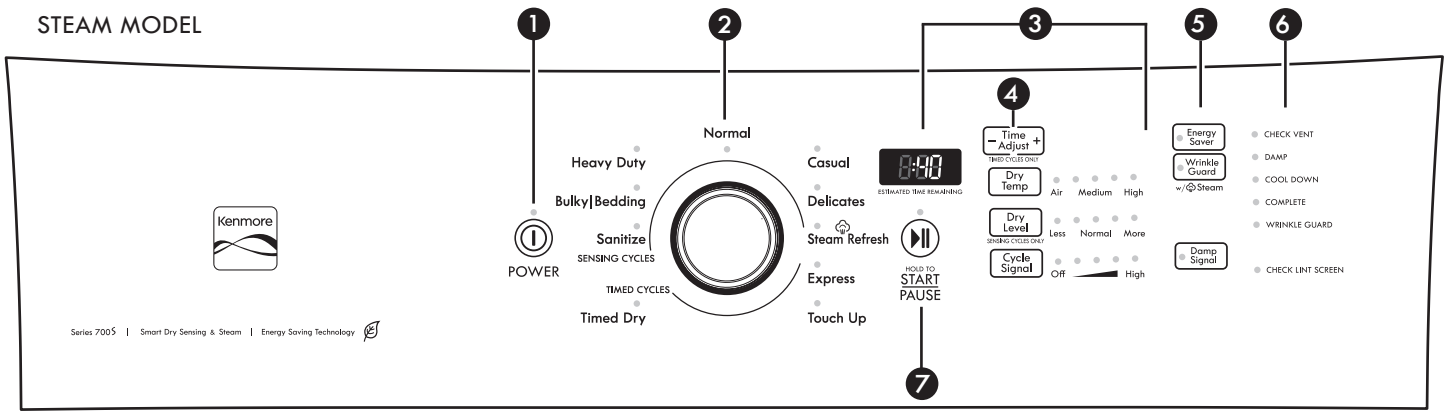
## USE SENSING CYCLES FOR BETTER FABRIC CARE AND ENERGY SAVINGS

Use the Sensing Cycles to get the most energy savings and enhanced fabric care from the dryer. During Sensing Cycles, drying air temperature and moisture level are sensed in the load. This sensing occurs throughout the drying cycle and the dryer shuts off when the load reaches the selected dryness. Choose Normal cycle to save energy.

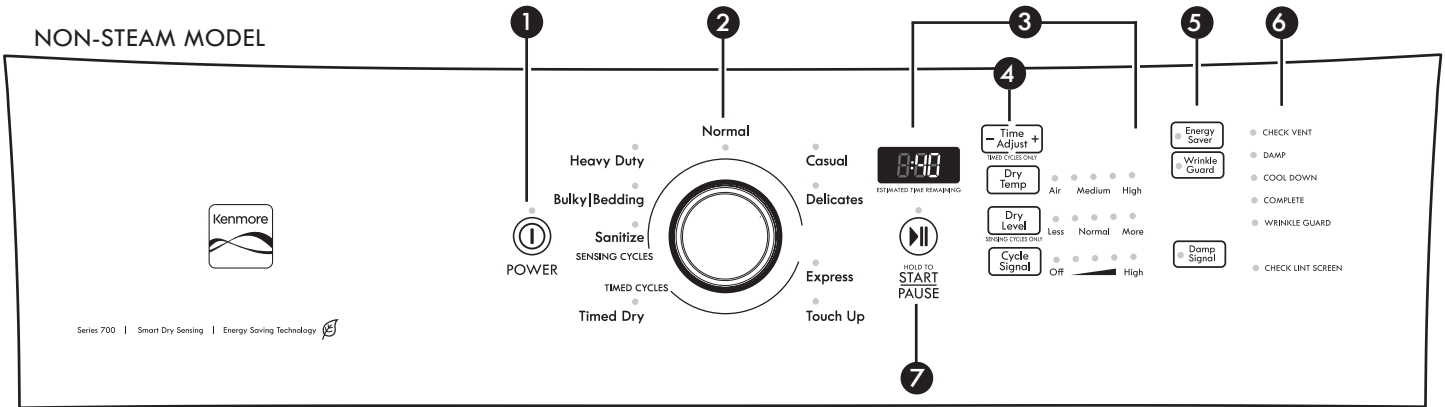
With Timed Cycles, the dryer runs the amount of time set and sometimes results in shrinkage, wrinkling, and static due to overdrying. Use Timed Cycles for the occasional damp load that needs a little more drying time or when using the drying rack.

# CONTROL PANEL AND FEATURES

## STEAM MODEL



## NON-STEAM MODEL



Not all features and options are available on all models. Appearance may vary.

### 1 POWER BUTTON

Touch to turn the dryer on and off. Touch to stop/cancel a cycle at any time.

### 2 CYCLE KNOB

Use your cycle knob to select available cycles on your dryer. Turn the knob to select a cycle for your laundry load. See "Cycle Guide" for detailed descriptions of cycles.

#### Timed Cycles

Will run the dryer for the specified time on the control. On models with a selectable temperature button, you may choose a setting based on the fabrics in your load. Drying time and temperature will vary depending on your dryer model.

#### Sensing Cycles

Sensing cycles give the best drying in the shortest time. Drying time will vary based on fabric type, load size, and dryness setting.

### 3 LED DISPLAY AND SETTINGS

When you select a cycle, its default settings will light up and the Estimated Time Remaining (for Sensing Cycles) or actual time remaining (for Timed Cycles) will be displayed.

Touch the setting names next to the display to adjust settings. See "Cycle Guide" for available settings on each cycle. Not all settings are available with all cycles.

#### Dry Temp

Select a drying temperature based on the fabrics in your load. If you are unsure of the temperature to select for a load, select the lower setting rather than the higher setting. See "Cycle Guide."

**NOTE:** Sensing Cycles allow temperature adjustment. At most, 3 of the available temperatures (not including Air) are allowed.

#### Dry Level

You may adjust the Dry Level on Sensing Cycles (except for the Sanitize cycle) if desired.

**NOTE:** Dry Level is for use with Sensing Cycles only.

#### Cycle Signal

The Cycle Signal produces an audible sound when the drying cycle is finished. Promptly removing clothes at the end of the cycle reduces wrinkling.

### NOTES:

- When the Wrinkle Guard™ option is selected and the Cycle Signal is on, the tone will sound at 15 minutes, 30 minutes, and at the end of Wrinkle Guard™.
- You may also turn off the tones that sound when a cycle is selected, or when a feature or option is touched. Touch and hold CYCLE SIGNAL for about three seconds to turn sounds off or on.

### 4 Time Adjust for Timed Cycles Only

Use "+" and "-" with Timed Cycles to increase or decrease the length of a Timed Dry or Express cycle.

### 5 OPTIONS

Use to select available options for your dryer. Not all cycles and options are available on all models.

#### Energy Saver option

Activate the ENERGY SAVER setting to increase your energy savings. This setting uses a lower heat level and extends cycle time. Turn on for optimal energy savings. Turn off for optimal cycle times. Energy Saver will default on for Normal.

**NOTE:** Energy savings are not available on all cycles and may vary across loads and cycles.

#### Wrinkle Guard™ or Wrinkle Guard™ w/Steam option (depending on model)

When you are unable to remove a load of clothes from the dryer as soon as it stops, wrinkles can form. The Wrinkle Guard™ option periodically tumbles, rearranges, and fluffs the load to help keep wrinkles from forming. The Wrinkle Guard™ w/Steam setting (depending on model) will add a short steam cycle after 60 minutes to help smooth out wrinkles.

- Get up to 150 minutes of heat-free, periodic tumbling at the end of a cycle. Touch WRINKLE GUARD™ to select ON or OFF at any time before the cycle has ended.

**NOTE:** If you open the dryer door prior to the end of the Wrinkle Guard™ option, the dryer will go into Pause mode. You will need to touch Power to turn off or touch Start/Pause to continue Wrinkle Guard™ option.

### Damp Signal

Touch to select the Damp Signal to On or Off. When selected, a series of beeps will sound when the load is damp but not completely dry. This will allow you to take clothes out of the load that do not need to dry completely. This option is not available on Sanitize, Steam Refresh, and the Timed cycles.

### Complete

This will indicate that the selected cycle has ended and the load may be removed from the dryer. If Wrinkle Guard™ option has been selected, the dryer may continue to tumble the load, even if the Complete indicator is lit.

### Wrinkle Guard™

This indicator will light if the Wrinkle Guard™ option has been selected and is running. The dryer will periodically tumble the load for up to 150 minutes after the cycle has ended.

### Check Lint Screen

The Check Lint Screen indicator light will flash as a reminder to clean the lint screen. It will flash until the door is opened or a cycle is started. It will turn off when the dryer is turned off.

## 6 CYCLE STATUS LIGHTS

The indicator bar on the right side of the control will let you know what stage of the drying cycle is in process.

### Check Vent

The Check Vent indicator will light if there is a blocked vent or low air flow.

### Damp

This indicator shows that the load is partially dried and items that you may wish to hang up or iron while still damp may be removed.

### Cool Down

The dryer has finished drying with heat, and is now tumbling the load without heat to cool it down and reduce wrinkling.

## 7 START/PAUSE BUTTON

Touch and hold START/PAUSE button for up to 3 seconds or until the dryer starts to begin the selected cycle; touch again to pause a cycle.

## CYCLE GUIDE – SENSING CYCLES

**SENSING CYCLES** – Senses moisture in the load and shuts off when the load reaches the selected dryness level. The dry temperature shown is the default temperature. This setting can be modified on some cycles but is not retained for future drying with this cycle. The dryness level shown is the default dryness setting. This setting can be changed on some cycles and will be retained for future drying with this cycle. Available options shown in **bold** are default settings for that cycle.

To get the most energy savings and enhanced fabric care from your dryer, use the Sensing cycles. These cycles measure the drying air temperature and moisture levels to turn the dryer off once the load reaches the selected dryness level. For electric models, dryer performance and results may vary with service voltage less than 240.

Items to Dry:	Cycle:	Dry Temp:	Dry Level:†	Available Options:	Cycle Details:
Towels and bedding	Sanitize*	● ● ● ● ● Air Medium High	● ● ● ● ● Less Normal More	Wrinkle Guard™ Cycle Signal	Extended high-heat drying cycle intended to help sanitize items such as bedding and towels. This cycle is not recommended for all fabrics. For best results, run cycle to completion; do not interrupt. <b>NOTE:</b> Steam portion of Wrinkle Guard™ w/Steam option is disabled for this cycle.
Jackets, comforters, pillows	Bulky/Bedding	● ● ● ● ● Air Medium High	● ● ● ● ● Less Normal More	<b>Damp Dry Signal</b> Wrinkle Guard™ Cycle Signal	Use for drying large, bulky items; do not overfill dryer drum.
Heavyweight items such as towels and jeans	Heavy Duty	● ● ● ● ● Air Medium High	● ● ● ● ● Less Normal More	<b>Damp Dry Signal</b> Wrinkle Guard™ Cycle Signal	Use for drying large or heavy items.
Corduroys, work clothes	Normal	● ● ● ● ● Air Medium High	● ● ● ● ● Less Normal More	<b>Damp Dry Signal</b> <b>Energy Saver</b> Wrinkle Guard™ Cycle Signal	Medium to large loads of mixed fabrics and items.
No-iron fabrics, cottons, perm press, linens, synthetics	Casual	● ● ● ● ● Air Medium High	● ● ● ● ● Less Normal More	<b>Damp Dry Signal</b> <b>Energy Saver</b> <b>Wrinkle Guard™</b> Cycle Signal	For normal light- to medium-weight fabrics. Drying time varies based on fabric type, load size, and dryness setting.
Lingerie, blouses, washable knit fabrics	Delicates	● ● ● ● ● Air Medium High	● ● ● ● ● Less Normal More	<b>Damp Dry Signal</b> <b>Energy Saver</b> Wrinkle Guard™ Cycle Signal	For gently drying delicate items. <b>NOTE:</b> Steam portion of Wrinkle Guard™ w/Steam option is disabled for this cycle.

\* Extended high-heat drying cycle intended to help sanitize items such as sheets and towels. This cycle is not recommended for all fabrics. For best results, this cycle should be run to completion to ensure sanitization and do not interrupt cycle.

† If loads do not seem as dry as you would like or are drier than you would like, select More Dry or Less Dry next time you dry a similar load.

## CYCLE GUIDE – TIMED CYCLES



**TIMED CYCLES** – Will run the dryer for the specified time on the control. Settings shown are default settings for that cycle.

Items to Dry:	Cycle:	Default Time:	Available Options:	Cycle Details:
Any load	Timed Dry	40	Wrinkle Guard™* Cycle Signal	Select a drying temperature based on the fabrics in your load. If you are unsure of the temperature to select for a load, select the lower setting rather than the higher setting.
Any load	Touch Up	20	Wrinkle Guard™* Cycle Signal	Use this cycle to quickly refresh an item or remove light wrinkles. The load is cooled slowly to reduce wrinkling and make it easier to handle.
Small loads and sportswear (2 to 3 items)	Express	15	Wrinkle Guard™* Cycle Signal	For small loads of 2 to 3 items.

\*Depending on settings, steam option may be disabled to protect clothing and optimize performance.

## CYCLE GUIDE – STEAM CYCLE

**STEAM CYCLE** – Designed for use with dry loads to loosen wrinkles, reduce odors, and refresh fabrics. Settings shown are default settings for that cycle. Not all settings and options are available on each cycle.

Items to Dry:	Cycle:	Dry Temp:	Dry Level:	Available Options:	Cycle Details:
Mixed loads	Steam Refresh			Wrinkle Guard™ Cycle Signal	Use to smooth out wrinkles and reduce odors from loads consisting of 2 to 4 dry items of wrinkle-free cotton, cotton-polyester blend, common knits, and synthetic garments.

### Setting the Dry Temp

Select a drying temperature based on the fabrics in your load. If you are unsure of the temperature to select for a load, select the lower setting rather than the higher setting.

#### Temperature Tips

- A High heat setting may be used for drying heavyweight items such as towels and work clothes.
- A Medium to Medium High heat setting may be used for drying medium-weight items such as sheets, blouses, dresses, underwear, permanent press fabrics, and some knits.

- A Low heat setting may be used for drying lightweight items such as lingerie.
- Use an Air (no heat) setting for foam, rubber, plastic, or heat-sensitive fabrics.
- Line dry bonded or laminated fabrics.

**NOTE:** If you have questions about drying temperatures for various loads, refer to the care label directions.



## USING YOUR DRYER

### **WARNING**



#### Explosion Hazard

Keep flammable materials and vapors, such as gasoline, away from dryer.

Do not dry anything that has ever had anything flammable on it (even after washing).

Failure to follow these instructions can result in death, explosion, or fire.

**WARNING:** To reduce the risk of fire, electric shock, or injury to persons, read the IMPORTANT SAFETY INSTRUCTIONS before operating this appliance.

### **WARNING**



#### Fire Hazard

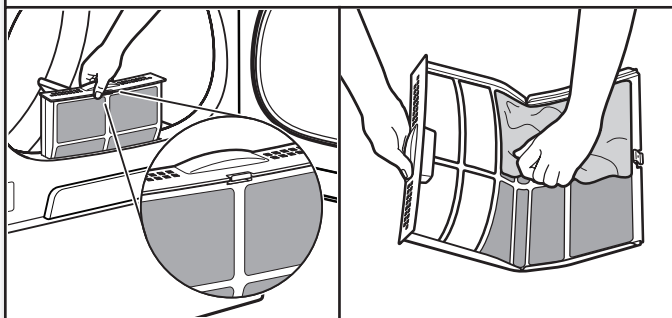
No washer can completely remove oil.

Do not dry anything that has ever had any type of oil on it (including cooking oils).

Items containing foam, rubber, or plastic must be dried on a clothesline or by using an Air Cycle.

Failure to follow these instructions can result in death or fire.

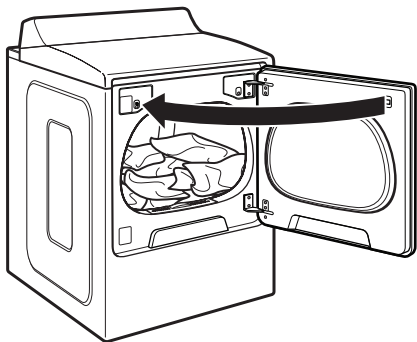
### **1. Clean the lint screen**



Clean the lint screen before each load. Pull the lint screen straight up and out. Press tab down on front to open lint screen. Roll lint off the screen with your fingers. Do not rinse or wash screen to remove lint. Wet lint is hard to remove. Close lint screen and push the lint screen firmly back into place.

For additional cleaning information, see "Dryer Care."

### **2. Load the dryer**



Place laundry in the dryer. Close the door. Do not tightly pack the dryer; clothes should be able to tumble freely.

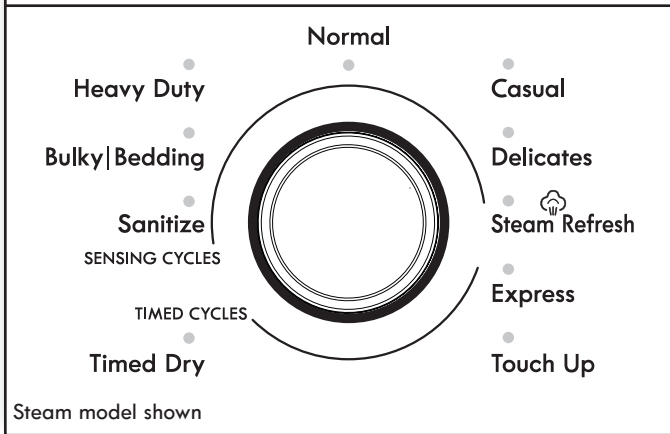
### **3. Touch POWER**



Touch POWER to turn on the dryer.



## 4. Select the desired cycle

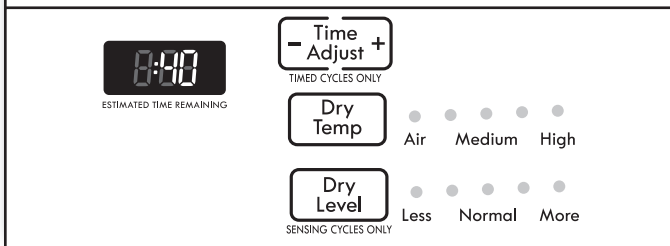


Select the desired cycle for your load. See the “Cycle Guide” for more information about each cycle.

### Steam Refresh:

Reduces light wrinkles and odors from a few garments at a time. Do not add dryer sheets.

## 5. Set cycle settings, if desired



You may adjust different settings, depending on whether you have selected a Sensing Cycle, Timed Cycle, or Steam Refresh Cycle. See the “Cycle Guide” for detailed information.

**NOTE:** Not all options and settings are available with all cycles. Not all cycles are on all models.

### Sensing Cycles:

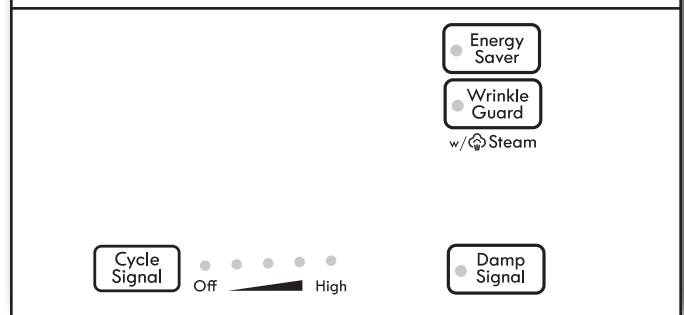
You can select a different dryness level, depending on your load, by touching DRY LEVEL to scroll to More, Normal, or Less. Selecting More, Normal, or Less automatically adjusts the dryness level at which the dryer will shut off. Dry Level can be changed in the first 5-8 minutes of the cycle. Sensing cycles give the best drying in the shortest time. Drying time varies based on fabric type, load size, and dryness setting.

**NOTE:** More Dry removes more load moisture. Normal Dry is used for a starting point for Sensing cycles. Choose Normal to save energy. Less Dry removes less moisture and is used for loads you may want to put on a hanger to complete drying.

### Timed Cycles:

When you select a Timed Cycle, the default time appears in the display. Touch “+” and “-” to increase or decrease the time in 1-minute increments. Touch and hold to change the time in 5-minute increments. The default temperature may be changed by touching Dry Temp until the desired dry temperature is lit.

## 6. Select any additional options



Add additional options such as Energy Saver or Damp Signal by touching that option. If you will be unable to remove the load promptly, select the Wrinkle Guard™ options before touching START.

### Wrinkle Guard™ or Wrinkle Guard™ w/Steam option (depending on model)

When you are unable to remove a load of clothes from the dryer as soon as it stops, wrinkles can form. The Wrinkle Guard™ option periodically tumbles, rearranges, and fluffs the load to help keep wrinkles from forming. The Wrinkle Guard™ w/Steam setting (depending on model) will add a short steam cycle after 60 minutes to help smooth out wrinkles. Get up to 150 minutes of heat-free, periodic tumbling at the end of a cycle. Touch the WRINKLE GUARD™ button to select ON or OFF at any time before the cycle has ended.

### NOTES:

- When the Wrinkle Guard™ option is selected and the Cycle Signal is on, the tone will sound at 15 minutes, 30 minutes, and at the end of Wrinkle Guard™.
- If you open the dryer door prior to the end of the Wrinkle Guard™ option, the dryer will go into Pause mode. You will need to touch Power to turn off or touch Start/Pause to continue Wrinkle Guard™ option.

## 7. Touch and hold START/PAUSE to begin cycle



Touch and hold the START/PAUSE button to begin the cycle.

Promptly remove items after cycle has completed to reduce wrinkling. Use the Wrinkle Guard™ option to avoid wrinkling when you are unable to remove a load from the dryer as soon as it stops.

## Changing the Sensing Cycle settings to increase or decrease drying time

If all your loads on all Sensing Cycles are consistently less dry or more dry than you would like, you may change the default settings to increase or decrease the default dryness level.

Your sensing drying settings can be adjusted to adapt to different installations, environmental conditions, or personal preference. This change is retained and will affect all of your Sensing Cycles, not just the current cycle/load. There are 5 drying settings, which are displayed using the time display:

- 0 Much wetter clothes, 30% less drying time.
- 1 Slightly wetter clothes, 15% less drying time.
- 2 Factory preset dryness level.
- 3 Slightly drier clothes, 15% more drying time.
- 4 Much drier clothes, 30% more drying time.

### To change the drying settings:

**NOTE:** The settings cannot be changed while the dryer is running or paused. The dryer must be in standby mode (power is off) to adjust the default settings.

1. Before starting a cycle, touch and hold DRY LEVEL for 3 seconds.
2. Touch DRY LEVEL to select the dryness level shown in the time display: 0, 1, 2, 3, or 4.
3. Touch START/PAUSE to save the new dryness level setting.

## ADDITIONAL FEATURES

### Using the Drying Rack

To obtain a drying rack for your dryer, order by calling **1-844-553-6667** (U.S.) or **1-800-469-4663** (Canada). You will need your model and serial number and the purchase date. Remove and discard any packing material before use.

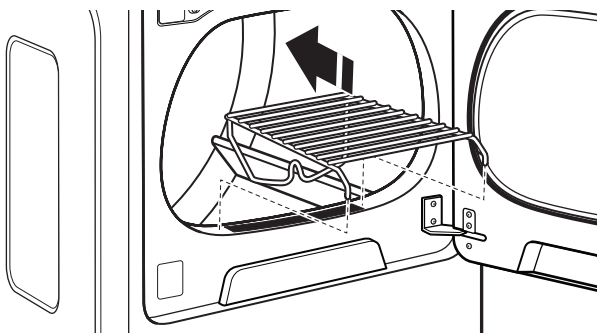
Use the Drying Rack for items that you do not want to tumble dry, such as sweaters and tennis shoes. When you use the drying rack, the drum continues to turn, but the rack remains stationary.

The drying rack is intended for use with the Timed Cycles only. The drying rack cannot be used with Sensing Cycles.

### To use the drying rack:

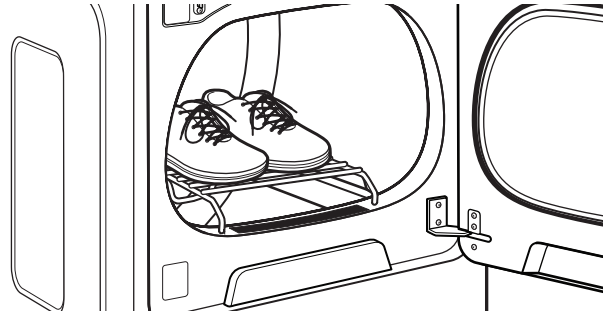
**IMPORTANT:** Do not remove the lint screen.

1. Open dryer door.



### Using the Drying Rack (cont.)

2. Align the two hooks on the front of the drying rack with the holes in the dryer door opening and press down fully into holes. Rest the rear support on the dryer back ledge.



3. Place wet items on top of the drying rack. Allow space around items for air to circulate. The drying rack does not move, but the drum will rotate; be sure to leave adequate clearance between items and the inside of the dryer drum. Make sure items do not hang over the edges or between drying rack grille.
4. Close the door.
5. Select a Timed Dry/Air Only, or Low Temperature cycle. Items containing foam, rubber, or plastic must be dried on a clothesline or by using the Air Only setting.
6. When the cycle is selected, the Estimated Time Remaining display shows the default time. You can change the actual time in the cycle by increasing or decreasing the cycle time.
7. Start the dryer.

**NOTE:** Check the lint screen and remove any lint accumulated from items dried on the drying rack after the cycle is finished.

# DRYER CARE

## Cleaning the dryer location

Keep dryer area clear and free from items that would block the air flow for proper dryer operation. This includes clearing piles of laundry in front of the dryer.

## ⚠ WARNING



### Explosion Hazard

Keep flammable materials and vapors, such as gasoline, away from dryer.

Place dryer at least 18 inches (460 mm) above the floor for a garage installation.

Failure to do so can result in death, explosion, or fire.

## Cleaning the dryer interior

### To clean dryer drum

1. Apply a liquid, nonflammable household cleaner to the stained area of the drum and rub with a soft cloth until stain is removed.
  2. Wipe drum thoroughly with a damp cloth.
  3. Tumble a load of clean cloths or towels to dry the drum
- OR

Use a microfiber cloth and hot water in a spray bottle to clean the drum and a second microfiber towel to dry.

**NOTE:** Items that contain loose dyes, such as denim blue jeans or brightly colored cotton items, may discolor the dryer interior. These stains are not harmful to your dryer and will not stain future loads of clothes. Dry these items inside out to avoid drum staining.

## Removing accumulated lint

### From Inside the Dryer Cabinet

Lint should be removed every 2 years, or more often, depending on dryer usage. Cleaning should be done by a qualified servicer.

### From the Exhaust Vent

Lint should be removed every 2 years, or more often, depending on dryer usage.

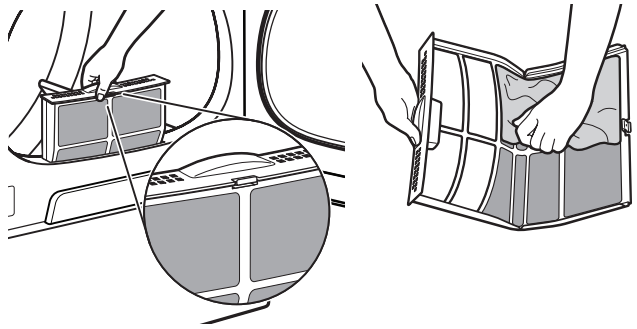
## Cleaning the lint screen

### Every load cleaning

The lint screen is located in the door opening of the dryer. The control panel has a “Check Lint Screen” indicator light to remind you to clean the lint screen before each load. A screen blocked by lint can increase drying time.

### To clean:

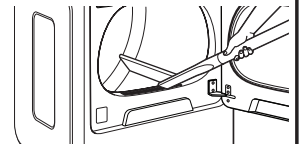
1. Pull the lint screen straight up and out. Press tab down on front to open lint screen. Roll lint off the screen with your fingers. Do not rinse or wash screen to remove lint. Wet lint is hard to remove.



2. Close the lint screen and push firmly back into place.

### IMPORTANT:

- Do not run the dryer with the lint screen loose, damaged, blocked, or missing. Doing so can cause overheating and damage to both the dryer and fabrics.
- If lint falls off the screen into the dryer during removal, check the exhaust hood and remove the lint. See “Venting Requirements” in the Installation Instructions.
- Clean space where lint screen is located, as needed. Using a vacuum, gently remove any lint that has accumulated outside of the lint screen.



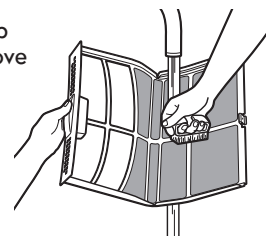
### As needed cleaning

Laundry detergent and fabric softener residue can build up on the lint screen. This buildup can cause longer drying times for your clothes or cause the dryer to stop before your load is completely dry. The screen is probably clogged if lint falls off while the screen is in the dryer.

Clean the lint screen with a nylon brush every 6 months, or more frequently, if it becomes clogged due to a residue buildup.

### To wash:

1. Roll lint off the screen with your fingers.
2. Wet both sides of lint screen with hot water.
3. Wet a nylon brush with hot water and liquid detergent. Scrub lint screen with the brush to remove residue buildup.
4. Rinse screen with hot water.
5. Thoroughly dry lint screen with a clean towel. Reinstall screen in dryer.



## Vacation, storage, and moving care

Steam models only: Install and store your dryer where it will not freeze. Because some water may stay in the hose, freezing can damage your dryer. If storing or moving your dryer during freezing weather, winterize it.

### Non-Use or Storage Care

Operate your dryer only when you are at home. If you will be on vacation or not using your dryer for an extended period of time, you should:

1. Unplug dryer or disconnect power.
2. Clean lint screen. See "Cleaning the Lint Screen."
3. Turn off the water supply to the dryer. This helps to avoid unintended flooding (due to a water pressure surge) while you are away.

### Moving Care

#### For power supply cord-connected dryers:

1. Unplug the power supply cord.
2. Gas models only: Close shut-off valve in gas supply line.
3. Gas models only: Disconnect gas supply line pipe and remove fittings attached to dryer pipe.
4. Gas models only: Cap the open fuel supply line.
5. Steam models only: Shut off water faucet.
6. Steam models only: Disconnect the water inlet hose from faucet, then drain the hose. Transport hose separately.
7. Make sure leveling legs are secure in dryer base.
8. Use tape to secure dryer door.

## WARNING



### Electrical Shock Hazard

**Disconnect power before servicing.**

**Replace all parts and panels before operating.**

**Failure to do so can result in death or electrical shock.**

### For direct-wired dryers:

1. Disconnect power.
2. Disconnect wiring from dryer and secure wire ends.
3. Steam models only: Shut off water faucet.
4. Steam models only: Disconnect the water inlet hose from faucet, then drain the hose. Transport hose separately.
5. Make sure leveling legs are secure in dryer base.
6. Use tape to secure dryer door.

### Reinstalling the Dryer

Follow the Installation Instructions to locate, level, and connect the dryer.

## SPECIAL INSTRUCTIONS FOR STEAM MODELS

### Water Inlet Hose

Replace inlet hose and hose screen after 5 years of use to reduce the risk of hose failure. Periodically inspect and replace inlet hose if bulges, kinks, cuts, wear, or leaks are found.

When replacing your inlet hose, record the date of replacement.

### To Winterize the Dryer

1. Unplug dryer or disconnect power.
2. Shut off water faucet.
3. Disconnect water inlet hose from faucet and drain.

### To Use the Dryer Again

1. Flush water pipes. Reconnect water inlet hose to faucet. Turn on water faucet.
2. Plug in dryer or reconnect power as described in the Installation Instructions.

## TROUBLESHOOTING

First try the solutions suggested here for assistance and to possibly avoid a service call.

If you experience	Possible Causes	Solution
<b>Dryer Operation</b>		
Dryer will not run	Door not closed completely.	Make sure the dryer door is closed completely.
	Start/Pause touched with fingernail or not touched long enough.	Touch and hold START/PAUSE for up to 3 seconds with pad of finger.
	Household fuse is blown, circuit breaker has tripped, or dryer is not plugged in.	There may be 2 household fuses or circuit breakers for the dryer. Check that both fuses are intact and tight or that both circuit breakers have not tripped. Replace the fuses or reset the circuit breaker. If the problem continues, call an electrician.
	Incorrect power supply.	Electric dryers require 240-volt or 208-volt power supply. Check with a qualified electrician.
	Wrong type of fuse.	Use a time-delay fuse.
Dryer will not turn off	Dryer door was opened prior to the end of the Wrinkle Guard™ option.	If you open the dryer door prior to the end of the Wrinkle Guard™ option, the dryer will go into Pause mode. You will need to touch Power to turn off or touch Start/Pause to continue Wrinkle Guard™.
Dryer will not heat	Household fuse is blown or circuit breaker has tripped.	The drum may be turning, but you may not have heat. Electric dryers use 2 household fuses or circuit breakers. Replace the fuses or reset the circuit breaker. If the problem continues, call an electrician.
	Incorrect power supply.	Electric dryers require 240-volt or 208-volt power supply. Check with a qualified electrician.
	The gas supply line valve not open.	For gas dryers, make sure that the valve on the gas supply line is open.
<b>Unusual Noise</b>		
Humming or whining noise with Steam cycle selected	Water inlet valve on dryer is running.	The water pump on the dryer is used during the Steam function. If the dryer has just been installed or unused for an extended period, the pump may be louder and run longer. This is normal.
Thumping noise	Dryer hasn't been used in a while.	This is normal. The thumping sound should diminish after a few minutes of use.
Rattling or vibrating noise	A small object caught between the edges of dryer drum.	Check the front and rear edges of the drum for small objects. Clean out pockets before laundering.
	Dryer isn't properly leveled.	The dryer may vibrate if not properly installed. See the Installation Instructions. All four dryer feet should be in firm contact with the floor.
	Clothing is balled up in dryer.	When balled up, the load will bounce, causing the dryer to vibrate. Separate the load items and restart the dryer.
Clicking noise	Gas valve operating.	On gas dryers, you may hear the gas valve clicking as it opens and closes. This is normal.
<b>Dryer Results</b>		
Clothes are not drying satisfactorily, clothes are balling or tangling, or drying times are too long	Lint screen or lint screen housing is clogged with lint.	Clean lint screen before each load. Clean space where lint screen is located, as needed. Using a vacuum, gently remove any lint that has accumulated outside of the lint screen.
	The exhaust vent or outside exhaust hood is clogged with lint, restricting air movement.	Run the dryer for 5–10 minutes. Hold your hand under the outside exhaust hood to check air movement. If you do not feel air movement, clean exhaust system of lint or replace exhaust vent with heavy metal or flexible metal vent. See the Installation Instructions.
	The exhaust vent is not the correct length.	Check that the exhaust vent is not too long or has too many turns. Long venting will increase drying times. See the Installation Instructions.
	The exhaust vent diameter is not the correct size.	Use 4" (102 mm) diameter vent material.
	The dryer is not level.	Clothes not contacting the moisture sensors during Sensing Cycles. See "Level Dryer" in the Installation Instructions.
	The Air Dry Temp setting has been selected.	Select the correct temperature for the types of garments being dried. See "Cycle Guide."

## TROUBLESHOOTING

First try the solutions suggested here for assistance and to possibly avoid a service call.

If you experience	Possible Causes	Solution
<b>Dryer Results (cont.)</b>		
Clothes are not drying satisfactorily, clothes are balling or tangling, or drying times are too long (cont.)	The load is too large and heavy to dry quickly.	Separate the load to tumble freely.
	Fabric softener sheets are blocking the grille.	The air outlet grille is just inside the door, behind the lint screen. Check that it is not blocked by a fabric softener sheet. Use only one fabric softener sheet, and use it only once.
	The dryer is located in a room with temperature below 45°F (7°C).	Proper operation of dryer cycles requires temperatures above 45°F (7°C).
	The dryer is located in a closet.	Closet doors must have ventilation openings at the top and bottom of the door. The front of the dryer requires a minimum of 1" (25 mm) of airspace, and, for most installations, the rear of the dryer requires 5" (127 mm). See the Installation Instructions.
Cycle time is too short	The load may not be contacting the sensor strips on Sensing Cycles.	Level the dryer. See the Installation Instructions. All four dryer feet should be in firm contact with the floor.
	Clothes are coming out of the Steam Refresh cycle with damp or wet spots.	If you are doing a Steam Refresh cycle of 1 or 2 items, you can add a towel to the load to help avoid uneven spraying from the steam valve. Then select the appropriate time based on the load to be refreshed.
	The sensing cycle is ending early.	Change the dryness level setting on Sensing Cycles. Increasing or decreasing the dryness level will change the amount of drying time in a cycle. If loads are consistently ending too early, see also "Changing the Sensing Cycle settings to increase or decrease drying time."
Lint on load	Lint screen is clogged with lint.	Clean lint screen before each load.
Stains on load	Improper use of fabric softener.	Add dryer fabric softener sheets at the beginning of the cycle. Fabric softener sheets added to a partially dried load can stain your garments. Do not use fabric softener sheets with steam cycles.
Stains on drum	Loose dyes in clothes.	Drum stains are caused by dyes in clothing (usually blue jeans). These will not transfer to other clothing.
Loads are wrinkled	The load was not removed from dryer at the end of the cycle.	Select Steam Refresh cycle to tumble the load with water and heat. This cycle is best for smoothing out wrinkles and reducing odors from dry loads consisting of wrinkle-free cotton, cotton-polyester blends, common knits, and synthetics. <b>NOTE:</b> Refer to garment care label instructions. Dry-clean-only garments are not recommended.
	The dryer was tightly packed.	Dry smaller loads that can tumble freely. Results may also vary depending on fabric type.
	For steam cycles, the water is not properly connected with the dryer.	Make sure water is connected to the dryer. Check that water inlet hose is connected to both the faucet and dryer's water inlet valve. Check that the water supply is turned on.
Odors	Recent painting, staining, or varnishing in the area where your dryer is located.	Ventilate the area. When the odors or fumes are gone from the area, rewash and dry the clothing.
	For steam cycles, the water is not properly connected with the dryer.	Make sure water is connected to the dryer. Check that water inlet hose is connected to both the faucet and dryer's water inlet valve. Check that the water supply is turned on.
	Odors are left in garments after wearing.	To remove odors left in garments after wearing, select Steam Refresh. This cycle is best for reducing wrinkles and odors from dry loads consisting of wrinkle-free cotton, cotton-polyester blends, common knits, and synthetics.
Steam did not occur during Wrinkle Guard™	Wrinkle Guard™ does not enable Steam on all cycle/option combinations.	Refer to Cycle Guide to verify which cycles and settings enable Steam.



# TROUBLESHOOTING

First try the solutions suggested here for assistance and to possibly avoid a service call.

If you experience	Possible Causes	Solution
<b>Dryer Results (cont.)</b>		
Load too hot	Load removed before cool down portion of cycle complete.	Allow the dryer to complete the cool down portion of the cycle before removing the load.
	Using Timed Dry cycle with a high temperature setting.	Select a Sensing Cycle with a lower heat setting to avoid overdrying the load.
<b>Dryer Displaying Code Message or Indicator Is Lit</b>		
"PF" (power failure)	The drying cycle has been interrupted by a power failure.	Touch START to clear the PF error message, then press and hold START to resume cycle.
"L2" Diagnostic Code (low or no line voltage condition)	There may be a problem with your home power supply, keeping the dryer's heater from turning on.	The dryer will continue to run when this diagnostic code is present. Touch any pad to clear the code from the display and return to the estimated time remaining. Try the following: <ul style="list-style-type: none"> <li>• Check to see if a household fuse has blown or circuit breaker has tripped. Electric dryers use two household fuses or breakers. Replace the fuse or reset the circuit breaker.</li> <li>• Confirm that the power cord is properly installed. Refer to the Installation Instructions for details.</li> <li>• Select a Timed Dry heated cycle, and restart the dryer.</li> </ul> If the message persists, consult a qualified electrician.
"_._"	Cycle knob is not on cycle.	This is not an error. The selector knob is not on a cycle. Rotate your selector knob until a cycle lights up.
"Check Vent" cycle status indicator lights up (blocked vent or low airflow condition)	The lint screen or vent is clogged; the vent is crushed, kinked, or has too many turns.	The dryer will continue to run when this diagnostic code is present. Touch any key to clear the code from the display and return to the estimated time remaining. Try the following: <ul style="list-style-type: none"> <li>• Clean lint screen.</li> <li>• Check to see if the vent run from the dryer to the wall is crushed or kinked.</li> <li>• Confirm that the vent run from the dryer to the wall is free of lint and debris.</li> <li>• Confirm that the exterior vent exhaust hood is free of lint and debris.</li> <li>• Confirm that your vent system falls within the recommended run length and number of elbows for the type of vent you are using. Refer to "Plan Vent System" in the Installation Instructions for details.</li> </ul> Select a Timed Dry heated cycle, and restart the dryer. If the message persists, have your entire home venting run cleaned. Contact a venting specialist.
"F# E#" (F1 E1, F3 E1, etc.) variable service codes	The dryer is in need of service.	If a code beginning with an "F" appears in the display, alternating between F# and E#, the dryer control has detected a problem that requires service. Call for service.



## PROTECTION AGREEMENTS

### Master Protection Agreements

*Congratulations on making a smart purchase.* Your new Kenmore® product is designed and manufactured for years of dependable operation. But like all products, it may require preventive maintenance or repair from time to time. That's when having a Master Protection Agreement can save you money and aggravation.

The Master Protection Agreement also helps extend the life of your new product. Here's what the Agreement\* includes:

- ✓ **Parts and labor** not just for repairing defects, but to help keep products operating properly **under normal use**. Our coverage goes **well beyond the product warranty**. No deductibles, no functional failure excluded from coverage—**real protection**.
- ✓ **Expert service** by experienced service technicians trusted in millions of homes every year.
- ✓ **Unlimited service calls and nationwide service**, as often as you want us, whenever you want us.
- ✓ **"No-lemon" guarantee** – replacement of your covered product after three separate product failures occur within twelve months and a fourth repair is required. Includes free delivery and installation, if necessary, of replacement product.
- ✓ **Product replacement** if your covered product can't be fixed.
- ✓ **Annual Preventive Maintenance Check** at your request – no extra charge.
- ✓ **Fast help by phone** – phone support from a service agent on all products to help troubleshoot problems. Think of us as a "talking owner's manual."

- ✓ **Power surge protection** against electrical damage due to power fluctuations.
- ✓ **\$300 Food Loss Protection** for any food spoilage that is the result of mechanical failure of any covered refrigerator or freezer.
- ✓ **Service Promise: \$50** if first attempt at repair of your covered product can't be accomplished and product is not usable while awaiting further repair service.
- ✓ **25% discount** off the regular price of any non-covered repair service and related installed parts.

Once you purchase the Agreement, a simple phone call is all that it takes for you to schedule service. You can call anytime day or night.

The Master Protection Agreement is a risk free purchase. If you cancel for any reason during the product warranty period, we will provide a full refund. Or, a prorated refund anytime after the product warranty period expires. Purchase your Master Protection Agreement today!

**Some limitations and exclusions apply. For prices and additional information in the U.S.A., call 1-800-827-6655.**

**\*Coverage in Canada varies on some items. For full details, call Sears Canada at 1-800-361-6665.**

### Sears Installation Service

For Sears professional installation of home appliances, garage door openers, water heaters, and other major home items, in the U.S.A., call **1-844-553-6667** and in Canada call **1-800-469-4663**.

05/2016

## KENMORE APPLIANCE WARRANTY

### KENMORE LIMITED WARRANTY

FOR ONE YEAR from the date of sale this appliance is warranted against defects in material or workmanship when it is correctly installed, operated, and maintained according to all supplied instructions.

WITH PROOF OF SALE, a defective appliance will receive free repair or replacement at option of seller.

For warranty coverage details to obtain free repair or replacement, visit the web page: [www.kenmore.com/warranty](http://www.kenmore.com/warranty).

This warranty applies for only 90 DAYS from the sale date in the United States, and is void in Canada, if this appliance is ever used for other than private household purposes.

**This warranty covers ONLY defects in material and workmanship, and will NOT pay for:**

1. Expendable items that can wear out from normal use, including but not limited to filters, belts, bags, or screw-in base light bulbs.
2. A service technician to clean or maintain this appliance, or to instruct the user in correct appliance installation, operation, and maintenance.
3. Service calls to correct appliance installation not performed by Sears authorized service agents, or to repair problems with house fuses, circuit breakers, house wiring, and plumbing or gas supply systems resulting from such installation.
4. Damage to or failure of this appliance resulting from installation not performed by Sears authorized service agents, including installation that was not in accord with electrical, gas, or plumbing codes.
5. Damage to or failure of this appliance, including discoloration or surface rust, if it is not correctly operated and maintained according to all supplied instructions.
6. Damage to or failure of this appliance, including discoloration or surface rust, resulting from accident, alteration, abuse, misuse or use for other than its intended purpose.

7. Damage to or failure of this appliance, including discoloration or surface rust, caused by the use of detergents, cleaners, chemicals, or utensils other than those recommended in all instructions supplied with the product.
8. Damage to or failure of parts or systems resulting from unauthorized modifications made to this appliance.
9. Service to an appliance if the model and serial plate is missing, altered, or cannot easily be determined to have the appropriate certification logo.

### DISCLAIMER OF IMPLIED WARRANTIES; LIMITATION OF REMEDIES

Customer's sole and exclusive remedy under this limited warranty shall be product repair or replacement as provided herein. Implied warranties, including warranties of merchantability or fitness for a particular purpose, are limited to one year or the shortest period allowed by law. Seller shall not be liable for incidental or consequential damages. Some states and provinces do not allow the exclusion or limitation of incidental or consequential damages, or limitation on the duration of implied warranties of merchantability or fitness, so these exclusions or limitations may not apply to you.

This warranty applies only while this appliance is used in the United States or Canada\*.

This warranty gives you specific legal rights, and you may also have other rights which vary from state to state.

\* In-home repair service is not available in all Canadian geographical areas, nor will this warranty cover user or servicer travel and transportation expenses if this product is located in a remote area (as defined by Sears Canada Inc.) where an authorized servicer is not available.

**Sears Brands Management Corporation  
Hoffman Estates, IL 60179**

**Sears Canada Inc.  
Toronto, Ontario, Canada M5B 2C3**

## Índice

SEGURIDAD DE LA SECADORA.....	17	USO DE LA SECADORA.....	25
REVISE QUE EL SISTEMA DE VENTILACIÓN TENGA UN BUEN FLUJO DE AIRE.....	20	CARACTERÍSTICAS ADICIONALES.....	27
USE LOS SENSING CYCLES (Ciclos de detección) PARA UN MEJOR CUIDADO DE LAS TELAS Y AHORRO DE ENERGÍA .....	20	CUIDADO DE LA SECADORA.....	28
PANEL DE CONTROL Y CARACTERÍSTICAS.....	21	SOLUCIÓN DE PROBLEMAS.....	30
GUIÁ DE CICLOS .....	23	CONTRATOS DE PROTECCIÓN .....	33
		GARANTÍA.....	33
		AYUDA O SERVICIO TÉCNICO .....	Contraportada

## SEGURIDAD DE LA SECADORA

### Su seguridad y la seguridad de los demás es muy importante.

Hemos incluido muchos mensajes importantes de seguridad en este manual y en su electrodoméstico. Lea y obedezca siempre todos los mensajes de seguridad.



Este es el símbolo de alerta de seguridad.

Este símbolo le llama la atención sobre peligros potenciales que pueden ocasionar la muerte o una lesión a usted y a los demás.

Todos los mensajes de seguridad irán a continuación del símbolo de advertencia de seguridad y de la palabra "PELIGRO" o "ADVERTENCIA". Estas palabras significan:

 **PELIGRO**

Si no sigue las instrucciones de inmediato, usted puede morir o sufrir una lesión grave.

 **ADVERTENCIA**

Si no sigue las instrucciones, usted puede morir o sufrir una lesión grave.

Todos los mensajes de seguridad le dirán el peligro potencial, le dirán cómo reducir las posibilidades de sufrir una lesión y lo que puede suceder si no se siguen las instrucciones.



## ADVERTENCIA - "Riesgo de incendio"

- La instalación de la secadora de ropa debe estar a cargo de un instalador competente.
- Instale la secadora de ropa según las instrucciones del fabricante y los códigos locales.
- No instale una secadora de ropa con materiales de ventilación de plástico flexible o un conducto de metal flexible (de hoja de metal). Si se usa un conducto de metal flexible, éste deberá ser de un tipo específico, que esté identificado por el fabricante de electrodomésticos como apto para ser usado con secadoras de ropa. Es sabido que los materiales de ventilación flexible se derrumban, se aplastan con facilidad y atrapan pelusa. Estas condiciones obstruirán el flujo de aire de la secadora de ropa y aumentarán el riesgo de incendio.
- Para reducir el riesgo de lesiones severas o la muerte, siga todas las instrucciones de instalación.
- Guarde estas instrucciones.

Advertencias de la Proposición 65 del estado de California:

**ADVERTENCIA:** Este producto contiene una o más sustancias químicas identificadas por el estado de California como causantes de cáncer.

**ADVERTENCIA:** Este producto contiene una o más sustancias químicas identificadas por el estado de California como causantes de defectos congénitos o algún otro tipo de daños en la función reproductora.

### INSTRUCCIONES IMPORTANTES DE SEGURIDAD

**ADVERTENCIA:** A fin de reducir el riesgo de incendio, descarga eléctrica o de daño a las personas que usen la secadora, deben seguirse las precauciones básicas, incluidas las siguientes:

- Lea todas las instrucciones antes de usar la secadora.
- No coloque los objetos expuestos a aceite para cocinar en su secadora. Los objetos expuestos a aceites para cocinar pueden contribuir a una reacción química que podría causar que una carga se inflame.
- No seque artículos que ya se hayan limpiado, lavado, remojado o manchado con gasolina, disolventes de limpieza en seco, u otras sustancias inflamables o explosivas ya que despiden vapores que pueden encenderse o causar una explosión.
- No permita que jueguen los niños sobre o dentro de la secadora. Es necesaria la cuidadosa vigilancia de los niños toda vez que se use la secadora cerca de ellos.
- Quite la puerta de la secadora al compartimiento de secado antes de ponerla fuera de funcionamiento o de descartarla.
- No introduzca las manos en la secadora cuando el tambor está en movimiento.
- No instale o almacene esta secadora donde estará expuesta a agua o a la intemperie.
- No trate de forzar los controles.
- No repare o reemplace ninguna pieza de la secadora ni trate de repararla a menos que esto se recomiende específicamente en este Manual de uso y cuidado o en instrucciones de reparación publicadas para el usuario que usted comprenda y sólo si cuenta con la experiencia necesaria para llevar a cabo dicha reparación.
- No utilice suavizantes de telas o productos para eliminar el estático de prendas a menos que lo recomiende el fabricante del suavizante de telas o las instrucciones del producto en uso.
- No utilice calor para secar prendas que contengan espuma de caucho o materiales de caucho con textura similar.
- Limpie el filtro de pelusa antes o después de cada carga de ropa.
- Mantenga el área alrededor de la apertura de ventilación y las áreas adyacentes a esta apertura sin pelusa, polvo o tierra.
- La parte interior de la secadora y el ducto de escape se deben limpiar periódicamente. Esta limpieza la debe llevar a cabo un reparador calificado.
- Para obtener información respecto a las instrucciones de conexión a tierra, consulte "Requisitos eléctricos" en las instrucciones de instalación.

**GUARDE ESTAS INSTRUCCIONES**

**ADVERTENCIA:** Para su seguridad, la información en este manual debe ser observada para minimizar el riesgo de incendio o explosión, o para prevenir daños a propiedades, heridas o la muerte.

- No almacene o use gasolina u otros líquidos y vapores inflamables cerca de éste u otro aparato electrodoméstico.
- **PASOS QUE USTED DEBE SEGUIR SI HUELE A GAS:**
  - No trate de encender ningún aparato electrodoméstico.
  - No toque ningún interruptor eléctrico; no use ningún teléfono en su edificio.
  - Desaloje a todos los ocupantes del cuarto, edificio o área.
  - Llame inmediatamente a su proveedor de gas desde el teléfono de un vecino. Siga las instrucciones de su proveedor de gas.
  - Si usted no puede comunicarse con su proveedor de gas, llame al departamento de bomberos.
- La instalación y el servicio deben ser efectuados por un instalador calificado, una agencia de servicio o por el proveedor de gas.

**ADVERTENCIA:** Las pérdidas de gas no siempre se pueden detectar por el olfato.

Los proveedores de gas recomiendan que usted use un detector de gas aprobado por UL (Laboratorio de normalización) o CSA (Asociación canadiense de seguridad).

Para obtener más información, póngase en contacto con su proveedor de gas.

Si se detecta una fuga de gas, siga las instrucciones de "Pasos que usted debe seguir si huele a gas".

### INSTRUCCIONES IMPORTANTES DE SEGURIDAD

Antes de guardar o descartar su vieja secadora, quítele la puerta.

**GUARDE ESTAS INSTRUCCIONES**

## REVISE QUE EL SISTEMA DE VENTILACIÓN TENGA UN BUEN FLUJO DE AIRE

### ⚠ ADVERTENCIA



#### Peligro de Incendio

Use un ducto de escape de metal pesado.

No use un ducto de escape de plástico.

No use un ducto de escape de aluminio.

No seguir estas instrucciones puede ocasionar la muerte o incendio.

### Buen flujo de aire

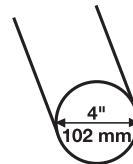
Además del calor, las secadoras también necesitan un buen flujo de aire para secar las prendas eficazmente. La ventilación adecuada reducirá la duración del secado y mejorará su ahorro de energía. Consulte las Instrucciones de instalación.

El sistema de ventilación sujeto a la secadora juega un papel muy importante para el flujo de aire adecuado. Los ductos de escape bloqueados o aplastados, así como una instalación con ventilación inadecuada, disminuirán el flujo de aire y el rendimiento de la secadora.

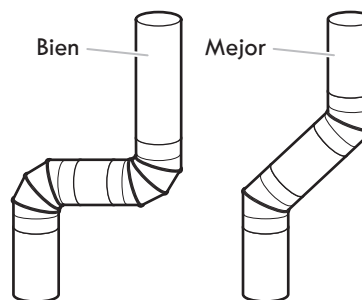
Las visitas de servicio debidas a la ventilación inadecuada no están cubiertas por la garantía y correrán por cuenta del cliente, sin importar quién haya instalado la secadora. Para limpiar o reparar la ventilación, comuníquese con un especialista en ventilación.

### Mantenga un buen flujo de aire haciendo lo siguiente:

- Limpie el filtro de pelusa antes de cada carga.
- Reemplace el material del ducto de plástico u hoja de metal con uno de metal pesado rígido de 4" (102 mm) de diámetro.



- Use un ducto con la longitud más corta posible.
- No utilice más de 4 codos de 90° en un sistema de ventilación; cada ángulo y curva reduce el flujo de aire.



- Quite la pelusa y los desechos de la capota de ventilación.
- Quite la pelusa de toda la longitud del sistema de ventilación al menos cada 2 años. Cuando haya terminado la limpieza, revise por última vez el producto asegurándose de seguir las Instrucciones de instalación que acompañan a su secadora.
- Retire los artículos que estén frente a la secadora.

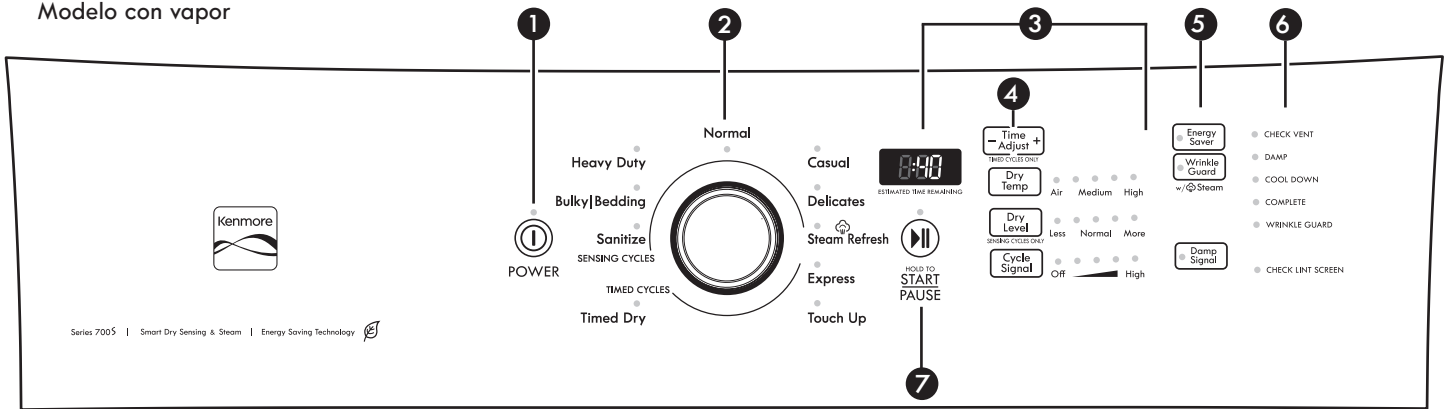
## USE LOS SENSING CYCLES (CICLOS DE DETECCIÓN) PARA UN MEJOR CUIDADO DE LAS TELAS Y AHORRO DE ENERGÍA

Utilice los Sensing Cycles (Ciclos de detección) para obtener el mayor ahorro de energía y un mejor cuidado de las telas con la secadora. Durante los ciclos de detección, se detectan la temperatura del aire de secado y el nivel de humedad en la carga. Esta detección se realiza durante todo el ciclo de secado y la secadora se apaga cuando la carga alcanza el nivel de sequedad seleccionado. Elija el ciclo Normal para ahorrar energía.

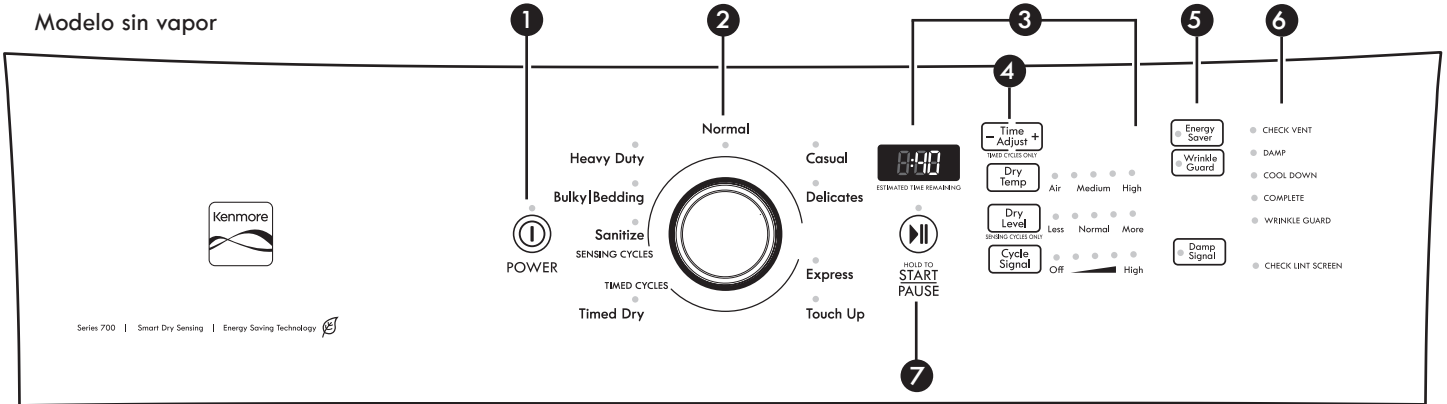
Con Timed Cycle (Ciclo programado), la secadora funciona durante el tiempo fijado y algunas veces puede dar lugar a encogimiento, arrugas y estática a causa del exceso de secado. Utilice Timed Cycle (Ciclo programado) ocasionalmente, para las cargas húmedas que necesiten un poco más de tiempo de secado o cuando utilice el estante de secado.

# PANEL DE CONTROL Y CARACTERÍSTICAS

Modelo con vapor



Modelo sin vapor



No todas las características y opciones están disponibles en todos los modelos. La apariencia puede variar.

## 1 BOTÓN DE POWER (Encendido)

Presione para encender y apagar la secadora. Presione para detener/anular un ciclo en cualquier momento.

## 2 PERILLA DE CICLOS

Utilice la perilla de ciclos para seleccionar entre los ciclos disponibles en su secadora. Gire la perilla para seleccionar un ciclo para su carga. Consulte "Guía de ciclos" para ver descripciones detalladas de los ciclos.

### Timed Cycles (Ciclos programados)

Hará funcionar la secadora durante el tiempo especificado en el control. En modelos con una perilla de selección de temperatura, puede elegir un ajuste basado en las telas de su carga. El tiempo y la temperatura de secado dependerán del modelo de su secadora.

### Sensing Cycles (Ciclos de detección)

Los ciclos de detección le proporcionan el mejor secado en el tiempo más corto. El tiempo del secado variará según el tipo de tela, el tamaño de la carga y el ajuste de sequedad.

## 3 LED DE LA PANTALLA Y LOS AJUSTES

Cuando usted selecciona un ciclo, sus ajustes por defecto se encenderán y aparecerá en la pantalla Estimated Time Remaining (Tiempo estimado restante) (para los ciclos de detección) o el tiempo real restante (para los ciclos programados).

Presione los nombres de los ajustes que están al lado de la pantalla para regular los ajustes. Consulte "Guía de ciclos" para ver los ajustes disponibles para cada ciclo. No todos los ajustes están disponibles con todos los ciclos.

## Dry Temp (Temperatura de secado)

Seleccione una temperatura de secado según las telas de su carga. Si tiene duda respecto a la temperatura que debe seleccionar para una carga de ropa, elija el ajuste más bajo en vez del ajuste más alto. Consulte "Guía de ciclos".

**NOTA:** Los ciclos de detección permiten el ajuste de temperatura. Se permite 3 de las temperaturas disponibles (sin incluir aire) como máximo.

## Dry Level (Nivel de secado)

Puede regular el Dry Level (Nivel de secado) (excepto por el ciclo Sanitize [Higienizado]), si lo desea.

**NOTA:** Dry Level (Nivel de secado) es para utilizarlo solamente con los ciclos de detección.

## Cycle Signal (Señal de ciclo)

La señal de ciclo emite un sonido audible una vez que el ciclo de secado ha terminado. El hecho de sacar pronto la ropa al final del ciclo reduce la formación de arrugas.

### NOTAS:

- Cuando se selecciona la opción de Wrinkle Guard™ (Protección antiarrugas) y Cycle Signal (Señal de ciclo) está encendida, se escuchará un tono a los 15 y 30 minutos y también al final de Wrinkle Guard™ (Protección antiarrugas).
- Asimismo, puede apagar los tonos que suenan cuando se ha seleccionado un ciclo, o cuando se presiona una función o una opción. Mantenga presionado CYCLE SIGNAL (Señal de ciclo) durante aproximadamente tres segundos para desactivar o activar los tonos.

## 4 Ajuste de tiempo para Timed Cycles (Ciclos programados) solamente

Use "+" y "-" con los Timed Cycles (Ciclos programados) para aumentar o disminuir la duración de un ciclo Timed Dry (Secado programado) o Express (Expreso).



## 5 OPCIONES

Utilice para seleccionar las opciones disponibles para su secadora. No todos los ciclos y opciones están disponibles en todos los modelos.

### Opción Energy Saver (Ahorro de energía)

Active la opción ENERGY SAVER (Ahorro de energía) para aumentar el ahorro de energía. Esta opción emplea un nivel de calor ligeramente más bajo y prolonga el tiempo del ciclo. Enciéndalo para un ahorro óptimo de energía. Apague para tiempos óptimos de ciclo. Energy Saver (Ahorro de energía) se activará por defecto para Normal.

**NOTA:** El ahorro de energía no está disponible para todos los ciclos y puede variar según las cargas y ciclos

### Opción Wrinkle Guard™ (Protección antiarrugas) o Wrinkle Guard™ w/ Steam (Protección antiarrugas con vapor) (según el modelo)

Si no es posible sacar la carga de la secadora tan pronto como ésta se detenga, se pueden formar arrugas. La función Wrinkle Guard™ (Protección antiarrugas) periódicamente da vueltas, acomoda y esponja la ropa para ayudar a evitar que se formen arrugas. El ajuste Wrinkle Guard™ w/Steam (Protección antiarrugas con vapor) (según el modelo) agregará un ciclo breve de vapor después de los 60 minutos para ayudar a alisar las arrugas.

- Obtenga 150 minutos de rotación periódica sin calor al final de un ciclo. Presione WRINKLE GUARD™ (Protección antiarrugas) para ON (Encender) u OFF (Apagar) en cualquier momento antes de que termine el ciclo.

**NOTA:** Si abre la puerta de la secadora antes de que haya finalizado la opción Wrinkle Guard™, la secadora pasará al modo de pausa. Deberá presionar Power (Encendido) para apagar o Start/Pause (Inicio/Pausa) para continuar con la opción Wrinkle Guard™.

### Damp Signal (Señal de húmedo)

Seleccione Damp Signal (Señal de húmedo) para encender o apagar. Al seleccionar, escuchará una serie de pitidos cuando la carga esté húmeda, pero no completamente seca. Esto permitirá que usted saque de la carga las prendas que no necesitan secarse por completo. Esta opción no está disponible para Sanitize (Higienizado), Steam Refresh (Revitalizado con vapor) ni Timed Cycles (Ciclos programados).

## 6 LUCES DE ESTADO DEL CICLO

La barra indicadora en el lado derecho del control le indicará en qué etapa está el proceso del ciclo de secado.

### Check Vent (Revise el ducto de escape)

El indicador de Check Vent (Revise el ducto de escape) se encenderá si el ducto de escape está bloqueado o si hay un bajo flujo de aire.

### Damp (Húmedo)

Este indicador muestra que la carga está parcialmente seca y que pueden sacarse los artículos que usted desee colgar o planchar mientras están húmedos.

### Cool Down (Enfriamiento)

La secadora ha terminado de secar con calor y ahora está haciendo girar la carga sin calor para que se enfríe y así reducir la formación de arrugas.

### Complete (Completo)

Esto indicará que se ha terminado el ciclo seleccionado y que puede sacarse la carga de la secadora. Si se ha seleccionado la opción Wrinkle Guard (Protección antiarrugas), es posible que la secadora siga haciendo girar la carga, aun si está encendido el indicador de Complete (Completo).

### Wrinkle Guard™ (Protección antiarrugas)

Este indicador se encenderá si la opción Wrinkle Guard™ (Protección antiarrugas) se ha seleccionado y está funcionando. La secadora hará girar la carga periódicamente por hasta 150 minutos después de que ha terminado el ciclo.

### Check Lint Screen (Revise el filtro de pelusa)

La luz indicadora de Check Lint Screen (Revise el filtro de pelusa) destellará para recordarle que tiene que limpiar el filtro de pelusa. Destellará hasta que la puerta se abra o se inicie un ciclo. Se apagará cuando se apague la secadora.

## 7 BOTÓN DE START/PAUSE (Inicio/Pausa)













Mantenga presionado START/PAUSE (Inicio/Pausa) durante tres segundos o hasta que la secadora se ponga en marcha para comenzar el ciclo seleccionado. Vuelva a presionar para pausar un ciclo.



## GUÍA DE CICLOS: SENSING CYCLES (Ciclos de detección)

**SENSING CYCLES (Ciclos de detección):** La secadora detecta la humedad en la carga y se apaga cuando la carga alcanza el nivel de sequedad seleccionado. La temperatura de secado que aparece es la temperatura predeterminada. Este ajuste puede ser modificado en algunos ciclos pero no queda definido para futuros secados con este ciclo. El nivel de sequedad que se muestra es el ajuste predeterminado de secado. Este ajuste puede ser modificado en algunos ciclos y queda definido para futuros secados con este ciclo. Las opciones disponibles en **negrita** son los ajustes predeterminados para ese ciclo.

Para obtener el mayor ahorro de energía y un mejor cuidado de las telas con la secadora, use los Sensing cycles (Ciclos de detección). Estos ciclos miden la temperatura del aire de secado y el nivel de humedad para apagar la secadora una vez que la carga alcanza el nivel de sequedad seleccionado. En los modelos eléctricos, el desempeño de la secadora y los resultados pueden variar con un voltaje de servicio inferior a 240.

Artículos para secar:	Ciclo:	Temperatura de secado:	Nivel de secado: <sup>†</sup>	Opciones disponibles:	Detalles de los ciclos:
Toallas y ropa de cama	Sanitize* (Higienizado)	 Air Medium High	 Less Normal More	Wrinkle Guard™ Cycle Signal	Ciclo de secado extendido con calor alto que ayuda con el higienizado de los artículos tales como sábanas y toallas. Este ciclo no es recomendable para todas las telas. Para obtener mejores resultados, ejecute el ciclo hasta completarlo; no lo interrumpa. <b>NOTA:</b> La fase con vapor de la opción Wrinkle Guard™ w/Steam (Protección antiarrugas con vapor) está desactivada para este ciclo.
Chaquetas, edredones y almohadas	Bulky/ Bedding (Artículos voluminosos/ Ropa de cama)	 Air Medium High	 Less Normal More	<b>Damp Dry Signal</b> Wrinkle Guard™ Cycle Signal	Úselo para secar artículos grandes y voluminosos; no llene en exceso el tambor de la secadora.
Artículos pesados tales como toallas, pantalones de mezclilla	Heavy Duty (Muy intenso)	 Air Medium High	 Less Normal More	<b>Damp Dry Signal</b> Wrinkle Guard™ Cycle Signal	Úselo para secar artículos grandes o pesados.
Pana, ropa de trabajo	Normal	 Air Medium High	 Less Normal More	<b>Damp Dry Signal</b> <b>Energy Saver</b> Wrinkle Guard™ Cycle Signal	Cargas medianas a grandes de telas y artículos mixtos.
Telas que no se planchan, de algodón, planchado permanente, lino y telas sintéticas	Casual (Informal)	 Air Medium High	 Less Normal More	<b>Damp Dry Signal</b> <b>Energy Saver</b> <b>Wrinkle Guard™</b> Cycle Signal	Para telas de peso liviano a medio. El tiempo de secado varía según el tipo de tela, el tamaño de la carga y el ajuste de sequedad.
Lencería, blusas, tejidos de punto lavables	Delicates (Ropa delicada)	 Air Medium High	 Less Normal More	<b>Damp Dry Signal</b> <b>Energy Saver</b> Wrinkle Guard™ Cycle Signal	Para secar suavemente los artículos delicados. <b>NOTA:</b> La fase con vapor de la opción Wrinkle Guard™ w/Steam (Protección antiarrugas con vapor) está desactivada para este ciclo.

\* Ciclo de secado extendido con calor alto que ayuda con el higienizado de los artículos tales como sábanas y toallas. Este ciclo no es recomendable para todas las telas. Para obtener mejores resultados, este ciclo debe ejecutarse hasta completarse para asegurar el higienizado. No interrumpa el ciclo.

† Si las cargas no parecen estar tan secas, o están más secas de lo que desearía, seleccione More Dry (Más seco) o Less Dry (Menos seco) la próxima vez que seque una carga similar.

### Opciones disponibles:

Damp Dry Signal (Señal de semiseco)

Energy Saver (Ahorro de energía)

Wrinkle Guard™ (Protección antiarrugas)

Cycle Signal (Señal de ciclo)

## GUÍA DE CICLOS: TIMED CYCLES (Ciclos programados)

**TIMED CYCLES (Ciclos programados):** Hará funcionar la secadora durante el tiempo especificado en el control. Los ajustes que se muestran son los predeterminados para ese ciclo.

Artículos para secar:	Ciclo:	Tiempo por defecto:	Opciones disponibles:	Detalles de los ciclos:
Cualquier carga	Timed Dry (Secado Programado)	40	Wrinkle Guard™* Cycle Signal	Seleccione una temperatura de secado según las telas de su carga. Si tiene dudas respecto a la temperatura que debe seleccionar para una carga de ropa, elija el ajuste más bajo en vez del ajuste más alto.
Cualquier carga	Touch Up (Retoque)	20	Wrinkle Guard™* Cycle Signal	Use este ciclo para refrescar rápidamente una prenda o quitar las pequeñas arrugas. La carga se enfría lentamente para reducir las arrugas y hacer que la carga sea más fácil de manipular.
Cargas pequeñas y ropa deportiva (2 a 3 artículos)	Express (Expreso)	15	Wrinkle Guard™* Cycle Signal	Para cargas pequeñas de 2 a 3 artículos.

\*Según los ajustes, la opción con vapor puede estar deshabilitada para proteger la ropa y optimizar el rendimiento.

### Opciones disponibles:

Wrinkle Guard™ (Protección antiarrugas)

Cycle Signal (Señal de ciclo)

## GUÍA DE CICLOS: STEAM CYCLE (Ciclo con vapor)

**STEAM CYCLE (Ciclo con vapor):** Han sido diseñados para usarse con cargas secas, para alisar las arrugas, quitar los olores y revitalizar las telas. Los ajustes que se muestran son los predeterminados para ese ciclo. No todos los ajustes y las opciones están disponibles con cada ciclo.

Artículos para secar:	Ciclo:	Temperatura de secado:	Nivel de secado:	Opciones disponibles:	Detalles de los ciclos:
Cargas mixtas	Steam Refresh (Revitalizado con vapor)	 Air Medium High	 Less Normal More	Wrinkle Guard™ Cycle Signal	Úselo para suavizar las arrugas y reducir los olores de cargas que consisten en dos a cuatro artículos secos de algodón antiarrugas, mezclas de algodón y poliéster, tejidos comunes y prendas sintéticas.

### Selección de la temperatura de secado

Seleccione una temperatura de secado según las telas de su carga. Si tiene dudas respecto a la temperatura que debe seleccionar para una carga de ropa, elija el ajuste más bajo en vez del ajuste más alto.

#### Consejos de temperatura

- Se puede usar un ajuste de calor High (Alto) para secar artículos pesados tales como toallas y ropa de trabajo.
- Se puede usar un ajuste de calor Medium (Medio) a Medium High (Medio alto) para secar artículos de peso mediano tales como sábanas, blusas, vestidos, ropa interior, telas de planchado permanente y algunos tejidos de punto.

- Se puede utilizar un ajuste con calor muy bajo para secar prendas livianas como la ropa interior.

- Use un ajuste Air (Secado al aire - sin calor) para artículos de espuma, goma, plástico o telas sensibles al calor.

- Seque en el tendedero las telas laminadas o tratadas.

**NOTA:** Si tiene dudas respecto a las temperaturas de secado que debe seleccionar para distintas cargas de ropa, consulte las instrucciones de cuidado de las etiquetas.

## USO DE LA SECADORA

### ⚠ ADVERTENCIA



#### Peligro de Explosión

Mantenga los materiales y vapores inflamables, tales como la gasolina, alejados de la secadora.

No seque ningún artículo que haya tenido alguna vez cualquier sustancia inflamable (aún después de lavarlo).

No seguir estas instrucciones puede ocasionar la muerte, explosión o incendio.

**ADVERTENCIA:** A fin de reducir el riesgo de incendio, de choque eléctrico o de daños personales, lea las INSTRUCCIONES IMPORTANTES DE SEGURIDAD antes de operar este aparato.

### ⚠ ADVERTENCIA



#### Peligro de Incendio

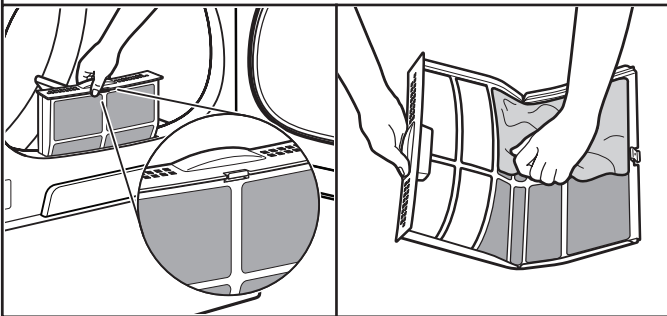
Ninguna lavadora puede eliminar completamente el aceite.

No seque ningún artículo que haya tenido alguna vez cualquier tipo de aceite (incluyendo los aceites de cocina).

Los artículos que contengan espuma, hule o plástico deben secarse en un tendedero o usando un Ciclo de Aire.

No seguir estas instrucciones puede ocasionar la muerte o un incendio.

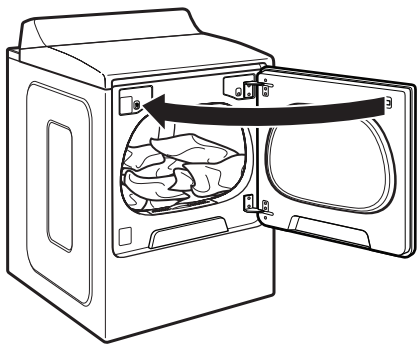
### 1. Limpie el filtro de pelusa



Limpie el filtro de pelusa antes de cada carga. Jale el filtro de pelusa directamente hacia arriba. Presione la lengüeta frontal hacia abajo para abrir el filtro de pelusa. Quite la pelusa enrollándola con los dedos. No enjuague ni lave el filtro para quitar la pelusa. La pelusa mojada es difícil de quitar. Empuje el filtro de pelusa firmemente hasta que quede en su lugar.

Para obtener más información sobre la limpieza, vea "Cuidado de la secadora".

### 2. Cargue la secadora



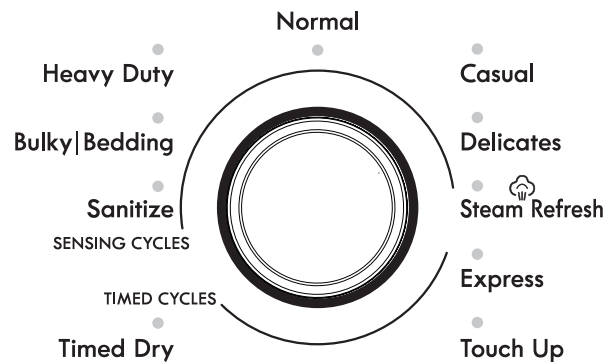
Ponga la ropa en la secadora. Cierre la puerta. No cargue la secadora de manera apretada; las prendas deben poder girar libremente.

### 3. Presione POWER (Encendido)



Presione POWER (Encendido) para encender la secadora.

### 4. Seleccione el ciclo deseado



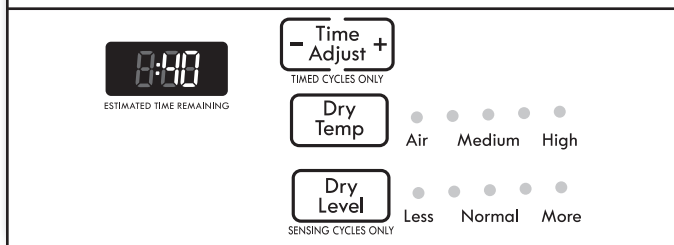
Se muestra el modelo con vapor

Seleccione el ciclo deseado para su carga. Para obtener más información acerca de cada ciclo, vea la "Guía de ciclos".

#### Ciclos de vapor:

Reduce arrugas y olores suaves de algunas prendas a la vez. No agregue hojas para secadora.

## 5. Fije los ajustes del ciclo, si lo desea



Puede regular diferentes ajustes, dependiendo de si ha seleccionado Sensing Cycle (Ciclo de detección), Timed Cycle (Ciclo programado) o Steam Refresh (Ciclo de Revitalizado con vapor). Consulte la "Guía de ciclos" para obtener información detallada.

**NOTA:** No todas las opciones y los ajustes están disponibles con todos los ciclos. No todos los ciclos están disponibles en todos los modelos.

### Ciclos de detección:

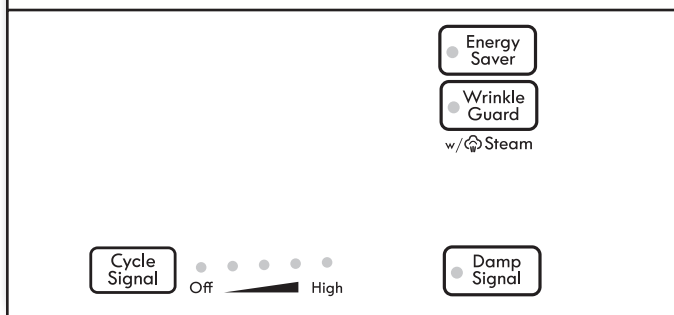
Puede seleccionar un nivel de sequedad diferente según la carga. Presione DRY LEVEL (Nivel de secado) para deslizarse hacia More (Más), Normal o Less (Menos). Al seleccionar More (Más), Normal o Less (Menos), se ajusta automáticamente el nivel de sequedad, en el cual se apagará la secadora. El nivel de secado puede cambiarse en los primeros 5 a 8 minutos del ciclo. Los ciclos de detección le proporcionan el mejor secado en el tiempo más corto. El tiempo de secado varía según el tipo de tela, el tamaño de la carga y el ajuste de sequedad.

**NOTA:** More Dry (Más secado) quita más humedad de la carga. Normal Dry (Secado normal) se usa como punto de inicio de los ciclos de detección. Elija Normal para ahorrar energía. Less Dry (Menos secado) quita menos humedad y se usa para cargas que desea terminar de secar en una percha.

### Ciclos programados:

Cuando usted selecciona un Timed Cycle (Ciclo programado), aparece el tiempo por defecto en la pantalla. Presione "+" y "-" para aumentar o disminuir el tiempo en incrementos de 1 minuto. Mantenga presionado para cambiar el tiempo en incrementos de 5 minutos. Puede cambiarse la temperatura por defecto presionando Dry Temp (Temperatura de secado) hasta que se encienda la temperatura de secado deseada.

## 6. Seleccione cualquier opción adicional



Agregue opciones adicionales tales como Energy Saver (Ahorro de energía) o Damp Signal (Señal de húmedo) presionando esa opción. Si usted no puede sacar la carga a tiempo, seleccione Wrinkle Guard™ (Protección antiarrugas) antes de presionar START (Inicio).

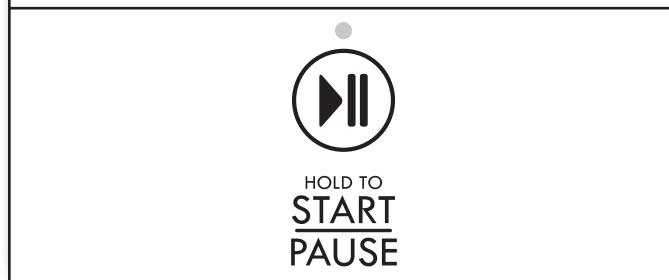
## Opción Wrinkle Guard™ (Protección antiarrugas) o Wrinkle Guard™ w/ Steam (Protección antiarrugas con vapor) (según el modelo)

Si no es posible sacar la carga de la secadora tan pronto como ésta se detenga, se pueden formar arrugas. La función Wrinkle Guard™ (Protección antiarrugas) periódicamente da vueltas, acomoda y esponja la ropa para ayudar a evitar que se formen arrugas. El ajuste Wrinkle Guard™ w/Steam (Protección antiarrugas con vapor) (según el modelo) agregará un ciclo breve de vapor después de los 60 minutos para ayudar a alisar las arrugas. Obtenga hasta 150 minutos de rotación periódica sin calor al final de un ciclo. Presione el botón de WRINKLE GUARD™ (Protección antiarrugas) para ON (Encender) u OFF (Apagar) en cualquier momento antes de que termine el ciclo.

### NOTAS:

- Cuando se selecciona la opción de Wrinkle Guard™ (Protección antiarrugas) y Cycle Signal (Señal de ciclo) está encendida, se escuchará un tono a los 15 y 30 minutos y al final de Wrinkle Guard™ (Protección antiarrugas).
- Si abre la puerta de la secadora antes de que haya finalizado la opción Wrinkle Guard™, la secadora pasará al modo de pausa. Deberá presionar Power (Encendido) para apagar o Start/Pause (Inicio/Pausa) para continuar con la opción Wrinkle Guard™.

## 7. Presione y sostenga START/PAUSE (Inicio/Pausa) para comenzar el ciclo



Presione y sostenga START/PAUSE (Inicio/Pausa) para poner en marcha el ciclo.

Saque las prendas en cuanto se haya completado el ciclo para reducir las arrugas. Use la opción de Wrinkle Guard™ para evitar que se formen arrugas cuando no pueda sacar la carga de la secadora en cuanto se detiene.

## Cómo cambiar los ajustes de Sensing Cycle (Ciclo de detección) para aumentar o disminuir el tiempo de secado

Si todas las cargas de los ciclos de detección no están tan secas o están más secas como usted quisiera, puede cambiar los ajustes por defecto para aumentar o disminuir el nivel de sequedad por defecto.

Los ajustes de ciclos de detección pueden regularse para adecuarse a las diferentes instalaciones, las condiciones del medio ambiente o las preferencias personales. Este cambio se retendrá y afectará todos los ciclos de detección, no solamente el ciclo o la carga actual. Hay 5 ajustes de secado, los cuales se muestran usando la pantalla de tiempo:

- 0 Prendas mucho más mojadas, 30 % menos de tiempo de secado.
- 1 Prendas un poco más mojadas, 15 % menos de tiempo de secado.
- 2 Nivel de sequedad prefijado de fábrica.
- 3 Prendas un poco más secas, 15 % más de tiempo de secado.
- 4 Prendas mucho más secas, 30 % más de tiempo de secado.

### Para cambiar los ajustes de secado:

**NOTA:** Los ajustes no pueden cambiarse mientras la secadora esté funcionando o haciendo una pausa. La secadora deberá estar en el modo de espera (apagada) para regular los ajustes por defecto.

1. Antes de iniciar un ciclo, mantenga presionado DRY LEVEL (Nivel de secado) por 3 segundos.
2. Presione DRY LEVEL (Nivel de secado) para seleccionar el nivel de sequedad que se muestra en la pantalla: 0, 1, 2, 3 o 4.
3. Presione START/PAUSE (Inicio/Pausa) para guardar el nuevo ajuste de nivel de sequedad.

## CARACTERÍSTICAS ADICIONALES

### Cómo usar el estante de secado

Para obtener un estante de secado para su secadora, haga un pedido llamando al **1-844-553-6667**. Necesitará el número de modelo y de serie, así como la fecha de compra. Retire y deshágase del material de embalaje antes de usarlo.

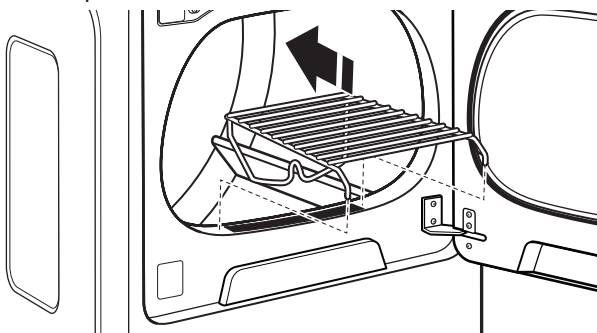
Use el estante de secado para artículos que usted no quiere secar con rotación, como son suéteres y calzado deportivo. Cuando use el estante de secado, el tambor continúa girando pero el estante permanece fijo.

El estante de secado ha sido diseñado para usarse solamente con los ciclos de Timed Dry (Secado programado). El estante de secado no puede usarse con los ciclos de detección.

### Para usar el estante de secado:

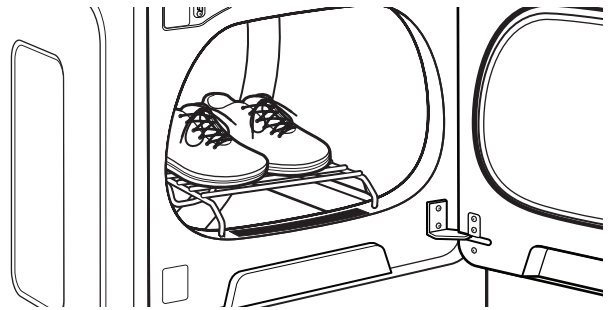
**IMPORTANTE:** No quite el filtro de pelusa.

1. Abra la puerta de la secadora.



### Cómo usar el estante de secado (continuación)

2. Alinee los dos ganchos que están en la parte frontal del estante de secado con los orificios que están en la abertura de la puerta de la secadora y presiónelos hacia abajo por completo dentro de los orificios. Coloque el soporte posterior sobre el borde posterior de la secadora.



3. Coloque los artículos mojados encima del estante de secado. Deje espacio alrededor de los artículos para que circule el aire. El estante de secado no se mueve, pero el tambor rotará; asegúrese de dejar una separación adecuada entre los ítems y el interior del tambor de la secadora. Asegúrese que los artículos no cuelguen por los bordes o entre las rejillas del estante de secado.
4. Cierre la puerta.
5. Seleccione un ciclo de Timed Dry/Air Only (Secado programado/Sólo aire) o de temperatura Low (Baja). Los artículos que contengan espuma, hule o plástico deben secarse en un tendedero o usando el ajuste de Air Only (Sólo aire).
6. Cuando se selecciona el ciclo, la pantalla Estimated Time Remaining (Tiempo estimado restante) muestra el tiempo por defecto. Usted puede cambiar el tiempo real del ciclo aumentando o disminuyendo el tiempo del mismo.
7. Ponga la secadora en marcha.

**NOTA:** Después de que el ciclo haya terminado, revise el filtro de pelusa y quite la pelusa acumulada proveniente de los artículos que se han secado en el estante de secado.

## CUIDADO DE LA SECADORA

### Limpieza del lugar donde está la secadora

Mantenga el área donde está la secadora despejada y libre de artículos que pudieran obstruir el flujo de aire para el funcionamiento adecuado de la secadora. Esto incluye despejar las pilas de ropa que estén frente a la secadora.

## ⚠ ADVERTENCIA



### Peligro de Explosión

Mantenga los materiales y vapores inflamables, como la gasolina, lejos de la secadora.

Coloque la secadora a un mínimo de 460 mm sobre el piso para la instalación en un garaje.

No seguir estas instrucciones puede ocasionar la muerte, explosión o incendio.

### Limpieza del interior de la secadora

#### Para limpiar el tambor de la secadora

1. Aplique un limpiador líquido doméstico no inflamable al área manchada del tambor y frote con un paño suave hasta que desaparezca la mancha.
2. Limpie el tambor minuciosamente con un paño húmedo.
3. Ponga a funcionar la secadora con una carga de ropa limpia o toallas para secar el tambor.

○

Use un paño de microfibra y agua caliente en una botella de rociado para limpiar el tambor, y una segunda toalla de microfibra para secarlo.

**NOTA:** Las prendas de colores que destiñen tales como mezclillas o artículos de algodón de colores vivos, pueden teñir el interior de la secadora. Estas manchas no dañan su secadora ni mancharán las cargas futuras de ropa. Seque estos artículos al revés para evitar que se manche el tambor.

### Eliminación de pelusa acumulada

#### En el interior de la carcasa de la secadora

Según el uso de la secadora, se debe quitar la pelusa cada 2 años, o con más frecuencia. La limpieza deberá efectuarla una persona calificada.

#### En el ducto de escape

La pelusa debe ser quitada cada 2 años, o con más frecuencia, de acuerdo con el uso de la secadora.

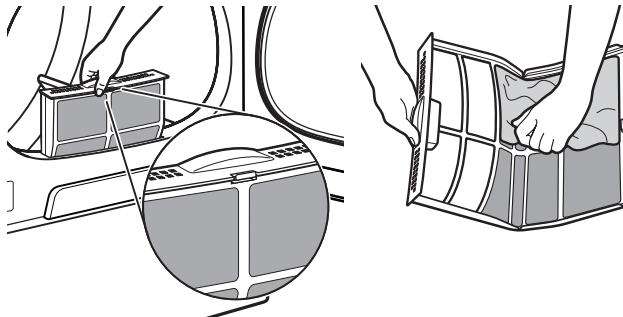
### Limpieza del filtro de pelusa

#### Limpieza de cada carga

El filtro de pelusa está localizado en la abertura de la puerta de la secadora. El panel de control tiene una luz indicadora "Check Lint Screen" (Revise el filtro de pelusa) para recordarle que tiene que limpiar el filtro de pelusa antes de cada carga. Un filtro obstruido con pelusa puede aumentar el tiempo de secado.

#### Para limpiar:

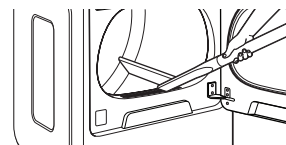
1. Jale el filtro de pelusa en sentido recto hacia arriba. Presione la lengüeta del frente hacia abajo para abrir el filtro de pelusa. Quite la pelusa del filtro enrollándolo con sus dedos. No enjuague ni lave el filtro para quitar la pelusa. La pelusa mojada es difícil de quitar.



2. Cierre el filtro de pelusa y empújelo firmemente de vuelta en su lugar.

#### IMPORTANTE:

- No ponga a funcionar la secadora con un filtro de pelusa flojo, dañado, obstruido o sin él. El hacerlo puede causar un sobrecalentamiento y dañar tanto la secadora como la ropa.
- Si al quitar la pelusa del filtro, ésta cae en la secadora, revise la capota de ventilación y quite la pelusa. Vea "Requisitos de ventilación" en los Instrucciones de instalación.
- Limpie el espacio donde se encuentra el filtro de pelusa, según sea necesario. Con una aspiradora, retire cuidadosamente la pelusa que se haya acumulado fuera del filtro de pelusa.



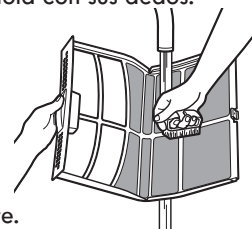
#### Limpieza según la necesidad

Los residuos de detergente de lavandería y suavizante de telas pueden acumularse en el filtro de pelusa. Esta acumulación puede ocasionar tiempos de secado más prolongados para su ropa, o hacer que la secadora se detenga antes de que su carga esté completamente seca. El filtro está obstruido probablemente si se cae la pelusa mientras que la pantalla está en la secadora.

Limpie el filtro de pelusa con un cepillo de nylon cada 6 meses o con más frecuencia si se obstruye debido a la acumulación de residuos.

#### Para lavar:

1. Quite la pelusa del filtro enrollándola con sus dedos.
2. Moje ambos lados del filtro de pelusa con agua caliente.
3. Moje un cepillo de nylon con agua caliente y detergente líquido. Talle el filtro de pelusa con el cepillo para quitar la acumulación de residuos.
4. Enjuague el filtro con agua caliente.
5. Seque meticulosamente el filtro de pelusa con una toalla limpia. Vuelva a colocar el filtro en la secadora.





## Cuidado para las vacaciones, el almacenaje o en caso de mudanza

Modelos con vapor únicamente: Instale y guarde su secadora en un lugar donde no se congele. Debido a que queda un poco de agua en la manguera, el congelamiento de la misma podría dañar su secadora. Si va a guardar o trasladar su secadora durante una temporada de invierno riguroso, acondiciónela para el invierno.

### Cuidado durante la falta de uso o el almacenamiento

Ponga la secadora a funcionar sólo cuando esté en casa. Si va a salir de vacaciones o no va a usar su secadora por un tiempo prolongado, usted deberá:

1. Desenchufar la secadora o desconectar el suministro de energía.
2. Limpiar el filtro de pelusa. Vea "Limpieza del filtro de pelusa".
3. Interrumpa el suministro de agua a la secadora. Esto ayuda a evitar inundaciones accidentales (debido a aumentos en la presión del agua) en ausencia suya.

### Cuidado para la mudanza

#### Para secadoras conectadas con cable de suministro eléctrico:

1. Desenchufe el cable de suministro de energía.
2. Sólo los modelos a gas: Cierre la válvula de cierre en la línea de suministro de gas.
3. Sólo los modelos a gas: Desconecte el tubo de la línea de suministro de gas y quite los accesorios sujetos al tubo de la secadora.
4. Sólo los modelos a gas: Ponga una tapa en la línea abierta del suministro de combustible.
5. Modelos con vapor únicamente: Cierre el grifo de agua.
6. Modelos con vapor únicamente: Desconecte la manguera de entrada de agua del grifo y elimine el agua de la manguera. Transporte la manguera en forma separada.
7. Asegúrese de que las patas niveladoras estén fijadas en la base de la secadora.
8. Use cinta adhesiva para asegurar la puerta de la secadora.

## ⚠ ADVERTENCIA



### Peligro de Choque Eléctrico

**Desconecte el suministro de energía antes de darle mantenimiento.**

**Vuelva a colocar todos los componentes y paneles antes de hacerlo funcionar.**

**No seguir estas instrucciones puede ocasionar la muerte o choque eléctrico.**

### Para secadoras con cableado directo:

1. Desconecte el suministro de energía.
2. Desconecte el cableado de la secadora y fije los extremos de los cables.
3. Modelos con vapor únicamente: Cierre el grifo de agua.
4. Modelos con vapor únicamente: Desconecte la manguera de entrada de agua del grifo y elimine el agua de la manguera. Transporte la manguera en forma separada.
5. Asegúrese de que las patas niveladoras estén fijadas en la base de la secadora.
6. Use cinta adhesiva para asegurar la puerta de la secadora.

### Cómo volver a instalar la secadora

Siga las Instrucciones de instalación para ubicar, nivelar y conectar la secadora.

## Instrucciones especiales para los modelos con vapor

### Mangueras de entrada de agua

Reemplace las mangueras de entrada y el filtro de la manguera después de 5 años de uso para reducir el riesgo de que fallen. Inspeccione periódicamente y cambie las mangueras si se hallan protuberancias, torceduras, cortes, desgaste o pérdidas de agua.

Cuando reemplace las mangueras de entrada del agua, anote la fecha de reposición.

### Para acondicionar la secadora para el invierno

1. Desenchufe la secadora o desconecte el suministro de energía.
2. Cierre el grifo de agua.
3. Desconecte la manguera de entrada de agua del grifo y elimine el agua.

### Para volver a usar la secadora

1. Deje correr agua por las tuberías. Vuelva a conectar la manguera de entrada del agua al grifo. Abra el grifo del agua.
2. Enchufe la secadora o reconecte el suministro de energía como descrito en las Instrucciones de instalación.



## SOLUCIÓN DE PROBLEMAS

Pruebe primero las soluciones sugeridas aquí para obtener asistencia y si es posible evitar una visita de servicio.

Si experimenta lo siguiente	Causas posibles	Solución
<b>Funcionamiento de la secadora</b>		
La secadora no funciona	La puerta no está cerrada por completo.	Cerciórese de que la puerta de la secadora esté bien cerrada.
	Se presionó Start/Pause (Inicio/Pausa) con la uña o no se presionó el tiempo suficiente.	Mantenga presionado START/PAUSE (Inicio/Pausa) durante tres segundos con la yema de los dedos.
	Hay un fusible de la casa fundido, se disparó el cortacircuitos o la secadora no está enchufada.	Es posible que hayan 2 fusibles o cortacircuitos domésticos para la secadora. Asegúrese de que ambos fusibles estén intactos y ajustados, o de que ambos cortacircuitos no se hayan disparado. Reemplace los fusibles o reposicione el cortacircuitos. Si el problema continúa, llame a un electricista.
	Fuente de suministro eléctrico incorrecta.	Las secadoras eléctricas requieren un suministro eléctrico de 240 voltios o 208 voltios. Verifique con un electricista calificado.
	Tipo de fusible equivocado.	Use un fusible retardador.
La secadora no se apaga	La puerta de la secadora se abrió antes de que terminara la opción Wrinkle Guard™.	Si abre la puerta de la secadora antes de que haya finalizado la opción Wrinkle Guard™, la secadora pasará al modo de pausa. Deberá presionar Power (Encendido) para apagar o Start/Pause (Inicio/Pausa) para continuar con Wrinkle Guard™.
La secadora no calienta	Hay un fusible de la casa fundido o se disparó el cortacircuitos.	El tambor quizás rote pero sin calor. Las secadoras eléctricas utilizan 2 fusibles o cortacircuitos domésticos. Reemplace los fusibles o reposicione el cortacircuitos. Si el problema continúa, llame a un electricista.
	Fuente de suministro eléctrico incorrecta.	Las secadoras eléctricas requieren un suministro eléctrico de 240 voltios o 208 voltios. Verifique con un electricista calificado.
	Válvula de la línea de suministro de gas cerrada.	Para las secadoras a gas, cerciórese de que esté abierta la válvula del suministro de gas.
<b>Ruidos poco comunes</b>		
Zumbido o silbido cuando se selecciona el ciclo de Steam (Vapor)	Está funcionando la válvula de agua de entrada en la secadora.	La bomba de agua en la secadora se usa durante la función de Steam (Vapor). Si recién se ha instalado la secadora o no se ha usado por un tiempo prolongado, tal vez la bomba haga más ruido y funcione durante más tiempo. Esto es normal.
Golpeteo	No se ha usado la secadora durante un tiempo.	Esto es normal. El sonido de golpeteo deberá disminuir después de unos pocos minutos de uso.
Traqueteo o vibraciones	Hay un objeto pequeño atrapado entre los bordes del tambor de la secadora.	Revise los bordes frontales y posteriores del tambor para ver si hay objetos pequeños. Limpie los bolsillos antes del lavado.
	No está nivelada correctamente la secadora.	La secadora puede vibrar si no está instalada adecuadamente. Vea las Instrucciones de instalación. Las cuatro patas de la secadora deben estar firmemente apoyadas en el piso.
	La ropa se ha hecho un ovillo en la secadora.	Si la carga está hecha un ovillo, ésta rebotará haciendo vibrar a la secadora. Separe los artículos de la carga y reinicie la secadora.
Chasquido	Funcionamiento de la válvula de gas.	En las secadoras a gas, es posible que escuche el chasquido de la válvula de gas cuando se abre y se cierra. Esto es normal.
<b>Resultados de la secadora</b>		
Las prendas no se secan satisfactoriamente, los tiempos de secado son demasiado largos o las prendas se enredan	El filtro de pelusa o la caja del filtro de pelusa está obstruida con pelusa.	Limpie el filtro de pelusa antes de cada carga. Limpie el lugar donde se encuentra el filtro de pelusa, según sea necesario. Con una aspiradora, retire cuidadosamente la pelusa que se haya acumulado fuera del filtro de pelusa.
	El ducto de escape o la capota de ventilación exterior está obstruido con pelusa, restringiendo el flujo del aire.	Ponga a funcionar la secadora unos 5 a 10 minutos. Ponga su mano debajo de la capota de ventilación exterior para verificar el movimiento del aire. Si no lo siente, limpie la pelusa del sistema de ventilación o reemplace el ducto de escape con uno de metal pesado o de metal flexible. Vea las Instrucciones de instalación.
	El ducto de escape no tiene el largo correcto.	Controle el ducto de escape para verificar que no sea demasiado largo ni dé demasiadas vueltas. Una ventilación con un ducto largo aumentará el tiempo de secado. Vea las Instrucciones de instalación.

## SOLUCIÓN DE PROBLEMAS

Pruebe primero las soluciones sugeridas aquí para obtener asistencia y si es posible evitar una visita de servicio.

Si experimenta lo siguiente	Causas posibles	Solución
<b>Resultados de la secadora (continuación)</b>		
Las prendas no se secan satisfactoriamente, los tiempos de secado son demasiado largos o las prendas se enredan (continuación)	El diámetro del ducto de escape no es del tamaño correcto.	Use un material de ventilación de 4" (102 mm) de diámetro.
	No está nivelada la secadora.	La ropa no entra en contacto con los sensores de la humedad durante los Sensing Cycles (Ciclos de detección). Vea "Nivelación de la secadora" en las Instrucciones de instalación.
	Se ha seleccionado el ajuste Air Dry Temp (Temperatura de secado al aire)	Seleccione la temperatura correcta para el tipo de prendas que se van a secar. Vea "Guía de ciclos".
	La carga es demasiado grande y pesada para secarse con rapidez.	Separe la carga de modo que pueda rotar libremente.
	Las hojas del suavizante de telas están bloqueando la rejilla.	La rejilla de salida de aire está justo dentro de la puerta, detrás del filtro de pelusa. Revise que no esté bloqueado por una hoja de suavizante de telas. Use únicamente una hoja de suavizante de telas y úsela una sola vez.
	La secadora está ubicada en una habitación cuya temperatura está por debajo de 45°F (7°C).	El funcionamiento apropiado de los ciclos de la secadora requiere temperaturas superiores a 45°F (7°C).
	La secadora está ubicada en un clóset.	Las puertas del armario deben tener aberturas de ventilación en la parte superior e inferior de la puerta. La parte anterior de la secadora necesita un mínimo de 1" (25 mm) de espacio y, para la mayoría de las instalaciones, la parte posterior necesita 5" (127 mm). Vea las Instrucciones de instalación.
El tiempo del ciclo es demasiado corto	Quizás la carga no esté haciendo contacto con las bandas del sensor en los Sensing Cycles (Ciclos de detección).	Nivele la secadora. Vea las Instrucciones de instalación. Las cuatro patas de la secadora deben estar firmemente apoyadas en el piso.
	Hay partes húmedas o mojadas en las prendas cuando las saca del ciclo Steam Refresh (Revitalizado con vapor).	Si realiza un ciclo Steam Refresh (Revitalizado con vapor) de 1 o 2 objetos puede agregar una toalla a la carga para ayudar a evitar rociado disperejo desde la válvula de vapor. Luego seleccione el tiempo adecuado según la carga que se revitalizará.
	El ciclo de detección termina antes de tiempo.	Cambie el ajuste del nivel de sequedad en los Sensing Cycles (Ciclos de detección). Aumentar o disminuir el nivel de sequedad cambiará la duración del secado en un ciclo. Si las cargas terminan siempre demasiado pronto, también ver "Cómo cambiar los ajustes de Sensing Cycle (Ciclo de detección) para aumentar o disminuir el tiempo de secado".
Pelusa en la carga	El filtro de pelusa está obstruido con pelusa.	Limpie el filtro de pelusa antes de cada carga.
Manchas en la ropa	Uso incorrecto del suavizante de telas.	Agregue hojas de suavizante de telas para secadora al comienzo del ciclo. Las hojas de suavizante de telas que se agregan a una carga parcialmente seca pueden manchar las prendas. No use hojas de suavizante de telas con los ciclos de vapor.
Manchas en el tambor	Prendas que se destiñen.	Las manchas en el tambor son causadas por los tintes en las prendas (habitualmente los pantalones de mezclilla). Éstas no se transferirán a otras prendas.
Las cargas están arrugadas	No se quitó la carga de la secadora al terminar el ciclo.	Seleccione el ciclo de Steam Refresh (Revitalizado con vapor) para que la carga gire con agua y calor. Este ciclo es el mejor para suavizar las arrugas y reducir los olores de las cargas secas que consisten en algodón antiarrugas, mezclas de algodón y poliéster, tejidos comunes y prendas sintéticas. <b>NOTA:</b> Vea las instrucciones en la etiqueta de cuidado de las prendas. No se recomienda para las prendas que se laven en seco solamente.
	Se ha cargado la secadora de manera apretada.	Seque cargas menos voluminosas que puedan rotar con libertad. Los resultados pueden variar también, dependiendo del tipo de tela.
	Para los ciclos con vapor, no se ha conectado el agua debidamente con la secadora.	Asegúrese de que se ha conectado el agua a la secadora. Verifique que la manguera de entrada de agua esté conectada tanto al grifo como a la válvula de entrada de agua de la secadora. Verifique que esté conectado el suministro de agua.

## SOLUCIÓN DE PROBLEMAS

Pruebe primero las soluciones sugeridas aquí para obtener asistencia y si es posible evitar una visita de servicio.

Si experimenta lo siguiente	Causas posibles	Solución
<b>Resultados de la secadora (continuación)</b>		
Olores	Han estado pintando, tiñendo o barnizando recientemente en el área donde se encuentra la secadora.	Ventile el área. Cuando los olores y el humo se hayan ido del área, vuelva a lavar la ropa y luego séquela.
	Para los ciclos con vapor, no se ha conectado el agua debidamente con la secadora.	Asegúrese de que se ha conectado el agua a la secadora. Verifique que la manguera de entrada de agua esté conectada tanto al grifo como a la válvula de entrada de agua de la secadora. Verifique que esté conectado el suministro de agua.
	Los olores se quedan en las prendas después de usarlos.	Para quitar los olores que queden en las prendas después de usarlas, seleccione Steam Refresh (Revitalizado con vapor). Este ciclo es el mejor para reducir las arrugas y los olores de las cargas que consisten en artículos de algodón antiarrugas, mezclas de algodón y poliéster, tejidos comunes y prendas sintéticas.
No hubo vapor durante Wrinkle Guard™ (protección antiarrugas)	Wrinkle Guard™ no usa vapor en todas las combinaciones de opciones y ciclos.	Consulte la Guía de ciclos para verificar cuales ciclos y ajustes utilizan vapor.
La carga está demasiado caliente	Se ha sacado la carga antes de terminarse la etapa de enfriamiento del ciclo.	Deje que la secadora termine la etapa de enfriamiento del ciclo antes de sacar la carga.
	Está usando un ciclo de Timed Dry (Secado programado) con un ajuste de temperatura alta.	Seleccione un Sensing Cycle (Ciclo de detección) con un ajuste de calor más bajo para evitar secar la carga en exceso.
<b>La secadora muestra mensajes codificados o un indicador se enciende</b>		
“PF” (corte de corriente)	Se ha interrumpido el ciclo de secado debido a un corte de corriente.	Toque START (Inicio) para borrar el mensaje de error PF; mantenga presionado START (Inicio) para reanudar el ciclo.
Código de diagnóstico “L2” (problema de bajo voltaje o no hay voltaje en la línea)	Puede ser que haya un problema con el suministro eléctrico de la casa que no permita que se encienda el calentador de la secadora.	La secadora seguirá funcionando cuando esté presente este código de diagnóstico. Presione cualquier botón para borrar el código de la pantalla y para que reaparezca el tiempo estimado restante. Intente lo siguiente: <ul style="list-style-type: none"> <li>• Verifique si hay un fusible de la casa fundido o si se disparó el cortacircuitos. Las secadoras eléctricas utilizan dos fusibles o cortacircuitos domésticos. Reemplace el fusible o reajuste el cortacircuitos.</li> <li>• Verifique que el cable eléctrico esté instalado como es debido. Consulte las Instrucciones de instalación para obtener detalles.</li> <li>• Seleccione un ciclo de Timed Dry (Secado programado) con calor y reinicie la secadora.</li> </ul> Si continúa el mensaje, consulte a un electricista competente.
“_”	La perilla de control no está en un ciclo.	Esto no es un error. La perilla del selector no está en un ciclo. Gire la perilla del selector hasta que se ilumine un ciclo.
El indicador del estado del ciclo “Check Vent” (Revise el ducto de escape) (bloqueo en el ducto de escape o problema de bajo flujo de aire) se enciende	Está obstruido el filtro de pelusa o el ducto de escape; está aplastado o retorcido el ducto de escape o tiene demasiadas vueltas.	La secadora seguirá funcionando cuando esté presente este código de diagnóstico. Presione cualquier botón para borrar el código de la pantalla y para que reaparezca el tiempo estimado restante. Intente lo siguiente: <ul style="list-style-type: none"> <li>• Limpie el filtro de pelusa.</li> <li>• Revise si está aplastado o retorcido el tendido del ducto de escape de la secadora a la pared.</li> <li>• Confirme que el tendido de escape de la secadora a la pared esté libre de pelusa y desechos.</li> <li>• Confirme que la capota de ventilación del ducto de escape exterior esté libre de pelusa y de desechos.</li> <li>• Confirme que el sistema de ventilación se encuentre dentro de la longitud de tendido recomendada y que el número de codos sea el correcto para el tipo de ducto de escape que esté usando. Consulte “Planificación del sistema de ventilación” en las Instrucciones de instalación para ver los detalles.</li> </ul> Seleccione un ciclo de Timed Dry (Secado programado) con calor y reinicie la secadora. Si el mensaje continúa, haga limpiar todo el tendido de ventilación de la casa. Comuníquese con un especialista en ventilación.
Códigos de servicio técnico variables “F# E#” (F1 E1, F3 E1, etc.)	La secadora necesita servicio técnico.	Si aparece un código que comienza con la letra “F” en la pantalla, alternando entre F# y E#: el control de la secadora ha detectado un problema que necesita servicio técnico. Llame para solicitar servicio técnico.

# CONTRATOS DE PROTECCIÓN

## Contratos maestros de protección

*Felicitaciones por su inteligente adquisición.* Su nuevo producto Kenmore® está diseñado y fabricado para proporcionar años de funcionamiento confiable. Pero al igual que todos los productos, puede necesitar mantenimiento preventivo o reparación de vez en cuando. Es allí donde el Contrato maestro de protección puede ahorrarle dinero e inconvenientes.

El Contrato maestro de protección también ayuda a prolongar la vida útil de su nuevo producto. He aquí lo que se incluye en el Contrato\*:

- ✓ **Piezas y mano de obra** no solo para reparar defectos, pero para ayudar a mantener los productos funcionando correctamente **bajo uso normal**. Nuestra cobertura va **mucho más allá de la garantía del producto**. No existen deducibles ni fallas de funcionamiento que estén excluidas de la cobertura—**protección verdadera**.
- ✓ **Servicio de expertos** a cargo de técnicos de servicio experimentados que merecen la confianza de millones de hogares cada año.
- ✓ **Visitas de servicio ilimitadas y servicio en todo el país**, con la frecuencia que usted desee, cuando lo desee.
- ✓ **Garantía “sin disgustos”** – reemplazo de su producto cubierto después de que ocurran tres fallas independientes del producto en un plazo de doce meses y se requiera una cuarta reparación. Incluye entrega e instalación sin cargo, de ser necesario, del producto de reemplazo.
- ✓ **Reemplazo del producto** si su producto protegido no puede ser reparado.
- ✓ **Revisión anual de mantenimiento preventivo** a solicitud suya – sin costo adicional.
- ✓ **Ayuda rápida por teléfono** – asistencia telefónica de un agente de servicio al cliente para todos los productos para ayudar a resolver problemas. Piense en nosotros como si fuéramos un “manual parlante para el propietario”.

- ✓ **Protección por sobrevoltaje** contra daños eléctricos debidos a fluctuaciones de electricidad.
- ✓ **Protección por pérdida de comida, por un valor de \$300**, por cualquier pérdida de comida que sea resultado de fallas mecánicas de cualquier refrigerador o congelador cubierto.
- ✓ **Promesa de servicio: \$50** si el primer intento de reparar su producto cubierto no da resultado y el producto no se puede usar mientras espera otro servicio de reparación.
- ✓ **25% de descuento** sobre el precio común por el servicio de reparación que no esté cubierto, así como las piezas relacionadas que se hayan instalado.

Una vez adquirido el Contrato, tan solo tiene que llamar para fijar la visita de servicio técnico. Puede llamar a cualquier hora, de día o de noche.

El Contrato maestro de protección es una compra sin riesgo. Si por algún motivo lo cancela durante el período de la garantía del producto, le proveeremos un reembolso total. O un reembolso proporcional en cualquier momento posterior a la expiración del período de la garantía. ¡Adquiera hoy su Contrato maestro de protección!

**Se aplican algunas limitaciones y exclusiones. Para obtener precios e información adicional en EE. UU., llame al 1-800-827-6655.**

**\*La cobertura en Canadá varía para algunos artículos. Para obtener los detalles completos, llame a Sears Canada al 1-800-361-6665.**

## Servicio de instalación de Sears

Para la instalación profesional de Sears de electrodomésticos, abridores de puertas de garaje, calentadores de agua y otros artículos principales del hogar, en los EE. UU., llame al **1-844-553-6667** y en Canadá llame al **1-800-469-4663**.

05/2016

# GARANTÍA DE LOS ELECTRODOMÉSTICOS DE KENMORE

## GARANTÍA LIMITADA DE KENMORE

DURANTE UN AÑO a partir de la fecha de venta de este electrodoméstico, el aparato posee garantía contra defectos en los materiales o en la mano de obra cuando se instale, opere y mantenga correctamente de acuerdo con todas las instrucciones provistas.

CON EL COMPROMISOR DE VENTA, un electrodoméstico defectuoso recibirá la reparación o sustitución gratuita, a discreción del vendedor.

Para obtener detalles de la cobertura de la garantía sobre reparaciones y repuestos sin cargo, visite la página web: [www.kenmore.com/warranty](http://www.kenmore.com/warranty).

Esta garantía es válida solamente durante 90 DÍAS a partir de la fecha de venta en los Estados Unidos, y no tiene validez en Canadá, si este electrodoméstico se utiliza en algún momento para fines que no sean domésticos.

**Esta garantía cubre SOLAMENTE los defectos de material y mano de obra, y NO pagará por:**

1. Los artículos no reutilizables que puedan gastarse con el uso normal, incluyendo, pero sin limitación, filtros, correas, bolsas y bombillas de luz con rosca en la base.
2. Un técnico de servicio para limpiar o mantener este electrodoméstico o para enseñarle al usuario la correcta instalación, uso y mantenimiento de este.
3. Visitas del servicio técnico para corregir la instalación del electrodoméstico la cual no fue realizada por agentes autorizados del servicio técnico de Sears, o para reparar problemas con fusibles domésticos, cortacircuitos, cableado de la casa y plomería o sistemas de suministro de gas que resulten de tal instalación.
4. Daños o fallas en el electrodoméstico que resulten de la instalación la cual no fue realizada por agentes autorizados de servicio técnico de Sears, lo que incluye instalaciones que no se realizaron de acuerdo con los códigos eléctricos, de gas o de plomería.
5. Daños o fallas en el electrodoméstico, lo que incluye decoloración u óxido en la superficie, si no se hizo un uso y mantenimiento correcto de acuerdo con todas las instrucciones provistas.
6. Daños o fallas en el electrodoméstico, lo que incluye decoloración u óxido en la superficie como consecuencia de un accidente, alteración, abuso, uso indebido o un uso diferente de aquél para el cual fue diseñado.

7. Daños o fallas en el electrodoméstico lo que incluye decoloración u óxido en la superficie causados por el uso de detergentes, limpiadores, productos químicos o utensilios diferentes de los recomendados en todas las instrucciones provistas con el producto.
8. Daños o fallas en piezas o sistemas como resultado de modificaciones no autorizadas que se hayan efectuado en este electrodoméstico.
9. Servicio técnico a un electrodoméstico si la placa de modelo y número de serie falta, está alterada o no puede determinarse con facilidad el logotipo de certificación correspondiente.

## EXCLUSIÓN DE GARANTÍAS IMPLÍCITAS; LIMITACIÓN DE RECURSOS

El único y exclusivo recurso del cliente según los términos de esta garantía limitada será el de reparar o sustituir el producto según se estipula en la presente. Las garantías implícitas, incluyendo las garantías de comerciabilidad o de capacidad para un propósito particular, serán limitadas a un año o al período más corto permitido por ley. El vendedor no se hará responsable por daños incidentales o consecuentes. Algunos estados y provincias no permiten la exclusión o limitación de daños incidentales o consecuentes, la limitación acerca de cuánto debe durar una garantía implícita de comerciabilidad o capacidad, de modo que las limitaciones o exclusiones arriba mencionadas pueden no aplicarse en su caso.

Esta garantía se aplica sólo mientras este electrodoméstico se usa en los Estados Unidos o Canadá\*.

Esta garantía le otorga derechos legales específicos, y es posible que usted tenga también otros derechos, los cuales varían de un estado a otro.

\* El servicio de reparación a domicilio no está disponible para todas las áreas de Canadá y esta garantía no cubrirá los gastos de transporte o traslado del usuario o técnico de servicio si el producto se encuentra ubicado en un lugar remoto (de acuerdo con la definición de Sears Canada Inc.) donde no haya un técnico de servicio autorizado.

**Sears Brands Management Corporation  
Hoffman Estates, IL 60179 U.S.A.**

**Sears Canada Inc.  
Toronto, Ontario, Canada M5B 2C3**

10/2015  
33

# Kenmore®

For Sears Home Services in-home repair  
of all Kenmore major appliances.

For the replacement parts, accessories and  
Use & Care Guides that you need to do-it-yourself.

For professional installation of major home appliances  
and items like air conditioners and water heaters.

**1-844-553-6667**

[www.kenmore.com](http://www.kenmore.com)

**In Canada 1-800-469-4663**

[www.sears.ca](http://www.sears.ca)

---

Call anytime for the location of your nearest  
**Sears Parts & Repair Service Center**

**1-800-488-1222** (U.S.A.)

**1-800-469-4663** (Canada)

---

To purchase a protection agreement on a serviceable product:

**1-800-827-6655** (U.S.A.)

**1-800-361-6665** (Canada)

---

Para pedir servicio de reparación  
a domicilio, y ordenar piezas:

**1-888-SU-HOGAR®**

(1-888-784-6427)

[www.kenmore.com](http://www.kenmore.com)

Au Canada pour service en français :

**1-800-LE-FOYER<sup>MC</sup>**

(1-800-533-6937)

[www.sears.ca](http://www.sears.ca)

