

Built-in Combination Ovens

Installation Manual

HSLP751UC, HBL57M52UC, HBL8752UC, HBLP752UC,
HBL87M52UC



BOSCH

Invented for life



Table of Contents

Safety Definitions	2	Installation with the Speed Oven or Microwave	9
IMPORTANT SAFETY INSTRUCTIONS	3	Installation with the Steam Convection Oven	10
Appliance Handling Safety	3	Connecting the Speed Oven or Steam Convection Oven Electrical Conduit to the Lower Oven	11
Safety Codes and Standards	3	Microwave Models	12
Electric Safety	3	Electrical Installation of Combination Oven-Grounding Instructions	13
Related Equipment Safety	4	Electrical Connection to Main Power Supply	13
Bosch Combination Ovens	5	Four-wire Connection	13
Before you Begin	5	Three-wire Connection	13
Tools and Parts Needed	5	Installing Combination Oven into Wall Cabinet	14
Power Requirements and Grounding	5	Remove Lower Oven Door Prior to Installation	14
For Best Installation	5	Correctly Lifting the Combination Oven	15
Checklist	6	Lifting Recommendations	15
Cabinet Dimension Requirements	6	Placing Combination Oven Into Cabinet Opening	16
Combination Oven and Speed Oven or Steam Convection Oven 30" Traditional Installation	7	Installing the Oven into the Cabinet	16
Combination Oven and Speed Oven or Steam Convection Oven 30" Flush Mount Installation	7	Re-Install the Lower Oven Door	16
Removing Packaging	8	Before Calling Service	16
Packaging Bracket Removal-Left and Right Sides	8	Rating Label	17
Preparing Ovens	8	Lower Oven Rating Label	17
Installation	8	Steam Convection Oven Rating Label	17
Pre-Assembly of the Combination Oven	8	Speed Oven and Microwave Rating Label	17
Parts Provided	8		

This Bosch Appliance is made by
BSH Home Appliances Corporation
1901 Main Street, Suite 600
Irvine, CA 92614

Questions?
1-800-944-2904
www.bosch-home.com/us

We look forward to hearing from you!

Safety Definitions

▲ WARNING

This indicates that death or serious injuries may occur as a result of non-observance of this warning.

▲ CAUTION

This indicates that minor or moderate injuries may occur as a result of non-observance of this warning.

NOTICE: This indicates that damage to the appliance or property may occur as a result of non-compliance with this advisory.

Note: This alerts you to important information and/or tips.

IMPORTANT SAFETY INSTRUCTIONS

READ AND SAVE THESE INSTRUCTIONS

IMPORTANT: SAVE THESE INSTRUCTIONS FOR THE LOCAL ELECTRICAL INSPECTOR'S USE.

INSTALLER: LEAVE THESE INSTALLATION INSTRUCTIONS WITH THE UNIT FOR THE OWNER.

OWNER: PLEASE RETAIN THESE INSTRUCTIONS FOR FUTURE REFERENCE.

WARNING

When properly cared for, your new appliance has been designed to be safe and reliable. Read all instructions carefully before use. These precautions will reduce the risk of burns, electric shock, fire and injury to persons. When using kitchen appliances, basic safety precautions must be followed including those in the following pages.

WARNING

Do not repair, replace or remove any part of the appliance unless specifically recommended in the manuals. Improper installation, service or maintenance can cause injury or property damage. Refer to this manual for guidance. All other servicing should be done by an authorized servicer.

Appliance Handling Safety

CAUTION



- Unit is heavy and requires at least two people or proper equipment to move.
- Do not lift appliance by door handle.
- Hidden surfaces may have sharp edges. Use caution when reaching behind or under appliance.

Safety Codes and Standards

This appliance complies with the latest version of one or more of the following standards:

- UL 858, Household Electric Ranges
- UL 923, Microwave Cooking Appliances
- UL 507, The Standard for the Safety of Electric Fans
- CAN/CSA-C22.2 No. 113-M1984 Fans and Ventilators

It is the responsibility of the owner and the installer to determine if additional requirements and/or standards apply to specific installations.

Electric Safety

WARNING

Before you plug in an electrical cord or turn on power supply, make sure all controls are in the OFF position.

Do not let cord hang over edge of table or counter or touch hot surfaces.

Always attach plug to appliance first, then plug cord into wall outlet. To disconnect, turn any control to "off", then remove plug from wall outlet.

Do not operate any appliance with a damaged cord or plug or after the appliance malfunctions or has been damaged in any manner. It is unsafe to operate any appliance with a damaged power cord or plug. If the appliance has been damaged or malfunctions, safely disconnect the appliance from the power supply, then immediately contact an authorized servicer to inspect the product.

To protect against electrical shock, do not immerse cord, plugs or other electrical parts in water or other liquid.

For appliances equipped with a cord and plug, do not cut or remove the ground prong. It must be plugged in to a matching grounding type receptacle to avoid electrical shock. If there is any doubt as to whether the wall receptacle is properly grounded, the customer should have it checked by a qualified electrician. DO NOT use an adaptor or extension cord.

If required by the National Electrical Code (or Canadian Electrical Code), this appliance must be installed on a separate branch circuit.

Installer-show the owner the location of the circuit breaker or fuse. Mark it for easy reference.

WARNING

Before installing, turn power OFF at the service panel. Lock service panel to prevent power from being turned ON accidentally.

Refer to Rating Label for more information. See **Rating Label** section for rating label location.

Be sure your appliance is properly installed and grounded by a authorized technician. Installation, electrical connections and grounding must comply with all applicable codes.

⚠ **IMPORTANT SAFETY INSTRUCTIONS**

READ AND SAVE THESE INSTRUCTIONS

Related Equipment Safety

Remove all tape and packaging before using the appliance. Discard or recycle packaging materials according to local codes after unpacking the appliance.

Never modify or alter the construction of the appliance. For example, do not remove panels or covers.

CAUTION

For units with glass panels, use care when handling glass to avoid breaking. Broken glass could cause a laceration type injury.

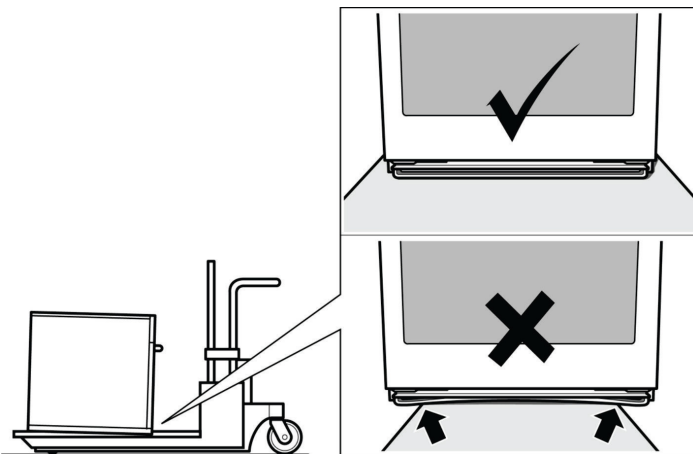
State of California Proposition 65 Warnings

WARNING

This product contains chemicals known to the State of California to cause cancer, birth defects or other reproductive harm.

IMPORTANT SAFETY NOTICE: The California Safe Drinking and Toxic Enforcement Act requires the Governor of California to publish a list of substances known to the state to cause cancer, birth defects or other reproductive harm, and requires businesses to warn customers of potential exposure to such substances.

Note: To avoid damage to the oven vent, use the transport method shown in the picture below.



Support the bottom of the oven from side to side when moving it into the installation location. Leave the unit attached to the shipping pallet until it is in front of the cabinet opening, ready to lift into place.

Save these instructions.

Bosch Combination Ovens

The HSLP751UC, HBL57M52UC, HBL87M52UC, HBL8752UC, and HBLP752UC Bosch combination ovens are sold as sets, each of which includes two built-in oven components: a traditional wall oven (lower oven) and an upper oven that is either a built-in speed oven, a steam convection oven or a microwave.

- For ease of installation and improved alignment, the oven components are assembled together in the customer’s home rather than at the factory.
- Each of the components are packed in separate boxes, which are strapped together prior to shipping.
- The combination ovens listed here are approved for use in a single cutout, using single power connection.

- Each traditional oven component is designed with an oven-mounted junction box on top, which is used for connecting the upper oven power cable.
- The hardware required for mounting the speed oven or steam convection oven on top of the traditional oven will be found inside the traditional oven box.
- Each of the oven components has its own rating label, the component model number, FD number, etc.

The following table identifies each of the Bosch combination oven SKUs and its two built-in components.

Only the Bosch combination oven components in the configurations listed in the table below are agency-approved for use in a single cutout, using single power connection. Other models cannot be substituted.

Combination Oven SKU/Model	BOSCH Combination Oven Components		Reference	
	Traditional Oven	Speed Oven or Microwave	Built-In Oven/Microwave Combination	Microwave Type
HBL57M52UC	HBL5451UC	HMB50152UC	500 Series Combi Oven & MW	Solo MW, 120V, 15 Amp
HBL87M52UC	HBL8451UC	HMB50152UC	800 Series Combi Oven & MW	Solo MW, 120V, 15 Amp
HBL8752UC	HBL8451UC	HMC80252UC	800 Series Oven + 240V Speed MW	Speed MW w/LCD, 240V, 20 Amp
HBLP752UC	HBLP451UC	HMCP0252UC	Benchmark Oven + 240V Speed MW	Speed MW w/TFT, 240V, 20 Amp

Before you Begin

Tools and Parts Needed

- Phillips-head screwdriver
- Star-head screwdriver (T20)
- Measuring tape
- Drill with bit (1/8")
- Gloves
- Utility Knife

Power Requirements and Grounding

The outlet must be properly grounded in accordance with all applicable codes.

For Best Installation

The oven can be difficult for two people to handle during installation. It is recommended that three or more people be available to assist with lifting the unit in to place.

Removal of the lower oven door (to reduce the unit weight and to provide necessary gripping points) can be cumbersome unless the detailed door removal instructions are followed carefully. Do not attempt to remove the speed oven door or steam convection oven door.

Please take time to read and follow the instructions provided for an improved installation experience.

Checklist

Use this checklist to verify that you have completed each step of the installation process. This can help you avoid mistakes.

- Before installing the oven, be sure to verify the cabinet dimensions are correct and the required electrical connections are present.
- Refer to additional information in this manual regarding Safety, Cabinet Dimensions, Removing Packaging, Electrical Installation, Testing the Installation and Customer Service.
- Remove the lower oven door to reduce the unit weight and to provide access to gripping points for lifting. See “Remove Lower Oven Door Prior to Installation” information.
- Move the oven units into place in front of the cabinet opening, leaving the bottom packaging on the units to avoid damaging flooring.
- Remove the Star-head screws (T-20 size using Star-head screwdriver) holding the speed microwave oven or steam convection oven to the base of its carton.
- Assemble the two units of the combination oven. See “Pre-Assembly of the Combination Oven”.
- Connect the power cable from the lower oven to the junction box in the cabinet.
- Remove the Star-head screws (T-20 size using Star-head screwdriver) holding the lower oven to the base of its carton.
- Team-lift the unit directly into the cabinet cutout taking care not to pinch fingers, scratch arms or hands.
- Slide the unit all the way in to place.
- Fasten the combination unit to the cabinet opening with the screws supplied (using Philips screwdriver).
- Reinstall the oven door removed in Step 3 above.
- Consult the complete installation instructions and follow the remainder of the procedures listed, including performing operation test.
- INSTALLER- Leave the literature pack and the accessories with the customer.

Cabinet Dimension Requirements

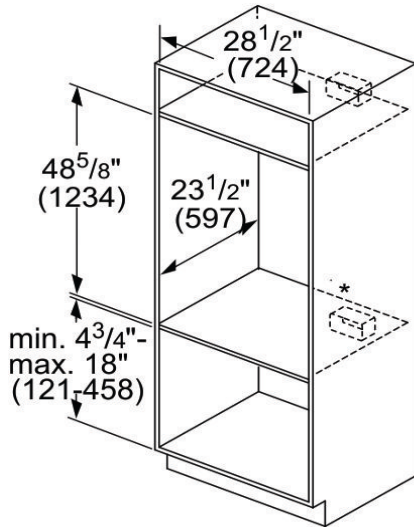
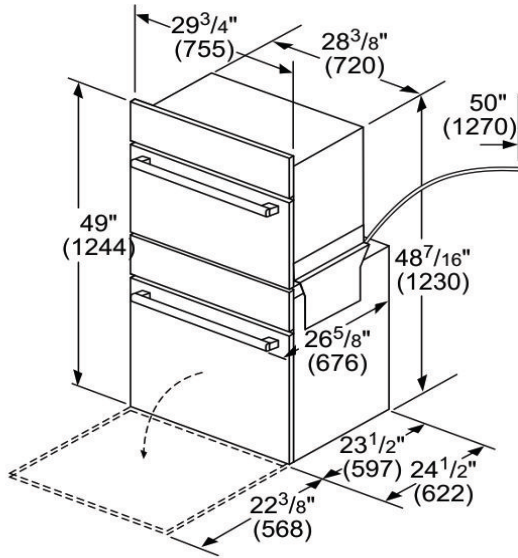
It is good practice, when an oven is installed at the end of a cabinet run, adjacent to a perpendicular wall, or cabinet door, to allow at least 1/4” (6.4 mm) space between the side of the oven and the wall/door.

For oven support, install 2x4s extending front to back flush with the bottom and the sides of the opening. The supporting base must be well secured to the floor/ cabinet and level.

Junction boxes can be located anywhere within reach of the oven’s power cable.

The cabinet base must be flat and capable of supporting the weight of the combination oven up to 429 lbs. (195 kg).

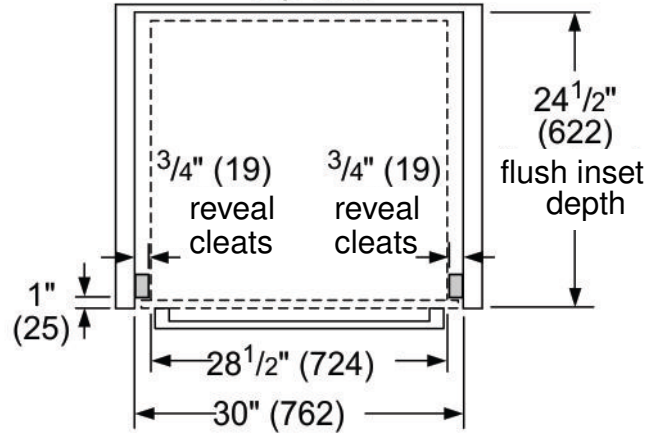
Combination Oven and Speed Oven or Steam Convection Oven 30" Traditional Installation



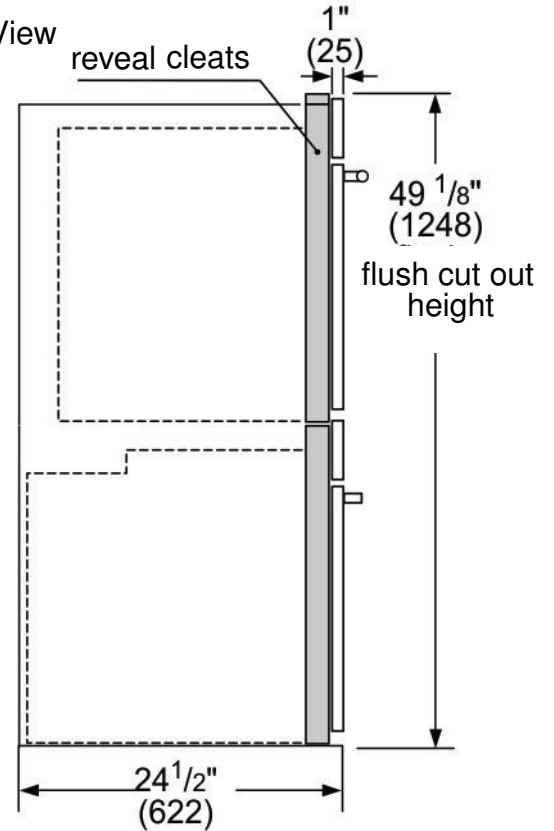
Combination Oven and Speed Oven or Steam Convection Oven 30" Flush Mount Installation

Flush installation requires two side cleats to be attached inside the cabinet frame, recessed from the front.

Flush Install Top View



Top View



measurements in inches (mm)

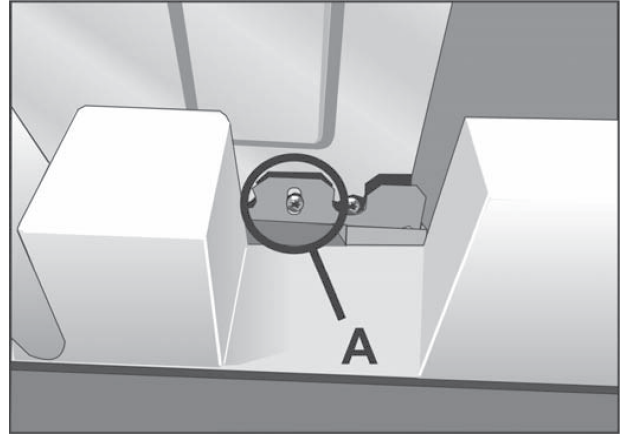
Removing Packaging

1. Cut straps on the outside of the boxes.
2. Remove the upper boxed unit of the combination oven and place on floor so that both shipping cartons can be opened.
3. Perform the following steps on both units of the combination oven.
 - Remove the cardboard box by lifting it up and off the unit
 - Remove all top and side cardboard and foam braces.
 - Place the unit (leaving it on the shipping base) in front of the cabinet where it is to be installed.
 - Remove all accessories, racks, packing materials and literature from the oven cavities.
 - Unscrew unit from packaging brackets as shown in "Packaging Bracket Removal-Left and Right Sides".

Notes

- The screws near the base mounting bracket of each unit are all Star-head (T-20 size). Only the one screw that goes through the slotted hole in the mounting bracket on the left and right sides of the unit needs to be removed in order to lift the unit from the mounting base. The screw circled in the image below and marked as (A) is the screw that needs to be removed.
- Remove one screw only from each bracket. This will release the oven from the shipping base. Do not remove any additional screws from the oven.

Packaging Bracket Removal-Left and Right Sides



Note: Actual bracket varies in appearance. The bracket remains in the packaging base. The unit should stay on the packaging base until ready to be lifted into cabinet cutout or onto the lower oven.

Preparing Ovens

Place ovens in front of the cabinet where it is to be installed so that they are in line with the cabinet cutout.

Check to be sure all packing materials have been removed from the unit. Also remove the accessories, oven racks, literature pack and any shipping materials from inside the oven cavity. Check both ovens for a double oven or combination oven installation.

Installation

Pre-Assembly of the Combination Oven

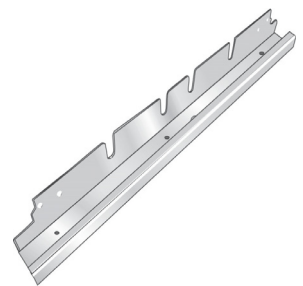
Combination ovens require the two components to be assembled prior to installing the combination unit into the wall cabinet.

Note: The installation procedures differ between the microwave, speed oven and steam convection oven combination units. The parts contained in the square tube parts box are common to all three installations.

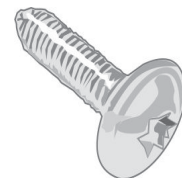
Parts Provided

Parts Provided

Universal connector bracket (2)–in parts box on top of oven



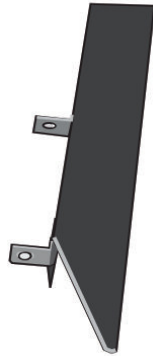
Screws (16)–in red bag inside parts box on top of oven.



Oven Mounting Screws (8)—screws are included to secure the oven trim to the cabinet. The screws are located in a small plastic bag affixed to the literature pack bag.



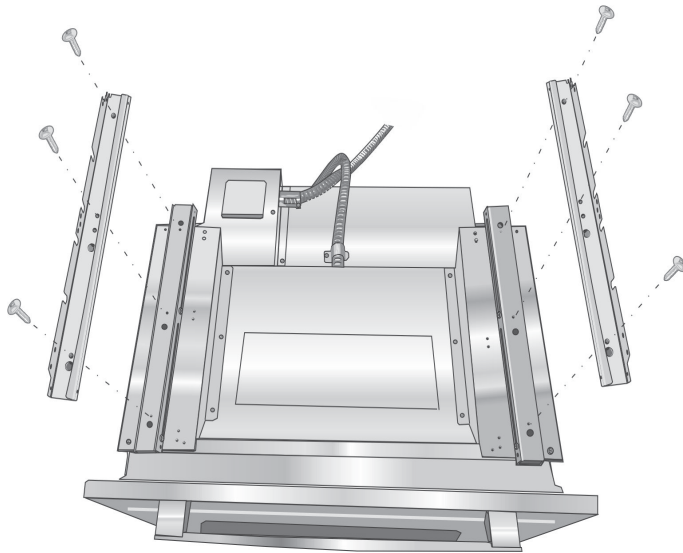
Trim Piece—in plastic bag on top of oven.



Installation with the Speed Oven or Microwave

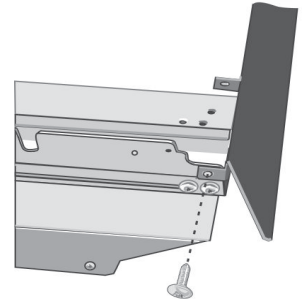
Notes

- Do not place the oven into the wall cabinet until after mounting the speed oven on top of the lower oven and securing it with the universal connector brackets.
 - The universal connector brackets are interchangeable for the left and right sides of the oven. Be sure the taller vertical edge of the bracket is positioned to the outside of the oven.
1. Install both universal connector brackets on top of the lower oven using six (6) of the screws provided. Tighten screws securely, but do not overtighten.



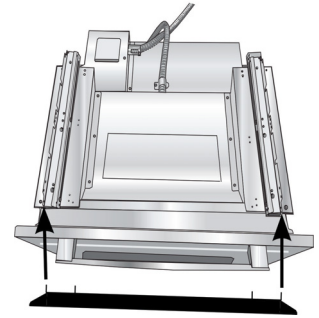
2. Install decorative trim.

Position the decorative trim piece so the flanges with the holes in them face to the rear of the oven.



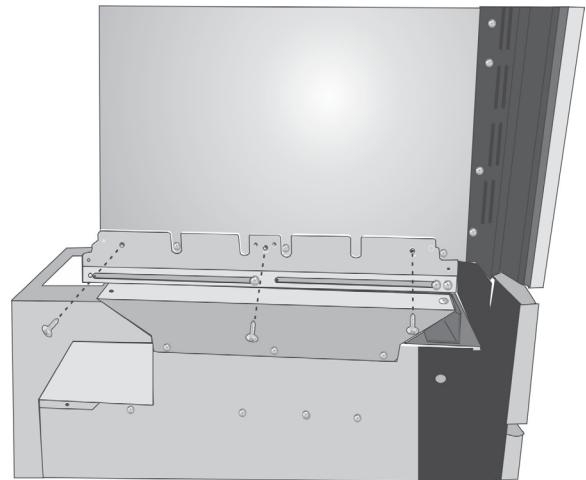
Align the outer flanges with the outside of the universal brackets. Fasten with one (1) screw each into the end hole of each universal bracket.

Tighten screws securely, but do not overtighten.



3. Place the speed oven or microwave unit on top of the universal connector brackets and fasten in place using three (3) screws per side. Tighten the screw securely, but do not overtighten.

Note: The existing screws in the speed oven base help with alignment. When lowering the speed oven or microwave into place on the universal connector brackets, allow these screw heads to slide into the slots as shown in the illustration below. The screw nearest the front of the speed oven or microwave should slide into the base of the slope at the front of the bracket.

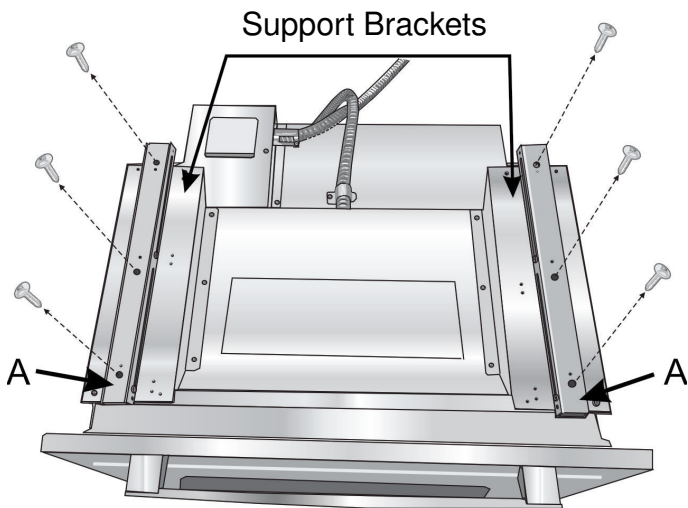


4. Continue to “Connecting the Speed Oven or Steam Convection Oven Electrical Conduit to the Lower Oven”.

Installation with the Steam Convection Oven

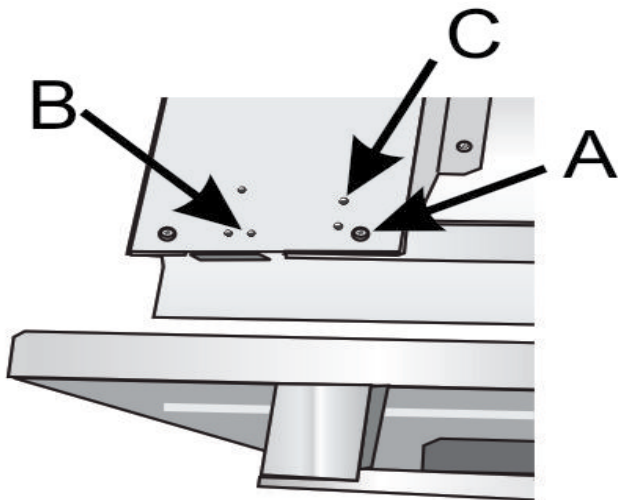
Note: Do not place the oven into the wall cabinet until after mounting the steam convection oven on it using the universal connector brackets.

1. Remove the six (6) screws holding the combo service slide assemblies ((A) in illustration below) to the support brackets. Use a magnetic screwdriver bit to reach the screws through the large holes in the tops of the slides.



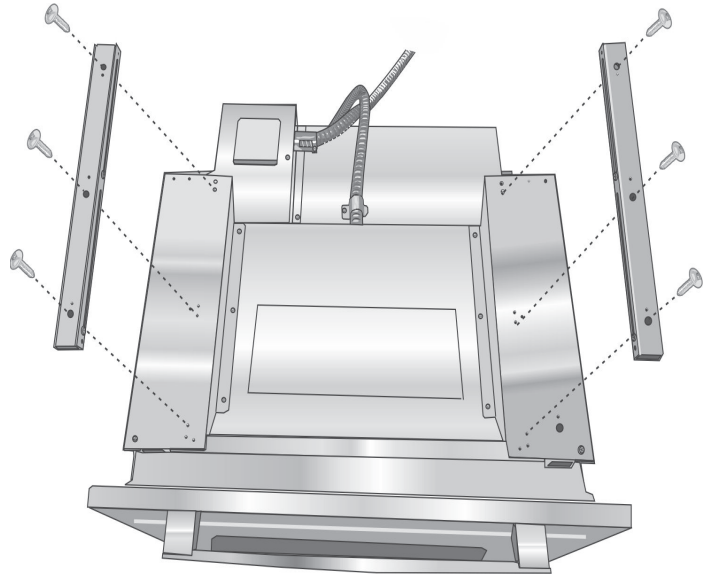
2. The screw in position (A) in image below (nearest the inside edge, near control panel) must be moved to allow the universal bracket to be positioned there. Remove the inside screw (A) from the left support bracket and reinsert it into the third hole (B) from the outside edge of the support bracket.

Repeat for the right support bracket.



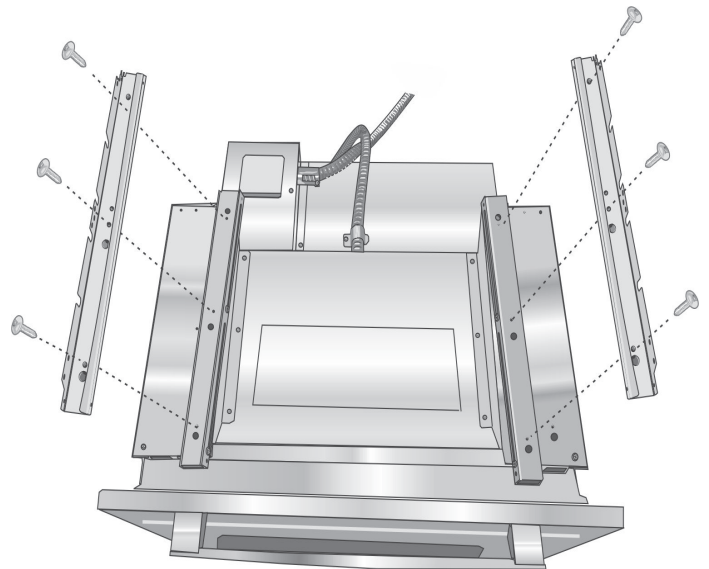
3. Reattach the slide assemblies using the holes near the inside edge of the support bracket. Align the slide assembly parallel to the edge of the bracket and insert the first screw in hole (C).

Insert all three screws for each slide assembly. Tighten the screws but do not overtighten.



Note: When the correct holes are used, the front of the slide assembly will extend just past the front edge of the support bracket 3/16" (5mm). The slide assembly will also be about 1/2" (12mm) from the inside edge of the support bracket.

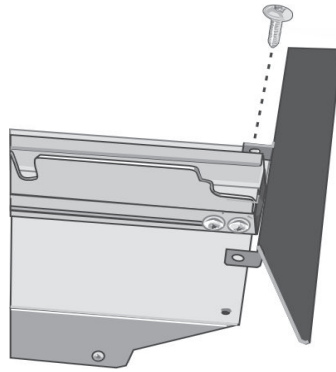
4. Install the two universal connector brackets to the slide assemblies using the screws provided. Tighten screws securely, but do not overtighten.



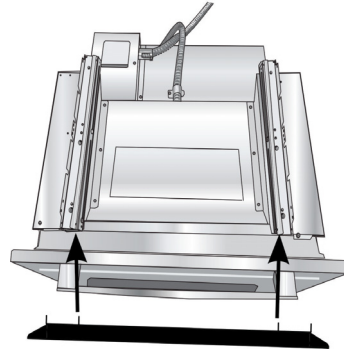
Note: The universal connector brackets are interchangeable for the left and right sides of the oven. Be sure the taller vertical edge of the bracket is positioned to the outside of the oven.

5. Install the decorative trim.

Position the decorative trim piece so the flanges with the holes in them face to the rear of the oven.



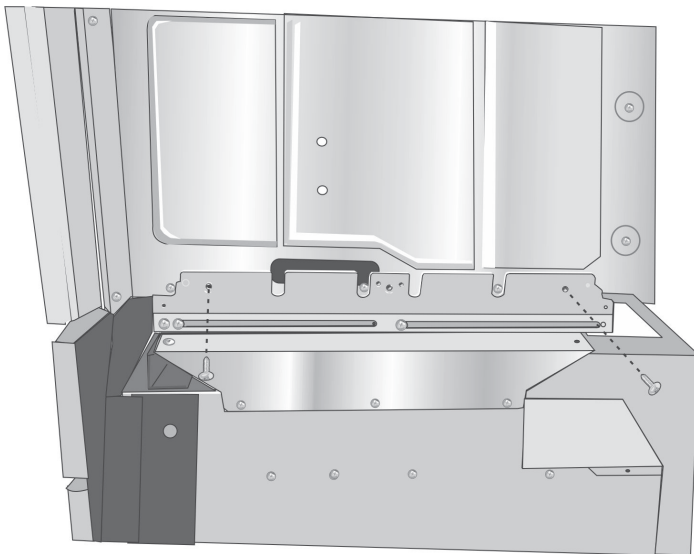
Align the inner flanges with the inside of the universal brackets. Fasten with one (1) screw each into the end hole of the universal bracket.



Tighten screws securely but do not overtighten.

6. Place the steam convection oven unit on top of the universal connector brackets and fasten in place using two (2) screws per side. Tighten the screws securely, but do not overtighten.

Note: The existing screws in the steam convection oven base help with alignment. When lowering the steam convection oven into place on the universal connector brackets, allow these screw heads to slide into the slots as shown in the illustration below. The screw nearest the front of the steam convection oven should slide into the base of the slope at the front of the bracket.



7. Continue to “Connecting the Speed Oven or Steam Convection Oven Electrical Conduit to the Lower Oven”.

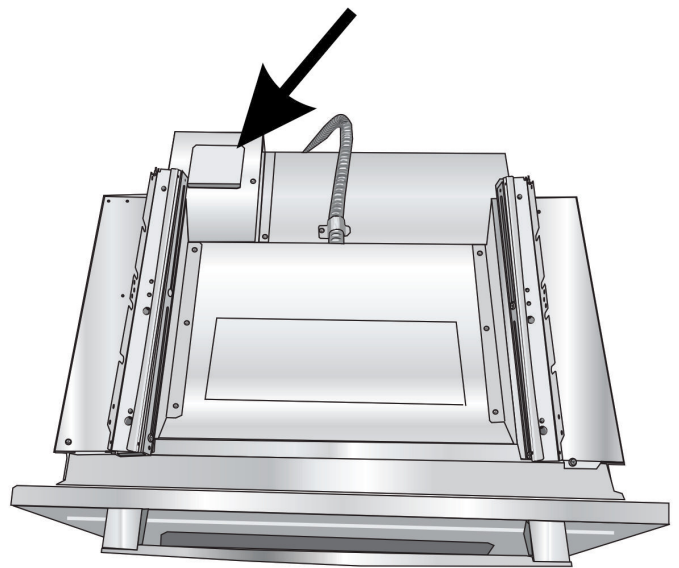
Connecting the Speed Oven or Steam Convection Oven Electrical Conduit to the Lower Oven

Note: When installing the combination unit, the speed oven or steam convection oven, the power cable must be properly attached to the oven-mounted junction box. This must be done prior to supplying electrical power to the oven unit.

▲ WARNING

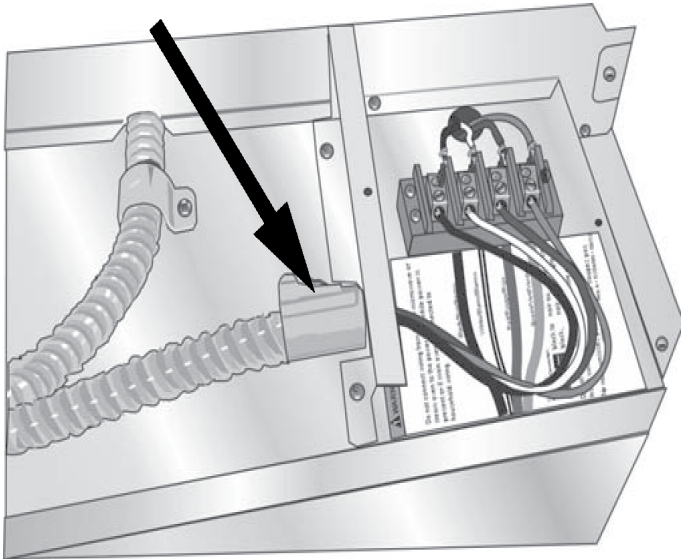
Check to be sure that no electrical power has yet been supplied to the oven.

1. Remove the oven-mounted junction box cover located on the top rear of the oven. (See image below).



2. Remove the cap from the conduit access hole in the side of the oven-mounted junction box.

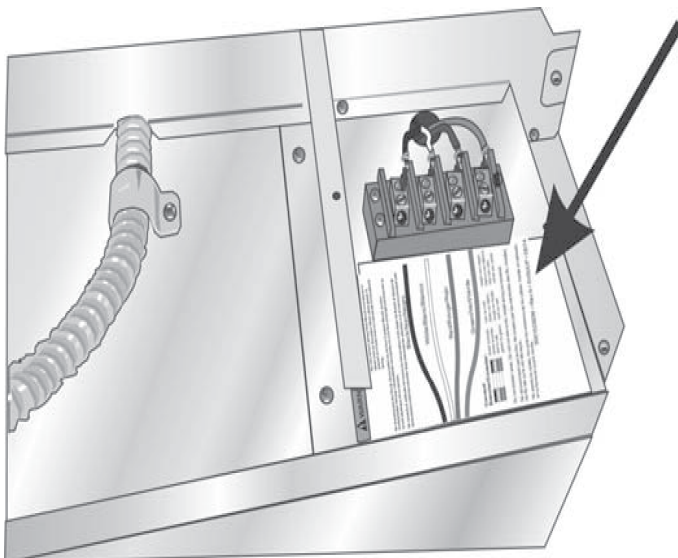
3. Guide the wires from the conduit cable (coming from the speed oven or steam convection oven through the hole in the oven-mounted junction box. (See image below). There are four wires from a speed oven or three wires from a steam convection oven—no white wire from a steam convection oven.



4. Snap the conduit connector into the hole by pressing it in until it clicks into place.
5. Follow the wiring diagram label (see image below) and match and connect each wire by color to the wires attached to the wiring block inside the oven-mounted junction box. Push the bare end of the wire until it is snug in the wiring block then tighten down the retaining screw on each wire.

Tighten securely, but do not overtighten.

See previous illustration in Step 3 for finished appearance.



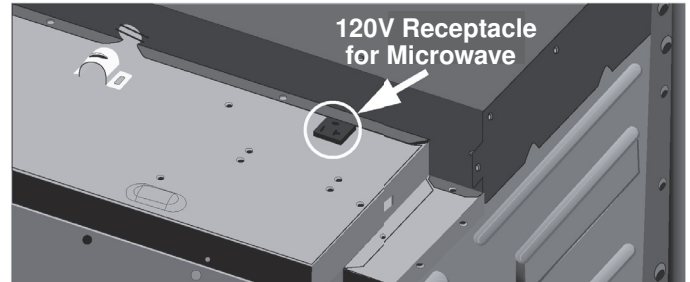
6. Replace the oven-mounted junction box cover and tighten the two screws holding it in place.

Tighten securely, but do not overtighten.

Microwave Models

Microwave Models HBL57M52UC, HBL87M52UC
Microwave Combo has a 120 Volt receptacle.

Note: 120V receptacle is to be used as the power supply for HMB50152UC microwave.



Installation of Microwave to the Combination Oven

For microwave models HBL57M52UC, HBL87M52UC see previous Installation Chapter.

Electrical Installation of Combination Oven-Grounding Instructions

The assembled combination oven should be moved in front of the cabinet opening and the power cable from the lower oven should be connected to the cabinet junction box.

All model ovens on the front cover of this installation instruction manual are dual rated, designed to be connected to either 208 or 240V AC, 60 Hz, 4 wire, single-phase power supply.

Model	Circuit Required
HBL57M52UC	208V, 60 Hz/ 240V, 60 Hz 40 AMP
HBL87M52UC	
HBL8752UC	
HBLP752UC	
HBLP752UC	

The electrical supply should be a 4-wire single phase AC. Install a suitable conduit box (not furnished). An appropriately-sized, UL-listed conduit connector must be used to correctly attach the conduit to the junction box.

Note: Local codes may vary. Installation, electrical connections and grounding must comply with all applicable local codes.

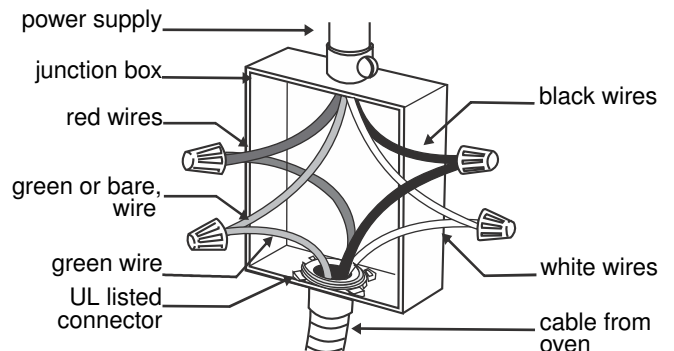
If local codes permit grounding through the electrical supply neutral, connect both the white neutral wire and the green ground wire from the oven to the white neutral electrical supply wire.

Electrical Connection to Main Power Supply

The four-wire connection is preferred, but where local codes permit, the three-wire connection is also acceptable.

Four-wire Connection

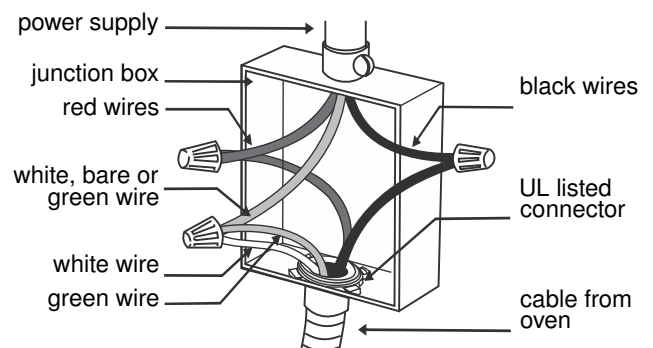
Ungrounded Neutral



- Connect the red oven wire to the red electrical supply wire (hot wire).
- Connect the black oven wire to the black electrical supply wire (hot wire).
- Connect the white neutral oven wire to the white neutral (not bare or green ground) electrical supply wire.
- Connect the green ground oven wire to the bare or green ground electrical supply wire.

Three-wire Connection

Grounded Neutral



- Connect red wire from oven to red wire in junction box.
- Connect black wire from oven to black wire in junction box.
- Connect both green ground wire and white wire from oven to white, green or bare neutral wire in junction box.

The conduit cable, where connected at the oven, swivels. Rotate conduit cable upward (or downward) and direct through hole prepared in cabinet to attach to junction box.

To maintain serviceability, the flex conduit must not be shortened and should be routed to permit temporary removal of the oven.

Installing Combination Oven into Wall Cabinet

NOTICES

- Before installing the combination oven, be sure to verify the cabinet dimensions and electrical connections.
- Check that the cabinet opening is level and plumb for correct installation.

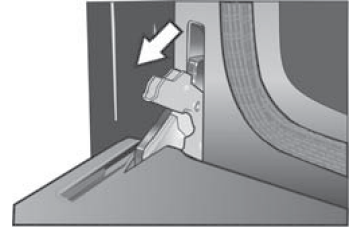
Remove Lower Oven Door Prior to Installation

It is recommended to remove the traditional (lower) oven door to help reduce the unit weight and provide easier access to the latch levers located inside the oven. Do not remove microwave, speed oven or steam convection oven doors.

▲ WARNING

- The oven door is heavy and fragile. Use both hands to remove the oven door. The door front is glass. Handle carefully to avoid breaking.
 - Grasp only the sides of the oven door. Do not grasp the handle as it may swing in your hand and cause damage or injury.
 - Failure to grasp the oven door firmly and properly could result in personal injury or product damage.
 - To avoid injury from hinge bracket snapping closed, be sure that both latch levers are securely in place before removing the door. Also, do not force door open or closed—the hinge could be damaged and injury could result.
 - Do not lay removed door on sharp or pointed objects as this could break the glass. Lay door on a protected flat, smooth surface, positioned so that the door cannot fall over.
-

Be sure to read all warnings and cautions in the installation manual regarding the door removal before attempting to remove the door.



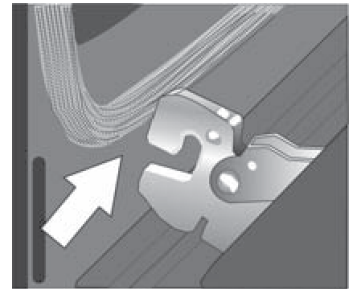
Open the door completely.

Flip latch levers on hinges all the way down toward you.

Holding the door firmly on both sides and using both hands, close the door gently until it stops against the latch levers, about 30 degrees from the closed position.



Carefully lift the door up and out of the hinge slots. Hold firmly; the door is heavy.



Place the door in a convenient and stable location until you are ready to reinstall it. Lay the door on a towel or section of protective foam padding to avoid damage to the door or the floor.



Correctly Lifting the Combination Oven

⚠ CAUTION

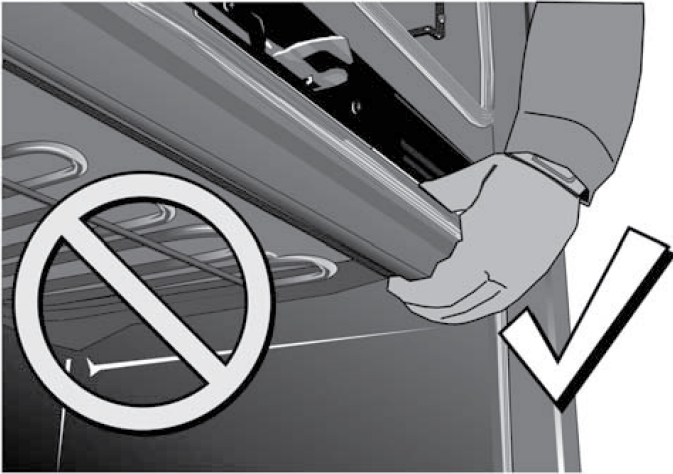
It is recommended to wear gloves and long sleeves to protect hands and forearms from abrasion and potential scratches during the lifting process. It is also recommended to take off watches and jewelry and to wear work shoes during installation for foot protection.

⚠ CAUTION

Three people or proper equipment are needed to safely lift the combination oven into the cabinet opening.

NOTICE: DO NOT attempt to lift the unit by holding the oven's upper element.

There is a ridge across the top front of the lower oven cavity. Lift by grasping this ridge with one hand while placing the other hand on the back of the unit (for helpers lifting from the sides of the unit). If a third helper is lifting from the front, both hands should lift by holding this ridge area.



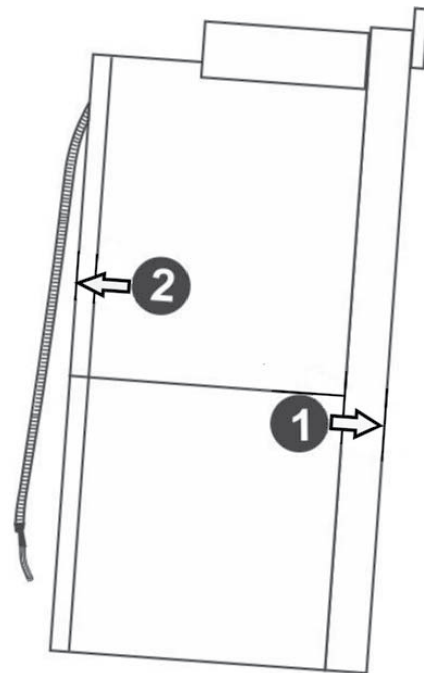
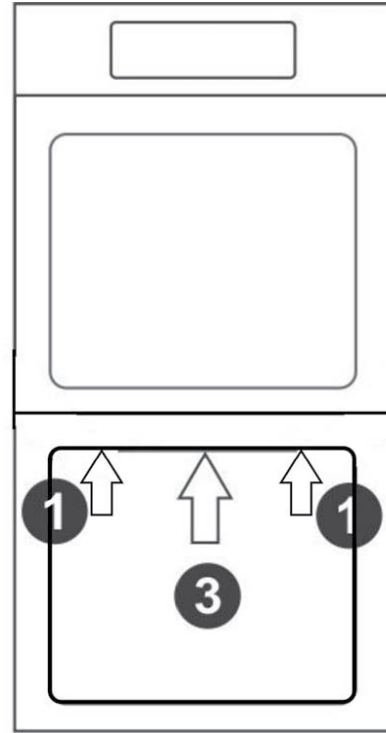
Lifting Recommendations

Lift locations or gripping points (with lower oven door removed).

Lift points or gripping points (1) on the front of the unit are for lifting from the sides of the unit. Lift point (3) on the front of the unit is for a third person to help lift the unit.

Lift points or gripping points (2) on the back of the unit shows the location of the opposite hand for the helpers lifting from the sides of the unit. Adjust the location as needed to facilitate the lift.

Wear gloves, a long sleeved shirt, and avoid sharp edges to reduce the risk of cuts or abrasions to the arms or hands.

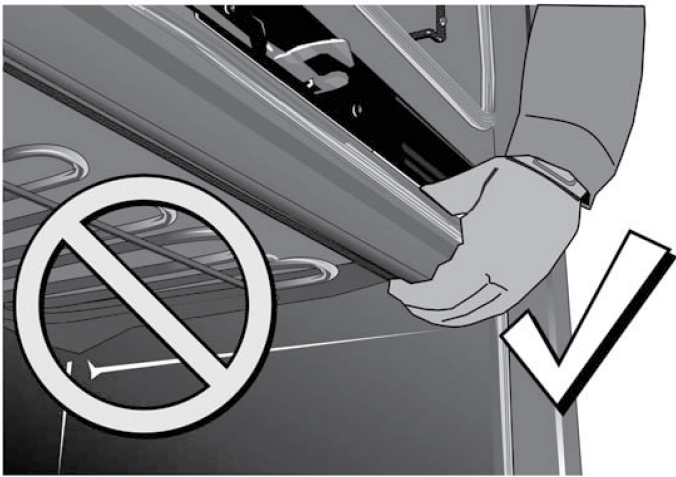


Placing Combination Oven Into Cabinet Opening

⚠ CAUTION

To avoid damage to the door, do not lift, pull or push the unit during installation by using any oven door handle as a gripping point.

When lifting the combined unit into place, avoid grasping the upper element to avoid damaging it. See the illustration below for the correct lifting point. This illustration shows a detailed view of the oven cavity. Note the location of the ridge inside the top of the cavity. This is the area to grip from the front when lifting the combined unit.



Installing the Oven into the Cabinet

1. Lift the combination oven unit into the cabinet cutout without allowing the unit base to contact the flooring.
2. Guide the unit straight back into the cabinet cutout.

Note: Be careful not to crimp the flexible conduit between the oven and the cabinet back wall. If necessary, guide the flexible conduit into the wall of cabinet access hole so it doesn't prevent the unit from being pushed all the way into the cabinet opening. The oven should be straight and level.

3. Push the unit straight in until the oven trim is flush with the front of the cabinet trim.
4. Install four (4) supplied screws through tap holes in the right and left trim pieces to secure oven to cabinetry.

Re-Install the Lower Oven Door

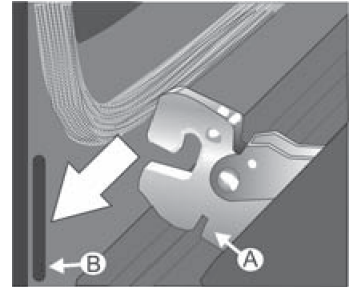
Hold the door firmly in both hands.

Hold the door at an 30° angle from the closed position (approximately 7 inches open at the top).



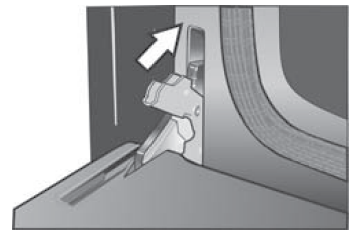
Insert the hinges into the slots.

You may need to rock the door forward and backward slightly to seat the hinge feet. The door should lower about 3/4" and stop. If not, the hinges have not engaged properly and the door could fall if it is released. The door may need to be removed and re-inserted until the hinges sit correctly in the slots.



Open door all the way to expose hinges, latch levers and slots.

Push latch levers up until they are locked into the slots, flush with front of the oven body.



Close and open door slowly to be sure it is correctly and securely in place. Door must be straight.

Before Calling Service

See the Use and Care Manual for each unit of the combination oven for troubleshooting information. Refer to the Statement of Limited Warranty in the Use and Care Manuals.

To reach a service representative, see the contact information at the front of the Use and Care Manual. Please be prepared with the information printed on your product data plate when calling.

Rating Label

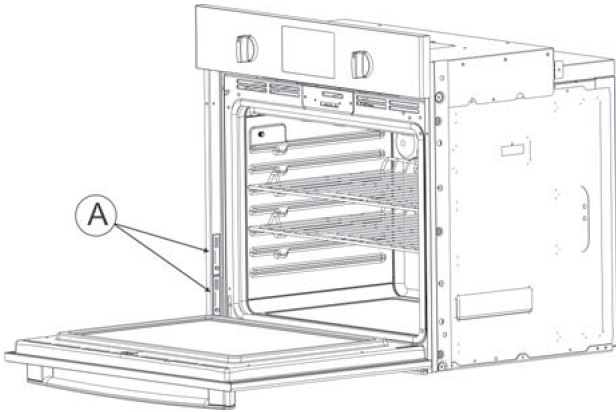
Each component of a combination oven has its own rating label.

The rating label shows the model, FD number and serial number. Refer to the rating label when requesting service. The rating label location varies based on the oven model.

Lower Oven Rating Label

Notes

- The rating labels (A) for the lower oven and steam convection oven are located at the left hand side of the door trim.
- The rating label (A) for the speed oven is located at the right hand side of the door trim.



Steam Convection Oven Rating Label



Speed Oven and Microwave Rating Label

The rating label shows the model and serial number. Refer to the rating label on the appliance when requesting service.

The rating label can be found on the inside of the appliance door.

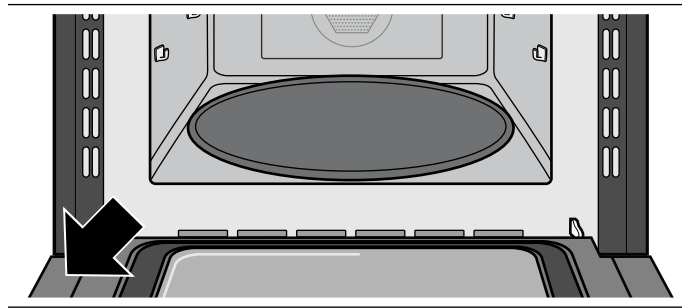


Table des matières

Définitions de sécurité	19	Installation avec four à micro-ondes à cuisson rapide ou avec four à micro-ondes	27
IMPORTANTES CONSIGNES DE SÉCURITÉ	20	Installation avec four à et à convection	28
Sécurité de manutention des appareils	20	Raccordement du conduit électrique du four à micro-ondes à cuisson rapide ou du four à vapeur et à convection au four inférieur	30
Codes et normes de sécurité	20	Modèles de fours à micro-ondes	31
Sécurité électrique	20	Installation électrique d'un four combiné –	
Équipement de sécurité	21	Instructions de mise à la terre	31
Fours combinés Bosch	22	Raccordement électrique à l'alimentation principale .	31
Avant de commencer	23	Raccordement à quatre fils	31
Outils et pièces nécessaires	23	Raccordement à trois fils	32
Exigences électriques et mise à la terre	23	Installation du four combiné dans l'armoire murale 32	
Pour de meilleurs résultats d'installation	23	Retirez la porte du four inférieur avant l'installation ...	32
Liste de vérification	23	Soulèvement approprié du four	33
Dimensions et exigences concernant les armoires .	24	Recommandations concernant le soulèvement	33
Installation traditionnelle d'un four combiné et d'un four à micro-ondes à cuisson rapide ou d'un four à vapeur et à convection		Installation du four combiné dans l'ouverture de l'armoire	34
76 cm (30 po)	24	Installation du four dans l'armoire	34
Installation encastrée d'un four combiné et d'un four à micro-ondes à cuisson rapide ou d'un four à convection et à vapeur 76 cm (30 po) ...	25	Remettre les portes du four inférieur en place	35
Retrait de l'emballage	26	Avant d'appeler le service de dépannage	35
Retrait des brides d'emballage – côtés gauche et droit	26	Plaque signalétique	35
Préparation des fours	26	Plaque signalétique du four inférieur	35
Installation	27	Plaque signalétique du four à vapeur et à convection	35
Pré-assemblage de four combiné	27	Plaque signalétique du four à micro-ondes à cuisson rapide ou du four à micro-ondes	36
Pièces fournies	27		

Cet appareil électroménager Bosch est fabriqué par
BSH Home Appliances Corporation
1901 Main Street, Suite 600
Irvine, CA 92614

Vous avez des questions?

1 800 944-2904

www.bosch-home.com/us

Nous nous ferons un plaisir de vous servir!

Définitions de sécurité

▲ AVERTISSEMENT

Ceci indique que le non-respect de cet avertissement peut entraîner des blessures graves, voire la mort.

▲ ATTENTION

Ceci indique que le non-respect de cet avertissement peut entraîner des blessures légères ou de gravité moyenne.

AVIS : Ceci indique que la non-conformité à cet avis de sécurité peut entraîner des dégâts matériels ou endommager l'appareil.

Remarque : Ceci vous signale des informations et/ou indications importantes.

IMPORTANTES CONSIGNES DE SÉCURITÉ

LIRE ET CONSERVER CES INSTRUCTIONS

IMPORTANT : CONSERVEZ CES CONSIGNES À L'INTENTION DE L'INSPECTEUR EN ÉLECTRICITÉ.

INSTALLATEUR : PRIÈRE DE LAISSER CES INSTRUCTIONS D'INSTALLATION AVEC CET APPAREIL À L'INTENTION DU PROPRIÉTAIRE.

PROPRIÉTAIRE : PRIÈRE DE CONSERVER CES INSTRUCTIONS POUR POUVOIR VOUS Y RÉFÉRER ULTÉRIEUREMENT.

AVERTISSEMENT

Correctement entretenu, votre nouvel appareil a été conçu pour être sécuritaire et fiable. Lisez toutes les instructions attentivement avant l'utilisation. Ces consignes réduiront le risque de brûlure, d'électrocution, d'incendie et de blessure pour les personnes utilisant l'appareil. Lorsque vous utilisez des appareils électroménagers, il importe de suivre les précautions de sécurité de base, y compris celles indiquées dans les pages suivantes.

AVERTISSEMENT

Ne réparez, remplacez, ni ne retirez aucune partie de l'appareil, excepté si les manuels recommandent de le faire. Une installation, un entretien ou une inspection incorrects peuvent occasionner des blessures ou des dommages matériels. Reportez-vous au présent manuel pour obtenir des indications. Toute autre intervention doit être effectuée par un technicien agréé.

Sécurité de manutention des appareils

ATTENTION



- L'unité est lourde et son déplacement exige au moins deux personnes ou encore un équipement approprié.
- Ne soulevez pas l'appareil par la poignée de porte.
- Les surfaces cachées peuvent comporter des arêtes vives. Redoublez de vigilance quand vous passez la main derrière ou sous l'appareil.

Codes et normes de sécurité

Cet appareil est conforme aux plus récentes versions de l'une ou plus des normes suivantes :

- UL 858, cuisinières électriques domestiques
- UL 923, fours à micro-ondes
- UL 507, la norme en matière de sécurité pour les ventilateurs électriques
- CAN/CSA-C22.2 No 113-M1984 Ventilateurs

Il incombe au propriétaire et à l'installateur de déterminer si des exigences et/ou normes additionnelles s'appliquent pour des installations spécifiques.

Sécurité électrique

AVERTISSEMENT

Avant tout raccordement de cordon électrique ou toute mise sous tension, assurez-vous que toutes les commandes sont en position OFF (d'arrêt).

Ne laissez pas le cordon pendre de la table ou du comptoir, ni entrer en contact avec les surfaces chaudes.

Branchez toujours la fiche à l'appareil en premier avant de la raccorder à la prise murale. Pour débrancher l'appareil, mettez tous les boutons de réglage en position « off » (arrêt) et retirez ensuite la fiche de la prise murale.

N'utilisez pas l'appareil avec une fiche ou un cordon endommagé ou encore si l'appareil ne fonctionne pas correctement ou a été endommagé de quelque façon. Il n'est pas sécuritaire d'utiliser un appareil avec une fiche ou un cordon endommagé. Si l'appareil a été endommagé ou qu'il ne fonctionne pas correctement, débranchez l'appareil de l'alimentation électrique de façon sécuritaire et contactez immédiatement un technicien qualifié pour une inspection du produit.

Pour se protéger contre toute décharge électrique, ne pas immerger le cordon, les prises ou d'autres pièces électriques de l'appareil dans de l'eau ou un autre liquide.

Pour les appareils dotés d'un cordon d'alimentation avec fiche, ne pas couper ni enlever la broche de mise à la terre. Pour éviter toute décharge électrique, branchez le cordon sur une prise de courant correspondante avec mise à la terre. En cas de doute concernant la mise à la terre appropriée de la prise murale, le client doit faire vérifier celle-ci par un électricien qualifié. N'utilisez PAS de rallonge ou d'adaptateur.

⚠ IMPORTANTES CONSIGNES DE SÉCURITÉ

LIRE ET CONSERVER CES INSTRUCTIONS

S'il y a lieu, conformément au Code national de l'électricité (ou au Code canadien de l'électricité), cet appareil doit être installé sur un circuit de dérivation séparé.

Installateur – Indiquez au propriétaire l'emplacement du disjoncteur ou du fusible. Identifiez sa position pour pouvoir le retrouver facilement.

AVERTISSEMENT

Avant l'installation, coupez l'alimentation au panneau de service. Verrouillez le panneau de service pour empêcher que l'alimentation ne soit rétablie par accident.

Consultez la plaque signalétique pour de plus amples renseignements. Consultez la section **Plaque signalétique** pour l'emplacement des plaques signalétiques.

Assurez-vous que l'appareil est correctement installé et mis à la terre par un technicien qualifié. L'installation, les raccordements électriques et la mise à la terre doivent être conformes avec tous les codes applicables.

Équipement de sécurité

Retirez le ruban adhésif et l'emballage avant d'utiliser l'appareil. Jetez ou recyclez les matériaux d'emballage en respectant les codes locaux après avoir déballé l'appareil.

N'altérez ni ne modifiez jamais la configuration de l'appareil. Par exemple, n'enlevez pas les panneaux ou les revêtements.

ATTENTION

Pour les unités dotées de panneaux en verre, manipulez le verre avec précaution pour éviter qu'il ne se brise. Les éclats de verre peuvent blesser quelqu'un.

Avertissements conformément à la Proposition 65 de l'État de la Californie

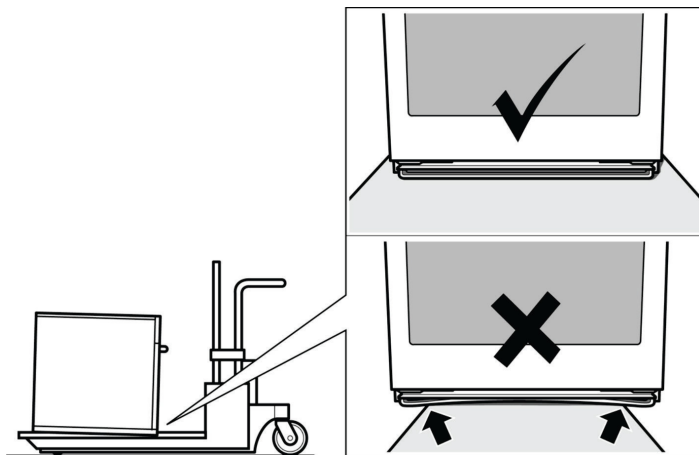
AVERTISSEMENT

Ce produit contient des produits chimiques reconnus par l'État de la Californie comme causant le cancer, des malformations congénitales ou autre effet nocif sur la reproduction.

AVIS DE SÉCURITÉ IMPORTANT : En application de la loi californienne concernant la salubrité de l'eau et la protection contre les substances chimiques (« California Safe Drinking Water and Toxic Enforcement Act »), le gouverneur de Californie est tenu de publier une liste des substances reconnues par l'État de Californie comme étant cancérigènes ou pouvant causer des

malformations ou présenter un danger pour la reproduction, et les entreprises sont tenues d'avertir les consommateurs des risques potentiels d'exposition à de telles substances.

Remarque : Pour éviter tout dommage à l'événement du four, utilisez la méthode de transport illustrée ci-dessous.



Soutenez la partie inférieure du four d'un côté à l'autre en le déplaçant à l'endroit où il doit être installé. Laissez l'unité sur la palette de transport jusqu'à ce qu'elle se trouve devant la cavité de l'armoire, prête à être soulevée pour être mise en place.

Conservez ces instructions.

Fours combinés Bosch

Les fours combinés HSLP751UC, HBL57M52UC, HBL87M52UC, HBL8752UC et HBLP752UC de Bosch sont vendus en ensembles, qui comprennent tous deux modules de four intégrés : un four mural traditionnel (four inférieur) et un four supérieur qui est un four à micro-ondes à cuisson rapide, un four à vapeur et à convection ou un four à micro-ondes.

- Pour faciliter l'installation et améliorer l'alignement, les modules de four sont assemblés chez le consommateur plutôt qu'à l'usine.
- Chaque module est emballé dans une boîte différente, et les modules sont ensuite attachés ensemble avant l'expédition.
- Les fours combinés indiqués ici sont approuvés pour être utilisés dans une seule ouverture, en utilisant une seule connexion électrique.
- Chaque module de four traditionnel est conçu avec une boîte de raccordement installée sur le four, qui est

utilisée pour le branchement du câble d'alimentation du four supérieur.

- L'équipement requis pour installer le four à micro-ondes à cuisson rapide ou le four à vapeur et à convection sur le four traditionnel se trouve dans la boîte du four traditionnel.
- Chaque module de four possède sa propre plaque signalétique, qui comporte son propre numéro de modèle, numéro FD, etc.

Le tableau suivant identifie les numéros de produit de chaque four combiné Bosch et de ses deux modules intégrés.

Seuls les modules des fours combinés Bosch dans les configurations indiquées dans le tableau ci-dessous sont approuvés en agence pour être utilisés dans une seule ouverture, en utilisant une seule connexion électrique. Aucune substitution avec d'autres modèles ne peut être effectuée.

Fours combiné UGS/Modèle	Éléments de fours combinés BOSCH		Référence	
	Four traditionnel	Four à micro-ondes à cuisson rapide ou four à micro-ondes	Combinaison four encastré/four à micro-ondes	Type de four à micro-ondes
HBL57M52UC	HBL5451UC	HMB50152UC	Four combiné et four à micro-ondes Série 500	Four à micro-ondes seul, 120V, 15 A
HBL87M52UC	HBL8451UC	HMB50152UC	Four combiné et four à micro-ondes Série 800	Four à micro-ondes seul, 120V, 15 A
HBL8752UC	HBL8451UC	HMC80252UC	Four + four à micro-ondes à cuisson rapide 240V Série 800	Four à micro-ondes à cuisson rapide avec LCD, 240V 20 A
HBLP752UC	HBLP451UC	HMCP0252UC	Four de référence + four à micro-ondes à cuisson rapide 240V	Four à micro-ondes à cuisson rapide avec TFT, 240V 20 A

Avant de commencer

Outils et pièces nécessaires

- Tournevis à tête Phillips
- Tournevis à tête en étoile (T20)
- Ruban à mesurer
- Perceuse avec mèche (1/8 po)
- Gants
- Couteau utilitaire

Exigences électriques et mise à la terre

La prise de courant doit être correctement mise à la terre selon tous les codes applicables.

Pour de meilleurs résultats d'installation

Le four peut être difficile à manipuler par deux personnes pendant l'installation. Il est recommandé de faire intervenir trois personnes ou plus pour aider à soulever l'appareil afin de le mettre en place.

Le démontage de la porte du four inférieur au cours de l'installation (pour fournir les prises nécessaires et réduire le poids de l'appareil de manière significative) peut s'avérer pénible à moins de suivre à la lettre les instructions de démontage de la porte détaillées. Ne tentez pas de démonter la porte du four à micro-ondes à cuisson rapide ou du four à vapeur et à convection.

Veuillez prendre le temps de lire et de suivre les instructions fournies pour une meilleure expérience d'installation.

Liste de vérification

Utilisez cette liste de vérification pour vérifier que vous avez effectué chaque étape du processus d'installation. Cela peut vous aider à éviter de commettre des erreurs fréquentes.

- Avant d'installer le four, prenez bien soin de vérifier que les dimensions de l'armoire sont correctes pour votre appareil et que les raccordements électriques requis sont présents.
- Consultez ce guide pour prendre connaissance des informations qu'il contient sur la sécurité, les dimensions des armoires, le retrait de l'emballage, l'installation électrique, les tests effectués sur l'installation et le service après-vente.
- Retirez la porte du four inférieur pour réduire le poids de l'appareil et fournir l'accès aux prises nécessaires pour le soulèvement. Consultez la section « Retirer la porte du four inférieur avant l'installation »
- Déplacez les unités du four et les placer devant l'ouverture de l'armoire, en laissant la partie inférieure de l'emballage des unités intacte pour éviter d'endommager le revêtement de sol.

- Dévissez les vis à tête en étoile (taille T-20) qui maintiennent le four à micro-ondes à cuisson rapide ou le four à vapeur et à convection au fond du carton (à l'aide d'un tournevis en étoile).
- Assemblez les deux unités du four combiné. Consultez la section « Pré-assemblage de four combiné ».
- Raccordez le cordon électrique du four inférieur à la boîte de raccordement de l'armoire.
- Dévissez les vis à tête en étoile (taille T-20) qui maintiennent le four inférieur au fond du carton (à l'aide d'un tournevis en étoile).
- Soulevez l'appareil à plusieurs pour le mettre en place directement dans la découpe de l'armoire en veillant à ne pas vous pincer les doigts et à ne pas vous écorcher les mains ou les bras.
- Faites glisser l'unité complètement pour la mettre en place.
- Fixez le four combiné à l'ouverture de l'armoire à l'aide des vis fournies (à l'aide d'un tournevis Phillips).
- Remettez en place la porte du four que vous avez retirée à l'étape 3 ci-dessus.
- Consultez les consignes d'installation dans leur intégralité et suivre le restant des procédures présentées, y compris la réalisation d'un test de fonctionnement.
- INSTALLATEUR – Laissez la documentation et les accessoires à la disposition du client.

Dimensions et exigences concernant les armoires

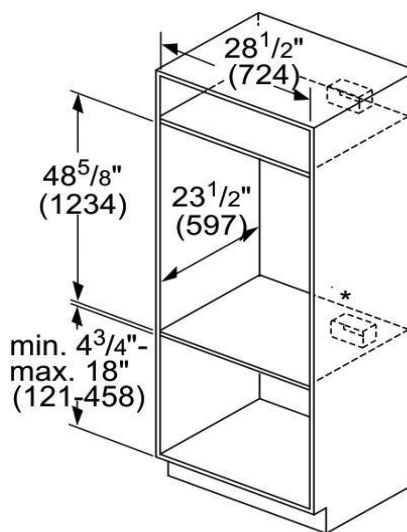
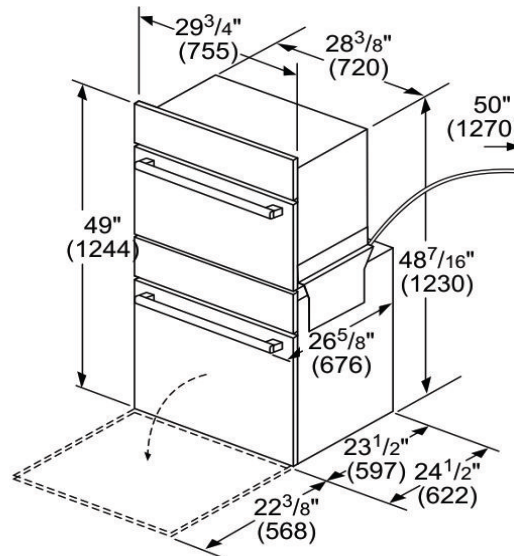
Lors de l'installation du four à l'extrémité d'une série d'armoires, en position adjacente par rapport à un mur ou à une porte d'armoire perpendiculaire, il est bon de laisser un espace d'au moins 6,4 mm (1/4 po) entre le côté du four et le mur ou la porte.

Installez des planches de 5,1 cm (2 po) sur 10,2 cm (4 po) qui s'étendent d'avant en arrière et qui sont de niveau avec le fond et le côté de l'ouverture pour servir de support au four. Cette base de support doit être bien fixée au sol ou à l'armoire et doit être de niveau.

Les boîtes de raccordement peuvent être situées n'importe où, à la portée du câble d'alimentation du four.

La cavité de l'armoire doit être plate et capable de supporter le poids du four combiné qui est d'au moins 195 kg (429 lb).

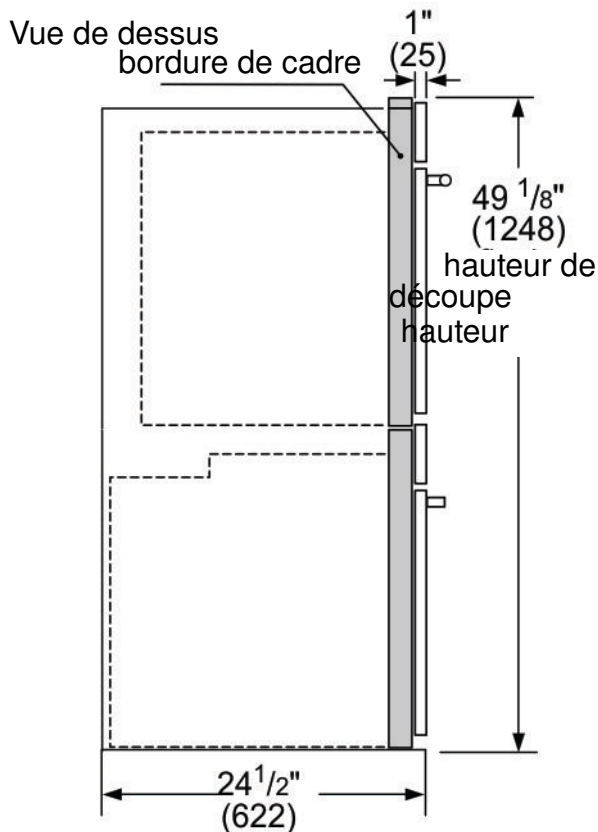
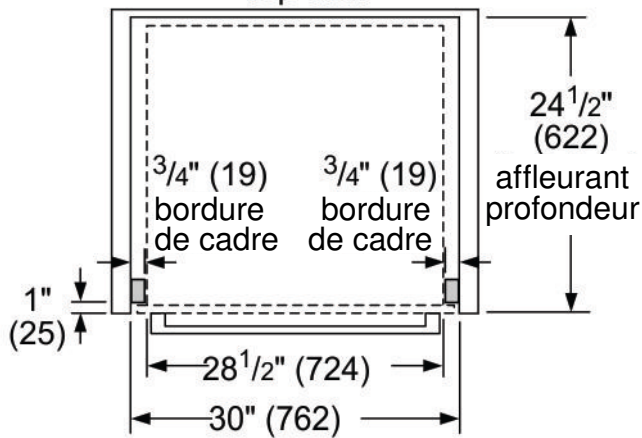
Installation traditionnelle d'un four combiné et d'un four à micro-ondes à cuisson rapide ou d'un four à vapeur et à convection 76 cm (30 po)



Installation encastrée d'un four combiné et d'un four à micro-ondes à cuisson rapide ou d'un four à convection et à vapeur 76 cm (30 po)

Pour une installation affleurée, il est nécessaire de fixer deux cales latérales à l'intérieur du cadre de l'armoire, décalées de l'avant.

Installation encastrée Vue de dessus



mesures en pouces (mm)

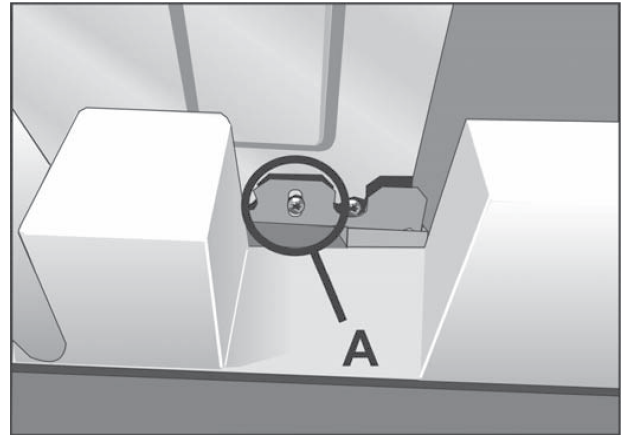
Retrait de l'emballage

1. Coupez les bandes à l'extérieur des boîtes d'emballage.
2. Retirez l'unité supérieur du four combiné de l'emballage et la déposer sur le sol pour que les deux boîtes d'expédition puissent être ouvertes.
3. Effectuez les étapes suivantes pour les deux unités du four combiné.
 - Retirez la boîte en carton en la soulevant à la verticale pour l'enlever de l'unité.
 - Retirez tous les panneaux de carton ainsi que les attaches en mousse placées sur le dessus et les côtés.
 - Placez l'unité (en la laissant sur le socle de transport) devant l'armoire où elle doit être installée.
 - Retirez tous les accessoires, les grilles, le matériel d'emballage et la documentation de la cavité du four.
 - Dévissez les brides d'emballage, tel qu'illustré dans « Retrait des brides d'emballage – côtés gauche et droit ».

Remarques

- Toutes les vis situées près du support de fixation du socle de chaque unité sont à tête en étoile (taille T-20). Il suffit de dévisser la vis qui passe par le trou allongé dans le support de fixation du côté droit et gauche de l'unité pour soulever l'unité du socle de montage. La vis encerclée et indiquée par la lettre (A) dans l'illustration ci-dessous représente la vis qui doit être enlevée.
- Retirez une seule vis de chaque support. Ceci permettra de libérer le four du socle de transport. Ne retirez aucune autre vis du four.

Retrait des brides d'emballage – côtés gauche et droit



Remarque : Les brides réelles peuvent être différentes. La bride reste dans le socle d'emballage. L'unité doit rester sur le socle d'emballage jusqu'à ce qu'elle soit prête à être extraite et placée dans l'ouverture de l'armoire ou sur le four inférieur.

Préparation des fours

Placez les fours devant l'armoire où ils doivent être installés de sorte qu'ils soient dans l'alignement de l'ouverture de l'armoire.

Vérifiez que tout le matériel d'emballage a été retiré de l'unité. Retirez également les accessoires, les grilles de four, la pochette de documentation et tout matériel d'expédition se trouvant à l'intérieur de la cavité du four. Vérifiez les deux fours pour l'installation d'un four double ou d'un four combiné.

Installation

Pré-assemblage de four combiné

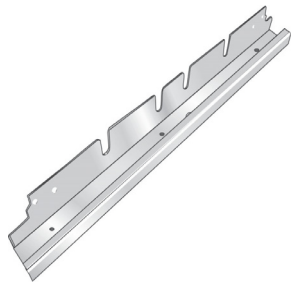
Les fours combinés nécessitent l'assemblage des unités avant que l'appareil combiné ne puisse être installé dans l'armoire murale.

Remarque : La procédure d'installation diffère entre le four à micro-ondes à cuisson rapide et le four à vapeur et à convection pour les fours combinés. Les pièces contenues dans la boîte tubulaire de pièces sont communes aux trois installations.

Pièces fournies

Pièces fournies

Support de raccordement universel (2) (dans la boîte des pièces sur le four)



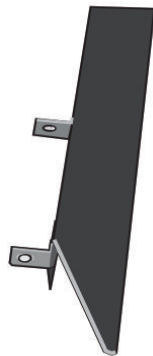
Vis (16) (dans le sac rouge, à l'intérieur de la boîte de pièces, sur le four)



Vis de montage du four 8 vis sont incluses pour fixer la garniture du four à l'armoire. Les vis se trouvent dans un petit sac en plastique accroché à la pochette de documentation.



Pièce de garniture (dans le sac en plastique sur le four)

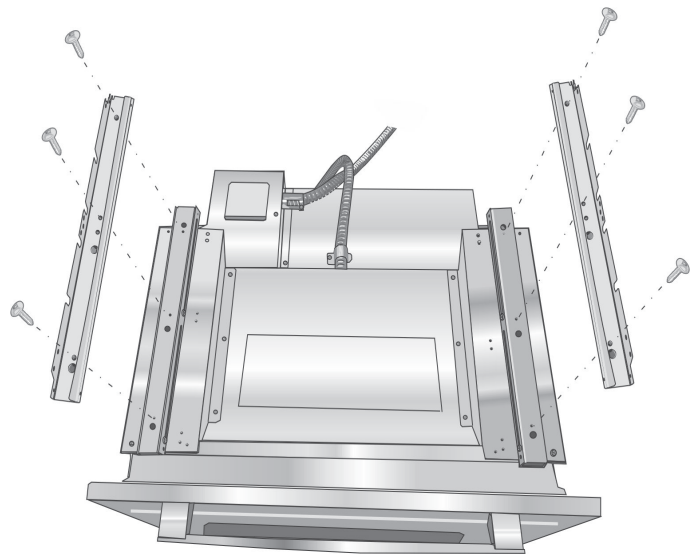


Installation avec four à micro-ondes à cuisson rapide ou avec four à micro-ondes

Remarques

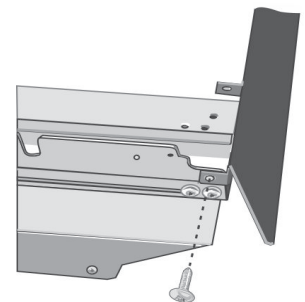
- Installez le four dans l'armoire murale uniquement après avoir monté le four à micro-ondes à cuisson rapide sur le four inférieur à l'aide des supports de raccordement universels.
- Les supports de connexion universels sont interchangeables pour les côtés gauche et droit du four. Veillez à ce que le bord vertical le plus grand du support soit orienté vers l'extérieur du four.

1. Installez les deux supports de raccordement universels sur le dessus du four inférieur à l'aide de six des vis fournies. Serrez les vis à fond, mais sans trop les serrer.

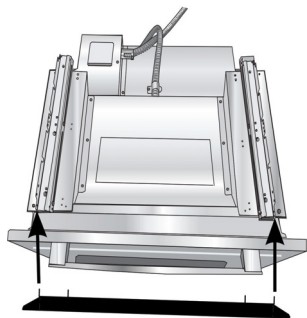


2. Installez la garniture décorative.

Placez la garniture décorative de manière à ce que les brides comportant les trous soient tournées vers l'arrière du four.



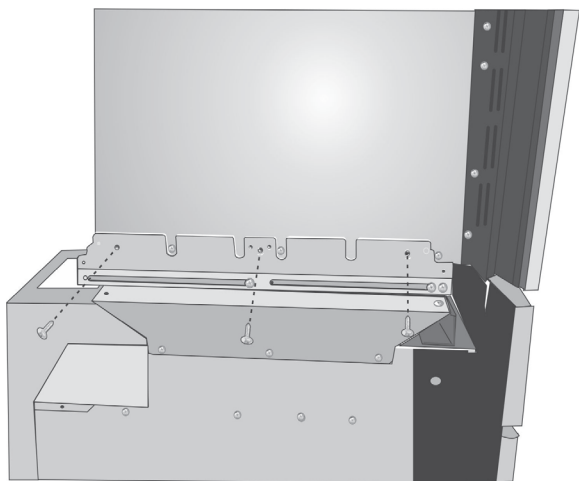
Alignez les brides extérieures avec la partie extérieure des supports universels. Fixez à l'aide d'une vis insérée dans le trou à l'extrémité du support universel.



Serrez les vis à fond, mais sans trop les serrer.

3. Installez le four à micro-ondes à cuisson rapide ou le four à micro-ondes sur les supports de raccordement universels et le fixer en place à l'aide de trois vis pour chaque côté. Serrez les vis à fond, mais sans trop les serrer.

Remarque : Les vis existantes dans les côtés du four à micro-ondes à cuisson rapide facilitent l'alignement. En abaissant le four à micro-ondes à cuisson rapide ou le four à micro-ondes pour le mettre en place sur les supports de connexion universels, laissez les têtes des vis glisser dans les fentes, comme illustré ci-dessous. La vis la plus proche de la face avant du four à micro-ondes à cuisson rapide ou du four à micro-ondes doit glisser dans la base de la partie inclinée à l'avant du support.

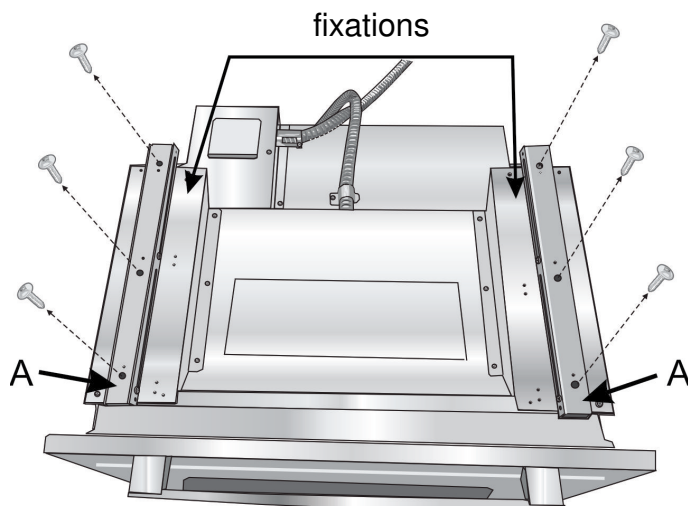


4. Continuez avec « Raccordement du conduit électrique du four à micro-ondes à cuisson rapide ou du four à vapeur et à convection »

Installation avec four à et à convection

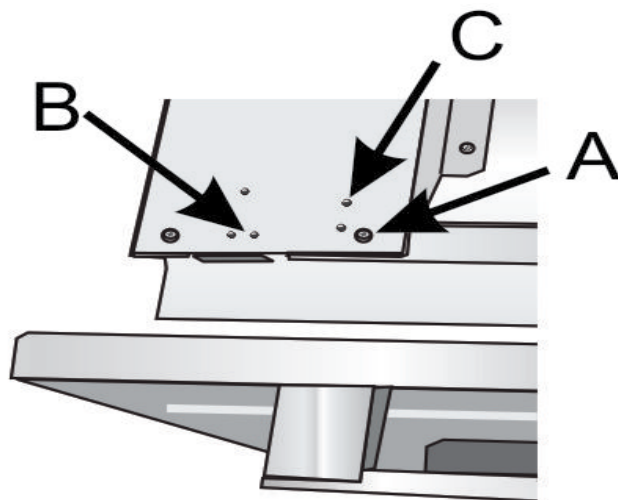
Remarque : Installez le four dans l'armoire murale uniquement après avoir monté le four à vapeur et à convection sur le four inférieur à l'aide des supports de raccordement universels.

1. Enlevez les six vis qui maintiennent les ensembles de glissière pour service mixte (A dans l'illustration suivante) aux supports de fixation. Utilisez un embout de tournevis magnétique pour atteindre les vis à travers les grands trous sur le dessus des glissières.



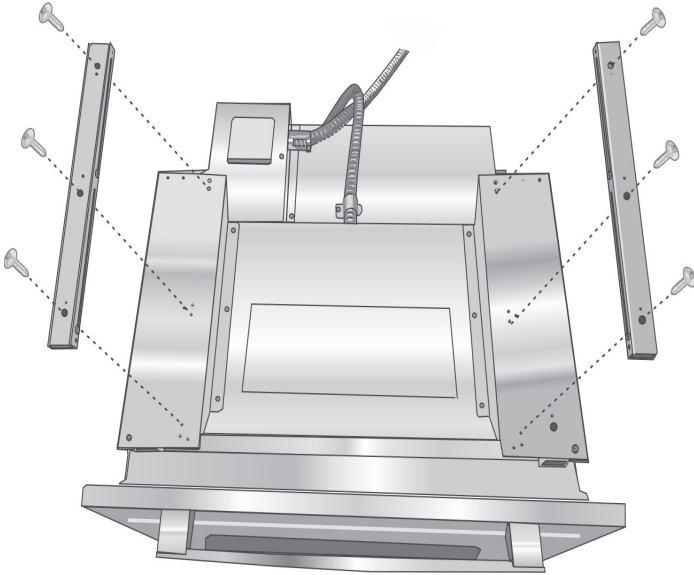
2. La vis en position (A) dans l'illustration ci-dessous (la vis la plus près du bord intérieur, près du panneau de commande) doit être déplacée pour permettre l'installation du support universel. Retirez la vis intérieure (A) du support de fixation gauche et la réintroduire dans le troisième trou (B) depuis le bord intérieur du support de fixation.

Répétez cette opération pour le support de fixation droit.



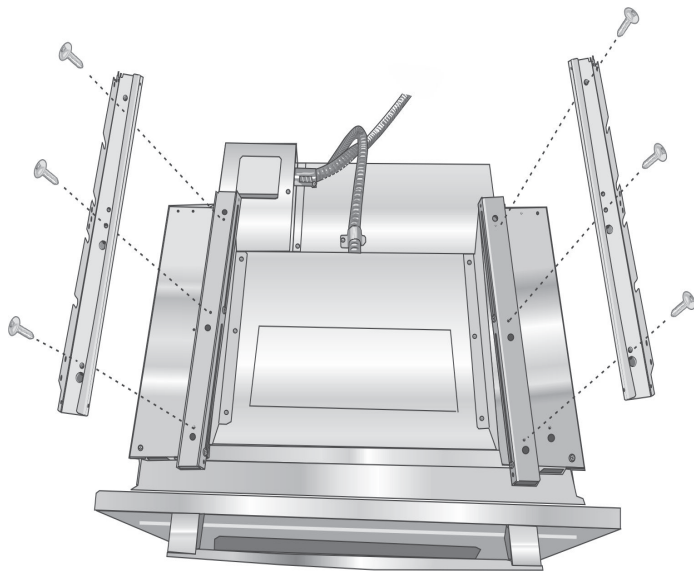
3. Fixez à nouveau les ensembles de glissière à l'aide des trous près du bord intérieur du support de fixation. Alignez l'ensemble de glissière parallèlement au bord du support et introduire la première vis dans le trou (C).

Introduisez les trois vis pour chaque ensemble de glissière. Serrez les vis à fond, mais sans trop les serrer.



Remarque : Lorsque les trous appropriés sont utilisés, la partie avant de la glissière dépassera légèrement du bord du support de fixation, 5 mm (3/16 po). La glissière sera également à environ 12 mm (1/2 po) du bord intérieur du support.

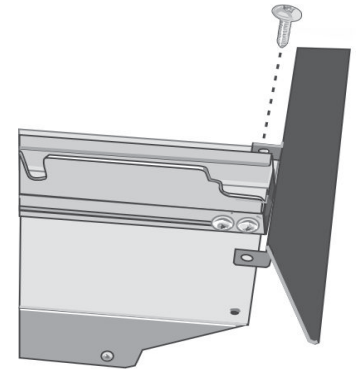
4. Montez les deux supports de raccordement universels sur les ensembles de glissières à l'aide des vis fournies. Serrez les vis à fond, mais sans trop les serrer.



Remarque : Les supports de connexion universels sont interchangeables pour les côtés gauche et droit du four. Veillez à ce que le bord vertical le plus grand du support soit tourné vers l'extérieur du four.

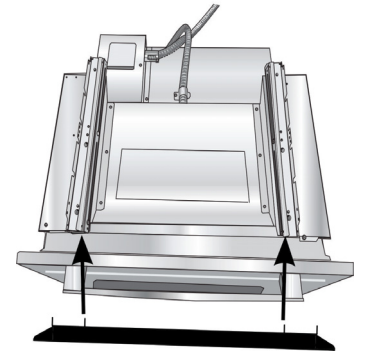
5. Installez la garniture décorative.

Placez la garniture décorative de manière à ce que les brides comportant les trous soient tournées vers l'arrière du four.



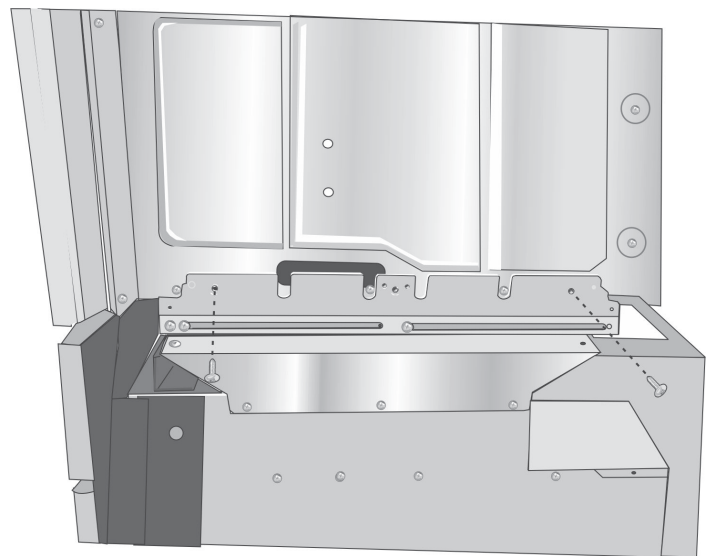
Alignez les brides intérieures avec la partie intérieure des supports universels. Fixez à l'aide d'une vis insérée dans le trou à l'extrémité du support universel.

Serrez les vis à fond, mais sans trop les serrer.



6. Installez le four à vapeur et à convection sur les supports de raccordement universels et le mettez-le en place à l'aide de deux vis pour chaque côté. Serrez les vis à fond, mais sans trop les serrer.

Remarque : Les vis existantes situées sur les parois du four à vapeur et à convection facilitent l'alignement. En abaissant le four à convection et à vapeur pour le mettre en place sur le support de connexion universel, laissez les têtes des vis glisser dans les fentes comme illustré ci-dessous. La vis la plus proche de la face avant du four à vapeur et à convection doit glisser dans la base de la partie inclinée à l'avant du support.



7. Continuez avec « Raccordement du conduit électrique du four à micro-ondes à cuisson rapide ou du four à vapeur et à convection »

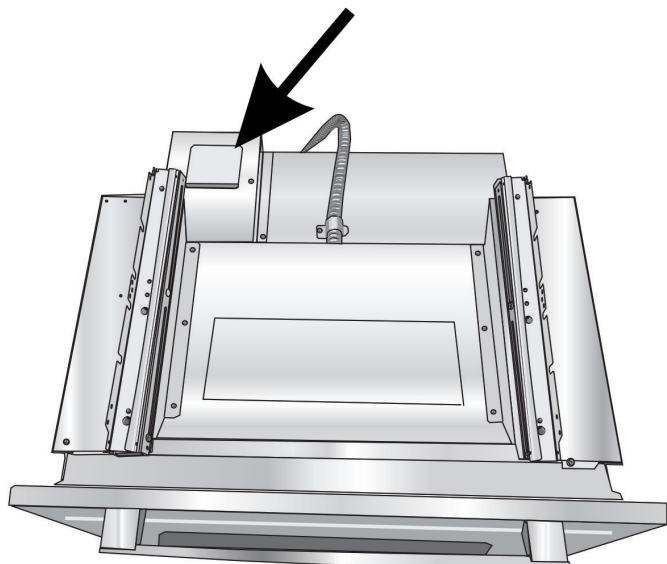
Raccordement du conduit électrique du four à micro-ondes à cuisson rapide ou du four à vapeur et à convection au four inférieur

Remarque : Lorsque vous installez un appareil combiné, le câble d'alimentation du four à micro-ondes à cuisson rapide ou du four à vapeur et à convection doit être branché de manière adéquate à la boîte de raccordement montée sur le four. Cela doit être fait avant de fournir l'alimentation électrique au four.

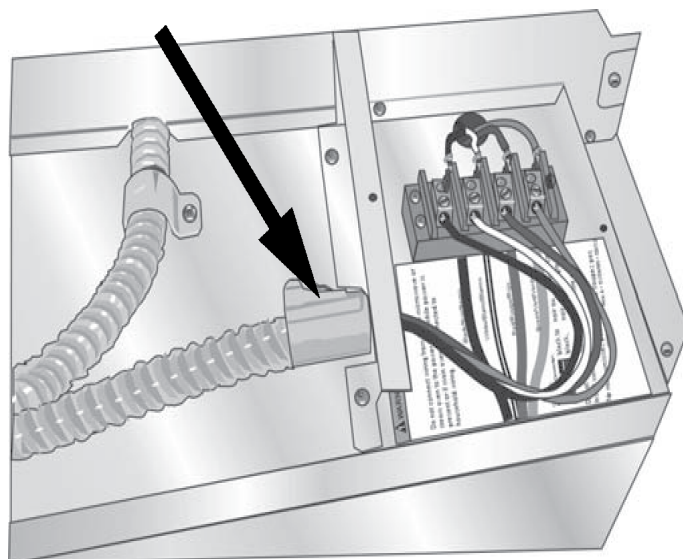
▲ AVERTISSEMENT

Vérifiez que l'alimentation électrique du four est bien coupée.

1. Enlevez le couvercle de la boîte de raccordement montée sur le four située sur la partie supérieure du four, à l'arrière. (Voir l'illustration ci-dessous).



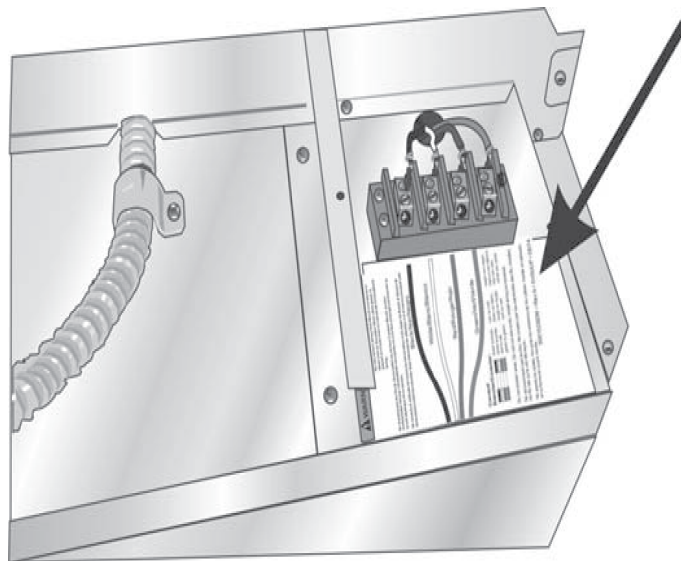
2. Enlevez le couvercle de l'orifice d'accès au conduit sur le côté de la boîte de raccordement montée sur le four.
3. Guidez les fils du câble de raccordement (venant du four à micro-ondes à cuisson rapide ou du four à vapeur et à convection) à travers le trou de la boîte de raccordement montée sur le four. (Voir l'illustration ci-dessous). Il y a quatre fils pour un four à micro-ondes à cuisson rapide ou trois fils pour un four à vapeur et à convection (il n'y pas de fil blanc pour un four à vapeur et à convection).



4. Encastrez le raccord de conduit dans le trou en enfonçant jusqu'à ce qu'il se mette en place avec un déclic.
5. Suivez les indications de l'étiquette du schéma de câblage (voir la flèche sur l'illustration) et faites correspondre et brancher chaque fil selon sa couleur aux fils reliés à la borne à l'intérieur de la boîte de raccordement montée sur le four. Introduisez l'extrémité dénudée de chaque fil jusqu'à ce qu'elle soit bien encastrée dans la borne, puis serrer la vis de retenue sur chaque fil.

Serrez à fond, mais sans trop serrer.

Consultez l'illustration précédente de l'étape 3 pour obtenir une idée de l'apparence finale.



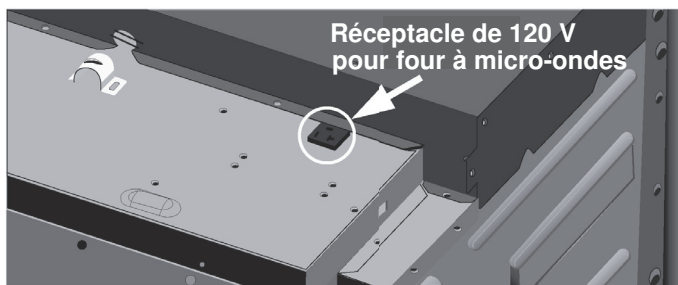
6. Remettez en place le couvercle de la boîte de raccordement montée sur le four et serrer les deux vis qui la maintiennent en place.

Serrez à fond, mais sans trop serrer.

Modèles de fours à micro-ondes

Les modèles de fours à micro-ondes HBL57M52UC, HBL87M52UC le combiné de four à micro-ondes a un récipient de 120 Volts.

Remarque : Le récipient de 120V sert de source d'alimentation pour le four à micro-ondes HMB50152UC.



Installation du four à micro-ondes ou du four à micro-ondes à cuisson rapide

Pour les modèles de fours à micro-ondes HBL57M52UC, HBL87M52UC, reportez-vous au précédent chapitre sur l'installation.

Installation électrique d'un four combiné – Instructions de mise à la terre

Le four combiné assemblé doit être déplacé devant l'ouverture de l'armoire et le câble d'alimentation du four inférieur doit être branché à la boîte de raccordement de l'armoire.

Tous les modèles de four mentionnés sur la couverture avant du présent manuel d'installation sont à double intensité et conçus pour être connectés sur un réseau électrique monophasé à 4 fils de 208 ou 240 V CA, 60 Hz.

Modèle	Circuit requis
HBL57M52UC	208V, 60 Hz/ 240V, 60 Hz 40 A
HBL87M52UC	
HBL8752UC	
HBLP752UC	

L'alimentation électrique doit être un courant alternatif monophasé à 4 fils. Installez une boîte de raccordement appropriée (non fournie). Un raccord de conduit listé UL de taille appropriée doit être utilisé pour fixer correctement le conduit à la boîte de raccordement.

Remarque : Les codes locaux peuvent varier. L'installation, les raccordements électriques et la mise à la terre doivent être conformes avec tous les codes locaux applicables.

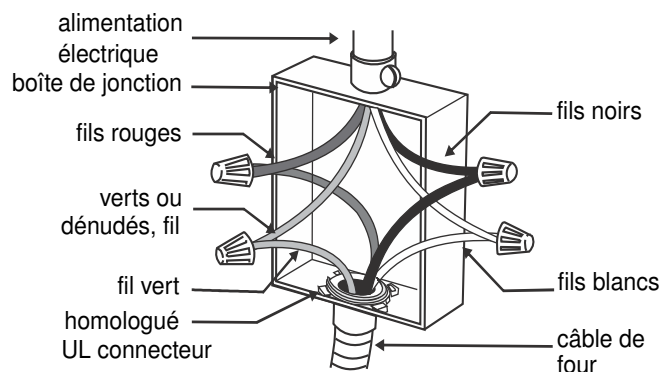
Si les codes locaux autorisent la mise à la terre au moyen d'un point neutre d'alimentation électrique, connectez à la fois le fil neutre blanc et le fil de terre vert du four au fil d'alimentation électrique neutre blanc.

Raccordement électrique à l'alimentation principale

Le raccordement à quatre fils est privilégié, mais là où les codes locaux l'autorisent, un raccordement à trois fils est également acceptable.

Raccordement à quatre fils

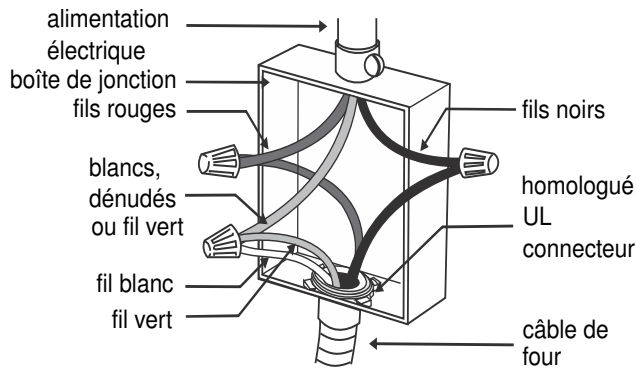
Neutre non mis à la terre



- Raccordez le fil rouge du four au fil d'alimentation électrique rouge (fil sous tension).
- Raccordez le fil noir du four au fil d'alimentation électrique noir (fil sous tension).
- Raccordez le fil neutre blanc du four au fil d'alimentation électrique neutre blanc (pas au fil de mise à la terre nu ou vert).
- Raccordez le fil de mise à la terre vert du four au fil de mise à la terre nu ou vert de l'alimentation électrique.

Raccordement à trois fils

Neutre mis à la terre



- Raccordez le fil rouge du four au fil rouge dans la boîte de raccordement.
- Raccordez le fil noir du four au fil noir dans la boîte de raccordement.
- Branchez le fil vert de mise à la terre et le fil blanc du four au fil blanc, vert ou dénudé mis à la terre dans la boîte de raccordement.

Le câble de raccordement, au niveau du four, pivote. Faites pivoter le câble de raccordement vers le haut (ou vers le bas) et faites passer celui-ci à travers le trou préparé dans l'armoire pour le fixer à la boîte de raccordement.

Pour faciliter l'entretien, le conduit flexible ne doit pas être raccourci et doit être acheminé de manière à faciliter le déplacement provisoire du four.

Installation du four combiné dans l'armoire murale

AVIS

- Avant d'installer le four combiné, prenez soin de vérifier les dimensions de l'armoire ainsi que les raccordements électriques.
- Vérifiez que l'ouverture de l'armoire est de niveau et à l'équerre pour assurer une installation correcte.

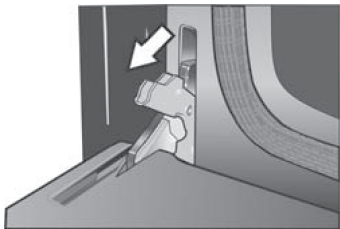
Retirez la porte du four inférieur avant l'installation

Il est recommandé de retirer la porte du four traditionnel (inférieur) pour réduire le poids de l'appareil et fournir un meilleur accès aux leviers de fermeture situés à l'intérieur du four. Ne tentez pas d'enlever les portes du four à micro-ondes, du four à micro-ondes à cuisson rapide ou du four à vapeur et à convection.

⚠ AVERTISSEMENT

- La porte du four est lourde et fragile. Enlevez-la à deux mains. Le devant de la porte est en verre. Manipulez avec précautions pour éviter les cassures.
- Saisissez uniquement les côtés de la porte. Ne saisissez pas la poignée, car elle peut pivoter dans la main et causer des dommages ou des blessures.
- Si la porte du four n'est pas saisie fermement et correctement, il y a un risque de lésion corporelle ou de dommage à l'appareil.
- Pour éviter toute blessure causée par l'enclenchement soudain du support de charnière, assurez-vous que les deux leviers sont bien enclenchés avant d'enlever la porte. En outre, ne forcez pas la porte pour l'ouvrir ou la fermer, car la charnière risque de s'abîmer et vous pourriez vous blesser.
- Après avoir démonté la porte, ne la posez pas sur des objets acérés ou pointus car ceux-ci risquent de briser la vitre. Disposez la porte sur une surface plane et lisse afin qu'elle ne risque pas de tomber.

Assurez-vous de lire tous les avertissements et précautions figurant dans le manuel d'installation concernant le retrait de la porte avant toute tentative de retirer la porte.



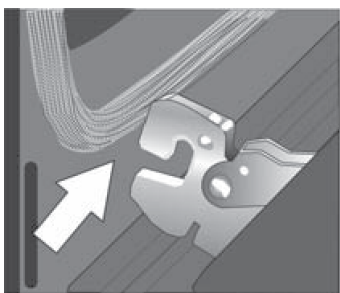
Ouvrez la porte complètement.

Basculez les leviers de fermeture des charnières vers soi.

Tout en maintenant fermement la porte des deux côtés à deux mains, fermer délicatement la porte jusqu'à ce qu'elle vienne buter contre les leviers de fermeture, à environ 30° de la position fermée.



Soulevez soigneusement la porte pour la sortir des fentes des charnières. Maintenez-la fermement; la porte est lourde.



Placez la porte sur une surface facilement accessible et stable jusqu'à ce que vous soyez prêt(e) à la remettre en place. Posez la porte sur une serviette ou une section de rembourrage de protection en mousse pour éviter d'endommager la porte ou le sol.



Soulèvement approprié du four

⚠ ATTENTION

Il est recommandé de porter des gants et des manches longues pour protéger les mains et les avant-bras contre les écorchures et les éraflures pouvant survenir pendant l'opération de soulèvement de l'appareil. Il est également recommandé d'enlever montres et bijoux et de porter des chaussures de travail pendant l'installation pour se protéger les pieds.

⚠ ATTENTION

Trois personnes ou l'équipement approprié sont requis pour soulever de façon sécuritaire le four combiné dans l'ouverture de l'armoire.

AVIS : NE tentez PAS de soulever l'appareil par l'élément supérieur du four.

Il existe un rebord en travers de la partie supérieure avant de la cavité du four. Soulevez l'appareil en saisissant ce rebord d'une main après avoir placé l'autre main à l'arrière de l'appareil (pour les personnes qui aident en soulevant simultanément les côtés de l'appareil). Si une troisième personne soulève l'appareil par le devant, elle devra se servir des deux mains pour saisir l'appareil à l'endroit où se trouve ce rebord.



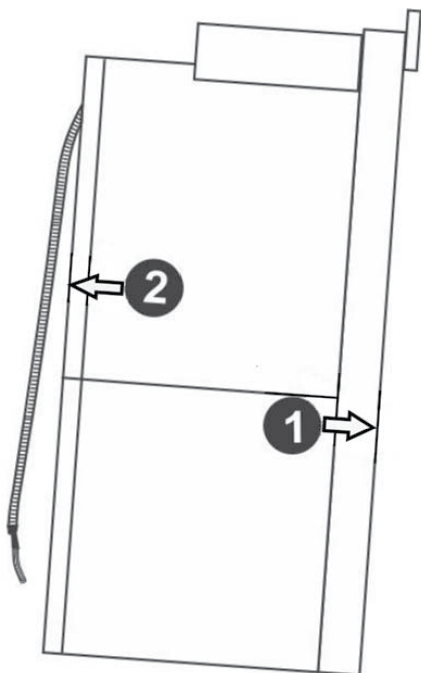
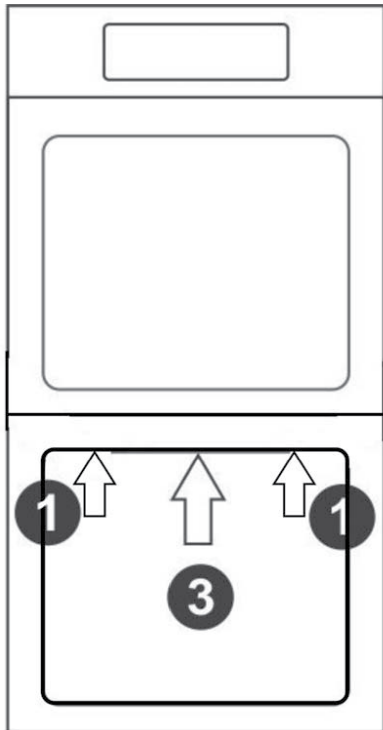
Recommandations concernant le soulèvement

Emplacements de soulèvement (avec porte du four inférieur retirée).

Les points de soulèvement (1) à l'avant de l'appareil sont utilisés pour le soulèvement depuis les côtés de l'appareil. Le point de soulèvement (3) à l'avant de l'appareil est utilisé par une troisième personne à laquelle on a recours pour soulever l'appareil.

Le point de soulèvement (2) à l'arrière de l'appareil indique l'emplacement de la main opposée pour les personnes qui aident à soulever l'appareil depuis les côtés. Ajustez l'emplacement au besoin pour faciliter l'opération de soulèvement de l'appareil.

Portez des gants, une chemise à manches longues et évitez les arêtes vives afin de réduire le risque de coupure ou les éraflures sur les bras ou les mains.

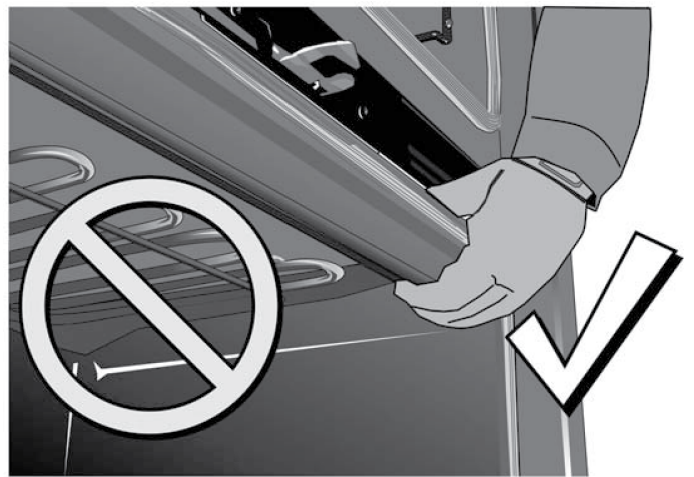


Installation du four combiné dans l'ouverture de l'armoire

⚠ ATTENTION

Pour éviter d'endommager la porte, ne pas soulever, tirer ni pousser l'appareil au cours de l'installation en utilisant la poignée de la porte du four comme point de prise.

En soulevant l'unité combinée pour la mettre en place, éviter de saisir l'élément supérieur pour éviter de l'abîmer. Voir l'illustration suivante pour connaître le point de soulèvement approprié. Cette illustration montre une vue détaillée de la cavité du four. Notez l'emplacement du rebord à l'intérieur de la partie supérieure de la cavité. C'est à cet endroit que l'on doit saisir l'unité combinée de l'avant pour la soulever.



Installation du four dans l'armoire

1. Soulevez le four combiné dans l'ouverture de l'armoire en empêchant le socle d'entrer en contact avec le sol.
2. Guidez l'appareil directement vers l'arrière dans l'ouverture de l'armoire.

Remarque : Faites attention à ne pas pincer le conduit flexible entre le four et la paroi arrière de l'armoire. Si nécessaire, guidez le conduit flexible dans le trou d'accès de la paroi ou de l'armoire en veillant à ce qu'il ne fasse pas obstacle à l'encastrement complet de l'appareil à l'intérieur de l'armoire. Le four doit être droit et à niveau.

3. Poussez l'appareil tout droit jusqu'à ce que la garniture du four soit de niveau avec la face avant de la garniture de l'armoire.
4. Installez les vis fournies dans les trous taraudés de la garniture (4 vis).

Remettre les portes du four inférieur en place

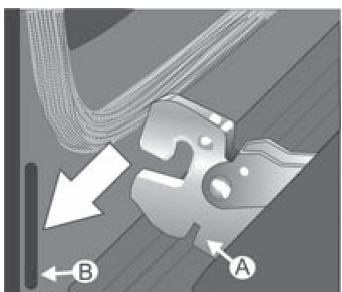
Maintenez la porte fermement des deux mains.

Maintenez la porte à un angle de 30 ° par rapport à sa position fermée (ouverture en haut d'environ 18 cm [7 po]).

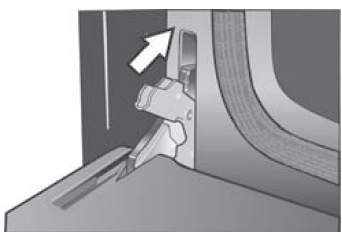


Insérez les charnières dans les fentes.

Il faudra peut-être secouer légèrement la porte d'avant en arrière pour placer le pied de la charnière. La porte devrait s'abaisser d'environ 2 cm (¾ po) et s'arrêter. Si ce n'est pas le cas, les charnières ne sont pas engagées de façon appropriée et la porte pourrait tomber si elle est relâchée. Il faudra peut-être retirer et remettre la porte jusqu'à ce que les charnières soient complètement engagées dans les fentes.



Ouvrez la porte toute grande pour exposer les charnières, les leviers de fermeture et les fentes.



Poussez les loquets à levier vers le haut jusqu'à ce qu'ils s'enclenchent dans les fentes, affleurant à l'avant du four.

Fermez et ouvrez la porte lentement pour s'assurer qu'elle est correctement et solidement installée. Elle doit être droite.

Avant d'appeler le service de dépannage

Reportez-vous au manuel d'utilisation et d'entretien de chaque unité du four combiné pour obtenir des informations concernant le dépannage. Consultez l'énoncé de garantie limitée du produit dans le manuel d'utilisation et d'entretien.

Pour contacter un technicien de dépannage, consultez les coordonnées sur la couverture avant du Manuel

d'utilisation et d'entretien. Lorsque vous téléphonez, soyez prêt à fournir les informations imprimées sur la plaque signalétique de votre produit.

Plaque signalétique

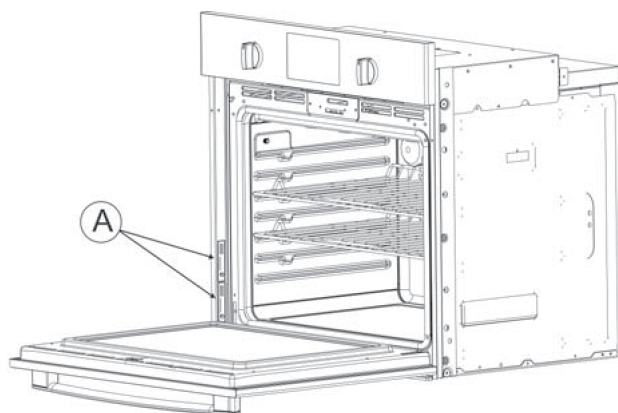
Chaque élément du four combiné comporte sa propre plaque signalétique.

La plaque signalétique comporte le numéro de modèle, le numéro FD et le numéro de série. Consultez la plaque signalétique lors d'une demande de dépannage. L'emplacement de la plaque signalétique varie selon le modèle du four.

Plaque signalétique du four inférieur

Remarques

- Les plaques signalétiques (A) du four inférieur et du four à vapeur et à convection se trouvent sur le côté gauche de la garniture de porte.
- La plaque signalétique (A) du four à micro-ondes à cuisson rapide se trouve sur le côté droit de la garniture de porte.



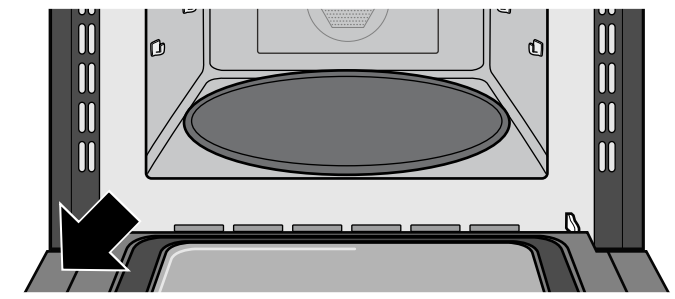
Plaque signalétique du four à vapeur et à convection



Plaque signalétique du four à micro-ondes à cuisson rapide ou du four à micro-ondes

La plaque signalétique affiche le modèle et le numéro de série. Consultez la plaque signalétique de l'appareil lorsque vous sollicitez une réparation.

La plaque signalétique se trouve à l'intérieur de la porte du four.



Índice

Definiciones de seguridad	38	Conectar el conducto eléctrico conduit del horno rápido o del horno de aire caliente y vapor al horno inferior	49
INSTRUCCIONES DE SEGURIDAD IMPORTANTES ..	39	Modelos de microondas	50
Seguridad de manejo del electrodoméstico	39	Instalación eléctrica del horno de funcionamiento combinado: instrucciones de conexión a tierra	50
Códigos y normas de seguridad	39	Conexión eléctrica a la fuente de alimentación principal	50
Seguridad eléctrica	39	Conexión de cuatro cables	50
Seguridad del equipo relacionado	40	Conexión de tres cables	51
Hornos de funcionamiento combinado de Bosch	41	Instalar el horno de funcionamiento combinado en el gabinete de pared	51
Antes de empezar	42	Quitar la puerta del horno inferior antes de la instalación.	51
Herramientas y piezas necesarias	42	Levantar correctamente el horno de funcionamiento combinado	52
Requisitos de potencia y de conexión a tierra	42	Recomendaciones de levantamiento	52
Para una mejor instalación	42	Colocar el horno de funcionamiento combinado en la abertura del gabinete	53
Lista de comprobación	42	Instalar el horno en el gabinete	53
Requisitos de medidas del gabinete	43	Volver a instalar la puerta del horno inferior	53
Instalación tradicional del horno de funcionamiento combinado y del horno rápido u horno de aire caliente y vapor de 30"	43	Antes de llamar al servicio técnico	54
Instalación enrasada del horno de funcionamiento combinado y del horno rápido u horno de aire caliente y vapor de 30"	44	Etiqueta de clasificación	54
quitar el embalaje	45	Etiqueta de clasificación del horno inferior	54
Extraer las placas de fijación del embalaje de los laterales derecho e izquierdo	45	Etiqueta de clasificación del horno de aire caliente y vapor	54
Preparar los hornos	45	Etiqueta de clasificación del horno rápido y microondas	55
Instalación	46		
Pre-ensamblado del horno de funcionamiento combinado	46		
Piezas suministradas	46		
Instalación con el horno rápido o microondas	46		
Instalación con el horno de aire caliente y vapor	47		

Este electrodoméstico de Bosch es hecho por
BSH Home Appliances Corporation
1901 Main Street, Suite 600
Irvine, CA 92614

¿Preguntas?

1-800-944-2904

www.bosch-home.com/us

¡Esperamos oír de usted!

Definiciones de seguridad

▲ ADVERTENCIA

Esto indica que pueden producirse heridas graves o incluso la muerte si no se cumple con esta advertencia.

▲ ATENCION

Esto indica que pueden producirse heridas leves o moderadas si no se cumple con esta advertencia.

AVISO: Esto indica que pueden producirse daños en el aparato o en los bienes si no se cumple con este aviso.

Nota: Esto alerta sobre información o sugerencias importantes.

INSTRUCCIONES DE SEGURIDAD IMPORTANTES

LEA Y CONSERVE ESTAS INSTRUCCIONES

IMPORTANTE: CONSERVAR ESTAS INSTRUCCIONES PARA QUE LAS USE EL INSPECTOR DE ELECTRICIDAD LOCAL.

INSTALADOR: DEJAR ESTAS INSTRUCCIONES DE INSTALACIÓN JUNTO A LA UNIDAD PARA EL PROPIETARIO.

PROPIETARIO: CONSERVAR ESTAS INSTRUCCIONES PARA REFERENCIA FUTURA.

ADVERTENCIA

Su nuevo electrodoméstico ha sido diseñado para ser seguro y confiable si recibe el cuidado adecuado. Leer atentamente todas las instrucciones antes de usarlo. Estas precauciones reducirán el riesgo de quemaduras, descarga eléctrica, incendio y heridas a personas. A la hora de utilizar electrodomésticos de cocina se deben tomar precauciones de seguridad básicas, incluidas las que se encuentran en las páginas siguientes.

ADVERTENCIA

No reparar, sustituir ni quitar ninguna pieza del electrodoméstico a menos que se recomiende de forma específica en los manuales. Una instalación, servicio o mantenimiento inadecuados pueden causar lesiones o daños materiales. Consultar este manual para recibir ayuda. Todos los demás servicios debe realizarlos un agente autorizado.

Seguridad de manejo del electrodoméstico

ATENCIÓN



- La unidad es pesada y se requieren al menos dos personas o un equipo adecuado para trasladarla.
- No levantar el aparato tomándolo del jaladera de la puerta.
- Las superficies ocultas pueden tener bordes filosos. Proceder con cuidado al intentar sujetar el electrodoméstico por la parte trasera o desde abajo.

Códigos y normas de seguridad

Este electrodoméstico cumple con la última versión de una o varias de las siguientes normas:

- UL 858, estufas eléctricas de uso doméstico
- UL 923, electrodomésticos de cocción con microondas
- UL 507, la norma de seguridad de ventiladores eléctricos
- CAN/CSA-C22.2 N°. 113-M1984 ventiladores y ventilaciones

Es responsabilidad del propietario y del instalador determinar si se aplican otros requisitos o normas en instalaciones específicas.

Seguridad eléctrica

ADVERTENCIA

Antes de enchufar un cable eléctrico o activar el suministro eléctrico, asegurarse de que todos los controles están en la posición OFF.

No dejar que el cable de alimentación cuelgue sobre el borde de la mesa o cubierta ni que toque superficies calientes.

Siempre conectar primero el enchufe al electrodoméstico y después conectar el cable al tomacorriente de la pared. Para desconectar, poner en «apagado» cualquier control y después quitar el enchufe del tomacorriente de la pared.

No poner en funcionamiento ningún electrodoméstico con un cable o enchufe dañado ni después de que el electrodoméstico presente un mal funcionamiento o si el electrodoméstico se ha dañado de cualquier otra forma. No es seguro poner en funcionamiento ningún electrodoméstico que tenga un cable o el enchufe dañados. Si el electrodoméstico se ha dañado o no funciona correctamente, desconectarlo con seguridad del suministro de alimentación eléctrica y después ponerse en contacto de inmediato con el servicio autorizado para que revise el producto.

Para protegerse contra una descarga eléctrica, no sumergir el cable, los enchufes ni ninguna otra pieza eléctrica en agua u otros líquidos.

Para aquellos electrodomésticos provistos de cable y enchufe, no cortar ni retirar la pata de conexión a tierra. Esta debe estar enchufada en un receptáculo adecuado de conexión a tierra para evitar descargas eléctricas. Si se tienen dudas acerca de si el enchufe de la pared tiene una conexión a tierra adecuada, el cliente debería

⚠ INSTRUCCIONES DE SEGURIDAD IMPORTANTES

LEA Y CONSERVE ESTAS INSTRUCCIONES

pedirle a un electricista calificado que lo compruebe. NO USAR un adaptador ni una extensión eléctrica.

Si el Código Nacional Eléctrico (o el Código Eléctrico Canadiense) así lo exige, este electrodoméstico debe instalarse en un circuito dedicado por separado.

Instalador: mostrar al propietario la ubicación del breaker o del fusible. Marcarla para recordarla más fácilmente.

ADVERTENCIA

Antes de realizar la instalación, desconectar la alimentación eléctrica en el panel de servicio. Bloquear el panel de servicio para impedir que se conecte accidentalmente la alimentación eléctrica.

Para obtener más información, consultar la etiqueta de clasificación. Ver la sección **Etiqueta de clasificación** para ver la ubicación de la etiqueta de clasificación.

Asegurarse de que el aparato está correctamente instalado y conectado a tierra por un técnico autorizado. La instalación, las conexiones eléctricas y la conexión a tierra deben cumplir con todas las normas correspondientes.

Seguridad del equipo relacionado

Retirar toda la cinta y el embalaje antes de usar el electrodoméstico. Desechar o reciclar el material de embalaje de forma acorde con las normas locales tras desempaquetar el electrodoméstico.

No modificar ni alterar la estructura del electrodoméstico. Por ejemplo, no retirar paneles ni cubiertas.

ATENCIÓN

En el caso de unidades con paneles de cristal, tener cuidado al manejarlos para evitar que se rompan. El cristal roto puede causar una lesión tipo laceración.

Advertencias en virtud de la Proposición 65 del Estado de California

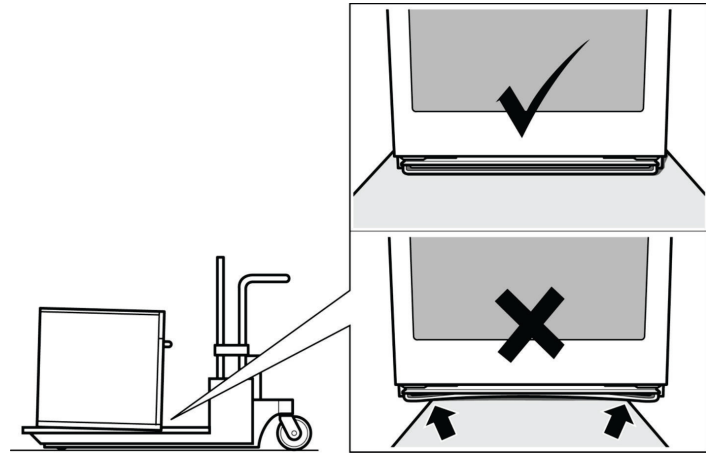
ADVERTENCIA

Este producto contiene sustancias químicas que el estado de California sabe que provocan cáncer, defectos congénitos u otro daño reproductivo.

INFORMACIÓN IMPORTANTE DE SEGURIDAD: la Ley de aplicación de líquidos potables y tóxicos exige que el gobernador de California publique una lista de sustancias conocidas que se sabe que provocan cáncer, defectos congénitos u otros daños reproductivos y exige

a las empresas que adviertan a sus clientes de la exposición potencial a dichas sustancias.

Nota: Para evitar daños en la ventilación del horno, usar el método de transporte que se muestra en la siguiente imagen.



Sostener la parte inferior del horno de lado a lado al moverla a la ubicación de la instalación. Dejar la unidad fijada a la plataforma de envío hasta que se encuentre delante de la abertura del gabinete, preparada para colocarla en su sitio.

Guardar estas instrucciones.

Hornos de funcionamiento combinado de Bosch

Los hornos de funcionamiento combinado de Bosch HSLP751UC, HBL57M52UC, HBL87M52UC, HBL8752UC y HBLP752UC se venden como conjuntos y cada uno incluye dos componentes de horno integrados: un horno de pared tradicional (horno inferior) y un horno superior que puede ser un horno rápido integrado, un horno de aire caliente y vapor o un microondas.

- Para facilitar la instalación y mejorar el nivelado, los componentes del horno se ensamblan en la casa del cliente en vez de en la fábrica.
- Cada componente está empaquetado en cajas separadas, que se juntan antes del envío.
- Los hornos de funcionamiento combinado que se mencionan aquí están aprobados para su uso en un hueco único mediante una sola conexión.
- Cada componente de horno tradicional está diseñado con una caja de conexiones montada en el horno en

la parte superior, que se usa para conectar el cable de salida del horno superior.

- El equipo necesario para instalar el horno rápido o el horno de aire caliente y vapor encima del horno tradicional se encuentra dentro de la caja del horno tradicional.
- Cada componente tiene su propia etiqueta de clasificación, el número de modelo del componente, el número de FD, etc.

En la siguiente tabla se identifica cada SKU de horno de funcionamiento combinado y sus dos componentes integrados.

Solo los componentes de horno de funcionamiento combinado de Bosch que se muestran en las configuraciones que aparecen en la siguiente tabla están aprobados por una agencia para su uso en un hueco único mediante una sola conexión. Los otros modelos no se pueden sustituir.

Horno de funcionamiento combinado SKU/Modelo	Componentes del horno de funcionamiento combinado de BOSCH		Referencia	
	Horno tradicional	Horno rápido o microondas	Combinación de microondas/horno integrado	Tipo de microondas
HBL57M52UC	HBL5451UC	HMB50152UC	Serie 500 Combinación de horno y microondas	Solo microondas, 120 V, 15 A
HBL87M52UC	HBL8451UC	HMB50152UC	Serie 800 Combinación de horno y microondas	Solo microondas, 120 V, 15 A
HBL8752UC	HBL8451UC	HMC80252UC	Serie 800 Horno + microondas rápido de 240 V	Microondas rápido con LCD, 240 V, 20 A
HBLP752UC	HBLP451UC	HMCP0252UC	Referencia Horno + microondas rápido de 240 V	Microondas rápido con TFT, 240 V, 20 A

Antes de empezar

Herramientas y piezas necesarias

- Destornillador de cabeza Phillips
- Destornillador de estrella (T20)
- Cinta métrica
- Taladro con broca (1/8")
- Guantes
- Cúter

Requisitos de potencia y de conexión a tierra

El enchufe debe tener la conexión a tierra adecuada de conformidad con todas las normas aplicables.

Para una mejor instalación

Puede ser difícil que dos personas manejen el horno durante la instalación. Se recomienda que estén disponibles tres personas o más para ayudar a levantar la unidad y colocarla en su sitio.

La extracción de la puerta inferior del horno (para reducir el peso de la unidad y para proporcionar los puntos de agarre necesarios) puede ser complicada a no ser que se sigan cuidadosamente las instrucciones detalladas de extracción de la puerta. No intentar quitar la puerta del horno rápido ni la puerta del horno de aire caliente y vapor.

Tomarse su tiempo para leer y seguir las instrucciones proporcionadas para lograr una mejor experiencia de instalación.

Lista de comprobación

Usar esta lista de comprobación para verificar que se ha completado cada paso del proceso de instalación. Esto puede ayudarle a evitar errores.

- Antes de instalar el horno, asegurarse de comprobar que las dimensiones del gabinete son correctas y que están presentes las conexiones eléctricas necesarias.
- Consultar información adicional en este manual sobre seguridad, dimensiones del gabinete, eliminación del embalaje, instalación eléctrica, probar la instalación y atención al cliente.
- Quitar la puerta inferior del horno para reducir el peso de la unidad y proporcionar acceso a los puntos de agarre para elevarlo. Ver la información «Quitar la puerta inferior del horno antes de la instalación».
- Mover las unidades del horno a su sitio delante de la abertura del gabinete, dejando el embalaje inferior en las unidades para evitar daños en el suelo.
- Extraer los tornillos de estrella (tamaño T-20 mediante un destornillador de estrella Torx), manteniendo el microondas rápido o el horno de aire caliente y vapor en la base de la caja.
- Ensamblar las dos unidades del horno de funcionamiento combinado. Ver «Pre-ensamble del horno de funcionamiento combinado».
- Conectar el cable de salida del horno inferior a la caja de conexiones del gabinete.
- Extraer los tornillos de estrella (tamaño T-20 mediante un destornillador de estrella Torx), manteniendo el horno inferior en la base de la caja.
- Levantar entre todos la unidad hasta el hueco del gabinete teniendo cuidado de no dejarse atrapar los dedos, ni rasguñar los brazos ni las manos.
- Deslizar la unidad hasta su sitio.
- Fijar la unidad de funcionamiento combinado a la abertura de la ebanistería con los tornillos suministrados (con un destornillador Phillips).
- Volver a colocar la puerta del horno que se había extraído en el paso 3 anterior.
- Consultar las instrucciones de instalación completas y seguir el resto de los procedimientos enumerados, incluida la realización de la prueba de desempeño.
- INSTALADOR: Dejar el paquete de documentación y los accesorios con el cliente.

Requisitos de medidas del gabinete

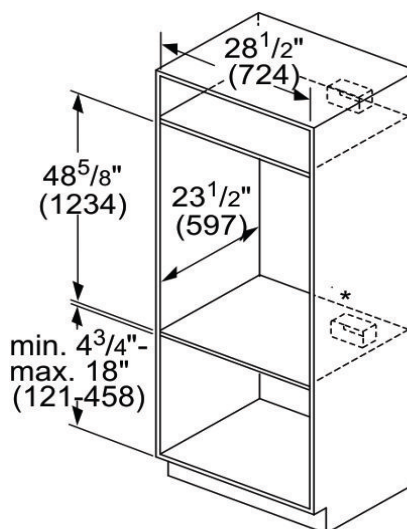
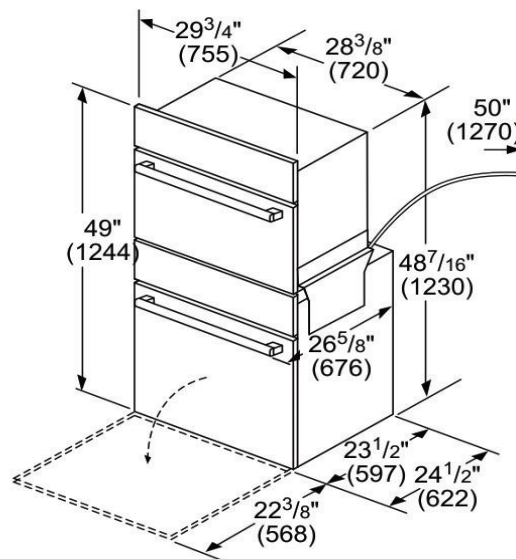
Cuando se instala un horno al final de un gabinete, junto a una pared perpendicular o a una puerta del gabinete, se aconseja dejar un espacio de, al menos, $1/4"$ ($6,4$ mm) entre el lateral del horno y la pared o puerta.

Para apoyar el horno, colocar tiras de $2" \times 4"$ para ampliar el enrasado de adelante hasta atrás con la parte inferior y los laterales de la abertura. La base de apoyo debe estar bien asegurada al suelo/gabinete y nivelada.

Las cajas de conexiones se pueden ubicar en cualquier lugar al alcance del cable de salida del horno.

La base del gabinete debe ser plana y capaz de soportar el peso del horno de funcionamiento combinado, hasta 429 libras (195 kg).

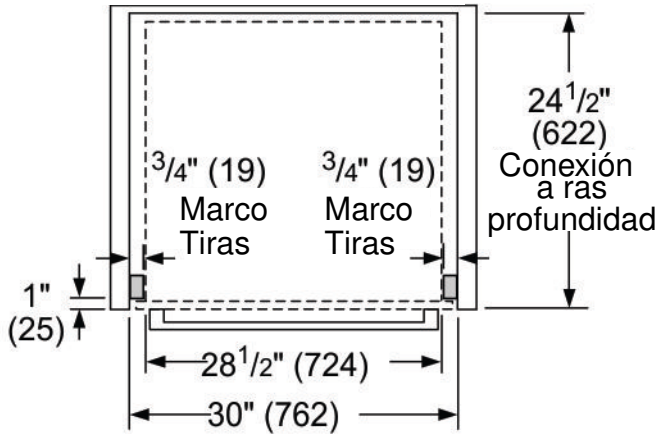
Instalación tradicional del horno de funcionamiento combinado y del horno rápido u horno de aire caliente y vapor de $30"$



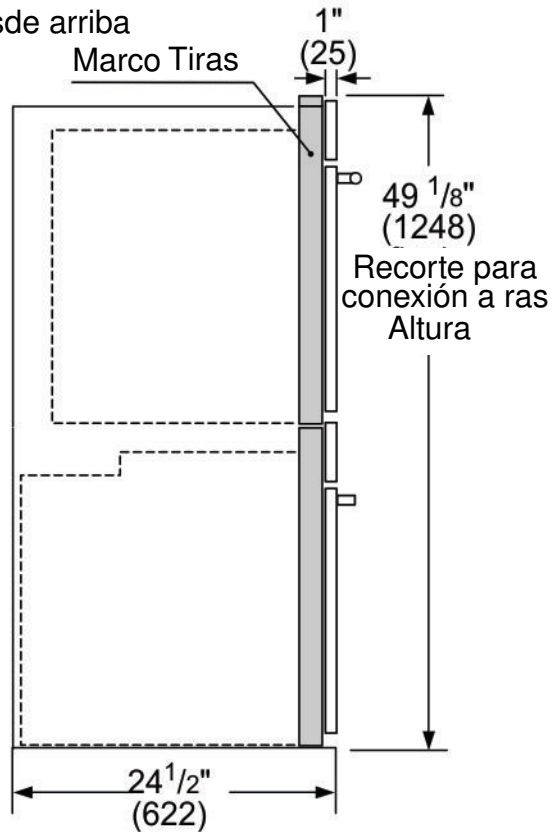
Instalación enrasada del horno de funcionamiento combinado y del horno rápido u horno de aire caliente y vapor de 30"

La instalación enrasada necesita dos refuerzos laterales fijados dentro del marco del gabinete, empotrados desde la parte delantera.

Instalación enrasada Vista desde arriba



Vista desde arriba



Dimensiones en pulgadas (mm)

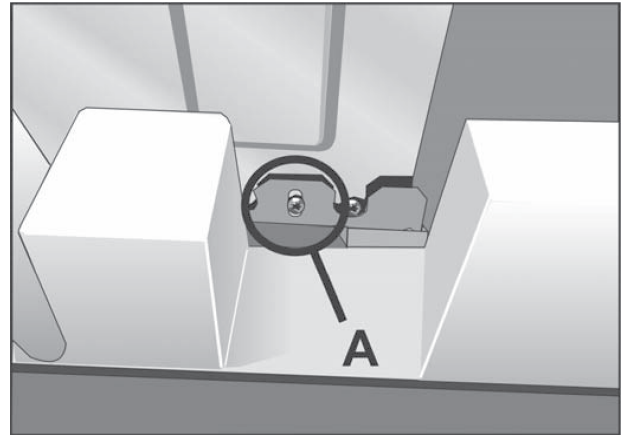
Quitar el embalaje

1. Cortar los cinchos del exterior de las cajas.
2. Extraer la unidad superior embalada del horno de funcionamiento combinado y colocarla en el suelo, de modo que se puedan abrir las dos cajas enviadas.
3. Realizar los siguientes pasos en las dos unidades del horno de funcionamiento combinado.
 - Extraer la caja de cartón; para ello, levantarla y sacar la unidad
 - Retirar todo el cartón de la parte superior y lateral, así como los soportes de espuma.
 - Colocar la unidad (dejándola en la base de envío) delante del gabinete en el que se va a instalar.
 - Extraer todos los accesorios, rejillas, materiales de embalaje y documentación de las cavidades del horno.
 - Desatornillar la unidad de las placas de fijación del embalaje tal y como se muestra en «Extraer las placas de fijación del embalaje de los laterales derecho e izquierdo».

Notas

- Todos los tornillos junto a la placa de fijación de instalación de la base de cada unidad son de estrella (Torx medida T-20). Solo hay que extraer un tornillo que pasa por el orificio longitudinal de la placa de fijación de instalación en los laterales derecho e izquierdo de la unidad para poder levantar la unidad de la base de instalación. El tornillo dentro de un círculo en la siguiente imagen y marcado como (A) es el tornillo que hay que extraer.
- Extraer solo un tornillo de cada placa de fijación. Esto soltará el horno de la base de envío. No extraer ningún otro tornillo del horno.

Extraer las placas de fijación del embalaje de los laterales derecho e izquierdo



Nota: La placa de fijación real tiene otro aspecto. La placa de fijación permanece en la base del embalaje. La unidad debe permanecer en la base de embalaje hasta que esté preparada para colocarse en el hueco del gabinete o sobre el horno inferior.

Preparar los hornos

Colocar los hornos delante del gabinete en el que se van a instalar, de modo que estén alineados con el hueco del gabinete.

Comprobar que se han retirado todos los materiales de embalaje de la unidad. Extraer también los accesorios, rejillas del horno, paquete de documentación y cualquier material de envío del interior de la cavidad del horno. Comprobar si es posible instalar los dos hornos como un horno doble u horno de funcionamiento combinado.

Instalación

Pre-ensamblado del horno de funcionamiento combinado

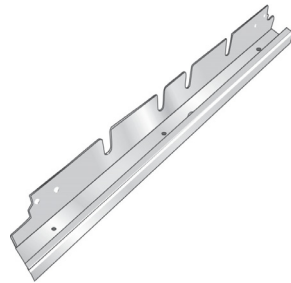
Los hornos de funcionamiento combinado requieren que los dos componentes estén ensamblados antes de instalar la unidad de funcionamiento combinado en el gabinete.

Nota: Los procedimientos de instalación varían entre las unidades de funcionamiento combinado de microondas, horno rápido y horno de aire caliente y vapor. Las piezas incluidas en la caja de piezas de tubo cuadrado son comunes para las tres instalaciones.

Piezas suministradas

Piezas suministradas

Guía de conexión universal (2), en la caja de piezas en la parte superior del horno



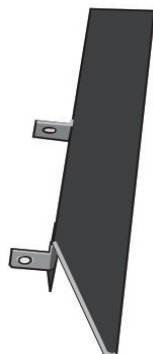
Tornillos (16), en la bolsa roja, dentro de la caja de piezas en la parte superior del horno.



Tornillos de instalación del horno (8): se incluyen tornillos para asegurar la moldura del horno al gabinete. Los tornillos se encuentran en una bolsa pequeña de plástico pegada en la bolsa del paquete de documentación.



Pieza de moldura: en una bolsa de plástico en la parte superior del horno.

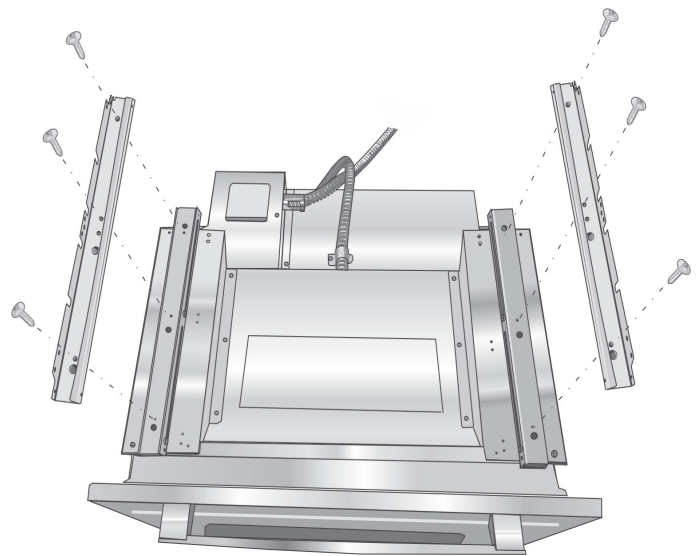


Instalación con el horno rápido o microondas

Notas

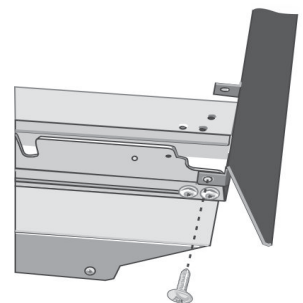
- No colocar el horno en el gabinete de pared hasta después de instalar el horno rápido en la parte superior del horno inferior y asegurarlo mediante las guías de conexión universales.
- Las guías de conexión universales se pueden intercambiar en los laterales derecho e izquierdo del horno. Comprobar que el borde vertical más alto de la guía quede colocado hacia la parte exterior del horno.

1. Instalar las dos guías de conexión universales en la parte superior del horno inferior mediante seis (6) de los tornillos suministrados. Apretar los tornillos firmemente pero sin sobrepasarse.

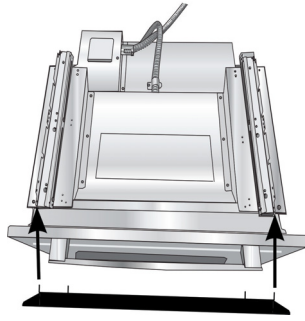


2. Instalar la moldura decorativa.

Colocar la pieza de moldura decorativa de modo que los bordes con los orificios miren hacia la parte trasera del horno.



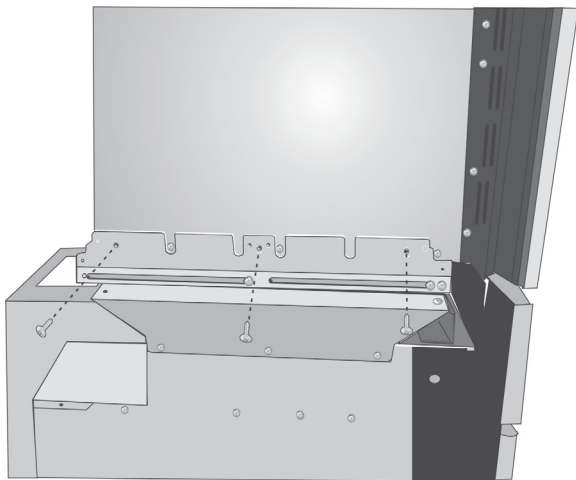
Alinear los bordes exteriores con el exterior de las guías universales. Fijar con un (1) tornillo cada uno en el orificio final de cada guía universal.



Apretar los tornillos firmemente pero sin sobrepasarse.

3. Colocar la unidad del horno rápido o microondas encima de las guías de conexión universales y fijarla en su sitio utilizando tres (3) tornillos en cada lado. Apretar el tornillo firmemente pero sin sobrepasarse.

Nota: Los tornillos que ya hay en la base del horno rápido ayudan a nivelarlo. Al bajar el horno rápido o microondas hasta su lugar sobre las guías de conexión universales, hacen que las cabezas de estos tornillos se introduzcan en las ranuras tal y como se muestra en la siguiente ilustración. El tornillo más cercano a la parte delantera del horno rápido o microondas debe deslizarse por la base del bisel en la parte frontal de la guía.

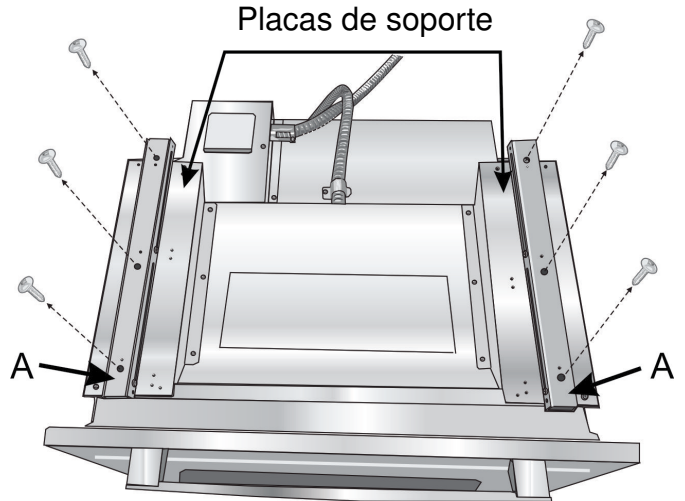


4. Continuar con «Conectar el conducto eléctrico conduit del horno rápido o del horno de aire caliente y vapor al horno inferior».

Instalación con el horno de aire caliente y vapor

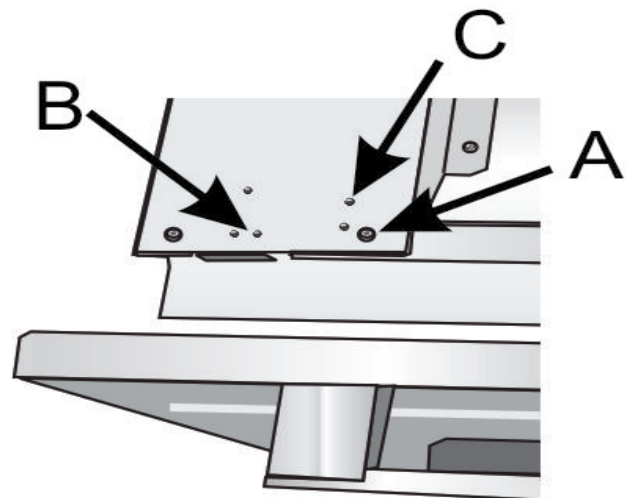
Nota: No colocar el horno en el gabinete de pared hasta después de instalar el horno de aire caliente y vapor en él utilizando las guías de conexión universales.

1. Extraer los seis (6) tornillos que sujetan los ensambles deslizables de servicio combinado ((A) en la siguiente ilustración) a las placas de fijación de apoyo. Usar una punta de destornillador magnética para alcanzar los tornillos a través de los orificios grandes en las partes superiores de los ensambles deslizables.



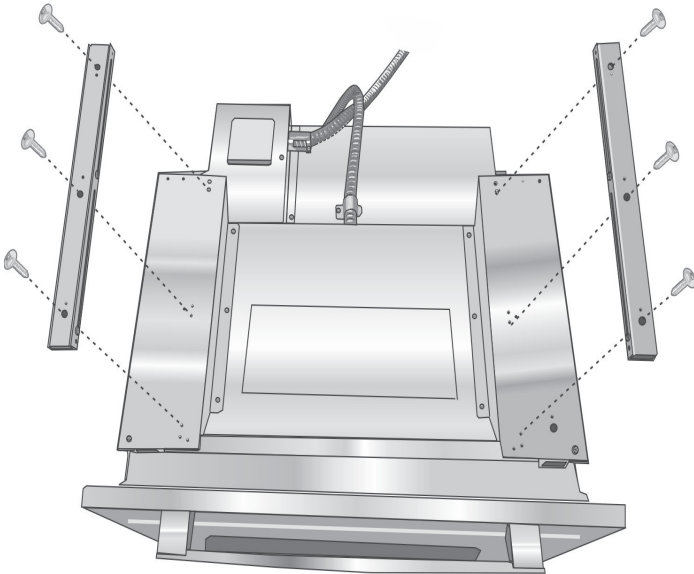
2. Hay que mover el tornillo en posición (A) en la siguiente imagen (más cercano al borde interior, junto al cuadro de mandos) para permitir que se pueda colocar ahí la guía universal. Extraer el tornillo interior (A) de la placa de fijación de apoyo izquierda y volver a insertarlo en el tercer orificio (B) del borde exterior de la placa de fijación de apoyo.

Repetir con la placa de fijación de apoyo derecha.



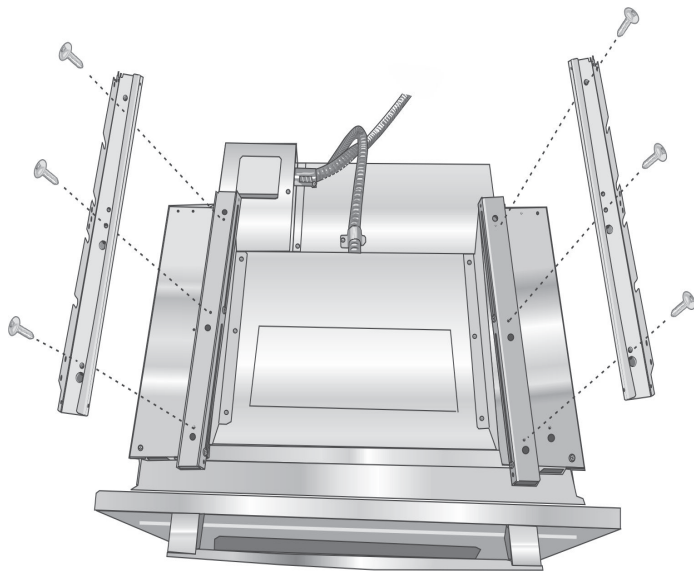
3. Volver a fijar los ensambles deslizantes mediante los orificios junto al borde interior de la placa de fijación de apoyo. Alinear el ensamble deslizante en paralelo al borde de la placa de fijación e insertar el primer tornillo en el orificio (C).

Insertar los tres tornillos de cada ensamble deslizante. Apretar los tornillos pero sin sobrepasarse.



Nota: Al usar los orificios correctos, la parte frontal del ensamble deslizante se extenderá 3/16" (5 mm) más allá del borde frontal de la placa de fijación de apoyo. El ensamble deslizante estará aproximadamente a 1/2" (12 mm) del borde interior de la placa de fijación de apoyo.

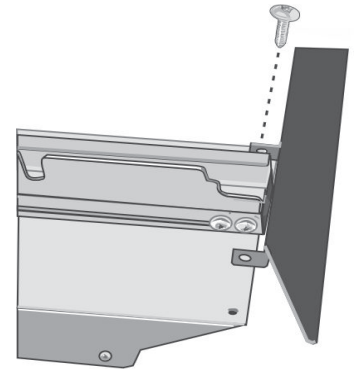
4. Instalar las dos guías de conexión universales en los ensambles deslizantes mediante los tornillos suministrados. Apretar los tornillos firmemente pero sin sobrepasarse.



Nota: Las guías de conexión universales se pueden intercambiar en los laterales derecho e izquierdo del horno. Comprobar que el borde vertical más alto de la guía quede colocado hacia la parte exterior del horno.

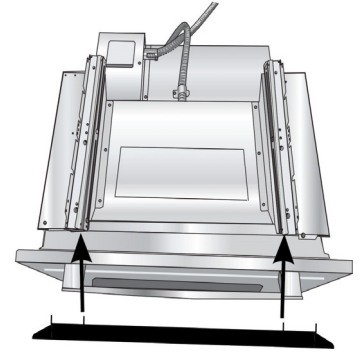
5. Instalar la moldura decorativa.

Colocar la pieza de moldura decorativa de modo que los bordes con los orificios miren hacia la parte trasera del horno.



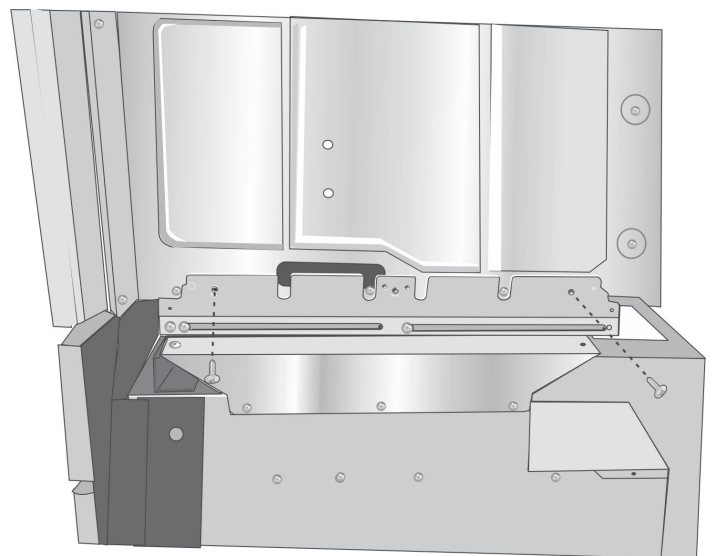
Alinear los bordes interiores con el interior de las guías universales. Fijar con un (1) tornillo cada uno en el orificio final de la guía universal.

Apretar los tornillos firmemente pero sin sobrepasarse.



6. Colocar la unidad del horno de aire caliente y vapor encima de las guías de conexión universales y fijarla en su sitio utilizando dos (2) tornillos en cada lado. Apretar los tornillos firmemente pero sin sobrepasarse.

Nota: Los tornillos que ya hay en la base del horno de aire caliente y vapor ayudan a nivelarlo. Al bajar el horno de aire caliente y vapor hasta su lugar sobre las guías de conexión universales, hacen que las cabezas de estos tornillos se introduzcan en las ranuras tal y como se muestra en la siguiente ilustración. El tornillo más cercano a la parte delantera del horno de aire caliente y vapor debe deslizarse por la base del bisel en la parte frontal de la guía.



- Continuar con «Conectar el conducto eléctrico conduit del horno rápido o del horno de aire caliente y vapor al horno inferior».

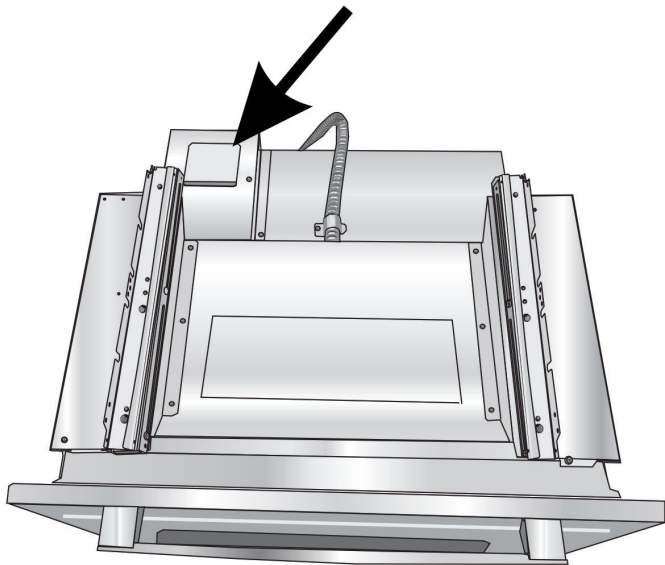
Conectar el conducto eléctrico conduit del horno rápido o del horno de aire caliente y vapor al horno inferior

Nota: Al instalar la unidad de funcionamiento combinado, el horno rápido o el horno de aire caliente y vapor, el cable de salida debe estar correctamente colocado en la caja de conexiones montada en el horno. Esto debe realizarse antes de suministrar corriente eléctrica a la unidad del horno.

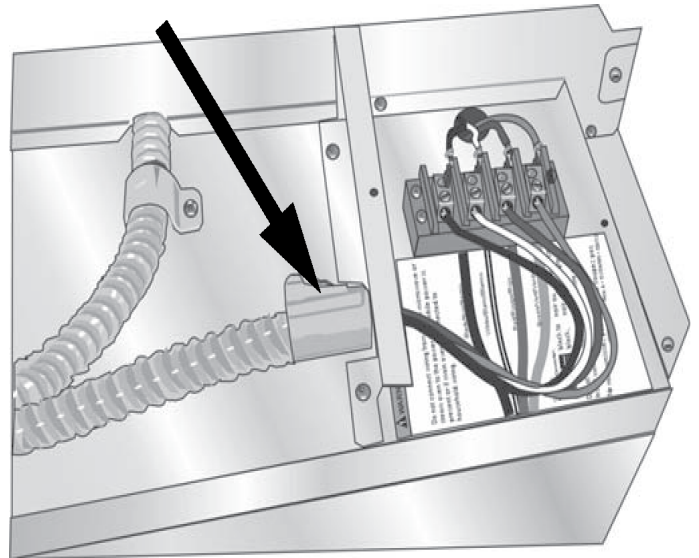
⚠ ADVERTENCIA

Comprobar que aún no se ha suministrado ninguna corriente eléctrica al horno.

- Quitar la tapa de la caja de conexiones montada en el horno que se encuentra en la parte trasera del horno. (Ver la siguiente imagen).



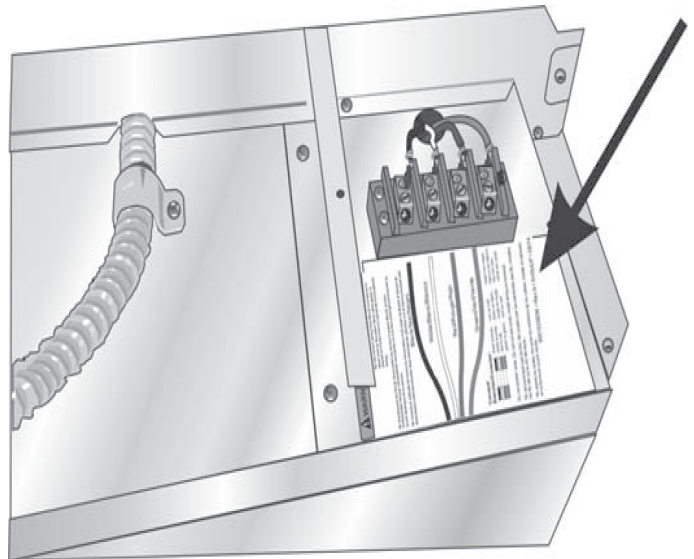
- Quitar la cubierta del orificio de acceso del conducto en el lateral de la caja de conexiones montada en el horno.
- Guiar los cables del conducto conduit (que vienen del horno rápido o del horno de aire caliente y vapor) a través del orificio en la caja de conexiones montada en el horno. (Ver la siguiente imagen). Hay cuatro cables de un horno rápido o tres cables de un horno de aire caliente y vapor; en el horno de aire caliente y vapor no hay cable blanco.



- Colocar el conector del conducto conduit en el orificio; para ello, presionarlo hasta que se escuche un clic.
- Seguir la etiqueta del esquema eléctrico (ver la siguiente imagen), emparejar y conectar cada cable según el color a los cables acoplados al bloque de cableado dentro de la caja de conexiones montada en el horno. Presionar el extremo al descubierto del cable hasta que se ajuste en el bloque de cableado, después, apretar el tornillo de fijación de cada cable.

Apretar firmemente pero sin sobrepasarse.

Ver la ilustración anterior del paso 3 para comprobar el aspecto terminado.



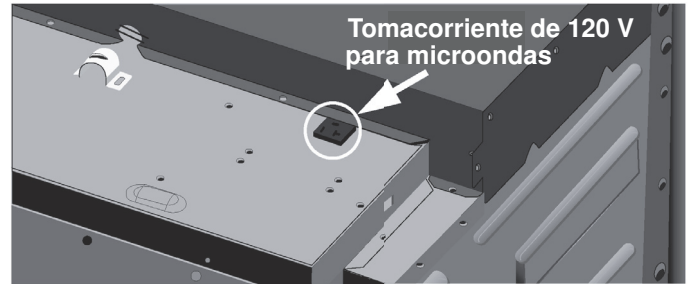
- Recolocar la tapa de la caja de conexiones montada en el horno y apretar los dos tornillos que la sostienen.

Apretar firmemente pero sin sobrepasarse.

Modelos de microondas

Los modelos de combinación de microondas HBL57M52UC y HBL87M52UC tienen un receptáculo de 120 voltios.

Nota: El receptáculo de 120 V es para usar como fuente de alimentación para el microondas HMB50152UC.



Instalación del microondas en el horno de funcionamiento combinado

Para los modelos de microondas HBL57M52UC y HBL87M52UC, ver el capítulo de instalación anterior.

Instalación eléctrica del horno de funcionamiento combinado: instrucciones de conexión a tierra

El horno de funcionamiento combinado ensamblado debe moverse delante de la abertura del gabinete y el cable de salida del horno inferior debe estar conectado a la caja de conexiones del gabinete.

Todos los modelos de horno cuentan con la clasificación dual en la tapa frontal de este manual de instrucciones de instalación, y han sido diseñados para conectarse a 208 o 240 V CA, 60 Hz, a una red de alimentación monofásica de 4 hilos.

Modelo	Circuito requerido
HBL57M52UC	208 V, 60 Hz/ 240 V, 60 Hz 40 A
HBL87M52UC	
HBL8752UC	
HBLP752UC	

El suministro eléctrico debe ser de corriente alterna monofásica, de 4 hilos. Instalar una caja para conductos conduit adecuada (no viene incluida). Debe utilizarse un conector conduit de tamaño adecuado, incluido en el listado de UL, para unir correctamente el conducto conduit a la caja de conexiones.

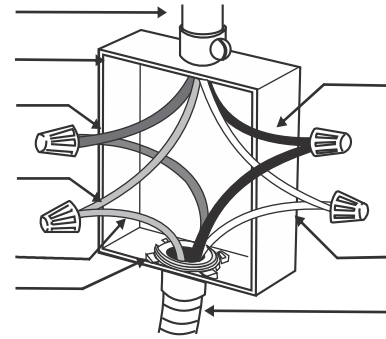
Nota: Las normas locales pueden variar. La instalación, las conexiones eléctricas y la conexión a tierra deben cumplir con todas las normas locales correspondientes.

Si las normas locales permiten efectuar la conexión a tierra a través de una red de suministro eléctrico neutral, conectar el cable blanco neutral y la toma de tierra verde desde el horno hasta el cable blanco neutral de la red de suministro.

Conexión eléctrica a la fuente de alimentación principal

Se prefiere la conexión de cuatro cables, pero, si las normas locales lo permiten, también se acepta la conexión de tres cables.

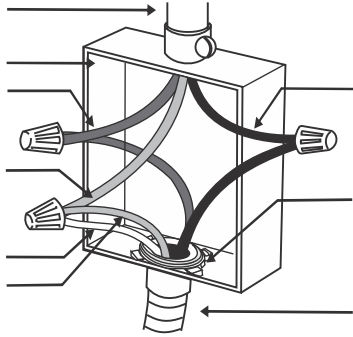
Conexión de cuatro cables Neutro sin conexión a tierra



- Conectar el cable rojo del horno al cable rojo del suministro eléctrico (cable con corriente).
- Conectar el cable negro del horno al cable negro del suministro eléctrico (cable con corriente).
- Conectar el cable neutro blanco del horno al cable neutro blanco del suministro eléctrico (no al cable de conexión a tierra desnudo o verde).
- Conectar el cable de conexión a tierra verde del horno al cable de conexión a tierra desnudo o verde del suministro eléctrico.

Conexión de tres cables

Neutro con conexión a tierra



- Conectar el cable rojo del horno al cable rojo en la caja de conexiones.
- Conectar el cable negro del horno al cable negro en la caja de conexiones.
- Conectar tanto el cable de conexión a tierra verde como el cable blanco del horno al cable neutro desnudo, blanco o verde en la caja de conexiones.

El cable del conduit, donde está conectado en el horno, gira. Girar el cable del conduit hacia arriba (o hacia abajo) y dirigirlo a través del orificio preparado en el gabinete para fijarlo en la caja de conexiones.

Para mantener la capacidad de servicio, el conduit flexible no se debe acortar y se debe extender para permitir la retirada temporal del horno.

Instalar el horno de funcionamiento combinado en el gabinete de pared

AVISO

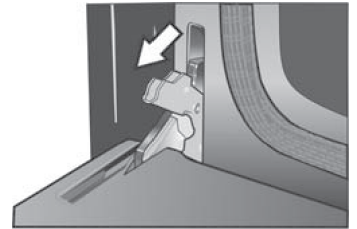
- Antes de instalar el horno de funcionamiento combinado, asegurarse de comprobar las dimensiones del gabinete y las conexiones eléctricas.
- Comprobar que la abertura del gabinete esté nivelada y a plomada para una instalación correcta.

Quitar la puerta del horno inferior antes de la instalación.

Se recomienda quitar la puerta del horno tradicional (inferior) para ayudar a reducir el peso de la unidad y proporcionar un acceso más fácil a los pestillos de palanca que se encuentran en el interior del horno. No quitar las puertas del microondas, del horno rápido ni del horno de aire caliente y vapor.

plana y suave, de modo que la puerta no pueda caerse.

Asegurarse de leer todas las advertencias y precauciones del manual de instalación sobre la remoción de la puerta antes de intentar quitarla.



Abrir la puerta por completo.

Voltear los pestillos de palanca hacia abajo y hacia usted.

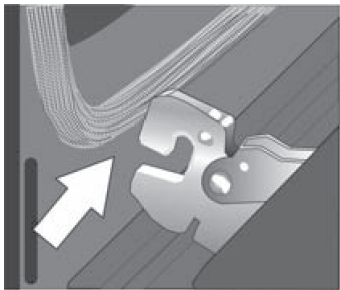
Con la puerta sostenida firmemente de los dos laterales con las dos manos, cerrar la puerta con cuidado hasta que se detenga en los pestillos de palanca, a aproximadamente 30 grados de la posición cerrada.



▲ ADVERTENCIA

- La puerta del horno es pesada y frágil. Usar las dos manos para quitar la puerta del horno. La puerta frontal es de cristal. Manipularla con cuidado para evitar romperla.
- Agarrar solo los laterales de la puerta del horno. No agarrar el asa, ya que puede oscilar en la mano y causar daños o lesiones.
- Si no se agarra la puerta del horno con firmeza y adecuadamente, se podrían ocasionar lesiones personales o daños en el producto.
- Para evitar lesiones al cerrarse bruscamente la placa de fijación de la bisagra, asegurarse de que los dos pestillos de palanca están colocados firmemente antes de quitar la puerta. No forzar la apertura o el cierre de la puerta: la bisagra podría dañarse y se podrían producir lesiones.
- No dejar la puerta removida sobre objetos afilados o puntiagudos, ya que se podría romper el cristal. Colocar la puerta en una superficie

Levantarse con cuidado la puerta y sacarla de las ranuras de las bisagras. Sostener con firmeza; la puerta es pesada.



Colocar la puerta en una ubicación adecuada y estable hasta estar preparado para volver a instalarla. Colocar la puerta sobre una toalla o sección de relleno para embalajes de espuma protectora para evitar daños en la puerta o en el suelo.



Recomendaciones de levantamiento

Posiciones para levantar o puntos de agarre (con la puerta del horno inferior extraída).

Las posiciones para levantar o puntos de agarre (1) en el frontal de la unidad están para levantar desde los laterales de la unidad. El punto de levantamiento (3) en el frontal de la unidad está para que una tercera persona ayude a levantar la unidad.

Las posiciones para levantar o puntos de agarre (2) en la parte trasera de la unidad muestran la posición de la mano contraria para los ayudantes que levanten desde los laterales de la unidad. Ajustar la posición según sea necesario para facilitar el levantamiento.

Llevar guantes, una camiseta de manga larga y evitar los bordes afilados para reducir el riesgo de cortes o abrasiones en los brazos o manos.

Levantarse correctamente el horno de funcionamiento combinado

▲ ATENCION

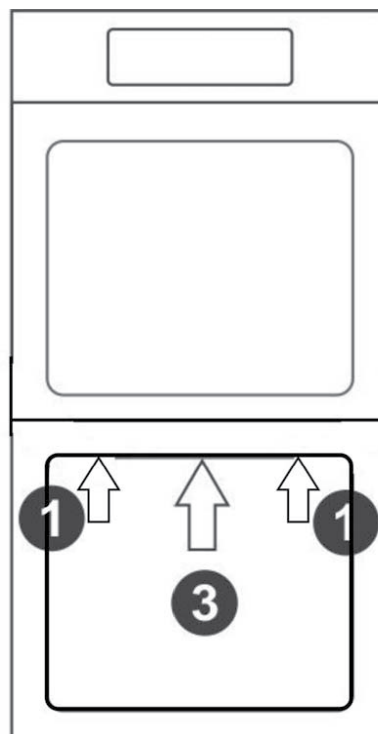
Se recomienda llevar guantes y manga larga para proteger las manos y los antebrazos de abrasión y posibles rasguños durante el proceso de levantamiento. También se recomienda quitar relojes y joyas y llevar calzado de trabajo durante la instalación para proteger los pies.

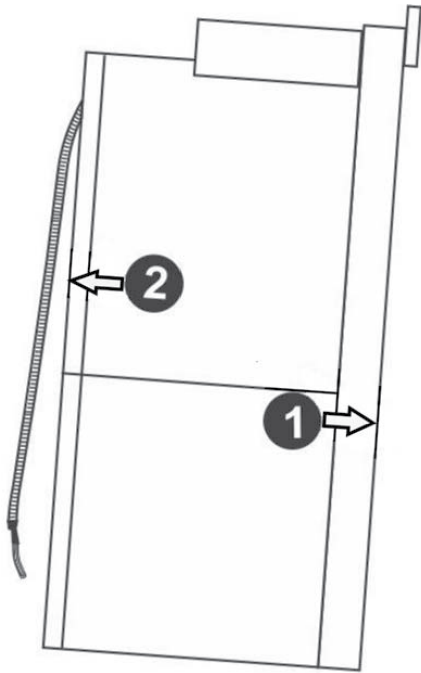
▲ ATENCION

Se necesitan tres personas o el equipamiento adecuado para levantar de forma segura el horno de funcionamiento combinado hasta la apertura del gabinete.

AVISO: NO intentar levantar la unidad sosteniendo la pieza superior del horno.

Hay un reborde en todo el frontal superior de la cavidad inferior del horno. Para levantarlo, agarrar este reborde con una mano y colocar la otra mano en la parte trasera de la unidad (con los ayudantes levantando desde los laterales de la unidad). Si hay un tercer ayudante que levanta desde el frontal, ambas manos deben sostener esta zona del reborde para levantarlo.





Colocar el horno de funcionamiento combinado en la abertura del gabinete

▲ ATENCION

Para evitar daños en la puerta, no levantar, tirar ni empujar la unidad durante la instalación mediante el uso de ninguna jaladera de la puerta del horno como punto de agarre.

Al levantar la unidad de funcionamiento combinado para colocarla en su sitio, evitar agarrar el elemento superior para evitar dañarlo. Ver en la siguiente ilustración el punto de levantamiento correcto. En esta ilustración se muestra una vista detallada de la cavidad del horno. Tener en cuenta la posición del reborde dentro de la parte superior de la cavidad. Esta es la zona que se debe agarrar desde el frontal al levantar la unidad de funcionamiento combinado.



Instalar el horno en el gabinete

1. Levantar la unidad del horno de funcionamiento combinado hasta el hueco del gabinete sin permitir que la base de la unidad entre en contacto con el suelo.
2. Guiar la unidad directamente al hueco del gabinete.

Nota: Tener cuidado con no aplastar el conducto conduit flexible entre el horno y la pared trasera del gabinete. En caso de ser necesario, guiar el conducto conduit flexible en el orificio de acceso de la pared del gabinete, de modo que no evite que la unidad se pueda empujar en la abertura del gabinete. El horno debe estar recto y nivelado.

3. Empujar la unidad directo hacia dentro hasta que la moldura del horno esté enrasada con el frontal de la moldura del gabinete.
4. Colocar cuatro (4) tornillos suministrados a través de los orificios roscados en las piezas izquierda y derecha de la moldura para asegurar el horno a la ebanistería.

Volver a instalar la puerta del horno inferior

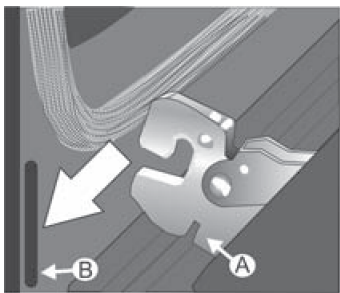
Sostener la puerta firmemente con ambas manos.

Sostener la puerta en un ángulo de 30° desde la posición cerrada (aproximadamente 7 pulgadas abierta en la parte superior).



Insertar las bisagras en las ranuras.

Puede que se necesite mover un poco la puerta hacia delante y atrás para asentar las bisagras. La puerta debe bajar aproximadamente 3/4" y detenerse. De no ser así, las bisagras no se han enganchado correctamente y la puerta podría caer al soltarla. Puede que haya que quitar la puerta y volver a insertarla hasta que las bisagras se enganchen correctamente en las ranuras.



Abrir la puerta del todo para exponer las bisagras, pestillos de palanca y ranuras.



Subir los pestillos de palanca hasta que se bloqueen en las ranuras, enrasados con el frontal del cuerpo del horno.

Cerrar y abrir la puerta lentamente para asegurarse de que está colocada correctamente y de forma segura. La puerta debe estar recta.

Antes de llamar al servicio técnico

Ver el Manual de uso y cuidado de cada unidad del horno de funcionamiento combinado para ver información para solucionar problemas. Consultar la declaración de garantía limitada en los manuales de uso y cuidado.

Para ponerse en contacto con un representante de servicio técnico, consultar la información de contacto que aparece en la portada del Manual de uso y cuidado. En el momento de llamar, tener preparada la información que aparece en la placa de características del producto.

Etiqueta de clasificación

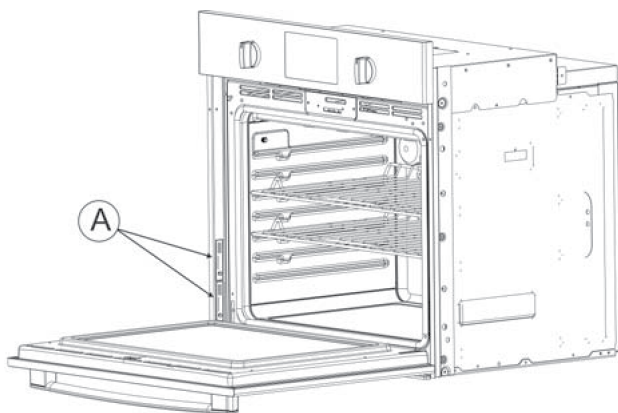
Cada componente de un horno de funcionamiento combinado tiene su propia etiqueta de clasificación.

En la etiqueta de clasificación se muestran el modelo, el número de FD y el número de serie. Consultar la etiqueta de clasificación al solicitar asistencia. La ubicación de la etiqueta de clasificación varía según el modelo del horno.

Etiqueta de clasificación del horno inferior

Notas

- Las etiquetas de clasificación (A) del horno inferior y del horno de aire caliente y vapor se encuentran en el lateral izquierdo de la moldura de la puerta.
- La etiqueta de clasificación (A) del horno rápido se encuentra en el lateral derecho de la moldura de la puerta.



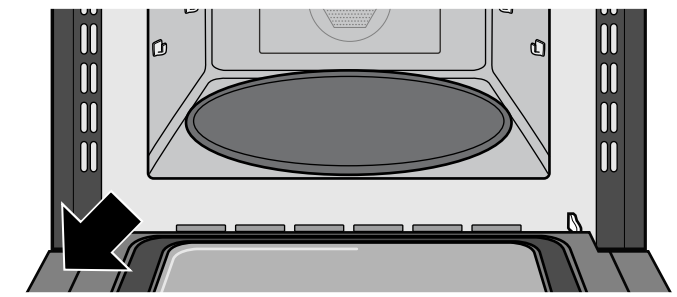
Etiqueta de clasificación del horno de aire caliente y vapor



Etiqueta de clasificación del horno rápido y microondas

En la etiqueta de clasificación se muestran el modelo y el número de serie. Consultar la etiqueta de clasificación del electrodoméstico al solicitar asistencia.

La etiqueta de clasificación se puede encontrar en el interior de la puerta del electrodoméstico.





9001225251

960825



BOSCH

Invented for life

1901 Main Street, Suite 600 • Irvine, CA 92614 • 800-944-2904
www.bosch-home.com • © 2016 BSH Home Appliances