

Drawer Microwave

Installation Instructions

Models:

HMD8451UC

HMD8053UC



BOSCH

Invented for life



Table of Contents

Safety Definitions	2	Important Notes to the Consumer.....	6
Important Safety Instructions.....	3-5	Drawer Microwave Measurements.....	7-8
Safety Codes and Standards	3	Anti-Tip Block	9
Grounding Instructions	3	Electrical Requirements.....	9
Clearances and Dimensions.....	4	Drawer Installation	10
Unpacking Your Drawer Microwave.....	6	Contacting Bosch Customer Support	10
Important Notes to the Installer.....	6		

WARNING

- Installation must be performed by a qualified installer.
 - INSTALLER: Leave these instructions with the appliance after installation.
 - IMPORTANT: Save this installation manual for local electrical inspector's use.
 - HOMEOWNER: Please read and save these instructions for future reference.
-

WARNING

If the information in this manual is not followed exactly, fire or shock may result causing property damage or personal injury.

Safety Definitions

WARNING

This indicates that death or serious injuries may occur as a result of non-observance of this warning.

CAUTION

This indicates that minor or moderate injuries may occur as a result of non-observance of this warning.

NOTICE: This indicates that damage to the appliance or property may occur as a result of non-compliance with this advisory.

Note: This alerts you to important information and/or tips.

This Bosch Appliance is made by
BSH Home Appliances Corporation
1901 Main Street, Suite 600
Irvine, CA 92614

Questions?

1-800-944-2904

www.bosch-home.com/us

We look forward to hearing from you!

IMPORTANT SAFETY INSTRUCTIONS

READ ALL INSTRUCTIONS BEFORE USING THE APPLIANCE

Safety Codes and Standards

This appliance complies with the latest version of one or more of the following standards:

- CAN/CSA C22.2 No. 61 - Household Cooking Ranges
- UL 858 - Household Electric Ranges
- CAN/CSA C22.2 No. 150 - Microwave Ovens
- UL 923 - Microwave Cooking Appliances
- UL 507 - Electric Fans
- CAN/CSA C22.2 No. 113 - Fans and Ventilators
- CSA C22.2 No. 64 - Household Cooking and Liquid-Heating Appliances
- UL 1026 - Electric Household Cooking and Food Serving Appliances

It is the responsibility of the owner and the installer to determine if additional requirements and/or standards apply to specific installations.

Grounding Instructions

This appliance must be grounded. In the event of an electrical short circuit, grounding reduces the risk of electric shock by providing an escape wire for the electric current. This appliance is equipped with a cord having a grounding wire with grounding plug. The plug must be plugged into a outlet that is properly installed and grounded.

WARNING

Improper grounding can result in a risk of electric shock.

Consult a qualified electrician if the grounding instructions are not completely understood, or if doubt exists as to whether the appliance is properly grounded.

Do not use an extension cord. If the power supply cord is too short, have a qualified electrician install an outlet near the appliance.

The installer must perform a ground continuity check on the power outlet box before beginning the installation to insure that the outlet box is properly grounded. If not properly grounded, or if the outlet box does not meet Electrical Requirements, a qualified electrician should be employed to correct any deficiencies.

IMPORTANT SAFETY INSTRUCTIONS

READ ALL INSTRUCTIONS BEFORE USING THE APPLIANCE

Clearances and Dimensions

- For safety considerations, do not install Drawer Microwave in any combustible cabinetry which is not in accord with the stated clearances and dimensions in the "Drawer Microwave Measurements" section following. See Figure 3 (standard installation) or Figure 4 (flush installation).
- Dimensions that are shown in Figure 3 (standard installation) or Figure 4 (flush installation) must be used. Given dimensions provide minimum clearance. Locate electrical outlet in the shaded area in the upper left-hand corner of the cutout. See Figure 6.
- Supporting surface must be solid and level. Pay special attention to the floor of the cabinet opening on which the Drawer Microwave will sit. The floor of the opening should be constructed of plywood strong enough to support the weight of the oven (approximately 100 pounds).
- Check the location where the Drawer Microwave will be installed for proper electrical supply.
- Your oven can be built into a cabinet or wall as a stand-alone unit or under a built-in gas or electric wall oven and the followings:

GAS COOKTOPS	ELECTRIC COOKTOPS	INDUCTION COOKTOPS
NGM5055UC	NEM5066UC	NIT5066UC
NGM5655UC	NET8066UC	NIT8066UC
NGM8055UC	NET8066CUC	NIT8066CUC
NGM8065UC	NETP066CUC	NITP066UC
NGM8655UC	NEM5666UC	NITP066CUC
NGM8665UC	NET8666UC	NIT5666UC
NGMP055UC	NET8666CUC	NIT8666UC
NGMP655UC	NETP666CUC	NIT8666CUC
		NITP666UC
		NITP666CUC

- Check to be sure that there is a clearance of 2 inches or greater between the top of the Drawer Microwave unit and the bottom of a built-in wall oven above it.
- The microwave interior will accommodate a 9" x 13" oblong dish or a bag of microwave popcorn.

- INSTALLER: LEAVE THESE INSTRUCTIONS WITH THE APPLIANCE AFTER INSTALLATION IS COMPLETE.

IMPORTANT: SAVE THESE INSTRUCTIONS FOR THE LOCAL ELECTRICAL INSPECTOR'S USE.

WARNING

If the information in this manual is not followed exactly, fire or shock may result causing property damage or personal injury.

WARNING

Do not repair, replace or remove any part of the appliance unless specifically recommended in the manuals. Improper installation, service or maintenance can cause injury or property damage. Refer to this manual for guidance. All other servicing should be done by a qualified technician.

Appliance Handling Safety

Unit is heavy and requires at least two people or proper equipment to move.

Do not lift appliance by door handle.

Hidden surfaces may have sharp edges. Use caution when reaching behind or under appliance.

State of California Proposition 65

WARNING

This product contains chemicals known to the State of California to cause cancer, birth defects or other reproductive harm.

Electric Safety

WARNING

Before you plug in an electrical cord or turn on power supply, make sure all controls are in the OFF position.

WARNING

The appliance must be disconnected from the source of supply before attempting the installation.

IMPORTANT SAFETY INSTRUCTIONS

READ ALL INSTRUCTIONS BEFORE USING THE APPLIANCE

For appliances equipped with a cord and plug, do not cut or remove the ground prong. It must be plugged into a matching grounding type receptacle to avoid electrical shock. If there is any doubt as to whether the wall receptacle is properly grounded, the customer should have it checked by a qualified electrician.

If required by the National Electrical Code (or Canadian Electrical Code), this appliance must be installed on a separate branch circuit.

Installer – show the owner the location of the circuit breaker or fuse. Mark it for easy reference.

Before installing, turn power OFF at the service panel. Lock service panel to prevent power from being turned ON accidentally.

Be sure your appliance is properly installed and grounded by a qualified technician. Installation, electrical connections and grounding must comply with all applicable codes.

Microwave Safety

PRECAUTIONS TO BE OBSERVED BEFORE AND DURING SERVICING TO AVOID POSSIBLE EXPOSURE TO EXCESSIVE MICROWAVE ENERGY

- Do not operate or allow the oven to be operated with the door open.
- Make the following safety checks on all ovens to be serviced before activating the magnetron or other microwave source, and make repairs as necessary:
 1. Interlock operation
 2. Proper door closing
 3. Seal and sealing surfaces (arcing, wear, and other damage)
 4. Damage to or loosening of hinges and latches
 5. Evidence of dropping or abuse
- Before turning on microwave power for any service test or inspection within the microwave generating compartments, check the magnetron, wave guide or transmission line, and cavity for proper alignment, integrity, and connection.
- Any defective or misadjusted components in the interlock, monitor, door seal, and microwave generation and transmission systems shall be repaired, replaced, or adjusted by procedures described in this manual before the oven is released to the owner.
- A microwave leakage check to verify compliance with the Federal Performance Standard should be performed on each oven prior to release to the owner.

Related Equipment Safety

Remove all tape and packaging before using the appliance. Destroy the packaging after unpacking the appliance. Never allow children to play with packaging material.

Never modify or alter the construction of the appliance. For example, do not remove leveling legs, panels, wire covers or anti-tip brackets/screws.

WARNING

To reduce the risk of fire, use only metal ductwork.

CAUTION

For general ventilating use only. Do not use to exhaust hazardous or explosive materials and vapors.

Unpacking Your Drawer Microwave

- Remove all packing materials from inside the Drawer Microwave. **DO NOT REMOVE THE WAVEGUIDE COVER.** The Waveguide Cover is attached to the ceiling of the Drawer Microwave. The mica cover is dark grey and cardboard-like, and measures approximately 9" x 10". The Waveguide Cover must remain in place at all times. Never allow children to play with packaging material.
- Check the drawer for any damage, such as a misaligned or bent drawer, damaged drawer seals or sealing surfaces, broken or loose drawer guides or dents inside the cavity or on the front of the drawer. If there is any damage, do not operate the Drawer Microwave. Contact your dealer or Bosch Customer Support.

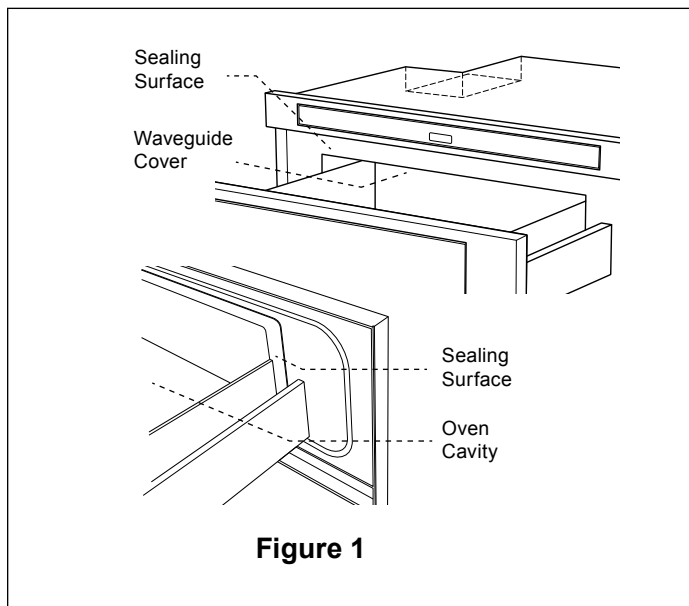


Figure 1

Important Notes to the Installer

- Unit is heavy and requires at least two people or proper equipment to move.
- Hidden surfaces may have sharp edges. Use caution when reaching behind or under appliance.
- Read and understand the contents of this Installation Manual before installing the Drawer Microwave.
- Remove all packing material before connecting the electrical supply.
- It is the responsibility of the owner and the installer to assure compliance with all applicable safety codes and standards. See UL 923, The Microwave Cooking Appliances.
- The unit may be installed using a standard or flush (inset) installation per the following instructions.

Important Notes to the Consumer

Keep this manual with your Use and Care Manual for future reference.

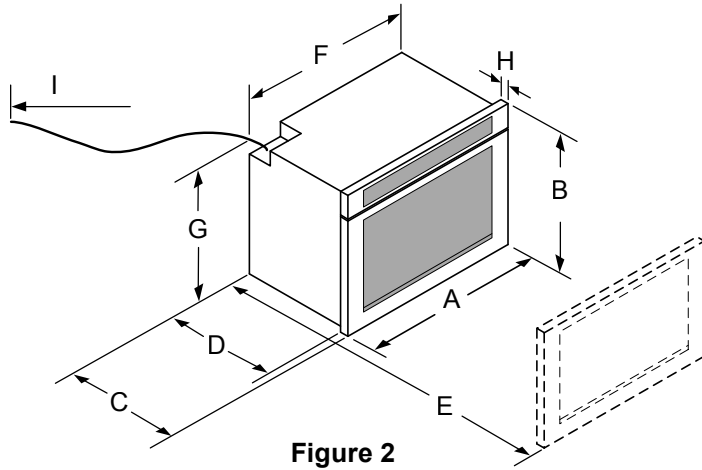
- As when using any microwave oven generating heat, there are certain safety precautions you should follow. These are listed in the Use and Care Manual. Read all and follow carefully.

⚠ WARNING

The appliance should only be installed by a licensed electrician or a qualified technician.

Drawer Microwave Measurements

Appliance Dimensions



- A. HMD8451UC (24") 23 7/8" (606 mm)
HMD8053UC (30") 30" (762 mm)
- B. 16 5/16" (414 mm)
- C. 23 3/8" (594 mm)
- D. 21 7/8" (556 mm)
- E. 38 3/8" (974 mm)
- F. 21 5/8" (549 mm)
- G. 14 5/8" (371 mm)
- H. 1 11/16" (39 mm)
- I. Approx. 46" (1,168.4 mm)

Figure 2

Standard Installation Dimensions and Clearances

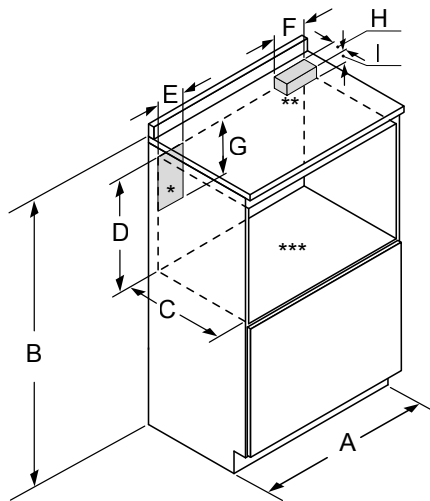
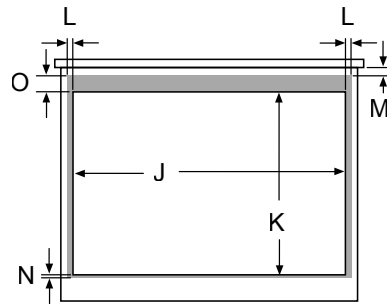


Figure 3

Frontview cut out



- * Suggested location of electrical outlet
- ** Anti-Tip Block
- *** Base should support up to 100 lbs

- A. HMD8451UC (24") 24" or 27" (610 or 686 mm)
HMD8053UC (30") 30" (762 mm)
- B. 36" (914 mm)
- C. 23 1/2" (597 mm)
- D. 14 5/8" (372 mm)
- E. 4" (102 mm)
- F. 6" (152 mm)
- G. 5" (127 mm)
- H. 3 1/2" (89 mm)
- I. 1 1/2" (38 mm)

- j. 22 1/8" (562 mm) min.
28 5/16" (719 mm) max.
- K. 14 13/16" (376 mm)
- L. 7/8" (22 mm) overlap
- M. 1/2" (13 mm) visible area
- N. 1/16" (2 mm) overlap
- O. 1 7/16" (36 mm) overlap

Flush Installation Dimensions and Clearances

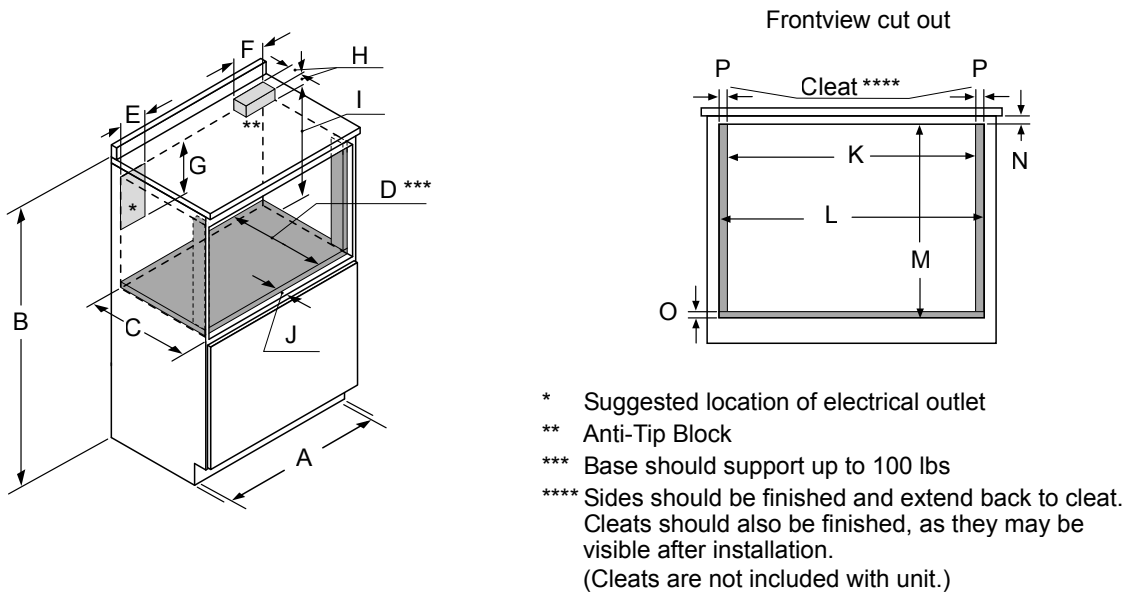


Figure 4

- A. HMD8451UC (24") 27" (686 mm)
 HMD8053UC (30") 30 5/16" (770 mm)
- B. 36" (914 mm)
- C. 23 1/2" (597 mm)
- D. 21 7/8" (555 mm) base min. depth
- E. 4" (102 mm)
- F. 6" (152 mm)
- G. 5" (127 mm)
- H. 3 1/2" (89 mm)
- I. 14 5/8" (371 mm)
- J. 1 5/8" (41 mm)

- K. HMD8451UC (24") 22 1/8" (562 mm)
 HMD8053UC (30") 28 5/16" (719 mm)
- L. HMD8451UC (24") 24 3/16" (614 mm)
 HMD8053UC (30") 30 5/16" (770 mm)
- M. 16 5/8" (422 mm) cutout
- N. 1/2" (13 mm) visible area
- O. 1/4" (6 mm) base thickness
- P. 1" (25 mm)

Figures 2, 3 and 4 contain many Drawer Microwave measurements for reference when planning the drawer's location.

This Drawer Microwave can be installed below any electric or gas wall oven.

NOTICE: Always allow sufficient power cord length to the electrical outlet to prevent tension.

Always check electrical codes for requirements.

Anti-Tip Block

Normal Installation Steps

Anti-Tip Block Installation Instructions

The 6-inch anti-tip wooden block must be provided by the installer. The anti-tip block reduces the risk of drawer tipping when installed properly. Install the anti-tip block 14 ¹³/₁₆ inches above the installation opening floor (where the unit will sit) for a standard installation or 14 ⁵/₈ inches for a flush installation. See Figure 3 (standard installation) or Figure 4 (flush installation) and Figure 5.

If the Drawer Microwave is ever moved to a different location, the anti-tip block must also be moved and installed.

If the anti-tip block is to be anchored to the wall make certain that the screws holding it penetrate into the structural members (studs) behind any covering such as drywall.

The anti-tip block prevents serious injury that might result from spilled hot liquids.

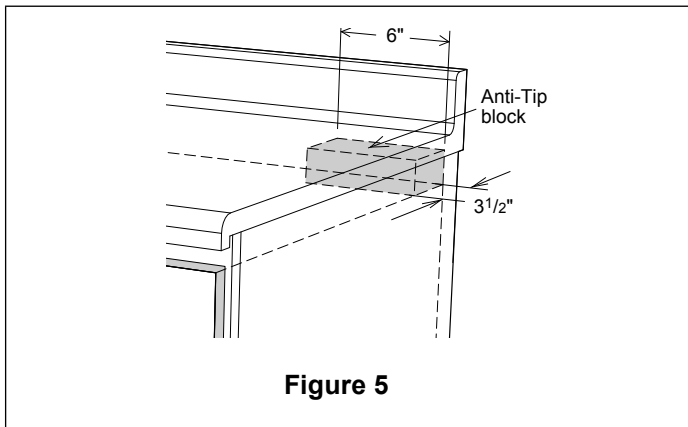


Figure 5

⚠ CAUTION

Make sure that the screws do not contact any wiring or plumbing that may be present in the wall.

⚠ WARNING

The unit can tip and cause spills and potential burns or other injuries if the anti-tip block is not installed correctly.

Electrical Requirements

The unit requires a 120 volt, 60 Hz, 15 AMP (minimum) circuit. It is recommended that the unit be installed on a separate circuit that serves only this appliance.

This appliance is fitted with a 3-prong grounded electrical plug. Do not modify the plug or use an adapter. If the plug does not fit with the available receptacle, have a licensed electrician install a properly grounded outlet before proceeding with the installation. The power cord length is approximately 46".

Installer - show the owner the location of the circuit breaker or fuse. Mark it for easy reference.

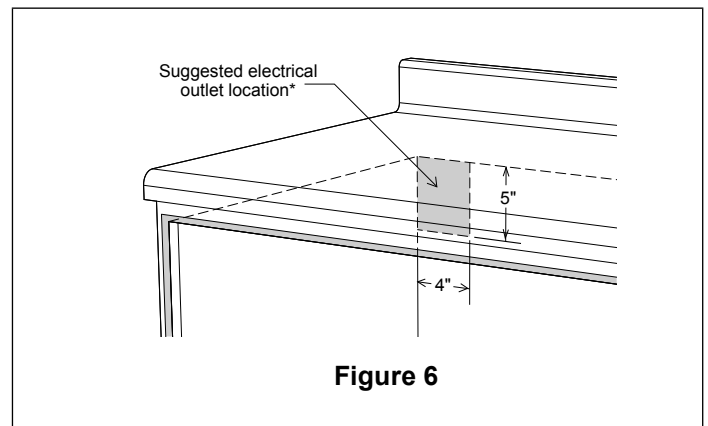


Figure 6

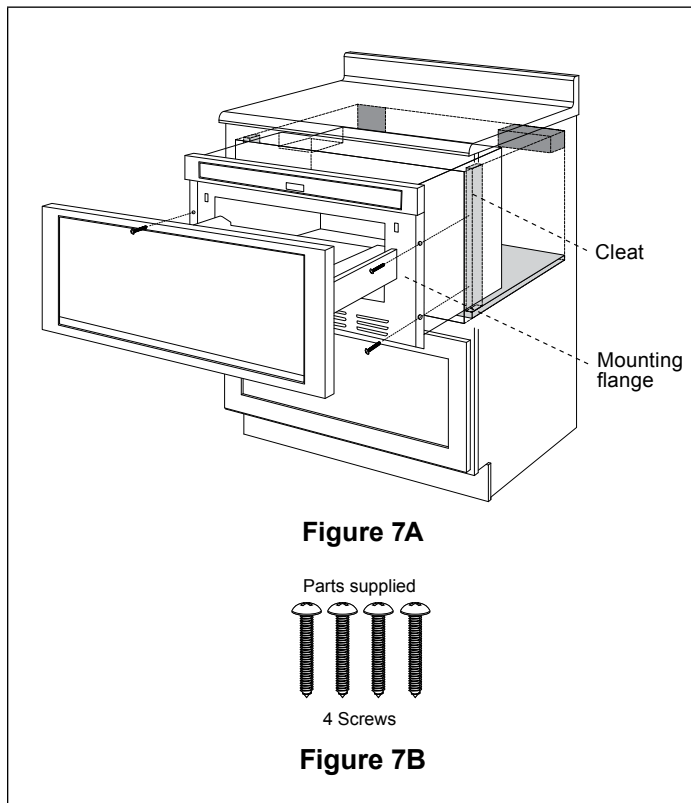
Note: If you have any questions about the grounding or electrical instructions, consult a qualified electrician.

* Can also be installed using an electrical outlet in an adjacent cabinet within the area where the provided electrical cord can reach.

Always check electrical codes for requirements.

Drawer Installation

1. Place the drawer adjacent to the wall or cabinet opening. Plug the power supply cord into the electrical outlet.
2. Carefully guide the drawer into the prepared opening. Avoid pinching the cord between the oven and the wall.
3. Slide the drawer all the way until the mounting flange makes contact with the face of the cabinet for standard installation or side cleats for flush installation. See Figure 7A.
4. Open the drawer. Using the 4 holes on the drawer as a template, pre drill the cabinet using a $\frac{1}{16}$ " bit. See Figure 7A.
5. Secure the drawer with the 4 screws supplied. See Figure 7B.
6. Test operation to confirm that the Drawer Microwave is functioning properly and the drawer opens and closes freely.



Contacting Bosch Customer Support

The Bosch Customer Support Team is available to help and can be reached at 800-944-2904.

Before calling for assistance...

1. Refer to the Use and Care Manual for additional product information.
2. Have the complete model number and FD number available; this information can be found on the name plate. Open the drawer fully. The name plate is beyond the back wall of the Drawer Microwave cavity facing up from the flat surface.

Table des matières

Définitions de sécurité.....	1	Mesures pour le Tiroir à micro-ondes	6-7
Importantes consignes de sécurité	2-4	Bloc anti-basculement	8
Codes et normes de sécurité.....	2	Prise de courant	8
Instructions de mise a la terre	2	Installation du tiroir	9
Dégagements et dimensions	3	Contacter Bosch service à la clientèle	9
Déballage de votre Tiroir à micro-ondes.....	5		
Remarques import antes à l'installateur.....	5		
Remarques import antes au client	5		

AVERTISSEMENT

- Installation doivent être effectués par un installateur qualifié.
 - **INSTALLATEUR:** Laissez ces instructions avec l'appareil après l'installation.
 - **IMPORTANT:** Conservez ce manuel d'installation pour l'inspecteur local électrique.
 - **PROPRIÉTAIRE:** S'il vous plaît lire et conserver ces instructions pour référence ultérieure.
-

AVERTISSEMENT

Si les informations contenues dans ce manuel ne sont pas suivies à la lettre, un incendie ou un choc peuvent causer des dommages matériels ou corporels.

Définitions de sécurité

AVERTISSEMENT

Le non-respect de cet avertissement peut entraîner la mort ou des blessures graves.

ATTENTION

Le non-respect de cet avertissement peut entraîner des blessures mineures ou modérées.

AVIS: Vous indique que des dommages à l'appareil ou aux biens peuvent survenir si vous ne respectez pas cet avertissement.

Remarque : Vous signale des informations importantes ou des conseils.

Cet appareil électroménager de Bosch est fait par
BSH Home Appliances Corporation
1901 Main Street, Suite 600
Irvine, CA 92614

Questions?

1-800-944-2904

www.bosch-home.com/us

Nous attendons de vos nouvelles !

IMPORTANTES CONSIGNES DE SÉCURITÉ

LIRE TOUTES LES INSTRUCTIONS AVANT D'UTILISER L'APPAREIL

Codes et normes de sécurité

Cet appareil est conforme à une ou plusieurs des normes suivantes :

- CAN/CSA C22.2 No. 61 - Cuisinières pour usage ménager
- UL 858 - Cuisinières électriques domestiques
- CAN/CSA C22.2 No. 150 - Micro-ondes
- UL 923 - Appareils de cuisson à micro-ondes
- UL 507 - Ventilateurs électriques
- CAN/CSA C22.2 No. 113 - Ventilateurs et soufflantes
- CSA C22.2 No. 64 - Cuisine et appareils ménagers de chauffage de liquides
- UL 1026 - Électrodomestiques cuisine et de l'alimentation de service Appareils

Il incombe au propriétaire et à l'installateur de déterminer si des exigences et/ou normes additionnelles s'appliquent pour des installations spécifiques.

Instructions de mise a la terre

Cet appareil doit être mis à la terre. En cas de court circuit électrique, la mise à la terre réduit les risques de choc électrique en permettant au courant de s'échapper par le fil de mise à la terre. Cet appareil est équipé d'un cordon d'alimentation avec fil de mise à la terre et d'une fiche de mise à la terre. La fiche doit être branchée dans une prise murale installée correctement et mise à la terre.

AVERTISSEMENT

Une mauvaise mise à la terre peut entraîner un risque de choc électrique.

Consulter un électricien qualifié si les instructions de mise à la terre ne sont pas parfaitement comprises, ou en cas de doute sur la mise à la terre correcte de l'appareil.

N'utilisez pas de rallonge. Si le cordon d'alimentation est trop court, demander à un électricien qualifié de poser une prise près de l'appareil.

L'installateur doit effectuer une vérification de continuité de masse sur la boîte de prise de courant avant de commencer l'installation pour s'assurer que la zone de prise est correctement mise à la terre. S'il n'est pas correctement mis à la terre, ou si la boîte de sortie ne répond pas aux exigences électriques, un électricien qualifié doit être utilisé pour corriger les irrégularités.

IMPORTANTES CONSIGNES DE SÉCURITÉ

LIRE TOUTES LES INSTRUCTIONS AVANT D'UTILISER L'APPAREIL

Dégagements et dimensions

- Pour raison de sécurité, n'installez pas le tiroir à micro-ondes dans une armoire combustible, ni dans un endroit qui ne se conforme pas aux dégagements et aux dimensions précisés. Reportez-vous au Schéma 3 (installation standard) ou Schéma 4 (installation encastrée).
- Les dimensions indiquées au Schéma 3 (installation standard) ou Schéma 4 (installation encastrée) doivent être observées. Ces dimensions offrent un dégagement minimal. Repérer la prise électrique dans l'aire ombrée dans le coin gauche supérieur de la découpe. Voir Schéma 6.
- La surface de contact doit être solide et de niveau. Prêter une attention particulière au plancher qui supportera le tiroir. Le plancher de l'ouverture doit être en contreplaqué assez fort pour supporter le poids du four et sa propre charge (environ 45,5 kg [100 lb]).
- Vérifier que l'emplacement où le tiroir sera installé aura une alimentation électrique appropriée.
- Votre four peut être installé dans une armoire, sur un mur, ou sous un four mural au gaz ou électrique et et les suivantes:

SURFACES DE CUISSON AU GAZ	SURFACES DE CUISSON ÉLECTRIQUES	SURFACES DE CUISSON À INDUCTION
NGM5055UC	NEM5066UC	NIT5066UC
NGM5655UC	NET8066UC	NIT8066UC
NGM8055UC	NET8066CUC	NIT8066CUC
NGM8065UC	NETP066CUC	NITP066UC
NGM8655UC	NEM5666UC	NITP066CUC
NGM8665UC	NET8666UC	NIT5666UC
NGMP055UC	NET8666CUC	NIT8666UC
NGMP655UC	NETP666CUC	NIT8666CUC
		NITP666UC
		NITP666CUC

- Vérifier que le dégagement du plancher entre le four mural et le tiroir est au minimum de 2 po (50,8 mm).
- L'intérieur du micro-ondes acceptera facilement un plat rectangulaire de 9 po x 13 po ou un sac de maïs soufflé allant au micro-ondes.

INSTALLATEUR: LAISSER CES INSTRUCTIONS AVEC L'APPAREIL FOIS L'INSTALLATION TERMINÉE.

IMPORTANT: CONSERVER CES INSTRUCTIONS POUR L'UTILISATION DU INSPECTEURS LOCAUX.

AVERTISSEMENT

Si les informations contenues dans ce manuel ne sont pas exactement, un incendie ou un choc peuvent causer des dommages matériels ou corporels.

AVERTISSEMENT

Ne pas réparer, remplacer ou supprimer toute partie de l'appareil à moins d'une recommandation précise dans les manuels. Une installation, un service ou un entretien peuvent causer des blessures ou des dommages matériels. Reportez-vous à ce manuel pour obtenir des conseils. Toutes les autres réparations doivent être faites par un technicien qualifié.

Appliance manipulation sécurité

L'unité est lourde et nécessite au moins deux personnes ou un équipement approprié pour le déplacer.

Ne pas soulever l'appareil par la poignée de la porte.

surfaces cachées peuvent avoir des bords tranchants. Faites preuve de prudence en arrivant derrière ou sous l'appareil.

État de Californie proposition 65

AVERTISSEMENT

Ce produit contient des produits chimiques reconnus par l'État de Californie pour causer le cancer, des malformations congénitales ou d'autres problèmes de reproduction.

IMPORTANTES CONSIGNES DE SÉCURITÉ

LIRE TOUTES LES INSTRUCTIONS AVANT D'UTILISER L'APPAREIL

Sécurité électrique

AVERTISSEMENT

Avant de brancher un cordon électrique ou la mise sous tension d'alimentation, assurez-vous que toutes les commandes sont en position OFF.

AVERTISSEMENT

L'appareil doit être déconnecté de la source d'alimentation avant de tenter l'installation.

Pour les appareils équipés d'un cordon et la prise, ne pas couper ou enlever la broche de terre. Il doit être branché sur une adaptation de terre prise pour éviter un choc électrique. En cas de doute quant à la prise murale est correctement mise à la terre, le client doit le faire vérifier par un électricien qualifié.

Si requis par le Code national de l'électricité (ou le Code canadien de l'électricité), cet appareil doit être installé sur un circuit de dérivation distinct.

Installer - montrer le propriétaire de l'emplacement du disjoncteur ou fusible. Marquez pour référence facile.

Avant d'installer, couper le courant au niveau du panneau de service. Verrouiller panneau de service pour éviter une mise en circuit accidentelle.

Assurez-vous que votre appareil est correctement installé et mis à la terre par un technicien qualifié. Installation, connexions et mise à la terre électriques doivent se conformer à tous les codes applicables.

Micro-ondes sécurité

PRECAUTIONS A OBSERVER AVANT ET PENDANT L'ENTRETIEN POUR ÉVITER UNE EXPOSITION AUX MICRO-ONDES

- Ne pas utiliser ou permettre au four de fonctionner avec la porte ouverte.
- Effectuer les contrôles de sécurité suivants sur tous les fours à desservir avant d'activer le magnétron ou une autre source de micro-ondes et faire des réparations si nécessaire:

1. Opération Interlock
2. Fermeture de la porte adéquate
3. Surfaces d'étanchéité et d'étanchéité (arc, usure, et d'autres dommages)

4. Les dommages ou relâchement des charnières et les loquets

5. Preuve de chute ou d'abus

- Avant la mise sous tension de micro-ondes pour tout test de service ou d'inspection dans les compartiments micro-ondes de production, consultez le magnétron, guide d'ondes ou d'une ligne de transmission, et de la cavité pour un bon alignement, l'intégrité, et la connexion.
- Tous les composants défectueux ou déréglé dans les systèmes de verrouillage, moniteur, joint de la porte, et de génération de micro-ondes et de transmission doivent être réparés, remplacés ou réglés par des procédures décrites dans ce manuel avant que le four est remis à son propriétaire.
- Un micro-ondes de fuite contrôle pour vérifier la conformité à la norme fédérale performance devrait être effectuée sur chaque four avant la libération au propriétaire.

La sécurité du matériel connexe

Enlevez tout le ruban et l'emballage avant d'utiliser l'appareil. Détruire l'emballage après avoir déballé l'appareil. Ne jamais laisser les enfants jouer avec les matériaux d'emballage.

Ne modifiez jamais la construction de l'appareil. Par exemple, ne pas retirer les pieds de nivellement, des panneaux, protège-fils ou anti-bascule supports / vis.

AVERTISSEMENT

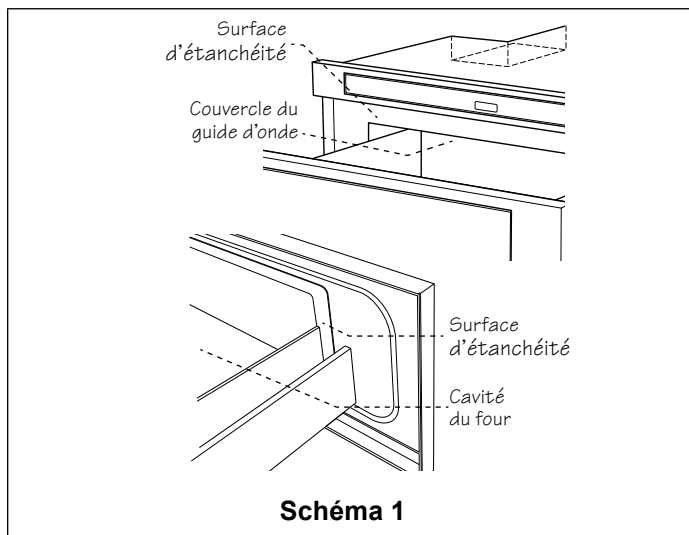
Pour réduire le risque d'incendie, utilisez uniquement des conduits en métal.

ATTENTION

Pour ventilation générale utiliser seulement. Ne pas utiliser pour évacuer des vapeurs dangereuses ou explosives.

Déballage de votre Tiroir à micro-ondes

- Retirez tout le matériau d'emballage du Drawer Microwave. **N'ENLEVEZ PAS LE COUVERCLE DU GUIDE D'ONDES.** Le guide d'ondes de couverture est fixé au plafond de l'Tiroir à micro-ondes. La couverture de mica est gris foncé et carton-comme, et mesure environ 9 po x 10 po. La couverture du guide d'ondes doit rester en place à tout moment. Ne laissez jamais les enfants jouer avec les matériaux d'emballage.
- Vérifier que le four n'a aucun dommage, comme un tiroir mal aligné ou plié, des joints ou des surfaces d'étanchéité de porte endommagés, des glissières cassés ou lâches et des bosses à l'intérieur de la cavité ou sur la façade du tiroir. En cas de dommages, ne pas faire fonctionner le Tiroir à micro-ondes et contacter votre détaillant ou un Bosch Soutien à la clientèle.



Remarques import antes à l'installateur

- Cet appareil est lourd et nécessite au moins deux personnes ou l'équipement approprié pour le déplacer.
- Lire toutes les directives d'installation avant d'installer le Tiroir à micro-ondes.
- Retirer tous les matériaux d'emballage avant de connecter au secteur.
- Le propriétaire et l'installateur sont responsables d'assurer la conformité avec tous les codes et toutes les normes de sécurité en vigueur. Voir UL 923, The Microwave Cooking Appliances (Les appareils de cuisson à micro-ondes).
- L'appareil peut être installé en utilisant une norme ou une couleur (en médaillon) l'installation en suivant les instructions suivantes.
- L'appareil peut être installé à l'aide d'une norme ou encastré (en médaillon) l'installation en suivant les instructions suivantes.

Remarques importantes au client

Conserver ces instructions avec votre mode d'emploi et d'entretien pour référence ultérieure.

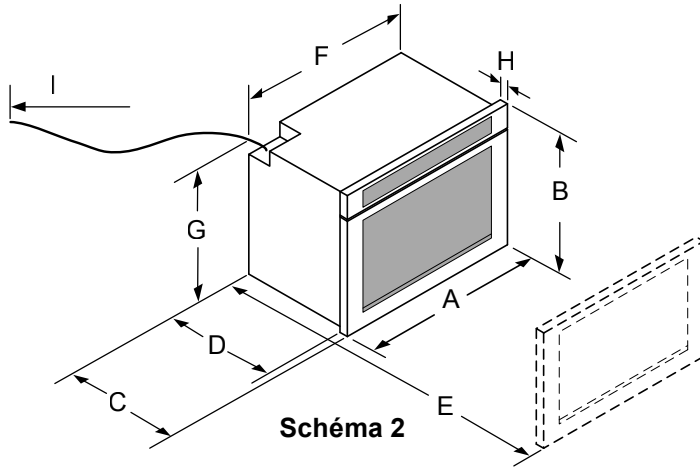
- Lors de l'utilisation d'un Tiroir à micro-ondes générant de la chaleur, il faut suivre certaines mesures de sécurité. Elles sont répertoriées dans le mode d'emploi et d'entretien. Lire le mode d'emploi et d'entretien et suivre soigneusement toutes les mesures de sécurité.

▲ AVERTISSEMENT

L'appareil doit être installé uniquement par un électricien licencié ou un installateur qualifié.

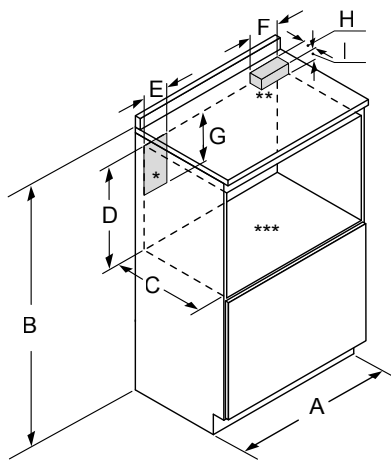
Mesures pour le Tiroir à micro-ondes

Dimensions de l'appareil

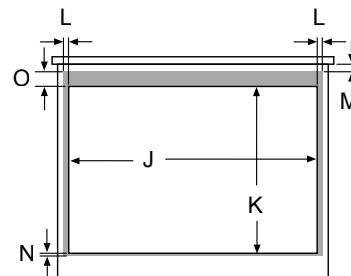


- A. HMD8451UC (24 po) 23 7/8 po (606 mm)
HMD8053UC (30 po) 30 po (762 mm)
- B. 16 5/16 po (414 mm)
- C. 23 3/8 po (594 mm)
- D. 21 7/8 po (556 mm)
- E. 38 3/8 po (974 mm)
- F. 21 5/8 po (549 mm)
- G. 14 5/8 po (371 mm)
- H. 1 11/16 po (39 mm)
- I. Environ 46 po (1,168.4 mm)

Dimensions standard d'installation et dégagements



Découpe vue de face

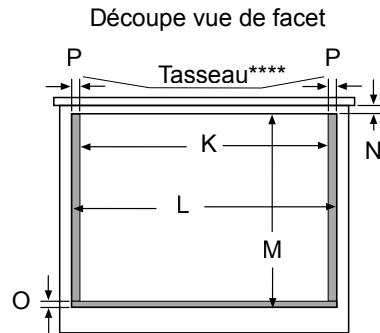
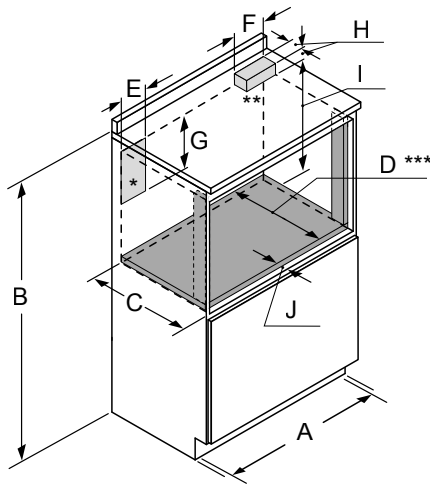


- * Emplacement suggéré de la prise électrique
- ** Bloc antibasculement
- *** La base doit supporter jusqu'à 100 lb (45,4 kg)

Schéma 3

- A. HMD8451UC (24 po) 24 po ou 27 po (610 ou 686 mm)
HMD8053UC (30 po) 30 po (762 mm)
- B. 36 po (914 mm)
- C. 23 1/2 po (597 mm)
- D. 14 5/8 po (372 mm)
- E. 4 po (102 mm)
- F. 6 po (152 mm)
- G. 5 po (127 mm)
- H. 3 1/2 po (89 mm)
- I. 1 1/2 po (38 mm)
- J. 22 1/8 po (562 mm) minimum
28 5/16 po (719 mm) maximum
- K. 14 13/16 po (376 mm)
- L. 7/8 po (22 mm) chevauchement
- M. 1/2 po (13 mm) aire visible
- N. 1/16 po (2 mm) chevauchement
- O. 1 7/16 po (36 mm) chevauchement

Installation encastrée



- * Emplacement suggéré de la prise électrique
- ** Bloc antibasculement
- *** La base doit supporter jusqu'à 100 lb (45,4 kg)
- **** Les côtés doivent être finis et prolongés jusqu'au tasseau. Les tasseaux doivent aussi être finis, car ils pourraient être visibles après l'installation. (Tasseaux ne sont pas inclus avec l'appareil.)

Schéma 4

- A. HMD8451UC (24 po) 27 po (686 mm)
HMD8053UC (30 po) 30 ⁵/₁₆ po (770 mm)
- B. 36 po (914 mm)
- C. 23 ¹/₂ po (597 mm)
- D. Profondeur min. de labase 21 ⁷/₈ po (555 mm)
- E. 4 po (102 mm)
- F. 6 po (152 mm)
- G. 5 po (127 mm)
- H. 3 ¹/₂ po (89 mm)
- I. 14 ⁵/₈ po (371 mm)
- J. 1 ⁵/₈ po (41 mm)

- K. HMD8451UC (24 po) 22 ¹/₈ po (562 mm)
HMD8053UC (30 po) 28 ⁵/₁₆ po (719 mm)
- L. HMD8451UC (24 po) 24 ³/₁₆ po (614 mm)
HMD8053UC (30 po) 30 ⁵/₁₆ po (770 mm)
- M. Découpe 16 ⁵/₈ po (422 mm)
- N. ¹/₂ po (13 mm) aire visible
- O. Épaisseur de la base ¹/₄ po (6 mm)
- P. 1 po (25 mm)

Les nombreuses dimensions des Schémas 2, 3 et 4 sont des références pour la préparation de la pose du tiroir.

Ce Tiroir à micro-ondes peut s'installer en dessous de tout four mural électrique ou à gazé.

AVIS : Prévoyez toujours une longueur suffisante de cordon d'alimentation pour que celui-ci ne soit aucunement tendu.

Vérifiez toujours les normes et le code électriques de votre région.

Bloc anti-basculement

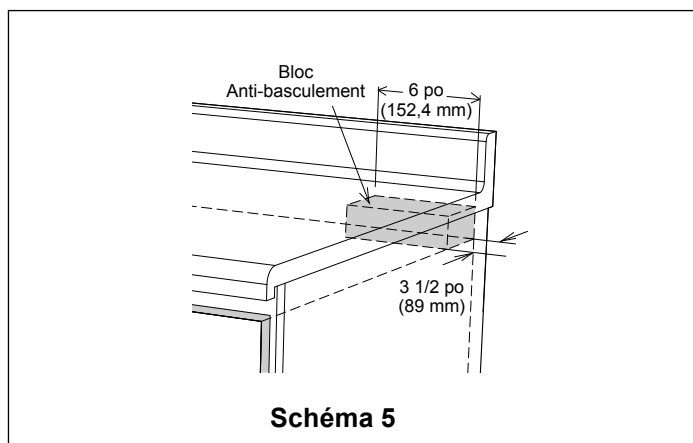
ÉTAPES D'INSTALLATION NORMALE

Directives d'installation du bloc anti-basculement

Le bloc de bois anti-basculement de 6 po sera fourni par l'installateur. Pour réduire le risque de basculement du tiroir, le bloc anti-basculement doit être correctement installé 14 13/16 po (installation standard) ou 14 5/8 po (installation encastrée) au-dessus du plancher sur lequel le Tiroir à micro-ondes sera posé. Le bloc anti-basculement de 6 po sera fourni par l'installateur. Voir Schéma 3 (installation standard) ou Schéma 4 (installation encastrée) et Schéma 5. Le bloc anti-basculement empêche de sérieuses blessures qui pourraient survenir du déversement de liquides chauds.

Si le tiroir est déplacé à un endroit différent, le bloc antibasculement doit l'être aussi et réinstallé.

Lorsqu'il est installé au mur, vérifier que les vis complètement à sec pénètrent le mur et sont correctement sécurisés et dans le matériau de base underneath le bloc soit parfaitement stable. En fixant, faire attention que les vis ne pénètrent pas dans le câblage électrique ou la plomberie.



⚠ ATTENTION

Veiller à ce que les vis ne touchent pas au câblage ou à la plomberie dissimulés dans le mur.

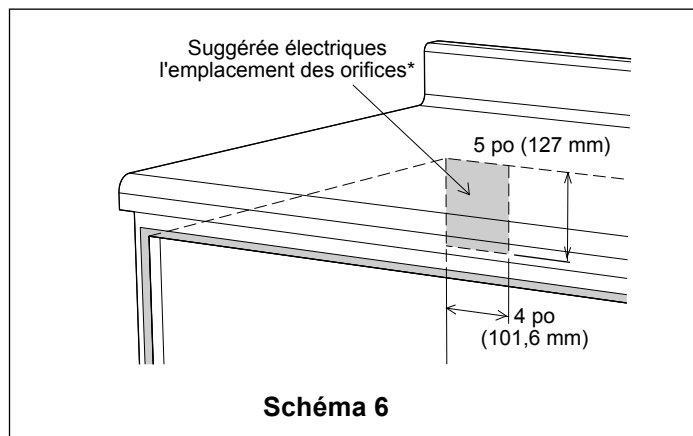
⚠ AVERTISSEMENT

L'appareil peut basculer et causer des déversements et des brûlures ou d'autres blessures si le bloc antibasculement n'est pas installé correctement.

Prise de courant

Cet appareil doit disposer d'un circuit de 120 volts, 60 Hz, 15 A (minimum) Il est recommandé d'alimenter cet appareil par un circuit séparé.

Le four est équipé d'une fiche trois broches, mise à la terre. Il faut la brancher dans une prise murale correctement installée et mise à la terre. Si vous ne possédez que des prises à deux broches, demandez à un électricien de métier d'installer une prise murale qui convienne.



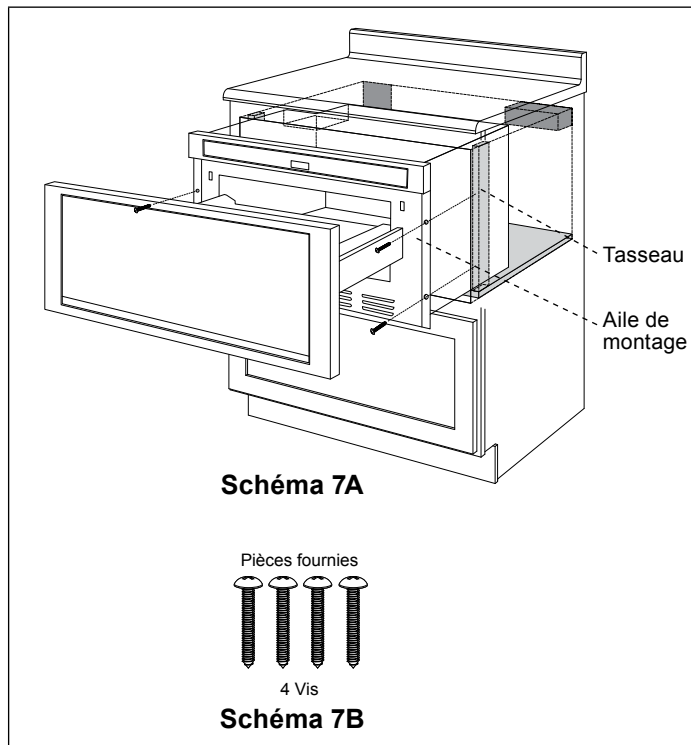
Remarque : Pour toute question à propos de l'installation électrique ou de la mise à la terre, consulter un électricien de métier.

* Peut être installé aussi en utilisant une prise secteur dans une armoire voisine dans les limites imposées par la longueur du cordon d'alimentation fourni avec l'appareil.

Vérifiez toujours les normes et le code électriques de votre région.

Installation du tiroir

1. Placer le four près de l'ouverture du mur ou de l'armoire. Brancher le cordon ans la prise électrique.
2. Guider avec précaution le four assemblé dans l'ouverture préparée. Éviter de pincer le cordon entre le four et le mur.
3. Faire glisser le tiroir jusqu'à ce que la bride de montage soit en contact avec la face de l'armoire pour une installation standard ou les tasseaux latéraux pour un encastrement. Voir Schéma 7A.
4. Ouvrir le tiroir. À l'aide des 4 trous du tiroir comme gabarit, percer des avant-trous dans l'armoire avec un foret de 1/16 po. Voir Schéma 7A.
5. Fixer le tiroir avec les 4 vis fournies. Voir Schéma 7B.
6. Test de fonctionnement pour confirmer que le tiroir à micro-ondes fonctionne correctement et le tiroir s'ouvre et se ferme librement.



Contacteur Bosch service à la clientèle

L'équipe de soutien à la clientèle Bosch est disponible pour aider et peut être atteint à 800.944.2904.

Avant d'appeler l'assistance ...

1. Reportez-vous à l'utilisation et d'entretien pour obtenir des informations supplémentaires sur le produit.
2. Avoir le numéro de modèle et le numéro FD disponible; cette information peut être trouvée sur la plaque signalétique. Ouvrez complètement le tiroir. La plaque d'identification est au-delà de la paroi arrière de la cavité du tiroir à micro-ondes vers le haut de la surface plane.

Tabla de Contenido

Definiciones de seguridad.....	1	Notas importantes para el consumidor	5
Instrucciones de seguridad importantes	2-4	Medidas del Microondas cajón	6-7
Códigos y normas de seguridad	2	Bloque antivoltaduras	8
Instrucciones para la conexión a tierra	2	Tomacorriente eléctrico	8
Espacios libres y dimensiones.....	3	Instalación de la gaveta	9
Desembalaje de su Microondas cajón.....	5	Ponerse en contacto con Atención al cliente de Bosch	9
Notas importantes para el instalador.....	5		

ADVERTENCIA

- La instalación deben ser efectuados por un instalador calificado.
- **INSTALADOR:** Deje estas instrucciones con el aparato después de la instalación.
- **IMPORTANTE:** Guarde este manual de instalación para el uso del inspector eléctrico local.
- **PROPIETARIO:** Por favor lea y guarde estas instrucciones para futuras consultas.

ADVERTENCIA

Si la información de este manual no se sigue con exactitud, incendio o choque pueden causar daños materiales o lesiones personales.

Definiciones de seguridad

ADVERTENCIA

Esto indica que la muerte o lesiones graves pueden ocurrir como consecuencia de la inobservancia de esta advertencia.

PRECAUCIÓN

Esto indica que las lesiones leves o moderadas pueden ocurrir como consecuencia de la inobservancia de esta advertencia.

AVISO: Esto indica que los daños en el aparato o la propiedad puede ocurrir como resultado de la falta de cumplimiento con este documento informativo.

Nota: Esto le avisa a la información y / o consejos importantes.

Este electrodomestico de Bosch es hecho por
BSH Home Appliances Corporation
1901 Main Street, Suite 600
Irvine, CA 92614

¿Preguntas?

1-800-944-2904

www.bosch-home.com/us

¡Esparamos oír de usted!

INSTRUCCIONES DE SEGURIDAD IMPORTANTES

LEA TODAS LAS INSTRUCCIONES ANTES DE USAR EL APARATO

Códigos y normas de seguridad

Este aparato cumple con la última versión de uno o más de los siguientes estándares:

- CAN/CSA-C22.2 N.º 61 - Estufas de uso doméstico
- UL 858 - Estufas eléctricas de uso doméstico
- CAN/CSA C22.2 N.º 150 - Hornos Microondas
- UL 923 - Electrodomésticos de cocción por microondas
- UL 507 - Ventiladores eléctricos
- CAN/CSA C22.2 N.º 113 - Ventiladores
- CSA C22.2 N.º 64 - Cocinar los aparatos Liquid-Calefacción
- UL 1026 - Electrodomésticos de cocina y Servicio de comida Electrodomésticos

Es responsabilidad del propietario y del instalador determinar si se aplican otros requisitos y/o normas en instalaciones específicas.

Instrucciones para la conexión a tierra

Este electrodoméstico debe estar conectado a tierra. En caso de un cortocircuito eléctrico, la conexión a tierra reduce el riesgo de descarga eléctrica proporcionando un cable de escape para la corriente eléctrica. Este electrodoméstico viene equipado con un cable con un hilo de conexión a tierra y un enchufe para conexión a tierra. El enchufe debe colocarse en una toma de corriente que esté correctamente instalada y conectada a tierra.

ADVERTENCIA

Inadecuado de la conexión a tierra puede causar una descarga eléctrica.

Consulte a un electricista calificado si no comprende la totalidad de las instrucciones de conexión a tierra o si tiene alguna duda respecto de si el electrodoméstico está correctamente conectado a tierra.

No utilice extensiones de cable. Si el cable de alimentación es demasiado corto, haga que un electricista calificado instale un tomacorriente cerca del artefacto.

El instalador debe realizar una comprobación de continuidad de tierra en la caja de toma de corriente antes de iniciar la instalación para asegurar que la caja tomacorriente está conectado a tierra correctamente. Si no está bien conectado a tierra, o si el tomacorriente no cumple con los requisitos eléctricos, un electricista calificado debe ser empleado para corregir deficiencias.

INSTRUCCIONES DE SEGURIDAD IMPORTANTES

LEA TODAS LAS INSTRUCCIONES ANTES DE USAR EL APARATO

Espacios Libres y Dimensiones

- Por razones de seguridad no instale el Microondas cajón en un gabinete que se puedan incendiar y que no esté de acuerdo con las distancias y dimensiones indicadas en las "mediciones del Microondas cajón" en la siguiente sección. Vea la figura 3 (instalación estándar) o la figura 4 (instalación al ras).
- Las dimensiones mostradas en la Figura 3 (instalación estándar) o Figura 4 (instalación al ras) Las dimensiones suministradas proporcionan un espacio libre mínimo. Ubique el tomacorriente eléctrico en el área cubierta en la esquina superior izquierda del recorte. Vea la Figura 6.
- La superficie de contacto debe ser firme y nivelada. Preste mucha atención a la superficie o piso en el cual se apoyará el Microondas cajón. La superficie o piso de la abertura debe ser construido de madera laminada lo suficientemente resistente para soportar el peso del horno (aproximadamente 100 libras).
- Verifique la ubicación donde será instalada la gaveta para que cuente con el suministro de electricidad apropiado.
- Su Microondas cajón puede ser empotrado en un gabinete o pared individualmente o debajo de un horno a gas o eléctrico de pared y lo siguiente:

PLACAS A GAS:	PLACAS ELÉCTRICAS:	PLACAS DE INDUCCIÓN:
NGM5055UC	NEM5066UC	NIT5066UC
NGM5655UC	NET8066UC	NIT8066UC
NGM8055UC	NET8066CUC	NIT8066CUC
NGM8065UC	NETP066CUC	NITP066UC
NGM8655UC	NEM5666UC	NITP066CUC
NGM8665UC	NET8666UC	NIT5666UC
NGMP055UC	NET8666CUC	NIT8666UC
NGMP655UC	NETP666CUC	NIT8666CUC
		NITP666UC
		NITP666CUC

- Asegúrese de que el espacio libre de la superficie o piso entre el horno de pared y del electrodoméstico sea como mínimo de 2".
- El interior del microondas tiene la capacidad de alojar fácilmente un recipiente rectangular de 9" x 13" o una bolsa de palomitas de maíz para microondas.

INSTALADOR: DEJE ESTAS INSTRUCCIONES CON EL APARATO DESPUÉS DE LA INSTALACIÓN.

IMPORTANTE: GUARDE ESTAS INSTRUCCIONES PARA EL USO DEL INSPECTOR LOCAL DE ELECTRICIDAD.

ADVERTENCIA

Si el contenido de este manual no se sigue exactamente, incendios o descargas pueden causar daños materiales o lesiones personales.

ADVERTENCIA

No reparar, sustituir o eliminar cualquier parte del aparato a menos que se recomiende específicamente en los manuales. La instalación, el mantenimiento o servicio y pueden causar lesiones o daños materiales. Consulte este manual para más información. Cualquier otro servicio debe ser realizado por un técnico cualificado.

Manejo del aparato de seguridad

La unidad es pesada y se requieren al menos dos personas o un equipo adecuado para moverse.

No levante aparato manija de la puerta.

Las superficies ocultas pueden tener bordes afilados. Tenga cuidado al llegar detrás o debajo de un mueble.

Estado de la propuesta 65 de California

ADVERTENCIA

Este producto contiene sustancias químicas que el Estado de California como causante de cáncer, defectos de nacimiento u otros daños reproductivos.

INSTRUCCIONES DE SEGURIDAD IMPORTANTES

LEA TODAS LAS INSTRUCCIONES ANTES DE USAR EL APARATO

Seguridad eléctrica

ADVERTENCIA

Antes de enchufar un cable eléctrico o encienda la fuente de alimentación, asegúrese de que todos los controles están en la posición OFF.

ADVERTENCIA

El aparato debe estar desconectado de la fuente de alimentación antes de intentar la instalación.

Para los aparatos provistos con un cable y un enchufe, no corte o remueva la tierra. Debe ser enchufado en una toma de tierra receptáculo correspondiente para evitar descargas eléctricas. Si hay alguna duda en cuanto a si la toma de pared esté conectado a tierra correctamente, el cliente debe que sea revisado por un electricista calificado.

Si es requerido por el Código Eléctrico Nacional (o el Código Eléctrico Canadiense), este aparato debe ser instalado en un circuito separado.

Instalador - mostrar al propietario la ubicación del disyuntor o fusible. Marcarlo para una fácil referencia.

Antes de instalar, apague el suministro eléctrico en el panel de servicio. Bloqueo panel de servicio para evitar que la corriente que se encienda accidentalmente.

Asegúrese que su aparato está correctamente instalado y conectado a tierra por un técnico cualificado. Instalación, las conexiones eléctricas y de tierra deben cumplir con todos los códigos aplicables.

Microondas seguridad

PRECAUCIONES QUE DEBEN TOMARSE ANTES Y DURANTE MANTENIMIENTO PARA EVITAR POSIBLE EXPOSICIÓN A ENERGÍA DE MICROONDAS

- No operar o permitir el horno para ser operado con la puerta abierta.
- Realice las siguientes comprobaciones de seguridad en todos los hornos para ser atendidos antes de activar el magnetrón u otra fuente de microondas, y hacer las reparaciones necesarias como:

1. Operación de bloqueo
2. cierre correcto de la puerta
3. Sello y sellado de superficies (arco, desgaste y otros daños)

4. Daños o desprendimiento de las bisagras y pestillos

5. Evidencia de caídas o abuso

- Antes de conectar la alimentación de microondas para cualquier prueba o inspección de servicios dentro de los compartimentos de generación de microondas, compruebe el magnetrón, guía de onda o línea de transmisión, y la cavidad para la alineación adecuada, la integridad y la conexión.
- Cualquiera de los componentes defectuosos o desajustados en los sistemas de enclavamiento, monitor, junta de la puerta, y la generación y transmisión de microondas deben ser reparados, reemplazados, o se ajustan mediante los procedimientos descritos en este manual antes de que el horno se libera al propietario.
- Una verificación de fugas de microondas para verificar el cumplimiento de la Norma Federal de rendimiento se debe realizar en cada horno antes de liberar al propietario.

Relacionados con la seguridad del equipo

Retire toda la cinta y el embalaje antes de usar el aparato. Destruir el envase después de desembalar el aparato. Nunca permita que los niños jueguen con el material de embalaje.

Nunca modifique o altere la construcción del aparato. Por ejemplo, no retire las patas de nivelación, paneles, cubiertas de cables o soportes antivuelco / tornillos.

ADVERTENCIA

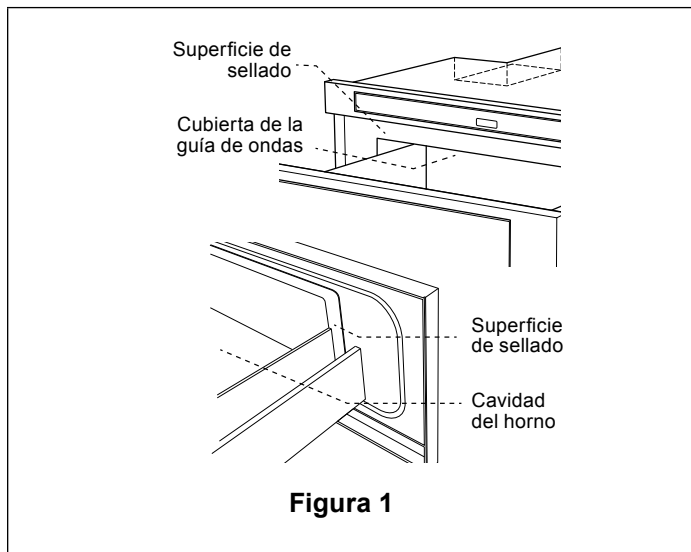
Para reducir el riesgo de incendio, use solamente conductos de metal.

PRECAUCIÓN

Para ventilación general de utilizar solamente. No utilice para descargar materiales y vapores peligrosos o explosivos.

Desembalaje de su Microondas cajón

- Retire todos los materiales de embalaje del interior del cajón de microondas. **NO QUITE LA CUBIERTA DE GUÍA DE ONDAS.** La cubierta de guía de ondas se une al techo del cajón de microondas. La cubierta de la mica es de color gris oscuro y acartonada, y mide aproximadamente 9 "x 10". La Cubierta del guía de ondas debe permanecer en su lugar en todo momento. Nunca permita que los niños jueguen con el material de embalaje.
- Verifique que la gaveta no tenga daños como que esté torcida o mal alineada, sellos de la gaveta y superficies de sellado dañados, guías del Microondas cajón rotas o flojas y abolladuras dentro de la cavidad o en la parte frontal de la gaveta. Si encuentra algún daño, no opere el electrodoméstico y comuníquese con su distribuidor o Bosch Atención al cliente.



Notas Importantes Para el Instalador

- La unidad es pesada y requiere al menos dos personas o un equipo adecuado para moverse.
- Lea por completo el Manual de instalación antes de instalar el Microondas cajón.
- Retire todos los materiales de embalaje antes de conectar el suministro de energía eléctrica.
- Cumpla con todos los códigos y normas vigentes.
- El aparato puede ser instalado utilizando un estándar o un color (recuadro) de instalación de acuerdo con las instrucciones siguientes.
- La unidad puede ser instalado usando un estándar o flush (recuadro) la instalación de acuerdo con las siguientes instrucciones.

Notas Importantes Para el Consumidor

Conserve este manual junto a su Manual de uso y cuidado para referencia futura.

- Tal como cuando utiliza cualquier Microondas cajón que genera calor, existen ciertas precauciones de seguridad que se deben tomar en cuenta. Éstas se encuentran en el Manual de uso y cuidado. Lea todas las precauciones y sigalas cuidadosamente.

⚠ ADVERTENCIA

El aparato debe ser instalado solamente por un electricista autorizado o un técnico cualificado.

Medidas del Microondas cajón

Dimensiones de electrodomesticos

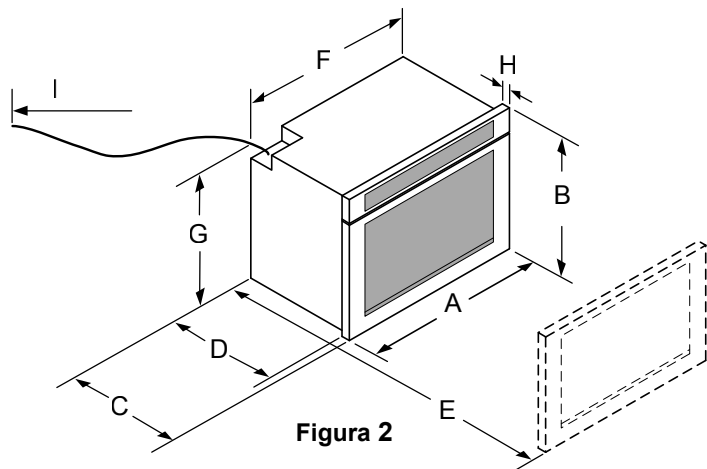


Figura 2

- A. HMD8451UC (24") 23 7/8" (606 mm)
HMD8053UC (30") 30" (762 mm)
- B. 16 5/16" (414 mm)
- C. 23 3/8" (594 mm)
- D. 21 7/8" (556 mm)
- E. 38 3/8" (974 mm)
- F. 21 5/8" (549 mm)
- G. 14 5/8" (371 mm)
- H. 1 11/16" (39 mm)
- I. Aproximadamente 46" (1,168.4 mm)

Instalación estándar

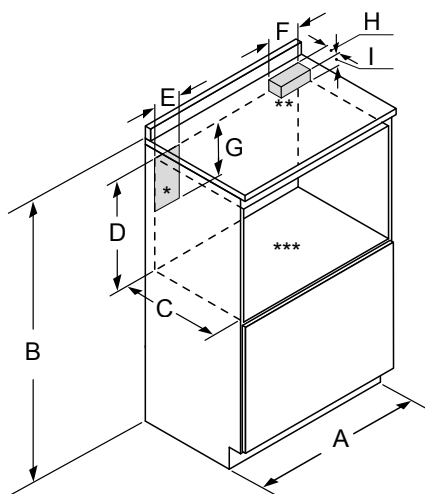
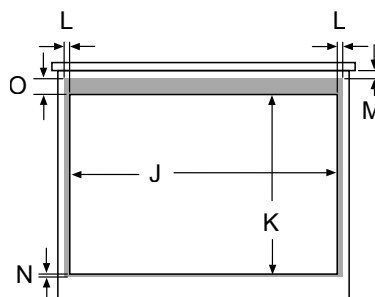


Figura 3

- A. HMD8451UC (24") 24" o 27" (610 o 686 mm)
HMD8053UC (30") 30" (762 mm)
- B. 36" (914 mm)
- C. 23 1/2" (597 mm)
- D. 14 5/8" (372 mm)
- E. 4" (102 mm)
- F. 6" (152 mm)
- G. 5" (127 mm)
- H. 3 1/2" (89 mm)
- I. 1 1/2" (38 mm)

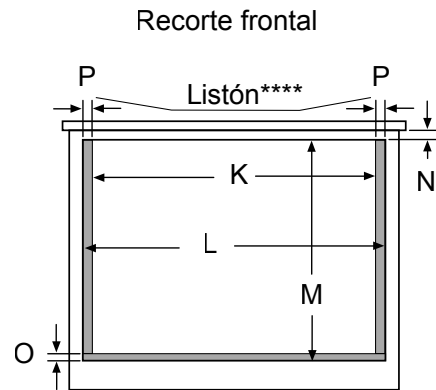
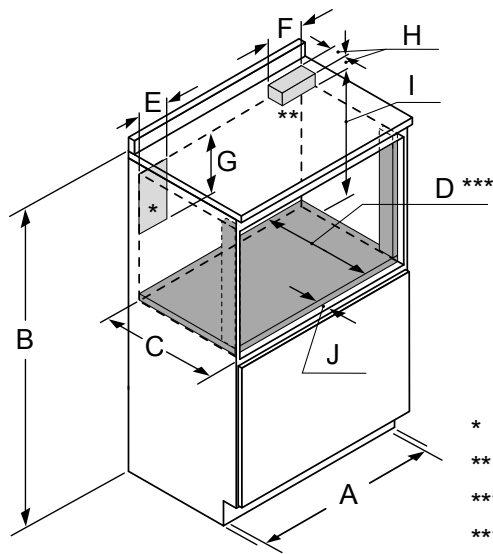
Recorte frontal



- * Ubicación sugerida del tomacorriente
- ** Bloqueo antivuelco
- *** La base debe soportar hasta 100 libras

- j. 22 1/8" (562 mm) mínimo
28 5/16" (719 mm) máximo
- K. 14 13/16" (376 mm)
- L. 7/8" (22 mm) de sobreposición
- M. 1/2" (13 mm) área visible
- N. 1/16" (2 mm) de sobreposición
- O. 1 7/16" (36 mm) de sobreposición

Instalación al ras



- * Ubicación sugerida del tomacorriente
- ** Bloque antivuelco
- *** La base debe soportar hasta 100 libras
- **** Los lados deben estar terminados y extendidos hasta el listón. Los listones también deben ser terminados, ya que pueden ser visibles después de la instalación. (Listones no se incluyen con la unidad.)

Figura 4

A. HMD8451UC (24") 27" (686 mm)
HMD8053UC (30") 30 5/16" (770 mm)

B. 36" (914 mm)

C. 23 1/2" (597 mm)

D. 21 7/8" (555 mm) profundidad mín. de la base

E. 4" (102 mm)

F. 6" (152 mm)

G. 5" (127 mm)

H. 3 1/2" (89 mm)

I. 14 5/8" (371 mm)

J. 1 5/8" (41 mm)

K. HMD8451UC (24") 22 1/8" (562 mm)
HMD8053UC (30") 28 5/16" (719 mm)

L. HMD8451UC (24") 24 3/16" (614 mm)
HMD8053UC (30") 30 5/16" (770 mm)

M. 16 5/8" (422 mm) de recorte

N. 1/2" (13 mm) área visible

O. 1/4" (6 mm) grosor de la base

P. 1" (25 mm)

Las figuras 2, 3 y 4 contienen muchas mediciones del Microondas cajón como referencia para planificar la ubicación del cajón. Este Microondas cajón puede ser instalado por debajo de cualquier horno eléctrico o de gas de pared.

AVISO: Siempre deje una longitud suficiente de cable de alimentación hasta el tomacorriente eléctrico para prevenir la tensión del cable.

Siempre verifique los códigos eléctricos para ver los requisitos.

Bloque Antivolcaduras

PROCEDIMIENTO NORMAL DE INSTALACIÓN

Instrucciones de instalación del bloque antivolcaduras

El bloque antivolcaduras de 6" debe ser suministrado por el instalador. Para reducir el riesgo de volcadura de la gaveta, el bloque antivolcaduras debe ser instalado correctamente a una distancia de 14 ¹³/₁₆" (instalación estándar) y 14 ⁵/₈" (instalación al ras) por encima de la superficie en la cual se apoyará el Microondas cajón. El bloque antivolcaduras de 6" debe ser suministrado por el instalador. Vea la Figura 3 (instalación estándar) o Figura 4 (instalación al ras) y Figura 5. El bloque antivolcaduras previene lesiones graves que podrían ser ocasionadas por derrames de líquidos calientes.

Si el Microondas cajón es trasladado alguna vez a otra ubicación, el bloque antivolcaduras también debe ser trasladado e instalado.

Al instalarla en la pared, asegúrese de que los tornillos penetren por completo en el drywall y se aseguren en madera o metal de modo que el bloque se encuentre totalmente estable. Al ajustar los tornillos asegúrese que no perforen el cableado eléctrico o las instalaciones sanitarias.

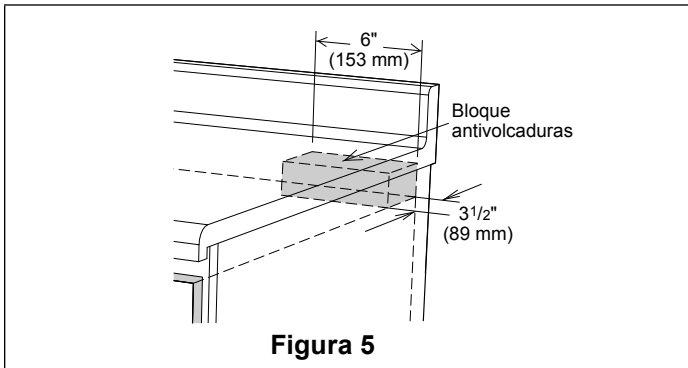


Figura 5

⚠ PRECAUCIÓN

Asegúrese de que los tornillos no estén en contacto con cualquier cableado o tuberías que puedan estar presentes en la pared.

⚠ ADVERTENCIA

La unidad puede voltearse y causar derrames y posibles quemaduras u otro tipo de lesiones, si el bloque antivuelco no está instalado correctamente.

Tomacorriente Eléctrico

La unidad requiere un circuito de 120 voltios, 60 Hz, 15 amperios (mínimo). Se recomienda un circuito por separado que sea sólo para este electrodoméstico.

El Microondas cajón está equipado con un enchufe con toma a tierra de tres clavijas. Se debe conectar en un tomacorriente de pared instalado y conectado a tierra apropiadamente. Si solo cuenta con un tomacorriente de dos clavijas, haga que un electricista calificado instale un tomacorriente de pared correcto.

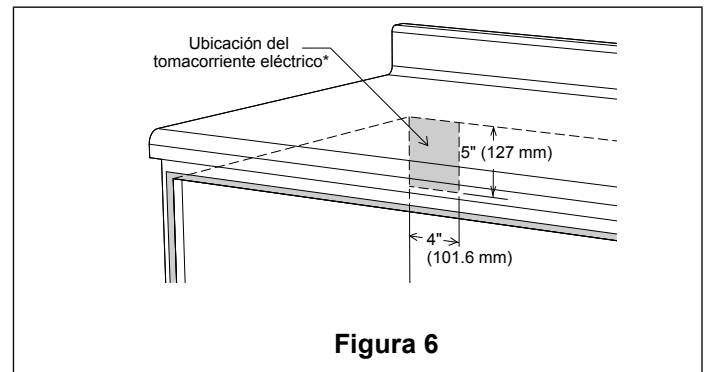


Figura 6

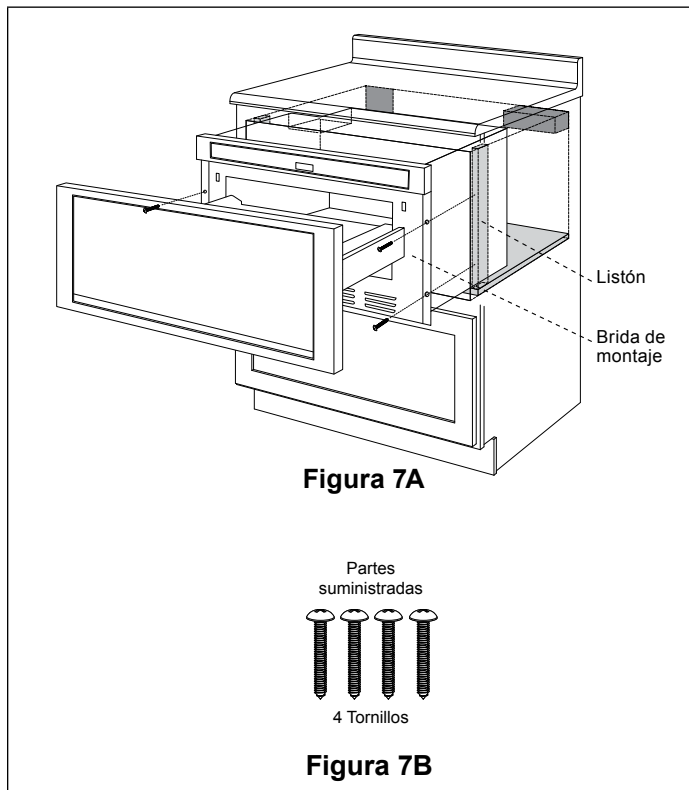
Nota: Si tiene alguna pregunta sobre las instrucciones eléctricas o de conexión a tierra, consulte a un electricista calificado.

* También se puede instalar usando un tomacorriente eléctrico en un gabinete adyacente dentro del área hasta donde se pueda extender el cable eléctrico.

Siempre verifique los códigos eléctricos para ver los requisitos.

Instalación de la Gaveta

1. Coloque el Microondas cajón al lado de la abertura de la pared o gabinete. Conecte el cordón de alimentación al tomacorriente eléctrico.
2. Guíe con cuidado el electrodoméstico dentro de la abertura preparada. Evite que el cable quede entre el horno y la pared.
3. Deslice el cajón hasta que la brida de montaje haga contacto con la cara del gabinete para una instalación estándar o los lados de los listones para una instalación al ras. Vea la Figura 7A.
4. Abra la gaveta. Usando los 4 agujeros en la gaveta como plantilla, pre-taladre el gabinete con una broca de 1/16". Vea la Figura 7A.
5. Asegure la gaveta con los 4 tornillos suministrados. Vea la Figura 7B.
6. Operación de prueba para confirmar que el cajón de microondas está funcionando correctamente y el cajón se abre y cierra libremente.



Ponerse en contacto con Atención al cliente de Bosch

El equipo de soporte al cliente de Bosch está disponible para ayudar y puede ser alcanzado en 800-944-2904.

Antes de llamar al servicio técnico ...

1. Refer to the Use and Care Manual for additional product information.
2. Tenga el número completo del modelo y el número FD disponible; esta información se puede encontrar en la placa de características. Abra el cajón por completo. La placa de características está más allá de la pared posterior de la cavidad del cajón de microondas hacia arriba desde la superficie plana.



BOSCH

Invented for life

1901 Main Street,, Suite 600, Irvine, CA 92614 • 800-944-2904 • www.bosch-home.com/us
© BSH Home Appliances Corporation, 2014 • All rights reserved