

Owner's Manual

36" and 48"

Professional Rangetops

Manuel du propriétaire

91 cm (36 po) et 121 cm (48 po)

Cuisinières professionnelles

La section française commence à la page 21

Manual del propietario

36" y 48"

Cocinas profesionales

La sección en español empieza en la página 41

49-85119-4

11-15 GE

monogram.com

MONOGRAM

Contents

Surface Cooking
 Burners 9
 Controls 9, 10
 Cookware 10
 Dual-Flame Stacked Burners 9
 Features 8
 Griddle 13
 Grill 11, 12

Care and Cleaning
 Burner Caps 14
 Burner Grates 15
 Control Panel and Knobs 16
 Cutting Board 16
 Grease Troughs 15
 Griddle 16
 Grill 17
 Stainless Steel 14

Consumer Services
 Important Phone Numbers 19
 Model and Serial Number 3
 Problem Solver 18
 Safety Instructions 4-7
 Warranty 20

⚠ WARNING: If the information in this manual is not followed exactly, a fire or explosion may result, causing property damage, personal injury or death.

- Do not store or use gasoline or other flammable vapors and liquids in the vicinity of this or any other appliance.
- **WHAT TO DO IF YOU SMELL GAS**
 - Do not try to light any appliance.
 - Do not touch any electrical switch; do not use any phone in your building.
 - Immediately call your gas supplier from a neighbor's phone. Follow the gas supplier's instructions.
 - If you cannot reach your gas supplier, call the fire department.
- Installation and service must be performed by a qualified installer, service agency or the gas supplier.

⚠ This is the safety alert symbol. This symbol alerts you to potential hazards that can kill or hurt you and others. All safety messages will follow the safety alert symbol and the word "DANGER", "WARNING", or "CAUTION". These words are defined as:

⚠ DANGER Indicates a hazardous situation which, if not avoided, **will** result in death or serious injury.

⚠ WARNING Indicates a hazardous situation which, if not avoided, **could** result in death or serious injury.

⚠ CAUTION Indicates a hazardous situation which, if not avoided, **could** result in minor or moderate injury.

Remove packaging tape

Carefully remove all packaging, foam pads and tape.

NOTE: *The adhesive must be removed from all parts. It cannot be removed if it is heated.*

To assure no damage is done to the finish of the product, the safest way to remove the adhesive from packaging tape on new appliances is an application of a household liquid dishwashing detergent. Apply with a soft cloth and allow to soak.

Write down the model & serial numbers

You'll find them on a label located behind the left burner knob or on the bottom of the rangetop.

Before sending in the registration card, please write these numbers here:

Model Number

Serial Number

Use these numbers in any correspondence or service calls concerning your rangetop.

If you received a damaged rangetop

Immediately contact the dealer (or builder) that sold you the rangetop.

Trouble-shooting tips

Before you request service, check the Problem Solver in the back of this manual.

It lists causes of minor operating problems that you can correct yourself.

If you need service

To obtain service, see the Consumer Services page in the back of this manual.

NEXT, if you are still not pleased, write all the details—including your phone number—to:

We're proud of our service and want you to be pleased. If for some reason you are not happy with the service you receive, here are the steps to follow for further help.

Manager, Customer Relations
GE Appliances
Appliance Park
Louisville, KY 40225

FIRST, contact the people who serviced your appliance. Explain why you are not pleased. In most cases, this will solve the problem.

IMPORTANT SAFETY INSTRUCTIONS

IMPORTANT SAFETY NOTICE

- The California Safe Drinking Water and Toxic Enforcement Act requires the Governor of California to publish a list of substances known to the state to cause cancer, birth defects or other reproductive harm, and requires businesses to warn customers of potential exposure to such substances.
- Gas appliances can cause minor exposure to four of these substances, namely benzene, carbon monoxide, formaldehyde and soot, caused primarily by the incomplete combustion of natural gas or LP fuels.

Properly adjusted burners, indicated by a bluish rather than a yellow flame, will minimize incomplete combustion. Exposure to these substances can be minimized by venting with an open window or using a ventilation fan or hood.

⚠ WARNING: *SAFETY PRECAUTIONS*

When using your appliance, follow basic safety precautions, including the following:

- **Have the installer show you the location of the rangetop gas shut-off valve and how to turn it off if necessary.**
- **Be sure all packing materials are removed from the rangetop** before operating it to prevent fire or smoke damage should the packing material ignite.
- **Locate the rangetop out of kitchen traffic path and out of drafty locations and areas with poor air circulation.**
- **Do not install this product with an air curtain hood** or other range hood that operates by blowing air down on the cooktop. This airflow may interfere with operation of the gas burners resulting in fire or explosion hazard.

IMPORTANT SAFETY INSTRUCTIONS

⚠ WARNING: *SAFETY PRECAUTIONS*

- **Use this appliance only for its intended use** as described in this manual.
- **Be sure your appliance is properly installed and grounded** by a qualified technician in accordance with the provided installation instructions.
- **Do not attempt to repair or replace any part of your rangetop unless it is specifically recommended in this manual.** All other servicing should be referred to a qualified technician.
- **Before performing any service, DISCONNECT THE RANGETOP POWER SUPPLY AT THE HOUSEHOLD DISTRIBUTION PANEL BY REMOVING THE FUSE OR SWITCHING OFF THE CIRCUIT BREAKER.**
- **Do not leave children alone**—children should not be left alone or unattended in an area where an appliance is in use. They should never be allowed to sit or stand on any part of the appliance.
- **Do not store flammable materials near the rangetop.**
- **Do not store plastic, flammable liquids or combustible materials on top of the optional high shelf.**
- **CAUTION: ITEMS OF INTEREST TO CHILDREN SHOULD NOT BE STORED IN CABINETS ABOVE A RANGETOP OR ON THE BACKSPASH OF A RANGETOP—CHILDREN CLIMBING ON THE RANGETOP TO REACH ITEMS COULD BE SERIOUSLY INJURED.**
- **Never use this appliance as a space heater to heat or warm the room.** Doing so may result in carbon monoxide poisoning or overheating of the appliance.
- **Never wear loose-fitting or hanging garments while using the appliance.** Be careful when reaching for items stored over the rangetop. Flammable material could be ignited if brought in contact with surface burners or burner grates and may cause severe burns.
- **Use only dry pot holders**—moist or damp pot holders on hot surfaces may result in burns from steam. Do not let pot holders touch surface burners, burner grates or oven heating elements. Do not use a towel or other bulky cloth.
- **When surface cooking, do not touch surface burners, burner grates, grill or griddle (on some models) or the surrounding areas.**

These surfaces may be hot enough to burn.

During and after use, do not touch, or let clothing or other flammable materials contact, the surface burners, grill or griddle (on some models), and areas near the surface burners; allow sufficient time for cooling first.

Potentially hot surfaces include the rangetop, areas facing the rangetop, or any backguard or high shelf surface.
- **Keep the ventilator hood and grease filters clean to maintain good venting and to avoid grease fires.** Turn the ventilator OFF in case of fire or when intentionally “flaming” liquor or other spirits on the rangetop. The blower, if in operation, could spread the flames.

IMPORTANT SAFETY INSTRUCTIONS

⚠ WARNING: SAFETY PRECAUTIONS

- **Do not use water on grease fires. Never pick up a flaming pan.** Turn the controls off. Smother a flaming pan on a surface unit by covering the pan completely with a well-fitting lid, cookie sheet or flat tray. Use a multi-purpose dry chemical or foam-type fire extinguisher.
Flaming grease outside a pan can be put out by covering it with baking soda or, if available, by using a multi-purpose dry chemical or foam-type fire extinguisher.
- **DO NOT STORE OR USE COMBUSTIBLE MATERIALS, GASOLINE OR OTHER FLAMMABLE VAPORS AND LIQUIDS IN THE VICINITY OF THIS OR ANY OTHER APPLIANCE.**
- **Do not let cooking grease or other flammable materials accumulate in or near the rangetop. Clean grease troughs (some models) and burner pans after every use.**
- **If you smell gas,** the installer has not done a proper job of checking for leaks. You can have a small leak, and therefore a faint gas smell, if the connections are not completely tight.
Finding a gas leak is **NOT** a do-it-yourself procedure. Some leaks can only be found with the burner control in the ON position. For your protection, it must be done by a qualified service technician. Never use an open flame to locate a leak.
- **If by some chance a burner goes out and gas escapes, open a window or a door to let the room air out.** Do not attempt to use the appliance until the gas has had time to dissipate. Follow the instructions in "What to do if You Smell Gas" on page 2.
- **Be sure all the controls are turned off and the appliance is cool** before using any type of aerosol cleaner or cooking spray on or around the appliance. The chemical that produces the spraying action could, in the presence of heat, ignite or cause metal parts to corrode.
- **Do not heat unopened food containers;** a buildup of pressure may cause the container to burst.
- **Set the burner control so that the flame heats only the bottom of the pan** and does not extend beyond the bottom of the pan. Excessive flame is hazardous. The high BTU burners can easily melt cookware handles.
- **Hold the handle of the pan, using a dry pot holder,** to prevent movement of the utensil when stirring or turning food.
- **Always use the LITE position when igniting the surface burners** and make sure the burners have ignited.

IMPORTANT SAFETY INSTRUCTIONS

⚠ WARNING: *SURFACE COOKING SAFETY PRECAUTIONS*

- **Never leave the surface burners unattended at high flame settings.** Boilovers cause smoking and greasy spillovers that may catch on fire. If the burner flames are smothered by a severe boilover which affects the igniter, unburned gas will escape into the room.
- **To minimize the possibility of burns,** ignition of flammable materials and spillage, turn cookware handles toward the side or back of the rangetop without extending over adjacent burners.
- **Always turn the surface burners to OFF before removing cookware.**
- **Carefully watch foods being fried at a high flame setting.**
- **Foods for frying should be as dry as possible.** Frost on frozen foods or moisture on fresh foods can cause hot fat to bubble up and over the sides of the pan.
- **Use the least possible amount of fat for effective shallow or deep fat frying.** Filling the pan too full of fat can cause spillovers when food is added.
- **Use a deep fat thermometer** whenever possible to prevent overheating fat beyond the smoking point.
- **Always heat fat slowly, and watch as it heats.**
- **Never try to move a pan of hot fat,** especially a deep fat fryer. Wait until the fat is cool.
- **If a combination of oils or fats will be used in frying,** stir together before heating or as fats melt slowly.
- **When using glass cookware,** make sure it is designed for top-of-rangetop cooking.
- **Do not leave any items on the rangetop.** The hot air from the vent may ignite flammable items and will increase pressure in closed containers, which may cause them to burst.
- **Do not use aluminum foil to cover the grates or line any part of the rangetop.** Doing so may result in carbon monoxide poisoning, overheating of the rangetop surfaces, or a potential fire hazard.
- **Use proper pan size**—avoid pans that are unstable or easily tipped. Select cookware having flat bottoms large enough to properly contain food and avoid boilovers and spillovers and large enough to cover burner grate. This will save cleaning time and prevent hazardous accumulations of food, since heavy spattering or spillovers left on the rangetop can ignite. Use pans with handles that can be easily grasped and remain cool.
- **Do not leave plastic items on the rangetop**—they may melt if left too close to the vent or burner.
- **To avoid the possibility of a burn,** always be certain that the controls for all burners are at the OFF position and all grates are cool before attempting to remove them.
- **Grease is flammable.** Let hot grease cool before attempting to handle it. Avoid letting grease deposits collect in the grill or the griddle grease troughs (some models). Clean these areas after each use.
- **For proper lighting and performance of the rangetop burners, keep the burner ports clean.** It may be necessary to clean these when there is a boilover or when the burner does not light, even though the electronic igniters click.
- **After cleaning, it is important to make sure the cap and burner port are properly aligned with the burner base.** Incorrect alignment will produce poor burner performance. Never operate the burner without all burner parts in place.
- **Clean the rangetop with caution.** Avoid steam burns; do not use a wet sponge or cloth to clean the rangetop while it is hot. Some cleaners produce noxious fumes if applied to a hot surface. Follow manufacturer's directions.
- **Do not use the grill for cooking excessively fatty meats or products that can flare-up.**
- **If the rangetop is located near a window,** do not hang long curtains that could blow over the surface burners and create a fire hazard.

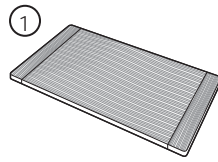
SAVE THESE INSTRUCTIONS

Features of Your Rangetop

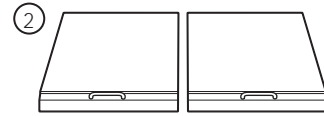
Professional Rangetops

Design information

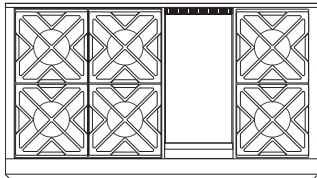
(Not all features are on all models. Appearance may vary.)



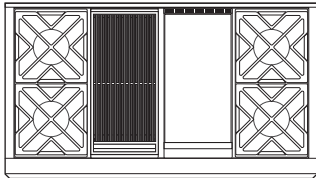
Bamboo Cutting Board



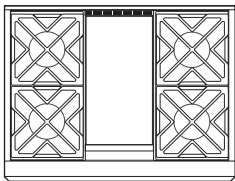
Grill and Griddle Covers



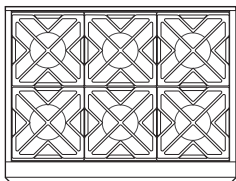
ZGU486NR, ZGU486LR-6 burners and grill
ZGU486ND, ZGU486LD-6 burners and griddle



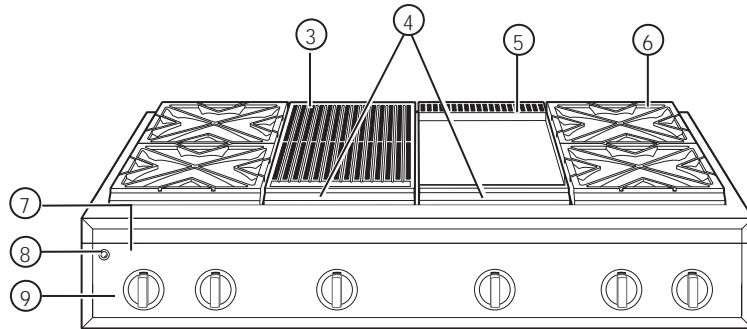
ZGU484NG, ZGU484LG
4 burners, grill and griddle



ZGU364NR, ZGU364LR-4 burners and grill
ZGU364ND, ZGU364LD-4 burners and griddle



ZGU366N, ZGU366L
6 gas burners



Feature Index	Page
1 Bamboo Cutting Board	16
2 Grill and Griddle Covers	--
3 IR (Infrared) Grill	11, 12
4 Grill and Griddle Grease Troughs	15
5 Griddle	16
6 Rangetop Burner Grates	15
7 Burner Location Indicator	--
8 LED Bullnose Task Lighting Control	--
9 Burner Control Knob with Lighted Bezel	--

Electronic ignition & automatic reignition

The rangetop is equipped with electronic ignition which eliminates the need for a standing pilot light.

The burners will automatically relight if the flame goes out.

All surface burner igniters will spark and make clicking sounds when any burner is turned on. Do not touch any of the burners when igniters are clicking.

Occasionally the burners may spark if excess wind or a draft blows the flame away from the burner's flame sensor.

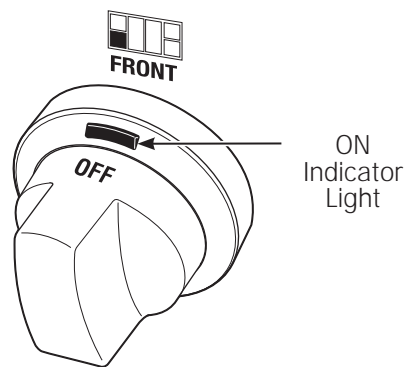
The griddle and IR (infrared) grill are equipped with Glo-Bar igniters. The Glo-Bar remains energized whenever the griddle or IR grill is in use to ensure the burner always stays lit.

In case of a power outage, you can light the surface burners on your rangetop with a match. Hold a lighted match to the burner, then turn the knob to the LOW position. **Use extreme caution when lighting burners this way.**

Do not attempt to light the grill or griddle during a power outage. The gas to these burners will automatically shut off during a power outage.

To light a surface burner

Push the control knob in and turn it **counterclockwise** to the **LITE** position.



After the burner ignites, turn the knob to adjust the flame size.

To turn a burner off, turn the knob clockwise, as far as it will go, to the **OFF** position.

- Do not operate a burner for an extended period of time without cookware on the grate. The finish on the grate may chip without cookware to absorb the heat.
- The indicator light on each bezel verifies the burner is on. However, it should not be a substitute for visually checking the flame at the burner.

Dual-flame stacked burners

All surface burners have two sets of flames stacked one on top of the other; the dual-flame burners have a lower (simmer) flame and an upper (main) flame.

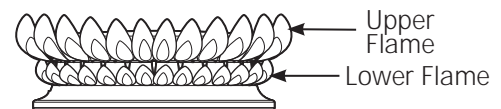
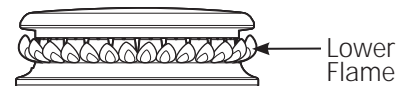
When a burner is turned on, the lower flame will always light and stay on.

Simmering:

The stacked burner design provides a wide rangetop of heat settings with which to simmer. Depending on the type and quantity of food, and pan size, the flame can be adjusted to suit your specific need. The lowest setting uses only the lower flame and can maintain delicate foods at a safe 140°F.

Cooking:

Settings from **LO** to **X-HI** will use both upper and lower flames. Use **LO** to **HI** for all purpose cooking. Use **HI** or **X-HI** (highest setting) with larger diameter cookware.



X-HI and **HI** are very high heat settings and are intended to sear foods quickly and boil large quantities of water.

Surface Cooking

Professional Rangetops

How to select flame size

Watch the flame, not the knob, as you increase or reduce heat.

The flame size on a gas burner should match the cookware you are using.

FOR SAFE HANDLING OF COOKWARE, NEVER LET THE FLAME EXTEND UP THE SIDES OF THE COOKWARE. Any flame larger than the bottom of the cookware will not result in faster heating and could be hazardous.



For surface stability, 6" minimum diameter cookware is recommended. Use larger diameter cookware for heat settings between **HI** and **X-HI**.

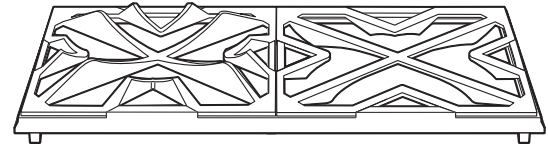
Wok cooking

The burner grates are uniquely designed to cook on either side. The flat side accommodates flat bottom cookware (stockpots, sauce pans, frying pans and flat bottom woks), while the wok side is designed to hold a wide variety of round bottom woks without the need for a separate ring.

For easy access, a front burner location is recommended for wok cooking.

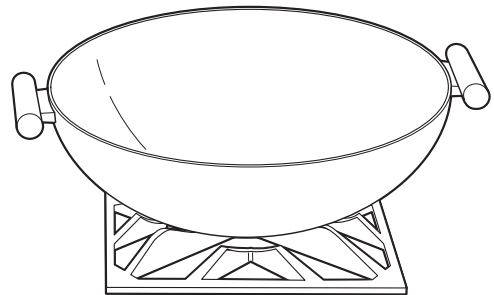
The front center burner is recommended for wok cooking on 6-burner 36" and 48" rangetops.

⚠ CAUTION: To properly fit the grate and match the flame size, the wok must be between 12" and 14" in diameter.



Wok Side

Flat Side



Grill safety precautions (on some models)

▲ WARNING: Do not leave the IR grill unattended at any time.

Grease Flare-ups:

Occasionally, during grilling, grease drippings can ignite creating minor bursts of flame for a second or two. This is normal when grilling.

The grill radiant baffle is designed to catch excess grease, limiting flare-ups.

If a flare-up becomes excessive, remove the food from the grill and lower the heat setting until the flare-up subsides.

To further reduce flare-ups, trim excess fat around the edges of steaks and chops, use hamburger that is lean, remove the skin from poultry, etc.

Use a long spatula and a non-flammable mitt when turning food on the grill.

Grill Cover:

Remove the cover before lighting the burner. For your safety, the cover must be removed when using the grill. If the cover is left in place it will become extremely hot.

Cookware:

Do not use any cookware on the grill.

Using the IR grill

Remove the cover before lighting the burner. The cover must be removed when using the IR grill.

Set the control knob to **PREHEAT**. The longer the grill is preheated, the darker the grill marks will be on the food.

Allow 5 to 15 minutes to fully preheat the grill.

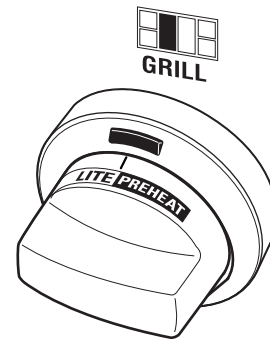
After preheat, the control knob may be set to any position between **HI** and **LO**.

Do not leave the grill unattended at any time.

The intense heat caramelizes fats and juices creating authentic barbecued flavor. The IR grill will achieve the same results as an outdoor grill.

All gas grills cook differently. Adjust cooking times and methods when using the IR grill.

Clean the grill grate, grease trough and grease basin after each use. Remove the parts for cleaning after they are cool to the touch.



NOTE: The grill will take approximately 45 seconds to ignite. Unlike the surface burners, which use electric igniters, the grill uses a Glo-Bar for ignition. It takes approximately 45 seconds for the Glo-Bar to reach temperature. Gas is only supplied to the grill once the Glo-Bar reaches temperature.

Grill grates

(on some models)

Remove the cover before lighting the IR grill.

The grill grate is reversible. Place the handle end toward the front of the Rangetop.

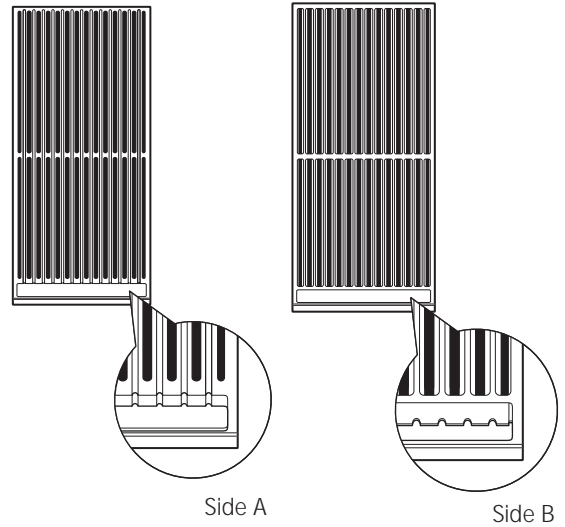
The grate will change color when subjected to the heat, and as oils cook onto the surface. This is normal and does not affect the cooking performance.

The porcelainized cast-iron grill grate does not need to be seasoned.

One side of the grate (Side A) is grooved and should be used for foods such as steak or hamburger patties. The grooves are sloped so the excess liquids and oils run toward the front of the grill and into the grease trough.

The other side of the grate (Side B) is designed for delicate foods such as fish.

Turn and move foods as needed.



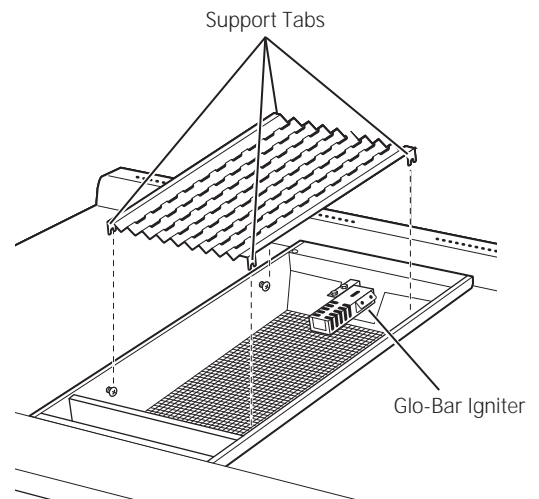
Food	Setting	Preheat
Hamburger Patties (8)	HI or LO	5 Minutes
Chicken Breast (6) (Bone side down)	LO	5 Minutes
T-Bone Steak (1-1/2" thick)	LO	5 Minutes
Salmon	LO	5 Minutes

Grill radiant baffle

Models equipped with an IR grill have a radiant baffle which distributes the heat from the burners evenly across the grill area. The grill baffle also helps to limit grease flare-ups.

The grill baffle rests on tabs in the grill opening. Be sure the baffle is secured in place by fully engaging the tabs.

IMPORTANT: Avoid contact with the igniter. It is fragile and can chip or break.



Griddle safety precautions, leveling

(on some models)

⚠ WARNING: Do not allow the airflow from the griddle flue cover to be obstructed by cookware or towels.

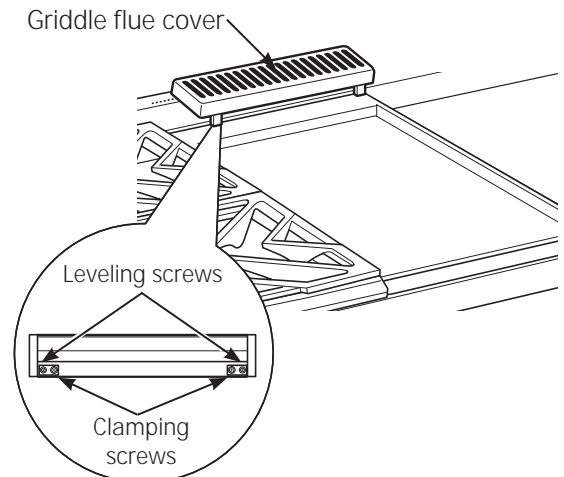
Remove the metal cover and the cutting board before turning the griddle on.

The griddle assembly should not be removed for cleaning.

Once the unit is in position, the griddle can be leveled. Remove the flue cover by lifting it straight up. Be careful not to scratch the surrounding stainless steel surfaces during removal of the flue cover.

The two inner screws are clamping screws for securing the griddle in place. Loosen these two screws before leveling. **Do not remove these two screws.**

The two outer screws are leveling screws. **Do not remove these two screws.** They can be turned to level the griddle or to provide a forward slope to help grease and oils to drain away from the food being cooked. After the first few uses, you will be able to judge the slope best suited for the foods you are cooking and personal preference.



After leveling the griddle, tighten the clamping screws to secure griddle in place. **Hand tighten screws; do not over-tighten.**

Season the griddle

Before using the griddle for the first time, it must be seasoned.

If the griddle has not been used for a period of time, it should be reseasoned.

1. Clean the griddle thoroughly with hot, soapy water to remove any protective coating.
2. Wipe the surface using a solution of 1 quart water and 1 cup white vinegar. Dry thoroughly.
3. Use a paper towel and wipe 1 tablespoon vegetable oil evenly across the griddle. Do not use corn oil as it can get sticky.

4. Turn the control knob to 400°F for approximately 30 minutes. Turn the heat off when the oil starts to shimmer.
5. Repeat Step 3. Be sure to cover the entire surface with the oil.
6. Allow the griddle to cool. Wipe the entire surface of the griddle using a heavy cloth to remove the oil. The griddle is now ready to use.

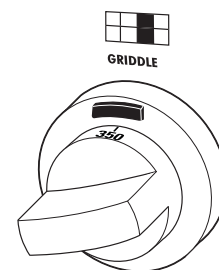
Using the griddle

The griddle surface is a combination of highly polished Type 304 stainless steel and an aluminum thermal plate for even heat distribution. It is normal for it to darken with use as oils cook onto the surface to provide a stick-resistant base or "seasoning."

The griddle is thermostatically controlled and can be set to maintain any temperature from 200°F to 450°F.

NOTE: Unlike the surface burners, which use electric igniters, the griddle uses a Glo-Bar for ignition. It takes approximately 45 seconds for the Glo-Bar to reach temperature. Gas is only supplied to the griddle once the Glo-Bar reaches temperature.

To heat the griddle, push in the control knob and turn to the desired temperature setting. The light on the bezel will glow to indicate the thermostat control is working.



Food Item	Temperature Setting
Pancakes	375°F
Hamburgers	400°F
Bacon*	400°F
Grilled Cheese	350°F
Eggs	275°F

***NOTE:** Place bacon on a cold griddle. Do not preheat.

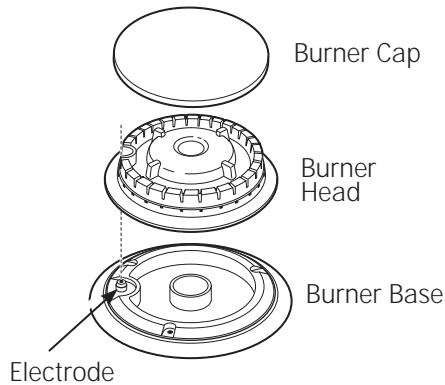
Dual-flame stacked burners

The burner consists of three parts: the burner base, burner head and burner cap. The burner head and burner cap can be lifted off, making them easy to clean.

⚠ CAUTION: DO NOT OPERATE THE BURNER WITHOUT ALL BURNER PARTS IN PLACE.

Surface burners should be cleaned routinely, especially after bad spillovers, which could clog the slots and holes in the burner heads.

The electrode is located at the rear of each burner. Do not attempt to disassemble or clean around any burner while another burner is on. An electric shock may result.



To remove the burner parts:

1. Turn all controls **OFF** before removing any burner parts.
2. When cool, you may lift off the burner grates, burner caps and burner heads for easier cleaning. **Do not remove the burner bases.**

Cleaning

Lift off burner parts only when cool. Wash in hot, soapy water. You may use a plastic scouring pad to remove burned-on food particles.

To remove burned-on food, soak the burner heads in a solution of mild liquid detergent and hot water for 20–30 minutes. For more stubborn stains, use a plastic scouring pad or toothbrush.

If the spill goes inside the burner head assembly, wash it under running water and shake to remove excess water.

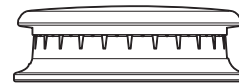
After Cleaning

Before replacing the burner parts, shake out excess water and then dry them thoroughly.

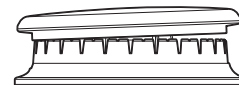
To replace the burner parts:

Make sure that the burner parts are replaced in the correct location.

1. Replace the burner head on top of the burner base, making sure that the hole in the burner head is properly aligned with the electrode in the burner base. A small gap between the base and head is normal.
2. Place the burner cap on top of the burner head. Make sure that the burner cap is properly seated on the burner head.



Burner cap properly seated



Burner cap not properly seated

Stainless steel surfaces

Do not use a steel-wool pad; it will permanently scratch the surface.

To clean the stainless steel surface, use warm sudsy water or a stainless steel cleaner. Always wipe the surface in the direction of the grain. Follow the cleaner instructions for cleaning the stainless steel surface.

To inquire about purchasing stainless steel appliance cleaner, please call our toll-free number, 800.626.2002 or visit monogram.com.

Spark igniter and electrodes

The electrode of the electronic ignition system is positioned at the rear of the burner base. When cleaning the rangetop, be careful not to snag the igniter with your cleaning cloth. Damage to the igniter could occur.

Be careful not to push in a control knob while cleaning. It could cause the igniter to spark.

Make sure that the white ceramic igniters on the rangetop are dry and clean. Clean the metal portion of the electrode with a soft cloth or emery board.

Do not attempt to remove the electrode from the rangetop.

Clean this metal part with an emery board.



Do not clean this white ceramic part with an emery board.

Burner grates

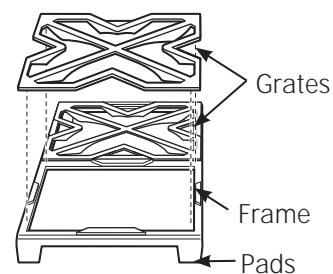
The enameled cast-iron burner grates should be cleaned regularly.

The grates can be cleaned in the dishwasher. The frames may be cleaned by hand or in the dishwasher.

Wash them in hot soapy water, rinse, and dry thoroughly.

Although they are durable, the grates will gradually lose their shine, regardless of the best care you can give them. This is due to their continual exposure to high temperatures.

Do not operate a burner for an extended period of time without cookware on the grate. The finish on the grate may chip without cookware to absorb the heat.



For stability, the frames have rubber pads on each corner. During cleaning and use, be careful not to damage or snag rubber pads.

Grease troughs

(on some models)

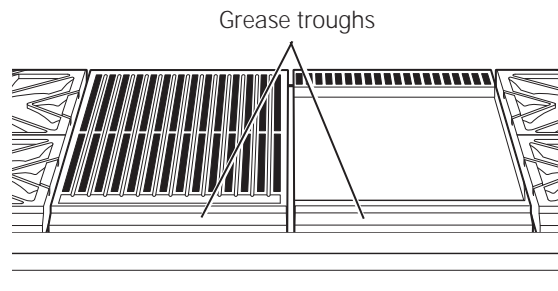
Grease from the griddle and the grill will drain into the enameled cast-iron grease troughs at the front of the rangetop. Once the troughs have cooled, they may be lifted out for easier cleaning.

To remove the cool grease trough from the griddle, slide it toward the front and lift up.

To remove the cool grease trough from the grill, lift the grill frame and lift out the trough.

Do not allow grease to accumulate in the grease troughs as it can be a fire hazard. Clean the grease troughs as soon as they are cool. The grease troughs can be cleaned by hand with hot soapy water or in the dishwasher. Wipe any spillage in the trough basin with a soft cloth.

For stability, the troughs have rubber pads at the front. Be careful not to damage the pads when removing for cleaning.



Griddle

(on some models)

Thoroughly clean the griddle of grease and food particles, using a square-edged metal spatula, while it is still hot.

Wipe the griddle with a dry, heavy, coarse cloth to remove any remaining residue and food particles. If the griddle is cleaned with anything other than a dry, heavy, coarse cloth, it will need to be reseasoned.

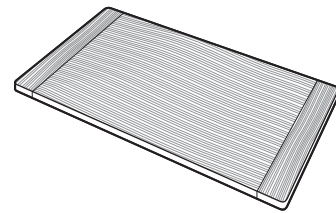
Never flood the hot griddle with cold water. This could cause the griddle to crack or warp.

Cutting board

(on some models)

Wash the bamboo cutting board with warm water and a mild soap. Occasionally, wipe it with mineral oil.

Do not clean the cutting board in the dishwasher.



Control panel and knobs

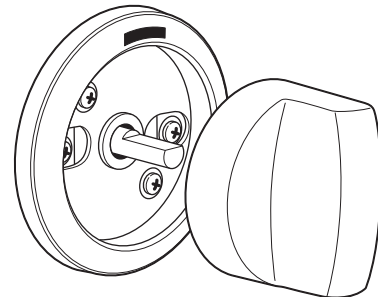
Clean up spatters with a damp cloth.

Remove heavier soil with warm, soapy water.

Do not use abrasives of any kind on the control panel or knobs.

The control knobs may be removed for easier cleaning. To remove a knob, pull it straight off the control panel. Wash the knobs in hot soapy water, but do not soak.

An optional set of black control knobs is available for purchase at additional cost. Order the knob set for your model.



Models	Order Numbers
ZGU366NPSS, ZGU366LPSS	WB03K10269
ZGU364NRPSS, ZGU364LRPSS	WB03K10270
ZGU364NDPSS, ZGU364LDPSS	WB03K10271
ZGU484NGPSS, ZGU484LGPSS	WB03K10272
ZGU486NRPSS, ZGU486LRPSS	WB03K10273
ZGU486NDPSS, ZGU486LDPSS	WB03K10274

To order, call GE National Parts Center at 1.800.626.2002.

Grill grate, frame and baffle

(on some models)

The IR Grill should be cleaned immediately after each use.

1. Clean the Grill Grate:

Turn the burner to OFF. Use a barbecue mitt to remove the hot grill grate. Place the grill grate in a basin or sink and scrub with a brass bristle brush. Rinse frequently.

The grill grate may also be cleaned in the oven during the self-cleaning cycle, or, it can be cleaned in the dishwasher.

2. Clean the Grill Grate Frame:

The grill grate frame can be cleaned by hand or in the dishwasher. Do not clean the grill grate frame in a self-cleaning oven. The grill grate frame has rubber pads on each bottom corner. Be careful not to damage the pads during the cleaning process.

3. Clean the Radiant baffle:

Lift the baffle out of the pan. Clean the baffle with hot soapy water or in the dishwasher.

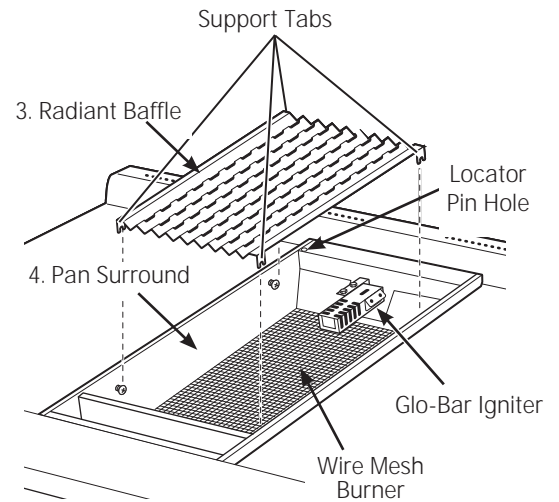
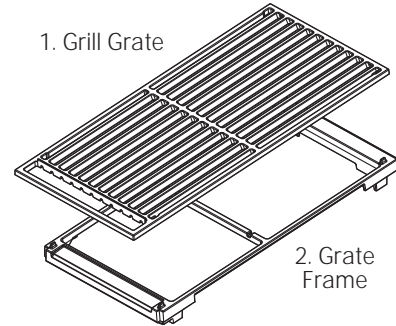
4. Clean the Pan Surround, Wire Mesh:

The pan surround and wire mesh cannot be removed. Clean them in place. Use a soft damp cloth to clean the pan surround. Gently brush food particles into the grease trough or use a vacuum cleaner for excess debris.

IMPORTANT: Keep the grill burner and ceramic igniter dry. Do not spray water or cleaner directly onto the wire mesh or igniter. Avoid contact with the igniter, it is fragile and can chip or break.




Reassemble the Grill:

Reverse the steps above to reassemble the grill. The radiant baffle support tabs should engage the pins on the side of the pan surround. Replace the grate frame. Be sure to engage the bottom locator pin with the pin hole at the left rear side of the pan. Replace the grill grate with the handle end towards the front of the rangetop.



The Problem Solver

Professional Rangetops

PROBLEM	POSSIBLE CAUSE
BURNERS DO NOT LIGHT OR SPARK RANDOMLY	<ul style="list-style-type: none"> • Electrical plug is not plugged into a live power outlet. • Gas not turned on. • Burner parts not replaced correctly. • Holes in the simmer rings or slits in the burner rings are clogged. • Clogged orifice, or wet burners or electrodes.
BURNERS HAVE YELLOW OR YELLOW-TIPPED FLAMES	<ul style="list-style-type: none"> • Burner parts not replaced correctly. <div style="display: flex; justify-content: space-around; align-items: center;">    </div> <p>A. Yellow flames: <i>Call for service.</i> B. Yellow tips on outer cones: <i>Normal for LP gas.</i> C. Soft blue flames: <i>Normal for natural gas.</i></p> <ul style="list-style-type: none"> • If burner flames look like (A), call for service. Normal burner flames should look like (B) or (C), depending on the type of gas.
BURNER FLAMES VERY LARGE OR YELLOW	<ul style="list-style-type: none"> • The rangetop may be connected to the wrong fuel type. Contact the person who installed your rangetop or made the conversion.
BURNER CONTROL KNOB WILL NOT TURN	<ul style="list-style-type: none"> • When the knob is at the OFF position, it must be pushed in before it can be turned, and it can only be turned in a counterclockwise direction. When the knob is at any other position, it can be turned in either direction without being pushed inwards.

With the purchase of your new Monogram appliance, receive the assurance that if you ever need information or assistance from GE, we'll be there. All you have to do is call—toll-free!

GE Answer Center®

**In the USA:
800.626.2000**

Whatever your question about any Monogram major appliance, GE Answer Center® information service is available to help. Your call—and your question—will be answered promptly and courteously. Call the GE Answer Center® Monday to Friday, 8 a.m. to 10 p.m. EST, and Saturday, 8 a.m. to 7 p.m. EST.

OR

Visit our Website at: **monogram.com**

In Canada, call 800.561.3344.

**In-Home
Repair Service**

**In the USA:
800.444.1845**

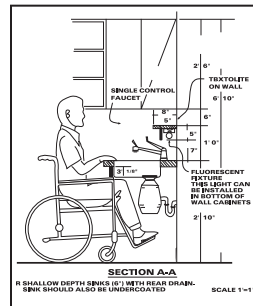
**In Canada:
800.561.3344**

A GE consumer service professional will provide expert repair service, scheduled at a time that's convenient for you. To schedule service, call Monday to Friday, 7 a.m. to 10 p.m. EST, or Saturday and Sunday, 8 a.m. to 6 p.m. EST. Many GE Consumer Service company-operated locations offer you service today or tomorrow, or at your convenience. Our factory-trained technicians know your appliance inside and out—so most repairs can be handled in just one visit.

In Canada: Monday to Friday, 7:00 a.m. to 8:00 p.m. and Saturday, 8:00 a.m. to 5:00 p.m. EDT.

**For Customers With
Special Needs...**

**In the USA:
800.626.2000**



GE offers, free of charge, a brochure to assist in planning a barrier-free kitchen for persons with limited mobility.

Consumers with impaired hearing or speech who have access to a TDD or a conventional teletypewriter may call 800.TDD.GEAC (800.833.4322) to request information or service.

Service Contracts

**In the USA:
800.626.2224**

**In Canada:
800.561.3344**

You can have the secure feeling that GE Consumer Service will still be there after your warranty expires. Purchase a GE contract while your warranty is still in effect and you'll receive a substantial discount. With a multiple-year contract, you're assured of future service at today's prices.

**Parts and
Accessories**

**In the USA:
800.626.2002**

**In Canada:
800.561.3344**

Individuals qualified to service their own appliances can have parts or accessories sent directly to their home. The GE parts system provides access to over 47,000 parts...and all GE Genuine Renewal Parts are fully warranted. VISA, MasterCard and Discover cards are accepted.

User maintenance instructions contained in this manual cover procedures intended to be performed by any user. Other servicing generally should be referred to qualified service personnel. Caution must be exercised, since improper servicing may cause unsafe operation.

YOUR MONOGRAM RANGE WARRANTY

Staple sales slip or cancelled check here. Proof of original purchase date is needed to obtain service under warranty. Please have serial number and model number available when calling for service.

WHAT IS COVERED

LIMITED TWO-YEAR WARRANTY

For two years from date of original purchase, we will provide, free of charge, parts and service labor in your home to repair or replace **any part of the range** that fails because of a manufacturing defect.

LIMITED FIVE-YEAR WARRANTY

For five years from the date of original purchase, we will provide, free of charge, replacement **gas surface burners** if they fail in normal household use. (The grill, griddle and oven burners are not included.) You pay for the service trip to your home and all service labor charges.

LIMITED LIFETIME WARRANTY

For the lifetime of the gray porcelain enamel oven racks, we will provide, free of charge, replacement **racks** if they fail in normal household use. You pay for the service trip to your home and all service labor charges.

This warranty is extended to the original purchaser and any succeeding owner for products purchased for ordinary home use in the 48 mainland states, Hawaii and Washington, D.C. In Alaska the warranty is the same except that it is LIMITED because you must pay to ship the product to the service shop or for the service technician's travel costs to your home.

All warranty service will be provided by our Factory Service Centers or by our authorized Customer Care® servicers during normal working hours.

Should your appliance need service, during warranty period or beyond, in the U.S.A. call 800.444.1845. In Canada: 800.561.3344

WHAT IS NOT COVERED

- Service trips to your home to teach you how to use the product.
 - Discoloration of the griddle plate or oven racks.
 - Chipping of porcelain enamel grates or oven racks.
 - Replacement of house fuses or resetting of circuit breakers.
 - Incidental or consequential damage caused by possible defects with this appliance.
 - Damage after delivery.
 - Damage to the product caused by accident, fire, floods or acts of God.
 - Failure of the product if it is used for other than its intended purpose or used commercially.
 - Improper installation, delivery or maintenance.
- If you have an installation problem, contact your dealer or installer. You are responsible for providing adequate electrical, gas, exhausting and other connecting facilities as described in the Installation Instructions provided with the product.
- Product not accessible to provide required service.

EXCLUSION OF IMPLIED WARRANTIES—Your sole and exclusive remedy is product repair as provided in this Limited Warranty. Any implied warranties, including the implied warranties of merchantability or fitness for a particular purpose, are limited to one year or the shortest period allowed by law.

Some states do not allow the exclusion or limitation of incidental or consequential damages, so the above limitation or exclusion may not apply to you. This warranty gives you specific legal rights, and you may also have other rights which vary from state to state.

To know what your legal rights are in your state, consult your local or state consumer affairs office or your state's Attorney General.

Warrantor: General Electric Company, Louisville, KY 40225

Table des matières

Cuisson en surface	
Brûleurs	28
Commandes	28, 29
Ustensiles	29
Brûleurs double flamme superposés	
	28
Fonctions et caractéristiques	27
Plaque chauffante	32
Grill	30, 31
Entretien et nettoyage	
Chapeaux de brûleur	33
Grilles de brûleur	34
Panneau et boutons de commande	
	35
Planche à trancher	35
Lèchefrites	34
Plaque chauffante	35
Grill	36
Acier inoxydable	33
Soutien au consommateur	
Numéros de téléphone importants	
	39
Numéro de modèle et de série	22
Guide de dépannage	37
Consignes de sécurité	23-26
Garantie	40

⚠ AVERTISSEMENT : Si les consignes du manuel ne sont pas respectées, il y a un risque d'incendie ou d'explosion et des dommages matériels, physiques et la mort.

- Ne stockez ou n'utilisez pas d'essence ou d'autres vapeurs ou liquides inflammables à proximité de la cuisinière ou de tout autre appareil.
- QUE FAIRE SI JE DÉTECTE UNE ODEUR DE GAZ
 - N'allumez pas l'appareil.
 - Ne touchez aucun interrupteur, n'utilisez pas de téléphone.
 - Appelez immédiatement votre fournisseur de gaz avec le téléphone du voisin. Suivez les instructions du fournisseur.
 - Si vous ne parvenez pas à joindre le fournisseur de gaz, appelez les pompiers.
- L'installation et l'entretien doivent être effectués par un installateur qualifié, un centre de réparation ou le fournisseur de gaz.

⚠ Ce symbole représente une alerte de sécurité. Ce symbole vous avise de dangers possibles pouvant causer la mort, des blessures ou autres. Tous les messages de sécurité seront précédés du symbole d'alerte de sécurité ainsi que des mots « DANGER », « AVERTISSEMENT » ou « MISE EN GARDE ». Ces messages sont les suivants :

⚠ DANGER Signale une situation qui présente un danger imminent et qui, si elle n'est pas évitée, entraînera des blessures graves, voire la mort.

⚠ AVERTISSEMENT Signale une situation qui présente un danger imminent et qui, si elle n'est pas évitée, peut entraîner des blessures graves, voire la mort.

⚠ ATTENTION Signale une situation qui présente un danger imminent et qui, si elle n'est pas évitée, peut entraîner des blessures mineures ou graves.

Sortir l'appareil de son emballage

Retirez avec précaution tous les emballages, cales en mousse et rubans adhésifs.

Pour éviter d'abîmer la finition de la cuisinière, la meilleure façon d'enlever les résidus d'adhésif sur un appareil neuf consiste à utiliser du détergent liquide pour vaisselle pour nettoyer les traces laissées par les rubans. Appliquez le liquide à l'aide d'un chiffon doux et humide et laissez tremper.

REMARQUE : Retirez tous les morceaux de ruban adhésif de l'appareil. Vous ne pourrez pas les enlever s'ils sont brûlés.

Inscrivez le modèle et les numéros de série

Vous les trouverez sur une étiquette placée derrière le bouton du brûleur gauche ou sous le panneau de commande, dans la partie visible lorsque la porte du four est ouverte.

Ces numéros se trouvent également sur la Carte d'enregistrement du produit incluse dans ce manuel.

Avant d'envoyer la carte d'enregistrement, veuillez inscrire ces numéros ici :

Numéro du modèle

Numéro de série

Veuillez indiquer ces références dans toute correspondance ou lorsque vous contactez le service après-vente de votre appareil.

Si vous recevez un appareil défectueux

Contactez immédiatement le vendeur (ou le fabricant) qui vous a fourni l'appareil.

Conseils de dépannage

Avant de contacter le service d'assistance, consultez le dépanneur qui se trouve en fin de ce manuel.

Il s'agit de la liste des problèmes les plus fréquents et que vous pouvez résoudre vous-même.

Si vous avez besoin d'un réparateur

Pour obtenir l'aide d'un réparateur, consultez les Services clientèle figurant en fin de manuel.

Nous sommes fiers de notre service et nous veillons à répondre à vos attentes. Si, pour quelque raison que ce soit, vous n'êtes pas satisfait du service fourni, vous trouverez ci-dessous les étapes à suivre pour obtenir de l'aide supplémentaire.

EN PREMIER LIEU, contactez le revendeur qui vous a livré l'appareil. Expliquez-leur la raison de votre mécontentement. Dans la plupart des cas, cela permettra de résoudre le problème.

PUIS, si vous n'êtes toujours pas satisfait, mentionnez tous les détails, sans omettre de donner votre numéro de téléphone, puis envoyez un courrier à :

Responsable de la relation client
GE Appliances
Appliance Park
Louisville, Kentucky 40225

CONSIGNES IMPORTANTES DE SÉCURITÉ

AVIS DE SÉCURITÉ IMPORTANT

- **La loi de l'État de Californie « Safe Drinking Water and Toxic Enforcement »** stipule que le Gouverneur de Californie publie une liste des substances, qui de l'avis de l'État, peuvent être à l'origine d'anomalies congénitales ou de tout autre problème de reproduction. Elle exige également des entreprises qu'elles alertent les clients sur les dangers liés à une éventuelle exposition à aux substances susdites.
 - **Les appareils fonctionnant au gaz peuvent vous exposer à quatre de ces substances :** le benzène, le monoxyde de carbone, le formaldéhyde et la suie, résultant principalement d'une combustion incomplète du propane liquéfié ou du gaz naturel.

Si les brûleurs sont correctement réglés, (une flamme bleue plutôt que jaune) le risque d'une combustion incomplète est moindre. L'exposition à ces substances peut être réduite en ouvrant une fenêtre pour aérer ou en utilisant un ventilateur ou une hotte.
-

⚠ AVERTISSEMENT : PRÉCAUTIONS DE SÉCURITÉ

Lorsque vous utilisez votre appareil, vous devez suivre des consignes de sécurité de base, y compris celles qui suivent :

- Demandez à l'installateur de vous montrer l'emplacement du robinet d'arrivée de gaz et qu'il vous montre comment le fermer si cela devait s'avérer nécessaire.
- Assurez-vous que tout le matériel d'emballage soit retiré de l'appareil avant de l'utiliser pour éviter tout incendie ou dommage causé par la fumée si le matériel d'emballage venait à s'enflammer.
- Placez la cuisinière dans un endroit à l'écart de la circulation dans la cuisine et à l'écart des courants d'air pour une meilleure circulation d'air.
- Ne pas installer ce produit si l'on utilise une hotte à rideau d'air ou une hotte de cuisinière soufflant l'air au-dessus de la surface de cuisson. Le débit d'air peut nuire au fonctionnement des brûleurs à gaz et représente un risque d'incendie ou d'explosion.

CONSIGNES IMPORTANTES DE SÉCURITÉ

▲ AVERTISSEMENT: *CONSIGNES DE SÉCURITÉ*

- **Utilisez cet appareil uniquement pour l'usage auquel il est destiné** comme décrit dans ce manuel.
- **Assurez-vous que votre appareil soit correctement installé et raccordé à la terre** par un technicien qualifié, conformément aux consignes d'installation fournies.
- **N'essayez pas de réparer ou de remplacer une quelconque pièce de votre cuisinière à moins que cela ne soit spécifiquement recommandé dans ce manuel.** Tout autre entretien doit être effectué par un technicien qualifié.
- **Avant de procéder à toute réparation, COUPEZ LE COURANT ÉLECTRIQUE DE LA CUISINIÈRE EN RETIRANT LE FUSIBLE OU EN DÉCONNECTANT LE DISJONCTEUR DEPUIS LE PANNEAU DU DISJONCTEUR DE VOTRE MAISON.**
- **Ne laissez pas les enfants seuls** – les enfants ne doivent pas être laissés seuls ou sans surveillance dans la pièce où l'appareil est utilisé. On ne doit jamais leur permettre de s'asseoir ou de se tenir debout sur quelque partie que ce soit de l'appareil.
- **N'entreposez jamais des matières inflammables à l'intérieur du four ou près de la table de cuisson.**
- **N'entreposez pas de plastiques, de liquides ou de substances inflammables sur l'étagère supérieure vendue séparément.**
- **MISE EN GARDE : LES OBJETS POUR ENFANT NE DOIVENT PAS ÊTRE RANGÉS DANS LES PLACARDS AU-DESSUS D'UNE CUISINIÈRE OU SUR LE DOSSERET D'UNE CUISINIÈRE – LES ENFANTS QUI GRIMPERAIENT SUR LA CUISINIÈRE POUR LES ATTEINDRE POURRAIENT SE BLESSER SÉRIEUSEMENT.**
- **N'utilisez jamais cet appareil pour réchauffer ou chauffer la pièce.** La surchauffe de l'appareil pourrait causer une émission toxique de monoxyde de carbone.
- **Ne portez jamais de vêtements amples ou tombants lorsque vous utilisez l'appareil.** Lorsque vous prenez des objets rangés au-dessus de la cuisinière, faites-le avec précaution. Les matières inflammables pourraient prendre feu si celles-ci venaient à entrer en contact avec la surface des brûleurs, avec les couronnes ou les éléments chauffants du four, provoquant ainsi des brûlures graves.
- **N'utilisez que des poignées sèches—** les poignées humides sur des surfaces chaudes peuvent provoquer des brûlures de vapeur. Ne laissez pas les poignées toucher la surface des brûleurs, la couronne des brûleurs ou tout autre élément chauffant du four. N'utilisez pas de torchon ou autre chiffon épais.
- **Lorsque vous utilisez la table de cuisson, ne touchez pas les brûleurs, les couronnes des brûleurs, la grille ou la plaque chauffante (sur certains modèles) ou les zones avoisinantes.** Ces surfaces peuvent être suffisamment chaudes pour causer des brûlures. Pendant et après utilisation, ne touchez pas ou ne laissez pas de vêtements ou d'autres matières inflammables entrer en contact avec les brûleurs, la grille ou la plaque chauffante (sur certains modèles) ainsi que les zones se trouvant à proximité des brûleurs ou de n'importe quelle partie intérieure du four. Laissez refroidir suffisamment avant de manipuler ces éléments. Certaines surfaces, dont la table de cuisson, les zones à proximité de la table de cuisson, l'évent (ouverture d'aération) du four, les surfaces à proximité de celui-ci, les pièces métalliques se trouvant autour de la porte ainsi que les renforcements de celle-ci, ou toute protection arrière ou surface du plateau supérieur peuvent être brûlantes.
- **Veillez à ce que la hotte ainsi que les filtres à graisse restent propres pour une bonne aération ainsi que pour éviter tout incendie provoqué par un feu de graisse.** En cas de départ de feu ou lorsque vous faites flamber de la liqueur ou autres alcools sur la table de cuisson, ÉTEIGNEZ la hotte. Le système de soufflerie pourrait alors aviver les flammes.

⚠ AVERTISSEMENT : *CONSIGNES DE SÉCURITÉ*

- **Ne versez pas d'eau sur les feux de graisse. Ne saisissez jamais une casserole en flammes.** Éteignez la cuisinière. Pour éteindre un feu s'étant déclaré sur un brûleur, recouvrez complètement la casserole à l'aide d'un couvercle d'une taille adaptée, avec une plaque à biscuits ou encore un plateau. Utilisez un extincteur multiusage à mousse ou à poudre.

Les feux de graisse à l'extérieur d'une casserole peuvent s'éteindre à l'aide de bicarbonate de sodium ou si disponible, à l'aide d'un extincteur multiusage à mousse ou à poudre.
- **NE RANGEZ ET N'UTILISEZ JAMAIS DE MATIÈRES COMBUSTIBLES, D'ESSENCE AINSI QUE D'AUTRES LIQUIDES OU PRODUITS ÉVAPORANTS INFLAMMABLES À PROXIMITÉ DE CET APPAREIL OU DE TOUT AUTRE APPAREIL ÉLECTROMÉNAGER.**
- **Ne laissez pas la graisse de cuisson ou autres matières inflammables s'accumuler sur la cuisinière ou à proximité de celle-ci. Nettoyez les lèchefrites (certains modèles) ainsi que les plats de brûleur après chaque utilisation.**
- **Si vous sentez une odeur à gaz**, cela signifie que l'installateur n'a pas réalisé un travail convenable et n'a pas vérifié les possibles fuites. Si les raccordements n'ont pas été convenablement serrés, il peut se produire une faible fuite et par conséquent l'appareil peut dégager une faible odeur à gaz.

Vous **NE DEVEZ EN AUCUN CAS** tenter de trouver la provenance d'une fuite de gaz. Certaines fuites ne peuvent être décelées que par un technicien qualifié en positionnant la commande du foyer sur MARCHE. N'utilisez jamais une flamme nue pour localiser une fuite.
- **S'il arrive qu'un brûleur se démonte et que le gaz s'échappe, ouvrez une fenêtre ou une porte pour évacuer l'air de la pièce.** N'allumez pas l'appareil jusqu'à ce que le gaz ait eu le temps de se dissiper. Suivez les instructions figurant dans la section « Que faire si je détecte une odeur de gaz » en page 25.
- **Veillez à ce que les boutons de commande de la cuisinière et /ou de la table de cuisson soient éteints et que l'appareil soit froid** avant d'utiliser un nettoyant pulvérisateur sur ou autour de la cuisinière. Les substances résultant de la pulvérisation, en présence de chaleur, prennent feu ou provoquent la corrosion des parties métalliques.
- **Ne réchauffez pas de récipients contenant des aliments sans les avoir ouverts au préalable ;** une pression excessive pourrait faire exploser le récipient.
- **Réglez la commande du brûleur de sorte que la flamme ne chauffe que le dessous de la casserole** et n'atteigne pas les parois de celle-ci. Les flammes trop hautes sont dangereuses. Les brûleurs à haute capacité de chauffage pourraient faire fondre les poignées des ustensiles de cuisson.
- **Tenez la poignée de la casserole à l'aide d'une poignée sèche**, pour éviter tout mouvement de l'ustensile lorsque vous agitez ou remuez la nourriture.
- **Utilisez toujours la position LITE (Allumage) lorsque vous allumez les brûleurs** et assurez-vous que ceux-ci se soient bien allumés.

CONSIGNES IMPORTANTES DE SÉCURITÉ

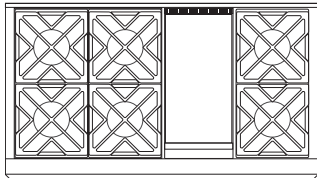
⚠ AVERTISSEMENT : *CONSIGNES DE SÉCURITÉ POUR LA TABLE DE CUISSON*

- **Gardez toujours un œil attentif sur les brûleurs lorsqu'ils sont réglés sur une température élevée.** Les débordements par ébullition peuvent provoquer de la fumée et les projections de graisse qui peuvent prendre feu. Si les flammes des brûleurs sont étouffées par une grande quantité de liquide débordé, le brûleur peut s'éteindre et laisser ainsi s'échapper le gaz dans la pièce.
- **Pour réduire le risque de brûlure**, de feu sur les matières inflammables et de déversement, tournez les poignées des casseroles vers le côté ou l'arrière de la cuisinière sans recouvrir les brûleurs adjacents.
- **Éteignez toujours les brûleurs en les positionnant sur OFF (Arrêt) avant de retirer les ustensiles de cuisson du feu.**
- **Surveillez avec attention les aliments en cours de friture lorsque le brûleur est sur une position de température élevée.**
- **Les aliments à frire doivent être aussi secs que possible.** Les aliments glacés, congelés ou encore humides peuvent provoquer un choc de température et causer des projections brûlantes vers le haut et vers les côtés de la casserole.
- **Utilisez le moins possible de graisse pour un dorage ou une friture efficace.** Si la casserole est trop pleine, cela peut causer des débordements lorsque vous ajoutez d'autres aliments.
- Si possible, **utilisez un thermomètre de cuisine** pour éviter que la surchauffe émette de la fumée.
- **Réchauffez toujours la graisse lentement et surveillez pendant la cuisson.**
- **N'essayez jamais de déplacer une casserole contenant de la graisse brûlante**, surtout s'il s'agit d'une friteuse. Attendez que la graisse refroidisse.
- **Si vous utilisez un mélange de différentes huiles ou de graisses à frire**, brassez-les avant de les chauffer ou faites-le lorsque celles-ci fondent lentement.
- **Lorsque vous utilisez une casserole en verre**, assurez-vous qu'elle soit conçue pour être utilisée sur une table de cuisson.
- **Ne laissez aucun objet posé sur la table de cuisson.** L'air chaud pourrait brûler les matières inflammables et augmenter la pression des récipients fermés, ce qui provoquerait leur éclatement.
- **N'utilisez pas de feuille d'aluminium pour recouvrir les grilles ou tout autre élément de la table de cuisson.** Cela pourrait provoquer une intoxication au monoxyde de carbone, une surchauffe des surfaces des tables de cuisson ou un possible risque d'incendie.
- **Utilisez la casserole adéquate**—N'utilisez pas de casseroles instables ou qui peuvent facilement se renverser. Sélectionnez des ustensiles de cuisson à fonds plats suffisamment larges pour y mettre des aliments et éviter les ébullitions et les projections et suffisamment larges pour couvrir le chapeau du brûleur. Cela vous permettra d'économiser du temps de nettoyage et d'éviter toute accumulation dangereuse de nourriture, car les projections ou les éclaboussures laissées sur la cuisinière peuvent prendre feu. Utilisez des casseroles dont les poignées sont faciles à saisir et qui restent froides.
- **Ne laissez pas d'objets en plastique sur la table de cuisson**—Ils risqueraient de fondre s'ils se trouvent trop proches du brûleur ou de l'évent.
- **Afin d'éviter d'éventuelles brûlures**, veillez à vous assurer que les boutons de commande de tous les brûleurs sont réglés sur OFF et que toutes les grilles sont froides avant de les retirer.
- **La graisse est inflammable.** Laissez la graisse brûlante refroidir avant d'essayer de la retirer. Évitez de laisser les dépôts de graisse s'accumuler sur le grill ou les lèchefrites de la plaque chauffante (certains modèles). Nettoyez ces parties après chaque utilisation.
- **Pour un bon allumage et le bon fonctionnement des brûleurs, veillez à ce que les ports du brûleur restent propres.** Il peut s'avérer nécessaire de les nettoyer en cas de débordement par ébullition ou lorsque le brûleur ne s'allume pas, même si les allumeurs électroniques émettent un dé clic.
- **Après nettoyage, il est important de s'assurer que le chapeau et le port du brûleur soient bien alignés sur la base du brûleur.** Si ce n'est pas le cas, les performances du brûleur risquent d'en pâtir. N'allumez jamais le brûleur si tous les composants du brûleur ne sont pas en place.
- **Nettoyez la table de cuisson avec précaution.** Veillez à ne pas vous brûler avec la vapeur, n'utilisez pas d'éponge ou de chiffon humide pour nettoyer la table de cuisson si celle-ci est brûlante. Certains produits nettoyants produisent des fumées toxiques si vous les appliquez sur une surface brûlante. Reportez-vous au mode d'emploi du fabricant.
- **N'utilisez pas le grill pour cuire des viandes trop grasses ou des aliments susceptibles d'éclater.**
- **Si la cuisinière est placée à proximité d'une fenêtre**, n'accrochez pas longs rideaux qui pourraient prendre feu au contact avec les brûleurs de surface, au risque de provoquer un incendie.

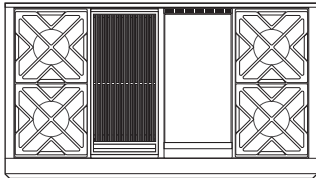
CONSERVEZ CES CONSIGNES

Caractéristiques de l'appareil

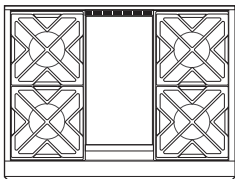
(Toutes les fonctions ne sont pas présentes sur tous les modèles. L'apparence peut varier d'un modèle à l'autre).



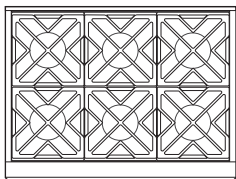
ZGU486NR, ZGU486LR-6 brûleurs et grill
ZGU486ND, ZGU486LD-6 brûleurs et plaque chauffante



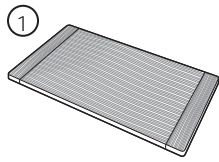
ZGU484NG, ZGU484LG
4 brûleurs, grill et plaque chauffante



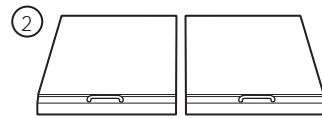
ZGU364NR, ZGU364LR-4 brûleurs et grill
ZGU364ND, ZGU364LD-4 brûleurs et plaque chauffante



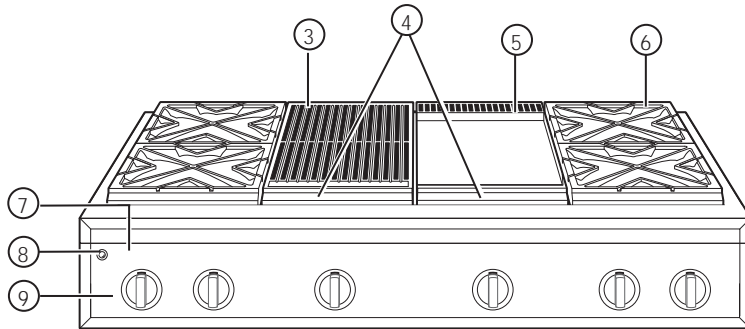
ZGU366N, ZGU366L
6 brûleurs au gaz



1
Planche à trancher en bambou



2
Couvercles de plaque et de grill



Index des fonctions	Page
1 Planche à trancher en bambou	35
2 Couvercles de plaque et de grill	---
3 Grill infrarouge	, 31
4 Lèchefrites de grill et de plaque chauffante	34
5 Plaque chauffante	35
6 Grilles de brûleur de table de cuisson	34
7 Indicateur d'emplacement de brûleur	---
8 Commande d'éclairage arrondie à diode LED	---
9 Bouton de commande du brûleur avec cadran éclairé	---

Allumage électronique et rallumage automatique

La cuisinière est équipée d'un allumeur électronique intégré qui se substitue à toute flamme de veille.

Les brûleurs de cette cuisinière se rallumeront automatiquement si la flamme venait à s'éteindre.

Tous les allumeurs émettent une étincelle et produisent un cliquetis lorsque l'un des brûleurs est activé. Ne touchez aucun des brûleurs lorsque les allumeurs émettent le cliquetis.

Il se peut que les brûleurs émettent parfois une étincelle lorsqu'un coup de vent ou un courant d'air déplace la flamme en l'éloignant du capteur de flamme du brûleur.

La plaque chauffante ainsi que le grill infrarouge sont équipés d'allumeurs disposant d'une barre

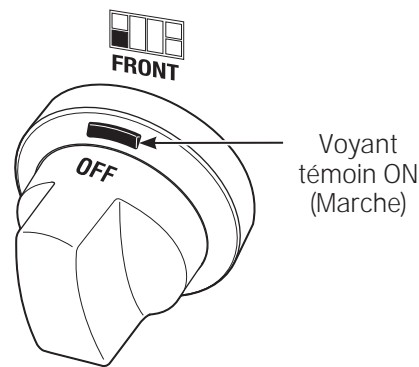
incandescente. La barre incandescente reste allumée tant que la plaque de cuisson ou le grill est en cours d'utilisation pour que le brûleur ne s'éteigne pas.

En cas de coupure de courant, vous pouvez allumer les brûleurs de votre table de cuisson à l'aide d'une allumette. Approchez une allumette allumée au brûleur puis tournez le bouton en le positionnant sur LOW (Feu doux). **Soyez très prudent lorsque vous allumez les brûleurs en utilisant cette méthode.**

N'essayez pas d'allumer le grill ou la plaque chauffante pendant une coupure de courant. L'arrivée de gaz de ces brûleurs sera automatiquement coupée pendant une coupure de courant.

Allumage du brûleur

Appuyez sur le bouton de réglage puis tournez-le **dans le sens inverse des aiguilles d'une montre** pour le positionner sur **LITE** (Allumage).



Après avoir allumé le brûleur, tournez le bouton pour régler la taille de la flamme.

Pour éteindre un brûleur, tournez à fond le bouton, dans le sens des aiguilles d'une montre jusqu'à le positionner sur **OFF** (Arrêt).

- Ne laissez pas un brûleur allumé pendant trop longtemps si aucun ustensile n'est placé sur la grille. Les finitions de la grille pourraient s'effriter si aucun ustensile n'absorbe la chaleur.
- Le voyant témoin se trouvant sur chaque cerle indique si le brûleur est allumé. Toutefois, cela ne peut remplacer votre propre vérification visuelle pour savoir si la flamme est bien présente sur le brûleur.

Brûleurs double flamme superposés

Tous les brûleurs de votre cuisinière possèdent deux rangées de flammes superposées, les brûleurs double flamme disposent d'une flamme réduite (feu doux) et d'une flamme plus importante (feu principal).

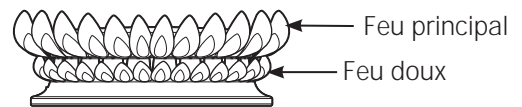
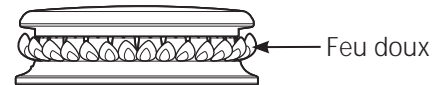
Lorsqu'un brûleur est activé, la flamme (feu doux) se maintient toujours allumée.

Feu doux ou mijotage :

Le brûleur à deux rangées de flammes a été conçu pour fournir un éventail de réglages de puissance qui inclut le feu doux ou mijotage. Selon le type et la quantité de nourriture et de la taille de la casserole, la flamme peut être réglée pour s'ajuster à vos besoins spécifiques. Le réglage le plus bas n'utilise que la flamme réduite et peut maintenir les aliments délicats à une température sûre de 140°F (60°C).

Cuisson :

Les réglages allant de **LO** (0) à **X-HI** (max) utilisent les flammes réduites ainsi que les flammes principales. Utilisez les réglages **LO** (0) et **HI** (Fort) pour tous types de cuisson. Utilisez **HI** ou **X-HI** (Réglage le plus élevé) lorsque vous utilisez un ustensile d'un diamètre plus important.



X-HI et **HI** sont des paramètres de cuisson à haute température et servent à frire les aliments rapidement et à bouillir de grandes quantités d'eau.

Comment sélectionner la taille de la flamme

Observez la flamme et non pas le bouton lorsque vous augmentez ou réduisez la puissance.

La taille de la flamme sur un brûleur à gaz doit correspondre à l'ustensile que vous utilisez.

POUR MANIPULER EN TOUTE SÉCURITÉ L'USTENSILE, NE LAISSEZ JAMAIS LA FLAMME DÉPASSER LES BORDS DE L'USTENSILE.

Les flammes dépassant les bords de l'ustensile ne réchaufferont pas vos aliments plus rapidement et peuvent être dangereuses.



Pour davantage de stabilité, il est recommandé d'utiliser des ustensiles dont le diamètre minimum est de 15 cm (6 po). Pour les paramètres HI et X-HI, utilisez un diamètre plus important.

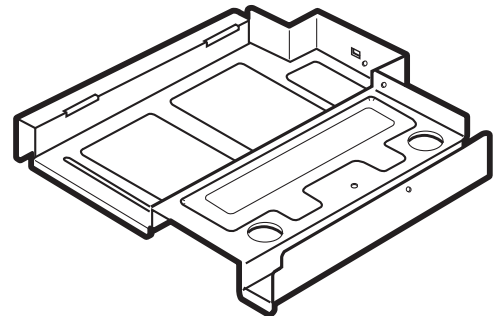
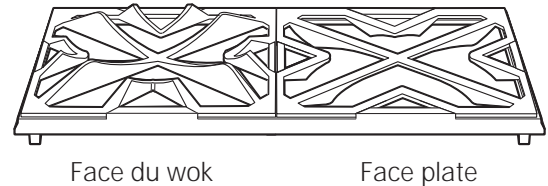
Cuisiner au wok

Les grilles des brûleurs ont été spécialement conçues pour être utilisées sur deux faces. La face plate convient aux ustensiles à fond plat (marmites, casseroles, poêles à frire et woks à fond plat), alors que le côté wok est conçu pour maintenir toute une variété de woks à fond bombé sans avoir à utiliser un support en anneau.

Pour plus de commodité, il est recommandé d'utiliser un brûleur frontal lorsque vous cuisinez à l'aide d'un wok.

Le brûleur frontal situé au centre est recommandé pour cuisiner à l'aide d'un wok sur les cuisinières à 6 brûleurs de 36 po (91 cm) et de 48 po (121 cm).

⚠ MISE EN GARDE : Pour utiliser la grille adéquate et que le wok soit adapté à la taille de la flamme, celui-ci doit mesurer entre 30 cm (12 po) et 36 cm (14 po) de diamètre.



Consignes de sécurité pour le grill

(sur certains modèles)

AVERTISSEMENT : Gardez toujours un oeil attentif sur le grill infrarouge. **Éclaboussures de graisse :**

Parfois pendant la cuisson au grill, les éclaboussures de graisse peuvent prendre feu et créer de petites flammes pendant une à deux secondes. Ne vous inquiétez pas.

Le déflecteur de rayonnement du grill est conçu pour récupérer le trop-plein de graisse, limitant ainsi les éclaboussures.

Si une éclaboussure se produit, retirez les aliments du grill et baissez la température jusqu'à la disparition de l'éclaboussure.

Pour minimiser davantage les éclaboussures, essuyez la graisse superflue autour des bords des biftecks et des côtelettes, utilisez un steak haché maigre, retirez la peau de la volaille, etc.

Utilisez une longue spatule et un gant non inflammable pour retourner la nourriture sur le grill.

Couvercle du grill :

Retirez le couvercle avant d'allumer le brûleur. Pour votre sécurité, le couvercle doit être retiré lors de l'utilisation du grill. Si vous n'avez pas retiré le couvercle, il pourrait chauffer de manière excessive.

Ustensile de cuisson :

N'utilisez aucun ustensile de cuisson sur le grill.

Utiliser le grill infrarouge

Retirez le couvercle avant d'allumer le brûleur. Pour votre sécurité, le couvercle doit être retiré lors de l'utilisation du grill infrarouge.

Réglez le bouton de commande sur **PREHEAT** (Préchauffer). Plus la durée de préchauffage du grill est longue, plus le dorage sur la nourriture sera prononcé.

Allouez 5 à 15 minutes pour compléter le préchauffage du grill.

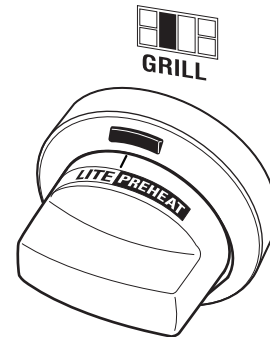
Après le préchauffage, le bouton de commande peut être réglé sur n'importe quelle position entre HI (Haut) et LO (Bas).

Gardez toujours un oeil sur le grill infrarouge.

La cuisson intense durcit les graisses et les jus, créant ainsi un goût de barbecue authentique. Le grill infrarouge offrira les mêmes résultats qu'un grill d'extérieur.

Tous les grills au gaz offrent différentes cuissons. Réglez les temps et les méthodes de cuisson lorsque vous utilisez le grill infrarouge.

Nettoyez la grille du grill, la lèchefrite et la cuve à graisse après chaque utilisation. Retirez les pièces du grill pour les nettoyer, une fois froides au toucher.



REMARQUE : Le grill tardera environ 45 secondes à s'allumer. À l'inverse des brûleurs de surface, qui utilisent des allumeurs électriques, le grill utilise une barre incandescent pour l'allumage. Il faut compter environ 45 secondes avant que l'élément incandescent atteigne la température. Le grill n'est alimenté en gaz que lorsque la barre incandescent atteint la température.

Grilles du grill (sur certains modèles)

Retirez le couvercle avant d'allumer le grill infrarouge.

La grille du grill est réversible. Placez l'extrémité de la poignée vers l'avant de la table de cuisson.

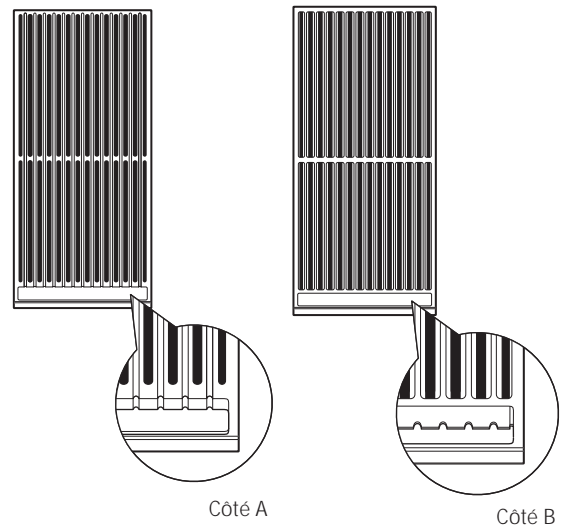
La grille changera de couleur sous l'effet de la chaleur, et pendant la cuisson des huiles sur la surface. C'est normal et cela n'altère pas la cuisson.

Vous n'êtes pas tenu d'assaisonner la grille de cuisson en fonte porcelaine du grill.

Un côté de la grille (côté A) est rainuré et doit être utilisé pour des aliments tels que les biftecks ou les fricadelles de viande hachée. Les rainures sont inclinées de sorte que le trop-plein de liquide et d'huile s'écoule sur l'avant du grill et terminent leur course dans la lèchefrite.

L'autre côté de la grille (côté B) est conçu pour les aliments délicats tels que les poissons.

Retournez et déplacez les aliments au besoin.



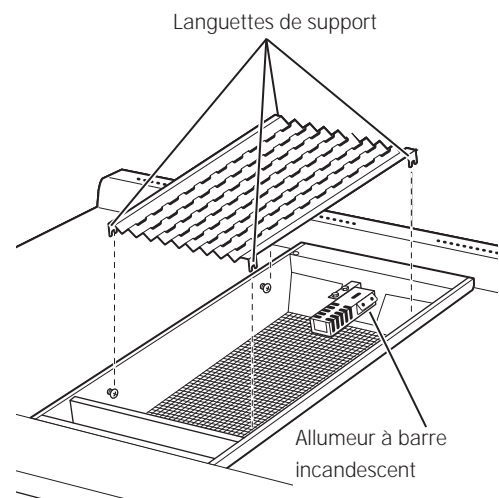
Plat	Réglage	Préchauffage
Fricadelles de viande hachés (8)	HI ou LO	5 Minutes
Poitrine de poulet (6) (Os vers le bas)	LO	5 Minutes
Bifsteck d'ailoyau (3,7 cm [1-1/2 po])	LO	5 Minutes
Saumon	LO	5 Minutes

Défecteur du grill

Les modèles équipés d'un grill infrarouge possèdent un déflecteur qui répartit la chaleur fournie par les brûleurs de façon homogène sur le grill. Le déflecteur du grill permet également de limiter les projections de graisse.

Le déflecteur est posé sur des languettes situées dans l'ouverture du grill. Assurez-vous que le déflecteur soit correctement installé en introduisant entièrement les languettes.

IMPORTANT : Évitez tout contact avec l'allumeur. Il est fragile et il se peut se casser ou se briser facilement.



Précautions de sécurité de la plaque chauffante, réglage de la hauteur

(sur certains modèles)

⚠ AVERTISSEMENT : Ne couvrez pas le conduit d'aération de la plaque avec un quelconque ustensile ou avec des serviettes.

Retirez le couvercle en métal et la planche à trancher avant d'allumer la plaque chauffante.

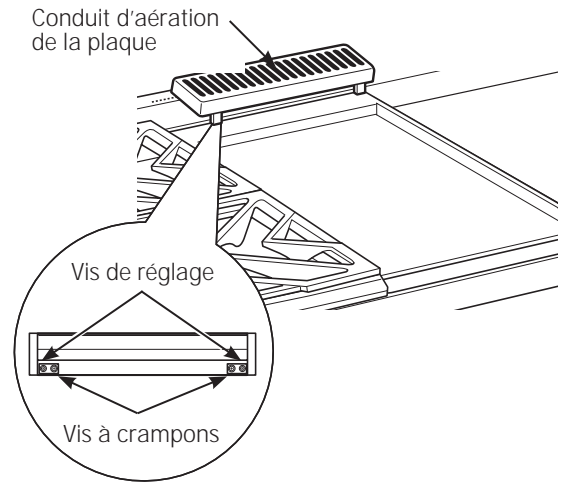
Les éléments de la plaque chauffante ne doivent pas être retirés lors de son entretien.

Une fois que le dispositif est prêt, vous pouvez régler la hauteur. Retirez le conduit d'aération en le tirant dessus à l'horizontale. Veillez à ne pas rayer les surfaces en acier inoxydable alentour lorsque vous retirez le couvercle du conduit d'aération.

Les deux vis intérieures sont des vis à crampons qui servent à maintenir la plaque en place. Desserrez ces deux vis avant de procéder au réglage de la hauteur de la plaque.

Ne retirez pas ces deux vis.

Les deux vis extérieures sont des vis de réglage de hauteur. **Ne retirez pas ces deux vis.** Vous pouvez les desserrer pour régler la plaque ou bien pour créer une légère inclinaison par laquelle s'écouleront les huiles et les graisses lorsque vous serez en train de cuisiner. Après les premières utilisations, vous serez en mesure de déterminer l'inclinaison la plus adéquate selon les aliments que vous préparez ou selon vos préférences.



Après avoir réglé la hauteur de la plaque, resserrez les vis à crampons pour fixer la plaque dans sa position de départ. **Serrez les vis à la main, ne pas serrer excessivement.**

Traitement de la plaque chauffante

Avant de l'utiliser pour la première fois, il faut traiter la plaque chauffante..

Si vous n'avez pas utilisé la plaque chauffante depuis un certain temps, il faut la traiter de nouveau.

1. Nettoyez soigneusement la plaque avec de l'eau chaude savonneuse pour enlever la pellicule protectrice.
2. Rincez la surface avec une solution d'un litre d'eau et d'une tasse de vinaigre blanc. Séchez complètement.
3. À l'aide d'un essuie-tout, appliquez uniformément sur la surface de la plaque une cuillère à soupe d'huile

végétale. N'utilisez pas de l'huile de maïs car la surface pourrait devenir collante.

4. Réglez le bouton de commande à 400 °F (205 °C) pendant environ 30 minutes. Éteignez la plaque lorsque l'huile commence à miroiter.
5. Répétez l'étape 3. Assurez-vous d'appliquer de l'huile sur toute la surface de la plaque.
6. Laissez la plaque refroidir. Essuyez-la à l'aide d'un chiffon épais pour enlever l'huile. Vous pouvez maintenant utiliser la plaque chauffante.

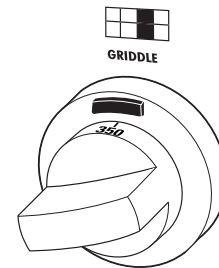
Utiliser la plaque chauffante

La surface de la plaque est fabriquée à partir d'un alliage d'acier inoxydable de type 304 hautement poli et d'une plaque thermique en aluminium qui assure la répartition de la chaleur. Il est normal que la plaque s'assombrisse au fur et à mesure qu'elle est utilisée car les huiles de cuisson appliquées sur sa surface forment une pellicule protectrice également appelée « conditionnement ».

La plaque est contrôlée par thermostat et peut être réglée pour se maintenir à n'importe quelle température comprise entre 200°F (93°C) et 450°F (232°C).

REMARQUE : À l'inverse de brûleurs, qui eux sont allumés par des allumeurs électroniques, l'allumage de la plaque chauffante se réalise à l'aide d'une barre incandescente. La barre incandescente tarde près de 45 secondes pour atteindre la température nécessaire. La plaque ne sera alimentée en gaz que lorsque la barre incandescente atteindra cette température.

Pour faire chauffer la plaque, enfoncez le bouton de commande puis tournez-le pour régler la température souhaitée. Le voyant lumineux sur le biseau s'allumera pour indiquer que la commande du thermostat est en marche.



Aliment	Température
Crêpes	375°F (190°C)
Biftecks hachés	400°F (204°C)
Bacon*	400°F (204°C)
Fromage fondu	350°F (176°C)
Oeufs	275°F (135°C)

*REMARQUE : Disposez le bacon sur une plaque froide. Ne pas préchauffer.

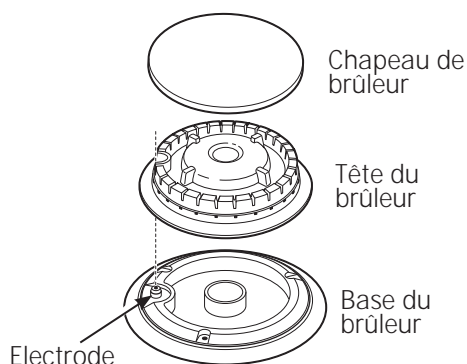
Brûleurs double flamme superposés

Le brûleur se compose de trois éléments : la base du brûleur, la tête du brûleur et le chapeau du brûleur. La tête du brûleur et le chapeau peuvent être démontés pour faciliter leur nettoyage.

▲ MISE EN GARDE : N'UTILISEZ PAS LE BRÛLEUR SI TOUS LES COMPOSANTS DU BRÛLEUR NE SONT PAS INSTALLÉS.

Les brûleurs de surface doivent être nettoyés régulièrement, surtout après des éclaboussures nocive susceptibles de boucher les orifices et les rainures des têtes du brûleur.

L'électrode est située à l'arrière de chaque brûleur. N'essayez pas démonter ou de nettoyer la zone autour du brûleur si un autre brûleur est utilisé. Vous risqueriez de prendre une décharge électrique.



Pour retirer les composants du brûleur :

1. Tournez les commandes sur OFF avant de démonter les composants du brûleur.
2. Une fois froid, vous pouvez soulever les grilles du brûleur, les chapeaux et les têtes pour faciliter le nettoyage. Ne retirez pas les bases.

Nettoyage

Démontez les composants du brûleur que lorsqu'ils sont froids. Lavez à l'eau chaude et savonneuse. Vous pouvez utiliser un tampon à récurer en plastique pour retirer les particules de nourriture carbonisée.

Pour la nourriture carbonisée, imbinez les têtes de brûleur dans une solution à base de détergent liquide doux et d'eau chaude pendant 20-30 minutes. Pour les taches les plus coriaces, utilisez un tampon à récurer en plastique ou une brosse à dents.

Si l'éclaboussure s'infiltré dans le tête du brûleur, lavez-la à l'eau et secouez-la pour retirer l'excès d'eau.

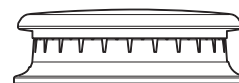
Après nettoyage

Avant de replacer les composants du brûleur, secouez l'excès d'eau et séchez soigneusement.

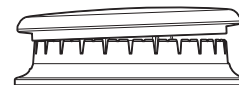
Pour replacer les composants du brûleur :

Veillez à réinstaller les composants du brûleur au même endroit.

1. Remplacez la tête du brûleur sur la base du brûleur, en veillant à ce que l'orifice de la tête soit correctement alignée sur l'électrode dans la base. C'est normal de trouver un petit espace entre la base et la tête.
2. Placez le chapeau du brûleur sur la tête. Veillez à ce que le chapeau soit encastré sur la tête du brûleur.



Chapeau de brûleur correctement encastré



Chapeau de brûleur incorrectement installé

Surfaces en acier inoxydable

N'utilisez pas d'éponge en laine d'acier, vous risquez de laisser des rayures indélébiles sur la surface.

Pour nettoyer la surface en acier inoxydable, faites-le à l'eau chaude savonneuse ou à l'aide d'un nettoyant pour acier inoxydable. Essayez toujours la surface dans le sens du grain. Suivez les instructions du nettoyant pour nettoyer la surface en acier inoxydable.

Pour en savoir sur plus l'achat d'un nettoyant pour appareil en acier inoxydable, veuillez appeler notre numéro gratuit, le 800.561.3344 ou allez sur monogram.com.

Déclencheur d'étincelles et électrodes

L'électrode du système d'allumage électronique est placé à l'arrière de la base du brûleur. Lorsque vous nettoyez la table de cuisson, prenez soin de ne pas accrocher l'allumeur avec un chiffon doux. Vous risqueriez de l'abimer.

Veillez à ne pas appuyer sur un bouton de commande pendant le nettoyage. L'allumeur pourrait dégager des étincelles.

Veillez à ce que les allumeurs en céramique blanche de la table de cuisson soient secs et propres. Nettoyez la partie métallique de l'électrode à l'aide d'un chiffon doux ou une lime à ongles.

N'essayez pas de retirer l'électrode de la table de cuisson.

Nettoyez la partie métallique à l'aide d'une lime à ongles.



Ne nettoyez pas la partie en céramique blanche avec la lime à ongles.

Grilles de brûleur

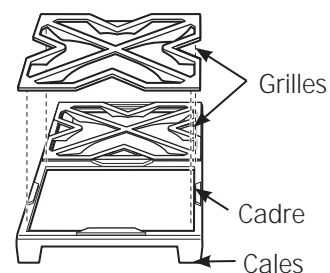
Nettoyez régulièrement les grilles de brûleur en fonte émaillée.

Les grilles peuvent être nettoyés dans le lave-vaisselle. Les cadres doivent être nettoyés à la main ou dans le lave-vaisselle.

Lavez-les à l'eau chaude et savonneuse, rincez et séchez soigneusement.

Malgré leur robustesse, les grilles perdront progressivement de leur éclat, indépendamment de l'entretien. Ceci est dû à l'exposition permanente aux hautes températures.

Ne mettez pas un brûleur en marche pendant une période prolongée sans ustensiles sur la grille. La finition de la grille risque de s'effriter sans ustensiles pour absorber la chaleur.



Pour davantage de stabilité, les cadres possèdent des cales en caoutchouc sur chaque extrémité. Pendant le nettoyage et l'utilisation, prenez soin de ne pas abimer ou d'accrocher les cales en caoutchouc.

Lèche-frites

(sur certains modèles)

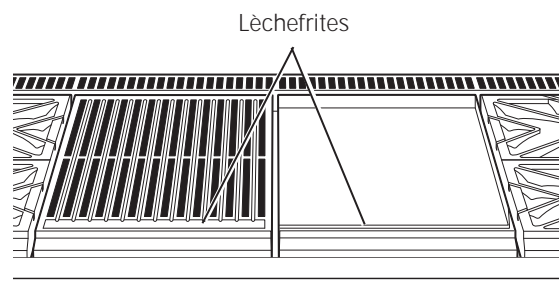
La graisse de la plaque chauffante et du grill se videra dans les lèche-frites en fonte émaillée à l'avant de l'appareil. Une fois les lèche-frites refroidies, vous pouvez les démonter pour les nettoyer plus facilement.

Pour démonter le lèche-frite froide de la plaque chauffante, faites-le glisser vers l'avant et soulevez-le.

Pour démonter la lèche-frite froide du grill, soulevez le cadre du grill et soulevez le bac.

Ne laissez pas la graisse s'accumuler dans les lèche-frites afin d'éviter tout risque d'incendie. Nettoyez les lèche-frites dès qu'ils sont froids. Les lèche-frites peuvent être nettoyés à la main à l'eau savonneuse et chaude ou dans le lave-vaisselle. Essuyez tout déversement dans la cuve de la lèche-frite à l'aide d'un chiffon doux.

Pour davantage de stabilité, les lèche-frites possèdent des cales en caoutchouc sur l'avant. Pendant le nettoyage et l'utilisation, prenez soin de ne pas abimer ou d'accrocher les cales.



Plaque chauffante

(sur certains modèles)

Éliminez soigneusement la graisse et les particules de nourriture de la plaque chauffante, avec une spatule en métal à bords carrés pendant qu'elle est encore chaude.

Essuyez la plaque à l'aide d'un chiffon sec, lourd, épais pour retirer les résidus restants et les particules de nourriture. Si la plaque est nettoyée avec autre chose, elle devra être reconditionnée.

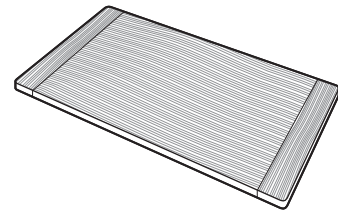
N'aspergez d'eau froide pas la plaque chauffante. La plaque risquerait de se déformer ou se fissurer.

Planche à trancher

(sur certains modèles)

Lavez la planche à trancher en bambou à l'eau chaude et au savon doux. Lavez-la parfois à l'huile minérale.

Ne lavez pas la planche à trancher dans le lave-vaisselle.



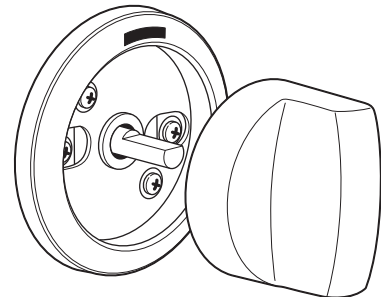
Panneau de commande et boutons

Nettoyez les projections à l'aide d'un chiffon doux. Retirez les taches les plus coriaces à l'eau chaude et au savon.

N'utilisez pas d'abrasifs sur le panneau de commande ou les boutons.

Il est possible de démonter les boutons de commande pour faciliter le nettoyage. Pour ce faire, vous n'avez qu'à l'extraire du panneau de commande. Lavez les boutons à l'eau chaude et savonneuse, mais n'épongez pas.

Un kit optionnel de boutons de commande est disponible à l'achat pour un coût supplémentaire. Commandez le kit adapté à votre modèle.



Modèles	Commandez les numéros
ZGU366NPSS, ZGU366LPSS	WB03K10269
ZGU364NRPSS, ZGU364LRPSS	WB03K10270
ZGU364NDPSS, ZGU364LDPSS	WB03K10271
ZGU484NGPSS, ZGU484LGPSS	WB03K10272
ZGU486NRPSS, ZGU486LRPSS	WB03K10273
ZGU486NDPSS, ZGU486LDPSS	WB03K10274

Pour passer votre commande, appelez le centre de pièces GE au 1.800.561.3344.

Grille de grill, cadre et déflecteur

(sur certains modèles)

Nettoyez immédiatement le grill infrarouge après chaque utilisation.

1. Nettoyez la grille du grill :

Éteignez le brûleur. Utilisez un gant pour barbecue pour retirer la grille brûlante. Placez la grille dans une cuve ou l'évier et grattez à l'aide d'une brosse de soie de porc en laiton. Rincez fréquemment.

La grille peut également être nettoyée dans le four en mode nettoyage automatique ou lavée dans le lave-vaisselle.

2. Nettoyez le cadre de la grille :

Le cadre de la grille peut être nettoyé à la main ou dans le lave-vaisselle. Ne nettoyez pas le cadre de la grille dans un four en mode nettoyage automatique. Le cadre de la grille possède des cales sur chaque coin inférieur. Prenez soin de ne pas abîmer les cales pendant le nettoyage.

3. Nettoyez le déflecteur de rayonnement :

Soulevez le déflecteur du plateau. Lavez-le à l'eau chaude et au savon ou dans le lave-vaisselle.

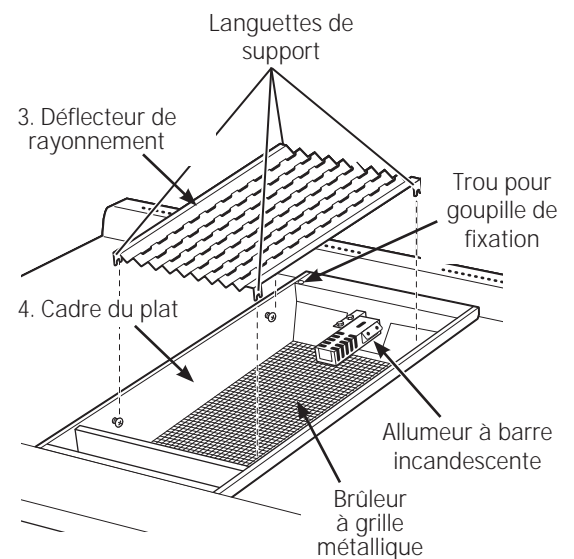
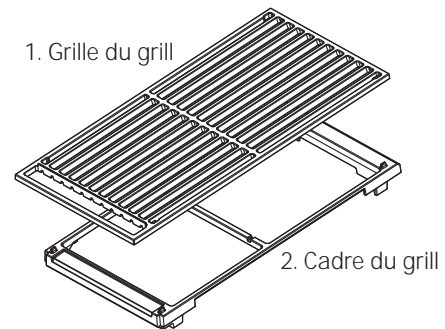
4. Nettoyez le cadre de la barquette, la grille métallique :




Le cadre du plat et la grille métallique ne peuvent pas être démontés. Nettoyez-les en place. Utilisez un chiffon doux pour nettoyer le cadre de la barquette. Brossez doucement les particules se trouvant dans la lèchefrite ou utilisez un aspirateur pour l'excès de résidus.

IMPORTANT : Veillez à ce que le brûleur du grill et l'allumeur en céramique restent secs. N'aspergez pas d'eau ou de nettoyant sur le grillage métallique ou l'allumeur. Évitez tout contact avec l'allumeur, il est fragile et peut facilement se casser.

Réassemblez le grill :

Inversez la procédure ci-dessus pour réassembler le grill. Les languettes de support du déflecteur de rayonnement devraient insérer les goupilles sur le côté du cadre de la barquette. Remplacez le cadre de la grille. Remplacez la grille. Veillez à ce que les goupilles situées au bas de la grille du grill s'insèrent dans les trous du cadre.



PROBLÈME	CAUSE POSSIBLE
LES BRÛLEURS NE S'ALLUMENT PAS OU DE MANIÈRE ALÉATOIRE	<ul style="list-style-type: none"> • La fiche électrique n'est pas branchée dans une prise d'alimentation qui marche. • Le gaz est coupé. • Les éléments du brûleur ne sont pas correctement installés. • Les trous des plaques d'ébullition ou des orifices des disques du brûleur sont bouchés. • Orifice bouché, ou brûleurs ou électrodes.
LES FLAMMES DES BRÛLEURS OU LEUR EXTRÉMITÉ SONT JAUNES	<ul style="list-style-type: none"> • Les éléments du brûleur ne sont pas correctement installés. <div style="display: flex; justify-content: space-around; align-items: center;">    </div> <p>A. Flammes jaunes : <i>Appelez un réparateur.</i> B. Extrémités jaunes : <i>Normal pour du gaz propane.</i> C. Flammes bleu claire: <i>Normal pour du gaz naturel.</i></p> <ul style="list-style-type: none"> • Si les flammes du brûleur ressemblent à (A), appelez un réparateur. L'aspect normal des flammes devrait être (B) ou (C), selon le gaz.
FLAMMES DE BRÛLEUR JAUNES OU GRANDES	<ul style="list-style-type: none"> • Le four est probablement branché sur un carburant inapproprié. Contactez la personne qui a installé votre four ou qui a effectué la conversion.
LE BOUTON DE COMMANDE DU BRÛLEUR EST BLOQUÉ	<ul style="list-style-type: none"> • Lorsque le bouton est sur la position OFF, vous devez appuyer dessus avant de le tourner, et vous ne pouvez le tourner que dans le sens des aiguilles d'une montre. Si le bouton est placé sur une autre position, vous pouvez le tourner sans avoir à appuyer dessus.

Avec l'achat de votre nouvel appareil Monogram, soyez assuré de recevoir toute l'information ou l'assistance dont vous pourriez avoir besoin, de la part de GE. Tout ce que vous avez à faire, c'est de nous appeler—gratuitement !

GE Answer Center®

800.561.3344

Quelle que soit votre question concernant n'importe quel appareil Monogram, le service d'information du GE Answer Center® est disponible pour vous aider. Votre appel—et votre question—seront pris en compte rapidement et courtoisement. Appelez au centre d'appels GE Answer Center® du lundi au vendredi entre 8 h à 22 h HNE, et le samedi entre 8 h à 19 h HNE.

OU

Visitez notre site web sur : **monogram.com**

Service favori Monogram

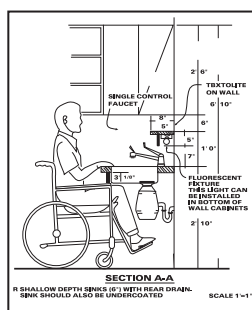
800.561.3344

Un professionnel qualifié du service GE s'occupera de la réparation, à un moment qui vous convienne. Pour prendre rendez-vous, appelez entre 7 h à 22 h HNE en semaine, ou entre 8 h à 18 h HNE les samedis et dimanches. La plupart des entreprises du service GE vous proposent une intervention le jour même ou le lendemain, ou à votre convenance. Nos techniciens formés en usine connaissent l'intérieur et l'extérieur de votre appareil—la plupart des réparations peuvent être effectuées en une intervention seulement.

Au Canada : lundi au vendredi, de 7 h à 20 h et samedi, de 8 h à 17 h HNE.

Pour les clients avec des besoins spéciaux...

***Aux États-Unis
800.626.2000***



GE offre gratuitement une brochure pour aider à la planification d'une cuisine sans entrave pour les personnes à mobilité réduite.

Les consommateurs malentendants ou muets qui ont accès à un TDD ou à un télécopieur conventionnel peuvent appeler le 800.TDD.GEAC (800.833.4322) pour solliciter information ou service.

Contrats de service

800.561.3344

Vous pouvez être rassuré de savoir que le service GE sera toujours là après l'expiration de votre garantie. Souscrivez à un contrat GE pendant que votre garantie est toujours en vigueur et vous bénéficierez d'une ristourne substantielle. Avec un contrat sur plusieurs années, vous êtes assuré d'un futur service au prix d'aujourd'hui.

Pièces détachées et accessoires

800.561.3344

Les personnes qualifiées pour réparer leurs propres appareils peuvent commander des pièces détachées et des accessoires et se les faire envoyer directement à domicile. Le système de pièces détachées GE propose un accès à plus de 47 000 pièces... et toutes les pièces de rechange d'origine GE bénéficient d'une garantie complète. Les cartes bancaires VISA, MasterCard et Discover sont acceptées.

Les instructions de maintenance contenues dans ce manuel détaillent les procédures à utiliser par n'importe quel utilisateur. Toute autre réparation ou intervention doit être effectuée par un technicien qualifié. La prudence est nécessaire, car une réparation incorrecte peut provoquer un fonctionnement dangereux de l'appareil.

LA GARANTIE DE LA CUISINIÈRE MONOGRAM

Agrafez le ticket de caisse ou le chèque annulé ici. Vous devez fournir la date d'achat d'origine pour bénéficier des services de réparation sous la garantie. Munissez-vous du numéro de modèle et du numéro de série lorsque vous appelez l'assistance.

**COUVERT
PAR LA
GARANTIE****GARANTIE DE DEUX ANS LIMITÉE**

Pendant deux ans à compter de la date d'achat d'origine, nous vous fournirons gratuitement des pièces et mettrons à votre disposition des réparateurs à votre domicile afin de réparer ou de remplacer **toute pièce de l'appareil** défectueuse en raison d'un défaut de fabrication.

GARANTIE DE CINQ ANS LIMITÉE

Pendant cinq ans à compter de la date d'achat d'origine, nous vous fournirons gratuitement des **brûleurs de surface à gaz** de rechange s'ils ne fonctionnent dans un usage domestique normal. (Le grill, la plaque chauffante et les brûleurs du four sont inclus.) Vous ne payez que le déplacement du technicien et tous les frais de main d'oeuvre.

Cette garantie est valable pour l'acheteur d'origine et pour tout propriétaire suivant pour l'usage domestique dans les 48 États du continent, Hawaï et Washington, D.C. En Alaska, la garantie est la même mais elle est LIMITÉE car vous devez payer les frais d'envoi du produit à la boutique de réparation ou les frais de déplacement du technicien.

Les services inclus dans la garantie seront fournis par les centres de réparation d'usine ou par nos réparateurs Customer Care® agréés pendant les heures d'ouverture normales.

Si votre appareil doit être réparé, pendant la période de garantie et au-delà, pour les États-Unis, appelez le 800.444.1845. Pour le Canada : 800.561.3344

**NON COUVERT
PAR
LA GARANTIE**

- Les déplacements des techniciens à votre domicile pour vous apprendre à utiliser l'appareil.
- Décoloration de la plaque chauffante ou des grilles du four.
- Remplacement des fusibles ou réenclenchement des disjoncteurs.
- Dommages indirects liés aux éventuels dysfonctionnements de cet appareil.
- Dommages liés au transport.
- Dommages liés à un accident, incendie, inondations, catastrophes naturelles.

- Une panne de l'appareil dans le cas d'une utilisation autre que celle prévue, ou d'une utilisation commerciale.
- Installation, livraison et entretien inappropriés. Si vous rencontrez une problème d'installation, contactez votre revendeur ou installateur. Il vous incombe de fournir une alimentation de gaz, électrique, une ventilation adéquats et autres raccords comme indiqué dans les consignes d'installation fournies avec l'appareil.
- L'appareil n'est pas accessible pour fournir le service requis.

EXCLUSION DES GARANTIES IMPLICITES—Vous ne serez en droit de solliciter que la réparation comme le prévoit la garantie limitée. Toutes les garanties implicites, y compris celles afférentes à la qualité marchande ou à l'adéquation à toute fin spécifique, sont limitées à un an, la période la plus courte légalement autorisée.

Certains États n'autorisent pas l'exclusion ou la limitation des dommages indirects, la limitation ou l'exclusion ne vous sont pas applicables. Cette garantie vous confère des droits spécifiques, et vous disposez de droits supplémentaires qui varient d'un état à l'autre.

Pour en savoir plus sur les droits qui vous sont conférés pour un état donné, consultez le bureau d'informations pour les consommateurs le plus proche ou le procureur de votre État.

Garant : General Electric Company, Louisville, KY 40225

Contenidos

Cocción sobre superficie

Quemadores.....49

Controles 48, 49

Recipientes de cocción49

Quemadores apilados de llama dual48

Características 47

Plancha..... 52

Parrilla..... 50, 51

Cuidado y limpieza

Tapas del quemador 53

Rejillas del quemador 54

Panel de control y perillas55

Tabla para cortar55

Canaletas para grasa54

Plancha..... 55

Parrilla..... 56

Acero inoxidable53

Servicios al cliente

Números telefónicos importantes... 59

Número de modelo y de serie..... 42

Solucionador de problemas..... 57

Instrucciones de seguridad..... 43-46

Garantía 60

⚠ ADVERTENCIA: Si la información de este manual no se sigue al pie de la letra, puede ocasionarse un incendio o una explosión, generando daños a la propiedad, lesiones personales o la muerte.

- No almacene o use gasolina u otros vapores o líquidos inflamables cerca de este o cualquier otro aparato.
- **QUÉ HACER SI HUELE GAS**
 - No trate de encender ningún aparato.
 - No toque ningún interruptor eléctrico; no utilice ningún teléfono en su edificio.
 - Inmediatamente llame a su proveedor de gas desde el teléfono de un vecino. Siga las instrucciones del proveedor de gas.
 - Si no puede comunicarse con el proveedor de gas, llame al departamento de bomberos.
- La instalación y servicio técnico deben realizarlos un instalador calificado, una agencia de servicio o el proveedor de gas.

⚠ Éste es el símbolo de alerta de seguridad. El mismo alerta sobre potenciales riesgos que le pueden producir la muerte o lesiones tanto a usted como a otras personas. Todos los mensajes de seguridad estarán a continuación del símbolo de alerta de seguridad y con la palabra "PELIGRO", "ADVERTENCIA" o "PRECAUCIÓN". Estas palabras se definen como:

⚠ PELIGRO

Indica una situación de riesgo que, si no se evita, **producirá** la muerte o lesiones graves.

⚠ ADVERTENCIA

Indica una situación de riesgo que, si no se evita, **podría** producir la muerte o lesiones graves.

⚠ PRECAUCIÓN

Indica una situación de riesgo que, si no se evita, **podría** resultar en lesiones menores o moderadas.

Quite la cinta de empaque

Con cuidado quite todos los elementos de empaque, paños de espuma y cinta adhesiva.

Para asegurarse de no dañar el acabado del producto, la mejor forma de quitar el pegamento de la cinta de empaque de los aparatos nuevos consiste en aplicar detergente para vajillas líquido. Aplique con un paño suave y deje remojar.

NOTA: Debe retirarse el adhesivo de todas las partes. Si se calienta, será imposible de quitar.

Escriba los números de modelo y de serie

Los encontrará en una etiqueta ubicada detrás de la perilla del quemador izquierdo o en la parte inferior de la estufa.

Estos números también se encuentran en la Tarjeta de Registro del Consumidor de Propiedad del Producto incluida en este manual.

Antes de enviar la tarjeta de registro, tenga a bien escribir los números aquí:

Número de modelo

Número de serie

Utilice estos números en cualquier correspondencia o llamadas de servicio técnico relacionadas con su cocina.

Si usted recibió una cocina dañada

Comuníquese de inmediato con el vendedor (o constructor) que le vendió la cocina.

Consejos para la identificación y solución de problemas

Antes de solicitar servicio técnico, verifique la sección Solucionador de problemas ubicada en la parte trasera de este manual.

Incluye una lista de problemas operativos menores que usted puede corregir solo.

Si necesita servicio técnico

Para obtener servicio técnico, dirijase a la página de Servicios al consumidor ubicada en la parte trasera de este manual.

Estamos orgullosos de nuestro servicio y deseamos que usted quede satisfecho. Si por alguna razón no está satisfecho con el servicio que recibe, incluimos aquí algunos pasos a seguir para obtener más ayuda.

PRIMERO, contacte a las personas que realizaron el servicio en su aparato. Explique por qué no está satisfecho.

En la mayoría de los casos, esto solucionará el problema.

DESPUÉS, si aún así no queda satisfecho, escriba todos los detalles –incluyendo número telefónico– a:

Manager, Customer Relations
GE Appliances
Appliance Park
Louisville, KY 40225

INSTRUCCIONES IMPORTANTES DE SEGURIDAD

NOTIFICACIÓN IMPORTANTE DE SEGURIDAD

- La Ley de California para el agua potable y los tóxicos exige que el Gobernador de California publique una lista de sustancias que según el estado provoquen cáncer, defectos congénitos u otros daños reproductivos, y exige a las empresas que adviertan a los clientes sobre la exposición potencial a dichas sustancias.
 - Los aparatos a gas pueden provocar una exposición mínima a cuatro de estas sustancias, a saber, benceno, monóxido de carbono, formaldehído y hollín, generados principalmente por la combustión incompleta de gas natural o combustibles LP.

Los quemadores bien ajustados, indicados por una llama azulina en lugar de una amarilla, minimizarán una combustión incompleta. La exposición a estas sustancias puede minimizarse ventilando con una ventana abierta o usando una campana o ventilador.
-

⚠ **ADVERTENCIA:** PRECAUCIONES DE SEGURIDAD

Cuando use su aparato, siga precauciones básicas de seguridad, incluyendo las siguientes:

- Solicite al instalador que le muestre la **ubicación de la válvula de cierre de gas de la cocina y cómo apagarla si fuese necesario.**
- **Asegúrese de quitar de la cocina todos los materiales de empaque** antes de ponerla en funcionamiento para evitar daños provocados por incendios o humo si el material de empaque se prendiera fuego.
- **Ubique la cocina lejos de la circulación de tránsito de la cocina y alejada de ubicaciones con corriente de aire y áreas con una pobre circulación de aire.**
- **No instale este producto con una campana con cortina de aire** u otra campana de cocina que funcione llevando aire a la placa de cocción. El flujo de aire podrá interferir en el funcionamiento de los quemadores de gas, produciendo riesgos de incendio o explosión.

INSTRUCCIONES IMPORTANTES DE SEGURIDAD

⚠ **ADVERTENCIA:** *PRECAUCIONES DE SEGURIDAD*

- **Utilice este aparato sólo con el uso previsto** que se describe en este manual.
- **Asegúrese de que un técnico calificado haya instalado y conectado a tierra** el aparato de acuerdo con las instrucciones de instalación suministradas.
- **No intente reparar o cambiar ninguna pieza de su cocina a menos que esté específicamente recomendado en este manual.** Cualquier otra atención debe realizarla un técnico calificado.
- **Antes de realizar cualquier clase de reparación, DESCONECTE LA CONEXIÓN ELÉCTRICA DE LA COCINA DESDE EL PANEL DE DISTRIBUCIÓN DOMÉSTICA QUITANDO EL FUSIBLE O DESCONECTANDO EL INTERRUPTOR DE CIRCUITOS.**
- **No deje a los niños solos**—éstos no deben quedar solos o sin atención en un área donde un aparato está en uso. Nunca debe permitirse que se sienten o se paren en cualquier parte de este aparato.
- **No guarde materiales inflamables en el horno o cerca de la estufa.**
- **No almacene materiales plásticos, líquidos inflamables o combustibles sobre el estante elevado opcional.**
- **PRECAUCIÓN: LOS ELEMENTOS DE INTERÉS PARA LOS NI—OS NO DEBEN ALMACENARSE EN GABINETES UBICADOS POR ENCIMA DE UNA COCINA O EN EL SALPICADERO DE UNA COCINA: LOS NI—OS QUE SE SUBAN A LA COCINA PARA ALCANZAR ELEMENTOS PODRÍAN RESULTAR GRAVEMENTE HERIDOS.**
- **Nunca use este aparato como un calentador para entibiar o calentar la habitación.** Esa acción puede provocar envenenamiento por monóxido de carbono o el sobrecalentamiento del aparato.
- **Nunca use vestimentas holgadas o amplias mientras utilice este aparato.** Tenga cuidado cuando trate de alcanzar elementos almacenados por encima de la cocina. El material inflamable puede incendiarse si entra en contacto con quemadores de superficie, rejillas de los quemadores o elementos calentadores del horno, los que pueden provocar quemaduras graves.
- **Use sólo agarraderas secas**—las agarraderas húmedas o mojadas colocadas en superficies calientes pueden provocar quemaduras de vapor. No permita que las agarraderas toquen quemadores de superficie, rejillas de quemadores o elementos calentadores del horno. No use una toalla u otra tela gruesa.
- **Cuando cocine sobre la estufa, no toque los quemadores de superficie, las rejillas de los quemadores, la parrilla o la plancha (en algunos modelos) o las áreas que los rodean.**

Estas superficies pueden estar lo suficientemente calientes para provocar una quemadura.

Durante y después del uso, no toque o deje que otros materiales inflamables entren en contacto con quemadores de superficie, la parrilla o plancha (en algunos modelos), las áreas cercanas a los quemadores de superficie o cualquier área interior del horno; deje pasar un tiempo prudencial para que se enfríe.

Las superficies potencialmente calientes incluyen la estufa, las áreas orientadas hacia la estufa, la abertura de la ventilación del horno, las superficies cercanas a la abertura, las hendiduras ubicadas alrededor de la puerta del horno, las piezas de metal sobre la puerta o cualquier protección trasera o superficie de estante elevado.
- **Conserve la campana del ventilador y filtros de grasa limpios para mantener una buena ventilación y para evitar incendios provocados por la grasa.** Apague (OFF) el ventilador en caso de incendio o cuando “flambee” intencionalmente bebidas alcohólicas u otros licores sobre la estufa. Si estuviera funcionando el ventilador, las llamas podrían esparcirse.

INSTRUCCIONES IMPORTANTES DE SEGURIDAD

⚠ ADVERTENCIA: *PRECAUCIONES DE SEGURIDAD*

- **No utilice agua en incendios de grasa. Nunca levante una sartén en llamas.** Apague los controles. Apague una sartén en llamas sobre una unidad de superficie cubriendo la sartén por completo con una tapa que ajuste bien, una plancha para galletas o una bandeja plana.

Utilice un químico seco multiuso o un extintor de incendios de espuma. La grasa en llamas fuera de una sartén puede apagarse cubriéndola con bicarbonato de sodio o, si estuviera disponible, un químico seco multiuso o un extintor de incendios de espuma.

Las llamas dentro del horno pueden apagarse por completo cerrando la puerta del horno y apagando el control o usando un químico seco multiuso o un extintor de incendios de espuma.

- **NO ALMACENE O USE MATERIALES COMBUSTIBLES, GASOLINA U OTROS VAPORES O LÍQUIDOS INFLAMABLES CERCA DE ESTE O CUALQUIER OTRO APARATO.**
- **No permita que la grasa de la cocción u otros materiales inflamables se acumulen dentro de la cocina o en su cercanía. Limpie las canaletas para grasa (algunos modelos) y las sartenes de los quemadores después de cada uso.**
- **Si huele gas**, el instalador no ha hecho un buen trabajo buscando pérdidas de gas. Si las conexiones no son completamente herméticas, la cocina puede tener una pérdida pequeña y por lo tanto habrá olor a gas.
Encontrar una pérdida de gas **NO** es un procedimiento que pueda hacer usted mismo. Algunas pérdidas sólo pueden descubrirse con

el control del quemador en la posición de encendido y para su protección, esto debe realizarlo un técnico calificado. Nunca use una llama abierta para localizar una pérdida.

- **Si por alguna razón se apaga un quemador y el gas sigue saliendo, abra una ventana o puerta y deje que se ventile la habitación.** No trate de utilizar el aparato hasta que el gas se haya disipado. Siga las instrucciones de "Qué hacer si huele gas" de la página 45.
- **Asegúrese de que todos los controles de la cocina y/o estufa estén apagados y que el aparato esté frío** antes de utilizar cualquier tipo de limpiador en aerosol o pulverizador para cocinar sobre o alrededor de la cocina. El producto químico que produce la acción de pulverización podría, en presencia de calor, prenderse fuego o corroer las piezas metálicas.
- **No caliente recipientes cerrados de alimentos;** una acumulación de presión podría provocar la explosión del contenedor.
- **Configure el control del quemador para que la llama caliente sólo la parte inferior de la sartén** y no se extienda más allá de la base de la misma. Una llama excesiva resulta peligrosa. Los quemadores de BTU elevados pueden fácilmente derretir las manijas de los recipientes de cocción.
- **Sostenga el mango de la sartén, utilizando una agarradera**, para evitar el movimiento del utensilio cuando mezcle o dé vuelta los alimentos.
- **Siempre utilice la posición LITE cuando encienda los quemadores de superficie** y verifique que estos se hayan encendido.

INSTRUCCIONES IMPORTANTES DE SEGURIDAD

⚠ **ADVERTENCIA:** *PRECAUCIONES DE SEGURIDAD PARA COCCIÓN SOBRE SUPERFICIE*

- **Nunca deje los quemadores de superficie sin atención con configuraciones altas de llama.** Los alimentos que hierven y se derraman pueden provocar humo y derrames grasosos que pueden prenderse fuego. Si las llamas del quemador se apagan debido a un derrame importante que afecta el encendedor, se dispersará gas sin quemar dentro de la habitación.
- **Para minimizar la posibilidad de quemaduras,** el incendio de materiales inflamables y los derrames, gire las manijas de los recipientes hacia el costado o parte trasera de la cocina sin extenderse sobre los quemadores adyacentes.
- **Siempre apague los quemadores de superficie antes de quitar los recipientes de cocción.**
- **Preste mucha atención a los alimentos que se estén friendo en una configuración de llama alta.**
- **Los alimentos que vayan a freírse deben estar lo más secos posible.** La escarcha en alimentos congelados o la humedad en alimentos frescos pueden provocar que la grasa caliente chisporrotee por los costados o sobre el recipiente.
- **Utilice la menor cantidad posible de grasa para poder freír alimentos de manera efectiva.** Llenar los recipientes con demasiada grasa puede generar derrames cuando se agregan los alimentos.
- **Utilice un termómetro para grasas** cuando sea posible para evitar sobrecalearla más allá del punto de ahumado.
- **Siempre caliente la grasa lentamente, y préstele atención mientras se calienta.**
- **Nunca trate de trasladar un recipiente lleno de grasa caliente,** especialmente una freidora. Espere a que la grasa se enfríe.
- **Si va a utilizar una combinación de aceites y grasas para freír,** mézclelos antes de calentar porque las grasas se derriten lentamente.
- **Cuando utilice recipientes de vidrio,** constate que estén diseñados para cocción sobre la estufa.
- **No deje ningún recipiente sobre la estufa.** El aire caliente de la ventilación puede prender fuego elementos inflamables y elevar la presión de recipientes cerrados, lo que podría hacerlos explotar.
- **No utilice papel de aluminio para revestir las rejillas o ninguna parte de la estufa.** Hacerlo puede provocar envenenamiento por monóxido de carbono, sobrecalearamiento de las superficies de la estufa o un riesgo de incendio potencial.
- **Utilice recipientes del tamaño adecuado—** evite recipientes inestables o que se vuelcan con facilidad. Seleccione elementos de cocción con bases planas lo suficientemente grandes para contener los alimentos y evitar su hervor y derrame, y para cubrir la rejilla del quemador. Esto ahorrará tiempo de limpieza y evitará peligrosas acumulaciones de alimentos, ya que las salpicaduras y derrames que queden en la cocina pueden prenderse fuego. Utilice recipientes y manijas que puedan tomarse con facilidad y no se calienten.
- **No deje elementos plásticos sobre la estufa—** ya que pueden derretirse si se los deja muy cerca de la ventilación o quemador.
- **Para evitar la posibilidad de una quemadura,** siempre asegúrese de que los controles de todos los quemadores estén en la posición OFF (apagado) y que todas las rejillas estén frías antes de tratar de quitarlas.
- **La grasa es inflamable.** Deje que la grasa se enfríe antes de tratar de manipularla. Trate de que la grasa no se deposite en la parrilla o en las canaletas para grasa de la plancha (en algunos modelos). Limpie estas áreas después de cada uso.
- **Para una iluminación y desempeño adecuados de los quemadores de la estufa, mantenga limpias las bocas de salida de los quemadores.** Puede resultar necesario limpiarlas cuando se produjo un derrame o cuando el quemador no se enciende, aun si los encendedores electrónicos hacen "clic".
- **Después de la limpieza, es importante verificar que la tapa y boca de salida del quemador estén bien alineadas con la base del quemador.** Una alineación incorrecta provocará un desempeño inadecuado del quemador. Nunca utilice los quemadores sin contar con todas las partes en su lugar.
- **Limpie la estufa con cuidado.** Evite las quemaduras de vapor; no utilice una esponja o paño húmedos para limpiar la estufa mientras se encuentre caliente. Algunos limpiadores pueden producir humos tóxicos si se los aplica a una superficie caliente. Siga las instrucciones del fabricante.
- **No utilice la parrilla para cocinar carnes con una cantidad excesiva de grasas o productos que puedan provocar llamaradas.**
- **Si la cocina está ubicada cerca de una ventana,** no cuelgue cortinas largas que podrían llegar a tocar los quemadores de superficie y generar un peligro de incendio.

GUARDE ESTAS INSTRUCCIONES

Información de diseño

(No todas las características se encuentran en todos los modelos. La apariencia puede cambiar).

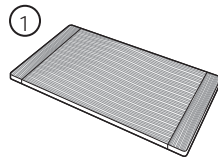
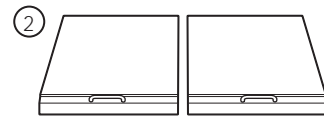
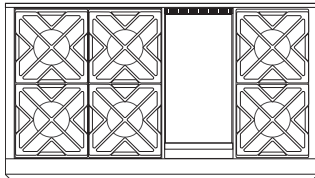


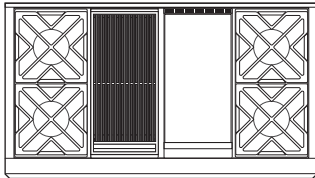
Tabla para cortar de bambú



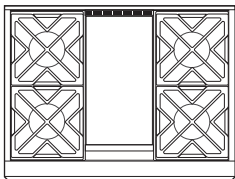
Tapas de la parrilla y de la plancha



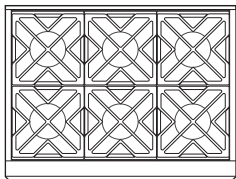
ZGU486NR, ZGU486LR-6 quemadores y parrilla
ZGU486ND, ZGU486LD-6 quemadores y plancha



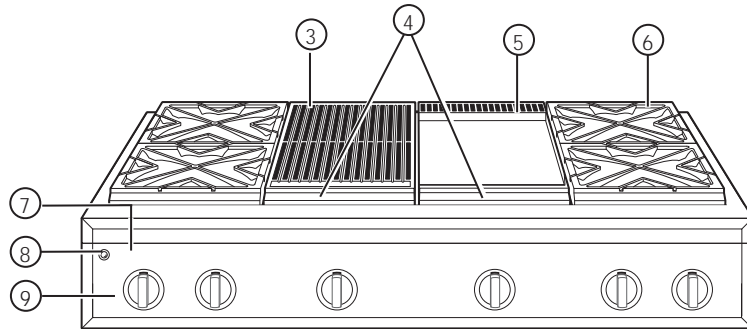
ZGU484NG, ZGU484LG
4 quemadores, parrilla y plancha



ZGU364NR, ZGU364LR-4 quemadores y parrilla
ZGU364ND, ZGU364LD-4 quemadores y plancha



ZGU366N, ZGU366L
6 quemadores a gas



Índice de características	Página
1 Tabla para cortar de bambú	55
2 Tapas de la parrilla y de la plancha	--
3 Parrilla IR (infrarroja)	50, 51
4 Canaletas para grasa de la parrilla y plancha	54
5 Plancha	55
6 Rejillas de los quemadores de la estufa	54
7 Indicador de ubicación del quemador	--
8 Control de iluminación de tareas redondeada LED	--
9 Perilla de control del quemador con bisel iluminado	--

Encendido electrónico y reencendido automático

La cocina se encuentra equipada con un encendido electrónico que elimina la necesidad de una luz piloto fija.

Los quemadores de esta cocina vuelven a encenderse automáticamente si la llama se apaga.

Todos los encendedores de quemadores de superficie chispearán y harán chasquidos cuando cualquier quemador se enciende. No toque ningún quemador cuando los encendedores se encuentran chasqueando.

Ocasionalmente los quemadores pueden chasquear si un viento o corriente fuertes alejan la llama del sensor de llama del quemador.

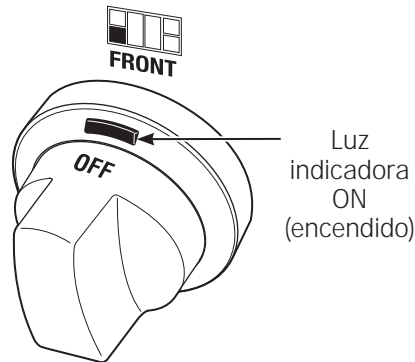
La plancha y la parrilla IR (infrarroja) se encuentran equipados con encendedores de barra incandescente. La barra incandescente conserva la energía cuando la plancha o la parrilla IR no se encuentran en uso para garantizar que el quemador siempre se mantenga encendido.

Si ocurriera un corte de energía, usted puede encender los quemadores de superficie con un cerillo. Sostenga un cerillo encendido cerca del quemador, luego gire la perilla a la posición **LOW** (baja) **Tenga mucho cuidado al encender los quemadores de esta manera.**

No trate de encender la parrilla o plancha durante un corte de energía. El gas que alimenta estos quemadores se cerrará automáticamente durante un corte de energía.

Cómo encender un quemador de superficie

Presione la perilla de control hacia adentro y gírela **en sentido contrario a las agujas del reloj** a la posición **LITE** (encender).



Después de que se encienda el quemador, gire la perilla para ajustar el tamaño de la llama.

Para apagar el quemador, gire la perilla en sentido de las agujas del reloj, hasta el máximo, a la posición **OFF**.

- No haga funcionar el quemador durante un período prolongado sin recipientes de cocción sobre la rejilla. El acabado de la rejilla puede saltarse sin un recipiente que absorba el calor.
- La luz indicadora de cada bisel verifica que el quemador se encuentra encendido. Sin embargo, no debe reemplazar la verificación visual de la llama del quemador.

Quemadores apilados de llama dual

Todos los quemadores de superficie de su cocina cuentan con dos equipos de llamas apilados uno encima del otro; los quemadores de llama dual tienen una llama inferior (fuego lento) y una llama superior (principal).

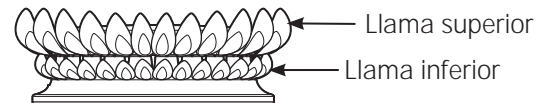
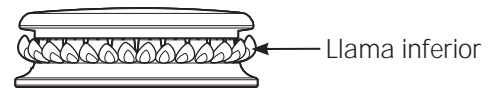
Cuando se enciende un quemador, la llama inferior siempre se encenderá y quedará prendida.

Fuego lento:

El diseño de quemadores apilados ofrece una amplia gama de configuraciones de calor para poder cocinar a fuego lento. Dependiendo del tipo y cantidad de alimentos, y del tamaño del recipiente, la llama puede ajustarse a sus necesidades específicas. La configuración más baja utiliza sólo la llama más baja y puede mantener alimentos delicados a una temperatura segura de 140°F.

Cocción:

Las configuraciones desde **LO** (baja) a **X-HI** (extra alta) utilizan las llamas altas y bajas. Utilice de **LO** (baja) a **HI** (alta) para cocción general. Utilice **HI** (alta) o **X-HI** (extra alta) para recipientes de un diámetro mayor.



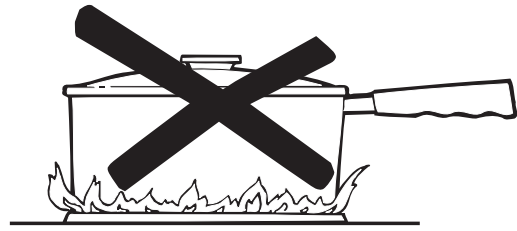
X-HI (extra alta) y **HI** (alta) son configuraciones muy altas y se utilizan para dorar alimentos rápidamente y para hervir grandes cantidades de agua.

Cómo elegir el tamaño de la llama

Mire la llama, no la perilla, mientras reduzca o incremente el calor.

El tamaño de la llama del quemador a gas debe ajustarse al recipiente que esté usando.

PARA UN MANEJO SEGURO DE LOS RECIPIENTES DE COCCIÓN, NUNCA DEJE QUE LAS LLAMAS SE EXTIENDAN MÁS ALLÁ DE LOS LADOS DE LOS RECIPIENTES. Utilizar llamas de un tamaño mayor a la base de los recipientes no los calentará más rápido y podría resultar peligroso.



Para lograr estabilidad de la superficie, se recomienda un recipiente de cocción de un diámetro mínimo de 6". Utilice recipientes de un diámetro mayor en configuraciones de calor entre **HI** (alta) y **X-HI** (extra alta).

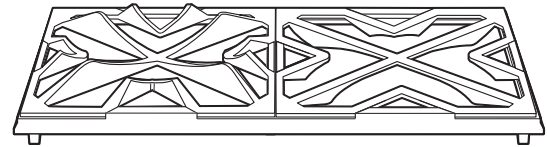
Cocción en wok

Las rejillas de los quemadores cuentan con un diseño único para poder cocinar en ambos lados. El lado plano se utiliza con recipientes de base plana (ollas grandes, cacerolas, sartenes y woks de base plana), mientras que el lado del wok se encuentra diseñado para sostener una variedad de woks de base redonda sin la necesidad de un anillo separado.

Para un acceso sencillo, se recomienda el uso de un quemador frontal para la cocción con wok.

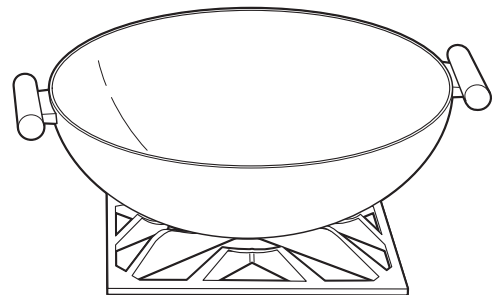
Se recomienda el quemador frontal central para la cocción con wok en cocinas de 6 quemadores de 36" y 48".

⚠ PRECAUCIÓN: Para que la rejilla se ajuste bien y para lograr el tamaño de llama adecuado, el wok debe tener un diámetro de 12" a 14".



Lado para wok

Lado plano



Precauciones de seguridad de la parrilla

(en algunos modelos)

⚠ ADVERTENCIA: No deje la parrilla IR (infrarroja) sin atención en ningún momento.

Llamaradas de grasa:

Ocasionalmente, durante la cocción con parrilla, las salpicaduras de grasa pueden encenderse creando pequeñas llamaradas por un segundo o dos. Esto es normal cuando se asa a la parrilla.

El deflector radiante de la parrilla se encuentra diseñado para retener el exceso de grasa, lo que limita las llamaradas.

Si una llamarada se vuelve excesiva, quite los alimentos de la parrilla y baje la configuración de fuego hasta que baje la llamarada.

Para reducir más las llamaradas, recorte la grasa excedente de los filetes y chuletas, utilice hamburguesas magras, quite la piel de las aves, etc.

Utilice una espátula larga y un guante no inflamable cuando dé vuelta los alimentos de la parrilla.

Tapa de la parrilla:

Quite la tapa antes de encender el quemador. Para su seguridad, la tapa debe quitarse cuando utilice la parrilla. Si la tapa se deja en su lugar, ésta se calentará demasiado.

Recipientes de cocción:

No utilice recipientes de cocción sobre la parrilla.

Cómo usar la parrilla IR

Quite la tapa antes de encender el quemador. La tapa debe quitarse cuando se utilice la parrilla IR.

Gire la perilla de control a la posición **PREHEAT** (precalentar). Cuanto más se precaliente la parrilla, más oscuras serán las marcas que quedarán en los alimentos.

Permita que la parrilla se caliente totalmente durante entre 5 y 15 minutos.

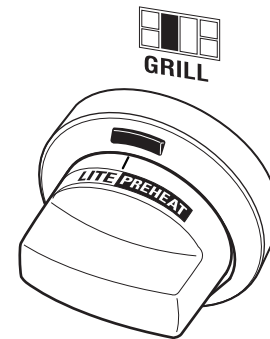
Después de precalentar, la perilla de control puede llevarse a cualquier posición entre HI (alta) y LO (baja).

No deje la parrilla sin atención en ningún momento.

El calor intenso carameliza las grasas y jugos creando un auténtico sabor a barbacoa. La parrilla IR logra los mismos resultados que una parrilla de jardín.

Todas las parrillas a gas cocinan de manera distinta. Ajuste los tiempos y métodos de cocción cuando utilice la parrilla IR.

Limpie la rejilla de la parrilla, la canaleta para grasa y el tazón para grasa después de cada uso. Quite las piezas para la limpieza después de que se enfrien.



NOTA: La parrilla tarda aproximadamente 45 segundos en encenderse. A diferencia de los quemadores de superficie, que utilizan encendedores eléctricos, la parrilla usa una barra incandescente para el encendido. Lleva aproximadamente 45 segundos que la barra incandescente alcance temperatura. El gas se suministra a la parrilla una vez que la barra incandescente alcance temperatura.

Rejillas de la parrilla
(en algunos modelos)

Quite la tapa antes de encender el quemador IR.
La rejilla de la parrilla es reversible. Coloque el extremo de la manija hacia el frente de la estufa.

La rejilla cambia de color cuando se la somete al calor y mientras los aceites se cocinan en la superficie.

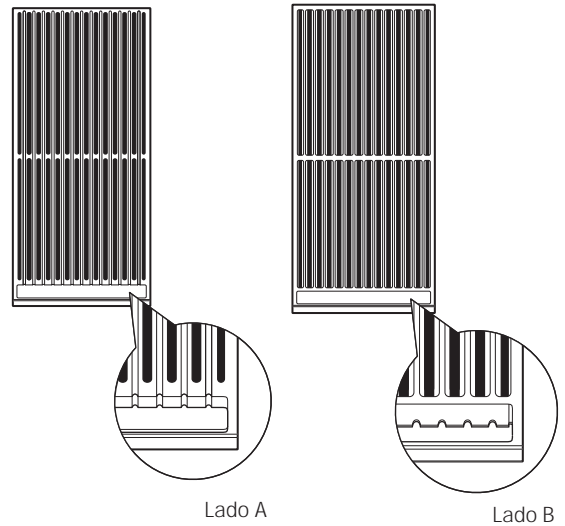
Esto es normal y no afecta el desempeño de cocción.

La rejilla de la parrilla de hierro fundido porcelanizado no necesita ser curada.

Un lado de la rejilla (lado A) tiene ranuras y debe usarse para alimentos tales como filetes o hamburguesas. Las ranuras están inclinadas para que los líquidos y aceites sobrantes se desplacen hacia el frente de la parrilla e ingresen a la canaleta para grasa.

El otro lado de la rejilla (lado B) está diseñado para alimentos delicados tales como pescado.

Gire y displace los alimentos según sea necesario.



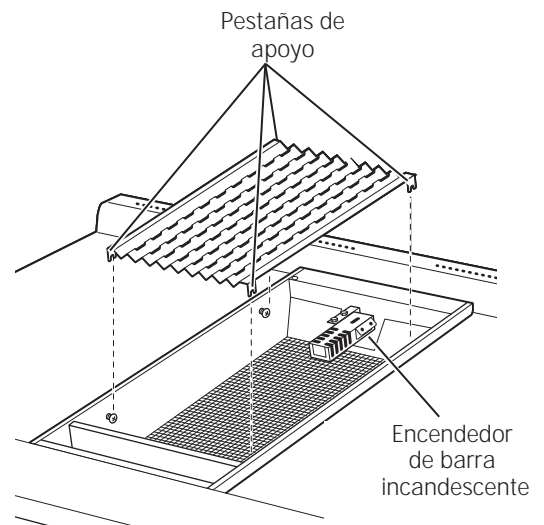
Alimento	Configuración	Pre calentamiento
Hamburguesas (8)	HI (alta) o LO (baja)	5 Minutes
Pechuga de pollo (6) (lado del hueso hacia abajo)	LO (baja)	5 Minutes
Filetes T-Bone (1-1/2" ancho)	LO (baja)	5 Minutes
Salmón	LO (baja)	5 Minutes

Deflector radiante de la parrilla

Los modelos equipados con una parrilla IR cuentan con un deflector radiante que distribuye el calor desde los quemadores en forma uniforme a través del área de la parrilla. El deflector de la parrilla también ayuda a limitar las llamaradas de grasa.

El deflector de la parrilla se apoya sobre pestañas ubicadas en la abertura de la parrilla. Asegúrese de que el deflector esté bien colocado en su lugar trabando las pestañas correctamente.

IMPORTANTE: Evite el contacto con el encendedor. Es frágil y puede astillarse o romperse.



Precauciones de seguridad y nivelación de la plancha

(en algunos modelos))

⚠️ ADVERTENCIA: No permita que el flujo de aire proveniente de la tapa de ventilación de la plancha quede obstruido por recipientes de cocción o toallas.

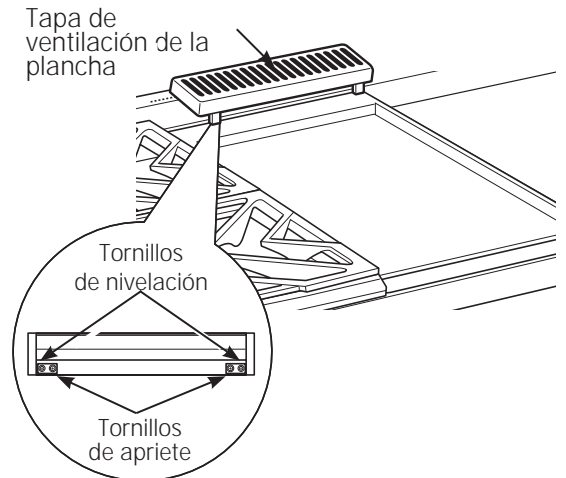
Quite la tapa de metal y la tabla para cortar antes de encender la plancha.

La ensambladura de la plancha no debe quitarse para la limpieza.

Una vez que la unidad se encuentra en su posición, la plancha puede nivelarse. Quite la tapa de ventilación levantándola hacia arriba. Asegúrese de no rayar las superficies de acero inoxidable cercanas mientras quita la tapa de ventilación.

Los dos tornillos internos son tornillos de apriete para asegurar la plancha en su lugar. Afloje los dos tornillos antes de nivelar. **No quite estos dos tornillos.**

Los dos tornillos exteriores son tornillos de nivelación. **No quite estos dos tornillos.** Pueden girarse para nivelar la plancha o para brindar una inclinación hacia adelante para que las grasas y aceites se escurran de los alimentos que se



están cocinando. Después de los primeros usos, usted podrá juzgar la inclinación que mejor se ajuste a los alimentos que está cocinando y a su preferencia personal.

Después de nivelar la plancha, ajuste los tornillos de apriete para asegurar la plancha en su lugar. **Ajuste los tornillos a mano; no ajuste de más.**

Cómo curar la plancha

Antes de utilizar la plancha por primera vez, ésta debe curarse.

Si la plancha no se ha utilizado durante un período prolongado, ésta debe volver a curarse.

1. Limpie bien la plancha con agua caliente jabonosa para eliminar cualquier revestimiento protector.
2. Limpie la superficie utilizando una solución de 1 cuarto de galón de agua y 1 taza de vinagre blanco. Seque bien.
3. Con una toalla de papel, esparza 1 cucharada de aceite vegetal uniformemente por toda la

plancha. No use aceite de maíz porque puede pegarse.

4. Gire la perilla de control a 400°F durante aproximadamente 30 minutos. Apague el fuego cuando el aceite comience a humear.
5. Repita el paso 3. Asegúrese de cubrir toda la superficie con el aceite.
6. Deje enfriar la plancha. Limpie toda la superficie de la plancha con un paño grueso para remover el aceite. Su plancha ya está lista para usar.

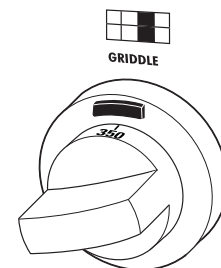
Cómo usar la plancha

La superficie de la plancha es una combinación de acero inoxidable Tipo 304 altamente pulido y una placa térmica de aluminio para lograr una distribución uniforme del calor. Es normal que se oscurezca con el uso a medida que los aceites se cocinan en la superficie para ofrecer una base antiadherente o "curado".

La plancha se encuentra controlada en forma termostática y puede configurarse para mantener cualquier temperatura desde 200°F a 450°F.

NOTA: A diferencia de los quemadores de superficie, que utilizan encendedores eléctricos, la plancha usa una barra incandescente para el encendido. Lleva aproximadamente 45 segundos que la barra incandescente alcance temperatura. El gas se suministra a la plancha una vez que la barra incandescente alcance temperatura.

Para calentar la plancha, presione la perilla de control y gírela hasta la configuración de temperatura deseada. La luz del bisel se encenderá para indicar que el control del termostato está en funcionamiento.



Alimento	Configuración de temperatura
Panqueques	375°F
Hamburguesas	400°F
Tocino*	400°F
Queso asado	350°F
Huevos	275°F

***NOTA:** Coloque el tocino sobre una plancha fría. No la precaliente.

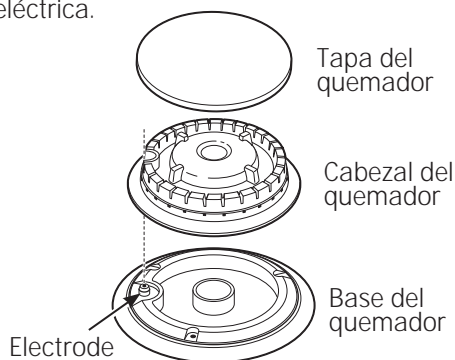
Quemadores apilados de llama dual

El quemador consta de tres partes: La base del quemador, el cabezal del quemador y la tapa del quemador. El cabezal y la tapa del quemador pueden quitarse a fin de facilitar la limpieza.

⚠ PRECAUCIÓN: NO UTILICE EL QUEMADOR SIN TODAS LAS PIEZAS EN SU LUGAR.

Los quemadores de superficie debe limpiarse regularmente, en especial después de sufrir derrames, lo que podría obstruir las ranuras y orificios de los cabezales de los quemadores.

El electrodo se encuentra en la parte trasera de cada quemador. No intente desarmar o limpiar un quemador mientras otro se encuentre encendido. Puede provocarse una descarga eléctrica.



Para quitar las piezas del quemador:

1. Gire todos los controles a OFF (apagado) antes de quitar piezas de los quemadores.
2. Cuando se enfríen, usted puede levantar las rejillas, las tapas y los cabezales del quemador para efectuar una limpieza más sencilla. No quite las bases de los quemadores.

Limpieza

Quite todas las piezas del quemador sólo cuando estén frías. Lávelas en agua caliente jabonosa. Puede utilizarse una almohadilla plástica para quitar las partículas de comida quemada y pegada.

Para remover alimentos quemados y pegados, deje en remojo los cabezales de los quemadores en una solución de detergente líquido suave y agua caliente durante 20-30 minutos. Para manchas más rebeldes, utilice una almohadilla plástica o un cepillo de dientes.

Si el derrame ingresa a la ensambladura del cabezal del quemador, lávela bajo agua corriente y agítela para remover el exceso de agua.

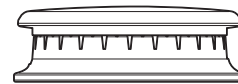
Después de la limpieza

Después de reemplazar las piezas del quemador, agítelas para quitar el exceso de agua y luego séquelas bien.

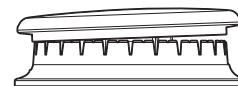
Para reemplazar las piezas del quemador:

Asegúrese de que las piezas de los quemadores se coloquen en los lugares correctos.

1. Reemplace el cabezal del quemador sobre la base del quemador, verificando que el orificio del cabezal se encuentre bien alineado con el electrodo de la base. Un espacio pequeño entre la base y el cabezal resulta normal.
2. Coloque la tapa del quemador sobre el cabezal del quemador. Verifique que la tapa del quemador esté bien colocada sobre el cabezal del quemador.



Tapa del quemador bien colocada



Tapa del quemador mal colocada

Superficies de acero inoxidable

No utilice almohadillas de acero ya que rayan la superficie en forma permanente.

Para limpiar la superficie de acero inoxidable, utilice agua tibia jabonosa o un limpiador de acero inoxidable. Siempre limpie la superficie en dirección de la veta. Siga las instrucciones del producto para limpiar la superficie de acero inoxidable.

Para consultar sobre la compra de limpiadores de acero inoxidable, llame en forma gratuita al 800.626.2002 o visite monogram.com.

Encendedor por chispa y electrodos

El electrodo del sistema de encendido electrónico se encuentra ubicado en la parte trasera de la base del quemador. Cuando limpie la estufa, tenga cuidado de no enganchar el encendedor con el paño de limpieza. El encendedor podría dañarse.

Tenga cuidado de no empujar la perilla de control hacia adentro mientras realiza la limpieza. Podría provocar el accionamiento del encendedor por chispa.

Asegúrese de que los encendedores de cerámica blancos ubicados sobre la estufa estén secos y limpios. Limpie la porción de metal del electrodo con un paño suave o una lija.

No trate que quitar el electrodo de la estufa.

Limpie esta parte de metal con una lija.



No limpie esta parte de cerámica blanca con una lija.

Rejillas del quemador

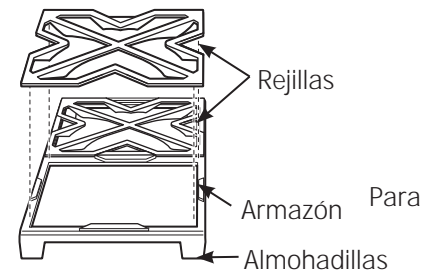
Las rejillas del quemador de hierro fundido esmaltado deben limpiarse regularmente.

Las rejillas pueden limpiarse en el lavaplatos. Los armazones deben limpiarse a mano o en el lavaplatos.

Lávelos en agua caliente jabonosa, enjuague y seque bien.

A pesar de ser resistentes, las rejillas gradualmente irán perdiendo el brillo, aunque les brinde el mayor cuidado. Esto se debe a su exposición continua a altas temperaturas.

No haga funcionar el quemador durante un periodo prolongado sin recipientes de cocción sobre la rejilla. El acabado de la rejilla puede saltarse sin un recipiente que absorba el calor.



Para estabilidad, los armazones cuentan con almohadillas de goma en cada esquina. Durante la limpieza y el uso, tenga cuidado de no dañar o enganchar las almohadillas de goma.

Canaletas para grasa

(en algunos modelos)

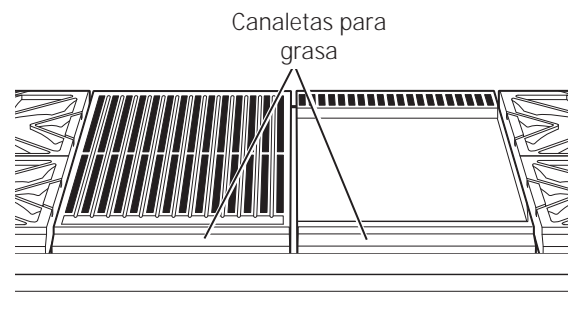
La grasa proveniente de la plancha y de la parrilla drenará dentro de las canaletas para grasa de hierro fundido esmaltado en la parte frontal de la cocina. Una vez que las canaletas se hayan enfriado, pueden quitarse para efectuar una limpieza más cómoda.

Para quitar la canaleta para grasa fría de la plancha, deslicela hacia el frente y levántela.

Para quitar la canaleta para grasa fría de la plancha, levante el armazón de la parrilla y levante la canaleta.

No permita la acumulación de grasa en las canaletas porque pueden generar un peligro de incendio. Limpie las canaletas para grasa tan pronto como se enfríen. Las canaletas para grasa pueden limpiarse a mano con agua caliente jabonosa o en el lavaplatos. Limpie cualquier derrame del tazón de la canaleta con un paño suave.

Para lograr estabilidad, las canaletas cuentan con almohadillas de goma en la parte frontal. Tenga cuidado de no dañar las almohadillas cuando las quite para la limpieza.



Plancha

(en algunos modelos)

Quite bien la grasa y las partículas de comida de la plancha utilizando una espátula de metal de lados rectos, mientras todavía esté caliente.

Limpie la plancha con un paño seco, resistente y grueso para eliminar los residuos restantes y partículas de alimentos. Si la plancha se limpia con otro elemento que no sea un paño seco, resistente y grueso, ésta tendrá que volver a curarse.

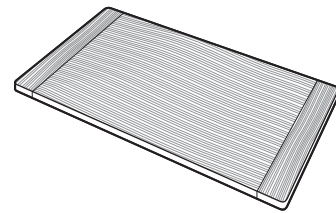
Nunca llene la plancha caliente con agua fría. Esto podría quebrar o torcer la plancha.

Tabla para cortar

(en algunos modelos)

Limpie la tabla para cortar de bambú con agua tibia y jabón suave. De vez en cuando límpiela con aceite mineral.

No lave la tabla para cortar en el lavaplatos.



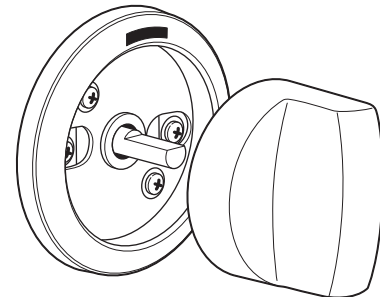
Panel de control y perillas

Limpie los derrames con un paño húmedo. Quite suciedades más rebeldes con agua tibia jabonosa.

No utilice abrasivos de ninguna clase sobre el panel de control y las perillas.

Para una limpieza más sencilla, las perillas de control pueden quitarse. Para quitar una perilla, tire de la misma directamente del panel de control. Lave las perillas en agua caliente jabonosa, pero no las deje sumergidas.

Un equipo opcional de perillas de control negras se encuentra disponible para la compra a un costo adicional. Solicite el equipo de perillas para su modelo.



Modelos	Números de solicitud
ZGU366NPSS, ZGU366LPSS	WB03K10269
ZGU364NRPSS, ZGU364LRPSS	WB03K10270
ZGU364NDPSS, ZGU364LDPSS	WB03K10271
ZGU484NGPSS, ZGU484LGPSS	WB03K10272
ZGU486NRPSS, ZGU486LRPSS	WB03K10273
ZGU486NDPSS, ZGU486LDPSS	WB03K10274

Para hacer un pedido, llame a Centro Nacional de Repuestos de GE al 1.800.626.2002.

*Rejilla,
armazón
y deflector
de la parrilla
(en algunos modelos)*

La parrilla IR debe limpiarse inmediatamente después de cada uso.

1. Cómo limpiar la rejilla de la parrilla:

Gire el quemador a OFF (apagado). Utilice una agarradera para quitar la rejilla de la parrilla caliente. Coloque la rejilla de la parrilla en un tazón o fregadero y friegue con un cepillo de cerdas de bronce. Enjuague con frecuencia.

La rejilla de la parrilla también puede limpiarse en el horno durante el ciclo de auto-limpieza, o puede lavarse en el lavaplatos.

2. Cómo limpiar el armazón de la rejilla de la parrilla:

El armazón de la rejilla de la parrilla puede lavarse a mano o en el lavaplatos. No limpie el armazón de la rejilla de la parrilla en el horno auto-limpiante. El armazón de la rejilla de la parrilla cuenta con almohadillas de goma en cada esquina inferior. Tenga cuidado de no dañar las almohadillas durante el proceso de limpieza.

3. Cómo limpiar el deflector radiante:

Quite el deflector de la bandeja. Limpie el deflector con agua caliente jabonosa o en el lavaplatos.

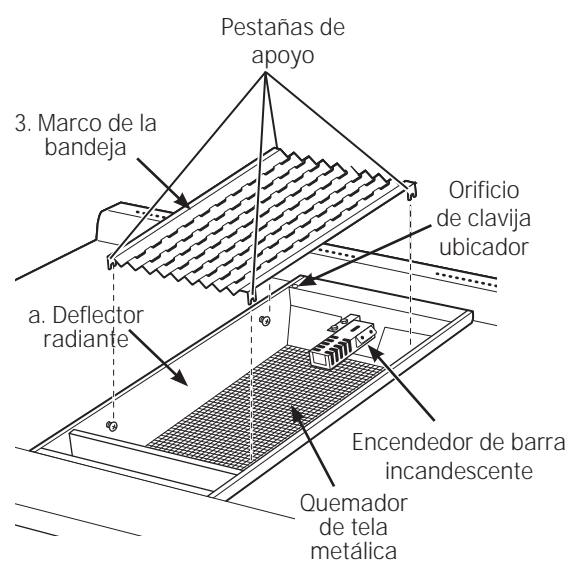
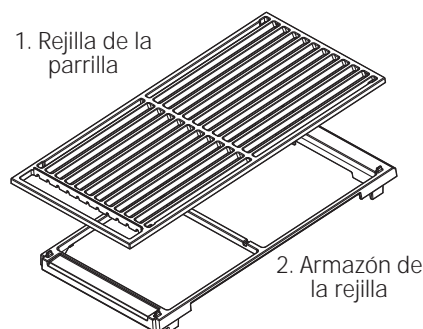
4. Cómo limpiar el marco de la bandeja y la tela metálica:




El marco de la bandeja y la tela metálica no pueden quitarse. Límpielos en su lugar. Utilice un paño suave húmedo para limpiar el marco de la bandeja. Con cuidado barra las partículas de alimentos con un cepillo hacia la canaleta para grasa o utilice una aspiradora para los residuos excedentes.

IMPORTANTE: Mantenga secos el quemador de la parrilla y el encendedor de cerámica. No pulverice agua o limpiador directamente sobre la tela metálica o el encendedor. Evite el contacto con el encendedor, ya que es frágil y puede saltarse o romperse.

Cómo reensamblar la parrilla:

Invierta los pasos para reensamblar la parrilla. Las pestañas de apoyo del deflector radiante deben enganchar las clavijas ubicadas sobre el lado del marco de la bandeja. Reemplace el armazón de la rejilla. Asegúrese de enganchar la clavija de ubicación inferior con el orificio de la clavija ubicado en el lado izquierdo trasero de la bandeja. Reemplace el armazón de la parrilla con el extremo de la manija hacia el frente de la cocina.



PROBLEMA	CAUSA POSIBLE
<p>LOS QUEMADORES NO SE ENCIENDEN O CHISPEAN EN FORMA ALEATORIA</p>	<ul style="list-style-type: none"> • El enchufe eléctrico no se encuentra enchufado a un tomacorriente cargado. • El gas no está encendido. • Las piezas de los quemadores no se volvieron a colocar correctamente. • Los orificios de los anillos de fuego lento o las ranuras de los anillos del quemador se encuentran obstruidos. • Orificio obstruido o quemadores o electrodos húmedos.
<p>LAS LLAMAS DE LOS QUEMADORES SON AMARILLAS O TIENEN PUNTAS AMARILLAS</p>	<ul style="list-style-type: none"> • Las piezas de los quemadores no se volvieron a colocar correctamente. <div style="display: flex; justify-content: space-around; align-items: center;"> <div style="text-align: center;">  <p>A. Llamas amarillas: <i>Llame al servicio técnico.</i></p> </div> <div style="text-align: center;">  <p>B. Puntas amarillas en los conos externos: <i>Normal para gas PL.</i></p> </div> <div style="text-align: center;">  <p>C. Llamas de azul claro: <i>Normal para gas natural.</i></p> </div> </div> <ul style="list-style-type: none"> • Si las llamas del quemador se parecen a (A), llame al servicio técnico. Las llamas normales de los quemadores deben ser como (B) o (C), dependiendo del tipo de gas.
<p>LAS LLAMAS DE LOS QUEMADORES SON MUY GRANDES O AMARILLAS</p>	<ul style="list-style-type: none"> • La cocina puede estar conectada a un tipo de combustible incorrecto. Comuníquese con la persona que instaló su cocina o que realizó la conversión.
<p>LA PERILLA DE CONTROL DEL QUEMADOR NO GIRA</p>	<ul style="list-style-type: none"> • Cuando la perilla se encuentra en la posición OFF, debe presionarse hacia adentro antes de que pueda girarse, y sólo puede girarse en sentido contrario a las agujas del reloj. Cuando la perilla se encuentra en cualquier otra posición, ésta puede girarse en cualquier dirección sin presionarse hacia adentro.

Con la compra de su nuevo artefacto Monogram, tenga la tranquilidad de que si alguna vez necesita información o asistencia de GE, estaremos listos para hacerlo. ¡Todo lo que tiene que hacer es llamar en forma gratuita!

GE Answer Center®

800.626.2000

Cuando tenga una consulta sobre cualquier artefacto importante Monogram, el servicio de información GE Answer Center® estará listo para ayudarlo. Su llamada—y su pregunta—serán respondidas rápida y cortésmente. Llame al GE Answer Center® de lunes a viernes, de 8 a.m. a 10 p.m. EST, y los sábados, 8 a.m. a 7 p.m. EST.

o

Visite nuestro sitio web: monogram.com

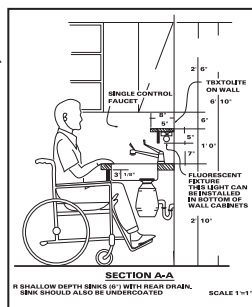
Servicio preferido Monogram

800.444.1845

Un profesional de servicio técnico de GE le brindará un servicio de reparación experto, programado en un momento que resulte conveniente para usted. Para programar un servicio, llame de lunes a viernes de 7 a.m. a 10 p.m. EST, o los sábados y domingos de 8 a.m. a 6 p.m. EST. Muchas locaciones operadas por la compañía de servicio técnico de GE le ofrecen un servicio en el día o al día siguiente, a cuando sea conveniente para usted. Nuestros técnicos capacitados en la fábrica conocen el artefacto por completo, así que la mayor parte de las reparaciones puede efectuarse en sólo una visita.

Para clientes con necesidades especiales...

800.626.2000



GE le ofrece, en forma gratuita, un folleto para ayudar a planificar una cocina libre de barreras para personas con movilidad limitada.

Los consumidores con problemas auditivos o de habla que tienen acceso a un TDD (teléfono para sordomudos) o un teletipo convencional pueden llamar al 800.TDD.GEAC (800.833.4322) para solicitar información o servicio técnico.

Contratos de servicio técnico

800.626.2224

Usted puede estar tranquilo de que el Servicio Técnico de GE estará allí para ayudarlo cuando finalice su garantía. Adquiera un contrato GE mientras su garantía sigue vigente y recibirá un descuento sustancial. Con un contrato de varios años, usted se asegura servicio técnico futuro con los precios de hoy.

Piezas y accesorios

800.626.2002

Las personas calificadas para arreglar sus propios artefactos pueden recibir las piezas o accesorios directamente en sus hogares. El sistema de piezas de GE ofrece acceso a más de 47.000 repuestos...y todas las Piezas de Repuesto Genuinas de GE tienen garantía total. Se aceptan tarjetas VISA, MasterCard y Discover.

Las instrucciones de mantenimiento del usuario incluidas en este manual cubren los procedimientos a realizar por cualquier usuario. Cualquier otra clase de arreglos deben ser efectuados por personal de servicio técnico calificado. Debe tenerse mucho cuidado, porque los arreglos inadecuados pueden provocar un funcionamiento poco seguro.

GARANTÍA DE SU COCINA MONOGRAM

Abroche el comprobante de venta o cheque compensado aquí. Se necesita una prueba de la fecha de compra original para obtener servicio técnico cubierto por la garantía. Tenga el número de serie y de modelo a mano cuando llame para solicitar un servicio técnico.

ELEMENTOS CUBIERTOS

GARANTÍA LIMITADA DE DOS A—OS

Durante dos años a partir de la fecha original de compra, otorgaremos, en forma gratuita, piezas y servicio técnico en su hogar para reparar o reemplazar **cualquier parte de su cocina** que falle debido a defectos en la fabricación.

.....
GARANTÍA LIMITADA DE CINCO A—OS

Durante cinco años a partir de la fecha original de compra, otorgaremos, en forma gratuita, **quemadores de superficie a gas** de repuesto si fallan a partir de un uso doméstico normal. (La parrilla, plancha y quemadores del horno no están incluidos). Usted deberá pagar las visitas a su domicilio y todos costos de mano de obra.

Esta garantía se extiende al comprador original y cualquier dueño posterior para productos adquiridos para uso doméstico dentro de los 48 estados continentales, Hawaii y Washington, D.C.

En Alaska la garantía es la misma salvo que es LIMITADA porque usted debe pagar el envío del producto a la tienda de servicio técnico o los gastos de viaje del técnico hasta su hogar.

Todo el servicio de garantía debe suministrarse por parte de nuestros Centros de Servicio de Fábrica o por técnicos autorizados de Customer Care® durante un horario normal de trabajo.

Si su electrodoméstico requiere servicio técnico, durante el período de garantía o después del mismo, en los EE.UU. llame al 800.444.1845. En Canadá: 800.561.3344

ELEMENTOS NO CUBIERTOS

- **Visitas a su hogar para enseñarle a usar el producto.**
- **Decoloración de la placa de la plancha o de las bandejas del horno.**
- **Reemplazo de fusibles domésticos o la reconfiguración de los interruptores de circuito.**
- **Daños incidentales o resultantes provocados por posibles defectos de este aparato.**
- **Daños provocados después de la entrega.**
- **Daños al producto provocados por accidentes, incendios, inundaciones o fuerza mayor.**
- **Fallas del producto si se utiliza para un objetivo diferente del previsto o si se usa en forma comercial.**
- **Instalación, entrega o mantenimiento inadecuados.**
- **Si tiene un problema con la instalación, comuníquese con su vendedor o instalador. Usted es responsable de suministrar adecuadas instalaciones eléctricas, de gas, de salida y otras conexiones como se describe en las Instrucciones de Instalación incluidas con el producto.**
- **Producto no accesible para prestar el servicio técnico solicitado.**

EXCLUSIÓN DE GARANTÍAS IMPLÍCITAS—Su único y exclusivo recurso es la reparación del producto como se establece en la presente Garantía Limitada. Las garantías implícitas, incluyendo garantías de comerciabilidad y aptitud para un objetivo particular, se encuentran limitadas a un año o el período más corto permitido por la ley.

Algunos estados no permiten la exclusión o limitación de daños incidentales o resultantes, por lo tanto esta exclusión o limitación puede no aplicarse en su caso. Esta garantía le otorga derechos legales específicos y usted puede contar con otros derechos, que pueden variar de estado a estado.

Para conocer sus derechos legales en su estado, consulte a su oficina del consumidor local o estatal o al Fiscal General de su estado.

Garante: General Electric Company, Louisville, KY 40225