

Use & Care Guide
Manual de Uso y Cuidado
English / Español

Models/Modelos: 795.5185*, 795.5186*

Kenmore Elite®

Side-by-Side Refrigerator

Refrigerador de Dos Puertas

* = color number, número de color

P/N MFL63288307
Sears Brands Management Corporation
Hoffman Estates, IL 60179 U.S.A.
www.kenmore.com

Sears Canada Inc.
Toronto, Ontario, Canada M5B 2C3
www.sears.ca



TABLE OF CONTENTS

Warranty	3	► Freezer Section	
Protection Agreements	4	Ice Storage Bin	24
Important Safety Instructions	5	Water Filter	25
Electrical & Grounding Requirements	7	Care And Cleaning	29
Parts and Features	8	General Cleaning Tips	29
Refrigerator Installation	9-14	Outside.....	29
Unpacking the Refrigerator.....	9	Inside Walls	29
Installation	10	Door Liner And Gaskets.....	29
Removing/Replacing Your Refrigerator and Freezer Handles and Doors	11-13	Plastic Parts.....	29
Leveling and Door Alignment	14	Condenser Coils.....	29
Using Your Refrigerator	15	LED Light Replacement	30
Setting the Controls	15	Power Interruptions	30
Control Panel Features.....	15	When You Go On Vacation.....	30
Automatic Icemaker.....	17	When You Move.....	30
Food Storage Guide	19	Connecting the Water Line	31
► Refrigerator Section		Troubleshooting Guide	34
Water and Ice Dispenser.....	20	Diagnostics	42
Refrigerator/Freezer Door Bins.....	21	Service	
Refrigerator Drawers and Cover.....	21		
Refrigerator/Freezer Shelves.....	22		
Door-in-Door.....	23		

WARRANTY



REFRIGERATOR WARRANTY

Kenmore Elite Limited Warranty

WITH PROOF OF SALE, the following warranty coverage applies when this appliance is correctly installed, operated and maintained according to all supplied instructions. To arrange for warranty service, call: U.S.A. call 1-844-553-6667, and in Canada call 1-800-469-4663.

- FOR ONE YEAR from the date of sale this appliance is warranted against defects in material or workmanship. A defective appliance will receive free repair or replacement at option of seller. This warranty coverage applies for only 90 days from the sale date in the United States, and is void in Canada, if the appliance is ever used for other than private household purposes.
- FOR FIVE YEARS from the date of sale, the sealed refrigerant system of this appliance is warranted against defects in material or workmanship. New system components will be supplied for defective ones free of charge. You are responsible for the labor cost of component installation after the first year from the sale date. This warranty coverage applies for only one year from the sale date in the United States, and is void in Canada, if the appliance is ever used for other than private household purposes.
- FOR TEN YEARS from the date of sale, the linear compressor of this appliance is warranted against defects in material or workmanship. A new linear compressor will be supplied free of charge. You are responsible for the labor cost of installation after the first year from the date of purchase. This warranty coverage applies for only two years from the sale date in the United States, and is void in Canada, if the appliance is ever used for other than private household purposes.

This warranty covers ONLY defects in material and workmanship, and will NOT pay for:

1. Expendable items that can wear out from normal use, including but not limited to filters, belts, screw-in base light bulbs and bags.
2. A service technician to instruct the user in correct product installation, operation or maintenance.
3. A service technician to clean or maintain this product.
4. Damage to or failure of this product if it is not installed, operated or maintained according to all instructions supplied with the product.
5. Damage to or failure of this product resulting from accident, abuse, misuse or use for other than its intended purpose.
6. Damage to or failure of this product caused by the use of detergents, cleaners, chemicals or utensils other than those recommended in all instructions supplied with the product.
7. Damage to or failure of parts or systems resulting from unauthorized modifications made to this product.

Disclaimer of implied warranties; limitation of remedies

Customer's sole and exclusive remedy under this limited warranty shall be product repair or replacement as provided herein. Implied warranties, including warranties of merchantability or fitness for a particular purpose, are limited to one year or the shortest period allowed by law. Seller shall not be liable for incidental or consequential damages. Some states and provinces do not allow the exclusion or limitation of incidental or consequential damages, or limitation on the duration of implied warranties of merchantability or fitness, so these exclusions or limitations may not apply to you.

This warranty applies only while this appliance is used in the United States or Canada*.

This warranty gives you specific legal rights, and you may also have other rights which vary from state to state.

* In-home repair service is not available in all Canadian geographical areas, nor will this warranty cover user or servicer travel and transportation expenses if this product is located in a remote area (as defined by Sears Canada Inc.) where an authorized servicer is not available.

**Sears Brands Management Corporation, Hoffman Estates, IL 60179
Sears Canada Inc., Toronto, Ontario, Canada M5B 2C3**

PROTECTION AGREEMENTS

Master Protection Agreements

Congratulations on making a smart purchase. Your new Kenmore Elite® product is designed and manufactured for years of dependable operation. But like all products, it may require preventive maintenance or repair from time to time. That's when having a Master Protection Agreement can save you money and aggravation.

The Master Protection Agreement also helps extend the life of your new product. Here's what the Agreement* includes:

- **Parts and labor** not just for repairing defects, but to help keep products operating properly **under normal use**. Our coverage goes **well beyond the product warranty**. No deductibles, no functional failure excluded from coverage— **real protection**.
- **Expert service** by experienced service technicians trusted in millions of homes every year.
- **Unlimited service calls and nationwide service**, as often as you want us, whenever you want us.
- **"No-lemon" guarantee** – replacement of your covered product after three separate product failures occur within twelve months and a fourth repair is required. Includes free delivery and installation, if necessary, of replacement product.
- **Product replacement** if your covered product can't be fixed.
- **Annual Preventive Maintenance Check** at your request – no extra charge.
- **Fast help by phone** – phone support from a service agent on all products to help troubleshoot problems. Think of us as a "talking owner's manual."

- **Power surge protection** against electrical damage due to power fluctuations.
- **\$300 Food Loss Protection** for any food spoilage that is the result of mechanical failure of any covered refrigerator or freezer.
- **Service Promise: \$50** if first attempt repair of your covered product can't be accomplished and product is not usable while awaiting further repair service.
- **25% discount off** the regular price of any non-covered repair service and related installed parts.

Once you purchase the Agreement, a simple phone call is all that it takes for you to schedule service. You can call anytime day or night.

The Master Protection Agreement is a risk free purchase. If you cancel for any reason during the product warranty period, we will provide a full refund or a prorated refund anytime after the product warranty period expires. Purchase your Master Protection Agreement today!

Some limitations and exclusions apply.

For prices and additional information in the U.S.A. call 1-800-827-6655.

*** Coverage in Canada varies on some items. For full details call Sears Canada at 1-800-361-6665.**

Sears Installation Service

For Sears professional installation of home appliances, garage door openers, water heaters, and other major home items, in the **U.S.A. call 1-844-553-6667, and in Canada call 1-800-469-4663.**

PRODUCT RECORD

In the space below, record the date of purchase, model and serial number of your product. You will find the model and serial number printed on an identification label located on the interior liner of the refrigerator compartment. Have these items of information available whenever you contact Sears concerning your product.

Model No. _____

Date of Purchase _____

Serial No. _____

Save these instructions and attach your sales receipt for future reference.

IMPORTANT SAFETY INSTRUCTIONS

BASIC SAFETY PRECAUTIONS

This guide contains many important safety messages. Always **read and obey** all safety messages.



This is the safety alert symbol. It alerts you to safety messages that inform you of hazards that can kill or hurt you or others, or cause damage to the product.

All safety messages will be preceded by the safety alert symbol and the hazard signal word DANGER, WARNING or CAUTION. These words mean:

! DANGER

You **will** be killed or seriously injured if you do not follow instructions.

! WARNING

You **can** be killed or seriously injured if you do not follow instructions.

! CAUTION

Indicates an imminently hazardous situation which, if not avoided, **may** result in minor or moderate injury, or product damage.

All safety messages will identify the hazard, tell you how to reduce the chance of injury, and tell you what can happen if the instructions are not followed.

! WARNING

To reduce the risk of fire, electric shock, or personal injury when using your product, basic safety precautions should be followed, including the following.

Read all instructions before using this appliance.

- NEVER unplug your refrigerator by pulling on the power cord. Always grip the plug firmly and pull it straight out from the outlet.
- Immediately repair or replace all power cords that have become frayed or otherwise damaged. Do not use a cord that shows cracks or abrasion damage along its length or at either the plug or connector end.
- Do not modify or extend the power cord length. It could cause electric shock or fire.
- When moving your refrigerator away from the wall, be careful not to roll over or damage the power cord.
- The insulation in this unit contains cyclopentane or a pentane-like gas which is flammable and requires a special elimination process. Before discontinuing use of this refrigerator, contact local authorities to arrange for safe disposal of the unit.

- DO NOT store or use gasoline or other flammable vapors and liquids in the vicinity of this or any other appliance.
- DO NOT store explosive substances such as aerosol cans containing flammable propellants in this appliance.
- DO NOT allow children to climb, stand, or hang on the refrigerator doors or shelves in the refrigerator. They could damage the refrigerator and seriously injure themselves.
- Keep fingers out of pinch point areas; clearances between the doors and cabinets are necessarily small. Be careful closing doors when children are in the area.
- Unplug your refrigerator before cleaning or making any repairs.

NOTE: It is strongly recommended that any service be performed by a qualified technician.

SAVE THESE INSTRUCTIONS

! WARNING

- Before service is performed on the interior LED lighting, unplug the refrigerator or turn off power at the circuit breaker or fuse box.

NOTE: The refrigerator and freezer compartment lights are LED interior lighting, and service should be performed by a qualified technician.

! WARNING: Setting either or both controls to the OFF position does not remove power to the light circuit.

- When you are finished, reconnect the refrigerator to the electrical source and reset the controls (Thermostat, Refrigerator Control, and or Freezer Control, depending on the model) to the desired setting.
- This refrigerator must be properly installed in accordance with the **Attention Installer Instructions** that were taped to the front of the refrigerator.
- After your refrigerator is in operation, do not touch the cold surfaces in the freezer compartment when hands are damp or wet. Skin may adhere to the extremely cold surfaces.

- DO NOT touch the automatic ice making mechanism while the refrigerator is plugged in.
- DO NOT refreeze frozen foods which have thawed completely. The United States Department of Agriculture in Home and Garden Bulletin No. 69 says:

...You may safely refreeze frozen foods that have thawed if they still contain ice crystals or if they are still cold—below 4°C.

...Thawed ground meats, poultry or fish that have any off-odor or off-color should not be refrozen and should not be eaten. Thawed ice cream should be discarded. If the odor or color of any food is poor or questionable, dispose of it. The food may be dangerous to eat.

Even partial thawing and refreezing reduces the eating quality of foods, particularly fruits, vegetables and prepared foods. The eating quality of red meats is affected less than that of many other foods. Use refrozen foods as soon as possible to save as much of their quality as you can.

! WARNING: This product contains chemicals known to the State of California to cause cancer and birth defects or other reproductive harm. **Wash hands after handling.**

SAVE THESE INSTRUCTIONS

! CAUTION

This appliance is not intended for use by persons (including children) with reduced physical, sensory or mental capabilities, or lack of experience and knowledge, unless they have been given supervision or instruction concerning use of the appliance by a person responsible for their safety.

Children should be supervised to ensure that they do not play with the appliance.

! DANGER: RISK OF CHILD ENTRAPMENT

Junked or abandoned refrigerators are dangerous, even if they are sitting for only a few days. If you are getting rid of your old refrigerator, please follow the instructions at right to help prevent accidents (child entrapment and suffocation).



BEFORE YOU THROW AWAY YOUR OLD REFRIGERATOR OR FREEZER:

- Take off the doors.
- Leave the shelves in place so that children may not easily climb inside.

CFC/HCFC DISPOSAL

Your old refrigerator may have a cooling system that used CFCs or HCFCs (chlorofluorocarbons or hydrochlorofluorocarbons). CFCs and HCFCs are believed to harm stratospheric ozone if released to the atmosphere. Other refrigerants may also cause harm to the environment if released to the atmosphere.

If you are throwing away your old refrigerator, make sure the refrigerant is removed for proper disposal by a qualified technician. If you intentionally release refrigerant, you may be subject to fines and imprisonment under provisions of environmental legislation.

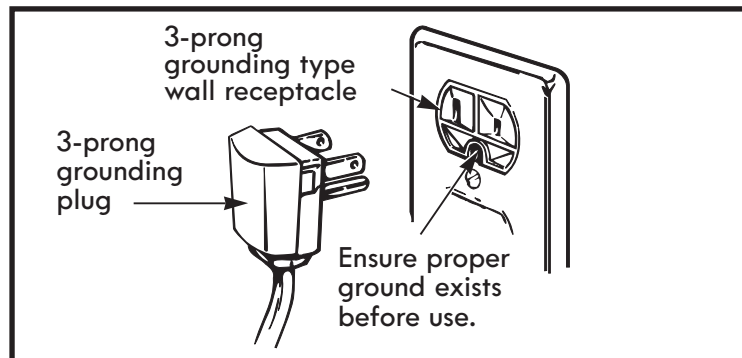
ELECTRICAL & GROUNDING REQUIREMENTS

IMPORTANT: Please read carefully. TO CONNECT ELECTRICITY

! WARNING

Electrical Shock Hazard

FOR PERSONAL SAFETY, this appliance must be properly grounded. Have the wall outlet and the circuit checked by a qualified electrician to make sure the outlet is properly grounded.



RECOMMENDED GROUNDING METHOD

The refrigerator should always be plugged into its own individual properly grounded electrical outlet rated for 115 Volts, 60 Hz, AC only, and fused at 15 amperes (minimum). This provides the best performance and also prevents overloading house wiring circuits which could cause a fire hazard from overheated wires. It is recommended that a separate circuit serving only this appliance be provided.

Use a receptacle that cannot be turned off with a switch or pull chain. Do not use an extension cord.

Where a standard two-prong wall outlet is encountered, it is your personal responsibility and obligation to have it replaced with a properly grounded three-prong wall outlet.

USE OF EXTENSION CORDS

! WARNING: Do not use extension cords or ungrounded (two-prong) adaptors. Because of potential safety hazards under certain conditions, the use of an extension cord is not recommended. However, if you still elect to use an extension cord, it is absolutely necessary that it be a UL-listed (USA), 3-wire grounding type appliance extension cord having a grounding type plug and outlet, and that the electrical rating of the cord be 15 amperes (minimum) and 120 volts.

Use of an extension cord will increase the clearance needed for the back of the refrigerator.

! CAUTION

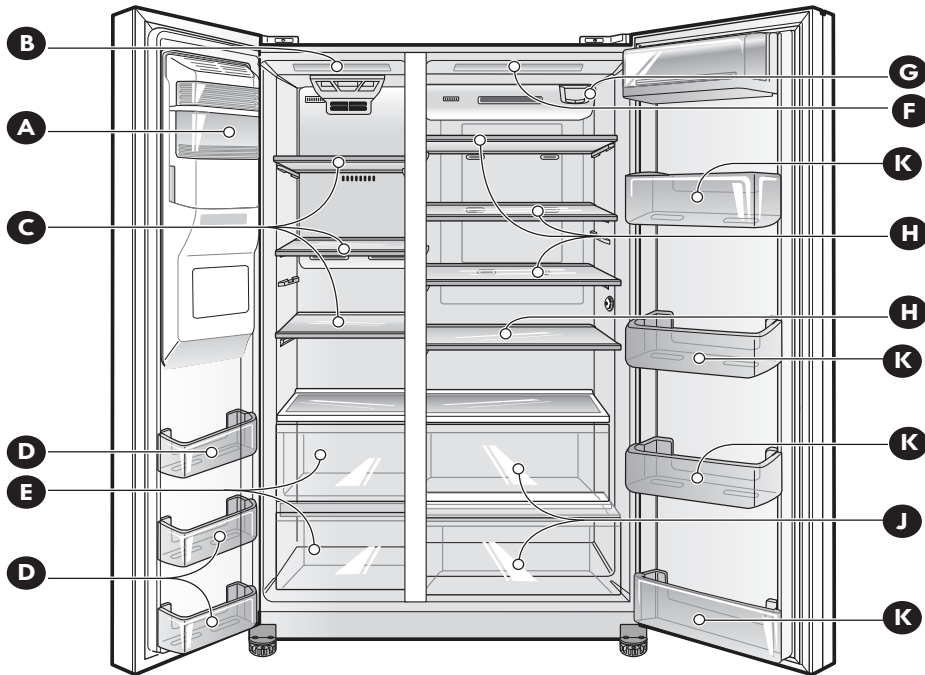
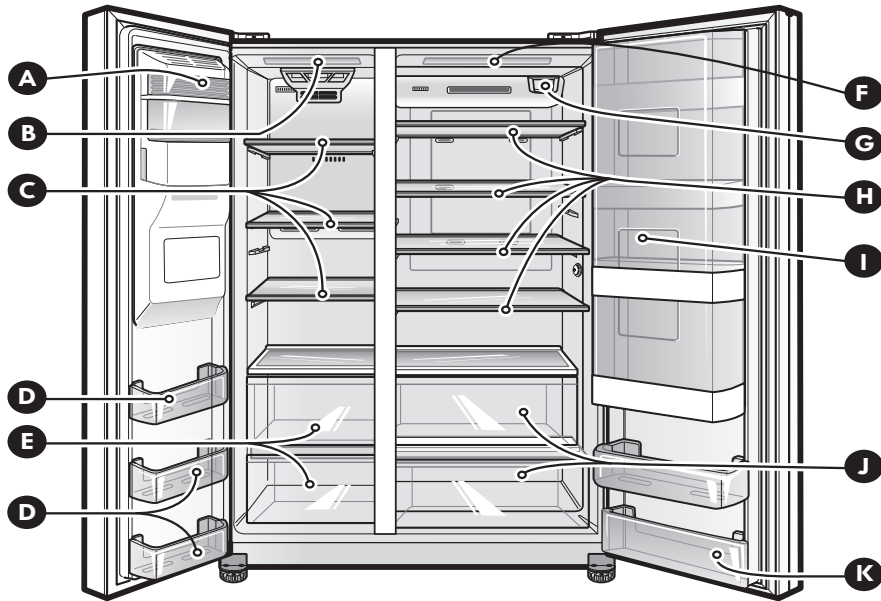
- Do not bend the power cord excessively or place heavy articles on it.
- Connect the power plug in the proper position with the cord hanging down.
- When moving the refrigerator, be careful not to roll over or damage the power cord.
- If the power cord is damaged, have it replaced immediately by the manufacturer or its service agent.
- Do not insert the power plug with wet hands.
- Do not insert your hands into the area under the bottom of the appliance.
- Make sure that the power plug is not squashed or damaged by the back of the refrigerator.

! WARNING

Replacing Electrical Cord

To avoid hazard, damaged power cords must be replaced by the manufacturer or its service agent or a similarly qualified technician. Do not operate the appliance with a damaged power cord.

PARTS AND FEATURES



Use this page to become more familiar with the parts and features of the refrigerator.

NOTE: This guide covers several different models. The refrigerator you have purchased may have some or all of the items listed below. The locations of the features shown below may not match your model.

- A** Automatic Icemaker
- B** Freezer Light (LED) *
- C** Freezer Shelves
- D** Freezer Door Bins
- E** Freezer Drawers
- F** Refrigerator Light (LED) *
- G** Water Filter
- H** Refrigerator Shelves
- I** Door-In-Door
- J** Refrigerator Drawers
- K** Refrigerator Door Bins

* This feature may vary by model.

REFRIGERATOR INSTALLATION

WARNING

Excessive Weight Hazard:

Use two or more people to move and install the refrigerator. Failure to do so can result in back or other injury.

WARNING

Excessive Weight Hazard:

The refrigerator is heavy. When moving the refrigerator for cleaning or service, be sure to protect the floor. Always pull the refrigerator straight out when moving it. Do not wiggle or walk the refrigerator when trying to move it, as floor damage could occur.

UNPACKING THE REFRIGERATOR

Remove tape and any temporary labels from the refrigerator before using. Do not remove any labels, the model and serial number label, or the Tech Sheet that is located under the front of the refrigerator, behind the base grille.

To remove any remaining tape or glue, rub the area briskly with your thumb. Tape or glue residue can also be easily removed by rubbing a small amount of liquid dish soap over the adhesive with your fingers. Wipe with warm water and dry.

Do not use sharp instruments, rubbing alcohol, flammable fluids, or abrasive cleaners to remove tape or glue. These products can damage the surface of the refrigerator.

Refrigerator shelves are installed in the shipping position. Please reinstall shelves according to your individual storage needs.

NOTE:

This appliance is intended to be used in household and similar applications such as:

- staff kitchen areas in shops, offices and other working environments
- farm houses and by clients in hotels, motels and other residential environments
- bed and breakfast environments
- catering and similar non-retail applications.

This product is not to be used for special purposes such as the storage of medicine or test materials, or for use on ships, etc.

WARNING

Explosion Hazard:

Keep flammable materials and vapors, such as gasoline, away from the refrigerator. Failure to do so can result in fire, explosion, or death.

! WARNING

Be careful when you work with the hinge, stopper, etc. You may be injured. To avoid risk of injury or electrical shock, do not put hands or metal objects into the air vents or bottom opening of the refrigerator.

! WARNING

Shock Hazard:

To reduce the risk of electric shock, do not install the refrigerator in a wet or damp area.

INSTALLATION

The refrigerator should always be plugged into its own individual properly grounded electrical outlet rated for 115 Volts, 60 Hz, AC only, and fused at 15 amperes (minimum). This provides the best performance and also prevents overloading house wiring circuits which could cause a fire hazard from overheated wires. It is recommended that a separate circuit serving only this appliance be provided.

1. To avoid noise and vibration, the unit must be leveled and installed on a solidly constructed floor. If required, adjust the leveling legs to compensate for unevenness of the floor. The front should be slightly higher than the rear to aid in door closing. Leveling legs can be turned easily by tipping the cabinet slightly. Turn the leveling legs counterclockwise to raise the unit or clockwise to lower it. (See **LEVELING AND DOOR ALIGNMENT.**)

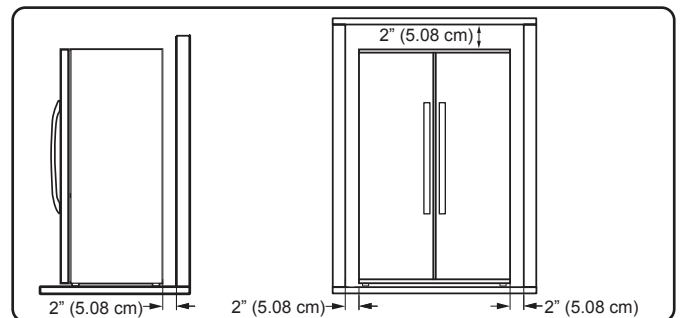
NOTE: Installing on carpeting, soft tile surfaces, a platform or weakly supported structure is not recommended.

2. Install this appliance in an area where the temperature is between 55°F (13°C) and 110°F (43°C). If the temperature around the appliance is too low or high, cooling ability may be adversely affected.

3. Select a place where a water supply can be easily connected for the automatic icemaker.

NOTE: The water pressure must be between 20 and 120 psi (138 – 827 kPa) on models without a water filter and between 40 and 120 psi (276 – 827 kPa) on models with a water filter.

4. Too small of a distance from adjacent items may result in lowered freezing capability and increased electricity consumption charges. Allow at least 24 inches (61 cm) in front of the refrigerator to open the doors.



NOTE: Removing the doors is the recommended procedure when it is necessary to move the refrigerator through a narrow opening. If it is necessary to remove the handles, follow the directions below.

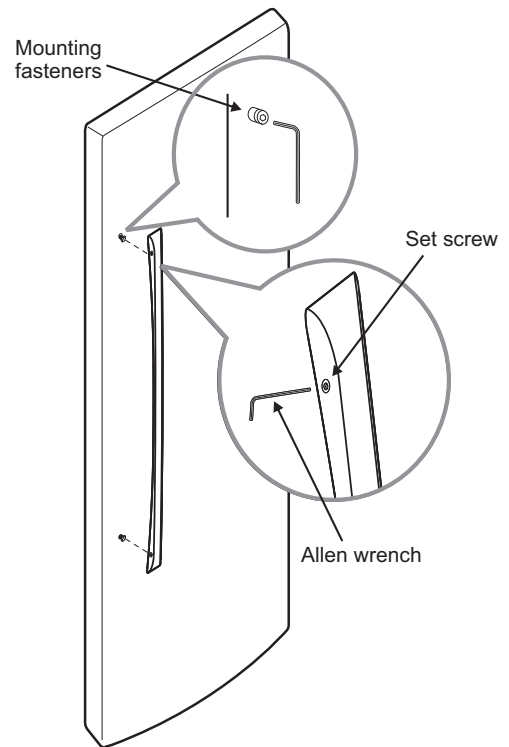
HOW TO REMOVE REFRIGERATOR DOOR HANDLE

NOTE: Handle appearance may vary from the illustrations on this page.

Removing Refrigerator Handle

Loosen the set screws with a $\frac{3}{32}$ in. (2.5 mm) Allen wrench and remove the handle.

NOTE: If the handle mounting fasteners need to be tightened or removed, use a $\frac{1}{4}$ in. (6.4 mm) Allen wrench.



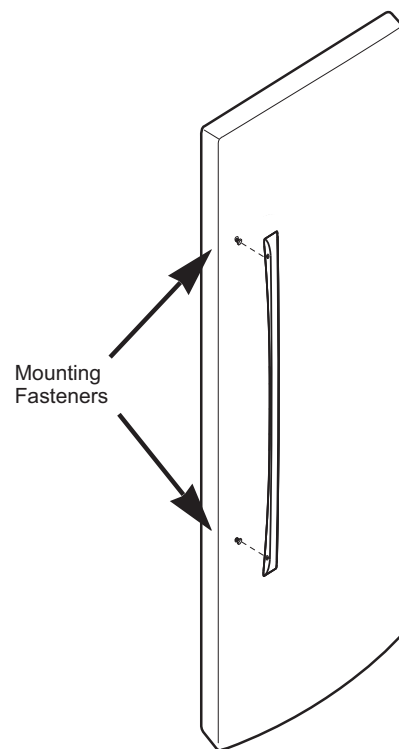
HOW TO REPLACE REFRIGERATOR DOOR HANDLE

NOTE: Handle appearance may vary from the illustrations on this page.

Replacing Refrigerator Door Handle

Place the handle on the door by fitting the handle footprints over the mounting fasteners and tightening the set screws with a $\frac{3}{32}$ in (2.5 cm) Allen wrench.

NOTE: If the handle mounting fasteners need to be tightened or removed, use a $\frac{1}{4}$ in. (6.4 mm) Allen wrench.



REMOVING AND REPLACING REFRIGERATOR DOORS

⚠ WARNING

Excessive Weight Hazard:

Use two or more people to remove and install the refrigerator doors. Failure to do so can result in back or other injury.

⚠ WARNING

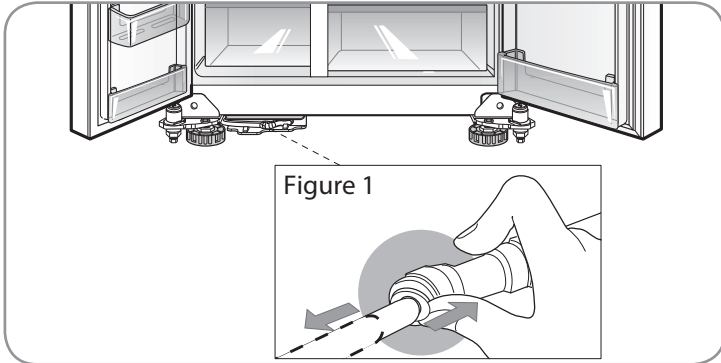
Electrical Shock Hazard

- Disconnect the electrical supply to the refrigerator before installing. Failure to do so could result in serious injury or death.
- Do not put hands, feet or other objects into the air vents or bottom of the refrigerator. You may be injured or receive an electrical shock.

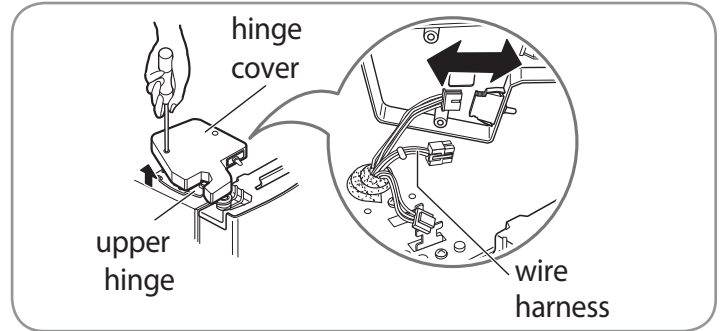
Removing the left (freezer) door with water line connection

Pull up the water feed tube while pressing the collet down (Figure 1) as shown in the figure below.

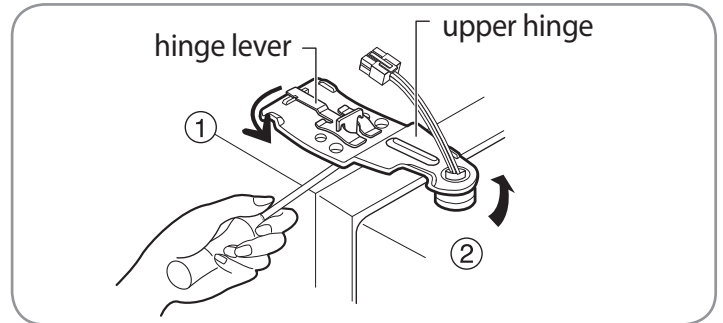
NOTE: If a tube end is deformed or abraded, trim the part away. Disconnecting the tube under the door causes about 0.13 gallons (0.5 liters) of water to flow out. Put a large container at the end of the tube to prevent water from draining onto the floor.



NOTE: Water hoses should be cut with a clean, straight edge to avoid leaks.

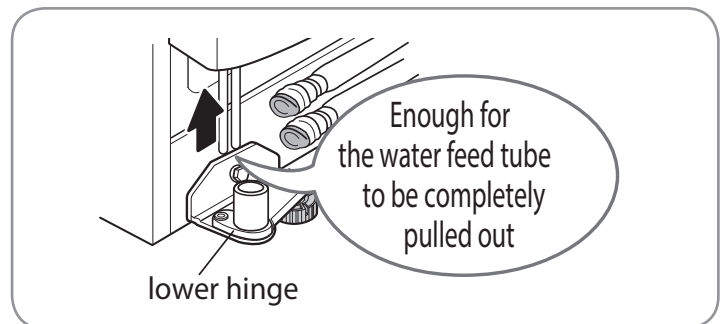


1. Open the door. Remove the top hinge cover screw.
2. Use a flat blade screwdriver to pry back the hooks (not shown) of the hinge cover from the top of the refrigerator cabinet. Lift up the cover.
3. Disconnect all the wire harnesses.
4. Rotate the hinge lever counterclockwise (1). Lift the upper hinge free of the hinge lever latch (2).



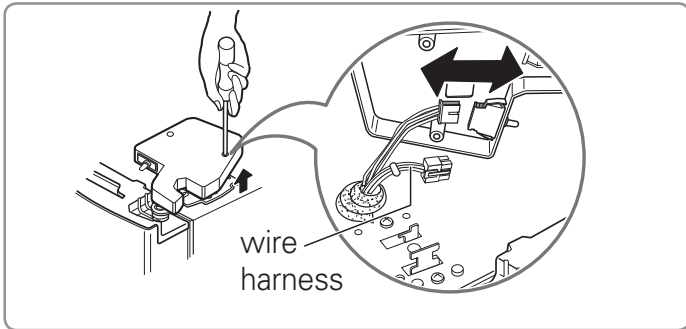
⚠ CAUTION: When lifting the hinge free of the latch, be careful that the door does not fall forward.

5. Lift the door from the lower hinge pin, being careful to pull the water lines through the lower hinge pin.

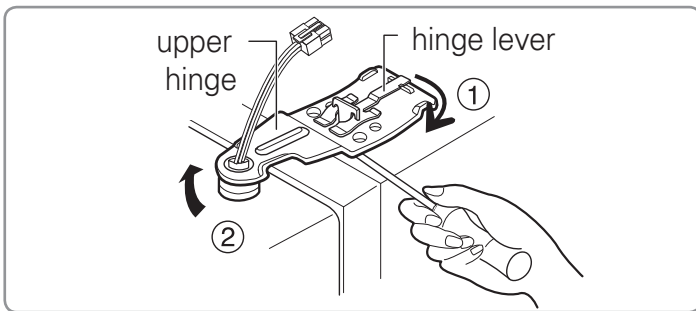


6. Place the door, inside facing up, on a non-scratching surface. Be careful not to damage the water feed tube.

Removing the right (refrigerator) door



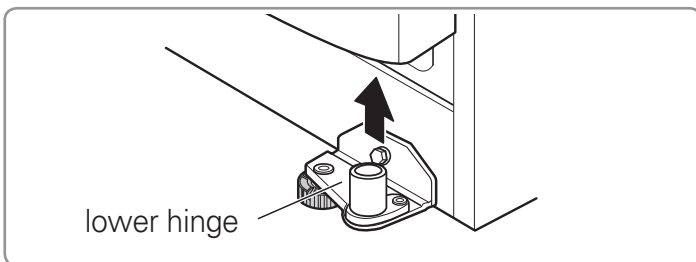
1. Open the door. Remove the top hinge cover screw.
2. Use a flat blade screwdriver to pry back the hooks (not shown) of the hinge cover from the top of the refrigerator cabinet. Lift up the cover. Disconnect all wire harnesses.



3. Rotate the hinge lever clockwise (1). Lift the top hinge free of the hinge lever latch (2).

⚠ CAUTION: When lifting the hinge free of the latch, be careful that the door does not fall forward.

4. Lift the door from the lower hinge pin.

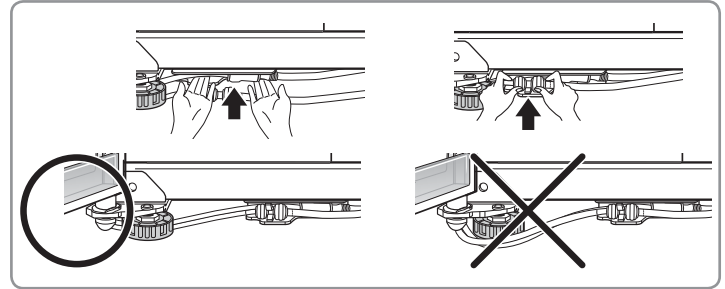


5. Place the door, inside facing up, on a non-scratching surface.

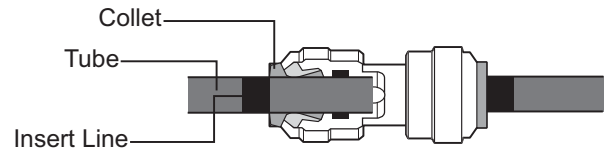
Reinstalling the right (refrigerator) door

1. Place the door onto the lower hinge pin.
2. Fit the upper hinge over the hinge lever latch and into place. Rotate the lever counterclockwise to secure the hinge.
3. Reconnect all wire harnesses. Hook the tab on the switch side of the cover under the edge of the wire opening in the cabinet top. Position the cover into place. Insert and tighten the cover screw.

Reinstalling the left (freezer) door



1. Feed the water tubes through the lower hinge pin and place the door onto the lower hinge pin. Water hoses should be behind the leg to prevent damage.
2. Fit top hinge over the hinge lever latch and into place. Rotate the lever clockwise to secure the hinge.
3. Connect all the wire harnesses.
4. Hook the tab on the door switch side of the cover under the edge of the wire opening in the cabinet top. Position the cover into place. Insert and tighten the cover screw.
5. Reconnect the water tubes by inserting the tubes into the connectors. The tube is inserted correctly when only one guide line is showing out of two.



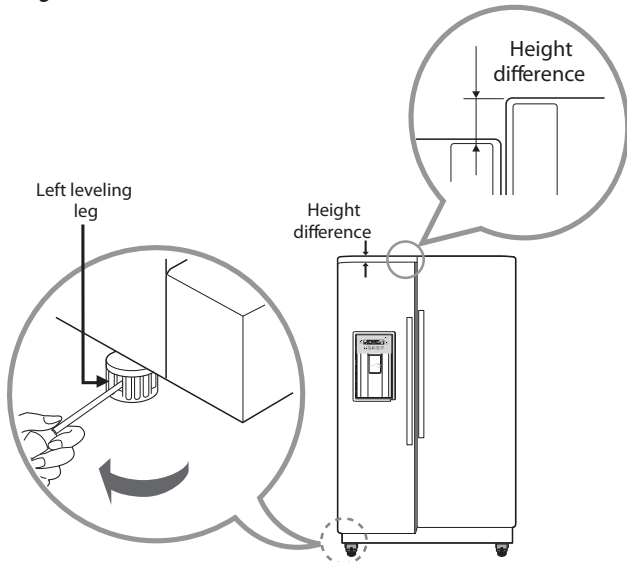
LEVELING

After installing, plug the refrigerator's power cord into a 3-prong grounded outlet and push the refrigerator into the final position.

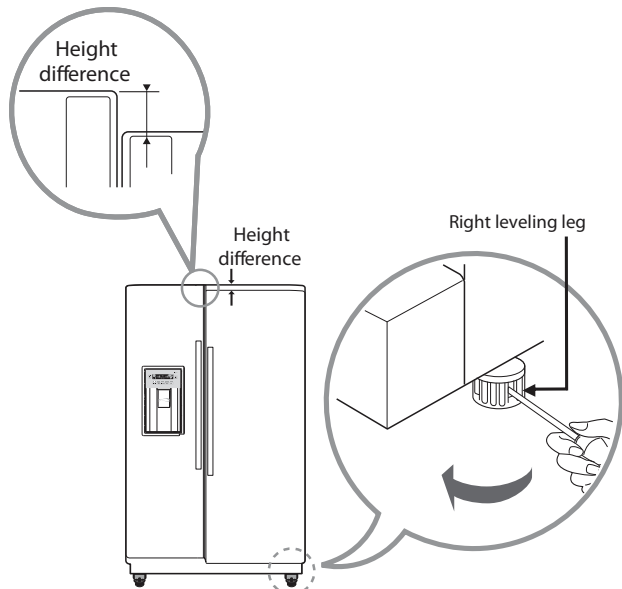
Your refrigerator has two front leveling legs—one on the right and one on the left. Adjust the legs to alter the tilt from front-to-back or side-to-side. If your refrigerator seems unsteady, or you want the doors to close more easily, adjust the refrigerator's tilt using the instructions below:

NOTE: Tools Required: $1\frac{1}{16}$ " (18mm) wrench or flat blade screwdriver.

1. Turn the leveling leg counterclockwise to raise that side of the refrigerator or clockwise to lower it. It may take several turns of the leveling leg to adjust the tilt of the refrigerator.



NOTE: Having someone push backward against the top of the refrigerator takes some weight off of the leveling legs. This makes it easier to adjust the legs.

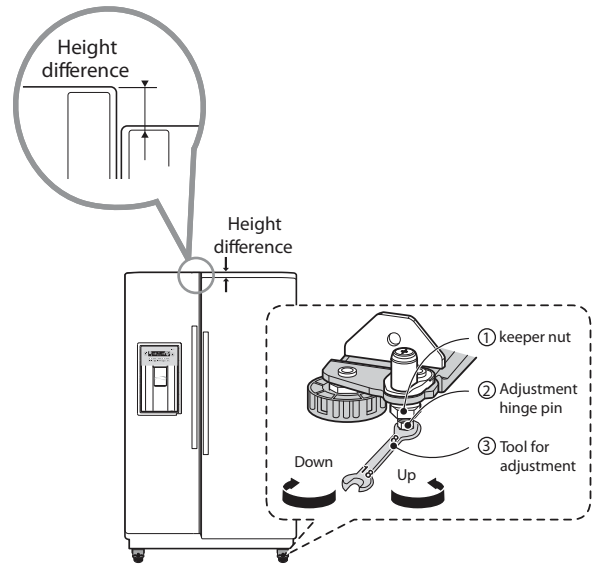


2. Open both doors again and check to make sure that they close easily. If the doors do not close easily, tilt the refrigerator slightly more to the rear by turning both leveling legs counterclockwise. It may take several more turns, and you should turn both leveling legs the same amount.

DOOR ALIGNMENT

If the doors are still uneven after the refrigerator has been leveled, finish adjusting the doors by following the instructions below.

Adjusting tools: $5/16$ " (8mm) wrench and $3/4$ " (19mm) wrench



Using a $3/4$ " (19mm) wrench, turn the keeper nut clockwise to loosen the keeper nut.

Using a $5/16$ " (8mm) wrench, turn the adjustment hinge pin clockwise or counterclockwise to level the refrigerator and freezer door.

After leveling the door, turn the keeper nut counterclockwise to tighten it.

⚠ CAUTION: Do not overtighten the door adjustment screw. The hinge pin can be pulled out. (The adjustable range of height is a maximum of 2" [5 cm]).

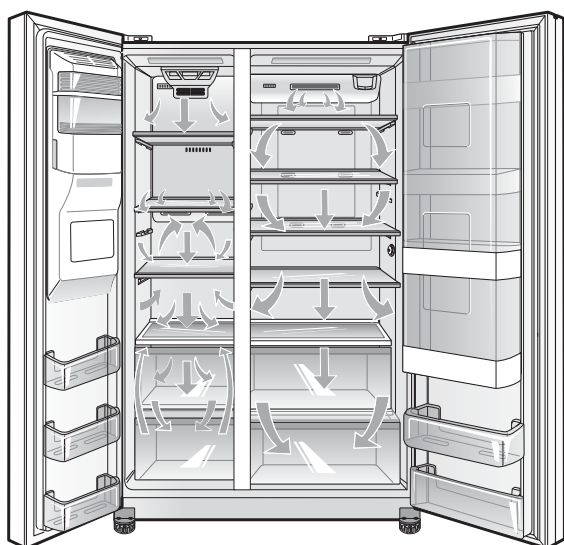
USING YOUR REFRIGERATOR

SETTING THE CONTROLS

The refrigerator control functions as the thermostat for the entire appliance (refrigerator and freezer sections). The colder the setting, the longer the compressor will run to keep the temperature colder. The freezer control adjusts the cold air flow from the freezer to the refrigerator. Setting the freezer control to a lower temperature keeps more cold air in the freezer compartment to make it colder.

AIRFLOW

Cold air circulates from the freezer to the fresh food section and back again through air vents in the wall dividing the two sections. Be sure not to block vents while packing your refrigerator. Doing so will restrict airflow and may cause the refrigerator temperature to become too warm or cause interior moisture buildup. (See air flow diagram below.)



IMPORTANT:

Because air circulates between both sections, any odors formed in one section will transfer to the other. You must thoroughly clean both sections to eliminate odors. To prevent odor transfer and dried out food, wrap or cover foods tightly. (See the Food Storage Guide section for details.)

NOTE: If you close the refrigerator door, you may see the freezer door open and close again due to pressure from internal air flow.

PRIOR TO USE

1. Clean your refrigerator thoroughly and wipe off dust accumulated during shipping.
2. Install accessories such as ice cube bin, drawers, shelves, etc., in their proper places. They are packed together to prevent possible damage during shipment.
3. Let your refrigerator run for at least 2 or 3 hours before putting food in it. Check the flow of cold air in the freezer compartment to ensure proper cooling. Your refrigerator is now ready for use.

CONTROL PANEL FEATURES



Temperature

- **The Refrigerator Temp Control ranges from 30°F to 46°F (1°C to 8°C).** Press the Refrigerator Temp button to cycle through the available temperature settings one increment at a time. The recommended temperature for the refrigerator compartment is 37°F (3°C).
- **The Freezer Temp Control range is from -6°F to 8°F (-21°C to -13°C).** Press the Freezer Temp button to cycle through the available temperature settings one increment at a time. The recommended temperature for the freezer compartment is 0°F (-18°C).

NOTE: When changing control settings, wait 24 hours before making additional adjustments. The controls are set correctly when milk or juice is as cold as you would like and when ice cream is firm. If the temperature in either compartment is too cold or too warm, change the setting one increment at a time. Wait 24 hours for the change to stabilize before adjusting again.

Temperature Mode Switch Function (°F <->°C)

If you want to convert °F to °C or vice versa, press and hold the Freezer Temp. and Refrigerator Temp. buttons at the same time for approximately five seconds.

Ice & Water Dispenser

Select Water, Crushed Ice or Cubed Ice by pressing the ICE & WATER button to the selection desired. The Water, Crushed Ice or Cubed Ice icon will light up to indicate the selection.



Selecting this icon indicates that cubed ice will be dispensed when the dispenser pad is activated.



Selecting this icon indicates that water will be dispensed when the dispenser pad is activated.



Selecting this icon indicates that crushed ice will be dispensed when the dispenser pad is activated.

To dispense water or ice, gently push your cup against the dispenser pad.

NOTE: Hold your cup in place for a couple of seconds after dispensing ice or water so the last few drops go in your cup instead of on the floor.

Ultra Ice

- When you press and hold the Ice Maker button for approximately three seconds, the Ultra Ice icon on the display panel will illuminate and will continue for 24 hours. The function will automatically shut off after 24 hours.
- You can stop this function manually by pressing and holding the Ice Maker button for three seconds or more.
- This function increases both ice making and freezing capabilities.

Water Filter Reset

When the water filter indicator turns on, you need to change the water filter. After changing the water filter, press and hold the Filter Reset button for three seconds to turn the indicator light off. You need to change the water filter approximately every six months.

Door Alarm

- When power is connected to the refrigerator, the door alarm is activated. This function cannot be deactivated.
- When either the refrigerator or the freezer door is left open for more than 60 seconds, the alarm tone will sound to let you know that the door is open.
- When you close the door, the door alarm will stop.

Control Lock

- The Control Lock button deactivates the controls and dispenser functions. When power is initially connected to the refrigerator, the Lock function is off.
- If you want to activate the Lock function to lock other buttons, press and hold the Control Lock button for three seconds or more. The Control Lock indicator will turn on and the Lock function is now enabled.
- When the Lock function is activated, no other buttons will work. The dispenser pad is also deactivated.
- To disable the Lock function, press and hold the Control Lock button for approximately three seconds.

Ambient Mood Light/Dispenser Light

A white light illuminates the dispenser area whenever the dispenser pad is engaged. The dispenser area can also be illuminated by a mood light, which is activated by pressing the Light button. When the Mood Light is activated, the indicator light above the Light button turns on.

⚠ CAUTION

Demo Mode (For Store Use Only)

The Demo Mode disables all cooling in the refrigerator and freezer sections to conserve energy while on display in a retail store.

To deactivate:

With either refrigerator door opened, press and hold the Refrigerator Temp. and Ultra Ice buttons at the same time for five seconds. The control panel will beep and the temperature settings will display to confirm that Demo Mode is deactivated. Use the same procedure to activate the Demo Mode.

Adjusting Control Settings

Give the refrigerator time to cool down completely before making final adjustments. It is best to wait 24 hours to let the normal settings (recommended in the Temperature section) stabilize before making any changes. If you need to adjust the temperature in the refrigerator or freezer, start by adjusting the refrigerator temperature and allow 24 hours for the temperature to stabilize again. If it is still too warm or too cold, then adjust the freezer control.

Use the settings listed in the chart below as a guide. Always remember to wait at least 24 hours between adjustments.

CONDITION/REASON	RECOMMENDED ADJUSTMENT
REFRIGERATOR section too warm. <ul style="list-style-type: none"> • Door opened often. • Large amount of food added. • Room temperature very warm. 	<ul style="list-style-type: none"> • Set the REFRIGERATOR control one degree colder; wait 24 hours for the new setting to take full effect before making another adjustment.
FREEZER section too warm/ice not made fast enough. <ul style="list-style-type: none"> • Door opened often. • Large amount of food added. • Very cold (55°F (13°C)) room temperature. (Compressor does not cycle often enough.) • Heavy ice usage. • Air vents blocked by items. 	<ul style="list-style-type: none"> • Set the FREEZER control one degree colder; wait 24 hours for the new setting to take full effect before making another adjustment. • Move items out of air stream.
REFRIGERATOR section too cold. <ul style="list-style-type: none"> • Controls not set correctly for your conditions. 	<ul style="list-style-type: none"> • Set the REFRIGERATOR control one degree warmer; wait 24 hours for the new setting to take full effect before making another adjustment.
FREEZER section too cold. <ul style="list-style-type: none"> • Controls not set correctly for your conditions. 	<ul style="list-style-type: none"> • Set the FREEZER control one degree warmer; wait 24 hours for the new setting to take full effect before making another adjustment.

AUTOMATIC ICEMAKER

Ice is made in the automatic icemaker and sent to the dispenser. The icemaker will produce 7 cubes per cycle -approximately 70-120 cubes in a 24-hour period, depending on freezer compartment temperature, room temperature, number of door openings and other operating conditions.

- It takes about 12 to 24 hours for a newly installed refrigerator to begin making ice. Wait 72 hours for full ice production to occur.
- Ice making stops when the in-door ice bin is full. When full, the in-door ice bin holds approximately 6 to 8 (12-16 oz) glasses of ice.
- To turn off the automatic icemaker, press the Ice Maker button on the display. To turn on the automatic icemaker, press the button again.
- The water pressure must be between 20 and 120 psi (138 to 827 kPa) on models without a water filter and between 40 and 120 psi (276 – 827 kPa) on models with a water filter to produce the normal amount and size of ice cubes.

WHEN YOU SHOULD TURN THE ICEMAKER OFF

- When the water supply will be shut off for several hours.
- When the ice bin is removed for more than one or two minutes.
- When the refrigerator will not be used for several days.

NOTE: The ice bin should be emptied when the Ice Maker button is set to **OFF**.

NORMAL SOUNDS YOU MAY HEAR

- The icemaker water valve will buzz as the icemaker fills with water. If the icemaker is on, it will buzz even if it has not yet been hooked up to water. To stop the buzzing, turn off the icemaker.

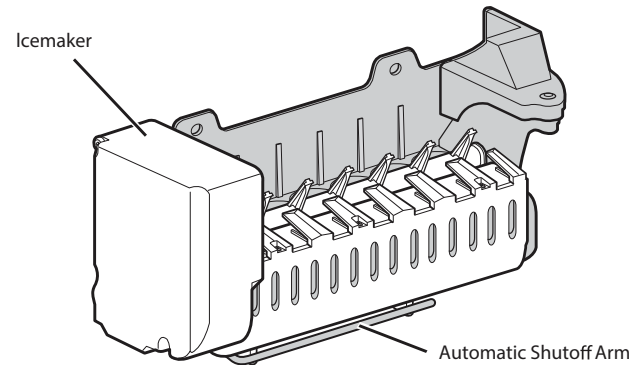
NOTE: Keeping the icemaker on before the water line is connected can damage the icemaker.

- You will hear the sound of cubes dropping into the bin and water running in the pipes as the icemaker refills.

! WARNING

Personal Injury Hazard

Avoid contact with the moving parts of the ejector mechanism, or the heating element that releases the cubes. **DO NOT** place fingers or hands on the automatic ice making mechanism while the refrigerator is plugged in.



! WARNING: Connect to a potable water supply only.

PREPARING FOR VACATION

Set the Ice Maker button on the display to **OFF** and shut off the water supply to the refrigerator.

NOTE: The ice bin should be emptied any time the Ice Maker button is set to **OFF**.

If the ambient temperature will drop below freezing, have a qualified technician drain the water supply system to prevent serious property damage due to flooding caused by ruptured water lines or connections.

AUTOMATIC ICEMAKER (continued)

⚠ CAUTION

- The first ice and water dispensed may include particles or odor from the water supply line or the water tank.
- Throw away the first few batches of ice (about 24 cubes). This is also necessary if the refrigerator has not been used for a long time.
- Never store beverage cans or other items in the ice bin for the purpose of rapid cooling. Doing so may damage the icemaker or the containers may burst.
- If discolored ice is dispensed, check the water filter and water supply. If the problem continues, contact a Sears or other qualified service center. Do not use the ice or water until the problem is corrected.
- Keep children away from the dispenser. Children may play with or damage the controls.
- The ice passage may become blocked with frost if only crushed ice is used. Remove the frost that accumulates by removing the ice bin and clearing the passage with a rubber spatula. Dispensing cubed ice can also help prevent frost buildup.
- Never use thin crystal glass or crockery to collect ice. Such containers may chip or break resulting in glass fragments in the ice.
- Dispense ice into a glass before filling it with water or other beverages. Splashing may occur if ice is dispensed into a glass that already contains liquid.
- Never use a glass that is exceptionally narrow or deep. Ice may jam in the ice passage and refrigerator performance may be affected.
- Keep the glass at a proper distance from the ice outlet. A glass held too close to the outlet may prevent ice from dispensing.
- To avoid personal injury, keep hands out of the ice door and passage.
- Never remove the dispenser cover.
- If ice or water dispenses unexpectedly, turn off the water supply and contact Sears Home Service in U.S.A. call 1-844-553-6667, and in Canada call 1-800-469-4663.

FOOD STORAGE GUIDE

Wrap or store food in the refrigerator in airtight and moisture-proof material unless otherwise noted. This prevents food odor and taste transfer throughout the refrigerator. For dated products, check date code to ensure freshness.

Items	How to
Butter or margarine	▶ Keep opened butter in a covered dish or closed compartment. When storing an extra supply, wrap in freezer packaging and freeze.
Cheese	▶ Store in the original wrapping until you are ready to use it. Once opened, rewrap tightly in plastic wrap or aluminum foil.
Milk	▶ Wipe milk cartons. For best storage, place milk on interior shelf, not on door shelf.
Eggs	▶ Store in original carton on interior shelf, not in door bin.
Fruit	▶ Wash, let dry, and store in refrigerator in plastic bags or in a drawer. Do not wash or hull fruit until you are ready to use it. Sort and keep fruit in its original container, in a refrigerator drawer, or store in a completely closed paper bag on a refrigerator shelf.
Leafy vegetables	▶ Remove store wrapping and trim or tear off bruised and discolored areas. Wash in cold water and drain. Place in plastic bag or plastic container and store in refrigerator drawer.
Vegetables with skins (carrots, peppers)	▶ Place in plastic bags or plastic container and store in drawer.
Fish	▶ Use fresh fish and shellfish the same day purchased.
Leftovers	▶ Cover leftovers with plastic wrap or aluminum foil, or store in plastic containers with tight lids.
Ice Cream	▶ When storing frozen food like ice cream for a long period, place it on the freezer shelf, not in the door bins.

STORING FROZEN FOOD

NOTE: Check a freezer guide or a reliable cookbook for further information about preparing food for freezing or food storage times.

Freezing

Your freezer will not quick-freeze a large quantity of food. Do not put more unfrozen food into the freezer than will freeze within 24 hours (no more than 2 to 3 lbs. of food per cubic foot of freezer space). Leave enough space in the freezer for air to circulate around packages. Be careful to leave enough room at the front so the door can close tightly.

Storage times will vary according to the quality and type of food, the type of packaging or wrap used (how airtight and moisture-proof) and the storage temperature. Ice crystals inside a sealed package are normal. This simply means that moisture in the food and air inside the package have condensed, creating ice crystals.

NOTE: Allow hot foods to cool at room temperature for 30 minutes, then package and freeze. Cooling hot foods before freezing saves energy.

Packaging

Successful freezing depends on correct packaging. When you close and seal the package, it must not allow air or moisture in or out. If it does, you could have food odor and taste transfer throughout the refrigerator and could also dry out frozen food.

Packaging recommendations:

- Rigid plastic containers with tight-fitting lids
- Straight-sided canning/freezing jars
- Heavy-duty aluminum foil
- Plastic-coated paper
- Non-permeable plastic wraps
- Specified freezer-grade self-sealing plastic bags

Follow package or container instructions for proper freezing methods.

Do not use

- Bread wrappers
- Non-polyethylene plastic containers
- Containers without tight lids
- Wax paper or wax-coated freezer wrap
- Thin, semi-permeable wrap

⚠ CAUTION: Do not keep beverage cans or plastic food containers in the freezer compartment. They may break or burst if they freeze.

REFRIGERATOR SECTION

WATER AND ICE DISPENSER

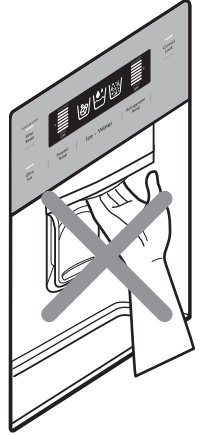
To dispense cold water, push on the dispenser switch with a glass.



Some dripping may occur after dispensing. Hold your cup beneath the dispenser for a few seconds after dispensing to catch all of the drops.

⚠ WARNING: Do not put your fingers up the ice chute opening. Doing so can result in severe injury.

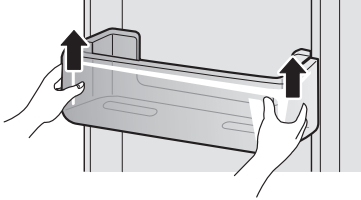
⚠ CAUTION: Do not dispense ice into fine china or crystal glasses. China or crystal can break.



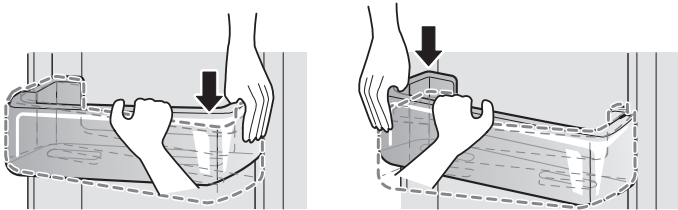
NOTE: The dispenser is equipped with a light that turns on when the dispenser pad is engaged.

REFRIGERATOR/FREEZER DOOR BINS

The refrigerator and freezer feature bins which can easily be arranged to store packaged products.



To remove, holding both sides, lift the door bin and pull it out.

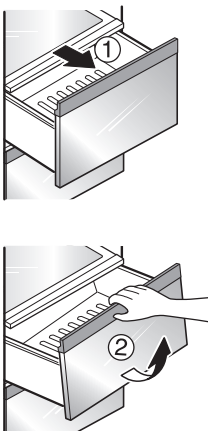


To replace the bin, slide it in above the desired support and push down one side at a time until it snaps into place.

REFRIGERATOR DRAWERS AND COVER

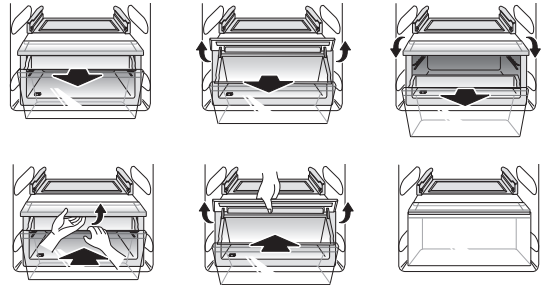
The refrigerator drawers allow for better conservation of fruits and vegetables.

To remove the refrigerator drawers—pull out the drawer to full extension ①, lift the front up ②, and pull straight out.



To install—slightly tilt up the front, insert the drawer into the frame and push it back into place.

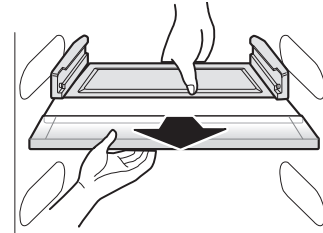
NOTE: When removing or installing the lower refrigerator drawer, lift the cover to help remove or insert the drawer.



⚠ CAUTION:

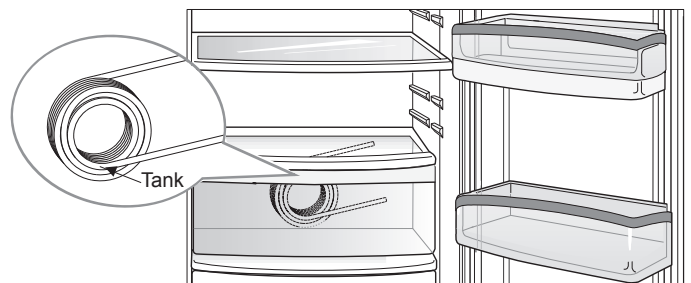
- Use both hands to assemble and disassemble the refrigerator drawers. The compartments are heavy when filled with food and may cause injury if dropped.
- Open the refrigerator door fully when disassembling or reassembling the refrigerator drawers.

To remove the cover—hold the cover with both hands and pull it out.



NOTE: Remove the refrigerator drawers before removing the cover.

⚠ CAUTION: You will see the water tank while removing the refrigerator drawer. Do not remove the water tank or water leakage may occur. The water tank is not a removable part.



REFRIGERATOR/FREEZER SHELVES

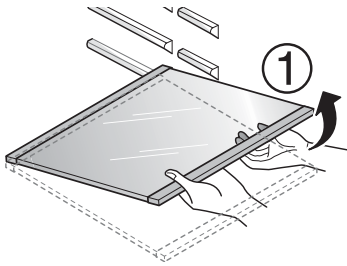
The shelves in your refrigerator and freezer are adjustable to meet your individual storage needs.

Adjusting the shelves to fit items of different heights will make finding the exact item you want easier. Doing so will also reduce the amount of time the refrigerator doors are open which will save energy.

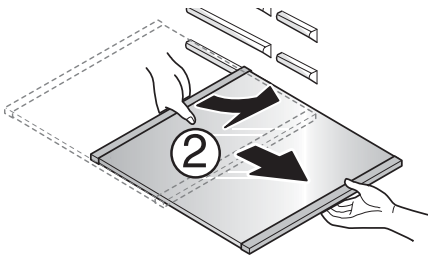
IMPORTANT: Do not clean glass shelves with warm water while they are cold. Shelves may break if exposed to sudden temperature changes or impact.

NOTE: Glass shelves are heavy. Use special care when removing them.

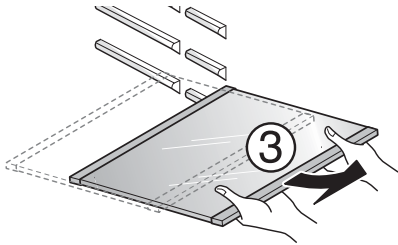
Detaching the shelf



Remove all items from the shelf. Lift the front of the shelf slightly to disengage the rail stops.



Pull the shelf forward about halfway, keeping the front of the shelf slightly lifted.



Holding the shelf with both hands, tilt the shelf and pull it out.

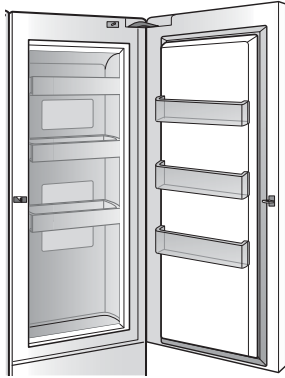
Assembling the shelf

Tilt the front of the shelf up and guide the shelf into the slots at a desired height. Slide the shelf in then lower the front of the shelf.

CAUTION: Make sure that shelves are level from one side to the other. Failure to do so may result in the shelf falling or spilling food.

DOOR-IN-DOOR

The Door-in-Door compartment allows for easy access to commonly used food items. The outer Door-in-Door door includes three additional door bins.

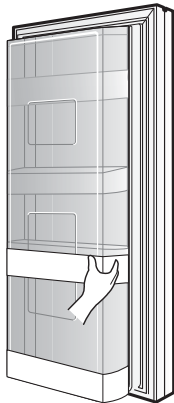


Door-in-Door Compartment

To access the Door-in-Door compartment, lightly press the button on the right refrigerator door handle until you hear a click to open the door. There is no need to grip the handle when opening the Door-in-Door compartment.

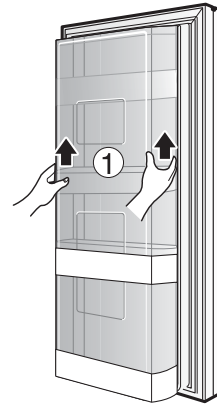


Door-in-Door Case



To open the Door-In-Door case, pull evenly on the marked area to pop it open. The Door-In-Door Case is removable for easy cleaning and adjustment.

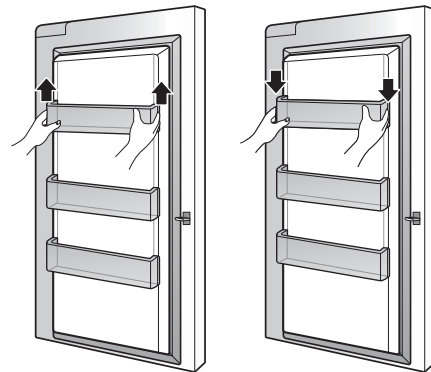
⚠ CAUTION: Remove contents from Door-in-Door case before disassembly.



- 1 To remove the Door-In-Door case, lift up and pull out.
- 2 To replace the Door-In-Door case, line the tabs on the Door-In-Door Case with the slots on the door and push down until it snaps into place.

Door-in-Door Door Bins

The Door-in-Door inner and outer door bins are removable for easy cleaning.



- 1 To remove the door bins, lift up and pull out.
- 2 To replace the door bins, slide the door bin in above the desired support and push down until it snaps into place.

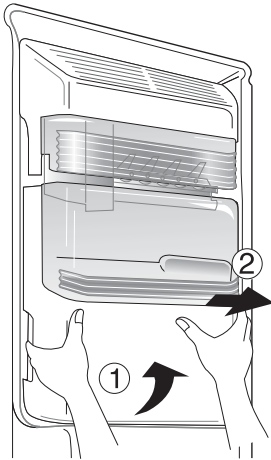
FREEZER SECTION

ICE STORAGE BIN

The ice bin stores the ice cubes made by the icemaker. If you need to remove the ice storage bin, do so as follows:

NOTE: Use both hands to remove the ice bin to avoid dropping it.

Lift the ice storage bin slightly ① and pull it out ② as shown in the figure.



WATER FILTER

WATER FILTER

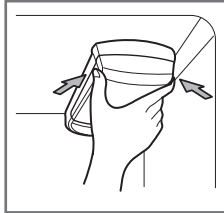
It is recommended that you replace the water filter:

- Approximately every 6 months.
- When the water filter indicator turns on.
- When the water dispenser output decreases.
- When the ice cubes are smaller than normal.

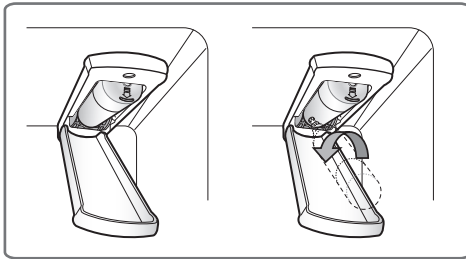
1. Remove the old water filter.

Press the push button to open the water filter cover.

NOTE: Replacing the water filter causes a small amount of water (around 1 oz. or 25 cc) to drain. Place a cup under the front end of the water filter cover to collect any leaking water. Hold the water filter upright, once it is removed, to prevent any remaining water from spilling out of the water filter.

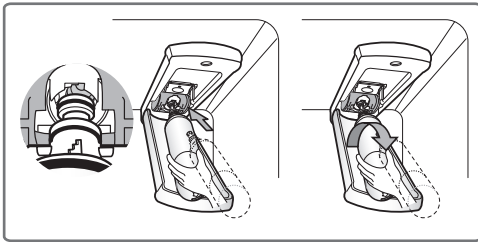


Pull the water filter downward and pull out. Make sure to rotate the filter down completely before pulling it out of the manifold hole.

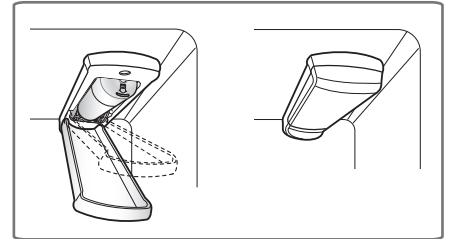


2. Replace with a new water filter.

Take the new water filter out of its packing and remove the protective cover from the o-rings. With the water filter tabs in the horizontal position, push the new water filter into the manifold hole until it stops.



Rotate the water filter up into position and close the cover. The cover will click when closed correctly.



3. After the water filter is replaced, dispense 2.5 gallons of water (flush for approximately 5 minutes) to remove trapped air and contaminants from the system. Do not dispense the entire 2.5 gallon amount continuously. Depress and release the dispenser pad for cycles of 30 seconds ON and 60 seconds OFF.

NOTE: To purchase a replacement water filter, visit a Sears store or call U.S.A. 1-844-553-6667, and in Canada call 1-800-469-4663. You may also order on-line at www.kenmore.com

NOTE: A water filter is not necessary to operate this refrigerator. Install a water filter to improve the quality of the ice and water dispensed.

Performance Data Sheet

Use Replacement Cartridge: ADQ73613402

The concentration of the indicated substances in water entering the system was reduced to a concentration less than or equal to the permissible limit for water leaving the system as specified in NSF/ANSI Standard 42 and Standard 53.



System tested and certified by NSF International against NSF/ANSI Standard 42 and Standard 53 for the reduction of substances listed below.

Contaminant Reduction	Average Influent	NSF specified Challenge Concentration	Avg % Reduction	Average Product Water Concentration	Max Permissible Product Water Concentration	NSF Reduction Requirements
Chlorine Taste and Odor	2.0 mg/L	2.0 mg/L ± 10%	97.5%	0.05 mg/L	N/A	≥ 50%
Nominal Particulate Class I, , ≥0.5 to < 1.0 µm	5,600,000 pts/mL	At least 10,000 particles/mL	99.3%	73,000 pts/ml	N/A	≥85%
Asbestos	170 MFL	10 ⁷ to 10 ⁸ MFL; fibers greater than 10 µm in length	>99%	< 1 MFL	N/A	≥99%
Atrazine	0.0087 mg/L	0.009 mg/L ± 10%	94.2%	0.003 mg/L	0.003 mg/L	N/A
Benzene	0.017 mg/L	0.015 mg/L ± 10%	97%	0.005 mg/L	0.005 mg/L	N/A
Carbofuran	0.073 mg/L	0.08 mg/L ± 10%	98.8%	0.001 mg/L	0.04 mg/L	N/A
Lindane	0.002 mg/L	0.002 mg/L ± 10%	98.8%	0.00002 mg/L	0.0002 mg/L	N/A
P-Dichlorobenzene	0.263 mg/L	0.225 mg/L ± 10%	99.6%	0.001 mg/L	0.075 mg/L	N/A
Toxaphene	0.015 mg/L	0.015 mg/L ± 10%	93.5%	0.001 mg/L	0.003 mg/L	N/A
2,4-D	0.25 mg/L	0.210 mg/L ± 10%	99.5%	0.012 mg/L	0.07 mg/L	N/A
Lead pH @6.5	0.150 mg/L	0.15 mg/L ± 10%	>99.3%	0.001 mg/L	0.010 mg/L	N/A
Lead pH @8.5	0.150 mg/L	0.15 mg/L ± 10%	>99.3%	0.001 mg/L	0.010 mg/L	N/A
Mercury @ pH 6.5	0.006 mg/L	0.006 mg/L ± 10%	96.5	0.0002 mg/L	0.002 mg/L	N/A
Mercury @ pH 8.5	0.0062 mg/L	0.006 mg/L ± 10%	86.9	0.0081 mg/L	0.002 mg/L	N/A
Cyst*	120,000 cysts/L	Minimum 50,000 cysts/L	99.99%	<1 cyst/L	N/A	≥99.95%

* Based on the use of *Cryptosporidium parvum* oocysts

Application Guidelines/Water Supply Parameters	
Service Flow	0.5 gpm (1.9 lpm)
Water Supply	Community or private well - Potable Water
Water Pressure	20-120 psi (138 - 827 kPa)
Water Temperature	33°F - 100°F (0.6°C - 38°C)
Capacity	200 gallons (757 liters)

California Department of Public Health Certification 14-3015. For conditions of use, health claims certified by California Department of Public Health and replacement parts, see Performance Data Sheet.

It is essential that the manufacturer's recommended installation, maintenance and water filter replacement requirements be carried out for the product to perform as advertised.

NOTE: While the testing was performed under standard laboratory conditions, actual performance may vary.

Replacement Cartridge: **ADQ73613402**

To purchase a replacement filter, visit your local Sears store or in the U.S.A. call 1-844-553-6667, and in Canada call 1-800-469-4663. Visit us on the web at www.kenmore.com

Product distributed in the United States by Sears Brands Management Corporation, Hoffman Estates, IL 60179.

3M is a trademark of 3M Company.

NSF is a trademark of NSF International.

© 2009 3M Company. All rights reserved.

! WARNING

To reduce the risk associated with choking: Do not allow children under 3 years of age to have access to small parts during the installation of this product.

To reduce the risk associated with ingestion of contaminants: Do not use with water that is microbiologically unsafe or of unknown quality without adequate disinfection before and after the system. Systems certified for cyst reduction may be used on disinfected water that may contain filterable cysts. EPA Establishment Number 070595-MEX-001

! CAUTION

To reduce the risk associated with property damage due to water leakage:

- **Read and follow** the Water Filter instructions before installation and use of this system.
- Installation and use **MUST** comply with all state and local plumbing codes.
- **Do not** install if water pressure exceeds 120 psi (827 kPa). Contact a plumbing professional if you are uncertain of how to check your water pressure.
- **Do not** install where water hammer conditions may occur. If water hammer conditions exist, you must install a water hammer arrester. Contact a plumbing professional if you are uncertain of how to check for this condition.
- **Do not** install on hot water supply lines. The maximum operating water temperature of this water filter system is 100°F (38°C).
- **Protect water filter from freezing.** Do not operate refrigerator in ambient conditions below 55°F. Drain water filter when storing unit in temperatures below 40°F (4.4°C).
- The disposable water filter must be replaced every six months, at the rated capacity, or if a noticeable reduction in flow rate occurs.
- Do not install systems in areas where ambient temperatures may go above 110°F (43.3°C).
- Where a backflow prevention device is installed on a water system, a device for controlling pressure due to thermal expansion must be installed.
- Ensure all tubing and fittings are secure and free from leaks.

**Water Treatment Device
Certificate Number
09 - 201**

Date Issued: December 15, 2009

Manufacturer: Sears Roebuck and Co.

The water treatment device(s) listed on this certificate have met the testing requirements pursuant to Section 116830 of the Health and Safety Code for the following health related contaminants:

Microbiological Contaminants and Turbidity

st sy C

Inorganic/Radiological Contaminants

so ts eb sA

Lead
Mercury

Organic Contaminants

2,4-D Reduction
Atrazine
Benzene
Carbofuran
Lindane
p-Dichlorobenzene
Toxaphene

Rated Service Capacity: 200 gal

Rated Service Flow: 0.5 gpm

Conditions of Certification:

CARE AND CLEANING

! WARNING



Explosion Hazard

Use non-flammable cleaner. Failure to do so can result in fire, explosion, or death.

Both the refrigerator and freezer sections defrost automatically; however, clean both sections about once a month to prevent odors. Wipe up spills immediately.

GENERAL CLEANING TIPS

- Unplug refrigerator or disconnect power.
- Remove all removable parts, such as shelves, crispers, etc. Refer to sections in *Using Your Refrigerator* for removal instructions.
- Use a clean sponge or soft cloth and a mild detergent in warm water. Do not use abrasive or harsh cleaners.
- Hand wash, rinse and dry all surfaces thoroughly.
- Plug in refrigerator or reconnect power.

OUTSIDE

Waxing external painted metal surfaces helps provide rust protection. Do not wax plastic parts. Wax painted metal surfaces at least twice a year using appliance wax (or auto paste wax). Apply wax with a clean, soft cloth.

For products with a stainless steel exterior, use a clean sponge or soft cloth and a mild detergent in warm water. Do not use abrasive or harsh cleaners. Dry thoroughly with a soft cloth.

INSIDE WALLS (allow freezer to warm up so the cloth will not stick)

To help remove odors, you can wash the inside of the refrigerator with a mixture of baking soda and warm water. Mix 2 tablespoons of baking soda to 1 quart of water (26 g soda to 1 liter water.) Be sure the baking soda is completely dissolved so it does not scratch the surfaces of the refrigerator.

! CAUTION: While cleaning the inside, do not spray water.

DOOR LINERS AND GASKETS

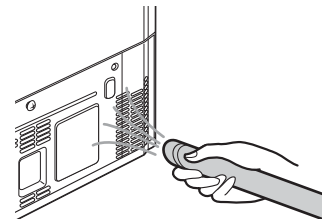
Use a clean sponge or soft cloth and a mild detergent in warm water. Do not use cleaning waxes, concentrated detergents, bleaches, or cleaners containing petroleum on plastic refrigerator parts.

PLASTIC PARTS (Covers and Panels)

Use a clean sponge or soft cloth and a mild detergent in warm water. Do not use window sprays, abrasive cleansers, or flammable fluids. These can scratch or damage the material.

CONDENSER COILS

Use a vacuum cleaner with an attachment to clean the condenser cover and vents. Do not remove the panel covering the condenser coil area.



LED LIGHT REPLACEMENT

⚠ WARNING

Electrical Shock Hazard

Before service is performed on the interior LED lighting, unplug the refrigerator or turn off power at the circuit breaker or fuse box.

Setting either or both controls to the OFF position does not remove power to the light circuit.

NOTE: The refrigerator and freezer compartment lights are LED interior lighting, and service should be performed by a qualified technician.

POWER INTERRUPTIONS

1. If the power will be out for 24 hours or less, keep all refrigerator doors closed to help foods stay cold and frozen.
2. If the power will be out for more than 24 hours, remove all frozen food and store it in a frozen food locker.

WHEN YOU GO ON VACATION

If you choose to leave the refrigerator on while you are away, follow these steps to prepare your refrigerator before you leave.

1. Use up any perishables and freeze other items.
2. Turn off the icemaker and empty the ice bin.

If you choose to turn the refrigerator off before you leave, follow these steps.

1. Remove all food from the refrigerator.
2. Depending on your model, set the thermostat control (refrigerator control) to OFF. See the **SETTING THE CONTROLS** section.
3. Clean the refrigerator, wipe it and dry well.
4. Tape rubber or wood blocks to the tops of both doors to prop them open far enough for air to get in. This stops odor and mold from building up.

WHEN YOU MOVE

When you are moving your refrigerator to a new home, follow these steps to prepare it for the move.

1. Remove all food from the refrigerator and pack all frozen food in dry ice.
2. Unplug the refrigerator.
3. Clean, wipe and dry thoroughly.
4. Take out all removable parts, wrap them well and tape them together so they do not shift and rattle during the move. Refer to the **USING YOUR REFRIGERATOR** section for removal instructions.
5. Depending on the model, raise the front of the refrigerator so it rolls more easily OR screw in the leveling legs all the way so they do not scrape the floor. See the **DOOR ALIGNMENT** section.
6. Tape the doors shut and tape the power cord to the refrigerator cabinet.

When you get to your new home, put everything back and refer to the **REFRIGERATOR INSTALLATION** section for preparation instructions.

CONNECTING THE WATER LINE

BEFORE YOU BEGIN

This water line installation is not covered by the refrigerator warranty. Follow these instructions carefully to minimize the risk of expensive water damage.

Water hammer (water banging in the pipes) in house plumbing can cause damage to refrigerator parts and can lead to water leakage or flooding. Call a qualified plumber to correct water hammer before installing the water supply line to the refrigerator.

⚠ CAUTION: To prevent burns and product damage, only connect the refrigerator water line to a cold water supply. Connect to a potable water supply only.

If you use your refrigerator before connecting the water line, make sure the Ice Maker button is set to **OFF**.

Do not install the icemaker tubing in areas where temperatures fall below freezing.

WATER PRESSURE

Connect to the cold water supply. The water pressure must be between 20 and 120 psi (138 to 827 kPa) on models without a water filter and between 40 and 120 psi (276 to 827 kPa) on models with a water filter.

If a **reverse osmosis water filtration system** is connected to your cold water supply, this water line installation is not covered by the refrigerator warranty. Follow the following instructions carefully to minimize the risk of expensive water damage.

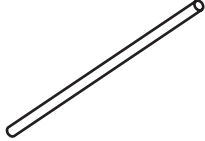
If a **reverse osmosis water filtration system** is connected to your cold water supply, the water pressure to the reverse osmosis system needs to be a minimum of 40 to 60 psi (2.8 kgf/cm² ~ 4.2 kgf/cm², less than 2.0~3.0 sec. to fill a cup of 7 oz capacity).

If the water pressure from the reverse osmosis system is less than 21 psi or 1.5 kgf/cm² (takes more than 4.0 sec to fill a cup of 7 oz capacity):

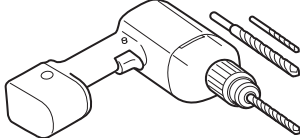
- Check to see if the sediment filter in the reverse osmosis system is blocked. Replace the filter if necessary.
- Allow the storage tank on the reverse osmosis system to refill after heavy usage.
- If the issue concerning water pressure from reverse osmosis remains, call a licensed, qualified plumber.
- All installations must be in accordance with local plumbing code requirements.

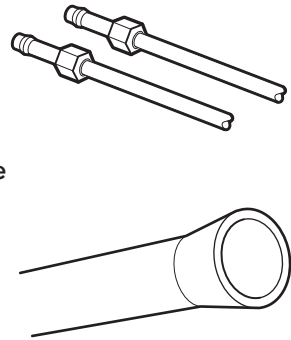
CAUTION: Wear eye protection during installation to prevent injury.

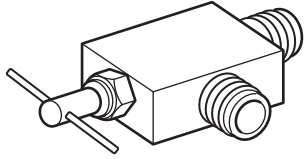
WHAT YOU WILL NEED

- **Copper Tubing**, 1/4 in. outer diameter, to connect the refrigerator to the water supply. Be sure both ends of the tubing are cut square. 
- To determine how much tubing you need: measure the distance from the water valve on the back of the refrigerator to the water supply pipe. Then, add 8 feet (2.4 m). Be sure there is sufficient extra tubing (about 8 feet [2.4 m] coiled into 3 turns of about 10 in. [25 cm] diameter) to allow the refrigerator to move out from the wall after installation.

- **Power drill.**
- **1/2 in. or adjustable wrench.**
- **Flat blade and Phillips head screwdrivers.**

- **Two 1/4 in. outer diameter compression nuts and 2 ferrules (sleeves)** to connect the copper tubing to the shutoff valve and the refrigerator water valve. 

- If your existing copper water line has a flared fitting at the end, you will need an **adapter** (available at plumbing supply stores) to connect the water line to the refrigerator OR you can cut off the flared fitting with a tube cutter and then use a compression fitting. 

- **Shutoff valve to connect to the cold water line.** The shutoff valve should have a water inlet with a minimum inside diameter of 5/32 in. at the point of connection to the COLD WATER LINE. Saddle-type shutoff valves are included in many water supply kits. Before purchasing, make sure a saddle-type valve complies with your local plumbing codes. 

NOTE: A Self Piercing Saddle Type Water Valve should not be used.

⚠ WARNING

Electrical Shock Hazard

When using any electrical device (such as a power drill) during installation, be sure the device is battery powered, double insulated or grounded in a manner that will prevent the hazard of electric shock.

INSTALLATION INSTRUCTIONS

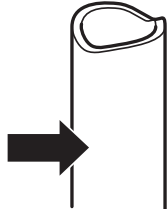
Install the shutoff valve on the nearest frequently used drinking water line.

1. SHUT OFF THE MAIN WATER SUPPLY

Turn on the nearest faucet to relieve the pressure on the line.

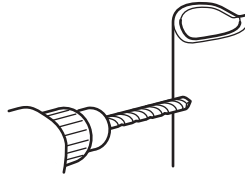
2. CHOOSE THE VALVE LOCATION

Choose a location for the valve that is easily accessible. It is best to connect into the side of a vertical water pipe. When it is necessary to connect into a horizontal water pipe, make the connection to the top or side, rather than at the bottom, to avoid drawing off any sediment from the water pipe.



3. DRILL THE HOLE FOR THE VALVE

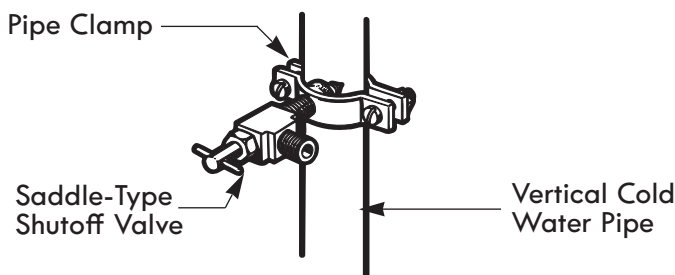
Drill a 1/4 in. hole in the water pipe using a sharp bit. Remove any burrs resulting from drilling the hole in the pipe. Be careful not to allow water to drain into the drill. Failure to drill a 1/4 in. hole may result in reduced ice production or smaller cubes.



NOTE: The hookup line cannot be white, plastic tubing. Licensed plumbers must use only copper tubing NDA tubing #49595 or 49599 or Cross Link Polyethylene (PEX) tubing.

4. FASTEN THE SHUTOFF VALVE

Fasten the shutoff valve to the cold water pipe with the pipe clamp.

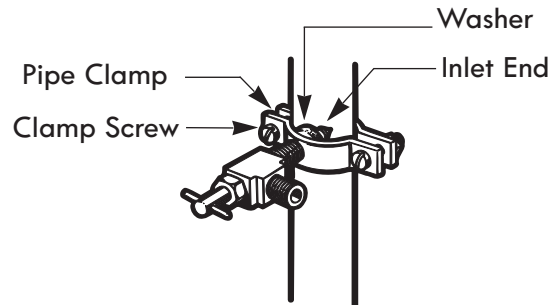


NOTE: Commonwealth of Massachusetts Plumbing Codes 248CMR shall be adhered to. Saddle valves are illegal and use is not permitted in Massachusetts. Consult with your licensed plumber.

5. TIGHTEN THE PIPE CLAMP

Tighten the clamp screws until the sealing washer begins to swell.

NOTE: Do not overtighten clamp or you may crush the tubing.



6. ROUTE THE TUBING

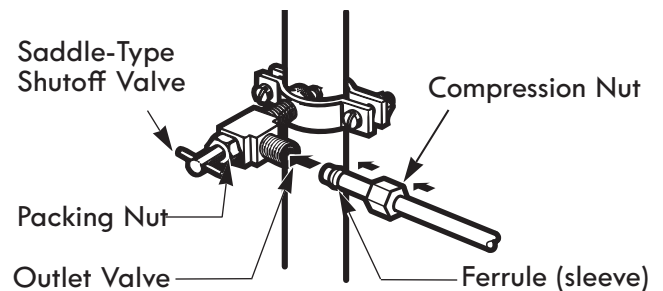
Route the tubing between the cold water line and the refrigerator.

Route the tubing through a hole drilled in the wall or floor (behind the refrigerator or adjacent base cabinet) as close to the wall as possible.

NOTE: Be sure there is sufficient extra tubing (about 8 feet coiled into 3 turns of about 10 in. diameter) to allow the refrigerator to move out from the wall after installation.

7. CONNECT THE TUBING TO THE VALVE

Place the compression nut and ferrule (sleeve) for copper tubing onto the end of the tubing and connect it to the shutoff valve. Make sure the tubing is fully inserted into the valve. Tighten the compression nut securely.



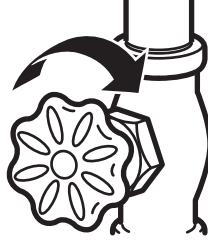
NOTE: Commonwealth of Massachusetts Plumbing Codes 248CMR shall be adhered to. Saddle valves are illegal and their use is not permitted in Massachusetts. Consult with your licensed plumber.

IMPORTANT : Use only new water hose-sets, do not reuse old water hose -sets

8. FLUSH OUT THE TUBING

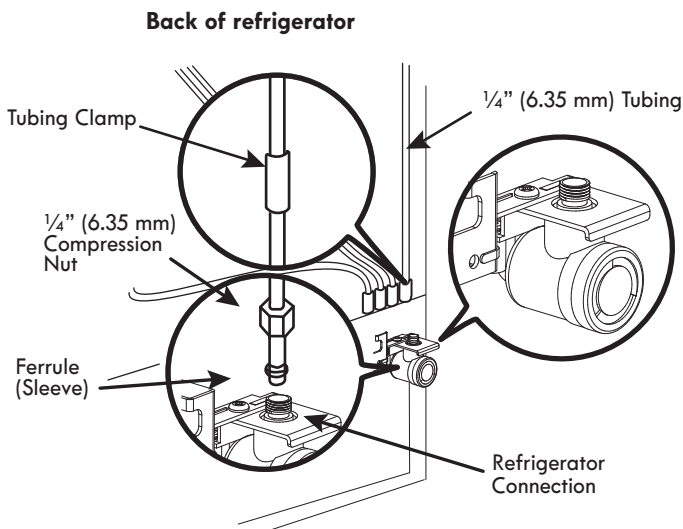
Turn the main water supply on and flush out the tubing until the water is clear.

Shut the water off at the water valve after about one quart of water has been flushed through the tubing.

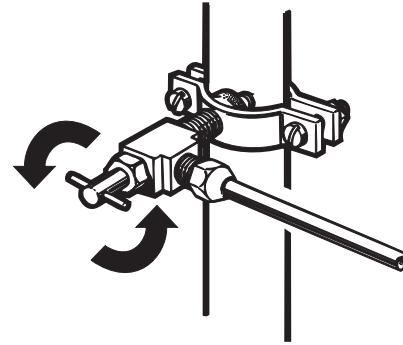
**9. CONNECT THE TUBING TO THE REFRIGERATOR**

NOTE: Before making the connection to the refrigerator, be sure that the refrigerator power cord is not plugged into the wall outlet.

1. Remove the plastic flexible cap from the water valve.
2. Place the compression nut and ferrule (sleeve) onto the end of the tubing as shown.
3. Insert the end of the copper tubing into the connection as far as possible. While holding the tubing, tighten the fitting.

**10. TURN THE WATER ON AT THE SHUTOFF VALVE**

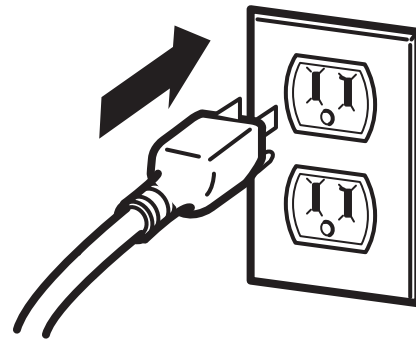
Tighten any connections that leak.



CAUTION: Check to see if leaks occur at the water line connections.

11. PLUG IN THE REFRIGERATOR

Arrange the coil of tubing so that it does not vibrate against the back of the refrigerator or against the wall. Push the refrigerator back to the wall.

**12. START THE ICEMAKER**

Set the Ice Maker button to **ON**.

The icemaker will not begin to operate until it reaches its operating temperature of 15°F (−9°C) or below. It will then begin operation automatically if the Ice Maker button is set to **ON**.

TROUBLESHOOTING GUIDE

COOLING

Before conducting troubleshooting, make sure that the following basic requirements are met:

Service Flow	0.5 gpm (1.9 lpm)
Water Supply	Potable Water
Water Pressure	40-120 psi (276 - 827 kPa)
Water Temperature	33°F - 100°F (0.6°C - 38°C)
Electrical Ratings	115 Volts, 60 Hz, AC only, and fused at 15 amperes (minimum).

Problem	Possible Causes	Solutions
Refrigerator and Freezer section are not cooling.	The power supply cord is unplugged.	Firmly plug the cord into a live outlet with the proper voltage.
	Refrigerator is set to demo mode.	Demo Mode allows the lights and control display to work normally while disabling cooling to save energy while on the showroom floor. Refer to the Setting the Controls section for instructions on how to disable Demo Mode.
	Refrigerator is in the defrost cycle.	During the defrost cycle, the temperature of each compartment may rise slightly. Wait 30 minutes and confirm the proper temperature has been restored once the defrost cycle has completed.
	Refrigerator was recently installed.	It may take up to 24 hours for each compartment to reach the desired temperature.
	Refrigerator was recently relocated.	If the refrigerator was stored for a long period of time or moved on its side, it is necessary for the refrigerator to lay upright for 24 hours before connecting it to power.
Cooling System runs too much.	Refrigerator is replacing an older model.	Modern refrigerators require more operating time but use less energy due to more efficient technology.
	Refrigerator was recently plugged in or power restored.	The refrigerator will take up to 24 hours to cool completely.
	Door opened often or a large amount of food / hot food was added.	Adding food and opening the door warms the refrigerator, requiring the compressor to run longer in order to cool the refrigerator back down. In order to conserve energy, try to get everything you need out of the refrigerator at once, keep food organized so it is easy to find, and close the door as soon as the food is removed. (Refer to the Food Storage Guide .)
	Doors are not closed completely.	Firmly push the doors shut. If they will not shut all the way, see the Doors will not close completely or pop open section in Parts & Features Troubleshooting .
	Refrigerator is installed in a hot location.	The compressor will run longer under warm conditions. At normal room temperatures (70°F or 21°C) expect your compressor to run about 40% to 80% of the time. Under warmer conditions, expect it to run even more often. The refrigerator should not be operated above 110°F (43°C).
	Condenser / back cover is clogged.	Use a vacuum cleaner with an attachment to clean the condenser cover and vents. Do not remove the panel covering the condenser coil area.

COOLING

Problem	Possible Causes	Solutions
Refrigerator or Freezer section is too warm.	Refrigerator was recently installed.	It may take up to 24 hours for each compartment to reach the desired temperature.
	Air vents are blocked.	Rearrange items to allow air to flow throughout the compartment. Refer to the Airflow diagram in the Using Your Refrigerator section.
	Doors are opened often or for long periods of time.	When the doors are opened often or for long periods of time, warm, humid air enters the compartment. This raises the temperature and moisture level within the compartment. To lessen the effect, reduce the frequency and duration of door openings.
	Unit is installed in a hot location.	The refrigerator should not be operated in temperatures above 110°F (43°C).
	A large amount of food or hot food was added to either compartment.	Adding food warms the compartment requiring the cooling system to run. Allowing hot food to cool to room temperature before putting it in the refrigerator will reduce this effect.
	Doors not closed correctly.	See the Doors will not close correctly or pop open section in Parts & Features Troubleshooting .
	Temperature control is not set correctly.	If the temperature is too warm, adjust the control one increment at a time and wait for the temperature to stabilize. Refer to the Setting the Controls section for more information.
	Defrost cycle has recently completed.	During the defrost cycle, the temperature of each compartment may raise slightly and condensation may form on the back wall. Wait 30 minutes and confirm the proper temperature has been restored once the defrost cycle has completed.
Interior moisture buildup.	Doors are opened often or for long periods of time.	When the doors are opened often or for long periods of time, warm, humid air enters the compartment. This raises the temperature and moisture level within the compartment. To lessen the effect, reduce the frequency and duration of door openings.
	Doors not closed correctly.	See the Doors will not close correctly section in the Troubleshooting section.
	Weather is humid.	Humid weather allows additional moisture to enter the compartments when the doors are opened leading to condensation or frost. Maintaining a reasonable level of humidity in the home will help to control the amount of moisture that can enter the compartments.
	Defrost cycle recently completed.	During the defrost cycle, the temperature of each compartment may raise slightly and condensation may form on the back wall. Wait 30 minutes and confirm that the proper temperature has been restored once the defrost cycle has completed.
	Food is not packaged correctly.	Food stored uncovered or unwrapped, and damp containers can lead to moisture accumulation within each compartment. Wipe all containers dry and store food in sealed packaging to prevent condensation and frost.

COOLING/ICE & WATER

Problem	Possible Causes	Solutions
Food is freezing in the refrigerator compartment.	Food with high water content was placed near an air vent.	Rearrange items with high water content away from air vents.
	Refrigerator temperature control is set incorrectly.	If the temperature is too cold, adjust the control one increment at a time and wait for the temperature to stabilize. Refer to the Setting the Controls section for more information.
	Refrigerator is installed in a cold location.	When the refrigerator is operated in temperature below 41°F (5°C), food can freeze in the refrigerator compartment. The refrigerator should not be operated in temperature below 55°F (13°C).
Frost or ice crystals form on frozen food (outside of package).	Door is opened frequently or for long periods of time.	When the doors are opened often or for long periods of time, warm, humid air enters the compartment. This raises the temperature and moisture level within the compartment. Increased moisture will lead to frost and condensation. To lessen the effect, reduce the frequency and duration of door openings.
	Door is not closing properly.	Refer to the Doors will not close correctly or pop open section in the Troubleshooting section.
Refrigerator or Freezer section is too cold.	Incorrect temperature control settings.	If the temperature is too cold, adjust the control one increment at a time and wait for the temperature to stabilize. Refer to the Setting the Controls section for more information.
Frost or ice crystals on frozen food (inside of sealed package).	Condensation from food with a high water content has frozen inside of the food package.	This is normal for food items with a high water content.
	Food has been left in the freezer for a long period of time.	Do not store food items with high water content in the freezer for a long period of time.
Icemaker is not making enough ice.	Demand exceeds ice storage capacity.	The icemaker will produce approximately 100 cubes in a 24 hour period.
	House water supply is not connected, valve is not turned on fully, or valve is clogged.	Connect the refrigerator to a cold water supply with adequate pressure and turn the water shutoff valve fully open. If the problem persists, it may be necessary to contact a plumber.
	Water filter has been exhausted.	It is recommended that you replace the water filter: <ul style="list-style-type: none"> • Approximately every 6 months. • When the water filter indicator turns on. • When the water dispenser output decreases. • When the ice cubes are smaller than normal.
	Low house water supply pressure.	The water pressure must be between 20 and 120 psi (138 - 827 kPa) on models without a water filter and between 40 and 120 psi (276 - 827 kPa) on models with a water filter. If the problem persists, it may be necessary to contact a plumber.
	Reverse Osmosis filtration system is used.	Reverse osmosis filtration systems can reduce the water pressure below the minimum amount and result in icemaker issues. (Refer to Water Pressure section.)
	Tubing connecting refrigerator to house supply valve is kinked.	The tubing can kink when the refrigerator is moved during installation or cleaning resulting in reduced water flow. Straighten or repair the water supply line and arrange it to prevent future kinks.

ICE & WATER

Problem	Possible Causes	Solutions
Icemaker is not making enough ice (continued).	Doors are opened often or for long periods of time.	If the doors of the unit are opened often, ambient air will warm the refrigerator which will prevent the unit from maintaining the set temperature. Lowering the refrigerator temperature can help, as well as not opening the doors as frequently.
	Doors are not closed completely.	If the doors are not properly closed, ice production will be affected. See the Doors will not close completely or pop open section in Parts & Features Troubleshooting for more information.
	The temperature setting for the freezer is too warm.	The recommended temperature for the freezer compartment for normal ice production is 0°F. If the freezer temperature is warmer, ice production will be affected.
Dispensing water slowly.	Water filter has been exhausted.	It is recommended that you replace the water filter: <ul style="list-style-type: none"> • Approximately every 6 months. • When the water filter indicator turns on. • When the water dispenser output decreases. • When the ice cubes are smaller than normal.
	Reverse osmosis filtration system is used.	Reverse osmosis filtration systems can reduce the water pressure below the minimum amount and result in icemaker issues. If the problem persists, it may be necessary to contact a plumber.
	Low house water supply pressure.	The water pressure must be between 20 and 120 psi (138 - 827 kPa) on models without a water filter and between 40 and 120 psi (276 - 827 kPa) on models with a water filter. If the problem persists, it may be necessary to contact a plumber.
Not dispensing ice.	Doors are not closed completely.	Ice will not dispense if any of the refrigerator doors are left open.
	Infrequent use of the dispenser.	Infrequent use of the ice dispenser will cause the cubes to stick together over time, which will prevent them from properly dispensing. Check the ice bin for ice cubes clumping/sticking together. If they are, break up the ice cubes to allow for proper operation.
	The delivery chute is clogged with frost or ice fragments.	Eliminate the frost or ice fragments by removing the ice bin and clearing the chute with a plastic utensil. Dispensing cubed ice can also help prevent frost or ice fragment buildup.
	The dispenser display is locked.	Press and hold the Lock button for three seconds to unlock the control panel and dispenser.
	Ice bin is empty.	It may take up to 24 hours for each compartment to reach the desired temperature and for the icemaker to begin making ice. Make sure that the shutoff (arm/sensor) is not obstructed. Once the ice supply in the bin has been completely exhausted, it may take up to 90 minutes before additional ice is available, and approximately 24 hours to completely refill the bin.

ICE & WATER

Problem	Possible Causes	Solutions
Icemaker is not making ice.	Refrigerator was recently installed or icemaker recently connected.	It may take up to 24 hours for each compartment to reach the desired temperature and for the icemaker to begin making ice.
	Icemaker not turned on.	Locate the Ice Maker button on the display and confirm that it is set to ON.
	The ice detecting sensor is obstructed.	Foreign substances or frost on the ice-detecting sensor can interrupt ice production. Make sure that the sensor area is clean at all times for proper operation.
	The refrigerator is not connected to a water supply or the supply shutoff valve is not turned on.	Connect refrigerator to the water supply and turn the water shutoff valve fully open.
	Icemaker shutoff (arm or sensor) obstructed.	If your icemaker is equipped with an ice shutoff arm, make sure that the arm moves freely. If your icemaker is equipped with the electronic ice shutoff sensor, make sure that there is a clear path between the two sensors.
	Reverse osmosis water filtration system is connected to your cold water supply.	Reverse osmosis filtration systems can reduce the water pressure below the minimum amount and result in icemaker issues. (Refer to the Water Pressure section.)
Not dispensing water.	New installation or water line recently connected.	Dispense 2.5 gallons (9.5 l) of water (flush for approximately 5 minutes) to remove trapped air and contaminants from the system. Do not dispense the entire 2.5 gallon (9.5 l) amount continuously. Depress and release the dispenser pad for cycles of 30 seconds ON and 60 seconds OFF.
	The dispenser panel is locked.	Press and hold the Lock button for three seconds to unlock the control panel and dispenser.
	The dispenser is not set for water dispensing.	The dispenser can be set for ice or water. Make certain that the control panel is set for the proper operation. Press the Water button on the control panel to dispense water.
	Refrigerator or freezer doors are not closed properly.	Water will not dispense if any of the refrigerator doors are left open.
	Water filter has been recently removed or replaced.	After the water filter is replaced, dispense 2.5 gallons (9.5 l) of water (flush for approximately 5 minutes) to remove trapped air and contaminants from the system. Do not dispense the entire 2.5 gallon (9.5 l) amount continuously. Depress and release the dispenser pad for cycles of 30 seconds ON and 60 seconds OFF.
	Tubing connecting refrigerator to house supply valve is kinked.	The tubing can kink when the refrigerator is moved during installation or cleaning resulting in reduced water flow. Straighten or repair the water supply line and arrange it to prevent future kinks.
	The house water supply is not connected, the valve is not turned on fully, or the valve is clogged.	Connect refrigerator to the water supply and turn the water shutoff valve fully open. If the problem persists, it may be necessary to contact a plumber.

ICE & WATER

Problem	Possible Causes	Solutions
Ice has bad taste or odor.	Water supply contains minerals such as sulfur.	A water filter may need to be installed to eliminate taste and odor problems. NOTE: In some cases, a filter may not help. It may not be possible to remove all minerals / odor / taste in all water supplies.
	Icemaker was recently installed.	Discard the first few batches of ice to avoid discolored or bad tasting ice.
	Ice has been stored for too long.	Ice that has been stored for too long will shrink, become cloudy, and may develop a stale taste. Throw away old ice and make a new supply.
	The food has not been stored properly in either compartment.	Rewrap the food. Odors may migrate to the ice if food is not wrapped properly.
	The interior of the refrigerator needs to be cleaned.	See the Care and Cleaning section for more information.
	The ice storage bin needs to be cleaned.	Empty and wash the bin (discard old cubes). Make sure that the bin is completely dry before reinstalling it.
Dispensing warm water.	Refrigerator was recently installed.	Allow 24 hours after installation for the water storage tank to cool completely.
	The water dispenser has been used recently and the storage tank was exhausted.	Depending on your specific model, the water storage capacity will range from approximately 20 to 30 oz (0.6 - 0.9 liter).
	Dispenser has not been used for several hours.	If the dispenser has not been used for several hours, the first glass dispensed may be warm. Discard the first 10 oz (0.3 liter).
	Refrigerator is connected to the hot water supply.	Make sure that the refrigerator is connected to a cold water pipe. ⚠WARNING: Connecting the refrigerator to a hot water line may damage the icemaker.
Water has bad taste or odor.	Water supply contains minerals such as sulfur.	A water filter may need to be installed to eliminate taste and odor problems.
	Water filter has been exhausted.	It is recommended that you replace the water filter: <ul style="list-style-type: none"> • Approximately every 6 months. • When the water filter indicator turns on. • When the water dispenser output decreases. • When the ice cubes are smaller than normal.
	Refrigerator was recently installed.	Dispense 2.5 gallons (9.5 l) of water (flush for approximately 5 minutes) to remove trapped air and contaminants from the system. Do not dispense the entire 2.5 gallon (9.5 l) amount continuously. Depress and release the dispenser pad for cycles of 30 seconds ON and 60 seconds OFF.
Icemaker is making too much ice.	Icemaker shutoff (arm/sensor) is obstructed.	Empty the ice bin. If your icemaker is equipped with an ice shutoff arm, make sure that the arm moves freely. If your icemaker is equipped with the electronic ice shutoff sensor, make sure that there is a clear path between the two sensors. Reinstall the ice bin and wait 24 hours to confirm proper operation.

NOISE

Problem	Possible Causes	Solutions
Clicking	The defrost control will click when the automatic defrost cycle begins and ends. The thermostat control (or refrigerator control on some models) will also click when cycling on and off.	Normal Operation
Rattling	Rattling noises may come from the flow of refrigerant, the water line on the back of the unit, or items stored on top of or around the refrigerator.	Normal Operation
	Refrigerator is not resting solidly on the floor.	Floor is weak or uneven or leveling legs need to be adjusted. See the Door Alignment section.
	Refrigerator with linear compressor was jarred while running.	Normal Operation
Whooshing	Evaporator fan motor is circulating air through the refrigerator and freezer compartments.	Normal Operation
	Air is being forced over the condenser by the condenser fan.	Normal Operation
Gurgling	Refrigerant flowing through the cooling system.	Normal Operation
Popping	Contraction and expansion of the inside walls due to changes in temperature.	Normal Operation
Sizzling	Water dripping on the defrost heater during a defrost cycle.	Normal Operation
Vibrating	If the side or back of the refrigerator is touching a cabinet or wall, some of the normal vibrations may make an audible sound.	To eliminate the noise, make sure that the sides and back cannot vibrate against any wall or cabinet.
Dripping	Water running into the drain pan during the defrost cycle.	Normal Operation
Pulsating or High-Pitched Sound	Your refrigerator is designed to run more efficiently to keep your food items at the desired temperature. The high efficiency compressor may cause your new refrigerator to run longer than your old one, but it is still more energy efficient than previous models. While the refrigerator is running, it is normal to hear a pulsating or high-pitched sound.	Normal Operation

PARTS AND FEATURES

Problem	Possible Causes	Solutions
Doors will not close correctly or pop open.	Food packages are blocking the door open.	Rearrange food containers to clear the door and door shelves.
	Ice bin, crisper cover, pans, shelves, door bins, or baskets are out of position.	Push bins all the way in and put crisper cover, pans, shelves and baskets into their correct positions. See the Using Your Refrigerator section for more information.
	The doors were removed during product installation and not properly replaced.	Remove and replace the doors according to the Removing and Replacing Refrigerator Handles and Doors section.
	Refrigerator is not leveled properly.	See Door Alignment in the Refrigeration Installation section to level refrigerator.
Doors are difficult to open.	The gaskets are dirty or sticky.	Clean the gaskets and the surfaces that they touch. Rub a thin coat of appliance polish or kitchen wax on the gaskets after cleaning.
	Door was recently closed.	When you open the door, warmer air enters the refrigerator. As the warm air cools, it can create a vacuum. If the door is hard to open, wait one minute to allow the air pressure to equalize, then see if it opens more easily.
Refrigerator wobbles or seems unstable.	Leveling legs are not adjusted properly.	Refer to the Leveling and Door Alignment section.
	Floor is not level.	It may be necessary to add shims under the leveling legs or rollers to complete installation.
Lights do not work.	A light bulb has burned out. NOTE: The refrigerator compartment lamp is LED interior lighting, and service should be performed by a qualified technician.	Refer to the Light Bulb Replacement section.

Diagnostics (on some models)

Should you experience any problems with your refrigerator, it has the capability of transmitting data via your telephone to the Diagnostics Team. This gives you the capability of speaking directly to our trained specialists. The specialist records the data transmitted from your machine and uses it to analyze the issue, providing a fast and effective diagnosis.

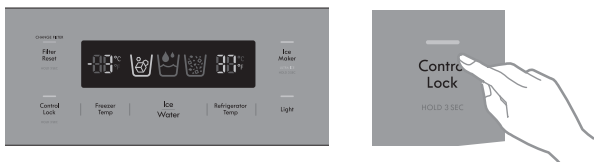
If you experience problems with your refrigerator, in the U.S.A. call 1-844-553-6667, and in Canada call 1-800-469-4663. Only use the Diagnostics feature when instructed to do so by the Diagnostics Team. The transmission sounds that you will hear are normal and sound similar to a fax machine.

Diagnostics cannot be activated unless your refrigerator is connected to power. If your refrigerator is unable to turn on, then troubleshooting must be done without using Diagnostics.

Using Diagnostics

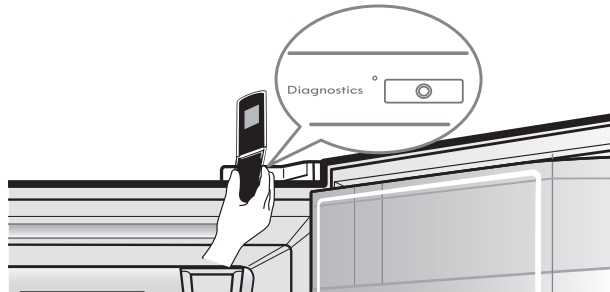
First, call in U.S.A 1-844-553-6667, and in Canada call 1-800-469-4663. If the number of the phone you are using is on file is associated with your refrigerator, you will be quickly relayed to a Diagnostics Team agent. Only use the Diagnostics feature when instructed to do so by the Diagnostics Team agent.

1. Lock the display. To lock the display, press and hold the Control Lock button for three seconds. (If the display has been locked for over five minutes, you must deactivate the lock and then reactivate it.)

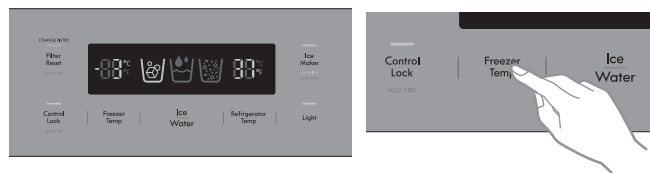


2. Open the right refrigerator door.

3. Hold the mouthpiece of your phone in front of the speaker that is located on the right hinge of the refrigerator door, when instructed to do so by the call center.



4. Press and hold the Freezer Temp button for three seconds while continuing to hold your phone to the speaker.



5. After you hear three beeps, release the Freezer Temp button.
6. Keep the phone in place until the tone transmission has finished. The display will count down the time. Once the countdown is over and the tones have stopped, resume your conversation with the specialist, who will then be able to assist you in using the information transmitted for analysis.

NOTE:

- For best results, do not move the phone while the tones are being transmitted.
- If the call center agent is not able to get an accurate recording of the data, you may be asked to try again.
- Call quality differences by region may affect the Diagnostics function.
- For best results, use Diagnostics with a landline phone.
- Bad call quality may result in poor data transmission from your phone to the machine, which could cause Diagnostics to malfunction.

TABLA DE CONTENIDOS

Garantía	43	► Sección del congelador	
Acuerdos de protección	44	Recipiente de almacenamiento de hielo	64
Instrucciones de seguridad importantes	45	Filtro de agua	65
Requisitos eléctricos y de conexión a tierra	47	Cuidado y limpieza	68
Componentes y características	48	Sugerencias generales de limpieza	68
Instalación del refrigerador	49-54	Exterior	68
Desembalaje del refrigerador	49	Paredes interiores.....	68
Instalación.....	50	Revestimiento de las puertas y juntas.....	68
Desmontaje y colocación de las manijas y puertas del refrigerador y del congelador.....	51-53	Piezas de plástico	68
Nivelación y alineación de las puertas.....	54	Bobinas del condensador	68
Uso del refrigerador	55	Sustitución de la bombilla LED	69
Ajuste de los controles	55	Interrupciones de alimentación.....	69
Funciones del panel de control.....	55	Cuando se va de vacaciones	69
Máquina de hielo automática.....	57	Cuando se muda.....	69
Guía para el almacenamiento de alimentos	59	Conexión de la tubería de agua	70
► Sección del refrigerador		Guía para la solución de problema	73
Dispensador de agua y hielo.....	60	Diagnóstico	81
Compartimientos de la puerta	61	Servicio técnico	Contratapa
Tapa y cajón para frutas y verduras	61		
Estantes del refrigerador/congelador.....	62		
Door-In-Door	63		



GARANTÍA DEL REFRIGERADOR

Garantía limitada de Kenmore Elite

PRESENTANDO COMPROBANTE DE COMPRA, la siguiente cobertura de garantía se aplica cuando este electrodoméstico se instala, opera y mantiene correctamente según las instrucciones suministradas. Para acordar servicio de garantía, llamar a: en EE. UU. 1-844-553-6667, y en Canadá llame 1-800-469-4663.

- DURANTE UN AÑO a partir de la fecha de compra, este electrodoméstico está garantizado contra defectos en materiales y mano de obra. Un electrodoméstico defectuoso recibirá reparación o sustitución gratuita a elección del vendedor. La presente cobertura de garantía se aplica solamente durante 90 días a partir de la fecha de compra en los Estados Unidos, y no será válida en Canadá, si el electrodoméstico se utilizó alguna vez para un propósito que no haya sido el doméstico.
- DURANTE CINCO AÑOS a partir de la fecha de compra, el sistema de refrigeración sellado de este electrodoméstico está garantizado contra defectos en materiales y mano de obra. Se suministrarán nuevos componentes del sistema a cambio de los defectuosos sin cargo. Usted es responsable de los gastos por mano de obra de la instalación del componente después del primer año a partir de la fecha de compra. La presente cobertura de garantía se aplica solamente durante un año a partir de la fecha de compra en los Estados Unidos, y no será válida en Canadá, si el electrodoméstico se utilizó alguna vez para un propósito que no haya sido el doméstico.
- DURANTE DIEZ AÑOS a partir de la fecha de compra, el compresor lineal de este electrodoméstico está garantizado contra defectos en materiales y mano de obra. Se suministrará un nuevo compresor lineal sin cargo. Usted es responsable de los gastos por mano de obra de la instalación después del primer año a partir de la fecha de compra. La presente cobertura de garantía se aplica solamente durante dos años a partir de la fecha de compra en los Estados Unidos, y no será válida en Canadá, si el electrodoméstico se utilizó alguna vez para un propósito que no haya sido el doméstico.

Esta garantía cubre ÚNICAMENTE los defectos de material y mano de obra, y NO cubrirá:

1. Elementos consumibles que puedan desgastarse debido al uso normal, incluyendo entre otros, filtros, correas, bombillas con base atornillada y bolsas.
2. Un técnico de servicio para enseñar al usuario la instalación, funcionamiento o mantenimiento correctos del producto.
3. Un técnico de servicio para realizar labores de limpieza o mantenimiento del producto.
4. Daños o averías como consecuencia de no seguir todas las instrucciones de instalación, funcionamiento o mantenimiento incluidas con el producto.
5. Daños o averías en caso de accidente, abuso, uso inadecuado o uso con propósitos distintos a los fines para los que el producto fue diseñado.
6. Daños o averías en caso de utilizar detergentes, limpiadores, sustancias químicas o utensilios distintos a los recomendados en las instrucciones incluidas con el producto.
7. Daños o fallas de los componentes o sistemas como resultado de modificaciones hechas sin autorización a este producto.

Descargo de responsabilidad de garantías implícitas; limitación de acciones legales

El único y exclusivo recurso del cliente bajo esta garantía limitada será la reparación o sustitución del producto como se indica en la presente. Las garantías implícitas, incluyendo garantías de comerciabilidad y aptitud para un objetivo particular, se encuentran limitadas a un año o al período más corto permitido por la ley. El vendedor no será responsable de los daños incidentales o derivados. Algunos estados y provincias no permiten la exclusión o limitación de daños o limitaciones incidentales o resultantes, o limitaciones sobre la duración de garantías implícitas o de comerciabilidad o aptitud, por lo tanto las limitaciones o exclusiones anteriores pueden no aplicarse en su caso.

Esta garantía podrá aplicarse sólo si este electrodoméstico se utiliza en los Estados Unidos o Canadá*.

Esta garantía le otorga derechos legales específicos, y usted también puede contar con otros derechos, que pueden variar de estado a estado.

* El servicio de reparación a domicilio no está disponible en todas las áreas geográficas de Canadá. Tampoco esta garantía cubrirá los gastos de viaje y transporte del usuario o del técnico de servicio si este producto está ubicado en un área remota (tal como la define Sears Canada Inc.) cuando no haya ningún técnico de servicio autorizado disponible.

Sears Brands Management Corporation, Hoffman Estates, IL 60179
Sears Canada Inc., Toronto, Ontario, Canadá M5B 2C3

ACUERDOS DE PROTECCIÓN

Acuerdos de protección general

Felicidades por haber realizado una compra inteligente. Su nuevo producto Kenmore Elite® ha sido diseñado y fabricado para proporcionarle años de funcionamiento fiable. No obstante, al igual que cualquier otro producto, es posible que requiera un mantenimiento preventivo o alguna reparación cada cierto tiempo. Por este motivo, disponer de un Acuerdo de protección general puede ahorrarle dinero y molestias.

El Acuerdo de protección general también le ayuda a prolongar la vida útil de su nuevo producto. El Acuerdo* incluye lo siguiente:

- **Piezas y mano de obra** no sólo para reparar defectos, sino para ayudar a mantener los productos en correcto funcionamiento **bajo uso normal**. Nuestra cobertura es **muy superior a la garantía del producto**. No hay ninguna avería funcional deducible que se excluya de la cobertura— **protección real**.
- **Servicio experto** llevado a cabo por técnicos de servicio con experiencia en quienes confían millones de hogares cada año.
- **Llamadas de servicio ilimitadas y servicio ilimitado en todo el país**, con tanta frecuencia como lo desee y en cualquier momento.
- **Funcionamiento garantizado** – sustitución del producto cubierto por el servicio después de que se produzcan por separado tres fallas del producto en un plazo de doce (12) meses y una cuarta reparación sea requerida. Incluye entrega e instalación gratis en caso que sea necesario reemplazar el producto.
- **Sustitución del producto** si el producto cubierto por el servicio no se puede reparar.
- **Comprobación anual de mantenimiento preventivo** si así lo solicita, sin ningún cargo adicional.
- **Ayuda rápida por teléfono** – asistencia por teléfono de un agente de servicio de todos los productos para ayudar a solucionar problemas. Piense en nosotros como un "manual del usuario que habla".

- **Protección de sobretensiones** contra daños eléctricos debidos a fluctuaciones de energía.
- **\$300 dólares de protección por pérdida** de cualquier alimento que quede inservible como consecuencia de un fallo mecánico de cualquier refrigerador o congelador cubierto por el servicio.
- **Promesa de servicio: \$50 dólares** si el primer intento de reparación del producto cubierto no se logra y el producto no puede usarse mientras se espera mayor servicio de reparación.
- **25% de descuento** del precio habitual de cualquier servicio de reparación y componente instalado relacionado no cubierto por el servicio.

Una vez adquirido el Acuerdo, una simple llamada telefónica es todo lo que necesita para programar el servicio. Puede llamarnos en cualquier momento del día o de la noche.

El Acuerdo de protección general es una compra sin riesgos. Si por cualquier motivo cancela el contrato durante el plazo de garantía del producto, le devolveremos todo el importe o bien una cantidad prorrateada una vez que haya finalizado el plazo de garantía del producto. Adquiera hoy mismo su Acuerdo de protección general.

Se aplican algunas limitaciones y exclusiones.

Para consultar las tarifas y obtener más información en los EE. UU., llame al 1-800-827-6655.

*** La cobertura en Canadá varía en algunos aspectos. Para más detalles, llame a Sears Canadá al 1-800-361-6665.**

Servicio de instalación de Sears

Para solicitar la instalación profesional de Sears de electrodomésticos, mecanismos de apertura de puertas de garaje, calentadores de agua y otros electrodomésticos de gran tamaño, **llame en EE.UU. 1-844-553-6667, y en Canadá 1-800-469-4663.**

REGISTRO DEL PRODUCTO

En el espacio a continuación, anote la fecha de la compra, el modelo y el número de serie del producto. Encontrará el modelo y el número de serie impreso en la placa de identificación situada en el revestimiento interior del compartimiento del refrigerador. Tenga esta información a mano siempre que se ponga en contacto con Sears en relación con su producto.

N.º de modelo. _____

Fecha de compra _____

N.º de serie. _____

Guarde estas instrucciones y su ticket de compra para futuras consultas.

INSTRUCCIONES IMPORTANTES SOBRE SEGURIDAD

PRECAUCIONES BÁSICAS DE SEGURIDAD

Este manual contiene muchos mensajes de seguridad importantes. **Lea y cumpla** siempre todos los mensajes de seguridad.



Este es el símbolo de alerta de seguridad. Le avisa de mensajes de seguridad que le informan de peligros de muerte o lesiones para usted o los demás, o que puedan dañar el producto.

Todos los mensajes de seguridad estarán precedidos del símbolo de alerta de seguridad y de las palabras de señal de peligro PELIGRO, ADVERTENCIA o PRECAUCIÓN. Estas palabras significan:

PELIGRO

Si **no** respeta las instrucciones morirá o sufrirá lesiones graves.

ADVERTENCIA

Si **no** respeta las instrucciones, podría morir o sufrir lesiones graves.

PRECAUCIÓN

Indica una situación de peligro inminente que, si no se evita, **podría** provocar lesiones leves o moderadas, o daños en el producto.

Todos los mensajes de seguridad le indicarán el peligro, lo que debe hacer para reducir la probabilidad de lesiones y lo que puede ocurrirle si no se siguen las instrucciones.

ADVERTENCIA

Para reducir el riesgo de incendio, descarga eléctrica o lesiones personales al utilizar el producto, se deben respetar una serie de precauciones básicas de seguridad, entre las que se incluyen las siguientes:

Lea todas las instrucciones antes de utilizar este electrodoméstico.

- NUNCA desenchufe el refrigerador tirando del cable de corriente. Agarre siempre el enchufe firmemente y tire del mismo para retirarlo de la toma de corriente.
- Repare o reemplace de inmediato todos los cables de alimentación pelados o con cualquier tipo de daño. No use un cable con grietas o abrasiones sobre su extensión o en los extremos del enchufe o conector.
- No modifique ni alargue la longitud del cable de alimentación, ya que podría causar una descarga eléctrica o provocar un incendio.
- Cuando separe el refrigerador de la pared, tenga cuidado de no torcer o dañar el cable de alimentación.
- El aislamiento de esta unidad contiene ciclopentano o un gas de tipo pentano el cual es inflamable y requiere de un proceso de eliminación especial. Antes de interrumpir el uso del refrigerador, comuníquese con las autoridades locales para arreglar la eliminación segura de la unidad.

- NO guarde ni utilice gasolina ni ningún otro gas o líquido inflamable cerca de este electrodoméstico o de cualquier otro.
- NO almacene sustancias explosivas como latas de aerosol que contengan propelentes explosivos en este artefacto.
- NO permita que los niños escalen, se monten o se cuelguen de las puertas o estantes del refrigerador. Podrían dañar el refrigerador o sufrir lesiones graves.
- Mantenga los dedos lejos de los puntos de riesgo de pinzamiento; las distancias de separación entre las puertas y los gabinetes son necesariamente pequeños. Tenga especial cuidado al cerrar las puertas cuando haya niños cerca.
- Desenchufe el refrigerador antes de limpiar o realizar cualquier reparación.

NOTA: Se recomienda ampliamente que cualquier reparación sea realizada por un técnico cualificado.

GUARDE ESTAS INSTRUCCIONES

⚠️ ADVERTENCIA

- Antes de realizar el servicio de las luces LED interiores, desenchufe el refrigerador o corte la corriente en el disyuntor o en la caja de fusibles.

NOTA: Las luces de los compartimientos del refrigerador y del congelador son iluminaciones interiores mediante LED, por lo que el mantenimiento deberá ser realizado por un técnico cualificado.

- ⚠️ **ADVERTENCIA:** Poner uno o ambos controles en posición de apagado (OFF) no corta la alimentación del circuito de iluminación.
- Cuando haya terminado, vuelva a conectar el refrigerador a la red eléctrica y restablezca los controles (Termostato, Control del refrigerador y/o Control del congelador, dependiendo del modelo) al ajuste deseado.
- Este refrigerador se debe instalar correctamente de acuerdo con las **instrucciones importantes para el instalador** incluidas en la hoja adhesiva pegada al frente del refrigerador.
- Cuando el refrigerador esté en funcionamiento, no toque las superficies frías del compartimiento del congelador con las manos húmedas o mojadas. La piel podría adherirse a las superficies extremadamente frías.

- NO toque el mecanismo de fabricación automática de hielo mientras esté el refrigerador enchufado.
- NO vuelva a congelar alimentos congelados que se hayan descongelado completamente. El Departamento de Agricultura de Estados Unidos, en el Boletín de Casa y Jardín N° 69, informa:

...Se pueden volver a congelar con seguridad alimentos congelados que se hayan descongelado si aún contienen cristales de hielo o si aún siguen fríos (por debajo de los 4°C).

...La carne picada, la carne de ave o el pescado descongelados cuyo olor o color indiquen mal estado no deben volver a congelarse ni deben comerse. El helado descongelado debe desecharse. Si el olor o el color de cualquier alimento ha perdido frescura o es cuestionable, deséchelo. Comer este tipo de alimentos puede ser peligroso.

Incluso si se descongela parcialmente un alimento y se vuelve a congelar, su calidad alimenticia se ve reducida, particularmente si se trata de frutas, verduras y comida preparada. La calidad alimenticia de las carnes rojas se ve menos afectada que la de la mayoría de alimentos. Utilice los alimentos recongelados lo antes posible para salvaguardar el máximo de calidad.

⚠️ **ADVERTENCIA:** Este producto contiene químicos que el Estado de California sabe que causan cáncer y defectos de nacimiento u otros daños reproductivos. *Lávese las manos después de su uso.*

GUARDE ESTAS INSTRUCCIONES

⚠️ PRECAUCIÓN

Este electrodoméstico no fue diseñado para que ser utilizado por personas con capacidades físicas, sensoriales o mentales reducidas (incluidos los niños), o con falta de experiencia y conocimiento, a menos que lo hagan bajo la supervisión o instrucciones de uso de una persona responsable por su seguridad.

Los niños deben ser supervisados para asegurarse de que no jueguen con el artefacto.

⚠️ PELIGRO: RIESGO DE ATRAPAMIENTO DE NIÑOS

Los refrigeradores desechados o abandonados son peligrosos, incluso si sólo es por unos pocos días. Si va a deshacerse de su antiguo refrigerador, le recomendamos que siga las instrucciones que encontrará a la derecha para evitar posibles accidentes (atrapamiento de niños y asfixia).



ANTES DE DESECHAR SU ANTIGUO REFRIGERADOR O CONGELADOR:

- Desmonte las puertas.
- Deje los estantes en su sitio para que los niños no puedan trepar con facilidad al interior.

DESECHO DE CFC/HCFC

Es posible que su antiguo refrigerador tenga un sistema de refrigeración que use CFC (clorofluorocarbonos) o HCFC (hidroclorofluorocarbonos). Los CFC y los HCFC son considerados perjudiciales para el ozono estratosférico si se liberan a la atmósfera. Otros refrigerantes también pueden causar daño al medio ambiente si se liberan a la atmósfera.

Si va a desechar su antiguo refrigerador, asegúrese de que un técnico cualificado se encargue de retirar el refrigerante para su adecuada eliminación. Si de forma intencionada libera este refrigerante, podría estar sujeto a multas y penas de prisión según lo previsto en la legislación medioambiental.

REQUISITOS ELÉCTRICOS Y DE CONEXIÓN A TIERRA

IMPORTANTE: Lea atentamente la siguiente información.

PARA CONECTAR LA ELECTRICIDAD

! ADVERTENCIA

Riesgo de descarga eléctrica

POR MOTIVOS DE SEGURIDAD PERSONAL, este electrodoméstico debe estar conectado a tierra adecuadamente. Solicite a un electricista cualificado que compruebe la toma de corriente y el circuito eléctrico para asegurarse de que la toma de corriente está correctamente conectada a tierra.



MÉTODO DE CONEXIÓN A TIERRA RECOMENDADO

El refrigerador debe estar siempre enchufado a su toma de corriente individual conectada a tierra adecuadamente con una tensión nominal de 115 voltios, 60 Hz, sólo CA, y protegida mediante fusible a 15 amperios (mínimo). Esta configuración proporciona el mejor rendimiento y, al mismo tiempo, evita la sobrecarga de la instalación eléctrica de la casa que podría provocar un peligro de incendio debido a un sobrecalentamiento de los cables. Se recomienda disponer de un circuito independiente para la exclusiva alimentación de este electrodoméstico.

Use un receptáculo que no se pueda apagar con un interruptor o con una cadena de tracción. No utilice un cable alargador de corriente.

Si únicamente se dispone de una toma de corriente de dos clavijas, será responsabilidad y obligación suya sustituirla por otra de tres clavijas con una conexión a tierra adecuada.

USO DE CABLES ALARGADORES

! ADVERTENCIA: No utilice cables de extensión o adaptadores sin conexión a tierra (dos puntas). Debido a los posibles peligros de seguridad que se pueden producir bajo ciertas condiciones, no se recomienda el uso de cables alargadores. Sin embargo, si a pesar de ello elige usar un cable alargador, es absolutamente necesario que sea un cable alargador para electrodomésticos de 3 clavijas con conexión a tierra y clasificación UL (EE. UU.), que disponga de un enchufe y una toma de corriente con conexión a tierra, y que la clasificación eléctrica del cable sea de 15 amperios (mínimo) y 120 voltios.

El uso de un cable alargador aumentará la separación necesaria para la parte posterior del refrigerador.

! PRECAUCIÓN

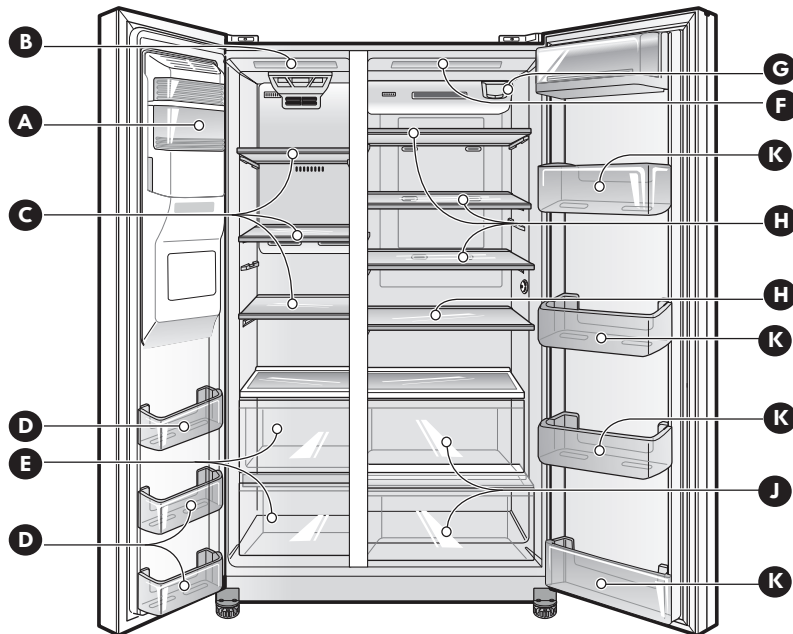
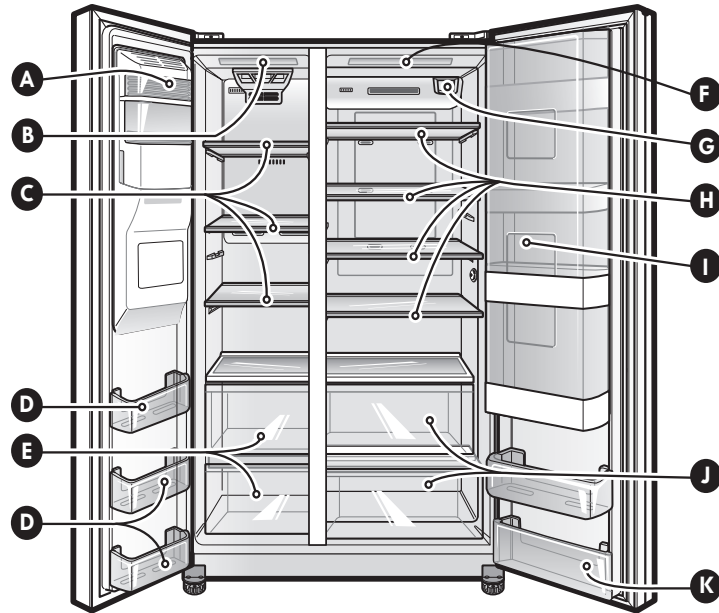
- No doble el cable de alimentación excesivamente o coloque artículos pesados sobre el mismo.
- Conecte el enchufe de suministro eléctrico en la posición correcta con el cable colgando hacia abajo.
- Al mover el refrigerador, evite pasar por encima del cable de alimentación o dañarlo.
- Si el cable de alimentación se daña, hágalo reemplazar inmediatamente por el fabricante o su agente de servicio.
- No inserte el cable de alimentación con las manos mojadas.
- No inserte sus manos dentro del área debajo del fondo del artefacto.
- Asegúrese de que el cable de alimentación no se encuentre aplastado o dañado por la parte trasera del refrigerador.

! ADVERTENCIA

Reemplazar el cable eléctrico

Para evitar riesgos, los cables de alimentación dañados deben ser reemplazados por el fabricante o su agente de servicio o por un técnico calificado de manera similar. No use el artefacto si el cable de alimentación está dañado.

COMPONENTES Y CARACTERÍSTICAS



Use esta página para familiarizarse con los componentes y funciones del refrigerador.

NOTA: Esta guía cubre varios modelos distintos. El refrigerador que ha adquirido puede tener algunos o todos los componentes que se enumeran a continuación. Es posible que las ubicaciones de las funciones que se indican no coincidan con su modelo.

- A** Máquina de hielo automática
- B** Luz (LED) del congelador *
- C** Estantes del congelador
- D** Compartimientos de la puerta del congelador
- E** Cajones del congelador
- F** Luz del refrigerador (LED) *
- G** Filtro de agua
- H** Estantes del refrigerador
- I** Door-In-Door
- J** Cajones del refrigerador
- K** Compartimientos de la puerta del refrigerador

* Esta característica puede variar dependiendo el modelo.

INSTALACIÓN DEL REFRIGERADOR

ADVERTENCIA

Riesgo de peso excesivo:

El desplazamiento e instalación del refrigerador deben realizarse entre dos o más personas. Si no se respeta esta advertencia, se podrán producir lesiones en la espalda o de otro tipo.

DESEMBALAJE DEL REFRIGERADOR

Antes de su uso, retire la cinta adhesiva y todas las etiquetas temporales del refrigerador. No retire las etiquetas que indican advertencias, la etiqueta de modelo y número de serie ni la Hoja técnica que está ubicada debajo del frontal del refrigerador, detrás de la rejilla de la base.

Para retirar los restos de pegamento o cinta adhesiva, frote enérgicamente el área con el pulgar. Los residuos de pegamento o cinta adhesiva también se pueden retirar fácilmente frotando con los dedos una pequeña cantidad de lavavajillas líquido sobre el adhesivo. Aclare con agua templada y seque el área.

No utilice instrumentos afilados, alcohol desinfectante, líquidos inflamables ni limpiadores abrasivos para retirar la cinta adhesiva o el pegamento. Estos productos pueden dañar la superficie del refrigerador.

Los estantes del refrigerador están instalados en la posición de transporte. Vuelva a colocar los estantes de acuerdo con sus necesidades personales de almacenamiento.

NOTA:

Este artefacto debe ser utilizado en aplicaciones domésticas o similares como:

- áreas para el personal de cocina en tiendas, oficinas y otros entornos de trabajo
- estancias y por clientes en hoteles, moteles y otros entornos residenciales
- entornos de alojamiento con desayuno
- hostelerías y mayoristas.

Este producto no debe ser utilizado para fines especiales, como ser para almacenar medicamentos o materiales de prueba, usar en barcos, etc.

ADVERTENCIA

Riesgo de peso excesivo:

Su refrigerador es pesado. Al desplazarlo para su limpieza o mantenimiento, asegúrese de proteger el suelo. Siempre debe tirar del refrigerador en línea recta cuando los desplace. No menee ni zigzaguee el refrigerador al tratar de desplazarlo, ya que esto puede dañar el suelo.

ADVERTENCIA

Riesgo de explosión:

Mantenga los materiales o vapores inflamables, como la gasolina, lejos del refrigerador. Si no se cumple con esto, se podrá producir una explosión, incendio, o incluso la muerte.

! ADVERTENCIA

Tenga cuidado cuando trabaje con la bisagra, el tapón, etc. Puede resultar herido. Para evitar el riesgo de lesión o descarga eléctrica, no coloque objetos de metal o las manos dentro de los conductos de ventilación o la apertura del fondo del refrigerador.

INSTALACIÓN

El refrigerador debe estar siempre enchufado a su toma de corriente individual conectada a tierra adecuadamente con una tensión nominal de 115 voltios, 60 Hz, sólo CA, y protegida mediante fusible a 15 amperios (mínimo). Esta configuración proporciona el mejor rendimiento y, al mismo tiempo, evita la sobrecarga de la instalación eléctrica de la casa que podría provocar un peligro de incendio debido a un sobrecalentamiento de los cables. Se recomienda disponer de un circuito independiente para la exclusiva alimentación de este electrodoméstico.

1. Para evitar el ruido y la vibración, es necesario nivelar la unidad e instalarla en un suelo sólidamente construido. Si es necesario, ajuste las patas de nivelación para compensar los desniveles del suelo. La parte delantera debe estar ligeramente más elevada que la posterior para ayudar al cierre de la puerta. Las patas de nivelación se pueden girar con facilidad inclinando ligeramente el aparato. Gire las patas de nivelación en sentido contrario a las agujas del reloj para elevar la unidad y en sentido horario para bajarla. (Consulte NIVELACIÓN Y ALINEACIÓN DE LAS PUERTAS).

NOTA: No se recomienda realizar la instalación sobre moqueta, superficies de baldosas flexibles, plataformas o estructuras con soporte inestable.

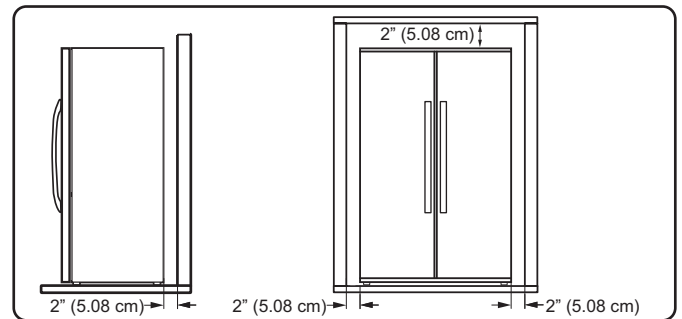
2. Instale este electrodoméstico en una zona donde la temperatura esté entre los 13°C (55°F) y 43°C (110°F). Si la temperatura alrededor del electrodoméstico es demasiado baja o demasiado alta, la capacidad de refrigeración se verá gravemente afectada.

INSTALACIÓN (continuación)

3. Seleccione un lugar en el que se pueda conectar fácilmente el suministro de agua para la máquina de hielo automática.

NOTA: La presión de agua debe estar entre los 20 y los 120 psi (138 a 827 kPa) en los modelos sin filtro de agua, y entre los 40 y 120 psi (276 a 827 kPa) en los modelos con filtro de agua.

4. Una distancia demasiado pequeña con los elementos adyacentes puede dar como resultado una reducción de la capacidad de congelación y un aumento del consumo eléctrico. Deje al menos 61 cm (24 pulgadas) en la parte frontal del refrigerador para abrir las puertas.



! ADVERTENCIA

Riesgo de descarga:

Para reducir el riesgo de descarga eléctrica, no instale el refrigerador en un área húmeda o mojada.

NOTA: Se recomienda desmontar las puertas cuando sea necesario desplazar el refrigerador a través de un espacio estrecho. Si es necesario desmontar las manijas, siga las instrucciones que se indican a continuación.

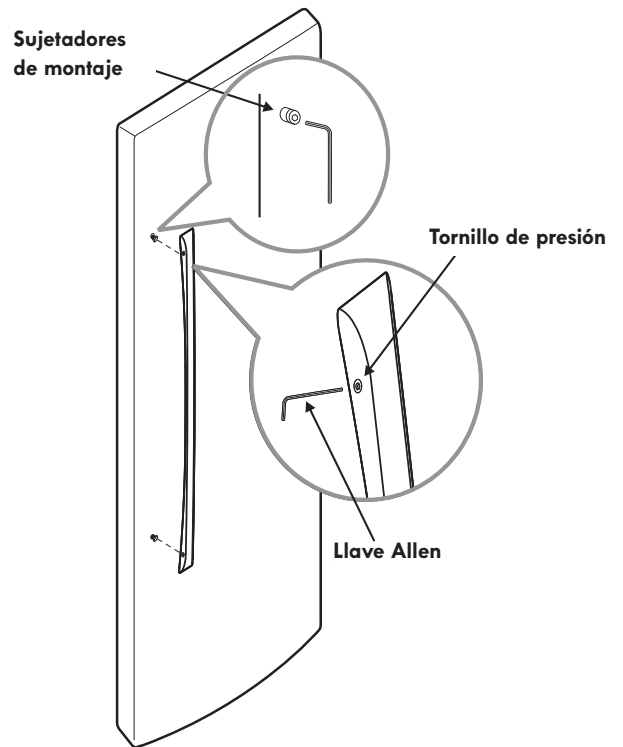
CÓMO DESMONTAR LA MANIJA DE LA PUERTA DEL REFRIGERADOR

NOTA: El aspecto de la manija puede ser distinto del que aparece en las ilustraciones de esta página.

Desmontaje de la manija del refrigerador

Afloje los tornillos de presión con una llave Allen de 2.5 mm ($3/32$ pulg.) y retire la manija.

NOTA: Si es necesario apretar o retirar los sujetadores de montaje de la manija, use una llave Allen de 6,4 mm ($1/4$ pulg.).



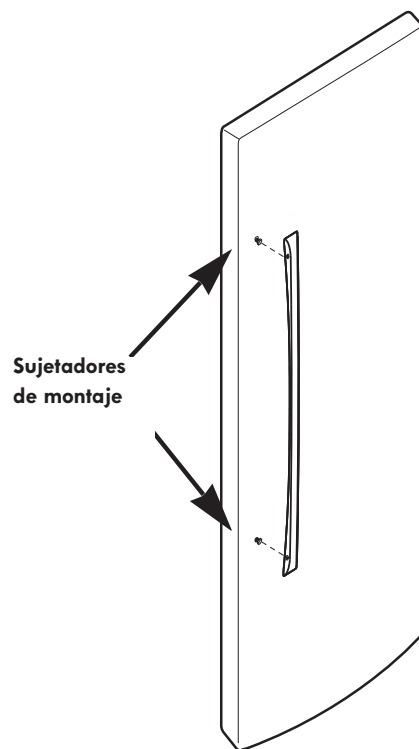
CÓMO SUSTITUIR LA MANIJA DE LA PUERTA DEL REFRIGERADOR

NOTA: El aspecto de la manija puede ser distinto del que aparece en las ilustraciones de esta página.

Sustitución de la manija de la puerta del refrigerador

Coloque la manija en la puerta ajustando las zonas de contacto de la manija sobre los sujetadores de montaje y apretando los tornillos de presión con una llave Allen de 2,5 cm ($3/32$ pulg.)

NOTA: Si es necesario apretar o retirar los sujetadores de montaje de la manija, use una llave Allen de 6,4 mm ($1/4$ pulg.).



DESMONTAJE Y COLOCACIÓN DE LAS PUERTAS DEL REFRIGERADOR

⚠️ ADVERTENCIA

Riesgo de peso excesivo:

El desplazamiento e instalación de las puertas del refrigerador deben realizarse entre dos o más personas. Si no se respeta esta advertencia, podrá sufrir lesiones en la espalda o de otro tipo.

⚠️ ADVERTENCIA

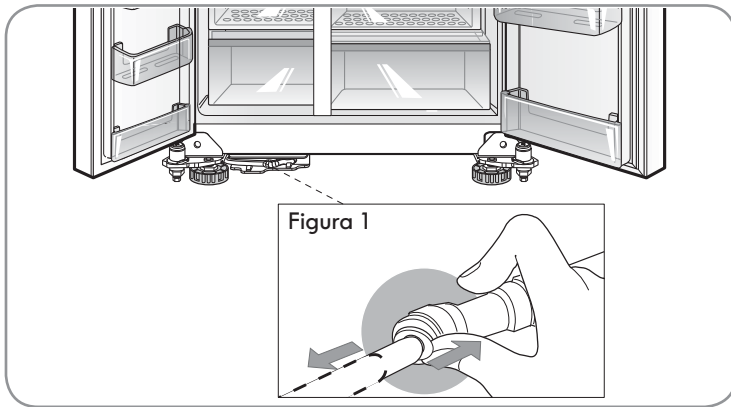
Riesgo de descarga eléctrica

- Desenchufe el suministro eléctrico al refrigerador antes de realizar la instalación. Si no se respeta esta advertencia, pueden producirse lesiones graves e incluso la muerte.
- No ponga las manos, pies ni ningún otro objeto en las rejillas de ventilación de aire o debajo del refrigerador. Podría sufrir lesiones o recibir una descarga eléctrica.

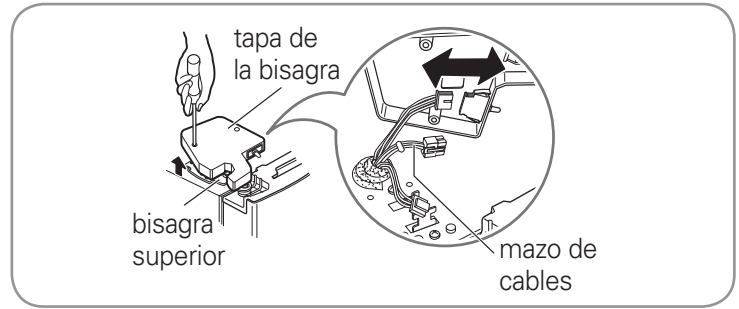
Quite la puerta izquierda (congelador) con la conexión de la tubería de agua.

Levante el tubo de alimentación de agua mientras presiona la boquilla (Figura 1) como se muestra en la figura a continuación.

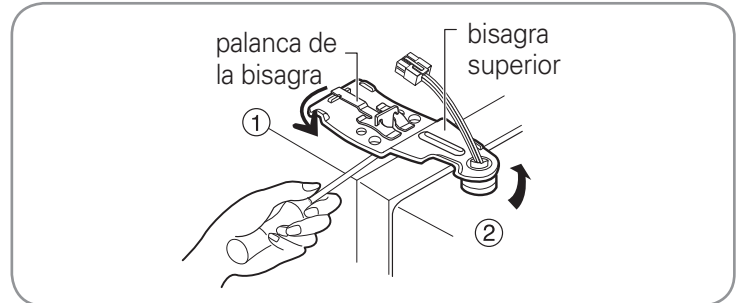
NOTA: Si el extremo del tubo está deformado o desgastado, quite la pieza. Si desconecta el tubo debajo de la puerta ocasiona que alrededor de 0.13 galones (0.5 litros) de agua fluya. Coloque un recipiente grande al final del tubo para evitar que el agua drene al piso.



NOTA: Las mangueras de agua deberían cortarse con un borde recto y limpio para evitar fugas.

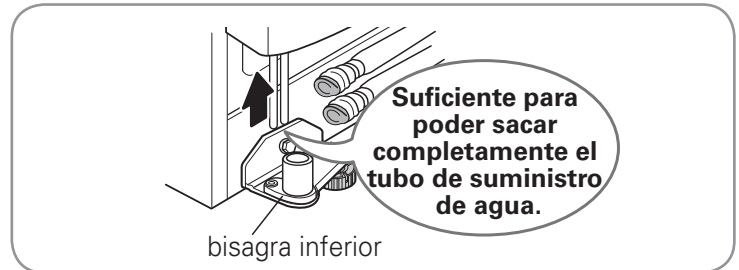


1. Abra la puerta. Retire el tornillo de la tapa de la bisagra superior.
2. Use un destornillador plano para hacer palanca y levantar los ganchos (no se ven en la imagen) de la tapa de la bisagra de la parte superior del aparato. Levante la tapa.
3. Desconecte todos los mazos de cables.
4. Gire la palanca de la bisagra (1) en sentido antihorario. Levante la bisagra superior libre del pestillo de palanca de la bisagra (2).



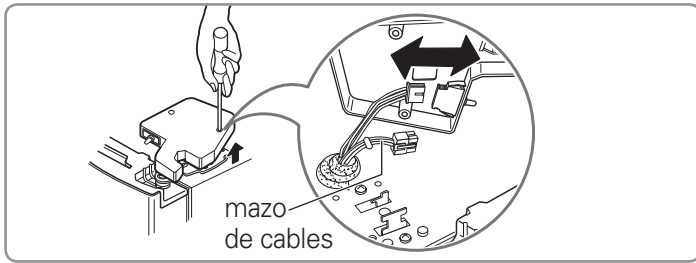
⚠️ PRECAUCIÓN: Cuando levante la bisagra libre del pestillo, tenga cuidado de que la puerta no se caiga hacia delante.

5. Levante la puerta del pasador de la bisagra inferior teniendo cuidado de tirar las tuberías de agua a través del pasador de la bisagra inferior.

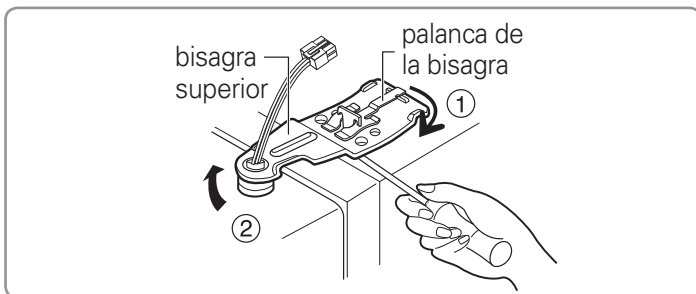


6. Coloque la puerta, con el interior hacia arriba, sobre una superficie que no raye. Tenga cuidado de no dañar el tubo de alimentación de agua.

Para desmontar la puerta derecha del refrigerador:



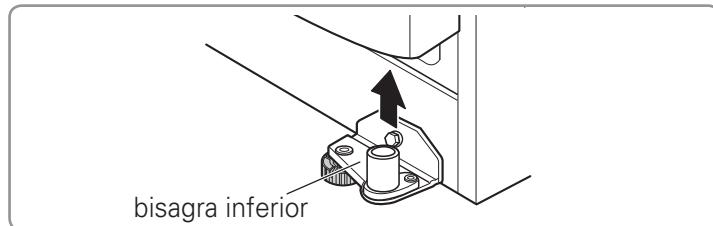
1. Abra la puerta. Retire el tornillo de la tapa de la bisagra superior.
2. Use un destornillador plano para hacer palanca y levantar los ganchos (no se ven en la imagen) de la tapa de la bisagra de la parte inferior de la tapa del refrigerador. Levante la tapa. Desconecte todos los mazos de cables.



3. Gire la palanca de la bisagra (1) en sentido horario. Levante la bisagra superior libre del pestillo de palanca de la bisagra (2).

⚠ PRECAUCIÓN: Cuando levante la bisagra libre del pestillo, tenga cuidado de que la puerta no se caiga hacia delante.

4. Levante la puerta hasta insertarla en el pasador de la bisagra inferior.

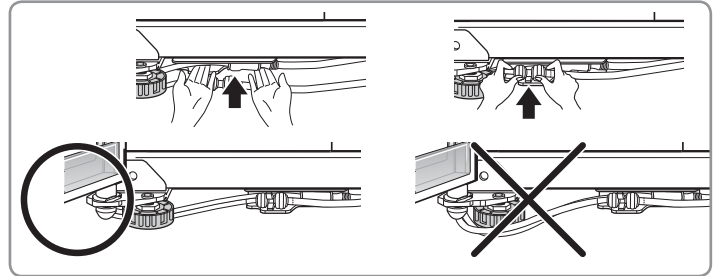


5. Coloque la puerta, con el interior hacia arriba, sobre una superficie que no raye.

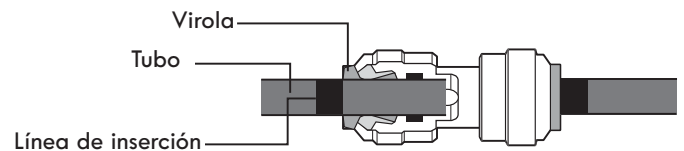
Reinstalar la puerta derecha del refrigerador

1. Coloque la puerta hasta insertarla en el pasador de la bisagra inferior.
2. Coloque la bisagra superior sobre el pestillo de palanca de la bisagra y encástrelo en el lugar. Gire la palanca en sentido antihorario para asegurar la bisagra.
3. Vuelva a conectar todos los mazos de cables. Enganche la pestaña situada en el lado del interruptor de la cubierta bajo el borde de la apertura para cables de la parte superior del aparato. Coloque la cubierta y reemplace el tornillo.

Reinstalar la puerta izquierda (congelador) del refrigerador



1. Alimente las tuberías de agua mediante el pasador de la bisagra inferior y coloque la puerta en el pasador de la bisagra inferior. Las mangueras de agua deberían estar detrás de la pata para evitar daños.
2. Encaje la bisagra superior sobre el pestillo de palanca de la bisagra y ajústela en su sitio. Gire la palanca en sentido horario para bloquear la bisagra.
3. Conecte los dos mazos de cables.
4. Enganche la pestaña de la tapa situada en el lado del interruptor de la puerta bajo el borde de la apertura para cables de la parte superior del aparato. Coloque la tapa en su sitio. Inserte y apriete el tornillo de la tapa.
5. Vuelva a conectar los tubos de agua insertando los tubos dentro de los conectores. El tubo se insertó correctamente cuando solamente se muestra una línea de guía de dos.



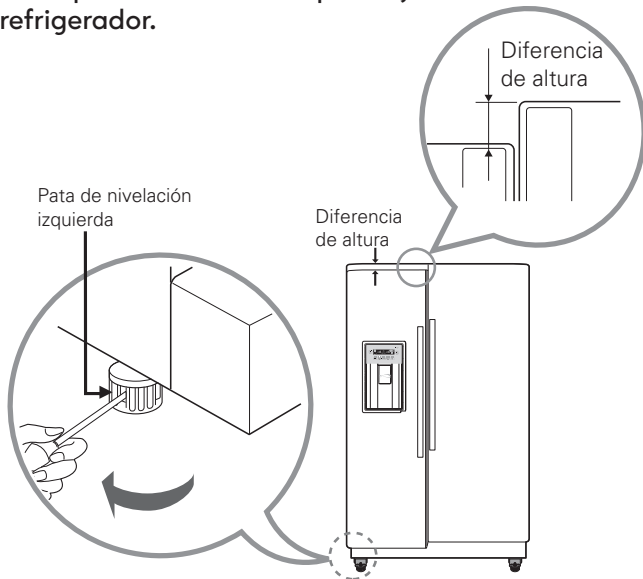
NIVELACIÓN

Tras la instalación, enchufe el cable de alimentación del refrigerador en una toma de corriente de 3 clavijas con conexión a tierra y empuje el refrigerador hasta su posición definitiva.

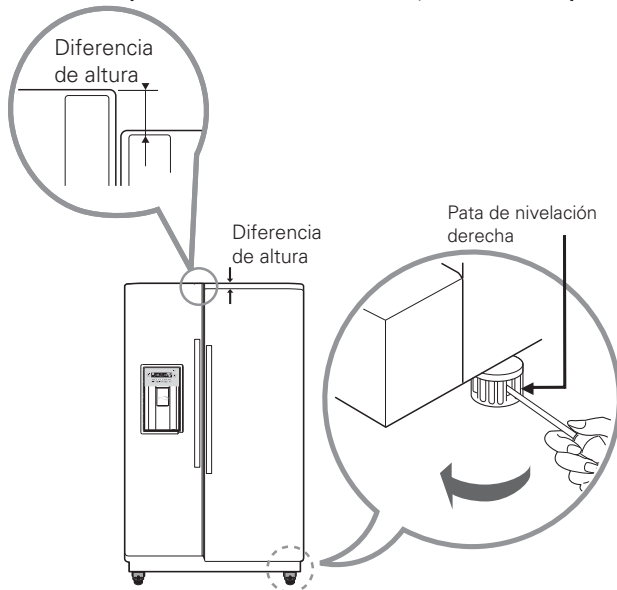
Su refrigerador tiene dos patas de nivelación delanteras: uno a la derecha y otro a la izquierda. Ajuste las patas para modificar la inclinación de delante hacia atrás o de lado a lado. Si el refrigerador parece inestable o si desea que las puertas se cierren más fácilmente, ajuste la inclinación del refrigerador mediante las siguientes instrucciones:

NOTA: Herramientas necesarias: Llave de $1\frac{1}{16}$ " (18mm) o un destornillador plano.

1. Gire los pies de nivelación en sentido anti-horario para levantar esa parte del refrigerador o en sentido horario para bajarla. Puede que sean necesarios varios giros de la pata de nivelación para ajustar la inclinación del refrigerador.



NOTA: Si una persona empuja hacia atrás la parte superior del refrigerador, descargará parte del peso de las patas de nivelación. Esta operación facilitará el ajuste de las patas.

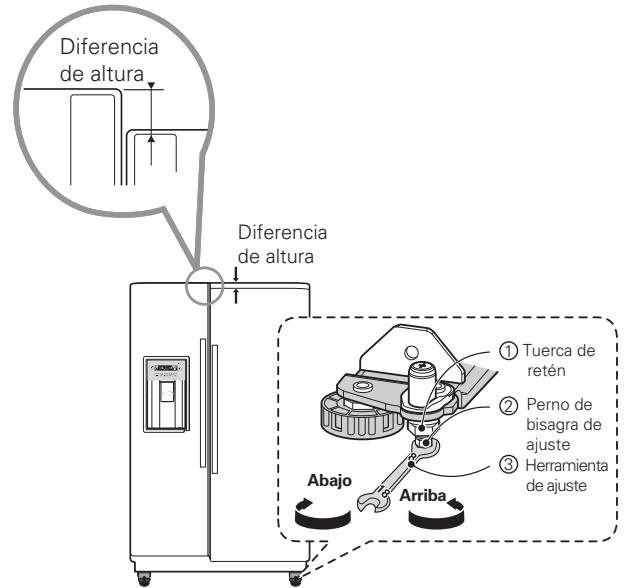


2. Vuelva a abrir ambas puertas y compruebe que se cierran con facilidad. Si no es así, incline el refrigerador ligeramente hacia atrás girando ambas patas de nivelación en sentido anti-horario. Es posible que sean necesarios más giros; debería girar ambas patas de nivelación la misma cantidad de veces.

ALINEACIÓN DE LAS PUERTAS

Si las puertas están aún desiguales después de nivelar el refrigerador, ajuste las puertas siguiendo las instrucciones que se encuentran a continuación.

Herramientas de ajuste: Llave de $5/16$ " (8mm) y llave de $3/4$ " (19mm)



Utilice una llave de $3/4$ " (19mm), gire la tuerca en sentido horario para aflojarla.

Utilice una llave de $5/16$ " (8mm), gire el pasador de la bisagra de ajuste en sentido horario o en el sentido contrario a las agujas del reloj para nivelar la puerta del refrigerador y del congelador.

Después de nivelar la puerta, gire la tuerca en sentido contrario a las agujas del reloj para ajustar. Asegúrese de que las patas de nivelación delanteras estén completas.

PRECAUCIÓN: No apriete mucho el tornillo de ajuste de la puerta. El pasador de la bisagra puede retirarse. (El rango ajustable de altura es un máximo de $1/2$ " (1,27 cm)).

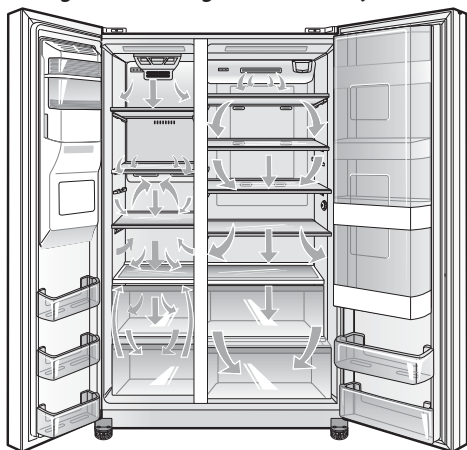
USO DEL REFRIGERADOR

AJUSTE DE LOS CONTROLES

El control del refrigerador funciona como termostato para todo el electrodoméstico (secciones refrigerador y congelador). Cuando más frío sea el ajuste, más tiempo funcionará el compresor para mantener la temperatura más fría. El control del congelador ajusta el flujo de aire frío desde el congelador hacia el refrigerador. Si se ajusta el control del congelador a una temperatura más reducida, se mantendrá más aire frío en el compartimiento del congelador para que éste esté más frío.

FLUJO DE AIRE

Circula aire frío desde el congelador hasta la sección de alimentos frescos y de vuelta, por las ventilaciones de aire que hay en la pared que dividen las dos secciones. Asegúrese de no bloquear las ventilaciones al cargar su refrigerador, ya que hacerlo restringirá el flujo de aire y puede causar que la temperatura del refrigerador suba demasiado o que se acumule humedad en su interior. (Consulte el siguiente diagrama de flujo de aire).



IMPORTANTE:

Debido a que el aire circula entre ambas secciones, cualquier olor que se forme en una sección se trasladará a la otra. Debe limpiar cuidadosamente ambas secciones para eliminar olores.

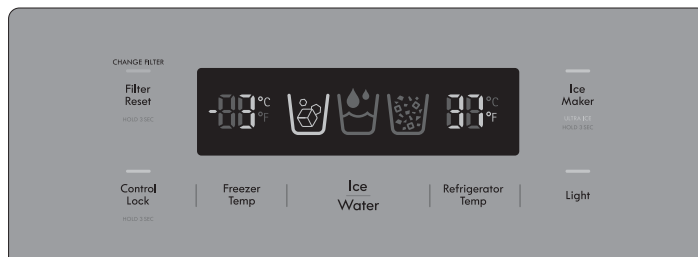
Para evitar el traspaso de olores y alimentos resacos, envuelva o cubra los alimentos firmemente. (Vea la sección guía de almacenamiento de alimentos para más detalles.)

NOTA: Si cierra la puerta del refrigerador, puede ver la puerta del congelador abrirse y cerrarse nuevamente para presionar el flujo de aire interno.

ANTES DE USAR

1. Limpie bien el refrigerador y quite todo el polvo acumulado durante el transporte.
2. Instale los accesorios, como el depósito de cubitos de hielo, los cajones, los estantes, etc., en su sitio. Éstos están empaquetados juntos para evitar posibles daños durante el transporte.
3. Deje que el refrigerador esté en funcionamiento durante al menos 2 o 3 horas antes de almacenar alimentos dentro del mismo. Compruebe el flujo de aire frío en el compartimiento del congelador para asegurarse de que la refrigeración sea la adecuada. Su refrigerador ya está listo para su uso.

FUNCIONES DEL PANEL DE CONTROL



Temperatura

- **El rango del control de temperatura del refrigerador es de 1°C a 8°C (30°F a 46°F).** Presione el Botón Refrigerator temp (Temperatura del refrigerador) para alternar entre los ajustes de temperatura disponibles con incrementos de un grado en cada pulsación. La temperatura recomendada para el compartimiento del refrigerador es 3°C (37°F).
- **El rango del control de temperatura del congelador es de -21°C a -13°C (-6°F a 8°F).** Pulse el botón Freezer Temp (temperatura del congelador) para alternar entre los ajustes de temperatura disponibles con incrementos de un grado en cada pulsación. La temperatura recomendada para el compartimiento del congelador es -18°C (0°F).

NOTA: Cada vez que cambie los ajustes de los controles, debe esperar 24 horas antes de realizar ajustes adicionales. Los controles están correctamente ajustados cuando la leche o el zumo están a la temperatura fría de su gusto y el helado está firme. Si la temperatura es demasiado fría o demasiado caliente en alguno de los compartimientos, cambie el ajuste en incrementos de un grado cada vez. Espere 24 horas a que se establezca la temperatura antes de volver a ajustarla.

Función para cambiar el modo de temperatura (°F <->°C)

Si desea convertir °F a °C o viceversa, mantenga presionados los botones Freezer Temp. y Refrigerator Temp. al mismo tiempo durante aproximadamente cinco segundos.

Dispensador de agua y hielo

Seleccione agua, hielo triturado o cubos de hielo presionando el botón ICE & WATER (hielo y agua) para la selección deseada. El ícono de agua, hielo triturado o cubos de hielo se encenderá para indicar la selección.



Seleccionar este ícono indica que se dispensarán cubos de hielo cuando la almohadilla del dispensador está activada.



Seleccionar este ícono indica que se dispensará agua cuando la almohadilla del dispensador esté activada.



Seleccionar este ícono indica que se dispensarán hielo triturado cuando la almohadilla del dispensador está activada.

Para dispensar agua o hielo, presione suavemente su vaso contra la almohadilla del dispensador.

NOTA: Mantenga su vaso en esa posición durante un par de segundos después de dispensar agua o hielo para que las últimas gotas vayan a su vaso y no al piso.

Ultra Ice

- Cuando se mantenga pulsado el botón Ice Maker durante aproximadamente tres segundos, el ícono en el panel visualizador se iluminará y continuará durante 24 horas. De forma automática, se apagará cuando transcurran 24 horas.
- Para detener esta función manualmente, mantenga presionado el botón Ice Maker durante aproximadamente tres segundos.
- Esta función aumenta tanto la fabricación del hielo como la capacidad de congelación al poner en funcionamiento el compartimiento del congelador a la configuración más fría durante un período de 24 horas

Filter Reset (Restablecimiento del filtro de agua)

Cuando se enciende el indicador del filtro de agua, indica que es necesario cambiar el filtro de agua. Una vez cambiado el filtro de agua, mantenga pulsado el botón Filter Reset (Restablecimiento del filtro) durante tres segundos para apagar la luz del indicador. El filtro de agua se debe cambiar aproximadamente cada seis meses.

Alarma de la puerta

- Cuando se conecta el refrigerador a la corriente, la alarma de la puerta está activada. Esta función no se puede desactivar.
- Si la puerta del refrigerador o del congelador se deja abierta durante más de 60 segundos, sonará el tono de la alarma para avisarle de que la puerta está abierta.
- Cuando se cierre la puerta, la alarma de la puerta dejará de sonar.

Control Lock (Bloqueo de los controles)

- El botón Control Lock desactiva los controles y funciones del dispensador. Cuando se conecta inicialmente el refrigerador a la corriente, la función de bloqueo Lock está desactivada.
- Si desea activar la función Lock para bloquear los demás botones, mantenga pulsado el botón Control Lock (bloqueo del control) durante tres segundos como mínimo. El indicador Control Lock (bloqueo del control) se activará y la función Lock (Bloquear) se habilitará.
- Cuando se activa la función Lock, no funciona ningún otro botón. Los botones del dispensador también se desactivan.
- Para desactivar la función Lock (Bloquear), mantenga presionado el botón Control Lock (bloqueo del control) durante aproximadamente tres segundos.

Luz ambiental/Luz del dispensador

Una luz blanca ilumina el área del dispensador siempre que la almohadilla del dispensador esté activada. El área del dispensador puede también iluminarse por medio de una luz ambiental, la cual se activa presionando el botón Light (Luz). Cuando la Luz ambiental se activa, la luz del indicador que se encuentra arriba del botón Light (Luz) se activa.

⚠ PRECAUCIÓN

Modo demostración (sólo para uso en tienda)

El modo demostración desactiva toda la refrigeración en las secciones refrigerador y congelador para ahorrar energía mientras está en exposición en una tienda. Cuando se activa, en el panel de control aparece la palabra OFF.

Para desactivar:

Con la puerta del refrigerador abierta, mantenga presionados los botones Refrigerator Temp. y Ultra Ice al mismo tiempo durante cinco segundos. El panel de control pitará y aparecerán los ajustes de temperatura para confirmar que se ha desactivado el modo demostración. Use el mismo procedimiento para activar el modo de demostración.

Ajuste las configuraciones del control

Dele tiempo al refrigerador para que enfríe completamente antes de realizar ajustes finales. Es mejor esperar 24 horas para dejar que las configuraciones normales recomendadas a continuación se establezcan antes de realizar cualquier cambio. Si necesita ajustar la temperatura en el refrigerador o el congelador, comience ajustando la temperatura del refrigerador y deje que transcurran 24 horas para que se establezcan las temperaturas nuevamente. Si aún es demasiado cálida o demasiado fría, entonces ajuste el control del congelador.

Utilice las configuraciones que se encuentran en el cuadro a continuación como guía. Siempre recuerde esperar al menos 24 horas entre ajustes.

ESTADO/MOTIVO	AJUSTE RECOMENDADO
<p>La sección del REFRIGERADOR está demasiado tibia.</p> <ul style="list-style-type: none"> • Deje la puerta abierta con frecuencia. • Gran cantidad de comida agregada. • Temperatura ambiente muy cálida. 	<ul style="list-style-type: none"> • Establezca el control del REFRIGERADOR un gran más frío; espere 24 horas para que el nuevo ajuste surta pleno efecto antes de realizar otro ajuste.
<p>La sección del CONGELADOR está demasiado cálida/el hielo no se hace lo suficientemente rápido.</p> <ul style="list-style-type: none"> • Deje la puerta abierta con frecuencia. • Gran cantidad de comida agregada. • Temperatura ambiente (13°C (55°F)) muy fría. (El compresor no alterna con bastante frecuencia) • Uso de hielo pesado. • Ventilaciones de aire bloqueadas por artículos. 	<ul style="list-style-type: none"> • Establezca el control del CONGELADOR un gran más frío; espere 24 horas para que el nuevo ajuste surta pleno efecto antes de realizar otro ajuste. • Aparte los artículos de la corriente de aire.
<p>La sección del REFRIGERADOR está demasiado fría.</p> <ul style="list-style-type: none"> • Los controles no están ajustados correctamente para las condiciones ambientales. 	<ul style="list-style-type: none"> • Establezca el control del REFRIGERADOR un gran más cálido; espere 24 horas para que el nuevo ajuste surta pleno efecto antes de realizar otro ajuste.
<p>La sección del CONGELADOR está demasiado fría.</p> <ul style="list-style-type: none"> • Los controles no están ajustados correctamente para las condiciones ambientales. 	<ul style="list-style-type: none"> • Establezca el control del CONGELADOR un gran más cálido; espere 24 horas para que el nuevo ajuste surta pleno efecto antes de realizar otro ajuste.

MÁQUINA DE HIELO AUTOMÁTICA

El hielo se fabrica en la máquina de hielo automática y se envía al dispensador. La máquina de hielo puede fabricar 7 cubitos por cada ciclo - aproximadamente 70-120 cubitos en un período de 24 horas, en función de la temperatura del compartimiento del congelador, la temperatura ambiente, el número de puertas abiertas y otras condiciones de funcionamiento.

- Un refrigerador recién instalado tardará entre 12 y 24 horas en empezar a producir hielo. Espere 72 horas para que comience la producción de hielo.
- La producción de hielo se detiene cuando se llena el depósito de hielo. En ese caso, el depósito de hielo contiene aproximadamente de 6 a 8 vasos (12-16 oz.) de hielo.
- Para apagar la máquina de hielo automática, pulse el botón Ice Maker en la pantalla. Para encender la máquina de hielo automática, pulse el botón otra vez.
- La presión del agua debe estar entre los 20 y los 120 psi (138 a 827 kPa) en modelos sin filtro de agua, y entre los 40 y 120 psi (276 a 827 kPa) en modelos con filtro de agua para producir cubitos de hielo en la cantidad y tamaño normales.
- El botón selector del tamaño del cubito de agua se utiliza para compensar la presión alta o baja del agua. Si usted recibe presión baja de agua en su refrigerador, puede que necesite seleccionar la configuración más alta. Para presión alta de agua, seleccione una configuración más baja.

CUÁNDO SE DEBE APAGAR LA MÁQUINA DE HIELO

- Cuando el suministro de agua vaya a estar interrumpido durante varias horas.
- Cuando se retire el depósito de hielo durante más de uno o dos minutos.
- Cuando no se vaya a usar el refrigerador durante varios días.

NOTA: Se debe vaciar el depósito de hielo cuando el botón Ice Maker se cambie a la posición **OFF** (Apagado).

SONIDOS NORMALES QUE SE PUEDEN ESCUCHAR

- La válvula de agua de la máquina de hielo emite un zumbido cuando la máquina se llena de agua. Si el botón Ice Maker está en posición **ON**, emitirá un zumbido incluso aunque aún no se haya conectado al agua. Para detener el zumbido, mueva el botón Ice Maker a la posición **OFF**.

NOTA: Mantener el botón Ice Maker en posición **ON** antes de conectar la tubería de agua podría dañar la máquina de hielo.

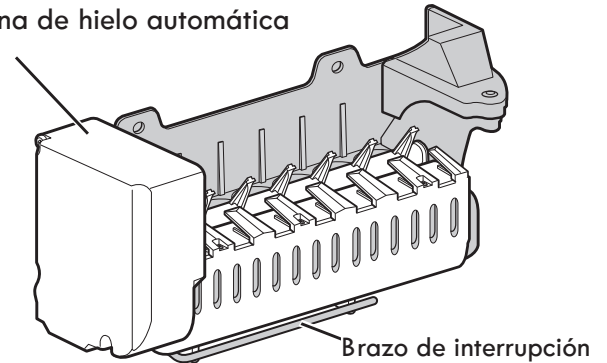
- Oirá el sonido de los cubitos de hielo al caer en el depósito y el agua corriendo por las tuberías cuando se rellena la máquina de hielo.

⚠ ADVERTENCIA

Riesgo de lesiones personales

Evite el contacto con las partes móviles del mecanismo eyector, o con el elemento de calor que extrae los cubos. **NO** introduzca los dedos o las manos en el mecanismo de fabricación automática de hielo con el refrigerador enchufado.

Máquina de hielo automática



⚠ ADVERTENCIA: Conecte solamente al suministro de agua potable.

PREPARACIÓN PARA LAS VACACIONES

Ponga el botón Ice Maker en posición **OFF** y corte el suministro de agua al refrigerador.

NOTA: Se debe vaciar el depósito de hielo siempre que el botón Ice Maker se cambie a la posición **OFF** (Apagado).

Si la temperatura ambiente cae por debajo del punto de congelación, póngase en contacto con un técnico cualificado para que purgue el sistema de suministro de agua para evitar graves daños materiales debidos a las inundaciones provocadas por la rotura de las tuberías o conexiones de agua.

MÁQUINA DE HIELO AUTOMÁTICA (continuación)

▲PRECAUCIÓN

- La primera tanda de hielo y agua dispensada podría incluir partículas y olor procedente de la tubería de suministro de agua o del depósito de agua.
- Deseche las primeras tandas de hielo (aproximadamente 24 cubitos). Esto también es necesario si el refrigerador no se usa durante un largo período de tiempo.
- Nunca almacene latas de bebidas u otros artículos en el depósito de hielo con el propósito de que se enfríen rápidamente. Si lo hace, podría dañar la máquina de hielo o los contenedores podrían estallar.
- Si se dispensa hielo manchado, compruebe el filtro y el suministro de agua. Si el problema persiste, póngase en contacto con Sears u otro servicio técnico cualificado. No consuma el hielo ni el agua hasta que se resuelva el problema.
- No permita que los niños utilicen el dispensador. Los niños podrían jugar con los controles y romperlos.
- Si sólo se usa hielo picado, el conducto del hielo podría quedar bloqueado con escarcha. Para retirar la escarcha acumulada, desmonte el depósito de hielo y libere el conducto con una espátula de goma. La dispensación de hielo en cubitos también ayuda a evitar la formación de escarcha.
- Nunca use vasos de cristal fino o recipientes de loza para recoger hielo. Ese tipo de contenedores podrían descascarillarse o romperse, y podrían caer fragmentos de cristal al hielo.
- Dispense hielo en el vaso antes de rellenarlo con agua u otras bebidas. Si se dispensa hielo en un vaso que ya contiene líquido, pueden producirse salpicaduras.
- Nunca use un vaso que sea excesivamente estrecho o profundo. El hielo podría atascarse en el conducto de hielo y el rendimiento del refrigerador podría verse afectado.
- Mantenga el vaso a una distancia adecuada de la salida del hielo. Si sostiene el vaso demasiado cerca de la salida, puede impedir que se dispense el hielo.
- Para evitar lesiones personales, mantenga las manos lejos de la puerta y del conducto del hielo.
- Nunca retire la tapa del dispensador.
- Si de forma inesperada se dispensa hielo o agua, corte el suministro de agua y póngase en contacto con el servicio técnico doméstico de Sears llamando al teléfono 1-844-553-6667 en EE. UU., y en Canadá llame 1-800-469-4663.

GUÍA PARA EL ALMACENAMIENTO DE ALIMENTOS

Envuelva o almacene los alimentos en el refrigerador dentro de materiales herméticos y antihumedad, a menos que se indique lo contrario. Esto evitará que el olor y sabor de los alimentos se transfiera por todo el refrigerador. Para productos con fecha de caducidad, compruebe el código de fecha para garantizar la frescura.

Artículos	Cómo
Mantequilla o margarina	► Conserve la mantequilla abierta en un plato cubierto o en un compartimiento cerrado. Cuando almacene una cantidad extra, envuélvala en una bolsa para congelar y congélela.
Queso	► Almacene en el envoltorio original hasta que esté listo para consumirlo. Una vez abierto, vuelva a envolverlo herméticamente en un envoltorio plástico o en papel de aluminio.
Leche	► Limpie los cartones de leche. Para un mejor almacenamiento, coloque la leche en los estantes interiores y no en el compartimiento de la puerta.
Huevos	► Almacénelos en el cartón original en un estante interior, no en el compartimiento de la puerta.
Fruta	► Lave, deje secar y almacénela en el refrigerador, dentro de bolsas de plástico o en el cajón para verduras. No lave ni pele la fruta hasta justo antes de su consumo. Organice y mantenga la fruta en su contenedor original, en el cajón para la verdura, o almacénela en una bolsa de papel completamente cerrada en un estante del refrigerador.
Verdura con hoja	► Retire el envoltorio comercial y corte o arranque las zonas magulladas o decoloradas. Lave en agua fría y deje escurrir. Colóquela en una bolsa o un contenedor de plástico, y almacénela en el cajón para verduras.
Vegetales con piel (zanahorias, pimientos)	► Colóquelos en una bolsa o un contenedor de plástico, y almacénelos en el cajón para verduras.
Pescado	► Consuma el pescado y el marisco fresco el mismo día de su adquisición.
Sobras	► Cubra las sobras con un envoltorio plástico, papel de aluminio o dentro de contenedores de plástico con tapas herméticas.
Helado	► Cuando almacena comida congelada como helado durante mucho tiempo, colóquelo en el estante del congelador, no en los compartimientos de la puerta.

ALMACENAMIENTO DE ALIMENTOS CONGELADOS

NOTA: Consulte una guía de congelación o un libro de cocina fiable para obtener más información sobre la forma de preparar los alimentos para su congelación o sobre los tiempos de almacenamiento de los alimentos congelados.

Congelación

El congelador no congelará rápidamente una gran cantidad de alimentos. No coloque más alimentos sin congelar en el congelador que los que se congelarán en 24 horas (no más de 1 o 1,5 kg de alimentos por cada 30 litros de espacio en el congelador). Deje suficiente espacio en el congelador para que el aire pueda circular entre los paquetes. Tenga cuidado de dejar suficiente espacio en la parte delantera para que se pueda cerrar la puerta herméticamente.

Los tiempos de almacenamiento variarán en función de la calidad y el tipo de alimento, el tipo de envase o envoltorio utilizado (si son herméticos y antihumedad) y la temperatura de almacenamiento. La aparición de cristales de hielo dentro de un paquete sellado es normal. Esto sólo significa que la humedad del alimento y del aire del interior del paquete se ha condensado, creando cristales de hielo.

NOTA: Deje que los alimentos calientes se enfríen a temperatura ambiente durante 30 minutos y, a continuación, empaquételes y congélelos. Enfriar alimentos calientes antes de congelarlos ahorra energía.

Empaquetamiento

Una congelación correcta depende de un empaquetamiento adecuado. Cuando se cierra y sella el paquete, no debe dejar que entre ni salga aire ni humedad. Si eso sucede, es posible que el olor y el sabor de los alimentos se transfieran por todo el refrigerador y también se podrían reseca los alimentos congelados.

Recomendaciones de empaquetamiento:

- Contenedores de plástico rígido con tapas herméticas
- Tarros de congelación / enlatado con lados rectos
- Papel de aluminio grueso
- Papel con revestimiento plástico
- Envoltorios plásticos no permeables
- Bolsas de plástico con autosellado y calidad específica apta para congelador

Siga las instrucciones del contenedor o paquete para métodos de congelación adecuados.

No usar

- Envoltorios de pan
- Contenedores de plástico que no sean de polietileno
- Contenedores sin tapas herméticas
- Papel de cera o envoltorio para congelador revestidos de cera
- Envoltorio fino y semipermeable

⚠ PRECAUCIÓN: No almacene latas de bebidas o contenedores de comida de plástico en el compartimiento del congelador. Podrían romperse o estallar al congelarse.

SECCIÓN DEL REFRIGERADOR

DISPENSADOR DE AGUA Y HIELO

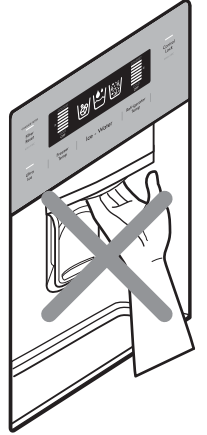
Para dispensar agua fría, empuje el interruptor del dispensador con un vaso.



Es posible que tras la dispensación se produzca un goteo. Mantenga el vaso bajo el dispensador durante unos segundos tras la dispensación para recoger todas las gotas.

⚠ ADVERTENCIA: No coloque los dedos encima de la abertura del conducto de hielo, podría sufrir lesiones de gravedad.

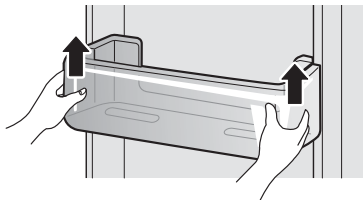
⚠ PRECAUCIÓN: No dispense hielo en vasos de cristal o porcelana fina, ya que podrían romperse.



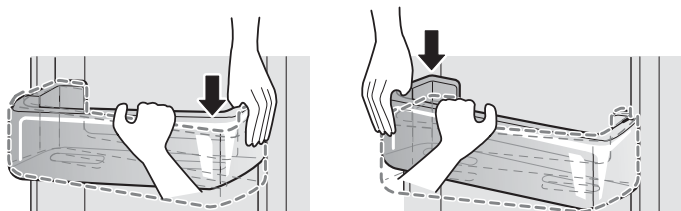
NOTA: El dispensador está equipado con una luz que se enciende cuando se activan los botones del dispensador.

COMPARTIMIENTOS DE LA PUERTA DEL REFRIGERADOR/CONGELADOR

Su refrigerador y congelador presentan compartimientos que pueden organizarse fácilmente para productos envasados.



Para quitar, sosteniendo ambos lados, levante el compartimento de la puerta y retírelo.



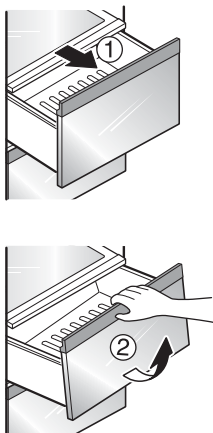
Para volver a colocar la bandeja, deslícela por encima del soporte deseado y empuje hacia abajo un lado a la vez hasta que encaje en su sitio.

TAPA Y CAJONES PARA FRUTAS Y VERDURAS

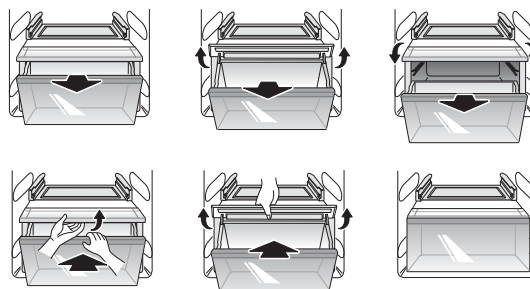
Los cajones para frutas y verduras permiten una mejor conservación de las frutas y de los vegetales.

Para quitar los cajones para frutas y verduras—empuje el cajón hasta la abertura completa ①, levante la parte delantera hacia arriba ②, y tire directamente hacia afuera.

Para volver a colocarlo—incline la parte delantera ligeramente hacia arriba, inserte el cajón en el marco y empuje hasta que encaje en su sitio.



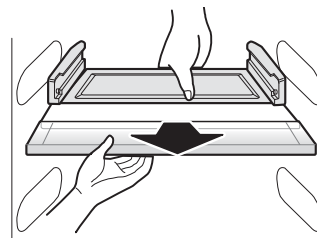
NOTA: Cuando quite o instale el cajón para frutas y verduras inferior, levante la tapa para ayudar a quitar o insertar el cajón.



⚠ CAUTION:

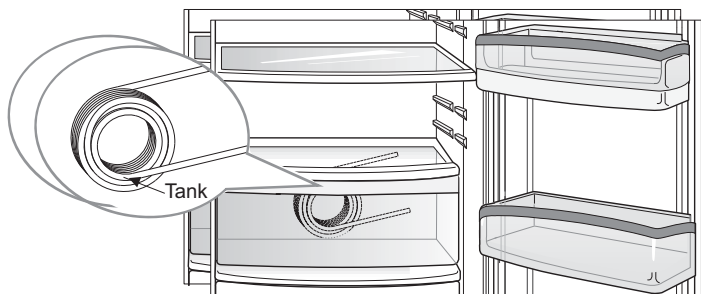
- Utilice ambas manos para montar y desmontar el cajón para frutas y verduras. El compartimento está pesado cuando se lo llena con comida y puede dañarse si se cae.
- Abra la puerta del refrigerador completamente cuando desmonta o vuelve a colocar el cajón para frutas y verduras.

Para quitar la tapa del cajón para frutas y verduras—agarre la tapa con ambas manos y empujela hacia afuera.



NOTA: Quite los cajones para frutas y verduras antes de quitar la tapa del cajón.

⚠ PRECAUCIÓN: Verá el tanque de agua mientras quita el cajón para frutas y verduras. No quite el tanque de agua o puede ocurrir una fuga de agua. El tanque de agua no es una pieza removible.



ESTANTES DEL REFRIGERADOR/CONGELADOR

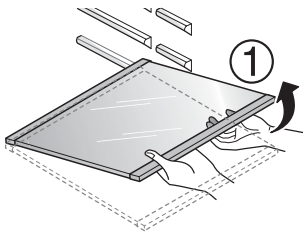
Los estantes del refrigerador y el congelador son ajustables para satisfacer sus necesidades personales de almacenamiento.

Organizar los estantes para que se ajusten a las diferentes alturas de los artículos hará que le resulte más fácil encontrar lo que busca. Con ello también reducirá el tiempo que permanecen las puertas del refrigerador y del congelador abiertas y ahorrará energía.

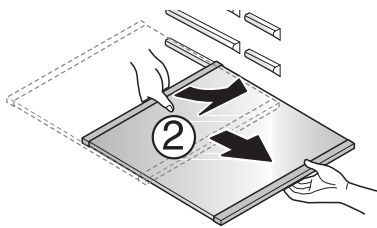
IMPORTANTE: No limpie los estantes de vidrio con agua templada mientras aún están fríos. Los estantes podrían romperse si se ven expuestos a cambios repentinos de temperatura o a impactos.

NOTA: Los estantes de vidrio son pesados. Tenga especial cuidado al momento de retirarlos.

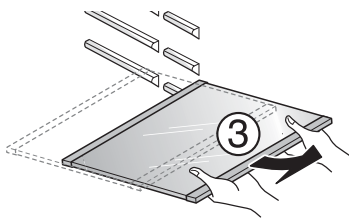
Desmontaje del estante



Retire todas las prenda del estante. Levante la parte frontal del estante ligeramente para separar los topes de los carriles de guía.



Empuje el cajón hacia adelante hasta la mitad, manteniendo la parte frontal del cajón ligeramente levantada.



Agarre el estante con ambas manos y empújelo hacia afuera.

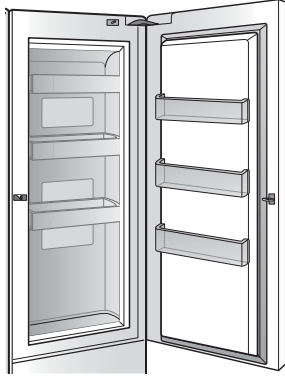
Montaje del estante

Incline la parte delantera del estante hacia arriba y guíe el estante al interior de las ranuras a la altura deseada. Deslice el estante hacia adentro, luego baje la parte delantera del estante.

⚠ PRECAUCIÓN: Asegúrese de que los estantes tienen ambos lados nivelados. De lo contrario, podría caerse el estante o derramarse los alimentos.

DOOR-IN-DOOR

El compartimento Door-in-Door permite el fácil acceso a los alimentos que se usan con más frecuencia. La puerta Door-in-Door exterior incluye tres compartimentos de puerta adicionales.

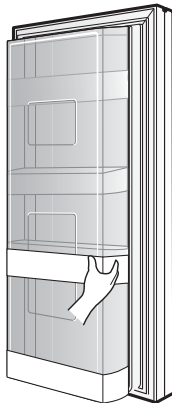


Compartimento Door-in-Door

Para acceder al compartimento Door-in-Door, presione ligeramente el botón en manija de la puerta derecha del refrigerador hasta que escuche un clic para abrir la puerta. No hay necesidad de agarrar la manija cuando abra el compartimento Door-in-Door.

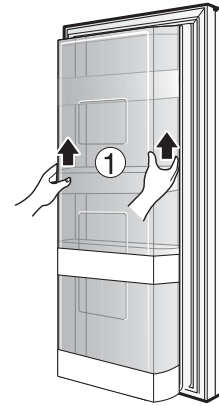


Bandeja Door-in-Door



Para abrir la caja Door-In-Door, tire de manera uniforme sobre el área marcada. La bandeja Door-in-Door es extraíble para facilitar su limpieza y ajuste.

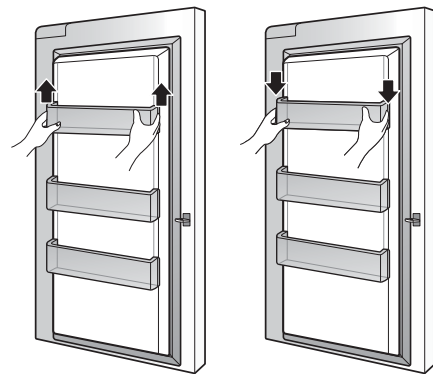
⚠ PRECAUCIÓN: Quite los contenidos de la bandeja Door-in-Door antes de desmontar.



- 1 Para desmontar la bandeja Door-in-Door, levántela hacia arriba y tire de ella hacia fuera.
- 2 Para reemplazar la bandeja Door-In-Door, alinee las pestañas de la bandeja Door-in-Door con las ranuras en la puerta y empuje hacia abajo hasta que encaje en su sitio.

Compartimientos de la Puerta Door-in-Door

Los compartimientos de la puerta exterior e interior Door-in-Door son extraíbles para facilitar su limpieza.



- 1 Para desmontar los compartimientos de la puerta, levántela hacia arriba y tire de ella hacia fuera.
- 2 Para volver a colocar los compartimientos de la puerta, deslícelos por encima del soporte deseado y empuje hacia abajo hasta que encajen en su sitio.

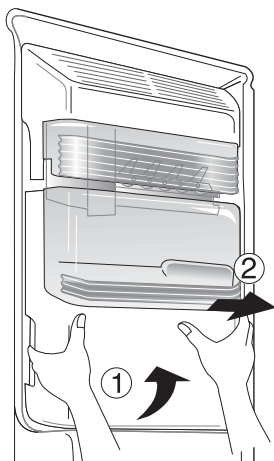
SECCIÓN DEL CONGELADOR

RECIPIENTE DE ALMACENAMIENTO DE HIELO

El depósito de hielo almacena los cubitos de hielo hechos por la máquina de hielo. Si necesita quitar el depósito de almacenamiento de hielo, hágalo de la siguiente manera:

NOTA: Utilice ambas manos para quitar el depósito de hielo para evitar que se caiga.

Levante levemente el depósito de almacenamiento de hielo ① y empujelo hacia afuera ② como se muestra en la figura.



FILTRO DE AGUA

FILTRO DE AGUA

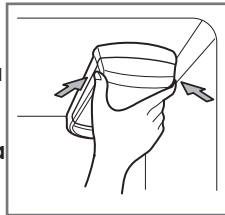
Se recomienda reemplazar el filtro de agua:

- Aproximadamente cada 6 meses.
- Cuando se enciende el indicador del filtro de agua.
- Cuando disminuye la salida de agua del expendedor de agua.
- Cuando los cubitos de hielo son más pequeños de lo habitual.

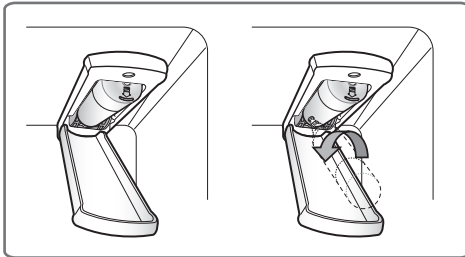
1. Quite el antiguo filtro de agua.

Pulse el botón de presión para abrir la tapa del filtro de agua.

NOTA: Al reemplazar el filtro de agua se drena una pequeña cantidad de agua (unos 25 cc o 1 oz.). Coloque un vaso debajo de la parte delantera de la tapa del filtro de agua para recoger el agua que se escape. Sostenga el filtro de agua en posición vertical, una vez retirado, para evitar que el agua residual se salga del filtro de agua.

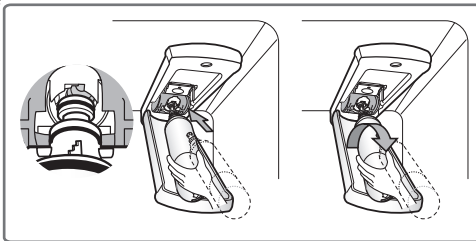


Tire del filtro de agua hacia abajo y sáquelo. Asegúrese de girar hacia abajo el filtro completamente antes de empujarlo hacia afuera del orificio del colector.

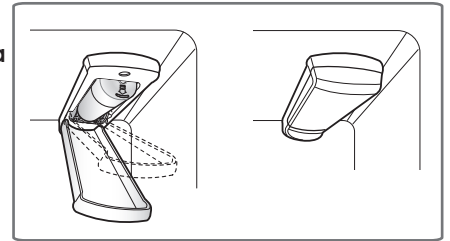


2. Reemplácelo con un filtro de agua nuevo.

Saque el nuevo filtro de agua de su envoltorio y retire la tapa protectora de las juntas tóricas. Con las pestañas del filtro de agua en posición horizontal, empuje el nuevo filtro de agua en el orificio del colector hasta que haga tope.



Gire el filtro de agua hacia arriba hasta colocarlo en su sitio y cierre la tapa. La tapa hará "clic" cuando se cierre correctamente.



3. Después de reemplazar el filtro de agua, dispense 9,5 litros (2,5 galones) de agua (deje correr el agua durante unos 5 minutos) para purgar el aire atrapado y los contaminantes del sistema; no dispense los 9,5 litros (2,5 galones) de agua de manera continua. Pulse y suelte el botón del dispensador en ciclos de 30 segundos ON y 60 segundos OFF.

NOTA: Para comprar un filtro de agua de repuesto, visite su establecimiento Sears o llame en EE. UU. 1-844-553-6667, y en Canadá llame 1-800-469-4663 o visite nuestro sitio web www.kenmore.com

NOTA: No es necesario un filtro de agua para operar este refrigerador. Instale un filtro de agua para mejorar la calidad del hielo y agua dispensados.

Hoja de datos de rendimiento

Uso del cartucho de repuesto: ADQ73613402

La concentración de las sustancias indicadas en el agua que entra al sistema se redujo a una concentración inferior o igual al límite permisible para el agua que sale del sistema tal como se especifica en las normas 42 y 53 de NSF/ANSI.



Sistema probado y certificado por NSF International conforme a las normas 42 y 53 de NSF/ANSI para la reducción de las sustancias que se enumeran a continuación.

Reducción de contaminantes	Concentración promedio	Concentración objetivo en agua	% medio de reducción	Concentración permisible del producto en agua	Concentración máxima permisible del producto en agua	Requisitos de reducción de NSF
Olor y sabor a cloro	2,0 mg/L	2,0 mg/L \pm 10%	97,5%	0,05 mg/L	N/D	\geq 50%
Partículas nominales (Clase I), \geq 0.5 to < 1.0 μ m	5.600.000 pts/mL	Como mínimo 10.000 partículas/mL	99,3%	73.000 pts/ml	N/D	\geq 85%
Amianto	170 MFL	10 ⁷ to 10 ⁸ MFL; fibras mayores de 10 μ m de longitud	>99%	< 1 MFL	N/D	\geq 99%
Atracina	0,0087 mg/L	0,009 mg/L \pm 10%	94,2%	0,003 mg/L	0,003 mg/L	N/D
Benceno	0,017 mg/L	0,015 mg/L \pm 10%	97%	0,005 mg/L	0,005 mg/L	N/D
Carbofurano	0,073 mg/L	0,08 mg/L \pm 10%	98,8%	0,001 mg/L	0,04 mg/L	N/D
Lindano	0,002 mg/L	0,002 mg/L \pm 10%	98,8%	0,00002 mg/L	0,0002 mg/L	N/D
P-Diclorobenceno	0,263 mg/L	0,225 mg/L \pm 10%	99,6%	0,001 mg/L	0,075 mg/L	N/D
Toxafeno	0,015 mg/L	0,015 mg/L \pm 10%	93,5%	0,001 mg/L	0,003 mg/L	N/D
2,4-D	0,25 mg/L	0,210 mg/L \pm 10%	99,5%	0,0012 mg/L	0,07 mg/L	N/D
Plomo con pH 6,5	0,150 mg/L	0,15 mg/L \pm 10%	>99,3%	0,001 mg/L	0,010 mg/L	N/D
Plomo con pH 8,5	0,150 mg/L	0,15 mg/L \pm 10%	>99,3%	0,001 mg/L	0,010 mg/L	N/D
Mercurio con pH 6,5	0,006 mg/L	0,006 mg/L \pm 10%	96,5	0,0002 mg/L	0,002 mg/L	N/D
Mercurio con pH 8,5	0,0062 mg/L	0,006 mg/L \pm 10%	86,9	0,0081 mg/L	0,002 mg/L	N/D
Quiste*	120.000 quistes/L	Mínimo 50.000 quistes/L	>99,99%	<1 quiste/L	N/D	\geq 99,95%

* Basado en el uso de ooquistes de *Cryptosporidium parvum*

Directrices de aplicación / Parámetros del suministro de agua	
Flujo de servicio	1,9 lpm (0,5 gpm)
Suministro de agua	Agua potable de pozo privado o comunitario
Presión del agua	20-120 psi (138 - 827 kPa)
Temperatura del agua	0,6 °C - 38 °C (33 °F - 100 °F)
Capacidad	757 litros (200 galones)

Departamento de California de Certificación de la Salud Pública 14-3015. Para condiciones de uso, los reclamos de salud certificados por el Departamento de Salud Pública de California y piezas de repuesto, consulte la Hoja de Datos de Rendimiento.

Es esencial respetar los requisitos recomendados por el fabricante para la instalación, mantenimiento y reemplazo del filtro de agua para que el producto se comporte de la forma indicada.

NOTA: Las pruebas se realizan en condiciones estándar de laboratorio, por lo que el rendimiento real puede variar.

Cartucho de repuesto: ADQ73613402

Para comprar un filtro de agua de repuesto, visite su establecimiento Sears o llame en EE.UU. 1-844-553-6667 y en Canadá 1-800-469-4663 o visite nuestro sitio web www.kenmore.com

Producto distribuido en los Estados Unidos de América por Sears Brands Management Corporation, Hoffman Estates, IL 60179.

3M es una marca comercial de 3M Company.
NSF es una marca comercial de NSF International.
© 2009 3M Company. Todos los derechos reservados.

ADVERTENCIA

Para reducir el riesgo asociado con la obstrucción. No deje que los niños menores a 3 años tengan acceso a pequeñas piezas durante la instalación de este producto.

Para reducir el riesgo asociado a la ingestión de contaminantes: No utilice agua que no sea segura microbiológicamente o cuya calidad se desconozca sin una desinfección adecuada antes o después del sistema. Los sistemas certificados para la reducción de quistes puede utilizarse en aguas desinfectadas que puedan contener quistes filtrables. Número de establecimiento de EPA 070595-MEX-001

PRECAUCIÓN

Para reducir el riesgo asociado con daños materiales debidos a fugas de agua:

- **Lea y cumpla** las instrucciones del uso del filtro de agua antes de la instalación y uso de este sistema.
- La instalación y uso **DEBE** cumplir con todas las normativas de fontanería estatales y locales.
- **No** instalar si la presión del agua excede los 120 psi (827 kPa). Póngase en contacto con un fontanero profesional si no está seguro de cómo comprobar la presión del agua.
- **No** instalar en sistemas donde se pueda producir el efecto de golpe de ariete. Si existe una situación de golpe de ariete en la instalación, debe instalar un amortiguador de golpe de ariete. Póngase en contacto con un fontanero profesional si no está seguro de cómo comprobar esta situación.
- **No** instalar en tuberías de suministro de agua caliente. La temperatura máxima de funcionamiento del agua de este sistema de filtrado de agua es de 38°C (100°F).
- **Proteja el filtro de agua de la congelación.** No opere el refrigerador en condiciones ambientales por debajo de 55°F. Drene el filtro de agua cuando almacene la unidad en temperaturas por debajo de 40°F (4,4°C).
- El filtro de agua desechable se debe reemplazar cada seis meses, a la capacidad nominal, o si se produce una significativa reducción del flujo.
- No instale los sistemas en áreas donde las temperaturas ambientales puedan superar los 110°F (43,3°C).
- Cuando un dispositivo de prevención de reflujo se instala en un sistema de aguas, debe instalarse un dispositivo para controlar la presión debido a la expansión térmica.
- Asegúrese de que todas las tuberías y las conexiones estén seguras y que no tengan fugas.

Water Treatment Device
Certificate Number
09 - 201

Date Issued: December 15, 2009

Manufacturer: Sears Roebuck and Co.

The water treatment device(s) listed on this certificate have met the testing requirements pursuant to Section 116830 of the Health and Safety Code for the following health related contaminants:

Microbiological Contaminants and Turbidity

st sy C

Inorganic/Radiological Contaminants

so ts eb sA
Lead
Mercury

Organic Contaminants

2,4-D Reduction
Atrazine
Benzene
Carbofuran
Lindane
p-Dichlorobenzene
Toxaphene

Rated Service Capacity: 200 gal

Rated Service Flow: 0.5 gpm

Conditions of Certification:

CUIDADO Y LIMPIEZA

! ADVERTENCIA



Riesgo de explosión

Use un limpiador no inflamable. Si no se cumple con esto, se podrá producir una explosión, incendio, o incluso la muerte.

Tanto las secciones refrigerador como congelador se descongelan de forma automática; sin embargo, se recomienda limpiar ambas secciones una vez al mes para evitar la aparición de olores. Seque los derrames inmediatamente.

SUGERENCIAS GENERALES DE LIMPIEZA

- Desenchufe el refrigerador o desconecte la alimentación.
- Retire todos los componentes extraíbles, como estantes, cajones, etc. Consulte las secciones en **Uso del refrigerador** para obtener instrucciones acerca del desmontaje.
- Use una esponja limpia o un trapo suave, junto con un detergente suave en agua templada. No utilice limpiadores abrasivos o agresivos.
- Lave a mano, enjuague y seque todas las superficies a fondo.
- Enchufe el refrigerador o vuelva a conectar la corriente.

EXTERIOR

El encerado de las superficies metálicas pintadas externas proporciona una protección contra el óxido. No encere las piezas de plástico. Encere las superficies metálicas pintadas al menos dos veces al año con cera para electrodomésticos (o cera en pasta para coches). Aplique la cera con un trapo suave y limpio.

Para productos con un exterior en acero inoxidable, use una esponja limpia o un trapo suave, junto con un detergente suave en agua templada. No utilice limpiadores abrasivos o agresivos. Seque a fondo con un trapo suave.

PAREDES INTERIORES (deje que el congelador se caliente para que el trapo no se quede pegado)

Para ayudarle a eliminar los olores, puede lavar el interior del refrigerador con una mezcla de bicarbonato sódico y agua templada. Mezcle 2 cucharadas soperas de bicarbonato sódico (unos 26 g) en 1 litro de agua. Asegúrese de que el bicarbonato sódico esté completamente disuelto para que no raye las superficies del refrigerador.

! PRECAUCIÓN: Cuando esté limpiando el interior, no pulverice agua.

REVESTIMIENTO DE LAS PUERTAS Y JUNTAS

Use una esponja limpia o un trapo suave, junto con un detergente suave en agua templada. No utilice ceras de limpieza, detergentes concentrados, lejías ni limpiadores que contengan petróleo en las piezas del refrigerador que son de plástico.

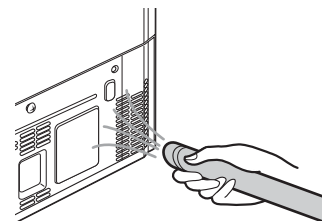
PIEZAS DE PLÁSTICO (tapas y paneles)

Use una esponja limpia o un trapo suave, junto con un detergente suave en agua templada. No utilice sprays para ventanas, limpiadores abrasivos ni líquidos inflamables, ya que pueden arañar o dañar el material.

BOBINAS DEL CONDENSADOR

Use una aspiradora con boquilla para limpiar la cubierta del condensador y las ventilaciones.

No quite el panel que cubre el área de la bobina del condensador.



SUSTITUCIÓN DE LA BOMBILLA LED

ADVERTENCIA

Riesgo de descarga eléctrica

Antes de realizar el servicio de las luces LED interiores, desenchufe el refrigerador o corte la corriente en el disyuntor o en la casa de fusibles.

Poner uno o ambos controles en posición de apagado (OFF) no corta la alimentación del circuito de iluminación.

NOTA: Las luces de los compartimientos del refrigerador y del congelador son iluminaciones interiores mediante LED, por lo que el mantenimiento deberá ser realizado por un técnico cualificado.

INTERRUPCIONES DE ALIMENTACIÓN

1. Si el corte de energía eléctrica fuera a durar 24 horas o menos, mantenga todas las puertas del refrigerador cerradas para que los alimentos permanezcan fríos y congelados.
2. Si la corte de energía eléctrica fuera a durar más de 24 horas, saque todos los alimentos congelados y almacénelos en un compartimento para comida congelada.

CUANDO SE VA DE VACACIONES

Si decide dejar encendido el refrigerador mientras está fuera, siga estos pasos para preparar el refrigerador antes de irse.

1. Consuma los alimentos perecederos y congele los demás.
2. Apague la máquina de hielo y vacíe el depósito de hielo.

Si decide apagar el refrigerador antes de partir, siga estos pasos.

1. Saque todos los alimentos del refrigerador.
2. Dependiendo del modelo, ajuste el control del termostato (control del refrigerador) en OFF (apagado). Consulte la sección AJUSTE DE LOS CONTROLES.
3. Limpie el refrigerador y séquelo bien.
4. Con cinta adhesiva, coloque bloques de madera o goma en la parte superior de ambas puertas para mantenerlas lo suficientemente abiertas para que pueda pasar el aire. Esto evitará la aparición de moho y malos olores.

CUANDO SE MUDA

Cuando vaya a trasladar su refrigerador a una nueva casa, siga estos pasos para prepararlo para la mudanza.

1. Saque todos los alimentos del refrigerador y empaquete todos los alimentos congelados en hielo seco.
2. Desenchufe el refrigerador.
3. Lávelo y séquelo bien.
4. Retire todos los componentes extraíbles, envuélvalos bien y, con cinta adhesiva, embálelos juntos para que no se muevan ni traqueteen durante la mudanza. Consulte la sección USO DEL REFRIGERADOR para obtener instrucciones sobre la extracción de los componentes.
5. Dependiendo del modelo, levante la parte delantera del refrigerador para que ruede con más facilidad O BIEN atornille las patas de nivelación para que no rayen el suelo. Consulte la sección DOOR ALIGNMENT (Alineación de las puertas).
6. Use cinta adhesiva para mantener las puertas cerradas y para pegar el cable de alimentación al cuerpo del refrigerador.

Cuando llegue a su nueva casa, vuelva a colocar todo en su sitio y consulte la sección INSTALACIÓN DEL REFRIGERADOR para obtener las instrucciones de preparación.

CONEXIÓN DE LA TUBERÍA DE AGUA

ANTES DE EMPEZAR

Esta instalación del conducto de agua no está cubierta por la garantía del refrigerador. Siga estas instrucciones con cuidado para minimizar el riesgo de costosos daños debidos al agua.

El golpe de ariete (golpeteo del agua en las tuberías) en la fontanería de la casa podría dañar componentes del refrigerador y provocar una fuga o una inundación de agua. Llame a un fontanero cualificado para resolver el golpe de ariete antes de instalar el conducto de suministro de agua en el refrigerador.

⚠ PRECAUCIÓN: Para evitar quemaduras y daños en el producto, conecte solamente el tubo de agua del refrigerador a un suministro de agua fría. Conecte solamente al suministro de agua potable.

Si va a usar el refrigerador antes de conectar la tubería de agua, asegúrese de que el botón Ice Maker está en la posición **OFF**.

No instale la tubería de la máquina de hielo en zonas donde las temperaturas descienden por debajo del punto de congelación.

PRESIÓN DEL AGUA

Conecte a un suministro de agua fría. La presión de agua debe estar entre los 20 y los 120 psi (138 a 827 kPa) en los modelos sin filtro de agua, y entre los 40 y 120 psi (276 a 827 kPa) en los modelos con filtro de agua.

Si se conecta un **sistema de filtración de agua de ósmosis inversa** al suministro de agua fría, esta instalación de la tubería de agua no está cubierta por la garantía del refrigerador. Siga estas instrucciones con cuidado para minimizar el riesgo de costosos daños debidos al agua.

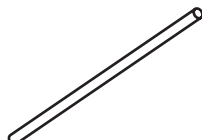
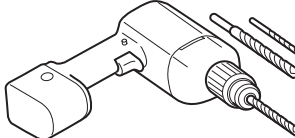
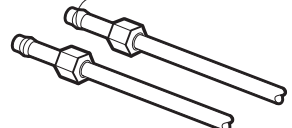
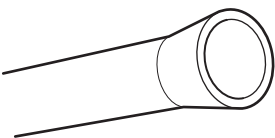
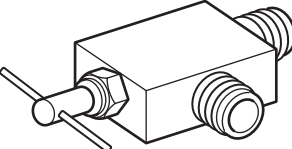
Si se conecta un sistema de filtración de agua por ósmosis inversa, la presión de agua al sistema por ósmosis debe ser como mínimo de entre 40 y 60 psi (2.8 kgf/cm² ~ 4.2 kgf/cm², menos de 2.0~3.0 segundos en llenar una taza de 7 cc de capacidad).

Si la presión del agua procedente del sistema por ósmosis inversa es inferior a 21 psi o 1,5 kgf/cm² (tarda más de 4 segundos en llenar una taza de 200 cc de capacidad):

- Compruebe si el filtro de sedimentos del sistema por ósmosis inversa está bloqueado. Reemplace el filtro si es necesario.
- Después de un uso intensivo, déle tiempo al depósito de almacenamiento del sistema por ósmosis inversa para que se llene.
- Si el problema relacionado con la presión de agua procedente de la ósmosis inversa persiste, llame a un fontanero cualificado.
- Todas las instalaciones deben realizarse conforme a los requisitos de los códigos locales de fontanería.

PRECAUCIÓN: Use gafas protectoras durante la instalación para evitar lesiones.

QUÉ NECESITARÁ

- **Tubería de cobre, de 1/4 de pulgada de diámetro**, para conectar el refrigerador al suministro de agua. Asegúrese de que ambos extremos de la tubería están cortados a escuadra. 
- Para determinar la cantidad de tubería que necesita: mida la distancia desde la válvula de agua situada en la parte posterior del refrigerador a la tubería del suministro de agua. A continuación, súmele 2,4 metros (8 pies). Asegúrese de que haya suficiente tubería adicional (aproximadamente 2,4 metros [8 pies] enrollada en 3 vueltas de unos 25 cm [10 pulg.] de diámetro) para permitir que se pueda despegar el refrigerador de la pared después de la instalación.
- **Taladro eléctrico.** 
- **Llave de 1/2 pulg. o una llave inglesa.**
- **Destornilladores de punta plana y de estrella.**
- **Dos tuercas de compresión con un diámetro exterior de 1/4 pulg. y 2 abrazaderas para unir la tubería de cobre a la válvula de corte y a la válvula de agua del refrigerador.** 
- Si la tubería de agua de cobre existente tiene una conexión abocinada en el extremo, necesitará un **adaptador** (disponible en cualquier ferretería) para conectar la tubería de agua al refrigerador. O puede cortar la conexión abocinada con un cortatubos y, a continuación, usar una tuerca de unión. 
- **Una válvula de corte para conectar al conducto de agua fría.** La válvula de corte debería tener una entrada de agua con un diámetro interior mínimo de 5/32 pulg. en el punto de conexión con la TUBERÍA DE AGUA FRÍA. Las válvulas de corte de montura se incluyen en muchos kits de suministro de agua. Antes de comprarla, asegúrese de que la válvula de montura cumple con los códigos locales de fontanería. 

NOTA: No se debe usar una válvula de agua de tipo de montura auto perforante.

⚠ ADVERTENCIA

Riesgo de descarga eléctrica

Si usa un dispositivo eléctrico (como un taladro) durante la instalación, asegúrese de que esté alimentado por batería y que tenga doble aislamiento o que esté correctamente conectado a tierra de manera que evite el riesgo de una descarga eléctrica.

INSTRUCCIONES PARA LA INSTALACIÓN

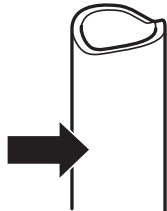
Instale la válvula de corte cerca del conducto de agua potable que más se usa.

1. CORTE EL SUMINISTRO DE AGUA PRINCIPAL

Abra el grifo más cercano para liberar la presión de la línea.

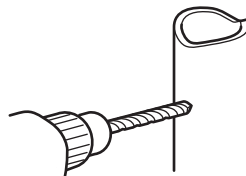
2. ELIJA LA UBICACIÓN DE LA VÁLVULA

Elija una ubicación para la válvula a la que se pueda acceder fácilmente. Es mejor conectarla en el lateral de una tubería de agua vertical. Cuando sea necesario conectarla en una tubería de agua horizontal, realice la conexión en la parte superior o lateral, en lugar de conectarla a la parte inferior, para evitar la acumulación de sedimentos de la tubería de agua.

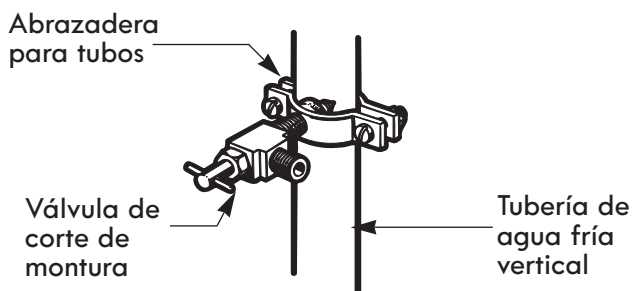


3. TALADRE EL ORIFICIO PARA LA VÁLVULA

Taladre un orificio de 1/4 pulg. en la tubería de agua mediante una punta afilada. Quite todas las rebabas resultantes de taladrar el orificio en la tubería. Tenga cuidado de que no caiga agua en el taladro. Si no se taladra un orificio de 1/4 podría verse reducida la producción de hielo o el tamaño de los cubitos.



NOTA: La tubería de conexión no puede ser una tubería blanca de plástico. Los fontaneros autorizados sólo deben usar tuberías de cobre (NDA #49595 o 49599) o tuberías PEX (polietileno reticulado).



4. FIJE LA VÁLVULA DE CORTE

Fije la válvula de corte a la tubería de agua fría con la abrazadera para tubos.

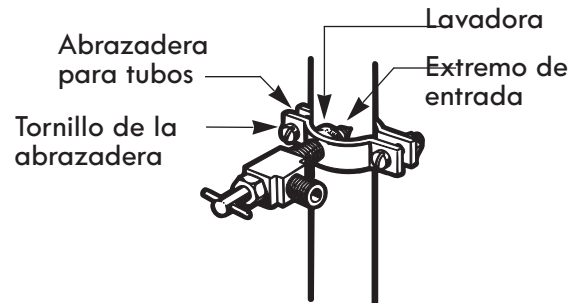
NOTA: Se deben cumplir los códigos de fontanería 248CMR del Estado de Massachusetts. Las válvulas de montura son ilegales y no se permite su uso en Massachusetts.

Consulte a su plomero autorizado.

5. APRIETE LA ABRAZADERA PARA TUBOS

Apriete los tornillos de la abrazadera hasta que la arandela de sellado comience a hincharse.

NOTA: Tenga cuidado de no sobreapretar la abrazadera, ya que podría romper la tubería.



6. ENCAMINE LA TUBERÍA

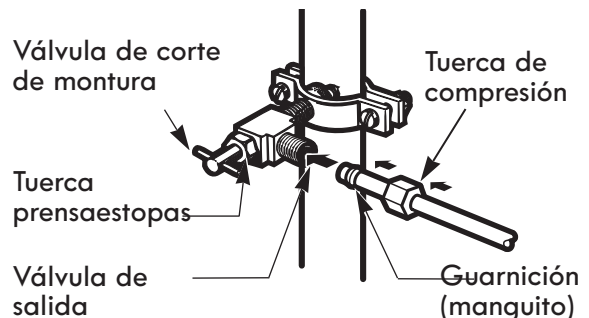
Encamine la tubería entre la tubería de agua fría y el refrigerador.

Encamine la tubería a través de un orificio taladrado en la pared o piso (detrás del refrigerador o junto a la base del aparato) lo más cerca de la pared que sea posible.

NOTA: Asegúrese de que haya suficiente tubería adicional (aproximadamente 2,4 metros enrollada en 3 vueltas de unos 25 cm de diámetro) para permitir que se pueda despegar el refrigerador de la pared después de la instalación.

7. CONECTE LA TUBERÍA A LA VÁLVULA

Coloque la tuerca de compresión y la abrazadera para la tubería de cobre en el extremo de la tubería y conéctela a la válvula de corte. Asegúrese de que la tubería está completamente insertada en la válvula. Apriete la tuerca de compresión con fuerza.



NOTA: Se deben cumplir los códigos de fontanería 248CMR del Estado de Massachusetts. Las válvulas de montura son ilegales y no se permite su uso en Massachusetts. Consulte a su fontanero autorizado.

IMPORTANTE: Utilice sólo los nuevos conjuntos de manguera para agua, no reutilizar los viejos conjuntos de manguera para agua.

8. ACLARE EL INTERIOR DE LA TUBERÍA

Active el suministro de agua principal y deje correr el agua por la tubería hasta que salga agua clara.

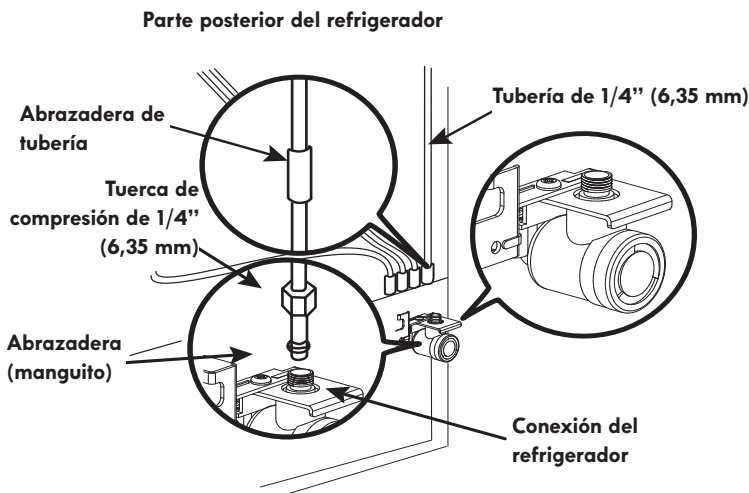
Corte la válvula de agua después de que haya pasado aproximadamente un litro de agua a través de la tubería.



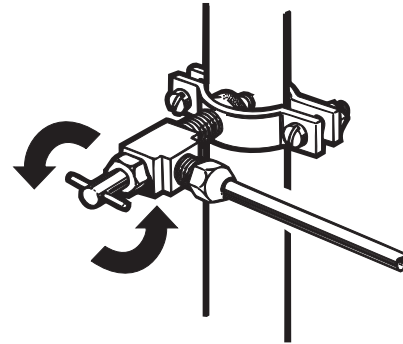
9. CONECTE LA TUBERÍA AL REFRIGERADOR

NOTA: Antes de realizar la conexión con el refrigerador, asegúrese de que el cable de alimentación del refrigerador no está enchufado a la toma de corriente.

1. Retire la tapa de plástico flexible de la válvula de agua.
2. Coloque la tuerca de compresión y la guarnición (manguito) en el extremo del tubo tal como se muestra en la imagen.
3. Inserte el extremo de la tubería de cobre en la conexión todo lo que pueda. Mientras sujeta la tubería, apriete el adaptador.



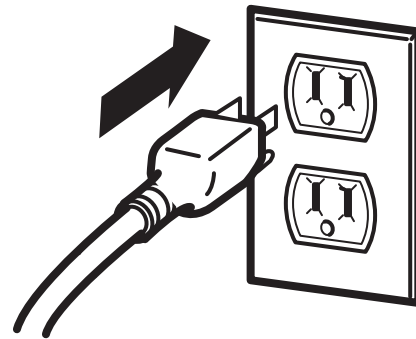
10. ABRA EL PASO DE AGUA EN LA VÁLVULA DE CORTE Apriete las conexiones que goteen.



⚠PRECAUCIÓN: Compruebe si hay fugas en las conexiones de las tuberías de agua.

11. ENCHUFE EL REFRIGERADOR

Disponga la bobina de tubería de tal manera que no vibre contra la parte posterior del refrigerador ni contra la pared. Empuje el refrigerador hacia la pared.



12. ENCIENDA LA MÁQUINA DE HIELO

Ponga el botón Ice Maker en la posición **ON** (encendido).

La máquina de hielo no comenzará a funcionar hasta que no alcance su temperatura de funcionamiento de -9°C (15°F) o menor. En este momento, comenzará automáticamente a funcionar si el botón Ice Maker está en posición **ON** (encendido).

GUÍA DE SOLUCIÓN DE PROBLEMAS

REFRIGERACIÓN

Antes de llevar a cabo los pasos necesarios para detectar y solucionar problemas, asegúrese de que se cumpla con los siguientes requisitos básicos:

Flujo de servicio	1,9 lpm (0,5 gpm)
Suministro de agua	Agua potable
Presión del agua	40 -120 psi (276 - 827 kPa)
Temperatura del agua	0,6°C - 38°C (33°F - 100°F)
Clasificaciones eléctricas	115 voltios, 60 Hz, sólo CA, y con un fusible a 15 amperios (mínimo).

Problema	Causas posibles	Soluciones
El refrigerador y la sección del congelador no están refrigerando.	El cable de alimentación no está enchufado.	Enchufe el cable en una toma de corriente activa con el voltaje adecuado.
	El refrigerador está en modo demostración.	El modo demostración permite que las luces y la pantalla de controles funcionen normalmente, pero desactiva la refrigeración para ahorrar energía mientras el refrigerador está en exposición. Consulte la sección de Ajuste de los controles para obtener instrucciones sobre cómo desactivar el Modo Demostración.
	El refrigerador está en el ciclo de descongelamiento.	Durante el ciclo de descongelamiento, es posible que la temperatura de cada compartimiento suba un poco. Espere 30 minutos y compruebe que se haya restaurado la temperatura apropiada una vez completo el ciclo de descongelamiento.
	El refrigerador se instaló recientemente.	Puede tomar hasta 24 horas para que cada compartimiento alcance la temperatura deseada.
	El refrigerador se cambió de lugar recientemente.	Si el refrigerador estuvo almacenado durante mucho tiempo o se movió sobre su costado, es necesario que el refrigerador esté en posición vertical durante 24 horas antes de conectarlo a una fuente de energía.
El sistema de refrigeración funciona demasiado.	El refrigerador está reemplazando un modelo anterior.	Los refrigeradores modernos requieren tiempo de operación pero usan menos energía debido a que existe tecnología más eficiente.
	El refrigerador se enchufó recientemente o se restauró la energía hace poco.	Tomará hasta 24 horas para que el refrigerador se enfríe completamente.
	Se abrió la puerta a menudo o se agregó una gran cantidad de alimentos / comida caliente.	Agregar comida y abrir la puerta aumenta la temperatura del refrigerador, lo que obliga al compresor a funcionar durante más tiempo para poder volver a enfriar el refrigerador. Para ahorrar energía, intente sacar todo lo que necesite del refrigerador de una sola vez, mantenga los alimentos organizados para que resulte fácil encontrarlos y cierre la puerta en cuanto haya sacado los alimentos. (Consulte la Guía para el almacenamiento de alimentos).
	Las puertas no están cerradas del todo.	Empuje las puertas firmemente para cerrarlas. Si no se cierran del todo, consulte la sección Las puertas no se cierran completamente o se abren en la Guía para la solución de problemas de componentes y funciones.
	El refrigerador está instalado en un lugar caluroso.	El compresor funcionará durante más tiempo en condiciones calurosas. A una temperatura ambiente normal (110°C/70°F), espere que su compresor funcione durante un 40% u 80% del tiempo. En condiciones más calurosas, sería esperable que funcionara aún más a menudo. No se debe operar el refrigerador a temperaturas que superen los 43°C (110°F).
El condensador / la cubierta trasera está tapada.	Use una aspiradora con boquilla para limpiar la cubierta del condensador y las ventilaciones. No quite el panel que cubre el área de la bobina del condensador.	

REFRIGERACIÓN

Problema	Causas posibles	Soluciones
La sección de refrigerador o congelador está demasiado cálida.	El refrigerador se instaló recientemente.	Puede tomar hasta 24 horas para que cada compartimiento alcance la temperatura deseada.
	Las ventilaciones de aire están bloqueadas.	Reordene los artículos para permitir que el aire circule por el compartimiento. Consulte el diagrama de Flujo de aire en la sección Uso del refrigerador.
	Las puertas se abren a menudo o durante mucho tiempo.	Cuando las puertas se abren a menudo o durante mucho tiempo, el aire cálido y húmedo ingresa en el compartimiento. Esto aumenta la temperatura y el nivel de humedad dentro del compartimiento. Para disminuir el efecto, reduzca la frecuencia y duración de la apertura de las puertas.
	La unidad está instalada en un lugar cálido.	No se debe operar el refrigerador a temperaturas sobre los 43°C (110°F).
	Se agregó gran cantidad de alimentos o alimentos calientes a cualquiera de los compartimientos.	Agregar alimentos entibia el compartimiento, lo que lleva a que sea necesario que opere el sistema de refrigeración. Permitir que los alimentos calientes se enfríen hasta estar a temperatura ambiente antes de guardarlos en el refrigerador reducirá este efecto.
	Las puertas no están correctamente cerradas.	Consulte la sección las puertas no se cierran correctamente o se abren de golpe en la Guía para la solución de problemas de componentes y funciones.
	El control de temperatura no está en la configuración correcta.	Si la temperatura es demasiado cálida, ajuste el control de a un incremento y espere a que se estabilice la temperatura. Consulte la sección Ajuste de los controles para obtener más información.
	El ciclo de descongelamiento se completó recientemente.	Durante el ciclo de descongelamiento, es posible que la temperatura de cada compartimiento aumente levemente y que se forme condensación en la pared trasera. Espere 30 minutos y compruebe que se haya restaurado la temperatura apropiada una vez completo el ciclo de descongelamiento.
Acumulación de humedad en el interior.	Las puertas se abren a menudo o durante mucho tiempo.	Cuando las puertas se abren a menudo o durante mucho tiempo, el aire cálido y húmedo ingresa en el compartimiento. Esto aumenta la temperatura y el nivel de humedad dentro del compartimiento. Para disminuir el efecto, reduzca la frecuencia y duración de la apertura de las puertas.
	Las puertas no están correctamente cerradas.	Consulte la sección Las puertas no se cierran correctamente en la Guía para la solución de problemas.
	El clima es húmedo.	El clima húmedo permite que ingrese humedad adicional en los compartimientos cuando se abren las puertas, lo que resulta en condensación o escarcha. Mantener un nivel razonable de humedad en el hogar ayudará a controlar la cantidad de humedad que puede ingresar en los compartimientos.
	El ciclo de descongelamiento se completó recientemente.	Durante el ciclo de descongelamiento, es posible que la temperatura de cada compartimiento aumente levemente y que se forme condensación en la pared trasera. Espere 30 minutos y compruebe que se haya restaurado la temperatura apropiada una vez completo el ciclo de descongelamiento.
	Los alimentos no están correctamente envasados.	Los alimentos que se guardan sin tapar o envolver y los contenedores húmedos pueden resultar en la acumulación de humedad en cada compartimiento. Seque todos los contenedores con un trapo y guarde los alimentos en envases sellados para evitar que se forme condensación y escarcha.

REFRIGERACIÓN/HIELO Y AGUA

Problema	Causas posibles	Soluciones
Los alimentos se están congelando en el compartimiento del refrigerador.	Se ubicaron alimentos con alto contenido de agua cerca de una ventilación de aire.	Reordene los artículos de manera que aquellos que tienen alto contenido de agua estén lejos de las ventilaciones de aire.
	El control de temperatura del refrigerador está mal configurado.	Si la temperatura es demasiado fría, ajuste el control de a un incremento y espere a que se estabilice la temperatura. Consulte la sección Ajuste de los controles para obtener más información.
	El refrigerador está instalado en un lugar frío.	Cuando el refrigerador opera a temperaturas por debajo de los 5°C (41°F), los alimentos se pueden congelar en el compartimiento del refrigerador. No se debe operar el refrigerador a temperaturas por debajo de los 13°C (55°F).
Se forma escarcha o cristales de hielo sobre los alimentos congelados (fuera del envase).	Las puertas se abren a menudo o durante mucho tiempo.	Cuando las puertas se abren a menudo o durante mucho tiempo, el aire cálido y húmedo ingresa en el compartimiento. Esto aumenta la temperatura y el nivel de humedad dentro del compartimiento. Una mayor humedad resultará en escarcha y condensación. Para disminuir el efecto, reduzca la frecuencia y duración de la apertura de las puertas.
	La puerta no se cierra bien.	Consulte la sección Las puertas no se cierran correctamente o se abren en la Guía para la solución de problemas .
La sección de refrigerador o congelador está demasiado fría.	Configuración incorrecta del control de temperatura.	Si la temperatura es demasiado fría, ajuste el control de a un incremento y espere a que se estabilice la temperatura. Consulte la sección Ajuste de los controles para obtener más información.
Se forma escarcha o cristales de hielo sobre los alimentos congelados (dentro del envase sellado).	La condensación de los alimentos con alto contenido de agua se congeló dentro del envase.	Esto es normal para aquellos alimentos que tienen alto contenido de agua.
	El alimento ha estado en el congelador durante mucho tiempo.	No almacene alimentos con alto contenido de agua en el congelador durante largos períodos de tiempo.
La máquina de hielo no hace suficiente hielo.	La demanda excede la capacidad de almacenamiento de hielo.	La máquina de hielo producirá aproximadamente entre 100 cubitos en un período de 24 horas.
	No está conectado el suministro de agua del hogar, la llave de paso no está completamente abierta, o la válvula está tapada.	Conecte el refrigerador a un suministro de agua fría con presión adecuada y abra del todo la llave de paso de agua. Si el problema persiste, es posible que sea necesario contactar a un plomero.
	Se agotó el filtro de agua.	Se recomienda reemplazar el filtro de agua: <ul style="list-style-type: none"> • Aproximadamente cada 6 meses. • Cuando se enciende el indicador del filtro de agua. • Cuando disminuye la salida de agua del expendedor de agua. • Cuando los cubitos de hielo son más pequeños de lo habitual.
	Baja presión del suministro de agua del hogar.	La presión de agua debe estar entre los 20 y los 120 psi (138 a 827 kPa) en los modelos sin filtro de agua, y entre los 40 y 120 psi (276 a 827 kPa) en los modelos con filtro de agua. Si el problema persiste, es posible que sea necesario contactar a un plomero.
	Se está usando un sistema de filtración por ósmosis inversa.	Los sistemas de filtración por ósmosis inversa pueden reducir la presión de agua por debajo del mínimo y provocar problemas en la máquina de hielo. (Consulte la sección Presión del agua).
	El tramo de tubería que conecta el refrigerador a la válvula de suministro del hogar está retorcido.	La tubería se puede retorcer cuando se mueve el refrigerador durante la instalación o limpieza, lo que resulta en una disminución del flujo de agua. Enderece o repare la línea de suministro de agua y acomódela de manera que se eviten retorcaduras en el futuro.

HIELO Y AGUA

Problema	Causas posibles	Soluciones
La máquina de hielo no hace suficiente hielo (continuación).	Las puertas se abren a menudo o durante mucho tiempo.	Si las puertas de la unidad de abren a menudo, el aire del ambiente calentará el refrigerador, lo que evitará que la unidad mantenga la temperatura fijada. Disminuir la temperatura del refrigerador, así como no abrir las puertas con tanta frecuencia, puede ser de ayuda.
	Las puertas no están cerradas del todo.	Si las puertas no se cierran correctamente, la producción de hielo se verá afectada. Consulte la sección Las puertas no se cierran correctamente o se abren en la Guía para la solución de problemas de componentes y funciones para obtener más información.
	El ajuste de temperatura del congelador es demasiado cálido.	La temperatura recomendada para el compartimiento del congelador para una producción normal de hielo es de -18°C (0°F). Si la temperatura del congelador es superior, la producción de hielo se verá afectada.
Dispensar agua lentamente.	Se agotó el filtro de agua.	Se recomienda reemplazar el filtro de agua: <ul style="list-style-type: none"> • Aproximadamente cada 6 meses. • Cuando se enciende el indicador del filtro de agua. • Cuando disminuye la salida de agua del expendedor de agua. • Cuando los cubitos de hielo son más pequeños de lo habitual.
	Se está usando un sistema de filtración por ósmosis inversa.	Los sistemas de filtración por ósmosis inversa pueden reducir la presión de agua por debajo del mínimo y provocar problemas en la máquina de hielo. Si el problema persiste, es posible que sea necesario contactar a un plomero.
	Baja presión del suministro de agua del hogar.	La presión de agua debe estar entre los 20 y los 120 psi (138 a 827 kPa) en los modelos sin filtro de agua, y entre los 40 y 120 psi (276 a 827 kPa) en los modelos con filtro de agua. Si el problema persiste, es posible que sea necesario contactar a un plomero.
No se dispensa hielo.	Las puertas no están cerradas del todo.	El hielo no se dispensará si hay alguna puerta del refrigerador abierta.
	Uso poco frecuente del dispensador.	Si el dispensador de hielo se usa con poca frecuencia, con el tiempo los cubitos de hielo se pegan unos a otros, lo que impide que se dispensen correctamente. Compruebe el depósito de hielo en busca de cubitos agrupados o pegados entre sí. Si los hubiera, sepárelos para que el dispensador funcione correctamente.
	El conducto de dispensación está obstruido con escarcha o fragmentos de hielo.	Para eliminar la escarcha o los fragmentos de hielo, desmonte el depósito de hielo y libere el conducto con un utensilio de plástico. La dispensación de hielo en cubitos también ayuda a evitar la formación de escarcha y fragmentos de hielo.
	La pantalla del dispensador está bloqueada.	Mantenga presionado el botón Lock (bloquear) durante tres segundos para desbloquear el panel de control y el dispensador.
	El depósito de hielo está vacío.	Puede tomar hasta 24 horas para que cada compartimiento alcance la temperatura deseada y para que la máquina de hielo comience a hacer hielo. Asegúrese de que el sensor o brazo de interrupción no se encuentre obstruido. Una vez que el suministro de hielo en el contenedor se ha agotado, puede tardar 90 minutos hasta que haya nuevamente hielo adicional disponible, y aproximadamente 24 horas para rellenar completamente el contenedor.

HIELO Y AGUA

Problema	Causas posibles	Soluciones
La máquina de hielo no hace hielo.	El refrigerador se instaló recientemente o la máquina de hielo se conectó recientemente.	Puede tomar hasta 24 horas para que cada compartimiento alcance la temperatura deseada y para que la máquina de hielo comience a hacer hielo.
	La máquina de hielo no está encendida.	Localice el botón Ice Maker en la pantalla y confirme que está en la posición ON (encendido).
	El sensor de detección de hielo está obstruido.	La presencia de sustancias extrañas o de escarcha en el sensor de detección de hielo pueden interrumpir la producción de hielo. Asegúrese de que el área del sensor esté limpia en todo momento para una operación normal.
	El refrigerador no está conectado a un suministro de agua o la válvula de corte del suministro no está abierta.	Conecte el refrigerador al suministro de agua y abra completamente la válvula de corte de agua.
	El sensor o brazo de interrupción de la máquina de hielo está obstruido.	Si su máquina de hielo está equipada con un brazo de interrupción de hielo, asegúrese de que el brazo se pueda mover libremente. Si su máquina de hielo está equipada con un sensor electrónico de interrupción del hielo, asegúrese de que haya una vía libre entre ambos sensores.
	Hay un sistema de filtración por ósmosis inversa conectado a su suministro de agua fría.	Los sistemas de filtración por ósmosis inversa pueden reducir la presión de agua por debajo del mínimo y provocar problemas en la máquina de hielo. (Consulte la sección Water Pressure (presión de agua)).
No se dispensa agua.	Instalación nueva o tubería de agua recientemente conectada.	Dispense 9,5 litros (2,5 galones) de agua (deje correr el agua durante unos 5 minutos) para purgar el aire atrapado y los contaminantes del sistema. No dispense los 9,5 litros (2,5 galones) de agua de manera continua. Pulse y suelte el botón del dispensador en ciclos de 30 segundos ON y 60 segundos OFF.
	El panel del dispensador está bloqueado.	Mantenga presionado el botón Lock (bloquear) durante tres segundos para desbloquear el panel de control y el dispensador.
	El dispensador no está ajustado para dispensar agua.	El dispensador se puede ajustar para que dispense hielo o agua. Compruebe que el panel de control está ajustado para el funcionamiento deseado. Presione el botón Water (agua) en el panel de control para dispensar agua.
	Las puertas del refrigerador o del congelador no están cerradas correctamente.	El agua no se dispensará si hay alguna puerta del refrigerador abierta.
	Se ha quitado o reemplazado el filtro de agua recientemente.	Después de reemplazar el filtro de agua, dispense 9,5 litros (2,5 galones) de agua (deje correr el agua durante unos 5 minutos) para purgar el aire atrapado y los contaminantes del sistema; No dispense los 9,5 litros (2,5 galones) de agua de manera continua. Pulse y suelte el botón del dispensador en ciclos de 30 segundos ON y 60 segundos OFF.
	El tramo de tubería que conecta el refrigerador a la válvula de suministro del hogar está retorcido.	La tubería se puede retorcer cuando se mueve el refrigerador durante la instalación o limpieza, lo que resulta en una disminución del flujo de agua. Enderece o repare la línea de suministro de agua y acomódela de manera que se eviten retorceduras en el futuro.
	No está conectado el suministro de agua del hogar, la llave de paso no está completamente abierta, o la válvula está tapada.	Conecte el refrigerador al suministro de agua y abra completamente la válvula de corte de agua. Si el problema persiste, es posible que sea necesario contactar a un plomero.

HIELO Y AGUA

Problema	Causas posibles	Soluciones
El hielo huele o sabe mal.	El suministro de agua contiene minerales como el azufre.	Es posible que sea necesario instalar un filtro de agua para eliminar los problemas de sabor y olor. NOTA: En algunos casos, es posible que el filtro no sea de ayuda. Puede que no sea posible eliminar todos los minerales/olor/sabor en todos los suministros de agua.
	La máquina de hielo se instaló recientemente.	Deseche las primeras tandas de hielo para evitar hielo manchado o con mal sabor.
	El hielo ha estado almacenado demasiado tiempo.	El hielo que lleva demasiado tiempo almacenado se encogerá, nublará, y puede desarrollar mal sabor. Deseche el hielo viejo y haga nuevo.
	Los alimentos no están bien guardados en los compartimientos.	Vuelva a envolver los alimentos. Es posible que los olores se trasladen al hielo si los alimentos no están bien envueltos.
	Es necesario limpiar el interior del refrigerador.	Para más información consulte la sección Care and Cleaning (Cuidado y limpieza).
	Es necesario limpiar el contenedor en donde se almacena el hielo.	Vacíe y lave el contenedor (deseche los cubitos viejos). Asegúrese de que el contenedor esté completamente seco antes de volver a instalarlo.
El agua del dispensador está caliente.	El refrigerador se instaló recientemente.	Espere 24 horas tras la instalación a que el depósito de almacenamiento del agua se enfríe completamente.
	El dispensador de agua se ha usado recientemente y el depósito de almacenamiento se ha agotado.	Dependiendo de su modelo específico, el rango de la capacidad de almacenamiento de agua es de 20 a 30 cc. (0,6 a 0,9 litros).
	El dispensador no se ha usado durante varias horas.	Si el dispensador no se ha usado durante varias horas, el primer vaso que se llene con agua puede estar caliente. Descarte los primeros 10 cc.
	El refrigerador está conectado en una tubería de agua caliente.	Asegúrese de que el refrigerador está conectado a una tubería de agua fría. ⚠️ ADVERTENCIA: Conectar el refrigerador a una tubería de agua caliente puede dañar la máquina de hielo.
El agua huele o sabe mal.	El suministro de agua contiene minerales como el azufre.	Es posible que sea necesario instalar un filtro de agua para eliminar los problemas de sabor y olor.
	Se agotó el filtro de agua.	Se recomienda reemplazar el filtro de agua: <ul style="list-style-type: none"> • Aproximadamente cada 6 meses. • Cuando se enciende el indicador del filtro de agua. • Cuando disminuye la salida de agua del expendedor de agua. • Cuando los cubitos de hielo son más pequeños de lo habitual.
	El refrigerador se instaló recientemente.	Dispense 9,5 litros (2,5 galones) de agua (deje correr el agua durante unos 5 minutos) para purgar el aire atrapado y los contaminantes del sistema. No dispense los 9,5 litros (2,5 galones) de agua de manera continua. Pulse y suelte el botón del dispensador en ciclos de 30 segundos ON y 60 segundos OFF.
La máquina de hielo está haciendo demasiado hielo.	El sensor o brazo de interrupción de la máquina de hielo está obstruido.	Vacíe el contenedor de hielo. Si su máquina de hielo está equipada con un brazo de interrupción de hielo, asegúrese de que el brazo se pueda mover libremente. Si su máquina de hielo está equipada con un sensor electrónico de interrupción del hielo, asegúrese de que haya una vía libre entre ambos sensores. Vuelva a instalar el contenedor de hielo y espere 24 horas para confirmar que funcione adecuadamente.

RUIDO

Problema	Causas posibles	Soluciones
Repiqueteo	El control de descongelamiento hará un chasquido cuando comience y finalice el ciclo de automático de descongelamiento. El control del termostato (o control del refrigerador en algunos modelos) también hará un chasquido al encenderse y apagarse el ciclo.	Funcionamiento normal
Traqueteo	Es posible que el traqueteo provenga del flujo de refrigerante, de la línea de agua en la parte trasera de la unidad, o de artículos guardados encima o alrededor del refrigerador.	Funcionamiento normal
	El refrigerador no descansa sólidamente sobre el suelo.	El suelo es débil o irregular o es necesario ajustar las patas de nivelación. Consulte la sección Alineación de las puertas .
	Se sacudió el refrigerador con compresor lineal mientras operaba.	Funcionamiento normal
Silbido	El motor del ventilador evaporador está circulando aire por los compartimientos refrigerador y congelador.	Funcionamiento normal
	El ventilador del condensador está forzando el aire por encima del condensador.	Funcionamiento normal
Borboteo	El refrigerante está fluyendo por el sistema de refrigeración.	Funcionamiento normal
Chasquidos	Contracción y expansión de las paredes interiores debido a los cambios de temperatura.	Funcionamiento normal
Chisporroteos	Agua que gotea sobre el calentador de descongelamiento durante un ciclo de descongelamiento.	Funcionamiento normal
Vibración	Si los laterales o la parte trasera del refrigerador están tocando un mueble o pared, es posible que algunas de las vibraciones normales produzcan un sonido audible.	Para eliminar el ruido, asegúrese de que los laterales y la parte trasera no vibren contra ningún mueble o pared.
Goteo	Agua que fluye a la bandeja de drenaje durante el ciclo de descongelamiento.	Funcionamiento normal
Sonido pulsante o agudo	Su refrigerador está diseñado para funcionar más eficientemente para conservar los alimentos a la temperatura deseada. Es posible que el compresor de alta eficiencia haga que su refrigerador funcione durante más tiempo que su refrigerador anterior, pero sigue ahorrando más energía que los modelos anteriores. Mientras el refrigerador está en funcionamiento, es normal escuchar un sonido pulsante o agudo.	Funcionamiento normal

COMPONENTES Y FUNCIONES

Problema	Causas posibles	Soluciones
Las puertas no se cierran correctamente o se abren.	Hay envases de alimentos impidiendo que la puerta se cierre.	Reordene los contenedores de alimento para dejar libre la puerta y los estantes.
	El contenedor de hielo, la tapa del cajón para verduras, las bandejas, los estantes, los contenedores de las puertas o los canastos no están en su posición.	Empuje todos los contenedores hacia adentro y ponga la tapa del cajón para verduras, las bandejas, los estantes y los canastos en su posición correcta. Consulte la sección Uso del refrigerador para obtener más información.
	Se quitaron las puertas durante la instalación del producto y no se volvieron a colocar adecuadamente.	Desmunte las puertas y vuelva a colocarlas siguiendo las instrucciones de la sección Desmontaje y colocación de las manijas y puertas del refrigerador .
	El refrigerador no está bien nivelado.	Consulte la sección Alineación de las puertas en la sección de Instalación del refrigerador para nivelar el refrigerador.
Las puertas son difíciles de abrir.	Las juntas están sucias o pegajosas.	Limpie las juntas y las superficies de contacto. Aplique una fina capa de abrillantador para electrodomésticos o cera de cocina en las juntas después de limpiarlas.
	La puerta se cerró recientemente.	Cuando abre la puerta, ingresa aire más caliente al refrigerador. Al enfriarse ese aire caliente, puede crear un vacío. Si le cuesta abrir la puerta, espere un minuto para permitir que la presión del aire se equilibre, y luego pruebe para ver si se abre con más facilidad.
El refrigerador se tambalea o parece inestable.	Las patas de nivelación no están bien ajustadas.	Consulte la sección Nivelación y alineación de las puertas .
	El suelo no está nivelado.	Es posible que sea necesario agregar cuñas debajo de las patas de nivelación o rodillos para completar la instalación.
Las luces no funcionan.	Se ha fundido una bombilla. NOTA: La lámpara del compartimento del refrigerador es una iluminación interior mediante LED, por lo que el mantenimiento deberá ser realizado por un técnico calificado.	Consulte la sección Sustitución de la bombilla .

Diagnóstico (en algunos modelos)

Si tiene algún problema con su refrigerador, puede transmitir datos por su teléfono al Equipo Diagnóstico. Esto le otorga la capacidad de hablar directamente con nuestros especialistas capacitados.

El especialista registra los datos transmitidos desde su máquina y los utiliza para analizar el problema, brindándole un diagnóstico rápido y efectivo.

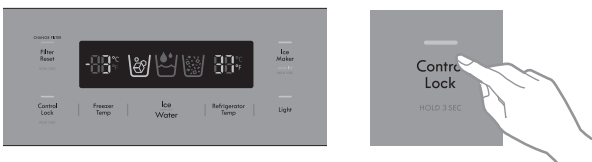
Si tiene algún problema con su refrigerador, en EE.UU. llame 1-844-553-6667, y en Canadá llame 1-800-469-4663. Sólo utilice el sistema Diagnóstico cuando se lo pida el equipo de Diagnóstico. Los sonidos de transmisión que oírás entonces son normales y suenan parecido a una máquina de fax.

Diagnóstico no se puede activar a menos que su refrigerador esté enchufado. Si no puede encender su refrigerador, entonces se debe detectar y solucionar el problema sin utilizar Diagnóstico.

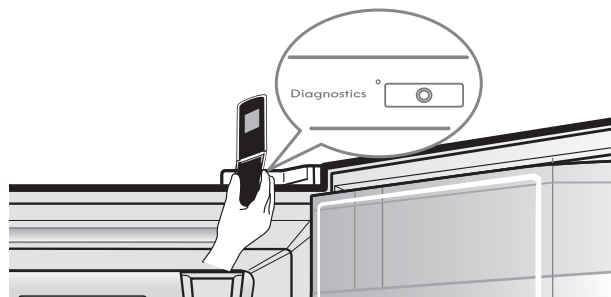
Uso de Diagnóstico

Primero, llame en EE. UU. 1-844-553-6667, y en Canadá llame 1-800-469-4663. Si el número de teléfono que está utilizando está archivado y está asociado con su refrigerador, se le transmitirá rápidamente con un agente del equipo Diagnóstico. **Sólo utilice la función Diagnóstico cuando se lo pida un agente del equipo Diagnóstico.**

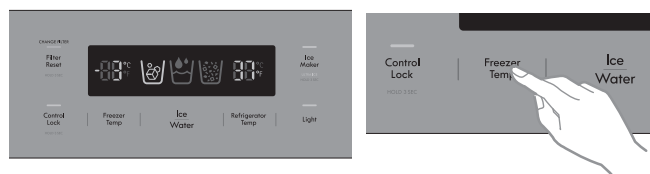
1. Bloquee la pantalla. Para bloquear la pantalla, mantenga presionado el botón Control Lock durante aproximadamente tres segundos. (Si la pantalla ha sido bloqueada durante más de tres minutos, debe desactivar el bloqueo y luego volver a activarlo.)



2. Abra la puerta derecha del refrigerador.
3. Coloque el micrófono de su teléfono en frente del parlante que se encuentra sobre la bisagra de la derecha de la puerta del refrigerador, cuando el centro de atención al cliente le pida que lo haga.



4. Presione y sostenga el botón Freezer Temp (temperatura del congelador) durante tres segundos, mientras sostiene el teléfono frente al parlante.



5. Luego de escuchar los tres pitidos, suelte el botón Freezer Temp.
6. Mantenga el teléfono en el lugar hasta que haya terminado la transmisión de tono. La pantalla contará hacia atrás el tiempo. Una vez terminado el recuento de tiempo y luego de que se hayan detenido los tonos, continúe su conversación con el especialista, quien podrá entonces ayudarlo utilizando la información que se transmitió para analizar

NOTA:

- Para obtener los mejores resultados, no mueva el teléfono mientras se transmiten los tonos.
- Si el representante del Centro de Atención al Cliente no puede grabar con precisión los datos, quizá le pida que lo intente de nuevo.
- Las diferencias de la calidad de la llamada por región pueden afectar la función Diagnóstico.
- Para obtener mejores resultados, utilice Diagnóstico con un teléfono fijo.
- Una mala calidad de llamada puede resultar en una muy mala transmisión de datos desde su teléfono o la máquina, lo que podría causar que Diagnóstico no funcione bien.

Kenmore®

For Sears Home Services in-home repair
of all Kenmore major appliances.

For the replacement parts, accessories and
Use & Care Guides that you need to do-it-yourself.
For professional installation of major home appliances
and items like air conditioners water heaters.

1-844-553-6667

www.kenmore.com

In Canada 1-800-469-4663

www.sears.ca

Call anytime for the location of your nearest
Sears Parts & Repair Service Center

1-800-488-1222 (U.S.A)

1-800-469-4663 (Canada)

To purchase a protection agreement on a serviceable product:

1-800-827-6655 (U.S.A)

1-800-361-6665 (Canada)

Para pedir servicio de reparación
a domicilio, y ordenar piezas:

1-888-SU-HOGAR®

(1-888-784-6427)

www.kenmore.com

Au Canada pour service en français:

1-800-LE-FOYER^{MC}

(1-800-533-6937)

www.sears.ca

