

ELECTRIC WALL OVEN INSTALLATION INSTRUCTIONS

(and Optional Electric or Gas Cooktop Combination)

INSTALLATION AND SERVICE MUST BE PERFORMED BY A QUALIFIED INSTALLER.
 IMPORTANT: SAVE FOR LOCAL ELECTRICAL INSPECTOR'S USE.
 READ AND SAVE THESE INSTRUCTIONS FOR FUTURE REFERENCE.

United States
and Canada



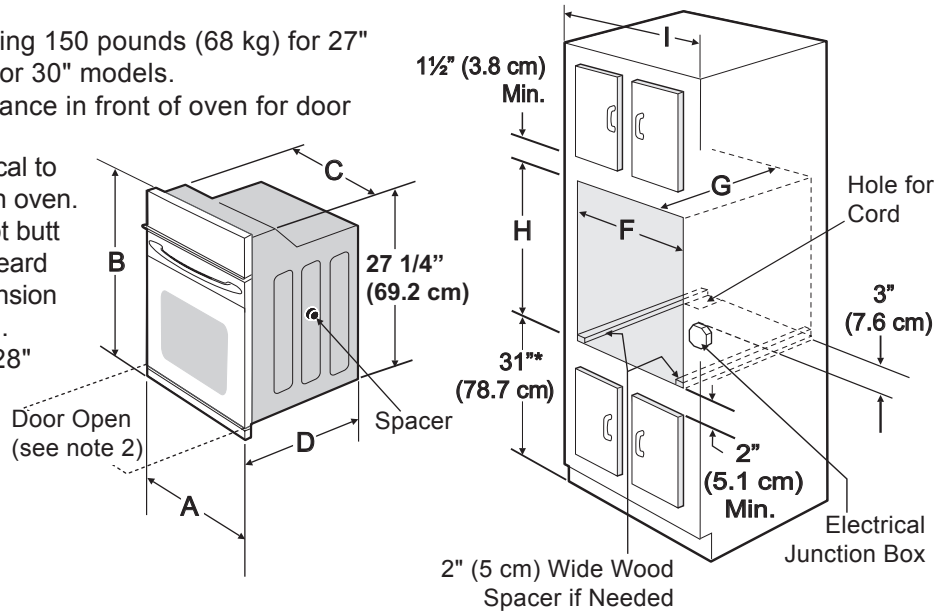
⚠ WARNING FOR YOUR SAFETY: Do not store or use gasoline or other flammable vapors and liquids in the vicinity of this or any other appliance.

Your new wall oven has been designed to fit a limited variety of cutout sizes to make the job of installing easier. The first step of your installation should be to measure your current cutout dimensions and compare them to the cutout dimensions chart below for your model. You may find little or no cabinet work being necessary.

⚠ WARNING Do not remove spacers (if equipped) on the side walls of the built-in oven. These spacers center the oven in the space provided. The oven must be centered to prevent excess heat buildup that may result in heat damage or fire.

NOTES:

1. Base must be capable of supporting 150 pounds (68 kg) for 27" models and 200 pounds (90 kg) for 30" models.
2. Allow at least 21" (53.3 cm) clearance in front of oven for door depth when it is open.
3. Dimension G (cutout depth) is critical to the proper installation of the built-in oven. If the oven decorative trim does not butt against the cabinet, or if noise is heard on convection models, verify dimension G to assure it is the required depth.
4. For a cutout height greater than 28" (71.1 cm) add one 2" (5 cm) wide wood shim of appropriate height to each side of the opening under the appliance side rails.
5. For a cutout height (H) greater than 28 3/4" (73 cm) you can order a larger bottom trim through a Service Center.



* Suggested distance from floor is 31" (78.7cm).
 Minimum required distance is 4 1/2" (11.4cm).

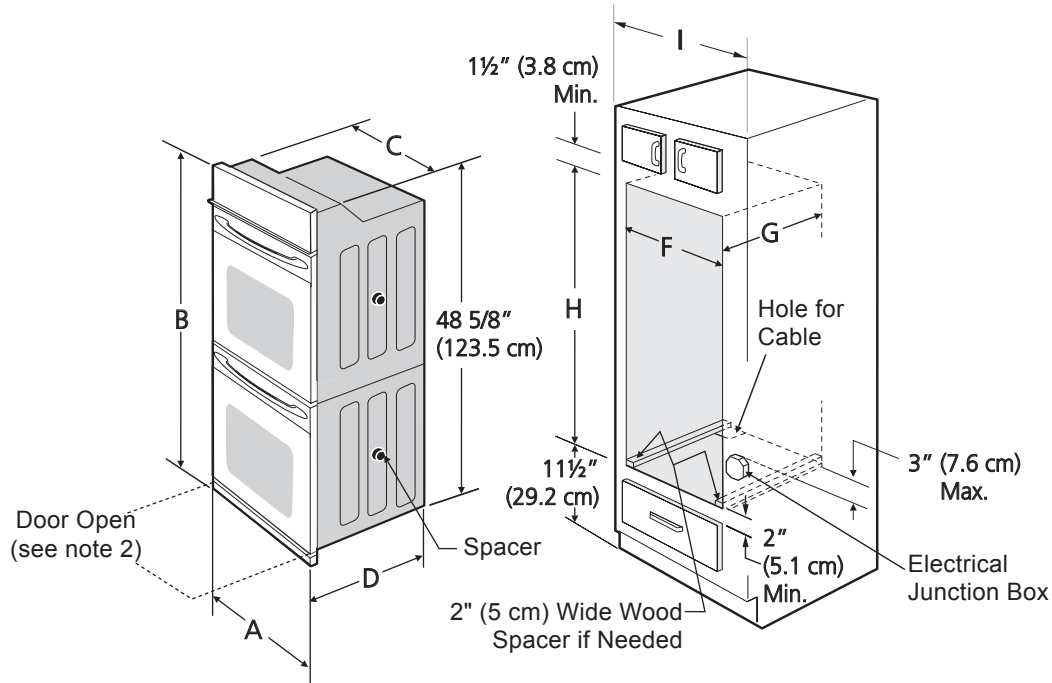
Figure 1
 27" and 30" Single Wall Ovens (Double ovens see Figure 2)

PRODUCT DIMENSIONS						
MODEL	A		B	C		D
27" (68.6 cm) Wall Oven	27 (68.6)		29 (73.7)	24 ⁵ / ₈ (62.5)		24 ³ / ₄ (62.9)
30" (76.2 cm) Wall Oven	30 (76.2)		29 (73.7)	28 ¹ / ₄ (71.8)		24 ³ / ₄ (62.9)
CUTOUT DIMENSIONS AND CABINET WIDTH						
MODEL	F		G (Min.)	H. Standard Height (**Others, see notes 4 & 5)		I
	Min.	Max.		Min.	Max.	
27" (68.6 cm) Wall Oven	24 ⁷ / ₈ (63.2)	25 ¹ / ₄ (64.1)	24 (61.0)	27 ¹ / ₄ (69.2)	28 (71.1)	27 ¹ / ₈ (68.9) Min
30" (76.2 cm) Wall Oven	28 ¹ / ₂ (72.4)	29 (73.7)	24 (61.0)	27 ¹ / ₄ (69.2)	28 (71.1)	30 ¹ / ₈ (76.5) Min

ELECTRIC WALL OVEN INSTALLATION INSTRUCTIONS

(and Optional Electric or Gas Cooktop Combination)

⚠ WARNING Do not remove spacers (if equipped) on the side walls of the built-in oven. These spacers center the oven in the space provided. The oven must be centered to prevent excess heat buildup that may result in heat damage or fire.



NOTES:

1. Base must be capable of supporting 300 pounds (136 kg) for 27" models and 375 pounds (170 kg) for 30" models.
2. Allow at least 21" (53.3 cm) clearance in front of oven for door depth when it is open.
3. Dimension G (cutout depth) is critical to the proper installation of the built-in oven. If the oven decorative trim does not butt against the cabinet, or if noise is heard on convection models, verify dimension G to assure it is according to the required dimension.
4. For a cutout height greater than 49 3/8" (125.4 cm) add a 2" (5 cm) wide wood shim of appropriate height to each side of the opening under the appliance side rails.
5. For a cutout height (H) greater than 50 1/8" (127.3 cm) you can order a larger bottom trim through a Service Center.

Figure 2
27" AND 30" DOUBLE OVENS (Single Ovens see Figure 1)

PRODUCT DIMENSIONS						
MODEL	A		B	C		D
27" (68.6 cm) Wall Oven	27 (68.6)		50 ⁷ / ₁₆ (128.1)	24 ⁵ / ₈ (62.5)		24 ³ / ₄ (62.9)
30" (76.2 cm) Wall Oven	30 (76.2)		50 ⁷ / ₁₆ (128.1)	28 ¹ / ₄ (71.8)		24 ³ / ₄ (62.9)
CUTOUT DIMENSIONS AND CABINET WIDTH						
MODEL	F		G (Min.)	H. Standard Height (**Others, see notes 4 & 5)		I
	Min.	Max.		Min.	Max.	
27" (68.6 cm) Wall Oven	24 ⁷ / ₈ (63.2)	25 ¹ / ₄ (64.1)	24 (61.0)	48 ¹¹ / ₁₆ (123.7)	49 ³ / ₈ (125.4)	27 ¹ / ₈ (68.9) Min
30" (76.2 cm) Wall Oven	28 ¹ / ₂ (72.4)	29 (73.7)	24 (61.0)	48 ¹¹ / ₁₆ (123.7)	49 ³ / ₈ (125.4)	30 ¹ / ₈ (76.5) Min

All dimensions are in inches (cm).

ELECTRIC WALL OVEN INSTALLATION INSTRUCTIONS

(and Optional Electric or Gas Cooktop Combination)

Important Notes to the Installer

1. Read all instructions contained in these installation instructions before installing the wall oven.
2. Remove all packing material from the oven compartments before connecting the electrical supply to the wall oven.
3. Observe all governing codes and ordinances.
4. Be sure to leave these instructions with the consumer.
5. Oven door may be removed to facilitate installation.
6. THESE OVENS ARE NOT APPROVED FOR STACKABLE OR SIDE-BY-SIDE INSTALLATION.

Important Note to the Consumer

Keep these instructions with your Owner's Guide for the local electrical inspector's use and future reference.

IMPORTANT SAFETY INSTRUCTIONS

- Be sure your wall oven is installed and grounded properly by a qualified installer or service technician.
- This wall oven must be electrically grounded in accordance with local codes or, in their absence, with the National Electrical Code ANSI/NFPA No. 70-latest edition in United States, or with CSA Standard C22.1, Canadian Electrical Code, Part 1, in Canada.

⚠ WARNING Stepping, leaning or sitting on the door of this wall oven can result in serious injuries and can also cause damage to the wall oven.

- Never use your wall oven for warming or heating the room. Prolonged use of the wall oven without adequate ventilation can be dangerous.

⚠ WARNING The electrical power to the oven must be shut off while line connections are being made. Failure to do so could result in serious injury or death.

1. Carpentry

Refer to figure 1 or 2 for the dimensions applicable to your appliance, and the space necessary to receive the oven. The oven support surface may be solid plywood or similar material, however the surface must be level from side to side and from front to rear.

2. Adjusting Oven Height

Oven height can be adjusted with 2" (5cm) wide wood shims when needed to fit into an existing cabinet cutout opening, when cutout height exceeds 28" (71.1cm) for the single wall oven or 49¹/₈" (124.8 cm) for the double wall oven (see Figure 1 or 2). Place shims of appropriate height beneath the oven side rails.

3. Electrical Requirements

This appliance must be supplied with the proper voltage and frequency, and connected to an individual, properly grounded branch circuit, protected by a circuit breaker or fuse. To know the circuit breaker or fuse required by your model, see the serial plate to find the wattage consumption and refer to table A to get the circuit breaker or fuse amperage.

Appliance Rating Watts 240V	Protection Circuit Recommended	Appliance Rating Watts 208V	Protection Circuit Recommended
Less than 4800W	20A	Less than 4100W	20A
4801W - 7200W	30A	4101W - 6200W	30A
7201W - 9600W	40A or 50A	6201W - 8300W	40A or 50A
9601W and +	50A	8301W and +	50A

Table A

Observe all governing codes and local ordinances

1. A 3-wire or 4-wire single phase 120/240 or 120/208 Volt, 60 Hz AC only electrical supply is required on a separate circuit fused on both sides of the line (red and black wires). A time-delay fuse or circuit breaker is recommended. DO NOT fuse neutral (white wire). Only certain cooktop models may be installed over certain built-in electric oven models. Approved cooktops and built-in ovens are listed by the MFG ID number (see the insert sheet included in the literature package).

NOTE: Wire sizes and connections must conform with the fuse size and rating of the appliance in accordance with the American National Electrical Code ANSI/NFPA No. 70-latest edition, or with Canadian CSA Standard C22.1, Canadian Electrical Code, Part 1, and local codes and ordinances.

⚠ WARNING An extension cord should not be used with this appliance. Such use may result in a fire, electrical shock, or other personal injury. If you need a longer power cord you can purchase a 10' (3 m) power cord kit #903056-9010 by calling the Service Center.

2. These appliances should be connected to the fused disconnect (or circuit breaker) box through flexible armored or nonmetallic sheathed cable. The flexible armored cable extending from the appliance should be connected directly to the junction box. The junction box should be located as shown in Figure 1 or Figure 2 and with as much slack as possible remaining in the cable between the box and the appliance, so it can be moved if servicing is ever necessary.
3. A suitable strain relief must be provided to attach the flexible armored cable to the junction box.

ELECTRIC WALL OVEN INSTALLATION INSTRUCTIONS

(and Optional Electric or Gas Cooktop Combination)

⚠ WARNING

Electrical Shock Hazard

- Electrical ground is required on this appliance.
- Do not connect to the electrical supply until appliance is permanently grounded.
- Disconnect power to the junction box before making the electrical connection.
- This appliance must be connected to a grounded, metallic, permanent wiring system, or a grounding connector should be connected to the grounding terminal or wire lead on the appliance.
- Do not use a gas supply line for grounding the appliance.

Failure to do any of the above could result in a fire, personal injury or electrical shock.

⚠ CAUTION In cold weather shipping and storage conditions, make sure that oven is in final location at least three (3) hours before switching on power. Switching on power while oven is still cold may damage the oven controls.

4. Electrical connection

It is the responsibility and obligation of the consumer to contact a qualified installer to assure that the electrical installation is adequate and is in conformance with the National Electrical Code ANSI/NFPA No. 70-latest edition, or with CSA Standard C22.1, Canadian Electrical Code, Part 1, and local codes and ordinances.

⚠ WARNING Risk of electrical shock (Failure to heed this warning may result in electrocution or other serious injury.) This appliance is equipped with copper lead wire. If connection is made to aluminum house wiring, use only connectors that are approved for joining copper and aluminum wire in accordance with the National Electrical Code and local code and ordinances. When installing connectors having screws which bear directly on the steel and/or aluminum flexible conduit, do not tighten screws sufficiently to damage the flexible conduit. Do not over bend or excessively distort flexible conduit to avoid separation of convolutions en exposure of internal wires.

DO NOT ground to a gas supply pipe. DO NOT connect to electrical power supply until appliance is permanently grounded. Connect the ground wire before turning on the power.

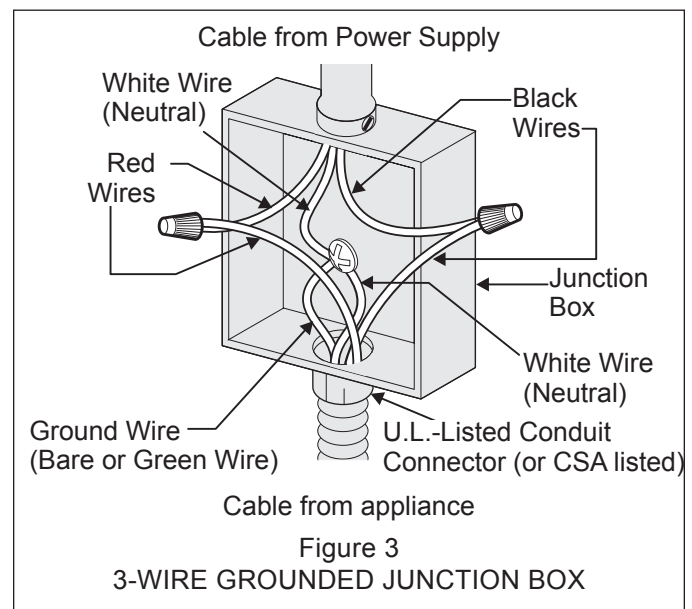
⚠ WARNING (If your appliance is equipped with a white neutral conductor.)

This appliance is manufactured with a white neutral power supply and a frame connected copper wire. The frame is grounded by connection of grounding lead to neutral lead at the termination of the conduit, if used in USA, in a new branch circuit installation (1996 NEC), mobile home, recreational vehicles, where local code do not permit grounding through the neutral (white) wire or in Canada, disconnect the white and green lead from each other and use ground lead to ground unit in accordance with local codes, connect neutral lead to branch circuit-neutral conductor in usual manner see Figure 4. If your appliance is to be connected to a 3 wire grounded junction box (US only), where local code permit connecting the appliance-grounding conductor to the neutral (white) see Figure 3.

NOTE TO ELECTRICIAN: The armored cable leads supplied with the appliance are UL-recognized for connection to larger gauge household wiring. The insulation of the leads is rated at temperatures much higher than temperature rating of household wiring. The current carrying capacity of the conductor is governed by the temperature rating of the insulation around the wire, rather than the wire gauge alone.

Where local codes permit connecting the appliance-grounding conductor to the neutral (white) wire (US Only) (see figure 3):

1. Disconnect the power supply.
2. In the junction box:
connect appliance and power supply cable wires as shown in Figure 3.

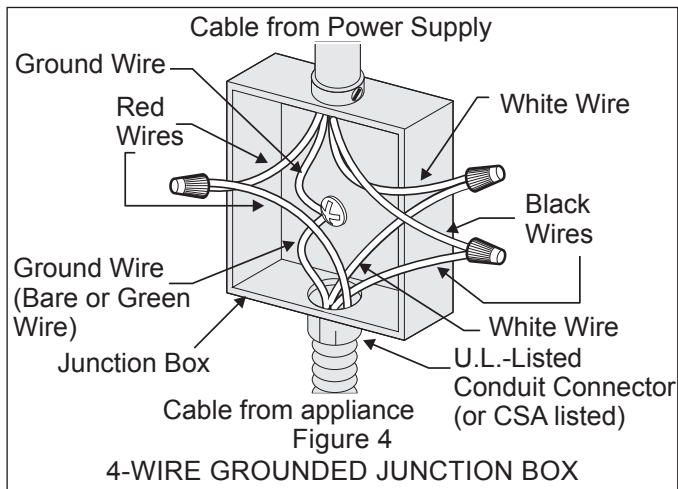


ELECTRIC WALL OVEN INSTALLATION INSTRUCTIONS

(and Optional Electric or Gas Cooktop Combination)

If oven is used in a new branch circuit installation (1996 NEC), mobile home, recreational vehicle, or where local codes DO NOT permit grounding through the neutral (white) wire, the appliance frame MUST NOT be connected to the neutral wire of the 4-wire electrical system. (see figure 4):

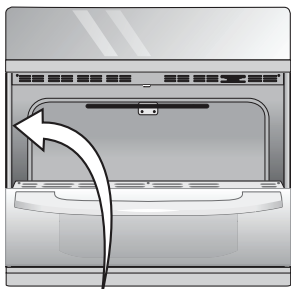
1. Disconnect the power supply.
2. Separate the green (or bare copper) and white appliance cable wires.
3. In the junction box: connect appliance and power supply cable wires as shown in Figure 4.



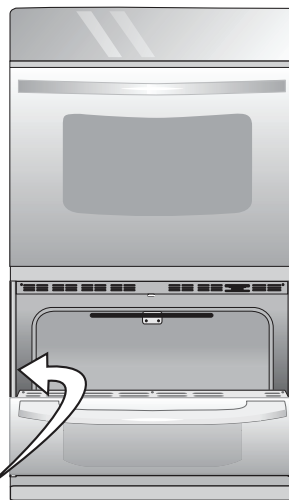
Model and Serial Number Location

The serial plate is located along the interior side trim of the oven and visible when the door is opened.

When ordering parts for or making inquiries about your oven, always be sure to include the model and serial numbers and a lot number or letter from the serial plate on your oven.



Double Wall Oven
Serial Plate Location



5. Cabinet Installation

IMPORTANT!

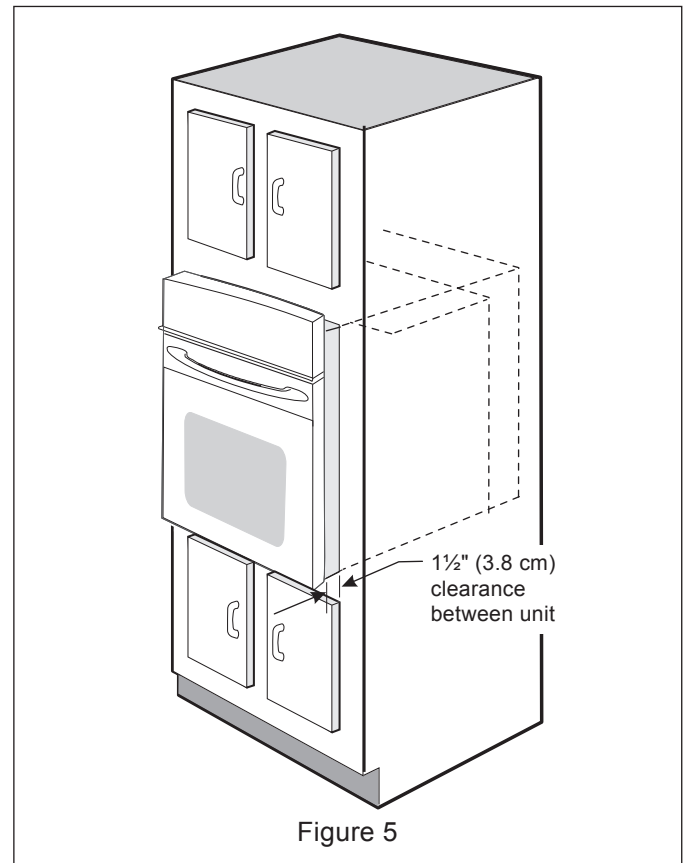
Do not lift or manipulate the oven by the door handle or the control panel.

WARNING

Heavy Weight Hazard

- Use 2 or more people to move and install wall oven.
- Failure to follow this instruction can result in injury or damage to the unit.

1. Unpack the wall oven. Remove the bottom trim taped on the oven top panel.
2. Find the 2 anti-tip mounting screws included in the literature package.
3. Insert the oven into the cabinet opening. Slide oven inward leaving 1½" (3.8 cm) clearance between the oven and front of cabinet (see Figure 5).
4. Pull the armored cable through the hole for it in the cabinet and toward the junction box while moving the appliance inward.
5. Push the oven in and against the cabinet.



ELECTRIC WALL OVEN INSTALLATION INSTRUCTIONS

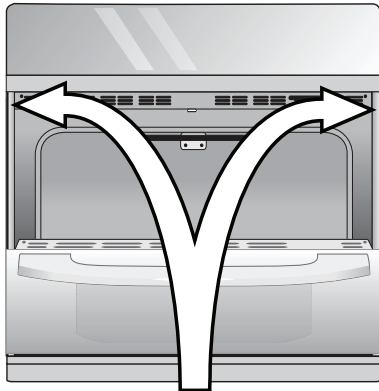
(and Optional Electric or Gas Cooktop Combination)

6 Install the Anti-tip Mounting Screws

⚠ WARNING The wall oven can tip when the door is open. The anti-tip mounting screws supplied with the wall oven must be installed to prevent tipping of the wall oven and injury to persons.

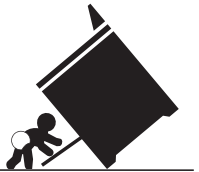
A. The mounting holes in the side trims may be used as a template to locate the appliance mounting screw holes (see figure 6).

B. Use the two screws supplied to fix the appliance to the cabinet.



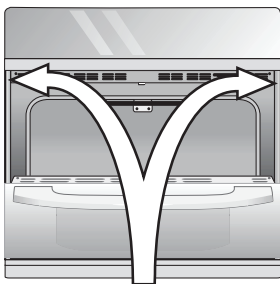
Anti-Tip Mounting Holes
Figure 6

⚠ WARNING Tip Over Hazard



- A child or adult can tip the oven and be killed.
- Install the anti-tip device to oven and/or structure per installation instructions.

- Ensure the anti-tip device is re-engaged when the oven is moved.
- Do not operate the oven without the anti-tip device in place and engaged.
- Failure to follow these instructions can result in death or serious burns to children and adults.



Anti-tip mounting holes

Refer to the installation instructions supplied with your appliance for proper installation.

Check for proper installation with a visual check that the anti-tip screws are present. Test the installation with light downward pressure on the open oven door. The oven should not tip forward.

7 Install the Bottom Trim

⚠ CAUTION Bottom trim must be installed for the oven to function properly. DO NOT operate the oven without bottom oven trim installed. Do not use wood or any other trim that is not manufactured for use with this model. Operating the appliance without manufacturer's bottom trim properly installed may cause personal injury and may damage cabinetry or the appliance.

Screws to attach the bottom trim are supplied with the oven. Screws are located in the mounting holes located on each side trim, below the oven frame (see Figure 7).

A. Remove the screws from the mounting holes.

B. Place the top of the bottom trim over the side trim tabs on each side of the oven below the oven door.

C. Attach the trim using the provided screws.

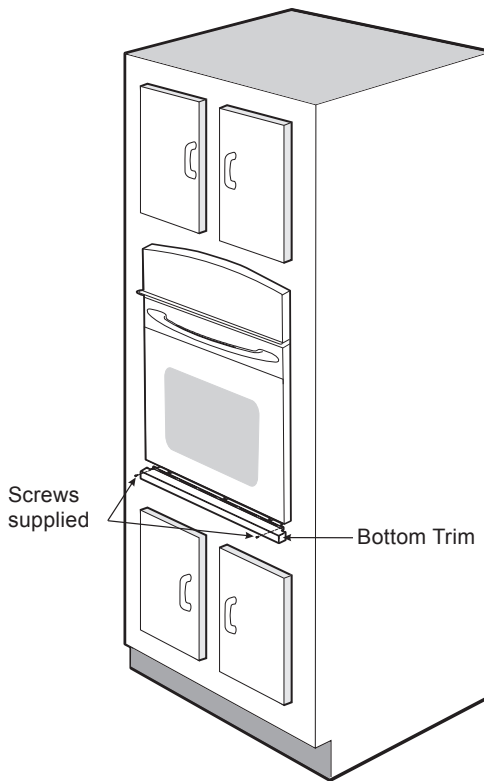


Figure 7

ELECTRIC WALL OVEN INSTALLATION INSTRUCTIONS

(and Optional Electric or Gas Cooktop Combination)

For typical under counter installation of an electric built-in oven see Figure below.

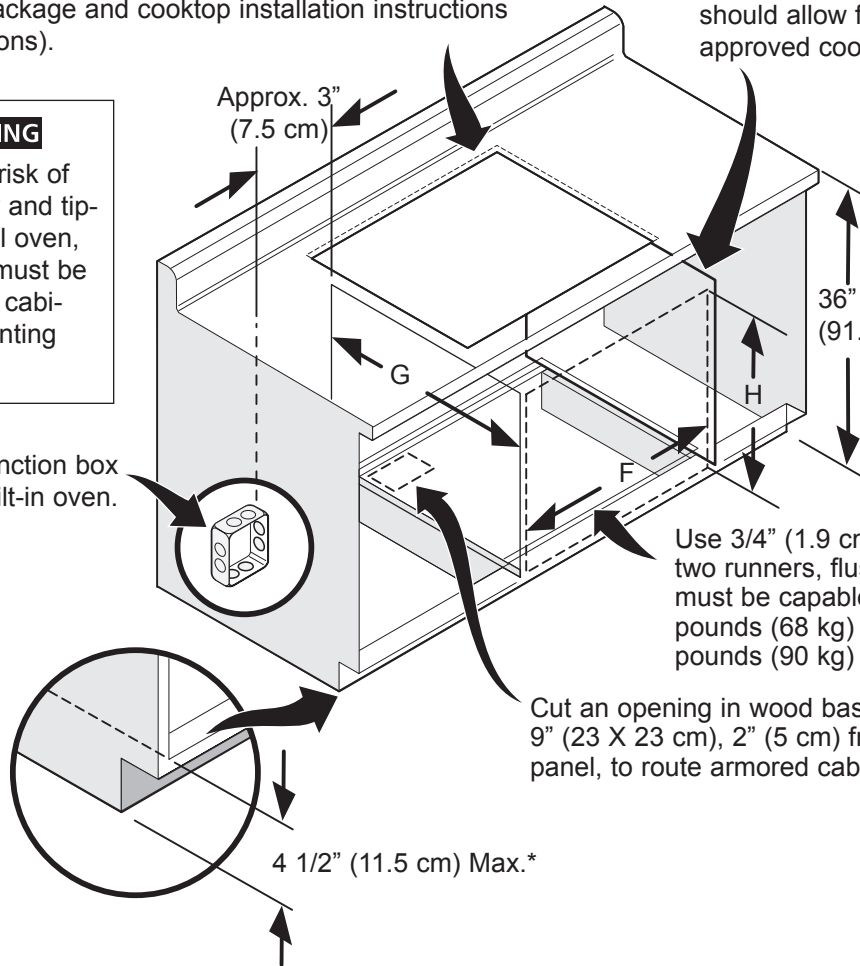
Only certain cooktop models may be installed over certain built-in electric oven models. Approved cooktops and built-in ovens are listed by the MFG ID number and product code (see the insert sheet included in the literature package and cooktop installation instructions for dimensions).

Cabinet side filler panels are necessary to isolate the unit from adjoining cabinets. Cabinet side filler height should allow for installation of approved cooktop models

! WARNING

To reduce the risk of personal injury and tipping of the wall oven, the wall oven must be secured to the cabinet (s) by mounting screws.

208/240 Volt junction box for built-in oven.



Use 3/4" (1.9 cm) plywood, installed on two runners, flush with toe plate. Base must be capable of supporting 150 pounds (68 kg) for 27" models and 200 pounds (90 kg) for 30" models.

Cut an opening in wood base minimum 9" x 9" (23 X 23 cm), 2" (5 cm) from left side filler panel, to route armored cable to junction box.

4 1/2" (11.5 cm) Max.*

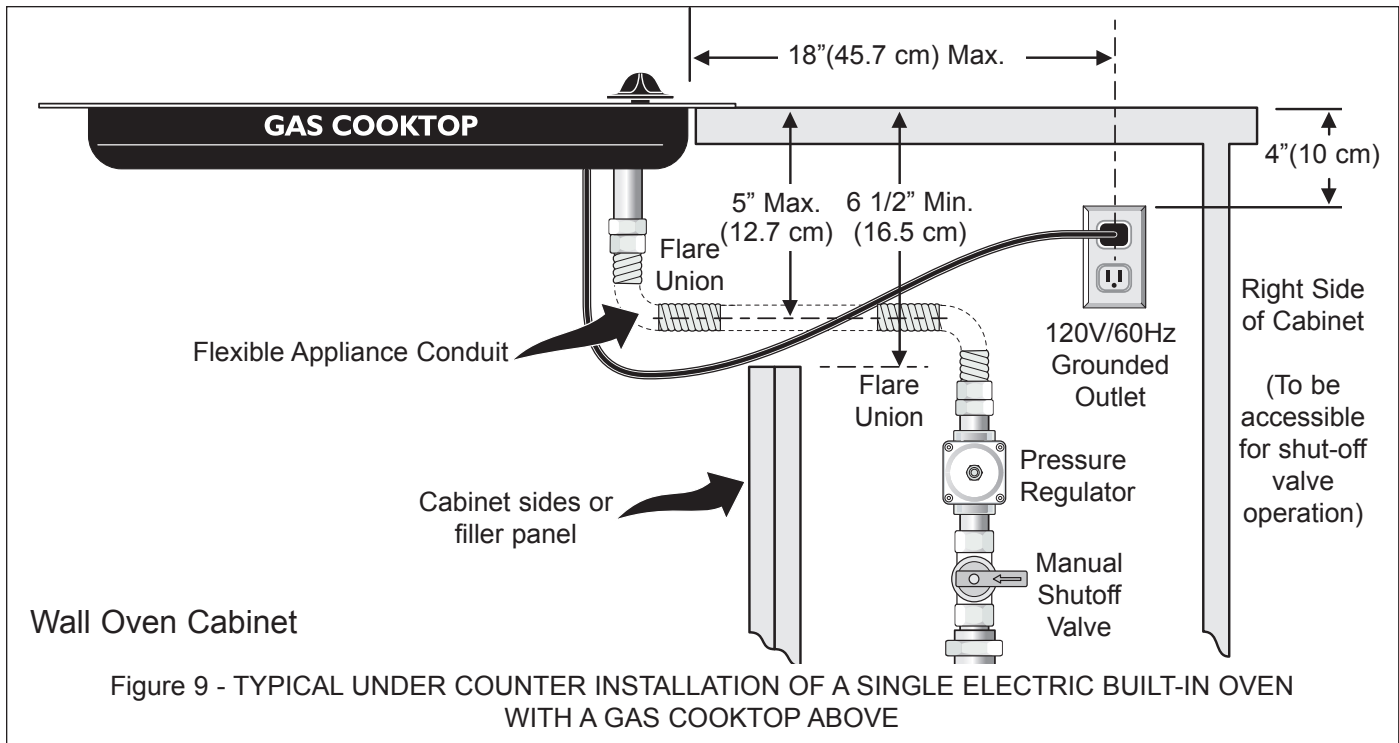
* If no cooktop is installed directly over the oven unit, 5" (12.7 cm) maximum is allowed above the floor.

CUTOUT DIMENSIONS			
	F.WIDTH	G.DEPTH	H.HEIGHT
27" (68.6 cm) Wall Oven	24 7/8" (63.2 cm) Min. 25 1/4" (64.1 cm) Max.	24" (61.0 cm) Min.	27 1/4" (69.2 cm) Min. 28" (71.1 cm) Max.
30" (76.2 cm) Wall Oven	28 1/2" (72.4 cm) Min. 29" (73.7 cm) Max.	24" (61.0 cm) Min.	27 1/4" (69.2 cm) Min. 28" (71.1 cm) Max.

Figure 8- TYPICAL UNDER COUNTER INSTALLATION OF A SINGLE ELECTRIC BUILT-IN OVEN WITH AN ELECTRIC COOKTOP MOUNTED ABOVE

ELECTRIC WALL OVEN INSTALLATION INSTRUCTIONS

(and Optional Electric or Gas Cooktop Combination)



6. Leveling the Wall Oven

1. Install an oven rack in the center of the upper oven (see Figure 10).
2. Place a level on the rack. Take 2 readings with the level placed diagonally in one direction and then the other. Use wood shims under the wall oven to level if necessary.
3. Repeat in the lower oven if you have a double cavity wall oven. If the level indicates that the rack is not level, use wood shims to reach a compromise for both ovens.

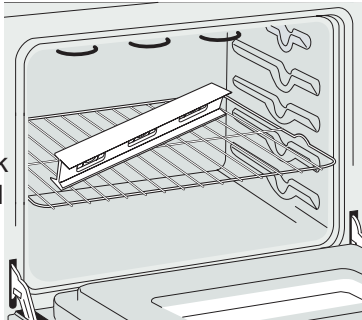


Figure 10

IMPORTANT NOTE

A cooling fan inside the upper rear part above the oven (some models) provides cooling of the oven electrical and electronic components. If the oven has been operating at high temperatures, the fan will continue to run after the oven is turned off.

7. Checking Operation

Your model is equipped with an Electronic Oven Control. Each of the functions has been factory checked before shipping. However, it is suggested that you verify the operation of the electronic oven controls once more. Refer to the Use and Care Guide for operation.

1. Remove all items from the inside of the oven.
2. Turn on the power to the oven (Refer to your Use & Care Guide.)
3. Verify the operation of the electronic oven controls:
Bake– Verify that this function makes the oven hot. 20 seconds after turning oven on, open the door and you should feel heat coming from the oven.

Broil– When the oven is set to BROIL, the upper element in the oven should become red.

Convection (some models)–When the oven is set for a convection baking or roasting, both elements cycle on and off alternately and the convection fan will run. The convection fan will stop running when the oven door is opened.

Before You Call for Service

Read the "Before You Call for Service Checklist" and the "Operating Instructions" in your Use and Care Guide. It may save you time and expense. The list includes common occurrences that are not the result of defective workmanship or materials in this appliance.

Refer to your Use and Care Guide for service phone numbers.

INSTRUCCIONES DE INSTALACIÓN PARA EL HORNO ELÉCTRICO DE PARED

(Combinado con una cocina eléctrica o de gas facultativa)

LA INSTALACIÓN Y EL SERVICIO DEBEN SER EFECTUADOS POR UN INSTALADOR CALIFICADO. IMPORTANTE: GUARDE ESTAS INSTRUCCIONES PARA USO DEL INSPECTOR LOCAL DE ELECTRICIDAD. LEA Y GUARDE ESTAS INSTRUCCIONES PARA REFERENCIA FUTURA.

⚠ ADVERTENCIA PARA SU SEGURIDAD: No almanece ni utilice gasolina u otros vapores y líquidos inflamables en la proximidad de este o de cualquier otro artefacto.

El primer paso para su instalación debe de ser el de medir las dimensiones de la apertura y compararlas con las que se indican en el cuadro de dimensiones del hueco de la figura 1. Posiblemente encontrará que algún trabajo de carpintería será necesario.

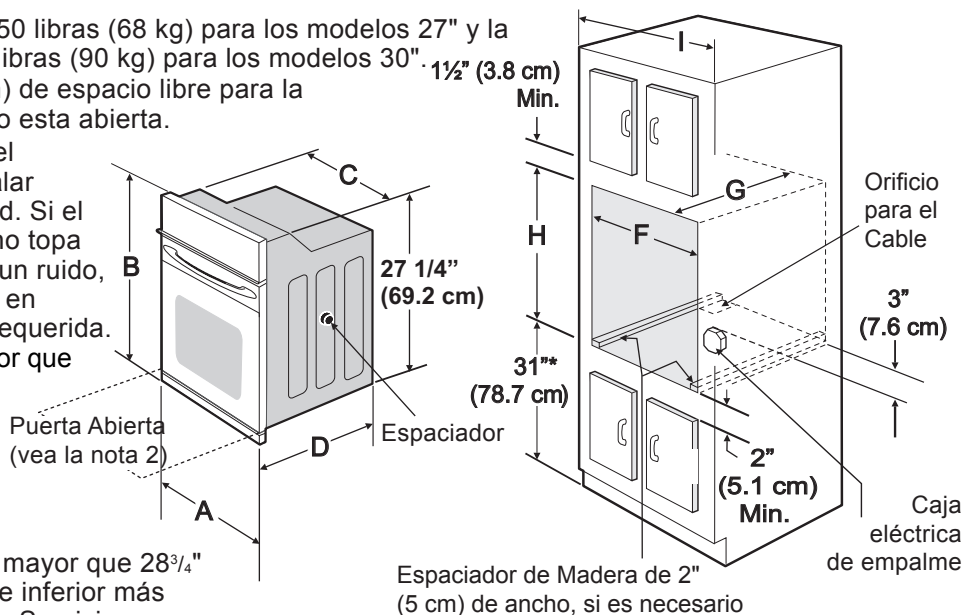
Estados Unidos
y Canadá



⚠ ADVERTENCIA No quite los separadores de los muros laterales del horno empotrado. Estos espaciadores centran el horno en el espacio provisto. El horno debe estar centrado para prevenir una concentración excesiva de calor que podría resultar en daños por el calor o un incendio.

NOTAS:

1. La base debe poder sostener 150 libras (68 kg) para los modelos 27" y la base debe poder sostener 200 libras (90 kg) para los modelos 30".
2. Deje por lo menos 21" (53.3 cm) de espacio libre para la profundidad de la puerta cuando esta abierta.
3. La dimensión G (profundidad del corte) está primordial para instalar correctamente el horno de pared. Si el adorno del armazón del horno no topa contra el armario, o si escuche un ruido, verifique si la dimensión G está en conformidad con la dimensión requerida.
4. Para un corte de una altura mayor que 28" (71,1 cm) agregar una cuña de madera de 2" (5 cm) de ancho para lograr la altura apropiada a cada lado del orificio ubicado debajo de los rieles laterales del accesorio.
5. Para un corte de una altura (H) mayor que 28³/₄" (73 cm) puede solicitar un ajuste inferior más grande a través de un Centro de Servicio.



* Distancia sugerida desde el suelo es 31" (78.7 cm). La distancia mínima requerida es 4¹/₂" (11.4 cm).

Figura 1
Hornos simples de Pared de 27" y 30" (Para hornos dobles, ver la Figura 2)

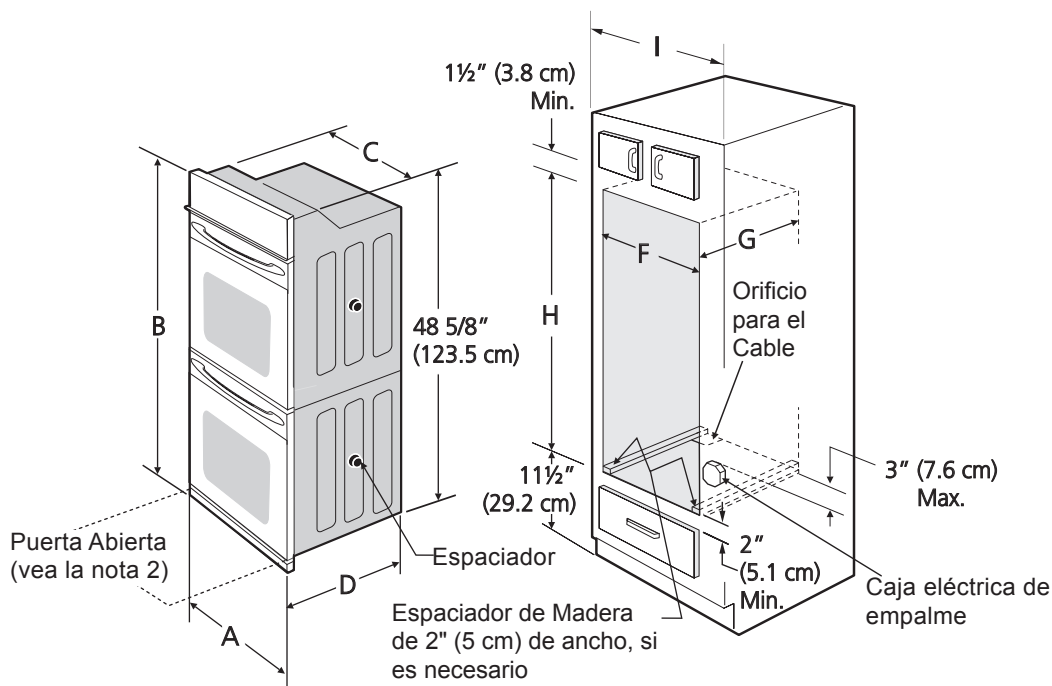
DIMENSIONES DEL APARATO						
MODELO	A		B	C		D
Horno de pared 27" (68.6cm)	27 (68.6)		29 (73.7)	24 ⁵ / ₈ (62.5)		24 ³ / ₄ (62.2)
Horno de pared 30" (76.2cm)	30 (76.2)		29 (73.7)	28 ¹ / ₄ (71.8)		24 ³ / ₄ (62.2)
DIMENSIONES DEL HUECO Y ANCHURA DEL ARMARIO						
MODELO	F		G (Mín.)	H. Altura estándar (**Otras, vea notas 4 & 5)		I
	Mín.	Máx.		Mín.	Máx.	
Horno de pared 27" (68.6cm)	24 ⁷ / ₈ (63.2)	25 ¹ / ₄ (64.1)	24 (61.0)	27 ¹ / ₄ (69.2)	28 (71.1)	27 ¹ / ₈ (68.9) Mín
Horno de pared 30" (76.2cm)	28 ¹ / ₂ (72.4)	29 (73.7)	24 (61.0)	27 ¹ / ₄ (69.2)	28 (71.1)	30 ¹ / ₈ (76.5) Mín

Todas las dimensiones se dan en pulgadas (cm).

INSTRUCCIONES DE INSTALACIÓN PARA EL HORNO ELÉCTRICO DE PARED

(Combinado con una cocina eléctrica o de gas facultativa)

⚠ ADVERTENCIA No quite los separadores de los muros laterales del horno empotrado. Estos espaciadores centran el horno en el espacio provisto. El horno debe estar centrado para prevenir una concentración excesiva de calor que podría resultar en daños por el calor o un incendio.



NOTES:

1. La base debe poder sostener 300 libras (136 kg) para los modelos 27" y la base debe poder sostener 375 libras (170 kg) para los modelos 30".
2. Deje por lo menos 21" (53.3 cm) de espacio libre para la profundidad de la puerta cuando esta abierta.
3. La dimensión G (profundidad del corte) está primordial para instalar correctamente el horno de pared. Si el adorno del armazón del horno no topa contra el armario, o si escuche un ruido, verifique si la dimensión G está en conformidad con la dimensión requerida.
4. Para un corte de una profundidad mayor que 49³/₈" (125.4 cm) agregar una cuña de madera de 2" (5 cm) de ancho para lograr la altura apropiada a cada lado del orificio ubicado debajo de los rieles laterales del accesorio.
5. Para un corte de una altura (H) mayor que 50¹/₈" (127.3 cm) una moldura grande inferior puede ser pedido con su representante.

Figura 2
HORNOS DOBLES DE 27" Y 30" (Para hornos simples, ver la Figura 1)

DIMENSIONES DEL APARATO						
MODELO	A	B	C	D		
Horno de pared 27" (68.6cm)	27 (68.6)	50 ⁷ / ₁₆ (128.1)	24 ⁵ / ₈ (62.5)	24 ³ / ₄ (62.2)		
Horno de pared 30" (76.2cm)	30 (76.2)	50 ⁷ / ₁₆ (128.1)	28 ¹ / ₄ (71.8)	24 ³ / ₄ (62.2)		
DIMENSIONES DEL HUECO Y ANCHURA DEL ARMARIO						
MODELO	F		G (Mín.)	H. Altura estándar (**Otras, vea notas 4 & 5)		I
	Mín.	Máx.		Mín.	Máx.	
Horno de pared 27" (68.6cm)	24 ⁷ / ₈ (63.2)	25 ¹ / ₄ (64.1)	24 (61.0)	48 ¹¹ / ₁₆ (123.7)	49 ³ / ₈ (125.4)	27 ¹ / ₈ (68.9) Mín
Horno de pared 30" (76.2cm)	28 ¹ / ₂ (72.4)	29 (73.7)	24 (61.0)	48 ¹¹ / ₁₆ (123.7)	49 ³ / ₈ (125.4)	30 ¹ / ₈ (76.5) Mín

Todas las dimensiones se dan en pulgadas (cm).

INSTRUCCIONES DE INSTALACIÓN PARA EL HORNO ELÉCTRICO DE PARED

(Combinado con una cocina eléctrica o de gas facultativa)

Notas importantes para el instalador

1. Lea todas las instrucciones contenidas en este manual antes de instalar el horno.
2. Saque todo el material usado en el embalaje del compartimiento del horno antes de conectar el suministro eléctrico o de gas a la estufa.
3. Observe todos los códigos y reglamentos pertinentes.
4. Deje estas instrucciones con el consumidor.
5. La puerta del horno se puede retirar para facilitar la instalación.
6. ESTE HORNO NO ESTÁ APROBADO PARA LA INSTALACIÓN APILABLE O DE LADO A LADO.

Nota importante al consumidor

Conserve estas instrucciones y el manual del usuario para uso del inspector local de electricidad y referencia futura.

INSTRUCCIONES

IMPORTANTES DE SEGURIDAD

- Asegúrese de que su horno de pared sea instalado y puesto a tierra de forma apropiada por un instalador calificado o por un técnico de servicio.
- Este horno de pared debe ser eléctricamente puesto a tierra de acuerdo con los códigos locales o, en su ausencia, con el Código Eléctrico Nacional ANSI/NFPA No. 70—última edición en los Estados Unidos, o el Código Eléctrico Canadiense CSA Standard C22.1, Part 1, en Canadá.

⚠ ADVERTENCIA Pisar, apoyarse, o sentarse sobre la puerta de este horno de pared puede causar serias lesiones y daños al horno de pared.

- Nunca use su horno de pared para calentar una habitación. El uso prolongado de la estufa sin la ventilación adecuada puede ser peligroso.

⚠ ADVERTENCIA La corriente eléctrica al horno debe estar apagada mientras se hacen las conexiones de líneas. Si no se apaga, daños serios o la muerte podrían resultar.

1. Carpintería

Consulte la Figura 1 o la figura 2 para conocer las dimensiones pertinentes al modelo de su horno y al espacio necesario en el que poner el horno. La superficie donde se va a apoyar el horno debe de ser de madera contrachapada sólida u otro material similar y, sobre todo, la superficie tiene que estar a nivel, de lado a lado, y de atrás hacia adelante.

2. Ajuste de la altura del horno

La altura del horno se puede ajustar con cuñas de madera de 2" (5 cm) de ancho, donde sea necesario, para que quepa en un gabinete o abertura existente, cuando la altura del corte es superior a 28" (71,1 cm) en el caso del horno único de pared o 49¹/₈" (124.8 cm) en el caso del horno doble de pared (ver la Figura 1 o 2). Colocar las cuñas de altura apropiada debajo de los rieles laterales del horno.

3. Requerimientos Eléctricos

Se debe proveer el voltaje y la frecuencia apropiados a este electrodoméstico, y conectarse a un circuito individual correctamente puesto a tierra, protegido por un interruptor o un fusible. Para conocer el interruptor o fusible que requiere su modelo, vea la placa serial para encontrar la consumación del vatiaje y refiérase al cuadro A para encontrar el amperaje del interruptor o fusible. Observe todos los códigos que gobiernan y ordenanzas locales

Grados de Vatios del electrodoméstico 240V	Se recomienda una protección al circuito	Grados de Vatios del electrodoméstico 208V	Se recomienda una protección al circuito
Menos de 4800W	20A	Menos de 4100W	20A
4801W - 7200W	30A	4101W - 6200W	30A
7201W - 9600W	40A o 50A	6201W - 8300W	40A o 50A
9601W and +	50A	8301W and +	50A

Table A

1. Un cable de 3 o 4 alambres monofásico 120/240 o 120/208 voltios, 60 hertzios es la única fuente eléctrica que requiere en un circuito separado en ambos lados de la línea (alambre negro y alambre rojo) (se recomienda un fusible o un interruptor de retraso de tiempo). No funda a cable neutro (alambre blanco). Se debe de tener precaución al combinar un horno de pared y una cubierta, refiérase a la placa de serie de cada uno de los aparatos.

NOTA: Los tamaños y las conexiones del alambre deben conformarse con el tamaño del fusible y el grado de la aplicación de acuerdo con el código Eléctrico Nacional Americano ANSI/NFPA No. 70- última edición, o con el estándar CSA canadiense C22.1, código eléctrico canadiense, parte 1, y códigos y ordenanzas locales.

⚠ ADVERTENCIA No se debiera usar extensiones para enchufar este electrodoméstico. Esto podría causar un incendio, choque eléctrico u otro tipo de daño personal. Si usted necesita un cable mas largo, puede ordenar un cable de 10" kit 903056-9010 llamando al centro de Servicio.

2. Este electrodoméstico debe conectarse a la caja de fusibles (o de cortocircuito), por medio de un cable blindado flexible o un cable con forro no metálico. El cable blindado flexible que va desde el electrodoméstico debe de estar conectado directamente a la caja de empalme. La caja de empalme debe de estar localizada en el lugar que se indica en la Figura 1 o 2, dejando tanto exceso de cable como sea posible entre la caja y el electrodoméstico, de forma que así el electrodoméstico se pueda mover fácilmente, si fuera necesario para hacer una reparación.
3. Se debe de usar un conector que reduzca la tirantez de una forma adecuada para unir el cable blindado flexible a la caja de empalme.

INSTRUCCIONES DE INSTALACIÓN PARA EL HORNO ELÉCTRICO DE PARED

(Combinado con una cocina eléctrica o de gas facultativa)

⚠ ADVERTENCIA

Riesgo de choque eléctrico

- Una puesta a tierra se requiere en este aparato.
- No lo conecte a la corriente eléctrica hasta que el aparato haya sido puesto a tierra.
- Desconecte la corriente eléctrica a la caja de empalmes antes de hacer la conexión eléctrica.
- Este aparato debe estar conectado con un sistema de alambres puesto en tierra, metálico y permanente o un conector de puesta a tierra debe conectarse al terminal de puesta a tierra o el alambre conductor en el aparato.
- No utilice el suministro de gas para hacer la puesta a tierra.

La falta de cualquiera de las instrucciones mencionadas podría resultar en un incendio, choque eléctrico o lesiones personales.

⚠ PRECAUCION

En cuanto a las condiciones de despacho y almacenamiento en el invierno, asegúrese de que el horno llegue a su destino final como mínimo tres (3) horas antes de encenderlo. Si se enciende el horno cuando aún está frío, se pueden dañar los controles.

4. Conexión eléctrica

El usuario tiene la responsabilidad personal y obligación de utilizar un instalador calificado, para asegurar que la instalación eléctrica está hecha de forma adecuada y está conforme con el Código Eléctrico Nacional ANSI/NFPA No. 70-última edición en los Estados Unidos, o el Código Eléctrico Canadiense CSA Standard C22.1, Part 1, en Canadá.

⚠ ADVERTENCIA

Riesgo de choque eléctrico (El no prestar atención a esta advertencia puede resultar en electrocución u otras lesiones graves.) Este electrodoméstico está equipado con alambre de cobre. Si se va a conectar con cableado de aluminio del hogar, utilizar únicamente conectores que están aprobados para unir cobre y aluminio de acuerdo al Código Nacional Eléctrico (NEC por sus siglas en inglés) y leyes y códigos locales. Al instalar conectores con tornillos que empujen directamente contra el acero y/o aluminio del conducto flexible, no apretar los tornillos suficientemente que dañen el conducto flexible. No doblar de más o deformar el conducto flexible para evitar separar el espiral y descubrir los alambres internos.

NO conecte el alambre puesto a tierra a una tubería de suministro de gas. NO conecte el suministro de energía eléctrica hasta que el electrodoméstico haya sido permanentemente puesto a tierra. Conecte el alambre de puesta a tierra antes de enchufar por primera vez el electrodoméstico.

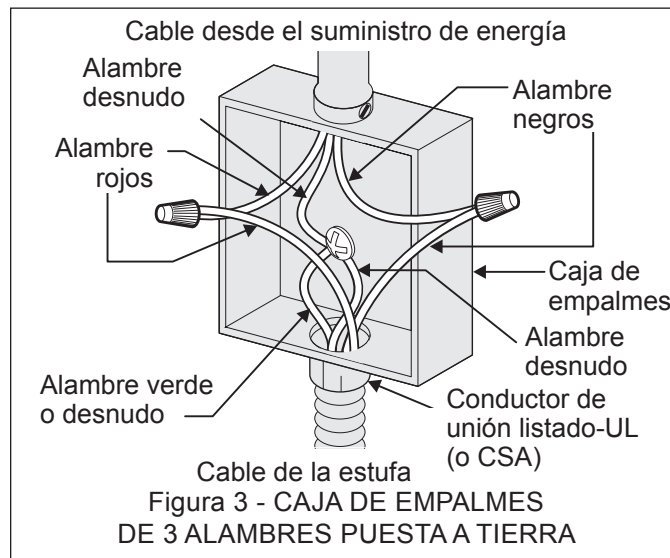
⚠ ADVERTENCIA

(Si su electrodoméstico está equipado con un conductor neutro blanco.) Este electrodoméstico está fabricado con un suministro eléctrico neutro blanco y un alambre de cobre conectado al armazón. El armazón está puesto a tierra por un enlace de la conexión a tierra con la conexión del neutro al final de la línea eléctrica, si es usado en los estados unidos una nueva instalación de circuito de bifurcación (1996 NEC), casa rodante, vehículos recreacionales, o donde los códigos locales no permitan poner a tierra mediante el neutro (blanco) o en Canadá, desconectar la conexión blanca de la verde y utilizar la conexión a tierra para poner a tierra la unidad de acuerdo a los códigos locales, conectar el neutro al circuito de bifurcación- conductor neutro de manera usual. Ver Figura 4. Si su electrodoméstico va a ser conectado a una caja de conexión puesta a tierra de 3 cables (en los estados unidos solamente), donde los códigos locales permitan conectar el conductor de poner a tierra-electrodoméstico con el neutro (blanco) ver Figura 3.

NOTA AL ELECTRICISTA: Los conductores de cable blindados provistos con este artefacto son aprobados por UL para la conexión al alambrado de casa de un calibre mayor. El aislamiento de los conductores está calificado para temperaturas más altas que las del alambrado de la casa. La capacidad de corriente del conductor está gobernada por la calificación de la temperatura del aislamiento alrededor del alambre en vez de solamente el calibre del alambre.

Donde los códigos locales permitan conectar el conductor de puesta a tierra del electrodoméstico al neutral (blanco) (Solamente en los Estados Unidos) (vea figura 3):

1. Desconecte el suministro eléctrico.
2. En el caja de juntas: conectar el aparato y los cables residenciales como se muestra en la figura 3.

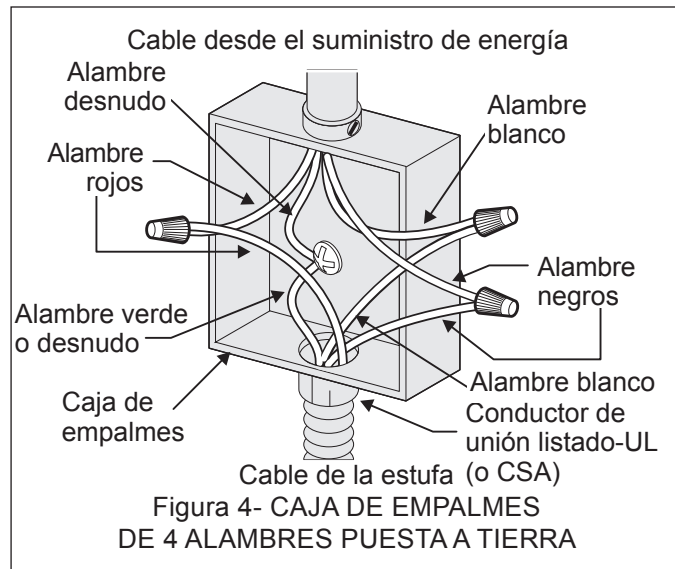


INSTRUCCIONES DE INSTALACIÓN PARA EL HORNO ELÉCTRICO DE PARED

(Combinado con una cocina eléctrica o de gas facultativa)

Si el horno se usa en una instalación de circuito de ramal nuevo (1996 NEC), en una casa rodante, en un vehículo para recreación o si los códigos locales NO permiten la conexión a tierra a través del cable neutral (blanco), el armazón del electrodoméstico NO TIENE QUE estar conectado al alambre neutro del sistema eléctrico de 4 alambres. (ver figura 4):

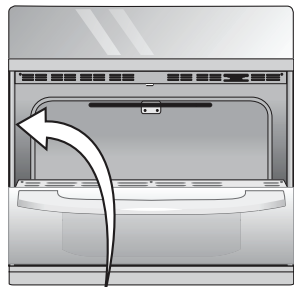
1. Desconecte el suministro eléctrico
2. Separe el alambre verde (o cobre desnudo) y el alambre blanco del electrodoméstico.
3. En el caja de juntas: conectar el aparato y los cables residenciales como se muestra en la figura 4.



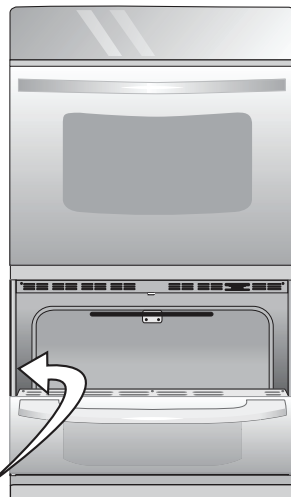
Ubicación del número de modelo y de serie

La placa con el número de serie está ubicada en la guarnición interior lateral del horno y se puede ver cuando se abre la puerta.

Cuando haga pedidos de repuestos o solicite información con respecto a su horno, esté siempre seguro de incluir el número de modelo y de serie y el número o letra del lote de la placa de serie de su horno.



Modelos con un solo horno- la placa de serie está ubicada aquí.



Modelos con un horno doble- la placa de serie está ubicada aquí.

5. Instalación del Gabinete

IMPORTANTE

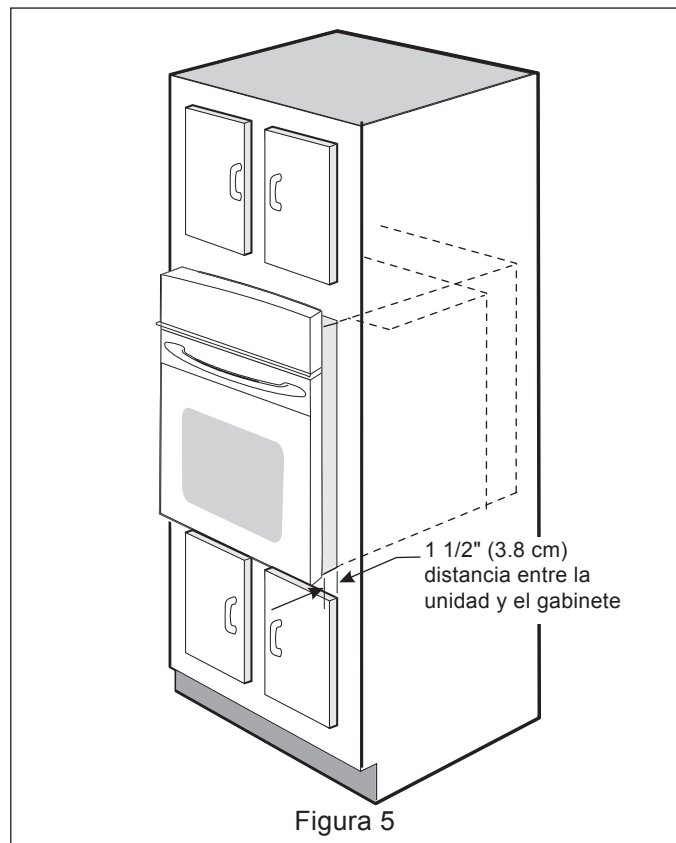
No levante o manipule el aparato por el asa de la puerta o el panel de control.

⚠ ADVERTENCIA

Peligro de Peso Pesado

- Use 2 personas o más para mover e instalar el horno de pared.
- Si no cumple con esta instrucción, puede resultar en lesiones personales o daños al horno de pared

- 1 Desembalar el horno de pared. Extraer la guarnición inferior y los 2 tornillos unidos con cinta al panel superior del horno.
- 2 Buscar los tornillos que se incluyen en el paquete de literatura.
- 3 Insertar el horno en la abertura del gabinete. Deslizar el horno hacia dentro dejando 1 1/2" (3,8 cm) de espacio libre entre el horno y la parte delantera del gabinete (ver la Figura 5).
- 4 Empujar el cable blindado a través del orificio del gabinete y hacia la caja de paso mientras se desliza el accesorio hacia adentro.
- 5 Empujar el horno hacia adentro y en contra del gabinete



INSTRUCCIONES DE INSTALACIÓN PARA EL HORNO ELÉCTRICO DE PARED

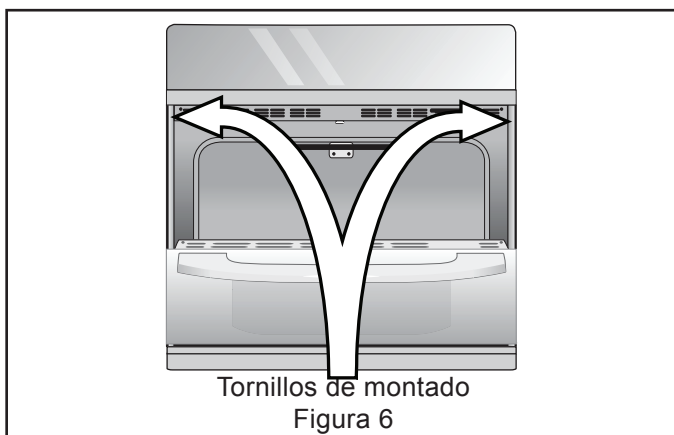
(Combinado con una cocina eléctrica o de gas facultativa)

6 Instalación de los tornillos de montaje

⚠ ADVERTENCIA El horno de pared puede inclinarse cuando la puerta esta abierta. Los soportes de montaje que vienen con el horno de pared deben de estar ajustadas al armario y al aparato para evitar que el horno de pared se incline y ocasione quemaduras graves.

A. Los barrenos en las molduras laterales pueden ser usadas como guía para localizar los tornillos de montaje de la unidad (figura 6).

B. Use los dos tornillos proporcionados para colocar la unidad en la cabina.



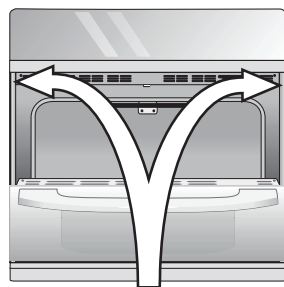
⚠ ADVERTENCIA

Riesgo de volcamiento



- Un niño o adulto puede volcar el horno y acabar muerto.
- Instale el dispositivo antivuelco en el horno y/o en la estructura según las instrucciones de instalación.

- Asegúrese de que el horno se vuelva a acoplar al dispositivo antivuelco cuando lo mueva.
- No utilice el horno sin el dispositivo antivuelco instalado y acoplado.
- Si no se siguen estas instrucciones, se puede provocar la muerte o quemaduras graves en niños y adultos.



Agujeros de instalación del dispositivo antivuelco

Consulte las instrucciones de instalación proporcionadas con su electrodoméstico para instalarlo adecuadamente.

Verifique que la instalación se haya realizado adecuadamente corroborando que los tornillos antivuelco estén colocados.

Pruebe la instalación ejerciendo poca presión hacia abajo sobre la puerta abierta del horno. El horno no debe inclinarse hacia adelante.

7 Instalación de la Guarnición Inferior:

⚠ PRECAUCION

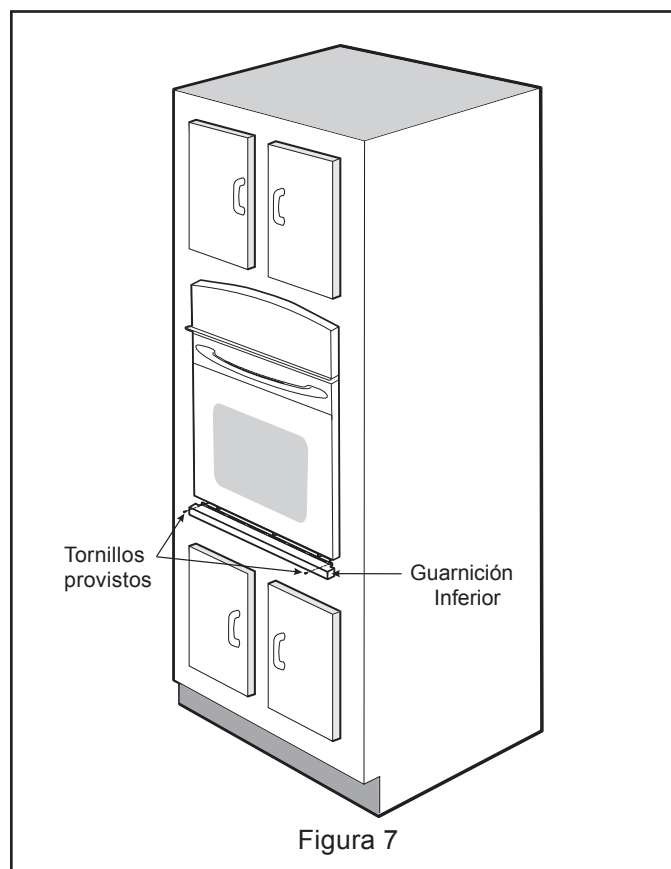
La guarda de seguridad inferior debe ser propiamente instalada para que el aparato electrodoméstico funcione correctamente. No operar el horno sin la guarda de seguridad instalada. No usar guardas fabricadas de madera o de algún otro material que no sea el especificado. La guarda de seguridad usada en esta unidad debe de corresponder a este modelo. Si se operar el aparato electrodoméstico sin la guarda de seguridad inferior correctamente instalada, esto podría causar lesiones física, también puede dañar el gabinete o puede causar daños el aparato electrodoméstico.

Los tornillos para instalar la guarda de seguridad inferior son proporcionados con el horno. Los tornillos se encuentran en los orificios de montaje localizados en cada lado, debajo del marco del horno (ver Figura 7).

A. Quite los tornillos que se encuentran en los orificios de montaje.

B. Colocar la guarda de seguridad inferior sobre las pestañas de cada lado del horno de bajo de la puerta del horno.

C. Fijar la guarda de seguridad inferior con los tornillos proporcionados.



INSTRUCCIONES DE INSTALACIÓN PARA EL HORNO ELÉCTRICO DE PARED (Combinado con una cocina eléctrica o de gas facultativa)

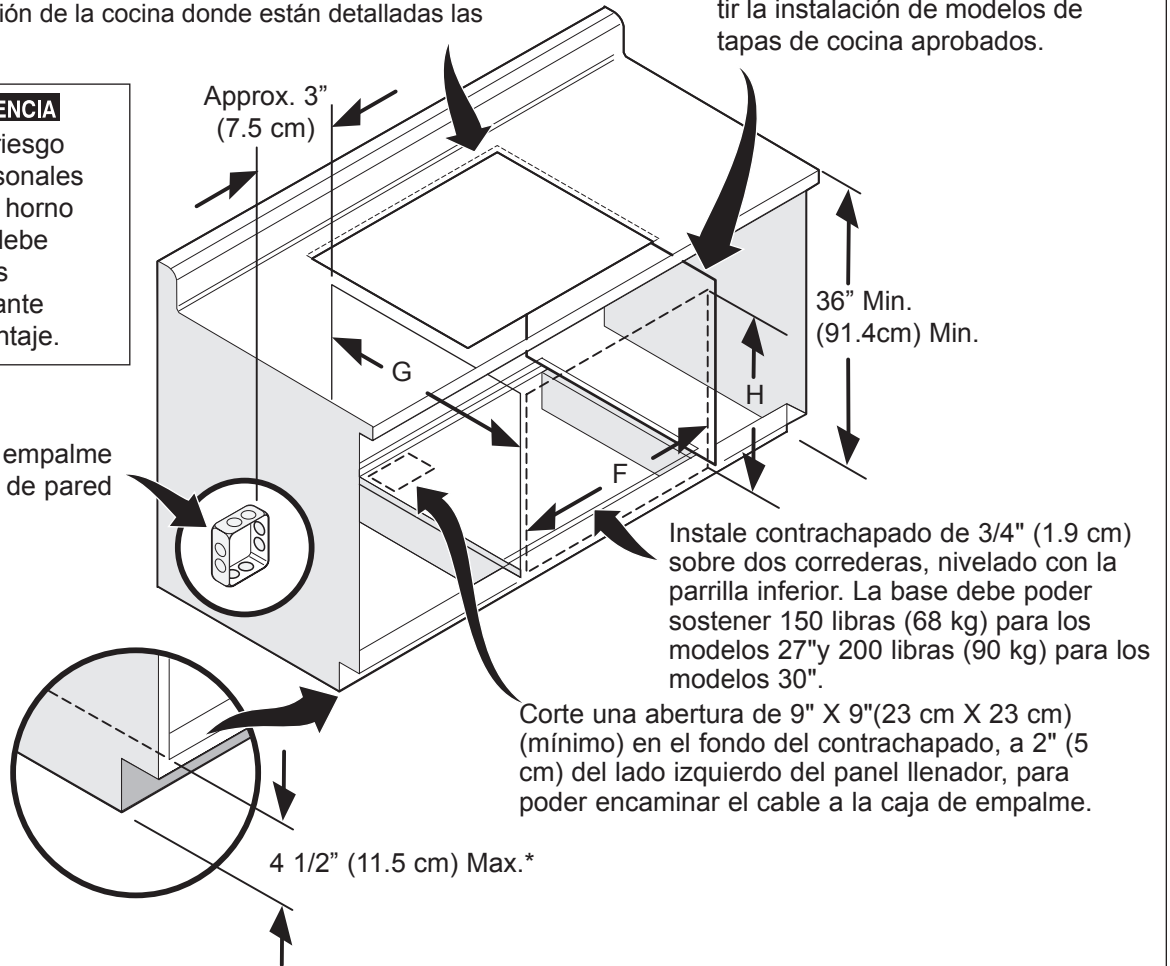
Para una instalación típica de un horno eléctrico incorporado debajo del mostrador, véase la figura 8.

Sólo ciertos modelos de tapas de cocina se pueden instalar sobre ciertos modelos de hornos eléctricos empotrados. Las tapas de cocina y los hornos empotrados se mencionan por su número de identificación MFG ID y código de producto (ver la planilla que se incluye en el paquete de literatura y las instrucciones de instalación de la cocina donde están detalladas las dimensiones).

Los paneles de relleno laterales del gabinete son necesarios para aislar la unidad de los gabinetes adyacentes. La altura del relleno lateral del gabinete debe permitir la instalación de modelos de tapas de cocina aprobados.

⚠ ADVERTENCIA
Para reducir el riesgo de lesiones personales y inclinación del horno de pared, éste debe asegurarse a los gabinetes mediante soportes de montaje.

208/240 caja de empalme para hornos de pared



Instale contrachapado de 3/4" (1.9 cm) sobre dos correderas, nivelado con la parrilla inferior. La base debe poder sostener 150 libras (68 kg) para los modelos 27" y 200 libras (90 kg) para los modelos 30".

Corte una abertura de 9" X 9" (23 cm X 23 cm) (mínimo) en el fondo del contrachapado, a 2" (5 cm) del lado izquierdo del panel llenador, para poder encaminar el cable a la caja de empalme.

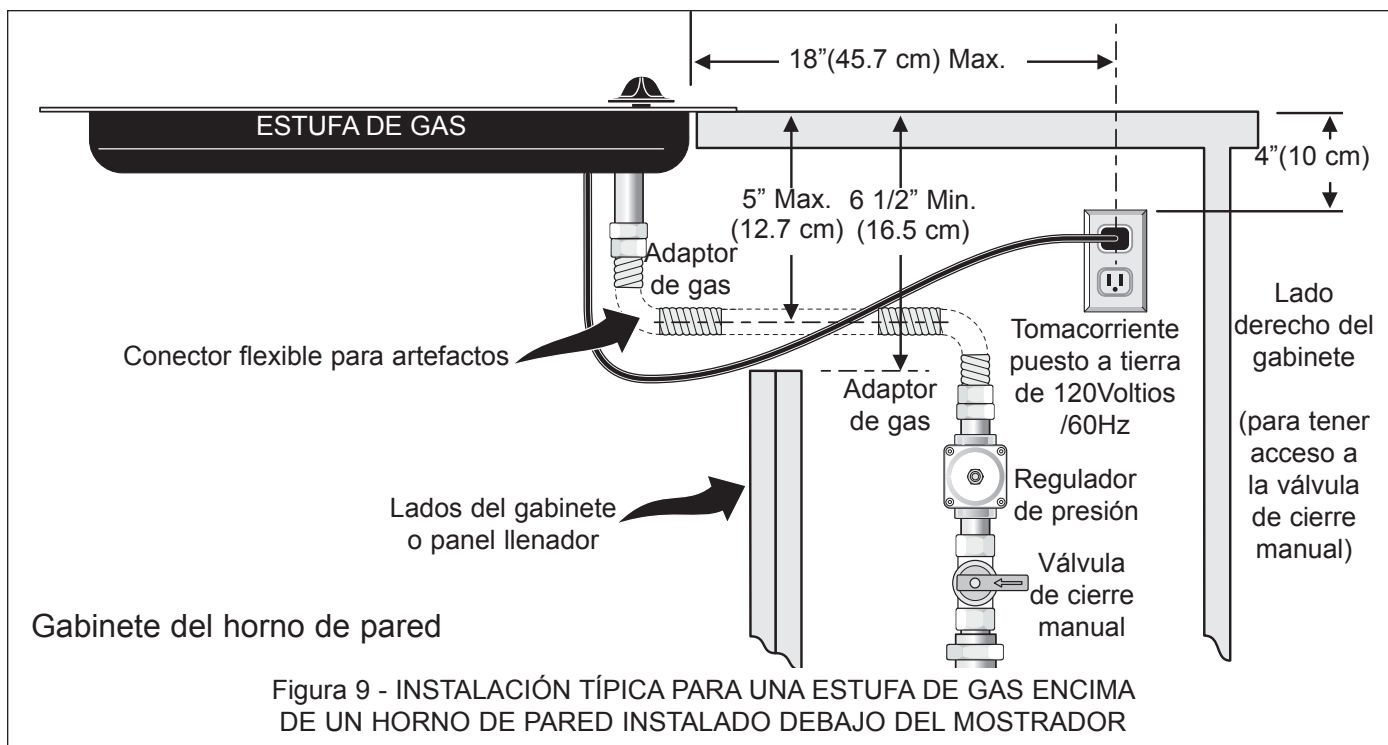
DIMENSIONES DE ABERTURA			
	F. ANCHURA	G. PROFUNDIDAD	H. ALTURA
27" (68.6 cm) Horno de pared	24 ^{7/8} " (63.2 cm) Min. 25 ^{1/4} " (64.1 cm) Max.	24" (61.0 cm) Min.	27 ^{1/4} " (69.2 cm) Min. 28" (71.1 cm) Max.
30" (76.2 cm) Horno de pared	28 ^{1/2} " (72.4 cm) Min. 29" (73.7 cm) Max.	24" (61.0 cm) Min.	27 ^{1/4} " (69.2 cm) Min. 28" (71.1 cm) Max.

* Si no se instala ninguna tapa de cocina directamente sobre la unidad del horno, se permite un espacio máximo de 5" (12,7 cm) sobre el piso.

Figura 8 – INSTALACIÓN TÍPICA DEBAJO DE LA MESADA DE HORNO SIMPLE EMPOTRADO CON TAPA DE COCINA MONTADA

INSTRUCCIONES DE INSTALACIÓN PARA EL HORNO ELÉCTRICO DE PARED

(Combinado con una cocina eléctrica o de gas facultativa)



6. Asegúrese de que el horno de pared está a nivel

1. Instale una rejilla al centro del horno superior (vea la Figura 10).
2. Ponga un nivel por encima de la rejilla. Lea 2 veces, una vez con el nivel a la posición de lado a lado, y otra vez de atrás hacia adelante. Utilice trozo de madera o cuñas por debajo del horno de pared para nivelar, si sea necesario.

3. Vuelve a empezar en el horno inferior. Si el nivel muestra que la rejilla no está a nivel, utilice trozo de madera para componer ambos hornos.

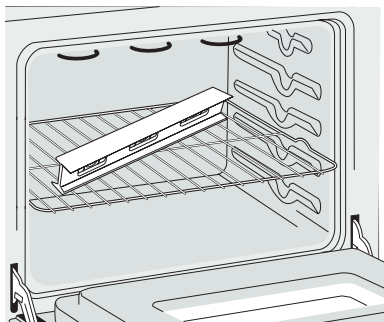


Figura 10

7. Verificación del funcionamiento

Su modelo está equipado con un Control Electrónico de Horno. Cada una de las funciones ha sido controlada en fábrica antes del despacho. Sin embargo, le sugerimos verificar el funcionamiento de los controles electrónicos una vez más. Consulte la Guía de Uso y Cuidado o la Guía del controles para ver el funcionamiento del horno.

1. Extraer todos los elementos de la parte interior del horno.
2. Encender el horno (Consultar la Guía de Uso y Cuidado.)
3. Verificar el funcionamiento de los controles electrónicos del horno:

Hornear – Verificar que esta función caliente el horno. Veinte minutos después de encender el horno, abrir la puerta y ver si se siente que el calor emana desde su interior.

Asar– Cuando se pone el horno para asar, el elemento de arriba del horno debe de ponerse rojo.

Convección (algunos modelos) – Cuando se configura el horno para horneado o asado por convección, los dos elementos se encienden y apagan en forma alterna y se enciende el ventilador. El ventilador de convección dejará de funcionar cuando se abre la puerta del horno durante el horneado o asado por convección.

Antes de llamar al servicio

Lea la sección Lista de Control de Averías en su Manual del Usuario. Esto le podrá ahorrar tiempo y gastos. Esta lista incluye ocurrencias comunes que no son el resultado de defectos de materiales o fabricación de este artefacto.

Lea la garantía y la información sobre el servicio en su Manual del Usuario para obtener el número de teléfono gratuito.

IMPORTANTE

Un ventilador ubicado dentro de la parte trasera superior arriba del horno (en algunos modelos) permite la refrigeración de los componentes eléctricos y electrónicos de enfriamiento. Si el horno ha estado funcionando a altas temperaturas, el ventilador seguirá funcionando después de apagar el horno.

INSTRUCTIONS D'INSTALLATION POUR FOUR ENCASTRÉ ÉLECTRIQUE

(Combiné à une table de cuisson électrique ou à gaz (en option))

L'INSTALLATION ET L'ENTRETIEN DOIVENT ÊTRE EFFECTUÉS PAR UN INSTALLATEUR QUALIFIÉ.
IMPORTANT: CONSERVEZ POUR L'INSPECTEUR D'ÉLECTRICITÉ LOCAL.
 LISEZ ET CONSERVEZ CES INSTRUCTIONS POUR RÉFÉRENCES ULTÉRIEURES.

⚠ AVERTISSEMENT POUR VOTRE SÉCURITÉ: N'entreposez pas ou n'utilisez pas d'essence ou d'autres produits inflammables à proximité de cet appareil ou de tout autre appareil électroménager.

Votre nouveau four encastré a été conçu pour s'ajuster à différentes dimensions de découpage et en faciliter l'installation. La première étape de votre installation consiste à mesurer les dimensions du découpage actuel et, à les comparer au tableau de dimensions de découpage ci-dessous. Vous découvrirez peut-être que peu ou pas de modification sera nécessaire.

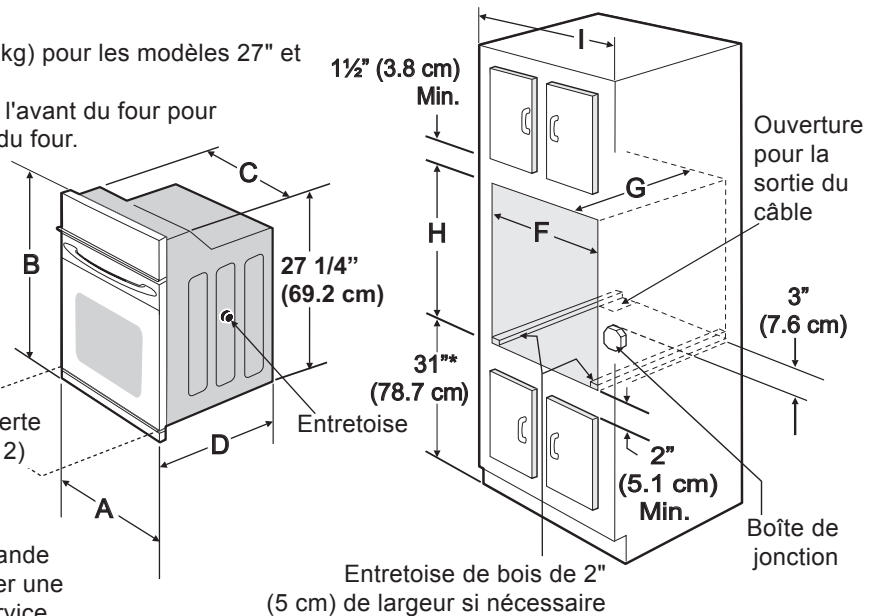
États-Unis et Canada



⚠ AVERTISSEMENT N'enlevez pas les entretoises sur les parois latérales du four. Ces entretoises centrent le four dans l'espace fourni. Le four doit être centré pour prévenir une accumulation excessive de chaleur pouvant causer un feu ou des dommages.

NOTE:

1. La base doit pouvoir supporter 150 lbs (68 kg) pour les modèles 27" et 200 lbs (90 kg) pour les modèles 30".
2. Allouez au moins 21" (53.3 cm) d'espace à l'avant du four pour permettre l'ouverture complète de la porte du four.
3. La dimension G (profondeur du découpage) est critique pour une bonne installation du four. Si la moulure inférieure du four ne vient pas s'accoter contre l'armoire, ou si un bruit se fait entendre sur les modèles à convection, vérifiez la dimension G pour vous assurer qu'elle est correcte.
4. Si la hauteur de découpage est plus grande que 28" (71.1 cm), ajoutez une entretoise de bois de 2" (5 cm) de largeur et de hauteur appropriée de chaque côté de l'ouverture sous l'appareil.
5. Si la hauteur de découpage (H) est plus grande que 28³/₄" (73 cm), vous pouvez commander une assiette plus bas à travers un centre de service.



* La distance suggérée du plancher est 31" (78.7 cm).
 La distance minimale requise est 4¹/₂" (11.4 cm).

Figure 1
 Fours encastrés simples 27" et 30" (Pour les fours encastrés doubles voir la figure 2)

DIMENSIONS DE L'APPAREIL						
MODÈLE	A	B	C	D		
27" (68.6 cm)	27 (68.6)	29 (73.7)	24 ⁵ / ₈ (62.5)	24 ³ / ₄ (62.2)		
30" (76.2 cm)	30 (76.2)	29 (73.7)	28 ¹ / ₄ (71.8)	24 ³ / ₄ (62.2)		
DIMENSIONS DE DÉCOUPAGE ET DE L'ARMOIRE						
MODÈLE	F		G (Min.)	H. Hauteur standard (**autres, voir notes 4 & 5)		I
	Min.	Max.		Min.	Max.	
27" (68.6 cm)	24 ⁷ / ₈ (63.2)	25 ¹ / ₄ (64.1)	24 (61.0)	27 ¹ / ₄ (69.2)	28 (71.1)	27 ¹ / ₈ (68.9) Min
30" (76.2 cm)	28 ¹ / ₂ (72.4)	29 (73.7)	24 (61.0)	27 ¹ / ₄ (69.2)	28 (71.1)	30 ¹ / ₈ (76.5) Min

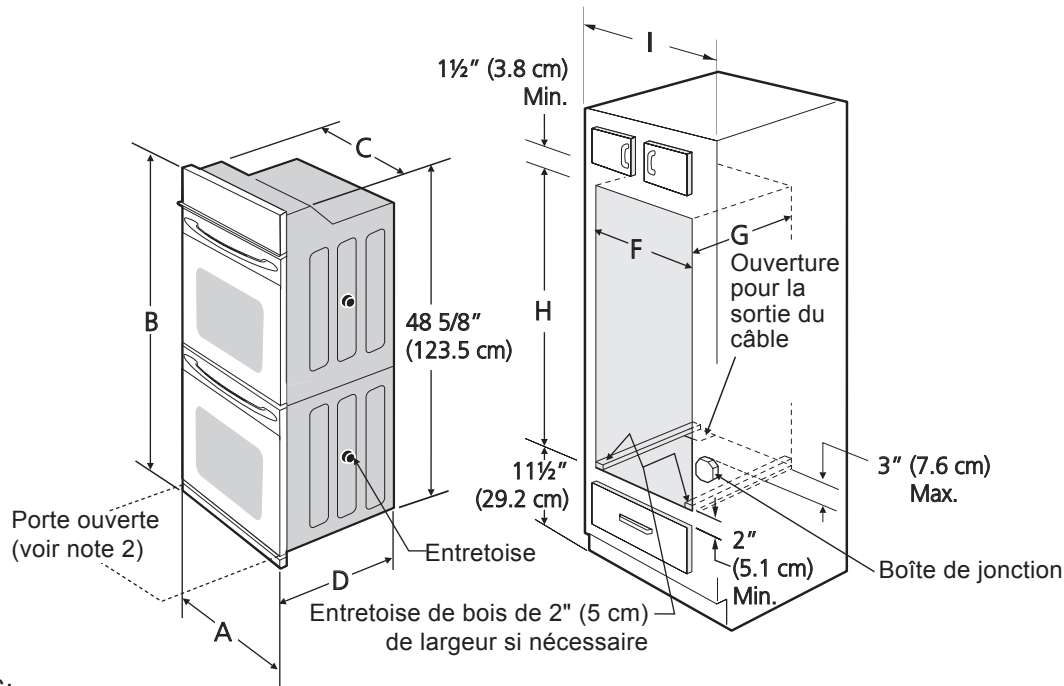
Toutes les dimensions sont en pouces (cm).
 Imprimé au U.S.A.

PN 807153703 (16/05) Rev. C
 English – pages 1-8
 Español – páginas 9-16
 Français – pages 17-24

INSTRUCTIONS D'INSTALLATION POUR FOUR ENCASTRÉ ÉLECTRIQUE

(Combiné à une table de cuisson électrique ou à gaz (en option))

⚠️ AVERTISSEMENT N'enlevez pas les entretoises sur les parois latérales du four. Ces entretoises centrent le four dans l'espace fourni. Le four doit être centré pour prévenir une accumulation excessive de chaleur pouvant causer un feu ou des dommages.



NOTES:

1. La base doit pouvoir supporter 300 lbs (136 kg) pour les modèles 27" et 375 lbs pour les modèles 30".
2. Allouez au moins 21" (53.3 cm) d'espace à l'avant du four pour permettre l'ouverture complète de la porte du four.
3. La dimension G (profondeur du découpage) est critique pour une bonne installation du four. Si la moulure inférieure du four ne vient pas s'accoter contre l'armoire, ou si un bruit se fait entendre sur les modèles à convection, vérifiez la dimension G pour vous assurer qu'elle est correcte.
4. Si la hauteur de découpage est plus grande que 49³/₈" (125.4 cm), ajoutez une entretoise de bois de 2" (5 cm) de largeur et de hauteur appropriée de chaque côté de l'ouverture sous l'appareil.
5. Si la hauteur de découpage (H) est plus grande que 50¹/₈" (127.3 cm), vous pouvez commander une moulure inférieure plus large en contactant un Centre de service.

Figure 2

Fours encastrés doubles 27" et 30" (Pour les fours encastrés simples voir la figure 1)

DIMENSIONS DE L'APPAREIL						
MODÈLE	A		B	C		D
27" (68.6 cm)	27 (68.6)		50 ⁷ / ₁₆ (128.1)	24 ⁵ / ₈ (62.5)		24 ³ / ₄ (62.2)
30" (76.2 cm)	30 (76.2)		50 ⁷ / ₁₆ (128.1)	28 ¹ / ₄ (71.8)		24 ³ / ₄ (62.2)
DIMENSIONS DE DÉCOUPAGE ET DE L'ARMOIRE						
MODÈLE	F		G (Min.)	H. Hauteur standard (**autres, voir notes 4 & 5)		I
	Min.	Max.		Min.	Max.	
27" (68.6 cm)	24 ⁷ / ₈ (63.2)	25 ¹ / ₄ (64.1)	24 (61.0)	48 ¹¹ / ₁₆ (123.7)	49 ³ / ₈ (125.4)	27 ¹ / ₈ (68.9) Min
30" (76.2 cm)	28 ¹ / ₂ (72.4)	29 (73.7)	24 (61.0)	48 ¹¹ / ₁₆ (123.7)	49 ³ / ₈ (125.4)	30 ¹ / ₈ (76.5) Min

Toutes les dimensions sont en pouces (cm).

INSTRUCTIONS D'INSTALLATION POUR FOUR ENCASTRÉ ÉLECTRIQUE

(Combiné à une table de cuisson électrique ou à gaz (en option))

Installateur

1. Lisez toutes les instructions contenues dans ce feuillet avant l'installation du four encastré.
2. Enlevez tout le matériel d'emballage du four avant de procéder au raccordement électrique.
3. Observez tous les codes et règlements applicables.
4. Assurez-vous de laisser ces instructions au consommateur.
5. La porte du four peut être enlevée pour faciliter l'installation.
6. CE FOUR N'EST PAS HOMOLOGUÉ POUR UNE INSTALLATION CÔTE-À-CÔTE OU SUPERPOSÉE.

Consommateur

Conservez ces instructions avec votre Manuel d'utilisation et d'entretien pour l'inspecteur d'électricité local et références futures.

DIRECTIVES IMPORTANTES DE SÉCURITÉ

- Assurez-vous que votre four encastré est installé et mis à la terre conformément par un installateur ou un technicien de service qualifié.
- Ce four encastré doit être mis à la terre conformément aux codes locaux d'électricité ou, en l'absence de codes, en conformité avec le National Electrical Code ANSI/NFA No. 70, dernière édition aux États-Unis, ou avec la norme ACNOR C22.1, Partie 1, au Canada.

⚠ AVERTISSEMENT Grimper, s'appuyer ou s'asseoir sur la porte de ce four encastré peut entraîner des blessures graves et peut aussi causer des dommages au four encastré.

- N'utilisez jamais votre four encastré pour chauffer ou réchauffer la pièce. L'utilisation prolongée du four encastré sans ventilation adéquate peut être dangereuse.

⚠ AVERTISSEMENT Il faut couper l'alimentation électrique durant le montage des connexions électriques. À défaut de ce faire il peut en résulter des blessures graves ou la mort.

1. Travaux de menuiserie

Reportez-vous à la figure 1 ou à la figure 2 pour établir quelles sont les dimensions applicables à votre modèle, ainsi que l'espace nécessaire pour recevoir l'appareil. La surface qui supporte l'appareil doit être en contre-plaqué solide ou tout autre matériau du même type. Il faut vous assurer que la surface est de niveau d'un côté à l'autre et de l'avant à l'arrière.

2. Réglage de la hauteur du four encastré

Lorsque requis, ce four peut être ajusté en hauteur avec une entretoise en bois d'une largeur de 2" (5 cm) pour en permettre l'installation dans le découpage existant d'une armoire, si la hauteur du découpage excède la dimension 28" (71.1 cm) pour un four encastré simple ou 49¹/₈" (124.8 cm) pour un four encastré double (voir la figure 1 ou 2). Placez l'entretoise de hauteur appropriée de chaque côté de l'ouverture sous l'appareil.

3. Exigences électriques

Ces appareils doivent être branchés à une alimentation possédant la tension et la fréquence appropriées. Ils doivent être connectés à un circuit dédié correctement mis à la terre et protégé par un disjoncteur ou un fusible. Pour savoir quel disjoncteur ou fusible utiliser avec cet appareil, référez-vous à la plaque signalétique pour connaître la consommation (watts) et avec cette donnée, consultez la table A pour connaître l'ampérage requis du disjoncteur ou du fusible.

Calibre de l'appareil (Watts) 240V	Circuit de protection recommandé	Calibre de l'appareil (Watts) 208V	Circuit de protection recommandé
Moins de 4800W	20A	Moins de 4100W	20A
4801W - 7200W	30A	4101W - 6200W	30A
7201W - 9600W	40A ou 50A	6201W - 8300W	40A ou 50A
9601W et +	50A	8301W et +	50A

Table A

Observez tous les règlements et les codes locaux applicables.

1. Un câble électrique à 3 ou 4 fils de 120/240 ou 120/208 Volt monophasé, 60 Hz CA est requis sur un circuit séparé muni d'un fusible sur chaque fil conducteur (fusible temporisé ou disjoncteur recommandé). NE RELIEZ PAS de fusible au neutre. Il faut tenir compte de l'ajout d'une plaque de cuisson superposée au four encastré. Référez-vous à la plaque signalétique de chaque unité.

NOTE: Le calibre des fils et leurs connexions doivent être conformes à la capacité des fusibles et à la capacité nominale de l'appareil, selon le National Electrical Code ANSI/NFPA No. 70, dernière édition, ou selon la norme ACNOR C22,1, Partie 1, du Code canadien de l'électricité et les codes et les règlements locaux.

⚠ AVERTISSEMENT N'utilisez pas de rallonge électrique avec ces appareils. Son utilisation peut causer un feu, un choc électrique ou des blessures corporelles. Si un câble d'alimentation plus long est requis, vous pouvez vous en procurer un de 10' (3 m) en téléphonant au centre de service et en demandant le kit #903056-9010.

2. Il faut brancher l'appareil au panneau de distribution en utilisant des câbles flexibles à gaine métallique ou non métallique. On doit brancher directement à la boîte de jonction le câble gainé flexible de l'appareil. Il faut disposer la boîte de jonction tel qu'illustré à la Figure 1 ou 2 en laissant autant de lâche que possible dans le câble entre la boîte et l'appareil, pour en faciliter le déplacement si l'entretien s'avère nécessaire.
3. Une attache de protection sécuritaire doit retenir le câble armé flexible à la boîte de jonction.

INSTRUCTIONS D'INSTALLATION POUR FOUR ENCASTRÉ ÉLECTRIQUE

(Combiné à une table de cuisson électrique ou à gaz (en option))

⚠ AVERTISSEMENT

Risque de choc électrique

- La mise à la terre de cet appareil est obligatoire.
- Ne branchez pas l'appareil au circuit électrique tant qu'il ne sera pas mis à la terre correctement et en permanence.
- Coupez l'alimentation à la boîte de jonction avant de faire les raccords électriques.
- Cet appareil doit être connecté à un circuit permanent électrique, métallique et mis à la terre, ou à un connecteur de mise à la terre qui doit être branché à la borne ou au fil de mise à la terre de l'appareil.
- N'utilisez pas un tuyau d'alimentation de gaz pour la mise à la terre de l'appareil.

Si vous ne respectez pas toutes les instructions précédentes, un feu, des blessures corporelles ou un choc électrique peuvent en résulter.

⚠ ATTENTION Par temps froid, pour protéger la commande du four, il faut attendre au moins trois (3) heures à la température de la pièce avant de mettre l'appareil sous tension. Ceci évitera toute possibilité d'endommager la commande du four lors de la mise sous tension.

4. Connexions électriques

Le consommateur est responsable et doit communiquer avec un installateur qualifié pour s'assurer que l'installation électrique est adéquate et conforme avec le National Electrical Code ANSI/NFPA No. 70-dernière édition, ou avec la norme ACNOR C22.1, partie 1, du code canadien de l'électricité, et les codes et règlements locaux.

⚠ AVERTISSEMENT Risque de choc électrique (Si cet avertissement n'est pas pris en considération, un choc électrique ou des blessures sérieuses peuvent survenir). Cet appareil est muni de fils en cuivre. Si ce dernier est branché à circuit résidentiel en aluminium, n'utilisez que des connecteurs qui sont approuvés pour joindre des fils de cuivre à des fils d'aluminium conformément au National Electrical Code et les codes et règlements locaux. Lors de l'installation des connecteurs munis de vis touchant directement l'acier ou l'aluminium de conduit flexible, il ne faut pas serrer celles-ci outre mesure afin d'éviter d'endommager le conduit flexible. Il ne faut ni plier ni tordre outre mesure un conduit flexible de manière à éviter un bris dans la gaine et une exposition des fils ou câbles internes.

NE connectez pas le fil de mise à la terre à un tuyau d'alimentation de gaz. Ne branchez pas l'appareil au circuit électrique avant qu'il soit mis à la terre correctement, en permanence. Branchez le conducteur de mise à la terre avant de mettre l'appareil sous tension.

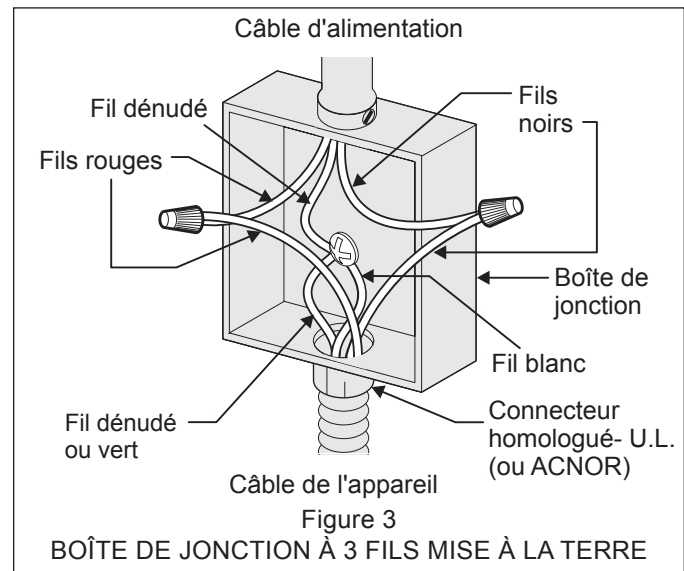
⚠ AVERTISSEMENT (Si votre appareil possède un câble muni d'un conducteur blanc neutre.)

Cet appareil est fabriqué avec un câble d'alimentation muni d'un fil blanc neutre et d'un fil de mise à la terre en cuivre branché sur le châssis. Si l'appareil est utilisé, aux États-Unis, dans une maison mobile, un nouveau branchement (1996 NEC), un véhicule récréatif où les codes locaux n'autorisent pas la connexion du conducteur de mise à la terre du châssis au neutre ou au Canada, débranchez les fils blanc et vert des autres et utilisez le fil de mise à la terre pour mettre à la terre l'appareil conformément aux codes locaux, branchez le conducteur neutre de manière habituelle au circuit neutre voir la figure 4. Si l'appareil doit être branché à un câble à 3 fils (aux États-Unis seulement), où les codes locaux permettent la connexion du fil de mise à la terre du châssis au neutre (blanc). Voir la figure 3.

ÉLECTRICIEN: Le câble gainé fourni avec cet appareil est homologué par UL pour connexion à des circuits résidentiels de fils de calibre supérieur. La capacité thermique de l'isolant des câbles excède considérablement celle des circuits résidentiels. La transmission du courant électrique maximum permise des fils du câble est en fonction de la capacité thermique de la gaine plutôt que du calibre du fil.

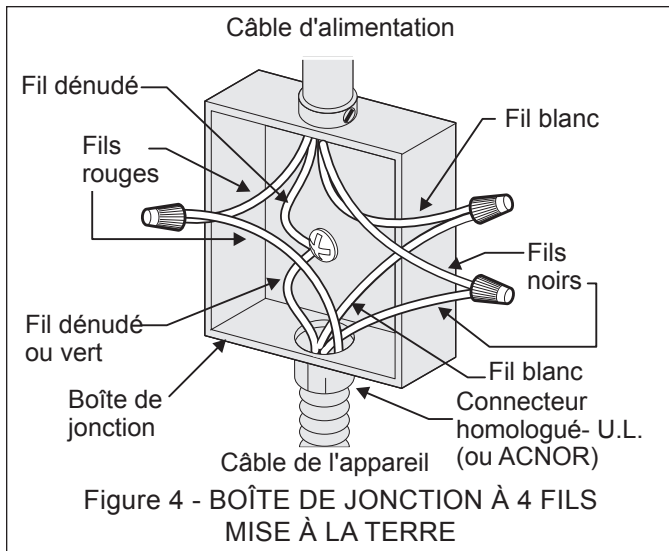
Si les codes locaux permettent la connexion du fil de mise à la terre du châssis au neutre (blanc) (aux États-Unis seulement) (voir figure 3):

1. Coupez l'alimentation à la boîte de jonction.
2. Dans la boîte de jonction:
Raccordez les fils de l'appareil à ceux du circuit électrique tel que montré à la figure 3.



INSTRUCTIONS D'INSTALLATION POUR FOUR ENCASTRÉ ÉLECTRIQUE

(Combiné à une table de cuisson électrique ou à gaz (en option))



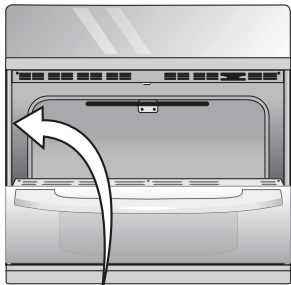
Si l'appareil est utilisé dans une maison mobile, un nouveau branchement (1996 NEC), un véhicule récréatif ou si les codes locaux N'AUTORISENT PAS la connexion du conducteur de mise à la terre du châssis au neutre, le châssis de l'appareil NE DOIT PAS être branché au fil neutre du câble à 4 fils (voir la figure 4):

1. Coupez l'alimentation à la boîte de jonction.
2. Séparez le fil blanc du fil dénudé en cuivre de mise à la terre du câble d'alimentation de l'appareil.
3. Dans la boîte de jonction:
Raccordez les fils de l'appareil à ceux du circuit électrique tel que montré à la figure 4.

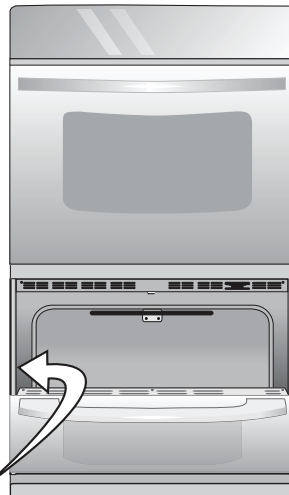
Emplacement des numéros de modèle et de série

La plaque signalétique est située sur le côté intérieur de la moulure latérale.

Pour toute commande de pièces ou demande de renseignement au sujet de votre appareil, assurez-vous d'inclure les numéros de modèle et de série, ainsi que le numéro ou lettre de lot de la plaque signalétique de votre four.



Emplacement de la plaque signalétique des fours encastrés simples



Emplacement de la plaque signalétique des fours encastrés doubles

5. Installation dans l'armoire

IMPORTANT

Ne soulevez pas ni manipuler l'appareil par la poignée de la porte ou du panneau de commande.

⚠ AVERTISSEMENT

Risque de lourde charge

- Soyez 2 personnes ou plus pour installer ou déplacer l'appareil.
- Des blessures ou des dommages à l'appareil peuvent survenir si vous ne suivez pas cette instruction.

- 1 Déballer le four encastré et récupérer la moulure inférieure qui est fixée sur le dessus du four.
- 2 Localiser les vis de fixation qui se trouvent dans l'enveloppe littérature.
- 3 Insérer l'appareil dans le découpage de l'armoire. Glissez l'unité vers l'intérieur en laissant un espace de 1½" (3.8 cm) entre le four et le devant de l'armoire (voir figure 5).
- 4 Tout en glissant l'appareil dans l'armoire, tirez le câble gainé à travers le trou du plancher de l'armoire et vers la boîte de jonction.
- 5 Poussez l'appareil complètement dans l'armoire.

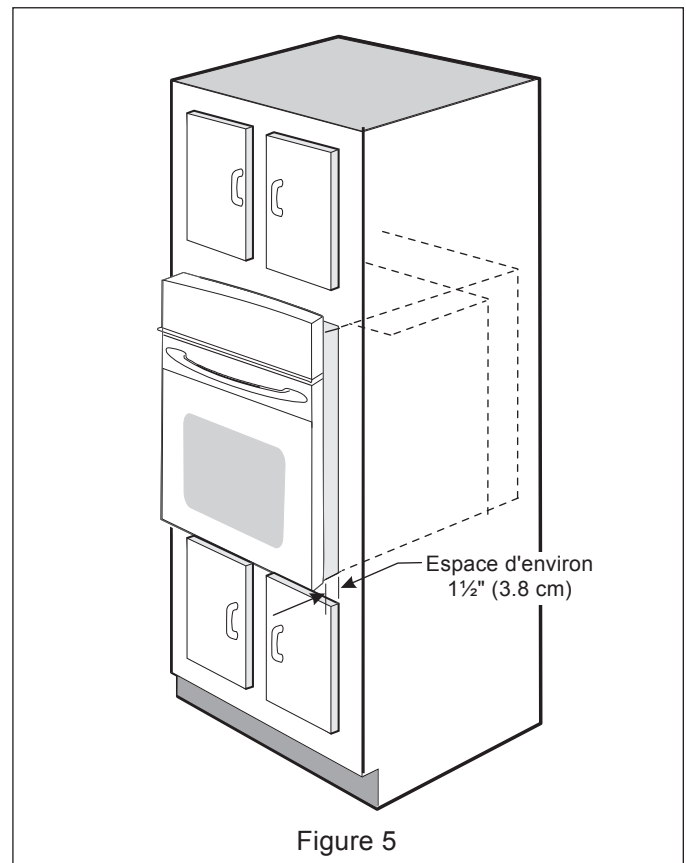


Figure 5

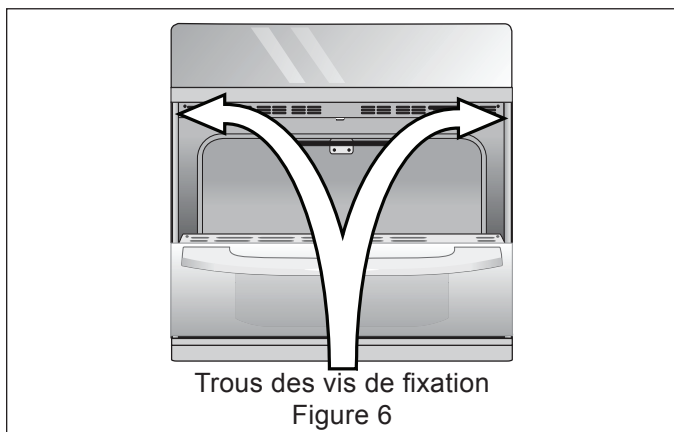
INSTRUCTIONS D'INSTALLATION POUR FOUR ENCASTRÉ ÉLECTRIQUE

(Combiné à une table de cuisson électrique ou à gaz (en option))

6 Installez les vis de fixation

⚠ AVERTISSEMENT Le four encastré peut basculer quand la porte est ouverte. Il faut fixer l'appareil à l'armoire, à l'aide des vis de fixation fournis, pour prévenir le renversement du four et des blessures corporelles.

- Les trous situés sur les moulures latérales peuvent servir de gabarit (voir la figure 6).
- Utilisez les deux vis fournies pour fixer l'appareil à l'armoire.

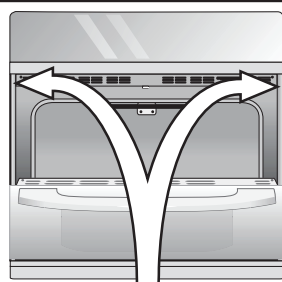


⚠ AVERTISSEMENT Risque de basculement



- Un enfant ou un adulte peut faire basculer la cuisinière et en décéder.
- Installez le dispositif anti-renversement sur la cuisinière et/ou la structure selon les instructions d'installation.

- Assurez-vous d'enclencher de nouveau le dispositif anti-renversement lorsque la cuisinière est déplacée.
- Ne faites pas fonctionner la cuisinière si le dispositif anti-renversement n'est pas en place et enclenché.
- Le non-respect de ces instructions peut causer des blessures fatales ou de graves brûlures aux enfants et aux adultes.



Trous de montage du dispositif anti-renversement

Pour une installation adéquate du dispositif anti-renversement, reportez-vous aux instructions d'installation fournies avec votre cuisinière.

Effectuez une vérification visuelle de la présence des vis du dispositif anti-renversement pour vous assurer qu'il a été installé correctement.

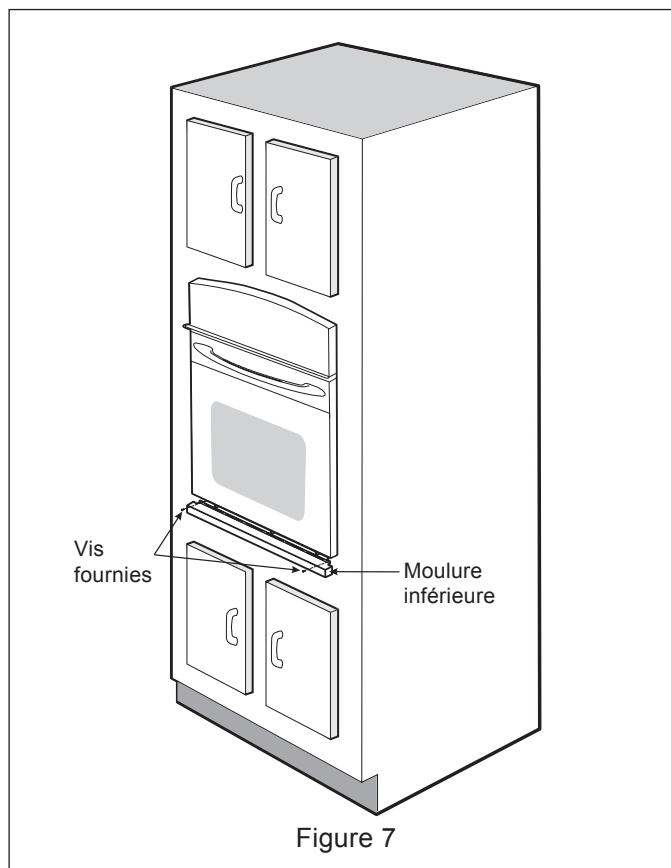
Vérifiez l'installation du dispositif en ouvrant la porte du four et en appliquant sur cette dernière une légère pression vers le bas. La cuisinière ne devrait pas basculer vers l'avant.

7 Installation de la moulure inférieure:

⚠ ATTENTION La moulure inférieure doit être installée pour que le four fonctionne correctement. N'utilisez PAS le four sans la moulure inférieure correctement installée. N'utilisez pas de bois ou tout autre moulure que celle manufacturée pour l'utilisation avec ce modèle. L'utilisation de l'appareil sans la moulure inférieure correctement installée peut causer des blessures et endommager l'appareil ou les armoires.

Les vis pour fixer la moulure inférieure sont fournies avec l'appareil. Les vis sont situées dans les trous de montage sur les moulures latérales, sous l'encadrement du four (voir Figure 7).

- Retirez les vis des trous de montage.
- Placez le dessus de la moulure inférieure par dessus les pattes des moulures latérales de chaque côté du four, sous la porte du four.
- Fixer la moulure en utilisant les vis fournies.



INSTRUCTIONS D'INSTALLATION POUR FOUR ENCASTRÉ ÉLECTRIQUE

(Combiné à une table de cuisson électrique ou à gaz (en option))

L'installation typique d'un four encastré électrique sous le comptoir est présentée à la figure 8.

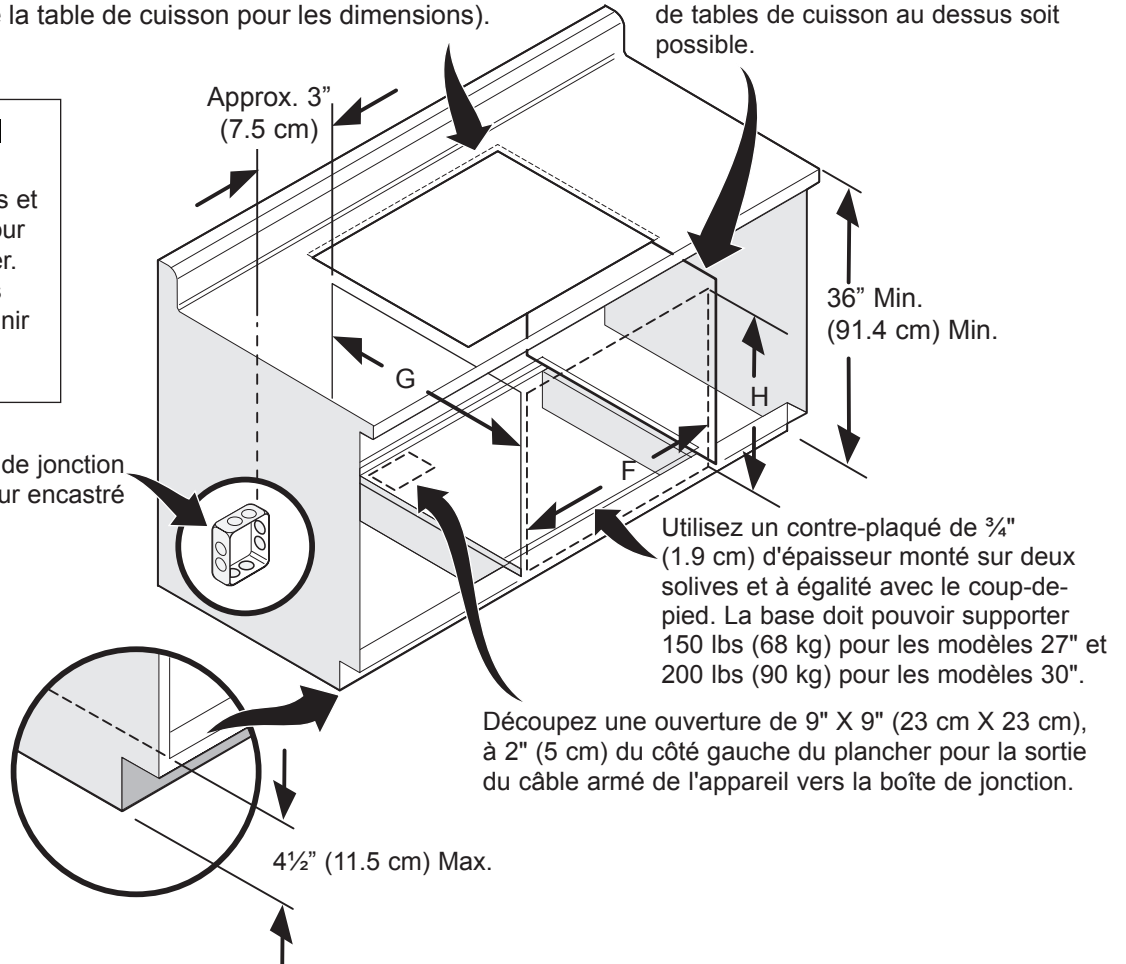
Seulement certains modèles de tables de cuisson peuvent être installés au-dessus de certains modèles de fours encastrés. Les modèles approuvés pour être combinés sont identifiés à l'aide d'un numéro MGF ID et d'un code de produit (Consultez la feuille qui se trouve dans l'enveloppe de littérature ainsi que le feuillet d'instructions d'installation de la table de cuisson pour les dimensions).

Il faut fermer les côtés de l'habitacle par des panneaux de bois pour isoler l'appareil des armoires de chaque côté. La hauteur de ces panneaux doit faire en sorte que l'installation des modèles de tables de cuisson au dessus soit possible.

⚠ AVERTISSEMENT

Pour réduire les risques de blessures et pour empêcher le four encastré de basculer. Utilisez les supports de fixation pour retenir le four encastré à l'armoire.

208/240 Volt, boîte de jonction pour le four encastré



Utilisez un contre-plaqué de 3/4\" (1.9 cm) d'épaisseur monté sur deux solives et à égalité avec le coup-de-pied. La base doit pouvoir supporter 150 lbs (68 kg) pour les modèles 27\" et 200 lbs (90 kg) pour les modèles 30\".

Découpez une ouverture de 9\" X 9\" (23 cm X 23 cm), à 2\" (5 cm) du côté gauche du plancher pour la sortie du câble armé de l'appareil vers la boîte de jonction.

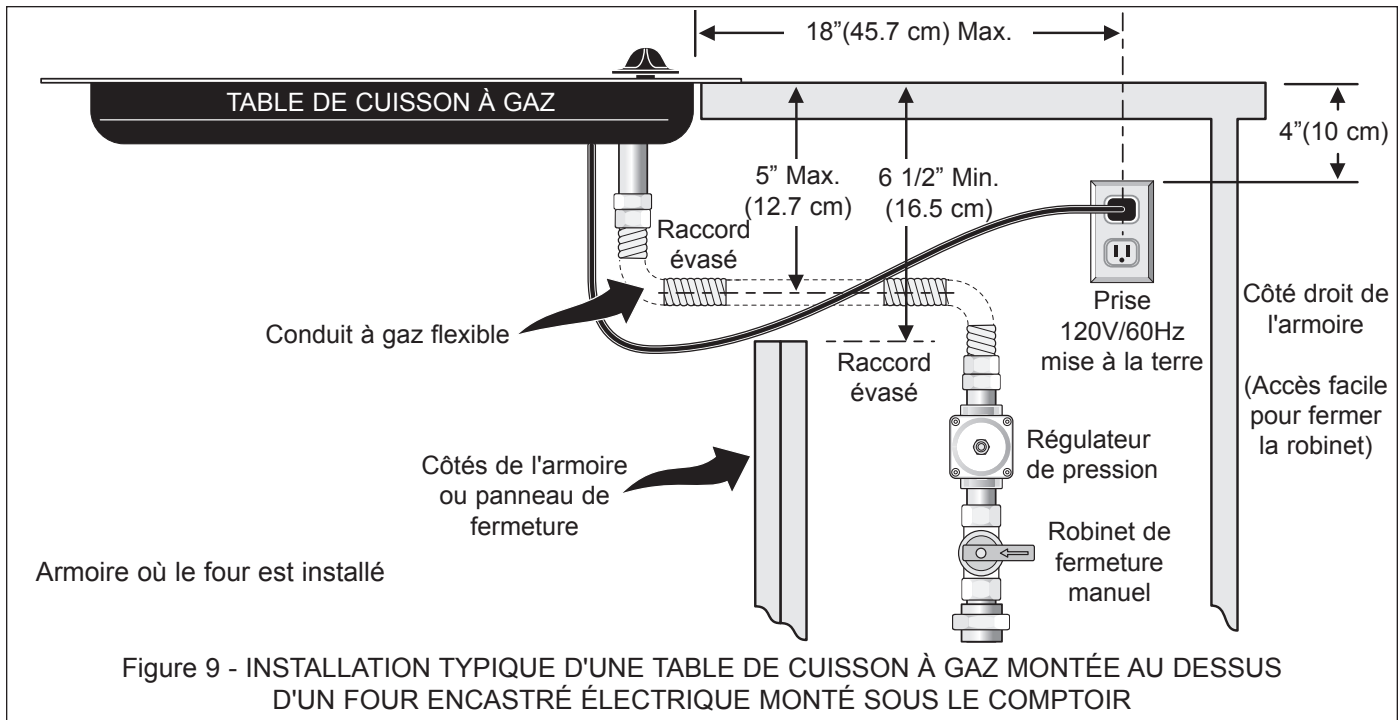
DIMENSIONS DE L'OUVERTURE

	F. LARGEUR	G. PROFONDEUR	H. HAUTEUR
Four encastré 27\" (68.6 cm)	24 7/8\" (63.2 cm) Min. 25 1/4\" (64.1 cm) Max.	24\" (61.0 cm) Min.	27 1/4\" (69.2 cm) Min. 28\" (71.1 cm) Max.
Four encastré 30\" (76.2 cm)	28 1/2\" (72.4 cm) Min. 29\" (73.7 cm) Max.	24\" (61.0 cm) Min.	27 1/4\" (69.2 cm) Min. 28\" (71.1 cm) Max.

Figure 8 - INSTALLATION TYPIQUE D'UN FOUR ENCASTRÉ SIMPLE SOUS LE COMPTOIR AVEC UNE TABLE DE CUISSON ÉLECTRIQUE OU À GAZ INSTALLÉE PAR-DESSUS

INSTRUCTIONS D'INSTALLATION POUR FOUR ENCASTRÉ ÉLECTRIQUE

(Combiné à une table de cuisson électrique ou à gaz (en option))



6. Mise à niveau du four encastré

1. Installez une grille au centre du four supérieur.
2. Déposez un niveau à bulle sur la grille (voir la figure 10). Prenez 2 lectures en plaçant le niveau en diagonale dans une direction, puis dans l'autre direction. Utilisez des entretoises de bois sous le four encastré pour niveler si nécessaire.
3. Si vous avez un four encastré double, répétez les mêmes étapes dans le four inférieur. Si le niveau à bulle indique que la grille n'est pas à niveau, utilisez des entretoises de bois pour trouver un ajustement adéquat pour les deux fours.

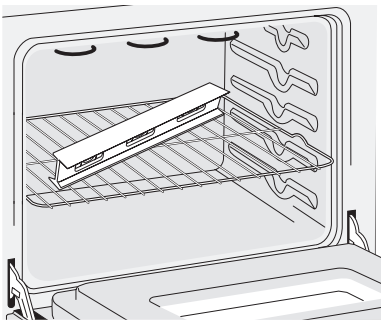


Figure 10

NOTE IMPORTANTE

Une soufflerie située dans la partie interne supérieure à l'arrière de l'appareil permet de garder les composants électriques et électroniques internes froids. Il est donc possible que la soufflerie continue de fonctionner même après l'arrêt de l'appareil, et ce, jusqu'à ce que les composants aient refroidi.

7. Vérification du fonctionnement

Si votre appareil possède une commande électronique de four. Toutes les fonctions qu'elle contrôle ont été vérifiées en usine pour leur bon fonctionnement avant que l'appareil soit expédié. Cependant, nous vous suggérons de vérifier à nouveau le fonctionnement de la commande électrique. Reportez-vous à votre Manuel d'utilisation et d'entretien pour le réglage du four.

1. Retirer tous les items du four avant de procéder à la vérification.
2. Mettre l'appareil sous tension.
3. Vérifier les opérations de la commande électronique:
Cuisson—Vérifier que lorsque le four est en fonction cuisson, l'élément de cuisson chauffe. 20 secondes après avoir programmé le four en mode cuisson, si en ouvrant la porte vous sentez de la chaleur s'échapper du four, c'est qu'il fonctionne.
Grillage—L'élément du haut rougit lorsque le four est réglé pour le mode grillage.
Convection—Si le four est réglé pour la cuisson ou le rôtissage par convection, les deux éléments cyclent et le ventilateur convection situé à l'arrière tourne. Le ventilateur convection arrête lorsque l'on ouvre la porte du four.

Avant d'appeler le service d'entretien

Réviser la liste de vérifications préventives et les instructions d'opération dans votre Manuel d'utilisation et d'entretien. Vous sauvez probablement du temps et de l'argent. La liste contient les incidents ordinaires ne résultant pas de défauts dans le matériel ou la fabrication de cet appareil.

Pour obtenir notre adresse et notre numéro de téléphone sans frais, référez-vous à votre Manuel d'utilisation et d'entretien.