

USER GUIDE

DishDrawer™ dishwasher

DD60DA and DD24DA
models

NZ AU US CA

Fisher & Paykel

This user guide is an accompaniment to your 'Quick start guide' which is included with your dishwasher.

For operating instructions, see your 'Quick start guide'. If you no longer have your 'Quick start guide', you can download it from our local website, listed on the back cover.

Refer to your 'Quick start guide' for information on:

- Starting a wash
- Wash programs and when to use them
- Controls
- Dos and don'ts of loading
- Preference options and how to change their settings

CONTENTS

Safety and warnings	3
Caring for your dinnerware	5
Operating instructions	
Racking features	6
Loading suggestions	10
Water hardness and dishwashing	11
Wash programs and detergent quantities	12
Adding detergent	13
Using rinse aid	17
User maintenance instructions	18
Troubleshooting	22
If there is a fault	27
How to attend to a fault	28
Warranty and service	30
Wash program data	32
Standards tests	34

IMPORTANT! **SAVE THESE INSTRUCTIONS**

The models shown in this user guide may not be available in all markets and are subject to change at any time. For current details about model and specification availability in your country, please go to our website www.fisherpaykel.com or contact your local Fisher & Paykel dealer.

SAFETY AND WARNINGS

Your dishwasher has been carefully designed to operate safely during normal dishwashing procedures. Please keep the following instructions in mind when you are using your dishwasher.

IMPORTANT SAFETY INSTRUCTIONS

WARNING! - When using your dishwasher, follow basic precautions, including the following:

- Read all instructions before using the dishwasher.
- The information in this manual must be followed to minimise the risk of fire or explosion or to prevent property damage, personal injury or loss of life.
- Use the dishwasher only for its intended function as described in this user guide and in your 'Quick start guide'.
- This appliance is intended to be used in household and similar applications such as:
 - staff kitchen areas in shops, offices and other working environments;
 - farm houses;
 - by clients in hotels, motels and other residential type environments;
 - bed and breakfast type environments.
- Use only detergents or rinse aid recommended for use in a domestic dishwasher and keep them out of reach of children. Check that the detergent dispenser(s) is empty after the completion of each wash program.
- When loading items to be washed, locate sharp items so that they are not likely to damage the internal lid of the dishwasher and load sharp knives with the handle up to reduce the risk of cut-type injuries.
- Do not touch the filter plate (in the dishwasher base) during or immediately after use, as it may be hot.
- Do not operate your dishwasher unless all enclosure panels are properly in place.
- Do not tamper with the controls.
- Do not abuse, sit on, stand in or on the drawer or dish rack of the dishwasher.
- The drawer should not be left in the open position since this could present a tripping hazard.
- The foldaway cup racks are designed to support cups, glasses and kitchen utensils. When the foldaway cup racks are in the drawer do not lean on or use them to support your body weight.
- To reduce the risk of injury, do not allow children to play in or on the dishwasher.
- Under certain conditions, hydrogen gas may be produced in a hot water heater system that has not been used for two weeks or more. **HYDROGEN GAS IS EXPLOSIVE.** If the hot water system has not been used for such a period, before using the dishwasher, turn on all hot water taps and let the water flow from each for several minutes. This will release any accumulated hydrogen gas. As the gas is flammable, do not smoke or use an open flame during this time.
- Remove the door to the washing compartment when removing an old dishwasher from service or discarding it.
- Some dishwasher detergents are strongly alkaline. They can be extremely dangerous if swallowed. Avoid contact with the skin and eyes and keep children away from the dishwasher when the door is open. Check that the detergent receptacle is empty after completion of the wash cycle.

SAFETY AND WARNINGS

IMPORTANT SAFETY INSTRUCTIONS

Installation

- This dishwasher must be installed and located in accordance with the Installation instructions before it is used. If you did not receive Installation instructions with your dishwasher, you can order them by calling your Authorised Repairer or download them from our local Fisher & Paykel website, listed on the back cover.
- Installation and service must be performed by a qualified technician.
- If the power supply cord is damaged, it must be replaced by a dealer or Authorised Repairer or a similar qualified trades person in order to avoid a hazard.
- Ensure the dishwasher is secured to adjacent cabinetry using the brackets provided. Failure to do so may result in an unstable product, which may cause damage or injury.
- Do not operate this appliance if it is damaged, malfunctioning, partially disassembled or has missing or broken parts, including a damaged power supply cord or plug.
- Do not store or use petrol, or other flammable vapours and liquids in the vicinity of the dishwasher.
- Connect to a properly rated, protected and sized power supply circuit to avoid electrical overload.
- Make sure that the power supply cord is located so that it will not be stepped on, tripped over or otherwise subject to damage or stress.
- Do not install or store the dishwasher where it will be exposed to temperatures below freezing or exposed to weather.
- Do not use an extension cord or a portable electrical outlet device (e.g. multi-socket outlet box) to connect the dishwasher to the power supply.
- This appliance must be grounded. In the event of a malfunction or breakdown, grounding will reduce the risk of electric shock by providing a path of least resistance for electric current. This appliance is equipped with a cord having an equipment-grounding conductor and a grounding plug. The plug must be plugged into an appropriate outlet that is installed and grounded in accordance with all local codes and ordinances. **WARNING - Improper connection of the equipment-grounding conductor can result in a risk of electric shock. Check with a qualified electrician or service representative if you are in doubt as to whether the appliance is properly grounded. Do not modify the plug provided with the appliance; if it will not fit the outlet, have a proper outlet installed by a qualified technician.**
- If the dishwasher is installed as a permanently connected appliance:
GROUNDING INSTRUCTIONS - This appliance must be connected to a grounded metal, permanent wiring system, or an equipment-grounding conductor must be run with the circuit conductors and connected to the equipment-grounding terminal or lead on the appliance.

SAFETY AND WARNINGS

IMPORTANT SAFETY INSTRUCTIONS

Maintenance

- **Disconnect the appliance from the power supply before any cleaning or maintenance.**
- **When disconnecting the appliance pull the plug rather than the power supply cord or junction of cord to avoid damage.**
- **Do not repair or replace any part of the appliance or attempt any servicing unless specifically recommended in this user guide. We recommend that you contact Customer Care to arrange service. See your 'Service and warranty' booklet for contact details.**
- **Keep the floor around your appliance clean and dry to reduce the possibility of slipping.**
- **Keep the area around/underneath your appliance free from the accumulation of combustible materials, such as lint, paper, rags and chemicals.**
- **Models with a remote control: Do not attempt to recharge, short-circuit, disassemble, heat or throw the remote control battery into a fire. Dispose of an old battery responsibly, keeping it out of reach of children.**

Operational

- **Under no circumstances should you open the drawer whilst the dishwasher is in operation.**
- **Always press the ►|| button to pause and wait until you hear the four additional beeps before opening the drawer.**
- **The dishwasher must be used with the motor assembly, filter plate, drain filter and spray arm in place. To identify what these parts are, see drawings in section 'User maintenance instructions' of this user guide.**
- **Take care when loading the drawer not to load dishware items so they prevent the internal lid from properly sealing with the drawer. Items should be placed so they do not protrude above and/or forced into the drawer, otherwise a service call may result.**
- **Household appliances are not intended to be played with by children. Children of less than 8 years old must be kept away from the appliance unless continuously supervised. This appliance can be used by children aged from 8 years and above, and persons with reduced physical, sensory or mental capabilities or lack of experience and knowledge, if they have been given supervision or instruction concerning the use of the appliance in a safe way and they understand the hazards involved.**
- **Cleaning and user maintenance shall not be done by children without supervision.**
- **Do not allow children to play inside, on or with this appliance or any discarded appliance.**
- **If a dishwasher cleaner is used, we would strongly recommend a wash program with detergent should be run immediately afterward, to prevent any damage to the dishwasher.**
- **The dishwasher is designed for washing normal household utensils. Items that are contaminated by petrol, paint, steel or iron debris, corrosive, acidic or alkaline chemicals are not to be washed in the dishwasher.**
- **If the dishwasher is not being used for long periods of time, turn the electricity and water supply to the dishwasher off.**
- **Do not wash plastic items unless they are marked "dishwasher safe" or equivalent. For plastic items not so marked, check the manufacturer's recommendations.**

CARING FOR YOUR DINNERWARE

The combination of high temperatures and dishwasher detergent may cause damage to some items if they are washed in the dishwasher. Remember, if in any doubt about any aspect concerning items washed in the dishwasher, follow the instructions from the manufacturer of the items, or wash the item by hand.

Cutlery & silverware

All cutlery and silverware should be rinsed immediately after use to prevent tarnishing caused by some foods. The Rinse wash program is useful for this. Silver items should not come into contact with stainless steel, eg other cutlery. Mixing these items can cause staining. Remove silver cutlery from the dishwasher and hand dry it immediately after the program has finished.

Aluminium

Aluminium can be dulled by dishwasher detergent. The degree of change depends on the quality of the product.

Other metals

Iron and cast iron objects can rust and stain other items. Copper, pewter and brass tend to stain.

Woodware

Wooden items are generally sensitive to heat and water. Regular use in the dishwasher may cause deterioration over time. If in doubt, wash by hand.

Glassware

Most everyday glassware is dishwasher safe. Crystal, very fine and antique glassware may etch that is, become opaque. You may prefer to wash these items by hand.

Plastic

Some plastic may change shape or colour with hot water. Check manufacturer's instructions about washing plastic items. Washable plastic items should be weighed down so they do not flip over and fill with water or fall through the base rack during the wash.

Decorated items

Most modern china patterns are dishwasher safe. Antique items, those with a pattern painted over the glaze, gold rims or hand painted china may be more sensitive to machine washing. If in doubt, wash by hand.

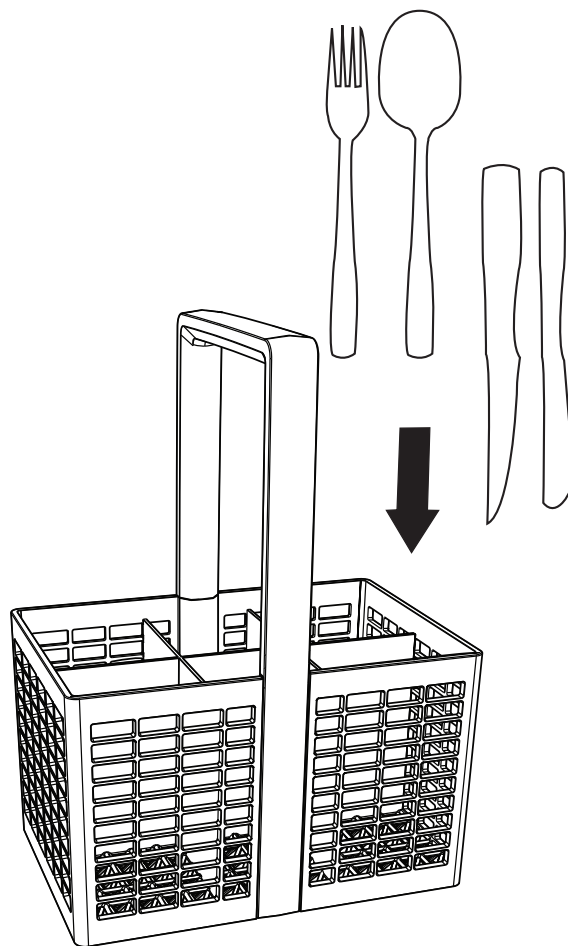
Glued items

Certain adhesives are softened or dissolved in machine washing. If in doubt, wash by hand.

OPERATING INSTRUCTIONS RACKING FEATURES

Cutlery basket

- To reduce the risk of injury, we recommend loading knives and sharp utensils with handles facing up.
- Mix spoons, knives and forks within each section to stop cutlery nesting together and to ensure the water circulates freely.
- Keep stainless steel from touching silver cutlery to avoid staining.



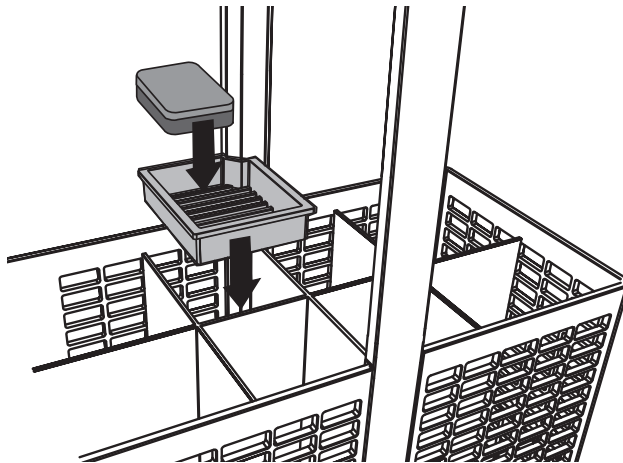
RACKING FEATURES

Removable tablet tray

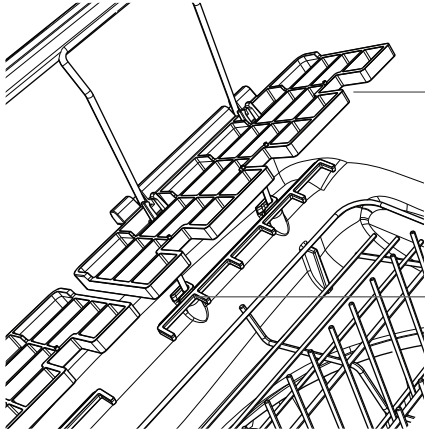
If you are using dishwasher tablets or gel packs, place them on the removable tablet tray, as shown. See also 'Adding detergent' for more information.

IMPORTANT!

Dishwasher tablets should not be in direct contact with dishes or cutlery.



RACKING FEATURES

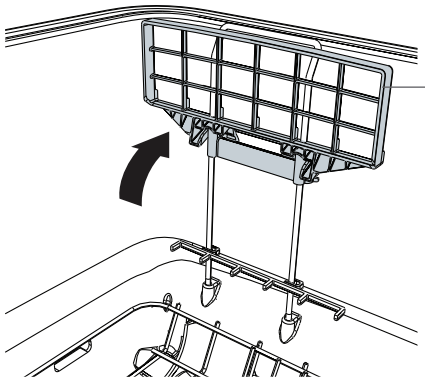


Stemware notches

These notches help support long-stemmed glassware.

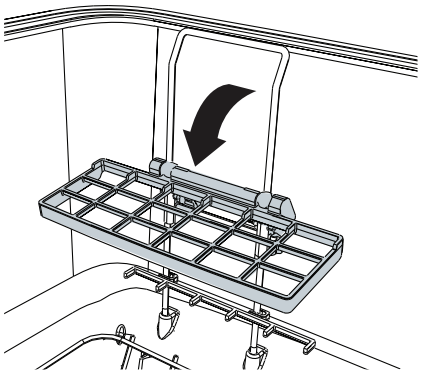
Glass supports

These clip on the rack wires to give your tall glasses extra stability.

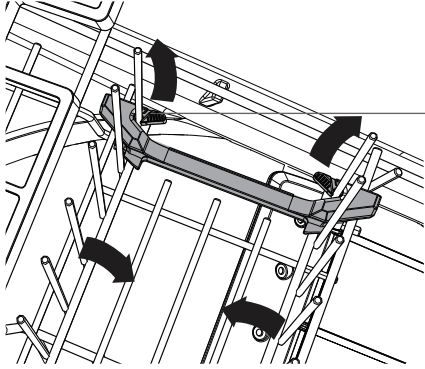


Foldaway cup racks

- You can fold these independently of each other.
- Fold the racks away if you need the space.
- The racks are a fixed height, designed for best wash performance.

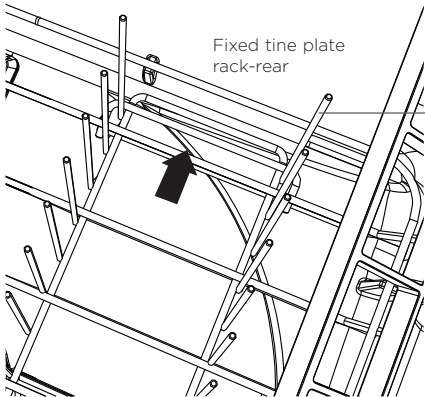
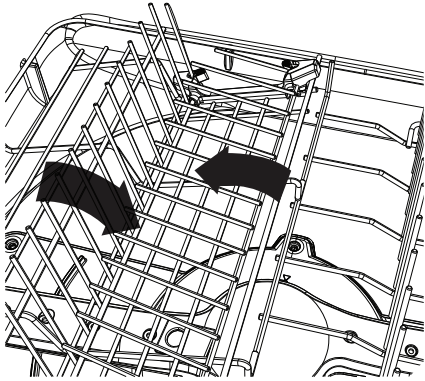


RACKING FEATURES



Folding tines

- For optimum stability, place larger plates between the longer tines in the front.
- Release by pushing the small clips at the rear and fold the tine sections down towards each other if you need the space for pots or other large items.



Fixed tine plate rack

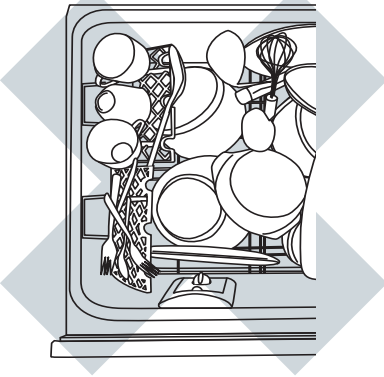
- This rack is your main dish rack. The tine spacing has been optimized for maximum wash performance of plates and bowls.

LOADING SUGGESTIONS

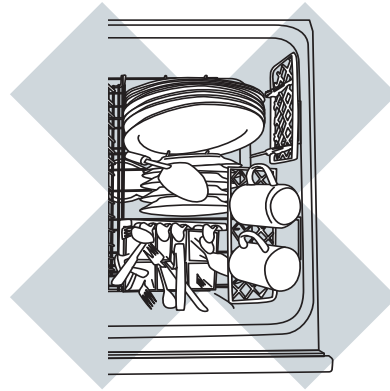
When loading your drawer, make sure that

- you place items so that water coming from the rotating spray arms below can reach all areas (wash performance will be reduced if it can't)
- nothing blocks the water from getting to items on the foldaway cup racks
- glass and other fragile items are stable, so that they do not accidentally topple and break during the wash.

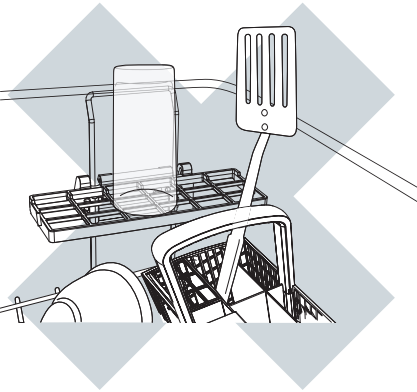
How NOT to load your drawer



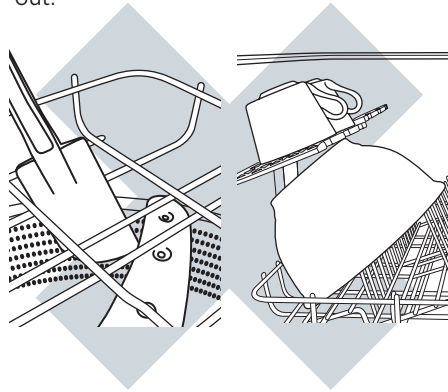
- Overcrowded and wash water will not reach some of the dinnerware.
- Cups, glasses and bowls must have their openings facing down.



- The plates are nesting together and wash water may not get through.
- Ensure cutlery are not nesting or stuck together. They need to be evenly spread out.



- Ensure dishware items are not forced into or protrude out of the drawer, as this may prevent the internal lid of the drawer from properly sealing which could result in a service call.
- Locate sharp items safely to prevent injuring the user and damaging the lid assembly.
- Check the bottom of the cutlery basket to ensure sharp or pointed items have not come through as they may stop spray arm rotation.



- Ensure cutlery has not fallen through the base rack and stopped the spray arms from rotating.
- The large bowl is blocking wash water reaching the foldaway cup racks.
- Large utensils should be placed on the foldaway cup racks so they do not become dislodged and stop the spray arms from rotating.
- Sharp or pointed items must be placed horizontally or with sharp edges/points facing down to avoid risk of injury.

WATER HARDNESS AND DISHWASHING

What is water hardness?

Hard water is water with a high concentration of minerals such as calcium and magnesium. In soft water, this concentration is low. Water hardness varies by geographical location.

How does water hardness affect dishwashing?

- Hard water can be detrimental to the performance of your dishwasher. Over time, glassware washed in hard water will become opaque and dishes will become spotted or covered in a white film. Using very hard water can cause dishwasher parts to fail over time.
- Naturally soft or softened water has no detrimental effects if used with the correct amount of detergent. However, excess detergent combined with hot, soft water may cause irreversible etching on glassware. Etching first appears as a rainbow-coloured film and—if allowed to continue—can make glassware permanently opaque.

What can I do to minimise any detrimental effects?

Contact your local water company to find out about water hardness in your area.

If your home has hard water...

- Follow the detergent quantity recommendations on the following pages.
- If available, use a detergent with high phosphate content. Phosphate softens the water and this improves wash results. If detergent with phosphate is not available, we recommend using multi-purpose tablets.
- Use rinse aid. We recommend you turn the rinse aid setting to 5 to help improve wash performance.
- Use a dishwasher cleaner/descaler regularly, or whenever you notice a build-up of limescale deposits in your dishwasher.

IMPORTANT!

We recommend fitting a water softener to the household water supply. If the water hardness in your home is above 250 ppm/14.6 gpg, a water softener has to be fitted to maintain the performance of your dishwasher.

If your home has naturally soft or softened water...

- Avoid using too much detergent. Follow the quantity recommendations on the following pages.
- Ensure the drawer is not overloaded and water can reach all the dishes.

WASH PROGRAMS AND POWDERED DETERGENT QUANTITIES

- Find out about water hardness in your home, then use the table below to determine how much powdered detergent to use for each wash program. See also section 'Water hardness and dishwashing'.
- For information on which program to use for your load, see your 'Quick start guide'.
- The main powdered detergent dispenser has markings to help you measure the correct quantities. See following section 'Adding detergent'.

	WATER HARDNESS <i>parts per million (ppm)</i> <i>grains per gallon (gpg)</i>	WASH PROGRAMS	POWDERED DETERGENT QUANTITIES (PER DRAWER)	
			US CA main detergent dispenser marking	NZ AU grams
SOFTER	<100 ppm or < 6 gpg*	Heavy	2/3	20
		Normal	2/3	20
		Fast	1/3	10
		Delicate	1/3	10
		Rinse	-	-
	100 -150 ppm or 6 - 9 gpg	Heavy	full	30
		Normal	full	30
		Fast	full	20
		Delicate	full	30
		Rinse	-	-
	>150 ppm or >9 gpg	Heavy	full	30
		Normal	full	30
		Fast	full	30
		Delicate	full	30
		Rinse	-	-
HARDER				

* If you have a household water softener installed, use the quantities recommended for water with a hardness under 100 ppm/6 gpg, irrespective of the water hardness in your area.

Notes:

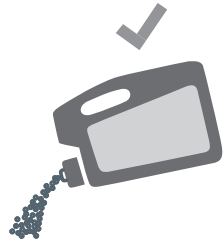
If your water hardness is above 625ppm/36 gpg, we highly recommend you completely fill the main detergent dispenser for all programs (except Rinse) and the secondary dispenser for heavily soiled loads. The rinse aid setting should be at 5.

If your water hardness is above 625ppm/36 gpg, the wash performance of your dishwasher will decline.

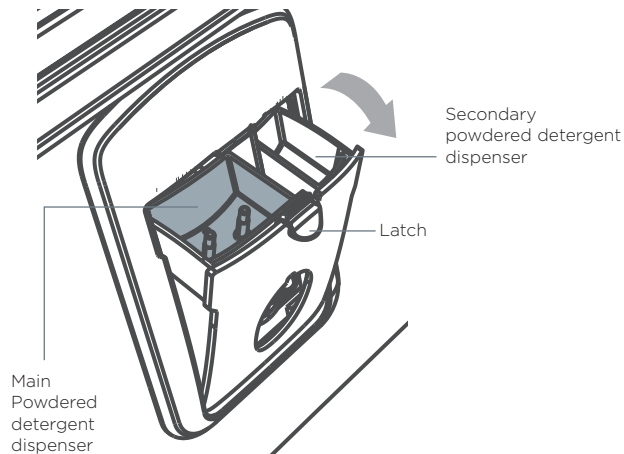
ADDING DETERGENT

Powdered dishwasher detergent

Note: You may see other, equally suitable types of dishwasher detergent on the shelves of your supermarket. Read and follow the detergent manufacturer's recommendations.



Pour into powdered detergent dispenser



Filling the powdered detergent dispenser

- ① Press the latch down to open the dispenser.
- ② Check that the dispenser is empty and dry, then add detergent (do not place solid tablets in the dispenser). No detergent is needed for the Rinse program.
- ③ Close the dispenser until it clicks shut. The detergent will automatically be released into the drawer during the wash program.

Note: When washing heavily soiled dishes and in very hard water you may also fill the secondary dispenser with detergent to aid dishwasher performance.

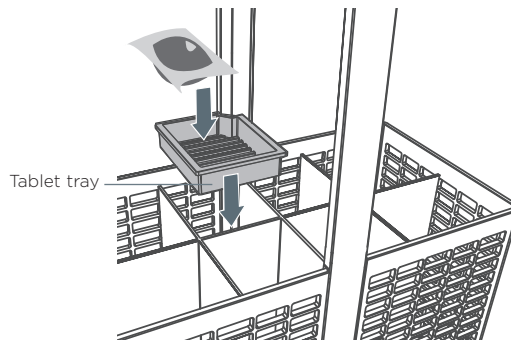
ADDING DETERGENT

Pouch packs of Gel or Powder

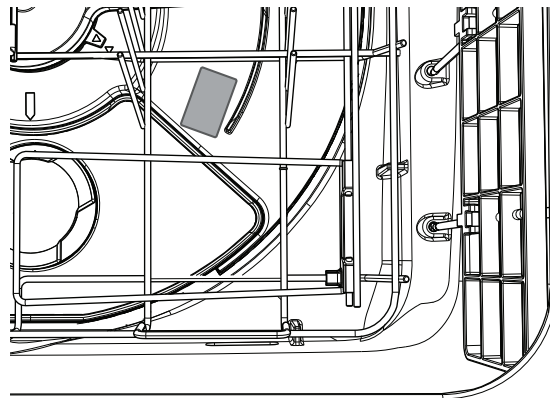
Note: You may see other, equally suitable types of dishwasher detergent on the shelves of your supermarket. Read and follow the detergent manufacturer's recommendations.



Place on tablet tray in cutlery basket



If the cutlery basket is not being used for a particular load, place pack in the bottom of the drawer.



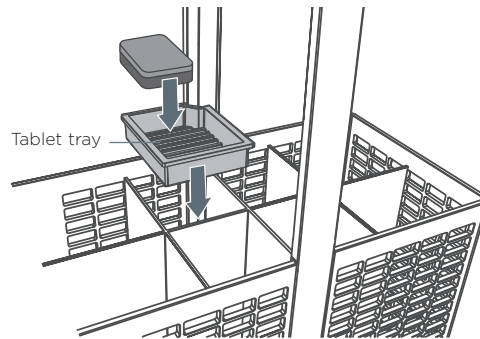
ADDING DETERGENT

Solid dishwasher tablets

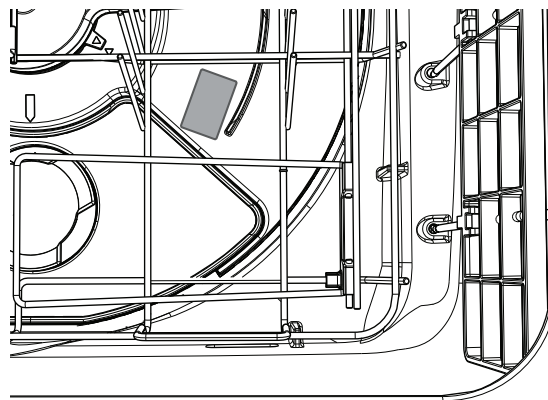
Note: You may see other, equally suitable types of dishwasher detergent on the shelves of your supermarket. Read and follow the detergent manufacturer's recommendations.



Place on tablet tray in cutlery basket



If the cutlery basket is not being used for a particular load, place tablet in the bottom of the drawer.



ADDING DETERGENT

Unsuitable detergents

These types of detergent are not suitable and may damage your dishwasher or lead to a service call that is not covered by warranty.

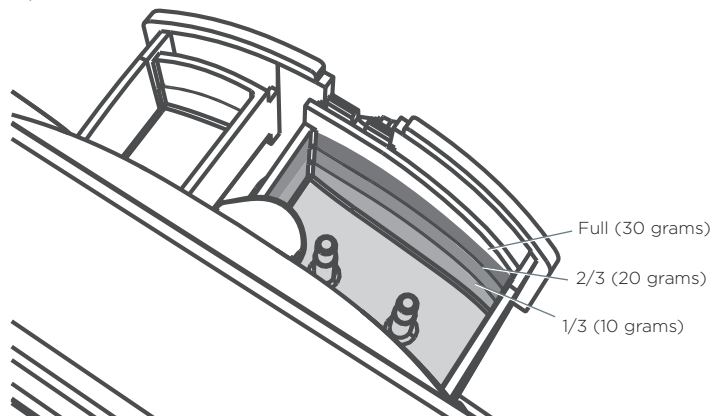
IMPORTANT!

Do not use these in your dishwasher!

- **Liquid detergents**
- **Laundry detergents**
- **Hand washing liquids**
- **Soaps**
- **Disinfectants**

How much detergent to use

For powdered detergent, refer to previous section 'Wash programs and detergent quantities' and follow the quantities relevant to your location and water hardness level. Use the markings to help you measure the correct quantities. For other types of detergent, follow the manufacturer's recommendations.



Notes on using tablets

- If you are using tablets, follow manufacturer instructions on the packet. Some tablets may not be suitable for all wash programs.
- Using tablets could improve wash performance in hard water areas.
- Make sure that tablets never get in direct contact with dishes or cutlery.
- If you are using dishwasher tablets with a built-in rinse aid component, we recommend turning off the rinse aid (rAID). See your 'Quick start guide' for instructions.

IMPORTANT!

Dishwasher detergents are strongly alkaline. They can be extremely dangerous if swallowed. Avoid contact with the skin and eyes and keep children and infirm persons away from the dishwasher when it is open. Check that the powdered detergent dispenser is empty after completion of the wash program.

USING RINSE AID

- We recommend using liquid rinse aid regularly to give the best drying results.
- Rinse aid gives a streak-free, sparkling clean look to glass and chinaware. It also prevents metal from tarnishing.
- The rinse aid dispenser is on the inside of the drawer, underneath the detergent dispenser.
- It holds approximately 1.7 fl oz / 50 ml of rinse aid.
- You may hear some unusual, high-pitched beeping when rinse aid is being dispensed. This is normal.

When to refill rinse aid

- If the indicator glows or flashes bright red, refill rinse aid.
- If the indicator glows or flashes dimly or not at all, you do not need to refill: there is enough rinse aid for the wash.

Note: Lighter coloured rinse aids will not dim the indicator as effectively as darker ones.

How to refill rinse aid

- ① Turn the plug anticlockwise and remove.
- ② Pour rinse aid into the circular opening, taking care not to spill any into the drawer.

IMPORTANT!

Any accidental spillages of rinse aid must be wiped up. If not wiped up, spilt rinse aid will cause excessive foaming, resulting in a service call that will not be covered by warranty.

- ③ Refit the plug, then turn it clockwise back to its original position.

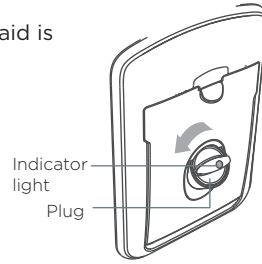
IMPORTANT!

Make sure that the plug is closed tight, with its hand grip in a vertical position.

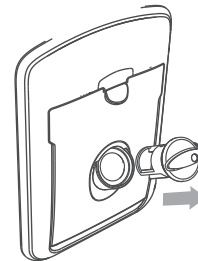
How much rinse aid to use

You may need to adjust the amount of rinse aid dispensed in each wash to suit your water conditions. The lowest setting is '0 (off)', the highest is '5'. See the 'Preference options' section of your 'Quick start guide' for instructions on how to change the rinse aid setting.

- If there is excessive foam at the end of the wash, reduce the setting.
- If dishes are wet or streaky after drying, increase the setting.
- If you live in a hard water area and you have no water softener installed in your water supply or built into your dishwasher, we recommend adjusting the rinse aid setting to 5.



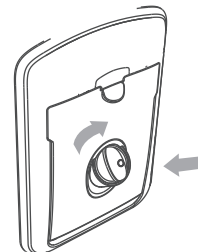
Turn the plug anticlockwise.



Remove the plug



Pour rinse aid into the circular opening



Refit the plug by turning it clockwise. Ensure it is closed tight.

USER MAINTENANCE INSTRUCTIONS

IMPORTANT!

Disconnect the dishwasher from the power supply (unplug or switch off at the circuit breaker) and allow all its parts to cool before any cleaning or maintenance.

Holiday time

- If the dishwasher is not going to be used for some time, we recommend you leave it clean and empty. Leave the drawers ajar to allow air to circulate. Turn off both the power and water supply to the dishwasher.
- When using your dishwasher for the first time after a long period away, we recommend pouring 3 cups of water into the drawer before loading and starting a wash. This is to lubricate components that may have dried out during non-use.

Cleaning the surfaces

- ① Wipe with a clean damp cloth. Take care not to wet the control panel.
- ② Dry with a clean lint-free cloth.

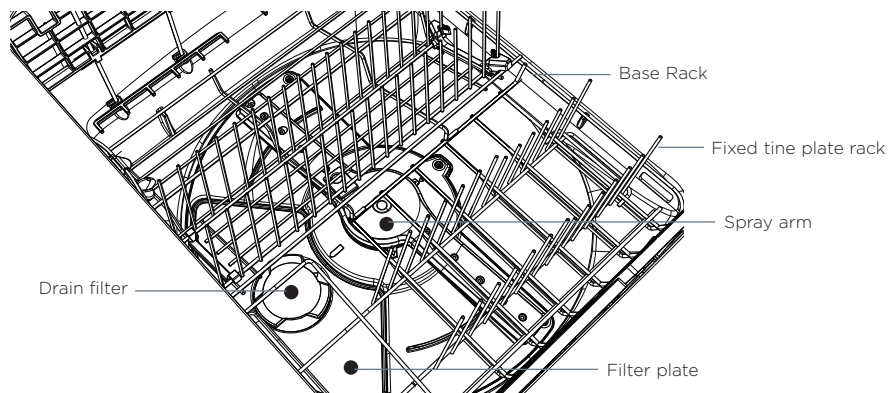
IMPORTANT!

We do not recommend the use of the following cleaning aids on your dishwasher as they may damage the surfaces:

- **Plastic or stainless steel scouring pads**
- **Abrasive, solvent, household cleaners**
- **Acid or alkaline cleaners**
- **Hand washing liquids or soap**
- **Stainless steel cleaners or polishes**
- **Laundry detergents or disinfectants**

Cleaning the drain filter, spray arm and filter plate

- We recommend that the drain filter and filter plate in each drawer are removed and cleaned about once a month in normal use or whenever there is evidence of food particles.
- The spray arm in normal use should require cleaning less frequently.



USER MAINTENANCE INSTRUCTIONS

Cleaning the drain filter and filter plate

IMPORTANT!

- If a dishwasher cleaner / descaler is used, you must run a wash programme with detergent immediately afterward to prevent any damage to your dishwasher.
- The dishwasher must be used with the filter plate, drain filter and spray arm correctly in place.
- We recommend that you always use the dishwasher with the right hand fixed tine plate rack in place.

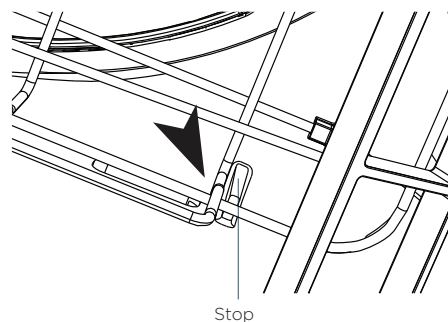
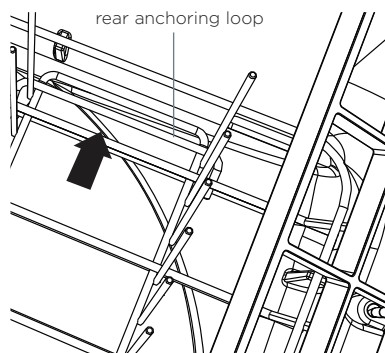
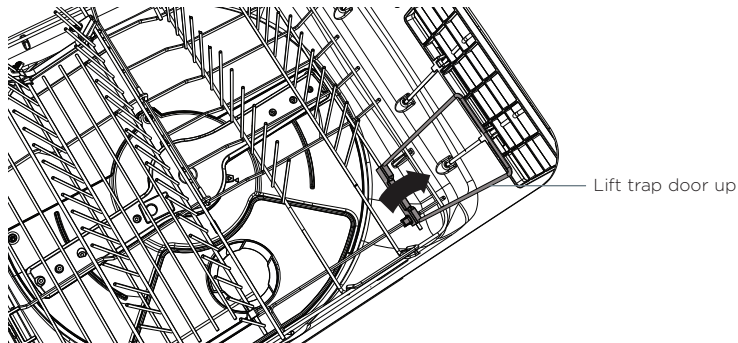
Remove the fixed tine plate rack and/or the base rack first

- ① Unplug the dishwasher or turn it off at the power supply.

Note: For ease of access to the drain filter and filter plate you may find it easier to remove the whole base rack first.

To remove the whole base rack: lift the rack up from the back first to prevent it knocking against the detergent and rinse aid dispenser and lift out.

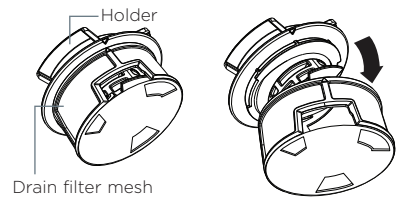
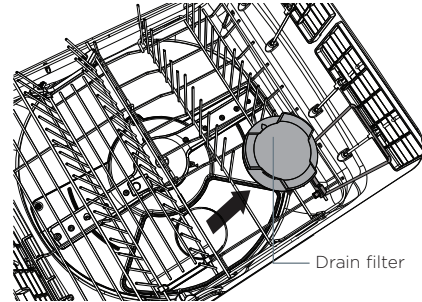
- ② If the base rack is left in - to then access the drain filter:
 - Remove the cutlery basket
 - Lift the trap door up
 - Lift the front of the fixed tine plate rack to unclip it from the base rack
 - Slide the fixed tine plate rack forward clear of the rear anchoring loop and lift out.



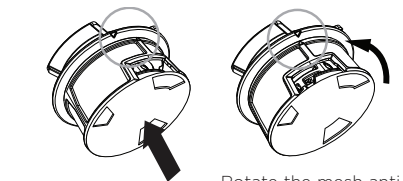
USER MAINTENANCE INSTRUCTIONS

Removing the drain filter and filter plate to clean

- ③ Twist the circular drain filter anti/counter-clockwise and lift to remove. It is normal to find some water under it.
- ④ Remove the drain filter mesh by pinching one side only and pulling it off, as shown. Note: Do not attempt to remove the drain filter mesh by pinching two opposing sides together as this may damage the drain filter mesh.
- ⑤ Wash both parts of the drain filter in hot soapy water and rinse thoroughly under running water.
- ⑥ Carefully lift the filter plate out. Remove any foreign material on either side, wash in hot soapy water and rinse thoroughly in clean water, then wipe with a damp cloth.



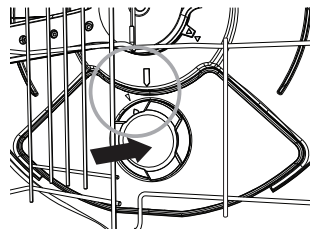
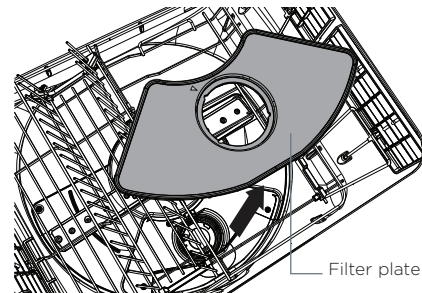
Pinch one side and pull off mesh.



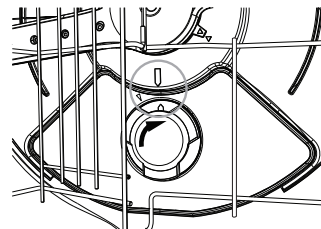
After cleaning the mesh, push back on.

Rotate the mesh anti-clockwise until the arrows line up as shown.

- ### Replacing the filter plate and drain filter
- ⑦ Carefully replace the filter plate. Ensure it is fully pushed into position.
 - ⑧ Refit the circular drain filter:
 - a Push the drain filter mesh back onto the holder. It should click into place.
 - b Rotate the drain filter mesh until the arrow on the mesh filter lines up with the arrow on the holder.
 - c Refit the drain filter into the drain hole by lining up the arrow on the top of the drain filter with the arrow on the filter plate.
 - d Rotate the drain filter clock wise until the arrow on the drain filter lines up with the arrow on the base of the drawer.
 - ⑨ Either replace the whole base rack (if removed) and/or replace the fixed tine plate rack. Ensure the rack is replaced correctly (the rear of the rack sits underneath the anchoring loop and the right side rail of the fixed tine plate rack sits inside the stop as shown on previous page).
 - ⑩ Fold down the trap door so it is resting on the fixed tine plate rack and replace the cutlery basket.



Line up the arrows on the filter plate and insert the drain filter



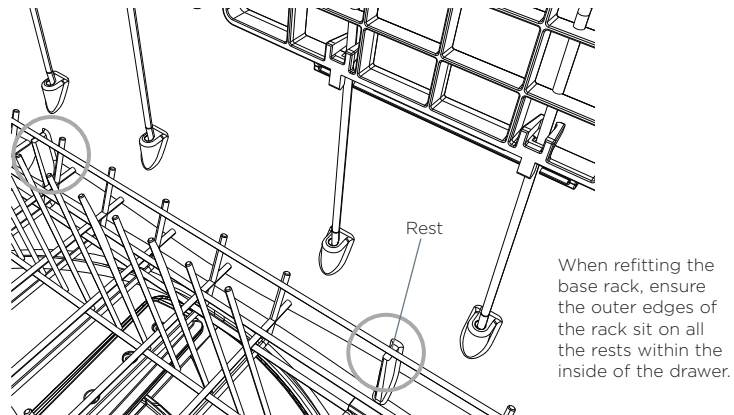
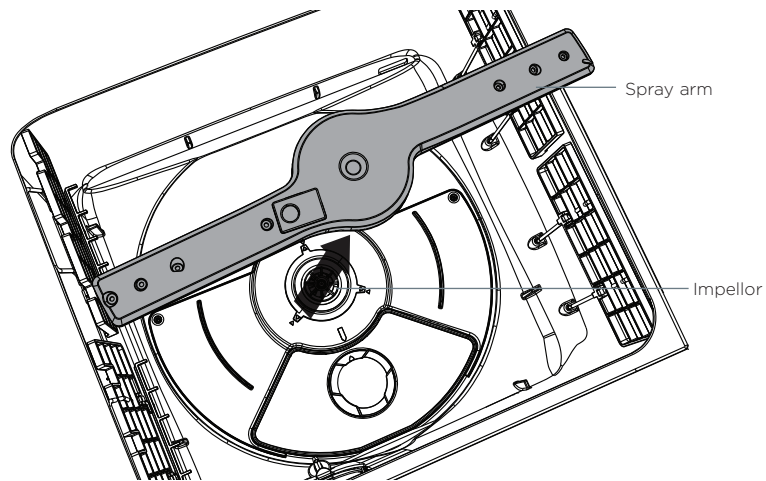
Rotate the drain filter clockwise until these arrows line up as shown

USER MAINTENANCE INSTRUCTIONS

Cleaning the spray arm

- ① Unplug the dishwasher or turn it off at the power supply.
- ② Unclip the glass supports (if fitted) from the rack wires and fold up all the foldaway cup racks, so that they are all upright and close to the top.
- ③ Remove the base rack carefully. Lift from the back first to prevent knocking the detergent and rinse aid dispenser.
- ④ Lift the spray arm and shake any foreign material out. Rinse it clean under running water and wipe with a damp cloth.
- ⑤ Replace the spray arm back onto the impeller.
- ⑥ Replace the base rack, lowering its front edge into position first.
- ⑦ Plug the dishwasher back in or turn it on at the power supply.

Note: Where there is broken crockery or glass in the drawer, it must be carefully removed to prevent damage to the dishwasher.










TROUBLESHOOTING

PROBLEM	POSSIBLE CAUSE	WHAT TO DO
Unclean dishes	Wash program unsuitable for the load.	See your 'Quick start guide' for a suitable wash program, or the soils were too heavily baked on and dishes may need soaking.
	Spray arm unable to rotate.	Ensure no items are obstructing the spray arm path.
	Drawer overloaded/incorrectly loaded.	Refer to the section on loading.
	Filter plate/drain filter is incorrectly inserted.	See section 'User maintenance instructions'.
	Detergent put in the wrong compartment of the dispenser.	Detergent must be placed in the large compartment. See section 'Adding detergent' for information.
	Excess food not removed from dinnerware prior to loading.	Scrape all food scraps off dinnerware prior to loading.
	Unsuitable detergent.	Use detergents suitable for automatic dishwashers. See section 'Adding detergent' for examples of suitable and unsuitable detergent types.
	Not enough detergent.	See section 'Wash programs and detergent quantities' or follow the detergent manufacturer's instructions.
	Spray arm holes are blocked.	Clean the spray arm.
	Filter plate/drain filter is blocked.	Clean the filter plate and drain filter.
Foaming	Wrong type of detergent used	ONLY use detergents for Dishwashers. See 'Adding detergent'.
	Incorrect amount of detergent.	See section 'Wash programs and detergent quantities' or follow the detergent manufacturer's instructions.
	Too much egg in the wash load.	Increase the amount of detergent.
	Rinse aid setting too high.	Decrease the rinse aid setting.
	Rinse aid dispenser plug not closed properly.	Ensure that the rinse aid dispenser plug is closed tight, with its hand grip pointing vertically. See section 'Using rinse aid'.

TROUBLESHOOTING

PROBLEM	POSSIBLE CAUSE	WHAT TO DO
Water leaking	Drain hose disconnected from waste pipe.	Reconnect the drain hose to the waste pipe.
	Water inlet hose not properly connected.	Ensure the inlet hose is connected securely.
	Other leaks.	Turn water and power supplies to the dishwasher off. Call Customer Care or your Authorised Service Centre. See your 'Service and warranty' booklet for contact details.
	Rinse aid dispenser plug not closed properly.	Ensure that the rinse aid dispenser plug is closed tight, with its hand grip pointing vertically. See section 'Using rinse aid'.

TROUBLESHOOTING

PROBLEM	POSSIBLE CAUSE	WHAT TO DO
Drawer will not open (no beeping, no wash underway)	Childlock feature is on.	Turn the Childlock off. Hold down the  button until the  symbol disappears from the display.
	Closed drawer auto lock is on.	Press any button and open drawer within 30 seconds.
Power failure during cycle	Power outage in your home or area.	Wait until power resumes, cycle will restart in same part of wash program.
Continuous beeping with <i>R</i> or <i>F</i> code in display	A fault has occurred.	Refer to section 'If there is a fault'.
Intermittent beeping	Dishwasher is in pause mode.	Close the dishwasher and press the  button to resume the program.
Dishwasher will not start	Power supply is not connected.	Connect the power supply.
	The drawer is not closed properly.	Ensure the drawer is firmly closed.
	Keylock or Childlock feature is on.	Turn the Keylock or Childlock off. Hold down the  button until the  symbol disappears from the display.
	 button not pressed.	Press the  button.
	Dishdrawer is in "Showroom mode".	Contact Customer Care.
Fan noise coming from the dishwasher after a wash program has finished	This is normal. The drying fan continues to run for a set period of time after a program has finished to assist with drying.	No action required. The fan will automatically stop after the set time is over, or when the drawer is opened. In some cases, the fan may resume when the drawer is closed again.
Fan noise starts up when I close the drawer, even though I didn't start a new wash	This is normal. In some cases, the drying fan will run whenever the drawer is closed for a set period of time after a program has finished.	No action required. The fan will automatically stop after the set time is over.
No powdered detergent dispensed	Detergent dispenser was wet when loaded.	Clean the dispenser and ensure it is dry before adding detergent.

TROUBLESHOOTING

PROBLEM	POSSIBLE CAUSE	WHAT TO DO
The wash program seems to have finished (the dishwasher is idle), but the end of wash beeps haven't sounded and the drawer cannot be opened	The wash program is still underway. It is in a 'quiet' phase that is needed for ensuring the best wash results.	No action required. The program will transition into a more audible phase after the 'quiet' phase is over.
Water pooling on inner rim of drawer after a wash	This is normal condensation.	Wipe dry.
Water under the drain filter	This is normal and needs no action.	
Excess water in the drawer	Drain hose(s) bent or kinked.	Straighten the drain hose(s).
	Blocked filters.	Clean the filter plate/drain filter. Refer to 'User maintenance instructions'.
Water marks on the dishes	Rinse aid depleted.	Refill the rinse aid dispenser.
	Rinse aid setting too low or off.	Increase the rinse aid setting.
	Dishwasher overloaded/incorrectly loaded.	Refer to the section on loading.
Drawer interior is stained	Some foods, like tomato based products, may stain the inside of the drawer.	Pre-rinse dishes before placing in the drawer. Alternatively, using the Rinse program after adding the dishes may minimise staining.

TROUBLESHOOTING

PROBLEM	POSSIBLE CAUSE	WHAT TO DO
Dishes did not dry	Incorrect loading.	Ensure the dishes are not nesting together.
	Dishes were left in the drawer for several hours after a wash.	We recommend unloading the dishes within a few hours after a wash program has finished, as the small amount of vapour left after the wash may -with time- resettle on dishes as condensation. Using rinse aid or increasing its setting may also help reduce this problem.
	Rinse aid depleted.	Refill the rinse aid dispenser.
	Rinse aid setting too low.	Increase the rinse aid setting.
	Normal Eco program used.	Choose a standard wash program.
Excessive motor noise	No water in the motor area.	This usually occurs on the first use or when the dishwasher has not been used for long periods of time. Pour 3 cups of water into the drawer before running a wash program.

IF THERE IS A FAULT

How do I know if there is a fault?

Your dishwasher will self-diagnose and let you know by beeping continuously.


If there is a fault in one of the drawers:

The drawer indicator of the drawer with the fault will flash red, and the fault code will flash in the display. If the fault is on a non-selected drawer, the display will revert to the flashing fault code for the affected drawer.

Note:

- If a fault occurs in one drawer only you are still able to use the other drawer.
- if you have paused a drawer and the drawer indicator was flashing red, and the other drawer then faults, the paused drawer indicator will switch to flashing white.

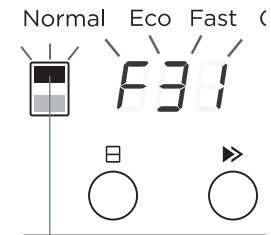
If there is a fault in both drawers:

- the selected drawer indicator will flash red and the fault code will flash in the display.
- the drawer indicator of the other drawer will also flash red.
- Press the  button to scroll between the drawers and note down the fault codes for each drawer. There may be the same code flashing for both, or two different codes flashing, depending on the faults.

What should I do if there is a fault?

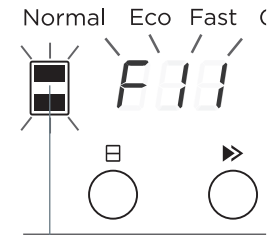
You may be able to fix some of the faults yourself – with others, you will need to contact Fisher & Paykel Customer Care to organise a visit by a service technician.

Fault on the top drawer only



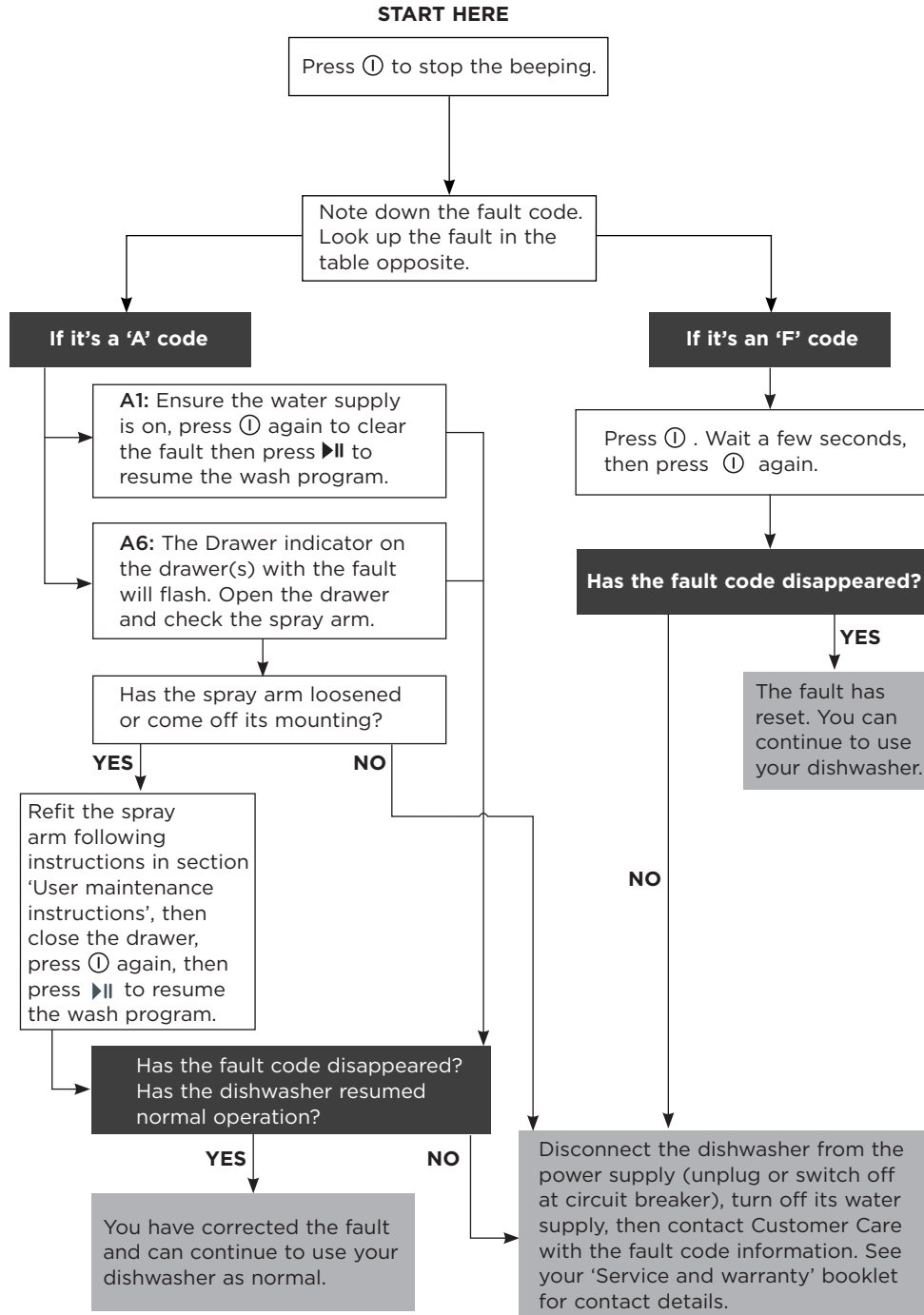
Upper Drawer indicator flashing red

Fault on both drawers



Both Drawer indicators flashing red

HOW TO ATTEND TO A FAULT



HOW TO ATTEND TO A FAULT

DISPLAY	POSSIBLE CAUSE OF FAULT
A1	No water – the water supply hasn't been turned on.
A6	The spray arm has loosened or come off its mounting, or water pressure is too low.
DISPLAY	POSSIBLE CAUSE OF FAULT
F1	Flood detected.
F2x	Motor fault.
F3x	Temperature fault. You may need to have a tempering valve installed on your water supply, to ensure that incoming water is less than 65°C (149°F).
F4x	Heating element failed.
F5x	Fault with the internal lid of the dishwasher.
F6x	Component failure.
F7x	Fill valve fault.
F8x	Electronics fault—motor controller.
F9x	Electronics fault—wash controller.
FCx	Electronics fault—communication between drawers.

WARRANTY AND SERVICE

Before you call for service or assistance ...

Check the things you can do yourself. Refer to the installation instructions and your user guide and check that:

- ① Your product is correctly installed.
- ② You are familiar with its normal operation.

If after checking these points you still need assistance or parts, please refer to the Service & Warranty book for warranty details and your nearest Authorised Service Centre, Customer Care, or contact us through our website www.fisherpaykel.com.

Complete and keep for safe reference:

Model _____

Serial No. _____

The label is located inside cabinet,
underneath the (top) drawer.

Purchase Date _____

Purchaser _____

Dealer _____

Suburb _____

Town _____

Country _____

WASH PROGRAM DATA

For information on which program to use for your load, see your 'Quick start guide'.
Wash cycle times indicated are approximate.

USA & CANADA				
HEAVY (~127 MINS)	NORMAL (~128 MINS)	FAST (~53 MINS)	GENTLE (~82 MINS)	RINSE (~11 MINS)
main wash 150°F	main wash 130°F	main wash 130°F	main wash 120°F	
post-rinse x3	post-rinse	post-rinse	post-rinse x2	
final rinse 163°F	final rinse 130°F	final rinse 120°F	final rinse 130°F	
drying phase	drying phase		drying phase	
	NORMAL ECO (~100 MINS)			
	main wash 120°F			
	post-rinse			
	final rinse 125°F			
	drying phase			

WASH PROGRAM DATA

For information on which program to use for your load, see your 'Quick start guide'.
Wash cycle times indicated are approximate.

NEW ZEALAND & AUSTRALIA				
HEAVY (~124 MINS)	NORMAL (~128 MINS)	FAST (~49 MINS)	GENTLE (~92 MINS)	RINSE (~11 MINS)
main wash 70°C	main wash 60°C	main wash 55°C	main wash 50°C	
post-rinse x2	post-rinse	post-rinse	post-rinse x2	
final rinse 65°C	final rinse 60°C	final rinse 55°C	final rinse 60°C	
drying phase	drying phase		drying phase	
	NORMAL ECO* (~100 MINS)			
	main wash 40°C			
	post-rinse			
	final rinse 40°C			
	drying phase			

*Reference program for energy label in compliance with AS/NZS 2007.

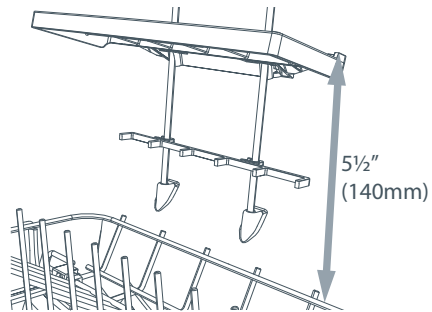
Note:

Wash times can vary depending on the incoming water temperature, ambient conditions, type of dish load and whether the drawer has been opened during the wash. Wash times are only APPROXIMATE on the electronic display and based on 120 °F (USA and Canada), 20 °C (New Zealand and Australia) incoming water.

STANDARDS TEST (USA AND CANADA)

The dishwashers are tested to various standards for wash performance using the parameters detailed below.

Rinse agent setting	4
Maximum place setting	10 for double models
Fixed height setting of racks	



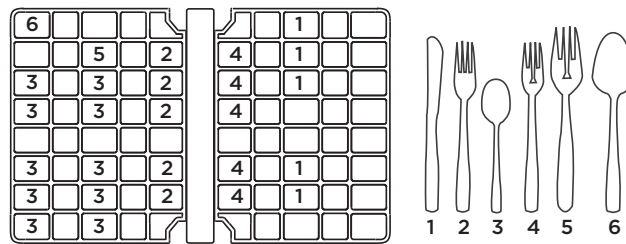
Recommended loading pattern



Top drawer



Bottom drawer



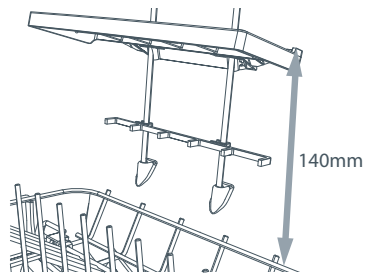
Cutlery basket

STANDARDS TEST (NEW ZEALAND AND AUSTRALIA)

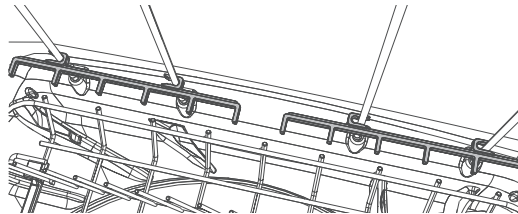
The dishwashers are tested to AS/NZS 2007 standards for both wash and dry performance, using the parameters detailed below.

Wash program	Normal Eco (At the end of the program, open the drawer 50 mm to improve the dry performance.)
Detergent quantities	23.75g (main wash) per drawer
Rinse aid setting	4
Maximum place setting (per drawer)	7
Accessories to be used in the Dishwasher standards test	Base rack, folding tines, fixed plate rack, cutlery basket with cutlery grid, fold away cup racks, glass supports.

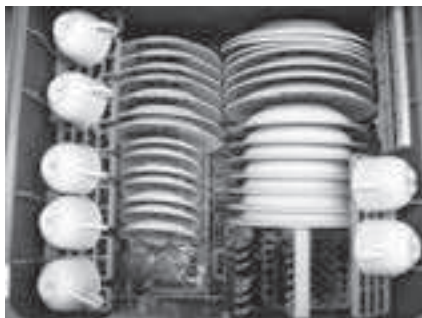
Fixed height setting of racks



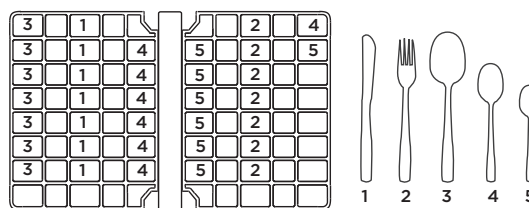
Correct orientation of glass supports on both sides of drawer



Recommended loading pattern



Top and Bottom drawer



Cutlery basket

www.fisherpaykel.com

Copyright © Fisher & Paykel 2014. All rights reserved.
The product specifications in this booklet apply to the specific products and models described at the date of issue. Under our policy of continuous product improvement, these specifications may change at any time. You should therefore check with your Dealer to ensure this booklet correctly describes the product currently available.

NZ AU US CA

590668 A 11.14