

INSTALLATION INSTRUCTIONS

30" DUAL FUEL SLIDE-IN RANGE

**INSTALLATION AND SERVICE MUST BE PERFORMED BY A QUALIFIED INSTALLER.
IMPORTANT: SAVE FOR LOCAL ELECTRICAL INSPECTOR'S USE.
READ AND SAVE THESE INSTRUCTIONS FOR FUTURE REFERENCE.**



⚠ WARNING If the information in this manual is not followed exactly, a fire or explosion may result causing property damage, personal injury or death.

FOR YOUR SAFETY:

- Do not store or use gasoline or other flammable vapors and liquids in the vicinity of this or any other appliance.
- **WHAT TO DO IF YOU SMELL GAS:**
 - Do not try to light any appliance.
 - Do not touch any electrical switch; do not use any phone in your building.
 - Immediately call your gas supplier from a neighbor's phone. Follow the gas supplier's instructions.
 - If you cannot reach your gas supplier, call the fire department.
- Installation and service must be performed by a qualified installer, service agency or the gas supplier.

Table of Contents

Important Safety Instructions.....	2-3	LP/Propane Gas Conversion.....	11
Cabinet & Product Dimensions.....	3-4	Moving the Appliance for servicing and Cleaning.....	11
To Avoid Breakage.....	5	Range Installation.....	11-12
Factory Connected Power Supply Cord (Canada only).....	6	Leveling the Range.....	12-13
Power Supply Cord Kit (U.S.A.).....	6	Check Operation.....	13-14
Access to Terminal Block & Grounding Strap (U.S.A.)... ..	6	When All Hookups are Complete.....	14
Electrical Connection to the Range (U.S.A.)	7-8	Model and Serial Number Location	14
Cabinet Construction.....	9	Before You Call for Service.....	14
Gas Supply -Installation.....	9-10	Anti-Tip Brackets Installation	15-16

Important Notes to the Installer

1. Read all instructions contained in these installation instructions before installing range.
2. Remove all packing material from the oven and the drawer compartments before connecting the gas and electrical supply to the range.
3. Observe all governing codes and ordinances.
4. Be sure to leave these instructions with the consumer.
5. Note: For operation at 2000 ft. elevations above sea level, appliance rating shall be reduced by 4 percent for each additional 1000 ft.

Important Note to the Consumer

Keep these instructions with your owner's guide for the local electrical inspector's use and future reference.

Appliances Installed in the state of Massachusetts:

This Appliance can only be installed in the state of Massachusetts by a Massachusetts licensed plumber or gasfitter.

This appliance must be installed with a three (3) foot / 36 in. long flexible gas connector.

A" T" handle type manual gas valve must be installed in the gas supply line to this appliance.

⚠ CAUTION Cold temperature can damage the electronic control. When using the appliance for the first time, or when the appliance has not been used for an extended period, be certain the unit has been in temperatures above 32°F (0°C) for at least 3 hours before turning on the power to the appliance.

30" DUAL FUEL SLIDE-IN RANGE INSTALLATION INSTRUCTIONS

(Models with an Electric Oven and a Gas Cooktop)

IMPORTANT SAFETY INSTRUCTIONS

This manual contains important safety symbols and instructions. Please pay attention to these symbols and follow all instructions given.

⚠ WARNING This symbol will help alert you to situations that may cause serious bodily harm, death or property damage.

⚠ CAUTION This symbol will help alert you to situations that may cause bodily injury or property damage.

Installation of this range must conform with local codes or, in the absence of local codes, with the National Fuel Gas Code ANSI Z223.1/NFPA54 or CAN/ACG-B149.1 and CAN/ACG-B149.2.

This range has been design certified by CSA international. As with any appliance using gas and generating heat, there are certain safety precautions you should follow. You will find them in the Use and Care Guide, read it carefully.

- **Air curtain or other overhead hoods, which operate by blowing a downward air flow on to a range, shall not be used in conjunction with gas ranges other than when the hood and range have been designed, tested and listed by an independent test laboratory for use in combination with each other.**
- **Be sure your range is installed and grounded properly by a qualified installer or service technician.**
- **This range must be electrically grounded in accordance with local codes or, in their absence, with the National Electrical Code ANSI/NFPA No. 70—latest edition in United States or with CSA Standard C22.1, Canadian Electrical Code, Part 1 in Canada.**
- The installation of appliances designed for manufactured (mobile) home installation must conform with Manufactured Home Construction and Safety Standard, title 24CFR, part 3280 [Formerly the Federal Standard for Mobile Home Construction and Safety, title 24, HUD (part 280)] or when such standard is not applicable, the Standard for Manufactured Home Installation 1982 (Manufactured Home Sites, Communities and Setups), ANSI Z225.1/NFPA 501A-latest edition, or with local codes in United States and with CAN/CSA-Z240 MH in Canada.
- **Make sure the wall coverings around the range can withstand the heat generated by the range.**
- **Before installing the range in an area covered with linoleum or any other synthetic floor covering, make sure the floor covering can withstand heat at least 90°F above room temperature without shrinking, warping or discoloring.** Do not install the range over carpeting unless you place an insulating pad or sheet of ¼" (0,6 cm) thick plywood between the range and carpeting.

- **Do not obstruct the flow of combustion air at the oven vent nor around the base or beneath the lower front panel of the range.** Avoid touching the vent openings or nearby surfaces as they may become hot while the oven is in operation. This range requires fresh air for proper burner combustion.

⚠ WARNING Never leave children alone or unattended in the area where an appliance is in use. As children grow, teach them the proper, safe use of all appliances. Never leave the oven door open when the range is unattended.

⚠ WARNING Stepping, leaning or sitting on the doors or drawers of this range can result in serious injuries and can also cause damage to the range.

- **Do not store items of interest to children in the cabinets above the range.** Children could be seriously burned climbing on the range to reach items.
- **To eliminate the need to reach over the surface burners, cabinet storage space above the burners should be avoided.**
- **Adjust surface burner flame size so it does not extend beyond the edge of the cooking utensil.** Excessive flame is hazardous.

⚠ WARNING Tip Over Hazard



- A child or adult can tip the range and be killed.
- Verify the anti-tip device has been installed to floor or wall as per installation instructions.

- Ensure the anti-tip device is re-engaged to floor or wall when the range is moved.
- Do not operate the range without the anti-tip device in place and engaged.
- Failure to follow these instructions can result in death or serious burns to children and adults.



To check if the anti-tip bracket is installed properly, use both arms and grasp the rear edge of range back. Carefully attempt to tilt range forward. When properly installed, the range should not tilt forward.

Refer to the anti-tip bracket **installation instructions** supplied with your range for proper installation.

30" DUAL FUEL SLIDE-IN RANGE INSTALLATION INSTRUCTIONS

(Models with an Electric Oven and a Gas Cooktop)

- **Do not use the oven as a storage space.** This creates a potentially hazardous situation.
- **Never use your range for warming or heating the room.** Prolonged use of the range without adequate ventilation can be dangerous.
- **Do not store or use gasoline or other flammable vapors and liquids near this or any other appliance.** Explosions or fires could result.
- In the event of an electrical power outage, the surface burners can be lit manually. To light a surface burner,

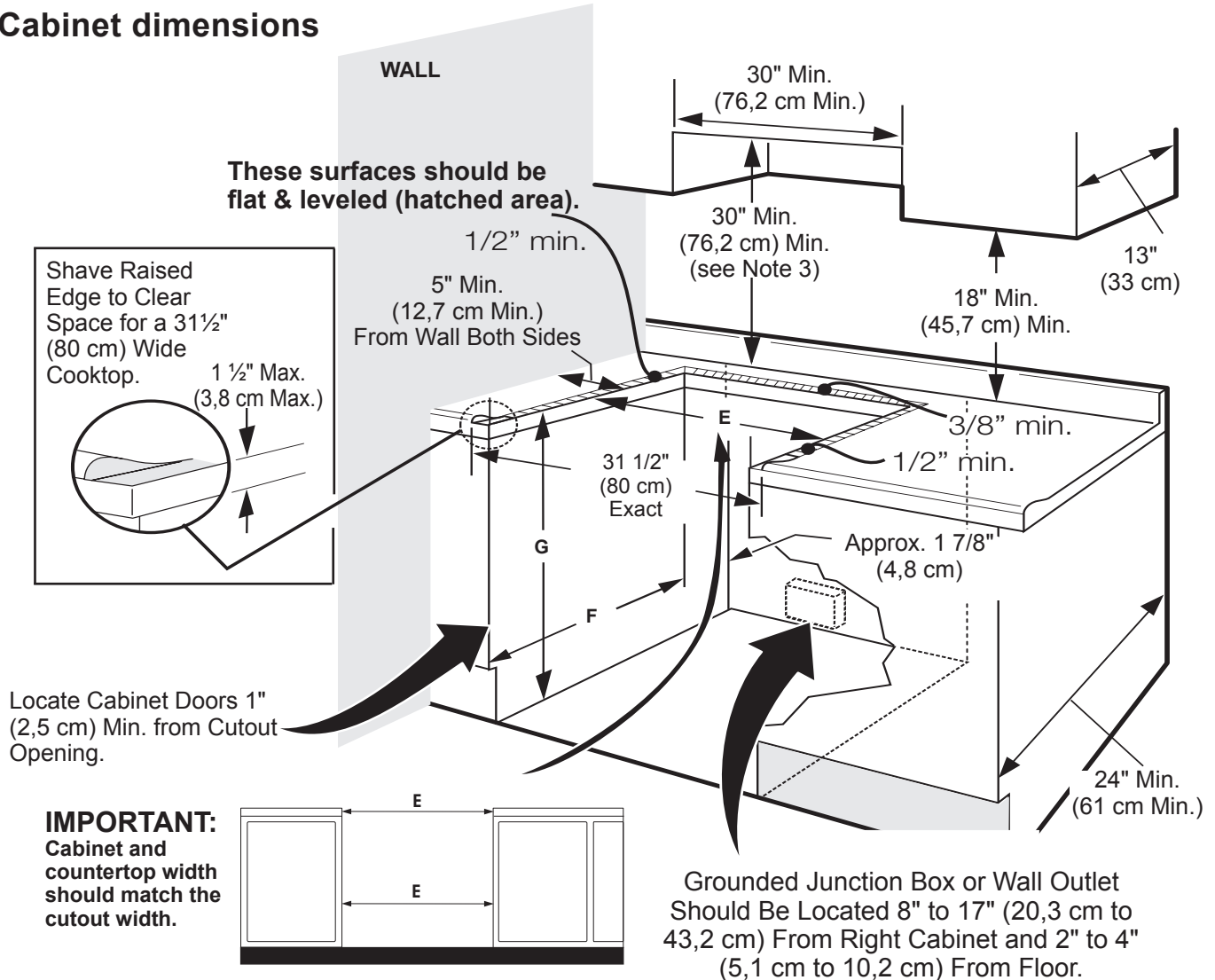
hold a lit match to the burner head and slowly turn the Surface Control knob to LITE. Use caution when lighting surface burners manually.

- **Reset all controls to the "off" position after using a programmable timing operation.**

FOR MODELS WITH SELF-CLEAN FEATURE:

- **Remove broiler pan, food and other utensils before self-cleaning the oven.** Wipe up excess spillage. Follow the precleaning instructions in the Use and Care Guide.

Cabinet dimensions



A. HEIGHT	B. WIDTH	C. COOKTOP WIDTH	D. DEPTH TO FRONT OF RANGE	E. CUTOUT WIDTH* (Countertop and Cabinet)	F. CUTOUT DEPTH	G. HEIGHT OF COUNTERTOP
35 5/8" (90,5 cm) - 36 5/8" (93 cm)	30" (76,2 cm)	31 1/2" (80 cm)	28 5/16" (71,9 cm)	30±1/16" (76,2±0,15 cm)	21 3/4" (55,2 cm) Min. 22 1/8" (56,2 cm) Max 24" (61 cm) Min. with backguard	36 5/8" (93 cm) Max. 35 7/8" (91,1 cm) Min.

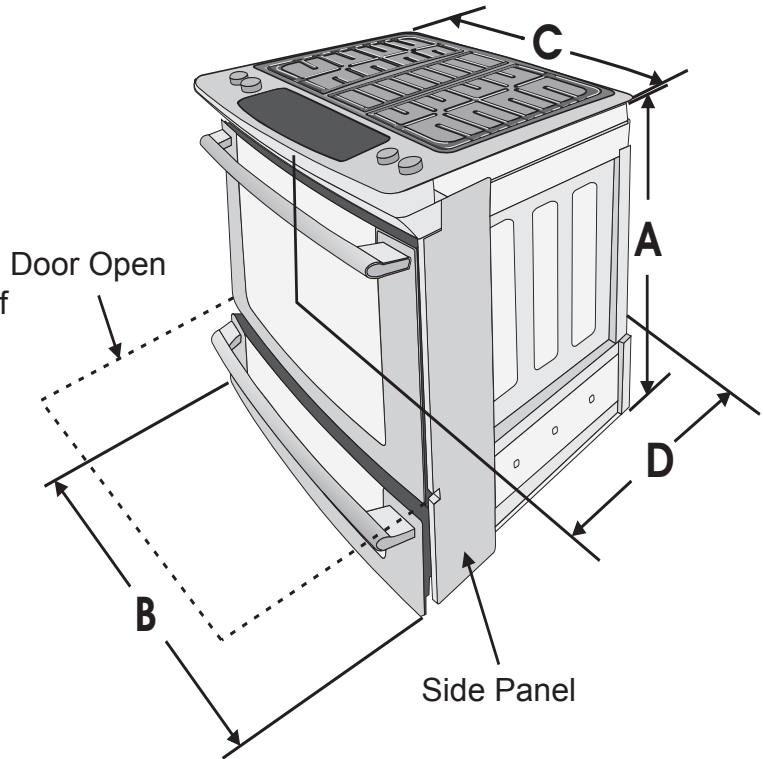
30" DUAL FUEL SLIDE-IN RANGE INSTALLATION INSTRUCTIONS

(Models with an Electric Oven and a Gas Cooktop)

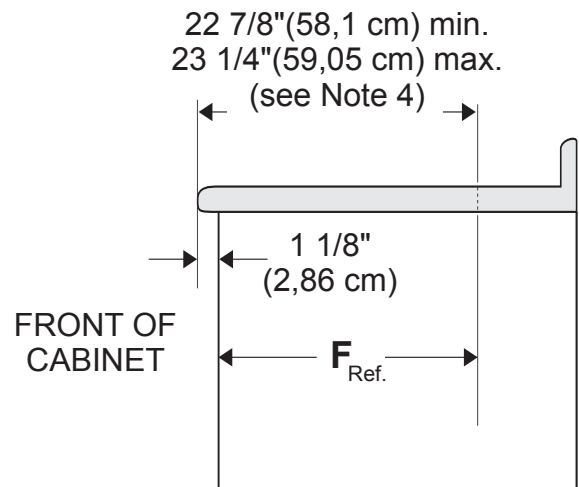
Product dimensions

NOTE:

1. Do not pinch the power supply cord or the flexible gas conduit between the range and the wall.
2. Do not seal the range to the side cabinets.
3. 24" (61 cm) minimum clearance between the cooktop and the bottom of the cabinet when the bottom of wood or metal cabinet is protected by not less than 1/4" (0,64 cm) flame retardant millboard covered with not less than No. 28 MSG sheet metal, 0,015" (0,4 mm) stainless steel, 0,024" (0,6 mm) aluminum, or 0,020" (0,5 mm) copper.
4. For cutouts below 22 7/8" (58,1 cm), appliance will slightly show out of the cabinet.
5. Allow at least 19 1/4" (48,9 cm) clearance for door depth when it is open.



*** IMPORTANT:** To avoid cooktop breakage for cutout width (E dimension) of more than 30 1/16" (76,4 cm), make sure the appliance is centered in the counter opening while pushing into it. Raise leveling legs and the rear adjustable wheels at a higher position than the cabinet height (see page 5), insert the appliance in the counter and then level. Make sure the unit is supported by the leveling legs at the front and the wheels at the back and NOT by the cooktop itself.



A. HEIGHT	B. WIDTH	C. COOKTOP WIDTH	D. DEPTH TO FRONT OF RANGE	E. CUTOUT WIDTH* (Countertop and Cabinet)	F. CUTOUT DEPTH	G. HEIGHT OF COUNTERTOP
35 5/8" (90,5 cm) - 36 5/8" (93 cm)	30" (76,2 cm)	31 1/2" (80 cm)	28 5/16" (71,9 cm)	30±1/16" (76,2±0,15 cm)	21 3/4" (55,2 cm) Min. 22 1/8" (56,2 cm) Max 24" (61 cm) Min. with backguard	36 5/8" (93 cm) Max. 35 7/8" (91,1 cm) Min.

30" DUAL FUEL SLIDE-IN RANGE INSTALLATION INSTRUCTIONS

(Models with an Electric Oven and a Gas Cooktop)

To avoid breakage: Do NOT handle or manipulate the unit by the cooktop.

1 The counter-top around the cut-out should be flat and leveled (see hatched area on illustration 1).

2 Before installing the unit, measure the heights of the two (2) cabinet sides (H1-4), front and back (Illustration 1) from the floor to the top of the counter.

3 Level the range using the two (2) front leveling legs and the two (2) adjustable leveling wheel, so that the height from the floor to the underside of the metal flange is greater than the tallest cabinet measurement by at least 1/16" (see Ill. 2).

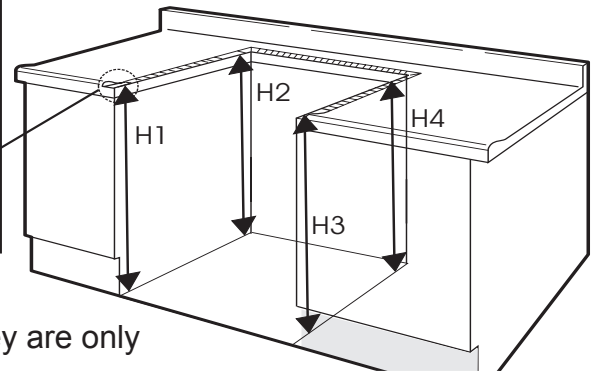
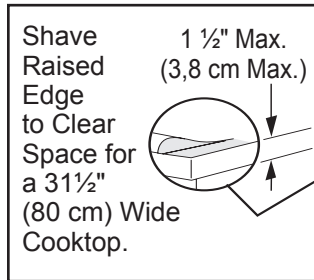


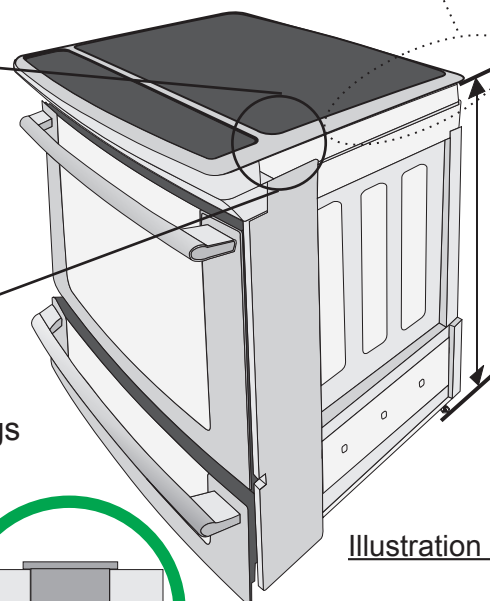
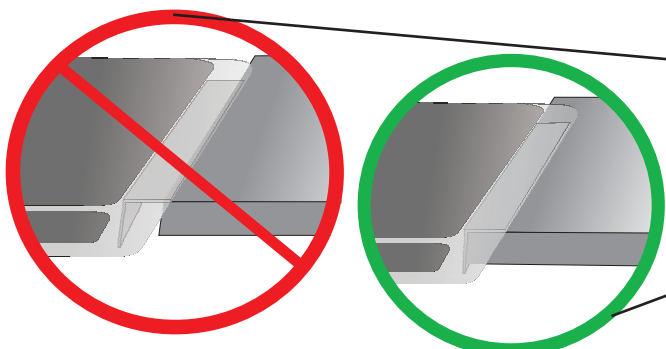
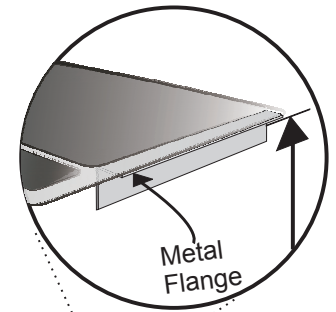
Illustration 1

4 Remove and discard the two rear leveling legs, they are only in place to solidify the unit for the transport.

5 Slide the unit into the cabinet. Make sure the center of the unit is aligned with the center of the cabinet cut-out.

6 Remove the protective channels on each side of the cooktop (if provided).

7 The metal flange under each side of the cooktop **MUST** be placed over the cabinet countertop for proper unit support. The cooktop should **NOT** rest directly on the countertop (see illustration 2) or else it could cause damage to the cooktop voiding the warranty. Level the unit if needed.



To successfully install the range, the initial level height from floor to underside of cooktop frame should be at least 1/16" taller than cabinet sides as measured in step 2.

8 After the installation, MAKE SURE that the unit is supported by the two front leveling legs and the two adjustable leveling wheels and NOT by the cooktop.

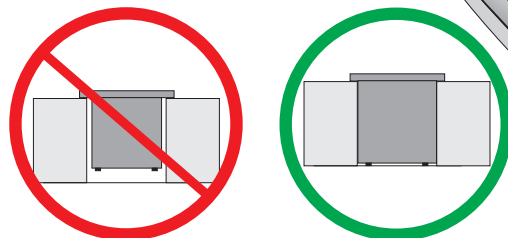


Illustration 2

30" DUAL FUEL SLIDE-IN RANGE INSTALLATION INSTRUCTIONS

(Models with an Electric Oven and a Gas Cooktop)

1 Factory Connected Power Supply Cord (Canada only)

This range is equipped with a factory-connected power cord (see Figure 1). Cord must be connected to a grounded 120/240 volt or 120/208 volt range outlet. If not outlet is available, have one installed by a qualified electrician.

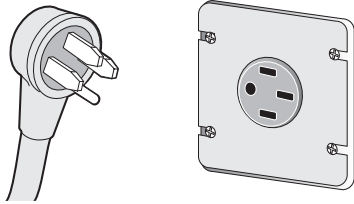


Figure 1

2 Power Supply Cord Kit (U.S.A.)

The user is responsible for connecting the power supply cord to the connection block located behind the back panel access cover.

This appliance may be connected by means of permanent "hard wiring" (flexible armored or nonmetallic shielded copper cable), or by means of a power supply cord kit. Only a power supply cord kit rated at 125/250 volts 30 Amps should be used. Cord must have either 3 or 4 conductors.

For mobile homes, new installations, recreational vehicles, or areas where local codes do not permit grounding through neutral, a 4 conductor power supply cord kit rated at 125/250 volts 30 Amps marked for use with ranges should be used.

Terminals on end of wires must be either closed loop or open-end spade lugs with upturned ends. Cord must have strain-relief clamp.

NOTE: Electric Slide-in Range is shipped from factory with 1 1/8" (2.9 cm) dia. hole as shown on figure 3. If a larger hole is required, punch out the knockout.

Breaker Size:

On a unit with 4800W or less at 240V (see serial plate), a 20A circuit breaker or time-delay fuse is recommended on both side of the line (red and black wire). DO NOT fuse the neutral (white wire) or the ground (green or bare wire).

On a unit with higher than 4800W at 240V (see serial plate), follow the above recommendations but use a 30A circuit breaker or time-delay fuse.

⚠ WARNING Risk of fire or electrical shock exists if an incorrect size range cord kit is used, the Installation Instructions are not followed, or the strain relief bracket is discarded.

⚠ WARNING Do not loosen the nuts which secure the factory-installed range wiring to terminal block while connecting range. Electrical failure or loss of electrical connection may occur.

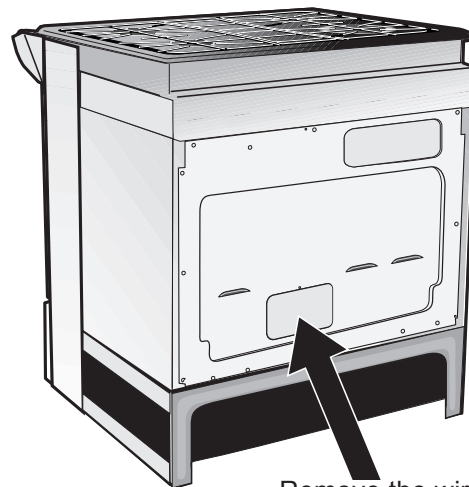
⚠ WARNING

Electrical Shock Hazard

- Electrical ground is required on this appliance.
- Do not connect to the electrical supply until appliance is permanently grounded.
- Disconnect power to the circuit breaker or fuse box before making the electrical connection.
- This appliance must be connected to a grounded, metallic, permanent wiring system, or a grounding connector should be connected to the grounding terminal or wire lead on the appliance.

Failure to do any of the above could result in a fire, personal injury or electrical shock.

3 Access to Terminal Block & Grounding Strap (U.S.A.)



Remove the wire cover here for access to terminal block

Figure 2

30" DUAL FUEL SLIDE-IN RANGE INSTALLATION INSTRUCTIONS

(Models with an Electric Oven and a Gas Cooktop)

⚠ WARNING This appliance is manufactured with the frame grounded by connection of a grounding strap between the neutral power supply terminal and the frame. If used in USA, in a new branch circuit installation (1996 NEC), mobile home or recreational vehicle, where local code do not permit grounding through neutral (white) wire or in Canada; remove the grounding strap from the frame and cut the other end, near the neutral terminal. Connect the appliance in usual manner.

4 Electrical Connection to the Range (U.S.A.)

This appliance is manufactured with the neutral terminal connected to the frame.

Three Conductor Wire Connection to Range

(The 3-conductor cord or cable must be replaced with a 4-conductor cord or cable where grounding through the neutral conductor is prohibited in new installations, mobile homes, recreational vehicles or in other areas where local codes do not permit neutral grounding)

If local codes permit connection of the frame grounding conductor to the neutral wire of the copper power supply cord (see Figure 3):

1. Remove the screw which is fixing the rear wire cover, then remove the rear wire cover (access cover) to expose range terminal connection block (see Figure 2).
2. Using the nuts supplied in the literature package, connect the neutral white wire of the copper power supply cord to the center silver-colored terminal of the terminal block, and connect the other wires to the outer terminals. Match wires and terminals by color (red wires connected to the right terminal, black wires connected to the left terminal).
3. Put back the rear wire cover using the screw removed on step 1.

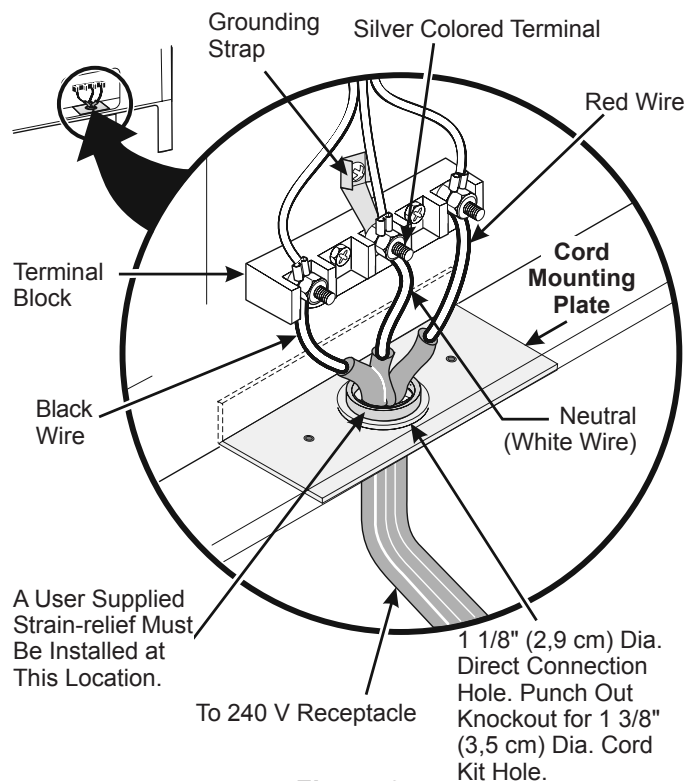


Figure 3

Four Conductor Wire Connection to Range (mobile homes)

Where local codes does NOT permit connection of the frame grounding conductor to the neutral wire of the copper power supply cord (see Figure 4):

1. Remove the screw which is fixing the rear wire cover, then remove the rear wire cover (access cover) to expose range terminal connection block (see Figure 2).
2. Remove the grounding strap from the terminal block and from the appliance frame.
3. Using the nuts supplied with the literature package, connect the ground wire (green) of the copper power supply cord to the frame of the appliance with the ground screw, using the hole in the frame where the ground strap was removed (see Figure 4).
4. Connect the neutral of the copper power supply cord to the center silver-colored terminal of the terminal block, and connect the other wires to the outer terminals. Match wires and terminals by color (red wires connected to the right terminal, black wires connected to the left terminal).
5. Put back the rear wire cover using the screw removed on step 1.

30" DUAL FUEL SLIDE-IN RANGE INSTALLATION INSTRUCTIONS

(Models with an Electric Oven and a Gas Cooktop)

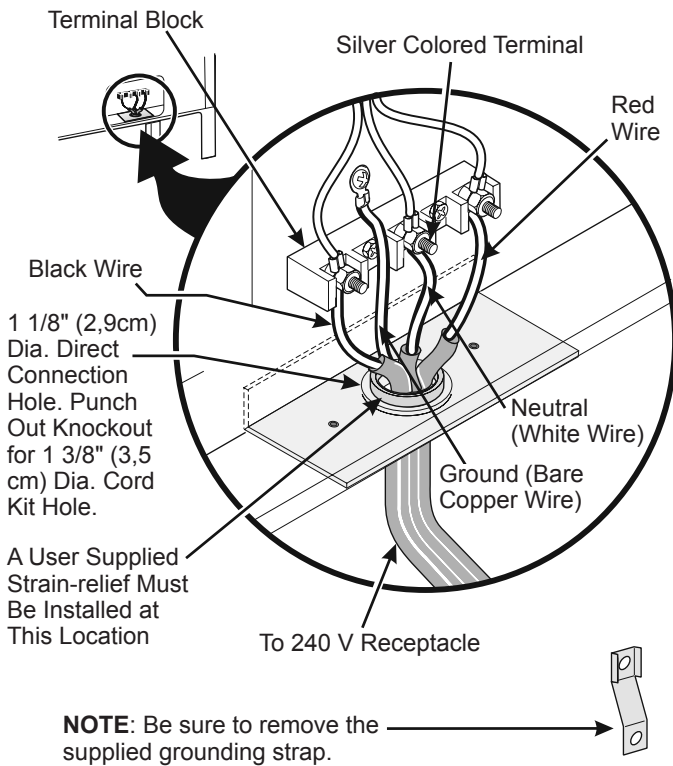


Figure 4

Direct Electrical Connection to the Circuit Breaker, Fuse Box or Junction Box

If the appliance is connected directly to the circuit breaker, fuse box or junction box, use flexible, armored or nonmetallic sheathed copper cable (with grounding wire). Supply a U.L. listed strain-relief at each end of the cable. At the appliance end, the cable goes through the Direct Connection Hole (see Figure 4) on the Cord Mounting Plate. Wire sizes (**copper wire only**) and connections must conform to the rating of the appliance.

Where local codes permit connecting the appliance-grounding conductor to the neutral (white) wire (see Figure 5):

(The 3-conductor cord or cable must be replaced with a 4-conductor cord or cable where grounding through the neutral conductor is prohibited in new installations, mobile homes, recreational vehicles or in other areas where local codes do not permit neutral grounding)

1. Disconnect the power supply.
2. In the circuit breaker, fuse box or junction box connect the appliance and residence cable wires as shown in figure 5.

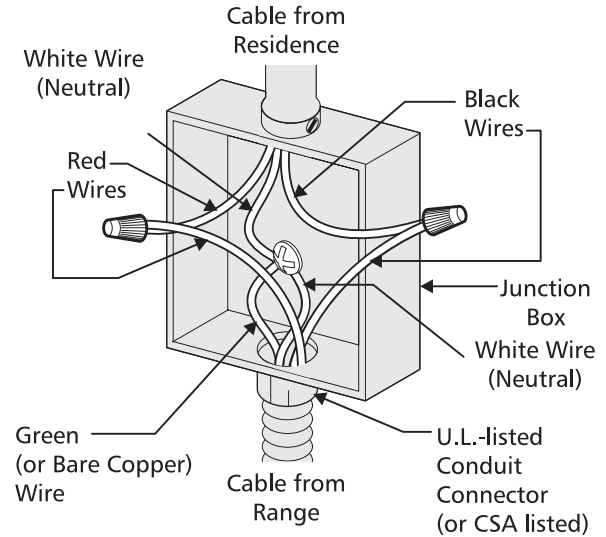


Figure 5
3-Wire (Grounded Neutral) Electrical System
(Example: Junction Box)

Where local codes **DO NOT** permit connecting the appliance-grounding conductor to the neutral (white) wire, or if connecting to 4-wire electrical system (see Figure 6):

1. Disconnect the power supply.
2. Separate the green (or bare copper) and white appliance cable wires.
3. In the circuit breaker, fuse box or junction box: connect appliance and residence cable wires as shown in figure 6.

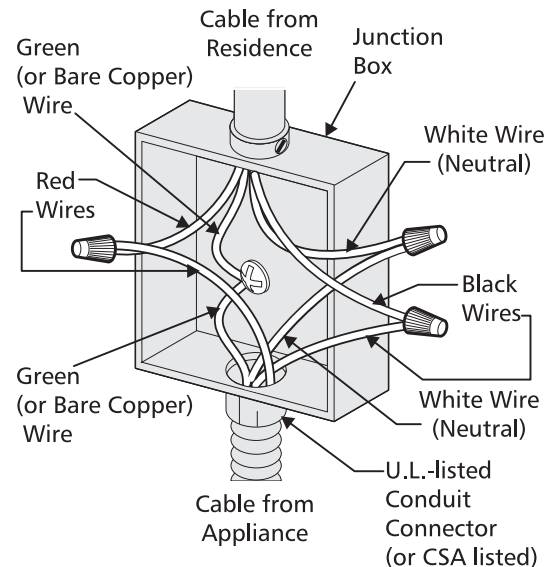


Figure 6 – 4-Wire Electrical System
(Example: Junction Box)

30" DUAL FUEL SLIDE-IN RANGE INSTALLATION INSTRUCTIONS

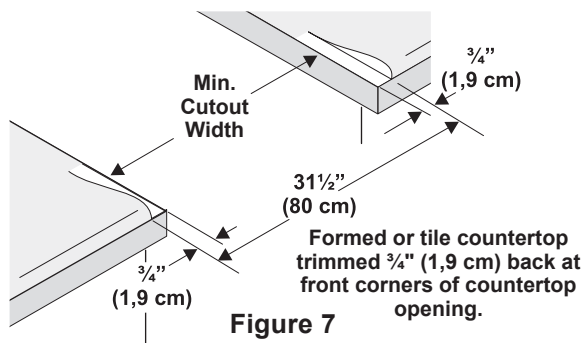
(Models with an Electric Oven and a Gas Cooktop)

5 Cabinet Construction

CAUTION To eliminate the risk of burns or fire by reaching over heated surface units, do not have cabinet storage space above the range. If there is cabinet storage space above range, reduce risk by installing a range hood that projects horizontally a minimum of 5" (12,7 cm) beyond the bottom of the cabinet.

Countertop Preparation

- The cooktop sides of the range fit over the cutout edge of your countertop.
- If you have a **square finish (flat) countertop**, no countertop preparation is required. Cooktop sides lay directly on edge of countertop.
- **Formed front-edged countertops** must have molded edge shaved flat $\frac{3}{4}$ " (1,9 cm) from each front corner of opening (Figure 7).
- **Tile countertops** may need trim cut back $\frac{3}{4}$ " (1,9 cm) from each front corner and/or rounded edge flattened (Figure 7).



- If the existing cutout width is greater than $30 \frac{1}{16}$ " (76,4 cm), reduce the $\frac{3}{4}$ " (1,9 cm) dimension.
- **Countertop must be level.** Place a level on the countertop, first side to side, then front to back. If the countertop is not level, the range will not be level. The oven must be level for satisfactory baking results. Cooktop sides of range fit over edges of countertop opening.

6 Gas Supply – Installation

When shipped from the factory, this unit is designed to operate on 4" (10,16 cm) water column (1,0 kPa) Natural gas manifold pressure. A convertible pressure regulator is connected to the range manifold and **MUST** be connected in series with the gas supply line. To access the regulator, remove the drawer.

For proper operation, the maximum inlet pressure to the regulator should be no more than 14" (35,56 cm) of water column pressure (3,5 kPa).

The inlet pressure to the regulator must be at least 1" (25 kPa) greater than the regulator manifold pressure setting. The regulator is set for 4" (10,16 cm) water column (1,0 kPa) Natural gas manifold pressure; the inlet pressure must be at least 5" (12,60 cm) water

column (1,25 kPa) Natural gas. For LP/Propane gas, the regulator must be set for 10" (25,4 cm) water column (2,5 kPa) manifold pressure; the inlet pressure must be at least 11" (27,9 cm) water column (2,75 kPa).

The supply line should be equipped with an approved shutoff valve (see Figure 11). This valve should be located in the same room as the range and should be in a location that allows ease of opening and closing. Do not block access to the shutoff valve. The valve is for turning on or shutting off gas to the appliance. Open the shutoff valve in the gas supply line. Wait a few minutes for gas to move through the gas line.

The gas supply between the shutoff valve and the regulator may be connected by rigid piping or by A.G.A./C.G.A.-approved flexible metallic union-connected piping where local codes permit use.

The gas supply piping can be through the back wall (Figure 8, zone 1) or through the floor (Figure 8, zone 2):
Zone 1 - Through the Back Wall (7" X 6") - The best place to have your gas line in is between 1" (2,5 cm) and 8" (20,3 cm) from the floor and within 3" (7,6 cm) from the center line.

Zone 2 - Through the Floor (~2" X 24") - The gas line can also come through the floor within 12" (30,5 cm) from the center line against the back wall.

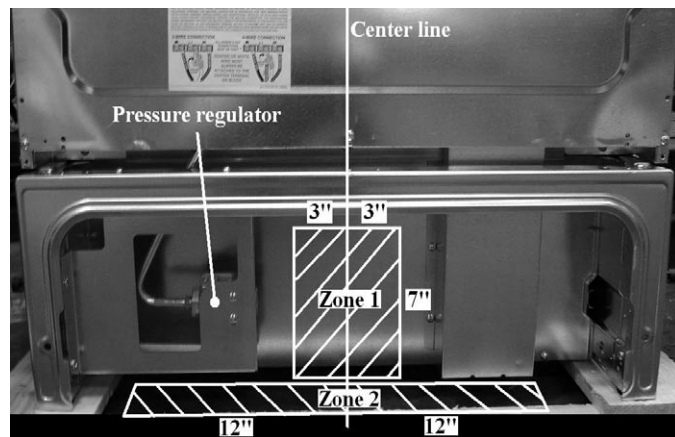


Figure 8

Seal the openings

Seal any openings in the wall behind the range and in the floor under the range after gas supply line is installed.

Connect the range to the gas supply

Important: Remove all packing material and literature from range before connecting gas and electrical supply.

To prevent leaks, put pipe joint sealant on all external pipe threads.

Your regulator is in location as shown in figure 9.

CAUTION Do not allow regulator to rotate on pipe when tightening fittings.

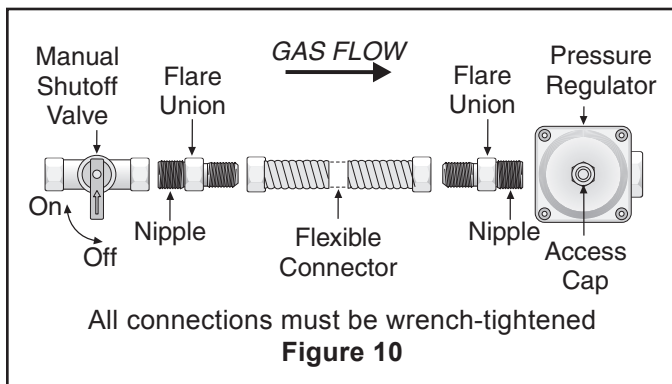
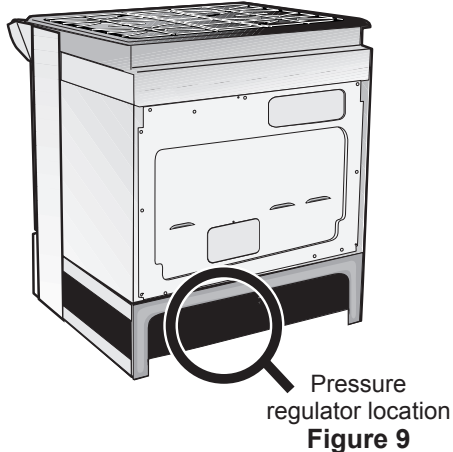
30" DUAL FUEL SLIDE-IN RANGE INSTALLATION INSTRUCTIONS

(Models with an Electric Oven and a Gas Cooktop)

Connection to Pressure Regulator

The regulator is already installed on the appliance.

CAUTION Do not make the connection too tight. The regulator is die cast. Overtightening may crack the regulator resulting in a gas leak and possible fire or explosion.



Assemble the flexible connector from the gas supply pipe to the pressure regulator in the following order:

1. manual shutoff valve (not supplied)
2. 1/2" nipple (not supplied)
3. 1/2" flare union adapter (not supplied)
4. flexible connector (not supplied)
5. 1/2" flare union adapter (not supplied)
6. 1/2" nipple (not supplied)
7. pressure regulator (supplied)

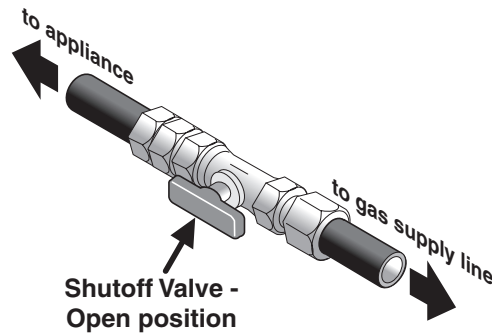
The gas supply line to the shutoff valve should be 1/2" (1,27 cm) or 3/4" (1,9 cm) solid pipe.

The user must know the location of the main shutoff valve and have easy access to it.

When using flexible gas conduit on the range, allow sufficient slack to pull the range outside the cutout for cleaning or servicing.

NOTE: Do not allow the flexible conduit to get pinched between the wall and the range. To visually check, remove the range drawer.

Use pipe-joint compound made for use with Natural and LP/Propane gas to seal all gas connections. If flexible connectors are used, be certain connectors are not kinked.



The supply line must be equipped with an approved manual shutoff valve. This valve should be located in the same room as the range and should be in a location that allows ease of opening and closing. Do not block access to the shutoff valve. The valve is for turning on or shutting off gas to the appliance.

Once regulator is in place, open the shutoff valve in the gas supply line. Wait a few minutes for gas to move through the gas line.

Leak testing of the appliance shall be conducted according to the manufacturer's instructions.

Check for leaks. After connecting the range to the gas supply, check the system for leaks with a manometer. If a manometer is not available, turn on the gas supply and use a liquid leak detector at all joints and connections to check for leaks.

WARNING Do not use a flame to check for leaks from gas connections. Checking for leaks with a flame may result in a fire or explosion.

All openings in the wall or floor where the range is to be installed must be sealed.

Tighten all connections if necessary to prevent gas leakage in the cooktop or supply line.

Disconnect this range and its individual shutoff valve from the gas supply piping system during any pressure testing of the system at test pressures greater than 1/2 psig (3,5 kPa or 14" (35,56 cm) water column).

Isolate the range from the gas supply piping system by closing its individual manual shutoff valve during any pressure testing of the gas supply piping system at test pressures equal to or less than 1/2 psig (3,5 kPa or 14" (35,56 cm) water column).

30" DUAL FUEL SLIDE-IN RANGE INSTALLATION INSTRUCTIONS

(Models with an Electric Oven and a Gas Cooktop)

7 LP/Propane Gas Conversion

This appliance can be used with Natural gas or LP/Propane gas. It is shipped from the factory for use with natural gas.

If you wish to convert your range for use with LP/Propane gas, use the supplied fixed orifices located in a bag containing the literature marked "FOR LP/PROPANE GAS CONVERSION." Follow the instructions packaged with the orifices.

The conversion must be performed by a qualified service technician in accordance with the manufacturer's instructions and all local codes and requirements. Failure to follow these instructions could result in serious injury or property damage. The qualified agency performing this work assumes responsibility for the conversion.

⚠ WARNING Failure to make the appropriate conversion can result in personal injury and property damage.

8 Moving the Appliance for Servicing and Cleaning

Turn off the range line fuse or circuit breakers at the main power source, and turn off the manual gas shut-off valve. Make sure the range is cold. Remove the service drawer (warmer drawer on some models) and open the oven door. Lift the range at the front and slide it out of the cut-out opening without creating undue strain on the flexible gas conduit. Make sure not to pinch the flexible gas conduit at the back of the range when replacing the unit into the cut-out opening. Replace the drawer, close the door and switch on the electrical power and gas to the range.

9. Range Installation

Important Note: Door removal is not a requirement for installation of the range, but is an added convenience.

Refer to the Use and Care Guide for oven door removal instructions.

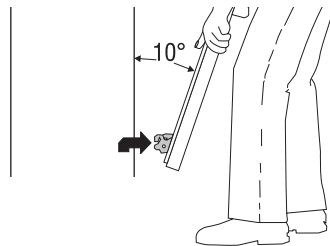


Figure 12

- 9.1 The range cooktop overlaps the countertop at the sides and the range rests on the floor. The cooktop is 31 1/2" (80 cm) wide.
- 9.2 Install base cabinets 30" (76,2 cm) apart. Make sure they are plumb and level before attaching cooktop. Shave raised countertop edge to clear 31 1/2" (80 cm) wide range top rim.
- 9.3 Install cabinet doors 32" (81,3 cm) min. apart so it will not interfere with range door opening.
- 9.4 Cutout countertop exactly as shown on page 4.

For models equipped with Leveling Device:

- 9.5 Make sure the front leveling legs and the rear leveling device are setup higher than the height of the cabinet.
- 9.6 Remove and discard the two rear leveling legs, they are only in place to solidify the unit for the transport.
- 9.7 **⚠ CAUTION** Install the anti-tip bracket at this point before placing the range at its final position. Follow the installation instructions on page 14 or on the anti-tip bracket template supplied with the range.
- 9.8 To provide an optimum installation, the top surface of the countertop must be level and flat (lie on the same plane) around the 3 sides that are adjacent to range cooktop. Proper adjustments to make the top flat should be made or gaps between the countertop and the range cooktop may occur.
- 9.9 **⚠ CAUTION** To reduce the risk of damaging your appliance, do not handle or manipulate it by the cooktop or control console. Manipulate with care.
- 9.10 Position range in front of the cabinet opening.
- 9.11 Make sure that the cooktop which overhangs the countertop clears the countertop. If necessary, raise the unit by lowering the leveling legs.
- 9.12 Slide the range into the cutout opening and center it before leveling it.
- 9.13 **Level the range** (see section 9). The floor where the range is to be installed must be level. Follow the instructions under "Leveling the Range-Models Equipped with Leveling Device".
- 9.14 Adjust leveling legs so that the underside of the cooktop is sitting on the countertop. Carefully screw in (refer to Leveling the range: Models equipped with Leveling Device") the back leveling leg until the cooktop overhang touches slightly the countertop. Then carefully screw in the front two leveling legs until the cooktop overhang touches slightly the countertop.

30" DUAL FUEL SLIDE-IN RANGE INSTALLATION INSTRUCTIONS

(Models with an Electric Oven and a Gas Cooktop)

For models equipped with Leveling Leg only (no leveling device):

9.5 Make sure the four leveling legs (front and rear) are setup higher than the height of the cabinet (shown on page 3).

9.6 **CAUTION** Install the anti-tip bracket at this point before placing the range at its final position. Follow the installation instructions on page 15 or on the anti-tip bracket template supplied with the range.

9.7 To provide an optimum installation, the top surface of the countertop must be level and flat (lie on the same plane) around the 3 sides that are adjacent to range cooktop. Proper adjustments to make the top flat should be made or gaps between the countertop and the range cooktop may occur.

9.8 **CAUTION** To reduce the risk of damaging your appliance, do not handle or manipulate it by the cooktop. Manipulate with care.

9.9 Position range in front of the cabinet opening.

9.10 Make sure that the cooktop which overhangs the countertop clears the countertop. If necessary, raise the unit by lowering the leveling legs.

9.11 **Level the range** (see section 9). The floor where the range is to be installed must be level. Follow the instructions under "Leveling the Range-Models Equipped with Leveling Legs".

9.12 Slide the range into the cutout opening.

IMPORTANT

If Accessories Needed

Installation With Backguard

A backguard kit can be ordered through a Service Center. The cutout depth (21³/₄" (55,2 cm) Min., 22¹/₈" (56,2 cm) Max.) needs to be increased to 24" (61 cm) when installing a backguard

Installation With End Panel

An end panel kit can be ordered through a Service Center.

Installation With Side Panel

A side panels kit can be ordered through a Service Center. Install cabinet doors 32" (81,3 cm) min. apart so as not to interfere with range door opening.

10. Leveling the Range

10.1 Models Equipped with Leveling Device

Level the range after installation in the cutout opening.

1. Open the range drawer. The leveling screws control the height of the rear leg.
2. Adjust the appliance legs as follows until the underside of the cooktop (or cooktop glass) surface is sitting level on the countertop (Figure 13).
 - a. To adjust the front legs, use a wrench on the leg base and turn counterclockwise to lower or clockwise to raise the range.
 - b. Remove the rear legs using a wrench on the leg base and turn counterclockwise until the legs are removed from the unit. You can discard those legs, they are only in place to solidify the unit for the transport.
 - c. To adjust the rear legs, use a ratchet or a nutdriver and turn the leveling screws counterclockwise to lower or clockwise to raise the range.
3. Check if the range is level by installing an oven rack in the center of the oven and placing a level on the rack (Figure 14).
4. Take 2 readings with the level placed diagonally in one direction and then the other. Level the range, if necessary, by adjusting the leveling legs.
5. If the range cannot be level, contact a carpenter to correct sagging or sloping floor.

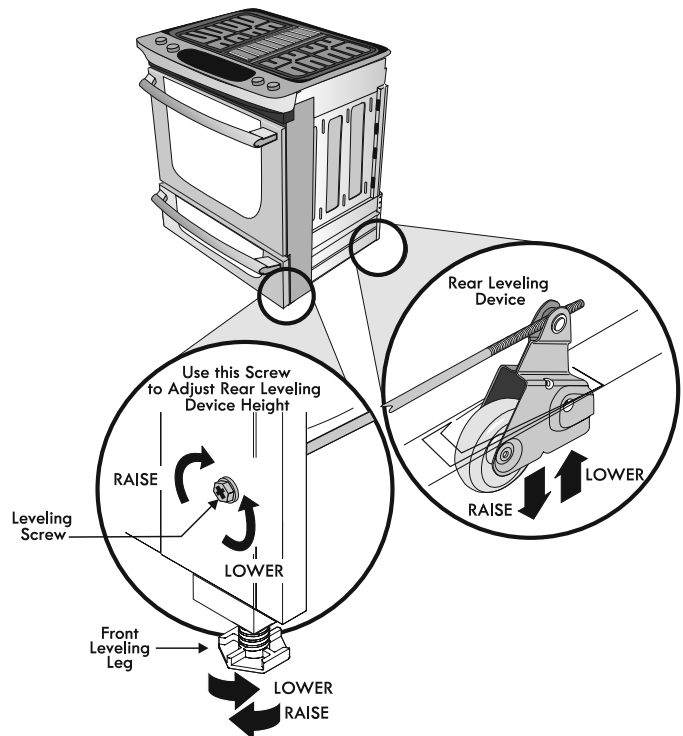


Figure 13

30" DUAL FUEL SLIDE-IN RANGE INSTALLATION INSTRUCTIONS

(Models with an Electric Oven and a Gas Cooktop)

10.2 Models Equipped with Leveling Legs

Level the range and set cooktop height before installation in the cut-out opening.

1. Install an oven rack in the center of the oven.
2. Place a level on the rack (see Figure 14). Take 2 readings with the level placed diagonally in one direction and then the other. Level the range, if necessary, by adjusting the 4 leg levelers with a wrench (see Figure 26).
3. Taking care to not damage the countertop, slide range into cutout opening and double check for levelness.

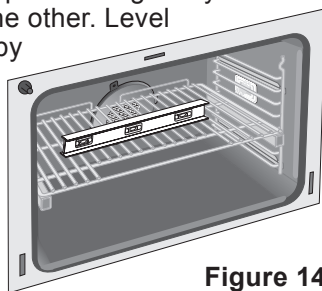


Figure 14

11. Check Operation

Refer to the Use and Care Guide packaged with the range for operating instructions and for care and cleaning of your range.

Remove all packaging from the oven before testing.

11.1 Check Burner Cap Placement

Regular burner

It is **very important** to be sure that all surface burner caps and burner grates are properly installed and in the correct locations **before** operating the appliance. Please note that the burner heads are secured to the cooktop. **The cooktop is not removable.** Do not attempt to remove or lift the cooktop.

⚠ WARNING To prevent flare-ups and avoid creation of harmful by-products, do not use the cooktop without all burner caps properly installed to insure proper ignition and gas flame size.

Always keep the burner caps and burner grates in place whenever the surface burners are in use. **DO not allow spills, food, cleaning agents or any other material to enter the gas orifice holder openings.**

Check and be sure the size of each burner cap matches the size of the burner head. Check and be sure that all round style burner caps are correctly in place on round burner heads.

Check and be sure that all oval style burner caps are correctly in place on oval burner heads (if equipped). Check and be sure that all dual or twin style burner caps are correctly in place on dual or twin heads (if equipped).

On round style burners, the burner cap lip (Figure 15) should fit snug into the center of burner head and be level. Refer to figures 16 & 17 for correct and incorrect burner cap placement.

Once in place, you may check the fit by gently sliding the burner cap from side to side (Figure 18) to be sure

it is centered and firmly seated. When the burner cap lip makes contact inside the center of the burner head you will be able to hear the burner cap click. Please note that the burner cap should NOT move off the center of the burner head when sliding from side to side.

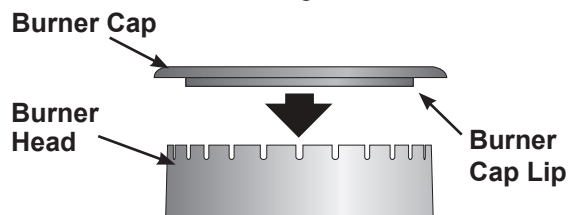
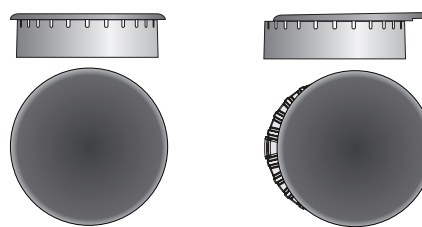


Fig. 15



Correct
Burner Cap
Placement
Fig. 16

Incorrect
Burner Cap
Placement
Fig. 17

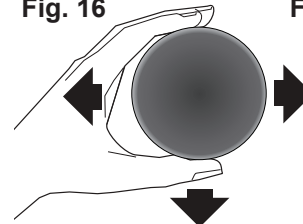


Fig. 18

Dual Flame burner (If equipped)

Remove all tapes from burner cap. Be sure that the dual flame burner caps are correctly placed **BEFORE** using your cooktop.

Note: There are no burner adjustments necessary on this cooktop.

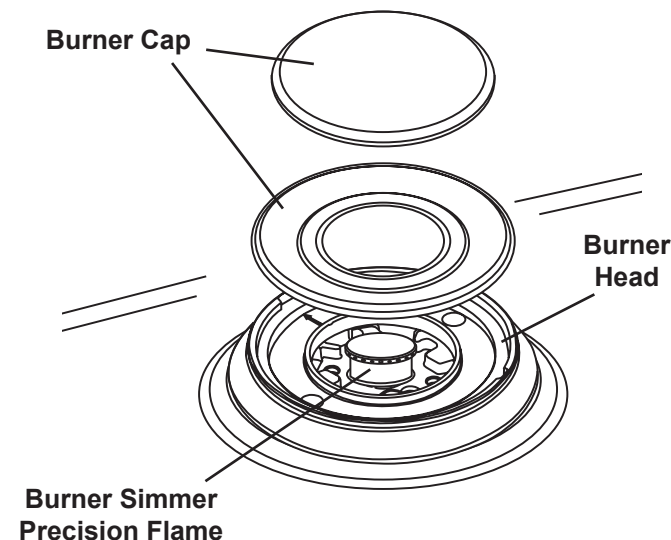


Figure 19

30" DUAL FUEL SLIDE-IN RANGE INSTALLATION INSTRUCTIONS

(Models with an Electric Oven and a Gas Cooktop)

11.2 Turn on Electrical Power and Open Main Shutoff Gas Valve

11.3 Check the Igniters

Operation of electric igniters should be checked after range and supply line connectors have been carefully checked for leaks and range has been connected to electric power.

- To check for proper lighting, push in and turn a surface burner knob to the LITE position. You will hear the igniter sparking.
- The surface burner should ignite when gas is available to the burner. Purge air from supply lines by leaving knob in the **LITE** position until burner ignites. Each burner should light within four (4) seconds in normal operation after air has been purged from supply lines.
- Visually check that burner has a flame. Once the burner ignites, the control knob should be turned out of the LITE position.
- Try each surface control knob separately until all burner valves have been checked. Each burner location is equipped with a separate electrode.

11.4 Adjust the "LOW" Setting of Surface Burner Valves (linear flow)

Test to verify if LOW setting should be adjusted:

- Push in and turn control to LITE until burner ignites.
- Push in and quickly turn knob to lowest position.
- If burner goes out, reset control to OFF.
- Remove the surface burner control knob.
- Insert a thin-bladed screwdriver into the hollow valve stem and engage the slotted screw inside. Flame size can be increased or decreased with the turn of screw. Turn counterclockwise to increase flame size. Turn clockwise to decrease flame size (Figure 20). Adjust flame until you can quickly turn knob from LITE to lowest position without extinguishing the flame. Flame should be as small as possible without extinguishing.

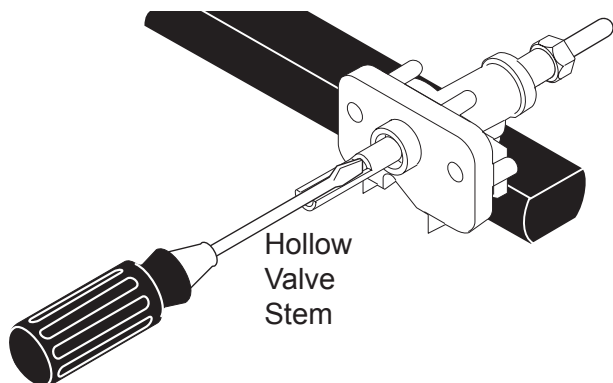


Figure 20

11.5 Operation of Oven Elements

The oven is equipped with an electronic oven control. Each of the functions has been factory checked before shipping. However, it is suggested that you verify the operation of the electronic oven controls once more. Refer to the Electronic Oven Control Guide for operation. Follow the instructions for the Clock, Timer, Bake, Broil, Convection (some models) and Clean functions.

Bake—Set the oven to 350°F (177°C) for baking, and check to see if the oven is heating.

Broil—When the oven is set to BROIL, the upper element in the oven should become red.

Clean—When the oven is set for a self-cleaning cycle, the upper element should become red during the preheat portion of the cycle.

Convection (some models)—When the oven is set to CONV. BAKE/ROAST at 350°F (177°C), the convection element cycles on and off and the convection fan turns. The convection fan will stop turning when the oven door is opened during convection baking or roasting.

Warmer Drawer (some models)—Set the control knob to HI and check to see the drawer is heating.

When All Hookups are Complete

Make sure all controls are left on the OFF position.

Make sure the flow of combustion and ventilation air to the range is unobstructed.

Model and Serial Number Location

The serial plate is located on the oven front frame behind the oven door (some models) or on the drawer side frame (some models).

When ordering parts for or making inquiries about your range, always be sure to include the model and serial numbers and a lot number or letter from the serial plate on your range.

Your serial plate also tells you the rating of the burners, the type of fuel and the pressure the range was adjusted for when it left the factory.

Before You Call for Service

Read the Avoid Service Checklist and operating instructions in your Use and Care Guide. It may save you time and expense. The list includes common occurrences that are not the result of defective workmanship or materials in this appliance.

Refer to the warranty and service information in your Use and Care Guide for phone number and address. Please call or write if you have inquiries about your range product and/or need to order parts.

30" DUAL FUEL SLIDE-IN RANGE INSTALLATION INSTRUCTIONS

(Models with an Electric Oven and a Gas Cooktop)

12 Anti-Tip Brackets Installation

Instructions

12.1 Models Equipped with Leveling Device

⚠ WARNING To reduce the risk of tipping of the range, the range must be secured to the floor by properly installed anti-tip bracket and screws packed with the range. These parts are located in the oven. Failure to install the anti-tip bracket will allow the range to tip over if excessive weight is placed on an open door or if a child climbs upon it. Serious injury might result from spilled hot liquids or from the range itself.

Follow the instructions below to install the anti-tip brackets.

If range is ever moved to a different location, the anti-tip brackets must also be moved and installed with the range.

Tools Required:

Adjustable Wrench
Ratchet
Drill & 1/8" (0,32 cm) bit
5/16" (0,8 cm) Nutdriver
Level

The anti-tip bracket attaches to the floor at the back of the range to prevent range from tipping. When fastening bracket to the floor, be sure that screws do not penetrate electrical wiring or plumbing. The screws provided will work in either wood or concrete.

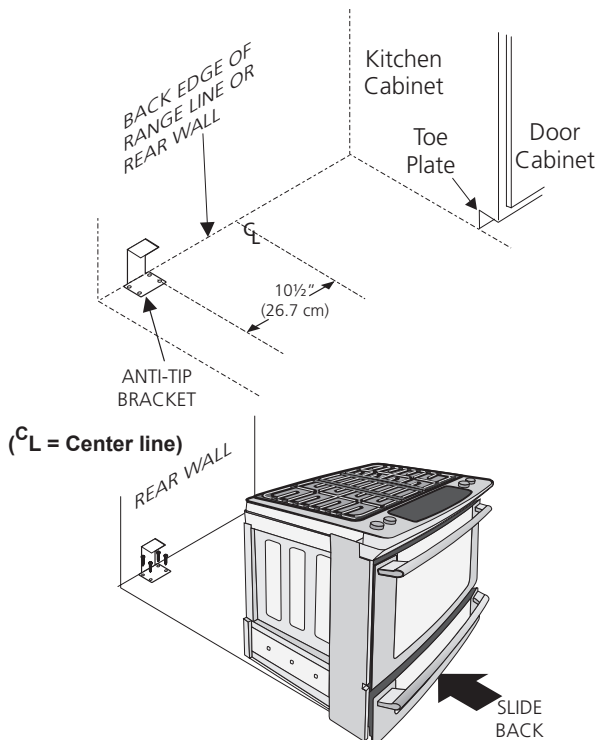
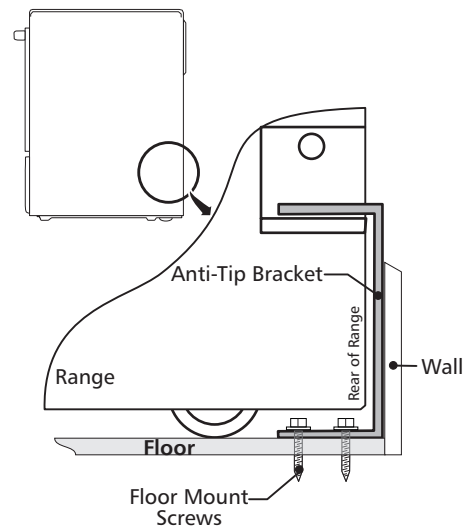


Figure 21

1. Draw a center line (CL) on the floor where the range should be installed. Also draw a line on the floor at the range back position if there is no wall.
2. Unfold paper template and place it flat on the floor with the right rear corner positioned exactly on the intersection of the center and back lines you just drew before. (Use the diagram below to locate brackets if template is not available (Figure 21)).
3. Mark on the floor the location of the 4 mounting holes shown on the template. For easier installation, 3/16" (0,48 cm) diameter pilot holes 1/2" (1,27 cm) deep can be drilled into the floor.
4. Remove template and place bracket on floor. Line up holes in bracket with marks on floor and attach with 4 screws provided. Bracket must be secured to solid floor (Figure 22). If attaching to concrete floor, first drill 3/16" (0,48 cm) dia. pilot holes using masonry drill bit.
5. Be sure the 4 levelling legs are at the highest position they can be.
6. Slide range into place making sure structure of the range is trapped by the anti-tip bracket (Figure 21). Lower the range by adjusting the 4 levelling legs until the underside of the cooktop is sitting level on the countertop. Refer to "Levelling the Range" section.
7. After installation, verify that the anti-tip bracket is engaged by grasping the top rear edge of the range and carefully attempt to tilt it forward to make sure range is properly anchored.



30" DUAL FUEL SLIDE-IN RANGE INSTALLATION INSTRUCTIONS

(Models with an Electric Oven and a Gas Cooktop)

12.2 Models Equipped with Leveling Legs

⚠ WARNING To reduce the risk of tipping of the range, the range must be secured to the floor by the properly installed anti-tip bracket and screws packed with the range. Failure to install the anti-tip bracket will allow the range to tip over if excessive weight is placed on an open door or if child climbs upon it. Serious injury might result from spilled hot liquids or from the range itself.

If range is ever moved to a different location, the anti-tip bracket must also be moved and installed with the range.

Instructions are provided for installation in wood or cement floor. When fastening to floor, be sure that screws do not penetrate electrical wiring, gas line or plumbing.

A. Locate the Bracket Using the Template - Locate the bracket position (right or left side) by placing the template symmetrically to the center of the final range position. Mark the location of the screw holes, shown on template.



Figure 23

B. Drill Pilot Holes and Fasten Bracket - Drill a 1/8" (0,3 cm) pilot hole where screws are to be located. If bracket is to be mounted to the wall, drill pilot hole at an approximate 20° downward angle. If bracket is to be mounted to masonry or ceramic floors, drill a 3/16" (0,5 cm) pilot hole 1-3/4" (4,4 cm) deep. The screws provided may be used in wood or concrete material. Use a 5/16" (0,8 cm) nut-driver or flat head screwdriver to secure the bracket in place.

FASTEN BRACKET (WALL OR FLOOR MOUNTING)

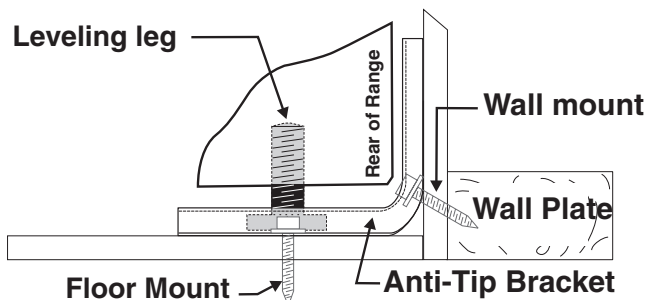


Figure 24

C. Level and position the range - Slide range to its final position. Insert the range leveling leg in the anti-tip bracket. Visually verify if the anti-tip bracket is engaged. Lower the range by adjusting the 4 leveling legs alternatively until the range is level. Check if the range is level by placing a spirit level on the oven rack. Take 2 readings with the spirit level placed diagonally; take a reading in one direction and then in the other direction. Level the range if necessary by adjusting the leveling legs.

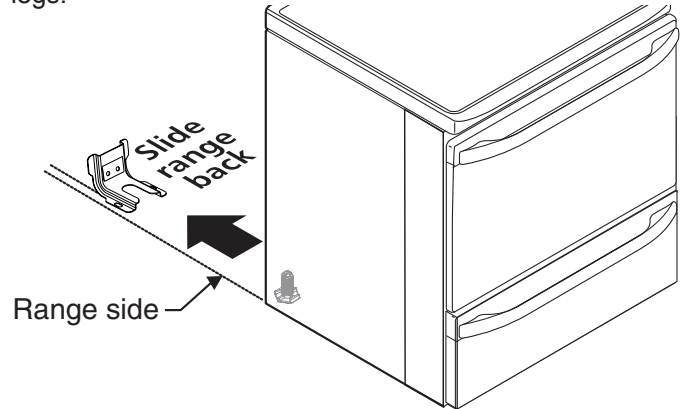


Figure 25

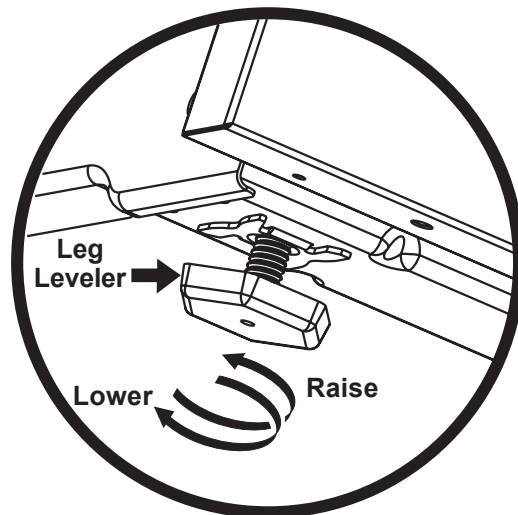


Figure 26

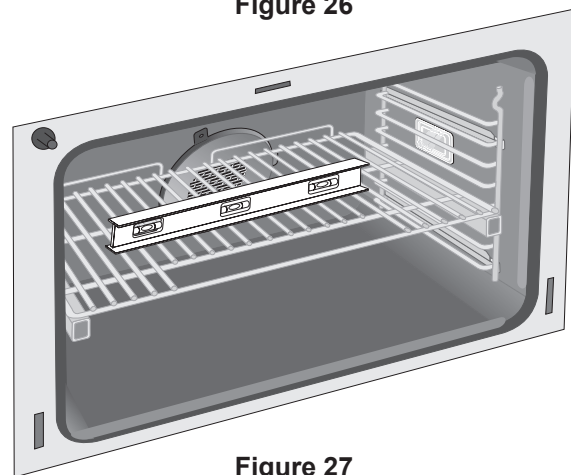


Figure 27

INSTRUCCIONES DE INSTALACIÓN DE COCINAS DE DUAL FUEL DE 30"

LA INSTALACIÓN Y EL SERVICIO DEBEN SER EFECTUADOS POR UN INSTALADOR CALIFICADO. IMPORTANTE: GUARDE ESTAS INSTRUCCIONES PARA USO DEL INSPECTOR LOCAL DE ELECTRICIDAD. LEA Y GUARDE ESTAS INSTRUCCIONES PARA REFERENCIA FUTURA.



⚠ ADVERTENCIA Si la información contenida en este manual no es seguida exactamente, puede ocurrir un incendio o explosión causando daños materiales, lesión personal o la muerte.

PARA SU SEGURIDAD:

- No almacene ni utilice gasolina u otros vapores y líquidos inflamables en la proximidad de éste o de cualquier otro artefacto.
- **QUE DEBE HACER SI PERCIBE OLOR A GAS:**
 - No trate de encender ningún artefacto.
 - No toque ningún interruptor eléctrico; no use ningún teléfono en su edificio.
 - Llame a su proveedor de gas desde el teléfono de un vecino. Siga las instrucciones del proveedor de gas.
 - Si no logra comunicarse con su proveedor de gas, llame al departamento de bomberos.
- La instalación y el servicio de mantenimiento deben ser efectuados por un instalador calificado, la agencia de servicio o el proveedor de gas.

Tabla de materias

Importantes instrucciones de seguridad.....	18-19
Dimensiones de la gabinete & de la unidad	19-20
Para evitar fractura de la unidad	21
Cordon de fuente de energia conectado de fabrica	22
Estuche de cable del suministro electrico	22
Acceso al bloque de terminales y al puente de tierra... ..	22
Conexion electrico de la estufa	23-24
Construcción del armario.....	25
Instalacion de la alimentacion de gas	25-26
Conversion para uso de propano liquido.....	27

La mudanza del aparato para reparaciones o limpieza....	27
Instalación de la estufa.....	27-28
Nivelación de la estufa	28
Comprobación del Funcionamiento.....	29-30
Después de terminar la instalación	30
Ubicación del numero de modelo y de serie	30
Antes de llamar al servicio.....	30
Instrucciones para la instalación de las fijaciones de anti-inclinacion	31-32

Notas importantes para el instalador

1. Lea todas las instrucciones antes de instalar la cocina.
2. Saque todo el material usado en el embalaje del compartimiento del horno antes de conectar el suministro eléctrico o de gas a la estufa.
3. Observe todo código o reglamento.
4. Asegúrese de dejar estas instrucciones con el consumidor
5. Nota: Para la utilización a más de 2 000 pies de altura, la potencia del aparato deberá ser reducida de 4 por ciento a cada 1 000 pies adicionales.

Aparatos Instalados en el estado de Massachusetts;

Este Aparato sólo puede ser instalado en el estado de Massachusetts por un plomero o ajustador de gas licenciado de Massachusetts.

Este aparato se debe instalar con un largo conector flexible de gas de tres (3) pies/36 pulgadas.

Una válvula manual de gas de tipo manija de forma de "T" se debe instalar en la línea del suministro de gas de este aparato.

Nota importante para el consumidor

Mantenga estas instrucciones con el manual del usuario para futuras referencias.

⚠ ADVERTENCIA Los controles eléctricos pueden ser dañados con frías temperaturas. Cuando utilice su estufa por la primera vez, o si no ha sido utilizada por mucho tiempo asegúrese que no haya sido expuestas a temperaturas más altas que 0°C/32°F por más de 3 horas antes de conectar su estufa al suministro eléctrico.

INSTRUCCIONES DE INSTALACIÓN PARA LA ESTUFA DE FUEL DUAL DE 30"

(Para Modelos con un Horno Eléctrico y una Estufa a Gas)

IMPORTANTES INSTRUCCIONES DE SEGURIDAD

Este manual contiene importantes mensajes de seguridad. Siempre lea y obedezca todo mensaje de seguridad.

⚠ ADVERTENCIA Indica una situación muy peligrosa, la cual de no ser evitada puede ocasionar graves heridas y hasta la muerte.

⚠ ATENCION Indica una situación de peligro inminente, la cual de no ser evitada puede ocasionar heridas leves o daños al producto solamente.

Instalación de esta estufa debe cumplir con todos los códigos locales, o en ausencia de códigos locales con el Código Nacional de Gas Combustible ANSI Z223.1/ NFPA54 o CAN/ACG-B149.1 y CAN/ACG-B149.2.

El diseño de esta estufa ha sido certificado por la CSA Internacional. En éste como en cualquier otro artefacto que use gas y genere calor, hay ciertas precauciones de seguridad que usted debe seguir. Estas serán encontradas en el Manual del Usuario, léalo cuidadosamente.

- **No se deben usar cortinas de aire ni ninguna otra campana de ventilación superior que sople aire hacia abajo sobre la estufa a gas a menos que la campana de ventilación y la estufa hayan sido diseñadas, probadas y certificadas por un laboratorio de pruebas independiente para el uso combinado de la una con la otra.**
- **Asegúrese de que la estufa sea instalada y conectada a tierra en forma apropiada por un instalador calificado o por un técnico.**
- **Esta estufa debe ser eléctricamente puesta a tierra de acuerdo con los códigos locales, o en su ausencia, con el Código Eléctrico Nacional ANSI/ NFPA No. 70, última edición en los Estados Unidos, o el código Eléctrico Canadiense CSA Standard C22.1, Part 1, en Canadá.**
- La instalación de aparatos diseñados para instalación en casas prefabricadas (móviles) debe conformar con el Manufactured Home Construction and Safety Standard, título 24CFR, parte 3280 [Anteriormente el Federal Standard for Mobil Home Construction and Safety, título 24, HUD (parte 280)] o cuando tal estándar no se aplica, el Standard for Manufactured Home Installation 1982 (Manufactured Home sites, Communities and Setups), ANSI Z225.1/NFPA 501A-edición más reciente, o con los códigos locales y el CAN/CSA-Z240MH en el Canada.
- **Asegúrese de que el material que recubre las paredes alrededor de la estufa, pueda resistir el calor generado por la estufa.**
- **Antes de instalar la estufa en un área cuyo piso este recubierto con linóleo u otro tipo de piso sintético, asegúrese de que éstos puedan resistir una temperatura de por lo menos 90°F sobre la temperatura ambiental sin provocar encogimiento, deformación o decoloración.** No instale la estufa sobre una alfombra al menos que coloque una plancha de material aislante de por lo menos 1/4 pulgada, entre la estufa y la alfombra.

- **No obstruya el flujo del aire de combustión en la ventilación del horno ni tampoco alrededor de la base o debajo del panel inferior delantero de la estufa.** Evite tocar las aberturas o áreas cercanas de la ventilación, ya que pueden estar muy calientes durante el funcionamiento del horno. La estufa requiere aire fresco para la combustión apropiada de los quemadores.

⚠ ADVERTENCIA **Nunca deje niños solos o desatendidos en un área donde un artefacto está siendo usado.** A medida que los niños crecen, enséñeles el uso apropiado y de seguridad para todos los artefactos. Nunca deje la puerta del horno abierta cuando la estufa está desatendida.

⚠ ADVERTENCIA **No se pare, apoye o sienta en las puertas o cajones de esta estufa pues puede resultar en serias lesiones y puede también causar daño a la estufa.**

- **No almacene artículos que puedan interesar a los niños en los gabinetes sobre la estufa.** Los niños pueden quemarse seriamente tratando de trepar a la estufa para alcanzar estos artículos.

⚠ ADVERTENCIA Riesgo de volcamiento



- Un niño o adulto puede volcar la estufa y acabar muerto.
- Verificar que el braquet trasero este calibrado con la cubierta o el utensilio del anti-vuelco sea instalado

- en las paredes del gabinete como la indican las instrucciones.
- Asegurar que el braquet antivuelco sea calibrado con la cubierta o los lados de la cabina así como lo indican las instrucciones cuando la estufa sea movida.
- No utilice la estufa sin el dispositivo antivuelco instalado y acoplado.
- Si no se siguen estas instrucciones, se puede provocar la muerte o quemaduras graves en niños y adultos.



Para verificar si la fijaciones de anti-inclinación está instalado correctamente, sostenga el borde trasero de la parte trasera de la estufa usando ambos brazos. Intente inclinar la estufa hacia adelante con cuidado. Si está instalada correctamente, la estufa no debería inclinarse hacia adelante. Consulte las instrucciones de instalación del soporte antivuelco proporcionadas con la estufa para instalarlo adecuadamente.

INSTRUCCIONES DE INSTALACIÓN PARA LA ESTUFA DE FUEL DUAL DE 30"

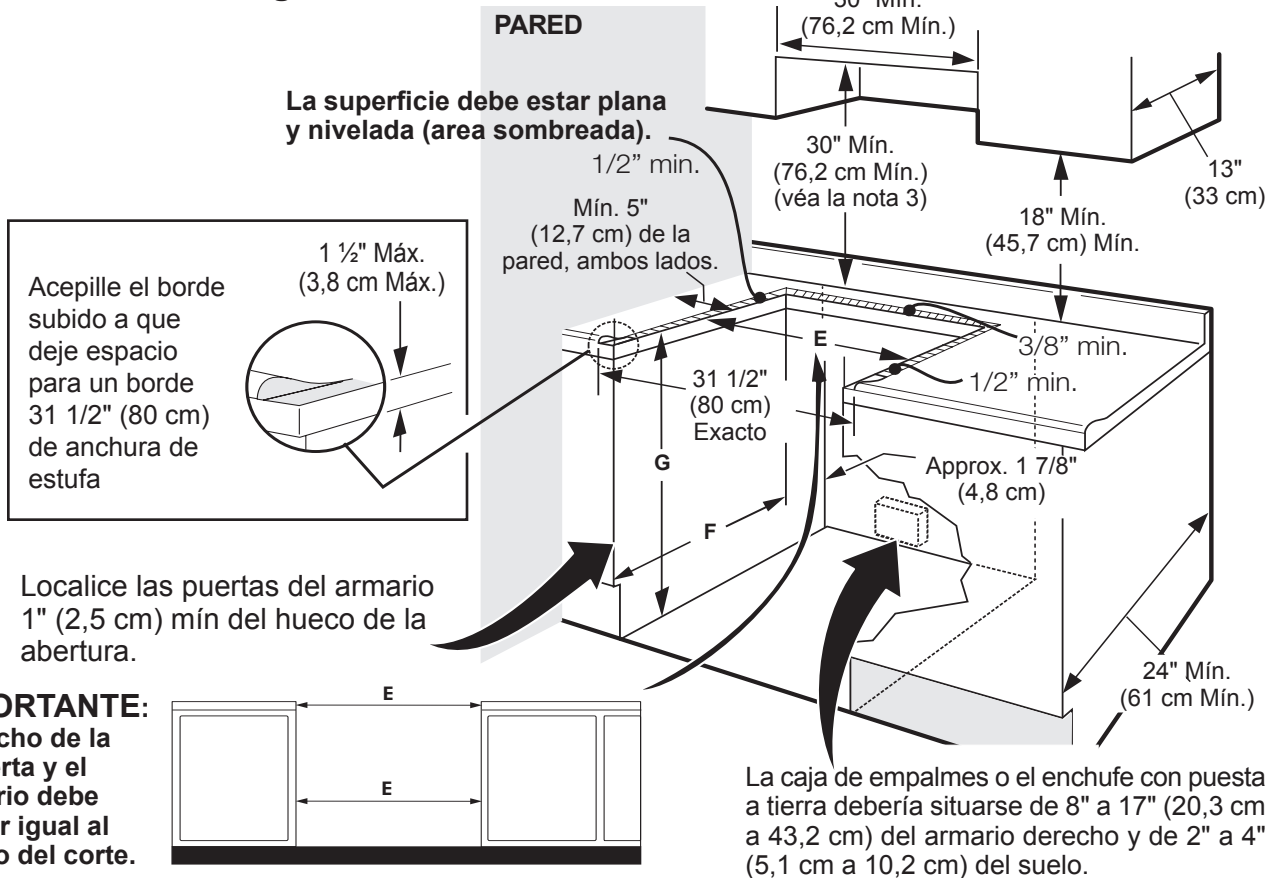
(Para Modelos con un Horno Eléctrico y una Estufa a Gas)

- Los gabinetes de almacenamiento sobre la estufa deben ser evitados, para eliminar la necesidad de tener que pasar sobre los quemadores superiores de la estufa para llegar a ellos.
- Ajuste el tamaño de la llama de los quemadores superiores de tal manera que ésta no sobrepase el borde de los utensilios de cocinar. La llama excesiva es peligrosa.
- No use el horno como espacio de almacenaje. Esto creará una situación potencialmente peligrosa.
- Nunca use la estufa para calentar el cuarto. El uso prolongado de la estufa sin la adecuada ventilación puede resultar peligroso.
- No almacene ni utilice gasolina u otros vapores y líquidos inflamables en la proximidad de éste o de cualquier otro artefacto eléctrico. Puede provocar incendio o explosión.
- En caso de una interrupción del servicio eléctrico, es posible de encender los quemadores de superficie a mano. Para encender un quemador de superficie, acerque un fósforo encendido del cabezal del quemador, y gire delicadamente el botón de control de superficie a LITE (encendido). Tener cuidado al encender los quemadores a mano.
- Ajuste todos los controles a la posición "OFF" (apagada) después de haber hecho una operación con tiempo programado.

PARA MODELOS AUTOLIMPIANTES:

- Saque la asadera, alimentos o cualquier otro utensilio antes de usar el ciclo de autolimpieza del horno. Limpie todo exceso de derrame

Dimensiones de la gabinete



A. ALTURA	B. ANCHURA	C. ANCHO DE LA PLANCHA DE COCINAR	D. PROFUNDIDAD A LA FRENTE DE LA ESTUFA	E. ANCHO DE RECORTADO* (cubierta y armario)	F. PROFUNDIDAD DE RECORTADO	G. ALTURA DEL MOSTRADOR
35 5/8" (90.5 cm) 36 5/8" (93 cm)	30" (76,2 cm)	31 1/2" (80 cm)	28 5/16" (71,9 cm)	30 ± 1/16" (76,2 ± 0,15 cm)	21 3/4" (55,2 cm) mín. 22 1/8" (56,2 cm) max. 24" (61 cm) Min. con un protector trasero.	36 5/8" (93 cm) Max. 35 7/8" (91.1 cm) Min.

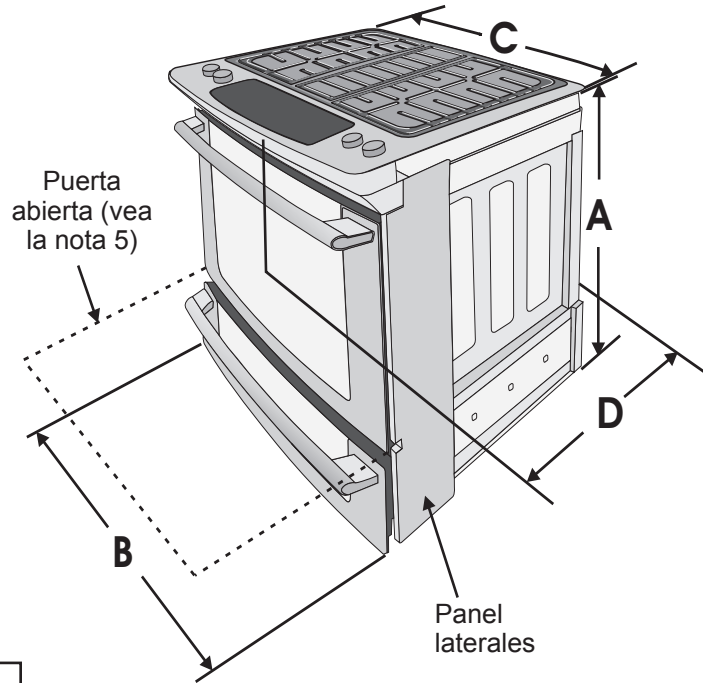
INSTRUCCIONES DE INSTALACIÓN PARA LA ESTUFA DE FUEL DUAL DE 30"

(Para Modelos con un Horno Eléctrico y una Estufa a Gas)

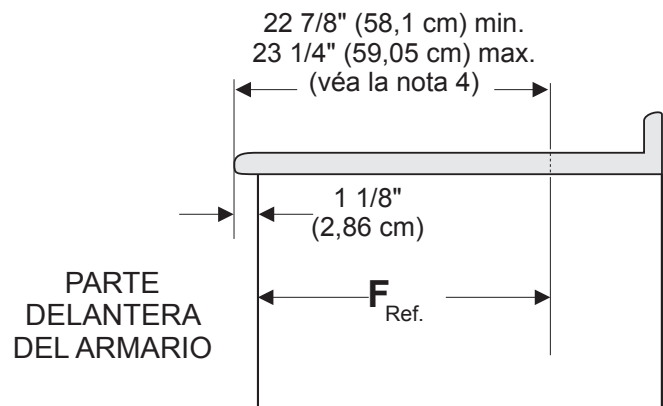
Dimensiones de la unidad

NOTA:

1. No pellizque el cordón eléctrico o el conducto flexible de gas entre la estufa y la pared.
2. No selle la estufa a los armarios de lado.
3. Un espacio mínimo de 24" (61 cm) entre la superficie de la estufa y el fondo del armario cuando el fondo del armario de madera o metal está protegido por no menos de 1/4" (0,64 cm) de madera resistente al fuego cubierta por una lámina metálica de MSG, número 28, 0,015" (0,4 mm) de acero inoxidable, 0,024" (0,6 mm) de aluminio, ò 0,02" (0,5 mm) de cobre.
Un espacio mínimo de 30" (76,2 cm) cuando el armario no está protegido.
4. Para los recortados menos que 22 7/8", el electrodoméstico aparecería ligeramente en el exterior del armario.
5. Deje por los 19 1/4" (48,9 cm) de espacio libre para la profundidad de la puerta cuando esta abierta.



***IMPORTANTE:** Para el corte a lo ancho (dimensión E) de más de 30 1/16" (76,4 cm) para evitar que se rompa la cubierta, asegúrese que el artefacto esté centrado en la abertura de la mesada mientras lo presiona. Levante las patas ajustables y las ruedas ajustables traseras a una altura mayor a la del mueble (ver página 21), inserte el electrodoméstico dentro del gabinete y después nivélelo. Asegúrese que le unidad este soportada por las patas adelante y por las ruedas en la parte de atrás y NO por la cubierta superior sobre la encimera.



A. ALTURA	B. ANCHURA	C. ANCHO DE LA PLANCHA DE COCINAR	D. PROFUNDIDAD A LA FRENTE DE LA ESTUFA	E. ANCHO DE RECORTADO* (cubierta y armario)	F. PROFUNDIDAD DE RECORTADO	G. ALTURA DEL MOSTRADOR
35 5/8" (90,5 cm) 36 5/8" (93 cm)	30" (76,2 cm)	31 1/2" (80 cm)	28 5/16" (71,9 cm)	30± 1/16" (76,2± 0,15 cm)	21 3/4" (55,2 cm) min. 22 1/8" (56,2 cm) max. 24" (61 cm) Min. con un protector trasero.	36 5/8" (93 cm) Max. 35 7/8" (91,1 cm) Min.

INSTRUCCIONES DE INSTALACIÓN PARA LA ESTUFA DE FUEL DUAL DE 30"

(Para Modelos con un Horno Eléctrico y una Estufa a Gas)

Para evitar fractura de la unidad: NO manipule la unidad sosteniendo la cubierta.

- 1 La cubierta alrededor del espacio donde usted instalara su unidad debe de estar plana y nivelada (Vea el área sombreada en la ilustración número 1).
- 2 Antes de instalar la unidad, mida la altura de los dos (2) lados de los gabinetes (H1-4), frente y parte trasera (vea ilustración 1) del piso a lo alto de la cubierta.



- 3 Nivele la estufa utilizando las dos (2) patas ajustables delanteras y las dos (2) ruedas ajustables, de manera que la altura del suelo a la parte de abajo del reborde de metal sea de al menos 1/16" (Ilustración 2).

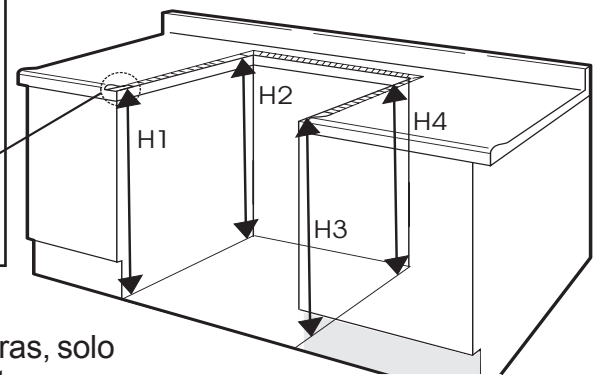
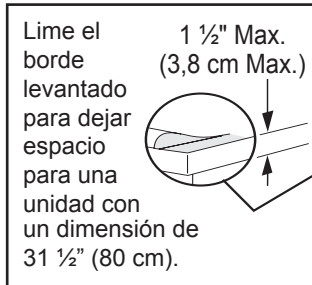
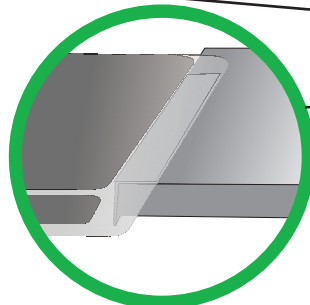
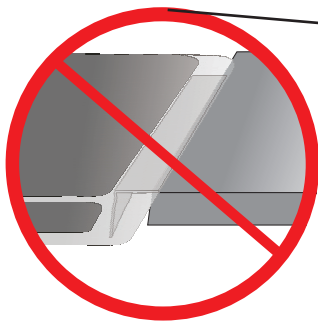
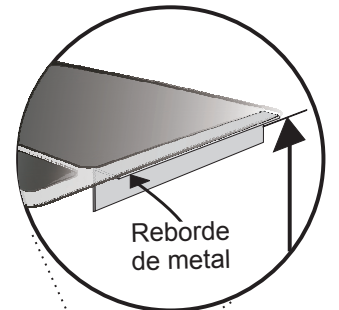
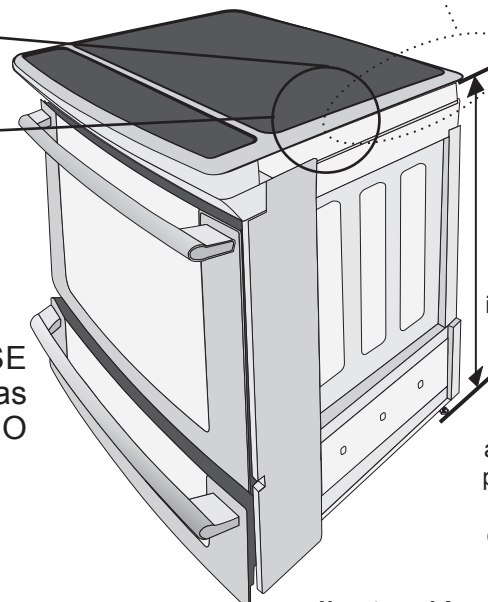
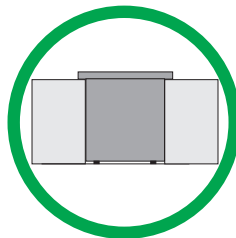
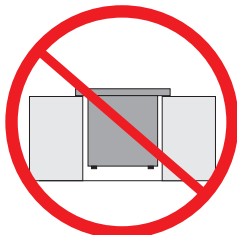


Ilustración 1

- 4 Quite y deshágase de las dos patas ajustables traseras, solo sirven para sostener la unidad durante el transporte.
- 5 Deslice la unidad hacia el gabinete. Asegúrese que la unidad este centrada con el centro de la abertura del gabinete.
- 6 Remueva la parte en plástico extruido en cada lado de la cubierta. (Algunos modelos)
- 7 Es imprescindible que el reborde de metal que se encuentra debajo de la cubierta este sobre la cubierta del gabinete. La cubierta no deberá tocar directamente la cubierta del gabinete (vea ilustración 2) de no ser así la fractura de la cubierta anulará la garantía. Nivele la unidad si es necesario.



- 8 Después de la instalación, ASEGÚRESE que la unidad este sostenida por las patas niveladoras y las 2 ruedas ajustables y NO por la cubierta.



Para instalar exitosamente su estufa, la medida inicial del piso a la superficie interior de la cubierta de vidrio debe ser mayor que la altura del gabinete por lo menos 1/16" como se midió en el paso número 2.

Ilustración 2

INSTRUCCIONES DE INSTALACIÓN PARA LA ESTUFA DE FUEL DUAL DE 30"

(Para Modelos con un Horno Eléctrico y una Estufa a Gas)

1 Cordón de fuente de energía conectado de fábrica (Canadá solamente)

Esta estufa viene de fábrica equipada con un cordón de fuente de energía (vea a la figura 1). El cordón debe de ser conectado a una toma de corriente a tierra de 120/240 voltios o de 120/208 voltios. Si no hay una toma de corriente a tierra en la habitación, debe de ser instalada por un técnico calificado.

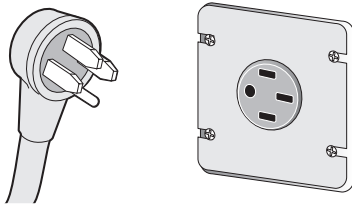


Figura 1

2 Estuche de cable del suministro eléctrico (U.S.A.)

El utilizado es responsable de la conexión del cable del suministro eléctrico al bloque de conexión situado detrás del panel de acceso.

Este electrodoméstico puede ser conectado por medio de una conexión directa de cables permanentes (cable blindado flexible o no metálico recubierto de cobre), o por medio de un ensamblaje de cordón de suministro eléctrico. Solamente un ensamblaje de cordón de suministro eléctrico con régimen de 125/250 voltios 30A mínimo, marcado para uso con cocinas debe ser utilizado. El cordón debe de tener 3 o 4 conductores.

Para las casas sobre ruedas, las nuevas instalaciones, en los vehículos de recreación o en las áreas donde los códigos locales no permiten la conexión del conductor a tierra al neutro, un ensamblaje de suministro eléctrico de 4 conductores para estufas, clasificado a 125/250 voltios 30A, debe de ser utilizado.

Los bornes a la extremidad de los alambres deben ser a curvas cerradas o con extremidades de lengüetas en forma de U abiertas y curvadas. El cordón debe de tener una abrazadera releva de anclaje.

NOTA: La cocina corrediza eléctrica viene de fábrica con un agujero de diámetro 1 1/8" (2.9 cm) como se muestra en la figura 4. Si un agujero mas largo está necesario retire la arandela de la pre-cortada.

Tamaño de los interruptores:

En la unidad de 4800W 240V o menos (ver la placa de la serie), un interruptor o un fusible de retraso de tiempo de 20A es recomendado en ambos lados de la línea (cable rojo y negro). No use el cable neutral (cable blanco) o la tierra (cable verde o alambre pelón)

En una unidad mayor de 4800W 240V (ver la placa de serie), siga las recomendaciones de arriba pero use un interruptor o un fusible de retraso de tiempo de 30A.

⚠ ADVERTENCIA El riesgo de fuego o de choque eléctrico puede aparecer si usa el tamaño de cable incorrecto, si las instrucciones de instalación no son seguidas o si retira la abrazadera de releva.

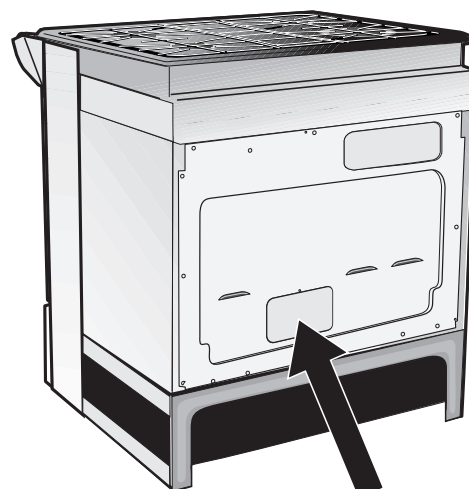
⚠ PRECAUCION No desajuste las tuercas que aseguran la conexión de la cocina al bloque terminal cuando esté instalándola. El corte o la pérdida de corriente eléctrica puede ocurrir.

⚠ ADVERTENCIA

Peligro de choque eléctrico

- La conexión a tierra es requerida para este electrodoméstico.
- No conecte al suministro eléctrico hasta que el electrodoméstico este conectado a tierra de manera permanente.
- Desconecte el suministro eléctrico hacia la caja de empalmes antes de hacer la conexión eléctrica.
- Este electrodoméstico debe ser conectado a un sistema de alambres permanentes, metálicos, conectados a tierra o una puesta a tierra debe ser conectada al terminal de tierra o un emplombado al electrodoméstico.
El no seguir ninguna de estas instrucciones podría causar fuego, heridas personales o choques eléctricos.

3. Acceso al bloque de terminales y al puente de tierra (E.E. U.U.)



Remove the cover of the wiring here for access to the terminal block.

Figura 2

INSTRUCCIONES DE INSTALACIÓN PARA LA ESTUFA DE FUEL DUAL DE 30"

(Para Modelos con un Horno Eléctrico y una Estufa a Gas)

⚠ ADVERTENCIA

Este electrodoméstico fue fabricado con el marco aterrizado a través de un puente de conexión entre el neutral de la fuente de alimentación y el marco. Si es utilizado en los E.E. U.U., con un circuito nuevo de instalación (1996 NEC), en casa sobre ruedas o vehículo recreativo, donde el código local no permite el aterrizaje a través del cable neutro (blanco) o en Canadá; remueva el puente de aterrizaje del marco y corte el otro extremo, cerca de la terminal de neutral. Conecte el electrodoméstico de la forma usual.

4 Conexión Eléctrico de la Estufa (E.E. U.U.)

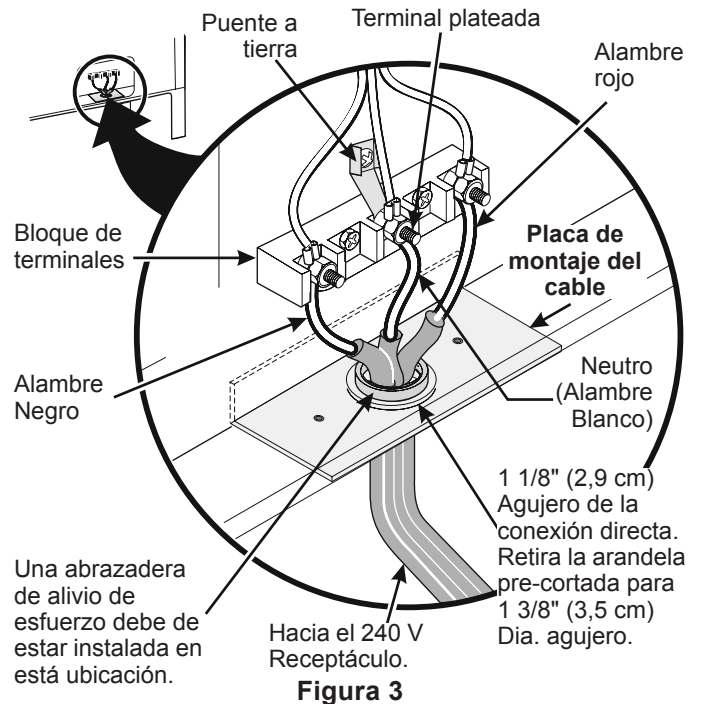
Este aparato se fabrica con el terminal neutro conectado al marco.

Conexión de tres alambres de conducción a la estufa

(Un cordón flexible o cable de 3 conductores debe de ser reemplazado con un cordón flexible o cable de 4 conductores donde la conexión del conductor a tierra al neutro esta prohibida en las nuevas instalaciones, las casas sobre ruedas, los vehículos de recreación o otras áreas donde los códigos locales no permiten la conexión a tierra al neutro).

Si los códigos locales permiten la conexión del conductor de tierra del marco con el alambre neutro del cordón eléctrico de cobre (vea Figura 3):

1. Remover el tornillo el cual fija la cubierta del cable (cubierta de acceso). Para exponer la terminal de la estufa (vea Figura 2).
2. Utilizar los tuercas suministraron en el paquete de la literatura para conectar el cable neutro del cordón eléctrico de cobre al terminal de color de plata en el centro del bloque, y conectar los otros cables a los terminales laterales. Empareje los cables y los terminales según el color (cables rojos conectados con el terminal derecho, cables negros conectados con el terminal izquierdo).
3. Reemplazar la cubierta del cable usando el tornillo quitado de la etapa 1.



Conexión del cable de cuatro conductores a la cocina (casas móviles).

Donde los códigos locales NO permiten la conexión del conductor a tierra del armazón al alambre neutral del cable de bronce del suministro eléctrico (vea figura 4).

1. Remover el tornillo el cual fija la cubierta del cable (cubierta de acceso). Para exponer la terminal de la estufa (vea Figura 2).
2. Retire la correa de la base del bloque terminal y del armazón del electrodoméstico. Retenga el tornillo de la base.
3. Utilizar los tuercas suministraron en el paquete de la literatura para conectar el alambre de tierra (verde) del cable de bronce del suministro eléctrico al armazón del electrodoméstico con el tornillo de la base, usando el hoyo del armazón por donde retiró la correa de la base (Figura 4).
4. Conecte el alambre neutral (blanco) del cable de cobre del suministro eléctrico al terminal plateado del centro del bloque terminal y, conecte los otros alambres a los terminales externos.
5. Baje la cubierta del terminal y vuelva al colocar los 3 tornillos.

INSTRUCCIONES DE INSTALACIÓN PARA LA ESTUFA DE FUEL DUAL DE 30"

(Para Modelos con un Horno Eléctrico y una Estufa a Gas)

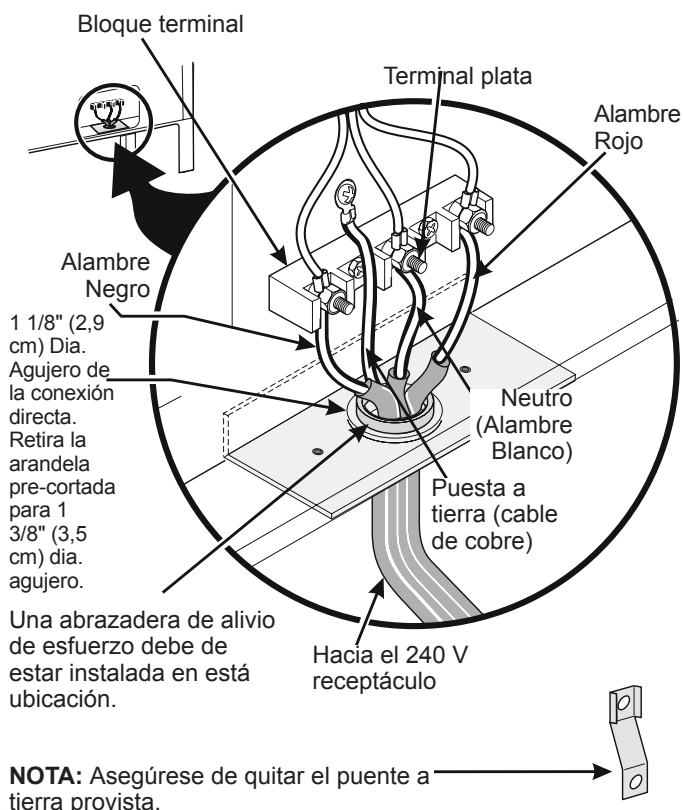


Figura 4

Conexión eléctrica directa al corta circuito, a la caja de fusibles o la caja de empalmes

Si el aparato está conectado directamente al corta circuito, a la caja de fusibles o a la caja de empalmes, use un cable blindado flexible o no metálico recubierto de cobre (con alambre a tierra). Provee una abrazadera releve de anclaje homologado UL a cada extremidad del cable. A la extremidad del electrodoméstico, el cable pase a través del agujero de la conexión directa (Figura 4) en el cordón de la placa de montaje. El tamaño de los alambres (**alambre de cobre solamente**) y las conexiones deben estar conforme al régimen del electrodoméstico.

Donde los códigos locales permitan conectar el conductor de puesta a tierra del electrodoméstico al neutro (blanco) (vea Figura 5):

(Un cordón flexible o cable de 3 conductores debe de ser reemplazado con un cordón flexible o cable de 4 conductores donde la conexión del conductor a tierra al neutro está prohibida en las nuevas instalaciones, las casas sobre ruedas, los vehículos de recreación o otras áreas donde los códigos locales no permiten la conexión a tierra al neutro.)

1. Desconecte el suministro eléctrico.
2. En el caja de juntas: conectar el aparato y los cables residenciales como se muestra en la figura 5

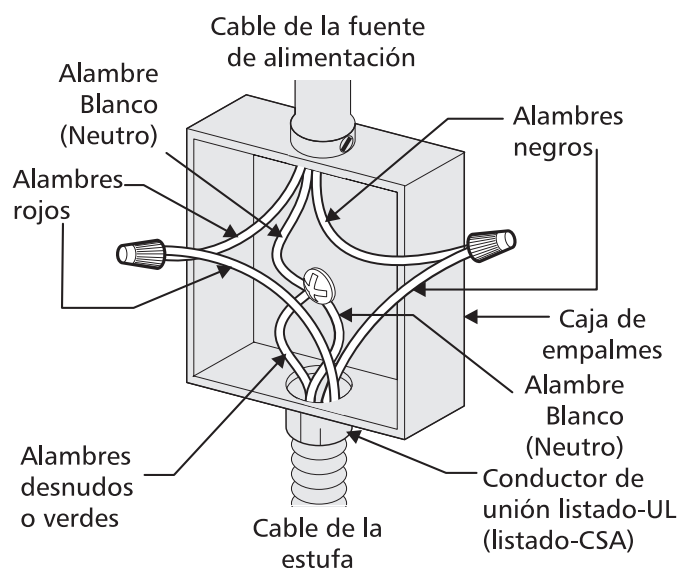


Figura 5 - Sistema eléctrico (ejemplo: caja de empalmes) de 3 alambres (a tierra neutral)

Donde los códigos locales **NO** permitan conectar el conductor de puesta a tierra del electrodoméstico al neutro (blanco), o si está conectado con un sistema a 4 alambres (vea figura 6):

1. Desconecte el suministro eléctrico
2. Separe el alambre verde (o cobre desnudo) y el alambre blanco del electrodoméstico.
3. En el caja de juntas: conectar el aparato y los cables residenciales como se muestra en la figura 6

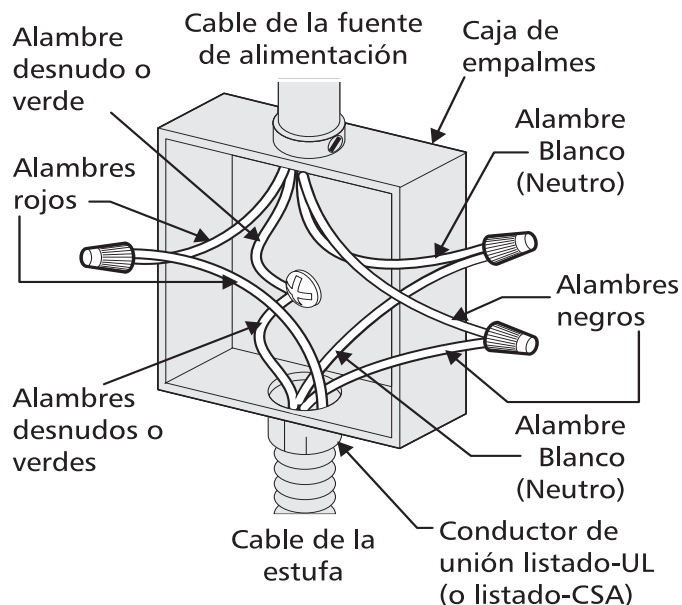


Figura 6 - Sistema eléctrico de 4 alambres (ejemplo caja de empalme)

INSTRUCCIONES DE INSTALACIÓN PARA LA ESTUFA DE FUEL DUAL DE 30"

(Para Modelos con un Horno Eléctrico y una Estufa a Gas)

5 Construcción del armario

⚠ PRECAUCIÓN Para eliminar el riesgo de quemaduras o de fuego tratando de alcanzar algo por encima de las zonas calientes, evite de colocar artículos sobre la cocina. Si cree necesitar este espacio, el riesgo puede disminuir si instala un sombrerete que proteja horizontalmente un mínimo de 5" (12,7 cm) sobre la base del armario.

Preparación del mostrador

- Las extremidades de la cocina sobrepasan el borde de su mostrador.
- Si tiene un **mostrador con las extremidades cuadradas (planas)**, no se necesita ninguna preparación del mostrador.
- El reborde de frente de mostradores moldeados** deben tener bordes moldeados a 3/4" (1,9 cm) a partir de cada extremidad de la apertura (Figura 7).
- Los mostradores enazulejos** deberán necesitar un recorte de 3/4" (1,9 cm) a partir de cada extremidad y/o un borde redondeado aplanado (Figura 7).

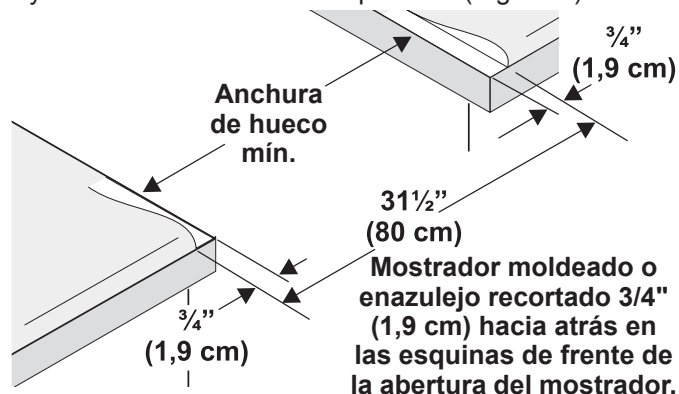


Figura 7

- Si el ancho de la apertura del mostrador es **más grande que 30 1/16" (76,4 cm)**, ajuste a las dimensiones como para el 3/4" (1,9).
- El mostrador deber ser nivelado.** Coloque un nivelador sobre el mostrador, primero de lado a lado y luego del frente hacia atrás. Si el mostrador no está nivelado, la cocina no estará nivelada. El horno debe ser nivelado para tener resultados satisfactorios al hornear. Las extremidades de la plancha de la cocinar sobrepasan los bordes de la apertura del mostrador.

6 Instalación de la alimentación de gas

Esta unidad ha sido ajustada para operar con un múltiple de admisión para gas natural de 4" (10,16 cm) (1,0 kPa). Un regulador de presión convertible esta conectado a la válvula distribuidora y DEBE ser conectado en serie con la tubería de suministro de gas.

Para la operación apropiada, la máxima presión de entrada al regulador no debe exceder la presión de una columna de agua de 14 pulgadas (3,5 kPa).

La presión de entrada al regulador debe ser por lo menos 1 pulgada más grande que la válvula distribuidora (,25 kPa). El regulador ha sido ajustado para gas natural a 4 pulgadas de presión para la válvula distribuidora (1,0 kPa). La presión de entrada debe ser por lo menos de 5 pulgadas (1,25 kPa). Para propano líquido a 10 pulgadas de presión para la válvula distribuidora (2,5 kPa) la presión de entrada debe ser por lo menos de 11 pulgadas (2,75 kPa).

La tubería debería ser equipada con una válvula de cierre aprobada (vea Figura 12). Esta válvula debe ubicarse en la misma habitación que la estufa en un lugar que permita una facilidad de abrir y cerrar. No bloquee el acceso a la válvula de cierre. La válvula es para abrir o cerrar el suministro de gas al aparato.

Abra la válvula de cierre en la línea de suministro de gas. Espere unos minutos a que el gas se mueva por el tubo.

El suministro de gas entre la válvula de cierre y el regulador se puede conectar con tubería rígida o con tubería flexible unión metálica conectada y aprobada por la AGA/CGA donde los códigos locales permiten.

La tubería de suministro de gas puede salir tanto de la pared (Figura 8, zona 1) o como del piso (Figura 8, zona 2):

Zona 1 - Por medio de pared (7" (17,8 cm) X 6" (15,2 cm)) - El mejor espacio para la línea de gas esta dentro de 1" (2,5 cm) y 8" (20,3 cm) distancia con respecto al piso y 3" (7,6 cm) del centro de la línea.

Zona 2 - Por medio del piso (~2" (5,1 cm) X 24" (61 cm)) - La línea de gas puede salir del suelo con 12" (30,5 cm) del centro de la línea con respecto al la pared de atrás.

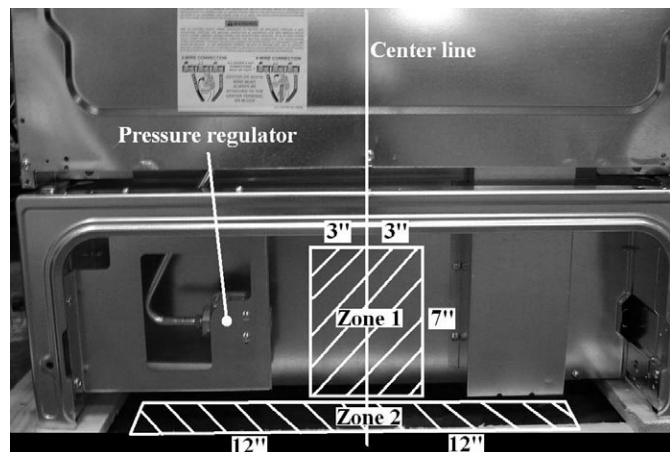


Figura 8

Selle las aperturas

Sella todas las aperturas en la pared detrás de la estufa y en el suelo debajo de la estufa después que la línea del suministro de gas sea instalada.

INSTRUCCIONES DE INSTALACIÓN PARA LA ESTUFA DE FUEL DUAL DE 30"

(Para Modelos con un Horno Eléctrico y una Estufa a Gas)

Conecte la estufa al suministro de gas

Importante: Quite todo el material de embalaje y literatura de la estufa antes de conectar el gas y la fuente eléctrica.

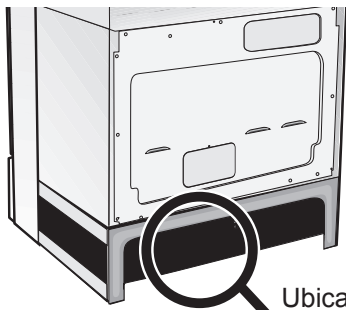
Para evitar fugas, aplique sellador de tuberías en todas las partes roscadas machos (exterior) de la tubería. El regulador se encuentra en el lugar que se muestra en la Figura 3.

! PRECAUCION No permita que el regulador gire sobre la tubería al apretar las uniones.

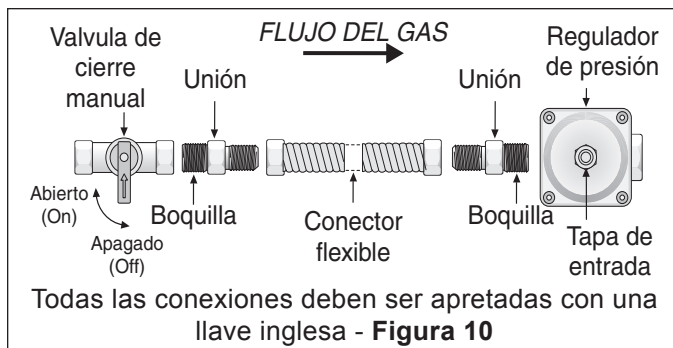
Conecte el Regulador de Presión

El regulador de presión esta ya instalada para la estufa.

! PRECAUCION No haga que la conexión esté demasiado apretada. El regulador está fundido a troquel. Apretándolo demasiado podría romper el regulador resultando en escape de gas y posiblemente un incendio o explosión.



Ubicación del regulador de presión
Figure 9



Reúna el conector flexible del tubo del suministro de gas al regulador de la presión en la orden siguiente:

1. Válvula de cierre manual (no incluido)
2. Boquilla de 1/2" (no incluido)
3. 1/2" Adaptador de unión (no incluido)
4. Conector flexible (no incluido)
5. 1/2" Adaptador de unión (no incluido)
6. Boquilla de 1/2" (no incluido)
7. regulador de presión (incluido)

La tubería de suministro de gas debe ser de 1/2" (1,27 cm) o 3/4"(1,9 cm) D.I.

El consumidor debe saber la posición de la válvula principal de cierre y tener acceso fácil a ello.

Cuando se usa un conducto flexible en la estufa, permita suficiente flojedad como para sacar la estufa fuera del recortado para la limpieza y el servicio.

NOTA: No permita que el conducto se pellizque entre la pared y la estufa. Para verlo, saque el cajón.

Use un compuesto para juntas de tubería hecho para uso con gas natural y de LP/Propano para sellar todas las conexiones del gas. Si se usan los conectores flexibles asegúrese de que no estén enroscados.

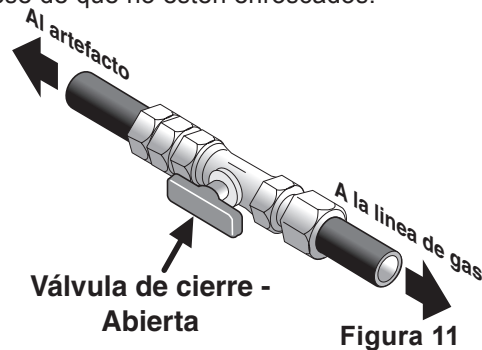


Figure 11

La línea del suministro se debe de ser equipada de una válvula de cierre manual aprobada. Esta válvula se debe localizar en el mismo cuarto que la estufa y debe estar en una localización que permita la facilidad de la abertura y del cierre. No bloquee el acceso a la válvula. La válvula es para encender o apagar el gas del aparato.

Una vez que regulador está en su lugar, abra la válvula en la línea del suministro de gas. Espere algunos minutos para que el gas pueda moverse a través de la línea de gas.

Para verificar si hay fugas en el electrodoméstico se debe de seguir las instrucciones del fabricante.

Asegúrese de que no haya escapes de gas. Después de conectar la estufa al suministro de gas, compruebe el sistema con un manómetro. Si no tiene un manómetro, abre el gas y use un detector de fugas líquido en todas las juntas y conexiones para averiguar si hay escapes de gas.

! ADVERTENCIA No use llama para controlar que no hayan pérdidas de gas. La comprobación de pérdidas de gas con una llama puede resultar en un incendio o explosión.

Se debe sellar todas las aberturas en la pared o el piso donde la estufa se instala.

Apriete todas las conexiones si hace falta para prevenir fugas de gas en la superficie de la estufa o en la línea de suministro.

Desconecte esta estufa y su válvula individual de cierre del sistema del suministro de gas durante cualquier prueba de presión de ese sistema a presiones mayores de 1/2 psig (3,5 kPa o 14" (35,56 cm) columna de agua).

INSTRUCCIONES DE INSTALACIÓN PARA LA ESTUFA DE FUEL DUAL DE 30"

(Para Modelos con un Horno Eléctrico y una Estufa a Gas)

Aísle la estufa del sistema del suministro de gas cerrando su válvula manual de cierre individual durante cualquier prueba de presión del suministro del gas a presiones iguales a menos de 1/2 psig (3,5 kPa o 14" (35,56 cm) columna de agua).

7 Conversión para uso de Propano Líquido

Este aparato puede ser usado con gas natural o propano líquido. Ha sido ajustado en la fábrica para operar con gas natural solamente.

Si desea convertir su estufa para uso con propano líquido, use los orificios provistos ubicados en el bolso que contiene la literatura titulada "FOR LP/PROPANE GAS CONVERSION." Siga las instrucciones que vienen con los orificios.

La conversión debe ser efectuado por un técnico de servicio capacitado, de acuerdo con las instrucciones del fabricante y con todos los códigos y requisitos de las autoridades correspondiente. El no seguir las instrucciones podría dar como resultado lesiones graves o daños a la propiedad. El organismo autorizado para llevar a cabo este trabajo asume la responsabilidad de la conversión.

⚠ ADVERTENCIA La falta de una conversión apropiada puede resultar en lesiones graves y daños a la propiedad.

7 La mudanza del aparato para reparaciones o limpieza

Apague la corriente eléctrica a la estufa a la fuente de poder principal, y apague la válvula de cierre manual de gas. Asegúrese de que la estufa esté fresca. Quite el cajón de servicio (el cajón calentador en algunos modelos) y abra la puerta del horno. Levante la frente de la estufa y deslícela fuera de la abertura sin crear tensión desmedida sobre el conducto flexible de gas. Asegúrese de no pellizque el conducto flexible de gas detrás de la estufa al reemplazar la unidad en la abertura. Reemplace el cajón, cierre la puerta y enciende el gas y la corriente eléctrica a la estufa.

9 Instalación de la estufa

Nota importante: No es necesario, pero sí es conveniente, quitar la puerta para instalar el horno.

Consulte las instrucciones para retirar la puerta en la Guía de Uso y Cuidado.

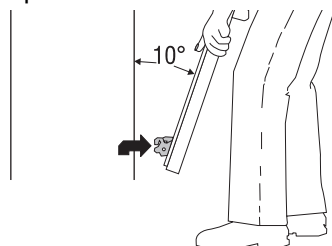


Figure 12

- 9.1 La plancha de cocinar se sobrepone por encima del mostrador con sus extremidades y la cocina reposa sobre el suelo. La plancha de cocinar es 31 1/2" (80 cm) de ancho.
- 9.2 Instale la base de los armarios a 30" (76,2 cm) de espacio entre ellas. Asegúrese que estos estén verticales y alineados antes de instalar la plancha de cocinar. Lije el borde del mostrador para obtener las 31 1/2" (80 cm) en la parte superior del mostrador.
- 9.3 Instale las puertas del armario a 32" (81,3 cm) de espacio entre ellas para que no interfieran con la abertura de la puerta de la cocina.
- 9.4 Corte el mostrador exactamente como en la página 19.

Para los modelos equipado con un sistema de dispositivo de nivelación:

- 9.5 Asegúrese que el frente de las patas niveladoras y el dispositivo de nivelación posterior estén ajustados mas altos que la altura del gabinete.
- 9.6 Quite y deshágase de las dos patas ajustables traseras, solo sirven para sostener la unidad durante el transporte.
- 9.7 **⚠ PRECAUCION** Instale el soporte anti-inclinación de acuerdo a las instrucciones del patrón anti-inclinación (si no lo tiene vea la página 31).
- 9.8 Para una instalación óptima, la superficie superior de la cubierta debe estar nivelada y ser plana (sobre el mismo plano) en los 3 lados adyacentes a la c. Se deben hacer los ajustes correspondientes para hacer que la parte superior quede plana, de lo contrario podrán quedar espacios entre la cubierta y la cocina.
- 9.9 **⚠ PRECAUCION** Para reducir el riesgo de dañar su artefacto, no lo manipule cerca del vidrio cerámico. Manipúlelo con cuidado.
- 9.10 Coloque la cocina enfrente de la abertura del armario.
- 9.11 Asegúrese que la parte de abajo de la cubierta libre la superficie del mostrador o encimera. Si es necesario, levante la unidad elevando las patas ajustables delanteras y las ruedas ajustables traseras.
- 9.12 Deslice la unidad hacia el gabinete y central antes de nivelarla.
- 9.13 **Nivele la cocina** (vea Nivelación de la estufa). El piso donde se instala la cocina debe estar nivelado. Siga las instrucciones "nivelación de la estufa-modelos equipado con las patas niveladoras".
- 9.14 Ajuste a las patas de nivelación de manera que la parte de abajo de la plancha de cocinar está apoyada contra el mostrador. Atornille con cuidado en la pata de nivelación trasera hasta que el vidrio que está colgado toque levemente la cubierta. El vidrio debe soportar el peso de la unidad. Luego, atornille con cuidado en las dos patas de nivelación anteriores (igual a 15) hasta que el vidrio que está colgado toque levemente la cubierta.

INSTRUCCIONES DE INSTALACIÓN PARA LA ESTUFA DE FUEL DUAL DE 30"

(Para Modelos con un Horno Eléctrico y una Estufa a Gas)

Para los modelos equipado con las patas niveladoras:

- 9.5** Asegúrese que el frente de las patas niveladoras estén ajustados mas altos que la altura del gabinete.
- 9.6** **⚠ PRECAUCION** Instale el soporte anti-inclinación de acuerdo a las instrucciones del patrón anti-inclinación (si no lo tiene vea la página 32).
- 9.7** Para una instalación óptima, la superficie superior de la cubierta debe estar nivelada y ser plana (sobre el mismo plano) en los 3 lados adyacentes a la c. Se deben hacer los ajustes correspondientes para hacer que la parte superior quede plana, de lo contrario podrán quedar espacios entre la cubierta y la cocina.
- 9.8** **⚠ PRECAUCION** Para reducir el riesgo de dañar su artefacto, no lo manipule cerca del vidrio cerámico. Manipúlelo con cuidado.
- 9.9** Coloque la cocina enfrente de la abertura del armario.
- 9.10** Asegúrese de que el vidrio que está colgado sobre la cubierta deje despejada la cubierta. Si es necesario, levante la unidad bajando las patas de nivelación.
- 9.11** **Nivele la cocina** (vea Nivelación de la estufa). El piso donde se instala la cocina debe estar nivelado. Siga las instrucciones "nivelación de la estufa- modelos equipado con las patas niveladoras".
- 9.12** Deslice la estufa en la abertura.

IMPORTANTE Si se necesitan los accesorio

Instalación con el repuesto

La profundidad del corte de (21 3/4" (55,2 cm) Min., 22 1/8" (56,2 cm) Max.) necesita ser aumentada a 24" (61 cm) cuando instala el repuesto.

Instalación de una moldura trasero.

La moldura trasera puede ser pedida con su representante de servicio.

Instalación con Paneles Laterales Llenos

Los Paneles Laterales puede ser pedidos con su representante de servicio.
Instale las puertas de los armarios a 32" (81,3 cm) de espacio entre ellas para que no interfieran con la abertura de la puerta de la cocina.

10. Nivelación de la estufa

10.1 Para los modelos equipado con un sistema de dispositivo de nivelación.

Nivele la cocina después de haberla instalado en la abertura del mostrador.

1. Abra la gaveta. Los tornillos de nivelación controlar la altura de las patas traseras.
2. Baje el aparato, las patas de nivelación alternamente, hasta que la parte baja de la superficie de cocción repose sobre el mostrador (Figura 13).
 - a. Para ajustar las patas delanteras, use un llave pinza para sujetar la base de la pata y dar vuelta

- a. (manecillas del reloj) para bajar el nivel o al contrario para levantar el nivel.
 - b. Quite las patas traseras utilizando una llave inglesa en la base y girando en contra de las manecillas del reloj hasta que se salgan las patas de la unidad. Puede deshacerse de esas patas pues solo sirven para sujetar la unidad durante el transporte.
 - c. Para ajustar las patas traseras, use desarmador y dar vuelta (manecillas del reloj) a los tornillos de nivelación para levantar el nivel o al contrario para bajar el nivel.
3. Verifique si la cocina está nivelada colocando una parrilla en el centro del horno y poniendo un nivel sobre esta (figura 14).
 4. Mida dos veces con el nivel en posición diagonal en una dirección y luego en otra. Nivele la cocina si es necesario ajustando las patas de nivelación.
 5. Si al cocina no se nivela, asegúrese que el piso este nivelado o contactar a un carpintero para nivelar.

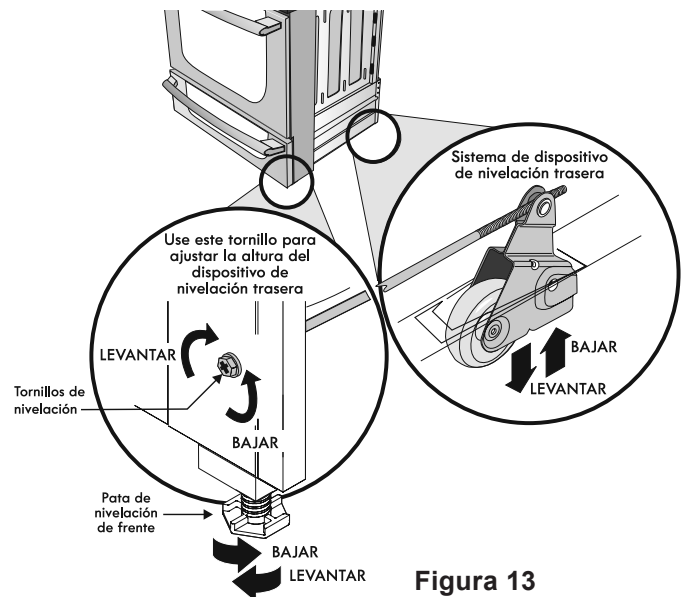


Figura 13

10.2 Para los modelos equipado con las patas niveladoras.

Nivele la estufa y ajuste la altura de la estufa antes de instalarla en la abertura.

1. Coloque una parrilla del horno en el centro del horno.
2. Ponga un nivel sobre la parrilla (figura 14). Tome dos lecturas con el nivel puesto diagonalmente en una dirección y después en la otra. Nivele la estufa, si es necesario, ajustando las 4 patas niveladoras con una llave de tuercas (figura 26).
3. Asegúrese de no dañar al mostrador, deslice la estufa dentro de la abertura del hueco y vuelva a verificar a la nivelación.

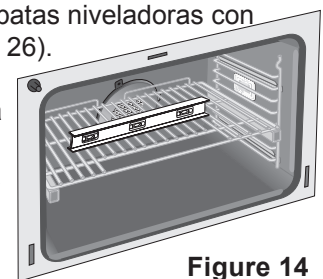


Figure 14

INSTRUCCIONES DE INSTALACIÓN PARA LA ESTUFA DE FUEL DUAL DE 30"

(Para Modelos con un Horno Eléctrico y una Estufa a Gas)

11. Comprobación del funcionamiento

Consulte el Manual del Usuario incluido con la estufa para instrucciones de operación y instrucciones para el cuidado y limpieza de su estufa.

Quite todo el embalaje de la unidad antes de comprobarla.

11.1 Verifique la colocación de la tapa del quemador

Quemadores regulares

Es **muy importante** asegurarse de que todas las tapas y rejillas de los quemadores superiores estén debidamente instaladas y en sus ubicaciones correctas **antes** de utilizar el electrodoméstico. Tenga en cuenta que las cabezas de los quemadores están fijadas a la cubierta. **La cubierta no se puede desinstalar.** No intente retirar o levantar la cubierta.

⚠ ADVERTENCIA Para evitar llamaradas y evitar la generación de vapores nocivos, **no** use la cubierta sin todas las tapas de los quemadores debidamente instaladas. Si están todas instaladas correctamente, asegurara el encendido adecuado y el tamaño correcto de las llamas.

Siempre mantenga las tapas y las cabezas de los quemadores en su lugar cuando los quemadores estén en uso. **No permita que se introduzcan en los agujeros de soporte del orificio de los quemadores a gas derrames, alimentos, agentes de limpieza o cualquier otro material.**

Asegúrese de que el tamaño de cada tapa de quemador concuerde con el tamaño de la cabeza del quemador. Asegúrese de que todas las tapas redondas de los quemadores estén colocadas correctamente en su lugar en las cabezas **redondas** de los quemadores.

Asegúrese de que todas las tapas **ovaladas** de los quemadores estén colocados correctamente en su lugar en las cabezas ovaladas de los quemadores (si vienen equipados). Asegúrese de que todas las tapas **dobles** de los quemadores estén colocados correctamente en su lugar en las cabezas dobles de los quemadores (si vienen equipados).

En los quemadores redondos, el reborde de la tapa del quemador (vea la figura 15) deben calzar de manera ajustada en el centro de la cabeza del quemador y quedar nivelada. Consulte las figuras 16 y 17 para conocer las maneras correctas e incorrectas de colocar la tapa del quemador.

Una vez en su lugar, puede verificar si cabe deslizando suavemente la tapa del quemador de lado a lado (Fig. 18) para asegurarse de que este centrada y

firmermente asentada. Cuando el reborde de la tapa del quemador haga contacto en el centro de la cabeza del quemador, podría escuchar el contacto entre la tapa y la cabeza del quemador. Tenga en cuenta que la tapa del quemador **NO** se debe mover del centro de la cabeza del quemador cuando intente moverla de lado a lado.

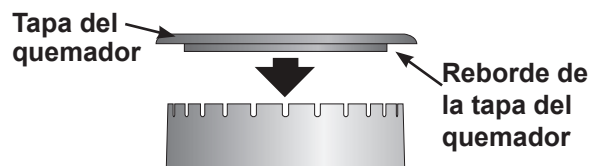


Fig. 15

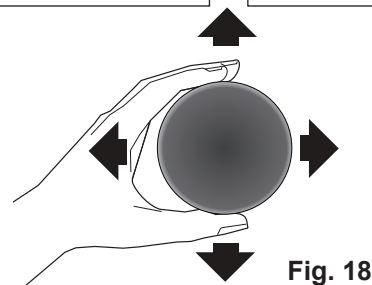
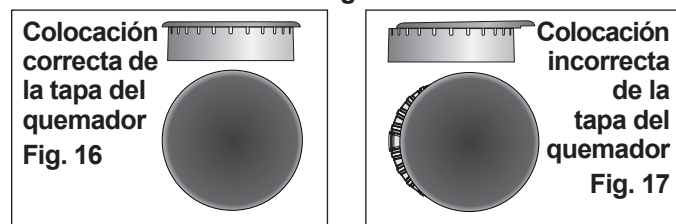


Fig. 18

Quemador de llama doble (si esta equipada)

Remueva todas las cintas de los quemadores. Remueva la tapa del quemador. Asegúrese que las tapas del quemador están bien puesta antes de utilizar la unidad.

Nota: No se necesitan ajustes de quemador en esta unidad.

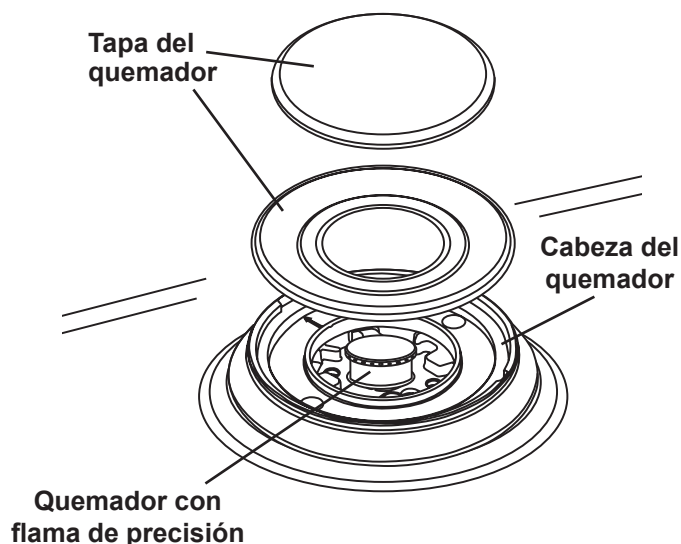


Figura 19

INSTRUCCIONES DE INSTALACIÓN PARA LA ESTUFA DE FUEL DUAL DE 30"

(Para Modelos con un Horno Eléctrico y una Estufa a Gas)

11.2 Enciende la corriente eléctrica y abre la válvula principal de cierre.

11.3 Verifique el encendido de los quemadores superiores

El funcionamiento de los encendedores eléctricos debe verificarse después de que se hayan controlado atentamente los conectores de la línea de suministro y de la estufa en busca de escapes, y de que la estufa haya sido conectada al suministro eléctrico.

- Para verificar el encendido adecuado, **presione y gire** la perilla de un quemador superior **a la izquierda** hasta la posición **LITE** (encender). Escuchara el encendedor emitiendo chispas.
- El quemador superior se encenderá cuando el gas llegue al quemador. Cebe el sistema de las tuberías de suministro dejando la perilla en la posición **LITE** (encendido) hasta que el quemador se encienda. Cada quemador debe encenderse a los cuatro (4) segundos de funcionamiento normal después de que el aire haya sido cebado de las tuberías de suministro.
- Verifique visualmente que el quemador se haya encendido. Una vez que el quemador se encienda, gire la perilla para retirarla de la posición **LITE** (encendido).
- Pruebe cada perilla por separado hasta que se hayan verificado todos los quemadores superiores. Cada ubicación de los quemadores viene equipada con un electrodo separado.

11.4 Programe el ajuste BAJO de las válvulas de los quemadores superiores (flujo en línea) Pruebe el ajuste LOW (bajo) para comprobar si debe ser ajustado:

- Oprima la perilla hacia adentro y gírela a la posición **LITE** (encender) hasta que el quemador se encienda.
- Oprima la perilla hacia adentro y rápidamente gírela al ajuste mínimo.
- Si el quemador se apaga, gire la perilla a la posición **OFF** (apagado).
- Retire la perilla del quemador superior.
- Introduzca un destornillador delgado en la varilla hueca de la válvula y ajústelo sobre el tornillo que se encuentra adentro. El tamaño de la llama se puede aumentar o reducir girando el tornillo. Gire el tornillo a la izquierda para aumentar el tamaño de la llama. Gire el tornillo a la derecha para reducir el tamaño de la llama (vea las figura 20). Ajuste la llama hasta que pueda girar la perilla rápidamente desde la posición **LITE** (encender) hasta el ajuste mínimo sin que se apague la llama. La llama debe ser lo mas pequeña posible sin que se apague.

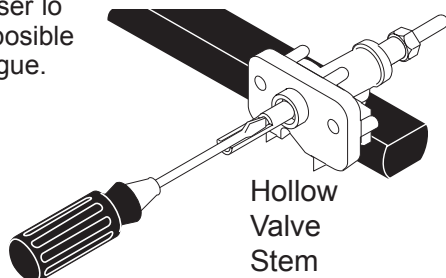


Figure 20

11.5 Funcionamiento de los Elementos del Horno

El horno está equipado con un control electrónico. Cada función ha sido probada en la fábrica antes del transporte. Sin embargo, sugerimos que Ud. verifique el funcionamiento de los controles del horno una vez más. Véase el Manual del Usuario para la operación. Siga las instrucciones par el Reloj Minutero, Cocer, Asar, Convección (algunos modelos) y las funciones de limpieza.

Cocer/Bake—Ponga el control del horno a 350°F (177°C) para cocer y verifique que el horno es caliente.

Asar/Broil—Cuando está puesto para BROIL, el elemento superior se debe poner rojo.

Limpieza/Clean—Cuando el horno está puesto para un ciclo de auto-limpieza, el elemento superior se pondrá rojo durante el período de precalentamiento del ciclo.

Convección/Convection (algunos modelos)—Cuando el horno se pone a CONV. BAKE/ROAST a 350°F (177°C), el elemento de convección alterne entre prendido y apagado y el ventilador se pone en marcha. El ventilador de convección se parará cuando se abra la puerta del horno durante el cocido o el asado por convección.

Cajón calentador (algunos modelos)—Ponga la perilla de control a HI y verifique que se está calentando el cajón.

Después de Terminar la Instalación

Asegúrese de que todos los controles estén en la posición **OFF** (apagada).

Asegúrese de que el fluir del aire de combustión y de ventilación a la estufa no esté obstruido.

Ubicación del Número de Modelo y de Serie

La placa con el número de serie está ubicada en el marco delantero del horno detrás de la puerta del horno (algunos modelos) o detrás del cajón (algunos modelos).

Cuando haga pedidos de repuestos o solicite información con respecto a su estufa, esté siempre seguro de incluir el número de modelo y de serie y el número o letra del lote de la placa de serie de su estufa.

La placa con el número de serie también le da la potencia nominal de los quemadores, el tipo de combustible y la presión a la cual fue ajustada la estufa en la fábrica.

Antes de Llamar al Servicio

Lea la sección Evite Llamadas de Servicio en su Manual del Usuario. Esto le podrá ahorrar tiempo y gastos. Esta lista incluye ocurrencias comunes que no son el resultado de defectos de materiales o fabricación de este artefacto.

Lea la garantía y la información sobre el servicio en su Manual del Usuario para obtener el número de teléfono gratuito y la dirección del servicio. Por favor llame o escriba si tiene preguntas acerca de su estufa o necesita repuestos.

INSTRUCCIONES DE INSTALACIÓN PARA LA ESTUFA DE FUEL DUAL DE 30"

(Para Modelos con un Horno Eléctrico y una Estufa a Gas)

12. Instrucciones de instalación de la fijación anti-inclinación

12.1 Para los modelos equipado con un sistema de dispositivo de nivelación.

⚠️ ADVERTENCIA Para reducir el riesgo de inclinación de la cocina, ésta debe ser asegurada hacia el piso con las fijaciones de anti-inclinación y los tornillos que vienen con la cocina. Estos componentes se encuentran en el horno. Si no instala las fijaciones, corre el riesgo que su cocina pueda inclinarse si pone demasiado peso en ella o si un niño sube sobre ésta. Esto podría ocasionar graves heridas causadas por líquidos calientes o por la propia cocina.

Siga estas instrucciones para instalar las fijaciones de anti-inclinación.

Si la cocina es trasladada a otro lugar, las fijaciones de anti-inclinación deben también ser trasladadas con la cocina.

Herramientas necesarias:

Llave de tuerca ajustable, Trinquete, Taladro eléctrico con barrena de 1/8" (0,32 cm), Aprieta tuercas de 5/16" (0,8 cm) Nivel

Abrazadera sujeta al suelo en la parte trasera de la cocina para tener asida la parte posterior de la cocina. Al fijarla al suelo, verificar que los tornillos no atraviesen la instalación eléctrica o de fontanería. Los tornillos provistos sirven para madera o concreto.

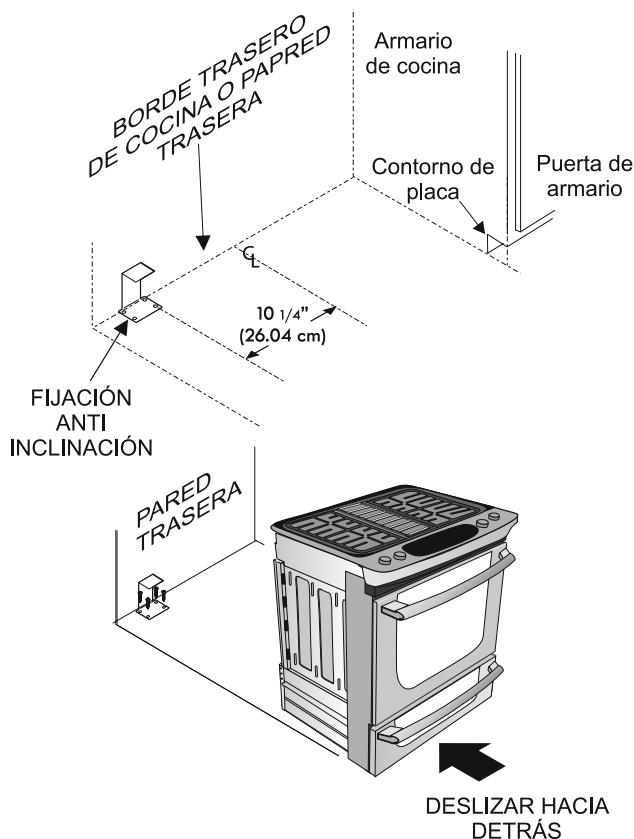


Figura 21

1. Dibujar una línea central en el piso donde se instalará la cocina. Si no hay pared posterior, dibujar otra línea en el piso que corresponda a la parte posterior de la cocina.
2. Desplegar el molde de papel y colocarlo alisado sobre el piso con el vértice posterior derecho posicionado exactamente en la intersección de las líneas central y posterior dibujadas anteriormente. (Si no se dispone de un molde, usar el diagrama incluido a continuación para ubicar las ménsulas (Figura 21)).
3. Marque en el suelo la ubicación de los cuatro orificios de montaje que aparecen en el modelo. Para facilitar la instalación se pueden hacer en el suelo orificios pilotos de 3/16" (0,48 cm) de diámetro de 1/2" (1,27 cm) de profundidad.
4. Retire el modelo y ubique la abrazadera en el suelo. Alinee los orificios en la abrazadera con las marcas en el suelo y ajuste con los cuatro tornillos provistos. La abrazadera debe quedar fijada al suelo (Figura 22) sólido. Si se fija al suelo concreto, primero haga orificios pilotos de un diámetro de 3/16" (0,48 cm), utilizando una barrena para concreto.
5. Asegúrese que las 4 patas de nivelación están en la más alta posición posible.
6. Deslice la cocina hacia su lugar asegurándose que la pata de centro trasera está completamente segura con el soporte anti-inclinación (Figura 21). Baje la cocina ajustando las 4 patas de nivelación hasta que la plancha de cocinar está apoyada en el mostrador. Refiere a la "Nivelación de la cocina".
7. Después de haber realizado la instalación verifique que la fijación anti-inclinación está empotrada. Usted también puede asir el borde trasero de la cima de la estufa y cuidadosamente intentar voltearla para asegurarse de que la estufa sea adecuadamente anclada.

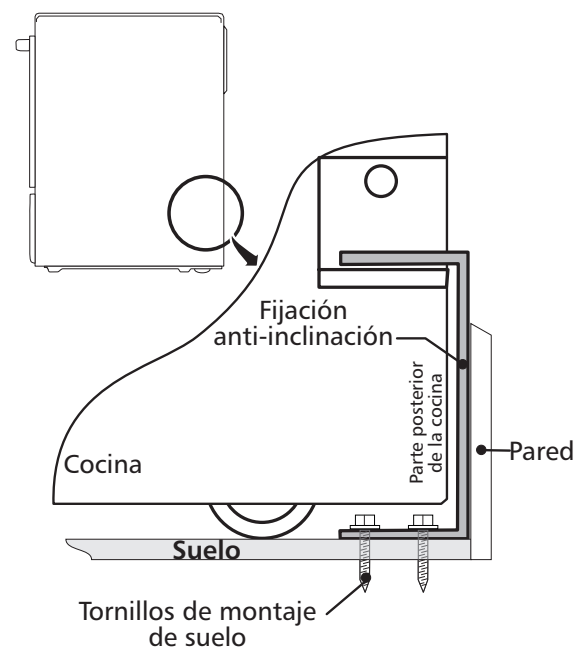


Figura 22

INSTRUCCIONES DE INSTALACIÓN PARA LA ESTUFA DE FUEL DUAL DE 30"

(Para Modelos con un Horno Eléctrico y una Estufa a Gas)

12.2 Instrucción para la instalación de las fijaciones de anti-inclinación

⚠ ADVERTENCIA Para reducir el riesgo de inclinación de la cocina, ésta debe ser asegurada hacia el piso con las fijaciones de anti-inclinación y los tornillos que vienen con la cocina. Si no instala las fijaciones, corre el riesgo que su cocina pueda inclinarse si pone demasiado peso sobre la puerta abierta o si un niño sube sobre ésta. Esto podría ocasionar graves causadas por derrames de líquidos calientes o por la propia cocina.

Si la cocina es trasladada a otro lugar, las fijaciones de anti-inclinación deben también ser trasladadas y instaladas con la cocina.

Las instrucciones provistas sirven para instalación en suelo de madera o concreto. Al fijar los tornillos al suelo, asegúrese que no atraviesen la instalación eléctrica, la línea de gas o de fontanería.

A. Localice la fijación usando el papel modelo -

Localice la posición de la fijación colocando la plantilla simétricamente a la línea central de la apertura. El soporte antivuelco puede instalarse en el lado izquierdo o derecho en la parte posterior de la estufa. Marque la ubicación de los agujeros de tornillos como se muestra en el papel.



Figura 23

B. Perforación de agujeros piloto y montura de sujeción -

Perfore un agujero piloto de 1/8" en el lugar en el que se vayan a instalar los tornillos. Si la montura se va a instalar a en la pared, practique un agujero piloto con una inclinación aproximada de 20° hacia abajo. Si la montura se va a instalar sobre hormigón para suelos cerámicos, practique un agujero de 3/16" con una profundidad de 1-3/4". Los tornillos que se suministran pueden utilizarse en hormigón o madera. Para fijar la montura en su sitio, utilice un destornillador de cabeza plana o una llave para apretar tuercas de 5/16".

MONTURA DE SUJECIÓN (MONTAJE EN PARED O SUELO)

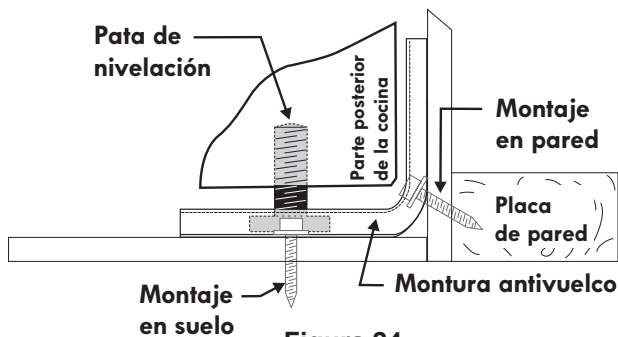


Figura 24

C. Nivele la cocina y coloque la cocina en su lugar. -

Deslice la estufa a su lugar. Coloque la pata niveladora dentro de la fijación de anti-inclinación. Verifique visualmente que las fijaciones de anti-inclinación estén correctamente enganchados (anclados). Nivele la cocina. Nivele la estufa si es necesario, ajustando las 4 patas niveladoras con una llave ajustable. Para verificar que la cocina está nivelada coloque un nivel en las parrillas interior del horno. Tome mínimo 2 lecturas con el nivel, coloque el nivel en diagonal para que la cocina esté nivelada de atrás hacia adelante, si es necesario ajuste las patas niveladoras.

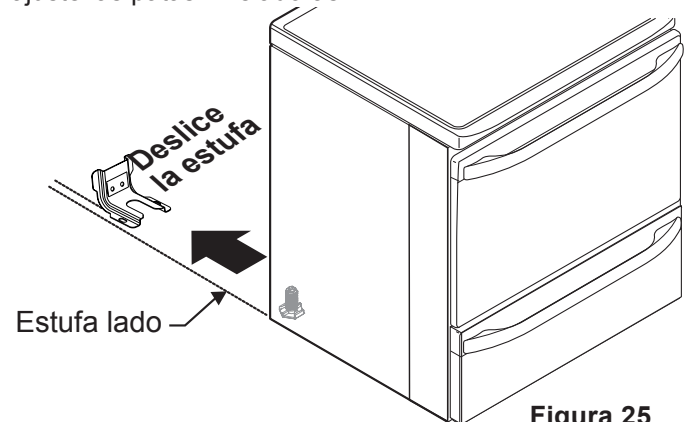


Figura 25

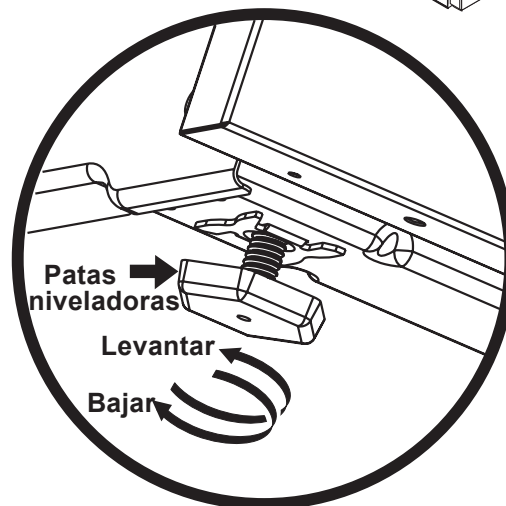


Figura 26

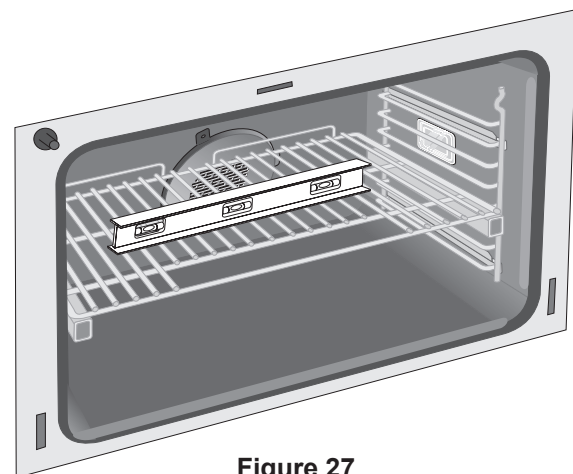


Figure 27

INSTRUCTIONS D'INSTALLATION POUR CUISINIÈRE ENCASTRABLE DE 30" À ALIMENTATION MIXTE

UN INSTALLATEUR QUALIFIÉ DOIT EFFECTUER L'INSTALLATION ET LE SERVICE IMPORTANT: CONSERVEZ CES INSTRUCTIONS POUR LES INSPECTEURS LOCAUX. LISEZ CES INSTRUCTIONS ET CONSERVEZ-LES POUR RÉFÉRENCES ULTÉRIEURES.

Etats-Unis



Canada



Reférez-vous à la plaque de série pour connaître l'agence applicable

⚠ AVERTISSEMENT Si les instructions de ce manuel ne sont pas suivies à la lettre, il pourrait en résulter un incendie ou une explosion susceptible de causer des dommages matériels, des blessures ou même la mort.

POUR VOTRE SÉCURITÉ:

- N'entreposez et n'utilisez pas d'essence ou d'autres produits inflammables à proximité de cet appareil ou de tout autre appareil.
- **QUE FAIRE SI VOUS DÉCELEZ UNE ODEUR DE GAZ:**
 - Ne tentez d'allumer aucun appareil.
 - N'actionnez aucun interrupteur électrique; n'utilisez aucun appareil téléphonique de l'édifice.
 - Communiquez immédiatement avec votre fournisseur de gaz en vous servant du téléphone d'un voisin. Suivez les instructions que le fournisseur vous donnera.
 - S'il vous est impossible de rejoindre votre distributeur de gaz, communiquez avec le service d'incendie.
- L'installation et l'entretien doivent être effectués par un installateur qualifié, un service d'entretien ou de réparation accrédité ou le distributeur de gaz.

Table des matières

Instructions de sécurité importantes.....	34-35	Construction de l'armoire.....	40-41
Dimensions du comptoir & de l'appareil	35-36	Alimentation en gaz - Installation.....	41-42
Pour éviter les bris.....	37	Conversion au gaz propane	43
Modèles avec cordon d'alimentation branché en usine (canada seulement).....	38	Mise à niveau de la cuisinière	44-45
Ensemble de cordon d'alimentation (États-Unis)	38	Vérification du fonctionnement	45-46
Accès au bloc de connexions et à la plaque de mise à la terre (États-Unis)	38	Lorsque tous les raccords sont terminés.....	46
Connexions électriques à la cuisinière (États-Unis).....	39-40	Emplacement des numéros de modèle et de série	46
		Avant d'appeler le service	46
		Installation du support anti-basculer	47-48

Notes importantes à l'installateur

1. Lisez toutes les instructions contenues dans ce feuillet avant d'installer la cuisinière.
2. Enlevez tout le matériel d'emballage des compartiments du four et du tiroir avant de brancher l'alimentation électrique et gaz à la cuisinière.
3. Respectez tous les codes et règlements applicables.
4. N'oubliez pas de laisser ces instructions au consommateur.
5. Note: Pour utilisation de l'appareil à 2000 pieds au-dessus du niveau de la mer, la puissance des brûleurs doit être réduite de 4% pour chaque 1000 pieds supplémentaires.

Note importante au consommateur

Conservez ces instructions avec le guide de l'utilisateur pour référence future.

Appareils électroménagers installés dans l'état du Massachusetts:

Cet appareil peut être installé dans l'état du Massachusetts par un plombier ou un monteur d'installation au gaz titulaire d'un permis.

Un connecteur à gaz flexible de 3 pieds / 36 pouces doit être utilisé pour installer cet appareil.

Une valve à gaz possédant une poignée en "T" doit être installée à la ligne de gaz reliée à cet appareil.

⚠ ATTENTION Des températures trop basses peuvent endommager le contrôleur électronique de l'appareil. Au cours de la première utilisation ou lorsque l'appareil n'a pas été utilisé pendant un certain temps, assurez-vous qu'il a été exposé à des températures au dessus de 32°F (0°C) pendant une durée supérieure à 3 heures avant de le mettre en marche.

INSTRUCTIONS DE SÉCURITÉ IMPORTANTES

Ce guide contient des instructions et symboles de sécurité importants. Veuillez faire particulièrement attention à ces symboles et suivre les instructions données.

⚠ AVERTISSEMENT Ce symbole vous prévient des situations qui risquent d'entraîner de graves blessures, la mort ou des dommages matériels.

⚠ ATTENTION Ce symbole vous prévient des situations pouvant entraîner des blessures ou dommages matériels.

Cette cuisinière doit être installée conformément aux règlements locaux, ou en leur absence, aux normes CAN/ACG-B149.1 et CAN/ACG-B149.2 ou National Fuel Gas Code ANSI Z223.1/ NFPA54.

La conception de cette cuisinière a été approuvée par l'agence CSA internationale. Il faut prendre certaines précautions d'usage lors de l'utilisation de tout appareil fonctionnant au gaz naturel ou produisant de la chaleur. Vous trouverez celles-ci dans votre Guide d'utilisateur, lisez-les avec attention.

- **Les rideaux d'air ou les hottes de cuisinières qui projettent un courant d'air descendant vers la table de cuisson, ne doivent pas être utilisés avec des appareils à gaz, sauf si la hotte et l'appareil ont été conçus, testés et répertoriés par un laboratoire d'essai indépendant pour pouvoir fonctionner conjointement.**
- **Assurez-vous que votre cuisinière est correctement installée et mise à la terre par un installateur ou un technicien d'entretien qualifié.**
- **Le circuit électrique de cette cuisinière doit être mis à la terre conformément** aux règlements locaux, ou en l'absence de règlements, au code national de l'électricité ANSI/NFPA no. 70- dernière édition aux États-Unis ou à la norme canadienne d'électricité, CSA C22.1, partie 1, au Canada.
- L'installation d'appareils conçus pour les maisons (mobiles) doit se conformer aux normes de la Manufactured Home Construction and Safety Standard, titre 24CFR, partie 3280 (antérieurement Federal Standard for Mobile Home Construction and Safety, titre 24, HUD (partie 280)) ou en leurs absences, aux normes de la Manufactured Home Installation 1982 (Manufactured Home Sites, Communities and Setups), ANSI Z225.1/NFPA 501A-dernière édition, ou aux codes locaux. Lorsque l'installation se fait au Canada, elle doit se conformer à la norme CAN/CSA-Z240 MH.
- **Assurez-vous que la tapisserie à proximité de la cuisinière peut résister à la chaleur générée par la cuisinière.**
- **Avant d'installer la cuisinière à un endroit recouvert de linoléum ou de tout autre couvre-plancher synthétique, assurez-vous que celui-ci peut résister à un minimum de 90°F (32,2°C) de chaleur au-dessus de la température de la pièce sans se rapetisser, se déformer ou se décolorer.** N'installez pas la cuisinière sur un tapis, à moins de placer un tampon isolant ou une feuille de contreplaqué d'une épaisseur de ¼" (0,6 cm) entre la cuisinière et le tapis.

- **Ne bloquez pas la circulation d'air à l'orifice de ventilation du four ni autour de la base ou sous le panneau inférieur avant de la cuisinière.** Évitez de toucher les ouvertures de l'orifice de ventilation ou les surfaces avoisinantes car elles risquent de devenir chaudes lorsque le four fonctionne. Les brûleurs ont besoin d'air frais pour assurer une bonne combustion.

⚠ AVERTISSEMENT **Ne laissez jamais les enfants seuls ou sans surveillance près d'un appareil en fonctionnement.** Apprenez-leur à utiliser les appareils électroménagers de façon sécuritaire et appropriée. Ne laissez jamais la porte du four ouverte lorsque la cuisinière est sans surveillance.

⚠ AVERTISSEMENT **Le fait de monter sur la porte ou le tiroir de cette cuisinière, de s'y appuyer ou de s'y asseoir peut occasionner des blessures graves, et endommager l'appareil.**

- **N'entrez pas d'objets susceptibles d'intéresser les enfants dans les armoires situées au-dessus de la cuisinière.** Ils risquent de se brûler sérieusement s'ils tentent de grimper sur l'appareil.
- **Évitez de placer des armoires de rangement au-dessus des brûleurs afin d'éliminer les gestes inutiles au-dessus de ceux-ci.**
- **Régalez la flamme du brûleur pour qu'elle ne dépasse pas le bord de l'ustensile utilisé pour la cuisson.** Une flamme excessive est dangereuse.

⚠ AVERTISSEMENT **Risque de basculement**



- Un enfant ou un adulte peut faire basculer la cuisinière et en décéder.
- Vérifiez que le dispositif anti-renversement a été fixé au plancher ou au mur tel qu'indiqué dans les instructions d'installation.
- Assurez-vous d'enclencher le dispositif anti-renversement lorsque la cuisinière est déplacée sur le plancher ou contre le mur.
- Ne faites pas fonctionner la cuisinière si le dispositif anti-renversement n'est pas en place et enclenché.
- Le non-respect de ces instructions peut causer des blessures fatales ou de graves brûlures aux enfants et aux adultes.



Pour vérifier si le support anti-renversement est correctement installé, attrapez le bord arrière de la cuisinière à deux mains. Essayez doucement de faire basculer la cuisinière vers l'avant. Lorsque le support est correctement installé, la cuisinière ne doit pas basculer vers l'avant.

INSTRUCTIONS D'INSTALLATION POUR CUISINIÈRE ENCASTRABLE DE 30" À ALIMENTATION MIXTE (Modèles avec four électrique et plaque de cuisson à gaz)

- **N'utilisez pas le four à des fins de rangement.** Ceci génère une situation éventuellement dangereuse.
- **N'utilisez jamais votre cuisinière pour réchauffer ou chauffer la pièce.** L'utilisation prolongée de la cuisinière sans une ventilation adéquate peut s'avérer dangereuse.
- **Ne gardez pas de produits combustibles, d'essence et d'autres produits inflammables à proximité de cet appareil ou de tout autre appareil.** Il pourrait en résulter des explosions ou un incendie.
- Lors d'une panne de courant électrique, les brûleurs de surface peuvent être allumés manuellement; placez une allumette allumée près de la tête du brûleur et tournez lentement le bouton de commande

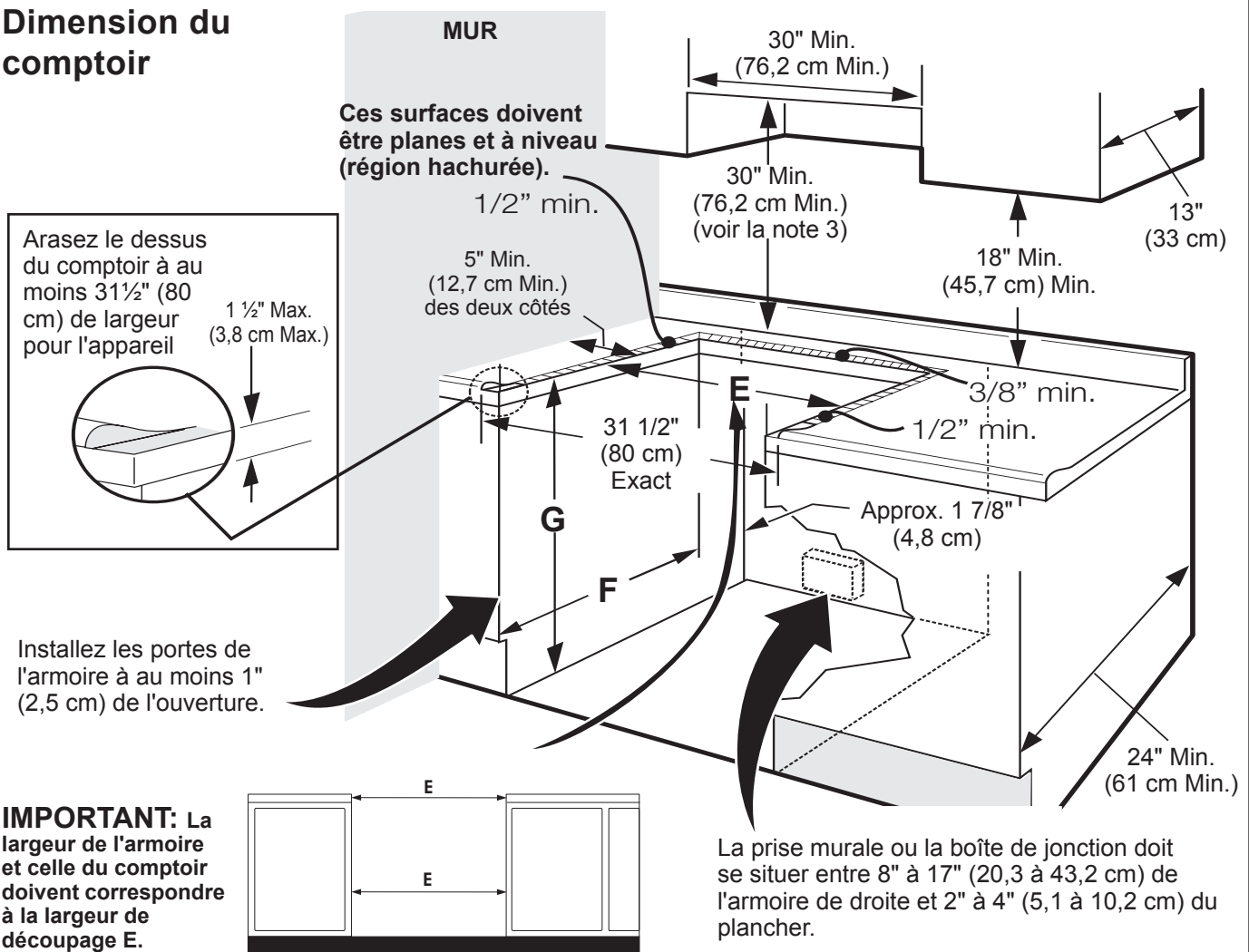
de surface à la position LITE. Redoublez de prudence si vous allumez un brûleur de surface manuellement.

- **Remplacez toutes les commandes à la position arrêt "off"** après l'utilisation d'une fonction programmable chronométrée.

POUR LES MODÈLES MUNIS DU MODE AUTONETTOYANT:

- **Enlevez la lèchefrite, les aliments et les autres ustensiles avant le démarrage d'un cycle autonettoyant du four.** Essayez tous les renversements excessifs. Suivez les instructions pour le pré-nettoyage dans le Guide de l'utilisateur.

Dimension du comptoir



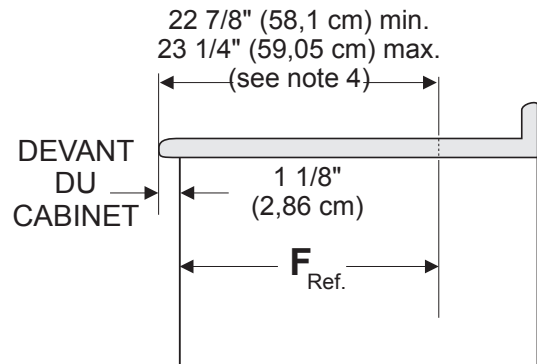
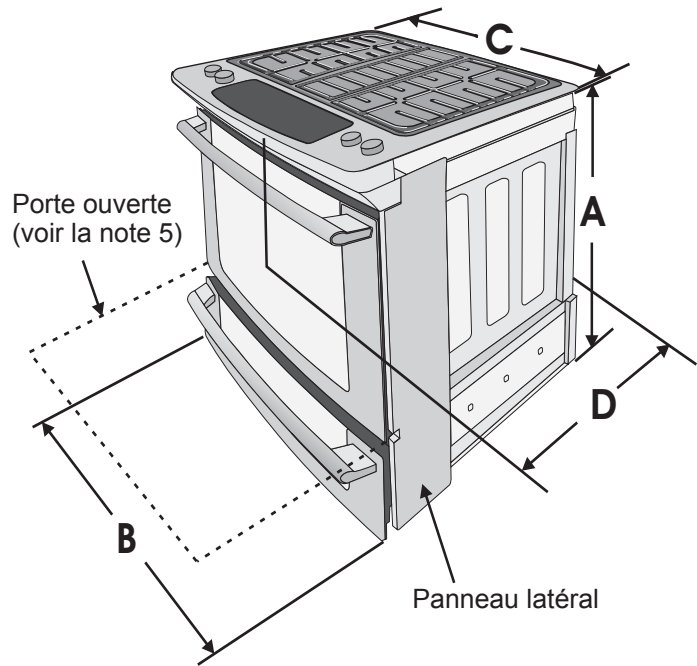
A. HAUTEUR	B. LARGEUR	C. LARGEUR DE LA TABLE DE CUISSON	D. PROFONDEUR À L'AVANT DE LA CUISINIÈRE	E. LARGEUR DE DÉCOUPAGE* (Comptoir & armoire)	F. PROFONDEUR DE DÉCOUPAGE	G. HAUTEUR DU DESSUS DE COMPTOIR
35 5/8" (90,5 cm) - 36 5/8" (93 cm)	30" (76,2 cm)	31 1/2" (80 cm)	28 5/16" (71,9 cm)	30±1/16" (76,2±0,15 cm)	21 3/4" (55,2 cm) Min. 22 1/8" (56,2 cm) Max 24" (61 cm) Min. si un dossier est installé	36 5/8" (93 cm) Max. 35 7/8" (91,1 cm) Min.

INSTRUCTIONS D'INSTALLATION POUR CUISINIÈRE ENCASTRABLE DE 30" À ALIMENTATION MIXTE (Modèles avec four électrique et plaque de cuisson à gaz)

Dimension de l'appareil

NOTE:

1. Ne coincez pas le cordon d'alimentation ou le conduit de gaz entre le mur et l'appareil.
2. Ne scellez pas l'appareil aux armoires latérales.
3. Dégagement minimum de 24" (61 cm) entre la plaque de cuisson et la bas de l'armoire du haut lorsque le dessous de l'armoire en bois ou en métal est protégé par un celloderme retardateur de flammes d'un minimum de ¼" (0,64 cm) recouvert d'une feuille de métal MSG No. 28, d'acier inoxydable d'un minimum de 0,015" (0,4 mm), d'aluminium de 0,024" (0,6 mm) ou de cuivre de 0,020" (0,5 mm).
Dégagement minimum de 30" (76,2 cm) lorsque l'armoire n'est pas protégée.
4. Notez que pour les ouvertures de moins de 22 7/8" (58,1 cm) de profondeur, l'appareil dépassera légèrement vers l'avant du comptoir.
5. Allouez au moins 19 ¼" (48,9 cm) d'espace pour permettre l'ouverture de la porte du four.



*****IMPORTANT:** Pour une largeur de découpage (dimension E) plus grande que 30 1/16" (76,4 cm) et pour éviter un bris de la table de cuisson, au moment d'insérer l'appareil dans le comptoir assurez-vous qu'il est bien centré dans l'ouverture. Levez les pattes de nivellement et les roulettes de nivellement au maximum (page 37), insérez l'appareil dans le comptoir et ensuite nivelez-le. Assurez-vous que l'appareil est bien supporté par les pattes et roulettes de nivellement et non par la table de cuisson.

A. HAUTEUR	B. LARGEUR	C. LARGEUR DE LA TABLE DE CUISSON	D. PROFONDEUR À L'AVANT DE LA CUISINIÈRE	E. LARGEUR DE DÉCOUPAGE* (Comptoir & armoire)	F. PROFONDEUR DE DÉCOUPAGE	G. HAUTEUR DU DESSUS DE COMPTOIR
35 5/8" (90,5 cm) - 36 5/8" (93 cm)	30" (76,2 cm)	31½" (80 cm)	28 5/16" (71,9 cm)	30±1/16" (76,2±0,15 cm)	21 3/4" (55,2 cm) Min. 22 1/8" (56,2 cm) Max 24" (61 cm) Min. si un dosseret est installé	36 5/8" (93 cm) Max. 35 7/8" (91,1 cm) Min.

Pour éviter les cassures: NE PAS manipuler l'appareil par la table de cuisson.

1 Le comptoir alentour de l'ouverture de découpage doit être plat et à niveau (voir hachures sur illustration 1).

2 Avant d'installer l'appareil, mesurer les hauteurs des deux (2) côtés du comptoir (H1-4), avant et arrière (voir illustration 1) du plancher jusqu'au dessus du comptoir.

3 Mettre l'appareil à niveau en utilisant les deux (2) pattes de nivellement avant et les deux (2) roulettes de nivellement arrière pour que la hauteur entre le plancher et le renfort de métal en dessous de la table de cuisson soit plus grande par $1/16"$ que la plus grande mesure H1-4 (voir illustration 2).

Arasez le dessus du comptoir à au moins $31\frac{1}{2}"$ (80 cm) de largeur pour la cuisinière.

$1\frac{1}{2}"$ Max. (3,8 cm Max.)

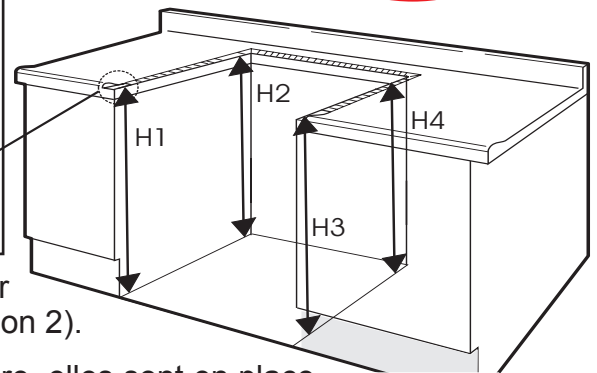


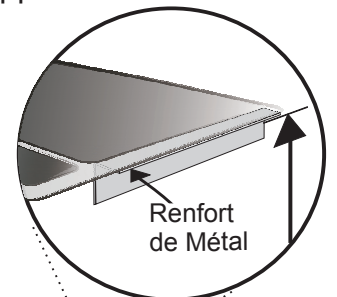
Illustration 1

4 Retirer et jeter les deux pattes de nivellement arrière, elles sont en place seulement que pour solidifier l'appareil pendant le transport.

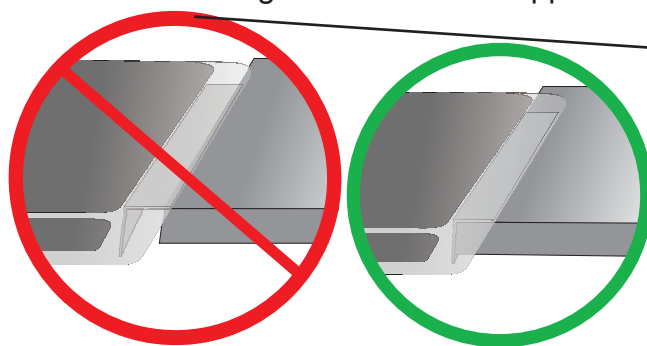
5 Glisser l'appareil dans le comptoir. Assurez-vous que le centre de l'appareil soit aligné avec le centre de l'ouverture du comptoir.

6 Enlever les protecteurs de plastique sur chaque côté de la table de cuisson (si inclus avec l'appareil).

7 Le renfort de métal en dessous de chaque côté de la table de cuisson **DOIT** reposer sur le comptoir pour que l'appareil soit bien supporté. La table de cuisson ne doit **PAS** toucher directement le comptoir (voir illustration 2), sinon cela pourrait provoquer un bris de la table qui annulera la garantie. Nivelier l'appareil si nécessaire.



Afin d'installer correctement la cuisinière, la hauteur initiale entre le plancher et le renfort de métal en dessous de la table de cuisson doit être au moins $1/16"$ plus grande que les mesures du comptoir mesurés dans l'étape 1.



8 Après l'installation, ASSUREZ-VOUS que l'appareil est soutenu par les deux pattes de nivellement et les deux roulettes de nivellement arrière et NON par la table de cuisson.

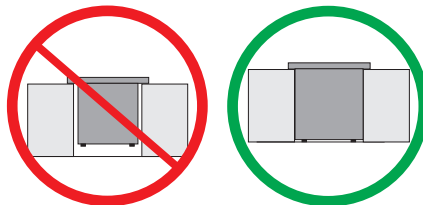


Illustration 2

INSTRUCTIONS D'INSTALLATION POUR CUISINIÈRE ENCASTRABLE DE 30" À ALIMENTATION MIXTE (Modèles avec four électrique et plaque de cuisson à gaz)

1 Modèles avec cordon d'alimentation branché en usine (Canada seulement)

Les cuisinières canadiennes sont munies d'un cordon d'alimentation branché en usine (voir Figure 1). Il doit être connecté à une prise d'alimentation de 120/240 volt, mise à la terre, ou à une prise de courant pour cuisinières de 120/208 volt. Si aucune prise d'alimentation n'est disponible, demandez à un électricien compétent d'en installer une.

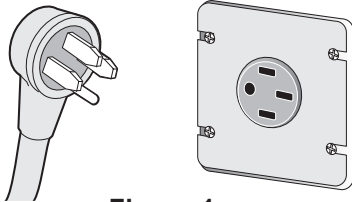


Figure 1

2 Ensemble de cordon d'alimentation (États-Unis)

Il incombe à l'utilisateur de faire raccorder le cordon d'alimentation au bloc de connexion situé derrière le couvercle du panneau arrière.

Il est possible de connecter l'appareil soit au moyen d'un câble "permanent dur" (câble flexible en cuivre blindé ou muni d'une gaine protectrice non métallique) soit au moyen d'un ensemble de cordon d'alimentation. Seul un ensemble de cordon d'alimentation d'un minimum de 125/250 volts 30 ampères, certifié pour utilisation avec cuisinière doit être utilisé. Le cordon doit être muni de 3 ou 4 conducteurs (États-Unis seulement).

Dans les maisons mobiles (États-Unis), les nouvelles installations, les véhicules récréatifs ou tout autre endroit où les codes locaux interdisent la mise à la terre au moyen du conducteur neutre, un cordon d'alimentation de 4 conducteurs d'un minimum de 125/250 volts 30 ampères, certifié pour l'utilisation avec cuisinière doit être utilisé.

Les bornes aux extrémités des câbles doivent comporter soit une boucle fermée, soit des cosses à fourche ouvertes et aux extrémités renversées. Le cordon doit être muni d'un réducteur de tension.

NOTE: L'appareil sort de l'usine avec un trou de 1 1/8" (2,9 cm) dia. tel que montré à la figure 4. Si un trou plus grand est requis, repoussez la pastille.

Grosseur du fusible:

Sur un appareil de 4800W ou moins à 240V (voir plaque signalétique), un fusible temporisé ou un disjoncteur de 20A est recommandé sur chaque fil conducteur (fil rouge et noir). **NE RELIEZ PAS** de fusible au neutre (fil blanc) ou à la mise à terre (fil vert ou dénudé).

Sur un appareil de plus de 4800W à 240V (voir plaque signalétique), suivez les recommandations ci-dessus mais utilisez un fusible temporisé ou un disjoncteur de 30A.

⚠ AVERTISSEMENT Il existe des risques d'incendie ou de choc électrique, si la capacité du cordon utilisé est inadéquate, si les instructions d'installation ne sont pas suivies ou si le réducteur de tension n'est pas utilisé.

⚠ MISE EN GARDE Ne desserrez pas les écrous des fils installés en usine. Une panne, un bris ou des conditions dangereuses pourraient s'en suivre.

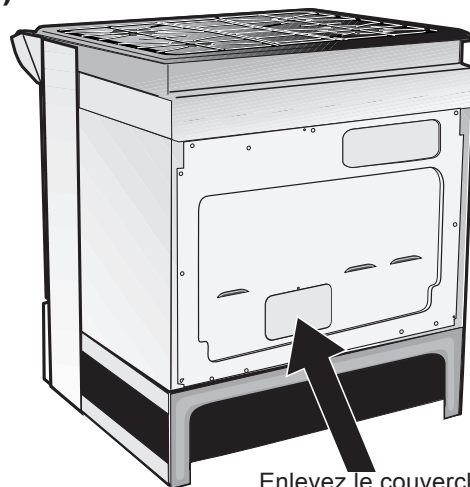
⚠ AVERTISSEMENT

Risque de choc électrique

- La mise à la terre de cet appareil est obligatoire.
- Ne branchez pas l'appareil au circuit électrique avant qu'il soit mis à la terre correctement, en permanence.
- Interrompez le courant dans la boîte de jonction avant d'effectuer la connexion électrique.
- Cet appareil doit être branché à un système de câblage métallique, mis à la terre en permanence, ou un connecteur mis à la terre doit être branché à la borne de mise à la terre ou directement sur l'appareil.

Si vous ne suivez pas les instructions précitées à la lettre, il peut en résulter un incendie, des blessures ou un choc électrique.

3 Accès au bloc de connexions et à la plaque de mise à la terre (États-Unis)



Enlevez le couvercle arrière pour accéder aux bornes du bloc de connexion de la cuisinière

Figure 2

INSTRUCTIONS D'INSTALLATION POUR CUISINIÈRE ENCASTRABLE DE 30" À ALIMENTATION MIXTE (Modèles avec four électrique et plaque de cuisson à gaz)

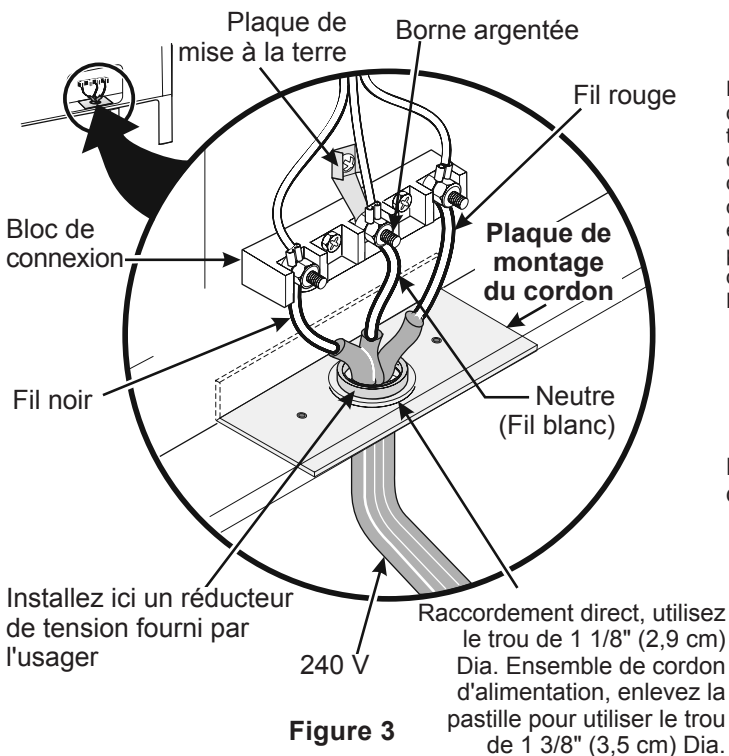
⚠ AVERTISSEMENT Cet électroménager est manufacturé avec une mise à la terre au châssis à l'aide d'une plaque de mise à terre posée entre le terminal neutre et le châssis. Si l'appareil est utilisé, aux États-Unis, dans une maison mobile, un véhicule récréatif où les codes locaux n'autorisent pas la connexion du conducteur de mise à la terre du châssis au neutre ou au Canada; retirez la plaque de mise à terre du châssis et coupez l'autre bout, près du terminal neutre. Branchez ensuite l'appareil de manière usuelle.

4 Connexions électriques à la cuisinière (États-Unis)

Pour une connexion à un câble d'alimentation à trois conducteurs

Si les codes locaux permettent la connexion du conducteur de mise à la terre du châssis au fil neutre du cordon d'alimentation en cuivre (voir figure 3).

1. Enlevez la vis qui retient le couvercle arrière afin de vous permettre d'atteindre les bornes du bloc de connexion de la cuisinière (voir figure 2).
2. Utilisez les écrous fournis dans l'enveloppe littérature pour raccorder le neutre du cordon d'alimentation cuivré à la borne argentée située au centre du bloc de connexion, et raccordez les autres fils aux bornes extérieures. Assortissez les fils et les bornes conformément aux couleurs (branchez le fil rouge à la borne de droite, et le fil noir à la borne de gauche) (voir figure 3).
3. Remplacez le couvercle arrière et fixez-le à l'aide de la vis enlevée à l'étape 1.

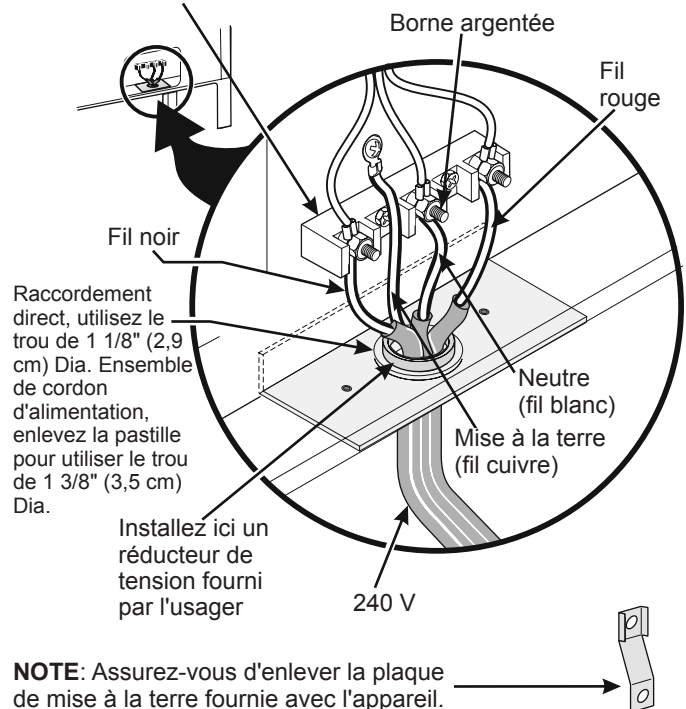


Pour une connexion à un câble d'alimentation à quatre conducteurs

Si les codes locaux ne permettent PAS la connexion du conducteur de mise à la terre du châssis au fil neutre du cordon d'alimentation en cuivre (voir figure 4).

1. Enlevez la vis qui retient le couvercle arrière afin de vous permettre d'atteindre les bornes du bloc de connexion de la cuisinière (voir figure 2).
2. Enlevez la plaque de mise à la terre de la borne centrale du bloc de connexion et du châssis de l'appareil. Conservez la vis de mise à la terre.
3. Branchez le fil de mise à la terre (vert) du cordon d'alimentation cuivré, au châssis de l'appareil avec la vis de mise à la terre, à l'aide du trou dans le châssis à l'endroit où la bande de mise à la terre a été enlevée (voir Figure 4).
4. Utilisez les écrous fournis dans l'enveloppe littérature pour raccorder le neutre (blanc) du cordon d'alimentation cuivré, à la borne argentée située au centre du bloc de connexion, et raccordez les autres fils aux bornes extérieures. Assortissez les fils et les bornes conformément aux couleurs (branchez le fil rouge à la borne de droite, et le fil noir à la borne de gauche).
5. Remplacez le couvercle arrière et fixez-le à l'aide de la vis enlevée à l'étape 1.

Bloc de connexion



NOTE: Assurez-vous d'enlever la plaque de mise à la terre fournie avec l'appareil.

INSTRUCTIONS D'INSTALLATION POUR CUISINIÈRE ENCASTRABLE DE 30" À ALIMENTATION MIXTE (Modèles avec four électrique et plaque de cuisson à gaz)

Connexions électriques au système électrique de la résidence

L'appareil doit être raccordé directement au disjoncteur ou au compartiment de fusibles au moyen d'un câble flexible en cuivre, blindé ou muni d'une gaine protectrice non métallique (avec fil de mise à la terre). Placez la boîte de jonction de manière à avoir 2 à 3 pieds de lâche dans la ligne pour déplacer la cuisinière si l'entretien s'avère nécessaire. Un des connecteurs homologués UL doit être fixé à chaque extrémité du câble d'alimentation (à l'appareil et à la boîte de jonction). Les grosseurs des fils (**fil en cuivre seulement**) et des raccordements doivent se conformer à la capacité de l'appareil.

Si les codes locaux permettent le raccordement du conducteur de mise à la terre du châssis au fil neutre (blanc) de la boîte de jonction (voir figure 5):

(Le cordon ou câble d'alimentation à 3-conducteurs doit être remplacé par un cordon ou un câble à 4-conducteurs où la mise à la terre du châssis au fil blanc est interdite, soit dans les nouvelles installations, les maisons mobiles, les véhicules récréatifs ou à d'autres endroits où les codes locaux interdisent la mise à la terre au moyen d'un conducteur neutre).

1. Débranchez l'alimentation.
2. Dans la boîte de jonction:
 - a) Reliez ensemble, le fil blanc, le fil vert (dénudé) de l'appareil et le fil neutre (blanc) du câble d'alimentation.
 - b) Reliez ensemble les deux fils noirs.
 - c) Reliez ensemble les deux fils rouges.

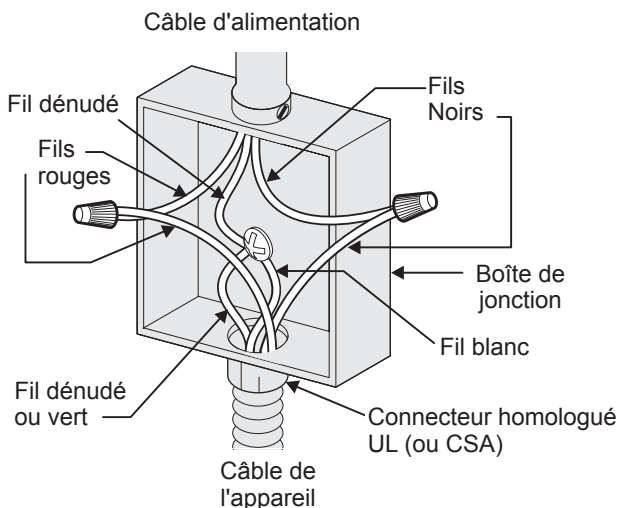
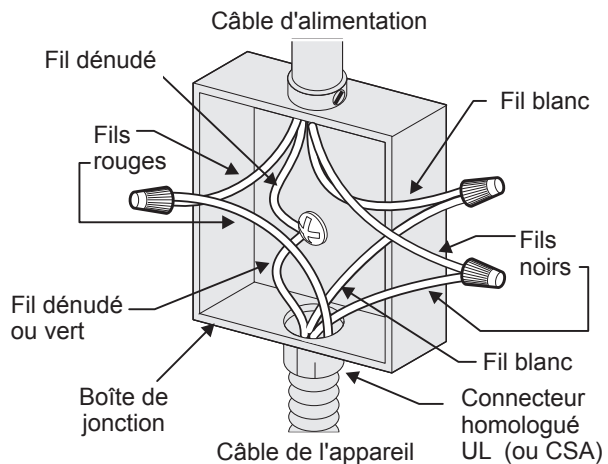


Figure 5
BOÎTE DE JONCTION À 3 FILS - MISE À LA TERRE

Aux endroits où les codes locaux l'interdisent, ou si vous raccordez à un système électrique à quatre conducteurs, ne raccordez pas le conducteur de mise à la terre du châssis au fil neutre (blanc) de la boîte de jonction (voir figure 6):

1. Débranchez l'alimentation électrique.
2. Séparez les fils de cuivre dénudé et blanc de l'appareil.
3. Dans la boîte de jonction:
 - a) Reliez le fil blanc du câble de l'appareil au fil neutre (blanc) du câble d'alimentation.
 - b) Reliez les deux fils noirs ensemble.
 - c) Reliez les deux fils rouges ensemble.
 - d) Reliez le fil cuivre ou dénudé du câble de l'appareil au fil cuivre ou dénudé du câble d'alimentation.



**Figure 6 – BOÎTE DE JONCTION À 4 FILS
MISE À LA TERRE**

5 Construction de l'armoire

⚠ MISE EN GARDE

Pour éliminer les risques de brûlures ou de feu, en étendant le bras au-dessus de la surface de cuisson chaude, évitez d'installer des armoires au-dessus de cette dernière. Si vous devez en installer, il est possible de réduire le risque en plaçant une hotte pour cuisinière qui excède horizontalement d'un minimum de 5" (12,7 cm) la base de l'armoire.

Préparation du dessus de comptoir

- Les côtés de la table de cuisson de la cuisinière s'ajustent au-dessus du rebord du découpage du dessus de comptoir.
- Si vous avez un dessus de comptoir au **fini carré (plat)**, il n'est pas nécessaire de préparer le dessus du comptoir.
- Les dessus de comptoir au **rebord avant moulé** doivent être aplanis de 3/4" (1,9 cm) à chaque coin avant de l'ouverture (Figure 7).

INSTRUCTIONS D'INSTALLATION POUR CUISINIÈRE ENCASTRABLE DE 30" À ALIMENTATION MIXTE (Modèles avec four électrique et plaque de cuisson à gaz)

- Il est possible qu'il soit nécessaire d'araser de 3/4" (1,9 cm) les dessus de **comptoir en mosaïque** à chaque coin avant et/ou d'aplanir le rebord arrondi (Figure 7).

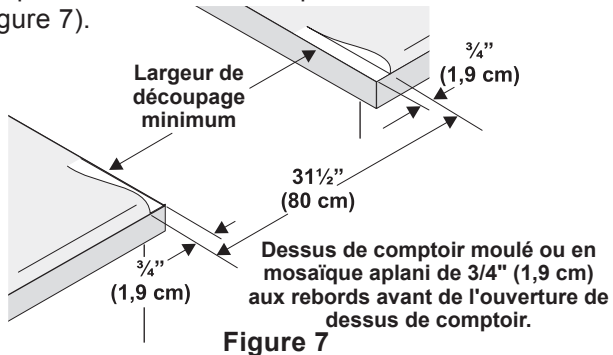


Figure 7

- Si la largeur de l'ouverture du dessus de comptoir est supérieure à 30 1/16" (76,4 cm), réduisez en conséquence la dimension 3/4" (1,9 cm).
- Le dessus de comptoir doit être à niveau. Placez un niveau sur le dessus de comptoir, d'abord de chaque côté, et ensuite du devant à l'arrière. Si le dessus de comptoir n'est pas horizontal, la cuisinière ne le sera pas non plus. Le four doit être à l'horizontal pour obtenir des résultats de cuisson satisfaisants. Les côtés de la table de cuisson de la cuisinière s'ajustent au-dessus de l'angle du découpage du dessus de comptoir sans le toucher.

6 Alimentation en gaz – Installation

Cet appareil a été conçu en usine pour fonctionner au gaz naturel avec une pression d'admission de 4" (10,16 cm) de colonne d'eau (1,0 kpa). Un régulateur de pression convertible est branché avec la rampe à gaz de la cuisinière, et doit rester connecté en série avec le tuyau d'alimentation.

Pour un fonctionnement normal, la pression intérieure maximale au régulateur ne doit pas être supérieure à 14" (35,56 cm) (3,5 kpa) de pression de colonne d'eau.

La pression d'admission au régulateur doit être supérieure d'au moins un pouce (ou de ,25 kpa) au régulateur ajusté à la rampe à gaz. Pour le gaz naturel, le régulateur étant ajusté à 4" (10,16 cm) de pression (1,0 kpa), la pression d'admission doit être d'au moins 5" (12,7 cm) de colonne d'eau (1,25 kpa). Pour le gaz propane, le régulateur étant ajusté à 10" (25,4 cm) de pression (2,5 kpa), la pression d'admission doit être d'au moins 11" (27,9 kpa).

La ligne d'alimentation doit être munie d'un robinet d'arrêt approuvé (voir Figure 11). Ce robinet doit se trouver dans la même pièce que la cuisinière et à un endroit permettant de l'ouvrir et de le fermer facilement. Ne bloquez pas l'accès au robinet d'arrêt. Il

est destiné à ouvrir et à fermer l'alimentation en gaz de l'appareil.

L'alimentation en gaz entre le robinet d'alimentation manuel et le régulateur peut-être raccordée par un tuyau métallique flexible homologué AGA/CGA ou un tuyau rigide sujet à l'application des normes locales.

L'alimentation en gaz peut provenir par le mur arrière (Figure 8, zone 1) ou par le plancher (Figure 8, zone 2):

Zone 1 - Par le mur arrière (7" (17,8 cm) X 6" (15,2 cm)) - Le meilleur emplacement pour localiser la ligne de gaz est entre 1" (2,5 cm) et 8" (20,3 cm) du plancher et à en dedans de 3" (7,6 cm) de la ligne de centre.

Zone 2 - Par le plancher (~2" (5,1 cm) X 24" (61 cm)) - La ligne de gaz peut aussi provenir du plancher, elle doit être située en dedans de 12" (30,5 cm) de chaque côté de la ligne de centre contre le mur arrière.

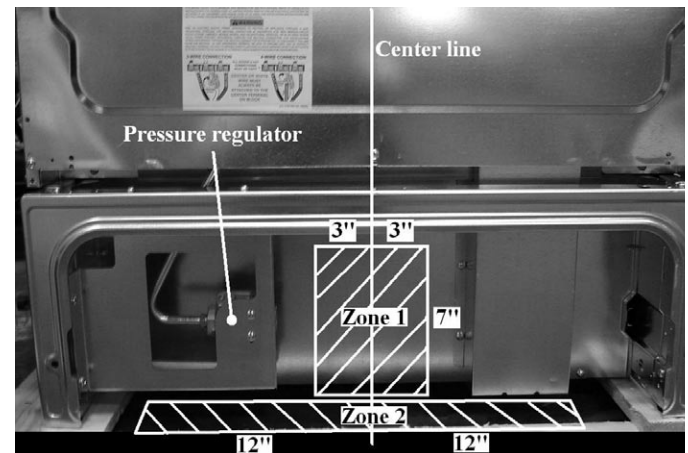


Figure 8

Scellez les ouvertures

Scellez toutes les ouvertures dans le mur à l'arrière de la cuisinière ainsi que celles dans le plancher sous l'appareil une fois que la ligne de gaz est installée.

Branchez le gaz à la cuisinière

Important: Enlever tout le matériel d'emballage des compartiments du four avant de brancher l'alimentation à gaz et électrique à la cuisinière.

Afin de prévenir les fuites, utilisez des pâtes à joints de tuyauterie fabriquées pour utilisation avec gaz naturel et propane.

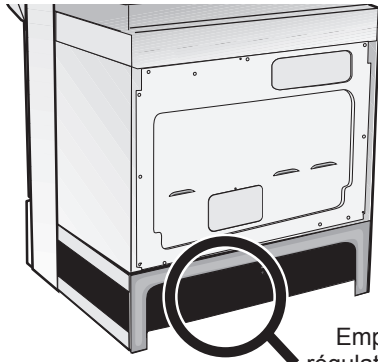
Le régulateur est situé tel que montré sur la figure 3.

⚠ MISE EN GARDE Ne laissez pas le régulateur glisser sur le tuyau lors du branchement.

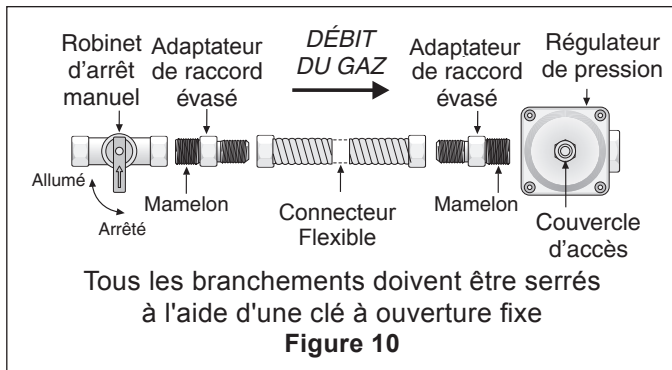
INSTRUCTIONS D'INSTALLATION POUR CUISINIÈRE ENCASTRABLE DE 30" À ALIMENTATION MIXTE (Modèles avec four électrique et plaque de cuisson à gaz)

Branchement du régulateur de pression

⚠ MISE EN GARDE Ne serrez pas trop les raccords. Le régulateur est moulé sous pression. Un serrage excessif pourrait le fissurer et provoquer une fuite de gaz susceptible de causer un incendie ou une explosion.



Emplacement du régulateur de pression
Figure 9



Assemblez le connecteur flexible du conduit d'alimentation en gaz au régulateur de pression dans l'ordre qui suit:

1. Robinet d'arrêt manuel (non inclus)
2. 1/2" mamelon (non inclus)
3. 1/2" adaptateur de raccord évasé (non inclus)
4. Connecteur flexible (non inclus)
5. 1/2" adaptateur de raccord évasé (non inclus)
6. 1/2" mamelon (non inclus)
7. Régulateur de pression (inclus).

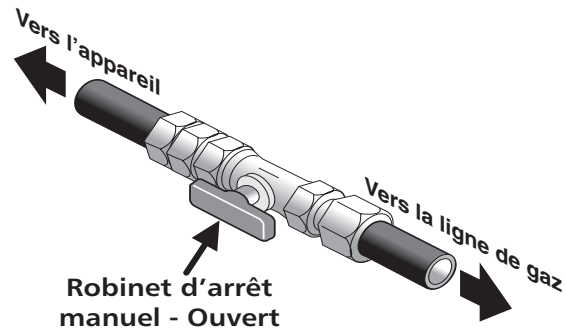
Le tuyau d'alimentation de gaz du robinet d'arrêt devrait être 1/2" (1,27 cm) ou 3/4" (1,9 cm) de tuyau solide.

L'utilisateur doit connaître l'emplacement du robinet d'alimentation principal et être en mesure d'y accéder facilement.

Lorsqu'un conduit de gaz flexible est utilisé, laissez suffisamment de mou pour être en mesure de dégager la cuisinière de l'ouverture pour le nettoyage et l'entretien.

NOTE: Veillez à ce que le conduit flexible ne soit pas coincé entre le mur et la cuisinière. Pour vérifier si tel est le cas, enlevez le tiroir.

Utilisez des pâtes à joints de tuyauterie fabriquées pour utilisation avec gaz naturel et propane, pour sceller les connexions de gaz. Si des connecteurs flexibles sont utilisés, assurez-vous qu'ils ne sont pas tordus.



Robinet d'arrêt manuel - Ouvert

Figure 11

La ligne de gaz doit être munie d'un robinet d'arrêt manuel approuvé. Ce robinet doit être installé dans la même pièce que l'appareil et doit être facile d'accès. Ne bloquez pas l'accès au robinet. Ce robinet permet d'arrêter ou d'admettre l'alimentation en gaz à la cuisinière.

Ouvrez le robinet de la ligne d'alimentation en gaz. Attendez quelques minutes pour permettre au gaz de circuler à travers la canalisation.

Les vérifications contre les fuites doivent être effectuées conformément aux instructions du fabricant.

Veillez à ce qu'il n'y ait pas de fuites. Après avoir raccordé l'alimentation en gaz à la cuisinière, à l'aide d'un manomètre vérifiez si le système ne fuit pas. Si vous ne disposez pas d'un manomètre, ouvrez l'alimentation en gaz et utilisez un liquide détecteur de fuites sur tous les joints et les raccords.

⚠ AVERTISSEMENT N'utilisez pas de flamme nue pour vérifier les fuites de gaz. La détection des fuites à l'aide d'une flamme pourrait provoquer un incendie ou une explosion.

Toutes les ouvertures à travers le plancher ou le mur où la cuisinière est installée doivent être scellées.

Resserrez tous les raccords si nécessaire, afin de prévenir les fuites de gaz dans la cuisinière ou le tuyau d'alimentation.

Débranchez la cuisinière et fermez son robinet d'alimentation en gaz lors de toute vérification de pression du circuit d'alimentation de gaz à une pression supérieure à 1/2 lb/po2 (3,5 kpa ou 14" (35,56 cm). colonne d'eau).

Isolez la cuisinière du réseau d'alimentation en gaz en fermant son robinet d'arrêt manuel, lors de toute vérification de pression du circuit d'alimentation en gaz à une pression inférieure ou égale à 1/2 lb/po2 (3,5 kpa ou 14 po. colonne d'eau)

7 Conversion au gaz propane

Cet appareil fonctionne au gaz naturel ou au gaz propane. Il est réglé en usine pour fonctionner au gaz naturel.

Si vous désirez convertir votre cuisinière au gaz propane, servez-vous des orifices fixes fournis dans l'enveloppe portant l'inscription "POUR CONVERSION AU GAZ PROPANE". Suivez les instructions d'installation se trouvant dans l'enveloppe.

Un installateur qualifié doit effectuer la conversion conformément aux instructions du fabricant et à tous les codes et règlements applicables. Si ces instructions ne sont pas suivies à la lettre, il pourrait en résulter de sérieuses blessures corporelles ou des dommages matériels. L'entreprise d'installation qualifiée qui effectue ce travail assume la responsabilité de la conversion.

⚠ AVERTISSEMENT Si la conversion n'est pas correctement effectuée, il pourrait en résulter des blessures corporelles et des dommages matériels.

8 Déplacement de l'appareil en vue d'en faire le service ou pour faire du nettoyage

Coupez l'alimentation électrique de l'appareil à la boîte de fusibles ou des disjoncteurs et fermez le robinet d'alimentation à gaz manuel. Défaites la connexion de la tuyauterie rigide au régulateur. Il n'est pas nécessaire de défaire cette connexion si un conduit flexible est utilisé. Assurez-vous que l'appareil est froid. Retirez le tiroir de rangement, puis ouvrez la porte du four. Soulevez la cuisinière à l'avant et faites-la glisser hors de son gîte, tout en évitant de soumettre le conduit à gaz flexible à des contraintes excessives. Lorsque la cuisinière est replacée dans son gîte, veillez à ne pas coincer le conduit à gaz flexible et le câble d'alimentation électrique derrière l'appareil. Rebranchez la tuyauterie rigide au régulateur (si applicable) et vérifiez qu'il n'y a pas une fuite de gaz au joint. Remplacez le tiroir, fermez la porte et réalimentez l'appareil en gaz et en électricité.

9 Installation de la cuisinière

Note importante: L'enlèvement de la porte du four n'est pas requis pour l'installation de l'appareil, mais la facilite grandement.

Référez-vous au manuel d'utilisation pour connaître les étapes.

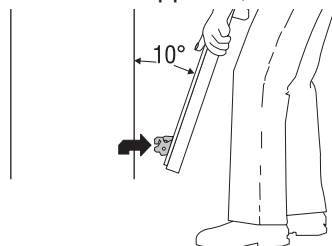


Figure 12

- 9.1** La table de cuisson chevauche, de chaque côté, le dessus du comptoir et la cuisinière repose sur le plancher. La largeur de la table de cuisson est de 31½" (80 cm).
- 9.2** Les armoires sous le comptoir doivent être distantes de 30" (76,2 cm). Assurez-vous qu'elles sont d'aplomb et de niveau avant d'y installer la cuisinière. Rasers le rebord bombé à l'extrémité avant du comptoir pour obtenir un ajustement serré de 31½" (80 cm) entre les bords extérieurs de la table de cuisson et le comptoir.
- 9.3** Distancez les portes des armoires de 32" (81,3 cm) minimum afin qu'elles n'interfèrent pas avec l'ouverture de la porte du four.
- 9.4** Découpez le comptoir tel que montré à la page 34.

Modèles possédant un dispositif de nivellement:

- 9.5** Lorsque vous déballez l'appareil les dispositifs de nivellement situés à l'arrière de l'appareil sont à la position la plus haute. Assurez-vous que les pattes de nivellement à l'avant sont aussi plus hautes que le comptoir.
- 9.6** Retirer et jeter les deux pattes de nivellement arrière, elles sont en place seulement que pour solidifier l'appareil durant le transport.
- 9.7** **⚠ MISE EN GARDE** Installez le support anti-bascule maintenant avant de placer l'appareil à sa position finale. Suivez les instructions sur le gabarit fourni avec le support anti-bascule de l'appareil ou à la fin de ce feuillet.
- 9.8** Afin d'obtenir une installation optimale, les 3 côtés du comptoir recevant l'appareil doivent être plats et à niveau. Tous les ajustements adéquats afin que le comptoir soit plat doivent être faits sinon des espaces entre l'appareil et le comptoir peuvent se produire.
- 9.9** **⚠ MISE EN GARDE** Pour éviter d'endommager l'appareil, ne pas le saisir ou le manipuler par la vitre de la surface de cuisson. Manipulez-le avec soin.
- 9.10** Centrez l'appareil devant l'ouverture du comptoir.
- 9.11** Assurez-vous que la surface de cuisson vitrifiée allant par dessus le comptoir est bien plus haute que le comptoir. Si tel n'est pas le cas, levez l'appareil en baissant les pattes de nivellement.
- 9.12** Glissez l'appareil dans l'ouverture du comptoir et centrez le devant de le mettre à niveau.
- 9.13** **Nivelez la cuisinière (voir la section 9).** Le plancher qui supporte la cuisinière doit être de niveau.
- 9.14** Ajustez les dispositifs de nivellement pour que le dessous de la table de cuisson repose au dessus du comptoir. Doucement relevez les dispositifs de nivellement arrière afin que la surface vitrifiée touche à peine le comptoir. La surface vitrifiée ne doit pas supporter l'appareil. Finalement, relevez doucement les vis de nivellement avant jusqu'à ce que la surface vitrifiée touche à peine le comptoir.

INSTRUCTIONS D'INSTALLATION POUR CUISINIÈRE ENCASTRABLE DE 30" À ALIMENTATION MIXTE (Modèles avec four électrique et plaque de cuisson à gaz)

Modèles possédant des vis de nivellement:

- 9.5** Assurez-vous que les quatre pattes de nivellement (arrière et avant) soient installées plus hautes que la hauteur du comptoir.
- 9.6** **⚠ MISE EN GARDE** Installez le support anti-bascule maintenant avant de placer l'appareil à sa position finale. Suivez les instructions sur le gabarit fourni avec le support anti-bascule de l'appareil ou à la fin de ce feuillet.
- 9.7** Afin d'obtenir une installation maximale, les 3 côtés du comptoir recevant l'appareil doivent être plat et à niveau. Tous les ajustements adéquats afin que le comptoir soit plat doivent être faits sinon des espaces entre l'appareil et le comptoir peuvent se produire.
- 9.8** **⚠ MISE EN GARDE** Pour éviter d'endommager l'appareil, ne pas le saisir ou le manipuler par la vitre de la surface de cuisson. Manipulez-le avec soin.
- 9.9** Centrez l'appareil devant le centre de l'ouverture du comptoir.
- 9.10** Assurez-vous que la surface de cuisson vitrifiée allant par dessus le comptoir est bien plus haute que le comptoir. Si tel n'est pas le cas, levez l'appareil en baissant les pattes de nivellement.
- 9.11** Nivelez la cuisinière (voir la section 9). Le plancher qui supporte la cuisinière doit être de niveau.
- 9.12** Finalement, glissez l'appareil dans l'ouverture du comptoir.

IMPORTANT Si des accessoires sont nécessaires:

Installation avec un dossier

La profondeur du découpage de (21³/₄" (55,2 cm) Min., 22 1/8" (56,2 cm) Max.) doit être augmentée à 24" (61 cm) lorsqu'un dossier est installé sur l'appareil.

Installation d'une moulure arrière

Vous pouvez commander un nécessaire pour moulure arrière dans un centre de service.

Installation de panneaux latéraux

Vous pouvez commander un nécessaire pour panneaux latéraux dans un centre de service. Distancez les portes des armoires de 32" (81,3 cm) minimum afin qu'elles n'interfèrent pas avec l'ouverture de la porte du four.

10. Mise à niveau de la cuisinière

10.1 Modèles possédant un dispositif de nivellement

Mettez à niveau l'appareil après l'avoir inséré dans le comptoir

- Ouvrez le tiroir de la cuisinière. Des vis de nivellement contrôlent la hauteur des dispositifs de nivellement arrière.
- Ajustez les pieds de l'appareil, comme décrit plus loin, jusqu'à ce que le dessous de la surface de cuisson s'appuie délicatement sur le dessus du comptoir et soit à niveau (Figure 13).
 - Pour ajuster les vis de nivellement avant, utilisez une clé à molette, localisez la vis et tournez-la dans le sens anti-horaire pour baisser ou dans le sens horaire pour lever l'appareil.
 - Retirez les pattes arrière en utilisant un clé à cliquet sur la base de la patte et tournez-la dans le sens anti-horaire jusqu'à ce que la patte se détache de l'appareil. Jetez les pattes arrière, elles sont seulement utiles pour solidifier l'appareil durant le transport.
 - Pour ajuster les dispositifs de nivellement arrière, utilisez un tourne-écrou ou un rochet et tournez l'écrou de nivellement dans le sens anti-horaire pour baisser et dans le sens horaire pour lever l'appareil.
- Vérifiez si l'appareil est à niveau en installant une grille au centre du four et en plaçant un niveau à bulle sur cette dernière (Figure 14).
- Prenez 2 lectures en plaçant le niveau en diagonale dans une direction, puis dans l'autre direction. Si nécessaire, ajustez les 2 vis et les dispositifs de nivellement.
- S'il est impossible de mettre à niveau l'appareil, contactez un menuisier pour corriger les défauts dans le plancher.

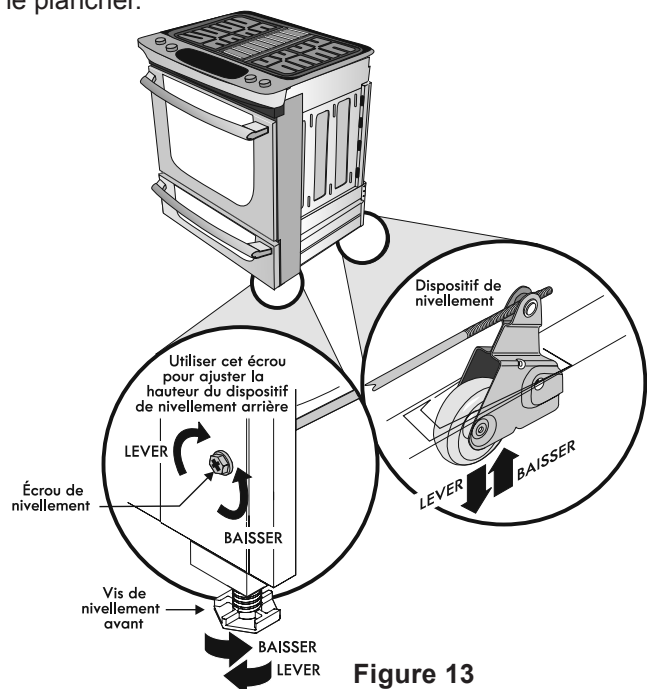


Figure 13

INSTRUCTIONS D'INSTALLATION POUR CUISINIÈRE ENCASTRABLE DE 30" À ALIMENTATION MIXTE (Modèles avec four électrique et plaque de cuisson à gaz)

10.2 Modèles possédant des vis de nivellement

Mettez la cuisinière de niveau et ajustez la hauteur de la table de cuisson avant de l'installer dans le découpage du comptoir.

1. Installez une grille au centre du four.
2. Déposez un niveau à bulle sur la grille (figure 14). Prenez 2 lectures en plaçant le niveau en diagonale dans une direction, puis dans l'autre direction. Si nécessaire, ajustez les 4 vis de nivellement avec une clé à molette (voir figure 26).

3. Glissez délicatement la cuisinière, en faisant attention de ne pas abîmer le dessus du comptoir, dans le découpage du comptoir et vérifiez si elle est encore de niveau.

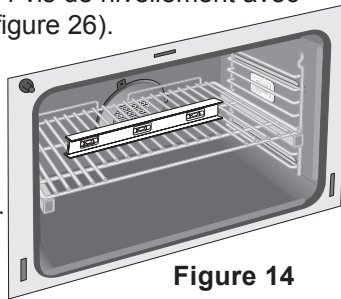


Figure 14

11. Vérification du Fonctionnement

Référez-vous au Guide de l'utilisateur inclus avec la cuisinière pour les directives de fonctionnement et pour l'entretien et le nettoyage de votre cuisinière.

Enlevez tout le matériel d'emballage du four avant de commencer les essais.

11.1 Mise en place des couvercles de brûleurs

Brûleurs réguliers

Il est **très important** de vous assurer que les couvercles et les grilles des brûleurs sont installés correctement et à la bonne position **avant** d'utiliser l'appareil. S'il vous plaît notez que les têtes de brûleur sont fixes à la table de cuisson. **La table de cuisson n'est pas relevable.** N'essayez pas d'enlever ou soulever la table de cuisson.

⚠ AVERTISSEMENT Afin d'éviter les flambées soudaines et la création de gaz secondaires qui peuvent être nocifs, n'utilisez pas votre table de cuisson sans les couvercles de brûleurs correctement installés pour assurer un allumage adéquat et une flamme de la bonne dimension.

Gardez toujours les couvercles et les têtes de brûleurs en position lorsqu'ils sont en fonction. **NE laissez pas les renversements, la nourriture, les agents de nettoyage ou tout autre matériau obstruer l'orifice du brûleur.**

Vérifiez et assurez vous que la dimension des couvercles concorde avec la dimension des têtes des brûleurs. Vérifiez et assurez-vous que tous les couvercles de brûleurs ronds sont placés correctement sur les têtes de brûleurs ronds.

Vérifiez et assurez-vous que tous les couvercles de brûleurs ovales sont placés correctement sur les têtes de brûleurs ovales (si présent). Vérifiez et assurez-vous que tous les couvercles du brûleur double sont

placés correctement sur la tête du brûleur double (si présent).

Sur les brûleurs ronds, assurez-vous que le rebord du couvercle est bien disposé au centre de la tête du brûleur et donc à niveau (Figure 15). Référez-vous aux figures 16 & 17 pour connaître le positionnement correct et incorrect des couvercles de brûleurs.

Une fois en place, vérifiez si les couvercles sont bien placés, centrés et bien assis au centre de la tête du brûleur en les bougeant de droite à gauche (figure 18). Lorsque le rebord des couvercles entrera en contact avec l'intérieur de la tête des brûleurs, vous entendrez le bruit du contact. S'il vous plaît, notez le couvercle NE doit pas bouger du centre de la tête du brûleur lorsque vous tentez de le glisser de droite à gauche.

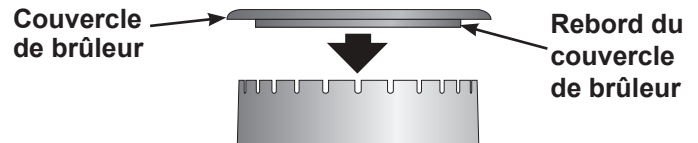


Fig. 15

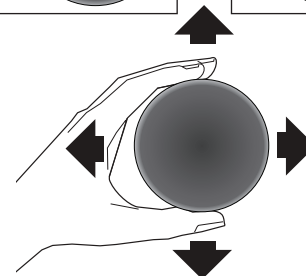
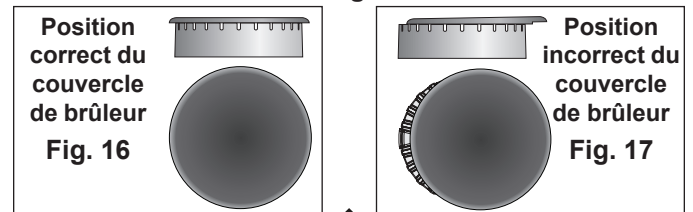


Fig. 18

Brûleur muni d'une flamme double (Si présent)

Enlevez les rubans adhésifs. Assurez-vous que les couvercles du brûleur muni d'un flamme double sont correctement placés AVANT d'utiliser le brûleur.

Note: Il n'y a pas d'ajustement nécessaire sur cette surface de cuisson.

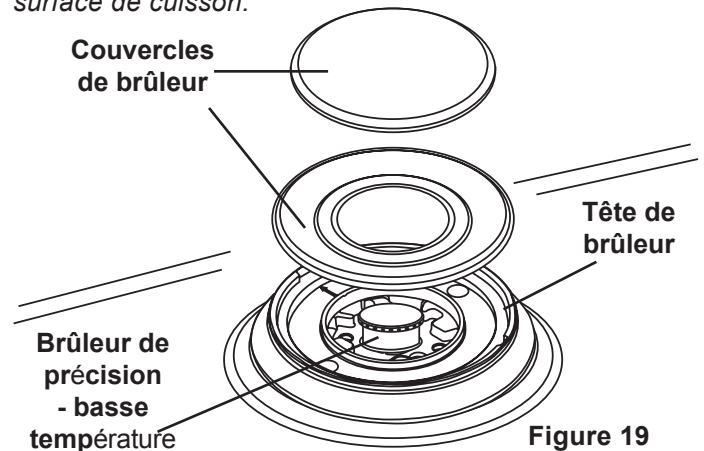


Figure 19

INSTRUCTIONS D'INSTALLATION POUR CUISINIÈRE ENCASTRABLE DE 30" À ALIMENTATION MIXTE (Modèles avec four électrique et plaque de cuisson à gaz)

11.2 Branchez l'alimentation en électricité et ouvrez le robinet principal d'alimentation en gaz.

11.3 Vérifiez les allumeurs

Il faut vérifier le fonctionnement des allumeurs électriques après que la cuisinière et les raccords du tuyau d'alimentation aient été eux-mêmes vérifiés relativement aux fuites et que la cuisinière ait été branchée à la prise de courant.

Pour vérifier si l'allumage est adéquat :

- Appuyez sur le bouton de commande d'un brûleur de surface et tournez-le à la position "LITE". Vous entendrez les étincelles de l'allumeur électrique qui allume le brûleur.
- Le brûleur de surface doit s'allumer lorsque le gaz est disponible au brûleur supérieur. En fonctionnement normal, chaque brûleur doit s'allumer dans un délai de quatre (4) secondes après que l'air ait été purgé des canalisations d'alimentation.
- Regardez si le brûleur est allumé. Une fois le brûleur allumé, le bouton de commande doit être tourné à une autre position que LITE.
- Il existe des dispositifs d'allumage séparés pour chaque brûleur. Essayez chaque bouton séparément jusqu'à ce que tous les robinets de brûleur aient été vérifiés.

11.4 Réglez la position "LOW" des robinets des brûleurs de surface (flux linéaire)

Vérifiez si la position LOW doit être ajustée:

- Appuyez sur le bouton de commande et tournez le à la position LITE jusqu'à ce qu'il allume.
- Tournez rapidement le bouton à la position la plus basse.
- Si le brûleur s'éteint, remettez le bouton de commande à la position OFF (arrêt).
- Enlevez le bouton de commande
- Insérez un tournevis à pointe fine dans la tige creuse du robinet et insérez dans la tête de la vis. La hauteur de la flamme peut être augmentée ou diminuée en tournant la vis. Tournez la vis dans le sens anti-horaire pour augmenter la dimension de la flamme. Tournez la vis dans le sens horaire pour diminuer la dimension de la flamme (Figure 20). Ajustez la dimension flamme jusqu'à ce que vous puissiez tourner rapidement le bouton de LITE à la plus basse position (LOW) sans éteindre la flamme. Celle-ci devrait être aussi minuscule que possible sans s'éteindre.

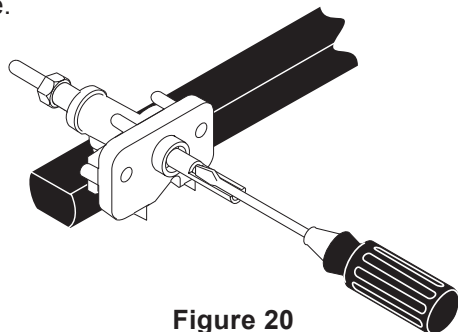


Figure 20

11.5 Fonctionnement des éléments du four

Ce four est équipé d'une commande de four électronique. Chacune des fonctions a été vérifiée à l'usine avant l'expédition. Nous vous suggérons cependant de vérifier une fois de plus le fonctionnement des commandes du contrôleur électronique. Référez-vous au [Guide de l'utilisateur](#) pour le mode de fonctionnement. Suivez les instructions sur les fonctions de l'Horloge (Clock), de la Minuterie (Timer), de la cuisson au four (Bake), au gril (Broil), par convection (Convection) (certains modèles) et de nettoyage (Clean).

Cuisson au four (Bake)– Réglez le four à 350°F (177°C) pour la cuisson au four et vérifiez si ce dernier dégage de la chaleur.

Cuisson au gril (Broil)– Lorsque le four est réglé à Cuisson au GRIL (BROIL), l'élément supérieur du four doit devenir rouge.

Nettoyage (Clean)– Lorsque le four est réglé pour un cycle autonettoyant, l'élément supérieur devrait devenir rouge durant le préchauffage du cycle.

Convection (certains modèles)– Lorsque le four est réglé à CONV. BAKE/ROAST à 350°F (177°C), les deux éléments s'allument et s'éteignent à tour de rôle et le ventilateur de convection se met à tourner. Le ventilateur de convection arrête de tourner lorsque la porte du four est ouverte durant la cuisson par convection.

Lorsque tous les raccords sont terminés

Vérifiez que toutes les commandes soient en position d'arrêt (OFF).

Assurez-vous que la circulation d'air de combustion et de ventilation à la cuisinière n'est pas obstruée.

Emplacement des numéros de modèle et de série

La plaque signalétique est située sur le châssis avant du four, derrière la porte du four (certains modèles) ou sur le côté du tiroir (certains modèles).

Lors d'une commande de pièces ou pour toute demande de renseignements au sujet de votre cuisinière, assurez-vous de toujours inclure les numéros de modèle et de série et le numéro de lot ou une lettre de la plaque signalétique de votre cuisinière.

La plaque signalétique vous donne également la capacité des brûleurs, le type de carburant et la pression à laquelle la cuisinière a été réglée au moment de l'expédition.

Avant d'appeler le service d'entretien

Réviser la liste de vérifications préventives et les instructions d'opération dans votre Guide de l'utilisateur. Vous sauvez probablement du temps et de l'argent. La liste contient les événements ordinaires qui ne résultent pas de défauts dans le matériel ou la fabrication de cet appareil.

Pour obtenir notre adresse et nos numéros de téléphone, référez-vous à la garantie et aux renseignements sur les services d'entretien dans votre [Guide de l'utilisateur](#).

Prière de nous téléphoner ou de nous écrire pour toute demande d'information au sujet de votre cuisinière et/ou si vous désirez commander des pièces.

INSTRUCTIONS D'INSTALLATION POUR CUISINIÈRE ENCASTRABLE DE 30" À ALIMENTATION MIXTE (Modèles avec four électrique et plaque de cuisson à gaz)

12. Instructions d'installation du support anti-bascule

12.1 Modèles possédant un dispositif de nivellement

⚠ AVERTISSEMENT Pour réduire le risque de basculement de la cuisinière, protégez-la en installant les vis et le support anti-bascule fournis avec la cuisinière. Ils sont situés dans un sac de plastique dans le four. Si vous n'installez pas ce support anti-bascule, la cuisinière risque de basculer si un poids excessif est placé sur une porte ouverte ou si un enfant y grimpe. Les renversements de liquides chauds ou la cuisinière peuvent provoquer de sérieuses blessures.

Suivez les instructions ci-dessous pour installer le support anti-bascule.

Si vous déplacez la cuisinière pour l'installer à un autre endroit, vous devez également déplacer le support anti-bascule pour les installer avec la cuisinière.

Outils Requis :

Tourne écrou de 5/16" (0,79 cm) ou tournevis à tête carrée

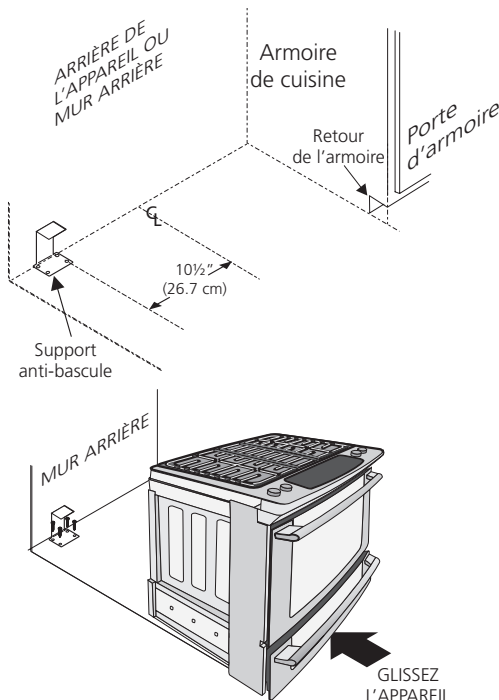
Clé à molette

Perceuse électrique

Foret de 3/16" (0,5 cm) de diamètre

Foret de maçonnerie de 3/16" (0,5 cm) diamètre (si l'installation se fait dans du béton)

Le support anti-bascule se fixe au plancher, à l'arrière au centre de la cuisinière, pour retenir la patte arrière centrale. En le fixant au plancher, assurez-vous que les vis ne pénètrent pas dans la plomberie ou le câblage électrique. Les vis fournies fonctionneront aussi bien dans du bois que dans du béton.



1. Dessinez une ligne au sol (à l'avant de l'ouverture) en ligne avec le devant des armoires (et non en ligne avec le retour d'armoire).
2. Dépliez le gabarit de papier et placez-le à plat sur le plancher, l'avant et les extrémités des côtés exactement sur la ligne préalablement tracée (utilisez le diagramme ci-dessous pour localiser le support anti-bascule si le gabarit de papier n'est pas disponible (Figure 17)).
3. Tracez sur le plancher l'emplacement des 4 trous de montage indiqués sur le gabarit. Pour faciliter l'installation, des trous pilotes d'un 1/2" (1,3 cm) de profondeur et 3/16" (0,5 cm) de diamètre peuvent être percés dans le plancher.
4. Enlevez le gabarit et placez le support anti-bascule sur le plancher. Alignez les trous dans le support anti-bascule avec les trous tracés sur le plancher et fixez avec les 4 vis fournies. Le support anti-bascule doit être fixé sur un plancher solide (Figure 18). Si vous les fixez à un plancher en béton, percez d'abord des trous pilotes de 3/16" (0,5 cm) de diamètre à l'aide d'un foret à maçonnerie.
5. Assurez-vous que les vis de nivellement ainsi que les dispositifs de nivellement sont à la position la plus haute.
6. Remplacez la cuisinière en la faisant glisser, en vous assurant que la patte centrale est bien agrippée au support anti-bascule (Figure 18). Abaissez l'appareil en ajustant les vis et les dispositifs de nivellement jusqu'à ce que le dessous de la surface vitrifiée touche à peine le dessus du comptoir. Référez-vous à la section Mise à niveau de la cuisinière.
7. Après l'installation, vérifiez que la cuisinière est bien agrippée au support anti-bascule en agrippant le dessus de l'extrémité arrière de la cuisinière et essayant soigneusement de l'incliner vers l'avant pour vous assurer que la cuisinière est correctement ancrée.

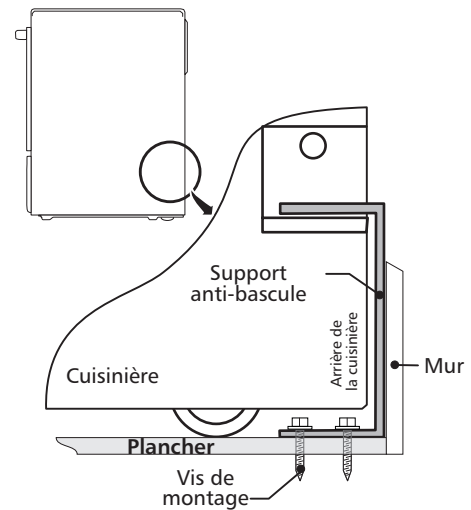


Figure 22

INSTRUCTIONS D'INSTALLATION POUR CUISINIÈRE ENCASTRABLE DE 30" À ALIMENTATION MIXTE (Modèles avec four électrique et plaque de cuisson à gaz)

12.2 Modèles possédant des vis de nivellement

⚠ AVERTISSEMENT La cuisinière doit être fixée au plancher pour éviter qu'elle ne bascule, en installant un support anti-bascule à l'aide des vis fournies avec la cuisinière. Si le support anti-bascule n'est pas installé, la cuisinière peut basculer lorsqu'un poids excessif est exercé sur la porte ouverte ou qu'un enfant monte dessus. Des blessures graves peuvent s'ensuivre provenant de la cuisinière elle-même ou du renversement de liquides chauds.

Si la cuisinière doit être déplacée, le support anti-bascule doit être également déplacé.

Les directives fournies sont prévues pour la fixation dans un plancher de bois ou de béton. Lors de la fixation, assurez-vous que les vis ne pénètrent pas dans les accessoires de plomberie, de gaz ou le câblage électrique.

A. Positionnez le support à l'aide du gabarit. -

Positionnez le gabarit symétriquement au centre de l'emplacement final de la cuisinière. Marquez au sol la position des vis du support tel que montré sur ce gabarit (le support peut être installé à droite ou à gauche).



Figure 23

B. Percez des avant-trous et fixez le support -

Repérez le centre des trous indiqués et percez des avant-trous de 1/8". Si le support doit être fixé au mur, percez un avant-trou dans un angle de 20°. Si le support doit être fixé sur un plancher en béton ou en céramique, percez un avant-trou de 5/32" x 1-3/4" de profondeur. Les vis fournies peuvent être utilisées dans le bois comme dans le béton. Utilisez un tourne-écrou de 5/16" pour fixer le support.

FIXER LE SUPPORT (MONTAGE AU MUR OU AU PLANCHER)

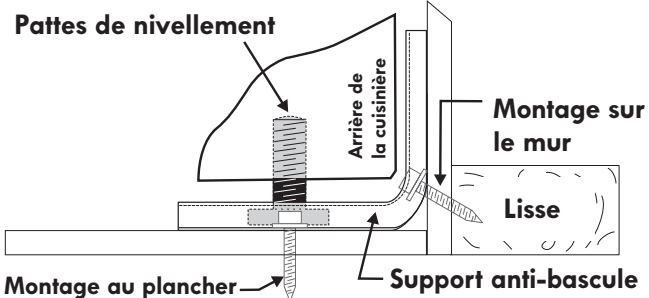


Figure 24

C. Mise à niveau et positionnement de la cuisinière.

Glissez la cuisinière à son emplacement final. Insérez la patte de nivellement de la cuisinière dans le support. Assurez-vous que la patte de la cuisinière est bien insérée dans le support en vérifiant visuellement. Placez un niveau à bulle sur l'une des grilles de l'appareil pour vérifier s'il est de niveau. S'il est nécessaire, ajustez les pattes de nivellement jusqu'à ce que l'appareil soit de niveau.

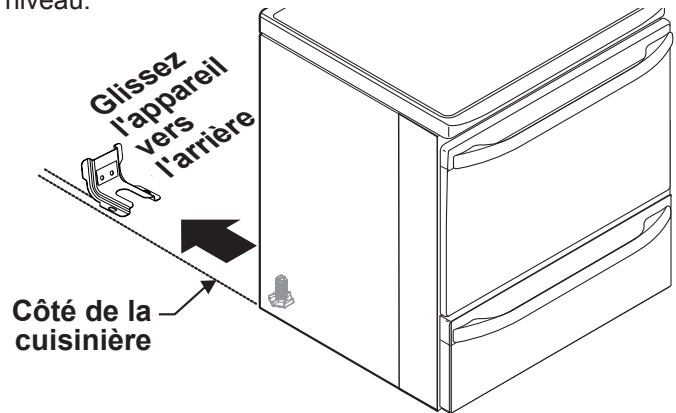


Figure 25

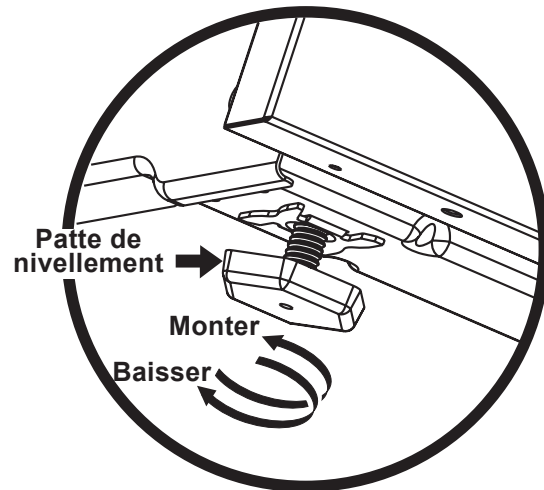


Figure 26

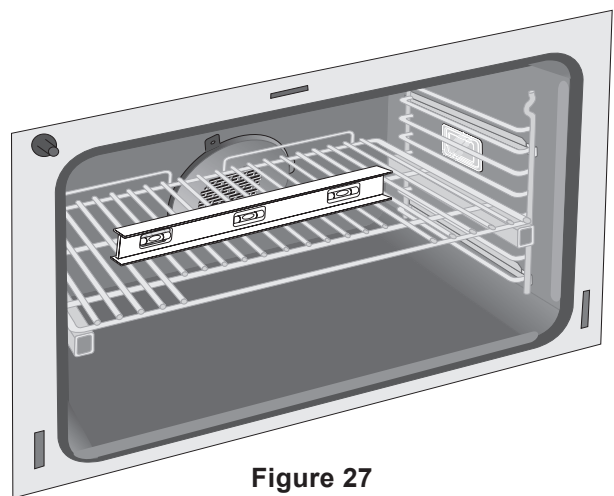


Figure 27