

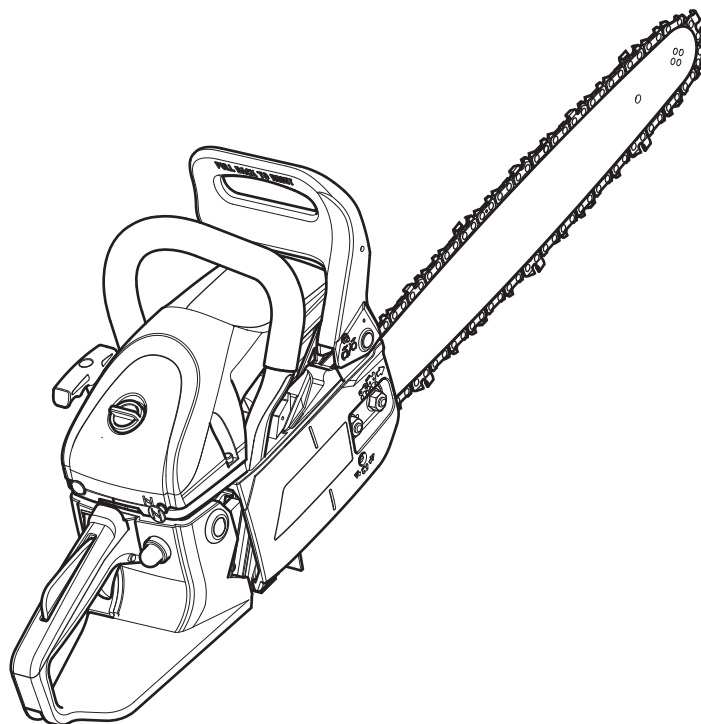
# Operator's Manual

# CRAFTSMAN®

## 2-Cycle

## GAS CHAINSAW

Model No. 316.380180



**CAUTION:** Before using this product, read this manual and follow all its Safety Rules and Operating Instructions.

- SAFETY
- ASSEMBLY
- OPERATION
- MAINTENANCE
- ESPAÑOL, P. 31

**Sears Brands Management Corporation, Hoffman Estates, IL 60179 U.S.A.**

Visit our website: [www.craftsman.com](http://www.craftsman.com)

## TABLE OF CONTENTS

Safety .....	.2
Warranty .....	.7
Know Your Unit .....	.8
Specifications .....	.9
Assembly .....	.10
Oil and Fuel .....	.11
Starting and Stopping .....	.12
Operation .....	.13
Maintenance .....	.19
Cleaning and Storage .....	.27
Troubleshooting .....	.28
Repair Protection Agreements .....	.29
Service Numbers .....	.Back Cover

All information, illustrations and specifications in this manual are based on the latest product information available at the time of printing. We reserve the right to make changes at any time without notice.

© Sears Brands, LLC

## SAFETY

The purpose of safety symbols is to attract your attention to possible dangers. The safety symbols, and their explanations, deserve your careful attention and understanding. The safety warnings do not by themselves eliminate any danger. The instructions or warnings they give are not substitutes for proper accident prevention measures.

### SYMBOL MEANING

 **DANGER:** Signals an EXTREME hazard. Failure to obey a safety **DANGER** signal **WILL** result in serious injury or death to yourself or to others.


 **WARNING:** Signals a SERIOUS hazard. Failure to obey a safety **WARNING** signal **CAN** result in serious injury to yourself or to others.

 **CAUTION:** Signals a MODERATE hazard. Failure to obey a safety **CAUTION** signal **MAY** result in property damage or injury to yourself or to others.

**NOTE:** Advises you of information or instructions vital to the operation or maintenance of the equipment.

### SPARK ARRESTOR NOTE

**NOTE: For users on U.S. Forest Land and in the states of California, Maine, Oregon and Washington.** All U.S. Forest Land and the state of California (Public Resources Codes 4442 and 4443), Oregon and Washington require, by law that certain internal combustion engines operated on forest brush and/or grass-covered areas be equipped with a spark arrestor, maintained in effective working order, or the engine be constructed, equipped and maintained for the prevention of fire. Check with your state or local authorities for regulations pertaining to these requirements. Failure to follow these requirements could subject you to liability or a fine. **This unit is factory equipped with a spark arrestor.** Replacement requires **Muffler Assembly Part #753-08106**, installed at a Sears Parts & Repair Service Center.

 **CALIFORNIA PROPOSITION 65**  
**WARNING:** This product contains a chemical known to the state of California to cause cancer, birth defects or other reproductive harm.

**Read the operator's manual and follow all warnings and safety instructions. Failure to do so can result in serious injury to the operator and/or bystanders.**

# • IMPORTANT SAFETY INSTRUCTIONS •

## READ ALL INSTRUCTIONS BEFORE OPERATING



**WARNING:** When using the unit, all safety rules must be followed. Please read these instructions before operating the unit in order to ensure the safety of the operator and any bystanders. Please keep these instructions for later use.

- Read the instructions carefully. Be familiar with the controls and proper use of the unit. Know how to stop the unit and disengage the controls quickly.
- Do not operate this unit when tired, ill or under the influence of alcohol, drugs or medication.
- Never allow children to operate the unit. Never allow adults to operate the unit without proper instruction.
- All guards and safety attachments must be installed properly before operating the unit.
- Inspect the unit before use. Replace damaged parts. Check for fuel leaks. Make sure all fasteners are in place and secure. Replace parts that are cracked, chipped, or damaged in any way. Do not operate the unit with loose or damaged parts.
- Be aware of risk of injury to the head, hands and feet.
- Carefully inspect the area before starting the unit. Remove rocks, broken glass, nails, wire, string and other objects that may be thrown or become entangled with the unit.
- Clear the area of children, bystanders and pets; keep them outside a 50-foot (15 m) radius, at a minimum. Even then, they are still at risk from thrown objects. Encourage bystanders to wear eye protection. If you are approached, stop the unit immediately.
- Squeeze the throttle control and check that it returns automatically to the idle position. Make all adjustments or repairs before using the unit.

## SAFETY WARNINGS FOR GAS UNITS



**WARNING:** Use caution when handling fuel. Gasoline is highly flammable and its vapors can explode if ignited. Take the following precautions:

- Store fuel only in containers specifically designed and approved for the storage of such materials.
- Always stop the engine and allow it to cool before filling the tank. Never remove the fuel tank cap or add fuel when the engine is hot. Always loosen the fuel tank cap slowly to relieve any pressure in the tank before fueling.
- Always mix and add fuel in a clean, well-ventilated outdoor area where there are no sparks or flames. DO NOT smoke.
- Never operate the unit without the fuel cap securely in place.
- Avoid creating a source of ignition for spilled fuel. Wipe up any spilled fuel from the unit immediately, before starting the unit. Move the unit at least 30 ft. (9.1 m) from the fueling source and site before starting the engine. DO NOT smoke.
- Never start or run the unit inside a closed room or building. Breathing exhaust fumes can kill. Operate this unit only in a well ventilated outdoor area.

## WHILE OPERATING

- Wear safety glasses or goggles that meet current ANSI Z87.1 standards and are marked as such. Wear ear/hearing protection when operating this unit. Wear a face mask or dust mask if the operation is dusty. Use a hard hat or other type of safety helmet.
- Wear safety boots and protective gloves. Wear heavy, snug-fitting clothes, including long pants and a long-sleeve shirt. Do not wear loose clothing, jewelry, short pants, sandals or go barefoot. Secure hair above shoulder level.
- Make sure the saw chain is not in contact with anything before starting the unit.
- Use the unit only in daylight or good artificial light.
- Avoid accidental starting. Be in the starting position whenever pulling the starter rope. The operator and unit must be in a stable position while starting. Refer to *Starting and Stopping*.
- Use the right tool. Only use this tool for its intended purpose: to cut wood. Do not use the unit for cutting plastic, masonry or other non-wood building materials. Only use the unit as described in this manual.
- Keep all body parts away from the saw chain when the unit is running. Do not touch or try to stop moving parts.
- Do not touch the engine or muffler. These parts get extremely hot from operation, even after the unit is turned off.
- Do not operate the unit faster than the speed needed to do the job. Do not run the unit at high speed when not in use.
- Do not force the unit, especially near the end of a cut. It will do a better, safer job when used at the intended rate.
- Always turn the engine off when operation is delayed, when setting the unit down or when carrying the unit from one location to another. Make sure all moving parts come to a complete stop.
- Carry the unit by the front handle with the muffler positioned away from the body and the guide bar positioned to the rear. Cover the guide bar and saw chain with the scabbard when carrying the unit.
- If you strike or become entangled with a foreign object, stop the unit immediately and check for damage. Do not operate the unit before repairing damage. Do not operate the unit with loose or damaged parts.
- Use only original equipment manufacturer (OEM) replacement parts and accessories for this unit. These are available from a Sears or other qualified service dealer. Use of any other parts or accessories could lead to serious injury to the user, or damage to the unit, and void the warranty.
- Keep the unit clean. Carefully remove vegetation and other debris that could block moving parts.
- To reduce fire hazard, replace a faulty muffler and spark arrestor. Keep the engine and muffler free from grass, leaves, excessive grease or carbon build up.
- If the unit starts to vibrate abnormally, stop the unit immediately. Inspect the unit for the cause of the vibration. Vibration is generally an indicator of trouble.
- Keep the work area clean. Cluttered areas invite injuries. Do not start cutting until the work area is clear and free from obstructions. Make sure there is secure footing and a planned retreat path from falling trees or branches.
- Do not cut near electrical cables or power lines. Keep at least 50 feet (15 m) away from all power lines.
- For safer, more effective performance, make sure the guide bar and chain are properly cleaned, lubricated, tightened and sharpened. Check the guide bar and chain at frequent intervals for proper adjustment.
- When cutting a limb that is under tension, use extreme caution. When the tension is released, the limb could spring back and strike the operator, causing severe injury or death.

- Use extreme caution when cutting small-sized brush and saplings, as slender material may catch the saw chain and be whipped toward the operator or pull the operator off balance.
- This saw is classified by UL as a Class 1C saw in accordance with CSA Z62.1-03. It is intended for infrequent use by homeowners, cottagers and campers, and for general applications such as clearing, pruning, cutting firewood, etc. It is not intended for prolonged use. If the intended use involves prolonged periods of operation, this may cause circulatory problems in the user's hands due to vibration.
- Do not operate the unit in a tree or on a ladder unless specifically trained to do so.
- Never remove, modify or make inoperative any safety device furnished with the unit.
- Do not use the unit in the presence of flammable liquids or gases.
- Do not attempt operations beyond the operator's capacity or experience.
- Do not operate a unit that is damaged, improperly adjusted or not completely and securely assembled. Make sure moving parts stop when the unit is turned off. Do not use the unit if it does not turn on and off properly. Have defective parts replaced by a Sears or other qualified service dealer.

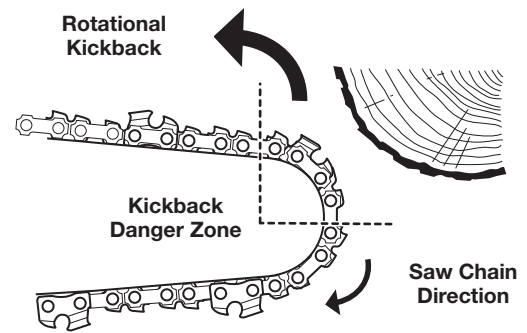


Fig. A

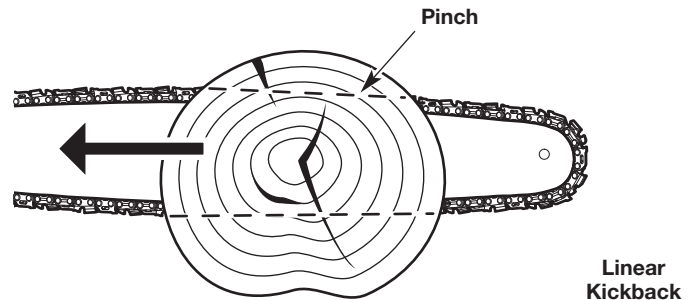


Fig. B

## KICKBACK SAFETY

	<p><b>WARNING:</b> Kickback may occur when the nose or tip of the guide bar touches an object, or when the wood closes in and pinches the saw chain in the cut. In some cases, tip contact may cause a lightning-fast reverse action, kicking the guide bar rapidly back towards the operator. Pinching the saw chain along the top of the guide bar may push the guide bar rapidly back towards the operator. Either of these reactions may cause a loss of control over the saw, which could result in serious injury to the operator. Contact with foreign objects within the wood can also induce a loss of chain saw control.</p>
--	--

### Understanding Kickback

A basic understanding of kickback can help reduce or eliminate the element of surprise and the chance of kickback-related injury. Sudden surprise contributes to accidents.

- **Rotational Kickback** can happen when the upper tip of the guide bar contacts an object while the chain is moving (Fig. A). This can cause the chain to dig into the object and momentarily stop moving. The guide bar is then kicked up and back toward the operator in a lightning-fast reverse reaction.
- **Linear Kickback** can happen when the wood on either side of a cut closes in and pinches the moving saw chain along the top of the guide bar (Fig. B). This can cause the chain to instantly stop. The chain force is then reversed, causing the saw to move in the opposite direction, sending the saw straight back toward the operator.
- **Pull-In** can happen when the moving chain on the bottom of the guide bar hits a foreign object inside the wood. This can cause the chain to suddenly stop. The saw is then pulled forward and away from the operator, which could potentially result in the loss of control of the saw.

### Kickback Safety Precautions

Take the following steps to reduce the chance of accident or injury:

- Do not rely exclusively upon the safety devices built into the unit.
- Do not cut above shoulder height.
- Do not overreach. Always keep proper footing and balance. Take extra care when working on steep slopes or inclines.
- Do not make cuts with the tip of the guide bar.
- Make sure the area of operation is free from obstructions. Do not let the tip of the guide bar contact any object, such as a log, branch, the ground or other obstruction.
- Always inspect the wood before cutting. Foreign objects could damage the unit or cause serious personal injury. Never cut through nails, metal rods, railroad ties or pallets.
- Do not operate the unit with one hand! Serious injury to the operator, helpers or bystanders may result from one-handed operation. This unit is intended for two-handed use. Always grip the unit firmly with both hands when the unit is running. Hold the front handle with the left hand and the rear handle with the right hand. Firmly encircle the handles with the thumbs and fingers. Do not let go. A firm grip will help maintain control of the unit and reduce the chance of kickback.
- Stand slightly to the left of the unit to avoid being in the direct line of the saw chain.
- Never start the saw when the guide bar is inside an existing cut. Be extremely careful when re-entering a cut.
- Always begin a cut with the unit running at full speed. Fully squeeze the throttle control and maintain a steady cutting speed. Slower speeds increase the chance of kickback.
- Keep the saw housing pressed firmly against the wood.
- Do not cut more than one log or branch at a time.
- Do not twist the unit when removing the guide bar from a cut.
- Watch out for shifting objects (logs, branches, etc.) that might pinch or fall onto the saw chain during operation.

- Only use wedges made of wood or plastic. Do not use metal to hold a cut open.
- Follow the manufacturer's sharpening and maintenance instructions for the saw chain.
- Only use replacement bars and chains specified by the manufacturer or the equivalent. These are available from a Sears or other qualified service dealer. Use of any unauthorized parts or accessories could lead to serious injury to the operator or damage to the unit and will void the warranty.
- Use devices that reduce the risks associated with kickback, such as low-kickback chains, guide bar nose guards, chain brakes and low-kickback guide bars. There are no other replacement components for achieving kickback protection in accordance with CSA Z62.3.
- A low-kickback saw chain is a chain that has met the kickback performance requirements of ANSI/OPEI B175.1-2012 when tested according to the provisions specified in ANSI/OPEI B175.1-2012. A low-kickback saw chain is a chain that is also in accordance with CSA Z62.3. Do not use a replacement saw chain unless it has met these requirements for this specific model or has been designated as a low-kickback replacement saw chain in accordance with ANSI/OPEI B175.1-2012. As saw chains are sharpened, some of the low-kickback qualities are lost and extra caution should be used.
- Do not install a bow guide on this unit. Bow guides have larger kickback zones, which increase the chance of kickback and serious injury. This increase is not significantly reduced by using a low-kickback saw chain. Using a bow guide on this unit is extremely dangerous.






## OTHER SAFETY WARNINGS





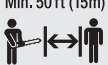



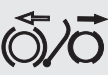


- Follow all maintenance instructions in this manual.
- All service, other than the maintenance procedures described in this manual, should be performed by a Sears or other qualified service dealer.
- Do not use the unit if it is not working correctly, has been dropped, damaged, left outdoors or dropped into water. Have the unit serviced by a Sears or other qualified service dealer.
- Before inspecting, servicing, cleaning, storing, transporting or replacing any parts on the unit:
  1. Stop the unit.
  2. Make sure all moving parts have stopped.
  3. Allow the unit to cool.
  4. Disconnect the spark plug wire.
- Secure the unit while transporting.
- Always use the scabbard on the guide bar and saw chain during transportation and storage.
- Always store the unit and fuel in a cool, dry and well-ventilated space. Do not store fuel, or a unit with fuel in the tank, indoors where fumes may reach open flames (pilot lights, etc.) or sparks (switches, electrical motors, etc.).
- Store the unit in a dry place, secured or at a height to prevent unauthorized use or damage. Keep the unit out of the reach of children.
- Never douse or squirt the unit with water or any other liquid. Keep handles dry, clean and free from debris, oil, fuel and grease. Clean the unit after each use. Refer to *Cleaning and Storage*. Do not use solvents or strong detergents.
- Keep these instructions. Refer to them often and use them to instruct other users. If you loan this unit to others, also loan them these instructions.

## SAVE THESE INSTRUCTIONS

• SAFETY & INTERNATIONAL SYMBOLS •

This operator's manual describes safety and international symbols and pictographs that may appear on this product. Read the operator's manual for complete safety, assembly, operating and maintenance and repair information.

SYMBOL	MEANING
	<ul style="list-style-type: none"> <li>• <b>SAFETY ALERT SYMBOL</b> Indicates danger, warning or caution. May be used in conjunction with other symbols or pictographs.</li> </ul>
	<ul style="list-style-type: none"> <li>• <b>READ OPERATOR'S MANUAL</b> <b>WARNING:</b> Read the operator's manual(s) and follow all warnings and safety instructions. Failure to do so can result in serious injury to the operator and/or bystanders.</li> </ul>
	<ul style="list-style-type: none"> <li>• <b>WEAR HEAD, EYE AND HEARING PROTECTION</b> <b>WARNING:</b> Thrown objects and loud noise can cause severe eye injury and hearing loss. Wear eye protection meeting current ANSI Z87.1 standards and ear protection when operating this unit. Wear head protection when operating this unit; falling objects can cause severe head injury. Use a full face shield when needed.</li> </ul>
	<ul style="list-style-type: none"> <li>• <b>UNLEADED FUEL</b> Always use clean, fresh unleaded fuel.</li> <li>• <b>OIL</b> Refer to operator's manual for the proper type of oil.</li> </ul>
	<ul style="list-style-type: none"> <li>• <b>DO NOT USE E85 FUEL IN THIS UNIT</b> <b>WARNING:</b> It has been proven that fuel containing greater than 10% ethanol will likely damage this engine and void the warranty.</li> </ul>

SYMBOL	MEANING
	<ul style="list-style-type: none"> <li>• <b>ON/OFF STOP CONTROL</b> ON / START / RUN</li> </ul>
	<ul style="list-style-type: none"> <li>• <b>ON/OFF STOP CONTROL</b> OFF or STOP</li> </ul>
	<ul style="list-style-type: none"> <li>• <b>PRIMER BULB</b> Push primer bulb, fully and slowly, 10 times.</li> </ul>
	<ul style="list-style-type: none"> <li>• <b>CHOKE CONTROL</b> <ul style="list-style-type: none"> <li>• Pulled Out - FULL choke position</li> <li>• Pushed In - RUN position</li> </ul> </li> </ul>
 Min. 50 ft (15m)	<ul style="list-style-type: none"> <li>• <b>KEEP BYSTANDERS AWAY</b> <b>WARNING:</b> Keep all bystanders, especially children and pets, at least 50 feet (15 m) from the operating area.</li> </ul>
	<ul style="list-style-type: none"> <li>• <b>USE BOTH HANDS</b> <b>WARNING:</b> Always use both hands while operating the unit. Never use only one hand to operate the unit.</li> </ul>
	<ul style="list-style-type: none"> <li>• <b>KICKBACK</b> <b>WARNING:</b> Contact of the guide bar tip with any object should be avoided. Tip contact may cause the guide bar to move suddenly upward and backward, which may cause serious injury.</li> </ul>
	<ul style="list-style-type: none"> <li>• <b>CHAIN OIL ADJUSTMENT INDICATOR</b> The chain must be continuously coated with oil to function properly. Make sure to set the oil adjustment screw to allow a sufficient amount of oil to flow continuously onto the chain.</li> </ul>
	<ul style="list-style-type: none"> <li>• <b>CHAIN BRAKE</b> The chain brake immediately stops the moving saw chain in emergency situations. To manually engage the chain brake, push the chain brake lever forward completely. To disengage the chain brake, pull the chain brake lever back completely.</li> </ul>
	<ul style="list-style-type: none"> <li>• <b>CHAIN DIRECTION</b> Make sure the saw chain faces the direction shown when installed on the guide bar. Refer to <i>Installing the Guide Bar and Saw Chain</i> in the <i>Maintenance</i> section.</li> </ul>
	<ul style="list-style-type: none"> <li>• <b>CHAIN TENSIONING</b> Always keep the saw chain properly tensioned. Turn the chain-tensioning screw clockwise to tighten the saw chain. Turn the chain-tensioning screw counterclockwise to loosen the saw chain.</li> </ul>

# WARRANTY

## **CRAFTSMAN LIMITED WARRANTY**

FOR TWO YEARS from the date of sale, this product is warranted against defects in material or workmanship. WITH PROOF OF SALE, a defective product will receive free repair or replacement at option of seller.

## **ADDITIONAL LIMITED WARRANTY ON ENGINE CRANKSHAFT**

FOR THE THIRD THROUGH TENTH YEAR from the date of sale, the engine crankshaft of this product is warranted against any defects in material or workmanship.

WITH PROOF OF SALE, a defective engine crankshaft will be replaced free of charge. You are responsible for the labor cost of crankshaft installation. This additional warranty covers only the engine crankshaft, and does not apply to any other engine component.

**For warranty coverage details to obtain free repair or replacement, visit the web page: [www.craftsman.com/warranty](http://www.craftsman.com/warranty)**

**This warranty covers ONLY defects in material and workmanship. Warranty coverage does NOT include:**

- Expendable items that can wear out from normal use within the warranty period, including but not limited to chain bar, chain, filters, spark plug, carrying case or scabbard.
- Product damage resulting from user attempts at product modification or repair or caused by product accessories.
- Repairs necessary because of accident or failure to operate or maintain the product according to all supplied instructions.
- Preventive maintenance or repairs necessary due to improper fuel type, fuel mixture, contaminated or stale fuel.

This warranty is void if this product is ever used while providing commercial services or if rented to another person.

This warranty gives you specific legal rights, and you may also have other rights which vary from state to state.

Sears Brands Management Corporation, Hoffman Estates, IL 60179

**To order parts or schedule service for this product, call 1-888-331-4569.**

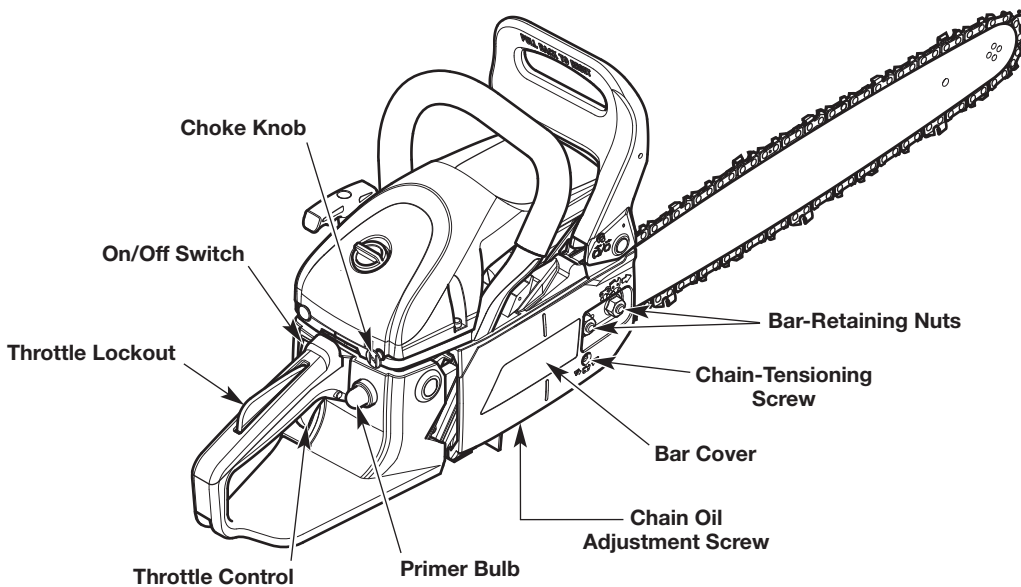
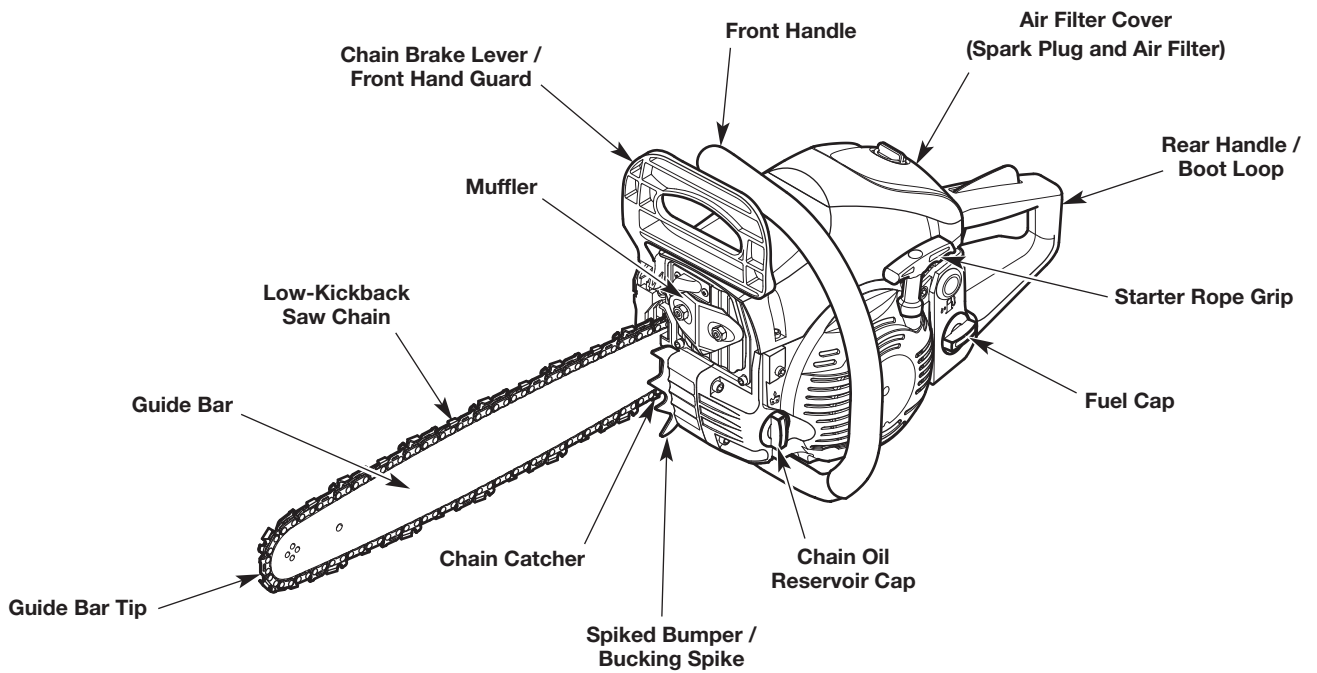
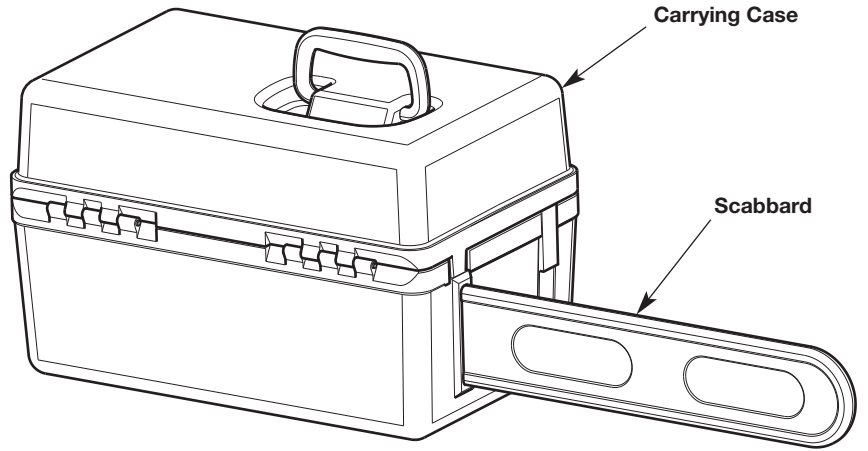
# KNOW YOUR UNIT

## APPLICATIONS

- Felling and limbing trees
- Cutting logs (bucking)
- Pruning trees

## ASSEMBLY TOOLS REQUIRED:

- Flat-head screwdriver or multi-purpose tool (provided)





## SAFETY FEATURES

- **LOW-KICKBACK SAW CHAIN** significantly reduces the chance of kickback and the intensity of kickback, due to specially designed depth gauges and guard links.
- The **SPARK ARRESTER SCREEN** retains carbon and other flammable particles over 0.023 inches (0.6mm) in size from the engine exhaust flow. Compliance with local, state and federal laws and/or regulations governing the use of a spark arrester screen is the user's responsibility. Refer to *Spark Arrester Note* in the *Safety* section for additional information.
- The **CHAIN BRAKE LEVER / FRONT HAND GUARD** helps protect the operator's left hand if it slips off the front handle while the unit is running. The chain brake lever is also used to manually engage the chain brake.
- The **CHAIN BRAKE** reduces the chance of injury if kickback occurs, by stopping the saw chain in milliseconds. The chain brake is designed to engage automatically in response to kickback. The chain brake can also be activated by pushing the chain brake lever forward, either intentionally or if the operator's hand strikes the lever during kickback.
- The **ON/OFF SWITCH** immediately stops the engine when moved to the OFF position. The On/Off switch must be moved to the On position to start the engine.
- The **THROTTLE LOCKOUT** prevents accidental acceleration of the engine. The throttle control cannot be squeezed unless the throttle lockout is depressed.
- The **CHAIN CATCHER** reduces the chance of injury if the saw chain breaks or derails during operation. The chain catcher is designed to intercept a whipping chain.

## SPECIFICATIONS\*

Engine Type	Air-Cooled, 2-Cycle
Displacement	42 cc (2.56 cu. in.)
Spark Plug Gap	0.025 in. (0.635 mm)
Spark Plug	Champion® RCJ6Y or equivalent plug
Lubrication	Bar and Chain Oil
Fuel/Oil Ratio	40:1
Fuel Tank Capacity	22 oz. (650 mL)
Chain Oil Reservoir Capacity	8.45 oz. (250 mL)
Approximate Unit Weight (without fuel or chain oil)	14 - 15 lbs. (6.3 - 6.8 kg)
Guide Bar Length	18 in. (45.7 cm)
Saw Chain Pitch	3/8 in. (9.5 mm)
Saw Chain Gauge	0.050 in. (1.3 mm)

\* All specifications are based on the latest product information available at the time of printing. We reserve the right to make changes at any time without notice.

## REPLACEMENT PARTS

Please contact the Customer Support Department to order replacement parts.

Part #	Description
753-08104	Saw Chain (18 in. / 45.7 cm)
795-00278	Guide Bar (18 in. / 45.7 cm)
753-08105	Bar-Retaining Nuts


## ADDING BAR AND CHAIN OIL: INITIAL USE

This unit comes from the factory with the chain oil reservoir empty. Refer to *Adding Bar and Chain Oil* instructions in the *Maintenance* section.

## ADJUSTING THE CHAIN TENSION: INITIAL USE

The saw chain must be properly tensioned before attempting to start or operate the unit. The saw chain may also require additional tensioning as the saw chain heats up during operation. Refer to *Adjusting the Chain Tension* instructions in the *Maintenance* section.

## TESTING THE CHAIN BRAKE

	<p><b>WARNING:</b> Always activate the chain brake slowly and deliberately. Keep the saw chain from touching anything. Do not let the chain saw tip forward.</p>
--	--

Always test the chain brake before using the unit.

1. **Set the unit on a flat, level surface.**
  2. Make sure the chain brake lever is pulled back in the disengaged position (Fig. 1).
  3. Start the unit. Refer to *Starting Instructions* in the *Starting and Stopping* section. Maintain a proper grip. Refer to *Holding the Unit* in the *Operation* section.
  4. While the unit is running, squeeze the throttle control to 1/3 throttle and then engage the chain brake by pushing the chain brake lever forward with the left hand (Fig. 1). The chain should stop moving abruptly.
- IF..** If the chain stops moving, the chain brake is working correctly.
- IF..** If the chain does not stop moving, have the unit serviced by a Sears or other qualified service dealer.
5. Stop the engine and return the chain brake to the disengaged position. Refer to *Stopping Instructions* in the *Starting and Stopping* section.

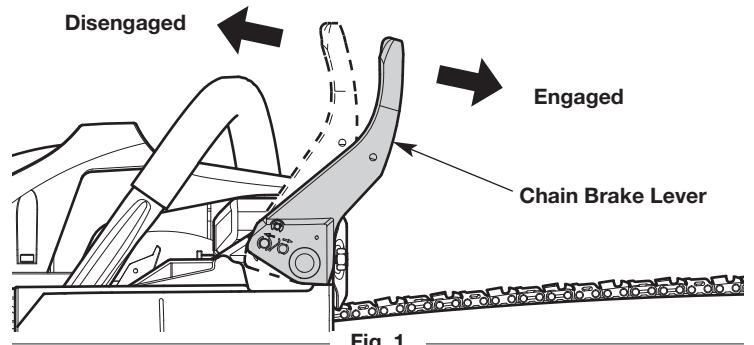


Fig. 1

## OIL AND FUEL MIXING INSTRUCTIONS

The use of old and/or improperly mixed fuel is the most common cause of performance problems. Use only fresh, clean unleaded gasoline. Follow the instructions carefully for the proper gasoline/oil mixture.

### Definition of Blended Fuels

Today's fuels are often a blend of gasoline and oxygenates such as ethanol, methanol or MTBE (ether). Alcohol-blended fuel absorbs water. As little as 1% water in the fuel can make fuel and oil separate, forming acids when stored. ALWAYS use fresh fuel (less than 30 days old).

**NOTE:** Dispose of old fuel according to federal, state and local regulations.

### Using Blended Fuels

If using a blended fuel:

- Always use the fresh fuel mix explained in your operator's manual
- Use the fuel additive STA-BIL® or an equivalent
- Always agitate the fuel mix before fueling the unit
- Drain the tank and run the engine dry before storing the unit



**WARNING: DO NOT USE E85 FUEL IN THIS UNIT.** It has been proven that fuel containing greater than 10% ethanol will likely damage this engine and void the warranty.

### Using Fuel Additives

The bottle of 2-cycle oil provided with this unit contains a fuel additive to help inhibit corrosion and minimize gum deposits. Always use the brand of 2-cycle oil that came with this unit. If this is unavailable, use a 2-cycle oil designed for air-cooled engines and mix it with a fuel additive, such as STA-BIL Fuel Stabilizer or an equivalent. Add 0.8 oz. (23 mL) of fuel additive per gallon of fuel, according to the instructions on the container. NEVER add fuel additives directly to the unit's fuel tank.

### Mixing the Fuel



**NOTE:** This unit comes with a 3.2 oz. (95 mL) bottle of 2-cycle oil.

To obtain the correct fuel mixture described below, pour the entire bottle into one gallon of unleaded gasoline.



**CAUTION:** For proper engine operation and maximum reliability, pay strict attention to the gasoline and oil mixing instructions on the 2-cycle oil bottle. Using improperly mixed fuel can severely damage the engine.

Thoroughly mix the proper ratio of unleaded gasoline with 2-cycle engine oil. Do not mix them directly in the unit's fuel tank. Use a separate fuel can. Use a 40:1 gasoline/oil ratio. See the table below for specific gasoline and oil mixing ratios.

	
<b>Unleaded gasoline</b>	<b>2-cycle oil</b>
<b>1 gallon U.S. (3.8 L)</b>	<b>3.2 fl. oz. (95 mL)</b>
<b>1 L</b>	<b>25 mL</b>

**MIXING RATIO - 40:1**

## FUELING THE UNIT



**WARNING:** Gasoline is extremely flammable. Ignited vapors may explode. Always stop the engine and allow it to cool before filling the fuel tank. Do not smoke while filling the tank. Keep sparks and open flames at a distance from the area.



**WARNING:** Remove the fuel cap slowly to avoid injury from fuel spray. Never operate the unit without the fuel cap securely in place.



**WARNING:** Add fuel in a clean, well ventilated outdoor area. Wipe up any spilled fuel immediately. Avoid creating a source of ignition for spilled fuel. Do not start the engine until fuel vapors dissipate.

1. Position the unit with the fuel cap facing up.
2. Remove the fuel cap (Fig. 2).
3. Place the fuel container spout into the fill hole on the fuel tank and fill the tank.

**NOTE:** Do not overfill the tank.

4. Wipe up any fuel that may have spilled.
5. Reinstall the fuel cap.
6. Move the unit at least 30 ft. (9.1 m) from the fuel container and the fueling site before starting the engine.

Fuel Cap

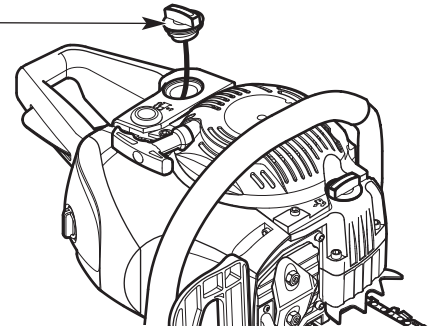


Fig. 2

## STARTING AND STOPPING



**WARNING:** Operate this unit only in a well-ventilated outdoor area. Carbon monoxide exhaust fumes can be lethal in a confined area.



**WARNING:** Avoid accidentally starting the unit. To avoid serious injury, the operator and the unit must be in a stable position when pulling the starter rope (Fig. 5).



**WARNING:** Never operate the unit without the guide bar and saw chain properly installed. Make sure the bar-retaining nuts are tight and the guide bar cover is securely assembled. Make sure the saw chain is properly tensioned.



**WARNING:** The saw chain will spin after the engine starts. Keep hands and feet clear of the saw chain and do not allow the saw chain to contact any object(s).

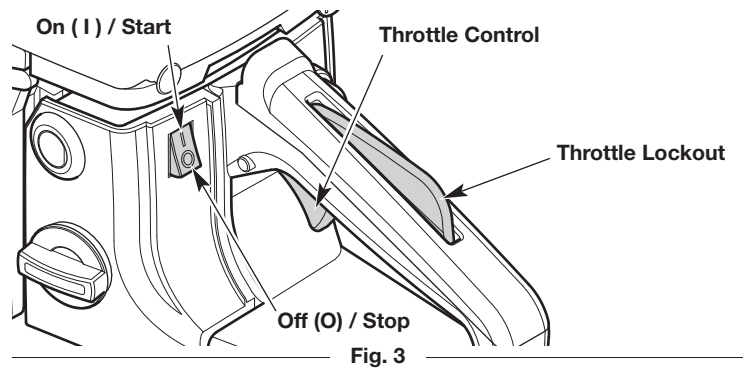


Fig. 3

### STARTING INSTRUCTIONS

1. Mix gasoline with oil. Refer to *Oil and Fuel Mixing Instructions*.
2. Fill the fuel tank. Refer to *Fueling the Unit*.
3. Fill the chain oil reservoir with bar and chain oil. Refer to *Adding Bar and Chain Oil* in the *Maintenance* section.
4. Make sure the chain brake is disengaged. Refer to *Testing the Chain Brake* in the *Assembly* section.
5. Move the On/Off switch to the **On** position (Fig. 3).
6. Slowly press and release the primer bulb **10 times** (Fig. 4). If fuel cannot be seen in the primer bulb, press and release the primer bulb until fuel is visible.
7. Pull the choke knob out to **Position 1** (Fig. 4).

**NOTE: DO NOT** touch the throttle control until step 14 (Fig. 3).

8. **DO NOT** touch the throttle control (Fig. 3). Set the unit on a flat, level surface. Clear the area of any objects that could contact the saw chain.
9. **DO NOT** touch the throttle control. Crouch in the starting position (Fig. 5). Hold the front handle with the left hand. Hold the starter rope grip with the right hand. Insert the right foot into the boot loop to help hold the unit firmly in place.
10. **DO NOT** touch the throttle control. Pull the starter rope with a controlled and steady motion **5 times** (Fig. 5).
11. **DO NOT** touch the throttle control. Push the choke knob in to **Position 2** (Fig. 4).
12. **DO NOT** touch the throttle control. Pull the starter rope with a controlled and steady motion **3 to 5 times** to start the engine.
13. **DO NOT** touch the throttle control. Allow the engine to warm up for 30 to 60 seconds.
14. Press and hold the throttle lockout. Lightly squeeze and release the throttle control to idle the engine.



**WARNING:** The saw chain should not move when the engine runs at idle. If it does move, refer to *Adjusting the Idle Speed* in the *Maintenance* section.

15. To reduce the chance of injury, engage the chain brake until you are ready to begin operation. When ready, disengage the chain brake. Then press the throttle lockout and squeeze the throttle control to accelerate the engine, as needed.

**NOTE:** The engine is properly warmed up when it accelerates without hesitation.

**IF...** the engine hesitates, continue the warm-up.

**IF...** the engine does not start, begin the starting procedure with step 4.

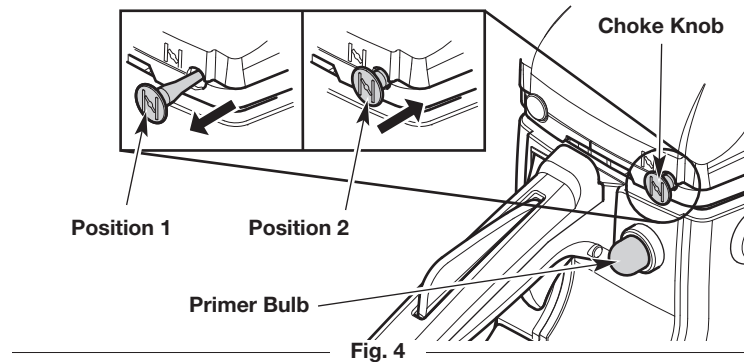


Fig. 4

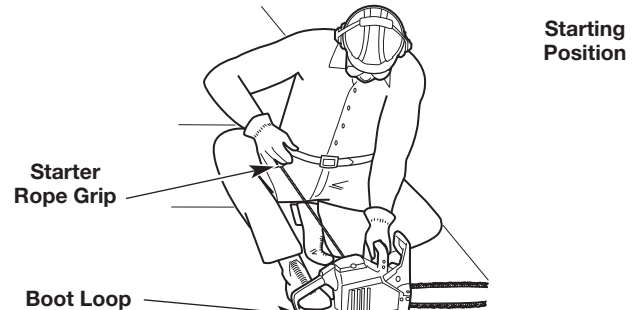


Fig. 5

**IF...** the engine fails to start after a few attempts, move the choke knob to **Position 2**, press the throttle lockout and squeeze the throttle control. Pull the starter rope with a controlled and steady motion **3 to 8 times**. The engine should start. If it does not, repeat this instruction.

**IF...** the engine is already warm, make sure the On/Off switch is in the **On** position, crouch in the starting position, pull the choke knob out to **Position 1** and then push the choke knob back in to **Position 2**. Begin the starting procedure with step 12.

## STOPPING INSTRUCTIONS

1. Release the throttle control and allow the engine to idle.
2. Move the On/Off switch to the **Off** position (Fig. 3). Wait for the saw chain to come to a complete stop.

### Emergency Stopping

1. Push the chain brake lever forward to engage the chain brake. Refer to *Testing the Chain Brake* in the *Assembly* section.
2. Move the On/Off switch to the **Off** position.

## OPERATION



**WARNING:** Always check the chain tension and adjust as necessary before beginning operation. Refer to *Adjusting the Chain Tension* in the *Maintenance* section.



**WARNING:** Make sure the chain oil reservoir is full before operation. Check the oil level constantly so that it does not drop below half full. Make sure the chain oil adjustment screw is set appropriately. Refer to *Setting the Chain Oil Adjustment Screw* in the *Maintenance* section. The saw chain must be continuously coated with oil to function properly.



**WARNING:** Always wear appropriate eye, hearing, hand, foot and body protection to reduce the risk of injury when operating this unit. Wear head protection. Use a full face shield when needed. Refer to the *Safety* section for appropriate safety equipment information.


## TIPS FOR BEST RESULTS

- Follow all safety instructions. Refer to the *Safety* section.
- Only cut wood and materials made of wood. Do not attempt to cut sheet metal, plastics, masonry or any other non-wood materials.
- Practice cutting a few small logs before beginning a major cutting operation.
- Do not attempt to cut trees or logs with diameters larger than 14 in. (35.6 cm).

## PREPARING THE WORK AREA

- Clear the area of children, bystanders and pets; keep them outside a 50-foot (15 m) radius, at a minimum. Even then, they are still at risk from thrown objects. Encourage bystanders to wear eye protection. If you are approached, stop the unit immediately. When felling, the safe distance is at least twice the height of the tallest tree in the work area. When bucking, keep workers at least 15 feet (4.6 m) apart.
- Keep the work area clean. Cluttered areas invite injuries. Do not start cutting until the work area is clear and free from obstructions. Make sure there is secure footing and a planned retreat path from falling trees or branches.
- Do not cut near electrical cables or power lines. Keep at least 50 feet (15 m) away from all power lines.
- Use the unit only in daylight or good artificial light.

## HOLDING THE UNIT

	<b>WARNING:</b> Always hold the front handle with the left hand and the rear handle with the right hand. Always keep all body parts to the left of the chain line.
--	--

- Firmly encircle the handles with the thumbs and fingers (Fig. 6). This will help reduce the chance of losing control of the unit if kickback occurs. Any grip with thumbs and fingers on the same side of the handles is dangerous (Fig. 7).
- Always grip the unit firmly with both hands when the unit is running.
- Hold the front handle with the left hand. Keep the left arm straight to help withstand potential kickback.
- Hold the rear handle with the right hand. Keep the right arm slightly bent.
- Use these hand placements whether the operator is left-handed or right-handed. This will help keep the operator slightly to the left of the unit and out of the direct line of the chain saw if kickback occurs (Fig. 8 and Fig. 9).
- Stand in a stable position with feet apart and firmly planted.
- Do not cut above shoulder height. Do not overreach.

## CUTTING PROCEDURE BASICS

1. Start the unit. Refer to *Starting Instructions* in the *Starting and Stopping* section.
2. Keep your fingers off the throttle control until you are ready to make a cut.
3. Accelerate the unit to full speed before cutting.
4. Press the unit against the wood and maintain a firm, steady pressure through most of the cut. Do not put pressure on the unit at the end of the cut.
5. Maintain a steady speed throughout the cut. Keep the unit running through the entire cut.
6. Do not try to force the saw through the wood. Allow the saw chain to do the cutting. Exert only light pressure. Forcing the cut could result in damage to the unit or personal injury.
7. Release the throttle control as soon as the cut is completed. Allow the saw chain to come to a complete stop. The saw chain, guide bar and engine may experience unnecessary wear if the unit is run without a cutting load.

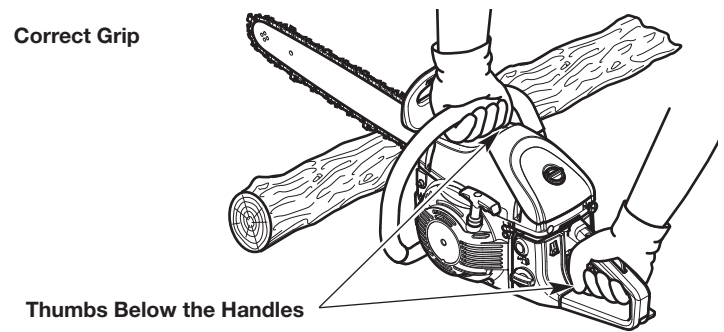


Fig. 6

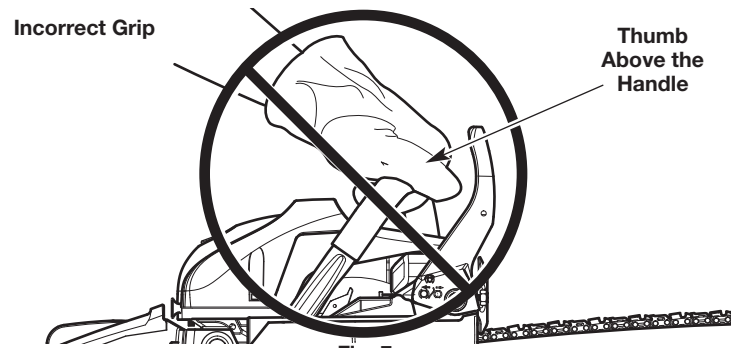


Fig. 7

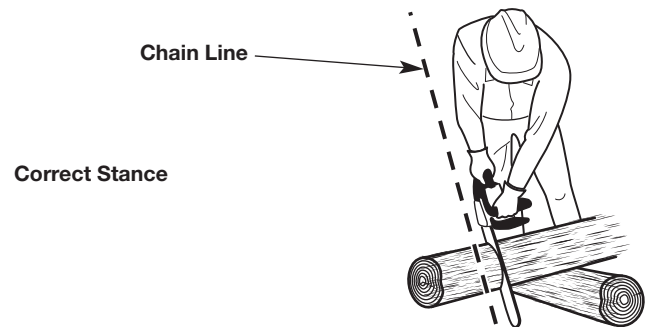


Fig. 8

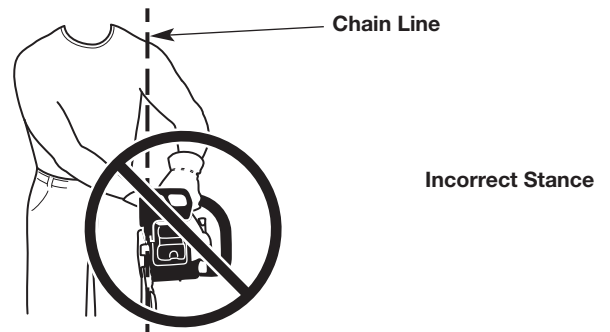


Fig. 9

## FELLING: SAFETY

Felling is the process of cutting down a tree. Follow these safety precautions to reduce the risk of serious injury, property damage and damage to electrical lines:

- Do not fell trees with an extreme lean. Do not fell trees with rotten limbs, loose bark or hollow trunks. Have these trees pushed or dragged down with heavy equipment.
- Do not cut trees near buildings or electrical lines. Leave these operations for professionals. If a felled tree does contact an electrical line, notify the utility company immediately.
- Check the tree for damaged or dead branches that could fall and cause serious injury.
- Remove dirt, stones, loose bark, nails, wire and other obstructions from the portion of the tree that will be cut.
- When bucking and felling operations are performed by two or more persons in the same general area, they should be separated from each other by a distance of at least twice the height of the tree to be felled.
- Consider the force and direction of the wind. Consider the lean and balance of the tree. Consider the location of large branches. All of these factors influence the direction that the tree will fall. Do not try to fell a tree in a direction other than its natural fall line.
- Do not fell trees during periods of precipitation or high winds.
- Determine a safe and expedient escape route. Clear the area around the tree and make sure there are no obstructions blocking the escape route. Establish a 90° corridor of escape, approximately 135° from the line of fall (Fig. 10).
- Stay uphill from the tree; it will most likely roll or slide after it falls.

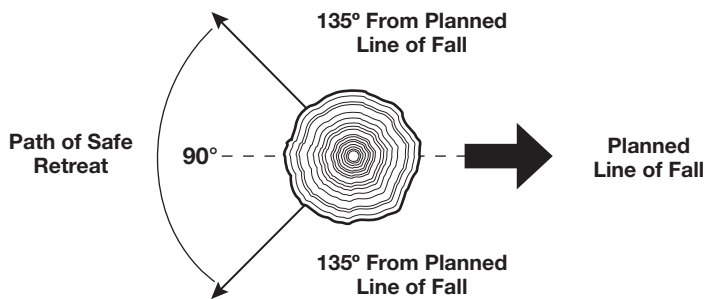


Fig. 10

## FELLING: PROCEDURE

Small trees, up to 6 - 7 inches (15 - 18 cm) in diameter, are usually felled in a single cut. Larger trees require a sequence of two cutting operations: a notched undercut followed by a felling back cut. It may also be necessary to remove buttress roots.

### Step 1: Removing Buttress Roots

Buttress roots are large roots that extend above the ground and help support the tree. If the tree has large buttress roots that might impede the felling process, follow these steps to remove them:

1. Make a horizontal cut into the buttress root (Fig. 11). To prevent the guide bar from being pinched by the weight of the wood, always make this cut first.
2. Make a vertical cut into the buttress root (Fig. 11).
3. Remove the loose section from the work area.

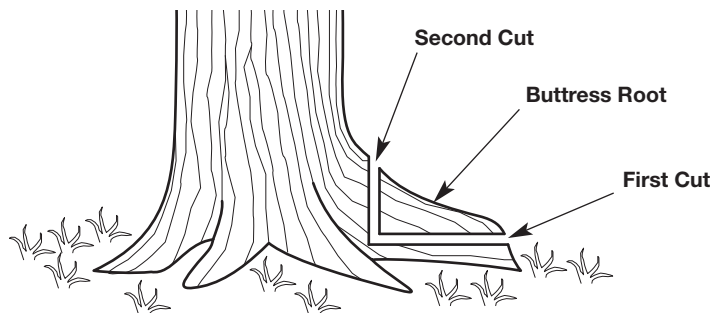


Fig. 11

### Step 2: Making the Notched Undercut



**WARNING:** Never walk in front of a tree with a notched undercut.

This cut determines which direction the tree will fall. Always make this cut on the side of the tree facing the direction where the tree should fall. Make the cut at 90° to the line of fall.

1. Make a horizontal cut into the trunk of the tree (Fig. 12). The cut should be about 1/3 the diameter of the tree and close to the ground. To prevent the guide bar from being pinched by the weight of the wood, always make this cut first.
2. Make a 45° cut into the trunk of the tree, above the first cut (Fig. 12). Continue cutting until the two cuts meet.
3. Remove the loose section from the work area.

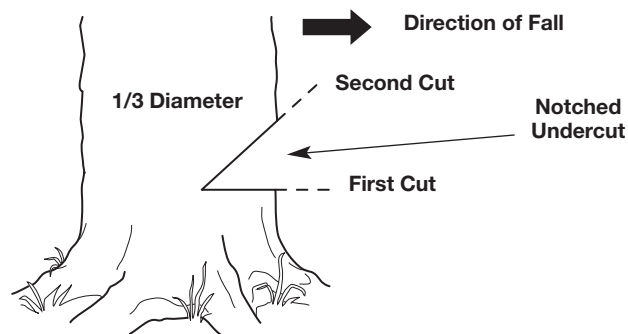


Fig. 12

### Step 3: Making the Felling Back Cut



**WARNING:** Always recheck the area for bystanders, animals and obstacles before making the felling back cut.

This cut fells the tree.

1. Make a horizontal cut into the opposite side of the tree from the notched undercut (Fig. 13). Make the cut approximately 2 inches (5 cm) above the bottom of the notched undercut (Fig. 13).
2. As the cut gets close to the notched undercut, only a thin band of wood will support the tree. This band of wood is referred to as the hinge (Fig. 13). The hinge helps control the fall of the tree. Leave approximately 2 inches (5 cm) of hinge in place. Do not cut through the hinge. Cutting through the hinge could cause the tree to fall in any direction.
3. Periodically glance up during the felling back cut to see if the tree is going to fall in the correct direction. If there is a chance that the tree might not fall in the desired direction, or if the tree might rock back and bind the chain saw, remove the guide bar from the cut, stop the unit and use wedges to open the cut and direct the fall (Fig. 14). Only use soft plastic or wooden wedges. Drive the wedges into the cut slowly. Once the wedges are in place and the cut is held open, either carefully reinsert the guide bar and continue the cut or slowly drive the wedges in further to push the tree over.
4. As the hinge gets smaller, the tree should begin to fall. When the tree begins to fall, remove the chain saw from the cut, stop the engine and set the unit down immediately. Promptly exit the area along the retreat path, but keep watching the tree as it falls.

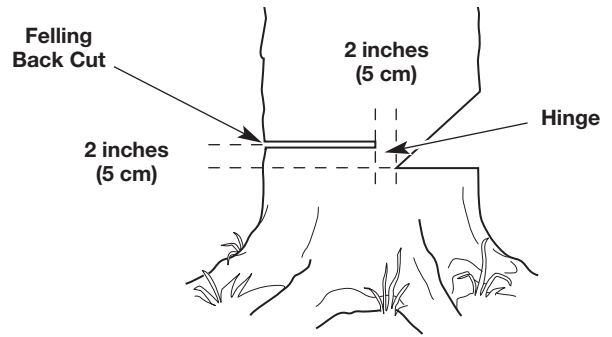


Fig. 13



Fig. 14



**DANGER:** If the tree starts to fall in the wrong direction and binds the chain saw, leave the unit and evacuate the area immediately! Do not try to save the chain saw!



**WARNING:** Stay clear of spring poles when operating the unit. Spring poles are branches, logs, roots or saplings that are bent under tension by other wood (Fig. 15). When the tension is released, spring poles can strike the operator, causing serious injury and potentially knocking the chain saw into the operator's body. Use extreme caution when cutting spring poles or when releasing the cause of tension.

Spring Pole

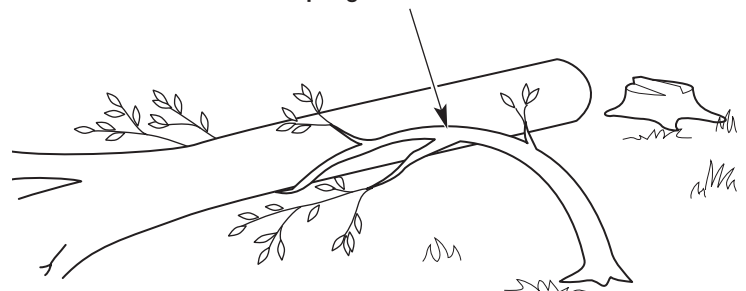


Fig. 15

### LIMBING

Limbing is the process of removing branches from a fallen tree.

1. Leave the larger support limbs under the tree for last (Fig. 16). These will keep the tree off the ground during the limbing process.
2. Cut one limb at a time. Stand on the opposite side of the tree from the limb (Fig. 16). Keep the trunk between the operator and the chain saw. To avoid binding the chain saw, branches under tension should be cut from the bottom up.
3. Remove the cut limbs from the work area.

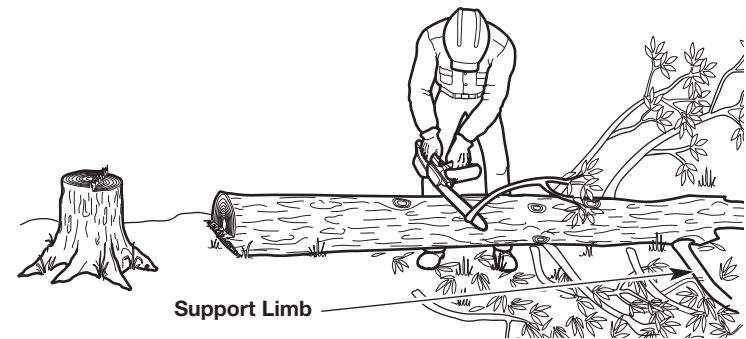


Fig. 16



## BUCKING: SAFETY

Bucking is the process of cutting a fallen tree into logs of desired lengths. Follow these safety precautions to reduce the risk of serious injury:

- Clear the area of objects or obstructions that could contact the guide bar and result in kickback.
- When bucking on a slope, always stand on the uphill side of the fallen tree.
- If possible, the end of the tree to be cut should be raised off of the ground. A saw horse is ideal for this purpose. If a saw horse is not available, use other logs or any remaining limb stumps. Make sure the tree is firmly supported.
- Do not let the saw chain contact the ground or saw horse.
- Cut one log at a time. Release the throttle control and allow the saw chain to come to a complete stop before moving on to the next log.
- Keep feet and all other body parts clear of falling logs.



**DANGER:** Use extreme caution when cutting a fallen tree that is still attached to the root structure. When the trunk is separated from the roots, the stump has a high potential for rocking back into the hole created by the roots. This can result in serious injury or death. Never stand in the hole left by the roots. Never allow others to stand near the root structure.

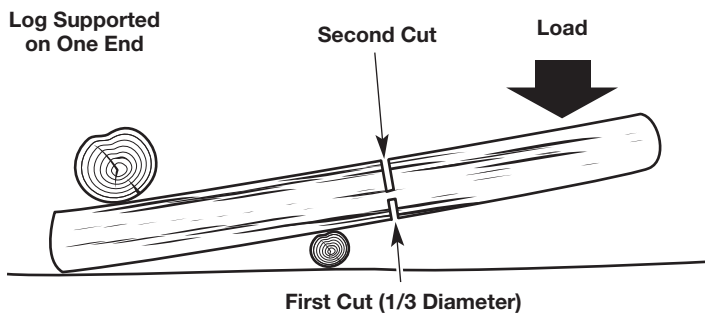


Fig. 17

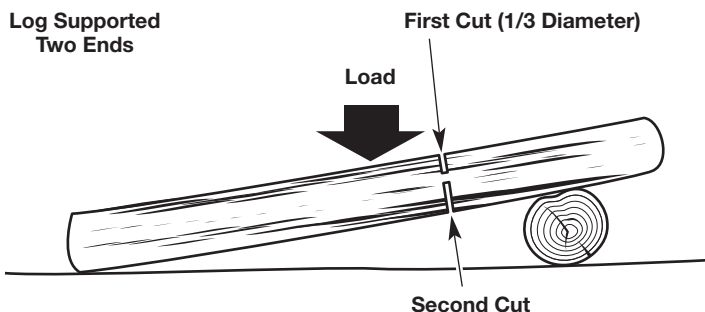


Fig. 18

## BUCKING: PROCEDURE

### Cutting Logs Under Stress

When logs are supported on one or both ends, the wood tends to bend during the cutting process. This can cause the chain saw to become pinched between the two sides. Pay extra attention.

1. Make the first cut approximately 1/3 the diameter of the log. Do not cut deeper than 1/3.
  - If the log is supported on one end (Fig. 17), make the first cut from below (underbucking). Refer to *Underbucking*.
  - If the log is supported on two ends (Fig. 18), make the first cut from above (overbucking). Refer to *Overbucking*.
2. Make the second cut from the opposite side until the two cuts meet. If the diameter of the wood is large enough, insert soft plastic or wooden wedges to hold the cut open and prevent pinching (Fig. 21). Take care not to touch the wedges with the saw chain.

### Cutting Fully-Supported Logs

When logs are supported along the entire length, extra care should be taken to make sure the saw chain does not contact the ground or other support structure (Fig. 19).

1. Cut through the log as much as possible, without cutting into the ground or support structure. Cut from above (overbucking). Refer to *Overbucking*.
2. Roll the log over and finish cutting through the log from above (overbucking).

### Overbucking

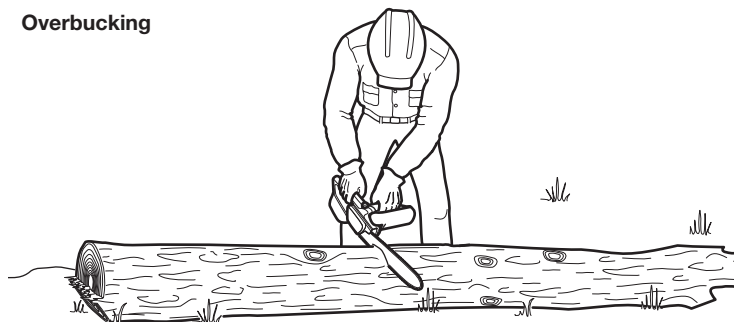


Fig. 19

### Underbucking

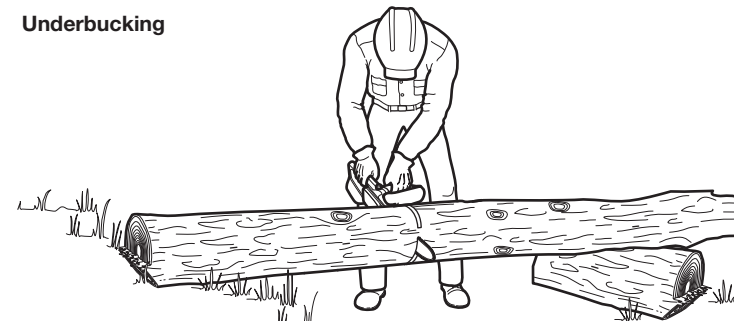


Fig. 20

### Overbucking

1. Begin cutting from above, with the bottom of the saw chain against the top of the log (Fig. 19).
2. Exert light, downward pressure. The saw will tend to pull away from the operator. Be prepared and hold the saw firmly to maintain control.

### Underbucking

1. Begin cutting from below, with the top of the saw chain against the bottom of the log (Fig. 20).
2. Exert light, upward pressure. The saw will tend to push toward the operator. Be prepared and hold the saw firmly to maintain control.

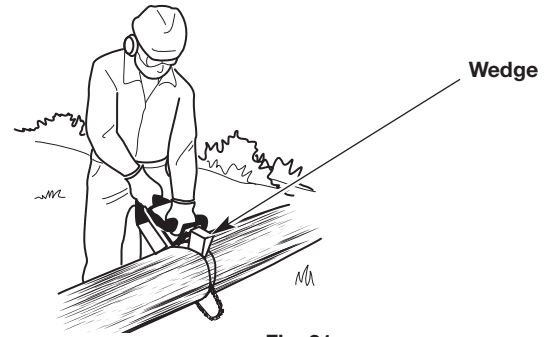


Fig. 21

### PRUNING

**WARNING:** Do not cut above shoulder height. Use a pole saw to cut limbs above shoulder height or hire a professional. Do not operate the unit in a tree or on a ladder unless specifically trained to do so.

**WARNING:** Falling branches can cause serious injury. Always wear appropriate head protection. Plan an escape route away from falling limbs. Do not position any body parts directly below the limb when cutting.

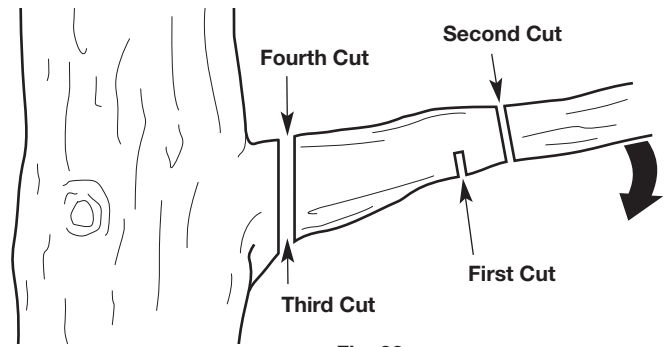


Fig. 22

Pruning is the process of cutting limbs from a living tree.

1. Make the first cut approximately 6 inches (15 cm) from the tree trunk. Cut upward, from the underside of the limb. Use the top of the guide bar to make this cut. Cut a third of the way through the diameter of the limb (Fig. 22).
2. Make the second cut 2 - 4 inches (5 - 10 cm) farther out on the limb. Cut downward, from the top of the limb. Use the bottom of the guide bar to make this cut. Cut completely through the limb (Fig. 22).
3. Make the third cut as close to the tree trunk as possible. Cut upward, from the underside of the limb stub. Use the top of the guide bar to make this cut. Cut a third of the way through the diameter of the limb (Fig. 22).
4. Make the fourth cut directly above the third cut. Cut downward, from the top of the limb stub. Use the bottom of the guide bar to make this cut. Cut completely through the limb stub to meet the third cut (Fig. 22). This will remove the limb stub.



**WARNING:** To prevent serious injury, never perform maintenance or repairs while the unit is running. Always allow the unit to cool before servicing or repairing the unit. Disconnect the spark plug wire to prevent the unit from starting accidentally.

## MAINTENANCE SCHEDULE

Perform these required maintenance procedures at the frequency stated in the table. These procedures should also be a part of any seasonal tune-up.

All service, other than the maintenance procedures described in this manual, should be performed by a Sears or other qualified service dealer.

**NOTE:** Some maintenance procedures may require special tools or skills. If you are unsure about these procedures, take the unit to a Sears or other qualified service dealer. Call **1-888-331-4569** for more information.

**NOTE:** Maintenance, replacement, or repair of the emission control devices and system may be performed by a Sears or other qualified service dealer. Call **1-888-331-4569** for more information.


**NOTE:** Please read the California/EPA statement that came with the unit for a complete listing of terms and coverage for the emissions control devices, such as the spark arrestor, muffler, carburetor, etc.


## CUSTOMER RESPONSIBILITY

FREQUENCY	MAINTENANCE REQUIRED
Before each use	<ul style="list-style-type: none"> <li>• Check for loose screws, nuts or bolts (tighten as needed)</li> <li>• Check for damaged or worn parts*</li> <li>• Check the saw chain sharpness. Refer to <i>Sharpening the Saw Chain</i>.</li> <li>• Test the chain brake*. Refer to <i>Testing the Chain Brake</i>.</li> <li>• Check the chain tension (adjust as needed). Refer to <i>Adjusting the Chain Tension</i>.</li> <li>• Fill the chain oil reservoir (refill frequently). Refer to <i>Adding Bar and Chain Oil</i>.</li> <li>• Fill the fuel tank with fresh, properly mixed fuel. Refer to the <i>Oil and Fuel</i> section.</li> <li>• Clean the air filter. Refer to <i>Maintaining the Air Filter</i>.</li> </ul>
After each use	<ul style="list-style-type: none"> <li>• Clean the unit and inspect decals. Refer to <i>Cleaning</i> in the <i>Cleaning and Storage</i> section.</li> </ul>
Every 10 hours	<ul style="list-style-type: none"> <li>• Check the spark plug condition and gap. Refer to <i>Maintaining the Spark Plug</i>.</li> <li>• Clean the guide bar groove and oil passages. Lubricate the sprocket tip. Refer to <i>Maintaining the Guide Bar</i>.</li> <li>• Clean the cylinder fins. Refer to <i>Cleaning</i> in the <i>Cleaning and Storage</i> section.</li> </ul>

\* If maintenance or replacement is required, have the unit serviced by a Sears or other qualified service dealer.

## ADDING BAR AND CHAIN OIL

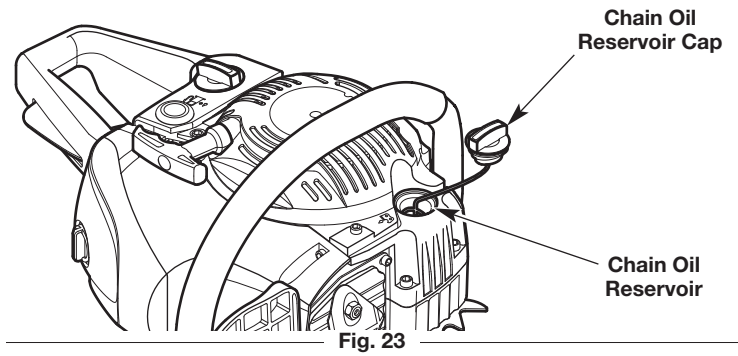
 **DANGER:** Failure to fill the chain oil reservoir will cause irreparable damage to the unit. Make sure the chain oil reservoir is always filled. Always use bar and chain oil.

 **WARNING:** Oil constantly flows from the chain oil reservoir to oil the saw chain. Check the chain oil level frequently so that it does not drop below half full.

The guide bar and saw chain require lubrication to minimize friction. Never starve the guide bar and chain of lubricating oil. Running the unit without enough oil will decrease cutting efficiency, shorten the life of the saw chain, cause rapid dulling of the saw chain and excessive wear to the guide bar from overheating. An insufficient amount of lubricating oil is evidenced by smoke, guide bar discoloration or pitch build-up.

Only use bar and chain oil that is formulated to perform over a wide range of temperatures with no diluting required in the chain oil reservoir. Do not use motor oil or any other petroleum-based oil. Do not use dirty, used or contaminated oil. Damage may occur to the guide bar or saw chain. Dispose of old oil according to federal, state and local regulations.

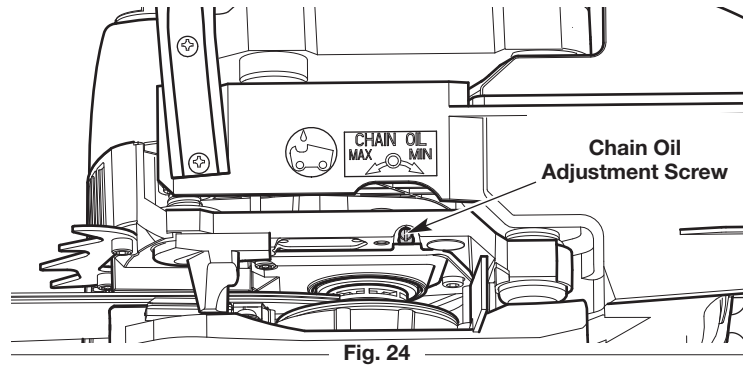
1. **Set the unit on a flat, level surface.**
2. To prevent debris from entering the chain oil reservoir, use a damp cloth to clean the chain oil reservoir cap and surrounding area.
3. Unscrew the chain oil reservoir cap (Fig. 23).
4. Carefully pour the oil into the chain oil reservoir. **DO NOT** overfill.
5. Reinstall the chain oil reservoir cap.
6. Wipe up any oil that may have spilled.



## ADJUSTING THE BAR AND CHAIN OIL FLOW

Bar and chain oil will slowly flow from the chain oil reservoir onto the chain. Approximately one tank of bar and chain oil is used for every tank of fuel.

1. To increase the oil flow, turn the automatic oiler adjustment screw counterclockwise with a flat-head screwdriver (Fig. 24).
2. To decrease the oil flow, turn the automatic oiler adjustment screw clockwise with a flat-head screwdriver (Fig. 24).



## ADJUSTING THE CHAIN TENSION



**CAUTION:** The guide bar, saw chain, and saw bearings will wear more rapidly if the saw chain is not properly tensioned. Maintaining proper chain tension will improve cutting performance and prolong the life of the saw chain.



**WARNING:** To prevent serious injury, never touch the saw chain or adjust the chain tension while the unit is running. Disconnect the spark plug wire to prevent the unit from starting accidentally.



**WARNING:** The saw chain is very sharp. Always wear heavy-duty protective gloves when handling or performing maintenance on the saw chain.

Check the chain tension before and during operation. Adjust the chain tension whenever the flats on the saw chain hang out of the bar groove (Fig. 25).

**NOTE:** A new saw chain tends to stretch and will need readjustment after as few as five (5) cuts. This is normal during the break-in period. The interval between future adjustments will lengthen quickly.

1. Make sure the chain brake is disengaged. Refer to *Testing the Chain Brake* in the *Assembly* section.
2. Use the multi-purpose tool or a 1/2 inch (13 mm) wrench to slightly loosen the bar-retaining nuts (Fig. 26).
3. Hold the guide bar tip up and use a flat-head screwdriver to turn the chain-tensioning screw (Fig. 26).
  - Turn the chain-tensioning screw clockwise to tighten the saw chain.
  - Turn the chain-tensioning screw counterclockwise to loosen the saw chain.

The desired chain tension depends upon the temperature of the saw chain (Fig. 27).

- Cold Chain Tensioning - The saw chain should fit snugly against the underside of the guide bar. There should be no sag (Fig. 27).
  - Warm Chain Tensioning - The saw chain will expand as it heats up during operation. The drive links should hang approximately 1/16 inch (1.3 mm) out of the guide bar groove (Fig. 27).
4. Hold the guide bar tip up and move the saw chain back and forth along the guide bar (Fig. 28). Make sure the saw chain moves freely and is in proper mesh with the sprocket. If the saw chain does not move easily, slowly turn the chain-tensioning screw counterclockwise to loosen the saw chain.

**NOTE:** The saw chain will not move if the chain brake is engaged.

5. Hold the guide bar tip up and securely tighten the bar-retaining nuts.



**CAUTION:** If the saw chain was tensioned while warm, it may become too tight when cooled. Loosen the chain tension after operation and check the chain tension before the next use.

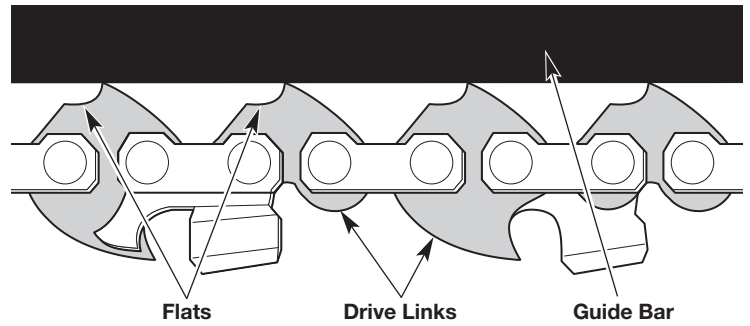


Fig. 25

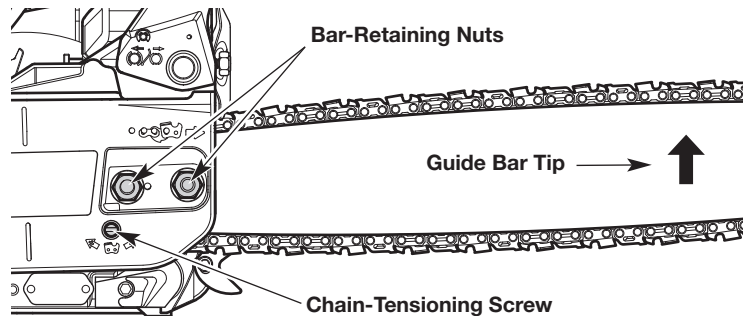


Fig. 26

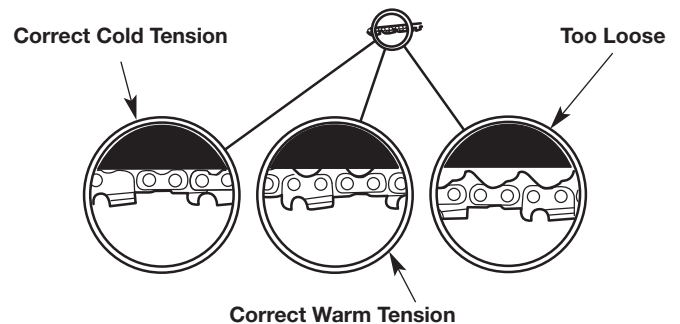


Fig. 27

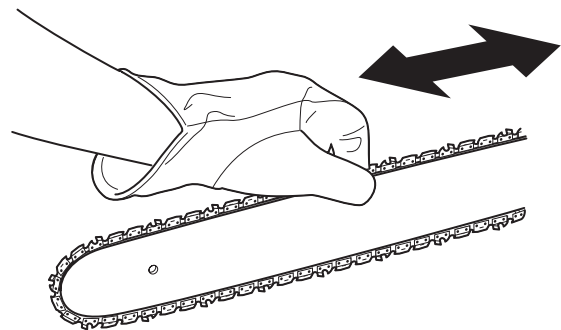


Fig. 28

## REMOVING AND INSTALLING THE GUIDE BAR AND SAW CHAIN



**WARNING:** The saw chain is very sharp. Always wear heavy-duty protective gloves when handling or performing maintenance on the saw chain.

The guide bar and saw chain need to be removed when certain maintenance procedures are performed, such as when rotating the guide bar. When replacing old guide bars and saw chains with new parts, always use the manufacturer's specified replacement parts. Refer to *Replacing the Guide Bar and Saw Chain*.

### Removing the Guide Bar and Saw Chain

1. Make sure the chain brake is disengaged. Refer to *Testing the Chain Brake* in the *Assembly* section.
2. Use the multi-purpose tool or a 1/2 inch (13 mm) wrench to loosen the bar-retaining nuts (Fig. 29).
3. Remove the bar-retaining nuts and bar cover (Fig. 29).
4. Loosen the saw chain. Refer to *Adjusting the Chain Tension*.
5. Remove the guide bar and saw chain from the guide bar bolts (Fig. 31).
6. Remove the saw chain from the guide bar.

### Installing the Guide Bar and Saw Chain

1. Set the saw chain on a clean, flat surface and straighten out any kinks.
2. Fit the saw chain into the guide bar groove (Fig. 30). Make sure the cutters point in the correct direction of rotation (Fig. 30). Keep a loop of saw chain at the back end of the guide bar (Fig. 30).
3. Hold the saw chain and guide bar together in position over the unit. Loop the saw chain around the drive sprocket and install the guide bar onto the guide bar bolts (Fig. 31). Make sure the guide bar is flush against the mounting surface. Make sure the flats on the saw chain are in the grooves on the drive sprocket.
4. Install the bar cover. Make sure the chain-tensioning pin is in the pin hole on the guide bar (Fig. 32).
5. Place the bar-retaining nuts onto the guide bar bolts and tighten them hand tight.
6. Make sure the saw chain is still in the guide bar groove, then tighten the saw chain. Refer to *Adjusting the Chain Tension*.
7. Hold the guide bar tip up and securely tighten the bar-retaining nuts.

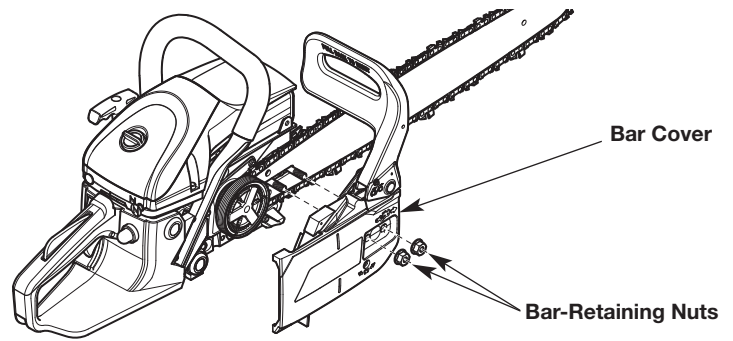


Fig. 29

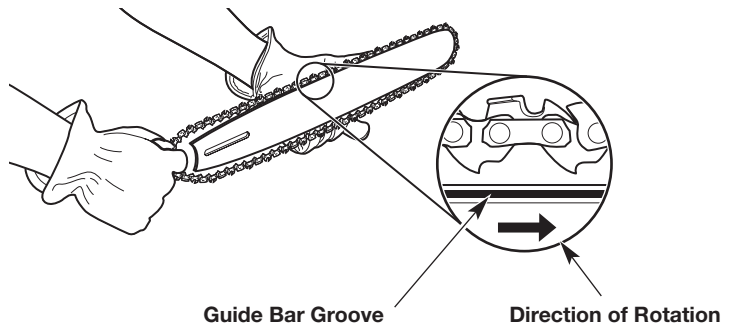


Fig. 30

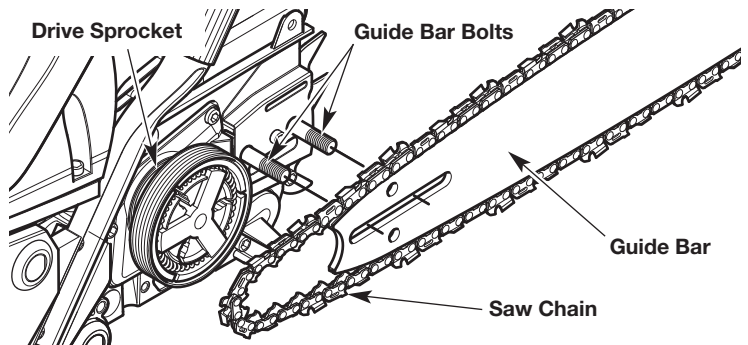


Fig. 31

## MAINTAINING THE SAW CHAIN

For safe, efficient operation, the saw chain must be maintained properly.

The saw chain will wear with use, causing the chain to stretch. This is normal. When it is no longer possible to obtain a correct chain tension adjustment, the saw chain will need to be repaired by a Sears or other qualified service dealer or replaced. Refer to *Replacing the Guide Bar and Saw Chain*.

Always keep the saw chain sharp. During operation, look for the following indicators of a dull saw chain:

- Wood chips are small and powdery.
- The saw chain must be forced through the wood.
- The saw chain cuts to one side.

If any of these conditions exist, sharpen or replace the saw chain. Refer to *Sharpening the Saw Chain* or *Replacing the Guide Bar and Saw Chain*.

**NOTE:** If you do not fully understand the sharpening procedure after reading the instructions, have the saw chain sharpened by a Sears or other qualified service dealer or replace the saw chain.

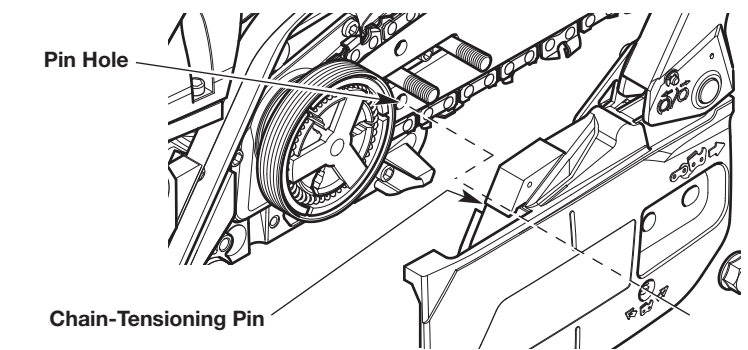


Fig. 32

## SHARPENING THE SAW CHAIN



**WARNING:** The saw chain is very sharp. Always wear heavy-duty protective gloves when handling or performing maintenance on the saw chain.



**WARNING:** An improperly sharpened saw chain increases the chance of kickback. Failure to replace or properly maintain the saw chain can cause serious injury.



**CAUTION:** A dull or improperly sharpened saw chain can cause excessive engine speed during operation, which can result in severe engine damage.

If the saw chain was damaged by contacting hard objects, such as nails or stones, or was abraded by mud or sand on the wood, have a Sears or other qualified service dealer sharpen the saw chain.

When sharpening the saw chain, file all cutters to the specified angles and measurements. Other angles or measurements can cause excessive wear to the guide bar and saw chain, cause the chain to dull quickly and increase the chance of kickback. Fast cutting can be obtained only when all cutters are uniform.

1. Tighten the chain tension so that the saw chain is taut and does not wobble. Refer to *Adjusting the Chain Tension*.
  - Always file the saw chain at the midpoint of the guide bar.
2. Use a round file and file holder (tools not included) to sharpen the top plate and side plate of each cutter.
  - Use a 5/32 inch (4 mm) diameter file.
  - Keep the file level with the top plate of the cutter (Fig. 33). Do not let the file dip or rock. Use light, but firm pressure.
  - File toward the front corner of the cutter (Fig. 34). Lift the file away from the cutter at the end of the forward stroke. Only file on the forward stroke.
  - Apply a few firm strokes to each tooth. When filed correctly, the top plate will be at a 30° angle and the side plate will be at an 80° angle (Fig. 35). Using the correct file and file holder will automatically produce the correct angles.
  - File all the left-hand cutters in one direction (Fig. 34). Then move to the other side of the saw chain and file all of the right-hand cutters in the opposite direction (Fig. 34).
  - Occasionally remove filings with a wire brush.
3. Use a depth gauge tool (not included) to measure the depth gauge clearance (Fig. 36) of each cutter. The depth gauge clearance must be maintained at 1/32 inch (0.6 mm). The depth gauge clearance determines the depth at which the cutter enters the wood during operation and the size of the wood chips produced. Too much clearance increases the chance of kickback. Too little clearance decreases the size of the wood chips produced, thus decreasing the ability to cut.
  - Use a 1/32 inch (0.6 mm) depth gauge jointer and a flat file (tools not included) to lower the depth gauge to the correct clearance (Fig. 36).
  - After lowering the depth gauge, use the flat file to restore the original rounded shape to the depth gauge (Fig. 37). Take care not to damage the cutting edges or nearby links.

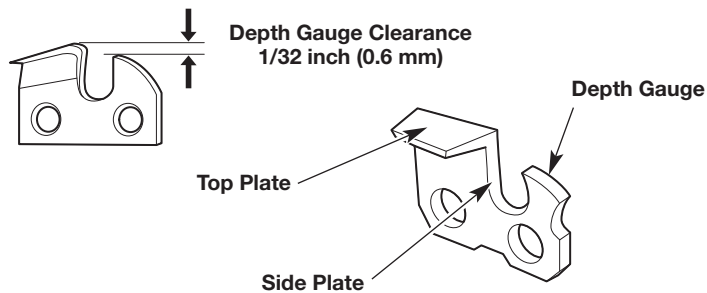


Fig. 33

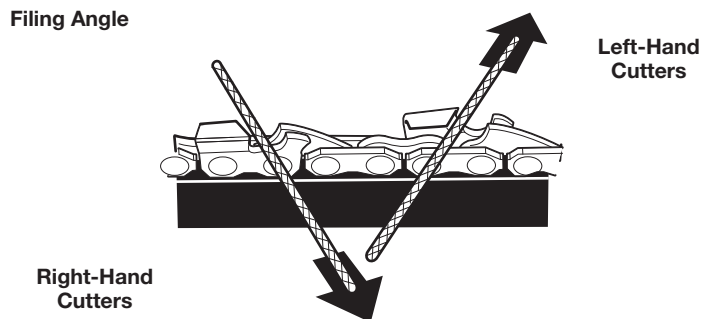


Fig. 34

### Correct Filing Angles

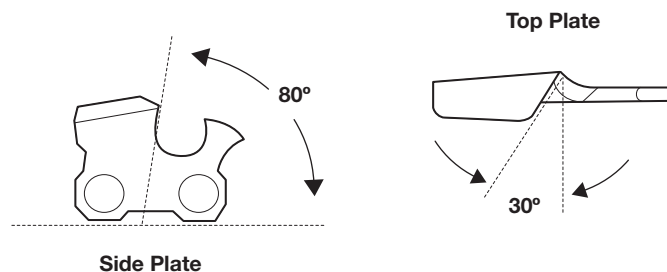


Fig. 35

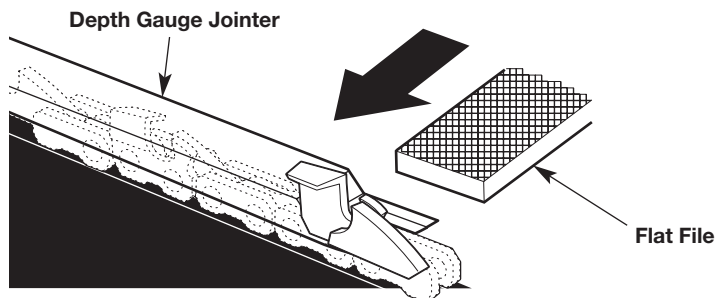


Fig. 36

Restore original rounded shape

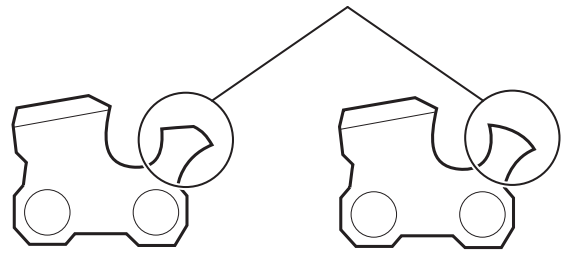


Fig. 37

### MAINTAINING THE GUIDE BAR

1. Rotate the guide bar frequently, at regular intervals (for example, after every 5 hours of operation), to ensure even wear on the top and bottom of the guide bar. Refer to *Removing and Installing the Guide Bar and Saw Chain*.
2. Clean the guide bar groove and oil passages whenever the saw chain is removed, when the unit has been used heavily or when the saw chain appears dirty. Use a screwdriver, putty knife, wire brush or similar instrument to remove debris from the guide bar groove (Fig. 38). Use a small, soft wire to remove any debris from the chain oil discharge hole (Fig. 39).

**NOTE:** If the oil passages are clear, the saw chain will give off a spray of oil shortly after it begins to rotate during operation.

3. Frequently check the guide bar for damage (Fig. 40). Feathering and burring of the guide bar rails (the ridges on either side of the bar groove) is a normal process of guide bar wear. Such faults should be smoothed with a file as soon as they occur (Fig. 40). A guide bar with the following faults should be replaced:
  - Wear inside the guide bar rails that permits the chain to lay sideways
  - Bent guide bar
  - Cracked or broken rails
  - Spread rails

Refer to *Replacing the Guide Bar and Saw Chain*.

### Lubricating the Guide Bar Sprocket Tip

The guide bar sprocket tip was lubricated at the factory, but requires regular lubrication. Failure to lubricate the guide bar sprocket tip will result in poor performance, damage to the unit and will VOID the warranty.

**NOTE:** This procedure can be performed while the guide bar and saw chain are still assembled on the unit.

1. Clean the guide bar sprocket tip thoroughly with a damp cloth (Fig. 41).
2. Use a guide bar tip lube gun (not included) to inject grease into the lubrication hole (Fig. 41). Inject grease until it appears on the outer edge of the guide bar sprocket tip.
3. Rotate the saw chain by hand. Always wear heavy-duty protective gloves. Make sure the chain brake is disengaged.
4. Repeat the lubrication process until the entire guide bar sprocket tip is lubricated.

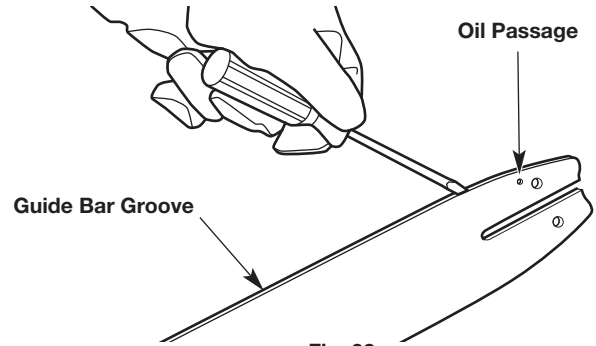


Fig. 38

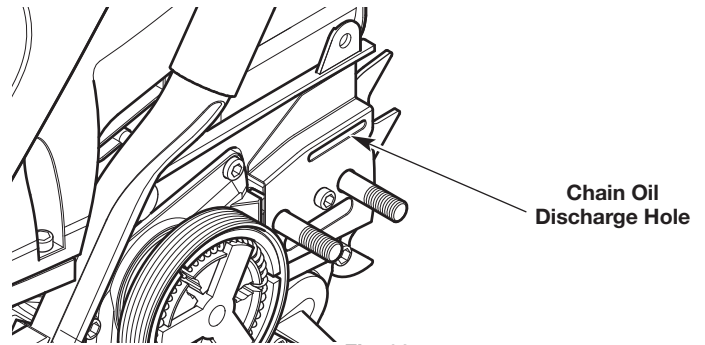


Fig. 39

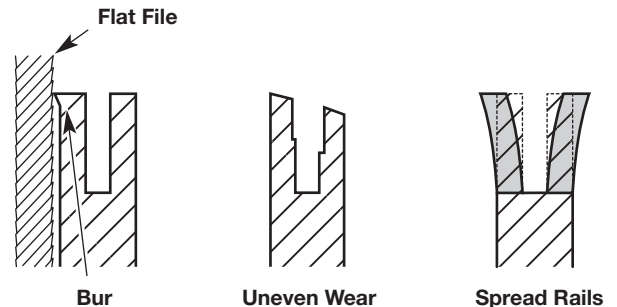


Fig. 40



## REPLACING THE GUIDE BAR AND SAW CHAIN



**WARNING:** Always use a low-kickback saw chain, which significantly reduces the danger of kickback. Low-kickback saw chain does not completely eliminate kickback. A low-kickback or “safety chain,” should never be regarded as total protection against injury.

When replacing the guide bar and saw chain, only use the replacement parts specified by the manufacturer or their equivalents. Refer to *Replacement Parts*. Use of any unauthorized parts or accessories could lead to serious injury to the operator or damage to the unit and will VOID the warranty.

Always use a replacement saw chain designated as “low-kickback” or a saw chain that meets the low-kickback performance requirements. A standard saw chain (a chain that does not have the kickback-reducing guard links) should only be used by an experienced professional chain saw operator.

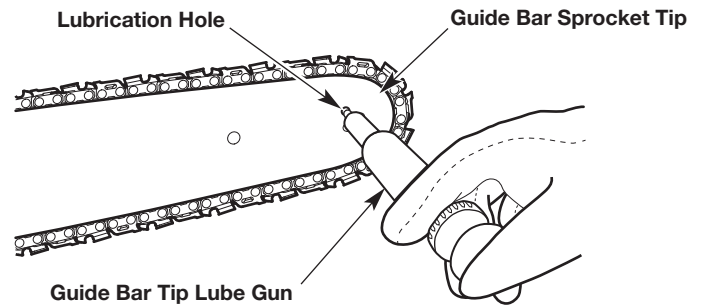


Fig. 41

## MAINTAINING THE AIR FILTER



**WARNING:** To avoid serious personal injury, always stop the engine and allow it to cool before cleaning or maintaining the unit.

Failure to maintain the air filter can result in poor performance or can cause permanent damage to the engine. Engine failure due to improper air filter maintenance is not covered by the product warranty.

### Cleaning the Air Filter

1. Turn the knob on the air filter cover counterclockwise to loosen the air filter cover (Fig. 42).
2. Remove the air filter cover (Fig. 42).
3. Remove the air filter (Fig. 43).
4. Wash the air filter in mild detergent and water. Rinse the air filter thoroughly and allow it to dry.
5. Reinstall the air filter onto the mounting post (Fig. 43). Make sure the opening in the air filter sits securely in the air intake (Fig. 43).

**NOTE:** Operating the unit without the air filter and air filter cover will VOID the warranty. Keep a supply of spare air filters.

6. Place the air filter cover back onto the unit. Insert the tab on the air filter cover into the slot on the chain saw housing (Fig. 42).
7. Turn the knob clockwise to tighten the air filter cover securely.

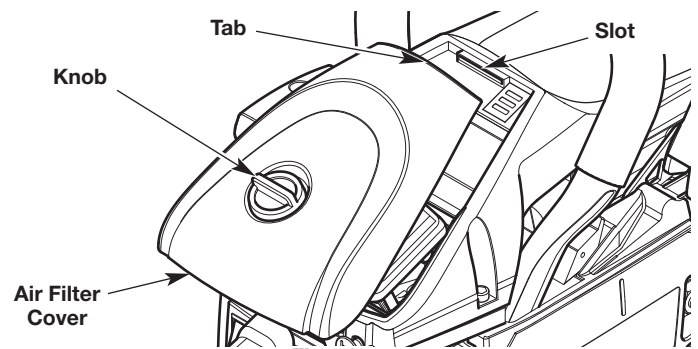


Fig. 42

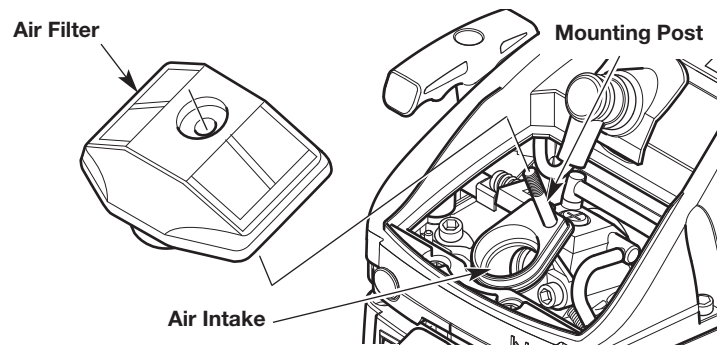


Fig. 43

## ADJUSTING THE IDLE SPEED



**WARNING:** The saw chain may spin during idle speed adjustments. Wear protective clothing and observe all safety instructions to prevent serious personal injury.

**NOTE:** Careless adjustments can seriously damage the unit. A Sears or other qualified service dealer should make carburetor adjustments. If, after checking the fuel and cleaning the air filter, the engine still will not idle, adjust the idle speed screw as follows:

1. Start the engine. Refer to *Starting and Stopping*.
2. Release the throttle control and let the engine idle.
  - If the engine stops, use a small Phillips or flat-head screwdriver to turn the idle speed screw clockwise, 1/8 of a turn at a time (as needed) until the engine idles smoothly (Fig. 44).
  - If the engine idles too quickly, turn the idle speed screw counterclockwise, 1/8 of a turn at a time (as needed) to reduce the idle speed (Fig. 44).

**NOTE:** The saw chain should not spin when the engine idles. If it does, reduce the idle speed until the saw chain stops moving.

Checking the fuel, cleaning the air filter, and adjusting the idle speed should solve most engine problems. If not, and any of the following conditions are true, take the unit to a Sears or other qualified service dealer:

- the engine will not idle
- the engine hesitates or stalls on acceleration
- there is a loss of engine power

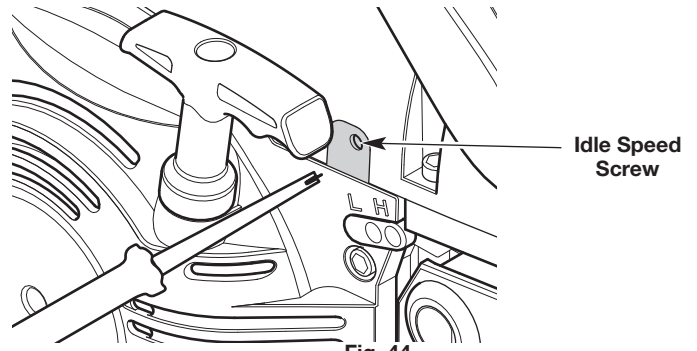


Fig. 44

## MAINTAINING THE SPARK PLUG

1. Stop the engine and allow it to cool.
2. Turn the knob on the air filter cover counterclockwise to loosen the air filter cover (Fig. 42).
3. Remove the air filter cover (Fig. 42).
4. Grasp the spark plug boot firmly and pull it from the spark plug (Fig. 45).
5. Clean around the spark plug. Remove the spark plug from the cylinder head with the multi-purpose tool or a 5/8-inch socket wrench, turning counterclockwise.



**WARNING:** Do not sand blast, scrape or clean spark plug electrodes. Grit in the engine could damage the cylinder.

6. Inspect the spark plug. If the spark plug is cracked, fouled or dirty, replace it with replacement part #753-08107, a **Champion RCJ6Y** or an equivalent spark plug.
7. Use a feeler gauge to set the air gap at **0.025 in. (0.635 mm)** (Fig. 46).
8. Install the spark plug in the cylinder head. Tighten the spark plug with the multi-purpose tool or a 5/8-inch socket wrench, turning it clockwise until snug.

**NOTE:** If using a torque wrench, torque to:

**110-120 in.•lb. (12.3-13.5 N•m). Do not over tighten.**

9. Reattach the spark plug boot.
10. Place the air filter cover back onto the unit. Insert the tab on the air filter cover into the slot on the chain saw housing (Fig. 42).
11. Turn the knob clockwise to tighten the air filter cover securely.

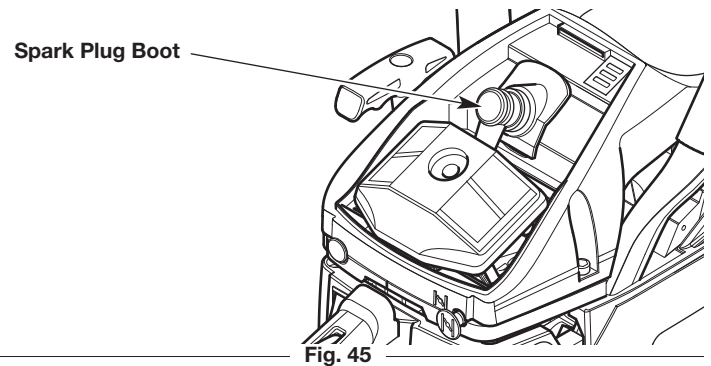


Fig. 45

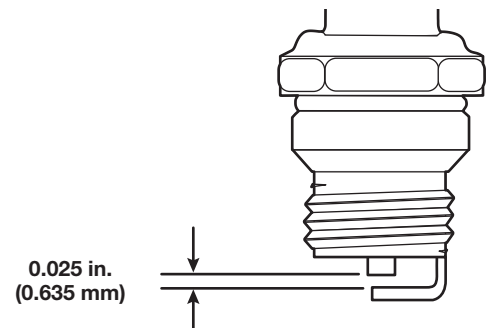


Fig. 46

## CLEANING AND STORAGE

### CLEANING



**WARNING:** To avoid serious personal injury, always stop the engine and allow it to cool before cleaning or maintaining the unit.

1. Loosen the saw chain if the chain tension was adjusted during operation. The saw chain will contract as the unit cools, which could damage the unit if the chain is too tight.
2. Clean the unit with a damp cloth. Do not douse the unit with water. Do not use strong detergents. Household cleaners that contain aromatic oils such as pine and lemon, and solvents such as kerosene, can damage plastic.

**NOTE:** When preparing the unit for long-term storage (30 days or more), remove the guide bar and saw chain. Carefully clean the guide bar cover, guide bar mounting surface and sprocket. Use a firm non-wire brush to clean the guide bar groove. Reassemble the unit.

3. Wipe off any moisture with a soft cloth.
4. Use compressed air, up to 40 PSI, to blow debris from the cylinder fins (Fig. 47). The cylinder fins must be cleaned on a regular basis to reduce the risk of personal injury or damage to the unit as a result of fire. Always use safety goggles/glasses when using compressed air. Do not use water or other liquids to clean the cylinder fins. Use a small wire brush to remove stubborn debris. If a significant amount of debris remains, have the unit cleaned by a Sears or other qualified service dealer.
5. Lightly coat the guide bar and saw chain with a corrosion-inhibiting oil.

### STORAGE

- Loosen the saw chain if the chain tension was adjusted during operation. The saw chain will contract as the unit cools, which could damage the unit if the chain is too tight.
- Allow the engine to cool before storing.
- Thoroughly clean the unit and inspect it for any loose or damaged parts. Repair or replace damaged parts and tighten loose screws, nuts or bolts.
- Cover the guide bar and saw chain with the scabbard.
- Never store a fueled unit where fumes may reach an open flame or spark.
- Lock up the unit to prevent unauthorized use or damage.
- Store the unit in a dry, well-ventilated area.
- Store the unit out of the reach of children.

**NOTE:** It is normal for bar and chain oil to seep from the unit when not in use. Please take this into consideration when storing the unit.

#### Long-term Storage (30 days or more)

1. Remove the fuel cap, tip the unit and drain the fuel into an approved container. Reinstall the fuel cap.
2. Start the engine and allow it to run until it stalls. This ensures that all fuel has been drained from the carburetor.
3. Allow the engine to cool. Remove the spark plug and put 5 drops of any high quality motor oil or 2-cycle oil into the cylinder. Pull the starter rope slowly to distribute the oil. Reinstall the spark plug.

#### Preparing the Unit for Use after Long-term Storage

1. Remove the spark plug and drain all of the oil from the cylinder.

**NOTE:** Do not use fuel that has been stored for more than 30 days. Dispose of old fuel according to federal, state and local regulations.

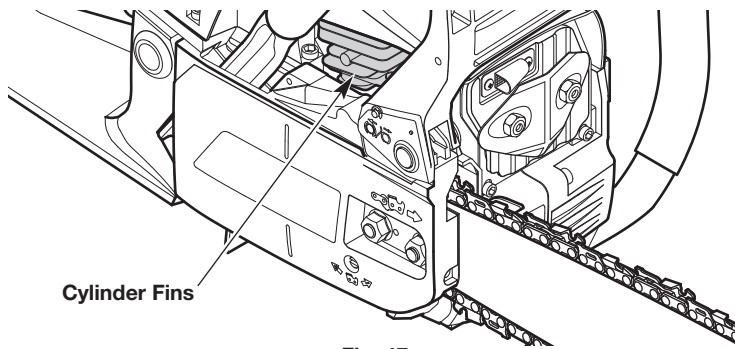


Fig. 47

## TROUBLESHOOTING

PROBLEM	SOLUTION
<b>THE ENGINE WILL NOT START</b>	
The fuel tank is empty	Fill the fuel tank with properly mixed fuel
The primer bulb was not pressed enough	Press the primer bulb 10 times or until fuel is visible
The engine is flooded	Move the choke knob to Position 2, press the throttle lockout, squeeze the throttle control and pull the starter rope
The fuel is old (over 30 days) and/or improperly mixed	Drain the fuel tank and add fresh, properly mixed fuel
The spark plug is not working properly	Refer to <i>Maintaining the Spark Plug</i>
<b>THE ENGINE WILL NOT IDLE</b>	
The air filter is dirty	Clean or replace the air filter
The fuel is old (over 30 days) and/or improperly mixed	Drain the fuel tank and add fresh, properly mixed fuel
The idle speed is incorrect	Adjust the idle speed
<b>THE ENGINE WILL NOT ACCELERATE</b>	
The fuel is old (over 30 days) and/or improperly mixed	Drain the fuel tank and add fresh, properly mixed fuel
The air filter is dirty	Clean or replace the air filter
<b>THE ENGINE LACKS POWER OR STALLS</b>	
The fuel is old (over 30 days) and/or improperly mixed	Drain the fuel tank and add fresh, properly mixed fuel
The air filter is dirty	Clean or replace the air filter
The spark plug is not working properly	Refer to <i>Maintaining the Spark Plug</i>
<b>THE GUIDE BAR AND SAW CHAIN ARE RUNNING HOT, SMOKING OR STUCK</b>	
The saw chain tension is too tight	Adjust the saw chain tension
The chain oil reservoir is empty	Refill the chain oil reservoir
The guide bar groove and oil passages are dirty	Clean the guide bar and oil passages
The automatic oiler flow is too low	Increase the oil flow
<b>THE SAW CHAIN DOES NOT ROTATE</b>	
The saw chain tension is too tight	Adjust the saw chain tension
The guide bar and saw chain are assembled incorrectly	Refer to <i>Removing and Installing the Guide Bar and Saw Chain</i>
The guide bar and saw chain are damaged	Inspect the guide bar and saw chain for damage. Replace them if necessary
The drive assembly is damaged	Refer to <i>Service</i> information
The chain brake is engaged	Disengage the chain brake
<b>THE SAW CHAIN ROTATES, BUT DOES NOT CUT</b>	
The saw chain is dull	Sharpen or replace the saw chain
The saw chain is on backwards	Check and correct the saw chain direction

## REPAIR PROTECTION AGREEMENTS

*Congratulations on making a smart purchase.* Your new Craftsman® product is designed and manufactured for years of dependable operation. But like all products, it may require repair from time to time. That's when having a Repair Protection Agreement can save you money and aggravation.

### **Here's what the Repair Protection Agreement\* includes:**

- ☑ **Expert service** by our 10,000 professional repair specialists
- ☑ **Unlimited service and no charge** for parts and labor on all covered repairs
- ☑ **Product replacement** up to \$1500 if your covered product can't be fixed
- ☑ **Discount of 25%** from regular price of service and related installed parts not covered by the agreement; also, 25% off regular price of preventive maintenance check
- ☑ **Fast help by phone** – we call it Rapid Resolution - phone support from a Sears representative. Think of us as a “talking owner's manual.”

Once you purchase the Repair Protection Agreement, a simple phone call is all that it takes for you to schedule service. You can call anytime day or night, or schedule a service appointment online.

The Repair Protection Agreement is a risk-free purchase. If you cancel for any reason during the product warranty period, we will provide a full refund. Or, a prorated refund anytime after the product warranty period expires. Purchase your Repair Protection Agreement today!

**Some limitations and exclusions apply. For prices and additional information in the U.S.A. call 1-800-827-6655.**

**\*Coverage in Canada varies on some items. For full details call Sears Canada at 1-800-361-6665.**

### **Sears Installation Service**

*For Sears professional installation* of home appliances, garage door openers, water heaters, and other major home items, in the U.S.A. or Canada call **1-800-4-MY-HOME**.



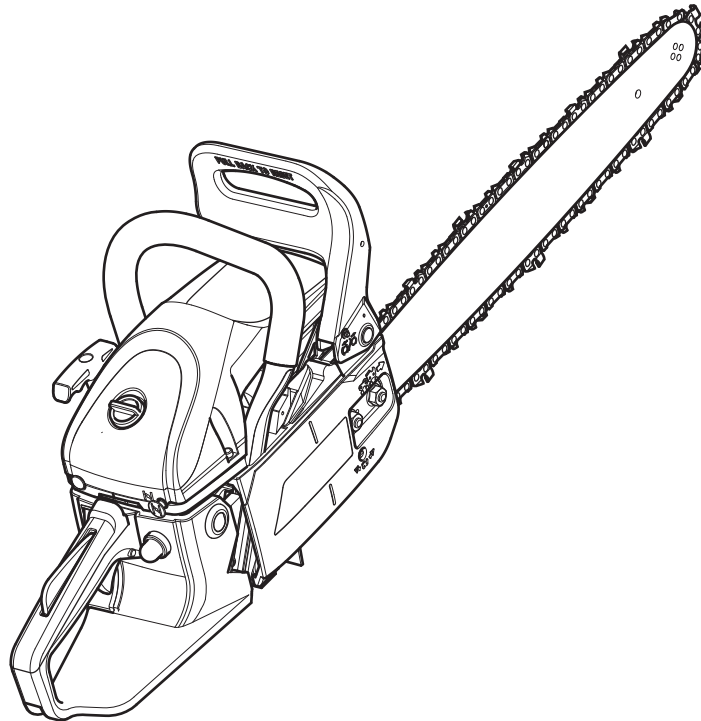
# Manual del Operador

# CRAFTSMAN®

**Motor de 2 tiempos**

**MOTOSIERRA A GAS**

Modelo No. 316.380180



**PRECAUCIÓN:** Antes de utilizar, este producto lea este manual y siga todas las reglas de seguridad e instrucciones de operación.

- SEGURIDAD
- ENSAMBLAJE
- OPERACIÓN
- MANTENIMIENTO

**Sears Brands Management Corporation, Hoffman Estates, IL 60179 U.S.A.**

Visite nuestro sitio web: [www.craftsman.com](http://www.craftsman.com)

## TABLA DE CONTENIDO

Seguridad .....	32
Garantía .....	37
Conozca su unidad .....	38
Especificaciones .....	39
Ensamblaje .....	40
Aceite y combustible .....	41
Arranque y parada .....	42
Operación .....	44
Mantenimiento .....	50
Limpieza y almacenamiento .....	58
Localización y solución de problemas .....	60
Convenios de protección de reparación .....	61
Números de servicio .....	Contraportada

Toda la información, las ilustraciones y especificaciones que contiene este manual se basan en la información más reciente del producto, existente en el momento de la impresión. Nos reservamos el derecho de hacer cambios en cualquier momento, sin previo aviso.

© Sears Brands, LLC

## SEGURIDAD

El propósito de los símbolos de seguridad es llamar la atención sobre posibles peligros. Los símbolos de seguridad y sus explicaciones merecen toda su atención y comprensión. Las advertencias de seguridad no eliminan de por sí ningún peligro. Las instrucciones o advertencias que dan no sustituyen las medidas adecuadas de prevención de accidentes.

### SÍMBOLO SIGNIFICADO

	<b>PELIGRO:</b> Indica un peligro EXTREMO. El no obedecer una señal de seguridad de <b>PELIGRO</b> <b>TRAERÁ COMO CONSECUENCIA</b> que usted u otras personas puedan sufrir lesiones graves o la muerte.
	<b>ADVERTENCIA:</b> Indica un peligro GRAVE. El no obedecer una señal de <b>ADVERTENCIA</b> de seguridad <b>PUEDE</b> conducir a que usted u otras personas sufran graves lesiones.
	<b>PRECAUCIÓN:</b> Indica un peligro MODERADO. El no obedecer una señal de <b>PRECAUCIÓN</b> de seguridad <b>PUEDE</b> conducir a daños a la propiedad o a que usted u otras personas se lesionen.

**NOTA:** Indica información o instrucciones de vital importancia para la operación o el mantenimiento del equipo.

### NOTA SOBRE EL PARACHISPAS

**NOTA: Para usuarios de la Zona Forestal de EE. UU., y los estados de California, Maine, Oregón y Washington.** Todas las zonas forestales de EE.UU., así como los estados de California (Códigos de Recursos Públicos 4442 y 4443), Oregón y Washington exigen, por ley, que determinados motores de combustión interna operados en matorrales boscosos y/o zonas cubiertas de hierba, estén equipados con un parachispas y se mantengan en buen estado de funcionamiento, o que el motor sea construido, equipado y mantenido con vista a la prevención de incendios. Compruebe con las autoridades de su estado o localidad las reglamentaciones relacionadas con estos requisitos. Si no cumple estos requisitos podría estar sujeto a responsabilidad civil o multa. **Esta unidad viene equipada de fábrica con un parachispas.** El reemplazo requiere la **pieza No. 753-08106 del conjunto del silenciador**, instalada en un Centro de Piezas y Servicio de Reparaciones de Sears.

**PROPOSICIÓN 65 DEL ESTADO DE CALIFORNIA**  
**ADVERTENCIA:** Este producto contiene una sustancia química que según el Estado de California puede producir cáncer, defectos de nacimiento u otros problemas reproductivos.

**Lea el manual del operador y siga todas las advertencias e instrucciones de seguridad. No hacerlo puede ocasionar lesiones graves al operador y/o a las personas presentes.**



# • INSTRUCCIONES DE SEGURIDAD IMPORTANTES •

## LEA TODAS LAS INSTRUCCIONES ANTES DE USAR LA UNIDAD



**ADVERTENCIA:** Se deben respetar todas las normas de seguridad al usar la unidad. Por favor, lea estas instrucciones antes de utilizar la unidad para garantizar la seguridad del operador y los observadores. Por favor, guarde estas instrucciones para su uso posterior.

- Lea las instrucciones con atención. Debe familiarizarse con los controles y con el uso apropiado de la unidad. Sepa cómo detener la unidad y desconectar los controles rápidamente.
- No opere esta unidad si está cansado, enfermo o bajo la influencia de alcohol, drogas o medicamentos.
- Nunca permita a los niños operar la unidad. Nunca permita a los adultos operar la unidad sin las instrucciones adecuadas.
- Se deben instalar correctamente todos los protectores y accesorios de seguridad antes de operar la unidad.
- Inspeccione la unidad antes de usarla. Reemplace las piezas dañadas. Compruebe si hay pérdidas de combustible. Compruebe que todas las sujeciones estén en su lugar y bien ajustadas. Reemplace las piezas que estén agrietadas, astilladas o dañadas de cualquier manera. No utilice la unidad si hay piezas sueltas o dañadas.
- Tenga en cuenta el riesgo de lesiones en la cabeza, las manos y los pies.
- Inspeccione el área con atención antes de arrancar la unidad. Extraiga las rocas, los vidrios rotos, los clavos, los cables, cordeles y demás objetos que podrían ser arrojados o enredarse en la unidad.
- Despeje la zona de niños, observadores y mascotas; manténgalos fuera de un radio de 50 pies (15 m), como mínimo. Incluso a esa distancia, sigue el riesgo de ser alcanzados por los objetos arrojados por el aire. Sugiera a los observadores que usen protección ocular. Si alguien se le aproxima, detenga la unidad de inmediato.
- Apriete el control del acelerador y verifique que vuelva automáticamente a la posición de ralentí. Realice todos los ajustes o las reparaciones antes de usar la unidad.

## ADVERTENCIAS DE SEGURIDAD PARA LAS UNIDADES A GASOLINA



**ADVERTENCIA:** Tenga cuidado al manipular combustible. La gasolina es sumamente inflamable y sus vapores pueden explotar si se encienden. Adopte las siguientes precauciones:

- Almacene el combustible únicamente en recipientes diseñados específicamente y aprobados para el almacenamiento de dichos materiales.
- Detenga siempre el motor y déjelo enfriar antes de llenar el depósito. Nunca retire la tapa del depósito de combustible ni agregue combustible cuando el motor esté caliente. Afloje siempre lentamente la tapa del depósito de combustible para descargar la presión que haya en el depósito antes de recargar combustible.
- Mezcle o eche siempre el combustible en un área exterior bien ventilada y limpia, donde no haya chispas ni llamas. NO fume.
- Nunca opere la unidad si la tapa del combustible no está bien sujeta en su lugar.

- Evite que se genere una fuente de encendido para el combustible derramado. Limpie de inmediato el combustible derramado de la unidad, antes de encenderla. Mueva la unidad al menos 30 pies (9.1m) de la fuente de combustible y del sitio antes de arrancar el motor. NO fume.
- Nunca arranque ni use la unidad dentro de una habitación o de una construcción cerrada. La inhalación de humos de escape puede ser mortal. Opere esta unidad únicamente en una zona bien ventilada, al aire libre.

## DURANTE LA OPERACIÓN

- Utilice anteojos o antiparras de seguridad que cumplan con las normas ANSI Z87.1 vigentes y que tengan la identificación correspondiente. Utilice una protección auditiva al operar esta unidad. Utilice una máscara facial o para polvos si la máquina levanta polvo durante su funcionamiento. Utilice un casco u otro tipo de protección para la cabeza.
- Use botas de seguridad y guantes de protección. Use ropa suelta y gruesa que incluya pantalones largos y camisa de manga larga. No use ropa holgada, alhajas, pantalones cortos, sandalias ni ande descalzo. Sujétese el cabello a nivel de los hombros.
- Compruebe que la cadena de la sierra no esté en contacto con nada antes de poner en marcha la unidad.
- Use la unidad solamente con luz de día o con una buena luz artificial.
- Evite arranques accidentales. Permanezca en la posición de arranque siempre que tire de la cuerda de arranque. El operador y la unidad deben estar en una posición estable durante el arranque. Consulte *Arranque y Parada*.
- Utilice la herramienta apropiada. Utilice esta herramienta sólo para el propósito para el que fue diseñada: para cortar madera. No use la unidad para cortar plástico, mampostería u otros materiales de construcción que no sean madera. Sólo use la unidad como se indica en este manual.
- Mantenga todas las partes del cuerpo alejadas de la cadena de la sierra cuando la unidad está funcionando. No toque ni intente detener las piezas móviles.
- No toque el motor ni el silenciador. Estas partes se ponen extremadamente calientes por el funcionamiento, incluso después de que se apaga la unidad.
- No opere la unidad a una velocidad mayor a la necesaria para la tarea. No haga funcionar la unidad a alta velocidad cuando no está en uso.
- No fuerce la unidad, especialmente cerca del extremo de un corte. Si se usa a la velocidad para la que fue diseñada, realizará un trabajo más eficiente y seguro.
- Apague siempre el motor cuando la operación se demora, cuando apoya la unidad o cuando la traslada de un lugar a otro. Compruebe que todas las piezas móviles se detengan completamente.
- Transporte la unidad por la manija delantera con el silenciador alejado del cuerpo y la barra guía ubicada en la parte trasera. Cubra la barra guía y la cadena de la sierra con la funda cuando transporte la unidad.
- Si golpea un objeto extraño o si éste se engancha en la unidad, deténgala de inmediato y controle si se produjeron daños. No utilice la unidad hasta haber reparado el daño. No utilice la unidad si hay piezas sueltas o dañadas.
- Use sólo piezas de reemplazo y accesorios del fabricante del equipo original (OEM) para esta unidad. Disponible en Sears u otro distribuidor de servicio calificado. Si usa cualquier otra pieza o accesorio, el usuario podría lesionarse gravemente o la unidad podría dañarse y se anularía la garantía.

- Mantenga limpia la unidad. Quite con cuidado cualquier resto de vegetación u otros residuos que puedan bloquear las piezas móviles.
- A fin de reducir el riesgo de incendio, reemplace el silenciador y el amortiguador de chispas si están averiados. Mantenga el motor y el silenciador libres de hierbas, hojas y de la acumulación excesiva de grasa o de carbono.
- Si la unidad comienza a vibrar en forma anormal, deténgala de inmediato. Inspeccione la unidad para determinar la causa de la vibración. La vibración por lo general indica que hay algún problema.
- Mantenga limpia el área de trabajo. Las áreas desordenadas se prestan a los accidentes. No comience a cortar hasta que el área de trabajo esté despejada y libre de obstrucciones. Compruebe que haya un lugar seguro para apoyar los pies y una senda de retirada planificada para los árboles y las ramas que caen.
- No corte cerca de cables eléctricos o líneas de tensión. Manténgase por lo menos a 50 pies (15 m) de distancia de las líneas de tensión.
- Para un desempeño más seguro y efectivo, compruebe que la barra de guía y la cadena se encuentran limpias, lubricadas, ajustadas y afiladas. Revise la barra de guía y la cadena a intervalos frecuentes para verificar que estén bien ajustadas.
- Tenga mucho cuidado al cortar una rama tensionada. Al aflojar la tensión, la rama puede rebotar y pegarle al operador, causándole lesiones graves o la muerte.
- Tenga mucho cuidado al cortar pequeños arbustos o retoños, todo el material delgado puede engancharse en la cadena de la sierra y darle un latigazo al operador o hacerle perder el equilibrio.
- Esta sierra está clasificada por UL como una sierra de Clase 1C conforme a CSA Z62.1-03. Está destinada al uso poco frecuente por parte de propietarios de viviendas, trabajadores rurales y excursionistas y para aplicaciones generales como despeje, poda, corte de leña, etc. No está destinada al uso prolongado. Si se pretende hacerla funcionar durante períodos prolongados, puede causar problemas circulatorios en las manos del operador debido a la vibración.
- No opere la unidad en un árbol o una escalera a menos que haya sido específicamente entrenado para hacerlo.
- Nunca extraiga, modifique o deje inoperativo ningún dispositivo de seguridad que venga con la unidad.
- No utilice la unidad donde hay líquidos o gases inflamables.
- No intente las operaciones que exceden la capacidad o experiencia del operador.
- No haga funcionar una unidad dañada, mal ajustada o que no está correcta y totalmente armada. Compruebe que las piezas móviles se detienen al apagar la unidad. No utilice la unidad si no se enciende y apaga como corresponde. Haga reemplazar las piezas defectuosas por Sears u otro distribuidor de servicio calificado.

## SEGURIDAD AL REBOTAR



**ADVERTENCIA:** Puede haber un rebote cuando la punta de la barra de guía toca un objeto, o cuando la madera se cierra y comprime la cadena de la sierra en el corte. En ciertos casos, el contacto de la punta puede ocasionar una acción inversa relámpago, haciendo recular rápidamente la barra de guía hacia el operador. Comprimir la cadena de la sierra a lo largo de la parte superior de la barra de guía puede empujar la barra rápidamente hacia el operador. Cualquiera de estas reacciones puede ocasionarle lesiones graves al usuario. El contacto con objetos extraños dentro de la madera también puede provocar la pérdida de control de la motosierra.

### Entendiendo el rebote

Una comprensión básica sobre el retroceso o rebote (kickback) ayuda a reducir o eliminar el elemento de sorpresa y la posibilidad de una lesión asociada con el mismo. La sorpresa repentina contribuye a los accidentes.

- **El rebote rotacional** puede ocurrir cuando la punta superior de la barra de guía toca un objeto mientras la cadena está en movimiento (Fig. A). Esto puede causar que la cadena se entierre en el objeto y deje de moverse momentáneamente. A continuación la barra de guía es impulsada hacia arriba y atrás en dirección al operador en una reacción inversa relámpago.
- **El retroceso lineal** puede ocurrir cuando la madera en cualquiera de los lados de un corte se acerca y aprieta la cadena de la sierra en movimiento a lo largo de la parte superior de la barra guía (Fig. B). Esto puede causar que la cadena se detenga instantáneamente. Se revierte el impulso de la cadena causando que la sierra se mueva en la dirección opuesta, enviando la sierra directamente hacia el operador.
- **La tracción** puede ocurrir cuando la cadena en movimiento en la parte inferior de la barra de guía se encuentra con un objeto extraño dentro de la madera. Esto puede causar que la cadena se detenga sorpresivamente. A continuación la sierra es empujada hacia adelante y lejos del operador, lo que podría resultar en pérdida de control de la sierra.

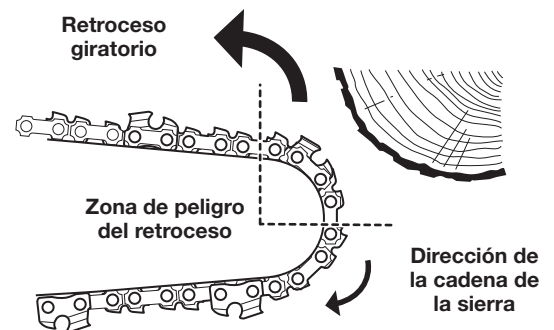


Fig. A

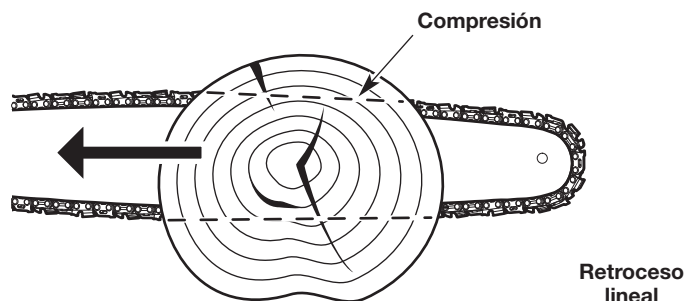


Fig. B

## Precauciones de seguridad contra rebotes

Siga los siguientes pasos para reducir la posibilidad de un accidente o una lesión:

- No confíe exclusivamente en los dispositivos de seguridad incorporados en la unidad.
- No corte por arriba de la altura del hombro.
- No se extienda demasiado. Siempre debe estar bien afirmado y mantener el equilibrio adecuado. Tenga cuidado al trabajar en pendientes o inclinaciones empinadas.
- No corte con la punta de la barra de guía.
- Compruebe que el área de operación esté libre de obstrucciones. No deje que la punta de la barra de guía toque ningún objeto, como un leño, una rama, el terreno u otra obstrucción.
- Inspeccione siempre la madera antes de cortarla. Los objetos extraños podrían dañar la unidad o causar lesiones personales graves. Nunca corte a través de clavos, varillas de metal, durmientes de ferrocarril o pálets.
- ¡No haga funcionar la unidad con una mano! La operación con una sola mano puede causar lesiones graves al operador, los ayudantes o los observadores. Esta unidad está destinada a ser usada con las dos manos. Agarre siempre la unidad firmemente con ambas manos cuando esté funcionando. Sostenga la manija delantera con la mano izquierda y la manija trasera con la mano derecha. Rodee firmemente las manijas con los pulgares y dedos de la mano. No las suelte. Una sujeción firme ayudará a mantener el control de la unidad y reducir la posibilidad de retroceso.
- Párese un poco a la izquierda de la unidad para evitar estar en línea directa con la cadena de la sierra.
- Nunca encienda la sierra cuando la barra de guía se encuentra adentro de un corte. Tenga mucho cuidado al volver a ingresar en un corte.
- Inicie siempre el corte con la unidad funcionando a velocidad máxima. Apriete el control del acelerador a fondo y mantenga una velocidad de corte uniforme. Las velocidades más bajas aumentan la posibilidad de rebote.
- Mantenga el alojamiento de la sierra presionado firmemente contra la madera.
- No corte más de un tronco o rama a la vez.
- No fuerce la unidad cuando retira la barra guía de un corte.
- Esté atento a los objetos que se desplazan (troncos, ramas, etc.) y que podrían comprimir o caer sobre la cadena de la sierra durante el funcionamiento.
- Utilice sólo cuñas de madera o plástico. No utilice metal para mantener abierto un corte.
- Siga las instrucciones de afilado y mantenimiento del fabricante de la cadena de la sierra.
- Utilice sólo barras y cadenas de repuesto especificadas por el fabricante o su equivalente. Disponible en Sears u otro distribuidor de servicio calificado. Si usa piezas o accesorios no autorizados, el operario podría lesionarse gravemente o la unidad podría dañarse y se anularía la garantía.
- Utilice dispositivos que reduzcan los riesgos relacionados con el retroceso, como ser cadenas de retroceso bajo, protectores de punta de barra guía, frenos de cadena y barras de guía de retroceso bajo. No hay otros componentes de repuesto para lograr protección contra el rebote de acuerdo con CSA Z62.3.

- Una cadena de sierra de retroceso bajo es una cadena que cumple con los requisitos de funcionamiento de retroceso bajo de ANSI/OPEI B175.1-2012 cuando se la prueba según las normas establecidas en ANSI/OPEI B175.1-2012. Una cadena de sierra de retroceso bajo es una cadena que también cumple con CSA Z62.3. No utilice una cadena de sierra de reemplazo a menos que cumpla con estos requisitos para este modelo específico o haya sido designada como cadena de sierra de retroceso bajo para reemplazo conforme con ANSI/OPEI B175.1-2012. A medida que las motosierras se afilan, se va perdiendo la cualidad de bajo rebote y se deben aumentar las precauciones.
- No instale una guía de arco en esta unidad. Las guías de arco tienen zonas de retroceso más grandes que aumentan la probabilidad de retroceso y lesiones graves. Este incremento no se reduce significativamente utilizando una cadena de sierra de retroceso bajo. La utilización de una guía de arco en esta unidad resulta sumamente peligrosa.



## OTRAS ADVERTENCIAS DE SEGURIDAD

- Siga todas las instrucciones de mantenimiento de este manual.
- Todos los servicios, que no sean los procedimientos de mantenimiento descritos en este manual, deberán realizarse por un centro de Sears u otro centro de servicio calificado.
- No utilice la unidad si no funciona correctamente, si se ha caído, dañado, se ha dejado a la intemperie o caído en el agua. Haga reparar la unidad por Sears u otro distribuidor de servicio calificado.
- Antes de inspeccionar, limpiar, guardar o transportar la unidad, o de hacer tareas de reparación o mantenimiento o reemplazar alguna de sus piezas:
  1. Detenga la unidad.
  2. Asegúrese de que se hayan detenido todas las piezas móviles.
  3. Deje que la unidad se enfríe.
  4. Desconecte el cable de la bujía.
- Sujete la unidad durante el transporte.
- Use siempre la funda de la barra de guía y la cadena durante el transporte y almacenamiento.
- Siempre guarde la unidad y el combustible en un lugar fresco, seco y bien ventilado. No almacene combustible o una unidad con combustible en el depósito, en un espacio cerrado donde las emanaciones puedan alcanzar una llama abierta (luces piloto, etc.) o chispas (interruptores, motores eléctricos, etc.).
- Almacene la unidad en un lugar seco, asegurada o a una altura que evite que se la use sin autorización o se la dañe. Mantenga la unidad lejos del alcance de los niños.
- Nunca rocíe ni arroje chorros de agua ni de ningún otro líquido a la unidad. Mantenga las manijas secas, limpias y sin residuos, aceite ni grasa. Limpie la unidad luego de cada uso. Consulte *Limpieza y almacenamiento*. No utilice solventes o detergentes fuertes.
- Guarde estas instrucciones. Consúltelas con frecuencia y úselas para capacitar a otros usuarios. Si le presta esta unidad a otras personas, también debe prestarles estas instrucciones.

# GUARDE ESTAS INSTRUCCIONES

• SÍMBOLOS INTERNACIONALES Y DE SEGURIDAD •

Este manual del operador describe símbolos y pictografías internacionales y de seguridad que posiblemente aparezcan en este producto. Lea el manual del operador para informarse bien sobre la seguridad, ensamblaje, operación, mantenimiento y reparación.

SÍMBOLO	SIGNIFICADO
	<ul style="list-style-type: none"> <li>• <b>SÍMBOLO DE ALERTA DE SEGURIDAD</b> Indica peligro, advertencia o precaución. Puede utilizarse junto a otros símbolos o pictografías.</li> </ul>
	<ul style="list-style-type: none"> <li>• <b>LEA EL MANUAL DEL OPERADOR</b> <b>ADVERTENCIA:</b> Lea el o los manuales del operador y siga todas las advertencias e instrucciones de seguridad. No hacerlo puede ocasionar lesiones graves al operador y/o a las personas presentes.</li> </ul>
	<ul style="list-style-type: none"> <li>• <b>PROTÉJASE LA CABEZA, LOS OJOS Y LOS OÍDOS</b> <b>ADVERTENCIA:</b> Los objetos lanzados y el ruido fuerte pueden ocasionar lesiones graves a los ojos y pérdida de la audición. Al operar esta unidad, use protección para los ojos que cumpla con la normas ANSI Z87.1 y protección para los oídos. Utilice casco cuando opere esta unidad; los objetos que caen pueden causar graves lesiones en la cabeza. De ser necesario, use un protector facial completo.</li> </ul>
	<ul style="list-style-type: none"> <li>• <b>COMBUSTIBLE SIN PLOMO</b> Use siempre combustible fresco, limpio y sin plomo.</li> <li>• <b>ACEITE</b> Consulte el tipo de aceite adecuado en el manual del operador.</li> </ul>
	<ul style="list-style-type: none"> <li>• <b>NO USE COMBUSTIBLE E85 EN ESTA UNIDAD</b> <b>ADVERTENCIA:</b> Se ha comprobado que es probable que el combustible con más de 10% de etanol dañe este motor, lo que anulará la garantía.</li> </ul>

SÍMBOLO	SIGNIFICADO
	<ul style="list-style-type: none"> <li>• <b>CONTROL DE ENCENDIDO/APAGADO DE PARADA</b> ENCENDIDO / ARRANQUE / FUNCIONAMIENTO</li> </ul>
	<ul style="list-style-type: none"> <li>• <b>CONTROL DE ENCENDIDO/APAGADO DE PARADA</b> APAGADO o PARADA</li> </ul>
	<ul style="list-style-type: none"> <li>• <b>PERA DEL CEBADOR</b> Oprima 10 veces la pera del cebador, lentamente y por completo.</li> </ul>
	<ul style="list-style-type: none"> <li>• <b>CONTROL DEL OBTURADOR</b> <ul style="list-style-type: none"> <li>• Extraído – posición FULL (máxima) del cebador</li> <li>• Presionado – posición RUN (funcionamiento)</li> </ul> </li> </ul>
	<ul style="list-style-type: none"> <li>• <b>MANTENGA ALEJADOS A LOS PRESENTES</b> <b>ADVERTENCIA:</b> Mantenga a todos los presentes, especialmente a los niños y animales domésticos, a una distancia de al menos 50 pies (15 m).</li> </ul>
	<ul style="list-style-type: none"> <li>• <b>UTILICE AMBAS MANOS</b> <b>ADVERTENCIA:</b> Utilice siempre ambas manos mientras opera la unidad. Nunca opere la unidad con una mano sola.</li> </ul>
	<ul style="list-style-type: none"> <li>• <b>RETROCESO</b> <b>ADVERTENCIA:</b> Se debe evitar el contacto de la punta de la barra guía con cualquier objeto. El contacto con la punta puede hacer que la barra guía se mueva repentinamente hacia arriba y hacia atrás, lo que puede causar lesiones graves.</li> </ul>
	<ul style="list-style-type: none"> <li>• <b>INDICADOR DE AJUSTE DE ACEITE DE LA CADENA</b> Para funcionar correctamente la cadena debe estar constantemente recubierta de aceite. Compruebe que el tornillo de ajuste del aceite se graduó para permitir el paso continuo de la cantidad de aceite suficiente a la cadena.</li> </ul>
	<ul style="list-style-type: none"> <li>• <b>FRENO DE CADENA</b> El freno de cadena detiene inmediatamente la cadena en movimiento de la sierra en situaciones de emergencia. Para conectar manualmente el freno de cadena, empuje la palanca del freno de cadena completamente hacia adelante. Para desconectar el freno de cadena, tire de la palanca del freno de cadena completamente hacia atrás.</li> </ul>
	<ul style="list-style-type: none"> <li>• <b>DIRECCIÓN DE LA CADENA</b> Compruebe que la cadena de la sierra mire en la dirección que se muestra cuando se instala en la barra guía. Consulte Instalación de la barra guía y de la cadena de la sierra en la sección Mantenimiento.</li> </ul>
	<ul style="list-style-type: none"> <li>• <b>TENSIÓN DE LA CADENA</b> Siempre mantenga la cadena de la sierra correctamente tensada. Gire el tornillo tensor de la cadena en el sentido de las agujas del reloj para tensar la cadena de la sierra. Gire el tornillo tensor de cadena en el sentido contrario a las agujas del reloj para aflojar la cadena de la sierra.</li> </ul>

# GARANTÍA

## GARANTÍA LIMITADA DE CRAFTSMAN

POR DOS AÑOS a partir de la fecha de la compra, este producto está garantizado por defectos en los materiales o la mano de obra. CON EL COMPROBANTE DE VENTA, el producto defectuoso recibirá la reparación o el reemplazo sin cargo a opción del vendedor.

## GARANTÍA LIMITADA ADICIONAL SOBRE EL CIGÜEÑAL DEL MOTOR

DURANTE EL TERCER AL DECIMO AÑO de la fecha de venta, el cigüeñal de motor de este producto está garantizado contra cualquier defecto en el material o la mano de obra.

CON EL COMPROBANTE DE VENTA, el cigüeñal de motor defectuoso se reemplazará sin cargo. Usted es responsable por el costo de la mano de obra necesaria para la instalación. Esta garantía adicional cubre solo el cigüeñal del motor y no se aplica a ningún otro componente del mismo.

**Para conocer los detalles de la cobertura de garantía para la reparación o reemplazo gratuitos, visite el sitio web:**  
[www.craftsman.com/warranty](http://www.craftsman.com/warranty)

**Esta garantía cubre SOLAMENTE defectos de materiales o mano de obra. La cobertura de garantía NO incluye:**

- Componentes desechables que pueden sufrir desgaste por el uso normal dentro del período de garantía, incluyendo pero sin limitarse a la barra de cadena, la cadena, los filtros, la bujía, caja de transporte o funda.
- Los daños al producto a consecuencia de intentos de modificación o reparación del usuario u ocasionados por accesorios del producto.
- Las reparaciones necesarias por un accidente o por no operar o mantener el producto de acuerdo con todas las instrucciones suministradas.
- Mantenimiento preventivo o reparaciones necesarias debido al uso de una mezcla de combustible incorrecta, combustible contaminado o viejo.

Esta garantía se anula si el producto en algún momento se utiliza para prestar servicios comerciales o se alquila a otra persona.

Esta garantía le confiere a usted derechos legales específicos y usted puede tener, además, otros derechos que difieren de un estado a otro.

Sears Brands Management Corporation, Hoffman Estates, IL 60179

**Para ordenar refacciones o agendar mantenimiento para este producto, llame a 1-888-331-4569.**

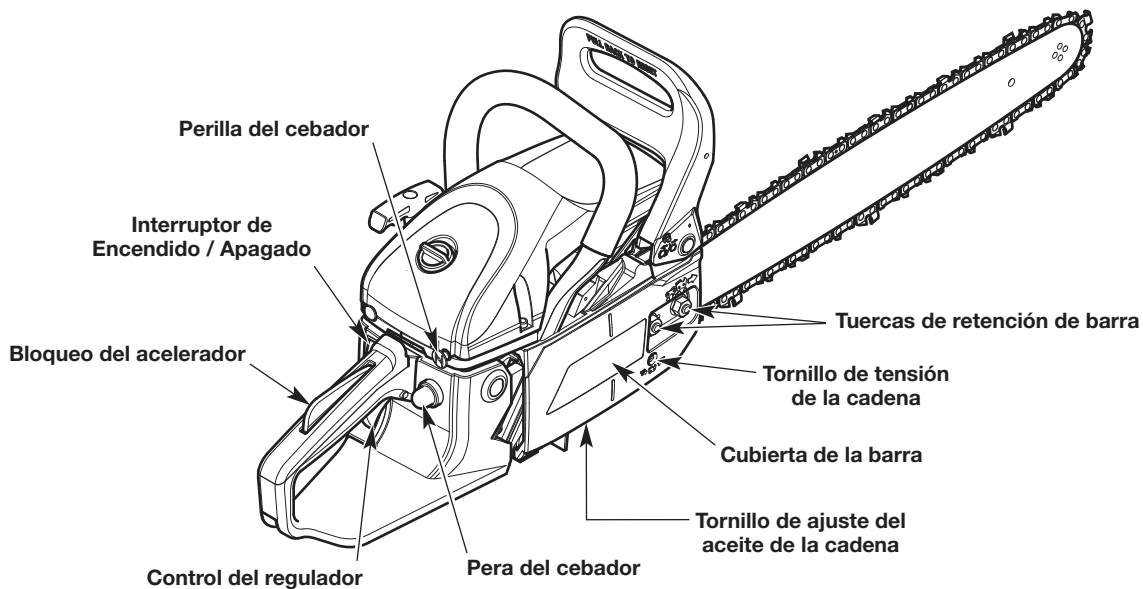
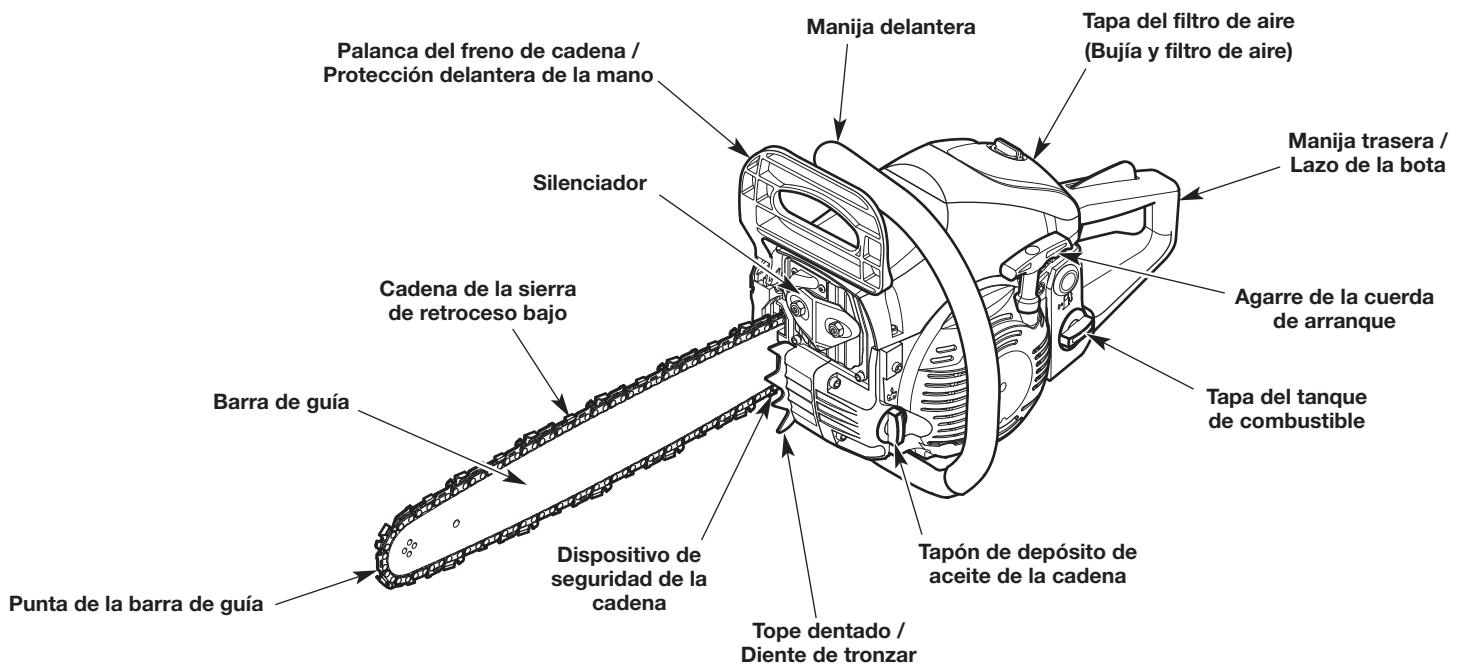
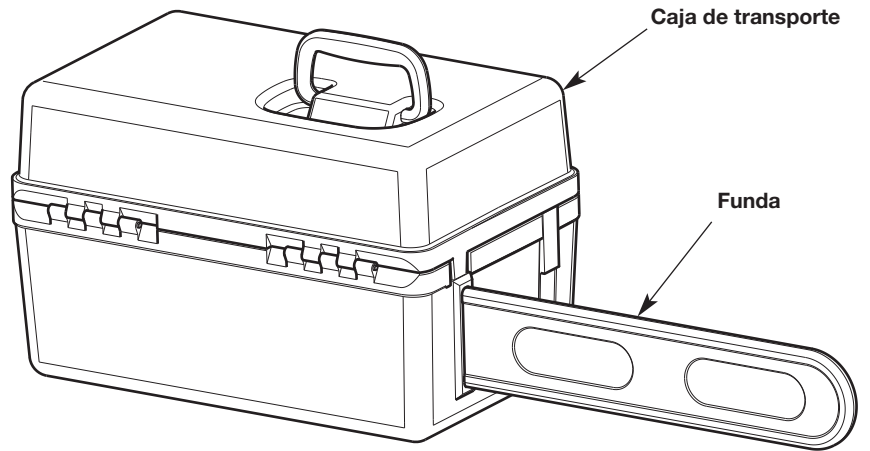
## CONOZCA SU UNIDAD

### USOS

- Tala y desramado de árboles
- Corte de troncos (tronzado)
- Poda de árboles

### HERRAMIENTAS NECESARIAS PARA EL ENSAMBLAJE:

- Destornillador de cabeza plana o herramienta multiuso (suministrado)



## CARACTERÍSTICAS DE SEGURIDAD

- **CADENA DE SIERRA DE RETROCESO BAJO** reduce significativamente la posibilidad de retroceso y su intensidad debido a los calibres de profundidad y los eslabones de protección diseñados especialmente.
- La **PANTALLA DE PARACHISPAS** retiene las partículas de carbono y otras partículas inflamables de más de 0,023 pulgadas (0,6mm) de tamaño provenientes del flujo de escape del motor. Es responsabilidad del usuario el cumplimiento de las leyes locales, estatales y federales y/o reglamentaciones que rigen el uso de una pantalla parachispas. Para más información consulte la Nota sobre parachispas en la sección Seguridad.
- La **PALANCA DEL FRENO DE CADENA / PROTECCIÓN DELANTERA DE MANO** ayuda a proteger la mano izquierda del operador en caso de que se deslice de la manija delantera mientras la unidad está en funcionamiento. La palanca del freno de cadena también se utiliza para enganchar manualmente el freno de la cadena.
- El **FRENO DE LA CADENA** reduce la posibilidad de lesiones en caso de que ocurra un retroceso al detener en milisegundos la cadena de la sierra. El freno de la cadena está diseñado para engancharse automáticamente en respuesta a un retroceso. El freno de la cadena también puede activarse empujando hacia adelante la palanca de freno de cadena, ya sea intencionalmente o si la mano del operador golpea la palanca durante el retroceso.
- El **INTERRUPTOR DE ENCENDIDO/APAGADO** detiene el motor inmediatamente cuando se lo mueve a la posición OFF (apagado). El interruptor de Encendido/Apagado (“on/off”) debe moverse a la posición “On” (encendido) para que el motor de la máquina arranque.
- El **BLOQUEO DEL ACELERADOR** evita la aceleración accidental del motor. El control del acelerador no se puede apretar a menos que se oprima el bloqueo del acelerador.
- El **DISPOSITIVO DE SEGURIDAD DE LA CADENA** reduce la posibilidad de lesiones en caso de que se rompa la cadena de la sierra o se salga del riel durante el funcionamiento. Este dispositivo está diseñado para interceptar el latigazo que pueda dar una cadena.

## ESPECIFICACIONES\*

Tipo de motor	Enfriado por aire, de 2 tiempos
Cilindrada	42 cc (2.56 pulg. cúbicas)
Abertura de la bujía	0.025 pulgadas (0.635 mm)
Bujía de encendido	Bujía Champion® RCJ6Y o equivalente
Lubricación	Aceite de cadena y barra
Proporción de aceite/combustible	40:1
Capacidad del tanque de combustible	22 onzas (650 mL)
Capacidad del depósito de aceite de la cadena	8.45 onzas (250 mL)
Peso aproximado de la unidad (sin combustible o aceite de cadena)	14 - 15 libras (6.3 - 6.8 kg)
Longitud de la barra guía	18 pulgadas (45.7 cm)
Paso de la cadena de la sierra	3/8 pulgadas (9.5 mm)
Calibre de la cadena de la sierra	0.050 pulgadas (1.3 mm)

\* Todas las especificaciones se basan en la información del producto más reciente disponible en el momento de la impresión. Nos reservamos el derecho de hacer cambios en cualquier momento, sin previo aviso.

## REPUESTOS

Para solicitar repuestos póngase en contacto con el Departamento de Asistencia al Cliente.

Pieza #	Descripción
753-08104	Cadena de la sierra (18 pulgadas / 45.7 cm)
795-00278	Barra guía (18 pulgadas / 45.7 cm)
753-08105	Tuercas de retención de barra

## AGREGADO DE ACEITE DE LA CADENA Y BARRA: USO INICIAL

Esta unidad viene de fábrica con el depósito de aceite de la cadena vacío. Consulte las instrucciones de *Agregado de aceite de la cadena y barra* en la sección *Mantenimiento*.

## AJUSTE DE TENSIÓN DE LA CADENA: USO INICIAL

La cadena de la sierra debe estar debidamente tensada antes de utilizar la unidad. Posiblemente la cadena de la sierra también necesitará tensado adicional ya que ésta se calienta durante el funcionamiento. Consulte las instrucciones de *Ajuste de tensión de la cadena* en la sección *Mantenimiento*.

## PRUEBA DEL FRENO DE LA CADENA



**ADVERTENCIA:** Active siempre el freno de la cadena lenta y deliberadamente. Evite que la cadena de la sierra toque cualquier cosa. No deje la punta de la sierra de la cadena hacia adelante.

Pruebe siempre el freno de la cadena antes de utilizar la unidad.

1. **Coloque la unidad sobre una superficie plana y nivelada.**
  2. Compruebe que la palanca del freno de la cadena esté en la posición desenganchada (Fig.1).
  3. Arranque la unidad. Consulte *Instrucciones de arranque* en la sección *Arranque y detención*. Mantenga la sujeción adecuada. Consulte *Sujeción de la unidad* en la sección *Funcionamiento*.
  4. Mientras la unidad está funcionando, apriete el control del acelerador hasta una aceleración de 1/3 y luego enganche el freno de la cadena empujando la palanca del freno de la cadena hacia adelante con la mano izquierda (Fig. 1). La cadena debe detener su movimiento repentinamente.
- SI...** Si la cadena detiene su movimiento, el freno de la cadena está funcionando correctamente.
- SI...** Si la cadena no detiene su movimiento, haga que Sears o el distribuidor de servicio calificado repare la unidad.
5. Detenga el motor y lleve nuevamente el freno de la cadena a la posición desenganchada. Consulte *Instrucciones de detención* en la sección *Arranque y detención*.

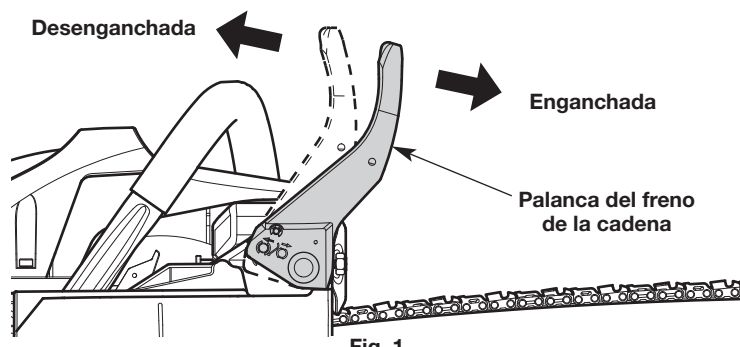


Fig. 1



## INSTRUCCIONES PARA MEZCLAR EL ACEITE Y EL COMBUSTIBLE

El uso de un combustible viejo y/o mal mezclado es la causa más común de problemas de funcionamiento. Utilice solamente gasolina fresca, limpia y sin plomo. Siga atentamente las instrucciones para mezclar adecuadamente el aceite/combustible.

### Definición de combustibles mezclados

Los combustibles actuales son con frecuencia una mezcla de gasolina e hidrocarburos oxigenados como el etanol, metanol o MTBE (éter). El combustible mezclado con alcohol absorbe agua. Un 1% de agua es suficiente para separar la mezcla de aceite y alcohol o formar ácidos al estar guardado. Utilice SIEMPRE combustible fresco (con menos de 30 días).

**NOTA:** Deseche el aceite viejo, de conformidad con las regulaciones federales, estatales y locales.

### Uso de combustibles mezclados

Si utiliza un combustible mezclado:

- Utilice siempre la mezcla fresca de combustible indicada en su manual del operador
- Use el aditivo STA-BIL® o un equivalente
- Agite siempre la mezcla de combustible antes de abastecer la unidad
- Vacíe el tanque y eche a andar el motor en seco antes de guardar la unidad



**ADVERTENCIA: NO USE COMBUSTIBLE E85 EN ESTA UNIDAD.** Se ha comprobado que es probable que el combustible con más de 10% de etanol dañe este motor, lo que anulará la garantía.

### Uso de aditivos para combustible

La botella de aceite para motor de 2 tiempos que viene con esta unidad contiene un aditivo que ayudará a inhibir la corrosión y minimizará los depósitos de goma. Utilice siempre la marca de aceite para motor de 2 tiempos que viene con esta unidad. Si no es posible, utilice un buen aceite para motores de 2 tiempos enfriados por aire y mézclelo con un aditivo como el estabilizador de gasolina STA-BIL o un equivalente. Eche 0.8 onzas (23 mL) de aditivo por galón de combustible según las instrucciones del recipiente. No eche NUNCA los aditivos directamente en el tanque de combustible de la unidad.



### Mezclar el combustible

**NOTA:** Esta unidad trae un frasco de 3.2 onzas (95 mL) de aceite para motor de 2 tiempos. Para que la mezcla de combustible descrita anteriormente sea la correcta, échele la botella completa a un galón de gasolina sin plomo.



**PRECAUCIÓN:** Para el funcionamiento adecuado y máxima confiabilidad del motor, hay que prestar rigurosa atención a las instrucciones para mezclar el aceite y la gasolina que están en la botella del aceite para motores de 2 tiempos. Usar un combustible mal mezclado puede dañar seriamente el motor.

Mezcle bien la proporción adecuada de gasolina sin plomo y aceite para motor de 2 tiempos. No los mezcle directamente en el tanque de combustible de la unidad. Utilice una lata aparte para combustible. Use una proporción de combustible/aceite 40:1. Vea en la tabla a continuación las proporciones específicas de gasolina y aceite.

	
Gasolina sin plomo	Aceite para motor de 2 tiempos
1 galón EE.UU. (3.8 L)	3.2 onzas fluidas (95 mL)
1 L	25 mL

PROPORCIÓN - 40:1

## ABASTECER DE COMBUSTIBLE LA UNIDAD



**ADVERTENCIA:** La gasolina es sumamente inflamable. De prenderse, los vapores pueden hacer explosión. Pare siempre el motor y deje que se enfríe antes de llenar el tanque de combustible. No fume mientras llena el tanque. Aléjese de los lugares donde haya chispas y llamas expuestas.



**ADVERTENCIA:** Quite lentamente la tapa de combustible a fin de evitar lesiones por salpicaduras. No opere nunca la unidad si la tapa del combustible no está bien asegurada en su lugar.



**ADVERTENCIA:** Eche el combustible en un área exterior bien ventilada y limpia. Limpie de inmediato todo el combustible derramado. Evite el peligro de incendio debido a combustible derramado. No arranque el motor hasta que no se hayan disipado los vapores de combustible.

1. Coloque la unidad con la tapa del tanque de combustible mirando hacia arriba.
2. Quítele la tapa al tanque (Fig. 2).
3. Coloque la boquilla del depósito de gasolina en el orificio de llenado del tanque de combustible y llénelo.

**NOTA:** No rebose el tanque.

4. Limpie todo el combustible que pueda haberse derramado.
5. Vuelva a ponerle la tapa al tanque de gasolina.
6. Antes de arrancar el motor, aleje la unidad a una distancia de 30 pies (9.1 m) como mínimo del lugar de abasto de combustible.

Tapa del tanque de combustible

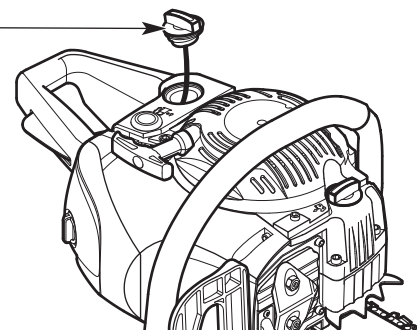


Fig. 2

## ARRANQUE Y PARADA



**ADVERTENCIA:** Opere esta unidad solamente en un área exterior bien ventilada. El monóxido de carbono de los gases de escape puede ser letal en un área confinada.



**ADVERTENCIA:** Evite arrancar la unidad por accidente. A fin de evitar lesiones graves, el operador y la unidad deben estar en una posición estable al tirar de la cuerda de arranque (Fig. 5).



**ADVERTENCIA:** Nunca opera la unidad sin haber instalado adecuadamente la barra guía y la cadena de la sierra. Compruebe que las tuercas de retención de la barra estén ajustadas y la cubierta de la barra guía esté colocada de manera segura. Compruebe que la cadena de la sierra esté tensada adecuadamente.



**ADVERTENCIA:** La cadena de la sierra girará una vez que el motor arranque. Mantenga las manos y los pies lejos de la cadena de la sierra y no deje que ésta entre en contacto con ningún objeto.

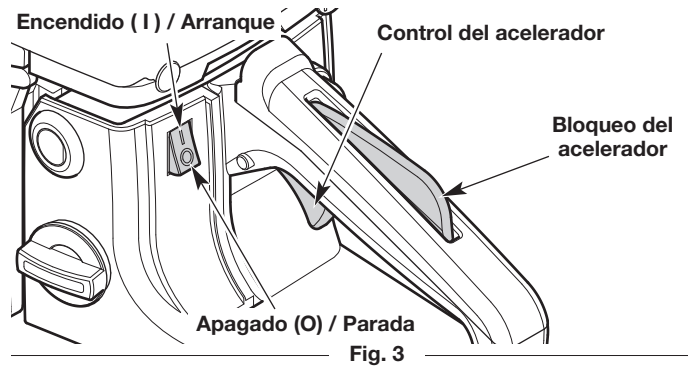


Fig. 3

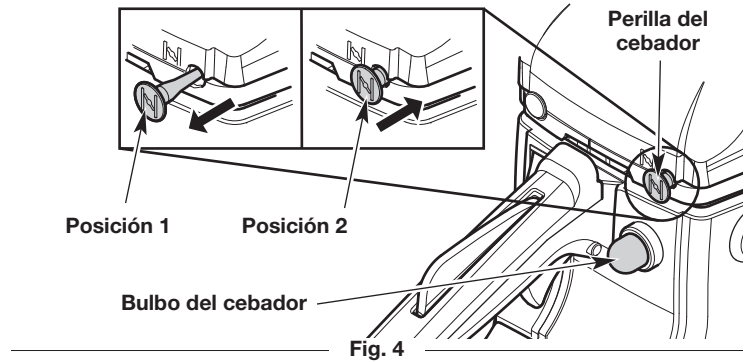


Fig. 4

### INSTRUCCIONES DE ARRANQUE

1. Mezcle la gasolina con el aceite. Consulte las *Instrucciones para mezclar el aceite y el combustible*.
2. Llene el tanque de combustible. Consulte *Abastecer de combustible la unidad*.
3. Llene el depósito de aceite de la cadena con aceite de la cadena y barra. Consulte *Agregado de aceite de la cadena y barra* en la sección *Mantenimiento*.
4. Compruebe que el freno de la cadena esté desenganchado. Consulte *Prueba del freno de la cadena* en la sección *Montaje*.
5. Mueva el interruptor de encendido/apagado a la posición **On** (encendido) (Fig. 3).
6. Oprima y suelte despacio la pera del cebador **10 veces** (Fig. 4). Si no se ve combustible en la pera del cebador, oprima y suelte la pera hasta que se vea el combustible.
7. Tire de la perilla del cebador hacia afuera hasta la **Posición 1** (Fig. 4).

**NOTA:** **NO** toque el control del acelerador hasta el paso 14 (Fig. 3).

8. **NO** toque el control del acelerador (Fig. 3). Coloque la unidad sobre una superficie plana y nivelada. Despeje el área de cualquier objeto que podría entrar en contacto con la cadena de la sierra.
9. **NO** toque el control del acelerador. Agáchese en la posición de arranque (Fig. 5). Sostenga la manija delantera con la mano izquierda. Sujete la empuñadura de la cuerda de arranque con la mano derecha. Coloque el pie derecho en el lazo de la bota para mantener la unidad firme en su lugar.
10. **NO** toque el control del acelerador. Tire de la cuerda de arranque con un movimiento controlado y firme **5 veces** (Fig. 5).
11. **NO** toque el control del acelerador. Empuje la perilla del cebador hacia adentro hasta la **Posición 2** (Fig. 4).
12. **NO** toque el control del acelerador. Tire de la cuerda de arranque unas **3 a 5 veces** con movimiento regulado y firme para arrancar el motor.
13. **NO** toque el control del acelerador. Deje que el motor se caliente de 30 a 60 segundos.

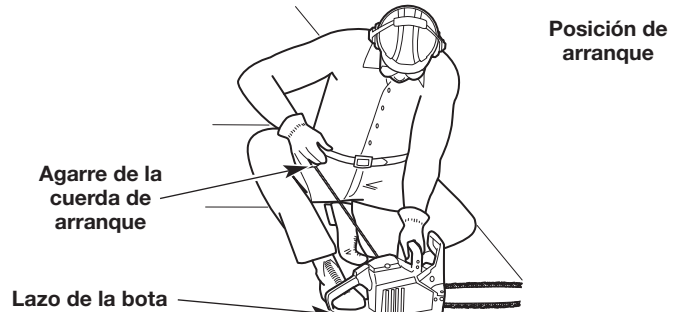


Fig. 5

14. Oprima y mantenga el bloqueo de acelerador. Apriete levemente y suelte el control del acelerador para que el motor funcione en ralentí.



**ADVERTENCIA:** La cadena de la sierra no se debe mover cuando el motor funciona en ralentí. Si se mueve, consulte *Ajuste de la velocidad de ralentí* en la sección *Mantenimiento*.

15. Para reducir la posibilidad de lesiones, enganche el freno de la cadena hasta que usted esté listo para comenzar a operar. Cuando esté listo, desenganche el freno de la cadena. Luego oprima el bloqueo del acelerador y apriete el control del acelerador para acelerar el motor, según sea necesario.

**NOTA:** Cuando el motor acelera sin fallar, la unidad ya se calentó como es debido.

**Si...** el motor no funciona de manera uniforme, continúe calentándolo.

**Si...** el motor no arranca, comience el procedimiento de arranque por el paso 4.

**Si...** el motor no arranca al cabo de unos pocos intentos, mueva la perilla del cebador a la **Posición 2**, oprima el bloqueo del acelerador y apriete el control del acelerador. Tire de la cuerda de arranque unas **3 a 8 veces** con movimiento regulado y firme. El motor deberá arrancar. Si no lo hace, repita estas instrucciones.

**Si...** el motor ya se ha calentado, compruebe que el interruptor de encendido/apagado esté en la posición **On** (encendido), agáchese en la posición de arranque, tire la perilla del cebador hacia afuera a la **Posición 1** y luego empuje la perilla del cebador a la **Posición 2**. Comience el procedimiento de arranque con el paso 12.

## INSTRUCCIONES DE APAGADO

1. Suelte el control del regulador y deje que el motor trabaje en vacío.
2. Mueva el interruptor de encendido/apagado a la posición **Off** (apagado) (Fig. 3). Espere a que la cadena de la sierra se haya detenido completamente.

### Parada de emergencia

1. Empuje la palanca del freno de la cadena hacia adelante para enganchar dicho freno. Consulte *Prueba del freno de la cadena* en la sección *Montaje*.
2. Mueva el interruptor de encendido/apagado a la posición **Off** (apagado).



**ADVERTENCIA:** Controle siempre la tensión de la cadena y ajuste si es necesario antes de comenzar la operación. Consulte *Ajuste de tensión de la cadena* en la sección *Mantenimiento*.



**ADVERTENCIA:** Asegúrese de que el depósito de aceite de la cadena está lleno antes de la operación. Controle constantemente el nivel de aceite para que no caiga por debajo de la mitad. Asegúrese de que el tornillo de ajuste de aceite de la cadena está correctamente graduado. Consulte *Graduación del tornillo de ajuste de aceite de la cadena* en la sección *Mantenimiento*. Para funcionar correctamente la cadena de la sierra debe estar constantemente recubierta de aceite.



**ADVERTENCIA:** Utilice siempre una adecuada protección ocular, auditiva, de manos, pies y corporal para reducir el riesgo de sufrir lesiones durante la operación de esta unidad. Use casco protector. De ser necesario, use un protector facial completo. Consulte la sección *Seguridad* para información apropiada del equipamiento de seguridad.

### RECOMENDACIONES PARA MEJORES RESULTADOS

- Siga todas las instrucciones de seguridad. Consulte la sección *Seguridad*.
- Corte únicamente madera y materiales hechos de madera. No intente cortar lámina de metal, plásticos, mampostería o cualquier otro material que no sea de madera.
- Practique cortar algunos troncos pequeños antes de comenzar una operación importante de corte.
- No intente cortar árboles o troncos con diámetros mayores de 14 pulgadas (35.6 cm).

### PREPARACIÓN DEL ÁREA DE TRABAJO

- Despeje la zona de niños, observadores y mascotas; manténgalos fuera de un radio de 50 pies (15 m), como mínimo. Incluso a esa distancia, sigue el riesgo de ser alcanzados por los objetos arrojados por el aire. Sugíérales a los observadores que usen protección ocular. Si alguien se le aproxima, detenga la unidad de inmediato. Al talar, la distancia segura es por lo menos dos veces la altura del árbol más alto en el área de trabajo. Al tronzar, mantenga alejados a los operarios por lo menos 15 pies (4,6 m).
- Mantenga limpia el área de trabajo. Las áreas desordenadas se prestan a los accidentes. No comience a cortar hasta que el área de trabajo esté despejada y libre de obstrucciones. Compruebe que haya un lugar seguro para apoyar los pies y una senda de retirada planificada para los árboles y las ramas que caen.
- No corte cerca de cables eléctricos o líneas de tensión. Manténgase por lo menos a 50 pies (15 m) de distancia de las líneas de tensión.
- Use la unidad solamente con luz de día o con una buena luz artificial.

## SUJETAR LA UNIDAD



**ADVERTENCIA:** Sostenga siempre la manija delantera con la mano izquierda y la manija trasera con la mano derecha. Mantenga siempre todas las partes del cuerpo a la izquierda de la línea de la cadena.

- Rodee firmemente las manijas con los pulgares y dedos de la mano (Fig. 6). Esto reducirá la posibilidad de perder el control de la unidad en caso de que se produzca un retroceso. Cualquier sujeción con los pulgares y dedos de la mano en el mismo lado de las manijas es peligroso (Fig. 7).
- Agarre siempre la unidad firmemente con ambas manos cuando esté funcionando.
- Sostenga la manija delantera con la mano izquierda. Mantenga el brazo izquierdo derecho para soportar un retroceso potencial.
- Sujete la manija trasera con la mano derecha. Mantenga el brazo derecho ligeramente flexionado.
- Utilice estos lugares para las manos independientemente de que el operador sea diestro o zurdo. Esto ayudará a mantener al operador levemente hacia la izquierda de la unidad y fuera de la línea directa de la sierra en caso de que se produzca un retroceso (Fig. 8 y Fig. 9).
- Párese en posición estable con los pies separados y bien plantados.
- No corte por arriba de la altura del hombro. No se extienda demasiado.

Sujeción correcta

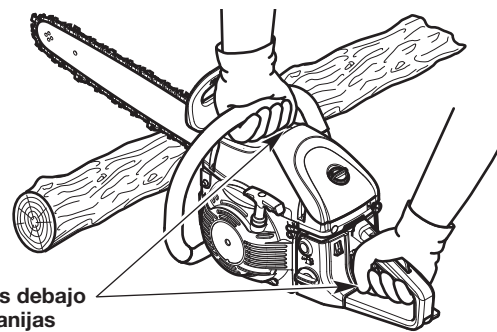


Fig. 6

Sujeción incorrecta



Fig. 7

## ASPECTOS BÁSICOS DEL PROCEDIMIENTO DE CORTE

1. Arranque la unidad. Consulte *Instrucciones de arranque* en la sección *Arranque y detención*.
2. No coloque los dedos sobre el control del acelerador hasta estar listo para cortar.
3. Acelere la unidad a la máxima velocidad antes de cortar.
4. Oprima la unidad contra la madera y mantenga una presión firme y constante durante la mayor parte de la operación de corte. No agregue presión a la unidad al final del corte.
5. Mantenga una velocidad constante durante el corte. Mantenga funcionando la unidad durante todo el corte.
6. No intente forzar la sierra a través de la madera. Deje que la cadena de la sierra haga el corte. Ejercer sólo una leve presión. Forzar el corte podría dañar la unidad o causar lesiones personales.
7. Suelte el control del acelerador tan pronto como se haya concretado el corte. Deje que la cadena de la sierra se detenga completamente. La cadena de la sierra, la barra guía y el motor podrían sufrir un desgaste innecesario si se hace funcionar la unidad sin una carga de corte.

Línea de la cadena

Postura correcta

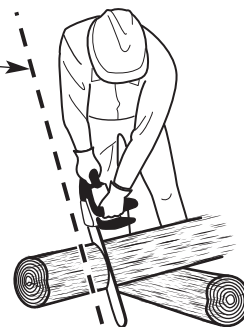


Fig. 8

Línea de la cadena

Postura incorrecta



Fig. 9

## TALA: SEGURIDAD

La tala (felling) es el proceso de cortar un árbol. Siga estas medidas de seguridad para reducir el riesgo de lesiones graves, daños materiales y daños a los cables de electricidad:

- No tale árboles que tengan una inclinación extrema. No tale árboles con ramas secas, cortezas sueltas o troncos huecos. Haga que estos árboles sean derribados con equipamiento pesado.
- No corte árboles cerca de edificios o cables de electricidad. Deje estas operaciones para que las realicen profesionales en la materia. Si el árbol talado toca un cable eléctrico notifíquelo de inmediato a la empresa de electricidad.

- Inspeccione el árbol para detectar ramas secas o dañadas que podrían caer y causar lesiones graves.
- Retire la tierra, piedras, cortezas sueltas, clavos, alambres y otras obstrucciones provenientes del árbol que se va a talar.
- Cuando dos o más personas efectúan operaciones de talado y tronzado (bucking) en la misma área general, éstas deben estar separadas una de otra por una distancia de al menos el doble de la altura del árbol a talar.
- Tenga en cuenta la fuerza y la dirección del viento. Analice la inclinación y el equilibrio del árbol. Tenga en cuenta la ubicación de las ramas grandes. Todos estos factores influyen en la dirección en la cual caerá el árbol. No intente talar un árbol en una dirección distinta a la de su línea natural de caída.
- No tale árboles durante los períodos de precipitaciones o vientos fuertes.
- Determine una senda de escape rápida y segura. Despeje el área alrededor del árbol y compruebe que no haya obstrucciones que bloqueen la senda de escape. Establezca un corredor de escape en un ángulo de 90°, aproximadamente a 135° de la línea de caída (Fig. 10).
- Manténgase cuesta arriba del árbol; es muy probable que al caer éste ruede o se deslice cuesta abajo.

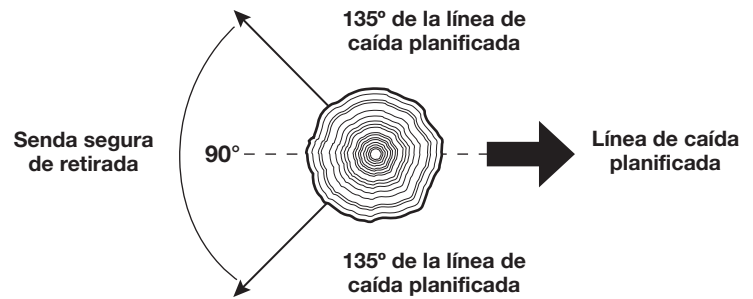


Fig. 10

## TALA: PROCEDIMIENTO

Los árboles pequeños de hasta 6 - 7 pulgadas (15 - 18 cm) de diámetro generalmente se talan en un solo corte. Los árboles más grandes necesitan de una secuencia de dos operaciones de corte: un corte inferior de muesca seguido de un corte final de tala. Posiblemente también sea necesario eliminar las raíces de apoyo.

### Paso 1: Eliminación de las raíces de apoyo

Las raíces de apoyo son raíces grandes que se extienden por encima del suelo y ayudan a sostener el árbol. Si el árbol tiene raíces de apoyo grandes que podrían impedir el proceso de tala, siga estos pasos para su eliminación:

1. Haga un corte horizontal en la raíz de apoyo (Fig. 11). Para evitar que el peso de la madera comprima la barra guía, siempre haga este corte en primer lugar.
2. Haga un corte vertical en la raíz de apoyo (Fig. 11).
3. Retire la sección suelta del área de trabajo.

### Paso 2: Ejecución del corte inferior de la muesca

**ADVERTENCIA:** Nunca camine delante de un árbol que tenga el corte inferior de la muesca.

Este corte determina en qué dirección caerá el árbol. Haga siempre este corte en el lado del árbol que mira en la dirección en que debería caer. Haga el corte en un ángulo de 90° respecto de la línea de caída.

1. Haga un corte horizontal en el tronco del árbol (Fig. 12). El corte debería ser de aproximadamente 1/3 del diámetro del árbol y cerca del suelo. Para evitar que el peso de la madera comprima la barra guía, siempre haga este corte en primer lugar.
2. Haga un corte a 45° en el tronco del árbol, arriba del primer corte (Fig. 12). Continúe cortando hasta que los dos cortes se unan.
3. Retire la sección suelta del área de trabajo.

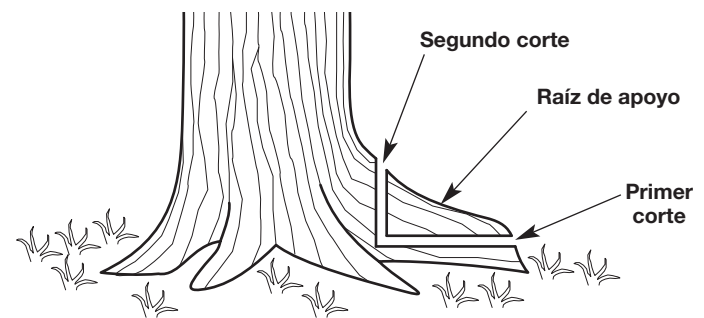


Fig. 11

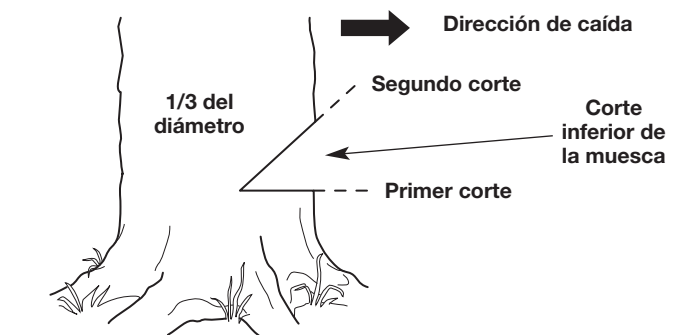


Fig. 12

### Paso 3: Ejecución del corte final de tala



**ADVERTENCIA:** Antes de hacer el corte final de tala siempre verifique que no haya personas, animales y obstáculos.

Este corte derriba el árbol.

1. Haga un corte horizontal en el lado opuesto del árbol a partir del corte inferior de la muesca (Fig. 13). Haga el corte aproximadamente 2 pulgadas (5 cm) por encima del corte inferior de la muesca (Fig. 13).
2. A medida que el corte se acerque al corte inferior de la muesca, el árbol sólo estará sostenido por una delgada banda de madera. Esta banda de madera se denomina bisagra (Fig. 13). La bisagra ayuda a controlar la caída del árbol. Deje aproximadamente 2 pulgadas (5 cm) de la bisagra en su lugar. No atraviese la bisagra. Si el corte atraviesa la bisagra podría hacer que el árbol caiga en cualquier dirección.
3. Periódicamente y durante el corte final de tala mire hacia arriba para ver si el árbol cae en la dirección correcta. Si hay alguna posibilidad de que el árbol no caiga en la dirección deseada o que se bambolee hacia atrás y apriete la cadena de la sierra, retire la barra guía del corte, detenga la unidad y utilice cuñas para abrir el corte y dirigir la caída (Fig. 14). Utilice únicamente cuñas de plástico o de madera. Inserte las cuñas lentamente en el corte. Una vez que éstas estén en su lugar y el corte se mantiene abierto vuelva a insertar la barra guía con cuidado y continúe con el corte o mueva las cuñas lentamente hacia adentro para empujar más el árbol.
4. A medida que se achica la bisagra, el árbol debería comenzar a caer. Cuando esto sucede, retire la sierra de cadena del corte, detenga el motor y apoye de inmediato la unidad. Salga rápidamente del área por la senda de retirada, pero siga observando el árbol mientras cae.



**PELIGRO:** Si el árbol comienza a caer en la dirección incorrecta y aprieta la sierra de cadena, abandone la unidad y evacúe el área de inmediato. ¡No intente recuperar la sierra!



**ADVERTENCIA:** Al operar la unidad manténgase alejado de las varas tensadas. Las varas tensadas podrían ser ramas, troncos, raíces o vástagos que son doblados bajo tensión por otra madera (Fig. 15). Cuando la tensión de las varas se libera, éstas pueden moverse hacia el operador golpeando su cuerpo y provocándole graves lesiones. Tenga sumo cuidado al cortar las varas tensadas o liberar la causa de la tensión.

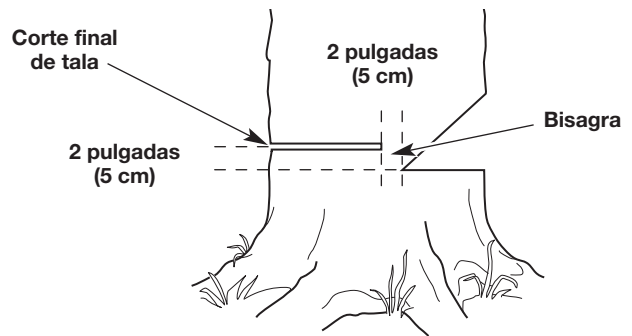


Fig. 13



Fig. 14

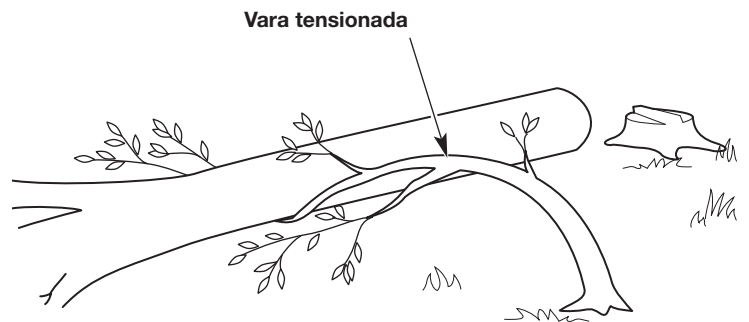


Fig. 15

### DESRAMADO

El desramado (limbing) es el proceso de cortar las ramas de un árbol caído.

1. Deje para lo último las ramas grandes de apoyo debajo del árbol (Fig. 16). Éstas mantendrán al árbol alejado del suelo durante el proceso de desramado.
2. Corte de a una rama por vez. Párese en el lado del árbol opuesto a la rama (Fig. 16). Mantenga el tronco entre el operador y la sierra de cadena. Para evitar que la sierra sea apretada, las ramas bajo tensión se deben cortar de abajo hacia arriba.
3. Retire las ramas cortadas del área de trabajo.



Fig. 16

## TRONZADO: SEGURIDAD

El tronzo (bucking) es el proceso de cortar un árbol talado en leños de longitudes deseadas. Siga las siguientes medidas de seguridad para reducir el riesgo de lesiones graves:

- Mantenga el área despejada de objetos u obstrucciones que podrían entrar en contacto con la barra guía y resultar en retroceso.
- Cuando efectúe el tronzo sobre una pendiente, párese siempre en el lado cuesta arriba del árbol derribado.
- De ser posible, el extremo del árbol a ser cortado debe estar elevado respecto del suelo. Un caballete es ideal para esta tarea. Si no hay disponible un caballete, utilice otros troncos o cualquier tocón que haya quedado. Compruebe que el árbol esté firmemente sostenido.
- No deje que la cadena de la sierra esté en contacto con el suelo o el caballete.
- Corte de a una rama por vez. Libere el control del acelerador y deje que la cadena de la sierra se detenga completamente antes de ocuparse del siguiente leño.
- Mantenga los pies y cualquier otra parte del cuerpo alejados de los troncos que caen.

	<p><b>PELIGRO:</b> Tenga sumo cuidado cuando corte un árbol talado que todavía está unido a la raíz. Al separarlo de ellas, el tocón tiene gran potencial para balancearse hacia atrás y volver al agujero creado por las raíces. Esto puede causar lesiones graves o la muerte. Nunca se quede parado en el agujero que dejaron las raíces. Nunca deje que otros se paren cerca de la estructura de raíces.</p>
--	--

## TRONZADO: PROCEDIMIENTO

### Corte de troncos bajo tensión

Cuando los troncos están sostenidos en uno o ambos extremos, la madera tiende a doblarse durante el proceso de corte. Esto puede causar que la cadena de la sierra quede atrapada entre los dos lados. Preste mucha atención.

1. Haga el primer corte a aproximadamente 1/3 del diámetro del tronco. No corte a más profundidad mayor de 1/3.
  - Si el tronco está sostenido en un extremo (Fig. 17), haga el primer corte desde el lado de abajo (tronzo desde abajo). Consulte *Tronzo desde abajo*.
  - Si el tronco está sostenido en dos extremos (Fig. 18), haga el primer corte desde el lado de arriba (tronzo desde arriba). Consulte *Tronzo desde arriba*.
2. Haga el segundo corte desde el lado opuesto hasta que los dos cortes se unan. Si el diámetro de la madera es suficientemente grande, inserte cuñas blandas de plástico o madera para mantener el corte abierto y evitar compresión (Fig. 21). Tenga cuidado de no tocar las cuñas con la cadena de la sierra.

### Corte de troncos completamente sostenidos

Cuando los troncos están sostenidos en toda su longitud, se debe tener cuidado adicional para que la cadena de la sierra no entre en contacto con el suelo u otra estructura de apoyo (Fig. 19).

1. Atraviese el tronco tanto como sea posible sin cortar el suelo o la estructura de apoyo. Haga el corte desde arriba (tronzo desde arriba). Consulte *Tronzo desde arriba*.
2. Haga rodar el tronco y termine de cortarlo desde arriba (tronzo desde arriba).

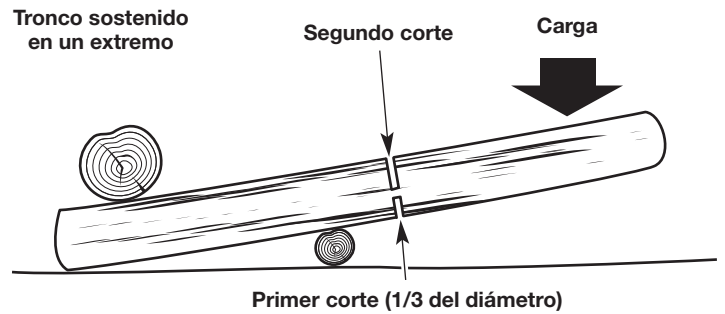


Fig. 17

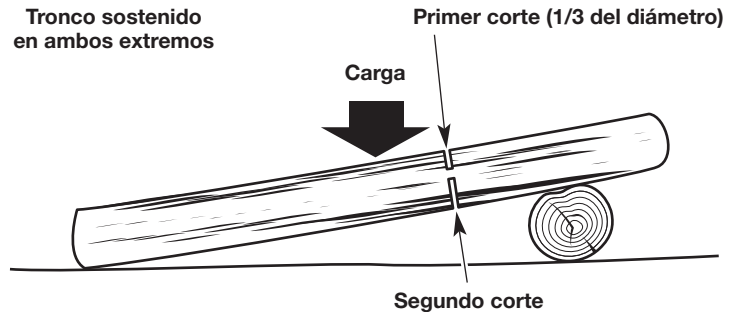


Fig. 18

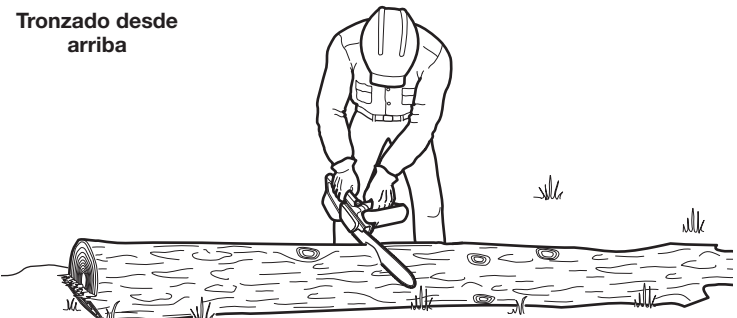


Fig. 19

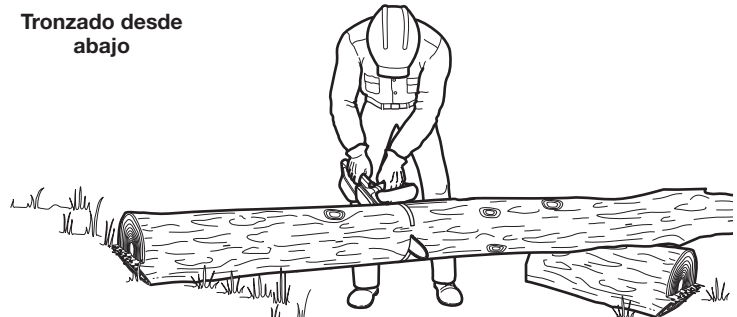


Fig. 20



### Tronzado desde arriba (overbucking)

1. Comience a cortar el tronco desde arriba, con la parte inferior de la cadena de la sierra contra la parte superior del tronco (Fig. 19).
2. Ejerza una leve presión hacia abajo. La sierra tenderá a apartarse del operador. Esté preparado y sostenga la sierra firmemente para mantener el control.

### Tronzado desde abajo (underbucking)

1. Comience a cortar el tronco desde abajo, con la parte superior de la cadena de la sierra contra la parte inferior del tronco (Fig. 20).
2. Ejerza una leve presión hacia arriba. La sierra tenderá a moverse hacia el operador. Esté preparado y sostenga la sierra firmemente para mantener el control.



Fig. 21

### PODA



**ADVERTENCIA:** No corte por arriba de la altura del hombro. Utilice una sierra de pértiga para cortar ramas por encima de la altura del hombro o contrate a un profesional. No opere la unidad en un árbol o sobre una escalera a menos que esté específicamente entrenado para hacerlo.



**ADVERTENCIA:** Las ramas que caen pueden causar lesiones graves. Utilice siempre protección adecuada para la cabeza. Planifique una senda de escape lejos de las ramas que caen. Al cortar no coloque ninguna parte del cuerpo debajo de la rama.

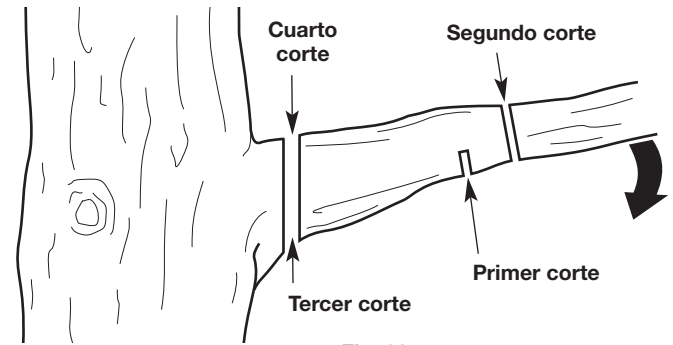


Fig. 22

La poda (pruning) es el proceso de cortar las ramas de un árbol vivo.

1. Realice el primer corte aproximadamente a 6 pulgadas (15 cm) del tronco del árbol. Corte hacia arriba, desde la parte de abajo de la rama. Use la parte superior de la barra de guía para hacer este corte. Corte hasta un tercio del diámetro de la rama (Fig. 22).
2. Haga el segundo corte de 2 a 4 pulgadas (5 - 10 cm) más afuera en la rama. Corte hacia abajo, desde la parte de arriba de la rama. Use la parte inferior de la barra de guía para hacer este corte. Corte atravesando totalmente la rama (Fig. 22).
3. Haga el tercer corte lo más cerca posible del tronco del árbol. Corte hacia arriba, desde la parte de abajo del muñón de la rama. Use la parte superior de la barra de guía para hacer este corte. Corte hasta un tercio del diámetro de la rama (Fig. 22).
4. Realice el cuarto corte directamente encima del tercero. Corte hacia abajo, desde la parte de arriba del muñón de la rama. Use la parte inferior de la barra de guía para hacer este corte. Corte atravesando totalmente el muñón de la rama hasta alcanzar el tercer corte (Fig. 22). Así se retira el muñón de rama.



**ADVERTENCIA:** Para evitar lesiones graves, nunca realice el mantenimiento ni las reparaciones con la unidad en funcionamiento. Siempre deje que se enfríe la unidad antes de hacer el mantenimiento o las reparaciones de la unidad. Desconecte el cable de la bujía para evitar que la unidad arranque accidentalmente.

## PROGRAMA DE MANTENIMIENTO

Realice estos procedimientos de mantenimiento requeridos con la frecuencia establecida en la tabla. Estos procedimientos también deben realizarse como parte de la afinación estacional.

Todas las tareas de reparación, con excepción de los procedimientos de mantenimiento que se describen en este manual, deben ser realizados por un distribuidor de Sears u otro distribuidor de servicio calificado.

**NOTA:** Es posible que algunos procedimientos de mantenimiento requieran herramientas o habilidades especiales. Si no está seguro de poder llevar a cabo estos procedimientos, lleve la unidad a Sears u otro distribuidor de servicio calificado. Para más información, llame al **1-888-331-4569**.

**NOTA:** Es conveniente que el mantenimiento, reemplazo o reparación de los dispositivos y sistemas de control de emisiones se lleven a cabo en Sears u otro distribuidor de servicio calificado. Para más información, llame al **1-888-331-4569**.

**NOTA:** Lea la declaración de California/EPA que recibió con la unidad para obtener un listado completo de las condiciones y la cobertura para los dispositivos de control de emisiones, tales como los amortiguadores de chispas, el silenciador, el carburador, etc.

## RESPONSABILIDAD DEL CLIENTE

FRECUENCIA	MANTENIMIENTO REQUERIDA
Antes de cada uso	<ul style="list-style-type: none"> <li>• Verifique si hay tornillos, tuercas o pernos flojos (ajústelos según sea necesario).</li> <li>• Verifique si hay piezas dañadas o gastadas*</li> <li>• Verifique el filo de la cadena de la sierra. Consulte <i>Afilado de la cadena de la sierra</i>.</li> <li>• Pruebe el freno de la cadena*. Consulte <i>Prueba del freno de la cadena</i>.</li> <li>• Verifique la tensión de la cadena (ajuste según sea necesario). Consulte <i>Ajuste de tensión de la cadena</i>.</li> <li>• Llene el depósito de aceite de la cadena (recargue con frecuencia). Consulte <i>Agregado de aceite de la cadena y barra</i>.</li> <li>• Llene el depósito de combustible con combustible nuevo mezclado adecuadamente. Consulte la sección <i>Aceite y combustible</i>.</li> <li>• Limpie el filtro de aire. Consulte <i>Mantenimiento del filtro de aire</i>.</li> </ul>
Luego de cada uso	<ul style="list-style-type: none"> <li>• Limpie la unidad e inspeccione las calcomanías. Consulte <i>Limpieza en la sección Limpieza y almacenamiento</i>.</li> </ul>
Cada 10 horas	<ul style="list-style-type: none"> <li>• Controle el estado y la separación de la bujía de encendido. Consulte <i>Mantenimiento de la bujía de encendido</i>.</li> <li>• Limpie los conductos de aceite y surcos de la barra guía. Lubrique la punta de la rueda dentada. Consulte <i>Mantenimiento de la barra guía</i>.</li> <li>• Limpie las aletas del cilindro. Consulte <i>Limpieza en la sección Limpieza y almacenamiento</i>.</li> </ul>

\* Si se requiere mantenimiento o reemplazo, haga que Sears u otro distribuidor de servicio calificado realice el mantenimiento.

## AGREGADO DE ACEITE DE LA CADENA Y BARRA



**PELIGRO:** Si no se llena el depósito de aceite de la cadena se ocasionará daño irreparable a la unidad. Asegúrese de que el depósito de aceite de la cadena está siempre lleno. Use siempre aceite para barra y cadena.



**ADVERTENCIA:** El aceite fluye constantemente del depósito de la cadena para aceitar la cadena de la sierra. Verifique el nivel de aceite de la cadena con frecuencia para evitar que caiga por debajo de medio lleno.

La barra guía y la cadena de la sierra requieren lubricación para minimizar la fricción. Nunca deje que a la cadena y la barra guía les falte aceite lubricante. Si se hace funcionar la unidad sin suficiente aceite disminuirá la eficiencia del corte, se acortará la vida útil de la cadena, habrá un rápido desafilado de la cadena y un excesivo desgaste de la barra guía por sobrecalentamiento. La cantidad insuficiente de aceite lubricante se nota por la existencia de humo, la decoloración de la barra o la acumulación de resina.

Utilice únicamente aceite de cadena y barra formulado para el uso en un amplio rango de temperaturas sin necesidad de diluirlo en el depósito de aceite. No utilice lubricante de motores o cualquier otro aceite proveniente del petróleo. No utilice aceite sucio, usado o contaminado. Esto puede dañar la barra guía o la cadena de la sierra. Deseche el aceite viejo de acuerdo con las normativas federales, estatales y locales.

1. **Coloque la unidad sobre una superficie plana y nivelada.**
2. Para evitar que ingresen desechos en el depósito de aceite, utilice un paño húmedo para limpiar la tapa del depósito y el área circundante.
3. Desenrosque la tapa del depósito de aceite (Fig. 23).
4. Vierta el aceite dentro del depósito con cuidado. **NO** llene el depósito en exceso.
5. Vuelva a colocar la tapa del depósito de aceite.
6. Limpie el aceite que se pueda haber derramado.

## AJUSTE DEL FLUJO DE ACEITE DE LA CADENA Y BARRA

El aceite de la cadena y barra fluirá lentamente desde el depósito de aceite de la cadena sobre la cadena. Se utiliza aproximadamente un depósito de aceite de la cadena y barra por cada tanque de combustible.

1. Para incrementar el flujo de aceite, con un destornillador de cabeza plana gire el tornillo de ajuste del engrasador automático en el sentido contrario a las agujas del reloj (Fig. 24).
2. Para disminuir el flujo de aceite, con un destornillador de cabeza plana gire el tornillo de ajuste del engrasador automático en el sentido de las agujas del reloj (Fig. 24).

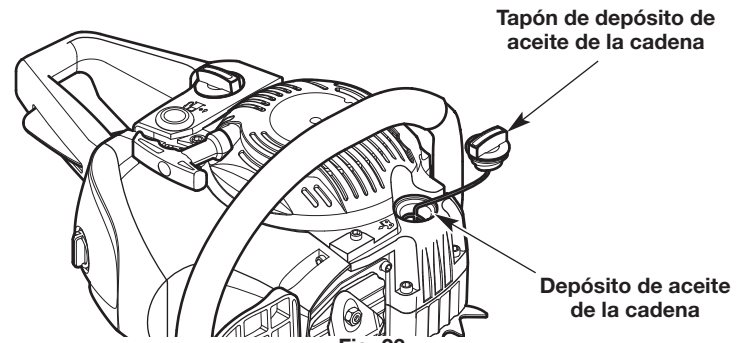


Fig. 23

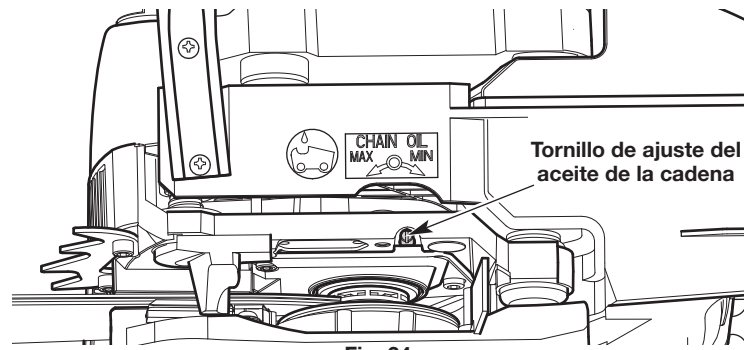


Fig. 24

## AJUSTE DE LA TENSION DE LA CADENA

**PRECAUCIÓN:** Si la cadena de la sierra no está correctamente tensionada, la barra de guía, la cadena y los cojinetes se gastarán más rápidamente. Mantener la tensión adecuada de la cadena de la sierra mejora el rendimiento del corte y prolonga la vida útil de la cadena.

**ADVERTENCIA:** Para evitar lesiones graves, nunca toque la cadena de la sierra ni ajuste su tensión mientras la unidad está funcionando. Desconecte el cable de la bujía para evitar que la unidad arranque accidentalmente.

**ADVERTENCIA:** La cadena de la sierra es muy filosa. Cuando manipule o efectúe el mantenimiento de la cadena de la sierra, use siempre guantes de protección reforzados.

Controle la tensión de la cadena antes y durante la operación. Ajuste la tensión de la cadena siempre que las partes planas de la cadena de la sierra sobresalgan del surco de la barra (Fig. 25).

**NOTA:** Una cadena de sierra nueva tiende a estirarse y necesitará un reajuste luego de unos cinco (5) cortes. Esto es normal durante el período de ablande. El intervalo entre los ajustes futuros se alargará rápidamente.

1. Compruebe que el freno de la cadena esté desenganchado. Consulte *Prueba del freno de la cadena* en la sección *Montaje*.
2. Utilice una herramienta multiuso o una llave de 1/2 pulgada (13 mm) para aflojar levemente las tuercas de retención de la barra (Fig. 26).
3. Sostenga la punta de la barra de guía hacia arriba y con un destornillador de cabeza plana gire el tornillo de tensión de la cadena (Fig. 26).
  - Gire el tornillo tensor de la cadena en el sentido de las agujas del reloj para tensar la cadena de la sierra.
  - Gire el tornillo tensor de cadena en el sentido contrario a las agujas del reloj para aflojar la cadena de la sierra.

La tensión de cadena deseada depende de la temperatura de la cadena de la sierra (Fig. 27).

- Tensado de cadena fría - La cadena de la sierra deberá encajar justo contra la parte inferior de la barra guía. No debe haber ninguna flojedad (Fig. 27).
  - Tensado de cadena caliente - La sierra se expandirá a medida que se calienta durante la operación. Los eslabones de impulsión deben colgar aproximadamente 1/16 pulgadas (1,3 mm) fuera del surco de la barra guía (Fig. 27).
4. Mantenga arriba la punta de la barra guía y mueva la cadena de la sierra hacia atrás y hacia adelante a lo largo de la barra guía (Fig. 28). Compruebe que la cadena de la sierra se mueve libremente y está en el engrane apropiado con la rueda dentada. Si la cadena de la sierra no se mueve con facilidad, gire lentamente el tornillo tensor de la cadena en el sentido contrario a las agujas del reloj para aflojar la cadena de la sierra.

**NOTA:** La cadena de la sierra no se moverá si el freno de cadena está enganchado.

5. Sostenga la punta de la barra de guía hacia arriba y ajuste bien las tuercas de retención de la barra.

**PRECAUCIÓN:** Si la cadena de la sierra fue tensada mientras estaba caliente, puede tensarse demasiado al enfriarse. Afloje la tensión de la cadena luego de la operación y compruebe su tensión antes del siguiente uso.

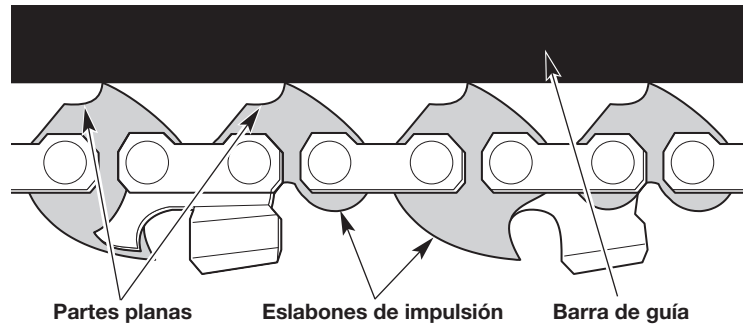


Fig. 25

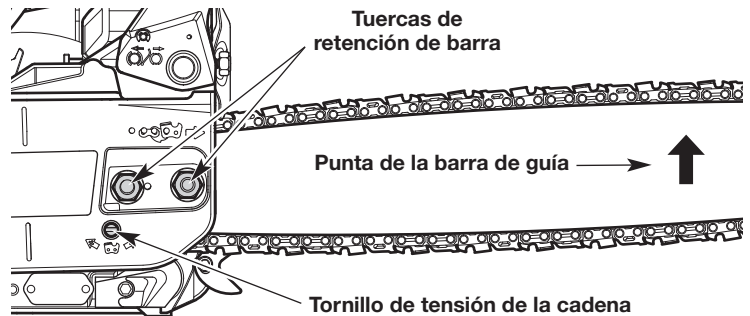


Fig. 26

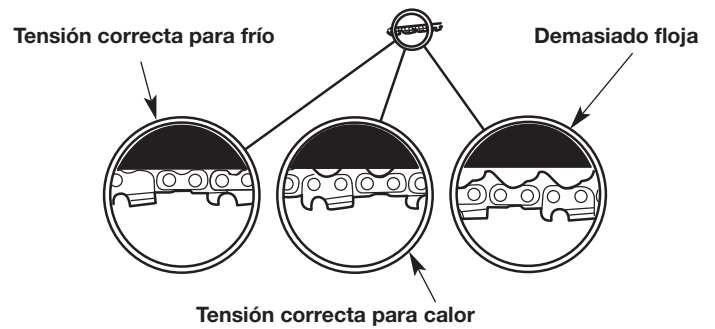


Fig. 27

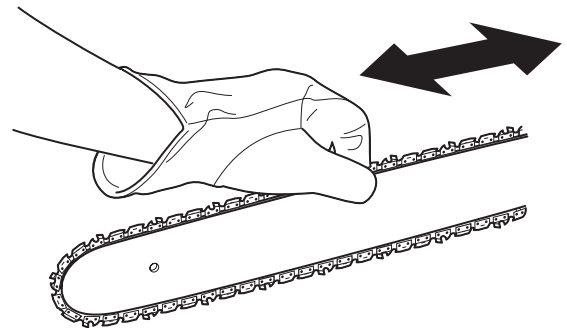


Fig. 28

## RETIRO E INSTALACIÓN DE LA BARRA GUÍA Y LA CADENA DE LA SIERRA



**ADVERTENCIA:** La cadena de la sierra es muy filosa. Cuando manipule o efectúe el mantenimiento de la cadena de la sierra, use siempre guantes de protección reforzados.

Es necesario retirar la barra guía y la cadena de la sierra cuando se efectúan los procedimientos de mantenimiento, por ejemplo, cuando se gira la barra guía. Al reemplazar las viejas barras de guía y cadenas de la sierra por otras nuevas, utilice siempre los repuestos especificados por el fabricante. Consulte *Reemplazo de la barra guía y la cadena de la sierra*.

### Retiro de la barra guía y la cadena de la sierra

1. Compruebe que el freno de la cadena esté desenganchado. Consulte *Prueba del freno de la cadena* en la sección *Montaje*.
2. Utilice una herramienta multiuso o una llave de 1/2 pulgada (13 mm) para aflojar las tuercas de retención de la barra (Fig. 29).
3. Retire las tuercas de retención de la barra y la cubierta de la barra (Fig. 29).
4. Afloje la cadena de la sierra. Consulte *Ajuste de tensión de la cadena*.
5. Retire la barra guía y la cadena de la sierra de los pernos de la barra guía (Fig. 31).
6. Retire la cadena de la sierra de la barra guía.

### Instalación de la barra guía y la cadena de la sierra

1. Coloque la cadena de la sierra sobre una superficie plana y enderece cualquier deformación.
2. Coloque la cadena de la sierra en el surco de la barra guía (Fig. 30). Compruebe que los cortadores están en la dirección correcta de rotación (Fig. 30). Mantenga un lazo de la cadena de la sierra en el extremo trasero de la barra guía (Fig. 30).
3. Mantenga la cadena de la sierra y la barra guía juntas en la posición sobre la unidad. Enganche la cadena de la sierra alrededor de la rueda dentada de impulsión e instale la barra guía sobre los pernos de la barra (Fig. 31). Compruebe que la barra guía esté al ras contra la superficie de montaje. Compruebe que las partes planas sobre la cadena de la sierra están en los surcos de la rueda dentada de impulsión.
4. Instale la cubierta de la barra. Compruebe que el pasador de tensado de cadena esté en el orificio del pasador en la barra guía (Fig. 32).
5. Coloque las tuercas de retención de la barra sobre los pernos de la barra guía y ajústelas manualmente.
6. Compruebe que la cadena de la sierra todavía esté en el surco de la barra guía, luego ajuste la cadena de la sierra. Consulte *Ajuste de tensión de la cadena*.
7. Sostenga la punta de la barra de guía hacia arriba y ajuste bien las tuercas de retención de la barra.

### MANTENIMIENTO DE LA CADENA DE LA SIERRA

Para una operación eficiente y segura, la sierra debe tener un mantenimiento adecuado.

La cadena se desgastará con el uso haciendo que se estire. Esto es normal. Cuando ya no sea posible obtener el ajuste correcto de la tensión de la cadena, la cadena de la sierra necesitará ser reparada o reemplazada por Sears u otro distribuidor de servicio calificado. Consulte *Reemplazo de la barra guía y la cadena de la sierra*.

Siempre mantenga la cadena de la sierra afilada. Durante la operación, fíjese si existen los siguientes indicadores de una cadena de sierra desafilada:

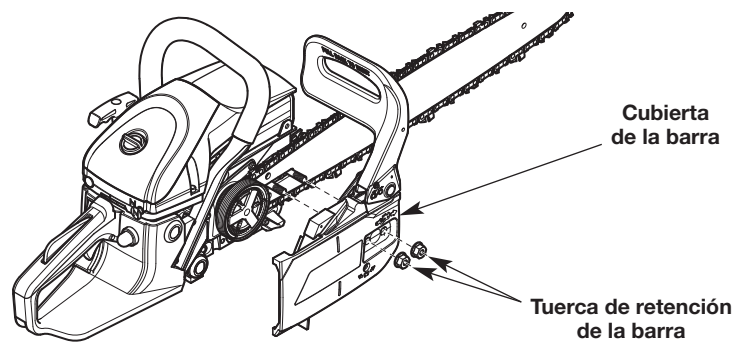


Fig. 29

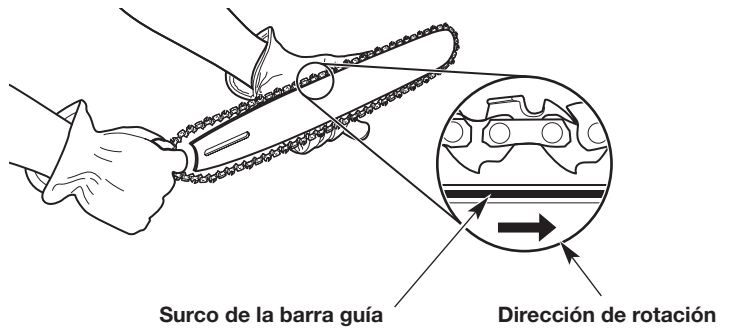


Fig. 30

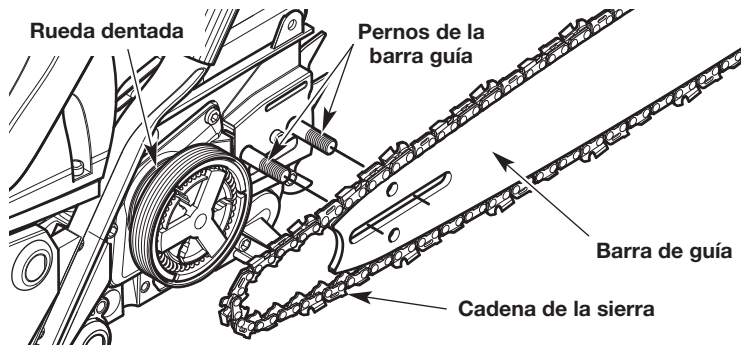


Fig. 31

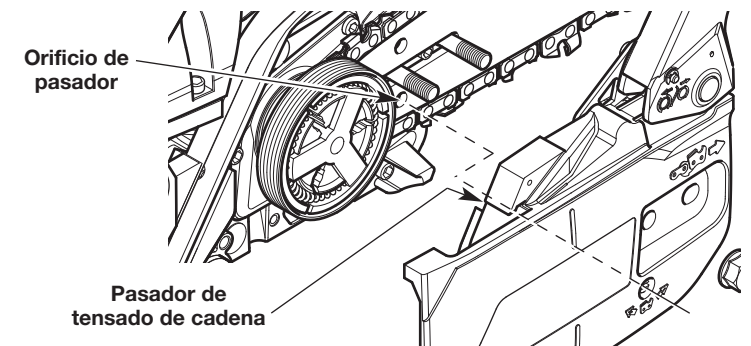


Fig. 32

- Las astillas de madera son pequeñas y pulverulentas.
- La cadena de la sierra debe ser forzada a través de la madera.
- La cadena corta hacia un lado.

Si existe cualquiera de estas condiciones, afile o reemplace la cadena de la sierra. Consulte *Afilado de la cadena de la sierra* o *Reemplazo de la barra guía y la cadena de la sierra*.

**NOTA:** Si no comprende bien el procedimiento de afilado luego de leer las instrucciones, haga que la cadena sea afilada por Sears u otro distribuidor de servicio calificado o reemplácela.

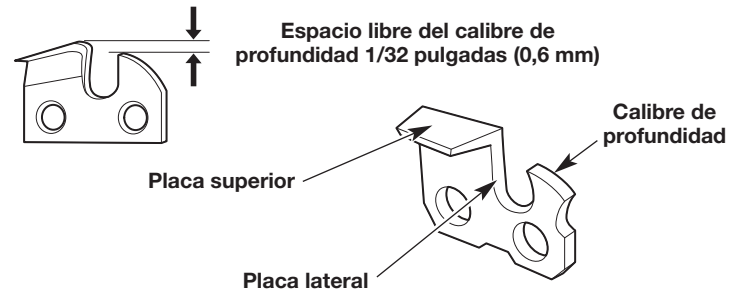


Fig. 33

## AFILADO DE LA CADENA DE LA SIERRA

	<p><b>ADVERTENCIA:</b> La cadena de la sierra es muy filosa. Cuando manipule o efectúe el mantenimiento en la cadena de la sierra, use siempre guantes de protección reforzados.</p>
	<p><b>ADVERTENCIA:</b> Si la cadena de la sierra tiene un afilado inadecuado aumenta la posibilidad de tensión de retroceso. Si no se reemplaza o se mantiene adecuadamente la cadena de la sierra podrían producirse lesiones graves.</p>
	<p><b>PRECAUCIÓN:</b> Si la cadena de la sierra tiene un afilado inadecuado o deficiente puede haber una velocidad excesiva del motor durante la operación, lo que puede causar daños serios al motor.</p>

Si la cadena de la sierra se dañó por contacto con objetos duros, como ser clavos o piedras, o se desgastó por la presencia de barro o arena sobre la madera, haga que Sears u otro distribuidor calificado de Sears afile la cadena.

Al afilar la cadena de la sierra, lime todos los cortadores a los ángulos y medidas especificadas. Otros ángulos o medidas pueden causar un desgaste excesivo en la barra guía y la cadena de la sierra, el desafilado rápido de la cadena y aumentar la posibilidad de retroceso. El corte rápido se obtiene sólo cuando todos los cortadores son uniformes.

1. Ajuste la tensión de la cadena de manera que la cadena de la sierra esté tensa y no se afloje. Consulte *Ajuste de tensión de la cadena*.
  - Lime siempre la cadena de la sierra en el medio de la barra guía.
2. Utilice una lima redonda y con soporte (herramientas no incluidas) para afilar la placa superior y la placa lateral de cada cortador.
  - Utilice una lima de 5/32 pulgadas (4 mm) de diámetro.
  - Mantenga la lima a nivel con la placa superior del cortador (Fig. 33). No deje que la lima baje o se balancee. Aplique una presión leve pero firme.
  - Lime hacia el ángulo delantero del cortador (Fig. 34). Levante la lima del cortador en el extremo del recorrido hacia adelante. Lime únicamente en el recorrido hacia adelante.
  - Aplique algunos golpes firmes en cada diente. Cuando se lima correctamente, la placa superior estará en un ángulo de 30° y la placa lateral estará en un ángulo de 80° (Fig. 35). La utilización de la lima y el soporte de lima correctos producirá automáticamente los ángulos correctos.
  - Lime todos los cortadores izquierdos en una dirección (Fig. 34). Después lleve la lima al otro lado de la cadena y lime todos los cortadores del lado derecho en la dirección opuesta (Fig. 34).
  - Cada tanto limpie las limaduras con un cepillo de alambre.

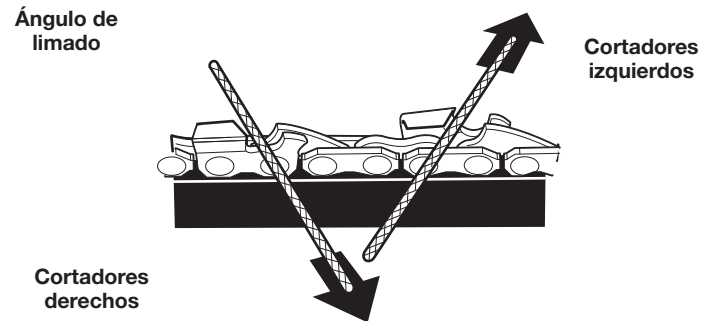


Fig. 34

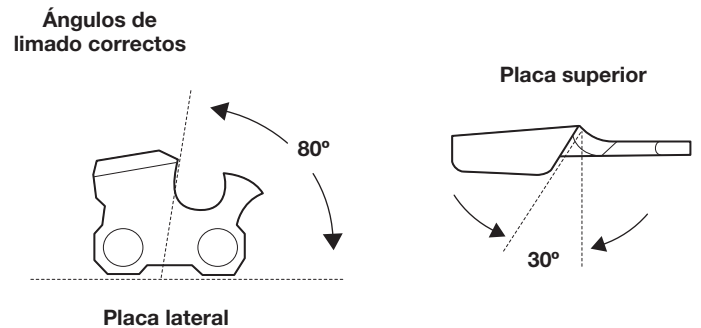


Fig. 35

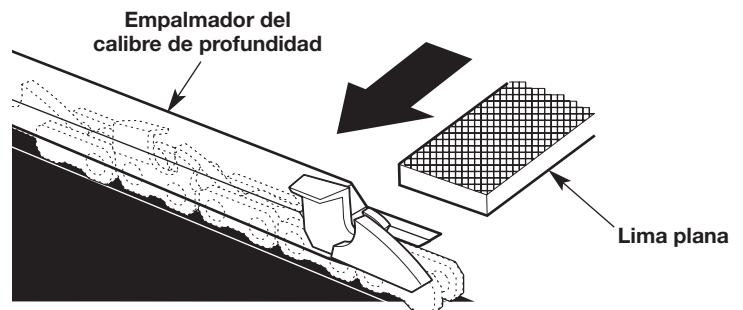


Fig. 36

- Utilice un calibre de profundidad (no incluido) para medir el espacio libre del calibre de profundidad (Fig. 36) de cada cortador. El espacio libre del calibre de profundidad debe mantenerse a 1/32 pulgada (0,6 mm). El espacio libre del calibre de profundidad determina la profundidad a la cual el cortador ingresa en la madera durante la operación y el tamaño de las astillas de madera producidas. Demasiado espacio libre incrementa la probabilidad de retroceso. Demasiado poco espacio libre disminuye el tamaño de las astillas de madera, disminuyendo así la capacidad de corte.
  - Utilice un empalmador de calibres de profundidad de 1/32 pulgada (0,6 mm) y una lima plana (herramientas no incluidas) para bajar el calibre de profundidad hasta el espacio libre correcto (Fig. 36).
  - Después de bajar el calibre de profundidad, utilice la lima plana para devolverle al calibre de profundidad la forma redondeada original (Fig. 37). Tenga cuidado de no dañar los bordes de corte y los eslabones cercanos.

Devuelva la forma redondeada original

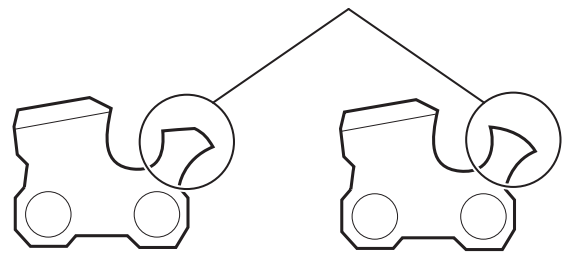


Fig. 37

### MANTENIMIENTO DE LA BARRA DE GUÍA

- Gire frecuentemente la barra de guía, a intervalos periódicos (por ej. después de 5 horas de funcionamiento), para garantizar desgaste parejo en la parte superior e inferior de la barra de guía. Consulte *Retiro e instalación de la barra guía y la cadena de la sierra*.
- Limpie la canaleta de la barra de guía y los pasos de aceite siempre que se extraiga la cadena, cuando la unidad se ha usado mucho o cuando la cadena de la sierra parece estar sucia. Use un destornillador, una espátula, un cepillo de alambre o similar para retirar los residuos de la canaleta de la barra de guía (Fig. 38). Utilice un alambre liso y pequeño para eliminar cualquier desecho del orificio de descarga de aceite de la cadena (Fig. 39).

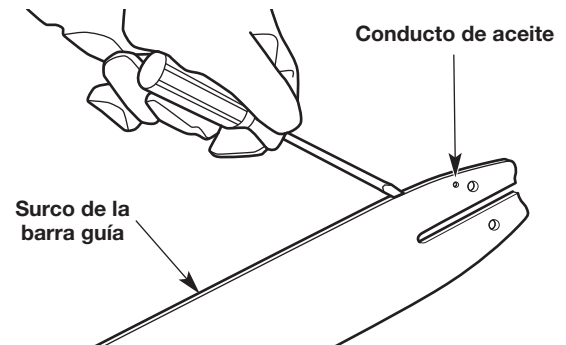


Fig. 38

**NOTA:** Si los conductos de aceite están despejados, la cadena de la sierra liberará un spray oleoso poco después de comenzar a girar durante la operación.

- Controle frecuentemente si hay daño en la barra de guía (Fig. 40). El biselado y desbarbado de los carriles de la barra de guía (los rebordes a ambos lados de la canaleta de la barra) es un proceso normal del desgaste de la barra. Estas fallas deben corregirse tan pronto ocurren (Fig. 40). Una barra de guía con las fallas siguientes debe ser reemplazada:
  - Desgaste en el interior de los carriles de la barra de guía que permite que la cadena se vuelque
  - Barra de guía doblada
  - Carriles rotos o agrietados
  - Carriles ensanchados

Consulte *Reemplazo de la barra guía y la cadena de la sierra*.

### Lubricación de la punta de rueda dentada de la barra guía

La punta de la rueda dentada de la barra guía tiene lubricación de fábrica pero necesita una lubricación periódica. Si la punta de rueda dentada de la barra guía no se lubrica el desempeño será deficiente, se dañará la unidad y se ANULARÁ la garantía.

**NOTA:** Este procedimiento se puede efectuar mientras la barra guía y la cadena de la sierra todavía están montadas en la unidad.

- Limpie profundamente la punta de la rueda dentada de la barra guía con un paño húmedo (Fig. 41).
- Utilice una pistola lubricadora con punta para barra guía (no incluida) para inyectar grasa en el orificio de lubricación (Fig. 41). Inyecte grasa hasta que aparezca en el borde exterior de la punta de la rueda dentada de la barra guía.

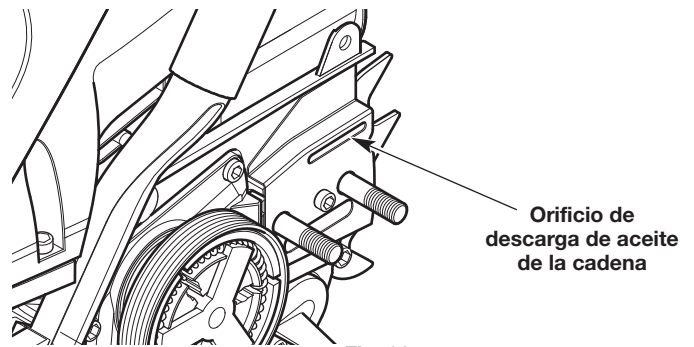


Fig. 39

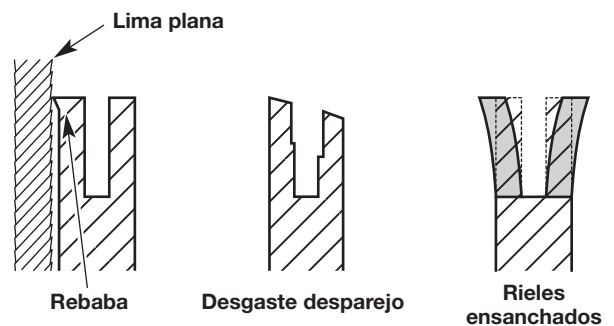



Fig. 40

3. Rote la cadena de la sierra manualmente. Utilice siempre guantes de protección reforzados. Compruebe que el freno de la cadena esté desenganchado.
4. Repita el proceso de lubricación hasta la lubricación total de la punta de la rueda dentada de la barra guía.

## REEMPLAZO DE LA BARRA GUÍA Y LA CADENA DE LA SIERRA

	<p><b>ADVERTENCIA:</b> Utilice siempre una cadena de sierra de baja tensión de retroceso que reduce significativamente el peligro de retroceso. La cadena de sierra con bajo rebote no elimina completamente el rebote. La cadena de bajo rebote o “de seguridad” no debe considerarse nunca como protección total contra lesiones.</p>
--	---

Al reemplazar la barra guía y la cadena de la sierra, utilice únicamente los repuestos especificados por el fabricante o sus equivalentes. Consulte Reemplazo de piezas. Si se usa cualquier otra pieza o accesorio no autorizado, el usuario podría sufrir lesiones graves o se podría dañar la unidad lo que ANULARÁ la garantía.

Use siempre un repuesto de cadena de sierra designado como “de bajo rebote” o una cadena de sierra que cumple con las exigencias de desempeño de bajo rebote. Una cadena de sierra estándar (una cadena que no tiene los protectores reductores de rebote) sólo debería ser usada por un operador de motosierras profesional y experimentado.

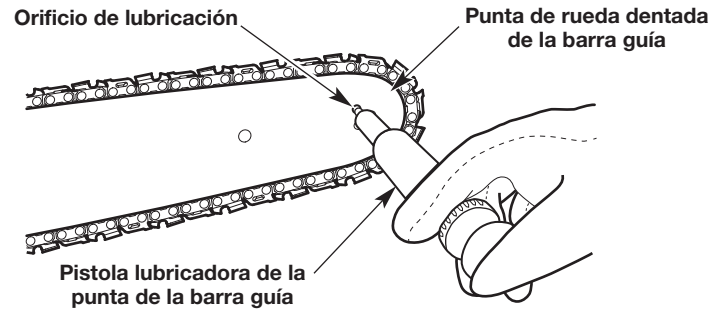



Fig. 41

## MANTENIMIENTO DEL FILTRO DE AIRE

	<p><b>ADVERTENCIA:</b> Para evitar lesiones personales graves, apague siempre el motor y deje que se enfríe antes de limpiar o dar mantenimiento a la unidad.</p>
--	---

No dar mantenimiento al filtro de aire correctamente puede hacer que el motor funcione mal o dañarlo para siempre. La falla del motor debida al mantenimiento inadecuado del filtro no está cubierta por la garantía del producto.

### Limpiar el filtro de aire

1. Gire la perilla que está sobre la cubierta del filtro de aire en sentido contrario a las agujas del reloj para aflojar la cubierta del filtro (Fig. 42).
2. Extraiga la cubierta del filtro de aire (Fig. 42).
3. Extraiga el filtro de aire (Fig. 43).
4. Lave el filtro de aire en agua y detergente suave. Enjuague bien el filtro y déjelo secar.
5. Reinstale el filtro de aire sobre el poste de montaje (Fig. 43). Compruebe que la abertura del filtro de aire se asiente de manera segura en la toma de aire (Fig. 43).

**NOTA:** Si se opera la unidad sin el filtro de aire y sin la cubierta del filtro se ANULARÁ la garantía. Mantenga un suministro de filtros de aire de repuesto.

6. Coloque la cubierta del filtro de aire nuevamente sobre la unidad. Inserte la lengüeta sobre la cubierta del filtro de aire dentro de la ranura del alojamiento de la sierra de cadena (Fig. 42).
7. Gire la perilla en el sentido de la agujas del reloj para ajustar de manera segura la cubierta del filtro de aire.

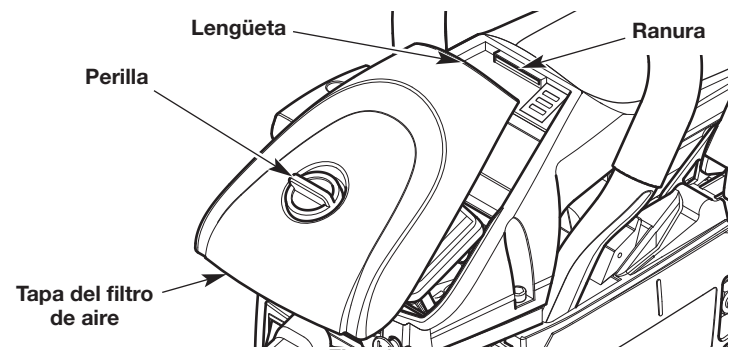


Fig. 42

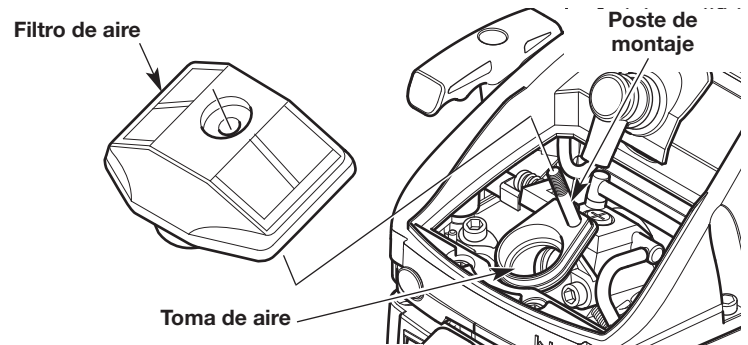


Fig. 43



## AJUSTAR LA VELOCIDAD DE MARCHA EN VACÍO



**ADVERTENCIA:** La cadena de la sierra puede girar durante los ajustes de la velocidad de ralentí. Use ropa de protección y observe todas las instrucciones de seguridad para evitar lesiones personales graves.

**NOTA:** Los ajustes negligentes pueden dañar seriamente la unidad. Los ajustes del carburador debe hacerlos un distribuidor de Sears u otro distribuidor de servicio calificado.

Si después de comprobar el combustible y limpiar el filtro de aire, el motor aún no trabaja en vacío, ajuste el tornillo de marcha en vacío de la siguiente manera:

1. Arranque el motor. Consulte la sección *Arranque y Parada*.
2. Suelte el control del regulador y deje que el motor trabaje en vacío.
  - Si el motor se para, use un destornillador Phillips o un destornillador de cabeza plana pequeño para girar el tornillo de velocidad de ralentí en el sentido de las agujas del reloj, 1/8 de giro cada vez (según sea necesario) hasta que el motor funciona al ralentí de manera uniforme (Fig. 44).
  - Si el motor funciona al ralentí demasiado rápidamente, gire el tornillo de velocidad de ralentí en el sentido contrario a las agujas del reloj, 1/8 de giro cada vez (según sea necesario) para reducir la velocidad de ralentí (Fig. 44).

**NOTA:** La cadena de la sierra no debe girar cuando el motor funciona al ralentí. Si lo hace, reduzca la velocidad de ralentí hasta que la cadena de la sierra se detenga.

Comprobar el combustible, limpiar el filtro de aire y ajustar la marcha en vacío, deberían resolver la mayoría de los problemas del motor. De lo contrario, y si está presente alguna de las siguientes condiciones, lleve la unidad a Sears o a otro distribuidor de servicio calificado:

- el motor no funciona en marcha en vacío
- el motor falla o se cala al acelerar
- hay una pérdida de potencia del motor

## MANTENIMIENTO DE LA BUJÍA

1. Detenga el motor y déjelo enfriar.
2. Gire la perilla que está sobre la cubierta del filtro de aire en sentido contrario a las agujas del reloj para aflojar la cubierta del filtro (Fig. 42).
3. Extraiga la cubierta del filtro de aire (Fig. 42).
4. Agarre firmemente la pipa (capucha) y sáquela de la bujía (Fig. 45).
5. Limpie alrededor de la bujía. Retire la bujía de la tapa del cilindro con la herramienta multiuso o una llave de cubo de 5/8 pulgadas, girando en sentido contrario a las agujas del reloj.



**ADVERTENCIA:** No sople, raspe ni limpie los electrodos con arena. La arenisca en el motor podría dañar el cilindro.

6. Inspeccione la bujía. Si la bujía de encendido está rajada, corroída o sucia, reemplácela con una pieza de repuesto **#753-08107, Champion RCJ6Y** o una bujía equivalente.
7. Use un calibrador de hoja para ajustar abertura de la bujía a **0.025 pulgadas (0.635 mm)** (Fig. 46).
8. Instale la bujía en la culata del motor. Apriete la bujía con una herramienta multiuso o una llave de cubo de 5/8 pulgadas, girando en el sentido de las agujas del reloj hasta que quede ajustada.

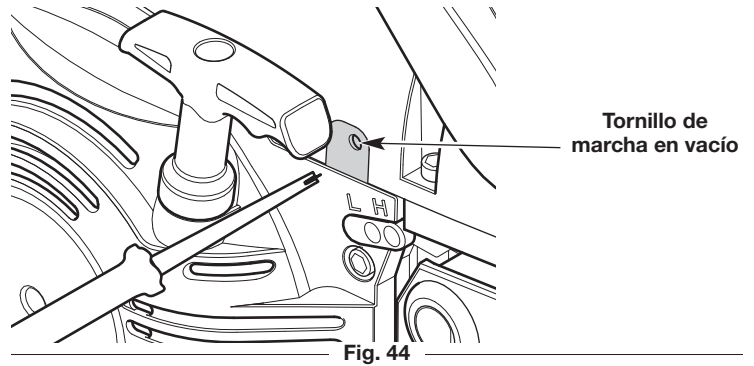


Fig. 44

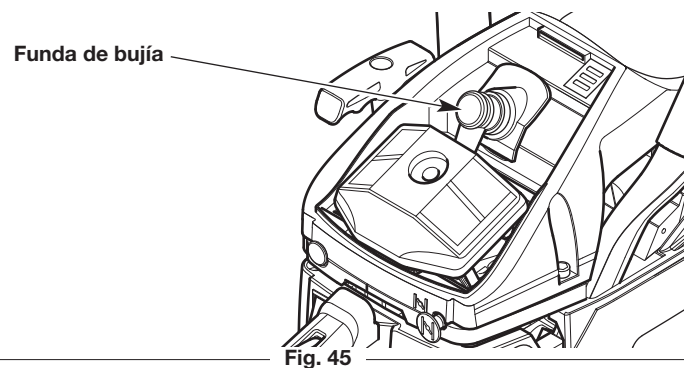


Fig. 45

**NOTA:** Si usa una llave dinamométrica, use un par de torsión de:  
**110-120 pulgada•libra (12.3-13.5 N•m). No apriete demasiado.**

9. Vuelva a ponerle la pipa (capucha).
10. Coloque la cubierta del filtro de aire nuevamente sobre la unidad. Inserte la lengüeta de la cubierta del filtro de aire dentro de la ranura del alojamiento de la sierra de cadena (Fig. 42).
11. Gire la perilla en el sentido de la agujas del reloj para ajustar de manera segura la cubierta del filtro de aire.

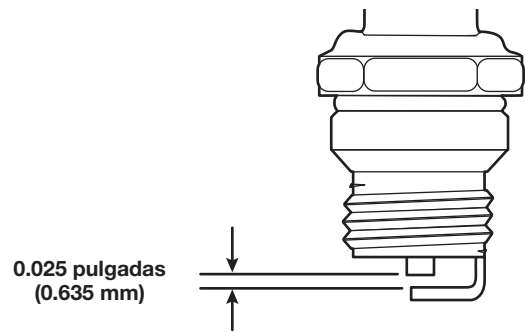


Fig. 46

## LIMPIEZA Y ALMACENAMIENTO

### LIMPIEZA



**ADVERTENCIA:** Para evitar lesiones personales graves, apague siempre el motor y deje que se enfríe antes de limpiar o dar mantenimiento a la unidad.

1. Afloje la cadena de la sierra si se graduó la tensión de la cadena durante la operación. La cadena se contraerá a medida que se enfríe la unidad, lo cual puede dañar la unidad si la cadena está demasiado ajustada.
2. Limpie la unidad con un paño húmedo. No rocíe la unidad con agua. No utilice detergentes fuertes. Los limpiadores caseros que contienen aceites esenciales, por ejemplo, de pino y limón, y los solventes como el queroseno, pueden dañar el plástico.

**NOTA:** Al preparar la unidad para su almacenamiento prolongado (30 días o más), retire la barra guía y la cadena de la sierra. Limpie con cuidado la cubierta de la barra guía, la superficie de montaje de la barra y la rueda dentada. Para limpiar el surco de la barra guía utilice un cepillo firme que no sea de alambre. Vuelva a realizar el montaje de la unidad.

3. Seque la humedad con un paño suave.
4. Utilice aire comprimido, hasta 40 PSI, para extraer los desechos de las aletas del cilindro (Fig. 47). Las aletas del cilindro deben limpiarse en forma regular para reducir el riesgo de lesiones personales o daños a la unidad ocasionados por el fuego. Utilice siempre antiparras/anteojos de seguridad cuando utilice aire comprimido. No utilice agua u otros líquidos para limpiar las aletas del cilindro. Utilice un cepillo de metal pequeño para eliminar desechos rebeldes. Si aún sigue habiendo una cantidad significativa de desechos, haga que la unidad sea limpiada por Sears u otro distribuidor de servicio calificado.
5. Cubra la barra de guía y la cadena de la sierra con un poco de aceite anticorrosivo.

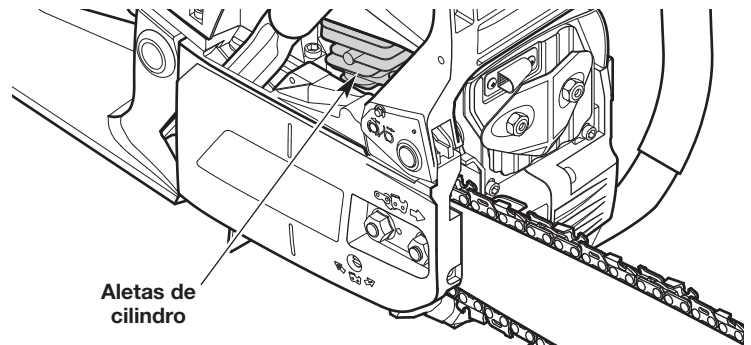


Fig. 47

## ALMACENAMIENTO

- Afloje la cadena de la sierra si se graduó la tensión de la cadena durante la operación. La cadena se contraerá a medida que se enfríe la unidad, lo cual puede dañar la unidad si la cadena está demasiado ajustada.
- Espere a que el motor se enfríe para guardar la unidad.
- Limpie bien la unidad y compruebe que no haya piezas sueltas o dañadas. Repare o reemplace las piezas dañadas y apriete los tornillos, tuercas o pernos flojos.
- Cubra la barra de guía y la cadena de la sierra con la funda.
- No guarde nunca la unidad con combustible en el tanque en un lugar en el que los gases puedan ponerse en contacto con una llama expuesta o chispas.
- Guarde la unidad bajo llave para evitar su uso no autorizado o daño.
- Guarde la unidad en un lugar seco y bien ventilado.
- Guarde la unidad fuera del alcance de los niños.

**NOTA:** Es normal que el aceite de cadena y de barra se filtre de la unidad cuando no está en uso. Por favor tenga esto en cuenta cuando guarda la unidad.

### Almacenamiento a largo plazo (30 días o más)

1. Quítele la tapa al tanque de combustible, incline la unidad y vacíe el combustible en un contenedor aprobado. Vuelva a ponerle la tapa al tanque de gasolina.
2. Arranque el motor y déjelo funcionar hasta que se cale. Con esto se asegura vaciar todo el combustible del carburador.
3. Espere a que el motor se enfríe. Quítele la bujía y eche 5 gotas de cualquier aceite de motor de 2 tiempos de alta calidad en el cilindro. Tire despacio de la cuerda de arranque para distribuir el aceite. Vuelva a poner la bujía.

### Preparar la unidad para usarla después de un almacenamiento prolongado

1. Saque la bujía y vacíe todo el aceite que está en el cilindro.

**NOTA:** No use un combustible que haya estado almacenado por más de 30 días. Deseche el aceite viejo, de conformidad con las regulaciones federales, estatales y locales.

## LOCALIZACIÓN Y SOLUCIÓN DE PROBLEMAS

PROBLEMA	SOLUCIÓN
<b>EL MOTOR NO ARRANCA</b>	
El tanque de combustible está vacío	Llene el tanque de combustible con la mezcla adecuada
La pera del cebador no se oprimió lo suficiente	Oprima la pera del cebador 10 veces o hasta que se vea el combustible
El motor está rebosado	Mueva la perilla del cebador a la Posición 2, apriete el bloqueo del acelerador, apriete el control del acelerador y tire de la cuerda de arranque
El combustible está viejo (tiene más de 30 días) y/o mal mezclado	Vacíe el tanque de combustible y eche combustible nuevo bien mezclado
La bujía no funciona adecuadamente	Consulte <i>Mantenimiento de la bujía</i>
<b>EL MOTOR NO TRABAJA EN VACÍO</b>	
El filtro de aire está sucio	Limpie o cambie el filtro de aire
El combustible está viejo (tiene más de 30 días) y/o mal mezclado	Vacíe el tanque de combustible y eche combustible nuevo bien mezclado
La marcha en vacío no es la correcta	Ajuste la velocidad de marcha en vacío
<b>EL MOTOR NO ACELERA</b>	
El combustible está viejo (tiene más de 30 días) y/o mal mezclado	Vacíe el tanque de combustible y eche combustible nuevo bien mezclado
El filtro de aire está sucio	Limpie o cambie el filtro de aire
<b>AL MOTOR LE FALTA POTENCIA O SE PARA</b>	
El combustible está viejo (tiene más de 30 días) y/o mal mezclado	Vacíe el tanque de combustible y eche combustible nuevo bien mezclado
El filtro de aire está sucio	Limpie o cambie el filtro de aire
La bujía no funciona adecuadamente	Consulte <i>Mantenimiento de la bujía</i>
<b>LA BARRA DE GUÍA Y LA CADENA DE LA SIERRA SE ESTÁN RECALENTANDO, ESTÁN HUMEANDO O ESTÁN ATASCADAS</b>	
La cadena de la sierra tiene demasiada tensión	Ajuste la tensión de la cadena de la sierra
El depósito de aceite de la cadena está vacío	Vuelva a llenar el depósito de aceite de la cadena
El surco de la barra guía y los conductos de aceite están sucios	Limpie la barra guía y los conductos de aceite
El flujo del engrasador automático es demasiado bajo	Aumente el flujo de aceite
<b>LA CADENA DE LA SIERRA NO GIRA</b>	
La cadena de la sierra tiene demasiada tensión	Ajuste la tensión de la cadena de la sierra
La barra de guía y la cadena de la sierra han sido ensambladas incorrectamente	Consulte <i>Retiro e instalación de la barra guía y la cadena de la sierra</i>
La barra de guía y la cadena de la sierra están dañadas	Inspeccione la barra de guía y la cadena de la sierra para verificar que no estén dañadas. Reemplácelas en caso de ser necesario
El montaje del mecanismo de transmisión está dañado	Vea información sobre <i>Servicio</i>
El freno de cadena está enganchado	Desenganche el freno de la cadena
<b>LA CADENA DE LA SIERRA GIRA PERO NO CORTA</b>	
La cadena de la sierra está desafilada	Afile o reemplace la cadena de la sierra
La cadena de la sierra está hacia atrás	Verifique y corrija la dirección de la cadena de la sierra

## CONVENIOS DE PROTECCIÓN DE REPARACIÓN

*Felicitaciones por haber hecho una compra inteligente.* Su nuevo producto Craftsman® fue diseñado y fabricado con vistas a una operación confiable por años. Pero como todos los productos, es posible que sea necesario repararlo alguna vez. Ahí es cuando tener un Convenio de Protección de Reparación puede ahorrarle dinero y problemas.

### **Esto es lo que incluye el Convenio de Protección de Reparación\*:**

- ☑ **Servicio de experto** por nuestros 10,000 profesionales, especialistas en reparaciones
- ☑ **Servicio ilimitado y sin costo alguno** en piezas y mano de obra para todas las reparaciones cubiertas
- ☑ **Reemplazo del producto** por otro que cueste hasta \$1500 si el producto cubierto no tiene reparación
- ☑ **Descuento del 25%** del precio normal por el servicio y las piezas instaladas que no cubra el convenio; así como también el 25% de descuento por el mantenimiento preventivo
- ☑ **Ayuda rápida por teléfono** – la llamamos Solución Rápida – asistencia técnica por teléfono de un representante de Sears. Considérenos un "manual de usuario que habla".

Una vez que adquiera el Convenio de Protección de Reparación, todo lo que necesita es hacer una simple llamada para programar el servicio. Puede llamar a cualquier hora del día o de la noche o programar el servicio por Internet.

El Convenio de Protección de Reparación es una compra libre de riesgo. Si usted lo cancela por cualquier motivo mientras dure la garantía del producto, le haremos un reembolso completo. Si lo hace en cualquier momento después de vencida la garantía, le haremos un reembolso prorrateado. ¡Adquiera hoy mismo su Convenio de Protección de Reparación!

**Se aplican algunas limitaciones y exclusiones. Para precios e información adicional en Estados Unidos, llame al 1-800-827-6655.**

**\*La cobertura en Canadá varía en algunos artículos. Para todos los detalles, llame a Sears de Canadá al 1-800-361-6665.**

### **Servicio de Instalación Sears**

*Para la instalación* de electrodomésticos, abrepuestas de garajes, calentadores de agua, y otros productos para el hogar por profesionales de Sears, en Estados Unidos o Canadá, llame al **1-800-4-MY-HOME**.





# **CRAFTSMAN<sup>®</sup>**

**Product questions or problems?**

# **1-888-331-4569**

## **Customer Care Hot Line**

**Get answers to questions, troubleshoot problems,  
order parts, or schedule repair service.**

Para respuestas a preguntas o problemas, y ordenar  
piezas o pedir servicio para la reparación de su equipo.

**To help us help you, register your product at [www.craftsman.com/registration](http://www.craftsman.com/registration)**

Para poderte ayudar mejor, registra tu producto en [www.craftsman.com/registration](http://www.craftsman.com/registration)

---

**Join the Craftsman Club today!**

# **CRAFTSMAN CLUB<sup>®</sup>**

**[www.craftsman.com/signup](http://www.craftsman.com/signup)**

**Receive exclusive member benefits including special pricing and offers,  
project sharing, expert advice, and SHOP YOUR WAY REWARDS!**

Como miembro exclusivo, recibe diversos beneficios como ofertas, precios especiales, proyectos nuevos, consejos de expertos y nuestro programa de puntos SHOP YOUR WAY REWARDS!