



# Installation Instructions

**Advantium® 120V  
Built-In SpeedCook  
Oven**  
ZSC1001

49-40745  
MFL59060918  
12-14 GE



MFL59060918



# Safety Information

## BEFORE YOU BEGIN

Read these instructions completely and carefully.

**IMPORTANT** – Save these instructions for local inspector’s use.

**IMPORTANT** – Observe all governing codes and ordinances.

- **Note to Installer** – Be sure to leave these instructions with the Consumer.
- **Note to Consumer** – Keep these instructions with your Owner’s Manual for future reference.
- **Skill Level** – Installation of this appliance requires basic mechanical and electrical skills.
- **Completion Time – 1 Hour.**
- Proper installation is the responsibility of the installer. Product failure due to improper installation is not covered under the warranty. See Owner’s Manual for warranty information.

**NOTE:** This oven is only approved to be installed under the specific models as labeled on this unit.

**IMPORTANT** – Use this oven only for its intended purpose. Never use the oven for warming or heating a room. Prolonged use of the oven without proper ventilation can be hazardous.

### ⚠ CAUTION:

For personal safety, remove house fuse or oven circuit breaker before beginning installation to avoid severe or fatal shock injury.

### ⚠ CAUTION:

For personal safety, the mounting surface must be capable of supporting the cabinet load, in addition to the added weight of the 80-pound oven and 30-pound drawer, plus additional oven loads of up to 50 pounds or a total weight of up to 160 pounds.

### ⚠ CAUTION:

For personal safety this product cannot be installed in cabinet arrangements such as an island, a peninsula or below a countertop.

## CONTENTS

### Design Information

Models Available.....	2
Product Dimensions and Clearances .....	4
Tools Required.....	4
Parts Supplied.....	4

### Installation Preparation

Electrical Requirements .....	5
Preparing the Opening .....	6
Remove Packaging.....	7

### Installation Instructions

Step 1, Slide the Oven into the Cutout.....	8
Step 2, Install Bottom Trim .....	8
Step 3, Install Side Trim .....	9
Step 4, Install Mounting Screws.....	9
Step 5, Finalize Installation.....	9

## MODELS AVAILABLE

### Monogram Models:

ZSC1001 SS–Stainless Steel

# Información de seguridad

## ANTES DE COMENZAR

Lea estas instrucciones por completo y con detenimiento.

**IMPORTANTE** — Guarde estas instrucciones para el uso de inspectores locales.

**IMPORTANTE** — Cumpla con todos los códigos y ordenanzas vigentes.

- **Nota al instalador** — Asegúrese de dejar estas instrucciones con el Consumidor.
- **Nota al consumidor** — Mantenga estas instrucciones con el Manual del Propietario para referencia futura.
- **Nivel de capacidad** — La instalación de este aparato requiere capacidades mecánicas y eléctricas básicas.
- **Tiempo de finalización — 1 hora.**
- El instalador tiene la responsabilidad de efectuar una instalación adecuada. La Garantía no cubre las fallas del producto debido a una instalación incorrecta. Ver el Manual del Propietario para información sobre la garantía.

**NOTA:** Este horno sólo puede instalarse debajo de los modelos específicos como se indica en la etiqueta de esta unidad.

**IMPORTANTE** — Utilice este horno sólo con el objetivo para el que fue creado. Nunca use el horno para entibiar o calentar una habitación. El uso prolongado del horno sin una ventilación adecuada puede resultar peligroso.

### **⚠ PRECAUCIÓN:**

Para seguridad personal, quite el fusible o el interruptor de circuitos de la vivienda antes de comenzar la instalación a fin de evitar una lesión grave o fatal.

### **⚠ PRECAUCIÓN:**

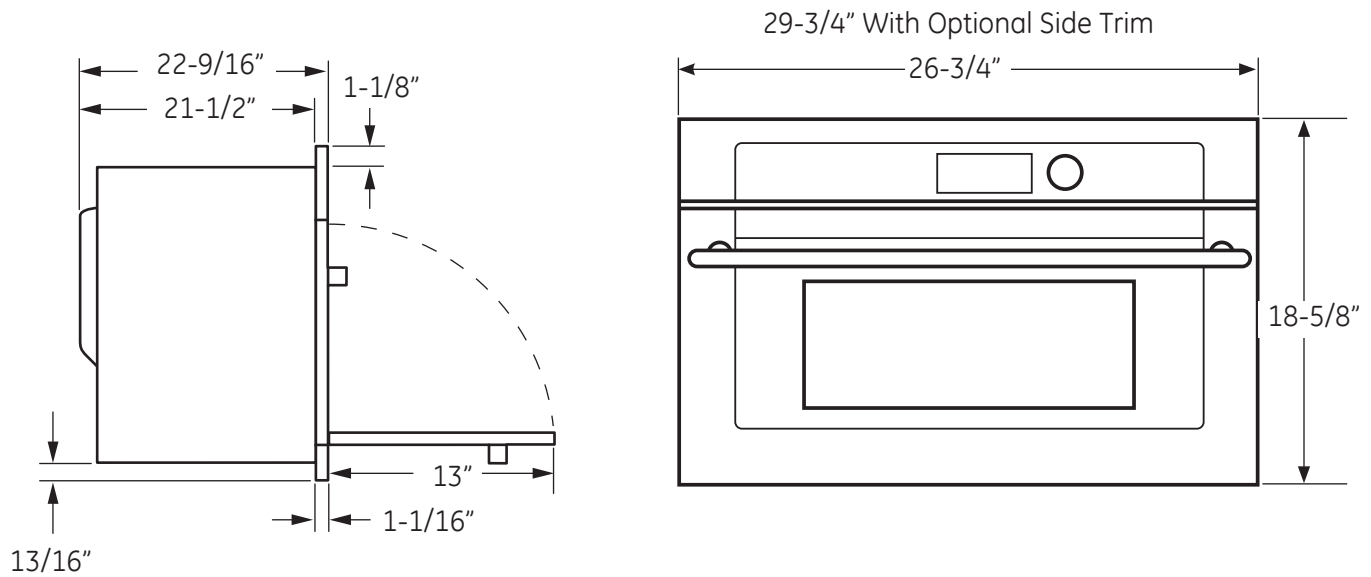
Para seguridad personal, la superficie de montaje debe poder soportar la carga del gabinete, además de las 80 libras del horno y las 30 libras del cajón, más las cargas adicionales del horno de hasta 50 libras o un peso total de hasta 160 libras.

### **⚠ PRECAUCIÓN:**

Pour votre sécurité personnelle, ce produit ne peut être installé dans des arrangements d'armoires dont un îlot, une péninsule ou le dessous d'un comptoir.

# Design Information

## PRODUCT DIMENSIONS AND CLEARANCES



## TOOLS AND PARTS REQUIRED (NOT SUPPLIED)

- #2 Phillips screwdriver
- Hand-held drill
- High speed drill bit, 3/32" diameter
- 3/8" slot-head screwdriver

## PARTS SUPPLIED

- 6 screws (3 required, 3 extra)
- 5 color-matched screws (4 required, 1 extra)
- 2 side trim pieces
- Bottom trim

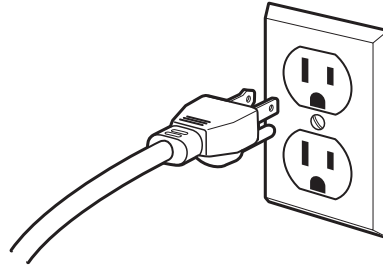
# Installation Preparation

## ELECTRICAL REQUIREMENTS

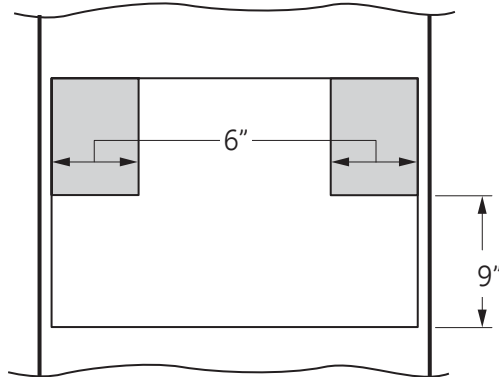
### Single Advantium 120 Installation:

This product requires a 120-volt, 60 Hz, 15-amp circuit and draws 1.8 kilowatts. This product must be connected to a supply circuit of the proper voltage and frequency.

- Wire size must conform to the requirements of the National Electrical Code or the prevailing local code for this kilowatt rating.
- The power supply cord and plug should be brought to a separate 15 or 20 ampere branch circuit single grounded receptacle. The outlet box should be located within reach of the 48" power cord.



## ELECTRICAL LOCATION



Locate outlet box in the shaded area

Install a recessed electrical outlet in the back wall of the opening within 6" of either side and at least 9" above the cutout floor.

## GROUNDING INSTRUCTIONS

This appliance must be grounded. In the event of an electrical short circuit, grounding reduces the risk of electric shock by providing an escape wire for electric current. This appliance is equipped with a cord having a grounding wire with a grounding plug. The plug must be plugged into an outlet that is properly installed and grounded.

**⚠ WARNING: Improper use of the grounding plug can result in a risk of electric shock.**

**⚠ ¡ADVERTENCIA!: El uso inadecuado del enchufe de conexión a tierra puede provocar un riesgo de descarga eléctrica.**

### Important: (Please read carefully).

The power cord of this appliance is equipped with a three-prong (grounding) plug that mates with a standard three-prong grounding wall receptacle to minimize the possibility of electric shock. Consult a qualified electrician or serviceman if the grounding instructions are not completely understood, or if doubt exists as to whether the appliance is properly grounded.

- Where a standard two-prong wall receptacle is encountered, it is the personal responsibility and obligation of the consumer to have it replaced with a properly grounded three-prong wall receptacle.

Do not, under any circumstances, cut or remove the third (ground) prong from the power cord.

**DO NOT USE AN EXTENSION CORD.** If the power supply cord is too short, have a qualified electrician or serviceman install an outlet near the appliance.

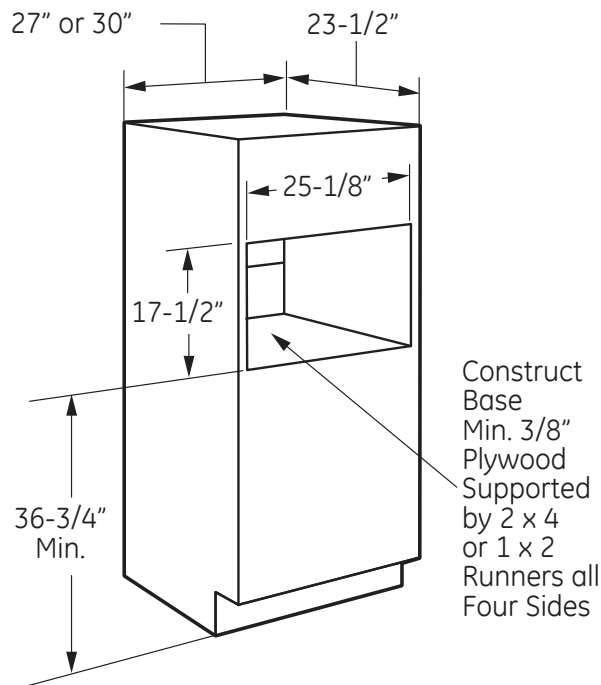
# Installation Preparation

## PREPARE THE OPENING

The Advantium 120 can be installed in combination with other GE/Monogram appliances. Always follow each product's Installation Instructions to complete the installation.

### Single Advantium 120 Installation:

Order a 27" or 30" wide single oven cabinet or cut the opening in a wall to the dimensions shown.



- Always maintain 36-3/4" minimum height from the floor to the cutout in any single or combined installation.
- Allow 1-1/4" case trim overlap at the top and 7/8" overlap on the bottom and each side of the opening.
- Oven overlaps will conceal cut edges on all sides of the opening.

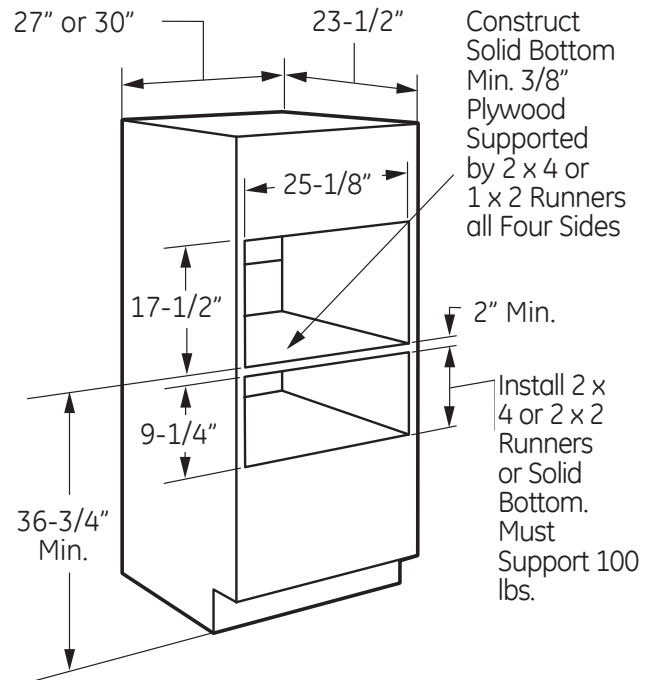
When installed over a single oven or a warming drawer, allow at least 2" between the two openings. This separation will provide clearance for bottom overlap of the Advantium 120 and the other appliance overlaps.

Construct a solid oven floor of 3/8" min. thick plywood supported by 2 x 4 runners on all sides.

- The support must be level and rigidly mounted, flush with the bottom edge of the cutout.

## PREPARE THE OPENING (CONT.)

### Installation over a GE/Monogram Warming Drawer:

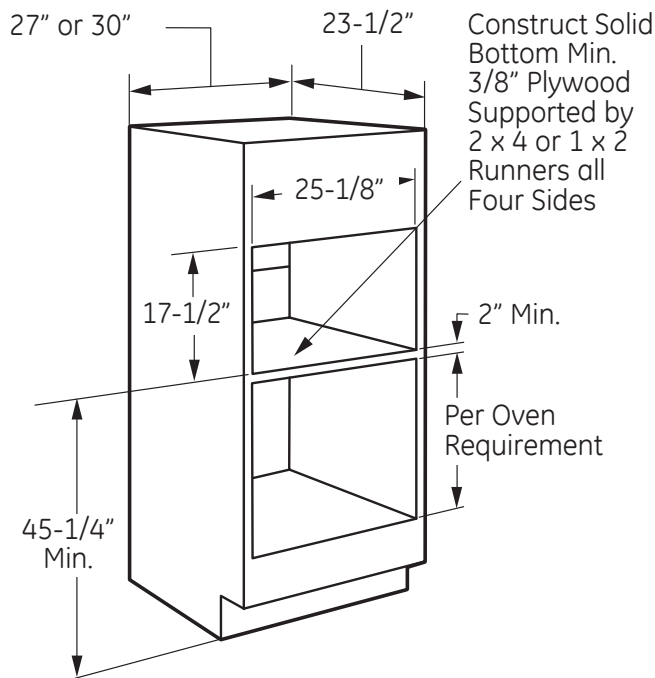


**NOTE:** Additional clearances between the cutouts may be required. Check to be sure the oven supports above the Warming Drawer location does not obstruct the required interior depth and height. See Warming Drawer installation instructions for details.

# Installation Preparation

## PREPARE THE OPENING (CONT.)

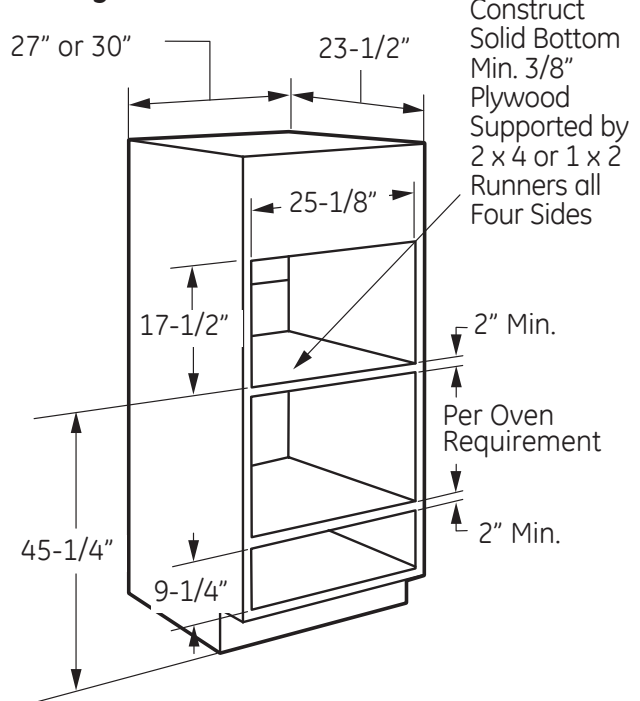
### Installation over a GE/Monogram Oven:



\* If you are replacing a GE/Monogram electric double oven with the combined installation of an Advantium 120 and a single oven, use the dimensions shown. The middle rail separating the two openings may need to be larger than the 2" minimum shown.

## PREPARE THE OPENING (CONT.)

### Installation over a GE/Monogram Oven and Warming Drawer:



**NOTE:** Additional clearances between the cutouts may be required. Check to be sure the oven supports above the Warming Drawer location does not obstruct the required interior depth and height. See Warming Drawer installation instructions for details.

**CAUTION:** For personal safety, the mounting surface must be capable of supporting the cabinet load, in addition to the added weight of this approximate 75 pound product, plus, additional oven loads of up to 50 pounds or a total weight of 125 pounds.

**MISE EN GARDE :** Pour votre sécurité personnelle, la surface de montage doit être capable de supporter le poids du cabinet, en plus du poids supplémentaire du produit, soit 34 kg, en plus du poids supplémentaire du four pouvant aller jusqu'à 22,7 kg, ou un poids total de 56,7 kg.

## REMOVE THE PACKAGING

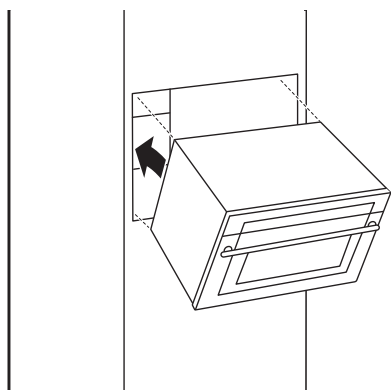
- Lift the oven out of the carton.
- Remove all packing material and tape.
- Open the door and remove parts box.
- Locate parts package containing mounting screws.

# Installation

## STEP 1 SLIDE THE OVEN INTO THE CUTOUT

**CAUTION:** Two people are required to lift the oven into the opening. Grasp the bottom at the front and rear. DO NOT USE THE HANDLE TO LIFT THE OVEN. DAMAGE WILL OCCUR!

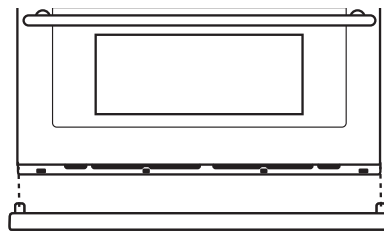
**MISE EN GARDE :** Deux personnes sont nécessaires pour soulever le four et l'insérer dans l'ouverture. Saisissez-le par le dessous, à l'avant et à l'arrière. N'UTILISEZ PAS LA POIGNÉE POUR SOULEVER LE FOUR. DES DOMMAGES SE PRODUIRONT !



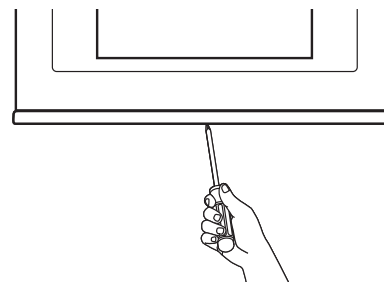
- Lift and hold the oven at the front of the opening. Hold the oven at a 45° angle and plug in the power cord.
- Carefully, slide the oven into the cabinet part way. Leave the oven a few inches forward of the cabinet frame.
- Check to be sure the power cord is not trapped under the oven or along the sides of the oven.

## STEP 2 INSTALL BOTTOM TRIM

- Align bottom trim tabs to slots in the bottom of the oven.



- Secure the bottom trim to the bottom of the oven using 3 brass screws provided.

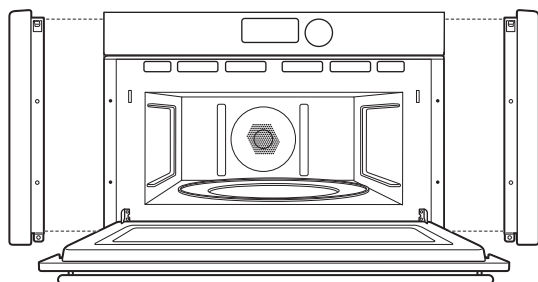




# Installation

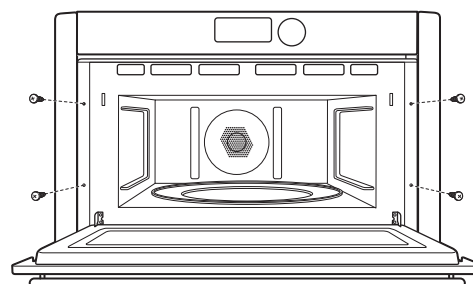
## STEP 3 INSTALL SIDE TRIM

FOR 30" CABINET INSTALLATION ONLY. SKIP THIS STEP IF YOU HAVE 27" WIDE CABINETRY.



- Open the oven door.
- Hang the side trim pieces on the tabs behind the oven flange. The screw holes in the side trim should align with the holes in the oven flange.
- Check to be sure the oven is pushed back into the opening and against the cabinet frame.

## STEP 4 INSTALL MOUNTING SCREWS



- Drill pilot holes through the side flanges, 2 on each side.
- Drive the color matched screws into the side flange (and side trim, if applied).

## STEP 5 FINALIZE INSTALLATION

- Turn power on at the source. The interior light should come on when the door is opened.
- Refer to the Owner's Manual for operating instructions.

# Installation Preparation

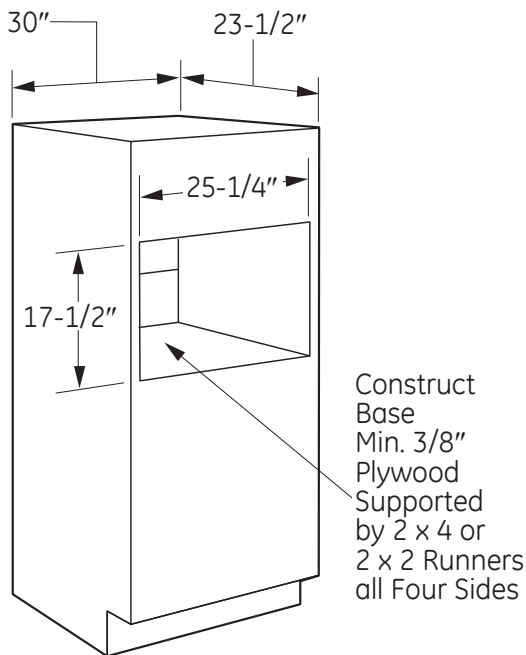
## Preparation WITHOUT an Accessory Storage Drawer

### PREPARE THE OPENING

The Advantium 120V can be installed in combination with other GE/Monogram appliances. Always follow each product's Installation Instructions to complete the installation.

#### Single Advantium 120V Installation:

Order a 30" wide single oven cabinet or cut the opening in a wall to the dimensions shown.



- Allow 2-1/8" case trim overlap on the sides, 1-1/16" overlap on the top and 7/8" overlap on the bottom of the opening for all models.
- Oven overlaps will conceal cut edges on all sides of the opening.

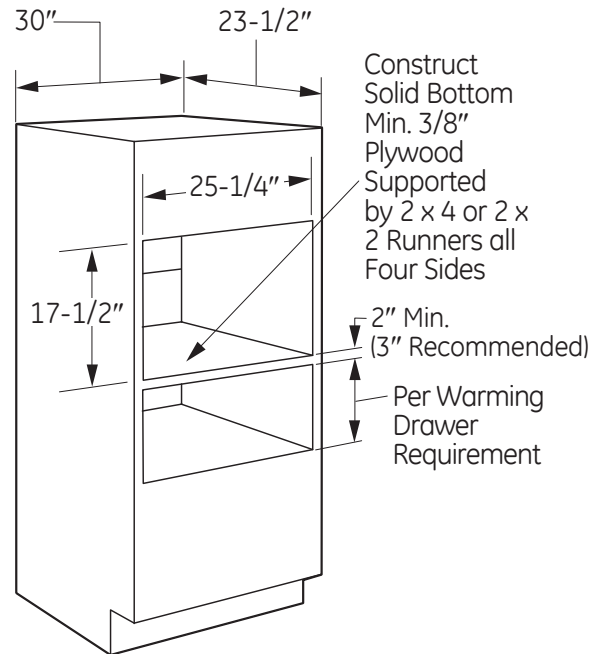
When installed over a single oven or a warming drawer, allow at least 2" between the two openings. This separation will provide clearance for bottom overlap of the Advantium 120V and the other appliance overlaps.

Construct a solid oven floor of 3/8" min. thick plywood supported by 2 x 4 or 2 x 2 runners on all sides.

- The support must be level and rigidly mounted, flush with the bottom edge of the cutout.

### PREPARE THE OPENING (cont.)

#### Installation over a GE/Monogram Warming Drawer:



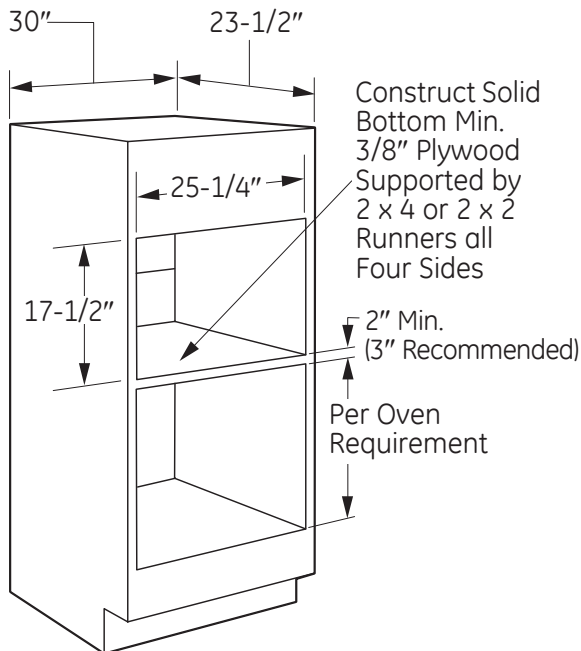
**NOTE:** Additional clearances between the cutouts may be required. Check to be sure the oven supports above the Warming Drawer location do not obstruct the required interior depth and height. See Warming Drawer installation instructions for details.

# Installation Preparation

## Preparation WITHOUT an Accessory Storage Drawer

### PREPARE THE OPENING (cont.)

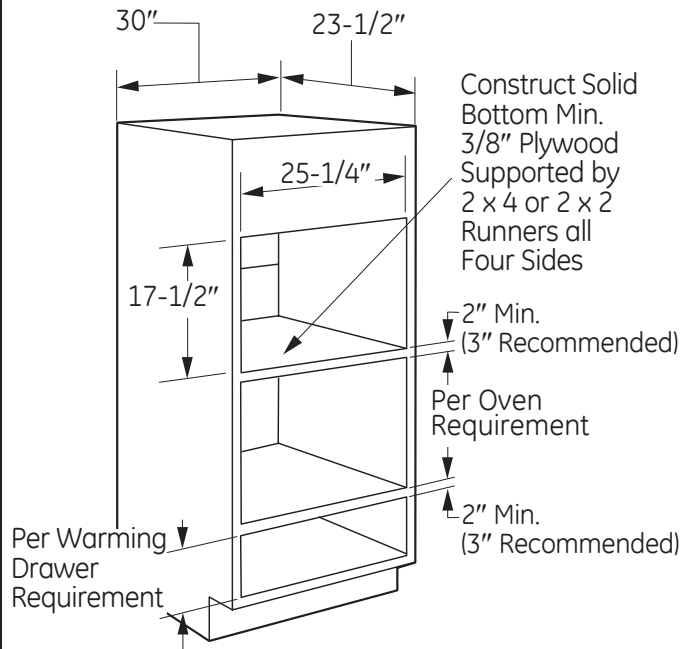
Installation over a GE/Monogram oven:



- If you are replacing a GE/Monogram electric double oven with the combined installation of an Advantium 120V and a single oven, use the dimensions shown. The middle rail separating the two openings may need to be larger than the 2" minimum shown.

### PREPARE THE OPENING (cont.)

Installation over a GE/Monogram Oven and Warming Drawer:



**NOTE:** Additional clearances between the cutouts may be required. Check to be sure the oven supports above the Warming Drawer location do not obstruct the required interior depth and height. See Warming Drawer installation instructions for details.

**⚠ CAUTION:** For personal safety, the mounting surface must be capable of supporting the cabinet load, in addition to the added weight of this approximate 80-pound oven, plus additional oven loads of up to 50 pounds or a total weight of 130 pounds.

**⚠ PRECAUCIÓN:** Para seguridad personal, la superficie de montaje debe poder soportar la carga del gabinete, además del peso aproximado de 80 libras del horno, más las cargas adicionales del horno de hasta 50 libras o un peso total de hasta 130 libras.

**NOTE:** While performing installations described in this book, safety glasses or goggles should be worn.

**NOTE:** Product improvement is a continuing endeavor at General Electric. Therefore, materials, appearance and specifications are subject to change without notice.



**GE Appliances & Lighting**  
Appliances  
General Electric Company  
Louisville, KY 40225  
GEAppliances.com