

INSTALLATION INSTRUCTIONS 30" (76.2 CM) AND 36" (91.4 CM) GAS BUILT-IN COOKTOP

INSTRUCTIONS D'INSTALLATION DE LA TABLE DE CUISSON À GAZ ENCASTRÉE DE 30" (76,2 CM) ET 36" (91,4 CM)

Table of Contents/Table des matières

<p>COOKTOP SAFETY2</p> <p>INSTALLATION REQUIREMENTS3</p> <p style="padding-left: 20px;">Tools and Parts3</p> <p style="padding-left: 20px;">Location Requirements3</p> <p style="padding-left: 20px;">Electrical Requirements7</p> <p style="padding-left: 20px;">Gas Supply Requirements7</p> <p>INSTALLATION INSTRUCTIONS9</p> <p style="padding-left: 20px;">Install Cooktop9</p> <p style="padding-left: 20px;">Make Gas Connection9</p> <p style="padding-left: 20px;">Complete Installation11</p>	<p>SÉCURITÉ DE LA TABLE DE CUISSON13</p> <p>EXIGENCES D'INSTALLATION14</p> <p style="padding-left: 20px;">Outillage et pièces14</p> <p style="padding-left: 20px;">Exigences d'emplacement14</p> <p style="padding-left: 20px;">Spécifications électriques18</p> <p style="padding-left: 20px;">Spécifications de l'alimentation en gaz18</p> <p>INSTRUCTIONS D'INSTALLATION.....20</p> <p style="padding-left: 20px;">Installation de la table de cuisson20</p> <p style="padding-left: 20px;">Raccordement au gaz20</p> <p style="padding-left: 20px;">Achever l'installation22</p>
--	--

IMPORTANT:

Installer: Leave installation instructions with the homeowner.
Homeowner: Keep installation instructions for future reference.

IMPORTANT :

Installateur : Remettre les instructions d'installation au propriétaire.
Propriétaire : Conserver les instructions d'installation pour référence ultérieure.

COOKTOP SAFETY

Your safety and the safety of others are very important.

We have provided many important safety messages in this manual and on your appliance. Always read and obey all safety messages.



This is the safety alert symbol.

This symbol alerts you to potential hazards that can kill or hurt you and others.

All safety messages will follow the safety alert symbol and either the word "DANGER" or "WARNING."

These words mean:

⚠ DANGER

You can be killed or seriously injured if you don't immediately follow instructions.

⚠ WARNING

You can be killed or seriously injured if you don't follow instructions.

All safety messages will tell you what the potential hazard is, tell you how to reduce the chance of injury, and tell you what can happen if the instructions are not followed.

WARNING: If the information in this manual is not followed exactly, a fire or explosion may result causing property damage, personal injury or death.

- Do not store or use gasoline or other flammable vapors and liquids in the vicinity of this or any other appliance.
- **WHAT TO DO IF YOU SMELL GAS:**
 - Do not try to light any appliance.
 - Do not touch any electrical switch.
 - Do not use any phone in your building.
 - Immediately call your gas supplier from a neighbor's phone. Follow the gas supplier's instructions.
 - If you cannot reach your gas supplier, call the fire department.
- Installation and service must be performed by a qualified installer, service agency or the gas supplier.

WARNING: Gas leaks cannot always be detected by smell.

Gas suppliers recommend that you use a gas detector approved by UL or CSA.

For more information, contact your gas supplier.

If a gas leak is detected, follow the "What to do if you smell gas" instructions.

IMPORTANT: Do not install a ventilation system that blows air downward toward this gas cooking appliance. This type of ventilation system may cause ignition and combustion problems with this gas cooking appliance resulting in personal injury or unintended operation.

In the State of Massachusetts, the following installation instructions apply:

- Installations and repairs must be performed by a qualified or licensed contractor, plumber, or gasfitter qualified or licensed by the State of Massachusetts.
- If using a ball valve, it shall be a T-handle type.
- A flexible gas connector, when used, must not exceed 3 feet.

INSTALLATION REQUIREMENTS

Tools and Parts

Gather the required tools and parts before starting installation.

Tools needed

- Tape measure
- Flat-blade screwdriver
- Phillips screwdriver
- $\frac{15}{16}$ " combination wrench
- Pipe wrench
- Wrench or pliers
- Marker or pencil
- Pipe-joint compound resistant to LP gas
- Noncorrosive leak-detection solution

Parts supplied

- Gas pressure regulator
- Burner grates
- Burner caps
- Burner base
- Clamping brackets (2)
- Bracket attachment screws (2)

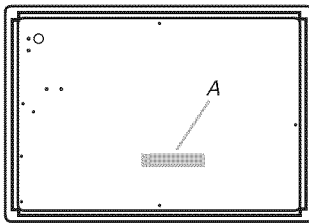
Parts needed

Check local codes and consult gas supplier. Check existing gas supply and electrical supply. See "Electrical Requirements" and "Gas Supply Requirements" sections.

Location Requirements

IMPORTANT: Observe all governing codes and ordinances. Do not obstruct flow of combustion and ventilation air.

- It is the installer's responsibility to comply with installation clearances specified on the model/serial rating plate. The model/serial rating plate is located on the underside of the cooktop base.



A. Model/serial rating plate

- To eliminate the risk of burns or fire by reaching over heated surface units, cabinet storage space located above the surface units should be avoided. If cabinet storage is to be provided, the risk can be reduced by installing a range hood that projects horizontally a minimum of 5" (12.7 cm) beyond the bottom of the cabinets.

- The cooktop must be a specified cooktop that is approved to be installed either alone or over an undercounter built-in oven. Check the cooktop base approved installation label for your cooktop model number and approved combinations of cooktops and ovens that can be installed. If you do not find this label, your cooktop may not be approved for use over an undercounter built-in oven. Contact your dealer to confirm that your cooktop is approved.
- Ovens approved for this type of installation will have an approval label located on the top of the oven. If you do not find this label, contact your dealer to confirm that your oven is approved. Refer to oven manufacturer's Installation Instructions for approval for built-in undercounter use and proper cutout dimensions.
- The cooktop should be installed in a location away from strong draft areas, such as windows, doors and strong heating vents or fans.
- All openings in the wall or floor where cooktop is to be installed must be sealed.
- Cabinet opening dimensions that are shown must be used. Given dimensions are minimum clearances.
- Grounded electrical supply is required. See "Electrical Requirements" section. Proper gas supply connection must be available. See "Gas Supply Requirements" section.
- The cooktop is designed to hang from the countertop by its side or rear flanges.
- The gas and electric supply should be located as shown in "Cabinet Dimensions" section so that they are accessible without requiring removal of the cooktop.
- Provide cutout in right rear corner of cutout enclosure as shown to provide clearance for gas inlet, power supply cord, and to allow the rating label to be visible.

IMPORTANT: To avoid damage, check with your builder or cabinet supplier to make sure that the materials used will not discolor, delaminate or sustain other damage.

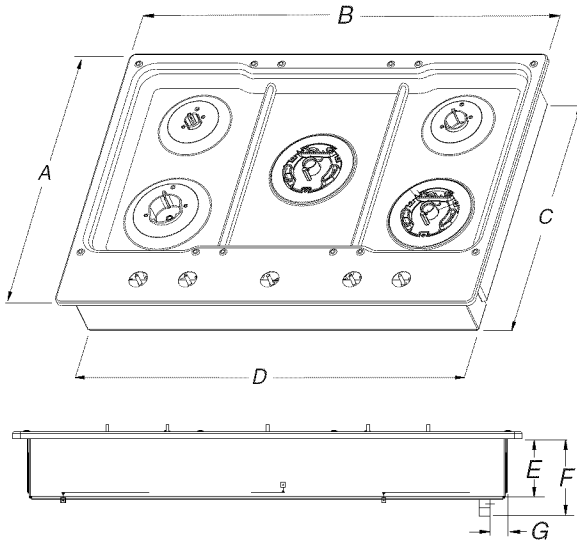
Mobile Home - Additional Installation Requirements

The installation of this cooktop must conform to the Manufactured Home Construction and Safety Standard, Title 24 CFR, Part 3280 (formerly the Federal Standard for Mobile Home Construction and Safety, Title 24, HUD Part 280). When such standard is not applicable, use the Standard for Manufactured Home Installations, ANSI A225.1/NFPA 501A or with local codes.

In Canada, the installation of this cooktop must conform with the current standards CAN/CSA-A240-latest edition, or with local codes.

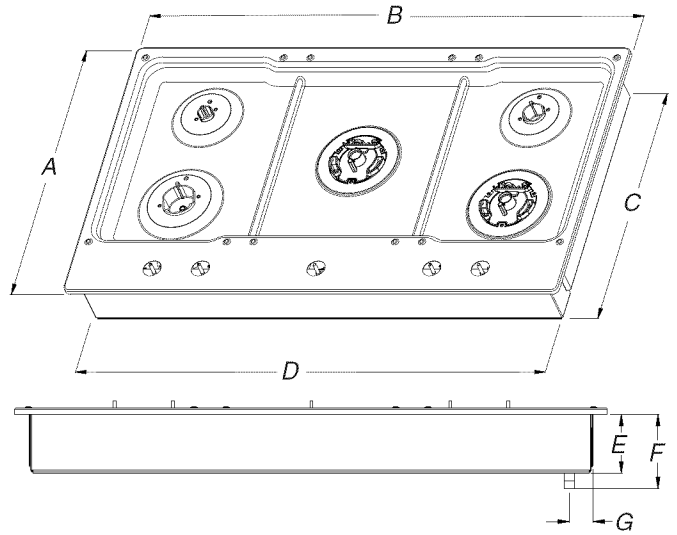
Product Dimensions

KCGS550ESS and KCGS950ESS Models



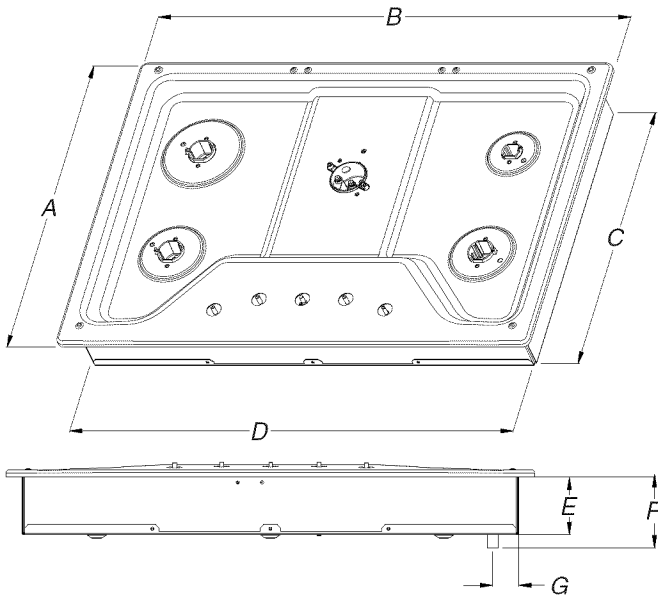
- | | |
|---------------------------------|---------------------------------|
| A. 21" (53.3 cm) | E. 3 $\frac{5}{8}$ " (9.2 cm) |
| B. 30" (76.2 cm) | F. 4 $\frac{9}{16}$ " (11.6 cm) |
| C. 19 $\frac{3}{8}$ " (49.2 cm) | G. 1 $\frac{1}{8}$ " (3.4 cm) |
| D. 28 $\frac{3}{8}$ " (72.1 cm) | |

KCGS556ESS and KCGS956ESS Models



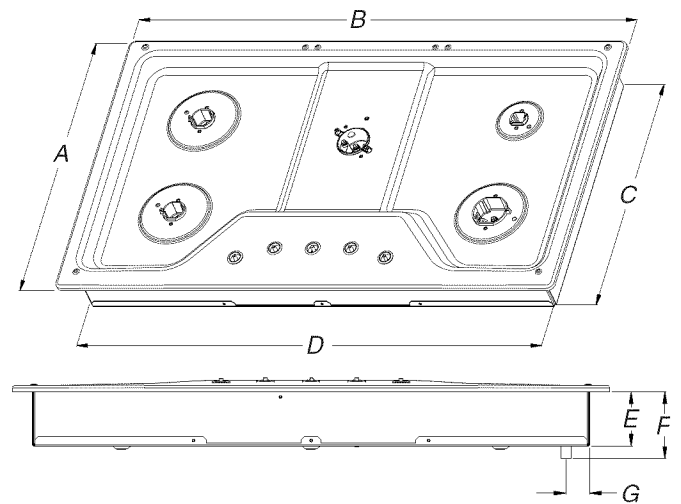
- | | |
|---------------------------------|---------------------------------|
| A. 21" (53.3 cm) | E. 3 $\frac{5}{8}$ " (9.2 cm) |
| B. 36 $\frac{1}{4}$ " (92.0 cm) | F. 4 $\frac{9}{16}$ " (11.6 cm) |
| C. 19 $\frac{3}{8}$ " (49.2 cm) | G. 1 $\frac{7}{16}$ " (3.6 cm) |
| D. 34 $\frac{3}{8}$ " (88.1 cm) | |

All Other 30" (76.2 cm) Models



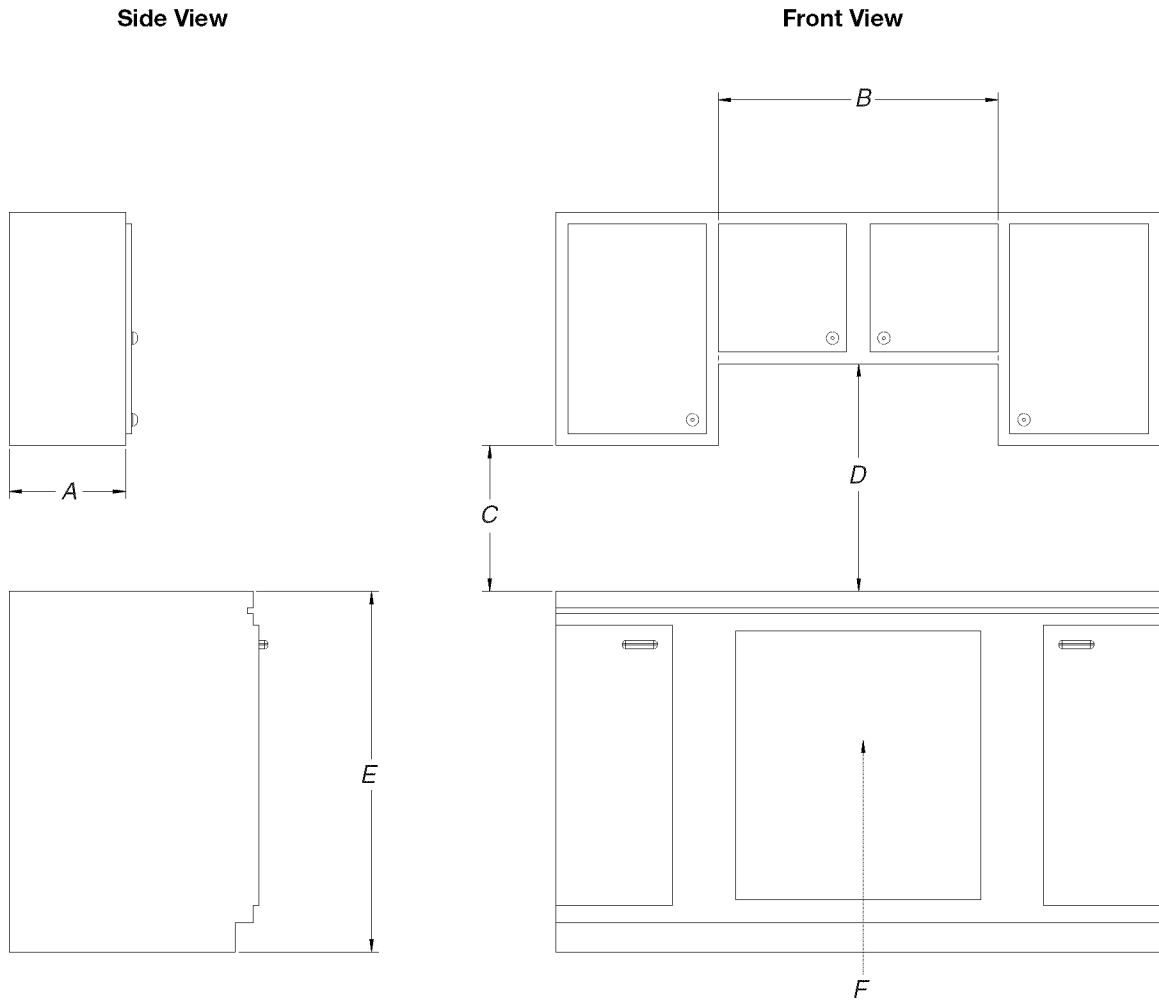
- | | |
|---------------------------------|--------------------------------|
| A. 21" (53.3 cm) | E. 3 $\frac{3}{8}$ " (8.6 cm) |
| B. 30" (76.2 cm) | F. 4 $\frac{1}{8}$ " (10.5 cm) |
| C. 18 $\frac{7}{8}$ " (48.0 cm) | G. 1 $\frac{1}{2}$ " (3.8 cm) |
| D. 28 $\frac{3}{8}$ " (72.1 cm) | |

All Other 36" (91.4 cm) Models



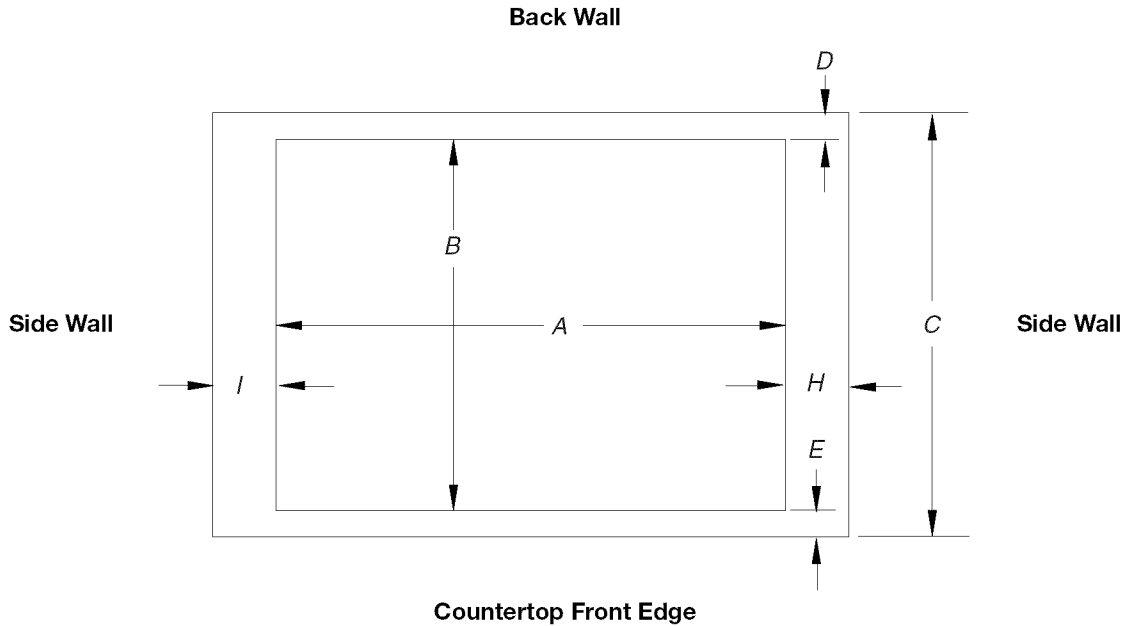
- | | |
|---------------------------------|--------------------------------|
| A. 21" (53.3 cm) | E. 3 $\frac{3}{8}$ " (8.6 cm) |
| B. 36" (91.4 cm) | F. 4 $\frac{1}{8}$ " (10.5 cm) |
| C. 18 $\frac{7}{8}$ " (48.0 cm) | G. 1 $\frac{1}{2}$ " (3.8 cm) |
| D. 33 $\frac{3}{4}$ " (85.7 cm) | |

Cabinet Clearances



- A. 13" (33.0 cm) recommended upper cabinet depth.
- B. 30" (76.2 cm) for 30" models; 36" (91.4 cm) for 36" models.
- C. 18" (45.7 cm) minimum clearance from upper cabinet to countertop within minimum horizontal clearances to cooktop.
- D. 30" (76.2 cm) minimum clearance between top of cooktop platform and bottom of uncovered wood or metal cabinet.
24" [61 cm] minimum clearance if bottom of wood or metal cabinet is covered by not less than 1/4" [0.6 cm] flame retardant millboard covered with not less than No. 28 MSG sheet steel, 0.015" [0.04 cm] stainless steel, or 0.024" [0.06 cm] aluminum or 0.020" [0.05 cm] copper.
- E. 36" (91.4 cm) top of countertop to floor.
- F. Gas line opening - Wall: anywhere 5" (12.7 cm) below underside of countertop. Cabinet floor: anywhere within 6" (15.2 cm) of rear wall is recommended.

Cutout Dimensions - Top View



Cutout (Product Opening) Dimensions						
30" (76.2 cm) Models						
Models	A			B		
	Min	Recommended	Max	Min	Recommended	Max
KCGS550 and KCGS950	28 1/2" (72.4 cm)	28 7/8" (73.4 cm)	29 5/16" (74.3 cm)	19 1/2" (49.5 cm)	19 13/16" (50.2 cm)	20" (50.8 cm)
All Other 30" (76.2 cm) Models	28 1/2" (72.4 cm)	28 7/8" (73.4 cm)	29 5/16" (74.3 cm)	19" (48.3 cm)	19 1/2" (49.5 cm)	20" (50.8 cm)
36" (91.4 cm) Models						
KCGS556 and KCGS956	34 7/8" (88.4 cm)	35 3/16" (89.4 cm)	35 5/8" (90.3 cm)	19 1/2" (49.5 cm)	19 13/16" (50.2 cm)	20" (50.8 cm)
All Other 36" (91.4 cm) Models	33 7/8" (86.0 cm)	34 5/16" (87.0 cm)	35 1/4" (89.5 cm)	19" (48.3 cm)	19 1/2" (49.5 cm)	20" (50.8 cm)

Side Walls (Combustible Surfaces)	
Models	H and I
KCGS5 and KCGS9	H and I added together must be at least 48" (122.0 cm), with each side individually being at least 8" (20.3 cm).
KCGS350, KCGS356, MGC9536, WCG97US0, WCG97US6	H and I added together must be at least 48" (122.0 cm), with each side individually being at least 12" (30.5 cm).
All Other Models	Both have to be 8" (20.3 cm) or more.

Back Wall and Countertop Front Dimensions			
Models	C	D	E
KCGS550 and KCGS950	25" (63.5 cm)	2 7/8" (7.3 cm)	2 3/4" (6.9 cm)
All Other Models			3 1/8" (7.9 cm)

NOTES: After making the countertop cutout, some installations may require notching down the base cabinet side walls to clear the cooktop base. To avoid this modification, use a base cabinet with sidewalls wider than the cutout.

If cabinet has a drawer, a 4" (10.2 cm) depth clearance from the countertop to the top of the drawer (or other obstruction) in base cabinet is required. The drawer depth may need to be shortened to avoid interfering with the regulator.

IMPORTANT: If a built-in wall oven is to be installed below this cooktop, the grounded outlet and gas supply piping must be located in an adjacent cabinet.

This cooktop and its gas and electrical supply sources must be installed before the undercounter built-in wall oven is installed.

Electrical Requirements

⚠ WARNING



Electrical Shock Hazard

Plug into a grounded 3 prong outlet.

Do not remove ground prong.

Do not use an adapter.

Do not use an extension cord.

Failure to follow these instructions can result in death, fire, or electrical shock.

IMPORTANT: The cooktop must be electrically grounded in accordance with local codes and ordinances, or in the absence of local codes, with the National Electrical Code, ANSI/NFPA 70 or Canadian Electrical Code, CSA C22.1.

If codes permit and a separate ground wire is used, it is recommended that a qualified electrical installer determine that the ground path is adequate.

A copy of the above code standards can be obtained from:

National Fire Protection Association
One Batterymarch Park
Quincy, MA 02269

CSA International
8501 East Pleasant Valley Road
Cleveland, Ohio 44131-5575

- A 120 volt, 60 Hz, AC only, 15-amp, fused electrical circuit is required. A time-delay fuse or circuit breaker is also recommended. It is recommended that a separate circuit serving only this cooktop be provided.
- Electronic ignition systems operate within wide voltage limits, but proper grounding and polarity are necessary. Check that the outlet provides 120-volt power and is correctly grounded.
- The wiring diagrams are provided with this cooktop. See "Wiring Diagrams" on a separate sheet. The wiring diagrams are located on the left underside of the cooktop base.

Gas Supply Requirements

⚠ WARNING



Explosion Hazard

Use a new CSA International approved gas supply line.

Install a shut-off valve.

Securely tighten all gas connections.

If connected to LP, have a qualified person make sure gas pressure does not exceed 14" (36 cm) water column.

Examples of a qualified person include:

**licensed heating personnel,
authorized gas company personnel, and
authorized service personnel.**

Failure to do so can result in death, explosion, or fire.

Observe all governing codes and ordinances.

IMPORTANT: This installation must conform with all local codes and ordinances. In the absence of local codes, installation must conform with American National Standard, National Fuel Gas Code ANSI Z223.1 - latest edition or CAN/CGA B149 - latest edition.

IMPORTANT: Leak testing of the cooktop must be conducted according to the manufacturer's instructions.

Type of Gas

Natural Gas:

- This cooktop is factory set for use with Natural gas. If converting to LP gas, see the "LP Gas Conversion" instructions provided in the package containing literature. The model/serial rating plate located on the underside of the cooktop base has information on the types of gas that can be used. If the types of gas listed do not include the type of gas available, check with the local gas supplier.

LP Gas Conversion:

Conversion must be done by a qualified service technician.

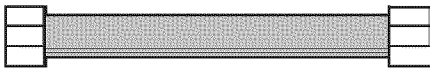
No attempt shall be made to convert the cooktop from the gas specified on the model/serial rating plate for use with a different gas without consulting the serving gas supplier. See the Gas Conversion instructions provided in the package containing literature.

Gas Supply Line

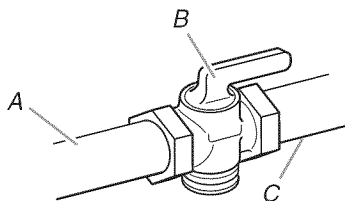
- Provide a gas supply line of 3/4" (1.9 cm) rigid pipe to the cooktop location. A smaller size pipe on longer runs may result in insufficient gas supply. Pipe-joint compounds that resist the action of LP gas must be used. Do not use TEFLON[†] tape. With LP gas, piping or tubing size should be 1/2" minimum. Usually, LP gas suppliers determine the size and materials used in the system.

Flexible metal appliance connector:

- If local codes permit, use a 1/2" or 3/4" I.D. flexible stainless steel tubing gas connector, designed by CSA to connect the cooktop to the rigid gas supply line.



- A 1/2" male pipe thread is needed for connection to the female pipe threads of the inlet to the cooktop pressure regulator.
- Do not kink or damage the flexible metal tubing when moving the cooktop.
- Must include a shutoff valve:
The supply line must be equipped with a manual shutoff valve. This valve should be located in the same room but external to the cooktop opening, such as an adjacent cabinet. It must be accessible without removing the cooktop, and it should be in a location that allows ease of opening and closing. Do not block access to shutoff valve. The valve is for turning on or shutting off gas to the cooktop.



A. Gas supply line
B. Shutoff valve "open" position
C. To cooktop

Gas Pressure Regulator

The gas pressure regulator supplied with this cooktop must be used. The inlet pressure to the regulator should be as follows for proper operation:

Natural Gas:

Minimum pressure: 5" (12.7 cm) WCP

Maximum pressure: 7" to 14" (17.8 cm to 35.5 cm) WCP

LP Gas:

Minimum pressure: 10" (25.4 cm) WCP

Maximum pressure: 14" (35.5 cm) WCP

Contact local gas supplier if you are not sure about the inlet pressure.

Burner Input Requirements

Input ratings shown on the model/serial rating plate are for elevations up to 2,000 ft (609.6 m).

For elevations above 2,000 ft (609.6 m), ratings should be reduced at a rate of 4% for each 1,000 ft (304.8 m) above sea level (not applicable for Canada).

Gas Supply Pressure Testing

Gas supply pressure for testing regulator must be at least 1" water column pressure above the manifold pressure shown on the model/serial rating plate.

Line pressure testing above 1/2 psi gauge (14" WCP)

The cooktop and its individual shutoff valve must be disconnected from the gas supply piping system during any pressure testing of that system at test pressures in excess of 1/2 psi (3.5 kPa).

Line pressure testing at 1/2 psi gauge (14" WCP) or lower

The cooktop must be isolated from the gas supply piping system by closing its individual manual shutoff valve during any pressure testing of the gas supply piping system at test pressures equal to or less than 1/2 psi (3.5 kPa).

INSTALLATION INSTRUCTIONS

Install Cooktop

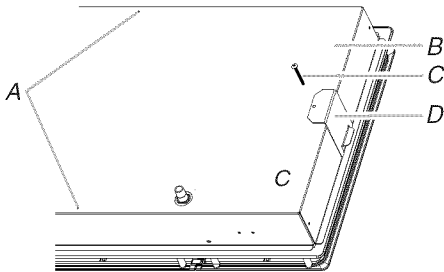
⚠ WARNING

Excessive Weight Hazard

Use two or more people to move and install cooktop.
Failure to do so can result in back or other injury.

Decide on the final location for the cooktop. Avoid drilling into or severing existing wiring during installation.

1. Determine whether your cabinet construction provides clearance for installing clamping brackets at cooktop base ends. This is the recommended location. Clamping brackets can be installed on the front and back of cooktop base bottom, if necessary.

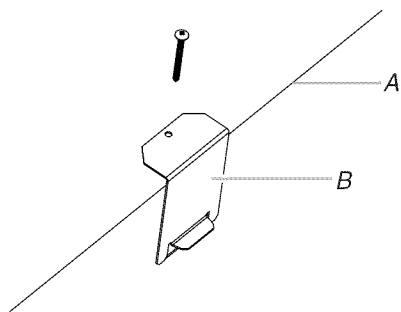


- A. Attachment screw holes for optional front and back location
- B. Cooktop base bottom
- C. Attachment screw
- D. Clamping bracket (end locations recommended)

2. Using 2 or more people, place cooktop right side up into the cutout.

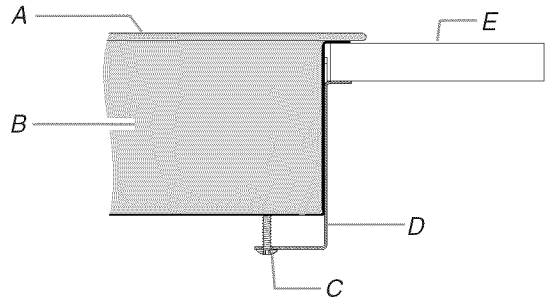
NOTE: Make sure that the front edge of the cooktop is parallel to the front edge of the countertop. If repositioning is needed, lift entire cooktop up from cutout to avoid scratching the countertop.

3. Remove the attachment screws for the selected bracket locations from the bottom of the cooktop base.



- A. Edge of cooktop base bottom
- B. Clamping bracket

4. Attach brackets to cooktop base bottom with bracket attachment screws. Securely tighten screws.



- A. Cooktop
- B. Cooktop base
- C. 2" (5.1 cm) bracket attachment screw
- D. Clamping bracket (extends far enough beyond cooktop base to allow installation of clamping screws)
- E. Countertop

Make Gas Connection

⚠ WARNING



Explosion Hazard

Use a new CSA International approved gas supply line.
Install a shut-off valve.

Securely tighten all gas connections.

If connected to LP, have a qualified person make sure gas pressure does not exceed 14" (36 cm) water column.

Examples of a qualified person include:

licensed heating personnel,
authorized gas company personnel, and
authorized service personnel.

Failure to do so can result in death, explosion, or fire.

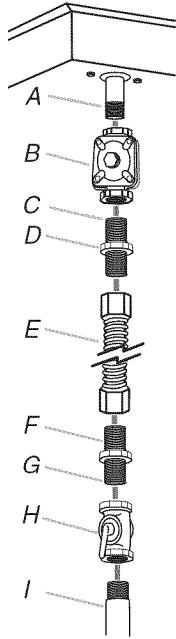
Typical flexible connection

1. Apply pipe-joint compound made for use with Natural and LP gas to the smaller thread ends of the flexible connector adapters (see C and G in the following illustration).
2. Attach one adapter to the gas pressure regulator and the other adapter to the gas shutoff valve. Tighten both adapters.

- Use a $\frac{15}{16}$ " combination wrench and channel lock pliers to attach the flexible connector to the adapters. Check that connector is not kinked.

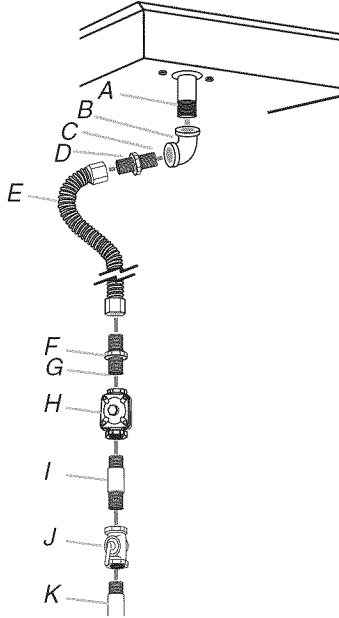
IMPORTANT: All connections must be wrench-tightened. Do not make connections to the gas regulator too tight. Making the connections too tight may crack the regulator and cause a gas leak. Do not allow the regulator to turn when tightening fittings.

No appliance/obstructions below cooktop



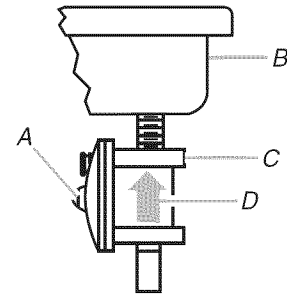
- A. Manifold entrance
- B. Gas pressure regulator
- C. Use pipe-joint compound.
- D. Adapter (must have $\frac{1}{2}$ " male pipe thread)
- E. Flexible connector
- F. Adapter
- G. Use pipe-joint compound.
- H. Manual gas shutoff valve
- I. $\frac{1}{2}$ " or $\frac{3}{4}$ " gas pipe

Suggested installation to avoid interference below cooktop



- A. Manifold entrance
- B. $\frac{3}{8}$ " elbow
- C. Use pipe-joint compound.
- D. Adapter (must have $\frac{3}{8}$ " male pipe thread)
- E. Flexible connector (pass through wall between cabinets)
- F. Adapter (must have $\frac{3}{8}$ " male pipe thread)
- G. Use pipe-joint compound.
- H. Appliance pressure regulator (supplied)
- I. $\frac{1}{2}$ " or $\frac{3}{4}$ " gas pipe
- J. Manual gas shutoff valve
- K. $\frac{1}{2}$ " or $\frac{3}{4}$ " gas pipe

- Install the pressure regulator with the arrow pointing in the direction toward the bottom of the cooktop base and in a position where you can reach the regulator access cap.



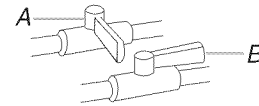
- A. Access cap
- B. Rear of cooktop
- C. Gas pressure regulator
- D. Up arrow. The regulator must be installed with the arrow pointing toward the cooktop bottom.

Use only pipe-joint compound made for use with Natural and LP gas.

Do not use TEFLON® tape. You will need to determine the fittings required depending on your installation.

Complete Connection

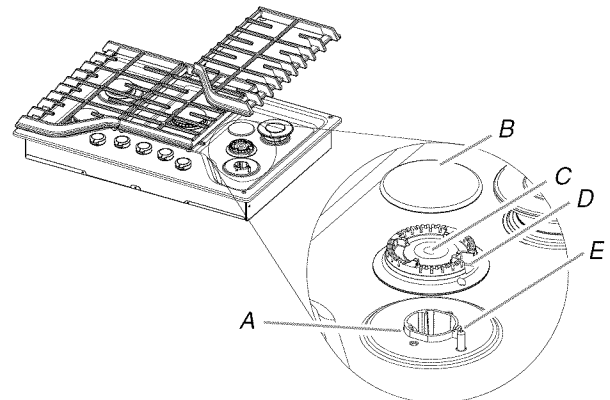
- Open the manual shutoff valve in the gas supply line. The valve is open when the handle is parallel to the gas pipe.



- A. Closed valve
- B. Open valve

- Test all connections by brushing on an approved noncorrosive leak-detection solution. Bubbles will show a leak. Correct any leak found.
- Remove surface burner caps, burner base and grates from parts package. Align notches in burner caps with pins in burner base.

Align orifice holder in burner base with igniter electrode. Burner caps should be level when properly positioned. If burner caps are not properly positioned, surface burners will not light. Place burner grates over burners and caps.



- A. Orifice holder
- B. Burner cap
- C. Gas tube opening
- D. Burner base
- E. Igniter electrode

⚠ WARNING



Electrical Shock Hazard

Plug into a grounded 3 prong outlet.

Do not remove ground prong.

Do not use an adapter.

Do not use an extension cord.

Failure to follow these instructions can result in death, fire, or electrical shock.

4. Plug into a grounded 3 prong outlet.

Complete Installation

Electronic Ignition System

Initial lighting and gas flame adjustments

Surface burners use electronic igniters in place of standing pilots. When the cooktop control knob is turned to the "IGNITE" position, the system creates a spark to light the burner. This sparking continues, as long as the control knob is turned to "IGNITE."

Check Operation of Surface Burners

Push in and turn the surface burners control knobs to light.

The surface burner flame should light within 4 seconds. The first time a surface burner is lit, it may take longer than 4 seconds to light because of air in the gas line.

Check the flame on "HIGH" for a blue color. It should be clean and soft in character. No yellow tip, blowing or lifting of flame should occur. Occasional orange flashes are normal and reflect different elements in the air or gas.

After verifying the proper burner operation, turn the control knobs to "OFF."

If burners do not light properly:

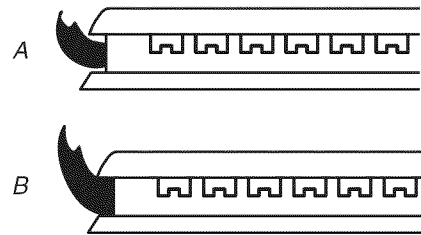
- Turn surface burner control knob to the "OFF" position.
- Check that the power supply cord is plugged in and the circuit breaker has not tripped or the fuse blown.
- Check that the gas shutoff valve is set to the "open" position.
- Check that burner caps are properly positioned on burner bases.

Recheck operation of surface burners. If a burner does not light at this point, contact your dealer or authorized service company for assistance.

Check Flame Height

Adjust the height of surface burner flames.

The surface burner "low" flame should be a steady blue flame approximately 1/4" (6.4 mm) high.

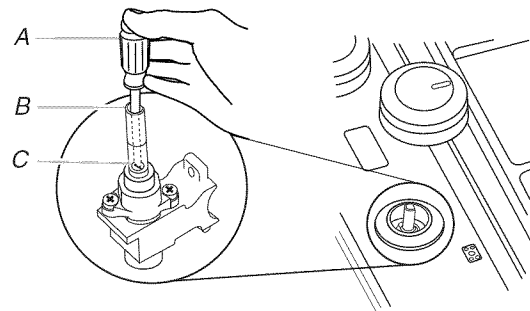


A. Low flame
B. High flame

Adjustment for Single Valve:

1. Set the burner flame to LO.
2. Remove the control knob.
3. Hold knob stem with a pair of pliers. Use a 3/32" (#0 [2 mm]) flat-blade screwdriver to turn the screw located within the shaft of the control knob stem until the flame is the proper size.

Turn adjustment screw "C" to the right to reduce flame height, turn adjustment screw to the left to increase flame height.



A. 3/32" (#0 [2.0 mm]) flat-blade screwdriver
(screwdriver shaft must be a minimum of 2" [5.1 cm] long)
B. Control knob stem opening
C. Adjustment screw location

4. Replace the control knob.
5. Test the flame by turning the control from LO to HI, checking the flame at each setting

IMPORTANT: Dual valve adjustments must be performed by a qualified installer or service agency.

Notes

SÉCURITÉ DE LA TABLE DE CUISSON

Votre sécurité et celle des autres est très importante.

Nous donnons de nombreux messages de sécurité importants dans ce manuel et sur votre appareil ménager. Assurez-vous de toujours lire tous les messages de sécurité et de vous y conformer.



Voici le symbole d'alerte de sécurité.

Ce symbole d'alerte de sécurité vous signale les dangers potentiels de décès et de blessures graves à vous et à d'autres.

Tous les messages de sécurité suivront le symbole d'alerte de sécurité et le mot "DANGER" ou "AVERTISSEMENT". Ces mots signifient :

⚠ DANGER

Risque possible de décès ou de blessure grave si vous ne suivez pas immédiatement les instructions.

⚠ AVERTISSEMENT

Risque possible de décès ou de blessure grave si vous ne suivez pas les instructions.

Tous les messages de sécurité vous diront quel est le danger potentiel et vous disent comment réduire le risque de blessure et ce qui peut se produire en cas de non-respect des instructions.

AVERTISSEMENT : Si les renseignements dans ce manuel ne sont pas exactement observés, un incendie ou une explosion peut survenir, causant des dommages au produit, des blessures ou un décès.

- Ne pas entreposer ni utiliser de l'essence ou d'autres vapeurs ou liquides inflammables à proximité de cet appareil ou de tout autre appareil électroménager.
- QUE FAIRE DANS LE CAS D'UNE ODEUR DE GAZ :
 - Ne pas tenter d'allumer un appareil.
 - Ne pas toucher à un commutateur électrique.
 - Ne pas utiliser le téléphone se trouvant sur les lieux.
 - Appeler immédiatement le fournisseur de gaz à partir du téléphone d'un voisin. Suivre ses instructions.
 - À défaut de joindre votre fournisseur de gaz, appeler les pompiers.
- L'installation et l'entretien doivent être effectués par un installateur qualifié, une agence de service ou le fournisseur de gaz.

AVERTISSEMENT : L'odorat ne permet pas toujours la détection d'une fuite de gaz.

Les distributeurs de gaz recommandent l'emploi d'un détecteur de gaz (homologation UL ou CSA).

Pour d'autre information, contacter le fournisseur de gaz local.

En cas de détection d'une fuite de gaz, exécuter les instructions "Que faire dans le cas d'une odeur de gaz".

IMPORTANT : Ne pas installer un système de ventilation avec évacuation de l'air vers le bas, qui évacuerait l'air vers cet appareil de cuisson à gaz. Ce type de système de ventilation peut causer des problèmes d'allumage et de combustion avec cet appareil de cuisson à gaz et entraîner des blessures corporelles ou le fonctionnement non désiré de cet appareil.

Dans l'État du Massachusetts, les instructions d'installation suivantes sont applicables :

- Les travaux d'installation et réparation doivent être exécutés par un plombier ou tuyauteur qualifié ou licencié, ou par le personnel qualifié d'une entreprise licenciée par l'État du Massachusetts.
- Si une vanne à boisseau sphérique est utilisée, elle doit comporter une manette "T".
- Si un conduit de raccordement flexible est utilisé, sa longueur ne doit pas dépasser 3 pi.

EXIGENCES D'INSTALLATION

Outillage et pièces

Rassembler les outils et pièces nécessaires avant de commencer l'installation.

Outillage nécessaire

- Mètre-ruban
- Tournevis à lame plate
- Tournevis Phillips
- Clé mixte de $1\frac{5}{16}$ "
- Clé à tuyauteries
- Clé ou pince
- Marqueur ou crayon
- Composé d'étanchéité pour tuyauteries - résistant au propane
- Solution non corrosive de détection des fuites

Pièces fournies

- Détendeur
- Grilles de brûleur
- Chapeaux de brûleur
- Base des brûleurs
- Brides de serrage (2)
- Vis de fixation de bride (2)

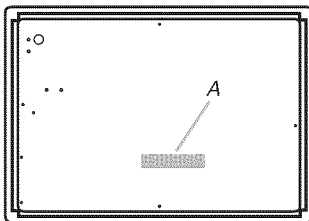
Pièces nécessaires

Vérifier les codes locaux et consulter le fournisseur de gaz. Vérifier l'alimentation en gaz et l'alimentation électrique existantes. Voir les sections "Spécifications électriques" et "Spécifications de l'alimentation en gaz".

Exigences d'emplacement

IMPORTANT : Observer les dispositions de tous les codes et règlements en vigueur. Ne pas obstruer le flux de combustion et de ventilation.

- C'est à l'installateur qu'incombe la responsabilité de respecter les distances de séparation spécifiées sur la plaque signalétique. La plaque signalétique se trouve sur le dessous de la base de la table de cuisson.



A. Plaque signalétique

- Afin de supprimer le risque de brûlures ou d'incendie lié au fait de se pencher au-dessus des plaques de cuisson chaudes, les placards de rangement au-dessus des plaques doivent être évités. Si des placards de rangement sont envisagés, le risque peut être réduit par l'installation d'une hotte de cuisinière dépassant le bas des placards d'au moins 5" (12,7 cm) horizontalement.

- La table de cuisson doit être une table de cuisson spécifiée, et doit être approuvée pour une installation seule ou sur un four encastré sous comptoir. Vérifier que la base de la table de cuisson comporte une étiquette d'installation approuvée pour le numéro de modèle de votre table de cuisson et les combinaisons approuvées de tables de cuisson et de fours qui peuvent être installés. Si vous ne trouvez pas cette étiquette, il se peut que votre table de cuisson ne soit pas approuvée pour une utilisation au-dessus d'un four encastré sous comptoir. Contacter le marchand pour confirmer que votre table de cuisson est bien approuvée.
- Les fours approuvés pour ce type d'installation comportent une étiquette d'approbation située sur le dessus du four. Si vous ne trouvez pas cette étiquette, contactez votre marchand pour confirmer que le four est bien approuvé. Consulter les Instructions d'installation du fabricant du four pour obtenir l'approbation de l'utilisation en encastrement et les dimensions correctes.
- La table de cuisson doit être installée dans un emplacement à l'écart des zones de forts courants d'air, telles que fenêtres, portes et événements ou ventilateurs de chauffage.
- Toutes les ouvertures dans le mur ou le plancher de l'emplacement d'installation de la table de cuisson doivent être scellées.
- Respecter les dimensions indiquées pour les ouvertures à découper dans les meubles. Ces dimensions constituent les valeurs minimales des dégagements.
- Une source d'électricité avec liaison à la terre est nécessaire. Voir la section "Spécifications électriques". Un raccordement adéquat à l'alimentation en gaz doit être disponible. Voir la section "Spécifications de l'alimentation en gaz".
- De par sa conception, la table de cuisson est retenue sur le plan de travail par ses rebords latéraux ou arrière.
- Veiller à placer les sources de gaz et d'électricité selon les indications de la section "Dimensions du placard" pour qu'elles soient accessibles sans avoir à retirer la table de cuisson.
- Prévoir une ouverture dans l'angle supérieur droit de l'enceinte – voir l'illustration – pour le passage de la canalisation de gaz et du câble d'alimentation électrique et pour que l'étiquette signalétique soit visible.

IMPORTANT : Pour éviter tout dommage, consulter le constructeur de la maison ou le fabricant de placards pour déterminer si les matériaux utilisés peuvent subir un changement de couleur, une déstratification ou autres dommages.

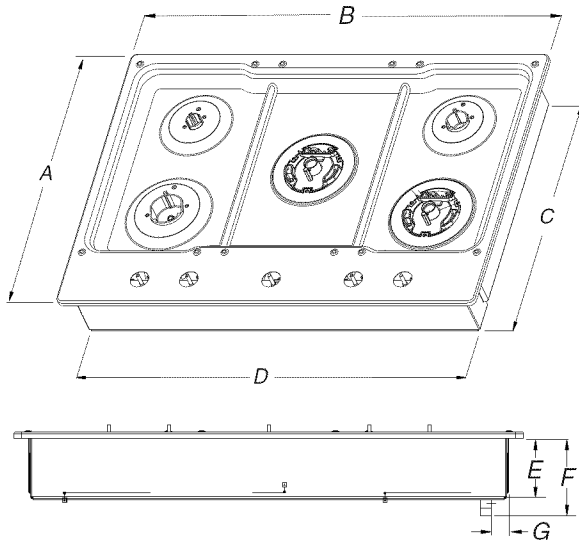
Résidence mobile – Spécifications additionnelles à respecter lors de l'installation

L'installation de cette table de cuisson doit être conforme aux dispositions de la norme Manufactured Home Construction and Safety Standard, Titre 24 CFR, partie 3280 (anciennement Federal Standard for Mobile Home Construction and Safety, Titre 24, HUD partie 280). Lorsque cette norme n'est pas applicable, l'installation doit satisfaire aux critères de la norme Standard for Manufactured Home Installations, ANSI A225.1/NFPA 501A ou aux dispositions des codes locaux.

Au Canada, l'installation de cette table de cuisson doit satisfaire aux stipulations de la version la plus récente de la norme CAN/CSA-A240 ou des codes locaux en vigueur.

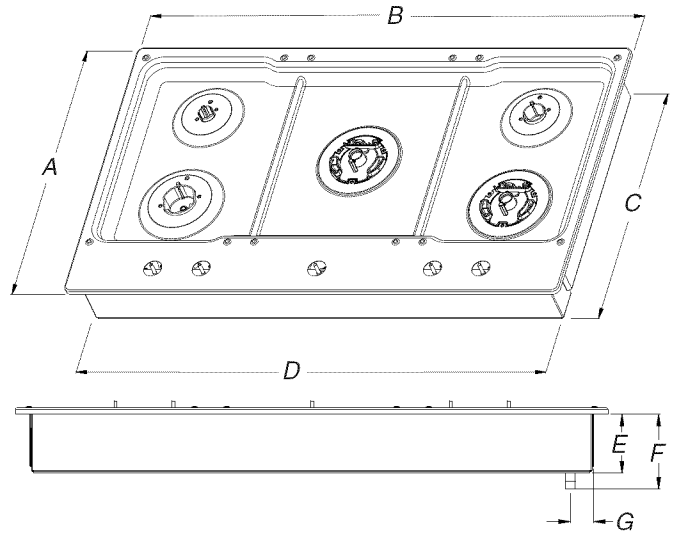
Dimensions du produit

Modèles KCGS550ESS et KCGS950ESS



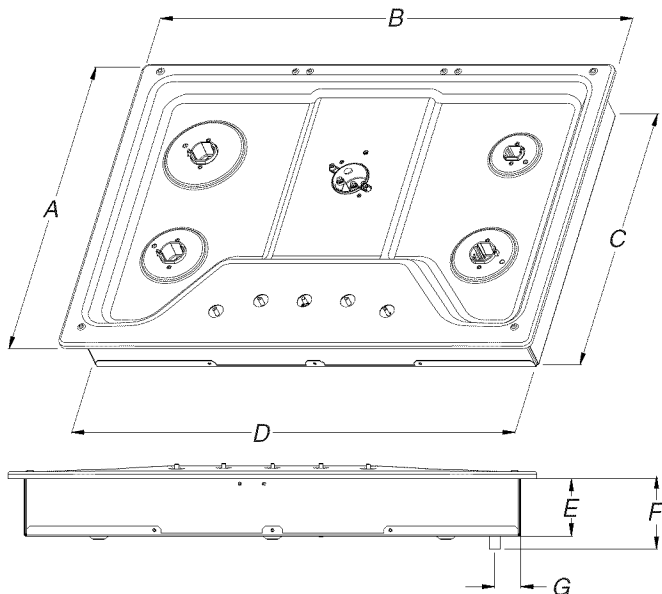
- | | |
|---|---|
| A. 21" (53,3 cm) | E. 3 ⁵ / ₈ " (9,2 cm) |
| B. 30" (76,2 cm) | F. 4 ⁹ / ₁₆ " (11,6 cm) |
| C. 19 ³ / ₈ " (49,2 cm) | G. 1 ¹ / ₈ " (3,4 cm) |
| D. 28 ³ / ₈ " (72,1 cm) | |

Modèles KCGS556ESS et KCGS956ESS



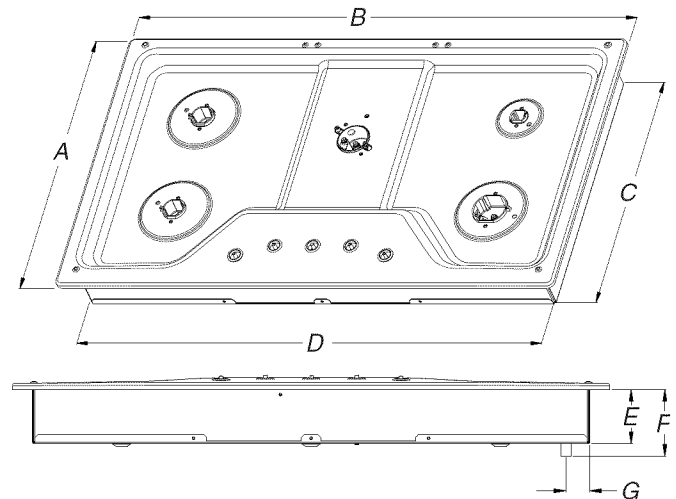
- | | |
|---|---|
| A. 21" (53,3 cm) | E. 3 ⁵ / ₈ " (9,2 cm) |
| B. 36 ¹ / ₄ " (92 cm) | F. 4 ⁹ / ₁₆ " (11,6 cm) |
| C. 19 ³ / ₈ " (49,2 cm) | G. 1 ¹ / ₈ " (3,6 cm) |
| D. 34 ³ / ₈ " (88,1 cm) | |

Tous les autres modèles de 30" (76,2 cm)



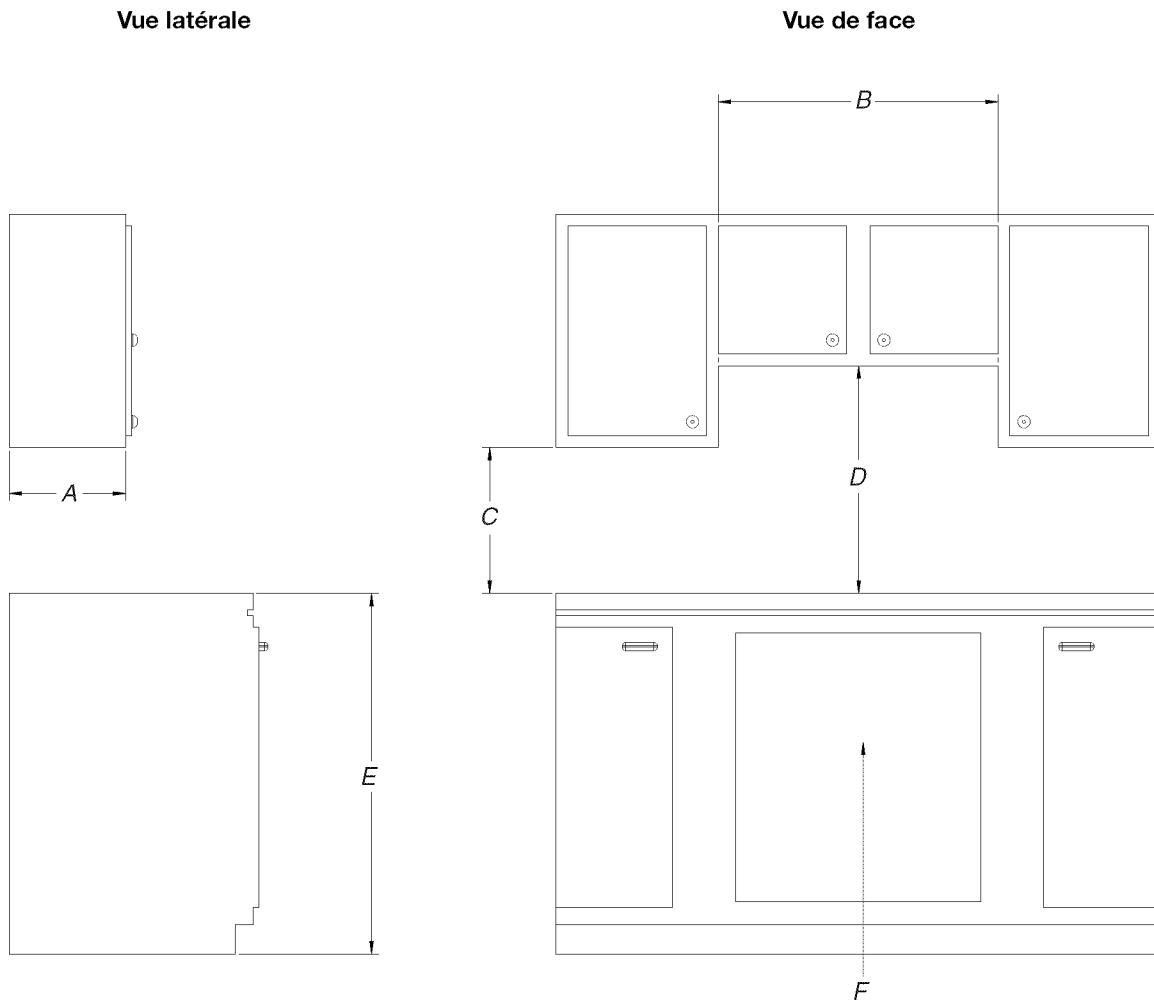
- | | |
|---|--|
| A. 21" (53,3 cm) | E. 3 ³ / ₈ " (8,6 cm) |
| B. 30" (76,2 cm) | F. 4 ¹ / ₈ " (10,5 cm) |
| C. 18 ⁷ / ₈ " (48 cm) | G. 1 ¹ / ₂ " (3,8 cm) |
| D. 28 ³ / ₈ " (72,1 cm) | |

Tous les autres modèles de 36" (91,4 cm)



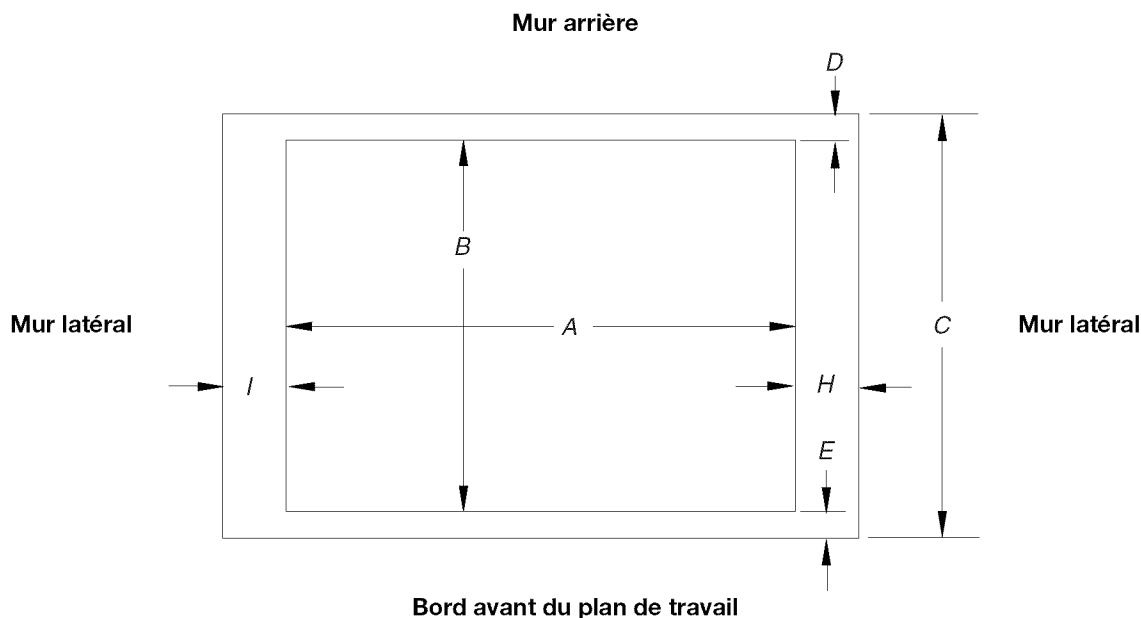
- | | |
|---|--|
| A. 21" (53,3 cm) | E. 3 ³ / ₈ " (8,6 cm) |
| B. 36" (91,4 cm) | F. 4 ¹ / ₈ " (10,5 cm) |
| C. 18 ⁷ / ₈ " (48 cm) | G. 1 ¹ / ₂ " (3,8 cm) |
| D. 33 ³ / ₄ " (85,7 cm) | |

Distances de dégagement à respecter



- A. Profondeur recommandée des placards supérieurs de 13" (33 cm)
- B. 30" (76,2 cm) pour les modèles de 30"; 36" (91,4 cm) pour les modèles de 36".
- C. Distance de séparation minimale de 18" (45,7 cm) entre le placard supérieur et le plan de travail avec distance minimale de séparation horizontale pour la table de cuisson
- D. Dégagement minimum de 30" (76,2 cm) entre le sommet de la plateforme de la table de cuisson et le fond du placard de bois ou de métal non protégé.
Dégagement minimum de 24" [61 cm] lorsque le fond du placard de bois ou de métal est couvert d'une plaque ignifugée d'au moins ¼" [0,6 cm] recouverte d'une tôle d'acier de 28 MSG, d'acier inoxydable de 0,015" [0,04 cm], d'aluminium de 0,024" [0,06 cm], ou de cuivre de 0,020" [0,05 cm] d'épaisseur au minimum.
- E. 36" (91,4 cm) entre le sommet du plan de travail et le plancher.
- F. Ouverture pour canalisation de gaz – mur : n'importe où, à 5" (12,7 cm) au-dessous de la face inférieure du plan de travail. Plancher du placard : n'importe où, à moins de 6" (15,2 cm) du mur arrière (recommandation).

Dimensions de l'ouverture à découper - Vue de dessus



Dimensions des ouvertures à découper (ouverture du produit)						
Modèles de 30" (76,2 cm)						
Modèles	A			B		
	Min	Recommandé	Max	Min	Recommandé	Max
KCGS550 et KCGS950	28 1/2" (72,4 cm)	28 7/8" (73,4 cm)	29 5/16" (74,3 cm)	19 1/2" (49,5 cm)	19 13/16" (50,2 cm)	20" (50,8 cm)
Tous les autres modèles de 30" (76,2 cm)	28 1/2" (72,4 cm)	28 7/8" (73,4 cm)	29 5/16" (74,3 cm)	19" (48,3 cm)	19 1/2" (49,5 cm)	20" (50,8 cm)
Modèles de 36" (91,4 cm)						
KCGS556 et KCGS956	34 7/8" (88,4 cm)	35 3/16" (89,4 cm)	35 5/8" (90,3 cm)	19 1/2" (49,5 cm)	19 13/16" (50,2 cm)	20" (50,8 cm)
Tous les autres modèles de 36" (91,4 cm)	33 7/8" (86 cm)	34 5/16" (87 cm)	35 1/4" (89,5 cm)	19" (48,3 cm)	19 1/2" (49,5 cm)	20" (50,8 cm)

Murs latéraux (surfaces combustibles)	
Modèles	H et I
KCGS5 et KCGS9	La longueur totale de H et I doit être de 48" (122 cm) minimum, et chaque côté pris à part doit être d'au moins 8" (20,3 cm)
KCGS350, KCGS356, MGC9536, WCG97US0, WCG97US6	La longueur totale de H et I doit être de 48" (122 cm) minimum, et chaque côté pris à part doit être d'au moins 12" (30,5 cm)
Tous les autres modèles	Tous deux doivent être de 8" (20,3 cm) ou plus.

Dimensions du mur arrière et de l'avant du plan de travail			
Modèles	C	D	E
KCGS550 et KCGS950	25" (63,5 cm)	2 7/8" (7,3 cm)	2 3/4" (6,9 cm)
Tous les autres modèles			3 1/8" (7,9 cm)

REMARQUES : Après le découpage de l'ouverture dans le plan de travail, il est possible que pour certaines configurations d'installation, il soit nécessaire d'entailler les parois latérales du placard inférieur pour permettre le passage de la base de la table de cuisson. Pour éviter cette modification, utiliser un placard inférieur dont la largeur entre parois latérales est supérieure à celle de l'ouverture découpée.

Si le placard comporte un tiroir, on devra ménager un dégagement de 4" (10,2 cm) ou plus entre le plan de travail et le dessus du tiroir (ou autre obstacle) dans le placard inférieur. Il pourra être nécessaire de réduire la profondeur du tiroir pour éviter qu'il ne touche le détenteur.

IMPORTANT : Si l'on doit installer un four mural encastré en-dessous de cette table de cuisson, la prise reliée à la terre et la canalisation d'alimentation au gaz doivent être situées dans un placard adjacent.

Cette table de cuisson ainsi que son circuit électrique et son alimentation en gaz doivent être installés avant l'installation du four mural encastré sous le plan de travail.

⚠ AVERTISSEMENT



Risque de choc électrique

- Brancher sur une prise à 3 alvéoles reliée à la terre.
- Ne pas enlever la broche de liaison à la terre.
- Ne pas utiliser un adaptateur.
- Ne pas utiliser un câble de rallonge.
- Le non-respect de ces instructions peut causer un décès, un incendie ou un choc électrique.

IMPORTANT : La table de cuisson doit être correctement reliée à la terre en conformité avec les codes et règlements locaux en vigueur, ou en l'absence de tels codes, avec le National Electrical Code, ANSI/NFPA 70 ou le Code canadien des installations électriques, CSA C22.1.

Si les codes le permettent et si on utilise un conducteur distinct de liaison à la terre, il est recommandé qu'un électricien qualifié vérifie la qualité de la liaison à la terre.

Pour obtenir un exemplaire de la norme des codes ci-dessus, contacter :

National Fire Protection Association
1 Batterymarch Park
Quincy, MA 02169-7471
CSA International
8501 East Pleasant Valley Road
Cleveland, OH 44131-5575

- L'appareil doit être alimenté par un circuit de 120 V, CA seulement, 60 Hz, 15 ampères, protégé par fusible. On recommande également d'utiliser un fusible ou un disjoncteur temporisé. Il est recommandé de raccorder la table de cuisson sur un circuit distinct exclusif à cet appareil.
- Les systèmes d'allumage électronique fonctionnent avec des limites de tension étendues, mais une liaison à la terre correcte et une polarité appropriée sont nécessaires. Vérifier que la prise fournit une alimentation de 120 V et qu'elle est correctement reliée à la terre.
- Les schémas de câblage sont fournis avec cette table de cuisson. Voir la section "Schémas de câblage" sur une feuille séparée. Les schémas de câblage se trouvent sur la partie inférieure de la base de la table de cuisson, du côté gauche.

⚠ AVERTISSEMENT



Risque d'explosion

Utiliser une canalisation neuve d'arrivée de gaz approuvée par la CSA International.

Installer un robinet d'arrêt.

Bien serrer chaque organe de connexion de la canalisation de gaz.

En cas de connexion au gaz propane, demander à une personne qualifiée de s'assurer que la pression de gaz ne dépasse pas 36 cm (14 po) de la colonne d'eau.

Par personne qualifiée, on comprend :

le personnel autorisé de chauffage,
le personnel autorisé d'une compagnie de gaz, et
le personnel d'entretien autorisé.

Le non-respect de ces instructions peut causer un décès, une explosion ou un incendie.

Observer les dispositions de tous les codes et règlements en vigueur.

IMPORTANT : L'installation doit satisfaire aux critères de tous les codes et règlements locaux. En l'absence de code local, l'installation doit satisfaire aux prescriptions de la plus récente édition du code national américain en vigueur : National Fuel Gas Code ANSI Z223.1 ou à la norme CAN/CGA B149.

IMPORTANT : Les tests de fuite de la table de cuisson doivent être effectués selon les instructions du fabricant.

Type de gaz

Gaz naturel :

- Cette table de cuisson a été configurée à l'usine pour l'alimentation au gaz naturel. Pour la conversion pour l'alimentation au propane, voir les instructions "Conversion pour l'alimentation au propane" dans le sachet de documentation. La plaque signalétique située sur la face inférieure de la base de la table de cuisson indique les types de gaz utilisables. Si le type de gaz disponible n'est pas mentionné sur la plaque signalétique, consulter le fournisseur de gaz local.

Conversion pour l'alimentation au propane :

L'opération de conversion doit être exécutée par un technicien de réparation qualifié.

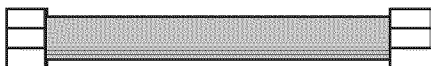
Ne pas entreprendre de convertir la table de cuisson pour l'utilisation d'un gaz différent de celui indiqué sur la plaque signalétique sans d'abord consulter le fournisseur de gaz. Voir les instructions de conversion de gaz fournies dans le sachet de documentation.

Canalisation de gaz

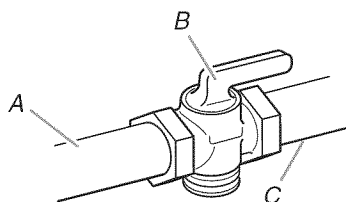
- Installer une canalisation de gaz rigide de ¾" (1,9 cm) jusqu'à l'emplacement d'installation de la table de cuisson. L'emploi d'une canalisation de plus petit diamètre sur un circuit plus long peut causer une déficience du débit d'alimentation. On doit utiliser un composé d'étanchéité des tuyauteries résistant à l'action du gaz propane. Ne pas utiliser de ruban TEFLON®. Pour l'alimentation au propane, le diamètre du tuyau ou conduit doit être de ½" ou plus. Usuellement, le fournisseur de gaz propane détermine les matériaux à utiliser et le diamètre approprié.

Raccord métallique flexible :

- Si les codes locaux le permettent, utiliser un connecteur à gaz flexible en acier inoxydable de ½" ou ¾" de diamètre interne, conçu par CSA pour raccorder la table de cuisson à la canalisation rigide d'alimentation en gaz.



- Un raccord avec filetage mâle de ½" est nécessaire pour la connexion sur le raccord à filetage femelle à l'entrée du détendeur de la table de cuisson.
- Ne pas déformer, écraser ou endommager le tube métallique flexible lors d'un déplacement de la table de cuisson.
- Robinet d'arrêt nécessaire :
La canalisation d'alimentation doit comporter un robinet d'arrêt manuel. Le robinet d'arrêt manuel doit être séparé de l'ouverture d'encastrement de la table de cuisson, mais doit se trouver dans la même pièce, comme par exemple un placard adjacent. Il doit se trouver en un endroit facilement accessible et qui ne nécessite pas le démontage de la table de cuisson pour les manœuvres d'ouverture/fermeture. Ne pas entraver l'accès au robinet d'arrêt manuel. Le robinet d'arrêt manuel est prévu pour ouvrir ou fermer l'alimentation en gaz de la table de cuisson.



A. Canalisation de gaz
B. Robinet d'arrêt - position d'ouverture
C. Vers la table de cuisson

Détendeur de gaz

Le détendeur fourni avec cette table de cuisson doit être utilisé. La pression d'alimentation du détendeur doit être comme suit pour un fonctionnement correct :

Gaz naturel :

Pression minimum : 5" (12,7 cm) (colonne d'eau)

Pression maximum : 7" à 14" (17,8 cm à 35,5 cm) (colonne d'eau)

Gaz propane :

Pression minimum : 10" (25,4 cm) (colonne d'eau)

Pression maximum : 14" (35,5 cm) (colonne d'eau)

En cas d'incertitude quant à la pression d'alimentation à établir, contacter le fournisseur de gaz local.

Caractéristiques d'alimentation du brûleur

Les débits thermiques indiqués sur la plaque signalétique correspondent à une altitude d'utilisation inférieure ou égale à 2000 pi (609,6 m).

Lorsque l'appareil est utilisé à une altitude supérieure à 2000 pi (609,6 m), on doit réduire le débit thermique indiqué de 4 % pour chaque tranche de 1000 pi (304,8 m) au-dessus du niveau de la mer (non applicable au Canada).

Test de pressurisation de la canalisation de gaz

On doit tester le détendeur sous une pression supérieure d'au moins 1" (colonne d'eau) à la pression de la tubulure de distribution indiquée sur la plaque signalétique.

Pressurisation à une pression supérieure à ½ lb/po² (14" - colonne d'eau)

Lors de tout test de pressurisation de ce système à une pression supérieure à ½ lb/po² (3,5 kPa), on doit déconnecter la table de cuisson et son robinet d'arrêt individuel de la canalisation de gaz.

Pressurisation à une pression inférieure ou égale à ½ lb/po² (14" - colonne d'eau)

Lors de tout test de pressurisation de la canalisation de gaz à une pression égale ou inférieure à ½ lb/po² (3,5 kPa), on doit isoler la table de cuisson de la canalisation de gaz en fermant son robinet d'arrêt manuel individuel.

INSTRUCTIONS D'INSTALLATION

Installation de la table de cuisson

AVERTISSEMENT

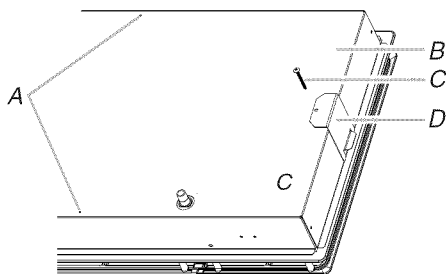
Risque du poids excessif

Utiliser deux ou plus de personnes pour déplacer et installer la table de cuisson.

Le non-respect de cette instruction peut causer une blessure au dos ou d'autre blessure.

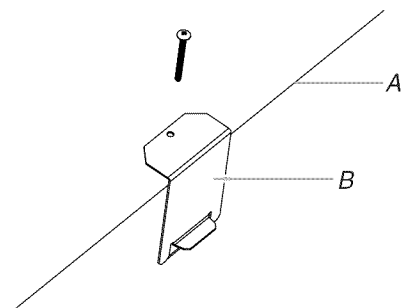
Déterminer l'emplacement final de la table de cuisson. Éviter de percer dans le câblage existant ou de l'endommager pendant l'installation.

1. Déterminer si l'installation des placards permet le dégagement nécessaire pour l'installation de brides de fixation aux extrémités de la base de la table de cuisson. Il s'agit de l'emplacement recommandé. Des brides de fixation peuvent être installées à l'avant et à l'arrière de la partie inférieure de la base de la table de cuisson, si nécessaire.



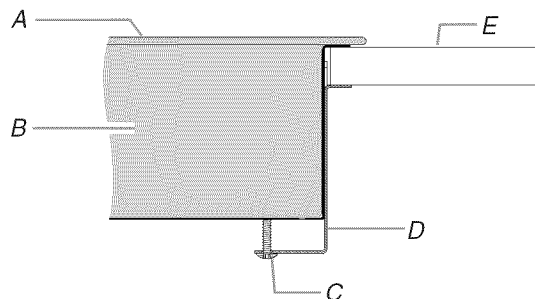
- A. Trous de vis d'attache pour emplacement facultatif à l'avant et à l'arrière
- B. Fond de la base de la table de cuisson
- C. Vis d'attache
- D. Brides de fixation (emplacements aux extrémités recommandés)

2. À l'aide d'au moins 2 personnes, placer la table de cuisson dans l'ouverture en orientant la bonne surface vers le haut.
REMARQUE : S'assurer que le bord avant de la table de cuisson est parallèle au bord avant du plan de travail. S'il est nécessaire de repositionner la table de cuisson, la soulever entièrement de l'ouverture pour éviter de rayer le plan de travail.
3. Enlever les vis d'attache pour les emplacements de brides sélectionnés de la partie inférieure de la base de la table de cuisson.



- A. Partie inférieure de la base du bord de la table de cuisson
- B. Brides de fixation

4. Fixer les brides sur le fond de la base de la table de cuisson à l'aide des vis de fixation des brides. Bien serrer les vis.



- A. Table de cuisson
- B. Base de la table de cuisson
- C. Vis d'attache de la bride de 2" (5,1 cm)
- D. Brides de fixation (dépassant suffisamment de la base de la table de cuisson pour permettre l'installation des vis de fixation)
- E. Plan de travail

Raccordement au gaz

AVERTISSEMENT



Risque d'explosion

Utiliser une canalisation neuve d'arrivée de gaz approuvée par la CSA International.

Installer un robinet d'arrêt.

Bien serrer chaque organe de connexion de la canalisation de gaz.

En cas de connexion au gaz propane, demander à une personne qualifiée de s'assurer que la pression de gaz ne dépasse pas 36 cm (14 po) de la colonne d'eau.

Par personne qualifiée, on comprend :

le personnel autorisé de chauffage,
le personnel autorisé d'une compagnie de gaz, et
le personnel d'entretien autorisé.

Le non-respect de ces instructions peut causer un décès, une explosion ou un incendie.

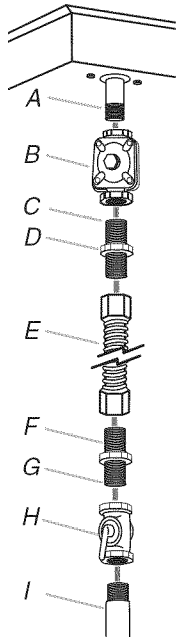
Raccordement typique par raccord flexible

1. Appliquer un composé d'étanchéité pour tuyauteries conçu pour une utilisation avec du gaz naturel et du gaz propane sur l'extrémité fileté la plus petite des adaptateurs de raccord flexible (voir C et G dans l'illustration ci-dessous).
2. Fixer un adaptateur sur le détendeur et l'autre adaptateur sur le robinet d'arrêt de la canalisation de gaz. Serrer les deux adaptateurs.

- Utiliser une clé mixte de $15/16$ " et une pince multiprise pour fixer le raccord flexible sur les raccords d'adaptation. S'assurer que le raccord n'est pas déformé.

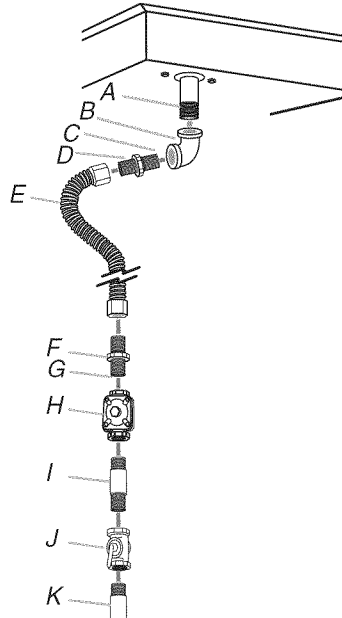
IMPORTANT : Tous les raccords doivent être bien serrés à l'aide d'une clé. Ne pas serrer excessivement la connexion sur le détendeur. Un serrage excessif pourrait provoquer une fissuration du détendeur et une fuite de gaz. Lors du serrage des raccords, empêcher le détendeur de tourner.

Il ne doit pas y avoir d'appareil ou d'obstacle en-dessous de la table de cuisson



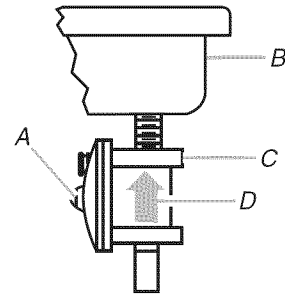
- A. Entrée de la tubulure de distribution
- B. Détendeur
- C. Utiliser un composé d'étanchéité pour tuyauteries.
- D. Adaptateur (doit comporter un filetage mâle de $1/2$ ")
- E. Raccord flexible
- F. Adaptateur
- G. Utiliser un composé d'étanchéité pour tuyauteries.
- H. Robinet d'arrêt manuel
- I. Tuyauterie de gaz de $1/2$ " ou $3/4$ "

Configuration d'installation suggérée pour éviter tout blocage en-dessous de la table de cuisson



- A. Entrée de la tubulure de distribution
- B. Coude de $3/8$ "
- C. Utiliser un composé d'étanchéité pour tuyauteries.
- D. Adaptateur (doit comporter un filetage mâle de $3/8$ ")
- E. Raccord flexible (doit être acheminé à travers la paroi séparant les placards)
- F. Adaptateur (doit comporter un filetage mâle de $3/8$ ")
- G. Utiliser un composé d'étanchéité pour tuyauteries.
- H. Détendeur de l'appareil (fourni)
- I. Tuyauterie de gaz de $1/2$ " ou $3/4$ "
- J. Robinet d'arrêt manuel
- K. Tuyauterie de gaz de $1/2$ " ou $3/4$ "

- Installer le régulateur avec la flèche orientée vers le fond de la base de la table de cuisson, et de manière à ce que le chapeau d'accès du détendeur soit accessible.



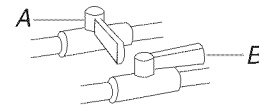
- A. Chapeau de l'ouverture d'accès
- B. Arrière de la table de cuisson
- C. Détendeur
- D. Flèche vers le haut. Le détendeur doit être réglé de sorte que sa flèche pointe vers le fond de la table de cuisson.

Utiliser uniquement un composé d'étanchéité des tuyauteries conçu pour l'utilisation avec le gaz naturel ou le propane.

Ne pas utiliser de ruban TEFLON®. Il sera nécessaire de choisir les raccords à utiliser en fonction de la configuration d'installation.

Achever le raccordement

- Ouvrir le robinet d'arrêt manuel sur la canalisation d'alimentation en gaz. Le robinet est ouvert lorsque la poignée est parallèle au conduit d'alimentation en gaz.

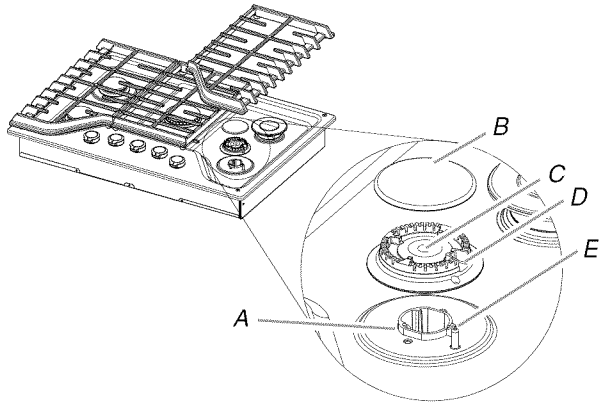


- A. Robinet fermé
- B. Robinet ouvert

- Vérifier tous les raccordements en les badigeonnant d'une solution de détection des fuites non corrosive approuvée. L'apparition de bulles indique la présence d'une fuite. Réparer toute fuite éventuelle.

3. Ôter les chapeaux de brûleur de surface, la base des brûleurs et les grilles du sachet de pièces. Aligner les encoches des chapeaux de brûleur avec les broches dans la base de chaque brûleur.

Aligner le porte-gicleur de la base du brûleur avec l'électrode d'allumage. Un chapeau de brûleur correctement placé doit être horizontal. Si les chapeaux de brûleur ne sont pas correctement installés, les brûleurs de surface ne s'allumeront pas. Placer les grilles de brûleur sur les brûleurs et chapeaux.



- A. Porte-gicleur
 B. Chapeau du brûleur
 C. Ouverture du tube de gaz
 D. Base du brûleur
 E. Électrode d'allumage

⚠ AVERTISSEMENT



Risque de choc électrique

- Brancher sur une prise à 3 alvéoles reliée à la terre.
- Ne pas enlever la broche de liaison à la terre.
- Ne pas utiliser un adaptateur.
- Ne pas utiliser un câble de rallonge.
- Le non-respect de ces instructions peut causer un décès, un incendie ou un choc électrique.

4. Brancher sur une prise de courant à 3 alvéoles, reliée à la terre.

Achever l'installation

Système d'allumage électronique

Allumage initial et réglage des flammes de gaz

À la place de flammes de veille, les brûleurs de surface sont dotés d'un allumeur électronique. Lorsqu'on place le bouton de commande de la table de cuisson à la position "IGNITE" (allumage), le système produit une étincelle pour allumer le brûleur. La génération d'étincelles se poursuit aussi longtemps que le bouton de commande est laissé à la position "IGNITE" (allumage).

Contrôle du fonctionnement des brûleurs de surface

Enfoncer et tourner les boutons de commande des brûleurs de surface à la position basse.

Le gaz doit s'enflammer sur le brûleur de surface en moins de 4 secondes. Lors de l'allumage initial du brûleur de surface, le délai d'allumage peut être supérieur à 4 secondes du fait de la présence d'air dans la canalisation de gaz.

Vérifier que la flamme est bleue à la position "HIGH" (élevée). Elle doit être propre et douce. On ne doit pas observer de pointe jaune, ni d'effet de soufflage ou de séparation entre les flammes et le brûleur. Il est normal d'observer parfois des éclairs orange; ceci est dû à différents éléments dans l'air ou le gaz.

Après avoir vérifié le bon fonctionnement du brûleur, tourner les boutons de commande à "OFF" (arrêt).

Si les brûleurs ne s'allument pas correctement :

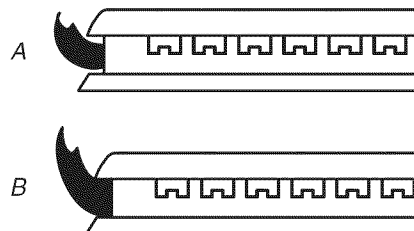
- Ramener le bouton de commande du brûleur de surface à la position "OFF" (arrêt).
- Vérifier que le cordon d'alimentation est branché et correctement alimenté (fusible grillé? disjoncteur ouvert?)
- Vérifier que chaque robinet d'arrêt est à la position "open" (ouverte).
- Vérifier que les chapeaux de brûleur sont correctement placés sur la base des brûleurs.

S'assurer à nouveau du bon fonctionnement des brûleurs. Si à ce stade un brûleur ne s'allume pas, contacter le revendeur ou un dépanneur agréé.

Contrôle de la taille des flammes

Régler la taille des flammes sur les brûleurs de surface.

Pour le réglage au débit thermique minimum du brûleur de surface, on doit observer une flamme bleue stable de 1/4" (6,4 mm).

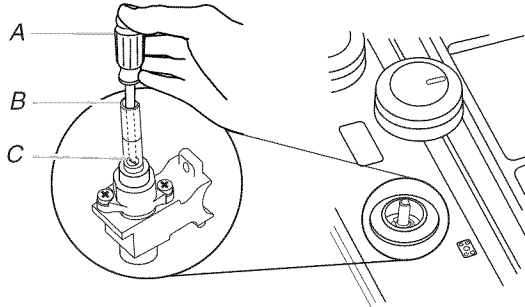


- A. Débit thermique minimum
 B. Débit thermique maximum

Réglage d'un robinet de gaz unique :

1. Régler la flamme du brûleur à "LO" (basse).
2. Ôter le bouton de commande.
3. Immobiliser la tige de commande avec une pince. Utiliser un tournevis à lame plate de $\frac{3}{32}$ " (n° 0 [2 mm]) pour faire tourner la vis située au centre de la tige du bouton de commande jusqu'à ce que la flamme atteigne la bonne taille.

Tourner la vis de réglage "C" vers la droite pour diminuer la hauteur de la flamme ou vers la gauche pour augmenter la hauteur de la flamme.



A. Tournevis à lame plate de $\frac{3}{32}$ " (n° 0 [2 mm]) (la tige doit mesurer au moins 2" [5,1 cm] de long)

B. Orifice de la tige du bouton de commande

C. Emplacement de la vis de réglage

4. Réinstaller le bouton de commande.
5. Tester la flamme en tournant le bouton de commande pour le faire passer de la position "LO" (basse) à la position "HI" (élevée) et observer les flammes pour chaque réglage.

IMPORTANT : Le réglage de la double soupape doit être effectué par un installateur qualifié.

