

# Installation Instructions

# Stainless Steel Door Panel

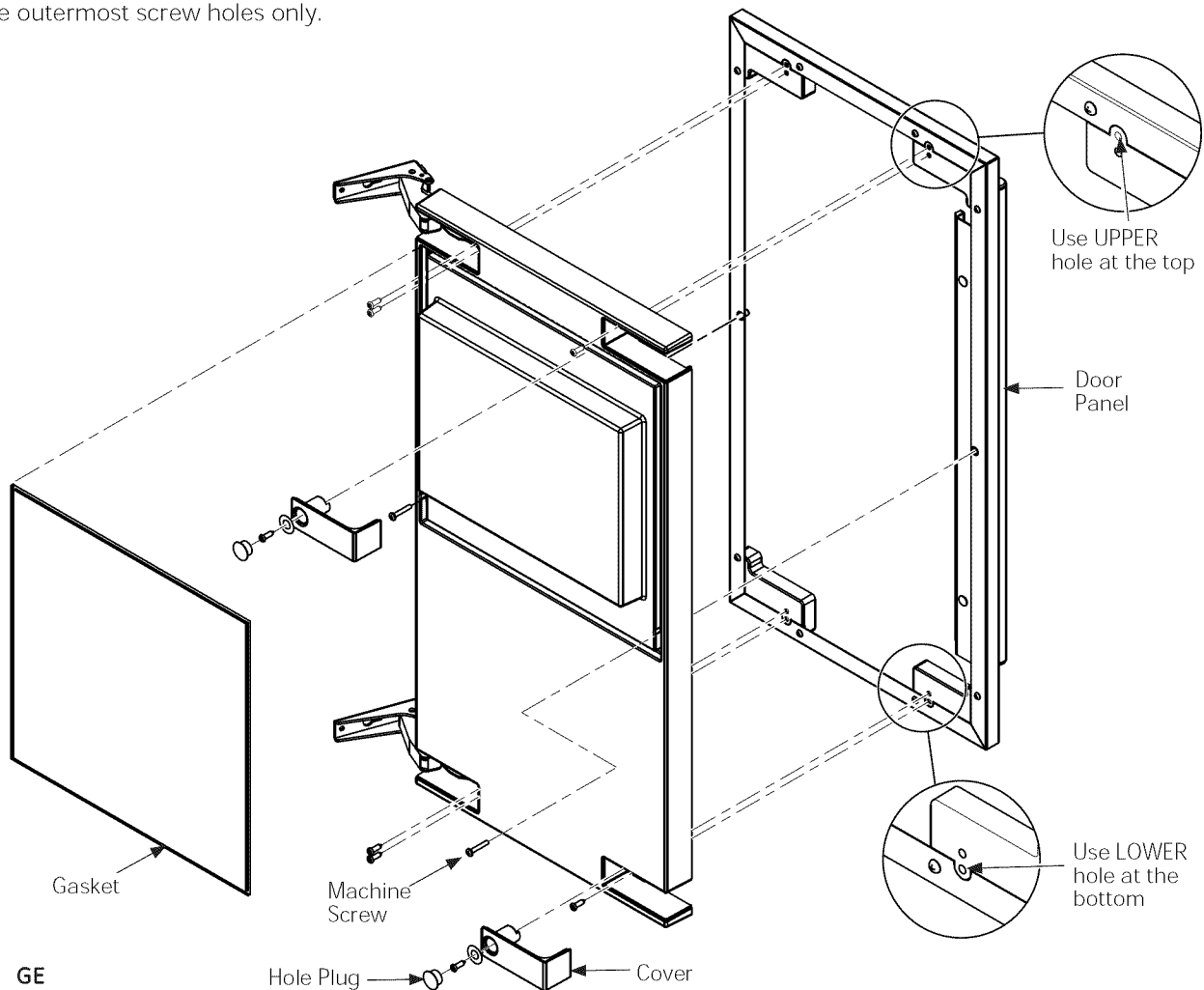
Questions? Call 800.GE.CARES (800.432.2737) or visit our Website at: [GEAppliances.com](http://GEAppliances.com)  
In Canada, call 1.800.561.3344 or visit our Website at: [www.GEAppliances.ca](http://www.GEAppliances.ca)

**NOTE:** If the door swing is going to be changed, please complete prior to installing the door panel per the directions in your Owner's Manual.

## Installing the Stainless Steel Panel with Handle

The panel will be held on by 6 sheet metal screws and 2 machine screws.

1. Remove the gasket from the inside of the door and retain for later use.
2. Remove any plastic covering the stainless steel panel.
3. Place the door panel onto the outside of the door and secure it with 2 machine screws in the left center and right center of the door.
4. Fasten the panel to the door using the 6 sheet metal screws. In the hinge opening area opposite the hinge side, use the outermost screw holes only.
5. Place the covers over the hinge opening areas and secure each cover to the door using a sheet metal screw and washer.
6. Insert hole plug over screw installed in step 5.
7. Return the gasket to its original position.
8. Attach the door to the cabinet using the original screws.



GE  
Appliances  
Appliance Park  
Louisville, KY 40225  
[GEAppliances.com](http://GEAppliances.com)

17-3590-01 31-49096-1 11-15 GE