

# Dryer

---

## User manual

DV50K7500E(G)\*, DV45K6500E(G)\*, DV45K6200E(G)\*

---

**SAMSUNG**

# Contents

---

<b>Safety information</b>	<b>4</b>
What you need to know about the safety instructions	4
Important safety symbols	4
Important safety precautions	6
Warnings	8
Cautions	8
<b>Installation requirements</b>	<b>10</b>
Key installation requirements	10
Location considerations	10
Alcove or closet installations	11
Ducting requirements	14
Exhausting requirements	15
Gas requirements	16
Electrical requirements	17
<b>Installation</b>	<b>19</b>
What's included	19
Step-by-step installation	21
Vent blockage test	31
Exhaust ducting guide	32
Door reversal	33
<b>Before you start</b>	<b>36</b>
Sort and load	36
Functional prerequisite	36
Rack Dry (applicable models only)	37
<b>Operations</b>	<b>39</b>
Feature panel	39
Simple steps to start	44
Cycle overview	45
Drying guide	46
Special features	48
Samsung Smart Home (applicable models only)	50

---

<b>Maintenance</b>	<b>55</b>
Vent sensor	55
Cleaning	56
<b>Troubleshooting</b>	<b>57</b>
Checkpoints	57
Samsung Smart Home	60
Information codes	61
<b>Specifications</b>	<b>62</b>
Fabric care chart	62
Protecting the environment	63
Specification sheet	64
Cycle chart	65

# Safety information

---

Congratulations on your new Samsung dryer. This manual contains important information on the installation, use and care of your appliance. Please take some time to read this manual to take full advantage of your dryer's many benefits and features.

## What you need to know about the safety instructions

---

Please read this manual thoroughly to ensure that you know how to safely and efficiently operate the extensive features and functions of your new appliance. Please store the manual in a safe location close to the appliance for future reference. Use this appliance only for its intended purpose as described in this instruction manual.

Warnings and Important Safety Instructions in this manual do not cover all possible conditions and situations that may occur. It is your responsibility to use common sense, caution and care when installing, maintaining and operating your dryer.

Because the following operating instructions cover various models, the characteristics of your dryer may differ slightly from those described in this manual and not all warning signs may be applicable. If you have any questions or concerns, contact your nearest service center or find help and information online at [www.samsung.com](http://www.samsung.com).

## Important safety symbols

---

What the icons and signs in this user manual mean:

### **WARNING**

Hazards or unsafe practices that may result in severe personal injury, death and/or property damage.

### **CAUTION**

Hazards or unsafe practices that may result in personal injury and/or property damage.

### **NOTE**

Indicates that a risk of personal injury or material damage exists.

# SAVE THESE INSTRUCTIONS

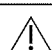


These warning signs are here to prevent injury to yourself and others.  
Please follow them explicitly.

After reading this manual, store it in a safe place for future reference.

Read all instructions before using the appliance.

As with any equipment that uses electricity and moving parts, potential hazards exist.  
To safely operate this appliance, familiarize yourself with its operation and exercise care when using it.

 **WARNING - Gas Appliances:**

- **State of California Proposition 65 Warning (US only)**  
This product contains chemicals known to the State of California to cause cancer and birth defects or other reproductive harm.
- Gas appliances can cause low-level exposure to Proposition 65 listed substances, including but not limited to, benzene, carbon monoxide, formaldehyde and soot, substances resulting from the incomplete combustion of natural gas or LP fuels.

 **WARNING - Risk of Fire**

- Clothes dryer installation must be performed by a qualified installer.
- Install the clothes dryer according to the manufacturer's instructions and local codes.
- Do not install a clothes dryer with flexible plastic venting materials. If flexible metal (foil type) duct is installed, it must be of a specific type identified by the appliance manufacturer as suitable for use with clothes dryers. Flexible venting materials are known to collapse, be easily crushed, and trap lint. These conditions will obstruct clothes dryer airflow and increase the risk of fire.
- To reduce the risk of severe injury or death, follow all installation instructions.
- Save these instructions.

**SAVE THESE INSTRUCTIONS**

# Safety information

---

## Important safety precautions

---

### **WARNING**

To reduce the risk of fire, electric shock, or injury to persons when using your appliance, follow basic precautions, including the following:

1. Read all instructions before using this appliance.
2. Do not dry articles that have been previously cleaned in, washed in, soaked in, or spotted with gasoline, dry-cleaning solvents, or other flammable or explosive substances, as they give off vapors that could ignite or explode.
3. Do not use the dryer to dry clothes which have traces of any flammable substance, such as vegetable oil, cooking oil, machine oil, flammable chemicals, paint thinner, etc., or anything containing wax or chemicals, such as mops and cleaning cloths. Flammable substances may cause the fabric to catch fire by itself.
4. Do not store or use gasoline or other flammable vapors and liquids near this or any other appliance.
5. Do not allow children to play on or in the appliance. Close supervision of children is necessary when the appliance is used near children.
6. Before the appliance is removed from service or discarded, remove the door to the drying compartment.
7. Do not reach into the appliance if the drum is moving.
8. Do not install or store this appliance where it will be exposed to the weather.
9. Do not tamper with internal controls.
10. Do not repair or replace any part of the appliance or attempt any service unless specifically recommended in the user-maintenance instructions or in published user-repair instructions that you understand and have the skills to carry out.
11. Do not use fabric softeners or products to eliminate static unless recommended by the manufacturer of the fabric softener or product.
12. Clean the lint screen before or after each load.
13. Do not use heat to dry articles containing foam rubber or similarly textured rubber-like materials.
14. Keep area around the exhaust opening and adjacent surrounding areas free from the accumulation of lint, dust, and dirt.
15. The interior of the appliance and exhaust duct should be cleaned periodically by qualified service personnel.

## SAVE THESE INSTRUCTIONS

16. Do not place items exposed to cooking oils in your dryer. Items contaminated with cooking oils may contribute to a chemical reaction that could cause a load to catch fire.
17. This appliance must be grounded. See “**Electrical requirements**” and “**Grounding**” in “**Installation**” section.
18. Do not allow children to play on or in the appliance. Close supervision of children is necessary when the appliance is used near children.
19. Do not insert your hand under the dryer.
  - This may result in injury.
20. Take care that children’s fingers are not caught in the door when closing it.
  - This may result in injury.
21. The control board and inlet valve are intentionally not grounded and may present a risk of electric shock only during servicing.
  - Do not contact these parts while the appliance is energized.

 **WARNING - To reduce the risk of fire or explosion:**

- Do not dry items that have been previously cleaned, washed, soaked, or spotted with gasoline, dry cleaning solvents, or other flammable or explosive substances. They emit vapors that could ignite or explode. Any material that has been in contact with a cleaning solvent or flammable liquids or solids should not be placed in the dryer until all traces of these flammable liquids or solids and their fumes have been removed. There are many highly flammable items used in homes, such as acetone, denatured alcohol, gasoline, kerosene, some liquid household cleaners, some spot removers, turpentine, waxes, and wax removers.
- Items containing foam rubber (which may be labeled latex foam) or similarly textured rubberlike materials must not be dried on a heat setting. Heated foam rubber materials can, under certain circumstances, ignite spontaneously.

**SAVE THESE INSTRUCTIONS**

# Safety information

---

## **WARNING - What to do if you smell gas:**

- Do not try to light any appliance.
- Do not turn on the appliance.
- Do not touch any electrical switch.
- Do not use any phone in your building.
- Clear the room, building or area of all occupants.
- Immediately call your gas supplier from a neighbor's phone. Follow the gas supplier's instructions.
- If you cannot reach your gas supplier, call the fire department.
- Installation and service must be performed by a qualified installer, service agency, or the gas supplier.

## Warnings

---

### **WARNING**

- Ensure pockets are free of small, irregularly shaped hard objects and foreign material, i.e. coins, knives, pins, etc. These objects could damage your dryer.
- Gas leaks may occur in your system, resulting in a dangerous situation.

## Cautions

---

### **CAUTION**

- Do not allow children or pets to play on, in, or in front of the appliance. Close supervision is necessary when the appliance is used near children and pets.
- Before discarding or removing your dryer from service, remove the door to the drying compartment to prevent children or animals from becoming trapped inside.
- Do not reach into the appliance when the drum is moving.
- Do not install or store this appliance where it will be exposed to the weather.
- Do not tamper with the controls.
- Do not repair, replace, or attempt to service any part of the appliance unless specifically instructed to in the user-repair instructions and you have the understanding and skills to carry out the procedure.

# SAVE THESE INSTRUCTIONS

- Do not use fabric softeners or products to eliminate static unless the softener or product is recommended for dryer use by the manufacturer of the fabric softener or product.
- Clean the lint screen before or after each load.
- Keep the area around the exhaust opening and surrounding areas free from lint, dust, and dirt.
- The interior of the dryer and exhaust duct should be cleaned periodically by qualified service personnel.
- This appliance must be properly grounded. Never plug the power cord into a receptacle that is not grounded adequately or not in accordance with local and national codes. See the installation instructions for information about grounding this appliance.
- Do not sit on top of the dryer.
- Do not dry clothing with large buckles, buttons, or other heavy metal or solid objects.
- Gas leaks may not be detected by smell alone.
- Gas suppliers recommend you purchase and install a UL-approved gas detector.
- Install and use in accordance with the manufacturer's instructions.
- Do not place items in your dryer that have been spotted or soaked with vegetable oil or cooking oil. Even after being washed, these items may contain significant amounts of these oils.
- Residual oil on clothing can ignite spontaneously. The potential for spontaneous combustion increases when items containing vegetable oil or cooking oil are exposed to heat. Heat sources such as your dryer can warm these items, allowing an oxidation reaction in the oil to occur. Oxidation creates heat. If this heat cannot escape, the items can become hot enough to catch fire. Piling, stacking, or storing these kinds of items may prevent heat from escaping and can create a fire hazard.
- All washed and unwashed fabrics that contain vegetable oil or cooking oil can be dangerous.

Washing these items in hot water with extra detergent will reduce, but not eliminate, the hazard. Always use the Cool Down cycle for these items to reduce their temperature. Never remove these items from the dryer hot or interrupt the drying cycle until the items have run through the Cool Down cycle. Never pile or stack these items when they are hot.

## SAVE THESE INSTRUCTIONS



# Installation requirements

---

Read through the following instructions before installing the dryer and keep this manual for future reference.

 **WARNING**

The control board and inlet valve are intentionally not grounded and may present a risk of electric shock only during servicing.

Service personnel - Do not contact these parts while the appliance is energized.

## Key installation requirements

---

- A grounded electrical outlet.
- A power cord for electric dryers (except in Canada).
- Gas lines (for gas models) that must meet national and local regulations.
- An exhaust system made of rigid metal or flexible stiff-walled metal exhaust ducting.

 **WARNING**

Remove the door from all discarded appliances to prevent a child from suffocating.

## Location considerations

---

The dryer should be located where there is enough space at the front for loading the dryer, and enough space behind for the exhaust system. This dryer is factory-ready for the rear exhaust option. To exhaust out the bottom, right or the left, use the accessory exhaust kit. Instructions are included with the kit. Make sure the room in which the dryer is located has enough fresh air. The dryer must be located where there are no air-flow obstructions. For gas dryers, adequate clearance must be maintained as noted on the data plate to ensure adequate air for combustion and the proper dryer operation.

The dryer must not be installed or stored in an area where it will be exposed to water and/or weather. The dryer area must be kept clear of combustible materials, gasoline, and other flammable vapors and liquids. A dryer produces combustible lint. The area around the dryer should be kept lint-free.



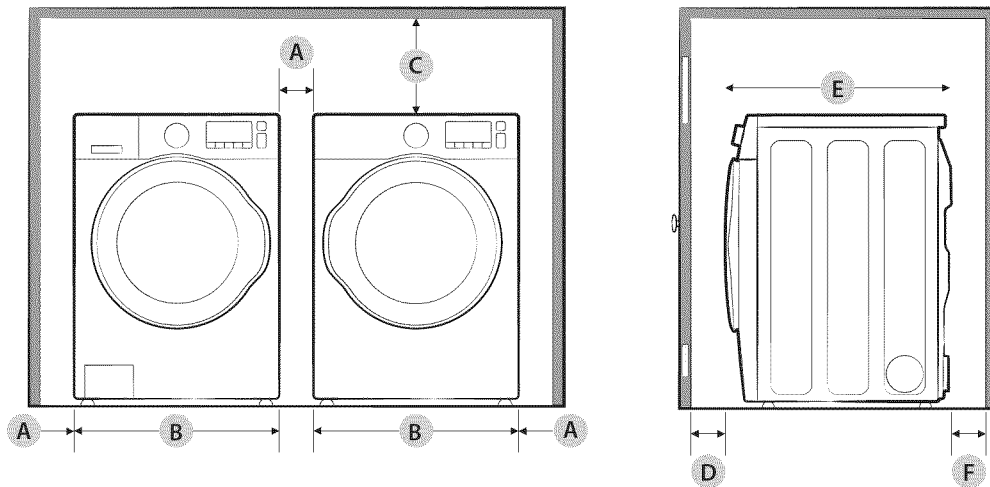
## Alcove or closet installations

### WARNING

- The dryer must be exhausted to the outside to reduce the risk of fire when installed in an alcove or closet.
- No other fuel-burning appliance should be installed in the same closet as the dryer.

Minimum clearances between the dryer and adjacent walls or other surfaces:

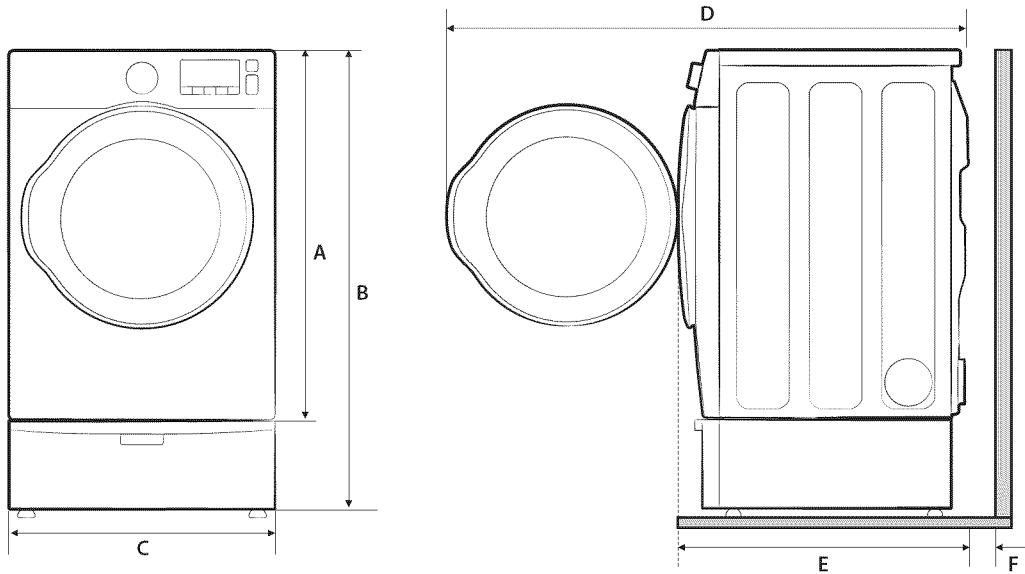
Sides	1 in. (25 mm)	Rear	5.9 in. (150 mm)
Top	17 in. (432 mm)	Closet front	2 in. (51 mm)



<b>A</b>	1 in. (25 mm)	<b>D</b>	2 in. (50 mm)
<b>B</b>	27 in. (686 mm)	<b>E</b>	32.6 in. (828 mm) - DV50K7500* 32.4 in. (823 mm) - DV45K6500*, 6200*
<b>C</b>	17 in. (432 mm)	<b>F</b>	5 in. (127 mm)

# Installation requirements

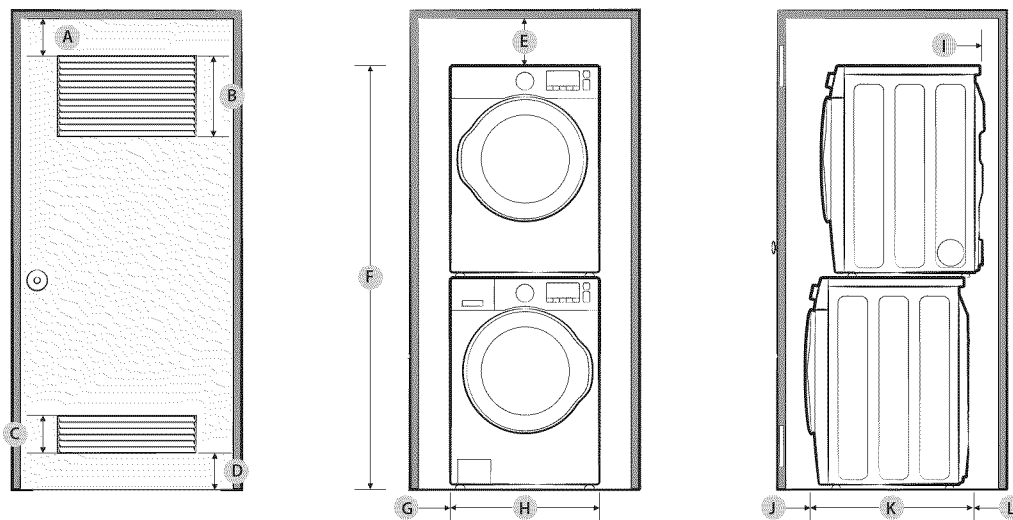
## Installation with pedestal



<b>A</b>	38.7 in. (984 mm)	<b>D</b>	53.1 in. (1350 mm) - DV50K7500* 53 in. (1345 mm) - DV45K6500*, 6200* to clear open door
<b>B</b>	53.3 in. (1355 mm)	<b>E</b>	32.6 in. (828 mm) - DV50K7500* 32.4 in. (823 mm) - DV45K6500*, 6200*
<b>C</b>	27 in. (686 mm)	<b>F</b>	5 in. (127 mm)



## Installation with stacked washing machine and dryer



<b>A</b>	3 in. (76 mm)	<b>G</b>	1 in. (25 mm)
<b>B</b>	48 in <sup>2</sup> . (3100 mm <sup>2</sup> )	<b>H</b>	27 in. (686 mm)
<b>C</b>	24 in <sup>2</sup> . (1550 mm <sup>2</sup> )	<b>I</b>	5 in. (127 mm)
<b>D</b>	3 in. (76 mm)	<b>J</b>	3 in. (76 mm)
<b>E</b>	6 in. (152 mm)	<b>K</b>	34.2 in. (869 mm)
<b>F</b>	78.5 in. (1994 mm)	<b>L</b>	8 in. (203 mm)

### NOTE

The front of the closet must have two unobstructed air openings (**B, C**) for a combined minimum total area of 72 in<sup>2</sup> (465 cm<sup>2</sup>) with a minimum clearance of 3 in. (7.6 cm) at the top (**A**) and bottom (**D**).

External exhaust elbow requires additional space (**L**).

### NOTE

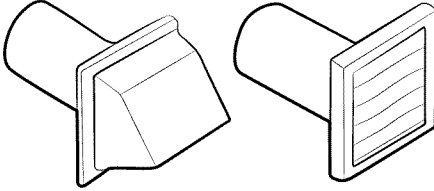
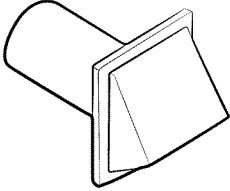
#### Stacking (MODEL NO: SKK-7A)

Samsung's Washer and Dryer can be stacked to maximize usable space.

The dryer legs need to be removed to stack the Washer and Dryer. You can purchase an optional stacking kit from your Samsung retailer.

# Installation requirements

## Ducting requirements

	Recommended		Use only for short-run installation	
Weather hood type	 4" (10.2 cm)		 2.5" (6.4 cm)	
No. of 90° elbows	Rigid	Metallic flexible*	Rigid	Metallic flexible*
0	80 ft. (24.4 m)	41 ft. (12.4 m)	74 ft. (22.6 m)	33 ft. (10.1 m)
1	68 ft. (20.7 m)	37 ft. (11.2 m)	62 ft. (18.9 m)	29 ft. (8.8 m)
2	57 ft. (17.4 m)	33 ft. (10.1 m)	51 ft. (15.5 m)	25 ft. (7.6 m)
3	47 ft. (14.3 m)	29 ft. (8.8 m)	41 ft. (12.5 m)	21 ft. (6.5 m)

### NOTE

\* Use a 4-inch (10.2 cm) diameter rigid aluminum or galvanized steel duct.

### If you integrate the dryer's vent system with an existing exhaust system:

- Make sure the exhaust system meets all applicable local, state, and national regulations.
- Verify you are not using flexible plastic duct.
- Make sure to check for and remove all lint buildup from inside the existing ducts.
- Confirm the duct is not kinked or crushed.
- Make sure the exhaust hood damper opens and closes freely.

### Manometer measurements

The static pressure in any exhaust system must not exceed 0.83 inches of water column or be less than 0. Note that these values are measured with the dryer running with a manometer presented to the exhaust duct that connects to the dryer. The dryer tumbler must be empty and lint filter clean.

---

## Exhausting requirements

---

The dryer must not be exhausted into a chimney, a wall, a ceiling, an attic, a crawl space, or a concealed space of a building. Exhausting the dryer to the outside will prevent large amounts of lint and moisture from being blown into the room.

### In the United States and Canada

- All dryers must be exhausted to the outside.
- The required exhaust duct is 4 inches (10.2 cm) in diameter.
- See “**Ducting requirements**” in the “**Installation**” section for the maximum duct length and number of bends that can be used.
- The total length of flexible metal duct must not exceed 7' 10½" (2.4 m).
- Do not assemble the duct with screws or other fasteners that extend into the duct and catch lint.
- **For the United States only:** Use only those foil-type flexible ducts, if any, specifically identified for use with the appliance by the manufacturer and that comply with the Outline for Clothes Dryer Transition Duct. Use Subject 2158A.

### Outside the United States and Canada

- Refer to the local codes.

#### **WARNING**

- You must exhaust the dryer to the outside to reduce the risk of fire when you install the dryer in an alcove or closet.
- Do not use a plastic or non-metal flexible duct.
- If your existing ductwork is plastic, non-metal, or combustible, replace it with metal.
- Use only a metal exhaust duct that is non-flammable to ensure containment of exhaust air, heat, and lint.

# Installation requirements

## Gas requirements

### **WARNING**

- Use only natural or LP (liquid propane) gases.
- THE INSTALLATION MUST CONFORM WITH LOCAL CODES, OR IN THE ABSENCE OF LOCAL CODES, WITH THE NATIONAL FUEL GAS CODE ANSI/ Z223.1, LATEST REVISION (FOR THE UNITED STATES), OR WITH THE CAN / CGA-B149 INSTALLATION CODES (FOR CANADA).
- Gas dryers are equipped with a burner vent for use with natural gas. If you plan to use your dryer with LP (liquid propane) gas, it must be converted for safe and proper performance by a qualified service technician.
- A 1/2" (1.27 cm) gas supply line is recommended and must be reduced to connect to the 3/8" (1 cm) gas line on your dryer. The National Fuel Gas Code requires that an accessible, approved manual gas shut-off valve be installed within 6" of your dryer.
- Gas dryers installed in residential garages must be raised 18 inches (46 cm) above the floor.
- Additionally, a 1/8" (0.3 cm) N.P.T. (National Pipe Thread) plugged tapping, accessible for test gauge connection, must be installed immediately upstream of your dryer's gas supply connection.
- Your dryer must be disconnected from the gas supply pipe system during any pressure testing of the system.

- Do not reuse old flexible metal gas lines. Flexible gas lines must be design certified by the American Gas Association (CGA in Canada).

### **NOTE**

- Your dryer uses an automatic ignition system to ignite the burner. There is no constant burning pilot.
- Any pipe joint compound used must be resistant to the action of any liquefied petroleum gas.
- As a courtesy, most local gas utilities will inspect a gas appliance installation.

### **Commonwealth of Massachusetts installation instructions**

Your dryer must be installed by a licensed plumber or gas fitter. A "T" handle manual gas valve must be installed in the gas supply line to your dryer. If a flexible gas connector is used to install your dryer, the connector can be no longer than 3' (36").

### **WARNING**

- Gas leaks may occur in your system, creating a dangerous situation.
- Gas leaks may not be detected by smell alone.
- Gas suppliers recommend you purchase and install a UL-approved gas detector.
- Install and use in accordance with the manufacturer's instructions.

## Electrical requirements

The wiring diagram is located on the plate under the control panel or rear frame.

### **WARNING**

- Improperly connecting the equipment grounding conductor can result in a risk of electric shock. Check with a qualified electrician or serviceman if you are in doubt as to whether your dryer is properly grounded. Do not modify the plug provided with your dryer – if it doesn't fit the outlet, have a proper outlet installed by a qualified electrician.
- To prevent unnecessary risk of fire, electrical shock, or personal injury, all wiring and grounding must be done in accordance with local codes, or in the absence of local codes, in accordance with the National Electrical Code, ANSI/NFPA No. 70-Latest Revision (for the U.S.) or the Canadian Electrical Code CSA C22.1 – Latest Revisions and local codes and ordinances. It is your responsibility to provide adequate electrical service for your dryer.
- All gas installations must be done in accordance with the national Fuel Code ANSI/Z2231 – Latest Revision (for the U.S.) or CAN/CGA – B149 Installation Codes – Latest Revision (for Canada) and local codes and ordinances.

### **Grounding**

This dryer must be grounded. In the event of a malfunction or breakdown, the ground will reduce the risk of electrical shock by providing a path of least resistance for the electrical current.

### **Gas models**

#### **WARNING**

- Your dryer has a cord with an equipment-grounding conductor and a grounding plug. The plug must be plugged into an appropriate outlet that is properly installed and grounded in accordance with all local codes and ordinances.
- Do not modify the plug provided with your dryer – if it doesn't fit the outlet, have a proper outlet installed by a qualified electrician.
- Do not connect the ground wire to plastic plumbing lines, gas lines, or hot water pipes.

### **Electric models**

#### **WARNING**

- Your dryer has an optional cord with an equipment-grounding conductor and a grounding plug. This cord is sold separately.
- The plug must be plugged into an appropriate outlet that is properly installed and grounded in accordance with all local codes and ordinances.
- Do not modify the plug provided with your dryer – if it doesn't fit the outlet, have a proper outlet installed by a qualified electrician.

# Installation requirements

- If a power cord is not used and the electric dryer is to be permanently wired, the dryer must be connected to a permanently grounded metal wiring system, or an equipment grounding conductor must be run with the circuit conductors and connected to the equipment grounding terminal or lead on the dryer.

## Electrical connections

Before operating or testing, follow all grounding instructions in the “Grounding” section. An individual branch (or separate) circuit serving only your dryer is recommended.

Do not use an extension cord.

### Gas models - U.S. and Canada

A 120 volt, 60 Hz AC approved electrical service with a 15-ampere fuse or circuit breaker is required.

### Electric models - U.S. only

Most U.S. dryers require a 120 / 240 volt, 60 Hz AC approved electrical service. Some require 120 / 208 volt, 60 Hz approved electrical service. The electric service requirements can be found on the data label located behind the door. A 30-ampere fuse or circuit breaker on both sides of the line is required.

- If a power cord is used, the cord should be plugged into a 30-ampere receptacle.
- The power cord is not provided with U.S. electric model dryers. This cord is sold separately.

## WARNING

### Risk of Electric Shock

When local codes allow, you can connect the dryer's electrical supply with a new power supply cord kit, marked for use with a dryer, that is U.L. listed and rated at a minimum of 120 / 240 volts, 30-amperes with three No. 10 copper wire conductors terminated with closed loop terminals, open-end spade lugs with turned up ends, or with tinned leads.

- Do not reuse a power supply cord from an old dryer. The power cord electric supply wiring must be supported at the dryer cabinet by a suitable UL-listed strain relief.
- Grounding through the neutral conductor is prohibited for (1) new branch-circuit installations, (2) mobile homes, (3) recreational vehicles, and (4) areas where local codes prohibit grounding through the neutral conductor. (Use a 4-prong plug for a 4 wire receptacle, NEMA type 14-30R.)

### Electric models - Canada Only

- A 120 / 240 volt, 60 Hz AC approved electrical service fused through a 30-ampere fuse or circuit breaker on both sides of the line is required.
- All Canadian models are shipped with the power cord attached. The power cord should be plugged into a 30-ampere receptacle.

## NOTE

In Canada, you may not convert a dryer to 208 volts.

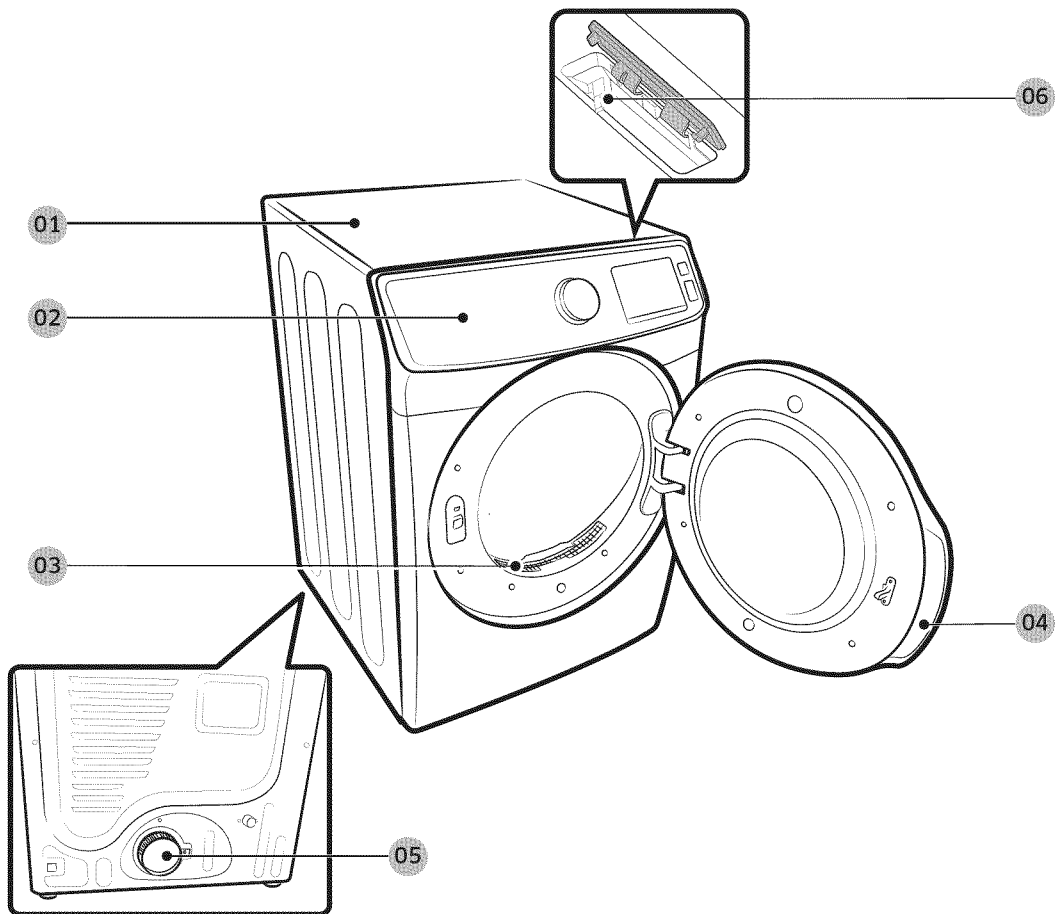
# Installation

This dryer must be installed by a qualified technician. The installer is responsible for connecting the dryer to the main power while observing the relevant safety regulations of your area.

## What's included

Make sure all the parts are included in the product package. If you have a problem with the dryer or the accessories, contact a local Samsung service center or the retailer.

## Dryer at a glance



01 Worktop

02 Control panel

03 Filter

04 Door

05 Exhaust duct

06 Smart Home Adapter  
Port

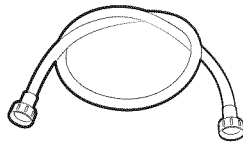
# Installation

## Accessories & tools

### Provided accessories



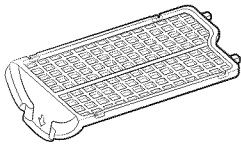
Y connector



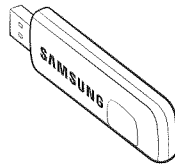
Water hose  
(Canadian models only)



Short water hose



Rack Dry  
(DV50K7500E(G)\* Only)

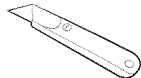


Smart Home Adapter  
(sold separately,  
HD39J1230GW)

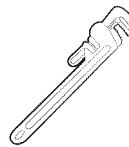
### Required tools



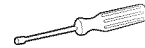
Pliers



Cutting knife



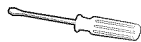
Pipe wrench  
(gas models only)



Nut screwdriver



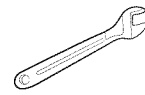
Level



Philips screwdriver



Duct tape



Wrench

### WARNING

Packing materials can be dangerous to children. Keep all packing materials (plastic bags, polystyrene, etc.) out of children's reach.

### NOTE

The Smart Home Adapter is available for purchase only on the Samsung website ([www.samsung.com](http://www.samsung.com)).



---

## Step-by-step installation

---

Make sure you have a qualified technician install the dryer. Step by step installation instructions start below.

### STEP 1 Install the exhaust system

---

1. Select a location and move the dryer to the site. For easy access, we recommend you install the dryer in the same location as your washer.
2. To change the door direction, see “**Door reversal**”.
3. Install the exhaust system as instructed in the “**Exhaust ducting guide**” section.

#### NOTE

- To move the dryer easily, lay two of the carton cushions from the packaging on the floor. Tip the dryer on its side so it lies across both cushion-tops. Push the dryer so that it is near its final location, and then set the dryer upright.
- Secure room around the dryer to facilitate ducting and wiring.

### STEP 2 Connect the gas line

---

First, read through the “**Gas requirements**” section, and follow these steps.

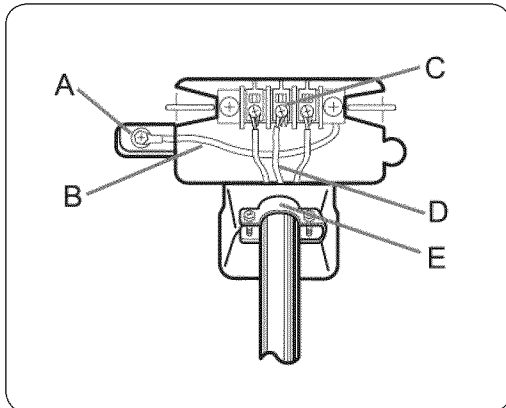
1. Remove the protective cap from the gas pipe.
2. Apply a LPG (Liquefied Petroleum Gas)-safe compound or 1.5 wraps of Teflon tape to all threaded connections.
3. Connect the gas supply to the dryer. An additional fitting is required to connect the 3/4” (1.9 cm) female thread end of a flexible connector to the 3/8” (1 cm) male threaded end on the dryer. Tighten up the fitting over all threads.
4. Turn on the gas supply, and check for any leaks using a soap solution. If a leak is found, tighten the connections and try again. **DO NOT** use an open flame to check for gas leaks.

# Installation

## STEP 3 Connect the electrical wiring

First, read through the “Electrical requirements” section, and then follow these steps.

### 3-wire system



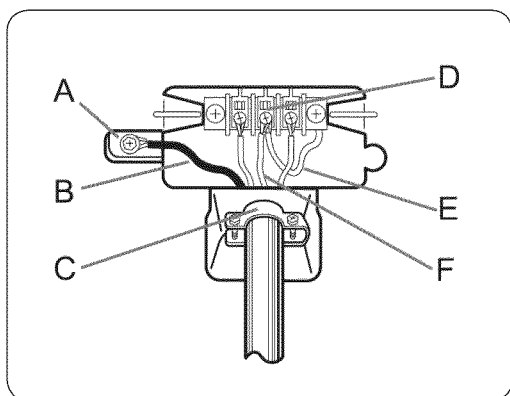
- A. External ground connector
- B. Neutral grounding wire (white)
- C. Center silver-colored terminal block screw
- D. Neutral wire (white or center wire)
- E.  $\frac{3}{4}$ " (1.9 cm) UL-listed strain relief

1. Loosen or remove the center terminal block.
2. Connect the neutral wire (white or center wire) of the power cable to the center, silver-colored terminal screw of the terminal block. Tighten the screws.
3. Connect the other wires to outer terminal block screws. Tighten the screws.
4. Tighten the strain relief screws.
5. Insert the terminal block cover into the rear panel of the dryer. Then, secure the cover with a hold-down screw.

### CAUTION

- To convert from the 4-wire system to 3-wire system, connect the ground strap to the terminal block support to ground the dryer frame to the neutral conductor.
- Ring-type terminals are recommended. If using strap terminals, make sure they are tightened.

## 4-wire system



- A. External ground connector
- B. Green or bare copper wire of power cord
- C.  $\frac{3}{4}$ " (1.9 cm) UL-listed strain relief
- D. Center silver-colored terminal block screw
- E. Neutral grounding wire (white)
- F. Neutral wire (white or center wire)

1. Remove the external ground connector's screw, and connect the ground wire (green or unwrapped) of the power cable to the screw.

### CAUTION

- To connect the ground wire to the neutral position without through contact A (cabinet ground), contact a technician. This is not user serviceable.
  - Ring-type terminals are recommended. If using strap terminals, make sure they are tightened.
2. Loosen or remove the screws from the center terminal block.
  3. Connect the neutral wire (white or center wire) and ground wire (white) to the center screw of the terminal block. Tighten the screw.
  4. Connect the other wires to the outer terminal block screws. Tighten the screws.
  5. Tighten the strain relief screws.
  6. Insert the tab of the terminal block cover into the rear slot of the dryer. Secure the cover with a hold-down screw.

### WARNING

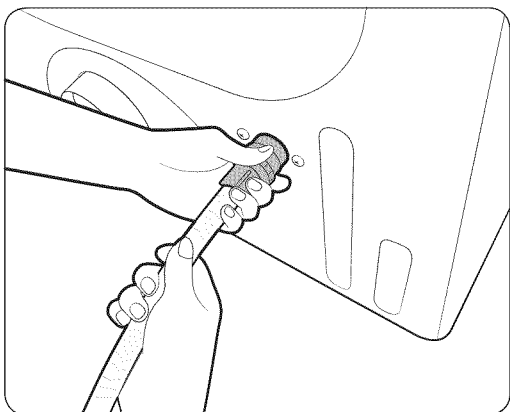
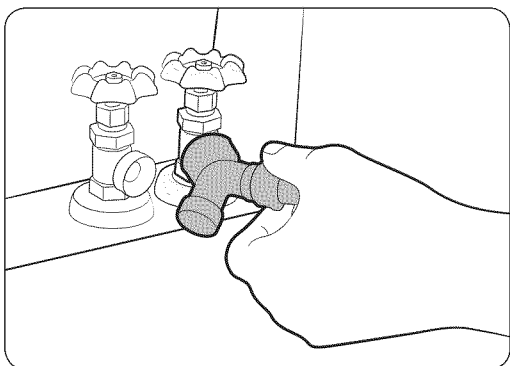
- All U.S. models are designed for a 3-wire system connection. The dryer frame is grounded to the neutral conductor at the terminal block. A 4-wire system connection is required for new or remodeled construction, mobile homes, or if local codes do not permit grounding through neutral. If you use the 4-wire system, you cannot ground the dryer frame to the neutral conductor at the terminal block.
- Remove the terminal block cover plate. Insert the power cord with a UL-listed strain relief through the hole provided in the cabinet near the terminal block.

# Installation

- A strain relief must be used. Do not loosen the nuts already installed on the terminal block. Be sure they are tight. Use a 3/8" (1 cm) deep well socket.

## STEP 4 Connect the water hose (applicable models only)

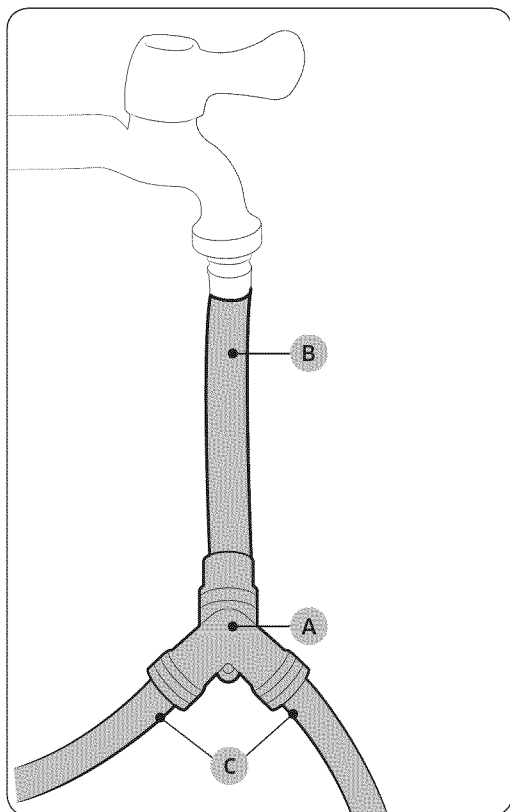
The dryer must be connected to a cold water tap using the provided water hoses.



1. Close the cold water tap. If you have a washer cold water hose attached to the cold water faucet, unscrew and remove the hose. Then, connect the female end of the Y connector to the cold water tap.
2. Connect the straight end of the water hose to the Y connector. Tighten the hose coupling by hand.
3. Using pliers, tighten the coupling an additional two-thirds turn. Do not overtighten. You can damage the coupling.
4. Connect the angled end of the water hose to the filling valve at the bottom rear of the dryer. Turn the coupling by hand until it is tight.
5. Using pliers, tighten the coupling an additional two-thirds turn. Do not overtighten. You can damage the coupling.
6. If you detached the cold water hose from your washer, attach the hose to the open end of the Y connector, tighten the coupling by hand until it is tight, and then, using a pliers, tighten an additional two-thirds turn.
7. Open the cold water tap, and then check for any leaks.

If the Y connector cannot be directly connected to the cold water tap, use the short hose as shown on the following page.

## Using the short hose as an extension



1. Close the cold water tap. If you have a washer cold water hose attached to the cold water faucet, unscrew and remove the hose. Then, connect the **short hose (B)** to the cold water tap. Turn the coupling by hand until it is tight.
2. Using pliers, tighten the coupling an additional two-thirds turn. Do not overtighten. You can damage the coupling.
3. Connect the **Y connector (A)** to the brass male end of the short hose. Turn the coupling by hand until it is tight.
4. Using pliers, tighten the coupling an additional two-thirds turn. Do not overtighten. You can damage the coupling.
5. Connect the angled end of the **water hoses (C)** to the filling valve at the bottom rear of the dryer. Turn the coupling by hand until it is tight.
6. Using pliers, tighten the coupling an additional two-thirds turn. Do not overtighten. You can damage the coupling.
7. If you detached the cold water hose from your washer, attach the hose to the free end of the Y connector, tighten the coupling by hand until it is tight, and then, using a pliers, tighten an additional two-thirds turn.
8. Open the cold water tap, and then check for any leaks.

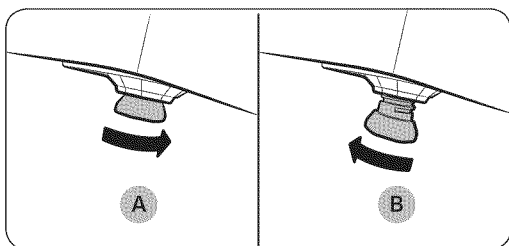
# Installation

## STEP 5 Level the dryer

To ensure optimal performance, the dryer must be level.



1. Using a **level (A)**, check if the dryer is level side to side and then front to back. If the dryer is not level, adjust the **leveling feet (B)** at the bottom of the dryer. Then, check if the dryer is level again.



### NOTE

- To set the dryer to the same height as your washer, fully **retract (A)** the leveling feet by turning them counterclockwise, then **loosen (B)** the feet by turning them clockwise. Once the dryer is the same height as the washer, follow the directions above to level the dryer.
- Adjust the leveling feet only as much as necessary to level the dryer. Extending the leveling feet more than necessary can cause the dryer to vibrate.

---

## STEP 6 Power on (Gas models)

---

Make sure all gas connections, the exhaust line, and all wiring is connected correctly. Then, plug the power cord into a power source and check the dryer's installation and operation using the final checklist in Step 7 below.

## STEP 7 Final Check

---

When installation is complete, confirm that:

- The dryer is plugged into an electrical outlet and grounded properly.
- The exhaust ductwork is connected and the joints are taped.
- You have used rigid or stiff-walled flexible metal duct material, not plastic flexible duct.
- The dryer is level and is sitting firmly on the floor.
- The dryer starts, runs, heats, and shuts off properly.

For gas models:

- Gas is supplied properly with no leaks.

### CAUTION

The burner may not ignite initially due to air in the gas line. Allowing your dryer to operate on a heat setting will purge the line. If the gas does not ignite within 5 minutes, turn your dryer off and wait 5 minutes. Be sure the gas supply to your dryer has been turned on. To confirm gas ignition, check the exhaust for heat.

# Installation

## STEP 8 Wi-Fi connection using the Smart Home Adapter

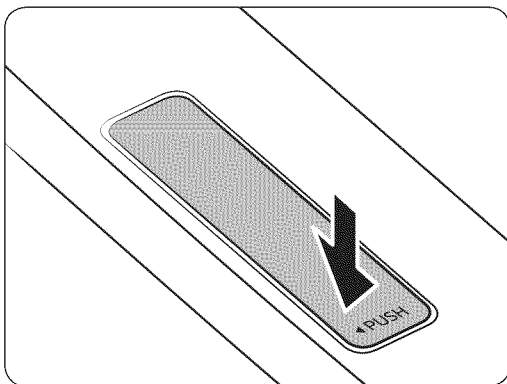
You can control the dryer remotely using the Smart Home Adapter (sold separately), your home network, an Android or iOS smart phone, and the Samsung Smart Home app. To purchase the Smart Home Adapter, visit [www.samsung.com](http://www.samsung.com) and go to the DV50K7500 product page or search for Smart Home Adapter.

For more information about connecting the dryer to your home Wi-Fi network with the Smart Home Adapter, see the Samsung Smart Home section of this manual.

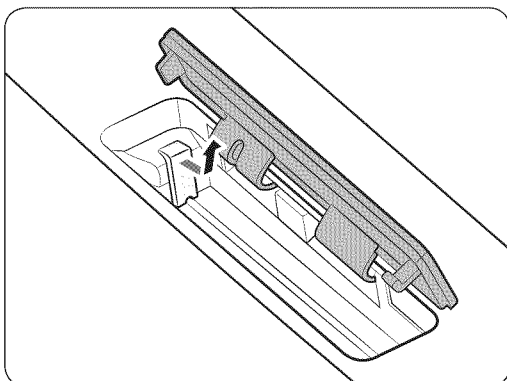
### **⚠ CAUTION**

- There are two types of Samsung Smart Home Adapters, one that is used with Samsung Smart TVs and one that is used with Samsung home appliances.
- For your dryer, you must purchase the Adapter that is restricted to HD39J1230GW models (home appliances). Use of any other adapter can cause system failure.

To install the Samsung Smart Home Adapter, follow these steps:



1. To unlock the adapter cover, press to the left of the word PUSH as shown in the illustration.

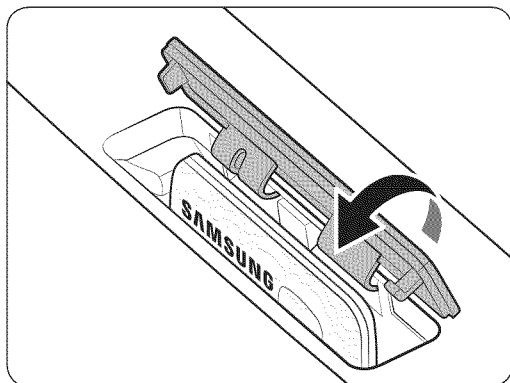
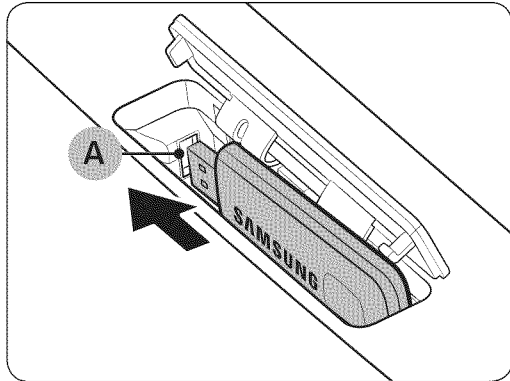


2. Open the adapter cover to reveal the protective cap of the adapter. Gently pull the cap to the right and lift up to remove.

### **⚠ CAUTION**

To prevent accidents, keep the protective cap out of children's reach, and away from pets.





3. Insert the Smart Home Adapter into the **Adapter port (A)** in the correct direction.  
Make sure the Samsung logo faces forward.

**⚠ CAUTION**

Do not insert other USB devices such as USB memory sticks or USB power cables into the port. Incorrect use of the port may damage the Samsung Smart Home Adapter, causing system failure.

4. Insert the upper area of the adapter cover first, and then press to lock as shown.

**⚠ CAUTION**

- To prevent device damage or system failure, moisture away from the adapter cover. If the adapter cover gets wet or stained, use a soft cloth or sponge wipe up the moisture or wipe away the stain, and then dry well.
- In a poor signal reception area such as basements, you must install an additional AP for normal connection.

# Installation

---

## Network connection (applicable models only)

You can use the optional Smart Home Adapter (sold separately) to control and monitor your dryer through the Samsung Smart Home app. For more information about Samsung Smart Home, see the Samsung Smart Home section in this manual.

### NOTE

- Recommended encryption systems include WPA/TKIP and WPA2/AES. Any newer or non-standard Wi-Fi authentication protocols are not supported.
- Wireless networks may be affected by the surrounding wireless communication environment.
- If your Internet service provider has registered the MAC address of your PC or modem for identification, your Samsung Smart dryer may fail to connect to the Internet. If this happens, contact your Internet service provider for technical assistance.
- The firewall settings of your network system may prevent your Samsung Smart dryer from accessing the Internet. Contact your Internet service provider for technical assistance. If this symptom continues, contact a local Samsung service center or retailer.
- To configure the wireless access point (AP) settings, see the user manual of the AP.
- Samsung Smart dryers featuring the Samsung Smart Home Adapter support both Wi-Fi 2.4 GHz with IEEE 802.11 b/g/n and Soft-AP protocols. (IEEE 802.11 n is recommended.)
- Unauthorized Wi-Fi wireless routers may fail to connect to applicable Samsung Smart dryers.

---

## Vent blockage test


---

After the dryer is installed, start the Vent Blockage Test to check if the duct system is properly installed. The Vent Blockage Test automatically detects the status of the ducts and reports any blockage or problems. Proper ducting can reduce drying time and save energy.

### NOTE

The Vent Blockage Test must run with the dryer in a cool state. If the dryer warms up after the installation check, run the AIR FLUFF cycle for several minutes to reduce its internal temperature.

### Running the vent blockage test

1. Make sure the drum is empty, and then close the door.  
(If there are any clothes or other items in the drum, the test will not give accurate results.)
2. Press the **POWER** button to turn the dryer on, then simultaneously press and hold the **Adjust Time**  and **Dry level** buttons for 3 seconds. “InS” appears in the dryer’s display. (If you have started other procedures before the Vent Blockage Test, the dryer will not enter the Vent Blockage Test mode.)
3. Press the **START/PAUSE** button. The Vent Blockage Test starts immediately. During the test, the number indicator makes a circle in 6 clockwise steps. The test takes about 2 minutes. Do not open the door during the test.
4. After 2 minutes, when the test is complete, the results is displayed and the dryer sounds a tone.  
If status of the duct system is normal, “0” appears and the dryer sounds a completion tone.  
If the duct system can not exhaust properly, “CLg” appears and the dryer sounds an alarm tone.  
If there are any other problems, an information code appears in the display. For information about the code, see **Information codes** section on page 61.
  - To stop or cancel the Vent Blockage Test, press the **POWER** button to turn off your dryer.
  - During the test, if “dc” appears in the display, make sure the door is closed. If “C1” is displayed, see if there is laundry inside drum. If there is, stop the test and remove it. Then, start the test again.
  - The results remain on the display for about 5 minutes and then automatically turn off. You can turn the result off immediately by pressing the **POWER** button.

# Installation

---

## NOTE

- During or after the test, the internal drum is hot. Use caution to prevent burns. The Vent Blockage Test is used to check for problems to the current duct system when the dryer is installed for the first time.
- If the test result displays “CLg” (the duct system is blocked), refer to the “**Ducting requirements**” section on page 14 and the “**Exhaust ducting guide**” section below, and then take proper measures to correct any problems. If the test is suspended, it could result in incorrect results. Follow the proper procedures when testing the dryer.
- Even if the test result is normal (“O”), the duct system could be blocked slightly. Properly install all duct work according to the installation instructions in this manual.

## Exhaust ducting guide

---

### Ducting

1. Make sure the dryer is installed properly so the air exhausts freely.
2. Use 4-inch rigid metal ducts. Tape all joints including the dryer connection. Never use lint-trapping screws.
3. To facilitate the exhaust, keep the ducts as straight as possible.

### Cleaning

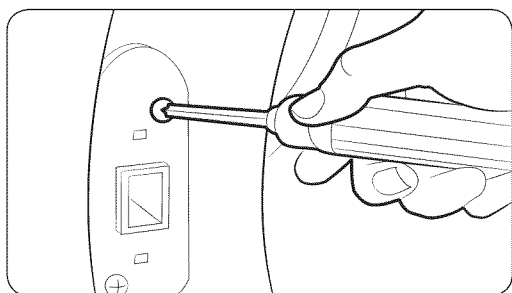
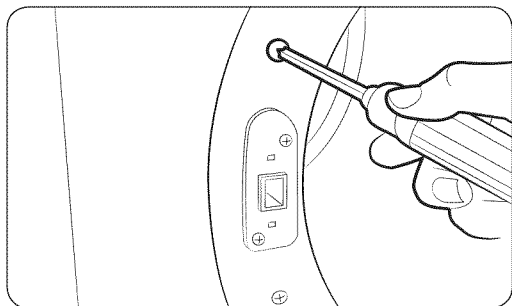
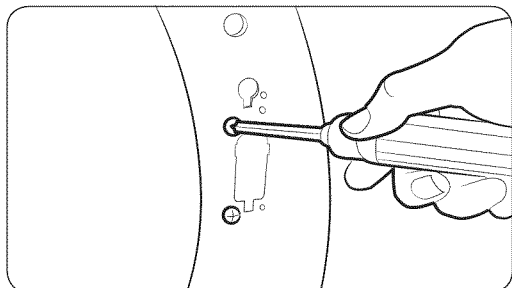
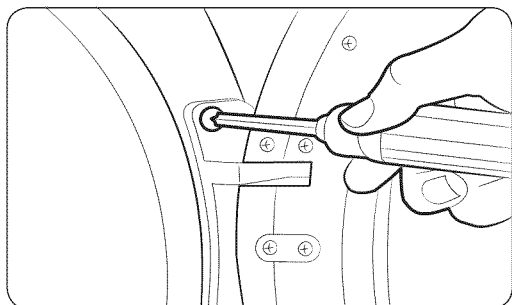
Clean all old ducts before installing the dryer, and make sure the vent flap opens and closes freely. We recommend that you clean the exhaust system annually or on a regular basis.

### WARNING

- To prevent fire, do not use plastic, thin-foil, or non-metal flexible ducts of any kind.
- Do not use a poor exhaust system because it slows down the dryer’s performance.
- Do not use excessively long ducts that have multiple elbows.
- Do not use crushed or clogged venting or ducts.

## Door reversal

### Type 1



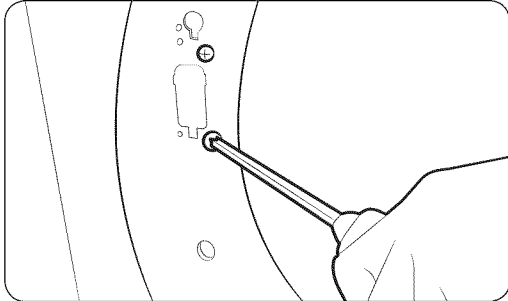
1. Unplug the power cord.
2. Remove two door hinge screws.
3. Lift the door and remove it.

#### NOTE

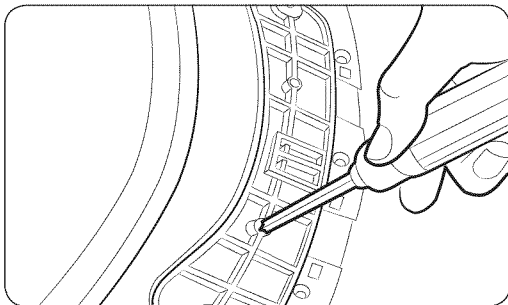
There is a screw on the back side of the hinge that will support the door as you unscrew the hinge screws.

4. Remove the two screws that are above and below the cut-out in the frame front.
5. Remove the two screws above and below the lever holder on the opposite side of the door opening.
6. Remove the two screws that hold the lever holder in place, and then remove the lever holder.

# Installation



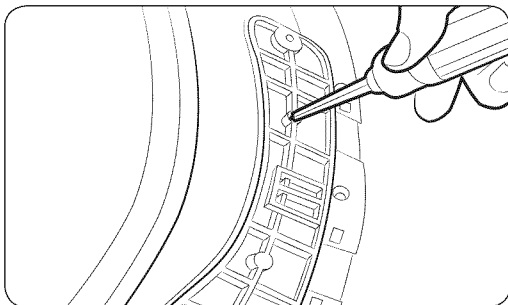
7. Re-insert the two screws that held the lever holder into the same screw holes, and then tighten.



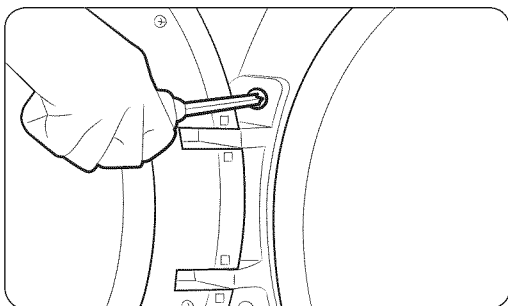
8. Remove the single screw from the back of the door hinge.

**NOTE**

This is the screw that supports the door against the frame so you can unscrew or screw in the hinge without needing to support the door yourself.



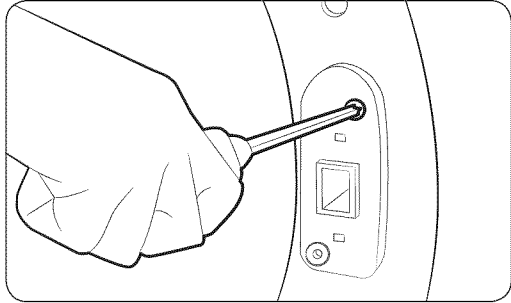
9. Insert the screw you just removed into the other screw hole on the back of the door hinge, and then tighten.



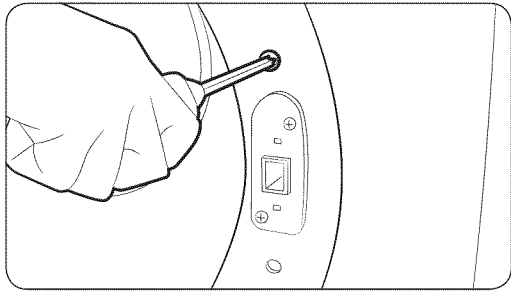
10. Place the door on the other side, and then reattach it to the dryer.

**NOTE**

Insert the head of the screw on the back of the hinge into the hole above the cut out in the frame, and then slide the door hinge down until it stops. Make sure the protrusion on the back of the hinge is pressed into the cut out before you tighten the hinge screws.



- 11.** Push the lever holder into the cut out on the other side of the door opening. Insert screws, and then tighten as shown.



- 12.** Re-attach the remaining screws to the remaining holes above and below the lever holder, and then tighten.

# Before you start

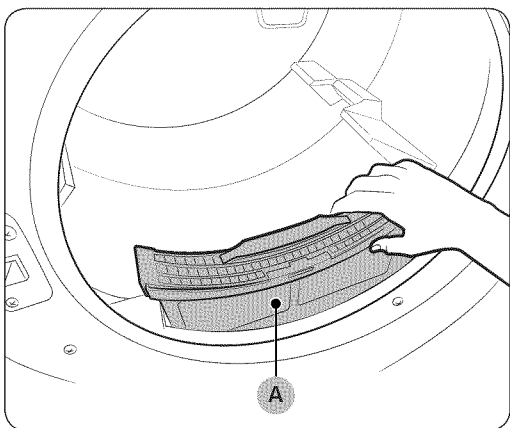
Here are a few things you should know before starting your dryer.

## Sort and load

- Put one wash load in the dryer at a time.
- Do not mix heavy and lightweight items together.
- To improve drying efficiency for one or two items, add a dry towel to the load.
- For best results, untangle items before inserting them into the dryer.
- Overloading reduces the tumbling action, resulting in uneven drying and wrinkling.
- Unless recommended on the care label, do not dry woollens or fiberglass items.
- Avoid drying unwashed items.
- Do not dry items soiled with oil, alcohol, gasoline, etc.

## Functional prerequisite

### Lint filter



To prevent a risk of fire, make sure to clean the lint filter before or after every load.

1. Turn off the dryer.
2. Open the door, and pull out the **lint filter (A)** from inside the tumbler.
3. Open the lint filter by separating it at the top. Remove the lint that has accumulated, and then clean the lint filter.
4. Close the lint filter, reinsert the lint filter into the dryer, and then close the dryer door.

### **⚠ CAUTION**

- Do not operate the dryer without the lint filter in place.
- Do not use a damaged or broken lint filter. This may reduce performance and/or cause fire.

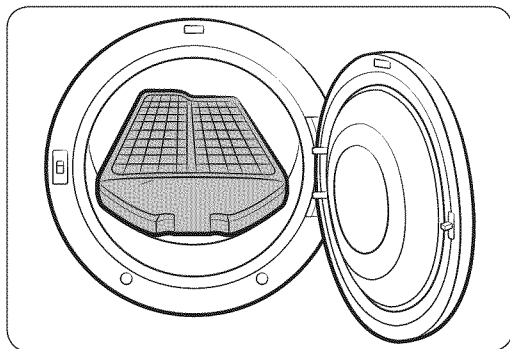


---

## Rack Dry (applicable models only)

---

Some models come with a drying rack which is inserted into the drum at the factory. If your model came with a drying rack, remove the rack from the drum before you use the dryer for the first time. To remove the rack, pull the rack straight up, and then take it out of the drum. Remove the drying rack from its packaging and store the rack for later use.



If a drying rack is not provided, you can purchase it at a local Samsung service center. (Part Code : DC61-02705A)

To use the drying rack, follow these steps:

1. Insert the **drying rack (A)** inside the tumbler with the filter handle to the front.
2. Insert the rear legs of the drying rack into the recessed areas of the rear wall, and then press down the middle of the drying rack to secure it in place.
3. Put items to dry on the rack. Make sure to leave space between the items for air flow.
4. Press **Rack Dry**, and then select the drying time.
5. When the items are dry, remove them from the dryer, and then remove the drying rack.

# Before you start

---

## Drying rack drying suggestions

Item	Cycle settings
Washable sweaters (block to shape and lay flat on rack)	TIME DRY with the Extra Low temperature setting
Stuffed toys (cotton or polyester fiber-filled)	
Stuffed toys (foam or rubber-filled)	AIR FLUFF
Foam rubber pillows	
Sneakers	

### **WARNING**

- Make sure to unpack the drying rack before using it. Otherwise, the dryer can be damaged or its performance diminished.
- Drying foam rubber, plastic, or rubber on a heat setting may damage the items and create a fire hazard.

# Operations

## ⚠ WARNING

To reduce the risk of fire, electric shock, or injury, read the "Safety information" before operating this appliance.

## Feature panel

### Electric models

**DV50K7500E\***

01: Sensor Dry

02: Manual Dry

03: Drum Light

04: Sound

05: Child Lock

06: Smart Care

07: Anti Static

08: Rack Dry

09: My Cycle

10: Mixed Load Bell

11: Wrinkle Prevent

12: Eco Dry

13: POWER

14: Sound

15: START PAUSE

Normal cycles: NORMAL, HEAVY DUTY, BEDDING, PERM PRESS, WOOL, DELICATES, ACTIVE WEAR

Manual Dry cycles: ECO NORMAL, QUICK DRY, TIME DRY, AIR FLUFF, REFRESH, WRINKLE AWAY, STEAM SANITIZE

Steam Cycles: Steam Cycles

**DV45K6500E\***

01: Sensor Dry

02: Manual Dry

03: Drum Light

04: Sound

05: Child Lock

06: Smart Care

07: Anti Static

08: Mixed Load Bell

09: My Cycle

10: Mixed Load Bell

11: Wrinkle Prevent

12: Eco Dry

13: POWER

14: Sound

15: START PAUSE

Normal cycles: NORMAL, HEAVY DUTY, BEDDING, PERM PRESS, WOOL, DELICATES, ACTIVE WEAR

Manual Dry cycles: ECO NORMAL, QUICK DRY, TIME DRY, AIR FLUFF, REFRESH, WRINKLE AWAY, STEAM SANITIZE

Steam Cycles: Steam Cycles

**DV42K6200E\***

01: Sensor Dry

02: Manual Dry

03: Drum Light

04: Sound

05: Child Lock

06: Smart Care

07: Anti Static

08: Mixed Load Bell

09: My Cycle

10: Mixed Load Bell

11: Wrinkle Prevent

12: Eco Dry

13: POWER

14: Sound

15: START PAUSE

Normal cycles: NORMAL, HEAVY DUTY, BEDDING, PERM PRESS, DELICATES, ACTIVE WEAR

Manual Dry cycles: QUICK DRY, TIME DRY, AIR FLUFF, REFRESH, WRINKLE AWAY, STEAM SANITIZE

Steam Cycles: Steam Cycles

# Operations

## Gas models

Operations

**DV50K7500G\***

Manual Dry

NORMAL ——— ECO NORMAL

HEAVY DUTY ——— QUICK DRY

BEDDING ——— TIME DRY

PERM PRESS ——— AIR FLUFF

WOOL ——— REFRESH

DELICATES ——— WRINKLE AWAY

ACTIVE WEAR ——— STEAM SANITIZE

Sensor Dry

Steam Cycles

01: Drum

02: Digital display (00:00)

03: Drum Light

04: Sound

05: Child Lock

06: Adjust Time

07: Anti Static \*Smart Monitor

08: Rack Dry

09: My Cycle \*Cycle Save

10: Mixed Load Bell

11: Wrinkle Prevent

12: Eco Dry

13: POWER

14: Dry Level

15: START PAUSE

\* (Hold 3 sec)

Drying: Very Dry, More Dry, Normal Dry, Less Dry, Damp Dry

High: 60min, Medium: 50min, Med Low: 40min, Low: 30min, Extra Low: 20min

**DV45K6500G\***

Manual Dry

NORMAL ——— ECO NORMAL

HEAVY DUTY ——— QUICK DRY

BEDDING ——— TIME DRY

PERM PRESS ——— AIR FLUFF

WOOL ——— REFRESH

DELICATES ——— WRINKLE AWAY

ACTIVE WEAR ——— STEAM SANITIZE

Sensor Dry

Steam Cycles

01: Drum

02: Digital display (00:00)

03: Drum Light

04: Sound

05: Child Lock

06: Adjust Time

07: Anti Static \*Smart Monitor

08: Rack Dry

09: My Cycle \*Cycle Save

10: Mixed Load Bell

11: Wrinkle Prevent

12: Eco Dry

13: POWER

14: Dry Level

15: START PAUSE

\* (Hold 3 sec)

Drying: Very Dry, More Dry, Normal Dry, Less Dry, Damp Dry

High: 60min, Medium: 50min, Med Low: 40min, Low: 30min, Extra Low: 20min

**DV42K6200G\***

Manual Dry

NORMAL ——— QUICK DRY

HEAVY DUTY ——— TIME DRY

BEDDING ——— AIR FLUFF

PERM PRESS ——— REFRESH

DELICATES ——— WRINKLE AWAY

ACTIVE WEAR ——— STEAM SANITIZE

Sensor Dry

Steam Cycles

01: Drum

02: Digital display (00:00)

03: Drum Light

04: Sound

05: Child Lock

06: Adjust Time

07: Anti Static \*Smart Monitor

08: Rack Dry

09: My Cycle \*Cycle Save

10: Mixed Load Bell

11: Wrinkle Prevent

12: Eco Dry

13: POWER









14: Dry Level

15: START PAUSE





\* (Hold 3 sec)



Drying: Very Dry, More Dry, Normal Dry, Less Dry, Damp Dry

High: 60min, Medium: 50min, Med Low: 40min, Low: 30min, Extra Low: 20min

<p><b>01 Cycle Selector</b></p>	<p>Turn the Cycle Selector to select the desired cycle. The indicator by the cycle name lights up.</p> <ul style="list-style-type: none"> <li>• Sensor Dry cycles: The dryer senses the internal humidity and uses it to determine the drying time.</li> <li>• Manual Dry cycles: The drying time is fixed.</li> <li>• Steam cycles: The dryer sprays water into the drum to deodorize clothes and reduce static electricity and wrinkles.</li> </ul>
<p><b>02 Digital Graphic Display</b></p>	<p>Displays all cycle information, including the cycle time, information code, and operating status.</p> <ul style="list-style-type: none"> <li>•  Filter Check</li> <li>•  Child Lock</li> <li>•  Steam</li> <li>•  Vent Sensor</li> <li>•  Smart Control (Smart Monitor)</li> <li>•  Sound</li> </ul>
<p><b>03 Dry Level</b></p>	<p>The <b>Dry Level</b> button serves two purposes.</p> <p><b>Use 1:</b> Press <b>Dry Level</b> to select a dry level. This is available only with the Sensor Dry cycles.</p> <ul style="list-style-type: none"> <li>• Larger or bulkier loads may require Very Dry or More Dry for complete dryness.</li> <li>• Less Dry is best suited for lightweight fabrics or for leaving some moisture in the clothing at the end of the cycle.</li> <li>• Damp Dry is designed to partially dry items. Use for items that lay flat or hang to dry.</li> </ul> <p> <b>NOTE</b></p> <p>This option is not available with: WOOL, ACTIVE WEAR, and STEAM SANITIZE.</p> <p><b>Use 2 (DV50K7500E(G)*):</b> Press and hold <b>Dry Level</b> for 3 seconds to turn off the dryer's notification beeps and melodies. To unmute the dryer, press and hold again for 3 seconds.</p> <p> <b>NOTE</b></p> <p>The mute function remains active even after you restart the dryer.</p>

# Operations

<p><b>04 Temp.</b></p>	<p>Press <b>Temp.</b> to change the temperature of the current cycle.</p> <ul style="list-style-type: none"> <li>• High: For sturdy cottons or those labeled Tumble Dry.</li> <li>• Medium: For permanent press, synthetics, lightweight cottons, or items labeled Tumble Dry Medium.</li> <li>• Med Low: For heat lower than Medium. Use to dry synthetic or washable knit fabrics.</li> <li>• Low: For heat sensitive items labeled Tumble Dry Low or Tumble Dry Warm.</li> <li>• Extra Low: Provides the lowest heated drying temperature possible.</li> </ul>
<p><b>05 Time</b></p>	<p>Press <b>Time</b> to select a drying time for the selected cycle. This is available only with TIME DRY, QUICK DRY, AIR FLUFF, and WRINKLE AWAY.</p> <p>This button is not available for Sensor Dry cycles because exact drying times are determined by fluctuating humidity levels.</p>
<p><b>06 Adjust Time</b></p>	<p>You can change the set time for the selected cycle. This is available only with TIME DRY, QUICK DRY, AIR FLUFF, and WRINKLE AWAY. To change the cycle time, press <b>Adjust Time</b>  or <b>Adjust Time</b>  until the desired time is displayed.</p>
<p><b>07 Anti Static</b> (*Smart Cotrol, *Smart Monitor)</p>	<p>Anti Static reduces static electricity that occurs from clothing friction. This is done by spraying steam into the drum in a later stage of the drying cycle.</p> <p><b>Remote control</b></p> <p>After you have inserted the Smart Home Adapter and connected the dryer to your home network using the Samsung Smart Home app, you can control the dryer remotely. To begin, press and hold <b>Smart Control (Smart Monitor)</b> for 3 seconds. The Smart Control (Smart Monitor) indicator  blinks. The dryer enters the waiting for remote commands mode For more information, visit the Samsung Smart Home website.</p> <p> <b>NOTE</b></p> <p>The Anti Static function is only available with NORMAL, HEAVY DUTY, PERM PRESS, DELICATES, and TIME DRY.</p>
<p><b>08 Rack Dry</b> (DV50K7500*)</p>	<p>Rack Dry is available in the TIME DRY cycle. Temperature will be set to Extra Low only. See “<b>Rack Dry (applicable models only)</b>” on page 37 for details.</p>

<p><b>09 My Cycle</b></p>	<p>Choose your favorite cycle including the cycle time, temperature, and dry level. See “My Cycle” for details.</p>
<p><b>10 Mixed Load Bell</b></p>	<p>The Mixed Load Bell notifies you when the average dry level in a load is damp dry (80 % dried). This lets you take items that you don't want fully dried or that dry quickly out of the dryer early while letting others continue to dry.</p> <p>You can select this option in all Sensor Dry cycle except for WOOL, ACTIVE WEAR, and STEAM SANITIZE. Available dry levels are Normal Dry, More Dry, and Very Dry.</p>
<p><b>11 Wrinkle Prevent</b></p>	<p>The <b>Wrinkle Prevent</b> button serves two purposes.</p> <p><b>Use 1:</b> Wrinkle Prevent provides approximately 180 minutes of intermittent tumbling in unheated air at the end of the cycle to reduce wrinkling. Press <b>Wrinkle Prevent</b> to activate this feature. The load is dry and can be removed at any time during the Wrinkle Prevent cycle.</p> <p><b>Use 2 (DV50K7500E(G)*):</b> Press and hold Wrinkle Prevent for 3 seconds to turn on the drum light while the dryer is running. To turn off the drum light, press and hold again for 3 seconds.</p> <p> <b>NOTE</b></p> <p>After 2 minutes of inactivity, the drum light automatically turns off.</p>
<p><b>12 Eco Dry</b></p>	<p>This function is available with <b>Normal</b> and <b>Time Dry</b>.</p> <p>With the Eco Dry activated, drying takes a longer time but power consumption is reduced.</p> <p>The drying time can be extended by up to 3 times normal depending on the temperature and load. The Eco Dry function is enabled by default.</p>
<p><b>13 POWER</b></p>	<p>Press to turn on/turn off the dryer.</p>
<p><b>14 Sound</b> (DV45K6200E(G)*, DV45K6500E(G)*)</p>	<p><b>Use 1:</b> Press <b>Sound</b> to turn on or off the dryer's notification beeps and melodies.</p> <p><b>Use 2:</b> Press and hold <b>Sound</b> for 3 seconds to turn on the drum light while the dryer is running. To turn off the drum light, press and hold again for 3 seconds.</p> <p> <b>NOTE</b></p> <p>This function remains active even after you restart the dryer.</p>
<p><b>15 START/PAUSE</b></p>	<p>Press and hold to start operation or press to stop operation.</p>

# Operations

---

## NOTE

Extremely tangled items finished by the washer may degrade the drying efficiency or cause the door to open. We recommend that you untangle the items before drying. Do not put objects on the dryer, especially on the feature panel.

## CAUTION

Do not spray water onto the feature panel. This may cause a system failure.

## Simple steps to start

---

1. Press **POWER** to turn on the dryer.
2. Turn the **Cycle Selector** to select a cycle.
3. Change the cycle settings (**Dry Level**, **Temp.** and **Time**) as necessary.
4. Optionally, you can activate options available by pressing the relevant button (**Anti Static**, **Drum Light**, **Mixed Load Bell**, **Wrinkle Prevent**, and/or **Eco Dry**).
5. Press and hold **START/PAUSE**. The dryer indicator turns on with an estimated cycle time on the display.

## To change the cycle during operation

1. Press **START/PAUSE** to stop operation.
2. Select a different cycle.
3. Press and hold **START/PAUSE** to start new cycle.



## Cycle overview

Cycle	Description
ECO NORMAL (DV45K6500E(G)*, DV50K7500E(G)*)	For reducing energy usage. This cycle adjusts the cycle time and temperature for increased efficiency.
NORMAL	For most fabrics including cottons and linens. If Normal is selected, the Eco Dry function is enabled by default. For more information, see Eco Dry in the <b>"Feature panel"</b> section.
HEAVY DUTY	For drying items made out of heavy fabrics, such as jeans, corduroys, or work clothes, with high temperature heat.
BEDDING	For bulky items such as blankets, sheets, and comforters.
PERM PRESS	Dry wrinkle-free cottons, synthetic fabrics, knits, and permanent press fabrics automatically.
WOOL (DV45K6500E(G)*, DV50K7500E(G)*)	For machine washable and tumble dryable wool only.
DELICATES	For heat-sensitive items at a low drying temperature.
ACTIVE WEAR	For exercise wear and outdoor wear such as sports jerseys, training pants, water-repellent jackets, and other performance clothing. Thick fabrics like a zipper or velcro closure of a jacket, or training socks may not be completely dried.
QUICK DRY	A quick drying cycle that runs for 30 minutes
TIME DRY	You can specify a cycle time in minutes. If Time Dry is selected, the Eco Dry function is enabled by default. For more information, see Eco Dry in the <b>"Feature panel"</b> section.
AIR FLUFF	Tumbles the load in room temperature air.
REFRESH	Use to smooth out wrinkles and reduce odors in loads of one to four items. With this cycle selected, a small amount of water is sprayed into the dryer drum after several minutes of tumbling with heat. Before removing the laundry, confirm that the laundry load is dry.
WRINKLE AWAY	For best results, load 2-3 items at once. You can extend the drying time by a minimum of 20 minutes, depending on the item type or load. Before removing the laundry, confirm that the laundry load is dry.

# Operations

Cycle	Description
STEAM SANITIZE	Use to sanitize items by applying steam and high-temperature heat to the fabric. This cycle can make items soft and reduce smells. Confirm that the laundry load is wet or partially before starting this cycle.

## Drying guide

The best way to dry items is to follow the instructions on the care label. If no drying instructions are provided, see the following table for reference.

Cycle	Description
Bedspreads & Comforters	Follow the care label instructions or dry using Bedding. <ul style="list-style-type: none"> <li>• Make sure the item is thoroughly dry before using or storing.</li> <li>• May require repositioning in the drum to ensure even drying.</li> </ul>
Blankets	Use Normal and dry only one blanket at a time for best tumbling action. <ul style="list-style-type: none"> <li>• Make sure blankets are is thoroughly dry before using or storing.</li> </ul>
Curtains & Draperies	Use Perm Press and the Medium temperature setting to help minimize wrinkling. <ul style="list-style-type: none"> <li>• Dry curtains and draperies in small loads for best results and remove as soon as possible after the cycle is complete.</li> </ul>
Cloth Diapers	Use Normal and the Medium temperature setting for soft, fluffy diapers.
Down-filled Items (jackets, sleeping bags, comforters, etc.)	Use Normal and the Medium temperature setting. <ul style="list-style-type: none"> <li>• Add a couple of dry towels to absorb moisture and shorten drying time.</li> </ul>
Foam Rubber (rug backs, stuffed toys, shoulder pads, etc.)	Do not dry on a heat setting. Use AIR FLUFF. <p><b>⚠ WARNING</b></p> Drying a rubber item with heat may damage it or cause a fire.
Pillows	Use Normal. <ul style="list-style-type: none"> <li>• Add a couple of dry towels and a pair of clean sneakers to help the tumbling action and to fluff the pillows.</li> <li>• Do not dry kapok or foam pillows using a heated drying cycle.</li> </ul> You can dry these items in the dryer only if you use AIR FLUFF.

---

Cycle	Description
Plastics (shower curtains, outdoor furniture covers, etc.)	Use AIR FLUFF or TIME DRY and the Low or Extra Low temperature settings depending on the care label instructions.

**⚠ WARNING**

Do not dry:

- Fiberglass items (curtains, draperies, etc.)
- Woolens, unless recommended on the label
- Items spotted or soaked with vegetable or cooking oils

# Operations

## Special features

### Child Lock

Child Lock prevents children from playing with the dryer. When Child Lock is activated, all buttons except for the **POWER** button are disabled.

To activate/deactivate Child Lock, simultaneously press and hold **Temp.** and **Time** for 3 seconds.

#### **NOTE**

Once Child Lock is activated, it will remain active even after you restart the dryer. If other buttons, except for the **POWER** button, do not respond, check the Child Lock indicator. If the indicator is on, follow the instructions above to turn Child Lock off.

### Smart Care

If the dryer displays an information code, you can use Smart Care to check the status of the dryer on a smartphone. To use Smart Care, you must have the Samsung Smart Care app installed on your smartphone.

#### **NOTE**

Smart Care is optimized for Samsung Galaxy and Apple iPhones. (Not compatible with some models).

Download the Samsung Smart Care app from the Google Play Store or Apple App store (Search term: “**Samsung Smart Washer/Dryer**”), and install it on your smartphone.

If an information code appears on the dryer, follow these steps:

1. Press and hold **Eco Dry** for 3 seconds to activate Smart Care. The Smart Care indicator turns on.
2. Open the Smart Care app on your smartphone.
3. Put the smartphone's camera close to the display of the dryer. The app automatically recognizes the information code, and displays suggestions on your smartphone.
4. If the smartphone fails to recognize the information code more than twice, type the information code manually into the Smart Care app.

#### **CAUTION**

- If light is reflected on the display of the dryer, the smartphone may not recognize the information code.
- If you hold the smartphone at an angle to the dryer's display, the smartphone may not recognize the information code. For best results, hold the smartphone so that the front of the panel and the smartphone are parallel or nearly parallel.
- After you use this function, the dryer will delete the record of the information code from its code log.

---

## Sound On/Off

To turn off the dryer's notification beeps and melodies, press and hold **Dry Level** for 3 seconds (DV50K7500\*) or press **Sound** (DV45K6500\*, 6200\*).

To unmute the dryer, press and hold **Dry Level** again for 3 seconds (DV50K7500\*) or press **Sound** (DV45K6500\*, 6200\*)

### **NOTE**

This function remains active even after you restart the dryer.

## My Cycle

You can create your own cycle that contains your preferred settings, and use it at your convenience.

1. Turn the **Cycle Selector** to select a cycle. The cycle indicator turns on.
2. Set or change the settings (**Dry Level**, **Temp.**, **Time**, etc) and/or options as necessary. Each corresponding indicator blinks.
3. Press and hold **My Cycle** for 3 seconds. The dryer stores the selected cycle with its settings.

To use My Cycle, press **My Cycle**.

### **NOTE**

Wrinkle Prevent is not available with My Cycle.

# Operations

## Samsung Smart Home (applicable models only)

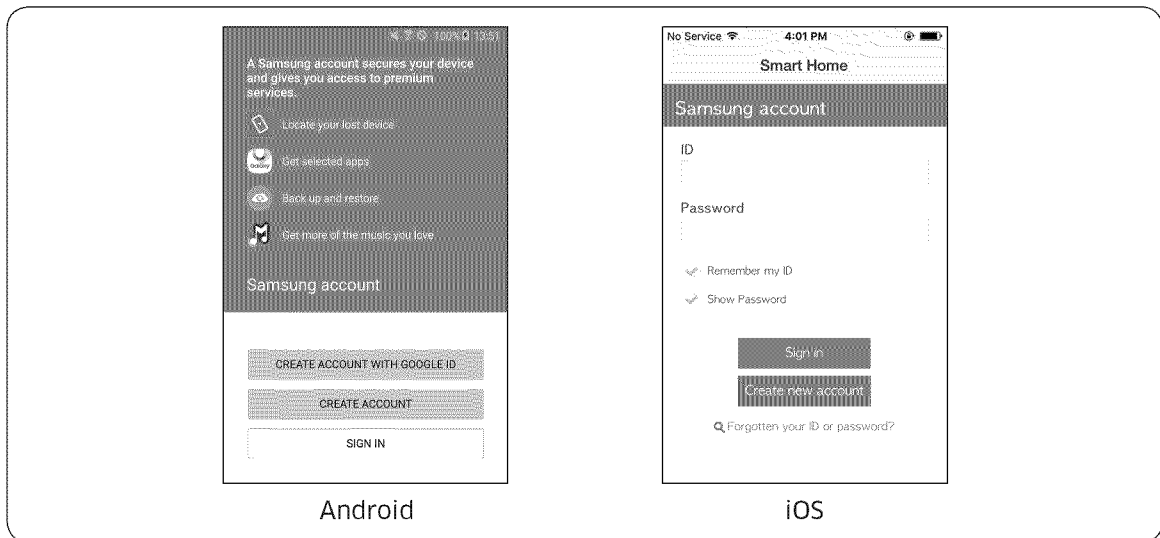
### Installation

Visit the Google Play Store, Galaxy Apps, or Apple App Store and search for “Samsung Smart Home”. Download and install the Samsung Smart Home app provided by Samsung Electronics to your smart device.

#### NOTE

- The Samsung Smart Home app is designed for Android 4.0 (ICS) or higher, or iOS 7.0 or higher, and is optimized for Samsung smartphones (Galaxy S and Galaxy Note series). On other smartphone models, some functions may operate differently.
- For improved performance, the Samsung Smart Home app is subject to change without notice.

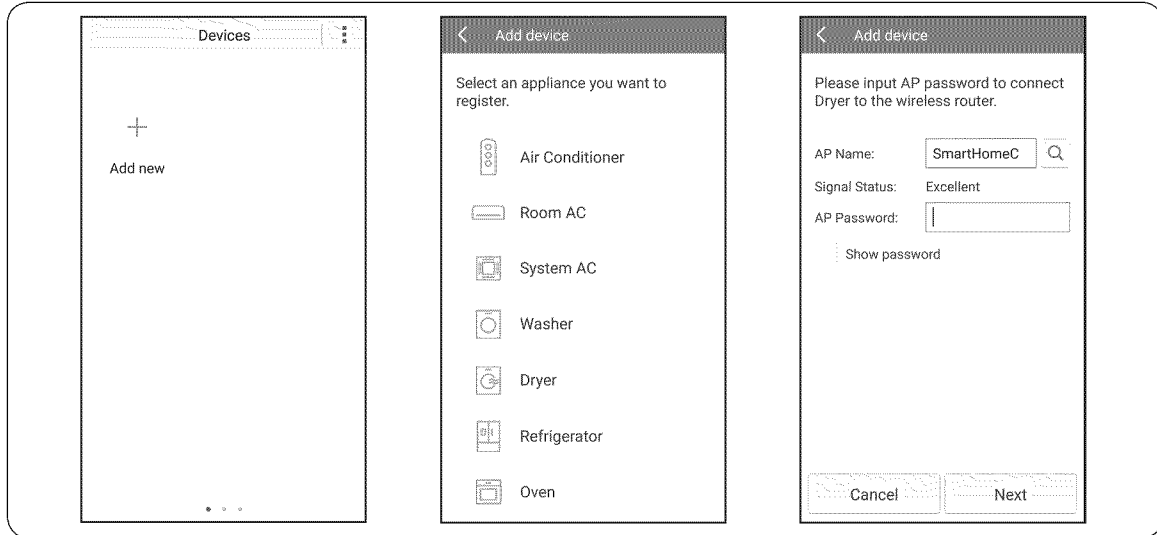
### Samsung account



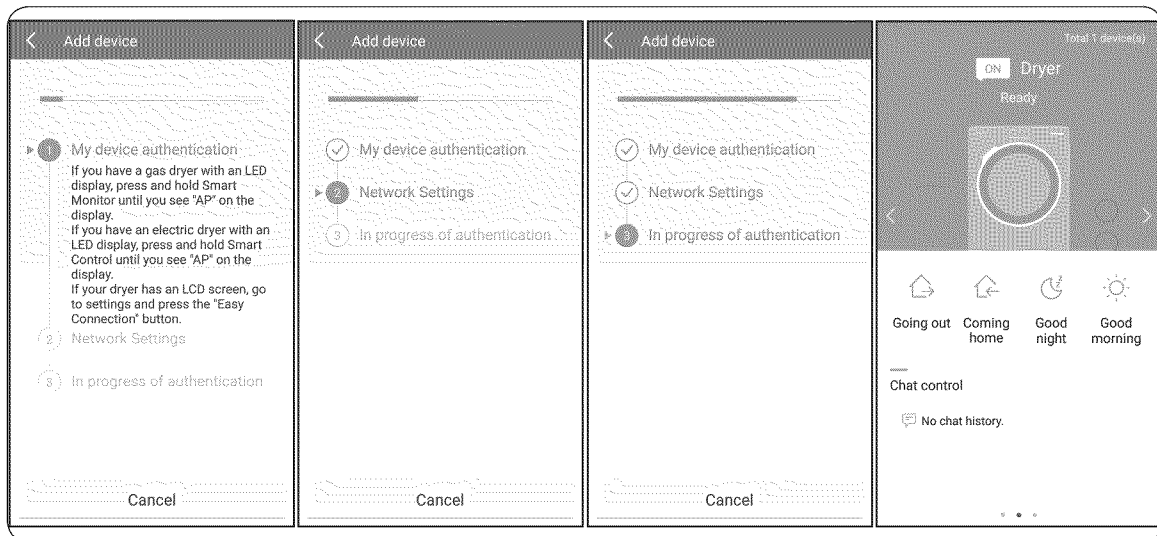
You are required to register your Samsung account to use the app. If you don't have a Samsung account, follow the app's onscreen instructions to create a free Samsung account.

## Getting started

1. Insert the Smart Home Adapter into the Smart Home Adapter port of your dryer.
2. Run the Samsung Smart Home app and log in with your Samsung account. iPhone users are required to provide the login information each time they access the app.




3. Access **Device** > the plus (+) icon, and then tap **Dryer**.
4. Follow the onscreen instructions to provide the necessary information about the router, and then tap **Next**.



5. Press and hold **Smart Control (Smart Monitor)** on the dryer for more than 5 seconds until the “**AP**” message appears on the display. Your dryer is registered with the app.

# Operations

---

6. Once your dryer is registered properly, the App will show this message.  
“Congratulations! Your dryer has been added to your Smart Home. Please complete the setup by restarting your dryer.  
You may then remotely control your dryer by turning on Smart Control.  
\* The remote control function is only available with electric dryers.”
7. When the device registration is complete, the dryer icon will appear in the Samsung Smart Home app.
8. When “oAP” message disappears on the display, restart your washing machine.
9. Press and hold **Smart Control (Smart Monitor)** on the washer for more than 3 seconds. The Smart Control (Smart Monitor) indicator  will light up on the dryer.

## NOTE

Some options or settings of the dryer may not be available for remote control. For safety reasons, Smart Control will be disabled if the Child Lock is activated. To use Smart Control, make sure you deactivate the Child Lock first.



This product is a smart dryer that supports the Samsung Smart Home service.

The EZ setup(network setting) takes time depending on your network condition.

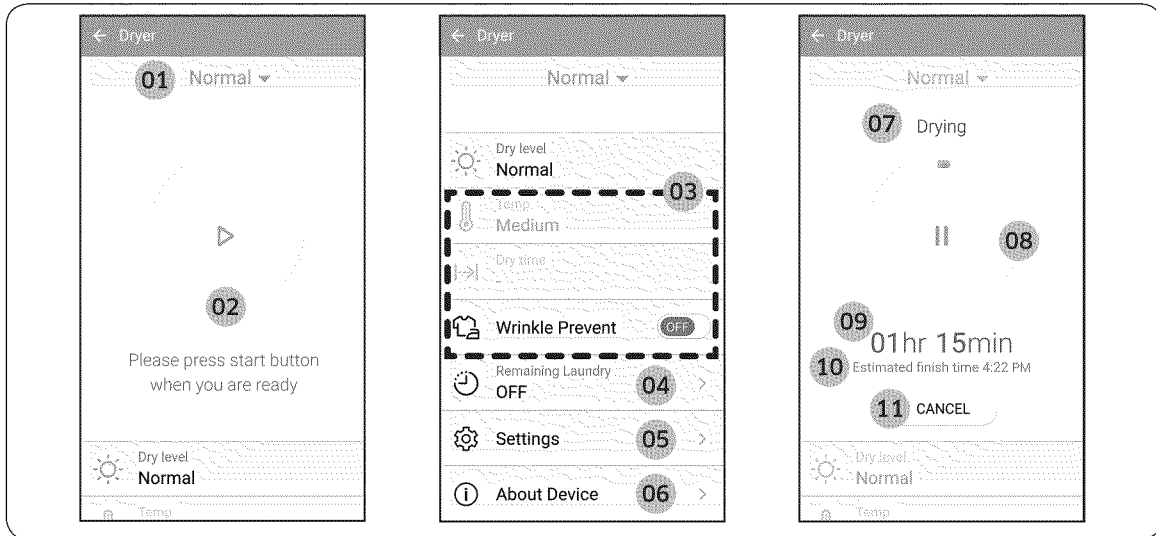
For more information, visit [www.samsung.com](http://www.samsung.com).



## Key features

You can register Samsung smart home appliances on the Samsung Smart Home server for remote access.

### Menu overview



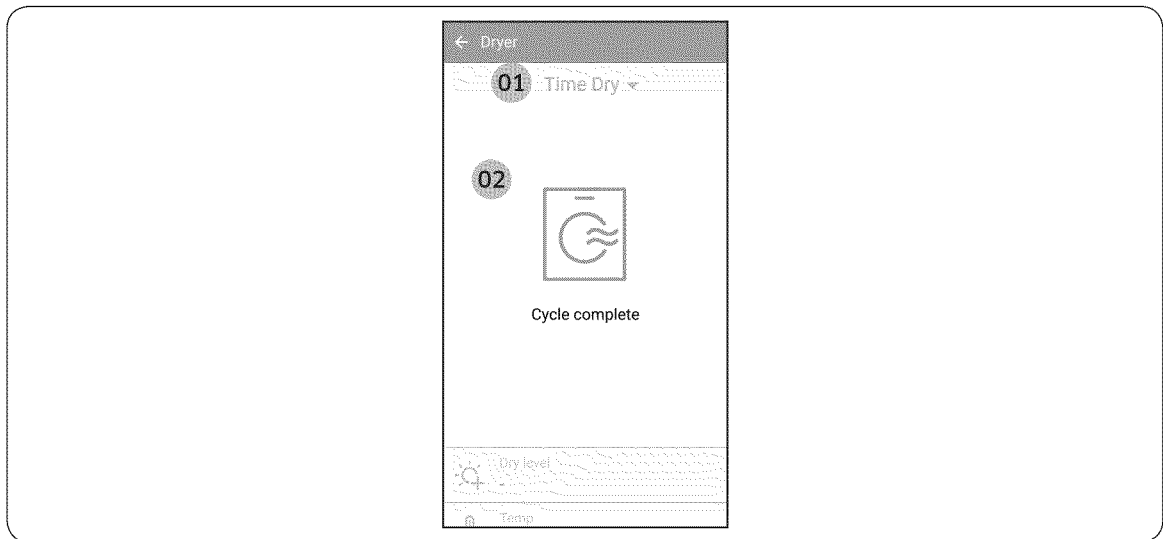
For improved performance, the content and design of the app is subject to change without notice.

<b>01 Current cycle</b>	Tap to select a desired cycle.
<b>02 Start/Pause</b>	With Smart Control (Smart Monitor) enabled on the dryer, you can remotely start an operation or pause an operation temporarily.
<b>03 Options</b>	You can set or adjust options remotely. Option default values and available setting values differ depending on the selected cycle.
<b>04 Remaining Laundry (applicable models only)</b>	If the dryer has laundry remaining in the drum after a cycle has finished, this function can notify you that laundry remains in the drum. To use, tap the Remaining Laundry icon to turn the function on, and then specify a notification interval. The function stays active for up to 12 hours. If you open the door, the function will be terminated and the machine turns off.
<b>05 Settings</b>	The Settings menu differs by model and is not available for all models.

# Operations

<b>06 About Device</b>	<ul style="list-style-type: none"> <li>Version: Displays the current version of the Dryer app.</li> <li>Self Check (applicable models only): The dryer runs a self-diagnosis and displays an information code if it finds an issue to check.</li> </ul>
<b>07 Current Process</b>	The current process - Washing, Rinsing, etc. - is displayed.
<b>08 Progress</b>	The progress of the selected cycle is displayed in 1 % increments.
<b>09 Remaining Time</b>	The time remaining for the selected cycle is displayed for.
<b>10 Estimated Finish Time</b>	The estimated finish time is displayed.
<b>11 Cancel</b>	Tap to cancel the current cycle and return to the cycle selection screen.

When the cycle is complete:



<b>01 Finished Cycle</b>	Displays the cycle that has completed.
<b>02 Completion Message</b>	When the cycle is complete, the Dryer app displays a completion message.

For gas models, the Dryer app only serves as a monitoring device. You cannot manipulate any of the controls available on the app.

# Maintenance

Keep the dryer clean to prevent decreased performance and to lengthen its life.


## **WARNING**


The control board and inlet valve are intentionally not grounded and may present a risk of electric shock only during servicing.

Service personnel - Do not contact these parts while the dryer is energized.

## Vent sensor

The dryer features a vent sensor that detects and notifies you when it is time to clean the ductwork. The  indicator lets you know the status of the duct.

Level	 Indicator	Status	Action
0	Off	The ductwork is not clogged.	
1	On	<ul style="list-style-type: none"> <li>The duct or lint filter is clogged.</li> <li>The pressure applied to the duct is high because the duct is too long or bent.</li> </ul>	<ul style="list-style-type: none"> <li>Check the lint filter or duct and clean if necessary.</li> <li>Check the duct connections and shorten or straighten the duct if necessary.</li> </ul>
2	Blinking	<ul style="list-style-type: none"> <li>The duct or lint filter is severely clogged.</li> <li>The pressure applied to the duct is very high because the duct is too long or bent.</li> </ul>	<ul style="list-style-type: none"> <li>Check and clean the lint filter or duct and make sure they are not clogged.</li> <li>Check the duct connections and shorten or straighten the duct work.</li> </ul>

If the dryer is in the Level 2 state, the  indicator blinks for 3 hours after the completion of the current cycle. If you press **POWER** or open the door, the dryer powers off immediately.

## **NOTE**

- For duct installation, see “**Exhaust ducting guide**” on page 28 and “**Ducting requirements**” on page 14.
- The dryer may keep running even if the duct is clogged, but the drying time will be extended.
- If the indicator turns on for the first time and is solid (not blinking), check and clean the lint filter and/or duct.
- If the indicator turns on again later, it is because the duct is installed or connected with some restrictions (it’s too long or has too many bends). This is not a system failure. However, drying time may be extended or the drying performance may be degraded.

# Maintenance

---

## Cleaning

---

### Feature panel

- Clean with a soft, damp cloth. Do not use abrasive substances.
- Do not spray liquid cleaning agents directly on the display of the dryer.
- Some laundry pre-treatment soil and stain removers may damage the feature panel.
- When using liquid cleaning agents, apply them to the cleaning cloth. Do not apply them directly to the dryer. Wipe up any spills or overspray immediately.

### Tumbler

- Remove any stains from the tumbler with an all-purpose cleaner.
- Tumble old towels or rags to remove any remaining stains or cleaning substances. Stains may still be visible, but will not affect subsequent loads.

### Stainless steel tumbler

To clean the stainless steel tumbler, use a damp cloth with a mild, non-abrasive cleaner suitable for easily marred surfaces. Remove cleaner residue and dry with a clean cloth.

### Dryer exterior

- Clean with a soft, damp cloth. Do not use abrasive substances.
- Protect the surface from sharp objects.
- Do not place any heavy or sharp objects or a detergent container on the dryer. They can scratch or damage the top cover of the dryer.
- The dryer has a high-gloss finish on the entire surface. Be careful not to scratch or damage the surface.

### Exhaust system

- Check and clean the exhaust system on a yearly or regular basis to maintain optimum performance.
- The external exhaust hood must be cleaned more frequently to ensure proper air flow.

# Troubleshooting

## Checkpoints

If the dryer operates abnormally, first check the list of problems in the table below and try the suggested actions.

Problem	Action
Does not run.	<ul style="list-style-type: none"> <li>• Make sure the door is latched shut.</li> <li>• Make sure the power cord is plugged into a live electrical outlet.</li> <li>• Check your home's circuit breakers or fuses.</li> <li>• Press or tap <b>START/PAUSE</b> again if the door was opened during a cycle.</li> <li>• Clean the lint filter.</li> </ul>
Does not heat.	<ul style="list-style-type: none"> <li>• Check your home's circuit breakers or fuses.</li> <li>• Some cycles do not require heat. Check the selected cycle again.</li> <li>• For a gas dryer, make sure the gas supply is on.</li> <li>• Clean the lint filter and exhaust duct.</li> <li>• The dryer may have moved into the cool-down phase of the cycle.</li> </ul>
Does not dry.	<ul style="list-style-type: none"> <li>• Check all of the above, plus...</li> <li>• Make sure the exhaust hood outside your home can open and close freely.</li> <li>• Check the exhaust system for lint buildup. Ducting should be inspected and cleaned annually.</li> <li>• Use a 4" rigid metal exhaust duct.</li> <li>• Do not overload. 1 wash load = 1 dryer load.</li> <li>• Dry heavy items and light weight items separately.</li> <li>• Large, bulky items, such as blankets or comforters, may require repositioning to ensure even drying.</li> <li>• Make sure that your washer is draining properly and extracting adequate water from the load.</li> <li>• The load may be too small to tumble properly. Add a few towels and restart the dryer.</li> <li>• The load may be too large to tumble properly. Remove some items and restart the dryer.</li> <li>• Clean the lint filter.</li> </ul>

# Troubleshooting


Problem	Action
Is noisy.	<ul style="list-style-type: none"> <li>• Check the load for objects such as coins, loose buttons, nails, etc. Remove promptly.</li> <li>• It is normal to hear the dryer gas valve or heating element cycle on and off during the drying cycle.</li> <li>• Make sure the dryer is leveled properly as outlined in the installation instructions.</li> <li>• It is normal for the dryer to hum due to the high velocity of air moving through the dryer drum, fan, or exhaust system.</li> </ul>
Dries unevenly.	<ul style="list-style-type: none"> <li>• Seams, pockets, and other similarly heavy areas may not be completely dry when the rest of the load has reached the selected dryness level. This is normal. You can choose a higher dryness level or a cycle that involves a higher dryness level.</li> <li>• If one heavy item is dried with a light weight load, such as one towel with sheets, it is possible that the heavy item will not be completely dry when the rest of the load has reached the selected dryness level.</li> <li>• For the best drying results, dry heavy items and light weight items separately.</li> </ul>
Has odors.	<ul style="list-style-type: none"> <li>• Household odors from paint, varnish, strong cleaners, etc. may enter the dryer with the surrounding room air. This is normal as the dryer draws the air from the room, heats it, pulls it through the tumbler, and exhausts it outside.</li> <li>• When these odors linger in the air, completely ventilate the room before using the dryer.</li> <li>• Use a cycle featuring the Refresh function. If odors persist, wash and dry the items again.</li> </ul>
Lint on clothes.	<ul style="list-style-type: none"> <li>• Make sure the lint filter is cleaned before every load. For clothes that naturally build up lint, clean the filter during the cycle.</li> <li>• Some fabrics are lint producers (for example, a fuzzy white cotton towel) and they must be dried separately from clothes that are lint trappers (for example, a pair of black linen pants).</li> <li>• Divide larger loads into smaller loads for drying.</li> <li>• Check pockets thoroughly before drying, then dry clothes.</li> <li>• Remove lint inside the drum before drying a load.</li> </ul>

Problem	Action
Items still wrinkled after Wrinkle Prevent (Wrinkle Away, Wrinkle Release).	<ul style="list-style-type: none"> <li>• Small loads of 1 to 4 items work best.</li> <li>• Load fewer items. Load similar-type items.</li> <li>• Take out the items immediately after drying is complete.</li> </ul>
Water drips from the nozzle when the Steam cycles starts.	<ul style="list-style-type: none"> <li>• This is steam condensation. The dripping water will stop after a short time.</li> </ul>
Sprayed water is not visible during Steam cycles.	<ul style="list-style-type: none"> <li>• Sprayed water is difficult to see when the door is closed.</li> </ul>
Extended time.	<ul style="list-style-type: none"> <li>• Sensor Dry automatically senses the moisture in the load and shuts the dryer off when the selected dryness level is reached. The drying time can change according to the type and amount of laundry. See the cycle chart for reference.</li> </ul>

If a problem persists, contact a local Samsung service center.

# Troubleshooting

## Samsung Smart Home

Problem	Action
I could not find “Samsung Smart Home” in the app market.	<ul style="list-style-type: none"> <li>The Samsung Smart Home app is available for smartphones that run Android 4.0 (ICS) or higher, or iOS 7.0 or higher.</li> </ul>
The Samsung Smart Home app fails to operate.	<ul style="list-style-type: none"> <li>The Samsung Smart Home app is available for applicable models only.</li> <li>The old Samsung Smart Dryer app cannot connect with Samsung Smart Home models.</li> </ul>
The Samsung Smart Home app is installed but is not connected to my dryer.	<ul style="list-style-type: none"> <li>You must log into your Samsung account to use the app.</li> <li>Make sure that your router is operating normally.</li> <li>Make sure that the Smart Home Adapter is inserted properly.</li> <li>If the Smart Control (Smart Monitor) indicator  on the dryer’s display is off, this indicates that no network connection has been established. Use the Samsung Smart Home app to connect and register the dryer with your home network access point (AP).</li> </ul>
Could not log into the app.	<ul style="list-style-type: none"> <li>You must log into your Samsung account to use the app.</li> <li>If you don’t have a Samsung account, follow the app’s onscreen instructions to create one.</li> </ul>
An error message appears when I try to register my dryer.	<ul style="list-style-type: none"> <li>The connection may fail due to the distance from your access point (AP) or electrical interference from the surrounding environment. Wait a moment and try again.</li> </ul>
The Samsung Smart Home app is successfully connected to my dryer but does not run.	<ul style="list-style-type: none"> <li>Exit and restart the Samsung Smart Home app or unplug your router and then reconnect it.</li> <li>Remove the Smart Home Adapter, and reconnect it properly. Then, try again.</li> </ul>



## Information codes

If the dryer fails to operate, you may see an information code on the display panel. To determine what you should do, check the list of codes in the table below, and then try the suggested actions.

Code	Action
DC	Operating the dryer with the door open. <ul style="list-style-type: none"> <li>• Make sure the door is properly closed.</li> <li>• Make sure laundry is not caught in the door.</li> </ul>
FC	Invalid power source frequency <ul style="list-style-type: none"> <li>• Try restarting the cycle.</li> <li>• If this information code remains, contact a Samsung service center.</li> </ul>
AC	Electronic control problem (Invalid Communication). <ul style="list-style-type: none"> <li>• Contact a Samsung service center.</li> </ul>
HC	High temperature heating check <ul style="list-style-type: none"> <li>• Clean the lint filter.</li> <li>• If this information code remains, contact a Samsung service center.</li> </ul>
9C1	The electronic control needs to be checked. <ul style="list-style-type: none"> <li>• Check if power is supplied properly.</li> <li>• If the information code remains, contact a Samsung service center.</li> </ul>
tC	The Thermistor1 resistance is very low or high. <ul style="list-style-type: none"> <li>• Check for a clogged lint screen</li> <li>• Check if the vent system is restricted.</li> <li>• If this information code remains, contact a Samsung service center.</li> </ul>
tC5	The Thermistor2 resistance is very low or high. <ul style="list-style-type: none"> <li>• Check for a clogged lint screen.</li> <li>• Check if the vent system is restricted.</li> <li>• If this information code remains, contact a Samsung service center.</li> </ul>
dF	Incorrect door switch. <ul style="list-style-type: none"> <li>• Contact a Samsung service center.</li> </ul>



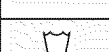

If any information code keeps appearing on the screen, contact a Samsung service center.

# Specifications



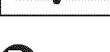
## Fabric care chart

The following symbols provide garment care direction. The clothing care labels include symbols for drying, bleaching, ironing, and dry cleaning. The use of symbols ensures consistency among garment manufacturers of domestic and imported items. Follow care label directions to optimize garment life and reduce laundering problems.

### Wash cycle

	Normal
	Permanent press / Wrinkle resistant / Wrinkle control
	Gentle / Delicates
	Hand wash



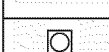
### Water temperature

	Hot
	Warm
	Cold



### NOTE

The Water Temperature table lists appropriate wash water temperatures for various items. The temperature range is 106 - 126 °F (41 - 52 °C) for Hot, 84 - 106 °F (29 - 41 °C) for Warm, and 61 - 84 °F (16 - 29 °C) for Cold. (Wash water temperature must be a minimum of 61 °F (16 °C) for detergent activation and effective cleaning.)


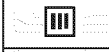
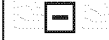
### Bleach

	Any bleach (when needed)
	Only non-chlorine (color-safe) bleach (when needed)
	Tumble dry






### Normal

	Permanent press / Wrinkle resistant / Wrinkle control
	Gentle / Delicates




### Special instructions

	Line dry / Hang to dry
	Drip dry
	Dry flat


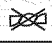




### Heat setting

	High
	Medium
	Low
	Any heat
	No heat / Air






### Iron dry or steam temperatures

	High
	Medium
	Low

### Warning symbols for laundering

	Do not wash
	Do not wring
	Do not bleach
	Do not tumble dry
	No steam (added to iron)
	Do not iron

### Dry-clean

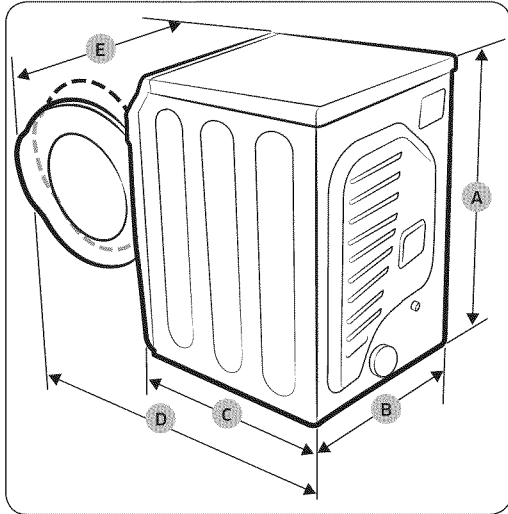
	Dry-clean
	Do not dry-clean
	Line dry / Hang to dry
	Drip dry
	Dry flat

### Protecting the environment

This appliance is manufactured from recyclable materials. If you decide to dispose of this appliance, please observe local waste disposal regulations. Cut off the power cord so that the appliance cannot be connected to a power source. Remove the door so that animals and small children cannot get trapped inside the appliance.

# Specifications

## Specification sheet



### NOTE

"A. Height" Spec can vary from 42.4 to 43.3 inches (107.7 - 108.9 cm) depending on the leveling feet adjustments.

Type		Front loading dryer		
		DV50K7500E(G)*	DV45K6500E(G)*, DV45K6200E(G)*	
Dimensions	A. Height	Product - inches (cm)	38.7 (98.4)	
		Required for Installation - inches	40.7	
	B. Width	Product - inches (cm)	27.0 (68.6)	
		Required for Installation - inches	29.0	
	C. Depth	Product - inches (cm)	32.6 (82.8)	32.4 (82.3)
		Required for Installation - inches	37.6	
	D. Depth with door open 90°	Product - inches (cm)	53.1 (135.0)	53 (134.5)
		Required for Installation - inches	58	
	E. Width with door open 110°	Product - inches (cm)	39.4 (100)	
		Required for Installation - inches	44.6	
Water pressure - psl (kPa)		20 - 116 (137 - 800)		
Weight	lb (kg)	125.6 (57)		
Heater rating	Electric (W)	5300		
	Gas (BTU/hr)	22000		

## Cycle chart

### NOTE

For best results, follow the load size recommendations for each dry cycle.

- Large load: Fill the drum to about  $\frac{3}{4}$  full. Do not add items over this level as they need to tumble freely.
- ◐ Medium load : Fill the drum to about  $\frac{1}{2}$  full.
- Small load : Fill the drum with 3-5 items, not more than  $\frac{1}{4}$  full.

Cycle	Recommended items	Load size	Dry Level
ECO NORMAL (DV45K6500E(G)*, DV50K7500E(G)*)	Cottons, work clothes, linens	◐	Normal Dry (Adjustable)
NORMAL	Cottons, work clothes, linens, mixed loads	●	Normal Dry (Adjustable)
HEAVY DUTY	Heavy Fabrics such as jeans, corduroys, heavy work clothes	●	Normal Dry (Adjustable)
BEDDING	Bulky items such as blankets, sheets, comforters, pillows	◐	Normal Dry (Adjustable)
PERM PRESS	Shirts, synthetic fabrics, knits, wrinkle-free cottons, permanent press	◐	Normal Dry (Adjustable)
WOOL (DV45K6500E(G)*, DV50K7500E(G)*)	For machine washable and tumble dryable wool only (Maximum: 3 lbs)	○	Normal Dry (Not adjustable)
DELICATES	Underwear, blouses, lingerie	◐	Normal Dry (Adjustable)
ACTIVE WEAR	Water-repellent wear, performance clothes, sports wear (Maximum: 4 lbs)	◐	Normal Dry (Not adjustable)
QUICK DRY	Small loads	◐	-
TIME DRY	Any load	●	-
AIR FLUFF	Foam, rubber, plastic	○	-
REFRESH	Shirts, trousers, comforters, pillows	◐	-
WRINKLE AWAY	Shirts, trouser, blouses	◐	-
STEAM SANITIZE	Bedding, curtains, children's clothing	◐	Very Dry (Not adjustable)

# Specifications

## NOTE

- : factory setting, ●: can be selected

Cycle	Temperature setting					Time setting
	High	Medium	Med Low	Low	Extra Low	
ECO NORMAL (DV45K6500E(G)*, DV50K7500E(G)*)					●	
NORMAL		●				
HEAVY DUTY	●					
BEDDING	●					
PERM PRESS		●				
WOOL (DV45K6500E(G)*, DV50K7500E(G)*)				●		
DELICATES					●	
ACTIVE WEAR		●				
QUICK DRY	●					●
TIME DRY	●	●	●	●	●	●
AIR FLUFF						●
REFRESH	●					
WRINKLE AWAY	●					●
STEAM SANITIZE	●					

Cycle	Options				
	Anti Static	Mixed Load Bell	Wrinkle Prevent	Adjust Time	Eco Dry
ECO NORMAL (DV45K6500E(G)*, DV50K7500E(G)*)		●	●		
NORMAL	●	●	●		●
HEAVY DUTY	●	●	●		
BEDDING		●	●		
PERM PRESS	●	●	●		
WOOL (DV45K6500E(G)*, DV50K7500E(G)*)			●		
DELICATES	●	●	●		
ACTIVE WEAR			●		
QUICK DRY			●	●	
TIME DRY	●		●	●	●
AIR FLUFF			●	●	
REFRESH			●		
WRINKLE AWAY			●	●	
STEAM SANITIZE			●		

# Warranty (U.S.A)

---

## SAMSUNG DRYER

---

### LIMITED WARRANTY TO ORIGINAL PURCHASER

This SAMSUNG brand product, as supplied and distributed by SAMSUNG ELECTRONICS AMERICA, INC. (SAMSUNG) and delivered new, in the original carton to the original consumer purchaser, is warranted by SAMSUNG against manufacturing defects in materials and workmanship for a limited warranty period of:

- One (1) Year All Parts and Labor

This limited warranty begins on the original date of purchase, and is valid only on products purchased and used in the United States.

To receive warranty service, the purchaser must contact SAMSUNG for problem determination and service procedures.

Warranty service can only be performed by a SAMSUNG authorized service center.

The original dated bill of sale must be presented upon request as proof of purchase to SAMSUNG or SAMSUNG's authorized service center.

SAMSUNG will provide in-home service during the warranty period at no charge, subject to availability within the contiguous United States.

In-home service is not available in all areas.

To receive in-home service, product must be unobstructed and accessible to the service agent.

If service is not available, SAMSUNG may elect to provide transportation of the product to and from an authorized service center.

SAMSUNG will repair, replace, or refund this product at our option and at no charge as stipulated herein, with new or reconditioned parts or products if found to be defective during the limited warranty period specified above.

All replaced parts and products become the property of SAMSUNG and must be returned to SAMSUNG.

Replacement parts and products assume the remaining original warranty, or ninety (90) days, whichever is longer.



---

This limited warranty covers manufacturing defects in materials and workmanship encountered in normal, noncommercial use of this product and shall not apply to the following: damage that occurs in shipment; delivery and installation; applications and uses for which this product was not intended; altered product or serial numbers; cosmetic damage or exterior finish; accidents, abuse, neglect, fire, water, lightning, or other acts of nature or God; use of products, equipment, systems, utilities, services, parts, supplies, accessories, applications, installations, repairs, external wiring or connectors not supplied or authorized by SAMSUNG that damage this product or result in service problems; incorrect electrical line voltage, fluctuations and surges; customer adjustments and failure to follow operating instructions, maintenance and environmental instructions that are covered and prescribed in the instruction book; product removal and reinstallation; problems caused by pest infestations.

This limited warranty does not cover problems resulting from incorrect electric current, voltage or supply, light bulbs, house fuses, house wiring, cost of a service call for instructions, or fixing installation errors.

SAMSUNG does not warrant uninterrupted or error-free operation of the product.

EXCEPT AS SET FORTH HEREIN, THERE ARE NO WARRANTIES ON THIS PRODUCT EITHER EXPRESS OR IMPLIED, AND SAMSUNG DISCLAIMS ALL WARRANTIES INCLUDING, BUT NOT LIMITED TO, ANY IMPLIED WARRANTIES OF MERCHANTABILITY, INFRINGEMENT OR FITNESS FOR A PARTICULAR PURPOSE.

NO WARRANTY OR GUARANTEE GIVEN BY ANY PERSON, FIRM, OR CORPORATION WITH RESPECT TO THIS PRODUCT SHALL BE BINDING ON SAMSUNG.

SAMSUNG SHALL NOT BE LIABLE FOR LOSS OF REVENUE OR PROFITS, FAILURE TO REALIZE SAVINGS OR OTHER BENEFITS, OR ANY OTHER SPECIAL, INCIDENTAL OR CONSEQUENTIAL DAMAGES CAUSED BY THE USE, MISUSE, OR INABILITY TO USE THIS PRODUCT, REGARDLESS OF THE LEGAL THEORY ON WHICH THE CLAIM IS BASED, AND EVEN IF SAMSUNG HAS BEEN ADVISED OF THE POSSIBILITY OF SUCH DAMAGES.

NOR SHALL RECOVERY OF ANY KIND AGAINST SAMSUNG BE GREATER IN AMOUNT THAN THE PURCHASE PRICE OF THE PRODUCT SOLD BY SAMSUNG AND CAUSING THE ALLEGED DAMAGE.

WITHOUT LIMITING THE FOREGOING, PURCHASER ASSUMES ALL RISK AND LIABILITY FOR LOSS, DAMAGE, OR INJURY TO PURCHASER AND PURCHASER'S PROPERTY AND TO OTHERS AND THEIR PROPERTY ARISING OUT OF THE USE, MISUSE, OR INABILITY TO USE THIS PRODUCT.

THIS LIMITED WARRANTY SHALL NOT EXTEND TO ANYONE OTHER THAN THE ORIGINAL PURCHASER OF THIS PRODUCT, IS NONTRANSFERABLE AND STATES YOUR EXCLUSIVE REMEDY.

# Warranty (U.S.A)

---

Some states do not allow limitations on how long an implied warranty lasts, or the exclusion or limitation of incidental or consequential damages, so the above limitations or exclusions may not apply to you. This warranty gives you specific rights, and you may also have other rights, which vary from state to state.

To obtain warranty service, please contact SAMSUNG at:

**Samsung Electronics America, Inc.**

**85 Challenger Road**

**Ridgefield Park, NJ 07660**

**1-800-SAMSUNG (726-7864)**

**[www.samsung.com/us/support](http://www.samsung.com/us/support)**

Visits by a Service Engineer to explain functions, maintenance, or installation is not covered by warranty.

Please contact the Samsung call center at the number above for help with any of these issues.

# Warranty (CANADA)

---

## SAMSUNG DRYER

---

### LIMITED WARRANTY TO ORIGINAL PURCHASER

This SAMSUNG brand product, as supplied and distributed by SAMSUNG ELECTRONICS CANADA, INC. (SAMSUNG) and delivered new, in the original carton to the original consumer purchaser, is warranted by SAMSUNG against manufacturing defects in materials and workmanship for a limited warranty period of:

- One (1) year part and labor

This limited warranty begins on the original date of purchase, and is valid only on products purchased and used in the Canada.

To receive warranty service, the purchaser must contact SAMSUNG for problem determination and service procedures.

Warranty service can only be performed by a SAMSUNG authorized service center.

The original dated bill of sale must be presented upon request as proof of purchase to SAMSUNG or SAMSUNG's authorized service center.

SAMSUNG will provide in-home service during the warranty period at no charge, subject to availability within the Canada.

In-home service is not available in all areas.

To receive in-home service, product must be unobstructed and accessible to the service agent.

If service is not available, SAMSUNG may elect to provide transportation of the product to and from an authorized service center.

SAMSUNG will repair, replace, or refund this product at our option and at no charge as stipulated herein, with new or reconditioned parts or products if found to be defective during the limited warranty period specified above.

All replaced parts and products become the property of SAMSUNG and must be returned to SAMSUNG.

Replacement parts and products assume the remaining original warranty, or ninety (90) days, whichever is longer.

# Warranty (CANADA)

---

This limited warranty covers manufacturing defects in materials and workmanship encountered in normal, noncommercial use of this product and shall not apply to the following: damage that occurs in shipment; delivery and installation; applications and uses for which this product was not intended; altered product or serial numbers; cosmetic damage or exterior finish; accidents, abuse, neglect, fire, water, lightning, or other acts of nature or God; use of products, equipment, systems, utilities, services, parts, supplies, accessories, applications, installations, repairs, external wiring or connectors not supplied or authorized by SAMSUNG that damage this product or result in service problems; incorrect electrical line voltage, fluctuations and surges; customer adjustments and failure to follow operating instructions, maintenance and environmental instructions that are covered and prescribed in the instruction book; product removal and reinstallation; problems caused by pest infestations.

This limited warranty does not cover problems resulting from incorrect electric current, voltage or supply, light bulbs, house fuses, house wiring, cost of a service call for instructions, or fixing installation errors.

SAMSUNG does not warrant uninterrupted or error-free operation of the product.

EXCEPT AS SET FORTH HEREIN, THERE ARE NO WARRANTIES ON THIS PRODUCT EITHER EXPRESS OR IMPLIED, AND SAMSUNG DISCLAIMS ALL WARRANTIES INCLUDING, BUT NOT LIMITED TO, ANY IMPLIED WARRANTIES OF MERCHANTABILITY, INFRINGEMENT OR FITNESS FOR A PARTICULAR PURPOSE.

NO WARRANTY OR GUARANTEE GIVEN BY ANY PERSON, FIRM, OR CORPORATION WITH RESPECT TO THIS PRODUCT SHALL BE BINDING ON SAMSUNG.

SAMSUNG SHALL NOT BE LIABLE FOR LOSS OF REVENUE OR PROFITS, FAILURE TO REALIZE SAVINGS OR OTHER BENEFITS, OR ANY OTHER SPECIAL, INCIDENTAL OR CONSEQUENTIAL DAMAGES CAUSED BY THE USE, MISUSE, OR INABILITY TO USE THIS PRODUCT, REGARDLESS OF THE LEGAL THEORY ON WHICH THE CLAIM IS BASED, AND EVEN IF SAMSUNG HAS BEEN ADVISED OF THE POSSIBILITY OF SUCH DAMAGES.

NOR SHALL RECOVERY OF ANY KIND AGAINST SAMSUNG BE GREATER IN AMOUNT THAN THE PURCHASE PRICE OF THE PRODUCT SOLD BY SAMSUNG AND CAUSING THE ALLEGED DAMAGE.

WITHOUT LIMITING THE FOREGOING, PURCHASER ASSUMES ALL RISK AND LIABILITY FOR LOSS, DAMAGE, OR INJURY TO PURCHASER AND PURCHASER'S PROPERTY AND TO OTHERS AND THEIR PROPERTY ARISING OUT OF THE USE, MISUSE, OR INABILITY TO USE THIS PRODUCT.

THIS LIMITED WARRANTY SHALL NOT EXTEND TO ANYONE OTHER THAN THE ORIGINAL PURCHASER OF THIS PRODUCT, IS NONTRANSFERABLE AND STATES YOUR EXCLUSIVE REMEDY.

---

Some provinces do not allow limitations on how long an implied warranty lasts, or the exclusion or limitation of incidental or consequential damages, so the above limitations or exclusions may not apply to you.

This warranty gives you specific rights, and you may also have other rights, which vary from province to province.

To obtain warranty service, please contact SAMSUNG at:

**Samsung Electronics Canada Inc.**

2050 Derry Road West,

Mississauga, Ontario L5N 0B9 Canada

1-800-SAMSUNG (726-7864)

[www.samsung.com/ca/support](http://www.samsung.com/ca/support) (English)

[www.samsung.com/ca\\_fr/support](http://www.samsung.com/ca_fr/support) (French)

Visits by a Service Engineer to explain functions, maintenance, or installation is not covered by warranty.

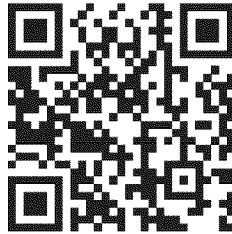
Please contact the Samsung call center at the number above for help with any of these issues.

# Memo

---

# Memo

---



Scan the QR code\* or visit  
[www.samsung.com/spsn](http://www.samsung.com/spsn)  
to view our helpful  
How-to Videos and Live Shows

\*Requires reader to be installed on your smartphone

Scan this with your smartphone

## QUESTIONS OR COMMENTS?

COUNTRY	CALL	OR VISIT US ONLINE AT
U.S.A	1-800-SAMSUNG (726-7864)	<a href="http://www.samsung.com/us/support">www.samsung.com/us/support</a>
CANADA	1-800-SAMSUNG (726-7864)	<a href="http://www.samsung.com/ca/support">www.samsung.com/ca/support</a> (English) <a href="http://www.samsung.com/ca_fr/support">www.samsung.com/ca_fr/support</a> (French)



DC68-03381C-02



# Secadora

---

## Manual del usuario

DV50K7500E(G)\*, DV45K6500E(G)\*, DV45K6200E(G)\*

---

**SAMSUNG**

# Contenido

---

<b>Información sobre seguridad</b>	<b>4</b>
Lo que necesita saber sobre las instrucciones de seguridad	4
Símbolos de seguridad importantes	4
Precauciones de seguridad importantes	6
Advertencias	8
Precauciones	8
<b>Requisitos de instalación</b>	<b>10</b>
Requisitos de instalación importantes	10
Consideraciones acerca de la ubicación	10
Instalaciones del electrodoméstico en un gabinete o en un hueco	11
Requisitos para el tendido de conductos	14
Requisitos de drenaje	15
Requisitos en cuanto al gas	16
Requisitos eléctricos	17
<b>Instalación</b>	<b>19</b>
Componentes	19
Instalación paso a paso	21
Prueba de bloqueo de la ventilación	31
Guía de los conductos de drenaje	32
Inversión de la puerta	33
<b>Antes de comenzar</b>	<b>36</b>
Clasificación y carga	36
Requisito de funcionamiento	36
Secado en estante (únicamente para los modelos aplicables)	37
<b>Funcionamiento</b>	<b>39</b>
Panel de funciones	39
Sencillos pasos para comenzar	44
Descripción de los ciclos	45
Guía de secado	47
Funciones especiales	49
Samsung Smart Home (únicamente para los modelos aplicables)	51

---

<b>Mantenimiento</b>	<b>56</b>
Sensor de ventilación	56
Limpieza	57
<b>Solución de problemas</b>	<b>58</b>
Verificaciones	58
Samsung Smart Home	61
Códigos de información	62
<b>Especificaciones</b>	<b>63</b>
Tabla de indicaciones sobre telas	63
Protección del medio ambiente	64
Hoja de especificaciones	65
Tabla de ciclos	66

# Información sobre seguridad

Felicitaciones por la compra de la nueva secadora Samsung. Este manual contiene información importante acerca de la instalación, el uso y el cuidado del electrodoméstico. Lea detenidamente estas instrucciones a fin de aprovechar al máximo los múltiples beneficios y funciones de la secadora.

## Lo que necesita saber sobre las instrucciones de seguridad

Lea este manual detenidamente para aprender a utilizar con seguridad y eficacia todas las características y funciones de su nuevo electrodoméstico. Conserve el manual en un lugar seguro cerca del electrodoméstico para consultas futuras. Utilice este electrodoméstico solo para el propósito para el que fue destinado como se describe en este manual.

Las advertencias y las instrucciones de seguridad importantes de este manual no cubren todas las posibles condiciones y situaciones que pueden ocurrir. Es su responsabilidad actuar con sentido común, precaución y cuidado cuando instale, realice el mantenimiento y ponga en funcionamiento la secadora. Puesto que las siguientes instrucciones de funcionamiento sirven para varios modelos, las características de su secadora pueden diferir ligeramente de las que se describen en este manual y es posible que no todos los signos de advertencia sean aplicables. Si tiene alguna consulta o duda, comuníquese con el centro de servicio más cercano o busque ayuda e información en línea en [www.samsung.com](http://www.samsung.com).

## Símbolos de seguridad importantes

Los íconos y las señales incluidas en este manual del usuario significan lo siguiente:

### **ADVERTENCIA**

Peligros o prácticas inseguras que podrían causar lesiones físicas graves o la muerte y/o daños materiales.

### **PRECAUCIÓN**

Peligros o prácticas inseguras que podrían causar lesiones físicas y/o daños materiales.

### **NOTA**

Indica que existe el riesgo de lesiones físicas o daños materiales.

# CONSERVE ESTAS INSTRUCCIONES

Estas señales de advertencia están aquí para evitar que usted u otras personas sufran lesiones. Siga las instrucciones completamente.

Después de leer este manual, guárdelo en un lugar seguro para consultas futuras.

Lea todas las instrucciones antes de usar el electrodoméstico.

Al igual que con cualquier equipo que usa electricidad y piezas movibles, existen riesgos potenciales. Para usar este electrodoméstico en forma segura, familiarícese con su funcionamiento y manéjelo con cuidado cuando lo use.

**⚠ ADVERTENCIA - Aparatos a gas:**

- Advertencia sobre la State of California Proposition 65 (solo EE.UU.)  
Este producto contiene productos químicos reconocidos en el estado de California como capaces de provocar cáncer y defectos de nacimiento u otras afecciones reproductivas.
- Los aparatos a gas pueden provocar una ligera exposición a alguna de las sustancias de la lista de la disposición 65, incluidos, entre otros, benceno, monóxido de carbono, formaldehído y hollín, causada por la posible combustión incompleta de gas natural o combustibles PL.

**⚠ ADVERTENCIA - Riesgo de incendio**

- La instalación de la secadora de ropa debe estar a cargo de un instalador calificado.
- Instale la secadora de ropa según las instrucciones del fabricante y los códigos locales.
- No instale una secadora de ropa con materiales para ventilación de plástico flexible. Si se instala un conducto de metal flexible (tipo lámina metálica), debe ser de un tipo específico identificado por el fabricante del electrodoméstico como adecuado para utilizar con secadoras de ropa. Los materiales para ventilación flexibles suelen hundirse, aplastarse fácilmente y atrapar pelusa. Estas condiciones obstruirán el flujo de aire de la secadora de ropa y aumentarán el riesgo de incendio.
- Para reducir el riesgo de lesiones graves o muerte, siga todas las instrucciones de instalación.
- Guarde estas instrucciones.

**CONSERVE ESTAS INSTRUCCIONES**

# Información sobre seguridad

## Precauciones de seguridad importantes

### ADVERTENCIA

Para reducir el riesgo de incendio, descarga eléctrica o lesiones físicas cuando usa este electrodoméstico, siga las instrucciones de seguridad básicas que figuran a continuación:

1. Lea todas las instrucciones antes de usar este electrodoméstico.
2. No seque prendas que han sido previamente limpiadas, lavadas, remojadas o salpicadas con gasolina, solventes de limpieza en seco u otras sustancias inflamables o explosivas, ya que emiten vapores que pueden incendiarse o explotar.
3. No utilice la secadora para secar ropa que tenga restos de sustancias inflamables, como aceites vegetales, de cocción o de máquina, productos químicos inflamables, disolventes de pinturas, etc., o que contengan cera o productos químicos, como trapeadores y paños de limpieza. Las sustancias inflamables pueden ocasionar que la tela se incendie.
4. No almacene ni utilice gasolina u otros vapores o líquidos inflamables cerca de este o cualquier otro aparato eléctrico.
5. No permita que los niños jueguen sobre el electrodoméstico ni dentro de él. Se requiere de supervisión cuando el electrodoméstico es utilizado cerca de los niños.
6. Antes de descartar el electrodoméstico o de retirarlo de servicio, extraiga la puerta del compartimiento de secado.
7. No introduzca la mano en el electrodoméstico si el tambor está en movimiento.
8. No instale ni almacene este electrodoméstico donde quede expuesto a los factores climáticos.
9. No modifique los controles internos.
10. No repare, reemplace ni intente realizar el mantenimiento de cualquier pieza del electrodoméstico salvo que esté recomendado específicamente en las instrucciones de mantenimiento del usuario o en las instrucciones de reparación para el usuario publicadas y que, a su juicio, usted tenga la habilidad para llevarlas a cabo.
11. No utilice suavizante de telas o productos para eliminar la estática a menos que el fabricante del suavizante o del producto lo recomiende.
12. Limpie el filtro para pelusas antes o después de cada carga.
13. No aplique calor para secar prendas que contengan goma espuma o materiales semejantes a la goma con textura similar.
14. Mantenga el área alrededor de la salida del drenaje y las áreas adyacentes libres de la acumulación de pelusa, polvo y suciedad.
15. El personal técnico calificado debe efectuar una limpieza periódica del interior del electrodoméstico y del conducto de drenaje.

## CONSERVE ESTAS INSTRUCCIONES

16. No coloque elementos expuestos a aceites de cocina en la secadora. Los elementos contaminados con aceites de cocina pueden contribuir a que se produzca una reacción química que ocasione que la carga de ropa se incendie.
17. Este electrodoméstico debe conectarse a tierra. Consulte "Requisitos eléctricos" y "Conexión a tierra" en la sección "Instalación".
18. No permita que los niños jueguen sobre el electrodoméstico ni dentro de él. Se requiere de supervisión cuando el electrodoméstico es utilizado cerca de los niños.
19. No introduzca las manos bajo la secadora.
  - Puede provocar lesiones físicas.
20. Al cerrar la puerta tenga cuidado de no atrapar los dedos de los niños.
  - Puede provocar lesiones físicas.
21. El panel de control y la válvula de entrada no están conectados a tierra intencionalmente y pueden presentar riesgo de descarga eléctrica únicamente durante el servicio técnico.
  - No toque estas partes mientras el electrodoméstico está recibiendo electricidad.

**⚠ ADVERTENCIA - Para reducir el riesgo de incendio o explosión:**

- No seque prendas que hayan sido previamente limpiadas, lavadas, remojadas o salpicadas con gasolina, solventes de limpieza en seco u otras sustancias inflamables o explosivas. Emiten vapores que pueden incendiarse o explotar. No se debe colocar en la secadora ningún material que haya estado en contacto con un solvente de limpieza o con líquidos o sólidos inflamables hasta que se haya eliminado todo vestigio de tales líquidos o sólidos inflamables y sus vapores. Existen muchos artículos altamente inflamables en los hogares, tales como acetona, alcohol desnaturalizado, gasolina, kerosene, algunos limpiadores líquidos de uso doméstico, algunos quitamanchas, aguarrás, ceras y removedores de cera.
- No se deben secar artículos que contengan goma espuma (puede estar catalogada como espuma de látex) o materiales semejantes a la goma y con textura similar en la opción de secado con calor. Los materiales de goma espuma que reciben calor pueden, en ciertas circunstancias, encenderse en forma espontánea.

**CONSERVE ESTAS INSTRUCCIONES**

# Información sobre seguridad

## **ADVERTENCIA - Qué hacer si percibe olor a gas:**

- No intente encender ningún electrodoméstico.
- No encienda el electrodoméstico.
- No toque ningún interruptor eléctrico.
- No utilice ningún teléfono de su edificio.
- Haga que todos los ocupantes se retiren del cuarto, edificio o área.
- Comuníquese inmediatamente con el proveedor de gas desde el teléfono de un vecino. Siga las instrucciones del proveedor de gas.
- Si no se puede comunicar con el proveedor de gas, llame al departamento de bomberos.
- La instalación y el servicio técnico deberán estar a cargo de un instalador calificado, una agencia de reparaciones o el proveedor de gas.

## Advertencias

### **ADVERTENCIA**

- Asegúrese de que los bolsillos no contengan objetos pequeños, sólidos y de forma irregular, material extraño, etc., por ejemplo: monedas, cuchillos, alfileres, etc. Tales objetos podrían dañar la secadora.
- Se pueden producir pérdidas de gas en su sistema que generen una situación peligrosa.

## Precauciones

### **PRECAUCIÓN**

- No permita que los niños o las mascotas jueguen sobre el electrodoméstico, dentro de él o frente a él. Se requiere de supervisión cuando el electrodoméstico es utilizado cerca de niños y mascotas.
- Antes de eliminar la secadora o de retirarla de servicio, quite la puerta del compartimento de secado para evitar que los niños o las mascotas queden atrapados dentro de la secadora.
- No introduzca la mano en el electrodoméstico cuando el tambor esté en movimiento.
- No instale ni almacene este electrodoméstico donde quede expuesto a los factores climáticos.
- No modifique los controles.
- No repare ni reemplace ni intente realizar el mantenimiento de ninguna pieza del electrodoméstico salvo que esté indicado específicamente en las instrucciones de reparación para el usuario y que comprenda y tenga la habilidad para llevar a cabo el procedimiento.

# CONSERVE ESTAS INSTRUCCIONES



- No utilice suavizante de telas o productos para eliminar la estática a menos que el suavizante o producto esté recomendado para uso con la secadora por el fabricante del mismo.
- Limpie el filtro para pelusas antes o después de cada carga.
- Mantenga el área alrededor de la salida del drenaje y las áreas circundantes libres de pelusa, polvo y suciedad.
- El personal técnico calificado debe efectuar una limpieza periódica del interior de la secadora y del conducto de drenaje.
- Este electrodoméstico debe conectarse a tierra correctamente. Nunca enchufe el cable de alimentación a un receptáculo que no esté conectado a tierra correctamente y que no guarde conformidad con los códigos locales y nacionales. Consulte las instrucciones de instalación para obtener información sobre cómo conectar este electrodoméstico a tierra.
- No se siente encima de la secadora.
- No seque ropa que contenga hebillas grandes, botones u otros objetos de metal pesado o sólido.
- Las pérdidas de gas pueden no ser detectadas únicamente por el olor.
- Los proveedores de gas recomiendan que compre e instale un detector de gas aprobado por UL.
- Instale y utilice de acuerdo con las instrucciones del fabricante.
- No coloque prendas en la secadora que hayan sido salpicadas o remojadas con aceite vegetal o aceite de cocina. Incluso después del lavado, estas prendas pueden contener una cantidad importante de dichos aceites.
- El aceite residual en las prendas puede incendiarse en forma espontánea. La posibilidad de combustión espontánea aumenta cuando las prendas que contienen aceite vegetal o aceite de cocina son expuestas al calor. Las fuentes de calor, tales como la secadora, pueden calentar estas prendas y permitir que se produzca la oxidación del aceite a modo de reacción. La oxidación genera calor. Si dicho calor no tiene forma de salir, las prendas pueden calentarse lo suficiente como para incendiarse. Amontonar, apilar o guardar este tipo de prendas puede impedir que el calor escape y puede generar un peligro de incendio.
- Todas las prendas limpias y sucias que contengan aceite vegetal o aceite de cocina pueden resultar peligrosas.

Lavar dichas prendas en agua caliente con una dosis adicional de detergente reducirá el peligro, aunque no lo eliminará. Siempre use el ciclo Cool Down (Enfriamiento) para estas prendas a fin de reducir la temperatura. Nunca retire estas prendas cuando la secadora esté caliente ni interrumpa el ciclo de secado hasta que las prendas hayan pasado por el ciclo Cool Down (Enfriamiento). Nunca amontone o apile estas prendas cuando estén calientes.

## CONSERVE ESTAS INSTRUCCIONES

# Requisitos de instalación

Lea atentamente las siguientes instrucciones antes de instalar la secadora y conserve este manual para futuras consultas.

## ADVERTENCIA

El panel de control y la válvula de entrada no están conectados a tierra intencionalmente y pueden presentar riesgo de descarga eléctrica únicamente durante el servicio técnico.

Personal del servicio técnico - No toque estas partes mientras el electrodoméstico está recibiendo electricidad.

## Requisitos de instalación importantes

- Un tomacorriente con conexión a tierra.
- Un cable de alimentación para las secadoras eléctricas (excepto en Canadá).
- Conductos de gas (para modelos a gas) que deben cumplir con la normativa local y nacional.
- Un sistema de drenaje de metal rígido o flexible con un recubrimiento de metal resistente.

## ADVERTENCIA

Retire la puerta de todos los electrodomésticos desechados para evitar que un niño se asfixie.

## Consideraciones acerca de la ubicación

La secadora debe estar ubicada donde haya suficiente espacio adelante para cargarla y suficiente espacio atrás para el sistema de drenaje. Esta secadora viene preparada de fábrica con la opción de drenaje posterior. Para que drene por la parte inferior, hacia la derecha o izquierda, utilice el kit de drenaje accesorio. El kit viene acompañado de instrucciones. Asegúrese de que en el cuarto circule suficiente aire fresco. La secadora debe estar ubicada donde el aire pueda fluir sin obstrucciones. Para las secadoras a gas, se debe mantener el espacio libre suficiente tal como figura en la placa de información para garantizar que haya aire suficiente para la combustión y el funcionamiento adecuado de la secadora.

No se debe instalar o guardar la secadora en un área donde quede expuesta al agua y/o a los factores climáticos. El área de la secadora debe mantenerse libre de materiales combustibles, gasolina y otros vapores y líquidos inflamables. Una secadora produce pelusa combustible. No debe haber pelusas en el área circundante de la secadora.

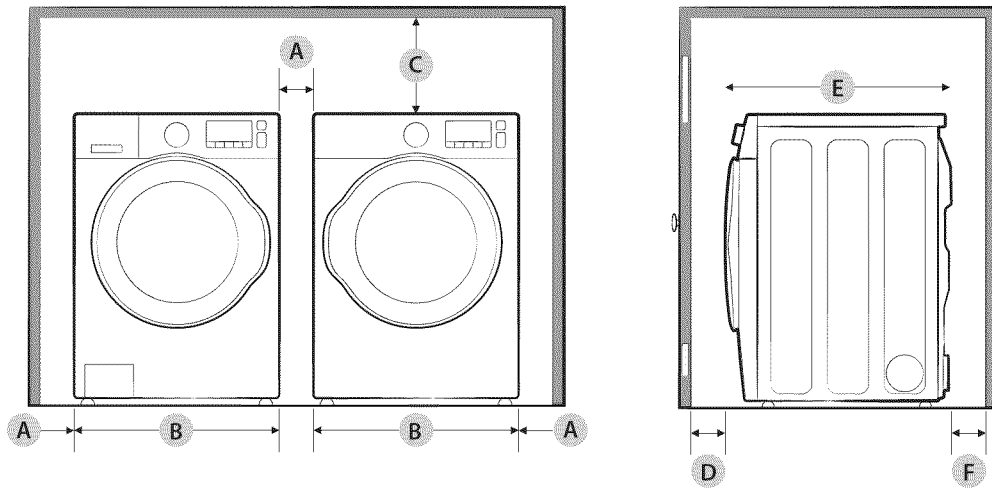
## Instalaciones del electrodoméstico en un gabinete o en un hueco

### ⚠ ADVERTENCIA

- La secadora debe tener un drenaje con salida hacia el exterior para reducir el riesgo de incendio cuando se instala en un gabinete o en un hueco.
- No se debe instalar ningún otro electrodoméstico que queme combustible en el mismo gabinete de la secadora.

Espacios libres mínimos entre la secadora y las paredes adyacentes u otras superficies:

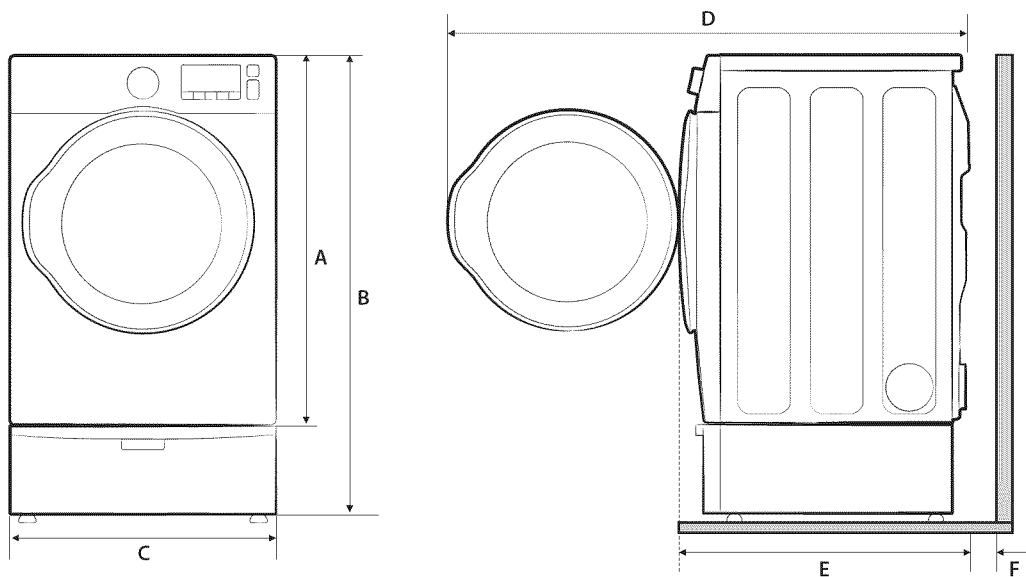
Laterales	1 in. (25 mm)	Posterior	5.9 in. (150 mm)
Arriba	17 in. (432 mm)	Frente del gabinete	2 in. (51 mm)



<b>A</b>	1 in. (25 mm)	<b>D</b>	2 in. (50 mm)
<b>B</b>	27 in. (686 mm)	<b>E</b>	32.6 in. (828 mm) - DV50K7500* 32.4 in. (823 mm) - DV45K6500*, 6200*
<b>C</b>	17 in. (432 mm)	<b>F</b>	5 in. (127 mm)

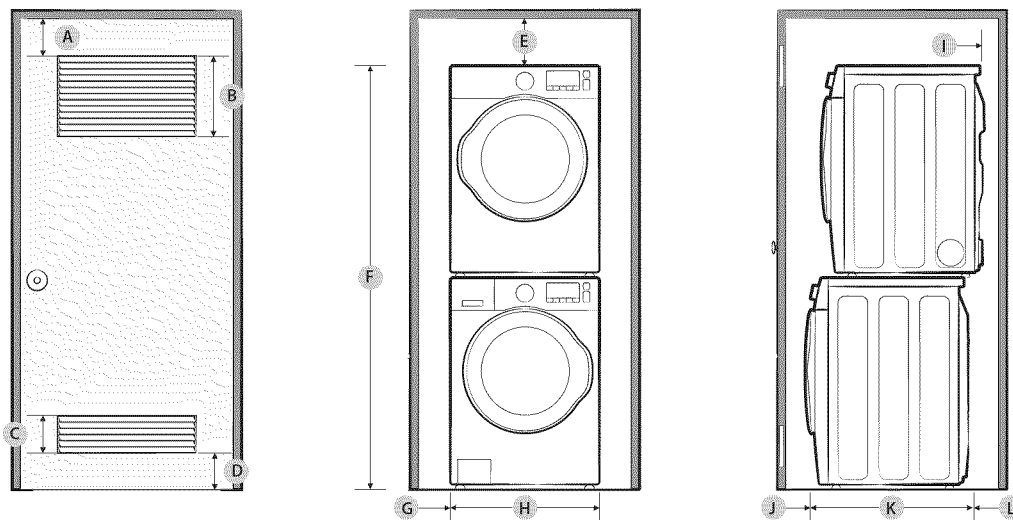
# Requisitos de instalación

## Instalación con pedestal



<b>A</b>	38.7 in. (984 mm)	<b>D</b>	53.1 in. (1350 mm) - DV50K7500* 53 in. (1345 mm) - DV45K6500*, 6200* para poder abrir la puerta
<b>B</b>	53.3 in. (1355 mm)	<b>E</b>	32.6 in. (828 mm) - DV50K7500* 32.4 in. (823 mm) - DV45K6500*, 6200*
<b>C</b>	27 in. (686 mm)	<b>F</b>	5 in. (127 mm)

## Instalación apilada de la lavadora y la secadora



<b>A</b>	3 in. (76 mm)	<b>G</b>	1 in. (25 mm)
<b>B</b>	48 in <sup>2</sup> . (3100 mm <sup>2</sup> )	<b>H</b>	27 in. (686 mm)
<b>C</b>	24 in <sup>2</sup> . (1550 mm <sup>2</sup> )	<b>I</b>	5 in. (127 mm)
<b>D</b>	3 in. (76 mm)	<b>J</b>	3 in. (76 mm)
<b>E</b>	6 in. (152 mm)	<b>K</b>	34.2 in. (869 mm)
<b>F</b>	78.5 in. (1994 mm)	<b>L</b>	8 in. (203 mm)

### NOTA

El frente del gabinete debe contar con dos aberturas sin obstrucciones para que ingrese el aire (**B, C**), para ocupar un área total combinada mínima de 72 in<sup>2</sup> (465 cm<sup>2</sup>), con 3 in. (7.6 cm) de abertura mínima en la parte superior (**A**) y en la parte inferior (**D**).

El codo del drenaje externo requiere espacio adicional (**L**).

### NOTA

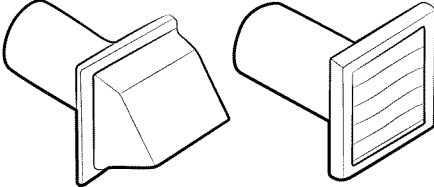
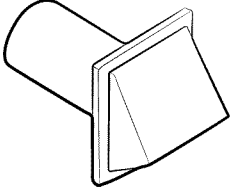
#### Apilamiento (MODELO N.º: SKK-7A)

La lavadora y la secadora de Samsung pueden apilarse para maximizar el espacio aprovechable.

Deben retirarse las patas de la secadora para apilar la lavadora y la secadora. Puede adquirir un kit de apilamiento opcional en su comercio minorista de productos Samsung.

# Requisitos de instalación

## Requisitos para el tendido de conductos

	Recomendado		Utilice solo para instalación de distancia corta	
Tipo tapa para intemperie	 4" (10.2 cm)		 2.5" (6.4 cm)	
Nº de codos de 90°	Rígido	Metálico flexible*	Rígido	Metálico flexible*
0	80 ft (24.4 m)	41 ft (12.4 m)	74 ft (22.6 m)	33 ft (10.1 m)
1	68 ft (20.7 m)	37 ft (11.2 m)	62 ft (18.9 m)	29 ft (8.8 m)
2	57 ft (17.4 m)	33 ft (10.1 m)	51 ft (15.5 m)	25 ft (7.6 m)
3	47 ft (14.3 m)	29 ft (8.8 m)	41 ft (12.5 m)	21 ft (6.5 m)

### NOTA

\* Utilice un conducto de acero galvanizado o de aluminio, de 4 pulgadas (10.2 cm) de diámetro.

### Si integrará el sistema de ventilación de la secadora con un sistema de drenaje existente:

- Asegúrese de que el sistema de drenaje cumpla con todas las normativas locales, estatales y nacionales.
- Verifique que no esté usando un conducto flexible de plástico.
- Asegúrese de controlar y eliminar toda la pelusa acumulada del interior de los conductos existentes.
- Confirme que el conducto no esté enroscado o aplastado.
- Asegúrese de que el regulador de tiro de la tapa del drenaje se abra y se cierre sin inconvenientes.

### Mediciones del manómetro

La presión estática de cualquier sistema de drenaje no debe superar las 0.83 pulgadas de la columna de agua ni ser inferior a 0. Tenga en cuenta que estos valores se miden con la secadora en funcionamiento con un manómetro en el conducto que conecta al drenaje de la secadora. El tambor de la secadora debe estar vacío y el filtro para pelusas limpio.

## Requisitos de drenaje

La secadora no debe drenarse hacia una chimenea, pared, techo, altillo, sótano de pequeña altura o espacio oculto de un edificio. Si la secadora tiene un drenaje con salida hacia el exterior se evitará que ingrese una gran cantidad de pelusa y humedad a la habitación.

### En Estados Unidos y Canadá

- Todas las secadoras deben tener un drenaje con salida hacia el exterior.
- El conducto de drenaje requerido tiene 4 pulgadas (10.2 cm) de diámetro.
- Consulte "Requisitos para el tendido de conductos" en la sección "Instalación" para conocer la longitud máxima del conducto y el número de codos que pueden utilizarse.
- La longitud total del conducto flexible metálico no debe superar los 7' 10½" (2.4 m).
- No fije el conducto con tornillos u otros medios de sujeción que se extiendan dentro del conducto y atrapen pelusa.
- **Únicamente para Estados Unidos:** Utilice solo los conductos flexibles tipo lámina metálica, si los hubiera, identificados específicamente para su utilización con el electrodoméstico por el fabricante y que cumplan con el Esquema para conductos de transición de secadora de ropa. Use el Tema 2158A.

### Fuera de Estados Unidos y Canadá

- Remítase a los códigos locales.

#### ADVERTENCIA

- Debe colocar en la secadora un drenaje con salida hacia el exterior para reducir el riesgo de incendio cuando instala la secadora en un gabinete o en un hueco.
- No utilice conductos flexibles de plástico o de un material que no sea el metal.
- Si su red de conductos existente es de plástico, de un material no metálico o que sea inflamable, reemplácela por una que sea de metal.
- Utilice únicamente un conducto de drenaje de metal que no sea inflamable para asegurar la contención del aire expulsado, el calor y la pelusa.

# Requisitos de instalación

## Requisitos en cuanto al gas

### **ADVERTENCIA**

- Utilice únicamente gas natural o gas LP (gas licuado de propano).
- LA INSTALACIÓN DEBE REALIZARSE DE CONFORMIDAD CON LOS CÓDIGOS LOCALES O, EN AUSENCIA DE ELLOS, CON EL CÓDIGO NACIONAL PARA GAS Y COMBUSTIBLES ANSI/ Z223.1, LA REVISIÓN MÁS RECIENTE (PARA ESTADOS UNIDOS) O CON LOS CÓDIGOS DE INSTALACIÓN CAN/CGA-B149 (PARA CANADÁ).
- Las secadoras a gas están equipadas con un orificio para el quemador de modo que puedan ser utilizadas con gas natural. Si tiene pensado utilizar su secadora con gas LP (gas licuado de propano), deberá efectuarse la conversión para lograr un funcionamiento adecuado y seguro, tarea que deberá estar a cargo de un técnico calificado.
- Se recomienda usar un conducto de suministro de gas de 1/2" (1.27 cm) y el mismo debe reducirse para la conexión con el conducto de gas de 3/8" (1 cm) de su secadora. El Código Nacional para Gas y Combustibles exige que se instale una válvula manual de cierre del gas, aprobada y de fácil acceso, dentro de las 6" de distancia de la secadora.
- Las secadoras a gas instaladas en garajes residenciales deben estar elevadas a 18 pulgadas (46 cm) del piso.
- Además, se debe instalar una conexión roscada macho N.P.T. (rosca nacional para tubos) de 1/8" (0.3 cm), accesible para la conexión del medidor de prueba, inmediatamente contra corriente de la conexión del suministro de gas de la secadora.
- Su secadora debe estar desconectada del sistema de suministro de gas durante las pruebas de presión del sistema.

- No vuelva a utilizar los viejos conductos de gas de metal flexible. El diseño del conducto de gas flexible debe estar certificado por la Asociación Americana del Gas (CGA en Canadá).

### **NOTA**

- La secadora utiliza un sistema de encendido automático para encender el quemador. No existe un piloto que permanezca constantemente encendido.
- Todo compuesto de unión de tuberías utilizado debe ser resistente a la acción del gas licuado de petróleo.
- A modo de cortesía, la mayoría de las empresas locales de gas inspeccionarán la instalación del artefacto a gas.

### **Instrucciones de instalación de la comunidad de Massachusetts**

La instalación de la secadora deberá estar a cargo de un plomero o un gasista matriculado. Se deberá instalar una válvula de gas manual con una manija en forma de "T" en el conducto de suministro de gas de la secadora. Si se utiliza un conector de gas flexible para instalar la secadora, el conector debe tener una longitud máxima de 3' (36").

### **ADVERTENCIA**

- Se pueden producir pérdidas de gas en su sistema y ocasionar una situación peligrosa.
- Las pérdidas de gas pueden no ser detectadas únicamente por el olor.
- Los proveedores de gas recomiendan que compre e instale un detector de gas aprobado por UL.
- Instale y utilice de acuerdo con las instrucciones del fabricante.



## Requisitos eléctricos

El diagrama del cableado se encuentra en la placa debajo del panel de control o en el armazón posterior.

### ADVERTENCIA

- La conexión inadecuada del conductor de conexión a tierra del equipo puede generar el riesgo de descarga eléctrica. Consulte a un electricista o técnico calificado si le surgen dudas acerca de si la conexión a tierra de su secadora es correcta. No modifique el enchufe provisto con la secadora; si no entra en el tomacorriente, solicite a un electricista calificado que instale el tomacorriente adecuado.
- Para evitar el riesgo innecesario de incendio, descarga eléctrica o lesiones físicas, todo el cableado y la conexión a tierra deben realizarse de conformidad con los códigos locales o, en ausencia de ellos, de conformidad con el Código Eléctrico Nacional, ANSI/NFPA Nro. 70, su última revisión (para EE.UU.) o el Código Eléctrico Canadiense CSA C22.1, sus últimas revisiones y los códigos y ordenanzas locales. Es su responsabilidad proveer el servicio eléctrico adecuado para su secadora.
- Todas las instalaciones de gas deberán realizarse de conformidad con el Código Nacional para Combustibles ANSI/Z2231, su última revisión (para EE.UU.) o con los Códigos de Instalación CAN/CGA - B149, su última revisión (para Canadá) y los códigos y ordenanzas locales.

### Conexión a tierra

Esta secadora debe conectarse a tierra. En caso de que el electrodoméstico funcione mal o se descomponga, la conexión a tierra reducirá el riesgo de descarga eléctrica al ofrecer una vía de menor resistencia a la corriente eléctrica.

### Modelos a gas

#### ADVERTENCIA

- Su secadora tiene un cable con un conductor de conexión a tierra del equipo y un enchufe de conexión a tierra. El enchufe debe conectarse a un tomacorriente adecuado que esté correctamente instalado y conectado a tierra en conformidad con todos los códigos y ordenanzas locales.
- No modifique el enchufe provisto con la secadora; si no entra en el tomacorriente, solicite a un electricista calificado que instale el tomacorriente adecuado.
- No conecte el cable a tierra a las tuberías de plástico, las tuberías de gas o a las cañerías de agua caliente.

### Modelos eléctricos

#### ADVERTENCIA

- Su secadora tiene un cable opcional con un conductor de conexión a tierra del equipo y un enchufe de conexión a tierra. El cable se vende por separado.
- El enchufe debe conectarse a un tomacorriente adecuado que esté correctamente instalado y conectado a tierra en conformidad con todos los códigos y ordenanzas locales.
- No modifique el enchufe provisto con la secadora; si no entra en el tomacorriente, solicite a un electricista calificado que instale el tomacorriente adecuado.

# Requisitos de instalación

- Si no se utiliza un cable de alimentación y la secadora eléctrica debe estar permanentemente conectada, se la debe conectar a un sistema de cableado de metal con conexión a tierra permanente, o se debe conectar un conductor con conexión a tierra del equipo a los conductores del circuito y a la terminal con conexión a tierra del equipo o al cable de la secadora.

## Conexiones eléctricas

Antes de poner el electrodoméstico en funcionamiento o realizar pruebas, siga las instrucciones de conexión a tierra de la sección "Conexión a tierra". Se recomienda que se destine un circuito derivado individual (o separado) solo para la secadora.

No utilice un cable prolongador.

### Modelos a gas – EE.UU. y Canadá

Se requiere un servicio eléctrico aprobado de CA de 120 voltios, 60 Hz, con un fusible o interruptor de 15 A.

### Modelos eléctricos – Solo EE.UU.

La mayoría de las secadoras estadounidenses requieren un servicio eléctrico aprobado de CA de 120/240 voltios, 60 Hz. Algunas requieren un servicio eléctrico aprobado de 120/208 voltios, 60 Hz. Los requisitos del servicio eléctrico pueden encontrarse en la etiqueta con información ubicada detrás de la puerta. Se requiere un fusible o interruptor de 30 A a ambos lados del conducto.

- Si se utiliza un cable de alimentación, el cable debe enchufarse a un tomacorriente de 30 A.
- No se provee el cable de alimentación con los modelos eléctricos de secadoras estadounidenses. El cable se vende por separado.

## ADVERTENCIA

### Riesgo de descarga eléctrica

Si lo permiten los códigos locales, se puede conectar el suministro eléctrico de la secadora por medio de un nuevo kit de cable de alimentación eléctrica, rotulado para que se lo utilice con una secadora, es decir que cuente con certificación U.L. y categorizado en un mínimo de 120/240 voltios, 30 amperes con tres conductores de cobre Nro. 10 que finalicen en terminales de bucle cerrado, pernos de pala de tipo abierto con extremos rebatidos o con conductores de estaño.

- No vuelva a utilizar un cable de alimentación eléctrica de una secadora vieja. El cable de alimentación eléctrica debe asegurarse en el gabinete de la secadora con una protección contra los tirones adecuada con certificación UL.
- La conexión a tierra a través del conductor neutro está prohibida para (1) instalaciones nuevas con circuito derivado, (2) casas rodantes, (3) vehículos de recreo y (4) áreas en las que los códigos locales prohíban la conexión a tierra a través de un conductor neutro. (Utilice un enchufe de 4 pines para un tomacorriente de 4 ranuras, tipo NEMA 14-30R.)

### Modelos eléctricos – Solo Canadá

- Se requiere un servicio eléctrico aprobado de CA de 120/240 voltios, 60 Hz, equipado con un fusible o interruptor de 30 A a ambos lados del conducto.
- Todos los modelos canadienses se envían con el cable de alimentación adjunto. El cable de alimentación debe conectarse a un tomacorriente de 30 A.

## NOTA

En Canadá no está permitido convertir una secadora a 208 voltios.

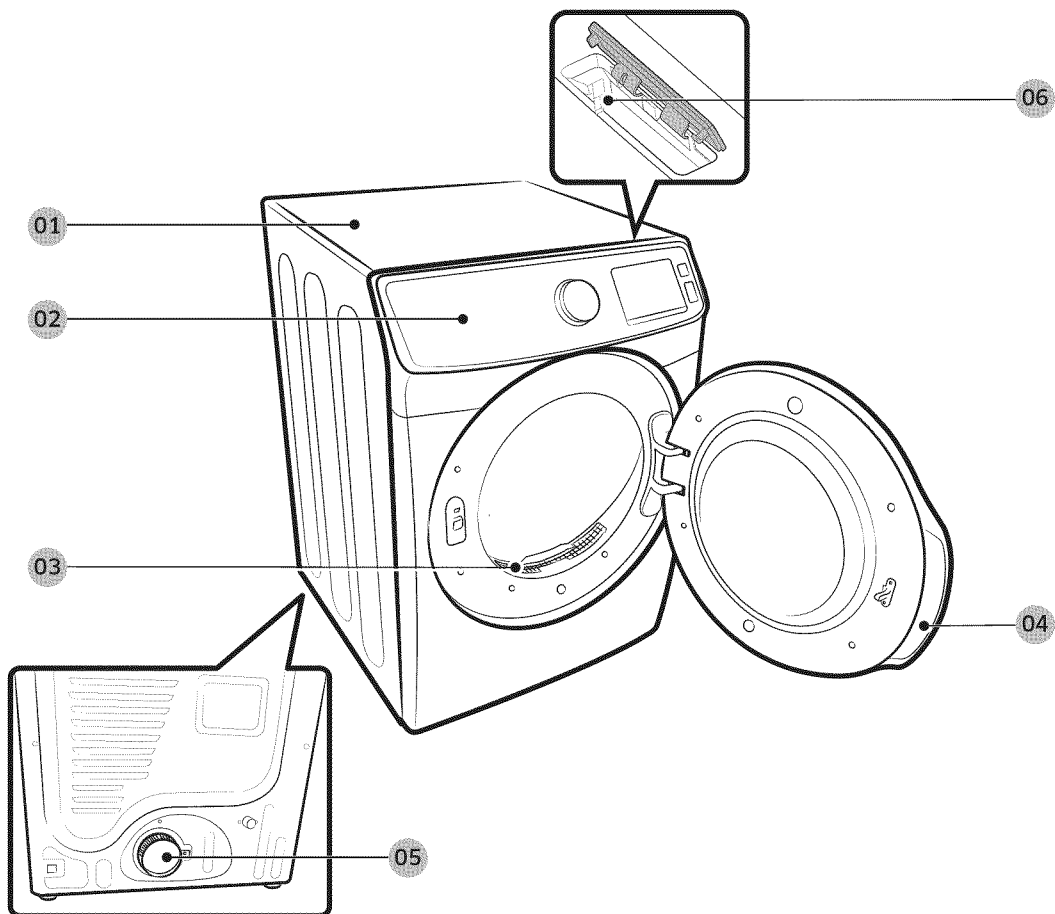
# Instalación

La instalación de la secadora debe estar a cargo de un técnico calificado. El instalador será responsable de conectar la secadora a la fuente de alimentación principal y a la vez de cumplir con las normas de seguridad correspondientes de su zona.

## Componentes

Asegúrese de que todos los componentes estén incluidos en el paquete. Si tiene algún problema con la secadora o los accesorios, comuníquese con un centro de servicios Samsung o con el vendedor.

### Vista rápida de la secadora



01 Encimera

02 Panel de control

03 Filtro

04 Puerta

05 Conducto de drenaje

06 Puerto para el Smart Home  
Adapter

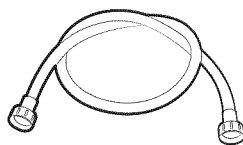
# Instalación

## Accesorios y herramientas

### Accesorios provistos



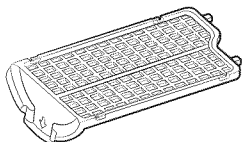
Conector en forma de "Y"



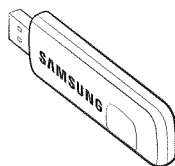
Manguera de agua (únicamente modelos canadienses)



Manguera de agua corta



Secado en estante (solo DV50K7500E(G)\*)

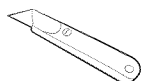


Smart Home Adapter (se vende por separado, HD39J1230GW)

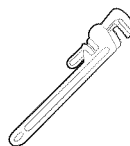
### Herramientas necesarias



Pinza



Cúter



Llave inglesa para tuberías (solo para modelos a gas)



Llave para tuercas



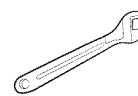
Nivel



Destornillador Philips



Cinta para conductos



Llave inglesa

### ⚠ ADVERTENCIA

Los materiales de empaque pueden ser peligrosos para los niños. Mantenga todos los materiales de embalaje (bolsas de plástico, poliestireno, etc.) lejos del alcance de los niños.

### 📄 NOTA

El Smart Home Adapter solo se puede comprar en el sitio web de Samsung ([www.samsung.com](http://www.samsung.com)).

---

## Instalación paso a paso

---

Asegúrese de que un técnico calificado instale la secadora. A continuación aparecen unas instrucciones paso a paso de la instalación.

### PASO 1 Instale el sistema de drenaje

---

1. Seleccione un lugar y coloque allí la secadora. Para facilitar el acceso, le recomendamos que instale la secadora en la misma ubicación que la lavadora.
2. Para modificar la dirección de la puerta, consulte “Inversión de la puerta”.
3. Instale el sistema de drenaje como se indica en la sección “Guía de los conductos de drenaje”.

#### NOTA

- Para mover la secadora con facilidad, coloque dos de las protecciones de cartón del empaque en el piso. Incline la secadora hacia uno de los laterales, de modo tal que quede apoyada sobre ambas protecciones. Empuje la secadora hasta que se encuentre cerca de su ubicación final y colóquela en posición vertical.
- Asegúrese de que haya espacio suficiente alrededor de la secadora para facilitar la instalación de conductos y el cableado.

### PASO 2 Conecte el suministro de gas

---

Primero, lea la sección “Requisitos en cuanto al gas” y realice los siguientes pasos.

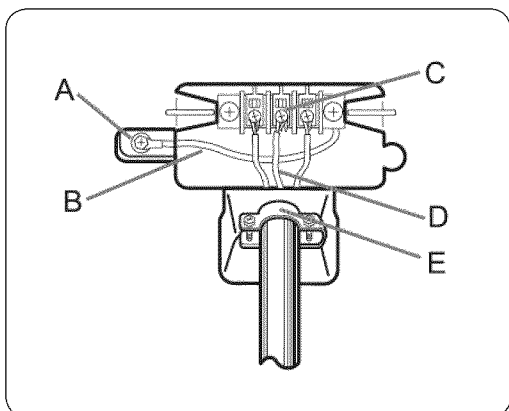
1. Retire la tapa protectora del tubo de gas.
2. Aplique un compuesto GLP (Gas licuado de petróleo) o 1.5 vueltas de cinta de teflón en todas las conexiones roscadas.
3. Conecte el suministro de gas a la secadora. Se requiere un accesorio adicional para conectar el extremo de la rosca hembra de 3/4” (1.9 cm) de un conector flexible al extremo de la rosca macho de 3/8” (1 cm) de la secadora. Ajuste los accesorios que cubren todas las roscas.
4. Abra el suministro de gas y verifique que no haya pérdidas con una solución jabonosa. Si encuentra alguna pérdida, ajuste las conexiones e inténtelo nuevamente. **NO** use una llama abierta para verificar si hay pérdidas de gas.

# Instalación

## PASO 3 Conecte el cableado eléctrico

Primero, lea la sección "Requisitos eléctricos" y luego realice los siguientes pasos.

Sistema de 3 cables



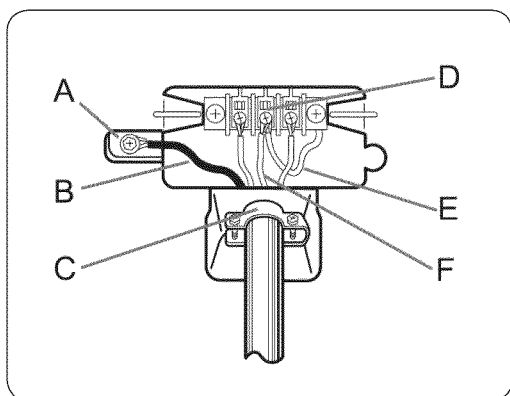
- A. Conector a tierra externo
- B. Cable a tierra neutro (blanco)
- C. Tornillo central de color plateado del bloque de terminales
- D. Cable neutro (cable blanco o central)
- E. Dispositivo de alivio de tensión con certificación UL de 3/4" (1.9 cm)

1. Afloje o retire el bloque central de terminales.
2. Conecte el cable neutro (cable blanco o central) del cable de alimentación a la terminal de tornillo central de color plateado del bloque de terminales. Ajuste los tornillos.
3. Conecte los demás cables a los tornillos externos del bloque de terminales. Ajuste los tornillos.
4. Ajuste los tornillos de alivio de tensión.
5. Inserte la cubierta del bloque de terminales en el panel trasero de la secadora. Luego, asegure la cubierta con un tornillo de sujeción.

### PRECAUCIÓN

- Para realizar la conversión del sistema de 4 cables a 3 cables, conecte la cinta de conexión a tierra al soporte del bloque de terminales para conectar a tierra el armazón de la secadora al conductor neutro.
- Se recomienda utilizar terminales de tipo anillo. Si utiliza terminales de correa, asegúrese de que estén ajustados.

## Sistema de 4 cables



- A. Conector a tierra externo
- B. Cable verde o de cobre desnudo del cable de alimentación
- C. Dispositivo de alivio de tensión con certificación UL de  $\frac{3}{4}$ " (1.9 cm)
- D. Tornillo central de color plateado del bloque de terminales
- E. Cable a tierra neutro (blanco)
- F. Cable neutro (cable blanco o central)

1. Retire el tornillo del conector externo a tierra y conecte el cable de conexión a tierra y conecte el cable de conexión a tierra (verde o sin cubierta) del cable de alimentación al tornillo.

### PRECAUCIÓN

- Para conectar el cable de conexión a tierra a la posición neutra sin atravesar el contacto A (conexión a tierra del gabinete), comuníquese con un técnico. No se trata de una operación que pueda realizar el usuario.
  - Se recomienda utilizar terminales de tipo anillo. Si utiliza terminales de correa, asegúrese de que estén ajustados.
2. Afloje o retire los tornillos del bloque central de terminales.
  3. Conecte el cable neutro (cable blanco o central) y el cable de conexión a tierra (blanco) al tornillo central del bloque de terminales. Ajuste el tornillo.
  4. Conecte los demás cables a los tornillos externos del bloque de terminales. Ajuste los tornillos.
  5. Ajuste los tornillos de alivio de tensión.
  6. Inserte la lengüeta de la cubierta del bloque de terminales en la ranura trasera de la secadora. Asegure la cubierta con un tornillo de sujeción.

### ADVERTENCIA

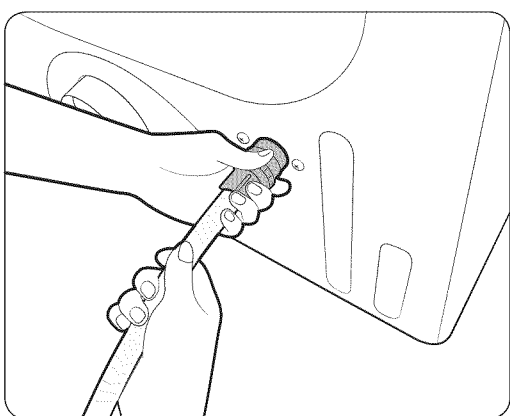
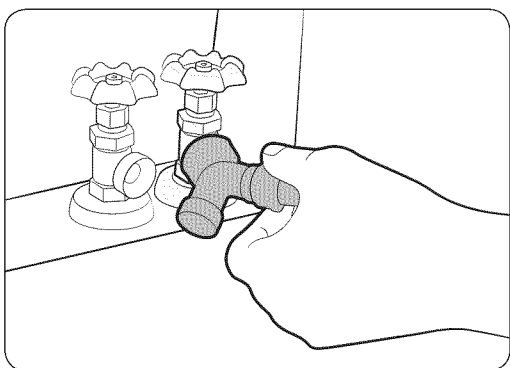
- Todos los modelos estadounidenses están fabricados para una conexión de sistemas de 3 cables. El armazón de la secadora está conectado a tierra al conductor neutro del bloque de terminales. Se requiere una conexión de sistemas de 4 cables para las construcciones nuevas o remodeladas, las casas rodantes o si los códigos locales no permiten la conexión a tierra a través del neutro. Si utiliza un sistema de 4 cables, no puede conectar a tierra el armazón de la secadora al conductor neutro del bloque de terminales.

# Instalación

- Retire la tapa del bloque de terminales. Inserte el cable de alimentación con un dispositivo de alivio de tensión con certificación UL a través del orificio provisto en el gabinete cerca del bloque de terminales.
- Se debe utilizar un dispositivo de alivio de tensión. No afloje las tuercas ya instaladas en el bloque de terminales. Asegúrese de que estén ajustadas. Utilice un tomacorriente para huecos profundos de 3/8" (1 cm).

## PASO 4 Conecte la manguera de agua (únicamente para los modelos aplicables)

La secadora debe conectarse a una llave de agua fría mediante las mangueras de agua provistas.

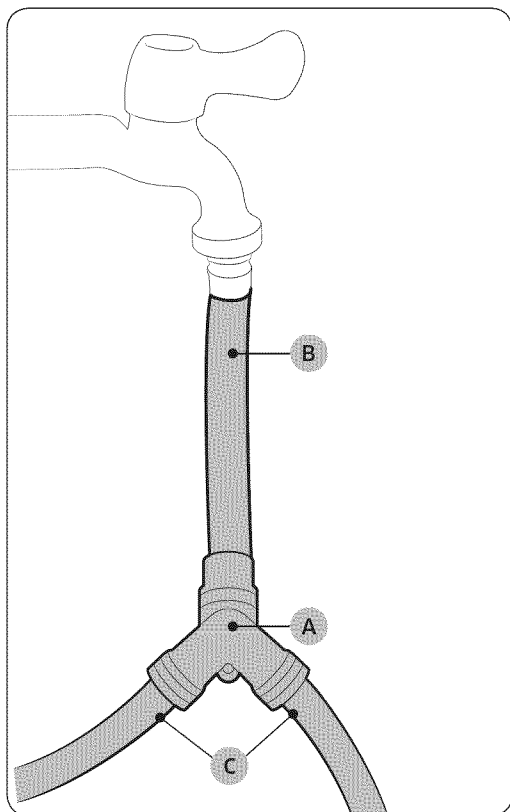


1. Cierre la llave de agua fría. Si tiene una manguera de agua fría de la lavadora conectada a la llave de agua fría, desatornille y quite la manguera. Luego, conecte el extremo hembra del conector en forma de Y a la llave de agua fría.
2. Conecte el extremo recto de la manguera de agua al conector en forma de "Y". Ajuste la unión de la manguera a mano.
3. Ajuste la unión con otros dos tercios de giro adicionales utilizando la pinza. No la ajuste en exceso. Puede dañar la unión.
4. Conecte el extremo angular de la manguera de agua a la válvula de carga en la parte inferior trasera de la secadora. Gire la unión manualmente hasta que esté ajustada.
5. Ajuste la unión con otros dos tercios de giro adicionales utilizando la pinza. No la ajuste en exceso. Puede dañar la unión.
6. Si ha desconectado la manguera de agua fría de la lavadora, una la manguera al extremo abierto del conector en forma de Y, ajuste bien la unión a mano y, luego, ajuste con otros dos tercios de giro adicionales utilizando la pinza.
7. Abra la llave de agua fría y verifique que no haya pérdidas.

Si el conector en forma de "Y" no puede conectarse directamente a la llave de agua fría, use una manguera corta como se indica a continuación.



## Uso de una manguera corta como prolongación



1. Cierre la llave de agua fría. Si tiene una manguera de agua fría de la lavadora conectada a la llave de agua fría, desatornille y quite la manguera. Luego, conecte la **manguera corta (B)** a la llave de agua fría. Gire la unión manualmente hasta que esté ajustada.
2. Ajuste la unión con otros dos tercios de giro adicionales utilizando la pinza. No la ajuste en exceso. Puede dañar la unión.
3. Una el **conector en forma de Y (A)** al extremo macho de bronce de la manguera corta. Gire la unión manualmente hasta que esté ajustada.
4. Ajuste la unión con otros dos tercios de giro adicionales utilizando la pinza. No la ajuste en exceso. Puede dañar la unión.
5. Conecte el extremo angular de las **mangueras de agua (C)** a la válvula de carga en la parte inferior trasera de la secadora. Gire la unión manualmente hasta que esté ajustada.
6. Ajuste la unión con otros dos tercios de giro adicionales utilizando la pinza. No la ajuste en exceso. Puede dañar la unión.
7. Si ha desconectado la manguera de agua fría de la lavadora, una la manguera al extremo libre del conector en forma de Y, ajuste bien la unión a mano y, luego, ajuste con otros dos tercios de giro adicionales utilizando la pinza.
8. Abra la llave de agua fría y verifique que no haya pérdidas.

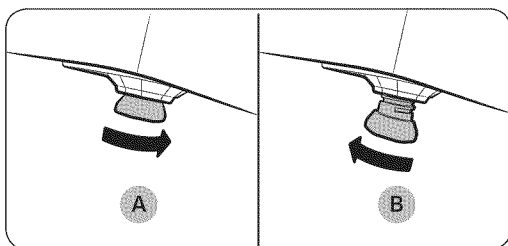
# Instalación

## PASO 5 Nivele de la secadora

Para garantizar un desempeño óptimo, la secadora debe estar nivelada.



1. Con un nivel (A), verifique si la secadora está nivelada de lado a lado y de adelante hacia atrás. Si la secadora no está nivelada, ajuste las patas niveladoras (B) de la parte inferior de la secadora. Luego verifique nuevamente si la secadora está nivelada.



### NOTA

- Para colocar la secadora a la misma altura que la lavadora, retraiga (A) completamente las patas niveladoras girándolas en sentido contrario al de las agujas del reloj, luego afloje (B) las patas girándolas en el sentido de las agujas del reloj. Una vez que la secadora está a la misma altura que la lavadora, siga las instrucciones precedentes para nivelar la secadora.
- Ajuste las patas niveladoras solo lo necesario para nivelar la secadora. Extender las patas niveladoras más de lo necesario puede hacer que la secadora vibre.

---

## PASO 6 Encendido (modelos a gas)

---

Asegúrese de que todas las conexiones de gas, el conducto de drenaje y el cableado se realicen correctamente. Luego, enchufe el cable de alimentación a una fuente de alimentación y verifique la instalación y el funcionamiento de la secadora con la lista final de verificación del paso 7.

## PASO 7 Verificación final

---

Una vez finalizada la instalación, confirme que:

- La secadora está enchufada a un tomacorriente y está conectada a tierra correctamente.
- Los conductos de drenaje están conectados y se colocó cinta a las uniones.
- Usted usó conducto rígido o flexible con un recubrimiento de metal resistente, no conducto flexible de plástico.
- La secadora está nivelada y apoyada firmemente sobre el piso.
- La secadora funciona, calienta y se apaga correctamente.

Para modelos a gas:

- Se proporciona gas correctamente, sin pérdidas.

### PRECAUCIÓN

Es posible que al principio el quemador no se encienda debido a la presencia de aire en el conducto de gas. Permitir que la secadora funcione con la opción de calor purgará el conducto. Si en el lapso de 5 minutos el gas no se enciende, apague la secadora y espere 5 minutos. Asegúrese de que el suministro de gas hacia su secadora esté abierto. Para confirmar que el gas está encendido, controle que se sienta calor en el drenaje.

# Instalación

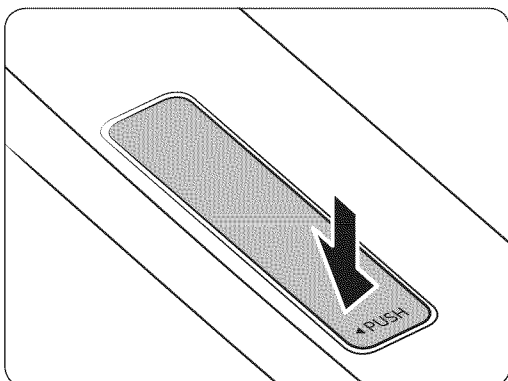
## PASO 8 Conexión Wi-Fi mediante el Smart Home Adapter

Puede controlar la secadora remotamente con el Smart Home Adapter que se vende por separado. Para comprar el Smart Home Adapter, visite [www.samsung.com](http://www.samsung.com) y siga la información de producto del adaptador.

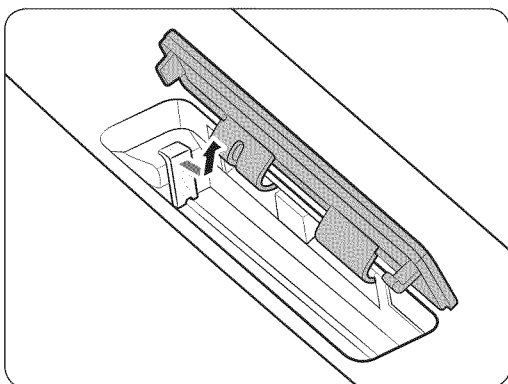
Para obtener más información acerca de la conexión Wi-Fi mediante el Smart Home Adapter, visite la página de Samsung Smart Home.

### PRECAUCIÓN

- El Samsung Smart Home Adapter se presenta en dos tipos: uno dedicado a los televisores inteligentes Samsung y otro dedicado a los electrodomésticos Samsung.
- Debe comprar el Samsung Smart Home Adapter dedicado a los modelos HD39J1230GW. Cualquier otro adaptador puede causar una falla del sistema.



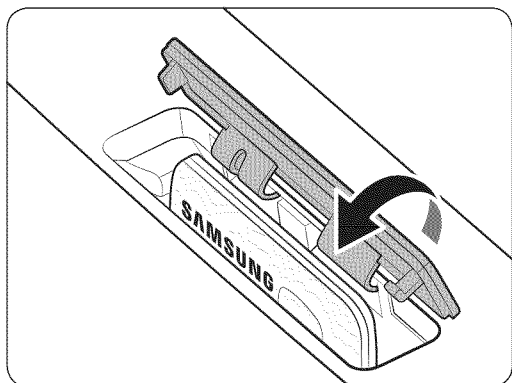
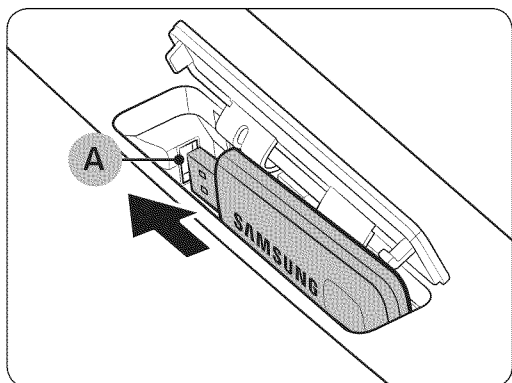
1. Presione para desbloquear la zona de la flecha de la tapa del adaptador.



2. Abra la tapa del adaptador para revelar la tapa protectora del mismo. Empuje suavemente la tapa hacia la derecha y hacia arriba para retirarla.

### PRECAUCIÓN

Para prevenir accidentes, mantenga la tapa protectora fuera del alcance de los niños y lejos de las mascotas.



3. Inserte el Smart Home Adapter en el **puerto del adaptador (A)** siguiendo la dirección correcta.  
Asegúrese de que el logotipo de Samsung quede en la parte anterior.

**⚠ PRECAUCIÓN**

No inserte otros dispositivos USB, como memoria USB o cables de alimentación USB, en el puerto. La utilización incorrecta del puerto puede dañar el Samsung Smart Home Adapter y causar una falla del sistema.

4. Inserte primero la parte superior de la tapa del adaptador y luego presione para bloquearlo como se muestra.

**⚠ PRECAUCIÓN**

- Para evitar daños al dispositivo o una falla del sistema, mantenga la tapa del adaptador alejada de la humedad. Si la tapa del adaptador está mojada o sucia, límpiela con un paño suave o una esponja y séquela bien.
- En zonas con una recepción de señal insuficiente, como sótanos, debe instalar un AP adicional para contar con una conexión normal.

# Instalación

---

## Conexión de red (únicamente para los modelos aplicables)

Puede utilizar el Smart Home Adapter opcional (se vende por separado) para controlar y supervisar la secadora a través de la aplicación Samsung Smart Home. Para obtener más información acerca de Samsung Smart Home, consulte la sección Samsung Smart Home.

### **NOTA**

- Los sistemas de cifrado recomendados incluyen WPA/TKIP y WPA2/AES. No se admiten otros protocolos de autenticación Wi-Fi más nuevos o no estandarizados.
- Las redes inalámbricas pueden resultar afectadas por el entorno de comunicación inalámbrica circundante.
- Si su proveedor de servicios de Internet registró la dirección MAC de su PC o módem para la identificación, es posible que su secadora inteligente Samsung no pueda conectarse a Internet. En ese caso, comuníquese con su proveedor de servicios de Internet para recibir asistencia técnica.
- La configuración del firewall de su sistema de red puede impedir que su secadora inteligente Samsung acceda a Internet. Comuníquese con su proveedor de servicios de Internet para recibir asistencia técnica. Si el síntoma persiste, comuníquese con un centro de servicio Samsung local o con el vendedor.
- Para configurar el punto de acceso (AP) inalámbrico, consulte el manual del usuario del AP.
- Las secadoras inteligentes Samsung con el Samsung Smart Home Adapter admiten los protocolos Wi-Fi 2.4 GHz con IEEE 802.11 b/g/n y Soft-AP (se recomienda IEEE 802.11 n).
- Los enrutadores Wi-Fi inalámbricos no autorizados es posible que no puedan conectarse a las secadoras inteligentes Samsung correspondientes.


## Prueba de bloqueo de la ventilación

Una vez instalada la secadora, inicie la prueba de bloqueo de la ventilación para verificar si el sistema de conductos está instalado correctamente. La prueba de bloqueo de la ventilación detecta automáticamente el estado de los conductos e informa de cualquier bloqueo o problema. Una instalación correcta de los conductos puede reducir el tiempo de secado y ahorrar energía.

### **NOTA**

La prueba de bloqueo de la ventilación debe realizarse cuando la secadora está fría. Si la secadora se calienta luego de la verificación de la instalación, ejecute el ciclo AIR FLUFF (TEMP. AMBIENTE) durante algunos minutos para reducir su temperatura interna.

### Ejecución de la prueba de bloqueo de la ventilación

1. Asegúrese de que el tambor esté vacío y luego cierre la puerta.  
(Si hay ropa u otros productos en el tambor, los resultados de la prueba no serán precisos.)
2. Presione el botón **POWER (ENCENDER/APAGAR)** para encender la secadora, luego mantenga presionados simultáneamente los botones **Adjust Time (Ajustar tiempo)**  y **Dry level (Nivel de secado)** durante 3 segundos. "InS" aparece en la pantalla de la secadora. (Si ha iniciado otros procedimientos antes de la prueba de bloqueo de la ventilación, la secadora no accede al modo de prueba de bloqueo de la ventilación.)
3. Presione el botón **START/PAUSE (INICIO/PAUSA)**. La prueba de bloqueo de la ventilación se inicia inmediatamente. Durante la prueba, el indicador numérico gira en 6 pasos en el sentido de las agujas del reloj. La prueba dura aproximadamente 2 minutos. No abra la puerta durante la prueba.
4. Luego de 2 minutos, cuando la prueba se ha completado, se muestra el resultado y la secadora emite una señal.  
Si el estado del sistema de conductos es normal, se muestra "0" y la secadora emite una señal de finalización.  
Si el sistema de conductos no drena correctamente, se muestra "CLg" y la secadora emite una señal de alarma.  
Si hay otros problemas, aparece un código de información en la pantalla. Para obtener información del código, consulte la sección **Códigos de información** en la página 62 de este manual.
  - Para detener o cancelar la prueba de bloqueo de la ventilación, presione el botón **POWER (ENCENDER/APAGAR)** para apagar la secadora.
  - Durante la prueba, si aparece "dc" en la pantalla, asegúrese de que la puerta esté cerrada. Si aparece "C1", vea si hay prendas dentro del tambor. En caso afirmativo, pare la prueba y retire la ropa. Luego vuelva a iniciar la prueba.
  - Los resultados se muestran en la pantalla durante aproximadamente 5 minutos y luego ésta se apaga en forma automática. Puede apagar el resultado inmediatamente presionando el botón **POWER (ENCENDER/APAGAR)**.

# Instalación

---

## **NOTA**

- Durante y luego de la prueba, el interior del tambor está caliente. Tenga cuidado para evitar quemaduras.  
La prueba de bloqueo de la ventilación se usa para detectar problemas en el sistema de conductos actual cuando la secadora se instala por primera vez.
- Si el resultado de la prueba muestra “CLG” (el sistema de conductos está bloqueado), consulte la sección “Requisitos para el tendido de conductos” en la página 14 y la sección “Guía de los conductos de drenaje” siguiente, y tome las medidas adecuadas para corregir el problema.  
Si la prueba se suspende, puede dar resultados incorrectos. Siga los procedimientos adecuados para realizar la prueba de la secadora.
- Aunque el resultado sea normal (“O”), el sistema de conductos puede estar ligeramente bloqueado. Instale correctamente los conductos de acuerdo con las instrucciones de instalación de este instructivo.

## Guía de los conductos de drenaje

---

### Conductos

1. Asegúrese de que la secadora esté instalada correctamente para que drene fácilmente.
2. Utilice conductos de metal rígido, de 4 pulgadas. Coloque cinta en todas las uniones, incluso en la conexión de la secadora.  
Nunca use tornillos que atrapen pelusa.
3. Para facilitar el drenaje, mantenga los conductos tan rectos como sea posible.

### Limpieza

Limpie los conductos viejos antes de instalar la secadora y asegúrese de que la ventilación se abra y se cierre sin inconvenientes. Le recomendamos que limpie el sistema de drenaje anualmente o en forma regular.

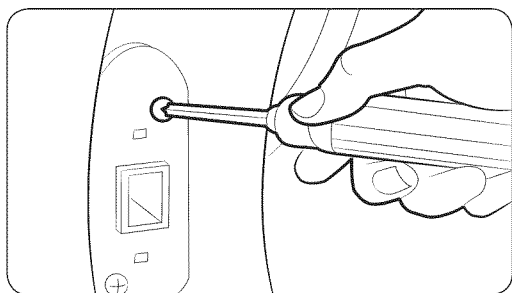
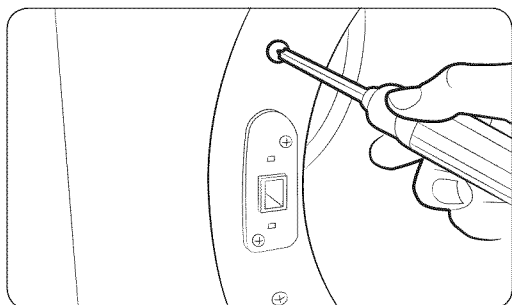
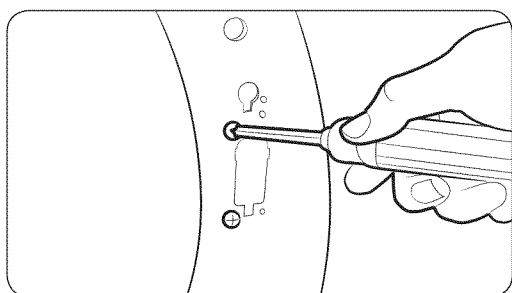
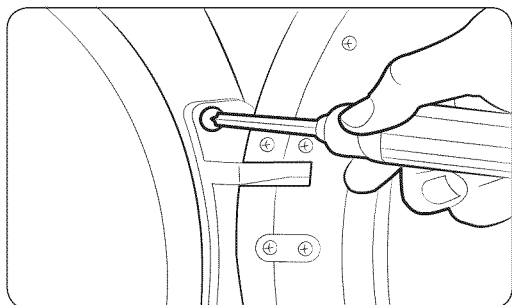
### **ADVERTENCIA**

- A fin de evitar incendios, no use ningún tipo de conducto plástico, con un recubrimiento delgado o de un material que no sea el metal.
- No use un mal sistema de drenaje dado que demora el desempeño de la secadora.
- No use conductos excesivamente largos con muchos codos.
- No use conductos o tubos de ventilación aplastados u obstruidos.



## Inversión de la puerta

### Tipo 1



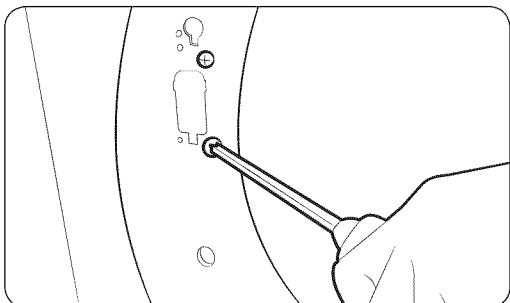
1. Desconecte el cable de alimentación.
2. Retire los dos tornillos de la bisagra de la puerta.
3. Levante la puerta y retírela.

#### **NOTA**

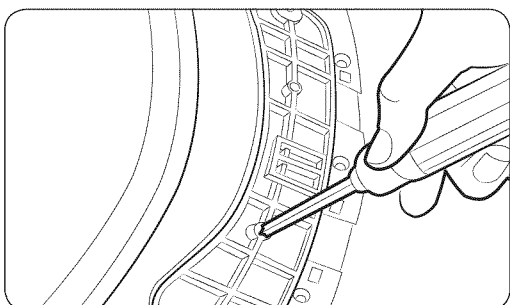
Hay un tornillo en la parte trasera de la bisagra que apoyará la puerta mientras usted afloja los tornillos de la bisagra.

4. Retire los dos tornillos ubicados arriba y abajo del recorte del marco delantero.
5. Retire los dos tornillos ubicados arriba y abajo de la placa de apoyo del lado opuesto de la apertura de la puerta.
6. Retire los dos tornillos que sostienen la placa de apoyo en su lugar y, luego, retire ésta.

# Instalación



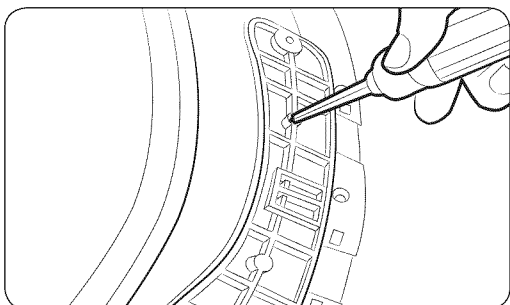
7. Vuelva a insertar los dos tornillos que sostenían la placa de apoyo en los mismos orificios de los tornillos y ajústelos.



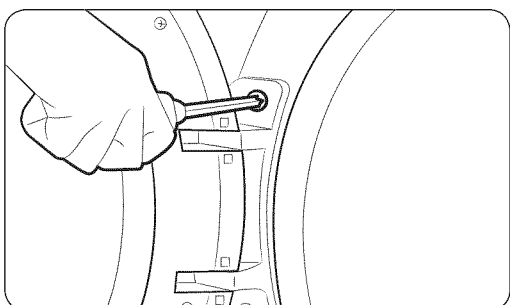
8. Retire el tornillo de la parte trasera de la bisagra de la puerta.

**NOTA**

Hay un tornillo que apoya la puerta en el marco para que usted pueda aflojar o ajustar los tornillos de la bisagra.



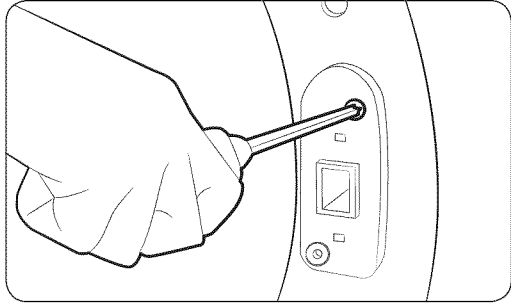
9. Inserte el tornillo recién retirado en el orificio del otro tornillo en la parte trasera de la bisagra de la puerta y ajústelo.



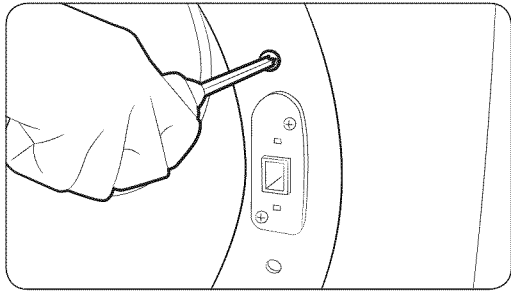
10. Coloque la puerta sobre el lado contrario y vuelva a fijarla a la secadora.

**NOTA**

Inserte la cabeza del tornillo de la parte trasera de la bisagra en el orificio ubicado sobre el recorte en el marco y luego deslice hacia abajo la bisagra de la puerta hasta que se detenga. Antes de ajustar los tornillos de la bisagra, asegúrese de que el saliente de la parte trasera de ésta encaja en el recorte.



- 11.** Empuje la placa de apoyo en el recorte del lado contrario de la apertura de la puerta. Inserte los tornillos y ajústelos como se muestra.



- 12.** Vuelva a insertar los tornillos restantes en los orificios restantes ubicados arriba y abajo de la placa de apoyo y ajústelos.

# Antes de comenzar

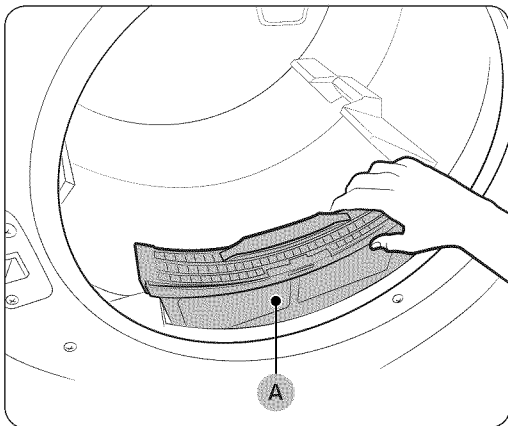
Antes de encender la secadora, debe saber algunas cosas.

## Clasificación y carga

- Coloque una carga de ropa en la secadora por vez.
- No mezcle prendas pesadas y livianas.
- Para mejorar la eficiencia de secado al secar una o dos prendas, agregue una toalla seca a la carga.
- Para obtener mejores resultados, desenrede las prendas antes de colocarlas en la secadora.
- La sobrecarga limita el funcionamiento y ocasiona un secado irregular, así como la formación de arrugas.
- A menos que se recomiende en la etiqueta, no seque prendas de lana o fibra de vidrio.
- Evite secar artículos sin lavar.
- No seque artículos muy sucios con aceite, alcohol, gasolina, etc.

## Requisito de funcionamiento

### Filtro para pelusas



Para evitar el riesgo de incendios, asegúrese de limpiar el filtro de pelusa antes o después de cada carga.

1. Apague la secadora.
2. Abra la puerta y retire el filtro de pelusa (A) del tambor.
3. Separe la parte superior del filtro de pelusa para abrirlo. Retire la pelusa acumulada y luego limpie el filtro.
4. Cierre el filtro de pelusa, vuelva a insertarlo en la secadora y cierre la puerta de la secadora.

### ⚠ PRECAUCIÓN

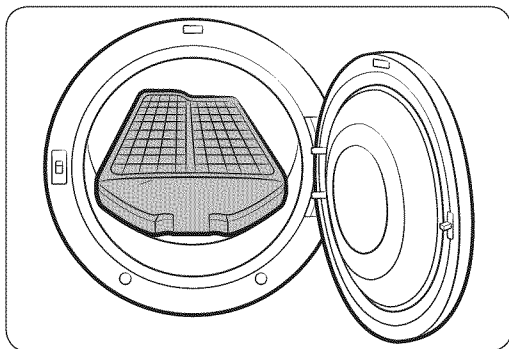
- No haga funcionar la secadora sin el filtro para pelusas insertado.
- No utilice un filtro de pelusa dañado o roto. Esto podría reducir el desempeño y/o provocar un incendio.

---

## Secado en estante (únicamente para los modelos aplicables)

---

Algunos modelos se suministran con un estante de secado que viene de fábrica insertado en el tambor. Si su modelo se suministra con un estante de secado, retire este del tambor antes de usar la secadora por primera vez. Para retirarlo, jale el estante en línea recta hacia arriba y, luego, retírelo del tambor. Retire el estante de secado de su empaque y guárdelo para uso futuro.



Si no se proporciona el estante de secado, puede comprarlo en un centro de servicio local de Samsung. (Código de pieza: DC61-02705A)

Para usar el estante de secado, siga estos pasos:

1. Inserte el **estante de secado (A)** en el tambor con la tapa del filtro hacia el frente.
2. Inserte las patas traseras del estante de secado en las áreas empotradas de la pared trasera y presione el centro del estante de secado para calzarlo.
3. Coloque las prendas que desea secar sobre el estante. Asegúrese de dejar espacio entre las prendas para que fluya el aire.
4. Presione **Rack Dry (Secado en estante)** y seleccione el tiempo de secado.
5. Cuando las prendas estén secas, retírelas de la secadora y, luego, retire el estante de secado.

# Antes de comenzar

## Sugerencias para el secado en estante

Elemento	Ajustes de los ciclos
Suéteres lavables (dóblelos y colóquelos en posición horizontal sobre el estante)	TIME DRY (TIEMPO DE SECADO) con el ajuste de temperatura Extra Low (Extra baja)
Muñecos de peluche (reellenos con fibras de algodón o poliéster)	
Muñecos de peluche (reellenos con goma espuma)	AIR FLUFF (TEMP. AMBIENTE)
Almohadas de goma espuma	
Zapatillas	

### ADVERTENCIA

- Asegúrese de desempacar el estante de secado antes de usarlo. Si no lo hace, la secadora puede dañarse o reducirse su desempeño.
- Secar artículos de goma espuma, plástico o goma con la opción de calor puede ocasionar daños al artículo y crear un peligro de incendio.

# Funcionamiento

## ⚠ ADVERTENCIA

Para reducir el riesgo de incendio, descarga eléctrica o lesiones, lea "Información sobre seguridad" antes de poner en funcionamiento el electrodoméstico.

## Panel de funciones

### Modelos eléctricos

**DV50K7500E\***

Manual Dry

NORMAL ——— ECO NORMAL

HEAVY DUTY ——— QUICK DRY

BEDDING ——— TIME DRY

PERM PRESS ——— AIR FLUFF

WOOL ——— REFRESH

DELICATES ——— WRINKLE AWAY

ACTIVE WEAR ——— STEAM SANITIZE

Sensor Dry ——— Steam Cycles

07 Anti Static \*Smart Control

08 Rack Dry

09 My Cycle \*Cycle Save

02 88:88

03 \*Drum Light

04 \*Sound

05 \*Child Lock

06 Adjust Time ^

06 Adjust Time v

09 POWER

15 START PAUSE

12 Eco Dry

01

Very Dry High 60min

More Dry Medium 50min

Normal Dry Med Low 40min

Less Dry Low 30min

Damp Dry Extra Low 20min

Drying Cooling Wrinkle Prevent End

\* (Hold 3 sec)

**DV45K6500E\***

Manual Dry

NORMAL ——— ECO NORMAL

HEAVY DUTY ——— QUICK DRY

BEDDING ——— TIME DRY

PERM PRESS ——— AIR FLUFF

WOOL ——— REFRESH

DELICATES ——— WRINKLE AWAY

ACTIVE WEAR ——— STEAM SANITIZE

Sensor Dry ——— Steam Cycles

07 Anti Static \*Smart Control

10 Mixed Load Bell

09 My Cycle \*Cycle Save

02 88:88

03 \*Drum Light

04 \*Sound

05 \*Child Lock

06 Adjust Time ^

06 Adjust Time v

09 POWER

15 START PAUSE

12 Eco Dry

01

Very Dry High 60min

More Dry Medium 50min

Normal Dry Med Low 40min

Less Dry Low 30min

Damp Dry Extra Low 20min

Drying Cooling Wrinkle Prevent End

\* (Hold 3 sec)

**DV42K6200E\***

Manual Dry

NORMAL ——— QUICK DRY

HEAVY DUTY ——— TIME DRY

BEDDING ——— AIR FLUFF

PERM PRESS ——— REFRESH

DELICATES ——— WRINKLE AWAY

ACTIVE WEAR ——— STEAM SANITIZE

Sensor Dry ——— Steam Cycles

07 Anti Static \*Smart Control

10 Mixed Load Bell

09 My Cycle \*Cycle Save

02 88:88

03 \*Drum Light

04 \*Sound

05 \*Child Lock

06 Adjust Time ^

06 Adjust Time v

09 POWER

15 START PAUSE

12 Eco Dry

01

Very Dry High 60min

More Dry Medium 50min

Normal Dry Med Low 40min

Less Dry Low 30min

Damp Dry Extra Low 20min

Drying Cooling Wrinkle Prevent End

\* (Hold 3 sec)

# Funcionamiento

## Modelos a gas

Funcionamiento

**DV50K7500G\***

Manual Dry

NORMAL ——— ECO NORMAL

HEAVY DUTY ——— QUICK DRY

BEDDING ——— TIME DRY

PERM PRESS ——— AIR FLUFF

WOOL ——— REFRESH

DELICATES ——— WRINKLE AWAY

ACTIVE WEAR ——— STEAM SANITIZE

Sensor Dry

Steam Cycles

07 Anti Static \*Smart Monitor

08 Rack Dry

09 My Cycle \*Cycle Save

10 Mixed Load Bell

11 Wrinkle Prevent

02 88:88

03 \*Drum Light

04 \*Sound

05 \*Child Lock

06 Adjust Time ^

06 Adjust Time v

09 POWER

12 Eco Dry

15 START PAUSE

**DV45K6500G\***

Manual Dry

NORMAL ——— ECO NORMAL

HEAVY DUTY ——— QUICK DRY

BEDDING ——— TIME DRY

PERM PRESS ——— AIR FLUFF

WOOL ——— REFRESH

DELICATES ——— WRINKLE AWAY

ACTIVE WEAR ——— STEAM SANITIZE

Sensor Dry

Steam Cycles

07 Anti Static \*Smart Monitor

10 Mixed Load Bell

11 Wrinkle Prevent

14 Sound

02 88:88

03 \*Drum Light

04 \*Child Lock

05 \*Smart Care

06 Adjust Time ^

06 Adjust Time v

09 POWER

12 Eco Dry

15 START PAUSE

**DV42K6200G\***

Manual Dry

NORMAL ——— QUICK DRY

HEAVY DUTY ——— TIME DRY

BEDDING ——— AIR FLUFF

PERM PRESS ——— REFRESH

DELICATES ——— WRINKLE AWAY

ACTIVE WEAR ——— STEAM SANITIZE

Sensor Dry

Steam Cycles

07 Anti Static \*Smart Monitor

10 Mixed Load Bell

11 Wrinkle Prevent

14 Sound

02 88:88

03 \*Drum Light

04 \*Child Lock

05 \*Smart Care

06 Adjust Time ^









06 Adjust Time v

09 POWER





12 Eco Dry

15 START PAUSE



<p><b>01 Selector de ciclos</b></p>	<p>Gire el selector de ciclos para seleccionar el ciclo deseado. La luz del indicador junto al nombre del ciclo se enciende.</p> <ul style="list-style-type: none"> <li>• Ciclos de secado con sensor: La secadora detecta la humedad interna y se basa en este dato para determinar el tiempo de secado.</li> <li>• Ciclos de secado manual: El tiempo de secado se fija.</li> <li>• Ciclos de vapor: La secadora rocía agua sobre el tambor para desodorizar la ropa y reducir la electricidad estática y las arrugas.</li> </ul>
<p><b>02 Pantalla gráfica digital</b></p>	<p>Muestra toda la información del ciclo, incluyendo el tiempo del ciclo, el código de información y el estado de funcionamiento de la secadora.</p> <ul style="list-style-type: none"> <li>•  Control del filtro</li> <li>•  Seguro para niños</li> <li>•  Vapor</li> <li>•  Sensor de ventilación</li> <li>•  Smart Control (Smart Monitor)</li> <li>•  Sonido</li> </ul>
<p><b>03 Dry Level (Nivel de Secado)</b></p>	<p>El botón Dry Level (Nivel de secado) tiene dos funciones.</p> <p>Uso 1: Presione Dry Level (Nivel de secado) para seleccionar el nivel de secado. Solo está disponible con los ciclos de secado con sensor.</p> <ul style="list-style-type: none"> <li>• Las cargas más grandes o más voluminosas posiblemente requieran la opción Very Dry (Muy seco) o More Dry (Más seco) para que el secado sea completo.</li> <li>• La opción Less Dry (Menos seco) es la más adecuada para telas livianas, o para que quede algo de humedad en las prendas al final del ciclo.</li> <li>• La opción Damp Dry (Húmedo) fue diseñada para secar las prendas parcialmente. Utilícela para las prendas que deban secarse en posición horizontal o colgarse.</li> </ul> <p> <b>NOTA</b></p> <p>Esta opción no está disponible con: WOOL (LANA), ACTIVE WEAR (ROPA DEPORTIVA) Y STEAM SANITIZE (ESTERILIZAR CON VAPOR).</p> <p>Uso 2 (DV50K7500E(G)*): Mantenga presionado Dry Level (Nivel de secado) durante 3 segundos para apagar las señales sonoras de notificación y las melodías de la secadora. Para cancelar el silencio de la secadora, presione nuevamente durante 3 segundos.</p> <p> <b>NOTA</b></p> <p>La función de cancelación del sonido se mantiene activa incluso después de encender la secadora nuevamente.</p>

# Funcionamiento

<p><b>04 Temp.</b> (Temperatura)</p>	<p>Presione <b>Temp. (Temperatura)</b> para cambiar la temperatura del ciclo actual.</p> <ul style="list-style-type: none"> <li>• High (Alta): Para los algodones resistentes o aquellos con el rótulo Secar en secadora.</li> <li>• Medium (Media): Para prendas de plancha permanente, telas sintéticas, algodones livianos u otras prendas con el rótulo Secar en secadora a temperatura media.</li> <li>• Med Low (Media baja): Para una temperatura inferior a Medium (Media). Use para secar telas sintéticas o de tejido lavable.</li> <li>• Low (Baja): Para prendas sensibles al calor con el rótulo Secar en secadora a temperatura baja o Secar en secadora a temperatura cálida.</li> <li>• Extra Low (Extra baja): Ofrece la menor temperatura de secado con calor posible.</li> </ul>
<p><b>05 Time (Tiempo)</b></p>	<p>Presione <b>Time (Tiempo)</b> para seleccionar el tiempo de secado para el ciclo seleccionado. Solo está disponible con TIME DRY (TIEMPO DE SECADO), QUICK DRY (SECADO RÁPIDO), AIR FLUFF (TEMP. AMBIENTE) y WRINKLE AWAY (ANTIARRUGAS). Este botón no está disponible para los ciclos de secado con sensor ya que se determinan tiempos de secado exactos para los niveles de humedad fluctuantes.</p>
<p><b>06 Adjust Time</b> (Ajustar tiempo)</p>	<p>Puede cambiar el tiempo ajustado para el ciclo seleccionado. Solo está disponible con TIME DRY (TIEMPO DE SECADO), QUICK DRY (SECADO RÁPIDO), AIR FLUFF (TEMP. AMBIENTE) y WRINKLE AWAY (ANTIARRUGAS). Para cambiar la duración del ciclo, presione <b>Adjust Time (Ajustar tiempo)</b>  o <b>Adjust Time (Ajustar tiempo)</b>  hasta que aparezca el tiempo deseado.</p>
<p><b>07 Anti Static</b> (Antiestática) (*Smart Control, *Smart Monitor)</p>	<p>Reduce la electricidad estática que surge de la fricción de las prendas. Se realiza rociando las prendas con vapor en una de las últimas fases del ciclo de secado.</p> <p><b>Control remoto</b></p> <p>Una vez insertado el Smart Home Adapter y recibida la autorización, mantenga presionado <b>Smart Control (Smart Monitor)</b> durante 3 segundos. El indicador de Smart Control (Smart Monitor)  parpadea. Luego la secadora queda a la espera de comandos remotos. Para obtener más información, visite el sitio web de Samsung Smart Home.</p> <p> <b>NOTA</b></p> <p>La función antiestática solo está disponible con NORMAL, HEAVY DUTY (CARGA PESADA), PERM PRESS (PLANCHADO PERMANENTE), DELICATES (DELICADOS) y TIME DRY (TIEMPO DE SECADO).</p>
<p><b>08 Rack Dry</b> (Secado en estante) (DV50K7500*)</p>	<p>Rack Dry (Secado en estante) está disponible en el ciclo TIME DRY (TIEMPO DE SECADO). La temperatura quedará establecida solo en Extra Low (Extra baja). Consulte "Secado en estante (únicamente para los modelos aplicables)" en la página 37 para obtener más detalles.</p>
<p><b>09 My Cycle</b> (Mi ciclo)</p>	<p>Seleccione su ciclo preferido incluyendo la duración del ciclo, temperatura y nivel de secado. Consulte "My Cycle (Mi ciclo)" para obtener más detalles.</p>

<p><b>10 Mixed Load Bell</b> (Timbre de carga mixta)</p>	<p>El timbre de carga mixta le notifica cuando el nivel de secado promedio de una carga ha alcanzado el centrifugado parcial (80 % seco). Le permite retirar las prendas que no desea que se sequen completamente o que se secan rápidamente fuera de la secadora mientras deja que otras prendas sigan secándose.</p> <p>Puede seleccionar esta opción en todos los ciclos de secado con sensor, excepto WOOL (LANA), ACTIVE WEAR (ROPA DEPORTIVA) y STEAM SANITIZE (ESTERILIZAR CON VAPOR). Los niveles de secado disponibles son Normal Dry (Secado normal), More Dry (Más seco) y Very Dry (Muy seco).</p>
<p><b>11 Wrinkle Prevent</b> (Prevención de arrugas)</p>	<p>El botón <b>Wrinkle Prevent (Prevención de arrugas)</b> tiene dos funciones.</p> <p><b>Uso 1:</b> La opción de prevención de arrugas ofrece aproximadamente 180 minutos de secado intermitente con aire fresco al final del ciclo para reducir la formación de arrugas. Presione <b>Wrinkle Prevent (Prevención de arrugas)</b> para activar dicha función. La carga está seca y puede ser retirada en cualquier momento durante el ciclo de prevención de arrugas.</p> <p><b>Uso 2 (DV50K7500E(G)*):</b> Mantenga presionado <b>Wrinkle Prevent (Prevención de arrugas)</b> durante 3 segundos para encender la luz del tambor cuando la secadora está funcionando.</p> <p>Para apagar la luz de la secadora, presione nuevamente durante 3 segundos.</p> <p><b>NOTA</b></p> <p>Después de 2 minutos de inactividad, la luz del tambor se apagará automáticamente.</p>
<p><b>12 Eco Dry</b> (Secado eco)</p>	<p>Esta función está disponible con <b>Normal</b> y <b>TIME DRY (TIEMPO DE SECADO)</b>.</p> <p>Con la función <b>Eco Dry (Secado eco)</b> activada, el secado requiere más tiempo pero el consumo de energía se reduce.</p> <p>El tiempo de secado puede prolongarse hasta 3 veces más de lo normal, dependiendo de la temperatura y la carga. La función <b>Eco Dry (Secado eco)</b> está activada de manera predeterminada.</p>
<p><b>13 POWER</b> (ENCENDER/APAGAR)</p>	<p>Presione para encender y apagar la secadora.</p>
<p><b>14 Sound (Sonido)</b> (DV45K6200E(G)*, DV45K6500E(G)*)</p>	<p><b>Uso 1:</b> Presione <b>Sound (Sonido)</b> para encender o apagar las señales sonoras de notificación y las melodías de la secadora.</p> <p><b>Uso 2:</b> Mantenga presionado <b>Sound (Sonido)</b> durante 3 segundos para encender la luz del tambor cuando la secadora está funcionando. Para apagar la luz de la secadora, presione nuevamente durante 3 segundos.</p> <p><b>NOTA</b></p> <p>Esta función se mantiene activa incluso después de encender la secadora nuevamente.</p>
<p><b>15 START/PAUSE</b> (INICIO/PAUSA)</p>	<p>Mantenga presionada para iniciar el funcionamiento, o presione para detenerlo.</p>

# Funcionamiento

---

## **NOTA**

Las prendas muy enredadas pueden disminuir la eficacia del secado o hacer que se abra la puerta. Recomendamos desenredar las prendas antes de secarlas.

No coloque objetos sobre la secadora, en especial sobre el panel de funciones.

## **PRECAUCIÓN**

No rocíe agua sobre el panel de funciones. Puede producirse una falla de sistema.

## Sencillos pasos para comenzar

---

1. Presione **POWER (ENCENDER/APAGAR)** para poner en funcionamiento la secadora.
2. Gire el selector de ciclos para seleccionar el ciclo deseado.
3. Cambie las configuraciones de ciclo (**Dry Level (Nivel de secado)**, **Temp. (Temperatura)** y **Time (Tiempo)**) según sea necesario.
4. Como opción, puede activar las opciones disponibles presionando el botón correspondiente (**Anti Static (Antiestática)**, **Drum Light (Luz del tambor)**, **Mixed Load Bell (Timbre de carga mixta)**, **Wrinkle Prevent (Prevención de arrugas)** y/o **Eco Dry (Secado eco)**).
5. Mantenga presionado **START/PAUSE (INICIO/PAUSA)**. La luz indicadora de la secadora se enciende y el tiempo estimado del ciclo aparece en la pantalla.

## Para cambiar el ciclo durante el funcionamiento

1. Presione **START/PAUSE (INICIO/PAUSA)** para detener el funcionamiento.
2. Seleccione otro ciclo.
3. Mantenga presionado **START/PAUSE (INICIO/PAUSA)** para iniciar un nuevo ciclo.

## Descripción de los ciclos

Ciclo	Descripción
ECO NORMAL (DV45K6500E(G)*, DV50K7500E(G)*)	Para reducir el uso de energía. Este ciclo ajusta el tiempo y la temperatura del ciclo para mayor eficiencia.
NORMAL	Para la mayoría de las telas, incluido algodón y lino. Si está seleccionado el ciclo Normal, la función Eco Dry (Secado eco) está activada de manera predeterminada. Para obtener más información, consulte Eco Dry (Secado eco) en la sección "Panel de funciones".
HEAVY DUTY (CARGA PESADA)	Para secar prendas de tela resistente, tales como los jeans, la pana y la ropa de trabajo con calor a alta temperatura.
BEDDING (ROPA DE CAMA)	Para prendas voluminosas, como cobijas, sábanas y edredones.
PERM PRESS (PLANCHADO PERMANENTE)	Seca automáticamente prendas de algodón sin arrugas, también telas sintéticas, tejidos y telas antiarrugas.
WOOL (LANA) (DV45K6500E(G)*, DV50K7500E(G)*)	Solo para lana que pueda lavarse en lavadora y secarse en secadora.
DELICATES (DELICADOS)	Para secar prendas sensibles al calor a baja temperatura de secado.
ACTIVE WEAR (ROPA DEPORTIVA)	Para prendas para hacer ejercicio y actividades al aire libre tales como jerseys de deporte, pantalones deportivos, chaquetas impermeables u otras prendas de entrenamiento. Es posible que las telas gruesas como los cierres relámpago o de velcro de una chaqueta o las medias de entrenamiento no queden totalmente secas.
QUICK DRY (SECADO RÁPIDO)	Un ciclo de secado rápido que dura 30 minutos
TIME DRY (TIEMPO DE SECADO)	Permite seleccionar el tiempo del ciclo en minutos. Si TIME DRY (TIEMPO DE SECADO) está seleccionado, la función Eco Dry (Secado eco) está activada de manera predeterminada. Para obtener más información, consulte Eco Dry (Secado eco) en la sección "Panel de funciones".
AIR FLUFF (TEMP. AMBIENTE)	Seca la carga con aire a temperatura ambiente.

# Funcionamiento

---

Ciclo	Descripción
REFRESH (REFRESCAR)	Úselo para alisar arrugas y reducir olores en cargas de una a cuatro prendas. Cuando se selecciona este ciclo, se rocía una pequeña cantidad de agua en el tambor de la secadora después de varios minutos de secado con calor. Antes de retirar la ropa, verifique que esté seca.
WRINKLE AWAY (ANTIARRUGAS)	Para obtener los mejores resultados, cargue 2-3 prendas al mismo tiempo. Puede prolongar el tiempo de secado un tiempo mínimo de 20 minutos, dependiendo del tipo de prendas o de la carga. Antes de retirar la ropa, verifique que esté seca.
STEAM SANITIZE (ESTERILIZAR CON VAPOR)	Úselo para desinfectar prendas mediante la aplicación de vapor y calor a alta temperatura a las telas. Este ciclo puede suavizar las prendas y reducir los olores. Verifique que la carga de ropa esté mojada o parcialmente mojada.

## Guía de secado

La mejor manera de secar las prendas es seguir las instrucciones de la etiqueta. Si no se brindan instrucciones de secado, consulte la siguiente tabla a modo de referencia.

Ciclo	Descripción
Cubrecamas y edredones	Siga las instrucciones de la etiqueta con indicaciones o seque en el ciclo Bedding (Ropa de cama). <ul style="list-style-type: none"> <li>Asegúrese de que la prenda esté completamente seca antes de usarla o guardarla.</li> <li>Tal vez deba volver a colocarla en el tambor para garantizar un secado uniforme.</li> </ul>
Cobijas	Use el ciclo Normal y seque de a una sola cobija por vez para lograr un mejor funcionamiento de la secadora. <ul style="list-style-type: none"> <li>Asegúrese de que las cobijas estén completamente secas antes de usarlas o guardarlas.</li> </ul>
Cortinas y paños de tela	Utilice Perm press (Plancha permanente) y la temperatura Medium (Media) para minimizar la formación de arrugas. <ul style="list-style-type: none"> <li>Seque cortinas y paños de tela en tandas pequeñas para obtener mejores resultados y retírelos lo antes posible una vez finalizado el ciclo.</li> </ul>
Pañales de tela	Utilice Normal y la opción de temperatura Medium (Media) para pañales suaves y mullidos.
Prendas con relleno de plumas (chaquetas, bolsas de dormir, edredones, etc.)	Utilice Normal y la opción de temperatura Medium (Media). <ul style="list-style-type: none"> <li>Agregue un par de toallas secas para absorber la humedad y acortar el tiempo de secado.</li> </ul>
Goma espuma (reverso de alfombras, muñecos de peluche, hombreras, etc.)	No seque con el ciclo de secado con calor. Utilice el ciclo AIR FLUFF (TEMP. AMBIENTE). <p><b>⚠️ ADVERTENCIA</b></p> <p>Secar un artículo de goma con calor puede dañarlo o causar un incendio.</p>
Almohadas	Utilice Normal. <ul style="list-style-type: none"> <li>Agregue un par de toallas secas y un par de zapatillas limpias para mejorar el funcionamiento de la secadora y ahuecar las almohadas.</li> <li>No seque almohadas de capoc o de goma espuma utilizando un ciclo de secado con calor.</li> </ul> <p>Puede secar estos elementos en la secadora solamente si usa el ciclo AIR FLUFF (TEMP. AMBIENTE).</p>

# Funcionamiento

---

Ciclo	Descripción
Plásticos (cortinas de baño, cubiertas de muebles para exteriores, etc.)	Utilice el ciclo AIR FLUFF (TEMP. AMBIENTE) o TIME DRY (TIEMPO DE SECADO) y la opción de temperatura Low (Baja) o Extra Low (Extra baja) de acuerdo con las instrucciones de la etiqueta.

## ADVERTENCIA

No seque:

- Artículos de fibra de vidrio (cortinas, paños de tela, etc.)
- Lanas, salvo que se recomiende en la etiqueta
- Artículos manchados o embebidos en aceite vegetal o de cocina



## Funciones especiales

### Seguro para niños

La función de seguro para niños evita que los niños jueguen con la secadora. Cuando el seguro para niños está activado, todos los botones excepto **POWER (ENCENDER/APAGAR)** se desactivan.

Para activar/desactivar el seguro para niños, mantenga presionados simultáneamente **Temp. (Temperatura)** y **Time (Tiempo)** durante 3 segundos.

#### **NOTA**

Una vez activado el seguro para niños permanecerá activo incluso después que encienda la secadora nuevamente. Si otros botones, salvo el botón **POWER (ENCENDER/APAGAR)**, no responden, verifique el indicador de Seguro para niños. Si el indicador está encendido, siga las instrucciones precedentes para desactivar el seguro para niños.

### Smart Care

Si la secadora muestra un código de información, puede usar Smart Care para verificar el estado de la secadora en un teléfono inteligente.

Para usar Smart Care, debe tener instalada la aplicación Smart Care de Samsung en su teléfono inteligente.

#### **NOTA**

Smart Care está optimizado para Galaxy de Samsung y iPhones de Apple (no es compatible con algunos modelos).

Descargue la aplicación Samsung Smart Care desde Google Play o Apple App (Palabra de búsqueda: "Samsung Smart Washer/Dryer") e instálela en su teléfono inteligente.

Si aparece algún código de información en la secadora, siga estos pasos:

1. Mantenga presionado **Eco Dry (Secado eco)** durante 3 segundos para activar Smart Care. Se enciende el indicador de Smart Care.
2. Abra la aplicación Smart Care en su teléfono inteligente.
3. Coloque la cámara de su teléfono inteligente cerca de la pantalla de la secadora. La aplicación reconoce automáticamente el código de información y muestra sugerencias en su teléfono inteligente.
4. Si el teléfono inteligente no reconoce el código de información más de dos veces, ingrese en forma manual el código de información en la aplicación Smart Care.

#### **PRECAUCIÓN**

- Si la luz se refleja en la pantalla de la secadora, es posible que el teléfono no reconozca el código de información.
- Si coloca el teléfono inteligente en un ángulo de la pantalla de la secadora, es posible que el teléfono no reconozca el código de información. Para obtener los mejores resultados, sostenga el teléfono inteligente en una posición paralela o casi paralela respecto al frontal del panel.
- Después de usar esta función, la secadora eliminará el registro del código de información de su registro de códigos.

# Funcionamiento

## Sonido activado/desactivado

Para apagar las señales sonoras de notificación y las melodías de la secadora, mantenga presionado **Dry Level (Nivel de secado)** durante 3 segundos (DV50K7500\*) o presione **Sound (Sonido)** (DV45K6500\*, 6200\*).

Para cancelar el silencio de la secadora, mantenga presionado nuevamente **Dry Level (Nivel de secado)** durante 3 segundos (DV50K7500\*) o presione **Sound (Sonido)** (DV45K6500\*, 6200\*).

### **NOTA**

Esta función se mantiene activa incluso después de encender la secadora nuevamente.

## Mi ciclo

Puede crear su propio ciclo con sus ajustes preferidos y usarlo según su conveniencia.

1. Gire el **selector de ciclos** para seleccionar el ciclo deseado. Se enciende el indicador de ciclo.
2. Configure o modifique los ajustes (**Dry Level (Nivel de secado)**, **Temp. (Temperatura)**, **Time (Tiempo)**, etc.) y/u otras opciones según sea necesario. Los indicadores correspondientes titilan.
3. Mantenga presionado **My Cycle (Mi ciclo)** durante 3 segundos. La secadora guarda el ciclo seleccionado y sus ajustes.

Para utilizar **Mi ciclo**, presione **My Cycle (Mi ciclo)**.

### **NOTA**

La prevención de arrugas no está disponible con **My Cycle (Mi ciclo)**.

---

## Samsung Smart Home (únicamente para los modelos aplicables)

---

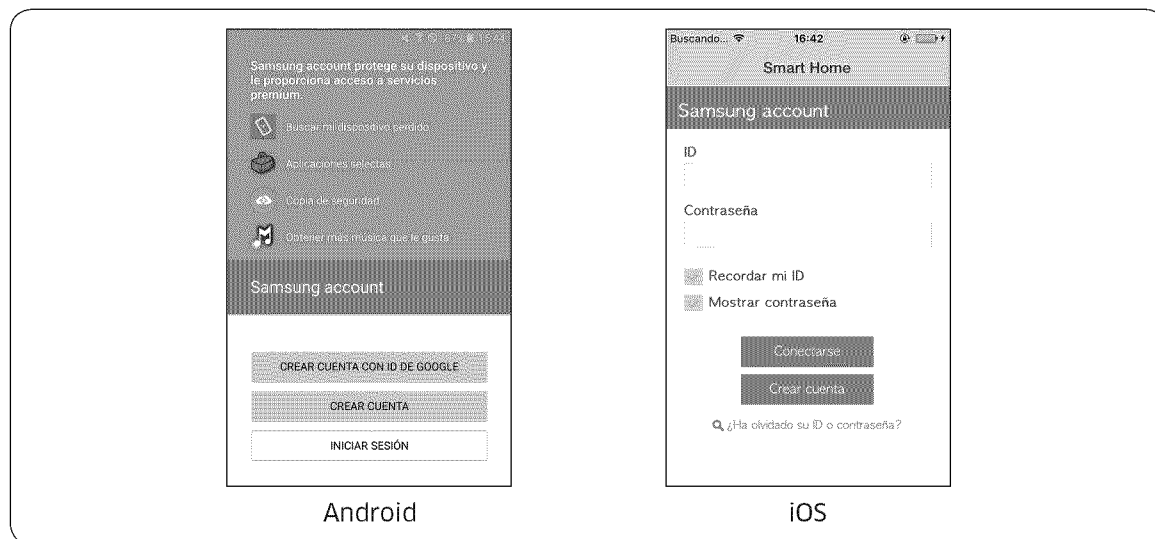
### Instalación

Visite la Google Play Store, Galaxy Apps o Apple App Store y busque “Samsung Smart Home”. Descargue e instale la aplicación Samsung Smart Home provista por Samsung Electronics a su dispositivo inteligente.

### NOTA

- La aplicación Samsung Smart Home está diseñada para Android 4.0 (ICS) o superior, o iOS 7.0 o superior, y está optimizada para teléfonos inteligentes de Samsung (series Galaxy S y Galaxy Note). En otros modelos de teléfono inteligente, algunas funciones pueden operar de una manera distinta.
- Para un mejor desempeño, la aplicación Samsung Smart Home está sujeta a cambios sin previo aviso o a la interrupción del soporte técnico, de acuerdo con la política del fabricante.

### Cuenta Samsung



Para usar la aplicación se le solicita que se registre en su cuenta Samsung. Si no dispone de una cuenta Samsung, siga las instrucciones en pantalla de la aplicación para crear una cuenta Samsung gratuita.

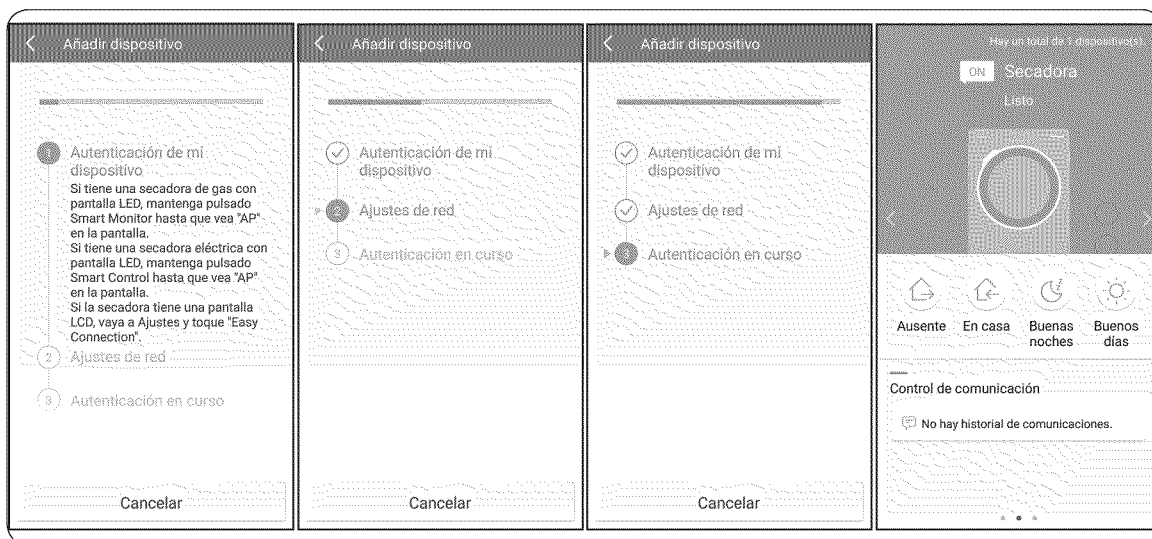
# Funcionamiento

## Cómo comenzar


1. Inserte el Smart Home Adapter en el puerto correspondiente de su secadora.
2. Ejecute la aplicación Samsung Smart Home e inicie sesión con su cuenta Samsung. Los usuarios de iPhone deben proporcionar la información de inicio de sesión cada vez que acceden a la aplicación.



3. Acceda a Device (Dispositivo) > ícono + y luego toque Dryer (Secadora).
4. Siga las instrucciones en pantalla para proporcionar la información necesaria acerca del enrutador, y luego toque Next (Siguiente).



5. Mantenga presionado Smart Control (Smart Monitor) durante más de 5 segundos hasta que el mensaje "AP" aparezca en la pantalla. La secadora se registrará con la aplicación.

- 
6. Cuando su secadora esté registrada correctamente, la aplicación mostrará este mensaje.  
"Congratulations! Your dryer has been added to your Smart Home. Please complete the setup by restarting your dryer."  
You may then remotely control your dryer by turning on Smart Control.  
\* The remote control function is only available with electric dryers."
  7. Una vez finalizado el registro, el ícono de la secadora aparecerá en la aplicación Samsung Smart Home.
  8. Cuando el mensaje "oAP" desaparezca de la pantalla, reinicie la lavadora.
  9. Mantenga presionado **Smart Control (Smart Monitor)** en la secadora durante más de 3 segundos. El indicador de Smart Control (Smart Monitor)  se iluminará en la secadora.

#### **NOTA**

Algunas opciones o ajustes de la secadora pueden no estar disponibles para el control remoto. Por razones de seguridad, Smart Control se desactiva cuando se activa Child Lock (Seguro para niños). Para usar Smart Control, asegúrese de desactivar antes el Child Lock (Seguro para niños).



Este producto es una secadora inteligente que admite el servicio Samsung Smart Home.

El tiempo necesario para la configuración EZ (configuración de red) depende de la condición de la red.

Para obtener más información, visite [www.samsung.com](http://www.samsung.com).

# Funcionamiento

## Funciones principales

Registre los electrodomésticos Samsung smart home en el servidor de Samsung Smart Home para acceso remoto.

### Descripción del menú



Para un mejor desempeño, el contenido y el diseño de la aplicación están sujetos a cambios sin previo aviso.

<b>01 Ciclo actual</b>	Toque para seleccionar el ciclo deseado.
<b>02 Inicio/Pausa</b>	Con Smart Control (Smart Monitor) activado en la secadora, puede iniciar o pausar temporalmente la operación en el control remoto.
<b>03 Opciones</b>	Configure o ajuste las opciones según sea necesario. Los valores predeterminados o de configuración de las opciones y la disponibilidad varían dependiendo del ciclo seleccionado.
<b>04 Prendas olvidadas (únicamente para los modelos aplicables)</b>	Si la ropa permanece en el tambor de la secadora una vez finalizado el ciclo, puede recibir una notificación. Active esta alarma y especifique el intervalo de notificación. La alarma permanece activa hasta 12 horas. Cuando abre la puerta, la alarma deja de sonar y la máquina se apaga. Para usar esta alarma, debe tocarla para que se active en la aplicación.
<b>05 Settings (Ajustes)</b>	El menú Settings (Ajustes) difiere según el modelo o no está disponible en algunos modelos.

<b>06 About Device (Acerca del dispositivo)</b>	<ul style="list-style-type: none"> <li>• Versión: Muestra la versión actual de la aplicación Dryer.</li> <li>• Self Check (Autoverificación) (únicamente para los modelos aplicables) La secadora ejecuta el autodiagnóstico y muestra un código de información si encuentra algún problema que requiere revisión.</li> </ul>
<b>07 Proceso actual</b>	El proceso actual se muestra en las fases Load Sensing (Detección de carga), Prewashing (Prelavado), Washing (Lavado), Rinsing (Enjuague), Spin (Centrifugado).
<b>08 Progreso</b>	El progreso del ciclo seleccionado se muestra en incrementos del 1%.
<b>09 Tiempo restante</b>	El tiempo restante del ciclo seleccionado se muestra como referencia.
<b>10 Estimated Finish Time (Hora aproximada de finalización)</b>	Se muestra la hora aproximada de finalización.
<b>11 Cancel (Cancelar)</b>	Toque para cancelar el ciclo actual y regresar a la pantalla de selección de ciclo.

Cuando el ciclo ha finalizado



<b>01 Ciclo finalizado</b>	Muestra el ciclo que ha finalizado.
<b>02 Mensaje de finalización</b>	Cuando el ciclo se completa, la aplicación Dryer muestra un mensaje de finalización.

Para modelos a gas, la aplicación Dryer solo sirve como dispositivo de supervisión y no se puede manipular ninguno de los controles disponibles en la aplicación.

# Mantenimiento


Mantenga la secadora limpia para impedir la reducción del desempeño y para alargar su vida útil.


## ADVERTENCIA

El panel de control y la válvula de entrada no están conectados a tierra intencionalmente y pueden presentar riesgo de descarga eléctrica únicamente durante el servicio técnico.

Personal del servicio técnico - No toque estas partes mientras la secadora está recibiendo electricidad.

## Sensor de ventilación

La secadora está equipada con un sensor de ventilación que detecta y le informa cuándo es momento de limpiar los conductos. El indicador  le informa del estado del conducto.

Nivel	 Indicador	Estado	Acción
0	Apagado	Los conductos no están obstruidos.	
1	Encendido	<ul style="list-style-type: none"><li>El conducto o el filtro de pelusa está obstruido.</li><li>La presión aplicada sobre el conducto es alta porque el conducto es demasiado largo o está doblado.</li></ul>	<ul style="list-style-type: none"><li>Controle el filtro de pelusa o el conducto y límpielo si fuera necesario.</li><li>Verifique las conexiones del conducto y acorte o enderece el conducto si fuera necesario.</li></ul>
2	Titilante	<ul style="list-style-type: none"><li>El conducto o el filtro de pelusa está severamente obstruido.</li><li>La presión aplicada sobre el conducto es muy alta porque el conducto es demasiado largo o está doblado.</li></ul>	<ul style="list-style-type: none"><li>Controle y limpie el filtro de pelusa o conducto y asegúrese de que no estén obstruidos.</li><li>Verifique las conexiones del conducto y acorte o enderece los conductos si fuera necesario.</li></ul>

En el estado de Nivel 2, el indicador  titila durante 3 horas una vez finalizado el ciclo. Si presiona POWER (ENCENDER/APAGAR) o abre la puerta, la secadora se apaga inmediatamente.

## NOTA

- Para la instalación del conducto, consulte “Guía de los conductos de drenaje” en la página 28 y “Requisitos para el tendido de conductos” en la página 14.
- La secadora puede seguir funcionando incluso si el conducto está obstruido, pero el tiempo de secado se prolongará.
- Si el indicador se enciende por primera vez y queda encendido (no parpadea), controle y limpie el filtro de pelusa y/o el conducto.
- Si el indicador se enciende nuevamente, se debe a que el conducto está instalado o conectado con algunas restricciones (es demasiado largo o tiene demasiadas dobleces). No se trata de una falla de sistema. Sin embargo, el tiempo de secado puede extenderse o el desempeño del secado puede degradarse.



---

## Limpieza

---

### Panel de funciones

- Limpie con un paño suave y húmedo. No utilice sustancias abrasivas.
- No rocíe productos de limpieza líquidos directamente en la pantalla de la secadora.
- Algunos productos removedores de suciedad y manchas de tratamiento previo al lavado pueden dañar el panel de funciones.
- Al usar productos de limpieza líquidos, aplíquelos a la ropa. No los aplique directamente en la secadora. Limpie el líquido derramado o rociado inmediatamente.

### Tambor

- Elimina las manchas del tambor con un limpiador multiuso.
- Seque toallas o trapos para eliminar restos de manchas o productos de limpieza. Las manchas pueden ser aún visibles, pero no afectarán las cargas posteriores.

### Tambor de acero inoxidable

Para limpiar el tambor de acero inoxidable, use un paño humedecido con un limpiador suave, no abrasivo, adecuado para superficies que se deterioran fácilmente. Elimine los residuos del limpiador y seque con un paño limpio.

### Exterior de la secadora

- Limpie con un paño suave y húmedo. No utilice sustancias abrasivas.
- Proteja la superficie de objetos afilados.
- No coloque objetos pesados ni afilados ni tampoco un envase de detergente sobre la secadora. Pueden rayar o dañar la cubierta superior de la secadora.
- La secadora tiene un acabado brillante en toda su superficie. Tenga cuidado de no rayar ni dañar la superficie.

### Sistema de drenaje

- Controle y limpie el sistema de drenaje en forma anual o regular para mantener un desempeño óptimo.
- La tapa de drenaje externa debe limpiarse con más frecuencia para garantizar un flujo de aire adecuado.

# Solución de problemas

## Verificaciones

Si la secadora funciona en forma anormal, primero consulte la lista de problemas en la tabla siguiente y pruebe las sugerencias.

Problema	Acción
No funciona.	<ul style="list-style-type: none"> <li>• Asegúrese de que la puerta esté cerrada.</li> <li>• Asegúrese de que el cable de alimentación esté conectado a un tomacorriente que funcione.</li> <li>• Controle los disyuntores o fusibles de su casa.</li> <li>• Presione o toque <b>START/PAUSE (INICIO/PAUSA)</b> nuevamente si la puerta se abrió durante un ciclo.</li> <li>• Limpie el filtro para pelusas.</li> </ul>
No calienta.	<ul style="list-style-type: none"> <li>• Controle los disyuntores o fusibles de su casa.</li> <li>• Algunos ciclos no requieren calor. Verifique nuevamente el ciclo seleccionado.</li> <li>• En una secadora a gas, asegúrese de que el suministro de gas esté abierto.</li> <li>• Limpie el filtro para pelusas y el conducto de drenaje.</li> <li>• La secadora puede haberse desplazado a la fase de enfriamiento del ciclo.</li> </ul>
No seca.	<ul style="list-style-type: none"> <li>• Verifique todos los ítem anteriores y, además...</li> <li>• Asegúrese de que la tapa de drenaje hacia el exterior de su casa se pueda abrir y cerrar sin inconvenientes.</li> <li>• Verifique que el sistema de drenaje no presente obstrucciones. Los conductos deben inspeccionarse y limpiarse todos los años.</li> <li>• Utilice un conducto de drenaje de metal rígido, de 4".</li> <li>• No la sobrecargue. 1 carga de lavado = 1 carga de secado.</li> <li>• Seque los artículos pesados y los livianos por separado.</li> <li>• Es posible que sea necesario volver a colocar los artículos grandes y voluminosos, como las cobijas o los edredones, para garantizar un secado uniforme.</li> <li>• Asegúrese de que la lavadora esté drenando en forma correcta y extrayendo el agua de la carga adecuadamente.</li> <li>• Es posible que la carga sea demasiado pequeña como para secarse correctamente. Agregue algunas toallas y reinicie la secadora.</li> <li>• Es posible que la carga sea demasiado grande como para secarse correctamente. Retire algunas prendas y vuelva poner en funcionamiento la secadora.</li> <li>• Limpie el filtro para pelusas.</li> </ul>


Problema	Acción
Hace ruido.	<ul style="list-style-type: none"> <li>• Verifique si en la carga hay objetos tales como monedas, botones flojos, clavos, etc. Retírelos de inmediato.</li> <li>• Es normal escuchar el ruido de la válvula de gas de la secadora o que el ciclo del dispositivo de calor se enciende o se apaga durante el ciclo de secado.</li> <li>• Asegúrese de que la secadora esté correctamente nivelada tal como se describe en las instrucciones de instalación.</li> <li>• Es normal que la secadora emita un zumbido debido a la alta velocidad del aire que se mueve por el tambor de la secadora, el ventilador y el sistema de drenaje.</li> </ul>
No seca de manera uniforme.	<ul style="list-style-type: none"> <li>• Es posible que las costuras, los bolsillos y otras áreas resistentes similares no se sequen por completo cuando el resto de la carga ha llegado al nivel de secado seleccionado. Esto es normal. Puede elegir un nivel de secado más alto o un ciclo que incluya un nivel de secado más alto.</li> <li>• Si se seca un artículo pesado con una carga liviana, por ejemplo una toalla con sábanas, es posible que el artículo pesado no esté completamente seco cuando el resto de la carga alcance el nivel de secado seleccionado.</li> <li>• Para obtener mejores resultados, seque los artículos pesados y los livianos por separado.</li> </ul>
Tiene olor.	<ul style="list-style-type: none"> <li>• Los olores del hogar, ya sea que provengan de la pintura, el barniz, los limpiadores potentes, etc., pueden ingresar en la secadora con el aire del ambiente. Esto es normal puesto que la secadora extrae el aire de la habitación, lo calienta y lo hace circular por el tambor y lo expulsa a través del drenaje hacia el exterior.</li> <li>• Si estos olores permanecen en el aire, ventile bien la habitación antes de usar la secadora.</li> <li>• Use un ciclo que cuente con la función de refrescar. Si los olores persisten, vuelva a lavar y secar los artículos.</li> </ul>
Pelusa en las prendas.	<ul style="list-style-type: none"> <li>• Limpie el filtro para pelusas antes de cada carga. Para la ropa que naturalmente acumula pelusas, limpie el filtro durante el ciclo.</li> <li>• Algunas telas producen pelusa (por ejemplo, una toalla de algodón blanco con mucho pelo) y deben secarse por separado de las prendas que atrapan pelusa (por ejemplo, un par de pantalones de lino negro).</li> <li>• Divida las cargas grandes en cargas más pequeñas para el secado.</li> <li>• Revise bien los bolsillos antes de secar las prendas, luego séquelas.</li> <li>• Quite las pelusas de adentro del tambor antes del secado.</li> </ul>

# Solución de problemas

Problema	Acción
Prendas arrugadas después la Wrinkle Prevent (Prevención de arrugas) (Wrinkle Away (Antiarrugas), Wrinkle Release (Desarrugar)).	<ul style="list-style-type: none"><li>• Funciona mejor con cargas pequeñas de 1 a 4 prendas.</li><li>• Cargue menos prendas. Cargue prendas similares.</li><li>• Retire las prendas de inmediato una vez finalizado el secado.</li></ul>
Gotea agua de la boquilla cuando comienzan los ciclos de vapor.	<ul style="list-style-type: none"><li>• Esto se debe a la condensación del vapor. El goteo de agua se detendrá en unos minutos.</li></ul>
No se ve el agua rociada durante los ciclos de vapor.	<ul style="list-style-type: none"><li>• El agua rociada es difícil de ver cuando la puerta está cerrada.</li></ul>
Tiempo prolongado.	<ul style="list-style-type: none"><li>• Sensor Dry (Secado con sensor) detecta automáticamente la humedad de la carga y apaga la secadora cuando alcanza el nivel de secado seleccionado. El tiempo de secado puede variar de acuerdo con el tipo y la cantidad de prendas. Consulte la tabla de ciclos para obtener referencias.</li></ul>

Si el problema persiste, comuníquese con un centro de servicio local de Samsung.

## Samsung Smart Home

Problema	Acción
No encuentro "Samsung Smart Home" en las tiendas de aplicaciones.	<ul style="list-style-type: none"> <li>La aplicación Samsung Smart Home está disponible en teléfonos inteligentes con Android 4.0 (ICS) o superior, o iOS 7.0 o superior.</li> </ul>
La aplicación Samsung Smart Home no funciona.	<ul style="list-style-type: none"> <li>La aplicación Samsung Smart Home solo está disponible en los modelos aplicables.</li> <li>La aplicación Samsung Smart Dryer antigua no puede conectarse con modelos Samsung Smart Home.</li> </ul>
La aplicación Samsung Smart Home está instalada pero no se conecta con mi secadora.	<ul style="list-style-type: none"> <li>Para usar la aplicación debe registrarse en su cuenta Samsung.</li> <li>Asegúrese de que el enrutador funcione normalmente.</li> <li>Asegúrese de que el Smart Home Adapter esté insertado correctamente.</li> <li>Si el indicador Smart Control (Smart Monitor)  de la pantalla de la secadora está apagado, esto indica que aún no se estableció ninguna conexión de red. En este caso, use la aplicación Samsung Smart Home para conectar y registrar su secadora en el punto de acceso (AP) de su casa.</li> </ul>
No puedo registrarme en la aplicación.	<ul style="list-style-type: none"> <li>Para usar la aplicación debe registrarse en su cuenta Samsung.</li> <li>Si no dispone de una cuenta Samsung, siga las instrucciones en pantalla de la aplicación para crear una.</li> </ul>
Cuando intento registrar mi secadora, aparece un mensaje de error.	<ul style="list-style-type: none"> <li>Easy Connection puede dar error debido a la distancia de su punto de acceso (AP) o a interferencias eléctricas del entorno. Espere un momento y vuelva a intentarlo.</li> </ul>
La aplicación Samsung Smart Home está conectada correctamente a mi secadora, pero no funciona.	<ul style="list-style-type: none"> <li>Salga y reinicie la aplicación Samsung Smart Home, o desconecte y vuelva a conectar el enrutador.</li> <li>Retire el Smart Home Adapter y vuelva a conectarlo correctamente. Luego, vuelva a intentarlo.</li> </ul>

# Solución de problemas

## Códigos de información

Si la secadora no funciona bien, puede ver un código de información en el panel de la pantalla. Para determinar qué debe hacer, consulte la lista de códigos en la tabla siguiente y pruebe las sugerencias.

Código	Acción
DC	La secadora funciona con la puerta abierta. <ul style="list-style-type: none"><li>• Asegúrese de que la puerta esté perfectamente cerrada.</li><li>• Asegúrese de que no quede ropa trabada en la puerta.</li></ul>
FC	Frecuencia de fuente de alimentación no válida <ul style="list-style-type: none"><li>• Intente reiniciar el ciclo.</li><li>• Si este código de información permanece, comuníquese con un centro de servicio de Samsung.</li></ul>
AC	Problema con el control electrónico (Comunicación no válida). <ul style="list-style-type: none"><li>• Comuníquese con un centro de servicio de Samsung.</li></ul>
HC	Verificación de temperatura alta <ul style="list-style-type: none"><li>• Limpie el filtro para pelusas.</li><li>• Si este código de información permanece, comuníquese con un centro de servicio de Samsung.</li></ul>
9C1	Se debe revisar el control electrónico. <ul style="list-style-type: none"><li>• Revise si la alimentación se suministra normalmente.</li><li>• Si el código de información permanece, comuníquese con un centro de servicio de Samsung.</li></ul>
tC	La resistencia del termistor 1 es muy baja o muy alta. <ul style="list-style-type: none"><li>• Revise si el filtro para pelusas está obstruido.</li><li>• Revise si el sistema de ventilación está restringido.</li><li>• Si este código de información permanece, comuníquese con un centro de servicio de Samsung.</li></ul>
tC5	La resistencia del termistor 2 es muy baja o muy alta. <ul style="list-style-type: none"><li>• Revise si el filtro para pelusas está obstruido.</li><li>• Revise si el sistema de ventilación está restringido.</li><li>• Si este código de información permanece, comuníquese con un centro de servicio de Samsung.</li></ul>
dF	Interruptor de la puerta incorrecto. <ul style="list-style-type: none"><li>• Comuníquese con un centro de servicio de Samsung.</li></ul>





Si un código de información sigue apareciendo en la pantalla, comuníquese con un centro de servicio de Samsung.

# Especificaciones




## Tabla de indicaciones sobre telas

Los siguientes símbolos ofrecen indicaciones acerca de las prendas. La etiqueta de indicaciones de la prenda incluye símbolos para secado, blanqueado, planchado y limpieza en seco. El uso de símbolos garantiza la consistencia entre los fabricantes textiles de artículos nacionales e importados. Siga las indicaciones de la etiqueta para optimizar la vida útil de la prenda y reducir los problemas del lavado.

### Ciclo de lavado

	Normal
	Planchado permanente/Antiarrugas/ Control de arrugas
	Prendas suaves/delicadas
	Lavado a mano

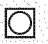


### Temperatura del agua

	Caliente
	Tibia
	Fría



### NOTA

La tabla de la temperatura del agua presenta las temperaturas del agua del lavado apropiadas para diversas prendas. El rango de temperatura es de 106 - 126 °F (41 - 52 °C) para Caliente, 84 - 106 °F (29 - 41 °C) para Tibia y 61 - 84 °F (16 - 29 °C) para Fría. (La temperatura del agua del lavado debe alcanzar un mínimo de 61 °F (16 °C) para que se active el detergente y se logre un lavado eficaz.)




### Blanqueador

	Cualquier blanqueador (cuando sea necesario)
	Solo blanqueador sin cloro (protección del color) (si es necesario)
	Secar en secadora






### Normal

	Planchado permanente/Antiarrugas/ Control de arrugas
	Prendas suaves/delicadas

### Instrucciones especiales

	Secar colgado/tender
	Colgar para que escurra
	Secar en posición horizontal

### Ajuste del calor




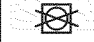

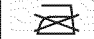
	Alto
	Medio
	Bajo
	Cualquier calor
	Sin calor/aire

# Especificaciones


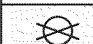



## Temperaturas de secado con plancha o vapor

	Alto
	Medio
	Bajo

## Símbolos de advertencia para el lavado

	No lavar
	No retorcer
	No usar blanqueador
	No secar en secadora
	Sin vapor (agregado a la plancha)
	No planchar

## Limpiar en seco

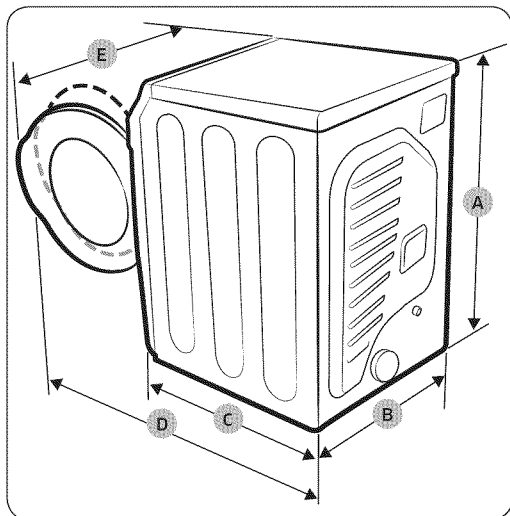
	Limpiar en seco
	No limpiar en seco
	Secar colgado/tender
	Colgar para que escurra
	Secar en posición horizontal

## Protección del medio ambiente

Este electrodoméstico se fabrica con materiales reciclables. Si decide desechar este electrodoméstico, siga la normativa local relacionada con la eliminación de desechos. Corte el cable de alimentación para que el electrodoméstico no pueda conectarse a una fuente de alimentación. Retire la puerta para que los animales y los niños pequeños no puedan quedar atrapados dentro del electrodoméstico.



## Hoja de especificaciones



### NOTA

Las especificaciones de "A. Altura" pueden variar de 42.4 a 43.3 pulgadas (107.7 - 108.9 cm) dependiendo del ajuste de las patas niveladoras.

Tipo		Secadora de carga frontal		
		DV50K7500E(G)*	DV45K6500E(G)*, DV45K6200E(G)*	
Dimensiones	A. Altura	Producto - pulgadas (cm)	38.7 (98.4)	
		Requerido para instalación - pulgadas	40.7	
	B. Ancho	Producto - pulgadas (cm)	27.0 (68.6)	
		Requerido para instalación - pulgadas	29.0	
	C. Profundidad	Producto - pulgadas (cm)	32.6 (82.8)	32.4 (82.3)
		Requerido para instalación - pulgadas	37.6	
	D. Profundidad con la puerta abierta 90°	Producto - pulgadas (cm)	53.1 (135.0)	53 (134.5)
		Requerido para instalación - pulgadas	58	
	E. Ancho con la puerta abierta 110°	Producto - pulgadas (cm)	39.4 (100)	
		Requerido para instalación - pulgadas	44.6	
Presión de agua - psi (kPa)		20 - 116 (137 - 800)		
Peso	lb (kg)	125.6 (57)		
Potencia del calentador	Eléctrico (W)	5300		
	A gas (BTU/h)	22000		

# Especificaciones

## Tabla de ciclos

### NOTA

Para obtener los mejores resultados, siga las recomendaciones sobre el tamaño de la carga para cada ciclo de secado.

- Carga grande: Llene  $\frac{3}{4}$  del tambor. No agregue prendas por encima de este nivel para que puedan dar vueltas con libertad.
- ◐ Carga media: Llene  $\frac{1}{2}$  del tambor.
- Carga pequeña: Coloque de 3 a 5 prendas y no llene más de  $\frac{1}{4}$  del tambor.

Ciclo	Prendas recomendadas	Tamaño de la carga	Nivel de Secado
ECO NORMAL (DV45K6500E(G)*, DV50K7500E(G)*)	Algodón, ropa de trabajo, ropa de cama y de mesa	◐	Normal Dry (Secado normal) (Ajustable)
NORMAL	Algodón, ropa de trabajo, ropa de cama y de mesa, cargas mixtas	●	Normal Dry (Secado normal) (Ajustable)
HEAVY DUTY (CARGA PESADA)	Telas resistentes, tales como jeans, pana y ropa de trabajo pesado	●	Normal Dry (Secado normal) (Ajustable)
BEDDING (ROPA DE CAMA)	Prendas voluminosas, tales como cobijas, sábanas, edredones y almohadas	●	Normal Dry (Secado normal) (Ajustable)
PERM PRESS (PLANCHADO PERMANENTE)	Camisas, telas sintéticas, tejidos, prendas de algodón sin arrugas y telas con planchado	◐	Normal Dry (Secado normal) (Ajustable)
WOOL (LANA) (DV45K6500E(G)*, DV50K7500E(G)*)	Únicamente para lana que pueda lavarse en lavadora y secarse en secadora (Máximo: 3 lbs)	○	Normal Dry (Secado normal) (No ajustable)
DELICATES (DELICADOS)	Ropa interior, blusas, lencería	◐	Normal Dry (Secado normal) (Ajustable)
ACTIVE WEAR (ROPA DEPORTIVA)	Prendas impermeables, prendas de entrenamiento, ropa deportiva (Máximo: 4 lbs)	◐	Normal Dry (Secado normal) (No ajustable)
QUICK DRY (SECADO RÁPIDO)	Cargas pequeñas	○	-
TIME DRY (TIEMPO DE SECADO)	Cualquier carga	●	-
AIR FLUFF (TEMP. AMBIENTE)	Espuma, goma, plástico	○	-
REFRESH (REFRESCAR)	Camisas, pantalones, edredones, almohadas	○	-
WRINKLE AWAY (ANTIARRUGAS)	Camisas, pantalones, blusas	○	-
STEAM SANITIZE (ESTERILIZAR CON VAPOR)	Ropa de cama, cortinas, prendas de niños	◐	Very Dry (Muy seco) (No ajustable)

**NOTA**

- : configurado de fábrica, ●: se puede seleccionar

Ciclo	Configuración de la temperatura					Configuración del tiempo
	Alto	Medio	Media baja	Bajo	Extra baja	
ECO NORMAL (DV45K6500E(G)*, DV50K7500E(G)*)					●	
NORMAL		●				
HEAVY DUTY (CARGA PESADA)	●					
BEDDING (ROPA DE CAMA)	●					
PERM PRESS (PLANCHADO PERMANENTE)		●				
WOOL (LANA) (DV45K6500E(G)*, DV50K7500E(G)*)				●		
DELICATES (DELICADOS)					●	
ACTIVE WEAR (ROPA DEPORTIVA)		●				
QUICK DRY (SECADO RÁPIDO)	●					●
TIME DRY (TIEMPO DE SECADO)	●	●	●	●	●	●
AIR FLUFF (TEMP. AMBIENTE)						●
REFRESH (REFRESCAR)	●					
WRINKLE AWAY (ANTIARRUGAS)	●					●
STEAM SANITIZE (ESTERILIZAR CON VAPOR)	●					

# Especificaciones

Ciclo	Opciones				
	Antiestática	Timbre de carga mixta	Prevención de arrugas	Ajustar tiempo	Secado eco
ECO NORMAL (DV45K6500E(G)*, DV50K7500E(G)*)		●	●		
NORMAL	●	●	●		●
HEAVY DUTY (CARGA PESADA)	●	●	●		
BEDDING (ROPA DE CAMA)		●	●		
PERM PRESS (PLANCHADO PERMANENTE)	●	●	●		
WOOL (LANA) (DV45K6500E(G)*, DV50K7500E(G)*)			●		
DELICATES (DELICADOS)	●	●	●		
ACTIVE WEAR (ROPA DEPORTIVA)			●		
QUICK DRY (SECADO RÁPIDO)			●	●	
TIME DRY (TIEMPO DE SECADO)	●		●	●	●
AIR FLUFF (TEMP. AMBIENTE)			●	●	
REFRESH (REFRESCAR)			●		
WRINKLE AWAY (ANTIARRUGAS)			●	●	
STEAM SANITIZE (ESTERILIZAR CON VAPOR)			●		

# Garantía (Estados Unidos)

---

## SECADORA SAMSUNG

---

### **GARANTÍA LIMITADA PARA EL COMPRADOR ORIGINAL**

El presente producto de la marca SAMSUNG, tal como lo provee y distribuye SAMSUNG ELECTRONICS AMERICA, INC. (SAMSUNG) y lo entrega como nuevo, en su caja de cartón original al comprador o consumidor original, está garantizado por SAMSUNG contra defectos de fabricación de los materiales y la mano de obra durante el período limitado de la garantía de:

- un (1) año para todas las piezas y la mano de obra

La presente garantía limitada comienza en la fecha original de compra y es válida únicamente para productos comprados y usados en Estados Unidos.

Para recibir el servicio técnico de la garantía, el comprador debe comunicarse con SAMSUNG con el fin de que se determine el problema y los procedimientos del servicio.

El servicio técnico de la garantía solo puede ser prestado por un centro de servicio técnico autorizado de SAMSUNG.

Se debe presentar la factura de compra original como prueba de compra a SAMSUNG o al servicio técnico autorizado de SAMSUNG.

SAMSUNG prestará servicio técnico a domicilio durante el período de la garantía sin costo, sujeto a la disponibilidad dentro de los Estados Unidos contiguos.

El servicio técnico a domicilio no está disponible en todas las áreas.

Para recibir el servicio técnico a domicilio, el producto no debe presentar obstrucciones y debe ser accesible para el agente del servicio técnico.

Si el servicio técnico no está disponible, SAMSUNG puede optar por transportar el producto hasta y desde el servicio técnico autorizado.

SAMSUNG reparará, reemplazará el producto u ofrecerá un reembolso a su criterio y sin cargo adicional, tal como se establece en la presente garantía, con piezas o productos nuevos o reacondicionados si se verifica que es defectuoso durante el período limitado de la garantía especificado anteriormente.

Todas las piezas y los productos reemplazados pasan a ser propiedad de SAMSUNG y deben ser devueltos a SAMSUNG.

Las piezas y los productos reemplazados asumen la garantía original que resta, o noventa (90) días, el período que sea el más prolongado.

# Garantía (Estados Unidos)

---

La presente garantía limitada cubre defectos de fabricación de los materiales y la mano de obra encontrados durante el uso normal y doméstico de este producto y no será válida para lo siguiente: daños que ocurran durante el envío; entrega e instalación; aplicaciones y usos para los cuales el presente producto no fue destinado; números de serie o de producto alterados; daño cosmético o acabado exterior; accidentes, abuso, descuido, incendio, inundación, caída de rayos, u otros casos fortuitos o de fuerza mayor; uso de productos, equipos, sistemas, utilidades, servicios, piezas, suministros, accesorios, aplicaciones, instalaciones, reparaciones, cableado externo o conectores no provistos ni autorizados por SAMSUNG que dañen este producto o que acarreen problemas en el servicio; voltaje de la línea eléctrica incorrecto, fluctuaciones y sobretensión; ajustes del cliente e incumplimiento de lo establecido en el manual de instrucciones, instrucciones de mantenimiento y ambientales que están cubiertas y recomendadas en el manual de instrucciones; traslado y reinstalación del producto; problemas causados por plagas.

La presente garantía limitada no cubre problemas derivados de la corriente, el voltaje o el suministro eléctrico incorrectos, las bombillas de luz, los fusibles de la casa, el cableado de la casa, el costo del servicio técnico para recibir instrucciones o corregir errores en la instalación.

SAMSUNG no garantiza el funcionamiento ininterrumpido o sin errores del producto.

SALVO LO ESTABLECIDO EN LA PRESENTE GARANTÍA, NO EXISTEN GARANTÍAS SOBRE EL PRESENTE PRODUCTO, YA SEAN EXPRESAS O TÁCITAS, Y SAMSUNG DESCONOCE TODAS LAS GARANTÍAS QUE INCLUYEN, AUNQUE NO EN CARÁCTER TAXATIVO, CUALQUIER GARANTÍA TÁCITA DE QUE EL PRODUCTO SE ENCUENTRA EN CONDICIONES APTAS PARA LA VENTA, DE DEFRAUDACIÓN DE DERECHOS O DE QUE EL PRODUCTO SE ADECUA A LOS FINES ESPECÍFICOS PARA LOS CUALES SE ADQUIERE.

NINGÚN AVAL O GARANTÍA OTORGADOS POR PERSONA, COMPAÑÍA O CORPORACIÓN ALGUNA CON RESPECTO AL PRESENTE PRODUCTO REVESTIRÁ CARÁCTER VINCULANTE PARA SAMSUNG.

SAMSUNG NO SERÁ RESPONSABLE POR PÉRDIDAS DE INGRESOS O LUCRO CESANTE, IMPOSIBILIDAD DE GENERAR AHORROS U OBTENER OTROS BENEFICIOS, O CUALQUIER DAÑO DERIVADO DE CIRCUNSTANCIAS ESPECIALES, DAÑO IMPREVISTO O DERIVADO CAUSADO POR EL USO, USO INCORRECTO, O INCAPACIDAD PARA USAR EL PRESENTE PRODUCTO, INDEPENDIEMENTE DE LA TEORÍA LEGAL EN QUE SE FUNDE EL RECLAMO Y AUN CUANDO SE LE HAYA NOTIFICADO A SAMSUNG DE LA POSIBILIDAD DE TALES DAÑOS.

NINGÚN RESARCIMIENTO DE NINGUNA ÍNDOLE CONTRA SAMSUNG SUPERARÁ EL MONTO DE COMPRA DEL PRODUCTO VENDIDO POR SAMSUNG Y CAUSANTE DEL PRESUNTO DAÑO.

SIN LIMITAR LO PRECEDENTE, EL COMPRADOR ASUME TODO EL RIESGO Y LA RESPONSABILIDAD POR PÉRDIDA, DAÑO O LESIÓN AL COMPRADOR Y A LOS BIENES DEL COMPRADOR Y A TERCEROS Y A SUS BIENES DERIVADOS DEL USO, USO INCORRECTO O INCAPACIDAD PARA USAR EL PRESENTE PRODUCTO. LA PRESENTE GARANTÍA LIMITADA NO SE EXTENDERÁ A NINGUNA PERSONA DISTINTA DEL COMPRADOR ORIGINAL DEL PRESENTE PRODUCTO, ES INTRANSFERIBLE Y ESTABLECE SU EXCLUSIVA REPARACIÓN.

---

Algunos estados no permiten limitaciones en cuanto al plazo de una garantía implícita, o la exclusión o limitación de daños imprevistos o derivados, por lo tanto las limitaciones o exclusiones antedichas pueden no aplicarse en su caso. Esta garantía le otorga derechos específicos, y además puede tener otros derechos que varían según el Estado en el que se encuentre.

Para recibir servicio técnico de garantía, comuníquese con SAMSUNG a:

**Samsung Electronics America, Inc.**

85 Challenger Road

Ridgefield Park, NJ 07660

1-800-SAMSUNG (726-7864)

[www.samsung.com/us/support](http://www.samsung.com/us/support)

Las visitas del personal de servicio técnico para explicar funciones, mantenimiento o instalación no están cubiertas por la garantía.

Póngase en contacto con su agente del centro de llamadas Samsung para que le asesore.

# Garantía (CANADÁ)

---

## SECADORA SAMSUNG

---

### **GARANTÍA LIMITADA PARA EL COMPRADOR ORIGINAL**

El presente producto de la marca SAMSUNG, tal como lo provee y distribuye SAMSUNG ELECTRONICS CANADA, INC. (SAMSUNG) y lo entrega como nuevo, en su caja de cartón original al comprador o consumidor original, está garantizado por SAMSUNG contra defectos de fabricación de los materiales y la mano de obra durante el período limitado de la garantía de:

- un (1) año para las piezas y la mano de obra

La presente garantía limitada comienza en la fecha original de compra y es válida únicamente para productos comprados y usados en Canadá.

Para recibir el servicio técnico de la garantía, el comprador debe comunicarse con SAMSUNG con el fin de que se determine el problema y los procedimientos del servicio.

El servicio técnico de la garantía solo puede ser prestado por un centro de servicio técnico autorizado de SAMSUNG.

Se debe presentar la factura de compra original como prueba de compra a SAMSUNG o al servicio técnico autorizado de SAMSUNG.

SAMSUNG prestará servicio técnico a domicilio durante el período de la garantía sin costo, sujeto a la disponibilidad dentro de Canadá.

El servicio técnico a domicilio no está disponible en todas las áreas.

Para recibir el servicio técnico a domicilio, el producto no debe presentar obstrucciones y debe ser accesible para el agente del servicio técnico.

Si el servicio técnico no está disponible, SAMSUNG puede optar por transportar el producto hasta y desde el servicio técnico autorizado.

SAMSUNG reparará, reemplazará el producto u ofrecerá un reembolso a su criterio y sin cargo adicional, tal como se establece en la presente garantía, con piezas o productos nuevos o reacondicionados si se verifica que es defectuoso durante el período limitado de la garantía especificado anteriormente.

Todas las piezas y los productos reemplazados pasan a ser propiedad de SAMSUNG y deben ser devueltos a SAMSUNG.

Las piezas y los productos reemplazados asumen la garantía original que resta, o noventa (90) días, el período que sea el más prolongado.



---

La presente garantía limitada cubre defectos de fabricación de los materiales y la mano de obra encontrados durante el uso normal y doméstico de este producto y no será válida para lo siguiente: daños que ocurran durante el envío; entrega e instalación; aplicaciones y usos para los cuales el presente producto no fue destinado; números de serie o de producto alterados; daño cosmético o acabado exterior; accidentes, abuso, descuido, incendio, inundación, caída de rayos, u otros casos fortuitos o de fuerza mayor; uso de productos, equipos, sistemas, utilidades, servicios, piezas, suministros, accesorios, aplicaciones, instalaciones, reparaciones, cableado externo o conectores no provistos ni autorizados por SAMSUNG que dañen este producto o que acarreen problemas en el servicio; voltaje de la línea eléctrica incorrecto, fluctuaciones y sobretensión; ajustes del cliente e incumplimiento de lo establecido en el manual de instrucciones, instrucciones de mantenimiento y ambientales que están cubiertas y recomendadas en el manual de instrucciones; traslado y reinstalación del producto; problemas causados por plagas.

La presente garantía limitada no cubre problemas derivados de la corriente, el voltaje o el suministro eléctrico incorrectos, las bombillas de luz, los fusibles de la casa, el cableado de la casa, el costo del servicio técnico para recibir instrucciones o corregir errores en la instalación.

SAMSUNG no garantiza el funcionamiento ininterrumpido o sin errores del producto.

SALVO LO ESTABLECIDO EN LA PRESENTE GARANTÍA, NO EXISTEN GARANTÍAS SOBRE EL PRESENTE PRODUCTO, YA SEAN EXPRESAS O TÁCITAS, Y SAMSUNG DESCONOCE TODAS LAS GARANTÍAS QUE INCLUYEN, AUNQUE NO EN CARÁCTER TAXATIVO, CUALQUIER GARANTÍA TÁCITA DE QUE EL PRODUCTO SE ENCUENTRA EN CONDICIONES APTAS PARA LA VENTA, DE DEFRAUDACIÓN DE DERECHOS O DE QUE EL PRODUCTO SE ADECUA A LOS FINES ESPECÍFICOS PARA LOS CUALES SE ADQUIERE.

NINGÚN AVAL O GARANTÍA OTORGADOS POR PERSONA, COMPAÑÍA O CORPORACIÓN ALGUNA CON RESPECTO AL PRESENTE PRODUCTO REVESTIRÁ CARÁCTER VINCULANTE PARA SAMSUNG.

SAMSUNG NO SERÁ RESPONSABLE POR PÉRDIDAS DE INGRESOS O LUCRO CESANTE, IMPOSIBILIDAD DE GENERAR AHORROS U OBTENER OTROS BENEFICIOS, O CUALQUIER DAÑO DERIVADO DE CIRCUNSTANCIAS ESPECIALES, DAÑO IMPREVISTO O DERIVADO CAUSADO POR EL USO, USO INCORRECTO, O INCAPACIDAD PARA USAR EL PRESENTE PRODUCTO, INDEPENDIEMENTE DE LA TEORÍA LEGAL EN QUE SE FUNDE EL RECLAMO Y AUN CUANDO SE LE HAYA NOTIFICADO A SAMSUNG DE LA POSIBILIDAD DE TALES DAÑOS.

NINGÚN RESARCIMIENTO DE NINGUNA ÍNDOLE CONTRA SAMSUNG SUPERARÁ EL MONTO DE COMPRA DEL PRODUCTO VENDIDO POR SAMSUNG Y CAUSANTE DEL PRESUNTO DAÑO.

SIN LIMITAR LO PRECEDENTE, EL COMPRADOR ASUME TODO EL RIESGO Y LA RESPONSABILIDAD POR PÉRDIDA, DAÑO O LESIÓN AL COMPRADOR Y A LOS BIENES DEL COMPRADOR Y A TERCEROS Y A SUS BIENES DERIVADOS DEL USO, USO INCORRECTO O INCAPACIDAD PARA USAR EL PRESENTE PRODUCTO. LA PRESENTE GARANTÍA LIMITADA NO SE EXTENDERÁ A NINGUNA PERSONA DISTINTA DEL COMPRADOR

ORIGINAL DEL PRESENTE PRODUCTO, ES INTRANSFERIBLE Y ESTABLECE SU EXCLUSIVA REPARACIÓN.

# Garantía (CANADÁ)

---

Algunas provincias no permiten limitaciones en cuanto al plazo de una garantía implícita, o la exclusión o limitación de daños imprevistos o derivados, por lo que las limitaciones o exclusiones antedichas pueden no aplicarse en su caso.

Esta garantía le otorga derechos específicos, y además puede tener otros derechos que varían según la provincia en la que se encuentre.

Para recibir servicio técnico de garantía, comuníquese con SAMSUNG a:

**Samsung Electronics Canada Inc.**

2050 Derry Road West,

Mississauga, Ontario L5N 0B9 Canada

1-800-SAMSUNG (726-7864)

[www.samsung.com/ca/support](http://www.samsung.com/ca/support) (English)

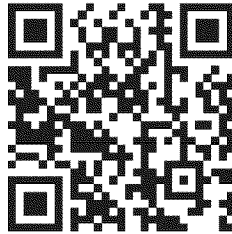
[www.samsung.com/ca\\_fr/support](http://www.samsung.com/ca_fr/support) (French)

Las visitas del personal de servicio técnico para explicar funciones, mantenimiento o instalación no están cubiertas por la garantía.

Póngase en contacto con su agente del centro de llamadas Samsung para que le asesore.

# Notas

---



Scan the QR code\* or visit  
[www.samsung.com/spsn](http://www.samsung.com/spsn)  
to view our helpful  
How-to Videos and Live Shows

\*Requires reader to be installed on your smartphone

Scan this with your smartphone

## ¿TIENE PREGUNTAS O COMENTARIOS?

PAÍS	LLAME AL	O VISÍTENOS EN LÍNEA EN
U.S.A	1-800-SAMSUNG (726-7864)	<a href="http://www.samsung.com/us/support">www.samsung.com/us/support</a>
CANADA	1-800-SAMSUNG (726-7864)	<a href="http://www.samsung.com/ca/support">www.samsung.com/ca/support</a> (English) <a href="http://www.samsung.com/ca_fr/support">www.samsung.com/ca_fr/support</a> (French)



DC68-03381C-02