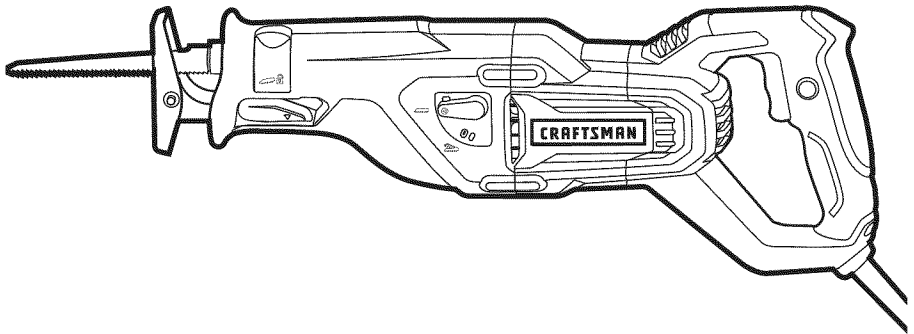


Operator's Manual



# 10 Amp RECIPROCATING SAW

Model No. 320.1820



**▲ WARNING:** To reduce the risk of injury, the user must read and understand the Operator's Manual before using this product.

Sears Brands Management Corporation,  
Hoffman Estates, IL 60179 U.S.A.

[www.craftsman.com](http://www.craftsman.com)

- WARRANTY
- SAFETY
- DESCRIPTION
- ASSEMBLY
- OPERATION
- MAINTENANCE
- ESPAÑOL

## TABLE OF CONTENTS

Warranty	Page 2
Safety Symbols	Pages 4-5
Safety Instructions	Pages 6-8
Description	Pages 9-10
Assembly	Page 11
Operation	Pages 12-18
Maintenance	Page 19
Troubleshooting	Page 19
Parts List	Pages 20-23

### **CRAFTSMAN LIMITED WARRANTY**

FOR ONE YEAR from the date of sale, this product is warranted against any defects in material or workmanship.

WITH PROOF OF SALE, a defective product will be replaced free of charge.

**For warranty coverage details to obtain free replacement, visit the web page: [www.craftsman.com/warranty](http://www.craftsman.com/warranty)**

This warranty does not cover the blades, which are expendable parts that can wear out from normal use within the warranty period.

This ONE YEAR warranty is void if this product is ever used while providing commercial services or if rented to another person. For 90 DAY commercial and rental use terms, see the Craftsman warranty web page.

This warranty gives you specific legal rights, and you may also have other rights which vary from state to state.

Sears Brands Management Corporation, Hoffman Estates, IL 60179

**SAVE THESE INSTRUCTIONS!**

**READ ALL INSTRUCTIONS!**

This reciprocating saw has many features for making its use more pleasant and enjoyable. Safety, performance, and dependability have been given top priority in the design of this product making it easy to maintain and operate.

**⚠ DANGER:** People with electronic devices, such as pacemakers, should consult their physician(s) before using this product. Operation of electrical equipment in close proximity to a heart pacemaker could cause interference or failure of the pacemaker.

**⚠ WARNING:** Some dust created by power sanding, sawing, grinding, drilling and other construction activities contains chemicals known to the state of California to cause cancer, birth defects or other reproductive harm. Some examples of these chemicals are:

- Lead from lead-based paints
- Crystalline silica from bricks and cement and other masonry products, and
- Arsenic and chromium from chemically-treated lumber.

Your risk from these exposures varies, depending on how often you do this type of work. To reduce your exposure to these chemical: work in a well ventilated area, and work with approved safety equipment, such as those dust masks that are specially designed to filter out microscopic particles.

## SAFETY SYMBOLS

The purpose of safety symbols is to attract your attention to possible dangers. The safety symbols and the explanations with them deserve your careful attention and understanding. The symbol warnings do not, by themselves, eliminate any danger. The instructions and warnings they give are no substitutes for proper accident prevention measures.

**⚠ WARNING:** Be sure to read and understand all safety instructions in this manual, including all safety alert symbols such as “**DANGER**,” “**WARNING**,” and “**CAUTION**” before using this tool. Failure to follow all instructions listed in this manual may result in electric shock, fire and/or serious personal injury.

### SYMBOL SIGNAL MEANING

**SAFETY ALERT SYMBOL:** Indicates **DANGER**, **WARNING**, or **CAUTION**; may be used in conjunction with other symbols or pictographs.

**⚠ DANGER:** Indicates a hazardous situation which, if not avoided, will result in death or serious injury.

**⚠ WARNING:** Indicates a hazardous situation which, if not avoided, could result in death or serious injury.

**⚠ CAUTION:** Indicates a hazardous situation which, if not avoided, could result in minor or moderate injury.

### Damage prevention and Information Messages

These inform the user of important information and/or instructions that could lead to equipment or other property damage if they are not followed. Each message is preceded by the word “NOTICE”, as in the example below:

**NOTICE:** Equipment and/or property damage may result if these instructions are not followed.













**⚠ WARNING:** To ensure safety and reliability, all repairs should be performed by a qualified service technician.



**⚠ WARNING:** The operation of any power tools can result in foreign objects being thrown into your eyes, which can result in severe eye damage. Before beginning power tool operation, always wear safety goggles or safety glasses with side shield and a full face shield when needed. We recommend a Wide Vision Safety Mask for use over eyeglasses or standard safety glasses with side shields. Always use eye protection which is marked to comply with ANSI Z87.1.

## SAVE THESE INSTRUCTIONS

Some of these following symbols may be used on this tool. Please study them and learn their meaning. Proper interpretation of these symbols will allow you to operate the tool better and more safely.

SYMBOL	NAME	DESIGNATION/EXPLANATION
V	Volts	Voltage
A	Amperes	Current
Hz	Hertz	Frequency (cycles per second)
W	Watt	Power
min	Minutes	Time
	Alternating Current	Type of current
	Direct Current	Type or a characteristic of current
$n_0$	No-load Speed	Rotational speed, at no load
	Class II Construction	Double-insulated construction
.../min	Per Minute	Revolutions, strokes, surface speed, orbits, etc., per minute
	Wet Conditions Alert	Do not expose to rain or use in damp locations.
	Read The Operator's Manual	To reduce the risk of injury, user must read and understand operator's manual before using this product.
	Eye Protection	Always wear safety goggles or safety glasses with side shields and a full face shield when operating this product.
	Safety Alert	Precautions that involve your safety.
	No-Hands Symbol	Failure to keep your hands away from the blade will result in serious personal injury.
	No-Hands Symbol	Failure to keep your hands away from the blade will result in serious personal injury.
	No-Hands Symbol	Failure to keep your hands away from the blade will result in serious personal injury.
	No-Hands Symbol	Failure to keep your hands away from the blade will result in serious personal injury.
	Hot Surface	To reduce the risk of injury or damage, avoid contact with any hot surface.

# SAFETY INSTRUCTIONS

## GENERAL POWER TOOL SAFETY WARNINGS

**▲ WARNING:** Read all safety warnings and instructions. Failure to follow the warnings and instructions may result in electric shock, fire and/or serious injury.

**Save all warnings and instructions for future reference.**

The term “power tool” in the warnings refers to your mains-operated (corded) power tool or battery-operated (cordless) power tool.

## WORK AREA SAFETY

- **Keep work area clean and well lit.** Cluttered or dark areas invite accidents.
- **Do not operate power tools in explosive atmospheres, such as in the presence of flammable liquids, gases or dust.** Power tools create sparks which may ignite the dust or fumes.
- **Keep children and bystanders away while operating a power tool.** Distractions can cause you to lose control.

## ELECTRICAL SAFETY

- **Power tool plugs must match the outlet. Never modify the plug in any way. Do not use any adaptor plugs with earthed (grounded) power tools.** Unmodified plugs and matching outlets will reduce the risk of electric shock
- **Avoid body contact with earthed or grounded surfaces such as pipes, radiators, ranges and refrigerators.** There is an increased risk of electric shock if your body is earthed or grounded.
- **Do not expose power tools to rain or wet conditions.** Water entering a power tool will increase the risk of electric shock.
- **Do not abuse the cord. Never use the cord for carrying, pulling or unplugging the power tool. Keep cord away from heat, oil, sharp edges or moving parts.** Damaged or entangled cords increase the risk of electric shock.
- **When operating a power tool outdoors, use an extension cord suitable for outdoor use.** Use of a cord suitable for outdoor use reduces the risk of electric shock.
- **If operating a power tool in a damp location is unavoidable, use a ground-fault circuit interrupter (GFCI) protected supply.** Use of a GFCI reduces the risk of electric shock.

## PERSONAL SAFETY

- **Stay alert, watch what you are doing and use common sense when operating a power tool. Do not use a tool while tired or under the influence of drugs, alcohol, or medication.** A moment of inattention while operating power tools may result in serious personal injury.
- **Use personal protective equipment. Always wear eye protection.** Protective equipment such as dust mask, non-skid safety shoes, hard hat, or hearing protection used for appropriate conditions will reduce personal injuries.
- **Prevent unintentional starting. Ensure that the switch is in the off-position before connecting to a power source and/or battery pack, picking up or carrying the tool.** Carrying power tools with your finger on the switch or energizing in power tools that have the switch on invites accidents.
- **Remove any adjusting key or wrench before turning the power tool on.** A wrench or a key left attached to a rotating part of the power tool may result in personal injury.
- **Do not overreach. Keep proper footing and balance at all times.** This enables better control of the power tool in unexpected situations.
- **Dress properly. Do not wear loose clothing or jewelry. Keep your hair, clothing and gloves away from moving parts.** Loose clothes, jewelry or long hair can be caught in moving parts.
- **If devices are provided for the connection of dust extraction and collection facilities, ensure that these are connected and properly used.** Use of these devices can reduce dust-related hazards.

## POWER TOOL USE AND CARE

- **Do not force the power tool. Use the correct power tool for your application.** The correct power tool will do the job better and more safely at the rate for which it was designed.
- **Do not use the power tool if the switch does not turn it on and off.** Any power tool that cannot be controlled with the switch is dangerous and must be repaired.
- **Disconnect the plug from the power source and/or the battery pack from the power tool before making any adjustments, changing accessories, or storing power tools.** Such preventive safety measures reduce the risk of starting the power tool accidentally.
- **Store idle power tools out of the reach of children and do not allow persons unfamiliar with the power tool or these instructions to operate the power tool.** Power tools are dangerous in the hands of untrained users.
- **Maintain power tools. Check for misalignment or binding of moving parts, breakage of parts and any other condition that may affect the power tool's operation. If damaged, have the power tool repaired before use.** Many accidents are caused by poorly maintained power tools.

- **Keep cutting tools sharp and clean.** Properly maintained cutting tools with sharp cutting edges are less likely to bind and are easier to control.
- **Use the power tool, accessories, tool bits, etc. in accordance with these instructions, taking into account the working conditions and the work to be performed.** Use of the power tool for operations different from those intended could result in a hazardous situation.

## SERVICE

- **Have your power tool serviced by a qualified repair person using only identical replacement parts.** This will ensure that the safety of the power tool is maintained.
- **Follow instructions in the Maintenance section of this manual.** Use of unauthorized parts or failure to follow Maintenance instructions may create a risk of shock or injury.

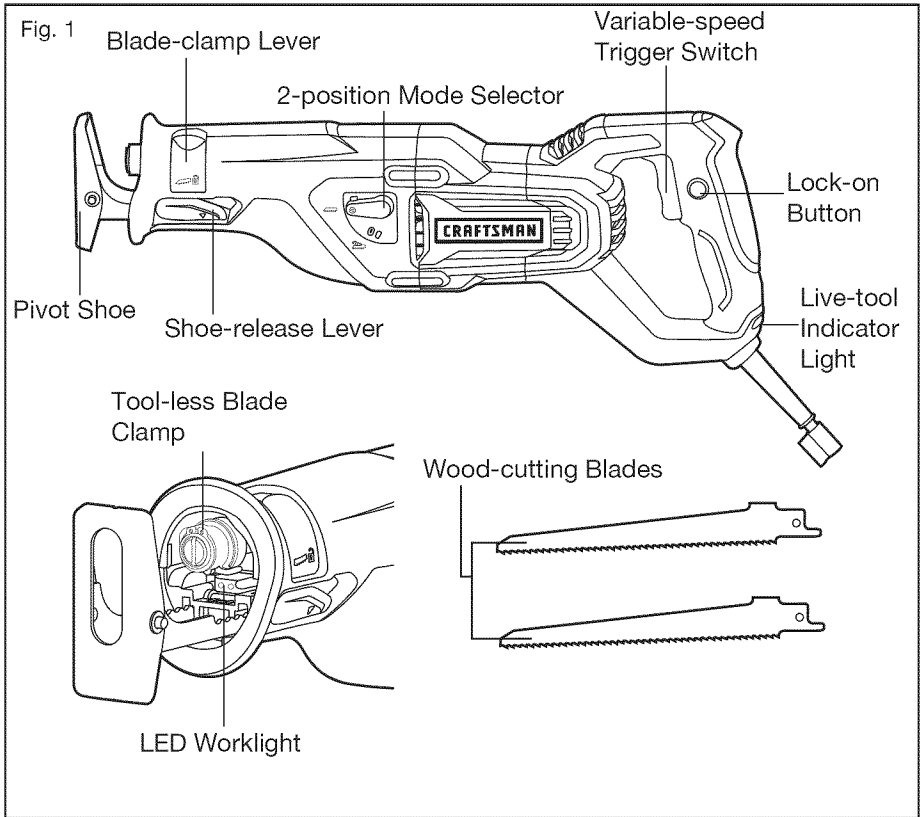
## SPECIFIC SAFETY RULES FOR RECIPROCATING SAW

- **Hold the power tool by its insulated gripping surfaces, when performing an operation where the cutting accessory may contact hidden wiring or its own cord.** A cutting accessory contacting a “live” wire may expose metal parts of the power tool “live” and could give the operator an electric shock.
- **Use clamps or another practical way to support the workpiece and secure it to a stable platform.** Holding the work by hand or against your body leaves it unstable and may lead to loss of control.



# DESCRIPTION

## KNOW YOUR RECIPROCATING SAW (Fig. 1)



### PRODUCT SPECIFICATIONS

Motor	120V~ 60Hz, 10A
No-load Speed	0-2800 SPM (Strokes per Minute)

**⚠ WARNING:** The safe use of this product requires an understanding of the information on the tool and in this operator's manual, as well as knowledge of the project you are attempting. Before use of this product, familiarize yourself with all operating features and safety rules.

## **TOOL-LESS BLADE CLAMP**

The saw has a blade clamp design that does not require the use of a tool (blade wrench) when installing or removing the blade. Pull the blade-clamp lever to install or remove the saw blade.

## **VARIABLE SPEED**

The variable-speed trigger switch delivers higher speed with increased trigger pressure and lower speed with decreased trigger pressure.

## **PIVOT SHOE**

The pivoting shoe adjusts in and out to allow control of the amount of blade that is exposed.

## **ORBITAL FUNCTION**

The orbital blade action thrusts the blade forward on the cutting stroke and greatly increases the cutting speed compared to the simple up-and-down blade action.

## **LED WORKLIGHT**

The LED worklight, located on the front of the saw, illuminates when the trigger switch is depressed. This feature provides extra light for increased visibility.

## **LOCK-ON BUTTON**

Locks the tool ON for continuous work.

## **LIVE-TOOL INDICATOR LIGHT**

The live-tool indicator light is located on the rear of the tool, where the power cord enters. This green light is always illuminated when the reciprocating saw is plugged into a power supply.

## ASSEMBLY

**⚠ WARNING:** If any parts are broken or missing, do not attempt to plug or operate the reciprocating saw until the broken or missing parts are replaced. Failure to do so could result in possible serious injury.

**⚠ WARNING:** Do not attempt to modify this reciprocating saw or create accessories not recommended for use with this saw. Any such alteration or modification is misuse and could result in a hazardous condition leading to possible serious injury.

**⚠ WARNING:** To prevent accidental starting that could cause serious personal injury, always disconnect the tool from the power supply when changing blades.

### UNPACKING

- Carefully remove the tool and any accessories from the carton. Make sure that all items listed in the packing list are included.
- Inspect the tool carefully to make sure that no breakage or damage occurred during shipping.
- Do not discard the packing material until you have carefully inspected and satisfactorily operated the tool.
- If any parts are damaged or missing, please return the tool to the place of purchase.

### PACKING LIST

Reciprocating saw, 2 wood-cutting blades, soft bag, and operator's manual.

## OPERATION

**▲ WARNING:** To prevent accidental starting that could cause serious personal injury, always disconnect the tool from the power supply when assembling parts, making adjustments, installing or removing blades, cleaning, or when the saw is not in use.

### TRIGGER SWITCH (Fig. 2)

To turn the reciprocating saw ON, connect the plug to an electrical outlet, and squeeze the trigger switch.

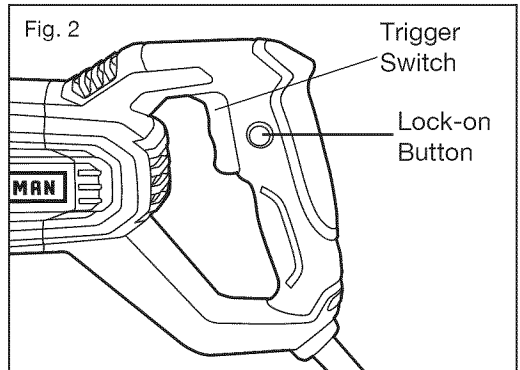
To turn it OFF, release the trigger switch.

### LOCK-ON BUTTON (Fig. 2)

The lock-on button allows the operator to keep the reciprocating saw running without continuously depressing the trigger switch.

While depressing the trigger switch, depress the lock-on button, and then release both.

To release the lock-on button, depress and release the trigger switch.



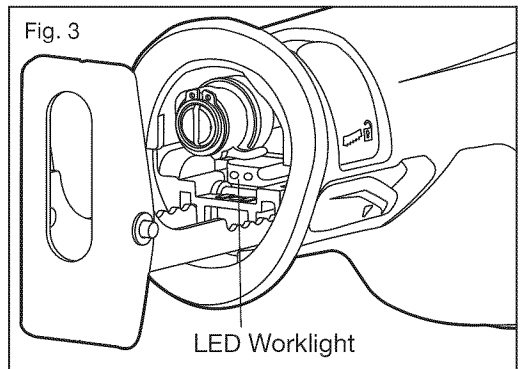
### VARIABLE SPEED

The variable-speed trigger switch delivers higher speed with increased trigger pressure and lower speed with decreased trigger pressure.

### LED WORKLIGHT (Fig. 3)

The LED worklight, located on the front of the saw, will illuminate when the trigger switch is depressed. This provides additional light on the surface of the workpiece for operation in lower-light conditions.

The LED worklight will turn off when the trigger switch is released.

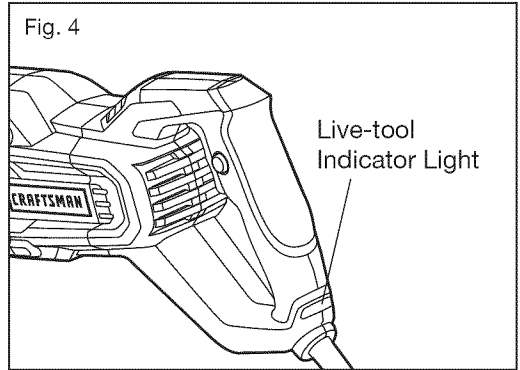


## LIVE-TOOL INDICATOR LIGHT (Fig. 4)

The reciprocating saw is equipped with a live-tool indicator light (Fig. 4).

When the tool is plugged into an electrical outlet, the live-tool indicator light will illuminate green to remind you that the tool is plugged in.

When the tool is unplugged, the indicator light will turn off.



## BLADE SELECTION

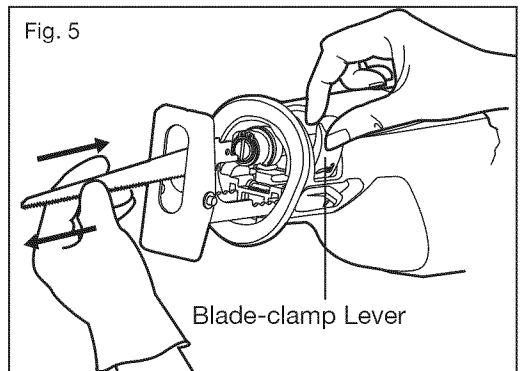
To obtain the best performance from the saw, it is important to select the correct blade for the particular application and type of material to be cut.

Blades with fewer teeth, e.g., 7 teeth per inch (TPI), are typically used for cutting wood; blades with more teeth per inch are better for cutting metal or plastic.

We recommend 14 TPI blades for plastics and soft metals and 18 TPI blades for hard metals.

## INSTALLING A SAW BLADE (Fig. 5)

1. Disconnect the saw from the power supply when installing a saw blade.
2. While pivoting the blade-clamp lever, insert the saw blade into the blade clamp as far as possible, then release the blade-clamp lever; the blade will lock in place automatically.
3. Check that the blade is securely attached.



**NOTICE:** The blade may be installed with the teeth pointing up or down, according to the needs of the cutting operation. Note that orbital action is effective only when the saw blade teeth face down.

**⚠ WARNING:** Make sure that the front end of the blade extends through the shoe for the entire stroke length. Do not use specialty blades that are very short or those with a significant tilt. The blade must not contact shoe. A blade that is too short or is tilted could jam inside the shoe and then snap.

## REMOVING THE SAW BLADE (Fig. 5)

1. Disconnect the saw from the power supply when removing the saw blade.
2. Pivot the blade-clamp lever to open the blade clamp.
3. Remove the saw blade from the blade clamp.

**⚠ WARNING:** Do not remove the blade immediately after the cutting operation; the blade may be very hot!

## TO SLIDE PIVOTING SHOE IN OR OUT (Fig. 6)

The shoe base assembly slides in or out to adjust the effective stroke length for maximum control and longer blade life.

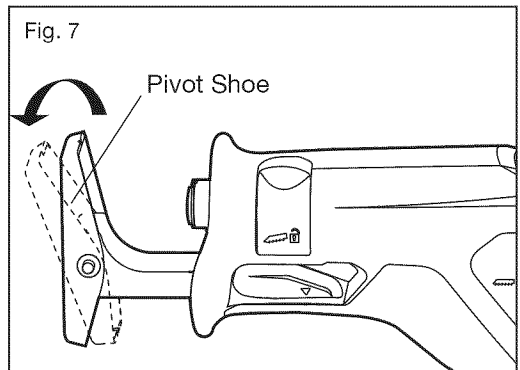
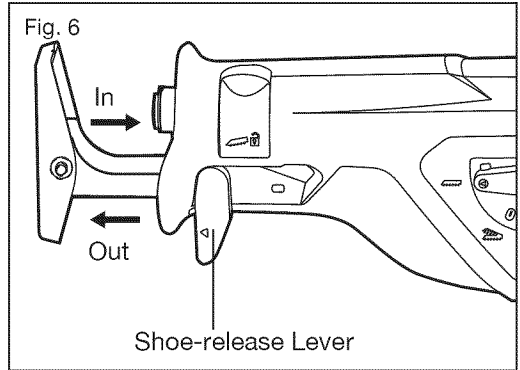
1. Disconnect the saw from the power supply.
2. Rotate the shoe-release lever clockwise and slide the shoe to the desired position.
3. Rotate the shoe-release lever counterclockwise in order to lock the shoe in the desired position.

**⚠ WARNING:** To avoid injury and damage, do not operate the saw without the pivoting shoe in place. The blade clamp may strike against the workpiece and damage the reciprocating mechanism.

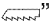

## TO PIVOT SHOE (Fig. 7)

The shoe pivots to provide maximum control when aligned against the surface being cut.

1. Disconnect the saw from the power supply.
2. Firmly hold the saw and then pivot the shoe to the desired angle, while taking care to avoid contact with the blade.

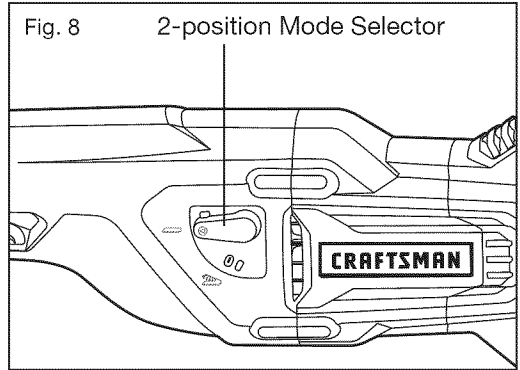


## ORBITAL/STRAIGHT FUNCTION (Fig. 8)

1. Disconnect the saw from the power supply.
2. For straight cutting action, turn the 2-position mode selector to the “” position.
3. For orbital cutting action, turn the selector to the orbital position “”.

Orbital action is effective only when the saw blade teeth face down with saw in normal upright operating position. Orbital action increases the speed of cut, but may result in a rougher finish to the cut in some materials.

Experiment on a piece of scrap material to determine the optimal orbital action setting.

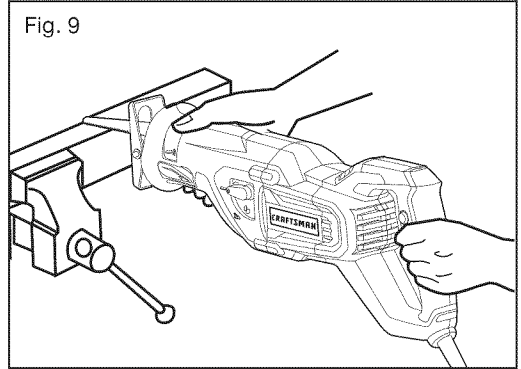


## GENERAL CUTTING (Fig. 9)

**⚠ WARNING:** Never use the wood-cutting blade for cutting metals. Failure to do so could result in serious personal injury.

**⚠ WARNING:** Before plugging in the tool, always check to determine that the switch performs properly and returns to the “OFF” position when released.

**⚠ WARNING:** Hold the tool only by the plastic handle and the insulated grip area to help prevent electrical shock. When sawing into walls or floors you may encounter electrical wiring. Sawing into a “live” wire will conduct electricity into the tool.



1. Disconnect the saw from the power supply.
2. Make sure that the workpiece is firmly anchored: clamp the workpiece to keep it from slipping or moving while cutting.
3. Use the appropriate type and size of blade for the workpiece material and size.
4. Adjust the pivot shoe as necessary to make sure that the blade will extend beyond the shoe and through the workpiece at all times.
5. Adjust the pivot shoe as necessary to expose unworn blade teeth for longer blade life.
6. Check for clearance behind the workpiece so that the blade will not contact another surface.
7. Mark the line of cut clearly.
8. Plug the reciprocating saw into an electrical outlet.
9. Hold the saw firmly with both hands. Make sure to keep your hands on the insulated gripping areas only.
10. Depress the trigger switch to turn on the tool; allow it to come to the desired cutting speed before applying the blade to the workpiece.
11. Do not force the tool. Place the shoe firmly on the workpiece while cutting. Use only enough steady pressure on the blade to keep the saw cutting.
12. Reduce pressure as the blade comes to the end of the cut.
13. When sawing fiberglass, plaster, wallboard, or spackling compound, clean the motor vents frequently with a vacuum or compressed air. These materials are highly abrasive and may accelerate the wear on motor bearings and brushes.

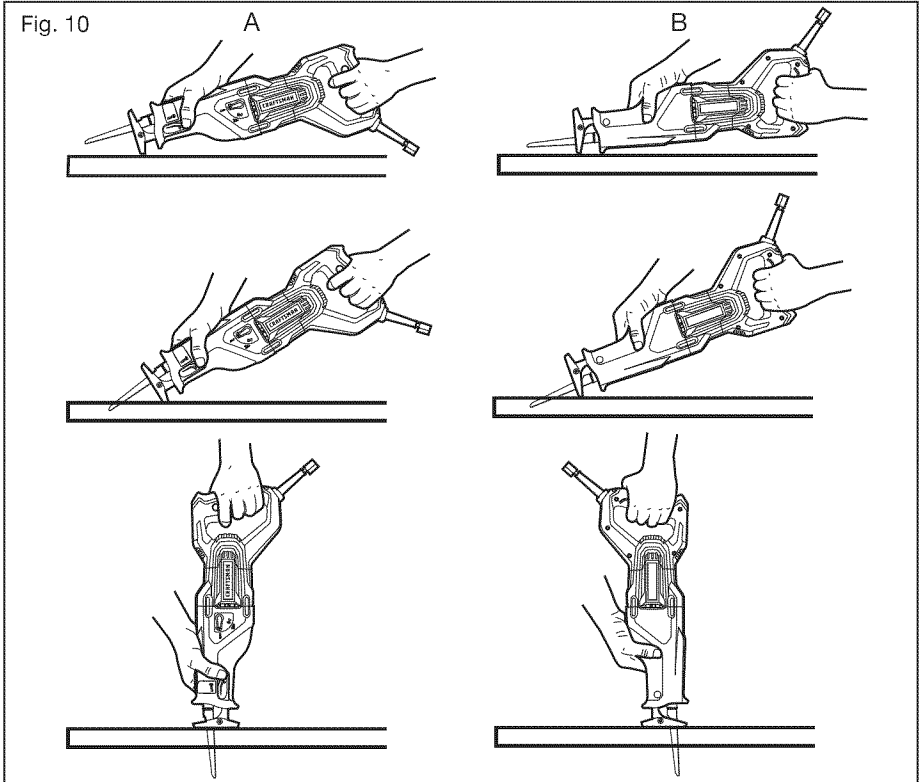
**⚠ WARNING:** Do not allow familiarity with the saw to make you careless. One careless fraction of a second is enough to inflict serious injury.



## PLUNGE CUTTING (Fig. 10)

Your reciprocating saw is ideal for plunge cutting directly into surfaces that cannot be cut from an edge, such as walls or floors. Plunge cutting may be done two ways, depending on how the blade is installed relative to the normal upright position of the saw.

Column A shows how to plunge cut with the teeth of the blade facing down. Column B shows how to plunge cut with the teeth of the blade facing up.





**⚠ WARNING:** Do not plunge cut into metal surfaces.

1. Disconnect the saw from the power supply.
2. Make sure that the workpiece is firmly anchored: clamp the workpiece to keep it from slipping or moving while cutting.
3. Use the appropriate type and size of blade for the workpiece material and size.
4. Install the blade into the tool.
5. Adjust the pivot shoe as necessary to make sure that the blade will extend beyond the shoe and through the workpiece at all times.
6. Adjust the pivoting shoe as necessary to expose unworn blade teeth for longer blade life.

7. Check for clearance behind the workpiece so that the blade will not contact another surface.
8. Plug the reciprocating saw into an electrical outlet.
9. If the blade is inserted with the teeth facing downward, hold the tool as shown in Column A, resting the edge of the shoe on the workpiece.
10. With the blade just above the workpiece, switch on the tool; allow it to come to the desired speed. Then, using the edge of the shoe as a pivot, lower the blade into the workpiece.
11. As the blade starts cutting, raise the handle of the tool slowly, until the shoe rests firmly on the workpiece.
12. After the blade has penetrated through the workpiece, continue sawing along the marked cutting line.


**NOTICE:** To make plunge cutting easier, use a heavy gauge blade and install the blade with the teeth facing upward relative to the normal upright operating position of the saw, as shown in Column B.

 **WARNING:** To reduce the risk of explosion, electric shock and property damage, always check the work area for hidden gas pipes, electrical wires or water pipes when making blind or plunge cuts.

 **WARNING:** To avoid loss of control and serious injury, make sure that the blade reaches the full desired speed before touching it to the workpiece.

 **WARNING:** Do not make plunge cuts in metal materials.


## METAL CUTTING

 **WARNING:** Never use the wood-cutting blade for cutting metals. Failure to do so could result in serious personal injury.

**NOTICE:** A blade for cutting metal is not supplied with this product.

The saw can be used to cut metals, such as sheet steel, pipe, steel rods, aluminum, brass, and copper. Be careful not to twist or bend the saw blade. Do not force the tool.

The use of cutting oil is recommended when cutting soft metals and steel. Cutting oil will keep the blade cool, increase cutting action, and prolong blade life.

 **WARNING:** To avoid possible serious injury:

- Never use gasoline as cutting lubricant, because normal sparking could ignite the fumes.
- Securely clamp the workpiece in position, and make the cut close to the clamping point to minimize vibration.
- When cutting conduit pipe or angle iron, clamp the work in a vise, if possible, and cut close to the vise.
- To cut thin sheet material, “sandwich” the material between pieces of hardboard or plywood, and clamp the layers together to reduce vibration and tearing of the material.

## MAINTENANCE

**⚠ WARNING:** To avoid serious personal injury, always disconnect the saw from the power supply when cleaning or performing any maintenance.

**⚠ WARNING:** Always wear safety goggles or safety glasses with side shields when using compressed air to clean the tool. If the operation is dusty, also wear a dust mask.

### GENERAL MAINTENANCE

Avoid using solvents when cleaning plastic parts. Most plastics are susceptible to damage from various types of commercial solvents and may be damaged by their use. Use clean cloths to remove dirt, dust, oil, grease, etc.

**⚠ WARNING:** Do not at any time let brake fluids, gasoline, petroleum-based products, penetrating oils, etc. come in contact with plastic parts. Chemicals can damage, weaken or destroy plastic which may result in serious personal injury.

**⚠ WARNING:** When servicing, use only identical craftsman replacement parts. Use of any other parts may create a hazard or cause product damage. To ensure safety and reliability, all repairs should be performed by a qualified service technician.

## TROUBLESHOOTING

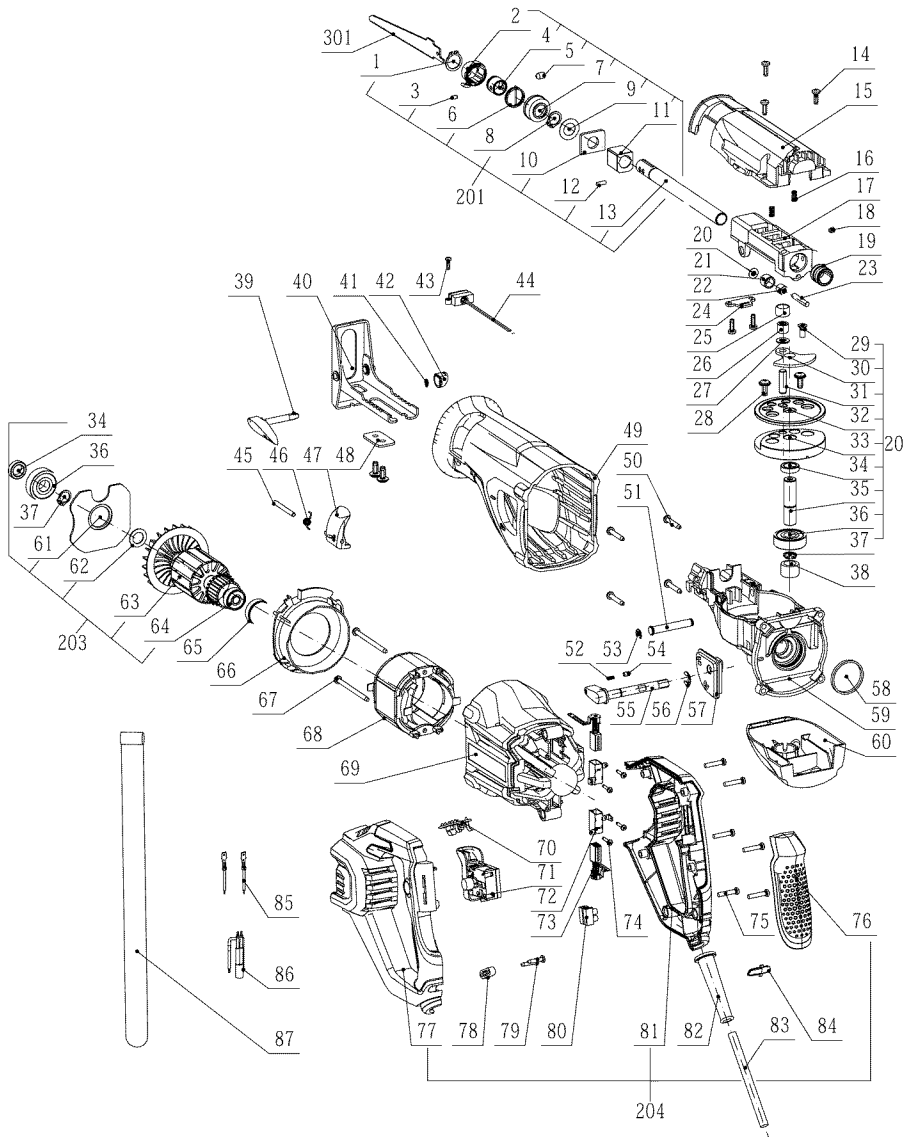
PROBLEM	CAUSE	SOLUTION
The reciprocating saw does not work	The tool is not connected to a power supply	Connect to a power supply
Blade binds, jams, or burns the wood	Improper blade	Use proper blade
	Dull or warped blade	Replace blade
	Improper operation	See "OPERATION" section
Blade cannot be removed	Saw dust in the blade clamp slot	Clean the clamp slot with a brush

# PARTS LIST

## Reciprocating Saw Model Number 320.1820

The Model Number will be found on the nameplate attached to the tool.  
Always mention the Model Number when ordering parts for this tool.

To order parts, call 1-888-331-4569.



## PARTS LIST

### Reciprocating Saw Model Number 320.1820

The Model Number will be found on the nameplate attached to the tool. Always mention the Model Number when ordering parts for this tool.

To order parts, call 1-888-331-4569.

No	Part No	Part Name	QTY
201	2823904000	Quick Clamp Assembly	1
1	5660145000	Circlips For Shaft	1
2	3420679000	Rotate Bushing	1
3	5670199000	Pin	1
4	3550610000	Bushing	1
5	5670303000	Pin	1
6	3660386000	Torsion Spring	1
7	3125769000	Sleeve	1
8	5660032000	Circlips For Shaft	1
9	3700249000	Washer	1
10	3700546000	Felt Block	1
11	3520255000	Guiding Bearing	1
12	5670194000	Pin	1
13	2822522000	Plunger Assembly	1
14	5610030000	Thread Forming Screw	5
15	3127789000	Gear Case Cover	1
16	3660375000	Spring	2
17	3421358000	Bevel Support	1
18	5620399000	Hexagon Socket Screw	1
19	5700193000	Oil Impreging Bearing	1
20	3700197000	Washer	1
21	3550169000	Crank Roller	1
22	5700022000	Needle Bearing	1
23	5670186000	Pin	1
24	3704273000	Bearing Clamping Plate	1
25	3551281000	Crank Roller	1
26	5700025000	Needle Bearing	1

No	Part No	Part Name	QTY
27	3700352000	Washer	1
28	5620396000	Screw with Washer	4
202	2822482000	Gear Set	1
29	5620074000	Screw	1
30	3704188000	Counterweight	1
31	5670202000	Pin	1
32	3520400000	Impact Block	1
33	3550999000	Gear	1
34	3520358000	Bushing	1
35	3551002000	Gear Shaft	1
36	5700015000	Ball Bearing	2
37	5660013000	Circlips For Shaft	2
38	5700182000	Needle Bearing	1
39	3402708000	Lever	1
40	2823896000	Pivot Shoe	1
41	5660004000	Circlips For Shaft	1
42	3127830000	Seal Cover	1
43	5610099000	Thread Forming Screw	1
44	2824042000	LED Assembly	1
45	5670285000	Pin	1
46	3660260000	Torsion Spring	1
47	3402195000	Lever	1
48	3704168000	Clamp	1
49	3127873000	Front Handle	1
50	5610044000	Tapping Screw	4
51	5670177000	Pin	1
52	3660050000	Spring B	1
53	5660005000	E Ring	1
54	3700191000	Cap	1
55	3402668000	Pendulum Lever Set	1
56	5660029000	E Ring	1
57	3124150000	Limit Plate	1
58	3121057000	Rubber Ring	1

No	Part No	Part Name	QTY
59	3421644900	Gear Case	1
60	3127788000	Handle Support	1
203	2823930000	Rotor Set	1
61	3704797000	Bearing Clamping Plate	1
62	3700335000	Washer	1
63	2750932000	Rotor	1
64	5700008000	Ball Bearing	1
65	3121027000	Bearing Holder	1
66	3127870000	Fan Baffle	1
67	5610049000	Tapping Screw	2
68	2740115000	Stator	1
69	3127871000	Motor Housing	1
70	4891167000	PCB Assembly	1
71	4870543000	Trigger Switch	1
72	2800032000	Brush Holder	2
73	4960306000	Carbon Brush	2
74	5610008000	Tapping Screw	4
75	5610248000	Tapping Screw	6
204	2824202000	Handle Assembly	1
76	3321908000	Handle Assembly	1
77	3321910000	Left Handle	1
78	3120234000	Cord Anchorage	1
79	5610024000	Tapping Screw	2
80	4930004000	Connector	1
81	3321909000	Right Handle	1
82	3121045000	Cord Guard	1
83	4810002000	Power Cord & Plug	1
84	3127604000	Power Indicator Cover	1
85	4860289000	Internal Wire Assembly	2
86	2824185000	Internal Wire Assembly	1
87	2490136000	Nylon String	1
301	3810008000	Blades	2

# NOTES

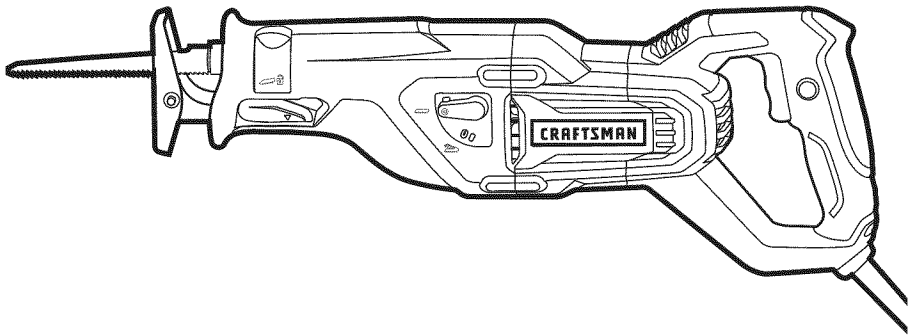


Manual del Propietario



# SIERRA ALTERNATIVA DE 10 Amp CRAFTSMAN

Model No. 320.1820



**⚠ ADVERTENCIA:** Para reducir el riesgo de lesiones, el usuario debe leer y comprender el Manual del Propietario antes de usar este producto.

- GARANTÍA
- SEGURIDAD
- DESCRIPCIÓN
- MONTAJE
- OPERACIÓN
- MANTENIMIENTO

Sears Brands Management Corporation, Hoffman Estates,  
IL 60179 U.S.A.

[www.craftsman.com](http://www.craftsman.com)

## TABLA DE CONTENIDOS

Garantía	Página 26
Símbolos de Seguridad	Páginas 28-29
Instrucciones de Seguridad	Páginas 30-32
Descripción	Páginas 33-34
Montaje	Página 35
Operación	Páginas 36-42
Mantenimiento	Página 43
Identificación y Solución de Problemas	Página 43

### **GARANTÍA LIMITADA CRAFTSMAN**

DURANTE UN AÑO desde la fecha de vender, este producto cuenta con garantía contra cualquier clase de defectos de material o de mano de obra.

MEDIANTE UNA PRUEBA DE VENDER, el producto defectuoso se reemplazará sin costo alguno.

**Si desea obtener detalles sobre la cobertura de garantía para obtener un reemplazo sin costo, visite la página web: [www.craftsman.com/warranty](http://www.craftsman.com/warranty)**

Esta garantía no cubre las hojas, porque son piezas prescindibles que pueden desgastarse debido al uso normal dentro del período de garantía.

La presente garantía de UN AÑO quedará anulada si este producto se usa para brindar servicios comerciales o si se alquila a terceros. Para consultar los términos de uso comercial y de alquiler de 90 DÍAS, visite la página web sobre garantía de Craftsman.


Esta garantía le otorga derechos legales específicos y usted puede contar con otros derechos, que pueden variar de estado a estado.


Sears Brands Management Corporation, Hoffman Estates, IL 60179.

**¡GUARDE ESTAS INSTRUCCIONES!**

**¡LEA TODAS LAS INSTRUCCIONES!**

Este sierra alternativa cuenta con varias características para hacer su uso más agradable y placentero. Durante el diseño de esta herramienta, la seguridad, el rendimiento y la confiabilidad han sido las prioridades principales, además de la sencillez de mantenimiento y de operación.

 **PELIGRO:** La gente con los accesorios electrónicos, como los estimuladores cardíacos, deben consultar sus médicos antes de usar este producto. La operación de los equipos eléctricos cerca de un estimulador cardíaco puede causar la interferencia o la avería del estimulador cardíaco.

 **ADVERTENCIA:** Unos polvos creado por lijadoras mecánicas, las sierras mecánicas, las amoladoras eléctricas, los taladros y otras actividades de la construcción contienen los elementos químicos que son conocidos para el estado de California de causar el cancer, los defectos de nacimientos o otros daños reproductores. Unos ejemplos de estos elementos químicos estan:

- Plomo de la pintura con base de plomo
- El sílice cristalino de los ladrillos y cemento y otras productas de la albañilería, y
- El arsenic y el cromo de la madera tratada químicamente

Su riesgo de éstas exposiciones varía, dependiente con qué frecuencia haga esto tipo de trabajo. Para reducir su exposición a estos elementos químicos: trabaje en un lugar bien ventilada, y trabaje con el equipo de seguridad, como las máscaras antipolvo que han diseñado específicamente para filtrar las partículas microscópicas.

## SÍMBOLOS DE SEGURIDAD

El objeto de los símbolos de seguridad es atraer su atención sobre posibles peligros. Los símbolos de seguridad y las explicaciones junto a ellas ameritan su cuidadosa atención y comprensión. Los símbolos de advertencia no eliminan los peligros por sí solos. Las instrucciones y advertencias que ofrecen no reemplazan las medidas adecuadas de prevención de accidentes.

**⚠ ADVERTENCIA:** Asegúrese de leer y comprender todas las instrucciones de seguridad de este manual, incluyendo todos los símbolos de alerta de seguridad, tales como **“PELIGRO”**, **“ADVERTENCIA”** y **“PRECAUCIÓN”** antes de utilizar esta lijadora. No seguir todas las instrucciones listadas a continuación puede generar una descarga eléctrica, un incendio y/o graves lesiones corporales.

### SIGNIFICADO DE LOS SÍMBOLOS

**SÍMBOLO DE ALERTA DE SEGURIDAD:** Indica **PELIGRO**, **ADVERTENCIA** O **PRECAUCIÓN**. Puede utilizarse en conjunto con otros símbolos u otros pictogramas.

**⚠ PELIGRO:** Indica una situación peligrosa que, si no se evita, puede provocar la muerte o una lesión grave. Esta palabra debe limitarse a las situaciones.

**⚠ ADVERTENCIA:** Indica una situación peligrosa que, si no se evita, puede provocar la muerte o una lesión grave.

**⚠ PRECAUCIÓN:** Indica una situación peligrosa que, si no se evita, puede provocar una lesión menor o moderada.

### Mensajes de información y de prevención de daños

Estos informan al usuario sobre informaciones y/o instrucciones importantes que podrían provocar daños al equipamiento o a la propiedad si no se siguen. Cada mensaje está precedido por la palabra **“AVISO”**, como en el ejemplo siguiente:

**AVISO:** Pueden provocarse daños al equipamiento y/o a la propiedad si no se cumplen estas instrucciones.

**⚠ ADVERTENCIA:** Para garantizar la seguridad y la confiabilidad, todas las reparaciones deben ser efectuadas por un técnico calificado.



**⚠ ADVERTENCIA:** El funcionamiento de cualquier herramienta eléctrica puede provocar el lanzamiento de objetos en dirección de su rostro, y los consecuentes graves daños oculares. Antes de comenzar a utilizar la herramienta eléctrica, siempre use gafas o lentes de seguridad con protección lateral y una protección completa de rostro cuando sea necesario. Recomendamos el uso de una máscara de seguridad de visión amplia sobre los anteojos o gafas de seguridad estándar con protección lateral. Siempre utilice protección ocular con certificación de cumplimiento con ANSI Z87.1.

## GUARDE ESTAS INSTRUCCIONES

Algunos de los siguientes símbolos pueden utilizarse en esta herramienta. Tengaa bien estudiarlos y aprender su significado. Una interpretación adecuada de estos símbolos le permitirá operar la herramienta de una manera mejor y más segura.

SÍMBOLO	NOMBRE	DESIGNACIÓN / EXPLICACIÓN
V	Voltios	Voltaje
A	Amperios	Corriente
Hz	Hercios	Frecuencia (ciclos por segundo)
W	Vatios	Energía
min	Minutos	Tiempo
~	Corriente alterna	Tipo de corriente
≡	Corriente continua	Tipo o una característica de la corriente
$n_0$	Velocidad sin carga	Velocidad giratoria, sin carga
	Construcción Clase II	Construcción de doble aislación
.../min	Por minuto	Revoluciones, carreras, velocidad de superficie, órbitas, etc., por minuto.
	Alerta de condiciones húmedas	No exponga a la lluvia u otras locaciones húmedas.
	Lea el manual de operación	Para reducir el riesgo de lesiones, el usuario debe leer y comprender este manual de operación antes de usar este producto.
	Protección ocular	Siempre use gafas o lentes de seguridad con protecciones laterales y una protección de todo el rostro cuando utilice este producto.
	Alerta de seguridad	Precauciones que involucran su seguridad.
	Símbolo de no tocar con las manos	No mantener sus manos alejadas de la sierra provocará lesiones personales graves.
	Símbolo de no tocar con las manos	No mantener sus manos alejadas de la sierra provocará lesiones personales graves.
	Símbolo de no tocar con las manos	No mantener sus manos alejadas de la sierra provocará lesiones personales graves.
	Símbolo de no tocar con las manos	No mantener sus manos alejadas de la sierra provocará lesiones personales graves.
	Superficie caliente	Para reducir el riesgo de lesiones o daños, evite el contacto con cualquier superficie caliente.

# INSTRUCCIONES DE SEGURIDAD

## GENERAL POWINSTRUCCIONES DE SEGURIDAD

**▲ ADVERTENCIA:** Lea todas las advertencias e instrucciones de seguridad. No seguir las advertencias e instrucciones puede generar una descarga eléctrica, un incendio y/o lesiones personales graves.

### Conserve todas las advertencias e instrucciones para referencia futura.

El término “herramienta eléctrica” de todas las advertencias listadas a continuación hacen referencia a herramientas eléctricas con cable o herramientas eléctricas operadas a batería (inalámbricas).

## SEGURIDAD EN EL ÁREA DE TRABAJO

- **Mantenga el área de trabajo limpia y bien iluminada.** Las áreas desordenadas u oscuras son propicias para los accidentes.
- **No utilice herramientas eléctricas en atmósferas explosivas, como en la presencia de líquidos inflamables, gases o polvillo.** Las herramientas eléctricas crean chispas, que pueden encender el polvillo o el humo.
- **Mantenga a los niños y a los transeúntes alejados mientras maneja esta herramienta eléctrica.** Las distracciones pueden provocar la pérdida de control.

## SEGURIDAD ELÉCTRICA

- **Evite el contacto corporal con superficies con conexión a tierra, tales como cañerías, radiadores, cocinas y refrigeradores.** Existe un riesgo mayor de descarga eléctrica si su cuerpo tiene conexión a tierra.
- **Los enchufes de las herramientas eléctricas deben poder insertarse en los tomacorrientes.** Nunca modifique el enchufe de ninguna manera. No **utilice enchufes adaptadores con herramientas eléctricas con conexión a tierra.** No modificar los enchufes y contar con el tomacorriente adecuado reducirán el riesgo de una descarga eléctrica.
- **No exponga las herramientas eléctricas a la lluvia o a condiciones de humedad.** El agua que ingresa a la herramienta eléctrica incrementará el riesgo de una descarga eléctrica.
- **No maltrate el cable. Nunca utilice el cable para trasladar o desenchufar la herramienta eléctrica ni tire del mismo. Mantenga el cable alejado del calor, aceite, extremos afilados o piezas en movimiento.** Los cables dañados o enredados incrementan el riesgo de una descarga eléctrica.
- **Cuando utilice una herramienta eléctrica al aire libre, use un cable de extensión especial para uso al exterior.** El uso de un cable adecuado para el aire libre reduce el riesgo de una descarga eléctrica.
- **Si no puede evitar el uso de una herramienta eléctrica en un lugar húmedo, utilice un suministro de energía protegido por un interruptor de circuito con descarga a tierra (GFCI, por sus siglas en inglés).** El uso de un GFCI reduce el riesgo de una descarga eléctrica.

## SEGURIDAD PERSONAL

- **Manténgase alerta, preste atención a lo que hace y tenga sentido común cuando utilice una herramienta eléctrica. No utilice una herramienta eléctrica si está cansado o bajo la influencia de drogas, alcohol o alguna medicación.** Un momento de distracción mientras utilice herramientas eléctricas puede provocar lesiones personales graves.
- **Utilice equipamiento de protección personal. Siempre use protección ocular.** El equipamiento de seguridad como las máscaras antipolvillo, zapatos antideslizantes, cascos o protección auditiva utilizados para condiciones apropiadas reducirán las lesiones personales.
- **Evite el encendido involuntario. Verifique que el interruptor se encuentre en la posición OFF (apagado) antes de conectar a la fuente de energía y/o a la batería, levantar la herramienta o trasladarla.** Llevar herramientas eléctricas con el dedo sobre el interruptor o enchufar herramientas que tienen el interruptor en la posición "ON" (encendido) es una invitación a sufrir un accidente.
- **Quite las llaves ajustables antes de encender la herramienta eléctrica.** Una llave de tuercas que se deja conectada a una pieza giratoria de la herramienta puede provocar lesiones personales.
- **No se estire de más. Mantenga una postura equilibrada y segura en todo momento.** Esto permite un mejor control de la herramienta eléctrica en situaciones inesperadas.
- **Vístase adecuadamente. No use vestimenta suelta o joyas. Mantenga su cabello, ropa y guantes alejados de las piezas en movimiento.** La ropa suelta, joyas o cabello largo pueden engancharse en las piezas en movimiento.
- **Si los dispositivos pueden conectarse a instalaciones de extracción y recolección de polvillo, asegúrese de que se encuentren bien conectados y se usen adecuadamente.** El uso de estos dispositivos puede reducir los riesgos relacionados con el polvillo.

## USO Y CUIDADO DE LA HERRAMIENTA ELÉCTRICA

- **No fuerce la herramienta eléctrica. Use la herramienta eléctrica correcta para su aplicación.** La herramienta eléctrica correcta hará mejor el trabajo y de manera más segura cuando se usa en la clasificación para la cual fue diseñada.
- **No use la herramienta eléctrica si el interruptor no puede encenderla (ON) o apagarla (OFF).** Cualquier herramienta que no puede controlarse mediante el interruptor es peligrosa y debe repararse.
- **Desconecte el enchufe de la fuente de energía y/o el paquete de baterías desde la herramienta eléctrica antes de realizar ajustes, cambiar accesorios o almacenar herramientas eléctricas.** Dichas medidas de seguridad preventivas reducen el riesgo de encender la herramienta eléctrica de manera accidental.
- **Guarde las herramientas eléctricas fuera del alcance de los niños y no permita que personas que no saben usar la herramienta eléctrica o que no conocen las instrucciones la operen.** Las herramientas eléctricas son peligrosas en manos de usuarios faltos de capacitación.

- **Realice mantenimiento de las herramientas eléctricas. Controle que las piezas en movimiento no estén mal alineadas y que no se traben, la rotura de piezas y cualquier otra condición que pueda afectar el funcionamiento de la herramienta eléctrica. Si está dañada, haga reparar la herramienta antes de usarla.** Muchos accidentes son provocados por herramientas que no han recibido el mantenimiento adecuado.
- **Mantenga las herramientas de corte afiladas y limpias.** Las herramientas de corte bien mantenidas con extremos de corte afilados tienen menos probabilidades de trabarse y son más fáciles de controlar.
- **Utilice la herramienta eléctrica, accesorios, hojas de corte, etc. de acuerdo con estas instrucciones y del modo concebido para este tipo particular de herramienta eléctrica, teniendo en cuenta las condiciones de trabajo y el trabajo a realizar.** El uso de la herramienta eléctrica para operaciones diferentes de las previstas puede generar una situación peligrosa.

## SERVICIO

- **Solicite a personal de reparación calificado que realice el mantenimiento y arreglos utilizando sólo las piezas de repuesto idénticas.** Esto asegurará el mantenimiento de la seguridad de la herramienta eléctrica.
- **Siga las instrucciones de la Sección de Mantenimiento de este manual.** El uso de piezas no autorizadas o no seguir las instrucciones de Mantenimiento pueden crear un riesgo de descarga eléctrica o lesiones.”

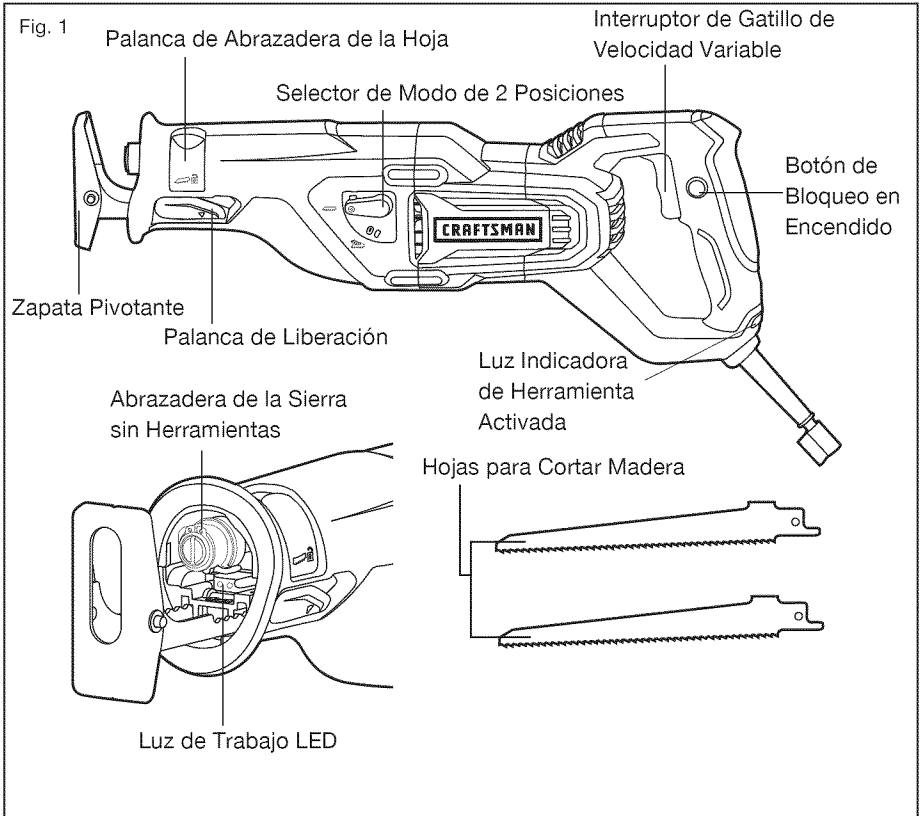
## NORMAS ESPECÍFICAS DE SEGURIDAD PARA LA SIERRA ALTERNATIVA

- **Sostenga la herramienta de sus superficies de agarre aisladas cuando realice una operación en la que el accesorio de corte pueda hacer contacto con cableado oculto o su propio cable.** El accesorio de corte que hace contacto con un cable “cargado” puede cargar de electricidad a las piezas metálicas expuestas de la herramienta y ejercer una descarga eléctrica sobre el operador.
- **Utilice abrazaderas u otra manera práctica para asegurar y sostener la pieza de trabajo sobre una plataforma estable.** Sostener el trabajo a mano o contra su cuerpo lo deja inestable y puede llevar a la pérdida de control.



## DESCRIPCIÓN

### CONOZCA SU SIERRA ALTERNATIVA (Fig. 1)



#### ESPECIFICACIONES DE PRODUCTO

Motor	120V~ 60Hz, 10A
Velocidad sin carga	0-2800 SPM (Golpes por minuto)

**⚠️ ADVERTENCIA:** El uso seguro de este producto requiere una comprensión de la información incluida en la herramienta y en este manual del operador, además del conocimiento del proyecto que está iniciando. Antes de usar este producto, familiarícese con todas las características de operación y normas de seguridad.

## **ABRAZADERA DE LA SIERRA SIN NECESIDAD DE HERRAMIENTAS**

Esta sierra cuenta con un diseño de abrazadera de hoja que no necesita el uso de una herramienta (llave de hojas) cuando se instala o quita la hoja de corte. Tire de la palanca de la abrazadera de la hoja para instalar o quitar la hoja de la sierra.

## **VELOCIDAD VARIABLE**

El gatillo de velocidad variable ofrece una velocidad mayor con una presión de gatillo mayor y una velocidad menor cuando se presiona el gatillo con menos fuerza.

## **ZAPATA PIVOTANTE**

La zapata pivotante se ajusta hacia adentro y hacia fuera para poder controlar la cantidad de hoja que queda expuesta.

## **FUNCIÓN ORBITAL**

La acción orbital de la hoja empuja la hoja hacia adelante sobre el golpe de corte y aumenta considerablemente la velocidad de corte en comparación con la acción simple ascendente y descendente de la hoja.

## **LUZ DE TRABAJO LED**

La luz de trabajo LED, ubicada en la parte frontal de la sierra, se ilumina cuando la sierra esté enchufada. Esta característica brinda una luz extra para lograr una visibilidad mayor.

## **BOTÓN DE BLOQUEO EN ENCENDIDO**

Bloquea la herramienta en encendido (ON) para un trabajo continuo.

## **LUZ INDICADORA DE HERRAMIENTA ACTIVADA**

La luz indicadora de herramienta activada se encuentra ubicada en la parte trasera de la herramienta, por donde ingresa el cable de energía. Esta luz verde se encuentra siempre encendida cuando la sierra alternativa está enchufada a una fuente de energía.

## MONTAJE

**⚠️ ADVERTENCIA:** Si falta alguna pieza o si alguna pieza está rota, no trate de enchufar o utilizar la sierra alternativa hasta que se hayan reemplazado dichas piezas. No hacerlo puede provocar una lesión personal grave.

**⚠️ ADVERTENCIA:** No trate de modificar esta sierra alternativa o crear accesorios no recomendados para usar con esta sierra. Cualquier alteración o modificación constituye un uso indebido y podría provocar una condición peligrosa y posibles lesiones graves.

**⚠️ ADVERTENCIA:** Para prevenir un arranque accidental que podría provocar lesiones personales graves, siempre desconecte la sierra desde la fuente de energía cuando cambie las hojas de corte.

### DESEMPAQUE

- Quite la herramienta y los accesorios de la caja con cuidado. Asegúrese de que todos los elementos listados en el paquete estén incluidos.
- Inspeccione la herramienta con cuidado y constate que no hayan ocurrido roturas o daños durante el envío.
- No descarte el material de empaque hasta que haya inspeccionado la herramienta en detalle y la haya utilizado satisfactoriamente.
- Si falta alguna pieza o alguna pieza se encuentra rota, devuelva la herramienta al lugar de compra.

### LISTA DE EMPAQUE

Sierra alternativa, 2 hojas para cortar madera, bolsa mullida y manual del propietario.

## OPERACIÓN

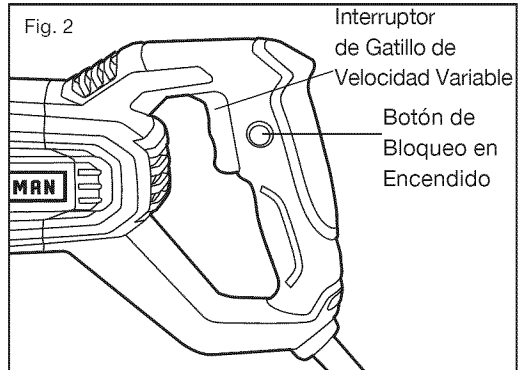
**⚠ ADVERTENCIA:** Para evitar un arranque accidental que podría provocar lesiones personales graves, siempre desconecte la herramienta de la fuente de energía cuando coloque piezas, realice ajustes, instale o quite hojas de corte, efectúe la limpieza o cuando no la esté utilizando.

### INTERRUPTOR DE GATILLO (Fig. 2)

Para encender (ON) la sierra alternativa, conecte el enchufe a un tomacorriente y presione el interruptor de gatillo. Para apagarla (OFF), suelte el interruptor de gatillo.

### BOTÓN DE BLOQUEO EN ENCENDIDO (Fig. 2)

El botón de bloqueo en encendido le permite al operador mantener la sierra alternativa en funcionamiento sin tener que presionar continuamente el interruptor de gatillo.



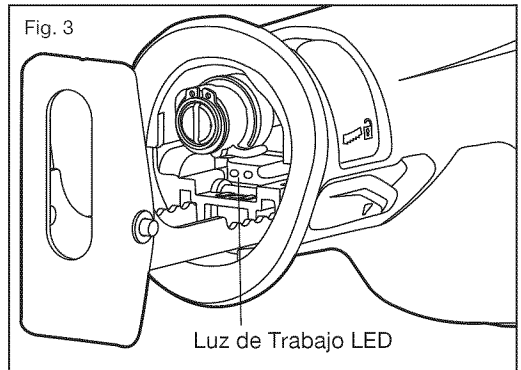
### VELOCIDAD VARIABLE

El gatillo de velocidad variable ofrece una velocidad mayor con una presión de gatillo mayor y una velocidad menor cuando se presiona el gatillo con menos fuerza.

### LUZ DE TRABAJO LED (Fig. 3)

Esta luz de trabajo LED se encuentra en la parte frontal de la sierra y brinda una iluminación adicional sobre la superficie de la pieza de trabajo para su funcionamiento en áreas con menos iluminación. La luz de trabajo se enciende cuando se enchufa la herramienta.

La luz de trabajo LED se apaga cuando se suelta el interruptor de gatillo.

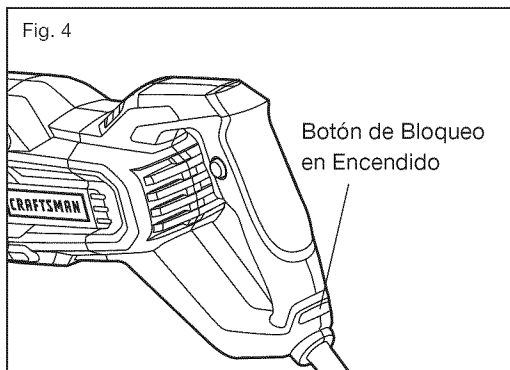


## LUZ INDICADORA DE HERRAMIENTA ACTIVADA (Fig. 4)

La sierra alternativa se encuentra equipada con una luz indicadora de herramienta activada (Fig. 4).

Cuando la herramienta se enchufa en un tomacorriente, la luz indicadora de herramienta activada se encenderá con color verde para recordarle que la herramienta se encuentra enchufada.

Cuando la herramienta se desenchufa, la luz indicadora se apaga.



## SELECCIÓN DE LA HOJA DE CORTE

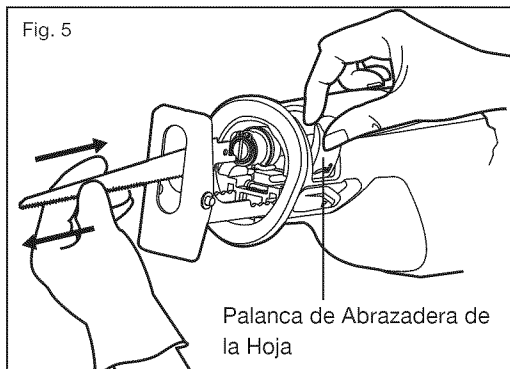
Para obtener el mejor desempeño de la sierra, es importante seleccionar la hoja correcta para la aplicación específica y el tipo de material que desea cortar.

Las hojas que tienen menos dientes, por ejemplo, 7 o 6 dientes por pulgada (DPP), comúnmente se usan para cortar madera; las hojas que tienen más dientes por pulgada son mejores para cortar metal o plástico.

Recomendamos hojas de 14 DPP para plásticos y metales blandos y 18 DPP para metales duros.

## CÓMO INSTALAR LA HOJA DE LA SIERRA (Fig. 5)

1. Desconecte la sierra de la fuente de energía cuando instale la sierra de la hoja.
2. Mientras gira la palanca de la abrazadera de la hoja, introduzca la hoja de la sierra dentro de la abrazadera de la hoja lo más adentro posible y luego libere la palanca; la hoja se trabará en su lugar automáticamente.
3. Verifique que la hoja de corte esté firmemente sujeta.



**AVISO:** La hoja puede instalarse con los dientes hacia arriba o hacia abajo, de acuerdo con las necesidades de la operación de corte. Debe destacarse que la acción orbital resulta efectiva sólo cuando los dientes de la hoja apuntan hacia abajo.

**⚠ ADVERTENCIA:** Verifique que el extremo frontal de la hoja se extienda a través de la zapata en la totalidad de la longitud del golpe. No utilice hojas especiales que resulten muy cortas o con una curvatura importante. La hoja no debe hacer contacto con la zapata. Una hoja muy corta o con una gran curvatura podría trabarse dentro de la zapata y luego romperse.

## CÓMO QUITAR LA HOJA DE LA SIERRA (Fig. 5)

1. Desconecte la sierra de la fuente de energía cuando quite la sierra de la hoja.
2. Desplace la palanca de abrazadera de la hoja para abrir la abrazadera.
3. Quite la hoja de la abrazadera.

**⚠ ADVERTENCIA:** No quite la hoja inmediatamente después de realizar un corte porque la hoja puede estar muy caliente.

## CÓMO COLOCAR O QUITAR LA ZAPATA PIVOTANTE (Fig. 6)

El montaje de la base de la zapata se desliza hacia adentro o afuera para ajustar la longitud efectiva del golpe y así lograr un máximo control y una mayor vida útil de la hoja de corte.

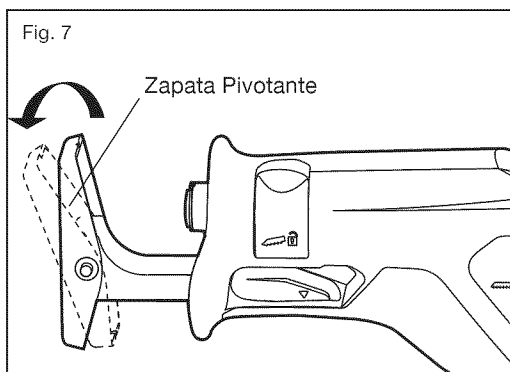
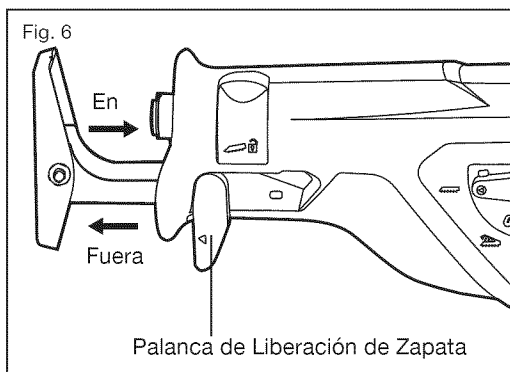
1. Desconecte la sierra de la fuente de energía.
2. Abra la palanca botón de liberación de zapata y deslice la zapata a la posición deseada.
3. Libere la palanca de liberación de zapata para bloquearla en la posición deseada.

**⚠ ADVERTENCIA:** Para evitar lesiones o daños, no utilice la sierra sin la zapata pivotante en su lugar. La abrazadera de la hoja puede golpear la pieza de trabajo y dañar el mecanismo alternativo.

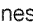

## CÓMO GIRAR LA ZAPATA (Fig. 7)

La zapata puede girarse para ofrecer un control máximo sobre la superficie que se está cortando.

1. Desconecte la sierra de la fuente de energía.
2. Sostenga la sierra firmemente y luego gire la zapata al ángulo deseado, mientras presta atención a no hacer contacto con la hoja.



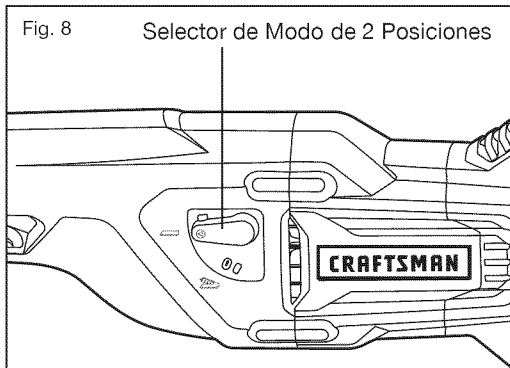
## FUNCIÓN ORBITAL/RECTA (Fig. 8)

1. Desconecte la sierra de la fuente de energía.
2. Para una acción de corte recta, gire el selector de modo de 2 posiciones a la posición “”.
3. Para una acción de corte orbital, gire el selector a la posición orbital “”.

La acción orbital resulta efectiva sólo cuando los dientes de la hoja de corte miran hacia abajo con la sierra en la

posición de funcionamiento normal y vertical. La acción orbital aumenta la velocidad de corte, pero puede provocar un corte de acabado menos prolijo en algunos materiales.

Experimente en una pieza de material de descarte para determinar la configuración óptima de acción orbital.



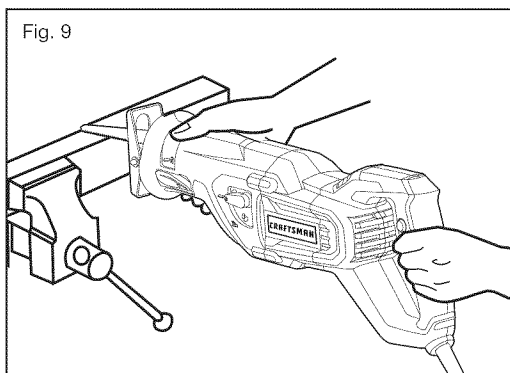
## CORTES GENERALES (Fig. 9)

**⚠ ADVERTENCIA:** Nunca utilice la hoja para madera para cortar metales. No hacerlo puede provocar una lesión personal grave.

**⚠ ADVERTENCIA:** Antes de enchufar la herramienta, siempre controle que el interruptor funcione bien y que vuelva a la posición de apagado (“OFF”) cuando se lo libera.

**⚠ ADVERTENCIA:** Sostenga la herramienta sólo por el mango plástico y el área de agarre aislada para ayudar a prevenir una descarga eléctrica. Cuando utilice la sierra para cortar paredes o pisos, usted puede encontrar cableado eléctrico. Si usted pasa la sierra y corta un cable “cargado”, la herramienta recibirá una descarga eléctrica.

1. Desconecte la sierra de la fuente de energía.
2. Verifique que la pieza de trabajo esté firmemente sujeta; utilice una abrazadera para que la pieza de trabajo no se deslice o se desplace durante el corte.
3. Utilice el tipo y el tamaño de hojas adecuados para el material y tamaño de la pieza de trabajo.
4. Ajuste la zapata pivotante según sea necesario para asegurar que la hoja se extienda más allá de la zapata y a través de la pieza de trabajo en todo momento.
5. Ajuste la zapata pivotante según sea necesario para exponer dientes de la hoja sin usar, para una vida útil de la hoja más prolongada.



6. Verifique el espacio libre detrás de la pieza de trabajo para que la hoja de corte no haga contacto con otra superficie.
7. Marque la línea de corte claramente.
8. Enchufe la sierra alternativa en el tomacorriente.
9. Sostenga la sierra firmemente con ambas manos. Asegúrese de mantener las manos solamente sobre las áreas de agarre aisladas.
10. Baje el interruptor de gatillo para encender la sierra; deje que alcance la velocidad de corte deseada antes de colocar la hoja sobre la pieza de trabajo.
11. No fuerce la herramienta. Coloque la zapata firmemente sobre la pieza de trabajo mientras corta. Sólo ejerza la presión suficiente sobre la hoja para que la sierra siga cortando.
12. Reduzca la presión a medida que la hoja llega al final del corte.
13. Cuando corte fibra de vidrio, yeso, tablaroca o calafateo, limpie las ventilaciones del motor frecuentemente con una aspiradora o aire comprimido. Estos materiales son muy abrasivos y pueden acelerar el desgaste de los cojinetes y casquillos del motor.



**ADVERTENCIA:** Aunque esté familiarizado con su sierra, nunca deje de prestar atención. Descuidarse por una fracción de segundo es suficiente para sufrir una lesión grave.

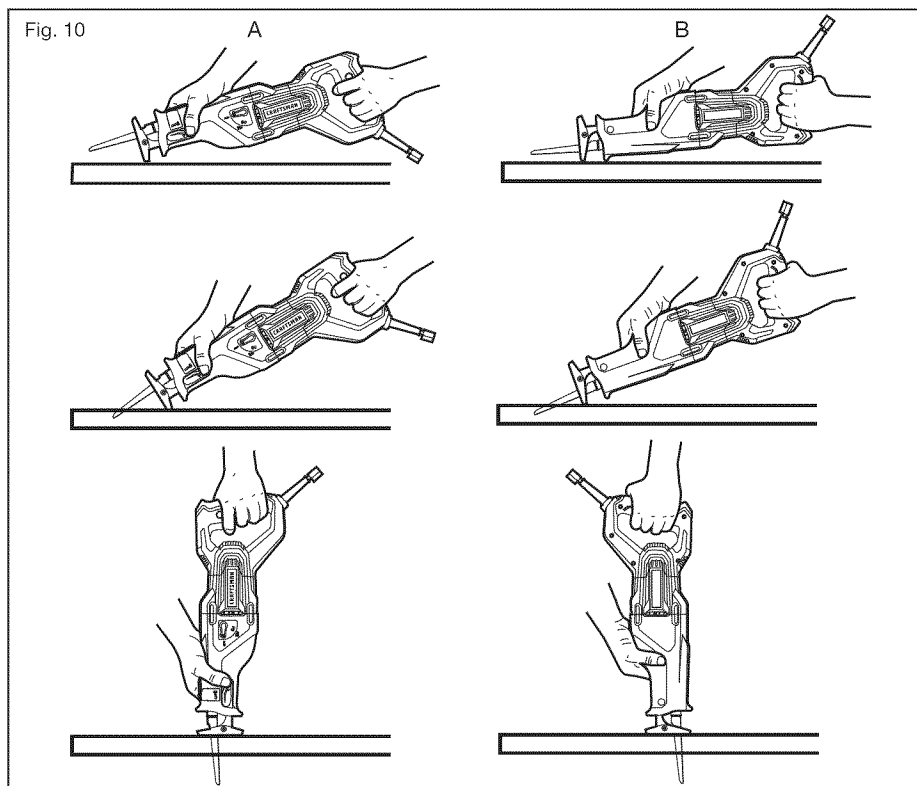


## CORTE POR PENETRACIÓN (Fig. 10)

Su sierra alternativa es ideal para cortar por penetración directamente dentro de superficies que no pueden cortarse desde un borde, tales como paredes o pisos. El corte por penetración puede efectuarse de dos maneras, dependiendo de cómo se encuentra instalada la hoja respecto de la posición vertical normal de la sierra.

La columna A muestra cómo cortar por penetración con los dientes de la hoja hacia abajo.

La columna B muestra cómo cortar por penetración con los dientes de la hoja hacia arriba.





**⚠ ADVERTENCIA:** No corte por penetración dentro de superficies metálicas.


1. Desconecte la sierra de la fuente de energía.
2. Verifique que la pieza de trabajo esté firmemente sujeta; utilice una abrazadera para que la pieza de trabajo no se deslice o se desplace durante el corte.
3. Utilice el tipo y el tamaño de hojas adecuados para el material y tamaño de la pieza de trabajo.
4. Instale la hoja dentro de la herramienta.
5. Ajuste la zapata pivotante según sea necesario para asegurar que la hoja se extienda más allá de la zapata y a través de la pieza de trabajo en todo momento.
6. Ajuste la zapata pivotante según sea necesario para exponer dientes de la hoja sin usar, para una vida útil de la hoja más prolongada.

7. Verifique el espacio libre detrás de la pieza de trabajo para que la hoja de corte no haga contacto con otra superficie.
8. Enchufe la sierra alternativa en el tomacorriente.
9. Si introdujo la hoja con los dientes hacia abajo, sostenga la herramienta como se indica en la columna A, con el costado de la zapata sobre la pieza de trabajo.
10. Con la hoja apenas sobre de la pieza de trabajo, accione la herramienta y deje que alcance la velocidad deseada. Luego, utilizando el borde de la zapata como un punto de rotación, baje la hoja dentro de la pieza de trabajo.
11. A medida que la hoja comienza a cortar, eleve la manija de la herramienta lentamente, hasta que la zapata esté bien apoyada en la pieza de trabajo.
12. Después de que la sierra haya penetrado la pieza de trabajo, continúe con el aserrado a lo largo de la línea de corte marcada.


**AVISO:** Para facilitar los cortes por penetración, utilice una hoja de calibre mayor e instale la hoja con los dientes hacia arriba en relación a la posición de funcionamiento vertical normal de la sierra, como se indica en la columna B.

 **ADVERTENCIA:** Para reducir el riesgo de explosión, descarga eléctrica y daños a la propiedad, siempre verifique el área de trabajo en búsqueda de tuberías, cables eléctricos o tuberías de agua cuando efectúe un corte ciego o por penetración.

 **ADVERTENCIA:** Para evitar la pérdida de control y lesiones graves, asegúrese de que la hoja alcance la velocidad máxima deseada antes de tocar la pieza de trabajo.

 **ADVERTENCIA:** No realice cortes por penetración en materiales metálicos.


## CÓMO CORTAR METAL

 **ADVERTENCIA:** Nunca utilice la hoja para cortar madera para cortar metales. No hacerlo puede provocar una lesión personal grave.

**AVISO:** No se incluye una hoja para cortar metales con este producto.

La sierra puede utilizarse para cortar metales, tales como acero en láminas, tuberías, varillas de acero, aluminio, bronce y cobre. Tenga cuidado de no torcer o doblar la hoja de la sierra. No fuerce la herramienta.

Se recomienda el uso de aceite de corte cuando realice cortes en metales blandos y acero. El aceite de corte mantendrá la hoja a bajas temperaturas, mejorará la acción de corte y prolongará la vida útil de la hoja.

 **ADVERTENCIA:** Para evitar posibles lesiones graves:

- Nunca utilice gasolina como un lubricante de corte, porque una producción normal de chispas podría encender los gases.
- Sujete bien la pieza de trabajo en su posición y realice el corte cerca del punto de sujeción para minimizar la vibración.
- Cuando realice cortes en tuberías de conductos o en hierro angular, sujete la pieza de trabajo en una prensa, si fuera posible, y realice el corte cerca de la misma.
- Para cortar material en láminas finas, coloque el material entre dos trozos de tablero de aglomerado o madera terciada y fije las capas para reducir la vibración y la rotura del material.

## MANTENIMIENTO

**⚠ ADVERTENCIA:** Para evitar una lesión personal grave, siempre desconecte la sierra de la fuente de energía cuando la limpie o realice alguna clase de mantenimiento.

**⚠ ADVERTENCIA:** Siempre use gafas o anteojos de seguridad con protecciones laterales para limpiar la herramienta con aire comprimido. Si durante la operación se genera mucho polvillo, también use una máscara antipolvillo.

### MANTENIMIENTO GENERAL

Evite usar solventes cuando limpie piezas plásticas. La mayoría de los plásticos son susceptibles a daños por parte de varios tipos de solventes comerciales y pueden dañarse por su uso. Utilice paños para quitar suciedad, polvillo, aceite, grasa, etc.

**⚠ ADVERTENCIA:** No permita bajo ninguna circunstancia que líquido de frenos, gasolina, productos a base de petróleo, aceites penetrantes, etc. entren en contacto con las piezas plásticas. Los productos químicos pueden dañar, debilitar o destruir el plástico, lo que puede provocar una lesión personal grave.

**⚠ ADVERTENCIA:** Cuando realice un mantenimiento, sólo utilice piezas de repuesto Craftsman idénticas. El uso de otras piezas puede generar un riesgo o provocar daños al producto. Para garantizar la seguridad y la confiabilidad, todas las reparaciones deben ser efectuadas por un técnico calificado.

## DETECCIÓN DE PROBLEMAS

PROBLEMA	CAUSA	SOLUCIÓN
La sierra alternativa no funciona	La herramienta no está conectada a una fuente de energía	Conecte la herramienta a una fuente de energía
La hoja se traba, atasca o quema la madera	Hoja inadecuada	Utilice la hoja adecuada
	Hoja desafilada o torcida	Cambie la hoja
	Operación indebida	Ver la sección "OPERACIÓN"
No puede quitarse la hoja	Hay aserrín en la ranura de la abrazadera de la hoja	Limpie la ranura de la abrazadera con un cepillo

# **CRAFTSMAN®**

**Product questions or problems?**

## **1-888-331-4569**

### **Customer Care Hot Line**

**Get answers to questions, troubleshoot problems,  
order parts, or schedule repair service.**

Para respuestas a preguntas o problemas, y ordenar  
piezas o pedir servicio para la reparación de su equipo.

**To help us help you, register your product at [www.craftsman.com/registration](http://www.craftsman.com/registration)**

Para poderte ayudar mejor, registra tu producto en [www.craftsman.com/registration](http://www.craftsman.com/registration)

---

**Join the Craftsman Club today!**

## **CRAFTSMAN CLUB®**

**[www.craftsman.com/signup](http://www.craftsman.com/signup)**

**Receive exclusive member benefits including special pricing and offers,  
project sharing, expert advice, and SHOP YOUR WAY REWARDS!**

Como miembro exclusivo, recibe diversos beneficios como ofertas, precios especiales, proyectos nuevos, consejos de expertos y nuestro programa de puntos SHOP YOUR WAY REWARDS!

® Registered Trademark / ™ Trademark of KCD IP, LLC in the United States, or Sears Brands, LLC in other countries  
® Marca Registrada / ™ Marca de Fábrica de KCD IP, LLC en Estados Unidos, o Sears Brands, LLC in otros países