

# WASHER INSTALLATION INSTRUCTIONS

## INSTRUCTIONS POUR L'INSTALLATION DE LA LAVEUSE

### Table of Contents

WASHER SAFETY .....1

INSTALLATION REQUIREMENTS.....2

    Tools and Parts.....2

    Location Requirements .....2

    Drain System .....3

    Electrical Requirements .....4

INSTALLATION INSTRUCTIONS.....4

    Before you start: Remove shipping materials .....4

    Connect Drain Hose.....5

    Connect Inlet Hoses.....6

    Level Washer .....7

    Complete Installation Checklist.....8

### Table des matières

SÉCURITÉ DE LA LAVEUSE .....9

EXIGENCES D'INSTALLATION .....9

    Outillage et pièces .....9

    Exigences d'emplacement .....10

    Système de vidange.....11

    Spécifications électriques.....11

INSTRUCTIONS D'INSTALLATION .....12

    Avant de commencer : retrait le matériel d'expédition ....12

    Raccordement du tuyau de vidange.....13

    Raccordement des tuyaux d'arrivée d'eau.....14

    Établissement de l'aplomb de la laveuse.....15

    Liste de vérification pour l'achèvement de l'installation..16

Para obtener acceso al instrucciones de instalación en español, o para obtener información adicional acerca de su producto, visite: [www.whirlpool.com](http://www.whirlpool.com)

### INSTALLATION NOTES

Date of purchase: \_\_\_\_\_

Date of installation: \_\_\_\_\_

Installer: \_\_\_\_\_

Model number: \_\_\_\_\_

Serial number: \_\_\_\_\_

### NOTES SUR L'INSTALLATION

Date d'achat : \_\_\_\_\_

Date d'installation : \_\_\_\_\_

Installateur : \_\_\_\_\_

Numéro de modèle : \_\_\_\_\_

Numéro de série : \_\_\_\_\_

## WASHER SAFETY

### Your safety and the safety of others are very important.

We have provided many important safety messages in this manual and on your appliance. Always read and obey all safety messages.



This is the safety alert symbol.

This symbol alerts you to potential hazards that can kill or hurt you and others.

All safety messages will follow the safety alert symbol and either the word "DANGER" or "WARNING."

These words mean:

**⚠ DANGER**

You can be killed or seriously injured if you don't immediately follow instructions.

**⚠ WARNING**

You can be killed or seriously injured if you don't follow instructions.

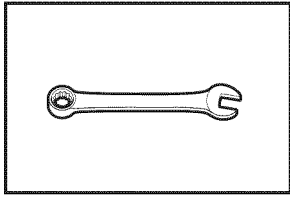
All safety messages will tell you what the potential hazard is, tell you how to reduce the chance of injury, and tell you what can happen if the instructions are not followed.

# INSTALLATION REQUIREMENTS

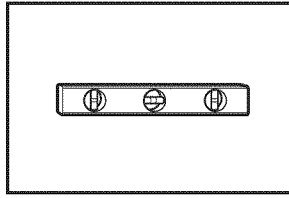
## Tools and Parts

Gather required tools and parts before starting installation.

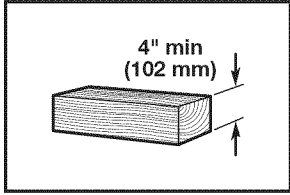
### Tools needed:



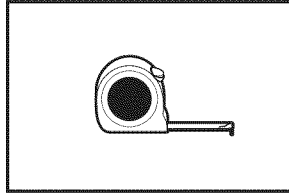
Adjustable or open-end wrench  $\frac{9}{16}$ " (14 mm)



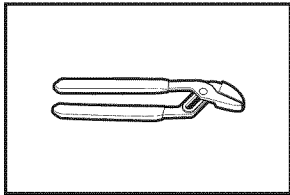
Level



Wood block

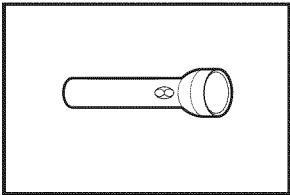


Ruler or measuring tape

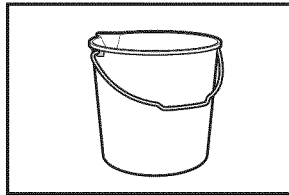


Pliers that open to  $1\frac{1}{4}$ " (44.5 mm)

### Optional tools:



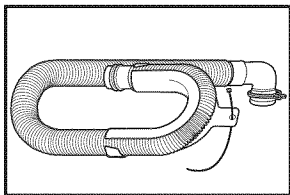
Flashlight



Bucket

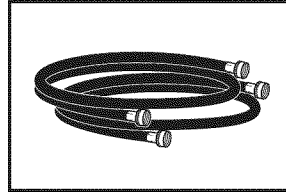
### Parts supplied:

**NOTE:** All parts supplied for installation are in cardboard insert in the top of the washer.



Drain hose with clamp, U-form, and cable tie

### Parts needed: (Not supplied with washer)



Inlet hoses with flat washers

To order, please refer to toll-free phone numbers on back page of your Use and Care Guide.

- 8212656RP 10 ft. (3.0 m) Inlet hose, Black EPDM (2 pack)
- 8212641RP 5 ft. (1.5 m) Inlet hose, Black EPDM (2 pack)
- 8212646RP 4 ft. (1.2 m) Inlet hose, Black EPDM (2 pack)
- 8212545RP 5 ft. (1.5 m) Inlet hose, Red and Blue EPDM (2 pack)
- 8212487RP 5 ft. (1.5 m) Nylon braided inlet hose (2 pack)
- 8212638RP 6 ft. (1.8 m) Nylon braided inlet hose, space saving 90° elbow, hypro-blue steel couplings (2 pack)
- 8212637RP 6 ft. (1.8 m) Inlet hose, Black EPDM, space saving 90° elbow, hypro-blue steel couplings (2 pack)

### Alternate parts: (Not supplied with washer)

Your installation may require additional parts. To order, please refer to toll-free numbers on back page of your Use and Care Guide.

### If you have:

Overhead sewer

1" (25 mm) standpipe

Drain hose too short

Lint clogged drain

### You will need:

Standard 20 gal. (76 L) 39" (990 mm) tall drain tub or utility sink, sump pump and connectors (available from local plumbing suppliers)

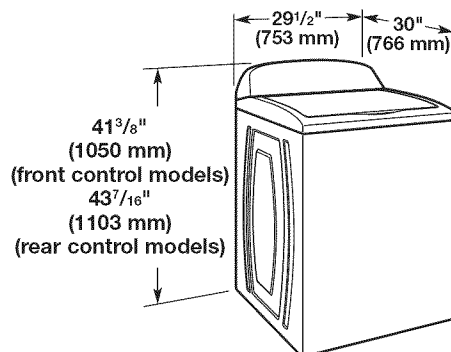
2" (51 mm) diameter to 1" (25 mm) diameter Standpipe Adapter  
Part Number 3363920  
Connector Kit Part Number 285835

Extension Drain Hose Part Number 285863  
Connector Kit Part Number 285835

Drain Protector Part Number 367031  
Connector Kit Part Number 285835

## Location Requirements

Select proper location for your washer to improve performance and minimize noise and possible "washer walk". Install your washer in a basement, laundry room, closet, or recessed area.



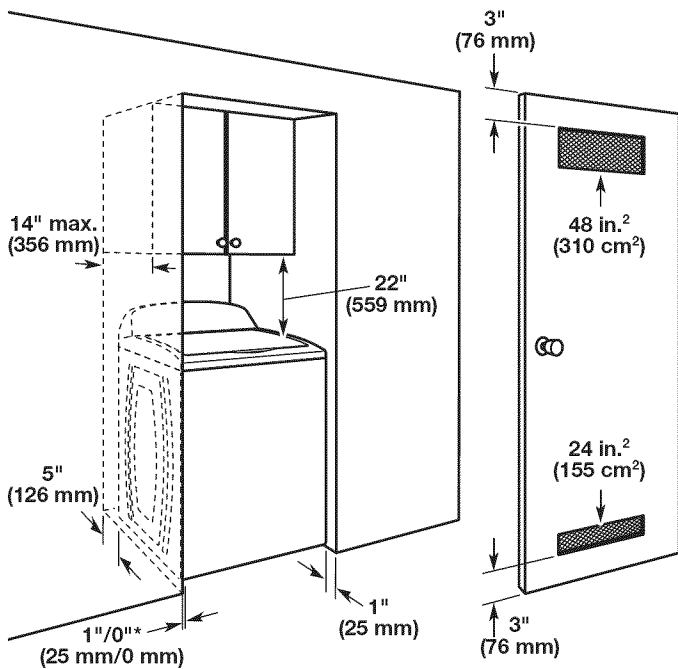
## You will need:

- A water heater set to 120°F (49°C).
- A grounded electrical outlet located within 4 ft (1.2 m) of power cord on back of washer.
- Hot and cold water faucets located within 3 ft (0.9 m) of hot and cold water fill valves on washer and water pressure of 20–100 psi (138–690 kPa).
- A level floor with maximum slope of 1" (25 mm) under entire washer. Installing on carpet is not recommended.
- Floor must support washer's total weight (with water and load) of 315 lbs (143 kgs).

**IMPORTANT:** Do not install, store, or operate washer where it will be exposed to weather or in temperatures below 32°F (0°C). Water remaining in washer after use may cause damage in low temperatures. See "Washer Care" in your Use and Care Guide for winterizing information.

Proper installation is your responsibility.

## Recessed area or closet installation



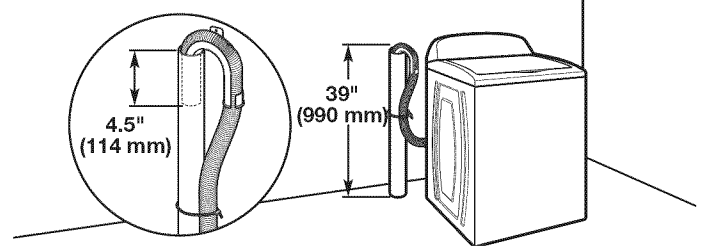
\*Recommended/minimum spacing

Dimensions show recommended spacing allowed, except for closet door ventilation openings which are the minimum required. This washer has been tested for installation with spacing of 0" (0 mm) clearance on the sides. Consider allowing more space for ease of installation and servicing, and spacing for companion appliances and clearances for walls, doors, and floor moldings. Add spacing of 1" (25 mm) on all sides of washer to reduce noise transfer. If a closet door or louvered door is installed, top and bottom air openings in door are required.

## Drain System

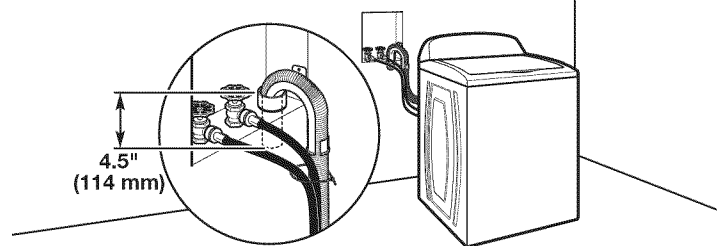
Drain system can be installed using a floor drain, wall standpipe, floor standpipe, or laundry tub. Select method you need.

### Floor standpipe drain system



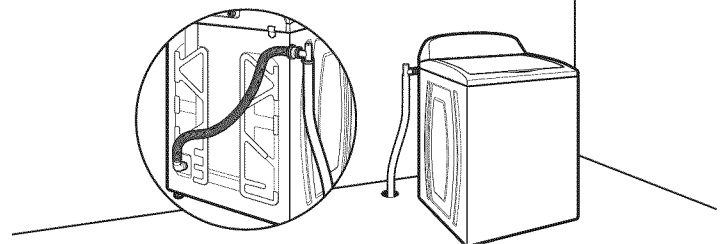
Minimum diameter for a standpipe drain: 2" (51 mm). Minimum carry-away capacity: 17 gal. (64 L) per minute. Top of standpipe must be at least 39" (990 mm) high; install no higher than 96" (2.44 m) from bottom of washer. If you must install higher than 96" (2.44 m), you will need a sump pump system.

### Wall standpipe drain system



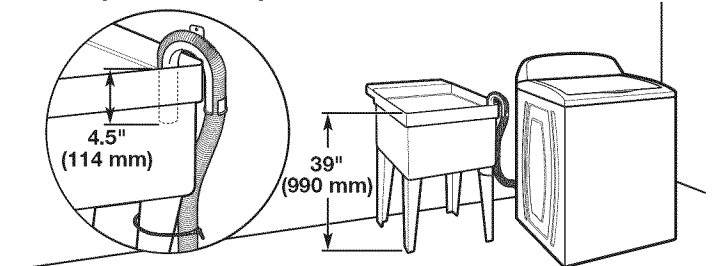
See requirements for floor standpipe drain system.

### Floor drain system



Floor drain system requires a Siphon Break Kit (Part Number 285834), 2 Connector Kits (Part Number 285835), and an Extension Drain Hose (Part Number 285863) that may be purchased separately. To order, please see toll-free phone numbers in your Use and Care Guide. Minimum siphon break: 28" (710 mm) from bottom of washer. (Additional hoses may be needed.)

### Laundry tub drain system



Minimum capacity: 20 gal. (76 L). Top of laundry tub must be at least 39" (990 mm) above floor; install no higher than 96" (2.44 m) from bottom of washer.

**IMPORTANT:** To avoid siphoning, no more than 4.5" (114 mm) of drain hose should be inside standpipe or below the top of wash tub. Secure drain hose with cable tie.

## Electrical Requirements

### ⚠ WARNING



#### Electrical Shock Hazard

Plug into a grounded 3 prong outlet.

Do not remove ground prong.

Do not use an adapter.

Do not use an extension cord.

Failure to follow these instructions can result in death, fire, or electrical shock.

- A 120 volt, 60 Hz., AC only, 15- or 20-amp, fused electrical supply is required. A time-delay fuse or circuit breaker is recommended. It is recommended that a separate circuit breaker serving only this appliance be provided.
- This washer is equipped with a power supply cord having a 3 prong grounding plug.
- To minimize possible shock hazard, the cord must be plugged into a mating, 3 prong, grounding-type outlet, grounded in accordance with local codes and ordinances. If a mating outlet is not available, it is the personal responsibility and obligation of the customer to have the properly grounded outlet installed by a qualified electrician.
- If codes permit and a separate ground wire is used, it is recommended that a qualified electrician determine that the ground path is adequate.
- Do not ground to a gas pipe.
- Check with a qualified electrician if you are not sure the washer is properly grounded.
- Do not have a fuse in the neutral or ground circuit.

### GROUNDING INSTRUCTIONS

#### For a grounded, cord-connected washer:

This washer must be grounded. In the event of a malfunction or breakdown, grounding will reduce the risk of electrical shock by providing a path of least resistance for electric current. This washer is equipped with a cord having an equipment-grounding conductor and a grounding plug. The plug must be plugged into an appropriate outlet that is properly installed and grounded in accordance with all local codes and ordinances.

**WARNING:** Improper connection of the equipment-grounding conductor can result in a risk of electric shock. Check with a qualified electrician or serviceman if you are in doubt as to whether the appliance is properly grounded.

Do not modify the plug provided with the appliance – if it will not fit the outlet, have a proper outlet installed by a qualified electrician.

#### For a permanently connected washer:

This washer must be connected to a grounded metal, permanent wiring system, or an equipment grounding conductor must be run with the circuit conductors and connected to the equipment-grounding terminal or lead on the appliance.

## INSTALLATION INSTRUCTIONS

### ⚠ WARNING

#### Excessive Weight Hazard

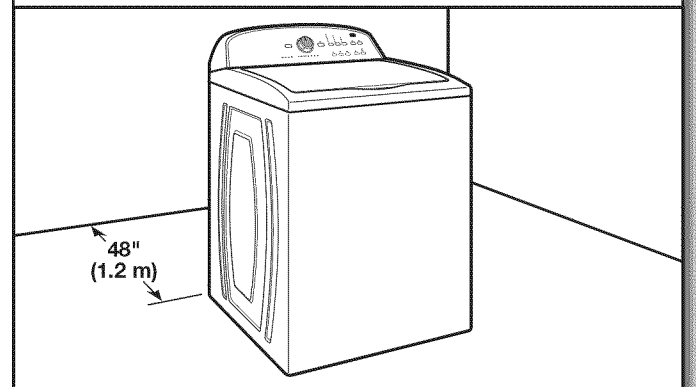
Use two or more people to move and install washer.

Failure to do so can result in back or other injury.

### Before you start: Remove shipping materials

It is necessary to remove all shipping materials for proper operation and to avoid excessive noise from washer.

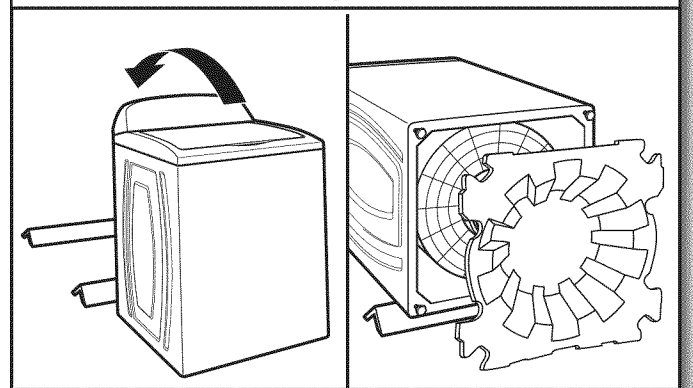
#### 1. Move washer



Move washer to within 4 ft (1.2 m) of its final location; it must be in a fully upright position.

**NOTE:** To avoid floor damage, set washer onto cardboard before moving it and make sure lid is taped shut.

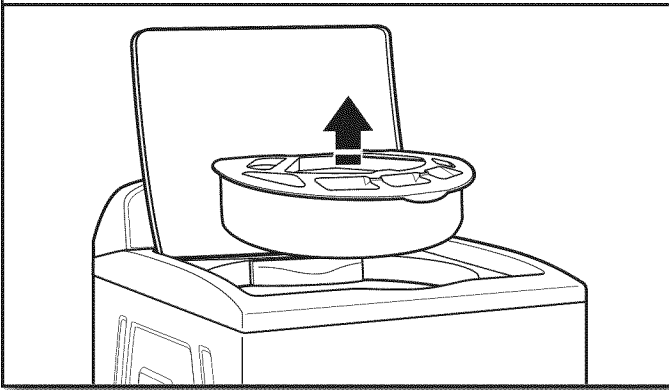
#### 2. Remove shipping base



To avoid damaging floor, place cardboard supports from shipping carton on floor behind washer. Tip washer back and place on cardboard supports. Remove shipping base. Set washer upright.

**IMPORTANT:** Removing shipping base is necessary for proper operation. If your washer includes a sound shield, please refer to the instructions included with the sound shield to install it at this time.

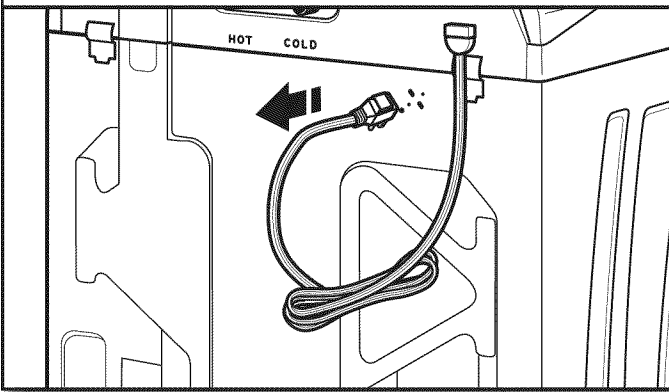
### 3. Remove packing tray from tub



Remove tape from washer lid, open lid, and remove foam packing ring from tub. Be sure to remove all parts from tray.

**NOTE:** Keep tray in case you need to move washer later.

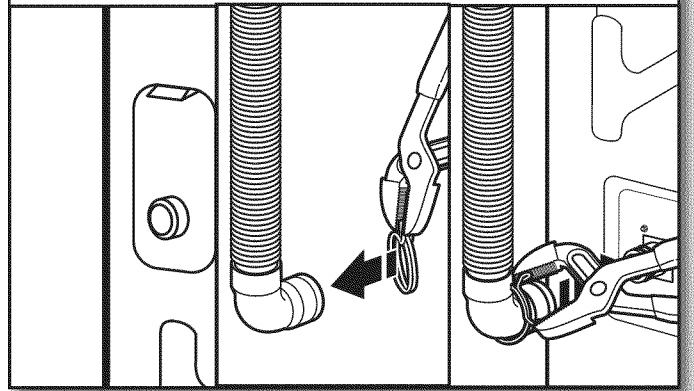
### 4. Free power cord



Firmly grasp power cord plug and pull to free from rear panel. Gently place power cord over console to allow free access to back of washer.

## Connect Drain Hose

### 5. Attach drain hose to drain port

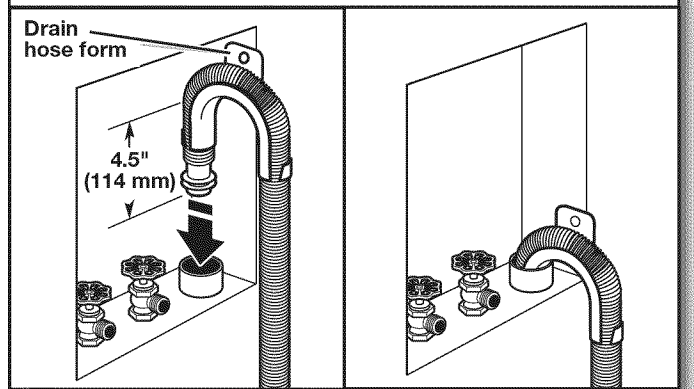


If clamp is not already in place on elbow end of drain hose, slide it over end as shown. Squeeze clamp with pliers and slide black elbow end of drain hose onto black drain port and secure with clamp.

For a laundry tub or standpipe drain, go to Step 6.

For a floor drain, remove the preinstalled drain hose form as shown in Step 7. You may need additional parts with separate directions. See "Tools and Parts."

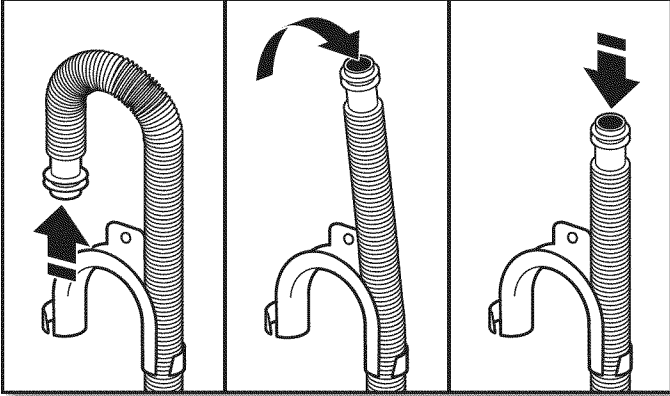
### 6. Place drain hose in standpipe



Place hose into standpipe (shown in picture) or over side of laundry tub.

**IMPORTANT:** 4.5" (114 mm) of drain hose should be inside standpipe; do not force excess hose into standpipe or lay on bottom of laundry tub. Drain hose form must be used.

## 7. Remove drain hose form (floor drain installations only)



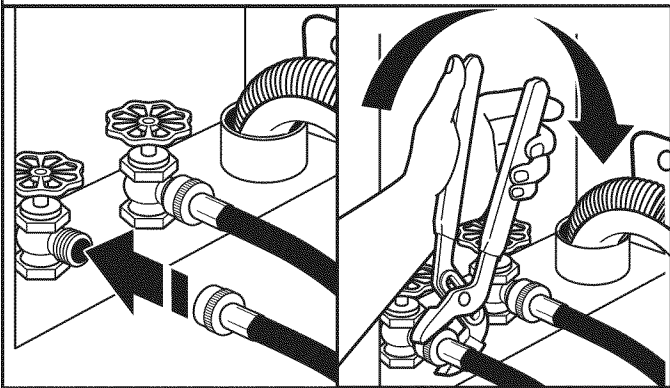
For floor drain installations, you will need to remove the drain hose form from the end of the drain hose. You may need additional parts with separate directions. See "Tools and Parts."

## Connect Inlet Hoses

Washer must be connected to water faucets with new inlet hoses with flat washers (not provided). Do not use old hoses.

**NOTE:** Both hoses must be attached and have water flowing to inlet valves. If you are only connecting to a cold water faucet, you must use a Y-adapter (not provided).

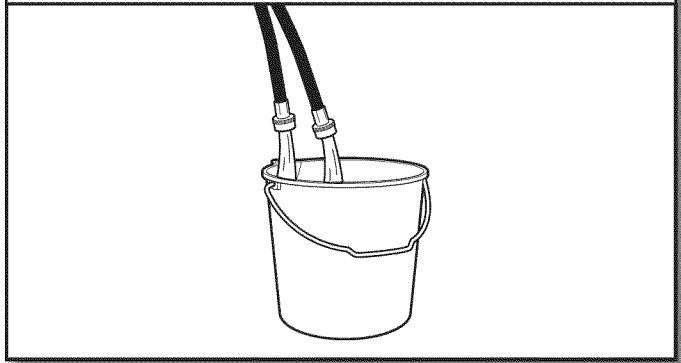
## 8. Connect inlet hoses to water faucets



Attach hose to hot water faucet. Screw on coupling by hand until it is seated on washer. Use pliers to tighten couplings an additional two-thirds turn. Repeat this step with second hose for cold water faucet.

**IMPORTANT:** Do not overtighten or use tape or sealants on valve when attaching to faucets or washer. Damage can result.

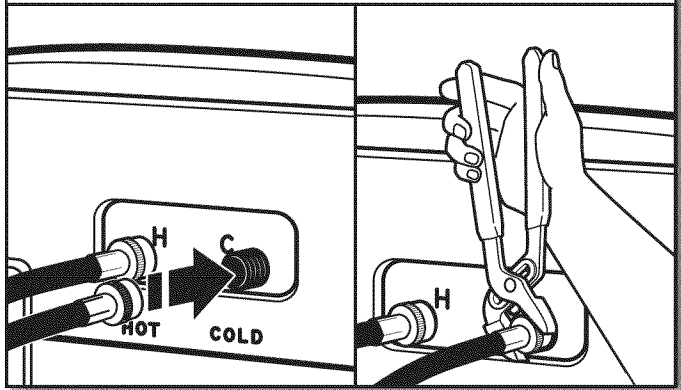
## 9. Clear water lines



Run water for a few seconds through hoses into a laundry tub, drainpipe, or bucket to avoid clogs. Water should run until clear.

Make note of which hose is connected to hot water to help in attaching hoses to washer correctly.

## 10. Connect inlet hoses to washer

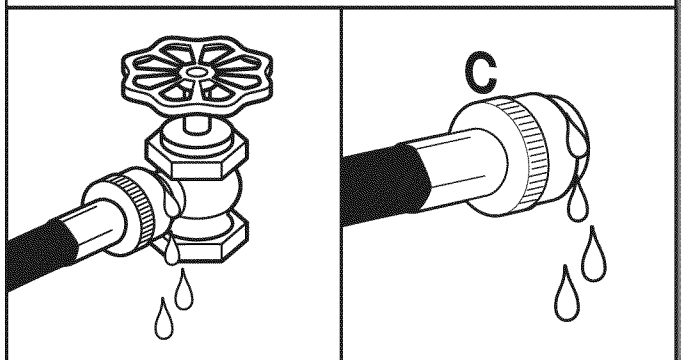


Attach hot water hose to hot water inlet valve marked with a red ring. Screw coupling by hand until it is snug. Use pliers to tighten couplings an additional two-thirds turn. Repeat with cold water inlet valve.

**IMPORTANT:** To reduce risk of hose failure, replace the hoses every 5 years. Record hose installation or replacement dates for future reference.

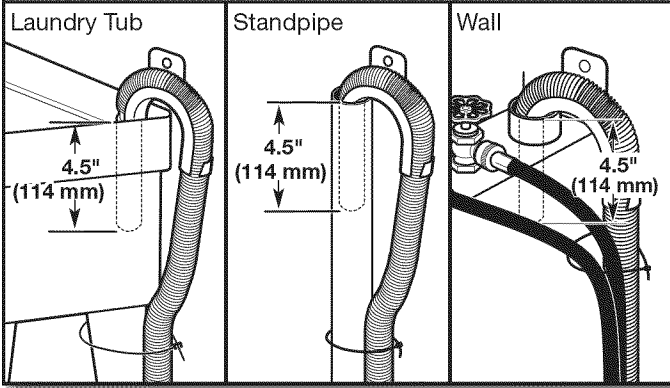
■ Periodically inspect and replace hoses if bulges, kinks, cuts, wear, or leaks are found.

## 11. Check for leaks



Turn on water faucets to check for leaks. A small amount of water may enter washer. It will drain later.

## 12. Secure drain hose



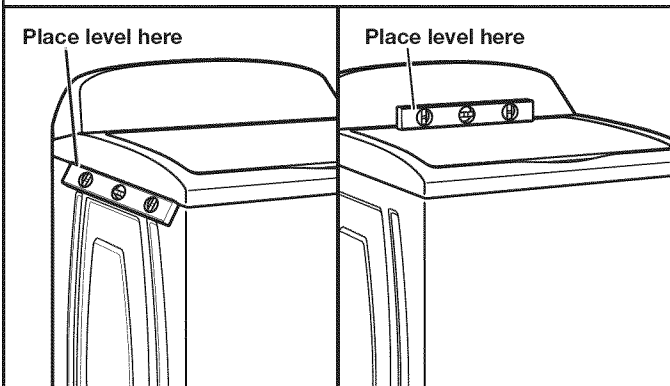
Secure drain hose to laundry tub leg, drain standpipe, or inlet hoses for wall standpipe with cable tie.

It is the responsibility of the installer to install and secure the drain hose into the provided plumbing/drain in a manner that will avoid the drain hose coming out of or leaking from the plumbing/drain.

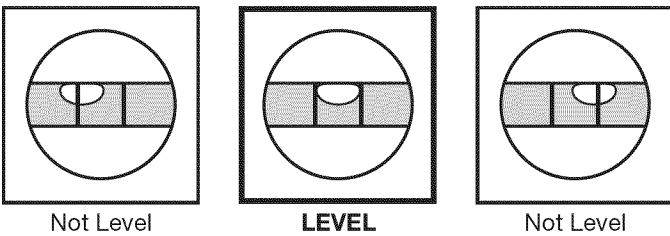
## Level Washer

**IMPORTANT:** Level washer properly to reduce excess noise and vibration.

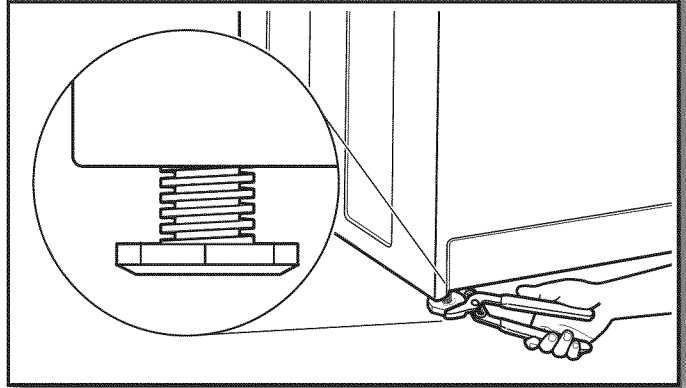
## 13. Check levelness of washer



Move the washer to its final location. Place a level on top edges of washer. Use side seam as a guide to check levelness of sides. Check levelness of front using lid as shown. Rock washer back and forth to make sure all four feet make solid contact with floor. If washer is level, skip to Step 15.



## 14. Adjust leveling feet



### If washer is not level:

Use adjustable pliers to turn the plastic leveling foot counterclockwise to lower the washer or clockwise to raise the washer. On all models, recheck levelness of washer and repeat as needed.

**HELPFUL TIP:** You may want to prop up front of washer about 4" (102 mm) with a wood block or similar object that will support weight of washer.

## ⚠ WARNING



### Electrical Shock Hazard

Plug into a grounded 3 prong outlet.

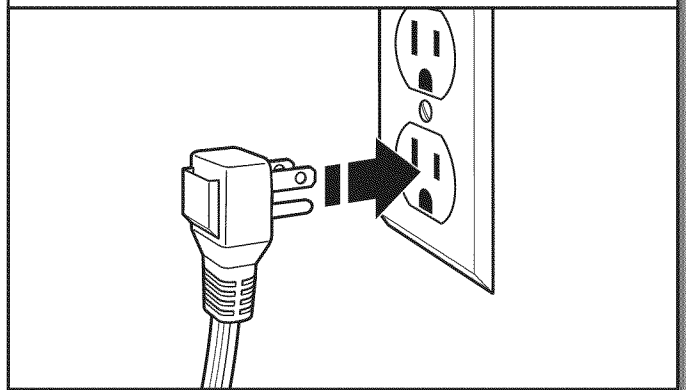
Do not remove ground prong.

Do not use an adapter.

Do not use an extension cord.

Failure to follow these instructions can result in death, fire, or electrical shock.

## 15. Plug into a grounded 3 prong outlet



## Complete Installation Checklist

- Check electrical requirements. Be sure you have correct electrical supply and recommended grounding method.
- Check that all parts are now installed. If there is an extra part, go back through steps to see what was skipped.
- Check that you have all of your tools.
- Check that shipping materials were completely removed from washer.
- Check that water faucets are on.
- Check for leaks around faucets and inlet hoses.
- Remove protective film from console and any tape remaining on washer.
- Check that washer is plugged into a grounded 3 prong outlet.
- Dispose of/recycle all packaging materials.
- Read "Washer Care" in your Use and Care Guide.
- To test and clean your washer, measure 1/2 of normal recommended amount of powdered or liquid detergent and pour it into washer basket or detergent dispenser (on some models). Close lid. Select any cycle. Start washer and allow to complete full cycle.



# SÉCURITÉ DE LA LAVEUSE

## Votre sécurité et celle des autres est très importante.

Nous donnons de nombreux messages de sécurité importants dans ce manuel et sur votre appareil ménager. Assurez-vous de toujours lire tous les messages de sécurité et de vous y conformer.



Voici le symbole d'alerte de sécurité.

Ce symbole d'alerte de sécurité vous signale les dangers potentiels de décès et de blessures graves à vous et à d'autres.

Tous les messages de sécurité suivront le symbole d'alerte de sécurité et le mot "DANGER" ou "AVERTISSEMENT". Ces mots signifient :

**⚠ DANGER**

**Risque possible de décès ou de blessure grave si vous ne suivez pas immédiatement les instructions.**

**⚠ AVERTISSEMENT**

**Risque possible de décès ou de blessure grave si vous ne suivez pas les instructions.**

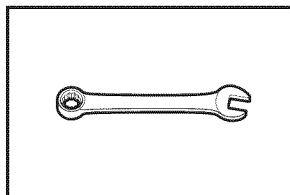
Tous les messages de sécurité vous diront quel est le danger potentiel et vous disent comment réduire le risque de blessure et ce qui peut se produire en cas de non-respect des instructions.

## EXIGENCES D'INSTALLATION

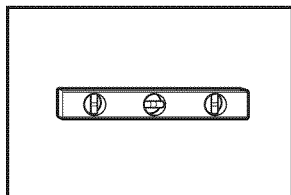
### Outillage et pièces

Rassembler les outils et pièces nécessaires avant de commencer l'installation.

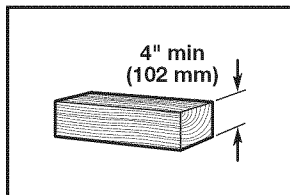
#### Outillage nécessaire :



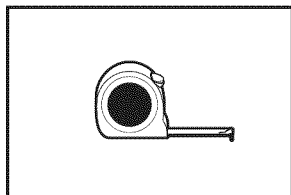
Clé à molette ou clé hexagonale de 9/16" (14 mm)



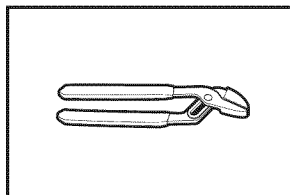
Niveau



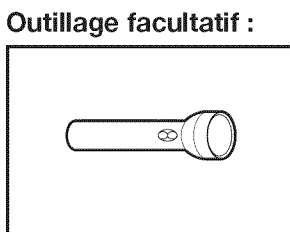
Cale en bois



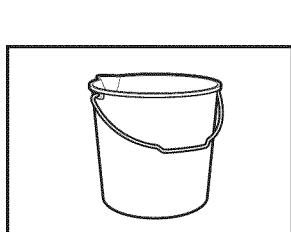
Règle ou mètre ruban



Pince avec ouverture jusqu'à 1 3/4" (44,5 mm)



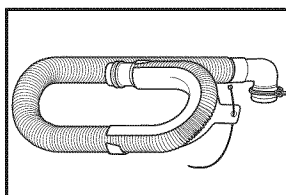
Lampe de poche



Seau

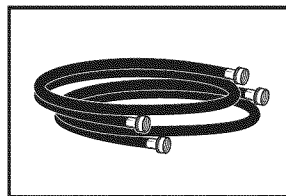
#### Pièces fournies :

**REMARQUE :** Toutes les pièces fournies pour l'installation se trouvent dans l'insert en carton dans le panier de la laveuse.



Tuyau de vidange avec bride et attache-câble

#### Pièces nécessaires : (Non fournies avec la laveuse)



Tuyaux d'arrivée d'eau avec rondelles plates

Pour commander, consulter les numéros d'appel sans frais sur la page arrière du guide d'utilisation et d'entretien.

- 8212656RP Tuyau d'arrivée d'eau de 10 pi (3 m), EPDM noir (ensemble de 2)
- 8212641RP Tuyau d'arrivée d'eau de 5 pi (1,5 m), EPDM noirs (ensemble de 2)
- 8212646RP Tuyau d'arrivée d'eau de 4 pi (1,2 m), EPDM noirs (ensemble de 2)
- 8212545RP Tuyau d'arrivée d'eau de 5 pi (1,5 m), EPDM rouge et bleu (ensemble de 2)
- 8212487RP Tuyau d'arrivée d'eau en nylon tressé de 5 pi (1,5 m) (ensemble de 2)
- 8212638RP Tuyau d'arrivée d'eau en nylon tressé de 6 pi (1,8 m), coude compact à 90°, raccords hypro-blue en acier (ensemble de 2)
- 8212637RP Tuyau d'arrivée d'eau de 6 pi (1,8 m), EPDM noir, coude compact de 90°, raccords hypro-blue en acier (ensemble de 2)

### Autres pièces : (Non fournies avec la laveuse)

Il se peut que l'installation nécessite des pièces supplémentaires. Pour commander, consulter les numéros d'appel sans frais figurant sur la page de couverture du Guide d'utilisation et d'entretien.

#### Si vous avez :

Un égout surélevé

Tuyau de rejet à l'égout de 1" (25 mm)

Un tuyau de vidange trop court

Un système d'évacuation obstrué par de la charpie

#### Il vous faudra :

Tuyau de vidange standard de 20 gal. (76 L) de 39" (990 mm) de haut ou évier de décharge, pompe de puisard et connecteurs (disponibles chez les vendeurs de matériaux de plomberie locaux)

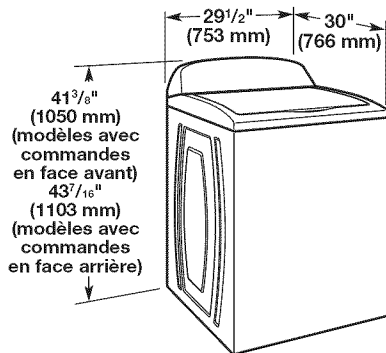
Adaptateur pour tuyau rigide de rejet l'égout rigide de diamètre 2" (51 mm) à 1" (25 mm) numéro de pièce 3363920 Ensemble de connection, numéro de pièce 285835

Tuyau de vidange supplémentaire, numéro de pièce 285863 Ensemble de connection, numéro de pièce 285835

Protecteur de canalisation, numéro de pièce 367031 Ensemble de connection, numéro de pièce 285835

## Exigences d'emplacement

Le choix d'un emplacement approprié pour la laveuse en améliore le rendement et réduit au minimum le bruit et le "déplacement" possible de la laveuse. La laveuse peut être installée dans un sous-sol, une salle de buanderie, un placard ou un encastrement.



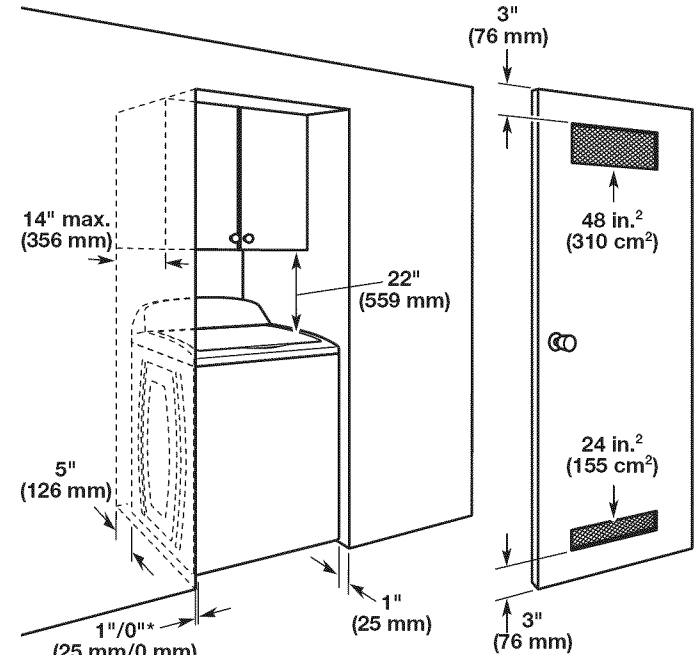
#### Il vous faudra :

- Un chauffe-eau réglé à 120 °F (49 °C).
- Une prise électrique reliée à la terre et située à moins de 4 pi (1,2 m) du cordon d'alimentation situé à l'arrière de la laveuse.
- Des robinets d'eau chaude et d'eau froide situés à moins de 3 pi (0,9 m) des électrovannes de remplissage d'eau chaude et d'eau froide situées sur la laveuse et une pression d'eau de 20–100 lb/po<sup>2</sup> (138 à 690 kPa).
- Un plancher de niveau avec une pente maximale de 1" (25 mm) sous l'ensemble de la laveuse. L'installation sur de la moquette n'est pas recommandée.
- Un plancher capable de supporter le poids total de 315 lb (143 kg) de la laveuse (eau et charge comprises).

**IMPORTANT :** Ne pas installer, remiser ou faire fonctionner la laveuse à un emplacement où elle sera exposée aux intempéries ou à des températures inférieures à 32 °F (0 °C). De l'eau restée dans la laveuse après utilisation peut causer des dommages à basse température. Voir "Entretien de la laveuse" dans le Guide d'utilisation et d'entretien pour des renseignements sur l'hivernisation.

C'est à l'utilisateur qu'incombe la responsabilité de réaliser une installation correcte.

### Installation dans un encastrement ou un placard



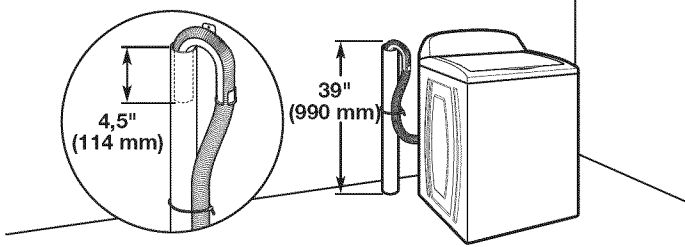
\*Dégagement/minimum recommandé

Les dimensions représentent les dégagements recommandés permis, hormis pour les ouvertures de ventilation de la porte du placard qui correspondent aux dimensions minimales nécessaires. Cette laveuse a été testée pour une installation avec des dégagements de 0" (0 mm) sur les côtés. On peut éventuellement laisser davantage de dégagement pour faciliter l'installation et l'entretien, et des distances de séparation pour les appareils ménagers voisins et des dégagements pour les murs, portes et plinthes. Ajouter un espace supplémentaire de 1" (25 mm) de tous les côtés de la laveuse pour réduire le transfert de bruit. Si l'on installe une porte de placard ou une porte à persiennes, des ouvertures d'aération au sommet et au bas de la porte sont nécessaires.

## Système de vidange

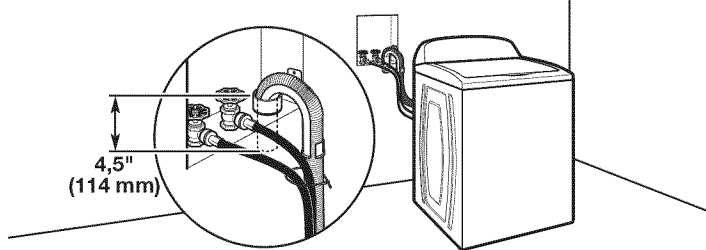
Le système de vidange de la laveuse peut être installé à l'aide d'un conduit d'évacuation au plancher, un tuyau de rejet à l'égout au plancher ou mural ou un évier de buanderie. Sélectionner la méthode à utiliser.

### Système de vidange avec tuyau de rejet à l'égout au plancher



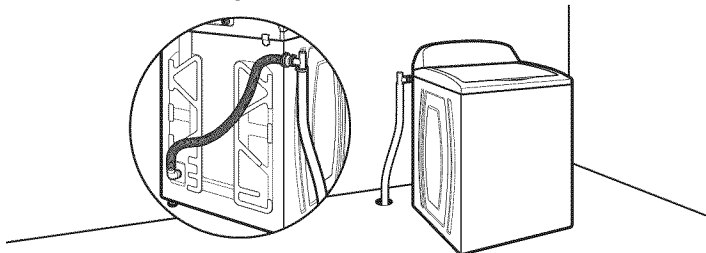
Diamètre minimal pour un tuyau de rejet à l'égout : 2" (51 mm).  
Capacité minimale d'acheminement : 17 gal. (64 L) par minute.  
Le sommet du tuyau de rejet à l'égout doit avoir une hauteur d'au moins 39" (990 mm); ne pas l'installer à plus de 96" (2,44 m) du fond de la laveuse. Si on doit l'installer à plus de 96" (2,44 m) de hauteur, un système de pompe de puisard est nécessaire.

### Système de vidange avec tuyau de rejet à l'égout mural



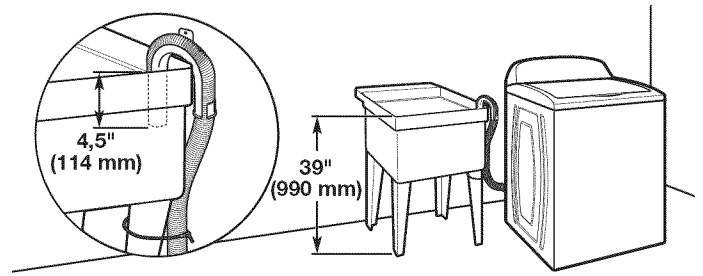
Voir les exigences pour le système de vidange avec tuyau de rejet à l'égout au plancher.

### Système de vidange au plancher



Le système de vidange au plancher nécessite un ensemble de brise-siphon (numéro de pièce 285834), deux ensembles de connection (numéro de pièce 285835), et un tuyau de vidange supplémentaire (numéro de pièce 285863) qui peuvent être achetés séparément. Pour commander, consulter les numéros d'appel sans frais figurant dans le Guide d'utilisation et d'entretien. Dimension minimale pour le brise-siphon : 28" (710 mm) à partir du fond de la laveuse. (Des tuyaux supplémentaires peuvent être requis).

## Système de vidange dans un évier de buanderie



Capacité minimale : 20 gal. (76 L). Le sommet de l'évier de buanderie doit se trouver à au moins 39" (990 mm) du plancher; ne pas l'installer à plus de 96" (2,44 m) du fond de la laveuse.

**IMPORTANT :** Pour éviter un effet de siphon, ne pas introduire plus de 4,5" (114 mm) de tuyau de vidange à l'intérieur du tuyau de rejet à l'égout ou sous la partie supérieure d'évier de buanderie. Immobiliser le tuyau de vidange avec un attache-câble.

## Spécifications électriques

### ⚠ AVERTISSEMENT



#### Risque de choc électrique

**Brancher sur une prise à 3 alvéoles reliée à la terre.**

**Ne pas enlever la broche de liaison à la terre.**

**Ne pas utiliser un adaptateur.**

**Ne pas utiliser un câble de rallonge.**

**Le non-respect de ces instructions peut causer un décès, un incendie ou un choc électrique.**

- Une alimentation de 120 volts, 60 Hz, CA seulement, de 15 ou 20 ampères, protégée par un fusible est requise. On recommande l'emploi d'un fusible ou d'un disjoncteur temporisé. Il est recommandé de raccorder l'appareil sur un circuit distinct exclusif à cet appareil.
- Cette laveuse comporte un cordon d'alimentation électrique à trois broches pour liaison à la terre.
- Pour minimiser les risques de choc électrique, on doit brancher le cordon sur une prise de courant de configuration correspondante, à 3 alvéoles, reliée à la terre et installée conformément aux codes et règlements locaux. Si une prise de courant de configuration correspondante n'est pas disponible, le client a la responsabilité et l'obligation de faire installer par un électricien qualifié une prise de courant correctement reliée à la terre.
- Si les codes le permettent et si l'on utilise un conducteur distinct de liaison à la terre, il est recommandé qu'un électricien qualifié vérifie la qualité de la liaison à la terre.
- Ne pas utiliser une tuyauterie de gaz pour le raccordement à la terre.
- En cas de doute quant à la qualité de la liaison à la terre de la laveuse, consulter un électricien qualifié.
- Ne pas installer un fusible dans le conducteur neutre ou le circuit de liaison à la terre.

## INSTRUCTIONS DE LIAISON À LA TERRE

### Pour une laveuse reliée à la terre et connectée par un cordon :

Cette laveuse doit être reliée à la terre. En cas d'anomalie de fonctionnement ou de panne, la liaison à la terre réduira le risque de choc électrique en offrant au courant électrique un itinéraire d'évacuation de moindre résistance. Cette laveuse est alimentée par un cordon électrique comportant un conducteur relié à la terre et une fiche de branchement munie d'une broche de liaison à la terre. La fiche doit être branchée sur une prise de courant appropriée qui est bien installée et reliée à la terre conformément à tous les codes et règlements locaux.

**AVERTISSEMENT** : Le raccordement incorrect de cet appareil au conducteur de liaison à la terre peut susciter un risque de choc électrique. En cas de doute quant à la qualité de la liaison à la terre de l'appareil, consulter un électricien ou technicien d'entretien qualifié.

Ne pas modifier la fiche de branchement fournie avec l'appareil – si la fiche ne correspond pas à la configuration de la prise de courant, demander à un électricien qualifié d'installer une prise de courant convenable.

### Pour une laveuse raccordée en permanence :

Cette laveuse doit être raccordée à un système de câblage permanent en métal relié à la terre ou un conducteur relié à la terre doit être en fonction avec les conducteurs de circuit et raccordés à la borne de liaison à la terre ou la borne sur l'appareil ménager.

## INSTRUCTIONS D'INSTALLATION

### ⚠ AVERTISSEMENT

#### Risque du poids excessif

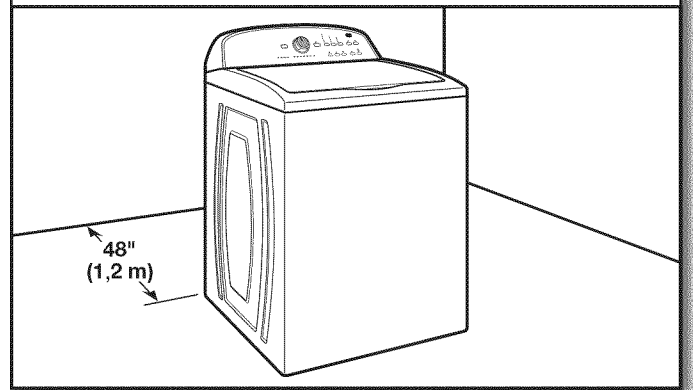
Utiliser deux ou plus de personnes pour déplacer et installer la laveuse.

Le non-respect de cette instruction peut causer une blessure au dos ou d'autre blessure.

### Avant de commencer : retirer le matériel d'expédition

Il est nécessaire de retirer tout le matériel d'expédition pour un fonctionnement correct et pour éviter que la laveuse ne fasse trop de bruit.

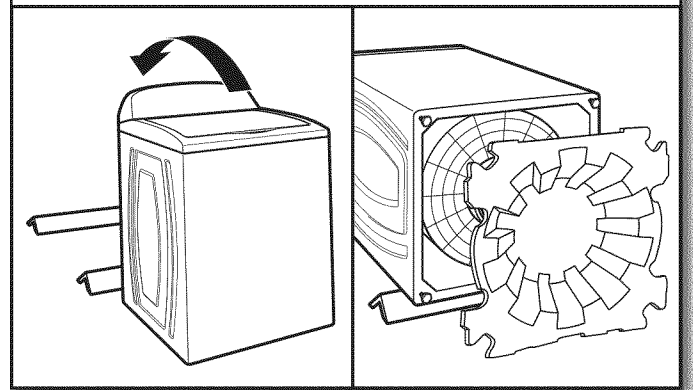
#### 1. Déplacer la laveuse



Déplacer la laveuse à moins de 4 pi (1,2 m) de son emplacement final, elle doit être en position complètement verticale.

**REMARQUE:** Pour éviter d'endommager le plancher, installer la laveuse sur un carton avant de la déplacer. Assurer que le couvercle est maintenu en place avec le ruban adhésif.

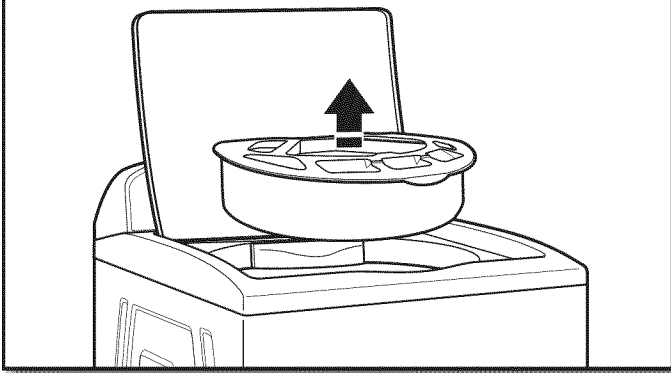
#### 2. Enlever la base d'expédition



Afin d'éviter d'endommager le plancher, placer les supports en carton du carton d'expédition sur le plancher, derrière la laveuse. Incliner la laveuse vers l'arrière et la placer sur les supports en carton. Retirer la base d'expédition. Redresser la laveuse en position verticale.

**IMPORTANT** : Le retrait de la base d'expédition en polystyrène est nécessaire au bon fonctionnement de l'appareil. Si la laveuse comprend une plaque d'insonorisation, consulter les instructions fournies avec la plaque d'insonorisation pour l'installer maintenant.

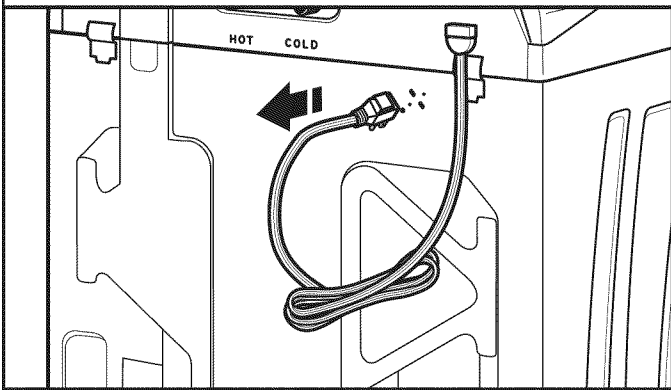
### 3. Retrait du carton plat de la cuve



Retirer le ruban adhésif du couvercle de la laveuse, ouvrir le couvercle et retirer l'emballage en anneau en mousse du tambour. Veiller à retirer toutes les pièces du carton plat.

**REMARQUE :** Conserver le carton plat au cas où il faudrait déplacer la laveuse ultérieurement.

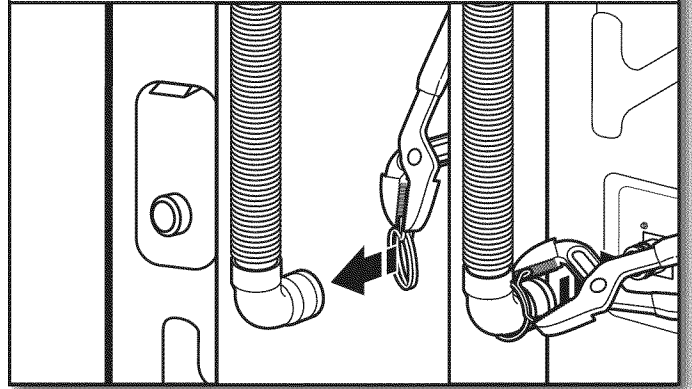
### 4. Libérer le cordon d'alimentation



Saisir fermement le cordon d'alimentation et le tirer pour le libérer du panneau arrière. Placer délicatement le cordon d'alimentation par dessus la console pour permettre le libre accès à l'arrière de la laveuse.

### Raccordement du tuyau de vidange

### 5. Fixation du tuyau de vidange à l'orifice de vidange

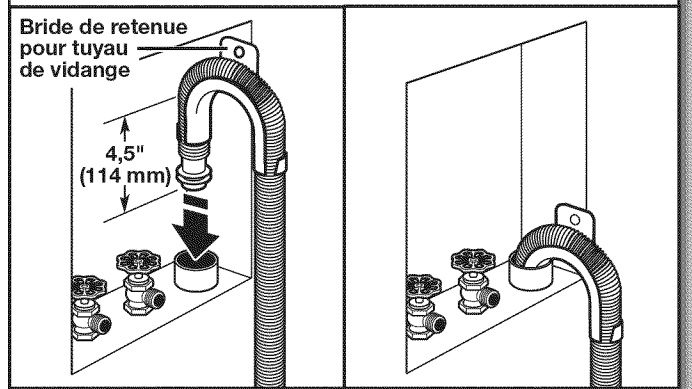


Si la bride n'est pas déjà installée sur l'extrémité coudée du tuyau de vidange, la faire glisser sur l'extrémité tel qu'indiqué. Serrer la bride avec une pince et faire glisser à nouveau l'extrémité coudée du tuyau de vidange sur l'orifice de vidange noir, puis fixer avec la bride.

Pour un évier de buanderie ou un tuyau de rejet à l'égout rigide, passer à l'étape 6.

Pour une vidange au plancher, retirer la bride de retenue pour tuyau de vidange préinstallée tel qu'indiqué à l'étape 7. Des pièces supplémentaires avec des instructions distinctes s'avéreront peut-être nécessaires. Voir "Outillage et pièces".

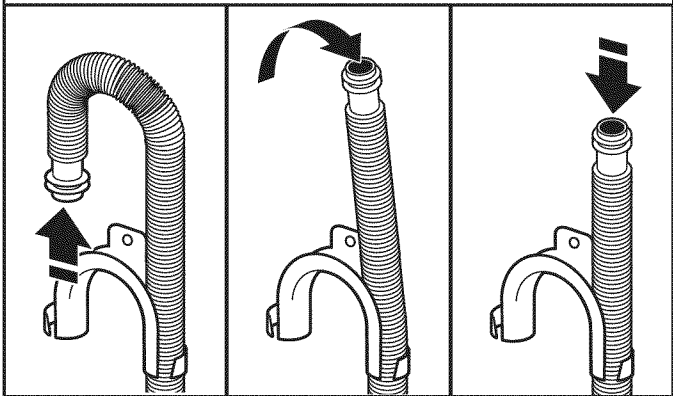
### 6. Placer le tuyau de vidange dans le tuyau de rejet à l'égout



Placer le tuyau dans le tuyau de rejet à l'égout (illustré sur l'image) ou par-dessus le côté de l'évier de buanderie.

**IMPORTANT :** 4,5" (114 mm) du tuyau de vidange doit être à l'intérieur du tuyau de rejet à l'égout; ne pas forcer l'excédent de tuyau dans le tuyau de rejet à l'égout ni le placer dans l'évier de buanderie. On doit utiliser la bride de retenue pour tuyau de vidange.

## 7. Retrait de la bride de retenue pour tuyau de vidange (installations avec vidange au plancher uniquement)



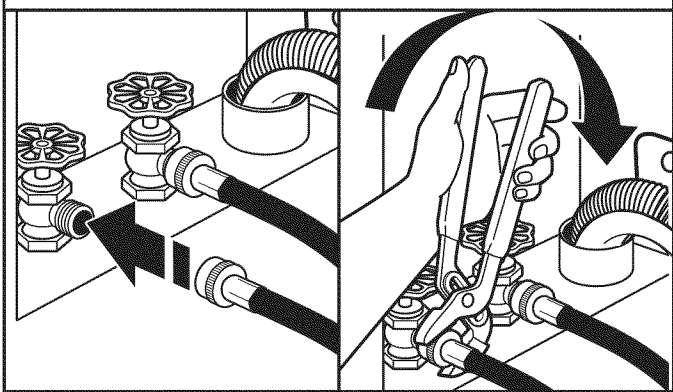
Pour les installations avec vidange au plancher, il faut retirer la bride de retenue pour tuyau de vidange de l'extrémité du tuyau de vidange. Des pièces supplémentaires avec des directives distinctes seront peut-être nécessaires. Voir "Outils et pièces".

## Raccordement des tuyaux d'arrivée d'eau

La laveuse doit être raccordée aux robinets à l'aide de tuyaux d'arrivée d'eau neufs dotés de rondelles plates (non compris). Ne pas utiliser de tuyaux usagés.

**REMARQUE :** Les deux tuyaux doivent être fixés et l'eau doit pénétrer dans les robinets d'arrivée d'eau. Si l'on effectue un raccordement uniquement à un robinet d'eau froide, on doit utiliser un adaptateur en Y (non fourni).

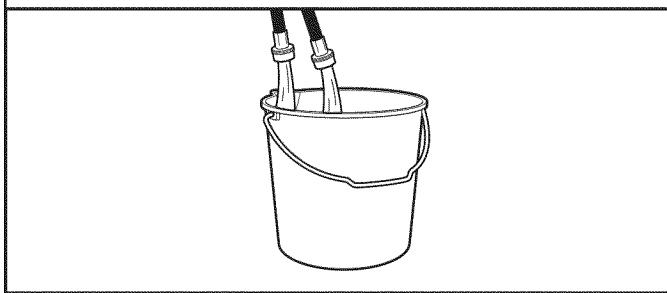
## 8. Raccorder les tuyaux d'arrivée d'eau aux robinets



Fixer le tuyau au robinet d'eau chaude. Visser le raccord à la main pour qu'il repose sur la rondelle. Serrer les raccords de deux tiers de tour supplémentaires à l'aide d'une pince. Répéter cette étape avec le deuxième tuyau pour le robinet d'eau froide.

**IMPORTANT :** Ne pas serrer excessivement ni utiliser de ruban adhésif ou de dispositif d'étanchéité sur la valve lors de la fixation aux robinets ou à la laveuse. Cela pourrait entraîner des dommages.

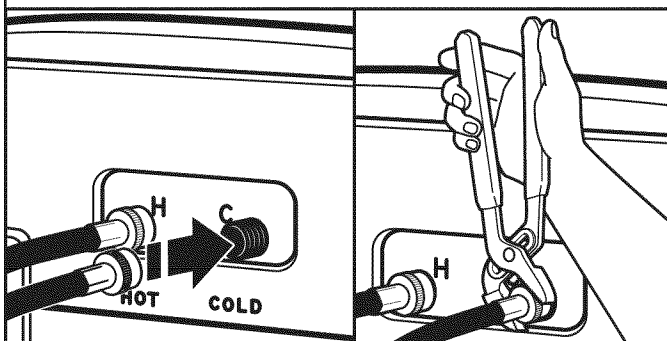
## 9. Purger les canalisations d'eau



Faire couler l'eau par les tuyaux dans l'évier de buanderie, le tuyau de rejet à l'égout ou un seau pendant quelques secondes pour éviter toute obstruction. On doit laisser couler l'eau jusqu'à ce qu'elle soit limpide.

Repérer quel tuyau est raccordé à l'eau chaude pour permettre une fixation correcte des tuyaux à la laveuse.

## 10. Raccorder les tuyaux d'arrivée d'eau à la laveuse

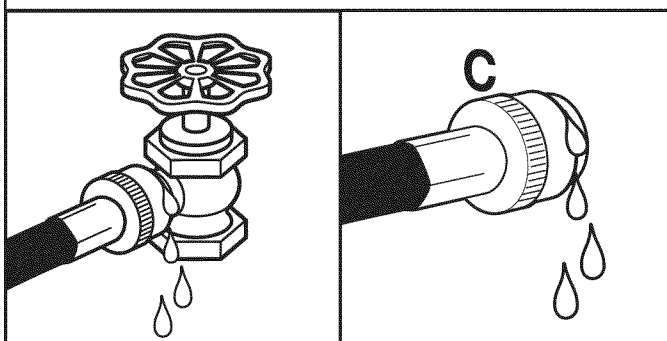


Fixer le tuyau d'eau chaude au robinet d'arrivée d'eau chaude indiquée par une bague rouge. Visser le raccord à la main jusqu'à ce qu'il soit bien serré. Serrer les raccords de deux tiers de tour supplémentaires à l'aide d'une pince. Répéter pour le robinet d'eau froide.

**IMPORTANT :** Pour réduire le risque de défaillance des tuyaux, remplacer les tuyaux tous les 5 ans. Inscrire la date d'installation ou de remplacement des tuyaux pour référence ultérieure.

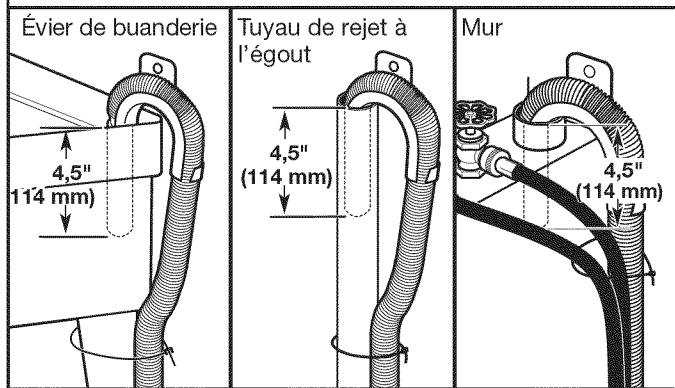
■ Inspecter périodiquement les tuyaux et les remplacer en cas de renflement, de déformation, de coupure, d'usure ou de fuite.

## 11. Rechercher les fuites éventuelles



Ouvrir les robinets d'eau pour vérifier qu'il n'y a pas de fuite. Une petite quantité d'eau peut entrer dans la laveuse. Elle s'évacuera plus tard.

## 12. Immobiliser le tuyau de vidange

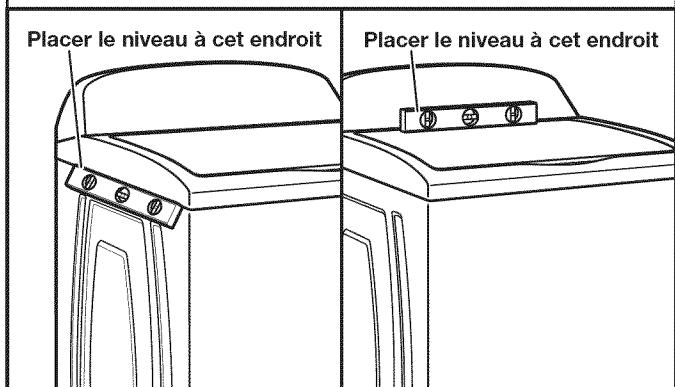


Fixer le tuyau de vidange au pied de l'évier de buanderie, au tuyau de rejet à l'égout ou aux tuyaux d'arrivée d'eau pour le tuyau de rejet à l'égout mural avec l'attache-câble. Il incombe à l'installateur d'installer et de fixer solidement le tuyau de vidange à la canalisation d'évacuation de manière à ce que le tuyau de vidange ne puisse sortir et causer d'éventuelles fuites de la canalisation d'évacuation.

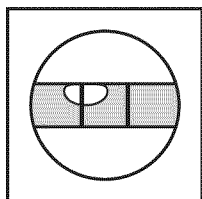
## Établissement de l'aplomb de la laveuse

**IMPORTANT :** La bonne établissement de l'aplomb de la laveuse permet de réduire les nuisances sonores et de limiter les vibrations.

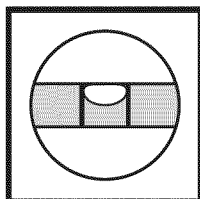
## 13. Contrôler l'aplomb de la laveuse



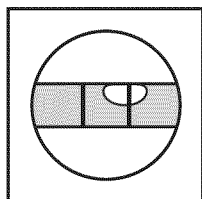
Mettre la laveuse à son emplacement final. Placer un niveau sur les bords supérieurs de la laveuse. Utiliser une rivure latérale comme guide pour déterminer l'aplomb des côtés. Vérifier l'aplomb de l'avant à l'aide du couvercle, tel qu'indiqué. Faire bouger la laveuse d'avant en arrière pour s'assurer que les quatre pieds sont bien en contact avec le plancher. Si la laveuse est d'aplomb, passer à l'étape 15.



Pas d'aplomb

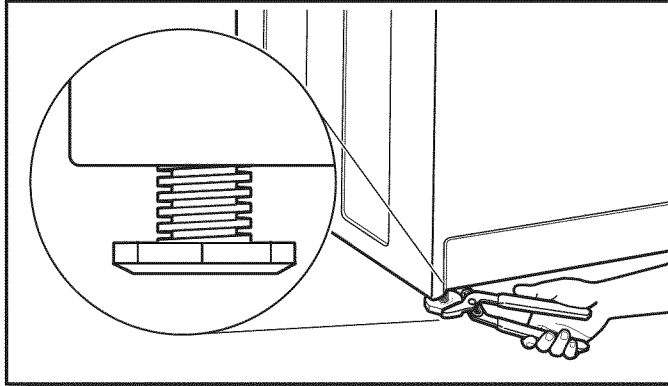


**APLOMB**



Pas d'aplomb

## 14. Ajuster les pieds de nivellement



### Si la laveuse n'est pas d'aplomb :

Sur les modèles avec pieds en plastique, utiliser une pince réglable pour tourner le pied de nivellement dans le sens antihoraire pour abaisser la laveuse ou horaire pour la soulever. Sur tous les modèles, contrôler à nouveau l'aplomb de la laveuse et répéter au besoin.

**CONSEIL UTILE :** Il serait judicieux de soulever l'avant de la laveuse d'environ 4" (102 mm) à l'aide d'une cale en bois ou d'un objet similaire qui soutiendra le poids de la laveuse.

## ⚠ AVERTISSEMENT



### Risque de choc électrique

Brancher sur une prise à 3 alvéoles reliée à la terre.

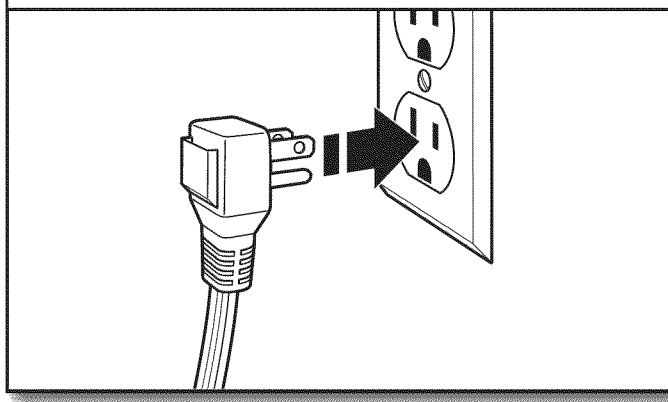
Ne pas enlever la broche de liaison à la terre.

Ne pas utiliser un adaptateur.

Ne pas utiliser un câble de rallonge.

Le non-respect de ces instructions peut causer un décès, un incendie ou un choc électrique.

## 15. Brancher sur une prise à 3 alvéoles reliée à la terre



## Liste de vérification pour l'achèvement de l'installation

- Consulter les spécifications électriques. S'assurer de disposer d'une source d'électricité appropriée et d'une liaison à la terre conformes à la méthode recommandée.
- Vérifier que toutes les pièces sont maintenant installées. S'il reste une pièce, passer en revue les différentes étapes pour découvrir laquelle aurait été oubliée.
- Vérifier la présence de tous les outils.
- Vérifier que tout le matériel d'expédition a été retiré de la laveuse.
- Vérifier que les robinets d'eau sont ouverts.
- Vérifier qu'il n'y a pas de fuite autour des robinets et des tuyaux d'arrivée d'eau.
- Ôter la pellicule protectrice de la console et tout ruban adhésif resté sur la laveuse.
- Vérifier que la laveuse est branchée sur une prise de courant à 3 alvéoles reliée à la terre.
- Éliminer/recycler tous les matériaux d'emballage.
- Lire "Entretien de la laveuse" dans le Guide d'utilisation et d'entretien.
- Pour tester et nettoyer la laveuse, mesurer la moitié de la quantité normale recommandée de détergent en poudre ou liquide et la verser dans le panier de la laveuse ou le distributeur de détergent (sur certains modèles). Fermer le couvercle. Sélectionner n'importe quel programme. Mettre la laveuse en marche et la laisser exécuter un programme complet.