

C. Connect (wire nut or plug) the short lead from the thermal switch to the L1 side of the mixing fan. Connect the long lead from the thermal switch to the fan terminal on ERC (may be marked AUX2). See Fig. 3C.

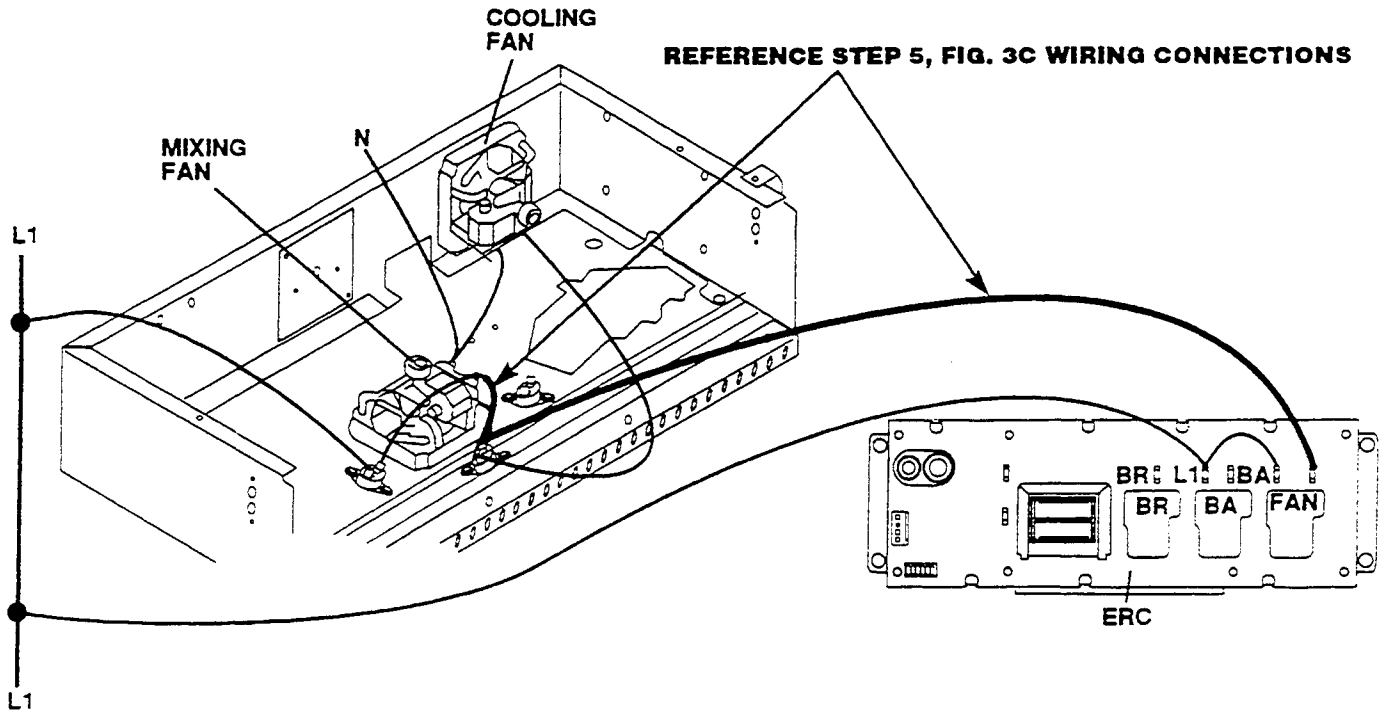


Fig. 3C

See Fig. 4 for schematic wire diagram.

NOTE:

Schematic after completing step 5, fig. 3A, 3B, and 3C.

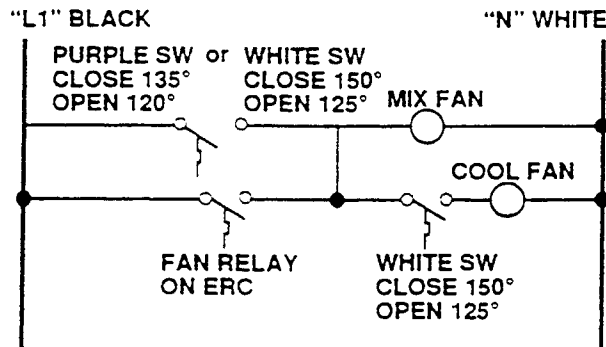


Fig. 4

Step 6

Re-position control panel and re-install end caps with four screws.

NOTE: If you disconnect gas supply line, you must perform a leak test using soap solution. All leaks must be stopped before operating oven.

Be sure to test all ERC functions for proper operation.