

FOR MODEL :

14.0AE



ELLIPTICAL USER'S GUIDE

INTRODUCTION

CONGRATULATIONS and **THANK YOU** for your purchase of this AFG elliptical!

Whether your goal is to win races or simply enjoy a fuller, healthier lifestyle, an AFG elliptical can help you attain it – adding club-quality performance to your at-home workouts, with the ergonomics and innovative features you need to get stronger, healthier and faster. Because we're committed to designing fitness equipment from the inside out, we use only the highest quality components. It's a commitment we back with one of the strongest frame-to-brake warranty packages in the industry.

You want exercise equipment that offers the most comfort, the best reliability and the highest quality in its class.

AFG delivers.

TABLE OF CONTENTS

<i>Important Precautions</i>	4
<i>Assembly</i>	5
<i>Before You Begin</i>	17
<i>Elliptical Operation</i>	18
<i>Conditioning Guidelines</i>	31
<i>Troubleshooting & Maintenance</i>	34
<i>Limited Warranty</i>	38
CONTACT INFORMATION	<i>Back Panel</i>

IMPORTANT PRECAUTIONS

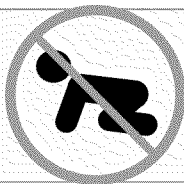
SAVE THESE INSTRUCTIONS

Read all instructions before using this elliptical. When using an electrical product, basic precautions should always be followed, including the following: Read all instructions before using this elliptical. It is the responsibility of the owner to ensure that all users of this elliptical are adequately informed of all warnings and precautions. If you have any questions after reading this manual, contact Customer Tech Support at the number listed on the back panel of this manual.



WARNING To reduce the risk of burns, fire, electrical shock or injury to persons:

- If you experience any kind of pain, including, but not limited to chest pains, nausea, dizziness, or shortness of breath, stop exercising immediately and consult your physician before continuing.
- Maintain a comfortable pace. Do not sprint above 80 rpms on this machine.
- To maintain balance, it is recommended to keep a grip on the handlebars while exercising, mounting or dismounting the machine.
- Do not wear clothes that might catch on any part of the elliptical.
- Do not turn pedal arms by hand.
- Make sure handlebars are secure before each use.
- Do not insert or drop any object into any opening.
- Unplug elliptical before moving or cleaning it. To clean, wipe surfaces down with soap and slightly damp cloth only; never use solvents. (See MAINTENANCE)
- This elliptical should not be used by persons weighing more than 350 pounds. Failure to comply will void the warranty.
- This elliptical is intended for in-home use only. Do not use this elliptical in any commercial, rental, school or institutional setting. Failure to comply will void the warranty.
- Do not use elliptical in any location that is not temperature controlled, such as but not limited to garages, porches, pool rooms, bathrooms, car ports or outdoors. Failure to comply may void the warranty.
- Use the elliptical only as described in this manual.



At NO time should pets or children under the age of 12 be closer to the elliptical than 10 feet.
At NO time should children under the age of 12 use the elliptical.
Children over the age of 12 should not use the elliptical without adult supervision.

It is essential that your elliptical is used only indoors, in a climate controlled room. If your elliptical has been exposed to colder temperatures or high moisture climates, it is strongly recommended that the elliptical is warmed up to room temperature before first time use. Failure to do so may cause premature electronic failure.

ASSEMBLY

IMPORTANT: READ THESE SAFETY INSTRUCTIONS BEFORE USE!



There are several areas during the assembly process of an elliptical that special attention must be paid. It is very important to follow the assembly instructions correctly and to make sure all parts are firmly tightened. If the assembly instructions are not followed correctly, the elliptical could have frame parts that are not tightened and will seem loose and may cause irritating noises. To prevent damage to the elliptical, the assembly instructions must be reviewed and corrective actions should be taken.

UNPACKING

Unpack the product where you will be using it. Place the product on a level flat surface. It is recommended that you place a protective covering on your floor. During each assembly step, ensure that ALL nuts and bolts are in place and partially threaded in before completely tightening any ONE bolt.

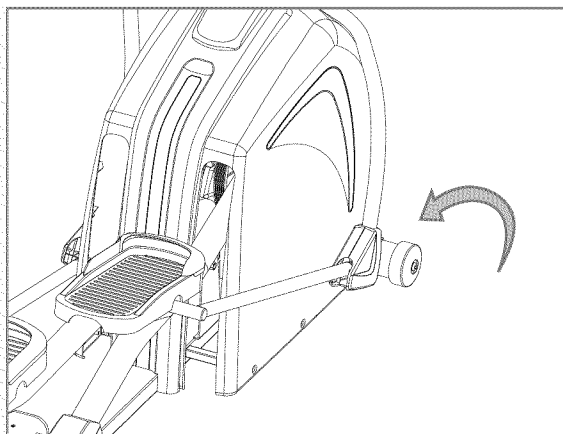
NOTE: A light application of grease may aid in the installation of hardware. Any grease, such as lithium bike grease is recommended.

Before proceeding, find your elliptical's serial number located on the front stabilizer tube and enter it in the space provided below. Also locate the model name which is located on the console mast.

ENTER YOUR SERIAL NUMBER AND MODEL NAME IN THE BOXES BELOW:

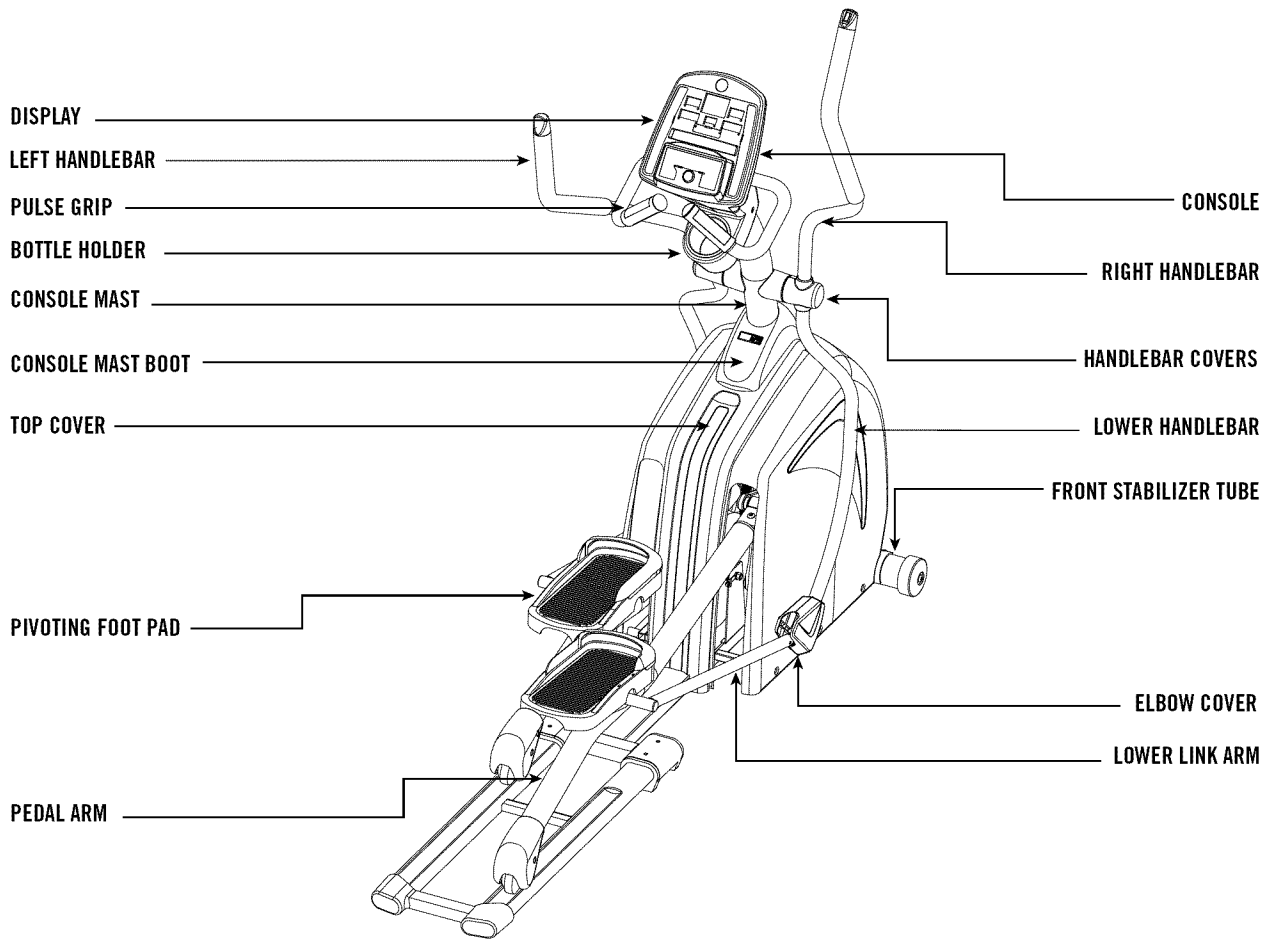
SERIAL NUMBER:

MODEL NAME:



* Refer to the SERIAL NUMBER and MODEL NAME when calling for service.

* Also enter this serial number on your Warranty Card.



TOOLS INCLUDED

- 5mm Allen Wrench
- 4mm Allen Wrench
- Phillips Screw Driver
- 13/15mm Flat Wrench
- T Wrench

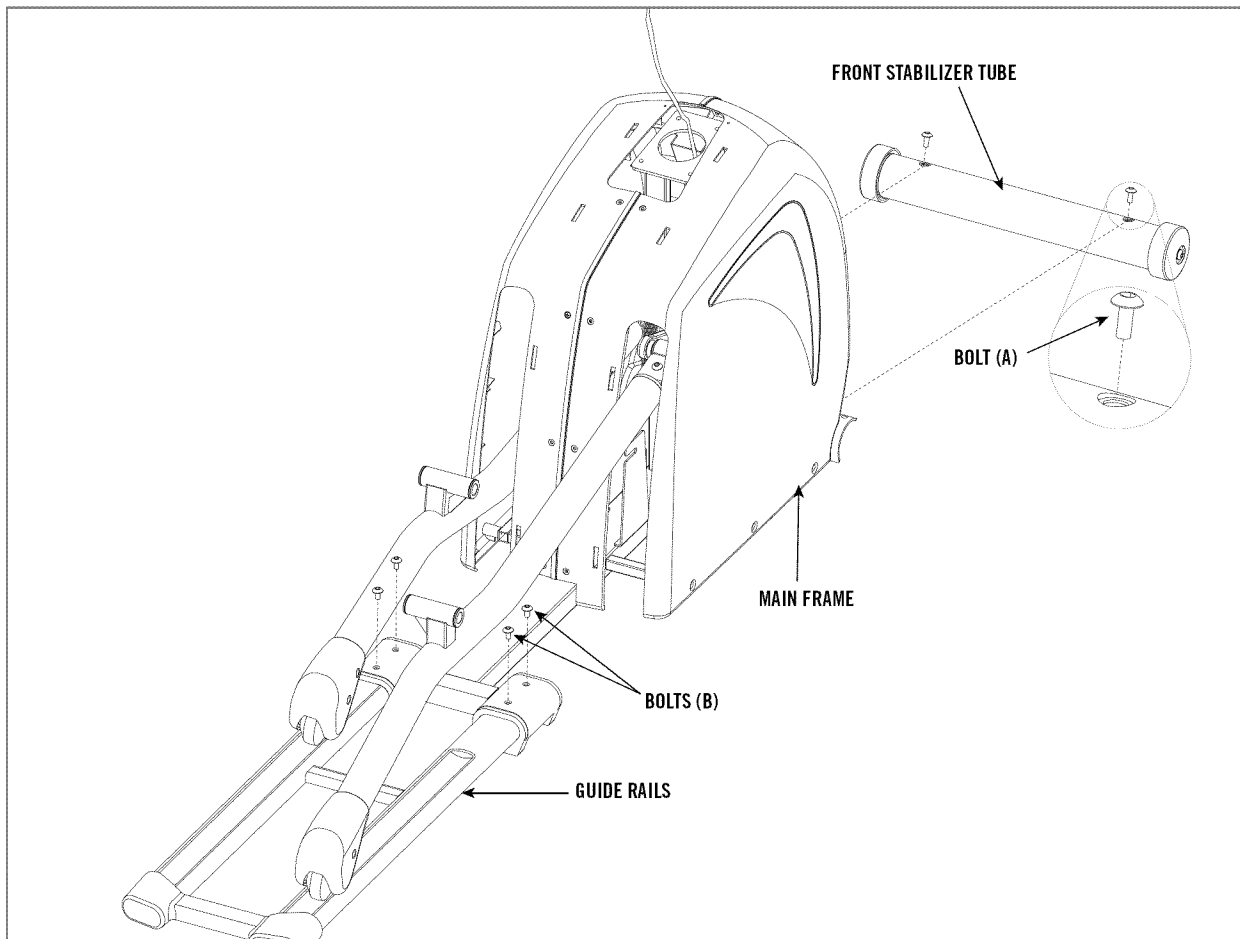
PARTS INCLUDED

- 1 Console
- 1 Console Mast
- 1 Front Stabilizer Tube
- 1 Left Handlebar
- 1 Right Handlebar
- 2 Lower Link Arms
- 2 Pivoting Foot Pads
- 1 Top Cover
- 1 HORIZON FITNESS 12-volt Power Supply
- 7 Hardware Bags
- 2 Handlebar Covers
- 2 Elbow Covers
- 2 Footpad Brackets
- 2 Footpad Rubber Inserts
- Water Bottle

If you have questions or if there are any missing parts, contact Customer Tech Support. Contact information is located on the back panel of this manual.

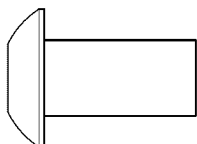
For a complete exploded diagram, visit us at www.horizonfitness.com

ASSEMBLY STEP 1

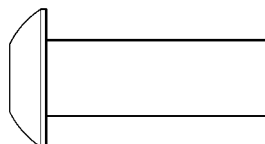


- Open **HARDWARE BAG FOR STEP 1**.
- Extend the **GUIDE RAILS** away from the **MAIN FRAME** until bolt holes line up.
- Secure **GUIDE RAILS** using 2 **BOLTS (B)**.
- Attach the **FRONT STABILIZER TUBE** to the **MAIN FRAME** using 2 **BOLTS (A)**.

HARDWARE BAG FOR STEP 1 CONTENTS :

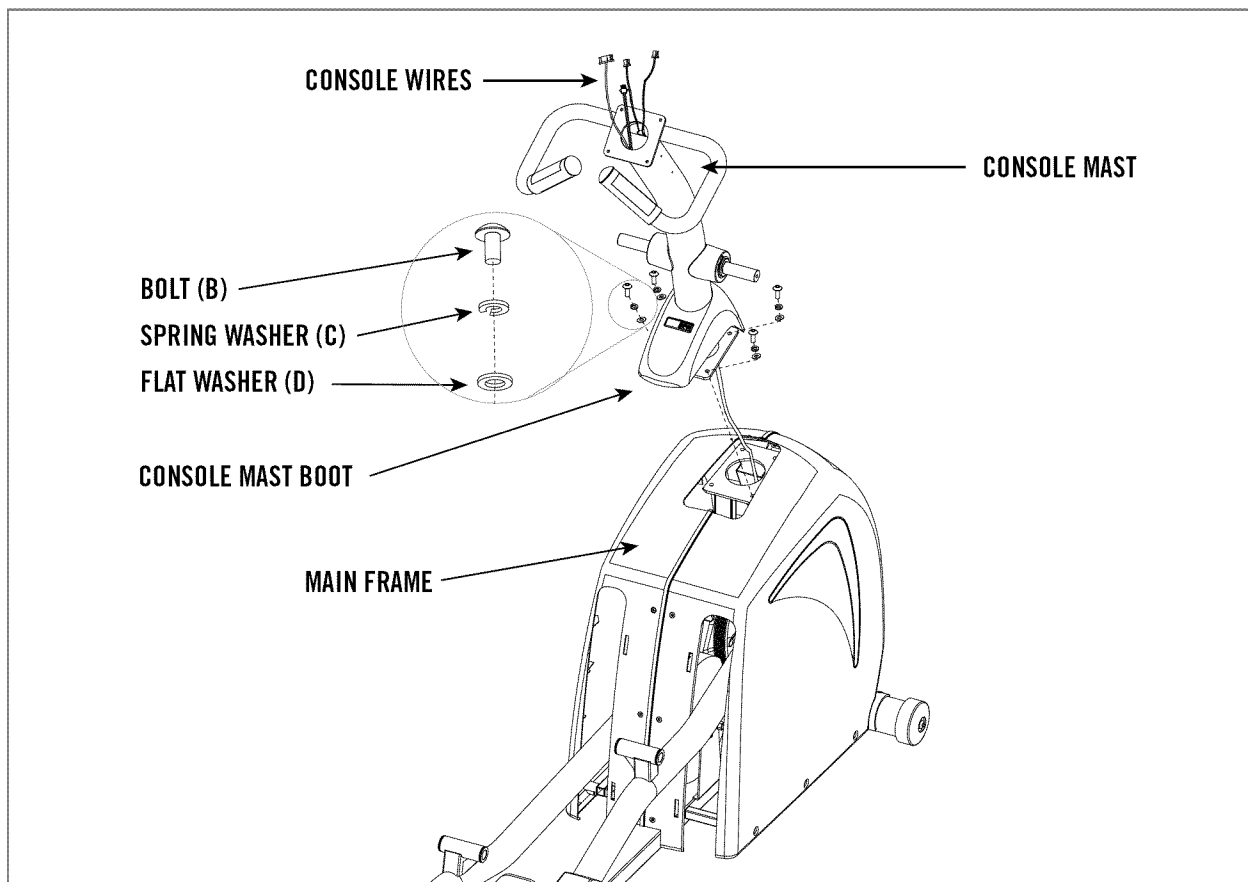


BOLT (A)
20 mm
Qty: 2



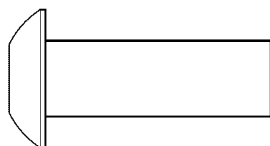
BOLT (B)
30 mm
Qty: 4

ASSEMBLY STEP 2



- A) Open **HARDWARE BAG FOR STEP 2**.
- B) Slide **CONSOLE MAST BOOT** onto the bottom of the **CONSOLE MAST**.
- C) Carefully pull the **CONSOLE WIRES** through the **CONSOLE MAST** using the twist tie located inside the **CONSOLE MAST**.
- D) Attach the **CONSOLE MAST** to the **MAIN FRAME** using 4 **BOLTS (B)**, 4 **SPRING WASHERS (C)** and 4 **FLAT WASHERS (D)**.

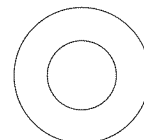
HARDWARE BAG FOR STEP 2 CONTENTS:



BOLT (B)
15 mm
Qty: 4

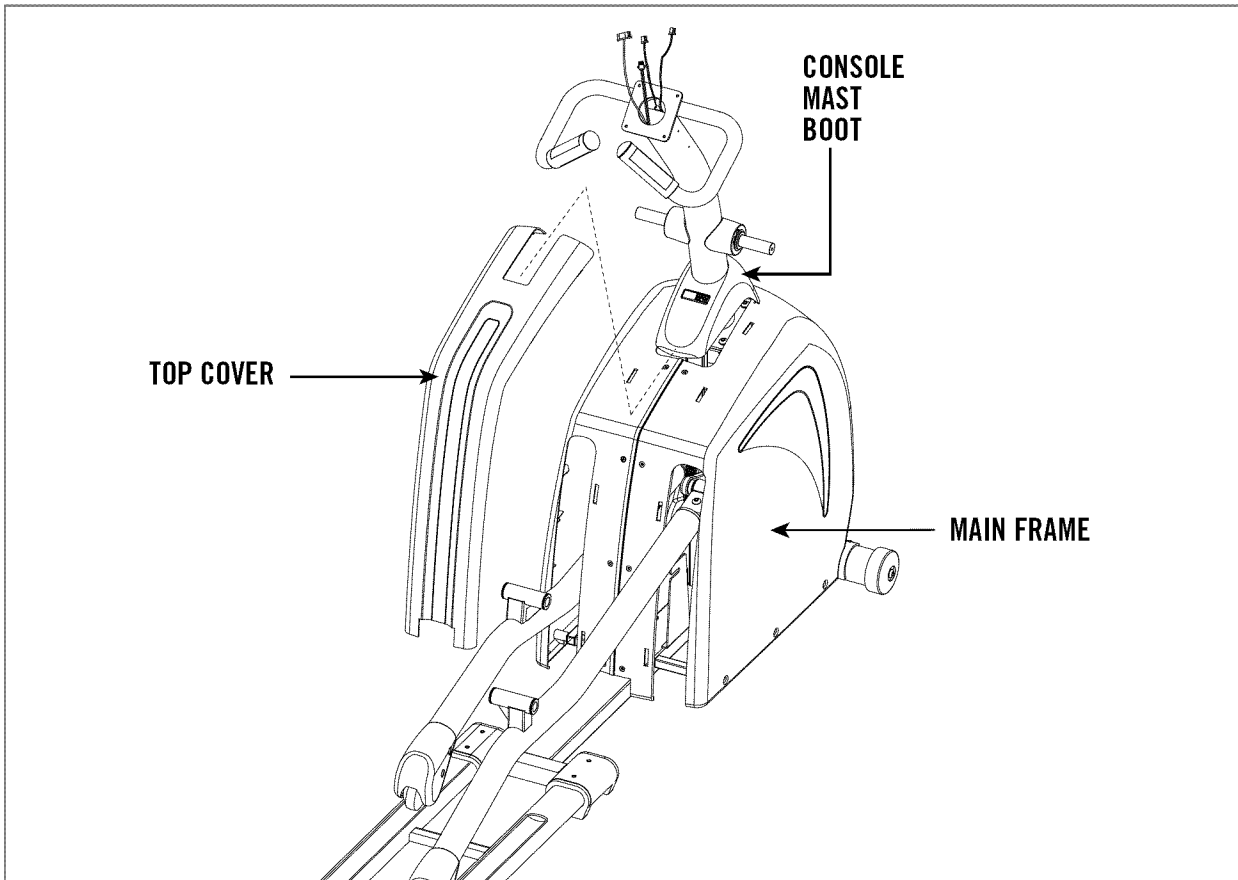


SPRING WASHER (C)
15 mm
Qty: 4



FLAT WASHER (D)
18 mm
Qty: 4

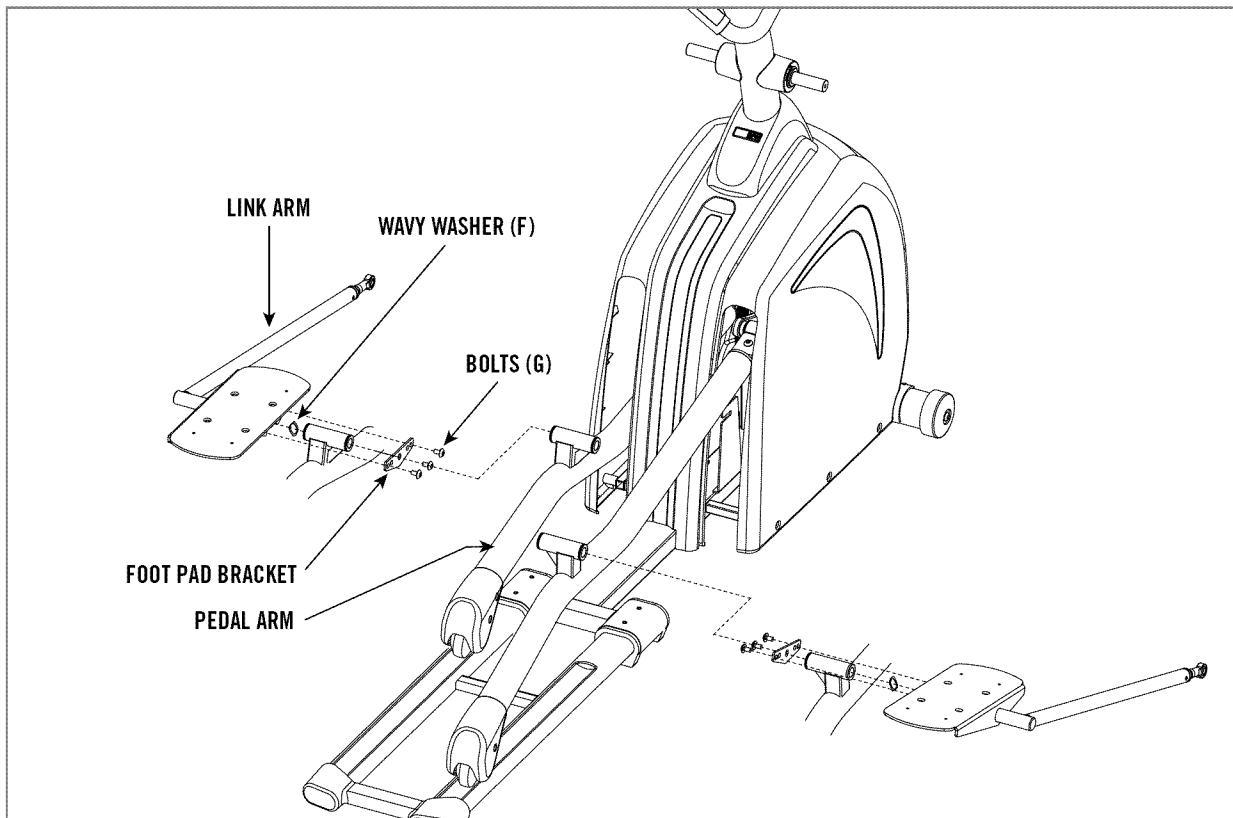
ASSEMBLY STEP 3



NOTE: There is NO hardware bag for this step.

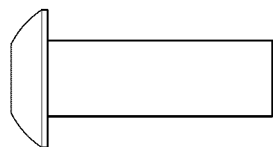
- A) Slide **CONSOLE MAST BOOT** up.
- B) Carefully snap **TOP COVER** into the **MAIN FRAME**.
- C) Slide **CONSOLE MAST BOOT** down over the **TOP COVER**.

ASSEMBLY STEP 4

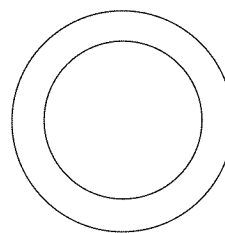


- A) Open **HARDWARE BAG FOR STEP 4**.
- B) Place **WAVY WASHER (E)** over the **LINK ARM** axle.
- C) Slide the **LINK ARM** into the **PEDAL ARM**.
- D) Attach **FOOTPAD BRACKET** to the **LINK ARM** with 3 **BOLTS (B)**.
- E) Repeat on other side.

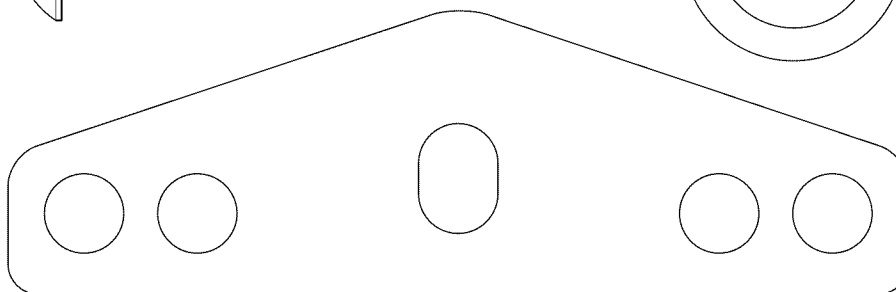
HARDWARE BAG FOR STEP 4 CONTENTS:



BOLT (B)
15 mm
Qty: 6

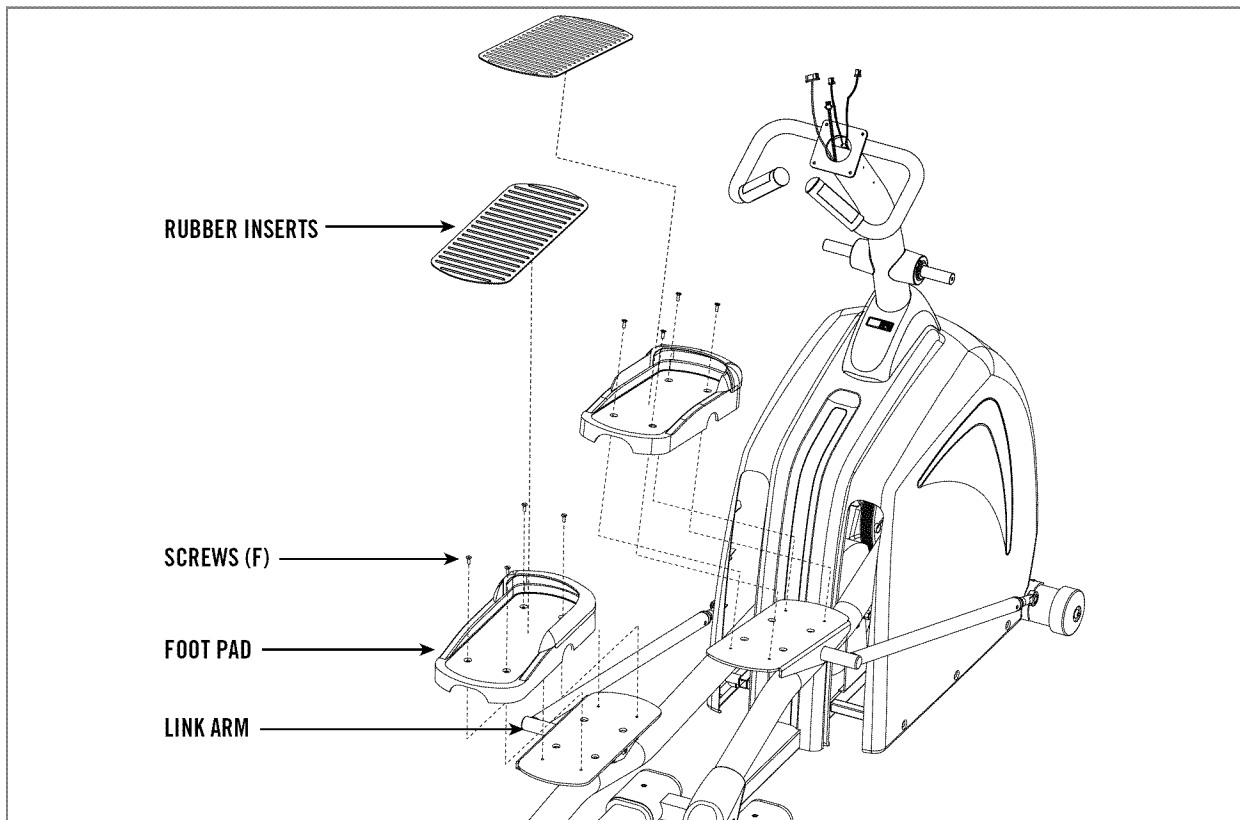


WAVY WASHER (E)
29 mm
Qty: 2



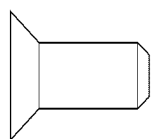
FOOTPAD BRACKET
Qty: 2

ASSEMBLY STEP 5



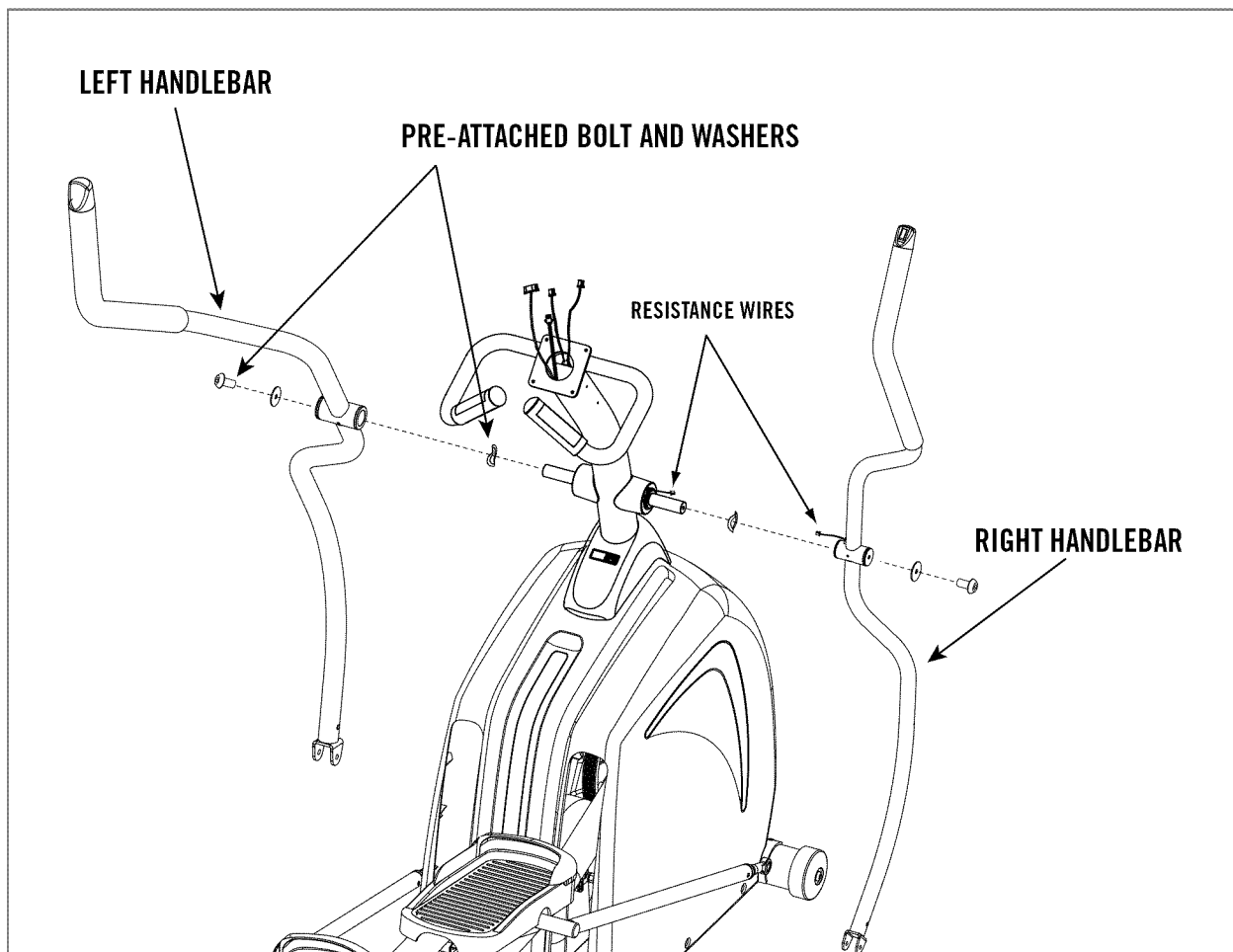
- A) Open **HARDWARE BAG FOR STEP 5**.
- B) Attach **FOOTPAD** to **LINK ARM** using 4 **SCREWS (F)**.
- C) Peel backing from **RUBBER INSERT** and carefully place on top of **FOOTPAD**.
- D) Repeat on other side.

HARDWARE BAG FOR STEP 5 CONTENTS:



SCREW (F)
12 mm
Qty: 8

ASSEMBLY STEP 6



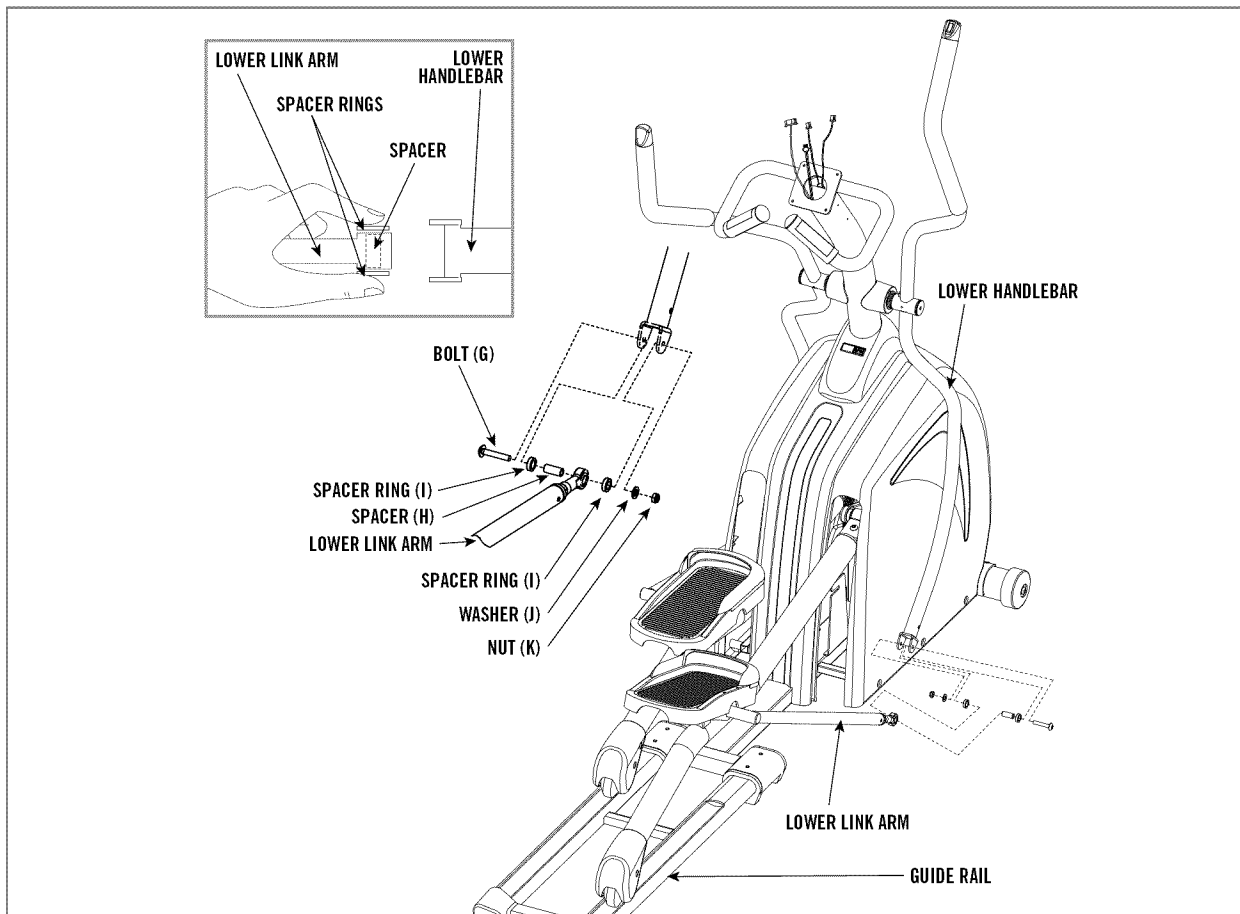
NOTE: There is NO hardware bag for this step. All hardware is pre-installed.

- A) Remove **PRE-ATTACHED BOLT & WASHERS** from **CONSOLE MAST**.
- B) Slide **LEFT HANDLEBAR** onto **CONSOLE MAST** and attach by re-inserting **PRE-ATTACHED BOLT & WASHERS**.
- C) Repeat on other side.
- D) Connect **RESISTANCE WIRES** from the **RIGHT HANDLEBAR** to the wires from the **MAST**.



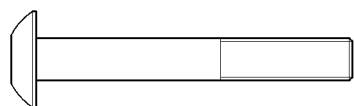
After handlebars are assembled they will rotate freely – be cautious. Until the machine is fully assembled, do not grab the handlebars for support.

ASSEMBLY STEP 7

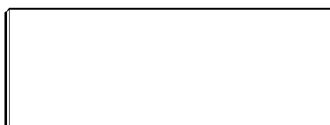


- A) Open **HARDWARE BAG FOR STEP 7**.
- B) Slide **SPACER (H)** into **LOWER LINK ARM**.
- C) Place **SPACER RINGS (I)** on both sides of **SPACER (H)**. While holding **SPACER RINGS (I)**, slide **LOWER LINK ARM** into bottom end of **LOWER HANDLEBAR**.
- D) Insert **BOLT (G)** into **LOWER HANDLEBAR** and secure using **WASHER (J)** and **NUT (K)**.
- E) Repeat on other side.

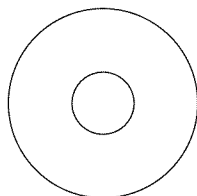
HARDWARE BAG FOR STEP 7 CONTENTS :



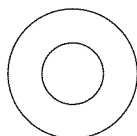
BOLT (G)
45 mm
Qty: 2



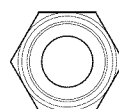
SPACER (H)
28 mm axis
Qty: 2



SPACER RING (I)
20 mm
Qty: 4

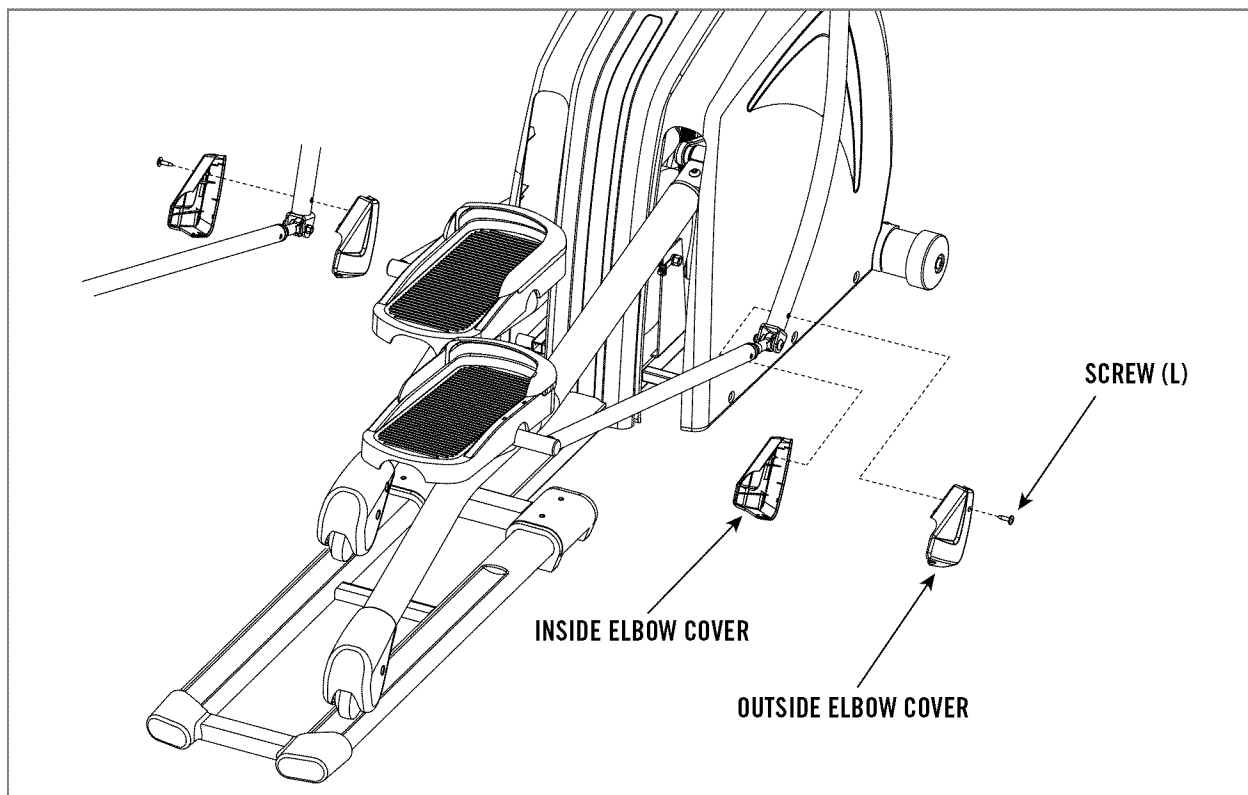


WASHER (J)
18 mm
Qty: 2



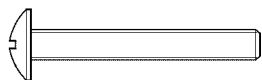
NYLON NUT (K)
INSIDE DIAMETER:
8 mm
Qty: 2

ASSEMBLY STEP 8



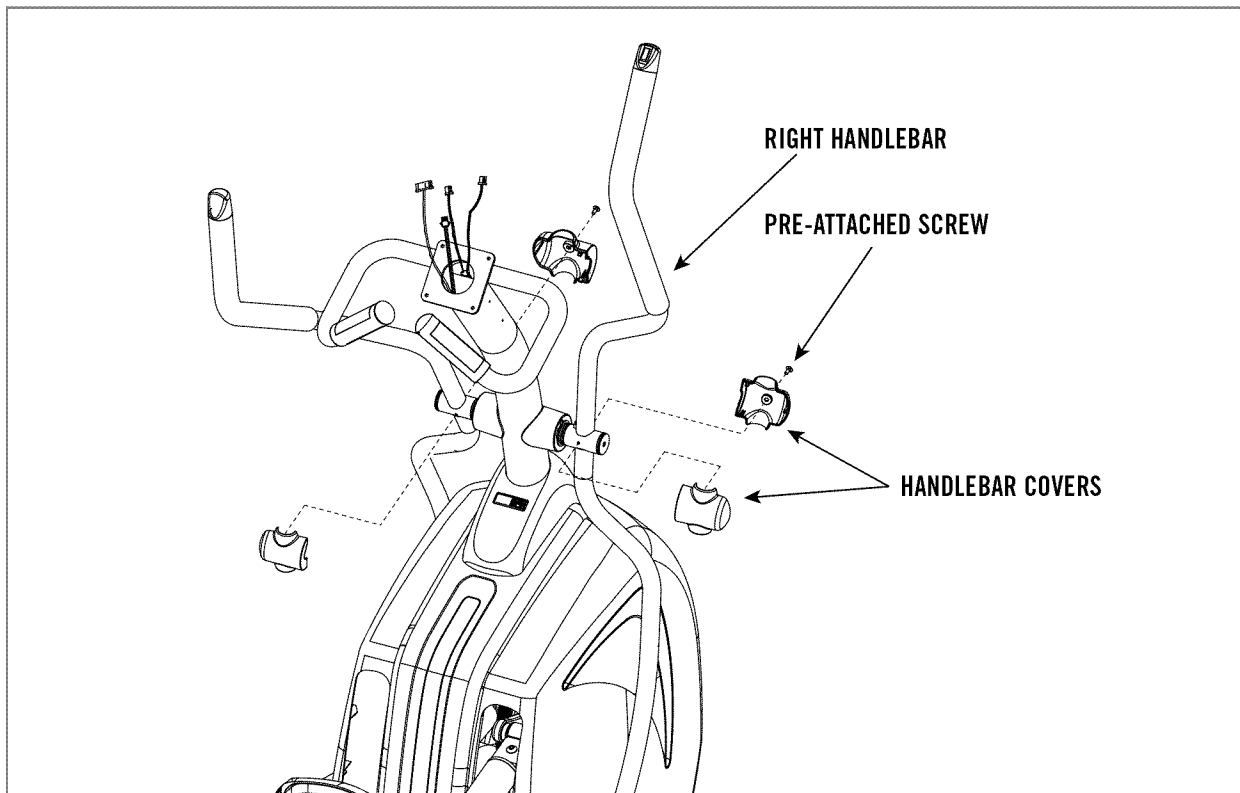
- A) Open **HARDWARE BAG FOR STEP 8**.
- B) Attach the **OUTSIDE ELBOW COVER** to the elbow joint using 1 **SCREW (L)**.
- C) Snap the **INSIDE ELBOW COVER** onto the **OUTSIDE ELBOW COVER**. Note the position of the snap tabs before snapping into position.
- D) Repeat on other side.

HARDWARE BAG FOR STEP 8 CONTENTS:



SCREW (L)
30 mm
Qty: 2

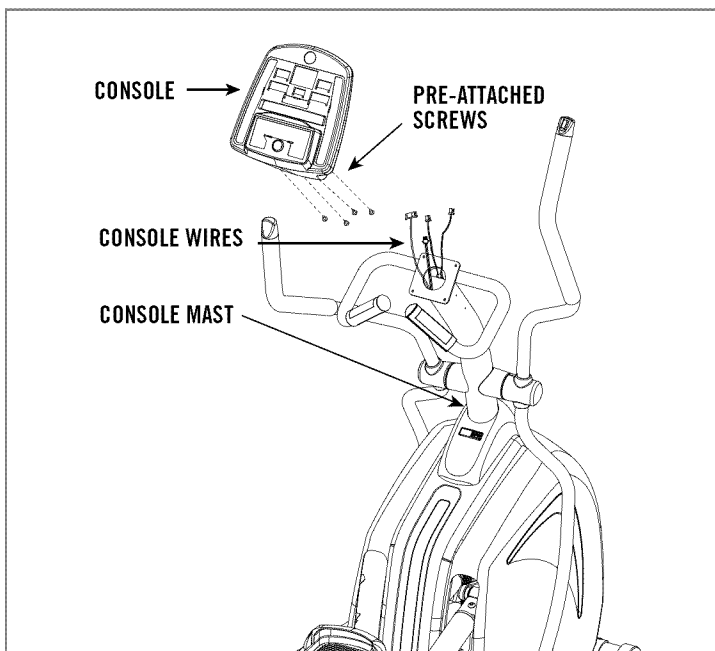
ASSEMBLY STEP 9



NOTE: There is NO hardware bag for this step. All hardware is pre-installed.

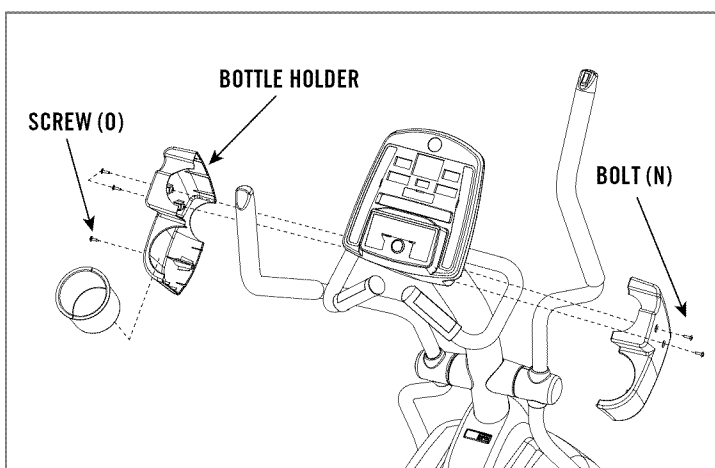
- A) Remove **PRE-ATTACHED SCREW** from the **RIGHT HANDLEBAR**.
- B) Snap **HANDLEBAR COVERS** together over the **RIGHT HANDLEBAR**. Note the position of the snap tabs on the covers before snapping into position.
- C) Attach **HANDLEBAR COVERS** with **PRE-ATTACHED SCREW**.
- D) Repeat on other side.

ASSEMBLY STEP 10

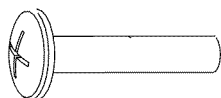


- A) Open **HARDWARE BAG** for step 10.
- B) Attach the **CONSOLE MAST** wires to the **CONSOLE** wires.
- C) Carefully tuck the **CONSOLE MAST** wires into the **CONSOLE MAST** before attaching the **CONSOLE**.
- D) Attach **CONSOLE** to the **CONSOLE MAST** using the 4 **PRE-ATTACHED SCREWS** (screws will have to be removed from the console first).
- E) Attach **BOTTLE HOLDER** around **CONSOLE MAST** using 4 **BOLTS (N)** and 1 **SCREW (O)**.

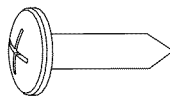
DO NOT PINCH WIRES!



HARDWARE BAG FOR STEP 10 CONTENTS :



BOLT (N)
15 mm
Qty: 4



SCREW (O)
15 mm
Qty: 1

YOU'RE FINISHED!

BEFORE YOU BEGIN

CONGRATULATIONS! on choosing your elliptical. You've taken an important step in developing and sustaining an exercise program! Your elliptical is a tremendously effective tool for achieving your personal fitness goals. Regular use of your elliptical can improve the quality of your life in so many ways.

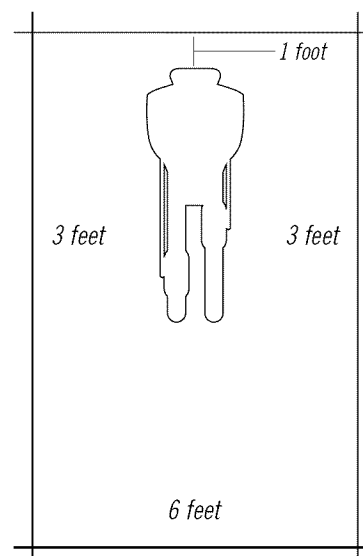
HERE ARE JUST A FEW OF THE HEALTH BENEFITS OF EXERCISE:

- Weight Loss
- A Healthier Heart
- Improved Muscle Tone
- Increased Daily Energy Levels

The key to reaping these benefits is to develop an exercise habit. Your new elliptical will help you eliminate obstacles that prevent you from exercising. Inclement weather and darkness won't interfere with your workout when you use your elliptical in the comfort of your home. This guide provides you with basic information for using and enjoying your new machine.

LOCATION OF THE ELLIPTICAL

Place the elliptical on a level surface. There should be 6 feet of clearance behind the elliptical, 3 feet on each side and one foot in front for the power cord (See diagram to the right). Do not place the elliptical in any area that will block any vent or air openings. The elliptical should not be located in a garage, covered patio, near water or outdoors.



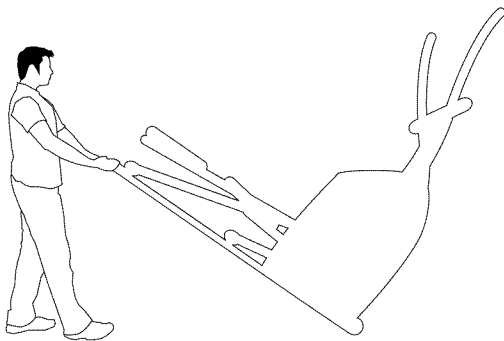
ELLIPTICAL OPERATION

POWER

Your programmable elliptical is powered by a power supply. The power must be plugged into the power jack, which is located in the front of the machine near the STABILIZER TUBE. Make sure the console power switch is in the ON position. Note: Not all units have an ON/OFF switch on the console.



Do not operate the elliptical if the power cord or plug is damaged. If the elliptical appears to not be working properly, do not use the elliptical.



MOVING

Your elliptical has a pair of transport wheels built into the FRONT STABILIZER TUBE. To move, first remove the power supply and firmly grasp the REAR STABILIZER BAR, carefully lift and roll.



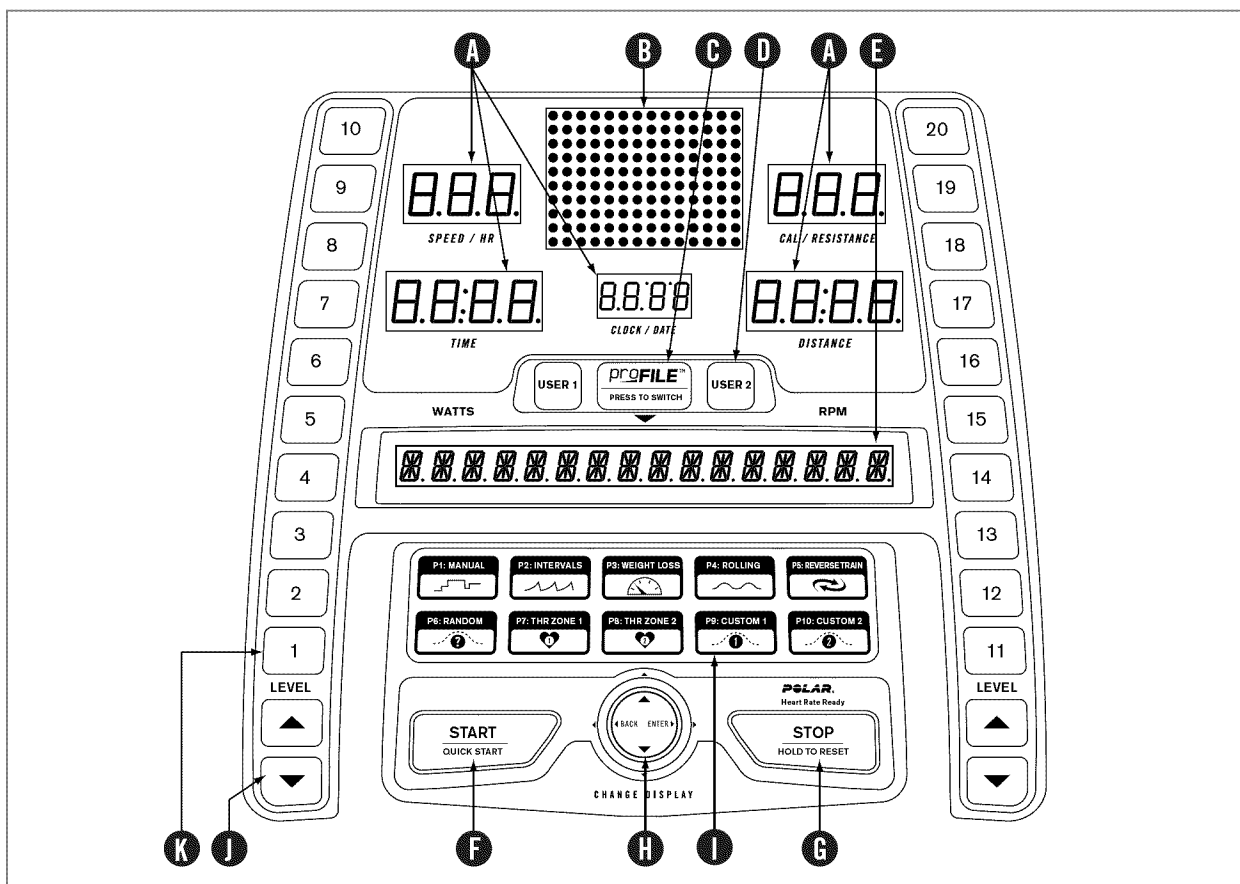
Our ellipticals are well built and heavy, weighing up to 200 lbs! Use care and additional help if necessary when moving.

FOOT POSITIONING

Your elliptical offers a variety of foot positions. Moving your foot to the forward most position of the foot pad increases your step height, which will create a feel similar to a step machine. Placing your foot toward the back of the foot pad decreases your step height and creates more of a gliding feel, similar to a smooth walk or run.

Your elliptical also allows you to pedal both forward and backwards to offer a variation to your workout and to focus on other major leg muscle groups such as your hamstrings and calves.

14.0AE CONSOLE DISPLAY



Note: There is a thin protective sheet of clear plastic on the overlay of the console that should be removed.

- A) MONITOR DISPLAY:** Speed, Time, Heart Rate, Distance, Calories, Resistance Level, Clock and Date.
- B) LARGE LED WINDOW:** Displays program profiles.
- C) proFILE™ BUTTON:** Used to scroll through proFILE™ display modes.
- D) USER KEYS:** Press to select user.
- E) ALPHA-NUMERIC WINDOW:** Indicates exercise feedback and help text.
- F) START:** Press to begin exercising, starts your program, or resume exercising after pause.
- G) STOP:** Press to pause/end your workout. Hold for 3 seconds to reset the elliptical.
- H) PROGRAMMING BUTTON:** Used to select Program, Level and Time, and other options. Press to change display feedback during workout.
- I) QUICK PROGRAM KEYS:** Press to select program. Press **ENTER** to confirm selection.
- J) RESISTANCE ARROW KEYS:** Used to adjust resistance in small increments.
- K) ONE-TOUCH RESISTANCE KEYS:** Used to reach desired resistance more quickly.

14.0AE CONSOLE OPERATION

DATE & CLOCK SETUP

- 1) Enter Setup Mode: Press and hold **MANUAL** and **INTERVALS** program buttons for 3 seconds.
- 2) Once in setup mode, use the **PROGRAMING ARROW KEYS** to scroll through settings.
- 3) Use the **ENTER** button to confirm settings.
- 4) Settings include: **MONTH, DAY, YEAR, HOUR, MINUTE, and AM/PM.**
- 5) Review Settings: You can review your settings at any time while in Setup Mode. Use the **ENTER** button to scroll through settings.
- 6) Exit Setup Mode: To confirm the Date and Time, press and hold **ENTER** for 5 seconds.
- 7) To Reset: Simply reenter Setup Mode and adjust Date and Time to the correct setting.

QUICK START

- 1) Turn on Elliptical.
- 2) Press **START** button and begin exercising.
- 3) Program will automatically default to **MANUAL (P1)**, the time will count up from 0:00, and the resistance will default to level 1.
- 4) The resistance level can be adjusted during the workout.

SELECTING PROGRAMS

- 1) Select a program using the **PROGRAM QUICK KEY** key and press **ENTER**.
NOTE: If you press **START, the program will begin and counts up from 0:00 for the manual program, and count down from 30:00 for all other programs. The level defaults to 1.*
- 2) Select a **LEVEL** using the **ARROW KEYS** on the programming button and press **ENTER**.
- 3) Set **TIME** using the **ARROW KEYS** on the programming button and press **START**.

SELECTING CUSTOM PROGRAMS

- 1) Select **CUSTOM PROGRAM** using the **PROGRAM QUICK KEY** and press **ENTER**.
- 2) Set **TIME** using the **ARROW KEYS** on the programming button and press **ENTER**.
- 3) Set the **RESISTANCE PROFILES** using the **ARROW KEYS** on the programming button and press **ENTER** after each **RESISTANCE PROFILE** is set to the desired level (repeat until all 15 segments are chosen).
NOTE: If **BACK is pressed on the programming button, it will take you back to previous segment.*
- 4) Press **START** to begin the program.
NOTE: To reset the memory press and hold the **ENTER button for 5 seconds.*

PROGRAM PROFILES



MANUAL

Allows you to adjust the resistance level to your preference, without a preset program.



INTERVALS

Improves your strength, speed and endurance by raising and lowering the resistance levels through-out your workout to involve both your heart and muscles.



WEIGHT LOSS

Promotes weight loss by raising and lowering the resistance level, while keeping you in your fat burning zone.



ROLLING HILLS

Creates the feeling of moving up and down hills by gradually increasing and decreasing the resistance.



REVERSE TRAIN

Program cues you to pedal forward and backwards for an exciting and challenging workout.



RANDOM

Provides even more workout variety by mixing up your resistance intervals in no particular order.



CUSTOM 1 (USER PROGRAM)

Design and store your own custom exercise program.



CUSTOM 2 (USER PROGRAM)

Design and store your own custom exercise program.



THR ZONE 1 & 2

Automatically adjust the resistance level to keep your heart rate in your desired range.

60% OF MAX HEART RATE: Used for beginners and longer workouts. Lower intensity and longer duration helps burn fat more efficiently.

65% OF MAX HEART RATE: Used for beginner to intermediate users and mid to long range workouts. Lower intensity and longer duration helps burn fat more efficiently.

70% OF MAX HEART RATE: For intermediate users and mid range cardio workouts. While this range burns fat it really challenges the cardiovascular system and helps strengthen the heart.

75% OF MAX HEART RATE: For advanced users and short to mid range cardio workouts. Burns fat, tones muscles and challenges the heart.

80% OF MAX HEART RATE: For advanced users and short workouts. Burns fat, strengthens and tones muscles, and challenges the entire cardiovascular system.

PROGRAM INFORMATION

PROGRAM: MANUAL

Allows 'On The Fly' manual **RESISTANCE** changes. Time-based goal.

PROGRAM: INTERVALS

Walk or run at a series of alternating **RESISTANCE** levels. Time-based goal with 16 difficulty levels to choose from.

PROGRAM: WEIGHT LOSS

Challenges with various combinations of **RESISTANCE** to simulate hills and valleys. Time-based goal with 16 difficulty levels to choose from.

PROGRAM: ROLLING

Motivates with different combinations of **RESISTANCE**. Time-based goal with 14 difficulty levels to choose from.

PROGRAM: REVERSE TRAIN

Program cues you to pedal forward and backwards for an exciting and challenging workout. Time-based goal with 16 difficulty levels to choose from.

PROGRAM: RANDOM

Provides even more workout variety by mixing up your resistance intervals (**RESISTANCE** levels). Time-based goal with 14 difficulty levels to choose from.

PROGRAM INFORMATION

SELECTING THR ZONE 1 & 2 PROGRAMS

- 1) Select **THR ZONE** program using the **PROGRAM QUICK KEY** and press **ENTER**.
 - The **HEART RATE** window will flash showing the default target heart rate of 80 beats per minute. Select your target heart rate (from the chart on page 24) using the **ARROW KEYS** on the programming button and press **ENTER**.
 - ***NOTE:** Target heart rate is selected in multiples of 5 beats.
- 2) Select **TIME** using the **ARROW KEYS** on the programming button and press **START** to begin the program.
 - At this time, your program has been successfully saved into memory and can be used for future workouts.

In this program, the large LED dot matrix window displays your heart rate during exercise. The middle row represents your target heart rate (THR) and the other rows equal +/-2 heart beats. If you are working out beneath your THR, the LEDs **BELOW** the middle row will illuminate. If you are over, the LEDs **ABOVE** the middle row will illuminate. Your current heart rate is represented by the flashing column and the window will refresh every 5 seconds.

NOTE: If no heart rate is detected, the large LED window will display the speed profile.

NOTES:

- 1) There is a 4-minute warm-up built into this program at level 1 resistance.
- 2) After 4 minutes the resistance will automatically adjust to bring your heart rate within 5 beats of the target number you selected at the beginning of the program.
- 3) If there is no Heart Rate detected, the unit will not change resistance levels up or down.
- 4) If your Heart Rate is 25 beats over your Target Zone the program will shut down.
- 5) To **RESET** your program information and delete it from memory, press and hold the **ENTER** key for 3 seconds (after you have selected the **THR ZONE 1** or **2** program).

PROGRAM INFORMATION

USING proFILE™ PERFORMANCE TRACKER

INTRODUCTION

Research shows that those who journal their fitness routines or workouts, on average, achieve greater success than those who do not. Because your new bike is equipped with AFG's exclusive proFILE™ Performance Tracker, you've taken an important step towards achieving your fitness goals. Congratulations!

proFILE™ is an innovative new software, integrated into your bike console, that will allow you to track your fitness progress over time, without the need for paper journals or logs. proFILE™ allows you to easily compare your current workout to your last, average or lifetime workout totals. With quick access to feedback like time of workout or calories burned during previous workouts, you'll be able to quickly and easily see the progress you've made. Read further to learn about how proFILE™ can help motivate you to enhance your performance.

proFILE™ OPERATION

SETUP: To activate proFILE™ a user **MUST** be chosen before the program begins. To select a user, simply press the User 1 or User 2 button. To deselect a user, press User button again. All accumulated data specifically relates to the user that is chosen. *Note:* If no user is selected, no data will be tracked.

RESET: Reset all recorded information for User 1 or User 2 by selecting the user and then holding down the user button for 10 seconds. *Note:* This step is permanent and will delete ALL previously accumulated data for the chosen user.

ACCUMULATED DATA: Once proFILE™ is activated, you can scroll through your accumulated data in multiple formats by pressing the proFILE™ button. A workout is saved when: the program ends, the console is paused and not resumed within ten minutes, or the stop button is held to reset the console.

- 1) **CURRENT WORKOUT:** The console automatically defaults to Current Workout, displaying your progress in real time.
- 2) **AVERAGE WORKOUT:** This option allows you to see your average accumulated data for the last 30 workouts. The following information will be shown in each display window:
 - LEVEL - Average resistance of workout.
 - TIME - Average workout time.
 - CALORIES - Average calories burned.
 - DISTANCE - Average workout distance.
 - SPEED - Average speed of workout.

3) **LAST WORKOUT:** This option allows you to view your accumulated data from your last workout. The Current Workout becomes the Last Workout once a program has ended or the console has been reset. The following information will be shown in each display window:

- LEVEL - Average resistance of last workout.
- TIME - Total time of last workout.
- CALORIES - Total calories burned during last workout.
- DISTANCE - Total distance of last workout.
- SPEED - Average speed of last workout.

4) **WEEKLY TOTAL:** View your accumulated data from the last Sunday to the present day. Note: This data is based on week to date NOT the previous seven days. For instance, if you have not used the machine since Sunday, the console will read zeros. The following information will be shown in each display window:

- LEVEL - Average resistance of weekly total.
- TIME - Total time of workout.
- CALORIES - Average calories burned.
- DISTANCE - Total distance of workout.
- SPEED - Average speed of weekly workout.

Note: If the Date and Clock are not set, Weekly Total will default to the Total Workout data.

5) **MONTHLY TOTAL:** View your accumulated data from the 1st day of the month to the present day. Note: This data is based on month to date NOT the previous thirty days. For instance, if you have not used the machine since the 1st of the month, the console will read zeros. The following information will be shown in each display window:

- LEVEL - Average resistance of monthly total.
- TIME - Total time of monthly workout.
- CALORIES - Average calories burned.
- DISTANCE - Total distance of workout.
- SPEED - Average speed of monthly workout.

Note: If the Date and Clock are not set, Monthly Total will default to equal the Total Workout data.

6) **LIFETIME TOTAL:** This option allows you to view the the total accumulated data from your first workout to your last saved workout. The following information will be shown in each display window:

- LEVEL - Average resistance of lifetime total.
- TIME - Total accumulated time. Note: If time is greater than 59:59, the time will no longer display minutes and will display hours only.
- CALORIES - Average calories burned.
- DISTANCE - Total accumulated distance.
- SPEED - Average speed.

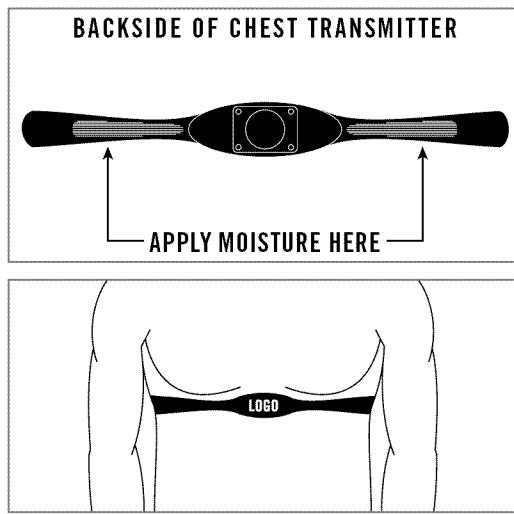
HEART RATE

HANDLEBARS

Place the palm of your hands directly on the grip pulse handlebars. Both hands must grip the bars for your heart rate to register. It takes 5 consecutive heart beats (15-20 seconds) for your heart rate to register. When gripping the pulse handlebars, do not grip tightly. Holding the grips tightly may elevate your blood pressure. Keep a loose, cupping hold. You may experience an erratic readout if consistently holding the grip pulse handlebars. Make sure to clean the pulse sensors to ensure proper contact can be maintained.

WIRELESS CHEST TRANSMITTER

Prior to wearing the wireless chest transmitter on your chest, moisten the two rubber electrodes with water. Center the chest strap just below the breast or pectoral muscles, directly over your sternum, with the logo facing out. **NOTE:** The chest strap must be tight and properly placed to receive an accurate and consistent readout. If the chest strap is too loose, or positioned improperly, you may receive an erratic or inconsistent heart rate readout. **WARNING!** The heart rate function is not a medical device. Various factors may affect the accuracy of your heart rate reading. The heart rate reading is intended only as an exercise aid.



CONDITIONING GUIDELINES

ALWAYS CONSULT YOUR PHYSICIAN BEFORE BEGINNING AN EXERCISE PROGRAM.

HOW OFTEN? (Frequency of Workouts)

The American Heart Association recommends that you exercise at least 3 to 4 days per week to maintain cardiovascular fitness. If you have other goals such as weight or fat loss, you will achieve your goal faster with more frequent exercise. Whether it's 3 days or 6 days, remember that your ultimate goal should be to make exercise a lifetime habit. Many people are successful staying with a fitness program if they set aside a specific time of day to exercise. It doesn't matter whether it's in the morning before breakfast, during lunch hour or while watching the evening news. What's more important is that it's a time that allows you to keep a schedule, and a time when you won't be interrupted. To be successful with your fitness program, you have to make it a priority in your life. So decide on a time, pull out your day planner and pencil in your exercise times for the next month!

HOW LONG? (Duration of Workouts)

For aerobic exercise benefits, it's recommended that you exercise from between 24 and 60 minutes per session. But start slowly and gradually increase your exercise times. If you've been sedentary during the past year, it may be a good idea to keep your exercise times to as little as five minutes initially. Your body will need time to adjust to the new activity. If your goal is weight loss, a longer exercise session at lower intensities has been found to be most effective. A workout time of 48 minutes or more is recommended for best weight loss results.

HOW HARD? (Intensity of Workouts)

How hard you workout is also determined by your goals. If you use your machine to prepare for a 5K workout, you will probably work out at a higher intensity than if your goal is general fitness. Regardless of your long term goals, always begin an exercise program at low intensity. Aerobic exercise does not have to be painful to be beneficial! There are two ways to measure your exercise intensity. The first is by monitoring your heart rate (using the grip pulse handlebars or a wireless chest transmitter - may be sold separately), and the second is by evaluating your perceived exertion level (this is simpler than it sounds!).

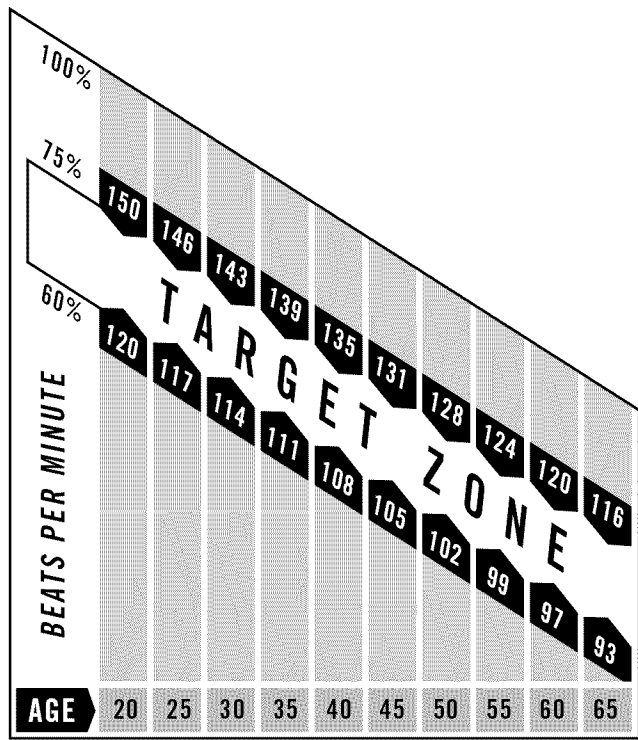
PERCEIVED EXERTION LEVEL

A simple way to gauge your exercise intensity is to evaluate your perceived exertion level. While exercising, if you are too winded to maintain a conversation without gasping, you are working out too hard. A good rule of thumb is to work to the point of exhilaration, not exhaustion. If you cannot catch your breath, it's time to slow down. Always be aware of these warning signs of overexertion.

TARGET HEART RATE ZONE CHART

What is Target Heart Rate Zone?

Target Heart Rate Zone tells you the number of times per minute your heart needs to beat to achieve a desired workout effect. It is represented as a percentage of the maximum number of times your heart can beat per minute. Target Zone will vary for each individual, depending on age, current level of conditioning, and personal fitness goals. The American Heart Association recommends working-out at a Target Heart Rate Zone of between 60% and 75% of your maximum heart rate. A beginner will want to workout in the 60% range while a more experienced exerciser will want to workout in the 70-75% range. See chart for reference.



EXAMPLE:

For a 42-year-old user: Find age along the bottom of the chart (round to 40), follow age column up to the target zone bar. Results: 60% of maximum Heart Rate = 108 Beats Per Minute, 75% of maximum Heart Rate = 135 Beat Per Minute.

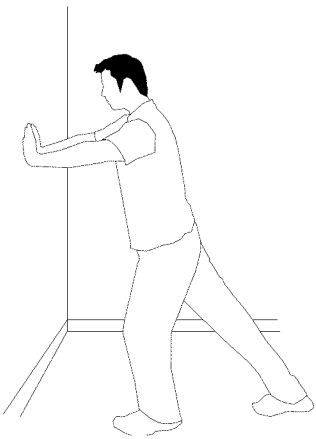
ALWAYS CONSULT YOUR PHYSICIAN BEFORE BEGINNING AN EXERCISE PROGRAM.

TIPS

STRETCHING

STRETCH FIRST

Before using your product, it is best to take a few minutes to do a few gentle stretching exercises. Stretching prior to exercise will improve flexibility and reduce chances of exercise related injury. Ease into each of these stretches with a slow gentle motion. Do not stretch to the point of pain. Make sure not to bounce while doing these stretches.

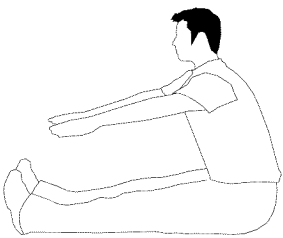
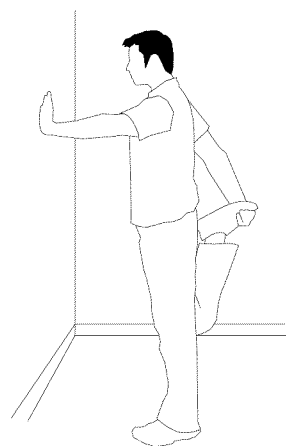


1. STANDING CALF MUSCLE STRETCH

Stand near a wall with the toes of your left foot about 18" from the wall, and the right foot about 12" behind the other foot. Lean forward, pushing against the wall with your palms. Keep your heels flat and hold this position for a count of 15 seconds. Make sure that you do not bounce while stretching. Repeat on the other side.

2. STANDING QUADRICEPS STRETCH

Using a wall to provide balance, grasp your left ankle with your left hand and hold your foot against the back of your thigh for 15 seconds. Repeat with your right ankle and hand.



3. SITTING HAMSTRING & LOWER BACK MUSCLE STRETCH

Sit on the floor with your legs together and straight out in front of you. Do not lock your knees. Extend your fingers towards your toes and hold for a count of 15 seconds. Make sure that you do not bounce while stretching. Sit upright again. Repeat one time.



THE IMPORTANCE OF WARM UP & COOL DOWN

WARM UP

The first 2 to 5 minutes of a workout should be devoted to warming up. The warm-up will limber your muscles and prepare them for more strenuous exercise. Make sure that you warm-up on your product at a slow pace. The warm up should gradually bring your heart rate into your Target Heart Rate Zone.

COOL DOWN

Never stop exercising suddenly! A cool-down period of 3-5 minutes allows your heart to readjust to the decreased demand. Make sure that your cool down period consists of a very slow pace to allow your heart rate to lower. After the cool-down, repeat the stretching exercises listed above to loosen and relax your muscles.



ACHIEVING YOUR FITNESS GOALS

An important step in developing a long term fitness program is to determine your goals. Is your primary goal for exercising to lose weight? Improve muscle? Reduce stress? Prepare for the spring racing schedule? Knowing what your goals are will help you develop a more successful exercise program. Below are some common exercise goals:

- Weight Loss - lower intensity, longer duration workouts
- Improve Body Shape and Tone - interval workouts, alternate between hi and low intensities
- Increased Energy Level - more frequent daily workouts
- Improved Sports Performance - high intensity workouts
- Improved Cardiovascular Endurance - moderate intensity, longer duration workouts

If possible try to define your personal goals in precise, measurable terms, and then put your goals in writing. The more specific you can be, the easier it will be to track your progress. If your goals are long term, divide them up into monthly and weekly segments. Longer term goals can lose some of the immediate motivation benefits. Short term goals are easier to achieve. Your console provides you with several readouts that can be used to record your progress. You can track Distance, Calories or Time.

KEEPING AN EXERCISE DIARY

To make your personal exercise log book, photocopy the weekly and monthly log sheets, which are located on the following pages, or you can print them off of your computer by going to:

www.advancedfitnessgroup.com/guides/weeklylog.pdf
www.advancedfitnessgroup.com/guides/monthlylog.pdf

As your fitness improves, you can look back and see how far you've come!

WEEKLY LOG SHEETS

WEEK #		WEEKLY GOAL			
DAY	DATE	DISTANCE	CALORIES	TIME	COMMENTS
SUNDAY					
MONDAY					
TUESDAY					
WEDNESDAY					
THURSDAY					
FRIDAY					
SATURDAY					
WEEKLY TOTALS :					

WEEK #		WEEKLY GOAL			
DAY	DATE	DISTANCE	CALORIES	TIME	COMMENTS
SUNDAY					
MONDAY					
TUESDAY					
WEDNESDAY					
THURSDAY					
FRIDAY					
SATURDAY					
WEEKLY TOTALS :					

WEEK #		WEEKLY GOAL			
DAY	DATE	DISTANCE	CALORIES	TIME	COMMENTS
SUNDAY					
MONDAY					
TUESDAY					
WEDNESDAY					
THURSDAY					
FRIDAY					
SATURDAY					
WEEKLY TOTALS :					

INTRODUCTION

IMPORTANT PRECAUTIONS

ASSEMBLY

BEFORE YOU BEGIN

ELLIPTICAL OPERATION

CONDITIONING GUIDELINES

TROUBLESHOOTING & MAINTENANCE

LIMITED WARRANTY

MONTHLY LOG SHEETS

<i>MONTH</i>	<i>MONTHLY GOAL</i>		
<i>WEEK #</i>	<i>DISTANCE</i>	<i>CALORIES</i>	<i>TIME</i>
MONTHLY TOTALS :			

<i>MONTH</i>	<i>MONTHLY GOAL</i>		
<i>WEEK #</i>	<i>DISTANCE</i>	<i>CALORIES</i>	<i>TIME</i>
MONTHLY TOTALS :			

<i>MONTH</i>	<i>MONTHLY GOAL</i>		
<i>WEEK #</i>	<i>DISTANCE</i>	<i>CALORIES</i>	<i>TIME</i>
MONTHLY TOTALS :			

TROUBLESHOOTING

Your AFG elliptical is designed to be reliable. However, if you do experience problems with your elliptical, please reference the troubleshooting guide listed below.

PROBLEM: The console does not light up.

SOLUTION: Verify the following:

- The outlet the machine is plugged into is functional. Double check that the breaker has not tripped.
- The correct adapter is being used. Only use the adapter provided or authorized by AFG.
- The adapter is not pinched or damaged and is properly plugged into the outlet AND the machine.
- The power switch is turned to the ON position (may not apply to all models).
- Turn off the machine and unplug power cord. Remove the console and check that all connections to the console are secure and not damaged or pinched.

NOTE: If your console uses batteries, they may need to be replaced.

PROBLEM: The console lights up but the Time/RPM's do not count.

SOLUTION: Verify the following:

- Turn off machine and unplug power cord. Remove the console and check that all connections to the console are secure and not damaged or pinched.
- If doing the above does not fix the problem, the speed sensor and/or magnet may have become dislodged or damaged.

PROBLEM: The resistance levels seem to be incorrect, seeming too hard or too easy.

SOLUTION: Verify the following:

- The correct adapter is being used. Only use the adapter provided or authorized by AFG.
- Reset the console and allow the resistance to reset to the default position. Restart and retry the resistance levels.

PROBLEM: The roller wheels appear to be leaving particles on the guide rails.

SOLUTION: This is considered normal wear of the elliptical wheels.

To remove, simply wipe off the roller wheels and guide rails with a damp cloth.

PROBLEM: The elliptical makes a squeaking or chirping noise.

SOLUTION: Verify the following:

- The elliptical is on a level surface.
- Loosen all bolts attached during the assembly process, grease the threads, and tighten again.

HEART RATE TROUBLESHOOTING

PROBLEM: There is no heart rate reading.

SOLUTION: Remove the console and verify that the heart rate cables are attached properly, making sure that the cables are securely inserted into the console.

YOU MAY EXPERIENCE AN ERRATIC READOUT UNDER THE FOLLOWING CONDITIONS:

- Gripping the heart rate handlebars too tight. Try to maintain moderate pressure while holding onto the heart rate handlebars.
- Constant movement and vibration due to constantly holding the heart rate grips while exercising.
- When you are breathing heavily during a workout.
- When your hands are constricted by wearing a ring.
- When your hands are dry or cold. Try moistening your palms or rubbing them together to warm.
- Anyone with heavy arrhythmia.
- Anyone with arteriosclerosis or peripheral circulation disorder.
- Anyone whose skin on the measuring palms is especially thick.

NOTE: Outside interference sources such as computers, motors and fluorescent lights may cause the heart rate reading to be erratic. Check your exercise environment for sources of interference such as high power lines, large motors, etc.

If the above troubleshooting section does not remedy the problem, discontinue use and turn the power off.

**CALL CUSTOMER TECH SUPPORT AT THE NUMBER ON THE BACK PANEL
WHEN YOU ARE NEAR THE EQUIPMENT.**

The following information may be asked of you when you call. Please have these items readily available:

- Model Name
- Serial Number
- Date of Purchase (receipt or credit card statement)

In order for Customer Tech Support to service your elliptical they may need to ask detailed questions about the symptoms that are occurring. Some troubleshooting questions that may be asked are:

- How long has this problem been occurring?
- Does this problem occur with every use? With every user?
- If you are hearing a noise, does it come from the front, back or inside? What kind of noise is it (thumping, grinding, squeaking, chirping etc.)?
- If you are having a resistance problem what is occurring? Is the resistance always too hard or too easy? Does the resistance respond when pushing the buttons on the console? Does the resistance constantly cycle through the levels during the workout?
- Has the machine been maintained per the maintenance schedule?
- Does the problem occur when using the handlebars? Without using the handlebars?

Answering these and other questions will give the technicians the ability to send proper replacement parts and the service necessary to get you and your AFG elliptical running again!

COMMON PRODUCT QUESTIONS

ARE THE SOUNDS MY ELLIPTICAL MAKES NORMAL?

Our ellipticals are some of the quietest available because they use belt drives and friction free magnetic resistance. We use the highest grade bearings and belts to minimize noise. However, because the resistance system itself is so quiet, you will occasionally hear other slight mechanical noises. Unlike older, louder technologies, there are no fans, friction belts, or alternator noises to mask these sounds on our ellipticals. These mechanical noises, which may or may not be intermittent, are normal and are caused by the transfer of significant amounts of energy to a rapidly spinning flywheel. All bearings, belts and other rotating parts will generate some noise which will transmit through the casing and frame. It is also normal for these sounds to change slightly during a workout and over time because of thermal expansion of the parts.

WHY IS THE ELLIPTICAL I HAD DELIVERED LOUDER THAN THE ONE AT THE STORE?

All fitness products seem quieter in a large store showroom because there is generally more background noise than in your home. Also, there will be less reverberation on a carpeted concrete floor than on a wood overlay floor. Sometimes a heavy rubber mat will help reduce reverberation through the floor. If a fitness product is placed close to a wall, there will be more reflected noise.

HOW LONG WILL THE DRIVE BELT LAST?

The computer modeling we have done indicated virtually thousands of maintenance free hours. Belts are now commonly used in far more demanding applications such as motorcycle drives.

CAN I MOVE THE TRAINER EASILY ONCE IT IS ASSEMBLED?

Your elliptical has a pair of transport wheels built into the front legs. It is easy to move your elliptical by rolling it on the front transport wheels. It is important that you place your elliptical in a comfortable and inviting room. Your elliptical is designed to use minimal floor space. Many people will place their ellipticals facing the TV or a picture window. If at all possible, avoid putting your elliptical in a unfinished basement. To make exercise a desirable daily activity for you, the elliptical should be in a comfortable setting.

CAN I PEDAL BACKWARDS ON MY ELLIPTICAL?

Your elliptical allows you to pedal both forward and backwards to exercise and strengthen a wider range of muscles.

MAINTENANCE

WHAT KIND OF ROUTINE MAINTENANCE IS REQUIRED?

We use sealed bearings throughout our ellipticals so lubrication is not needed. The most important maintenance step is to simply wipe your perspiration off the trainer after each use.

HOW DO I CLEAN MY ELLIPTICAL?

Clean with soap and water cleaners only. Never use solvents on plastic parts.

Cleanliness of your elliptical and its operating environment will keep maintenance problems and service calls to a minimum. For this reason, AFG recommends that the following preventive maintenance schedule be followed.

AFTER EACH USE (DAILY)

Turn off the elliptical by unplugging the power cord from the wall outlet

- Wipe down the elliptical with a damp cloth. Never use solvents, as they can cause damage to the elliptical.
- Inspect the power cord. If the power cord is damaged, contact AFG.
- Make sure the power cord is not underneath the elliptical or in any other area where it can become pinched or cut.



To remove power from the elliptical, the power cord must be disconnected from the wall outlet.

WEEKLY

Clean underneath the elliptical, following these steps:

- Turn off the elliptical
- Move the elliptical to a remote location.
- Wipe or vacuum any dust particles or other objects that may have accumulated underneath the elliptical.
- Return the elliptical to its previous position.

EVERY MONTH

- Inspect all assembly bolts and pedals on the machine for proper tightness.
- Clean any debris off of the pedal arm wheels and guide rails.

LIMITED HOME-USE WARRANTY

Weight Capacity = 325 lbs

FRAME • LIFETIME

AFG warrants the frame against defects in workmanship and materials for the lifetime of the original owner. (The frame is defined as the welded metal base of the unit and does not include any parts that can be removed.)

BRAKE • LIFETIME

AFG warrants the brake against defects in workmanship and materials for the lifetime of the original owner.

ELECTRONICS & PARTS • 3 YEARS*

AFG warrants the electronic components and all original parts for a period of three years from the date of original purchase, so long as the device remains in the possession of the original owner.

* By registering this product within 30 days of purchase, AFG will automatically extend the electronics and parts warranty of this product from 3 to 5 years.

LABOR • 1 YEAR

AFG shall cover the labor cost for the repair of the device for a period of one year from the date of the original purchase, so long as the device remains in the possession of the original owner.

EXCLUSIONS AND LIMITATIONS

Who is covered:

- The original owner and is not transferable.

What IS covered:

- Repair or replacement of a defective motor, electronic component, or defective part and is the sole remedy of the warranty.

What IS NOT covered:

- Normal wear and tear, improper assembly or maintenance, or installation of parts or accessories not originally intended or compatible with the equipment as sold.
- Damage or failure due to accident, abuse, corrosion, discoloration of paint or plastic, neglect, theft, vandalism, fire, flood, wind, lightning, freezing, or other natural disasters of any kind, power reduction, fluctuation or failure from whatever cause, unusual atmospheric conditions, collision, introduction of foreign objects into the covered unit, or modifications that are unauthorized or not recommended by AFG.
- Incidental or consequential damages. AFG is not responsible or liable for indirect, special or consequential damages, economic loss, loss of property, or profits, loss of enjoyment or use, or other consequential damages of whatsoever nature in connection with the purchase, use, repair or maintenance of the product.
- Equipment used for commercial purposes or any use other than a single family or Household, unless endorsed by AFG for coverage.
- Equipment owner or operated outside the US and Canada.
- Delivery, assembly, installation, setup for original or replacement units or labor or other costs associated with removal or replacement of the covered unit.
- Any attempt to repair this equipment creates a risk of injury. AFG is not responsible or liable for any damage, loss or liability arising from any personal injury incurred during the course of, or as a result of any repair or attempted repair of your fitness equipment by other than an authorized service technician. All repairs attempted by you on your fitness equipment are undertaken AT YOUR OWN RISK and AFG shall have no liability for any injury to the person or property arising from such repairs.

SERVICE/RETURNS

- In-home service is available within 150 miles of the nearest authorized repair center (Mileage beyond 150 miles from an authorized service center is the responsibility of the consumer).
- All returns must be pre-authorized by AFG.
- AFG's obligation under this warranty is limited to replacing or repairing, at AFG's option, the same or comparable model at one of its authorized service centers.
- An AFG authorized service center must receive all equipment for which a warranty claim is made. This equipment must be received with all freight and other transportation charges prepaid, accompanied by sufficient proof of purchase.
- Replacement units, parts and electronic components reconditioned to As-new Condition by AFG or its vendors may sometimes be supplied as warranty replacement and constitute fulfillment of warranty terms.
- This warranty gives you specific legal rights, and your rights may vary from state to state.

INTRODUCTION
IMPORTANT PRECAUTIONS
ASSEMBLY
BEFORE YOU BEGIN
ELLIPTICAL OPERATION
CONDITIONING GUIDELINES
TROUBLESHOOTING & MAINTENANCE
LIMITED WARRANTY

CUSTOMER TECH SUPPORT

For fast and friendly service, please contact one of our trained customer technicians via phone, email or our website.

*Customer Tech Support Hotline: **1-877-GOAFG55***

*Email: **comments@advancedfitnessgroup.com***

*Website: **www.advancedfitnessgroup.com***

Every employee at AFG takes pride in providing you with a high quality product. We want to know if you have a problem and we want to have an opportunity to correct it for you.

NOTE: *Please read the TROUBLESHOOTING section before contacting Customer Tech Support. To receive additional product information, visit us at www.advancedfitnessgroup.com*



**1620 Landmark Dr,
Cottage Grove, WI 53527
Tel: 1.877.GOAFG55**