

Operator's Manual

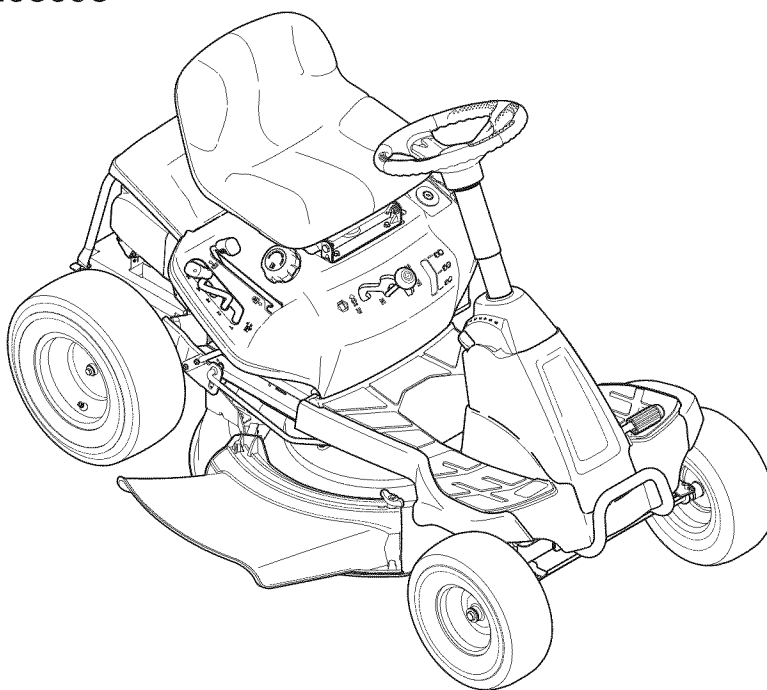
CRAFTSMAN®

REAR ENGINE RIDING MOWER

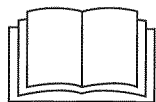
6 Speed, Shift-on-the-Go

30" Deck

Model No. 247.203693



- Espanol, P. 39



This product has a low emission engine which operates differently from previously built engines. Before you start the engine, read and understand this Operator's Manual.

CAUTION

Before using this equipment, read this manual and follow all safety rules and operating instructions.

For answers to your questions about this product, call:

1-888-331-4569

Craftsman Customer Hot Line

Sears Brands Management Corporation, Hoffman Estates, IL 60179 U.S.A.

Visit our website: www.craftsman.com

Form No. 769-09362D
(February 1, 2016)

TABLE OF CONTENTS

Safety Instructions	3	Off-Season Storage.....	32
Slope Guide	8	Troubleshooting	33
Assembly	9	Repair Protection Agreement.....	38
Operation	15	Español.....	39
Service and Maintenance	21	Service Numbers.....	Back Cover

WARRANTY STATEMENT

CRAFTSMAN LIMITED WARRANTY

FOR TWO YEARS from the date of purchase, all non-expendable parts of this riding equipment are warranted against defects in material or workmanship. With proof of purchase, a defective non-expendable part will receive free repair or replacement at option of seller.

BATTERY LIMITED WARRANTY

FOR 90 DAYS from the date of purchase, the battery (an expendable part) of this riding equipment is warranted against defects in material or workmanship. With proof of purchase, you will receive a new battery at no charge. You are responsible for the labor cost of battery installation.

ADDITIONAL LIMITED WARRANTIES

In the following additional warranties, you are responsible for the labor cost of part installation after the second year from the date of purchase.

FOR FIVE YEARS from the date of purchase, the frame of this riding equipment is warranted against any defects in material or workmanship. With proof of purchase, you will receive a new frame at no charge.

FOR TEN YEARS from the date of purchase, the front axle of this riding equipment is warranted against any defects in material or workmanship. With proof of purchase, you will receive a new axle at no charge.

FOR AS LONG AS IT IS USED by the original owner after the tenth year from the date of purchase, the cast iron front axle (if equipped) of this riding equipment is warranted against any defects in material or workmanship. With proof of purchase, you will receive a new cast iron front axle at no charge.

WARRANTY SERVICE

For warranty coverage details to obtain free repair or replacement, visit the web page: www.craftsman.com/warranty

Product Replacement

If part repair or replacement is impossible, you will receive a new riding equipment unit of the same or equivalent model.

Warranty Restriction

All warranty coverage is void if this riding equipment is ever used while providing commercial services or if rented to another person.

This warranty covers ONLY defects in material and workmanship. Warranty coverage does NOT include:

- Expendable parts (except battery) that can wear out from normal use within the warranty period, including but not limited to blades, spark plugs, belts and air, oil or gas filters.
- Standard maintenance servicing, oil changes or tune-ups.
- Tire replacement or repair caused by punctures from outside objects, such as nails, thorns, stumps, or glass.
- Tire or wheel replacement or repair resulting from normal wear, accident, or improper operation or maintenance.
- Repairs necessary because of operator abuse, including but not limited to damage caused by towing objects beyond the capability of the riding equipment, impacting objects that bend the frame, axle assembly or crankshaft, or over-speeding the engine.
- Repairs necessary because of operator negligence, including but not limited to, electrical and mechanical damage caused by improper storage, failure to use the proper grade and amount of engine oil, failure to keep the deck clear of flammable debris, or failure to maintain the riding equipment according to the instructions contained in the operator's manual.
- Engine (fuel system) cleaning or repairs caused by fuel determined to be contaminated or oxidized (stale). In general, fuel should be used within 30 days of its purchase date.
- Normal deterioration and wear of the exterior finishes, or product label replacement.

This warranty gives you specific legal rights, and you may also have other rights which vary from state to state.

Sears Brands Management Corporation, Hoffman Estates, IL 60179

PRODUCT SPECIFICATIONS

Engine Oil: SAE 30
Fuel: Unleaded Gasoline
Spark Plug: F6RTC (951-10292)

MODEL NUMBER

Model Number _____
Serial Number _____
Date of Purchase _____
Record the model number, serial number, and date of purchase above.

SAFETY INSTRUCTIONS

WARNING

This symbol points out important safety instructions which, if not followed, could endanger the personal safety and/or property of yourself and others. Read and follow all instructions in this manual before attempting to operate this machine. Failure to comply with these instructions may result in personal injury. When you see this symbol, HEED ITS WARNING!

DANGER

This machine was built to be operated according to the safe operation practices in this manual. As with any type of power equipment, carelessness or error on the part of the operator can result in serious injury. This machine is capable of amputating fingers, hands, toes and feet and throwing debris. Failure to observe the following safety instructions could result in serious injury or death.

WARNING

CALIFORNIA PROPOSITION 65

Engine Exhaust, some of its constituents, and certain vehicle components contain or emit chemicals known to State of California to cause cancer and birth defects or other reproductive harm.
Battery posts, terminals, and related accessories contain lead and lead compounds, chemicals known to the State of California to cause cancer and reproductive harm. Wash hands after handling.

WARNING

Your Responsibility—Restrict the use of this power machine to persons who read, understand and follow the warnings and instructions in this manual and on the machine.

SAVE THESE INSTRUCTIONS!

GENERAL OPERATION

- Read, understand, and follow all instructions on the machine and in the manual(s) before attempting to assemble and operate. Keep this manual in a safe place for future and regular reference and for ordering replacement parts.
- Be familiar with all controls and their proper operation. Know how to stop the machine and disengage them quickly.
- Never allow children under 14 years old to operate this machine. Children 14 years old and over should read and understand the operation instructions and safety rules in this manual and should be trained and supervised by a parent.
- Never allow adults to operate this machine without proper instruction.
- To help avoid blade contact or a thrown object injury, keep bystanders, helpers, children and pets at least 75 feet from the machine while it is in operation. Stop machine if anyone enters the area.
- Thoroughly inspect the area where the equipment is to be used. Remove all stones, sticks, wire, bones, toys, and other foreign objects which could be picked up and thrown by the blade(s). Thrown objects can cause serious personal injury.
- Plan your mowing pattern to avoid discharge of material toward roads, sidewalks, bystanders and the like. Also, avoid discharging material against a wall or obstruction which may cause discharged material to ricochet back toward the operator.
- Always wear safety glasses or safety goggles during operation and while performing an adjustment or repair to protect your eyes. Thrown objects which ricochet can cause serious injury to the eyes.
- Wear sturdy, rough-soled work shoes and close-fitting slacks and shirts. Loose fitting clothes and jewelry can be caught in movable parts. Never operate this machine in bare feet or sandals.
- Be aware of the mower and attachment discharge direction and do not point it at anyone. Do not operate the mower without the discharge cover or entire grass catcher in its proper place.
- Do not put hands or feet near rotating parts or under the cutting deck. Contact with the blade(s) can amputate hands and feet.
- A missing or damaged discharge cover can cause blade contact or thrown object injuries.
- Stop the blade(s) when crossing gravel drives, walks, or roads and while not cutting grass.
- Watch for traffic when operating near or crossing roadways. This machine is not intended for use on any public roadway.
- Do not operate the machine while under the influence of alcohol or drugs.
- Mow only in daylight or good artificial light.
- Never carry passengers.
- Disengage blade(s) before shifting into reverse. Back up slowly. Always look down and behind before and while backing to avoid a back-over accident.
- Slow down before turning. Operate the machine smoothly. Avoid erratic operation and excessive speed.
- Disengage blade(s), set parking brake, stop engine and wait until the blade(s) come to a complete stop before removing grass catcher, emptying grass, unclogging chute, removing any grass or debris, or making any adjustments.
- Never leave a running machine unattended. Always turn off blade(s), set parking brake, stop engine and remove key before dismounting.
- Use extra care when loading or unloading the machine into a trailer or truck. This machine should not be driven up or down ramp(s), because the machine could tip over, causing serious personal injury. The machine must be pushed manually on ramp(s) to load or unload properly.
- Muffler and engine become hot and can cause a burn. Do not touch.

SAFETY INSTRUCTIONS

- Check overhead clearances carefully before driving under low hanging tree branches, wires, door openings etc., where the operator may be struck or pulled from the machine, which could result in serious injury.
- Disengage all attachment clutches and depress the brake pedal completely before attempting to start engine.
- Your machine is designed to cut normal residential grass of a height no more than 12". Do not attempt to mow through unusually tall, dry grass (e.g., pasture) or piles of dry leaves. Dry grass or leaves may contact the engine exhaust and/or build up on the mower deck presenting a potential fire hazard.
- Use only accessories and attachments approved for this machine by the machine manufacturer. Read, understand and follow all instructions provided with the approved accessory or attachment. For a list of approved accessories and attachments, call 1-888-331-4569.
- Data indicates that operators, age 60 years and above, are involved in a large percentage of riding mower-related injuries. These operators should evaluate their ability to operate the riding mower safely enough to protect themselves and others from serious injury.
- If situations occur which are not covered in this manual, use care and good judgment.

SLOPE OPERATION

Slopes are a major factor related to loss of control and tip-over accidents which can result in severe injury or death. All slopes require extra caution. If you cannot back up the slope or if you feel uneasy on it, do not mow it.

For your safety, use the Slope Guide included as part of this manual to measure slopes before operating this machine on a sloped or hilly area. If the slope is greater than 12 degrees as shown on the Slope Guide, do not operate this machine on that area or serious injury could result.

Do:

- Mow up and down slopes, not across. Exercise extreme caution when changing direction on slopes.
- Watch for holes, ruts, bumps, rocks, or other hidden objects. Uneven terrain could overturn the machine. Tall grass can hide obstacles.
- Use slow speed. Choose a low enough speed setting so that you will not have to stop or shift while on the slope. Tires may lose traction on slopes even though the brakes are functioning properly. Always keep machine in gear when going down slopes to take advantage of engine braking action.
- Follow the manufacturer's recommendations for wheel weights or counterweights to improve stability.
- Use extra care with grass catchers or other attachments. These can change the stability of the machine.
- Keep all movement on the slopes slow and gradual. Do not make sudden changes in speed or direction. Rapid engagement or braking could cause the front of the machine to lift and rapidly flip over backwards which could cause serious injury.
- Avoid starting or stopping on a slope. If tires lose traction, disengage the blade(s) and proceed slowly straight down the slope.

Do Not:

- Do not turn on slopes unless necessary; then, turn slowly and gradually downhill, if possible.
- Do not mow near drop-offs, ditches or embankments. The mower could suddenly turn over if a wheel is over the edge of a cliff, ditch, or if an edge caves in.
- Do not try to stabilize the machine by putting your foot on the ground.
- Do not use a grass catcher on steep slopes.
- Do not mow on wet grass. Reduced traction could cause sliding.
- Do not attempt to coast downhill. Over-speeding may cause the operator to lose control of the machine resulting in serious injury or death.
- Do not tow heavy pull behind attachments (e.g. loaded dump cart, lawn roller, etc.) on slopes greater than 5 degrees. When going down hill, the extra weight tends to push the tractor and may cause you to lose control (e.g. tractor may speed up, braking and steering ability are reduced, attachment may jack-knife and cause tractor to overturn).

CHILDREN

Tragic accidents can occur if the operator is not alert to the presence of children. Children are often attracted to the machine and the mowing activity. They do not understand the dangers. Never assume that children will remain where you last saw them.

- Keep children out of the mowing area and in watchful care of a responsible adult other than the operator.
- Be alert and turn machine off if a child enters the area.
- Before and while backing, look behind and down for small children.
- Never carry children, even with the blade(s) shut off. They may fall off and be seriously injured or interfere with safe machine operation.
- Use extreme care when approaching blind corners, doorways, shrubs, trees or other objects that may block your vision of a child who may run into the machine.
- To avoid back-over accidents, always disengage the cutting blade(s) before shifting into Reverse. If equipped, the "Reverse Caution Mode" (blades operate while machine rides in reverse) should not be used when children or others are around.
- Keep children away from hot or running engines. They can suffer burns from a hot muffler.
- Remove key when machine is unattended to prevent unauthorized operation.

Never allow children under 14 years of age to operate this machine. Children 14 and over should read and understand the instructions and safe operation practices in this manual and on the machine and should be trained and supervised by an adult.

TOWING

- Tow only with a machine that has a hitch designed for towing. Do not attach towed equipment except at the hitch point.
- Follow the manufacturer's recommendation for weight limits for towed equipment and towing on slopes.
- Never allow children or others in or on towed equipment.

SAFETY INSTRUCTIONS

- On slopes, the weight of the towed equipment may cause loss of traction and loss of control.
- Always use extra caution when towing with a machine capable of making tight turns (e.g. "zero-turn" ride-on mower). Make wide turns to avoid jack-knifing.
- Travel slowly and allow extra distance to stop.
- Do not coast downhill.
- Periodically check to make sure the blades come to complete stop within approximately (5) five seconds after operating the blade disengagement control. If the blades do not stop within the this time frame, your machine should be serviced professionally by a Sears or other qualified service dealer.
- Check brake operation frequently as it is subjected to wear during normal operation. Adjust and service as required.
- Check the blade(s) and engine mounting bolts at frequent intervals for proper tightness. Also, visually inspect blade(s) for damage (e.g., excessive wear, bent, cracked). Replace the blade(s) with the original equipment manufacturer's (O.E.M.) blade(s) only, listed in this manual. Use of parts which do not meet the original equipment specifications may lead to improper performance and compromise safety!

SERVICE

Safe Handling of Gasoline:

To avoid personal injury or property damage use extreme care in handling gasoline. Gasoline is extremely flammable and the vapors are explosive. Serious personal injury can occur when gasoline is spilled on yourself or your clothes which can ignite. Wash your skin and change clothes immediately.

- Use only an approved gasoline container.
- Never fill containers inside a vehicle or on a truck or trailer bed with a plastic liner. Always place containers on the ground away from your vehicle before filling.
- When practical, remove gas-powered equipment from the truck or trailer and refuel it on the ground. If this is not possible, then refuel such equipment on a trailer with a portable container, rather than from a gasoline dispenser nozzle.
- Keep the nozzle in contact with the rim of the fuel tank or container opening at all times until fueling is complete. Do not use a nozzle lock-open device.
- Extinguish all cigarettes, cigars, pipes and other sources of ignition.
- Never fuel machine indoors.
- Never remove gas cap or add fuel while the engine is hot or running. Allow engine to cool at least two minutes before refueling.
- Never over fill fuel tank. Fill tank to no more than ½ inch below bottom of filler neck to allow space for fuel expansion.
- Replace gasoline cap and tighten securely.
- If gasoline is spilled, wipe it off the engine and equipment. Move machine to another area. Wait 5 minutes before starting the engine.
- To reduce fire hazards, keep machine free of grass, leaves, or other debris build-up. Clean up oil or fuel spillage and remove any fuel soaked debris.
- Never store the machine or fuel container inside where there is an open flame, spark or pilot light as on a water heater, space heater, furnace, clothes dryer or other gas appliances.
- Allow a machine to cool at least five minutes before storing.
- Mower blades are sharp. Wrap the blade or wear gloves, and use extra caution when servicing them.
- Keep all nuts, bolts, and screws tight to be sure the equipment is in safe working condition.
- Never tamper with the safety interlock system or other safety devices. Check their proper operation regularly.
- After striking a foreign object, stop the engine, disconnect the spark plug wire(s) and ground against the engine. Thoroughly inspect the machine for any damage. Repair the damage before starting and operating.
- Never attempt to make adjustments or repairs to the machine while the engine is running.
- Grass catcher components and the discharge cover are subject to wear and damage which could expose moving parts or allow objects to be thrown. For safety protection, frequently check components and replace immediately with original equipment manufacturer's (O.E.M.) parts only, listed in this manual. Use of parts which do not meet the original equipment specifications may lead to improper performance and compromise safety!
- Do not change the engine governor settings or over-speed the engine. The governor controls the maximum safe operating speed of the engine.
- Maintain or replace safety and instruction labels, as necessary.
- Observe proper disposal laws and regulations for gas, oil, etc. to protect the environment.
- According to the Consumer Products Safety Commission (CPSC) and the U.S. Environmental Protection Agency (EPA), this product has an Average Useful Life of seven (7) years, or 270 hours of operation. At the end of the Average Useful Life, buy a new machine or have the machine inspected annually by a Sears or other qualified service dealer to ensure that all mechanical and safety systems are working properly and not worn excessively. Failure to do so can result in accidents, injuries or death.

General Service

- Never run an engine indoors or in a poorly ventilated area. Engine exhaust contains carbon monoxide, an odorless, and deadly gas.
- Before cleaning, repairing, or inspecting, make certain the blade(s) and all moving parts have stopped. Disconnect the spark plug wire and ground against the engine to prevent unintended starting.

DO NOT MODIFY ENGINE

To avoid serious injury or death, do not modify engine in any way. Tampering with the governor setting can lead to a runaway engine and cause it to operate at unsafe speeds. Never tamper with factory setting of engine governor.

SAFETY INSTRUCTIONS

NOTICE REGARDING EMISSIONS

Engines which are certified to comply with California and federal EPA emission regulations for SORE (Small Off Road Equipment) are certified to operate on regular unleaded gasoline, and may include the following emission control systems: Engine Modification (EM), Oxidizing Catalyst (OC), Secondary Air Injection (SAI) and Three Way Catalyst (TWC) if so equipped.

SPARK ARRESTOR

WARNING

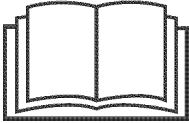






This machine is equipped with an internal combustion engine and should not be used on or near any unimproved forest-covered, brushcovered or grass-covered land unless the engine's exhaust system is equipped with a spark arrestor meeting applicable local or state laws (if any).

If a spark arrestor is used, it should be maintained in effective working order by the operator. In the State of California the above is required by law (Section 4442 of the California Public Resources Code). Other states may have similar laws. Federal laws apply on federal lands.







A spark arrestor for the muffler is available through your nearest Sears Parts and Repair Service Center.

SAFETY SYMBOLS

This page depicts and describes safety symbols that may appear on this product. Read, understand, and follow all instructions on the machine before attempting to assemble and operate.

Symbol	Description
	READ THE OPERATOR'S MANUAL(S) Read, understand, and follow all instructions in the manual(s) before attempting to assemble and operate.
	DANGER— ROTATING BLADES Never carry passengers. Never carry children, even with the blades off.
	DANGER— ROTATING BLADES To avoid a back-over accident, keep children away from the machine while it is in operation.
	WARNING— ROTATING BLADES Do not put hands or feet near rotating parts or under the cutting deck. Contact with the blade(s) can amputate hands and feet.
	DANGER— ROTATING BLADES Always look down and behind before and while backing to avoid a back-over accident.
	WARNING—THROWN OBJECTS This machine may pick up and throw and objects which can cause serious personal injury.
	WARNING—THROWN OBJECTS This machine may pick up and throw and objects which can cause serious personal injury.

SAFETY INSTRUCTIONS

Symbol	Description
	BYSTANDERS Keep bystanders, helpers, children and pets at least 75 feet from the machine while it is in operation.
	WARNING— SLOPE OPERATION Do not operate this machine on a slope greater than 12 degrees.
	WARNING— HOT SURFACE Engine parts, especially the muffler, become extremely hot during operation. Allow engine and muffler to cool before touching.
	DANGER — ROTATING BLADES To reduce the risk of injury, keep hands and feet away. Do not operate unless discharge cover or grass catcher is in its proper place. If damaged, replace immediately.
	WARNING— CARBON MONOXIDE Never run an engine indoors or in a poorly ventilated area. Engine exhaust contains carbon monoxide, an odorless and deadly gas.
	DANGER— ROTATING BLADES Do not step on the cutting deck.



WARNING: Your Responsibility—Restrict the use of this power machine to persons who read, understand and follow the warnings and instructions in this manual and on the machine.

SAVE THESE INSTRUCTIONS!

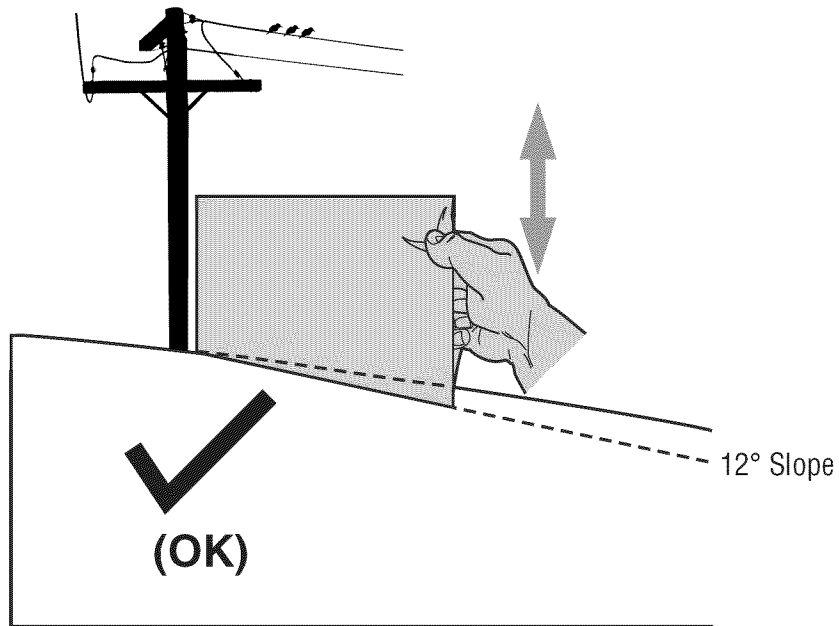


Figure 1

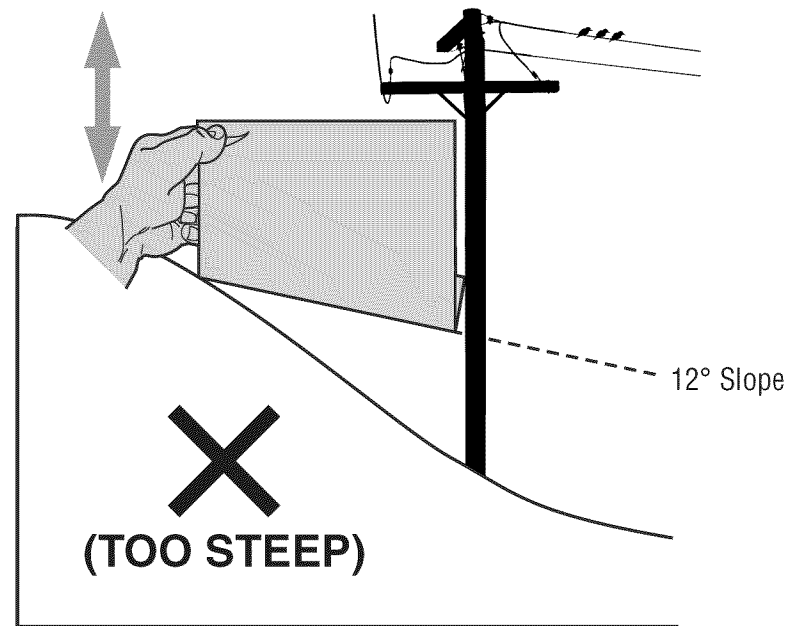
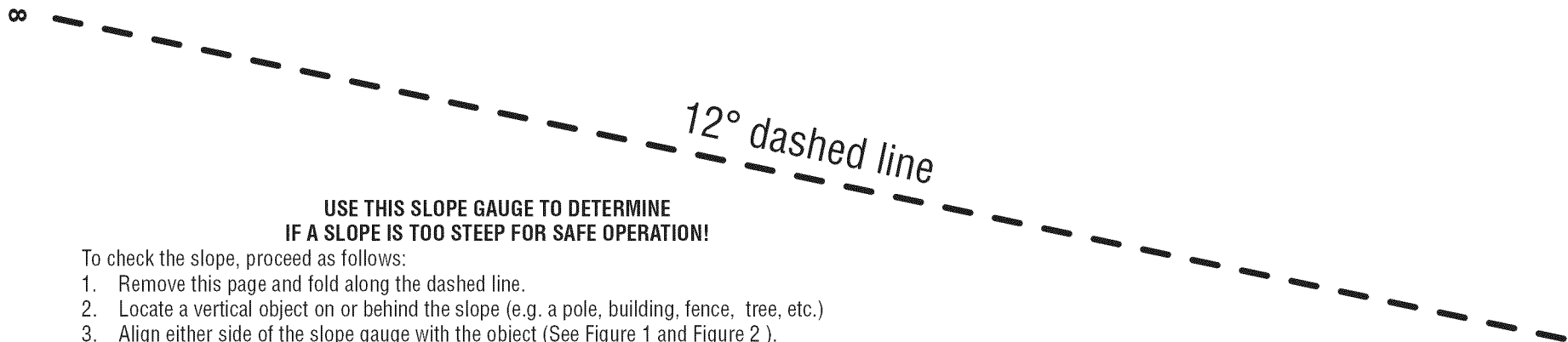


Figure 2



**USE THIS SLOPE GAUGE TO DETERMINE
IF A SLOPE IS TOO STEEP FOR SAFE OPERATION!**

To check the slope, proceed as follows:

1. Remove this page and fold along the dashed line.
2. Locate a vertical object on or behind the slope (e.g. a pole, building, fence, tree, etc.)
3. Align either side of the slope gauge with the object (See Figure 1 and Figure 2).
4. Adjust gauge up or down until the left corner touches the slope (See Figure 1 and Figure 2).
5. If there is a gap below the gauge, the slope is too steep for safe operation (See Figure 2 above).

WARNING

Slopes are a major factor related to tip-over and roll-over accidents which can result in severe injury or death. Do not operate machine on slopes in excess of 12 degrees. All slopes require extra caution. If you cannot back up the slope or if you feel uneasy on it, do not mow it. Always mow up and down the face of slopes, never mow across the face of slopes.

ASSEMBLY

Contents of Crate

- One Riding Mower
- One Steering Wheel/Shaft Assembly
- One Rear Hitch Plate
- One Riding Mower Operator's Manual
- One Seat Assembly
- One Rear Engine Cover
- One Oil Drain Sleeve
- One Steering Pedestal Cap
- One Discharge Chute Assembly
- One Hardware Pack

Contents of Hardware Pack

Before beginning installation, remove all the contents from the crate and all the hardware from the pack from to make sure everything is present. Hardware is listed below. Part numbers are shown in parentheses.

- Hitch Plate
- Seat Mounting Bracket (with two shoulder bolts & lock nuts installed)

Recommended Tools for Assembly

- 3/8" Wrench (or socket)
- 1/2" Wrench (or socket)
- 5/8" Wrench (or socket)
- 1/4" Drive Ratchet
- 9/16" Socket
- 7/16" wrench
- Phillips Screw Driver

Installing The Steering Wheel Assembly

If the steering wheel assembly for your tractor did not come already installed, follow the steps below:

1. Slide the pedestal cap onto the steering shaft so that when the steering shaft is installed on the tractor, the pedestal cap will be upright as shown in Figure 1.

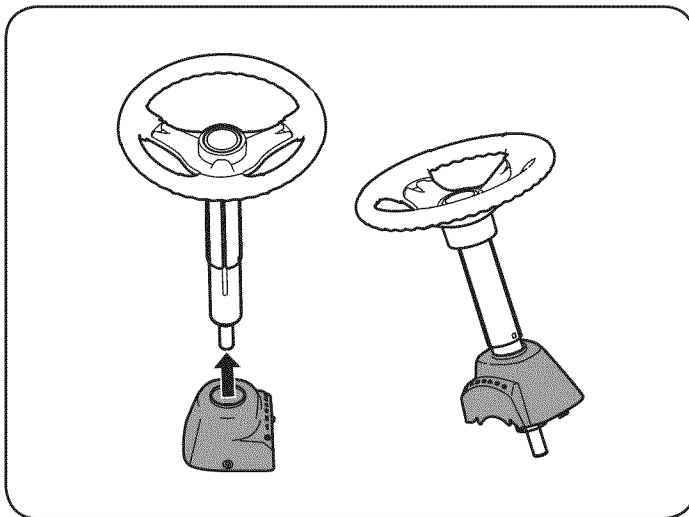


Figure 1

2. Remove the shoulder bolt and lock nut from the steering shaft on the tractor and retain for later steps.
3. With the steering wheel assembly upright and positioned over the lower steering shaft on the tractor, align the steering wheel so that with the tractor wheels straight, the large opening on the steering wheel is facing forward.

4. Lower the steering wheel assembly onto the lower steering shaft (1) and secure with bolt and lock nut (2) previously removed. See Figure 2.

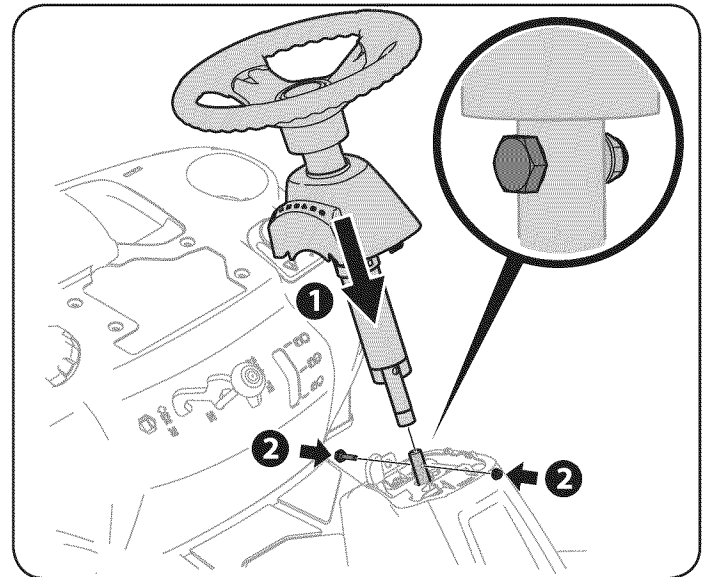


Figure 2

5. Tighten the shoulder bolt and lock nut using a 9/16" wrench and 7/16" wrench or socket.
6. Remove the pedestal cap mount screw factory installed and located on the tractor's steering console. Retain the screw for later instructions.
7. Slide the Pedestal cap down onto the tractor (1) and slightly rotate to the right to clip into place. Secure the pedestal with the screw (2) previously removed. See Figure 3.

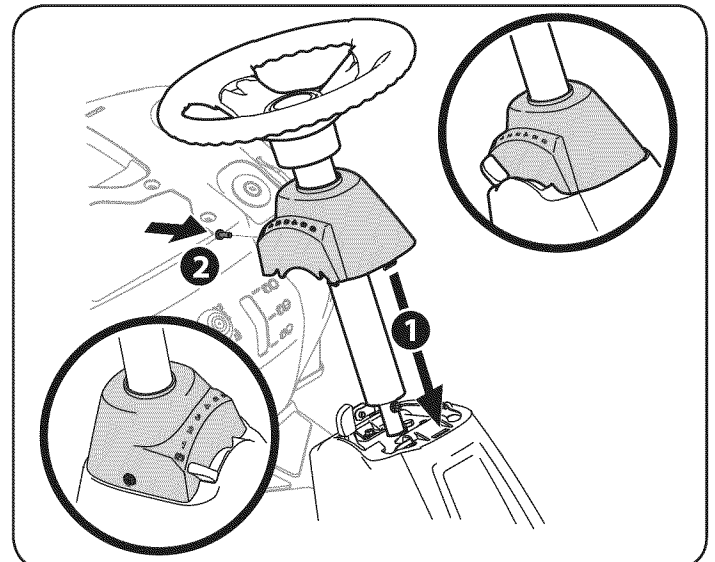


Figure 3

ASSEMBLY

Attaching The Seat

If the seat for your tractor was not attached at the factory, follow the applicable instructions below to attach it.

1. Remove the shoulder bolts and lock nuts from the seat mounting bracket included in your hardware pack. See Figure 4.

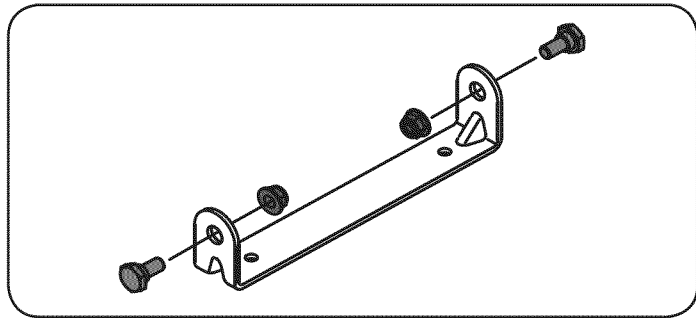


Figure 4

2. Remove the two self-tapping screws factory installed on the tractor. See Figure 5.

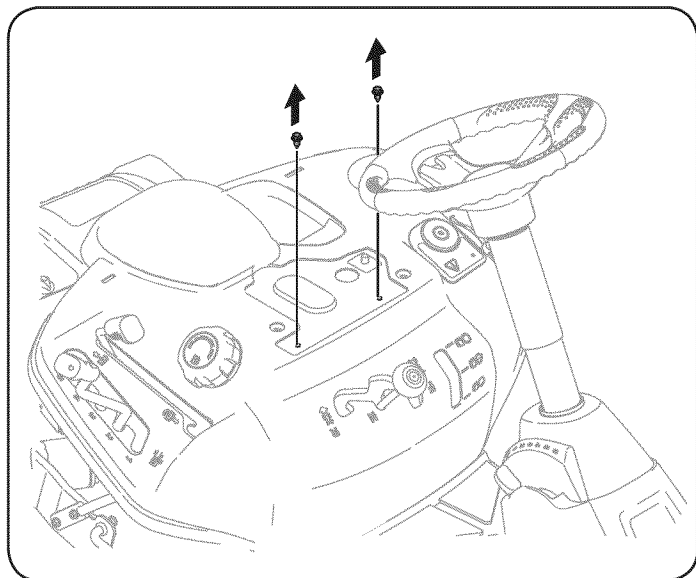


Figure 5

3. Align the seat bracket in place over the holes from where the self-tapping screws were removed, as shown in Figure 6.

4. Using a 1/4-inch drive ratchet with a 3/8" socket, secure the seat bracket with the self-tapping screws removed in Step 2. See Figure 6.

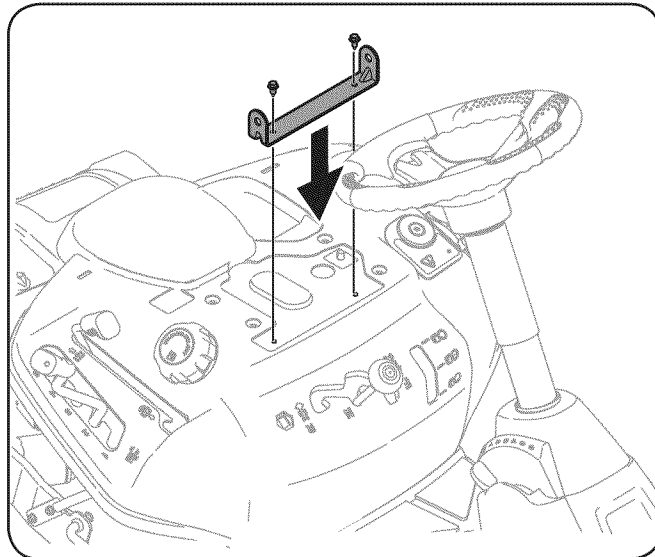


Figure 6



CAUTION: Do *not* use any type of power tool (e.g. impact gun or electric drill with nut driver attached) when tightening the self-tapping bolts to attach the seat bracket.

5. Position the seat assembly over the seat mounting bracket, aligning the holes provided.
6. Install the two shoulder bolts and lock nuts removed from the seat mounting bracket in Step 1. See Figure 7.

CAUTION

Do not use any type of power tool (e.g. impact gun or electric drill with nut driver attached) when tightening the self-tapping bolts to attach the seat bracket.

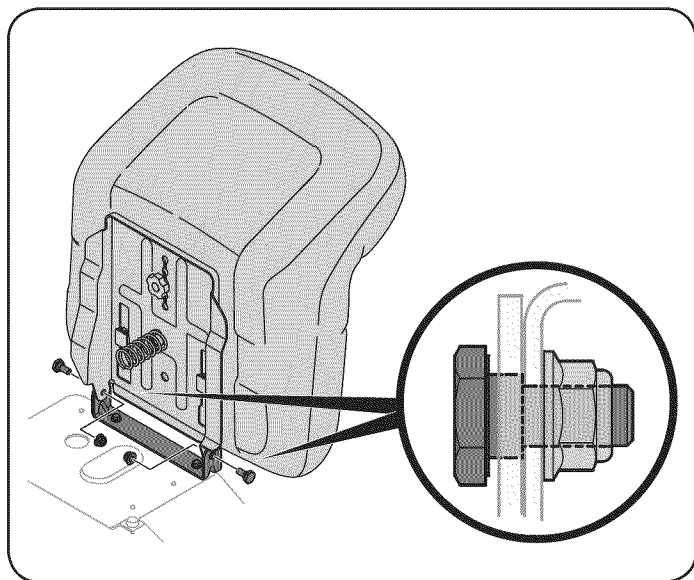


Figure 7

ASSEMBLY

Seat Adjustment

1. To adjust the position of the seat, remove the adjustment knob on the bottom of the seat. Slide the seat forward or backward as desired. Reinstall the adjustment knob. Refer to Figure 8.

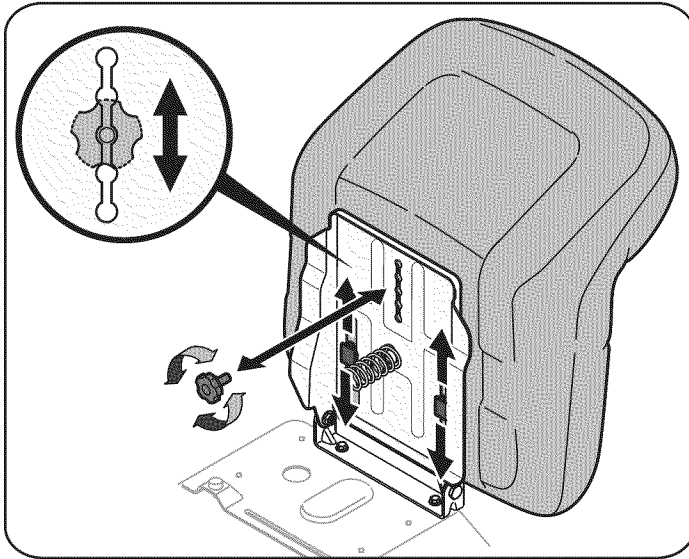


Figure 8

Steering wheel height adjustment

To adjust the height of the steering wheel, this unit is equipped with a telescoping steering column. To adjust the height of the steering wheel:

1. Sit in the operator's seat and place your hands on the steering wheel.
2. Push the button (a) on the steering column and raise or lower the steering wheel (b) to the desired position. See Figure 9.

Note: Once the desired position is achieved, lift up and down on the steering wheel to make sure it locks into place and the button (a) on the steering column releases into a locked position. Do not operate this unit unless the steering column is in a locked position.

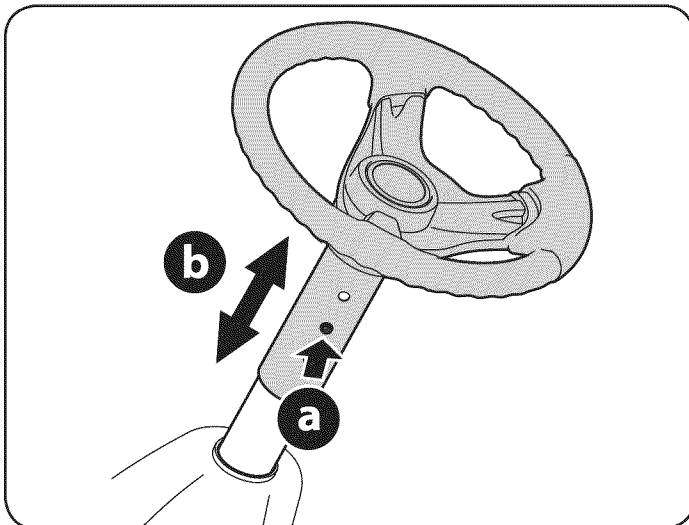


Figure 9

Installing The Deck Chute

WARNING

NEVER operate this tractor without either the mulch plug or deck chute installed.

1. Remove the wing knobs installed on the mowing deck and retain for later installation.
2. Install the deck chute into the deck discharge opening on the deck. The studs on the deck surface will fit through the holes on the upper portion of the deck chute. The small tab on the deck lip area will fit through the square cutout on the lower portion of the deck chute. See inset of Figure 10.
Note: Make certain that the upper-rear portion of deck chute is depressing the safety switch located on the deck surface. The engine will not start without the deck chute properly in place.
3. Secure the deck chute by tightening the wing knobs removed earlier. See Figure 10.

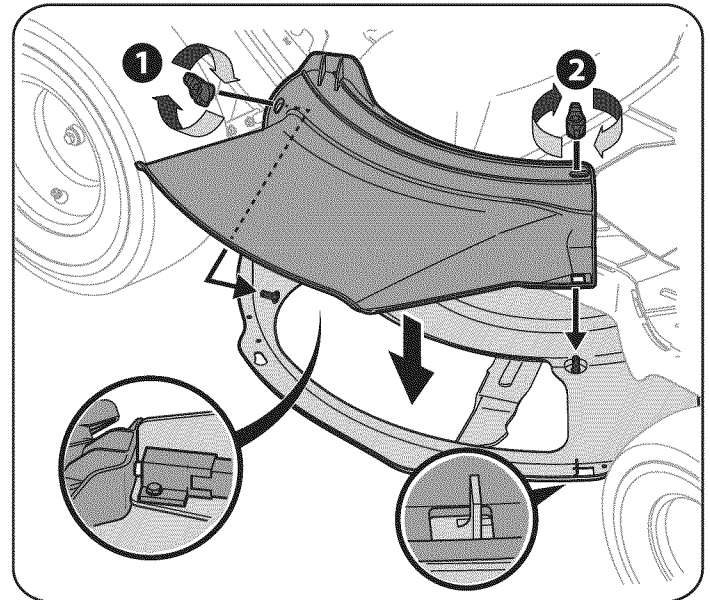


Figure 10

ASSEMBLY

Install The Rear Engine Cover

1. Remove the two factory installed hex screws located on the rear engine cover mounting bracket. Retain the screws for later instructions. See Figure 11.
2. Install the rear engine cover by positioning it in place as shown in Figure 11. Tip the engine cover forward to fit it into the slots provided, then rotate it backwards to align the mounting holes.

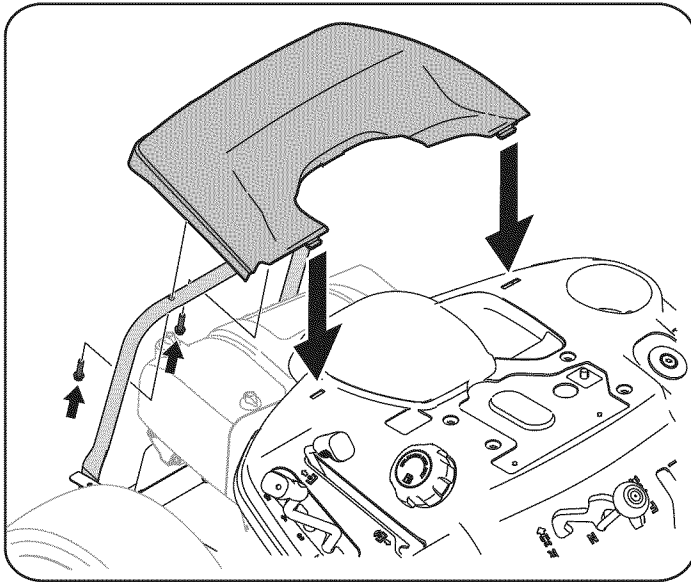


Figure 11

3. Secure the cover with the two hex screws previously removed. Do *not* to over-tighten.

Installing the Bumper

1. Remove the two screws as shown in Figure 12.
2. Position the bumper over the mounting holes and secure using the hardware removed in Step 1, as shown in Figure 12.

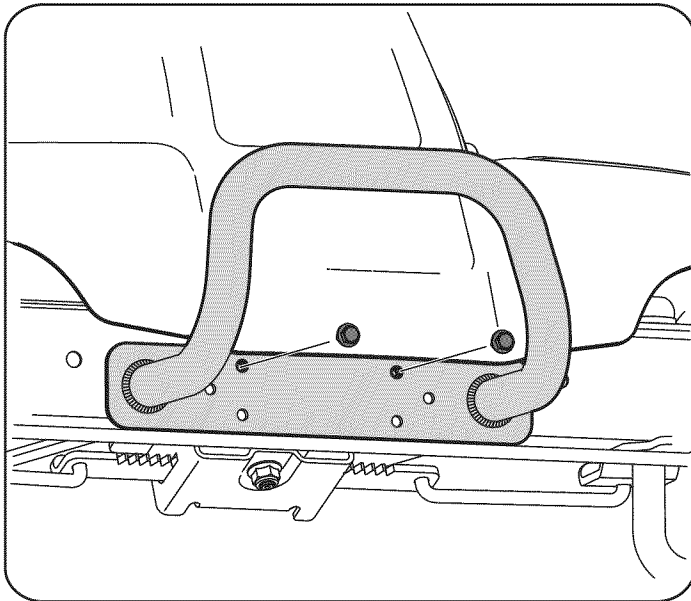


Figure 12

Installing the Hitch Plate

1. Remove the factory installed hitch plate mounting hardware located on the rear of the tractor.
2. Position the hitch plate, packed with the loose parts, with the flat side up as shown in Figure 13. Secure using the two bolts and hex nuts previously removed.

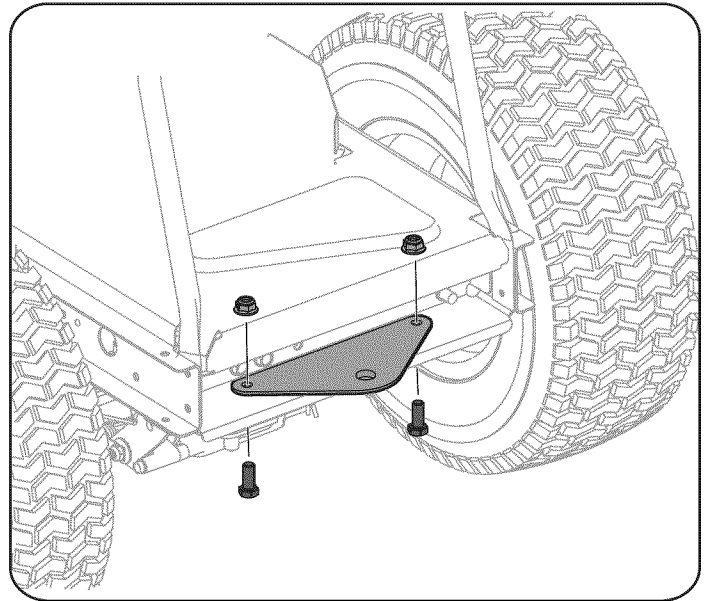


Figure 13

Connecting the Battery Cables

WARNING

CALIFORNIA PROPOSITION 65

Battery posts, terminals, and related accessories contain lead and lead compounds, chemicals known to the State of California to cause cancer and reproductive harm. Wash hands after handling.

CAUTION

When attaching battery cables, always connect the POSITIVE (Red) wire to its terminal first, followed by the NEGATIVE (Black) wire.

For shipping reasons, both battery cables on your equipment may have been left disconnected from the terminals at the factory. To connect the battery cables, proceed as follows:

NOTE: The positive battery terminal is marked Pos. (+). The negative battery terminal is marked Neg. (-).

1. Remove the factory installed hex bolts and hex nuts located on the end of the wiring harness. Retain the hardware for later instructions.
2. Remove the plastic cover, if present, from the positive battery terminal and attach the red cable to the positive battery terminal (+) with one of the hex bolt and hex nuts, using a 7/16 inch wrench and socket wrench. See Figure 11.
3. Remove the plastic cover, if present, from the negative battery terminal and attach the black cable to the negative battery terminal (-) with the remaining hex bolt and hex nut, using a 7/16 inch wrench and socket wrench. See Figure 14.

ASSEMBLY

- Position the red rubber boot over the positive battery terminal to help protect it from corrosion.

NOTE: If the battery is put into service after the date shown on top/side of battery, charge the battery as instructed in the Maintenance section of this Operator's Manual prior to operating the tractor.

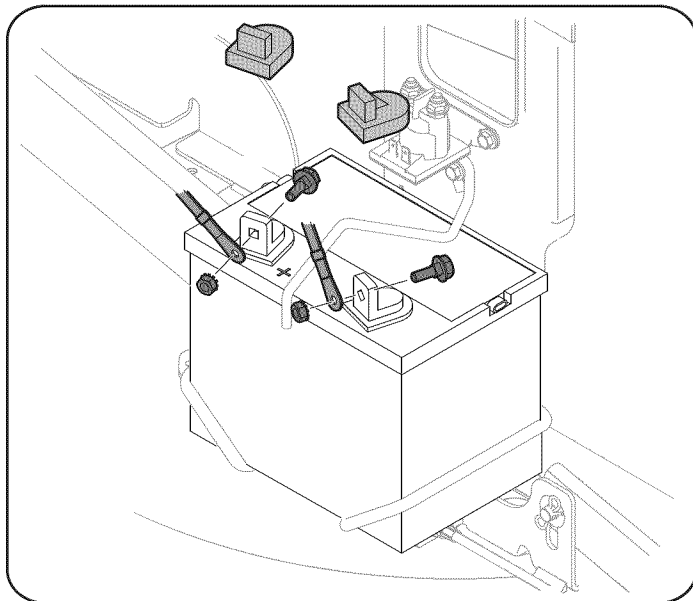


Figure 14

Gas & Oil

NOTE: The engine is shipped without gasoline and with motor oil in the engine. However, you **MUST** check the oil level before operating. Be careful not to overfill. Running the engine with insufficient oil can cause serious engine damage and void the engine warranty.

WARNING

Always keep hands and feet clear of equipment moving parts. Do not use a pressurized starting fluid. Vapors are flammable.

Oil Recommendations

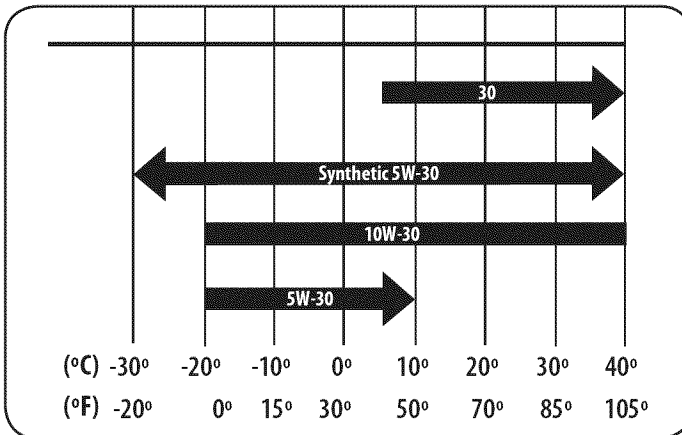
Before starting engine, check oil level, capacity is 1700 ml/57.5 fl. oz. Refer to viscosity chart in Figure 3-1 for oil recommendations. Do not over-fill. Use a 4-stroke, or an equivalent high detergent, premium quality motor oil certified to meet or exceed U.S. automobile manufacturer's requirements for service classification of a minimum level SJ (higher letter ratings are acceptable such as SL and SM grades). Motor oil will display this designation on the container.

SAE 10W-30 is recommended for general, all temperature use. If single viscosity oil is used, select the appropriate viscosity for the average temperature in your area from the chart below.

CAUTION

Do not use non-detergent oil or 2-stroke engine oil. It could shorten the engine's service life.

NOTE: A 5w30 synthetic oil may be used to improve start ability for cold weather (temperatures below 40 F).



Checking The Oil Level

NOTE: Be sure to check the oil while on a level surface with the engine stopped.

- Remove the oil filler cap/dipstick and wipe the dipstick clean.
- Insert the dipstick into the oil filler neck. Turn the dipstick 1/4 turn into the locked position to fully seat. See Figure 15.
- Remove dipstick to check the oil level.
- If the level is low, slowly add oil until the reading is at the upper level on the dipstick. See Figure 15 inset.
- Reinsert the dipstick and turn to locked position before starting the engine.

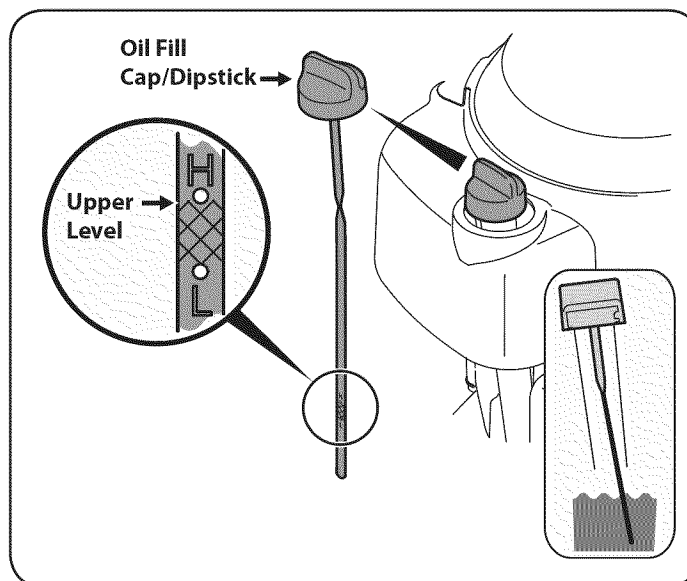


Figure 15

NOTE: Do not overfill. Overfilling with oil may cause smoking, hard starting, spark plug fouling, or oil saturation of air cleaner.

Fuel Requirements

CAUTION

Operating the engine with E85 fuel, an oil/gasoline mixture, dirty gasoline, or gasoline over 30 days old without fuel stabilizing additive may result in damage to your engine's carburetor. Subsequent damage would **not** be covered under the Craftsman warranty.

ASSEMBLY

Use automotive gasoline (unleaded or low leaded to minimize combustion chamber deposits) with a minimum of 87 octane. Gasoline with up to 10% ethanol or 15% MTBE (Methyl Tertiary Butyl Ether) can be used. Never use an oil/gasoline mixture or dirty gasoline. Avoid getting dirt, dust, or water in the fuel tank. DO NOT use E85 gasoline.

WARNING

Use extreme care when handling gasoline. Gasoline is extremely flammable and the vapors are explosive. Never fuel machine indoors or while the engine is hot or running. Extinguish cigarettes, cigars, pipes, and other sources of ignition.

NOTE: Purchase gasoline in small quantities. Do not use gasoline left over from the previous season, to minimize gum deposits in the fuel system.

- This engine is certified to operate on unleaded gasoline. For best results, fill the fuel tank with only clean, fresh, unleaded gasoline with a pump sticker octane rating of 87 or higher.
- Gasohol (up to 10% ethyl alcohol, 90% unleaded gasoline by volume) is an approved fuel. Other gasoline/alcohol blends, such as E85, are not approved.
- Methyl Tertiary Butyl Ether (MTBE) and unleaded gasoline blends (up to a maximum of 15% MTBE by volume) are approved fuels. Other gasoline/ether blends are not approved.
- Fill fuel tank outdoors or in well-ventilated area.
- Do not overfill fuel tank. Fill tank to no more than 1/2 inch below bottom of filler neck to allow space for fuel expansion.
- Never remove gas cap or add fuel while the engine is hot or running. Allow engine to cool at least two minutes before refueling.
- If gasoline is spilled, wipe it off the engine and equipment. Move machine to another area. Wait 5 minutes before starting the engine.

To Add Gasoline

NOTE: The tractor is fitted with a tethered, ratcheting fuel cap. STOP filling the tank once the fuel is seen inside the filler neck. This ensures that a proper expansion volume is created, otherwise the fuel can overflow creating a hazardous situation. Do NOT top off the fuel tank.

- Refuel in a well-ventilated area with the engine stopped. Do not smoke or allow flames or sparks in the area where the engine is refueled or where gasoline is stored.
- Do not overfill the fuel tank. After refueling, make sure the tank cap is closed properly and securely.
- Be careful not to spill fuel when refueling. Spilled fuel or fuel vapor may ignite. If any fuel is spilled, make sure the area is dry before starting the engine.
- Avoid repeated or prolonged contact with skin or breathing of vapor.

Adding Fuel

WARNING

An adult should fuel this engine. NEVER allow children to refuel its engine. Gasoline (fuel) vapors are highly flammable and can explode. Fuel vapors can spread and be ignited by a spark or flame many feet away from engine. To prevent injury or death from fuel fires, follow these instructions:

- DO NOT use leaded fuel.
- Fuel must be fresh and clean. NEVER use fuel left over from last season or stored for long periods.
- NEVER mix oil with fuel.
- DO NOT use fuel containing Methanol (Wood Alcohol)

NOTE: Before refueling, allow engine to cool two minutes.

1. Turn the engine off and let engine cool at least 2 minutes before removing the fuel cap. The gasoline tank is located under the seat. The fuel cap is tethered to the tractor to prevent its loss. Do not attempt to remove the cap from the tractor.
2. Clean around fuel fill before removing cap to fuel.
3. Fill tank until fuel reaches 1/2 inch below the bottom of the filler neck to allow space for fuel expansion. Be careful not to overfill. See Figure 16.

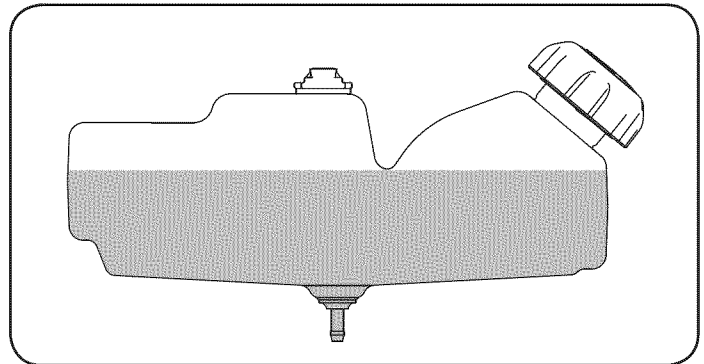


Figure 16

4. Replace the gasoline cap and tighten securely. Wipe up spilled fuel before starting engine. If fuel is spilled DO NOT start engine. Move machine away from area of spillage. Avoid creating any source of ignition until fuel vapors are gone.

Tire Pressure

WARNING

Equal tire pressure should be maintained at all times. Never exceed the maximum inflation pressure shown on the sidewall of the tire.

The recommended operating tire pressure is:

- Approximately 10 psi for the rear tires
- Approximately 14 psi for the front tires

IMPORTANT: Refer to the tire sidewall for exact tire manufacturer's recommended or maximum psi. Do not overinflate. Uneven tire pressure could cause the cutting deck to mow unevenly.

OPERATION

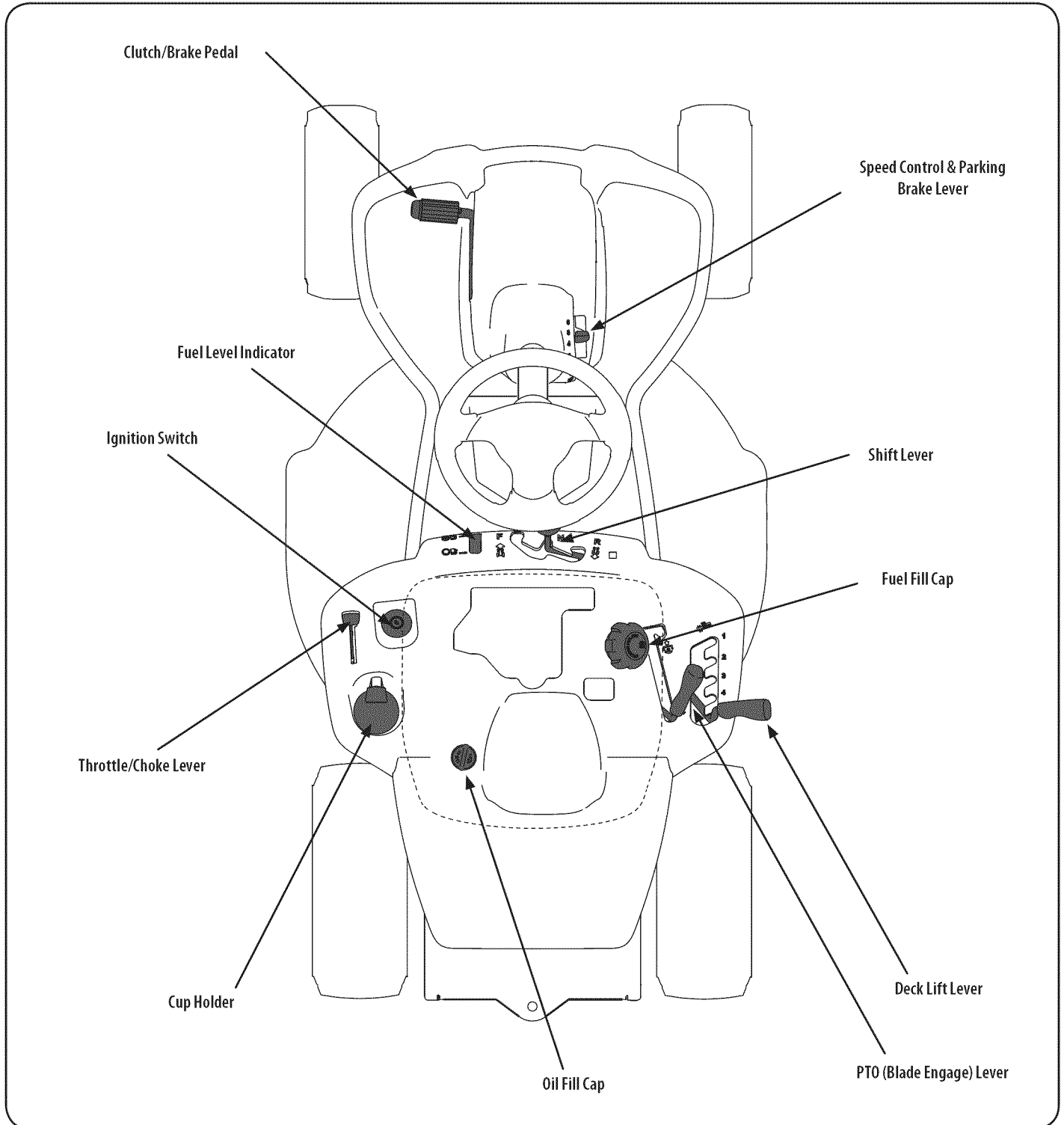


Figure 17

NOTE: Any reference in this manual to the RIGHT or LEFT side of the tractor is observed from operator's seat position facing forward towards the front of tractor.

Meets ANSI Safety Standards

Craftsman Tractors conform to the safety standard of the American National Standards Institute (ANSI).

OPERATION

Throttle / Choke Control

The throttle control lever is located on the left fender of the tractor as seen from the operator's position, see Figure 17. This lever controls the speed of the engine, as well as the choke when it is pushed all the way forward. When set in a given position, the throttle will maintain a uniform engine speed.

IMPORTANT: When operating the tractor with the cutting deck engaged, be certain that the throttle lever is always in the FAST (rabbit) position.

Moving the throttle lever all the way forward activates the engine's choke control. Activating the choke control closes the choke plate on the carburetor and aids in starting the engine.

Refer to Starting The Engine in the Operation section of this manual for detailed starting instructions.

Ignition Switch

The ignition switch is located on the left fender of the tractor as seen from the operator's position, adjacent to the Throttle/Choke Control. Activate the Ignition Switch to start the engine by inserting the key into the ignition switch and turn clockwise to the START position. Release the key into the ON position once engine has fired. See Figure 18.

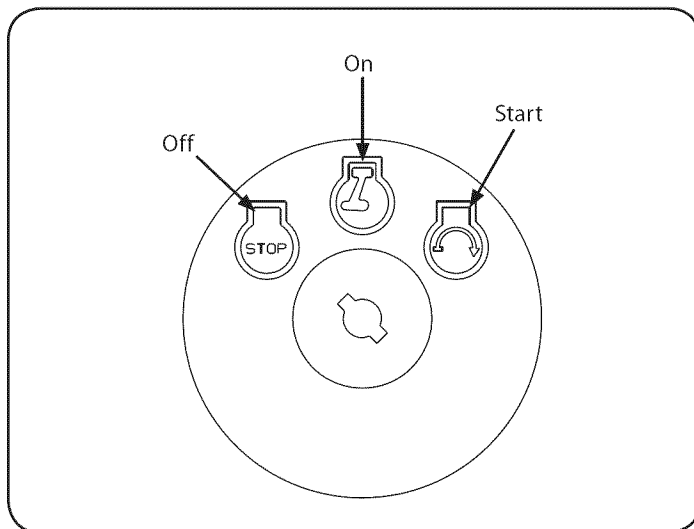


Figure 18

Clutch-Brake Pedal

The clutch-brake pedal is located on the left side of the lawn tractor, along the running board. Depress the clutch-brake pedal part way down when slowing the tractor by changing speeds (Refer to Speed Control Lever). Depress the pedal all the way down to engage the disc brake and bring the tractor to a complete stop.

NOTE: The clutch-brake pedal must be completely depressed to start the engine. Refer to Safety Interlock Switches in the Operation section of this manual.

Shift Lever

The shift lever is located on the control panel just below the seat, in the center of the tractor. It has three positions, FORWARD, NEUTRAL and REVERSE. The **brake pedal must be completely depressed** and the tractor must not be in motion when moving the shift lever. See Figure 19.

IMPORTANT: Never force the shift lever. Doing so may result in serious damage to the tractor's transmission.

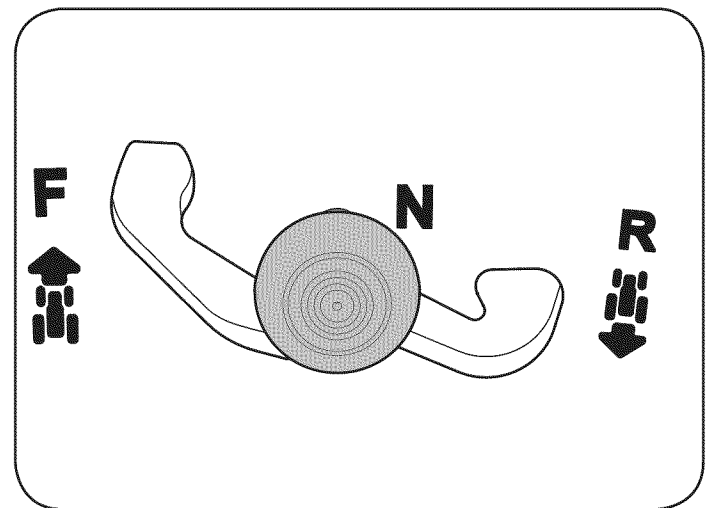


Figure 19

Speed Control Lever

The speed control lever, located on the right side of the tractor's steering console, allows you to regulate the ground speed of the lawn tractor.

To use, depress the clutch-brake pedal and move the lever out of the parking brake notch and forward to increase the tractor's ground speed. When a desired speed has been reached, release the lever into an appropriate notch to maintain that speed.

To slow the tractor's ground speed, depress the clutch-brake pedal and move the speed control lever rearward and release it into a notch.

Parking Brake

To set the parking brake, fully depress the clutch-brake pedal. Move the speed control lever all the way down and into the parking brake position. Release the clutch-brake pedal to allow the parking brake to engage.

To release the parking brake, depress the clutch-brake pedal and move the speed control lever out of the parking brake position into the desired position. Release the clutch-brake pedal.

NOTE: The parking brake must be set if the operator leaves the seat with the engine running or the engine will automatically shut off.

Fuel Level Indicator

The Fuel Level Indicator is located below the seat on the left hand side from the operator's position in the control panel. Use this window to identify the tractor's fuel needs. See Figure 20.

OPERATION

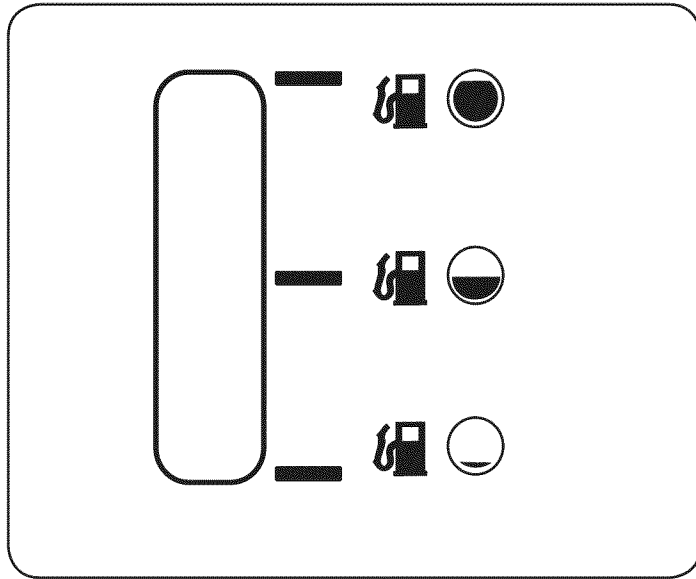


Figure 20

Deck Lift Lever

Found on your tractor's right fender, the deck lift lever is used to change the height of the cutting deck. To use, move the lever to the left, then place in the notch best suited for your application.

PTO (Blade Engage) Lever

Found on the tractor's right fender, the PTO (blade engage) lever is used to engage power to the cutting deck. To operate, move the lever all the way forward. Moving the lever all the way rearward into the PTO OFF position disengages power to the cutting deck.

NOTE: The PTO (blade engage) lever must be in the disengaged (PTO OFF) position when starting the engine.

Fuel Fill Cap

The Fuel Fill Cap is located below the seat. Refer to the Assembly section in this manual for instructions on fueling this tractor.

Oil Fill Cap

The Oil Fill Cap is located below the seat. Refer to the Assembly section in this manual for instructions on checking and adding oil to this tractor.

Fuel Fill Cap

The gasoline tank is located under the seat. Do not overfill.

WARNING

Use extreme care when handling gasoline. Gasoline is extremely flammable and the vapors are explosive. Never fuel machine indoors or while the engine is hot or running. Extinguish cigarettes, cigars, pipes, and other sources of ignition.

For detailed information on adding fuel, refer to Fuel Requirements in the Assembly section of this manual.

Safety Interlock Switches

The safety interlock system is designed for safe operation of the tractor. If this system should ever malfunction, do not operate the tractor.

Immediately contact 1-888-331-4569 to have the system serviced.

- The safety interlock system prevents the engine from starting unless the parking brake is engaged and the PTO (Blade Engage) lever is in the disengaged (OFF) position.
- The safety interlock system will automatically shut off the engine if the operator leaves the seat before engaging the parking brake.
- The safety interlock system will automatically shut off the engine if the operator leaves the tractor's seat with the PTO (Blade Engage) lever engaged, regardless of whether the parking brake is engaged.
- The engine will automatically shut off if the PTO (Blade Engage) lever is moved into the engaged (ON) position with the shift lever in Reverse.

WARNING

Do not operate the tractor if the interlock system is malfunctioning. This system was designed for your safety and protection.

Ignition Switch

The ignition switch is activated to start the engine. Insert key into the ignition switch and turn clockwise to the START position. Release the key into the ON position once engine has fired. See Figure 21.

To stop the engine, turn the ignition key counterclockwise to the OFF position. See Figure 21.

WARNING

Never leave a running machine unattended. Always disengage PTO, move shift lever into neutral position, set parking brake, stop engine and remove key to prevent unintended starting.

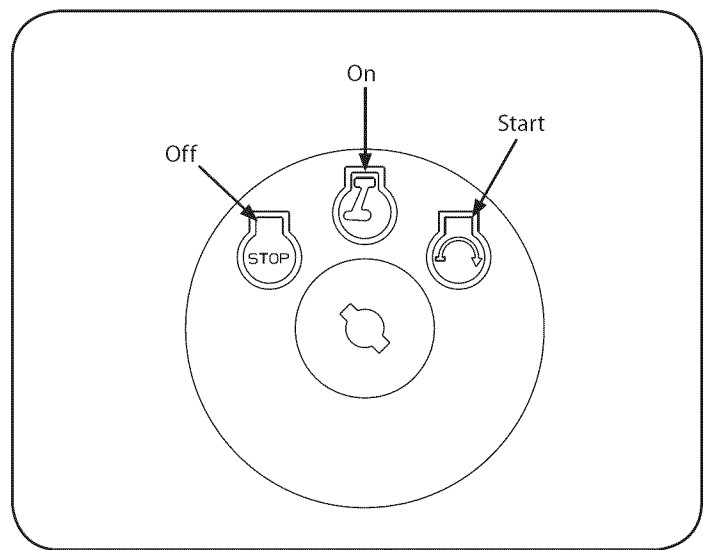


Figure 21

OPERATION

Avoid Serious Injury or Death

- Know location and function of all controls.
- Remove objects which could be thrown by the blades.
- Go up and down slopes, not across.
- Use extra caution on slopes. Do not mow slopes greater than 12 degrees. Avoid sudden turns. Use low speed.
- Do not operate machine where it could tip or slip.
- If machine stops going uphill, stop blades and back down slowly.
- Before leaving operator's position, disengage blades, engage parking brake, shut off and remove key.
- Be sure blades and engine are stopped before placing hands or feet near blades.
- Keep safety devices (guards, shields, switches, etc.) in place and working.
- Keep bystanders away.
- Allow machine to cool before fueling or storing.
- Keep machine free of debris.

Read Operator's Manual

Engaging the Parking Brake

To engage the parking brake:

1. Fully depress the brake pedal and hold it down with your foot.
2. Move the parking brake lever down into the parking brake position.
3. Release the brake pedal to allow the parking brake to engage.

To release the parking brake:

1. Depress the brake pedal and move the speed control lever out of the parking brake position.

Setting the Cutting Height

Select the height position of the cutting deck by placing the deck lift lever in any of the different cutting height notches on the right side of the fender.

WARNING

Keep hands and feet away from the discharge opening of the cutting deck.

Starting the Engine

WARNING

Do not operate the tractor if the interlock system is malfunctioning. This system was designed for your safety and protection.

NOTE: Refer to the Assembly section of this manual for gasoline and oil fill-up instructions.

1. Insert the tractor key into the ignition switch.
2. Place the PTO (Blade Engage) lever in the disengaged (OFF) position.
3. Engage the tractor's parking brake.
4. Activate the choke control.
5. Turn the ignition key clockwise to the START position. After the engine starts, release the key. It will return to the ON position.

WARNING

IMPORTANT: Do NOT hold the key in the START position for longer than ten seconds at a time. Doing so may cause damage to your engine's electric starter.

6. After the engine starts, deactivate the choke control by placing the throttle control into the FAST position.

NOTE: Do NOT leave the choke control on while operating the tractor. Doing so will result in a "rich" fuel mixture and cause the engine to run poorly.

Stopping the Engine

WARNING

If you strike a foreign object, stop the engine, disconnect the spark plug wire(s) and ground against the engine. Thoroughly inspect the machine for any damage. Repair the damage before restarting and operating.

1. If the blades are engaged, place the PTO (Blade Engage) lever in the disengaged (OFF) position.
2. Turn the ignition key counterclockwise to the STOP position.
3. Remove the key from the ignition switch to prevent unintended starting.

OPERATION

Driving The Tractor

WARNING

Avoid sudden starts, excessive speed and sudden stops.

WARNING

Do not leave the seat of the tractor without first placing the PTO (Blade Engage) lever in the disengaged (OFF) position, depressing the brake pedal and engaging the parking brake. If leaving the tractor unattended, also turn the ignition key off and remove the key.

WARNING

Always look down and behind before and while backing up to avoid a back-over accident.

1. Depress the brake pedal and move the speed control lever out of the parking brake position, then let the pedal release.
2. Move the throttle lever into the FAST (rabbit) position.
3. Place the shift lever in either the FORWARD or REVERSE position.

IMPORTANT: Do NOT use the shift lever to change the direction of travel when the tractor is in motion. Always use the brake pedal to bring the tractor to a complete stop before shifting.

4. Release the parking brake by depressing the clutch-brake pedal and positioning the speed control lever in desired position.

IMPORTANT: First-time operators should use speed positions 1 or 2. Become completely familiar with the tractor's operation and controls before operating the tractor in higher speed positions.

5. Release clutch-brake pedal slowly to put unit into motion.
6. The lawn tractor is brought to a stop by depressing the clutch-brake pedal.

NOTE: When operating the unit initially, there will be little difference between the highest two speeds until after the belts have seated themselves into the pulleys during the break-in period.

WARNING

Before leaving the operator's position for any reason, disengage the blades, place the shift lever in neutral, engage the parking brake, shut engine off and remove the key.

IMPORTANT: When stopping the tractor for any reason while on a grass surface, always:

1. Place the shift lever in neutral,
2. Engage the parking brake,
3. Shut engine off and remove the key. Doing so will minimize the possibility of having your lawn "browned" by hot exhaust from your tractor's running engine.

If unit stalls with speed control in high speed, or if unit will not operate with speed control lever in a low speed position, proceed as follows:

1. Place shift lever in NEUTRAL.
2. Restart engine.
3. Place speed control lever in highest speed position.
4. Release clutch-brake pedal fully.

5. Depress clutch-brake pedal.
6. Place speed control lever in desired position.
7. Place shift lever in either FORWARD or REVERSE, and follow normal operating procedures.

Driving On Slopes

Refer to the SLOPE GAUGE in the Safety Instructions section of the manual to help determine slopes where you may operate this tractor safely.

WARNING

Do not mow on inclines with a slope in excess of 12 degrees (a rise of approximately 2 feet every 10 feet). The tractor could overturn and cause serious injury.

- Mow up and down slopes, NEVER across.
- Exercise extreme caution when changing direction on slopes.
- Watch for holes, ruts, bumps, rocks, or other hidden objects. Uneven terrain could overturn the machine. Tall grass can hide obstacles.
- Avoid turns when driving on a slope. If a turn must be made, turn down the slope. Turning up a slope greatly increases the chance of a roll over.
- Avoid stopping when driving up a slope. If it is necessary to stop while driving up a slope, start up smoothly and carefully to reduce the possibility of flipping the tractor over backward.

OPERATION

Engaging the Blades

Engaging the PTO (Blade Engage) transfers power to the cutting deck. To engage the blades, proceed as follows:

1. Move the throttle/choke control lever to the FAST (rabbit) position.
2. Grasp the PTO (Blade Engage) lever and pivot it all the way forward into the engaged (ON) position.
3. Keep the throttle lever in the FAST (rabbit) position for the most efficient use of the cutting deck.

NOTE: The engine will automatically shut off if the PTO (Blade Engage) lever is moved into the engaged (ON) position with the shift lever in Reverse.

Mulching

A mulch kit is available as an attachment. Mulching is a process of recirculating grass clippings repeatedly beneath the cutting deck. The ultra-fine clippings are then forced back into the lawn where they act as a natural fertilizer. Contact the nearest Parts & Repair Service Center to purchase a mulch kit for this unit.

To locate the nearest Parts & Repair Service Center, contact 1-888-331-4569.

Using the Deck Lift Lever

To raise the cutting deck, move the deck lift lever to the left, then place it in the notch best suited for your application. Refer to Setting The Cutting Height earlier in this section.

Mowing

WARNING

To help avoid blade contact or a thrown object injury, keep bystanders, helpers, children and pets at least 75 feet from the machine while it is in operation. Stop machine if anyone enters the area.

The following information will be helpful when using the cutting deck with your tractor:

WARNING

Plan your mowing pattern to avoid discharge of materials toward roads, sidewalks, bystanders and the like. Also, avoid discharging material against a wall or obstruction which may cause discharged material to ricochet back toward the operator.

- Do not mow at high ground speed, especially if a mulch kit or grass collector is installed.
- For best results it is recommended that the first two laps be cut with the discharge thrown towards the center. After the first two laps, reverse the direction to throw the discharge to the outside for the balance of cutting. This will give a better appearance to the lawn.
- Do not cut the grass too short. Short grass invites weed growth and yellows quickly in dry weather.
- Mowing should always be done with the engine at full throttle.
- Under heavier conditions it may be necessary to go back over the cut area a second time to get a clean cut.
- Do NOT attempt to mow heavy brush and weeds and extremely tall grass. Your tractor is designed to mow lawns, NOT clear brush.
- Keep the blade sharp and replace the blade when worn. Refer to Cutting Blade in the Maintenance section of this manual for proper blade sharpening instructions.
- The lamps turn OFF when the ignition key is moved to the STOP position.

SERVICE AND MAINTENANCE

MAINTENANCE SCHEDULE

WARNING

Before performing any type of maintenance/service, disengage all controls and stop the engine. Wait until all moving parts have come to a complete stop. Disconnect spark plug wire and ground it against the engine to prevent unintended starting. Always wear safety glasses during operation or while performing any adjustments or repairs.

Follow the maintenance schedule given below. This chart describes service guidelines only. Use the Service Log column to keep track of completed maintenance tasks.

To locate the nearest Parts & Repair Service Center or to schedule service, simply call 1-888-331-4569.

Interval	Item	Service	Service Log
Before Each Use	<ol style="list-style-type: none"> 1. Engine oil level 2. Air Filter 3. Muffler area and controls 	<ol style="list-style-type: none"> 1. Check 2. Clean/Replace 3. Clean 	
In the First Five Hours	<ol style="list-style-type: none"> 1. Engine Oil 	<ol style="list-style-type: none"> 1. Change 	
Every 10 Hours	<ol style="list-style-type: none"> 1. Hood/ Dash air vents 2. Battery terminals 3. Deck spindle and idler bracket 	<ol style="list-style-type: none"> 1. Clean 2. Clean 3. Lubricate 	
Every 25 hours	<ol style="list-style-type: none"> 1. Air filter's precleaner* 2. Air filter* 3. Mid-steering arms, pivot shafts, rack and axles 4. Front wheel bearings 	<ol style="list-style-type: none"> 1. Clean 2. Clean 3. Lubricate 4. Lubricate 	
Every 50 hours	<ol style="list-style-type: none"> 1. Engine oil/ Oil filter 2. Muffler 	<ol style="list-style-type: none"> 1. Change/Replace 2. Check 	
Annually	<ol style="list-style-type: none"> 1. Air filter 2. Air filter's pre-cleaner 3. Spark plug 4. Air cooling system* 5. Fuel filter 6. Steering Gears 7. Rear Wheels 	<ol style="list-style-type: none"> 1. Replace 2. Replace 3. Replace 4. Clean 5. Replace 6. Clean 7. Remove and grease axles 	
Before Storage	<ol style="list-style-type: none"> 1. Hood/ Dash air vents 2. Battery terminals 3. Mid steering arms, pivot shafts, and axles 4. Front wheel bearings 5. Deck spindle and idler bracket 6. Pedal pivot points 	<ol style="list-style-type: none"> 1. Clean 2. Clean 3. Lubricate 4. Lubricate 5. Lubricate 6. Lubricate 	

*Service more frequently under dusty conditions.

WARNING

Before performing any maintenance or repairs, disengage the PTO (Blade Engage Lever), engage the parking brake, stop the engine and remove the key to prevent unintended starting.

WARNING

If the engine has been recently run, the engine, muffler and surrounding metal surfaces will be hot and can cause burns to the skin. Exercise caution to avoid burns.

SERVICE AND MAINTENANCE

Engine Maintenance

WARNING

Shut off the engine before performing any maintenance. To prevent accidental start-up, disconnect the spark plug boot.

IMPORTANT: If engine must be tipped to transport equipment or to inspect or remove grass, keep spark plug side of engine up. Transporting or tipping engine spark plug down may cause smoking, hard starting, spark plug fouling, or oil saturation of air cleaner.

Periodic inspection and adjustment of the engine is essential if high level performance is to be maintained. Regular maintenance will also ensure a long service life. The required service intervals and the kind of maintenance to be performed are described in the table on the previous page. Follow the hourly or calendar intervals, whichever occur first. More frequent service is required when operating in adverse conditions.

WARNING

If the engine has been running, the muffler will be very hot. Be careful not to touch the muffler.

Servicing the Engine Oil

- Check the oil level regularly.
- Be sure correct oil level is maintained. Check the oil every five to ten hours of operation, before starting the engine. See Checking Oil Level in the Assembly section.

Only use high quality detergent oil rated with API service classification SF, SG, SH, or SJ. Select the oil's SAE viscosity grade according to the expected operating temperature. Refer to Gas & Oil in the Assembly section of this manual.

Oil Drain

IMPORTANT: Be sure to check engine on a level surface with the engine stopped. Drain the oil while the engine is still warm to assure rapid and complete draining.

For draining oil from the engine's crankcase of select model tractors, a plastic oil drain sleeve is packed with this Operator's Manual. To drain the oil, proceed as follows:

1. Unscrew the oil fill cap and remove the dipstick from the oil fill tube.
2. Snap the small end of oil drain sleeve onto the oil sump. See Figure 22.
3. Remove drain plug and drain oil into a suitable container with a capacity of no less than 64 oz.
4. Tip the tractor slightly in the direction of the suitable container to aid in fully draining all of the oil from the engine.

WARNING

Before tipping engine or equipment to drain oil, drain fuel from tank by running engine until fuel tank is empty.

5. Service the Oil Filter if desired, as per the instructions later in this section.
6. Reinstall the drain plug and tighten it securely, 12-14 Nm (106.2-123.9 in-lb).
7. Remove the oil drain sleeve from the oil sump. Return the dipstick to the oil fill tube and screw the oil fill cap back into place.
8. Pour oil into the dipstick tube. Do not over fill. With an oil filter change the high level amount of oil for this engine is 1700 ml (57.48 fl-oz.).
9. Install dipstick and turn to locked position before starting engine.

10. Start the engine. Allow it to run for a few seconds and then shut down the engine.
11. Check the oil level.

IMPORTANT: Used motor oil may cause skin cancer if repeatedly left in contact with the skin for prolonged periods. Although this is unlikely unless you handle used oil on a daily basis, it is still advisable to thoroughly wash your hands with soap and water as soon as possible after handling used oil.

NOTE: Please dispose of used motor oil in a manner that is compatible with the environment. We suggest you take it in a sealed container to your local service station for reclamation. Do not throw it in the trash, pour it down a drain or on the ground.

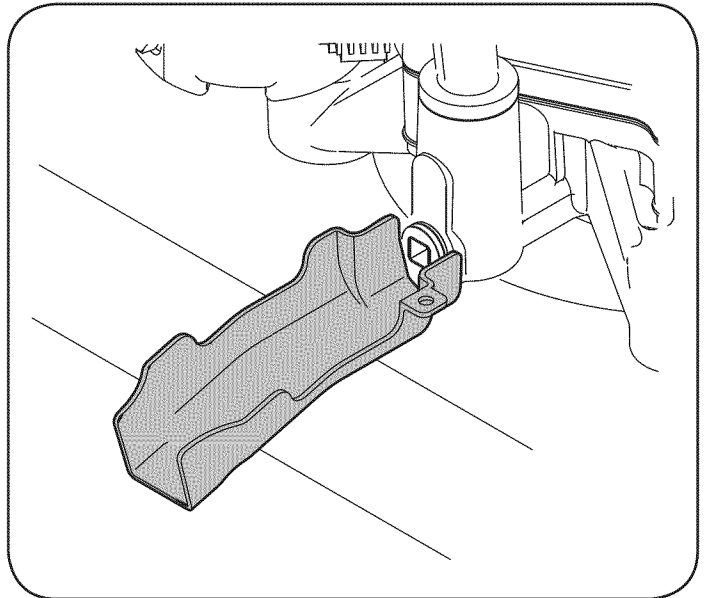


Figure 22

Replacing The Oil Filter

This engine is equipped with a spin-on oil filter that should be replaced each time an oil change is performed, every season or 50 hours. Refer to Figure 23.

To replace the Oil Filter:

1. Drain the oil as instruction previously in this section.
2. Remove the oil filter. Dispose of the old oil filter properly.
3. Lube gasket of new oil filter with clean oil.
4. Install and turn oil filter by hand until the gasket comes in contact with the sealing surface of the crankcase cover, then tighten the oil filter, 10-12 Nm (88.5-106.2 in-lb), 1/2-3/4 turn.
5. Add oil as previously instructed.
6. Make sure dipstick is installed.
7. Start and run engine. Check for leaks.
8. Stop engine. Wait a few minutes and check the oil level. See Checking The Oil Level in the Assembly section of this manual.

SERVICE AND MAINTENANCE

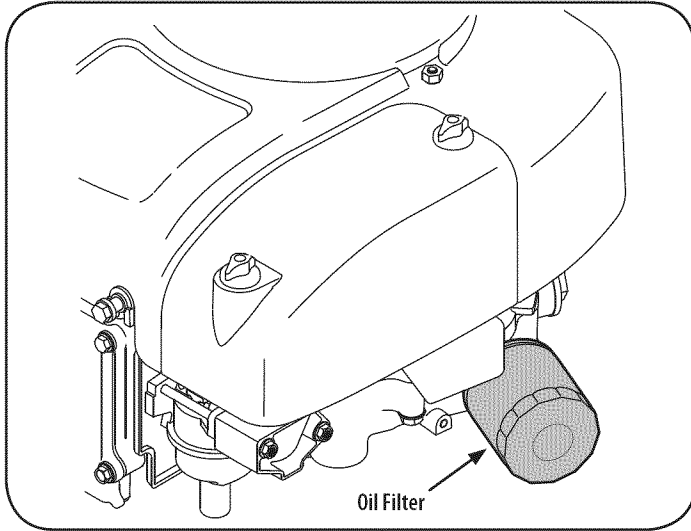


Figure 23

Adding Oil

IMPORTANT: Be sure to check engine on a level surface with the engine stopped.

1. Wipe around dipstick cap and tube with a clean cloth to remove any debris. See Figure 24.

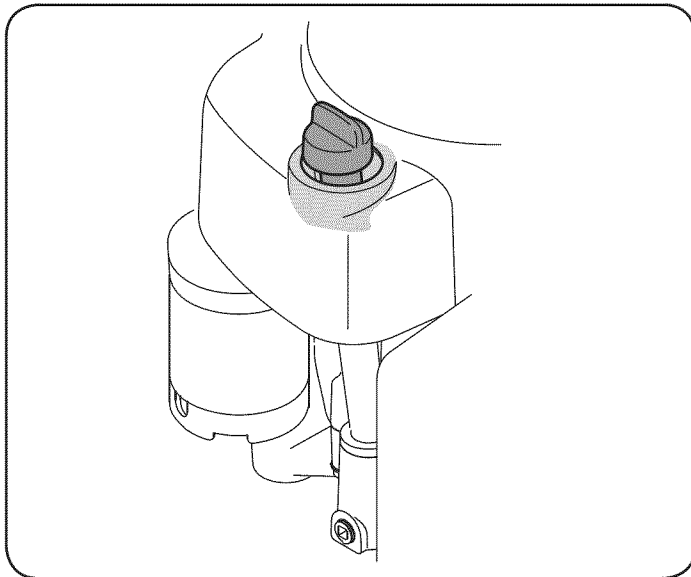


Figure 24

2. Remove dipstick and wipe clean with a cloth.
3. Pour oil into the dipstick tube. Do not over fill. With an oil filter change the high level amount of oil for this engine is 1700 ml (57.48 fl-oz.).
4. Install dipstick and turn to locked position before starting engine.
5. Start engine. Allow to run for a few seconds and then shut down the engine.
6. Check the oil level. See Checking Oil Level in the Assembly section of this manual.

Air Filter Service

Paper filters cannot be cleaned and should be replaced every 100 operating hours; more often if used in extremely dusty conditions.

WARNING

Never use gasoline or low flash point solvents for cleaning the air filter element. A fire or explosion could result.

CAUTION

Do not use pressurized air or solvents to clean the air cleaner cartridge.

WARNING

If filters, or covers are not installed correctly serious injury or death could result from backfire. Do not attempt to start the engine with them removed.

IMPORTANT: Never run the engine without the air filter. Rapid engine wear will result.

1. Unscrew the thumb screws and remove the air filter cover. See Figure 25.

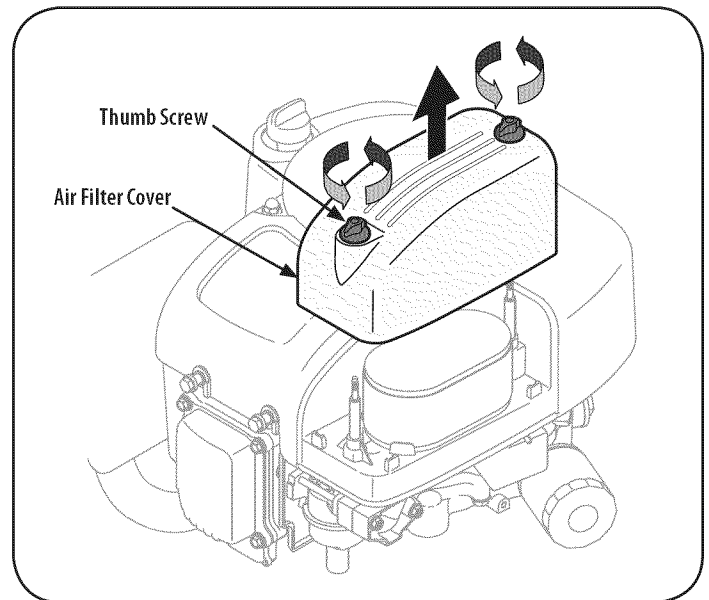


Figure 25

SERVICE AND MAINTENANCE

2. Remove the air filter. See Figure 26.

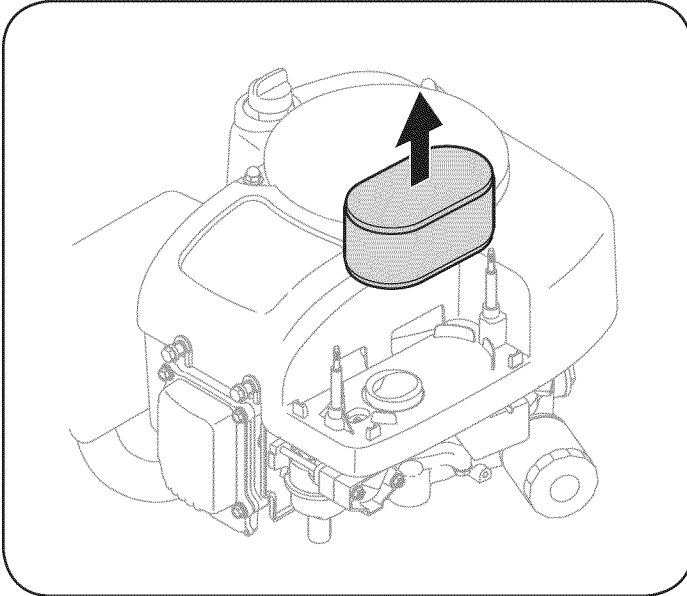


Figure 26

3. Remove the foam pre-filter from around the paper air filter. See Figure 27. Replace paper element when dirty or damaged. Clean foam element or replace when damaged.

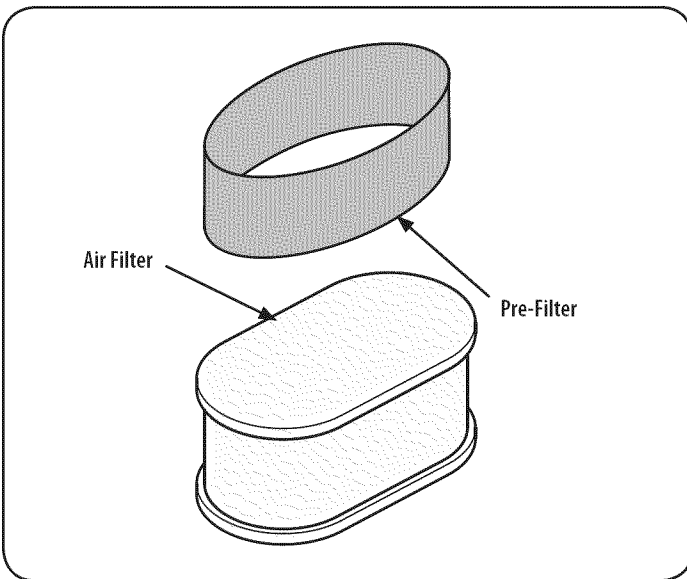


Figure 27

4. To clean foam element, wash in a mild liquid detergent and water. Squeeze or press the foam element to rinse out dirt and water. Do not twist; this could damage or tear the foam element. Allow to dry thoroughly before using. DO NOT oil the foam element.
5. Attach the new air filter with foam element, aligning the hole in the air filter with the intake manifold. See Figure 28.

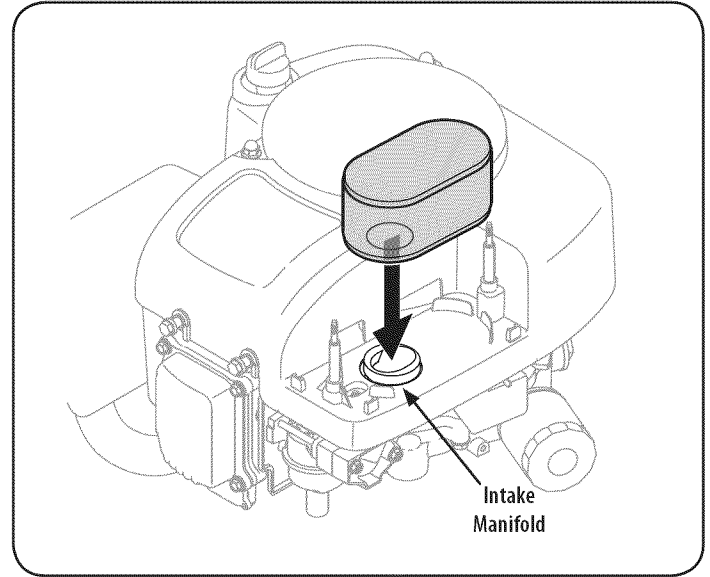


Figure 28

6. Attach the air filter cover, making sure to align plastic rib features on the shroud to the plastic features on the air filter cover. See Figure 29. Turn thumb screws clockwise until snug. Check for any misalignment.

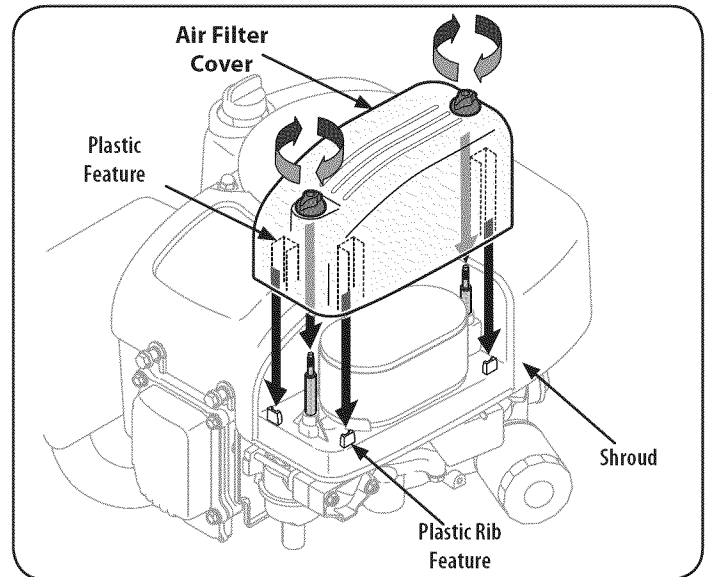


Figure 29

Spark Plug Service

WARNING

DO NOT check for spark with spark plug removed. **DO NOT** crank engine with spark plug removed.

To ensure proper engine operation, the spark plug must be properly gapped and free of deposits.

1. Remove the spark plug boot and use a spark plug wrench to remove the plug. See Figure 30.

SERVICE AND MAINTENANCE

WARNING

If the engine has been running, the muffler will be very hot. Be careful not to touch the muffler.

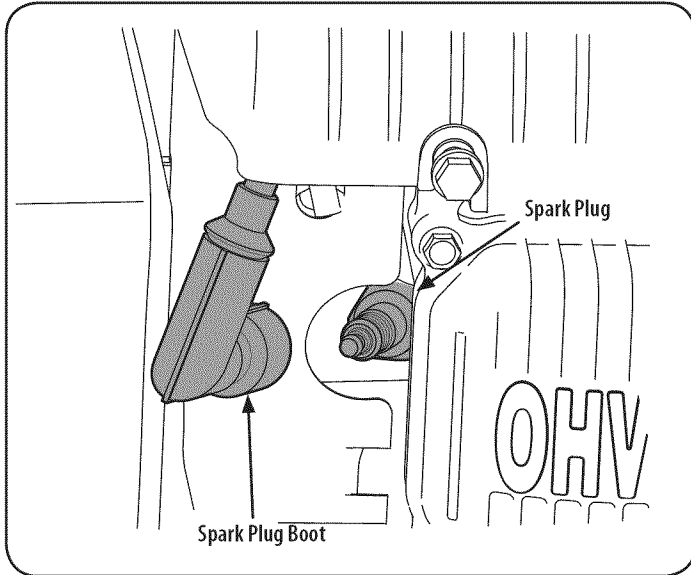


Figure 30

2. Visually inspect the spark plug. Discard the spark plug if there is apparent wear, or if the insulator is cracked or chipped. Clean the spark plug with a wire brush if it is to be reused.
3. Measure the plug gap with a feeler gauge. Correct as necessary by bending side electrode. See Figure 31. The gap should be set to between 0.024-0.031 in.

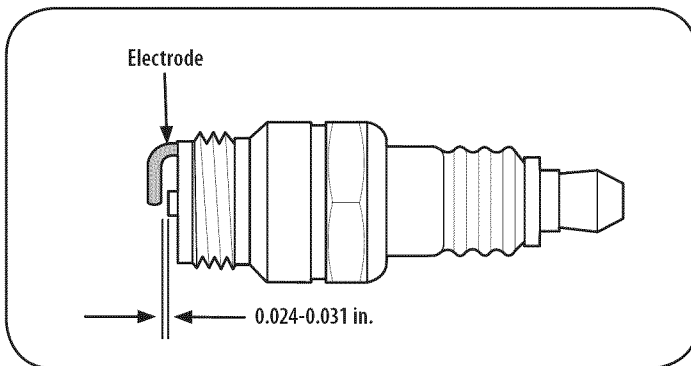


Figure 31

4. Check that the spark plug washer is in good condition and thread the spark plug in by hand to prevent cross-threading.
5. After the spark plug is seated, tighten with a spark plug wrench to compress the washer.

NOTE: When installing a new spark plug, tighten 1/2 turn after the spark plug seats to compress the washer. When reinstalling a used spark plug, tighten 1/8-1/4 turn after the spark plug seats to compress the washer.

IMPORTANT: The spark plug must be securely tightened. An improperly tightened spark plug can become very hot and may damage the engine.

Fuel Filter Service

WARNING

Gasoline and its vapors are extremely flammable and explosive. Fire or explosion can cause severe burns or death.

- Keep gasoline away from sparks, open flames, pilot lights, heat, and other ignition sources.
- Check fuel lines, tank, cap, and fittings frequently for cracks or leaks. Replace if necessary.
- Before replacing the fuel filter, drain the fuel tank as in To Drain the Fuel.
- Do not drain fuel when the engine is hot. Allow the engine adequate time to cool. Drain fuel into an approved container outdoors, away from open flame.
- Drain any large volume of fuel from the tank by disconnecting the fuel line from the in-line fuel filter near the engine.
- Remove the fuel line from the In-line side (side towards the fuel tank) of the fuel filter.
- Replacement parts must be the same and installed in the same position as the original parts.
- If fuel spills, wait until it evaporates before starting engine.
- Before replacing the fuel filter, drain the fuel tank. Otherwise, fuel can leak out and cause a fire or explosion.

To Drain The Fuel:

1. Locate the fuel filter, which is routed on the left side of the engine between the fuel tank and the carburetor, and may be attached to the engine with a tie strap. Cut the tie strap, if present, then pinch the in-line clamp on the fuel filter with a pair of pliers, slide the clamp up the fuel line. Pull the fuel line free from the filter and place the open end of the line into an approved container to drain the fuel.

To Change The Fuel Filter:

1. Use pliers to squeeze the tabs on the other clamp (the out-line side of the fuel filter), and slide the clamp away from the fuel filter. Twist and pull the fuel line off of the fuel filter. See Figure 32.
2. Check the fuel lines for cracks or leaks. Replace if necessary.
3. Replace the fuel filter with an original equipment replacement filter. **Call 1-888-331-4569 to purchase the original equipment replacement filter.**
4. Secure the fuel lines with the clamps.

The fuel filter cannot be cleaned and should be replaced every 100 operating hours; more often if run with old gasoline.

SERVICE AND MAINTENANCE

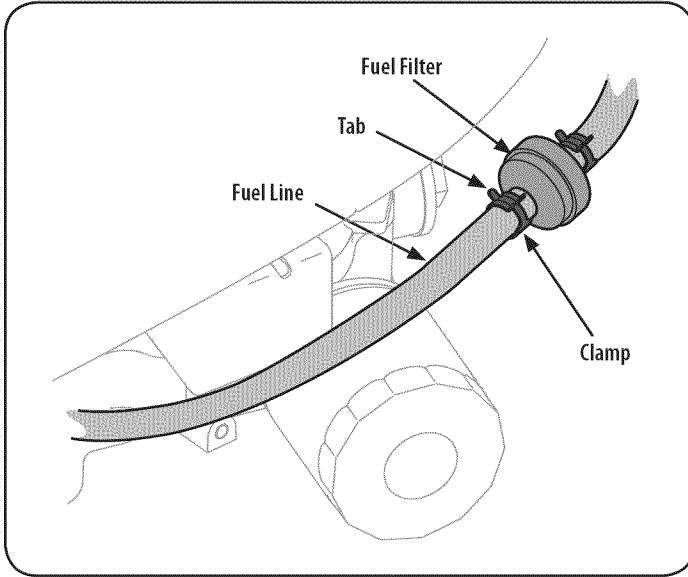


Figure 32

Clean Engine

If the engine has been running, allow it to cool for at least half an hour before cleaning. Periodically remove dirt build-up from engine. Clean the engine cooling fins every 25 hours. Clean with a brush or compressed air.

IMPORTANT: Do not spray engine with water to clean because water could contaminate fuel. Using a garden hose or pressure washing equipment can also force water into the air cleaner or muffler opening. Water in the air cleaner will soak the paper element, and water that passes through the element or muffler can enter the cylinder, causing damage.

WARNING

Accumulation of debris around muffler could cause a fire. Inspect and clean before every use.

Cutting Deck Removal

To remove the cutting deck, proceed as follows:

1. Place the PTO (Blade Engage) lever in the disengaged (OFF) position and engage the parking brake.
2. Lower the deck by moving the deck lift lever into the bottom notch on the right fender.
3. Remove the belt from around the tractor's PTO pulley. See Figure 33.

WARNING

Avoid pinching injuries. Never place your fingers on the idler spring or between the belt and a pulley while removing the belt.

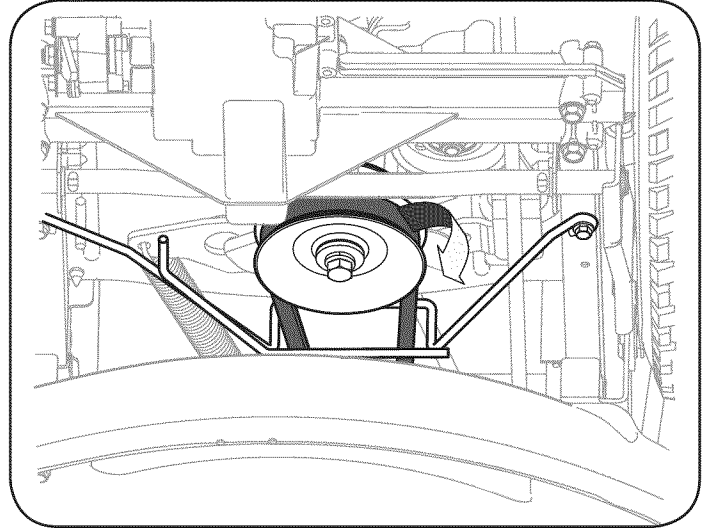


Figure 33

4. Remove the bow-tie cotter pin and flat washer from the deck lift assembly, and retain for reinstallation later. See Figure 34.

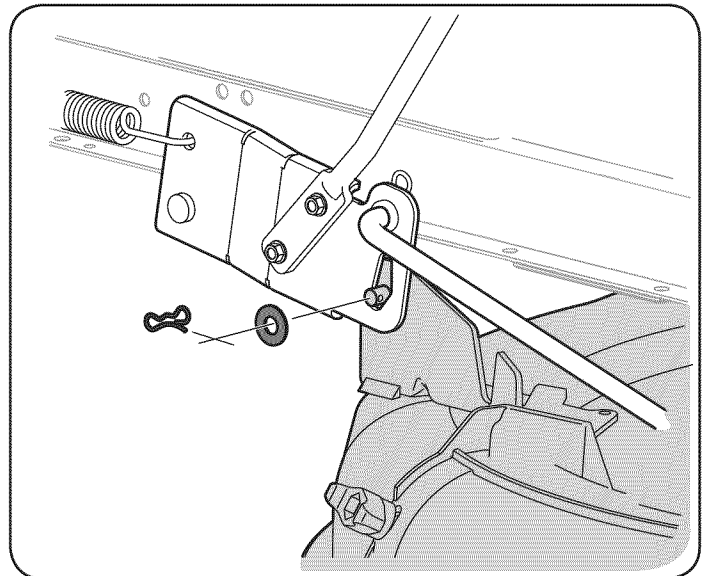


Figure 34

SERVICE AND MAINTENANCE

5. Remove the remaining bow-tie cotter pins securing the deck to the unit, as shown in Figure 35.

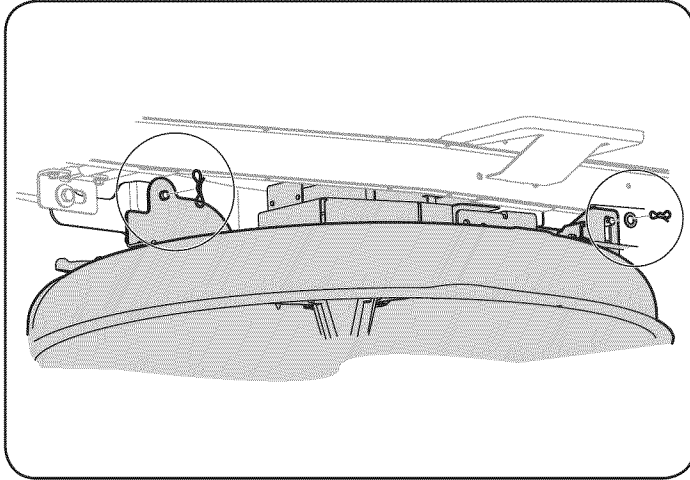


Figure 35

NOTE: The bow-tie clips should be re-installed from the top down.

6. Move the deck lift lever into the top notch on the right fender to raise the deck lift arms up and out of the way.
7. Unplug the wiring pigtail from the deck safety switch.
8. Carefully remove the PTO cable from the rear of the cutting deck by removing the bow-tie cotter pin which secures it. Remove the spring from the deck idler bracket. See Figure 36.

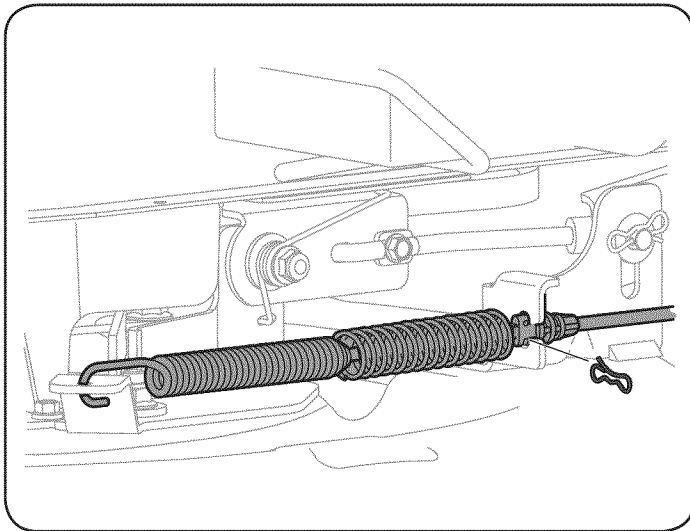


Figure 36

9. Gently slide the cutting deck (from the left side) out from underneath the tractor.

Changing the Deck Belt

NOTE: It is possible to change the deck belt with the cutting deck still installed on the tractor, however it is much easier to remove the deck first, change the deck belt, then reinstall the cutting deck.

To change the cutting deck belt, proceed as follows:

1. It is easiest to change the deck belt by first removing the cutting deck as instructed earlier in this section. Skip this step if deciding to change the deck belt with the mowing deck still installed on the unit. Otherwise, remove the cutting deck now.
2. If changing the deck belt with the cutting deck still installed on the unit, lower the cutting deck to the lowest cutting position.
3. Remove the deck belt from around the unit's PTO drive pulley as shown in Figure 33. Simply roll one side of the belt off the pulley and then work it off the pulley by continuing around the pulley until the belt is off of the pulley.
4. Pull the belt towards the front of the unit, pulling it through and out of the belt keeper bracket, shown in Figure 33.
5. Remove the deck belt cover by removing the three hex bolts that secure it. See Figure 37.

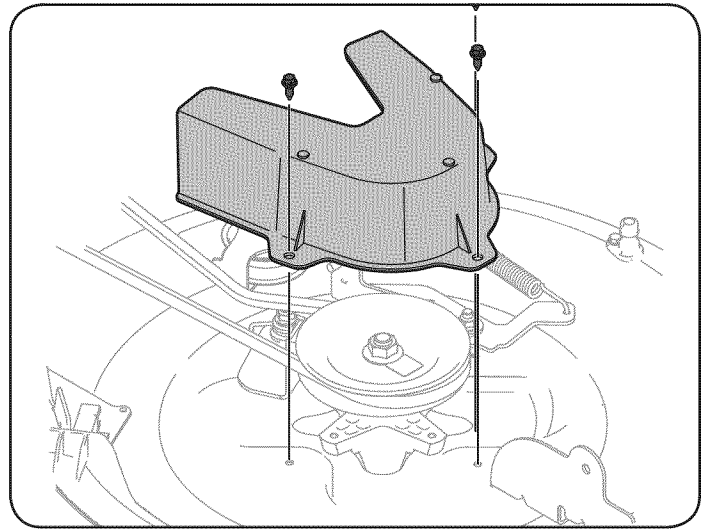


Figure 37

6. Remove the belt keeping spacer by removing the hex bolt that secures it. See Figure 38.

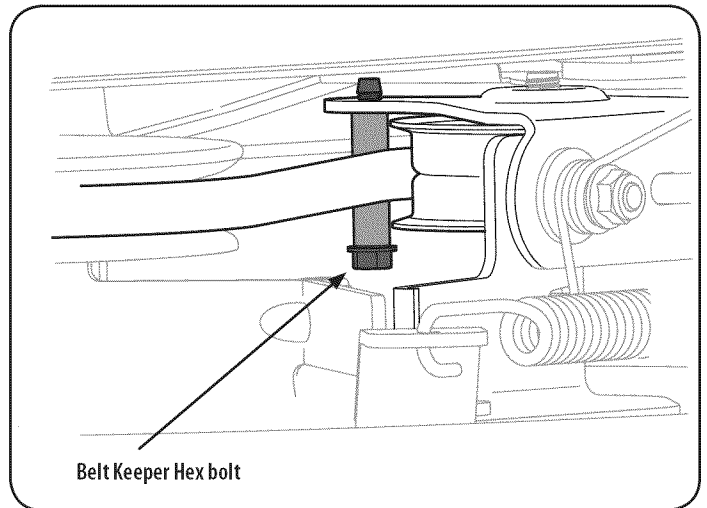


Figure 38

7. Change the belt, then reinstall the all the components removed in the reverse order beginning with the idler pulley, and lastly the belt cover.

SERVICE AND MAINTENANCE

8. Feed the deck belt through the belt keeper bracket and work it around and onto the PTO drive pulley as shown in Figure 33.

Tires

WARNING

Never exceed the maximum inflation pressure shown on the sidewall of tire.

The recommended operating tire pressure is:

- Approximately 10 psi for the rear tires
- Approximately 14 psi for the front tires

IMPORTANT: Refer to the tire sidewall for exact tire manufacturer's recommended or maximum psi. Do not overinflate. Uneven tire pressure could cause the cutting deck to mow unevenly.

Cutting Blade

WARNING

Shut the engine off and remove ignition key before removing the cutting blade for sharpening or replacement. Protect your hands by using heavy gloves when grasping the blade.

WARNING

Periodically inspect the blade and/or spindle for cracks or damage, especially after you've struck a foreign object. Do not operate the machine until damaged components are replaced.

To remove the blade, proceed as follows.

NOTE: It may be easier to change the blade by first removing the deck from beneath the tractor, (refer to Cutting Deck Removal earlier in this section) then gently flip the deck over to expose its underside. It is possible to change the blade, however, with the deck still attached to the tractor. If attempting to change the blade with the deck still installed on the tractor, first move the deck lift lever to its highest cutting position.

1. Remove the mulch plug, deck chute or bagging chute, if equipped, exposing the deck chute opening.
2. Using a block of wood or 2 x 4, insert it into the deck opening and rotate the blade around until it wedges the wood between the deck opening and the cutting blade, as shown in Figure 39.
3. Remove the hex flange nut that secures the blade to the spindle assembly, and remove the blade. See the Inset of Figure 39.

NOTE: The deck spindle has a normal thread. To loosen, rotate the flange lock nut counterclockwise.

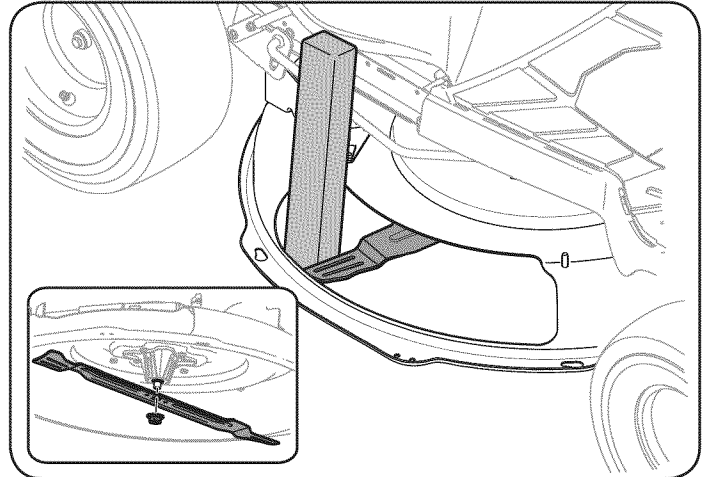


Figure 39

4. To properly sharpen the cutting blades, remove equal amounts of metal from both ends of the blades along the cutting edges, parallel to the trailing edge, at a 25°- to 30° angle. Always grind each cutting blade edge equally to maintain proper blade balance. See Figure 40.

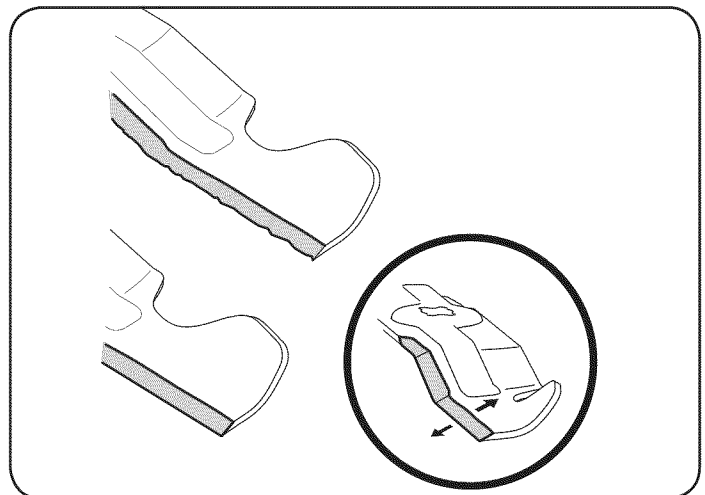


Figure 40

CAUTION

If the cutting edge of the blade has previously been sharpened, or if any metal separation is present, replace the blades with new ones.

WARNING

A poorly balanced blade will cause excessive vibration, may cause damage to the tractor and/or result in personal injury.

5. Test the blade's balance using a blade balancer. Grind metal from the heavy side until it balances evenly.

NOTE: When replacing the blade, be sure to install the blade with the side of the blade marked "Bottom" (or with a part number stamped in it) facing the ground when the mower is in the operating position.

CAUTION

Use a torque wrench to tighten the blade spindle hex flange nut to between 70 lbs-ft and 90 lbs-ft.

SERVICE AND MAINTENANCE

Adjustments

WARNING

Never attempt to make any adjustments while the engine is running, except where specified in the operator's manual.

Leveling the Deck

NOTE: Check the tractor's tire pressure before performing any deck leveling adjustments. Refer to Tires, in this Service And Maintenance section for more information regarding tire pressure.

Front To Rear

It is possible to adjust the pitch of the cutting deck. The front of the deck should be between 0" (level) and ¼" lower than the rear of the deck. Adjust if necessary as follows:

1. With the tractor parked on a firm, level surface, place the lever for lifting the cutting deck into the middle position (3) and rotate the blade so that it is aligned with the front and rear of the tractor.
2. Measure the distance from the front of the blade tip to the ground and the rear of the blade tip to the ground. The first measurement taken should be between 0" (level) and ¼" less than the second measurement. Determine the approximate distance necessary for proper adjustment and proceed, if necessary, to the next step.
3. Locate the flange lock nut on the front end of the PTO Lift Rod. See Figure 41.
 - Tighten the flange lock nut to raise the front of the deck;
 - Loosen the flange lock nut to lower the front of the deck.

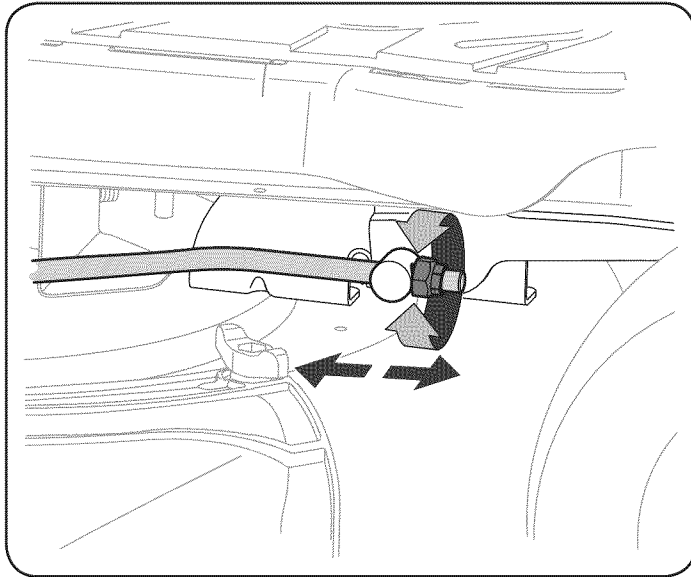


Figure 41

Seat Adjustment

Refer to the Assembly section of this manual for seat adjustment instructions.

Parking Brake Adjustment

WARNING

Never attempt to adjust the brakes while the engine is running. Always disengage PTO (Blade Engage Lever), move shift lever into neutral position, stop engine and remove key to prevent unintended starting.

If the tractor does not come to a complete stop when the clutch-brake pedal is completely depressed, or if the tractor's rear wheels can roll with the parking brake applied, the brake is in need of adjustment. Contact the nearest Parts & Repair Service Center to have your brakes serviced.

To locate the nearest Parts & Repair Service Center or to schedule service, contact 1-888-331-4569.

Changing the Transmission Drive Belt

NOTE: Several components must be removed and special tools (i.e. air/impact wrench) in order to change the tractor's drive belt. Contact the nearest Parts & Repair Service Center to have your transmission drive belt serviced.

To locate the nearest Parts & Repair Service Center or to schedule service, call 1-888-331-4569.

Muffler

WARNING

Temperature of muffler and nearby engine areas may exceed 150° F (65°C). Avoid contact with these areas.

- Inspect muffler periodically, and replace if necessary. Replacement parts for the muffler must be the same and installed in the same position as the original parts.

Clean Engine

- Daily or before every use, clean grass, chaff or accumulated debris from engine. Keep linkage, spring, and controls clean.
- Keep area around and behind muffler free of any combustible debris.
- Keeping engine clean allows air movement around engine.
- Engine parts should be kept clean to reduce the risk of overheating and ignition of accumulated debris.

CAUTION

Do not use water to clean engine parts. Water could contaminate fuel system. Use a brush or dry cloth.

Carburetor Adjustment

- The carburetor on this engine is not adjustable.

Battery

California Proposition 65 **WARNING!** Battery posts, terminals, and related accessories contain lead and lead compounds, chemicals known to the State of California to cause cancer and reproductive harm. Wash hands after handling.

CAUTION

If removing the battery, disconnect the **NEGATIVE (Black)** wire from its terminal first, followed by the **POSITIVE (Red)** wire. When re-installing the battery, always connect the **POSITIVE (Red)** wire to its terminal first, followed by the **NEGATIVE (Black)** wire.

SERVICE AND MAINTENANCE

The battery is sealed and is maintenance-free. Acid levels cannot be checked.

- Always keep the battery cables and terminals clean and free of corrosive build-up.
- After cleaning the battery and terminals, apply a light coat of petroleum jelly or grease to both terminals.
- Always keep the rubber boot positioned over the positive terminal to prevent shorting.

IMPORTANT: If removing the battery for any reason, disconnect the NEGATIVE (Black) wire from its terminal first, followed by the POSITIVE (Red) wire. When re-installing the battery, always connect the POSITIVE (Red) wire to its terminal first, followed by the NEGATIVE (Black) wire. Be certain that the wires are connected to the correct terminals; reversing them could change the polarity and result in damage to your engine's alternating system.

Cleaning Battery

Clean the battery by removing it from the tractor and washing with a baking soda and water solution. If necessary, scrape the battery terminals with a wire brush to remove deposits. Coat terminals and exposed wiring with grease or petroleum jelly to prevent corrosion.

Battery Failures

Some common causes for battery failure are:

- Incorrect initial activation
- Overcharging
- Freezing
- Undercharging
- Corroded connections

These failures are NOT covered by your tractor's warranty.

Jump Starting

WARNING

Never jump start a damaged or frozen battery. Be certain the vehicles do not touch, and ignitions are off. Do not allow cable clamps to touch.

1. Connect positive (+) cable to positive post (+) of your tractor's discharged battery.
2. Connect the other end of the cable to the positive (+) post of the jumper battery.
3. Connect the second cable negative (-) to the negative post (-) of the jumper battery.
4. Connect the other end of the negative cable to the engine block of the tractor, away from the battery. Attach to an unpainted part to assure a good connection.

WARNING

If the jumper battery is installed on a vehicle (i.e. car, truck), do NOT start the vehicle's engine when jump starting your tractor.

5. Start the tractor (as instructed in the Operation section of this manual).
6. Set the tractor's parking brake before removing the jumper cables, in reverse order of connection.

Charging

WARNING

Batteries give off an explosive gas while charging. Charge the battery in a well ventilated area and keep away from an open flame or pilot light as on a water heater, space heater, furnace, clothes dryer or other gas appliances.

CAUTION

When charging your tractor's battery, use only a charger designed for 12V lead-acid batteries. Read your battery charger's Owner's Manual prior to charging your tractor's battery. Always follow its instructions and heed its warnings.

If your tractor has not been put into use for an extended period of time, charge the battery as follows:

1. Set your battery charger to deliver a max of 10 amperes.

If your battery charger is automatic, charge the battery until the charger indicates that charging is complete. If the charger is not automatic, charge for no fewer than eight hours.

Fuse

One 15 AMP fuse is installed in your tractor's wiring harness to protect the tractor's electrical system from damage caused by excessive amperage.

If the electrical system does not function, or your tractor's engine will not crank; first check to be certain that the fuse has not blown. It can be found under the fender on the left side of the unit, on the wiring harness just above the battery.

WARNING

Always use a fuse with the same amperage capacity for replacement.

Lubrication

WARNING

Before lubricating, repairing, or inspecting, always disengage PTO (Blade Engage Lever), move shift lever into neutral position, set parking brake, stop engine and remove key to prevent unintended starting.

Pivot Points & Linkage

Lubricate all the pivot points on the drive system, parking brake and lift linkage at least once a season with light oil.

Rear Wheels

The rear wheels should be removed from the axles once a season. Lubricate the axles and the rims well with an all-purpose grease before re-installing them.

Front Axles

Each end of the tractor's front pivot bar may be equipped with a grease fitting. Lubricate with a grease gun after every 25 hours of tractor operation.

Steering Rack & Pinion

Once per season, or every 25 hours of operation, it will be necessary to lubricate the steering rack and pinion gear located under the front of the unit. Using standard automotive grease, apply grease to the front side and rear side of the steering rack, as indicated in Figure 42.

SERVICE AND MAINTENANCE

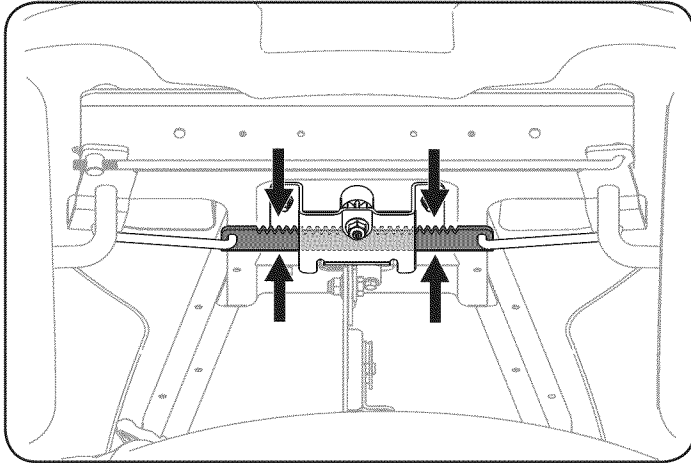


Figure 42

Cleaning the Engine And Deck

Any fuel or oil spilled on the machine should be wiped off promptly. Do NOT allow debris to accumulate around the engine cooling fins of the engine or on any other part of the machine.

IMPORTANT: The use of a pressure washer to clean your tractor is NOT recommended. It may cause damage to electrical components, spindles, pulleys, bearings or the engine.

Deck Wash System

Your tractor's deck is equipped with a water port on its surface as part of its deck wash system.

Use the deck wash to rinse grass clippings from the deck's underside and prevent the buildup of corrosive chemicals. Complete the following steps AFTER EACH MOWING:

1. Drive the tractor to a level, clear spot on your lawn, near enough for your garden hose to reach.

CAUTION

Make certain the tractor's discharge chute is directed AWAY from your house, garage, parked cars, etc.

2. Disengage the PTO (Blade Engage), set the parking brake and stop the engine.
3. Thread the hose coupler (packaged with your tractor's Operator's Manual) onto the end of your garden hose.
4. Attach the hose coupler to the water port on your deck's surface. See Figure 43.

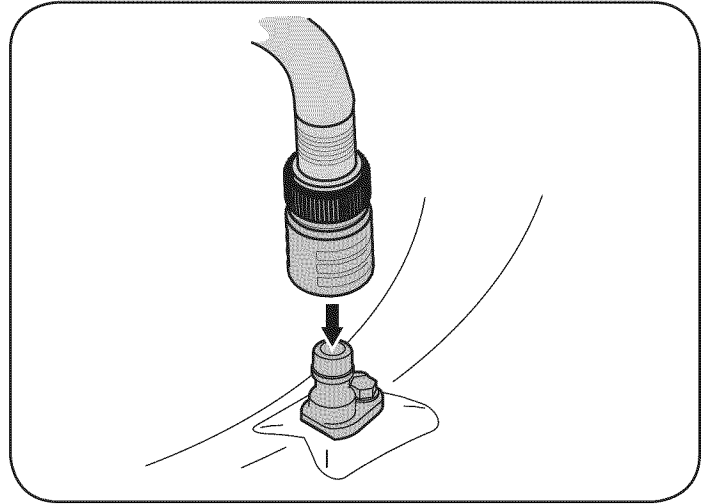


Figure 43

5. Turn the water on.
6. While sitting in the operator's position on the tractor, start the engine and place the throttle lever in the FAST (rabbit) position.
7. Move the tractor's PTO (Blade Engage) into the ON position.
8. Remain in the operator's position with the cutting deck engaged for a minimum of two minutes, allowing the underside of the cutting deck to thoroughly rinse.
9. Move the tractor's PTO (Blade Engage) into the OFF position.
10. Turn the ignition key to the STOP position to turn the tractor's engine off.
11. Turn the water off and detach the hose coupler from the water port on your deck's surface.

After cleaning your deck, return to the operator's position and engage the PTO. Keep the cutting deck running for a minimum of two minutes, allowing the underside of the cutting deck to thoroughly dry.

OFF-SEASON STORAGE

WARNING

Never store lawn tractor with fuel in tank indoors or in poorly ventilated areas where fuel fumes may reach an open flame, spark, or pilot light as on a furnace, water heater, clothes dryer, or gas appliance.

PREPARING THE ENGINE

IMPORTANT: Fuel left in the fuel tank during warm weather deteriorates and will cause serious starting problems.

CAUTION

Failure to use a fuel stabilizing additive or completely run the engine until it's out of fuel before off-season storage may result in damage to your engine's carburetor. Subsequent damage would **not** be covered under the manufacturer's warranty.

Engines stored between 30 and 90 days need to be treated with a gasoline stabilizer and engines stored over 90 days need to be drained of fuel to prevent deterioration and gum from forming in fuel system or on essential carburetor parts. If the gasoline in your engine deteriorates during storage, you may need to have the carburetor, and other fuel system components, serviced or replaced.

To prevent gum deposits from forming inside the engine's carburetor and causing possible malfunction of the engine, the fuel system must be either completely emptied, or the gasoline must be treated with a stabilizer to prevent deterioration.

1. If using a fuel stabilizer:
 - a. Read the product manufacturer's instructions and recommendations.
 - b. Add to clean, fresh gasoline the correct amount of stabilizer for the capacity of the fuel system.
 - c. Fill the fuel tank with treated fuel and run the engine for 2-3 minutes to get stabilized fuel into the carburetor.
2. If emptying the fuel system:
 - a. Do not drain fuel when the engine is hot. Allow the engine adequate time to cool. Drain fuel into an approved container outdoors, away from open flame.
 - b. Drain any large volume of fuel from the tank by disconnecting the fuel line from the in-line fuel filter near the engine. See the complete instructions for Draining The Fuel later in this section.

WARNING

Gasoline is extremely flammable and can be explosive under certain conditions. Drain gasoline before storing the equipment for extended periods. Drain fuel only into an approved container outdoors, away from an open flame. Allow engine to cool. Extinguish cigarettes, cigars, pipes, and other sources of ignition prior to draining fuel. Store gasoline in an approved container in safe location.

- c. Reconnect the fuel line and run the engine until it starts to falter, then use the choke to keep the engine running until all fuel in the carburetor has been exhausted.
- d. Disconnect the fuel line and drain any remaining gasoline from the system.

WARNING

Gasoline is a toxic substance. Dispose of gasoline properly. Contact your local authorities for approved disposal methods.

3. Remove the spark plug and pour one (1) ounce of engine oil through the spark plug hole into the cylinder. Crank the engine several times to distribute the oil. Replace the spark plug.
4. Clean debris from around engine, under finger guard, and under, around and behind muffler. Touch up any damaged paint, and coat other areas that may rust with a light film of oil.
5. Store in a clean, dry and well ventilated area away from any appliance that operates with a flame or pilot light, such as a furnace, water heater, or clothes dryer. Also avoid any area with a spark producing electric motor, or where power tools are operated.
6. If possible, also avoid storage areas with high humidity, because that promotes rust and corrosion.
7. Keep the engine level in storage. Tilting can cause fuel or oil leakage.

DRAINING THE FUEL

1. Locate the fuel filter, which is located on the left side of the engine, and may be attached to the engine with a tie strap.
2. Cut the tie strap, if present, then pinch the in-line clamp on the fuel filter with a pair of pliers, slide the clamp up the fuel line.
3. Pull the fuel line free from the filter and place the open end of the line into an approved container to drain the fuel.

PREPARING THE LAWN TRACTOR

1. Clean and lubricate the unit thoroughly as described in the Lubrication instructions in the Service and Maintenance section.
2. Do not use a pressure washer or garden hose to clean your unit.
3. Store mower in a dry, clean area. Do not store next to corrosive materials, such as fertilizer.

Removing From Storage

1. Check the oil level as described in the Assembly section of this manual.
2. If the fuel was drained during storage preparation, fill the tank with fresh gasoline. If you keep a container of gasoline for refueling, make certain it contains only fresh fuel. Gasoline oxidizes and deteriorates over time, causing hard starting.
3. If the cylinder was coated with oil during storage preparation, the engine will smoke briefly at startup. This is normal.

TROUBLESHOOTING

Problem	Cause	Remedy
Engine fails to start	<ol style="list-style-type: none"> 1. PTO/Blade Engage lever engaged. 2. Parking brake not engaged. 3. Spark plug wire(s) disconnected. 4. Throttle/Choke control lever not in correct starting position. 5. Choke not activated 6. Fuel tank empty, or stale fuel. 7. Blocked fuel line. 8. Faulty spark plug(s). 9. Engine flooded. 10. Blown Fuse(s). 11. Safety switch(s) not properly engaged. 	<ol style="list-style-type: none"> 1. Place lever in disengaged (OFF) position. 2. Engage parking brake. 3. Connect wire(s) to spark plug(s). 4. Place Throttle/Choke lever into the FAST position. 5. Move the Throttle/Choke lever into the Choke position. 6. Fill tank with clean, fresh (less than 30 days old) gas. 7. Replace the fuel line and replace fuel filter. 8. Clean, adjust gap or replace plug(s). 9. Crank engine with throttle in FAST position. 10. Replace Fuse(s) 11. Ensure seat is in the proper operating position, and/or deck chute, tube or mulch plug properly installed.
Engine runs erratically	<ol style="list-style-type: none"> 1. Unit running with CHOKE activated. 2. Spark plug wire(s) loose. 3. Blocked fuel line or stale fuel. 4. Vent in gas cap plugged. 5. Water or dirt in fuel system. 6. Dirty air cleaner. 	<ol style="list-style-type: none"> 1. Deactivate the CHOKE. 2. Connect spark plug wire(s). 3. Replace the fuel line; fill tank with clean, fresh gasoline and replace fuel filter. 4. Clear vent or replace cap if damaged. 5. Drain fuel tank. Refill with clean, fresh gasoline. 6. Replace air cleaner paper element or clean foam pre-cleaner, if equipped.
Engine overheats	<ol style="list-style-type: none"> 1. Engine oil level low. 2. Air flow restricted. 	<ol style="list-style-type: none"> 1. Fill crankcase with proper amount and weight of oil. 2. Clean grass clippings and debris from around the engine's cooling fins and housing.
Engine hesitates at high RPM	<ol style="list-style-type: none"> 1. Spark plug gap too close. 	<ol style="list-style-type: none"> 1. Remove spark plug and reset the gap.
Engine idles rough	<ol style="list-style-type: none"> 1. Spark plug fouled, faulty or gap too wide. 2. Dirty air cleaner. 	<ol style="list-style-type: none"> 1. Replace spark plug. Set plug gap. 2. Replace air cleaner element and/or clean pre-cleaner.
Excessive vibration	<ol style="list-style-type: none"> 1. Cutting blade loose or unbalanced. 2. Damaged or bent cutting blade. 	<ol style="list-style-type: none"> 1. Tighten blade and spindle. 2. Replace blade.
Mower will not mulch grass	<ol style="list-style-type: none"> 1. Engine speed too low. 2. Wet grass. 3. Excessively high grass. 4. Dull blade. 	<ol style="list-style-type: none"> 1. Place throttle in FAST (rabbit) position. 2. Do not mulch when grass is wet. 3. Mow once at a high cutting height, then mow again at desired height or make a narrower cutting swath. 4. Sharpen or replace blade.
Uneven cut	<ol style="list-style-type: none"> 1. Deck not leveled properly. 2. Dull blade. 3. Uneven tire pressure. 	<ol style="list-style-type: none"> 1. Perform side-to-side deck adjustment. 2. Sharpen or replace blade. 3. Check tire pressure in all four tires.

Notes Page

This page intentionally left blank. Use this page to make any notes regarding your tractor.

**FEDERAL and/or CALIFORNIA EMISSION CONTROL WARRANTY STATEMENT
YOUR WARRANTY RIGHTS AND OBLIGATIONS**

MTD Consumer Group Inc, the United States Environmental Protection Agency (EPA), and for those products certified for sale in the state of California, the California Air Resources Board (CARB) are pleased to explain the evaporative emission control system (ECS) warranty on your 2015-2016 small off-road equipment (outdoor equipment). In California, new outdoor equipment must be designed, built and equipped to meet the State's stringent anti-smog standards (in other states, outdoor equipment must be designed, built, and equipped to meet the U.S. EPA small off-road spark ignition engine regulations). MTD Consumer Group Inc must warrant the ECS on your outdoor equipment for the period of time listed below, provided there has been no abuse, neglect, or improper maintenance of the outdoor equipment.

Your ECS may include parts such as fuel tanks, fuel lines, fuel caps, valves, canisters, filters, vapor hoses, clamps, connectors, and other associated emission-related components.

Where a warrantable condition exists, MTD Consumer Group Inc will repair your outdoor equipment at no cost to you including diagnosis, parts, and labor.

MANUFACTURER'S WARRANTY COVERAGE:

This emission control system is warranted for two years. If any emission-related part on your outdoor equipment is defective, the part will be repaired or replaced by MTD Consumer Group Inc.

OWNER'S WARRANTY RESPONSIBILITIES:

As the outdoor equipment owner, you are responsible for performance of the required maintenance listed in your owner's manual. MTD Consumer Group Inc recommends that you retain all receipts covering maintenance on your outdoor equipment, but MTD Consumer Group Inc cannot deny warranty solely for the lack of receipts.

As the outdoor equipment owner, you should however be aware that MTD Consumer Group Inc may deny you warranty coverage if your outdoor equipment or a part has failed due to abuse, neglect, improper maintenance, or unapproved modifications.

You are responsible for presenting your outdoor equipment to MTD Consumer Group Inc's distribution center or service center as soon as the problem exists. The warranty repairs should be completed in a reasonable amount of time, not to exceed 30 days. If you have a question regarding your warranty coverage, you should contact the MTD Consumer Group Inc Service Department at 1-800-800-7310 or at <http://support.mtdproducts.com>.

GENERAL EMISSIONS WARRANTY COVERAGE:

MTD Consumer Group Inc warrants to the ultimate purchaser and each subsequent purchaser that the outdoor equipment is: (1) designed, built, and equipped so as to conform with all applicable regulations; and (2) free from defects in materials and workmanship that cause the failure of a warranted part for a period of two years.

The warranty period begins on the date the outdoor equipment is delivered to an ultimate purchaser or first placed into service.

Subject to certain conditions and exclusions as stated below, the warranty on emission-related parts is as follows:

1. Any warranted part that is not scheduled for replacement as required maintenance in the written instructions supplied is warranted for the warranty period stated above. If the part fails during the period of warranty coverage, the part will be repaired or replaced by MTD Consumer Group Inc according to subsection (4) below. Any such part repaired or replaced under warranty will be warranted for the remainder of the period.
2. Any warranted part that is scheduled only for regular inspection in the written instructions supplied is warranted for the warranty period stated above. Any such part repaired or replaced under warranty will be warranted for the remaining warranty period.
3. Any warranted part that is scheduled for replacement as required maintenance in the written instructions supplied is warranted for the period of time before the first scheduled replacement date for that part. If the part fails before the first scheduled replacement, the part will be repaired or replaced by MTD Consumer Group Inc according to subsection (4) below. Any such part repaired or replaced under warranty will be warranted for the remainder of the period prior to the first scheduled replacement point for the part.
4. Repair or replacement of any warranted part under the warranty provisions herein must be performed at a warranty station at no charge to the owner.
5. Notwithstanding the provisions herein, warranty services or repairs will be provided at all of our distribution centers that are franchised to service the subject engines or equipment.
6. The outdoor equipment owner will not be charged for diagnostic labor that is directly associated with diagnosis of a defective, emission-related warranted part, provided that such diagnostic work is performed at a warranty station.
7. MTD Consumer Group Inc is liable for damages to other engine or equipment components proximately caused by a failure under warranty of any warranted part.
8. Throughout the off-road engine and equipment warranty period stated above, MTD Consumer Group Inc will maintain a supply of warranted parts sufficient to meet the expected demand for such parts.
9. Any replacement part may be used in the performance of any warranty maintenance or repairs and must be provided without charge to the owner. Such use will not reduce the warranty obligations of MTD Consumer Group Inc.
10. Add-on or modified parts that are not exempted by the Air Resources Board may not be used. The use of any non-exempted add-on or modified parts by the ultimate purchaser will be grounds for disallowing a warranty claim. MTD Consumer Group Inc will not be liable to warrant failures of warranted parts caused by the use of a non-exempted add-on or modified part.

WARRANTED PARTS:

The repair or replacement of any warranted part otherwise eligible for warranty coverage may be excluded from such warranty coverage if MTD Consumer Group Inc demonstrates that the outdoor equipment has been abused, neglected, or improperly maintained, and that such abuse, neglect, or improper maintenance was the direct cause of the need for repair or replacement of the part. That notwithstanding, any adjustment of a component that has a factory installed, and properly operating, adjustment limiting device is still eligible for warranty coverage. Further, the coverage under this warranty extends only to parts that were present on the off-road equipment purchased.

The following emission warranty parts are covered (if applicable):

1. Fuel Metering System
 - Fuel pump
 - Fuel tank
2. Evaporative Control
 - Fuel hose
 - Fuel hose clamps
 - Tethered fuel cap
 - Carbon canister
 - Vapor lines

**Sears Brands Management Corporation (Sears), the California Air Resources Board (CARB)
and the United States Environmental Protection Agency (U.S. EPA)
Emission Control System Warranty Statement (Owner's Defect Warranty Rights and Obligations)**

EMISSION CONTROL WARRANTY COVERAGE IS APPLICABLE TO CERTIFIED ENGINES PURCHASED IN CALIFORNIA IN 1995 AND THEREAFTER, WHICH ARE USED IN CALIFORNIA,

AND TO CERTIFIED MODEL YEAR 1997 AND LATER ENGINES WHICH ARE PURCHASED AND USED ELSEWHERE IN THE UNITED STATES (AND AFTER JANUARY 1, 2001 IN CANADA).

California and United States Emission Control Defects Warranty Statement

The California Air Resources Board (CARB), U.S. EPA and Sears are pleased to explain the Emission Control System Warranty on your model year 2000 and later small off-road engine (SORE). In California, new small off-road engines must be designed, built and equipped to meet the State's stringent anti-smog standards. Elsewhere in the United States, new non-road, spark-ignition engines certified for model year 1997 and later must meet similar standards set forth by the U.S. EPA. Sears must warrant the emission

control system on your engine for the periods of time listed below, provided there has been no abuse, neglect or improper maintenance of your small off-road engine. Your emission control system includes parts such as the carburetor, air cleaner, ignition system, muffler and catalytic converter. Also included may be connectors and other emission related assemblies. Where a warrantable condition exists, Sears will repair your small off-road engine at no cost to you including diagnosis, parts and labor.

Sears Emission Control Defects Warranty Coverage

Small off-road engines are warranted relative to emission control parts defects for a period of one year, subject to provisions set forth below. If any covered part on your

engine is defective, the part will be repaired or replaced by Sears.

Owner's Warranty Responsibilities

As the small off-road engine owner, you are responsible for the performance of the required maintenance listed in your Operating and Maintenance Instructions. Sears recommends that you retain all your receipts covering maintenance on your small off-road engine, but Sears cannot deny warranty solely for the lack of receipts or for your failure to ensure the performance of all scheduled maintenance. As the small off-road engine owner, you should however be aware that Sears may deny you warranty coverage if your small off-road engine or a part has failed due to abuse, neglect,

improper maintenance or unapproved modifications. You are responsible for presenting your small off-road engine to an Authorized Sears Service Dealer as soon as a problem exists. The undisputed warranty repairs should be completed in a reasonable amount of time, not to exceed 30 days. If you have any questions regarding your warranty rights and responsibilities, you should contact a Sears Service Representative at 1-800-469-4663. The emission warranty is a defects warranty. Defects are judged on normal engine performance. The warranty is not related to an in-use emission test.

Sears Emission Control Defects Warranty Provisions

The following are specific provisions relative to your Emission Control Defects Warranty Coverage. It is in addition to the Sears engine warranty for non-regulated engines found in the Operating and Maintenance Instructions.

1. Warranted Parts

Coverage under this warranty extends only to the parts listed below (the emission control systems parts) to the extent these parts were present on the engine purchased.

- a. Fuel Metering System
 - Cold start enrichment system
 - Carburetor and internal parts
 - Fuel Pump
- b. Air Induction System
 - Air cleaner
 - Intake manifold
- c. Ignition System
 - Spark plug(s)
 - Magneto ignition system
- d. Catalyst System
 - Catalytic converter
 - Exhaust manifold
 - Air injection system or pulse valve
- e. Miscellaneous Items Used in Above Systems
 - Vacuum, temperature, position, time sensitive valves and switches
 - Connectors and assemblies

2. Length of Coverage

Sears warrants to the initial owner and each subsequent purchaser that the Warranted Parts shall be free from defects in materials and workmanship which caused the failure of the Warranted Parts for a period of one year from the date the engine is delivered to a retail purchaser.

3. No Charge

Repair or replacement of any Warranted Part will be performed at no charge to the owner, including diagnostic labor which leads to the determination that a Warranted Part is defective, if the diagnostic work is performed at an Authorized Sears Service Dealer. For emissions warranty service contact your nearest Authorized Sears Service Dealer as listed in the "Yellow Pages" under "Engines, Gasoline," "Gasoline Engines," "Lawn Mowers," or similar category.

4. Claims and Coverage Exclusions

Warranty claims shall be filed in accordance with the provisions of the Sears Engine Warranty Policy. Warranty coverage shall be excluded for failures of Warranted Parts which are not original Sears parts or because of abuse, neglect or improper maintenance as set forth in the Sears Engine Warranty Policy. Sears is not liable to cover failures of Warranted Parts caused by the use of add-on, non-original, or modified parts.

5. Maintenance

Any Warranted Part which is not scheduled for replacement as required maintenance or which is scheduled only for regular inspection to the effect of "repair or replace as necessary" shall be warranted as to defects for the warranty period. Any Warranted Part which is scheduled for replacement as required maintenance shall be warranted as to defects only for the period of time up to the first scheduled replacement for that part. Any replacement part that is equivalent in performance and durability may be used in the performance of any maintenance or repairs. The owner is responsible for the performance of all required maintenance, as defined in the Sears Operating and Maintenance Instructions.

6. Consequential Coverage

Coverage hereunder shall extend to the failure of any engine components caused by the failure of any Warranted Part still under warranty.

In the USA and Canada, a 24 hour hot line, **1-800-469-4663**, has a menu of pre-recorded messages offering you engine maintenance information.

REPAIR PROTECTION AGREEMENT

Congratulations on making a smart purchase. Your new Craftsman® product is designed and manufactured for years of dependable operation. But like all products, it may require repair from time to time. That's when having a Repair Protection Agreement can save you money and aggravation.

Here's what the Repair Protection Agreement* includes:

- ☑ **Expert service** by our 10,000 professional repair specialists
- ☑ **Unlimited service and no charge** for parts and labor on all covered repairs
- ☑ **Product replacement** up to \$1500 if your covered product can't be fixed
- ☑ **Discount of 25%** from regular price of service and related installed parts not covered by the agreement; also, 25% off regular price of preventive maintenance check
- ☑ **Fast help by phone** – we call it Rapid Resolution – phone support from a Sears representative. Think of us as a “talking owner's manual.”

Once you purchase the Repair Protection Agreement, a simple phone call is all that it takes for you to schedule service. You can call anytime day or night, or schedule a service appointment online.

The Repair Protection Agreement is a risk-free purchase. If you cancel for any reason during the product warranty period, we will provide a full refund. Or, a prorated refund anytime after the product warranty period expires. Purchase your Repair Protection Agreement today!

Some limitations and exclusions apply. For prices and additional information in the U.S.A. call 1-800-827-6655.

***Coverage in Canada varies on some items. For full details call Sears Canada at 1-800-361-6665.**

Sears Installation Service

For Sears professional installation of home appliances, garage door openers, water heaters, and other major home items, in the U.S.A. or Canada call **1-888-331-4569**.

ÍNDICE

Operación segura Prácticas	Páginas 40
Asamblea	Page 47
Operación de	Páginas 53
De Servicio y Mantenimiento de	Páginas 59

Fuera de temporada de almacenamiento . . .	Page 70
Solución de problemas	Page 71
Reparación de Acuerdo de Protección	Page 75
Servicio de números	Atrasados Page

DECLARACIÓN DE GARANTÍA

CRAFTSMAN GARANTÍA LIMITADA

Por dos años desde la fecha de compra, todas las partes no fungibles de este equipo de equitación están garantizados contra cualquier defecto de materiales o mano de obra. Con la prueba de compra, una parte no fungibles defectuoso recibirá la reparación libre en el hogar o el reemplazo a opción de vendedor.

LIMITADA DE BATERÍA DE GARANTÍA

Durante 90 días desde la fecha de compra, la batería (una parte prescindible) de este equipo de equitación está garantizado contra cualquier defecto de materiales o mano de obra. Con la prueba de compra, una nueva batería se suministra de forma gratuita. Usted es responsable por el costo de la mano de obra de instalación de la batería.

GARANTÍAS LIMITADAS ADICIONALES

En las siguientes garantías adicionales, usted es responsable por el costo de la mano de obra de la parte de instalación después del segundo año a partir de la fecha de compra.

Durante cinco años desde la fecha de compra, el marco de este equipo de equitación está garantizado contra cualquier defecto de materiales o mano de obra. Con la prueba de compra, un nuevo marco se suministra de forma gratuita.

Durante diez años a partir de la fecha de compra, el eje delantero de este equipo de equitación está garantizado contra cualquier defecto de materiales o mano de obra. Con la prueba de compra, un nuevo eje delantero se suministra de forma gratuita.

PARA SIEMPRE Y CUANDO SE UTILIZA por el propietario original después del décimo año a partir de la fecha de compra, el eje delantero de hierro fundido (si está instalado) de este equipo de equitación está garantizado contra cualquier defecto de materiales o mano de obra. Con la prueba de compra, un nuevo eje delantero de hierro fundido se suministra de forma gratuita.

SERVICIO DE GARANTÍA

Para detalles de la cobertura de garantía para obtener la reparación o sustitución gratuita, llame al 1-888-331-4569 o visite la página Web: www.craftsman.com/warranty En todos los casos anteriores, si es imposible la reparación o el reemplazo parte, será sustituido de forma gratuita el equipo de montar a caballo con el mismo o un modelo equivalente.

Toda la cobertura de la garantía anterior será nula si el equipo de equitación se utiliza cada vez, mientras que la prestación de servicios comerciales o si se alquila a otra persona.

Esta garantía cubre únicamente defectos de material y mano de obra. La cobertura de garantía no incluye:

- Las partes consumibles (excepto la batería) que pueden gastarse por el uso normal dentro del periodo de garantía, incluyendo pero no limitado a las cuchillas, bujías, filtros de aire, correas y filtros de aceite.
- Servicio de mantenimiento estándar, cambios de aceite, o la puesta a punto.
- La sustitución o la reparación de neumáticos causada por pinchazos de objetos externos, tales como clavos, espinas, tocones o vidrio.
- Tire o el reemplazo de la rueda o la reparación como consecuencia de un desgaste normal, accidente, u operación o mantenimiento inadecuados.
- Reparaciones necesarias debido al abuso del operador, incluyendo pero no limitado a los daños causados por remolcar objetos más allá de la capacidad del equipo de equitación, impactando objetos que doblan el marco, conjunto del eje o del cigüeñal, o sobre-exceso de velocidad del motor.
- Las reparaciones necesarias debido a la negligencia del operador, incluyendo pero no limitado a, eléctricos y daños mecánicos causados por el almacenamiento inadecuado, falta de uso de la calificación adecuada y la cantidad de aceite de motor, el fracaso para mantener la cubierta limpia de residuos inflamables, o falta de mantenimiento del montar a caballo equipo de acuerdo con las instrucciones contenidas en el manual del operador.
- Motor (sistema de combustible) de limpieza o reparaciones causadas por combustible determinados a ser contaminado u oxidado (rancio). En general, el combustible debe usarse dentro de los 30 días de su fecha de compra.
- Deterioro y desgaste normal de los acabados exteriores, o el reemplazo etiqueta del producto.

Esta garantía le otorga derechos legales específicos, y usted también puede tener otros derechos que varían de estado a estado.

Sears Brands Management Corporation, Hoffman Estates, IL 60179

ESPECIFICACIONES DEL PRODUCTO

Aceite del motor: SAE 30
Combustible: Gasolina sin plomo
Bujía: F6RTC (951-10292)

NÚMERO DE MODELO

Número de modelo
Número de serie
Fecha de compra

Registre arriba el número del modelo, el número de serie y la fecha de compra

INSTRUCCIONES DE SEGURIDAD

ADVERTENCIA

La presencia de este símbolo indica que se trata de instrucciones importantes de seguridad que se deben respetar para evitar poner en peligro su seguridad personal y/o material y la de otras personas. Lea y siga todas las instrucciones de este manual antes de poner en funcionamiento esta máquina. Si no respeta estas instrucciones podría provocar lesiones personales. Cuando vea este símbolo, ¡preste atención a la advertencia!

ADVERTENCIA

PROPOSICIÓN 65 DE CALIFORNIA

El escape del motor de este producto, algunos de sus componentes y algunos componentes del vehículo contienen o liberan sustancias químicas que el estado de California considera que pueden producir cáncer, defectos de nacimiento u otros problemas reproductivos. Los bornes de la batería y los accesorios afines contienen plomo y compuestos de plomo, sustancias químicas que según lo establecido por el Estado de California causan cáncer y daños en el sistema reproductivo. Lávese las manos después de estar en contacto con estos componentes.

PELIGRO

Esta máquina fue construida para ser operada de acuerdo con las reglas de seguridad contenidas en este manual. Al igual que con cualquier tipo de equipo motorizado, un descuido o error por parte del operador puede producir lesiones graves. Esta máquina es capaz de amputar manos y pies y de arrojar objetos con gran fuerza. De no respetar las instrucciones de seguridad siguientes se pueden producir lesiones graves o la muerte.

ADVERTENCIA

Su responsabilidad—Restrinja el uso de esta máquina motorizada a las personas que lean, comprendan y respeten las advertencias e instrucciones que aparecen en este manual y en la máquina.

¡GUARDE ESTAS INSTRUCCIONES!

FUNCIONAMIENTO GENERAL

- Lea, entienda y cumpla todas las instrucciones incluidas en la máquina y en los manuales antes de montarla y utilizarla. Guarde este manual en un lugar seguro para consultas futuras y periódicas, así como para solicitar repuestos.
- Familiarícese con todos los controles y con el uso adecuado de los mismos. Sepa cómo detener la máquina y desactivar los controles rápidamente.
- No permita nunca que los niños menores de 14 años utilicen esta máquina. Los niños de 14 años en adelante deben leer y entender las instrucciones de operación y normas de seguridad contenidas en este manual, y en la máquina y deben ser entrenados y supervisados por un adulto.
- Nunca permita que los adultos operen esta máquina sin recibir antes la instrucción apropiada.
- Para ayudar a evitar el contacto con las cuchillas o una lesión por algún objeto que sea arrojado, mantenga a los observadores, a los ayudantes, niños y mascotas alejados al menos 25 metros de la máquina mientras está en funcionamiento. Detenga la máquina si alguien entra en la zona.
- Inspeccione minuciosamente el área donde utilizará el equipo. Retire todas las piedras, palos, cables, huesos, juguetes y otros objetos extraños que podrían ser recogidos y arrojados por la acción de las cuchillas. Los objetos arrojados por la máquina pueden producir lesiones graves.
- Planifique el patrón de corte del césped que ha de seguir para evitar la descarga de material hacia los caminos, las veredas, los observadores, etc. Evite además descargar material contra las paredes y obstrucciones que podrían provocar que el material descargado rebote contra el operador.
- Para protegerse los ojos utilice siempre anteojos o antiparras de seguridad mientras opera la máquina o mientras la ajusta o repara. Los objetos arrojados que rebotan pueden producir lesiones oculares graves.
- Utilice zapatos de trabajo resistentes, de suela fuerte, así como pantalones y camisas ajustados. Las prendas sueltas o las alhajas pueden quedar atrapadas en las piezas móviles. Nunca opere la máquina descalzo o con sandalias.
- Esté atento a la cortadora y a la dirección de la descarga de los aditamentos y no apunte a nadie. Nunca opere la cortadora de césped sin que estén en su lugar apropiado la cubierta de descarga o el colector de recortes de césped.
- No ponga las manos o los pies cerca de las piezas rotatorias o debajo de la plataforma de corte. El contacto con las cuchillas puede producir la amputación de manos y pies.
- Una cubierta de descarga faltante o dañada puede provocar el contacto con la cuchilla o lesiones por objetos arrojados.
- Detenga la(s) cuchilla(s) cuando atraviese senderos, sendas o caminos de grava y cuando no esté cortando el césped.
- Vigile el tránsito vehicular cuando esté operando cerca de o en cruces de caminos. Esta máquina no debe utilizarse en la vía pública.
- No opere esta máquina bajo los efectos del alcohol o de drogas.
- Corte el césped solamente con luz de día o con una buena luz artificial.
- Nunca transporte pasajeros.
- Desenganche la(s) cuchilla(s) antes de colocar la marcha atrás. Retroceda lentamente. Siempre mire hacia abajo y hacia atrás antes y mientras retrocede, para evitar accidentes.
- Reduzca la velocidad antes de dar la vuelta. Opere la máquina suavemente. Evite la operación errática y la velocidad excesiva.

INSTRUCCIONES DE SEGURIDAD

- Desenganche la(s) cuchilla(s), coloque el freno de estacionamiento, detenga el motor y espere hasta que la(s) cuchilla(s) se detenga(n) por completo antes de retirar el colector de césped, vaciar los recortes, destapar el canal, retirar restos de césped o desechos, o hacer cualquier ajuste.
- Nunca deje la máquina en funcionamiento sin vigilancia. Apague siempre las cuchillas, coloque el freno de mano, detenga el motor y retire la llave antes de bajarse del vehículo.
- Tenga sumo cuidado al cargar o descargar la máquina en un remolque o camión. Esta unidad no debe conducirse en ascenso o descenso de rampas, porque podría ladearse y provocar lesiones personales graves. En las rampas la máquina se debe empujar manualmente para cargarla o descargarla correctamente.
- El silenciador y el motor se calientan y pueden causar quemaduras. No los toque.
- Revise el espacio libre por encima de la cabeza antes de conducir bajo las ramas bajas de árboles, cables, cerramientos de puertas, etc. en los cuales el operador podría atorarse o ser empujado fuera de la máquina, lo que podría resultar en lesiones graves.
- Desenganche todos los embragues de los accesorios y presione totalmente el pedal del freno antes de intentar arrancar el motor.
- La máquina está diseñada para cortar césped residencial normal, con una altura no mayor a 12". No intente cortar césped demasiado crecido, seco (por ej., pastura) ni pilas de hojas secas. El césped y las hojas secas pueden entrar en contacto con el escape del motor y/o acumularse en la plataforma de la cortadora de césped, convirtiéndose en un peligro de incendio.
- Utilice solamente accesorios y aditamentos aprobados para esta máquina por el fabricante de la misma. Lea, comprenda y siga todas las instrucciones proporcionadas con los accesorios o aditamentos aprobados. Para obtener una lista de los accesorios aprobados y los archivos adjuntos, llame 1-888-331-4569.
- Los datos estadísticos muestran que los operadores de 60 años y mayores se ven involucrados en un alto porcentaje de lesiones relacionadas con tractores corta césped. Estos operadores deben evaluar su capacidad para operar el tractor corta césped en forma suficientemente segura para protegerse a ellos mismos y a los demás contra lesiones graves.
- Si se presentan situaciones que no están previstas en este manual sea cuidadoso y use el sentido común.
- Esté atento a los hoyos, surcos, baches, rocas, u otros objetos ocultos. El terreno desnivelado puede voltear la máquina. El césped alto puede ocultar obstáculos.
- Vaya a baja velocidad. Elija una velocidad lo suficientemente baja, de modo que no tenga que detenerse o hacer cambios mientras está sobre la pendiente. Los neumáticos podrían perder tracción sobre las pendientes aún cuando los frenos funcionaran apropiadamente. Siempre mantenga la máquina en cambio mientras desciende las pendientes, para poder frenar con el motor.
- Siga las recomendaciones del fabricante para los pesos o contrapesos de las ruedas, para mejorar la estabilidad de la máquina.
- Tenga especial cuidado con los colectores de césped u otros aditamentos. Los mismos pueden modificar la estabilidad de la máquina.
- Haga que todos los movimientos en las pendientes sean lentos y graduales. No cambie repentinamente la velocidad ni la dirección. Un frenado o cambio de velocidad repentinos pueden causar que el frente de la máquina se levante y dé una voltereta hacia atrás, lo que podría producir lesiones graves.
- Evite arrancar o detenerse en una pendiente. Si los neumáticos pierden la tracción, desenganche las cuchillas y descienda lentamente la pendiente.

No haga lo siguiente:

- No gire sobre las pendientes a menos que sea necesario. Si es posible, gire lentamente y gradualmente durante el descenso.
- No corte el césped cerca de pozos, hundimientos o terraplenes. La cortadora de césped puede volcarse repentinamente si una de las ruedas está sobre el borde de un acantilado, zanja o si un borde se desmorona.
- No intente estabilizar la máquina poniendo el pie en el suelo.
- No utilice un colector de césped en pendientes empinadas.
- No pise el césped húmedo. Una menor tracción podría causar derrapes.
- No para descender. El exceso de velocidad puede hacer que el operador pierda el control de la máquina, ocasionando lesiones graves e incluso la muerte.
- No remolque cargas pesadas detrás de los aditamentos (carrito de basura cargado, podadora de rodillos, etc) en pendientes mayores de 5 grados. Cuando se desplaza pendiente abajo, el peso adicional tiende a empujar el tractor y puede hacer que se pierda el control del mismo (por ejemplo, el tractor se puede acelerar, se reduce la capacidad para frenar y maniobrar, los accesorios pueden plegarse como un cortaplumas y hacer que el tractor vuelque).

FUNCIONAMIENTO EN PENDIENTES

Las pendientes son un factor importante relacionado con accidentes por derrape y vuelcos que pueden producir lesiones graves e incluso la muerte. La operación en pendientes requiere mayor precaución. Si no puede retroceder en la pendiente o si no se siente seguro, no realice ninguna operación de corte.

Para su seguridad, use el indicador de pendientes que se incluye como parte de este manual para medir la pendiente antes de operar la máquina en una zona inclinada. Si la pendiente es mayor de 12 grados según el medidor, no opere esta máquina en ese sector, pues podría causar lesiones graves.

Haga lo siguiente:

- Pude hacia arriba y abajo de las pendientes, no de forma transversal. Tenga cuidado cuando cambie de dirección al operar en pendiente.

NIÑOS

Pueden ocurrir accidentes trágicos si el operador no está atento a la presencia de niños. Por lo general, los niños se sienten atraídos por este tipo de máquinas y su funcionamiento. No entienden los riesgos ni los peligros. Nunca asuma que los niños permanecerán en el mismo lugar donde los vio por última vez.

- Mantenga a los niños fuera del área de trabajo y bajo estricta vigilancia de un adulto responsable además del propio operador.
- Esté alerta y apague la máquina si un niño ingresa al área.
- Antes y mientras está retrocediendo, mire hacia atrás y cuide que no haya niños.

INSTRUCCIONES DE SEGURIDAD

- Nunca transporte niños, aún con la cuchilla apagada. Podrían caerse y resultar severamente heridos o interferir con la operación segura de la máquina.
- Tenga extrema precaución cuando se aproxime a esquinas ciegas, portales, arbustos, árboles u otros objetos que puedan impedirle ver a un niño que se cruce en el recorrido de la máquina.
- Para evitar accidentes al operar en marcha atrás, siempre desenganche las cuchillas antes de colocar marcha atrás. Si está instalado, el "Modo Precaución Marcha Atrás" (hojas de operar la máquina, mientras que los paseos a la inversa) no debe utilizarse cuando hay niños u otras personas presentes.
- Mantenga a los niños alejados de los motores en marcha o calientes. Pueden sufrir quemaduras con un silenciador caliente.
- Retire la llave cuando deje la máquina sin vigilancia, evite que una persona sin autorización la maneje.

No permita nunca que los niños menores de 14 años utilicen esta máquina. Los niños de 14 años en adelante deben leer y entender las instrucciones de operación y normas de seguridad contenidas en este manual, y en la máquina y deben ser entrenados y supervisados por un adulto.

REMOLQUE

- Remolque únicamente con una máquina que cuente con un enganche diseñado para remolcar. No acople equipo remolcado excepto en el punto de enganche.
- Siga las recomendaciones del fabricante en lo que respecta a los límites de peso de los equipos a remolcar y al remolque en pendientes.
- Nunca permita la presencia de niños u otras personas dentro o sobre los equipos remolcados.
- En las pendientes, el peso del equipo remolcado puede causar pérdida de tracción y pérdida de control de la máquina.
- Siempre use extra la precaución remolcando con una máquina capaz de hacer vueltas apretadas (p.ej paseo "de vuelta cero" - en el cortacésped). Haga amplias vueltas para evitar al gato-knifing.
- Desplácese lentamente y deje distancia adicional para frenado.
- No para descender.

SERVICIO

Manejo Seguro de la Gasolina

Para evitar lesiones personales o daños materiales sea sumamente cuidadoso al manipular la gasolina. La gasolina es sumamente inflamable y sus vapores pueden causar explosiones. Se puede lesionar gravemente si derrama gasolina sobre usted o sobre la ropa, ya que ésta se puede incendiar. Lávese la piel y cámbiese de ropa de inmediato.

- Utilice sólo los recipientes para gasolina autorizados.
- Nunca llene los recipientes en el interior de un vehículo o camión o caja de remolque con recubrimiento plástico. Coloque siempre los recipientes en el piso y lejos del vehículo antes de realizar la carga.

- Cuando sea factible, retire el equipo a gasolina del camión o remolque y llénelo en el suelo. Si esto no es posible, llene el equipo en un remolque con un contenedor portátil, en vez de hacerlo con una boquilla dispensadora de gasolina.
- Mantenga la boquilla de llenado en contacto con el borde del depósito de combustible o con la abertura del recipiente en todo momento, hasta terminar la carga. No utilice un dispositivo de boquilla de apertura/cierre.
- Apague todos los cigarrillos, cigarros, pipas y otras fuentes de combustión.
- Nunca cargue combustible en la máquina en un espacio cerrado.
- Nunca saque la tapa del combustible ni agregue combustible mientras el motor está caliente o en marcha. Deje que el motor se enfríe por lo menos dos minutos antes de volver a cargar combustible.
- Nunca llene en exceso el depósito de combustible. Llene el tanque no más de ½ pulgada por debajo de la base del cuello del tapón de carga, para dejar espacio para la expansión del combustible.
- Vuelva a colocar la tapa de la gasolina y ajústela bien.
- Limpie el combustible que se haya derramado sobre el motor y el equipo. Traslade la máquina a otra zona. Espere 5 minutos antes de encender el motor.
- Para reducir el riesgo de incendio, mantenga la máquina limpia de pasto, hojas y de acumulación de otros residuos. Limpie los derrames de aceite o combustible y saque todos los residuos embebidos de combustible.
- Nunca guarde la máquina o el recipiente de combustible en un espacio cerrado donde haya fuego, chispas o luz piloto, como por ejemplo de calentadores de agua, calefactores de ambientes, hornos, secadores de ropa u otros aparatos a gas.
- Deje que la máquina se enfríe cinco minutos por lo menos antes de guardarla.

Servicio General

- Nunca encienda el motor en espacios cerrados o en una zona con poca ventilación. El escape del motor contiene monóxido de carbono, un gas inodoro y letal.
- Antes de limpiar, reparar o inspeccionar la máquina, compruebe que la(s) cuchilla(s) y todas las partes en movimiento se hayan detenido. Desconecte el cable de la bujía y póngalo haciendo masa contra el motor para evitar que se encienda accidentalmente.
- Revise periódicamente para asegurarse que las cuchillas se detengan por completo en aproximadamente cinco (5) segundos después de accionar el control de desenganche de la(s) cuchilla(s). Si las cuchillas no se detienen dentro de este lapso de tiempo, su unidad deberá ser reparada por su distribuidor de servicio autorizado MTD.
- Revise con frecuencia el funcionamiento del sistema de frenos ya que está sujeto a desgaste por la operación normal. Ajuste y efectúe mantenimiento según se requiera.

INSTRUCCIONES DE SEGURIDAD

- Revise los pernos de montaje de la(s) cuchilla(s) y del motor a intervalos frecuentes para verificar que estén bien apretados. Además, inspeccione visualmente la(s) cuchilla(s) en busca de daños (por ejemplo, desgaste excesivo, abolladuras, rajaduras, etc.). Reemplace la(s) cuchilla(s) únicamente con las cuchillas de fabricantes de equipos originales (O.E.M.) listadas en este manual. El uso de piezas que no cumplen con las especificaciones del equipo original podría tener como resultado un rendimiento incorrecto y además poner en riesgo la seguridad.
- Las cuchillas de las podadoras son muy afiladas. Envuelva la cuchilla o utilice guantes y extreme las precauciones cuando efectúe mantenimiento.
- Mantenga todos los pernos, tuercas y tornillos bien ajustados para asegurarse de que la máquina se encuentra en condiciones seguras de operación.
- Nunca altere el sistema de enclavamiento de seguridad ni otros mecanismos de seguridad. Controle periódicamente que funcionen correctamente.
- Después de golpear con algún objeto extraño, detenga el motor, desconecte el cable de la bujía y conecte el motor a masa. Inspeccione minuciosamente la máquina para ver si está dañada. Repare el daño antes de arrancar y utilizar la máquina.
- Nunca trate de hacer ajustes o reparaciones a la máquina mientras el motor está en marcha.
- Los componentes del colector de césped y la cubierta de descarga, están sujetos a desgaste y daños que podrían dejar expuestas partes en movimiento o permitir que se arrojen objetos. Para proteger su seguridad, verifique frecuentemente todos los componentes y reemplácelos inmediatamente sólo con piezas de los fabricantes del equipo original, listados en este manual. El uso de piezas que no cumplen con las especificaciones del equipo original podría tener como resultado un rendimiento incorrecto y además poner en riesgo la seguridad.
- No cambie la configuración del regulador del motor ni lo opere a sobrevelocidad. El regulador del motor controla la velocidad máxima segura de funcionamiento del motor.
- Mantenga o reemplace las etiquetas de seguridad e instrucciones según sea necesario.
- Respete las normas referentes a la disposición correcta y las reglamentaciones sobre gasolina, aceite, etc. para proteger el medio ambiente.
- Según la Comisión de Seguridad de Productos para el Consumidor de los Estados Unidos (CPSC) y la Agencia de Protección Ambiental de los Estados Unidos (EPA), este producto tiene una vida útil media de siete (7) años, ó 270 horas de funcionamiento. Al finalizar la vida útil media, adquiera una máquina nueva o haga inspeccionar anualmente ésta Sears por uno u otro distribuidor de servicios para cerciorarse de que todos los sistemas mecánicos y de seguridad funcionan correctamente y no tienen excesivo desgaste. Si no lo hace, pueden producirse accidentes, lesiones o muerte.

NO MODIFIQUE EL MOTOR

Para evitar lesiones graves o la muerte, no modifique el motor bajo ninguna circunstancia. Si cambia la configuración del regulador del motor el motor puede descontrolarse y operar a velocidades inseguras. Nunca cambie la configuración de fábrica del regulador del motor.

AVISO REFERIDO A EMISIONES

Los motores que están certificados y cumplen con las regulaciones de emisiones federales EPA y de California para SORE (Equipos pequeños todo terreno) están certificados para operar con gasolina común sin plomo y pueden incluir los siguientes sistemas de control de emisiones: Modificación de motor (EM) y catalizador de tres vías (TWC) si están equipados de esa manera.

GUARDACHISPAS

WARNING

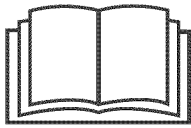




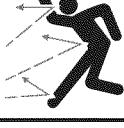




Esta máquina está equipada con un motor de combustión interna y no debe ser utilizada en o cerca de un terreno agreste cubierto por bosque, malezas o hierba excepto si el sistema de escape del motor está equipado con un amortiguador de chispas que cumpla con las leyes locales o estatales correspondientes, en caso de haberlas.

Si se utiliza un amortiguador de chispas el operador lo debe mantener en condiciones de uso adecuadas. En el Estado de California las medidas anteriormente mencionadas son exigidas por ley (Artículo 4442 del Código de Recursos Públicos de California). Es posible que existan leyes similares en otros estados. Las leyes federales se aplican en territorios federales. Puede conseguir el amortiguador de chispas para el silenciador a través de su distribuidor autorizado de motores o poniéndose en contacto con el centro de servicio Sears.





INSTRUCCIONES DE SEGURIDAD

SÍMBOLOS DE SEGURIDAD

Esta página representa y describe la seguridad los símbolos que pueden parecer en este producto. Lea, comprenda, y siga todas instrucciones en la máquina antes procurar para reunir y operar.

Symbol	Description
	LEA EL MANUAL(S) DEL OPERADOR leído, entienda, y siga todas las instrucciones en el manual(s) antes de procurar montar y funcionar
	PELIGRO— DÉ EL CORTE DE PIE Nunca transporte pasajeros. Nunca transporte niños, aún con la cuchilla apagada.
	PELIGRO— DÉ EL CORTE DE PIE Para evitar accidentes, mantener a los niños lejos de la máquina mientras está en funcionamiento..
	PELIGRO— DÉ EL CORTE DE PIE Guarde manos y pies lejos de hacer girar partes.
	PELIGRO— DÉ EL CORTE DE PIE Retroceda lentamente. Siempre mire hacia abajo y hacia atrás antes y mientras retrocede, para evitar accidentes.
	PELIGRO— ESCOMBROS LANZADOS Quite objetos que pueden ser lanzados por la lámina en cualquier dirección. Lleve gafas de seguridad..
	PELIGRO— ESCOMBROS LANZADOS Quite objetos que pueden ser lanzados por la lámina en cualquier dirección. Lleve gafas de seguridad.
	PERSONAS PRESENTES Guarde a las personas presentes, a los ayudantes y a niños por lo menos 75 pies lejos.
	PELIGRO— CUESTAS Use extra la precaución en cuestas. No siegue cuestas mayores que 12.
	ADVERTENCIA — SUPERFICIE CALIENTE Las partes del motor, especialmente el silenciador, llega a ser muy caliente durante la operación. Permita motor y silenciador para ponerse frío antes de tocar.

INSTRUCCIONES DE SEGURIDAD

Symbol	Description
	<p>PELIGRO— GIRANDO HOJAS</p> <p>Para reducir el riesgo de herida, guarde manos y pies lejos. No funcione a menos que la tapa de descarga o el receptor de hierba estén en su lugar apropiado. De ser dañado, sustituya inmediatamente.</p>
	<p>GASOLINA DE ADVERTENCIA ES INFLAMABLE</p> <p>Permita que el motor se enfríe al menos dos minutos antes del reabastecimiento de combustible.</p>
	<p>ADVERTENCIA — MONÓXIDO DE CARBONO</p> <p>Nunca dirijas un motor dentro o en un área mal ventilada. Los gases de combustión de motor contienen el monóxido de carbono, un gas inodoro y mortal.</p>
	<p>PELIGRO— DÉ EL CORTE DE PIE</p> <p>No se pare sobre la plataforma de corte.</p>

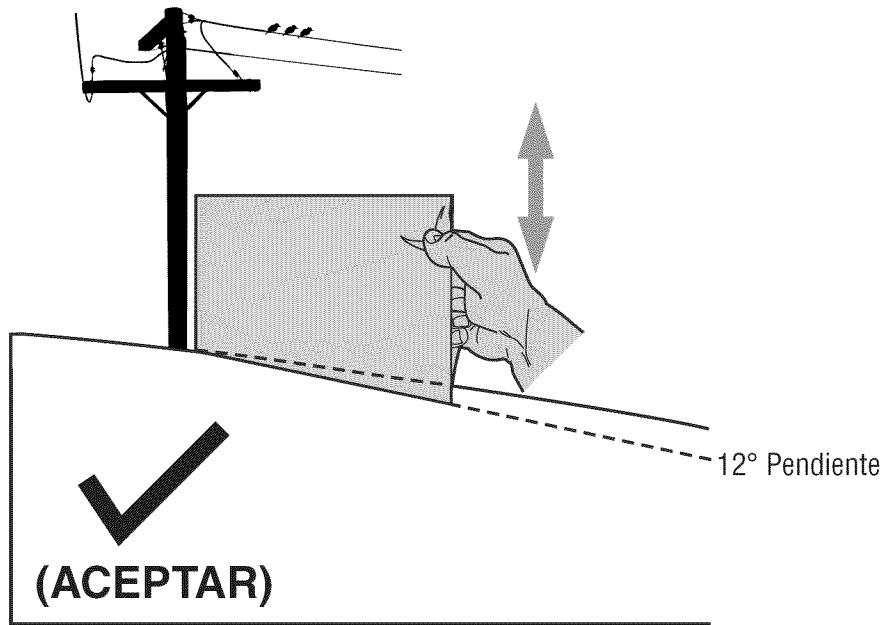


Figura 1

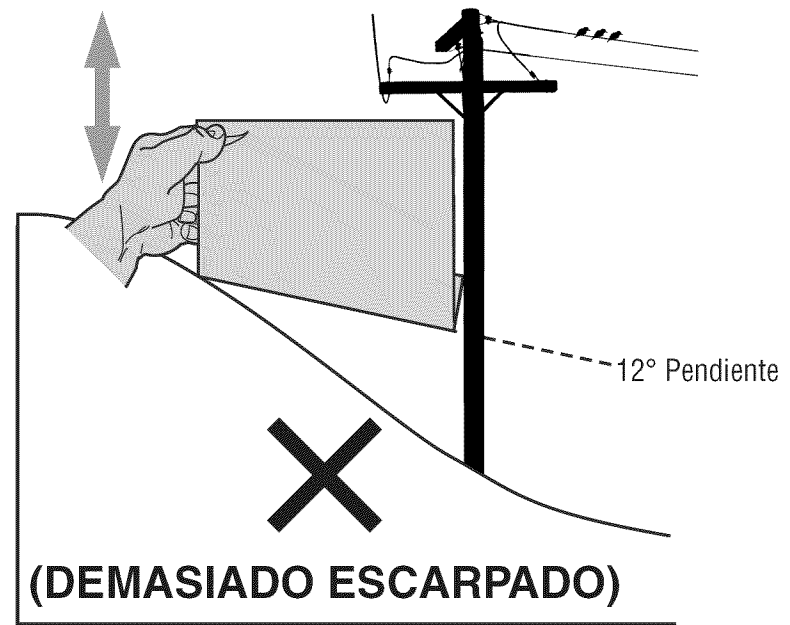


Figura 2

46

12° línea discontinua

USO DE ESTE PENDIENTE DE CALIBRE PARA DETERMINAR SI UNA PENDIENTE ES DEMASIADO ESCARPADO PARA UNA OPERACIÓN SEGURA!

Para comprobar la pendiente, haga lo siguiente:

1. Borrar esta página y doble a lo largo de la línea discontinua.
2. Localizar un objeto vertical sobre o detrás de la pendiente (un poste, un edificio, una valla, un árbol, etc.)
3. Alinee cada lado de pendiente de calibre con el objeto vertical (consultar Figura 1 and Figura 2).
4. Ajuste el pendiente de calibre arriba o hacia abajo hasta los toques esquina izquierda el pendiente (consultar Figura 1 and Figura 2).
5. Si hay un espacio por debajo de la pendiente de calibre, el pendiente es demasiado escarpa por operación segura (consultar Figura 2 above).

ADVERTENCIA

Las pendientes son un factor importante relacionado con un vuelco y renovación de los accidentes que pueden provocar lesiones graves o la muerte. No utilice la máquina en pendientes de más de 12 grados. Todos pendientes requiere mayor precaución. Si no puede retroceder en la pendiente o si se siente inseguro en ella, no la recorte. Siempre corte el césped arriba y abajo las pendientes, nunca en toda la superficie de la cuesta.

MONTAJE

Contenido del cajón

- Un tractor cortacésped
- Un conjunto de rueda/eje de dirección
- Una placa de enganche trasera
- Un manual del operador del tractor cortacésped
- Un conjunto de asiento
- Una tapa trasera del motor
- Una manga para drenado de aceite
- Una tapa de pedestal de dirección
- Un conjunto de canal de descarga
- Un paquete de elementos de ferretería

Contenido del paquete de elementos de ferretería

Antes de comenzar la instalación, extraiga todo el contenido de la caja y todos los elementos de ferretería del paquete para comprobar que no falte nada. Los elementos de ferretería se detallan a continuación. Los números de pieza se indican entre paréntesis.

- Placa de enganche
- Soporte de montaje del asiento (con dos pernos con reborde y tuercas de sujeción instalados)

Herramientas recomendadas para el montaje

- Llave de 3/8" (o de cubo)
- Llave de 1/2" (o de cubo)
- Llave de 5/8" (o de cubo)
- Llave de trinquete de 1/4"
- Llave de cubo de 9" y 16"
- Llave de 7/16"
- Destornillador Phillips

Instalación del conjunto del volante

Si el conjunto del volante del tractor no vino ya instalado, siga los pasos a continuación:

1. Deslice la tapa del pedestal sobre el árbol de la dirección de manera que dicho eje se instale en el tractor, la tapa del pedestal quedará vertical como se indica en la Figura 1.

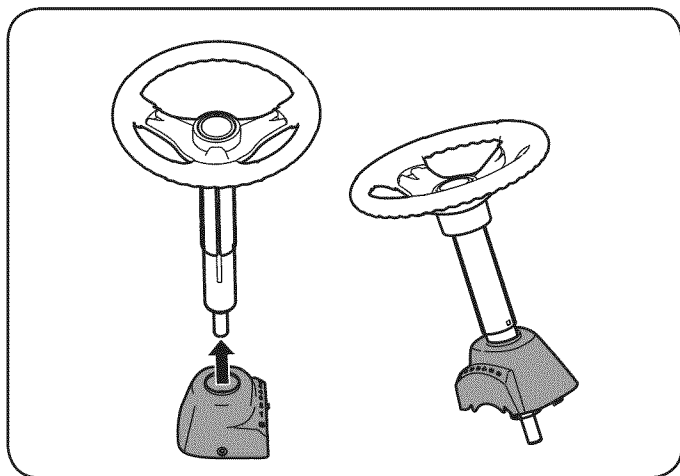


Figura 1

2. Extraiga el perno con reborde y la tuerca de seguridad del árbol de la dirección del tractor y guárdelos para los pasos posteriores.
3. Con el conjunto del volante vertical y ubicado de manera que quede sobre el árbol inferior de la dirección del tractor, se debe alinear el volante de manera que con las ruedas del tractor derechas, la abertura grande del volante esté orientada hacia adelante.

4. Baje el conjunto del volante sobre el árbol inferior de la dirección (1) y sujételo con el perno y la tuerca de seguridad (2) que extrajo previamente. Vea la Figura 2

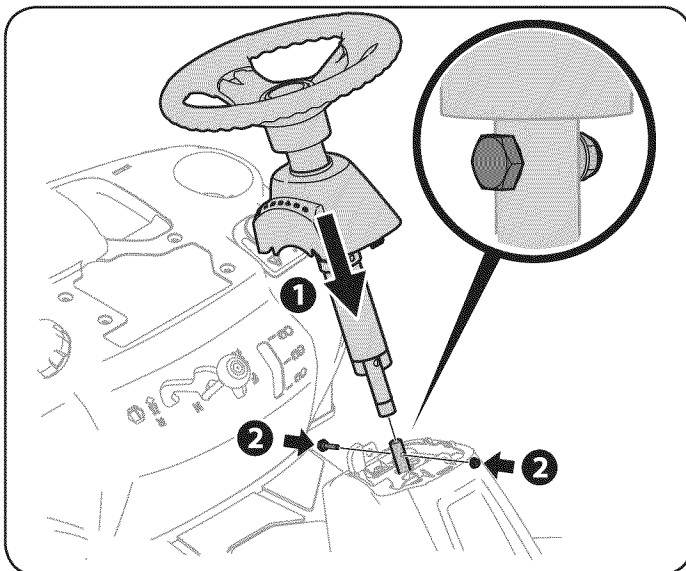


Figura 2

5. Ajuste el perno con reborde y la tuerca de seguridad usando la llave de 9/16" y la llave de 7/16" o de cubo.
6. Extraiga el tornillo de montura de la tapa del pedestal instalado en fábrica y ubicado en la consola de dirección del tractor. Guarde el tornillo para uso posterior.
7. Deslice la tapa del pedestal sobre el tractor (1) y rótelala ligeramente a la derecha para calzarla en su lugar. Sujete el pedestal con el tornillo (2) que extrajo antes. Vea la Figura 3.

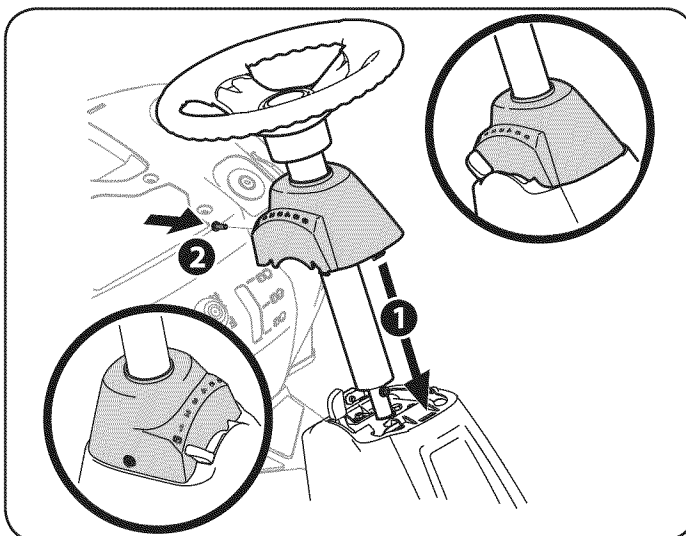


Figura 3

MONTAJE

Instalación del asiento

Si su tractor no traía el asiento instalado de fábrica, siga las instrucciones correspondientes que se incluyen a continuación para instalarlo.

1. Extraiga los dos pernos con reborde y las tuercas de seguridad del soporte de montaje del asiento incluido en el paquete de elementos de ferretería. Vea la Figura 4.

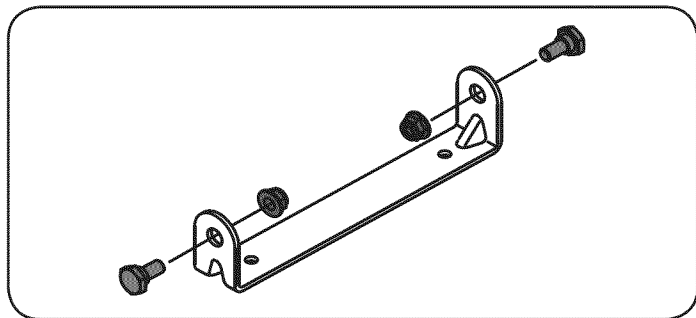


Figura 4

2. Extraiga los dos tornillos autorroscantes instalados en fábrica en el tractor. Vea la Figura 5.

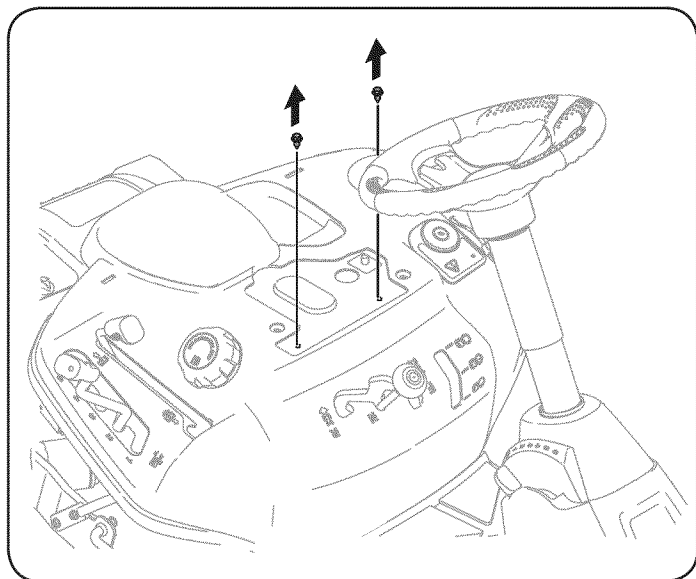


Figura 5

3. Alinee el soporte del asiento en su lugar sobre los orificios de los tornillos autorroscantes que extrajo, como se indica en la Figura 6.

4. Con una llave de trinquete de 1/4 de pulgada y una llave de cubo de 3/8", sujete el soporte del asiento con los tornillos autorroscantes que extrajo en el Paso 2. Vea la figura 6.

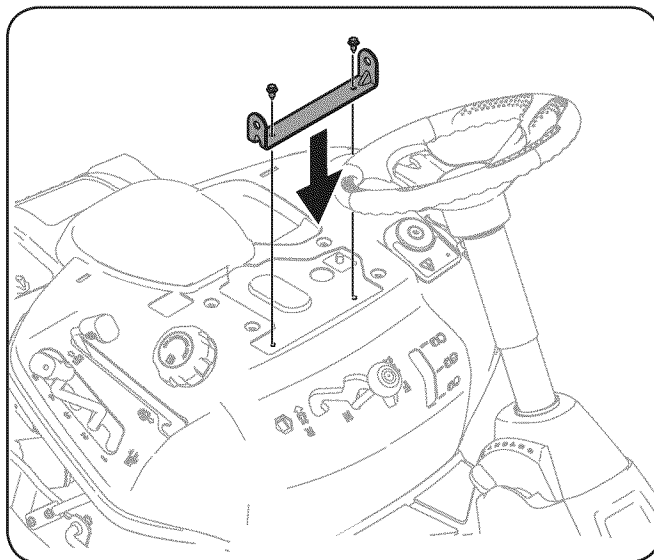


Figura 6



PRECAUCIÓN: *No* use ninguna herramienta eléctrica (por ejemplo, pistola de impacto o taladro eléctrico con el extractor de tuercas colocado) para apretar los pernos autorroscantes para sujetar el soporte del asiento.

5. Ubique el conjunto del asiento sobre el soporte de montaje del asiento, alineando los orificios suministrados.
6. Instale los dos pernos con reborde y las tuercas de seguridad que extrajo del soporte de montaje del asiento en el Paso 1. Vea la Figura 7.

PRECAUCIÓN

No use ninguna herramienta eléctrica (por ejemplo, pistola de impacto o taladro eléctrico con el extractor de tuercas colocado) para apretar los pernos autorroscantes para sujetar el soporte del asiento.

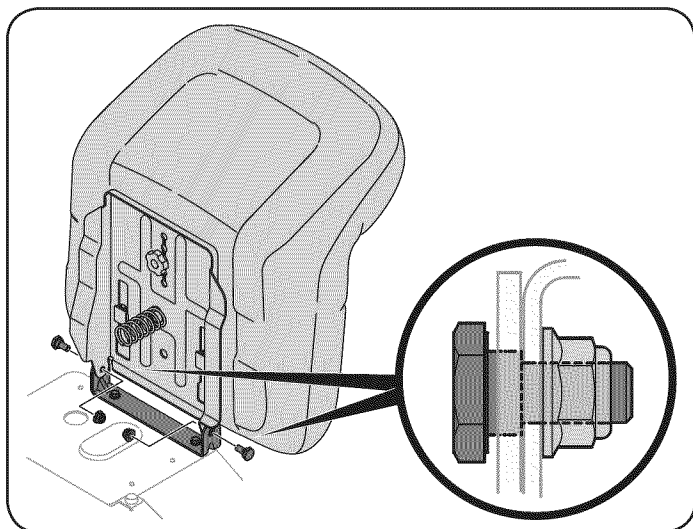


Figura 7

MONTAJE

Ajuste del asiento

1. Para ajustar la posición del asiento, retire las dos perillas de ajuste que están ubicadas en la parte inferior del asiento. Deslice el asiento hacia adelante o hacia atrás, según lo desee. Vuelva a colocar la perilla de ajuste. Consulte la Figura 8.

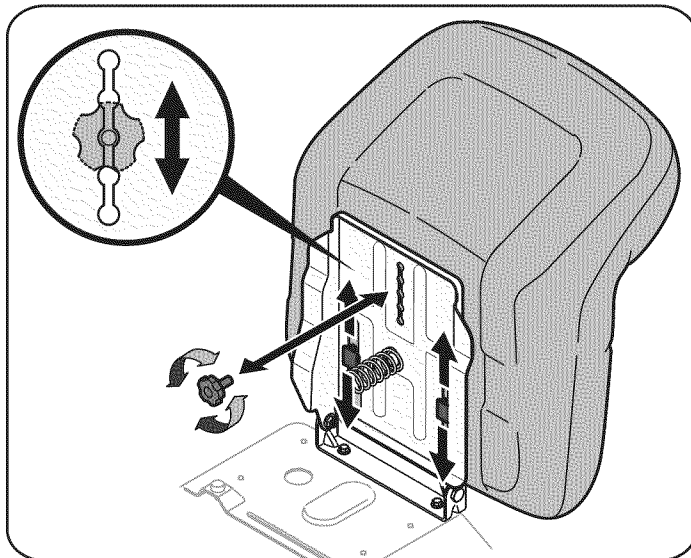


Figura 8

Ajuste de la altura del volante

Para ajustar la altura del volante, esta unidad está equipada con una columna de volante telescópica. Para ajustar la altura del volante:

1. Siéntese en el asiento del operador y coloque las manos en el volante.
2. Pulse el botón de la columna de la dirección y eleve o baje el volante (b) hasta la posición deseada. Vea la Figura 9.

Nota: Después de lograr la posición deseada, levante y baje el volante para comprobar que se trabe en su lugar y que el botón (a) de la columna de la dirección se suelte para quedar trabada. No opere esta unidad a menos que la columna de la dirección esté en la posición en que queda trabada.

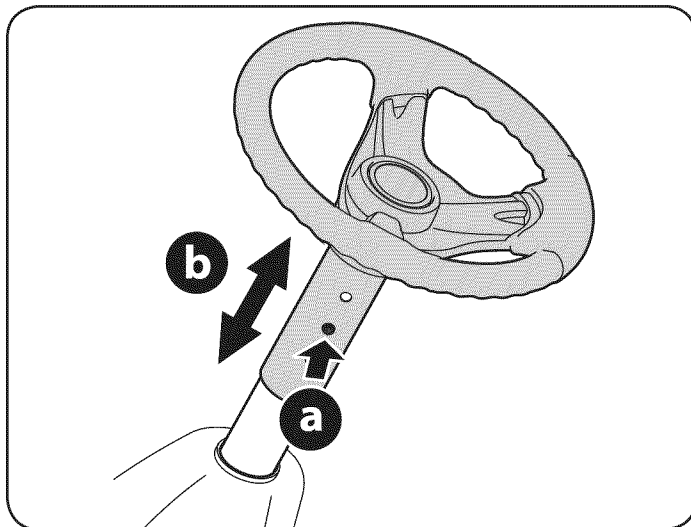


Figura 9

Instalación del canal de la plataforma

⚠ ADVERTENCIA

NUNCA opere este tractor si no tiene colocados el tapón de abono o el canal de la plataforma.

1. Extraiga las perillas de aletas que instaló en la plataforma de corte y guárdelas para colocarlas posteriormente.
2. Coloque el canal de la plataforma en la abertura de descarga sobre la plataforma. Los prisioneros en la superficie de la plataforma calzarán en los orificios de la parte superior del canal de la plataforma. La pequeña lengüeta del borde de la plataforma calzará en el recorte cuadrado de la parte inferior del canal de la plataforma. Vea el recuadro de la Figura 10.

Nota: Compruebe que la porción superior trasera del canal de la plataforma está oprimiendo el interruptor de seguridad ubicado en la superficie de la plataforma. El motor no arrancará si el canal de la plataforma no está correctamente ubicado.

3. Sujete el canal de la plataforma ajustando las perillas de aleta que extrajo antes. Vea la Figura 10.

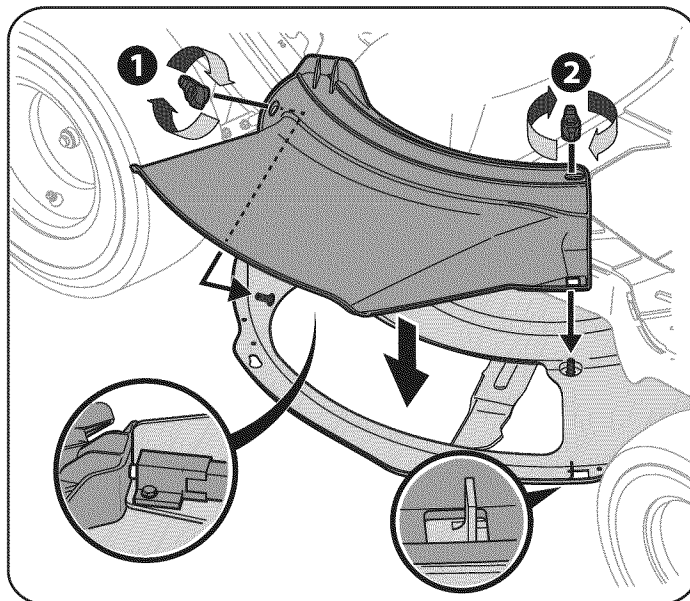


Figura 10

MONTAJE

Coloque la tapa trasera del motor

1. Extraiga los dos tornillos hexagonales instalados en fábrica ubicados en la ménsula de montaje de la tapa trasera del motor. Guarde los tornillos para uso posterior. Vea la Figura 11.
2. Coloque la tapa trasera del motor ubicándola en su lugar como se indica en la Figura 11. Incline la tapa del motor hacia adelante para que calce dentro de las ranuras provistas, luego rótelas hacia atrás para alinear los orificios de montaje.

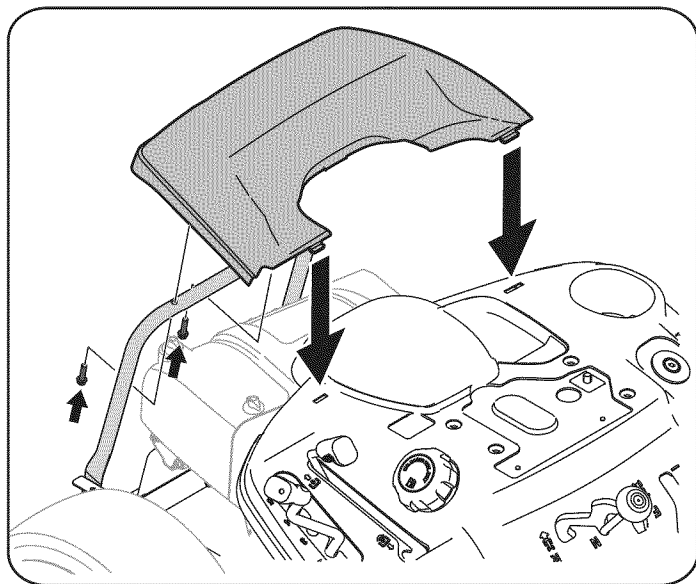


Figura 11

3. Sujete la tapa con los dos tronillos hexagonales que extrajo antes. No ajuste demasiado.

Instalación del paragolpes

1. Extraiga los dos tornillos como se indica en la Figura 12.
2. Ubique el paragolpes sobre los orificios de montaje y sujete con los elementos de ferretería que extrajo en el Paso 1, como se indica en la Figura 12.

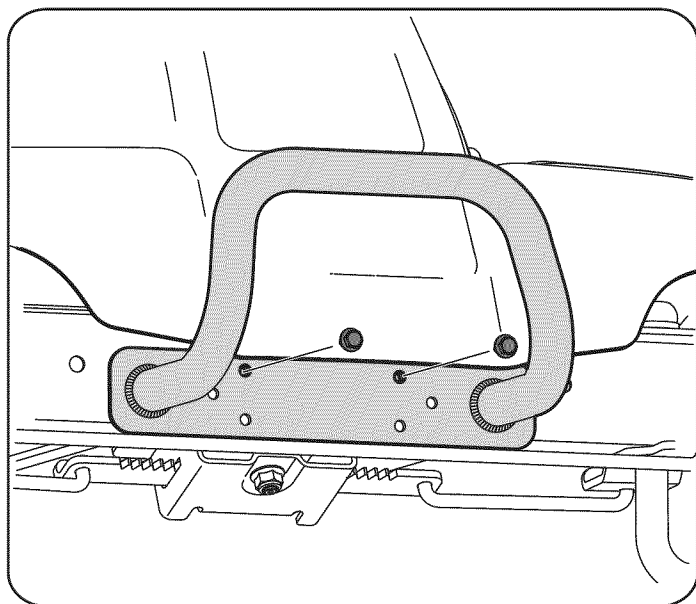


Figura 12

Instalación de la placa de enganche

1. Extraiga los elementos de montaje instalados en fábrica de la placa de enganche de la parte trasera del motor.
2. Ubique la placa de enganche, embalada con sus piezas sueltas, con el lado plano hacia arriba como se indica en la Figura 13. Sujétela con los dos pernos y las tuercas hexagonales que extrajo antes.

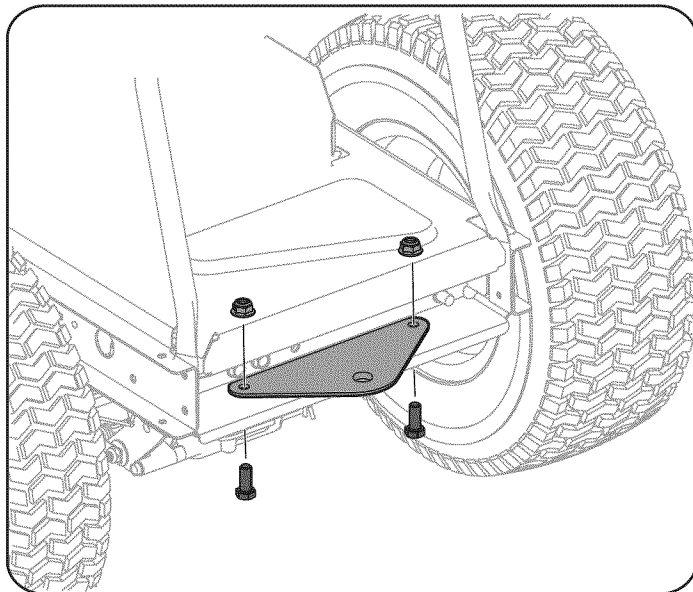


Figura 13

Conexión de los cables de la batería

⚠ ADVERTENCIA

PROPOSICIÓN 65 DE CALIFORNIA

Los bornes de la batería y los accesorios afines contienen plomo y compuestos de plomo, sustancias químicas que según lo establecido por el Estado de California causan cáncer y daños en el sistema reproductivo. Lávese las manos después de estar en contacto con estos componentes.

⚠ PRECAUCIÓN

Cuando coloque los cables de la batería, conecte siempre primero el cable POSITIVO (rojo) a su borne, y a continuación el cable NEGATIVO (negro).

Por razones relacionadas con el embarque, los dos cables de la batería de su equipo pueden haber sido desconectados de los bornes en fábrica. Para conectar los cables de la batería, proceda de la siguiente manera:

NOTA: El borne positivo de la batería está marcado como Pos (+). El borne negativo de la batería está marcado como Neg (-).

1. Extraiga los pernos y las tuercas hexagonales instalados en fábrica ubicados en el extremo del mazo de cables. Guarde las piezas para uso posterior.
2. Retire la cubierta plástica, si es que está presente, del borne positivo de la batería y una el cable rojo al borne positivo de la batería (+) con un perno y su tuerca hexagonal usando una llave de 7/16 pulgadas y una llave de cubo. Vea la Figura 11.
3. Retire la cubierta plástica, si es que está presente, del borne negativo de la batería y una el cable negro al borne negativo de la batería (-) con el otro perno y tuerca hexagonal usando la llave de 7/16 pulgadas y la llave de cubo. Vea la Figura 14.

MONTAJE

- Coloque el capuchón de goma rojo por encima del borne positivo de la batería para protegerlo contra la corrosión.

NOTA: Si la batería se pone en servicio después de la fecha indicada en su parte superior o al costado de la misma, cárguela siguiendo las instrucciones de la sección Mantenimiento de este manual del operador antes de hacer funcionar el tractor.

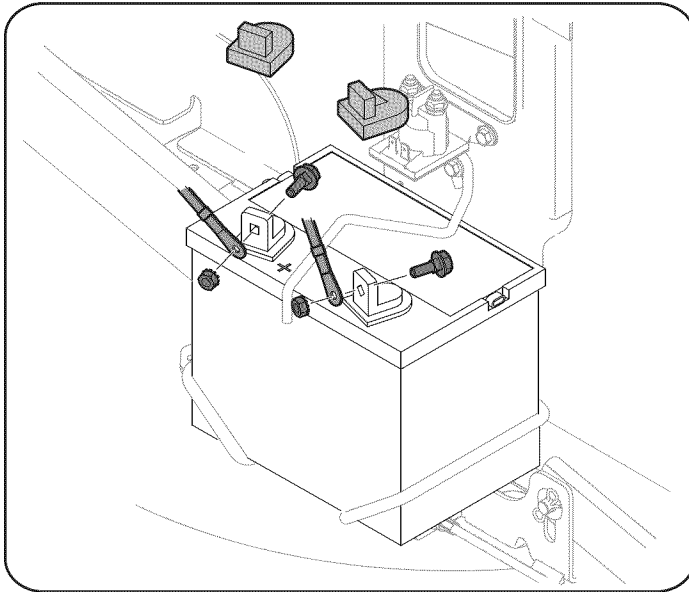


Figura 14

Gasolina y aceite

NOTA: El motor se envía sin gasolina y con aceite para motor en su interior. Sin embargo, usted DEBE controlar el nivel de aceite antes de hacerlo funcionar. Tenga cuidado de no llenar en exceso. Si se hace funcionar el motor sin suficiente aceite puede dañarse gravemente y se anula la garantía.

⚠ ADVERTENCIA

Siempre mantenga las manos y los pies alejados de las piezas móviles del equipo. No utilice fluidos comprimidos para arrancar. Los vapores son inflamables.

Recomendaciones sobre el aceite

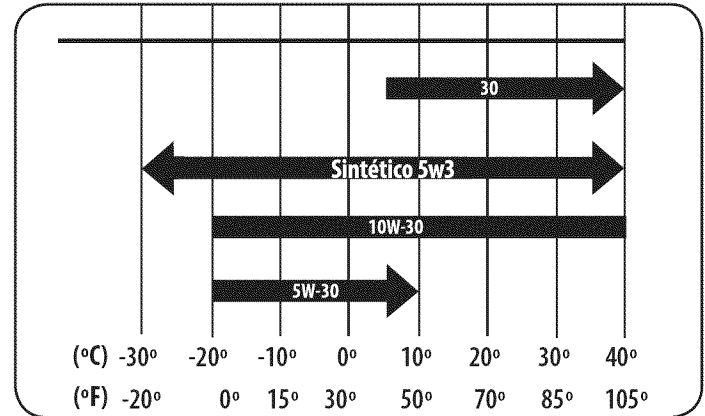
Antes de arrancar el motor, compruebe el nivel de aceite, la capacidad es 1700 ml/57.5 fl. onza Consulte la tabla de viscosidad en la Figura 3-1 para obtener recomendaciones acerca del aceite. No sobre-relleno. Utilice un 4 tiempos, o un alto poder detergente equivalente, aceite de motor de primera calidad certificada para cumplir o exceder los requisitos del fabricante de automóviles EE.UU. para la clasificación de servicio de un SJ nivel mínimo (calificaciones de letras superiores son aceptables como SL y grados SM). El aceite de motor mostrará esta designación en el envase.

Se recomienda SAE 10W-30 para uso general, a todas las temperaturas. Si utiliza aceite con viscosidad monogrado, seleccione en la tabla de la página siguiente la viscosidad adecuada para la temperatura media de su zona.

⚠ PRECAUCIÓN

No utilice aceites sin detergente ni aceite para motor de dos tiempos. Podría reducirse la vida útil del motor.

NOTA: Se puede usar un aceite sintético 5w30 para mejorar el encendido cuando el clima está frío (temperaturas inferiores a los 40°F).



Control del nivel de aceite

NOTA: Asegúrese de comprobar el aceite sobre una superficie nivelada y con el motor apagado.

- Retire el tapón de llenado/varilla de medición de aceite y limpie bien la varilla.
- Inserte la varilla de medición de nivel dentro del cuello de llenado de aceite. Gire la varilla de medición 1/4 de giro hasta la posición en la que queda trabada para que se asiente por completo. Vea la Figura 15.
- Retire la varilla de medición de nivel para controlar el nivel de aceite.
- Si el nivel está bajo, agregue aceite lentamente hasta que la medición esté en el límite superior de la varilla de medición. Vea el recuadro de la Figura 15.
- Vuelva a colocar la varilla de medición y gírela hasta la posición en que queda trabada antes de arrancar el motor.

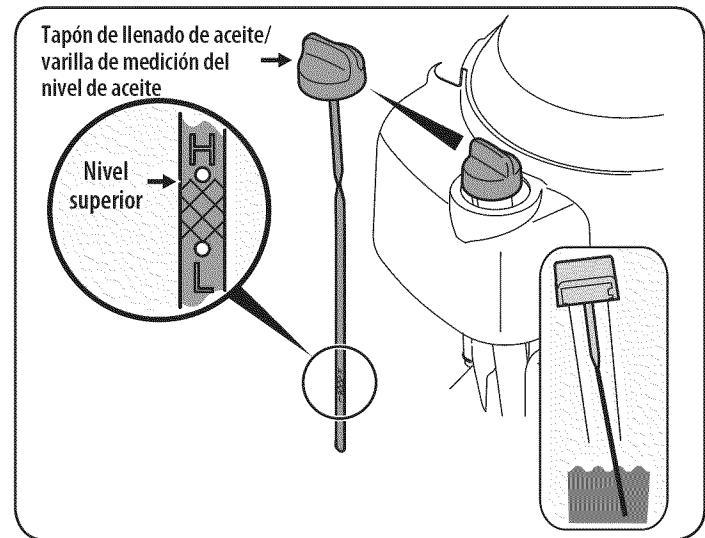


Figura 15

NOTA: No lo llene en exceso. El exceso de aceite puede causar ahumado, problemas de arranque, suciedad en la bujía y saturación de aceite en el purificador de aire.

Requisitos de combustible

⚠ PRECAUCIÓN

Si se opera el motor con combustible E85, una mezcla de aceite/gasolina, gasolina sucia o gasolina con más de 30 días de uso que no se haya estabilizado con un aditivo de combustible, se puede dañar el carburador del motor. A los daños subsiguientes no los cubre la garantía de Craftsman.

MONTAJE

Utilice gasolina para automóviles (sin plomo o bajo contenido de plomo para minimizar los depósitos en la cámara de combustión) con un mínimo de 87 octanos. Se puede usar gasolina con hasta un 10% de etanol o un 15% de MTBE (éter metílico terciario-butílico). Nunca use una mezcla de aceite y gasolina ni gasolina sucia. Evite que se introduzca suciedad, polvo o agua en el depósito de combustible. NO utilice gasolina E85.

⚠ ADVERTENCIA

Tenga mucho cuidado al trabajar con gasolina. La gasolina es sumamente inflamable y sus vapores pueden causar explosiones. Nunca cargue combustible en la máquina en un espacio cerrado o cuando el motor está caliente o en marcha. Apague cigarrillos, cigarras, pipas y otras fuentes de combustión.

NOTA: Compre gasolina en pequeñas cantidades. No use gasolina que haya quedado de la temporada anterior, para minimizar la formación de depósitos de goma en el sistema de combustible.

- Este motor está habilitado para funcionar con gasolina sin plomo. Para obtener el mejor resultado, llene el depósito de combustible únicamente con gasolina sin plomo limpia y fresca, en un surtidor que indique un octanaje igual a 87 o más.
- El gasohol (hasta 10% de alcohol etílico, 90% de gasolina sin plomo por volumen) es un combustible aprobado. No se aprueba el uso de otras mezclas de gasolina/alcohol, como la E85.
- El éter metílico terciario-butílico (MTBE) y las mezclas de gasolina sin plomo (hasta un máximo de 15% de MTBE por volumen) son combustibles aprobados. No se aprueba el uso de otras mezclas de gasolina/éter.
- Llene el depósito de combustible al aire libre o en un área bien ventilada.
- No llene en exceso el depósito de combustible. Llene el depósito no más de 1/2 pulgada por debajo de la base del cuello de llenado para dejar espacio para la expansión del combustible.
- Nunca saque la tapa del combustible ni agregue combustible mientras el motor está caliente o en marcha. Deje que el motor se enfríe por lo menos dos minutos antes de volver a cargar combustible.
- Limpie el combustible que se haya derramado sobre el motor y el equipo. Traslade la máquina a otra zona. Espere 5 minutos antes de encender el motor.

Procedimiento para agregar gasolina

NOTA: El tractor se sujeta con una tapa de combustible que está amarrada y tiene una llave de trinquete. PARE de cargar después de que se vea combustible dentro del cuello de llenado. Esto asegura que hay un volumen de expansión adecuado, de lo contrario el combustible puede rebalsar generando una situación de peligro. NO llene al máximo el depósito de combustible.

- Cargue combustible en un área bien ventilada y con el motor apagado. No fume ni permita llamas o chispas en el lugar donde se carga combustible o se almacena la gasolina.
- No llene en exceso el depósito de combustible. Después de cargar combustible, asegúrese de que el tapón del depósito esté bien cerrado y asegurado.
- Tenga cuidado de no derramar combustible al realizar la recarga. El combustible derramado o sus vapores se pueden incendiar. Si se derrama combustible, asegúrese de que el área esté seca antes de arrancar el motor.
- Evite el contacto repetido o prolongado con la piel y la inhalación de los vapores.

Carga de combustible

⚠ ADVERTENCIA

El combustible debe cargarlo un adulto. NUNCA permita que un niño recargue combustible en el motor. Los vapores de la gasolina (el combustible) son sumamente inflamables y pueden explotar. Los vapores del combustible se pueden esparcir y encenderse por una chispa o llama que esté a mucha distancia del motor. Para evitar lesiones o muertes por incendios de combustible, siga estas instrucciones:

- NO use combustible con plomo.
- El combustible debe ser nuevo y estar limpio. NUNCA use el combustible que queda desde la última temporada o que quedó almacenado durante períodos prolongados.
- NUNCA mezcle aceite con combustible.
- NO use combustible que contenga metanol (alcohol de madera).

NOTA: Antes de recargar combustible, deje que el motor se enfríe dos minutos.

1. Apague el motor y déjelo enfriar al menos dos minutos antes de quitar la tapa de llenado de combustible. El depósito de gasolina está ubicado debajo del asiento. El tapón del combustible está amarrado al tractor para impedir que se pierda. No intente retirar el tapón del tractor.
2. Antes de sacar el tapón para cargar combustible, limpie alrededor.
3. Cargue el depósito hasta que el combustible llegue a 1/2 pulgada por debajo de la base del cuello de llenado para dejar espacio para la expansión del combustible. Tenga cuidado de no llenar en exceso. Vea la Figura 16.

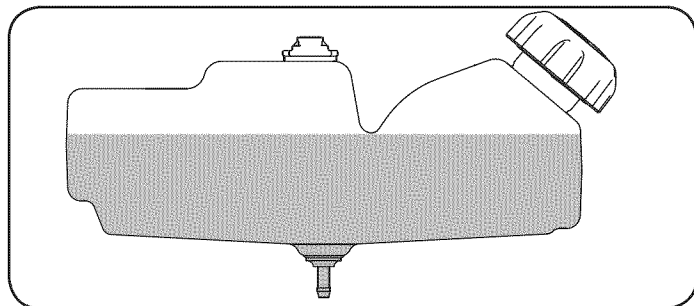


Figura 16

4. Vuelva a colocar la tapa de la gasolina y ajústela bien. Antes de poner en marcha el motor, debe limpiar el combustible que se haya derramado. Si se derrama combustible NO ponga en marcha el motor. Mueva la máquina para alejarla de la zona del derrame. Evite generar una fuente de encendido hasta que los vapores del combustible hayan desaparecido.

Presión de los neumáticos

⚠ ADVERTENCIA

Se debe mantener una presión uniforme para todos los neumáticos en todo momento. Nunca exceda la presión máxima de inflado que se indica en los laterales de los neumáticos.

La presión operativa recomendada para los neumáticos es:

- Aproximadamente 10 psi para los neumáticos traseros
- Aproximadamente 14 psi para los neumáticos delanteros

IMPORTANTE: Consulte los laterales de las ruedas para conocer con exactitud la presión máxima en psi recomendada por el fabricante. No los infle en exceso. Una presión de neumáticos despareja podría hacer que la plataforma no corte el césped parejo.

FUNCIONAMIENTO

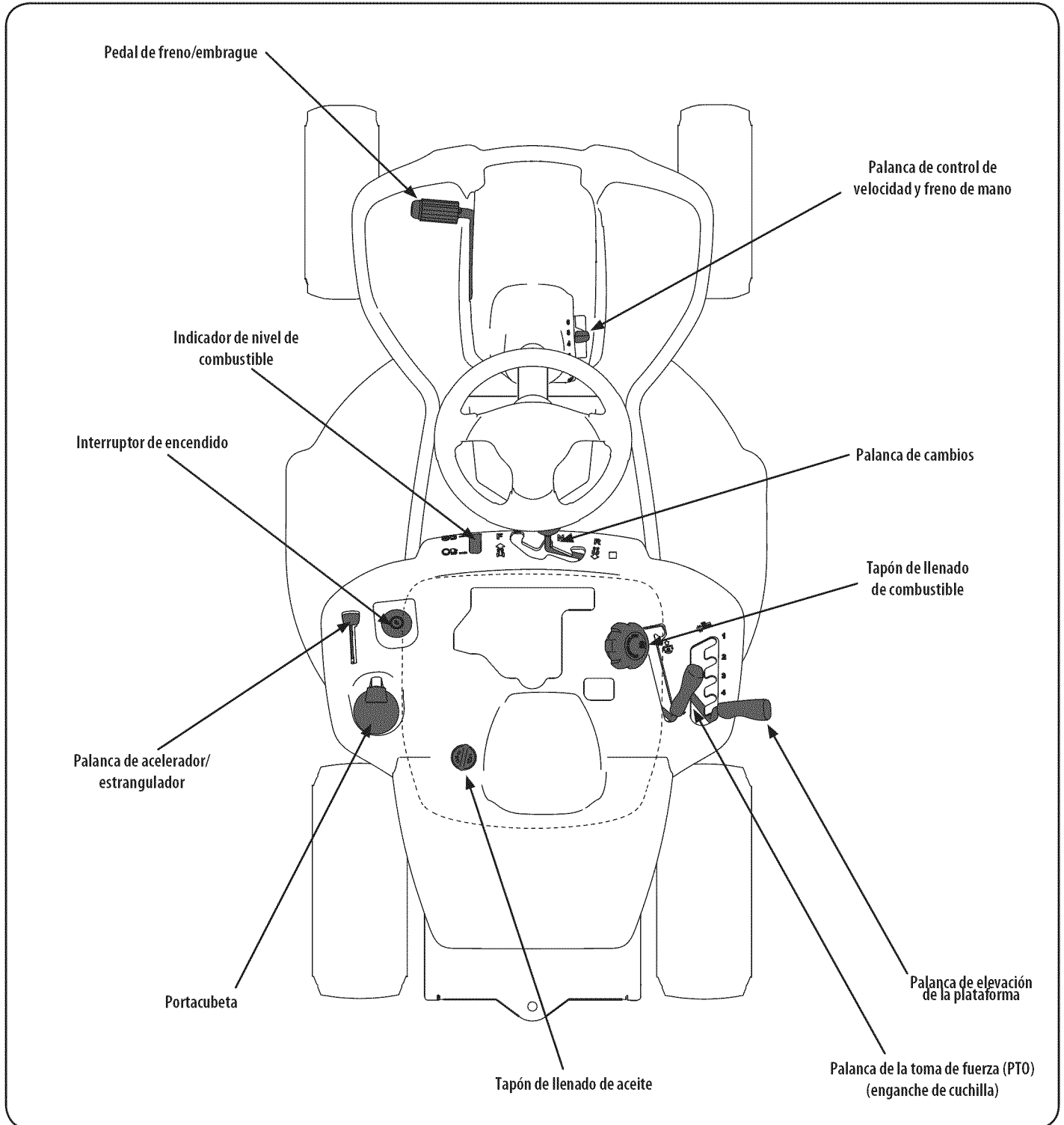


Figura 15

NOTA: Cualquier referencia hecha en este manual al lado DERECHO o IZQUIERDO del tractor debe entenderse tal como se observa desde la posición del operador cuando está sentado hacia adelante orientado al frente del tractor.

Cumple con las normas de seguridad de ANSI

Los tractores Craftsman cumplen con las normas de seguridad del Instituto Nacional Americano de Normalización (ANSI).

FUNCIONAMIENTO

Control del acelerador/estrangulador

La palanca de control del acelerador está ubicada en el guardabarros izquierdo del tractor si se sienta en la posición del operador, vea la Fig. 15. Esta palanca controla la velocidad del motor, así como el cebador cuando se lo empuja completamente hacia adelante. Cuando se lo coloca en una posición determinada, el acelerador mantiene una velocidad de motor uniforme.

IMPORTANTE: Cuando opere el tractor con la plataforma de corte colocada, asegúrese de que la palanca del acelerador esté siempre en la posición FAST (rápida; representada por una liebre).

Si se mueve la palanca del acelerador totalmente hacia adelante, se activa el control del estrangulador del motor. Al activar el control del estrangulador se cierra la placa del estrangulador del carburador y esto ayuda a poner en marcha el motor.

Consulte Arranque del motor en la sección Funcionamiento de este manual para ver instrucciones de arranque detalladas.

Interruptor de encendido

El interruptor de encendido está ubicado en el guardabarros izquierdo del tractor si se sienta en la posición del operador, adyacente al control del acelerador/cebador. Para encender el motor, active la llave en el interruptor de encendido insertando la llave en el interruptor de encendido y gírela en el sentido de las agujas del reloj hasta la posición START (encendido). Suelte la llave en la posición ON (encendido) una vez que haya arrancado el motor. Vea la Fig. 16.

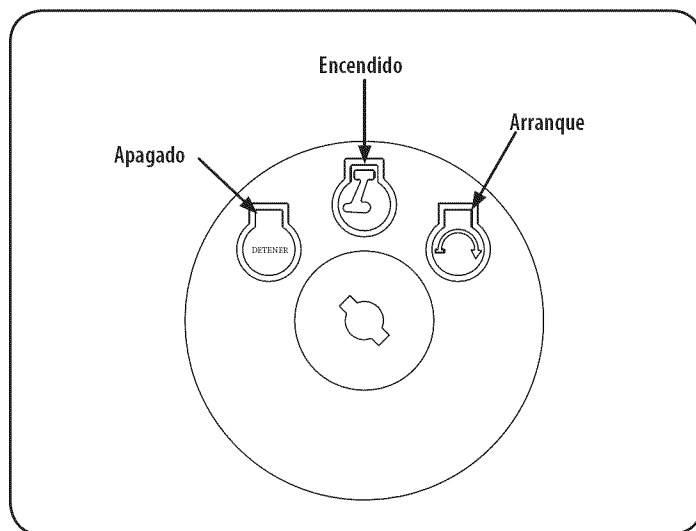


Figura 16

Pedal de freno-embrague

El pedal del embrague-freno está ubicado del lado izquierdo del tractor corta césped, a lo largo del estribo. Presione el pedal del embrague-freno parcialmente hacia abajo cuando disminuya la velocidad del tractor cambiando de marchas (Consulte la sección Palanca de control de velocidad). Presione el pedal totalmente hacia abajo para colocar el freno de disco y hacer que el tractor se detenga por completo.

NOTA: Se debe oprimir completamente el pedal del embrague-freno para poner en marcha el motor. Consulte Interruptores de Bloqueo de Seguridad en la sección Funcionamiento de este manual.

Palanca de cambios

La palanca de cambios está ubicada en el panel de control justo debajo del asiento, en el centro del tractor. Tiene tres posiciones, ADELANTE, PUNTO MUERTO y ATRÁS. Cuando mueva la palanca de cambios, **el pedal del freno debe estar presionado a fondo** y el tractor no debe estar en movimiento. Vea la Fig. 17.

IMPORTANTE: Nunca fuerce la palanca de cambios. De hacerlo, puede dañarse seriamente la transmisión del tractor.

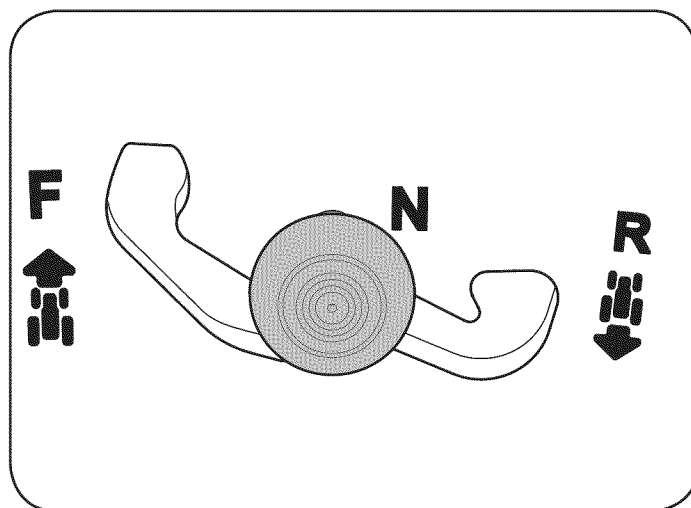


Figura 17

Palanca de control de velocidad

La palanca de control de velocidad, ubicada del lado derecho de la consola de dirección del tractor, le permite regular la velocidad de piso del tractor corta césped.

Para utilizarla, presione el pedal del embrague-freno, saque la palanca de la muesca del freno de estacionamiento y llévela hacia adelante para aumentar la velocidad de piso del tractor. Cuando haya alcanzado la velocidad deseada, suelte la palanca en la muesca adecuada para mantener esa velocidad.

Para reducir la velocidad de piso del tractor, presione el pedal del embrague-freno, lleve la palanca de control de velocidad hacia atrás y suéltela dentro de una muesca.

Freno de mano

Para colocar el freno de mano, presione a fondo el pedal del embrague-freno. Mueva la palanca de control de velocidad totalmente hacia abajo en la posición de freno de mano. Suelte el pedal del embrague-freno para permitir que el freno de mano engrane.

Para soltar el freno de mano, presione el pedal del embrague-freno, saque la palanca de control de velocidad de la posición de freno de mano y llévela a la posición deseada. Suelte el pedal de embrague-freno.

NOTA: Si el operador abandona el asiento y deja el motor en funcionamiento, deberá colocar el freno de mano, o el motor se apagará de forma automática.

Indicador de nivel de combustible

El indicador de nivel de combustible está ubicado debajo del asiento a la izquierda de la posición del operador en el panel de control. Use esta ventana para identificar los requerimientos de combustible del tractor. Vea la Fig. 18.

FUNCIONAMIENTO

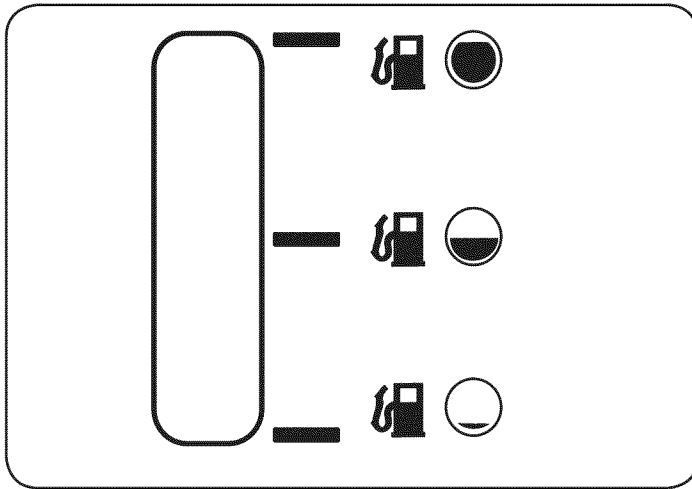


Figura 18

Palanca de elevación de la plataforma

Ubicada en el guardabarros derecho del tractor, la palanca de elevación de la plataforma se utiliza para cambiar la altura de la plataforma de corte. Para utilizarla, mueva la palanca hacia la izquierda, luego colóquela en la muesca que mejor se adapte a la aplicación deseada.

Palanca de la toma de fuerza (PTO) (enganche de cuchilla)

Ubicada en el guardabarros derecho del tractor, la palanca de toma de fuerza (PTO) (enganche de cuchilla) se usa para dar energía a la plataforma de corte. Para hacerla funcionar, mueva la palanca totalmente hacia adelante. Moviéndola totalmente hacia atrás, en la posición PTO OFF (toma de fuerza desconectada), se corta la energía a la plataforma de corte.

NOTA: Al encender el motor, la palanca PTO (enganche de cuchilla) debe encontrarse en posición desconectada (PTO OFF).

Tapón de llenado de combustible

El tapón de llenado de combustible está ubicado debajo del asiento. Consulte la sección Montaje de este manual para obtener instrucciones sobre la carga de combustible del tractor.

Tapón de llenado de aceite

El tapón de llenado de aceite está ubicado debajo del asiento. Consulte la sección Montaje de este manual para obtener instrucciones para controlar y agregar combustible al tractor.

Tapón de llenado de combustible

El depósito de gasolina está ubicado debajo del asiento. No lo llene en exceso.

⚠ ADVERTENCIA

Tenga mucho cuidado al trabajar con gasolina. La gasolina es sumamente inflamable y sus vapores pueden causar explosiones. Nunca cargue combustible en la máquina en un espacio cerrado o cuando el motor está caliente o en marcha. Apague cigarrillos, cigarras, pipas y otras fuentes de combustión.

Para obtener información detallada sobre cómo agregar combustible, consulte Requisitos de combustible en la sección Montaje de este manual.

Interruptores de bloqueo de seguridad

El sistema de bloqueo de seguridad está diseñado para que el tractor funcione con seguridad. Si dicho sistema funciona mal, no se debe hacer funcionar el tractor.

Comuníquese de inmediato al 1-888-331-4569 para solicitar el servicio de mantenimiento y reparación del sistema.

- El sistema de bloqueo de seguridad impide que el motor arranque a menos que esté colocado el freno de mano, y la palanca de toma de fuerza (PTO) (enganche de cuchilla) esté en posición desconectada (OFF).
- Si el operador abandona su asiento antes de colocar el freno de mano, el sistema de bloqueo de seguridad apaga automáticamente el motor.
- Si el operador abandona su asiento con la palanca de la PTO (enganche de cuchilla) conectada, el sistema de bloqueo de seguridad apaga automáticamente el motor, independientemente de que el freno de mano esté puesto o no.
- El motor se apagará automáticamente si la palanca de la PTO (enganche de cuchilla) se coloca en posición enganchada (ON) con la palanca de cambios en posición marcha atrás.

⚠ ADVERTENCIA

No opere el tractor si el sistema de bloqueo funciona mal. El sistema fue diseñado para brindarle seguridad y protección.

Interruptor de encendido

El interruptor de encendido se activa para arrancar el motor. Inserte la llave en el interruptor de encendido y gire en el sentido de las agujas del reloj a la posición START (arranque). Suelte la llave en la posición ON (encendido) una vez que haya arrancado el motor. Vea la Fig. 19.

Para detener el motor, gire la llave de encendido en sentido contrario a las agujas del reloj hasta la posición OFF (apagado). Vea la Fig. 19.

⚠ ADVERTENCIA

Nunca deje la máquina en funcionamiento sin vigilancia. Corte siempre la PTO, mueva la palanca de cambios a la posición Neutral (punto muerto), ponga el freno de mano, pare el motor y retire la llave, para evitar que alguien encienda accidentalmente el motor.

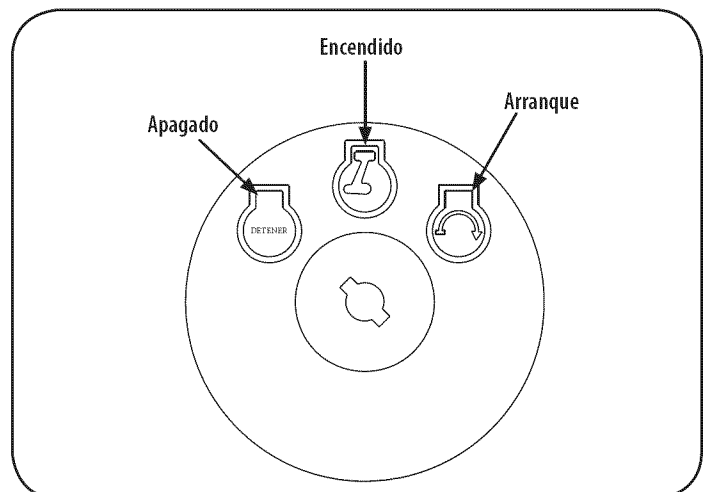


Figura 19

FUNCIONAMIENTO



Evite lesiones graves o la muerte

- Conozca la ubicación y función de todos los controles.
- Extraiga los objetos que podrían ser arrojados por las cuchillas.
- Recorra las pendientes hacia arriba y hacia abajo, no de manera transversal.
- Tenga sumo cuidado en las pendientes. No corte el césped en pendientes de más de 12°. Evite realizar giros abruptos. Conduzca a baja velocidad.
- No utilice la unidad en lugares donde podría resbalar o volcar.
- Si la máquina se para mientras sube la pendiente, pare las cuchillas y retroceda lentamente para abajo.
- Antes de abandonar la posición del operador, desconecte las cuchillas, ponga el freno de mano, apague el motor y saque la llave.
- Asegúrese que las cuchillas y el motor se detengan antes de colocar las manos o los pies cerca de las cuchillas.
- Mantenga los dispositivos de seguridad (guardas, protectores, interruptores, etc.) en su lugar y en funcionamiento.
- Mantenga alejados a los observadores.
- Deje que se enfríe el motor antes de almacenar o transportar la unidad.
- Mantenga la máquina libre de residuos.

Lea el Manual del operador

Colocación del freno de mano

Para colocar el freno de mano:

1. Presione totalmente el pedal del freno y manténgalo hacia abajo con el pie.
2. Mueva la palanca del freno de mano hacia abajo hasta la posición de freno de mano.
3. Suelte el pedal del freno para permitir que el freno de mano quede puesto.

Para sacar el freno de mano:

1. Oprima el pedal del freno y mueva la palanca de control de velocidad hasta que quede fuera de la posición de freno de mano.

Fijación de la altura de corte

Seleccione la posición de altura de la plataforma de corte colocando la palanca de elevación de la plataforma en cualquiera de las muescas de diferente altura de corte, del lado derecho del guardabarros.



ADVERTENCIA

Mantenga las manos y pies alejados de la abertura de descarga de la plataforma de corte.

Encendido del motor



ADVERTENCIA

No opere el tractor si el sistema de bloqueo funciona mal. El sistema fue diseñado para brindarle seguridad y protección.

NOTA: Consulte la sección Montaje de este manual para obtener instrucciones sobre el llenado de aceite y gasolina.

1. Inserte la llave del tractor en el interruptor de encendido.
2. Coloque la palanca de la PTO (enganche de cuchilla) en la posición OFF (desconectada).
3. Coloque el freno de mano del tractor.
4. Active el control del estrangulador.
5. Gire la llave de encendido en el sentido de las agujas del reloj hasta la posición START (arranque). Una vez que arranque el motor, suelte la llave. Volverá a la posición ON.



ADVERTENCIA

IMPORTANTE: NO mantenga la llave en la posición START (arranque) durante más de diez segundos por vez. Si lo hace, puede ocasionar daños al arrancador eléctrico del motor.

6. Después de que arranque el motor, desactive el control del cebador colocando el control del acelerador en la posición FAST (rápida).

NOTA: NO deje el control del cebador activado mientras opera el tractor. Si lo hace, se generará una mezcla de combustible "rica", lo cual hará que el motor no funcione bien.

Detención del motor



ADVERTENCIA

Si golpea contra algún objeto extraño, detenga el motor, desconecte el(los) cable(s) de la bujía y conecte el motor a masa. Inspeccione minuciosamente la máquina para ver si está dañada. Repare el daño antes de volver a encender el motor y operar la máquina.

1. Si las cuchillas están enganchadas, coloque la palanca de la PTO (enganche de cuchilla) en la posición OFF (desconectada).
2. Gire la llave de encendido en sentido contrario a las agujas del reloj a la posición STOP (parar).
3. Retire la llave del interruptor de encendido para evitar que alguien encienda accidentalmente el motor.

FUNCIONAMIENTO

Conducción del tractor

ADVERTENCIA

Evite arrancar súbitamente, desarrollar excesiva velocidad y detenerse de repente.

ADVERTENCIA

No abandone el asiento del tractor sin colocar primero la PTO (enganche de cuchilla) en la posición OFF (desconectada), presionar el pedal del freno y colocar el freno de mano. Si deja el tractor sin vigilancia, apague el motor y retire la llave de encendido.

ADVERTENCIA

Siempre mire hacia abajo y hacia atrás antes y mientras se desplaza marcha atrás, para evitar un accidente.

1. Oprima el pedal del freno y mueva la palanca de control de velocidad hasta que quede fuera de la posición de freno de mano, luego deje que se suelte el freno.
2. Mueva la palanca del acelerador a la posición FAST (RÁPIDA, representada por una liebre).
3. Coloque la palanca de cambios en posición FORWARD (marcha adelante) o REVERSE (marcha atrás).

IMPORTANTE: NO use la palanca de cambios para cambiar la dirección de desplazamiento mientras el tractor esté en movimiento. Siempre use el pedal de freno para detener el tractor por completo antes de hacer el cambio.

4. Suelte el freno de mano presionando el pedal del embrague-freno y colocando la palanca de control de velocidad en la posición deseada.

IMPORTANTE: Quienes utilicen la máquina por primera vez deben usar las posiciones de velocidad 1 ó 2. Familiarícese por completo con el funcionamiento y los controles del tractor antes de operar la máquina en posiciones de mayor velocidad.

5. Suelte el pedal del embrague-freno lentamente para poner la unidad en movimiento.
6. El tractor corta césped se detiene presionando el pedal del embrague-freno.

NOTA: Al operar la unidad inicialmente, habrá poca diferencia entre las dos velocidades más altas hasta que las correas se hayan asentado en las poleas durante el período de ablande.

ADVERTENCIA

Antes de abandonar la posición del operador, desenganche las cuchillas, coloque la palanca en neutral, coloque el freno de estacionamiento, apague el motor y retire la llave de encendido.

IMPORTANTE: Siempre que detenga el tractor por cualquier razón en un área de césped, haga lo siguiente:

1. Coloque la palanca de cambios en punto muerto,
2. Coloque el freno de mano,
3. Apague el motor y retire la llave. Eso permitirá reducir al mínimo la posibilidad de que su césped resulte "quemado" por el escape caliente del motor en funcionamiento.

Si la unidad se detiene con el control de velocidad en la posición de alta velocidad, o si la unidad no funciona con la palanca de control de velocidad en la posición de baja velocidad, realice lo siguiente:

1. Coloque la palanca de cambios en posición NEUTRAL (punto muerto).
2. Vuelva a encender el motor.
3. Coloque la palanca de control de velocidad en la posición de velocidad más alta.
4. Suelte completamente el pedal del embrague-freno.
5. Presione el pedal del embrague-freno.
6. Coloque la palanca de control de velocidad en la posición deseada.
7. Coloque la palanca de cambios en la posición FORWARD (marcha adelante) o REVERSE (marcha atrás), y siga el procedimiento normal de operación.

Operación en pendiente

Consulte el INDICADOR DE PENDIENTES en la sección Instrucciones de seguridad del manual para contribuir a determinar en qué pendientes puede operar el tractor con seguridad.

ADVERTENCIA

No corte en pendientes con una inclinación de más de 12° (elevación aproximada de 2 pies por cada 10 pies). El tractor podría voltearse y causar lesiones severas.

- En las pendientes corte hacia arriba y hacia abajo, NUNCA en forma transversal.
- Tenga mucho cuidado al cambiar de dirección en una pendiente.
- Esté atento a los hoyos, surcos, baches, rocas u otros objetos ocultos. El terreno desnivelado puede voltear la máquina. El césped alto puede ocultar obstáculos.
- Evite realizar giros cuando opere en una pendiente. Si debe realizar un giro, hágalo pendiente abajo. Subir una pendiente aumenta enormemente las posibilidades de que el vehículo dé una vuelta de campana.
- Evite detenerse cuando suba una pendiente. Si fuese necesario detenerse mientras sube una pendiente, arranque suave y cuidadosamente para reducir la posibilidad de que el tractor se dé vuelta hacia atrás.

FUNCIONAMIENTO

Enganche de las cuchillas

Al conectar la PTO (enganche de cuchilla) se suministra alimentación a la plataforma de corte. Para conectar las cuchillas, haga lo siguiente:

1. Mueva la palanca de control del acelerador/cebador a la posición FAST (RÁPIDA, representada por una liebre).
2. Tome la palanca de la PTO (enganche de cuchilla) y gírela totalmente hacia adelante a la posición ON (enganchada).
3. Mantenga la palanca del acelerador en la posición FAST (rápido; representada por una liebre), para un uso más eficaz de la plataforma de corte.

NOTA: El motor se apagará automáticamente si la palanca de la PTO (enganche de cuchilla) se coloca en posición enganchada (ON) con la palanca de cambios en posición marcha atrás.

Abono

Se encuentra disponible como accesorio un kit de abono. El abono es un proceso por el cual se recirculan los recortes de césped de manera repetida debajo de la plataforma de corte. Los recortes muy finos luego son despedidos hacia atrás para que se depositen en el césped y actúen como fertilizante natural. Comuníquese con el Centro de servicio de reparaciones y piezas más cercano para comprar un kit de abono para esta unidad.

Para ubicar el Centro de servicio de reparaciones y piezas más cercano, comuníquese al 1-888-331-4569.

Uso de la palanca de elevación de la plataforma

Para elevar la plataforma de corte, mueva la palanca de elevación de la plataforma hacia la izquierda y colóquela en la muesca que mejor se adapte a la aplicación deseada. Consulte Ajuste de la altura de corte anteriormente en esta misma sección.

Corte de césped



WARNING

Para tratar de evitar el contacto con las cuchillas o una lesión por algún objeto que sea arrojado, mantenga a los observadores, a los ayudantes, niños y mascotas alejados al menos 25 metros de la máquina mientras está en funcionamiento. Detenga la máquina si alguien se acerca.

La siguiente información será de utilidad cuando use la plataforma de corte con su tractor:



WARNING

Planifique el patrón de corte, para evitar que la descarga de materiales se realice hacia los caminos, las veredas, los observadores, etc. Evite además descargar material contra una pared u obstrucción, ya que esto podría hacer que el material descargado rebote contra el operador.

- No corte a alta velocidad de piso, especialmente si tiene instalado un kit de abono o un colector de césped.
- Para obtener los mejores resultados, se recomienda realizar los dos primeros cortes de césped arrojando la descarga hacia el centro. Después de las dos primeras vueltas, cambie la dirección para arrojar la descarga hacia afuera, para equilibrar el corte. Esto otorgará un mejor aspecto al césped.
- No corte el césped demasiado corto. El césped corto es propicio para el crecimiento de malezas y se pone amarillo rápidamente cuando escasea la lluvia.
- El corte del césped siempre debe realizarse con el acelerador del motor al máximo.
- En terrenos difíciles, puede resultar necesario pasar por segunda vez el tractor cortacésped sobre el área ya cortada, para obtener un corte más prolijo.
- NO intente cortar malezas frondosas o césped extremadamente alto. El tractor fue diseñado para cortar el césped, NO para podar malezas.
- Mantenga la cuchilla afilada y cámbiela cuando se gasten. Consulte Cuchilla de corte en la sección Mantenimiento de este manual para obtener instrucciones sobre cómo afilar correctamente las cuchillas.
- Los faros se apagan (OFF) cuando se coloca la llave de encendido en la posición STOP.

SERVICIO Y MANTENIMIENTO

PROGRAMA DE MANTENIMIENTO



ADVERTENCIA

Antes de realizar cualquier tipo de mantenimiento o servicio, desenganche todos los controles y detenga el motor. Espere a que se detengan completamente todas las piezas móviles. Desconecte el cable de la bujía y póngalo haciendo masa contra el motor para evitar que se encienda accidentalmente. Utilice siempre anteojos de seguridad durante el funcionamiento o mientras ajusta o repara este equipo.

Siga el cronograma de mantenimiento que se presenta a continuación. Esta tabla sólo describe pautas de servicio. Utilice la columna Registro de Servicio para hacer el seguimiento de las tareas de mantenimiento completadas.

Para ubicar el Centro de servicio de reparaciones y piezas más cercano, simplemente llame al 1-888-331-4569.

Intervalo	Artículo	Reparación y mantenimiento	Registro de servicio
Antes de cada uso	<ol style="list-style-type: none"> Nivel de aceite del motor Filtro de aire Área del silenciador y controles 	<ol style="list-style-type: none"> Verificar Limpieza/Reemplazo Limpiar 	
Durante las primeras cinco horas	<ol style="list-style-type: none"> Aceite del motor 	<ol style="list-style-type: none"> Cambiar 	
Cada 10 horas	<ol style="list-style-type: none"> Respiraderos del capó/tablero de instrumentos Bornes de las baterías Husillo y ménsula intermedia de la plataforma 	<ol style="list-style-type: none"> Limpiar Limpiar Lubricar 	
Cada 25 horas	<ol style="list-style-type: none"> Prefiltro del filtro de aire* Filtro de aire* Brazos de mando intermedios, ejes de pivote, cremallera y ejes Cojinetes de las ruedas delanteras 	<ol style="list-style-type: none"> Limpiar Limpiar Lubricar Lubricar 	
Cada 50 horas	<ol style="list-style-type: none"> Aceite del motor/filtro de aceite Silenciador 	<ol style="list-style-type: none"> Cambiar/Reemplazar Verificar 	
Anualmente	<ol style="list-style-type: none"> Filtro de aire Prefiltro del filtro de aire Bujía de encendido Sistema de enfriamiento* Filtro de combustible Engranajes de la dirección Ruedas traseras 	<ol style="list-style-type: none"> Reemplazar Reemplazar Reemplazar Limpiar Reemplazar Limpiar Sacar los ejes y engrasarlos 	
Antes de almacenar	<ol style="list-style-type: none"> Respiraderos del capó/tablero de instrumentos Bornes de las baterías Brazos de mando intermedios, ejes del pivote y ejes Cojinetes de las ruedas delanteras Husillo y ménsula intermedia de la plataforma Puntos de pivote del pedal 	<ol style="list-style-type: none"> Limpiar Limpiar Lubricar Lubricar Lubricar Lubricar 	

*Realice el servicio más frecuentemente cuando haya más polvo.



ADVERTENCIA

Antes de realizar tareas de mantenimiento o reparaciones, desconecte la PTO (palanca de enganche de cuchillas), ponga el freno de mano, apague el motor y retire la llave para evitar el encendido accidental del motor.



ADVERTENCIA

Si el motor ha estado en funcionamiento recientemente, el motor, el silenciador y las superficies metálicas circundantes estarán calientes y pueden causar quemaduras en la piel. Tenga cuidado para evitar quemaduras.

SERVICIO Y MANTENIMIENTO

MANTENIMIENTO DEL MOTOR

⚠ ADVERTENCIA

Apague el motor antes de realizar el mantenimiento. Para evitar una puesta en marcha accidental, desconecte la funda de la bujía.

IMPORTANTE: Si el motor debe inclinarse para transportar equipo o para inspeccionar o extraer pasto, mantenga el lado de la bujía del motor hacia arriba. Si la bujía del motor se transporta o se inclina hacia abajo puede causar humo, problemas de arranque, suciedad en la bujía o saturación con aceite del depurador de aire.

La inspección y los ajustes periódicos del motor son esenciales si se desea mantener un alto nivel de desempeño. El mantenimiento regular también garantizará una prolongada vida útil del motor. Los intervalos de mantenimiento requeridos y el tipo de mantenimiento a ser realizado se describen en la tabla de la página precedente. Siga los intervalos por hora o calendarios, lo que ocurra primero. Cuando se opera en condiciones adversas es necesario llevar a cabo un mantenimiento más frecuente.

⚠ ADVERTENCIA

Si el motor ha estado funcionando, el silenciador estará muy caliente. Tenga cuidado para no tocar el silenciador.

Servicio del aceite del motor

- Inspeccione el nivel de aceite regularmente.
- Asegúrese de que se mantenga el nivel de aceite correcto. Controle el aceite cada cinco a diez horas de funcionamiento, antes de poner en marcha el motor. Consulte Control del nivel de aceite en la sección Montaje.

Use solamente un aceite detergente de alta calidad cuya clasificación de servicio API sea SF, SG, SH o SJ. Seleccione el grado de viscosidad SAE del aceite según la temperatura de operación esperada. Consulte Gasolina y aceite en la sección Ensamblado de este manual.

Drenaje del aceite

IMPORTANTE: Asegúrese de inspeccionar el motor sobre una superficie nivelada y con el motor apagado. Drene el aceite mientras el motor esté caliente para asegurar un drenaje rápido y completo.

Para drenar el aceite del cárter de motor de ciertos modelos de tractores, se adjunta una manga de plástico para drenado de aceite junto con este Manual del Operador. Para drenar el aceite, proceda de la siguiente manera:

1. Desenrosque el tapón de llenado de aceite y extraiga la varilla de nivel de aceite del tubo de llenado.
2. Coloque el extremo pequeño de la manga de drenado en el cárter de aceite. Vea la Figura 20.
3. Extraiga el tapón de drenado y vacíe el aceite en un contenedor apropiado, con una capacidad no menor a 64 oz.
4. Inclíne el tractor ligeramente en dirección de un recipiente adecuado para ayudar a drenar por completo todo el aceite del motor.

⚠ ADVERTENCIA

Antes de inclinar el motor o equipo para drenar el aceite, drene el combustible del depósito haciendo funcionar el motor hasta que el depósito de combustible esté vacío.

5. Realice el servicio del filtro de aceite como se indica posteriormente en esta sección.

6. Si lo desea, realice el servicio del filtro de aceite como se indica posteriormente en esta sección.
7. Vuelva a instalar el tapón de drenado y ajústelo firmemente, 12-14 Nm (106.2-123.9 pulgada-libra).
8. Extraiga la manga de drenado de aceite del cárter de aceite. Vuelva a colocar la varilla de nivel en el tubo de llenado de aceite y enrosque el tapón de llenado en su lugar.
9. Vierta el aceite en el tubo de la varilla. No llene en exceso. Con un aceite Cambiar el filtro de la cantidad elevada de aceite para este motor es 1700 ml (57,48 fl-oz).
10. Instalar la varilla medidora y gire a la posición de bloqueo antes de comenzar
11. motor.
12. Encienda el motor. Deje de correr durante unos segundos y luego apáguelo el motor.
13. Revise el nivel de aceite. Vea la sección Comprobación del nivel de aceite.

IMPORTANTE: El aceite usado del motor puede causar cáncer de piel si entra en contacto con la piel de manera reiterada y por períodos prolongados. Si bien esto es improbable a menos que manipule aceite usado todos los días, sin embargo es recomendable lavarse bien las manos con agua y jabón inmediatamente después de haber manipulado aceite usado.

NOTA: Elimine el aceite del motor usado de la manera que sea compatible con el medio ambiente. Sugerimos que lo coloque en un recipiente sellado y lo lleve a la estación de servicio local para su recuperación. No lo tire a la basura ni lo vierta en el drenaje o en el suelo.

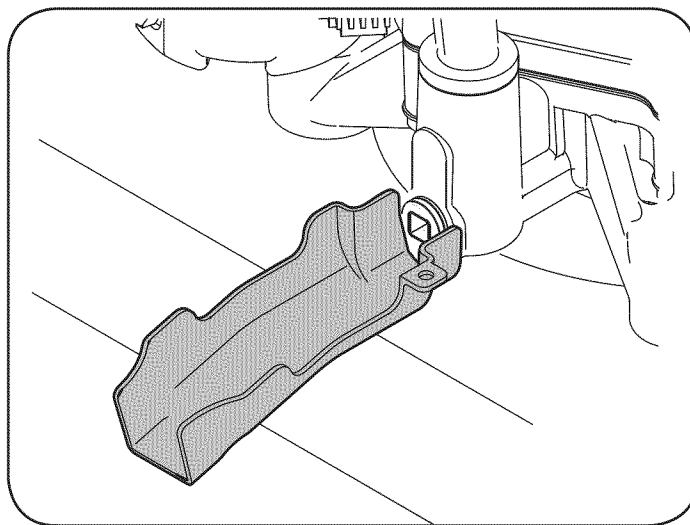


Figura 20

Reemplazo del filtro de aceite

Este motor está equipado con un filtro de aceite a rosca que debe reemplazarse cada vez que se realiza un cambio de aceite, en cada estación o cada 50 horas. Consulte la Figura 21.

Para reemplazar el filtro de aceite:

1. Drene el aceite como se indicó precedentemente en esta sección.
2. Extraiga el filtro de aire. Deseche el filtro viejo de manera adecuada.
3. Lubrique la junta del filtro nuevo con aceite limpio.
4. Coloque y gire el filtro de aceite manualmente hasta que la junta entre en contacto con la superficie de sellado de la cubierta del cárter, luego ajuste el filtro de aceite, 10-12 Nm (88.5-106.2 pulgada-libra), 1/2-3/4 de giro.

SERVICIO Y MANTENIMIENTO

5. Agregue aceite como se indicó precedentemente.
6. Asegúrese de que la varilla de medición esté instalada.
7. Encienda y haga funcionar el motor. Compruebe si hay fugas.
8. Detenga el motor. Espere unos minutos y controle el nivel de aceite. Consulte Control del nivel de aceite en la sección Montaje del presente manual.

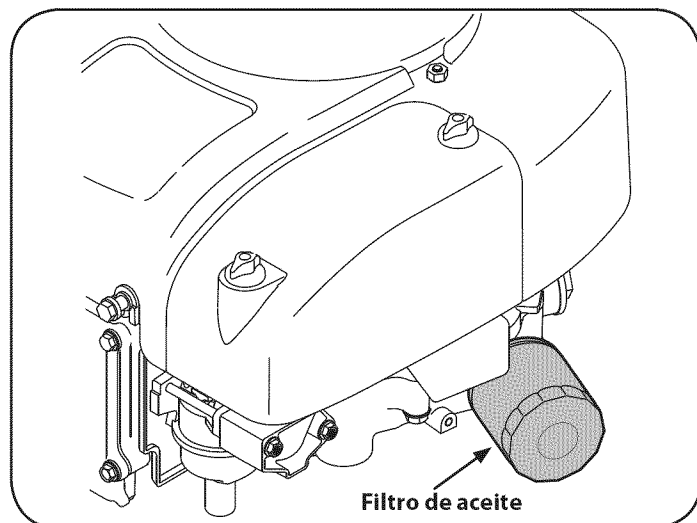


Figura 21

Procedimiento para agregar aceite

IMPORTANTE: Asegúrese de inspeccionar el motor sobre una superficie nivelada y con el motor apagado.

1. Limpie alrededor de la tapa y el tubo de la varilla de medición con una tela limpia para eliminar los residuos. Vea la Figura 22.

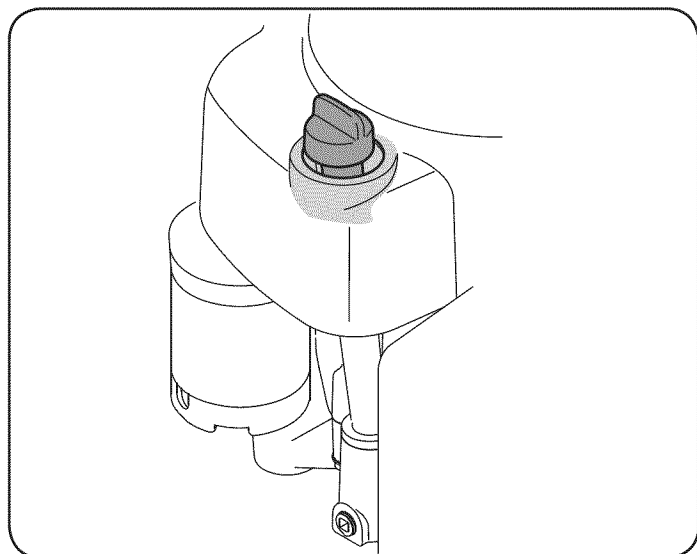


Figura 22

2. Saque la varilla de medición del nivel del aceite y límpiela con una tela.
3. Vierta aceite dentro del tubo de la varilla de medición. No llene excesivamente. Con un cambio de filtro de aceite la cantidad de aceite de alto nivel para este motor es de 1700 ml (57.48 onzas líquidas).
4. Coloque la varilla de medición y gírela hasta la posición en que queda trabada antes de arrancar el motor.

5. Arranque el motor. Déjelo en marcha durante unos segundos y luego apague el motor.
6. Controle el nivel de aceite. Consulte Control del nivel de aceite en la sección Montaje del presente manual.

Mantenimiento del filtro de aire

Los filtros de papel no se pueden limpiar y se deben reemplazar cada 100 horas de funcionamiento; con mayor frecuencia si se utilizan en lugares donde abunda el polvo.

⚠ ADVERTENCIA

Nunca use gasolina o solventes de punto de encendido bajo para limpiar el elemento del filtro de aire. Podría producirse un incendio o explosión.

⚠ PRECAUCIÓN

No use aire presurizado ni disolvente para limpiar el cartucho purificador de aire.

⚠ ADVERTENCIA

Si no se instalan correctamente los filtros o las cubiertas, las explosiones del carburador pueden causar lesiones graves o la muerte. No intente hacer arrancar el motor cuando no están colocados.

IMPORTANTE: Nunca opere el motor sin el filtro de aire. Resultará en desgaste rápido del motor.

1. Desenrosque los tornillos de orejetas y quite la cubierta del filtro de aire. Vea la Figura 23.

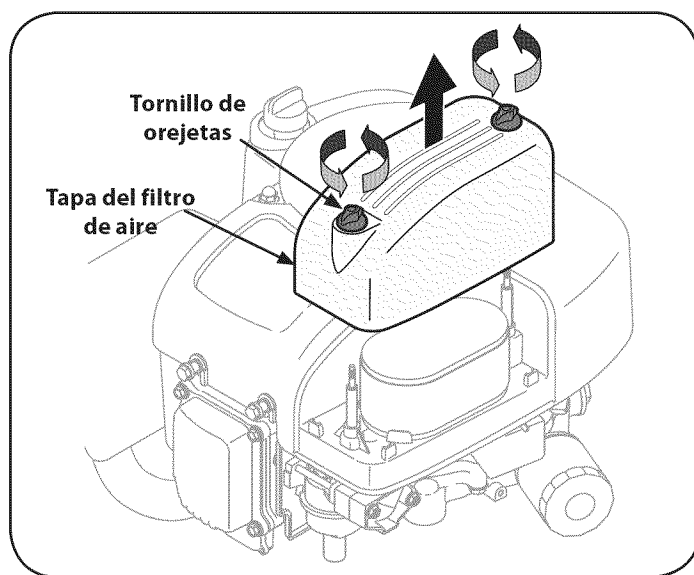


Figura 23

SERVICIO Y MANTENIMIENTO

2. Extraiga el filtro de aire. Vea la Figura 24.

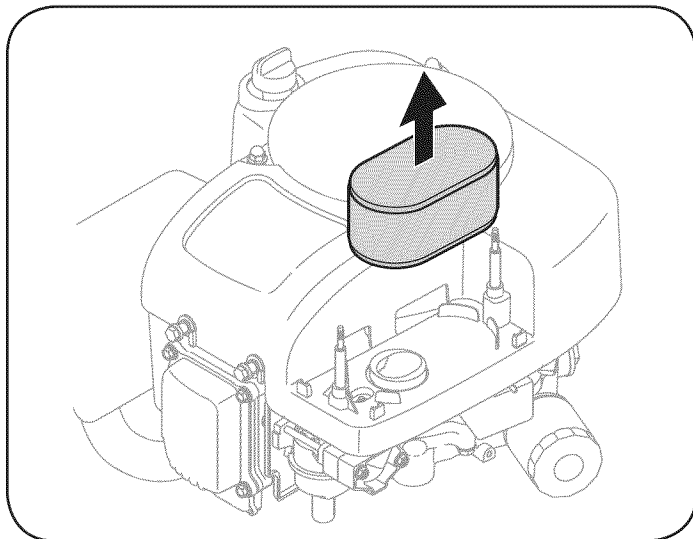


Figura 24

3. Retire el prefiltro de espuma de alrededor del filtro de aire de papel. Vea la Figura 25. Reemplace el elemento de papel si está sucio o dañado. Limpie el elemento de espuma o reemplácelo si está dañado.

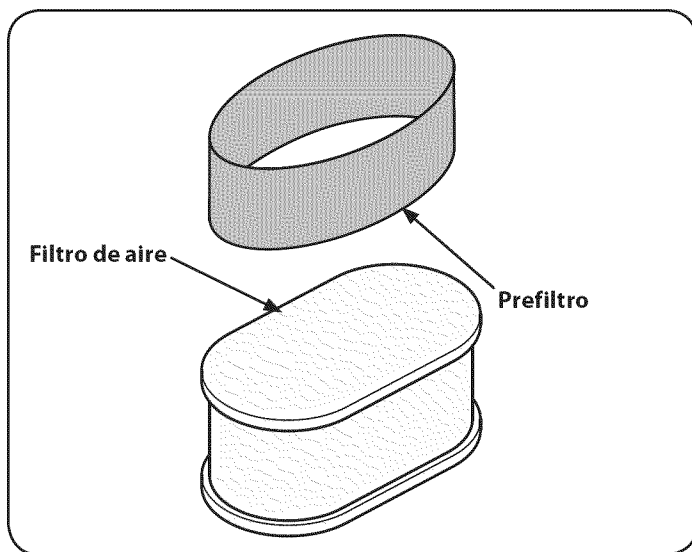


Figura 25

4. A fin de limpiar el elemento de espuma, lávelo con detergente líquido suave y agua. Apriete u oprima el elemento de espuma para enjuagar la suciedad y el agua. No lo retuerza; si lo hace, podría dañar o rasgar el elemento de espuma. Permita que se seque bien antes de usarlo. NO lubrique el elemento de espuma.
5. Sujete el filtro de aire nuevo con el elemento de espuma, para lo cual debe alinear el orificio del filtro de aire con el colector de admisión. Vea la Figura 26.

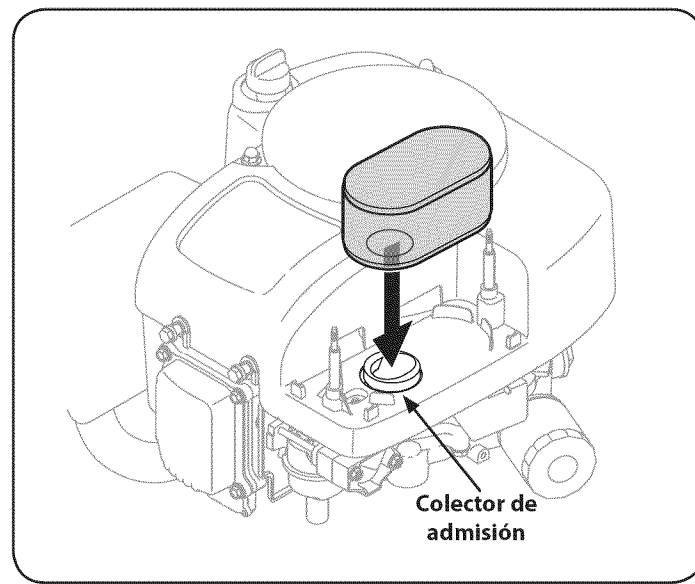


Figura 26

6. Sujete la cubierta del filtro de aire comprobando que queden alineadas las nervaduras plásticas de la cubierta con los dispositivos plásticos de la cubierta del filtro de aire. Vea la Fig. 27. Gire los tornillos de orejetas en el sentido de las agujas del reloj hasta que queden ajustados. Controle si hay problemas de alineación.

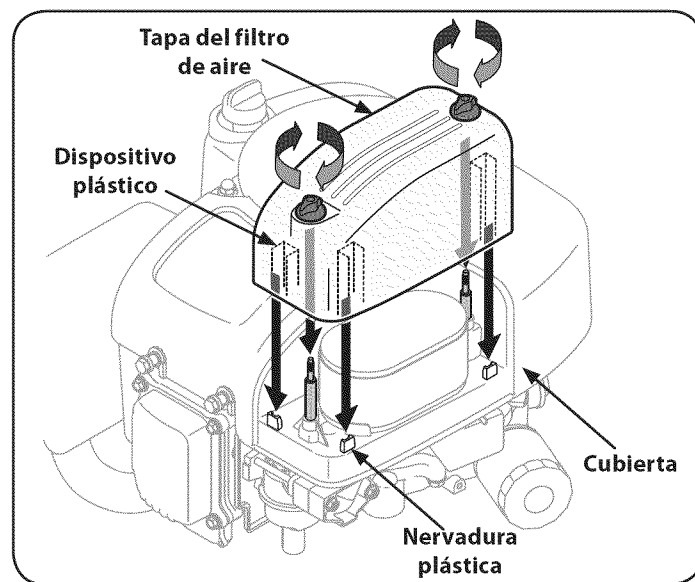


Figura 27

Mantenimiento de bujía

ADVERTENCIA

NO pruebe la chispa si no está la bujía de encendido. NO dé arranque al motor si no está la bujía de encendido.

Para asegurarse de que el motor funcione bien, la bujía debe tener una separación correcta y debe estar libre de depósitos.

1. Retire la funda de bujía y utilice una llave para bujías para extraer la bujía. Vea la Figura 28.

SERVICIO Y MANTENIMIENTO

⚠ ADVERTENCIA

Si el motor ha estado funcionando, el silenciador estará muy caliente. Tenga cuidado para no tocar el silenciador.

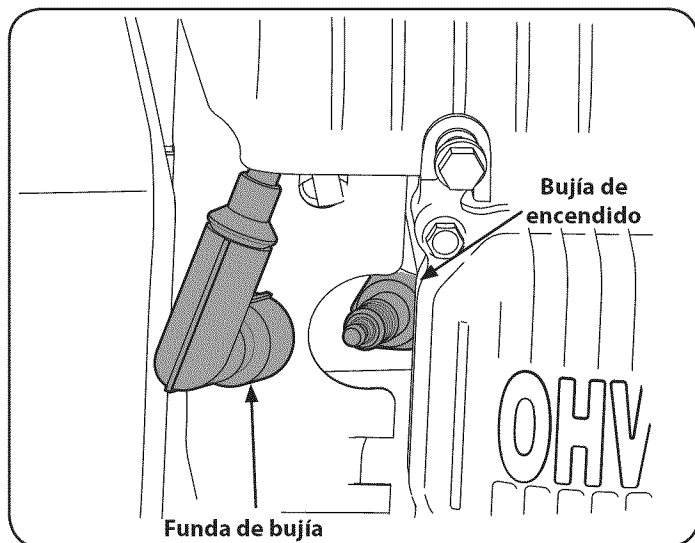


Figura 28

- Inspeccione visualmente la bujía. Elimine la bujía si presenta mucho desgaste, o si el aislante está agrietado o astillado. Limpie la bujía con un cepillo de alambre si se va a reutilizar.
- Mida la separación de bujía con un calibre. Corrija de ser necesario torciendo el electrodo lateral. Vea la Figura 29. La separación debe establecerse para que quede entre 0.024-0.031 pulg.

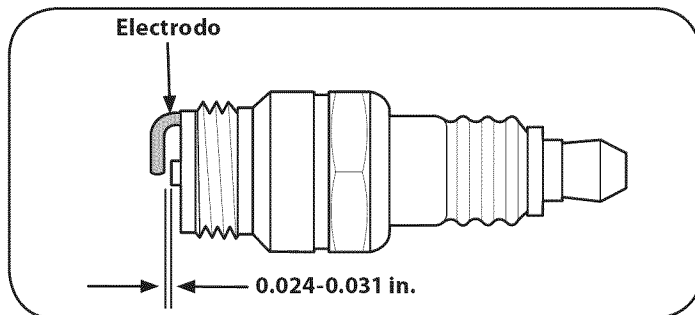


Figura 29

- Verifique que la arandela de la bujía esté en buenas condiciones y enrosque la bujía hacia adentro manualmente para evitar el enrosque cruzado.
- Una vez que la bujía está asentada en su lugar, ajuste con una llave para bujía para comprimir la arandela.

NOTA: Cuando instale una bujía nueva, apriete 1/2 de vuelta una vez que la bujía se encuentra colocada en su lugar para comprimir la arandela. Cuando vuelva a colocar una bujía usada, apriete 1/8 - 1/4 de giro después de que la bujía se asienta para comprimir la arandela.

IMPORTANTE: La bujía debe estar firmemente asegurada. Si la bujía no está bien asegurada puede calentarse mucho y dañar el motor.

Mantenimiento del filtro de combustible

⚠ ADVERTENCIA

La gasolina y el vapor de gasolina son sumamente inflamables y explosivos. El fuego y las explosiones pueden causar quemaduras graves y también la muerte.

- Mantenga la gasolina alejada de chispas, llamas expuestas, llamas piloto, calor, y otras fuentes de ignición.
- Verifique frecuentemente las líneas de combustible, el tanque, el tapón, y los accesorios buscando rajaduras o pérdidas. Reemplace de ser necesario.
- Antes de reemplazar el filtro de combustible, drene el depósito de combustible como se indica en Para drenar el combustible.
- No drene el combustible cuando el motor está caliente. Permita que el motor se enfríe bien. Drene el combustible dentro de un recipiente aprobado y al aire libre, lejos de cualquier llama expuesta.
- Drene un volumen de combustible grande desde el depósito, desconectando la línea de combustible del filtro de combustible en línea que se encuentra cerca del motor.
- Retire la línea de combustible del lado en línea (lado orientado al depósito de combustible) del filtro de combustible.
- Los repuestos deben ser los mismos y se deben instalar en la misma posición que las piezas originales.
- Si se derrama combustible, espere hasta que se evapore antes de encender el motor.
- Antes de reemplazar el filtro de combustible, drene el depósito de combustible. De lo contrario, el combustible puede gotear y causar un incendio o una explosión.

Para drenar el combustible:

- Ubique el filtro de combustible, que pasa del lado izquierdo del motor, entre el tanque de combustible y el carburador, y puede estar sujeto al motor con una tira de unión. Corte la tira, si la hay, luego sujete la abrazadera en línea del filtro de combustible con un par de pinzas, deslice la abrazadera hacia arriba por la línea de combustible. Saque la línea de combustible del filtro y coloque el extremo abierto de la línea en un recipiente aprobado para drenar el combustible.

Para cambiar el filtro de combustible:

- Utilice pinzas para apretar las lengüetas de la otra abrazadera (el lado fuera de línea del filtro de combustible), luego deslice la abrazadera alejándola del filtro de combustible. Gire y tire de la línea de combustible del filtro. Vea la Figura 30.
- Verifique que las líneas de combustible no tienen rajaduras o pérdidas. Reemplace de ser necesario.
- Reemplace el filtro de combustible por un filtro de recambio de equipo original. Llame a 1-888-331-4569 para comprar el filtro de repuesto del equipo original.
- Sujete las líneas de combustible con las abrazaderas.

El filtro de combustible no se puede limpiar y se debe reemplazar cada 100 horas de funcionamiento; con mayor frecuencia si se utiliza con gasolina vieja.

SERVICIO Y MANTENIMIENTO

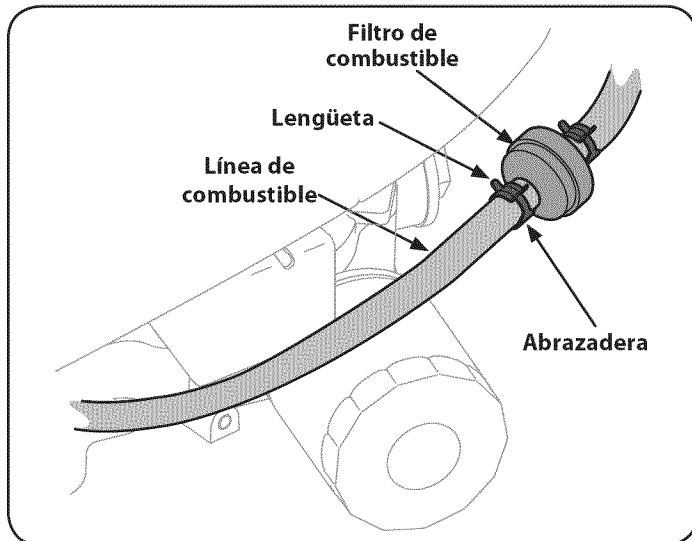


Figura 30

Limpie el motor

Si el motor ha estado funcionando, déjelo enfriar durante por lo menos media hora antes de limpiarlo. Retire periódicamente la suciedad acumulada en el motor. Limpie las aletas de refrigeración del motor cada 25 horas. Limpie con un cepillo o aire comprimido.

IMPORTANTE: No rocíe el motor con agua para limpiarlo porque el agua podría contaminar el combustible. Con una manguera de jardín o equipo de lavado a presión también puede forzar agua dentro del filtro de aire o la abertura del silenciador. El agua en el filtro de aire embeberá el elemento de papel, y el agua que pasa a través del elemento o silenciador puede ingresar en el cilindro, causando daño.

⚠ ADVERTENCIA

La acumulación de residuos alrededor del silenciador podría producir un incendio. Inspecciónelo y límpielo antes de cada uso.

EXTRACCIÓN DE LA PLATAFORMA DE CORTE

Para extraer la plataforma de corte, proceda de la siguiente manera:

1. Coloque la palanca de la toma de fuerza (PTO) (enganche de cuchilla) en la posición OFF (desconectada) y ponga el freno de mano.
2. Baje la plataforma colocando la palanca de elevación de la plataforma dentro de la muesca inferior del guardabarros derecho.
3. Extraiga la correa de alrededor de la polea de la PTO del tractor. Vea la Figura 31.

⚠ ADVERTENCIA

Evite las lesiones por compresión. Al extraer la correa, no coloque nunca los dedos en el resorte intermedio o entre la correa y una polea.

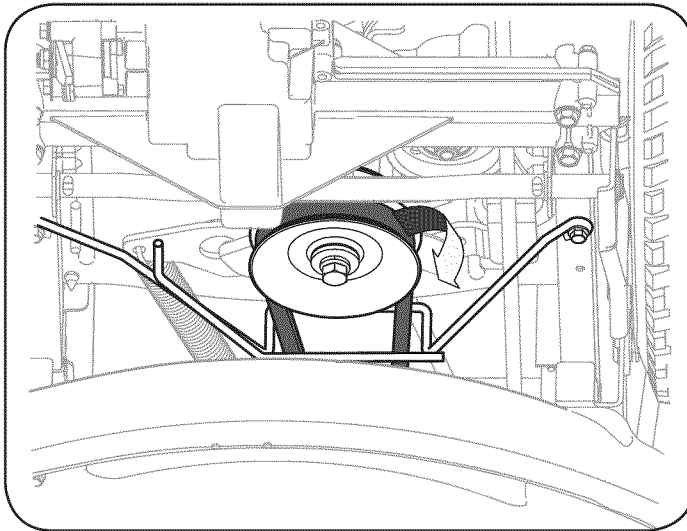


Figura 31

4. Extraiga el pasador de chaveta con unión curva y la arandela plana del conjunto de elevación de la plataforma y guárdelo para volver a colocarlo posteriormente. Vea la Figura 32.

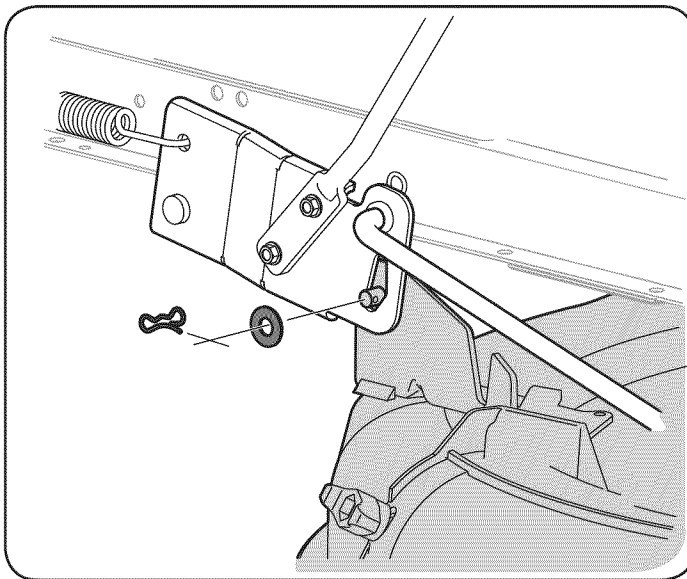


Figura 32

SERVICIO Y MANTENIMIENTO

5. Extraiga los pasadores de chaveta con unión curva que aún están sujetando la unidad, como se indica en la Figura 33.

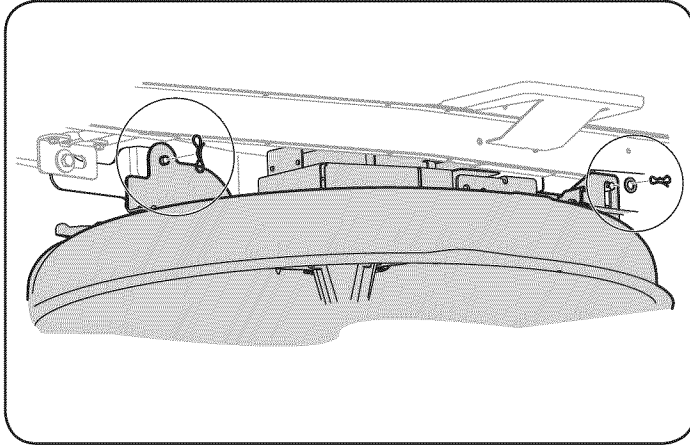


Figura 33

NOTA: Los pasadores de chaveta con unión curva se deben volver a colocar de arriba hacia abajo.

6. Mueva la palanca de elevación de la plataforma dentro de la muesca superior del guardabarros derecho para levantar los brazos de elevación de la plataforma y sacarlos del camino.
7. Desconecte el cableado en espiral del interruptor de seguridad de la plataforma.
8. Extraiga con cuidado el cable de la PTO de la parte posterior de la plataforma de corte retirando el pasador de chaveta con unión curva que lo sujeta. Retire el resorte del soporte de polea loca de la plataforma. Vea la Figura 34.

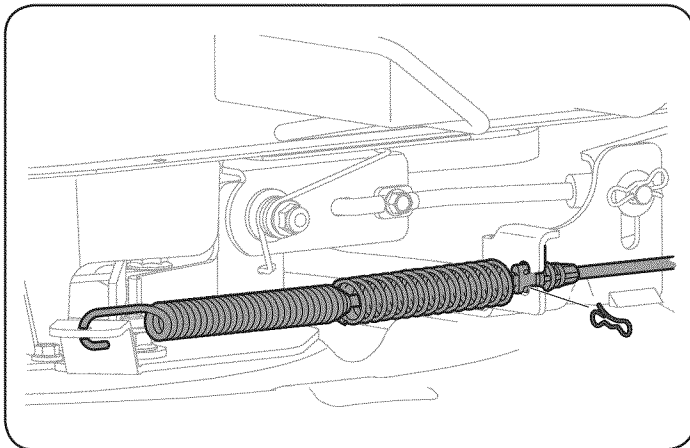


Figura 34

9. Deslice suavemente la plataforma de corte (desde el lado izquierdo) hacia afuera desde la parte inferior del tractor.

Cambio de la correa de la plataforma

NOTA: Se puede cambiar la correa de la plataforma sin desinstalar la plataforma de corte del tractor; sin embargo, resulta mucho más fácil extraer primero la plataforma, cambiarle la correa y luego volver a instalar la plataforma de corte.

Para cambiar la correa de la plataforma de corte, proceda de la siguiente manera:

1. Lo más fácil es cambiar la correa de la plataforma extrayendo primero la plataforma de corte como se indica previamente en esta sección. Omita este paso si decide cambiar la correa de la plataforma sin extraer la plataforma de corte de la unidad. De lo contrario, extraiga la plataforma de corte ahora.
2. Si va a cambiar la correa de la plataforma con la plataforma de corte instalada en la unidad, baje la plataforma de corte a la posición de corte más baja.
3. Extraiga la correa de alrededor de la polea de transmisión de la PTO de la unidad como se indica en la Figura 31. Simplemente deje rodar un lado de la correa para que salga de la polea y luego debe seguir sacándola todo alrededor de la polea hasta que se suelta de la polea.
4. Lleve la correa hacia el frente de la unidad, jalándola a través y hacia afuera de la ménsula del guardacorrea, como se indica en la Figura 31.
5. Extraiga la cubierta de la correa de la plataforma, para lo cual deberá retirar los tres pernos hexagonales que la sujetan. Vea la Figura 35.

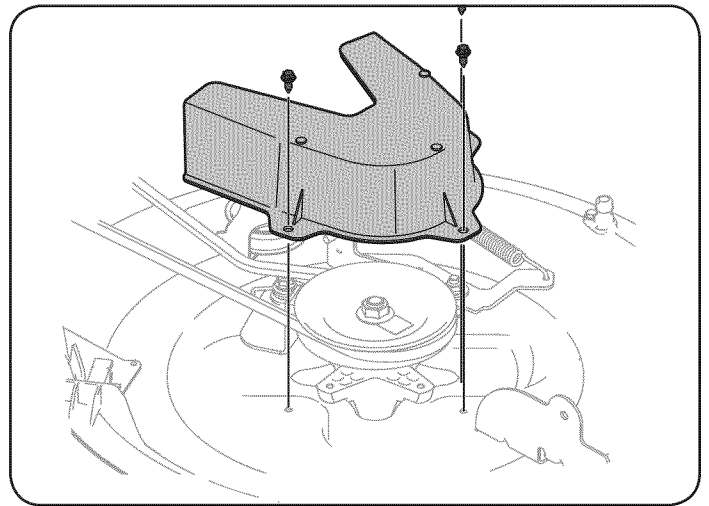


Figura 35

6. Extraiga el espaciador del guardacorrea extrayendo los pernos hexagonales que la sujetan. Vea la Figura 36.

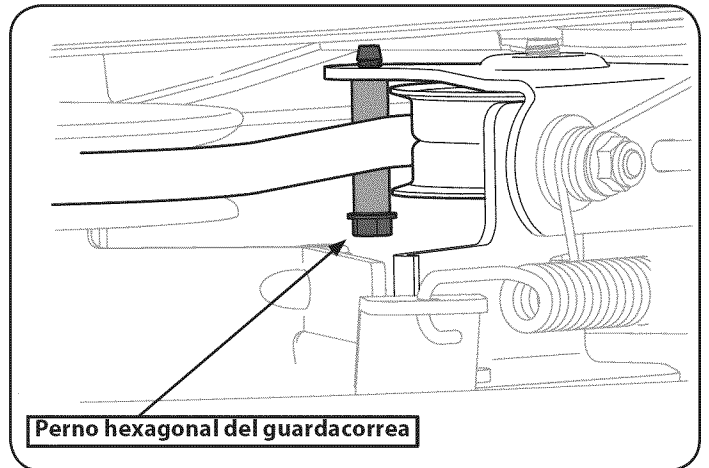


Figura 36

7. Cambie la correa, luego vuelva a instalar todos los componentes que extrajo siguiendo el orden inverso, comenzando por la polea loca y terminando por la cubierta de la correa.

SERVICIO Y MANTENIMIENTO

8. Pase la correa de la plataforma a través de la ménsula del guardacorrea y colóquela alrededor y sobre la polea de transmisión de la PTO, como se indica en la Figura 31.

NEUMÁTICOS

⚠ ADVERTENCIA

Nunca exceda la presión máxima de inflado que se indica en los laterales de los neumáticos.

La presión operativa recomendada para los neumáticos es:

- Aproximadamente 10 psi para los neumáticos traseros
- Aproximadamente 14 psi para los neumáticos delanteros

IMPORTANTE: Consulte los laterales de las ruedas para conocer con exactitud la presión máxima en psi recomendada por el fabricante. No los infle en exceso. Una presión de neumáticos despareja podría hacer que la plataforma no corte el césped parejo.

CUCHILLA DE CORTE

⚠ ADVERTENCIA

Apague el motor y extraiga la llave de contacto antes de retirar las cuchillas de corte para afilarlas o reemplazarlas. Proteja sus manos utilizando guantes reforzados cuando sujete las cuchillas.

⚠ ADVERTENCIA

Inspeccione periódicamente la cuchilla y/o el husillo en busca de rajaduras o daños, especialmente después de golpear un objeto extraño. No opere la máquina hasta después de haber reemplazado los componentes dañados.

Para retirar la cuchilla, haga lo siguiente.

NOTA: Puede resultar más fácil cambiar la cuchilla empezando primero por extraer la plataforma de la parte inferior del tractor, (consulte la sección Extracción de la plataforma de corte en partes anteriores de esta sección); luego voltee con delicadeza la plataforma para dejar al descubierto su parte inferior. Sin embargo, es posible cambiar la cuchilla sin sacar la plataforma del tractor. Si se intenta cambiar la cuchilla sin sacar la plataforma del tractor, primero se debe mover la palanca de elevación de la plataforma hasta su posición de corte más elevada.

1. Extraiga la clavija de abono, el canal de la plataforma o el canal de la embolsadora, si viene equipado, dejando a la vista la abertura del canal de la plataforma.
2. Use un bloque de madera o un 2 x 4, insértelo dentro de la abertura de la plataforma y haga girar la cuchilla hasta que la madera haga cuña entre la abertura de la plataforma y la cuchilla de corte, como se indica en la Figura 37.
3. Extraiga la tuerca de brida hexagonal que asegura la cuchilla al montaje del husillo y retire la cuchilla. Vea el recuadro de la Figura 37.

NOTA: El husillo de la plataforma tiene una rosca normal. Para aflojarlo, rote la tuerca de seguridad con brida en sentido contrario a las agujas del reloj.

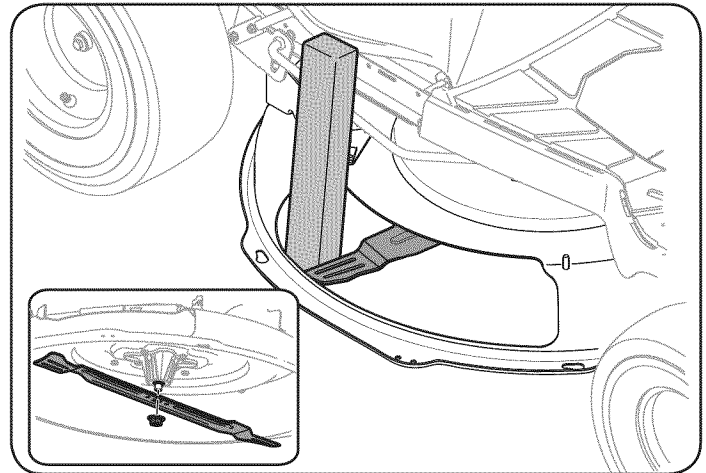


Figura 37

4. Para afilar las cuchillas de corte de forma adecuada, extraiga cantidades iguales de metal de ambos extremos de las cuchillas a lo largo de los bordes cortantes, paralelo al borde de caída y a un ángulo de 25° a 30°. Afile siempre cada borde de las cuchillas de corte de forma pareja para mantener un equilibrio adecuado entre las mismas. Vea la Figura 38.

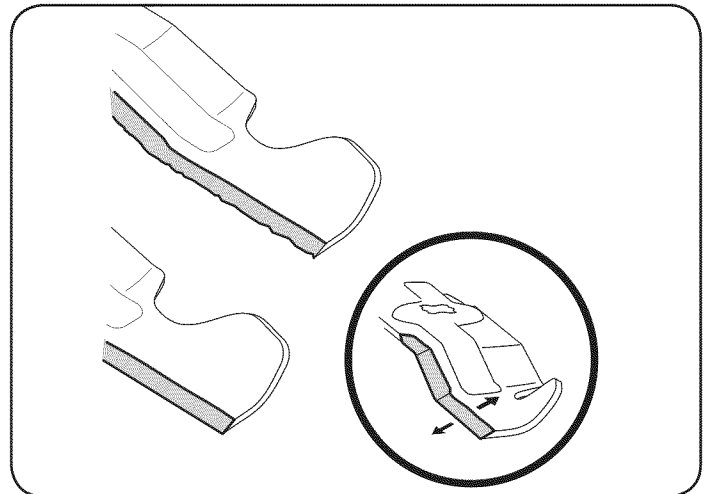


Figura 38

⚠ PRECAUCIÓN

Si el borde de corte de la cuchilla ha sido afilado previamente o si existe una separación de metal, reemplace las cuchillas por otras nuevas.

⚠ ADVERTENCIA

Una cuchilla mal equilibrada causará exceso de vibración y puede dañar el tractor y/o causar lesiones personales.

5. Pruebe el equilibrio de la cuchilla usando un compensador de cuchillas. Afile el metal del lado pesado hasta que quede bien equilibrada.

NOTA: Cuando reemplace la cuchilla, asegúrese de instalarla con el lado marcado "Bottom" (inferior) (o con el lado que posee un número de pieza estampado) mirando al piso cuando la cortadora de césped está en posición de operación.

SERVICIO Y MANTENIMIENTO

⚠ PRECAUCIÓN

Utilice una llave de torsión para ajustar la tuerca de brida hexagonal del husillo de la cuchilla entre 70 y 90 pies-libras.

AJUSTES

⚠ ADVERTENCIA

Nunca intente hacer ajustes mientras el motor está en marcha, excepto cuando así lo especifica el manual del operador.

Nivelación de la plataforma

NOTA: Controle la presión de neumáticos del tractor antes de realizar cualquier nivelación de la plataforma. Consulte Neumáticos en la sección Servicio y mantenimiento de este manual para obtener más información sobre la presión de los neumáticos.

Nivelación frontal-posterior

Es posible ajustar la inclinación de la plataforma de corte. El frente de la plataforma debe estar entre 0" (al ras) y 1/4" más bajo que la parte posterior de la plataforma. De ser necesario, realice un ajuste de la siguiente manera:

1. Con el tractor estacionado sobre una superficie firme y nivelada, ubique la palanca de elevación de la plataforma en la posición media (3) y rote la cuchilla de manera que quede alineada con el frente y la parte posterior del tractor.
2. Mida la distancia desde la parte delantera de la punta de la cuchilla hasta el piso, y desde la parte posterior de la punta de la cuchilla hasta el piso. La primera medición debe ser entre 0" (al ras) y 1/4" menor que la segunda. Determine la distancia aproximada necesaria para un ajuste adecuado y, de ser necesario, siga con el paso siguiente.
3. Ubique la tuerca de seguridad con brida en el extremo frontal de la varilla de elevación de la PTO. Vea la Figura 39.
 - Apriete la tuerca de seguridad con brida para levantar la parte delantera de la plataforma;
 - Afloje la tuerca de seguridad con brida para bajar la parte delantera de la plataforma.

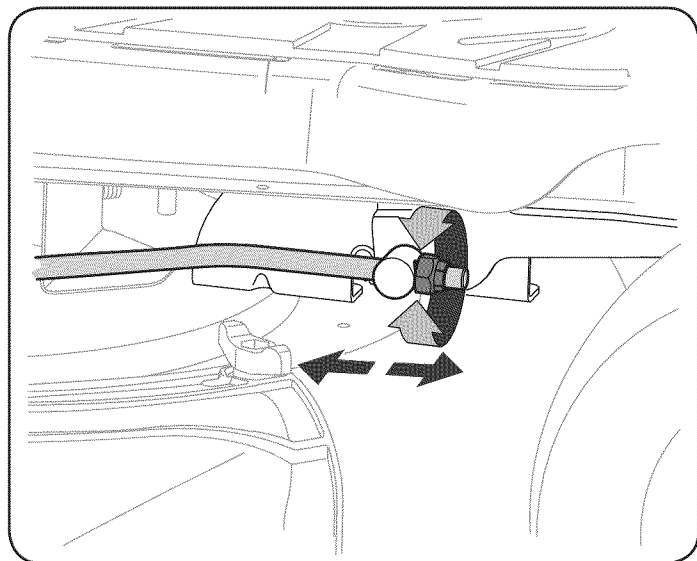


Figura 39

AJUSTE DEL ASIENTO

Consulte en la sección Montaje de este manual las instrucciones para el ajuste del asiento.

AJUSTE DEL FRENO DE MANO

⚠ ADVERTENCIA

Nunca intente ajustar los frenos con el motor en marcha. Desenganche siempre la PTO (palanca de enganche de cuchilla), mueva la palanca de cambios a la posición neutral, pare el motor y retire la llave, para evitar que alguien encienda accidentalmente el motor.

Si el tractor no se detiene por completo cuando se presiona totalmente el pedal de embrague-freno, o si las ruedas traseras del tractor pueden rodar con el freno de mano colocado, el freno necesita un ajuste. Comuníquese con el Centro de servicio de reparaciones más cercano para que le hagan un servicio a los frenos.

Para ubicar el Centro de servicio de reparaciones y piezas más cercano o para programar el servicio de mantenimiento o reparación, comuníquese al teléfono 1-888-331-4569.

CAMBIO DE LA CORREA DE TRANSMISIÓN

NOTA: Para cambiar la correa de transmisión del tractor, se deben retirar varios componentes y se requieren herramientas especiales (es decir, llave de impacto/aire). Comuníquese con el Centro de servicio de reparaciones y piezas más cercano para que le hagan un servicio a la correa de transmisión.

Para ubicar el Centro de servicio de reparaciones y piezas más cercano, llame al 1-888-331-4569.

SILENCIADOR

⚠ ADVERTENCIA

La temperatura del silenciador y de las áreas cercanas del motor puede superar los 150° F (65° C). Evite el contacto con estas áreas.

- Inspeccione periódicamente el silenciador y reemplácelo si es necesario. Los repuestos del silenciador deben ser los mismos y se deben instalar en la misma posición que las piezas originales.

LIMPIE EL MOTOR

- Diariamente o antes de cada uso, limpie el césped, la grasa o los residuos acumulados en el motor. Mantenga limpios el varillaje, los resortes y los controles.
- Mantenga el área que rodea al silenciador y que está detrás del mismo libre de cualquier residuo combustible.
- Mantenga el motor limpio para permitir el movimiento de aire alrededor del mismo.
- Las piezas del motor se deben mantener limpias para reducir el riesgo de sobrecalentamiento y combustión de los residuos acumulados.

⚠ PRECAUCIÓN

No use agua para limpiar las piezas del motor. El agua puede contaminar el sistema de combustible. Use un cepillo o un paño seco.

AJUSTE DEL CARBURADOR

- El carburador de este motor no es regulable.

SERVICIO Y MANTENIMIENTO

BATERÍA

¡ADVERTENCIA Proposición 65 de California! Los bornes de la batería y los accesorios afines contienen plomo y compuestos de plomo, sustancias químicas que según lo establecido por el Estado de California causan cáncer y daños en el sistema reproductivo. Lávese las manos después de estar en contacto con estos componentes.

PRECAUCIÓN

Si extrae la batería, desconecte primero el cable NEGATIVO (negro) de su borne y a continuación el cable POSITIVO (rojo). Cuando vuelva a instalar la batería, conecte siempre primero el cable POSITIVO (rojo) a su borne, y a continuación el cable NEGATIVO (negro).

La batería está sellada y no necesita mantenimiento. Los niveles de ácido no se pueden controlar.

- Siempre mantenga limpios y libres de acumulación de elementos corrosivos los cables y los bornes de la batería.
- Después de limpiar la batería y los bornes, aplique una capa delgada de vaselina o grasa a ambos bornes.
- Siempre mantenga los capuchones de goma colocados sobre el borne positivo para prevenir un cortocircuito.

IMPORTANTE: Si quita la batería por cualquier razón, desconecte primero el cable NEGATIVO (negro) de su terminal y a continuación el cable POSITIVO (rojo). Cuando vuelva a instalar la batería, conecte siempre primero el cable POSITIVO (rojo) a su borne, y a continuación el cable NEGATIVO (negro). Asegúrese que los cables estén conectados a los bornes correctos, ya que si los cambia se podría invertir la polaridad y provocar un daño al sistema alternador del motor.

Limpieza de la batería

Limpie la batería retirándola del tractor y lavándola con bicarbonato de sodio y solución de agua. Si es necesario, raspe los bornes de la batería con un cepillo de alambre para quitar los depósitos. Cubra los bornes y los cables expuestos con grasa o vaselina para prevenir la corrosión.

Desperfectos de la batería

Algunas causas comunes de falla de la batería son:

- Activación inicial incorrecta
- Sobrecarga
- Congelamiento
- Carga insuficiente
- Corrosión en las conexiones

Estas fallas NO están cubiertas por la garantía de su tractor.

ARRANQUE CON CABLES DE PUENTE

ADVERTENCIA

Nunca arranque una batería dañada o congelada con conexiones en puente. Asegúrese de que los vehículos no se toquen y los motores están apagados. No permita que las pinzas de los cables se toquen.

1. Conecte el cable positivo (+) al borne positivo (+) de la batería descargada de su tractor.
2. Conecte el otro extremo del cable al borne positivo (+) de la batería con carga.
3. Conecte el segundo cable negativo (-) al borne (-) de la batería cargada.

4. Conecte el otro extremo del cable negativo al bloque del motor del tractor, alejado de la batería. Acople a una parte sin pintura para asegurarse de que haya una buena conexión.

ADVERTENCIA

Si la batería con carga está instalada en el vehículo (es decir automóvil, camión) NO ponga en marcha el motor del vehículo cuando arranque su tractor con conexiones en puente.

5. Arranque el tractor (según las instrucciones de la sección Funcionamiento de este manual).
6. Coloque el freno de mano del tractor antes de sacar los cables de conexión en puente, en orden inverso de conexión.

DURACIÓN

ADVERTENCIA

Al cargarse, las baterías emiten un gas que puede causar explosiones. Cargue la batería en un área bien ventilada y manténgala alejada de una llama expuesta o piloto, como los de los calentadores de agua, calefactores de ambiente, hornos, secadores de ropa y otros aparatos a gas.

PRECAUCIÓN

Cuando cargue la batería de su tractor, utilice únicamente un cargador diseñado para baterías de plomo-ácido de 12V. Lea el manual del operador del cargador de la batería antes de cargar la batería de su tractor. Siempre siga las instrucciones y tenga en cuenta las advertencias.

Si su tractor no se ha utilizado durante un período de tiempo prolongado, cargue la batería de la siguiente manera:

1. Ajuste el cargador de batería para que produzca un máximo de 10 amperios. Si su cargador de batería es automático, cargue la batería hasta que el cargador indique que se ha completado la carga. Si el cargador no es automático, cargue durante ocho horas como mínimo.

FUSIBLE

En el mazo de cables de su tractor está instalado un fusible de 15 amperios, para proteger el sistema eléctrico del tractor de los daños causados por exceso de amperaje.

Si el sistema eléctrico no funciona, o el motor de su tractor no arranca, verifique primero que el fusible no se haya quemado. Se puede encontrar debajo del guardabarros en el lado izquierdo de la unidad, en el mazo de cables justo encima de la batería.

ADVERTENCIA

Para el reemplazo utilice siempre un fusible con la misma capacidad de amperaje.

LUBRICACIÓN

ADVERTENCIA

Antes de realizar tareas de lubricación, reparación o inspección, siempre desconecte la PTO (palanca de enganche de cuchilla), mueva la palanca de cambios a la posición neutral, ponga el freno de mano, pare el motor y retire la llave, para evitar que alguien encienda accidentalmente el motor.

SERVICIO Y MANTENIMIENTO

Puntos de pivote y varillaje

Lubrique todos los puntos de pivote del sistema de impulsión, el freno de mano y el varillaje de elevación al menos una vez por temporada con aceite ligero.

Ruedas traseras

Las ruedas traseras se deben sacar de los ejes una vez por temporada. Lubrique bien los ejes y las llantas con una grasa multiusos antes de reinstalarlos.

Ejes delanteros

Cada extremo de la barra de pivote delantera del tractor puede estar equipado con un accesorio de engrasado. Lubrique con pistola de grasa cada 25 horas de funcionamiento del tractor.

Cremallera y piñón de dirección

Una vez por temporada, o cada 25 horas de funcionamiento, será necesario lubricar el mecanismo de cremallera y piñón de dirección que está ubicado debajo del frente de la unidad. Mediante el uso de grasa para automóviles estándar, engrase el frente y la parte posterior de la cremallera de dirección, como se indica en la Figura 40.

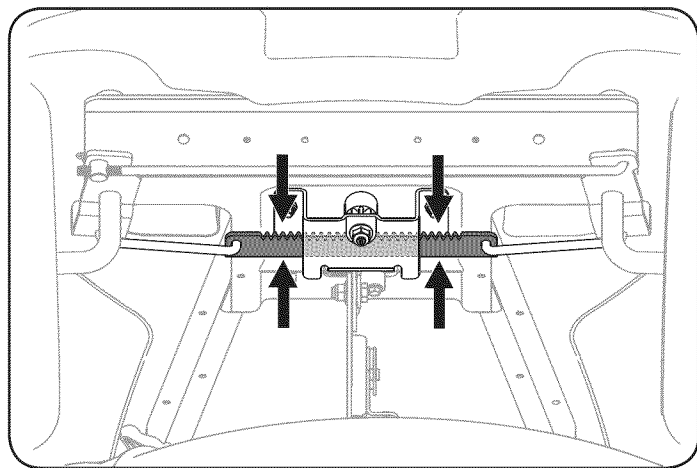


Figura 40

LIMPIEZA DEL MOTOR Y DE LA PLATAFORMA

Si se derrama combustible o aceite sobre la máquina, debe limpiarse de inmediato. NO permita que se acumulen desechos alrededor de las aletas de refrigeración del motor ni en ninguna otra parte de la máquina.

IMPORTANTE: NO se recomienda el uso de una lavadora de presión para limpiar el tractor. Puede dañar los componentes eléctricos, los husillos, las poleas, los rodamientos o el motor.

Sistema de lavado de plataforma

La plataforma de su tractor está equipada con un puerto de agua sobre su superficie como parte del sistema de lavado de la plataforma.

Utilice el sistema de lavado de plataforma para lavar la parte inferior de la plataforma e impedir la acumulación de sustancias corrosivas. Realice los siguientes pasos DESPUÉS DE CADA CORTE DE CÉSPED:

1. Drive the tractor to a level, clear spot on your lawn, near enough for your garden hose to reach.

⚠ PRECAUCIÓN

Asegúrese de que el canal de descarga del tractor **NO ESTÉ ORIENTADO EN LA DIRECCIÓN** en que se encuentran la casa, el garaje, los vehículos estacionados, etc.

2. Desconecte la toma de fuerza (enganche de cuchilla), ponga el freno de mano y pare el motor.
3. Enrosque el acople de manguera (embalado con el Manual del Operador de su tractor) en el extremo de la manguera de jardín.
4. Una el acople de la manguera al puerto de agua que se encuentra en la superficie de la plataforma. Vea la Figura 41.

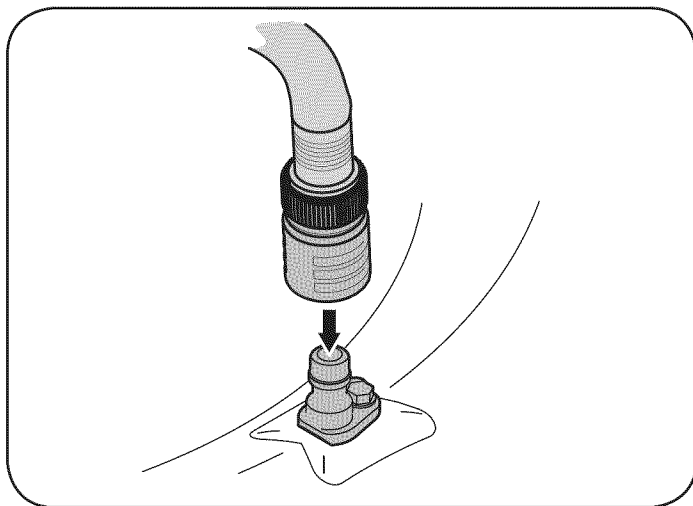


Figura 41

5. Abra el suministro de agua.
6. Mientras está sentado en la posición del operador del tractor, vuelva a arrancar el motor y coloque la palanca del regulador en la posición VELOCIDAD RÁPIDA (FAST, representado por una liebre).
7. Mueva la potencia de arranque (enganche de cuchilla) del tractor a la posición ON (encendido).
8. Permanezca en la posición del operador con la plataforma de corte enganchada durante dos minutos como mínimo, permitiendo que la parte inferior de la plataforma de corte se lave a fondo.
9. Mueva la potencia de arranque (enganche de cuchilla) del tractor a la posición OFF (apagado).
10. Gire la llave de encendido a la posición STOP (parar) para apagar el motor del tractor.
11. Desconecte el agua y retire el acoplador de la manguera desde el puerto de agua que se encuentra en la superficie de la plataforma.

Después de limpiar la plataforma, regrese a la posición del operador y enganche la PTO. Mantenga la plataforma de corte en funcionamiento durante dos minutos por lo menos para permitir que se seque totalmente la parte inferior de la misma.

ALMACENAMIENTO FUERA DE TEMPORADA

ADVERTENCIA

Nunca almacene tractor de césped con combustible en el tanque en un espacio cerrado o en áreas con poca ventilación, donde los gases del combustible puedan alcanzar el fuego, chispas o una luz piloto como la que tienen algunos hornos, calentadores de agua, secadores de ropa o algún otro dispositivo a gas.

PREPARACIÓN DEL MOTOR

IMPORTANTE: El combustible que queda en el tanque cuando hace calor se deteriora y ocasiona graves problemas de encendido.

PRECAUCIÓN

La no utilización de un aditivo de combustible de estabilización o totalmente en marcha el motor hasta que se quedan sin combustible antes de su almacenamiento fuera de temporada puede resultar en daños al carburador del motor. Daños posteriores no estarían cubiertos por la garantía del fabricante.

Motores se almacena entre 30 y 90 días deben ser tratados con un estabilizador de gasolina y los motores almacenados más de 90 días es necesario drenar el combustible para evitar el deterioro y la goma de la formación en el sistema de combustible o en las partes esenciales del carburador. Si la gasolina en el motor se deteriora durante el almacenamiento, puede ser necesario tener el carburador, y otros componentes del sistema de combustible, la reparación o sustitución. Para evitar que se formen depósitos de goma en el interior del carburador del motor y causar un posible mal funcionamiento del motor, el sistema de combustible debe ser vaciado completamente, o la gasolina debe ser tratado con un estabilizador para evitar su deterioro.

1. Si utiliza un estabilizador de combustible:
 - a. Lea las instrucciones y recomendaciones del fabricante del producto.
 - b. Agregue la cantidad correcta de estabilizador para la capacidad del sistema de combustible a gasolina limpia y nueva.
 - c. Llene el depósito de combustible con combustible tratado y haga funcionar el motor 2-3 minutos para estabilizar el combustible dentro del carburador.
2. Cuando vacíe el sistema de combustible:
 - a. No drene el combustible cuando el motor está caliente. Permita que el motor se enfríe bien. Drene el combustible dentro de un recipiente aprobado y al aire libre, lejos de cualquier llama expuesta.
 - b. Drene un gran volumen de combustible desde el depósito, desconectando la línea de combustible del filtro de combustible en línea que se encuentra cerca del motor.

ADVERTENCIA

La gasolina es sumamente inflamable y puede ser explosiva en ciertas condiciones. Vacíe la antes de almacenar el equipo durante períodos prolongados. Drene el combustible únicamente dentro de un recipiente aprobado y al aire libre, lejos de cualquier llama expuesta. Deje que el motor se enfríe. Antes de drenar el combustible, apague cigarrillos, cigarros, pipas y otras fuentes de combustión. Vacíe la gasolina en un área bien ventilada, lejos de cualquier fuente de llama o chispas, incluido cualquier artefacto con luz piloto. Almacene la gasolina en un recipiente aprobado, en un lugar seguro.

- c. Vuelva a conectar la línea de combustible y haga funcionar el motor hasta que comience a fallar, use entonces el cebador para mantener el motor en marcha hasta agotar todo el combustible del carburador.

- d. Vuelva a desconectar la línea de combustible y drene la gasolina restante en el sistema.

ADVERTENCIA

La gasolina es una sustancia tóxica. Elimine la gasolina adecuadamente. Comuníquese con las autoridades locales para averiguar cuáles son los métodos adecuados para eliminar la gasolina.

3. Extraiga la bujía y vierta una (1) onza de aceite para motor por el orificio de la bujía en el cilindro. Haga girar el motor varias veces para distribuir el aceite. Vuelva a colocar la bujía.
4. Limpie los residuos de todo motor, con protección para los dedos, y debajo, alrededor y detrás del silenciador. Retocar la pintura dañada, y las áreas otro pelaje que pueden oxidarse con una película delgada de aceite.
5. Conservar en un lugar limpio, seco y bien ventilado lejos de cualquier aparato que funciona con una llama o luz piloto, como un horno, calentador de agua o secadora de ropa. También evitar cualquier área con un motor eléctrico que produzca chispas, o donde las herramientas eléctricas son operados.
6. Si es posible, evitar las zonas de almacenamiento con alta humedad, ya que promueve la oxidación y la corrosión.
7. Mantener el nivel de motor de almacenamiento. Inclínación puede provocar fugas de aceite o combustible.

EL DRENAJE DE LOS COMBUSTIBLES

1. Localice el filtro de combustible, que se encuentra en el lado izquierdo del motor, y puede ser conectado al motor con una correa de empate.
2. Cortar la correa de la corbata, si está presente, entonces emergente en la abrazadera en línea en el filtro de combustible con un par de alicates, deslice la abrazadera de la línea de combustible.
3. Quite la línea de combustible en la línea y la fuga de combustible en un recipiente aprobado.

PREPARACIÓN DE LA TRACTOR DE CÉSPED

1. Limpie y lubrique la tractor como se describe en las instrucciones de lubricación.
2. No utilice una lavadora a presión ni una manguera de jardín para limpiar su unidad.
3. Almacene la tractor en una zona limpia y seca. No la almacene cerca de materiales corrosivos como por ejemplo fertilizantes.

ELIMINACIÓN DE ALMACENAMIENTO

1. Revise su motor como se describe en la sección de la Asamblea de este manual.
2. Si el combustible fue drenado durante la preparación de almacenamiento, llene el tanque con gasolina fresca. Si usted mantiene un contenedor de gasolina para repostar, asegúrese de que contiene sólo combustible fresco. La gasolina se oxida y deteriora con el tiempo, causando problemas de arranque.
3. Si el cilindro fue recubierta con aceite durante la preparación de almacenamiento, el motor de humo al arrancar. Esto es normal.

SOLUCIÓN DE PROBLEMAS

Problema	Causa	Remedio
El motor no arranca	<ol style="list-style-type: none"> 1. Perilla de potencia de arranque (PTO) conectada. 2. No está colocado el freno de mano. 3. Se ha desconectado el cable de las bujías. 4. La palanca de control del regulador no está en la posición de arranque correcta. 5. No se ha activado el cebador 6. El depósito de combustible está vacío o el combustible se ha echado a perder. 7. La línea del combustible está bloqueada. 8. Las bujías no funcionan correctamente. 9. Motor ahogado. 10. Fusible fundido (s) 11. Interruptor de seguridad (s) no está debidamente enganchado. 	<ol style="list-style-type: none"> 1. Coloque la perilla en la posición de desconexión (OFF). 2. Coloque el freno de mano. 3. Conecte el cable a las bujías. 4. Mueva la palanca del regulador a la posición FAST (rápido). 5. Tire el control del CEBADOR hacia afuera. 6. Llene el depósito con gasolina limpia y nueva (de menos de 30 días). 7. Limpie la línea de combustible y reemplace el filtro de combustible. 8. Limpie o cambie las bujías o ajuste la separación. 9. Arranque el motor con el regulador en posición FAST (rápido). 10. Reemplace el fusible (s) 11. Asegurarse de asiento está en la posición de funcionamiento adecuada, y / o de la cubierta canaleta, tubo o clavija de abono instalado correctamente.
El motor funciona de manera errática	<ol style="list-style-type: none"> 1. La unidad está funcionando con el CEBADOR activado. 2. Se han aflojado los cables de la bujía. 3. La línea del combustible está tapada o el combustible se ha echado a perder. 4. La ventilación en la tapa del combustible está obstruida. 5. Agua o suciedad en el sistema del combustible. 6. El filtro de aire está sucio. 	<ol style="list-style-type: none"> 1. Presione el control del CEBADOR. 2. Conecte los cables de la bujía. 3. Limpie la línea de combustible; llene el tanque con gasolina limpia y nueva y reemplace el filtro de combustible. 4. Destape la ventilación o reemplace la tapa si está dañada. 5. Vacíe el tanque de combustible. Llene el tanque con gasolina limpia y nueva. 6. Reemplace el elemento de papel del filtro de aire o limpie el depurador de espuma.
El motor recalienta	<ol style="list-style-type: none"> 1. El nivel de aceite del motor está bajo. 2. Flujo de aire restringido. 	<ol style="list-style-type: none"> 1. Llene el cárter con la adecuada cantidad y peso de aceite. 2. Limpie los recortes de pasto y la suciedad acumulados alrededor de las aletas de refrigeración del motor y del alojamiento del soplador.
El motor vacila a altas revoluciones	<ol style="list-style-type: none"> 1. La separación de las bujías es muy pequeña. 	<ol style="list-style-type: none"> 1. Retire las bujías y reajuste la separación
El motor funciona con dificultad en ralentí	<ol style="list-style-type: none"> 1. Bujía atorada, averiada o exceso de separación. 2. El filtro de aire está sucio. 	<ol style="list-style-type: none"> 1. Reemplace las bujías. Configure la separación de la bujía. 2. Reemplace el elemento del filtro de aire y/o limpie el depurador.
Demasiada vibración	<ol style="list-style-type: none"> 1. Cuchilla de corte floja o descentrada. 2. Cuchilla dañada o curvada 	<ol style="list-style-type: none"> 1. Apriete la cuchilla y el husillo. 2. Reemplace la cuchilla.
La cortadora de césped no regresa el recorte de césped como abono	<ol style="list-style-type: none"> 1. La velocidad del motor es demasiado lenta. 2. Césped húmedo. 3. Césped demasiado alto. 4. La cuchilla de la cortadora no está afilada. 	<ol style="list-style-type: none"> 1. Coloque el control del regulador en la posición FAST (velocidad rápida, representada por una liebre). 2. No realice abono cuando el césped está húmedo. 3. Corte una vez a una altura de corte elevada y luego vuelva a cortar el césped a la altura deseada, o haga una pasada de corte más angosta. 4. Afile o cambie la cuchilla.
Corte desigual	<ol style="list-style-type: none"> 1. La plataforma no está correctamente nivelada. 2. La cuchilla de la cortadora no está afilada. 3. Presión de neumáticos desigual. 	<ol style="list-style-type: none"> 1. Realice un ajuste de la plataforma lado a lado. 2. Afile o cambie la cuchilla. 3. Verifique la presión de los cuatro neumáticos.

DECLARACIÓN FEDERAL y/o DE CALIFORNIA SOBRE GARANTÍAS EN EL CONTROL DE EMISIONES SUS DERECHOS Y OBLIGACIONES EN CUANTO A LA GARANTÍA

MTD Consumer Group Inc, la Agencia de Protección Medioambiental de los Estados Unidos (EPA), y para aquellos productos certificados para su venta en el estado de California, el Departamento de los Recursos del Aire de California (CARB) se complacen en explicar la garantía que evaporativo sistema de control de emisiones (ECS) de su equipo (equipos de exteriores) de encendido por chispa para todo terreno, pequeño, de exteriores del año 2015-2016. En California, los nuevos motores de equipos de exteriores deben estar diseñados, construidos y equipados para cumplir con las estrictas normas antipolución del Estado (en otros estados, equipos de exteriores deben ser estar diseñados, construidos y equipados para cumplir con las regulaciones de motores de encendido por chispa para todo terreno pequeños de la Agencia de Protección Medioambiental de los Estados Unidos, (EPA). MTD Consumer Group Inc. debe garantizar el sistema de control de emisiones (ECS) de su motor de equipos de exteriores por el período de tiempo indicado más abajo, siempre y cuando no exista uso incorrecto, negligencia o mantenimiento inadecuado de equipos de exteriores.

Su ECS puede incluir piezas tales como el los depósitos de combustible, las líneas de combustible, los tapones de combustible, las válvulas, contenedores, filtros, mangueras de vapor, abrazaderas, conectores y otros componentes afines relacionados con las emisiones.

Donde exista una condición cubierta por la garantía, MTD Consumer Group Inc. reparará de equipos de exteriores sin costo alguno incluyendo el diagnóstico, las piezas y la mano de obra.

COBERTURA DE LA GARANTÍA DEL FABRICANTE:

Este sistema de control de emisiones se garantiza por el término de dos años. Si alguna pieza relacionada con las emisiones de su motor de equipos de exteriores es defectuosa, MTD CONSUMER GROUP INC. reparará o sustituirá dicha pieza.

RESPONSABILIDADES DEL PROPIETARIO SEGÚN LA GARANTÍA:

En su carácter de propietario de equipos de exteriores, usted es responsable del mantenimiento requerido que se especifica en el manual del propietario. MTD Consumer Group Inc le recomienda que conserve todos los recibos que cubren el mantenimiento de equipos de exteriores, obstante lo cual MTD Consumer Group Inc no podrá denegar el cumplimiento de la garantía únicamente por la falta de los recibos.

Como propietario de equipos de exteriores, usted debe saber que MTD Consumer Group Inc. puede denegar la cobertura de la garantía si su equipos de exteriores o una pieza del mismo fallan debido a uso incorrecto, negligencia, mantenimiento indebido o a modificaciones no aprobadas.

Usted es responsable de presentar su equipos de exteriores al centro de distribución o servicio técnico de MTD Consumer Group Inc. tan pronto como aparezca el problema. Las reparaciones cubiertas por la garantía se deben llevar a cabo en un lapso razonable que no exceda de 30 días. Si tiene alguna pregunta respecto de la cobertura de la garantía, póngase en contacto con el Departamento del Servicio Técnico de MTD Consumer Group Inc. al teléfono 1-800-800-7310 o por correo electrónico en <http://support.mtdproducts.com>.

COBERTURA DE LA GARANTÍA DE EMISIONES GENERALES:

MTD Consumer Group Inc garantiza al comprador final y a cada comprador subsiguiente que el equipos de exteriores: está diseñado, construido y equipado de modo de cumplir con todas las regulaciones aplicables y que se encuentra libre de defectos de materiales y de fabricación que pudieren causar la falla de una pieza garantizada idéntica, en todos los aspectos materiales a la pieza descrita en la solicitud de certificación de MTD Consumer Group Inc.

El período de garantía comienza en la fecha de entrega del equipos de exteriores al comprador final o en la fecha en que la máquina se pone en funcionamiento por primera vez. El período de garantía es de dos años.

Sujeto a ciertas condiciones y exclusiones que se indican a continuación, la garantía de las piezas relacionadas con las emisiones es la siguiente:

1. Cualquier pieza garantizada que no esté programada para ser reemplazada como parte del mantenimiento requerido en las instrucciones escritas suministradas se garantiza por el período de garantía arriba mencionado. Si la pieza falla durante el período de cobertura de la garantía, la misma será reparada o reemplazada por MTD Consumer Group Inc. de acuerdo con el párrafo (4) a continuación. Cualquier pieza reparada o reemplazada según la garantía se garantizará por el resto del período de garantía.
2. Cualquier pieza garantizada que esté programada solamente para inspección regular en las instrucciones escritas suministradas se garantiza por el período de garantía arriba mencionado. Cualquier pieza reparada o reemplazada según la garantía se garantizará por el resto del período.
3. Cualquier pieza garantizada que esté programada para reemplazo según el mantenimiento requerido de conformidad con las instrucciones escritas suministradas, se garantiza por el período de tiempo anterior a la primera fecha de reemplazo programada para esa pieza. Si la pieza falla antes del primer reemplazo programado, la misma será reparada o reemplazada por MTD Consumer Group Inc. de acuerdo con el párrafo (4) a continuación. Cualquier pieza reparada o reemplazada bajo garantía se garantizará por el resto del período anterior al primer reemplazo programado puntual para esa pieza.
4. La reparación o el reemplazo de cualquier pieza garantizada de conformidad con las disposiciones de la garantía que aquí se estipula se deben realizar en un centro de garantía sin costo alguno para el propietario.
5. No obstante las disposiciones que aquí se estipulan, los servicios o reparaciones bajo garantía se suministrarán en todos nuestros centros de distribución bajo franquicia de mantenimiento para los motores o equipos en cuestión.
6. El propietario de equipos de exteriores no deberá pagar el trabajo de diagnóstico directamente asociado con una pieza garantizada defectuosa en relación con las emisiones, siempre y cuando dicho trabajo de diagnóstico se realice en un centro cubierto por la garantía.
7. MTD Consumer Group Inc es responsable por daños causados a otros componentes de motores o equipos derivados de la falla bajo garantía de cualquier pieza garantizada.

8. Durante la totalidad del período de garantía del motor y equipo para todo terreno arriba mencionado, MTD Consumer Group Inc mantendrá un suministro de piezas bajo garantía suficiente para satisfacer la demanda esperada de tales piezas.
9. Cualquier pieza de reemplazo se podrá usar para el cumplimiento del mantenimiento o las reparaciones bajo garantía y se suministrarán sin cargo para el propietario. Dicho uso no reducirá las obligaciones de garantía de MTD Consumer Group Inc.
10. No se podrán usar piezas adicionales ni modificadas que no estén exentas de acuerdo con el Departamento de los Recursos del Aire (Air Resources Board). El uso de cualquier pieza adicional o modificada no exenta por el comprador final será causal de invalidez de los reclamos bajo garantía. MTD Consumer Group Inc no tendrá responsabilidad por la garantía de fallas de piezas garantizadas que fueren causadas por el uso de una pieza adicional no exenta o modificada.

PIEZAS GARANTIZADAS:

La reparación o el reemplazo de cualquier pieza garantizada que de otro modo pudiese estar cubierta por la garantía podrá ser excluida de tal cobertura de garantía si MTD Consumer Group Inc demuestra que el equipo de exteriores es objeto de uso incorrecto, negligencia o mantenimiento inadecuado, y que tal uso incorrecto, negligencia o mantenimiento inadecuado fue causa directa de la necesidad de reparación o reemplazo de dicha pieza. No obstante lo antedicho, cualquier ajuste de un componente con un dispositivo de limitación de ajuste instalado en fábrica y que funcione adecuadamente, podrá ser cubierto por la garantía. Además, la cobertura bajo esta garantía se extiende solo a piezas que estuvieron presentes en y equipo todo terreno adquiridos.

Están cubiertas las siguientes piezas con garantía para emisiones (de corresponder):

1. Sistema de medición de combustible
 - Bomba de combustible
 - Depósito de combustible
2. Control evaporativo
 - Manguera de combustible
 - Abrazaderas de la manguera de combustible
 - Tapón del combustible atado por correa
 - Caja de carbono
 - Líneas de vapor

Sears Brands Management Corporation, el Consejo de Recursos Ambientales de California (CARB) y la Agencia de Protección Ambiental de los Estados Unidos (EPA) Declaración de garantía del sistema de control de emisiones (derechos y obligaciones de la garantía de defectos del propietario)

LA COBERTURA DE LA GARANTÍA DE CONTROL DE EMISIONES ES APLICABLE A LOS MOTORES CERTIFICADOS COMPRADOS EN CALIFORNIA EN 1995 Y POSTERIORMENTE QUE SE UTILIZAN EN CALIFORNIA, Y PARA LOS MODELOS CERTIFICADOS DEL AÑO 1997 Y POSTERIORES, QUE SE COMPREN

Y UTILICEN EN CUALQUIER PARTE DE LOS ESTADOS UNIDOS (Y A PARTIR DEL 1 DE ENERO DE 2001 EN CANADÁ).

Declaración de garantía sobre defectos en el control de emisiones para California y los Estados Unidos

El Consejo de Recursos Ambientales de California (CARB), la EPA (Agencia de Protección Ambiental de los EE.UU.) y Sears tienen el gusto de explicar la garantía del sistema de control de emisiones para motores del año 2000 y para el futuro con relación a motores pequeños todo terreno (SORE). En California, los nuevos motores pequeños todo terreno deben estar diseñados, contruidos y equipados para cumplir con las rigurosas normas anti-smog del estado. En el resto de los Estados Unidos, los motores nuevos todo terreno de encendido por chispa certificados para el año 1997 deben cumplir estándares similares establecidos por la EPA. Sears debe garantizar

el sistema de control de emisiones de su motor para los períodos de tiempo enumerados a continuación, siempre que no haya abuso, negligencia o mantenimiento indebido de su motor todo terreno pequeño. Su sistema de control de emisiones puede incluir piezas tales como el carburador, el filtro de aire, el sistema de encendido, el silenciador y el convertor catalítico. También puede incluir conectores y otras unidades relacionadas con las emisiones. Donde exista una condición cubierta por la garantía, Sears reparará su pequeño motor todo terreno sin costo alguno incluyendo diagnóstico, piezas y mano de obra

Cobertura de la garantía Sears para defectos en el control de emisiones

Los motores todo terreno pequeños están garantizados en lo relativo al control de emisiones para defectos en piezas durante un período de dos años, sujeto a las

disposiciones que se indiquen a continuación. Si una parte de su motor cubierta por la garantía es defectuosa, Sears reparará o sustituirá dicha parte.

Responsabilidades del propietario en relación con la garantía

Como propietario del motor todo terreno pequeño, Ud. es responsable de la realización del mantenimiento requerido que se incluye en las instrucciones de operación y mantenimiento. Sears recomienda que se conserven todos los recibos relativos al mantenimiento de su motor todo terreno pequeño, pero no puede denegar la garantía simplemente por la falta de los mismos, o por su incumplimiento del mantenimiento programado. Como propietario del motor pequeño todoterreno debe saber que, sin embargo, Sears le puede negar la cobertura de la garantía si su motor todoterreno pequeño o una pieza del mismo han fallado debido a abuso, negligencia, mantenimiento indebido o a modificaciones no aprobadas. Ud. es responsable de presentar su

motor todoterreno pequeño a un distribuidor de servicios Sears autorizado tan pronto como aparezca un problema. Las reparaciones de la garantía sin conflicto deben completarse en un plazo de tiempo razonable, no superior a 30 días. Si tiene alguna pregunta respecto a sus derechos y responsabilidades referentes a la garantía, debe contactar con un representante de servicios Sears al 1--800--469--4663. La garantía de emisiones es una garantía por defectos. Los defectos se juzgan de acuerdo con el funcionamiento normal de un motor. La garantía no está relacionada con una prueba de emisiones en uso.

Disposiciones de la garantía Sears para defectos en el control de emisiones

Las siguientes son disposiciones específicas relacionadas con la cobertura de la garantía para defectos en el control de emisiones. Es un añadido a la garantía de motor Sears para motores no regulados que se encuentra en las instrucciones de funcionamiento y mantenimiento.

1. Piezas con garantía

La cobertura de esta garantía se extiende únicamente a las piezas que aparecen a continuación (las partes de los sistemas de control de emisiones), siempre que dichas piezas estuvieran ya en el motor en el momento de su compra.

- a. Sistema de medición de combustible
 - Sistema de enriquecimiento para arranque en frío
 - Carburador y partes internas
 - Bomba de combustible
- b. Sistema de inducción de aire
 - Filtro de aire
 - Colector de admisión
- c. Sistema de encendido
 - Bujía(s) de encendido
 - Sistema de encendido magneto
- d. Sistema del catalizador
 - Convertidor catalítico
 - Colector de escape
 - Sistema de inyección de aire o válvula de impulsos
- e. Elementos variados usados en los sistemas anteriores
 - Válvulas de vacío, sensibles a temperatura, posición y tiempo e interruptores
 - Conectores y montajes

2. Alcance de la cobertura

Sears garantiza al poseedor inicial y a los compradores subsiguientes que las piezas con garantía no tendrán defectos en materiales ni mano de obra que provoquen la falla de las mismas durante un período de dos años a partir de la fecha en que el motor se entrega a un comprador particular.

3. Sin cargo

La reparación o reemplazo de cualquier parte con garantía se realizará sin cargo alguno para el poseedor, incluyendo tareas de diagnóstico que permitan determinar si una parte con garantía es defectuosa, siempre que dicho diagnóstico se realice en un distribuidor de servicios Sears autorizado. Para el servicio de la garantía de emisiones, contacte al distribuidor de servicios Sears autorizado más cercano incluido en las "Páginas amarillas" en las categorías "Motores, gasolina", "Motores de gasolina", "Podadoras de césped", o similares.

4. Reclamaciones y exclusiones a la cobertura

Las reclamaciones de la garantía deben enviarse de acuerdo con las disposiciones de la política de garantía para motores Sears. La cobertura de la garantía excluirá defectos en piezas con garantía que no sean partes originales Sears, o abuso, negligencia o mantenimiento incorrecto, tal y como se establece en la política de garantía para motores Sears. Sears no es responsable de las fallas en piezas con garantía provocadas por el uso de partes añadidas, que no sean originales o que se hayan modificado.

5. Mantenimiento

Cualquier parte con garantía que no esté programada para ser reemplazada como mantenimiento requerido, o que sólo deba inspeccionarse regularmente al efecto de "inspeccione o reemplace según sea necesario", estará garantizada contra defectos durante el período de la garantía. Todas las piezas garantizadas que estén programadas para su reemplazo para cumplir con los requisitos de mantenimiento estarán garantizadas sólo por el período anterior al primer reemplazo programado para dicha pieza. Cualquier pieza de recambio que sea equivalente en funcionamiento y durabilidad puede usarse para realizar mantenimiento o reparaciones. El propietario es responsable de realizar todo el mantenimiento requerido, tal y como se define en las instrucciones de funcionamiento y mantenimiento Sears

6. Cobertura indirecta

Por la presente, la cobertura se extiende a la falla de cualquier componente de motor provocada por la falla de una pieza con garantía que esté todavía en período de garantía.

En los Estados Unidos y Canadá hay una línea de atención de 24 horas, 1-800-469-4663, que cuenta con un menú con mensajes pre-grabados que contienen información para el mantenimiento de motores.

ACUERDO DE PROTECCIÓN PARA REPARACIONES

Felicitaciones por haber realizado una adquisición inteligente. El producto Craftsman® que ha adquirido está diseñado y fabricado para brindar muchos años de funcionamiento confiable. Pero como todos los productos a veces puede requerir de reparaciones. Es en ese momento cuando el disponer de un Acuerdo de protección para reparaciones le puede ahorrar dinero y problemas.

A continuación se detallan los puntos incluidos en el Acuerdo:

- ☑ **Servicio experto** prestado por nuestros 10,000 especialistas en reparaciones profesionales
- ☑ **Servicio ilimitado sin cargo** para las piezas y la mano de obra en todas las reparaciones cubiertas
- ☑ **Reemplazo del producto** hasta 1500 dólares si no es posible reparar el producto cubierto
- ☑ **Descuento de 25%** del precio normal del servicio y de las piezas relacionadas con el mismo que no estén cubiertas por el acuerdo; además, 25% del precio normal de la verificación de mantenimiento preventivo
- ☑ **Ayuda rápida por teléfono** - lo llamamos Resolución Rápida – el apoyo telefónico de un Chamusca al representante. Piense en nosotros como el manual “de un dueño hablador.”

Una vez adquirido el Acuerdo, puede programar el servicio con tan sólo realizar una llamada telefónica. Puede llamar en cualquier momento del día o de la noche o programar un servicio en línea.

El Acuerdo de Protección de Reparación es una compra sin riesgo. Si usted anula por alguna razón durante el período de garantía de producto, proporcionaremos un reembolso lleno. O, un reembolso prorrateado en cualquier momento después del período de garantía de producto expira. ¡Adquiera hoy su acuerdo de protección para reparaciones!

Se aplican determinadas limitaciones y exclusiones. Para obtener información adicional y precios en los Estados Unidos llame al 1-800-827-6655.

El *Coverage en Canadá varía en algunos artículos. Para detalles llenos la llamada Chamusca Canadá en 1-800-361-6665.

Servicio de instalación de Sears

Si desea solicitar la instalación profesional de Sears de aparatos domésticos, dispositivos para abrir portones, calentadores de agua y otros artículos domésticos importantes, en los Estados Unidos o Canadá llame al **1-888-331-4569**.

CRAFTSMAN®

Product questions or problems?

1-888-331-4569

Customer Care Hot Line

**Get answers to questions, troubleshoot problems,
order parts, or schedule repair service.**

Para respuestas a preguntas o problemas, y ordenar
piezas o pedir servicio para la reparación de su equipo.

To help us help you, register your product at www.craftsman.com/registration

Para poderte ayudar mejor, registra tu producto en www.craftsman.com/registration

Join the Craftsman Club today!

CRAFTSMAN CLUB®

www.craftsman.com/signup

**Receive exclusive member benefits including special pricing and offers,
project sharing, expert advice, and SHOP YOUR WAY REWARDS!**

Como miembro exclusivo, recibe diversos beneficios como ofertas, precios especiales, proyectos nuevos, consejos de expertos y nuestro programa de puntos SHOP YOUR WAY REWARDS!