



# INSTALLATION INSTRUCTIONS

COMMERCIAL WASHER

# INSTRUCTIONS D'INSTALLATION

LAVEUSE COMMERCIALE

## TABLE OF CONTENTS

	Page
Washer Safety.....	2
Tools & Parts.....	3
Dimensions .....	4
Location Requirements.....	5
Drain System.....	6
Electrical Requirements.....	7
Installation instructions .....	8
Connect Drain Hose.....	9
Connect Inlet Hoses.....	10
Level Washer.....	11
Installing Coin Slide and Coin Box.....	11
Complete Installation .....	12
Typical Full Load Sizes.....	12
Washer Maintenance.....	13
If You Need Assistance .....	14
Alternate Parts & Accessories .....	14
Electronic Controls Set-up Instructions.....	15

## TABLE DES MATIÈRES

	Page
Sécurité de la laveuse.....	19
Outils et pièces.....	20
Dimensions .....	21
Exigences d'emplacement .....	22
Système de vidange .....	23
Spécifications électriques .....	24
Instructions d'installation .....	25
Raccordement du tuyau de vidange.....	26
Raccordement des tuyaux d'arrivée d'eau .....	27
Établissement de l'aplomb de la laveuse.....	28
Installation de la glissière et de la boîte à monnaie.....	28
Achever l'installation.....	29
Taille typique des charges complètes .....	29
Entretien de la laveuse.....	30
Si vous avez besoin d'assistance .....	31
Pièces supplémentaires et accessoires.....	31
Instructions de paramétrage des commandes électroniques .....	32

# WASHER SAFETY

## Your safety and the safety of others are very important.

We have provided many important safety messages in this manual and on your appliance. Always read and obey all safety messages.



This is the safety alert symbol.

This symbol alerts you to potential hazards that can kill or hurt you and others.

All safety messages will follow the safety alert symbol and either the word "DANGER" or "WARNING."

These words mean:

**⚠ DANGER**

You can be killed or seriously injured if you don't immediately follow instructions.

**⚠ WARNING**

You can be killed or seriously injured if you don't follow instructions.

All safety messages will tell you what the potential hazard is, tell you how to reduce the chance of injury, and tell you what can happen if the instructions are not followed.

## IMPORTANT SAFETY INSTRUCTIONS

**WARNING:** To reduce the risk of fire, electric shock, or injury to persons when using the washer, follow basic precautions, including the following:

- Read all instructions before using the washer.
- Do not wash articles that have been previously cleaned in, washed in, soaked in, or spotted with gasoline, dry-cleaning solvents, other flammable, or explosive substances as they give off vapors that could ignite or explode.
- Do not add gasoline, dry-cleaning solvents, or other flammable, or explosive substances to the wash water. These substances give off vapors that could ignite or explode.
- Under certain conditions, hydrogen gas may be produced in a hot water system that has not been used for 2 weeks or more. **HYDROGEN GAS IS EXPLOSIVE.** If the hot water system has not been used for such a period, before using the washing machine, turn on all hot water faucets and let the water flow from each for several minutes. This will release any accumulated hydrogen gas. As the gas is flammable, do not smoke or use an open flame during this time.
- Do not allow children to play on or in the washer. Close supervision of children is necessary when the washer is used near children.
- Before the washer is removed from service or discarded, remove the door or lid.
- Do not reach into the washer if the drum, tub or agitator is moving.
- Do not install or store the washer where it will be exposed to the weather.
- Do not tamper with controls.
- Do not repair or replace any part of the washer or attempt any servicing unless specifically recommended in this manual or in published user-repair instructions that you understand and have the skills to carry out.
- See "Electrical Requirements" located in the installation instructions for grounding instructions.

**SAVE THESE INSTRUCTIONS**

## FOR YOUR SAFETY

Do not store or use gasoline or other flammable vapors and liquids in the vicinity of this or any other appliance.

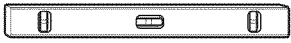
State of California Proposition 65 Warnings:

**WARNING:** This product contains one or more chemicals known to the State of California to cause cancer.

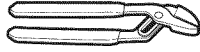
**WARNING:** This product contains one or more chemicals known to the State of California to cause birth defects or other reproductive harm.

## Tools Needed:

---



Level



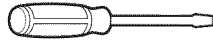
Pliers



Utility Knife

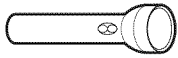


Adjustable Wrench



Flat-Blade Screwdriver

## Optional tools:



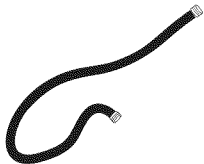
Flashlight



Bucket

## Parts Supplied:

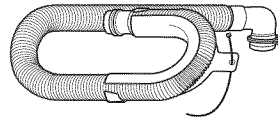
---



Water Inlet Hoses (2)



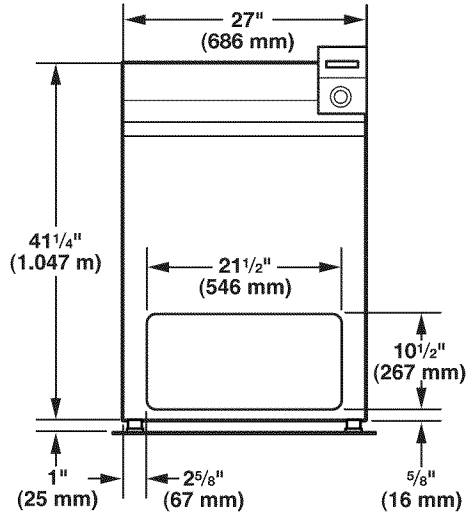
Inlet Hose Washers (4)



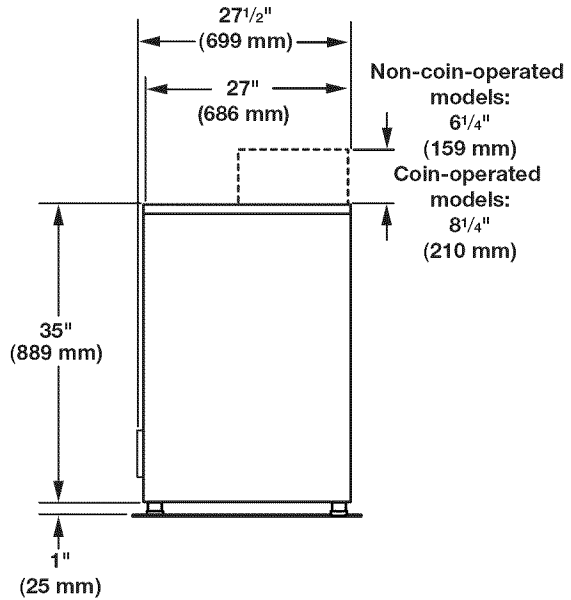
Drain hose with clamp,  
U-form, and cable tie

# DIMENSIONS

Front View



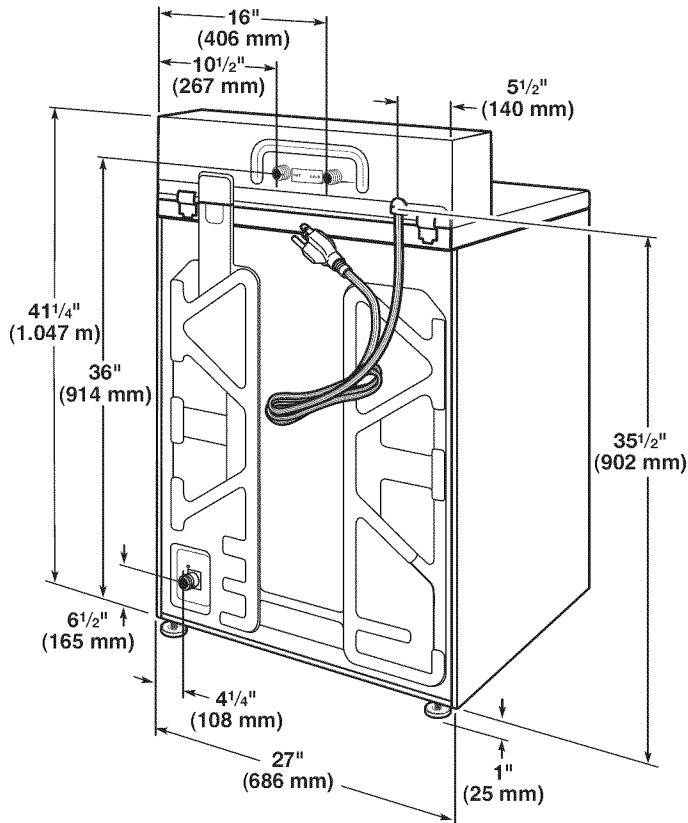
Side View



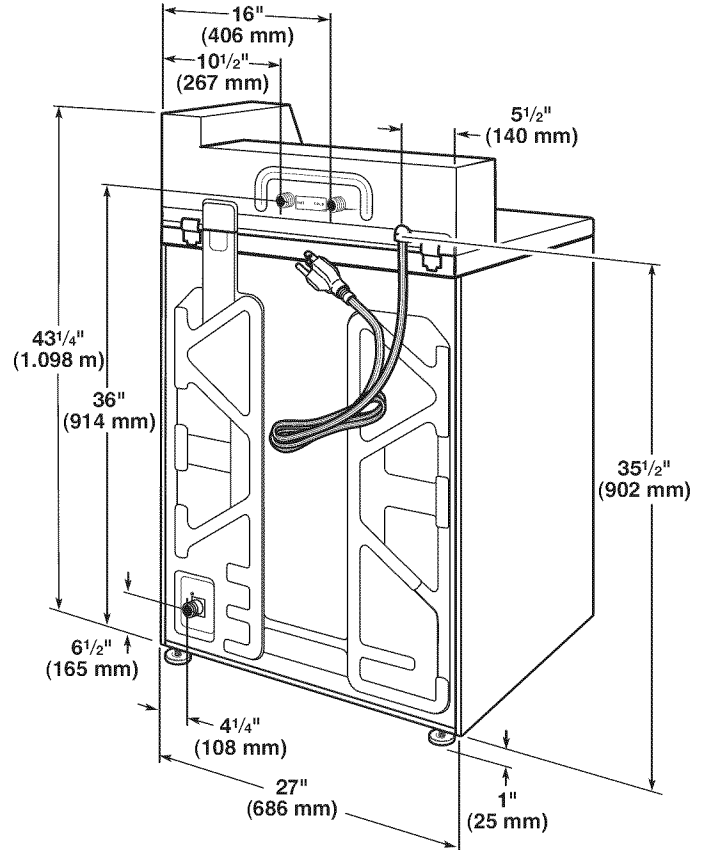
**NOTE:** Service panel not included on some models.

Back View

Non-coin-operated models



Coin-operated models



# LOCATION REQUIREMENTS

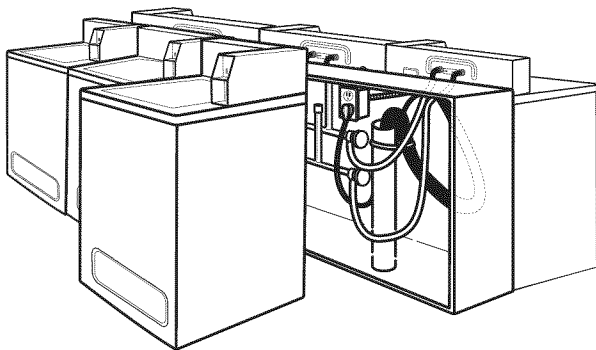
Selecting the proper location for your washer improves performance and minimizes noise and possible washer “walk.” Your washer can be installed in a basement, laundry room, or recessed area. See “Drain System.”

Companion appliance location requirements should also be considered.

**IMPORTANT:** Do not install or store the washer where it will be exposed to the weather. Do not store or operate the washer in temperatures at or below 32°F (0°C). Some water can remain in the washer and can cause damage in low temperatures. Proper installation is your responsibility.

## You will need:

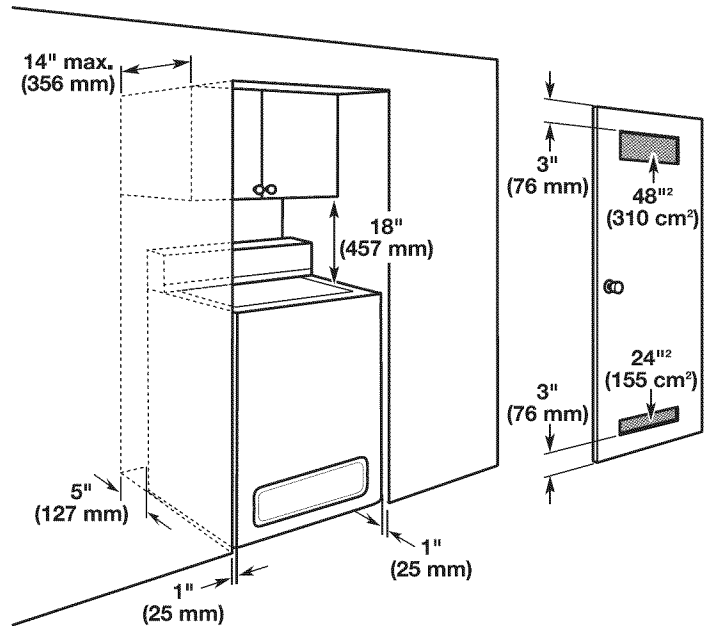
- A water heater set to 120°F (49°C).
- A grounded electrical outlet located within 4 ft. (1.2 m) of power cord on back of washer. See “Electrical Requirements.”
- Hot and cold water faucets located within 4 ft. (1.2 m) of hot and cold water fill valves on washer, and water pressure of 20-100 psi (138-690 kPa). A pressure reduction valve should be used in the supply line where inlet pressure entering the building exceeds 100 PSI (690 kPa) to avoid damage to the washer mixing valve.
- Single washer installations require 12" (300 mm) minimum risers to provide an air cushion and avoid noise and damage to valves.
- A level floor with maximum slope of 1" (25 mm) under entire washer. Installing on carpet is not recommended.
- Floor must support washer's total weight (with water and load) of 315 lbs (143 kgs).
- A floor drain under the bulkhead. Prefabricated bulkheads with electrical outlets, water inlet lines, and drain facilities should be used only where local codes permit.



## Recessed Area or Closet Installation

This washer may be installed in a recessed area or closet. The installation dimensions shown are the minimum spaces allowable. Additional spacing should be considered for ease of installation and servicing. If closet door is installed, the minimum air openings in top and bottom of door are required. Louvered doors with air openings in top and bottom are acceptable. Companion appliance spacing should be considered.

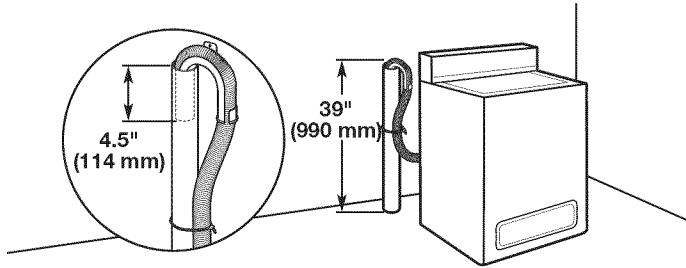
## Minimum installation spacing



# DRAIN SYSTEM

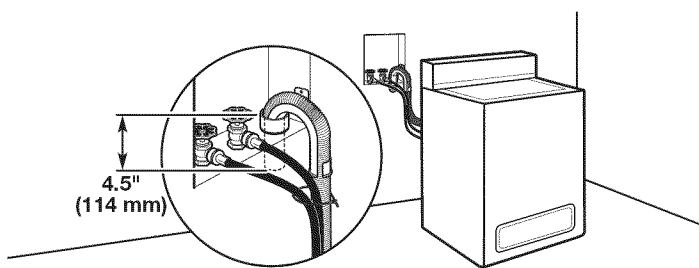
Drain system can be installed using a floor drain, wall standpipe, floor standpipe, or laundry tub. Select method you need.

## Floor standpipe drain system



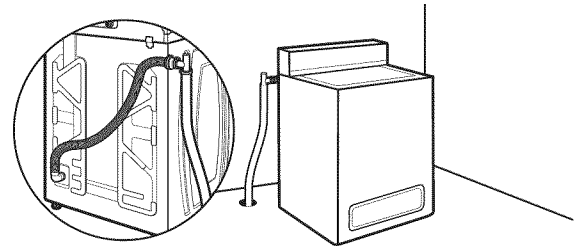
Minimum diameter for a standpipe drain: 2" (51 mm). Minimum carry-away capacity: 10 gal. (38 L) per minute. Top of standpipe must be at least 39" (990 mm) high; install no higher than 96" (2.44 m) from bottom of washer.

## Wall standpipe drain system



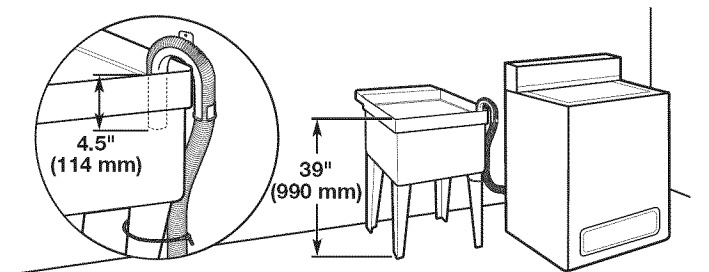
See requirements for floor standpipe drain system.

## Floor drain system



Floor drain system requires a Siphon Break Kit (Part Number 285834). Minimum siphon break: 28" (710 mm) from bottom of washer. Additional hoses may be needed.

## Laundry tub drain system



Minimum capacity: 20 gal. (76 L). The top of the laundry tub must be at least 39" (990 mm) above floor.

# ELECTRICAL REQUIREMENTS

## **⚠ WARNING**



### **Electrical Shock Hazard**

**Plug into a grounded 3 prong outlet.**

**Do not remove ground prong.**

**Do not use an adapter.**

**Do not use an extension cord.**

**Failure to follow these instructions can result in death, fire, or electrical shock.**

- A 120 volt, 60 Hz., AC only, 15- or 20-amp, fused electrical supply is required. A time-delay fuse or circuit breaker is recommended. It is recommended that a separate circuit breaker serving only this appliance be provided.
- This washer is equipped with a power supply cord having a 3 prong grounding plug.
- To minimize possible shock hazard, the cord must be plugged into a mating, 3 prong, grounding-type outlet, grounded in accordance with local codes and ordinances. If a mating outlet is not available, it is the personal responsibility and obligation of the customer to have the properly grounded outlet installed by a qualified electrician.
- If codes permit and a separate ground wire is used, it is recommended that a qualified electrician determine that the ground path is adequate.
- Do not ground to a gas pipe.
- Check with a qualified electrician if you are not sure the washer is properly grounded.
- Do not have a fuse in the neutral or ground circuit.

## **GROUNDING INSTRUCTIONS**

### **For a grounded, cord-connected washer:**

This washer must be grounded. In the event of a malfunction or breakdown, grounding will reduce the risk of electrical shock by providing a path of least resistance for electric current. This washer is equipped with a cord having an equipment-grounding conductor and a grounding plug. The plug must be plugged into an appropriate outlet that is properly installed and grounded in accordance with all local codes and ordinances.

**WARNING:** Improper connection of the equipment-grounding conductor can result in a risk of electric shock. Check with a qualified electrician or serviceman if you are in doubt as to whether the appliance is properly grounded.

Do not modify the plug provided with the appliance – if it will not fit the outlet, have a proper outlet installed by a qualified electrician.

### **For a permanently connected washer:**

This washer must be connected to a grounded metal, permanent wiring system, or an equipment grounding conductor must be run with the circuit conductors and connected to the equipment-grounding terminal or lead on the appliance.

# INSTALLATION INSTRUCTIONS

## **⚠ WARNING**

### **Excessive Weight Hazard**

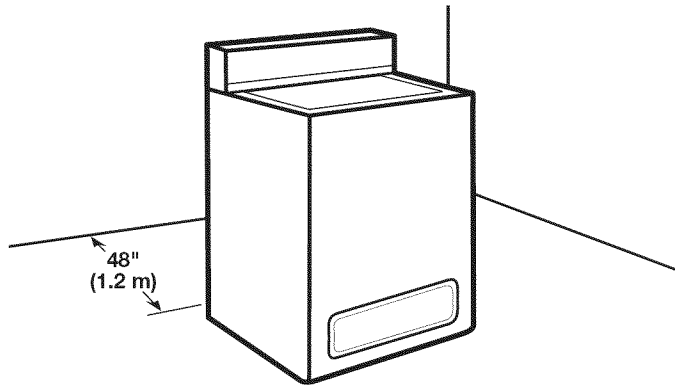
**Use two or more people to move and install washer.**

**Failure to do so can result in back or other injury.**

It is necessary to remove all shipping materials for proper operation and to avoid excessive noise from washer.

1. Move washer to within 4 ft (1.2 m) of its final location; it must be in a fully upright position.

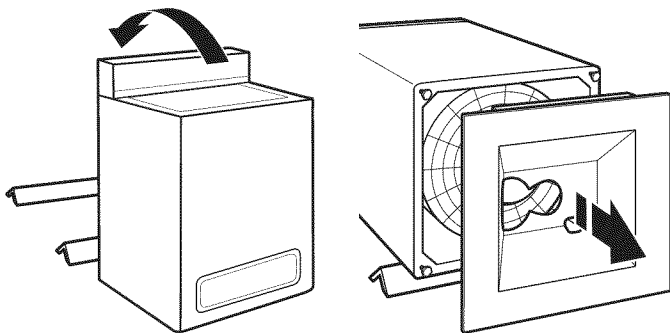
**NOTE:** To avoid floor damage, set washer onto cardboard before moving it and make sure lid is taped shut.



2. To avoid damaging floor, place cardboard supports from shipping carton on floor behind washer. Tip washer back and place on cardboard supports. Remove shipping base. Set washer upright.

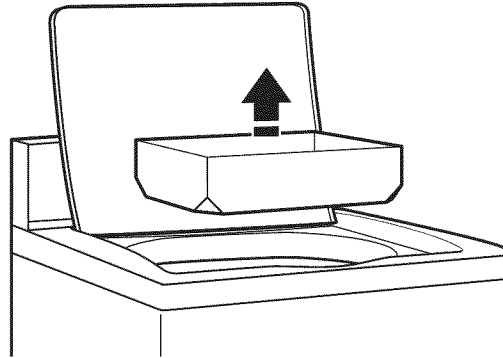
**IMPORTANT:** Removing shipping base is necessary for proper operation. If your washer includes a sound shield, please refer to the instructions included with the sound shield to install it at this time.

**NOTE:** Keep shipping base in case you need to move washer later.



3. Remove tape from washer lid, open lid, and remove cardboard packing tray from tub. Be sure to remove all parts from tray.

**NOTE:** Keep tray in case you need to move washer later.



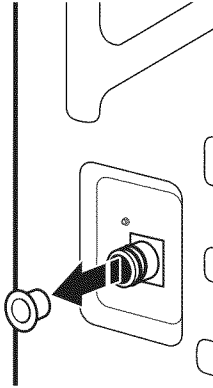


# CONNECT DRAIN HOSE

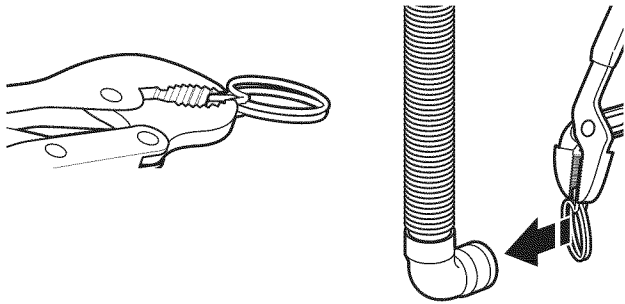
Proper routing of the drain hose avoids damage to your floor due to water leakage.

## Remove drain hose from the washer drum

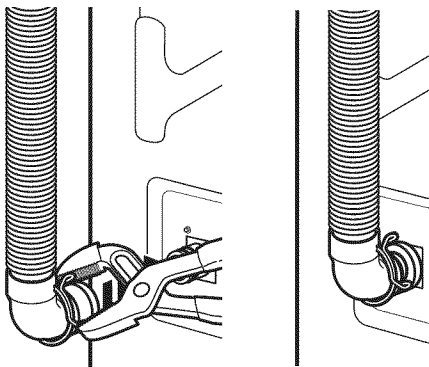
1. Remove tape from the washer drain port on the back of the washer.



2. If clamp is not already in place on elbow end of drain hose, slide it over end as shown.



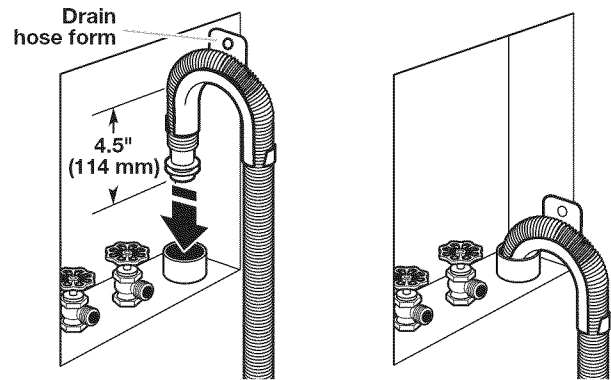
3. Squeeze clamp with pliers and slide elbow end of drain hose onto washer drain port and secure with clamp.



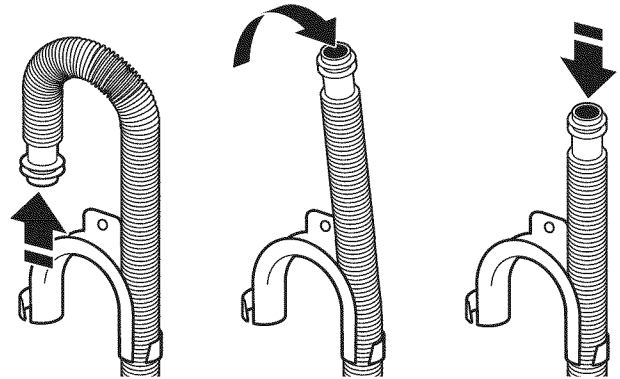
4. The washer drain system can be installed using a floor drain, wall standpipe, floor standpipe, or laundry tub.

5. Place hose into standpipe (shown in picture) or over side of laundry tub.

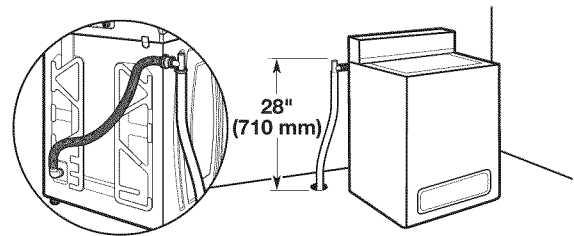
**IMPORTANT:** 4.5" (114 mm) of drain hose should be inside standpipe; do not force excess hose into standpipe or lay on bottom of laundry tub. Drain hose form must be used.



6. For floor drain installations, you will need to remove the drain hose form from the end of the drain hose. You may need additional parts with separate directions. See "Tools and Parts."

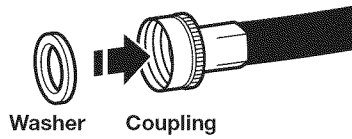


7. The floor drain system requires a siphon break that may be purchased separately. The siphon break (Part Number 285834) must be a minimum of 28" (710 mm) from the bottom of the washer. Additional hoses might be needed.



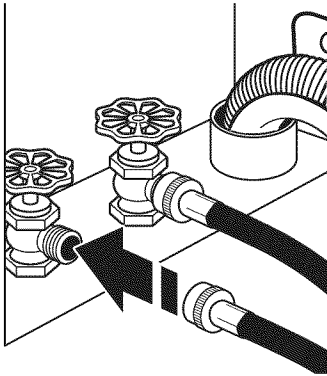
# CONNECT INLET HOSES

Insert new hose washers (supplied) into each end of the inlet hoses. Firmly seat the washers in the couplings.

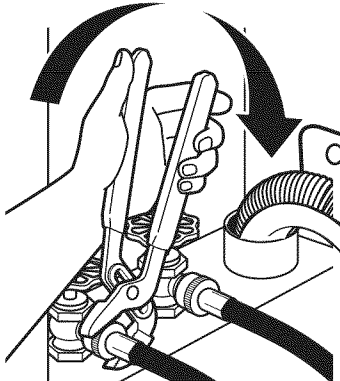


## Connect Inlet Hoses to Water Faucets

1. Attach hose to hot water faucet. Screw on coupling until it is seated on washer. Repeat process for cold water.



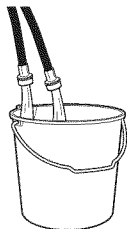
2. Use pliers to tighten the couplings an additional two-thirds turn.



**IMPORTANT:** Do not overtighten or use tape or sealants on valve when attaching to faucets or washer. Damage can result.

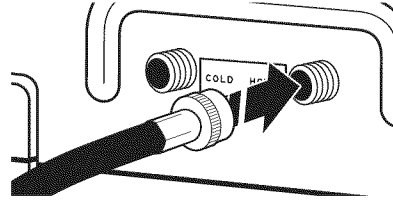
## Clear Water Lines

- Run water through both faucets and inlet hoses, into a laundry tub, drainpipe, or bucket, to get rid of particles in the water lines that might clog the inlet valve screens.
- Check the temperature of the water to make sure that the hot water hose is connected to the hot water faucet and that the cold water hose is connected to the cold water faucet.

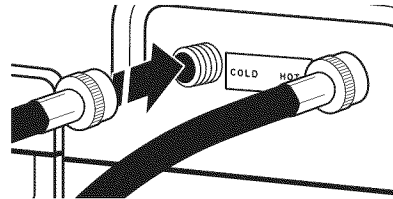


## Connect Inlet Hoses to Washer

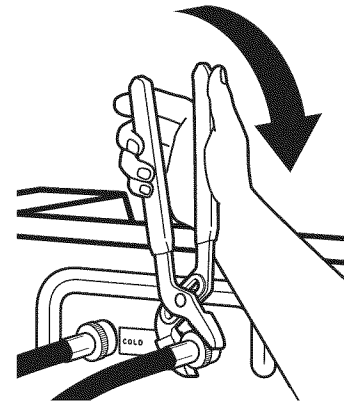
1. Attach cold water hose to cold water inlet valve marked with a blue ring. Screw coupling by hand until it is snug.



2. Attach hot water hose to hot water inlet valve marked with a red ring. Screw coupling by hand until it is snug.

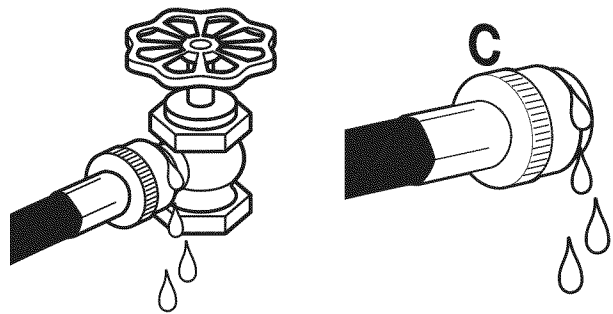


3. Use pliers to tighten couplings an additional two-thirds turn.



**NOTE:** Do not overtighten. Damage to the valve can result.

4. Turn on water faucets to check for leaks. A small amount of water may enter washer. It will drain later.



**NOTE:** Replace inlet hoses after 5 years of use to reduce the risk of hose failure. Record hose installation or replacement dates on the hoses for future reference.

Periodically inspect and replace hoses if bulges, kinks, cuts, wear, or leaks are found.

# LEVEL WASHER

**IMPORTANT:** Level washer properly to reduce excess noise and vibration.

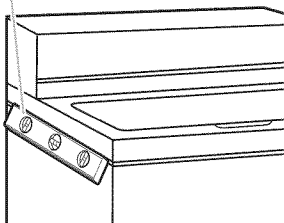
## ⚠️ WARNING

### Excessive Weight Hazard

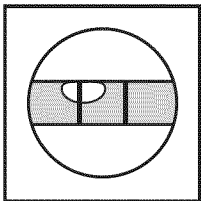
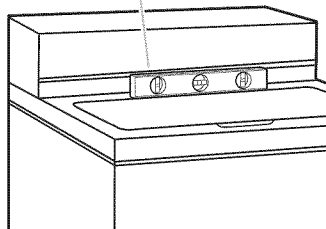
**Use two or more people to move and install washer/dryer.**  
**Failure to do so can result in back or other injury.**

1. Move the washer to its final location. Place a level on top edges of washer. Use side seam as a guide to check levelness of sides. Check levelness of front using lid, as shown. Rock washer back and forth to make sure all four feet make solid contact with floor.

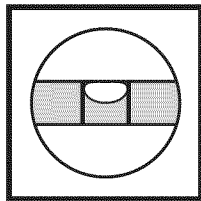
Place level here



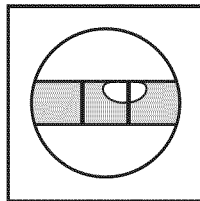
Place level here



Not Level



LEVEL

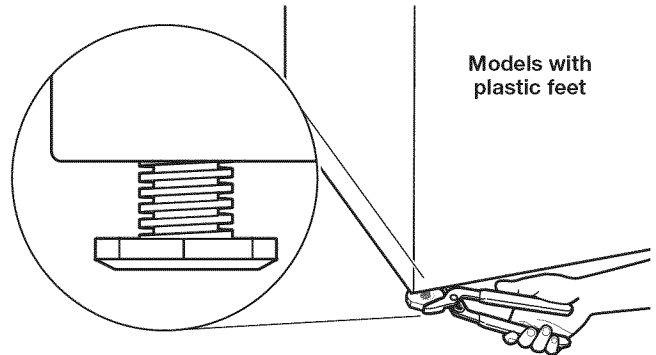


Not Level

2. On models with metal feet, use a 9/16" or 14 mm open-end or adjustable wrench to turn jam nuts clockwise on feet until they are about 1/2" (13 mm) from the washer cabinet. Then turn the leveling foot clockwise to lower the washer or counterclockwise to raise the washer.

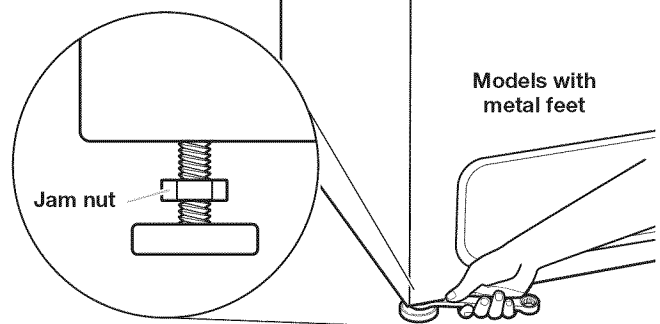
On models with plastic feet, use adjustable pliers to turn the plastic leveling foot counterclockwise to lower the washer or clockwise to raise the washer. On all models, recheck levelness of washer and repeat as needed.

**HELPFUL TIP:** You may want to prop up front of washer about 4" (102 mm) with a wood block or similar object that will support weight of washer.



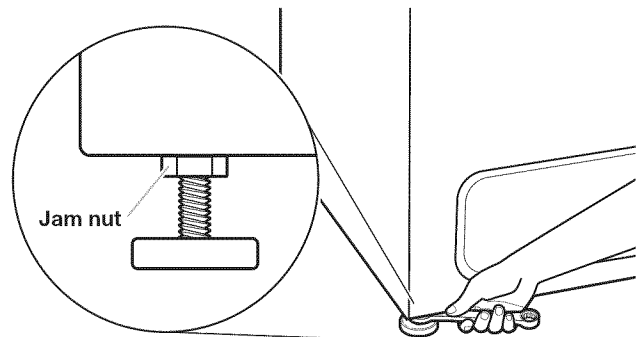
Models with plastic feet

or



Models with metal feet

3. On models with metal feet, when washer is level, use a 9/16" or 14 mm open-end or adjustable wrench to turn jam nuts counterclockwise on leveling feet tightly against washer cabinet.

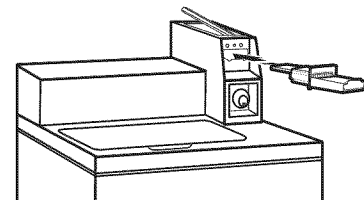


## INSTALLING COIN SLIDE AND COIN BOX

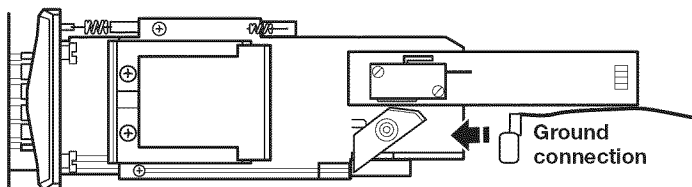
The coin slide mechanism, service door lock and key, and coin box lock and key are not included with some models, but can be obtained from the usual industry sources.

Remove the service door of the meter case by lifting it up at the back. Install the money-accepting device. (Refer to manufacturer's instructions for proper installation.)

A ground connection is needed for the coin slide, which can be made by connecting the available harness to the coin slide.



Install a lock and cam on the meter case service door. Install the coin vault with lock and key in the meter case opening.



# COMPLETE INSTALLATION

## ⚠ WARNING



### Electrical Shock Hazard

**Plug into a grounded 3 prong outlet.**

**Do not remove ground prong.**

**Do not use an adapter.**

**Do not use an extension cord.**

**Failure to follow these instructions can result in death, fire, or electrical shock.**

- Check that you have all of your tools.
- Check that shipping materials were completely removed from washer.
- Dispose of/recycle all packaging materials.
- Check that the water faucets are on.
- Check for leaks around faucets and inlet hoses.
- Remove film from console and any tape remaining on washer.
- Plug into a grounded outlet or connect power.
- Check that circuit breaker is not tripped or fuse is not blown.
- Start the washer using the payment system if used and check that the washer completes the cycle without a fault or water leak.

- Check electrical requirements. Be sure that you have the correct electrical supply and the recommended grounding method.
- Check that all parts are now installed. If there is an extra part, go back through steps to see what was skipped.

## TYPICAL FULL LOAD SIZES

Load Type	Loading Suggestion	Load Type	Loading Suggestion
Mixed Load	3 double sheets 4 pillowcases 6 pair shorts 8 T-shirts 2 shirts 2 blouses 8 handkerchiefs	Heavy Work Clothes	3 pair pants 3 shirts 1 coverall 4 pair jeans 1 overall
Permanent Press	2 double or 1 king size sheet 1 tablecloth 1 dress 1 blouse 2 slacks 3 shirts 2 pillowcases	Knits	3 blouses 4 slacks 6 shirts 4 tops 4 dresses

# WASHER MAINTENANCE

## Operating Tips

### **WARNING**



#### **Fire Hazard**

**Never place items in the washer that are dampened with gasoline or other flammable fluids.**

**No washer can completely remove oil.**

**Do not dry anything that has ever had any type of oil on it (including cooking oils).**

**Doing so can result in death, explosion, or fire.**

It is recommended that fiberglass items not be washed in coin-operated washers. If these items are washed in the washer, run the washer through a complete cycle to rinse any residue away that might be left in the washer.

**IMPORTANT:** Load detergent, bleach, and fabric softener before adding clothes and do all of this before starting the washer as the lid will lock after starting the washer.

## Transporting Your Washer

- Shut off both water faucets. Disconnect and drain water inlet hoses.
- Disconnect drain from drain system and drain any remaining water into a pan or bucket. Disconnect drain hose from back of washer.
- Unplug power cord.
- Place inlet hoses and drain hose inside washer basket.
- Drape power cord over edge and into washer basket.
- Place packing tray from original shipping materials back inside washer and reuse shipping base to support the motor and tub. If you do not have original packaging, place heavy blankets or towels above basket, between the washer top and the tub ring. Close lid and place tape over lip and down the front of the washer. Keep lid taped until washer is moved to new location.

## IF YOU NEED ASSISTANCE

Contact your authorized Commercial Laundry distributor. To locate your authorized Commercial Laundry distributor, or for web inquiries, visit [www.MaytagCommercialLaundry.com](http://www.MaytagCommercialLaundry.com).

If you cannot locate your distributor, the Commercial Laundry Support Center will answer any questions about operating or maintaining your washer not covered in the Installation Instructions.

Just dial **1-800-662-3587** — the call is toll-free.

When you call, you will need the washer model number and serial number. Both numbers can be found on the serial-rating plate located on the washer.

## ALTERNATE PARTS & ACCESSORIES

Your installation may require additional parts. If you are interested in purchasing one of the items listed here, call the toll-free number in the "If You Need Assistance" section.


<b>If You Have:</b>	<b>You Will Need:</b>
Overhead sewer	Standard 20 gal. (76 L) 39" (990 mm) tall drain tub or utility sink, sump pump and connectors (available from local plumbing suppliers)
1" (25 mm) standpipe	2" (51 mm) diameter to 1" (25 mm) diameter Standpipe Adapter Part Number 3363920 Connector Kit Part Number 285835
Lint clogged drain	Drain Protector Part Number 367031 Connector Kit Part Number 285835
Floor drain system	Siphon break, Part Number 285834 Connector Kit (x2) Part Number 285835 Extension Drain Hose Part Number 285863
Water faucets beyond reach of fill hoses	2 longer water fill hoses: 6 ft. (1.8 m) 90° bend hose Part Number 76314, 10 ft. (3.0 m) Part Number 350008
	Inlet hoses are sold as a pair in kit W10575888
<b>Accessories</b>	
	Washer Drip Trays Part Number 8212526
	Cap/Cover-Bleach Dispenser Part Number W10515386A
	Fabric Softener Kit Part Number W10461164A
	Main Top Rear Support W10576550 (2 per kit)

Whirlpool Corporation, Benton Harbor, Michigan 49022, U.S.A.

# ELECTRONIC CONTROLS SET-UP INSTRUCTIONS

## Basic Operation of Commercial Washer

- For additional information, see [www.MaytagCommercialLaundry.com](http://www.MaytagCommercialLaundry.com)



### ⚠ WARNING

**Electrical Shock Hazard**

**Disconnect power before servicing.**

**Replace all parts and panels before operating.**

**Failure to do so can result in death or electrical shock.**

### IMPORTANT

#### Electrostatic Discharge (ESD) Sensitive Electronics

ESD problems are present everywhere. ESD may damage or weaken the electronic control assembly. The new control assembly may appear to work well after repair is finished, but failure may occur at a later date due to ESD stress.

- Use an anti-static wrist strap. Connect wrist strap to green ground connection point or unpainted metal in the washer.

-OR-

Touch your finger repeatedly to a green ground connection point or unpainted metal in the washer.

- Before removing the part from its package, touch the anti-static bag to a green ground connection point or unpainted metal in the washer.
- Avoid touching electronic parts or terminal contacts; handle electronic control assembly by edges only.
- When repackaging failed electronic control assembly in anti-static bag, observe above instructions.

## Free Cycles

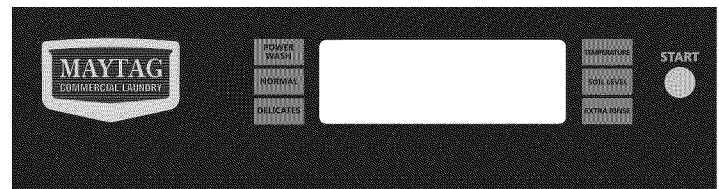
This is established by setting the cycle price to zero. When this happens, 'SELECT CYCLE' will appear and cycle price will show 0.00.

## Debit Card Ready

This washer is debit card 'cable' ready. It will accept a variety of debit card systems, but does NOT come with a debit card reader. Refer to the debit card reader manufacturer for proper washer set-up. In models converted to a Generation 1 debit card system, debit pulses represent the equivalent of one coin (coin 1).

## Display

After the washer has been installed and plugged in, the display will show 'SYnC' for a few seconds, then '0 MINUTES'. Once the washer has been plugged in and the washer door opened and closed, the display will show the price. In washers set for free cycles, the display will flash 'SELECT CYCLE', and will display 'PRICE 0.00'.



## GENERAL USER INFORMATION

### Blank Display

This condition indicates the washer is inoperative.

### '0 Minutes' showing in display

This condition indicates the washer cannot be operated. Coins dropped or debit inputs during this condition will be stored in escrow but cannot be used until normal operation is restored by opening and closing the door. If a door switch fails, it must be replaced before normal operation can be restored.

### Cold Start (initial first use)

Washer is programmed at the factory as follows:

- POWER WASH = 19 min agitation  
NORMAL = 9 min agitation  
DELICATES = 7 min agitation
- NORMAL = 1 rinse and 2 minutes of rinse agitation  
POWER WASH = 4 spray rinses with spin-outs  
DELICATES = 3 spray rinses with spin-outs
- \$1.00 wash price (PD models)
- \$0.00 wash price (PR models)

### Warm Start (after power failure)

After a delay of up to 8 seconds, the washer is restored to the portion of the cycle that existed at time of the power failure. To continue the cycle, press START.

# ELECTRONIC CONTROLS SET-UP INSTRUCTIONS

## Control Set-up Procedures

**IMPORTANT:** Read all instructions before operating.

The lower fabric setting key pads and the digital display are used to set up the controls. The display can contain 4 numbers and/or letters and a decimal point. These are used to indicate the set-up codes and related code values available for use in programming the washer.

### How to use the key pads to program the controls

1. The LEFT UPPER (POWER WASH) key pad is used to adjust the values associated with set-up codes. Pressing the key pad will increment the value.  
Rapid adjustment is possible by holding the key pad down.
2. The LEFT MIDDLE (NORMAL) key pad will advance you through the set-up codes. Pressing the key pad will advance you to the next available set-up code. Holding the key pad down will automatically advance through the set-up codes at a rate of one (1) per second.
3. The LEFT LOWER (DELICATES) key pad is used to select or deselect options.
4. The RIGHT UPPER (TEMPERATURE) key pad is used to decrease set-up code value.

### Start Operating Set-Up

- PD Models: Insert access door key, turn, and lift to remove access door.
- PR Models: Once the debit card reader is installed (according to the reader manufacturer's instructions), the set-up mode can be entered by inserting a set-up card (supplied by the reader manufacturer) into the card slot. If a manual set-up card is not available, manual set-up mode can be entered by removing connector AA1 on the circuit board.

**IMPORTANT:** The console must not be opened unless power is first removed from the washer. To access connector AA1:

- Unplug washer or disconnect power.
- Open console, disconnect plug on AA1, close console.
- Plug in washer or reconnect power.

The washer is now in the set-up mode.

Before proceeding, it is worth noting that, despite all of the options available, an owner can simply choose to uncrate a new commercial washer, hook it up, plug it in, and have a unit that operates.

### Set-up Codes

- The LEFT MIDDLE (NORMAL) key pad will advance from code to code.
- The LEFT UPPER (POWER WASH) key pad will increase the code value.
- The LEFT LOWER (DELICATES) key pad will select or deselect options.
- The RIGHT UPPER (TEMPERATURE) key pad will decrease the code value.

FOR PR MODELS: The set-up codes are the same as for the 'PD' models except where noted.

The set-up code is indicated by the one or two left-hand characters. The set-up code value is indicated by the two or three right-hand characters.

CODE	EXPLANATION
6.04 NORMAL	NORMAL Regular Cycle Vend Price - Increase or decrease between 0 and 200 by pressing the LEFT UPPER or RIGHT UPPER key pad. Factory preset for 4 quarters = \$1.00. PR/PN MODELS ONLY: Factory preset for 0 quarters (Free Vend).
6.04 DELICATES	DELICATES Regular Cycle Vend Price - Increase or decrease between 0 and 200 by pressing the LEFT UPPER or RIGHT UPPER key pad. Factory preset for 4 quarters = \$1.00. PR/PN MODELS ONLY: Factory preset for 0 quarters (Free Vend).
6.04 POWERWASH	POWERWASH Regular Cycle Vend Price - Increase or decrease between 0 and 200 by pressing the LEFT UPPER or RIGHT UPPER key pad. Factory preset for 4 quarters = \$1.00. PR/PN MODELS ONLY: Factory preset for 0 quarters (Free Vend).
→ Press the LEFT MIDDLE key pad once to advance to next code.	
7.00	<b>ADDITIONAL WASH TIME</b>
7.00	This is the number of minutes that can be added to a Wash Cycle. Choose from 00-05 minutes by pressing the LEFT UPPER key pad.
→ Press the LEFT MIDDLE key pad once to advance to next code.	
8.00	<b>ADDITIONAL RINSE TIME</b>
8.00	This is the number of minutes that can be added to a RINSE Cycle. Choose from 00-05 minutes by pressing the LEFT UPPER key pad. <b>NOTE:</b> Additional rinse time only available in defaulted bath rinses, not in spray rinse option.
→ Press the LEFT MIDDLE key pad once to advance to next code.	
9.00	<b>CYCLE COUNTER OPTION</b> This option is either SELECTED 'ON' or NOT SELECTED 'OFF'.
9.00	Not Selected 'OFF'.
9.0C	Selected 'ON' and not able to be deselected. Press the LEFT LOWER key pad 3 consecutive times to select 'ON'. Once selected 'ON' it cannot be deselected.
→ Press the LEFT MIDDLE key pad once to advance to next code.	
1.00	<b>MONEY COUNTER OPTION</b> This option is either SELECTED 'ON' or NOT SELECTED 'OFF'.
1.00	Not Selected 'OFF'.
1.0C	Selected 'ON'. Press the LEFT LOWER key pad 3 consecutive times to select 'ON' and 3 consecutive times to remove (Not Selected 'OFF'.) Counter resets by going from 'OFF' to 'ON'.
1.C0	Selected 'ON' and not able to be deselected. To select 'ON' and not able to be deselected, first select 'ON', then within two seconds press the LEFT LOWER key pad twice, the LEFT UPPER key pad once, and exit the set-up mode.
→ Press the LEFT MIDDLE key pad once to advance to next code.	
2.00	<b>SPECIAL PRICING OPTION</b> This option is either SELECTED 'ON' or NOT SELECTED 'OFF'.
2.00	Not Selected 'OFF'.
2.SP	Selected 'ON'. Press the LEFT LOWER key pad once for this selection.
<b>If SPECIAL PRICING OPTION is selected, there is access to codes '3.' through '9.'</b> <b>NOTE:</b> An external battery needs to be added to keep the clock running during periods of power outages.	
→ Press the LEFT MIDDLE key pad once to advance to next code.	



# ELECTRONIC CONTROLS SET-UP INSTRUCTIONS

CODE	EXPLANATION																								
<b>OPTIONS TO USE IF SPECIAL PRICING IS SELECTED:</b>																									
3.04 NORMAL	NORMAL Special Cycle Vend Price - Increase or decrease between 0 and 200 by pressing the LEFT UPPER or RIGHT UPPER key pad. Factory preset for 4 quarters = \$1.00. PR/PN MODELS ONLY: Factory preset for 0 quarters (Free Vend).																								
3.04 DELICATES	DELICATES Special Cycle Vend Price - Increase or decrease between 0 and 200 by pressing the LEFT UPPER or RIGHT UPPER key pad. Factory preset for 4 quarters = \$1.00. PR/PN MODELS ONLY: Factory preset for 0 quarters (Free Vend).																								
3.04 POWERWASH	POWERWASH Special Cycle Vend Price - Increase or decrease between 0 and 200 by pressing the LEFT UPPER or RIGHT UPPER key pad. Factory preset for 4 quarters = \$1.00.																								
→ Press the LEFT MIDDLE key pad once to advance to next code.																									
5.00	<b>TIME-OF-DAY CLOCK, MINUTES</b>																								
5.00	This is the TIME-OF-DAY CLOCK, minute setting; select between 0 and 59 minutes by pressing the LEFT UPPER or RIGHT UPPER key pad.																								
→ Press the LEFT MIDDLE key pad once to advance to next code.																									
6.00	<b>TIME-OF-DAY CLOCK, HOURS</b> <b>NOTE:</b> Uses military time or 24 hr. clock.																								
6.00	This is the TIME-OF-DAY CLOCK, hour setting; select between 0 and 23 hours by pressing the LEFT UPPER or RIGHT UPPER key pad.																								
→ Press the LEFT MIDDLE key pad once to advance to next code.																									
7.00	<b>SPECIAL PRICE START HOUR</b> <b>NOTE:</b> Uses military time or 24 hr. clock.																								
7.00	This is the start hour; select between 0 and 23 hours by pressing the LEFT UPPER or RIGHT UPPER key pad.																								
→ Press the LEFT MIDDLE key pad once to advance to next code.																									
8.00	<b>SPECIAL PRICE STOP HOUR</b> <b>NOTE:</b> Uses military time or 24 hr. clock.																								
8.00	This is the stop hour; select between 0 and 23 hours by pressing the LEFT UPPER or RIGHT UPPER key pad.																								
→ Press the LEFT MIDDLE key pad once to advance to next code.																									
9.00	<b>SPECIAL PRICE DAY</b>																								
9.10	This represents the day of the week and whether special pricing is selected for that day. A number followed by '0' indicates no selection that particular day (9.10). A number followed by an 'S' indicates selected for that day (9.1S). Days of the week (1-7) can be chosen by pressing the LEFT UPPER key pad. Press the LEFT UPPER key pad once to select special pricing for each day chosen. When exiting set-up code '9', the display must show current day of week:																								
	<table border="0" style="width: 100%;"> <thead> <tr> <th style="width: 20%;">DISPLAY</th> <th style="width: 40%;">DAY OF WEEK</th> <th style="width: 40%;">CODE (selected)</th> </tr> </thead> <tbody> <tr> <td style="text-align: center;">10</td> <td>Day 1 = Sunday</td> <td style="text-align: center;">1S</td> </tr> <tr> <td style="text-align: center;">20</td> <td>Day 2 = Monday</td> <td style="text-align: center;">2S</td> </tr> <tr> <td style="text-align: center;">30</td> <td>Day 3 = Tuesday</td> <td style="text-align: center;">3S</td> </tr> <tr> <td style="text-align: center;">40</td> <td>Day 4 = Wednesday</td> <td style="text-align: center;">4S</td> </tr> <tr> <td style="text-align: center;">50</td> <td>Day 5 = Thursday</td> <td style="text-align: center;">5S</td> </tr> <tr> <td style="text-align: center;">60</td> <td>Day 6 = Friday</td> <td style="text-align: center;">6S</td> </tr> <tr> <td style="text-align: center;">70</td> <td>Day 7 = Saturday</td> <td style="text-align: center;">7S</td> </tr> </tbody> </table>	DISPLAY	DAY OF WEEK	CODE (selected)	10	Day 1 = Sunday	1S	20	Day 2 = Monday	2S	30	Day 3 = Tuesday	3S	40	Day 4 = Wednesday	4S	50	Day 5 = Thursday	5S	60	Day 6 = Friday	6S	70	Day 7 = Saturday	7S
DISPLAY	DAY OF WEEK	CODE (selected)																							
10	Day 1 = Sunday	1S																							
20	Day 2 = Monday	2S																							
30	Day 3 = Tuesday	3S																							
40	Day 4 = Wednesday	4S																							
50	Day 5 = Thursday	5S																							
60	Day 6 = Friday	6S																							
70	Day 7 = Saturday	7S																							
→ Press the LEFT MIDDLE key pad once to advance to next code.																									

CODE	EXPLANATION
A.00	<b>VAULT VIEWING OPTION</b> This option is either SELECTED 'ON' or NOT SELECTED 'OFF'.
A.00	Not Selected 'OFF'.
A.SC	Selected 'ON'. Press the LEFT LOWER key pad once for this selection. When selected, the money and/or cycle counts will be viewable (depending on what is selected) when the coin box is removed.
→ Press the LEFT MIDDLE key pad once to advance to next code.	
b.05	<b>VALUE OF COIN 1</b>
b.05	This represents the value of coin 1 in number of nickels: 05 = \$0.25.  By pressing the LEFT UPPER or RIGHT UPPER key pad, there is the option of between 1 and 199 nickels.
→ Press the LEFT MIDDLE key pad once to advance to next code.	
C.20	<b>VALUE OF COIN 2</b>
C.20	This represents the value of coin 2 in number of nickels: 20 = \$1.00.  PR MODELS ONLY: Factory preset for \$0.25.  By pressing the LEFT UPPER or RIGHT UPPER key pad, there is the option of between 1 and 199 nickels.
→ Press the LEFT MIDDLE key pad once to advance to next code.	
d.00	<b>COIN SLIDE OPTION</b> This option is either SELECTED 'ON' or NOT SELECTED 'OFF'.
d.00	Not Selected 'OFF'.
d.CS	Selected 'ON'. Press the LEFT LOWER key pad 3 consecutive times for this selection.  When coin slide mode is selected, set 'b.' equal to value of slide in nickels. Set step 6 (regular cycle price) and step 3 (special cycle price) to number of slide operations. If the installer sets up 'CS' on a coin drop model, it will not register coins.
→ Press the LEFT MIDDLE key pad once to advance to next code.	
E.00	<b>ADD COINS OPTION</b> This option is either SELECTED 'ON' or NOT SELECTED 'OFF'. This option causes the customer display to show the number of coins (coin 1) to enter, rather than the dollars-and-cents amount.
E.00	Not Selected 'OFF'.
E.AC	Selected 'ON'. Press the LEFT LOWER key pad 3 consecutive times for this selection.
→ Press the LEFT MIDDLE key pad once to advance to next code.	
H.00 COOL	COOL Temperature Upgrade Price - Increase or decrease between 0 and 200 by pressing the LEFT UPPER or RIGHT UPPER key pad. Factory preset for 0 quarters = \$0.00.
H.00 WARM	WARM Temperature Upgrade Price - Increase or decrease between 0 and 200 by pressing the LEFT UPPER or RIGHT UPPER key pad. Factory preset for 0 quarters = \$0.00.
H.00 HOT	HOT Temperature Upgrade Price - Increase or decrease between 0 and 200 by pressing the LEFT UPPER or RIGHT UPPER key pad. Factory preset for 0 quarters = \$0.00.
H.00 HEAVY	HEAVY SOIL LEVEL Upgrade Price - Increase or decrease between 0 and 200 by pressing the LEFT UPPER or RIGHT UPPER key pad. Factory preset for 0 quarters = \$0.00.

# ELECTRONIC CONTROLS SET-UP INSTRUCTIONS

CODE	EXPLANATION
H.00 EXTRA RINSE	EXTRA RINSE Upgrade Price - Increase or decrease between 0 and 200 by pressing the LEFT UPPER or RIGHT UPPER key pad. Factory preset for 0 quarters = \$0.00.
→ Press the LEFT MIDDLE key pad once to advance to next code.	
J.Cd	<b>COIN/DEBIT OPTION</b>
J.Cd	Both coin & debit selected.
J.C_	Coins selected, debit disabled. Press the LEFT LOWER key pad 3 times for this selection.
J._d	Debit Card selected, coins disabled. Press the LEFT LOWER key pad 3 times for this selection.
J.Ed	Enhanced Debit is self-selected when a Generation 2 card reader is installed in the washer. The Ed option cannot be manually selected or deselected.
→ Press the LEFT MIDDLE key pad once to advance to next code.	
L.00	<b>PRICE SUPPRESSION OPTION</b> This option causes the customer display to show 'ADD' or 'AVAILABLE' rather than the amount of money to add. (Used mainly in debit installations.)
L.00	Not Selected 'OFF'.
L.PS	Selected 'ON'. Press the LEFT LOWER key pad once for this selection.
→ Press the LEFT MIDDLE key pad once to advance to next code.	
n. CE	<b>CLEAR ESCROW OPTION</b> When selected, money held in escrow for 30 minutes without further escrow or cycle activity will be cleared.
n. CE	Selected 'ON'.
n. 00	Not selected 'OFF'. Press the LEFT LOWER key pad once to deselect this selection.
→ Press the LEFT MIDDLE key pad once to advance to next code.	
U.00	<b>PENNY INCREMENT OFFSET</b>
U.00	This represents the penny increment price offset used in Generation 2 (Enhanced Debit) PR models. Choose from 0-4 pennies by pressing the LEFT UPPER key pad.
→ Press the LEFT MIDDLE key pad once to advance to next code.	
A3.02	<b>NORMAL Cycle Settings.</b> Allows the owner to select the cycle default options of Water Temperature, Soil Level, and Extra Rinse. See Table 1 for specific settings. Normal is set to 02 from the factory.
A4.00	<b>DELICATES Cycle Settings.</b> Allows the owner to select the cycle default options of Water Temperature, Soil Level, and Extra Rinse. See Table 1 for specific settings. Delicates is set to 00 from the factory.
A5.OF	<b>POWERWASH Cycle Settings.</b> Allows the owner to select the cycle default options of Water Temperature, Soil Level, and Extra Rinse. See Table 1 for specific settings. Powerwash is set to 0F from the factory.

## If cycle counter (9.0C) is selected, the following is true:

1 xx	Number of cycles in THOUSANDS.	1 02 = 2,000
2xxx	Number of cycles in ONES.	2225 = 225
		TOTAL CYCLES = 2,225

This is "VIEW ONLY" and cannot be cleared.

Press the LOWER MIDDLE key pad once to advance to next code.

## If money counter (1.0C or 1.C0) is selected, the following is true:

3 xx	Number of dollars in HUNDREDS.	3 01 = \$1,000.00
4xxx	Number of dollars in ONES.	4600 = \$ 600.00
5 xx	Number of CENTS.	5 75 = \$ 00.75
		TOTAL = \$1,600.75

## END OF SET-UP PROCEDURES

### EXIT FROM SET-UP MODE

■ PD Models: Reinstall access door.

■ PR Models:

- Unplug washer or disconnect power.
- Open console, reinsert plug into AA1, close console.
- Plug in washer or reconnect power.

If preferred, just wait through 2 minutes of inactivity. All settings will be saved and the display will revert to Select Cycle screen.

**Table 1**

A3, A4, or A5	Extra Rinse	Soil Level	Wash Temp	A3, A4, or A5	Extra Rinse	Soil Level	Wash Temp
00	Off	Off	Cold	08	On	Off	Cold
01	Off	Off	Cool	09	On	Off	Cool
02	Off	Off	Warm	0A	On	Off	Warm
03	Off	Off	Hot	0b	On	Off	Hot
04	Off	On	Cold	0c	On	On	Cold
05	Off	On	Cool	0d	On	On	Cool
06	Off	On	Warm	0E	On	On	Warm
07	Off	On	Hot	0F	On	On	Hot

### Technician Service Access Code

This method is only available on washers set to free vend (6 00).

#### To enter service mode:

Press the LEFT UPPER, RIGHT LOWER, RIGHT UPPER, and LEFT LOWER key pads within 10 seconds.

#### To exit service mode:

From service code 8.xx, press the LEFT UPPER key pad for 4 seconds

or

Wait 2 minutes without touching any key pads (without diagnostic modes running)

or

Power down the washer, then reapply power

**NOTE:** If a service cycle is in progress upon exiting service mode, the cycle will complete normally with cycle status information displayed. The display will resume normal customer operation mode when the cycle ends.

## Votre sécurité et celle des autres est très importante.

Nous donnons de nombreux messages de sécurité importants dans ce manuel et sur votre appareil ménager. Assurez-vous de toujours lire tous les messages de sécurité et de vous y conformer.



Voici le symbole d'alerte de sécurité.

Ce symbole d'alerte de sécurité vous signale les dangers potentiels de décès et de blessures graves à vous et à d'autres.

Tous les messages de sécurité suivront le symbole d'alerte de sécurité et le mot "DANGER" ou "AVERTISSEMENT". Ces mots signifient :

**⚠ DANGER**

Risque possible de décès ou de blessure grave si vous ne suivez pas immédiatement les instructions.

**⚠ AVERTISSEMENT**

Risque possible de décès ou de blessure grave si vous ne suivez pas les instructions.

Tous les messages de sécurité vous diront quel est le danger potentiel et vous disent comment réduire le risque de blessure et ce qui peut se produire en cas de non-respect des instructions.

## IMPORTANTES INSTRUCTIONS DE SÉCURITÉ

**AVERTISSEMENT** : Pour réduire les risques d'incendie, de choc électrique ou de blessures lors de l'utilisation de la laveuse, suivre les précautions fondamentales dont les suivantes :

- Lire toutes les instructions avant d'utiliser la laveuse.
- Ne pas laver des articles qui ont été nettoyés ou lavés avec de l'essence ou imbibés d'essence, solvants de nettoyage à sec, ou autres substances inflammables ou explosives; ces substances peuvent émettre des vapeurs susceptibles de s'enflammer ou d'exploser.
- Ne pas ajouter d'essence, solvant de nettoyage à sec ou autre produit inflammable ou explosif dans l'eau de lavage. Ces substances peuvent émettre des vapeurs susceptibles de s'enflammer ou d'exploser.
- Dans certaines conditions, de l'hydrogène gazeux peut se former dans un circuit d'eau chaude qui n'a pas été utilisé pendant 2 semaines ou plus. **LE GAZ HYDROGÈNE EST EXPLOSIBLE.** Si le circuit d'eau chaude n'a pas été utilisé pendant une telle période, avant d'utiliser la laveuse, ouvrir tous les robinets d'eau chaude et laisser l'eau s'écouler pendant plusieurs minutes par chaque robinet. Ceci permettra l'évacuation de l'hydrogène gazeux accumulé. Comme ce gaz est inflammable, ne pas fumer ou utiliser une flamme nue au cours de cette période.
- Ne pas laisser des enfants jouer sur ou à l'intérieur de la laveuse. Bien surveiller les enfants lorsque la laveuse est utilisée à proximité d'enfants.
- Avant de mettre la laveuse au rebut ou hors de service, enlever la porte ou le couvercle.
- Ne pas tenter d'atteindre un article à l'intérieur de la cuve de la laveuse lorsque le tambour, la cuve ou l'agitateur est en mouvement.
- Ne pas installer ou remiser cette laveuse à un endroit où elle serait exposée aux intempéries.
- Ne pas modifier les organes de commande.
- Ne pas réparer ou remplacer un composant quelconque de la laveuse, ni entreprendre une opération de service, si ce n'est spécifiquement recommandé dans ce manuel ou dans un manuel d'instructions de réparations destiné à l'utilisateur; il est alors essentiel que la personne concernée comprenne ces instructions et soit compétente pour les exécuter.
- Pour les instructions de liaison à la terre, voir "Spécifications électriques" dans les instructions d'installation.

**CONSERVEZ CES INSTRUCTIONS**

# SÉCURITÉ DE LA LAVEUSE

## POUR VOTRE SÉCURITÉ

Ne pas remiser ou utiliser de l'essence ou tout autre liquide ou vapeur inflammable à proximité de cet appareil ou de tout autre appareil.

Avertissements de la proposition 65 de l'État de Californie :

AVERTISSEMENT : Ce produit contient au moins un produit chimique connu par l'État de Californie pour être à l'origine de cancers.

AVERTISSEMENT : Ce produit contient au moins un produit chimique connu par l'État de Californie pour être à l'origine de malformations et autres déficiences de naissance.

## OUTILLAGE ET PIÈCES

### Outillage nécessaire :



Niveau



Pince



Couteau utilitaire

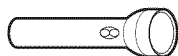


Clé à molette



Tournevis à lame plate

### Outillage facultatif :

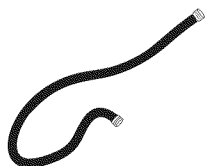


Lampe de poche



Seau

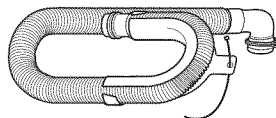
### Pièces fournies :



Tuyaux d'alimentation (2)



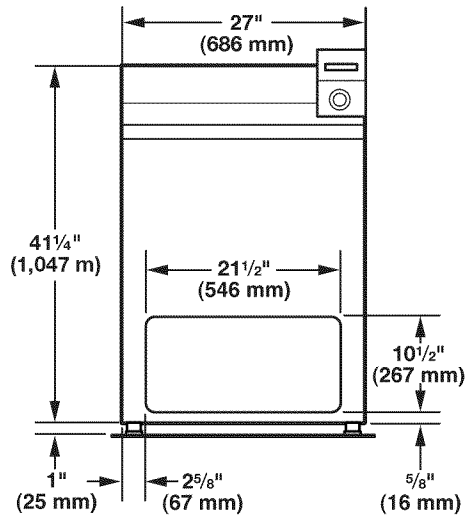
Rondelles pour tuyau d'alimentation (4)



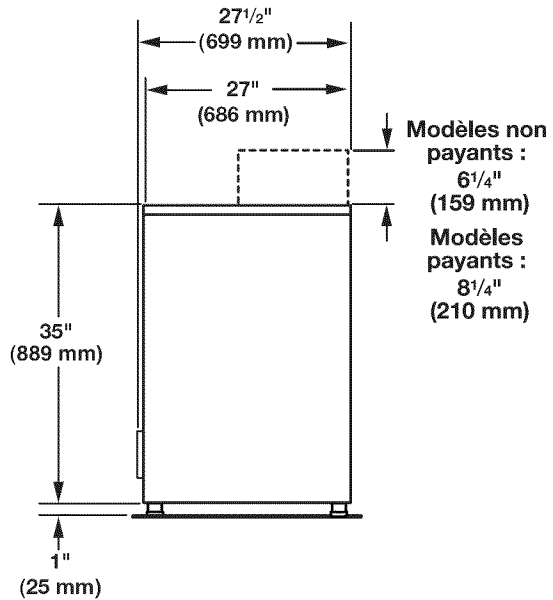
Tuyau de vidange avec bride, bride de retenue en forme de u et attache-câble

# DIMENSIONS

Vue de face



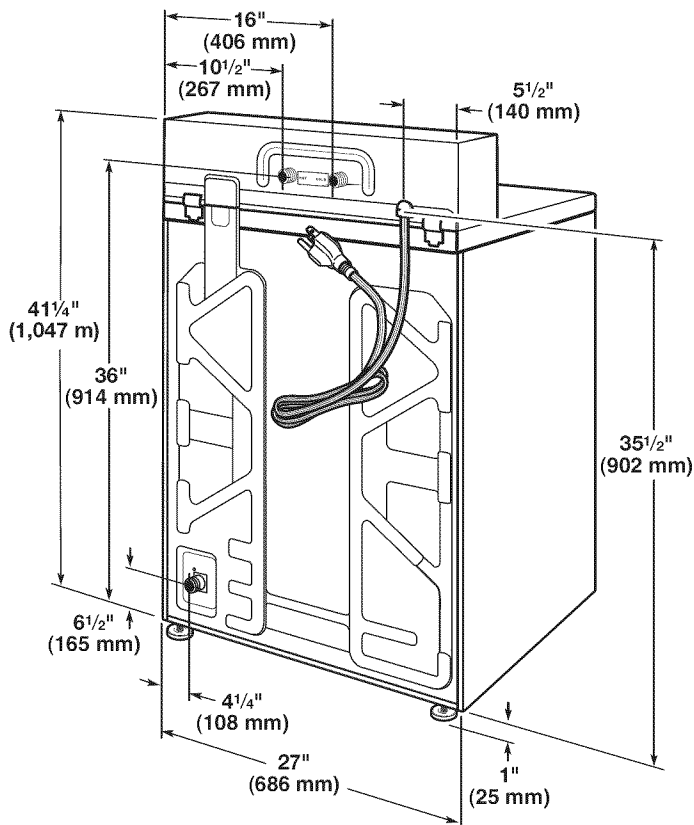
Vue latérale



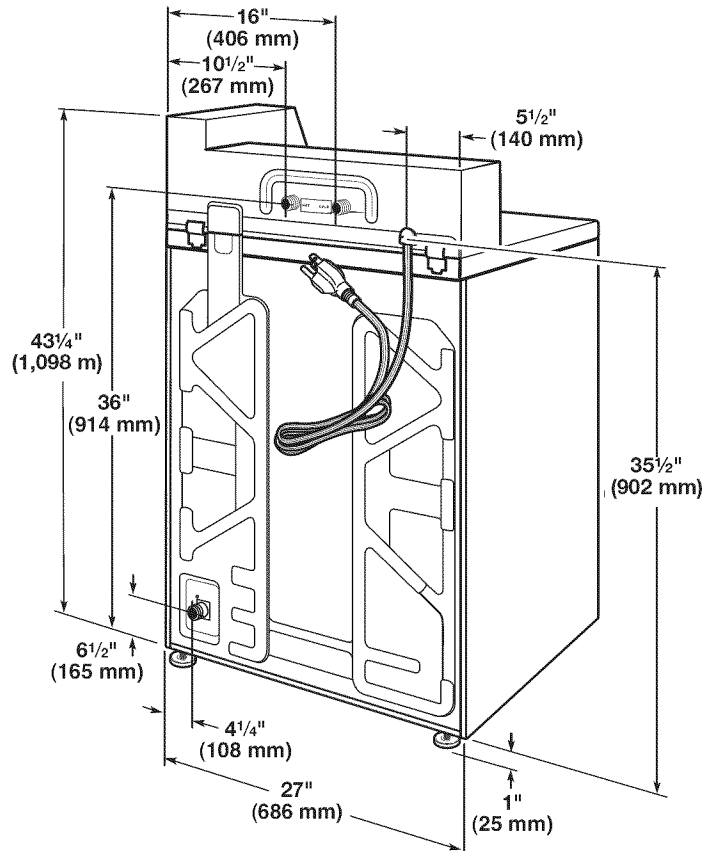
**REMARQUE :** Tableau de disjoncteurs non inclus sur certains modèles.

Vue arrière

Modèles non payants



Modèles payants



# EXIGENCES D'EMPLACEMENT

Le choix d'un emplacement approprié pour la laveuse en améliore le rendement et réduit au minimum le bruit et le "déplacement" possible de la laveuse.

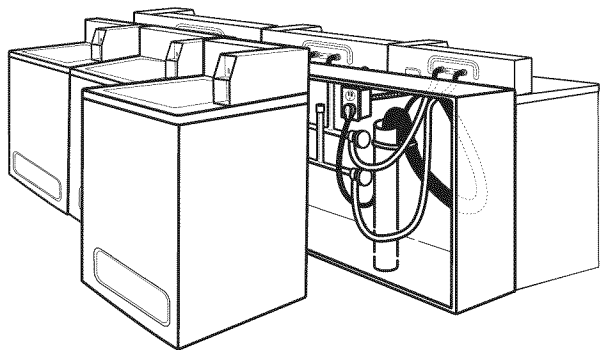
La laveuse peut être installée dans un sous-sol, une buanderie ou un encastrement. Voir "Système de vidange".

Il faut aussi prendre en compte les exigences d'emplacement des appareils voisins.

**IMPORTANT :** Ne pas installer ou remiser la laveuse dans un endroit où elle sera exposée aux intempéries. Ne pas remiser ou faire fonctionner la laveuse à des températures égales ou inférieures à 32°F (0°C). Une quantité d'eau peut demeurer dans la laveuse et causer des dommages à des températures basses. C'est à l'utilisateur qu'incombe la responsabilité de réaliser une installation correcte.

## Il vous faudra :

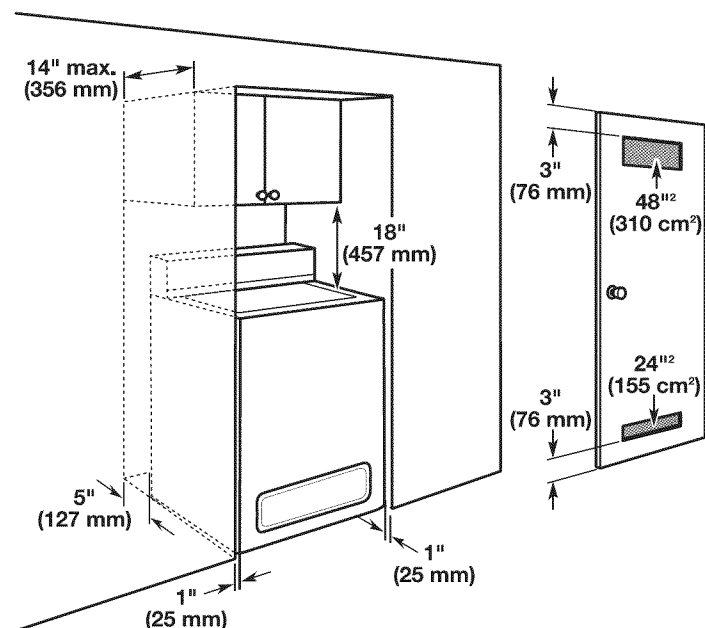
- Un chauffe-eau réglé à 120° F (49° C).
- Une prise électrique reliée à la terre et située à moins de 4 pi (1,2 m) du cordon d'alimentation situé à l'arrière de la laveuse. Voir "Spécifications électriques".
- Des robinets d'eau chaude et d'eau froide situés à moins de 4 pi (1,2 m) des électrovannes de remplissage d'eau chaude et d'eau froide situées sur la laveuse et une pression d'eau de 20-100 lb/po<sup>2</sup> (138 à 690 kPa). Lorsque la pression d'alimentation à l'entrée du bâtiment est supérieure à 100 lb/po<sup>2</sup> (690 kPa), on devrait installer une vanne de réduction de la pression pour éviter une éventuelle détérioration de la vanne de mixage de la laveuse.
- L'installation d'une seule laveuse nécessite une colonne montante d'au moins 12" (300 mm) pour assurer un coussin d'air et éviter le bruit et l'endommagement des vannes.
- Un plancher de niveau avec une pente maximale de 1" (25 mm) sous l'ensemble de la laveuse. L'installation sur de la moquette n'est pas recommandée.
- Un plancher capable de supporter le poids total de 315 lb (143 kg) de la laveuse (eau et charge comprises).
- Un avaloir de sol sous le coffrage. Les coffrages préfabriqués équipés de prises électriques, lignes d'arrivée d'eau et conduites d'évacuation doivent être utilisés seulement là où les codes locaux l'autorisent.



## Installation dans un encastrement ou un placard

Cette laveuse peut être installée dans un encastrement ou un placard. Les dimensions d'installation indiquées correspondent à l'espacement minimal permis. Prévoir davantage d'espace pour faciliter l'installation et l'entretien. Si l'on installe une porte de placard, des ouvertures d'aération minimales sont nécessaires en haut et en bas de la porte. Les portes à claire-voie offrant des ouvertures équivalentes (supérieures et inférieures) sont acceptables. Il faut aussi prendre en compte l'espace requis entre les appareils voisins.

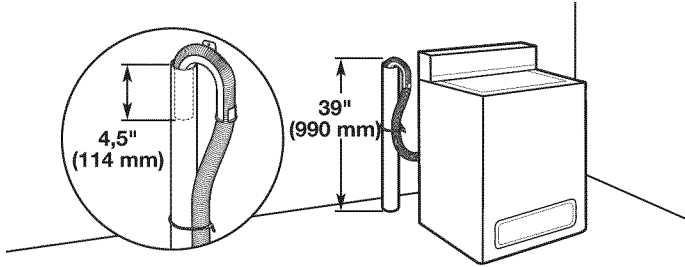
## Dégagement d'installation minimum



# SYSTÈME DE VIDANGE

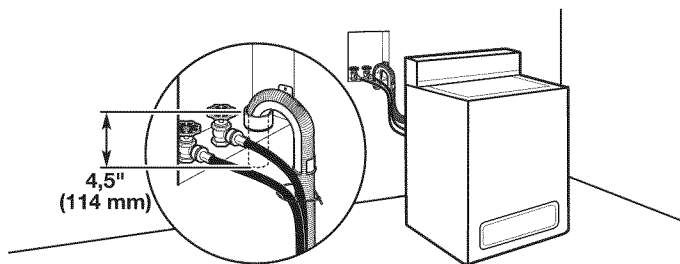
Le système de vidange de la laveuse peut être installé à l'aide d'un conduit d'évacuation au plancher, un tuyau de rejet à l'égout au plancher ou mural ou un évier de buanderie. Sélectionner la méthode à utiliser.

## Système de vidange avec tuyau de rejet à l'égout au plancher



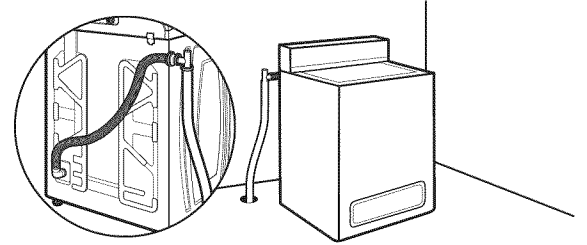
Diamètre minimal pour un tuyau de rejet à l'égout : 2" (51 mm).  
Capacité minimale d'acheminement : 10 gal. (38 L) par minute.  
Le sommet du tuyau de rejet à l'égout doit avoir une hauteur d'au moins 39" (990 mm) high; ne pas l'installer à plus de 96" (2,44 m) du fond de la laveuse.

## Système de vidange avec tuyau de rejet à l'égout mural



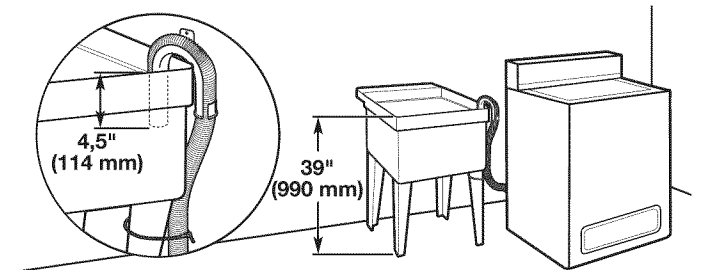
Voir les exigences pour le système de vidange avec tuyau de rejet à l'égout au plancher.

## Système de vidange au plancher



Le système de vidange au plancher nécessite un ensemble de brise-siphon (pièce numéro 285834). Dimension minimale pour le brise-siphon : 28" (710 mm) à partir du fond de la laveuse. Des tuyaux supplémentaires peuvent être requis.

## Système de vidange dans un évier de buanderie



Capacité minimale : 20 gal. (76 L). Le sommet de l'évier de buanderie doit se trouver à au moins 39" (990 mm) du plancher.

# SPÉCIFICATIONS ÉLECTRIQUES

## **⚠ AVERTISSEMENT**



### **Risque de choc électrique**

**Brancher sur une prise à 3 alvéoles reliée à la terre.**

**Ne pas enlever la broche de liaison à la terre.**

**Ne pas utiliser un adaptateur.**

**Ne pas utiliser un câble de rallonge.**

**Le non-respect de ces instructions peut causer un décès, un incendie ou un choc électrique.**

- Une alimentation de 120 volts, 60 Hz, CA seulement, de 15 ou 20 ampères, protégée par un fusible est requise. On recommande l'emploi d'un fusible ou d'un disjoncteur temporisé. Il est recommandé de raccorder l'appareil sur un circuit distinct exclusif à cet appareil.
- Cette laveuse comporte un cordon d'alimentation électrique à trois broches pour liaison à la terre.
- Pour minimiser les risques de choc électrique, on doit brancher le cordon sur une prise de courant de configuration correspondante, à 3 alvéoles, reliée à la terre et installée conformément aux codes et règlements locaux. Si une prise de courant de configuration correspondante n'est pas disponible, le client a la responsabilité et l'obligation de faire installer par un électricien qualifié une prise de courant correctement reliée à la terre.
- Si les codes le permettent et si l'on utilise un conducteur distinct de liaison à la terre, il est recommandé qu'un électricien qualifié vérifie la qualité de la liaison à la terre.
- Ne pas utiliser une tuyauterie de gaz pour le raccordement à la terre.
- En cas de doute quant à la qualité de la liaison à la terre de la laveuse, consulter un électricien qualifié.
- Ne pas installer un fusible dans le conducteur neutre ou le circuit de liaison à la terre.

## **INSTRUCTIONS DE LIAISON À LA TERRE**

### **Pour une laveuse reliée à la terre et connectée par un cordon :**

Cette laveuse doit être reliée à la terre. En cas d'anomalie de fonctionnement ou de panne, la liaison à la terre réduira le risque de choc électrique en offrant au courant électrique un itinéraire d'évacuation de moindre résistance. Cette laveuse est alimentée par un cordon électrique comportant un conducteur relié à la terre et une fiche de branchement munie d'une broche de liaison à la terre. La fiche doit être branchée sur une prise de courant appropriée qui est bien installée et reliée à la terre conformément à tous les codes et règlements locaux.

**AVERTISSEMENT :** Le raccordement incorrect de cet appareil au conducteur de liaison à la terre peut susciter un risque de choc électrique. En cas de doute quant à la qualité de la liaison à la terre de l'appareil, consulter un électricien ou technicien d'entretien qualifié.

Ne pas modifier la fiche de branchement fournie avec l'appareil – si la fiche ne correspond pas à la configuration de la prise de courant, demander à un électricien qualifié d'installer une prise de courant convenable.

### **Pour une laveuse raccordée en permanence :**

Cette laveuse doit être raccordée à un système de câblage permanent en métal relié à la terre ou un conducteur relié à la terre doit être en fonction avec les conducteurs de circuit et raccordés à la borne de liaison à la terre ou la borne sur l'appareil ménager.



# INSTRUCTIONS D'INSTALLATION

## **⚠ AVERTISSEMENT**

### **Risque du poids excessif**

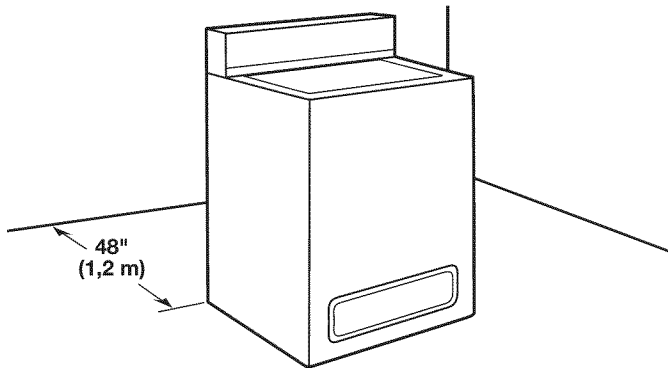
**Utiliser deux ou plus de personnes pour déplacer et installer la laveuse.**

**Le non-respect de cette instruction peut causer une blessure au dos ou d'autre blessure.**

Il est nécessaire de retirer tout le matériel d'expédition pour un fonctionnement correct et pour éviter que la laveuse ne fasse trop de bruit.

1. Déplacer la laveuse à moins de 4 pi (1,2 m) de son emplacement final; elle doit être en position complètement verticale.

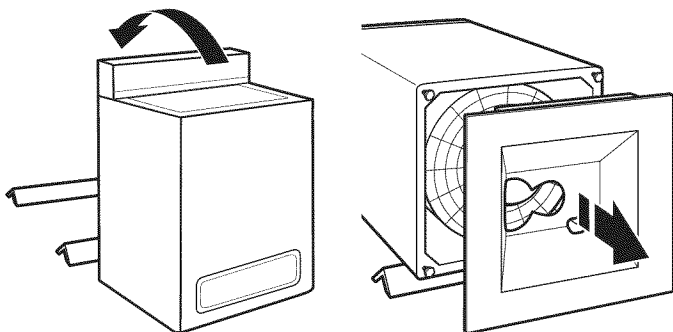
**REMARQUE :** Pour éviter d'endommager le plancher, installer la laveuse sur un carton avant de la déplacer. Assurer que le couvercle est retenu en place avec le ruban adhésif.



2. Afin d'éviter d'endommager le plancher, placer les supports en carton du carton d'expédition sur le plancher, derrière la laveuse. Incliner la laveuse vers l'arrière et la placer sur les supports en carton. Retirer la base d'expédition. Redresser la laveuse en position verticale.

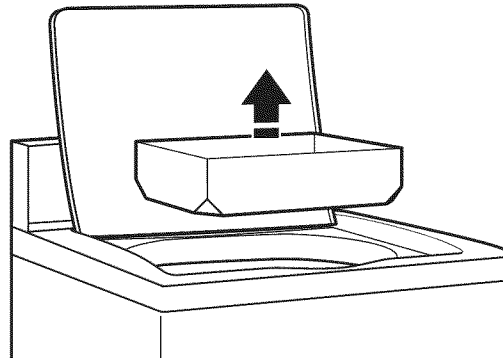
**IMPORTANT :** Le retrait de la base d'expédition en polystyrène est nécessaire au bon fonctionnement de la laveuse. Si la laveuse comprend une plaque d'insonorisation, consulter les instructions fournies avec la plaque d'insonorisation pour l'installer maintenant.

**REMARQUE :** Conserver le retrait de la base plat au cas où il faudrait déplacer la laveuse ultérieurement.



3. Retirer le ruban adhésif du couvercle de la laveuse, ouvrir le couvercle et retirer le carton plat d'emballage de la cuve. Veiller à retirer toutes les pièces du carton plat.

**REMARQUE :** Conserver le carton plat au cas où il faudrait déplacer la laveuse ultérieurement.

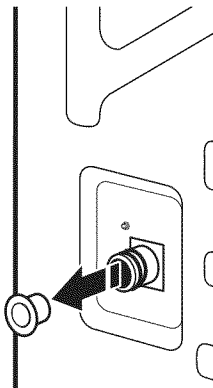


# RACCORDEMENT DU TUYAU DE VIDANGE

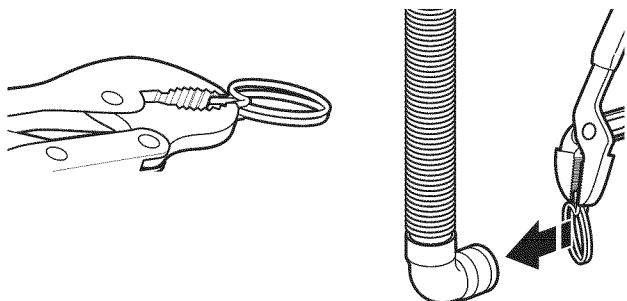
Le bon acheminement du tuyau de vidange évite d'endommager le sol à cause de fuites d'eau.

## Retirer le tuyau de vidange du tambour de la laveuse

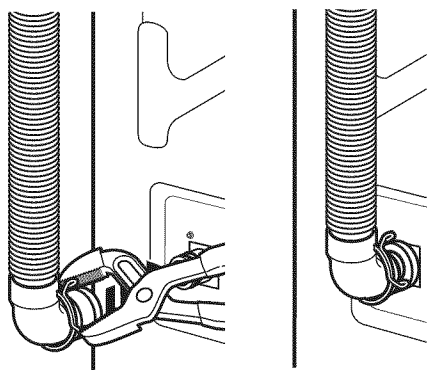
1. Retirer le ruban adhésif de l'orifice de vidange de la laveuse situé à l'arrière de celle-ci.



2. Si la bride n'est pas déjà installée sur l'extrémité coudée du tuyau de vidange, la faire glisser sur l'extrémité tel qu'indiqué.



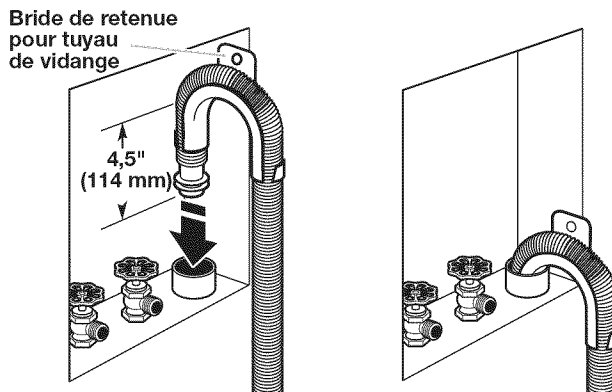
3. Serrer la bride avec une pince et faire glisser l'extrémité coudée du tuyau de vidange sur l'orifice de vidange de la laveuse, puis fixer avec la bride.



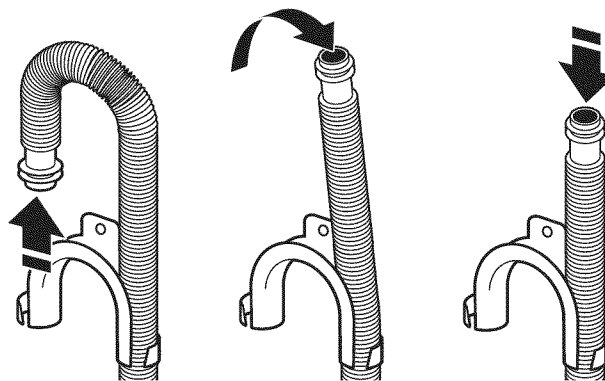
4. Le système de vidange de la laveuse peut être installé à l'aide d'un avaloir de sol, un tuyau rigide de rejet à l'égout mural, un tuyau rigide de rejet à l'égout au sol ou un évier de buanderie.

5. Placer le tuyau dans le tuyau de rejet à l'égout (illustré sur l'image) ou par-dessus le côté de l'évier de buanderie.

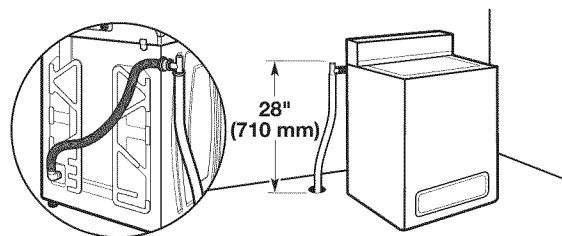
**IMPORTANT :** 4,5" (114 mm) du tuyau de vidange doit être à l'intérieur du tuyau de rejet à l'égout; ne pas forcer l'excédent de tuyau dans le tuyau de rejet à l'égout ni le placer dans l'évier de buanderie. On doit utiliser la bride de retenue pour tuyau de vidange.



6. Pour les installations avec vidange au plancher, il faut retirer la bride de retenue pour tuyau de vidange de l'extrémité du tuyau de vidange. Des pièces supplémentaires avec des directives distinctes seront peut-être nécessaires. Voir "Outillage et pièces".

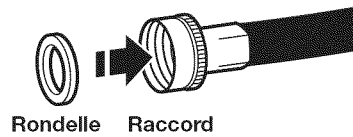


7. Le système de vidange au sol nécessite un brise-siphon qui peut être acheté séparément. Le brise-siphon (pièce numéro 285834) doit se trouver au moins à 28" (710 mm) de la base de la laveuse. Des tuyaux supplémentaires peuvent s'avérer nécessaires.



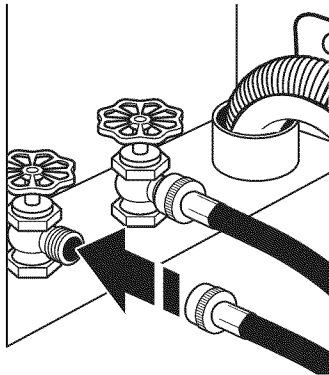
# RACCORDEMENT DES TUYAUX D'ARRIVÉE D'EAU

Insérer les rondelles de tuyau neuves (fournies) dans chaque extrémité des tuyaux d'arrivée d'eau. Insérer fermement les rondelles dans les raccords.

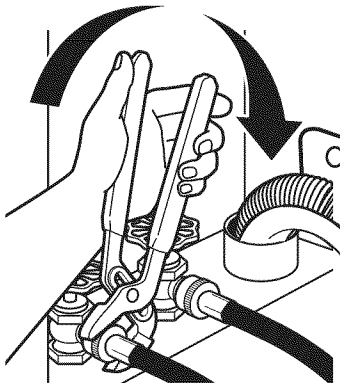


## Raccorder les tuyaux d'arrivée d'eau aux robinets

1. Fixer le tuyau au robinet d'eau chaude. Visser le raccord à la main jusqu'à ce qu'il repose sur la rondelle. Répéter l'opération pour l'eau froide.



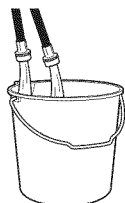
2. Serrer les raccords de deux tiers de tour supplémentaires à l'aide d'une pince.



**IMPORTANT :** Ne pas serrer excessivement ni utiliser de ruban adhésif ou de dispositif d'étanchéité sur la valve lors de la fixation aux robinets ou à la laveuse. Cela pourrait entraîner des dommages.

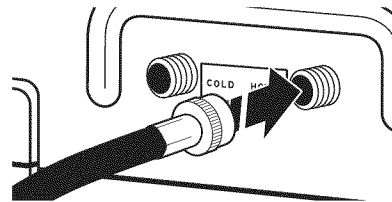
## Purger les canalisations d'eau

- Laisser s'écouler l'eau des deux robinets et les tuyaux d'arrivée d'eau dans un évier de buanderie, un tuyau rigide de rejet à l'égout ou un seau pour éliminer les particules se trouvant dans les canalisations d'eau qui pourraient obstruer les tamis de la valve d'arrivée d'eau.
- Vérifier la température de l'eau pour s'assurer que le tuyau d'eau chaude est connecté au robinet d'eau chaude et que le tuyau d'eau froide est connecté au robinet d'eau froide.

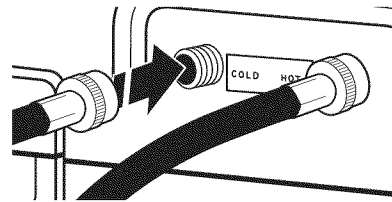


## Raccorder les tuyaux d'arrivée d'eau à la laveuse

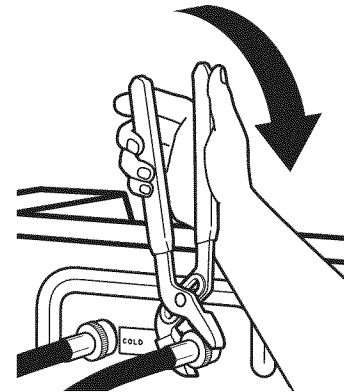
1. Fixer le tuyau d'eau froide au robinet d'arrivée d'eau froide cerclé de bleu. Visser le raccord à la main jusqu'à ce qu'il soit bien serré.



2. Fixer le tuyau d'eau chaude au robinet d'arrivée d'eau chaude indiquée par une bague rouge. Visser le raccord à la main jusqu'à ce qu'il soit bien serré.

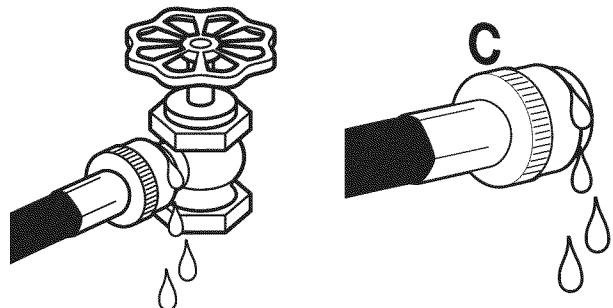


3. Serrer les raccords de deux tiers de tour supplémentaires à l'aide d'une pince.



**REMARQUE :** Ne pas serrer excessivement. Les robinets risquent d'être endommagés.

4. Ouvrir les robinets d'eau pour vérifier qu'il n'y a pas de fuite. Une petite quantité d'eau peut entrer dans la laveuse. Elle s'évacuera plus tard.



**REMARQUE :** Remplacer les tuyaux d'arrivée d'eau après 5 ans d'utilisation pour réduire le risque de défaillance intempestive. Prendre note de la date d'installation ou de remplacement des tuyaux d'arrivée d'eau, pour référence ultérieure.

Inspecter périodiquement les tuyaux et les remplacer en cas de renflement, de déformation, de coupure, d'usure ou si une fuite se manifeste.

# ÉTABLISSEMENT DE L'APLOMB DE LA LAVEUSE

**IMPORTANT :** L'établissement correct de l'aplomb de la laveuse permet de réduire les nuisances sonores et de limiter les vibrations.

## ⚠ AVERTISSEMENT

**Risque du poids excessif**

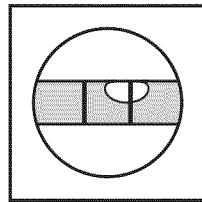
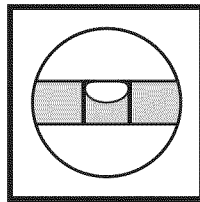
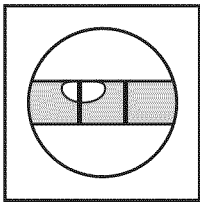
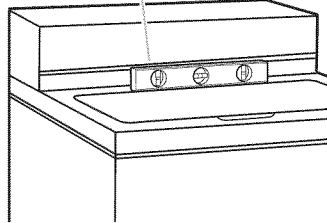
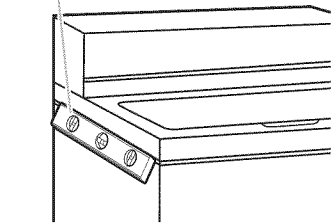
**Utiliser deux ou plus de personnes pour déplacer et installer la laveuse/sécheuse.**

**Le non-respect de cette instruction peut causer une blessure au dos ou d'autre blessure.**

1. Mettre la laveuse est à son emplacement final. Placer un niveau sur les bords supérieurs de la laveuse. Utiliser une rive latérale comme guide pour déterminer l'aplomb des côtés. Vérifier l'aplomb de l'avant à l'aide du couvercle, tel qu'indiqué. Faire bouger la laveuse d'avant en arrière pour s'assurer que les quatre pieds sont bien en contact avec le plancher.

Placer le niveau à cet endroit

Placer le niveau à cet endroit



Pas d'aplomb

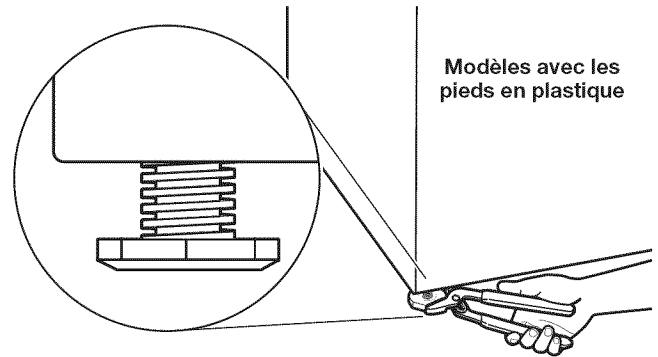
APLOMB

Pas d'aplomb

2. Sur les modèles avec les pieds en métal, utiliser une clé plate ou une clé à molette de 9/16" ou 14 mm pour tourner les contre-écrous dans le sens horaire jusqu'à ce qu'ils se trouvent à environ 1/2" (13 mm) de la caisse de la laveuse. Tourner ensuite le pied de nivellement dans le sens horaire pour abaisser la laveuse ou antihoraire pour la soulever.

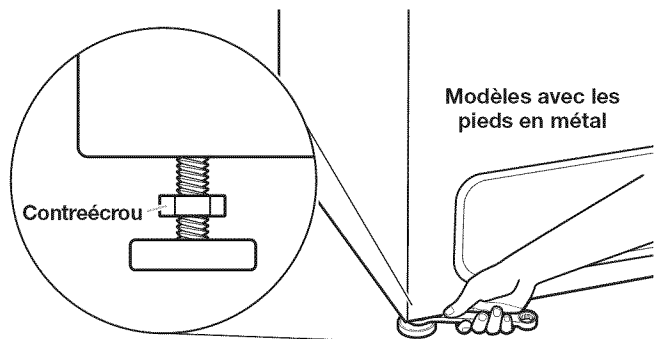
Sur les modèles avec les pieds en plastique, utiliser une pince réglable pour tourner le pied de nivellement dans le sens antihoraire pour abaisser la laveuse ou horaire pour la soulever. Sur tous les modèles, contrôler à nouveau l'aplomb de la laveuse et répéter au besoin.

**CONSEIL UTILE :** Il serait judicieux de soulever l'avant de la laveuse d'environ 4" (102 mm) à l'aide d'une cale en bois ou d'un objet similaire qui soutiendra le poids de la laveuse.



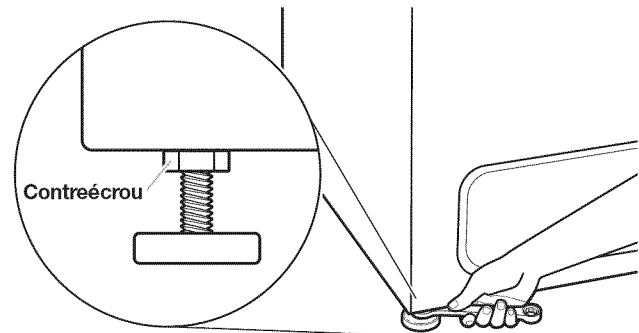
Modèles avec les pieds en plastique

ou



Modèles avec les pieds en métal

3. Sur les modèles avec les pieds en métal, une fois l'aplomb de la laveuse établi, utiliser une clé plate ou une clé à molette de 9/16" ou 14 mm pour tourner les contre-écrous sur les pieds de nivellement dans le sens anti-horaire et les serrer fermement contre la caisse de la laveuse.

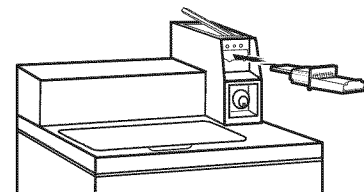


# INSTALLATION DE LA GLISSIÈRE ET DE LA BOÎTE À MONNAIE

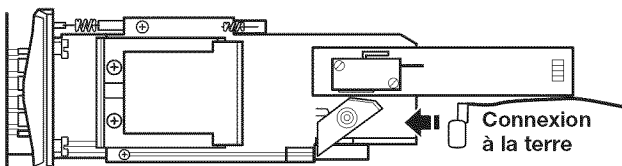
Sur certains modèles, le mécanisme de glissière, le verrou et la clé de la porte de service et le verrou et la clé de la boîte à monnaie ne sont pas inclus mais ces pièces sont disponibles auprès des fournisseurs industriels classiques.

Enlever la porte de service du compteur en la soulevant par l'arrière. Installer le dispositif de réception de la monnaie. (Consulter les instructions du fabricant concernant l'installation).

Une connexion à la terre est nécessaire pour la glissière, qui peut être effectuée en connectant le câblage disponible à la glissière.



Installer un verrou et une came sur la porte de service du boîtier du compteur. Installer la chambre à pièces et son verrou dans l'ouverture du boîtier du compteur.



# ACHEVER L'INSTALLATION

## ⚠ AVERTISSEMENT



### Risque de choc électrique

**Brancher sur une prise à 3 alvéoles reliée à la terre.**

**Ne pas enlever la broche de liaison à la terre.**

**Ne pas utiliser un adaptateur.**

**Ne pas utiliser un câble de rallonge.**

**Le non-respect de ces instructions peut causer un décès, un incendie ou un choc électrique.**

- Vérifier la présence de tous les outils.
- Vérifier que tout le matériel d'expédition a été retiré de la laveuse.
- Éliminer/recycler tous les matériaux d'emballage.
- Vérifier que les robinets d'eau sont ouverts.
- Vérifier qu'il n'y a pas de fuite autour des robinets et des tuyaux d'arrivée d'eau.
- Ôter la pellicule de la console et tout ruban adhésif resté sur la laveuse.
- Brancher sur une prise reliée à la terre ou connecter la source de courant électrique.
- Vérifier que le disjoncteur ne s'est pas déclenché et qu'aucun fusible n'est grillé.
- Démarrer la laveuse à l'aide du système de paiement (si elle en comporte un) pour vérifier que le programme de lavage arrive bien à terme sans qu'aucun code d'erreur ou fuite n'apparaisse.

- Consulter les spécifications électriques. S'assurer de disposer d'une source d'électricité appropriée et d'une liaison à la terre conforme à la méthode recommandée.
- Vérifier que toutes les pièces sont maintenant installées. S'il reste une pièce, passer en revue les différentes étapes pour découvrir laquelle aurait été oubliée.

## TAILLE TYPIQUE DES CHARGES COMPLÈTES

Type de charge	Suggestion de chargement	Type de charge	Suggestion de chargement
Charge mixte	3 draps (lit à 2 places) 4 taies d'oreiller 6 shorts 8 T-shirts 2 chemises 2 chemisiers 8 mouchoirs	Vêtements de travail très sales	3 pantalons 3 chemises 1 combinaison 4 jeans 1 salopette
Pressage permanent	2 draps (lit à 2 places) ou 1 drap (lit très grand) 1 nappe 1 robe 1 chemisier 2 pantalons 3 chemises 2 taies d'oreiller	Tricots	3 chemisiers 4 pantalons 6 chemises 4 tricots 4 robes

# ENTRETIEN DE LA LAVEUSE

## Conseils d'utilisation

### **AVERTISSEMENT**



#### **Risque d'incendie**

**Ne jamais mettre des articles humectés d'essence ou d'autres fluides inflammables dans la laveuse.**

**Aucune laveuse ne peut complètement enlever l'huile.**

**Ne pas faire sécher des articles qui ont été salis par tout genre d'huile (y compris les huiles de cuisson).**

**Le non-respect de ces instructions peut causer un décès, une explosion ou un incendie.**

Il est recommandé de ne pas laver d'articles en fibre de verre dans une laveuse payante. Si on lave ces articles dans la laveuse, faire fonctionner un programme complet pour rincer les éventuels résidus restés dans la laveuse.

**IMPORTANT :** Le détergent, l'agent de blanchiment et l'assouplissant pour tissu doivent être versés dans les distributeurs avant d'ajouter les vêtements et on ne doit mettre en marche la laveuse qu'après avoir effectué ces opérations car le couvercle se verrouille une fois que la laveuse a démarré.

## Transport de la laveuse

- Fermer les deux robinets d'eau. Débrancher et vidanger les tuyaux d'arrivée d'eau.
- Déconnecter le tuyau d'évacuation du système de vidange et vider l'eau qui reste dans un bac ou un seau. Déconnecter le tuyau d'évacuation de l'arrière de la laveuse.
- Débrancher le cordon d'alimentation.
- Placer les tuyaux d'arrivée d'eau et le tuyau d'évacuation dans le panier de la laveuse.
- Faire passer le cordon d'alimentation par dessus le bord et le mettre dans le panier de la laveuse.
- Replacer le support d'emballage issu du matériel d'expédition d'origine à l'intérieur de la laveuse et réutiliser la base d'expédition pour soutenir le moteur et la cuve. Si vous n'avez plus l'emballage d'origine, placer des couvertures lourdes ou des serviettes au-dessus du panier, entre le sommet de la laveuse et le pourtour de la cuve. Fermer le couvercle et placer du ruban adhésif sur le couvercle et jusqu'à la partie inférieure avant de la laveuse. Laisser le couvercle fermé par l'adhésif jusqu'à ce que la laveuse soit installée à son nouvel emplacement.

# SI VOUS AVEZ BESOIN D'ASSISTANCE

Contactez le revendeur autorisé d'appareils de buanderie à usage commercial. Pour localiser votre revendeur autorisé d'appareils de buanderie à usage commercial ou pour toute question via internet, consultez [www.MaytagCommercialLaundry.com](http://www.MaytagCommercialLaundry.com).

Si vous ne parvenez pas à localiser un revendeur, le centre d'aide pour les appareils de buanderie à usage commercial répond à toute question qui n'aurait pas été abordée dans les "Instructions d'installation" au sujet du fonctionnement ou de l'entretien de la laveuse.

Il suffit de composer le **1-800-662-3587** – l'appel est gratuit.

Lors de votre appel, vous aurez besoin du numéro de modèle et de série de la laveuse. Ces deux numéros figurent sur la plaque signalétique située dans l'encadrement de la porte de la laveuse.

## PIÈCES SUPPLÉMENTAIRES ET ACCESSOIRES

Il se peut que l'installation nécessite des pièces supplémentaires. Pour acheter l'un des articles indiqués ici, composer le numéro sans frais indiqué à la section "Assistance".

Si vous avez :	Il vous faudra :
Un égout surélevé	Tuyau de vidange standard de 20 gal. (76 L) de 39" (990 mm) de haut ou évier de décharge, pompe de puisard et connecteurs (disponibles chez les vendeurs de matériel de plomberie locaux)
Tuyau de rejet à l'égout rigide de diamètre 1" (25 mm)	Adaptateur pour tuyau rigide de rejet à l'égout rigide de diamètre 2" (51 mm) à 1" (25 mm), pièce numéro 3363920 Ensemble de connection, pièce numéro 285835
Le système d'évacuation obstrué par de la charpie	Protecteur de canalisation, pièce numéro 367031 Ensemble de connection, pièce numéro 285835
Système d'avaloir de sol	Brise-siphon, référence 285834, Ensemble de raccordement (x2), référence 285835 Prolongateur de tuyau flexible de vidange, référence 285863
Robinets d'eau hors d'atteinte des tuyaux d'alimentation	2 tuyaux de remplissage plus longs : tuyau coudé à 90° de 6 pi (1,8 m), pièce numéro 76314, 10 pi (3 m), pièce numéro 350008
	Les tuyaux d'arrivée d'eau sont vendus en paire dans l'ensemble W10575888
<b>Accessoires</b>	
	Plateau d'égouttement de la laveuse, pièce numéro 8212526
	Capuchon/Couvercle - Distributeur d'agent de blanchiment, pièce numéro W10515386A
	Ensemble distributeur d'assouplissant pour tissu. Pièce n° W10461164A
	Support arrière principal sur la partie supérieure de l'appareil W10576550 (2 par ensemble)

Whirlpool Corporation, Benton Harbor, Michigan 49022, U.S.A.

# INSTRUCTIONS DE PARAMÉTRAGE DES COMMANDES ÉLECTRONIQUES

## Laveuse commerciale - opérations de base

- Pour d'autres renseignements, consulter [www.MaytagCommercialLaundry.com](http://www.MaytagCommercialLaundry.com).

**⚠ AVERTISSEMENT**

**Risque de choc électrique**

**Déconnecter la source de courant électrique avant l'entretien.**

**Replacer pièces et panneaux avant de faire la remise en marche.**

**Le non-respect de ces instructions peut causer un décès ou un choc électrique.**

## IMPORTANT

### Circuits électroniques sensibles aux décharges électrostatiques

Le risque de décharge électrostatique est permanent. Une décharge électrostatique peut endommager ou affaiblir les composants électroniques. La nouvelle carte peut donner l'impression qu'elle fonctionne correctement après la réparation, mais une décharge électrostatique peut lui avoir fait subir des dommages qui provoqueront une défaillance plus tard.

- Utiliser un bracelet de décharge électrostatique. Connecter le bracelet à la vis verte de liaison à la terre ou sur une surface métallique non peinte de l'appareil.

-OU-

Toucher plusieurs fois du doigt la vis verte de liaison à la terre ou une surface métallique non peinte de la laveuse.

- Avant de retirer la pièce de son sachet, placer le sachet antistatique en contact avec la vis verte de liaison à la terre ou une surface métallique non peinte de la laveuse.
- Éviter de toucher les composants électroniques ou les broches de contact; tenir la carte de circuits électroniques par les bords seulement lors des manipulations.
- Lors du réemballage d'une carte de circuits électroniques défaillante dans le sachet antistatique, observer les instructions ci-dessus.

## INFORMATION GÉNÉRALE POUR L'UTILISATEUR

### Afficheur vierge

Cette situation indique que la laveuse n'est pas opérationnelle.

### Affichage de '0 Minute'

Ceci indique qu'il n'est pas possible de faire fonctionner la laveuse. L'information sur les pièces insérées ou les entrées de débit sera mémorisée mais ne peut être utilisée avant le rétablissement du fonctionnement normal par une manoeuvre d'ouverture/fermeture du couvercle. En cas de défaillance du contacteur du couvercle, on doit le remplacer pour pouvoir rétablir le fonctionnement normal.

## Mise en marche pour la première utilisation

La laveuse a été programmée à l'usine comme suit :

- POWER WASH = 19 mins. de agitation  
NORMAL = 9 mins. de agitation  
DELICATES = 7 mins. de agitation
- NORMAL = 1 rinçage et 2 mins. de agitation avec rinçage  
POWER WASH = 4 rinçages de pulvérisation avec essorage  
DELICATES = 3 rinçages avec essorage
- Prix du lavage : 1,00 \$ (modèles PD)
- Prix du lavage : 0,00 \$ (modèles PR)

## Remise en marche après une interruption de l'alimentation

Après un délai qui peut atteindre 8 secondes, la partie initiale du programme de lavage de la laveuse (au moment de l'interruption de l'alimentation) est restaurée. Pour continuer le programme, appuyer sur START.

## Programmes gratuits

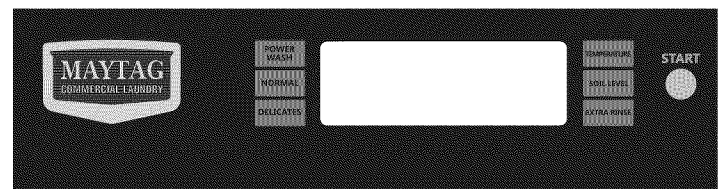
Pour ceci, on règle le prix de l'utilisation à zero; l'afficheur présente alors 'SELECT CYCLE' et le prix du programme indiquera 0.00.

## Prêt pour carte de débit

Cette laveuse est pré-configurée pour l'utilisation des cartes de débit; il est compatible avec une variété de systèmes de paiement par carte de débit, mais il n'est PAS fourni avec un lecteur de carte de débit. Pour le réglage approprié de la machine, voir les instructions fournies par le fabricant du lecteur de carte de débit. Pour un modèle converti pour l'utilisation d'une carte de débit Génération 1, les impulsions de débit sont équivalentes à l'insertion d'une pièce (pièce 1).

## Afficheur

Après l'installation initiale et le branchement de la laveuse, l'afficheur présente 'SYnC' pendant quelques secondes, puis '0 MINUTES'. Après le branchement de la laveuse et l'ouverture du couvercle, l'afficheur présente le prix. Si la laveuse est réglée pour l'utilisation gratuite, l'afficheur présente 'SELECT CYCLE' avec clignotement, puis présente 'PRICE 0.00'.





# INSTRUCTIONS DE PARAMÉTRAGE DES COMMANDES ÉLECTRONIQUES

## Procédures de réglage des systèmes de commande

**IMPORTANT :** Lire la totalité des instructions avant l'utilisation.

Pour le réglage des systèmes de commande, on utilise les 3 touches de réglage gauche, la touche supérieure droite et l'afficheur numérique. L'afficheur peut présenter 4 chiffres et/ou lettres et un point décimal, qui indiquent les codes de paramétrage et des valeurs connexes disponibles pour la programmation de la laveuse.

### Utilisation des touches pour la programmation des systèmes de commande

1. La touche SUPÉRIEURE GAUCHE POWER WASH (lavage haute puissance) sert à régler les valeurs associées aux codes de paramétrage. Pour augmenter la valeur, appuyer sur la touche.  
Un réglage rapide est possible en maintenant le bouton enfoncé.
2. La touche CENTRALE GAUCHE (NORMAL) fait passer d'un code de paramétrage au suivant. Le code de paramétrage disponible suivant est atteint en appuyant sur cette touche. Pour passer aux codes de paramétrage suivants à un rythme d'un (1) par seconde, maintenir la touche enfoncée.
3. La touche INFÉRIEURE GAUCHE DELICATES (articles délicats) sert à sélectionner et désélectionner des options.
4. La touche SUPÉRIEURE DROITE (TEMPERATURE) (température) sert à diminuer la valeur du code de paramétrage.

### Paramétrage pour mise en marche

- Modèle PD : Insérer la clé de la porte d'accès; tourner et soulever pour enlever la porte d'accès.
- Modèle PR : Après installation du lecteur de carte de débit (conformément aux instructions du fabricant du lecteur de carte), pour accéder au mode de paramétrage, insérer la carte de paramétrage manuel (fournie par le fabricant du lecteur de carte) dans le lecteur de carte. Si une carte de paramétrage manuel n'est pas disponible, on peut également enlever le connecteur AA1 sur la carte des circuits pour accéder au mode de paramétrage manuel.

**IMPORTANT :** Ne pas ouvrir la console avant d'avoir déconnecté l'appareil de toute source d'énergie. Pour accéder au connecteur AA1 :

- Débrancher la laveuse ou déconnecter la source de courant électrique.
- Ouvrir la console, débrancher le connecteur AA1; refermer la console.
- Brancher la laveuse ou reconnecter la source de courant électrique.

L'appareil est maintenant au mode de paramétrage.

Avant de poursuivre, noter que malgré le grand nombre d'options disponibles, le propriétaire de l'appareil peut décider de simplement débarrer sa nouvelle machine commerciale, la raccorder et la brancher; elle sera alors parfaitement opérationnelle.

### Codes de paramétrage

- La touche CENTRALE GAUCHE (NORMAL) permet de passer d'un code au suivant.
- La touche SUPÉRIEURE GAUCHE POWER WASH (lavage haute puissance) augmente la valeur du code.
- La touche INFÉRIEURE GAUCHE DELICATES (articles délicats) sélectionne ou désélectionne les options.
- La touche SUPÉRIEURE DROITE TEMPERATURE diminue la valeur du code.

POUR LES MODÈLES PR : Les codes de paramétrage sont identiques au modèle PD, sauf quand spécifié.

Un ou deux caractères à gauche correspond(ent) au code de configuration. La valeur du code est indiquée par les 2 ou 3 caractères de droite.

CODE	EXPLICATION
6.04 NORMAL	Prix de vente d'un programme standard NORMAL - Augmenter ou diminuer le chiffre affiché entre 0 et 200 en appuyant sur la touche SUPÉRIEURE GAUCHE ou SUPÉRIEURE DROITE. Configuré à l'usine pour 4 pièces de 0,25 \$ = 1,00 \$. MODÈLES PR/PN SEULEMENT : Configuré à l'usine pour 0 pièce de 0,25 \$ (gratuit).
6.04 DELICATES (articles délicats)	Prix de vente d'un programme standard DELICATES - Augmenter ou diminuer le chiffre affiché entre 0 et 200 en appuyant sur la touche SUPÉRIEURE GAUCHE ou SUPÉRIEURE DROITE. Configuré à l'usine pour 4 pièces de 0,25 \$ = 1,00 \$. MODÈLES PR/PN SEULEMENT : Configuré à l'usine pour 0 pièce de 0,25 \$ (gratuit).
6.04 POWERWASH (lavage haute puissance)	Prix de vente d'un programme standard POWERWASH - Augmenter ou diminuer le chiffre affiché entre 0 et 200 en appuyant sur la touche SUPÉRIEURE GAUCHE ou SUPÉRIEURE DROITE. Configuré à l'usine pour 4 pièces de 0,25 \$ = 1,00 \$. MODÈLES PR/PN SEULEMENT : Configuré à l'usine pour 0 pièce de 0,25 \$ (gratuit).
→ Appuyer une fois sur la touche CENTRALE GAUCHE pour passer au code suivant.	
7.00	<b>DURÉE DE LAVAGE SUPPLÉMENTAIRE</b>
7.00	Nombre de minutes qu'il est possible d'ajouter à un programme de lavage. Choisir entre 00 et 05 minutes en appuyant sur la touche SUPÉRIEURE GAUCHE.
→ Appuyer une fois sur la touche CENTRALE GAUCHE pour passer au code suivant.	
8.00	<b>DURÉE DE RINÇAGE SUPPLÉMENTAIRE</b>
8.00	Nombre de minutes qu'il est possible d'ajouter à un programme de RINÇAGE. Choisir entre 00 et 05 minutes en appuyant sur la touche SUPÉRIEURE GAUCHE. <b>NOTE :</b> Durée de rinçage supplémentaire disponible seulement dans les rinçages de bain en défaut, et non en option de rinçage de pulvérisation.
→ Appuyer une fois sur la touche CENTRALE GAUCHE pour passer au code suivant.	
9.00	<b>OPTION DE COMPTAGE DU NOMBRE DE PROGRAMMES</b> Cette option peut être SÉLECTIONNÉE ('ON') ou PAS SÉLECTIONNÉE ('OFF').
9.00	Pas sélectionnée ('OFF').
9.0C	Option sélectionnée et impossibilité de désélection. Appuyer 3 fois consécutives sur la touche INFÉRIEURE GAUCHE pour sélectionner 'ON' (active). Lorsque 'ON' a été sélectionné, on ne peut désélectionner l'option.
→ Appuyer une fois sur la touche CENTRALE GAUCHE pour passer au code suivant.	
1.00	<b>OPTION COMPTEUR DE MONNAIE</b> Cette option peut être SÉLECTIONNÉE ('ON') ou PAS SÉLECTIONNÉE ('OFF').
1.00	Pas sélectionnée ('OFF').
1.0C	Option sélectionnée ('ON'). Appuyer 3 fois consécutives sur la touche INFÉRIEURE GAUCHE pour sélectionner 'ON' (active); appuyer 3 fois consécutives sur la touche pour désélectionner l'option. Le compteur passe de 'OFF' (inactive) à 'ON' (active).

# INSTRUCTIONS DE PARAMÉTRAGE DES COMMANDES ÉLECTRONIQUES

CODE	EXPLICATION
1.C0	Option sélectionnée ('ON') et impossibilité de désélection. Pour sélectionner 'ON' avec impossibilité de désélection, sélectionner d'abord 'ON'. Puis en moins de deux secondes appuyer deux fois sur la touche INFÉRIEURE GAUCHE et une fois sur la touche SUPÉRIEURE GAUCHE, et quitter le mode de paramétrage.
→ Appuyer une fois sur la touche CENTRALE GAUCHE pour passer au code suivant.	
2.00	<b>OPTION DE PRIX SPÉCIAL</b> Cette option peut être SÉLECTIONNÉE ('ON') ou PAS SÉLECTIONNÉE ('OFF').
2.00	Pas sélectionnée ('OFF').
2.SP	Option sélectionnée ('ON'). Appuyer une fois sur la touche INFÉRIEURE GAUCHE pour cette sélection.
<b>Si l'OPTION DE PRIX SPÉCIAL est sélectionnée, on a accès aux codes '3.' à '9.'</b>	
<b>NOTE :</b> Il convient d'ajouter une pile externe pour que l'horloge conserve l'heure correcte pendant les périodes de coupures d'électricité.	
→ Appuyer une fois sur la touche CENTRALE GAUCHE pour passer au code suivant.	
<b>OPTIONS DISPONIBLES SI L'OPTION DE PRIX SPÉCIAL A ÉTÉ SÉLECTIONNÉE :</b>	
3.04 NORMAL	Prix de vente d'un programme spécial NORMAL - Augmenter ou diminuer le chiffre affiché entre 0 et 200 en appuyant sur la touche SUPÉRIEURE GAUCHE ou SUPÉRIEURE DROITE. Configuré à l'usine pour 4 pièces de 0,25 \$ = 1,00 \$. MODÈLES PR/PN SEULEMENT : Configuré à l'usine pour 0 pièce de 0,25 \$ (gratuit).
3.04 DELICATES (articles délicats)	Prix de vente d'un programme spécial DELICATES - Augmenter ou diminuer le chiffre affiché entre 0 et 200 en appuyant sur la touche SUPÉRIEURE GAUCHE ou SUPÉRIEURE DROITE. Configuré à l'usine pour 4 pièces de 0,25 \$ = 1,00 \$. MODÈLES PR/PN SEULEMENT : Configuré à l'usine pour 0 pièce de 0,25 \$ (gratuit).
3.04 POWERWASH (lavage haute puissance)	Prix de vente d'un programme spécial POWERWASH - Augmenter ou diminuer le chiffre affiché entre 0 et 200 en appuyant sur la touche SUPÉRIEURE GAUCHE ou SUPÉRIEURE DROITE. Configuré à l'usine pour 4 pièces de 0,25 \$ = 1,00 \$.
→ Appuyer une fois sur la touche CENTRALE GAUCHE pour passer au code suivant.	
5.00	<b>HORLOGE - MINUTES</b>
5.00	Sélection du nombre de minutes pour l'HORLOGE; sélectionner une valeur entre 0 et 59 minutes en appuyant sur la touche SUPÉRIEURE GAUCHE ou SUPÉRIEURE DROITE.
→ Appuyer une fois sur la touche CENTRALE GAUCHE pour passer au code suivant.	
6.00	<b>HORLOGE - HEURES</b> <b>NOTE :</b> Utilisation du format 24 h.
6.00	Sélection du nombre d'heures pour l'HORLOGE; sélectionner une valeur entre 0 et 23 heures en appuyant sur la touche SUPÉRIEURE GAUCHE ou SUPÉRIEURE DROITE.
→ Appuyer une fois sur la touche CENTRALE GAUCHE pour passer au code suivant.	
7.00	<b>PRIX SPÉCIAL - HEURE DE COMMENCEMENT</b> <b>NOTE :</b> Utilisation du format 24 h.
7.00	Sélection de l'heure de commencement pour cette tarification; sélectionner une valeur entre 0 et 23 heures en appuyant sur la touche SUPÉRIEURE GAUCHE ou SUPÉRIEURE DROITE.
→ Appuyer une fois sur la touche CENTRALE GAUCHE pour passer au code suivant.	

CODE	EXPLICATION																								
8.00	<b>PRIX SPÉCIAL - HEURE D'EXPIRATION</b> <b>NOTE :</b> Utilisation du format 24 h.																								
8.00	Sélection de l'heure d'expiration pour cette tarification; sélectionner une valeur entre 0 et 23 heures en appuyant sur la touche SUPÉRIEURE GAUCHE ou SUPÉRIEURE DROITE.																								
→ Appuyer une fois sur la touche CENTRALE GAUCHE pour passer au code suivant.																									
9.00	<b>JOUR POUR PRIX SPÉCIAL</b>																								
9.10	Ceci représente le jour de la semaine sélectionné, et la sélection de la tarification spéciale pour ce jour. Un chiffre suivi de '0' indique que cette option n'est pas sélectionnée pour le jour particulier concerné (9.10). Un chiffre suivi d'un 'S' indique que cette option est sélectionnée pour le jour concerné (9.1S). Pour sélectionner le jour de la semaine (1-7), appuyer sur la touche SUPÉRIEURE GAUCHE. Appuyer une fois sur la touche SUPÉRIEURE GAUCHE pour sélectionner l'option de prix spécial pour chaque jour choisi. Le jour de la semaine doit apparaître sur l'afficheur au moment de sortir du code de paramétrage '9' :																								
<table style="width: 100%; border-collapse: collapse;"> <thead> <tr> <th style="text-align: left;">AFFICHEUR</th> <th style="text-align: left;">JOUR DE LA SEMAINE</th> <th style="text-align: left;">CODE (sélectionné)</th> </tr> </thead> <tbody> <tr> <td>10</td> <td>Jour 1 = Dimanche</td> <td>1S</td> </tr> <tr> <td>20</td> <td>Jour 2 = Lundi</td> <td>2S</td> </tr> <tr> <td>30</td> <td>Jour 3 = Mardi</td> <td>3S</td> </tr> <tr> <td>40</td> <td>Jour 4 = Mercredi</td> <td>4S</td> </tr> <tr> <td>50</td> <td>Jour 5 = Jeudi</td> <td>5S</td> </tr> <tr> <td>60</td> <td>Jour 6 = Vendredi</td> <td>6S</td> </tr> <tr> <td>70</td> <td>Jour 7 = Samedi</td> <td>7S</td> </tr> </tbody> </table>		AFFICHEUR	JOUR DE LA SEMAINE	CODE (sélectionné)	10	Jour 1 = Dimanche	1S	20	Jour 2 = Lundi	2S	30	Jour 3 = Mardi	3S	40	Jour 4 = Mercredi	4S	50	Jour 5 = Jeudi	5S	60	Jour 6 = Vendredi	6S	70	Jour 7 = Samedi	7S
AFFICHEUR	JOUR DE LA SEMAINE	CODE (sélectionné)																							
10	Jour 1 = Dimanche	1S																							
20	Jour 2 = Lundi	2S																							
30	Jour 3 = Mardi	3S																							
40	Jour 4 = Mercredi	4S																							
50	Jour 5 = Jeudi	5S																							
60	Jour 6 = Vendredi	6S																							
70	Jour 7 = Samedi	7S																							
→ Appuyer une fois sur la touche CENTRALE GAUCHE pour passer au code suivant.																									
A.00	<b>OPTION AFFICHAGE DU CONTENU DU COFFRE</b> Cette option peut être SÉLECTIONNÉE ('ON') ou PAS SÉLECTIONNÉE ('OFF').																								
A.00	Pas sélectionnée ('OFF').																								
A.SC	Option sélectionnée ('ON'). Appuyer une fois sur la touche INFÉRIEURE GAUCHE pour cette sélection. Lorsque l'option est sélectionnée, le montant d'argent et/ou le nombre de programme (si on a sélectionné le comptage) est visible lorsque la boîte à pièces a été enlevée.																								
→ Appuyer une fois sur la touche CENTRALE GAUCHE pour passer au code suivant.																									
b.05	<b>VALEUR DE LA PIÈCE 1</b>																								
b.05	Ceci représente la valeur de la pièce 1, en multiples de 0,05 \$ : 05 = 0,25 \$. Par des pressions sur la touche SUPÉRIEURE GAUCHE ou SUPÉRIEURE DROITE, on peut sélectionner une valeur entre 1 et 199 (multiples de 0,05 \$).																								
→ Appuyer une fois sur la touche CENTRALE GAUCHE pour passer au code suivant.																									
C.20	<b>VALEUR DE LA PIÈCE 2</b>																								
C.20	Ceci représente la valeur de la pièce 2, en multiples de 0,05 \$ : 20 = 1 \$ MODÈLE PR SEULEMENT : Configuré à l'usine pour 0,25 \$. Par des pressions sur la touche SUPÉRIEURE GAUCHE ou SUPÉRIEURE DROITE, on peut sélectionner une valeur entre 1 et 199 (multiples de 0,05 \$).																								
→ Appuyer une fois sur la touche CENTRALE GAUCHE pour passer au code suivant.																									
d.00	<b>OPTION GLISSIÈRE À PIÈCES</b> Cette option peut être SÉLECTIONNÉE ('ON') ou PAS SÉLECTIONNÉE ('OFF').																								

# INSTRUCTIONS DE PARAMÉTRAGE DES COMMANDES ÉLECTRONIQUES

CODE	EXPLICATION
d.00	Pas sélectionnée ('OFF').
d.CS	Option sélectionnée ('ON'). Appuyer 3 fois consécutives sur la touche INFÉRIEURE GAUCHE pour cette sélection.  Lorsqu'on sélectionne le mode de glissière à pièces, sélectionner une valeur 'b.' égale à la valeur des pièces placées dans la glissière, en multiples de 0,05 \$. Paramétrer à l'étape 6 (prix pour programme standard) et à l'étape 3 (prix pour programme spécial) pour le nombre de manœuvres de la glissière. Si l'installateur sélectionne le paramétrage 'CS' sur un modèle à pièces, la laveuse n'enregistrera pas les pièces.
→ Appuyer une fois sur la touche CENTRALE GAUCHE pour passer au code suivant.	
E.00	<b>OPTION ADDITION DE PIÈCES</b> Cette option peut être SÉLECTIONNÉE ('ON') ou PAS SÉLECTIONNÉE ('OFF'). Cette option commande l'affichage du nombre de pièces (pièce 1) à insérer, plutôt que d'un montant monétaire.
E.00	Pas sélectionnée ('OFF').
E.AC	Option sélectionnée ('ON'). Appuyer 3 fois consécutives sur la touche INFÉRIEURE GAUCHE pour cette sélection.
→ Appuyer une fois sur la touche CENTRALE GAUCHE pour passer au code suivant.	
H.00 COOL	Prix pour ajustement de température COOL : Augmenter ou diminuer entre 0 et 200 en appuyant sur la touche SUPÉRIEURE GAUCHE ou SUPÉRIEURE DROITE. Configuré à l'usine pour 0 pièce de 0,25 \$ = 0,00 \$.
H.00 WARM	Prix pour ajustement de température WARM : Augmenter ou diminuer entre 0 et 200 en appuyant sur la touche SUPÉRIEURE GAUCHE ou SUPÉRIEURE DROITE. Configuré à l'usine pour 0 pièce de 0,25 \$ = 0,00 \$.
H.00 HOT	Prix pour ajustement de température HOT : Augmenter ou diminuer entre 0 et 200 en appuyant sur la touche SUPÉRIEURE GAUCHE ou SUPÉRIEURE DROITE. Configuré à l'usine pour 0 pièce de 0,25 \$ = 0,00 \$.
H.00 HEAVY	Prix pour ajustement de nivel de saleté HEAVY : Augmenter ou diminuer entre 0 et 200 en appuyant sur la touche SUPÉRIEURE GAUCHE ou SUPÉRIEURE DROITE. Configuré à l'usine pour 0 pièce de 0,25 \$ = 0,00 \$.
H.00 EXTRA RINSE	Prix pour ajustement EXTRA RINSE : Augmenter ou diminuer entre 0 et 200 en appuyant sur la touche SUPÉRIEURE GAUCHE ou SUPÉRIEURE DROITE. Configuré à l'usine pour 0 pièce de 0,25 \$ = 0,00 \$.
→ Appuyer une fois sur la touche CENTRALE GAUCHE pour passer au code suivant.	
J.Cd	<b>OPTION PIÈCES/DÉBIT</b>
J.Cd	Sélection du paiement par pièces et par carte de débit.
J.C_	Paiement par pièces sélectionné; paiement par carte de débit désactivé. Appuyer trois fois sur la touche INFÉRIEURE GAUCHE pour cette sélection.
J._d	Paiement par carte de débit sélectionné, paiement par pièces désactivé. Appuyer trois fois sur la touche INFÉRIEURE GAUCHE pour cette sélection.
J.Ed	L'option de paiement améliorée/carte de débit est auto-sélectionnée lors de l'installation d'un lecteur de carte Génération 2 sur la laveuse. On ne peut sélectionner/désélectionner manuellement l'option Ed.
→ Appuyer une fois sur la touche CENTRALE GAUCHE pour passer au code suivant.	

CODE	EXPLICATION
L.00	<b>OPTION SUPPRESSION DU PRIX</b> Lorsque cette option est sélectionnée, l'afficheur présente le message 'ADD' (ajouter) ou 'AVAILABLE' (disponible) plutôt que le montant monétaire à ajouter. (Utilisation principalement avec l'emploi du paiement par carte de débit.)
L.00	Pas sélectionnée ('OFF').
L.PS	Option sélectionnée ('ON'). Appuyer une fois sur la touche INFÉRIEURE GAUCHE pour cette sélection.
→ Appuyer une fois sur la touche CENTRALE GAUCHE pour passer au code suivant.	
n. CE	<b>OPTION EFFACEMENT DU MONTANT MÉMORISÉ</b> Lorsque cette option est sélectionnée, un montant conservé en mémoire est effacé après 30 minutes sans autre activité.
n. CE	Option sélectionnée ('ON').
n. 00	Pas sélectionnée ('OFF'). Appuyer une fois sur la touche INFÉRIEURE GAUCHE pour désélectionner cette option.
→ Appuyer une fois sur la touche CENTRALE GAUCHE pour passer au code suivant.	
U.00	<b>INCRÉMENT CENTIME</b>
U.00	Ceci représente la valeur de l'incrément de prix utilisé sur le modèle PR Génération 2 (paiement par carte de débit/ amélioration). Appuyer sur la touche SUPÉRIEURE GAUCHE pour sélectionner une valeur de 0 à 4 centimes.
→ Appuyer une fois sur la touche CENTRALE GAUCHE pour passer au code suivant.	
A3.02	Réglages de programme NORMAL. Permet au propriétaire de sélectionner les options de programme par défaut concernant la température de l'eau, le niveau de saleté et le rinçage supplémentaire.  Voir le Tableau 1 pour les réglages particuliers. Normal est réglé sur 02 en usine.
A4.00	Réglages de programme DELICATES. Permet au propriétaire de sélectionner les options de programme par défaut concernant la température de l'eau, le niveau de saleté et le rinçage supplémentaire.  Voir le Tableau 1 pour les réglages particuliers. Delicates est réglé sur 00 en usine.
A5.0F	Réglages de programme POWERWASH. Permet au propriétaire de sélectionner les options de programme par défaut concernant la température de l'eau, le niveau de saleté et le rinçage supplémentaire.  Voir le Tableau 1 pour les réglages particuliers. Powerwash est réglé sur 0F en usine.

# INSTRUCTIONS DE PARAMÉTRAGE DES COMMANDES ÉLECTRONIQUES

Si le compteur de programme (9.0c) est sélectionné, ce qui suit est vrai :

1 xx Nombre de programmes en CENTAINES. 1 02 = 2,000

2xxx Nombre de programmes en UNITÉS. 2225 = 225

TOTAL PROGRAMMES = 2,225

Cette information est "SEULEMENT AFFICHÉE"; on ne peut l'effacer.

Appuyer une fois sur la touche INFÉRIEURE CENTRALE pour passer au code suivant.

Si le compteur monétaire (1.0C ou 1.C0) est sélectionné, ce qui suit est vrai :

3 xx Nombre de dollars en CENTAINES . 3 01 = \$1,000.00

4xxx Nombre de dollars en UNITÉS. 4600 = \$ 600.00

5 xx Nombre de CENTIMES. 5 75 = \$ 00.75

TOTAL = \$1,600.75

## FIN DES PROCÉDURES DE PARAMÉTRAGE

### POUR QUITTER LE MODE DE PARAMÉTRAGE

- Modèles PD : Réinstaller la porte d'accès.
- Modèles PR :
  - Débrancher la laveuse ou deconnecter la source de courant électrique.
  - Ouvrir la console, remettre en place le connecteur AA1; fermer la console.
  - Brancher la laveuse ou reconnecter la source de courant électrique.

Une autre méthode consiste à patienter pendant 2 minutes d'inactivité. Tous les réglages sont mémorisés et l'afficheur repasse à l'écran de sélection du programme.

Tableau 1

A3, A4, ou A5	Rinçage suppl.	Niveau de saleté	Temp de lavage	A3, A4, ou A5	Rinçage suppl.	Niveau de saleté	Temp de lavage
00	Arrêt	Arrêt	Cold (froide)	08	Marche	Arrêt	Cold (froide)
01	Arrêt	Arrêt	Cool (fraîche)	09	Marche	Arrêt	Cool (fraîche)
02	Arrêt	Arrêt	Warm (tiède)	0A	Marche	Arrêt	Warm (tiède)
03	Arrêt	Arrêt	Hot (chaude)	0b	Marche	Arrêt	Hot (chaude)
04	Arrêt	Marche	Cold (froide)	0c	Marche	Marche	Cold (froide)
05	Arrêt	Marche	Cool (fraîche)	0d	Marche	Marche	Cool (fraîche)
06	Arrêt	Marche	Warm (tiède)	0E	Marche	Marche	Warm (tiède)
07	Arrêt	Marche	Hot (chaude)	0F	Marche	Marche	Hot (chaude)

### Code d'accès pour entretien par un technicien

Cette méthode est disponible uniquement sur les laveuses réglées pour un fonctionnement gratuit (6 00).

#### Pour accéder au mode de service :

En moins de 10 secondes, appuyer successivement sur les touches supérieure gauche, inférieure droite, supérieure droite et inférieure gauche.

#### Pour quitter le mode de service :

Depuis le code de service 8.xx, appuyer sur la touche supérieure gauche pendant 4 secondes

ou

Attendre 2 minutes sans appuyer sur aucune touche (alors qu'aucun mode de diagnostic n'est activé)

ou

Couper l'alimentation électrique de la laveuse, puis rétablir l'alimentation électrique

**REMARQUE :** Si un programme de service est en cours en quittant le mode de service, il se termine normalement, avec l'affichage des informations d'état du programme. L'affichage retrouve son mode de fonctionnement normal pour les clients à la fin du programme.