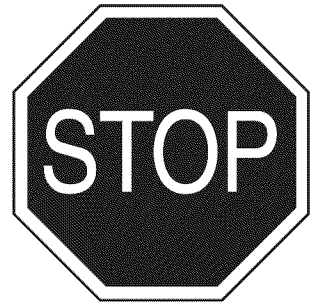


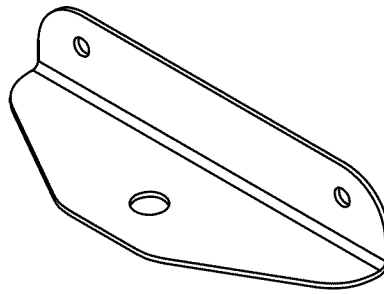
Operator's Manual



HITCH BRACKET KIT

Model No. 486.24088

DO NOT RETURN TO STORE
For Missing Parts or Assembly
Questions Call 1-866-576-8388



CRAFTSMAN LIMITED WARRANTY

FOR ONE YEAR from the date of sale this product is warranted against defects in material or workmanship. WITH PROOF OF SALE a defective part will be replaced free of charge. If a replacement part is unavailable, the product will be replaced with one of equal value.

For warranty coverage details to obtain free replacement, visit the web page: www.craftsman.com/warranty

This warranty is void if this product is ever used while providing commercial services or if rented to another person.

This warranty gives you specific legal rights, and you may also have other rights which vary from state to state.

Sears Brands Management Corporation, Hoffman Estates, IL 60179

DO NOT RETURN TO STORE for Missing Parts or Assembly Questions
Call 1-866-576-8388 Attachment Hotline

Sears Brands Management Corporation, Hoffman Estates, IL 60179 U.S.A.
www.craftsman.com

TABLE OF CONTENTS

CARTON CONTENTS:

- | | | |
|-----|------------------------|----------|
| (1) | Hitch Bracket | (#28143) |
| (2) | 5/16" x 3/4" Hex Bolts | (#43182) |
| (4) | 5/16" Flat Washer | (#43088) |
| (2) | 5/16" Hex Lock Nut | (#43064) |



WARNING! Muffler is hot after engine has run! Allow engine and muffler to cool down before proceeding with kit installation.

STEP 1: See figure 1

- Remove the bumper from the mower frame by removing the four hex screws securing it to the sides of the frame.

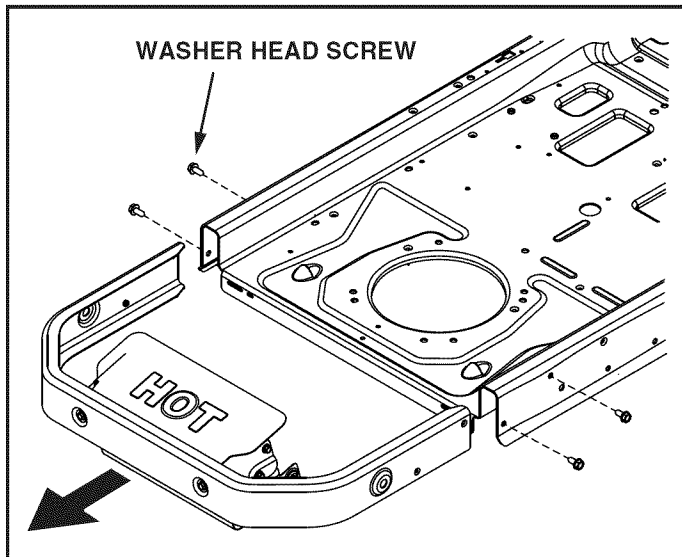


FIGURE 1

STEP 2: See figure 2

- Remove the two washer head screws from the bumper and remove the muffler shield.
- Remove the two hex bolts and hex nuts from the bumper and remove the heat shield.

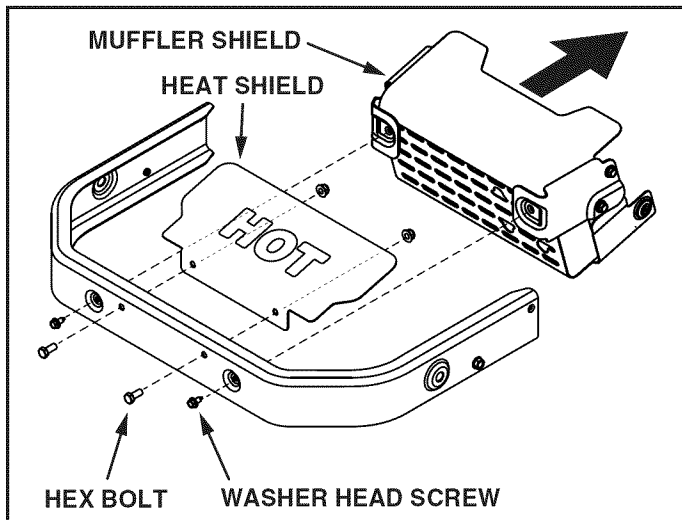


FIGURE 2

STEP 3: See figure 3

- Attach the hitch bracket and the heat shield to the bumper using the bolt and nuts included with the bracket. The holes in the heat shield may need to be drilled out to allow the bolts to fit. If the holes in the heat shield protrude, do not install the flat washers.

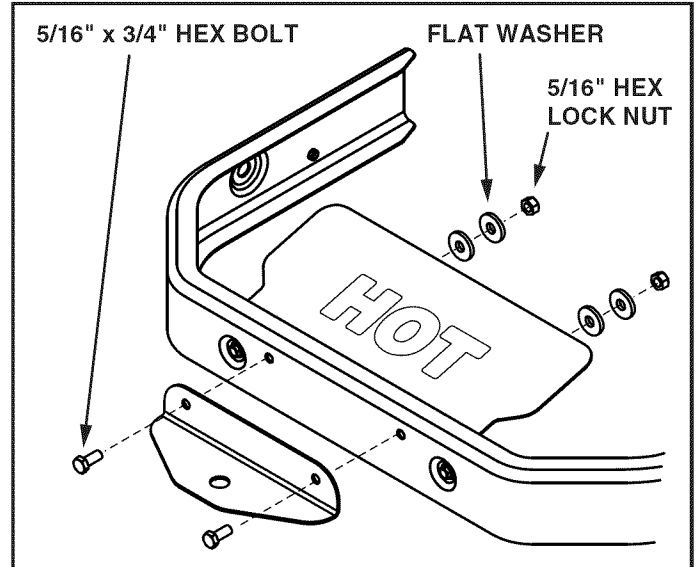


FIGURE 3

STEP 4: See figure 4

- Re-attach the muffler shield to the bumper using the original washer head screws.

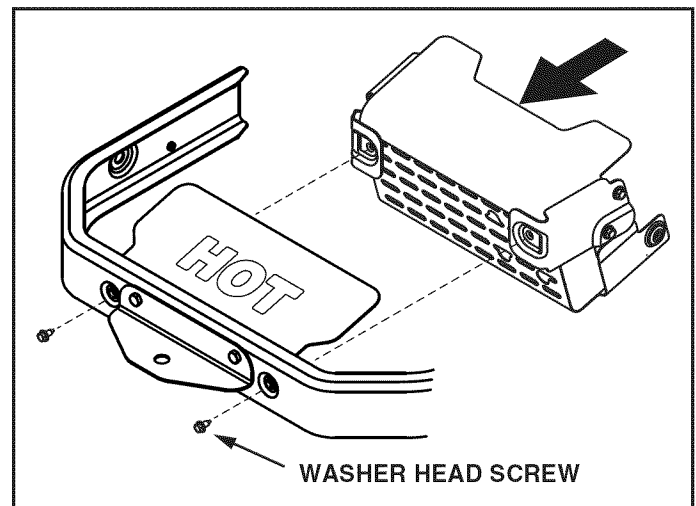


FIGURE 4

STEP 5:

- Re-attach the bumper to the mower frame using the four original hex screws that were removed.

To purchase repair parts, call the following toll-free number: 1-888-331-4569